



communications

**OPERATING and SERVICE
INSTRUCTIONS**

SX-96
MARK I

the hallicrafters co.

MANUFACTURERS OF RADIO, TELEVISION AND ELECTRONIC EQUIPMENT, CHICAGO 24, U. S. A.



Fig. 1. Hallicrafters SX-96 Receiver

92X2382

SECTION I. GENERAL DESCRIPTION

Your new Hallicrafters SX-96 Selectable Sideband Receiver is precision built to bring you the finest in world-wide radio reception. This twelve-tube dual conversion superheterodyne receiver tunes from 538 to 1580 kilocycles and 1.72 to 34 megacycles, with calibrated electrical bandspread provided on the 80, 40, 20, 15, and 11-10 meter amateur bands. You'll hear foreign and domestic shortwave broadcasts, amateurs, police, aircraft, ships-at-sea, and countless other exciting distant stations . . . as well as all your favorite programs on standard broadcast. The receiver provides for the reception of CW, AM, and single-sideband signals over its entire tuning range, the upper or lower sideband being readily selectable by means of a front panel control. This selectable sideband feature not only greatly simplifies tuning of single-sideband signals but is also useful in eliminating heterodyne interference when receiving AM signals.

Unlike the ordinary dual-conversion receiver, your SX-96 receiver employs dual conversion on all bands. As a result, images are practically non-existent. "Razor-sharp" selectivity is made possible by the use of an adjustable 50.5 kc second IF with four high-Q, permeability-tuned circuits. Receiver selectivity is variable in five steps from 500 cycles to 5 kc at 6 db down and from 5 to 20 kc at 60 db down.

A tuned r-f stage assures maximum sensitivity and a high signal-to-noise ratio for outstanding reception of weak and distant signals. A manual sensitivity control prevents overloading by strong signals.

Outstanding frequency stability is achieved by the use of ceramic trimmers and coil forms in the 1st conversion oscillator, extensive temperature compensation, voltage regulation of all oscillators, and the use of a crystal-controlled 2nd conversion oscillator.

Tuning is accomplished by a precision gear drive tuning mechanism to insure extremely close calibration and accurate resetability. Smooth flywheel tuning affords maximum traverse speed and operating ease. A 100-division logging scale on the main tuning dial assures ease and accuracy in logging and relocating stations of special interest.

The delayed AVC circuit in the receiver functions on both AM and CW signals to keep the output of the receiver constant regardless of input-signal variations at the antenna. This type of AVC circuit is especially advantageous in that it provides excellent control over a very wide range of signal strengths yet maintains full receiver sensitivity on weak signals.

An automatic series noise limiter circuit, controlled by a switch on the front panel, reduces interference from electrical equipment, ignition noise, and other types of pulse type noise.

An "S" meter is used when receiving AM signals to indicate the accuracy of tuning and the relative strength of received signals. The meter is calibrated in microvolts, "S" units from 1 to 9, and in decibels above S9 to + 80 db.

The Receive-Standby switch on the front panel silences the receiver but leaves the heater and plate power on to provide instant reception between transmission periods. Provision has also been made in the receiver for remote receive-standby control, and for transmitter switching from the front panel.

Audio output connections include terminals for a 3.2-ohm speaker and a 500/600-ohm output for line or speaker. A front panel jack for headphones is also provided and the speaker is automatically silenced when the headphone plug is inserted. A phono input jack at the rear of the receiver permits attachment of a record player.

The receiver is designed to operate on 105 to 125 volt, 50/60 cycle AC current. Provision is also made in the receiver for operation from an external DC power supply or batteries in areas where AC power is not available.

SECTION 2. INSTALLATION

2-1. UNPACKING

After unpacking the receiver, examine it closely for damage which may have occurred in transit. Should any sign of damage be apparent, file a claim immediately with the carrier stating the extent of damage. Carefully check all shipping labels and tags for instructions before removing or destroying them.

2-2. LOCATION

The receiver may be placed in any location that will permit free air circulation through the ventilation holes and openings in the cabinet. Avoid excessively warm locations such as those near radiators and heating vents. The external speaker may be located in any convenient position although it is recommended that it not be placed on top of the receiver for reasons of ventilation.

2-3. ANTENNAS

The r-f input of the receiver is designed for operation from either a single-wire antenna, or a half-wave doublet or other tuned antenna with transmission line impedances from 52 to 600 ohms. Antenna connections are made to a three terminal strip at the rear of the receiver marked "A1", "A2", and "G". Mounting holes are also provided, adjacent to the antenna terminals, for installation of an AN type SO-239 connector for coaxial cable installations.

A. SINGLE WIRE ANTENNA

The simplest antenna and one which will provide satisfactory results throughout the entire tuning range is a conventional single-wire antenna. In most localities, good results can be obtained with just the 15-foot length of antenna wire supplied with the receiver. (See Fig. 2.) Simply attach one end of this wire to terminal "A1", connect the jumper link between terminals "A2" and "G", and then run the wire about the room in any convenient manner. If the receiver is operated in a steel constructed building or where receiving conditions are exceptionally poor, an outside antenna, 50 to 100 feet long, may be necessary. The outside antenna should be erected as high as possible and kept free from surrounding objects. In some locations, reception may be improved by connecting a ground wire (ordinary copper wire) from terminal "G" to a cold water pipe or outside ground rod.

B. HALF-WAVE DOUBLET ANTENNA

For top performance, especially on the shortwave and amateur bands, the use of a half-wave doublet or other type of antenna employing a 52 to 600-ohm transmission line is recommended. A typical doublet antenna installation is shown in Fig. 3. The doublet antenna should be cut to the proper length for the most used frequency or band of frequencies. The overall length in feet of a doublet antenna is determined by the following formula:

$$\text{Length in feet} = \frac{468}{\text{Frequency in megacycles}}$$

The doublet antenna is directional and should be erected with its entire length facing a desired station for maximum signal pickup.

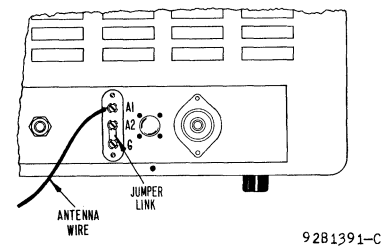


Fig. 2. Single Wire Antenna

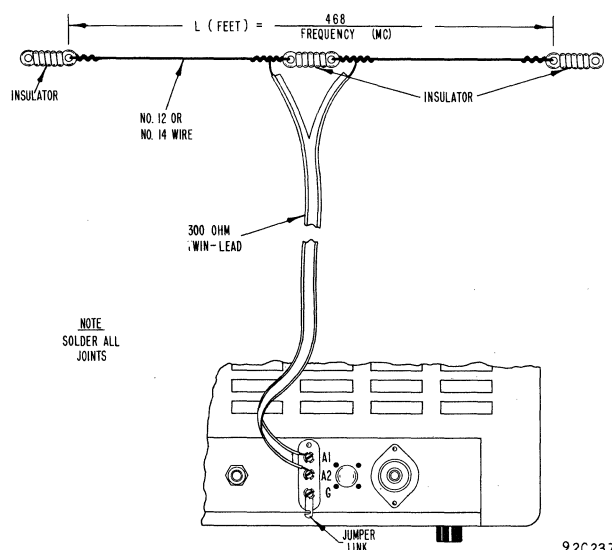


Fig. 3. Doublet Antenna Using Twin-Lead Transmission Line

The doublet antenna may be fed with either a balanced or unbalanced transmission line. When a balanced line such as "twin-lead" or a twisted pair is used, the line connects to terminals "A1" and "A2" and the jumper link between "A2" and "G" is disconnected. (See Fig. 3.) When using an unbalanced line such as coaxial cable, the inner conductor connects to terminal "A1", the outer metal braid connects to terminal "A2", and the jumper link connects between terminals "A2" and "G". A ground wire may improve reception when using an unbalanced type line.

By feeding the doublet antenna with a transmission line having an impedance of 300 ohms, a broader frequency response is obtained than that possible with a 50-75 ohm line.

The doublet antenna provides optimum performance only at the frequency for which it is cut. Therefore, it may be desirable for reception on frequencies remote from the antenna frequency to utilize the antenna as a single wire type. This is accomplished by connecting the two transmission line leads together and connecting them to terminal "A1". The jumper link in this case should be connected between terminals "A2" and "G".

In an installation where the receiver is used in conjunction with a transmitter, it may be advantageous to use the same antenna for receiving as for transmitting. This is especially true when a directive antenna is used since the directive effects and power gain of the transmitting antenna are the same for receiving as for transmitting. Switching of the antenna from the transmitter to the receiver may be accomplished with a double-pole, double-throw antenna changeover relay or knife switch connected in the antenna leads.

For further information regarding antennas, refer to the "Radio Amateur's Handbook" or the "A.R.R.L. Antenna Book", both published by the American Radio Relay League, West Hartford, Conn., U.S.A.

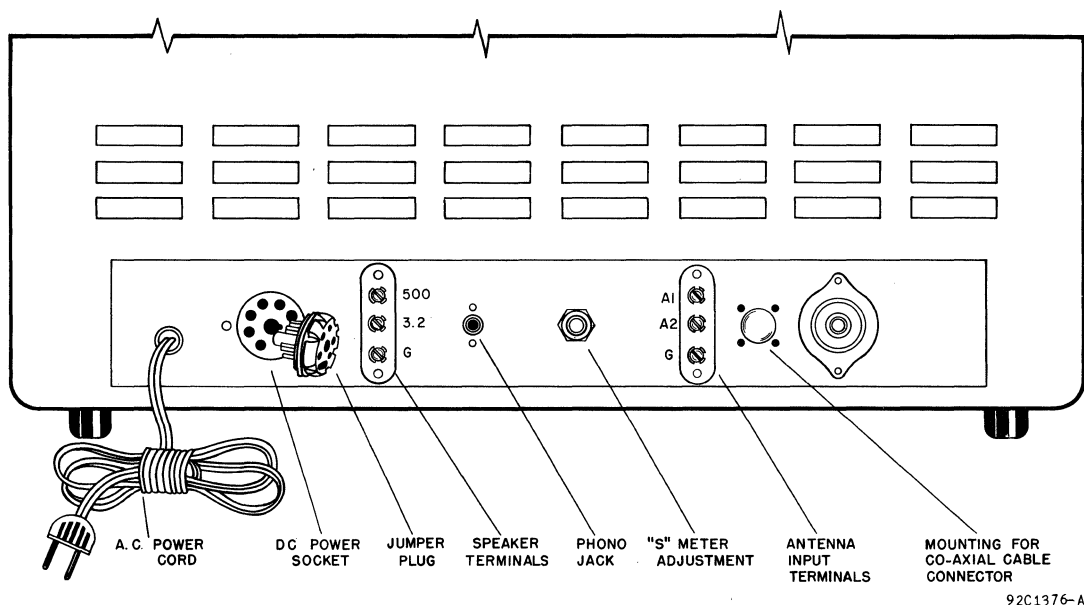


Fig. 4. Rear View of Receiver

2-4. POWER SOURCE

The receiver is designed to operate directly on 105 to 125 volt, 50-60 cycle AC current. Provision has also been made in the receiver for operation from an external DC power source for portable or emergency service in areas where AC power is not available. Connections to the DC source are made through the DC POWER SOCKET at the rear of the receiver. (See Fig. 4.)

A. AC OPERATION

Insert the power cord into any convenient AC power outlet of the proper rating. If in doubt about your power source, contact your local power company before plugging in the receiver. The wrong power source can cause serious damage.

IMPORTANT: The receiver will not operate from an AC source unless the JUMPER PLUG is inserted in the DC POWER SOCKET. (See Fig. 4.)

B. DC OPERATION

The receiver may be operated from an external DC source, such as a vibrator power supply or batteries by removing the JUMPER PLUG normally located in the DC POWER SOCKET at the rear of the receiver and replacing it with a similar octal plug wired as shown in Fig. 5. This plug is available from your Hallicrafters dealer under Part. No. 35A003. The voltage and current requirements for DC operation are as follows: "B" supply, 280 volts at 105 ma; "A" supply, 6.3 volts at 4.1 amps.

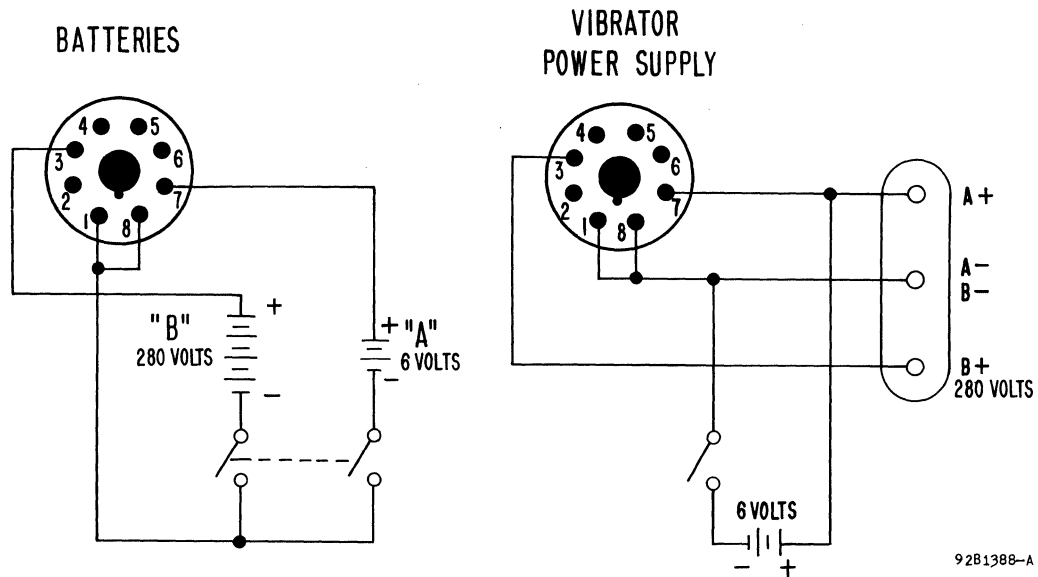


Fig. 5. Wiring Diagram for DC Operation

2-5. SPEAKER

A three-terminal strip, marked "G", "3.2" and "500", is provided at the rear of the receiver for connecting the external speaker that is required with the receiver. (See Fig. 4.) Any permanent magnet speaker with a 3.2-ohm voice coil can be used by simply connecting the two leads from the speaker voice coil to the terminals marked "3.2" and "G". If it is desired to use a speaker with a voice coil impedance other than 3.2 ohms, a matching transformer should be employed to insure optimum performance. The transformer should be mounted on or near the speaker, and should have a 5 watt power rating, a 500-ohm primary impedance, and a secondary impedance to match the impedance of the speaker voice coil. Connect the primary of the transformer to the terminals marked "500" and "G" and the secondary to the speaker voice coil terminals.

The Hallicrafters R-46 and R-46A speakers are both designed for use with your receiver. The R-46 connects to the terminals marked "500" and "G"; the R-46A connects to the terminals marked "3.2" and "G".

2-6. HEADPHONES

The headphone jack, marked PHONE, is located on the front panel of the receiver and is wired so that the speaker is automatically silenced when the headphones are plugged in. The headphone output impedance is not critical, and any commercial low-impedance headphones ranging from 50 ohms to 5000 ohms will provide satisfactory performance.

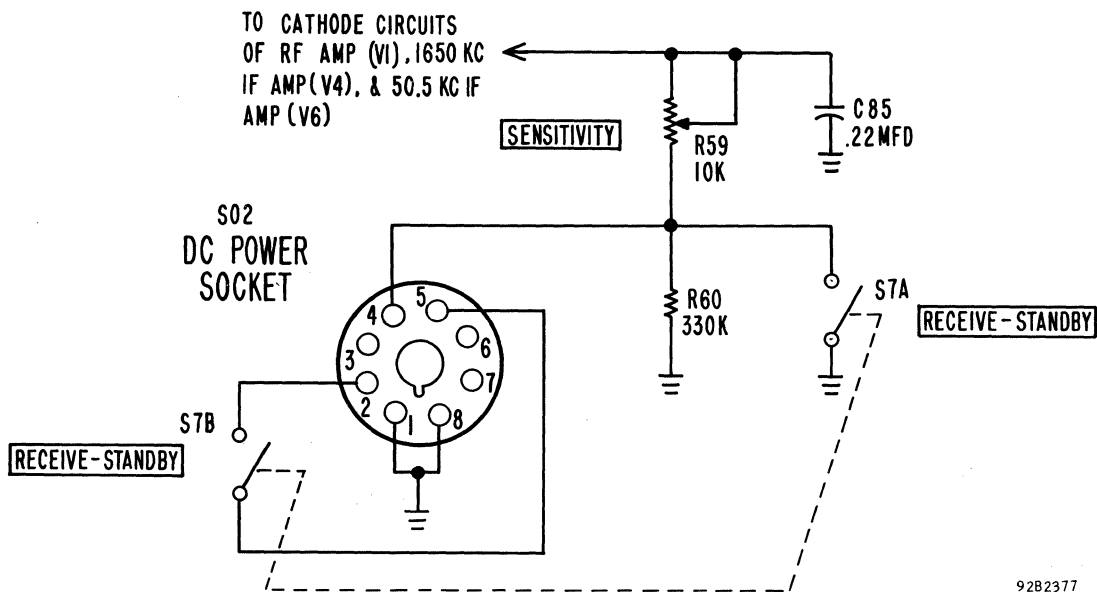


Fig. 6. Schematic Diagram of Sensitivity and Receive-Standby Circuits

2-7. RECORD PLAYER CONNECTIONS

A phono jack is provided at the rear of your receiver for attaching a record player. (See Fig. 4.) Any record player using a crystal cartridge, or a magnetic cartridge with a suitable pre-amplifier, will provide satisfactory results. For phono operation, insert the pin-plug from the record player or pre-amplifier into the phono jack and set the SELECTIVITY control on the front panel at "PHONO". Adjust the VOLUME control for the desired volume level and set the RESPONSE control at either "NORMAL" or "TREBLE CUT" for the desired tone. The remaining controls are inoperative and will have no effect on phono operation.

2-8. RELAY AND TRANSMITTER SWITCHING

One half of the dpst RECEIVE-STANDBY switch on the front panel connects to pins 2 and 5 of the DC POWER SOCKET at the rear of the receiver, and is available for transmitter switching. (See Fig. 6.) This half of the switch is in the open position when the RECEIVE-STANDBY switch is set at "STANDBY" and closed when set at "RECEIVE".

2-9. REMOTE RECEIVE-STANDBY SWITCH

The receiver may be disabled from a remote location by connecting a remote spst switch between pins 1 and 4 of the JUMPER PLUG located in the DC POWER SOCKET at the rear of the receiver. (See Figs. 4 and 6.) To operate the receiver with the remote switch, the RECEIVE-STANDBY switch on the front panel must be left at "STANDBY".

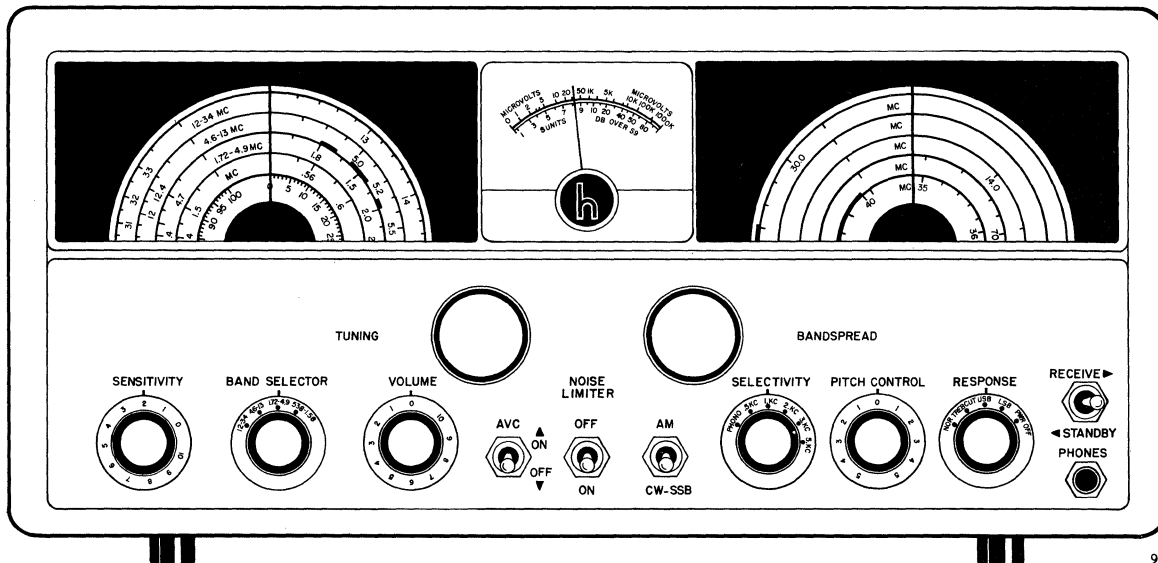


Fig. 7. Operating Controls

SECTION 3. FUNCTION OF OPERATING CONTROLS

3-1. SENSITIVITY CONTROL

The SENSITIVITY control varies the gain of the RF amplifier, 1650 kc IF amplifier, and 50.5 kc IF amplifier stages. Maximum sensitivity is obtained with the control set at "10" (fully clockwise). In this position, the tubes being controlled are operated at maximum gain with minimum cathode bias. As the control is rotated counterclockwise, the bias on the tubes increases with a resultant decrease in gain.

3-2. BAND SELECTOR CONTROL

The BAND SELECTOR control operates the band switch to place the proper set of coils and sections of the main and bandspread tuning capacitors into the circuit to cover the desired frequency range. The frequency range covered by each position of the BAND SELECTOR control is indicated directly on the control.

3-3. VOLUME CONTROL

The VOLUME control adjusts the audio level at the speaker terminals and PHONE jack. Clockwise rotation of the control increases the signal applied to the grid of the audio amplifier tube, thus increasing receiver volume; counterclockwise rotation decreases volume.

3-4. AVC SWITCH

The AVC switch, when set at "ON", places the AVC circuit in operation to maintain the output level of the receiver constant regardless of normal input-signal variations. AVC voltage is applied to the RF amplifier stage and the 1650 kc IF amplifier stage. Since delayed AVC is employed in the receiver, the AVC circuit does not come into operation (i.e., it is delayed) until the carrier strength reaches a pre-determined level. The result is that no AVC voltage is applied to the grids of the controlled stages until the required carrier strength is reached. With this arrangement, the AVC bias on the controlled tubes is zero until the peak voltage applied to the plate of the AVC diode exceeds the delay voltage applied to its cathode. Thus, the AVC circuit offers very effective control on average and strong signals and yet maintains full receiver sensitivity on weak signals.

3-5. NOISE LIMITER SWITCH

This switch, when set at "ON", places the automatic series noise limiter circuit in operation to reduce pulse type noise such as ignition noise and electrical interference. The limiter circuit allows the signal to pass through the receiver unaffected, but makes the receiver inoperative for noise amplitudes greater than those of the signal. It will work equally well on AM or CW signals and is self-adjusting, i.e., it automatically adjusts itself to the signal level.

The noise limiter circuit "chops" noise peaks received at the detector by means of a biased diode which becomes non-conducting above a predetermined signal level. When the limiter circuit is in operation, the audio output of the detector must pass through the limiter diode to the grid of the audio amplifier. The limiter diode normally acts as a conductor for the audio signal as long as the diode plate is positive with respect to its cathode. When a noise peak is higher in amplitude than the signal, it instantaneously swings the plate negative with respect to the cathode, conduction ceases, and that portion of the signal is automatically cut off from the audio amplifier. The point at which the limiter diode becomes non-conducting is made sufficiently high so that the diode will not clip modulation peaks and thus impair intelligibility, but yet low enough to limit the noise peaks effectively.

3-6. AM/CW-SSB SWITCH

This switch, when set at "CW-SSB", applies plate voltage to the beat frequency oscillator (BFO) to render it operative for the reception of CW or single-sideband signals. The beat frequency oscillator employs a Hartley oscillator circuit and is voltage regulated to insure highly stable operation. The "AM" position of the AM/CW-SSB switch disables the BFO for normal reception of standard broadcast and AM phone signals.

3-7. SELECTIVITY CONTROL

The SELECTIVITY control is used to vary the selectivity of the receiver to fit receiving conditions. Five degrees of selectivity are available, ranging from 500 cycles, for CW reception under crowded band conditions, to 5 kilocycles for maximum fidelity for broadcast reception. The five selectivity positions are shown on the SELECTIVITY control and indicate receiver selectivity at 6 db down. A sixth position on the control, marked "PHONO", disables all the receiver circuits except the audio system for phonograph operation.

The receiver IF selectivity curves are shown in Fig. 8. Note that as the selectivity is varied from a sharp to a broader position, the i-f passband not only increases but also centers about a higher frequency.

For broadcast reception, the SELECTIVITY control is normally set at "5 KC", the position affording broadest selectivity. Selectivity may be progressively increased by turning the control to the positions marked "3 KC", "2 KC", "1 KC", and ".5 KC". For reception of the crowded amateur and shortwave bands, it is generally advisable to sacrifice fidelity for greater selectivity, since the added selectivity reduces both adjacent-channel interference and background noise by attenuating the higher audio frequencies. Too much selectivity on AM signals, however, will attenuate the high audio frequencies to such an extent that the signal may become unintelligible as a result of excessive side-band cutting. When receiving CW signals, the sharpest selectivity position may be used without the loss of intelligibility experienced in AM reception.

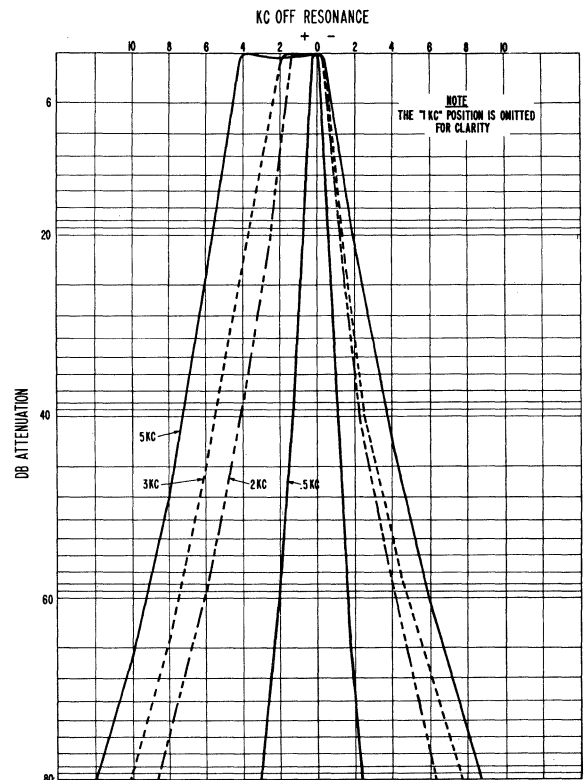
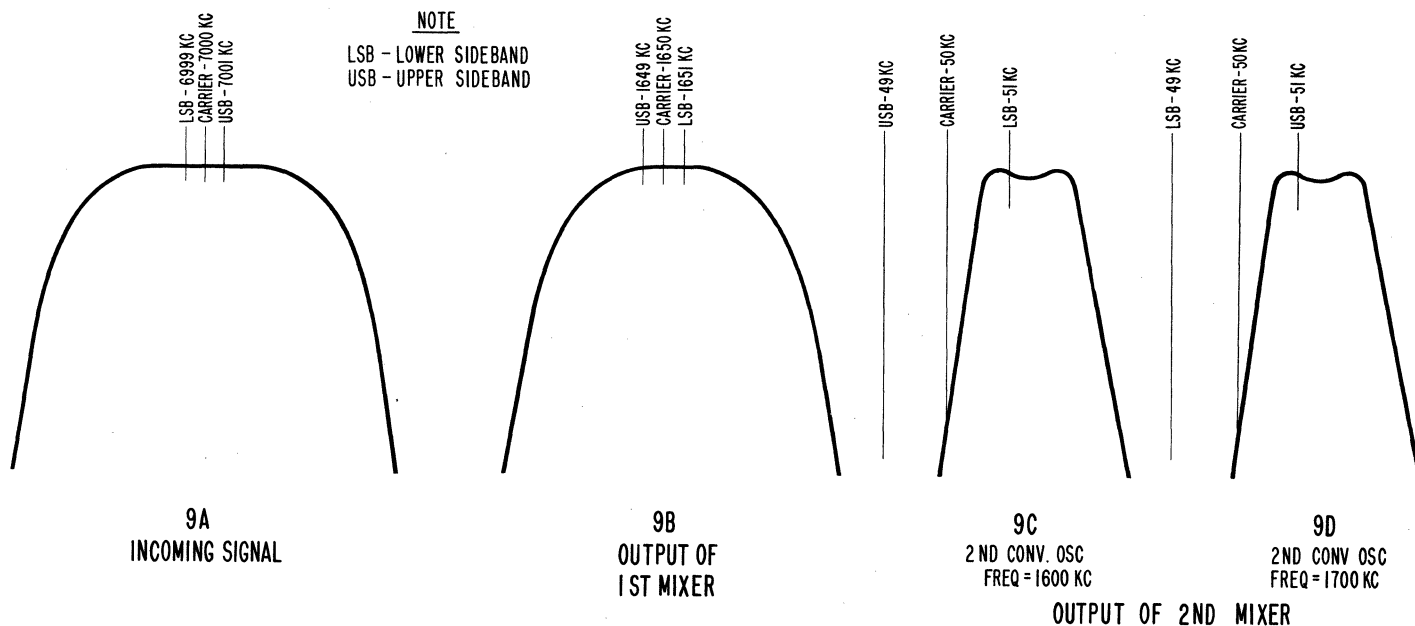


Fig. 8. IF Selectivity Curves

92E2373



9202384

Fig. 9. Selectable-Sideband Response Curves

3-8. PITCH CONTROL

The **PITCH CONTROL** operates the tuning slug in the BFO coil to vary the frequency of beat frequency oscillator approximately 2 kc each side of its center frequency of 50 kc. The primary function of the **PITCH CONTROL** is to vary the pitch of the audible beat note when receiving CW signals. It is also used when receiving single-sideband signals to vary the frequency of the reinserted carrier in the receiver.

3-9. RESPONSE CONTROL

The **RESPONSE** control performs three functions: (1) it turns the receiver on and off, (2) it switches the 2nd conversion oscillator to operate at the required frequency for reception of CW, AM, and single-sideband signals (1600 kc in the "LOWER SIDEBAND" position and 1700 kc in the "UPPER SIDEBAND", "TREBLE CUT", and "NORMAL" positions), and (3) it serves as a two-position tone control for AM reception and phono operation.

In the "POWER OFF" position, the receiver is inoperative. As the control is turned clockwise to any of the other four positions, the receiver is turned on.

The "LOWER SIDEBAND" and "UPPER SIDEBAND" positions of the control are used when receiving single-sideband signals or when it is desired to receive only one sideband of an AM signal.

The "TREBLE CUT" and "NORMAL" positions are used for phono operation and for normal AM reception where both sidebands are received. In the "NORMAL" position, the audio response is essentially flat at the low- and mid-frequencies and slightly attenuated at the high frequencies. The response in the "TREBLE CUT" position is essentially the same except that the high frequencies are attenuated considerably more than in the "NORMAL" position.

For CW reception, the setting of the **RESPONSE** control is immaterial although a slight improvement in signal-to-noise ratio will be obtained in the "LOWER SIDEBAND" and "UPPER SIDEBAND" positions.

To illustrate how selectable sideband reception is accomplished in the receiver, a numerical example is given. Consider an incoming signal at 7000 kc, modulated 1 kc. Since modulation of a carrier causes the generation of sideband frequencies numerically equal to the carrier frequency plus or minus the modulation frequency, the incoming signal consists of the carrier at 7000 kc, a lower sideband at 6999 kc, and an upper sideband at 7001 kc. (See Fig. 9A.)

The incoming signal is first heterodyned with the output of the 1st conversion oscillator in the 1st mixer stage. The 1st conversion oscillator operates at a frequency higher than the incoming signal by an amount equal to the first-intermediate frequency of 1650 kc. As a result of the frequency conversion process, three new lower frequencies are produced in the output of the 1st mixer: the carrier at 1650 kc, the lower sideband at 1651 kc, and the upper sideband

at 1649 kc. (See Fig. 9B). These signals are amplified by the 1650 kc IF amplifier stage and then heterodyned with the output of the 2nd conversion oscillator in the 2nd mixer stage. The 2nd conversion oscillator is crystal controlled and can be set to operate at either 1600 kc for reception of the lower sideband or 1700 kc for the reception of the upper sideband, selection being made by means of the RESPONSE control. When the RESPONSE control is set at "LOWER SIDEBAND", the 1600 kc signal from the 2nd conversion oscillator is heterodyned with the incoming signal at the first-intermediate frequency of 1650 kc to produce three new frequencies: the carrier at 50 kc, the lower sideband at 51 kc, and the upper sideband at 49 kc. By referring to Fig. 9C, it can be seen that the lower sideband falls within the i-f passband and the upper sideband falls outside of the passband. Thus the lower sideband is accepted and the upper sideband is rejected. When the RESPONSE control is set at "UPPER SIDEBAND", the 1700 kc signal from the 2nd conversion oscillator is heterodyned with the incoming signal. In the frequency conversion process, the carrier still remains at 50 kc, but now the upper sideband appears at 51 kc, and the lower sideband appears at 49 kc. (See Fig. 9D). Thus, the upper sideband is accepted and the lower sideband is rejected.

3-10. RECEIVE-STANDBY SWITCH

The RECEIVE-STANDBY switch, normally set at "RECEIVE", permits disabling of the receiver during transmission periods, at the same time maintaining the heater and plate supplies operative for instant use when reception is again resumed. The receiver is disabled by setting the RECEIVE-STANDBY switch at "STANDBY".

One section of the RECEIVE-STANDBY switch is available for relay or transmitter switching. For connections and details, refer to section 2-8.

3-11. TUNING and BANDSPREAD CONTROLS

The TUNING and BANDSPREAD controls are used in conjunction with one another to tune in the desired signal. Wide tuning is performed with the TUNING control and fine tuning with the BANDSPREAD control.

Main Tuning Dial. The main tuning or left-hand dial is operated by the TUNING control. This dial has four calibrated scales, one for each of the four frequency bands covered by the receiver. It also contains a 100-division logging scale for accurately logging and relocating stations of special interest. For normal tuning, the main tuning dial is set for the desired station frequency after the BANDSPREAD control has been set fully counterclockwise (bandsread tuning capacitor set at minimum capacity).

IMPORTANT: The readings on the main tuning dial will correspond to the station frequencies only if the BANDSPREAD control is set fully counterclockwise. If it is set at any other setting, the additional bandsread capacity added to the main tuning capacity will throw off the main tuning dial calibration because the receiver has been calibrated with the bandsread tuning capacitor set at minimum capacity.

The dial settings for the 80, 40, 20, 15, and 11-10 meter amateur bands are indicated on the main tuning dial by white dots. When tuning the amateur bands with the bandsread dial, the main tuning dial must be set at the dot corresponding to the desired amateur band. The 160 meter amateur band is indicated on the dial by three short double-weight lines.

NOTE

The broadcast band is marked with a "CD" emblem and a dot at .64 and 1.24 megacycles to indicate the two official civil defense frequencies. In a civil defense emergency, tune to either of these two frequencies for official defense news, instructions, and information.

Bandsread Dial. The bandsread or right-hand dial is operated by the BANDSPREAD control. This dial contains five scales calibrated for the 80, 40, 20, 15, and 11-10 meter amateur bands. These five scales are calibrated to read receiver frequency directly when the main tuning dial has been set to the index dot of the desired amateur band. For convenience in tuning, the AM phone bands are indicated on the bandsread dial by double-weight lines.

In addition to its use on the amateur bands, the bandsread dial may also be utilized as a fine tuning adjustment over any portion of the receiver tuning range. Two methods of fine tuning are described below.

a. The first method of fine tuning is used when it is desired to tune in a single signal with precision accuracy. First the BANDSPREAD control is set a few degrees from its full counterclockwise position, then the desired signal is located with the TUNING control, and finally the signal is accurately tuned in by "rocking" the BANDSPREAD control (turning it slightly to the left and right) until the signal is loudest and clearest.

b. The second method of fine tuning is used when it is desired to tune through a range of frequencies, such as a group of shortwave stations. Set the BANDSPREAD control fully counterclockwise, set the TUNING control for the high end of the selected range of frequencies, and then tune through the range with the BANDSPREAD control. Turning the BANDSPREAD control clockwise tunes the receiver progressively lower in frequency.

SECTION 4. OPERATION

4-1. AM RECEPTION

1. Set the front panel controls to their starting positions as outlined below.

SENSITIVITY..... 10 (maximum sensitivity)
BAND SELECTOR At the desired band.
VOLUME 0 (minimum volume)
AVC ON-OFF ON
NOISE LIMITER OFF-ON OFF
AM/CW-SSB AM
SELECTIVITY..... 5 KC
RESPONSE POWER OFF
RECEIVE-STANDBY..... RECEIVE

2. Turn the receiver on by rotating the **RESPONSE** control clockwise and set it at either the "NORMAL" or "TREBLE CUT" position. The tuning dials will light up indicating the receiver is operative. Rotate the **VOLUME** control clockwise for the desired volume level.
3. Set the bandspread tuning gang at minimum capacity by rotating the **BANDSPREAD** control fully counterclockwise. To utilize the **BANDSPREAD** control as a fine tuning adjustment for the amateur and shortwave bands, refer to Section 3-11.

IMPORTANT

The calibration on the main tuning (left-hand) dial will be correct only if the bandspread tuning gang is set at minimum capacity. If it is set at any other setting, the additional bandspread capacity added to the main tuning capacity will throw off the main tuning dial calibration because the receiver has been calibrated with bandspread tuning gang set at minimum capacity.

4. Tune in the desired signal with the **TUNING** control, tuning for maximum indication on the "S" meter. After the signal has been accurately tuned in, readjust the **VOLUME** control as desired.

NOTE: The "S" meter indications will be correct only when the **AVC** switch is set at "ON", and the **SENSITIVITY** control is set at "10" (maximum sensitivity). Setting the **SENSITIVITY** control at a setting other than "10" will also somewhat restrict **AVC** action.

5. Set the **SELECTIVITY** control for the desired degree of selectivity. For standard broadcast reception (Band 1), the control is normally set to "5 KC" for maximum fidelity. The positions marked "3 KC", "2 KC", "1 KC", ".5 KC" provide progressively increasing steps of selectivity. Note that as the selectivity of the receiver is increased, the background noise and interference from adjacent signals is reduced. Too much selectivity, however, may cause excessive side-band cutting. While side-band cutting reduces fidelity, it may be frequently preferable to sacrifice naturalness of reproduction in favor of communications effectiveness. When changing the position of the **SELECTIVITY** control from a broad to a narrower response (for example: from "2 KC" to "1 KC"), a slight readjustment of the tuning controls may be necessary to recenter the signal in the i-f passband.
6. Set the **RESPONSE** control at either "NORMAL" or "TREBLE CUT" for the desired tonal quality.
7. If it is desired to operate with **AVC** off, set the **AVC** switch at "OFF", set the **VOLUME** control to a well advanced position, and vary the receiver volume level by means of the **SENSITIVITY** control, taking care not to advance the control to a point where strong signals will cause "blocking".
8. If severe electrical disturbances or ignition or other types of pulse type noise interfere with reception, set the **NOISE LIMITER** switch at "ON" to place the automatic noise limiter circuit in operation.
9. The receiver may be disabled without turning it off by setting the **RECEIVE-STANDBY** switch at "STANDBY". In this position, the r-f and 50.5 kc i-f stages are cut off but the heater and plate supplies remain operative for instant reception. To resume reception, simply return the switch to the "RECEIVE" position.
10. An undesired signal close in frequency to a desired signal will heterodyne with it to produce an audible beat note equal to their frequency difference. This type of heterodyne interference can be eliminated by utilizing the selectable sideband feature of the receiver to position the undesired signal out of the i-f passband. The detailed procedure for eliminating heterodyne interference is as follows:
 - a. Set the **AM/CW-SSB** switch at "CW-SSB", the **PITCH CONTROL** to "0", and the **RESPONSE** control at either "LOWER SIDEBAND" or "UPPER SIDEBAND".
 - b. Carefully tune in the desired signal for "zero beat". Then set the **AM/CW-SSB** switch at "AM".

- c. If the RESPONSE control has been set to the proper sideband position, the heterodyne interference will be eliminated. If the interference is still present, simply switch the RESPONSE control to the opposite sideband position.

11. In shortwave reception, it frequently happens that transmission conditions are different for waves of slightly different frequencies. As a result, in the case of voice-modulated transmissions, which involve sideband frequencies differing slightly from the carrier frequency, the carrier and sideband components may not be received in the same relative amplitude and phases they had at the transmitter. This effect, known as selective fading, causes severe distortion of the signal. This type of distortion can be reduced somewhat by tuning the receiver to accept only one of the two sidebands being transmitted as outlined in Steps 10(a) and (b) above. After tuning is completed, switch the RESPONSE control from "LOWER SIDEBAND" to "UPPER SIDEBAND" and leave it in the position providing the least distortion.

4-2. CW RECEPTION

For CW reception, the receiver may be operated with AVC on or off, as desired. Operation of the receiver with AVC on is highly desirable since it not only minimizes fading but also prevents blasting when tuning from a weak to a strong signal. To operate with AVC on, set the AVC switch at "ON", set the SENSITIVITY control to a well advanced position, and regulate the receiver volume level by means of the VOLUME control. To operate with AVC off, set the AVC switch at "OFF", set the volume control at a well advanced position, and vary the receiver volume level by means of the SENSITIVITY control, taking care not to advance the control to a point where strong signals cause excessive "thumping" (overloading).

CW signals are made audible by the heterodyning action of the beat oscillator with the incoming signal. The beat oscillator is set at a frequency slightly different from the second-intermediate frequency of 50.5 kc, the difference being equal to the pitch of the audible note desired.

For the reception of CW signals, set the AM/CW-SSB switch at "CW-SSB", set the SELECTIVITY control at ".5 KC" (the sharpest selectivity position), set the RESPONSE control at "UPPER SIDEBAND", and set the PITCH CONTROL at any setting from "2" to "4" on either side of zero, and then tune in the signal for a pleasing beat note. The beat oscillator may be set on either the high- or low-frequency side of zero beat. (The oscillator operates on the low side when the PITCH CONTROL is set at a position to the left of zero and on the high side when the PITCH CONTROL is set at a position to the right of zero.) It may be necessary, after setting the PITCH CONTROL, to readjust the receiver tuning slightly to properly position the signal in the i-f passband. Alternately adjust the PITCH CONTROL and the receiver tuning for a maximum audible signal. With the receiver in the sharpest selectivity position, CW signals will drop in and out rapidly and a slow rate of tuning is recommended. Once the PITCH CONTROL has been set, it need not be reset for each CW signal.

NOTE

If a CW signal is tuned in with the SELECTIVITY control at a setting other than ".5 KC", it may be necessary to slightly readjust the receiver tuning when changing to a narrower selectivity position in order to properly position the signal in the i-f passband.

The setting of the SELECTIVITY control for CW reception is generally best determined by receiving conditions. Note that as the selectivity of the receiver is increased (SELECTIVITY control varied from the "5 KC" to the ".5 KC" position), the background noise and adjacent-channel interference is considerably reduced. For CW reception, the sharpest selectivity position may be used without the loss of intelligibility experienced in AM reception.

The automatic noise limiter circuit can be used to great advantage on CW reception, just as on AM reception, to reduce the effects of background noise and electrical interference. To place the noise limiter circuit in operation, set the NOISE LIMITER switch at "ON".

4-3. SINGLE SIDEBAND RECEPTION

Single-sideband signals are transmitted with little or no carrier, and it is necessary to reinsert the carrier in the receiver before proper reception is obtained. In the SX-96 receiver, this is accomplished in the 50.5 kc i-f system by injecting the beat oscillator signal at the input of the second-detector. A single-sideband signal can be identified by its unintelligibility and by a severe variation in the "S" meter indication corresponding to the speech modulation.

For the reception of single-sideband signals, set the PITCH control at "0", AVC switch at "ON", AM/CW-SSB switch at "CW-SSB", and SELECTIVITY control at either "1 KC" or "2 KC", depending upon adjacent channel interference and noise. Set the SENSITIVITY control at a well advanced position and vary the receiver volume level by means of the VOLUME control, taking care not to advance the SENSITIVITY control to a point where strong signals will cause distortion (overloading). Set the RESPONSE control at either "LOWER SIDEBAND" or "UPPER SIDEBAND". The single-sideband signal will be intelligible in only one of these two positions, the proper position depending upon the sideband being transmitted. If the signal is not intelligible after tuning is completed as outlined below, set the RESPONSE control to the other sideband setting and repeat the tuning procedure. It is suggested that the RESPONSE control be initially set at "LOWER SIDEBAND" since most single-sideband transmissions are of this type.

After the controls have been properly set as outlined in the preceding paragraph, very carefully tune in the single-sideband signal for maximum intelligibility. It will be noticed that with incorrect tuning of a single-sideband signal, the speech will sound high- or low-pitched or very distorted but no trouble should be had in tuning once a little experience has been gained.

The "1 KC" position of the SELECTIVITY control permits reception of modulation frequencies up to about 1000 cycles. For reception of modulating frequencies higher than 1000 cycles, set the SELECTIVITY control to the positions marked "2 KC", "3 KC" and "5 KC", depending on the degree of fidelity desired; maximum fidelity is obtained in the "5 KC" position. It is not necessary to retune the receiver when receiver selectivity is varied.

4-4. USE OF "S" METER

The "S" meter provides a visual means of determining whether or not the receiver is properly tuned, as well as an indication of the relative signal strength. The "S" meter circuit consists of a DC milliammeter connected in series with the plate lead to the 1650 kc IF amplifier tube (V-4), the grid of which is controlled by AVC voltage. Since the plate current of this tube varies with the strength of the incoming signal, the meter will indicate relative signal strength. The "S" meter is calibrated in microvolts, "S" units from 1 to 9, and in decibels above S-9 to + 80 db. The indications on the "S" meter will be correct only when the SENSITIVITY control is set at "10" (maximum sensitivity), and the AVC switch is set at "ON".

The limitations of the microvolt scale should be fully appreciated before any assumption as to the indicated signal voltages is accepted. The meter indicates approximate microvolts of signal strength as developed at the antenna input terminals when terminated in a 300-ohm load, at 14 mc. This approximation will have a variation of ± 5 db on a new receiver and, obviously, as the tubes age the variations may be greater. The indicated microvolt readings at 30, 7, and 3.5 mc will vary approximately ± 3 db from that at 14 mc. Also, all readings 60 microvolts or less will be more accurate and correlate more closely than those higher.

Variations in the microvolt indications between receivers is not indicative of the overall sensitivity but is caused by normal tolerances in vacuum tube conductances which are reflected as variations in the AVC/"S" Meter curve. Thus, two receivers with identical sensitivities could, under the same signal conditions indicate signal levels of 5 microvolts and 25 microvolts and yet each be a perfect receiver.

4-5. BFO FREQUENCY CHECK

The beat frequency oscillator (BFO) has been carefully adjusted at the factory so that its frequency is 50 kc when the PITCH CONTROL knob is set at "0". Readjustment of the BFO will normally not be required unless the 6SC7 BFO tube (V-8) or components in the BFO circuit have been replaced. A slight readjustment may sometimes be necessary as a result of normal aging of the BFO tube. A simple check can be made to determine if adjustment is necessary as follows:

With the AM/CW-SSB switch at "CW-SSB", SELECTIVITY control at "5 KC", RESPONSE control at "UPPER SIDEBAND", and PITCH CONTROL at "0", very carefully tune in an AM signal for "zero beat". (See Note A below.) Leaving the receiver tuning unchanged, switch the RESPONSE control to the "LOWER SIDEBAND" position. If the beat oscillator frequency is correct, a "zero beat" will be obtained in both the "UPPER SIDEBAND" and "LOWER SIDEBAND" positions. If, however, the beat oscillator is slightly off frequency, a beat note will be heard when switching from the "UPPER SIDEBAND" to the "LOWER SIDEBAND" position. Adjustment of the beat frequency oscillator is necessary only if the frequency of the audible beat note exceeds 200 cycles.

Note A - In instances where the beat oscillator is considerably off frequency, it may not be possible to obtain a "zero beat" when tuning in the signal. In this case, it will be necessary to first "roughly" set the beat oscillator to operate at approximately 50 kc as follows: With the AM/CW-SSB switch at "CW-SSB", SELECTIVITY control at ".5 KC", and RESPONSE control at "UPPER SIDEBAND", tune the receiver to a noisy part of the band (not to a signal). Remove the PITCH CONTROL knob and adjust the BFO slug for minimum noise on the noise signal. Then set the SELECTIVITY control at "5 KC" and make the BFO frequency check as outlined in the preceding paragraph.

If the BFO frequency check indicates adjustment is necessary, proceed as follows:

Remove the PITCH CONTROL knob and turn the BFO slug a few degrees to the left or right so as to lower the beat note frequency, and repeat the BFO frequency check. If the beat note obtained is higher in frequency than that obtained originally, it is an indication that the slug is being turned in the wrong direction. Continue varying the setting of the slug in small steps and repeating the BFO frequency check until "zero beat" is obtained in both the "UPPER SIDEBAND" and "LOWER SIDEBAND" positions. After the correct slug setting is determined, replace the PITCH CONTROL knob with "0" in the top center position, being careful not to disturb the slug setting.

4-6. SERVICE OR OPERATING QUESTIONS

For any further information regarding operation or servicing of your receiver, contact your Hallicrafters dealer. The Hallicrafters Company maintains an extensive system of Authorized Service Centers where any required service will be performed promptly and efficiently at a nominal charge. All Hallicrafters Authorized Service Centers display the sign shown at the right. For the location of the one nearest you, consult your local dealer or telephone directory. Make no service shipments to the factory as the Hallicrafters Company will not accept the responsibility for unauthorized shipments.

The Hallicrafters Company reserves the privilege of making revisions in current production of equipment and assumes no obligation to incorporate these revisions in earlier models.



92X1401-C

SECTION 5. ALIGNMENT

This receiver has been carefully aligned at the factory by specially trained personnel using precision equipment. Alignment of the receiver should not be attempted until all other possible causes of faulty operation have been investigated. Alignment should not be required unless the receiver has been tampered with or component parts have been replaced in the r-f or i-f stages. Alignment should be made only by persons familiar with communications receivers and experienced in their alignment. Refer to Figs. 10 and 11 for location of all alignment adjustments.

5-1. EQUIPMENT REQUIRED

1. Signal generator covering 50 kc to 30 mc.
2. Vacuum tube voltmeter (VTVM) or other high impedance DC voltmeter.
3. Output meter (or AC scale of VTVM). Connect output meter to appropriate speaker output terminals. If a VTVM is used, connect it to terminals "500" and "G" and terminate the output with a dummy load.

5-2. INITIAL CONTROL SETTINGS

Band Selector As indicated in chart
 Sensitivity and Volume 10 (maximum)
 AVC and Noise Limiter Off
 AM/CW-SSB AM
 Selectivity As indicated in chart
 Response Lower Sideband
 Standby-Receive Receive
 Tuning and Bandsread Gangs half meshed

5-3. ALIGNMENT PROCEDURE

Step	Signal Generator Connections	Signal Generator Frequency	Band Selector Setting	Output Connections	Selectivity Setting	Remarks
50.5 KC IF ALIGNMENT						
1	High side directly to alignment point "A" (terminal 1 of T2). See Fig. 11. Low side to chassis.	50.5 KC (unmod.)	.538 - 1.58 MC	VTVM DC probe to alignment point "B" (junction of R48, R49, and C81). See Fig. 11. Common to chassis.	.5 KC	Remove 1st conv. oscillator tube V3 from its socket to prevent signal interference. Adjust top slug of T3, T4, T5, and T6 (50.5 KC IF's) for maximum indication, maintaining approx. 1 volt reading on VTVM.
ALIGNMENT OF 1600 KC 2nd CONV. OSC. & 1650 KC IF'S						
2	High side directly to alignment point "C" (stator of section C1B of main tuning gang). Low side to frame of gang.	1650 KC (mod)	"	Output meter across appropriate speaker terminals. (VTVM to alignment point "B" if it is desired to monitor detector voltage.)	5 KC	Replace V3 removed in Step 1. Tune generator slowly thru 1650 KC to determine IF passband. Then set generator to center of passband, using sufficient generator output to obtain approx. 1/2 watt receiver output. If no output is obtained, the 1600 KC crystal oscillator may not be oscillating and it will be necessary to turn up the generator output and adjust the 1600 KC crystal activity adjustment (top slug of T9) until output is obtained. Adjust for maximum output by adjusting the signal generator frequency, crystal activity (top slug of T9) and the 1650 KC IF's (top and bottom slugs of T1 and T2). Note that the signal suddenly disappears when the crystal activity slug is turned into the coil and gradually drops in level when the slug is backed out of the coil. Set the crystal activity adjustment (top of slug of T9) for half output on the gentle slope side of maximum response. Then set the generator as near the center of the IF passband as possible and adjust the top and bottom slugs of T1 and T2 for maximum response. Tune through the passband and observe the shape of the response. If it is symmetrical, the adjustment is completed; if not, reset the generator frequency near the center of the passband and repeak T1 and T2.
ALIGNMENT OF 1700 KC 2nd CONV. OSC.						
3	"	"	"	"	"	Set RESPONSE control at "UPPER SIDEBAND". Tune generator slowly thru 1650 KC to determine IF passband. Then set generator to center of passband, using sufficient generator output to obtain approx. 1/2 watt receiver output. If no output is obtained, the 1700 KC crystal oscillator may not be oscillating and it will be necessary to turn up the generator output and adjust the 1700 KC crystal activity adjustment (bottom slug of T9) until output is obtained. Adjust for maximum output by adjusting the signal generator frequency and the crystal activity (bottom slug of T9). Note that the signal suddenly disappears when the crystal activity slug is turned into the coil and gradually drops in level when the slug is backed out of the coil. Set the crystal activity adjustment (bottom slug of T9) for half output on the gentle slope side of maximum response.

IF SENSITIVITY CHECK

- 4 With the generator modulated 30% at 400 cycles and connected thru a .05 mfd capacitor to the grid (pin 1) of the 1st mixer tube V2, the IF input required for 1/2 watt receiver output should be approximately 20 microvolts. This assumes the crystal activity is set for half of maximum response as outlined in Steps 2 and 3 above.

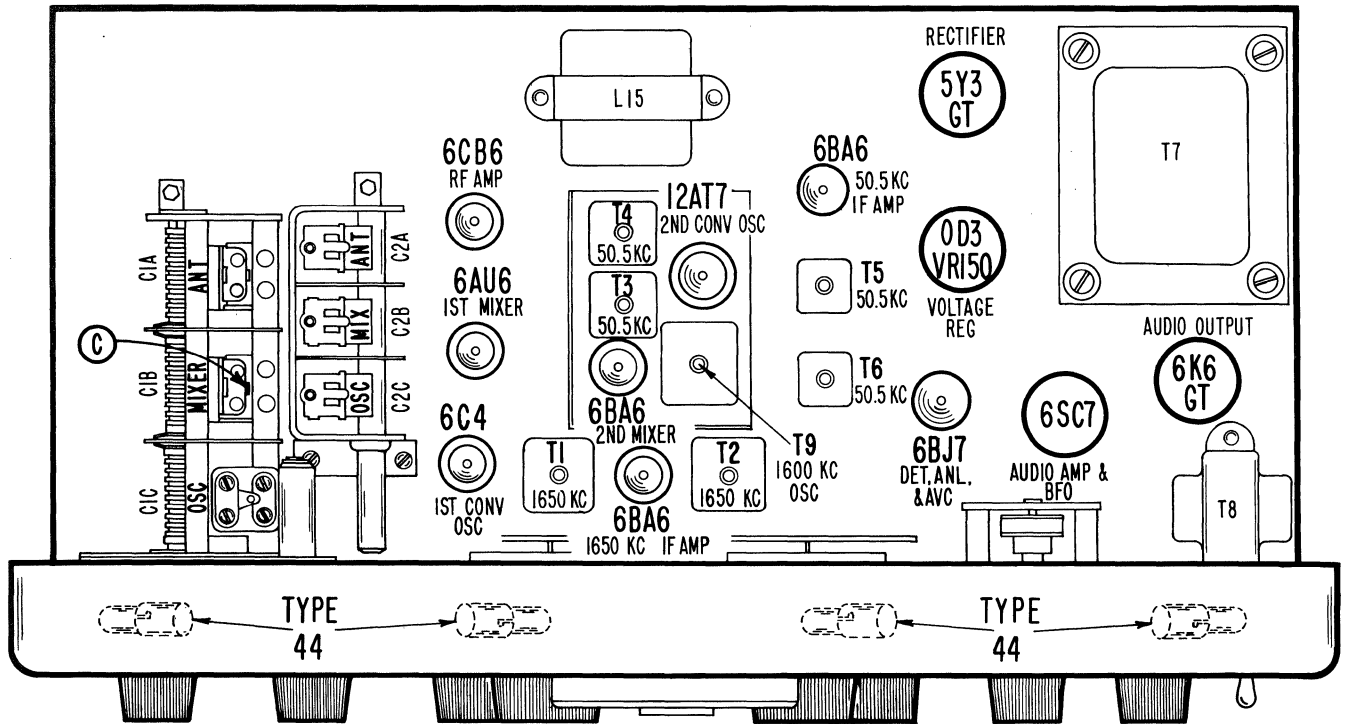
RF ALIGNMENT

- Before proceeding with the RF alignment, check the tuning dials for proper indexing. Both dials should index on the marks at the low frequency end with the gang fully closed.
- Use an amplitude modulated signal.
- Set the SENSITIVITY and VOLUME at "10" (maximum), AVC and NOISE LIMITER at "OFF" SELECTIVITY at "2 KC", RESPONSE at "LOWER SIDEBAND", RECEIVE-STANDBY at "RECEIVE, and BANDSPREAD" fully counter-clockwise.
- Connect the output meter across the appropriate speaker terminals. (Connect the VTVM to alignment point "B" if it is desired to monitor the detector voltage.) Maintain a 1/2 watt receiver output.
- Connect high side of generator thru 330-ohm carbon resistor to antenna terminal "A1". Low side to "A2". Connect jumper between "A2" and "G".
- The oscillator frequency is higher than the signal frequency on all bands.

Step	Band Selector Setting	Generator & Receiver Frequency	Adjust for Maximum
5	12 - 34 MC	30.0 MC	C66 (osc. trimmer), C40 (mixer trimmer), and C3 (antenna trimmer)
	"	14.0 MC	L11 (osc. slug), L8 (mixer slug), and L1 (antenna slug)
6	4.6 - 13 MC	11.5 MC	C59 (osc. trimmer), C42 (mixer trimmer), and C4 (antenna trimmer)
	"	5.1 MC	L12 (osc. slug), L9 (mixer slug), and L2 (antenna slug)
7	1.72 - 4.9 MC	4.6 MC	C56 (osc. trimmer), C44 (mixer trimmer), and C5 (antenna trimmer)
	"	1.925 MC	L13 (osc. slug)
8	.538 - 1.58 MC	1.4 MC	C50 (osc. trimmer), C45 (mixer trimmer), and C6 (antenna trimmer)
	"	.6 MC	C52 (osc. padder)

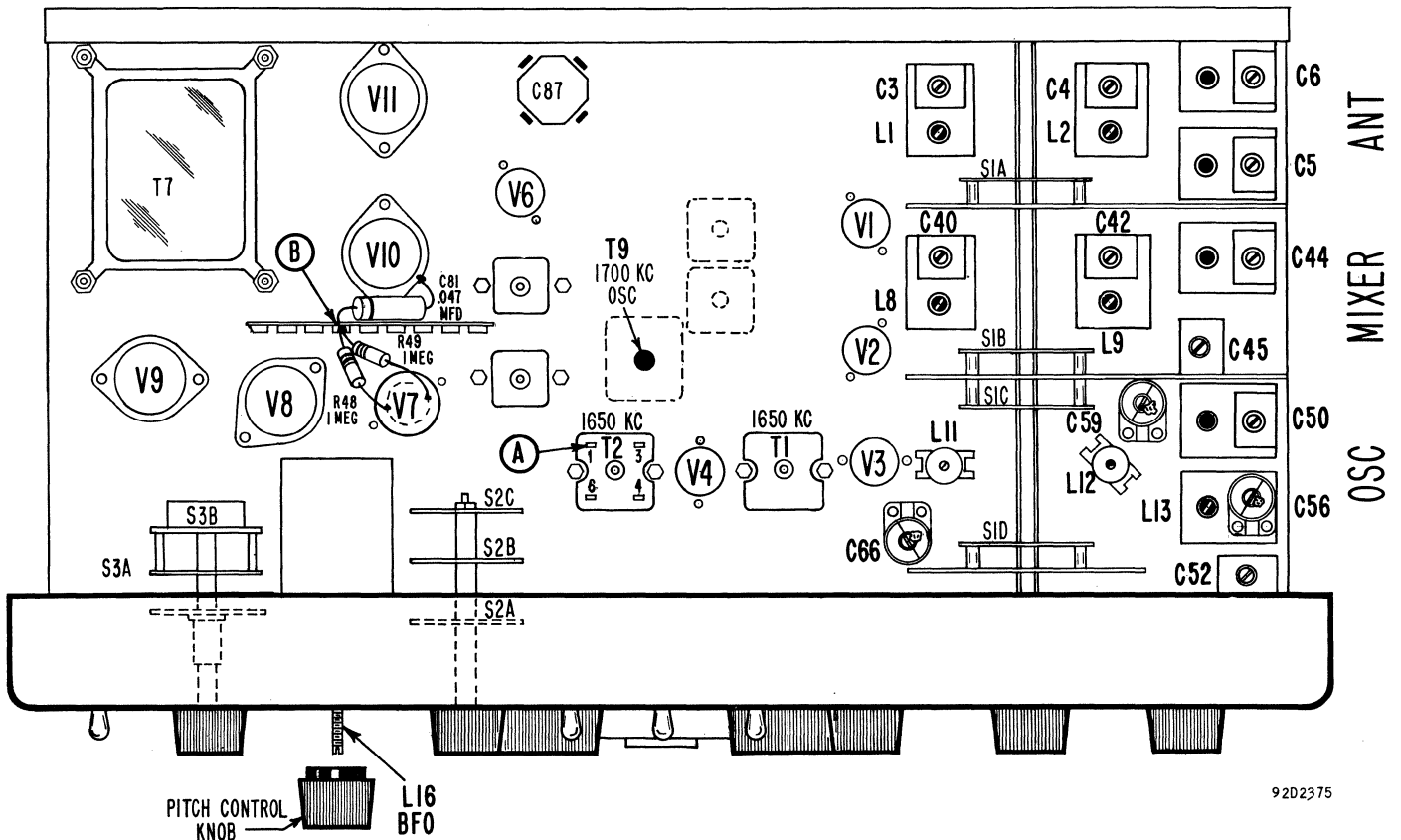
BFO ADJUSTMENT

Refer to Section 4-5.



92C2371

Fig. 10. Top View of Chassis Showing Location of Alignment Adjustments, Tubes, and Dial Lamps



92D2375

Fig. 11. Bottom View of Chassis Showing Location of Alignment Adjustments and Tubes

SECTION 6.

SERVICE DATA

6-1. TECHNICAL SPECIFICATIONS

TUBES 10 plus voltage regulator and rectifier
 SPEAKER OUTPUT 3.2 and 500 ohms
 HEADPHONE OUTPUT . . . 500 ohms (See Section 2-6.)
 ANTENNA INPUT 300 ohms
 PHONO INPUT High impedance
 *POWER SOURCE 105-125 volts, 50/60 cycles
 POWER CONSUMPTION 80 watts
 RECEPTION AM, CW, and SSB
 INTERMEDIATE FREQUENCIES. . . (Double Conversion): 50.5 KC and 1650 KC
 DIMENSIONS (overall) . . 8-7/8" x 18-1/2" x 11" deep
 SHIPPING WEIGHT 41-1/2 lb.
 NET WEIGHT 34-1/2 lb.

FREQUENCY COVERAGE

Band	Frequency Range	Calibrated Band Spread
1	.538 - 1.58 MC	-
2	1.72 - 4.9 MC	80M
3	4.6 - 13.0 MC	40M
4	12.0 - 34.0 MC	20, 15, 11-10M

* Provisions are also included for operation from an external DC power source. (See Section 2-4.)

6-2. 50.5 KC IF SYSTEM

Fig. 12 shows the type of coupling used in the 50.5 kc IF system. Note that inductive coupling is avoided by careful shielding of the IF coils and signal transfer occurs only through capacitance and resistance. By increasing the value of "C" and "R", the selectivity is made more broad while by decreasing their values, the selectivity is made more sharp. The proper values of "C" and "R" are switched in the circuit by means of the SELECTIVITY control. "R" varies the "Q" of the tuned circuit and "C" varies the coupling. This R-C coupling

arrangement affords a more accurate means of selectivity control than that readily obtainable by any other method.

6-3. CHASSIS REMOVAL

The chassis and front panel assembly are removable from the cabinet as a unit by removing two screws at each side of the front panel and the six screws on the underside of the cabinet.

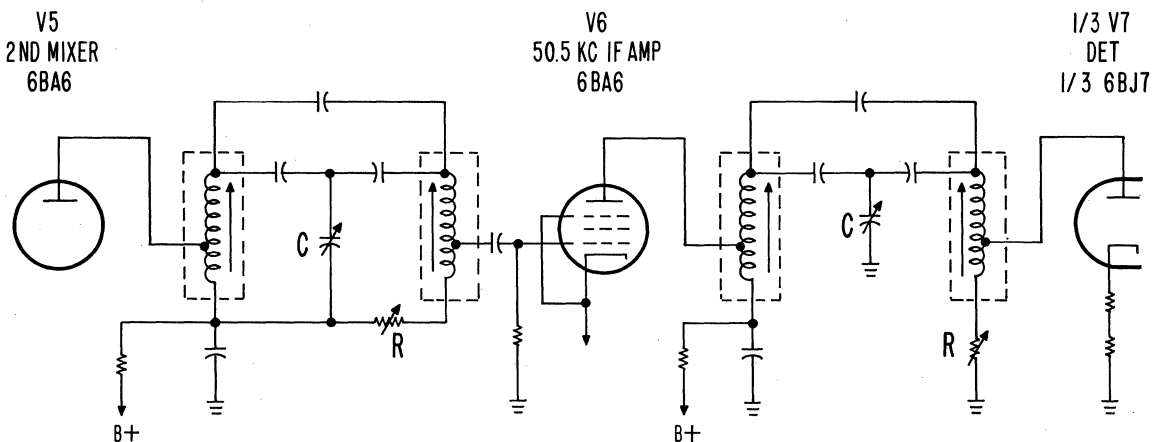
6-4. TUBE and DIAL LAMP REPLACEMENT

To gain access to the tubes and dial lamps, raise the hinged top cover of the cabinet. The tube locations and their functions are shown in Fig. 10.

6-5. "S" METER ADJUSTMENTS

The "S" meter has two adjustments, one electrical and the other mechanical. The mechanical adjustment is accessible by rotating the "h" insignia on the front of the "S" meter to one side. (The insignia pivots at the top.) The mechanical adjustment has been accurately set at the factory and will normally not require any further adjustment. Adjustment can be made, if required, by turning off the receiver and carefully rotating the adjustment screw until the meter pointer is in line with the right-hand index mark.

The electrical adjustment is made by carefully turning the "S" METER ADJ control at the rear of the receiver (Fig. 4), until the pointer is in line with the left-hand index mark. The electrical adjustment should be made with the receiver on, antenna terminals shorted, SENSITIVITY at "10", AM/CW-SSB switch at "AM", AVC switch at "ON", and RECEIVE-STANDBY switch at "RECEIVE". The settings of the remaining controls do not affect the "S" meter reading.



92C2378

Fig. 12. Simplified Schematic Diagram of 50.5 KC IF System

NOTE
BAND SPREAD GANG
FULLY CLOSED

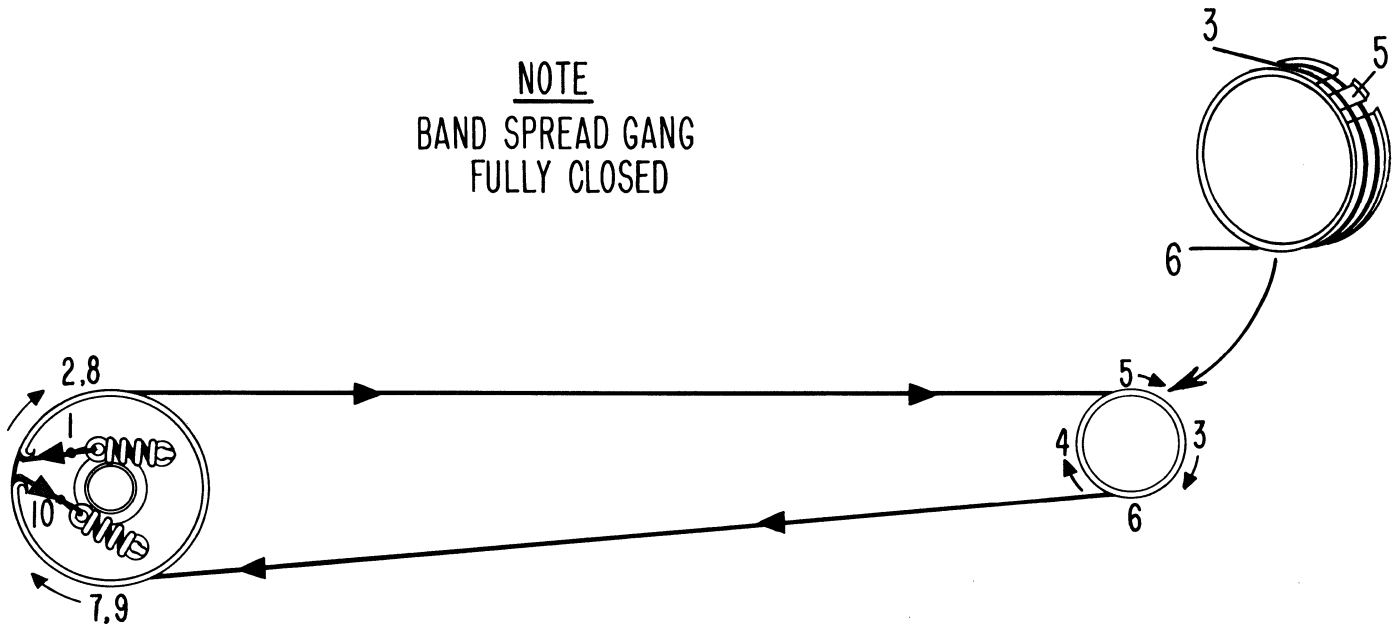


Fig. 13. Dial Cord Stringing Diagram

9282383

6-6. DIAL CABLE RESTRINGING

To restring the bandspread dial cable, first remove the front panel from the cabinet by removing the control knobs, the toggle switch and Phones jack mounting nuts, the Sensitivity control mounting nut, the two screws at each side of the front panel, and three screws on the underside of the front panel. Leave the bandspread dial in place but remove the main tuning dial to gain access to the pulley on the bandspread gang. This is accomplished as follows (Refer to Fig. 14.): (1) Remove the two screws at the front of the dial, (2) Loosen the pointed set screw to the right of the dial, (3) Disengage the idler gear from the dial by lifting upward on the idler gear mounting plate and (4) Carefully remove the dial.

Before restringing the dial cable, attach the tension springs to the cable, rotate the Bandspread control fully clockwise, and set the bandspread gang in its fully closed position. Attach the spring at one end of the cable to position "1" on the bandspread gang pulley as shown in Fig. 13 and follow the stringing sequence "1" through "10".

After stringing is completed, rotate the Bandspread control fully clockwise and check the position of the bandspread gang and the index marks at the low-frequency end of the dial. The gang should be fully closed and the index marks should be vertical.

If the bandspread gang is not fully closed with the Bandspread control set fully clockwise:

1. Loosen the two set screws that secure the pulley on the bandspread gang shaft.
2. Holding the Bandspread control fully clockwise, set the gang in its fully closed position by turning the gang shaft, and then tighten the set screws.

If the index marks at the low end of the bandspread dial are not vertical with the Bandspread control set fully clockwise: (Refer to Fig. 14)

1. Check the position of the gang as outlined above and make the adjustment if required.
2. Loosen the two set screws at the rear of the dial mounting collar.
3. Loosen the pointed set screw to the left of the bandspread dial.
4. With the right hand, hold the cam assembly in the position shown in Fig. 14, with the thumb of the left hand lift the idler gear mounting plate upward to disengage the dial, and with the index finger of the left-hand carefully rotate the dial until the index marks at the low-frequency end are vertical. After the dial is properly positioned, release the idler gear and tighten the two set screws on the collar.
5. Turn down the pointed set screw until it just touches the idler gear mounting plate. If the screw is turned down too far, the dial will not rotate freely; if not turned down far enough, the idler gear will not engage the dial properly and the dial will have a tendency to slip.
6. Rotate the Bandspread control fully clockwise and check the position of the index marks at the low-frequency end. If they are still not vertical, it will be necessary to repeat Steps 2 through 5.

To replace the main tuning dial: (Refer to Fig. 14)

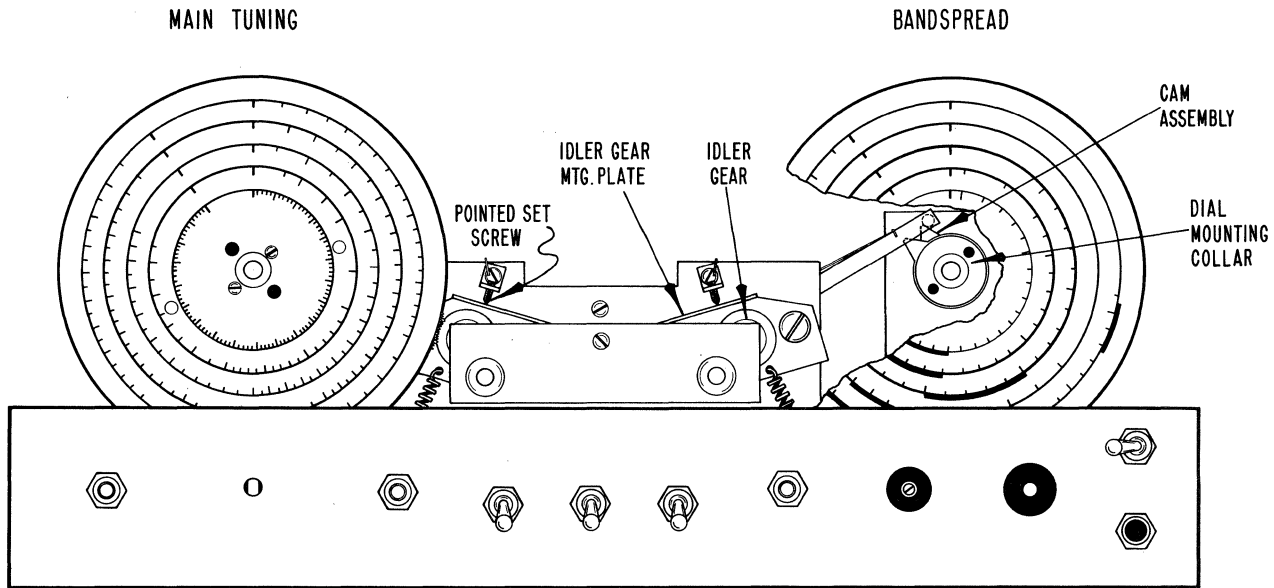
1. Rotate the main tuning gang to its fully closed position.
2. Lift the idler gear mounting plate upward, replace the dial with the index marks at the low-frequency end facing upward, and fasten it in place by means of the two front screws.

3. With the index finger of the left hand, hold the main tuning gang in its fully closed position, with the right hand lift the idler gear mounting plate upward to disengage the dial, and with the thumb of the left hand carefully rotate the dial until the index marks at the low-frequency end are exactly vertical. When the dial is properly positioned, release the idler gear and tighten

the two set screws at the rear of the dial mounting collar.

4. Same as Step 5 above.

5. Rotate the Tuning control fully clockwise and check the position of the index marks at the low-frequency end. If they are not exactly vertical, it will be necessary to repeat Steps 3 and 4.



9202395

Fig. 14. Front View of Gear Drive Tuning Mechanism

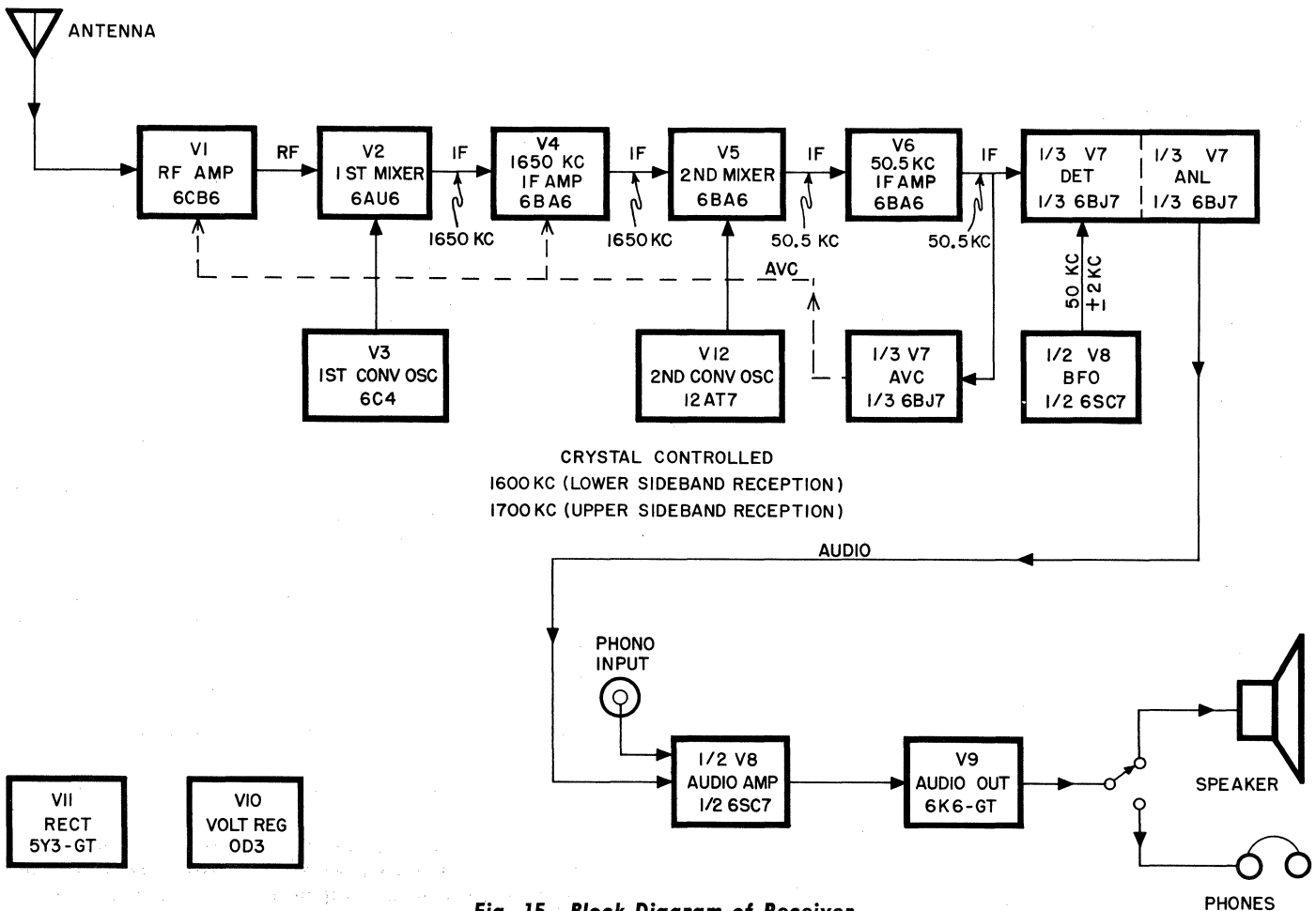


Fig. 15. Block Diagram of Receiver

NOTES

Warranty

"The Hallicrafter's Company warrants each new radio product manufactured by it to be free from defective material and workmanship and agrees to remedy any such defect or to furnish a new part in exchange for any part of any unit of its manufacture which under normal installation, use and service discloses such defect, provided the unit is delivered by the owner to our authorized radio dealer, wholesaler, from whom purchased, or, authorized service center, intact, for examination, with all transportation charges prepaid within ninety days from the date of sale to original purchaser and provided that such examination discloses in our judgment that it is thus defective.

This warranty does not extend to any of our radio products which have been subjected to misuse, neglect, accident, incorrect wiring not our own, improper installation, or to use in violation of instructions furnished by us, nor extend to units which have been repaired or altered outside of our factory or authorized service center, nor to cases where the serial number thereof has been removed, defaced or changed, nor to accessories used therewith not of our own manufacture.

Any part of a unit approved for remedy or exchange hereunder will be remedied or exchanged by the authorized radio dealer or wholesaler without charge to the owner.

This warranty is in lieu of all other warranties expressed or implied and no representative or person is authorized to assume for us any other liability in connection with the sale of our radio products."

Form No. 94X622

the Hallicrafters co.