

BULLETIN 1154B

**HIGH SPEED TAPE PUNCH SET
(BRPE)
PARTS**



TELETYPE[®]
CORPORATION
5555 TOUHY AVENUE, SKOKIE, ILLINOIS

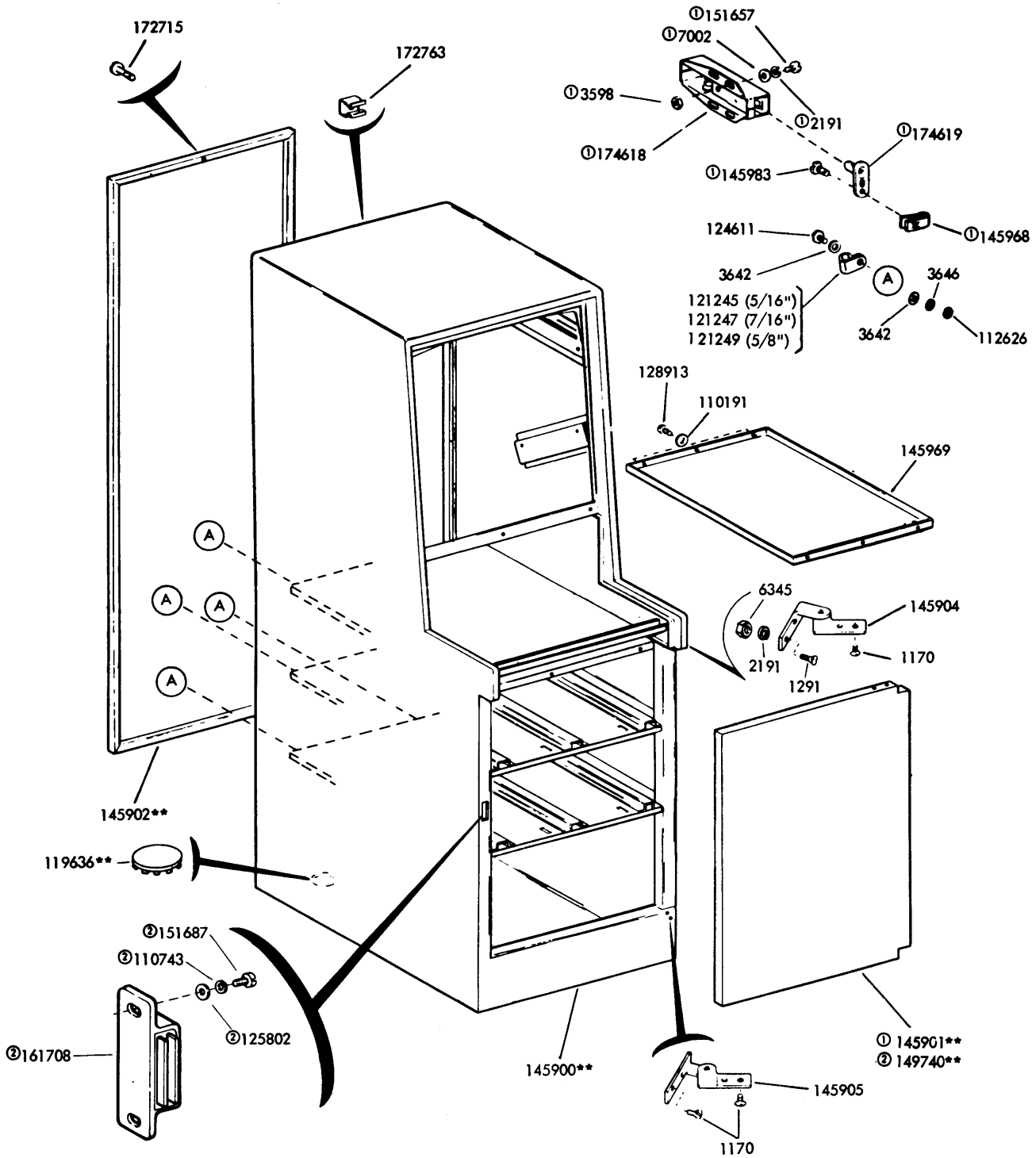
HIGH SPEED TAPE RECEIVER CABINET (AC)
and
MODULES (TRD and TRSC)
TYPES 1 and 2
PARTS

FIGURE	CONTENTS	PAGE	FIGURE	CONTENTS	PAGE
1	Cabinet Frame	2	8	Cable Chart	9
2	Front Panels	3	9	Receiving Distributor Module (TRD)	10
3	Rails and Front Plate	4	10	Receiving Signal Converter Module (TRSC)	11
4	Tape Feed-out Components	5	11	177149** Multi-Voltage Rectifier Module	12
5	Tape Winder Components	6	12	199593 Modification Kit to Provide	
6	Chad Blower Components	7		Automatic Answer	13
7	149787 Modification Kit to Add Brake to Supply Arm on Cabinet	8		Numerical Index	14

PAINT FINISH COLOR CODE CHART (for parts and assemblies requiring a paint finish)													
Color	Finish Suffixes				Color	Finish Suffixes							
	Wrinkle Finish	Smooth Finish	Textured Vinyl	Smooth Vinyl		Wrinkle Finish	Smooth Finish	Textured Vinyl	Smooth Vinyl				
Beige	AA (37)	ET	GC	HC	Gray, Federal	AB (40)	BV	GG	HB (68)				
Beige, Light		EL			Gray, Green		BK	GA (45)					
Beige, Rose		ER			Gray, Light		EJ	HE					
Black		BA (34)			BB		Gray, Covert	EW		GE	HF (46)		
Black, High Gloss							Gray, Olive						
Black, Semi Gloss							Gray, Maritime Deck						
Blue, Aqua							Gray, Oxford						
Blue, Brussels Light		EC			AJ		BJ	EP		GA (45)	HD		
Blue, Medium		ES										AB (40)	BK
Brown, Dark		AD (38)										AC (39)	Green, Gray
Brown, Light	Ivory		EM										
Fawn	AL	BZ	GF	HA	Pink, Rose	EU							
Gray, Beige					Turquoise	EV							
Gray, Charcoal					White	EH							
Gray, Dark					Yellow, Pastel	EG							

The double asterisk (**) denotes a painted part. Suffix to be applied following the part number. Number in parentheses indicates Bell System code.

COLOR CODE CHART FOR MULTI-COLOR APPARATUS		
Color Code	Basic Color	Finish Suffixes
MA	BEIGE	HC and HG
MB	GRAY	HB and HE
MC	GREEN	HD and HB
MH	GRAY	BJ and EJ



① Early Design Door and Latch
 ② New Design Door and Latch
 **Refer to Page 1 for Finish Suffix

FIGURE 1. CABINET FRAME

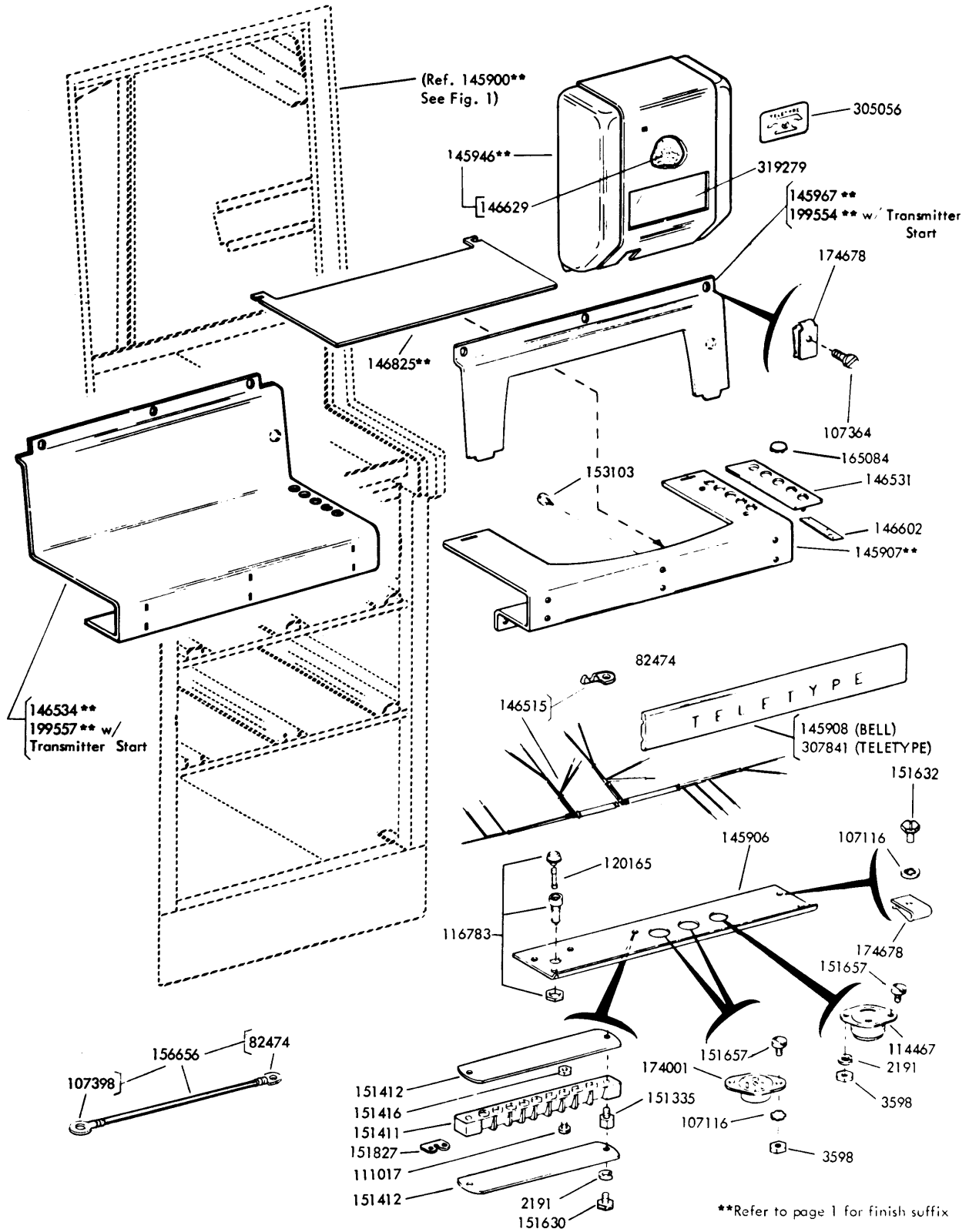
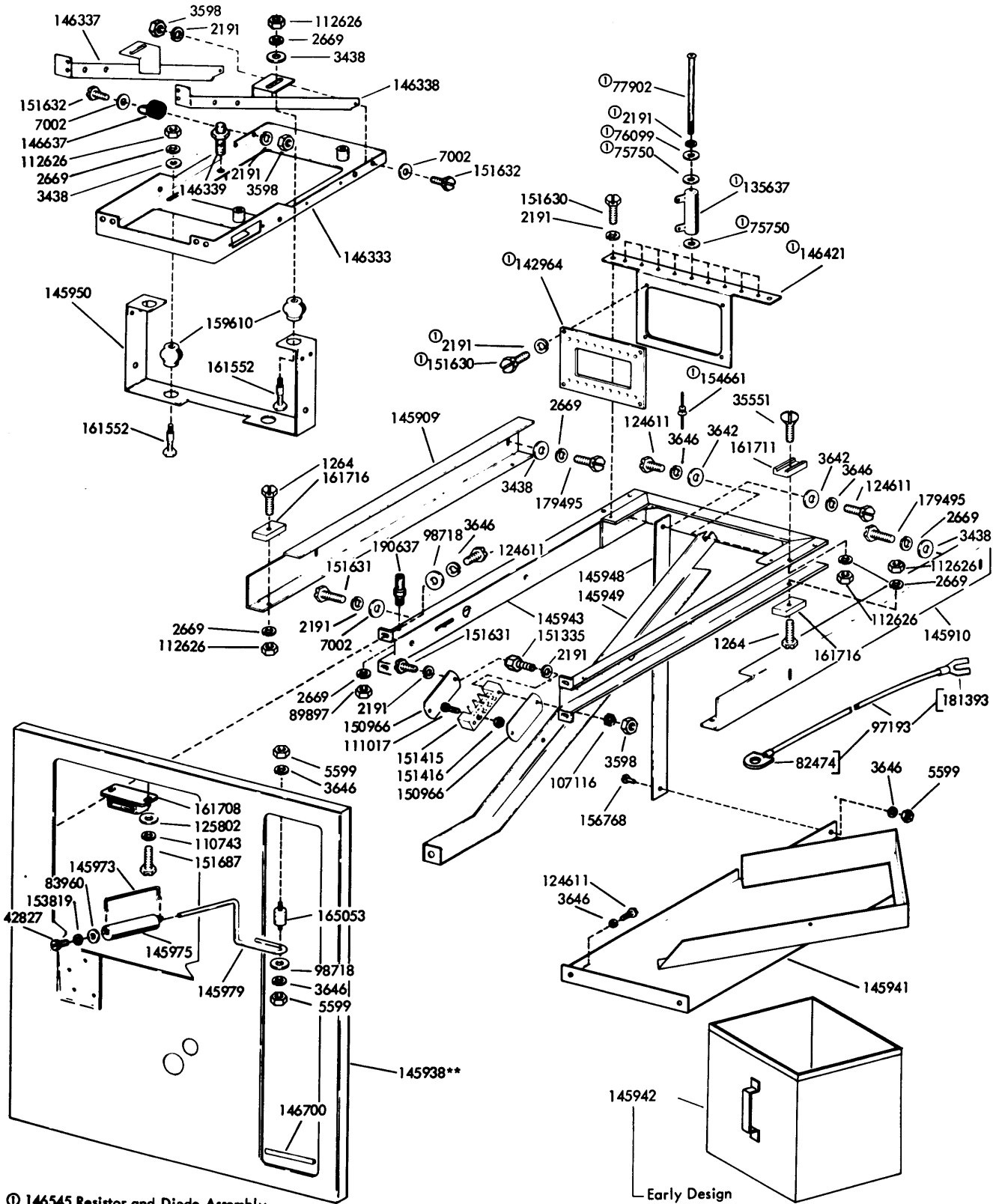


FIGURE 2. FRONT PANELS

SECTION 592-806-800



① 146545 Resistor and Diode Assembly

**Refer to page 1 for finish suffix

Early Design
(For Later Design See Fig. 6)

FIGURE 3. RAILS AND FRONT PLATE

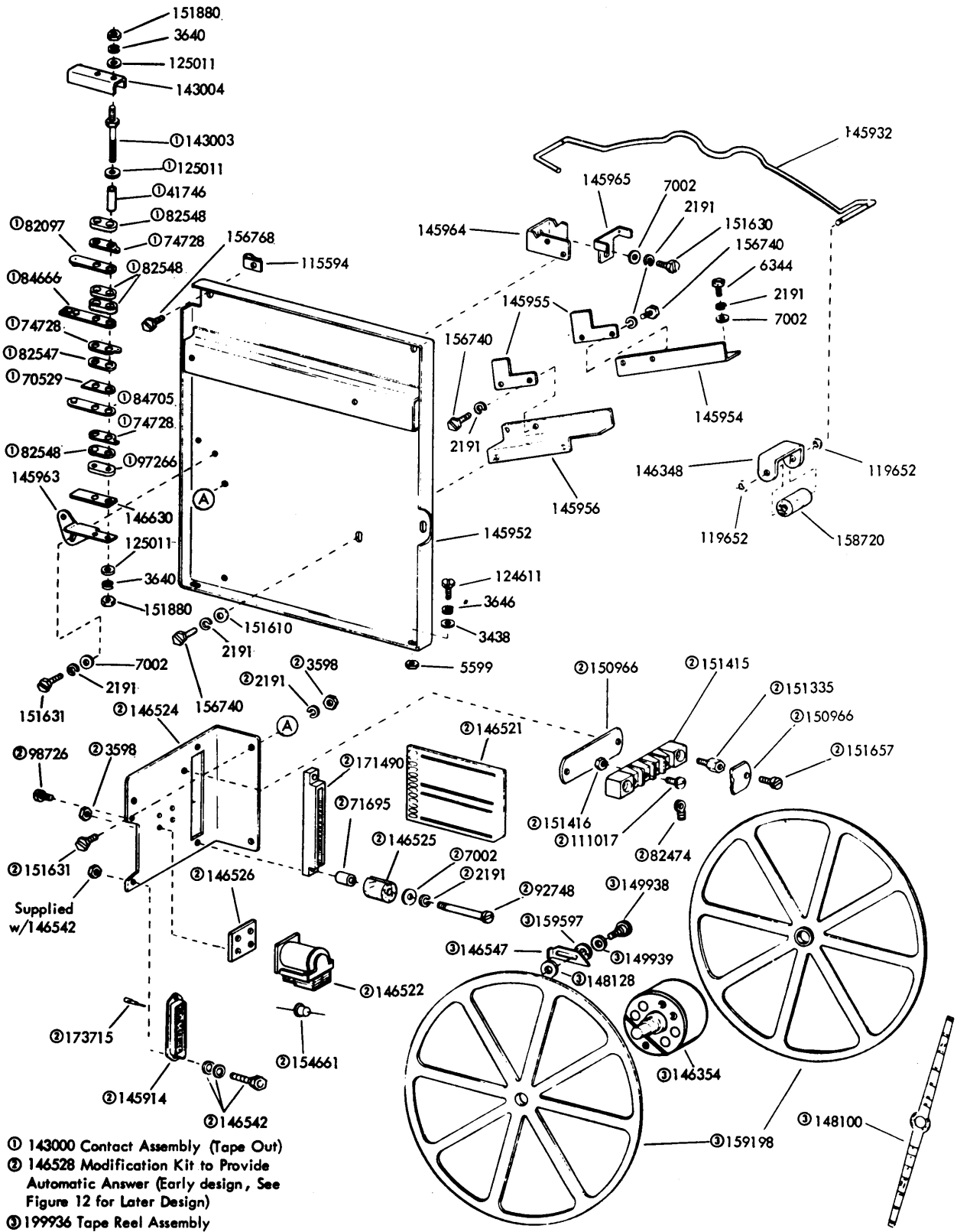
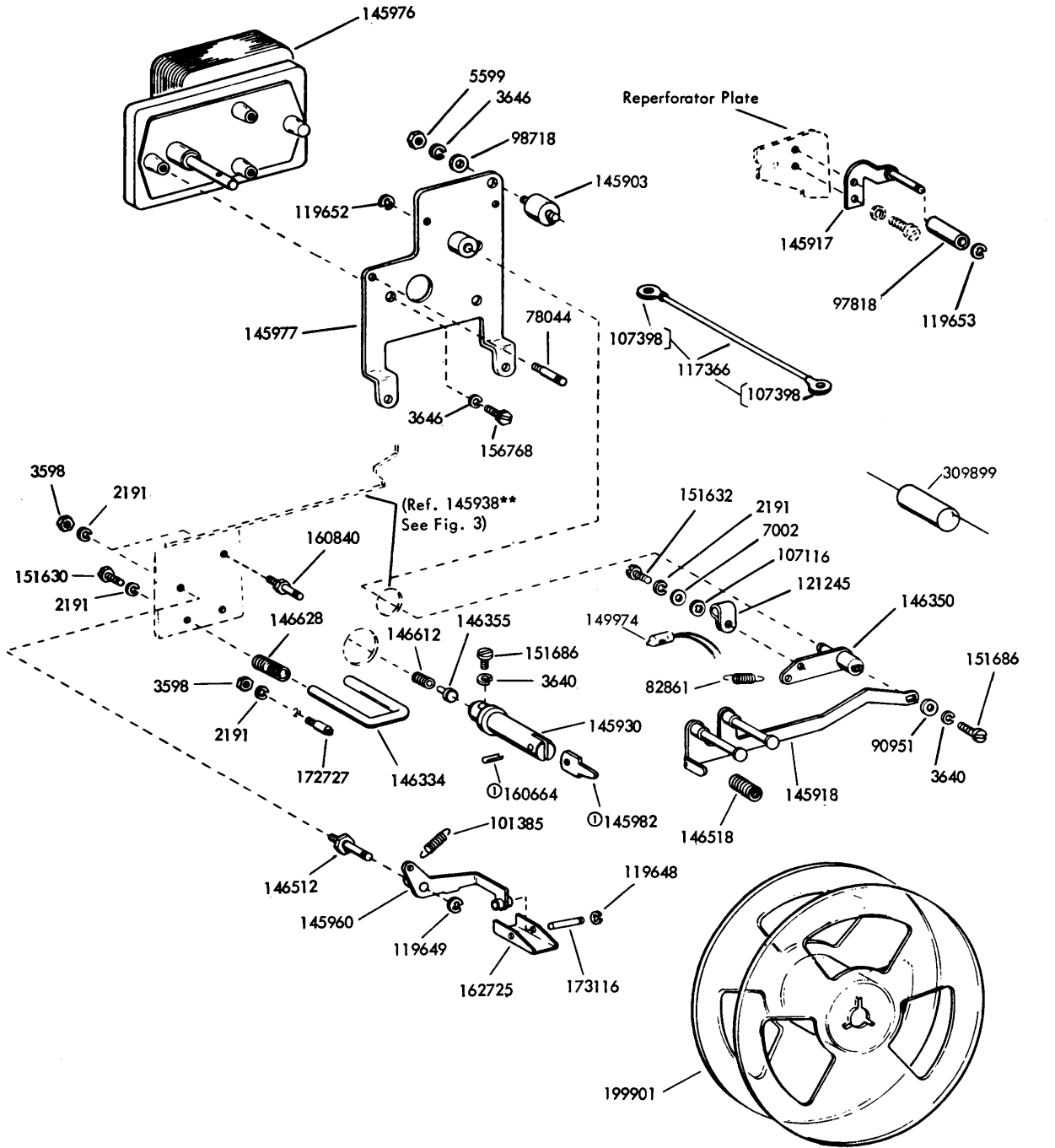


FIGURE 4. TAPE FEED-OUT COMPONENTS



⊙ Part of 145930

**Refer to page 1 for finish suffix

FIGURE 5. TAPE WINDER COMPONENTS

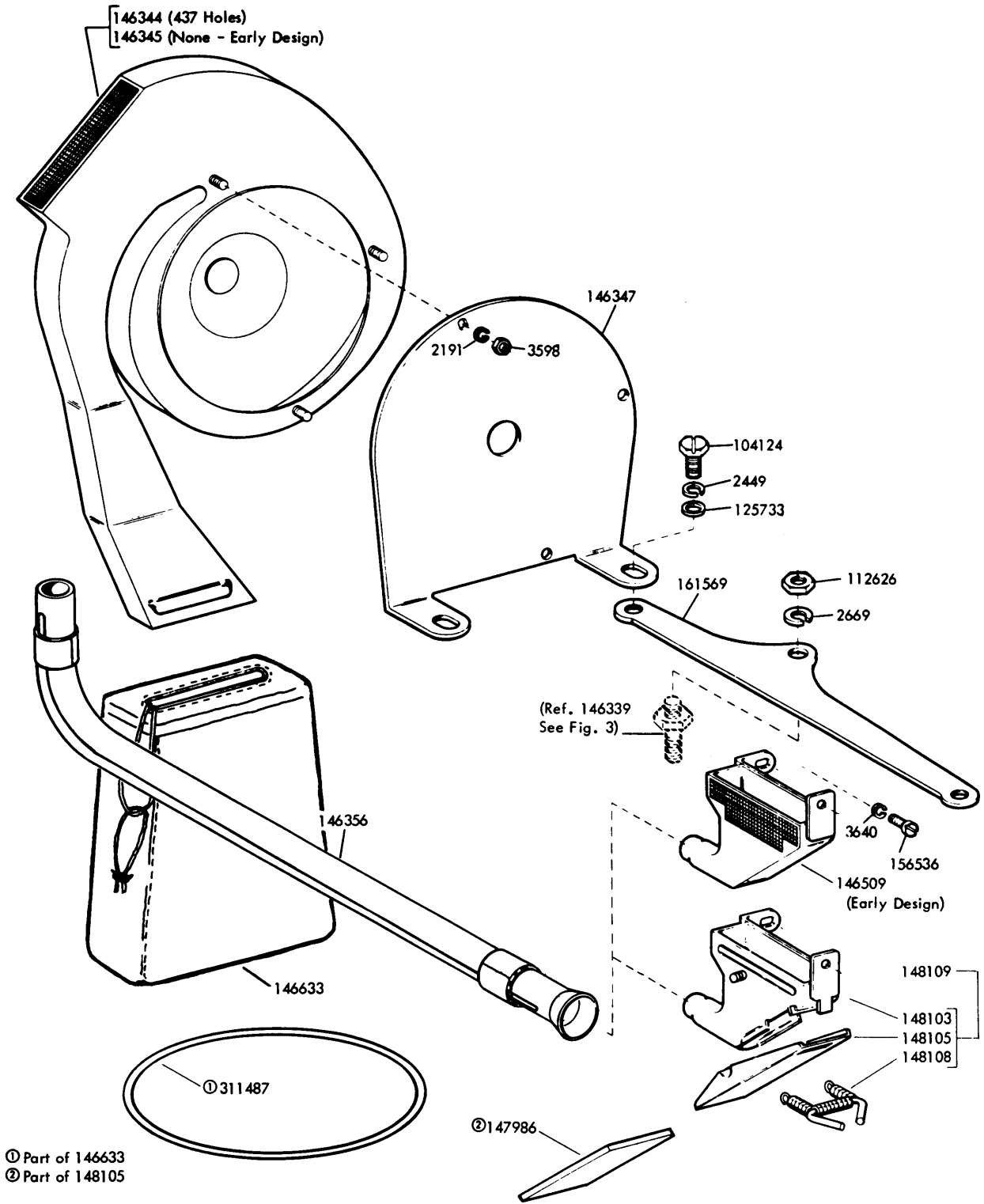
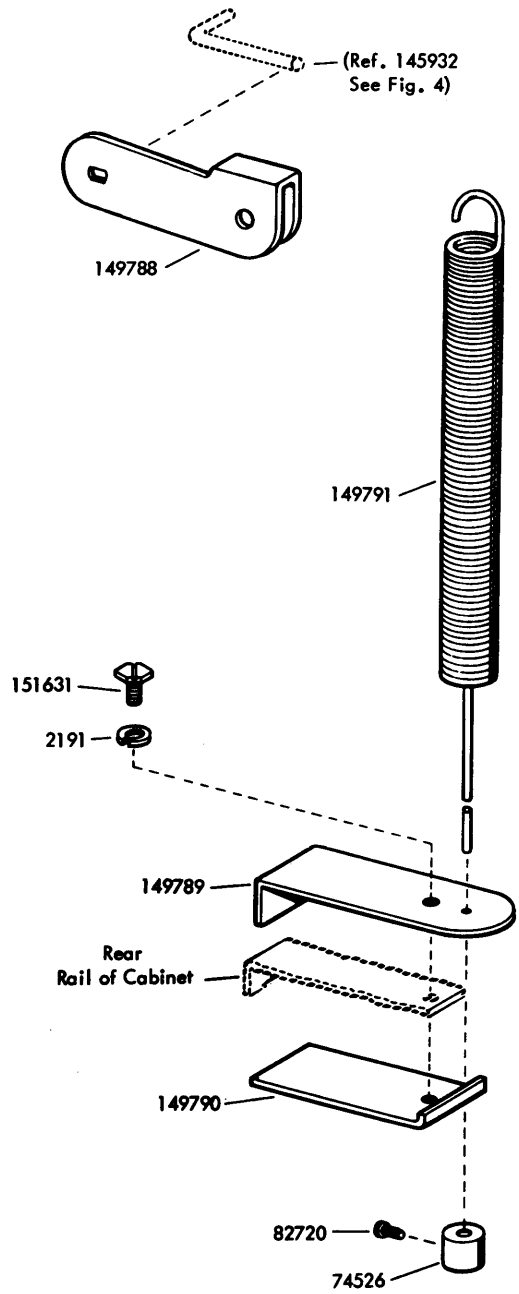
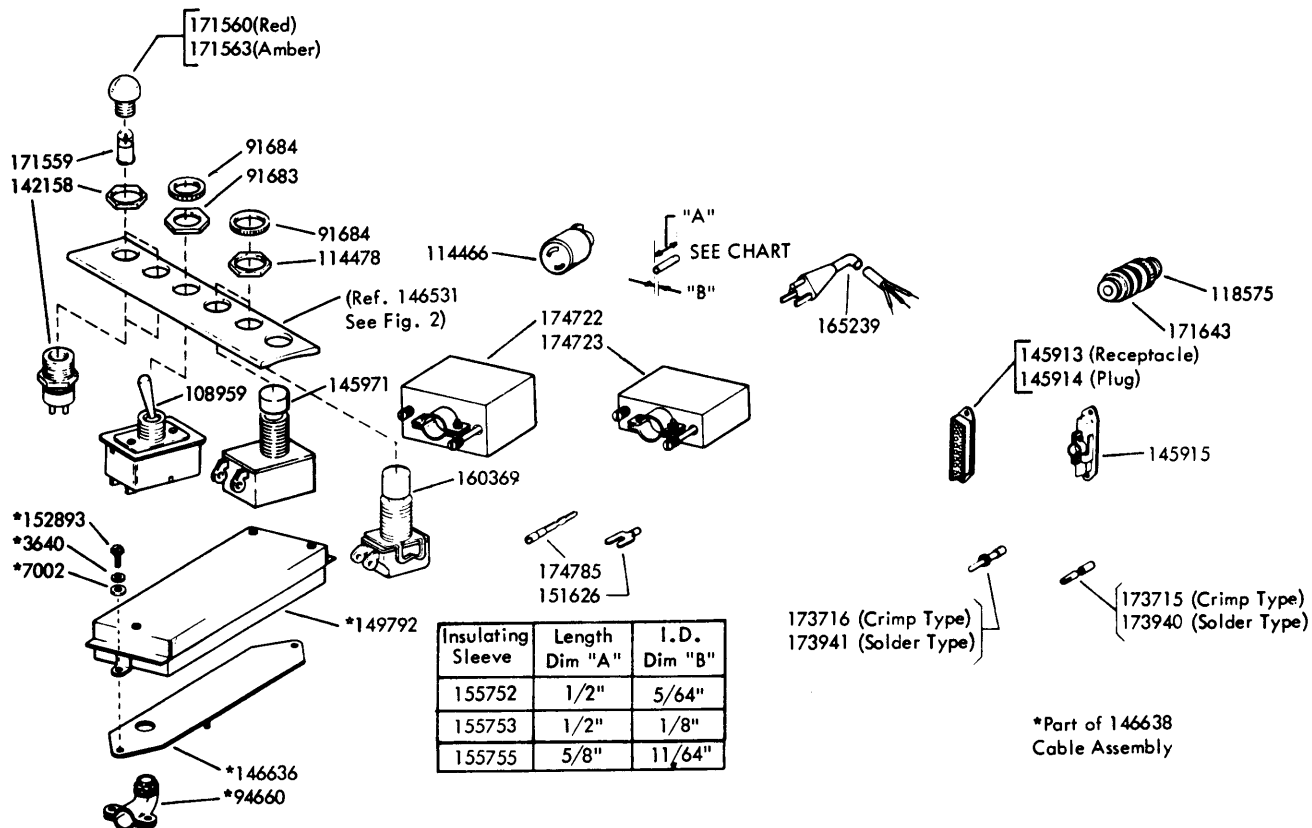


FIGURE 6. CHAD BLOWER COMPONENTS



Specification 503215

FIGURE 7. 149787 MCDIFICATION KIT TO ADD BRAKE TO SUPPLY ARM ON CABINET



Components	Cable Assemblies			
	145951	146420	146631	146638
94660				X
108959			X	
114466		X		X
118578				X
142158	X			
145913	X			
145914	X			
145915	X			
145971			X	
149792				X
151626	X		X	X
155752	X			
155755	X		X	
160369	X			
165239		X		X
171643				X
173715	X			
173716	X			
174722	X			
174723	X			
174785	X			

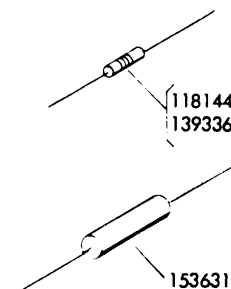


FIGURE 8. CABLE CHART

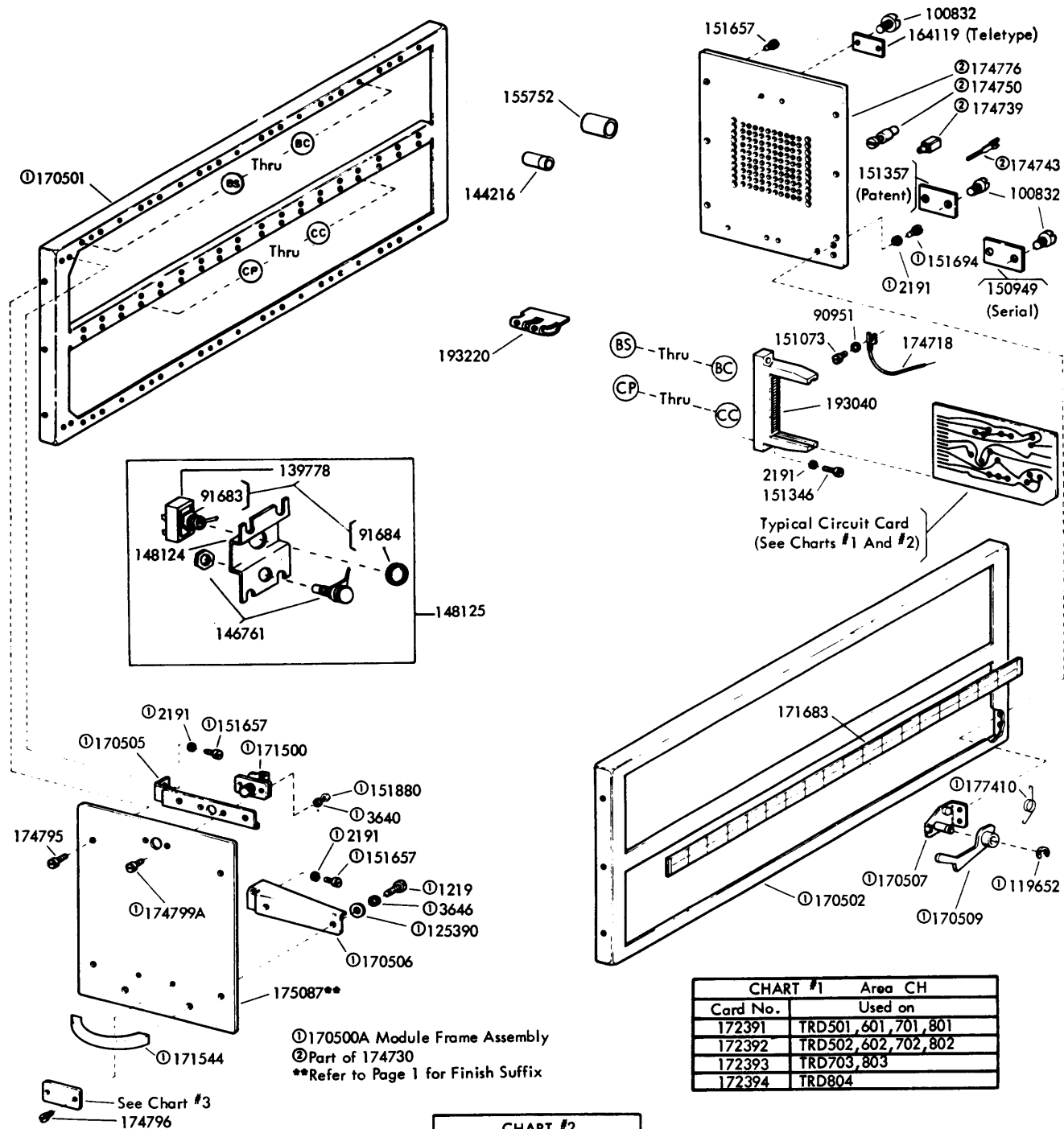


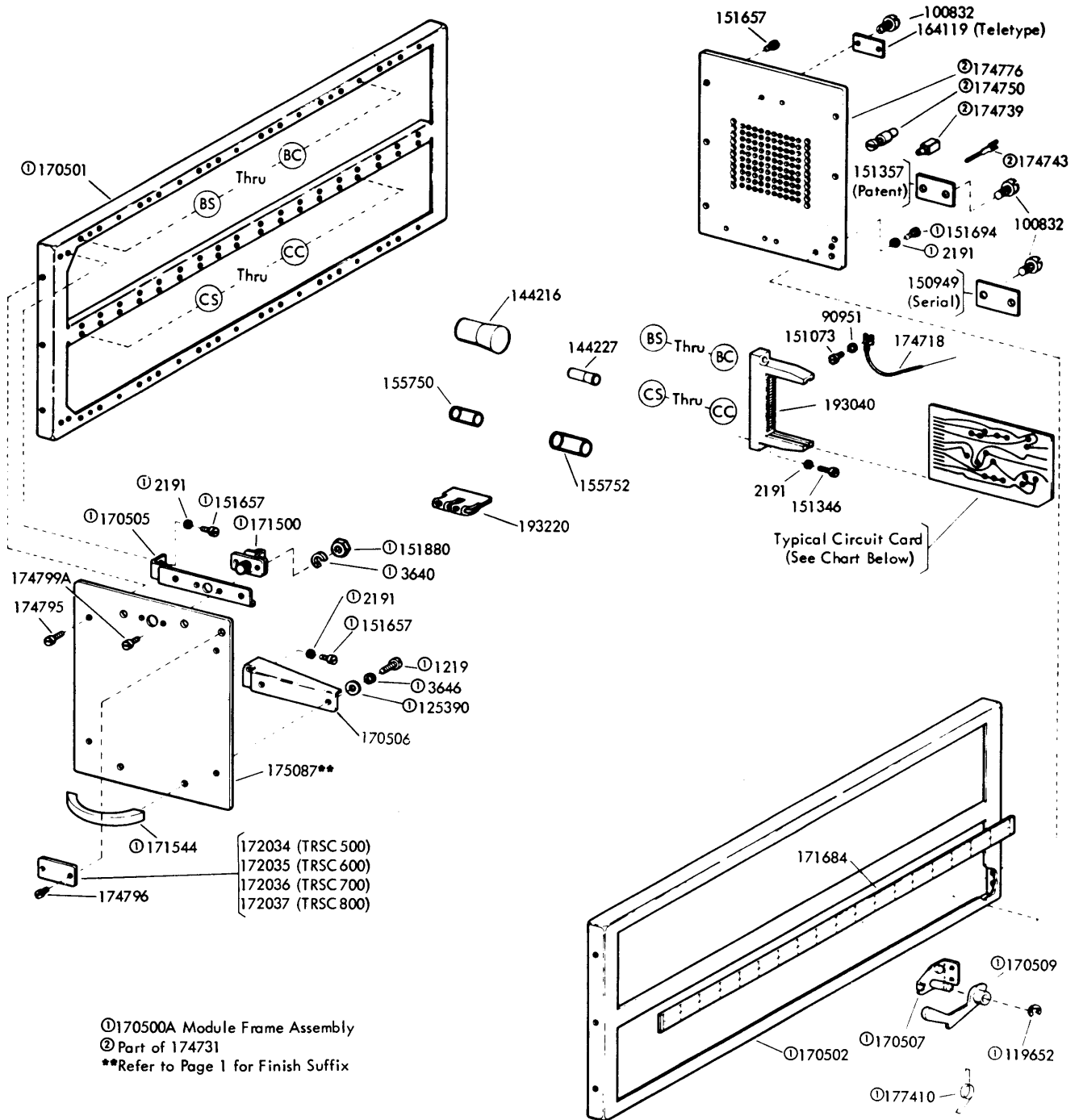
CHART #1		Area CH
Card No.	Used on	
172391	TRD501, 601, 701, 801	
172392	TRD502, 602, 702, 802	
172393	TRD703, 803	
172394	TRD804	

CHART #2																	
Area	BS	BR	BQ	BP	BN	BM	BL	BK	BJ	BH	BG	BF	BE	BD	BC	BB	BA
Designation	Z324	Z303	Z313	Z314	Z315	Z316	Z317	Z318	Z319	Z320	Z310	Z307	Z306	Z308	Z309		
Card No.	172359	172401	172359	172359	172359	172359	172359	172359	172359	172359	172469	172395	172347	172333			
Area	CS	CR	CQ	CP	CN	CM	CL	CK	CJ	CH	CG	CF	CE	CD	CC	CB	CA
Designation				Z301	Z321	Z305	Z302		Z304	Z311		Z312		Z322	Z323		
Card No.				172374		172473	172326		172490			172420		172363	172363		

↑ 172365 (EC365) or 172475 (EC475) See chart #1

CHART #3		Identification Plate										
TRD Unit	501	502	601	602	603	701	702	703	801	802	803	804
Plate No.	172021	172022	172023	172024	172039	172025	172026	172027	172028	172029	172030	172031

FIGURE 9. RECEIVING DISTRIBUTOR MODULE (TRD)



Area	BS	BR	BQ	BP	BN	BM	BL	BK	BJ	BH	BG	BF	BE	BD	BC	BB	BA
Designation	Z 418	Z 417	Z 416	Z 415	Z 414	Z 413	Z 412	Z 411	Z 403	Z 407	Z 406	Z 408	Z 405		Z 410		
Card No.	172359	172359	172359	172359	172359	172359	172359	172359	172359	172469	172351	172347	172322		172333		
Area	CS	CR	CQ	CP	CN	CM	CL	CK	CJ	CH	CG	CF	CE	CD	CC	CB	CA
Designation	Z 427	Z 426	Z 425	Z 424	Z 423	Z 422	Z 421	Z 420	Z 419	Z 409	Z 402	Z 401	Z 429	Z 404	Z 428		
Card No.	172396	172396	172396	172396	172396	172396	172396	172396	172396	172323	172375	172355	172352	172431	172363		

FIGURE 10. RECEIVING SIGNAL CONVERTER MODULE (TRSC)

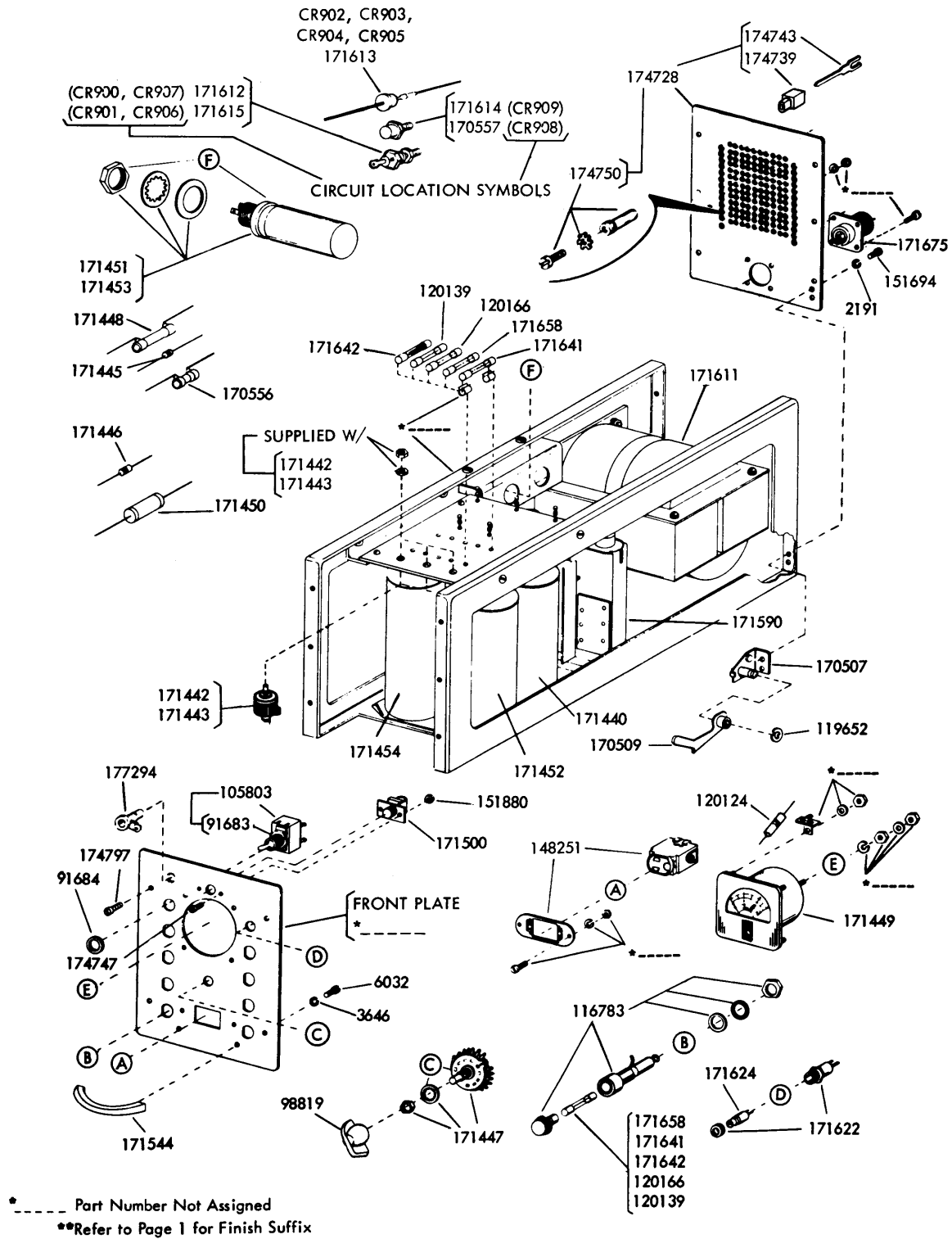


FIGURE 11. 177149** MULTI-VOLTAGE RECTIFIER MODULE

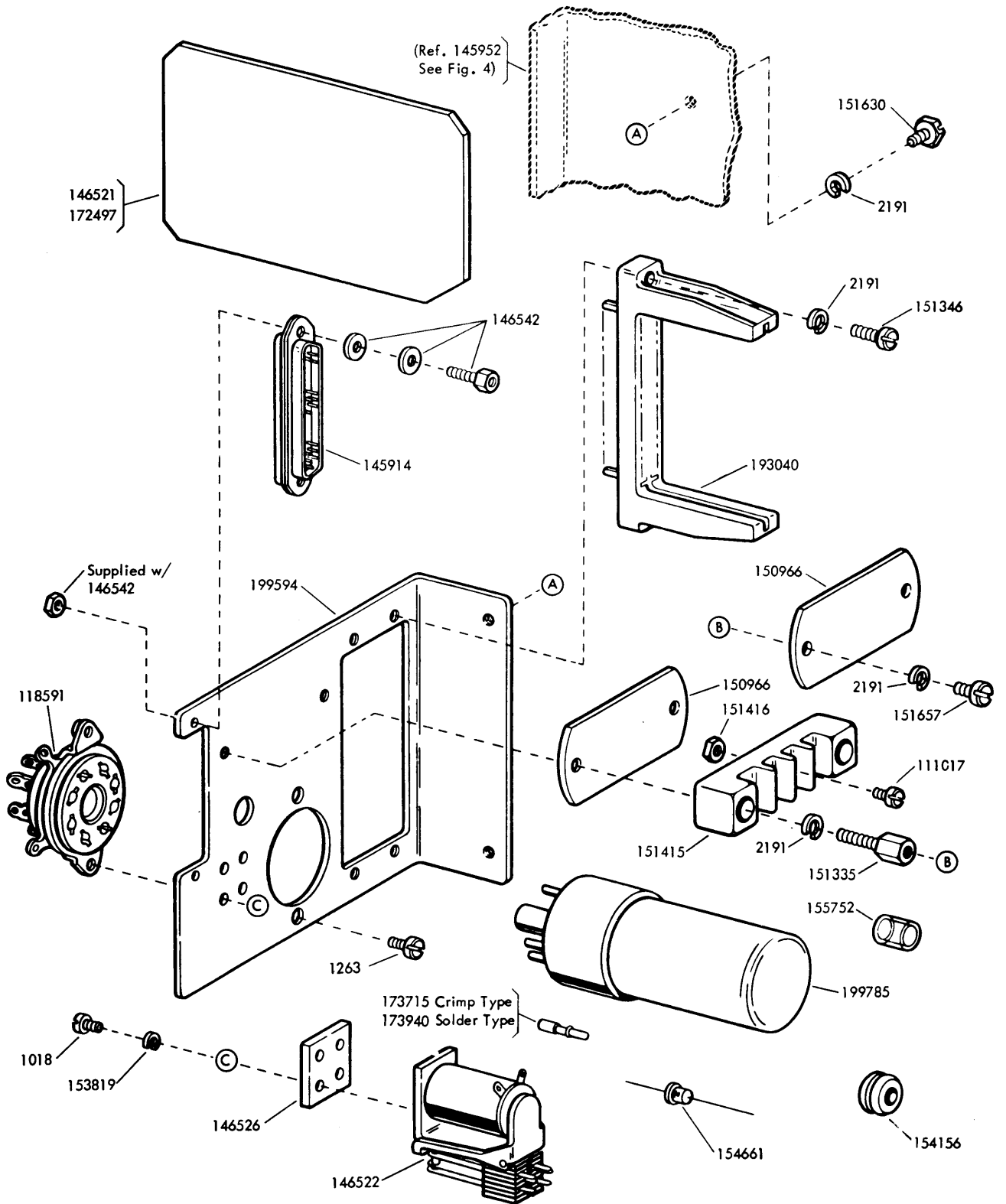


FIGURE 12. 199593 MODIFICATION KIT TO PROVIDE AUTOMATIC ANSWER

NUMERICAL INDEX

Part Number	Description and Page Number	Part Number	Description and Page Number	Part Number	Description and Page Number
1018	Screw (3-48 x 5/16 Fil) 13	117366	Jumper (8-1/2" Green) 6	145968	Nut, Speed (#6) 2
1170	Screw (6-32 x 5/16 Flat) 2	118144	Resistor (2,700 Ohm) 9	145969	Rack, Mounting 2
1219	Screw (8-32 x 5/16 Fil) 10, 11	118575	Nut, Insulating 9	145971	Switch, Pushbutton 9
1263	Screw (6-32 x 1/4 Fil) 13	118578	Clamp, Cable (3/4" ID) 9	145973	Guide, Tape 4
1264	Screw (10-32 x 1/2 Flat) 4	118591	Socket (8 Pt) 13	145975	Roller, Tape Guide 4
1291	Screw (6-32 x 3/4 Flat) 2	119636**	Button, Plug 2	145976	Motor, 115 Volt AC 6
2191	Washer, Lock 2, 3, 4, 5, 6, 7, 8, 10, 11, 12, 13	119648	Ring, Retaining 6	145977	Bracket W/Hub 6
2449	Washer, Lock 7	119649	Ring, Retaining 6	145979	Guide, Tape 4
2669	Washer, Lock 4, 7	119652	Ring, Retaining 5, 6, 10, 11, 12	145982	Detent, Tape Reel 6
3438	Washer, Flat 4, 5	119653	Ring, Retaining 6	145983	Screw, Self-Tapping (#6) 2
3598	Nut (6-40 Hex) 2, 3, 4, 5, 6, 7	120124	Resistor (33000 Ohm) 12	146333	Plate, Base 4
3640	Washer, Lock 5, 6, 7, 9, 10, 11	120139	Fuse (1 Amp) 12	146334	Guide, Tape 6
3642	Washer, Flat 2, 4	120165	Fuse (10 Amp) 3	146337	Brace, Left 4
3646	Washer, Lock 2, 4, 5, 6, 10, 11, 12	120166	Fuse (2 Amp) 12	146338	Brace, Right 4
5599	Nut (8-32 Hex) 4, 5, 6	121245	Clamp, Cable (5/16" ID) 2, 6	146339	Stud 4, 7
6032	Screw (8-32 x 7/16 Fil) 12	121247	Clamp, Cable (7/16" ID) 2	146344	Casing, Fan Wheel 7
6344	Screw (6-32 x 11/32 Hex) 5	121249	Clamp, Cable (5/8" ID) 2	146345	Casing, Fan Wheel 7
6345	Nut (6-32 Hex) 2	124611	Screw (8-32 x 3/8 Hex) 2, 4, 5	146347	Plate, Mounting 7
7002	Washer, Flat 2, 4, 5, 6, 9	125011	Washer, Flat 5	146348	Bracket, Tape Guide 5
35551	Screw (10-32 x 3/8 Flat) 4	125390	Washer, Flat 10, 11	146350	Lever W/Shaft 6
41746	Bushing, Insulating 5	125733	Washer, Flat 7	146354	Core W/Bearing 5
42827	Screw (3-48 x 1/4 Fil) 4	125802	Washer, Flat 2, 4	146355	Plunger 6
70529	Stiffener 5	128913	Screw, Self-Tapping (8-32) 2	146356	Tube, Chad 7
71695	Spacer 5	135637	Resistor (25 Ohm) 4	146420	Cable Assembly 9
74526	Collar 8	139336	Resistor (150 Ohm) 9	146421	Bracket, Mounting 4
74728	Terminal, Contact 5	139778	Switch, Toggle (DP-DT) 10	146509	Chute W/Bracket 7
75750	Washer, Insulating 4	142158	Holder, Lamp 9	146512	Post 6
76099	Washer, Flat 4	142964	Board, Terminal 4	146515	Cable W/Terminals 3
77902	Screw (6-40 x 2-3/8 Rd) 4	143000	Contact Assembly, Tape Out 5	146518	Roller, Spring 6
78044	Post, Spring 6	143003	Stud 5	146521	Card, Circuit (EC521) 5, 13
82097	Spring, Contact 5	143004	Cover, Insulating 5	146522	Relay, Motor Control 5, 13
82474	Terminal 3, 4, 5	144216	Connector, Red Insulated 10, 11	146524	Plate, Mounting 5
82547	Insulator (.094") 5	144227	Connector, Black Insulated 11	146525	Guide, Card 5
82548	Insulator (.062") 5	145900**	Shell, Cabinet 2, 3	146526	Spacer (.125") 5, 13
82720	Screw, Set (6-40) 8	145901**	Door, Front 2	146528	Modification Kit 5
82861	Spring 6	145902**	Panel, Rear 2	146531	Faceplate 3,9
83960	Washer, Flat 4	145903	Mount, Vibration 6	146534**	Panel, Blank 3
84666	Spring, Contact 5	145904	Hinge, Top 2	146542	Post Assembly 5, 13
84705	Spring, Contact 5	145905	Hinge, Bottom 2	146545	Resistor Assembly 4
89897	Nut (10-32 Hex) 4	145906	Panel, Service 3	146547	Latch, Core 5
90951	Washer, Lock 6, 10, 11	145907**	Panel, Control 3	146602	Card, Identification 3
91683	Nut (15/32-32 Hex) 9, 10, 12	145908	Plate, Name 3	146612	Spring, Compression 6
91684	Nut (15/32-32 Ring) 9, 10, 12	145909	Channel, Left 4	146628	Roller, Spring 6
92748	Screw (6-40 x 1-7/16 Fil) 5	145910	Channel, Right 4	146629	Pad, Cover 3
94660	Connector (90°) 9	145913	Connector, Receptacle Type (25 Pt) 9	146630	Insulator (.015") 5
97193	Jumper (12-1/2" Black) 4	145914	Connector, Plug Type 5, 9, 13	146631	Cable Assembly W/Suppressor 9
97266	Plate, Clamp 5	145915	Clamp, Cable 9	146633	Bag, Chad 7
97818	Roller, Tape 6	145917	Bracket W/Post 6	146636	Bracket, Mounting 9
98718	Washer, Flat 4, 6	145918	Arm, Tape 6	146637	Clip, Spring 4
98726	Screw (3-48 x 1/4 Fil) 5	145930	Hub Assembly 6	146638	Cable Assembly W/Suppressor 9
98819	Knob 12	145932	Arm, Tape Brake 5, 8	146700	Strip, Trim 4
100832	Screw, Drive (#0 x 3/16) 10, 11	145938**	Plate, Front 4, 6	146761	Jack, Banana (Red) 10
101385	Spring 6	145941	Tray, Chad Bag 4	146825**	Plate, Adapter 3
104124	Screw (1/4-32 x 11/32 Hex) 7	145942	Box, Chad 4	147986	Pad W/Adhesive 7
105803	Switch, Toggle (DP-ST) 12	145943	Frame, Inner 4	148100	Decal 5
107116	Washer, Lock 3, 4, 6	145946**	Cover W/Pad and Window 3	148103	Chute W/Bracket 7
107364	Screw (6-32 x 3/8 Fil) 3	145948	Brace 4	148105	Lid 7
107398	Terminal 3, 6	145949	Brace 4	148108	Clip, Spring 7
108959	Switch, Toggle (DP-ST) 9	145950	Bracket, Vibration Mounting 4	148109	Chute Assembly, Chad 7
110191	Washer, Lock 2	145951	Cable Assembly 9	148124	Bracket 10
110743	Washer, Lock 2, 4	145952	Panel, Divider 5, 13	148125	Switch Assembly 10
111017	Screw (6-40 x 5/16 Fil) 3, 4, 5, 13	145954	Slide 5	148128	Washer, Flat 5
112626	Nut (10-32 Hex) 2, 4, 7	145955	Plate, Bearing 5	148251	Connector, Receptacle (3 Pt) 12
114466	Connector, Receptacle (3 Pt) 9	145956	Slide 5	149740**	Door, Front 2
114467	Connector, Plug (3 Pt) 3	145960	Lever W/Hub 6	149787	Modification Kit 1, 8
114478	Nut (15/32-32 Hex) 9	145963	Bracket, Contact Mounting 5	149788	Lever, Tape Brake 8
115594	Nut, Speed 5	145964	Bracket, Brake Arm Mounting 5	149789	Plate, Lower Guide 8
116783	Holder, Fuse 3, 12	145965	Bracket, Brake Retaining 5	149790	Plate, Nut 8
		145967**	Panel 3	149791	Spring, Tape Arm 8
				149792	Suppressor, Noise 9

**Refer to page 1 for finish suffix

NUMERICAL INDEX (Continued)

Part Number	Description and Page Number	Part Number	Description and Page Number	Part Number	Description and Page Number
149938	Screw, Shoulder (4-40) 5	170505	Gusset, Upper 10, 11	172365	Card, Circuit (EC365) 10
149939	Washer, Spring 5	170506	Gusset, Lower 10, 11	172374	Card, Circuit (EC374) 10
149974	Switch, Mercury 6	170507	Bracket, Latch 10, 11, 12	172375	Card, Circuit (EC375) 11
150949	Plate, Serial 10, 11	170509	Latch W/Hub 10, 11, 12	172391	Card, Circuit (EC391) 10
150966	Insulator (1-4) 4, 5, 13	170556	Resistor (300 Ohms) 12	172392	Card, Circuit (EC392) 10
151073	Screw (4-40 x 5/32 Fil) 10, 11	170557	Diode 12	172393	Card, Circuit (EC393) 10
151335	Stud 3, 4, 5, 13	171440	Capacitor (10000 MFD) 12	172394	Card, Circuit (EC394) 10
151346	Screw (6-40 x 3/8 Fil) 10, 11, 13	171442	Rheostat (2 Ohms) 12	172395	Card, Circuit (EC395) 10
151357	Plate, Patent 10, 11	171443	Rheostat (10 Ohms) 12	172396	Card, Circuit (EC396) 11
151411	Block, Terminal 3	171445	Resistor (15 Ohms) 12	172401	Card, Circuit (EC401) 10
151412	Insulator (1-9) 3	171446	Resistor (120 Ohms) 12	172420	Card, Circuit (EC420) 10
151415	Block, Terminal 4, 5, 13	171447	Switch, Rotary 12	172431	Card, Circuit (EC431) 11
151416	Nut (6-40 Hex) 3, 4, 5, 13	171448	Resistor (10 Ohms) 12	172469	Card, Circuit (EC469) 10, 11
151610	Washer, Flat 5	171449	Voltmeter 12	172473	Card, Circuit (EC473) 10
151626	Terminal 9	171450	Capacitor (.5 MFD) 12	172475	Card, Circuit (EC475) 10
151630	Screw (6-40 x 1/4 Hex) 3, 4, 5, 6, 13	171451	Capacitor (3500 MFD) 12	172490	Card, Circuit (EC490) 10
151631	Screw (6-40 x 5/16 Hex) 4, 5, 8	171452	Capacitor (17000 MFD) 12	172497	Card, Circuit (EC497) 13
151632	Screw (6-40 x 3/8 Hex) 3, 4, 6	171453	Capacitor (6200 MFD) 12	172715	Screw, Captive (10-24) 2
151657	Screw (6-40 x 1/4 Fil) 2, 3, 5, 10, 11, 13	171454	Capacitor (48000 MFD) 12	172727	Post 6
151686	Screw (4-40 x 3/8 Fil) 6	171490	Connector, Card (15 Pt) 5	172763	Nut, Grip 2
151687	Screw (4-40 x 7/16 Fil) 2, 4	171500	Fastener 10, 11, 12	173116	Pin 6
151694	Screw (6-40 x 11/32 Fil) 10, 11, 12	171544	Handle (2-3/4" Lg) 10, 11, 12	173715	Terminal, Plug Type 5, 9, 13
151827	Strap, Terminal 3	171559	Lamp (28 V) 9	173716	Terminal, Receptacle Type 9
151880	Nut (4-40 Hex) 5, 10, 11, 12	171560	Lens, Lamp (Red) 9	173940	Terminal, Plug Type 9, 13
152893	Screw (4-40 x 1/4 Hex) 9	171563	Lens, Lamp (Amber) 9	173941	Terminal, Receptacle Type 9
153103	Screw, Self-Tapping (4-40) 3	171590	Capacitor (3 MFD) 12	174001	Connector, Receptacle (3 Pt) 3
153631	Network, Spark Suppression 9	171611	Transformer 12	174618	Latch, Door 2
153819	Washer, Lock 4, 13	171612	Diode 12	174619	Strike, Door 2
154156	Grommet, Rubber 13	171613	Diode 12	174678	Nut, Speed 3
154661	Diode 4, 5, 13	171614	Diode 12	174718	Jumper (4" Black) 10,11
155750	Sleeve, Insulating (3/32 ID x 1/2" Lg) 11	171615	Diode 12	174722	Connector, Plug (50 Pt) 9
155752	Sleeve, Insulating (5/64 ID x 5/8" Lg) 9, 10, 11, 13	171622	Holder, Lamp 12	174723	Connector, Plug (80 Pt) 9
155753	Sleeve, Insulating (1/8 ID x 1/2" Lg) 9	171624	Cartridge, Lamp (Amber-ON) 12	174728	Plate Assembly (50 Pt) 12
155755	Sleeve, Insulating (11/64 ID x 5/8" Lg) 9	171641	Fuse (6 Amp) 12	174730	Plate Assembly (50 Pt) 10
156536	Screw (4-40 x 1/8 Fil) 7	171642	Fuse (1.6 Amp) 12	174731	Plate Assembly (80 Pt) 11
156656	Jumper (2-3/4" Black) 3	171643	Connector, Receptacle (3 Pt) 9	174739	Insulator, White 10, 11, 12
156740	Screw (6-40 x 7/32 Hex) 5	171658	Fuse (3 Amp) 12	174743	Terminal, Plug Type 10, 11, 12
156768	Screw (8-32 x 9/32 Hex) 4, 5, 6	171675	Connector, Plug (3 Pt) 12	174747	Screw (4-40 x 5/16 Fil) 12
158720	Roller 5	171683	Strip, Identification 10	174750	Key Assembly 10, 11, 12
159198	Retainer, Tape 5	171684	Strip, Identification 11	174776	Plate, Connector 10,11
159597	Washer, Flat 5	172021	Plate, Identification 10	174785	Terminal, Plug Type 9
159610	Mount, Vibration 4	172022	Plate, Identification 10	174795	Screw (6-40 x 1/4 Fil) 10, 11
160369	Switch, Pushbutton 9	172023	Plate, Identification 10	174796	Screw (2-56 x 5/64 Fil) 10, 11
160664	Pin, Roll 6	172024	Plate, Identification 10	174797	Screw (6-40 x 3/8 Fil) 12
160840	Post, Anchor 6	172025	Plate, Identification 10	174799A	Screw (4-40 x 11/32 Fil) 10, 11
161552	Screw (10-32 Spl) 4	172026	Plate, Identification 10	175087**	Plate, Front 10, 11
161569	Plate 7	172027	Plate, Identification 10	177149**	Module 1, 12
161708	Latch, Magnetic 2, 4	172028	Plate, Identification 10	177294	Jack, Banana (Black) 12
161711	Block, Guide 4	172029	Plate, Identification 10	177410	Spring, Lutch 10, 11
161716	Block, Support 4	172030	Plate, Identification 10	179495	Screw (10-24 x 1/2 Hex) 4
162725	Depressor, Chad 6	172031	Plate, Identification 10	181393	Terminal 4
164119	Plate, Identification (Teletype) 10, 11	172034	Plate, Identification 11	190637	Post 4
165053	Cushion, Red Rubber 4	172035	Plate, Identification 11	193040	Connector, Card (15 Pt) 10, 11, 13
165084	Button 3	172036	Plate, Identification 11	193220	Clip, Jumper 10, 11
165239	Cord W/Plug 9	172037	Plate, Identification 11	199554**	Panel 3
170500A	Frame Assembly 1C, 11	172039	Plate, Identification 10	199557**	Panel, Blank 3
170501	Frame, Left 10, 11	172322	Card, Circuit (EC322) 11	199593	Modification Kit 1, 13
170502	Frame, Right 10, 11	172323	Card, Circuit (EC323) 11	199594	Plate, Mounting 13
		172326	Card, Circuit (EC326) 10	199785	Relay, Delay 13
		172333	Card, Circuit (EC333) 10, 11	199901	Reel, Tape 6
		172347	Card, Circuit (EC347) 10, 11	199936	Reel Assembly, Tape 5
		172351	Card, Circuit (EC351) 11	305056	Plate, Identification 3
		172352	Card, Circuit (EC352) 11	307841	Plate, Name 3
		172355	Card, Circuit (EC355) 11	309899	Network, Spark Suppression 6
		172359	Card, Circuit (EC359) 10, 11	311487	Ring, Chad Bag 7
		172363	Card, Circuit (EC363) 10, 11	319279	Window 3

**Refer to page 1 for finish suffix

HIGH SPEED TAPE PUNCH (BRPE1 to BRPE5)
HIGH SPEED TAPE PUNCH BASE (BRPEB2 to BRPEB4)
and
HIGH SPEED TAPE PUNCH COVER

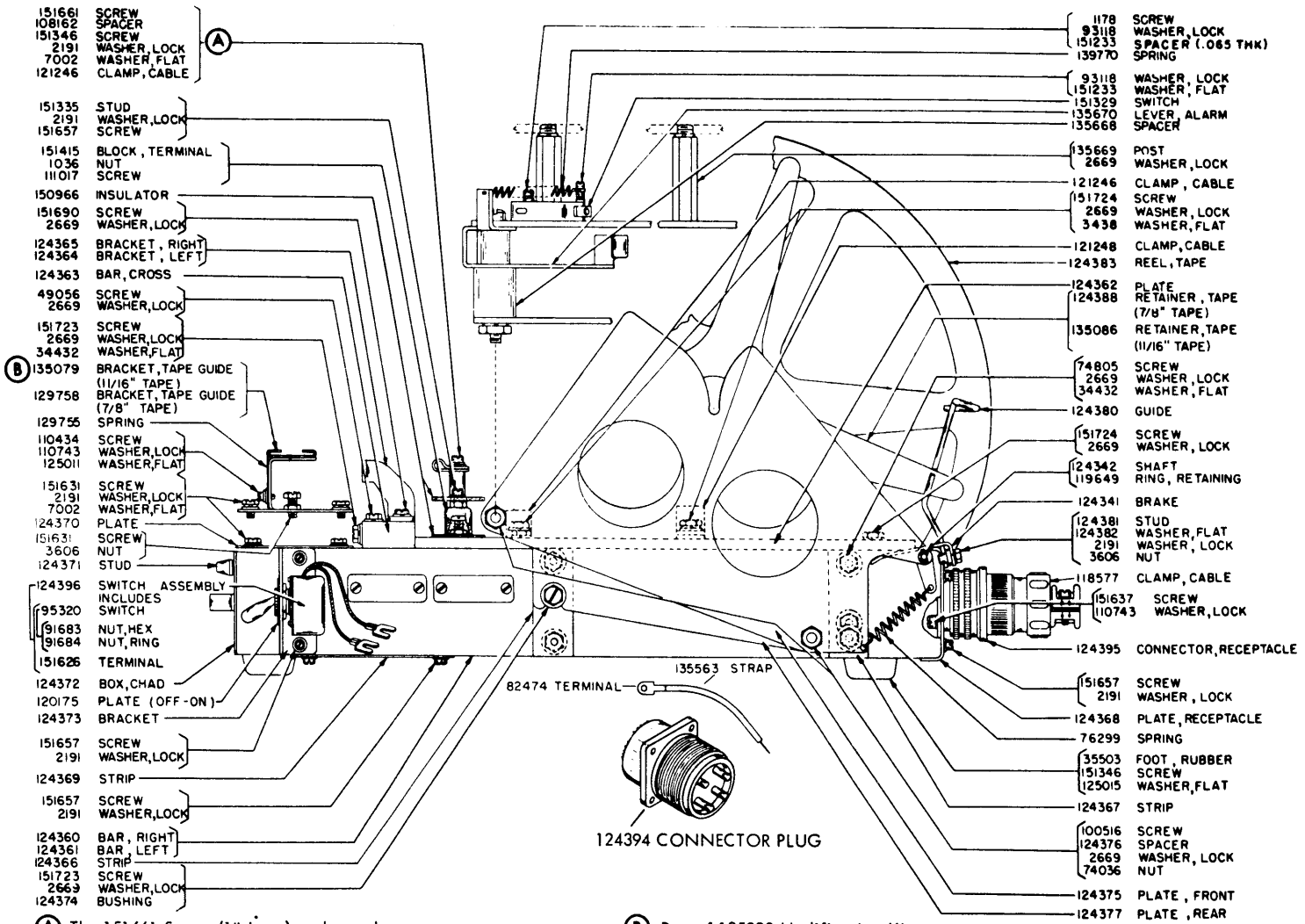
FIGURE	CONTENTS	PAGE	FIGURE	CONTENTS	PAGE
1	Base	2	14	136127** Modification Kit to Equip a High Speed Tape Punch with a Motor Cover	9
2	Magnet Mounting Plate Mechanism	3	15	139956 Modification Kit to Add a Magnetic Pick-up	10
3	Punch Blocks	4	16	113779 and 135080 Modification Kit to Provide Motor Mounting and Drive Parts (600 O.P.M. Gear Drive)	11
4	Shaft Mechanism	5	17	135259 Modification Kit to Provide Motor Mounting and Drive Parts (3600 O.P.M. Direct Drive)	11
5	Bail and Link Mechanism	5	18	113762 Modification Kit to Provide Motor Mounting and Drive Parts (3800 O.P.M. Belt Drive)	12
6	Tape Tension Lever and Tape Roller Mechanism	5		Numerical Index	13
7	Feed Wheel and Tape Guide Mechanism	5			
8	Main Shaft Mechanism	6			
9	Tape Feed-out Mechanism	6			
10	124304 Timing Contact Box Assembly	7			
11	Contact Box Mounting Plate	7			
12	Tape Guide Bracket	8			
13	Window Cover	8			

PAINT FINISH COLOR CODE CHART (for parts and assemblies requiring a paint finish)									
Color	Finish Suffixes				Color	Finish Suffixes			
	Wrinkle Finish	Smooth Finish	Textured Vinyl	Smooth Vinyl		Wrinkle Finish	Smooth Finish	Textured Vinyl	Smooth Vinyl
Black	AA (37)	BB			Brussels Light Blue		EC		
Dark Brown	AD (38)				Medium Blue		ES		
Gray Green	AB (40)	BK	GA (45)		Cherry Red		EF		
Charcoal Gray	AL	BZ		HA	Pastel Yellow		EG		
Dark Gray			GB		White		EH		
Light Gray		EJ		HB (68)	Ivory		EM		
Beige Gray			GC		Beige		ET		
Light Beige		EL		HC	Rose Beige		ER		
Moss Green		EN		HD	Rose Pink		EU		
Eye Rest Green		EA			Dark Covert Gray				HE
Turquoise		EV			Light Olive Gray		EW	GE	HF (46)
Aqua Blue		EK			Fawn				HG

The double asterisks (**) denotes a painted part. Suffix to be applied following the part number. Number in parenthesis indicates Bell System code

COLOR CODE CHART FOR MULTI-COLOR APPARATUS		
Color Code	Basic Color	Finish Suffixes
MA	BEIGE	HC and HG
MB	GRAY	HB and HE
MC	GREEN	HD and HB
MH	GRAY	BJ and EJ

FIGURE 1. BASE



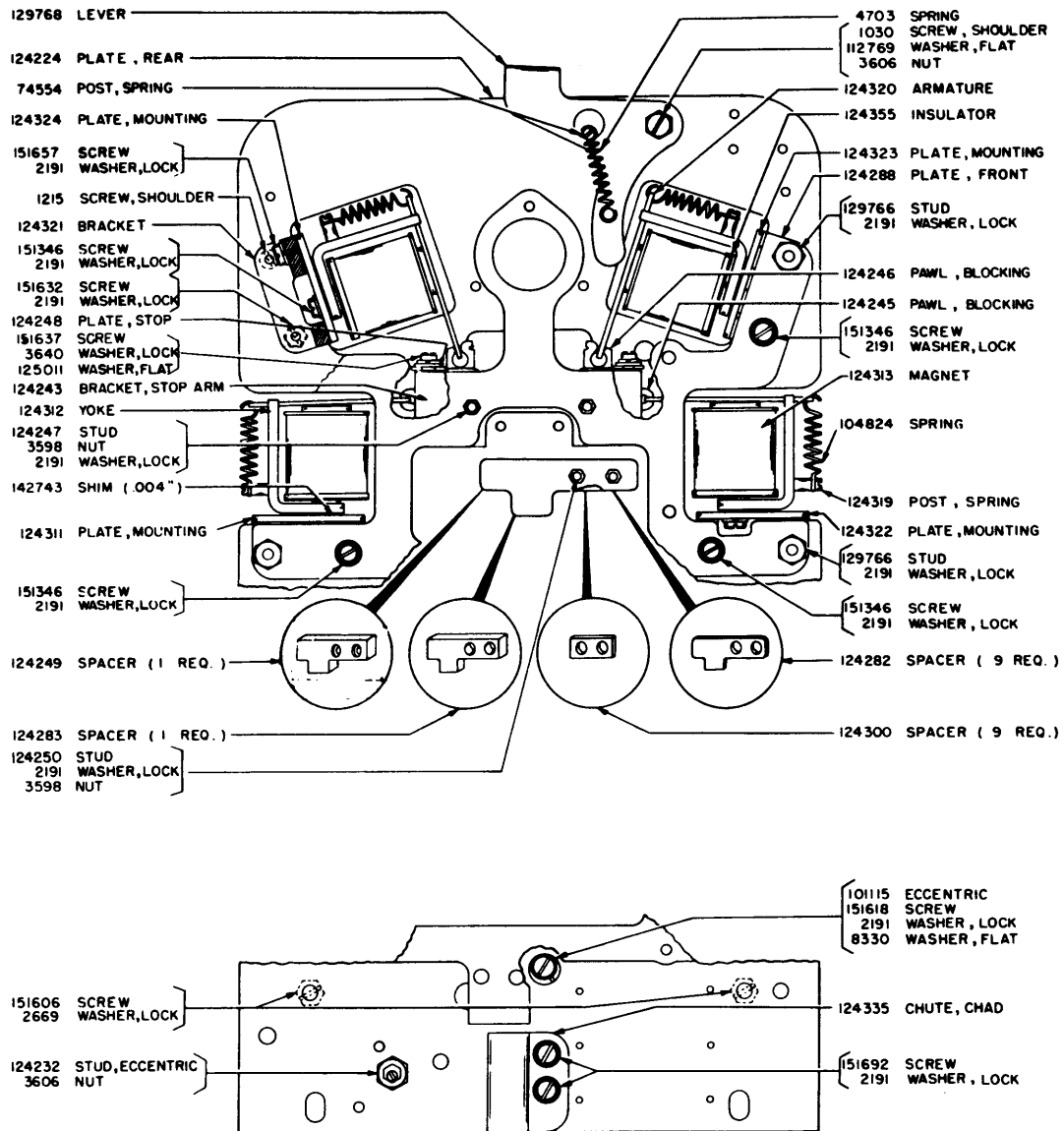
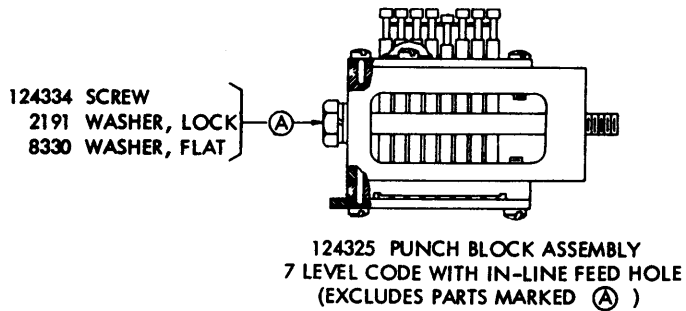
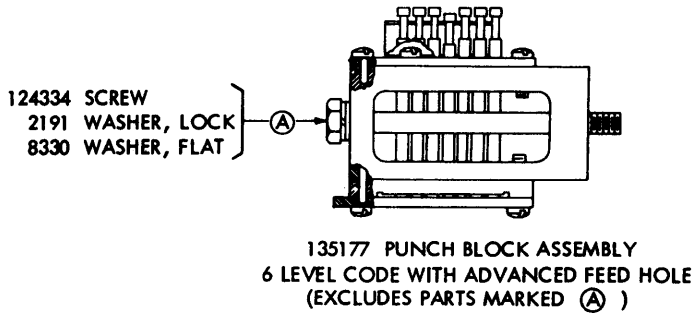
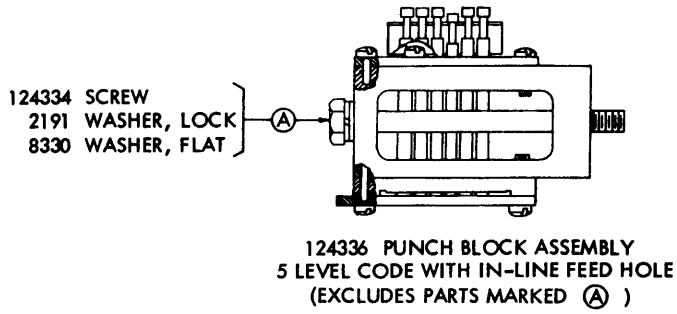


FIGURE 2. MAGNET MOUNTING PLATE MECHANISM



Due to special assembly processes, it is recommended that Teletype Corporation be contacted to determine if part replacement or repair is possible.

NOTE:
The punch block assemblies shown on this page are for BRPE1 through BRPE5.

FIGURE 3. PUNCH BLOCKS

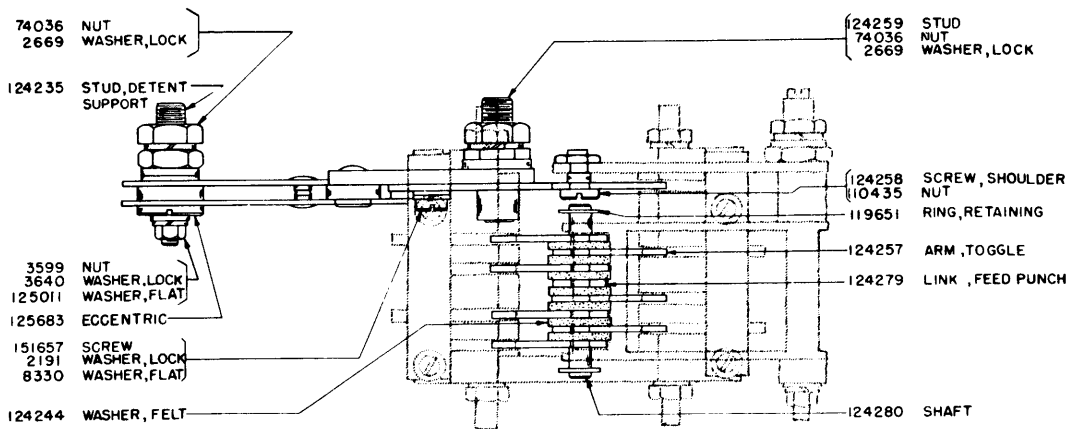


FIGURE 4. SHAFT MECHANISM

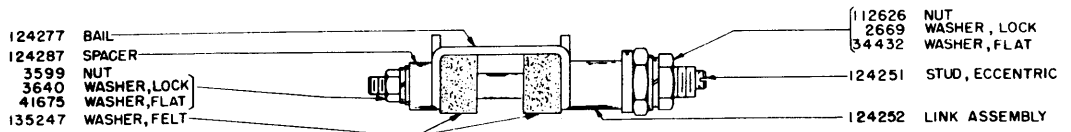


FIGURE 5. BAIL AND LINK MECHANISM

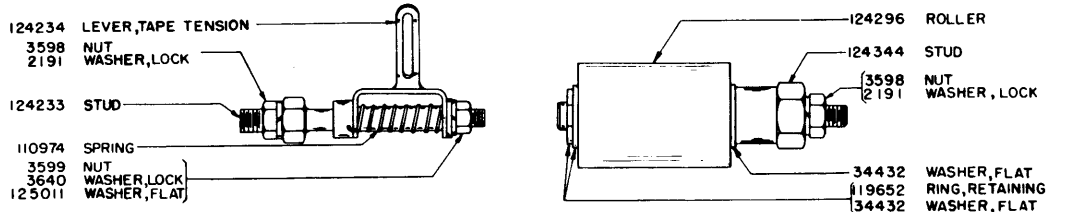


FIGURE 6. TAPE TENSION LEVER AND TAPE ROLLER MECHANISM

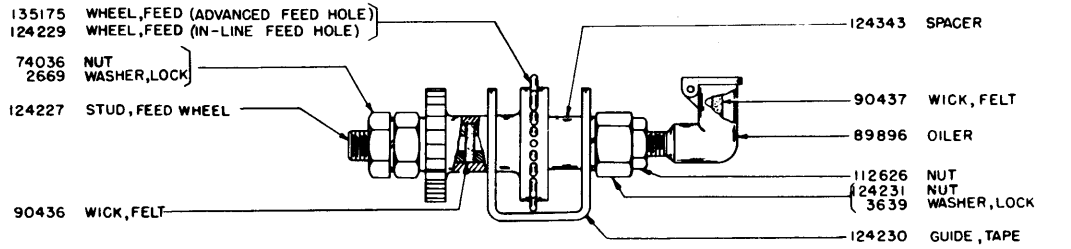


FIGURE 7. FEED WHEEL AND TAPE GUIDE MECHANISM

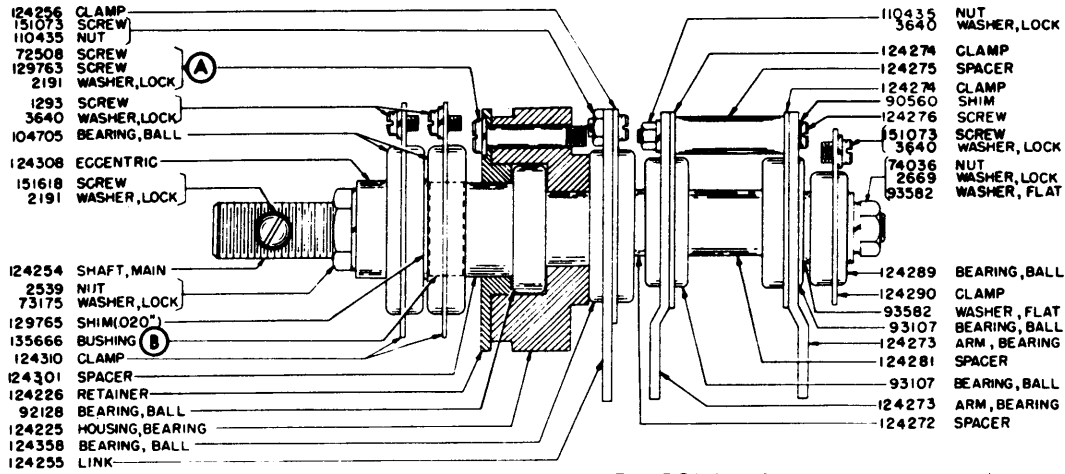
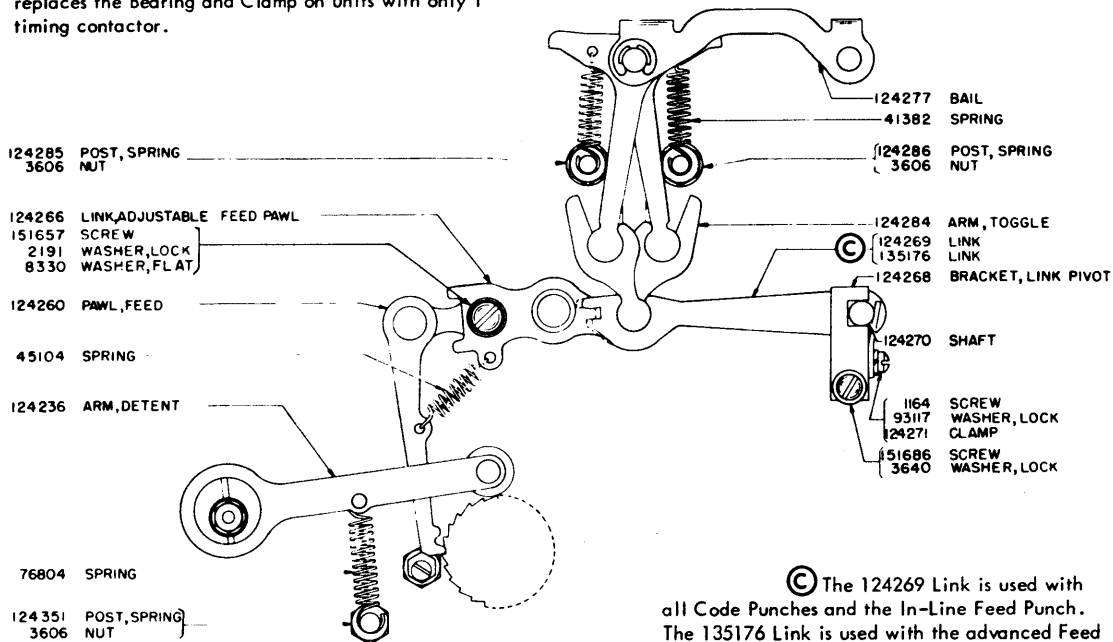


FIGURE 8. MAIN SHAFT MECHANISM

Ⓐ The 72508 (6-40 x 3/4" Hex) replaces the 129763 Screws (6-40 x 11/16" Fil) on units with only 1 timing contactor. Ⓑ The 135666 Bushing replaces the Bearing and Clamp on units with only 1 timing contactor.



Ⓒ The 124269 Link is used with all Code Punches and the In-Line Feed Punch. The 135176 Link is used with the advanced Feed Punch.

FIGURE 9. TAPE FEED-OUT MECHANISM

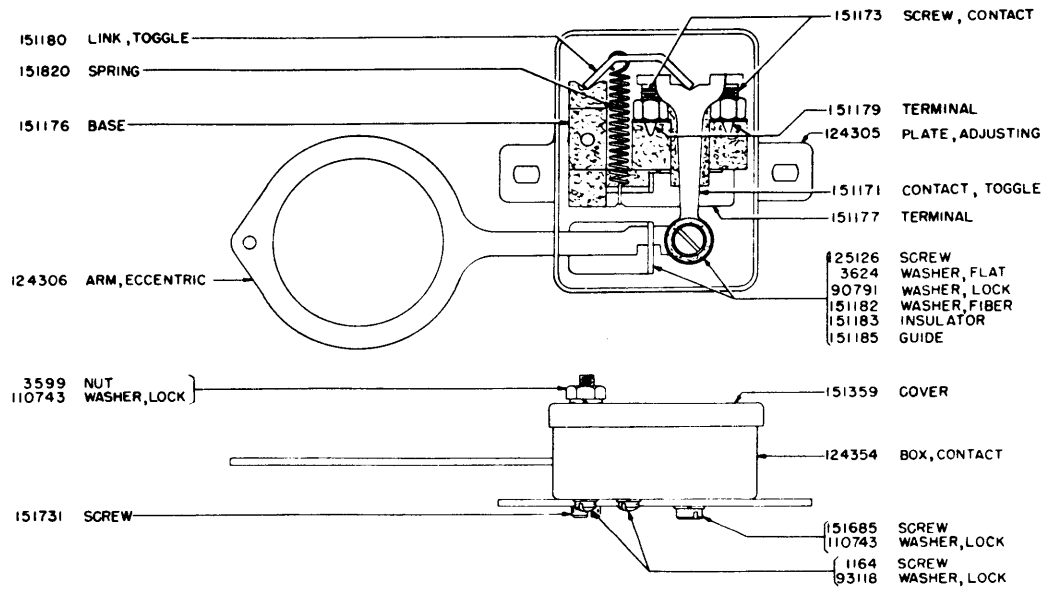
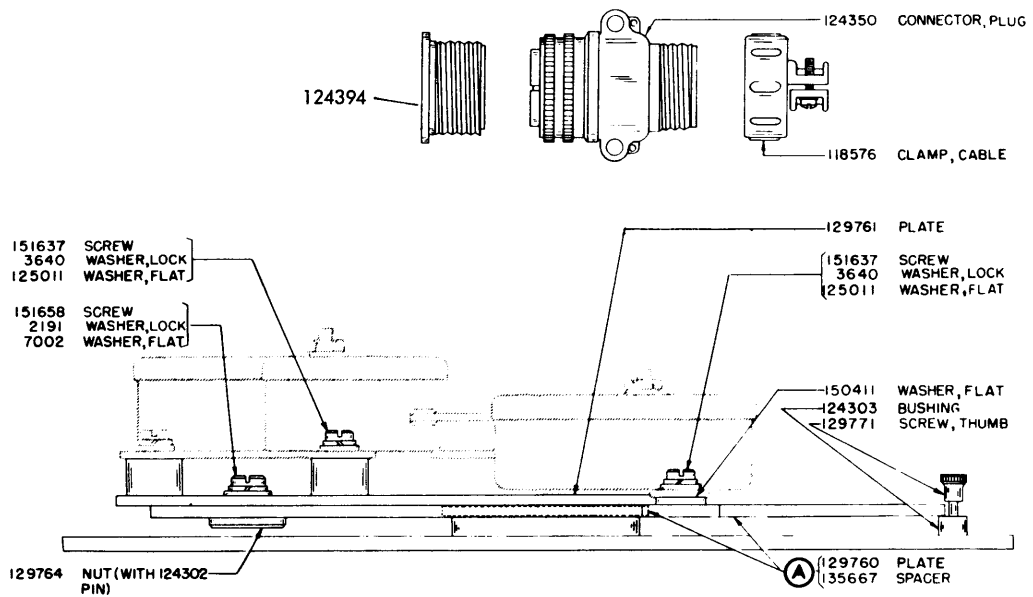


FIGURE 10. 124304 TIMING CONTACT BOX ASSEMBLY



Ⓐ The 135667 Spacer replaces the 129760 Plate on units with only 1 timing contact.

FIGURE 11. CONTACT BOX MOUNTING PLATE

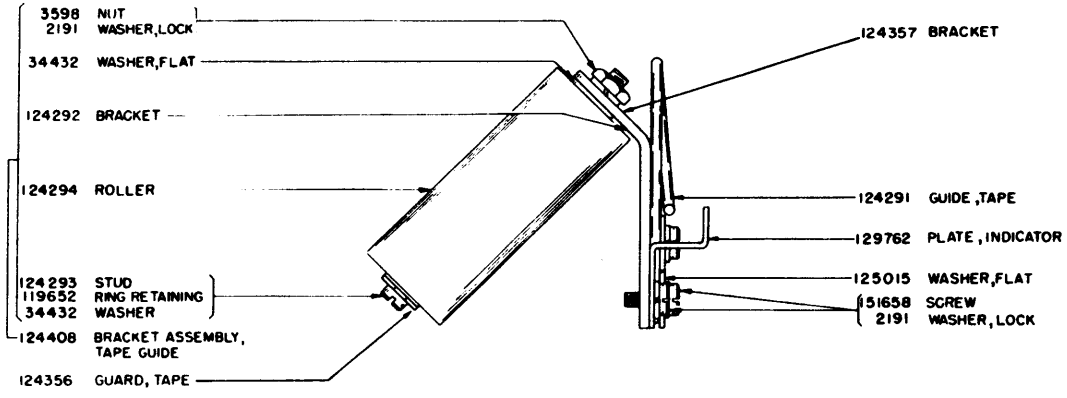


FIGURE 12. TAPE GUIDE BRACKET

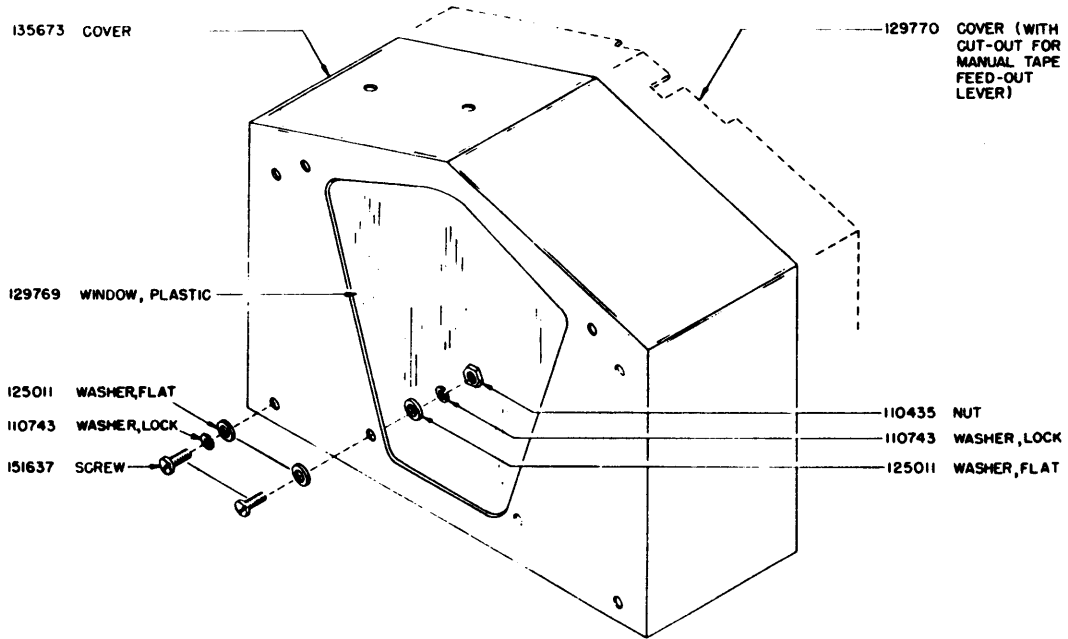
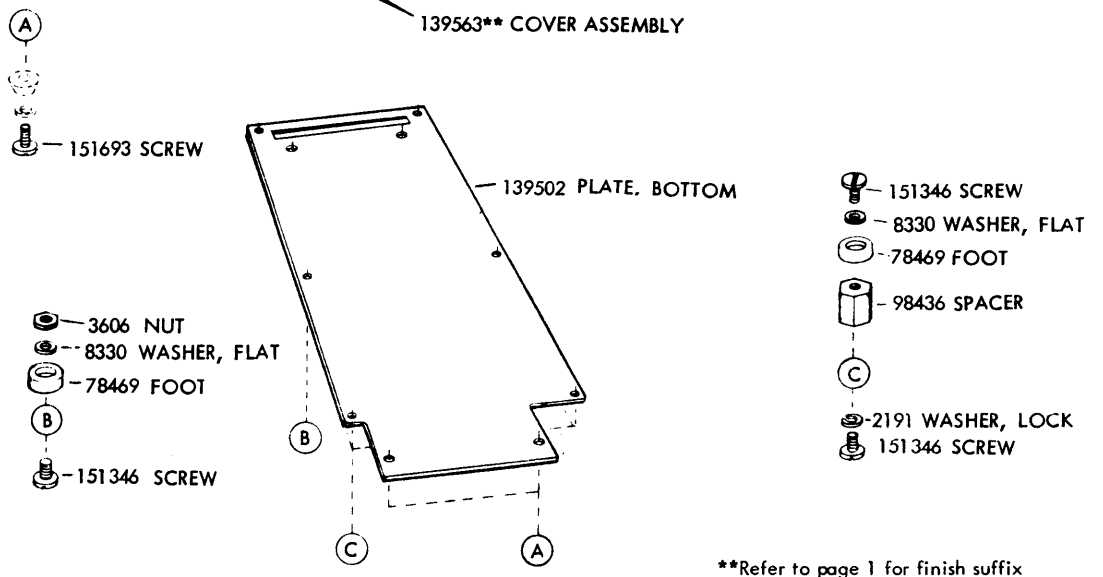
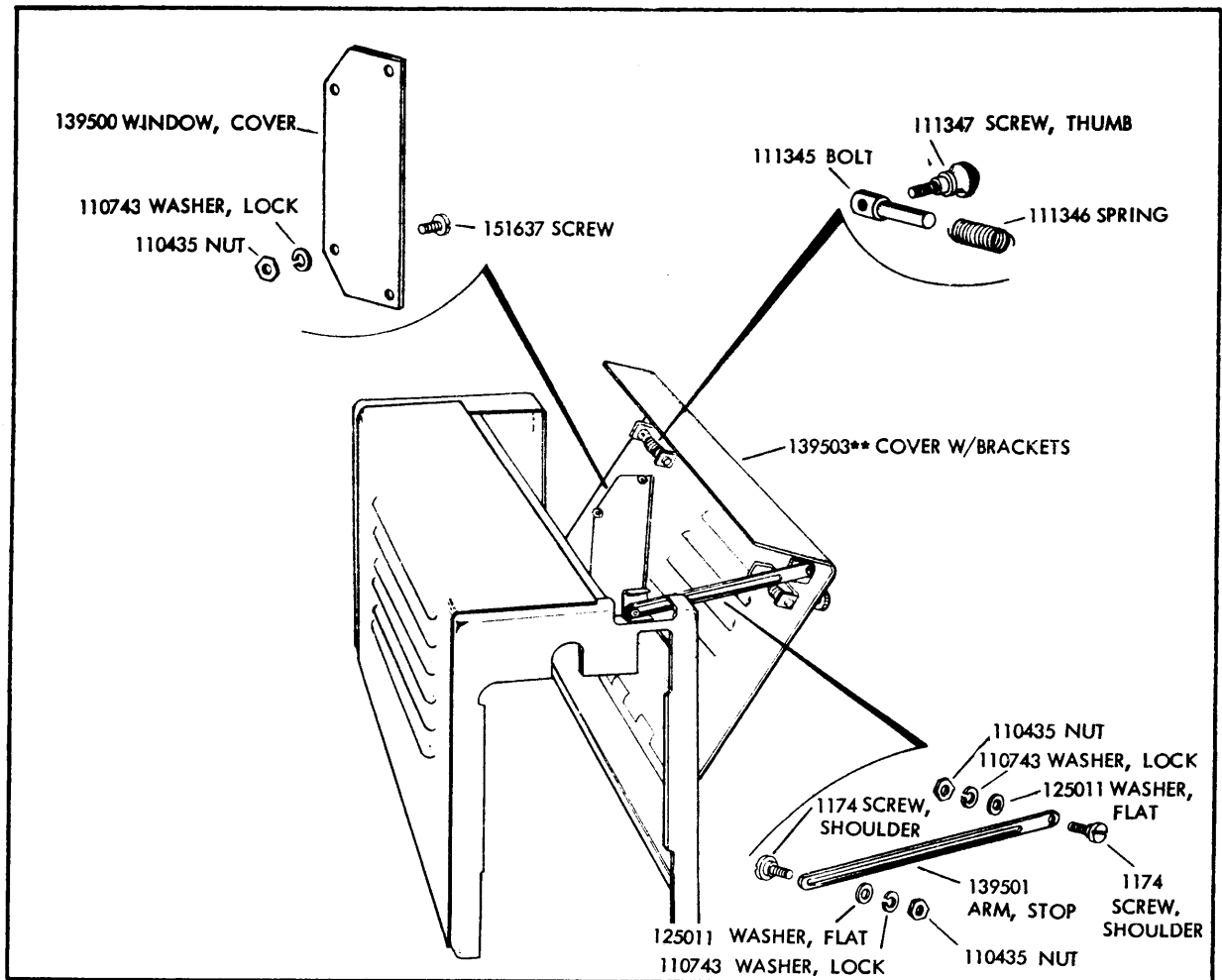
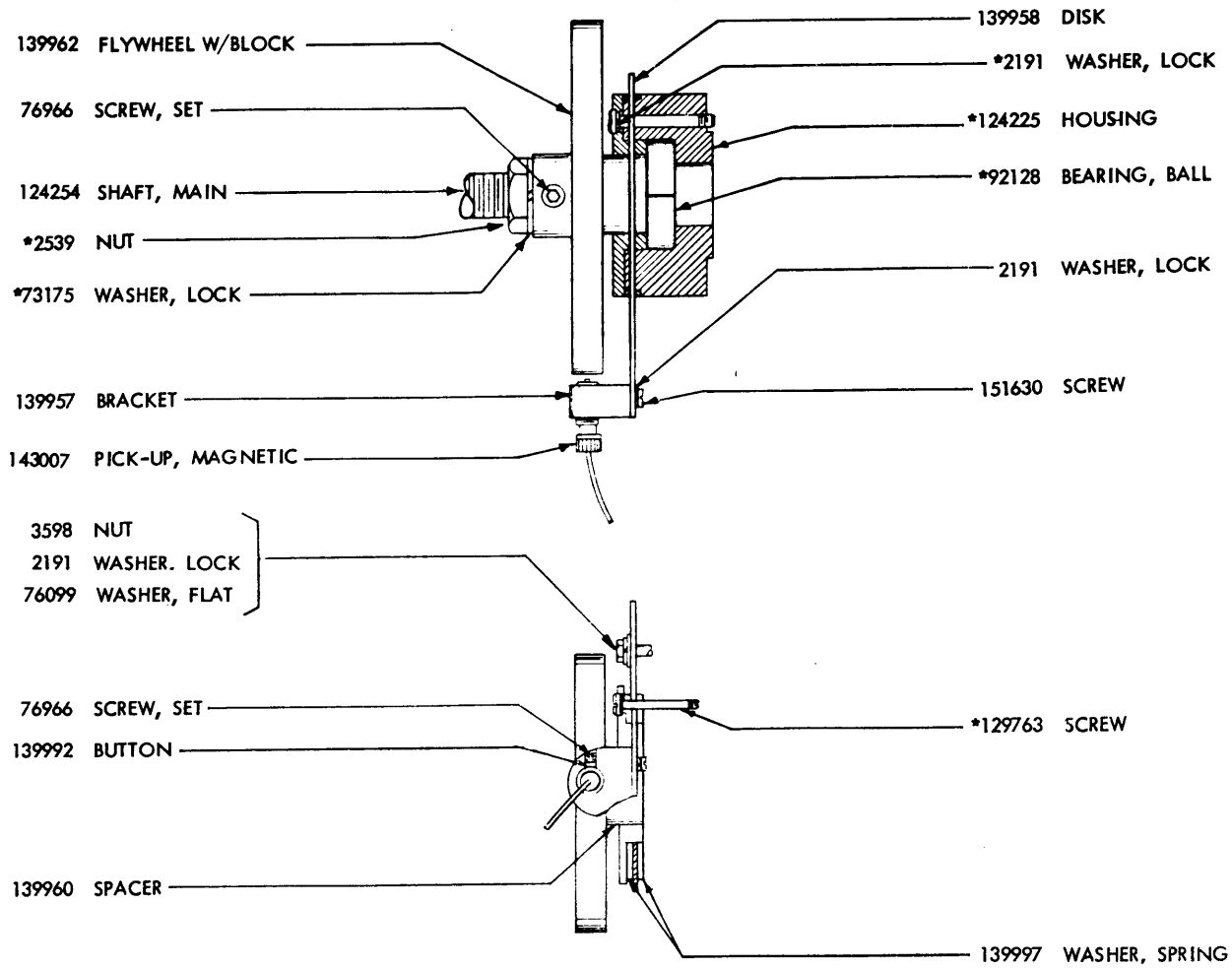


FIGURE 13. WINDOW COVER

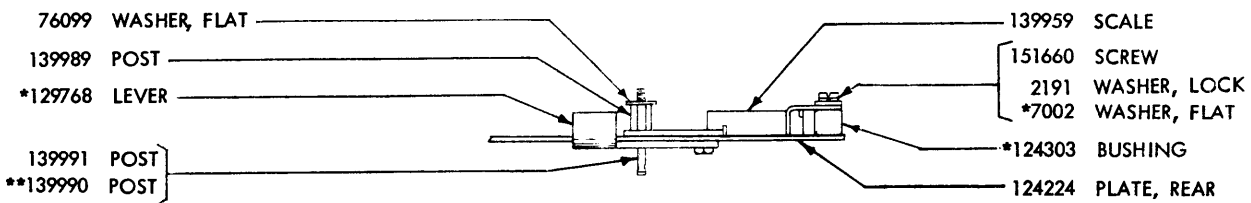


**Refer to page 1 for finish suffix

FIGURE 14. 136127** MODIFICATION KIT TO EQUIP A HIGH SPEED TAPE PUNCH WITH A MOTOR COVER



(Main Shaft Parts)



(Rear Plate Parts)

*NOT PART OF 139956 MODIFICATION KIT

**FOR UNITS NOT HAVING MANUAL TAPE FEED OUT

FIGURE 15. 139956 MODIFICATION KIT TO ADD A MAGNET PICK-UP

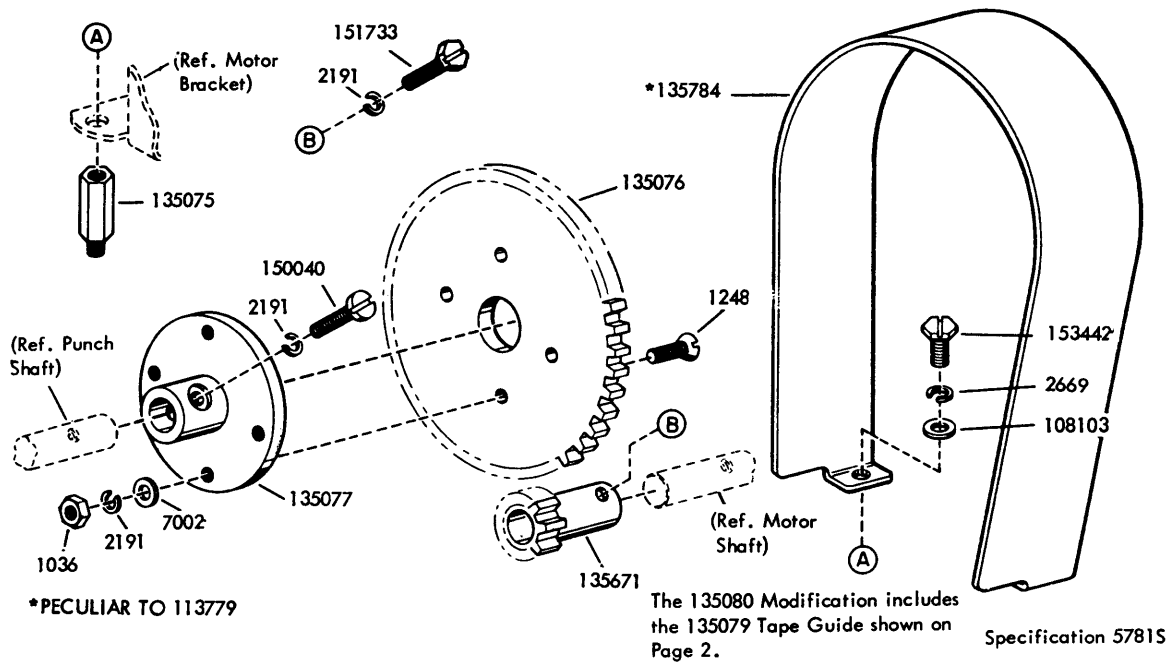


FIGURE 16. 113779 AND 135080 MODIFICATION KIT TO PROVIDE MOTOR MOUNTING AND DRIVE PARTS (600 O.P.M. GEAR DRIVE)

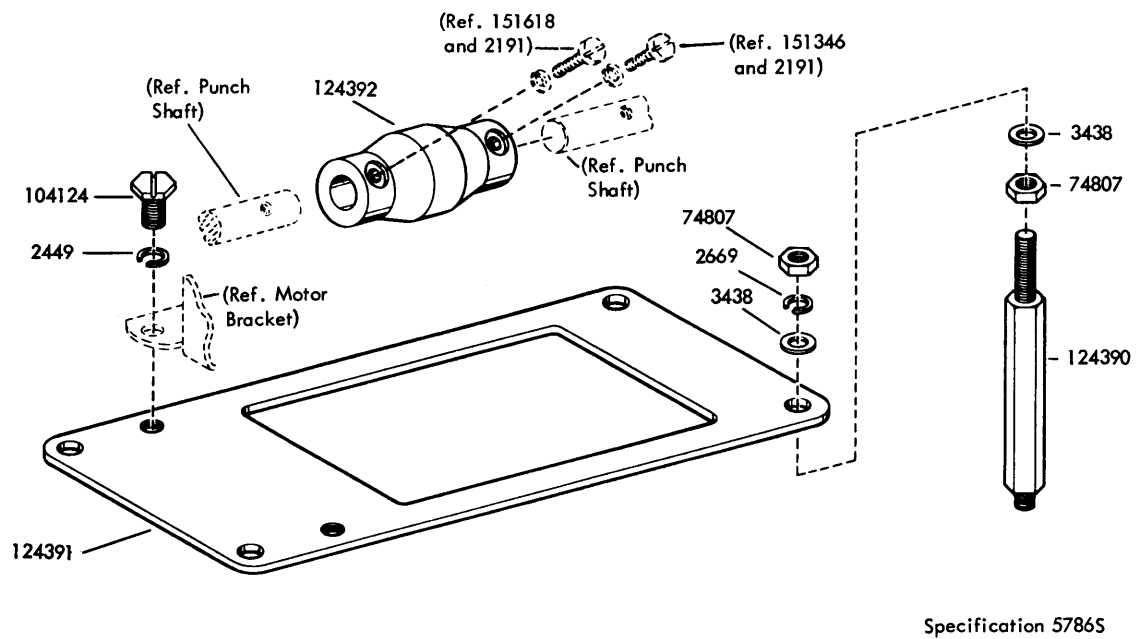


FIGURE 17. 135259 MODIFICATION KIT TO PROVIDE MOTOR MOUNTING AND DRIVE PARTS (3600 O.P.M. DIRECT DRIVE)

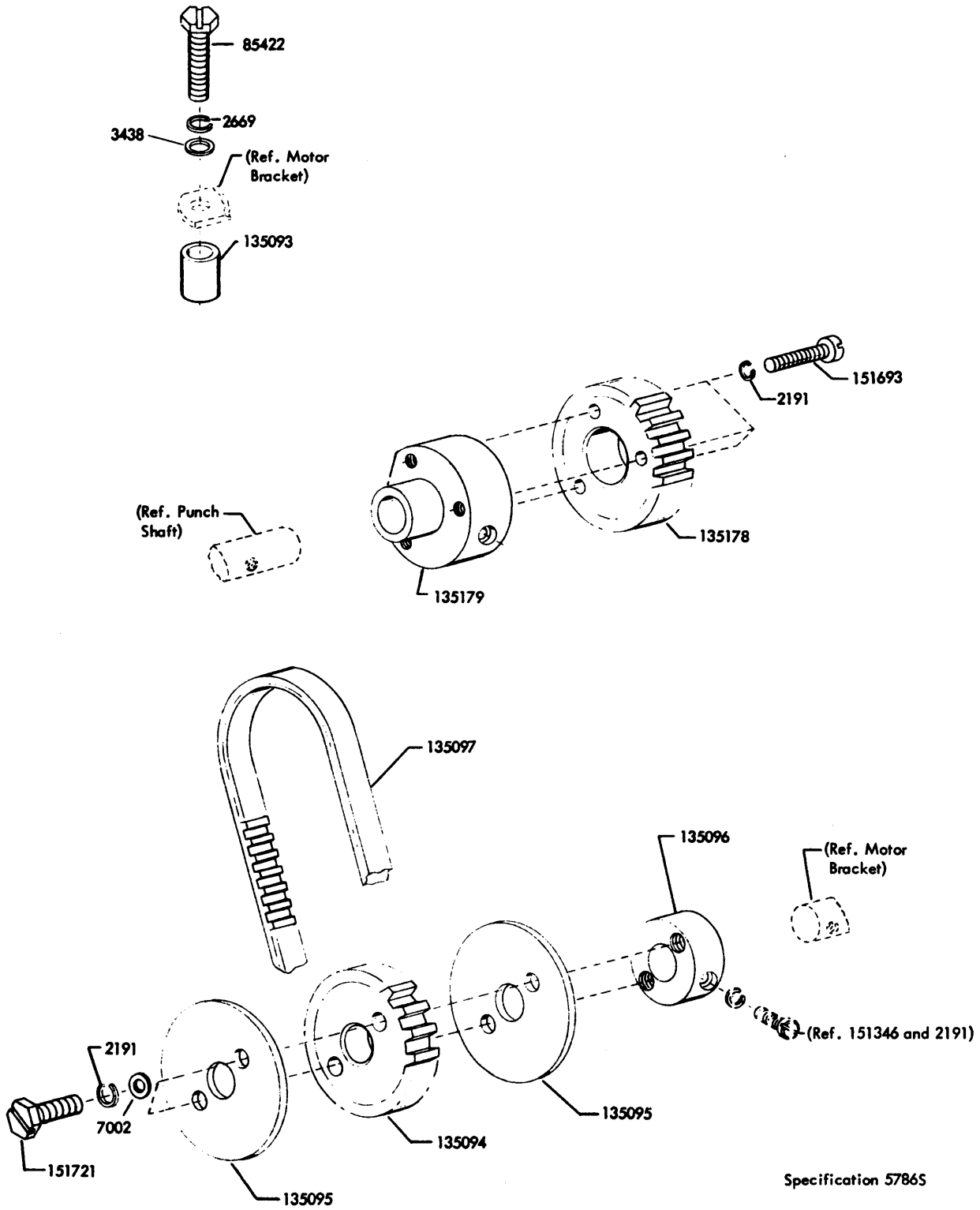


FIGURE 18. 113762 MODIFICATION KIT TO PROVIDE MOTOR MOUNTING AND DRIVE PARTS (3800 O.P.M. BELT DRIVE)

NUMERICAL INDEX

Part Number	Description and Page Number	Part Number	Description and Page Number	Part Number	Description and Page Number
1030	Screw, Shoulder (6-40) 3	111017	Screw (6-40 x 5/16 Fil) 2	124290	Clamp 6
1036	Nut (6-40 Hex) 2, 11	111345	Bolt 9	124291	Guide, Tape 8
1164	Screw (2-56 x 3/16 Fil) 6, 7	111346	Spring, Compression 9	124292	Bracket 8
1174	Screw, Shoulder (4-40) 9	111347	Screw, Thumb (4-40) 9	124293	Stud 8
1178	Screw (2-56 x 7/16 Fil) 2	112626	Nut (10-32 Hex) 5	124294	Roller 8
1215	Screw, Shoulder (6-40) 3	112769	Washer, Flat 3	124296	Roller 5
1248	Screw (6-40 x 1/2 Flat) 11	113762	Modification Kit 12	124300	Spacer 3
1293	Screw (4-40 x 1/8 Fil) 6	113779	Modification Kit 11	124301	Spacer 6
2191	Washer, Lock 2, 3, 4, 5, 6, 7, 8, 9, 10, 11, 12	118576	Clamp, Cable 7	124302	Pin 7
2449	Washer, Lock 11	118577	Clamp, Cable 2	124303	Bushing 7, 10
2539	Nut (3/8-32 Hex) 6, 10	119649	Ring, Retaining 2	124304	Box Assembly, Contact 7
2669	Washer, Lock 2, 3, 5, 6, 11, 12	119651	Ring, Retaining 5	124305	Plate, Adjusting 7
3438	Washer, Flat 2, 11, 12	119652	Ring, Retaining 5, 8	124306	Arm, Eccentric 7
3598	Nut (6-40 Hex) 3, 5, 8, 10	120175	Plate (On-Off) 2	124308	Eccentric 6
3599	Nut (4-40 Hex) 5, 7	121246	Clamp, Cable (3/8" ID) 2	124310	Clamp 6
3606	Nut (6-40 Hex) 2, 3, 6, 9	121248	Clamp, Cable (1/2" ID) 2	124311	Plate 3
3624	Washer, Flat 7	124224	Plate, Rear 3, 10	124312	Yoke 3
3639	Washer, Lock 5	124225	Housing, Bearing 6, 10	124313	Magnet Assembly 3
3640	Washer, Lock 3, 5, 6, 7	124226	Retainer 6	124319	Post 3
4703	Spring 3	124227	Stud 5	124320	Armature 3
7002	Washer, Flat 2, 7, 10, 11, 12	124229	Wheel, Feed 5	124321	Bracket 3
8330	Washer, Flat 3, 4, 5, 6, 9	124230	Guide 5	124322	Plate, Mounting 3
34432	Washer, Flat 2, 5, 8	124231	Nut (10-32 Hex) 5	124323	Plate, Mounting 3
35503	Foot, Rubber 2	124232	Stud 3	124324	Plate, Mounting 3
41382	Spring 6	124233	Stud 5	124325	Block Assembly, Punch 4
41675	Washer, Flat 5	124234	Lever 5	124334	Screw (6-40 x 1-27/32 Hex) 4
45104	Spring 6	124235	Stud 5	124335	Chute, Chad 3
49056	Screw (10-32 x 7/8 Hex) 2	124236	Arm 6	124336	Block Assembly, Punch 4
72508	Screw (6-40 x 3/4 Hex) 6	124243	Bracket, Stop Arm 3	124341	Brake 2
73175	Washer, Lock 6, 10	124244	Washer, Felt 5	124342	Shaft 2
74036	Nut (10-32 Hex) 2, 5, 6	124245	Pawl 3	124343	Spacer 5
74554	Post, Spring 3	124246	Pawl 3	124344	Stud 5
74805	Screw (10-32 x 3/4 Hex) 2	124247	Stud 3	124350	Connector, Plug (17 Pt) 7
74807	Nut (10-32 Hex) 11	124248	Plate, Stop 3	124351	Post 6
76099	Washer, Flat 10	124249	Spacer 3	124354	Box, Contact 7
76299	Spring 2	124250	Stud 3	124355	Insulator (.010") 3
76804	Spring 6	124251	Stud 5	124356	Guard, Tape 8
76966	Screw, Set (10-32) 10	124252	Link 5	124357	Bracket 8
78469	Foot, Rubber 9	124254	Shaft 6, 10	124358	Bearing, Ball 6
82474	Terminal 2	124255	Link 6	124360	Bar, Right 2
85422	Screw (10-32 x 15/16 Hex) 12	124256	Clamp 6	124361	Bar, Left 2
89896	Oiler 5	124257	Arm, Toggle 5	124362	Plate, Mounting 2
90436	Wick, Felt 5	124258	Screw, Shoulder (4-40) 5	124363	Bar 2
90437	Wick, Felt 5	124259	Stud 5	124364	Bracket, Left 2
90560	Washer, Flat 6	124260	Pawl, Feed 6	124365	Bracket, Right 2
90791	Washer, Lock 7	124266	Link, Adjustable Pawl 6	124366	Strip, Front 2
91683	Nut (15/32-32 Hex) 2	124268	Bracket 6	124367	Strip, Rear 2
91684	Nut (15/32-32 Ring) 2	124269	Link 6	124368	Plate, Receptacle Mounting 2
92128	Bearing, Ball 6, 10	124270	Shaft 6	124369	Strip 2
93107	Bearing, Ball 6	124271	Clamp 6	124370	Plate 2
93117	Washer, Lock 6	124272	Spacer 6	124371	Stud 2
93118	Washer, Lock 2, 7	124273	Arm, Bearing 6	124372	Box, Chad 2
93582	Washer, Flat 6	124274	Clamp 6	124373	Bracket 2
95320	Switch, SP-ST Toggle 2	124275	Spacer 6	124374	Bushing 2
98436	Spacer 9	124276	Screw (4-40 x 1-3/64 Fil) 6	124375	Plate, Front 2
100516	Screw (10-32 x 1-1/4 Fil) 2	124277	Bail 5, 6	124376	Spacer 2
101115	Eccentric 3	124279	Link, Feed Punch 5	124377	Plate 2
104124	Screw (1/4-32 x 11/32 Hex) 11	124280	Shaft 5	124380	Guide 2
104705	Bearing, Ball 6	124281	Spacer 6	124381	Stud 2
104824	Spring 3	124282	Spacer 3	124382	Washer, Flat 2
108103	Washer, Flat 11	124283	Spacer 3	124383	Reel, Tape 2
108162	Spacer 2	124284	Arm, Toggle 6	124388	Retainer, Tape 2
110434	Screw (4-40 x 3/16 Fil) 2	124285	Post 6	124390	Stud 11
110435	Nut (4-40 Hex) 5, 6, 8, 9	124286	Post 6	124391	Plate, Motor Mounting 11
110743	Washer, Lock 2, 7, 8, 9	124287	Spacer 5	124392	Coupling, Flexible 11
110974	Spring 5	124288	Plate, Front 3	124394	Connector, Plug (4 Pt) 2, 7
		124289	Bearing, Ball 6	124395	Connector, Receptacle (4 Pt) 2

NUMERICAL INDEX (Continued)

Part Number	Description and Page Number	Part Number	Description and Page Number	Part Number	Description and Page Number
124396	Switch Assembly 2	135259	Modification Kit 11	151176	Base 7
124408	Bracket Assembly 8	135563	Jumper 2-3/4" Green 2	151177	Terminal 7
125011	Washer, Flat 2, 3, 5, 7, 8, 9	135666	Spacer 6	151179	Terminal 7
125015	Washer, Flat 2, 8	135667	Spacer 7	151180	Link, Toggle 7
125126	Screw (2-56 x 9/32 Fil) 7	135668	Spacer 2	151182	Washer, Insulating 7
125683	Bushing, Eccentric 5	135669	Post 2	151183	Insulator 7
129755	Spring, Flat 2	135670	Lever 2	151185	Guide 7
129758	Bracket, Tape Guide 2	135671	Gear (14T) 11	151233	Spacer (.065"Thk) 2
129760	Plate 7	135673	Cover 8	151239	Switch, Sensitive 2
129761	Plate 7	135784	Guard, Gear 11	151335	Stud 2
129762	Plate 8	136127**	Modification Kit 9	151346	Screw (6-40 x 3/8 Fil) 2, 3, 9
129763	Screw (6-40 x 11/16 Fil) 6, 10	139500	Window 9	151359	Cover w/Springs 7
129764	Nut (6-40 Spl) 7	139501	Arm, Stop 9	151415	Block, Terminal 2
129765	Shim (.020") 6	139502	Plate, Bottom 9	151606	Screw (10-32 x 1/4 Hex) 3
129766	Stud 3	139503**	Cover w/Brackets 9	151618	Screw (6-40 x 7/16 Fil) 3, 6
129768	Lever 3, 10	139563**	Cover Assembly 9	151626	Terminal 2
129769	Window, Plastic 8	139770	Spring, Torsion 2	151630	Screw (6-40 x 1/4 Hex) 10
129770	Cover 8	139956	Modification Kit 10	151631	Screw (6-40 x 5/16 Hex) 2
129771	Screw, Thumb (6-40) 7	139957	Bracket 10	151632	Screw (6-40 x 3/8 Hex) 3
135075	Post 11	139958	Disk 10	151637	Screw (4-40 x 1/4 Fil) 2, 3, 7, 8, 9
135076	Gear (84T) 11	139959	Scale 10	151657	Screw (6-40 x 1/4 Fil) 2, 3, 6
135077	Hub, Gear 11	139960	Spacer 10	151658	Screw (6-40 x 5/16 Fil) 7, 8
135079	Bracket, Tape Guide 2, 11	139962	Flywheel w/Block 10	151660	Screw (6-40 x 7/8 Fil) 10
135080	Modification Kit 2, 11	139989	Post 10	151661	Screw (6-40 x 1 Fil) 2
135086	Retainer, Tape 2	139990	Post 10	151685	Screw (4-40 x 5/16 Fil) 7
135093	Spacer 12	139991	Post, Spring 10	151686	Screw (4-40 x 3/8 Fil) 6
135094	Pulley, Toothed (19T) 12	139992	Button 10	151690	Screw (10-32 x 5/16 Fil) 2
135095	Retainer, Belt 12	139997	Washer, Spring 10	151692	Screw (6-40 x 3/16 Fil) 3
135096	Hub 12	142743	Shim (.004") 3	151693	Screw (6-40 x 9/16 Fil) 9, 12
135097	Belt, Toothed (38T) 12	143007	Pick-Up, Magnetic 10	151721	Screw (6-40 x 3/4 Hex) 12
135175	Wheel, Feed 5	150040	Screw (6-40 x 5/8 Fil) 11	151723	Screw (10-32 x 3/8 Hex) 2
135176	Link 6	150411	Washer, Flat 7	151724	Screw (10-32 x 5/8 Hex) 2
135177	Block Assembly, Punch 4	150966	Insulator (1-4) 2	151731	Screw (4-40 x 7/8 Fil) 7
135178	Pulley, Toothed (18T) 12	151073	Screw (4-40 x 5/32 Fil) 6	151733	Screw (4-40 x 9/16 Fil) 11
135179	Hub 12	151171	Toggle, Contact 7	151820	Spring, Contact 7
135247	Oiler, Felt 5	151173	Screw, Contact (4-40) 7	153442	Screw (10-32 x 1/2 Hex) 11

HIGH SPEED TAPE PUNCH BASE (BRPEB6 and up)
and
HIGH SPEED TAPE PUNCH COVER (BRPEC)
PARTS

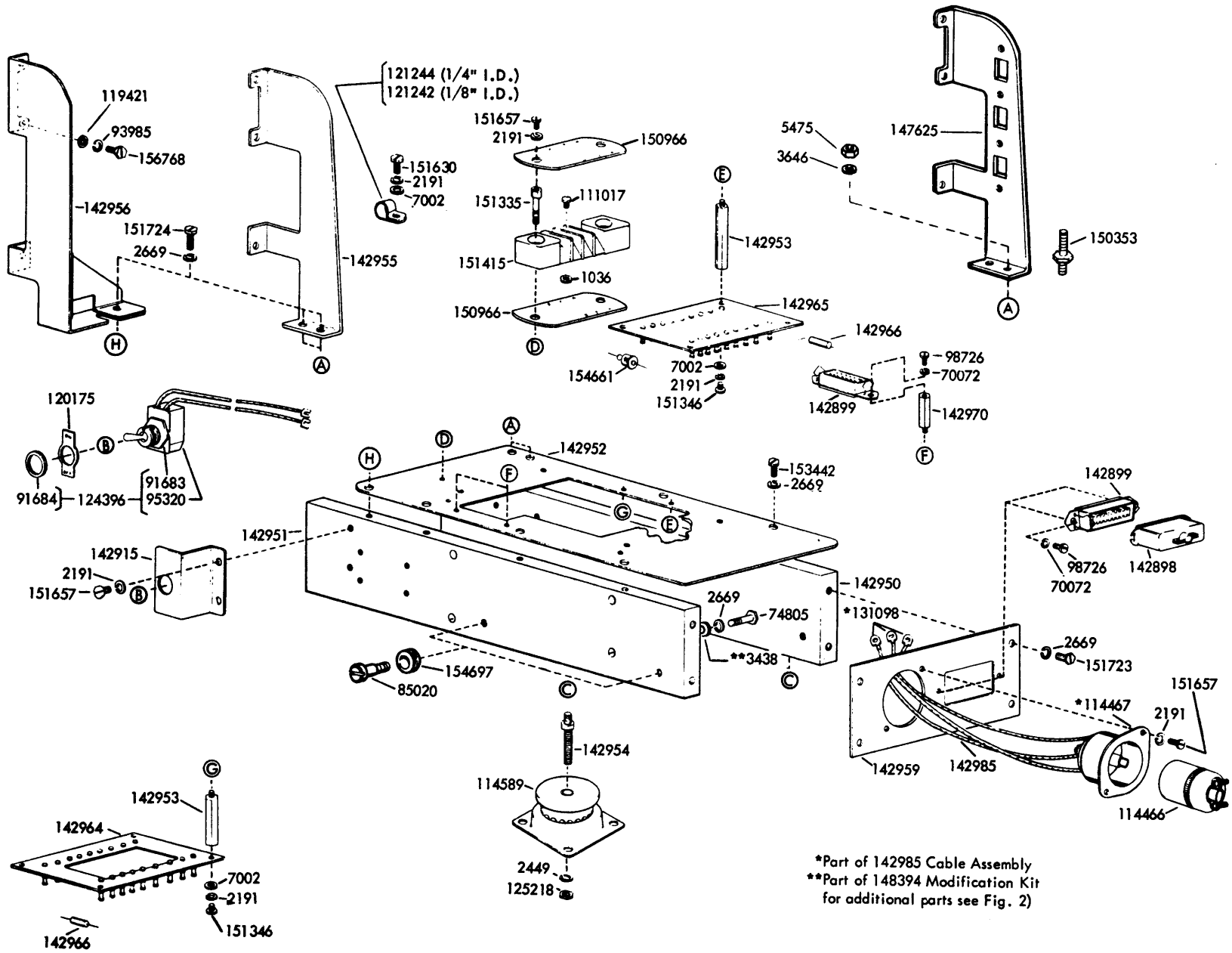
FIGURE	CONTENTS	PAGE
1	High Speed Tape Punch Base	2
2	Tape Containers	3
3	Tape Out Contacts	4
4	Motor Covers	5
	Numerical Index	6

PAINT FINISH COLOR CODE CHART (for parts and assemblies requiring a paint finish)									
Color	Finish Suffixes				Color	Finish Suffixes			
	Wrinkle Finish	Smooth Finish	Textured Vinyl	Smooth Vinyl		Wrinkle Finish	Smooth Finish	Textured Vinyl	Smooth Vinyl
Black	AA (37)	BB			Brussels Light Blue		EC		
Dark Brown	AD (38)				Medium Blue		ES		
Gray Green	AB (40)	BK	GA (45)		Cherry Red		EF		
Charcoal Gray	AL	BZ		HA	Pastel Yellow		EG		
Dark Gray			GB		White		EH		
Light Gray		EJ		HB (68)	Ivory		EM		
Beige Gray			GC		Beige		ET		
Light Beige		EL		HC	Rose Beige		ER		
Moss Green		EN		HD	Rose Pink		EU		
Eye Rest Green		EA			Dark Covert Gray				HE
Turquoise		EV			Light Olive Gray		EW	GE	HF (46)
Aqua Blue		EK			Fawn				HG

The double asterisks (**), denotes a painted part. Suffix to be applied following the part number.
Number in parenthesis indicates Bell System code.

COLOR CODE CHART FOR MULTI-COLOR APPARATUS		
Color Code	Basic Color	Finish Suffixes
MA	BEIGE	HC and HG
MB	GRAY	HB and HE
MC	GREEN	HD and HB
MH	GRAY	BJ and EJ

FIGURE 1. HIGH SPEED TAPE PUNCH BASE



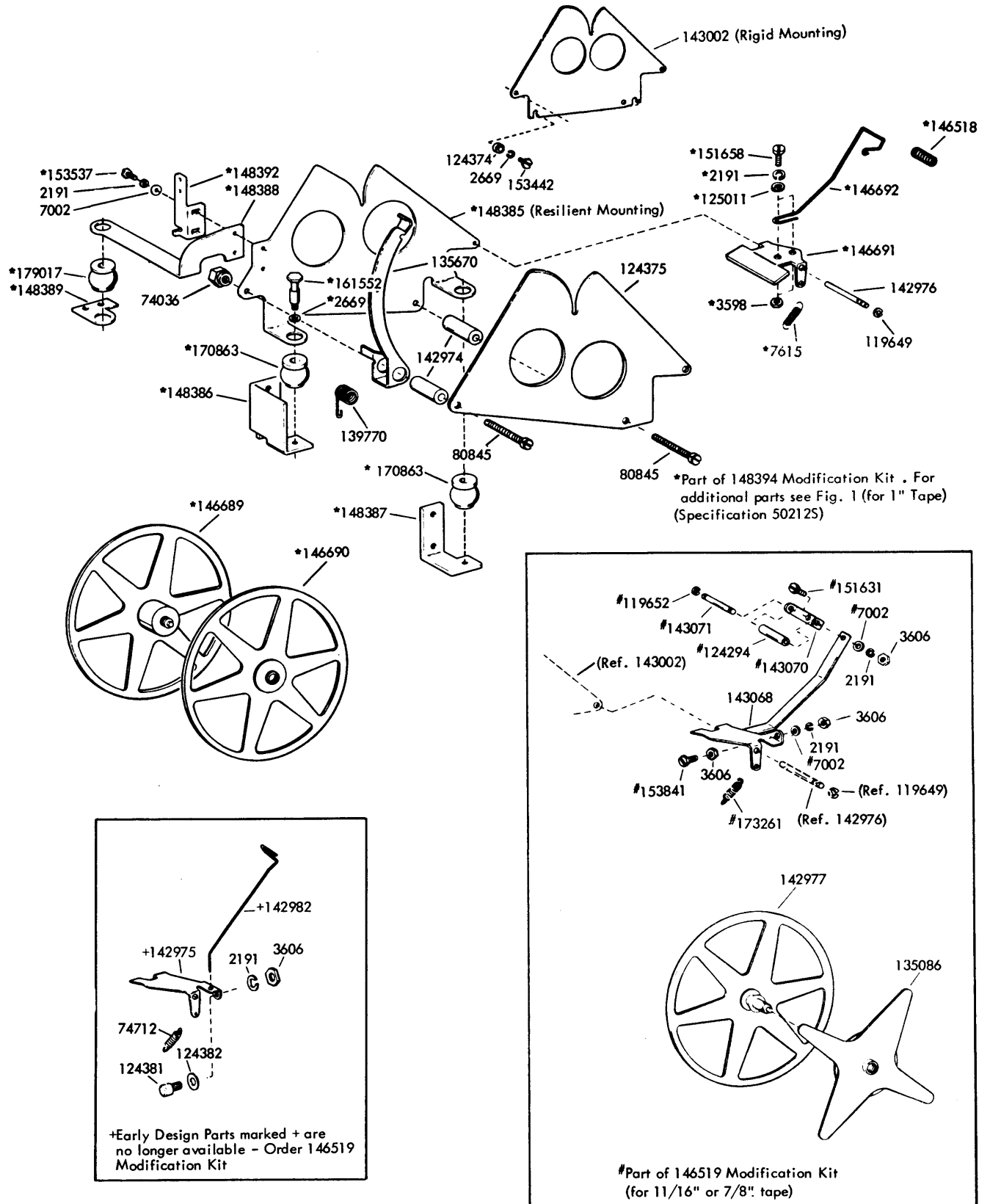


FIGURE 2. TAPE CONTAINERS

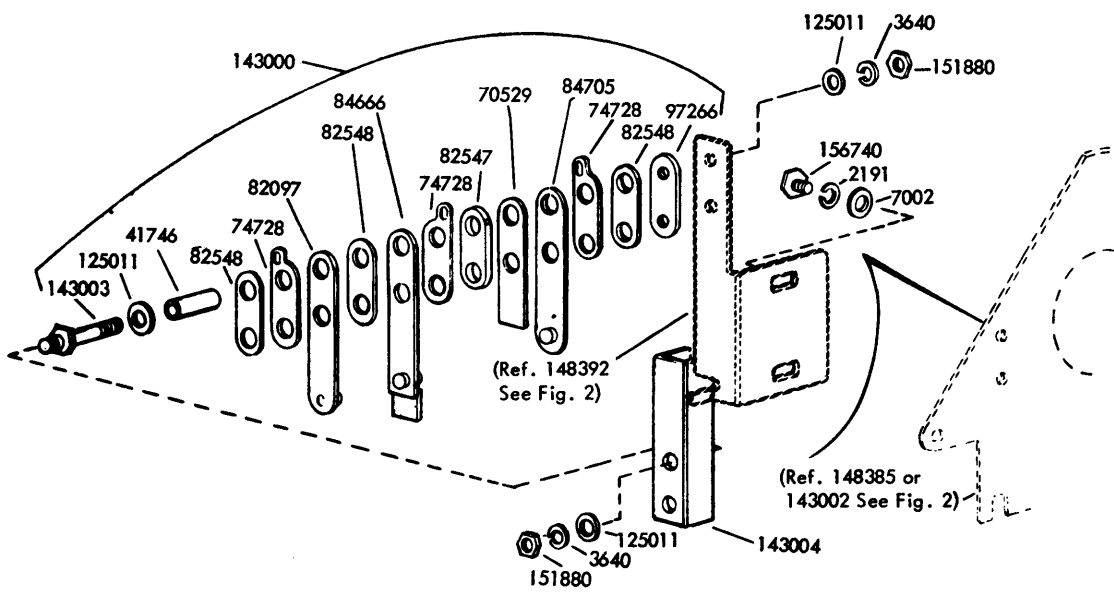
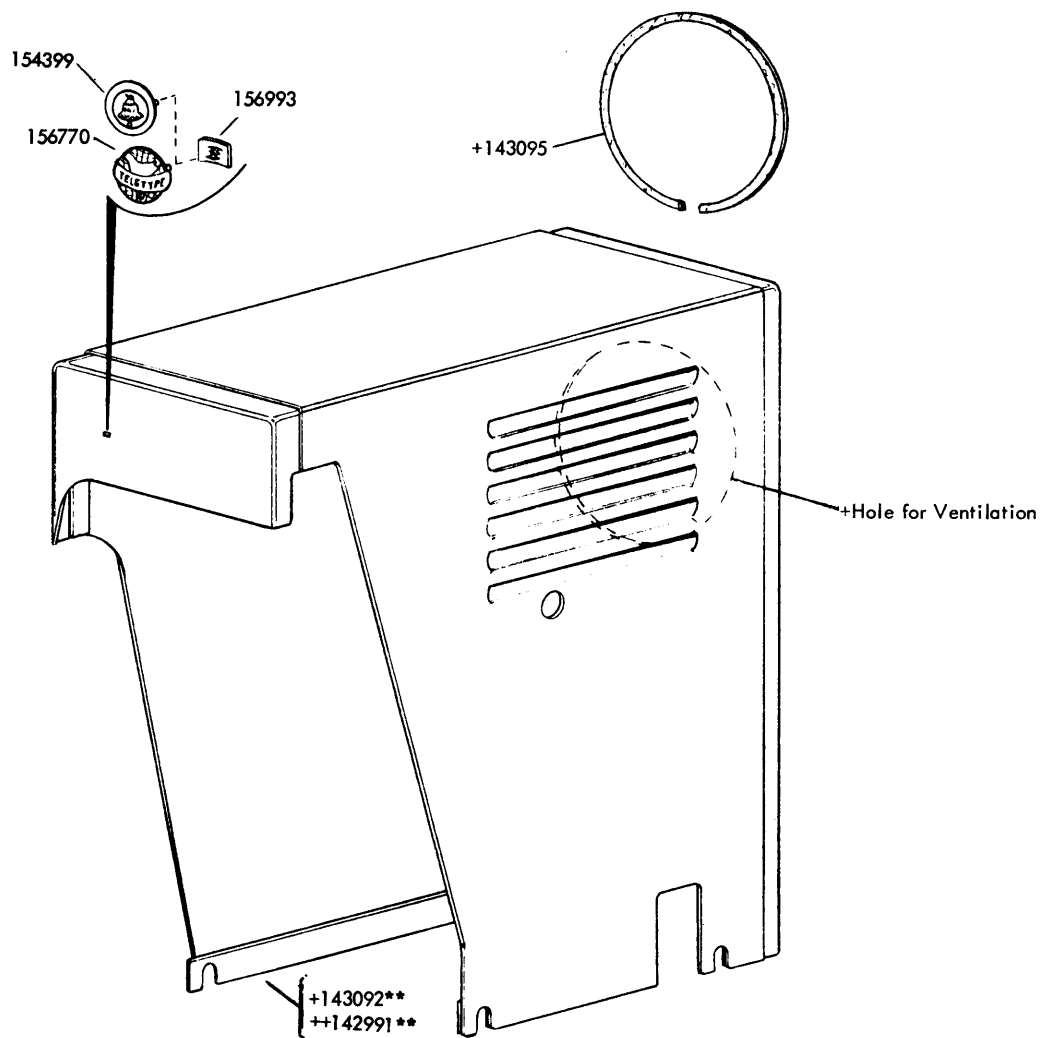


FIGURE 3. TAPE OUT CONTACTS



+Peculiar to Cover with Ventilation Hole
++Peculiar to Cover without Ventilation Hole
**Refer to Page 1 for finish suffix

FIGURE 4. MOTOR COVERS

NUMERICAL INDEX

Part Number	Description and Page Number	Part Number	Description and Page Number	Part Number	Description and Page Number
1036	Nut (6-40 Hex) 2	124375	Plate, Front 3	146519	Modification Kit To Provide Replacement Parts For 142975 Brake and 142982 Tape Guide 3
2191	Washer, Lock 2, 3, 4	124381	Stud 3	146689	Disk, W/Hub 3
2449	Washer, Lock 2	124382	Washer, Flat 3	146690	Disk, W/Flange 3
2669	Washer, Lock 2, 3	124396	Switch Assembly 2	146691	Brake 3
3438	Washer, Flat 2	125011	Washer, Flat 3, 4	146692	Guide, Tape 3
3598	Nut (6-40 Hex) 3	125218	Nut (1/4-32 Hex) 2	147625	Bracket, Left Rear Plate 2
3606	Nut (6-40 Hex) 3	131098	Terminal 2	148385	Plate, Rear 3
3640	Washer, Lock 4	135086	Retainer, Tape 3	148386	Bracket, Front 3
3646	Washer, Lock 2	135670	Lever 3	148387	Bracket, Rear 3
5475	Nut (3/16-40 Hex) 2	139770	Spring, Torsion 3	148388	Bracket 3
7002	Washer, Flat 2, 3, 4	142898	Connector, Plug (24 Pt) 2	148389	Bracket 3
7615	Spring 3	142899	Connector, Receptacle (24 Pt) 2	148392	Bracket 3
41746	Bushing, Insulating 4	142915	Bracket, Mounting 2	148394	Modification Kit To Provide Vibration Isolated Tape Reel and Brake For Minimum Tape Load 2, 3
70072	Washer, Lock 2	142950	Bar, Left 2	150353	Stud 2
70529	Stiffener 4	142951	Bar, Right 2	150966	Insulator (1-4) 2
74036	Nut (10-32 Hex) 3	142952	Plate, Mounting 2	151335	Stud 2
74712	Spring 3	142953	Post 2	151346	Screw (6-40 x 3/8 Fil) 2
74728	Terminal, Contact 4	142954	Stud 2	151415	Block, Terminal 2
74805	Screw (10-32 x 3/4 Hex) 2	142955	Bracket, Left Rear 2	151630	Screw (6-40 x 1/4 Hex) 2
80845	Screw (10-32 x 1-7/8 Fil) 3	142956	Bracket, Right Rear 2	151631	Screw (6-40 x 5/16 Hex) 3
82097	Spring, Contact 4	142959	Plate 2	151657	Screw (6-40 x 1/4 Fil) 2
82547	Insulator (.094") 4	142964	Board, Terminal 2	151658	Screw (6-40 x 5/16 Fil) 3
82548	Insulator (.062") 4	142965	Board, Terminal 2	151723	Screw (10-32 x 3/8 Hex) 2
84666	Spring, Contact 4	142966	Resistor (25 Ohm) 2	151724	Screw (10-32 x 5/8 Hex) 2
84705	Spring, Contact 4	142970	Post 2	151880	Nut (4-40 Hex) 4
85020	Screw, Shoulder (10-32) 2	142974	Spacer, Tape Reel 3	153442	Screw (10-32 x 1/2 Hex) 2,3
91683	Nut (15/32-32 Hex) 2	142975	Brake 3	153537	Screw (6-40 x 9/32 Hex) 3
91684	Nut (15/32-32 Ring) 2	142976	Shaft 3	153841	Screw (6-40 x 9/16 Hex) 3
93985	Washer, Lock 2	142977	Reel, Tape 3	154399	Plate, Identification (Bell) 5
95320	Switch, Toggle (SP-ST) 2	142982	Guide, Tape 3	154661	Diode 2
97266	Plate, Clamp 4	142985	Cable Assembly, Motor 2	154697	Grommet, Rubber 2
98726	Screw (3-48 x 1/4 Fil) 2	142991**	Cover, Motor 5	156740	Screw (6-40 x 7/32 Hex) 4
111017	Screw (6-40 x 5/16 Fil) 2	143000	Contact Assembly, Tape Out 4	156768	Screw (8-32 x 9/32 Hex) 2
114466	Connector, Receptacle (2 Pt) 2	143002	Plate, Rear 3	156770	Plate, Identification (Teletype) 5
114467	Connector, Plug (2 Pt) 2	143003	Stud 4	156993	Nut, Speed 5
114589	Mount, Vibration 2	143004	Cover, Insulating 4	161552	Screw (10-32 Spl) 3
119421	Washer, Flat 2	143068	Brake, W/Arm 3	170863	Mount, Vibration 3
119649	Ring, Retaining 3	143070	Bracket 3	173261	Spring 3
119652	Ring, Retaining 3	143071	Shaft 3	179017	Mount, Vibration 3
120175	Plate (ON-OFF) 2	143092**	Cover, Motor 5		
121242	Clamp, Cable (1/8" ID) 2	143095	Gasket, Rubber 5		
121244	Clamp, Cable (1/4" ID) 2	146518	Roller, Spring 3		
124294	Roller 3				
124374	Bushing 3				

HIGH SPEED TAPE PUNCH (BRPE6 AND UP)
PARTS

FIGURE	CONTENTS	PAGE
1	Rear Plate	2
2	Magnet and Toggle Link Mechanism	3
3	Punch and Feed Mechanism	4
4	Punch Block Assemblies	5
5	Main Shaft	6
6	Rear Plate and Magnet Pick-up	7
7	Chad Box	8
8	Front Cover	9
9	143062 Modification Kit to Provide Motor Mounting and Drive Parts (63.3 Characters-Per-Second)	10
10	Parts to Provide Operation of the BRPE with H/L RT Sets	11
11	143044 Modification Kit to Provide Motor Mounting and Drive Parts (110 Characters-Per-Second)	12
12	Gear Sets for Units Mounted in AC Cabinets	13
13	175198 Modification Kit to Provide Motor Running Contacts for Reperforator (BRPE)	13
14	147623 (63.3 Characters-Per-Second) and 147624 (100 Characters-Per-Second) Modification Kits to Provide Drive Parts for 50 Cycle Operation	14
15	175194 Modification Kit to Provide Tape-out Contacts Ahead of Reperforator (BRPE)	15
16	Cable Components	15
	Numerical Index	16

FIGURE 1. REAR PLATE

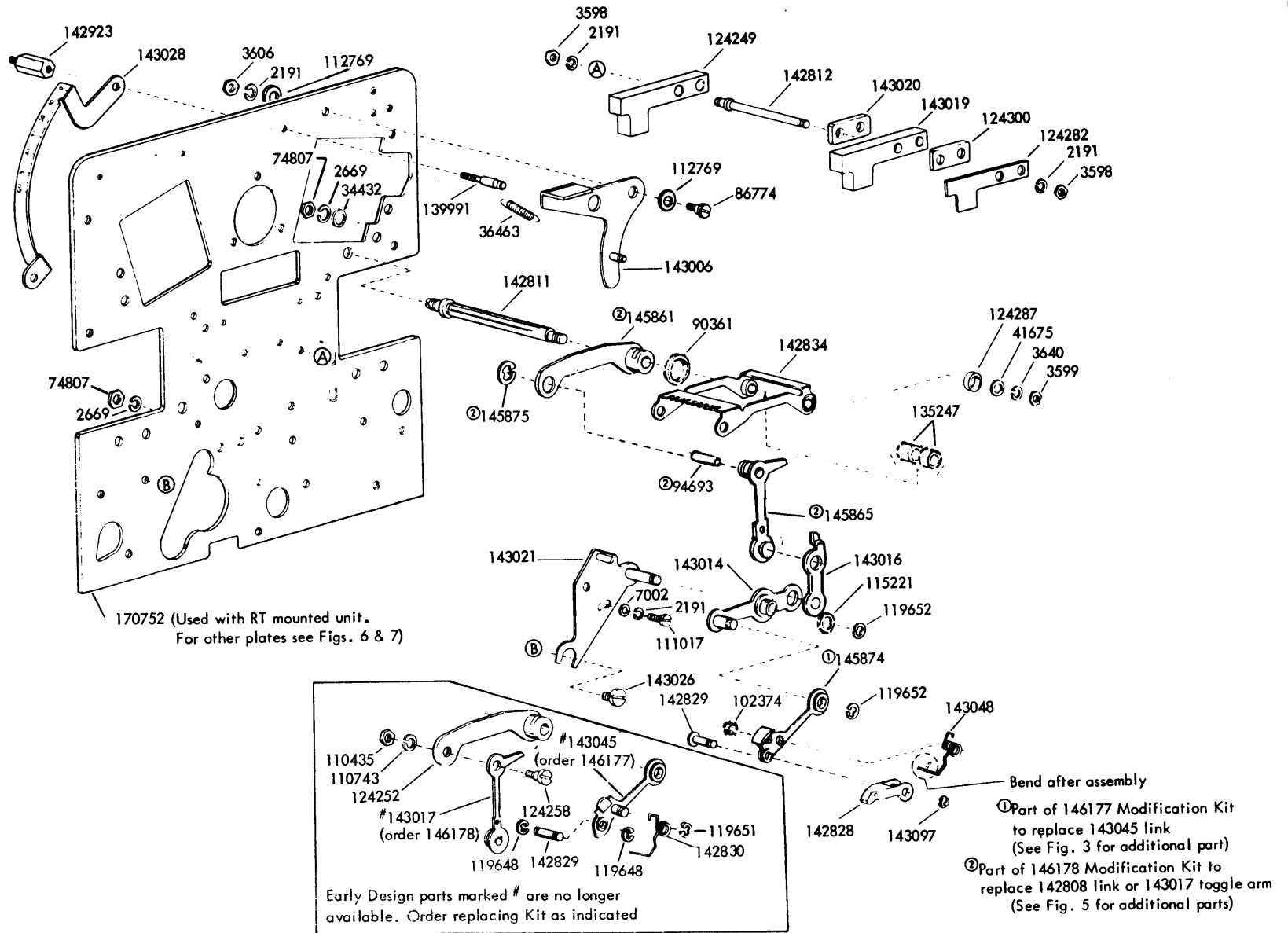


FIGURE 2. MAGNET AND TOGGLE LINK MECHANISM

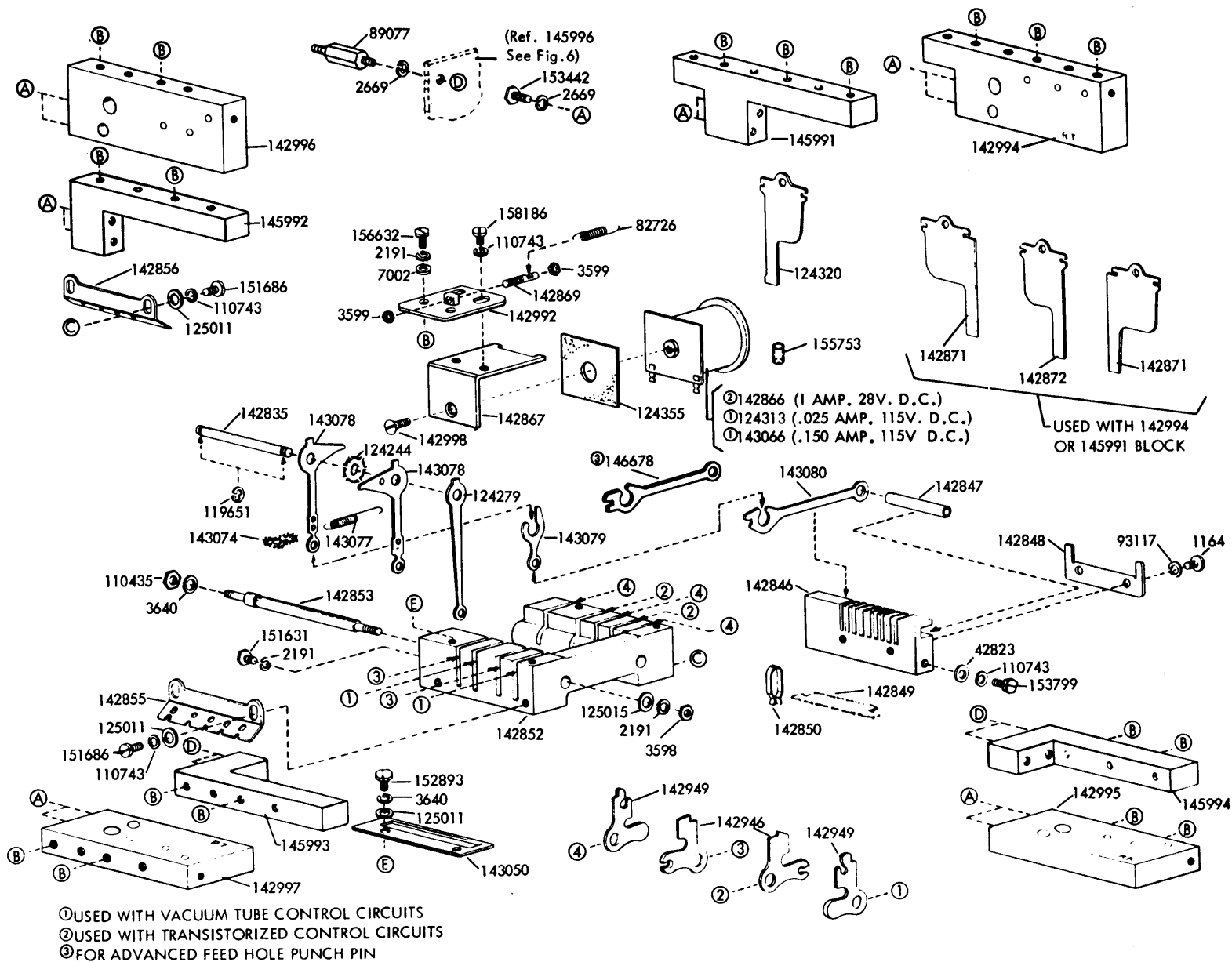
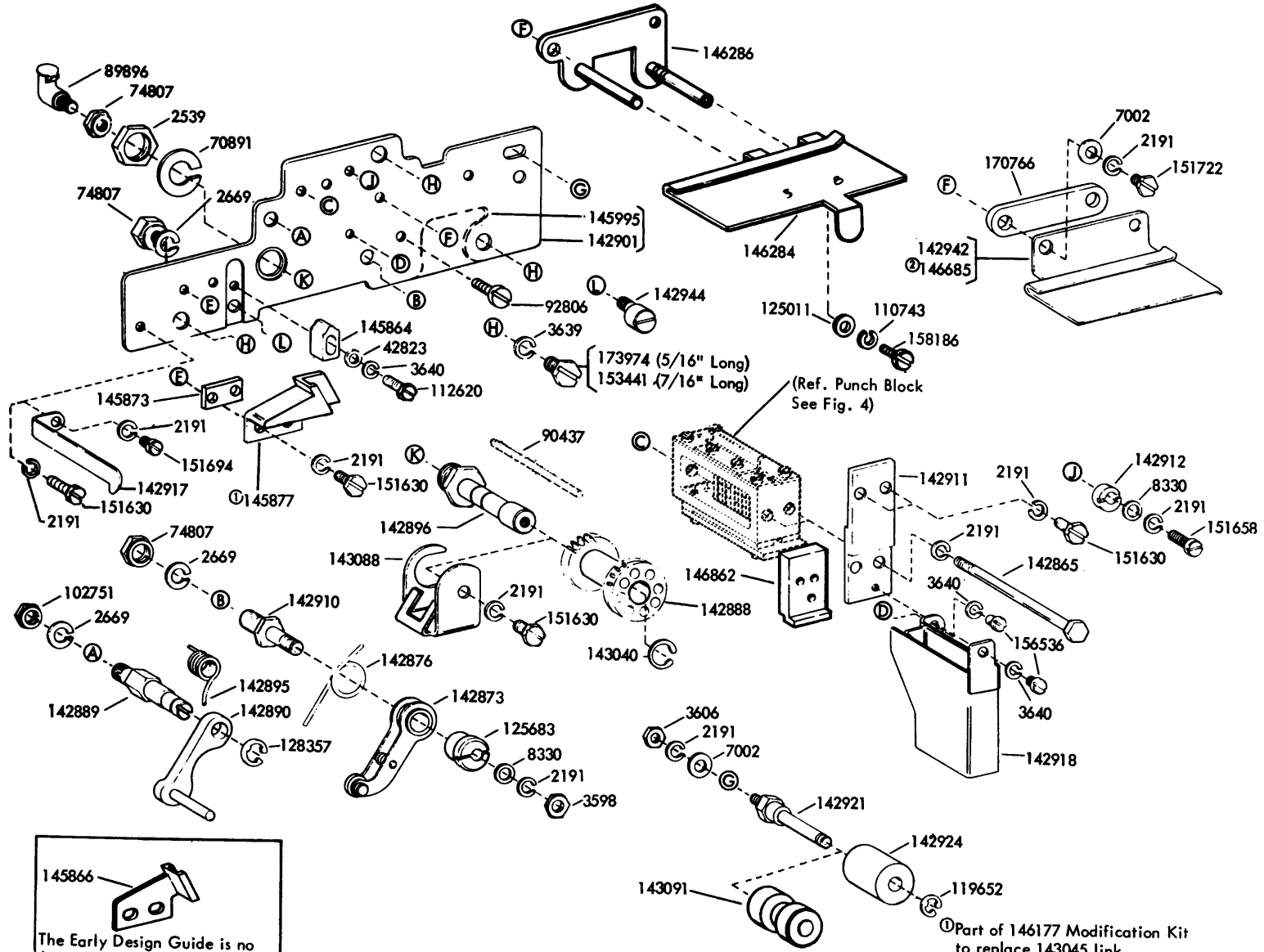



FIGURE 3. PUNCH AND FEED MECHANISM

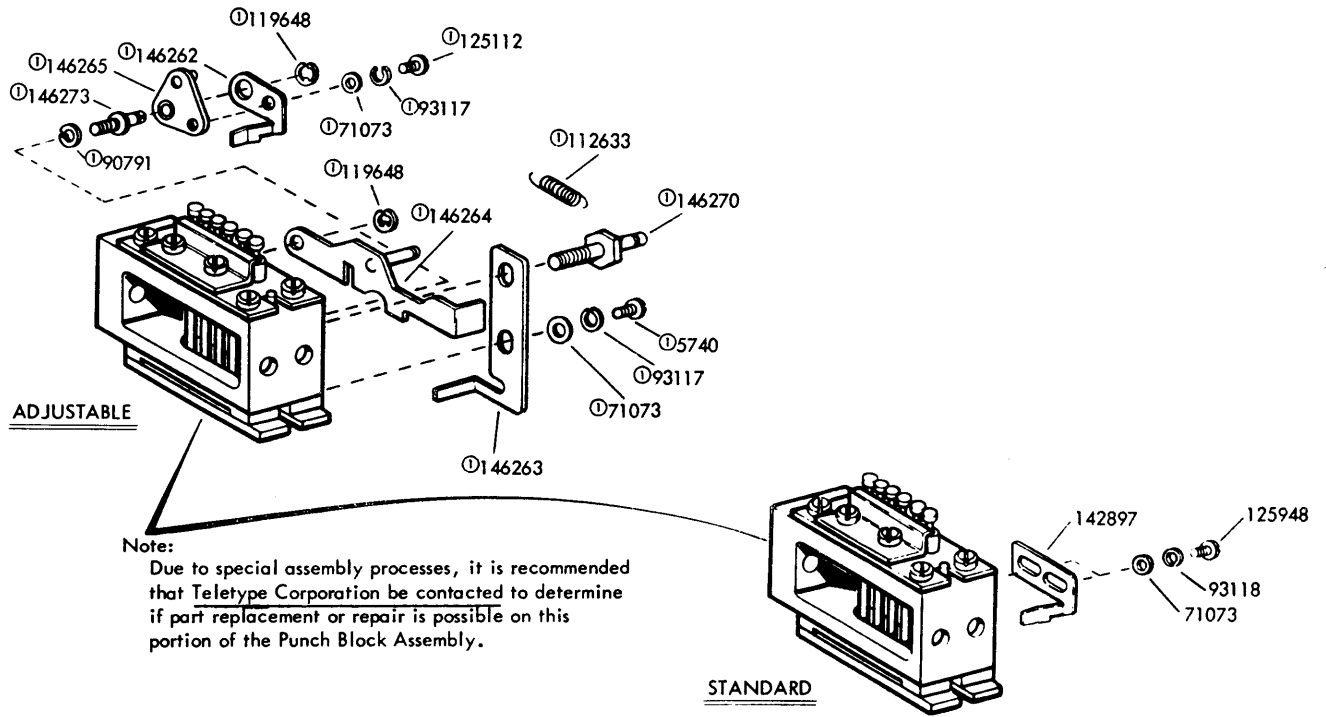


145866



The Early Design Guide is no longer available, Order 146177 Modification Kit.

① Part of 146177 Modification Kit to replace 143045 link. (See Fig. 1 for additional parts)
 ② Used with Feed Hole Centered on 7/8" Tape.



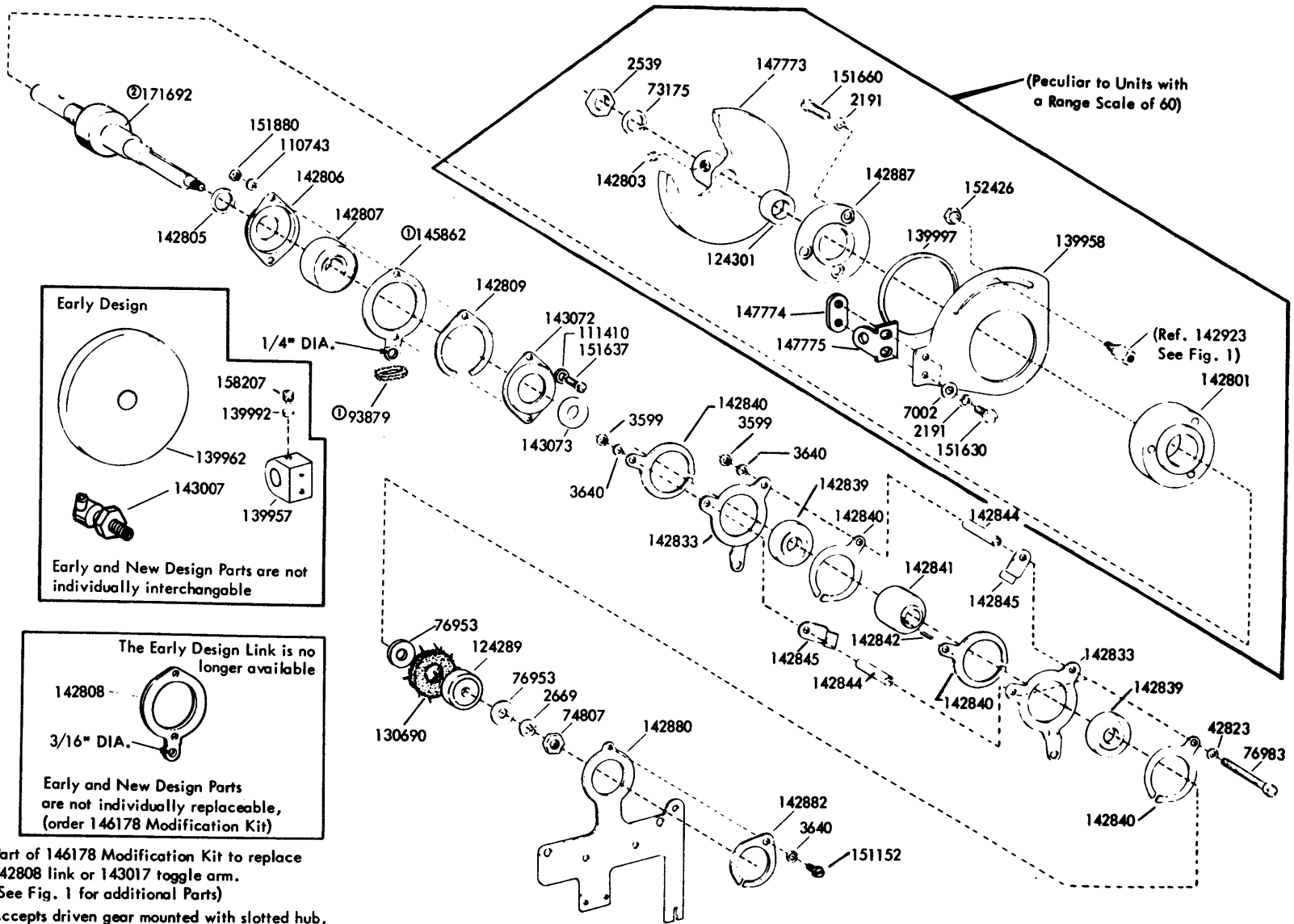
① Peculiar to 146261 Punch Block Assembly

BLOCK ASSEMBLY NO.	CODE LEVEL	FEED HOLE		BIASING SPRING	NOTES:
		IN LINE	ADVANCED		
143056	6-8	X		142897	7/8" or 1" TAPE
145808	8	X		142897	11/16" TAPE, 0 & 6th PULSE PIN EDGE NOTCHING, 7th PULSE PIN INOPERATIVE
146261	5-8	X		146262	ADJUSTABLE FOR 11/16" OR 1" TAPE
146677	6		X	142897	7/8" TAPE, ADVANCED FEED HOLE CENTERED ON TAPE
170751	5	X		142897	11/16" TAPE

NOTE:
The punch block assemblies shown on this page are for BRPE6 and up.

FIGURE 4. PUNCH BLOCK ASSEMBLIES

FIGURE 5. MAIN SHAFT



Early Design

158207
139992
139962
143007
139957

1/4" DIA.

① 93879

Early and New Design Parts are not individually interchangeable

The Early Design Link is no longer available

142808
3/16" DIA.

Early and New Design Parts are not individually replaceable, (order 146178 Modification Kit)

(Peculiar to Units with a Range Scale of 60)

(Ref. 142923 See Fig. 1)

FIGURE 6. REAR PLATE AND MAGNET PICK-UP

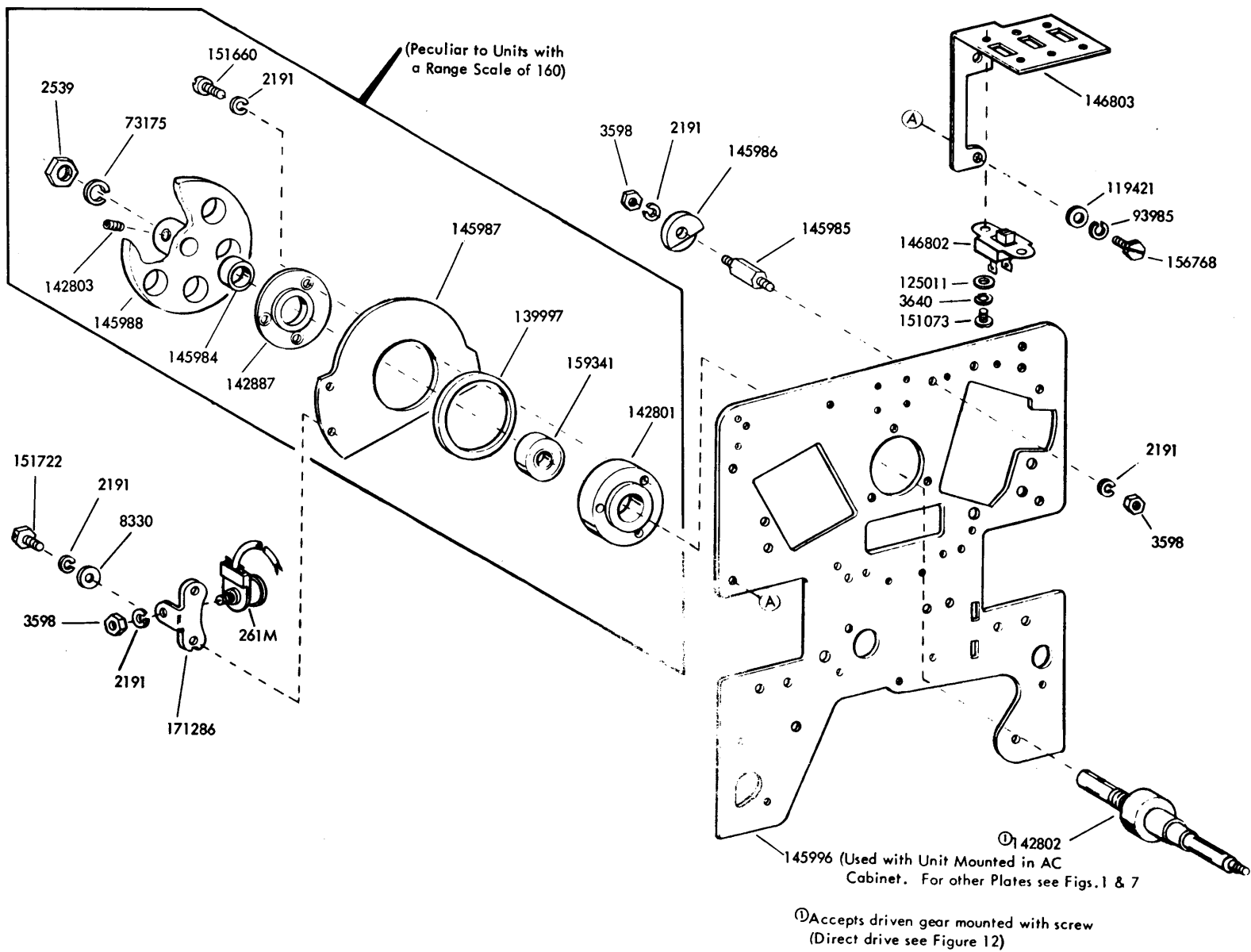
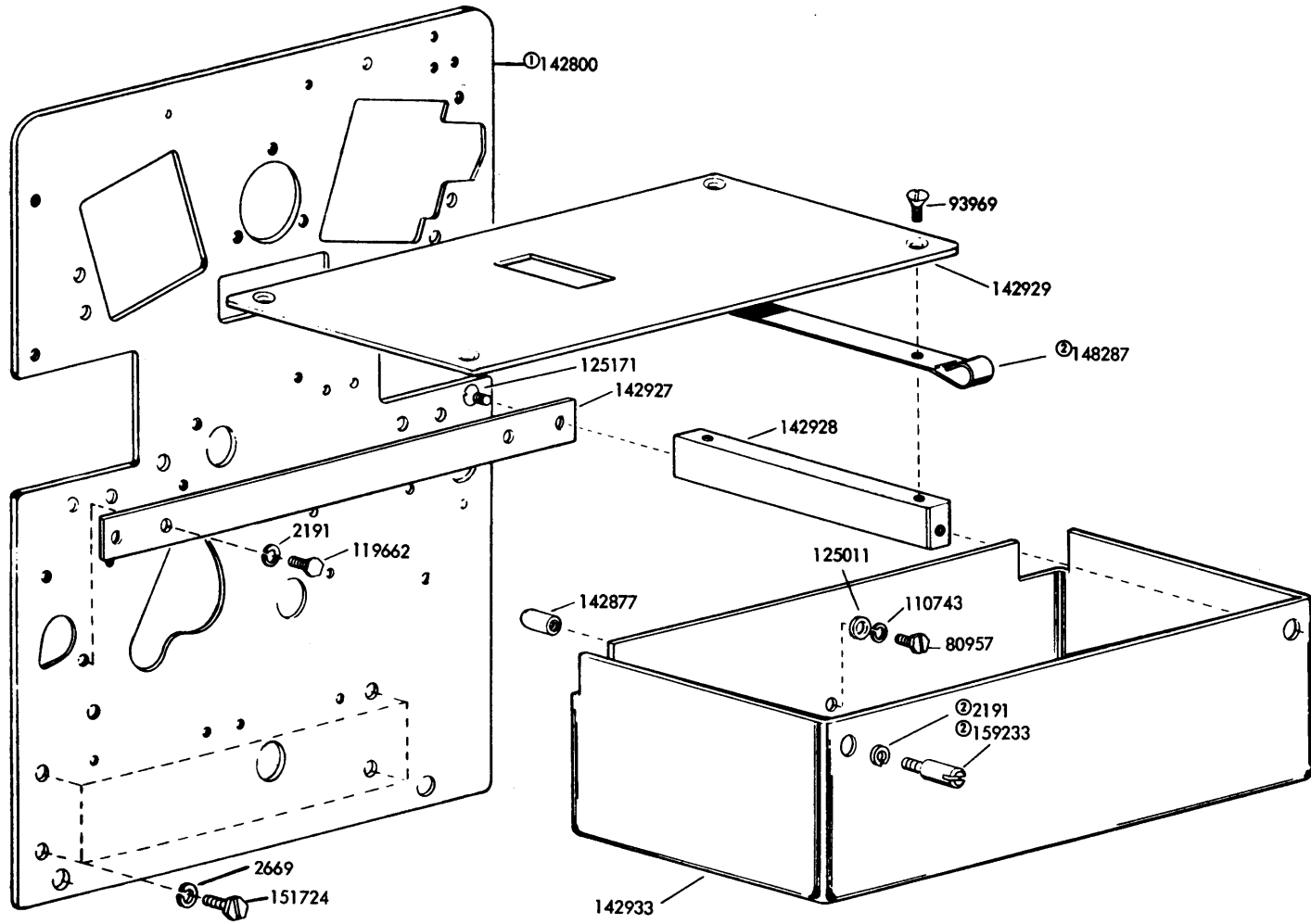
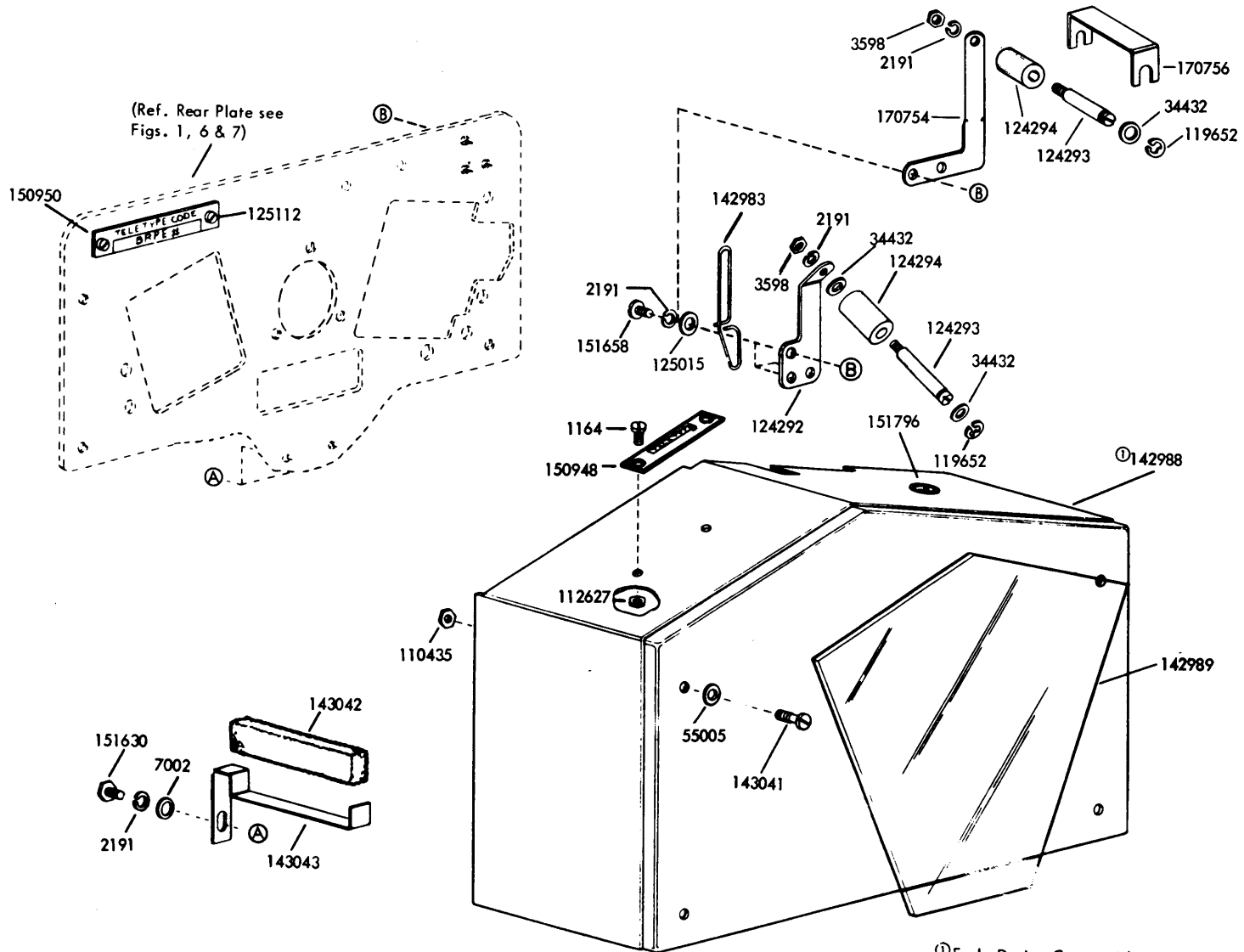


FIGURE 7. CHAD BOX

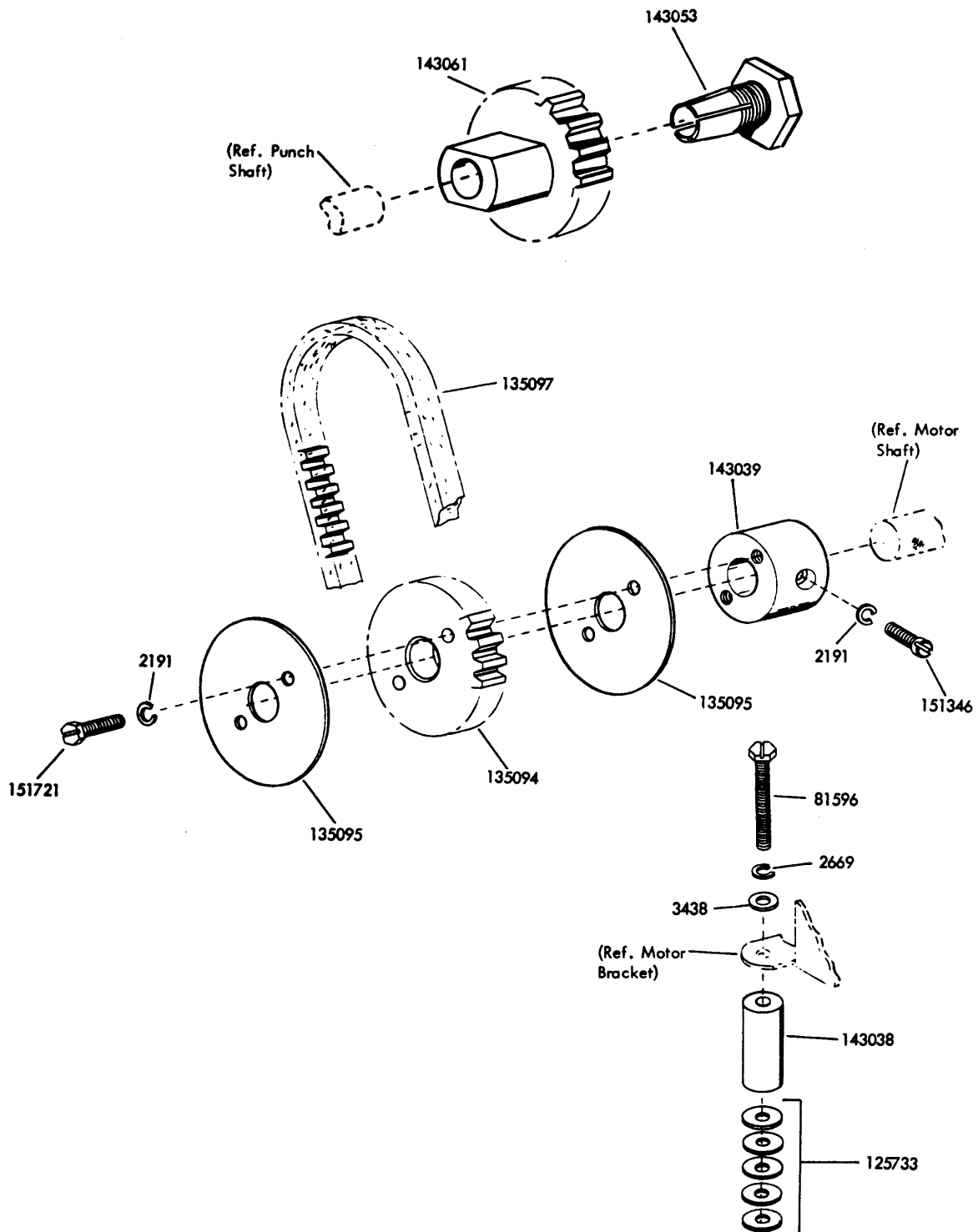


①Used with Self-Contained Sets.
For other Plates see Figs. 1 & 6.
②Part of 148288 Modification Kit to provide improved mounting for chad box (Specification 501685)

FIGURE 8. FRONT COVER

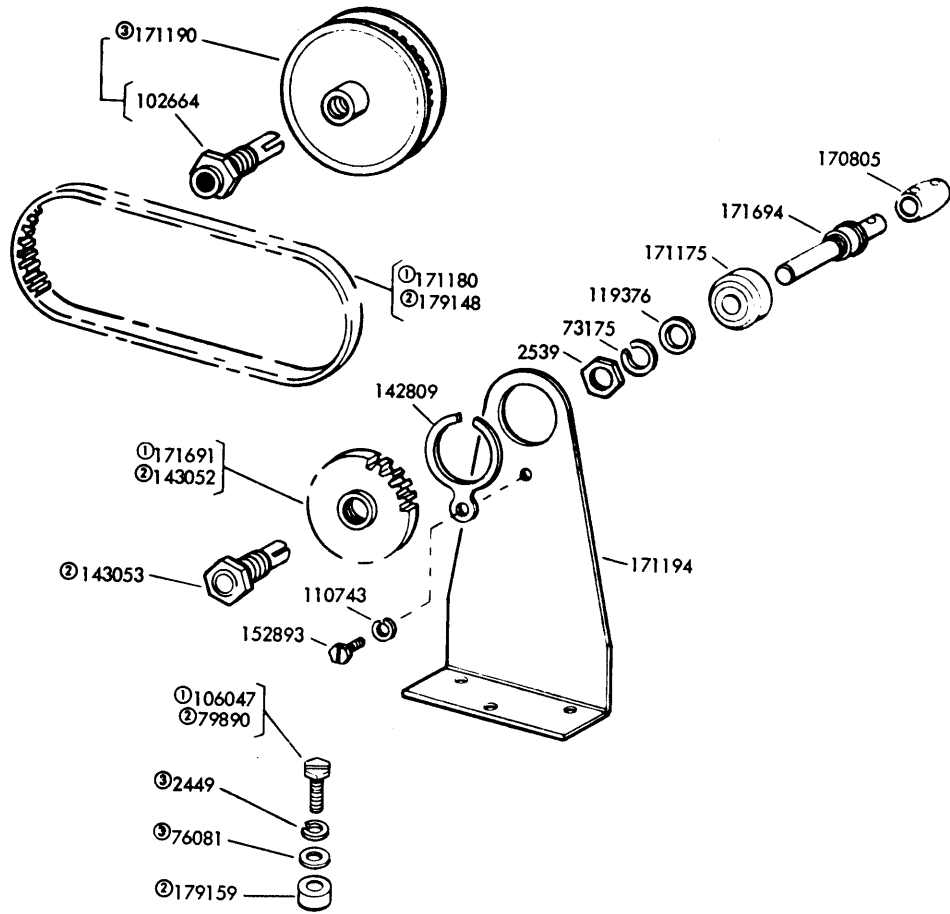


① Early Design Cover with pentagon hole is no longer available. However the window is available as a replacement part.



SPECIFICATION 5944S

FIGURE 9. 143062 MODIFICATION KIT TO PROVIDE MOTOR MOUNTING AND DRIVE PARTS
(63.3 CHARACTERS-PER-SECOND)



- ① Peculiar to 171826 Modification Kit (600 Baud Operation)
- ② Peculiar to 179149 Modification Kit (750 Baud Operation)
- ③ Common to both Modification Kits

FIGURE 10. PARTS TO PROVIDE OPERATION OF THE BRPE WITH H/L RT SETS

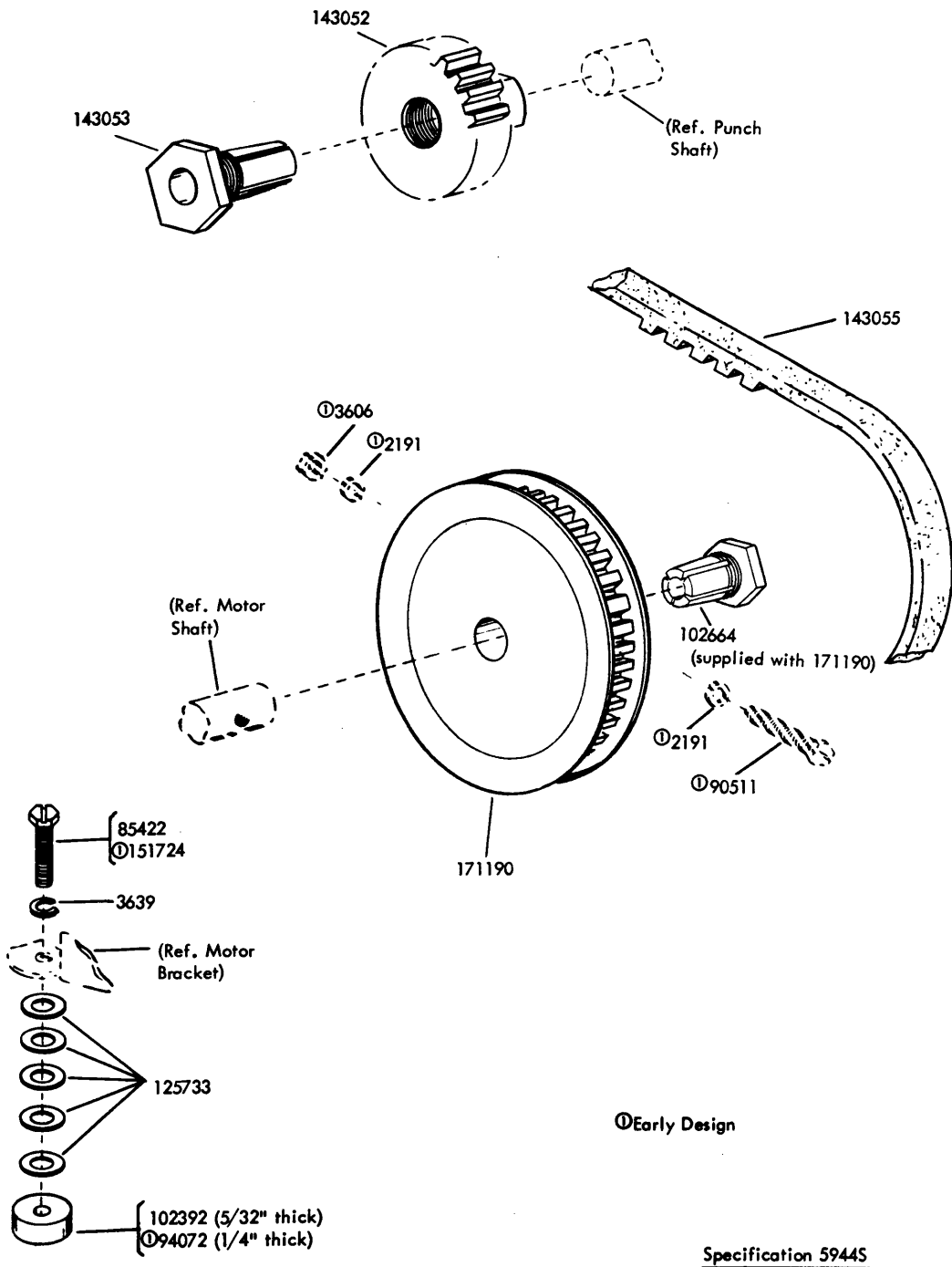
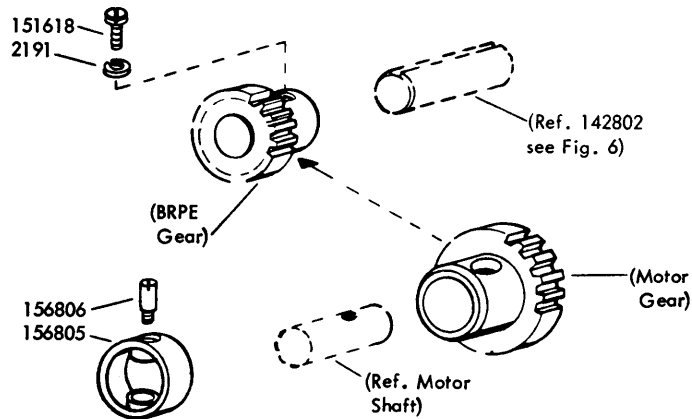


FIGURE 11. 143044 MODIFICATION KIT TO PROVIDE MOTOR MOUNTING AND DRIVE PARTS
(110 CHARACTERS-PER-SECOND)



GEAR CHART				
Gear Set No.	BRPE Gear	Motor Gear	① Baud	Cycle
145997	145998 (25T)	145999 (45T)	③ 1050	60
146966	146959 (28T)	146958 (51T)	② 750	60
146947	146949 (28T)	146948 (62T)	② 750	50
195279	195277 (18T)	195278 (39T)	③ 1050	50

- ① Based on Transmission Speed
- ② Based on 7.00 Unit Code
- ③ Based on 10.00 Unit Code

FIGURE 12. GEAR SETS FOR UNITS MOUNTED IN AC CABINETS

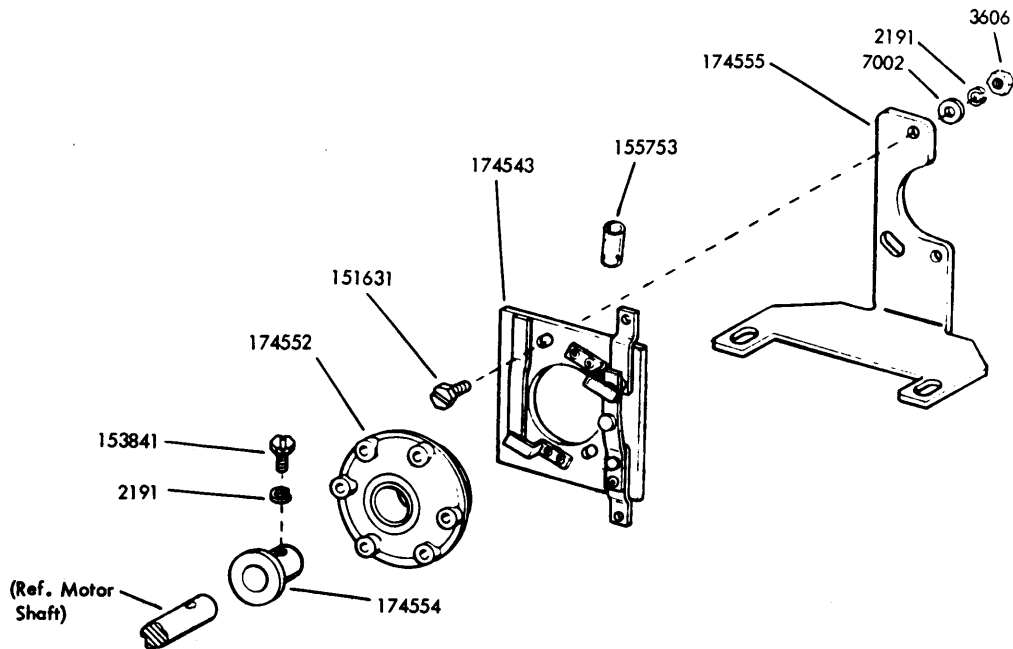
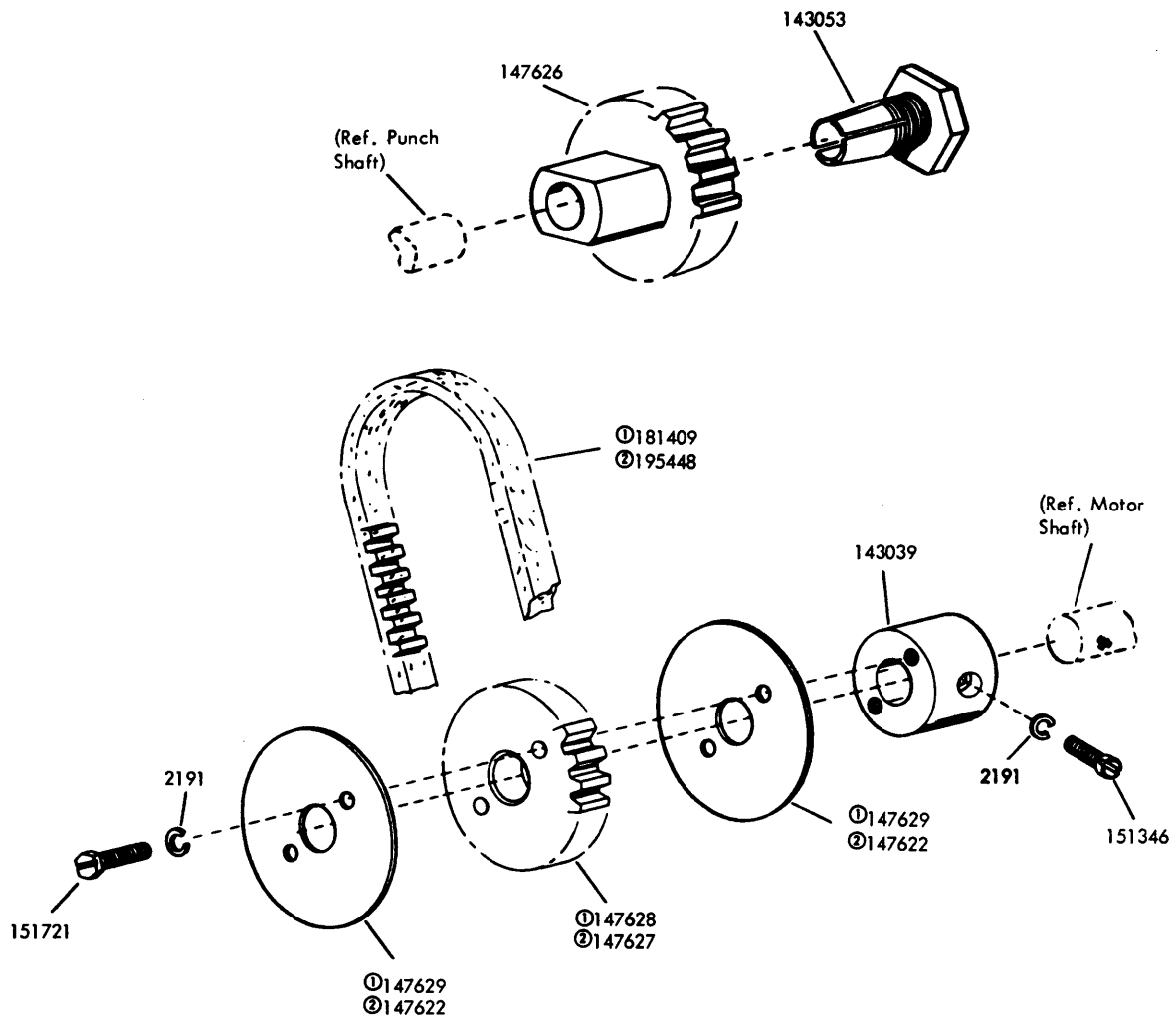


FIGURE 13. 175198 MODIFICATION KIT TO PROVIDE MOTOR RUNNING CONTACTS FOR REPERFORATOR (BRPE)



① Peculiar to 147623
 ② Peculiar to 147624

FIGURE 14. 147623 (63.3 CHARACTERS-PER-SECOND) AND 147624 (100 CHARACTERS-PER-SECOND) MODIFICATION KITS TO PROVIDE DRIVE PARTS FOR 50 CYCLE OPERATION

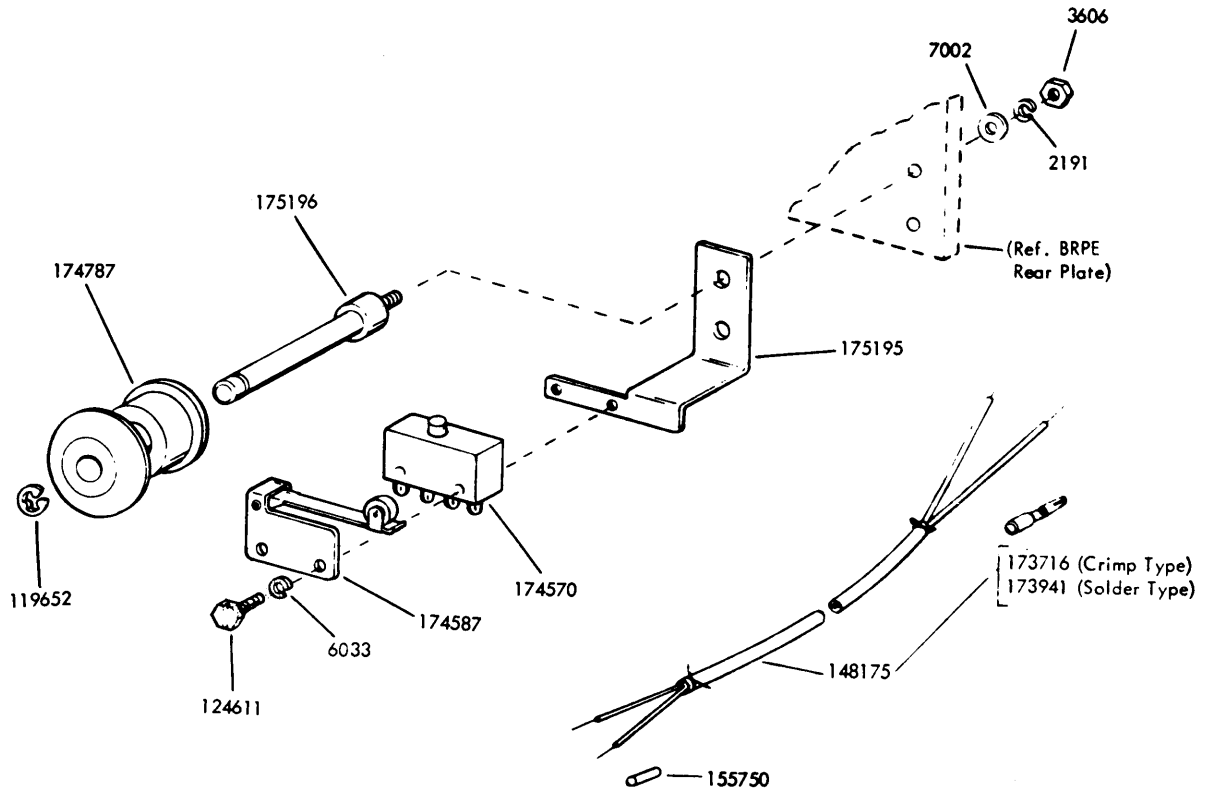
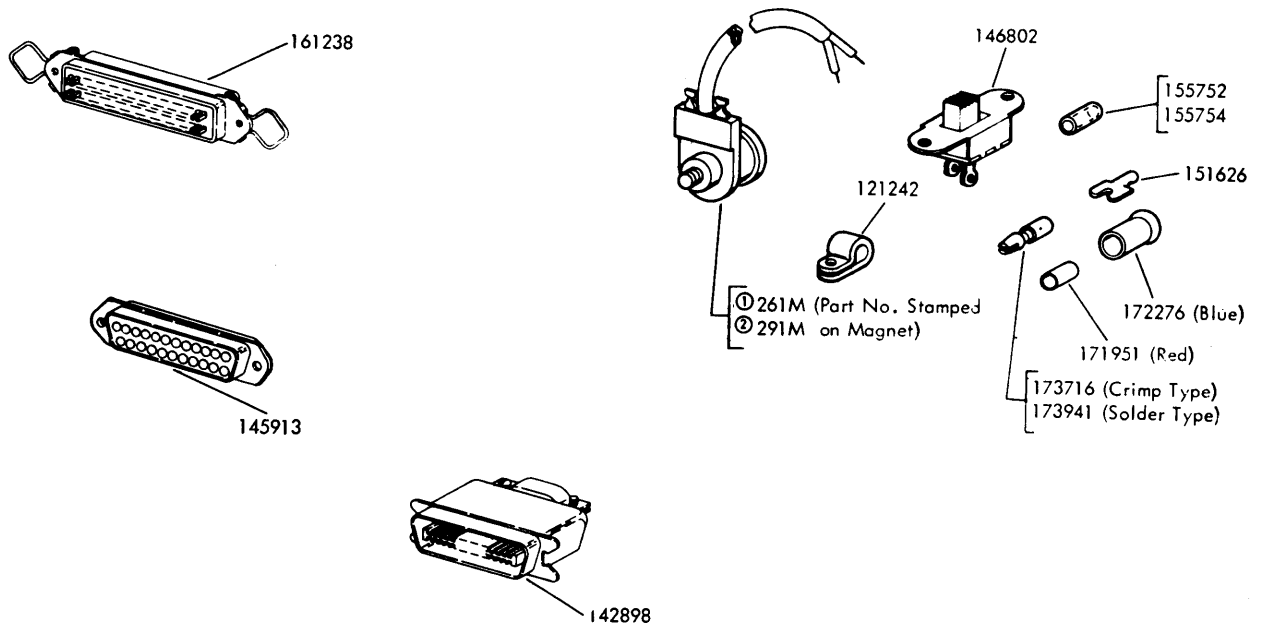


FIGURE 15. 175194 MODIFICATION KIT TO PROVIDE TAPE-OUT CONTACTS AHEAD OF REPERFORATOR (BRPE)



- ① Peculiar to units with a range scale of 160
- ② Peculiar to units with a range scale of 60

FIGURE 16. CABLE COMPONENTS

NUMERICAL INDEX

Part Number	Description and Page Number	Part Number	Description and Page Number	Part Number	Description and Page Number
261M	Coil, Magnet 7	119651	Ring, Retaining 2, 3	142852	Bracket, Arm Stop 3
291M	Coil, Magnet 15	119652	Ring, Retaining 2, 4, 9, 15	142853	Stud 3
1164	Screw (2-56 x 3/16 Fil) 3, 9	119662	Screw (6-40 Spl) 8	142855	Bracket, Left Spring 3
2191	Washer, Lock 2; 3, 4, 6 to 10, 12 to 15	121242	Clamp, Cable (1/8" ID) 15	142856	Bracket, Right Spring 3
2449	Washer, Lock 11	124244	Washer, Felt 3	142865	Screw (6-40 x 2-1/32 Hex) 4
2539	Nut (3/8-32 Hex) 4, 6, 7, 11	124249	Spacer (.217" Thk) 2	142866	Magnet Assembly 3
2669	Washer, Lock 2, 3, 4, 6, 8, 10	124252	Link 2	142867	Yoke 3
3438	Washer, Flat 10	124258	Screw, Shoulder (4-40) 2	142869	Screw (4-40 Spl) 3
3598	Nut (6-40 Hex) 2, 3, 4, 7, 9	124279	Link, Feed Punch 3	142871	Armature 3
3599	Nut (4-40 Hex) 2, 3, 6	124282	Spacer (.044" Thk) 2	142872	Armature 3
3606	Nut (6-40 Hex) 2, 4, 12, 13, 15	124287	Spacer 2	142873	Arm, Detent 4
3639	Washer, Lock 4, 12	124289	Bearing, Ball 6	142876	Spring, Torsion 4
3640	Washer, Lock 2, 3, 4, 6, 7	124292	Bracket 9	142877	Post 8
5740	Screw (2-56 x 1/4 Fil) 5	124293	Stud 9	142880	Plate, Front 6
6033	Washer, Lock 15	124294	Roller 9	142882	Clamp, Bearing 6
7002	Washer, Flat 2, 3, 4, 6, 9, 13, 15	124300	Spacer (.056" Thk) 2	142887	Retainer 6, 7
8330	Washer, Flat 4, 7	124301	Spacer 6	142888	Wheel, Feed 4
34432	Washer, Flat 2, 9	124313	Magnet Assembly 3	142889	Post, Tape Arm 4
36463	Spring 2	124320	Armature 3	142890	Arm, Tape 4
41675	Washer, Flat 2	124355	Insulator (.010") 3	142895	Spring, Torsion 4
42823	Washer, Flat 3, 4, 6	124611	Screw (8-32 x 3/8 Hex) 15	142896	Shaft, Feed Wheel 4
55005	Washer, Flat 9	125011	Washer, Flat 3, 4, 7, 8	142897	Spring, Flat 5
70891	Washer, Lock 4	125015	Washer, Flat 3, 9	142898	Connector, Plug (24 Pt) 15
71073	Washer, Flat 5	125112	Screw (2-56 x 1/8 Fil) 5, 9	142901	Plate 4
73175	Washer, Lock 6, 7, 11	125171	Screw (10-32 x 1/2 Flat) 8	142910	Stud 4
74807	Nut (10-32 Shoulder Hex) 2, 4, 6	125683	Bushing, Eccentric 4	142911	Plate 4
76081	Washer, Flat 11	125733	Washer, Flat 10, 12	142912	Bushing, Eccentric 4
76953	Washer, Flat 6	125948	Screw (2-56 x 1/8 Fil) 5	142917	Cutter, Tape 4
76983	Screw (4-40 x 1-1/4 Fil) 6	128357	Ring, Retaining 4	142918	Chute, Chad 4
79890	Screw (1/4-32 x 7/8 Hex) 11	130690	Washer, felt 6	142921	Stud 4
80957	Screw (4-40 x 1/4 Hex) 8	135094	Pulley, Toothed (19T) 10	142923	Post 2
81596	Screw (10-32 x 1-3/8 Hex) 10	135095	Retainer, Belt 10	142924	Roller 4
82726	Spring 3	135097	Belt, Toothed (38T) 10	142927	Bar 8
85422	Screw (10-32 x 15/16 Hex) 12	135247	Oiler, Felt 2	142928	Bar 8
86774	Screw, Shoulder (6-40) 2	139957	Bracket 6	142929	Cover, Chad Box 8
89077	Stud 3	139958	Disk 6	142933	Box, Chad 8
89896	Oiler 4	139962	Flywheel W/Block 6	142942	Bracket W/Tape Guide 4
90361	Washer, Felt 2	139991	Post, Spring 2	142944	Eccentric 4
90437	Wick, Felt 4	139992	Button 6	142946	Pawl, Blocking 3
90511	Screw (6-40 x 13/16 Hex) 12	139997	Washer, Spring 6, 7	142949	Pawl, Blocking 3
90791	Washer, Lock 5	142800	Plate, Rear 8	142983	Guide, Tape 9
92806	Screw, Shoulder (6-40) 4	142801	Housing, Bearing 6, 7	142988	Cover 9
93117	Washer, Lock 3, 5	142802	Shaft W/Bearing 7, 13	142989	Window, Plastic 9
93118	Washer, Lock 5	142803	Screw, Set (10-32) 6, 7	142992	Plate W/Post 3
93879	Oiler, Felt 6	142805	Spacer (.060") 6	142994	Bar, Magnet Mounting (RT) 3
93969	Screw (4-40 x 3/16 Flat) 8	142806	Shield, Bearing 6	142995	Bar, Magnet Mounting (RB) 3
93985	Washer, Lock 7	142807	Bearing, Ball 6	142996	Bar, Magnet Mounting (LT) 3
94072	Bushing 12	142808	Link, Feed Bearing 2, 6	142997	Bar, Magnet Mounting (LB) 3
94693	Wick, Felt 2	142809	Clamp, Bearing 6, 11	142998	Screw (6-40 x 3/8 Flat) 3
102374	Wick, Felt 2	142811	Shaft, Punch Bail 2	143006	Lever 2
102392	Spacer 12	142812	Stud, Toggle Arm 2	143007	Pick-Up, Magnetic 6
102664	Hub 11, 12	142828	Pawl, Feed 2	143014	Link 2
102751	Nut (10-32 Hex) 4	142829	Pin 2	143016	Arm, Toggle 2
106047	Screw (1/4-32 x 1/2 Shoulder Hex) 11	142830	Spring, Torsion 2	143017	Arm, Toggle 2, 6
110435	Nut (4-40 Hex) 2, 3, 9	142833	Arm, Bearing 6	143019	Spacer (.249" Thk) 2
110743	Washer, Lock 2, 3, 4, 6, 8, 11	142834	Bail, Toggle Arm 2	143020	Spacer (.106" Thk) 2
111017	Screw (6-40 x 5/16 Fil) 2	142835	Shaft, Toggle Arm 3	143021	Plate 2
111410	Washer, Flat 6	142839	Bearing, Ball 6	143026	Eccentric 2
112620	Screw (4-40 x 1/2 Hex) 4	142840	Clamp, Bearing 6	143028	Scale 2
112627	Nut (2-56 Hex) 9	142841	Counterweight 6	143038	Spacer 10
112633	Spring W/Wick 5	142842	Key 6	143039	Hub 10, 14
112769	Washer, Flat 2	142844	Spacer Bearing Arm 6	143040	Ring, Retaining 4
115221	Washer, Felt 2	142845	Clip, Bearing 6	143041	Screw (4-40 Spl) 9
119376	Washer, Flat 11	142846	Bracket, Link Pivot 3	143042	Oiler, Felt 9
119421	Washer, Flat 7	142847	Shaft, Link 3	143043	Bracket, Oiler 9
119648	Ring, Retaining 2, 5	142848	Clamp 3	143044	Modification Kit 1, 12
		142849	Wick, Felt 3	143045	Link 2, 4
		142850	Clamp, Spring 3		

NUMERICAL INDEX (Continued)

Part Number	Description and Page Number	Part Number	Description and Page Number	Part Number	Description and Page Number
143048	Spring, Torsion 2	146284	Guide, Tape (Adjustable) 4	155752	Sleeve, Insulating (5/64 ID x 1/2" Lg) 15
143050	Plate, Stop 3	146286	Plate W/Posts 4	155753	Sleeve, Insulating (1/8 ID x 1/2" Lg) 3, 13
143052	Pulley, Toothed (24T) 11, 12	146677	Block Assembly, Punch 5	155754	Sleeve, Insulating (1/16 ID x 1/2" Lg) 15
143053	Hub 10, 11, 12, 14	146678	Link, Drag 3	156536	Screw (4-40 x 1/8 Fil) 4
143055	Belt, Toothed (65T) 12	146685	Guide, Tape 4	156632	Screw (6-40 x 13/32 Hex) 3
143056	Block Assembly, Punch 5	146802	Switch (SP-ST) 7, 15	156768	Screw (8-32 x 9/32 Hex) 7
143061	Pulley, Toothed (18T) 10	146803	Bracket 7	156805	Retainer, Pinion 13
143062	Modification Kit 1, 10	146862	Spacer 4	156806	Post 13
143066	Magnet Assembly 3	146947	Gear Set 13	158186	Screw (4-40 x 7/32 Fil) 3, 4
143072	Shield, Bearing 6	146948	Gear (62T) 13	158207	Screw, Set (10-32) 6
143073	Spacer (.06" Thk) 6	146949	Gear (28T) 13	159233	Stud 8
143074	Wick, Felt 3	146958	Gear (51T) 13	159341	Bearing, Ball 7
143077	Spring 3	146959	Gear (28T) 13	161238	Connector, Receptacle (36Pt) 15
143078	Arm, Long Toggle 3	146966	Gear Set 13	170751	Block Assembly, Punch 5
143079	Arm, Short Toggle 3	147622	Retainer, Belt 14	170752	Plate, Rear 2
143080	Link, Drag 3	147623	Modification Kit 1, 14	170754	Bracket 9
143088	Guide, Tape 4	147624	Modification Kit 1, 14	170756	Bracket, Tape Guide 9
143091	Roller 4	147626	Pulley, Toothed (15T) 14	170766	Spacer 4
143097	Ring, Retaining 2	147627	Pulley, Toothed (33T) 14	170805	Coupling, Flexible 11
145808	Block Assembly, Punch 5	147628	Pulley, Toothed (19T) 14	171175	Bearing, Ball 11
145861	Link W/Hub 2	147629	Retainer, Belt 14	171180	Belt, Toothed (100T) 11
145862	Link, Feed Bearing 6	147773	Flywheel 6	171190	Pulley, Toothed (44T) 11, 12
145864	Block, Pawl 4	147774	Clamp 6	171194	Bracket W/Bearing 11
145865	Arm, Toggle 2	147775	Bracket, Mounting 6	171286	Bracket, Mounting 7
145866	Guide 4	148175	Cable W/Terminals 15	171691	Pulley, Toothed (30T) 11
145873	Plate 4	148287	Spring, Detent 8	171692	Shaft 6
145874	Link W/Bushing 2	148288	Modification Kit 8	171694	Shaft 11
145875	Ring, Retaining 2	150948	Plate, Identification (Teletype) 9	171826	Modification Kit 11
145877	Guide 4	150950	Plate, Code 9	171951	Connector, Shielding (Red) 15
145913	Connector, Receptacle Type (25 Pt) 15	151073	Screw (4-40 x 5/32 Fil) 7	172276	Connector, Insulated (Blue) 15
145984	Spacer (.499" Thk) 7	151152	Screw (4-40 x 3/16 Hex) 6	173716	Terminal, Receptacle Type 15
145985	Post 7	151346	Screw (6-40 x 3/8 Fil) 10, 14	173941	Terminal, Receptacle type 15
145986	Indicator 7	151618	Screw (6-40 x 7/16 Fil) 13	173974	Screw (10-32 x 5/16 Hex) 4
145987	Disk 7	151626	Terminal 15	174543	Switch 13
145988	Flywheel W/Magnet 7	151630	Screw (6-40 x 1/4 Hex) 4, 6, 9	174552	Rotor, Centrifugal 13
145991	Bar, Magnet Mounting (RT) 3	151631	Screw (6-40 x 5/16 Hex) 3, 13	174554	Hub, Switch 13
145992	Bar, Magnet Mounting (LT) 3	151637	Screw (4-40 x 1/4 Fil) 6	174555	Bracket, Switch 13
145993	Bar, Magnet Mounting (LB) 3	151658	Screw (6-40 x 5/16 Fil) 4, 9	174570	Switch 15
145994	Bar, Magnet Mounting (RB) 3	151660	Screw (6-40 x 7/8 Fil) 6, 7	174587	Actuator, Switch 15
145995	Plate 4	151686	Screw (4-40 x 3/8 Fil) 3	174787	Roller 15
145996	Plate, Rear 3, 7	151694	Screw (6-40 x 11/32 Fil) 4	175194	Modification Kit 1, 15
145997	Gear Set 13	151721	Screw (6-40 x 3/4 Hex) 10, 14	175195	Bracket 15
145998	Gear (25T) 13	151722	Screw (6-40 x 3/16 Hex) 4, 7	175196	Stud 15
145999	Gear (45T) 13	151724	Screw (10-32 x 5/8 Hex) 8, 12	175198	Modification Kit 1, 13
146177	Modification Kit 2, 4	151796	Plate, Identification (Bell) 9	179148	Belt, Toothed (95T) 11
146178	Modification Kit 2, 6	151880	Nut (4-40 Hex) 6	179149	Modification Kit 11
146261	Block Assembly, Punch 5	152426	Nut, Self-Locking (6-40) 6	179159	Spacer 11
146262	Spring, Biasing 5	152893	Screw (4-40 x 1/4 Hex) 3, 11	181409	Belt, Toothed (47T) 14
146263	Spring, Biasing 5	153441	Screw (10-32 x 7/16 Hex) 4	195277	Gear (18T) 13
146264	Link, Operating 5	153442	Screw (10-32 x 1/2 Hex) 3	195278	Gear (39T) 13
146265	Arm w/Hub 5	153799	Screw (4-40 x 21/64 Hex) 3	195279	Gear Set 13
146270	Post, Spring 5	153841	Screw (6-40 x 9/16 Hex) 13	195448	Belt, Toothed (55T) 14
146273	Post 5	155750	Sleeve, Insulating (3/32 ID x 1/2" Lg) 15		