



### DISTINCTIVE CHARACTERISTICS

- Double Comparator
  - Compares a 16-bit input number with a lower limit and an upper limit
- Cascadable
  - 16-bit cascadable to longer words
- Out-of-Bounds Flag
  - Flags values that are outside the bounds of a lower and an upper limit
- Compares Signed or Unsigned Numbers
- 28-Pin Packages

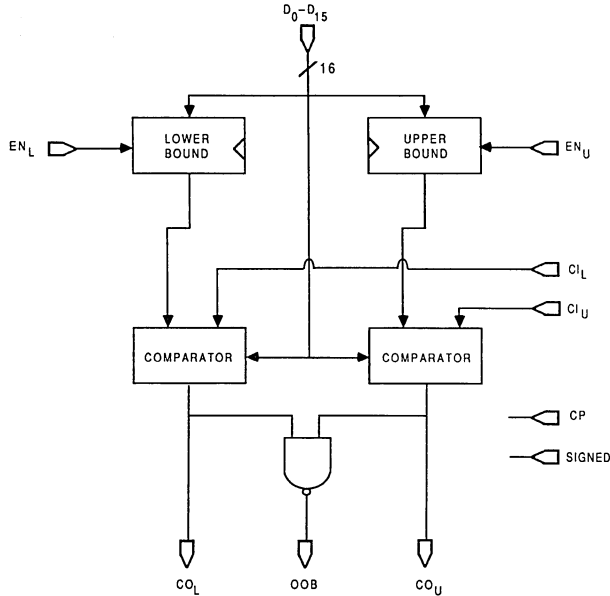
### GENERAL DESCRIPTION

The Am29337 is the 16-bit bounds checker that compares a 16-bit signed or unsigned number with a lower and an upper limit stored in the registers. The part flags values that

are out of bounds, or triggers a counter used to count the number of values that lie within the given range.

The Am29337 is cascadable up to 32 bits or greater.

### BLOCK DIAGRAM

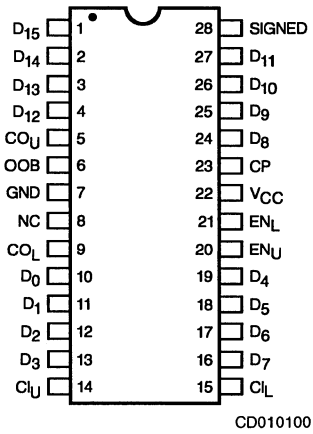


BD006640

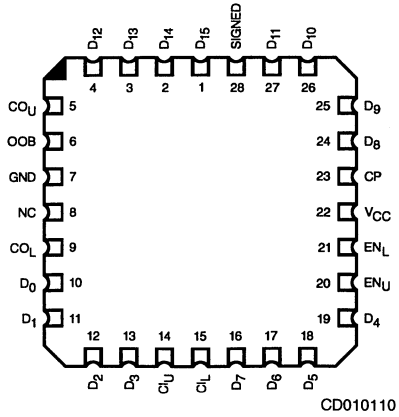
### RELATED AMD PRODUCTS

Part No.	Description
Am29331	16-Bit Microprogram Sequencer
Am29332	32-Bit ALU
Am29334	Four-Port Dual-Access Register File
Am29323	32 x 32 Parallel Multiplier
Am29325	32-Bit Floating Point Processor

## CONNECTION DIAGRAMS Top View



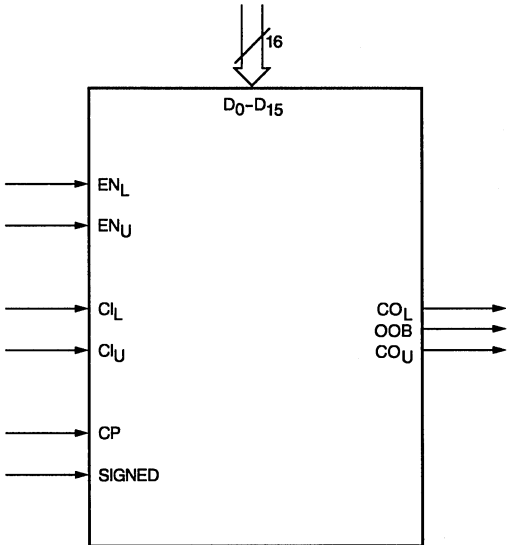
### LCC\*



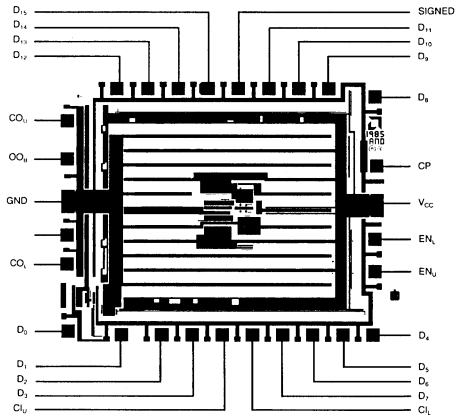
\* Also available in PLCC.  
Pinouts identical to LCC.

Note: Pin 1 is marked for orientation.

### LOGIC SYMBOL



### METALLIZATION AND PAD LAYOUT

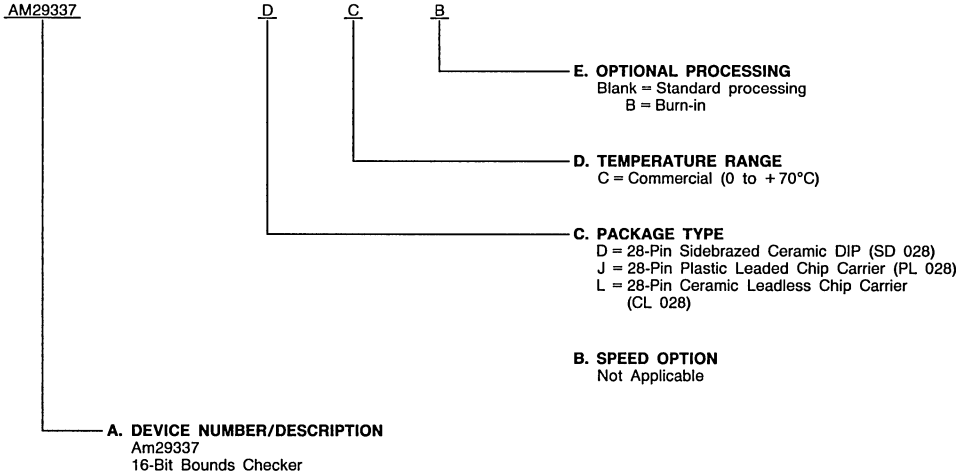


# ORDERING INFORMATION

## Standard Products

AMD standard products are available in several packages and operating ranges. The order number (Valid Combination) is formed by a combination of:

- A. Device Number**
- B. Speed Option** (if applicable)
- C. Package Type**
- D. Temperature Range**
- E. Optional Processing**



Valid Combinations	
AM29337	DC, DCB, JC, LC

### Valid Combinations

Valid Combinations list configurations planned to be supported in volume for this device. Consult the local AMD sales office to confirm availability of specific valid combinations, to check on newly released combinations, and to obtain additional data on AMD's standard military grade products.

## PIN DESCRIPTION

### **D<sub>0</sub> - D<sub>15</sub> Data Input (Input)**

Input to the comparators and limit registers.

### **Cl<sub>L</sub>, Cl<sub>U</sub> Carry-In (Inputs)**

Carry input for cascading.

### **CO<sub>L</sub>, CO<sub>U</sub> Carry Out (Outputs)**

Carry outputs for the result of comparison.

### **OOB Out-of-Bounds Flag (Output)**

Flags values that are out of bounds. Defined as  $\overline{CO_L} \cdot CO_U$ .

### **SIGNED Sign Input (Input)**

Selects signed comparisons when HIGH and unsigned comparisons when LOW.

### **EN<sub>L</sub>, EN<sub>U</sub> Load Enable (Inputs)**

Loads enables for the limit registers.

### **CP System Clock (Input)**

Clocks limit registers at the LOW-to-HIGH transition.

## FUNCTIONAL DESCRIPTION

The Am29337 is a high-speed bounds checker that determines if a 16-bit number lies within a lower and an upper limit. It consists of two comparators and two limit registers, as shown in the Block Diagram.

### **Limit Registers, Double Comparator**

The Am29337 has a lower limit register and an upper limit register. The values of these two registers are loaded from the D-bus with the load enable inputs EN<sub>L</sub> and EN<sub>U</sub> on the clock's rising edge. The values of the data present on the D-bus are compared with the values stored in the limit registers through the two comparators. The comparators operate on signed numbers when SIGNED is HIGH and on unsigned numbers when it is LOW. The results of the comparisons are given by the outputs CO<sub>L</sub>, CO<sub>U</sub>, and OOB. The definitions of carry inputs Cl<sub>L</sub> and Cl<sub>U</sub> are given in Table 1, and the combination of the different regions in Table 2. If the data being compared is out of the region, the out-of-bounds flag, OOB, which is defined as  $\overline{CO_L} \cdot CO_U$ , is set.

## Cascading

Comparison of numbers longer than 16 bits requires cascading of two or more bounds-checker slices. Figure 1 shows an example of this for a 32-bit bounds checker. The comparison starts from the least significant slice. CO<sub>L</sub>, CO<sub>U</sub>, and OOB of the most significant slice act as outputs of the overall bounds checker, while CO<sub>L</sub> and CO<sub>U</sub> of the least significant slice are connected to Cl<sub>L</sub> and Cl<sub>U</sub> of the most significant slice. Cl<sub>L</sub> and Cl<sub>U</sub> of the least significant slice act as inputs to the overall bounds checker. The SIGNED input of the most significant slice identifies the value when being compared with either signed or unsigned number when the SIGNED input of the least significant slice is tied LOW.

The comparison can start from the most significant slice. In this case, CO<sub>L</sub>, CO<sub>U</sub>, OOB of the least significant slice act as outputs of the overall bounds checker, while CO<sub>L</sub> and CO<sub>U</sub> of the most significant slice are connected to Cl<sub>L</sub> and Cl<sub>U</sub> of the least significant slice.

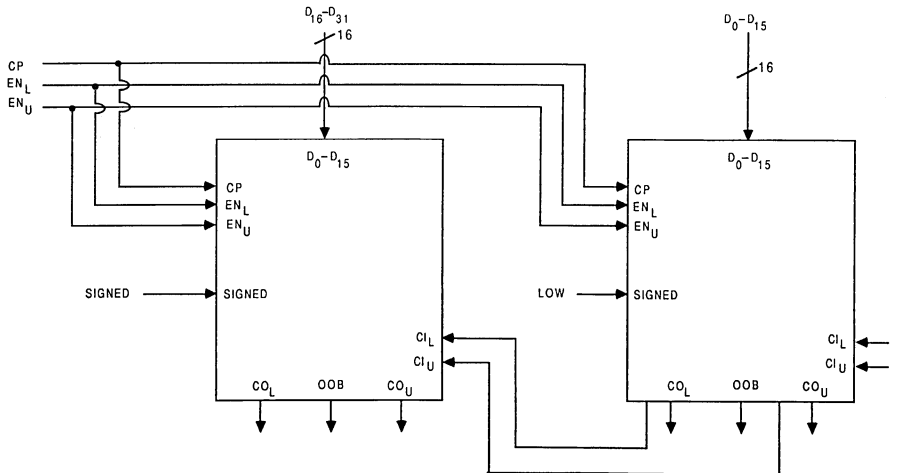
**TABLE 1. DEFINITION OF CO<sub>L</sub> AND CO<sub>U</sub>**

Inputs		Outputs	
Cl <sub>L</sub>	Cl <sub>U</sub>	CO <sub>L</sub>	CO <sub>U</sub>
0	0	L < D	D < U
0	1	L < D	D ≤ U
1	0	L ≤ D	D < U
1	1	L ≤ D	D ≤ U

Note:  
 D = Data Input  
 L = Lower Unit  
 U = Upper Unit

**TABLE 2. DIFFERENT COMBINATIONS OF REGIONS**

Inputs		Outputs			Description
Cl <sub>L</sub>	Cl <sub>U</sub>	CO <sub>L</sub>	CO <sub>U</sub>	OOB	
0	0	0	0	1	Impossible Combination
		0	1	1	D ≤ L
		1	0	1	U ≤ D
		1	1	0	L < D < U
0	1	0	0	1	Impossible Combination
		0	1	1	D ≤ L
		1	0	1	U < D
		1	1	0	L < D ≤ U
1	0	0	0	1	Impossible Combination
		0	1	1	D < L
		1	0	1	U ≤ D
		1	1	0	L ≤ D < U
1	1	0	0	1	Impossible Combination
		0	1	1	D < L
		1	0	1	U < D
		1	1	0	L ≤ D ≤ U



AF004530

**Figure 1. 32-Bit Bounds Checker**

## ABSOLUTE MAXIMUM RATINGS

Storage Temperature .....	-65 to +150°C
Temperature Under Bias — T <sub>C</sub> .....	-55 to +125°C
Supply Voltage to Ground	
Potential Continuous .....	-0.5 to +7.0 V
DC Voltage Applied to Outputs	
for HIGH State .....	-0.5 V to V <sub>CC</sub> Max.
DC Input Voltage .....	-0.5 to +5.5 V
DC Output Current, into Outputs .....	30 mA
DC Input Current .....	-30 to +5.0 mA

Stresses above those listed under ABSOLUTE MAXIMUM RATINGS may cause permanent device failure. Functionality at or above these limits is not implied. Exposure to absolute maximum ratings for extended periods may affect device reliability.

## OPERATING RANGES

Commercial (C) Devices	
Temperature (T <sub>A</sub> ) .....	0 to +70°C
Supply Voltage (V <sub>CC</sub> ) .....	+4.75 to +5.25 V

Operating ranges define those limits between which the functionality of the device is guaranteed.

## DC CHARACTERISTICS over operating range unless otherwise specified

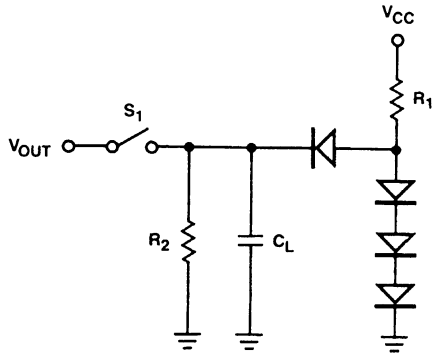
Parameter Symbol	Parameter Description	Test Conditions (Note 1)	Min.	Typ. (Note 2)	Max.	Units
V <sub>OH</sub>	Output HIGH Voltage	V <sub>CC</sub> = Min., V <sub>IN</sub> = V <sub>IL</sub> or V <sub>IH</sub> I <sub>OH</sub> = -1.0 mA	2.4			V
V <sub>OL</sub>	Output LOW Voltage	V <sub>CC</sub> = Min., V <sub>IN</sub> = V <sub>IL</sub> or V <sub>IH</sub> I <sub>OL</sub> = 8.0 mA			0.5	V
V <sub>IH</sub>	Input HIGH Level	Guaranteed Input Logical HIGH Voltage for All Inputs	2.0			V
V <sub>IL</sub>	Input LOW Level	Guaranteed Input Logical LOW Voltage for All Inputs			0.8	V
V <sub>I</sub>	Input Clamp Voltage	V <sub>CC</sub> = Min., I <sub>IN</sub> = -18 mA			-1.2	V
I <sub>IL</sub>	Input LOW Current	V <sub>CC</sub> = Max., V <sub>IN</sub> = 0.5 V			-0.5	mA
I <sub>IH</sub>	Input HIGH Current	V <sub>CC</sub> = Max., V <sub>IN</sub> = 2.4 V			50	μA
I <sub>I</sub>	Input HIGH Current	V <sub>CC</sub> = Max., V <sub>IN</sub> = 5.5 V			1	mA
I <sub>OZH</sub> I <sub>OZL</sub>	F <sub>0</sub> - F <sub>31</sub> Off State (High Impedance) Output Current	V <sub>CC</sub> = Max. V <sub>O</sub> = 2.4 V V <sub>O</sub> = 0.4 V			25 -25	μA
I <sub>SC</sub>	Output Short-Circuit Current (Note 3)	V <sub>CC</sub> = Max., V <sub>O</sub> = 0 V	-15		-50	mA
I <sub>CC</sub>	Power Supply Current	V <sub>CC</sub> = Max. T <sub>A</sub> = +25°C T <sub>A</sub> = 0 to +70°C T <sub>A</sub> = +70°C			220 230 180	mA

- Notes: 1. For conditions as Min. or Max., use the appropriate value specified under Operating Ranges for the applicable device type.  
 2. Typical values are for V<sub>CC</sub> 5.0 +25°C ambient and maximum loading.  
 3. Not more than one output should be shorted at a time. Duration of the short-circuit test should not exceed one second.

**SWITCHING CHARACTERISTICS** over operating range unless otherwise specified

No.	Parameter Symbol		Test Conditions	Min.	Max.	Units
1	t <sub>PD</sub>	D <sub>0</sub> – D <sub>15</sub> to CO <sub>L</sub> , CO <sub>U</sub> , OOB			19	ns
2	t <sub>PC</sub>	Cl <sub>L</sub> , Cl <sub>U</sub> to CO <sub>L</sub> , CO <sub>U</sub> , OOB			14	ns
3	t <sub>PS</sub>	SIGNED to CO <sub>L</sub> , CO <sub>U</sub> , OOB			18	ns
4	t <sub>CPO</sub>	CP to CO <sub>L</sub> , CO <sub>U</sub> , OOB			22	ns
5	t <sub>SD</sub>	D <sub>0</sub> – D <sub>15</sub> Setup Time			11	ns
6	t <sub>SL</sub>	EN <sub>L</sub> , EN <sub>U</sub> Setup Time			11	ns
7	t <sub>HD</sub>	D <sub>0</sub> – D <sub>15</sub> Hold Time			0	ns
8	t <sub>HL</sub>	EN <sub>L</sub> , EN <sub>U</sub> Hold Time			0	ns
9	t <sub>PWL</sub>	Clock Pulse Width LOW			12	ns
10	t <sub>PWH</sub>	Clock Pulse Width HIGH			12	ns

## SWITCHING TEST CIRCUIT



TCR01240

$$R_2 = \frac{2.4 \text{ V}}{I_{OH}} \quad R_1 = \frac{5.0 - V_{BE} - V_{OL}}{I_{OL} + V_{OL}} \cdot R_2$$

### Normal Outputs

- Notes: 1.  $C_L = 50 \text{ pF}$  includes scope probe, wiring, and stray capacitances without device in test fixture.  
 2.  $S_1$  is closed during function tests and all AC tests except output enable tests.  
 3.  $C_L = 5.0 \text{ pF}$  for output disable tests.

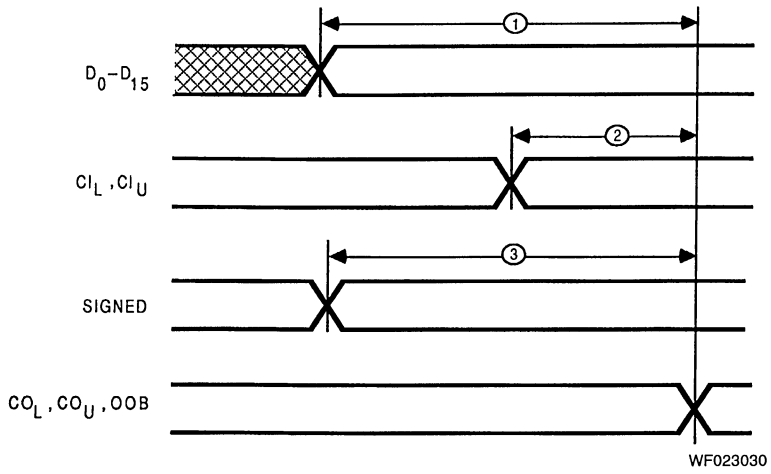
## KEY TO SWITCHING WAVEFORMS

WAVEFORM	INPUTS	OUTPUTS
	MUST BE STEADY	WILL BE STEADY
	MAY CHANGE FROM H TO L	WILL BE CHANGING FROM H TO L
	MAY CHANGE FROM L TO H	WILL BE CHANGING FROM L TO H
	DON'T CARE; ANY CHANGE PERMITTED	CHANGING; STATE UNKNOWN
	DOES NOT APPLY	CENTER LINE IS HIGH IMPEDANCE "OFF" STATE

KS000010

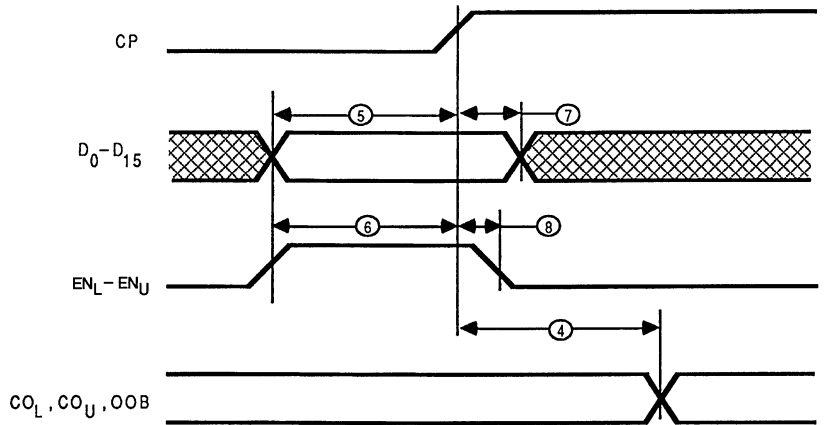


### SWITCHING WAVEFORMS



WF023030

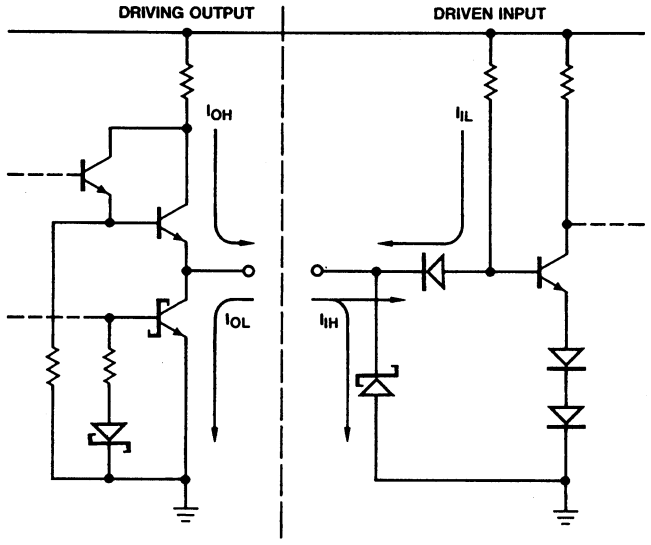
### Propagation Delays from Data Input to Output



WF023040

### Loading the Limit Registers

# INPUT/OUTPUT CURRENT INTERFACE DIAGRAMS



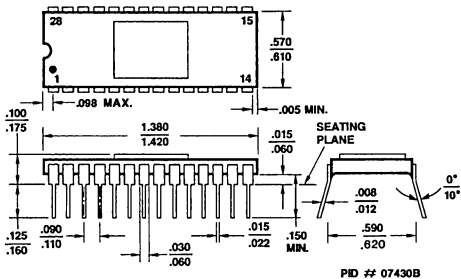
$C_I \approx 5.0$  pF, all inputs

ICR00480

$C_O \approx 5.0$  pF, all outputs

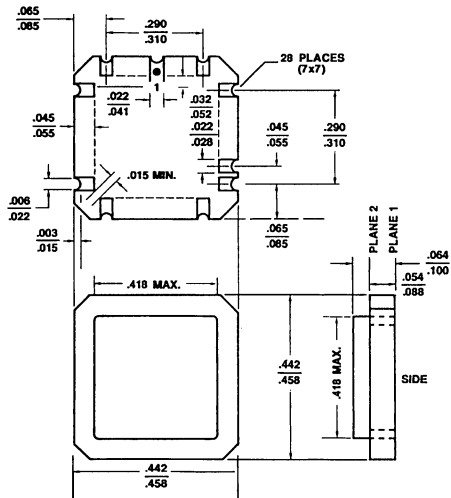
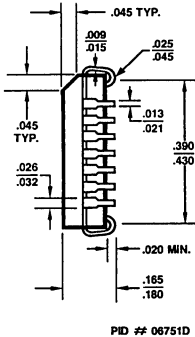
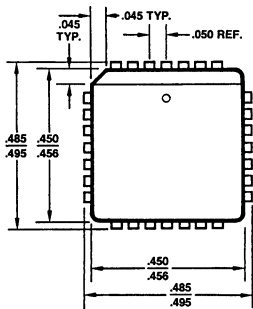
# PHYSICAL DIMENSIONS

## SD 028



## PL 028

## CL 028



## ADVANCED MICRO DEVICES

### DOMESTIC SALES OFFICES

ALABAMA .....	(205) 882-9122	MASSACHUSETTS .....	(617) 273-3970
ARIZONA,		MINNESOTA .....	(612) 938-0001
Tempe .....	(602) 242-4400	NEW JERSEY .....	(201) 299-0002
Tucson .....	(602) 792-1200	NEW YORK,	
CALIFORNIA,		Liverpool .....	(315) 457-5400
El Segundo .....	(213) 640-3210	Poughkeepsie (IBM only) .....	(914) 471-8180
Newport Beach .....	(714) 752-6262	Woodbury .....	(516) 364-8020
San Diego .....	(619) 560-7030	NORTH CAROLINA .....	(919) 847-8471
Sunnyvale .....	(408) 720-8811	OREGON .....	(503) 245-0080
Woodland Hills .....	(818) 992-4155	OHIO,	
COLORADO .....	(303) 741-2900	Columbus .....	(614) 891-6455
CONNECTICUT .....	(203) 264-7800	PENNSYLVANIA,	
FLORIDA,		Allentown (AT&T only) .....	(215) 398-8006
Altamonte Springs .....	(305) 339-5022	Willow Grove .....	(215) 657-3101
Clearwater .....	(813) 530-9971	PUERTO RICO .....	(809) 764-4524
Ft Lauderdale .....	(305) 484-8600	TEXAS,	
Melbourne .....	(305) 729-0496	Austin .....	(512) 346-7830
GEORGIA .....	(404) 449-7920	Dallas .....	(214) 934-9099
ILLINOIS .....	(312) 773-4422	Houston .....	(713) 785-9001
INDIANA .....	(317) 244-7207	WASHINGTON .....	(206) 455-3600
KANSAS .....	(913) 451-3115	WISCONSIN .....	(414) 782-7748
MARYLAND .....	(301) 796-9310		

### INTERNATIONAL SALES OFFICES

BELGIUM,		HONG KONG,	
Bruxelles .....	TEL: .. (02) 771 99 93	Kowloon .....	TEL: .. 3-695377
	FAX: .. (02) 762-3716		FAX: .. 1234276
	TLX: .. 61028		TLX: .. 50426
CANADA, Ontario,		ITALY, Milano .....	TEL: .. (02) 3390541
Kanata .....	TEL: .. (613) 592-0090		FAX: .. (02) 3498000
Willowdale .....	TEL: .. (416) 224-5193		TLX: .. 315286
	FAX: .. (416) 224-0056	JAPAN, Tokyo .....	TEL: .. (03) 345-8241
FRANCE,			FAX: .. 3425196
Paris .....	TEL: (01) 45 60 00 55		TLX: .. J24064AMDTKOJ
	FAX: (01) 46 86 21 85	LATIN AMERICA,	
	TLX: .. 202053F	Ft. Lauderdale .....	TEL: .. (305) 484-8600
GERMANY,			FAX: .. (305) 485-9736
Hannover area .....	TEL: .. (05143) 50 55		TLX: .. 5109554261 AMDFTL
	FAX: .. (05143) 55 53	SWEDEN, Stockholm .....	TEL: .. (08) 733 03 50
	TLX: .. 925287		FAX: .. (08) 733 22 85
München .....	TEL: .. (089) 41 14-0		TLX: .. 11602
	FAX: .. (089) 406490	UNITED KINGDOM,	
	TLX: .. 523883	Manchester area .....	TEL: .. (0925) 828008
Stuttgart .....	TEL: .. (0711) 62 33 77		FAX: .. (0925) 827693
	FAX: .. (0711) 625187		TLX: .. 628524
	TLX: .. 721882	London area .....	TEL: .. (04862) 22121
			FAX: .. (04862) 22179
			TLX: .. 859103

### NORTH AMERICAN REPRESENTATIVES

CALIFORNIA		NEW MEXICO	
I <sup>2</sup> INC .....	OEM (408) 988-3400	THORSON DESERT STATES .....	(505) 293-8555
	DISTI (408) 496-6868	NEW YORK	
IDAHO		NYCOM, INC .....	(315) 437-8343
INTERMOUNTAIN TECH MKGT .....	(208) 888-6071	OHIO	
INDIANA		Dayton .....	
SAI MARKETING CORP .....	(317) 241-9276	DOLFUSS ROOT & CO .....	(513) 433-6776
IOWA		Strongsville .....	
LORENZ SALES .....	(319) 377-4666	DOLFUSS ROOT & CO .....	(216) 238-0300
MICHIGAN		PENNSYLVANIA	
SAI MARKETING CORP .....	(313) 227-1786	DOLFUSS ROOT & CO .....	(412) 221-4420
NEBRASKA		UTAH	
LORENZ SALES .....	(402) 475-4660	R <sup>2</sup> MARKETING .....	(801) 595-0631

Advanced Micro Devices reserves the right to make changes in its product without notice in order to improve design or performance characteristics. The performance characteristics listed in this document are guaranteed by specific tests, guard banding, design and other practices common to the industry. For specific testing details, contact your local AMD sales representative. The company assumes no responsibility for the use of any circuits described herein.