

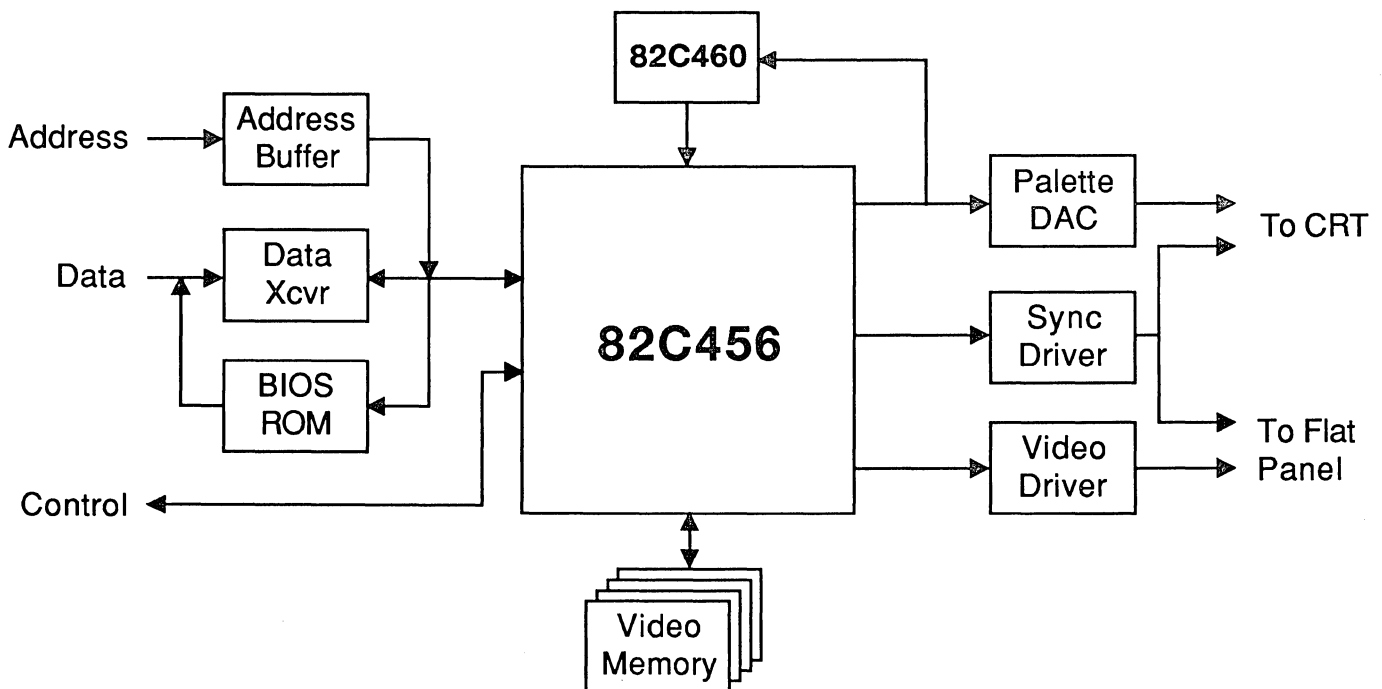
**82C456/460 ENHANCED
FLAT PANEL/CRT
VGA CONTROLLER
DATABOOK**

**February 1990
Revision 0.03**

STK# 10456-001

82C456/460 ENHANCED FLAT PANEL / CRT VGA CONTROLLER

- 100% IBM VGA-compatible
- Supports analog and digital CRT monitors and LCD, plasma, and electroluminescent panels
- Up to 64 gray levels on monochrome panels
- RGB color to grayscale reduction techniques
- Drives color panels with 64 colors
- SMARTMAP™ intelligent color to grayscale conversion
- Text enhancement feature improves contrast on flat panel displays
- Programmable vertical compensation techniques increase usable display area
- IBM VGA monochrome CRT compatibility on monochrome panels
- Advanced SLEEP mode minimizes power consumption
- Proven DOS and OS/2™ compatibility
- Full backwards compatibility with IBM EGA, CGA, MDA and Hercules graphics standards



82C456 SYSTEM BLOCK DIAGRAM

Table of Contents

Section	Page	Section	Page
82C456 Introduction.....	3	Programming and Parameters.....	85
Flat Panel Displays.....	3	Programming Considerations.....	85
CRT Monitor.....	3	Standard Parameters.....	86
Compatibility.....	3	Alternate Configurations.....	87
Extension Registers.....	4	Backward Compatibility Concepts.....	90
Flat Penal Interface.....	4	Backward Compatible Implementation	93
Vertical Compensation.....	4		
SMARTMAP™.....	4	Design Considerations.....	96
Text Enhancement.....	5		
Video BIOS.....	5	Electrical Specifications.....	97
Power Reduction.....	5	Absolute Maximum Conditions.....	97
Bus Interface.....	5	Operating Conditions.....	97
Display Memory.....	5	DC Electrical Specifications.....	97
82C456 Architecture.....	6	AC Electrical Specifications - Clock Timing.....	98
82C460.....	6	AC Electrical Specifications - Reset Timing.....	98
Modes of Operation.....	7	AC Electrical Specifications - Bus Timing.....	99
General Purpose Outputs.....	8	AC Electrical Specifications - DRAM Timing.....	101
Screen Blanking.....	8	AC Electrical Specifications - Video Timing.....	104
Internal and External Palettes.....	8		
Light Pen Registers.....	8	Mechanical Specifications.....	105
System Traps.....	8	Plastic 144-Pin Flat-Pack Package Dimensions	105
Frame Interrupts.....	8	Recommended PCB Layout Pad Dimensions..	105
DIP Switch Inputs.....	8		
Context Switching.....	8	82C460.....	106
Write Protection.....	8	Introduction.....	106
		Reduction Techiques.....	106
Pinouts.....	9	Pin Diagram.....	107
Pin Diagram.....	9	Pin Descriptions.....	108
Pin Descriptions.....	10	Electrical Specifications.....	111
		Plastic 64-Pin Flat-Pack Package Dimensions..	114
Register Descriptions.....	18		
Global Control (Setup) Registers.....	20		
General Control and Status Registers.....	22		
CGA / Hercules Registers.....	24		
Sequencer Registers.....	27		
CRT Controller Registers.....	31		
Graphics Controller Registers.....	45		
Attribute Controller Registers.....	52		
Extension Registers.....	58		

Introduction

The 82C456 VGA Flat Panel/CRT controller, combined with the 82C460 Flat Panel Palette, provides a complete solution for a VGA, EGA, CGA, MDA, or Hercules compatible display system. The 82C456 supports a wide variety of flat panel displays and CRT monitors.

By providing a high level of integration, the 82C456 minimizes the total chip count for VGA display subsystems. The 82C456 power-down features reduce power consumption of the display subsystem and extend battery life in portable applications. The 82C456 provides a variety of programmable features, such as Vertical Compensation, SMARTMAP™, Text Enhancement and Alternative Registers to enhance the flat panel display.

Flat Panel Displays

There is currently no standard interface for flat panel displays. Interface signals and timing requirements vary between panel technologies and manufactures. The 82C456 provides register programmable features to allow interfacing to the widest possible range of flat panel display units.

The 82C456 interfaces directly to monochrome, grayscale or color panels. The 82C460 external LCD palette and a proprietary Frame Rate Control algorithm in the 82C456's hardware generates 64 gray levels on monochrome panels. The 82C460 is connected in parallel with the existing CRT color palette DAC. It monitors all writes to the DAC, storing the reduced data for use in the 82C456. After reducing the 256 color video data to 64 gray levels or colors, the data is sent back to the 82C456 for Frame Rate Control processing. Frame Rate Control simulates gray levels on monochrome panels by turning the pixels on and off over several frames. The 82C456 drives color panels with p to 64 colors.

The 82C456 supports all flat panel display technologies including plasma, electrolumi-

nescent (EL) and liquid crystal displays (LCD). LCD panel interfaces are provided for single panel-single drive (SS), dual panel-single drive (DS), and dual panel dual drive (DD) configurations. A single panel sequences data similar to a CRT. In contrast, a dual panel requires video data sequence from separate locations in memory. In addition, a dual drive panel requires the sequence to occur simultaneously. The 82C456 handles the display data sequencing transparent to the application software providing full compatibility on both CRT and flat panel displays.

The 82C456 can support the popular panel resolutions of 640x200, 640x350, 640x400 and 640x480. For non-standard applications additional resolutions are supported. The 82C456 provides a direct interface to panels from vendors such as Sharp, Sanyo, Epson, Oki, Toshiba, Hitachi, Fujitsu, NEC, Matsushita and Finlux.

CRT Monitor

The 82C456 supports both fixed and variable frequency analog monitors, including IBM PS/2™ and Multisync™ or Multi-Scan monitors. With the addition of a single CMOS PAL and required oscillators, the 82C456 supports digital TTL monitors for CGA, MDA and EGA standards. High resolution support is provided on both fixed and variable frequency monitors. When booting a system, the BIOS determines the monitor type and whether to boot on the CRT or flat panel. Programming a single register switches the display between the CRT and flat panel.

Compatibility

The 82C456 is fully compatible with the IBM VGA standard. The 82C456 also provides compatibility with IBM's EGA, CGA and MDA standard and the Hercules graphics adapter. The 82C456 includes a variety of features to provide compatibility on flat panel displays. Internal compensation techniques ensure that industry-standard software designed for

different displays can be executed on the single flat panel used in an implementation. Mode initialization is supported at the BIOS and register levels, ensuring compatibility with all application software.

Extension Registers

The 82C456 employs an "Extension" Register set to control its enhanced features. These Extension Registers provide control of the flat panel interface, flat panel timing, vertical compensation, SMARTMAP™ and Backwards Compatibility.

Flat Panel Interface

The Flat Panel Interface characteristics are controlled by a subset of the Extension Registers. These Registers select the panel type, data formatting, panel configuration, panel size, clock selection and video polarity. Since the 82C456 is designed to support a wide range of panel types and sizes, the control of these features is fully programmable. The video polarity of text and graphics modes is independently selectable to allow black text on a white background and still provide normal graphics images.

Flat Panel Timing

Flat panel displays usually require sync signal timing that is different from a CRT. To provide full compatibility with IBM VGA standard, alternate timing registers are used to allow independent timing of the sync signals for flat panel displays. Unlike the values programmed into the standard CRT timing registers, the value programmed into the alternate timing registers is dependent on the panel type used and is independent of the display mode.

Vertical Compensation

Vertical Compensation is a programmable feature that increases the usable display area when running lower resolution software on a higher resolution panel. Unlike CRT monitors, flat panels have a fixed number of vertical lines (e.g., 200, 350, 400 or 480 lines). Lower resolution software run on a higher resolution

panel only partially fills the usable display area. For instance, 350-line EGA software displayed on a 480-line panel would leave 130 blank lines at the bottom of the display. The 82C456 offers the following three Vertical Compensation techniques to increase the useable screen area:

First, border insertion (referred to as "centering") adjusts the Display Start and Display End addresses to center the display, leaving a border of unused area at the top and bottom of the panel. Border insertion can be used in text and graphics modes.

Second, line replication (referred to as "stretching") duplicates every Nth display line (where N is programmable), thus stretching text characters and graphic images an adjustable amount. The display can be stretched to completely fill the flat panel area. Double scanning, a form of line replication where every line is replicated, is useful for running 200 line software on a 400 line panel. Line replication can be used in text and graphics modes.

Third, blank line insertion, inserts N blank lines (where N is programmable) between each line of text characters. Thus text can be evenly spaced to fill the entire panel display area without altering the height and shape of the text characters. Blank line insertion can be used in text mode only.

Each of these Vertical Compensation techniques can be controlled by programming the 82C456's Extension Registers. A combination of centering and stretching or blank line insertion may also be used.

SMARTMAP™

SMARTMAP™ is a proprietary feature that can be invoked to intelligently map colors to gray levels in text mode. SMARTMAP improves the legibility of flat panel displays by solving a common problem:

Most application programs are optimized for color CRT monitors using multiple colors. For

example, a word processor might use a blue background with white characters for normal text, underlined text could be displayed in green, italicized text in yellow, and so on. This variety of colors, which is quite distinct on a color CRT monitor, can be illegible on a monochrome flat panel display if the colors are mapped to adjacent grayscale values. In the example, underlined and italicized text would be illegible if yellow is mapped to grayscale 4, green to grayscale 6 with the blue background mapped to grayscale 5.

SMARTMAP compares and adjusts the foreground and background grayscale values to produce adequate display contrast on flat panel displays. The minimum contrast value and the foreground/background grayscale adjustment values are programmed in the 82C456's Extension Registers. This feature can also be disabled completely.

Text Enhancement Feature

Text Enhancement is another feature of the 82C456 that improves image quality on flat panel displays. Many applications, such as MS-DOS, use Dim White for normal text characters, which results in non-optimal contrast on flat panels. When turned "on," the Text Enhancement feature displays Dim White as Bright White, thereby optimizing the contrast level on flat panels. This feature inverts the functionality of the Intensity Bit for White only. Highlighted white, which is displayed as Bright White when Text Enhancement is "off," is shown as Dim White with Text Enhancement "on," thus maintaining a difference between normal and highlighted text. Text Enhancement can be turned "on" and "off" by changing a bit in one of the 82C456's Extension Registers.

Video BIOS

In typical applications, the 82C456 is placed on the CPU board and the video BIOS is integrated with the system BIOS. A signal (ROMCS/) is provided for implementing an separate 8-bit ROM BIOS. Chips and Technologies supplies a video BIOS that is

optimized for the 82C456 hardware. The BIOS supports the extended functions of the 82C456, such as switching between the flat panel and the CRT, SMARTMAP™, Vertical Compensation, and palette load/save. The BIOS Modification Program (BMP) enables OEMs to tailor their feature set by programming the extended functions. Chips offers the BIOS in a standard production version, a customized version or as source code.

Power Reduction

The 82C456 Power-Saving feature reduces power consumption and extends battery-based operation. When the PWRDN2 pin goes high, the 82C456 enters the Retire power-down mode.

While in the Retire mode the 82C456 is invisible to the system. The display is blanked, the display timing signals are halted and the flat panel should be turned off. The CPU cannot access any internal registers or display memory. During Retire, the 82C456 continues to refresh the DRAMs at a programmable rate, to conserve power in the display memory while preventing data loss. This mode is useful when system operation is suspended.

Bus Interface

The 82C456 directly interfaces to 8-bit PC and PC/XT and 16-bit PC/AT buses. All operations necessary to ensure proper operation in these various environments are handled in a fashion transparent to the CPU. These include internal decoding of all memory and I/O addresses, bus width translations, and generation of the necessary control signals.

Display Memory

The 82C456 supports a total of 256 Kbytes of display memory. The 82C456 serves as a DRAM controller for the system's display memory. It handles DRAM refresh, fetches data from display memory as required to refresh the screen, interfaces the CPU to dis-

play memory, and supplies all necessary DRAM control signals. The display memory is arranged as four planes of 64 Kbytes each. Each plane is eight bits wide for a total of 32 bits. Planes 0 and 1 share a common address bus, as do Planes 2 and 3. Each plane has a separate CAS signal and share a common RAS and write enable. Supported DRAMS include two 64Kx16 (with separate CAS or write enable signals), four 64Kx8 or eight 64Kx4. 120ns DRAMS are required for clock inputs to up 30 MHz. Pseudo-Static and SRAMS can be supported with external address latches.

82C456 Architecture

The 82C456 integrates four major internal modules:

Graphics Controller

The Graphics Controller interfaces the 8 or 16-bit CPU data bus to the 32-bit data bus used by the four planes (Maps) of display memory. It also latches and supplies display memory data to the Attribute Controller for use in refreshing the screen image. For text modes this data is supplied in parallel form (character generator data and attribute code); for graphics modes it is converted to serial form (one bit from each of four bytes form a single pixel). The Graphics Controller also performs any one of several types of logical operations on data while reading it from or writing it to display memory or the CPU data bus.

Sequencer

The Sequencer generates all CPU and display memory timing signals. It controls CPU access of display memory by inserting cycles dedicated to CPU access. It also contains mask registers which can prevent writes to individual display memory planes.

Attribute Controller

The Attribute Controller generates the 4-bit-wide video data stream used to refresh the display. This is created in text modes from a font pattern and an attribute code which pass through a parallel to serial conversion. In

graphics modes, the display memory contains the 4-bit pixel data. In text and 16 color graphic modes the 4-bit pixel data acts as an index into a set of internal color look-up registers which generate a 6-bit stream. Two additional bits of color data are added to provide an 8-bit address to the external color palette. In 256 color modes, two 4-bit values are passed through the color look-up registers and assembled into an 8-bit value. Text and cursor blink, underline and horizontal scrolling are also the responsibility of the Attribute Controller.

CRT Controller

The CRT Controller generates all the sync and timing signals for the display and also generates the multiplexed row and column addresses used for both display refresh and CPU access of display memory.

82C460

The 82C460 is connected in parallel with the existing CRT color palette DAC. It monitors all writes to the color palette and reduces 18-bits of color video data (i.e., 6-bit Red, 6-bit Green and 6-bit Blue data) to 6-bits. The 6 bit value is used to produce 64 shades on monochrome or color panels. When enabled, the 82C460 provides the reduced 6-bit data to the 82C456 for use in producing 64 colors or shades on the flat panel display.

Modes of Operation

The 82C456 addresses the specific requirements of laptop design by providing different modes of operation to optimize power usage. The table at the bottom of the page summarizes these modes and display memory access in each.

Test Mode

This mode is entered when the RESET pin is low and the TEST pin is high. It is used for factory test purposes.

Reset mode

When this mode is activated by pulling the RESET pin high, the 82C456 is forced to VGA-compatible mode and the CRT is selected as the active display. In addition, the 82C456 is disabled; it must be enabled after deactivating the RESET pin by writing to the Global Enable Register (102h in Setup Mode). Access to all Extension Registers is also disabled. They must be explicitly enabled via the Extension Enable Register (103h in Setup Mode) following a reset. The RESET pin must be active for at least 64 clock cycles.

Setup Mode

In this mode, only the configuration registers are accessible (these include the Global Enable, Extension Enable and Global ID).

Setup mode is entered by writing a 1 to bit-4 of port 46E8h. This port is incorporated in the 82C456. While in Setup mode, the video output is active if it was active prior to entering Setup mode and inactive if it was inactive prior to entering Setup mode.

Normal Operating Mode

In this mode all functions of the 82C456 are enabled except that the configuration registers are not accessible.

Retire Mode

The 82C456 supports a power-down mode to reduce power consumption and extend battery-based operation. While the 82C456 is in the Retire mode, the display is blanked, the display timing signals are halted and the flat panel should be turned off. The CPU cannot access any internal registers or display memory. During Retire, the 82C456 continues to refresh the DRAMs at a programmable rate to conserve power in the display memory while preventing data loss. This mode is useful when system operation is suspended.

Mode of Operation	RESET Pin	TEST Pin	PWRDN2 Pin	Display Memory Access	Video Output
Test	Low	High	xxx	----	----
Reset	High	xxx	xxx	----	----
Setup	----	----	----	No	Yes
Normal	Low	Low	Low	Yes	Yes
Retire	Low	Low	High	No	No

Note: Combinations of pin levels not shown in the table above are illegal and should not be used.

General Purpose Outputs

The 82C456 provides two general purpose output pins. This feature relies on redefinition of the TRAP/ and ERMEN/ pins with the General Purpose Output Registers (XR08 and XR09). These pins can be defined to serve their normal function or can be individually 3-stated, forced low, or forced high. In most applications, the trap pin is used as a CRT / LCD control signal.

Screen Blanking

The 82C456 permits blanking of the display by writing to bit 5 of the Sequencer Clocking Mode Register (SR01). With the screen blanked, all memory cycles are available to the CPU except those used for display memory refresh. In addition, the video output can be forced to a predefined color (the default video) whenever the BLANK/ pin is asserted. This color is written to the Default Video Register (XR2B).

Internal and External Palettes

The 82C456 contains 16 color look-up registers (in the Attribute Controller), each of which is 6 bits wide. These are used in 16 color modes to select 16 active colors from a palette of 64.

The 82C456 also supports an external palette DAC (Inmos IMSG176 or equivalent). CPU access to this device is controlled by the 82C456, which decodes CPU accesses and generates the PALRD/ and PALWR/ signals for the external palette. I/O addresses 3C6-3C9h are valid external palette addresses.

The internal color look-up table is always used in CRT modes and can be optionally used in the flat panel modes. The external palette is used only with analog CRTs. It is not used with digital CRTs and flat panels.

Light Pen Registers

In the CGA and Hercules modes, the contents of the Display Address counter are saved at the end of the frame before being reset. The saved value can be read in the CRT Controller Register space at indices 10h and 11h. This

allows simulation of a light pen hit in CGA and Hercules modes.

System Traps

The 82C456 supports generation of traps (NMIs) on one or more conditions. The Trap Enable and Trap Status Registers (XR16 and XR17) are utilized to implement this feature. Note that the use of traps with OS/2™ and other operating environments may cause problems.

Frame Interrupts

The 82C456 supports frame interrupts. For compatibility with the IBM VGA adapter in the PC bus, frame interrupts may also be disabled through the Emulation Mode register (XR14).

DIP Switch Inputs

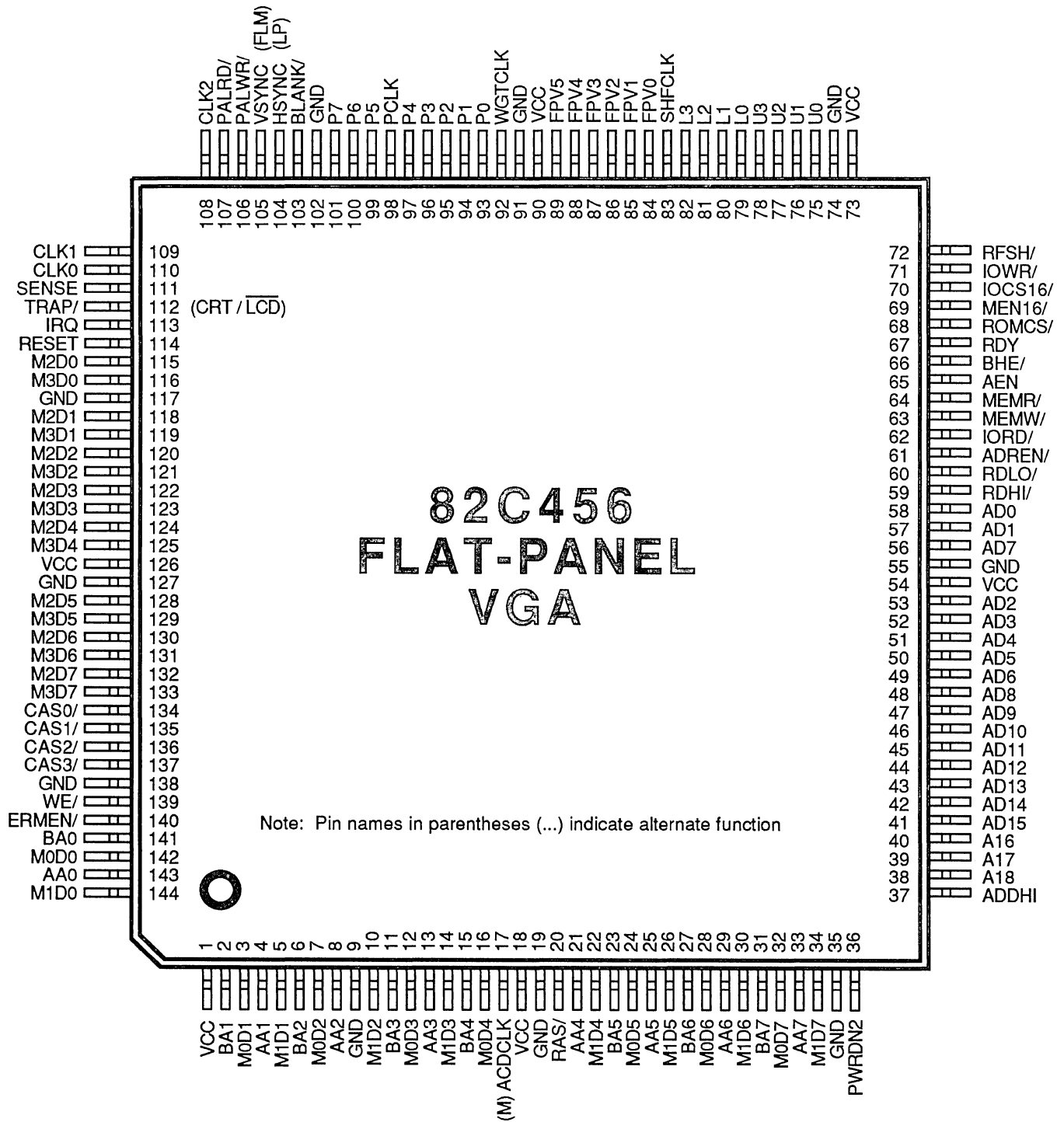
The 82C456 supports up to 7 DIP switch inputs. These can be read through the Dip Switch Register (XR01). To implement this feature, the A16, A17, A18, BHE/, ADDHI, MIO/ (AEN) and VGAENAB (RFSH/) pins are connected to the 7 DIP switches through a multiplexer. These inputs can be used to define initialization conditions. Note: the standard CHIPS BIOS does not require that any DIP switches be connected to these inputs.

Context Switching

For support of multi-tasking,, windowing and context switching, the entire state of the 82C456 (internal registers) is readable and writeable. This feature is 100% compatible with IBM's VGA. Additional registers are provided to allow read back of internal latches not readable in the IBM VGA.

Write Protection

A Feature of the 82C456 is the ability to write protect most of the standard VGA registers. This feature is used to provide backwards compatibility with software written for older generation display types. The write protection is grouped into register sets and controlled by the Write Protect Register (XR15).



82C456 PINOUT TOP VIEW

Pin Descriptions

Flatpack Pin #	Name	Type	Active	Description
65	AEN	In	Low	ADDRESS ENABLE and AUXILIARY DATA BIT 5. When this input and the ADREN/ input is low, it indicates a valid I/O address. The AEN signal is latched internally. This pin also serves as an auxiliary data bit input. It is read into bit 5 of the DIP Switch register whenever the DIP Switch register is accessed by the CPU.
63	MEMW/	In	Low	MEMORY WRITE. This input must be low for CPU writes to display memory.
64	MEMR/	In	Low	MEMORY READ. This input must be low to permit the CPU to read display memory.
71	IOWR/	In	Low	I/O WRITE. This input must be low to permit the CPU to write to an 82C456 I/O register.
62	IORD/	In	Low	I/O READ. This input must be low to permit the CPU to read an I/O register.
72	RFSH/	In	Low	REFRESH and AUXILIARY DATA BIT 6. RFSH/ high indicates a valid memory cycle. This pin also serves as an auxiliary data bit input which is read into bit 6 of the DIP Switch register whenever the DIP Switch register is accessed by the CPU.
70	IOCS16/	Out	Low	I/O SELECT 16. This active low signal indicates a valid 16 bit I/O cycle. IOCS16/ is driven when the VGA is accessed and 3-stated when the VGA is inactive.
67	RDY	Out	Low	VGA READY. When low, this output indicates that the current CPU read/write cycle must be extended with wait states. RDY is driven when the VGA is accessed; it is 3-stated when the VGA is inactive.
69	MEN16/	Out	Low	MEMORY ENABLE 16. This active low signal indicates 16-bit memory cycle transfers are enabled. This signal should be used by external logic to enable decode of high order PC addresses and generation of MEMCS16/ for the PC-AT bus.

Pin #	Name	Type	Active	Description												
68	ROMCS/	Out	Low	ROM CHIP Select. This active low signal indicates a valid memory read in the range C0000h-C7FFFh. It is used to generate the enable for 8-bit BIOS ROMs.												
113	IRQ	Out	High	VGA INTERRUPT. An interrupt can be generated whenever the vertical sync signal goes active. This pin may be logically disconnected (3-stated) through the Emulation Mode register (XR14D7) independent of whether interrupts are enabled or disabled. Clearing XR14D7 emulates the function of the IBM PC-Bus VGA board interrupt output. <table border="1"> <thead> <tr> <th>Interrupt State</th> <th>XR14D7=0</th> <th>XR14D7=1</th> </tr> </thead> <tbody> <tr> <td>Disabled</td> <td>3-state</td> <td>3-state</td> </tr> <tr> <td>Enabled & Inactive</td> <td>3-state</td> <td>Low</td> </tr> <tr> <td>Enabled & Active</td> <td>3-state</td> <td>High</td> </tr> </tbody> </table>	Interrupt State	XR14D7=0	XR14D7=1	Disabled	3-state	3-state	Enabled & Inactive	3-state	Low	Enabled & Active	3-state	High
Interrupt State	XR14D7=0	XR14D7=1														
Disabled	3-state	3-state														
Enabled & Inactive	3-state	Low														
Enabled & Active	3-state	High														
114	RESET	In	High	RESET. An active high input which resets the 82C456.												
36	PWRDN2	In	High	POWER DOWN 2. The Power Down input pin selects the Normal or Retire modes of operation. 0: Normal Operation 1: Retire Mode												
108 110 109	CLK2 CLK1 CLK0	In In In	Both Both Both	CLOCK 2-0. Video Clock inputs. One of these dot clock inputs is selected by the Miscellaneous Output Register.												
111	SENSE	In	Both	SENSE. The state of this input pin can be read at Input Status Register 0, Bit 4.												
107	PALRD/	Out	Low	PALETTE READ. This output is active low during I/O reads from addresses in the range 3C6h or 3C8-3C9h (I/O reads from 3C7h are handled directly by the 82C456). This output is normally connected to the Read input of an external Palette/DAC (Inmos IMMSG176 or equivalent).												
106	PALWR/	Out	Low	PALETTE WRITE. This output is active low during I/O writes to addresses in the range 3C6-3C9h and is normally connected to the Write input of an external Palette/DAC (Inmos IMMSG176 or equivalent).												

Flatpack Pin #	Name	Type	Active	Description
37	ADDHI	In	High	ADDRESS HI and AUXILIARY DATA BIT 4. This high order memory address enable input is generated external to the 82C456 by decoding system addresses A19-A23. As an address, it must be valid when ADREN/ is low. It is latched internally and specifies that the current memory address is valid for the 82C456. This pin is an auxiliary data bit read into bit 4 of the DIP Switch register when the DIP Switch register is accessed by the CPU. This input pin is ignored during I/O cycles.
61	ADREN/	Out	Low	ADDRESS ENABLE. The ADREN/ output controls external multiplexing of the system address/data bus. ADREN/ low selects address and ADREN/ high selects data. When MEMR/, MEMW/, IORD/, and IOWR/ are all high. ADREN/ is high when any one of MEMR/, MEMW/, IORD/ or IOWR/ is low.
60	RDLO/	Out	Low	READ LOW. This output controls the direction of the external data transceivers on the low order byte (Bits 0-7) of the address/data bus. It is low when data is read from the 82C456 and high when data is written to the 82C456. DATEN/ can be used to enable the external transceiver. This pin is 3-stated during RESET.
59	RDHI/	Out	Low	READ HIGH. This output operates identically to the RDLO/ output except that it controls the direction for the high order byte (Bits 8-15) of the address/data bus. RDHI/ is low when data is read from the 82C456 and high when data is written to the 82C456. This pin is 3-stated during RESET.

Flatpack Pin #	Name	Type	Active	Description
58	AD0	I/O	Both	SYSTEM ADDRESS and DATA BITS 0-15. These bits are used to address display memory and the I/O mapped 82C456 internal registers. They also transfer data between the CPU bus and the 82C456 registers and display memory. Addresses must be valid when output signal ADREN/ is low and data must be held while ADREN/ is high. Addresses are latched internally.
57	AD1	I/O	Both	
53	AD2	I/O	Both	
52	AD3	I/O	Both	
51	AD4	I/O	Both	
50	AD5	I/O	Both	
49	AD6	I/O	Both	
56	AD7	I/O	Both	
48	AD8	I/O	Both	
47	AD9	I/O	Both	
46	AD10	I/O	Both	
45	AD11	I/O	Both	
44	AD12	I/O	Both	
43	AD13	I/O	Both	
42	AD14	I/O	Both	
41	AD15	I/O	Both	
40	A16	In	Both	SYSTEM ADDRESS BITS 18-16 and AUXILIARY DATA BITS 2-0. These bits transfer a high-order address when ADREN/ is low. The auxiliary data bits on pins A16, A17, and A18 are read into bits 0-2, respectively, of the DIP Switch register when that register is accessed by the CPU. The address bits are latched internally and are ignored for I/O cycles.
39	A17	In	Both	
38	A18	In	Both	
66	BHE/	In	Low	BYTE HIGH ENABLE and AUXILIARY DATA BIT 3. BHE/ low indicates that the high order byte at the current word address is being accessed. If active, BHE/ must be valid when ADREN/ is low. This pin is also an auxiliary data input which is read into bit 3 of the DIP Switch register when the DIP Switch register is accessed by the CPU. This data bit is latched internally on the falling edge of IORD/.
142	M0D0	I/O	Both	MEMORY 0 DATA. Display memory data bus for Plane 0 (Map 0).
3	M0D1	I/O	Both	
7	M0D2	I/O	Both	
12	M0D3	I/O	Both	
16	M0D4	I/O	Both	
24	M0D5	I/O	Both	
28	M0D6	I/O	Both	
32	M0D7	I/O	Both	

Flatpack Pin #	Name	Type	Active	Description
144	M1D0	I/O	Both	MEMORY 1 DATA. Display memory data bus for Plane 1 (Map 1).
5	M1D1	I/O	Both	
10	M1D2	I/O	Both	
14	M1D3	I/O	Both	
22	M1D4	I/O	Both	
26	M1D5	I/O	Both	
30	M1D6	I/O	Both	
34	M1D7	I/O	Both	
115	M2D0	I/O	Both	MEMORY 2 DATA. Display memory data bus for Plane 2 (Map 2).
118	M2D1	I/O	Both	
120	M2D2	I/O	Both	
122	M2D3	I/O	Both	
124	M2D4	I/O	Both	
128	M2D5	I/O	Both	
130	M2D6	I/O	Both	
132	M2D7	I/O	Both	
116	M3D0	I/O	Both	MEMORY 3 DATA. Display memory data bus for Plane 3 (Map 3).
119	M3D1	I/O	Both	
121	M3D2	I/O	Both	
123	M3D3	I/O	Both	
125	M3D4	I/O	Both	
129	M3D5	I/O	Both	
131	M3D6	I/O	Both	
133	M3D7	I/O	Both	
143	AA0	Out	Both	ADDRESS PLANES 1,0. Display memory address bus for DRAM planes 0 and 1.
4	AA1	Out	Both	
8	AA2	Out	Both	
13	AA3	Out	Both	
21	AA4	Out	Both	
25	AA5	Out	Both	
29	AA6	Out	Both	
33	AA7	Out	Both	
141	BA0	Out	Both	ADDRESS PLANES 3,2. Display memory address bus for DRAM Planes 2 and 3.
2	BA1	Out	Both	
6	BA2	Out	Both	
11	BA3	Out	Both	
15	BA4	Out	Both	
23	BA5	Out	Both	
27	BA6	Out	Both	
31	BA7	Out	Both	

Flatpack Pin #	Name	Type	Active	Description
20	RAS/	Out	Low	ROW ADDRESS STROBE. Row address strobe for all DRAM memory banks.
134	CAS0/	Out	Low	COLUMN ADDRESS STROBE 0. Active low column address strobe for Memory.
135	CAS1/	Out	Low	COLUMN ADDRESS STROBE 1. Active low column address strobe for Memory Plane 1.
136	CAS2/	Out	Low	COLUMN ADDRESS STROBE 2. Active low column address strobe for Memory Plane 2.
137	CAS3/	Out	Low	COLUMN ADDRESS STROBE 3. Active low column address strobe for Memory Plane 3.
139	WE/	Out	Low	WRITE ENABLE. Active low write enable signal for all display memory banks/planes.
104	HSYNC (LP)	Out	Either	HORIZONTAL SYNC OUTPUT. HSYNC is active high if the horizontal polarity bit (in the MSR @ 3C2, D6) is low. It is active low if the horizontal polarity bit is high. In flat panel mode this polarity is controlled by the Alt. Misc. Reg (XR54)
105	VSYNC (FLM)	Out	Either	VERTICAL SYNC OUTPUT. VSYNC is active high if the vertical polarity bit (in the MSR @ 3C2, D7) is low. It is active low if the vertical polarity bit is high. In flat panel mode this polarity is controlled by the Alt. Misc. Reg (XR54)
103	BLANK/ (DE)	Out	Either	BLANK or DISPLAY ENABLE. BLANK/ is a programmable output for blanking the display which is normally connected to the RAMDAC. For CRTs, it can be redefined as a Display Enable signal in systems where a RAMDAC is not required. For Flat Panels, the Display Enable signal is output on this pin.

Flatpack Pin #	Name	Type	Active	Description
93	P0	Out	Both	VIDEO PIXEL DATA 7-0. Eight outputs to drive color or monochrome CRTs. These pins are connected to the inputs to the external color palettes. (82C460 and Inmos ISMG176 compatibles.) Color values for digital CRT interface are assigned as follows:
94	P1	Out	Both	
95	P2	Out	Both	
96	P3	Out	Both	
97	P4	Out	Both	
99	P5	Out	Both	
100	P6	Out	Both	
101	P7	Out	Both	
				P0 B Blue P1 G Green P2 R Red P3 BS/V Secondary Blue/ Monochrome P4 GS/I Secondary Green/ Intensity P5 RS Secondary Red P6 User Defined P7 User Defined
83	SHFCLK	Out	Both	SHIFT CLOCK. Output pixel clock to which panel output data is synchronized.
98	PCLK	Out	Both	PIXEL CLOCK. Output pixel clock to which CRT Video output data and Flat Panel Video input data is synchronized. This pin is 3-stated during RESET.
92	WGTCLK	Out	High	WEIGHT CONTROL CLOCK. Grayscale reference clock for Panels with Pulse Width Modulation support
17	ACDCLK	Out	Both	LCD CLOCK. A 50% duty cycle square-wave with programmable period. Used to time the back bias switching in LCD panels.
140	ERMEN/	Out	Low	EARLY MEMORY INDICATOR. This output indicates whether display memory is being accessed by the CPU or by the 82C456 to refresh the display. High indicates display access and low indicates CPU access. This signal can be redefined as a general purpose output.

Pin #	Name	Type	Active	Description
112	TRAP/ <u> </u> (CRT / LCD)	Out	Low	TRAP. This active low output indicates a TRAP condition requiring special CPU assistance. This pin is open collector when used as a trap pin. It can be redefined as a general purpose output pin. The Chips BIOS redefines this as a CRT/LCD output. If this pin is high, the BIOS has programmed the part for CRT displays; if low, the BIOS has programmed the part for LCD displays.
84	FPV0	In	Both	FLAT PANEL VIDEO DATA 5-0. These six pins are used to input the reduced video data from the 82C460. The input data is synchronized to the PCLK. They are usually connected to the Flat Panel Video pins on the 82C460.
85	FPV1	In	Both	
86	FPV2	In	Both	
87	FPV3	In	Both	
88	FPV4	In	Both	
89	FPV5	In	Both	
75	U0	Out	Both	Flat Panel UPPER DATA 3-0. Four outputs to drive the upper panel video data signals. For single panel displays, these four signal are the least significant four bits of the panel video data.
76	U1	Out	Both	
77	U2	Out	Both	
78	U3	Out	Both	
79	L0	Out	Both	Flat Panel LOWER DATA 3-0. Four outputs to drive the lower panel video data signals. For single panel displays, these four signal are the most significant four bits of the panel video data.
80	L1	Out	Both	
81	L2	Out	Both	
82	L3	Out	Both	
1	VCC			POWER
18	VCC			
54	VCC			
73	VCC			
90	VCC			
126	VCC			
9	GND			GROUND
19	GND			
35	GND			
55	GND			
74	GND			
91	GND			
102	GND			
117	GND			
127	GND			
138	GND			

82C456 REGISTERS

Description of Registers

Global Control (Setup) Registers

The Setup Control Register is used to enable or disable the VGA. It is also used to place the VGA in normal or setup mode.

The Global and Extension Enable Registers are accessible only during Setup mode. The Global ID Register contains the ID number that identifies the 82C456 as a Chips & Technologies product.

Warning: In setup mode, the Global Setup Register (defined as port address 102) actually occupies the *entire I/O space*. Only the lower 3 bits are used to decode and select this register. To avoid bus conflicts with other peripherals, reads should only be performed at the 10xh port addresses. This decode is compatible with the IBM VGA.

General Control Registers

Two Input Status Registers read the SENSE pin, pending CRT interrupt, display enable/HSYNC output, and vertical retrace/video output. The Feature Control Register selects the VSYNC function while the Miscellaneous Output Register controls I/O address select, clock selection, access to video RAM, memory page, and video SYNC polarity.

CGA / Hercules Registers

CGA Mode and Color Select registers are provided on-chip for emulation of CGA modes. Hercules Mode and Configuration registers are provided on-chip for emulation of Hercules mode.

Sequencer Registers

The Sequencer Index Register is a 3-bit index to the Sequencer Data Registers. The Reset Register forces an asynchronous or

synchronous reset of the sequencer. The Sequencer Clocking Mode Register controls master clocking functions, video enable/disable and selects either an 8 or 9 dot character clock. A Plane/Map Mask Register enables the color plane and write protect. The Character Font Select Register handles video intensity and character generation and controls the display memory plane through the character generator select. The Sequencer Memory Mode Register handles all memory, giving access by the CPU to 4/16/32K Bytes, Odd/Even addresses (planes) and writing of data to display memory.

CRT Controller Registers

The CRT Controller Index Register is a 6-bit index to the CRT Controller Register. Twenty-eight registers perform all display functions for modes: horizontal and vertical blank and sync, panning and scrolling, cursor size and location, light pen, and underline.

Graphics Controller Registers

The Graphics Controller Index Register is a 4-bit index to the Graphics Controller Register. The Set/Reset Register controls the formatting of CPU data to display memory. It also works with the Enable Set/Reset Register. Reducing 32 bits of display data to 8 bits of CPU data is accomplished by the Color Compare Register. Data Rotate Registers specify the CPU data bits to be rotated and subjected to logical operations. The Read Map Select Register reduces memory data for the CPU in the four plane (16 color) graphics mode. The Graphics Mode Register controls the write, read, and shift register modes. The Miscellaneous Register handles graphics/text, chaining of odd/even planes, and display memory mapping. Additional registers include Color Don't Care and Bit Mask.

Attribute Controller and External Color Palette Registers

The Attribute Controller Index Register is a 5-bit index to the Attribute Controller Register. A 6th bit is used to enable the video. The Attribute Controller Registers handle internal color lookup table mapping, text/graphics mode, overscan color, and color plane enable. The horizontal Pixel Panning and Pixel Padding Registers control pixel attributes on screen. External color palette registers handle CPU reads and writes to I/O address range 3C6h-3C9h. Some of the registers are located external to 82C456 in the external color palette. Inmos IMMSG176 compatible registers are documented in this manual. The 82C460 shadows the standard external palette and stores a reduced copy of the color data. This data is normally not read back. It is only used to provide gray levels on the flat panel display.

Extension Registers

The 82C456 defines a set of extension registers which are addressed with the 7-bit Extension Register Index. The I/O Port Address (3D6/3D7h) and Read/Write access to the extension registers is controlled by the Extension Enable Register (103h).

The extension registers handle a variety of interfacing, compatibility, and display functions as discussed below. They are grouped into the following logical groups for discussion purposes:

1. Miscellaneous Registers include the 82C456 Version number, Dip Switch CPU interface and paging control, memory mode control, power down/refresh control and diagnostic functions.

2. General Purpose Registers allow the CPU to individually switch two outputs (ERMEN/ and TRAP/). They also handle video blanking interface and the video default color.
3. Backwards Compatibility Registers control Hercules, MDA, and CGA emulation modes. Trap Enable and Trap Status as well as Write Protect functions are provided to increase flexibility in providing backwards compatibility.
4. Alternate Horizontal and Vertical Registers handle all horizontal and vertical timing, including sync, blank and offset. These are used for both flat panels and backwards compatibility.
5. Panel Control Registers operate only in flat panel mode. The Panel Control Registers determine panel and video interface format, display type and size, line drawing character function, and grayscale selection and weighting, flat panel bias clocks and Frame Rate Control generation.
6. Compensation Registers provide vertical centering, blank line insertion, and graphics stretching features. For 350 and 400 line display modes, registers are provided to control display start and end locations, blank line insertion in text modes and stretching in both graphics and text modes.
7. Color/Attributes Registers control Blink Rate, SmartMap™ threshold, and shift parameters. A Graphics Color Mapping register controls color to monochrome threshold, VGA 256-color mapping, color lookup table protection, and graphics video polarity.

The state of most of the standard VGA registers is undefined at reset. All registers specific to the 82C456 (Extension Registers) are summarized in the Extension Register Table.

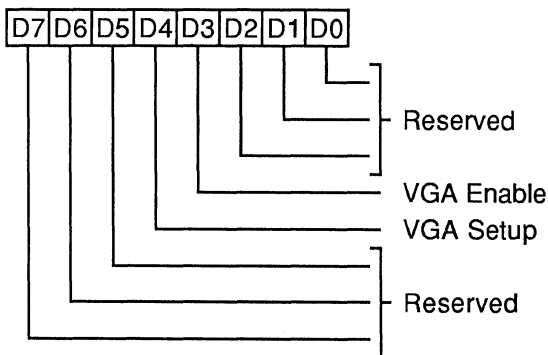
82C456 REGISTERS

Global Control (Setup) Registers

Register Mnemonic	Register Name	Index	Access	I/O Address	Protect Group	Page
-	Setup Control	-	W	46E8h	-	20
-	Global Enable	-	RW	102h & Setup mode	-	20
-	Extension Enable	-	RW	103h & Setup mode	-	21
-	Global ID	-	R	104h & Setup mode	-	21

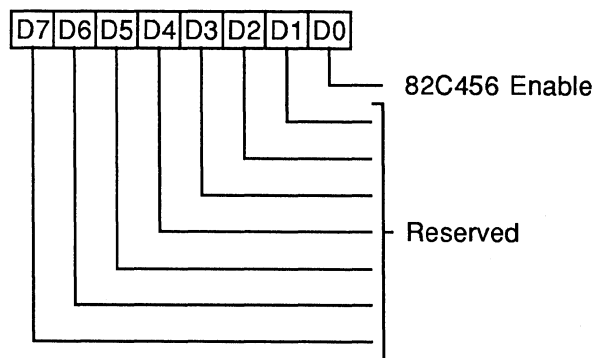
SETUP CONTROL REGISTER

Write only at I/O Address 46E8h



GLOBAL ENABLE REGISTER

Read/Write at I/O Address 102h

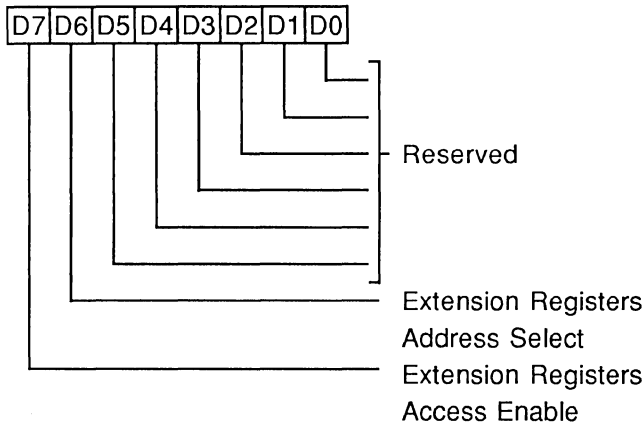


This register is cleared by RESET. It is used to enter the SETUP state and enable the VGA.

- 2-0 Reserved (0)
- 3 VGA Enable
 - 0: VGA is disabled
 - 1: VGA is enabled
- 4 Setup Mode
 - 0: VGA is in Normal Mode
 - 1: VGA is in Setup Mode
- 7-5 Reserved (0)

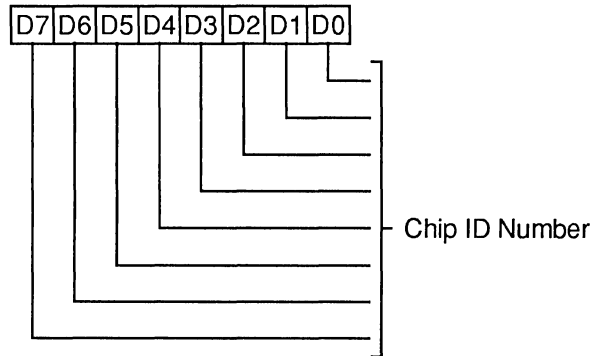
This register is only accessible in Setup Mode. It is cleared by RESET.

- 0 VGA Enable
 - 0: VGA is disabled
 - 1: VGA is enabled
- 7-1 Reserved (0)

EXTENSION ENABLE REGISTER
Read/Write at I/O Address 103h


This register is only accessible in Setup Mode. It is cleared by RESET.

- 3-0** Reserved (0)
- 4** Reserved (0) This bit must be programmed to 0 for proper operation.
- 5** Reserved (0)
- 6** Address for Extension Registers
 - 0: Extension registers at I/O Address 3D6/3D7h
 - 1: Extension registers at I/O Address 3B6/3B7h.
- 7** Extension Registers Access Enable
 - 0: Disabled in VGA mode
 - 1: Enabled in VGA mode

GLOBAL ID REGISTER
Read only at I/O Address 104h


This register is only accessible in Setup Mode.

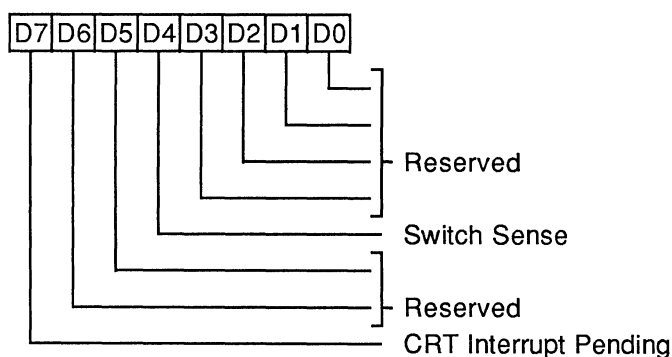
- 7-0** These bits contain the ID number (A5h). This identifies the chip as a Chips and Technologies product.

General Control & Status Registers

Register Mnemonic	Register Name	Index	Access	I/O Address	Protect Group	Page
ST00	Input Status 0	–	R	3C2h	–	22
ST01	Input Status 1	–	R	3BAh/3DAh	–	22
FCR	Feature Control	–	W	3BAh/3DAh	5	23
			R	3CAh		
MSR	Miscellaneous Output	–	W	3C2h	5	23
			R	3CCh		

INPUT STATUS REGISTER 0 (ST00)

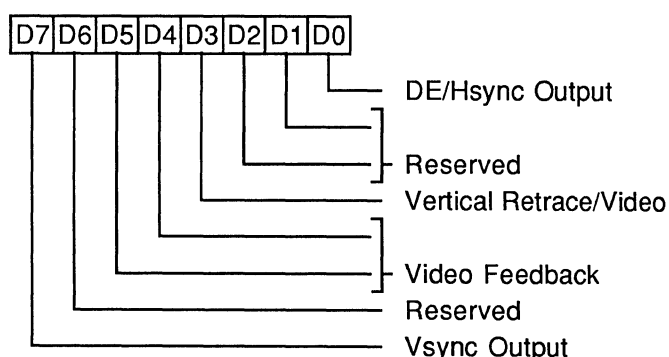
Read only at I/O Address at 3C2h



- 3-0** Reserved (0)
- 4** Switch Sense. This bit returns the Status of the SENSE pin.
- 6-5** Reserved. These bits read back 00.
- 7** CRT Interrupt Pending
 - 0: Indicates no CRT interrupt is pending
 - 1: Indicates a CRT interrupt is waiting to be serviced

INPUT STATUS REGISTER 1 (ST01)

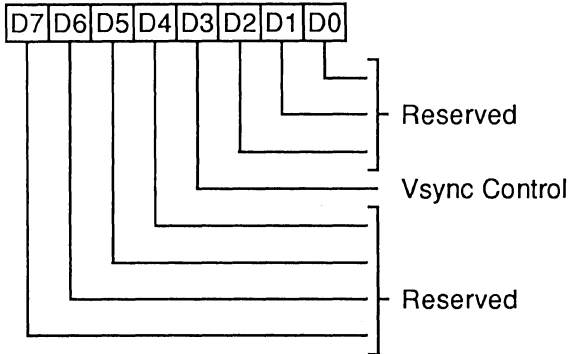
Read only at I/O Address 3BAh/3DAh



- 0** Display Enable/HSYNC Output. The functionality of this bit is controlled by the Emulation Mode register (XR14D4).
 - 0: Indicates DE or HSYNC inactive
 - 1: Indicates DE or HSYNC active
- 2-1** Reserved (0)
- 3** Vertical Retrace/Video. The functionality of this bit is controlled by the Emulation Mode register (XR14D5).
 - 0: Indicates VSYNC or video inactive
 - 1: Indicates VSYNC or video active
- 5-4** Video Feedback 0, 1. These are diagnostic video bits which are selected via the Color Plane Enable Register.
- 6** Reserved (0)
- 7** Vsync Output. The functionality of this bit is controlled by the Emulation Mode register (XR14D6). It reflects the active status of the VSYNC output: 0=inactive, 1=active.

FEATURE CONTROL REGISTER (FCR)

Write at I/O Address 3BAh/3DAh
 Read at I/O Address 3CAh
 Group 5 Protection

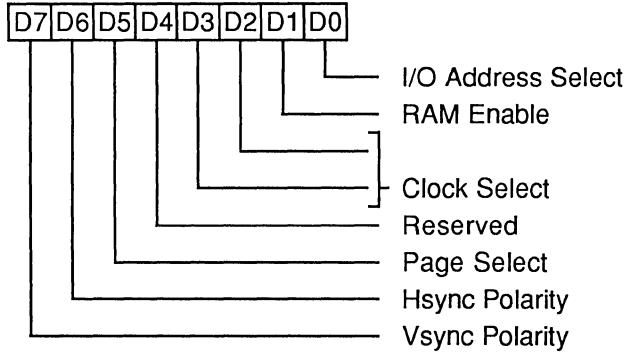


This register is cleared by RESET

- 2-0** Reserved.
- 3** Vsync Control
 - 0: Vsync output on the VSYNC pin
 - 1: Logical 'OR' of Vsync and Display Enable output on the VSYNC pin
- 7-4** Reserved (0)

MISCELLANEOUS OUTPUT REGISTER (MSR)

Write at I/O Address 3C2h
 Read at I/O Address 3CCh
 Group 5 Protection



Bits 2,3,6 and 7 of this register are effective in CRT Interface mode only. For flat panel mode, the Alternate Miscellaneous Output register is used. This register is cleared by RESET.

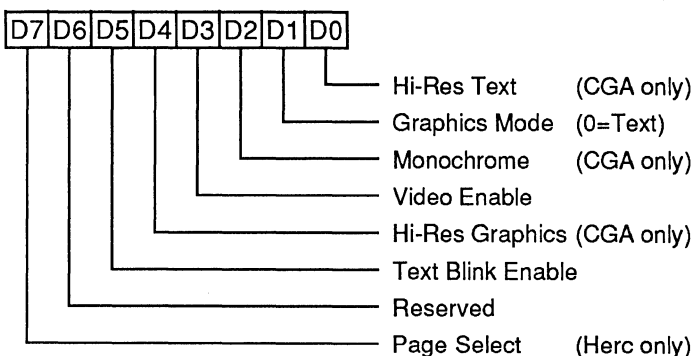
- 0** I/O Address Select. This bit selects 3Bxh or 3Dxh as the I/O address for the CRT Controller registers, the Feature Control Register (FCR), and Input Status Register 1 (ST01).
 - 0: Select 3Bxh I/O address (default)
 - 1: Select 3Dxh I/O address
- 1** Enable RAM. 0: Prevent CPU access to display memory; 1: Allow CPU access to display memory.
- 3-2** Clock Select. These bits select the dot clock source for CRT interface:
 - 00= Select CLK0
 - 01= Select CLK1
 - 10= Select CLK2
 - 11= Reserved
- 4** Reserved (0)
- 5** Page Select. In Odd/Even Memory Map Mode 1 (GR06), this bit selects the upper or lower 64K byte page in display memory for CPU access: 1=select lower page; 0=select upper page.
- 6** CRT Hsync Polarity. 0=pos, 1=neg
- 7** CRT Vsync Polarity. 0=pos, 1=neg
 (Blank pin polarity can be controlled via the Video Interface Register)

CGA / Hercules Registers

Register Mnemonic	Register Name	Index	Access	I/O Address	Protect Group	Page
MODE	CGA/Hercules Mode	-	RW	3D8h	-	24
COLOR	CGA Color Select	-	RW	3D9h	-	25
HCFG	Hercules Configuration	-	RW	3BFh	-	26

CGA / HERCULES MODE CONTROL REGISTER (MODE)

Read/Write at I/O Address 3B8h/3D8h



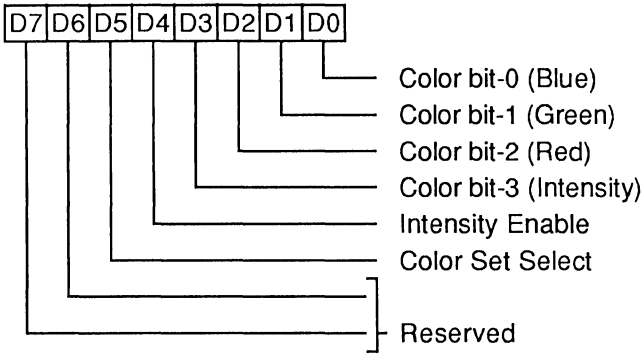
This register is effective only in CGA, MDA and Hercules modes. It is accessible if emulation or the extension registers are enabled. The address is selected by the emulation mode or D0 in the Miscellaneous Output register. It is cleared by RESET.

- 0** CGA 80/40 Column Text Mode
 - 0: Select 40 column CGA text mode
 - 1: Select 80 column CGA text mode
- 1** CGA/Hercules Graphics/Text Mode
 - 0: Select text mode
 - 1: Select graphics mode

- 2** CGA Mono/Color Mode
 - 0: Select CGA color mode
 - 1: Select CGA monochrome mode
- 3** CGA/Hercules Video Enable
 - 0: Blank the screen
 - 1: Enable video output
- 4** CGA High Resolution Mode
 - 0: Select 320x200 graphics mode
 - 1: Select 640x200 graphics mode
- 5** CGA/Hercules Text Blink Enable
 - 0: Disable character blink attribute (blink attribute bit-7 used to control background intensity)
 - 1: Enable character blink attribute
- 6** Reserved (0)
- 7** Hercules Page Select
 - 0: Select the lower part of memory (starting address B0000h) in Hercules Graphics Mode
 - 1: Select the upper part of the memory (starting address B8000h) in Hercules Graphics Mode

CGA COLOR SELECT REGISTER

Read/Write at I/O Address 3D9h



This register is effective only in CGA modes. It is accessible if CGA emulation or the extension registers are enabled. This register may also be read or written as an Extension Register (XR7E). It is cleared by RESET.

3-0 Color

320x200 4-color: Background Color (color when the pixel value is 0)

The foreground colors (colors when the pixel value is 1-3) are determined by bit-5 of this register.

640x200 2-color: Foreground Color (color when the pixel value is 1)

The background color (color when the pixel value is 0) is black.

4 Intensity Enable

Text Mode: Enables intensified background colors

320x200 4-color: Enables intensified colors 0-3

640x200 2-color: Don't care

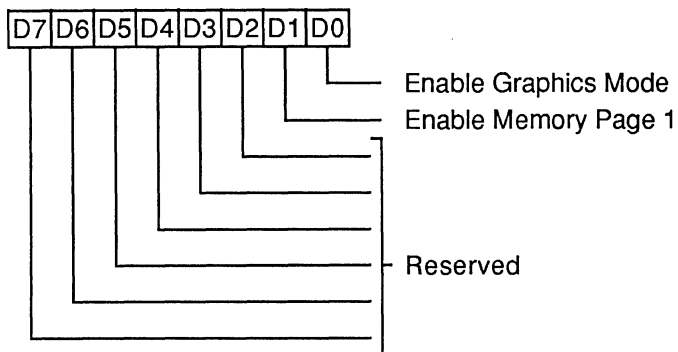
5 Color Set Select. This bit selects one of two available CGA color palettes to be used in 320x200 graphics mode (it is ignored in all other modes) according to the following table:

Pixel Value	Color Set 0	Color Set 1
0 0	Color per bits 0-3	Color per bits 0-3
0 1	Green	Cyan
1 0	Red	Magenta
1 1	Brown	White

7-6 Reserved (0)

HERCULES CONFIGURATION REGISTER (HCFG)

Write only at I/O Address 3BFh



This register is effective only in Hercules mode. It is accessible if Hercules emulation or the extension registers are enabled. This register can be read back at XR14D2&3. It is cleared by RESET.

0 Enable Graphics Mode

- 0 Lock the 82C456 into Hercules text mode. In this mode, the CPU has access only to memory address range B0000h-B0FFFh.
- 1 Permit entry to Hercules Graphics mode.

1 Enable Memory Page 1

- 0 Prevent setting of the Page Select bit (bit 7 of the Hercules Mode Control Register). This function also restricts memory usage to addresses B0000h-B7FFFh.
- 1 The Page Select bit can be set and the upper part of display memory (addresses B8000h - BFFFFh) is available.

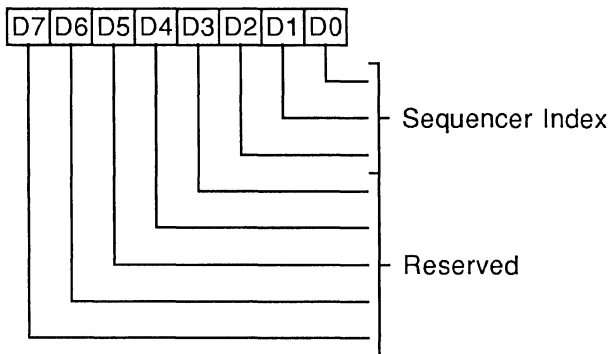
7-2 Reserved (0)

Sequencer Registers

Register Mnemonic	Register Name	Index	Access	I/O Address	Protect Group	Page
SRX	Sequencer Index	–	RW	3C4h	1	27
SR00	Reset	00h	RW	3C5h	1	27
SR01	Clocking Mode	01h	RW	3C5h	1	28
SR02	Plane/Map Mask	02h	RW	3C5h	1	28
SR03	Character Font	03h	RW	3C5h	1	29
SR04	Memory Mode	04h	RW	3C5h	1	30
SR07	Horizontal Character Counter Reset	07h	W	3C5h	-	30

SEQUENCER INDEX REGISTER (SRX)

Read/Write at I/O Address 3C4h



This register is cleared by RESET.

2-0 These bits contain a 3-bit Sequencer Index value used to access sequencer data registers at indices 0 through 7.

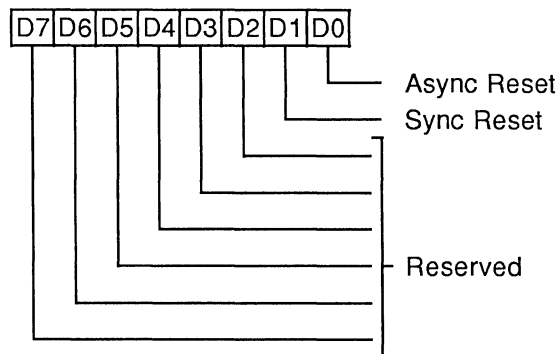
7-3 Reserved (0)

SEQUENCER RESET REGISTER (SR00)

Read/Write at I/O Address 3C5h

Index 00h

Group 1 Protection



0 Asynchronous Reset

0: Force asynchronous reset

1: Normal operation

Display memory data will be corrupted if this bit is set to zero.

1 Synchronous Reset

0: Force synchronous reset

1: Normal operation

Display memory data is not corrupted if this bit is set to zero for a short period of time (a few tens of microseconds).

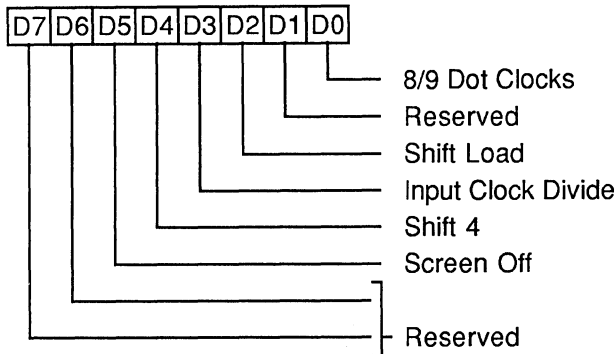
7-2 Reserved (0)

SEQUENCER CLOCKING MODE REGISTER (SR01)

Read/Write at I/O Address 3C5h

Index 01h

Group 1 Protection



0 8/9 Dot Clocks. This bit determines whether a character clock is 8 or 9 dot clocks long. This bit is effective in CRT interface mode only.

- 0: Select 9 dots/character clock
- 1: Select 8 dots/character clock

1 Reserved (0)

2 Shift Load

- 0: Load video data shift registers every character clock
- 1: Load video data shift registers every other character clock

Bit 4 of this register must be 0 for this bit to be effective.

3 Input Clock Divide

In CRT Mode:

- 0: Sequencer master clock output on the PCLK pin (used for 640 (720) pixel modes)
- 1: Master clock divided by 2 output on the PCLK pin (used for 320 (360) pixel modes)

In Flat Panel Mode:

The SHFCLK output is controlled by the CD field in the Panel Format Register. This bit controls horizontal doubling:

- 0: Horizontal doubling disabled
- 1: Horizontal doubling enabled

4 Shift 4

- 0: Load video shift registers every 1 or 2 character clocks (depending on bit 2 of this register)
- 1: Load shift registers every 4th character clock.

5 Screen Off

- 0: Normal Operation
- 1: Disable video output and assign all display memory bandwidth for CPU accesses

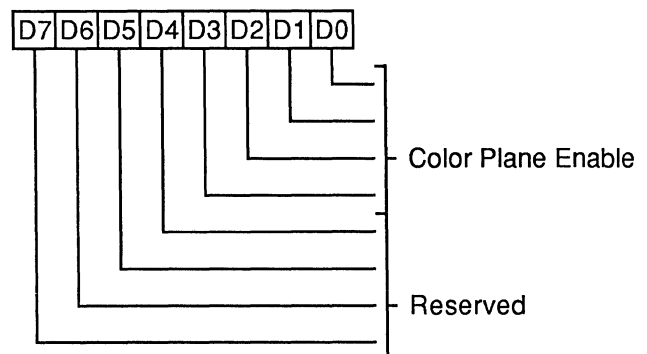
7-6 Reserved (0)

SEQUENCER PLANE/MAP MASK REGISTER (SR02)

Read/Write at I/O Address 3C5h

Index 02h

Group 1 Protection



3-0 Color Plane Enable

- 0: Write protect corresponding color plane
- 1: Allow write to corresponding color plane.

In Odd/Even and Quad modes, these bits still control access to the corresponding color plane.

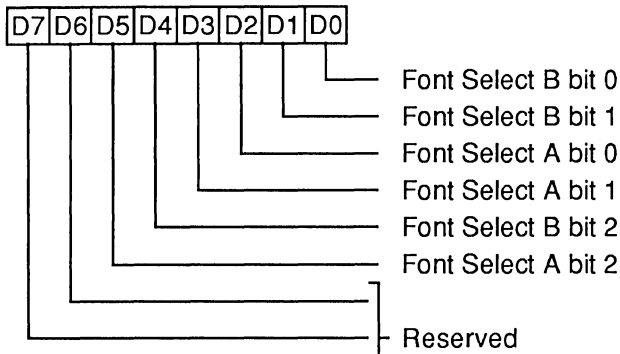
7-4 Reserved (0)

CHARACTER FONT SELECT REGISTER (SR03)

Read/Write at I/O Address 3C5h

Index 03h

Group 1 Protection



In text modes, bit 3 of the video data's attribute byte normally controls the foreground intensity. This bit may be redefined to control switching between character sets. This latter function is enabled whenever there is a difference in the values of the Character Font Select A and the Character Font Select B bits. If the two values are the same, the character select function is disabled and attribute bit 3 controls the foreground intensity.

Bit 1 of register SR04 must be 1 for the character font select function to be active. Otherwise, only character fonts 0 and 4 are available.

- 1-0 Low order bits of Character Generator Select B
- 3-2 Low order bits of Character Generator Select A
- 4 High order bit of Character Generator Select B
- 5 High order bit of Character Generator Select A
- 7-6 Reserved (0)

The following table shows the display memory plane selected by the Character Generator Select A and B bits.

Code	Character Generator Table Location
0	First 8K of Plane 2
1	Third 8K of Plane 2
2	Fifth 8K of Plane 2
3	Seventh 8K of Plane 2
4	Second 8K of Plane 2
5	Fourth 8K of Plane 2
6	Sixth 8K of Plane 2
7	Eighth 8K of Plane 2

where 'code' is:

Character Generator Select A (bits 5, 3, 2) when bit 3 of the the attribute byte is one.

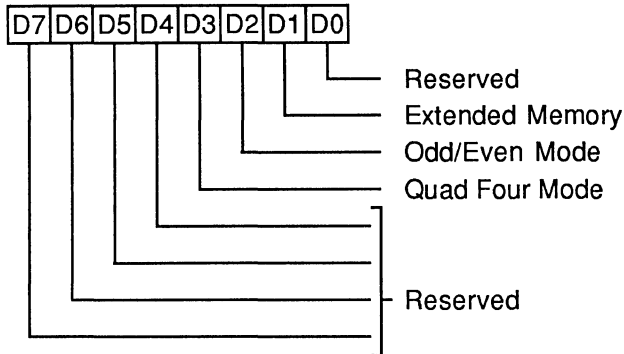
Character Generator Select B (bits 4, 1, 0) when bit 3 of the attribute byte is zero.

SEQUENCER MEMORY MODE REGISTER (SR04)

Read/Write at I/O Address 3C5h

Index 04h

Group 1 Protection



- 0** Reserved (0)
- 1** Extended Memory
 - 0: Restrict CPU access to 4/16/32 Kbytes
 - 1: Allow complete access to memory

This bit should normally be 1.

- 2** Odd/Even Mode
 - 0: CPU accesses to Odd/Even addresses are directed to corresponding odd/even planes
 - 1: All planes are accessed simultaneously (IRGB color)

Bit 3 of this register must be 0 for this bit to be effective. This bit affects only CPU write accesses to display memory.

- 3** Quad Four Mode
 - 0: CPU addresses are mapped to display memory as defined by bit 2 of this register
 - 1: CPU addresses are mapped to display memory modulo 4. The two low order CPU address bits select the display memory plane.

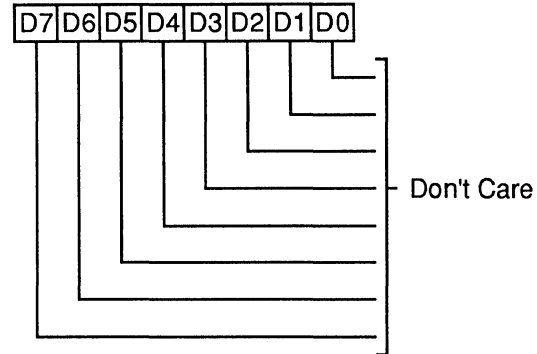
This bit affects both CPU reads and writes to display memory.

7-4 Reserved (0)

SEQUENCER HORIZONTAL CHARACTER COUNTER RESET REGISTER (SR07)

Read/Write at I/O Address 3C5h

Index 07h



Writing to SR07 with any data will cause the horizontal character counter to be held reset (character counter output = 0) until a write to any other sequencer register with any data value. The write to any index in the range 0-6 clears the latch that is holding the reset condition on the character counter.

The vertical line counter is clocked by a signal derived from horizontal display enable (which does not occur if the horizontal counter is held reset). Therefore, if the write to SR07 occurs during vertical retrace, the horizontal and vertical counters will both be zeroed. A write to any other sequencer register may then be used to start both counters with reasonable synchronization to an external event via software control.

This is a standard VGA register which was not documented by IBM.

CRT Controller Registers

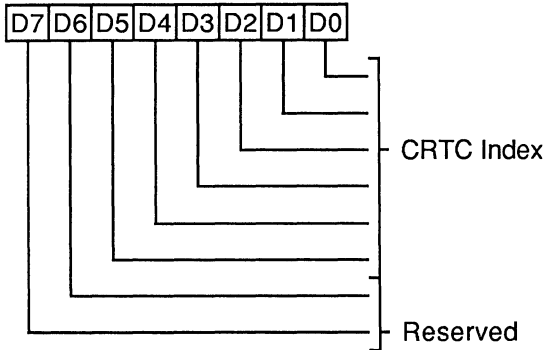
Register Mnemonic	Register Name	Index	Access	I/O Address	Protect Group	Page
CRX	CRTC Index	–	RW	3B4h/3D4h	–	32
CR00	Horizontal Total	00h	RW	3B5h/3D5h	0	32
CR01	Horizontal Display Enable End	01h	RW	3B5h/3D5h	0	32
CR02	Horizontal Blank Start	02h	RW	3B5h/3D5h	0	33
CR03	Horizontal Blank End	03h	RW	3B5h/3D5h	0	33
CR04	Horizontal Sync Start	04h	RW	3B5h/3D5h	0	34
CR05	Horizontal Sync End	05h	RW	3B5h/3D5h	0	34
CR06	Vertical Total	06h	RW	3B5h/3D5h	0	35
CR07	Overflow	07h	RW	3B5h/3D5h	0/3	35
CR08	Preset Row Scan	08h	RW	3B5h/3D5h	3	36
CR09	Maximum Scan Line	09h	RW	3B5h/3D5h	2/4	36
CR0A	Cursor Start Scan Line	0Ah	RW	3B5h/3D5h	2	37
CR0B	Cursor End Scan Line	0Bh	RW	3B5h/3D5h	2	37
CR0C	Start Address High	0Ch	RW	3B5h/3D5h	–	38
CR0D	Start Address Low	0Dh	RW	3B5h/3D5h	–	38
CR0E	Cursor Location High	0Eh	RW	3B5h/3D5h	–	38
CR0F	Cursor Location Low	0Fh	RW	3B5h/3D5h	–	38
CR10	Vertical Sync Start (See Note 2)	10h	W or RW	3B5h/3D5h	4	39
CR11	Vertical Sync End (See Note 2)	11h	W or RW	3B5h/3D5h	3/4	39
CR10	Lightpen High (See Note 2)	10h	R	3B5h/3D5h	–	39
CR11	Lightpen Low (See Note 2)	11h	R	3B5h/3D5h	–	39
CR12	Vertical Display Enable End	12h	RW	3B5h/3D5h	4	40
CR13	Offset	13h	RW	3B5h/3D5h	3	40
CR14	Underline Row	14h	RW	3B5h/3D5h	3	40
CR15	Vertical Blank Start	15h	RW	3B5h/3D5h	4	41
CR16	Vertical Blank End	16h	RW	3B5h/3D5h	4	41
CR17	CRT Mode Control	17h	RW	3B5h/3D5h	3/4	42
CR18	Line Compare	18h	RW	3B5h/3D5h	3	43
CR22	Memory Data Latches	22h	R	3B5h/3D5h	–	44
CR24	Attribute Controller Toggle	24h	R	3B5h/3D5h	–	44
CR3X	Clear Vertical Display Enable	3xh	W	3B5h/3D5h	–	44

Note 1: The emulation mode affects the I/O address of the CRTC. When MDA or Hercules emulation is enabled, the CRTC I/O is 3D0h-3D7h. This overrides the I/O address select bit in the Miscellaneous Output register (3C2h/3CCh). In this case, the index appears at the even addresses and the data at the odd addresses.

Note 2: In the EGA, all CRTC registers except the cursor (CR0C-CR0F) and light pen (CR10 and CR11) registers are write-only (i.e., no read back). In both the EGA and VGA, the light pen registers are at index locations conflicting with the vertical sync registers. This would normally prevent reads and writes from occurring at the same index. Since the light pen registers are not normally useful, the VGA provides software control (CR03D7) of whether the vertical sync or light pen registers are readable at indices 10-11.

CRTC INDEX REGISTER (CRX)

Read/Write at I/O Address 3B4h/3D4h



5-0 CRTC data register index

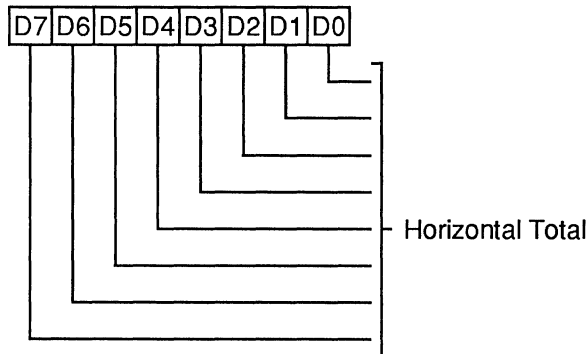
7-6 Reserved (0)

HORIZONTAL TOTAL REGISTER (CR00)

Read/Write at I/O Address 3B5h/3D5h

Index 00h

Group 0 protection



This register is used for all VGA and EGA modes on CRTs. It is also used for 640 column CGA modes and MDA/Hercules text mode. In all flat panel modes, and 320 column CGA modes and Hercules graphics mode on CRT, the alternate register is used.

7-0

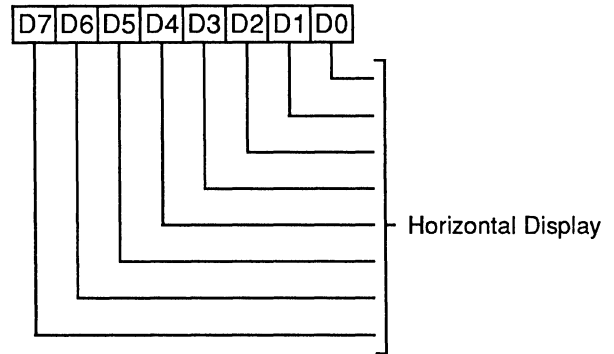
Horizontal Total. Total number of character clocks per line = contents of this register + 5. This register determines the horizontal sweep rate.

HORIZONTAL DISPLAY ENABLE END REGISTER (CR01)

Read/Write at I/O Address 3B5h/3D5h

Index 01h

Group 0 protection



This register is used for all VGA and EGA modes on CRTs. It is also used for 640 column CGA modes and MDA/Hercules text mode. In all flat panel modes, and 320 column CGA modes and Hercules graphics mode on CRT, the alternate register is used.

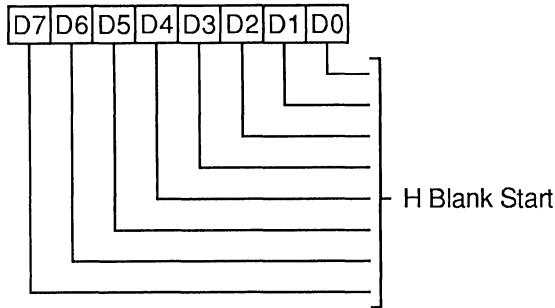
7-0 Number of Characters displayed per scan line - 1.

HORIZONTAL BLANK START REGISTER (CR02)

Read/Write at I/O Address 3B5h/3D5h

Index 02h

Group 0 protection



This register is used for all VGA and EGA modes on CRTs. It is also used for 640 column CGA modes and MDA/Hercules text mode. In all flat panel modes, and 320 column CGA modes and Hercules graphics mode on CRT, the alternate register is used.

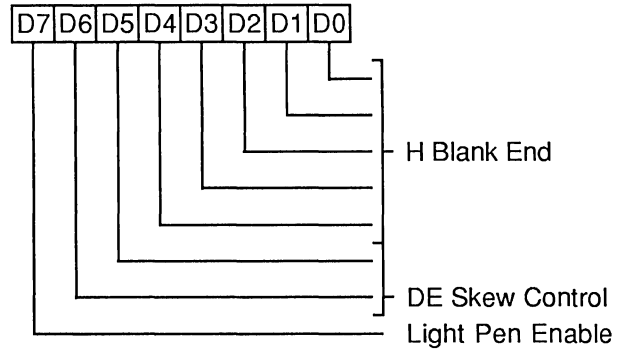
- 7-0** These bits specify the beginning of horizontal blank in terms of character clocks from the beginning of the display scan. The period between Horizontal Display Enable End and Horizontal Blank Start is the right side border on screen.

HORIZONTAL BLANK END REGISTER (CR03)

Read/Write at I/O Address 3B5h/3D5h

Index 03h

Group 0 protection



This register is used for all VGA and EGA modes on CRTs. It is also used for 640 column CGA modes and MDA/Hercules text mode. In all flat panel modes, and all 320 column CGA modes and Hercules graphics mode on CRT, the alternate register is used. Bit 7 is used in both flat panel and CRT modes.

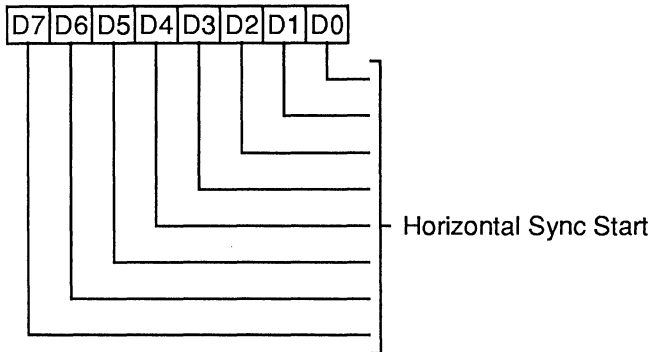
- 4-0** These are the lower 5 bits of the character clock count used to define the end of horizontal blank. The interval between the end of horizontal blank and the beginning of the display (a count of 0) is the left side border on the screen. If the horizontal blank width desired is W clocks, the 5-bit value programmed in this register = $[(\text{contents of CR02} + W) \text{ and } 1Fh]$. The most significant bit is programmed in CR05D7. This bit = $[(\text{CR02} + W) \text{ and } 20h] / 20h$.
- 6-5** Display Enable Skew Control: Defines the number of character clocks that the Display Enable signal is delayed to compensate for internal pipeline delays.
- 7** Light Pen Reg. Enable: Must be 1 for normal operation; when this bit is 0, CRTC registers CR10 and CR11 function as lightpen readback registers.

HORIZONTAL SYNC START REGISTER (CR04)

Read/Write at I/O Address 3B5h/3D5h

Index 04h

Group 0 protection



This register is used for all VGA and EGA modes on CRTs. It is also used for 640 column CGA modes and MDA/Hercules text mode. In all flat panel modes, and all 320 column CGA modes and Hercules graphics mode on CRT, the alternate register is used.

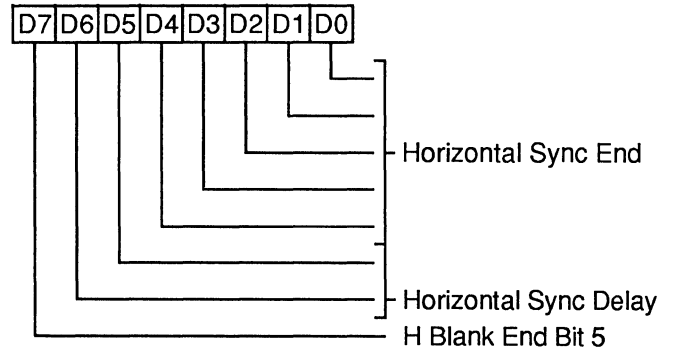
- 7-0** These bits specify the beginning of Hsync in terms of Character clocks from the beginning of the display scan. These bits also determine display centering on the screen.

HORIZONTAL SYNC END REGISTER (CR05)

Read/Write at I/O Address 3B5h/3D5h

Index 05h

Group 0 protection

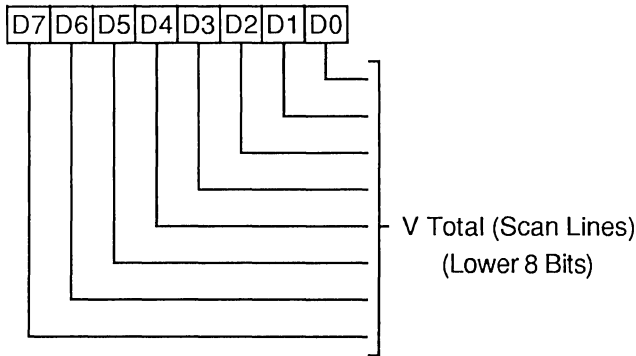


This register is used for all VGA and EGA modes on CRTs. It is also used for 640 column CGA modes and MDA/Hercules text mode. In all flat panel modes, and all 320 column CGA modes and Hercules graphics mode on CRT, the alternate register is used.

- 4-0** Horizontal Sync End. These are the 5 low order bits of the character clock count. They specify the end of Horizontal Sync. If the horizontal sync width desired is N clocks, then these bits = (N + contents of CR04) and 1Fh.
- 6-5** Horizontal Sync Delay. These bits specify the number of character clocks that the Horizontal Sync is delayed to compensate for internal pipeline delays.
- 7** Horizontal Blank End Bit 5. Sixth bit of the Horizontal Blank End Register (CR03).

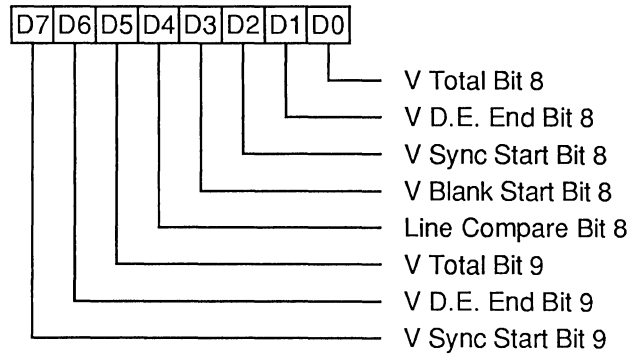
VERTICAL TOTAL REGISTER (CR06)

Read/Write at I/O Address 3B5h/3D5h
 Index 06h
 Group 0 protection



OVERFLOW REGISTER (CR07)

Read/Write at I/O Address 3B5h/3D5h
 Index 07h
 Group 0 protection on bits 0-3 and bits 5-7
 Group 3 protection on bit 4



This register is used in all CRT modes. In all flat panel modes, the alternate register is used.

7-0 These are the 8 low order bits of a 10-bit register. The 9th and 10th bits are located in the CRT Controller Overflow Register. The Vertical Total value specifies the total number of scan lines (horizontal retrace periods) per frame.

$$\text{Programmed Count} = \text{Actual Count} - 2$$

Bits 0-3 and 5-8 of this register are used in all CRT modes. In all flat panel modes, the alternate register is used. (Bits 3 and 4 are always used.)

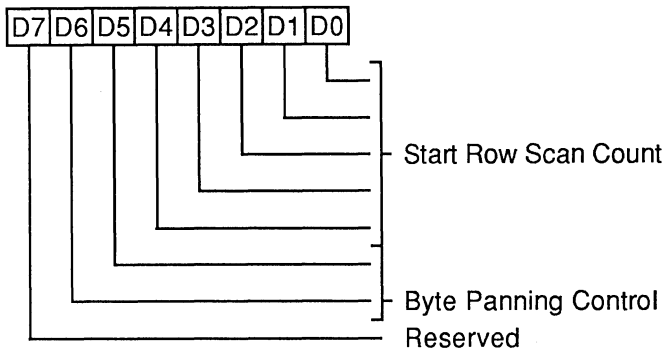
- 0** Vertical Total Bit 8
- 1** Vertical Display Enable End Bit 8
- 2** Vertical Sync Start Bit 8
- 3** Vertical Blank Start Bit 8
- 4** Line Compare Bit 8
- 5** Vertical Total Bit 9
- 6** Vertical Display Enable End Bit 9
- 7** Vertical Sync Start Bit 9

PRESET ROW SCAN REGISTER (CR08)

Read/Write at I/O Address 3B5h/3D5h

Index 08h

Group 3 Protection



- 4-0** These bits specify the starting row scan count after each vertical retrace. Every horizontal retrace increments the character row scan line counter. The horizontal row scan counter is cleared at maximum row scan count during active display. This register is used for soft scrolling in the text modes.
- 6-5** Byte Panning Control. These bits specify the lower order bits for the display start address. They are used for horizontal panning in Odd/Even and Quad modes.
- 7** Reserved (0)

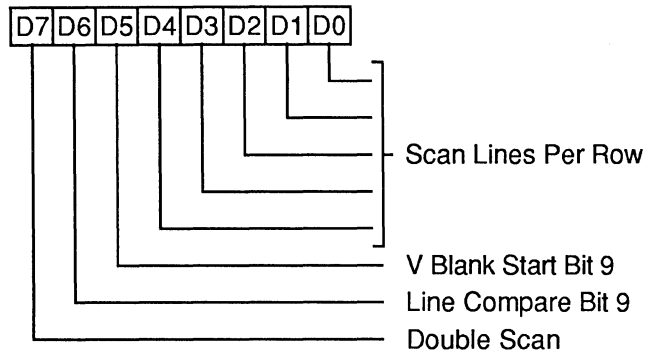
MAXIMUM SCAN LINE REGISTER (CR09)

Read/Write at I/O Address 3B5h/3D5h

Index 09h

Group 2 protection on bits 0-4

Group 4 Protection on bit 5-7

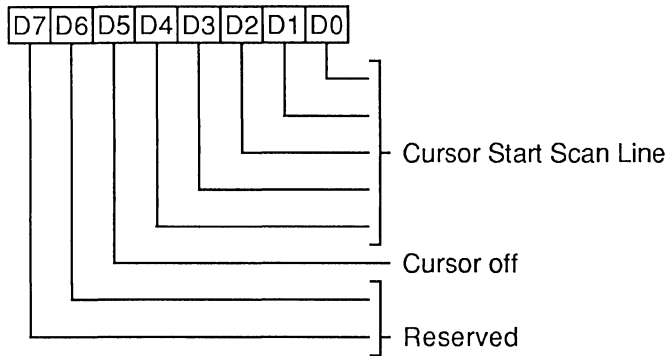


- 4-0** These bits specify the number of scan lines in a row: Register Value = Number of scan lines per row - 1.
- 5** Bit 9 of the Vertical Blank Start register
- 6** Bit 9 of the Line Compare register
- 7** Double Scan
 - 0: Normal Operation
 - 1: Enable scan line doubling

The vertical parameters in the CRT Controller (even for a split screen) are not affected, only the CRT row scan counter (bits 0-4 of this register) and display memory addressing screen refresh are affected.

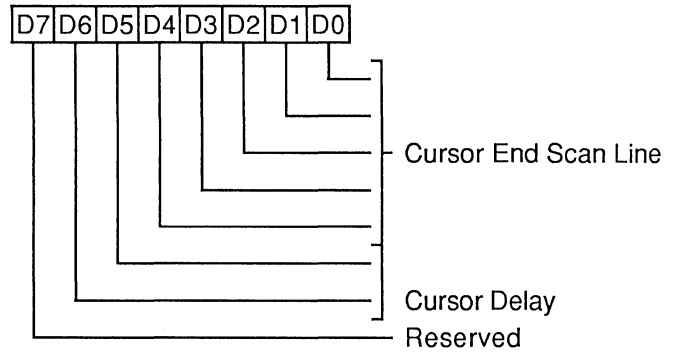
CURSOR START SCAN LINE REGISTER (CR0A)

Read/Write at I/O Address 3B5h/3D5h
 Index 0Ah
 Group 2 Protection



CURSOR END SCAN LINE REGISTER (CR0B)

Read/Write at I/O Address 3B5h/3D5h
 Index 0Bh
 Group 2 protection



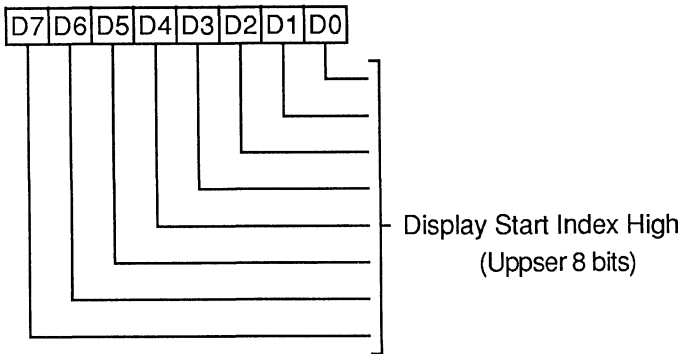
- 4-0** These bits specify the scan line of the character row where the cursor display begins.
- 5** Cursor Off
 - 0: Text Cursor On
 - 1: Text Cursor Off
- 7-0** Reserved (0)

- 4-0** These bits specify the scan line of a character row where the cursor display ends: Last scan line for the block cursor= Value + 1.
- 6-5** These bits define the number of character clocks that the cursor is delayed to compensate for internal pipeline delay.
- 7** Reserved (0)

Note: If the Cursor Start Line is greater than the Cursor End Line, then no cursor is generated.

START INDEX HIGH REGISTER (CR0C)

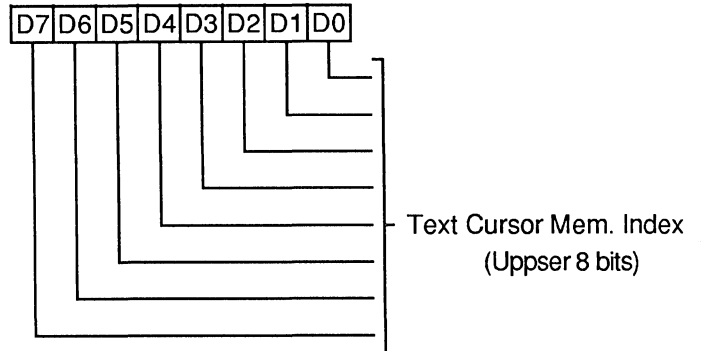
Read/Write at I/O Address 3B5h/3D5h
Index 0Ch



7-0 Upper 8 bits of display start address. In CGA/MDA/Hercules modes, this register wraps around at the 16, 32, and 64 K byte boundaries respectively.

CURSOR LOCATION HIGH REGISTER (CR0E)

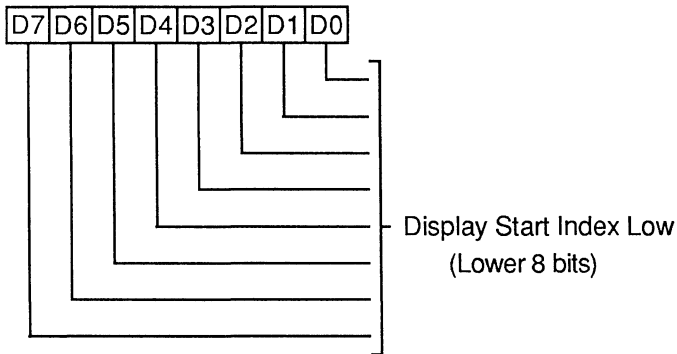
Read/Write at I/O Address 3B5h/3D5h
Index 0Eh



7-0 Upper 8 bits of the memory address where the text cursor is active. In CGA/MDA/Hercules modes, this register wraps around at 16, 32, and 64 K byte boundaries respectively.

START INDEX LOW REGISTER (CR0D)

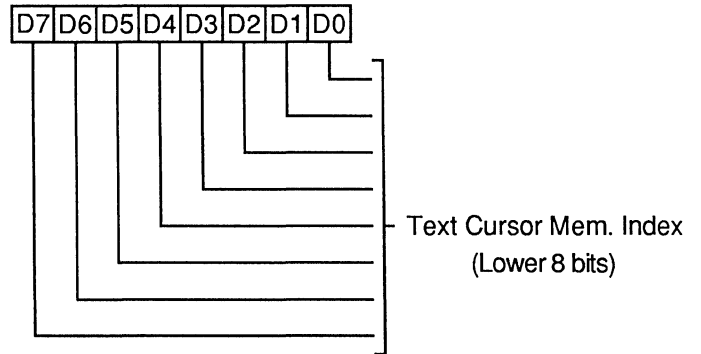
Read/Write at I/O Address 3B5h/3D5h
Index 0Dh



7-0 Lower 8 bits of the display start address. The display start address points to the memory address corresponding to the top left corner of the screen.

CURSOR LOCATION LOW REGISTER (CR0F)

Read/Write at I/O Address 3B5h/3D5h
Index 0Fh



7-0 Lower 8 bits of the memory address where the text cursor is active. In CGA/MDA/Hercules modes, this register wraps around at 16, 32, and 64 K byte boundaries respectively.

LIGHTPEN HIGH REGISTER (CR10)

Read only at I/O Address 3B5h/3D5h
Index 10h

Read-only Register. Effective only in MDA and Hercules modes or when CR03D7 = 0.

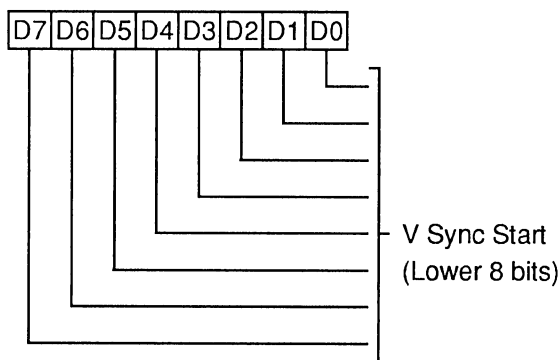
LIGHTPEN LOW REGISTER (CR11)

Read only at I/O Address 3B5h/3D5h
Index 11h

Read-only Register. Effective only in MDA and Hercules modes or when CR03D7 = 0.

VERTICAL SYNC START REGISTER (CR10)

Read/Write at I/O Address 3B5h/3D5h
index 10h
Group 4 Protection



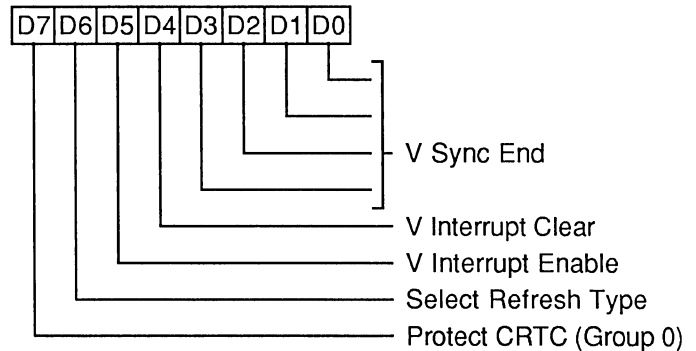
This register is used in all CRT modes. In all flat panel modes, the alternate register is used. This register is not readable in MDA or Hercules emulation or when CR03D7=0.

7-0 The eight low order bits of a 10-bit register. The 9th and 10th bits are located in the CRTC Overflow Register. They define the scan line position at which Vertical Sync becomes active.

VERTICAL SYNC END REGISTER (CR11)

Read/Write at I/O Address 3B5h/3D5h
Index 11h

Group 3 Protection for bits 4 and 5
Group 4 Protection for bits 0-3, 6 and 7



This register is used in CRT all modes. In all flat panel modes, the alternate register is used. This register is not readable in MDA or Hercules emulation or when CR03D7=0. Bits 4,5 and 7 are cleared by RESET.

- 3-0** Vertical Sync End. Lower 4 bits of the scan line count that defines the end of vertical sync. If the vertical sync width desired is Y lines, then bits 3-0 of this register = (CR10 + Y) AND 0Fh.
- 4** Vertical Interrupt Clear. 0=Clear vertical interrupt generated on the IRQ output; 1=Normal operation.
- 5** Vertical Interrupt Enable. 0: Enable vertical interrupt; 1: Disable vertical interrupt.
- 6** Select Refresh Type. 0: 3 refresh cycles per scan line; 1: 5 refresh cycles per scan line.
- 7** Group Protect 0:
 - 0: Enable writes to CR00-07
 - 1: Disable writes to CR00-07

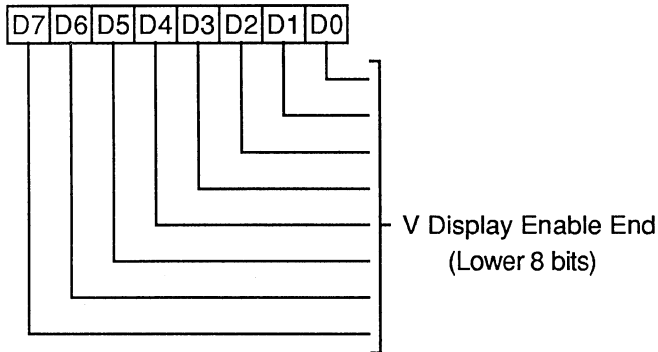
This bit is cleared by RESET. It is logically ORed with bit 6 of the Write Protect Register (XR15) to determine the protection mode for group 0 registers. CR07D4 is not affected (Line Compare bit 9).

VERTICAL DISPLAY ENABLE END REGISTER (CR12)

Read/Write at I/O Address 3B5h/3D5h

Index 12h

Group 4 protection



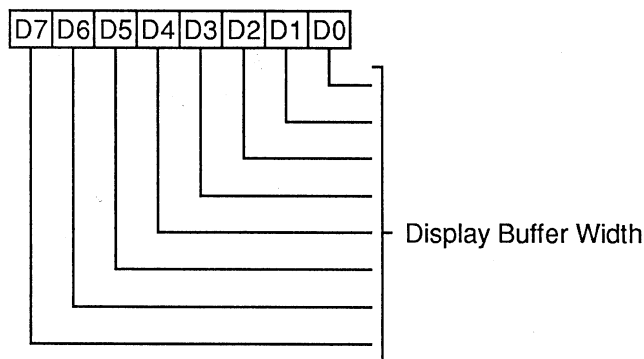
- 7-0** These are the eight low order bits of a 10-bit register. The 9th and 10th bits are located in the CRT Controller Overflow register. The actual count = Contents of this register + 1.

OFFSET REGISTER (CR13)

Read/Write at I/O Address 3B5h/3D5h

Index 13h

Group 3 protection



- 7-0** Display Buffer Width. The byte starting address of the next display row = Byte Start Address for current row + K * (CR13 + Z/2), where Z = bit defined in XR0D and K = 2 in byte mode, K = 4 in word mode. Byte, word and double word mode is selected by CR17D6 and bit-6 of CR14. A less significant bit

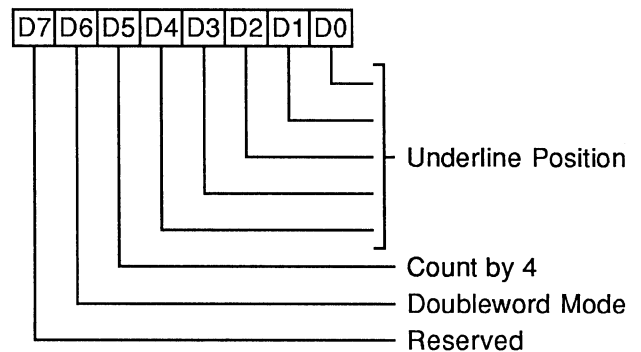
than bit-0 of this register is defined in the Auxiliary Offset register (XR0D). This allows finer resolution of the bit map width. Byte, word and double-word mode affects the translation of the 'logical' display memory address to the 'physical' display memory address.

UNDERLINE LOCATION REGISTER (CR14)

Read/Write at I/O Address 3B5h/3D5h

Index 14h

Group 3 protection



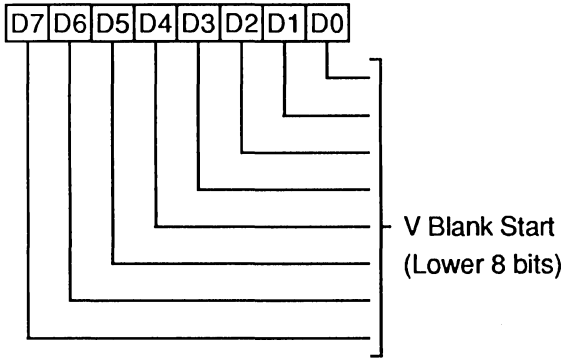
- 4-0** These bits specify the underline's scan line position within a character row. Value = Actual scan line number - 1.
- 5** Count by 4 for Doubleword Mode. 0: Frame Buffer Address is incremented by 1 or 2; 1: Frame Buffer Address is incremented by 4 or 2. See CR17D3 for further details.
- 6** Doubleword Mode. 0: Frame Buffer Address is byte or word address; 1: Frame Buffer Address is doubleword address. Used in conjunction with CR17D6 to select the display memory addressing mode.
- 7** Reserved (0)

VERTICAL BLANK START REGISTER (CR15)

Read/Write at I/O Address 3B5h/3D5h

Index 15h

Group 4 protection

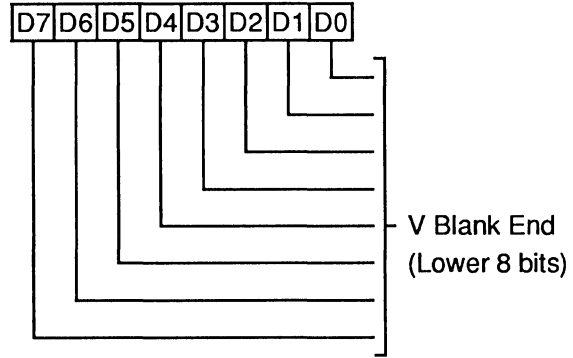


VERTICAL BLANK END REGISTER (CR16)

Read/Write at I/O Address 3B5h/3D5h

Index 16h

Group 4 protection



This register is used in all CRT modes. In all flat panel modes, the alternate register is used.

This register is used in CRT all modes. In all flat panel modes, the alternate register is used.

7-0 These are the 8 low order bits of a 10-bit register. The 9th and 10th bits are located in the CRT Controller Overflow and Maximum Scan Line Registers respectively. Register. Together these 10 bits define the scan line position where vertical blank begins. The interval between the end of the vertical display and the beginning of vertical blank is the bottom border on the screen.

7-0 End Vertical Blank. The lower 8 bits of the scan line count which specifies the end of Vertical Blank. If the vertical blank width desired is Z lines, these bits = (Vertical Blank Start + Z) and 0FFh.

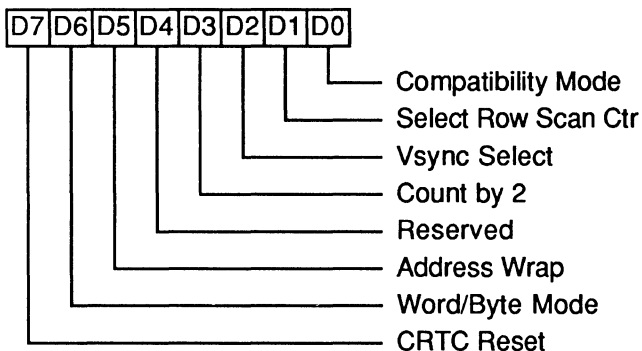
CRT MODE CONTROL REGISTER (CR17)

Read/Write at I/O Address 3B5h/3D5h

Index 17h

Group 3 Protection for bits 0,1 and 3-7

Group 4 Protection for bit 2.



- 0** Compatibility Mode Support. This bit allows compatibility with the IBM CGA two-bank graphics mode. 0: The character row scan line counter bit 0 is substituted for memory address bit 13 during active display time; 1: normal operation, no substitution takes place.
- 1** Select Row Scan Counter. This bit allows compatibility with Hercules graphics and with any other 4-bank graphics system. 0: Substitute character row scan line counter bit 1 for memory address bit 14 during active display time; 1: normal operation, no substitution takes place.
- 2** Vertical Sync Select. This bit controls the vertical resolution of the CRT Controller by permitting selection of the clock rate input to the vertical counters. When set to 1, the vertical counters are clocked by the horizontal retrace clock divided by 2.
- 3** Count By Two
 - 0: Memory address counter is incremented every character clock
 - 1: Memory address counter is incremented every two character clocks, used in conjunction with bit 5 of 0Fh.

Note: This bit is used in conjunction with CR14D5. The net effect is as follows:

CR14D5	CR17D3	Increment Addressing Every
0	0	1 CCLK
0	1	2 CCLK
1	0	4 CCLK
1	1	2 CCLK

Note: In Hercules graphics and Hi-res CGA modes, the address increments every two clocks.

- 4** Reserved (0)
- 5** Address Wrap (effective only in word mode.)
 - 0: Wrap display memory address at 16 Kbytes. This is used in IBM CGA mode.
 - 1: Normal operation (extended mode).

- 6** Word Mode or Byte Mode. 0: Word Mode is selected. In this mode the display memory address counter bits are shifted down by one, causing the most-significant bit of the counter to appear on the least-significant bit of the display memory address output; 1: Select byte mode.

Note: This bit is used in conjunction with CR14 bit 6 to select byte, word, or double word memory addressing as follows:

CR14D6	CR17D6	Addressing Mode
0	0	Word Mode
0	1	Byte Mode
1	0	Double Word Mode
1	1	Double Word Mode

Display memory addresses are affected as shown in the table on the following page.

- 7** Hardware Reset (This bit is cleared by RESET)
 - 0: Force HSYNC and VSYNC to be inactive. No other registers or outputs affected.
 - 1: Normal Operation.

Display memory addresses are affected by CR17 bit-6 as shown in the table below:

Logical Memory Address	Physical Memory Address		
	Byte Mode	Word Mode	Double Word Mode
MA00	A00	Note 1	Note 2
MA01	A01	A00	Note 3
MA02	A02	A01	A00
MA03	A03	A02	A01
MA04	A04	A03	A02
MA05	A05	A04	A03
MA06	A06	A05	A04
MA07	A07	A06	A05
MA08	A08	A07	A06
MA09	A09	A08	A07
MA10	A10	A09	A08
MA11	A11	A10	A09
MA12	A12	A11	A10
MA13	A13	A12	A11
MA14	A14	A13	A12
MA15	A15	A14	A13

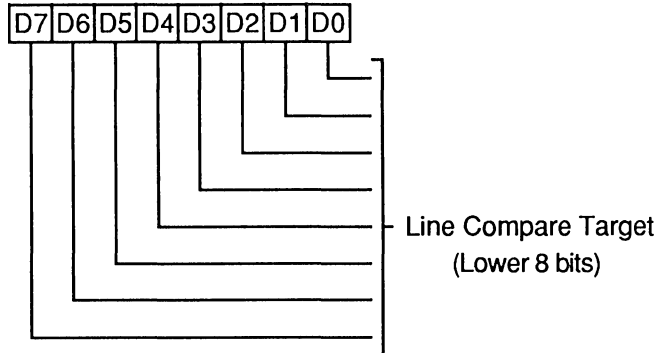
Note 1: $A13 * !CR17D5 + A15 * CR17D5$
 Note 2: $A12 \text{ xor } (A14 * XR04D2)$
 Note 3: $A13 \text{ xor } (A15 * XR04D2)$

LINE COMPARE REGISTER (CR18)

Read/Write at I/O Address 3B5h/3D5h

Index 18h

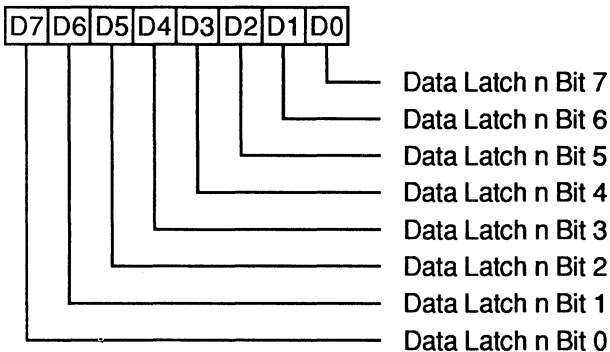
Group 3 protection



7-0 These are the low order 8 bits of a 10-bit register. The 9th and 10th bits are located in the CRT Controller Overflow and Maximum Scan Line Registers, respectively. This register is used to implement a split screen function. When the scan line counter value is equal to the contents of this register, the memory address counter is cleared to 0. The display memory address counter then sequentially addresses the display memory starting at address 0. Each subsequent row address is generated by the addition of the Offset Register contents. This register is not affected by the double scanning bit (bit-7) of CR09.

MEMORY DATA LATCH REGISTER (CR22)

Read only at I/O Address 3B5h/3D5h
Index 22h



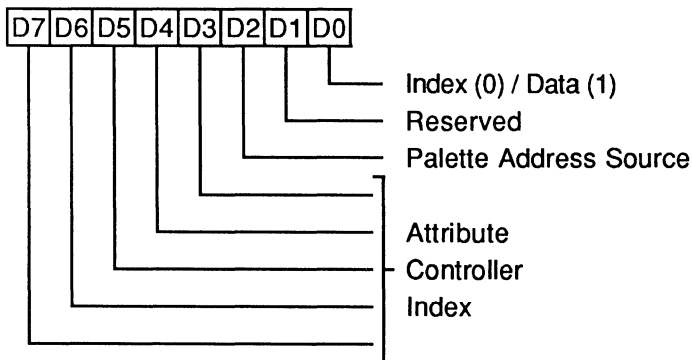
This register may be used to read the state of Graphics Controller Memory Data Latch 'n', where 'n' is controlled by the Graphics Controller Read Map Select Register (GR04D0&1) and is in the range 0-3.

Writes to this register are not decoded and will be ignored.

This is a standard VGA register which was not documented by IBM.

ATTRIBUTE CONTROLLER TOGGLE REGISTER (CR24)

Read only at I/O Address 3B5h/3D5h
Index 24h



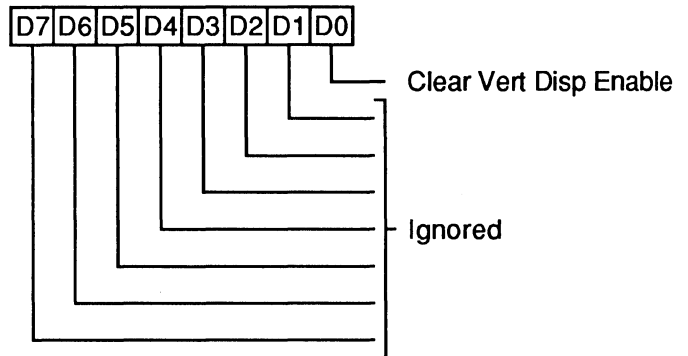
This register may be used to read back the state of the attribute controller index/data latch.

Writes to this register are not decoded and will be ignored.

This is a standard VGA register which was not documented by IBM.

CLEAR VERTICAL DISPLAY ENABLE (CR3X)

Write only at I/O Address 3B5h/3D5h
Index 3xh



Writing odd data values to CRTC index 30 - 3F causes the vertical display enable flip-flop to be cleared. The flip-flop is automatically set by reaching vertical total. The effect of this is to force a longer vertical retrace period. There are two side effects of terminating vertical display enable early: first, the screen blanks early for one frame causing a minor visual disturbance and second, the sequencer gives more display memory cycles to the CPU because vertical display is not enabled.

Reads from this register are not decoded and will return indeterminate data.

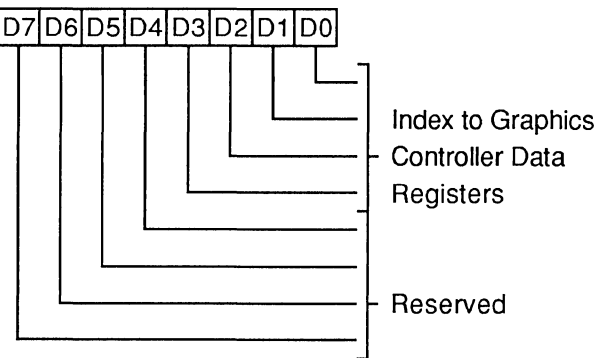
This is a standard VGA register which was not documented by IBM.

Graphics Controller Registers

Register Mnemonic	Register Name	Index	Access	I/O Address	Protect Group	Page
GRX	Graphics Controller Index	–	W	3CEh	1	45
GR00	Set/Reset	00h	RW	3CFh	1	45
GR01	Enable Set/Reset	01h	RW	3CFh	1	46
GR02	Color Compare	02h	RW	3CFh	1	46
GR03	Data Rotate	03h	RW	3CFh	1	47
GR04	Read Map Select	04h	RW	3CFh	1	47
GR05	Graphics mode	05h	RW	3CFh	1	48
GR06	Miscellaneous	06h	RW	3CFh	1	50
GR07	Color Don't Care	07h	RW	3CFh	1	50
GR08	Bit Mask	08h	RW	3CFh	1	51

GRAPHICS CONTROLLER INDEX REGISTER (GRX)

Write only at I/O Address 3CEh
Group 1 Protection

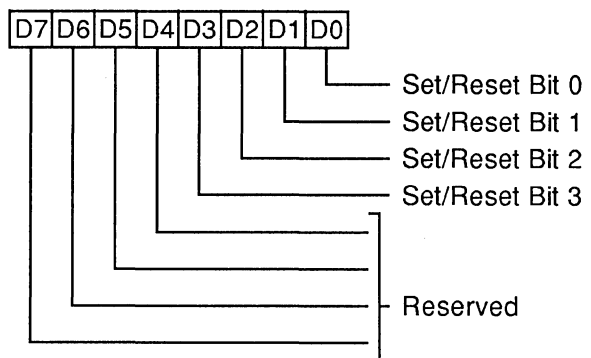


3-0 4-bit index to the Graphics Controller registers

7-4 Reserved (0)

SET/RESET REGISTER (GR00)

Read/Write at I/O Address 3CFh
Index 00h
Group 1 Protection



The SET/RESET and ENABLE SET/RESET registers are used to 'expand' 8 bits of CPU data to 32 bits of display memory.

3-0 When the Graphics Mode register selects Write Mode 0, all 8 bits of each display memory plane are set as specified in the corresponding bit in this register. The Enable Set/Reset register (GR01) allows selection of some of the source of data to be written to individual planes. In Write Mode 3 (see GR05), these bits determine the color value.

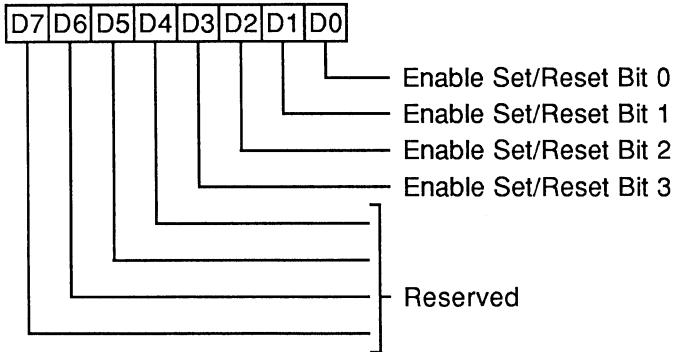
7-4 Reserved (0)

ENABLE SET/RESET REGISTER (GR01)

Read/Write at I/O Address 3CFh

Index 01h

Group 1 Protection



3-0 This register works in conjunction with the Set/Reset register. The Graphics Mode register must be programmed to Write Mode 0 in order for this register to have any effect.

0: The corresponding plane is written with the data from the CPU data bus

1: The corresponding plane is set to 0 or 1 as specified in the Set/Reset Register

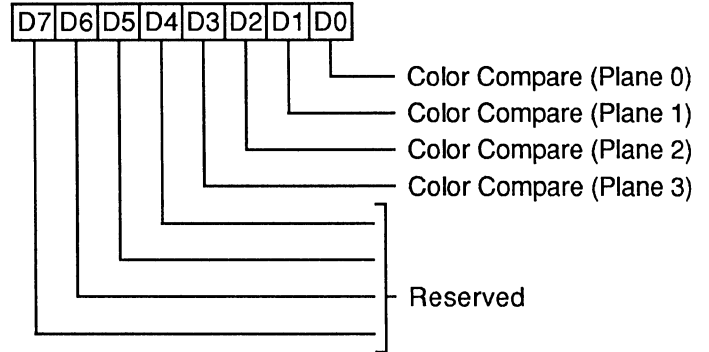
4-7 Reserved (0)

COLOR COMPARE REGISTER (GR02)

Read/Write at I/O Address 3CFh

Index 02h

Group 1 Protection



3-0 This register is used to 'reduce' 32 bits of memory data to 8 bits for the CPU in 4-plane graphics mode. These bits provide a reference color value to compare to data read from display memory planes 0-3. The Color Don't Care register is used to affect the result. This register is active only if the Graphics Mode register is set to Read Mode 1. A match between the memory data and the Color Compare register (for the bits specified in the Color Don't Care register) causes a logical 1 to be placed on the CPU data bus for the corresponding data bit, a mis-match returns a logical 0.

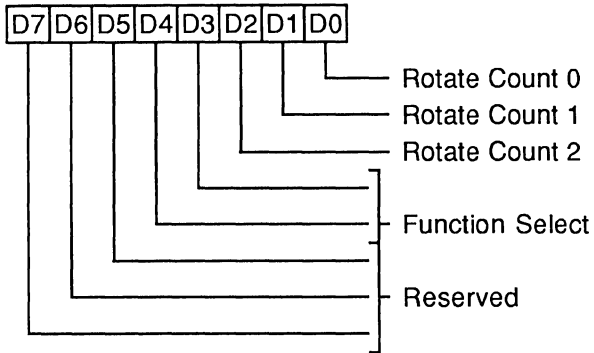
4-7 Reserved (0)

DATA ROTATE REGISTER (GR03)

Read/Write at I/O Address 3CFh

Index 03h

Group 1 Protection

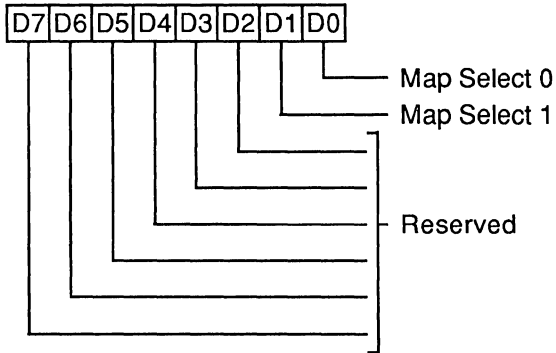


READ MAP SELECT REGISTER (GR04)

Read/Write at I/O Address 3CFh

Index 04h

Group 1 Protection



2-0 These bits specify the number of right rotates applied to the data being written by the CPU. The CPU data bits are first rotated, then subjected to the logical operation as specified in the Function Select bit field. The rotate function is active only if the Graphics Mode register is programmed for Write Mode 0.

4-3 These Function Select bits specify the logical function performed on the contents of the processor latches (loaded on a previous CPU read cycle) before the data is written to display memory. These bits operate as follows:

Bit 4	Bit 3	Result
0	0	No change to the Data, latches updated;
0	1	Logical 'AND' between Data and latched data;
1	0	Logical 'OR' between Data and latched data;
1	1	Logical 'XOR' between Data and latched data.

7-5 Reserved (0)

1-0 This register is also used to 'reduce' 32 bits of memory data to 8 bits for the CPU in the 4-plane graphics mode. These bits select the memory plane from which the CPU reads data in Read Mode 0. In Odd/Even mode, bit 0 is ignored. In Quad mode, bits 0 and 1 are both ignored.

The four memory maps are selected as follows:

Bit 4	Bit 3	Map Selected
0	0	Plane 0
0	1	Plane 1
1	0	Plane 2
1	1	Plane 3

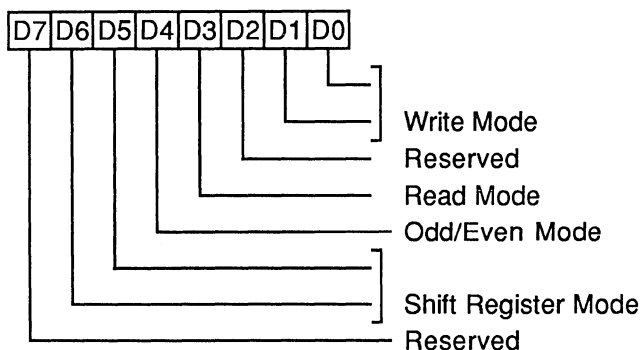
7-2 Reserved (0)

GRAPHICS MODE REGISTER (GR05)

Read/Write at I/O Address 3CFh

Index 05h

Group 1 Protection



1-0 These bits specify the Write Mode as follows: (For 16-bit writes, the operation is repeated on the lower and upper bytes of CPU data).

D1 D0 Write Mode

- 0 0 **Write mode 0.** Each of the four display memory planes is written with the CPU data rotated by the number of counts in the Data Rotate Register, except when the Set/Reset Register is enabled for any of the four planes. When the Set/Reset Register is enabled, the corresponding plane is written with the data stored in the Set/Reset Register.
- 0 1 **Write mode 1.** Each of the four display memory planes is written with the data previously loaded in the processor latches. These latches are loaded during all read operations.
- 1 0 **Write mode 2.** The CPU data bus data is treated as the color value for the addressed byte in planes 0-3. All eight pixels in the addressed byte are

modified unless protected by the Bit Mask register setting. logical 1 in the Bit Mask register sets the corresponding pixel in the addressed byte to the color specified on the data bus. A 0 in the Bit Mask register sets the corresponding pixel in the addressed byte to the corresponding pixel in the processor latches. The Set/Reset and Enable Set/Reset registers are ignored. The Function Select in the Data Rotate register are used.

- 1 1 **Write mode 3.** The CPU data is rotated then logically ANDed with the contents of the Bit Mask register (GR08) and then treated as the addressed data's bit mask, while the contents of the Set/Reset register is treated as the color value.

A '0' on the data bus (mask) causes the corresponding pixel in the addressed byte to be set to the corresponding pixel in the processor latches.

A '1' on the data bus (mask) causes the corresponding pixel in the addressed byte to be set to the color value specified in the Set/Reset register.

The Enable Set/Reset register is ignored. The Data Rotate Register is used. This write mode can be used to fill an area with a single color and pattern.

2 Reserved (0)

(Continued on following page)

3 This bit specifies the Read Mode as follows:

- 0: The CPU reads data from one of the planes as selected in the Read Map Select register.
- 1: The CPU reads the 8-bit result of the logical comparison between all eight pixels in the four display planes and the contents of the Color Compare and Color Don't Care registers. The CPU reads a logical 1 if a match occurs for each pixel and logical 0 if a mis-match occurs. In 16-bit read cycles, this operation is repeated on the lower and upper bytes.

4 Odd/Even Mode:

- 0: All CPU addresses sequentially access all planes
- 1: Even CPU addresses access planes 0 and 2, while odd CPU addresses access planes 1 and 3. This option is useful for IBM CGA-compatible memory organization.

6-5 Shift Register Mode. These two bits select the data shift pattern used when passing data from the four memory planes through the four video shift registers. If the data bits in the memory planes (0-3) are represented as M0D0-M0D7, M1D0-M1D7, M2D0-M2D7, and M3D0-M3D7 respectively, then the data in the serial shift registers is shifted out as follows:

<u>65</u>	Last Bit Shifted <u>Out</u>	Shift Direction →	1st Bit Shifted <u>Out</u>	Out- put <u>to:</u>
00:	M0D0 M0D1 M0D2 M0D3 M0D4 M0D5 M0D6 M0D7		M0D7	Bit0
	M1D0 M1D1 M1D2 M1D3 M1D4 M1D5 M1D6 M1D7		M1D7	Bit1
	M2D0 M2D1 M2D2 M2D3 M2D4 M2D5 M2D6 M2D7		M2D7	Bit2
	M3D0 M3D1 M3D2 M3D3 M3D4 M3D5 M3D6 M3D7		M3D7	Bit3
01:	M1D0 M1D2 M1D4 M1D6 M0D0 M0D2 M0D4 M0D6		M0D6	Bit0
	M1D1 M1D3 M1D5 M1D7 M0D1 M0D3 M0D5 M0D7		M0D7	Bit1
	M3D0 M3D2 M3D4 M3D6 M2D0 M2D2 M2D4 M2D6		M2D6	Bit2
	M3D1 M3D3 M3D5 M3D7 M2D1 M2D3 M2D5 M2D7		M2D7	Bit3
1x:	M3D0 M3D4 M2D0 M2D4 M1D0 M1D4 M0D0 M0D4		M0D4	Bit0
	M3D1 M3D5 M2D1 M2D5 M1D1 M1D5 M0D1 M0D5		M0D5	Bit1
	M3D2 M2D2 M3D6 M2D6 M1D3 M1D6 M0D2 M0D6		M0D6	Bit2
	M3D3 M3D7 M2D3 M2D7 M1D3 M1D7 M0D3 M0D7		M0D7	Bit3

Note: If the Shift Register is not loaded every character clock (see SR01D2&4) then the four 8-bit shift registers are effectively 'chained' with the output of shift register 1 becoming the input to shift register 0 and so on. This allows one to have a large monochrome (or 4 color) bit map and display one portion thereof.

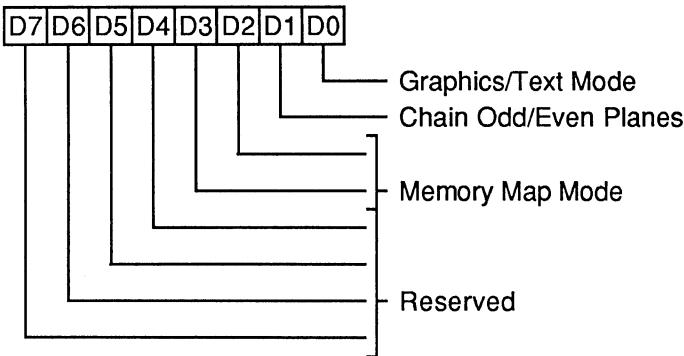
7 Reserved (0)

MISCELLANEOUS REGISTER (GR06)

Read/Write at I/O Address 3CFh

Index 06h

Group 1 Protection



0 Graphics/Text Mode:

- 0: Text Mode
- 1: Graphics mode

1 Chain Odd/Even Planes. This mode can be used to double the address space into display memory.

1: CPU address bit A0 is replaced by a higher order address bit. The state of A0 determines which memory plane is to be selected:

- A0 = 0: select planes 0 and 2
- A0 = 1: select planes 1 and 3

0: A0 not replaced

3-2 Memory Map mode. These bits control the mapping of the display memory into the CPU address space as follows (also used in extended modes):

Bit 3	Bit 2	CPU Address
0	0	A0000h-BFFFFh
0	1	A0000h-AFFFFh
1	0	B0000h-B7FFFh
1	1	B8000h-BFFFFh

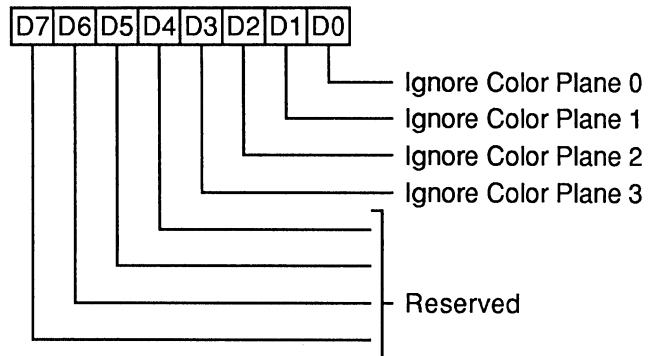
7-4 Reserved (0)

COLOR DON'T CARE REGISTER (GR07)

Read/Write at I/O Address 3CFh

Index 07h

Group 1 Protection

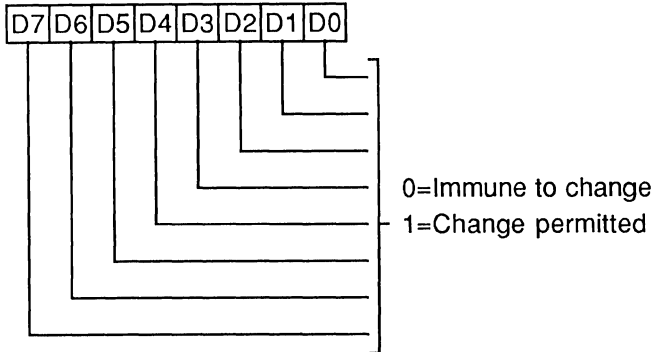


3-0 Ignore Color Plane (0-3):

0: This causes the corresponding bit of the Color Compare register to be a "don't care" during a comparison.

1: The corresponding bit of the Color Compare register is enabled for color comparison. This register is active in Read Mode 1 only.

7-4 Reserved (0)

BIT MASK REGISTER (GR08)
Read/Write at I/O Address 3CFh
Index 08h
Group 1 Protection


7-0 This bit mask is applicable to any data written by the CPU, including that subject to a rotate, logical function (AND, OR, XOR), Set/Reset, and No Change. In order to execute a proper read-modify-write cycle into displayed memory, each byte must first be read (and latched by the 82C456), the Bit Mask register set, and the new data then written. The bit mask applies to all four planes simultaneously.

- 0: The corresponding bit in each of the four memory planes is written from the corresponding bit in the latches.
- 1: Unrestricted manipulation of the corresponding data bit in each of the four memory planes is permitted.

Attribute Controller and Color Palette Registers

Register Mnemonic	Register Name	Index	Access	I/O Address	Protect Group	Page
ARX	Attribute Index (for 3C0/3C1h)	–	RW	3C0h	1	52
AR00-AR0F	Internal Color Palette Data	00-0Fh	RW	3C0h/3C1h	1	53
AR10	Mode Control	10h	RW	3C0h/3C1h	1	53
AR11	Overscan Color	11h	RW	3C0h/3C1h	1	54
AR12	Color Plane Enable	12h	RW	3C0h/3C1h	1	54
AR13	Horizontal Pixel Panning	13h	RW	3C0h/3C1h	1	55
AR14	Pixel Pad	14h	RW	3C0h/3C1h	1	55
DACMASK	External Color Palette Pixel Mask	–	RW	3C6h	6	56
DACSTATE	DAC State	–	R	3C7h	–	56
DACRX	External Color Palette Read-Mode Index	–	W	3C7h	6	57
DACX	External Color Palette Index (for 3C9h)	–	RW	3C8h	6	57
DACDATA	External Color Palette Data	00-FFh	RW	3C9h	6	57

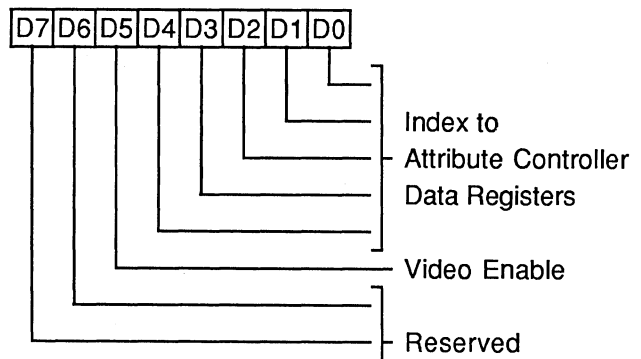
In regular VGA mode, all Attribute Controller registers are located at the same byte address (3C0h) in the CPU I/O space. An internal flip-flop controls the selection of either the Attribute Index or Data Registers. To select the Index Register, an I/O Read is executed to address 3BAh/3DAh to clear this flip-flop. After the Index Register has been loaded by an I/O Write to address 3C0h, this flip-flop toggles, and the Data Register is ready to be accessed. Every I/O Write to address 3C0h toggles this flip-flop. The flip-flop does not have any effect on the reading of the Attribute Controller registers. The Attribute Controller index register is always read back at address 3C0h, the data register is always read back at address 3C1h.

In one of the extended modes (See "CPU Interface Register"), the Attribute Controller Index register is located at address 3C0h and the Attribute Controller Data register is located at address 3C1h (to allow word I/O accesses). In another extended mode, the Attribute Controller can be both read and written at either 3C0h or 3C1h (EGA compatible mode).

ATTRIBUTE INDEX REGISTER (ARX)

Read/Write at I/O Address 3C0h

Group 1 Protection



4-0 These bits point to one of the internal registers of the Attribute Controller.

5 Enable Video:

0: Disables the video, allowing the Attribute Controller color registers to be accessed by the CPU

1: Enables the video and causes the Attribute Controller Color registers (AR00-AR0F) to be inaccessible by the CPU.

7-6 Reserved (0)

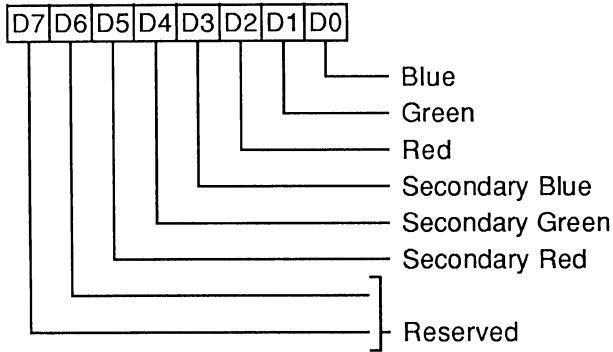
ATTRIBUTE CONTROLLER COLOR PALETTE DATA REGISTERS (AR00-AR0F)

Read at I/O Address 3C1h

Write at I/O Address 3C0/1h

Index 00-0Fh

Group 1 Protection or XR63D6



5-0 These bits are the color value in the respective palette register as pointed to by the index register.

7-6 Reserved (0)

The Color Palette may be by-passed in flat panel mode by setting the Color Palette Enable Bit (XR63D5).

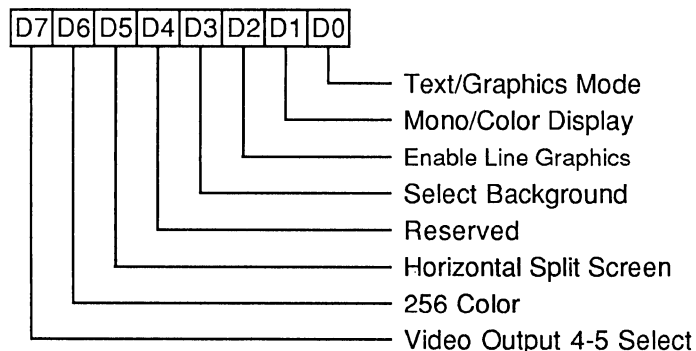
ATTRIBUTE CONTROLLER MODE CONTROL REGISTER (AR10)

Read at I/O Address 3C1h

Write at I/O Address 3C0/1h

Index 10h

Group 1 Protection



0 Text/Graphics Mode:

- 0: Select text mode
- 1: Select graphics mode.

1 Monochrome/Color Display

- 0: Select color display attributes
- 1: Select mono display attributes

2 Enable Line Graphics Character Codes. This bit is dependent on bit 0 of the Override register.

- 0: Make the ninth pixel appear the same as the background
- 1: For special line graphics character codes (0C0h-0DFh), make the ninth pixel identical to the eighth pixel of the character. For other characters, the ninth pixel is the same as the background.

3 Enable Blink/Select Background Intensity. The blinking counter is clocked by the VSYNC signal. The Blink frequency is defined in the Blink Rate Control Register (XR60).

- 0: Disable Blinking and enable text mode background intensity
- 1: Enable the blink attribute in text and graphics modes.

4 Reserved (0)

5 Split Screen Horizontal Panning Mode

- 0: Scroll both screens horizontally as specified in the Pixel Panning register
- 1: Scroll horizontally only the top screen as specified in the Pixel panning register

6 256 Color Output Assembler

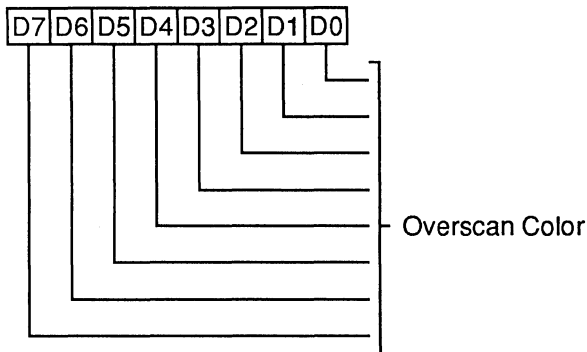
- 0: 6 bits of video (translated from 4 bits by the internal color palette) are output every dot clock
- 1: Two 4-bit sets of video data are assembled to generate 8-bit video data at half the frequency of the internal dot clock (256 color mode).

7 Video Output 4-5 Select:

- 0: Video bits 4 and 5 are generated by the internal Attribute Controller color palette registers
- 1: Video bits 4 and 5 are the same as bits 0 and 1 in the Pixel Pad register (AR14)

OVERSCAN COLOR REGISTER (AR11)

Read at I/O Address 3C1h
 Write at I/O Address 3C0/1h
 Index 11H
 Group 1 Protection

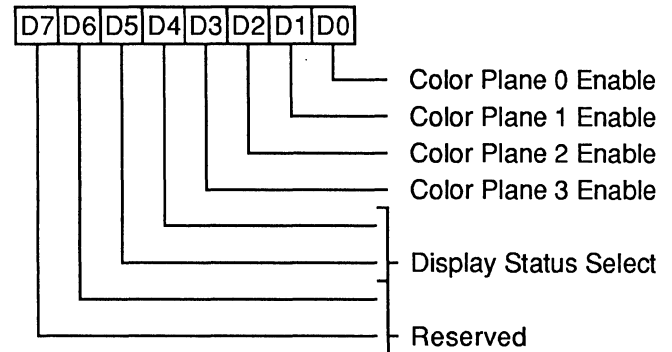


7-0 Overscan Color. These 8 bits define the overscan (border) color value. For monochrome displays, these bits should be zero.

The border color is displayed in the interval after Display Enable End and before Blank Start (end of display area; i.e. right side and bottom of screen) and between Blank End and Display Enable Start (beginning of display area; i.e. left side and top of screen).

COLOR PLANE ENABLE REGISTER (AR12)

Read at I/O Address 3C1h
 Write at I/O Address 3C0/1h
 Index 12h
 Group 1 Protection



3-0 Color Plane (0-3) Enable

0: Force the corresponding color plane pixel bit to 0 before it addresses the color palette

1: Enable the plane data bit of the corresponding color plane to pass

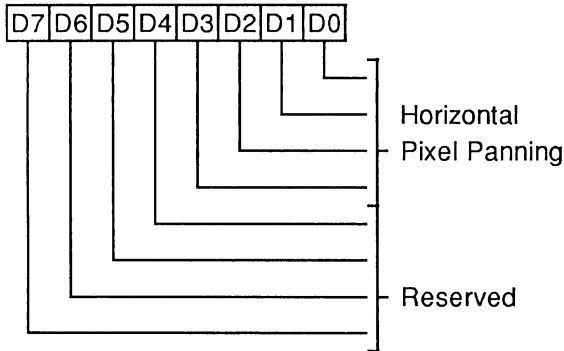
5-4 Display Status Select. Select two of the eight color outputs to be read back in the Input Status Register 1 (port 3BAh or 3DAh). The output color combinations available on the status bits are as follows:

Status Register 1			
Bit 5	Bit 4	Bit 5	Bit 4
0	0	Video 2	Video 0
0	1	Video 5	Video 4
1	0	Video 3	Video 1
1	1	Video 7	Video 6

7-6 Reserved (0)

ATTRIBUTE CONTROLLER HORIZONTAL PIXEL PANNING REGISTER (AR13)

Read at I/O Address 3C1h
 Write At I/O Address 3C0/1h
 Index 13h
 Group 1 Protection

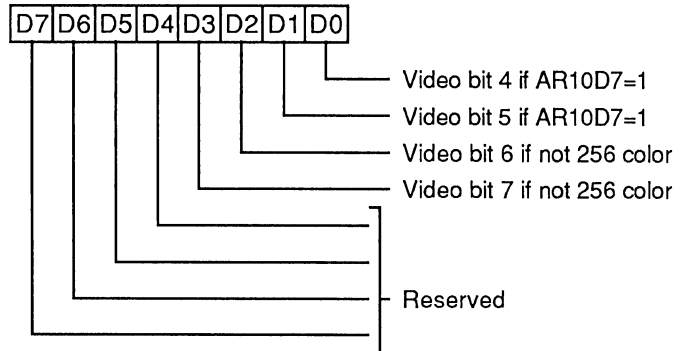


3-0 Horizontal Pixel Panning. These bits select the number of pixels to shift the display horizontally to the left. Pixel panning is available in both text and graphics modes. In 9 pixels/character text mode, the output can be shifted a maximum of 9 pixels. In 8 pixels/character text mode and all graphics modes a maximum shift of 8 pixels is possible. In 256-color mode (output assembler AR10D6 = 1), bit 0 of this register must be 0 which results in only 4 panning positions per display byte. In Shift Load 2 and Shift Load 4 modes, register CR08 provides single pixel resolution for panning. Panning is controlled as follows:

AR13	<u>Number of Pixels Shifted</u>		
	9-dot mode	8-dot mode	256-color mode
0	1	0	0
1	2	1	--
2	3	2	1
3	4	3	--
4	5	4	2
5	6	5	--
6	7	6	3
7	8	7	--
8	0	--	--

ATTRIBUTE CONTROLLER PIXEL PAD REGISTER (AR14)

Read at I/O Address 3C1h
 Write At I/O Address 3C0/1h
 Index 14h
 Group 1 Protection



- 1-0** These bits are output as video bits 4 and 5 when of AR10D7 = 1. They are disabled in the 256 color mode.
- 3-2** These bits are output as video bits 6 and 7 in all modes except 256-color mode.
- 7-4** Reserved (0)

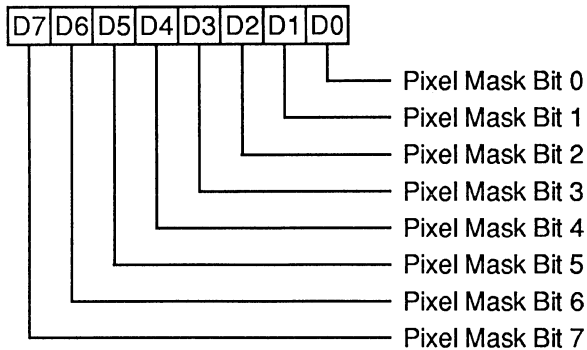
The contents of this register are ignored in flat panel interface mode.

4-7 Reserved (0)

EXTERNAL COLOR PALETTE PIXEL MASK REGISTER (DACMASK)

Read/Write at I/O Address 3C6h

Group 6 Protection

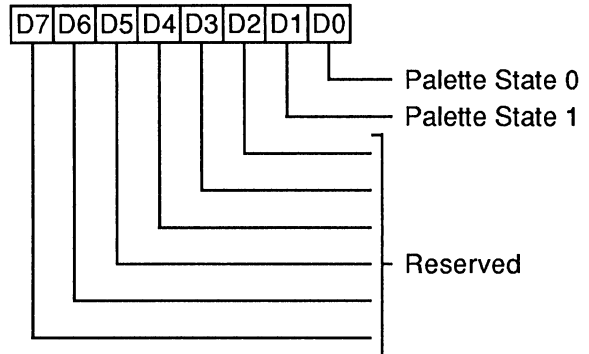


The contents of this register are logically ANDed with the 8 bits of video data coming into the external color palette. Zero bits in this register therefore cause the corresponding address input to the external color palette to be zero. For example, if this register is programmed with 7, only external color palette registers 0-7 would be accessible; video output bits 3-7 would be ignored and all color values would map into the lower 8 locations in the color palette.

This register is physically located in the external color palette chip. Reads from this I/O location cause the PALRD/ pin to be asserted. Writes to this I/O location cause the PALWR/ pin to be asserted. The functionality of this port is determined by the external palette chip.

EXTERNAL COLOR PALETTE STATE REGISTER (DACSTATE)

Read only at I/O Address 3C7h



1-0 Status bits indicate the I/O address of the last CPU write to the external DAC/Color Palette:

00: The last write was to 3C8h
(write mode)

11: The last write was to 3C7h
(read mode)

7-2 Reserved (0)

To allow saving and restoring the state of the video subsystem, this register is required since the external color palette chip automatically increments its index register differently depending on whether the index is written at 3C7h or 3C8h.

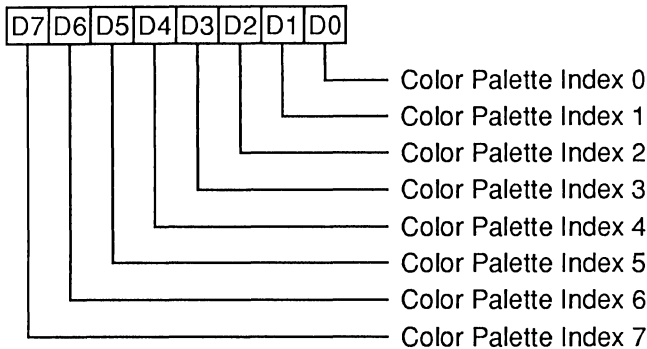
This register is physically located in the 82C456 chip (PALRD/ is *not* asserted for reads from this I/O address).

EXTERNAL COLOR PALETTE READ-MODE INDEX REGISTER (DACRX)

Write only at I/O Address 3C7h
Group 6 Protection

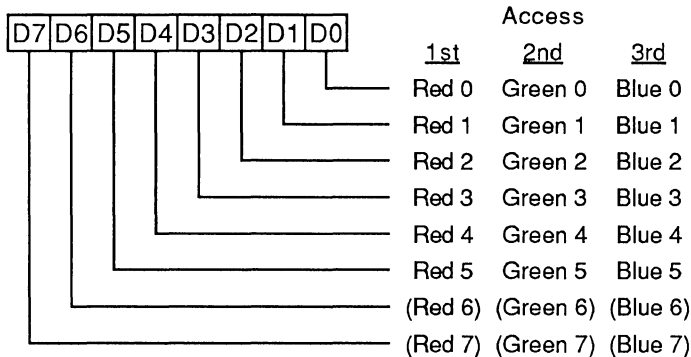
EXTERNAL COLOR PALETTE INDEX REGISTER (DACX)

Read/Write at I/O Address 3C8h
Group 6 Protection



EXTERNAL COLOR PALETTE DATA REGISTERS (DACDATA 00-FF)

Read/Write at I/O Address 3C9h
Index 00h-FFh
Group 6 Protection



mented automatically by the palette chip).

The index may be written at 3C7h and may be read or written at 3C8h. When the index value is written to either port, it is written to both the index register and a 'save' register internal to the color palette chip. The save register (not the index register) is used internally by the palette chip to point at the current data register. When the index value is written to 3C7h (**read mode**), it is written to both the index register and the save register, then the index register is automatically incremented. When the index value is written to 3C8h (**write mode**), the automatic incrementing of the index register does not occur.

After the third of the three sequential data reads from (or writes to) 3C9h is completed, the save and index registers are both automatically incremented by the palette chip. This allows the entire palette (or any subset) to be read (written) by writing the index of the first color in the set, then sequentially reading (writing) the values for each color, without having to reload the index every three bytes.

The state of the RGB sequence is not saved; the user must access each three bytes in an uninterruptable sequence (or be assured that interrupt service routines will not access the palette index or data registers). When the index register is written (at either port), the RGB sequence is restarted. Data value reads and writes may be intermixed; either reads or writes increment the palette chip internal RGB sequence counter.

The palette chip internal save register always contains a value one less than the readable index value if the last index write was to the 'read mode' port. The 82C456 chip therefore saves the state of which port (3C7h or 3C8h) was last written and returns that information on reads from 3C7h (PALRD/ is only asserted on reads from 3C8h and not on reads from 3C7h). Writes to 3C7h or 3C8h cause the PALWR/ pin to be asserted.

The functionality of the index and data ports is determined by the external palette chip.

The color palette index and data registers are physically located in the external color palette chip. The index register is used to point to one of 256 data registers. Each data register is either 18 or 24 bits in length depending on the type of palette chip used (6 or 8 bits each for red, green, and blue), so the data values must be read as a sequence of 3 bytes. After writing the index register (3C7h or 3C8h), data values may be read from or written to the color palette data register port (3C9h) in sequence: first red, then green, then blue, then repeat for the next location if desired (the index is incre-

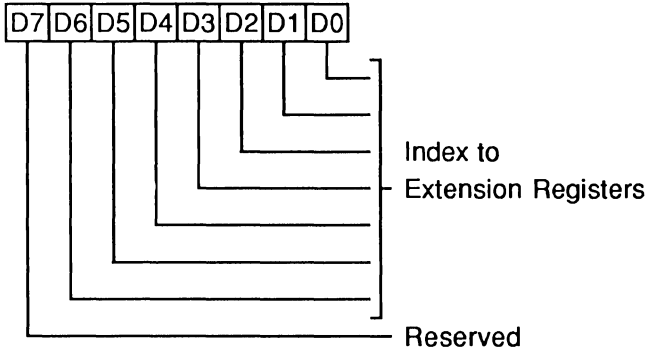
Extension Registers

Register Mnemonic	Register Group	Register Name	Index	I/O Access	Address	State After Reset	Page
XRX	-	Extension Index	-	RW	3B6h / 3D6h	-xxxxxxx	59
XR00	Misc	Chip Version	00h	R	3B7h / 3D7h	0101rrrr	59
XR01	Misc	DIP Switch	01h	R	3B7h / 3D7h	-ddddddd	59
XR02	Misc	CPU Interface	02h	RW	3B7h / 3D7h	xx000000	60
XR03	Misc	ROM Decode	03h	RW	3B7h / 3D7h	-----0	60
XR04	Misc	Memory Mode	04h	RW	3B7h / 3D7h	-----0-	60
XR0B	Misc	CPU Paging	0Bh	RW	3B7h / 3D7h	-----00	62
XR5F	Misc	Power Down Mode Refresh	5Fh	RW	3B7h / 3D7h	xxxxxxxxxx	78
XR7F	Misc	Diagnostic	7Fh	RW	3B7h / 3D7h	xx000000	84
XR08	General	General Purpose Output Select B	08h	RW	3B7h / 3D7h	-----00	61
XR09	General	General Purpose Output Select A	09h	RW	3B7h / 3D7h	-----00	61
XR0D	General	Auxiliary Offset	0Dh	RW	3B7h / 3D7h	-----00	62
XR28	General	Video Interface	28h	RW	3B7h / 3D7h	---0010	69
XR2B	General	Default Video	2Bh	RW	3B7h / 3D7h	00000000	69
XR14	Compatibility	Emulation Mode	14h	RW	3B7h / 3D7h	0000xx00	63
XR15	Compatibility	Write Protect	15h	RW	3B7h / 3D7h	-0000000	64
XR16	Compatibility	Trap Enable	16h	RW	3B7h / 3D7h	--000000	65
XR17	Compatibility	Trap Status	17h	RW	3B7h / 3D7h	--000000	65
XR7E	Compatibility	CGA Color Select	7Eh	RW	3B7h / 3D7h	-xxxxxxx	84
XR18	Alternate	Alternate H Display End	18h	RW	3B7h / 3D7h	xxxxxxxxxx	66
XR19	Alternate	Alternate H Sync Start	19h	RW	3B7h / 3D7h	xxxxxxxxxx	66
XR1A	Alternate	Alternate H Sync End	1Ah	RW	3B7h / 3D7h	--xxxxxx	67
XR1B	Alternate	Alternate H Total	1Bh	RW	3B7h / 3D7h	xxxxxxxxxx	67
XR1C	Alternate	Alternate H Blank Start or End	1Ch	RW	3B7h / 3D7h	xxxxxxxxxx	68
XR1D	Alternate	Alternate H Blank End or Start	1Dh	RW	3B7h / 3D7h	xxxxxxxxxx	68
XR1E	Alternate	Alternate Offset	1Eh	RW	3B7h / 3D7h	xxxxxxxxxx	69
XR64	Alternate	Alternate Vertical Total	64h	RW	3B7h / 3D7h	xxxxxxxxxx	80
XR65	Alternate	Alternate Overflow	65h	RW	3B7h / 3D7h	xxx-xxx	80
XR66	Alternate	Alternate Vertical Sync Start	66h	RW	3B7h / 3D7h	xxxxxxxxxx	81
XR67	Alternate	Alternate Vertical Sync End	67h	RW	3B7h / 3D7h	---xxxxx	81
XR68	Alternate	Alternate Vertical Display Enable End	68h	RW	3B7h / 3D7h	xxxxxxxxxx	81
XR54	Alternate	Alternate Miscellaneous Output	54h	RW	3B7h / 3D7h	xx--10-0	72
XR50	Panel Control	Panel Format	50h	RW	3B7h / 3D7h	x0xxxxxx	70
XR51	Panel Control	Display Type	51h	RW	3B7h / 3D7h	00xx0100	71
XR52	Panel Control	Panel Size	52h	RW	3B7h / 3D7h	-xxxxxxx	71
XR53	Panel Control	Line Graphics Override	53h	RW	3B7h / 3D7h	-----xx	72
XR5C	Panel Control	Weight Control Clock A	5Ch	RW	3B7h / 3D7h	-xxxxxxx	76
XR5D	Panel Control	Weight Control Clock B	5Dh	RW	3B7h / 3D7h	-xxxxxxx	77
XR6C	Panel Control	Weight Control Clock C	6Ch	RW	3B7h / 3D7h	-xxxxxxx	83
XR5E	Panel Control	ACDCLK Control	5Eh	RW	3B7h / 3D7h	1xxxxxxxxx	77
XR6D	Panel Control	FRC and Palette Control	6Dh	RW	3B7h / 3D7h	11011011	83
XR6E	Panel Control	Polynomial FRC Control	6Eh	RW	3B7h / 3D7h	10111101	84
XR55	Compensation	Text Mode 350_A Compensation	55h	RW	3B7h / 3D7h	---1xxxx	73
XR56	Compensation	Text Mode 350_B Compensation	56h	RW	3B7h / 3D7h	---1xxxx	73
XR57	Compensation	Text Mode 400 Compensation	57h	RW	3B7h / 3D7h	---1xxxx	74
XR58	Compensation	Graphics Mode 350 Compensation	58h	RW	3B7h / 3D7h	-xx0xxxx	74
XR59	Compensation	Graphics Mode 400 Compensation	59h	RW	3B7h / 3D7h	-xx0xxxx	75
XR5A	Compensation	Flat Panel Vertical Display Start 400	5Ah	RW	3B7h / 3D7h	xxxxxxxxxx	75
XR5B	Compensation	Flat Panel Vertical Display End 400	5Bh	RW	3B7h / 3D7h	xxxxxxxxxx	76
XR69	Compensation	Flat Panel Vertical Display Start 350	69h	RW	3B7h / 3D7h	xxxxxxxxxx	81
XR6A	Compensation	Flat Panel Vertical Display End 350	6Ah	RW	3B7h / 3D7h	xxxxxxxxxx	82
XR6B	Compensation	Flat Panel Vertical Overflow 2	6Bh	RW	3B7h / 3D7h	xxxxxxxxxx	82
XR60	Color/Attribute	Blink Rate Control	60h	RW	3B7h / 3D7h	1000011	78
XR61	Color/Attribute	Text Color Mapping Control	61h	RW	3B7h / 3D7h	-xxxxxxx	79
XR62	Color/Attribute	Text Color Shift Parameter	62h	RW	3B7h / 3D7h	xxxxxxxxxx	79
XR63	Color/Attribute	Graphics Color Mapping Control	63h	RW	3B7h / 3D7h	000xxxxx	80

Note: These registers can be accessed only if enabled through the Extension Enable register (port 103h during setup).

EXTENSION INDEX REGISTER (XR0)

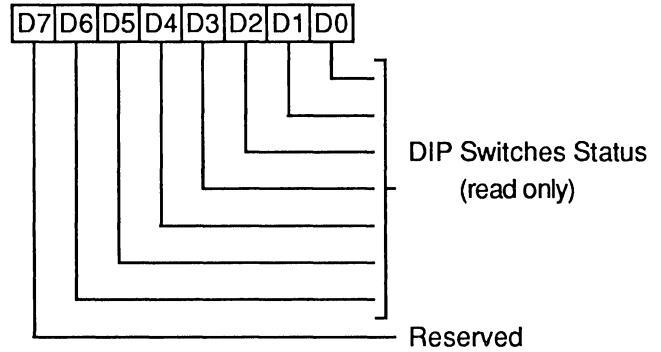
Read/Write at I/O Address 3B6h/3D6h



- 6-0** Index value used to access the extension registers
- 7** Reserved (0)

DIP SWITCH REGISTER (XR01)

Read only at I/O Address 3B7h/3D7h
Index 01h

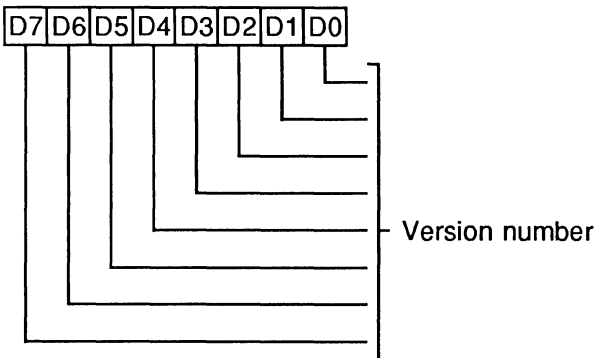


- 6-0** These bits give the state of the DIP switches which are multiplexed with address/data/control signals on pins RFSH/, AEN, ADDHI, BHE/ and A18-A16.
- 7** Reserved (0)

This register is not related to the EGA Dip Switches.

CHIPS VERSION REGISTER (XR00)

Read only at I/O Address 3B7h/3D7h
Index 00h

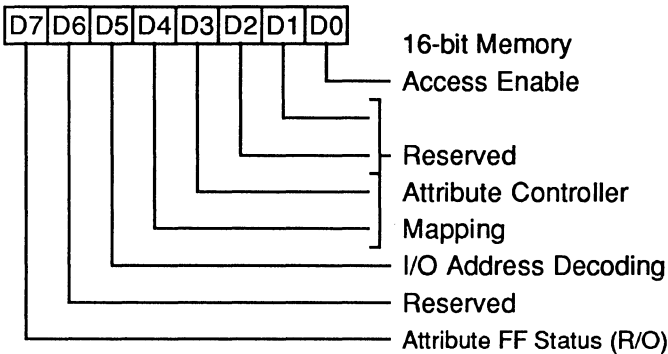


- 7-0** This register contains the version number for the 82C456. Values start at 50h and are incremented for every silicon step.

CPU INTERFACE REGISTER (XR02)

Read/Write at I/O Address 3B7h/3D7h

Index 02h

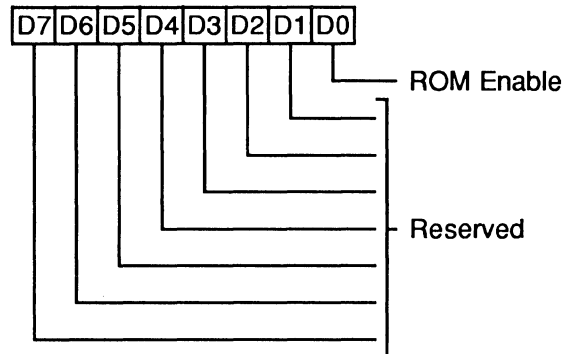


- 0** 16-bit Memory Access Enable
 - 0: Disabled
 - 1: Enabled
- 2-1** Reserved (0)
- 4-3** Attribute Controller Mapping
 - 00: Write Index at 3C0h and Data at 3C0h (8-bit access only). (Default on Reset; VGA type mapping).
 - 01: Write Index at 3C0h and Data at 3C1h (8 or 16-bit access), the attribute flip-flop is always reset in this mode (16-bit mapping);
 - 10: Write Index and Data at 3C0h/3C1h (8-bit access only EGA type mapping).
 - 11: Reserved
- 5** I/O Address Decoding. This bit affects 3B4/5h, 3D4/5h, 3C0-2h, 3C4/5h, 3CE/Fh, 3BAh, 3BFh and 3D8h. 0: Decode all 16 bits of I/O address; 1: Decode only the lower 10 bits.
- 6** Reserved (0)
- 7** Attribute Flip-flop Status (read only)
 - 0: Index; 1: Data

ROM DECODE REGISTER (XR03)

Read/Write at I/O Address 3B7h/3D7h

Index 03h



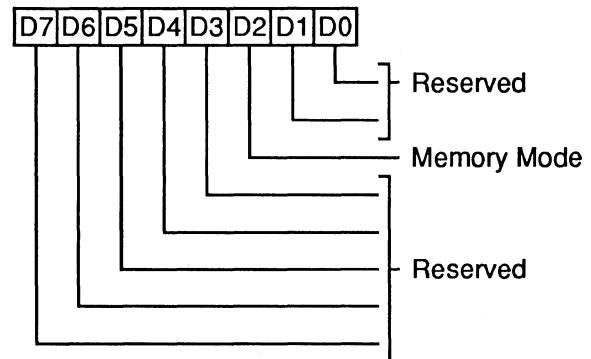
- 0** ROM Decode Enable
 - 0: ROM space decode disabled. ROMCS/ always high.
 - 1: ROM space decode enabled. ROMCS/ active (low) for CPU reads to C0000h-C7FFFh.

7-1 Reserved (0)

MEMORY MODE REGISTER (XR04)

Read/Write at I/O Address 3B7h/3D7h

Index 04h



- 1-0** Reserved (0)
- 2** Memory mode
 - 0: Select VGA compatible memory mode (default on reset).
 - 1: Select extended "Quad Mode". In this mode, display memory is mapped to the CPU address space as 4 pages of 64 K bytes each (or 2 pages of 128 K bytes each). The paging is controlled through the CPU Paging register (XR0B).

7-3 Reserved (0)

General Purpose Output Select Registers

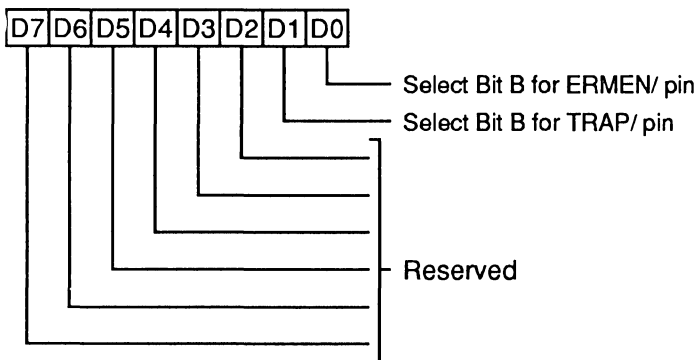
The General Purpose Output Select A and Select B registers contain 2 bits each. Together they allow the CPU to individually switch two 82C456 outputs (ERMEN and TRAP) from their normal function to a software controlled output level (3-state, low, or high).

Each pin's function is selected by 2 bits, one each in the same position in the General Purpose Output Select A Register and the General Purpose Output Select B Register.

Select Bits		Pin Function
B	A	
0	0	Normal
0	1	3-State
1	0	Force low
1	1	Force high

GENERAL PURPOSE OUTPUT SELECT B REGISTER (XR08)

I/O Address 3B7h/3D7h
Index 08h

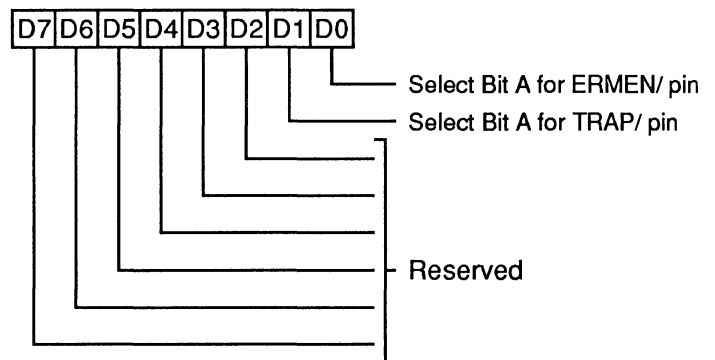


Select bit B determines if the pin should be a general purpose output or perform its normal function:

- 0 Select bit B for ERMEN/ pin
- 1 Select bit B for TRAP/ pin
- 7-2 Reserved (0)

GENERAL PURPOSE OUTPUT SELECT A REGISTER (XR09)

I/O Address 3B7h/3D7h
Index 09h



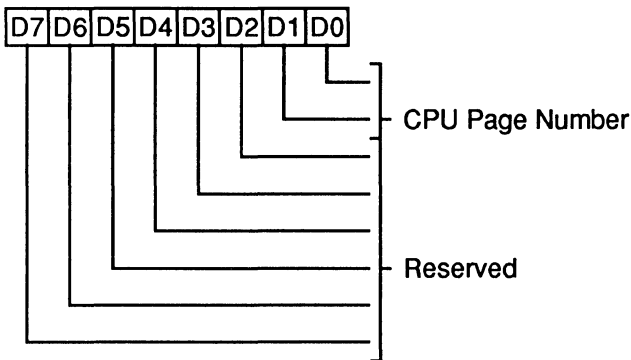
If configured as a general purpose output per XR08, select bit A determines if the corresponding pin is high or low:

- 0 Select bit A for ERMEN/ pin
- 1 Select bit A for TRAP/ pin
- 7-2 Reserved (0)

CPU PAGING REGISTER (XR0B)

Read/Write at I/O Address 3B7h/3D7h

Index 0Bh



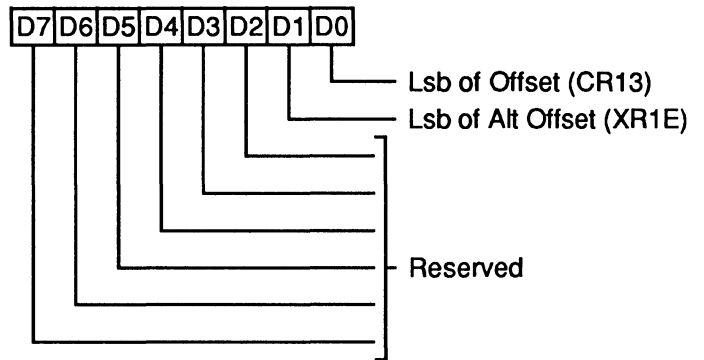
1-0 CPU Page Number. Display memory page number for CPU accesses in Quad mode with extended memory enabled.

7-2 Reserved (0)

AUXILIARY OFFSET REGISTER (XR0D)

Read/Write at I/O Address 3B7h/3D7h

Index 0Dh



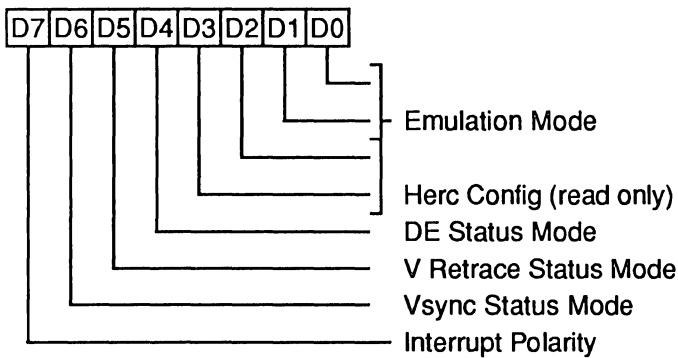
0 This bit provides finer granularity to the Offset when the Word and Double Word modes are used. This bit is used with the regular Offset register (CR13).

1 This bit provides finer granularity to the Offset when the Odd/Even and Quad modes are used. This bit is used with the alternate Offset register (XR1E).

7-2 Reserved (0)

EMULATION MODE REGISTER (XR14)

Read/Write at I/O Address 3B7h/3D7h
Index 14h



1-0 Emulation Mode

- 00 = VGA / EGA
- 01 = CGA
- 10 = MDA
- 11 = Hercules

3-2 Hercules Configuration Register Readback at 3BFh, D0&1(read only).

4 Display Enable Status Mode

- 0: Select Display Enable status to appear at bit 0 of Input Status register 1 (I/O Address 3xAh in CGA and VGA modes)
- 1: Select Hsync status to appear at bit 0 of Input Status register 1 (I/O Address 3xAh in MDA and Hercules modes).

5 Vertical Retrace Status Mode

- 0: Select Vertical Retrace status to appear at bit 3 of Input Status register 1 (I/O Address 3xAh in CGA and VGA modes)
- 1: Select Video to appear at bit 3 of Input Status register 1 (I/O Address 3xAh in MDA and Hercules modes).

6 Vsync Status Mode

- 0: Enable Vsync status to appear at bit 7 of Input Status register 1 (I/O Address 3xAh in MDA and Hercules modes)
- 1: Prevent Vsync status from appearing at bit 7 of Input Status register 1 (I/O Address 3xAh in CGA and VGA modes).

7 Interrupt Output Function

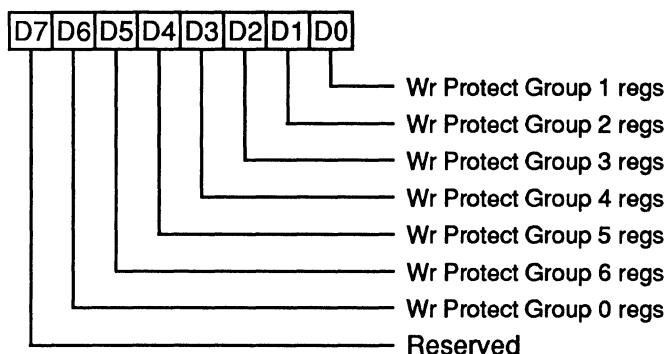
This bit controls the function of the IRQ/output.

Interrupt State	XR14D7=0	XR14D7=1
Disabled	3-state	3-state
Enabled, Inactive	3-state	Low
Enabled, Active	3-state	High

WRITE PROTECT REGISTER (XR15)

Read/Write at I/O Address 3B7h/3D7h

Index 15h



- 5 Write Protect Group 6. The PALRD/ and PALWR/ output signals are disabled and the 82C456 DAC state register is write protected. (I/O Addresses 3C6-3C9h).
- 6 Write Protect Group 0. Auxiliary Write Protect for CRT Controller registers CR00-07 except CR07D4. This bit is logically ORed with CR11D7.
- 7 Reserved (0)

This register controls write protection for various groups of registers as shown. 0 = unprotected, 1= protected.

0 Write Protect Group 1 Registers

Sequencer (SR00-04)
Graphics Controller (GR00-08)
Attribute Controller (AR00-14)

1 Write Protect Group 2 Registers

Cursor Size register (CR09) bits 0-4
Character Height regs (CR0A, CR0B)

2 Write Protect Group 3 Registers

CRT Controller CR07 bit-4
CRT Controller CR08
CRT Controller CR11 bits 4 and 5
CRT Controller CR13 and CR14
CRT Controller CR17 bits 0,1 and 3-7
CRT Controller CR18

(Split screen, smooth scroll, & CRTC Mode)

3 Write Protect Group 4 Registers

CRT Controller CR09 bits 5-7
CRT Controller CR10
CRT Controller CR11 bits 0-3 & 6-7
CRT Controller CR12, CR15, CR16
CRT Controller CR17 bit-2

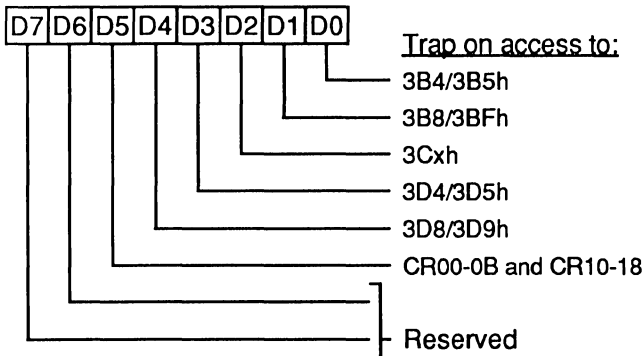
4 Write Protect Group 5 Registers

Miscellaneous Output (3C2h)
Feature Control (3BA/3DAh)

TRAP ENABLE REGISTER (XR16)

Read/Write at I/O Address 3B7h/3D7h

Index 16h


Trap Enable bits:

- 0** Generate Trap on Access to I/O Addresses 3B4h or 3B5h.
- 1** Generate Trap on Access to I/O Addresses 3B8h or 3BFh.
- 2** Generate Trap on Access to I/O Addresses 3Cxh.
- 3** Generate Trap on Access to I/O Addresses 3D4h or 3D5h.
- 4** Generate Trap on Access to I/O Addresses 3D8h or 3D9h.
- 5** Generate Trap on Access to registers CR00 through CR0B and CR10 through CR18.
- 7-6** Reserved (0)

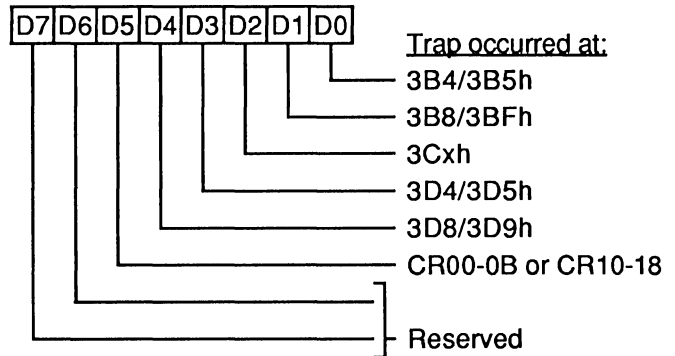
For all bits:

- 0:** Disable trap
- 1:** Enable trap

TRAP STATUS REGISTER (XR17)

Read/Clear at I/O Address 3B7h/3D7h

Index 17h


Trap Status bits:

- 0** Trap occurred on access to I/O Address 3B4h or 3B5h.
- 1** Trap occurred on access to I/O Address 3B8h or 3BFh.
- 2** Trap occurred on access to I/O Address 3Cxh.
- 3** Trap occurred on access to I/O Address 3D4h or 3D5h.
- 4** Trap occurred on access to I/O Address 3D8h or 3D9h.
- 5** Trap occurred on access to CRT Controller registers CR00 through CR0B and CR10 through CR18.
- 7-6** Reserved (0)

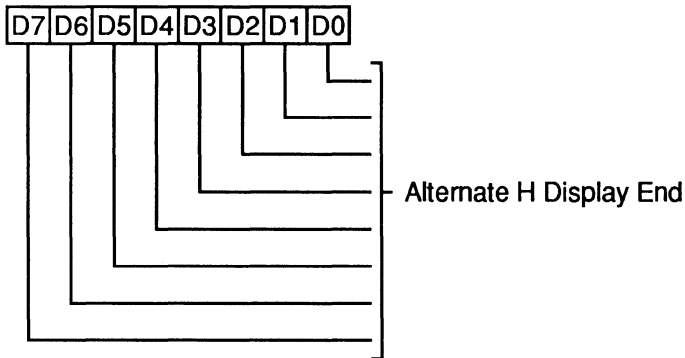
For all bits:

- 0:** No access occurred
- 1:** Access occurred

Any or all bits in this register may be cleared by writing a one (1) to the desired bit location.

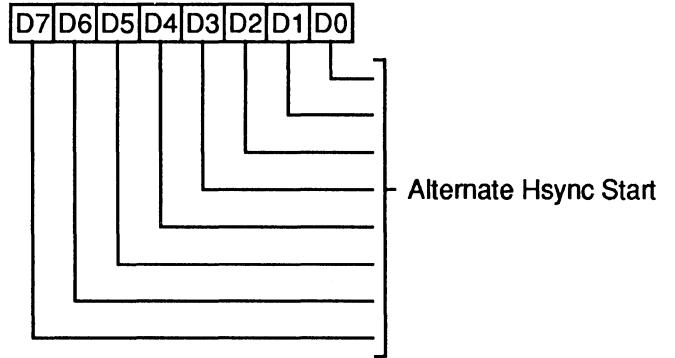
**ALTERNATE HORIZONTAL
DISPLAY ENABLE END (XR18)**

*Read/Write at I/O Address 3B7h/3D7h
Index 18h*



**ALTERNATE HORIZONTAL
SYNC START (XR19)**

*Read/Write at I/O Address 3B7h/3D7h
Index 19h*



This register is used in CRT low resolution CGA text and graphics modes, Hercules graphics and all flat panel modes.

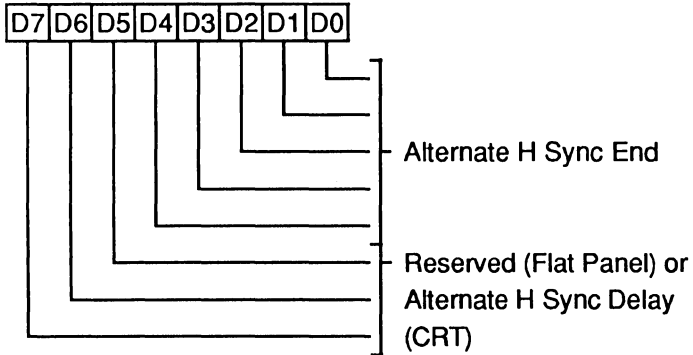
7-0 Alternate Horizontal Display Enable End. See CR01 for description.

This register is used in CRT low resolution CGA text and graphics modes, Hercules graphics and all flat panel modes.

7-0 Alternate Horizontal Sync Start. See CR04 for description.

ALTERNATE HORIZONTAL SYNC END (XR1A)

Read/Write at I/O Address 3B7h/3D7h
Index 1Ah

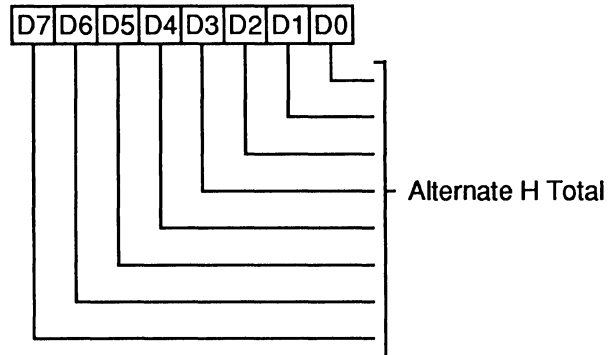


This register is used in CRT low resolution CGA text and graphics modes, Hercules graphics and all flat panel modes.

- 4-0 Alternate Horizontal Sync End. See CR05 for description.
- 7-5 For CRT: Alternate Horizontal Sync Delay. See CR05 for description.
For Flat Panel: Reserved (0).

ALTERNATE HORIZONTAL TOTAL (XR1B)

Read/Write at I/O Address 3B7h/3D7h
Index 1Bh

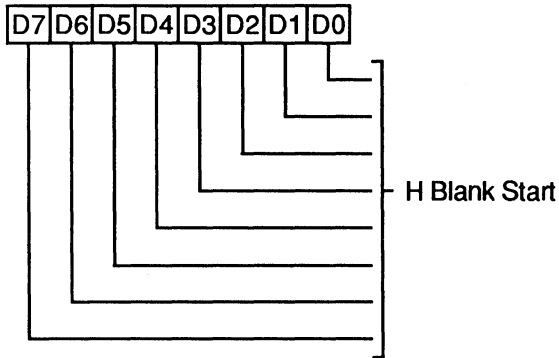


This register is used in CRT low resolution CGA text and graphics modes, Hercules graphics and all flat panel modes.

- 7-0 Alternate Horizontal Total. See CR00 for description.

**ALTERNATE HORIZONTAL
BLANK START (XR1C) [CRT]**

Read/Write at I/O Address 3B7h/3D7h
Index 1Ch

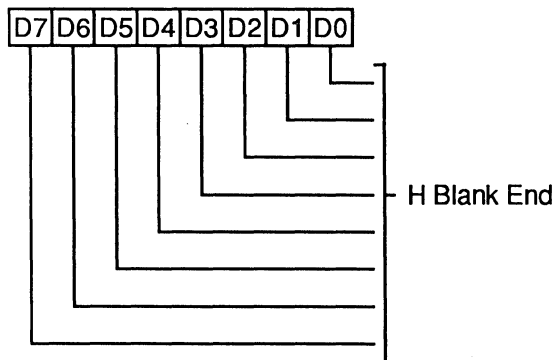


This register is used in CRT low resolution CGA text and graphics modes and Hercules graphics modes.

- 7-0 Alternate Horizontal Blank Start. See CR02 for description.

**ALTERNATE HORIZONTAL
BLANK END (XR1C) [Flat Panel]**

Read/Write at I/O Address 3B7h/3D7h
Index 1Ch

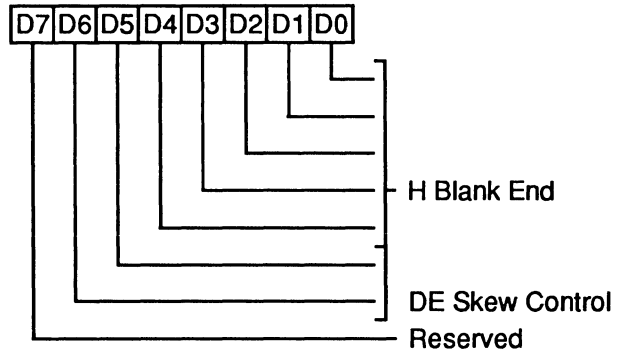


This register is used in all flat panel modes.

- 7-0 These bits specify the end of horizontal blank in terms of character clocks. The period between Vertical Blank End and the Horizontal Total is the left side border on screen.

**ALTERNATE HORIZONTAL
BLANK END (XR1D) [CRT]**

Read/Write at I/O Address 3B7h/3D7h
Index 1Dh

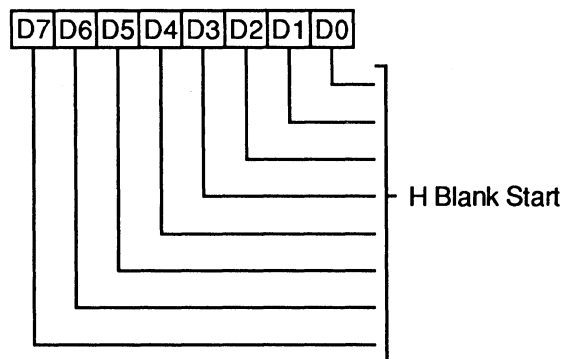


This register is used in CRT low resolution CGA text and graphics modes and Hercules graphics modes.

- 4-0 Alternate Horizontal Blank End. See CR03 for description.
- 5-6 Display Enable Skew Control. See CR03 for description.
- 7 Reserved (0)

**ALTERNATE HORIZONTAL
BLANK START (XR1D) [Flat Panel]**

Read/Write at I/O Address 3B7h/3D7h
Index 1Dh



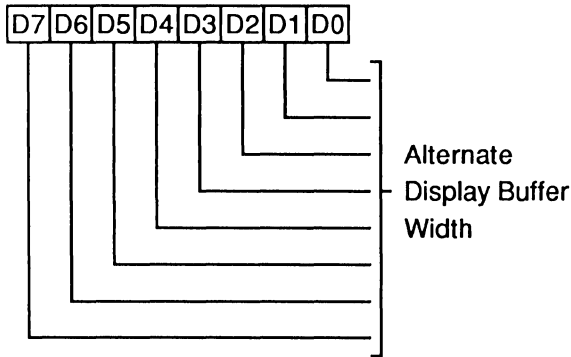
This register is used in all flat panel modes.

- 7-0 Alternate Horizontal Blank Start. See CR02 for description.

Note: The function of XR1C and XR1D change from CRT to Flat Panel modes. A separate description is provided for each mode.

ALTERNATE OFFSET (XR1E)

Read/Write at I/O Address 3B7h/3D7h
Index 1Eh

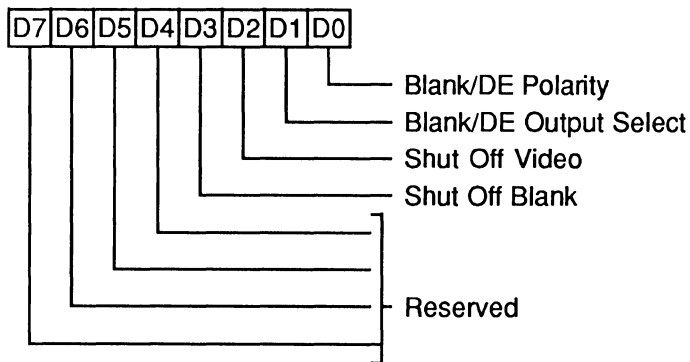


This register is used in low resolution CGA text and graphics modes and Hercules graphics modes on both CRTs and Flat Panels.

7-0 Alternate Offset. See CR13 for description.

VIDEO INTERFACE REGISTER (XR28)

Read/Write at I/O Address 3B7h/3D7h
Index 28h



0 BLANK/Display Enable Polarity

- 0: Negative
- 1: Positive

1 Blank / Display Enable Select (CRT)

- 0: BLANK/ pin outputs DE
- 1: BLANK/ pin outputs BLANK/

On Flat Panels the BLANK/ pin always outputs Display Enable.

Note: The signal polarity selected by bit 0 is applicable for all functions of this pin.

2 Shut off Video

- 0: Video forced to 00 (Default Video Register) during blank time.
- 1: Video forced to default video when the screen is blanked.

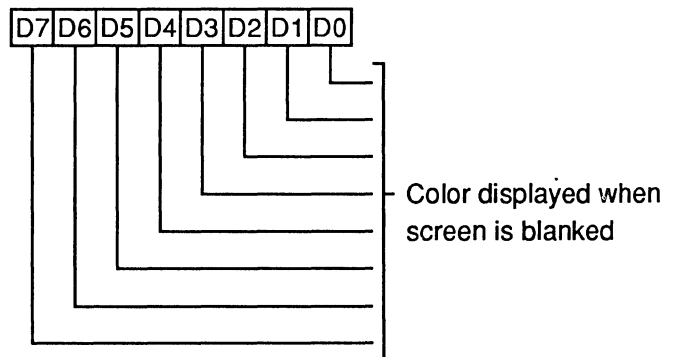
3 Shut Off Blank

- 0: The BLANK/ output is not forced to be active when the screen is blanked.
- 1: The BLANK/ output is forced active when the screen is blanked.

7-4 Reserved (0)

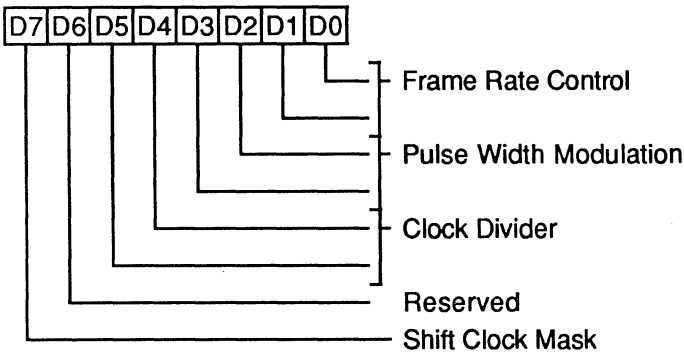
DEFAULT VIDEO REGISTER (XR2B)

Read/Write at I/O Address 3B7h/3D7h
Index 2Bh



7-0 These bits specify the palette value to be displayed during blank time.

PANEL FORMAT REGISTER (XR50)
Read/Write at I/O Address 3B7h/3D7h
Index 50h



This register is effective only in flat panel mode as defined in bits 2-3 of XR51.

1-0 Frame Rate Control (FRC). These bits specify the gray levels simulated by the 82C456 on a frame by frame basis. This technique is used on flat panels that do not support gray levels internally, such as LCD panels.

00: No grayscale simulated for monochrome, 8 colors for color displays.

01: 4 levels simulated for color panels only. (64 colors are displayed.)

10: 64 gray levels simulated for monochrome panels only.

11: Reserved.

3-2 Pulse Width Modulation (PWM). This technique is used on flat panels that support internal gray levels such as most plasma panels.

00: No gray levels.

01: 4 levels of colors supported by the panel. Effective only with color panels. (64 colors are displayed.)

10: 16 gray levels supported by the panel. Effective with monochrome panels only.

11: 256 levels of color supported by the panel. Effective only with color panels. Not supported for dual drive panels.

5-4 Clock Driver (CD). These bits specify the frequency ratio between the dot clock (CLK0, CLK1, CLK2) and the SHFCLK signal.

00: Shift clock frequency = dot clock frequency. This setting is used to output one pixel per clock with flat panel displays.

01: Shift clock frequency = dot clock frequency/2. This setting is used to output two pixels per clock with flat panel displays.

10: Shift clock frequency = dot clock frequency/4. This setting is used to output four pixels per clock with flat panel displays.

11: Shift clock frequency = dot clock frequency/8. This setting is used to output eight pixels per clock with flat panel displays.

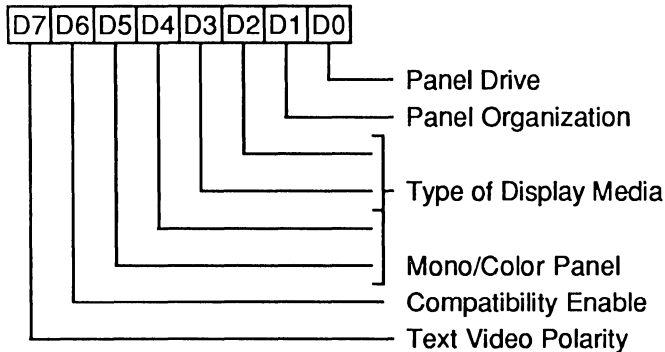
6 Reserved (0) This bit must be cleared to zero for proper function of the 82C456.

7 Shift Clock Mask (SM). 0: Enable the SHIFT CLOCK to toggle outside the Display Enable interval. 1: Cause the Shift Clock to stop (low) outside the Display Enable interval.

DISPLAY TYPE REGISTER (XR51)

Read/Write at I/O Address 3B7h/3D7h

Index 51h

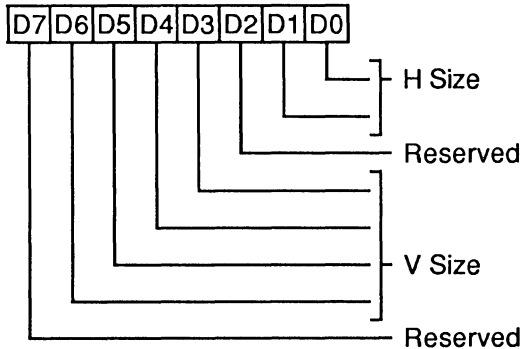


- 0** Type of Panel Drive. 0: Single Drive; 1: Double Drive. This bit must be set to 0 for single panels.
- 1** Type of Panel Organization
0 = Single Panel, 1 = Dual Panel
- 3-2** Type of Display (CRT media is the default on reset.)
00: LCD
01: CRT
10: Plasma, EL
11: Reserved
- 5-4** Mono/Color Panel (MCP) Select.
00: Color Panel, 3 bit data pack
01: Color Panel, 4 bit data pack
10: Monochrome panel
11: Reserved
- 6** Compatibility Mode Enable (CMEN). When compatibility mode is enabled, the display is adjusted depending on the panel size, the current display mode and the contents of the compensation registers. When compatibility mode is disabled, the display is not adjusted. 0: Compatibility mode disabled; 1: Compatibility mode enabled.
- 7** Text Video Output Polarity. This bit sets the polarity of video data in text mode. This bit is effective only in flat panel text mode.

PANEL SIZE REGISTER (XR52)

Read/Write at I/O Address 3B7h/3D7h

Index 52h



This register is effective in Flat Panel Mode only.

1-0 Horizontal Size Select

- 00: Reserved
- 01: 640 pixels
- 10: 720 pixels
- 11: Reserved

2 Reserved (0)

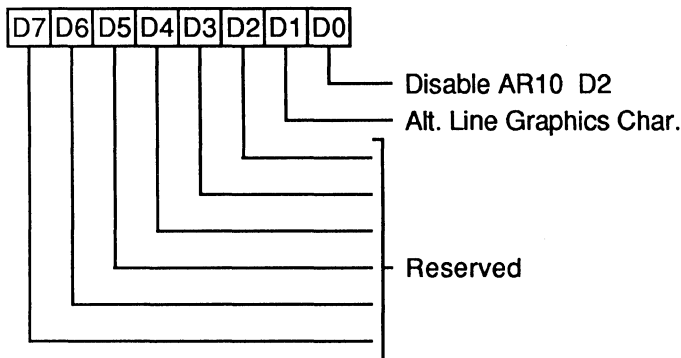
6-3 Vertical Size Select

- 0000: Reserved
- 0001: **200 lines**
- 0010: **350 lines**
- 0011: Reserved
- 0100: **400 lines**
- 0101: Reserved
- 0110: Reserved
- 0111: Reserved
- 1000: **480 lines**
- 1001: Reserved
- 1010: Reserved
- 1011: Reserved
- 1100: Reserved
- 1101: Reserved
- 1110: Reserved
- 1111: Reserved

7 Reserved (0)

OVERRIDE REGISTER (XR53)

Read/Write at I/O Address 3B7h/3D7h
Index 53h

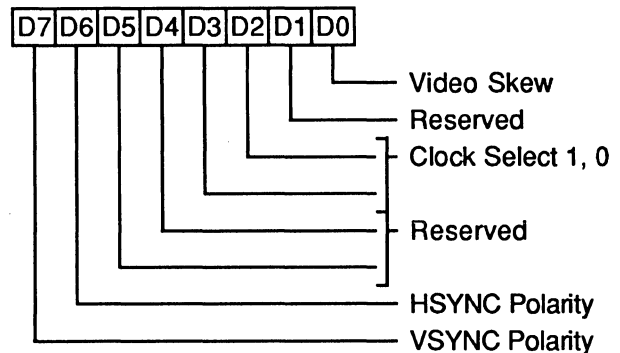


This register is used on both CRTs and flat panels only.

- 0** Disable AR10D2. This bit determines if the Line Graphics Character Code Enable is defined in the Attribute Controller by bit 1 of this register. This bit is also used to force 8 or 9 pixel fonts. 0: Use AR10D2 for Line Graphics control; 1: Use bit 1 of this register for Line Graphics control.
- 1** Alternate Line Graphics Character Code Control. If bit 0 of this register is 1, then this bit determines if the Line Graphics Character Codes are enabled. 0: Ninth pixel of Line Graphics Character Codes is set to the background color; 1: Ninth pixel of Line Graphics Character Codes is identical to the eighth pixel.
- 7-2** Reserved (0)

ALTERNATE MISCELLANEOUS OUTPUT REGISTER (XR54)

Read/Write at I/O Address 3B7h/3D7h
Index 54h

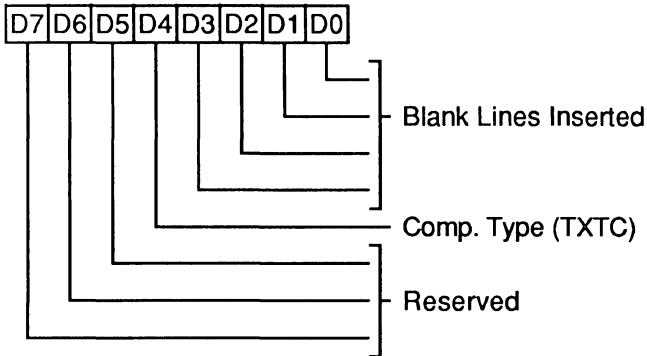


This register is used in Flat Panel modes.

- 0** Panel Video Skew
 - 0: No Panel Video data delay
 - 1: Video data delayed 1 clock cycle
- 1** Reserved (0)
- 3-2** Clock Select 1-0. These bits select the flat panel dot clock source as follows:
 - 00: Select CLK0
 - 01: Select CLK1
 - 10: Select CLK2
 - 11: Reserved
- 5-4** Reserved (0)
- 6** Hsync Polarity (0 = pos, 1 = neg)
- 7** Vsync Polarity (0 = pos, 1 = neg)

(The polarity of the Blank pin is controlled through the Video Interface Register.)

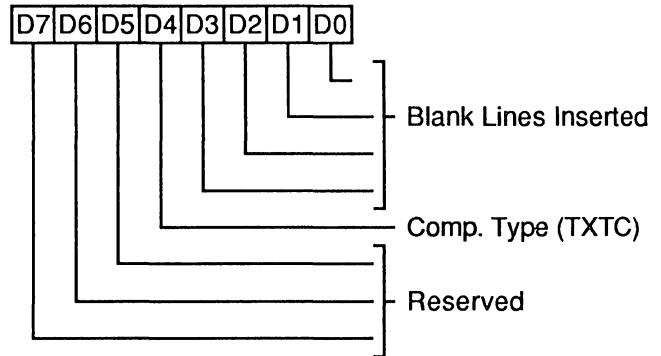
**TEXT MODE 350_A
COMPENSATION REGISTER (XR55)**
Read/Write at I/O Address 3B7h/3D7h
Index 55h



This register is used in Flat Panel Text Modes when the vertical registers are configured for a 350 line display and the scan lines/row register (CR09) is programmed to be greater than 8 (CR09D3 = 1).

- 0-3** Inserted Blank Lines (TCOMP). These bits specify the number of blank lines + 1 to insert after each row. The line inserted is set to the border color. This field is effective only when bit 4 of this register is 0.
- 4** Compensation Type (TXTC). 0: Insert blank lines after each row. Graphics compensation, if enabled, is turned off; 1: Do not insert blank lines. Graphics compensation, if enabled, is used.
- 7-5** Reserved (0)

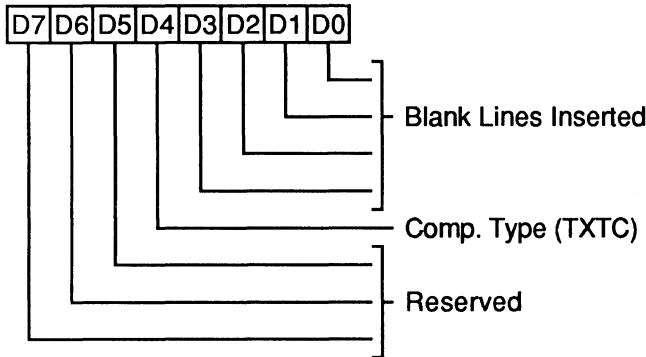
**TEXT MODE 350_B
COMPENSATION REGISTER (XR56)**
Read/Write at I/O Address 3B7h/3D7h
Index 56h



This register is used in Flat Panel Text Modes when the vertical registers are configured for a 350 line display and the scan lines/row register (CR09) is programmed to be less than or equal to 8 (CR09D3 = 0).

- 0-3** Inserted Blank Lines (TCOMP). These bits specify the number of blank lines + 1 to insert after each row. The line inserted is set to the border color. This field is effective only when bit 4 of this register is 0.
- 4** Compensation Type (TXTC). 0: Insert blank lines after each row. Graphics compensation, if enabled, is turned off; 1: Do not insert blank lines. Graphics compensation, if enabled, is used.
- 7-5** Reserved (0)

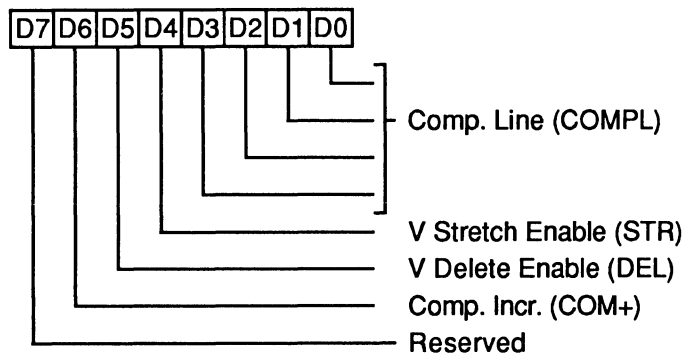
**TEXT MODE 400
COMPENSATION REGISTER (XR57)**
Read/Write at I/O Address 3B7h/3D7h
Index 57h



This register is used in Flat Panel Text Mode when the vertical registers are configured for 200 or 400 line displays.

- 3-0** Inserted Blank Lines (TCOMP). These bits specify the number of blank lines + 1 to insert after each row. The line inserted is set to the border color. This field is effective only when bit 4 of this register is 0.
- 4** Compensation Type (TXTC). 0: Insert blank lines after each row. Graphics compensation, if enabled, is turned off; 1: Do not insert blank lines. Graphics compensation, if enabled, is used.
- 7-5** Reserved (0)

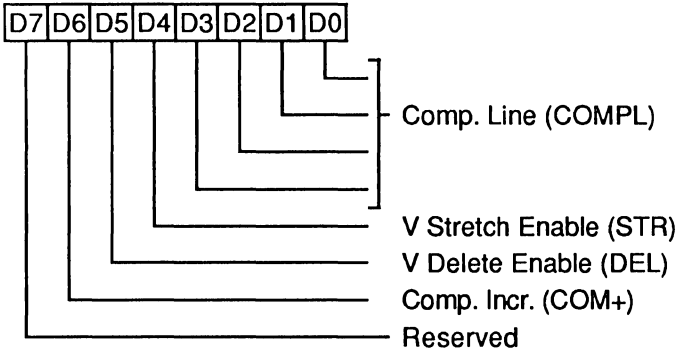
**GRAPHICS MODE 350
COMPENSATION REGISTER (XR58)**
Read/Write at I/O Address 3B7h/3D7h
Index 58h



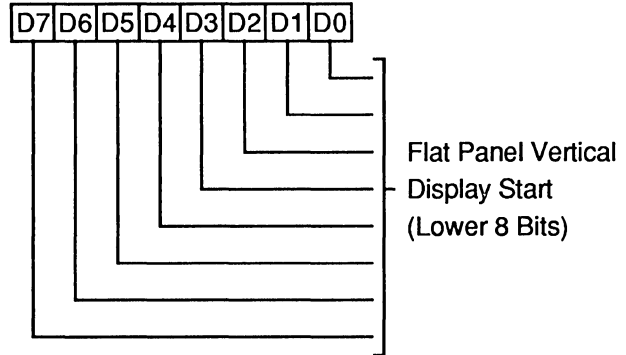
This register is used in Flat Panel 350 line modes. This feature is used for text modes when text compensation is disabled and in graphics modes.

- 3-0** Compensation Line (COMPL). These bits specify the number of displayed scan lines after which a scan line is replicated or skipped. When double scanning is enabled, one absolute scan line is actually two display scan lines.
- 4** Vertical Stretch Enable (STR). 0: No scan line is replicated. 1: A scan line is periodically replicated as specified by bits 0-3.
- 5** Vertical Delete Enable (DEL). 0: No scan line is deleted; 1: A scan line is periodically deleted (skipped) as specified by bits 0-3. These bits are effective only when double scanning is enabled. This ensures that there is no loss of information because only the second scan line is deleted.
- 6** Compensation Increment (COM+). 0: The COMPL field (bits 0-3) is used as programmed; 1: Increment the COMPL field every other period.
- 7** Reserved (0)

**GRAPHICS MODE 400
COMPENSATION REGISTER (XR59)**
Read/Write at I/O Address 3B7h/3D7h
Index 59h



**FLAT PANEL VERTICAL
DISPLAY START_400 (XR5A)**
Read/Write at I/O Address 3B7h/3D7h
Index 5Ah



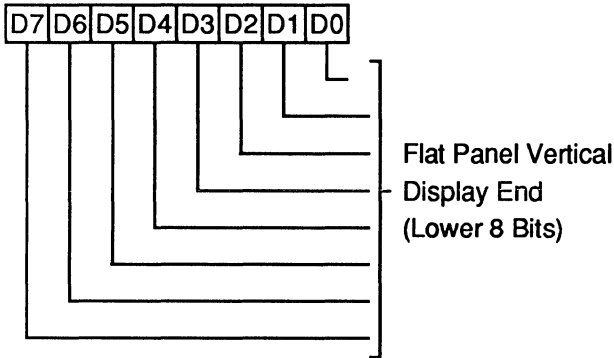
This register is used in Flat Panel 400 line modes. This register is also used for 200 line modes. This feature is used for text modes when text compensation is disabled and graphics modes.

- 3-0** Compensation Line (COMPL). These bits specify the number of displayed (not absolute) scan lines after which a scan line is replicated or skipped. When double scanning is enabled, one absolute scan line is actually two display scan lines.
- 4** Vertical Stretch Enable (STR). 0: No scan line is replicated. 1: A scan line is periodically replicated as specified by bits 0-3.
- 5** Vertical Delete Enable (DEL). 0: No scan line is deleted; 1: A scan line is periodically deleted (skipped) as specified by bits 0-3. These bits are effective only when double scanning is enabled. This ensures that there is no loss of information because only the second scan line is deleted.
- 6** Compensation Increment (COM+). 0: The COMPL field (bits 0-3) is used as programmed; 1: Increment the COMPL field every other period.
- 7** Reserved (0)

- 7-0** These bits are used in 400-line flat panel modes. They specify the lower 8-bits of the vertical start address for Display Enable (in scan lines). The higher 2 bits are in the Flat Panel Vertical Overflow 2 register. To set the display start at the first scan line program this register with a value equal to the vertical total (XR64) + 1.

**FLAT PANEL VERTICAL
DISPLAY END_400 (XR5B)**

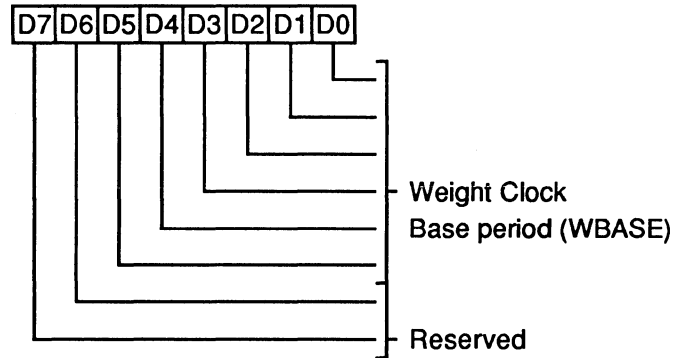
*Read/Write at I/O Address 3B7h/3D7h
Index 5Bh*



7-0 These bits are used in 400-line flat panel modes. They specify the lower 8-bits of the vertical end address for Display Enable (in scan lines). The high order 2 bits are in the Flat Panel Vertical Overflow 2 register. The correct value for this register is the start value + number of displayed lines (including inserted or replicated lines). Failure to correctly program this register will result in missing or extra line at the bottom of the display.

**WEIGHT CLOCK
CONTROL REGISTER A (XR5C)**

*Read/Write at I/O Address 3B7h/3D7h
Index 5Ch*

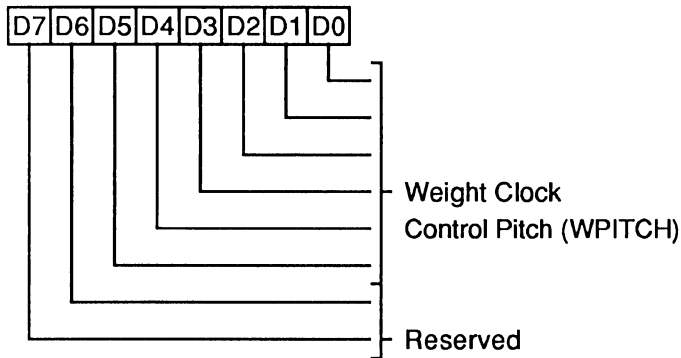


This register is used in Flat Panel Mode when Bits 3 and 2 in the Panel Format register (XR50) are 01 or 10 and clock masking is Enabled (XR50D7 = 1). This register, along with XR5D and XR6C, controls the timing of the WGTCLK signal. This signal is used for grayscale panels requiring a weighting clock.

5-0 Base period for WGTCLK (WBASE). These bits define the number of units between the signal HSYNC and the first pulse on the WGTCLK output. A unit is 4 dot clocks per count programmed in this register. This defines a reference for the lowest grayscale level.

7-6 Reserved (0)

**WEIGHT CLOCK
CONTROL REGISTER B (XR5D)**
Read/Write at I/O Address 3B7h/3D7h
Index 5Dh

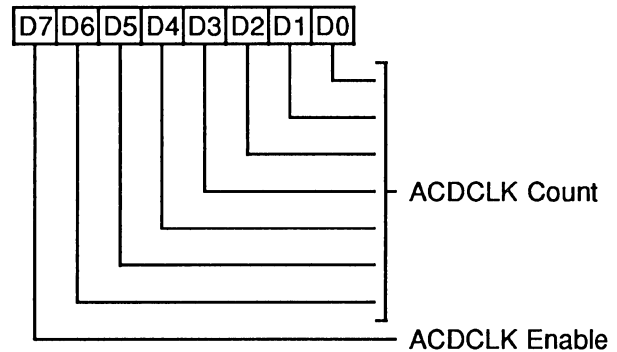


This register is used in Flat Panel Mode when Bits 3 and 2 in the Panel Format register (XR50) are 01 or 10 and clock masking is Enabled (XR50, D7 = 1). This register, along with XR5C and XR6C controls the timing of the WGTCLK signal. This signal is used for grayscale panels requiring a weighting clock.

5-0 Weight Clock Control Pitch (WPITCH). These bits define the number of units between subsequent pulses on the WGTCLK output. A unit is 4 dot clocks per count programmed in this register. This defines the difference between two adjacent gray (or color) levels.

7-6 Reserved (0)

ACDCLK CONTROL REGISTER (XR5E)
Read/Write at I/O Address 3B7h/3D7h
Index 5Eh

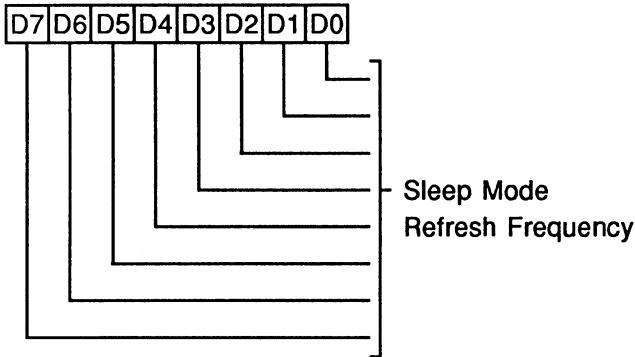


6-0 ACDCLK Count. These bits define the number of HSYNCs between adjacent phase changes on the ACDCLK output. This field is effective only when bit 7 of this register is 0. The number of HSYNCs between phase changes is equal to the value programmed in these bits plus two.

7 ACDCLK Count. 0: ACDCLK phase changes on value in bits 0-6. 1: ACDCLK phase inverts every frame.

**POWER DOWN MODE
REFRESH REGISTER (XR5F)**

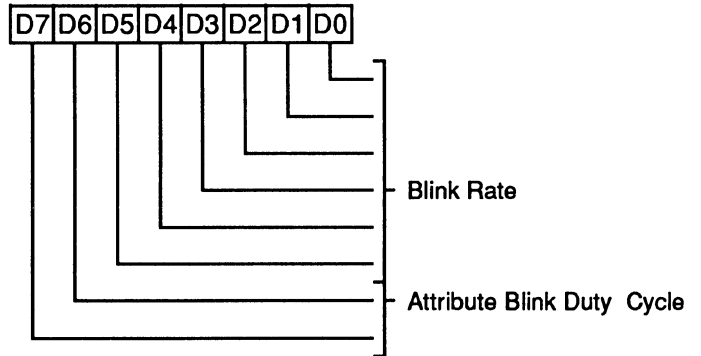
Read/Write at I/O Address 3B7h/3D7h
Index 5Fh



7-0 These bits define the frequency of RAS-only memory refresh cycles when the PWRDN2 pin is high. The interval between two refresh cycles = Clock Period * [(4 * contents of this register) + 8]. A value of 0 causes no refresh to be done. The clock selected is specified by the Clock Select bits in the Miscellaneous Output register (3C2h).

BLINK RATE CONTROL (XR60)

Read/Write at I/O Address 3B7h/3D7h
Index 60h



This register is used in all text modes. The graphics blink rate is fixed at 32 Vsyncs.

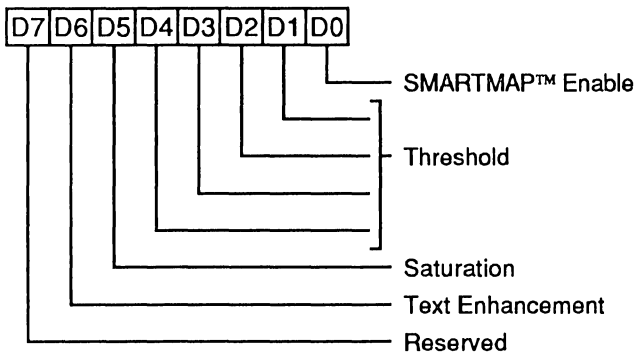
5-0 Blink Rate. These bits specify the number of VSYNC periods during which the cursor will be on and off (50% duty cycle). A character and pixel blink period will always be double the cursor blink period. The blink rate is selected as follows: Cursor Blink Frequency = VSYNC Frequency[2 * (contents of this register+1)].

7-6 Attribute Blink Duty Cycle. The cursor blink duty cycle is fixed at 50%. The character and pixel blink duty cycle is dependent on these bits as follows (default is 50% on reset):

Bit 7	Bit 6	Attribute Blink Duty Cycle
0	0	Reserved
0	1	25%
1	0	50%
1	1	75%

SMARTMAP™
CONTROL REGISTER (XR61)

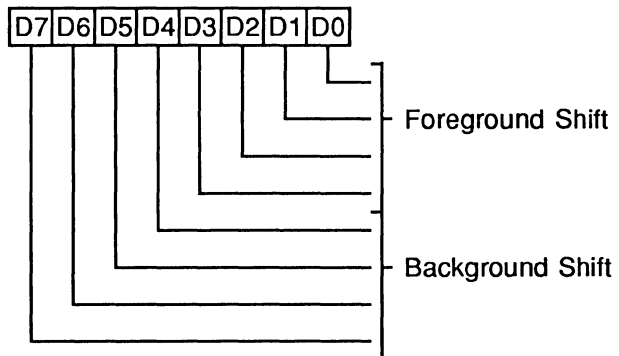
Read/Write at I/O Address 3B7h/3D7h
Index 61h



This register is used only in Flat Panel Text Mode when 16 gray levels are supported (Panel Format register fields FRC = 10 or PWM = 10).

SMARTMAP™ SHIFT
PARAMETER REGISTER (XR62)

Read/Write at I/O Address 3B7h/3D7h
Index 62h



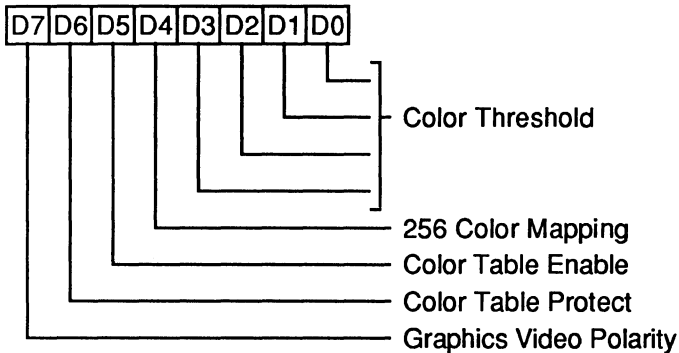
This register is used only in Flat Panel Text Mode when 16 gray levels are supported (Panel Format register fields FRC = 10 or PWM = 10) and SMARTMAP™ is enabled.

- 0** SMARTMAP™ Enable. 0: Disable SMARTMAP and use color lookup table; 1: Enable SMARTMAP and bypass internal color lookup table.
- 4-1** SMARTMAP™ Threshold. They define the minimum difference between the foreground and background colors. If the difference is less than this threshold, the colors are separated by adding and subtracting the shift values (XR62) to the foreground and background colors. However, if the foreground and background color values are the same, then the color values are not adjusted.
- 5** SMARTMAP™ Saturation. It selects the clamping level after the color addition/subtraction. 0: The color result is clamped to the maximum and minimum values (0Fh and 00h respectively); 1: The result is computed modulo 16.
- 6** Text Enhancement. 0: Normal text. 1: Text attribute 07h and 0Fh are reversed. This maximizes the brightness of the normal DOS prompt.
- 7** Reserved (0)

- 3-0** Foreground Shift. These bits define the number of levels that the foreground color is shifted when the foreground and background colors are closer than the Shift Threshold. If the foreground color is "greater" than the background color, then this field is added to the foreground color. If the foreground color is "smaller" than the background color, then this field is subtracted from the foreground color.
- 7-4** Background Shift. These bits define the number of levels that the background color is shifted when the foreground and background colors are closer than the Shift Threshold. If the background color is "greater" than the foreground color, then this field is added to the background color. If the background color is "smaller" than the foreground color, then this field is subtracted from the background color.

GRAPHICS COLOR MAPPING CONTROL REGISTER (XR63)

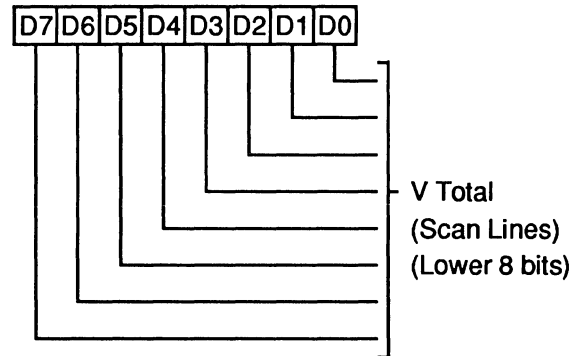
Read/Write at I/O Address 3B7h/3D7h
Index 63h



- 3-0** Color Threshold. These bits specify the threshold above which the color values are mapped to 1; color values less than the threshold are mapped to 0. This field is effective only in Flat Panel Graphics Mode when no gray levels are supported (Panel Format register fields FRC = 00 or PWM =00).
- 4** 256 Color Mapping. 0: Specifies the use of the lower 4 bits of the 8 bits/pixel; 1: Specifies the use of the upper 4 bits of the 8 bits/pixel. This bit is effective only in the 256 color mode (AR10D6= 1).
- 5** Color lookup table enable. This bit is effective in flat panel text modes with SMARTMAP™ disabled or graphics mode.
- 6** Color lookup table write protect. This bit is effective only if XR15D0 = 0. If XR15D0 = 1, then this bit is ignored. 0: Color lookup table (AR00-AR0F) not write protected; 1: Color lookup table write protected.
- 7** Graphics Video Output Polarity. This bit sets the polarity of video data in graphics mode. This is effective only in flat panel graphics mode.

ALTERNATE VERTICAL TOTAL (XR64)

Read/Write at I/O Address 3B7h/3D7h
Index 64h

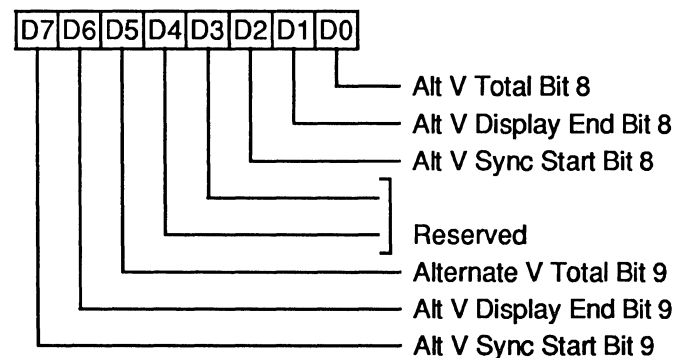


This register is used in flat panel modes.

- 7-0** Alternate Vertical Total. See CR06 for description.

ALTERNATE OVERFLOW (XR65)

Read/Write at I/O Address 3B7h/3D7h
Index 65h

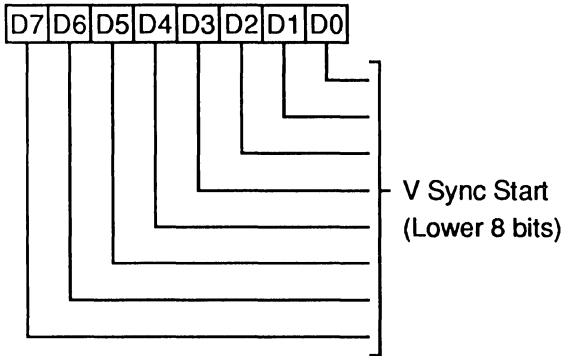


This register is used in flat panel modes.

- 0** Alternate Vertical Total Bit 8
- 1** Alternate Vertical Display End Bit 8
- 2** Alternate Vertical Sync Start Bit 8
- 3** Reserved (0)
- 4** Reserved (0)
- 5** Alternate Vertical Total Bit 9
- 6** Alternate Vertical Display End Bit 9
- 7** Alternate Vertical Sync Start Bit 9

**ALTERNATE
VERTICAL SYNC START (XR66)**

Read/Write at I/O Address 3B7h/3D7h
Index 66h

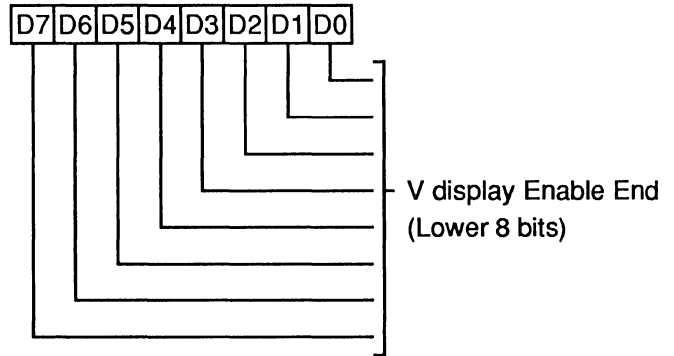


This register is used in flat panel modes.

7-0 Alternate Vsync Start. See CR10 for description.

**ALTERNATE
VERTICAL DISPLAY ENABLE (XR68)**

Read/Write at I/O Address 3B7h/3D7h
Index 68h

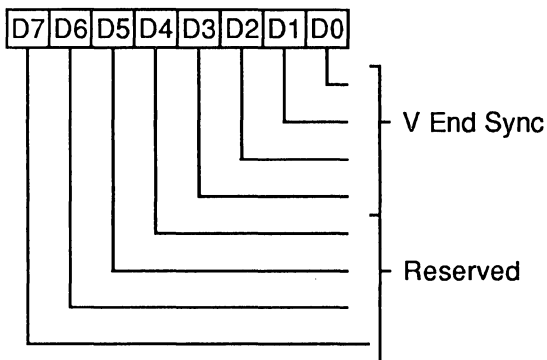


This register is used in flat panel modes. It is used to determine the size of the flat panel.

7-0 Alternate Vertical Display Enable End. See CR12 for description.

**ALTERNATE
VERTICAL SYNC END (XR67)**

Read/Write at I/O Address 3B7h/3D7h
Index 67h



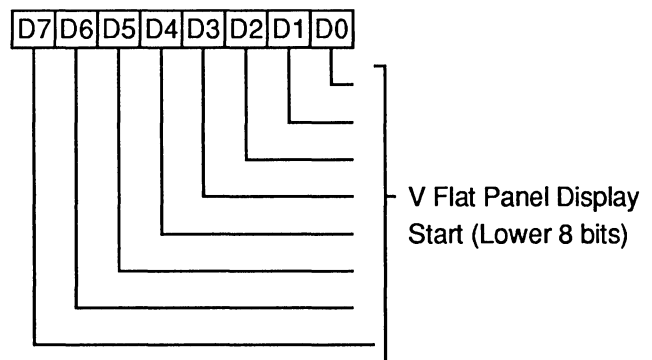
This register is used in flat panel modes.

3-0 Alternate Vsync End. See CR11 for description

7-4 Reserved (0)

**FLAT PANEL
VERTICAL DISPLAY START_350 (XR69)**

Read/Write at I/O Address 3B7h/3D7h
Index 69h

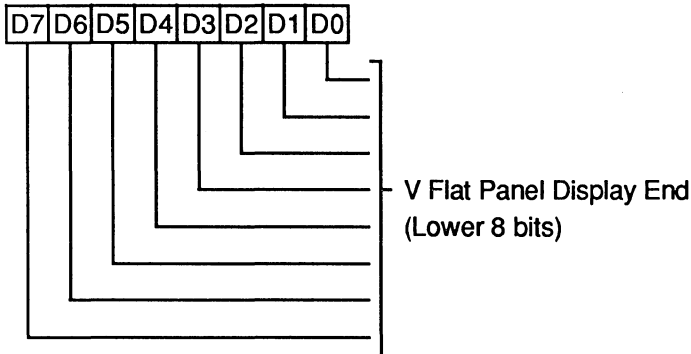


7-0 These bits are used only in 350-line flat panel modes. They specify the lower 8-bits of the vertical start address for Display Enable (in scan lines). The high order 2 bits are in the Flat Panel Vertical Overflow 2 register. To set the display start at the first scan line program this register with a value equal to the vertical total (XR64) + 1.

**FLAT PANEL
VERTICAL DISPLAY END_350 (XR6A)**

Read/Write at I/O Address 3B7h/3D7h

Index 6Ah

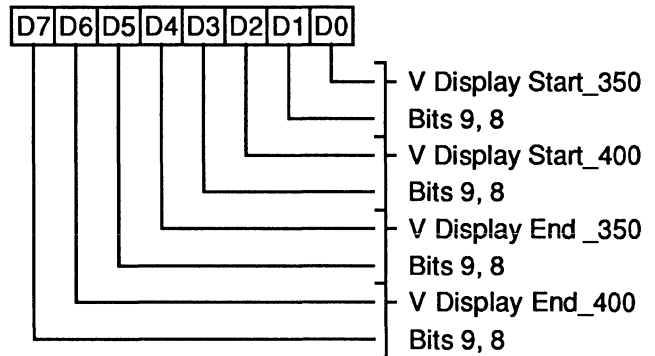


7-0 These bits are used only in 350-line flat panel modes. They specify the lower 8-bits of the vertical end address for Display Enable (in scan lines). The high order 2 bits are in the Flat Panel Vertical Overflow 2 register. The correct value for this register is the start value + number of displayed lines (including inserted or replicated lines). Failure to correctly program this register will result in missing or extra lines at the bottom of the display.

**FLAT PANEL
VERTICAL OVERFLOW 2 (XR6B)**

Read/Write at I/O Address 3B7h/3D7h

Index 6Bh

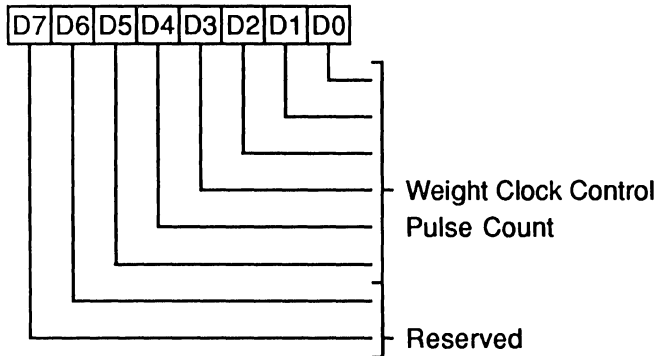


- 1-0** Bits 9 & 8 of Vertical Display Start_350
- 3-2** Bits 9 & 8 of Vertical Display Start_400
- 5-4** Bits 9 & 8 of Vertical Display End_350
- 7-6** Bits 9 & 8 of Vertical Display End_400

Bits 0-1 and 4-5 are used in 350-line Flat Panel modes only. Bits 2-3 and 6-7 are used in 400-line Flat Panel modes only.

WEIGHT CLOCK CONTROL REGISTER C (XR6C)

Read/Write at I/O Address 3B7h/3D7h
Index 6Ch

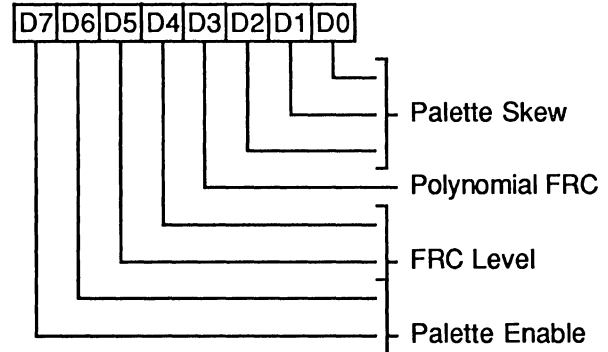


This register is used in Flat Panel Mode when Bits 3 and 2 in the Panel Format register (XR50) are 01 or 10 and clock masking is enabled (XR50D7 = 1). This register, along with XR5C and XR5D, controls the timing of the WGTCLK signal. This signal is used for grayscale panels requiring at weighting clock.

- 5-0** Weight Clock Control Pulse Count. These bits define the total number of pulses on the WGTCLK output.
- 7-6** Reserved (0)

FRC AND PALETTE CONTROL REGISTER (XR6D)

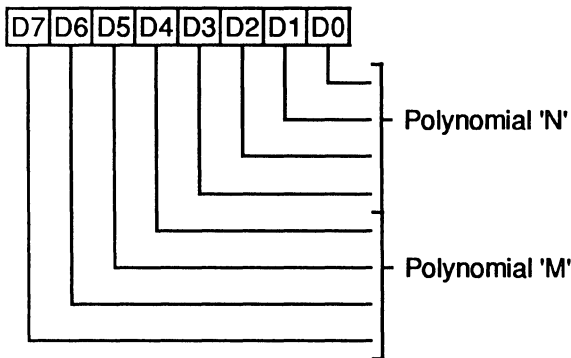
Read/Write at I/O Address 3B7h/3D7h
Index 51h



- 2-0** External Palette Skew. These bits select the delay, in clocks, through the external flat panel palette. A value of 000 selects 1 clock delay. The 82C460 requires a value of 011.
- 3** Polynomial FRC Enable. 0: Use linear FRC counters (82C455 style.) 1: Use polynomial FRC counters. The use of polynomial counters reduces flicker.
- 5-4** FRC Level Control. These bits select the maximum number of gray levels displayed on a monochrome flat panel and the FRC type used on that panel.
 - 00: 64 level FRC.
 - 01: 16 level FRC with dither for 256 color modes.
 - 10: 64 level FRC with dither for low gray levels.
 - 11: 16 level FRC only.
- 7-6** Flat Panel Palette Select.
 - 00: Bypass External Flat Panel Palette (The grayscale reduction is identical to the 82C455.
 - 01: Use External Flat Panel Palette for 256 color modes only.
 - 10: Always use External Flat Panel Palette
 - 11: Always use External Flat Panel Palette. Use 64 gray levels for 256 color modes and 16 gray levels for all other modes.

POLYNOMIAL FRC CONTROL REGISTER (XR6E)

Read/Write at I/O Address 3B7h/3D7h
Index 6Eh



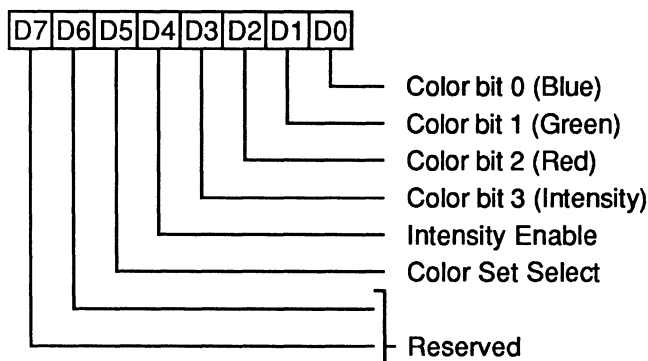
This register is effective only when the polynomial FRC counters are enabled (XR6D, D3=1). It is used to control the FRC polynomial counters. The values in the counters determine the offset in rows and columns of the FRC count. These values are usually determined by trial and error.

3-0 Polynomial 'N' value

7-4 Polynomial 'M' value

CGA COLOR SELECT (XR7E)

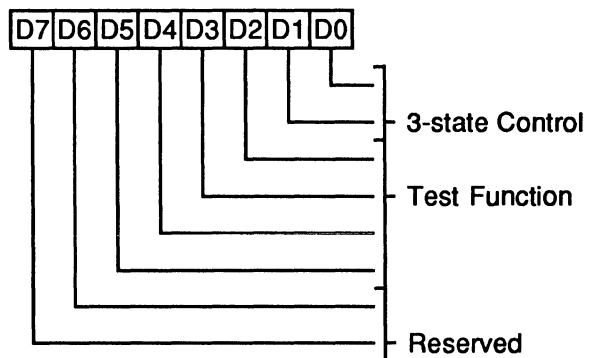
Read/Write at I/O Address 3B7h/3D7h
Index 7Eh



This register is a copy of the CGA color select register 3D9h. Writes to this register will change the copy at 3D9h. It is effective in CGA emulation mode. The copy at 3D9h is visible only in CGA emulation mode or when the extension registers are enabled. The copy at XR7E is always visible.

DIAGNOSTIC (XR7F)

Read/Write at I/O Address 3B7h/3D7h
Index 7Fh



Diagnostic Register (I/O Address 3D7h; Address Pointer: 7Fh). Read - Write Register.

- 0** 3-State Control bit 0: 0: Normal Outputs; 1: 3-state output pins PALRD, PALWR, HSYNC, VSYNC, ACDCLK, WGTCLK, BLANK/, P[7:0], RDY, ADREN/ and IRQ/.
- 1** 3-state Control bit 1; 1: 3-state output pins WE, RAS, CAS0, CAS1, CAS2, CAS3, AA0-7 and BA0-7.
- 5-2** Test Function Pins. These bits are used for internal testing of the chip. They should be 0 for normal operation.
- 7-6** Reserved (0)

82C456 Programming Considerations

The following pages provide programming and extension register values for the 82C456. This information will allow the chip to be programmed for different flat panels, compensation techniques and backwards compatibility.

Display Types:

- VGA - Standard IBM VGA compatible Analog CRT.
- LCD-DD - Dual Panel, Double Drive 640x480 Monochrome LCD Panel. These values will drive most LCD panels currently on the market.
- LCD-DS - Dual Panel Single Drive 640x480 Monochrome LCD Panel. These panels are similar to LCD-DD, but only have one Data Bus (4 bits) for both upper and lower panels.
- Plasma - 640x480 16 grayscale plasma or EL panels with a CRT like interface.

General Programming Hints

The values presented in this section make certain assumptions about the operating environment. The flat panel clock is assumed to be input on CLK2. If CLK0, or CLK1 is desired, the value for XR54, D3 and D2 should be changed accordingly. The values programmed into the SmartMap™ control registers (XR61 and XR62) give a threshold of 3 with foreground and background shift of 3 but SmartMap™ is turned off. To enable it, set XR61 D0 = 1. The value programmed in the ACDCLK Register (XR5E) will produce minimal ghosting on most LCD panels. However, this value should be optimized for each panel model. Certain LCD Panels (Epson in particular) require the ACDCLK to be synchronized to vertical sync. For these panel XR5E should be programmed to 80h.

The default value programmed in the refresh register (XR5F) will provide a refresh interval of 12 μ -second with a 25.175 MHz input clock. This value is acceptable for standard DRAMs.

The vertical parameters assume a 480 Line

Panel. If a 400 or 350 Line Panel is used, the vertical values should all be adjusted together. For single panels, the appropriate value (i.e. 80 or 130) should be subtracted from all vertical registers. For dual panel displays, the vertical timing values are for *each* panel. Therefore, the vertical values are one-half of the expected values. The adjustment value is one-half the change in resolution (i.e. 40 or 65). Vertical compensation should be disabled (pushed up configuration) or reduced. Both 400 line and 350 line values will need to be adjusted. To force the 82C456 to start the display on the first line, the flat panel display start (XR5A or XR69) should be equal to the vertical total (XR64) plus one.

The horizontal parameters assume a 640 pixel wide panel. The values presented here are the minimum required for each panel type. The horizontal values equal the number of characters clocks output per line. In dual drive panels this value includes both panels. Therefore, the horizontal values are double those expected.

For panels requiring longer sync times, these values may be increased. Due to pipelining of the horizontal counters, certain sync or blank values may result in no display. Generally, the horizontal blank start must equal the display end and the blank end must equal the horizontal total. The horizontal sync start and end values have a wide range of acceptable values.

For flat panel types and sizes not presented here, start with the parameters for a panel that most closely resembles the target panel. Adjust the flat panel configuration registers as needed and adjust the horizontal and vertical parameters as needed. Adaption to a non-standard panel is usually a trial and error process.

These parameters are recommended by Chips and Technologies for this part. They have been tested on several different flat panel displays. Customers should feel free to test other register values to improve the screen appearance or to customize the 82C456 for another flat panel display.

82C456 Extension Register Values for Different Displays Types

<u>Register</u>	<u>CRT</u>	<u>LCD-DD</u>	<u>LCD-DS</u>	<u>PLASMA</u>	<u>Description</u>
XR08	02	02	02	02	General Purpose Output Select B
XR09	02	00	00	00	General Purpose Output Select A
XR18	00	9F	4F	4F	Alt. Horizontal Display Enable End
XR19	00	A9	55	55	Alt. Horizontal Sync Start
XR1A	00	0D	19	19	Alt. Horizontal Sync End
XR1B	00	AD	59	59	Alt. Horizontal Total
XR1C	00	AD	59	59	Alt. Horizontal Blank End
XR1D	00	9F	4F	4F	Alt. Horizontal Blank Start
XR1E	00	28	28	28	Alt. Offset
XR50	00	B2	A2	08	Panel Format
XR51	04	63	62	E8	Display Type
XR52	00	41	41	41	Panel Size
XR53	00	00	00	00	Line Graphics Override
XR54	00	08	08	C8	Alt. Miscellaneous Output
XR55	10	10	10	10	Text Mode 350A Compensation
XR56	10	10	10	10	Text Mode 350B Compensation
XR57	10	10	10	10	Text Mode 400 Compensation
XR58	00	00	00	00	Graphics Mode 350 Compensation
XR59	00	00	00	00	Graphics Mode 400 Compensation
XR5A	00	27	27	27	Flat Panel Vertical Display Start 400
XR5B	00	B7	B7	B7	Flat Panel Vertical Display End 400
XR5C	00	03	03	03	Weight Clock Control A
XR5D	00	03	03	03	Weight Clock Control B
XR5E	00	0D	0D	00	ACDCLK Control
XR5F	4E	4E	4E	4E	Power Down Mode Refresh
XR60	88	88	88	88	Blink Rate Control
XR61	00	06	06	06	SmartMap Control
XR62	00	33	33	33	SmartMap Shift Parameter
XR63	20	20	20	20	Graphics Color Mapping Control
XR64	00	F2	F2	F0	Alt. Vertical Total
XR65	00	00	00	07	Alt. Overflow
XR66	00	F1	F1	E0	Alt. Vertical Sync Start
XR67	00	02	02	01	Alt. Vertical Sync End
XR68	00	EF	EF	DF	Alt. Vertical Display Enable End
XR69	00	40	40	40	Flat Panel Vertical Display Start 350
XR6A	00	9E	9E	9E	Flat Panel Vertical Display End 350
XR6B	00	50	50	50	Flat Panel Overflow 2
XR6C	00	0F	0F	0F	Weight Clock Control C
XR6D	--	DB	DB	DB	FRC and Palette Control
XR6E	--	EA	EA	--	Polynomial Control

82C456 Parameters - No Compensation

This configuration will position all text and graphics modes starting at the top of the panel.

The BIOS should program the extension registers as follows for all modes:

<u>Register</u>	<u>Value</u>	<u>Description</u>
XR55	10	Text Compensation 350A
XR56	10	Text Compensation 350B
XR57	10	Text Compensation 400
XR58	00	Graphics Compensation 350
XR59	00	Graphics Compensation 400
XR5A	00	Flat Panel Display Start 400
XR5B	90	Flat Panel Display End 400
XR69	00	Flat Panel Display Start 350
XR6A	5E	Flat Panel Display End 350
XR6B	50	Overflow 2

82C456 Parameters - Centered Configuration

This configuration will center all text and graphics modes on a 480-line panel.

The BIOS should program the extension registers as follows for all modes:

<u>Register</u>	<u>Value</u>	<u>Description</u>
XR55	10	Text Compensation 350A
XR56	10	Text Compensation 350B
XR57	10	Text Compensation 400
XR58	00	Graphics Compensation 350
XR59	00	Graphics Compensation 400
XR5A	27	Flat Panel Display Start 400
XR5B	B7	Flat Panel Display End 400
XR69	40	Flat Panel Display Start 350
XR6A	9E	Flat Panel Display End 350
XR6B	50	Overflow 2

82C456 Parameters - Graphics Compensation

This configuration will "stretch" all text and graphics modes on a 480-line panel using graphics compensation, and center the resulting display on the panel. This will stretch all text characters uniformly, so the same character at different positions on the screen will look the same.

The BIOS should program the extension registers as follows for all modes:

<u>Register</u>	<u>Value</u>	<u>Description</u>
XR55	10	Text Compensation 350A
XR56	10	Text Compensation 350B
XR57	10	Text Compensation 400
XR58	52	Graphics Compensation 350
XR59	17	Graphics Compensation 400
XR5A	0E	Flat Panel Display Start 400
XR5B	D0	Flat Panel Display End 400
XR69	0E	Flat Panel Display Start 350
XR6A	D0	Flat Panel Display End 350
XR6B	50	Overflow 2

82C456 Parameters - Text Compensation

This configuration will extend text modes on a 480-line panel using text compensation to insert blank scan lines between text rows. It will "stretch" graphics modes using graphics compensation.

The BIOS should program the extension registers as follows for all modes:

<u>Register</u>	<u>Value</u>	<u>Description</u>
XR55	03	Text Compensation 350A
XR56	00	Text Compensation 350B
XR57	01	Text Compensation 400
XR58	52	Graphics Compensation 350
XR59	17	Graphics Compensation 400
XR5A	0E	Flat Panel Display Start 400
XR5B	D0	Flat Panel Display End 400
XR69	0E	Flat Panel Display Start 350
XR6A	D0	Flat Panel Display End 350
XR6B	50	Overflow 2

82C456 Extension Register Values for 400-Line Dual Panel Double Drive LCD Display

<u>Register</u>	<u>Value</u>	<u>Description</u>
XR08	02	General Purpose Output Select B
XR09	00	General Purpose Output Select A
XR18	9F	Alt. Horizontal Display Enable End
XR19	A9	Alt. Horizontal Sync Start
XR1A	0D	Alt. Horizontal Sync End
XR1B	AD	Alt. Horizontal Total
XR1C	AD	Alt. Horizontal Blank End
XR1D	9F	Alt. Horizontal Blank Start
XR1E	28	Alt. Offset
XR50	B2	Panel Format
XR51	63	Display Type
XR52	21	Panel Size
XR53	00	Line Graphics Override
XR54	08	Alt. Miscellaneous Output
XR55	10	Text Mode 350A Compensation
XR56	10	Text Mode 350B Compensation
XR57	10	Text Mode 400 Compensation
XR58	00	Graphics Mode 350 Compensation
XR59	00	Graphics Mode 400 Compensation
XR5A	CB	Flat Panel Vertical Display Start 400
XR5B	8F	Flat Panel Vertical Display End 400
XR5C	03	Weight Clock Control A
XR5D	03	Weight Clock Control B
XR5E	0D	ACDCLK Control
XR5F	4E	Power Down Mode Refresh
XR60	88	Blink Rate Control
XR61	06	SmartMap Control
XR62	33	SmartMap Shift Parameter
XR63	20	Graphics Color Mapping Control
XR64	CA	Alt. Vertical Total
XR65	00	Alt. Overflow
XR66	C9	Alt. Vertical Sync Start
XR67	0A	Alt. Vertical Sync End
XR68	C8	Vertical Display Enable End
XR69	11	Flat Panel Vertical Display Start 350
XR6A	6F	Flat Panel Vertical Display End 350
XR6B	50	Flat Panel Overflow 2
XR6C	0F	Weight Clock Control C

Note: Registers which have a value that is different for 400 and 480 line panels are shown in **boldface**. All other registers are the same.

COMPATIBILITY

The 82C456 is compatible with the VGA, EGA, Hercules, CGA and MDA display standards. In general, application software written for one of these standards can be run on a 82C456 based system if a display with a resolution equal to or greater than that standard is used.

The 82C456 provides several features which aid in the implementation of a display system compatible with these standards. These features are as follows:

- Write protection of internal registers using Write Protect (one of the Backward Compatibility registers). This ensures that writes to internal registers initiated by applications software do not corrupt register values, enabling a user to run software written for previous graphics standards.
- Two sets of display parameter registers are supplied. The 82C456 automatically selects the set to be used based on the current display mode and the type of display in use. In flat panel modes, the alternate register set is always used.

Certain assumptions are made regarding the VGA and backward compatibility:

- No NMI or any other interrupts have to be used. It is possible to generate NMI traps if required to support auto emulation.
- On power up the chip is always in VGA mode.
- There is no separate EGA mode. EGA mode is considered to be a special case of VGA mode. Special bits are provided to Write Protect some EGA specific registers. Software that uses the EGA in standard modes will work with the 82C456.
- A software program can be executed to switch the chip into and out of CGA or Hercules modes. The software utility is consistent with the exact display being used. The BIOS for 82C456 available from Chips & Technologies includes software to program the 82C456 in the VGA, EGA, CGA, MDA and Hercules modes.
- When in CGA or Hercules mode, all VGA/EGA registers are unavailable.
- EGA, CGA, MDA and Hercules modes will function in the standard defined modes.

WRITE PROTECTING 82C456 REGISTERS

To use the write protect features:

- A. Initialize the CRT controller and alternate registers to generate sync signals for the display in use.
- B. Write protect the CRT controller registers using the Write Protect Register.
- C. Permit the application software to write CRT registers as if a particular display were in use. The 82C456 will operate as if a standard I/O write took place but will not permit protected registers to be altered.

TWO SETS OF DISPLAY PARAMETER REGISTERS

The 82C456 supplies two sets of Display Parameter Registers. The contents of the internal mode registers is interpreted automatically and either the CRTC or alternate registers is selected to generate the correct display. Since the display memory format in text and graphics is identical, switching between these modes does not require CPU or application software intervention. The registers and their use are summarized in the table below.

Write protect the CRTC registers using the Write Protect Register to prevent the application software from corrupting them.

DISPLAY PARAMETER REGISTERS USED FOR CRTS IN CGA AND HERCULES MODES

Note: The Alternate Registers are used for all Flat Panel Modes.

<u>EMULATION</u>	<u>MODE</u>	<u>Horizontal Register Set</u>	<u>Vertical Register Set</u>
CGA	Low-Res	Alternate	Regular
CGA	Hi-Res	Regular	Regular
Hercules	Text	Regular	Regular
Hercules	Graphics	Alternate	Regular

The BIOS supplied by Chips & Technologies can be used to initialize both sets of registers. To enable backward compatibility, the chip is programmed as follows:

- A. Program the 82C456 exactly analogous to an IBM VGA. Disable the additional bits in the new registers.
- B. Select VGA mode (default).

EGA MODE

- A. Program the 82C456 exactly analogous to an IBM VGA. Disable the additional bits in the new registers.
- B. Write protect Group 4 registers. Also, protect the external palette, clock select register, internal palette (if desired) and all CRT sync registers.
- C. Force all 10th bits of vertical counters (including line compare) to 0.
- D. Select the EGA type frame interrupt. This controlled with bit 7 of Emulation Mode Register.

CGA MODE

- A. Program the regular CRT registers for the 640 pixels horizontal mode. The horizontal sync rate must be consistent with the monitor used. Program the Alternate Horizontal Register for 320 pixels horizontal mode.
- B. The vertical resolution can be 200 or 400 lines. The vertical sync rate must be consistent with the monitor used.
- C. Load the font in the memory.
- D. Pre-program all registers in Sequencer, Attribute Controller and Graphics Controller as in Mode 2.
- E. Set the sync polarity as required for 200 or 400 lines.
- F. Enable Double Scanning (if required by the monitor).
- G. Program CGA Mode Control Register (3D8h) and Color Palette Register (3D9h) as required. These registers are implemented in hardware.
- H. Write Protect group 1, Group 3 and Group 4 registers.
- I. Select CGA mode.

The 82C456 will automatically respond to 320/640 pixels/line and text/graphics mode as defined in the CGA Mode Control Register (3D8h). In 40 column CGA modes, the alternative CRTC registers are used.

MDA MODE

- A. Program the regular CRT registers in the 720 pixels horizontal mode with 9 pixels/character. The horizontal sync rate must be consistent with the monitor used.
- B. The vertical resolution must be 350 lines. The vertical sync rate must be consistent with the monitor used.
- C. Load the font in memory.
- D. Pre-program all registers in Sequencer, Attribute Controller and Graphics Controller as in Mode 7.
- E. Set the sync polarity as required for 350 lines.
- F. Write Protect Group 1, Group 3, and Group 4 registers.
- G. Select MDA mode.
- H. Hercules Control Registers do not work on this mode.

HERCULES MODE

- A. Program the regular CRT registers for 720 pixels horizontal mode with 9 dots/character. Program the alternate registers for 720 pixels with 8 dots/character. The clock divide parameter must be set to divide by 8 (not 9).
- B. The vertical resolution must be 350 lines. The vertical sync rate must be consistent with the monitor used. The vertical display end must be programmed to 350 Lines (Text Mode). In the Graphics Mode, 2 lines will automatically be subtracted. The Vertical Sync and Blank parameters must be programmed greater than 350 lines.
- C. Load the font in the memory.
- D. Pre-program all registers in Sequencer, Attribute Controller and Graphics Controller as in Mode 7. The 8/9 divide bit in the sequencer must be set to divide by 8.
- E. Set the sync polarity as required for 350 lines.
- F. Program Display Mode Control Register (3B8h) and Hercules Configuration Register (3BFh) as required. These registers are implemented in hardware.
- G. Write Protect Group 1, Group 2 and Group 3 registers.
- H. Select Hercules mode.

The 82C456 will automatically respond to text, half graphics and full graphics modes as defined in the Mode Control Registers (3B8h and 3BFh). The regular CRT Offset Register is used in Hercules text mode. In Hercules graphics mode, the offset is defined in the Alternate Offset and Auxiliary Offset Registers. The Alternate Horizontal Registers are used in the Hercules Graphics mode.

When Emulation is enabled and the extension registers are disabled, bits 1 and 2 of the CRTC register addresses are ignored (Similar to CGA and Hercules). The CRTC Registers occupy addresses 3B0h - 3B7h (3D7h).

AUTO EMULATION TRAPS

The 82C456 also supports trap generation for auto emulation purposes. The traps can be enabled on various conditions as defined in the Trap Enable Register. Traps are generated for I/O Write cycles only.

LIGHT PEN REGISTERS

In the CGA and Hercules modes, the contents of the Display Address counter is saved at the end of the frame before being reset. The saved value can be read in the CRT Controller Register space 10h and 11h. This allows simulating the Light Pen Hit technique to detect text/graphics modes on the CGA/Hercules cards.

A Practical Implementation for Backwards Compatibility:

The following procedure provides a practical way of implementing backwards compatibility on the 82C456. It assumes the display is an IBM VGA monitor or compatible or a flat panel. In order to use this implementation, the following VGA BIOS functions or equivalent code is required:

Set Mode Function

AH = 00h

AL = Video Mode

Set Scan Lines Function

AH = 12h

AL = Scan Line Code:

00 = 8 scan lines/character

01 = 14 scan lines/character

02 = 16 scan lines/character

BL = 30h

VGA Mode

1. Set XR14 = 80h.
2. Set XR15 = 00h.
3. Use Set Scan Lines Function to select 16 scan lines per character.
4. Use Set Mode Function to set a standard VGA text mode, such as 3+ or 7+.
5. Set XR02D4&3=00.

EGA Mode

1. Set XR14 = 80h.
2. Set XR15 = 00h.
3. Use Set Scan Lines Function to select 14 scan lines per character.
4. Use Set Mode Function to set a standard EGA text mode, such as 3* or 7.
5. Set CR09D6=0.
6. Set XR15=18h.
7. Set XR02D4&3=10.

CGA Mode

1. Set the Equipment Installed byte at 40:10h D5=1 & D4=0 (color monitor).
2. Set XR14 = 80h.
3. Set XR15 = 00h.
4. Use Set Scan Lines Function to select 8 scan lines per character.
5. Use Set Mode Function to set a standard CGA text mode, such as 3.
6. Set CR17 = A2h, GR06=0Fh and AR10=01h.
7. Program extension registers XR0D, XR14, XR15, XR18, XR19, XR1A, XR1B, XR1C, XR1D and XR1E for the proper display type. (See following table.)
8. Set CGA Mode Control Register at 3D8h = 29h.
9. Set CGA Color Select Register at 3D9h=30h.

MDA Mode

1. Set the Equipment Installed byte at 40:10h D5=1 & D4=1 (monochrome monitor).
2. Set XR14 = 80h.
3. Set XR15 = 00h.
4. Use Set Scan Lines Function to select 14 scan lines per character.
5. Use Set Mode Function to set MDA text mode 7.
6. Set AR08 = 00h.
7. Program extension registers XR0D, XR14, XR15, XR18, XR19, XR1A, XR1B, XR1C, XR1D and XR1E for the proper display type. (See following table.)
8. Set MDA Mode Control Register at 3B8h = 29h.

Hercules Mode

1. Set the Equipment Installed byte at 40:10h D5=1 & D4=1 (monochrome monitor).
2. Set XR14 = 80h.
3. Set XR15 = 00h.
4. Use Set Scan Lines Function to select 14 scan lines per character.
5. Use Set Mode Function to set MDA text mode 7.
6. Set SR01=01h, CR17 = A0h, GR06 = 0Bh, AR08 = 00h and AR10 = 07h.
7. Program extension registers XR0D, XR14, XR15, XR18, XR19, XR1A, XR1B, XR1C, XR1D and XR1E for the proper display type. (See following table.)
8. Set MDA Mode Control Register at 3B8h = 29h.

82C456 Extension Register Values for Backward Compatibility on a VGA compatible CRT

<u>Register</u>	<u>CGA</u>	<u>MDA</u>	<u>HERC</u>	<u>EGA</u>	<u>VGA</u>
XR0D	00	00	02	00	00
XR14	81	D2	D3	80	80
XR15	0D	0D	0D	08	00
XR16	00	00	00	00	00
XR17	00	00	00	00	00
XR18	27	00	59	00	00
XR19	2B	00	60	00	00
XR1A	A0	00	8F	00	00
XR1B	2D	00	6E	00	00
XR1C	28	00	5C	00	00
XR1D	10	00	31	00	00
XR1E	14	00	16	28	28
XR7E	30	0F	0F	----	----

82C456 Extension Register Values for Backward Compatibility on Panels

<u>Register</u>	<u>CGA</u>	<u>MDA</u>	<u>HERC</u>	<u>EGA</u>	<u>VGA</u>
XR0D	00	00	02	00	00
XR14	81	D2	D3	80	80
XR15	0D	0D	0D	08	00
XR16	00	00	00	00	00
XR17	00	00	00	00	00
XR1E	14	00	16	00	00
XR7E	30	0F	0F	----	----

The Value in XR1D depends on the panel type used. The correct value for different panels types and compatibility modes is as follows:

<u>Mode</u>	<u>LCD-DD</u>	<u>LCD-DS</u>	<u>PLASMA</u>
VGA, EGA or MDA	9F	4F	4F
CGA	A0	50	50
Hercules	A1	50	50

Design Considerations

This section covers a variety of topics pertinent to designing a system which contains the 82C456 and 82C460.

Clock Inputs

The 82C456 provides 3 dot clock inputs, CLK0, CLK1 and CLK2, one of which is selected via the Miscellaneous Output Register. The first two of these inputs are typically driven by 25.175 MHz and 28.322 MHz signals respectively ensuring VGA compatibility on a CRT monitor. The third input is usually used for a flat panel clock, however any of the three clocks may be used. The general purpose output pins on the 82C456 can be used in conjunction with external hardware to increase the number of clock input selections.

Enabling the 82C456

After being reset the 82C456 is disabled. It must be explicitly enabled by writing to I/O address 102h in Setup Mode.

Bit-3 of port 46E8h must be set to zero to disable the 82C456 and to one to enable it. When disabled, it is not visible in the CPU memory and I/O space. This port is *internal* to the 82C456.

Under normal circumstances, enable the 82C456 using one of the following sequences:

- 1) Place the 82C456 in Setup mode by setting bit-3 at I/O address 46E8h to 1.
- 2) Set bit-1 of port 102h to 1.
- 3) Place the 82C456 in its normal operating mode by setting bit-4 at I/O address 46E8h to 0 and bit-3 to 1.

Disconnecting the Video Subsystem

The 82C456 and the Video Subsystem can be disconnected from the CPU as follows:

Disabling the 82C456:

This mode is entered after Reset or can be forced by the following technique.

- Write 0 to bit-3 of port 46E8h.
- Enter Retire mode (PWRDN2 pin high).

Enabling the 82C456:

- Force the PWRDN2 pin low.
- Set bits 4&3 of port 46E8h to 01.

External Color Palette

Although the external CRT color palette is not used in the flat panel mode and the data required to produce gray levels on the flat panel is contained in the 82C460, the data contained in the color palette is required by some applications. Therefore the color palette should not be turned off in flat panel mode.

82C456 Absolute Maximum Ratings

Parameter	Symbol	Min	Max	Units
Power Dissipation	P _D		1.0	W
Supply Voltage	V _{CC}	-0.5	7.0	V
Input Voltage	V _I	-0.5	V _{CC} +0.5	V
Output Voltage	V _O	-0.5	V _{CC} +0.5	V
Operating Temperature (Ambient)	T _{OP}	-25	85	°C
Storage Temperature	T _{STG}	-40	125	°C

Note: Permanent device damage may occur if Absolute Maximum Ratings are exceeded. Functional operation should be restricted to the conditions described under Normal Operating Conditions.

82C456 Normal Operating Conditions

Parameter	Symbol	Min	Max	Units
Supply Voltage	V _{CC}	4.75	5.25	V
Ambient Temperature	T _A	0	70	°C
Case Temperature	T _C	0	85	°C

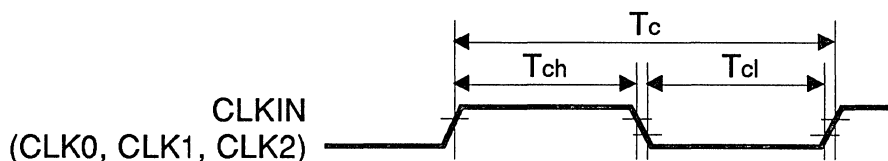
82C456 DC Characteristics (Under Normal Operating Conditions Unless Noted Otherwise)

Parameter	Notes	Symbol	Min	Typ	Max	Units
Power Supply Current	(Normal @25 MHz CLK, 0°C)	I _{CC1}		65	100	mA
Power Supply Current	(Retire @25 MHz CLK, 0°C)	I _{CC2}		1		mA
Input Leakage Current		I _{IL}	-100		+100	µA
Output Leakage Current (High Impedance)		I _{OZ}	-100		+100	µA
Input Low Voltage		V _{IL}	-0.5		0.8	V
Input High Voltage	(All pins except clocks)	V _{IH}	2.0		V _{CC} +0.5	V
	(CLK0, CLK1, CLK2)	V _{IH}	2.8		V _{CC} +0.5	V
Output Low Voltage	I _{OL} = - 8 mA (RDY, TRAP/, IRQ, ERMEN/, IOCS16/)	V _{OL}			0.45	V
	I _{OL} = - 4 mA (all others)	V _{OL}			0.45	V
Output High Voltage	I _{OH} = - 8 mA (RDY, TRAP/, IRQ, ERMEN/, IOCS16/)	V _{OH}	2.4		V	
	I _{OL} = - 4 mA (all others)	V _{OH}	2.4		V	

Note: Electrical specifications contained herein are preliminary and subject to change without notice.

82C456 AC Timing Characteristics - Clock Timing

Parameter	Notes	Symbol	Min (ns)	Max (ns)
CLK Period (Flat Panel)	32 MHz	T _c	31	--
CLK Period (CRT)	40 MHz	T _c	25	--
CLK High time		T _{ch}	$(T_c / 2) - 5\%$	--
CLK Low time		T _{cl}	$(T_c / 2) - 5\%$	--
Clock Rise/Fall		T _{rf}	--	5
CLKIN Frequency for 120 ns DRAMs (see note 1)		--	--	30 MHz
CLKIN Frequency for 100 ns DRAMs (see note 2)		--	--	33 MHz



Note 1: A maximum clock input of 30 MHz is allowed for most 120 ns DRAMs. If the DRAMs have less than typical RAS precharge and RAS cycle requirement, 150 ns DRAMs may be used with clock inputs up to 28.322 MHz.

Note 2: A maximum clock input of 33 MHz is allowed for most 100 ns DRAMs. If the DRAMs have a less than typical RAS precharge requirement, clock speeds to 40 MHz may be used with 100 ns DRAMs.

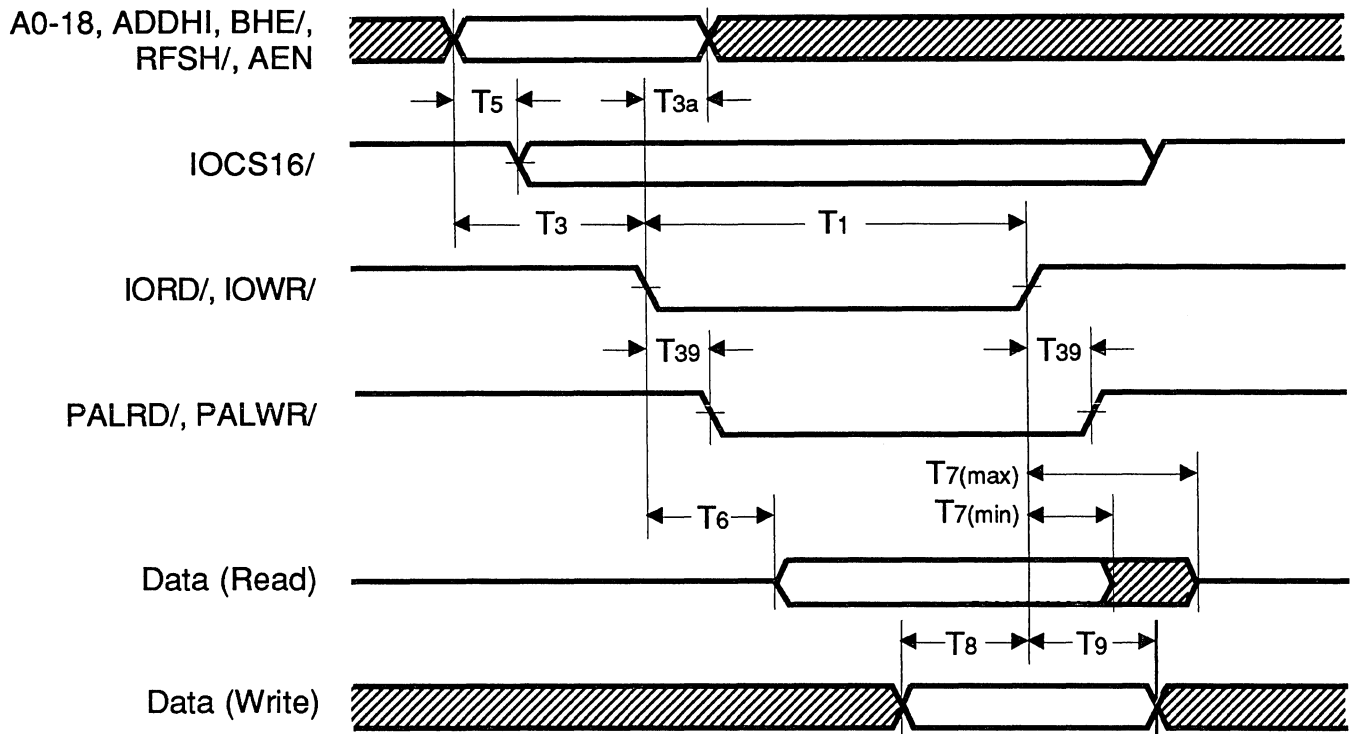
82C456 AC Timing Characteristics - Reset Timing

Parameter	Symbol	Min(ns)	Max(ns)
RESET Pulse Width	--	64 T _c	--

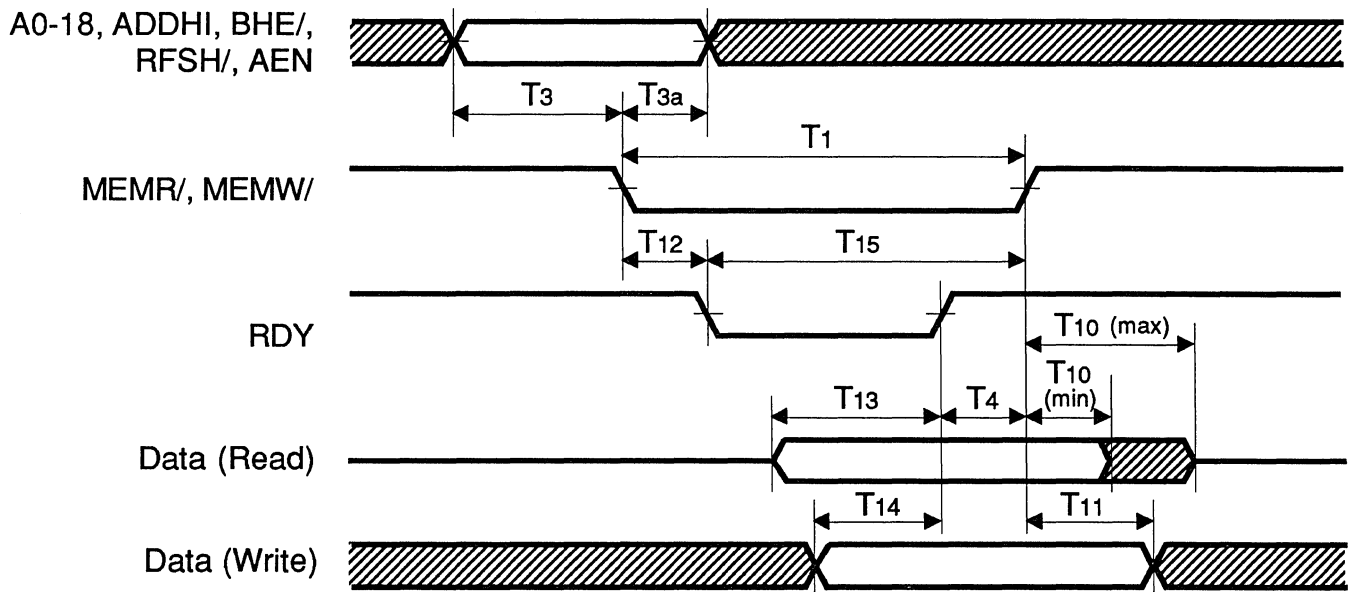
82C456 AC Timing Characteristics - Bus Timing

Parameter		Symbol	Min(ns)	Max(ns)
IORD/, IOWR/ Pulse Width	Note 3	T1	175	--
MEMR/, MEMW/ Pulse Width	Note 3	T2	175	--
Address setup to Read/Write		T3	80	--
Address hold from Read/Write Signal		T3a	20	--
IOCS16/ Delay from valid address		T5	--	25
MEMR/, MEMW/ hold from RDY (Memory)		T4	0	--
I/O Read Data delay from IORD/		T6	--	50
I/O Read Data hold from IORD/		T7	10	40
I/O Write Data setup to IOWR/		T8	40	--
I/O Write Data hold from IOWR/		T9	0	--
Memory Read Data hold from MEMR/		T10	10	40
Memory Write Data hold from MEMW/		T11	0	--
MEMR/, MEMW/ to RDY Low delay		T12	--	25
Memory Read Data setup to RDY		T13	25	--
Memory Write Data setup to RDY		T14	40	--
RDY width		T15	7T _c	128T _c
PALRD/, PALWR/ delay from Read/Write		T39	--	25

Note 3: Since the internal I/O registers are sequenced by CLK1, the maximum allowed bus speed is 10 MHz in a standard PC-AT application (CLK1 = 28.322 MHz).



Bus I/O Cycle Timing



Bus Memory Cycle Timing

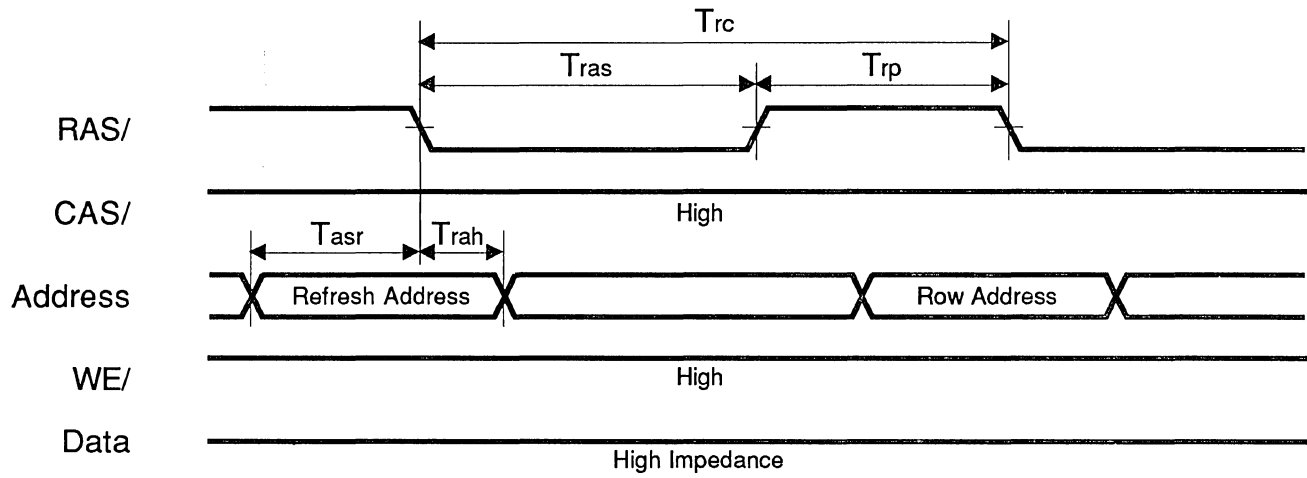
82C456 AC Timing Characteristics - DRAM Timing

Parameter	Symbol	8-dot Mode		9-dot Mode	
		Min (ns)	Max (ns)	Min (ns)	Max (ns)
Read/Write Cycle Time	Trc	7Tc	--	8Tc	--
RAS/ Pulse Width	Tras	4Tc	--	4Tc	--
Column Address Hold from RAS/	Tar	5Tc	--	5Tc	--
RAS/ Precharge	Trp	3Tc	--	4Tc	--
CAS/ to RAS/ precharge	Tcrp	1Tc	--	2Tc	--
CAS/ Hold from RAS/	Tcsh	6Tc	--	6Tc	--
RAS/ to CAS/ delay	Trcd	2Tc	--	2Tc	--
RAS/ Hold from CAS/	Trsh	2Tc	--	2Tc	--
CAS/ Precharge	Tcpn	3Tc	--	4Tc	--
CAS/ Pulse Width	Tcas	4Tc	--	4Tc	--
Row Address Setup to RAS/	Tasr	2Tc	--	3Tc	--
Column Address Setup to CAS/	Tasc	1Tc	--	1Tc	--
Row Address Hold from RAS/	Trah	1Tc	--	1Tc	--
Column Address Hold from CAS/	Tcah	3Tc	--	3Tc	--
Data Access Time from CAS/	Tcac	--	3Tc	--	3Tc
Data Access Time from RAS/	Trac	--	5Tc	--	5Tc
WE/ Pulse Width	Twp	7Tc	--	8Tc	--
Write Data Setup to CAS/	Tds	2Tc	--	2Tc	--
Write Data Hold from CAS/	Tdh	5Tc	--	6Tc	--
Write Data Hold from RAS/	Tdhr	7Tc	--	8Tc	--
WE/ Hold from CAS/	Twch	5Tc	--	6Tc	--
WE/ Setup to CAS/	Twcs	2Tc	--	2Tc	--
WE/ Lead to RAS/	Trwl	4Tc	--	4Tc	--
WE/ Lead to CAS/	Tcwl	6Tc	--	6Tc	--
WE/ Hold from RAS/	Twcr	7Tc	--	8Tc	--

Parameter	Symbol	Max	Units
DRAM Refresh interval	--	85000 / (VR * VL)	mS

VR = Vertical refresh rate (in Hz.)

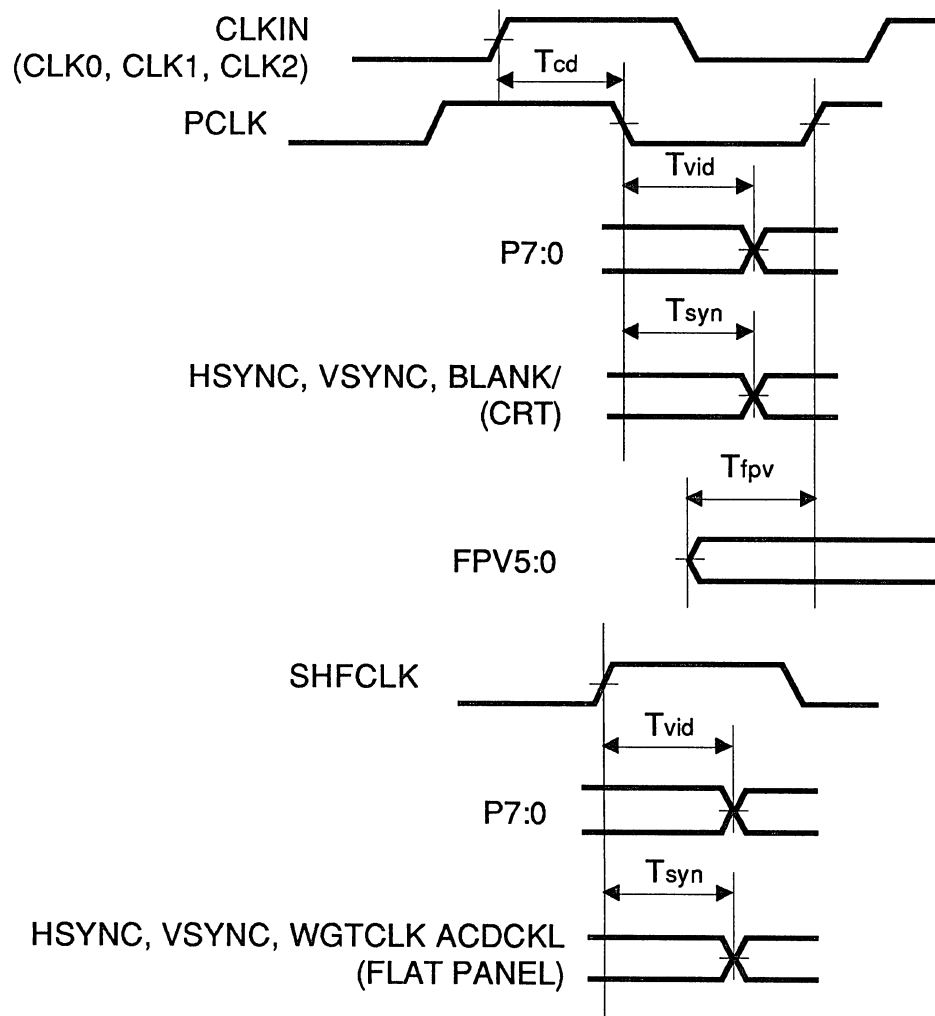
VL = Total number of lines per frame (including retrace)



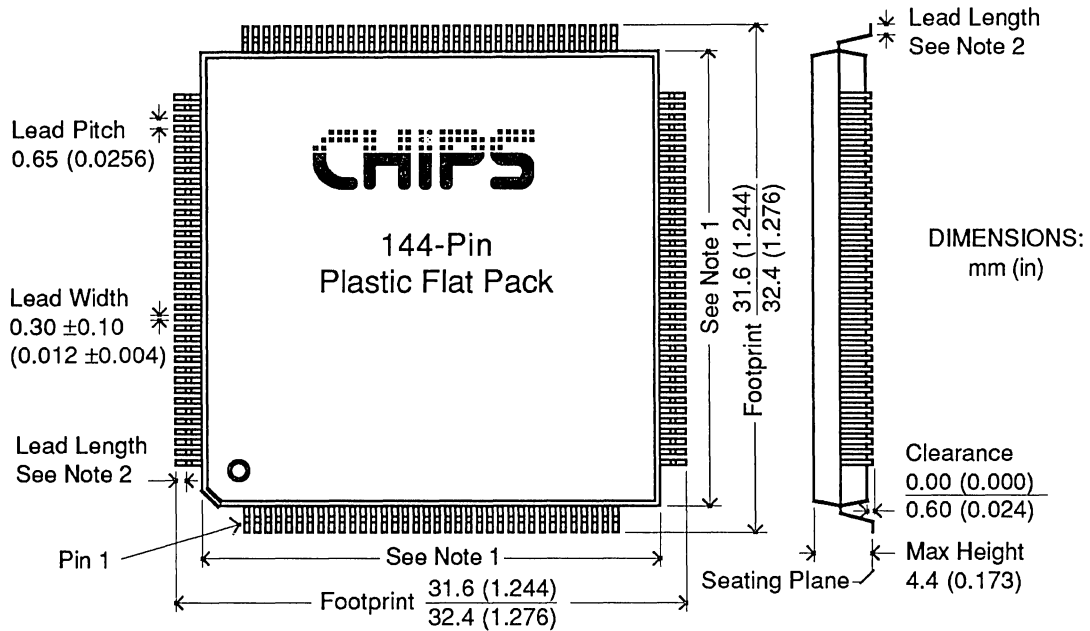
DRAM Refresh Cycle Timing

82C456 AC Timing Characteristics - Video Timing

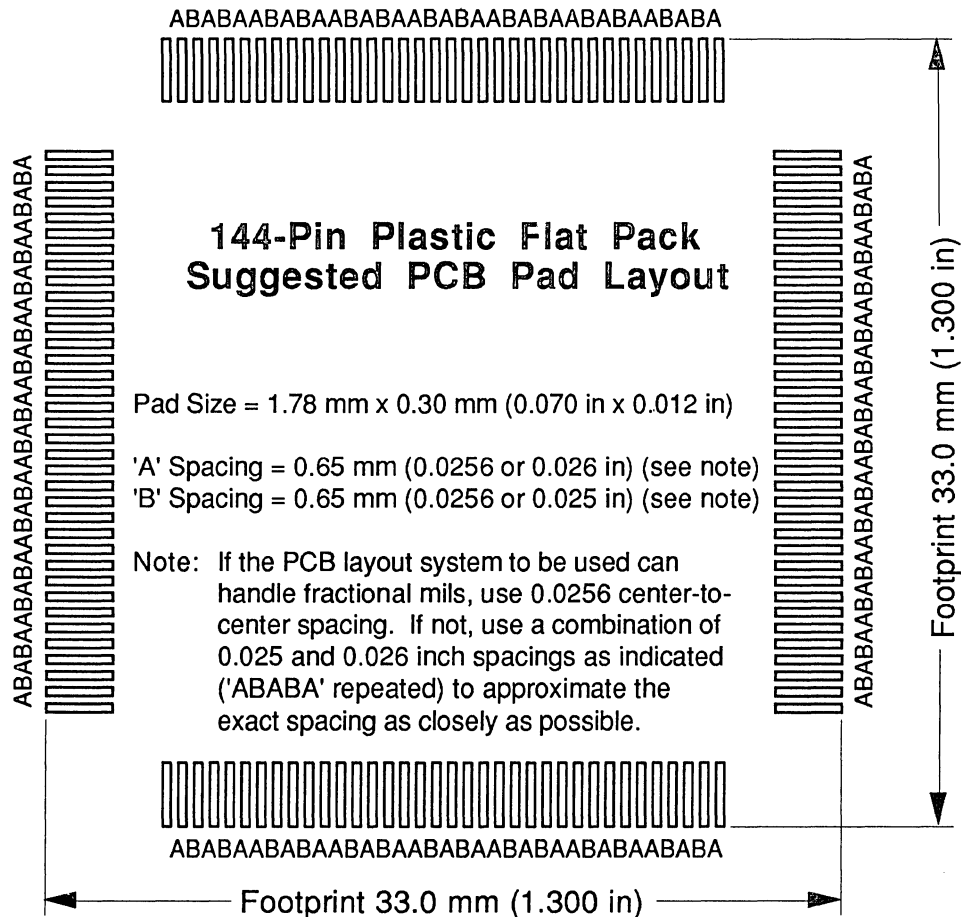
Parameter	Symbol	Min (ns)	Max (ns)
CLKIN to PCLK Delay	T_{cd}	--	25
SYNC and VIDEO CONTROL delay from PCLK	T_{syn}	--	20
Video delay from PCLK	T_{vid}	--	25
Flat Panel Video setup to PCLK	T_{fpv}	15	--



82C456 Mechanical Dimensions



Note 1: Package Body Size = 28 ± 0.2 (1.102 ± 0.008)
 Note 2: Lead Length = 0.8 ± 0.2 (0.031 ± 0.008)



82C460

INTRODUCTION

The 82C460 Flat Panel Palette is designed to provide the external color palette data back to the 82C456 for processing and display on the flat panel. The interface is identical to that of an Inmos IMSG176 style RAMDAC. The 82C460 is used in parallel with the standard RAMDAC. All CPU address and data information is monitored by the 82C460.

The palette read and write signals pass through the 82C460 allowing selective reading and writing of the two palettes. Separate write enables are provided for each palette. A single read select is provided to determine which palette is read back by the CPU.

During CPU writes to the external color palette, the 82C460 latches the color data as it is written to the color palette. After the blue data is written to the storage latch, the 82C460 reduces the data to 6 bits (64 color or gray levels) and then writes it to the 82C460 palette RAM.

During display, the pixel input data is used as an address to the palette RAM. The RAM data is then output for processing by the 82C460.

REDUCTION TECHNIQUES

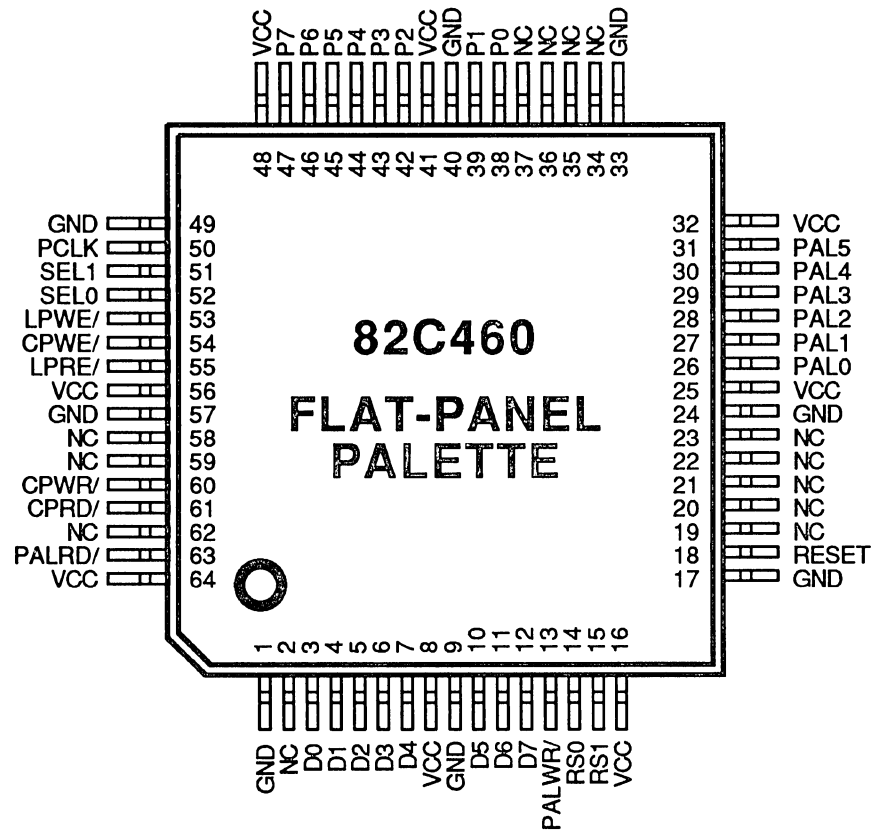
Four reduction algorithms are provided to reduce the 18 bit RGB data to 6 bits. The reduction algorithms are as follows:

NTSC: This is the industry standard technique for reducing RGB color information to gray levels. The weighting is $5/16R + 9/16G + 3/8B$. The data is reduced in a 10 bit adder and the 6 most significant bits are stored. This technique is selected when the select bits are both 0 (SEL1:0=00).

EQUAL: In this technique the RGB values are equally weighted. The reduction is $5/16R + 3/8G + 5/16B$. This technique is used when SEL1:0 = 01

GREEN only: This reduction type stores only the green (G) value. This produces the same display as an IBM monochrome CRT. This is used when SEL1:0 = 10.

COLOR: When SEL1:0 = 11, the two most significant bits of each color are stored without modification. This is used for displaying 64 colors on RGB color panels.



82C460 PINOUT TOP VIEW

Pin Descriptions

Pin #	Name	Type	Active	Description - Pixel Interface	
50	PCLK	In	Both	PIXEL CLOCK. The rising edge samples and latches the Pixel Address inputs. It controls progress of these values through the four stage pipeline of the Flat Panel Palette to the outputs.	
47	P7	In	Both	PIXEL ADDRESS. The input address to the Flat Panel Palette RAM.	
46	P6	In	Both		
45	P5	In	Both		
44	P4	In	Both		
43	P3	In	Both		
42	P2	In	Both		
39	P1	In	Both		
38	P0	In	Both		
31	FPV5	Out	Both	FLAT PANEL VIDEO. The outputs of the Flat Panel Palette RAM as addressed by the Pixel Address.	
30	FPV4	Out	Both		
29	FPV3	Out	Both		
28	FPV2	Out	Both		
27	FPV1	Out	Both		
26	FPV0	Out	Both		
13	PALWR/	In	Low	PALETTE WRITE ENABLE. This signal is used for CPU writes to the external color palettes. RS 1:0 are latched on the falling edge and D7:0 on the rising edge during an CPU write operation.	
63	PALRD/	In	Low	PALETTE READ ENABLE. This signal is used to CPU reads from the external color palettes. RS 1:0 are latched on the falling edge. The data is presented when this signal is low.	
15	RS1	In	Both	REGISTER SELECT 1 & 0. These two lines are sampled during the falling edges of the enable signals (PALWR/ or PALRD/) and select one of the three internal registers.	
14	RS0	In	Both		
					0 0 Address Register (RAM Write Mode)
					1 1 Address Register (RAM Read Mode)
					0 1 Palette RAM
				1 0 Pixel Mask Register	

Pin #	Name	Type	Active	Description															
12	D7	I/O	Both	PALETTE DATA. Read/write data to the internal registers. During the write cycle, the rising edge of PALWR/ latches the data into the selected register. When PALRD/ is inactive (high) the data I/O lines will be 3-stated.															
11	D6	I/O	Both																
10	D5	I/O	Both																
7	D4	I/O	Both																
6	D3	I/O	Both																
5	D2	I/O	Both																
4	D1	I/O	Both																
3	D0	I/O	Both																
51	SEL1	In	Both	SELECT 1 & 0. These signals select the algorithm used to reduce the RGB data before it is stored in the Flat Panel Palette RAM. The four algorithms are:															
52	SEL0	In	Both																
				<table border="1"> <thead> <tr> <th>SEL1</th> <th>SEL0</th> <th>RAM Data Mode</th> </tr> </thead> <tbody> <tr> <td>0</td> <td>0</td> <td>IBM Weighing</td> </tr> <tr> <td>0</td> <td>1</td> <td>Equivalent</td> </tr> <tr> <td>1</td> <td>0</td> <td>GREEN only</td> </tr> <tr> <td>1</td> <td>1</td> <td>Color</td> </tr> </tbody> </table>	SEL1	SEL0	RAM Data Mode	0	0	IBM Weighing	0	1	Equivalent	1	0	GREEN only	1	1	Color
SEL1	SEL0	RAM Data Mode																	
0	0	IBM Weighing																	
0	1	Equivalent																	
1	0	GREEN only																	
1	1	Color																	
53	FPWE/	In	Low	FLAT PANEL PALETTE WRITE ENABLE. This signal, when low, allows writes to occur to the Flat Panel Palette RAM.															
54	CPWE/	In	Low	COLOR PALETTE WRITE ENABLE. This signal, when low, allows the CPWR/ output to go active (low) during palette write cycles (PALWR/ low)															
55	FPRE/	In	Low	FLAT PANEL PALETTE READ ENABLE. This signal, when low, selects reads to occur from the Flat Panel Palette. If the signal is low, the CPRD/ is not active and read cycles are handled by the 82C460. When high, a read does not occur from the 82C460 and the CPRD/ signal will be active for palette read cycles.															
61	CPRD/	Out	Low	COLOR PALETTE READ. This signal is active during palette read cycles if the FPRE/ pin is high.															
60	CPWR/	Out	Low	COLOR PALETTE WRITE. This signal is active during palette write cycles if the CPWE/ pin is low.															

Pin #	Name	Type	Active	Description
18	RESET	In	High	RESET. The RESET signal should be brought high after power is applied.
8 16 25 37 41 48 56 64	VCC			POWER
1 9 17 24 33 40 49 57	GND			GROUND
2 19 20 21 22 23 34 35 36 37 58 59 62	NC			NO CONNECTION. These pins are reserved for future expansion. They should be left floating.

82C460 Absolute Maximum Ratings

Parameter	Symbol	Min	Max	Units
Power Dissipation	PD		500	mW
Supply Voltage	V _{CC}	-0.5	7.0	V
Input Voltage	V _I	-0.5	V _{CC} +0.5	V
Output Voltage	V _O	-0.5	V _{CC} +0.5	V
Operating Temperature (Ambient)	T _{OP}	-25	85	°C
Storage Temperature	T _{STG}	-55	150	°C
Output Current	I _O	-20	20	mA

Note: Permanent device damage may occur if Absolute Maximum Ratings are exceeded. Functional operation should be restricted to the conditions described under Normal Operating Conditions.

82C460 Normal Operating Conditions

Parameter	Symbol	Min	Max	Units
Supply Voltage	V _{CC}	4.5	5.5	V
Ambient Temperature	T _A	0	70	°C
Case Temperature	T _C	0	85	°C

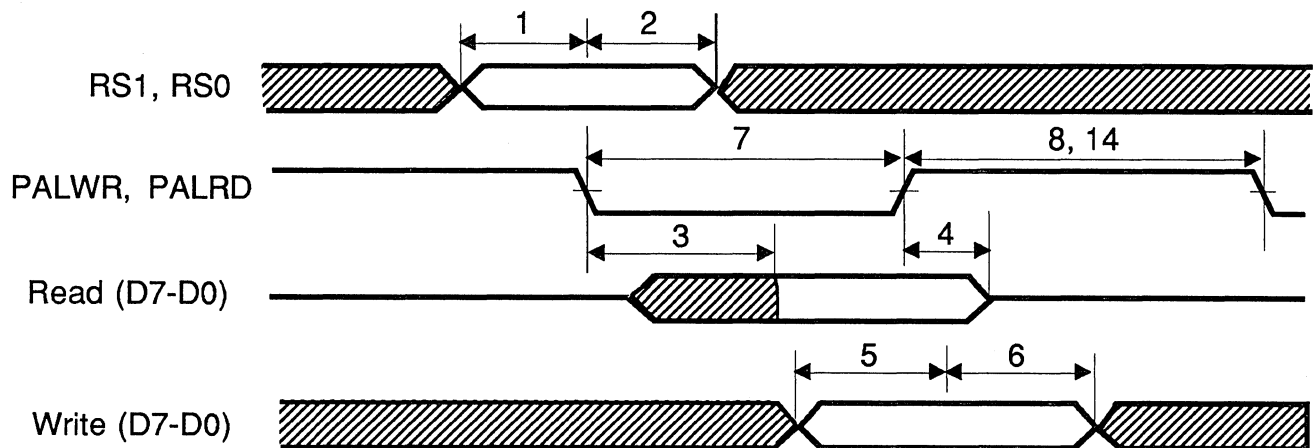
82C460 DC Characteristics (Under Normal Operating Conditions Unless Noted Otherwise)

Parameter	Notes	Symbol	Min	Typ	Max	Units
Power Supply Current		I _{CC}	-	20		mA
Input Leakage Current		I _{IL}	-10		+10	µA
Output Leakage Current (High Impedance)		I _{OZ}	-10		+10	µA
Input Low Voltage		V _{IL}			V _{CC} * 0.3	V
Input High Voltage		V _{IH}	V _{CC} * 0.7			V
Output Low Voltage	I _{OL} = - 4mA	V _{OL}	-		0.4	V
Output High Voltage	I _{OH} = 4mA	V _{OH}	V _{CC} -0.6			V
Capacitance, Input or Output		C		10	20	pF

Note: Electrical specifications contained herein are preliminary and subject to change without notice.

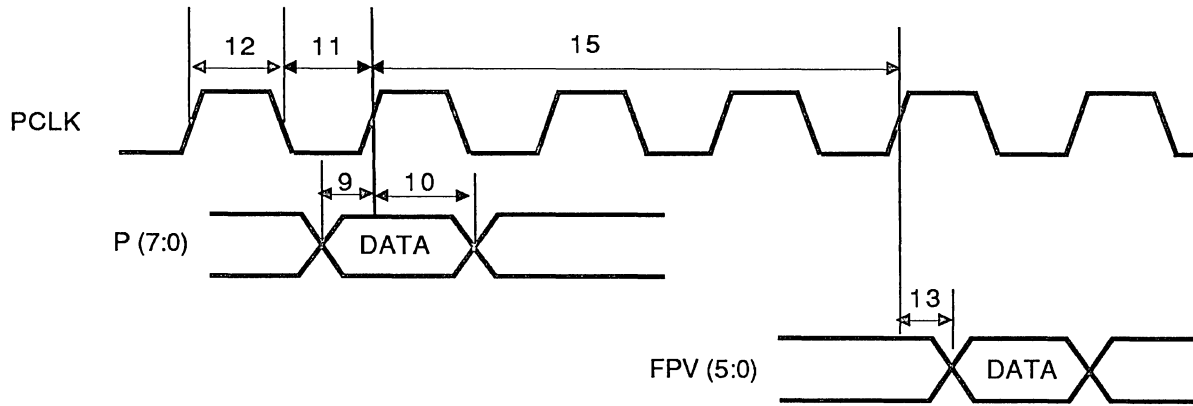
82C460 AC Timing Characteristics - CPU Interface

Parameter	Symbol	Min(ns)	Max(ns)
RS0, RSI Setup Time	1	10	-
RS0, RSI, Hold Time	2	10	-
PALRD/ to Data Valid	3	-	45
PALRD/ Negated to Data Bus 3-Stated	4	5	-
Write Data Setup Time	5	10	-
Write Data Hold Time	6	10	-
PALRD/, PALWR/ Pulse Width Low	7	50	-
PALRD/Pulse Width High	8	4 * PCLK	-
PALWR/ Pulse Width High	14	5 * PCLK	-

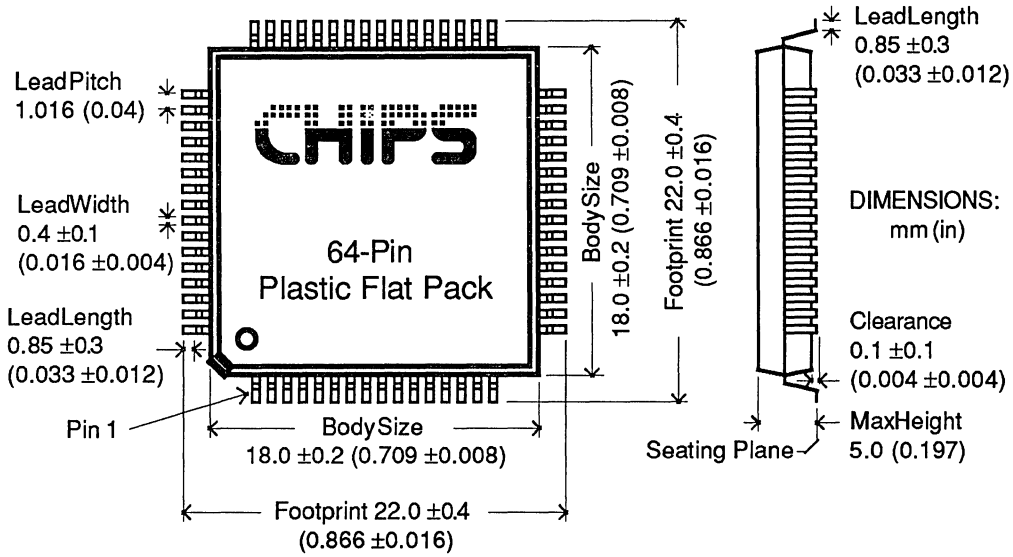


82C460 Output Timing Characteristics

Parameter	Symbol	Min(ns)	Max(ns)
Pixel Setup Time	9	4	-
Pixel Hold Time	10	4	-
Clock Pulse Width Low Time	11	16	-
Clock Pulse Width High Time	12	16	-
PCLK to Valid FPV-out	13	5	21
P-in to FPV-out delay	15	5*PCLK	5*PCLK



82C460 Mechanical Dimensions





Chips and Technologies, Inc.
3050 Zanker Road, San Jose, CA 95134
Voice: 408-434-0600 Fax: 408-434-9315 Telex: 272929 CHIPS UR

CHIPS, CHIPSset, NEAT, NEATsx, LeAPSet, LeAPSetsx, PEAK, Smartmap, CHIPS/280, CHIPS/250, CHIPS/230, CHIPS/450, MICROCHIPS, CHIPSPak, CHIPSPort, and CHIPSlink are trademarks of Chips and Technologies, Inc.

IBM AT, XT, PS/2, Micro Channel, Personal System/2, Enhanced Graphics Adapter, Color Graphics Adapter, Video Graphics Adapter, IBM Color Display, and IBM Monochrome Display are trademarks of International Business Machines.

Copyright 1990 Chips and Technologies, Inc.

This data sheet is provided for the general information of the customer. Chips and Technologies, Inc. reserves the right to modify these parameters as necessary and the customer should ensure that it has the most recent revision of the data sheet. Chips makes no warranty for the use of its products and bears no responsibility for any errors which may appear in this document. The customer should be on notice that the field of personal computers is the subject of many patents held by different parties. Customers should ensure that they take appropriate action so that their use of the products does not infringe upon any patents. It is the policy of Chips and Technologies, Inc. to respect the valid patent rights of third parties and not to infringe upon or assist others to infringe upon such rights.





Preliminary
