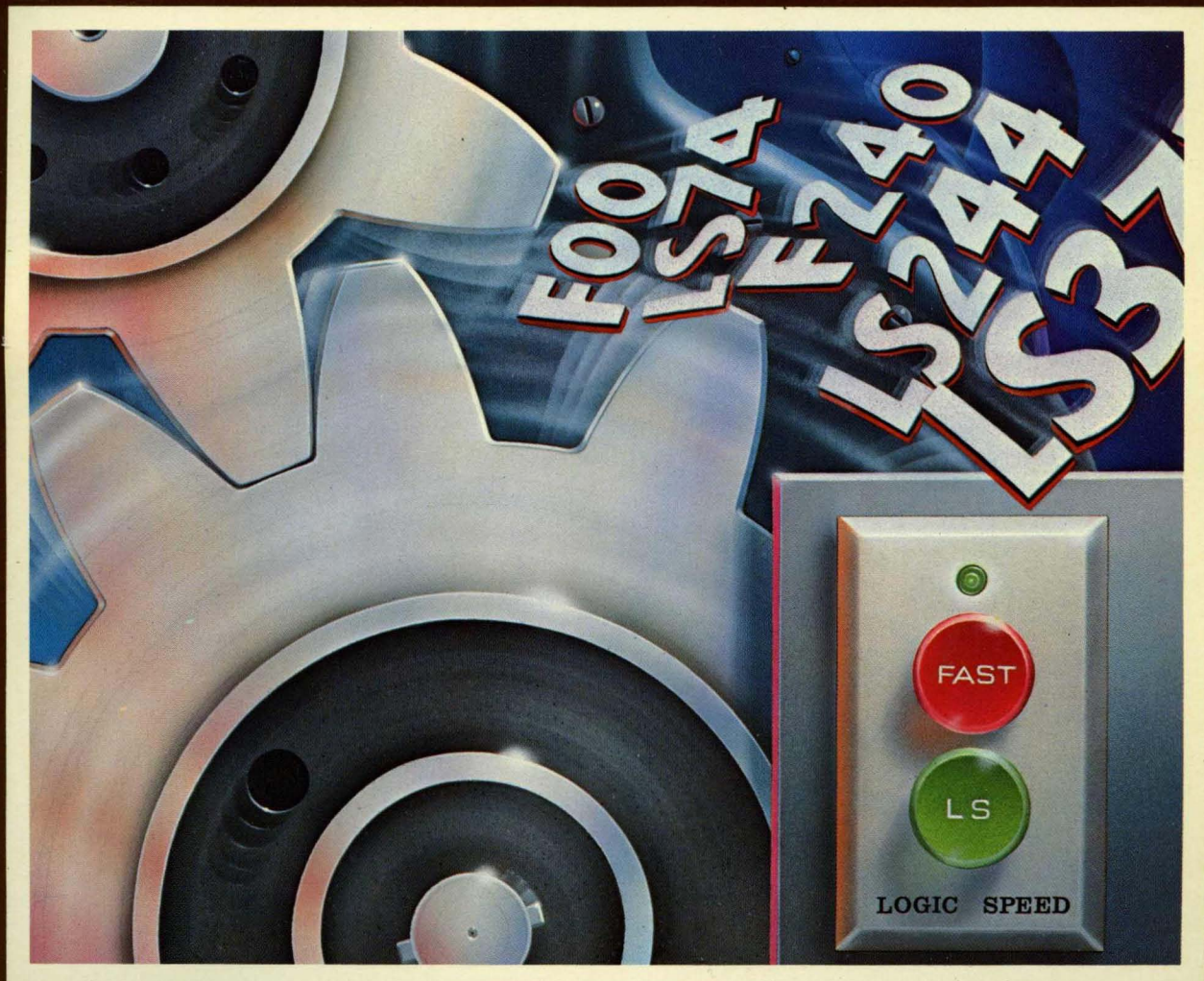




MOTOROLA INC.



MOTOROLA FAST AND LS TTL DATA



FAST AND LS TTL DATA

**Selection Information
FAST/LS**

1

Circuit Characteristics

2

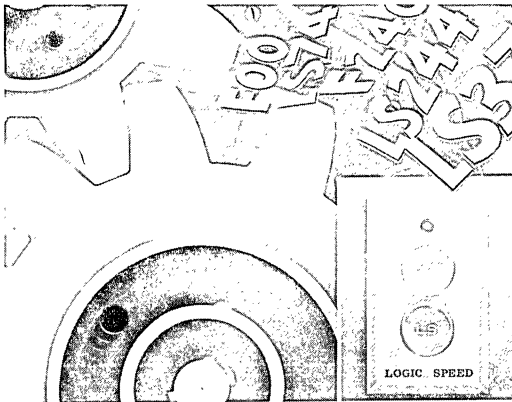
**Design Considerations
and Testing**

3

FAST Data Sheets

4

FAST AND LS



LS Data Sheets

5

Reliability Data

6

**Package Information
Including
Surface Mount**

7




MOTOROLA

FAST AND LS

Prepared by
Technical Information Center

Low Power Schottky (LSTTL) has become the industry standard logic in recent years, replacing the original 7400 TTL with lower power and higher speeds. In addition to offering the standard LS TTL circuits, Motorola offers the FAST Schottky and TTL family. Complete specifications for each of these families are provided in data sheet form. Functional selector guides not only provide an overview of already introduced devices but planned introduction dates of new products.

Motorola reserves the right to make changes to any product herein to improve reliability, function or design. Motorola does not assume any liability arising out of the application or use of any product or circuit described herein; neither does it convey any license under its present patent rights nor the rights of others.

Motorola reserves the right to make changes without further notice to any products herein to improve reliability, function or design. Motorola does not assume any liability arising out of the application or use of any product or circuit described herein; neither does it convey any license under its patent rights nor the rights of others. Motorola and  are registered trademarks of Motorola, Inc. Motorola, Inc. is an Equal Employment Opportunity/Affirmative Action Employer.

Series F
©Motorola Inc., 1986
Previous Edition ©1985
"All Rights Reserved"

MOSAIC and SOIC are trademarks of Motorola Inc.
FAST is a trademark of Fairchild Camera and Instrument Corporation.

FAST AND LS TTL DATA

CONTENTS

| | Page |
|---|------|
| ALPHA/NUMERICAL INDEX OF DEVICES | ii |
| CHAPTER 1 — SELECTION INFORMATION, FAST/LS | 1-1 |
| CHAPTER 2 — CIRCUIT CHARACTERISTICS | 2-1 |
| Family Characteristics | 2-2 |
| FAST TTL | 2-2 |
| LS TTL | 2-2 |
| Circuit Features | 2-2 |
| Input Configuration | 2-3 |
| Input Characteristics | 2-3 |
| Output Configuration | 2-4 |
| Output Characteristics | 2-4 |
| AC Switching Characteristics | 2-5 |
| CHAPTER 3 — DESIGN CONSIDERATIONS, SYMBOL DEFINITIONS AND TESTING | 3-1 |
| DESIGN CONSIDERATIONS | 3-2 |
| Selecting TTL Logic | 3-2 |
| Noise Immunity | 3-2 |
| Power Consumption | 3-2 |
| Fan-In and Fan-Out | 3-3 |
| Wired-OR Applications | 3-4 |
| Unused Inputs | 3-5 |
| Input Capacitance | 3-5 |
| Line Driving | 3-5 |
| Output Rise and Fall Times | 3-5 |
| Interconnection Delays | 3-5 |
| Absolute Maximum Ratings | 3-6 |
| DEFINITION OF SYMBOLS AND TERMS | 3-7 |
| Currents | 3-7 |
| Voltages | 3-7 |
| AC Switching Parameters and Waveforms | 3-8 |
| TESTING | 3-10 |
| DC Test Circuits | 3-10 |
| AC Test Circuits | 3-11 |
| CHAPTER 4 — FAST DATA SHEETS | 4-1 |
| CHAPTER 5 — LS DATA SHEETS | 5-1 |
| CHAPTER 6 — RELIABILITY DATA | 6-1 |
| High-Reliability Standard Programs | 6-2 |
| The "Better" Program | 6-4 |
| "RAP" Reliability Audit Program | 6-6 |
| CHAPTER 7 — PACKAGE INFORMATION INCLUDING SURFACE MOUNT | 7-1 |

ALPHANUMERIC INDEX OF DEVICES

| Device | Description | Page |
|------------------|---|-------|
| MC54F/74F00 | Quad 2-Input NAND Gate | 4-2 |
| MC54F/74F02 | Quad 2-Input NOR Gate | 4-4 |
| MC54F/74F04 | Hex Inverter | 4-6 |
| MC54F/74F08 | Quad 2-Input AND Gate | 4-8 |
| MC54F/74F10 | Triple 3-Input NAND Gate | 4-10 |
| MC54F/74F11 | Triple 3-Input AND Gate | 4-12 |
| MC54F/74F20 | Dual 4-Input NAND Gate | 4-14 |
| MC54F/74F32 | Quad 2-Input OR Gate | 4-16 |
| MC54F/74F64 | 4-2-3-2 Input AND/OR/INVERT/Gate | 4-18 |
| MC54F/74F74 | Dual D Flip-Flop | 4-20 |
| MC54F/74F86 | Quad Exclusive/OR Gate | 4-23 |
| MC54F/74F109 | Dual J-K Flip-Flop w/Preset | 4-25 |
| MC54F/74F112 | Dual J-K Negative Edge-Triggered Flip-Flop | 4-28 |
| MC54F/74F113 | Dual J-K Negative Edge-Triggered Flip-Flop | 4-31 |
| MC54F/74F114 | Dual J-K Negative Edge-Triggered Flip-Flop (with Common Clock and Clears) | 4-34 |
| MC54F/74F138 | 1-of-8 Decoder/Demultiplexer | 4-37 |
| MC54F/74F139 | Dual 1-of-4 Decoder | 4-40 |
| MC54F/74F148 | 8-Line to 3-Line Priority Encoder | 4-43 |
| MC54F/74F151 | 8-Input Multiplexer | 4-46 |
| MC54F/74F153 | Dual 4-Input Multiplexer | 4-48 |
| MC54F/74F157 | Quad 2-Input Multiplexer | 4-51 |
| MC54F/74F158 | Quad 2-Input Multiplexer | 4-53 |
| MC54F/74F160A | Synchronous Presettable BCD Decade Counter (Asynchronous Master Reset) | 4-55 |
| MC54F/74F161A | Synchronous Presettable Binary Counter (Asynchronous Master Reset) | 4-59 |
| MC54F/74F162A | Synchronous Presettable BCD Decade Counter | 4-55 |
| MC54F/74F163A | Synchronous Presettable Binary Counter | 4-59 |
| MC54F/74F174 | Hex D Flip-Flop, Master Reset | 4-63 |
| MC54F/74F175 | Quad D Flip-Flop | 4-66 |
| MC54F/74F181 | 4-Bit ALU | 4-69 |
| MC54F/74F182 | Look Ahead Carry Generator | 4-74 |
| MC54F/74F190 | Up/Down Decade Counter | 4-77 |
| MC54F/74F191 | Up/Down Binary Counter | 4-81 |
| MC54F/74F192 | Up/Down Counters with Separate Up/Down Clocks | 4-86 |
| MC54F/74F193 | Up/Down Counters with Separate Up/Down Clocks | 4-86 |
| MC54F/74F194 | Universal Shift Register | 4-89 |
| MC54F/74F240 | Octal Buffer/Line Driver/3-State | 4-92 |
| MC54F/74F241 | Octal Buffer/Line Driver/3-State | 4-92 |
| MC54F/74F242/243 | Quad Bus Transceivers | 4-95 |
| MC54F/74F244 | Octal Buffer/Line Driver/3-State | 4-92 |
| MC54F/74F245 | Octal Bidirectional Transceiver/3-State | 4-98 |
| MC54F/74F251 | 8-Input Multiplexer/3-State | 4-100 |
| MC54F/74F253 | Dual 4-Input Multiplexer/3-State | 4-103 |
| MC54F/74F257 | Quad 3-Input Multiplexer/3-State | 4-106 |
| MC54F/74F258 | Quad 2-Input Multiplexer, Inverting/3-State | 4-109 |
| MC54F/74F280 | 9-Bit Parity Generator/Checker | 4-112 |
| MC54F/74F283 | 4-Bit Full Adder | 4-114 |
| MC54F/74F350 | 4-Bit Shifter/3-State | 4-118 |
| MC54F/74F352 | Dual 4-Input Multiplexer | 4-122 |
| MC54F/74F353 | Dual 4-Input Multiplexer/3-State | 4-125 |
| MC54F/74F373 | Octal Transparent Latch/3-State | 4-128 |
| MC54F/74F374 | Octal D Flip-Flop/3-State | 4-131 |
| MC54F/74F378 | Parallel D Register, Enable | 4-134 |
| MC54F/74F379 | Quad Parallel Register, Enable | 4-137 |
| MC54F/74F381 | 4-Bit ALU | 4-140 |
| MC54F/74F521 | Octal Comparator | 4-145 |

ALPHANUMERIC INDEX OF DEVICES (Continued)

| Device | Description | Page |
|-----------------|---|-------|
| MC54F/74F533 | Octal Transparent Latch/3-State | 4-148 |
| MC54F/74F534 | Octal D Flip-Flop/3-State | 4-150 |
| MC74F2960 | Error Detection and Correction Circuit | 4-153 |
| MC74F2968 | Dynamic Memory Controller | 4-157 |
| MC74F2969 | Dynamic Memory Timing Controllers | 4-157 |
| MC74F2970 | Dynamic Memory Timing Controllers | 4-157 |
| MC6883 | Synchronous Address Multiplexer | 5-366 |
| SN54LS/74LS00 | Quad 2-Input NAND Gate | 5-2 |
| SN54LS/74LS01 | Quad 2-Input NAND Gate, Open-Collector | 5-3 |
| SN54LS/74LS02 | Quad 2-Input NOR Gate | 5-4 |
| SN54LS/74LS03 | Quad 2-Input NAND Gate, Open-Collector | 5-5 |
| SN54LS/74LS04 | Hex Inverter | 5-6 |
| SN54LS/74LS05 | Hex Inverter, Open-Collector | 5-7 |
| SN54LS/74LS08 | Quad 2-Input AND Gate | 5-8 |
| SN54LS/74LS09 | Quad 2-Input AND Gate, Open Collector | 5-9 |
| SN54LS/74LS10 | Triple 3-Input NAND Gate | 5-10 |
| SN54LS/74LS11 | Triple 3-Input AND Gate | 5-11 |
| SN54LS/74LS12 | Triple 3-Input NAND Gate, Open-Collector | 5-12 |
| SN54LS/74LS13 | Dual 4-Dual Schmitt Trigger | 5-13 |
| SN54LS/74LS14 | Hex Schmitt Trigger | 5-13 |
| SN54LS/74LS15 | Triple 3-Input AND Gate, Open-Collector | 5-16 |
| SN54LS/74LS20 | Dual 4-Input NAND Gate | 5-17 |
| SN54LS/74LS21 | Dual 4-Input AND Gate | 5-18 |
| SN54LS/74LS22 | Dual 4-Input NAND Gate, Open-Collector | 5-19 |
| SN54LS/74LS26 | Quad 2-Input NAND Buffer, Open-Collector | 5-20 |
| SN54LS/74LS27 | Triple 3-Input NOR Gate | 5-21 |
| SN54LS/74LS28 | Quad 2-Input NOR Buffer | 5-22 |
| SN54LS/74LS30 | 8-Input NAND Gate | 5-23 |
| SN54LS/74LS32 | Quad 2-Input OR Gate | 5-24 |
| SN54LS/74LS33 | Quad 2-Input NOR Buffer, Open-Collector | 5-25 |
| SN54LS/74LS37 | Quad 2-Input NAND Buffer | 5-26 |
| SN54LS/74LS38 | Quad 2-Input NAND Buffer, Open-Collector | 5-27 |
| SN54LS/74LS40 | Dual 4-Input NAND Buffer | 5-28 |
| SN54LS/74LS42 | 1-of-10 Decoder | 5-29 |
| SN54LS/74LS47 | BCD to 7-Segment Decoder/Driver, Open-Collector | 5-32 |
| SN54LS/74LS48 | BCD to 7-Segment Decoder/Driver | 5-35 |
| SN54LS/74LS49 | BCD to 7-Segment Decoder/Driver, Open-Collector | 5-35 |
| SN54LS/74LS51 | Dual AND-OR-INVERT Gate | 5-39 |
| SN54LS/74LS54 | 3-2-2-3-Input AND-OR-INVERT Gate | 5-40 |
| SN54LS/74LS55 | 2-Wide 4-Input AND-OR-INVERT Gate | 5-41 |
| SN54LS/74LS73A | Dual J-K Flip-Flop | 5-42 |
| SN54LS/74LS74A | Dual D Flip-Flop | 5-45 |
| SN54LS/74LS75 | 4-Bit Bi-Stable Latch with Q and Q | 5-48 |
| SN54LS/74LS76A | Dual J-K Flip-Flop | 5-52 |
| SN54LS/74LS77 | 4-Bit Bi-Stable Latch with Q | 5-48 |
| SN54LS/74LS78A | Dual J-K Flip-Flop | 5-54 |
| SN54LS/74LS83A | 4-Bit Full Adder | 5-56 |
| SN54LS/74LS85 | 4-Bit Magnitude Comparator | 5-59 |
| SN54LS/74LS86 | Quad Exclusive OR Gate | 5-63 |
| SN54LS/74LS90 | Decade Counter | 5-64 |
| SN54LS/74LS91 | 8-Bit Shift Register | 5-70 |
| SN54LS/74LS92 | Divide-by-12 Counter | 5-64 |
| SN54LS/74LS93 | 4-Bit Binary Counter | 5-64 |
| SN54LS/74LS95B | 4-Bit Shift Register | 5-72 |
| SN54LS/74LS107A | Dual J-K Flip-Flop | 5-76 |

ALPHANUMERIC INDEX OF DEVICES (Continued)

| Device | Description | Page |
|-----------------|--|-------|
| SN54LS/74LS109A | Dual J-K Edge-Triggered Flip-Flop | 5-78 |
| SN54LS/74LS112A | Dual J-K Edge-Triggered Flip-Flop | 5-80 |
| SN54LS/74LS113A | Dual J-K Edge-Triggered Flip-Flop | 5-82 |
| SN54LS/74LS114A | Dual J-K Edge-Triggered Flip-Flop | 5-84 |
| SN54LS/74LS122 | Retriggerable Monostable Multivibrator | 5-86 |
| SN54LS/74LS123 | Retriggerable Monostable Multivibrator | 5-86 |
| SN54LS/74LS125A | Quad 3-State Buffer, Low Enable | 5-93 |
| SN54LS/74LS126A | Quad 3-State Buffer, High Enable | 5-93 |
| SN54LS/74LS132 | Quad 2-Input Schmitt Trigger | 5-95 |
| SN54LS/74LS133 | 13-Input NAND Gate | 5-98 |
| SN54LS/74LS137 | 3-Line to 8-Line Decoder/Demultiplexer | 5-100 |
| SN54LS/74LS138 | 1-of-8 Decoder/Demultiplexer | 5-102 |
| SN54LS/74LS139 | Dual 1-of-4 Decoder/Demultiplexer | 5-105 |
| SN54LS/74LS145 | 1-of-10 Decoder/Driver, Open-Collector | 5-108 |
| SN54LS/74LS147 | 10-Input to 4-Line Priority Encoder | 5-111 |
| SN54LS/74LS148 | 8-Input to 3-Line Priority Encoder | 5-111 |
| SN54LS/74LS151 | 8-Input Multiplexer | 5-115 |
| SN54LS/74LS153 | Dual 4-Input Multiplexer | 5-118 |
| SN54LS/74LS155 | Dual 1-of-4 Decoder/Demultiplexer | 5-121 |
| SN54LS/74LS156 | Dual 1-of-4 Decoder/Demultiplexer, Open-Collector | 5-121 |
| SN54LS/74LS157 | Quad 2-Input Multiplexer, Noninverting | 5-125 |
| SN54LS/74LS158 | Quad 2-Input Multiplexer, Inverting | 5-128 |
| SN54LS/74LS160A | BCD Decade Counter, Asynchronous Reset (9310 Type) | 5-131 |
| SN54LS/74LS161A | 4-Bit Binary Counter, Asynchronous Reset (9316 Type) | 5-131 |
| SN54LS/74LS162A | BCD Decade Counter, Synchronous Reset | 5-131 |
| SN54LS/74LS163A | 4-Bit Binary Counter, Synchronous Reset | 5-131 |
| SN54LS/74LS164 | 8-Bit Shift Register, Serial-In/Parallel Out | 5-136 |
| SN54LS/74LS165 | 8-Bit Shift Register, Parallel-In/Serial Out | 5-139 |
| SN54LS/74LS166 | 8-Bit Shift Register, Parallel-In/Serial Out | 5-142 |
| SN54LS/74LS168 | BCD Decade (Module Bi-Directional Counters) | 5-146 |
| SN54LS/74LS169 | BCD Decade (Module Bi-Directional Counters) | 5-146 |
| SN54LS/74LS170 | 4 X 4 Register File, Open-Collector | 5-151 |
| SN54LS/74LS173A | 4-Bit Type Register, 3-State | 5-155 |
| SN54LS/74LS174 | Hex D-Type Flip-Flop with Clear | 5-158 |
| SN54LS/74LS175 | Quad D-Type Flip-Flop with Clear | 5-161 |
| SN54LS/74LS181 | 4-Bit ALU | 5-164 |
| SN54LS/74LS182 | Carry Lookahead Generator | 5-170 |
| SN54LS/74LS183 | Dual Carry-Save Full Adder | 5-174 |
| SN54LS/74LS190 | Up/Down Decade Counter | 5-176 |
| SN54LS/74LS191 | Up/Down Binary Counter | 5-176 |
| SN54LS/74LS192 | Up/Down Decade Counter | 5-183 |
| SN54LS/74LS193 | Up/Down Binary Counter | 5-183 |
| SN54LS/74LS194A | 4-Bit Right/Left Shift Register | 5-189 |
| SN54LS/74LS195A | 4-Bit Shift Register (9300 Type) | 5-193 |
| SN54LS/74LS196 | Decade Counter | 5-197 |
| SN54LS/74LS197 | 4-Bit Binary Counter | 5-197 |
| SN54LS/74LS221 | Dual Monostable Multivibrator | 5-203 |
| SN54LS/74LS240 | Octal Inverting Bus/Line Driver | 5-208 |
| SN54LS/74LS241 | Octal Bus Line Driver | 5-208 |
| SN54LS/74LS242 | Quad Bus Transceiver, Inverting | 5-211 |
| SN54LS/74LS243 | Quad Bus Transceiver, Noninverting | 5-211 |
| SN54LS/74LS244 | Octal 3-State Driver, Noninverting | 5-208 |
| SN54LS/74LS245 | Octal Bus Transceiver, Noninverting | 5-214 |
| SN54LS/74LS247 | BCD to 7-Segment Decoder/Driver, Open-Collector | 5-216 |
| SN54LS/74LS248 | BCD to 7-Segment Decoder/Driver | 5-216 |

ALPHANUMERIC INDEX OF DEVICES (Continued)

| Device | Description | Page |
|-----------------|--|-------|
| SN54LS/74LS249 | BCD to 7-Segment Decoder/Driver, Open-Collector | 5-216 |
| SN54LS/74LS253 | Dual 4-Input Multiplexer, 3-State | 5-226 |
| SN54LS/74LS256 | Dual 4-Bit Addressable Latch | 5-229 |
| SN54LS/74LS257A | Quad 2-Input Multiplexer, 3-State | 5-233 |
| SN54LS/74LS258A | Quad 2-Input Multiplexer, 3-State | 5-233 |
| SN54LS/74LS259 | 8-Bit Addressable Latch (9334) | 5-236 |
| SN54LS/74LS260 | Dual 5-Input NOR Gate | 5-240 |
| SN54LS/74LS266 | Quad Exclusive NOR Gate, Open-Collector | 5-241 |
| SN54LS/74LS273 | Octal D-Type Flip-Flop with Clear | 5-242 |
| SN54LS/74LS279 | Quad Set-Reset Latch | 5-245 |
| SN54LS/74LS280 | 9-Bit Odd/Even Parity Generator/Checker | 5-246 |
| SN54LS/74LS283 | 4-Bit Full Adder (Rotated LS83A) | 5-248 |
| SN54LS/74LS290 | Decade Counter | 5-251 |
| SN54LS/74LS293 | 4-Bit Binary Counter | 5-251 |
| SN54LS/74LS298 | Quad 2-Input Multiplexer with Output Register | 5-260 |
| SN54LS/74LS299 | 8-Bit Shift/Storage Register, 3-State | 5-263 |
| SN54LS/74LS322A | 8-Bit Shift Register with Sign Extend | 5-267 |
| SN54LS/74LS323 | 8-Bit Universal Shift/Storage Register, 3-State | 5-270 |
| SN54LS/74LS348 | 8-Input to 3-Line Priority Encoder, 3-State | 5-274 |
| SN54LS/74LS352 | Dual 4-Input Multiplexer | 5-277 |
| SN54LS/74LS353 | Dual 4-Input Multiplexer, 3-State LS352 | 5-280 |
| SN54LS/74LS365A | Hex Buffer with Common Enable, 3-State | 5-284 |
| SN54LS/74LS366A | Hex Inverter with Common Enable, 3-State | 5-284 |
| SN54LS/74LS367A | Hex Buffer, 4-Bit and 2-Bit, 3-State | 5-284 |
| SN54LS/74LS368A | Hex-Inverter, 4-Bit and 2-Bit, 3-State | 5-284 |
| SN54LS/74LS373 | Octal Transparent Latch, 3-State | 5-286 |
| SN54LS/74LS374 | Octal D-Type Flip-Flop, 3-State | 5-286 |
| SN54LS/74LS375 | 4-Bit Bi-Stable Latch with Q and Q | 5-291 |
| SN54LS/74LS377 | Octal D-Type Flip-Flop with Enable | 5-294 |
| SN54LS/74LS378 | Hex D-Type Flip-Flop with Enable | 5-294 |
| SN54LS/74LS379 | 4-Bit D-Type Flip-Flop with Enable | 5-294 |
| SN54LS/74LS385 | Quadruple Serial Adder/Subtractor | 5-298 |
| SN54LS/74LS386 | Quad Exclusive OR Gate | 5-301 |
| SN54LS/74LS390 | Dual Decade Counter | 5-302 |
| SN54LS/74LS393 | Dual 4-Bit Binary Counter | 5-302 |
| SN54LS/74LS398 | Quad 2-Input Multiplexer with Output Register | 5-310 |
| SN54LS/74LS399 | Quad 2-Input Multiplexer with Output Register | 5-310 |
| SN54LS/74LS490 | Dual Decade Counter | 5-313 |
| SN54LS/74LS540 | Octal Inverting Bus/Line Driver | 5-316 |
| SN54LS/74LS541 | Octal Bus/Line Driver | 5-316 |
| SN54LS/74LS568 | Decade Up/Down Counter, 3-State | 5-319 |
| SN54LS/74LS569 | Binary Up/Down Counter, 3-State | 5-319 |
| SN54LS/74LS604 | 16-to-8 Multiplexer, 3-State | 5-324 |
| SN54LS/74LS605 | 16-to-8 Multiplexer, Open-Collector | 5-324 |
| SN54LS/74LS606 | 16-to-8 Multiplexer, 3-State | 5-324 |
| SN54LS/74LS607 | 16-to-8 Multiplexer, Open-Collector | 5-324 |
| SN54LS/74LS620 | Octal Transceiver with Storage, 3-State | 5-327 |
| SN54LS/74LS621 | Octal Transceiver with Storage, Open-Collector | 5-327 |
| SN54LS/74LS622 | Octal Transceiver with Storage, Open-Collector | 5-327 |
| SN54LS/74LS623 | Octal Transceiver with Storage, 3-State | 5-327 |
| SN54LS/74LS640 | Octal Bus Transceiver with 3-State Output | 5-330 |
| SN54LS/74LS641 | Octal Bus Transceiver with 3-State Output | 5-330 |
| SN54LS/74LS642 | Octal Bus Transceiver with 3-State Output | 5-330 |
| SN54LS/74LS643 | Octal Bus Transceiver, True, Inverting, 3-State | 5-330 |
| SN54LS/74LS644 | Octal Bus Transceiver, True, Inverting, Open-Collector | 5-330 |

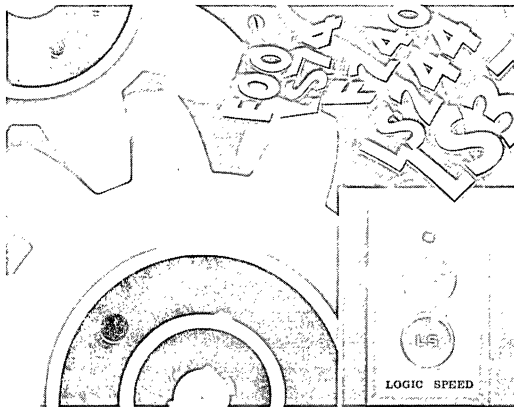
ALPHANUMERIC INDEX OF DEVICES (Continued)

| Device | Description | Page |
|-----------------|--|-------|
| SN54LS/74LS645 | Octal Bus Transceiver with 3-State Output | 5-330 |
| SN54LS/74LS668 | Synchronous 4-Bit Up/Down Counters | 5-333 |
| SN54LS/74LS669 | Synchronous 4-Bit Up/Down Counters | 5-333 |
| SN54LS/74LS670 | 4 X 4 Register File, 3-State | 5-337 |
| SN54LS/74LS673 | 16-Bit Shift Register, 3-State | 5-341 |
| SN54LS/74LS674 | 16-Bit Shift Register, 3-State | 5-341 |
| SN54LS/74LS682 | 8-Bit Magnitude Comparator, 3-State | 5-345 |
| SN54LS/74LS683 | 8-Bit Magnitude Comparator, Open-Collector | 5-345 |
| SN54LS/74LS684 | 8-Bit Magnitude Comparator, 3-State | 5-345 |
| SN54LS/74LS685 | 8-Bit Magnitude Comparator, Open-Collector | 5-345 |
| SN54LS/74LS686 | 8-Bit Magnitude Comparator with Enable, 3-State | 5-345 |
| SN54LS/74LS687 | 8-Bit Magnitude Comparator with Enable, Open-Collector | 5-345 |
| SN54LS/74LS688 | 8-Bit Magnitude Comparator, 3-State | 5-345 |
| SN54LS/74LS689 | 8-Bit Magnitude Comparator, Open-Collector | 5-345 |
| SN54LS/74LS716 | Programmable Decade Counter (MC4016) | 5-352 |
| SN54LS/74LS718 | Programmable Decade Counter (MC4018) | 5-352 |
| SN54LS/74LS748 | 8-Input to 3-Line Priority Encoder (Glitchless) | 5-111 |
| SN54LS/74LS795 | Octal Buffer (81LS95), 3-State | 5-390 |
| SN54LS/74LS796 | Octal Buffer (81LS96), 3-State | 5-390 |
| SN54LS/74LS797 | Octal Buffer (81LS97), 3-State | 5-390 |
| SN54LS/74LS798 | Octal Buffer (81LS98), 3-State | 5-390 |
| SN54LS/74LS848 | 8-Input to 3-Line Priority Encoder, 3-State (Glitchless) | 5-274 |
| SN74LS136 | Quad Exclusive OR Gate, Open-Collector | 5-99 |
| SN74LS251 | 8-Input Multiplexer, 3-State | 5-222 |
| SN74LS295A | 4-Bit Shift Register, 3-State | 5-256 |
| SN74LS395 | 4-Bit Shift Register, 3-State | 5-306 |
| SN74LS724 | Voltage Controlled Oscillator | 5-363 |
| SN74LS783/LS785 | Synchronous Address Multiplexer (MC6883) | 5-366 |

Selection Information FAST/LS

1

FAST AND LS



GENERAL INFORMATION

TTL in Perspective

Since its introduction, TTL has become the most popular form of digital logic. It has evolved from the original gold-doped saturated 7400 logic, to Schottky-Clamped logic, and finally to the modern advanced families of TTL logic. The popularity of these TTL families stem from their ease of use, low cost, medium-to-high speed operation, and good output drive capability.

Motorola offers two modern TTL logic families — LS and FAST™. They are pin and functionally compatible and can easily be combined in a system to achieve maximum performance at minimum cost.

LS (Low Power Schottky) is currently the more popular and commands by far the largest share of the total TTL logic market. It is low-cost and provides moderate performance at low power.

FAST, the state-of-the-art, high-performance TTL family, is growing rapidly and gaining a significant share of the total TTL logic market. FAST offers a 20–30 percent improvement in performance over the older Standard Schottky family (74S) with a 75–80 percent reduction in power. When compared with the Advanced Schottky family (74AS), FAST offers nearly equal performance at a 25–50 percent savings in power.

FAST is manufactured on Motorola's MOSAIC (oxide-isolated) process. This process provides FAST with inherent speed/power advantages over the older junction-isolated 74S and 74LS families, allowing the FAST family to be designed and specified with improved noise margins, reduced input currents, and superior line driving capabilities in comparison to these earlier families. Additionally, FAST designs incorporate power-down circuitry on all three-state outputs, and buffered outputs on all storage devices.

Two further advantages of FAST are the load specifications and power supply specifications. FAST ac characteristics are specified at a heavier capacitive load than the earlier families (50 pF versus 15 pF) to more accurately reflect actual in-circuit performance. Motorola's dc and ac characteristics for FAST are specified over a full 10% supply voltage range — a significant improvement over the industry standard specifications for the earlier families (5% for dc, 0% for ac).

These design and specification improvements offered by the Motorola FAST family provide the user with better system performance, enhanced design flexibility, and more reliable system operation.

TTL Family Comparisons

General Characteristics for Schottky TTL Logic

(ALL MAXIMUM RATINGS)

| Characteristic | Symbol | LS | | FAST | | Units |
|---------------------------------|---|-------------|-------------|--------------|--------------|-----------------|
| | | 54LSxxx | 74LSxxx | 54Fxxx | 74Fxxx | |
| Operating Voltage Range | V _{CC} | 5 ± 10% | 5 ± 5% | 5 ± 10% | 5 ± 10% | V _{dc} |
| Operating Temperature Range | T _A | -55 to 125 | 0 to 70 | -55 to 125 | 0 to 70 | °C |
| Input Current | I _{IN} ^{I_{IH}} | 20 | 20 | 20 | 20 | μA |
| | I _{IN} ^{I_{IL}} | -400 | -400 | -600 | -600 | |
| Output Drive Standard Output | I _{OH} | -0.4 | -0.4 | -1.0 | -1.0 | mA |
| | I _{OL} | 4.0 | 8.0 | 20 | 20 | |
| | I _{SC} | -20 to -100 | -20 to -100 | -60 to -150 | -60 to -150 | |
| Buffer Output | I _{OH} | -12 | -15 | -12 | -15 | mA |
| | I _{OL} | 12 | 24 | 48 | 64 | |
| | I _{SC} | -40 to -225 | -40 to -225 | -100 to -225 | -100 to -225 | |

Speed/Power Characteristics for Schottky TTL Logic⁽¹⁾

(ALL TYPICAL RATINGS)

| Characteristic | Symbol | LS | FAST | Units |
|-------------------------------|------------------|-----|------|-------|
| Quiescent Supply Current/Gate | I _G | 0.4 | 1.1 | mA |
| Power/Gate (Quiescent) | P _G | 2.0 | 5.5 | mW |
| Propagation Delay | t _p | 9.0 | 3.7 | ns |
| Speed Power Product | — | 18 | 19.2 | pJ |
| Clock Frequency (D-F/F) | f _{max} | 33 | 125 | MHz |
| Clock Frequency (Counter) | f _{max} | 40 | 125 | MHz |

NOTES: 1. Specifications are shown for the following conditions:

a) V_{CC} = 5.0 V_{dc} (AC);

b) T_A = 25°C

c) C_L = 50 pF for FAST; 15 pF for LS

Functional Selection

Abbreviations

S = Synchronous
 A = Asynchronous
 B = Both Synchronous and Asynchronous

2S = 2-State Output
 3S = 3-State Output
 OC = Open-Collector Output

P = Planned (See FAST/LS Selector Guide, SG-60 for latest availability status)
 X = Available



Inverters

| Description | Type of Output | No. | LS | FAST |
|-------------|----------------|-----|----|------|
| Hex | 2S | 04 | X | X |
| | OC | 05 | X | |

AND Gates

| Description | Type of Output | No. | LS | FAST |
|----------------|----------------|-----|----|------|
| Quad 2-Input | 2S | 08 | X | X |
| | OC | 09 | X | |
| Triple 3-Input | 2S | 11 | X | X |
| | OC | 15 | X | |
| Dual 4-Input | 2S | 21 | X | P |

NAND Gates

| Description | Type of Output | No. | LS | FAST |
|----------------------------|----------------|-----|----|------|
| Quad 2-Input | 2S | 00 | X | X |
| | OC | 01 | X | |
| | OC | 03 | X | |
| Quad 2-Input, High Voltage | OC | 26 | X | |
| | 2S | 10 | X | X |
| Triple 3-Input | OC | 12 | X | |
| | 2S | 20 | X | X |
| Dual 4-Input | OC | 22 | X | |
| | 2S | 30 | X | |
| 8-Input | 2S | 133 | X | |

OR Gates

| Description | Type of Output | No. | LS | FAST |
|--------------|----------------|-----|----|------|
| Quad 2-Input | 2S | 32 | X | X |

NOR Gates

| Description | Type of Output | No. | LS | FAST |
|----------------|----------------|-----|----|------|
| Quad 2-Input | 2S | 2 | X | X |
| Triple 3-Input | 2S | 27 | X | |
| Dual 5-Input | 2S | 260 | X | |

Exclusive OR Gates

| Description | Type of Output | No. | LS | FAST |
|--------------|----------------|-----|----|------|
| Quad 2-Input | 2S | 86 | X | X |
| | OC | 136 | X | |
| | 2S | 386 | X | |

Exclusive NOR Gates

| Description | Type of Output | No. | LS | FAST |
|--------------|----------------|-----|----|------|
| Quad 2-Input | OC | 266 | X | |

AND-OR-INVERT Gates

| Description | Type of Output | No. | LS | FAST |
|------------------------------|----------------|-----|----|------|
| Dual 2-Wide, 2-Input 3-Input | 2S | 51 | X | |
| 4-Wide, 2-3-2-3-Input | 2S | 54 | X | |
| 2-Wide, 4-Input | 2S | 55 | X | |
| 4-Wide, 4-2-2-3-Input | 2S | 64 | | X |

Schmitt Triggers

| Description | Type of Output | No. | LS | FAST |
|------------------------|----------------|-----|----|------|
| Dual 4-Input NAND Gate | 2S | 13 | X | P |
| Hex, Inverting | 2S | 14 | X | P |
| Quad 2-Input NAND Gate | 2S | 132 | X | P |

SSI Flip-Flops

| Description | Clock Edge | No. | LS | FAST |
|--|------------|-----|----|------|
| Dual D w/Set & Clear | Pos | 74 | X | X |
| Dual JK w/Set | Neg | 113 | X | P |
| Dual JK w/Clear | Neg | 73 | X | |
| | Neg | 107 | X | |
| Dual JK w/Set & Clear Individual J, K, C _p , S _D , C _D Inputs | Neg | 76 | X | |
| Dual JK w/Set & Clear Common C _O , C _p | Neg | 78 | X | |
| Same as 76 with Different Pinout | Neg | 112 | X | P |
| Same as 114 with Different Pinout | Neg | 114 | X | P |
| Dual JK w/Set & Clear | Pos | 109 | X | X |

Multiplexers

| Description | Type of Output | No. | LS | FAST |
|---|----------------|-----|----|------|
| Quad 2-to-1, Non-Inverting | 2S | 157 | X | X |
| | 3S | 257 | X | X |
| Quad 2-to-1, Inverting | 2S | 158 | X | X |
| | 3S | 258 | X | X |
| Dual 4-to-1, Non-Inverting | 2S | 153 | X | X |
| | 3S | 253 | X | X |
| Dual 4-to-1, Inverting | 2S | 352 | X | X |
| | 3S | 353 | X | X |
| 8-to-1 | 2S | 151 | X | X |
| | 3S | 251 | X | X |
| Quad 2-to-1 with Output Register 298 — Negative edge triggered | 2S | 298 | X | P |
| | 2S | 398 | X | P |
| 398 — Positive edge triggered, Q/ \bar{Q} Outputs 399 — Positive edge triggered, Q Output Only | 2S | 399 | X | P |

Encoders

| Description | Type of Output | No. | LS | FAST |
|------------------------------|----------------|-----|----|------|
| 10-to-4-Line BCD | 2S | 147 | X | |
| 8-to-3-Line Priority Encoder | 2S | 148 | X | X |
| | 3S | 348 | X | |
| | 2S | 748 | X | |
| | 3S | 848 | X | |

Register Files

| Description | Type of Output | No. | LS | FAST |
|-------------|----------------|-----|----|------|
| 4 x 4 | OC | 170 | X | |
| | 3S | 670 | X | |

Shift Registers

| Description | No. of Bits | Type of Output | Mode* | | | | No. | LS | FAST |
|--|-------------|----------------|-------|----|------|-------|-----|----|------|
| | | | SR | SL | Hold | Reset | | | |
| Serial In-Serial Out | 8 | 2S | X | | | | 91 | X | |
| Serial In-Parallel Out | 8 | 2S | X | | | A | 164 | X | P |
| Parallel In-Serial Out | 8 | 2S | X | | X | | 165 | X | P |
| | 8 | 2S | X | | X | A | 166 | X | P |
| Parallel In-Parallel Out | 16 | 3S | X | | X | | 674 | X | |
| | 4 | 2S | X | | | | 95 | X | |
| | 4 | 2S | X | X | X | A | 194 | X | P |
| | 4 | 2S | X | | | A | 195 | X | P |
| | 4 | 3S | X | | | | 295 | X | |
| | 4 | 3S | X | | | A | 395 | X | |
| Parallel In-Parallel Out, Bidirectional | 8 | 3S | X | X | X | A | 299 | X | P |
| | 8 | 3S | X | X | X | S | 323 | X | P |
| Sign Extended Bidirectional | 8 | 3S | X | | X | A | 322 | X | |
| Serial In-Parallel Out with Storage Register | 16 | 2S/3S | X | | X | S | 673 | X | P |
| | 16 | 2S | X | X | X | | 675 | X | P |

* SR = Shift Right
SL = Shift Left

Decoders/Demultiplexers

| Description | Type of Output | No. | LS | FAST |
|-------------------|----------------|-----|----|------|
| Dual 1-of-4 | 2S | 139 | X | X |
| | 2S | 155 | X | |
| | OC | 156 | X | |
| 1-of-8 | 3S | 539 | | P |
| | 2S | 138 | X | X |
| 1-of-8 with Latch | 3S | 538 | | P |
| | 2S | 137 | X | |
| | 2S | 42 | X | |
| 1-of-10 | 3S | 537 | | P |

Latches

| Description | No. of Bits | Type of Output | No. | LS | FAST |
|--------------------------------------|-------------|----------------|-----|----|------|
| Transparent, Non-Inverting | 4 | 2S | 77 | X | |
| | 8 | 3S | 373 | X | X |
| Octal, Non-Inverting | 8 | 3S | 573 | | |
| | 8 | 3S | 533 | | X |
| Transparent, Inverting | 8 | 3S | 563 | | P |
| | 4 | 2S | 75 | X | |
| Transparent, Q and \bar{Q} Outputs | 4 | 2S | 375 | X | |
| | 4 | 2S | 279 | X | |
| Quad Set-Reset Latch Addressable | 8 | 2S | 259 | X | P |
| | 4 | 2S | 256 | X | P |



Asynchronous Counters — Negative Edge-Triggered

| Description | Load | Set | Reset | No. | LS | FAST |
|--------------------|------|-----|-------|------|----|------|
| Decade (2/5) | X | X | X | 90 | X | |
| | | X | X | 196 | X | |
| Dual Decade (2/5) | | X | X | 290 | X | |
| | | X | X | 390 | X | |
| Dual Decade | | X | X | 490 | X | |
| Modulo 12 (2/6) | | X | X | 92 | X | |
| 4-Bit Binary (2/8) | X | X | X | 93 | X | |
| | | X | X | 197 | X | |
| | | X | X | 293 | X | |
| Dual 4-Bit Binary | | X | X | 393 | X | |
| Divide-By-N (0–9) | X | X | X | 716* | X | |
| Divide-By-N (0–15) | X | X | X | 718* | X | |

*The 716 and 718 are positive edge-triggered.

Display Decoders/Drivers with Open-Collector Outputs

| Description | No. | LS | FAST |
|------------------|------|----|------|
| 1-of-10 | 145 | X | |
| BCD-to-7 Segment | 47 | X | |
| | 48* | X | |
| | 49 | X | |
| | 247 | X | |
| | 248* | X | |
| | 249 | X | |

*The 48 and 248 have internal pullup resistors to V_{CC} on their outputs.

MSI Flip-Flops/Registers

| Description | No. of Bits | Type of Output | Set or Reset | Clock Enable | No. | LS | FAST |
|---------------------------------|-------------|----------------|--------------|--------------|-----|----|------|
| D-Type, Non-Inverting | 4 | 3S | A | X | 173 | X | |
| | 4 | 2S | | X | 377 | X | P |
| | 6 | 2S | A | | 174 | X | X |
| | 6 | 2S | | X | 378 | X | X |
| | 8 | 2S | A | | 273 | X | P |
| | 8 | 3S | | | 374 | X | X |
| | 8 | 3S | | | 574 | | |
| | 8 | 3S | | | 534 | | X |
| D-Type, Inverting | 8 | 3S | | | 564 | | |
| D-Type, Q and \bar{Q} Outputs | 4 | 2S | A | | 175 | X | X |
| | 4 | 2S | | X | 379 | X | X |
| Dual 8-Bit with Multiplexers | 16 | 3S | | | 604 | X | |
| | 16 | OC | | | 605 | X | |
| | 16 | 3S | | | 606 | X | |
| | 16 | OC | | | 607 | X | |

Cascadable Synchronous Counters — Positive Edge-Triggered

| Description | Type of Output | Load | Reset | No. | LS | FAST |
|-----------------------|----------------|------|-------|------|----|------|
| Decade | 2S | S | A | 160 | X | X |
| | 2S | S | S | 162 | X | X |
| Decade, Up/Down | 2S | S | | 168 | X | P |
| | 2S | A | | 190 | X | P |
| | 2S | A | A | 192* | X | P |
| | 3S | S | B | 568 | X | P |
| 4-Bit Binary | 2S | S | | 668 | X | |
| | 2S | S | A | 161 | X | X |
| 4-Bit Binary, Up/Down | 2S | S | S | 163 | X | X |
| | 2S | S | | 169 | X | P |
| | 2S | A | | 191 | X | P |
| | 2S | A | A | 193* | X | P |
| | 3S | S | B | 569 | X | P |
| | 2S | S | | 669 | X | |

*The 192 and 193 do not provide a clock enable for synchronous cascading.

Arithmetic Operators

| Description | No. | LS | FAST |
|-----------------------------|-----|----|------|
| 4-Bit Adder | 83 | X | |
| | 283 | X | P |
| 4-Bit ALU | 181 | X | P |
| | 381 | | P |
| | 382 | | P |
| Look Ahead Carry Generator | 182 | X | X |
| Quad 4-Bit Adder/Subtractor | 385 | X | |
| Dual Carry/Save Full Adder | 183 | X | |
| 4-Bit Barrel Shifter | 350 | | P |

Magnitude Comparators

| Description | Type of Output | P=Q | P>Q | P<Q | No. | LS | FAST |
|--------------------------|----------------|-----|-----|-----|-----|----|------|
| 4-Bit | 2S | X | X | X | 85 | X | |
| 8-Bit | 2S | X | X | | 682 | X | |
| | OC | X | X | | 683 | X | |
| | 2S | X | X | | 684 | X | |
| | OC | X | X | | 685 | X | |
| | 2S | X | | | 521 | | X |
| Res I/P | OC | X | X | X | 524 | | P |
| 8-Bit with Output Enable | 2S | X | X | | 686 | X | |
| | OC | X | X | | 687 | X | |
| | 2S | X | | | 688 | X | |
| | OC | X | | | 689 | X | |

Parity Generators/Checkers

| Description | No. | LS | FAST |
|---|-----|----|------|
| 9-Bit Odd Even Parity Generator Checker | 280 | X | X |

Dynamic Memory Support

| Description | No. | LS | FAST |
|---|-------|----|------|
| Synchronous Address Multiplexer (MC6883) | 783 | X | |
| Synchronous Address Multiplexer Error Detection and Correction Circuit (EDAC) | 785 | X | |
| 2960 | | | X |
| EDAC Bus Buffer (Inverting) | 2961 | | P |
| EDAC Bus Buffer (Non-Inverting) | 2962 | | P |
| Dynamic Memory Controller | 2968 | | P |
| Dynamic Memory Timing Controller with EDAC | 2969 | | P |
| Dynamic Memory Timing Controller without EDAC | 2970 | | P |
| RMI — Raster Memory Interface | 68486 | | P |

VCOs and Multivibrators

| Description | No. | LS | FAST |
|--|-----|----|------|
| Retriggerable Monostable Multivibrator | 122 | X | |
| Dual 122 | 123 | X | |
| Precision Non-Retriggerable Monostable Multivibrator | 221 | X | |
| Voltage Crystal Controlled Oscillator | 724 | X | |

Buffers/Line Drivers

| Description | Type of Output | No. | LS | FAST |
|---------------------------------------|----------------|-----|----|------|
| Quad 2-Input NOR | 2S | 28 | X | |
| | OC | 33 | X | |
| Quad 2-Input NAND | 2S | 37 | X | P |
| | OC | 38 | X | P |
| Dual 4-Input NAND Quad, Non-Inverting | 2S | 40 | X | P |
| | 3S | 125 | X | |
| | 3S | 126 | X | |
| Hex, Non-Inverting | 3S | 365 | X | P |
| | 3S | 367 | X | P |
| Hex, Inverting | 3S | 366 | X | P |
| | 3S | 368 | X | P |
| Octal, Non-Inverting | 3S | 241 | X | X |
| | 3S | 244 | X | X |
| Bus Pinout | 3S | 541 | X | P |
| | 3S | 795 | X | |
| | 3S | 797 | X | |
| Octal, Inverting Bus Pinout | 3S | 240 | X | X |
| | 3S | 540 | X | P |
| | 3S | 796 | X | |
| | 3S | 798 | X | |

Transceivers

| Description | Type of Output | No. | LS | FAST |
|--|----------------|-----|----|------|
| Quad, Non-Inverting | 3S | 243 | X | X |
| Quad, Inverting | 3S | 242 | X | X |
| Octal, Non-Inverting | 3S | 245 | X | X |
| | 3S | 645 | X | |
| | OC | 621 | X | |
| | 3S | 623 | X | P |
| | OC | 641 | X | |
| Bus Pinout | OC | 543 | | P |
| Octal, Inverting | 3S | 620 | X | P |
| | OC | 622 | X | |
| | 3S | 640 | X | P |
| | OC | 642 | X | |
| | 3S | 643 | x | P |
| | OC | 644 | X | |
| Octal, Non-Inverting with Register Mux | 3S | 646 | | P |
| Latch | OC | 647 | | P |
| Octal, Inverting with Register Mux Latch | 3S | 543 | | P |
| | 3S | 544 | | P |

Memory

| Description | Type of Output | No. | LS | FAST |
|-------------|----------------|-----|----|------|
| 16-by-4 RAM | 3S | 189 | | P |
| 64 x 4 RAM | 3S | 219 | | P |

CIRCUIT CHARACTERISTICS

FAMILY CHARACTERISTICS

LS TTL

The Low Power Schottky (LSTTL) family combines a current and power reduction improvement over standard 7400 TTL by a factor of 5. This is accomplished by using Schottky diode clamping to prevent saturation and advanced processing.

FAST TTL

The FAST Schottky TTL family provides a 75–80% power reduction compared to standard Schottky (54/74S) TTL and yet offers a 20–40% improvement in circuit performance over the standard Schottky due to the MOSAIC process. Also, FAST circuits contain additional circuitry to provide a flatter power/frequency curve. The input configuration of FAST uses a lower input current which translates into higher fanout.

CIRCUIT FEATURES

Circuit features of LS and FAST are best understood by examining the TTL 2-input NAND gate of each family (Figures 2-1a, b). The input/output circuits of other functions are almost identical.

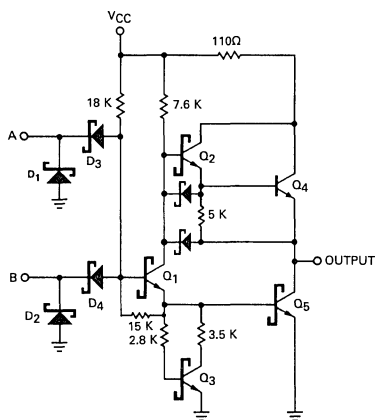


FIGURE 2-1a
LS00 — 2-INPUT NAND GATE

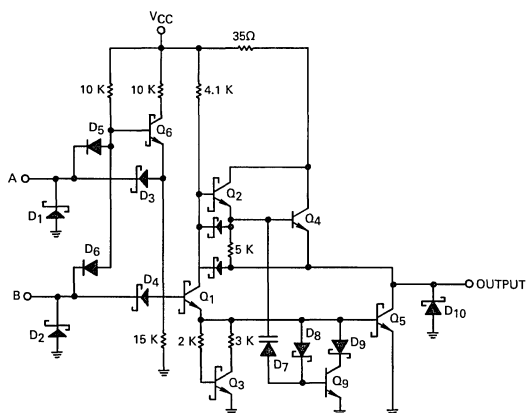


FIGURE 2-1b
F00 — 2-INPUT NAND GATE

INPUT CONFIGURATION. Motorola LSTTL circuits do not use the multi-emitter input structure that originally gave TTL its name. Most LS elements use a DTL type input circuit with Schottky diodes to perform the AND function, as exemplified by D3 and D4 in Figure 2-1a. Compared to the classical multi-emitter structure, this circuit is faster and increases the input breakdown voltage. Inputs of this type are tested for leakage with an applied input voltage of 7.0 V and the input breakdown voltage is typically 15 V or more.

The F00 input configuration utilizes a PN diode (D5 and D6) rather than the PNP transistor. This is required due to the high speed response of FAST™ logic. The PNP transistor, a relatively large device in current bipolar logic technology, has an associated capacitance large enough to make the gate input susceptible to ac noise. The PN diode results in much better ac noise immunity at the expense of increased input current.

Another input arrangement often used in LS MSI has three diodes connected as shown in Figure 2-2. This configuration gives a slightly higher input threshold than that of Figure 2-1a. A third input configuration that is sometimes used in LS TTL employs a vertical PNP transistor as shown in Figure 2-3. This arrangement also gives a higher input threshold and has the additional advantage of reducing the amount of current that the signal source must sink. Both the diode cluster arrangement and the PNP input configuration have breakdown voltage ratings greater than 7.0 V.

All inputs are provided with clamping diodes, exemplified by D1 and D2 in Figure 2-1a, b. These diodes conduct when an input signal goes negative, which limits undershoot and helps to control ringing on long signal lines following a HIGH-to-LOW transition. These diodes are intended only for the suppression of transient currents and should not be used as steady-state clamps in interface applications. A clamp current exceeding 2 mA and with a duration greater than 500 ns can activate a parasitic lateral NPN transistor, which in turn can steal current from internal nodes of an LS circuit and thus cause logic errors.

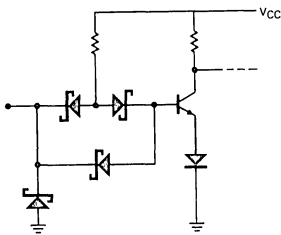


FIGURE 2-2
DIODE CLUSTER INPUT

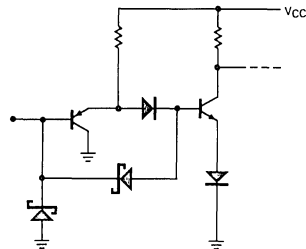


FIGURE 2-3
PNP INPUT

INPUT CHARACTERISTICS — Figure 2-4 shows the typical input characteristics of LS and FAST™. Typical transfer characteristics can be found in Figure 2-5 and input threshold variation with temperature information is provided in Table 2-1.

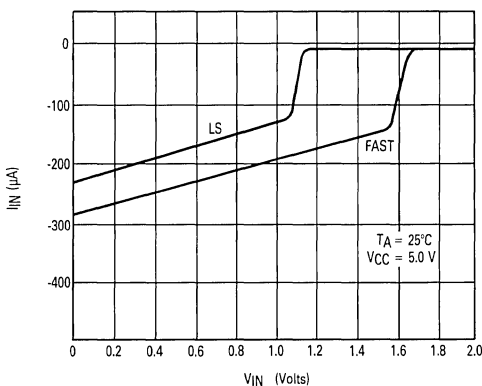


FIGURE 2-4
TYPICAL INPUT CURRENT vs INPUT VOLTAGE

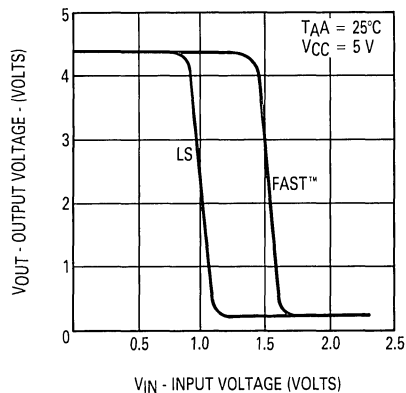


FIGURE 2-5
TYPICAL OUTPUT vs INPUT VOLTAGE CHARACTERISTIC

TABLE 2.1
TYPICAL INPUT THRESHOLD VARIATION
WITH TEMPERATURE

| | -55°C | +25°C | +125°C |
|------|-------|-------|--------|
| FAST | 1.8 | 1.5 | 1.3 |
| ALS | 1.8 | 1.5 | 1.3 |
| S | 1.5 | 1.3 | 1.1 |
| LS | 1.2 | 1.0 | 0.8 |

OUTPUT CONFIGURATION. The output circuitry of LSTTL has several features not found in conventional TTL. A few of these features are discussed below.

Referring to Figures 2-1a, b, the base of the pull-down output transistor Q5 is returned to ground through Q3 and a pair of resistors instead of through a simple resistor. This arrangement is called a squaring network since it squares up the transfer characteristics (Figure 2-5) by preventing conduction in the phase splitter Q1 until the input voltage rises high enough to allow Q1 to supply base current to Q5. The squaring network also improves the propagation delay by providing a low resistance path to discharge capacitance at the base of Q5 during turn-off.

The output pull-up circuit is a 2-transistor Darlington circuit with the base of the output transistor returned through a 5k resistor to the output terminals, unlike 74H and 74S where it is returned to ground which is a more power consuming configuration. This configuration allows the output to pull up to one V_{BE} below V_{CC} for low values of output current.

The F00 output includes clamping diodes to limit undershoot and control ringing on long signal lines. As with the input diode clamps, these diodes are intended for transient suppression only and should not be used as steady-state clamps.

The F00 output configuration also includes additional circuitry to improve the rise time and decrease the power consumption at high operating frequencies. This circuit, which consists of Q9, D7, D8, and D9 causes Q5 to off more quickly on LOW to HIGH output transitions.

Figure 2-6 shows the extra circuitry used to obtain the "high Z" condition in 3-state outputs. When the Output Enable signal is HIGH, both the phase splitter and the Darlington pull-up are turned off. In this condition the output circuitry is non-conducting, which allows the outputs of two or more such circuits to be connected together in a bus application wherein only one output is enabled at any particular time.

FAST™ 3-state outputs have some additional circuitry due to the nature of the environment in which they are used. The effective capacitive load of a 3-state output tends to increase at high bus rates. The addition of Q10 reduces this effect by clamping the base of Q5 low when the device is in the high impedance state. In the high Z state, the output capacitance is about 5 pF for 24 mA outputs and about 12 pF for 64 mA outputs.

An additional feature of many FAST™ 3-state devices is the incorporation of power-up circuitry to guarantee that the output will not sink current if the device is disabled during the application or removal of power.

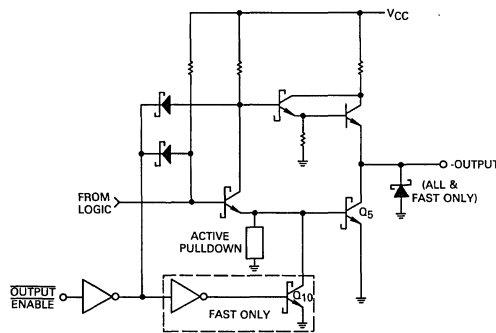


FIGURE 2-6
TYPICAL 3-STATE OUTPUT CONTROL

OUTPUT CHARACTERISTICS. Figure 2-7 shows the LOW-state output characteristics for LS and FAST™. For LOW I_{OL} values, the pull-down transistor is clamped out of deep saturation to shorten the turn-off delay. Figure 2-8 shows the HIGH-state output characteristics.

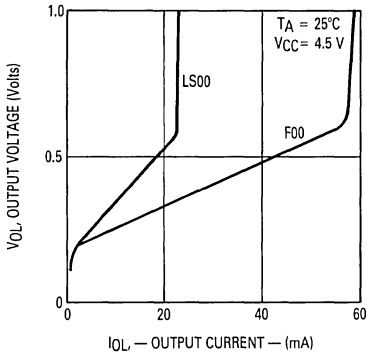


FIGURE 2-7a — OUTPUT LOW CHARACTERISTIC

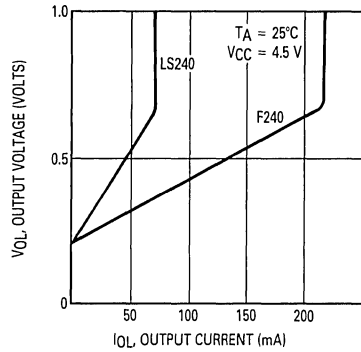


FIGURE 2-7b — OUTPUT LOW CHARACTERISTIC

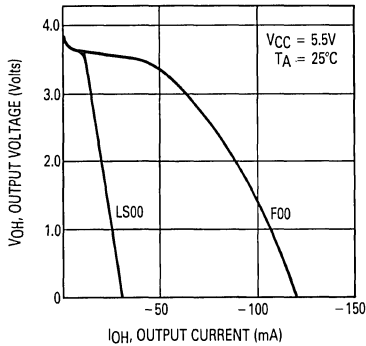


FIGURE 2-8a — OUTPUT HIGH CHARACTERISTIC

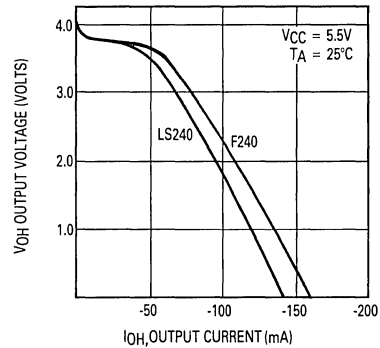


FIGURE 2-8b — OUTPUT HIGH CHARACTERISTIC

AC SWITCHING CHARACTERISTICS. The propagation through a logic element depends on power supply voltage, ambient temperature, and output load. The effect of each of these parameters on ac propagation is shown in Figures 2-9 through 2-11.

Propagation delays are specified with only one output switching, the delay through a logic-element will increase to some extent when multiple outputs switch simultaneously due to inductance internal to the IC package. This effect can be seen by comparing Figures 2-11e and 2-11f.

For LS TTL, limits are guaranteed at 25°C, $V_{CC} = 5.0$ V, and $C_L = 15$ pF (normally, resistive load has minimal effect on propagation delay) FAST™ and TTL limits are guaranteed over the commercial or military temperature and supply voltage ranges and with $C_L = 50$ pF.

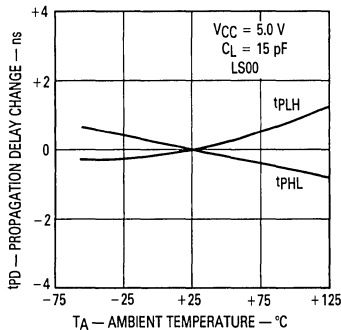


FIGURE 2-9

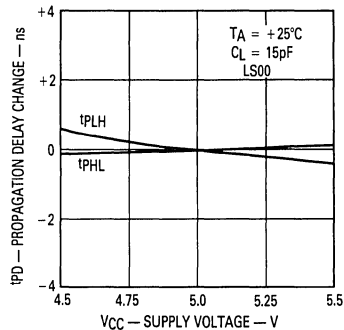


FIGURE 2-10

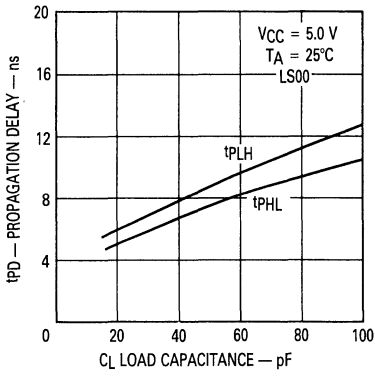


FIGURE 2-11a*

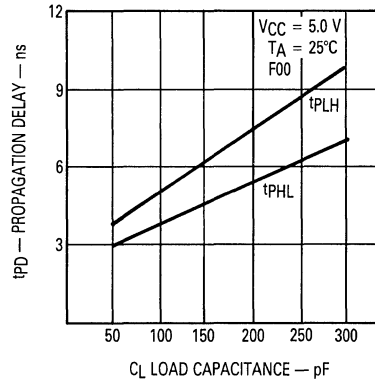


FIGURE 2-11b*

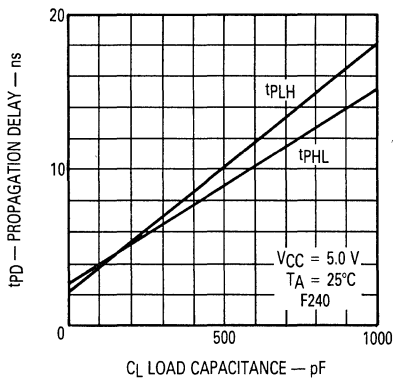


FIGURE 2-11c*

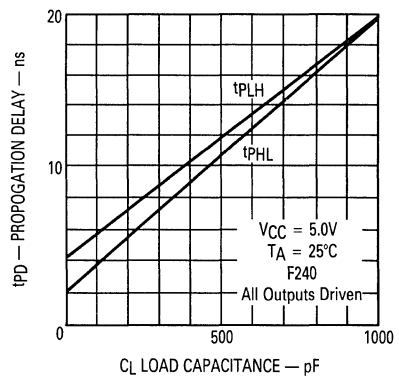


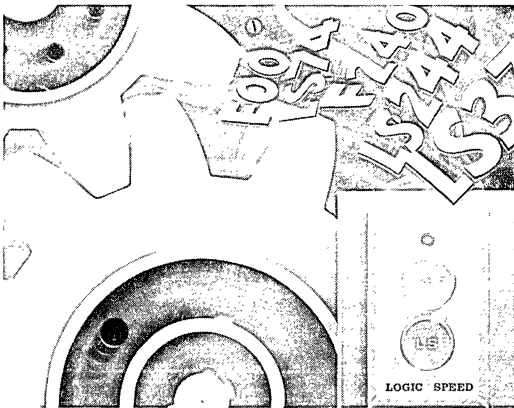
FIGURE 2-11d*

*Data for Figures 2-11a through 2-11c was taken with only one output switching at a time. Figure 2-11d data was taken with all 8 inputs of the F240 tied together.

Design Considerations and Testing

3

FAST AND LS



DESIGN CONSIDERATIONS

SELECTING TTL LOGIC. TTL Families may be mixed in a system for optimum performance. For instance, in new designs, ALS would commonly be used in non-critical speed paths to minimize power consumption while FAST™ TTL would be used in high speed paths. The ratio of ALS to FAST™ will depend on overall system design goals.

NOISE IMMUNITY. When mixing TTL families it is often desirable to know the guaranteed noise immunity for both LOW and HIGH logic levels. Table 3.1 lists the guaranteed logic levels for various TTL families and can be used to calculate noise margin. Table 3.2 specifies these noise margins for systems containing LS, S, ALS and/or FAST™ TTL. Note that Table 3.2 represents "worst case" limits and assumes a maximum power supply and temperature variation across the IC's which are interconnected, as well as maximum rated load. Increased noise immunity can be achieved by designing with decreased maximum allowable operating ranges.

TABLE 3.1
Worst Case TTL Logic Levels

Electrical Characteristics

| | TTL Families | Military (—55 to ±125°C) | | | | Commercial (0 to 70°C) | | | | UNITS |
|---|----------------------------------|--------------------------|-----------------|-----------------|-----------------|------------------------|-----------------|-----------------|-----------------|-------|
| | | V _{IL} | V _{IH} | V _{OL} | V _{OH} | V _{IL} | V _{IH} | V _{OL} | V _{OH} | |
| TTL | Standard TTL 9000, 54/74 | 0.8 | 2.0 | 0.4 | 2.4 | 0.8 | 2.0 | 0.4 | 2.4 | V |
| H TTL | High Speed TTL 54H/74H | 0.8 | 2.0 | 0.4 | 2.4 | 0.8 | 2.0 | 0.4 | 2.4 | V |
| LP TTL | Low Power TTL 93L00 (MSI) | 0.7 | 2.0 | 0.3 | 2.4 | 0.8 | 2.0 | 0.3 | 2.4 | V |
| STTL | Schottky TTL 54S/74S, 93S00 | 0.8 | 2.0 | 0.5 | 2.5 | 0.8 | 2.0 | 0.5 | 2.7 | V |
| LSTTL | Low Power Schottky TTL 54LS/74LS | 0.7 | 2.0 | 0.4 | 2.5 | 0.8 | 2.0 | 0.5 | 2.7 | V |
| ALS TTL (5% V _{CC}) (10% V _{CC}) | Advanced LS TTL, 54ALS/74ALS | | | | | 0.8 | 2.0 | 0.5 | 2.75 | V |
| FAST TTL(5% V _{CC}) (10% V _{CC}) | Advanced S TTL, 54F/74F | 0.8 | 2.0 | 0.4 | 2.5 | 0.8 | 2.0 | 0.5 | 2.5 | V |
| | | 0.8 | 2.0 | 0.5 | 2.5 | 0.8 | 2.0 | 0.5 | 2.5 | V |

V_{OL} and V_{OH} are the voltages generated at the output V_{IL} and V_{IH} are the voltage required at the input to generate the appropriate levels. The numbers given above are guaranteed worst-case values.

TABLE 3.2a
LOW Level Noise Margins (Military)

| From | To | | | | Units |
|-------|-----|-----|-----|------|-------|
| | LS | S | ALS | FAST | |
| LS | 300 | 400 | 400 | 400 | mV |
| S | 200 | 300 | 300 | 300 | mV |
| ALS | 300 | 400 | 400 | 400 | mV |
| FAST™ | 200 | 300 | 300 | 300 | mV |

From "V_{OL}" to "V_{IL}"

TABLE 3.2b
HIGH Level Noise Margins (Military)

| From | To | | | | Units |
|-------|-----|-----|-----|------|-------|
| | LS | S | ALS | FAST | |
| LS | 500 | 500 | 500 | 500 | mV |
| S | 500 | 500 | 500 | 500 | mV |
| ALS | 500 | 500 | 500 | 500 | mV |
| FAST™ | 500 | 500 | 500 | 500 | mV |

From "V_{OH}" to "V_{IH}"

TABLE 3.2c
LOW Level Noise Margins (Commercial)

| From | To | | | | Units |
|-------|-----|-----|-----|------|-------|
| | LS | S | ALS | FAST | |
| LS | 300 | 300 | 300 | 300 | mV |
| S | 300 | 300 | 300 | 300 | mV |
| ALS | 300 | 300 | 300 | 300 | mV |
| FAST™ | 300 | 300 | 300 | 300 | mV |

From "V_{OL}" to "V_{IL}"

TABLE 3.2d
HIGH Level Noise Margins (Commercial)

| From | To | | | | Units |
|-----------------------------|-----|-----|-----|------|-------|
| | LS | S | ALS | FAST | |
| LS | 700 | 700 | 700 | 700 | mV |
| S | 700 | 700 | 700 | 700 | mV |
| ALS (5% V _{CC}) | 750 | 750 | 750 | 750 | mV |
| FAST (5% V _{CC}) | 700 | 700 | 700 | 700 | mV |
| ALS (10% V _{CC}) | 500 | 500 | 500 | 500 | mV |
| FAST (10% V _{CC}) | 500 | 500 | 500 | 500 | mV |

From "V_{OH}" to "V_{IH}"

POWER CONSUMPTION. With the exception of ECL, all logic families exhibit increased power consumption at high frequencies. Figure 3.1 shows this characteristic for common logic families. This figure refers to an average single gate dissipation, care must be taken when switching multiple gates at high frequencies to assure that their combined dissipation does not exceed package and/or device capabilities. As indicated, TTL devices are more efficient at high frequencies than CMOS.

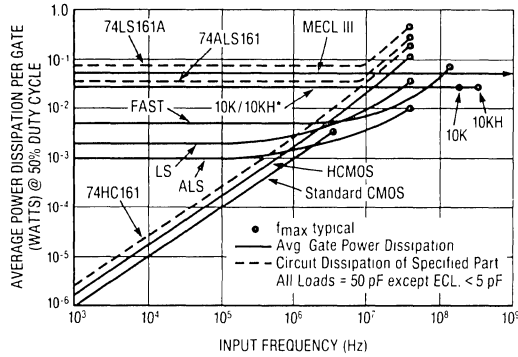


FIGURE 3-1
AVERAGE GATE POWER DISSIPATION
versus FREQUENCY

FAN-IN AND FAN-OUT. In order to simplify designing with Motorola TTL devices, the input and output loading parameters of all families are normalized to the following values:

1 TTL Unit Load (U.L.) = 40 μ A
 in the HIGH state (Logic "1")

1 TTL Unit Load (U.L.) = 1.6 mA
 in the LOW state (Logic "0")

3

Input loading and output drive factors of all products described in this handbook are related to these definitions.

EXAMPLES — INPUT LOAD

1. A 7400 gate, which has a maximum $I_{L(L)}$ of 1.6 mA and $I_{L(H)}$ of 40 μ A is specified as having an input load factor of 1 U.L. (Also called a fan-in of 1 load.)
2. The 74LS95B which has a value of $I_{L(L)} = 0.8$ mA and $I_{L(H)}$ of 40 μ A on the CP terminal, is specified as having an input LOW load factor of

$$\frac{0.8 \text{ mA}}{1.6 \text{ mA}} \text{ or } 0.5 \text{ U.L.} \quad \text{and an input HIGH load factor of} \quad \frac{40 \mu\text{A}}{40 \mu\text{A}} \text{ or } 1 \text{ U.L.}$$

3. The 74LS00 gate which has an $I_{L(L)}$ of 0.4 mA and an $I_{L(H)}$ of 20 μ A, has an input LOW load factor of

$$\frac{0.4 \text{ mA}}{1.6 \text{ mA}} \text{ or } 0.25 \text{ U.L.} \quad \text{an input HIGH load factor of} \quad \frac{20 \mu\text{A}}{40 \mu\text{A}} \text{ or } 0.5 \text{ U.L.}$$

EXAMPLES — OUTPUT DRIVE

1. The output of the 7400 will sink 16 mA in the LOW (logic "0") state and source 800 μ A in the HIGH (logic "1") state. The normalized output LOW drive factor is therefore

$$\frac{16 \text{ mA}}{1.6 \text{ mA}} = 10 \text{ U.L.}$$

and the output HIGH drive factor is

$$\frac{800 \mu\text{A}}{40 \mu\text{A}} \text{ or } 20 \text{ U.L.}$$

2. The output of the 74LS00 will sink 8.0 mA in the LOW state and source 400 μ A in the HIGH state. The normalized output LOW drive factor is

$$\frac{8.0 \text{ mA}}{1.6 \text{ mA}} \text{ or } 5 \text{ U.L.}$$

and the output HIGH drive factor is

$$\frac{400 \mu\text{A}}{40 \mu\text{A}} \text{ or } 10 \text{ U.L.}$$

Relative load and drive factors for the basic TTL families are given in Table 3.3.

| FAMILY | INPUT LOAD | | OUTPUT DRIVE | |
|---------|------------|-------------|--------------|-----------|
| | HIGH | LOW | HIGH | LOW |
| 74LS00 | 0.5 U.L. | 0.25 U.L. | 10 U.L. | 5 U.L. |
| 7400 | 1 U.L. | 1 U.L. | 20 U.L. | 10 U.L. |
| 9000 | 1 U.L. | 1 U.L. | 20 U.L. | 10 U.L. |
| 74H00 | 1.25 U.L. | 1.25 U.L. | 25 U.L. | 12.5 U.L. |
| 74S00 | 1.25 U.L. | 1.25 U.L. | 25 U.L. | 12.5 U.L. |
| 74 ALS | 0.5 U.L. | 0.0625 U.L. | 10 U.L. | 5 U.L. |
| 74 FAST | 0.5 U.L. | 0.375 U.L. | 25 U.L. | 12.5 U.L. |

TABLE 3.3

Values for MSI devices vary significantly from one element to another. Consult the appropriate data sheet for actual characteristics.

WIRED-OR APPLICATIONS. Certain TTL devices are provided with an "open" collector output to permit the Wired-OR (actually Wired-AND) function. This is achieved by connecting open collector outputs together and adding an external pull-up resistor.

The value of the pull-up resistor is determined by considering the fan-out of the OR tie and the number of devices in the OR tie. The pull-up resistor value is chosen from a range between maximum value (established to maintain the required V_{OH} with all the OR tied outputs HIGH) and a minimum value (established so that the OR tie fan-out is not exceeded when only one output is LOW).

MINIMUM AND MAXIMUM PULL-UP RESISTOR VALUES

$$R_{X(MIN)} = \frac{V_{CC(MAX)} - V_{OL}}{I_{OL} - N_2(LOW) \cdot 1.6 \text{ mA}}$$

$$R_{X(MAX)} = \frac{V_{CC(MIN)} - V_{OH}}{N_1 \cdot I_{OH} + N_2(HIGH) \cdot 40 \mu\text{A}}$$

where:

- R_x = External Pull-up Resistor
- N_1 = Number of Wired-OR Outputs
- N_2 = Number of Input Unit Loads (U.L.) being Driven
- $I_{OH} = I_{CEX}$ = Output HIGH Leakage Current
- I_{OL} = LOW Level Fan-out Current of Driving Element
- V_{OL} = Output LOW Voltage Level (0.5 V)
- V_{OH} = Output HIGH Voltage Level (2.4 V)
- V_{CC} = Power Supply Voltage

Example: Four 74LS03 gate outputs driving four other LS gates or MSI inputs.

$$R_{X(MIN)} = \frac{5.25 \text{ V} - 0.5 \text{ V}}{8 \text{ mA} - 1.6 \text{ mA}} = \frac{4.75 \text{ V}}{6.4 \text{ mA}} = 742 \Omega$$

$$R_{X(MAX)} = \frac{4.75 \text{ V} - 2.4 \text{ V}}{4 \cdot 100 \mu\text{A} + 2 \cdot 40 \mu\text{A}} = \frac{2.35 \text{ V}}{0.48 \text{ mA}} = 4.9 \text{ k}\Omega$$

where:

| | |
|--------------|--|
| N_1 | = 4 |
| N_2 (HIGH) | = $4 \cdot 0.5 \text{ U.L.} = 2 \text{ U.L.}$ |
| N_2 (LOW) | = $4 \cdot 0.25 \text{ U.L.} = 1 \text{ U.L.}$ |
| I_{OH} | = $100 \mu\text{A}$ |
| I_{OL} | = 8 mA |
| V_{OL} | = 0.5 V |
| V_{OH} | = 2.4 V |

Any value of pull-up resistor between 742Ω and $4.9 \text{ k}\Omega$ can be used. The lower values yield the fastest speeds while the higher values yield the lowest power dissipation.

UNUSED INPUTS. For best noise immunity and switching speed, unused TTL inputs should not be left floating, but should be held between 2.4 V and the absolute maximum input voltage.

Two possible ways of handling unused inputs are:

1. Connect unused input to V_{CC} ; LS and FAST™ TTL inputs have a breakdown voltage $>7.0 \text{ V}$ and require, therefore no series resistor.
2. Connect the unused input to the output of an unused gate that is forced HIGH.

CAUTION: Do not connect an unused LS or FAST™ input to another input of the same NAND or AND function. This method, recommended for normal TTL, increases the input coupling capacitance and thus reduces the ac noise immunity.

INPUT CAPACITANCE. As a rule of thumb, LS and FAST™ TTL inputs have an average capacitance of 5 pF for DIP packages. For an input that serves more than one internal function, each additional function adds approximately 1.5 pF .

LINE DRIVING—Because of its superior capacitive drive characteristics, TTL logic is often used in line driving applications which require various termination techniques to maintain signal integrity. Parameters associated with this application are listed in Table 3.4.

It is also often necessary to construct load lines to determine reflection waveforms in line driving applications. The input and output characteristics graphs of section 3 (Figs. 2-4, 2-7 and 2-8) can be very useful for this purpose.

OUTPUT RISE AND FALL TIMES provide important information in determining reflection waveforms and crosstalk coefficients. Typical rise and fall times are approximately 6.0 ns for LS and about 2.0 ns for FAST™ with a 50-pF load (measured 10–90%). Output rise and fall times become longer as capacitive load is increased.

INTERCONNECTION DELAYS. For those parts of a system in which timing is critical, designers should take into account the finite delay along the interconnections. These range from about 0.12 to 0.15 ns/inch for the type of interconnections normally used in TTL systems. Exceptions occur in systems using ground planes to reduce ground noise during a logic transition; ground planes give higher distributed capacitance and delays of about 0.15 to 0.22 ns/inch .

Most interconnections on a logic board are short enough that the wiring and load capacitance can be treated as a lumped capacitance for purposes of estimating their effect on the propagation delay of the driving circuit. When an interconnection is long enough that its delay is one-fourth to one-half of the signal transition time, the driver output waveform exhibits noticeable slope changes during a transition. This is evidence that during the initial portion of the output voltage transition the driver sees the characteristic impedance of the interconnection (normally 100Ω to 200Ω), which for transient conditions appears as a resistor returned to the quiescent voltage existing just before the beginning of the transition. This characteristic impedance forms a voltage divider with the driver output impedance, tending to produce a signal transition having the same rise or fall time as in the no-load condition but with a reduced amplitude. This attenuated signal travels to the far end of the interconnection, which is essentially an unterminated transmission line, whereupon the signal starts doubling. Simultaneously, a reflection voltage is generated which has the same amplitude and polarity as the original signal, e.g., if the driver output signal is positive-going the reflection will be positive-going, and as it travels back toward the driver it adds to the line voltage. At the instant the reflection arrives at the driver it adds algebraically to the still-rising driver output, accelerating the transition rate and producing the noticeable change in slope.



| (ALL MAXIMUM RATINGS) | | LS | | FAST | | |
|----------------------------------|-----------------|-------------|-------------|--------------|--------------|-----------------|
| Characteristic | Symbol | 54LSxxx | 74LSxxx | 54Fxxx | 74Fxxx | Units |
| Operating Voltage Range | V _{CC} | 5 ± 10% | 5 ± 5% | 5 ± 10% | 5 ± 10% | V _{dc} |
| Output Drive: Standard Output | I _{OH} | -0.4 | -0.4 | -1.0 | -1.0 | mA |
| | I _{OL} | 4.0 | 8.0 | 20 | 20 | mA |
| | I _{SC} | -20 to -100 | -20 to -100 | -60 to -150 | -60 to -150 | mA |
| Buffer Output | I _{OH} | -12 | -15 | -12 | -15 | mA |
| | I _{OL} | 12 | 24 | 48 | 64 | mA |
| | I _{SC} | -40 to -225 | -40 to -225 | -100 to -225 | -100 to -225 | mA |

TABLE 3.4
OUTPUT CHARACTERISTICS FOR SCHOTTKY TTL LOGIC

If an interconnection is of such length that its delay is longer than half the signal transition time, the attenuated output of the driver has time to reach substantial completion before the reflection arrives. In the limit, the waveform observed at the driver output is a 2-step signal with a pedestal. In this circumstance the first load circuit to receive a full signal is the one at the far end, because of the doubling effect, while the last one to receive a full signal is the one nearest the driver since it must wait for the reflection to complete the transition. Thus, in a worst-case situation, the net contribution to the overall delay is twice the delay of the interconnection because the initial part of the signal must travel to the far end of the line and the reflection must return.

When load circuits are distributed along an interconnection, the input capacitance of each will cause a small reflection having a polarity opposite that of the signal transition, and each capacitance also slows the transition rate of the signal as it passes by. The series of small reflections, arriving back at the driver, is subtractive and has the effect of reducing the apparent amplitude of the signal. The successive slowing of the transition rate of the transmitted signal means that it takes longer for the signal to rise or fall to the threshold level of any particular load circuit. A rough but workable approach is to treat the load capacitances as an increase in the intrinsic distributed capacitance of the interconnection. Increasing the distributed capacitance of a transmission line reduces its impedance and increases its delay. A good approximation for ordinary TTL interconnections is that distributed load capacitance decreases the characteristic impedance by about one-third and increases the delay by one-half.

3

ABSOLUTE MAXIMUM RATINGS (above which the useful life may be impaired)

| | LS | FAST |
|---|-------------------|-------------------|
| Storage Temperature | -65°C to +150°C | -65°C to +150°C |
| Temperature (Ambient) Under Bias | -55°C to +125°C | -55°C to +125°C |
| V _{CC} Pin Potential to Ground Pin | -0.5 V to +7.0 V | -0.5 V to +7.0 V |
| *Input Voltage (dc) Diode Inputs | -0.5 V to 15 V | -0.5 V to 7.0 V |
| *Input Current (dc) | -30 mA to +5.0 mA | -30 mA to +5.0 mA |
| Voltage Applied to Open Collector Outputs (Output HIGH) | -0.5 V to +10 V | -0.5 V to +5.5 V |
| High Level Voltage Applied to Disabled 3-State Output | 5.5 V | 5.5 V |

*Either input voltage limit or input circuit limit is sufficient to protect the inputs — Circuits with 5.5 V maximum limits are listed below.

Device types having inputs limited to 5.5 V are as follows:

- SN74LS242/243, SN74LS245 — Inputs connected to outputs.
- SN74LS640/641/642/645 — Inputs connected to outputs.
- SN74LS299/322A/323 — Certain Inputs.
- SN74LS673/674 — Certain Inputs.
- SN74LS151/251 — Multiplexer Inputs.

DEFINITION OF SYMBOLS AND TERMS USED IN THIS DATABOOK

CURRENTS — Positive current is defined as conventional current flow into a device. Negative current is defined as conventional current flow out of a device. All current limits are specified as absolute values.

| | |
|-----------|--|
| I_{CC} | Supply Current — The current flowing into the V_{CC} supply terminal of a circuit with the specified input conditions and the outputs open. When not specified, input conditions are chosen to guarantee worst case operation. |
| I_{IH} | Input HIGH current — The current flowing into an input when a specified HIGH voltage is applied. |
| I_{IL} | Input LOW current — The current flowing out of an input when a specified LOW voltage is applied. |
| I_{OH} | Output HIGH current. The leakage current flowing into a turned off open collector output with a specified HIGH output voltage applied. For devices with a pull-up circuit, the I_{OH} is the current flowing out of an output which is in the HIGH state. |
| I_{OL} | Output LOW current — The current flowing into an output which is in the LOW state. |
| I_{OS} | Output short-circuit current — The current flowing out of an output which is in the HIGH state when that output is short circuit to ground (or other specified potential). |
| I_{OZH} | Output off current HIGH — The current flowing into a disabled 3-state output with a specified HIGH output voltage applied. |
| I_{OZL} | Output off current LOW — The current flowing out of a disabled 3-state output with a specified LOW output voltage applied. |

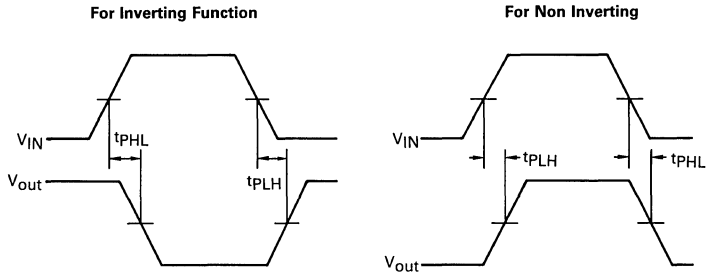
VOLTAGES — All voltages are referenced to ground. Negative voltage limits are specified as absolute values (*i.e.*, -10 V is greater than -1.0 V).

| | |
|---------------|---|
| V_{CC} | Supply voltage — The range of power supply voltage over which the device is guaranteed to operate within the specified limits. |
| $V_{IK(MAX)}$ | Input clamp diode voltage — The most negative voltage at an input when 18 mA is forced out of that input terminal. This parameter guarantees the integrity of the input diode which is intended to clamp negative ringing at the input terminal. |
| V_{IH} | Input HIGH voltage — The range of input voltages that represents a logic HIGH in the system. |
| $V_{IH(MIN)}$ | Minimum input HIGH voltage — The minimum allowed input HIGH in a logic system. This value represents the guaranteed input HIGH threshold for the device. |
| V_{IL} | Input LOW voltage — The range of input voltages that represents a logic LOW in the system. |
| $V_{IL(MAX)}$ | Maximum input LOW voltage — The maximum allowed input LOW in a system. This value represents the guaranteed input LOW threshold for the device. |
| $V_{OH(MIN)}$ | Output HIGH voltage — The minimum voltage at an output terminal for the specified output current I_{OH} and at the minimum value of V_{CC} . |
| $V_{OL(MAX)}$ | Output LOW voltage — The maximum voltage at an output terminal sinking the maximum specified load current I_{OL} . |
| V_{T+} | Positive-going threshold voltage — The input voltage of a variable threshold device (<i>i.e.</i> , Schmitt Trigger) that is interpreted as a V_{IH} as the input transition rises from below $V_{T-(MIN)}$. |
| V_{T-} | Negative-going threshold voltage — The input voltage of a variable threshold device (<i>i.e.</i> , Schmitt Trigger) that is interpreted as a V_{IL} as the input transition falls from above $V_{T+(MAX)}$. |



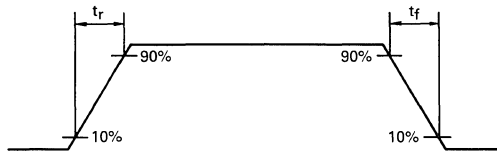
AC SWITCHING PARAMETERS AND WAVEFORMS

- t_{PLH}** **Propagation delay LOW-TO-HIGH:**
The time delay from when the input is 1.3 V (1.5 for FAST) to when the output reaches 1.3 V (1.5 for FAST), while the output changes to a logic HIGH.
- t_{PHL}** **Propagation delay HIGH-TO-LOW:**
The time delay from when the input is 1.3 V (1.5 for FAST) to when the output reaches 1.3 V (1.5 for FAST), while the output changes to a logic LOW.

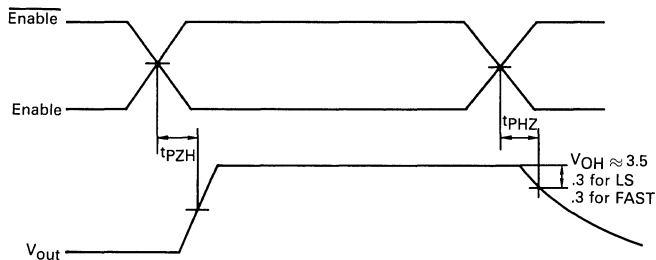


3

- t_r** **Waveform Rise Time:**
LOW to HIGH logic transition time, measured from the 10% to 90% points of the waveform.
- t_f** **Waveform Fall Time:**
HIGH to LOW logic transition time, measured the 90% to the 10% points of the waveform.



- t_{PHZ}** **Output disable time: HIGH to Z**
The time delay between the specified amplitude point on the enable input and when the output falls 0.3 V (0.3 V for FAST) from the steady-state HIGH level.
- t_{PZH}** **Output enable time: Z to HIGH**
The time delay between the specified amplitude points on the enable input and the output, when the output is going from a disabled state to a logic HIGH state.

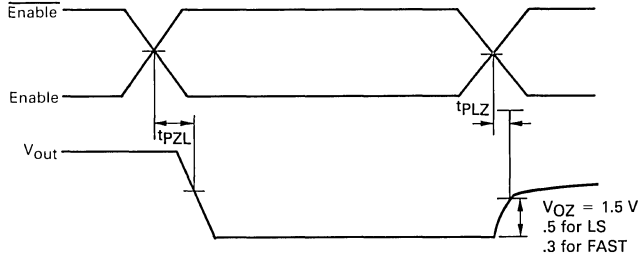


t_{PLZ} **Output disable time: LOW to Z**

The time delay between the specified amplitude point on the enable input and when the output falls 0.3 V (0.3 V for FAST) from the steady-state LOW level.

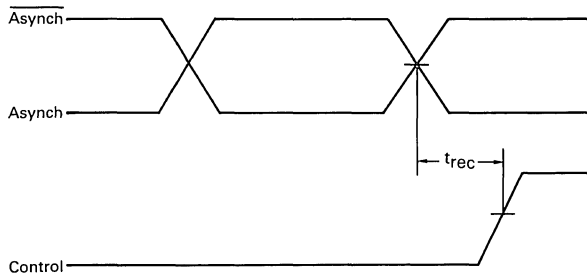
t_{PZL} **Output enable time: Z to LOW**

The time delay between the specified amplitude points on the enable input and the output when the output is going from a disabled state to a logic LOW state.



t_{rec} **Recovery time**

Time required between an asynchronous signal (SET, RESET, CLEAR or PARALLEL load) and the active edge of a synchronous control signal, to insure that the device will properly respond to the synchronous signal.

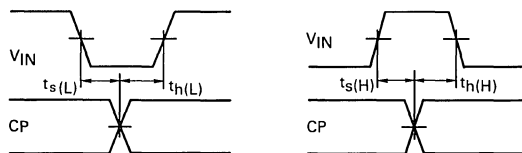


t_h **Hold Time**

The interval of time from the active edge of the control signal (usually the clock) to when the data to be recognized is no longer required to ensure proper interpretation of the data. A negative hold time indicates that the data may be removed at some time prior to the active edge of the control signal.

t_s **Setup time**

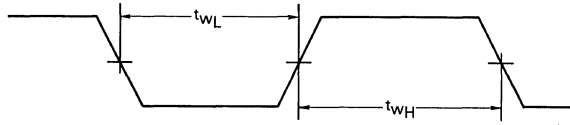
The interval of time during which the data to be recognized is required to remain constant prior to the active edge of the control signal to ensure proper data recognition.



t_w or t_{pw}

Pulse width

The time between the specified amplitude points (1.3 V for LS and 1.5 V for FAST™) on the leading and trailing edges of a pulse.



f_{MAX}

Toggle frequency/operating frequency

The maximum rate at which clock pulses meeting the clock requirements (*i.e.*, t_{wH} , t_{wL} , and t_r , t_f) may be applied to a sequential circuit. Above this frequency the device may cease to function.

f_{MAXmin}

Guaranteed maximum clock frequency

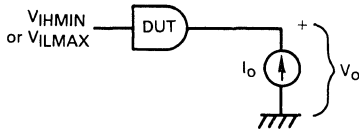
The lowest possible value for f_{MAX} .

TESTING

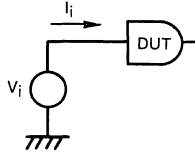
DC TEST CIRCUITS

The following test circuits and forcing functions represent Motorola's typical DC test procedures

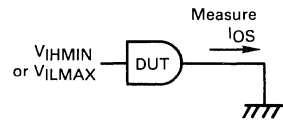
VOH AND VOL TESTS
Force I_{OHMAX} or I_{OLMAX}
Measure V_{OH} or V_{OL}



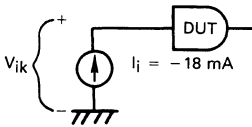
I_{IHH}' I_{IH} AND I_{IL} TESTS
Force 7.0, 5.5, 2.7, or 0.4 V
Measure I_{IHH} ' I_{IH} ' or I_{IL}



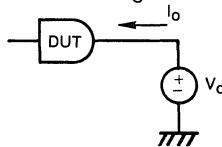
I_{OS} TEST



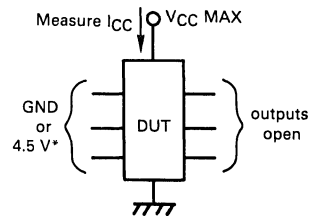
V_{IK} TEST
Force I_i
Measure V_{IK}



I_{OH}' I_{OZH}' and I_{OZL} TESTS
Force 5.5, 2.4, or 0.4 V
Measure I_O



I_{CC} TEST



*Unless otherwise indicated, input conditions are selected to produce a worst case condition.

AC TEST CIRCUITS The following test circuits and conditions represent Motorola's typical test procedures. AC waveforms and terminology can be found on pages 3-8 to 3-10.

Proper testing requires that care be taken in the construction of AC test fixtures. This is especially true of FAST™ TTL.

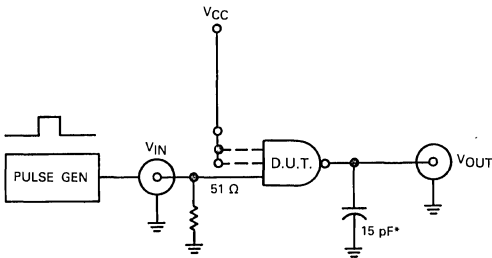
Maintaining a 50 Ω environment on the ac test fixture, as well as the use of multilayer boards with internal V_{CC} and ground planes is highly recommended for FAST™ TTL. Bypassing with both electrolytic and high quality RF type capacitors should be provided on the board. Lead lengths for all components should be kept as short as possible (Motorola uses and recommends chip capacitors and resistors for ac test fixtures). Following these rules will result in cleaner waveforms as well as better correlation between Motorola and the FAST™ TTL consumer.

FUNCTIONAL TESTING OF TTL IN A NOISY ENVIRONMENT

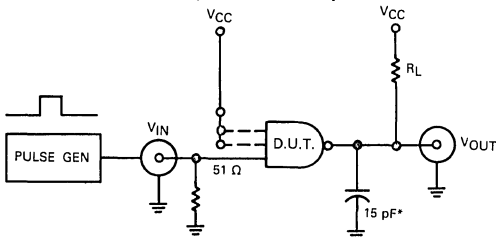
Testing noise (noise generated by the test system itself and noise generated by TTL devices under test interacting with the test system) adds to, or subtracts from the threshold voltage applied to the TTL device under test. For this reason Motorola does not recommend functional testing of TTL devices using threshold levels of 0.8 V and 2.0 V. Instead, good TTL testing techniques call for hard levels of less than 0.5 V V_{IL} and greater than 2.4 V V_{IH} to be applied for functional testing. Input threshold voltages should be tested separately, and only (for noise reasons above) after setting the device state with a hard level.

LS TEST CIRCUITS

Test Circuit for Standard Output Devices

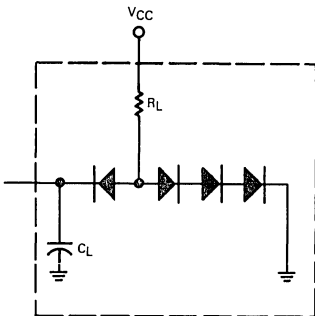


Test Circuit for Open Collector Output Devices



*includes all probe and jig capacitance

Optional LS Load (Guaranteed—Not Tested)

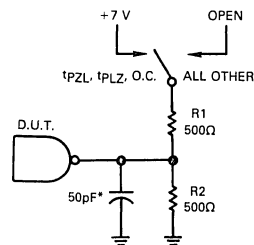


PULSE GENERATOR SETTINGS (UNLESS OTHERWISE SPECIFIED)

| | LS | FAST |
|---------------------------|------------|----------|
| Frequency = | 1MHz | 1MHz |
| Duty Cycle = | 50% | 50% |
| 1 TLH (t _r) = | 6 ns (15)* | 2.5 ns |
| 1 THL (t _f) = | 6 ns (15)* | 2.5 ns |
| Amplitude = | 0 to 3 V | 0 to 3 V |

*The specified propagation delay limits can be guaranteed with a 15 ns input rise time on all parameters except those requiring narrow pulse widths. Any frequency measurement over 15 MHz or pulse width less than 30 ns must be performed with a 6 ns input rise time.

FAST TEST CIRCUITS

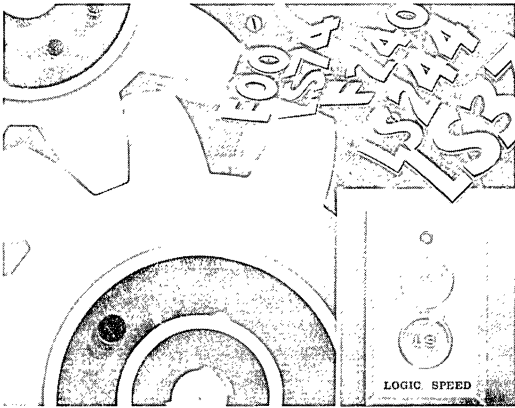


*includes all probe and jig capacitance



FAST AND LS

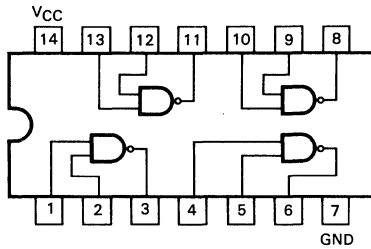
FAST Data Sheets





MC54F00 MC74F00

QUAD 2-INPUT NAND GATE



J Suffix — Case 632-07 (Ceramic)
N Suffix — Case 646-05 (Plastic)

QUAD 2-INPUT NAND GATE
FAST™ SCHOTTKY TTL

GUARANTEED OPERATING RANGES

| SYMBOL | PARAMETER | | MIN | TYP | MAX | UNIT |
|-----------------|-------------------------------------|----------|----------|----------|-----------|------|
| V _{CC} | Supply Voltage | 54, 74 | 4.5 | 5.0 | 5.5 | V |
| T _A | Operating Ambient Temperature Range | 54 74 | -55 0 | 25 25 | 125 70 | °C |
| I _{OH} | Output Current — High | 54, 74 | | | -1.0 | mA |
| I _{OL} | Output Current — Low | 54, 74 | | | 20 | mA |

DC CHARACTERISTICS OVER OPERATING TEMPERATURE RANGE (unless otherwise specified)

| SYMBOL | PARAMETER | LIMITS | | | UNITS | TEST CONDITIONS |
|-----------------|---|--------|-----|------|-------|---|
| | | MIN | TYP | MAX | | |
| V _{IH} | Input HIGH Voltage | 2.0 | | | V | Guaranteed Input HIGH Voltage |
| V _{IL} | Input LOW Voltage | | | 0.8 | V | Guaranteed Input LOW Voltage |
| V _{IK} | Input Clamp Diode Voltage | | | -1.2 | V | V _{CC} = MIN, I _{IN} = -18 mA |
| V _{OH} | Output HIGH Voltage | 54, 74 | 2.5 | | V | I _{OH} = -1.0 mA, V _{CC} = 4.50 V |
| | | 74 | 2.7 | | V | I _{OH} = -1.0 mA, V _{CC} = 4.75 V |
| V _{OL} | Output LOW Voltage | | | 0.5 | V | I _{OL} = 20 mA, V _{CC} = MIN |
| I _{IH} | Input HIGH Current | | | 20 | μA | V _{CC} = MAX, V _{IN} = 2.7 V |
| | | | | 0.1 | mA | V _{CC} = MAX, V _{IN} = 7.0 V |
| I _{IL} | Input LOW Current | | | -0.6 | mA | V _{CC} = MAX, V _{IN} = 0.5 V |
| I _{OS} | Output Short Circuit Current (Note 2) | -60 | | -150 | mA | V _{CC} = MAX, V _{OUT} = 0 V |
| I _{CC} | Power Supply Current Total, Output HIGH | | | 2.8 | mA | V _{CC} = MAX, V _{IN} = GND |
| | Total, Output LOW | | | 10.2 | mA | V _{CC} = MAX, V _{IN} = Open |

NOTES:

- For conditions shown as MIN or MAX, use the appropriate value specified under recommended operating conditions for the applicable device type.
- Not more than one output should be shorted at a time, nor for more than 1 second.

AC CHARACTERISTICS

| SYMBOL | PARAMETER | 54/74F T _A = +25°C V _{CC} = +5.0 V C _L = 50 pF | | 54F T _A = -55°C to +125°C V _{CC} = 5.0 V ± 10% C _L = 50 pF | | 74F T _A = 0°C to 70°C V _{CC} = 5.0 V ± 10% C _L = 50 pF | | UNITS |
|------------------|-------------------|--|-----|--|-----|--|-----|-------|
| | | MIN | MAX | MIN | MAX | MIN | MAX | |
| t _{PLH} | Propagation Delay | 2.4 | 5.0 | 2.0 | 7.0 | 2.4 | 6.0 | ns |
| t _{PHL} | Propagation Delay | 1.5 | 4.3 | 1.5 | 6.5 | 1.5 | 5.3 | ns |

AC TEST CIRCUIT

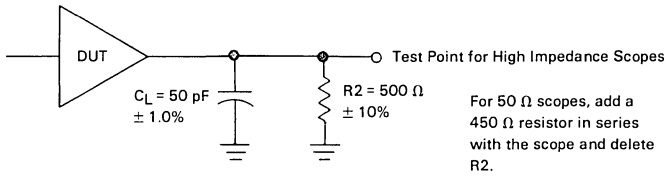


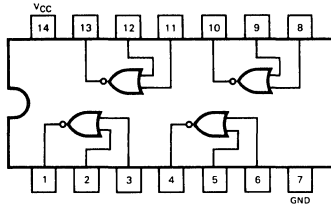
Fig. 1





MC54F02 MC74F02

QUAD 2-INPUT NOR GATE



J Suffix — Case 632-07 (Ceramic)
N Suffix — Case 646-05 (Plastic)

QUAD 2-INPUT NOR GATE FAST™ SCHOTTKY TTL

GUARANTEED OPERATING RANGES

| SYMBOL | PARAMETER | | MIN | TYP | MAX | UNIT |
|-----------------|-------------------------------------|----------|----------|----------|-----------|------|
| V _{CC} | Supply Voltage | 54, 74 | 4.5 | 5.0 | 5.5 | V |
| T _A | Operating Ambient Temperature Range | 54 74 | -55 0 | 25 25 | 125 70 | °C |
| I _{OH} | Output Current — High | 54, 74 | | | -1.0 | mA |
| I _{OL} | Output Current — Low | 54, 74 | | | 20 | mA |

4

DC CHARACTERISTICS OVER OPERATING TEMPERATURE RANGE (unless otherwise specified)

| SYMBOL | PARAMETER | LIMITS | | | UNITS | TEST CONDITIONS |
|-----------------|---|--------|-----|------|-------|---|
| | | MIN | TYP | MAX | | |
| V _{IH} | Input HIGH Voltage | 2.0 | | | V | Guaranteed Input HIGH Voltage |
| V _{IL} | Input LOW Voltage | | | 0.8 | V | Guaranteed Input LOW Voltage |
| V _{IK} | Input Clamp Diode Voltage | | | -1.2 | V | V _{CC} = MIN, I _{IN} = -18 mA |
| V _{OH} | Output HIGH Voltage | 54, 74 | 2.5 | | V | I _{OH} = -1.0 mA, V _{CC} = 4.50 V |
| | | 74 | 2.7 | | V | I _{OH} = -1.0 mA, V _{CC} = 4.75 V |
| V _{OL} | Output LOW Voltage | | | 0.5 | V | I _{OL} = 20 mA, V _{CC} = MIN |
| I _{IH} | Input HIGH Current | | | 20 | μA | V _{CC} = MAX, V _{IN} = 2.7 V |
| | | | | 0.1 | mA | V _{CC} = MAX, V _{IN} = 7.0 V |
| I _{IL} | Input LOW Current | | | -0.6 | mA | V _{CC} = MAX, V _{IN} = 0.5 V |
| I _{OS} | Output Short Circuit Current (Note 2) | -60 | | -150 | mA | V _{CC} = MAX, V _{OUT} = 0 V |
| I _{CC} | Power Supply Current Total, Output HIGH Total, Output LOW | | | 5.6 | mA | V _{CC} = MAX, V _{IN} = GND |
| | | | | 13 | mA | V _{CC} = MAX, V _{IN} = Note 3 |

NOTES:

- For conditions shown as MIN or MAX, use the appropriate value specified under recommended operating conditions for the applicable device type.
- Not more than one output should be shorted at a time, nor for more than 1 second.
- Measured with one input high, one input low for each gate.

AC CHARACTERISTICS

| SYMBOL | PARAMETER | 54/74F T _A = +25°C V _{CC} = +5.0 V C _L = 50 pF | | 54F T _A = -55°C to +125°C V _{CC} = 5.0 V ± 10% C _L = 50 pF | | 74F T _A = 0°C to 70°C V _{CC} = 5.0 V ± 10% C _L = 50 pF | | UNITS |
|------------------|-------------------|--|-----|--|-----|--|-----|-------|
| | | MIN | MAX | MIN | MAX | MIN | MAX | |
| t _{PLH} | Propagation Delay | 2.5 | 5.5 | 2.5 | 7.5 | 2.5 | 6.5 | ns |
| t _{PHL} | Propagation Delay | 1.5 | 4.3 | 1.5 | 6.5 | 1.5 | 5.3 | ns |

AC TEST CIRCUIT

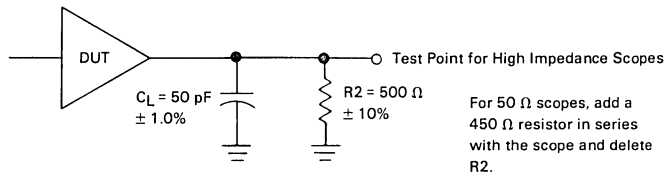


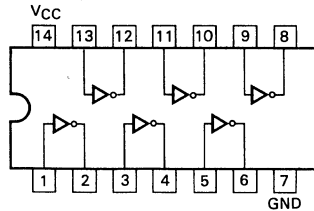
Fig. 1





MC54F04
MC74F04

HEX INVERTER



J Suffix — Case 632-07 (Ceramic)
N Suffix — Case 646-05 (Plastic)

HEX INVERTER
FAST™ SCHOTTKY TTL

GUARANTEED OPERATING RANGES

| SYMBOL | PARAMETER | | MIN | TYP | MAX | UNIT |
|-----------------|-------------------------------------|----------|----------|----------|-----------|------|
| V _{CC} | Supply Voltage | 54, 74 | 4.5 | 5.0 | 5.5 | V |
| T _A | Operating Ambient Temperature Range | 54 74 | -55 0 | 25 25 | 125 70 | °C |
| I _{OH} | Output Current — High | 54, 74 | | | -1.0 | mA |
| I _{OL} | Output Current — Low | 54, 74 | | | 20 | mA |

4

DC CHARACTERISTICS OVER OPERATING TEMPERATURE RANGE (unless otherwise specified)

| SYMBOL | PARAMETER | LIMITS | | | UNITS | TEST CONDITIONS |
|-----------------|--|--------|-----|------|-------|---|
| | | MIN | TYP | MAX | | |
| V _{IH} | Input HIGH Voltage | 2.0 | | | V | Guaranteed Input HIGH Voltage |
| V _{IL} | Input LOW Voltage | | | 0.8 | V | Guaranteed Input LOW Voltage |
| V _{IK} | Input Clamp Diode Voltage | | | -1.2 | V | V _{CC} = MIN, I _{IN} = -18 mA |
| V _{OH} | Output HIGH Voltage | 54, 74 | 2.5 | | V | I _{OH} = -1.0 mA, V _{CC} = 4.50 V |
| | | 74 | 2.7 | | V | I _{OH} = -1.0 mA, V _{CC} = 4.75 V |
| V _{OL} | Output LOW Voltage | | | 0.5 | V | I _{OL} = 20 mA, V _{CC} = MIN |
| I _{IH} | Input HIGH Current | | | 20 | μA | V _{CC} = MAX, V _{IN} = 2.7 V |
| | | | | 0.1 | mA | V _{CC} = MAX, V _{IN} = 7.0 V |
| I _{IL} | Input LOW Current | | | -0.6 | mA | V _{CC} = MAX, V _{IN} = 0.5 V |
| I _{OS} | Output Short Circuit Current (Note 2) | -60 | | -150 | mA | V _{CC} = MAX, V _{OUT} = 0 V |
| I _{CC} | Power Supply Current Total, Output HIGH | | | 4.2 | mA | V _{CC} = MAX, V _{IN} = GND |
| | | | | 15.3 | mA | V _{CC} = MAX, V _{IN} = Open |

NOTES:

- For conditions shown as MIN or MAX, use the appropriate value specified under recommended operating conditions for the applicable device type.
- Not more than one output should be shorted at a time, nor for more than 1 second.

AC CHARACTERISTICS

| SYMBOL | PARAMETER | 54/74F T _A = +25°C V _{CC} = +5.0 V C _L = 50 pF | | 54F T _A = -55°C to +125°C V _{CC} = 5.0 V ± 10% C _L = 50 pF | | 74F T _A = 0°C to 70°C V _{CC} = 5.0 V ± 10% C _L = 50 pF | | UNITS |
|------------------|-------------------|--|-----|--|-----|--|-----|-------|
| | | MIN | MAX | MIN | MAX | MIN | MAX | |
| t _{PLH} | Propagation Delay | 2.4 | 5.0 | 2.0 | 7.0 | 2.4 | 6.0 | ns |
| t _{PHL} | Propagation Delay | 1.5 | 4.3 | 1.5 | 6.5 | 1.5 | 5.3 | ns |

AC TEST CIRCUIT

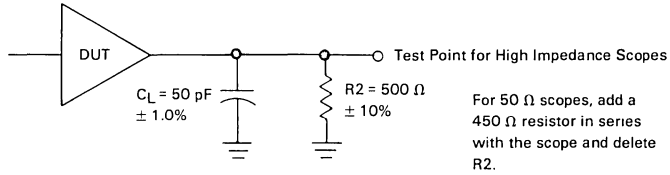


Fig. 1





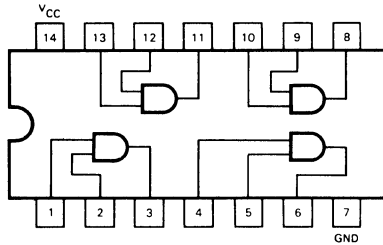
MOTOROLA

**MC54F08
MC74F08**

QUAD 2-INPUT AND GATE

QUAD 2-INPUT AND GATE

FAST™ SCHOTTKY TTL



J Suffix — Case 632-07 (Ceramic)
N Suffix — Case 646-05 (Plastic)

GUARANTEED OPERATING RANGES

| SYMBOL | PARAMETER | | MIN | TYP | MAX | UNIT |
|-----------------|-------------------------------------|----------|----------|----------|-----------|------|
| V _{CC} | Supply Voltage | 54, 74 | 4.5 | 5.0 | 5.5 | V |
| T _A | Operating Ambient Temperature Range | 54 74 | -55 0 | 25 25 | 125 70 | °C |
| I _{OH} | Output Current — High | 54, 74 | | | -1.0 | mA |
| I _{OL} | Output Current — Low | 54, 74 | | | 20 | mA |

DC CHARACTERISTICS OVER OPERATING TEMPERATURE RANGE (unless otherwise specified)

| SYMBOL | PARAMETER | LIMITS | | | UNITS | TEST CONDITIONS |
|-----------------|---|--------|-----|------|-------|---|
| | | MIN | TYP | MAX | | |
| V _{IH} | Input HIGH Voltage | 2.0 | | | V | Guaranteed Input HIGH Voltage |
| V _{IL} | Input LOW Voltage | | | 0.8 | V | Guaranteed Input LOW Voltage |
| V _{IK} | Input Clamp Diode Voltage | | | -1.2 | V | V _{CC} = MIN, I _{IN} = -18 mA |
| V _{OH} | Output HIGH Voltage | 54, 74 | 2.5 | | V | I _{OH} = -1.0 mA, V _{CC} = 4.50 V |
| | | 74 | 2.7 | | V | I _{OH} = -1.0 mA, V _{CC} = 4.75 V |
| V _{OL} | Output LOW Voltage | | | 0.5 | V | I _{OL} = 20 mA, V _{CC} = MIN |
| I _{IH} | Input HIGH Current | | | 20 | μA | V _{CC} = MAX, V _{IN} = 2.7 V |
| | | | | 0.1 | mA | V _{CC} = MAX, V _{IN} = 7.0 V |
| I _{IL} | Input LOW Current | | | -0.6 | mA | V _{CC} = MAX, V _{IN} = 0.5 V |
| I _{OS} | Output Short Circuit Current (Note 2) | -60 | | -150 | mA | V _{CC} = MAX, V _{OUT} = 0 V |
| I _{CC} | Power Supply Current Total, Output HIGH Total, Output LOW | | | 8.3 | mA | V _{CC} = MAX, V _{IN} = Open |
| | | | | 12.9 | mA | V _{CC} = MAX, V _{IN} = GND |

NOTES:

1. For conditions shown as MIN or MAX, use the appropriate value specified under recommended operating conditions for the applicable device type.
2. Not more than one output should be shorted at a time, nor for more than 1 second.

AC CHARACTERISTICS

| SYMBOL | PARAMETER | 54/74F T _A = +25°C V _{CC} = +5.0 V C _L = 50 pF | | 54F T _A = -55°C to +125°C V _{CC} = 5.0 V ± 10% C _L = 50 pF | | 74F T _A = 0°C to 70°C V _{CC} = 5.0 V ± 10% C _L = 50 pF | | UNITS |
|------------------|-------------------|--|-----|--|-----|--|-----|-------|
| | | MIN | MAX | MIN | MAX | MIN | MAX | |
| t _{PLH} | Propagation Delay | 3.0 | 5.6 | 2.5 | 7.5 | 3.0 | 6.6 | ns |
| t _{PHL} | Propagation Delay | 2.5 | 5.3 | 2.0 | 7.5 | 2.5 | 6.3 | ns |

AC TEST CIRCUIT

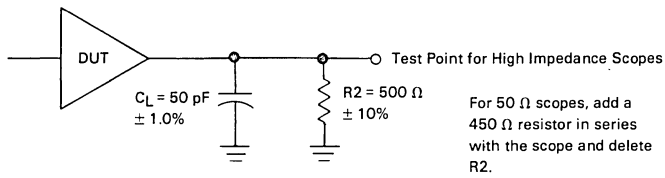
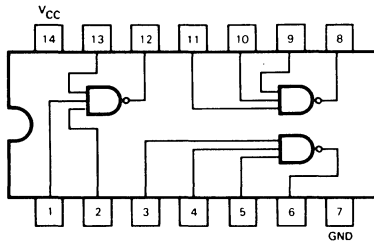


Fig. 1



**MC54F10
MC74F10**

TRIPLE 3-INPUT NAND GATE



J Suffix — Case 632-07 (Ceramic)
N Suffix — Case 646-05 (Plastic)

TRIPLE 3-INPUT NAND GATE
FAST™ SCHOTTKY TTL

GUARANTEED OPERATING RANGES

| SYMBOL | PARAMETER | | MIN | TYP | MAX | UNIT |
|-----------------|-------------------------------------|----------|----------|----------|-----------|------|
| V _{CC} | Supply Voltage | 54, 74 | 4.5 | 5.0 | 5.5 | V |
| T _A | Operating Ambient Temperature Range | 54 74 | -55 0 | 25 25 | 125 70 | °C |
| I _{OH} | Output Current — High | 54, 74 | | | -1.0 | mA |
| I _{OL} | Output Current — Low | 54, 74 | | | 20 | mA |

4

DC CHARACTERISTICS OVER OPERATING TEMPERATURE RANGE (unless otherwise specified)

| SYMBOL | PARAMETER | LIMITS | | | UNITS | TEST CONDITIONS |
|-----------------|--|--------|-----|------|-------|---|
| | | MIN | TYP | MAX | | |
| V _{IH} | Input HIGH Voltage | 2.0 | | | V | Guaranteed Input HIGH Voltage |
| V _{IL} | Input LOW Voltage | | | 0.8 | V | Guaranteed Input LOW Voltage |
| V _{IK} | Input Clamp Diode Voltage | | | -1.2 | V | V _{CC} = MIN, I _{IN} = -18 mA |
| V _{OH} | Output HIGH Voltage | 54, 74 | 2.5 | | V | I _{OH} = -1.0 mA, V _{CC} = 4.50 V |
| | | 74 | 2.7 | | V | I _{OH} = -1.0 mA, V _{CC} = 4.75 V |
| V _{OL} | Output LOW Voltage | | | 0.5 | V | I _{OL} = 20 mA, V _{CC} = MIN |
| I _{IH} | Input HIGH Current | | | 20 | μA | V _{CC} = MAX, V _{IN} = 2.7 V |
| | | | | 0.1 | mA | V _{CC} = MAX, V _{IN} = 7.0 V |
| I _{IL} | Input LOW Current | | | -0.6 | mA | V _{CC} = MAX, V _{IN} = 0.5 V |
| I _{OS} | Output Short Circuit Current (Note 2) | -60 | | -150 | mA | V _{CC} = MAX, V _{OUT} = 0 V |
| I _{CC} | Power Supply Current Total, Output HIGH | | | 2.1 | mA | V _{CC} = MAX, V _{IN} = GND |
| | | | | 7.7 | mA | V _{CC} = MAX, V _{IN} = Open |

NOTES:

- For conditions shown as MIN or MAX, use the appropriate value specified under recommended operating conditions for the applicable device type.
- Not more than one output should be shorted at a time, nor for more than 1 second.

AC CHARACTERISTICS

| SYMBOL | PARAMETER | 54/74F T _A = +25°C V _{CC} = +5.0 V C _L = 50 pF | | 54F T _A = -55°C to +125°C V _{CC} = 5.0 V ± 10% C _L = 50 pF | | 74F T _A = 0°C to 70°C V _{CC} = 5.0 V ± 10% C _L = 50 pF | | UNITS |
|------------------|-------------------|--|-----|--|-----|--|-----|-------|
| | | MIN | MAX | MIN | MAX | MIN | MAX | |
| t _{PLH} | Propagation Delay | 2.4 | 5.0 | 2.0 | 7.0 | 2.4 | 6.0 | ns |
| t _{PHL} | Propagation Delay | 1.5 | 4.3 | 1.5 | 6.5 | 1.5 | 5.3 | ns |

AC TEST CIRCUIT

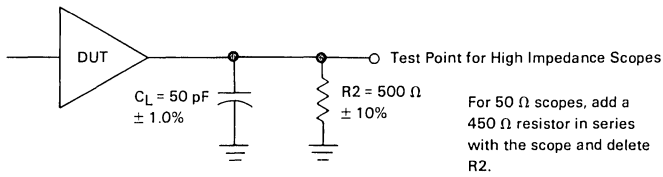


Fig. 1

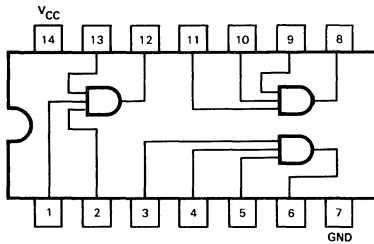




MOTOROLA

**MC54F11
MC74F11**

TRIPLE 3-INPUT AND GATE



TRIPLE 3-INPUT AND GATE

FAST™ SCHOTTKY TTL

J Suffix — Case 632-07 (Ceramic)

N Suffix — Case 646-05 (Plastic)

GUARANTEED OPERATING RANGES

| SYMBOL | PARAMETER | | MIN | TYP | MAX | UNIT |
|-----------------|-------------------------------------|----------|----------|----------|-----------|------|
| V _{CC} | Supply Voltage | 54, 74 | 4.5 | 5.0 | 5.5 | V |
| T _A | Operating Ambient Temperature Range | 54 74 | -55 0 | 25 25 | 125 70 | °C |
| I _{OH} | Output Current — High | 54, 74 | | | -1.0 | mA |
| I _{OL} | Output Current — Low | 54, 74 | | | 20 | mA |

4

DC CHARACTERISTICS OVER OPERATING TEMPERATURE RANGE (unless otherwise specified)

| SYMBOL | PARAMETER | LIMITS | | | UNITS | TEST CONDITIONS |
|-----------------|---|--------|-----|------|-------|---|
| | | MIN | TYP | MAX | | |
| V _{IH} | Input HIGH Voltage | 2.0 | | | V | Guaranteed Input HIGH Voltage |
| V _{IL} | Input LOW Voltage | | | 0.8 | V | Guaranteed Input LOW Voltage |
| V _{IK} | Input Clamp Diode Voltage | | | -1.2 | V | V _{CC} = MIN, I _{IN} = -18 mA |
| V _{OH} | Output HIGH Voltage | 54, 74 | 2.5 | | V | I _{OH} = -1.0 mA, V _{CC} = 4.50 V |
| | | 74 | 2.7 | | V | I _{OH} = -1.0 mA, V _{CC} = 4.75 V |
| V _{OL} | Output LOW Voltage | | | 0.5 | V | I _{OL} = 20 mA, V _{CC} = MIN |
| I _{IH} | Input HIGH Current | | | 20 | μA | V _{CC} = MAX, V _{IN} = 2.7 V |
| | | | | 0.1 | mA | V _{CC} = MAX, V _{IN} = 7.0 V |
| I _{IL} | Input LOW Current | | | -0.6 | mA | V _{CC} = MAX, V _{IN} = 0.5 V |
| I _{OS} | Output Short Circuit Current (Note 2) | -60 | | -150 | mA | V _{CC} = MAX, V _{OUT} = 0 V |
| I _{CC} | Power Supply Current Total, Output HIGH | | | 6.2 | mA | V _{CC} = MAX, V _{IN} = Open |
| | Power Supply Current Total, Output LOW | | | 9.7 | mA | V _{CC} = MAX, V _{IN} = GND |

NOTES:

- For conditions shown as MIN or MAX, use the appropriate value specified under recommended operating conditions for the applicable device type.
- Not more than one output should be shorted at a time, nor for more than 1 second.

AC CHARACTERISTICS

| SYMBOL | PARAMETER | 54/74F T _A = +25°C V _{CC} = +5.0 V C _L = 50 pF | | 54F T _A = -55°C to +125°C V _{CC} = 5.0 V ± 10% C _L = 50 pF | | 74F T _A = 0°C to 70°C V _{CC} = 5.0 V ± 10% C _L = 50 pF | | UNITS |
|------------------|-------------------|--|-----|--|-----|--|-----|-------|
| | | MIN | MAX | MIN | MAX | MIN | MAX | |
| tp _{LH} | Propagation Delay | 3.0 | 5.6 | 2.5 | 7.5 | 3.0 | 6.6 | ns |
| tp _{HL} | Propagation Delay | 2.5 | 5.5 | 2.0 | 7.5 | 2.5 | 6.5 | ns |

AC TEST CIRCUIT

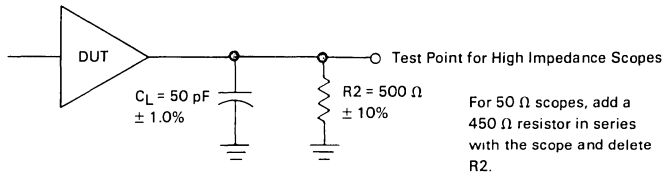


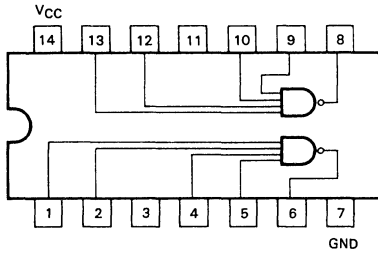
Fig. 1





**MC54F20
MC74F20**

DUAL 4-INPUT NAND GATE



J Suffix — Case 632-07 (Ceramic)
N Suffix — Case 646-05 (Plastic)

**DUAL 4-INPUT NAND GATE
FAST™ SCHOTTKY TTL**

GUARANTEED OPERATING RANGES

| SYMBOL | PARAMETER | | MIN | TYP | MAX | UNIT |
|-----------------|-------------------------------------|----------|----------|----------|-----------|------|
| V _{CC} | Supply Voltage | 54, 74 | 4.5 | 5.0 | 5.5 | V |
| T _A | Operating Ambient Temperature Range | 54 74 | -55 0 | 25 25 | 125 70 | °C |
| I _{OH} | Output Current — High | 54, 74 | | | -1.0 | mA |
| I _{OL} | Output Current — Low | 54, 74 | | | 20 | mA |

4

DC CHARACTERISTICS OVER OPERATING TEMPERATURE RANGE (unless otherwise specified)

| SYMBOL | PARAMETER | LIMITS | | | UNITS | TEST CONDITIONS | |
|-----------------|---|--------|-----|------|-------|---|--------------------------|
| | | MIN | TYP | MAX | | | |
| V _{IH} | Input HIGH Voltage | 2.0 | | | V | Guaranteed Input HIGH Voltage | |
| V _{IL} | Input LOW Voltage | | | 0.8 | V | Guaranteed Input LOW Voltage | |
| V _{IK} | Input Clamp Diode Voltage | | | -1.2 | V | V _{CC} = MIN, I _{IN} = -18 mA | |
| V _{OH} | Output HIGH Voltage | 54, 74 | 2.5 | | V | I _{OH} = -1.0 mA | V _{CC} = 4.50 V |
| | | 74 | 2.7 | | V | I _{OH} = -1.0 mA | V _{CC} = 4.75 V |
| V _{OL} | Output LOW Voltage | | | 0.5 | V | I _{OL} = 20 mA | V _{CC} = MIN |
| I _{IH} | Input HIGH Current | | | 20 | μA | V _{CC} = MAX, V _{IN} = 2.7 V | |
| | | | | 0.1 | mA | V _{CC} = MAX, V _{IN} = 7.0 V | |
| I _{IL} | Input LOW Current | | | -0.6 | mA | V _{CC} = MAX, V _{IN} = 0.5 V | |
| I _{OS} | Output Short Circuit Current (Note 2) | -60 | | -150 | mA | V _{CC} = MAX, V _{OUT} = 0 V | |
| I _{CC} | Power Supply Current Total, Output HIGH | | | 1.4 | mA | V _{CC} = MAX, V _{IN} = GND | |
| | Power Supply Current Total, Output LOW | | | 5.1 | mA | V _{CC} = MAX, V _{IN} = Open | |

NOTES:

1. For conditions shown as MIN or MAX, use the appropriate value specified under recommended operating conditions for the applicable device type.
2. Not more than one output should be shorted at a time, nor for more than 1 second.

AC CHARACTERISTICS

| SYMBOL | PARAMETER | 54/74F T _A = +25°C V _{CC} = +5.0 V C _L = 50 pF | | 54F T _A = -55°C to +125°C V _{CC} = 5.0 V ± 10% C _L = 50 pF | | 74F T _A = 0°C to 70°C V _{CC} = 5.0 V ± 10% C _L = 50 pF | | UNITS |
|------------------|-------------------|--|-----|--|-----|--|-----|-------|
| | | MIN | MAX | MIN | MAX | MIN | MAX | |
| t _{PLH} | Propagation Delay | 2.4 | 5.0 | 2.0 | 7.0 | 2.4 | 6.0 | ns |
| t _{PHL} | Propagation Delay | 1.5 | 4.3 | 1.5 | 6.5 | 1.5 | 5.3 | ns |

AC TEST CIRCUIT

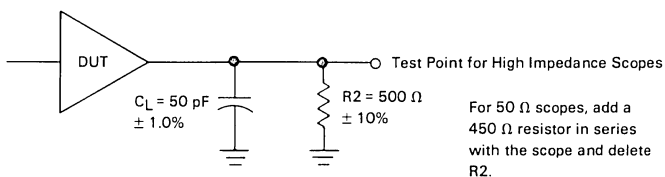


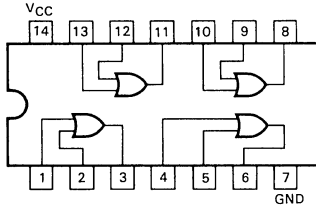
Fig. 1





**MC54F32
MC74F32**

QUAD 2-INPUT OR GATE



J Suffix — Case 632-07 (Ceramic)
N Suffix — Case 646-05 (Plastic)

**QUAD 2-INPUT OR GATE
FAST™ SCHOTTKY TTL**

GUARANTEED OPERATING RANGES

| SYMBOL | PARAMETER | | MIN | TYP | MAX | UNIT |
|-----------------|-------------------------------------|----------|----------|----------|-----------|------|
| V _{CC} | Supply Voltage | 54, 74 | 4.5 | 5.0 | 5.5 | V |
| T _A | Operating Ambient Temperature Range | 54 74 | -55 0 | 25 25 | 125 70 | °C |
| I _{OH} | Output Current — High | 54, 74 | | | -1.0 | mA |
| I _{OL} | Output Current — Low | 54, 74 | | | 20 | mA |

4

DC CHARACTERISTICS OVER OPERATING TEMPERATURE RANGE (unless otherwise specified)

| SYMBOL | PARAMETER | LIMITS | | | UNITS | TEST CONDITIONS |
|-----------------|---|--------|-----|------|-------|---|
| | | MIN | TYP | MAX | | |
| V _{IH} | Input HIGH Voltage | 2.0 | | | V | Guaranteed Input HIGH Voltage |
| V _{IL} | Input LOW Voltage | | | 0.8 | V | Guaranteed Input LOW Voltage |
| V _{IK} | Input Clamp Diode Voltage | | | -1.2 | V | V _{CC} = MIN, I _{IN} = -18 mA |
| V _{OH} | Output HIGH Voltage | 54, 74 | 2.5 | | V | I _{OH} = -1.0 mA, V _{CC} = 4.50 V |
| | | 74 | 2.7 | | V | I _{OH} = -1.0 mA, V _{CC} = 4.75 V |
| V _{OL} | Output LOW Voltage | | | 0.5 | V | I _{OL} = 20 mA, V _{CC} = MIN |
| I _{IH} | Input HIGH Current | | | 20 | μA | V _{CC} = MAX, V _{IN} = 2.7 V |
| | | | | 0.1 | mA | V _{CC} = MAX, V _{IN} = 7.0 V |
| I _{IL} | Input LOW Current | | | -0.6 | mA | V _{CC} = MAX, V _{IN} = 0.5 V |
| I _{OS} | Output Short Circuit Current (Note 2) | -60 | | -150 | mA | V _{CC} = MAX, V _{OUT} = 0 V |
| I _{CC} | Power Supply Current Total, Output HIGH Total, Output LOW | | | 9.2 | mA | V _{CC} = MAX, V _{IN} = GND |
| | | | | 15.5 | mA | V _{CC} = MAX, V _{IN} = Open |

NOTES:

- For conditions shown as MIN or MAX, use the appropriate value specified under recommended operating conditions for the applicable device type.
- Not more than one output should be shorted at a time.

AC CHARACTERISTICS

| SYMBOL | PARAMETER | 54/74F T _A = +25°C V _{CC} = +5.0 V C _L = 50 pF | | 54F T _A = -55°C to +125°C V _{CC} = 5.0 V ± 10% C _L = 50 pF | | 74F T _A = 0°C to 70°C V _{CC} = 5.0 V ± 10% C _L = 50 pF | | UNITS |
|------------------|-------------------|--|-----|--|-----|--|-----|-------|
| | | MIN | MAX | MIN | MAX | MIN | MAX | |
| t _{PLH} | Propagation Delay | 3.0 | 5.6 | 3.0 | 7.5 | 3.0 | 6.6 | ns |
| t _{PHL} | Propagation Delay | 3.0 | 5.3 | 2.5 | 7.5 | 3.0 | 6.3 | ns |

AC TEST CIRCUIT

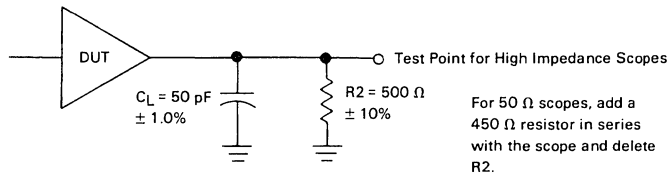
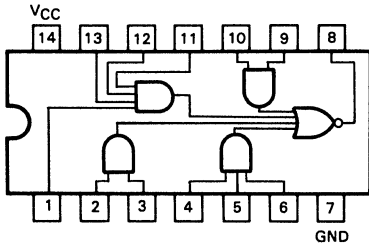


Fig. 1

MC54F64 MC74F64

4-2-3-2-INPUT AND-OR-INVERT GATE



J Suffix — Case 632-07 (Ceramic)
N Suffix — Case 646-05 (Plastic)

4-2-3-2-INPUT
AND-OR-INVERT GATE
FAST™ SCHOTTKY TTL

GUARANTEED OPERATING RANGES

| SYMBOL | PARAMETER | | MIN | TYP | MAX | UNIT |
|-----------------|-------------------------------------|----------|----------|----------|-----------|------|
| V _{CC} | Supply Voltage | 54, 74 | 4.5 | 5.0 | 5.5 | V |
| T _A | Operating Ambient Temperature Range | 54 74 | -55 0 | 25 25 | 125 70 | °C |
| I _{OH} | Output Current — High | 54, 74 | | | -1.0 | mA |
| I _{OL} | Output Current — Low | 54, 74 | | | 20 | mA |

4

DC CHARACTERISTICS OVER OPERATING TEMPERATURE RANGE (unless otherwise specified)

| SYMBOL | PARAMETER | LIMITS | | | UNITS | TEST CONDITIONS | |
|-----------------|---|--------|-----|------|-------|-------------------------------|--------------------------|
| | | MIN | TYP | MAX | | | |
| V _{IH} | Input HIGH Voltage | 2.0 | | | V | Guaranteed Input HIGH Voltage | |
| V _{IL} | Input LOW Voltage | | | 0.8 | V | Guaranteed Input LOW Voltage | |
| V _{IK} | Input Clamp Diode Voltage | | | -1.2 | V | I _{IN} = -18 mA | V _{CC} = MIN |
| V _{OH} | Output HIGH Voltage | 54, 74 | 2.5 | | V | I _{OH} = -1.0 mA | V _{CC} = 4.50 V |
| | | 74 | 2.7 | | V | I _{OH} = -1.0 mA | V _{CC} = 4.75 V |
| V _{OL} | Output LOW Voltage | | | 0.5 | V | I _{OL} = 20 mA | V _{CC} = MIN |
| I _{IH} | Input HIGH Current | | | 20 | μA | V _{IN} = 2.7 V | V _{CC} = MAX |
| | | | | 0.1 | mA | V _{IN} = 7.0 V | |
| I _{IL} | Input LOW Current | | | -0.6 | mA | V _{IN} = 0.5 V | V _{CC} = MAX |
| I _{OS} | Output Short Circuit Current (Note 2) | -60 | | -150 | mA | V _{OUT} = 0 V | V _{CC} = MAX |
| I _{CC} | Power Supply Current Total, Output HIGH Total, Output LOW | | | 2.8 | mA | V _{IN} = GND | V _{CC} = MAX |
| | | | | 4.7 | mA | V _{IN} = * | |

NOTES:

- For conditions shown as MIN or MAX, use the appropriate value specified under recommended operating conditions for the applicable device type.
 - Not more than one output should be shorted at a time, nor for more than 1 second.
- * I_{CC} is measured with all inputs of one gate open and remaining inputs grounded.

AC CHARACTERISTICS

| SYMBOL | PARAMETER | 54/74F T _A = +25°C V _{CC} = +5.0 V C _L = 50 pF | | 54F T _A = -55°C to +125°C V _{CC} = 5.0 V ± 10% C _L = 50 pF | | 74F T _A = 0°C to 70°C V _{CC} = 5.0 V ± 10% C _L = 50 pF | | UNITS |
|------------------|-------------------|--|-----|--|-----|--|-----|-------|
| | | MIN | MAX | MIN | MAX | MIN | MAX | |
| t _{PLH} | Propagation Delay | 2.5 | 6.5 | 2.5 | 8.5 | 2.5 | 7.5 | ns |
| t _{PHL} | Propagation Delay | 1.5 | 4.5 | 1.5 | 6.5 | 1.5 | 5.5 | ns |

AC TEST CIRCUIT

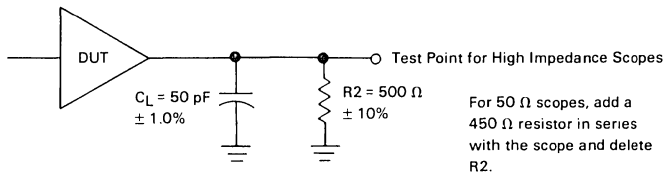


Fig. 1

MC54F74 MC74F74

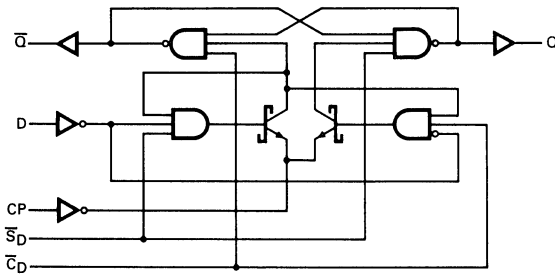
DUAL D-TYPE POSITIVE EDGE-TRIGGERED FLIP-FLOP

DESCRIPTION — The MC54F/74F74 is a dual D-type flip-flop with Direct Clear and Set inputs and complementary (Q , \bar{Q}) outputs. Information at the input is transferred to the outputs on the positive edge of the clock pulse. Clock triggering occurs at a voltage level of the clock pulse and is not directly related to the transition time of the positive-going pulse. After the Clock Pulse input threshold voltage has been passed, the Data input is locked out and information present will not be transferred to the outputs until the next rising edge of the Clock Pulse input.

DUAL D-TYPE POSITIVE EDGE-TRIGGERED FLIP-FLOP

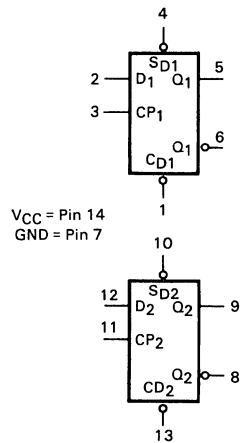
FAST™ SCHOTTKY TTL

LOGIC DIAGRAM



Please note that this diagram is provided only for the understanding of logic operations and should not be used to estimate propagation delays.

LOGIC SYMBOL



4

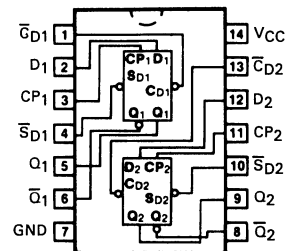
TRUTH TABLE
(Each Half)

| INPUT @ t_n | OUTPUTS @ $t_n + 1$ | |
|------------------|------------------------|-----------|
| D | Q | \bar{Q} |
| L | L | H |
| H | H | L |

Asynchronous Inputs:
 LOW Input to \bar{S}_D sets Q to HIGH level
 LOW Input to \bar{C}_D sets Q to LOW level
 Clear and Set are independent of clock
 Simultaneous LOW on \bar{C}_D and \bar{S}_D
 makes both Q and \bar{Q} HIGH

H = HIGH Voltage Level
 L = LOW Voltage Level
 t_n = Bit time before clock pulse
 $t_n + 1$ = Bit time after clock pulse

CONNECTION DIAGRAM



J Suffix — Case 632-07
(Ceramic)
 N Suffix — Case 646-05
(Plastic)

GUARANTEED OPERATING RANGES

| SYMBOL | PARAMETER | | MIN | TYP | MAX | UNIT |
|-----------------|-------------------------------------|--------|------|-----|------|------|
| V _{CC} | Supply Voltage | 54, 74 | 4.50 | 5.0 | 5.50 | V |
| T _A | Operating Ambient Temperature Range | 54 | -55 | 25 | 125 | °C |
| | | 74 | 0 | 25 | 70 | |
| I _{OH} | Output Current — High | 54, 74 | | | -1.0 | mA |
| I _{OL} | Output Current — Low | 54, 74 | | | 20 | mA |

DC CHARACTERISTICS OVER OPERATING TEMPERATURE RANGE (unless otherwise specified)

| SYMBOL | PARAMETER | LIMITS | | | UNITS | TEST CONDITIONS | |
|-----------------|---|--------|------|------|-------|-------------------------------|--------------------------|
| | | MIN | TYP | MAX | | | |
| V _{IH} | Input HIGH Voltage | 2.0 | | | V | Guaranteed Input HIGH Voltage | |
| V _{IL} | Input LOW Voltage | | | 0.8 | V | Guaranteed Input LOW Voltage | |
| V _{IK} | Input Clamp Diode Voltage | | | -1.2 | V | I _{IN} = -18 mA | V _{CC} = MIN |
| V _{OH} | Output HIGH Voltage | 54, 74 | 2.5 | 3.4 | V | I _{OH} = -1.0 mA | V _{CC} = 4.50 V |
| | | 74 | 2.7 | 3.4 | V | I _{OH} = -1.0 mA | V _{CC} = 4.75 V |
| V _{OL} | Output LOW Voltage | | 0.35 | 0.5 | V | I _{OL} = 20 mA | V _{CC} = MIN |
| I _{IH} | Input HIGH Current | | | 20 | μA | V _{IN} = 2.7 V | V _{CC} = MAX |
| | | | | 100 | μA | V _{IN} = 7.0 V | |
| I _{IL} | Input LOW Current (CP and D Inputs) ($\overline{C_D}$ and $\overline{S_D}$ Inputs) | | | -0.6 | mA | V _{IN} = 0.5 V | V _{CC} = MAX |
| | | | | -1.8 | mA | | |
| I _{OS} | Output Short Circuit Current (Note 2) | -60 | | -150 | mA | V _{OUT} = 0 V | V _{CC} = MAX |
| I _{CC} | Power Supply Current | | 10.5 | 16 | mA | V _{CP} = 0 V | V _{CC} = MAX |

NOTES:

1. For conditions such as MIN or MAX, use the appropriate value specified under guaranteed operating ranges.
2. Not more than one output should be shorted at a time, nor for more than 1 second.

AC CHARACTERISTICS

| SYMBOL | PARAMETER | 54/74F | | | **54F | | 74F | | UNITS |
|------------------|--|--|-----|-----|--|------|---|------|-------|
| | | T _A = +25°C V _{CC} = +5.0 V C _L = 50 pF | | | T _A = -55 to +125°C V _{CC} = 5.0 V ±10% C _L = 50 pF | | T _A = 0 to +70°C V _{CC} = 5.0 V ±10% C _L = 50 pF | | |
| | | MIN | TYP | MAX | MIN | MAX | MIN | MAX | |
| f _{max} | Maximum Clock Frequency | 100 | 125 | | 100 | | 100 | | MHz |
| t _{PLH} | Propagation Delay | 3.8 | 5.3 | 6.8 | 3.8 | 8.5 | 3.8 | 7.8 | ns |
| t _{PHL} | $\overline{C_P}_N$ to Q _N or \overline{Q}_N | 4.4 | 6.2 | 8.0 | 4.4 | 10.5 | 4.4 | 9.2 | |
| t _{PLH} | Propagation Delay | 2.5 | 4.6 | 6.1 | 3.2 | 8.0 | 2.5 | 7.1 | ns |
| t _{PHL} | $\overline{C_D}_N$ or $\overline{S_D}_N$ to Q _N or \overline{Q}_N | 3.5 | 7.0 | 9.0 | 3.5 | 11.5 | 3.5 | 10.5 | |



AC OPERATING REQUIREMENTS

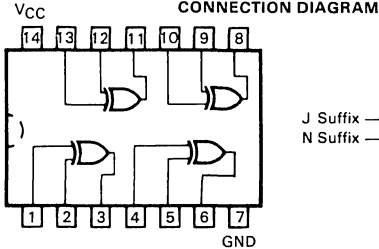
| SYMBOL | PARAMETER | 54/74F | | | 54F | | 74F | | UNITS |
|--|---|--|-----|-----|--|-----|---|-----|-------|
| | | T _A = +25°C V _{CC} = +5.0 V | | | T _A = -55 to +125°C V _{CC} = 5.0 V ±10% | | T _A = 0 to +70°C V _{CC} = 5.0 V ±10% | | |
| | | MIN | TYP | MAX | MIN | MAX | MIN | MAX | |
| t _S (H) t _S (L) | Set up Time, HIGH or LOW D _n to CP _n | 2.0 3.0 | | | 3.0 4.0 | | 2.0 3.0 | | ns |
| t _H (H) t _H (L) | Hold Time, HIGH or LOW D _n to CP _n | 1.0 1.0 | | | 2.0 2.0 | | 1.0 1.0 | | |
| t _W (H) t _W (L) | CP _n Pulse Width, HIGH or LOW | 4.0 5.0 | | | 4.0 6.0 | | 4.0 5.0 | | ns |
| t _W (L) | \overline{C}_{Dn} or \overline{S}_{Dn} Pulse Width LOW | 4.0 | | | 4.0 | | 4.0 | | ns |
| t _{rec} | Recovery Time \overline{C}_{Dn} or \overline{S}_{Dn} to CP | 2.0 | | | 3.0 | | 2.0 | | ns |



MC54F86 MC74F86

QUAD 2-INPUT EXCLUSIVE-OR GATE

QUAD 2-INPUT EXCLUSIVE-OR GATE FAST™ SCHOTTKY TTL



J Suffix — Case 632-07 (Ceramic)
N Suffix — Case 646-05 (Plastic)

GUARANTEED OPERATING RANGES

| SYMBOL | PARAMETER | | MIN | TYP | MAX | UNIT |
|-----------------|-------------------------------------|----------|----------|----------|-----------|------|
| V _{CC} | Supply Voltage | 54, 74 | 4.50 | 5.0 | 5.50 | V |
| T _A | Operating Ambient Temperature Range | 54 74 | -55 0 | 25 25 | 125 70 | °C |
| I _{OH} | Output Current — High | 54, 74 | | | -1.0 | mA |
| I _{OL} | Output Current — Low | 54, 74 | | | 20 | mA |

DC CHARACTERISTICS OVER OPERATING TEMPERATURE RANGE (unless otherwise specified)

| SYMBOL | PARAMETER | LIMITS | | | UNITS | TEST CONDITIONS | |
|-----------------|---------------------------------------|--------|------|------|-------|-------------------------------|--------------------------|
| | | MIN | TYP | MAX | | | |
| V _{IH} | Input HIGH Voltage | 2.0 | | | V | Guaranteed Input HIGH Voltage | |
| V _{IL} | Input LOW Voltage | | | 0.8 | V | Guaranteed Input LOW Voltage | |
| V _{IK} | Input Clamp Diode Voltage | | | -1.2 | V | I _{IN} = -18 mA | V _{CC} = MIN, |
| V _{OH} | Output HIGH Voltage | 54, 74 | 2.5 | 3.4 | V | I _{OH} = -1.0 mA | V _{CC} = 4.50 V |
| | | 74 | 2.7 | 3.4 | V | I _{OH} = -1.0 mA | V _{CC} = 4.75 V |
| V _{OL} | Output LOW Voltage | | 0.35 | 0.5 | V | I _{OL} = 20 mA | V _{CC} = MIN |
| I _{IH} | Input HIGH Current | | | 20 | μA | V _{IN} = 2.7 V | V _{CC} = MAX |
| | | | | 100 | μA | V _{IN} = 7.0 V | |
| I _{IL} | Input LOW Current | | | -0.6 | mA | V _{IN} = 0.5 V | V _{CC} = MAX |
| I _{OS} | Output Short Circuit Current (Note 2) | -60 | | -150 | mA | V _{OUT} = 0 V | V _{CC} = MAX |
| I _{CC} | Power Supply Current | | 15 | 23 | mA | Inputs LOW | V _{CC} = MAX |
| | | | 18 | 28 | mA | Inputs HIGH | |

NOTES:

- For conditions such as MIN or MAX, use the appropriate value specified under guaranteed operating ranges.
- Not more than one output should be shorted at a time, nor for more than 1 second.

AC CHARACTERISTICS

| SYMBOL | PARAMETER | 54/74F | | | 54F | | 74F | | UNITS |
|--------------------------------------|---|--|------------|------------|--|------------|---|------------|-------|
| | | T _A = +25°C V _{CC} = +5.0 V C _L = 50 pF | | | T _A = -55 to +125°C V _{CC} = 5.0 V ±10% C _L = 50 pF | | T _A = 0 to +70°C V _{CC} = 5.0 V ±10% C _L = 50 pF | | |
| | | MIN | TYP | MAX | MIN | MAX | MIN | MAX | |
| t _{PLH} t _{PHL} | Propagation Delay (Other Input LOW) | 3.0 3.0 | 4.0 4.2 | 5.5 5.5 | 2.5 3.0 | 7.0 7.0 | 3.0 3.0 | 6.5 6.5 | ns |
| t _{PLH} t _{PHL} | Propagation Delay (Other Input HIGH) | 3.5 3.0 | 5.3 4.7 | 7.0 6.5 | 3.5 3.0 | 8.5 8.0 | 3.5 3.0 | 8.0 7.5 | ns |

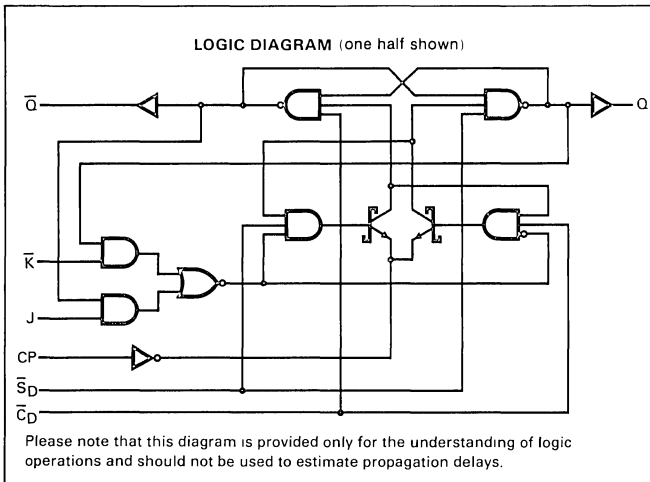
**MC54F109
MC74F109**

DUAL J \bar{K} POSITIVE EDGE-TRIGGERED FLIP-FLOP

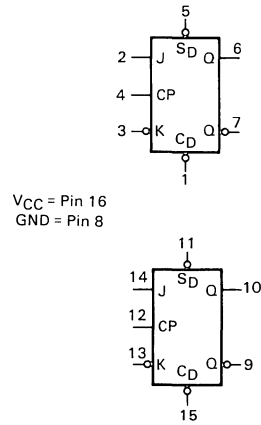
**DUAL J \bar{K} POSITIVE
EDGE-TRIGGERED FLIP-FLOP**

FAST™ SCHOTTKY TTL

DESCRIPTION — The MC54F/74F109 consists of two high-speed, completely independent transition clocked J \bar{K} flip-flops. The clocking operation is independent of rise and fall times of the clock waveform. The J \bar{K} design allows operation as a D flip-flop (refer to 'F74 data sheet) by connecting the J and \bar{K} inputs together.



LOGIC SYMBOL



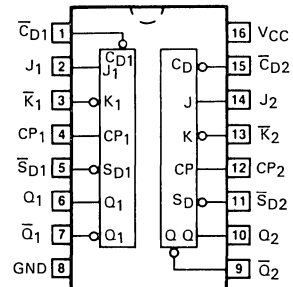
TRUTH TABLE

| INPUTS | | OUTPUTS | |
|--------|------------|-----------|------------|
| J | K $\bar{}$ | Q | Q $\bar{}$ |
| L | H | No Change | |
| L | L | L | H |
| H | H | H | L |
| H | L | Toggles | |

Asynchronous Inputs:
 LOW Input to \bar{S}_D sets Q to HIGH level
 LOW Input to \bar{C}_D sets Q to LOW level
 Clear and Set are independent of clock
 Simultaneous LOW on \bar{C}_D and \bar{S}_D makes both Q and \bar{Q} HIGH

t_n = Bit time before clock pulse
 t_{n+1} = Bit time after clock pulse
 H = HIGH Voltage Level
 L = LOW Voltage Level

CONNECTION DIAGRAM



J Suffix — Case 620-08
(Ceramic)
 N Suffix — Case 648-05
(Plastic)

GUARANTEED OPERATING RANGES

| SYMBOL | PARAMETER | | MIN | TYP | MAX | UNIT |
|-----------------|-------------------------------------|----------|----------|----------|-----------|------|
| V _{CC} | Supply Voltage | 54, 74 | 4.5 | 5.0 | 5.5 | V |
| T _A | Operating Ambient Temperature Range | 54 74 | -55 0 | 25 25 | 125 70 | °C |
| I _{OH} | Output Current — High | 54, 74 | | | -1.0 | mA |
| I _{OL} | Output Current — Low | 54, 74 | | | 20 | mA |

DC CHARACTERISTICS OVER OPERATING TEMPERATURE RANGE (unless otherwise specified)

| SYMBOL | PARAMETER | LIMITS | | | UNITS | TEST CONDITIONS |
|-----------------|--|--------|------|------|-------|---|
| | | MIN | TYP | MAX | | |
| V _{IH} | Input HIGH Voltage | 2.0 | | | V | Guaranteed Input HIGH Voltage |
| V _{IL} | Input LOW Voltage | | | 0.8 | V | Guaranteed Input LOW Voltage |
| V _{IK} | Input Clamp Diode Voltage | | | -1.2 | V | I _{IN} = -18 mA V _{CC} = MIN |
| V _{OH} | Output HIGH Voltage | 54, 74 | 2.5 | 3.4 | V | I _{OH} = -1.0 mA V _{CC} = 4.50 V |
| | | 74 | 2.7 | 3.4 | V | I _{OH} = -1.0 mA V _{CC} = 4.75 V |
| V _{OL} | Output LOW Voltage | | 0.35 | 0.5 | V | I _{OL} = 20 mA V _{CC} = MIN |
| I _{IH} | Input HIGH Current | | | 20 | μA | V _{IN} = 2.7 V V _{CC} = MAX |
| | | | | 100 | μA | V _{IN} = 7.0 V |
| I _{IL} | Input LOW Current (J, \bar{R} and CP Inputs) (\bar{C}_D and \bar{S}_D Inputs) | | | -0.6 | mA | V _{IN} = 0.5 V V _{CC} = MAX |
| | | | | -1.8 | mA | |
| I _{OS} | Output Short Circuit Current (Note 2) | -60 | | -150 | mA | V _{OUT} = 0 V V _{CC} = MAX |
| I _{CC} | Power Supply Current | | 11.7 | 17 | mA | V _{CP} = 0 V V _{CC} = MAX |

NOTES:

- For conditions such as MIN or MAX, use the appropriate value specified under guaranteed operating ranges.
- Not more than one output should be shorted at a time, nor for more than 1 second.

AC CHARACTERISTICS

| SYMBOL | PARAMETER | 54/74F T _A = +25°C V _{CC} = +5.0 V C _L = 50 pF | | | 54F T _A = -55 to +125°C V _{CC} = 5.0 V ±10% C _L = 50 pF | | 74F T _A = 0 to +70°C V _{CC} = 5.0 V ±10% C _L = 50 pF | | UNITS |
|------------------|---|--|-----|-----|---|------|--|------|-------|
| | | MIN | TYP | MAX | MIN | MAX | MIN | MAX | |
| f _{max} | Maximum Clock Frequency | 100 | 125 | | 70 | | 90 | | MHz |
| t _{PLH} | Propagation Delay | 3.8 | 5.3 | 7.0 | 3.8 | 9.0 | 3.8 | 8.0 | ns |
| t _{PHL} | CP _n to Q _n or \bar{Q}_n | 4.4 | 6.2 | 8.0 | 4.4 | 10.5 | 4.4 | 9.2 | |
| t _{PLH} | Propagation Delay | 2.5 | 5.2 | 7.0 | 2.5 | 9.0 | 2.5 | 8.0 | ns |
| t _{PHL} | \bar{C}_D or \bar{S}_D to Q _n or \bar{Q}_n | 3.5 | 7.0 | 9.0 | 3.5 | 11.5 | 3.5 | 10.5 | |

AC OPERATING REQUIREMENTS

| SYMBOL | PARAMETER | 54/74F T _A = +25°C V _{CC} = +5.0 V | | | 54F T _A = -55 to +125°C V _{CC} = 5.0 V ±10% | | 74F T _A = 0 to +70°C V _{CC} = 5.0 V ±10% | | UNITS |
|--------------------|---|--|-----|-----|---|-----|--|-----|-------|
| | | MIN | TYP | MAX | MIN | MAX | MIN | MAX | |
| t _s (H) | Set up Time, HIGH or LOW | 3.0 | | | 3.0 | | 3.0 | | ns |
| t _s (L) | J _N or \overline{K}_N to CP _N | 3.0 | | | 3.0 | | 3.0 | | |
| t _h (H) | Hold Time, HIGH or LOW | 1.0 | | | 1.0 | | 1.0 | | ns |
| t _h (L) | J _N or \overline{K}_N to CP _N | 1.0 | | | 1.0 | | 1.0 | | |
| t _w (H) | CP _N Pulse Width, HIGH | 4.0 | | | 4.0 | | 4.0 | | ns |
| t _w (L) | or LOW | 5.0 | | | 5.0 | | 5.0 | | |
| t _w (L) | \overline{C}_{DN} or \overline{S}_{DN} Pulse Width LOW | 4.0 | | | 4.0 | | 4.0 | | ns |
| t _{rec} | Recovery Time \overline{C}_{DN} or \overline{S}_{DN} to CP | 2.0 | | | 2.0 | | 2.0 | | ns |

Advance Information

DUAL JK NEGATIVE EDGE-TRIGGERED FLIP-FLOP

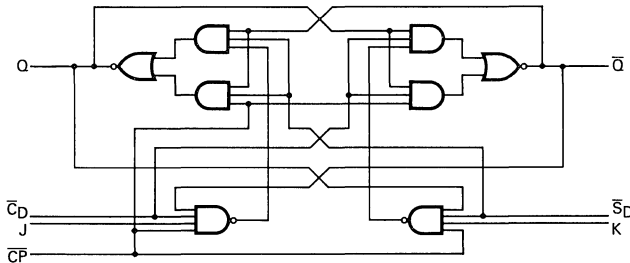
DESCRIPTION — MC54F/74F112 contains two independent, high-speed JK flip-flops with Direct Set and Clear inputs. Synchronous state changes are initiated by the falling edge of the clock. Triggering occurs at a voltage level of the clock and is not directly related to the transition time. The J and K inputs can change when the clock is in either state without affecting the flip-flop, provided that they are in the desired state during the recommended setup and hold times relative to the falling edge of the clock. A LOW signal on \bar{S}_D or \bar{C}_D prevents clocking and forces Q or \bar{Q} HIGH, respectively. Simultaneous LOW signals on \bar{S}_D and \bar{C}_D force both Q and \bar{Q} HIGH.

MC54F112
MC74F112

DUAL JK NEGATIVE EDGE-TRIGGERED FLIP-FLOP

FAST™ SCHOTTKY TTL

LOGIC DIAGRAM (one half shown)



TRUTH TABLE

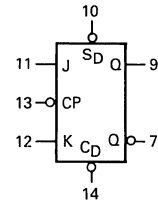
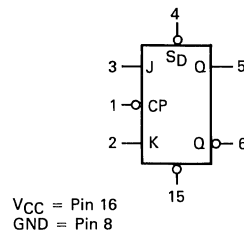
| INPUTS | | OUTPUT |
|--------|---|-------------|
| J | K | Q |
| L | L | Q_n |
| L | H | L |
| H | L | H |
| H | H | \bar{Q}_n |

Asynchronous Inputs:

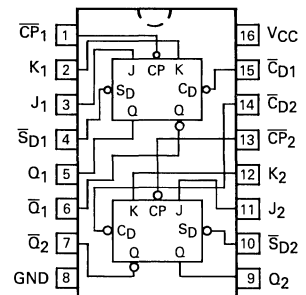
LOW input to \bar{S}_D sets Q to HIGH level
 LOW input to \bar{C}_D sets Q to LOW level
 Clear and Set are independent of clock
 Simultaneous LOW on \bar{C}_D and \bar{S}_D
 makes both Q and \bar{Q} HIGH

t_n = Bit time before clock pulse
 t_{n+1} = Bit time after clock pulse
 H = HIGH Voltage Level
 L = LOW Voltage Level

LOGIC SYMBOL



CONNECTION DIAGRAM



GUARANTEED OPERATING RANGES

| SYMBOL | PARAMETER | | MIN | TYP | MAX | UNIT |
|-----------------|-------------------------------------|----------|--------------|------------|--------------|------|
| V _{CC} | Supply Voltage* | 54 74 | 4.50 4.75 | 5.0 5.0 | 5.50 5.25 | V |
| T _A | Operating Ambient Temperature Range | 54 74 | -55 0 | 25 25 | 125 70 | °C |
| I _{OH} | Output Current — High | 54, 74 | | | -1.0 | mA |
| I _{OL} | Output Current — Low | 54, 74 | | | 20 | mA |

*74F devices may be operated over the 4.5 to 5.5 V supply range where they will meet the specifications of 54F devices over the 0° to 70°C temperature range.

DC CHARACTERISTICS OVER OPERATING TEMPERATURE RANGE (unless otherwise specified)

| SYMBOL | PARAMETER | LIMITS | | | UNITS | TEST CONDITIONS |
|-----------------|---|--------|------|------|-------|---|
| | | MIN | TYP | MAX | | |
| V _{IH} | Input HIGH Voltage | 2.0 | | | V | Guaranteed Input HIGH Voltage |
| V _{IL} | Input LOW Voltage | | | 0.8 | V | Guaranteed Input LOW Voltage |
| V _{IK} | Input Clamp Diode Voltage | | | -1.2 | V | I _{IJ} = -18 mA, V _{CC} = MIN |
| V _{OH} | Output HIGH Voltage | 54 | 2.5 | 3.4 | V | I _{OH} = -1.0 mA |
| | | 74 | 2.7 | 3.4 | V | I _{OH} = -1.0 mA |
| V _{OL} | Output LOW Voltage | | 0.35 | 0.5 | V | I _{OL} = 20 mA, V _{CC} = MIN |
| I _{IH} | Input HIGH Current | | | 20 | μA | V _{CC} = MAX, V _{IN} = 2.7 V |
| | | | | 100 | μA | V _{CC} = MAX, V _{IN} = 7.0 V |
| I _{IL} | Input LOW Current (J and K Inputs) | | | -0.6 | mA | V _{CC} = MAX, V _{IN} = 0.5 V |
| | ($\overline{C_P}$ Inputs) | | | -2.4 | mA | |
| | ($\overline{C_D}$ and $\overline{S_D}$ Inputs) | | | -3.0 | mA | |
| I _{OS} | Output Short Circuit Current (Note 2) | -60 | | -150 | mA | V _{CC} = MAX, V _{OUT} = 0 V |
| I _{CC} | Power Supply Current | | 12 | 19 | mA | V _{CC} = MAX, V _{CP} = 0 V |

NOTES:

- For conditions such as MIN or MAX, use the appropriate value specified under guaranteed operating ranges.
- Not more than one output should be shorted at a time, nor for more than 1 second.

AC CHARACTERISTICS

| SYMBOL | PARAMETER | 54/74F | | | 54F | | 74F | | UNITS |
|--------------------------------------|---|--|------------|------------|---|-----|--|------------|-------|
| | | T _A = +25°C V _{CC} = +5.0 V C _L = 50 pF | | | T _A = -55 to +125°C V _{CC} = 5.0 V ± 10% C _L = 50 pF | | T _A = 0 to +70°C V _{CC} = 5.0 V ± 10% C _L = 50 pF | | |
| | | MIN | TYP | MAX | MIN | MAX | MIN | MAX | |
| f _{max} | Maximum Clock Frequency | 110 | 130 | | | | | MHz | |
| t _{PLH} t _{PHL} | Propagation Delay C _{Pn} to Q _n or \overline{Q}_n | 2.0 2.0 | 5.0 5.0 | 6.5 6.5 | | | 2.0 2.0 | 7.5 7.5 | ns |
| t _{PLH} t _{PHL} | Propagation Delay \overline{C}_{Dn} or \overline{S}_{Dn} to Q _n or \overline{Q}_n | 2.0 2.0 | 4.5 4.5 | 6.5 6.5 | | | 2.0 2.0 | 7.5 7.5 | ns |

AC OPERATING REQUIREMENTS

| SYMBOL | PARAMETER | 54/74F | | | 54F | | 74F | | UNITS |
|--------------------|--|--|-----|-----|--|-----|---|-----|-------|
| | | T _A = +25°C V _{CC} = +5.0 V | | | T _A = -55 to +125°C V _{CC} = 5.0 V ±10% | | T _A = 0 to +70°C V _{CC} = 5.0 V ±10% | | |
| | | MIN | TYP | MAX | MIN | MAX | MIN | MAX | |
| t _s (H) | Set up Time, HIGH or LOW | 4.0 | | | | | 4.0 | | ns |
| t _s (L) | J _N or K _N to $\overline{C\overline{P}}_N$ | 3.0 | | | | | 3.0 | | |
| t _h (H) | Hold Time, HIGH or LOW | 0 | | | | | 0 | | ns |
| t _h (L) | J _N or K _N to $\overline{C\overline{P}}_N$ | 0 | | | | | 0 | | |
| t _w (H) | $\overline{C\overline{P}}_N$ Pulse Width, HIGH or LOW | 4.5 | | | | | 4.5 | | ns |
| t _w (L) | $\overline{C\overline{P}}_N$ Pulse Width, LOW | 4.5 | | | | | 4.5 | | |
| t _w (L) | $\overline{C\overline{D}}_N$ or $\overline{S\overline{D}}_N$ Pulse Width LOW | 4.5 | | | | | 4.5 | | ns |
| t _{rec} | Recovery Time $\overline{C\overline{D}}_N$ or $\overline{S\overline{D}}_N$ to $\overline{C\overline{P}}$ | 4.0 | | | | | 5.0 | | ns |

AC TEST CIRCUIT

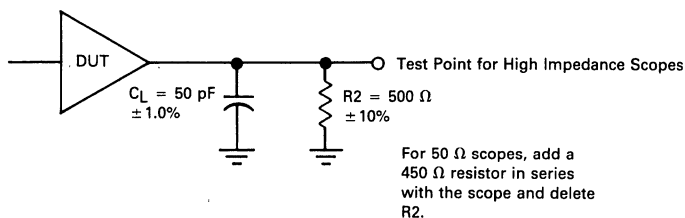


Fig. 1

4



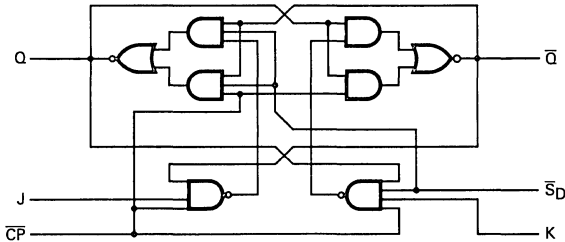
MOTOROLA

Advance Information

DUAL JK NEGATIVE EDGE-TRIGGERED FLIP-FLOP

DESCRIPTION — MC54F/74F113 offers individual J, K, Set and Clock inputs. When the clock goes HIGH the inputs are enabled and data may be entered. The logic level of the J and K inputs may be changed when the clock pulse is in either state and the bistable will perform according to the Truth Table as long as minimum setup and hold times are observed. Input data is transferred to the outputs on the falling edge of the clock pulse.

LOGIC DIAGRAM (one half shown)



TRUTH TABLE

| INPUTS | | OUTPUT |
|--------|---|--------------------|
| J | K | Q |
| L | L | Q _n |
| L | H | L |
| H | L | H |
| H | H | Q-bar _n |

Asynchronous Inputs:
LOW input to S-bar_D sets Q to HIGH level
Set is independent of clock

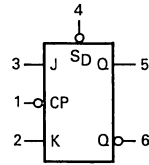
t_n = Bit time before clock pulse
t_{n + 1} = Bit time after clock pulse
H = HIGH Voltage Level
L = LOW Voltage Level

MC54F113 MC74F113

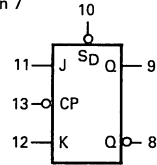
DUAL JK EDGE-TRIGGERED FLIP-FLOP

FAST™ SCHOTTKY TTL

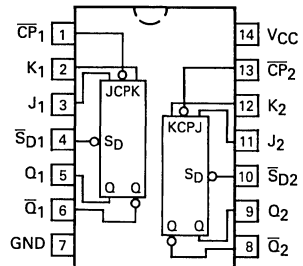
LOGIC SYMBOL



V_{CC} = Pin 14
GND = Pin 7



CONNECTION DIAGRAM



GUARANTEED OPERATING RANGES

| SYMBOL | PARAMETER | | MIN | TYP | MAX | UNIT |
|-----------------|-------------------------------------|----------|--------------|------------|--------------|------|
| V _{CC} | Supply Voltage* | 54 74 | 4.50 4.75 | 5.0 5.0 | 5.50 5.25 | V |
| T _A | Operating Ambient Temperature Range | 54 74 | -55 0 | 25 25 | 125 70 | °C |
| I _{OH} | Output Current — High | 54, 74 | | | -1.0 | mA |
| I _{OL} | Output Current — Low | 54, 74 | | | 20 | mA |

*74F devices may be operated over the 4.5 to 5.5 V supply range where they will meet the specifications of 54F devices over the 0° to 70°C temperature range.

DC CHARACTERISTICS OVER OPERATING TEMPERATURE RANGE (unless otherwise specified)

| SYMBOL | PARAMETER | LIMITS | | | UNITS | TEST CONDITIONS | |
|-----------------|---|--------|------|------|-------|--|-----------------------|
| | | MIN | TYP | MAX | | | |
| V _{IH} | Input HIGH Voltage | 2.0 | | | V | Guaranteed Input HIGH Voltage | |
| V _{IL} | Input LOW Voltage | | | 0.8 | V | Guaranteed Input LOW Voltage | |
| V _{IK} | Input Clamp Diode Voltage | | | -1.2 | V | I _{IN} = -18 mA | V _{CC} = MIN |
| V _{OH} | Output HIGH Voltage | 54 | 2.5 | 3.4 | V | I _{OH} = -1.0 mA | V _{CC} = MIN |
| | | 74 | 2.7 | 3.4 | V | I _{OH} = -1.0 mA | |
| V _{OL} | Output LOW Voltage | | 0.35 | 0.5 | V | I _{OL} = 20 mA | V _{CC} = MIN |
| I _{IH} | Input HIGH Current | | | 20 | μA | V _{CC} = MAX, V _{IN} = 2.7 V | |
| | | | | 100 | μA | V _{CC} = MAX, V _{IN} = 7.0 V | |
| I _{IL} | Input LOW Current (J and K Inputs) (\overline{CP} Inputs) (\overline{CD} and \overline{SD} Inputs) | | | -0.6 | mA | V _{CC} = MAX, V _{IN} = 0.5 V | |
| | | | | -2.4 | mA | | |
| | | | | -3.0 | mA | | |
| I _{OS} | Output Short Circuit Current (Note 2) | -60 | | -150 | mA | V _{CC} = MAX, V _{OUT} = 0 V | |
| I _{CC} | Power Supply Current | | 12 | 19 | mA | V _{CC} = MAX, V _{CP} = 0 V | |

NOTES:

- For conditions such as MIN or MAX, use the appropriate value specified under guaranteed operating ranges.
- Not more than one output should be shorted at a time, nor for more than 1 second.

AC CHARACTERISTICS

| SYMBOL | PARAMETER | 54/74F | | | 54F | | 74F | | UNITS |
|------------------|---|--|-----|-----|---|-----|--|-----|-------|
| | | T _A = +25°C V _{CC} = +5.0 V C _L = 50 pF | | | T _A = -55 to +125°C V _{CC} = 5.0 V ± 10% C _L = 50 pF | | T _A = 0 to +70°C V _{CC} = 5.0 V ± 10% C _L = 50 pF | | |
| | | MIN | TYP | MAX | MIN | MAX | MIN | MAX | |
| f _{max} | Maximum Clock Frequency | 110 | 130 | | | | | MHz | |
| t _{PLH} | Propagation Delay | 2.0 | 4.0 | 6.0 | | | | ns | |
| t _{PHL} | \overline{CP}_n to Q _n or \overline{Q}_n | 2.0 | 4.0 | 6.0 | | | 2.0 7.0 | | |
| t _{PLH} | Propagation Delay | 2.0 | 4.5 | 6.5 | | | | ns | |
| t _{PHL} | \overline{SD}_n to Q _n or \overline{Q}_n | 2.0 | 4.5 | 6.5 | | | 2.0 7.5 | | |

AC OPERATING REQUIREMENTS

| SYMBOL | PARAMETER | 54/74F | | | 54F | | 74F | | UNITS |
|--|---|--|-----|-----|---|-----|--|-----|-------|
| | | T _A = +25°C V _{CC} = +5.0 V | | | T _A = -55 to +125°C V _{CC} = 5.0 V ± 10% | | T _A = 0 to +70°C V _{CC} = 5.0 V ± 10% | | |
| | | MIN | TYP | MAX | MIN | MAX | MIN | MAX | |
| t _s (H) t _s (L) | Set up Time, HIGH or LOW J _n or K _n to \overline{CP}_n | 4.0 3.0 | | | | | 4.0 3.0 | | ns |
| t _h (H) t _h (L) | Hold Time, HIGH or LOW J _n or K _n to \overline{CP}_n | 0 0 | | | | | 0 0 | | |
| t _w (H) t _w (L) | \overline{CP}_n Pulse Width, HIGH or LOW | 4.5 4.5 | | | | | 4.5 4.5 | | ns |
| t _w (L) | \overline{SD}_n Pulse Width LOW | 4.5 | | | | | 4.5 | | ns |
| t _{rec} | Recovery Time \overline{SD}_n to \overline{CP} | 4.0 | | | | | 5.0 | | ns |

AC TEST CIRCUIT

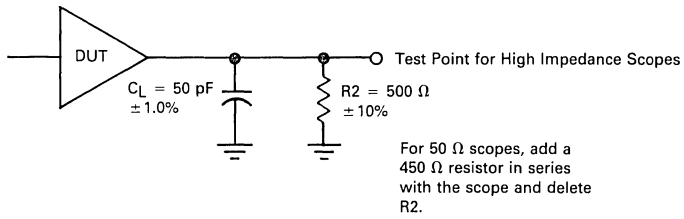


Fig. 1





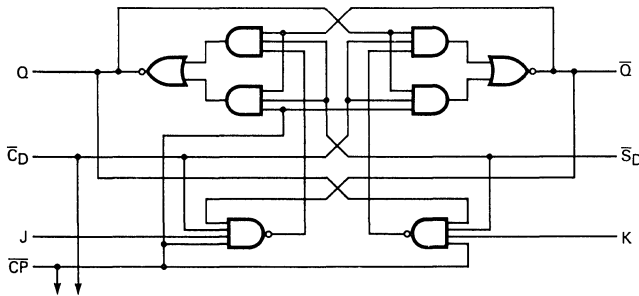
MOTOROLA

Advance Information

**DUAL JK NEGATIVE EDGE-TRIGGERED FLIP-FLOP
(WITH COMMON CLOCKS AND CLEARS)**

DESCRIPTION — MC54F/74F114 contains two high-speed JK flip-flops with common clock and Clear inputs. Synchronous state changes are initiated by the falling edge of the clock. Triggering occurs at a voltage level of the clock and is not directly related to the transition time. The J and K inputs can change when the clock is in either state without affecting the flip-flop, provided that they are in the desired state during the recommended setup and hold times relative to the falling edge of the clock. A LOW signal on \overline{S}_D or \overline{C}_D prevents clocking and forces Q or \overline{Q} HIGH, respectively. Simultaneous LOW signals on \overline{S}_D and \overline{C}_D force both Q and \overline{Q} HIGH.

LOGIC DIAGRAM (one half shown)



TRUTH TABLE

| INPUTS | | OUTPUT |
|--------|---|------------------|
| J | K | Q |
| L | L | Q_n |
| L | H | L |
| H | L | H |
| H | H | \overline{Q}_n |

Asynchronous Inputs:
 LOW input to \overline{S}_D sets Q to HIGH level
 LOW input to \overline{C}_D sets Q to LOW level
 Clear and Set are independent of clock
 Simultaneous LOW on \overline{C}_D and \overline{S}_D makes both Q and \overline{Q} HIGH

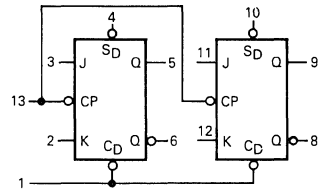
H = HIGH Voltage Level
 L = LOW Voltage Level
 t_n = Bit time before clock pulse
 t_{n+1} = Bit time after clock pulse

**MC54F114
MC74F114**

**DUAL JK NEGATIVE
EDGE-TRIGGERED FLIP-FLOP**

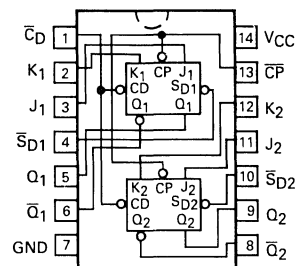
FAST™ SCHOTTKY TTL

LOGIC SYMBOL



VCC = Pin 14
 GND = Pin 7

CONNECTION DIAGRAM



GUARANTEED OPERATING RANGES

| SYMBOL | PARAMETER | | MIN | TYP | MAX | UNIT |
|-----------------|-------------------------------------|----------|--------------|------------|--------------|------|
| V _{CC} | Supply Voltage* | 54 74 | 4.50 4.75 | 5.0 5.0 | 5.50 5.25 | V |
| T _A | Operating Ambient Temperature Range | 54 74 | -55 0 | 25 25 | 125 70 | °C |
| I _{OH} | Output Current — High | 54, 74 | | | -1.0 | mA |
| I _{OL} | Output Current — Low | 54, 74 | | | 20 | mA |

*74F devices may be operated over the 4.5 to 5.5 V supply range where they will meet the specifications of 54F devices over the 0° to 70° temperature range.

DC CHARACTERISTICS OVER OPERATING TEMPERATURE RANGE (unless otherwise specified)

| SYMBOL | PARAMETER | LIMITS | | | UNITS | TEST CONDITIONS |
|-----------------|--|--------|------|------|-------|--|
| | | MIN | TYP | MAX | | |
| V _{IH} | Input HIGH Voltage | 2.0 | | | V | Guaranteed Input HIGH Voltage |
| V _{IL} | Input LOW Voltage | | | 0.8 | V | Guaranteed Input LOW Voltage |
| V _{IK} | Input Clamp Diode Voltage | | | -1.2 | V | I _{IJN} = -18 mA V _{CC} = MIN |
| V _{OH} | Output HIGH Voltage | 54 | 2.5 | 3.4 | V | I _{OH} = -1.0 mA |
| | | 74 | 2.7 | 3.4 | V | I _{OH} = -1.0 mA |
| V _{OL} | Output LOW Voltage | | 0.35 | 0.5 | V | I _{OL} = 20 mA V _{CC} = MIN |
| I _{IH} | Input HIGH Current | | | 20 | μA | V _{CC} = MAX, V _{IIN} = 2.7 V |
| | | | | 100 | μA | V _{CC} = MAX, V _{IIN} = 7.0 V |
| I _{IL} | Input LOW Current (J and K Inputs) ($\overline{C_P}$ Inputs) ($\overline{C_D}$ and $\overline{S_D}$ Inputs) | | | -0.6 | mA | V _{CC} = MAX, V _{IIN} = 0.5 V |
| | | | | -2.4 | mA | |
| | | | | -3.0 | mA | |
| I _{OS} | Output Short Circuit Current (Note 2) | -60 | | -150 | mA | V _{CC} = MAX, V _{OUT} = 0 V |
| I _{CC} | Power Supply Current | | 12 | 19 | mA | V _{CC} = MAX, V _{CP} = 0 V |

NOTES:

1. For conditions such as MIN or MAX, use the appropriate value specified under guaranteed operating ranges.
2. Not more than one output should be shorted at a time, nor for more than 1 second.

AC CHARACTERISTICS

| SYMBOL | PARAMETER | 54/74F | | | 54F | | 74F | | UNITS |
|------------------|---|--|-----|-----|---|-----|--|-----|-------|
| | | T _A = +25°C V _{CC} = +5.0 V C _L = 50 pF | | | T _A = -55 to +125°C V _{CC} = 5.0 V ± 10% C _L = 50 pF | | T _A = 0 to +70°C V _{CC} = 5.0 V ± 10% C _L = 50 pF | | |
| | | MIN | TYP | MAX | MIN | MAX | MIN | MAX | |
| f _{max} | Maximum Clock Frequency | 100 | 120 | | | | | MHz | |
| t _{PLH} | Propagation Delay C _{Pn} to Q _n or $\overline{Q_n}$ | 3.3 | 5.0 | 6.5 | | | 3.3 | 7.5 | ns |
| t _{PHL} | Propagation Delay C _{Pn} to Q _n or $\overline{Q_n}$ | 3.3 | 5.5 | 7.5 | | | 3.3 | 8.5 | |
| t _{PLH} | Propagation Delay C _{Dn} or $\overline{S_{Dn}}$ to Q _n or $\overline{Q_n}$ | 2.0 | 4.5 | 6.5 | | | 2.0 | 7.5 | ns |
| t _{PHL} | Propagation Delay C _{Dn} or $\overline{S_{Dn}}$ to Q _n or $\overline{Q_n}$ | 2.0 | 4.5 | 6.5 | | | 2.0 | 7.5 | |



AC OPERATING REQUIREMENTS

| SYMBOL | PARAMETER | 54/74F | | | 54F | | 74F | | UNITS |
|--|---|--|-----|-----|---|-----|--|-----|-------|
| | | T _A = +25°C V _{CC} = +5.0 V | | | T _A = -55 to +125°C V _{CC} = 5.0 V ± 10% | | T _A = 0 to +70°C V _{CC} = 5.0 V ± 10% | | |
| | | MIN | TYP | MAX | MIN | MAX | MIN | MAX | |
| t _s (H) t _s (L) | Set up Time, HIGH or LOW J _n or K _n to \overline{CP}_n | 4.0 3.0 | | | | | 4.0 3.0 | | ns |
| t _h (H) t _h (L) | Hold Time, HIGH or LOW J _n or K _n to \overline{CP}_n | 0 0 | | | | | 0 0 | | |
| t _w (H) t _w (L) | \overline{CP}_n Pulse Width, HIGH or LOW | 4.5 4.5 | | | | | 4.5 4.5 | | ns |
| t _w (L) | \overline{CD}_n or \overline{SD}_n Pulse Width LOW | 4.5 | | | | | 4.5 | | ns |
| t _{rec} | Recovery Time \overline{CD}_n or \overline{SD}_n to \overline{CP} | 4.0 | | | | | 5.0 | | ns |

AC TEST CIRCUIT

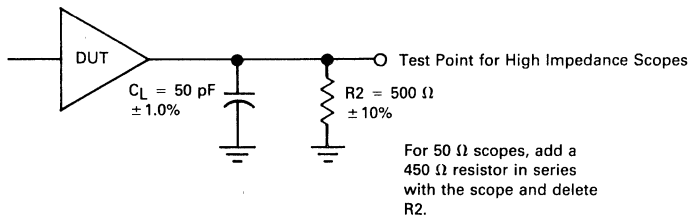


Fig. 1

4

**MC54F138
MC74F138**

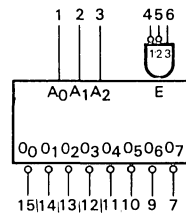
1-OF-8 DECODER/DEMULPLEXER

DESCRIPTION — The MC54F/74F138 is a high speed 1-of-8 Decoder/Demultiplexer. This device is ideally suited for high speed bipolar memory chip select address decoding. The multiple input enable allows parallel expansion to a 1-of-24 decoder using just three F138 devices or to a 1-of-32 decoder using four F138s and one inverter.

- DEMULTIPLEXING CAPABILITY
- MULTIPLE INPUT ENABLE FOR EASY EXPANSION
- ACTIVE LOW MUTUALLY EXCLUSIVE OUTPUTS
- INPUT CLAMP DIODES LIMIT HIGH SPEED TERMINATION EFFECTS

**1-OF-8 DECODER/
DEMULPLEXER
FAST™ SCHOTTKY TTL**

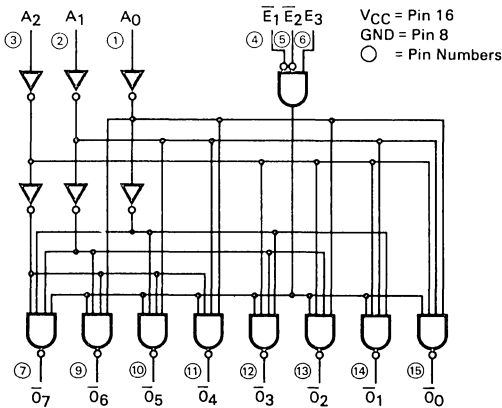
LOGIC SYMBOL



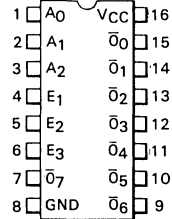
VCC = Pin 16
GND = Pin 8



LOGIC DIAGRAM



**CONNECTION DIAGRAM
DIP (TOP VIEW)**



J Suffix — Case 620-08 (Ceramic)
N Suffix — Case 648-05 (Plastic)

NOTE:
The Flatpak version has the same pinouts (Connection Diagram) as the Dual In-Line Package.

GUARANTEED OPERATING RANGES

| SYMBOL | PARAMETER | | MIN | TYP | MAX | UNIT |
|-----------------|-------------------------------------|----------|----------|----------|-----------|------|
| V _{CC} | Supply Voltage | 54, 74 | 4.5 | 5.0 | 5.5 | V |
| T _A | Operating Ambient Temperature Range | 54 74 | -55 0 | 25 25 | 125 70 | °C |
| I _{OH} | Output Current — High | 54, 74 | | | -1.0 | mA |
| I _{OL} | Output Current — Low | 54, 74 | | | 20 | mA |

DC CHARACTERISTICS OVER OPERATING TEMPERATURE RANGE (unless otherwise specified)

| SYMBOL | PARAMETER | LIMITS | | | UNITS | TEST CONDITIONS |
|-----------------|---------------------------------------|--------|-----|------|-------|---|
| | | MIN | TYP | MAX | | |
| V _{IH} | Input HIGH Voltage | 2.0 | | | V | Guaranteed Input HIGH Voltage |
| V _{IL} | Input LOW Voltage | | | 0.8 | V | Guaranteed Input LOW Voltage |
| V _{IK} | Input Clamp Diode Voltage | | | -1.2 | V | V _{CC} = MIN, I _{IN} = -18 mA |
| V _{OH} | Output HIGH Voltage | 54, 74 | 2.5 | | V | I _{OH} = -1.0 mA, V _{CC} = 4.50 V |
| | | 74 | 2.7 | | V | I _{OH} = -1.0 mA, V _{CC} = 4.75 V |
| V _{OL} | Output LOW Voltage | | | 0.5 | V | I _{OL} = 20 mA, V _{CC} = MIN |
| I _{IH} | Input HIGH Current | | | 20 | μA | V _{CC} = MAX, V _{IN} = 2.7 V |
| I _{IL} | Input LOW Current | | | 0.1 | mA | V _{CC} = MAX, V _{IN} = 7.0 V |
| I _{IL} | Input LOW Current | | | -0.6 | mA | V _{CC} = MAX, V _{IN} = 0.5 V |
| I _{OS} | Output Short Circuit Current (Note 2) | -60 | | -150 | mA | V _{CC} = MAX, V _{OUT} = 0 V |
| I _{CC} | Power Supply Current | | | 20 | mA | V _{CC} = MAX |

AC CHARACTERISTICS

| SYMBOL | PARAMETER | LEVELS OF DELAY | 54/74F | | 54F | | 74F | | UNITS |
|------------------|---|-----------------|--------------------------|-----|----------------------------------|------|------------------------------|-----|-------|
| | | | T _A = +25°C | | T _A = -55°C to +125°C | | T _A = 0°C to 70°C | | |
| | | | V _{CC} = +5.0 V | | V _{CC} = 5.0 V ±10% | | V _{CC} = 5.0 V ±10% | | |
| | | | C _L = 50 pF | | C _L = 50 pF | | C _L = 50 pF | | |
| | | | MIN | MAX | MIN | MAX | MIN | MAX | |
| t _{PLH} | Propagation Delay, Address to Output | 3 | 3.0 | 7.5 | 3.0 | 12 | 3.0 | 8.5 | ns |
| t _{PHL} | Address to Output | | 3.5 | 8.0 | 3.5 | 9.5 | 3.5 | 9.0 | ns |
| t _{PLH} | Enable to Output \bar{E}_1 or \bar{E}_2 | 2 | 3.5 | 7.0 | 3.5 | 11 | 3.5 | 8.0 | ns |
| t _{PHL} | Enable to Output \bar{E}_1 or \bar{E}_2 | | 3.0 | 7.0 | 3.0 | 8.0 | 3.0 | 7.5 | ns |
| t _{PLH} | Enable to Output E ₃ | 3 | 4.0 | 8.0 | 4.0 | 12.5 | 4.0 | 9.0 | ns |
| t _{PHL} | Enable to Output E ₃ | | 3.5 | 7.5 | 3.5 | 8.5 | 3.5 | 8.5 | ns |

NOTES

- For conditions shown as MIN or MAX, use the appropriate value specified under recommended operating conditions for the applicable device type
- Not more than one output should be shorted at a time, nor for more than 1 second.

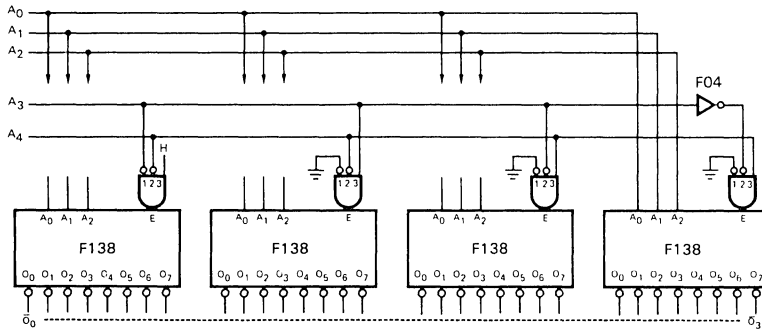
FUNCTIONAL DESCRIPTION — The decoder accepts three binary weighted inputs (A₀, A₁, A₂) and when enabled provides eight mutually exclusive active LOW outputs (\bar{O}_0 – \bar{O}_7). The F138 features three Enable inputs, two active LOW (\bar{E}_1 , \bar{E}_2) and one active HIGH (E₃). All outputs will be HIGH unless \bar{E}_1 and \bar{E}_2 are LOW and E₃ is HIGH. This multiple enable function allows easy parallel expansion of the device to a 1-of-32 (5 lines to 32 lines) decoder with just four F138s and one inverter.

The F138 can be used as an 8-output demultiplexer by using one of the active LOW Enable inputs as the data input and the other Enable inputs as strobes. The Enable inputs which are not used must be permanently tied to their appropriate active HIGH or active LOW state.

TRUTH TABLE

| INPUTS | | | | | | OUTPUTS | | | | | | | |
|-------------|-------------|-------|-------|-------|-------|-------------|-------------|-------------|-------------|-------------|-------------|-------------|-------------|
| \bar{E}_1 | \bar{E}_2 | E_3 | A_0 | A_1 | A_2 | \bar{O}_0 | \bar{O}_1 | \bar{O}_2 | \bar{O}_3 | \bar{O}_4 | \bar{O}_5 | \bar{O}_6 | \bar{O}_7 |
| H | X | X | X | X | X | H | H | H | H | H | H | H | H |
| X | H | X | X | X | X | H | H | H | H | H | H | H | H |
| X | X | L | X | X | X | H | H | H | H | H | H | H | H |
| L | L | H | L | L | L | L | H | H | H | H | H | H | H |
| L | L | H | H | L | L | H | L | H | H | H | H | H | H |
| L | L | H | L | H | L | H | H | L | H | H | H | H | H |
| L | L | H | H | H | L | H | H | H | L | H | H | H | H |
| L | L | H | H | L | H | H | H | H | H | L | H | H | H |
| L | L | H | L | H | H | H | H | H | H | H | L | H | H |
| L | L | H | H | H | H | H | H | H | H | H | H | L | H |
| L | L | H | H | H | H | H | H | H | H | H | H | H | L |

H = HIGH Voltage Level
 L = LOW Voltage Level
 X = Don't Care



AC TEST CIRCUIT

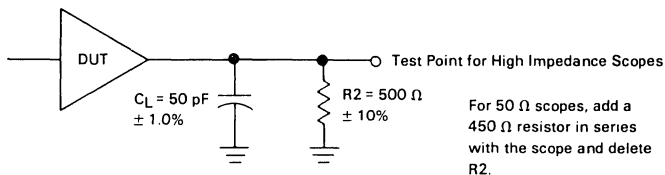


Fig. 1

AC WAVEFORMS

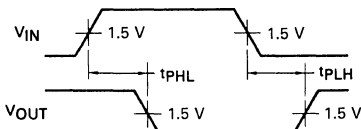


Fig. 2

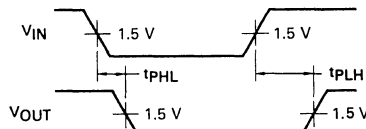


Fig. 3

MC54F139 MC74F139

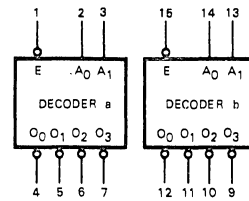
DUAL 1-OF-4 DECODER

DESCRIPTION — The MC54F/74F139 is a high speed Dual 1-of-4 Decoder/Demultiplexer. The device has two independent decoders, each accepting two inputs and providing four mutually exclusive active LOW Outputs. Each decoder has an active LOW Enable input which can be used as a data input for a 4-output demultiplexer. Each half of the F139 can be used as a function generator providing all four minterms of two variables.

- MULTIFUNCTION CAPABILITY
- TWO COMPLETELY INDEPENDENT 1-OF-4 DECODERS
- ACTIVE LOW MUTUALLY EXCLUSIVE OUTPUTS
- INPUT CLAMP DIODES LIMIT HIGH SPEED TERMINATION EFFECTS

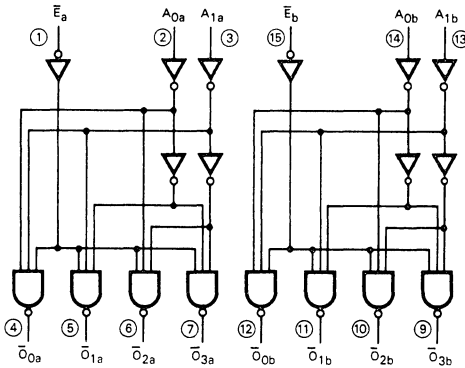
DUAL 1-OF-4 DECODER
FAST™ SCHOTTKY TTL

LOGIC SYMBOL



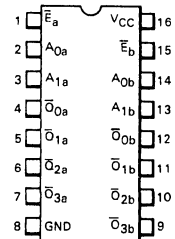
VCC = Pin 16
GND = Pin 8

LOGIC DIAGRAM



VCC = Pin 16
GND = Pin 8
○ = Pin Numbers

CONNECTION DIAGRAM DIP (TOP VIEW)



J Suffix — Case 620-08
(Ceramic)
N Suffix — Case 648-05
(Plastic)

NOTE:
The Flatpak version has the same pinouts (Connection Diagram) as the Dual In-Line Package

GUARANTEED OPERATING RANGES

| SYMBOL | PARAMETER | | MIN | TYP | MAX | UNIT |
|-----------------|-------------------------------------|----------|----------|----------|-----------|------|
| V _{CC} | Supply Voltage | 54, 74 | 4.5 | 5.0 | 5.5 | V |
| T _A | Operating Ambient Temperature Range | 54 74 | -55 0 | 25 25 | 125 70 | °C |
| I _{OH} | Output Current — High | 54, 74 | | | -1.0 | mA |
| I _{OL} | Output Current — Low | 54, 74 | | | 20 | mA |

DC CHARACTERISTICS OVER OPERATING TEMPERATURE RANGE (unless otherwise specified)

| SYMBOL | PARAMETER | LIMITS | | | UNITS | TEST CONDITIONS |
|-----------------|---------------------------------------|--------|-----|------|-------|---|
| | | MIN | TYP | MAX | | |
| V _{IH} | Input HIGH Voltage | 2.0 | | | V | Guaranteed Input HIGH Voltage |
| V _{IL} | Input LOW Voltage | | | 0.8 | V | Guaranteed Input LOW Voltage |
| V _{IK} | Input Clamp Diode Voltage | | | -1.2 | V | V _{CC} = MIN, I _{IN} = -18 mA |
| V _{OH} | Output HIGH Voltage | 54, 74 | 2.5 | | V | I _{OH} = -1.0 mA, V _{CC} = 4.50 V |
| | | 74 | 2.7 | | V | I _{OH} = -1.0 mA, V _{CC} = 4.75 V |
| V _{OL} | Output LOW Voltage | | | 0.5 | V | I _{OL} = 20 mA, V _{CC} = MIN |
| I _{IH} | Input HIGH Current | | | 20 | μA | V _{CC} = MAX, V _{IN} = 2.7 V |
| | | | | 0.1 | mA | V _{CC} = MAX, V _{IN} = 7.0 V |
| I _{IL} | Input LOW Current | | | -0.6 | mA | V _{CC} = MAX, V _{IN} = 0.5 V |
| I _{OS} | Output Short Circuit Current (Note 2) | -60 | | -150 | mA | V _{CC} = MAX, V _{OUT} = 0 V |
| I _{CC} | Power Supply Current | | | 20 | mA | V _{CC} = MAX |

AC CHARACTERISTICS:

| SYMBOL | PARAMETER | 54/74F | | 54F | | 74F | | UNITS |
|-------------------------------|--------------------------------------|--|-----|--|------|--|-----|-------|
| | | T _A = +25°C | | T _A = -55°C to +125°C | | T _A = 0°C to 70°C | | |
| | | V _{CC} = +5.0 V C _L = 50 pF | | V _{CC} = 5.0 V ±10% C _L = 50 pF | | V _{CC} = 5.0 V ±10% C _L = 50 pF | | |
| MIN | MAX | MIN | MAX | MIN | MAX | | | |
| t _{PLH} | Propagation Delay, Address to Output | 3.5 | 7.5 | 2.5 | 12.0 | 3.0 | 8.5 | ns |
| t _{PHL} | Enable to Output | 4.0 | 8.0 | 3.5 | 9.5 | 4.0 | 9.0 | ns |
| t ¹ _{PLH} | Enable to Output | 3.5 | 7.0 | 3.0 | 9.0 | 3.5 | 8.0 | ns |
| t ¹ _{PHL} | | 3.0 | 6.5 | 2.5 | 8.0 | 3.0 | 7.5 | ns |

NOTES:

- For conditions shown as MIN or MAX, use the appropriate value specified under recommended operating conditions for the applicable device type.
- Not more than one output should be shorted at a time, nor for more than 1 second.

FUNCTIONAL DESCRIPTION — The F139 is a high speed dual 1-of-4 decoder/demultiplexer fabricated with the Schottky barrier diode process. The device has two independent decoders, each of which accept two binary weighted inputs (A₀, A₁) and provide four mutually exclusive active LOW outputs (\bar{O}_0 – \bar{O}_3). Each decoder has an active LOW Enable (\bar{E}). When \bar{E} is HIGH all outputs are forced HIGH. The enable can be used as the data input for a 4-output demultiplexer application.

Each half of the F139 generates all four minterms of two variables. These four minterms are useful in some applications, replacing multiple gate functions as shown in Fig. a, and thereby reducing the number of packages required in a logic network.

TRUTH TABLE

| INPUTS | | | OUTPUTS | | | |
|-----------|----------------|----------------|-------------|-------------|-------------|-------------|
| \bar{E} | A ₀ | A ₁ | \bar{O}_0 | \bar{O}_1 | \bar{O}_2 | \bar{O}_3 |
| H | X | X | H | H | H | H |
| L | L | L | L | H | H | H |
| L | H | L | H | L | H | H |
| L | L | H | H | H | L | H |
| L | H | H | H | H | H | L |

H = HIGH Voltage Level
 L = LOW Voltage Level
 X = Don't Care

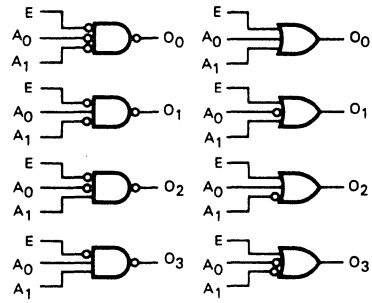


Fig. a

AC WAVEFORMS

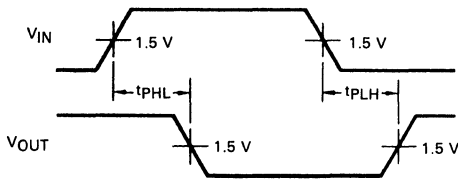


Fig. 1

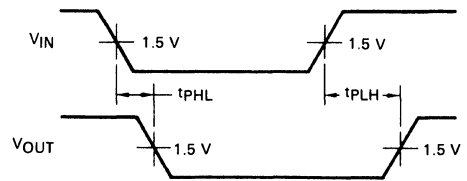


Fig. 2

AC TEST CIRCUIT

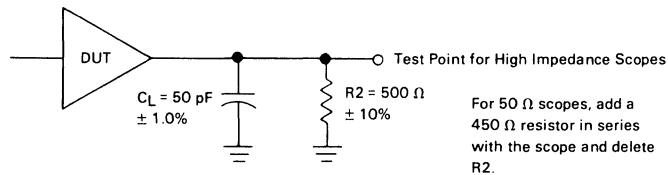


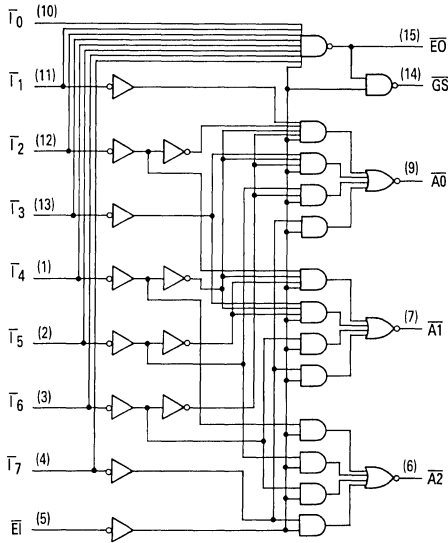
Fig. 3

Advance Information

8-LINE TO 3-LINE PRIORITY ENCODER

The MC54/74F148 provides three bits of binary coded output representing the position of the highest order active input, along with an output indicating the presence of any active input. It is easily expanded via input and output enables to provide priority encoding over many bits.

- Encodes Eight Data Lines in Priority
- Provides 3-Bit Binary Priority Code
- Input Enable Capability
- Signals When Data Present on Any Input
- Cascadable for Priority Encoding of n Bits



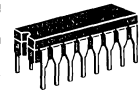
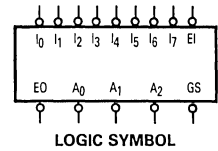
Logic Diagram

Please note that this diagram is provided only for the understanding of logic operations and should not be used to estimate propagation delays.

GUARANTEED OPERATING RANGES

| Symbol | Parameter | | Min | Typ | Max | Unit |
|-----------------|-------------------------------------|--------|-----|-----|-----|------|
| V _{CC} | Supply Voltage | 54, 74 | 4.5 | 5 | 5.5 | V |
| T _A | Operating Ambient Temperature Range | 54 | -55 | 25 | 125 | °C |
| | | 74 | 0 | 25 | 70 | |
| I _{OH} | Output Current — High | 54, 74 | | | -1 | mA |
| I _{OL} | Output Current — Low | 54, 74 | | | 20 | mA |

MC54F148
MC74F148



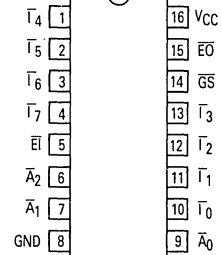
CASE 620-08



CASE 648-05



CASE 751B-01



**CONNECTION
DIAGRAM**

FUNCTIONAL DESCRIPTION

The 'F148 8-input priority encoder accepts data from eight active LOW inputs (\bar{I}_0 – \bar{I}_7) and provides a binary representation on the three active LOW outputs. A priority is assigned to each input so that when two or more inputs are simultaneously active, the input with the highest priority is represented on the output, with input line 7 having the highest priority. A HIGH on the Enable Input (\bar{E}) will force all outputs to the inactive (HIGH) state and allow new data to settle without producing erroneous

information at the outputs. A Group Signal output (\bar{G}) and Enable Output (\bar{E}) are provided along with the three priority data outputs ($\bar{A}_2, \bar{A}_1, \bar{A}_0$). \bar{G} is active LOW when any input is LOW: this indicates when any input is active. \bar{E} is active LOW when all inputs are HIGH. Using the Enable Output along with the Enable Input allows cascading for priority encoding on any number of input signals. Both \bar{E} and \bar{G} are in the inactive HIGH state when the Enable Input is HIGH.

TRUTH TABLE

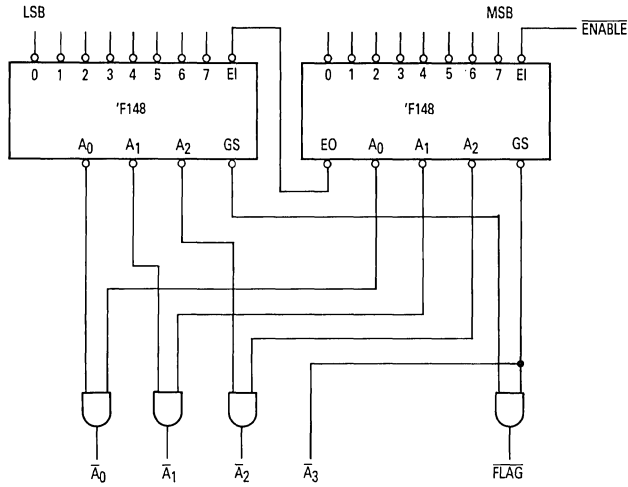
| \bar{E} | Inputs | | | | | | | | Outputs | | | | |
|-----------|-------------|-------------|-------------|-------------|-------------|-------------|-------------|-------------|-----------|-------------|-------------|-------------|-----------|
| | \bar{I}_0 | \bar{I}_1 | \bar{I}_2 | \bar{I}_3 | \bar{I}_4 | \bar{I}_5 | \bar{I}_6 | \bar{I}_7 | \bar{G} | \bar{A}_0 | \bar{A}_1 | \bar{A}_2 | \bar{E} |
| H | X | X | X | X | X | X | X | X | H | H | H | H | H |
| L | H | H | H | H | H | H | H | H | H | H | H | H | L |
| L | X | X | X | X | X | X | X | L | L | L | L | L | H |
| L | X | X | X | X | X | X | L | H | L | H | L | L | H |
| L | X | X | X | X | X | L | H | H | L | H | L | L | H |
| L | X | X | X | X | L | H | H | H | L | H | L | L | H |
| L | X | X | X | L | H | H | H | H | L | L | L | L | H |
| L | X | X | L | H | H | H | H | H | L | L | L | H | H |
| L | X | L | H | H | H | H | H | H | L | L | H | H | H |
| L | L | H | H | H | H | H | H | H | L | H | H | H | H |

H = HIGH Voltage Level
 L = LOW Voltage Level
 X = Immaterial

DC CHARACTERISTICS OVER OPERATING TEMPERATURE RANGE (unless otherwise specified)

| Symbol | Parameter | Limits | | | Units | Test Conditions |
|----------|---------------------------------------|--------|------|------|---------------|---|
| | | Min | Typ | Max | | |
| V_{IH} | Input HIGH Voltage | 2 | | | V | Guaranteed Input HIGH Voltage |
| V_{IL} | Input LOW Voltage | | | 0.8 | V | Guaranteed Input LOW Voltage |
| V_{IK} | Input Clamp Diode Voltage | | | -1.2 | V | $I_{IN} = -18 \text{ mA}$ $V_{CC} = \text{MIN}$ |
| V_{OH} | Output HIGH Voltage | 54, 74 | 2.5 | 3.4 | V | $I_{OH} = -1 \text{ mA}$ $V_{CC} = 4.5 \text{ V}$ |
| | | 74 | 2.7 | 3.4 | V | $I_{OH} = -1 \text{ mA}$ $V_{CC} = 4.75 \text{ V}$ |
| V_{OL} | Output LOW Voltage | | 0.35 | 0.5 | V | $I_{OL} = 20 \text{ mA}$ $V_{CC} = \text{MIN}$ |
| I_{IH} | Input HIGH Current | | | 20 | μA | $V_{CC} = \text{MAX}, V_{IN} = 2.7 \text{ V}$ |
| | | | | 100 | μA | $V_{CC} = \text{MAX}, V_{IN} = 7 \text{ V}$ |
| I_{IL} | \bar{I}_0, \bar{E} | | | -0.6 | mA | $V_{CC} = \text{MAX}, V_{IN} = 0.5 \text{ V}$ |
| | \bar{I}_1 – \bar{I}_7 | | | -1.2 | mA | |
| I_{OS} | Output Short Circuit Current (Note 2) | -60 | | -150 | mA | $V_{CC} = \text{MAX}, V_{OUT} = 0 \text{ V}$ |
| I_{CC} | Power Supply Current | | 23 | 35 | mA | $V_{CC} = \text{MAX}, V_{IN} = 4.5 \text{ V}$ |

NOTES: 1. For conditions such as MIN or MAX, use the appropriate value specified under guaranteed operating ranges.
 2. Not more than one output should be shorted at a time, nor for more than 1 second.



Application
16-Input Priority Encoder



AC CHARACTERISTICS

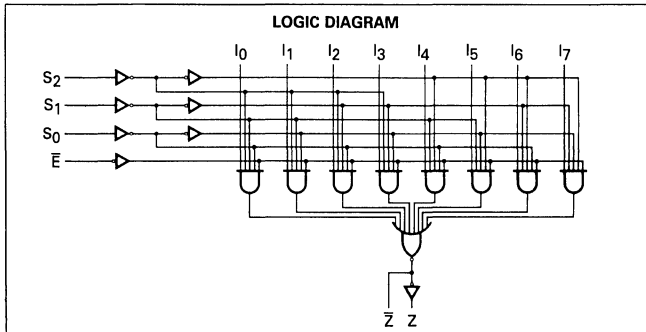
| Symbol | Parameter | 54F/74F | | | 54F | | 74F | | Units |
|--------------------------------------|---|--|----------|------------|---|------------|---|------------|-------|
| | | T _A = +25°C V _{CC} = +5 V C _L = 50 pF | | | T _A , V _{CC} = Mil C _L = 50 pF | | T _A , V _{CC} = Com C _L = 50 pF | | |
| | | Min | Typ | Max | Min | Max | Min | Max | |
| t _{PLH} t _{PHL} | Propagation Delay I _n to A _n | 3.5 4 | 7 8 | 9 10.5 | 3.5 4 | 11 13 | 3.5 4 | .10 12 | ns |
| t _{PLH} t _{PHL} | Propagation Delay I _n to E _O | 2.5 2 | 5 5.5 | 6.5 7.5 | 2.5 2 | 8.5 9.5 | 2.5 2 | 7.5 8.5 | ns |
| t _{PLH} t _{PHL} | Propagation Delay I _n to G _S | 3 2 | 7 6 | 9 8 | 3 2 | 11 10 | 3 2 | 10 9 | ns |
| t _{PLH} t _{PHL} | Propagation Delay E _I to A _n | 3.5 3 | 6.5 6 | 8.5 8 | 3.5 3 | 10.5 10 | 3.5 3 | 9.5 9 | ns |
| t _{PLH} t _{PHL} | Propagation Delay E _I to G _S | 2.5 3 | 5 6 | 7 7.5 | 2.5 3 | 9 10 | 2.5 3 | 8 8.5 | ns |
| t _{PLH} t _{PHL} | Propagation Delay E _I to E _O | 3 4.5 | 5.5 8 | 7 10.5 | 3 4.5 | 9 13 | 3 4.5 | 8 12 | ns |

8-INPUT MULTIPLEXER

DESCRIPTION — The MC54F/74F151 is a high-speed 8-input digital multiplexer. It provides in one package, the ability to select one line of data from up to eight sources. The 'F151 can be used as a universal function generator to generate any logic function of four variables. Both asserted and negated outputs are provided.

The 'F151 is a logic implementation of a single pole, 8-position switch with the switch position controlled by the state of three Select inputs, S_0, S_1, S_2 . The Enable input (\bar{E}) is active LOW. The logic function provided at the output is:

$$Z = \bar{E} \cdot (I_0 \cdot \bar{S}_0 \cdot \bar{S}_1 \cdot \bar{S}_2 + I_1 \cdot S_0 \cdot \bar{S}_1 \cdot \bar{S}_2 + I_2 \cdot \bar{S}_0 \cdot S_1 \cdot \bar{S}_2 + I_3 \cdot S_0 \cdot S_1 \cdot \bar{S}_2 + I_4 \cdot \bar{S}_0 \cdot \bar{S}_1 \cdot S_2 + I_5 \cdot S_0 \cdot \bar{S}_1 \cdot S_2 + I_6 \cdot S_0 \cdot S_1 \cdot S_2 + I_7 \cdot S_0 \cdot S_1 \cdot S_2)$$



TRUTH TABLE

| INPUTS | | | | OUTPUTS | |
|-----------|-------|-------|-------|-----------|-------|
| \bar{E} | S_2 | S_1 | S_0 | \bar{Z} | Z |
| H | X | X | X | H | L |
| L | L | L | L | I_0 | I_0 |
| L | L | L | H | I_1 | I_1 |
| L | L | H | L | I_2 | I_2 |
| L | L | H | H | I_3 | I_3 |
| L | H | L | L | I_4 | I_4 |
| L | H | L | H | I_5 | I_5 |
| L | H | H | L | I_6 | I_6 |
| L | H | H | H | I_7 | I_7 |

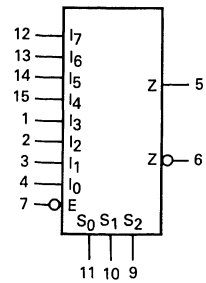
H = HIGH Voltage Level
L = LOW Voltage Level
X = Immaterial

MC54F151 MC74F151

8-INPUT MULTIPLEXER

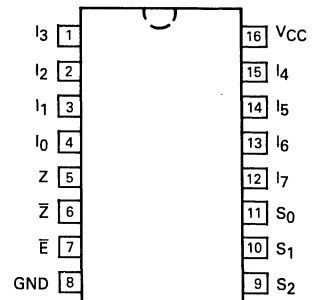
FAST™ SCHOTTKY TTL

LOGIC SYMBOL



VCC = Pin 16
GND = Pin 8

CONNECTION DIAGRAM



GUARANTEED OPERATING RANGES

| SYMBOL | PARAMETER | | MIN | TYP | MAX | UNIT |
|-----------------|-------------------------------------|--------|------|-----|------|------|
| V _{CC} | Supply Voltage | 54, 74 | 4.50 | 5.0 | 5.50 | V |
| T _A | Operating Ambient Temperature Range | 54 | -55 | 25 | 125 | °C |
| | | 74 | 0 | 25 | 70 | |
| I _{OH} | Output Current — High | 54, 74 | | | -1.0 | mA |
| I _{OL} | Output Current — Low | 54, 74 | | | 20 | mA |

DC CHARACTERISTICS OVER OPERATING TEMPERATURE RANGE (unless otherwise specified)

| SYMBOL | PARAMETER | LIMITS | | | UNITS | TEST CONDITIONS |
|-----------------|---------------------------------------|--------|------|------|-------|---|
| | | MIN | TYP | MAX | | |
| V _{IH} | Input HIGH Voltage | 2.0 | | | V | Guaranteed Input HIGH Voltage |
| V _{IL} | Input LOW Voltage | | | 0.8 | V | Guaranteed Input LOW Voltage |
| V _{IK} | Input Clamp Diode Voltage | | | -1.2 | V | I _{IN} = -18 mA V _{CC} = MIN |
| V _{OH} | Output HIGH Voltage | 54, 74 | 2.5 | 3.4 | V | I _{OH} = -1.0 mA V _{CC} = 4.50V |
| | | 74 | 2.7 | 3.4 | V | I _{OH} = -1.0 mA V _{CC} = 4.75V |
| V _{OL} | Output LOW Voltage | | 0.35 | 0.5 | V | I _{OL} = 20 mA V _{CC} = MIN |
| I _{IH} | Input HIGH Current | | | 20 | μA | V _{CC} = MAX, V _{IN} = 2.7 V |
| | | | | 100 | μA | V _{CC} = MAX, V _{IN} = 7.0 V |
| I _{IL} | Input LOW Current | | | -0.6 | mA | V _{CC} = MAX, V _{IN} = 0.5 V |
| I _{OS} | Output Short Circuit Current (Note 2) | -60 | | -150 | mA | V _{CC} = MAX, V _{OUT} = 0 V |
| I _{CC} | Power Supply Current | | 13.5 | 21 | mA | V _{CC} = MAX, V _{IN} = 4.5 V |

NOTES:

1. For conditions such as MIN or MAX, use the appropriate value specified under guaranteed operating ranges.
2. Not more than one output should be shorted at a time, nor for more than 1 second.

AC CHARACTERISTICS

| SYMBOL | PARAMETER | 54/74F | | | 54F | | 74F | | UNITS |
|------------------|---------------------|--|-----|-----|--|------|---|------|-------|
| | | T _A = +25°C V _{CC} = +5.0 V C _L = 50 pF | | | T _A = -55 to +125°C V _{CC} = 5.0 V ±10% C _L = 50 pF | | T _A = 0 to +70°C V _{CC} = 5.0 V ±10% C _L = 50 pF | | |
| | | MIN | TYP | MAX | MIN | MAX | MIN | MAX | |
| t _{PLH} | Propagation Delay | 4.0 | 6.2 | 8.0 | 3.5 | 10 | 3.5 | 9.0 | ns |
| t _{PHL} | S _n to Z | 3.2 | 5.6 | 6.1 | 3.0 | 8.0 | 3.2 | 7.0 | |
| t _{PLH} | Propagation Delay | 4.5 | 9.9 | 13 | 3.0 | 17.5 | 4.0 | 15 | ns |
| t _{PHL} | S _n to Z | 4.5 | 7.1 | 9.0 | 4.0 | 11.5 | 4.0 | 10.5 | |
| t _{PLH} | Propagation Delay | 3.0 | 4.8 | 6.1 | 2.5 | 7.5 | 2.5 | 7.0 | ns |
| t _{PHL} | E to Z | 3.0 | 6.8 | 8.5 | 2.5 | 10.5 | 2.5 | 10 | |
| t _{PLH} | Propagation Delay | 5.0 | 7.3 | 9.5 | 3.0 | 14.5 | 4.0 | 11 | ns |
| t _{PHL} | E to Z | 3.5 | 5.4 | 7.0 | 3.0 | 9.5 | 3.5 | 8.0 | |
| t _{PLH} | Propagation Delay | 2.5 | 4.3 | 5.7 | 2.5 | 7.5 | 2.5 | 6.5 | ns |
| t _{PHL} | I _n to Z | 1.5 | 2.9 | 4.0 | 1.5 | 6.0 | 1.5 | 5.0 | |
| t _{PLH} | Propagation Delay | 3.0 | 7.6 | 9.5 | 2.5 | 11.5 | 2.5 | 11 | ns |
| t _{PHL} | I _n to Z | 3.0 | 5.2 | 6.5 | 3.0 | 8.0 | 3.0 | 7.5 | |



MOTOROLA

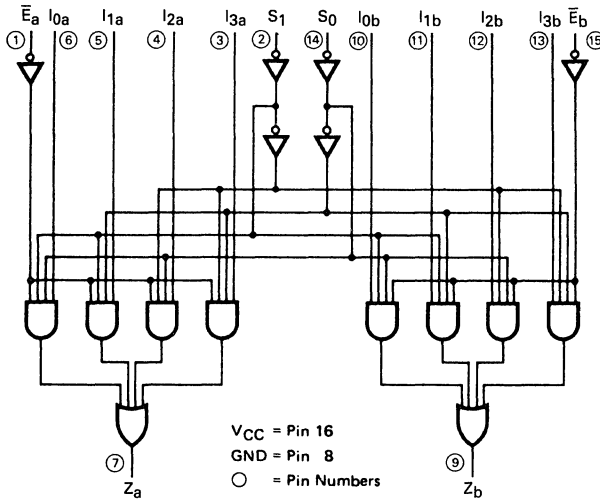
DUAL 4-INPUT MULTIPLEXER

DESCRIPTION — The MC54F/74F153 is a high-speed Dual 4-Input Multiplexer with common select inputs and individual enable inputs for each section. It can select two lines of data from four sources. The two buffered outputs present data in the true (non-inverted) form. In addition to multiplexer operation, the F153 can generate any two functions of three variables.

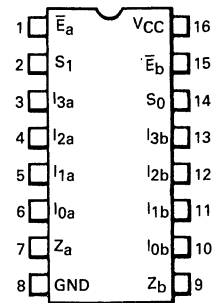
**MC54F153
MC74F153**

**DUAL 4-INPUT MULTIPLEXER
FAST™ SCHOTTKY TTL**

LOGIC DIAGRAM



**CONNECTION DIAGRAM DIP
(TOP VIEW)**



J Suffix — Case 620-08 (Ceramic)
N Suffix — Case 648-05 (Plastic)

GUARANTEED OPERATING RANGES

| SYMBOL | PARAMETER | | MIN | TYP | MAX | UNIT |
|-----------------|-------------------------------------|----------|----------|----------|-----------|------|
| VCC | Supply Voltage | 54, 74 | 4.5 | 5.0 | 5.5 | V |
| T _A | Operating Ambient Temperature Range | 54 74 | -55 0 | 25 25 | 125 70 | °C |
| I _{OH} | Output Current — High | 54, 74 | — | — | -1.0 | mA |
| I _{OL} | Output Current — Low | 54, 74 | — | — | 20 | mA |

FUNCTIONAL DESCRIPTION

The F153 is a Dual 4-Input Multiplexer. It can select two bits of data from up to four sources under the control of the common Select Inputs (S₀, S₁). The two 4-input multiplexer circuits have individual active LOW Enables (\bar{E}_a , \bar{E}_b) which can be used to strobe the outputs independently. When the Enables (\bar{E}_a , \bar{E}_b) are HIGH, the corresponding outputs (Z_a, Z_b) are forced LOW.

The F153 is the logic implementation of a 2-pole, 4-position switch, where the position of the switch is determined by the logic levels supplied to the two Select Inputs. The logic equations for the outputs are shown below:

$$Z_a = \bar{E}_a \cdot (I_{0a} \cdot \bar{S}_1 \cdot \bar{S}_0 + I_{1a} \cdot \bar{S}_1 \cdot S_0 + I_{2a} \cdot S_1 \cdot \bar{S}_0 + I_{3a} \cdot S_1 \cdot S_0)$$

$$Z_b = \bar{E}_b \cdot (I_{0b} \cdot \bar{S}_1 \cdot \bar{S}_0 + I_{1b} \cdot \bar{S}_1 \cdot S_0 + I_{2b} \cdot S_1 \cdot \bar{S}_0 + I_{3b} \cdot S_1 \cdot S_0)$$

The F153 can be used to move data from a group of registers to a common output bus. The particular register from which the data came would be determined by the state of the Select Inputs. A less obvious application is a function generator. The F153 can generate two functions of three variables. This is useful for implementing highly irregular random logic.

TRUTH TABLE

| SELECT INPUTS | | INPUTS (a or b) | | | | OUTPUT | |
|----------------|----------------|-----------------|----------------|----------------|----------------|----------------|---|
| S ₀ | S ₁ | \bar{E} | I ₀ | I ₁ | I ₂ | I ₃ | Z |
| X | X | H | X | X | X | X | L |
| L | L | L | L | X | X | X | L |
| L | L | L | H | X | X | X | H |
| H | L | L | X | L | X | X | L |
| H | L | L | X | H | X | X | H |
| L | H | L | X | X | L | X | L |
| L | H | L | X | X | H | X | H |
| H | H | L | X | X | X | L | L |
| H | H | L | X | X | X | H | H |

H = HIGH Voltage Level
 L = LOW Voltage Level
 X = Immaterial



DC CHARACTERISTICS OVER OPERATING TEMPERATURE RANGE (unless otherwise specified)

| SYMBOL | PARAMETER | LIMITS | | | UNITS | TEST CONDITIONS |
|-----------------|---------------------------------------|--------|-----|------|-------|---|
| | | MIN | TYP | MAX | | |
| V _{IH} | Input HIGH Voltage | 2.0 | | | V | Guaranteed Input HIGH Voltage |
| V _{IL} | Input LOW Voltage | | | 0.8 | V | Guaranteed Input LOW Voltage |
| V _{IK} | Input Clamp Diode Voltage | | | -1.2 | V | I _{IN} = -18 mA, V _{CC} = MIN |
| V _{OH} | Output HIGH Voltage | 54, 74 | 2.5 | | V | I _{OL} = -1.0 mA, V _{CC} = 4.50 V |
| | | 74 | 2.7 | | V | I _{OL} = -1.0 mA, V _{CC} = 4.75 V |
| V _{OL} | Output LOW Voltage | | | 0.5 | V | I _{OL} = 20 mA, V _{CC} = MIN |
| I _{IH} | Input HIGH Current | | | 20 | μA | V _{IN} = 2.7 V, V _{CC} = MAX |
| | | | | 0.1 | mA | V _{IN} = 7.0 V, V _{CC} = MAX |
| I _{IL} | Input LOW Current | | | -0.6 | mA | V _{IN} = 0.5 V, V _{CC} = MAX |
| I _{OS} | Output Short Circuit Current (Note 2) | -60 | | -150 | mA | V _{OUT} = 0 V, V _{CC} = MAX |
| I _{CC} | Power Supply Current | | | 20 | mA | V _{IN} = GND, V _{CC} = MAX |

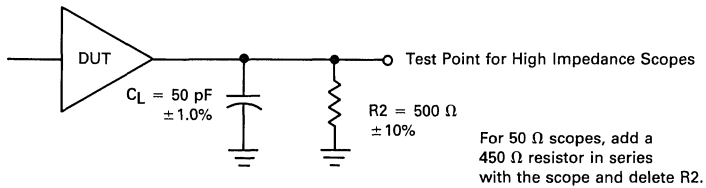
NOTES:

- For conditions shown as MIN or MAX, use the appropriate value specified under recommended operating conditions for the applicable device type.
- Not more than one output should be shorted at a time, nor for more than 1 second.

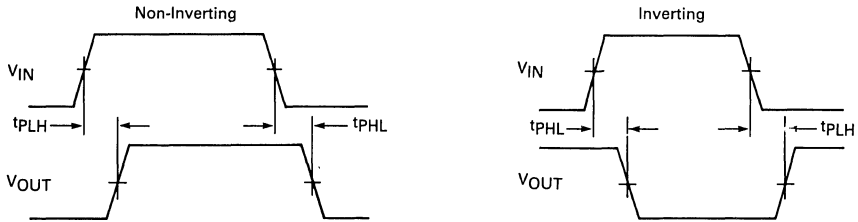
AC CHARACTERISTICS

| SYMBOL | PARAMETER | 54/74F T _A = +25°C V _{CC} = +5.0 V C _L = 50 pF | | 54F T _A = -55°C to +125°C V _{CC} = 5.0 V ± 10% C _L = 50 pF | | 74F T _A = 0°C to +70°C V _{CC} = 5.0 V ± 10% C _L = 50 pF | | UNITS |
|--------------------------------------|---|--|-------------|--|-------------|---|-------------|-------|
| | | MIN | MAX | MIN | MAX | MIN | MAX | |
| t _{PLH} t _{PHL} | Propagation Delay S _n to Z _n | 4.5 3.5 | 10.5 9.0 | 4.5 3.5 | 14 11 | 4.5 3.5 | 12 10.5 | ns |
| t _{PLH} t _{PHL} | Propagation Delay E _n to Z _n | 4.5 3.0 | 9.0 7.0 | 4.5 2.5 | 11.5 9.0 | 4.5 2.5 | 10.5 8.0 | ns |
| t _{PLH} t _{PHL} | Propagation Delay I _n to Z _n | 3.0 3.0 | 7.0 6.5 | 2.5 2.5 | 9.0 8.0 | 3.0 2.5 | 8.0 7.5 | ns |

AC TEST CIRCUIT



PROPAGATION DELAY MEASUREMENTS



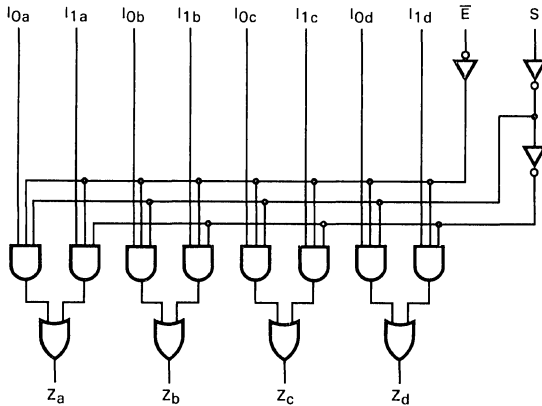
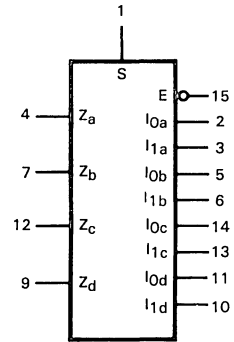
NOTES:

- All input waveforms have the following characteristics:
 Low Level = 0 V
 High Level = 3.0 V
 Rise and Fall Times (10% to 90%) = 2.5 ns

- All timing is measured at 1.5 V unless otherwise indicated.

QUAD 2-INPUT MULTIPLEXER

DESCRIPTION — The MC54F/74F157 is a high-speed quad 2-input multiplexer. Four bits of data from two sources can be selected using the common Select and Enable inputs. The four buffered outputs present the selected data in the true (non-inverted) form. The 'F157 can also be used to generate any four of the 16 different functions to two variables.

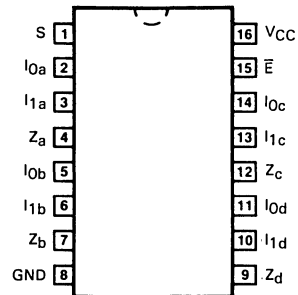
**MC54F157
MC74F157**
**QUAD 2-INPUT
MULTIPLEXER**
FAST™ SCHOTTKY TTL
LOGIC DIAGRAM

LOGIC SYMBOL


V_{CC} = Pin 16
GND = Pin 8

TRUTH TABLE

| INPUTS | | | | OUTPUT |
|-----------|---|----------------|----------------|--------|
| \bar{E} | S | I ₀ | I ₁ | Z |
| H | X | X | X | L |
| L | H | X | L | L |
| L | H | X | H | H |
| L | L | L | X | L |
| L | L | L | H | H |

H = HIGH Voltage Level
L = LOW Voltage Level
X = Immaterial

CONNECTION DIAGRAM


J Suffix — Case 620-08
(Ceramic)
N Suffix — Case 648-05
(Plastic)

4

GUARANTEED OPERATING RANGES

| SYMBOL | PARAMETER | | MIN | TYP | MAX | UNIT |
|-----------------|-------------------------------------|--------|------|-----|------|------|
| V _{CC} | Supply Voltage | 54, 74 | 4.50 | 5.0 | 5.50 | V |
| T _A | Operating Ambient Temperature Range | 54 | -55 | 25 | 125 | °C |
| | | 74 | 0 | 25 | 70 | |
| I _{OH} | Output Current — High | 54, 74 | | | -1.0 | mA |
| I _{OL} | Output Current — Low | 54, 74 | | | 20 | mA |

DC CHARACTERISTICS OVER OPERATING TEMPERATURE RANGE (unless otherwise specified)

| SYMBOL | PARAMETER | LIMITS | | | UNITS | TEST CONDITIONS | |
|-----------------|---------------------------------------|--------|------|------|-------|-------------------------------|--------------------------|
| | | MIN | TYP | MAX | | | |
| V _{IH} | Input HIGH Voltage | 2.0 | | | V | Guaranteed Input HIGH Voltage | |
| V _{IL} | Input LOW Voltage | | | 0.8 | V | Guaranteed Input LOW Voltage | |
| V _{IK} | Input Clamp Diode Voltage | | | -1.2 | V | I _{IN} = -18 mA | V _{CC} = MIN, |
| V _{OH} | Output HIGH Voltage | 54, 74 | 2.5 | 3.4 | V | I _{OH} = -1.0 mA | V _{CC} = 4.50 V |
| | | 74 | 2.7 | 3.4 | V | I _{OH} = -1.0 mA | V _{CC} = 4.75 V |
| V _{OL} | Output LOW Voltage | | 0.35 | 0.5 | V | I _{OL} = 20 mA | V _{CC} = MIN |
| I _{IH} | Input HIGH Current | | | 20 | μA | V _{IN} = 2.7 V | V _{CC} = MAX |
| | | | | 100 | μA | V _{IN} = 7.0 V | |
| I _{IL} | Input LOW Current | | | -0.6 | mA | V _{IN} = 0.5 V | V _{CC} = MAX |
| I _{OS} | Output Short Circuit Current (Note 2) | -60 | | -150 | mA | V _{OUT} = 0 V | V _{CC} = MAX |
| I _{CC} | Power Supply Current | | 15 | 23 | mA | All Inputs = 4.5 V | V _{CC} = MAX |

NOTES:

1. For conditions such as MIN or MAX, use the appropriate value specified under guaranteed operating ranges.
2. Not more than one output should be shorted at a time, nor for more than 1 second.

AC CHARACTERISTICS

| SYMBOL | PARAMETER | 54/74F | | | 54F | | 74F | | UNITS |
|------------------|---|--|------|-----|---|------|--|------|-------|
| | | T _A = +25°C V _{CC} = +5.0 V C _L = 50 pF | | | T _A = -55 to +125°C V _{CC} = 5.0 V ± 10% C _L = 50 pF | | T _A = 0 to +70°C V _{CC} = 5.0 V ± 10% C _L = 50 pF | | |
| | | MIN | TYP | MAX | MIN | MAX | MIN | MAX | |
| t _{PLH} | Propagation Delay S to Z _n | 4.5 | 10.1 | 13 | 3.5 | 17 | 4.5 | 15 | ns |
| t _{PHL} | | 3.5 | 6.3 | 9.0 | 3.5 | 12.5 | 3.5 | 10.0 | |
| t _{PLH} | Propagation Delay E̅ to Z _n | 5.0 | 7.6 | 10 | 5.0 | 15 | 5.0 | 11.5 | ns |
| t _{PHL} | | 3.8 | 5.3 | 7.0 | 3.8 | 8.5 | 3.8 | 8.0 | |
| t _{PLH} | Propagation Delay I _n to Z _n | 3.0 | 5.5 | 7.0 | 3.0 | 10 | 3.0 | 8.0 | ns |
| t _{PHL} | | 2.5 | 4.6 | 5.5 | 1.5 | 7.5 | 2.0 | 7.0 | |

FUNCTIONAL DESCRIPTION — The F157 is a quad 2-input multiplexer. It selects four bits of data from two sources under the control of a common Select input (S). The Enable input (E) is active LOW. When E̅ is HIGH, all of the outputs (Z) are forced LOW regardless of all other inputs. The F157 is the logic implementation of a 4-pole, 2-position switch where the position of the switch is determined by the logic levels supplied to the Select input. The logic equations for the outputs are shown below:

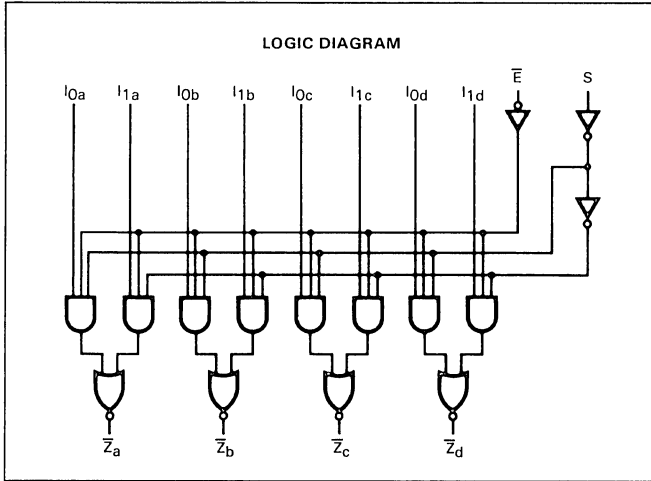
$$Z_a = \bar{E} \cdot (I_{1a} \cdot S + I_{0a} \cdot \bar{S}) \quad Z_b = \bar{E} \cdot (I_{1b} \cdot S + I_{0b} \cdot \bar{S})$$

$$Z_c = \bar{E} \cdot (I_{1c} \cdot S + I_{0c} \cdot \bar{S}) \quad Z_d = \bar{E} \cdot (I_{1d} \cdot S + I_{0d} \cdot \bar{S})$$

A common use of the F157 is the moving of data from two groups of registers to four common output busses. The particular register from which the data comes is determined by the state of the Select input. A less obvious use is as a function generator. The F157 can generate any four of the 16 different functions of two variables with one variable common. This is useful for implementing highly irregular logic.

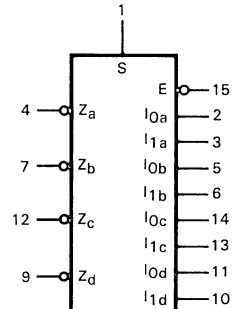
QUAD 2-INPUT MULTIPLEXER

DESCRIPTION — The MC54F/74F158 is a high-speed quad 2-input multiplexer. It selects four bits of data from two sources using the common Select and Enable inputs. The four buffered outputs present the selected data in the inverted form. The 'F158 can also generate any four of the 16 different functions of two variables.

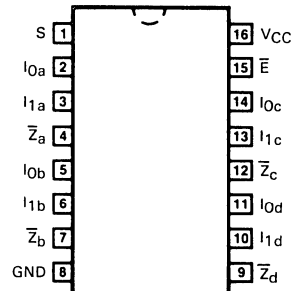

TRUTH TABLE

| INPUTS | | | | OUTPUTS |
|--------|---|----------------|----------------|---------|
| E | S | I ₀ | I ₁ | Z |
| H | X | X | X | H |
| L | L | L | X | H |
| L | L | H | X | L |
| L | H | X | L | H |
| L | H | X | H | L |

H = HIGH Voltage Level
 L = LOW Voltage Level
 X = Immaterial

**MC54F158
 MC74F158**
**QUAD 2-INPUT
 MULTIPLEXER**
FAST™ SCHOTTKY TTL
LOGIC SYMBOL


V_{CC} = Pin 16
 GND = Pin 8

CONNECTION DIAGRAM


J Suffix — Case 620-08
 (Ceramic)
 N Suffix — Case 648-05
 (Plastic)

GUARANTEED OPERATING RANGES

| SYMBOL | PARAMETER | | MIN | TYP | MAX | UNIT |
|-----------------|-------------------------------------|--------|------|-----|------|------|
| V _{CC} | Supply Voltage | 54, 74 | 4.50 | 5.0 | 5.50 | V |
| T _A | Operating Ambient Temperature Range | 54 | -55 | 25 | 125 | °C |
| | | 74 | 0 | 25 | 70 | |
| I _{OH} | Output Current — High | 54, 74 | | | -1.0 | mA |
| I _{OL} | Output Current — Low | 54, 74 | | | 20 | mA |

DC CHARACTERISTICS OVER OPERATING TEMPERATURE RANGE (unless otherwise specified)

| SYMBOL | PARAMETER | LIMITS | | | UNITS | TEST CONDITIONS | |
|-----------------|---------------------------------------|--------|------|------|-------|-------------------------------|--------------------------|
| | | MIN | TYP | MAX | | | |
| V _{IH} | Input HIGH Voltage | 2.0 | | | V | Guaranteed Input HIGH Voltage | |
| V _{IL} | Input LOW Voltage | | | 0.8 | V | Guaranteed Input LOW Voltage | |
| V _{IK} | Input Clamp Diode Voltage | | | -1.2 | V | I _{IN} = -18 mA | V _{CC} = MIN, |
| V _{OH} | Output HIGH Voltage | 54, 74 | 2.5 | 3.4 | V | I _{OH} = -1.0 mA | V _{CC} = 4.50 V |
| | | 74 | 2.7 | 3.4 | V | I _{OH} = -1.0 mA | V _{CC} = 4.75 V |
| V _{OL} | Output LOW Voltage | | 0.35 | 0.5 | V | I _{OL} = 20 mA | V _{CC} = MIN |
| I _{IH} | Input HIGH Current | | | 20 | μA | V _{IN} = 2.7 V | V _{CC} = MAX |
| | | | | 100 | μA | V _{IN} = 7.0 V | |
| I _{IL} | Input LOW Current | | | -0.6 | mA | V _{IN} = 0.5 V | V _{CC} = MAX |
| I _{OS} | Output Short Circuit Current (Note 2) | -60 | | -150 | mA | V _{OUT} = 0 V | V _{CC} = MAX |
| I _{CC} | Power Supply Current * | | 10 | 15 | mA | V _{CC} = MAX | |

NOTES:

- For conditions such as MIN or MAX, use the appropriate value specified under guaranteed operating ranges.
- Not more than one output should be shorted at a time, nor for more than 1 second.

AC CHARACTERISTICS

| SYMBOL | PARAMETER | 54/74F T _A = +25°C V _{CC} = +5.0 V C _L = 50 pF | | | 54F T _A = -55 to +125°C V _{CC} = 5.0 V ±10% C _L = 50 pF | | 74F T _A = 0 to +70°C V _{CC} = 5.0 V ±10% C _L = 50 pF | | UNITS |
|------------------|--|--|-----|-----|---|------|--|------|-------|
| | | MIN | TYP | MAX | MIN | MAX | MIN | MAX | |
| t _{PLH} | Propagation Delay S to \bar{Z} | 4.0 | 6.4 | 8.5 | 4.0 | 10.5 | 4.0 | 9.5 | ns |
| t _{PHL} | | 4.0 | 6.9 | 9.0 | 4.0 | 10.5 | 4.0 | 10.5 | |
| t _{PLH} | Propagation Delay \bar{E} to \bar{Z}_n | 3.5 | 6.2 | 8.0 | 3.5 | 9.5 | 3.5 | 9.0 | ns |
| t _{PHL} | | 3.5 | 6.4 | 8.5 | 3.5 | 9.5 | 3.5 | 9.5 | |
| t _{PLH} | Propagation Delay I _n to \bar{Z} | 3.0 | 4.4 | 5.9 | 2.5 | 8.5 | 3.0 | 7.0 | ns |
| t _{PHL} | | 1.5 | 3.3 | 4.5 | 1.5 | 6.0 | 1.5 | 5.5 | |

*I_{CC} measured with outputs open and 4.5 V applied to all limits.

FUNCTIONAL DESCRIPTION — The F158 quad 2-input multiplexer selects four bits of data from two sources under the control of a common Select input (S) and presents the data in inverted form at the four outputs. The Enable input (\bar{E}) is active LOW. When \bar{E} is HIGH, all of the outputs (\bar{Z}) are forced HIGH regardless of all other inputs. The F158 is the logic implementation of a 4-pole, 2-position switch where the position of the switch is determined by the logic levels supplied to the Select input.

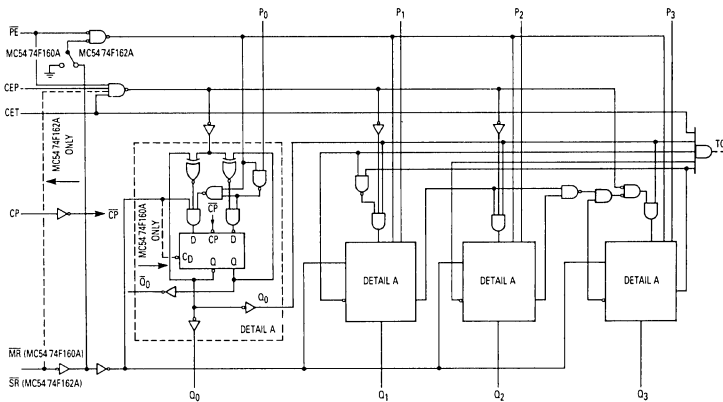
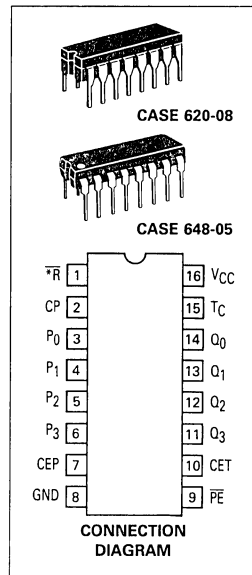
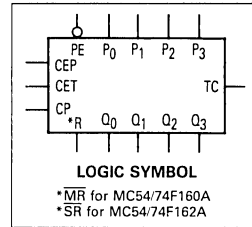
A common use of the F158 is the moving of data from two groups of registers to four common output busses. The particular register from which the data comes is determined by the state of the Select input. A less obvious use is as a function generator. The F158 can generate four functions of two variables with one variable n common. This is useful for implementing gating functions.

**MC54F160A
MC74F160A
MC54F162A
MC74F162A**

**SYNCHRONOUS PRESETTABLE
BCD DECADE COUNTER**

The MC54/74F160A and MC54/74F162A are high-speed synchronous decade counters operating in the BCD (8421) sequence. They are synchronously presettable for application in programmable dividers and have two types of Count Enable inputs plus a Terminal Count output for versatility in forming synchronous multi-stage counters. The MC54/74F160A has an asynchronous Master Reset input that overrides all other inputs and forces the outputs LOW. The MC54/74F162A has a Synchronous Reset input that overrides counting and parallel loading and allows the outputs to be simultaneously reset on the rising edge of the clock. The MC54/74F160A and MC54/74F162A are high-speed versions of the MC54/74F160 and MC54/74F162.

- Synchronous Counting and Loading
- High-Speed Synchronous Expansion
- Typical Count Rate of 120 MHz



Please note that this diagram is provided only for the understanding of logic operations and should not be used to estimate propagation delays.

Logic Diagram

GUARANTEED OPERATING RANGES

| Symbol | Parameter | | Min | Typ | Max | Unit |
|-----------------|-------------------------------------|--------|-----|-----|-----|------|
| V _{CC} | Supply Voltage | 54, 74 | 4.5 | 5 | 5.5 | V |
| T _A | Operating Ambient Temperature Range | 54 | -55 | 25 | 125 | °C |
| | | 74 | 0 | 25 | 70 | |
| I _{OH} | Output Current — High | 54, 74 | | | -1 | mA |
| I _{OL} | Output Current — Low | 54, 74 | | | 20 | mA |

MC54F/74F160A
MC54F/74F162A

Functional Description

The MC54/74F160A and MC54/74F162A count modulo-10 in the BCD (8421) sequence. From state 9 (HLLH) they increment to state 0 (LLLL). The clock inputs of all flip-flops are driven in parallel through a clock buffer. Thus all changes of the Q outputs (except due to Master Reset of the MC54/74F160A) occur as a result of, and synchronous with, the LOW-to-HIGH transition of the CP input signal. The circuits have four fundamental modes of operation, in order of precedence: asynchronous reset (MC54/74F160A), synchronous reset (MC54/74F162A), parallel load, count-up and hold. Five control inputs — Master Reset (\overline{MR} , MC54/74F160A), Synchronous Reset (\overline{SR} , MC54/74F162A), Parallel Enable (\overline{PE}), Count Enable Parallel (CEP) and Count Enable Trickle (CET) — determine the mode of operation, as shown in the Mode Select Table. A LOW signal on \overline{MR} overrides all other inputs and

asynchronously forces all outputs LOW. A LOW signal on \overline{SR} overrides counting and parallel loading and allows all outputs to go LOW on the next rising edge of CP. A LOW signal on \overline{PE} overrides counting and allows information on the Parallel Data (P_n) inputs to be loaded into the flip-flops on the next rising edge of CP. With \overline{PE} and \overline{MR} (MC54/74F160A) or \overline{SR} (MC54/74F162A) HIGH, CEP and CET permit counting when both are HIGH. Conversely, a LOW signal on either CEP or CET inhibits counting.

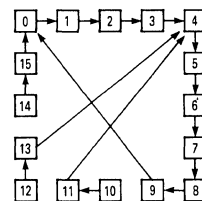
The MC54/74F160A and MC54/74F162A use D-type edge triggered flip-flops and changing the \overline{SR} , \overline{PE} , CEP and CET inputs when the CP is in either state does not cause errors, provided that the recommended setup and hold times, with respect to the rising edge of CP, are observed.

TRUTH TABLE

| * \overline{SR} | \overline{PE} | CET | CEP | Action on the Rising Clock Edge (\uparrow) |
|-------------------|-----------------|-----|-----|--|
| L | X | X | X | Reset (Clear) |
| H | L | X | X | Load ($P_n \rightarrow Q_n$) |
| H | H | H | H | Count (Increment) |
| H | H | L | X | No Change (Hold) |
| H | H | X | L | No Change (Hold) |

*For MC54/74F162A only H = HIGH Voltage Level L = LOW Voltage Level X = Don't Care

State Diagram



DC CHARACTERISTICS OVER OPERATING TEMPERATURE RANGE (unless otherwise specified)

| Symbol | Parameter | Limits | | | Units | Test Conditions |
|----------|--|--------|------|--------------|---------------|---|
| | | Min | Typ | Max | | |
| V_{IH} | Input HIGH Voltage | 2 | | | V | Guaranteed Input HIGH Voltage for All Inputs |
| V_{IL} | Input LOW Voltage | | | 0.8 | V | Guaranteed Input LOW Voltage for All Inputs |
| V_{IK} | Input Clamp Diode Voltage | | | -1.2 | V | $V_{CC} = \text{MIN}$, $I_{IN} = -18 \text{ mA}$ |
| V_{OH} | Output HIGH Voltage | 54 | 2.5 | 3.4 | V | $V_{CC} = \text{MIN}$, $I_{OH} = \text{MAX}$, $V_{IN} = V_{IH}$ or V_{IL} per Truth Table |
| | | 74 | 2.7 | 3.3 | V | |
| V_{OL} | Output LOW Voltage | 54,74 | 0.30 | 0.5 | V | $I_{OL} = 20 \text{ mA}$ $V_{CC} = V_{CC} \text{ MIN}$, $V_{IN} = V_{IL}$ or V_{IH} per Truth Table |
| | | 74 | 0.35 | 0.5 | V | |
| I_{IH} | Input HIGH Current \overline{MR} , Data, CEP, Clock \overline{PE} , CET, \overline{SR} | | | 20 | μA | $V_{CC} = \text{MAX}$, $V_{IN} = 2.7 \text{ V}$ |
| | \overline{MR} , Data, CEP, Clock \overline{PE} , CET | | | 0.1 0.1 | mA | $V_{CC} = \text{MAX}$, $V_{IN} = 7 \text{ V}$ |
| I_{IL} | Input LOW Current \overline{MR} , Data, CEP, Clock \overline{PE} , CET, \overline{SR} | | | -0.6 -1.2 | mA | $V_{CC} = \text{MAX}$, $V_{IN} = 0.5 \text{ V}$ |
| I_{OS} | Short Circuit Current | -60 | | -150 | mA | $V_{CC} = \text{MAX}$, $V_{OUT} = 0 \text{ V}$ |
| I_{CC} | Power Supply Current Total, Output HIGH Total, Output LOW | | 37 | 55 | mA | $V_{CC} = \text{MAX}$ |

NOTES: 1. For conditions such as MIN or MAX, use the appropriate value specified under recommended operating conditions for the applicable device type.
 2. Not more than one output should be shorted at a time, nor for more than 1 second.

The Terminal Count (TC) output is HIGH when CET is HIGH and the counter is in state 9. To implement synchronous multistage counters, the TC outputs can be used with the CEP and CET inputs in two different ways. Please refer to the MC54/74F568 data sheet. The TC output is subject to decoding spikes due to internal race conditions and is therefore not recommended for use as a clock or asynchronous reset for flip-flops, counters or registers. In the MC54/74F160A and MC54/74F162A dec-

ade counters, the TC output is fully decoded and can only be HIGH in state 9. If a decade counter is preset to an illegal state, or assumes an illegal state when power is applied, it will return to the normal sequence within two counts, as shown in the State Diagram.

Logic Equations: Count Enable = CEP • CET • \overline{PE}
 TC = Q₀ • Q₁ • Q₂ • Q₃ • CET

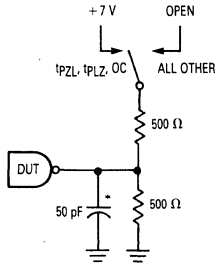
AC CHARACTERISTICS See Page 5 for waveforms and load configurations

| Symbol | Parameter | 54/74F T _A = +25°C V _{CC} = +5 V C _L = 50 pF | | 54F T _A = -55°C to +125°C V _{CC} = 5 V ±10% C _L = 50 pF | | 74F T _A = 0°C to 70°C V _{CC} = 5 V ±10% C _L = 50 pF | | Units |
|--------------------------------------|--|--|------------|---|------------|---|------------|-------|
| | | Min | Max | Min | Max | Min | Max | |
| f _{max} | Maximum Count Frequency | 100 | | 75 | | 90 | | MHz |
| t _{PLH} t _{PHL} | Propagation Delay, Count CP to Q _n (\overline{PE} Input HIGH) | 3.5 3.5 | 7.5 10 | 3.5 3.5 | 9 11.5 | 3.5 3.5 | 8.5 11 | ns |
| t _{PLH} t _{PHL} | Propagation Delay CP to Q _n (\overline{PE} Input LOW) | 3.5 4 | 8.5 8.5 | 4 4 | 10 10 | 3.5 4 | 9.5 9.5 | |
| t _{PLH} t _{PHL} | Propagation Delay CP to TC | 5 4.5 | 14 14 | 5 5 | 16.5 15 | 5 4.5 | 15 15 | ns |
| t _{PLH} t _{PHL} | Propagation Delay CET to TC | 2.5 2.5 | 7.5 7.5 | 2.5 2.5 | 9 9 | 2.5 2.5 | 8.5 8.5 | ns |
| t _{PHL} | Propagation Delay \overline{MR} to Q _n (MC54/74F160A) | 5.5 | 12 | 5.5 | 14 | 5.5 | 13 | ns |
| t _{PHL} | Propagation Delay \overline{MR} to TC (MC54/74F160A) | 4.5 | 10.5 | 4.5 | 12.5 | 4.5 | 11.5 | ns |



AC OPERATING REQUIREMENTS: See Page 5 for waveforms

| Symbol | Parameter | 54/74F T _A = +25°C V _{CC} = +5 V C _L = 50 pF | | 54F T _A = -55°C to +125°C V _{CC} = 5 V ±10% C _L = 50 pF | | 74F T _A = 0°C to 70°C V _{CC} = 5 V ±10% C _L = 50 pF | | Units |
|--|---|--|-----|---|-----|---|-----|-------|
| | | Min | Max | Min | Max | Min | Max | |
| t _s (H) t _s (L) | Setup Time, HIGH or LOW P _n to CP | 5 5 | | 5.5 5.5 | | 5 5 | | ns |
| t _h (H) t _h (L) | Hold Time, HIGH or LOW P _n to CP | 2 2 | | 2.5 2.5 | | 2 2 | | |
| t _s (H) t _s (L) | Setup Time, HIGH or LOW \overline{PE} or \overline{SR} to CP | 11 8.5 | | 13.5 10.5 | | 11.5 9.5 | | ns |
| t _h (H) t _h (L) | Hold Time, HIGH or LOW \overline{PE} or \overline{SR} to CP | 2 0 | | 2 0 | | 2 0 | | |
| t _s (H) t _s (L) | Setup Time, HIGH or LOW CEP or CET to CP | 11 5 | | 13 6 | | 11.5 5 | | ns |
| t _h (H) t _h (L) | Hold Time, HIGH or LOW CEP or CET to CP | 0 0 | | 0 0 | | 0 0 | | |
| t _w (H) t _w (L) | Clock Pulse Width (Load) HIGH or LOW | 5 5 | | 5 5 | | 5 5 | | ns |
| t _w (H) t _w (L) | Clock Pulse Width (Count) HIGH or LOW | 4 6 | | 5 8 | | 4 7 | | ns |
| t _w (L) | \overline{MR} Pulse Width, LOW (MC54/74F160A) | 5 | | 5 | | 5 | | ns |
| t _{rec} | Recovery Time \overline{MR} to CP (MC54/74F160A) | 6 | | 6 | | 6 | | |



*INCLUDES JIG AND PROBE CAPACITANCE

Figure 1. Test Load

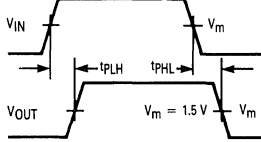


Figure 3. Waveform for Non-Inverting Functions

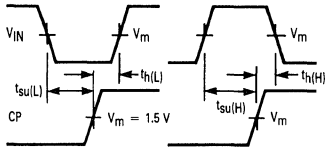


Figure 4. Setup and Hold Times, Rising-edge Clock

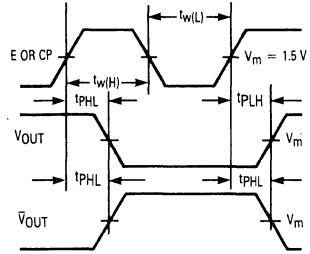


Figure 2. Propagation Delays from Rising-edge Clock or Enable

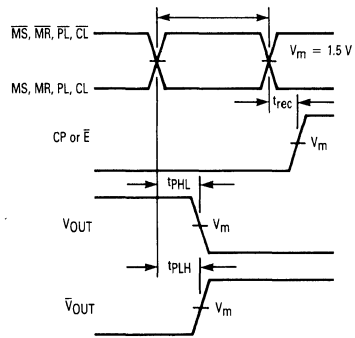


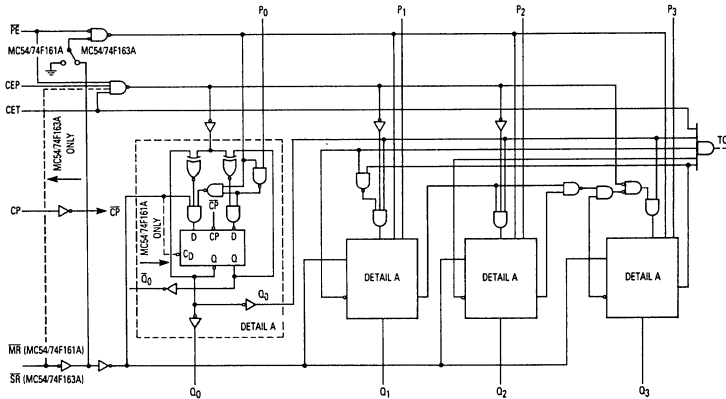
Figure 5. Asynchronous Set, Reset, Parallel Load or Clear, Active Rising-edge Clock or Active-LOW Enable

**MC54F161A
MC74F161A
MC54F163A
MC74F163A**

**SYNCHRONOUS PRESETTABLE
BINARY COUNTER**

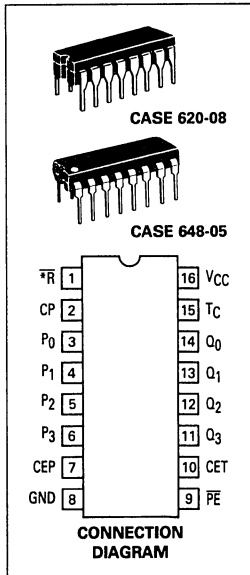
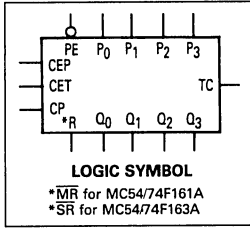
The MC54/74F161A and MC54/74F163A are high-speed synchronous modulo-16 binary counters. They are synchronously presettable for application in programmable dividers and have two types of Count Enable inputs plus a Terminal Count output for versatility in forming synchronous multistage counters. The MC54/74F161A has an asynchronous Master Reset input that overrides all other inputs and forces the outputs LOW. The MC54/74F163A has a Synchronous Reset input that overrides counting and parallel loading and allows the outputs to be simultaneously reset on the rising edge of the clock. The MC54/74F161A and MC54/74F163A are high-speed versions of the MC54/74F161 and MC54/74F163.

- Synchronous Counting and Loading
- High-Speed Synchronous Expansion
- Typical Count Frequency of 120 MHz



Please note that this diagram is provided only for the understanding of logic operations and should not be used to estimate propagation delays.

Logic Diagram



GUARANTEED OPERATING RANGES

| Symbol | Parameter | | Min | Typ | Max | Unit |
|-----------------|-------------------------------------|--------|-----|-----|-----|------|
| V _{CC} | Supply Voltage | 54, 74 | 4.5 | 5 | 5.5 | V |
| T _A | Operating Ambient Temperature Range | 54 | -55 | 25 | 125 | °C |
| | | 74 | 0 | 25 | 70 | |
| I _{OH} | Output Current — High | 54, 74 | | | -1 | mA |
| I _{OL} | Output Current — Low | 54, 74 | | | 20 | mA |

Functional Description

The MC54/74F161A and MC54/74F163A count in modulo-16 binary sequence. From state 15 (HHHH) they increment to state 0 (LLLL). The clock inputs of all flip-flops are driven in parallel through a clock buffer. Thus all changes of the Q outputs (except due to Master Reset of the MC54/74F161A) occur as a result of, and synchronous with, the LOW-to-HIGH transition of the CP input signal. The circuits have four fundamental modes of operation, in order of precedence: asynchronous reset (MC54/74F161A), synchronous reset (MC54/74F163A), parallel load, count-up and hold. Five control inputs — Master Reset (MR, MC54/74F161A), Synchronous Reset (SR, MC54/74F163A), Parallel Enable (PE), Count Enable Parallel (CEP) and Count Enable Trickle (CET) — determine the mode of operation, as shown in the Mode Select Table. A LOW signal on MR overrides all other inputs and

asynchronously forces all outputs LOW. A LOW signal on SR overrides counting and parallel loading and allows all outputs to go LOW on the next rising edge of CP. A LOW signal on PE overrides counting and allows information on the Parallel Data (P_n) inputs to be loaded into the flip-flops on the next rising edge of CP. With PE and MR (MC54/74F161A) or SR (MC54/74F163A) HIGH, CEP and CET permit counting when both are HIGH. Conversely, a LOW signal on either CEP or CET inhibits counting.

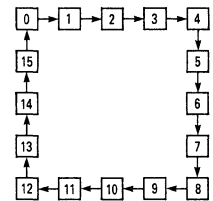
The MC54/74F161A and MC54/74F163A use D-type edge triggered flip-flops and changing the SR, PE, CEP and CET inputs when the CP is in either state does not cause errors, provided that the recommended setup and hold times, with respect to the rising edge of CP, are observed.

TRUTH TABLE

| *SR | PE | CET | CEP | Action on the Rising Clock Edge (↑) |
|-----|----|-----|-----|---|
| L | X | X | X | Reset (Clear) |
| H | L | X | X | Load (P _n → Q _n) |
| H | H | H | H | Count (Increment) |
| H | H | L | X | No Change (Hold) |
| H | H | X | L | No Change (Hold) |

*For MC54/74F163A only H = HIGH Voltage Level L = LOW Voltage Level X = Don't Care

State Diagram



DC CHARACTERISTICS OVER OPERATING TEMPERATURE RANGE (unless otherwise specified)

| Symbol | Parameter | Limits | | | Units | Test Conditions |
|-----------------|---|--------|-----|------|--------------|---|
| | | Min | Typ | Max | | |
| V _{IH} | Input HIGH Voltage | 2 | | | V | Guaranteed Input HIGH Voltage for All Inputs |
| V _{IL} | Input LOW Voltage | | | 0.8 | V | Guaranteed Input LOW Voltage for All Inputs |
| V _{IK} | Input Clamp Diode Voltage | | | -1.2 | V | V _{CC} = MIN, I _{IN} = -18 mA |
| V _{OH} | Output HIGH Voltage | 54 | 2.5 | 3.4 | V | V _{CC} = MIN, I _{OH} = MAX, V _{IN} = V _{IH} or V _{IL} per Truth Table |
| | | 74 | 2.7 | 3.3 | V | |
| V _{OL} | Output LOW Voltage | 54,74 | | 0.30 | 0.5 | I _{OL} = 20 mA V _{CC} = V _{CC} MIN, V _{IN} = V _{IL} or V _{IH} per Truth Table |
| | | 74 | | 0.35 | 0.5 | |
| I _{IH} | Input HIGH Current Data, CEP, Clock PE, CET, SR | | | | 20 | μA V _{CC} = MAX, V _{IN} = 2.7 V |
| | Data, CEP, Clock PE, CET, SR | | | | 0.1 0.1 | mA V _{CC} = MAX, V _{IN} = 7 V |
| I _{IL} | Input LOW Current Data, CEP, Clock PE, CET, SR | | | | -0.6 -1.2 | mA V _{CC} = MAX, V _{IN} = 0.5 V |
| I _{OS} | Short Circuit Current | -60 | | | -150 | mA V _{CC} = MAX, V _{OUT} = 0 V |
| I _{CC} | Power Supply Current Total, Output HIGH Total, Output LOW | | 37 | 55 | mA | V _{CC} = MAX |

NOTES: 1. For conditions such as MIN or MAX, use the appropriate value specified under recommended operating conditions for the applicable device type.
 2. Not more than one output should be shorted at a time, nor for more than 1 second.

MC54F/74F161A
MC54F/74F163A

The Terminal Count (TC) output is HIGH when CET is HIGH and the counter is in state 15. To implement synchronous multistage counters, the TC outputs can be used with the CEP and CET inputs in two different ways. The TC output is subject to decoding spikes due to internal race conditions and is therefore not recommended

for use as a clock or asynchronous reset for flip-flops, counters or registers.

Logic Equations: Count Enable = CEP • CET • \overline{PE}
 TC = Q₀ • Q₁ • Q₂ • Q₃ • CET

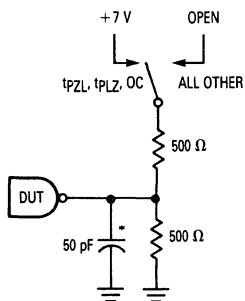
AC CHARACTERISTICS See Page 5 for waveforms and load configurations

| Symbol | Parameter | 54/74F T _A = +25°C V _{CC} = +5 V C _L = 50 pF | | 54F T _A = -55°C to +125°C V _{CC} = 5 V ±10% C _L = 50 pF | | 74F T _A = 0°C to 70°C V _{CC} = 5 V ±10% C _L = 50 pF | | Units |
|--------------------------------------|---|--|------------|---|------------|---|------------|-------|
| | | Min | Max | Min | Max | Min | Max | |
| f _{max} | Maximum Count Frequency | 100 | | 75 | | 90 | | MHz |
| t _{PLH} t _{PHL} | Propagation Delay CP to Q _n (PE Input HIGH) | 3.5 3.5 | 7.5 10 | 3.5 3.5 | 9 11.5 | 3.5 3.5 | 8.5 11 | ns |
| t _{PLH} t _{PHL} | Propagation Delay CP to Q _n (PE Input LOW) | 3.5 4 | 8.5 8.5 | 4 4 | 10 10 | 3.5 4 | 9.5 9.5 | |
| t _{PLH} t _{PHL} | Propagation Delay CP to TC | 5 4.5 | 14 14 | 5 5 | 16.5 15 | 5 4.5 | 15 15 | ns |
| t _{PLH} t _{PHL} | Propagation Delay CET to TC | 2.5 2.5 | 7.5 7.5 | 2.5 2.5 | 9 9 | 2.5 2.5 | 8.5 8.5 | ns |
| t _{PHL} | Propagation Delay MR to Q _n (MC54/74F161A) | 5.5 | 12 | 5.5 | 14 | 5.5 | 13 | ns |
| t _{PHL} | Propagation Delay MR to TC | 4.5 | 10.5 | 4.5 | 12.5 | 4.5 | 11.5 | ns |

AC OPERATING REQUIREMENTS: See Page 5 for waveforms

| Symbol | Parameter | 54/74F T _A = +25°C V _{CC} = +5 V C _L = 50 pF | | 54F T _A = -55°C to +125°C V _{CC} = 5 V ±10% C _L = 50 pF | | 74F T _A = 0°C to 70°C V _{CC} = 5 V ±10% C _L = 50 pF | | Units |
|--|---|--|-----|---|-----|---|-----|-------|
| | | Min | Max | Min | Max | Min | Max | |
| t _s (H) t _s (L) | Setup Time, HIGH or LOW P _n to CP | 5 5 | | 5.5 5.5 | | 5 5 | | ns |
| t _h (H) t _h (L) | Hold Time, HIGH or LOW P _n to CP | 2 2 | | 2.5 2.5 | | 2 2 | | |
| t _s (H) t _s (L) | Setup Time, HIGH or LOW PE or SR to CP | 11 8.5 | | 13.5 10.5 | | 11.5 9.5 | | ns |
| t _h (H) t _h (L) | Hold Time, HIGH or LOW PE or SR to CP | 2 0 | | 2 0 | | 2 0 | | |
| t _s (H) t _s (L) | Setup Time, HIGH or LOW CEP or CET to CP | 11 5 | | 13 6 | | 11.5 5 | | ns |
| t _h (H) t _h (L) | Hold Time, HIGH or LOW CEP or CET to CP | 0 0 | | 0 0 | | 0 0 | | |
| t _w (H) t _w (L) | Clock Pulse Width (Load) HIGH or LOW | 5 5 | | 5 5 | | 5 5 | | ns |
| t _w (H) t _w (L) | Clock Pulse Width (Count) HIGH or LOW | 4 6 | | 5 8 | | 4 7 | | |
| t _w (L) | MR Pulse Width, LOW (MC54/74F161A) | 5 | | 5 | | 5 | | ns |
| t _{rec} | Recovery Time MR to CP (MC54/74F161A) | 6 | | 6 | | 6 | | |





*INCLUDES JIG AND PROBE CAPACITANCE

Figure 1. Test Load

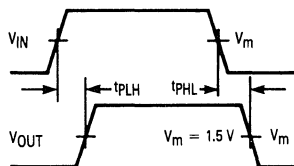


Figure 3. Waveform for Non-inverting Functions

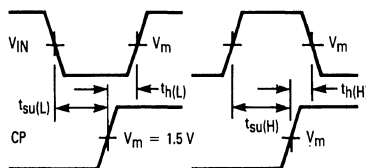


Figure 4. Setup and Hold Times, Rising-edge Clock

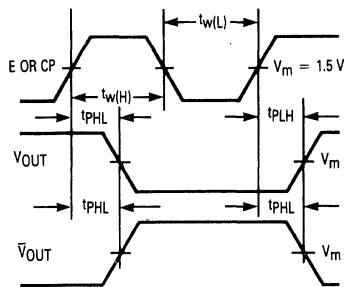


Figure 2. Propagation Delays from Rising-edge Clock or Enable

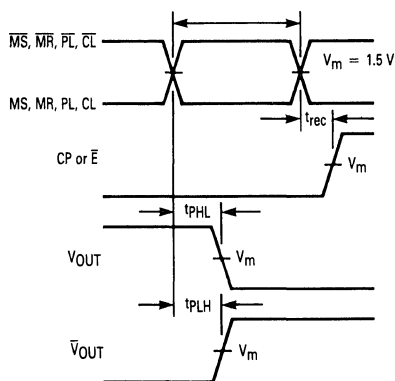


Figure 5. Asynchronous Set, Reset, Parallel Load or Clear, Active Rising-edge Clock or Active-LOW Enable

4



MC54F174 MC74F174

HEX D FLIP-FLOP WITH MASTER RESET

DESCRIPTION — The MC54F/74F174 is a high-speed hex D flip-flop. The device is used primarily as a 6-bit edge-triggered storage register. The information on the D inputs is transferred to storage during the LOW-to-HIGH clock transition. The device has a Master Reset to simultaneously clear all flip-flops.

The 'F174 consists of six edge-triggered D flip-flops with individual D inputs and Q outputs. The Clock (CP) and Master Reset (MR) are common to all flip-flops. Each D input's state is transferred to the corresponding flip-flop's output following the LOW-to-HIGH Clock (CP) transition. A LOW input to the Master Reset (MR) will force all outputs LOW independent of Clock or Data inputs. The 'F174 is useful for applications where the true output only is required and the Clock and Master Reset are common to all storage elements.

- EDGE-TRIGGERED D-TYPE INPUTS
- BUFFERED POSITIVE EDGE-TRIGGERED CLOCK
- ASYNCHRONOUS COMMON RESET

TRUTH TABLE

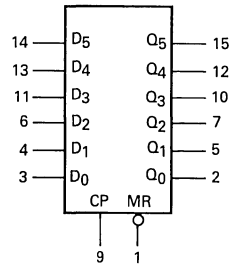
| INPUTS | OUTPUTS |
|-------------------------------|-------------|
| @ t_n , $\overline{MR} = H$ | @ t_{n+1} |
| D_n | Q_n |
| H | H |
| L | L |

t_n = Bit time before clock pulse
 t_{n+1} = Bit time after clock pulse
 H = HIGH Voltage Level
 L = LOW Voltage Level

HEX D FLIP-FLOP WITH MASTER RESET

FAST™ SCHOTTKY TTL

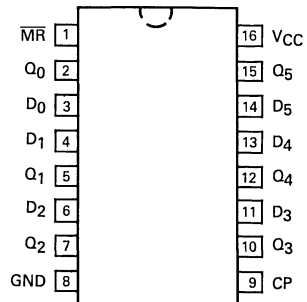
LOGIC SYMBOL



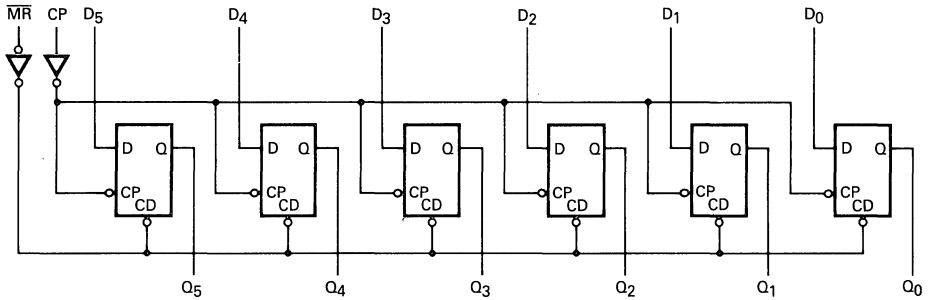
V_{CC} = Pin 16
 GND = Pin 8



CONNECTION DIAGRAM



LOGIC DIAGRAM



GUARANTEED OPERATING RANGES

| SYMBOL | PARAMETER | | MIN | TYP | MAX | UNIT |
|-----------------|-------------------------------------|----------|----------|----------|-----------|------|
| V _{CC} | Supply Voltage | 54, 74 | 4.5 | 5.0 | 5.5 | V |
| T _A | Operating Ambient Temperature Range | 54 74 | -55 0 | 25 25 | 125 70 | °C |
| I _{OH} | Output Current — High | 54, 74 | | | -1.0 | mA |
| I _{OL} | Output Current — Low | 54, 74 | | | 20 | mA |

4

DC CHARACTERISTICS OVER OPERATING TEMPERATURE RANGE (unless otherwise specified)

| SYMBOL | PARAMETER | LIMITS | | | UNITS | TEST CONDITIONS |
|-----------------|---------------------------------------|--------|-----|------|-------|--|
| | | MIN | TYP | MAX | | |
| V _{IH} | Input HIGH Voltage | 2.0 | | | V | Guaranteed Input HIGH Voltage |
| V _{IL} | Input LOW Voltage | | | 0.8 | V | Guaranteed Input LOW Voltage |
| V _{JK} | Input Clamp Diode Voltage | | | -1.2 | V | V _{CC} = MIN, I _{IN} = -18 mA |
| V _{OH} | Output HIGH Voltage | 54, 74 | 2.5 | | V | I _{OL} = -1.0 mA V _{CC} = 4.50 V |
| | | 74 | 2.7 | | V | I _{OL} = -1.0 mA V _{CC} = 4.75 V |
| V _{OL} | Output LOW Voltage | | | 0.5 | V | I _{OL} = 20 mA V _{CC} = MIN |
| I _{IH} | Input HIGH Current | | | 20 | μA | V _{CC} = MAX, V _{IN} = 2.7 V |
| | | | | 0.1 | mA | V _{CC} = MAX, V _{IN} = 7.0 V |
| I _{IL} | Input LOW Current | | | -0.6 | mA | V _{CC} = MAX, V _{IN} = 0.5 V |
| I _{OS} | Output Short Circuit Current (Note 2) | -60 | | -150 | mA | V _{CC} = MAX, V _{OUT} = 0 V |
| I _{CC} | Power Supply Current | | 30 | 45 | mA | V _{CC} = MAX, D _n = MR = 4.5 V, CP = |

NOTES:

- For conditions shown as MIN or MAX, use the appropriate value specified under recommended operating conditions for the applicable device type.
- Not more than one output should be shorted at a time, nor for more than 1 second.

AC CHARACTERISTICS

| SYMBOL | PARAMETER | 54/74F | | | 54F | | 74F | | UNITS |
|--------------------------------------|---|--|------------|-----------|--|--------------|---|-------------|-------|
| | | T _A = +25°C V _{CC} = +5.0 V C _L = 50 pF | | | T _A = -55 to +125°C V _{CC} = 5.0 V ±10% C _L = 50 pF | | T _A = 0 to +70°C V _{CC} = 5.0 V ±10% C _L = 50 pF | | |
| | | MIN | TYP | MAX | MIN | MAX | MIN | MAX | |
| f _{max} | Maximum Clock Frequency | 100 | 140 | | 80 | | 80 | | MHz |
| t _{PLH} t _{PHL} | Propagation Delay CP to Q _n | 3.5 4.5 | 5.5 7.0 | 8.0 10 | 3.5 4.5 | 10.0 12.0 | 3.5 4.5 | 9.0 11.0 | ns |
| t _{PHL} | Propagation Delay MR to Q _n | 5.0 | 10 | 14 | 5.0 | 16.0 | 5.0 | 15.0 | ns |

AC OPERATING REQUIREMENTS

| SYMBOL | PARAMETER | 54/74F | | | 54F | | 74F | | UNITS |
|--|--|--|-----|-----|--|-----|---|-----|-------|
| | | T _A = +25°C V _{CC} = +5.0 V | | | T _A = -55 to +125°C V _{CC} = 5.0 V ±10% | | T _A = 0 to +70°C V _{CC} = 5.0 V ±10% | | |
| | | MIN | TYP | MAX | MIN | MAX | MIN | MAX | |
| t _s (H) t _s (L) | Set up Time, HIGH or LOW D _n to CP | 4.0 4.0 | | | 4.0 4.0 | | 4.0 4.0 | | ns |
| t _h (H) t _h (L) | Hold Time, HIGH or LOW D _n to CP | 0 0 | | | 1.0 1.0 | | 0 0 | | |
| t _w (H) t _w (L) | CP Pulse Width, HIGH or LOW | 4.0 6.0 | | | 4.0 6.0 | | 4.0 6.0 | | ns |
| t _w (L) | MR Pulse Width LOW | 5.0 | | | 5.0 | | 5.0 | | ns |
| t _{rec} | Recovery Time MR to CP | 5.0 | | | 5.0 | | 5.0 | | ns |



AC TEST CIRCUIT

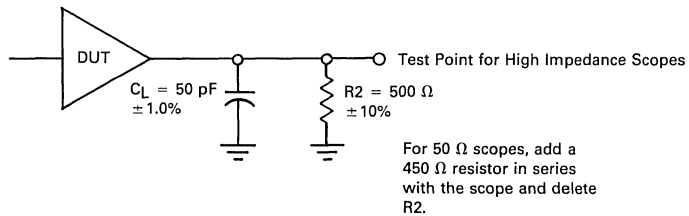


Fig. 1

QUAD D FLIP-FLOP

DESCRIPTION — The MC54F/74F175 is a high-speed quad D flip-flop. The device is useful for general flip-flop requirements where clock and clear inputs are common. The information on the D inputs is stored during the LOW-to-HIGH clock transition. Both true and complemented outputs of each flip-flop are provided. A Master Reset input resets all flip-flops, independent of the Clock or D inputs when LOW.

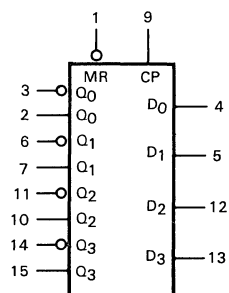
- EDGE-TRIGGERED D-TYPE INPUTS
- BUFFERED POSITIVE EDGE-TRIGGERED CLOCK
- ASYNCHRONOUS COMMON RESET
- TRUE AND COMPLEMENT OUTPUT

FUNCTIONAL DESCRIPTION — The F175 consists of four edge-triggered D flip-flops with individual D inputs and Q and \bar{Q} outputs. The Clock and Master Reset are common. The four flip-flops will store the state of their individual D inputs on the LOW-to-HIGH clock (CP) transition, causing individual Q and \bar{Q} outputs to follow. A LOW input on the Master Reset (MR) will force all Q outputs LOW and \bar{Q} outputs HIGH independent of Clock or Data inputs. The F175 is useful for general logic applications where a common Master Reset and Clock are acceptable.

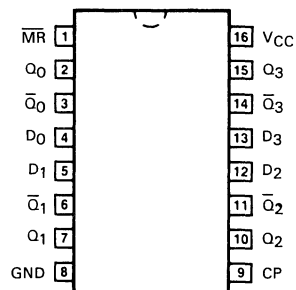
TRUTH TABLE

| INPUTS | | OUTPUTS | |
|------------------|--|----------------|-------------|
| @ t_n , MR = H | | @ t_{n+1} | |
| D _n | | Q _n | \bar{Q}_n |
| L | | L | H |
| H | | H | L |

t_n = Bit time before clock positive-going transition
 t_{n+1} = Bit time after clock positive-going transition
 H = HIGH Voltage Level
 L = LOW Voltage Level

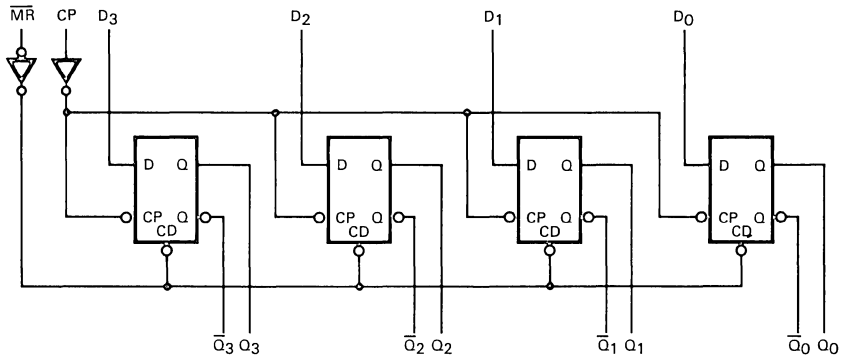
MC54F175
MC74F175
QUAD D FLIP-FLOP
FAST™ SCHOTTKY TTL
LOGIC SYMBOL


VCC = Pin 16
 GND = Pin 8

CONNECTION DIAGRAM


J Suffix — Case 620-08
 (Ceramic)
 N Suffix — Case 648-05
 (Plastic)

LOGIC DIAGRAM



Please note that this diagram is provided only for the understanding of logic operations and should not be used to estimate propagation delays.

GUARANTEED OPERATING RANGES

| SYMBOL | PARAMETER | | MIN | TYP | MAX | UNIT |
|-----------------|-------------------------------------|----------|--------------------|------------------|-------------------|------|
| V _{CC} | Supply Voltage | 54, 74 | -4.50 ¹ | 5.0 ¹ | 5.50 ¹ | V |
| T _A | Operating Ambient Temperature Range | 54 74 | -55 0 | 25 25 | 125 70 | °C |
| I _{OH} | Output Current — High | 54, 74 | | | -1.0 | mA |
| I _{OL} | Output Current — Low | 54, 74 | | | 20 | mA |



DC CHARACTERISTICS OVER OPERATING TEMPERATURE RANGE (unless otherwise specified)

| SYMBOL | PARAMETER | LIMITS | | | UNITS | TEST CONDITIONS | |
|-----------------|---------------------------------------|--------|------|------|-------|--------------------------------------|--------------------------|
| | | MIN | TYP | MAX | | | |
| V _{IH} | Input HIGH Voltage | 2.0 | | | V | Guaranteed Input HIGH Voltage | |
| V _{IL} | Input LOW Voltage | | | 0.8 | V | Guaranteed Input LOW Voltage | |
| V _{IK} | Input Clamp Diode Voltage | | | -1.2 | V | I _{IN} = -18 mA | V _{CC} = MIN |
| V _{OH} | Output HIGH Voltage | 54, 74 | 2.5 | 3.4 | V | I _{OH} = -1.0 mA | V _{CC} = 4.50 V |
| | | 74 | 2.7 | 3.4 | V | I _{OH} = -1.0 mA | V _{CC} = 4.75 V |
| V _{OL} | Output LOW Voltage | | 0.35 | 0.5 | V | I _{OL} = 20 mA | V _{CC} = MIN |
| I _{IH} | Input HIGH Current | | | 20 | μA | V _{IN} = 2.7 V | V _{CC} = MAX |
| | | | | 100 | μA | V _{IN} = 7.0 V | V _{CC} = MAX |
| I _{IL} | Input LOW Current | | | -0.6 | mA | V _{IN} = 0.5 V | V _{CC} = MAX |
| I _{OS} | Output Short Circuit Current (Note 2) | -60 | | -150 | mA | V _{OUT} = 0 V | V _{CC} = MAX |
| I _{CC} | Power Supply Current | | 22.5 | 34 | mA | D _n = MR̄ = 4.5 V CP = | V _{CC} = Max |

NOTES:

1. For conditions such as MIN or MAX, use the appropriate value specified under guaranteed operating ranges.
2. Not more than one output should be shorted at a time, nor for more than 1 second.

AC CHARACTERISTICS

| SYMBOL | PARAMETER | 54/74F | | | 54F | | 74F | | UNITS |
|------------------|--|---|-----|------|--|------|---|-----|-------|
| | | $T_A = +25^\circ\text{C}$ $V_{CC} = +5.0\text{ V}$ $C_L = 50\text{ pF}$ | | | $T_A = -55\text{ to }+125^\circ\text{C}$ $V_{CC} = 5.0\text{ V} \pm 10\%$ $C_L = 50\text{ pF}$ | | $T_A = 0\text{ to }+70^\circ\text{C}$ $V_{CC} = 5.0\text{ V} \pm 10\%$ $C_L = 50\text{ pF}$ | | |
| | | MIN | TYP | MAX | MIN | MAX | MIN | MAX | |
| f_{max} | Maximum Clock Frequency | 100 | 140 | | 100 | | 100 | | MHz |
| t_{PLH} | Propagation Delay CP to Q_n or \overline{Q}_n | 3.5 | 5.0 | 6.5 | 3.5 | 8.5 | 3.5 | 7.5 | ns |
| t_{PHL} | Propagation Delay MR to Q_n | 4.0 | 6.5 | 8.5 | 4.0 | 10.5 | 4.0 | 9.5 | |
| t_{PHL} | Propagation Delay MR to Q_n | 4.5 | 9.0 | 11.5 | 4.5 | 15 | 4.5 | 13 | ns |
| t_{PLH} | Propagation Delay MR to \overline{Q}_n | 4.0 | 6.5 | 8.5 | 4.0 | 10 | 4.0 | 9.0 | ns |

AC OPERATING REQUIREMENTS

| SYMBOL | PARAMETER | 54/74F | | | 54F | | 74F | | UNITS |
|------------------|--|---|-----|-----|--|-----|---|-----|-------|
| | | $T_A = +25^\circ\text{C}$ $V_{CC} = +5.0\text{ V}$ | | | $T_A = -55\text{ to }+125^\circ\text{C}$ $V_{CC} = 5.0\text{ V} \pm 10\%$ | | $T_A = 0\text{ to }+70^\circ\text{C}$ $V_{CC} = 5.0\text{ V} \pm 10\%$ | | |
| | | MIN | TYP | MAX | MIN | MAX | MIN | MAX | |
| t_s (H) | Set up Time, HIGH or LOW | 3.0 | | | 3.0 | | 3.0 | | ns |
| t_s (L) | D_n to CP | 3.0 | | | 3.0 | | 3.0 | | |
| t_h (H) | Hold Time, HIGH or LOW | 1.0 | | | 1.0 | | 1.0 | | ns |
| t_h (L) | D_n to CP | 1.0 | | | 1.0 | | 1.0 | | |
| t_w (H) | CP Pulse Width, HIGH | 4.0 | | | 4.0 | | 4.0 | | ns |
| t_w (L) | or LOW | 5.0 | | | 5.0 | | 5.0 | | |
| t_w (L) | $\overline{\text{MR}}$ Pulse Width LOW | 5.0 | | | 5.0 | | 5.0 | | ns |
| t_{rec} | Recovery Time MR to CP | 5.0 | | | 5.0 | | 5.0 | | ns |



**MC54F181
MC74F181**

Advance Information

4-BIT ARITHMETIC LOGIC UNIT

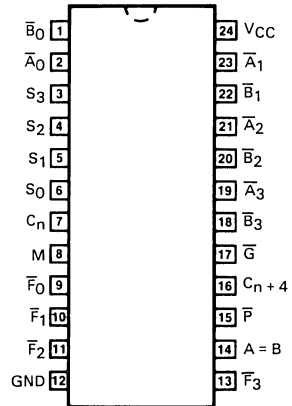
DESCRIPTION — The MC54F/74F181 is a 4-bit Arithmetic Logic Unit (ALU) which can perform all the possible 16 logic operations on two variables and a variety of arithmetic operations. It is 40% faster than the Schottky ALU and only consumes 30% as much power.

- PROVIDES 16 ARITHMETIC OPERATIONS
ADD, SUBTRACT, COMPARE, DOUBLE, PLUS TWELVE OTHER ARITHMETIC OPERATIONS
- PROVIDES ALL 16 LOGIC OPERATIONS OF TWO VARIABLES
EXCLUSIVE-OR, COMPARE, AND, NAND, OR, NOR, PLUS TEN OTHER LOGIC OPERATIONS
- FULL LOOKAHEAD FOR HIGH-SPEED ARITHMETIC OPERATION ON LONG WORDS
- 600 OR 300 MIL WIDE DIP PACKAGES

**4-BIT ARITHMETIC
LOGIC UNIT**

FAST™ SCHOTTKY TTL

CONNECTION DIAGRAM



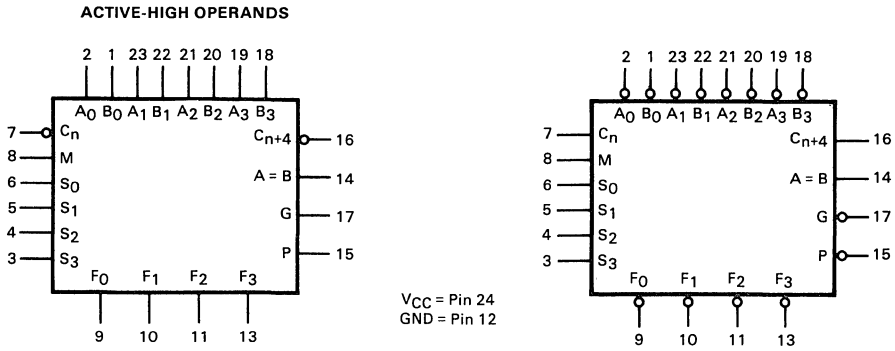
J Suffix — Case 623-05
(Ceramic)
N Suffix — Case 649-03
(Plastic)

GUARANTEED OPERATING RANGES

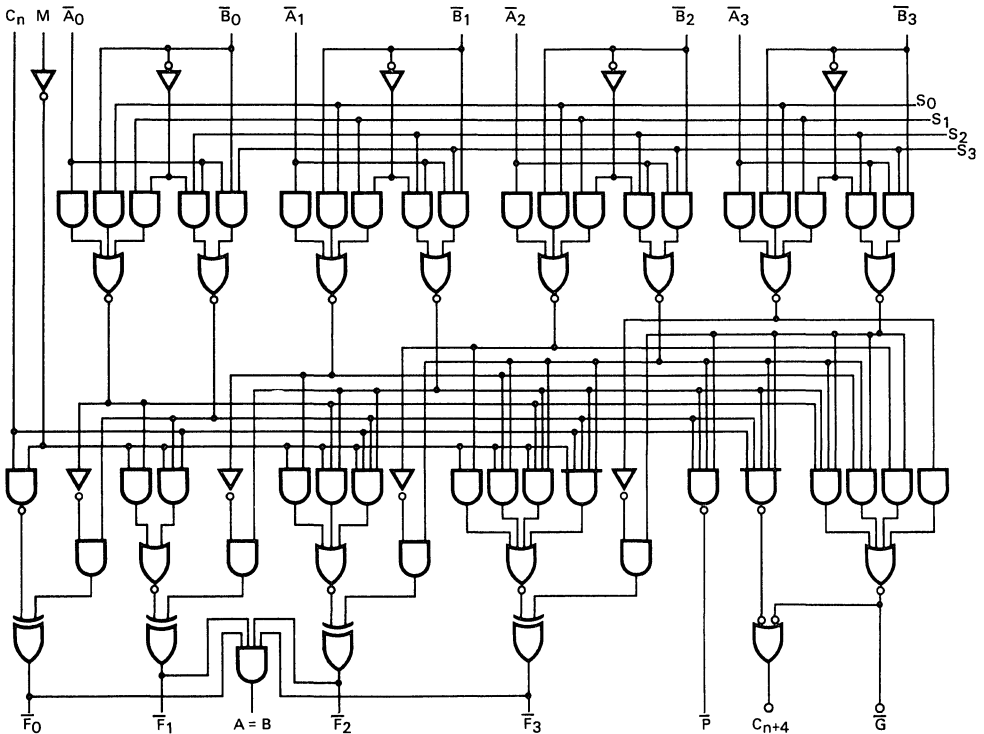
| SYMBOL | PARAMETER | | MIN | TYP | MAX | UNIT |
|----------|---------------------------------------|----------|----------|----------|-----------|------|
| V_{CC} | Supply Voltage | 54, 74 | 4.50 | 5.0 | 5.50 | V |
| T_A | Operating Ambient Temperature Range | 54 74 | -55 0 | 25 25 | 125 70 | °C |
| I_{OH} | Output Current — High | 54, 74 | | | -1.0 | mA |
| V_{OH} | Output Voltage — High A = B output | 54, 74 | | | 5.5 | V |
| I_{OL} | Output Current — Low | 54, 74 | | | 20 | mA |



LOGIC SYMBOLS



LOGIC DIAGRAM



4

DC CHARACTERISTICS OVER OPERATING TEMPERATURE RANGE (unless otherwise specified)

| SYMBOL | PARAMETER | | LIMITS | | | UNITS | TEST CONDITIONS | |
|-----------------|---------------------------------------|-------------------------|--------|------|------|-------|-------------------------------|----------------------------|
| | | | MIN | TYP | MAX | | | |
| V _{IH} | Input HIGH Voltage | | 2.0 | | | V | Guaranteed Input HIGH Voltage | |
| V _{IL} | Input LOW Voltage | | | | 0.8 | V | Guaranteed Input LOW Voltage | |
| V _{IK} | Input Clamp Diode Voltage | | | | -1.2 | V | I _{IN} = -18 mA | V _{CC} = MIN |
| I _{OH} | Output Current — HIGH | | | | 250 | μA | V _{OH} = 5.5 V | V _{CC} = MIN, A=B |
| V _{OH} | Output HIGH Voltage | 54, 74 | 2.5 | 3.4 | | V | I _{OH} = -1.0 mA | V _{CC} = 4.50 V |
| | | 74 | 2.7 | 3.4 | | V | I _{OH} = -1.0 mA | V _{CC} = 4.75 V |
| V _{OL} | Output LOW Voltage | | | 0.35 | 0.5 | V | I _{OL} = 20 mA | V _{CC} = MIN |
| I _{IH} | Input HIGH Current | | | | 20 | μA | V _{IN} = 2.7 V | V _{CC} = MAX |
| | | | | | 100 | μA | V _{IN} = 7.0 V | |
| I _{IL} | Input LOW Current | M Input | | | -0.6 | mA | V _{IN} = 0.5 V | V _{CC} = MAX |
| | | A and B Inputs | | | -1.8 | mA | | |
| | | S ₀₋₃ Inputs | | | -2.4 | mA | | |
| | | C _n Input | | | -3.0 | mA | | |
| I _{OS} | Output Short Circuit Current (Note 2) | | -60 | | -150 | mA | V _{OUT} = 0 V | V _{CC} = MAX |
| I _{CC} | Power Supply Current | | | 43 | 65 | mA | V _{CC} = MAX | |

NOTES:

- For conditions such as MIN or MAX, use the appropriate value specified under guaranteed operating ranges.
- Not more than one output should be shorted at a time, nor for more than 1 second.

FUNCTIONAL DESCRIPTION — The F181 is a 4-bit high-speed parallel Arithmetic Logic Unit (ALU). Controlled by the four Function Select inputs (S₀–S₃) and the Mode Control input (M), it can perform all the 16 possible logic operations or 16 different arithmetic operations on active-HIGH or active-LOW operands. The Function Table lists these operations.

When the Mode Control input (M) is HIGH, all internal carries are inhibited and the device performs logic operations on the individual bits as listed. When the Mode Control input is LOW, the carries are enabled and the device performs arithmetic operations on the two 4-bit words. The device incorporates full internal carry lookahead and provides for either ripple carry between devices using the C_{n+4} output, or for carry lookahead between packages using the signals \bar{P} (Carry Propagate) and \bar{G} (Carry Generate). In the Add mode, \bar{P} indicates that \bar{F} is 15 or more, while \bar{G} indicates that \bar{F} is 16 or more. In the Subtract mode, \bar{P} indicates that \bar{F} is zero or less, while \bar{G} indicates that \bar{F} is less than zero. \bar{P} and \bar{G} are not affected by carry in. When speed requirements are not stringent, it can be used in a simple Ripple Carry mode by connecting the Carry output (C_{n+4}) signal to the Carry input (C_n) of the next unit. For high-speed operation the device is used in conjunction with a carry lookahead circuit. One carry lookahead package is required for each group of four F181 devices. Carry lookahead can be provided at various levels and offers high-speed capability over extremely long word lengths.

The A = B output from the device goes HIGH when all four \bar{F} outputs are HIGH and can be used to indicate logic equivalence over four bits when the unit is in the Subtract mode. The A = B output is open collector and can be wired-AND with other A = B outputs to give a comparison for more than four bits. The A = B signal can be used with the C_{n+4} signal to indicate A > B and A < B.

The Function Table lists the arithmetic operations that are performed without a carry in. An incoming carry adds a one to each operation. Thus, select code LHHL generates A minus B minus 1 (2s complement notation) without a carry in and generates A minus B when a carry is applied. Because subtraction is actually performed by complementary addition (1s complement), a carry out means borrow; thus a carry is generated when there is no underflow and no carry is generated when there is underflow. As indicated, this device can be used with either active-LOW inputs producing active-LOW outputs or with active-HIGH inputs producing active-HIGH outputs. For either case the table lists the operations that are performed to the operands labeled inside the logic symbol.



AC CHARACTERISTICS

| SYMBOL | PARAMETER | | 54/74F | | | 54F | | 74F | | UNITS |
|--------------------------------------|--|-------|--|-------------|------------|--|--------------|---|-------------|-------|
| | | | T _A = +25°C V _{CC} = +5.0 V C _L = 50 pF | | | T _A = -55 to +125°C V _{CC} = 5.0 V ±10% C _L = 50 pF | | T _A = 0 to +70°C V _{CC} = 5.0 V ±10% C _L = 50 pF | | |
| | | | MIN | TYP | MAX | MIN | MAX | MIN | MAX | |
| t _{PLH} t _{PHL} | C _n to C _{n+4} | | 3.0 3.0 | 6.4 6.1 | 8.5 8.0 | 3.0 3.0 | 12 11.5 | 3.0 3.0 | 9.5 9.0 | ns |
| t _{PLH} t _{PHL} | \bar{A} or \bar{B} to C _{n+4} | Sum | 5.0 5.0 | 10 9.4 | 13 12 | 5.0 5.0 | 18 17 | 5.0 5.0 | 14 13 | ns |
| t _{PLH} t _{PHL} | \bar{A} or \bar{B} to C _{n+4} | Dif | 5.0 5.0 | 10.8 10 | 14 13 | 5.0 5.0 | 19.5 18 | 5.0 5.0 | 15 14 | ns |
| t _{PLH} t _{PHL} | C _n to \bar{F} | Any | 3.0 3.0 | 6.7 6.5 | 8.5 8.5 | 3.0 3.0 | 12 12 | 3.0 3.0 | 9.5 9.5 | ns |
| t _{PLH} t _{PHL} | \bar{A} or \bar{B} to \bar{G} | Sum | 3.0 3.0 | 5.7 5.8 | 7.5 7.5 | 3.0 3.0 | 10.5 10.5 | 3.0 3.0 | 8.5 8.5 | ns |
| t _{PLH} t _{PHL} | \bar{A} or \bar{B} to \bar{G} | Dif | 3.0 3.0 | 6.5 7.3 | 8.5 9.5 | 3.0 3.0 | 12 13.5 | 3.0 3.0 | 9.5 10.5 | ns |
| t _{PLH} t _{PHL} | \bar{A} or \bar{B} to \bar{P} | Sum | 3.0 3.0 | 5.0 5.5 | 7.0 7.5 | 3.0 3.0 | 10 10.5 | 3.0 3.0 | 8.0 8.5 | ns |
| t _{PLH} t _{PHL} | \bar{A} or \bar{B} to \bar{P} | Dif | 4.0 4.0 | 5.8 6.5 | 7.5 8.5 | 4.0 4.0 | 10.5 12 | 4.0 4.0 | 8.5 9.5 | ns |
| t _{PLH} t _{PHL} | \bar{A}_i or \bar{B}_i to \bar{F}_i | Sum | 3.0 3.0 | 7.0 7.2 | 9.0 10 | 3.0 3.0 | 12.5 14 | 3.0 3.0 | 10 10 | ns |
| t _{PLH} t _{PHL} | \bar{A}_i or \bar{B}_i to \bar{F}_i | Dif | 3.0 3.0 | 8.2 5.0 | 11 11 | 3.0 3.0 | 15.5 15.5 | 3.0 3.0 | 12 12 | ns |
| t _{PLH} t _{PHL} | Any \bar{A} or \bar{B} to Any \bar{F} | Sum | 4.0 4.0 | 8.0 7.8 | 10.5 10 | 4.0 4.0 | 15.5 14 | 4.0 4.0 | 11.5 11 | ns |
| t _{PLH} t _{PHL} | Any \bar{A} or \bar{B} to Any \bar{F} | Dif | 4.5 4.5 | 9.4 9.4 | 12 12 | 4.5 4.5 | 17 17 | 4.5 4.5 | 13 13 | ns |
| t _{PLH} t _{PHL} | \bar{A} or \bar{B} to \bar{F} | Logic | 4.0 4.0 | 6.0 6.0 | 9.0 10 | 4.0 4.0 | 12.5 14 | 4.0 4.0 | 10 11 | ns |
| t _{PLH} t _{PHL} | \bar{A} or \bar{B} to A = B | Dif | 11 7.0 | 18.5 9.8 | 27 12.5 | 11 7.0 | 35 17.5 | 11 7.0 | 29 13.5 | ns |

FUNCTION TABLE

| MODE SELECT INPUTS | | | | ACTIVE-LOW OPERANDS & F _n OUTPUTS | | ACTIVE-HIGH OPERANDS & F _n OUTPUTS | |
|--------------------|---|---|---|--|---|---|---|
| | | | | LOGIC (M = H) | ARITHMETIC** (M = L) (C _n = L) | LOGIC (M = H) | ARITHMETIC** (M = L) (C _n = H) |
| L | L | L | L | \overline{A} | A minus 1 | \overline{A} | A |
| L | L | L | H | \overline{AB} | AB minus 1 | $\overline{A+B}$ | A + B |
| L | L | H | L | $\overline{A+B}$ | AB minus 1 | \overline{AB} | A + \overline{B} |
| L | L | H | H | Logic 1 | minus 1 | Logic 0 | minus 1 |
| L | H | L | L | $\overline{A+B}$ | A plus (A + \overline{B}) | \overline{AB} | A plus \overline{AB} |
| L | H | L | H | \overline{B} | AB plus (A + \overline{B}) | \overline{B} | (A + B) plus \overline{AB} |
| L | H | H | L | $\overline{A \oplus B}$ | A minus B minus 1 | $A \oplus B$ | A minus B minus 1 |
| L | H | H | H | A + \overline{B} | A + \overline{B} | \overline{AB} | \overline{AB} minus 1 |
| H | L | L | L | \overline{AB} | A plus (A + B) | $\overline{A+B}$ | A plus AB |
| H | L | L | H | $A \oplus B$ | A plus B | $A \oplus B$ | A plus B |
| H | L | H | L | B | \overline{AB} plus (A + B) | B | (A + \overline{B}) plus AB |
| H | L | H | H | A + B | A + B | AB | AB minus 1 |
| H | H | L | L | Logic 0 | A plus A' | Logic 1 | A plus A' |
| H | H | L | H | \overline{AB} | \overline{AB} plus A | $A + \overline{B}$ | (A + \overline{B}) plus A |
| H | H | H | L | AB | \overline{AB} minus A | A + B | (A + \overline{B}) plus A |
| H | H | H | H | A | A | A | A minus 1 |

*Each bit is shifted to the next more significant position. H = HIGH Voltage Level

**Arithmetic operations expressed in 2s complement notation. L = LOW Voltage Level





MOTOROLA

CARRY LOOKAHEAD GENERATOR

DESCRIPTION — The MC54F/74F182 is a high-speed carry lookahead generator. It is generally used with the F181, F381 or 29F01 4-bit arithmetic logic unit to provide high-speed lookahead over word lengths of more than four bits.

- PROVIDES LOOKAHEAD CARRIES ACROSS A GROUP OF FOUR ALUs
- MULTI-LEVEL LOOKAHEAD HIGH-SPEED ARITHMETIC OPERATION OVER LONG WORD LENGTHS

TRUTH TABLE

| INPUTS | | | | | | | | | OUTPUTS | | | | |
|--------|-------------|-------------|-------------|-------------|-------------|-------------|-------------|-------------|-----------|-----------|-----------|-----------|-----------|
| C_n | \bar{G}_0 | \bar{P}_0 | \bar{G}_1 | \bar{P}_1 | \bar{G}_2 | \bar{P}_2 | \bar{G}_3 | \bar{P}_3 | C_{n+x} | C_{n+y} | C_{n+z} | \bar{G} | \bar{P} |
| X | H | H | | | | | | | L | | | | |
| L | H | X | | | | | | | L | | | | |
| X | L | X | | | | | | | H | | | | |
| H | X | L | | | | | | | H | | | | |
| X | X | X | H | H | | | | | L | | | | |
| X | H | H | H | X | | | | | L | | | | |
| L | H | X | H | X | | | | | L | | | | |
| X | X | X | L | X | | | | | L | | | | |
| X | X | X | L | X | | | | | H | | | | |
| X | L | X | X | L | | | | | H | | | | |
| H | X | L | X | L | | | | | H | | | | |
| X | X | X | X | H | H | | | | L | | | | |
| X | X | X | H | H | H | X | | | L | | | | |
| X | H | H | X | H | X | H | X | | L | | | | |
| X | X | X | X | X | L | X | | | L | | | | |
| X | X | X | L | X | X | L | | | L | | | | |
| X | L | X | X | L | X | L | | | L | | | | |
| L | X | L | X | L | X | L | | | L | | | | |
| | H | X | X | X | X | X | H | H | | | | H | |
| | X | H | X | H | H | H | X | X | | | | H | |
| | X | X | H | H | X | H | X | X | | | | H | |
| | X | X | X | X | X | L | X | L | | | | L | |
| | X | L | X | X | L | X | L | L | | | | L | |
| | L | X | L | X | L | X | L | L | | | | L | |
| | | H | X | X | X | X | X | X | | | | H | |
| | | X | H | X | X | X | X | X | | | | H | |
| | | X | X | H | X | X | X | X | | | | H | |
| | | X | X | X | X | H | X | H | | | | H | |
| | | L | L | L | L | L | L | L | | | | L | |

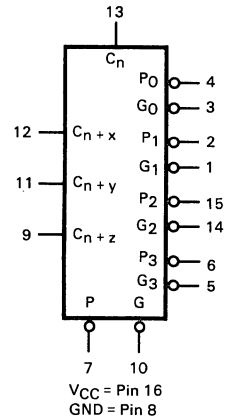
H = HIGH Voltage Level
 L = LOW Voltage Level
 X = Immaterial

**MC54F182
 MC74F182**

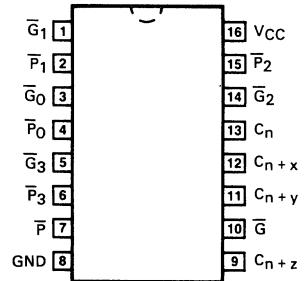
**CARRY LOOKAHEAD
 GENERATOR**

FAST™ SCHOTTKY TTL

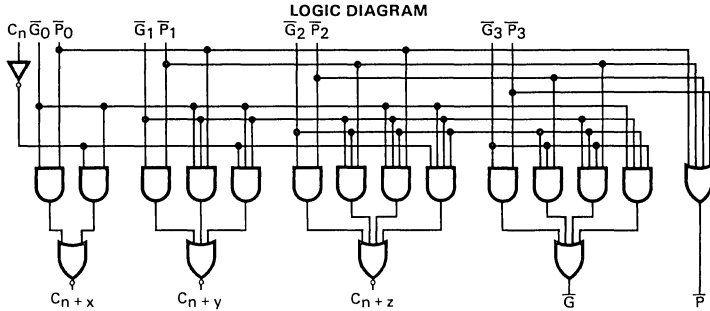
LOGIC SYMBOL



CONNECTION DIAGRAM



J Suffix — Case 620-08
 (Ceramic)
 N Suffix — Case 648-05
 (Plastic)



GUARANTEED OPERATING RANGES

| SYMBOL | PARAMETER | | MIN | TYP | MAX | UNIT |
|-----------------|-------------------------------------|----------|----------|----------|-----------|------|
| V _{CC} | Supply Voltage | 54, 74 | 4.50 | 5.0 | 5.50 | V |
| T _A | Operating Ambient Temperature Range | 54 74 | -55 0 | 25 25 | 125 70 | °C |
| I _{OH} | Output Current — High | 54, 74 | | | -1.0 | mA |
| I _{OL} | Output Current — Low | 54, 74 | | | 20 | mA |

DC CHARACTERISTICS OVER OPERATING TEMPERATURE RANGE (unless otherwise specified)

| SYMBOL | PARAMETER | LIMITS | | | UNITS | TEST CONDITIONS | |
|----------------------|---|---|------|------|-------|--|-------------------------|
| | | MIN | TYP | MAX | | | |
| V _{IH} | Input HIGH Voltage | 2.0 | | | V | Guaranteed Input HIGH Voltage | |
| V _{IL} | Input LOW Voltage | | | 0.8 | V | Guaranteed Input LOW Voltage | |
| V _{IK} | Input Clamp Diode Voltage | | | -1.2 | V | I _{IN} = -18 mA | V _{CC} = MIN |
| V _{OH} | Output HIGH Voltage | 54, 74 | 2.5 | 3.4 | V | I _{OH} = -1.0 mA | V _{CC} = 4.50V |
| | | 74 | 2.7 | 3.4 | V | I _{OH} = -1.0 mA | V _{CC} = 4.75V |
| V _{OL} | Output LOW Voltage | | 0.35 | 0.5 | V | I _{OL} = 20 mA | V _{CC} = MIN |
| I _{IH} | Input HIGH Current | | | 20 | μA | V _{IN} = 2.7 V | V _{CC} = MAX |
| | | | | 100 | μA | V _{IN} = 7.0 V | V _{CC} = MAX |
| I _{IL} | Input LOW Current | C _n Input | | -1.2 | mA | V _{IN} = 0.5 V | V _{CC} = MAX |
| | | P ₃ Input | | -2.4 | | | |
| | | P ₂ Input | | -3.6 | | | |
| | | G ₃ , P ₀ , P ₁ Inputs | | -4.8 | | | |
| | | G ₀ , G ₂ Inputs | | -8.4 | | | |
| G ₁ Input | | -9.6 | | | | | |
| I _{OS} | Output Short Circuit Current (Note 2) | -60 | | -150 | mA | V _{OUT} = 0 V | V _{CC} = MAX |
| I _{CCH} | Power Supply Current (All Outputs HIGH) | | 18.4 | 28 | mA | P ₃ , G ₃ = 4.5 V All Other Inputs = GND | V _{CC} = MAX |
| I _{CCL} | Power Supply Current (All Outputs LOW) | | 23.5 | 36 | mA | G ₀ , G ₁ , G ₂ = 4.5 V All Other Inputs = GND | V _{CC} = MAX |

NOTES:

1. For conditions such as MIN or MAX, use the appropriate value specified under guaranteed operating ranges.
2. Not more than one output should be shorted at a time, nor for more than 1 second.



AC CHARACTERISTICS

| SYMBOL | PARAMETER | 54/74F | | | 54F | | 74F | | UNITS |
|------------------|---|--|-----|------|--|------|---|------|-------|
| | | T _A = +25°C V _{CC} = +5.0 V C _L = 50 pF | | | T _A = -55 to +125°C V _{CC} = 5.0 V ±10% C _L = 50 pF | | T _A = 0 to +70°C V _{CC} = 5.0 V ±10% C _L = 50 pF | | |
| | | MIN | TYP | MAX | MIN | MAX | MIN | MAX | |
| t _{PLH} | Propagation Delay | 3.0 | 6.6 | 8.5 | 3.0 | 10.5 | 3.0 | 9.5 | ns |
| t _{PHL} | C _n to C _{n+x} , C _{n+y} , C _{n+z} | 3.0 | 6.8 | 9.0 | 3.0 | 11 | 3.0 | 10 | |
| t _{PLH} | Propagation Delay | 2.5 | 6.2 | 8.0 | 2.5 | 10.7 | 2.5 | 9.0 | ns |
| t _{PHL} | $\overline{P}_0, \overline{P}_1$ or \overline{P}_2 to C _{n+x} , C _{n+y} , C _{n+z} | 1.5 | 3.7 | 5.0 | 1.5 | 6.5 | 1.5 | 6.0 | |
| t _{PLH} | Propagation Delay | 2.5 | 6.5 | 8.5 | 2.5 | 10.5 | 2.5 | 9.5 | ns |
| t _{PHL} | $\overline{G}_0, \overline{G}_1$ or \overline{G}_2 to C _{n+x} , C _{n+y} , C _{n+z} | 1.5 | 3.9 | 5.2 | 1.5 | 6.5 | 1.5 | 6.0 | |
| t _{PLH} | Propagation Delay | 2.0 | 7.9 | 10 | 2.0 | 12.5 | 2.0 | 11 | ns |
| t _{PHL} | $\overline{P}_1, \overline{P}_2$ or \overline{P}_3 to \overline{G} | 2.0 | 6.0 | 8.0 | 2.0 | 9.5 | 2.0 | 9.0 | |
| t _{PLH} | Propagation Delay | 2.0 | 8.3 | 10.5 | 2.0 | 12.5 | 2.0 | 11.5 | ns |
| t _{PHL} | \overline{G}_n to \overline{G} | 1.5 | 5.7 | 7.5 | 1.5 | 9.5 | 1.5 | 8.5 | |
| t _{PLH} | Propagation Delay | 2.5 | 5.7 | 7.5 | 2.5 | 11 | 2.5 | 8.5 | ns |
| t _{PHL} | \overline{P}_n to \overline{P} | 2.5 | 4.1 | 5.5 | 2.5 | 7.5 | 2.5 | 6.5 | |

FUNCTIONAL DESCRIPTION — The F182 carry lookahead generator accepts up to four pairs of active-LOW Carry Propagate (\overline{P}_0 – \overline{P}_3) and Carry Generate (\overline{G}_0 – \overline{G}_3) signals and an active-HIGH Carry input (C_n) and provides anticipated active-HIGH carries (C_{n+x}, C_{n+y}, C_{n+z}) across four groups of binary adders. The F182 also has active-LOW Carry Propagate (\overline{P}) and Carry Generate (\overline{G}) outputs which may be used for further levels of lookahead. The logic equations provided at the output are:

$$C_{n+x} = G_0 + P_0C_n$$

$$C_{n+y} = G_1 + P_1G_0 + P_1P_0C_n$$

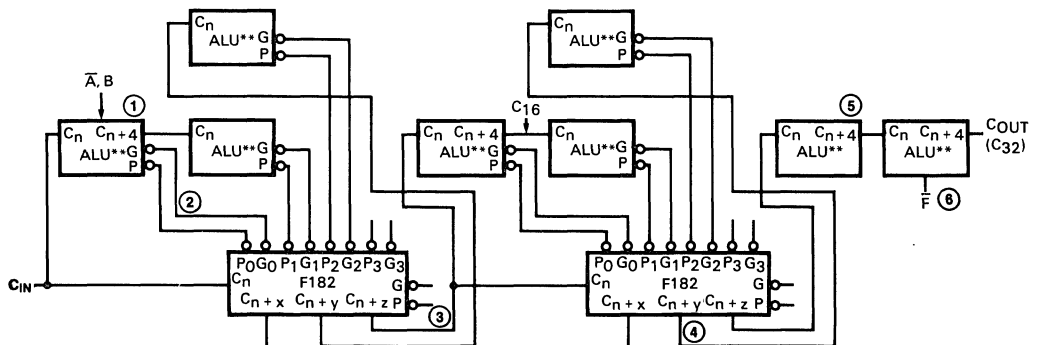
$$C_{n+z} = G_2 + P_2G_1 + P_2P_1G_0 + P_2P_1P_0C_n$$

$$\overline{G} = \overline{G_3 + P_3G_2 + P_3P_2G_1 + P_3P_2P_1G_0}$$

$$\overline{P} = \overline{P_3P_2P_1P_0}$$

Also, the F182 can be used with binary ALUs in an active-LOW or active-HIGH input operand mode. The connections (Figure A) to and from the ALU to the carry lookahead generator are identical in both cases. Carries are rippled between lookahead blocks. The critical speed path follows the circled numbers. There are several possible arrangements for the carry interconnects, but all achieve about the same speed. A 28-bit ALU is formed by dropping the last F181 or F381.

FIGURE A — 32-Bit ALU with Ripple Carry between 16-Bit Lookahead ALUs



**ALUs may be either F181, F381 or 2901A.



Advance Information

UP/DOWN DECADE COUNTER (With Preset and Ripple Clock)

DESCRIPTION — The MC54F/74F190 is a reversible BCD (8421) decade counter featuring synchronous counting and asynchronous presetting. The preset feature allows the F190 to be used in programmable dividers. The Count Enable input, the Terminal Count output and the Ripple Clock output make possible a variety of methods of implementing multistage counters. In the counting modes, state changes are initiated by the rising edge of the clock.

- HIGH-SPEED — 110 MHz TYPICAL COUNT FREQUENCY
- SYNCHRONOUS COUNTING
- ASYNCHRONOUS PARALLEL LOAD
- CASCADABLE

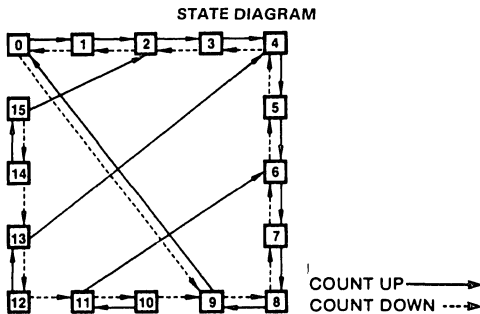
RC TRUTH TABLE

| INPUTS | | | OUTPUT |
|-----------------|-----|----------------|-----------------|
| \overline{CE} | TC* | CP | \overline{RC} |
| L | H | \overline{L} | \overline{L} |
| H | X | X | H |
| X | L | X | H |

MODE SELECT TABLE

| INPUTS | | | | MODE |
|-----------------|-----------------|------------------|----------------|------------------|
| \overline{PL} | \overline{CE} | $\overline{U/D}$ | CP | |
| H | L | L | \overline{J} | Count Up |
| H | L | H | \overline{J} | Count Down |
| L | X | X | X | Preset (Asyn.) |
| H | H | X | X | No Change (Hold) |

*TC is generated internally
 H = HIGH Voltage Level
 L = LOW Voltage Level
 X = Immaterial

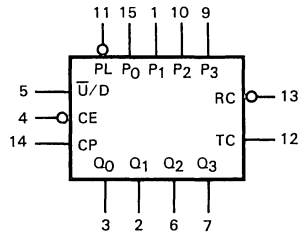


MC54F190 MC74F190

UP/DOWN DECADE COUNTER (With Preset and Ripple Clock)

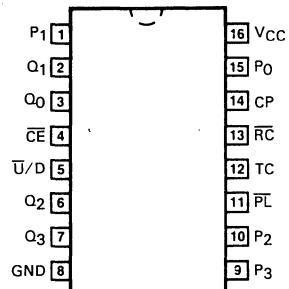
FAST™ SCHOTTKY TTL

LOGIC SYMBOL



V_{CC} = Pin 16
 GND = Pin 8

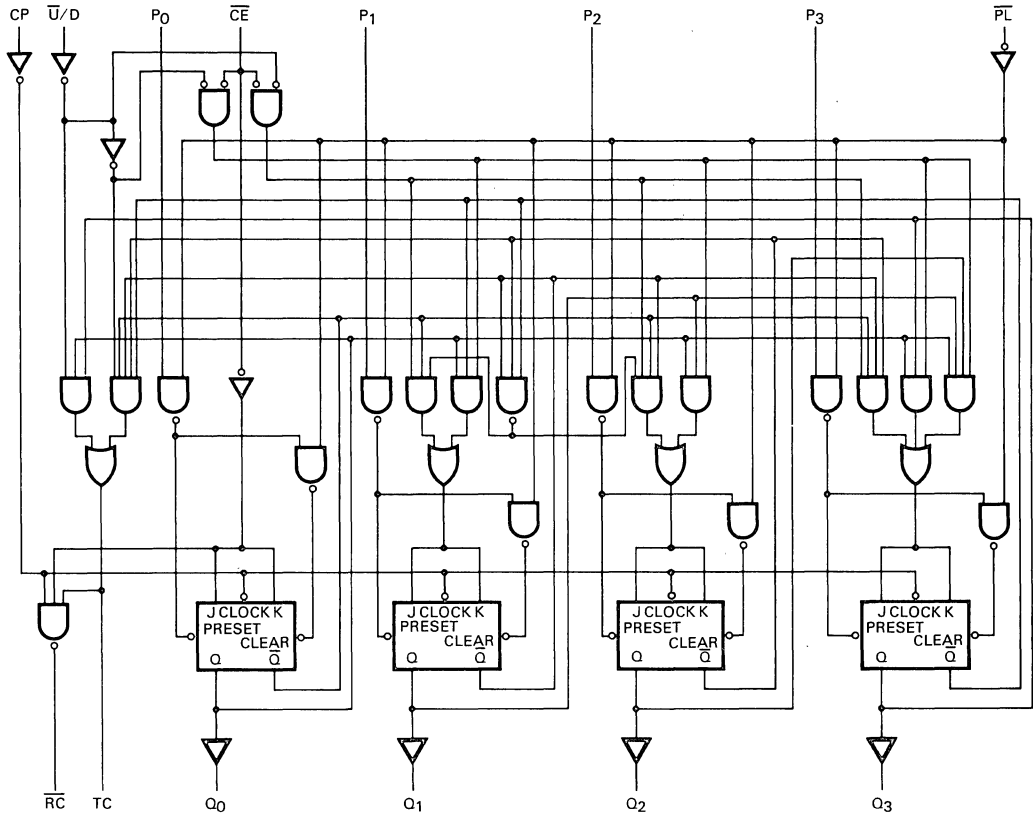
CONNECTION DIAGRAM



J Suffix — Case 620-08
 (Ceramic)
 N Suffix — Case 648-05
 (Plastic)



LOGIC DIAGRAM



Please note that this diagram is provided only for the understanding of logic operations and should not be used to estimate propagation delays.

GUARANTEED OPERATING RANGES

| SYMBOL | PARAMETER | | MIN | TYP | MAX | UNIT |
|-----------------|-------------------------------------|--------|------|-----|------|------|
| V _{CC} | Supply Voltage | 54, 74 | 4.50 | 5.0 | 5.50 | V |
| T _A | Operating Ambient Temperature Range | 54 | -55 | 25 | 125 | °C |
| | | 74 | 0 | 25 | 70 | |
| I _{OH} | Output Current — High | 54, 74 | | | -1.0 | mA |
| I _{OL} | Output Current — Low | 54, 74 | | | 20 | mA |

FUNCTIONAL DESCRIPTION — The F190 is a synchronous up/down BCD decade counter containing four edge-triggered flip-flops, with internal gating and steering logic to provide individual preset, count-up and count-down operations. It has an asynchronous parallel load capability permitting the counter to be preset to any desired number. When the Parallel Load (\overline{PL}) input is LOW, information present on the Parallel Data inputs (P_0 – P_3) is loaded into the counter and appears on the Q outputs. This operation overrides the counting functions, as indicated in the Mode Select Table. A HIGH signal on the \overline{CE} input inhibits counting. When \overline{CE} is LOW, internal state changes are initiated synchronously by the LOW-to-HIGH transition of the clock input. The direction of counting is determined by the $\overline{U/D}$ input signal, as indicated in the Mode Select Table. \overline{CE} and $\overline{U/D}$ can be changed with the clock in either state, provided only that the recommended setup and hold times are observed.

Two types of outputs are provided as overflow/underflow indicators. The Terminal Count (TC) output is normally LOW and goes HIGH when a circuit reaches zero in the count-down mode or reaches 9 in the count-up mode. The TC output will then remain HIGH until a state change occurs, whether by counting or presetting or until $\overline{U/D}$ is changed. The TC output should not be used as a clock signal because it is subject to decoding spikes. The TC signal is also used internally to enable the Ripple Clock (\overline{RC}) output. The \overline{RC} output is normally HIGH. When \overline{CE} is LOW and TC is HIGH, the \overline{RC} output will go LOW when the clock next goes LOW and will stay LOW until the clock goes HIGH again. This feature simplifies the design of multistage counters. For a discussion and illustrations of the various methods of implementing multistage counters, please see the F191 data sheet.



DC CHARACTERISTICS OVER OPERATING TEMPERATURE RANGE (unless otherwise specified)

| SYMBOL | PARAMETER | LIMITS | | | UNITS | TEST CONDITIONS | |
|----------|--|--------|------|------|---------------|-------------------------------|---------------------------|
| | | MIN | TYP | MAX | | | |
| V_{IH} | Input HIGH Voltage | 2.0 | | | V | Guaranteed Input HIGH Voltage | |
| V_{IL} | Input LOW Voltage | | | 0.8 | V | Guaranteed Input LOW Voltage | |
| V_{IK} | Input Clamp Diode Voltage | | | -1.2 | V | $I_{IN} = -18 \text{ mA}$ | $V_{CC} = \text{MIN}$ |
| V_{OH} | Output HIGH Voltage | 54, 74 | 2.5 | 3.4 | V | $I_{OH} = -1.0 \text{ mA}$ | $V_{CC} = 4.50 \text{ V}$ |
| | | 74 | 2.7 | 3.4 | V | $I_{OH} = -1.0 \text{ mA}$ | $V_{CC} = 4.75 \text{ V}$ |
| V_{OL} | Output LOW Voltage | | 0.35 | 0.5 | V | $I_{OL} = 20 \text{ mA}$ | $V_{CC} = \text{MIN}$ |
| I_{IH} | Input HIGH Current | | | 20 | μA | $V_{IN} = 2.7 \text{ V}$ | $V_{CC} = \text{MAX}$ |
| | | | | 100 | μA | $V_{IN} = 7.0 \text{ V}$ | $V_{CC} = \text{MAX}$ |
| I_{IL} | Input LOW Current Other Inputs | | | -0.6 | mA | $V_{IN} = 0.5 \text{ V}$ | $V_{CC} = \text{MAX}$ |
| | \overline{CE} Input | | | -1.8 | | | |
| I_{OS} | Output Short Circuit Current (Note 2) | -60 | | -150 | mA | $V_{OUT} = 0 \text{ V}$ | $V_{CC} = \text{MAX}$ |
| I_{CC} | Power Supply Current | | 38 | 55 | mA | $V_{CC} = \text{MAX}$ | |

NOTES:

1. For conditions such as MIN or MAX, use the appropriate value specified under guaranteed operating ranges.
2. Not more than one output should be shorted at a time, nor for more than 1 second.

AC CHARACTERISTICS

| SYMBOL | PARAMETER | 54/74F | | | 54F | | 74F | | UNITS |
|------------------|--|---|------|-----|--|------|---|------|-------|
| | | $T_A = +25^\circ\text{C}$ $V_{CC} = +5.0\text{ V}$ $C_L = 50\text{ pF}$ | | | $T_A = -55\text{ to }+125^\circ\text{C}$ $V_{CC} = 5.0\text{ V} \pm 10\%$ $C_L = 50\text{ pF}$ | | $T_A = 0\text{ to }+70^\circ\text{C}$ $V_{CC} = 5.0\text{ V} \pm 10\%$ $C_L = 50\text{ pF}$ | | |
| | | MIN | TYP | MAX | MIN | MAX | MIN | MAX | |
| f_{max} | Maximum Count Frequency | 80 | 110 | | 80 | | 80 | | MHz |
| t _{PLH} | Propagation Delay CP to Q _n | 3.0 | 5.5 | 9.0 | 3.0 | 12.5 | 3.0 | 10 | ns |
| t _{PHL} | CP to Q _n | 3.0 | 6.5 | 10 | 3.0 | 14 | 3.0 | 11 | |
| t _{PLH} | Propagation Delay CP to TC | 8.0 | 12.5 | 16 | 8.0 | 22.5 | 8.0 | 17 | ns |
| t _{PHL} | CP to TC | 5.0 | 9.5 | 13 | 5.0 | 18 | 5.0 | 14 | |
| t _{PLH} | Propagation Delay CP to $\overline{\text{RC}}$ | 4.0 | 7.0 | 9.5 | 4.0 | 13.5 | 4.0 | 10.5 | ns |
| t _{PHL} | CP to $\overline{\text{RC}}$ | 3.0 | 5.0 | 8.0 | 3.0 | 11 | 3.0 | 9.0 | |
| t _{PLH} | Propagation Delay $\overline{\text{CE}}$ to $\overline{\text{RC}}$ | 3.0 | 4.6 | 7.0 | 3.0 | 10 | 3.0 | 8.0 | ns |
| t _{PHL} | $\overline{\text{CE}}$ to $\overline{\text{RC}}$ | 3.0 | 4.5 | 7.0 | 3.0 | 10 | 3.0 | 8.0 | |
| t _{PLH} | Propagation Delay $\overline{\text{U/D}}$ to $\overline{\text{RC}}$ | 7.0 | 11 | 18 | 7.0 | 25.5 | 7.0 | 19 | ns |
| t _{PHL} | $\overline{\text{U/D}}$ to $\overline{\text{RC}}$ | 5.0 | 9.0 | 12 | 5.0 | 17 | 5.0 | 13 | |
| t _{PLH} | Propagation Delay $\overline{\text{U/D}}$ to TC | 3.0 | 6.0 | 11 | 3.0 | 15.5 | 3.0 | 12 | ns |
| t _{PHL} | $\overline{\text{U/D}}$ to TC | 3.0 | 6.5 | 11 | 3.0 | 15.5 | 3.0 | 12 | |
| t _{PLH} | Propagation Delay P _n to Q _n | 3.0 | 4.6 | 7.0 | 3.0 | 10 | 3.0 | 8.0 | ns |
| t _{PHL} | P _n to Q _n | 8.0 | 13.4 | 17 | 8.0 | 24 | 8.0 | 18 | |
| t _{PLH} | Propagation Delay PL to Q _n | 3.0 | 6.7 | 11 | 3.0 | 15.5 | 3.0 | 12 | ns |
| t _{PHL} | PL to Q _n | 4.0 | 7.2 | 15 | 4.0 | 21 | 4.0 | 16 | |

4

AC OPERATING REQUIREMENTS

| SYMBOL | PARAMETER | 54/74F | | | 54F | | 74F | | UNITS |
|--------------------|---|---|-----|-----|--|-----|---|-----|-------|
| | | $T_A = +25^\circ\text{C}$ $V_{CC} = +5.0\text{ V}$ | | | $T_A = -55\text{ to }+125^\circ\text{C}$ $V_{CC} = 5.0\text{ V} \pm 10\%$ | | $T_A = 0\text{ to }+70^\circ\text{C}$ $V_{CC} = 5.0\text{ V} \pm 10\%$ | | |
| | | MIN | TYP | MAX | MIN | MAX | MIN | MAX | |
| t _s (H) | Set up Time, HIGH or LOW | 5.0 | | | 5.0 | | 5.0 | | ns |
| t _s (L) | P _n to $\overline{\text{PL}}$ | 8.0 | | | 8.0 | | 8.0 | | |
| t _h (H) | Hold Time, HIGH or LOW | 3.0 | | | 3.0 | | 3.0 | | |
| t _h (L) | P _n to $\overline{\text{PL}}$ | 3.0 | | | 3.0 | | 3.0 | | ns |
| t _s (L) | Set up Time LOW $\overline{\text{CE}}$ to CP | 10 | | | 10 | | 10 | | |
| t _h (L) | Hold Time LOW $\overline{\text{CE}}$ to CP | 0 | | | 0 | | 0 | | |
| t _w (L) | $\overline{\text{PL}}$ Pulse Width, LOW | 6.0 | | | 6.0 | | 6.0 | | ns |
| t _w (L) | CP Pulse Width LOW | 6.0 | | | 6.0 | | 6.0 | | ns |
| t _{rec} | Recovery Time PL to CP | 7.0 | | | 7.0 | | 7.0 | | ns |

MC54F191 MC74F191

Advance Information

UP/DOWN BINARY COUNTER (With Preset and Ripple Clock)

DESCRIPTION — The MC54F/74F191 is a reversible modulo-16 binary counter featuring synchronous counting and asynchronous presetting. The preset feature allows the F191 to be used in programmable dividers. The Count Enable input, the Terminal Count output and the Ripple Clock output make possible a variety of methods of implementing multistage counters. In the counting modes, state changes are initiated by the rising edge of the clock.

- **HIGH-SPEED** — 110 MHz TYPICAL COUNT FREQUENCY
- **SYNCHRONOUS COUNTING**
- **ASYNCHRONOUS PARALLEL LOAD**
- **CASCADABLE**

FUNCTIONAL DESCRIPTION — The F191 is a synchronous up/down 4-bit binary counter. It contains four edge-triggered flip-flops, with internal gating and steering logic to provide individual preset, count-up and count-down operations.

Each circuit has an asynchronous parallel load capability permitting the counter to be preset to any desired number. When the Parallel Load (\overline{PL}) input is LOW, information present on the Parallel Data inputs (P_0 – P_3) is loaded into the counter and appears on the Q outputs. This operation overrides the counting functions, as indicated in the Mode Select Table.

A HIGH signal on the \overline{CE} input inhibits counting. When \overline{CE} is LOW, internal state changes are initiated synchronously by the LOW-to-HIGH transition of the clock input. The direction of counting is determined by the $\overline{U/D}$ input signal, as indicated in the Mode Select Table. \overline{CE} and $\overline{U/D}$ can be changed with the clock in either state, provided only that the recommended setup and hold times are observed.

MODE SELECT TABLE

| INPUTS | | | | MODE |
|-----------------|-----------------|------------------|------------|------------------|
| \overline{PL} | \overline{CE} | $\overline{U/D}$ | CP | |
| H | L | L | \uparrow | Count Up |
| H | L | H | \uparrow | Count Down |
| L | X | X | X | Preset (Asyn.) |
| H | H | X | X | No Change (Hold) |

RC TRUTH TABLE

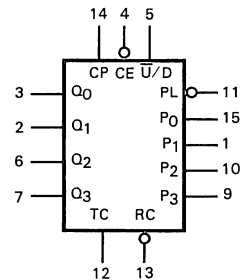
| INPUTS | | | OUTPUT |
|-----------------|-----|------------|-----------------|
| \overline{CE} | TC* | CP | \overline{RC} |
| L | H | \uparrow | \uparrow |
| H | X | X | H |
| X | L | X | H |

H = HIGH Voltage Level
L = LOW Voltage Level
X = Immaterial

UP/DOWN BINARY COUNTER (With Preset and Ripple Clock)

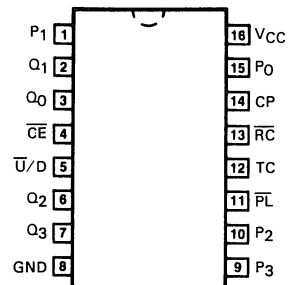
FAST™ SCHOTTKY TTL

LOGIC SYMBOL



V_{CC} = Pin 16
GND = Pin 8

CONNECTION DIAGRAM



J Suffix — Case 620-08
(Ceramic)
N Suffix — Case 648-05
(Plastic)

FUNCTIONAL DESCRIPTION (continued)

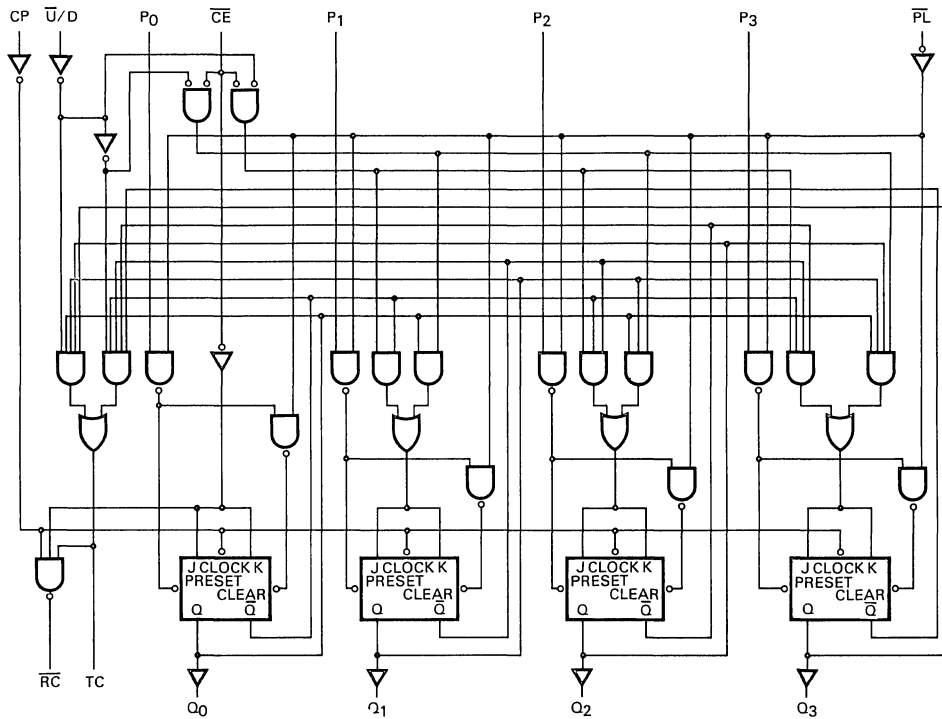
Two types of outputs are provided as overflow/ underflow indicators. The Terminal Count (TC) output is normally LOW and goes HIGH when a circuit reaches zero in the count-down mode or reaches 15 in the count-up mode. The TC output will then remain HIGH until a state change occurs, whether by counting or presetting or until \bar{U}/D is changed. The TC output should not be used as a clock signal because it is subject to decoding spikes.

The TC signal is also used internally to enable the Ripple Clock (\bar{RC}) output. The \bar{RC} output is normally HIGH. When \bar{CE} is LOW and TC is HIGH, the \bar{RC} output will go LOW when the clock next goes LOW and will stay LOW until the clock goes HIGH again. This feature simplifies the design of multistage counters, as indicated in Figures A and B. In Figure A, each \bar{RC} output is used as the clock input for the next higher stage. This configuration is particularly advantageous when the clock source has a limited drive capability, since it drives only the first stage. To prevent counting in all stages it is only necessary to inhibit the first stage, since a HIGH signal on \bar{CE} inhibits the \bar{RC} output pulse, as indicated in the \bar{RC} Truth Table. A disadvantage of this configuration, in some applications, is the timing skew between state changes in the first and last stages. This represents the cumulative delay of the clock as it ripples through the preceding stages.

A method of causing state changes to occur simultaneously in all stages is shown in Figure B. All clock inputs are driven in parallel and the \bar{RC} outputs propagate the carry/borrow signals in ripple fashion. In this configuration the LOW state duration of the clock must be long enough to allow the negative-going edge of the carry/borrow signal to ripple through to the last stage before the clock goes HIGH. There is no such restriction on the HIGH state duration of the clock, since the \bar{RC} output of any device goes HIGH shortly after its CP input goes HIGH.

The configuration shown in Figure C avoids ripple delays and their associated restrictions. The \bar{CE} input for a given stage is formed by combining the TC signals from all the preceding stages. Note that in order to inhibit counting an enable signal must be included in each carry gate. The simple inhibit scheme of Figures A and B doesn't apply, because the TC output of a given stage is not affected by its own \bar{CE} .

LOGIC DIAGRAM



Please note that this diagram is provided only for the understanding of logic operations and should not be used to estimate propagation delays.

GUARANTEED OPERATING RANGES

| SYMBOL | PARAMETER | | MIN | TYP | MAX | UNIT |
|--------|-------------------------------------|--------|------|-----|------|------|
| VCC | Supply Voltage | 54, 74 | 4.50 | 5.0 | 5.50 | V |
| TA | Operating Ambient Temperature Range | 54 | -55 | 25 | 125 | °C |
| | | 74 | 0 | 25 | 70 | |
| IOH | Output Current — High | 54, 74 | | | -1.0 | mA |
| IOL | Output Current — Low | 54, 74 | | | 20 | mA |

FIGURE A — N-Stage Counter Using Ripple Clock

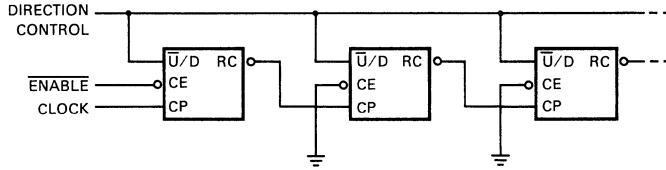


FIGURE B — Synchronous N-Stage Counter Using Ripple Carry/Borrow

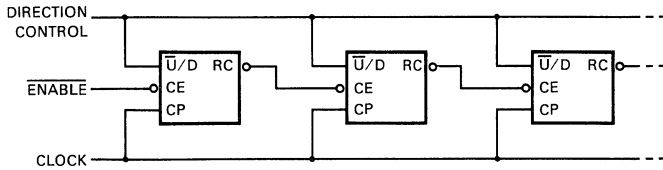
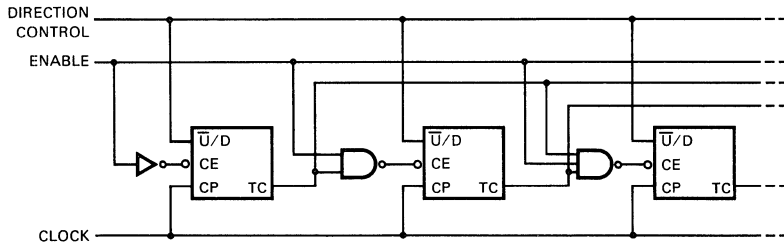


FIGURE C — Synchronous N-Stage Counter with Parallel Gated Carry/Borrow



4

DC CHARACTERISTICS OVER OPERATING TEMPERATURE RANGE (unless otherwise specified)

| SYMBOL | PARAMETER | LIMITS | | | UNITS | TEST CONDITIONS | |
|-----------------|--|--------|------|------|-------|-------------------------------|--------------------------|
| | | MIN | TYP | MAX | | | |
| V _{IH} | Input HIGH Voltage | 2.0 | | | V | Guaranteed Input HIGH Voltage | |
| V _{IL} | Input LOW Voltage | | | 0.8 | V | Guaranteed Input LOW Voltage | |
| V _{IK} | Input Clamp Diode Voltage | | | -1.2 | V | I _{IN} = -18 mA | V _{CC} = MIN |
| V _{OH} | Output HIGH Voltage | 54, 74 | 2.5 | 3.4 | V | I _{OH} = -1.0 mA | V _{CC} = 4.50 V |
| | | 74 | 2.7 | 3.4 | V | I _{OH} = -1.0 mA | V _{CC} = 4.75 V |
| V _{OL} | Output LOW Voltage | | 0.35 | 0.5 | V | I _{OL} = 20 mA | V _{CC} = MIN |
| I _{IH} | Input HIGH Current | | | 20 | μA | V _{IN} = 2.7 V | V _{CC} = MAX |
| | | | | 100 | μA | V _{IN} = 7.0 V | |
| I _{IL} | Input LOW Current Other Inputs | | | -0.6 | mA | V _{IN} = 0.5 V | V _{CC} = MAX |
| | CE Input | | | -1.8 | mA | | |
| I _{OS} | Output Short Circuit Current (Note 2) | -60 | | -150 | mA | V _{OUT} = 0 V | V _{CC} = MAX |
| I _{CC} | Power Supply Current | | 38 | 55 | mA | V _{CC} = MAX | |

NOTES:

1. For conditions such as MIN or MAX, use the appropriate value specified under guaranteed operating ranges.
2. Not more than one output should be shorted at a time, nor for more than 1 second.

AC CHARACTERISTICS

| SYMBOL | PARAMETER | 54/74F | | | 54F | | 74F | | UNITS |
|--------------------------------------|--|--|-------------|------------|--|--------------|--|-------------|-------|
| | | T _A = +25°C V _{CC} = +5.0 V C _L = 50 pF | | | T _A = -55 to +125°C V _{CC} = 5.0 V ±10% C _L = 50 pF | | T _A = 0 to +70°C V _{CC} = 5.0 V ± 10% C _L = 50 pF | | |
| | | MIN | TYP | MAX | MIN | MAX | MIN | MAX | |
| f _{max} | Maximum Count Frequency | 80 | 110 | | 80 | | 80 | | MHz |
| t _{PLH} t _{PHL} | Propagation Delay CP to Q _n | 3.0 3.0 | 5.5 6.5 | 9.0 10 | 3.0 3.0 | 12.5 14 | 3.0 3.0 | 10 11 | ns |
| t _{PLH} t _{PHL} | Propagation Delay CP to TC | 8.0 5.0 | 12.5 9.5 | 16 13 | 8.0 5.0 | 22.5 18 | 8.0 5.0 | 17 14 | ns |
| t _{PLH} t _{PHL} | Propagation Delay CP to \overline{RC} | 4.0 3.0 | 7.0 5.0 | 9.5 8.0 | 4.0 3.0 | 13.5 11 | 4.0 3.0 | 10.5 9.0 | ns |
| t _{PLH} t _{PHL} | Propagation Delay CE to RC | 3.0 3.0 | 4.6 4.5 | 7.0 7.0 | 3.0 3.0 | 10 10 | 3.0 3.0 | 8.0 8.0 | ns |
| t _{PLH} t _{PHL} | Propagation Delay \overline{U}/D to \overline{RC} | 7.0 5.0 | 11 9.0 | 18 12 | 7.0 5.0 | 25.5 17 | 7.0 5.0 | 19 13 | ns |
| t _{PLH} t _{PHL} | Propagation Delay \overline{U}/D to TC | 3.0 3.0 | 6.0 6.5 | 11 11 | 3.0 3.0 | 15.5 15.5 | 3.0 3.0 | 12 12 | ns |
| t _{PLH} t _{PHL} | Propagation Delay P _n to Q _n | 3.0 8.0 | 4.6 13.4 | 7.0 17 | 3.0 8.0 | 10 24 | 3.0 8.0 | 8.0 18 | ns |
| t _{PLH} t _{PHL} | Propagation Delay \overline{PL} to Q _n | 3.0 4.0 | 6.7 7.2 | 11 15 | 3.0 4.0 | 15.5 21 | 3.0 4.0 | 12 16 | ns |

AC OPERATING REQUIREMENTS

| SYMBOL | PARAMETER | 54/74F | | | 54F | | 74F | | UNITS |
|--|---|--|-----|-----|--|-----|--|-----|-------|
| | | T _A = +25°C V _{CC} = +5.0 V | | | T _A = -55 to +125°C V _{CC} = 5.0 V ±10% | | T _A = 0 to +70°C V _{CC} = 5.0 V ± 10% | | |
| | | MIN | TYP | MAX | MIN | MAX | MIN | MAX | |
| t _s (H) t _s (L) | Set up Time, HIGH or LOW P _n to \overline{PL} | 5.0 8.0 | | | 5.0 8.0 | | 5.0 8.0 | | ns |
| t _h (H) t _h (L) | Hold Time, HIGH or LOW P _n to \overline{PL} | 3.0 3.0 | | | 3.0 3.0 | | 3.0 3.0 | | |
| t _s (L) | Set up Time LOW CE to CP | 10 | | | 10 | | 10 | | ns |
| t _h (L) | Hold Time LOW CE to CP | 0 | | | 0 | | 0 | | |
| t _w (L) | \overline{PL} Pulse Width, LOW | 6.0 | | | 6.0 | | 6.0 | | ns |
| t _w (L) | CP Pulse Width LOW | 6.0 | | | 6.0 | | 6.0 | | ns |
| t _{rec} | Recovery Time PL to CP | 7.0 | | | 7.0 | | 7.0 | | ns |



MC54F192/193 MC74F192/193

Advance Information

UP/DOWN COUNTERS WITH SEPARATE UP/DOWN CLOCKS

DESCRIPTION — The MC54F/74F192 is an up/down BCD decade (8241) counter. The MC54F/74F193 is an up/down modulo-16 binary counter. Separate Count Up and Count Down Clocks are used, and in either counting mode the circuits operate synchronously. The outputs change state synchronously with the LOW-to-HIGH transitions on the clock inputs.

Separate Terminal Count Up and Terminal Count Down outputs are provided that are used as the clocks for a subsequent stage without extra logic, thus simplifying multistage counter designs. Individual preset inputs allow the circuit to be used as a programmable counter. Both the Parallel Load (PL) and the Master Reset (MR) inputs asynchronously override the clocks.

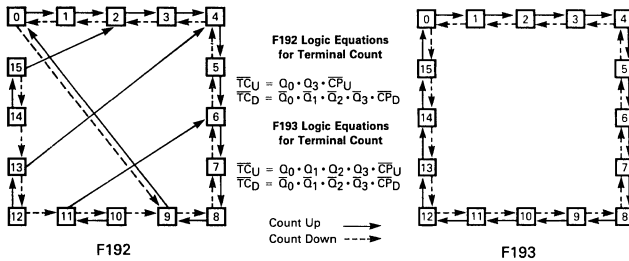
FUNCTION TABLE

MR

| | \overline{PL} | CP_U | CP_D | MODE |
|---|-----------------|--------------|--------------|----------------|
| H | X | X | X | Reset (Asyn.) |
| L | L | X | X | Preset (Asyn.) |
| L | H | H | H | No Change |
| L | H | \downarrow | H | Count Up |
| L | H | H | \downarrow | Count Down |

H = HIGH Voltage Level
L = LOW-Voltage Level
X = Immaterial

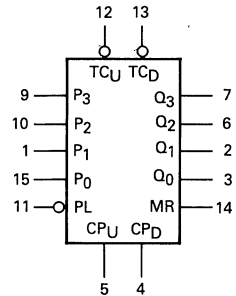
STATE DIAGRAMS



UP/DOWN COUNTERS WITH SEPARATE UP/DOWN CLOCKS

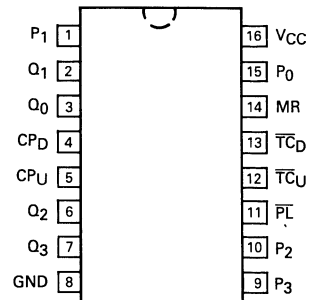
FAST™ SCHOTTKY TTL

LOGIC SYMBOL



V_{CC} = Pin 16
GND = Pin 8

CONNECTION DIAGRAM



FUNCTIONAL DESCRIPTION

The 'F192, 193 are asynchronously presettable counters. The 'F192 is a decade counter while the 'F193 is organized for 4-bit binary operation. They both contain four edge triggered flip-flops, with internal gating and steering logic to provide master reset, individual preset, count up and count down operations.

A LOW-to-HIGH transition on the CP input to each flip-flop causes the output to change state. Synchronous switching, as opposed to ripple counting, is achieved by driving the steering gates of all stages from a common Count Up line and a common Count Down line, thereby causing all state changes to be initiated simultaneously. A LOW-to-HIGH transition on the Count Up input will advance the count by one; a similar transition on the Count Down input will decrease the count by one. While counting with one clock input, the other should be held HIGH, as indicated in the Function Table. Otherwise, the circuit will either count by twos or not at all, depending on the state of the first flip-flop, which cannot toggle as long as either clock input is LOW.

The Terminal Count Up ($\overline{TC_U}$) and Terminal Count Down ($\overline{TC_D}$) outputs are normally HIGH. When the cir-

cuit has reached the maximum count state; 9 ('F192) or 16 ('F193), the reset HIGH-to-LOW transition of the Count Up Clock will cause $\overline{TC_U}$ to go LOW. $\overline{TC_U}$ will stay LOW until CP_U goes HIGH again, thus effectively repeating the Count Up Clock, but delayed by two gate delays. Similarly, the $\overline{TC_D}$ output will go LOW when the circuit is in the zero state and the Count Down Clock goes LOW. Since the \overline{TC} outputs repeat the clock waveforms, they can be used as the clock input signals to the next higher order circuit in a multistage counter.

Both the 'F192 and the 'F193 have an asynchronous parallel load capability permitting the counter to be preset. When the Parallel Load (PL) and the Master Reset (MR) inputs are LOW, information present on the Parallel Data input (P_0 - P_3) is loaded into the counter and appears on the outputs regardless of the conditions of the clock inputs. A HIGH signal on the Master Reset input will disable the preset gates, override both clock inputs, and latch each Q output in the LOW state. If one of the clock inputs is LOW during and after a reset or load operation, the next LOW-to-HIGH transition of that clock will be interpreted as a legitimate signal and will be counted.

GUARANTEED OPERATING RANGES

| SYMBOL | PARAMETER | | MIN | TYP | MAX | UNIT |
|-----------------|-------------------------------------|----------|-------------|------------|-------------|------|
| VCC | Supply Voltage* | 54 74 | 4.5 4.75 | 5.0 5.0 | 5.5 5.25 | V |
| TA | Operating Ambient Temperature Range | 54 74 | -55 0 | 25 25 | 125 70 | °C |
| I _{OH} | Output Current — High | 54, 74 | | | -1.0 | mA |
| I _{OL} | Output Current — Low | 54, 74 | | | 20 | mA |

*74F devices may be operated over the 4.5 to 5.5 V supply range where they will meet the specifications of 54F devices over the 0° to 70°C temperature range.

DC CHARACTERISTICS OVER OPERATING TEMPERATURE RANGE (unless otherwise specified)

| SYMBOL | PARAMETER | LIMITS | | | UNITS | TEST CONDITIONS |
|-----------------|--|--------|-----|------|-------|--|
| | | MIN | TYP | MAX | | |
| V _{IH} | Input HIGH Voltage | 2.0 | | | V | Guaranteed Input HIGH Voltage |
| V _{IL} | Input LOW Voltage | | | 0.8 | V | Guaranteed Input LOW Voltage |
| V _{IK} | Input Clamp Diode Voltage | | | -1.2 | V | V _{CC} = MIN, I _{IN} = -18 mA |
| V _{OH} | Output HIGH Voltage | 54 | 2.5 | | V | I _{OL} = -1.0 mA V _{CC} = MIN |
| | | 74 | 2.7 | | V | |
| V _{OL} | Output LOW Voltage | | | 0.5 | V | I _{OL} = 20 mA V _{CC} = MIN |
| I _{IH} | Input HIGH Current | | | 20 | μA | V _{CC} = MAX, V _{IN} = 2.7 V |
| | | | | 0.1 | mA | V _{CC} = MAX, V _{IN} = 7.0 V |
| I _{IL} | Input LOW Current (MR, PL and P _n inputs) (CP inputs) | | | -0.6 | mA | V _{CC} = MAX, V _{IN} = 0.5 V |
| | | | | -1.2 | | |
| I _{OS} | Output Short Circuit Current (Note 2) | -60 | | -150 | mA | V _{CC} = MAX, V _{OUT} = 0 V |
| I _{CC} | Power Supply Current | | 38 | 55 | mA | V _{CC} = MAX |

NOTES:

1. For conditions shown as MIN or MAX, use the appropriate value specified under recommended operating conditions for the applicable device type.
2. Not more than one output should be shorted at a time, nor for more than 1 second.



AC CHARACTERISTICS

| SYMBOL | PARAMETER | 54/74F | | | 54F | | 74F | | UNITS |
|--------------------------------------|--|--|------------|--------------|---|-----|--|--------------|-------|
| | | T _A = +25°C V _{CC} = +5.0 V C _L = 50 pF | | | T _A = -55 to +125°C V _{CC} = 5.0 V ± 10% C _L = 50 pF | | T _A = 0 to +70°C V _{CC} = 5.0 V ± 10% C _L = 50 pF | | |
| | | MIN | TYP | MAX | MIN | MAX | MIN | MAX | |
| f _{max} | Maximum Count Frequency | 100 | 125 | MAX | MIN | MAX | 90 | MAX | MHz |
| t _{PLH} t _{PHL} | Propagation Delay C _{PJ} or C _{PD} to $\overline{T}C_U$ | 4.0 3.5 | 7.0 6.0 | 9.0 8.0 | | | 4.0 3.5 | 10 9.0 | ns |
| t _{PLH} t _{PHL} | Propagation Delay C _{PJ} or C _{PD} to Q _n | 4.0 5.5 | 6.5 9.5 | 8.5 12.5 | | | 4.0 5.5 | 9.5 13.5 | ns |
| t _{PLH} t _{PHL} | Propagation Delay P _n to Q _n | 3.0 6.0 | 4.5 11 | 7.0 14.5 | | | 3.0 6.0 | 8.0 15.5 | ns |
| t _{PLH} t _{PHL} | Propagation Delay $\overline{P}L$ to Q _n | 5.0 5.5 | 8.5 10 | 11 13 | | | 5.0 5.5 | 12 14 | ns |
| t _{PHL} | Propagation Delay MR to Q _n | 6.5 | 11 | 14.5 | | | 6.5 | 15.5 | ns |
| t _{PLH} | Propagation Delay MR to $\overline{T}C_U$ | 6.0 | 10.5 | 13.5 | | | 6.0 | 14.5 | |
| t _{PHL} | Propagation Delay MR to $\overline{T}C_D$ | 7.0 | 11.5 | 14.5 | | | 7.0 | 15.5 | |
| t _{PLH} t _{PHL} | Propagation Delay $\overline{P}L$ to $\overline{T}C_U$ or $\overline{T}C_D$ | 7.0 7.0 | 12 11.5 | 15.5 14.5 | | | 7.0 7.0 | 16.5 15.5 | ns |
| t _{PLH} t _{PHL} | Propagation Delay P _n to $\overline{T}C_U$ or $\overline{T}C_D$ | 7.0 6.5 | 11.5 11 | 14.5 14 | | | 7.0 6.5 | 15.5 15 | ns |

AC OPERATING REQUIREMENTS

| SYMBOL | PARAMETER | 54/74F | | | 54F | | 74F | | UNITS |
|--|---|--|-----|-----|---|-----|--|-----|-------|
| | | T _A = +25°C V _{CC} = +5.0 V | | | T _A = -55 to +125°C V _{CC} = 5.0 V ± 10% | | T _A = 0 to +70°C V _{CC} = 5.0 V ± 10% | | |
| | | MIN | TYP | MAX | MIN | MAX | MIN | MAX | |
| t _s (H) t _s (L) | Set up Time, HIGH or LOW P _n to $\overline{P}L$ | 6.0 6.0 | | | | | 6.0 6.0 | | ns |
| t _h (H) t _h (L) | Hold Time, HIGH or LOW P _n to $\overline{P}L$ | 4.0 4.0 | | | | | 4.0 4.0 | | |
| t _w (L) | $\overline{P}L$ Pulse Width LOW | 6.0 | | | | | 6.0 | | ns |
| t _w (L) | C _{PJ} or C _{PD} Pulse Width LOW | 5.0 | | | | | 5.0 | | ns |
| t _w (L) | C _{PJ} or C _{PD} Pulse Width LOW (Change of Direction) | 10 | | | | | 10 | | ns |
| t _w (H) | MR Pulse Width HIGH | 6.0 | | | | | 6.0 | | ns |
| t _{rec} | Recovery Time $\overline{P}L$ to C _{PJ} or C _{PD} | 6.0 | | | | | 6.0 | | ns |
| t _{rec} | Recovery Time MR to C _{PJ} or C _{PD} | 4.0 | | | | | 4.0 | | ns |

AC TEST CIRCUIT

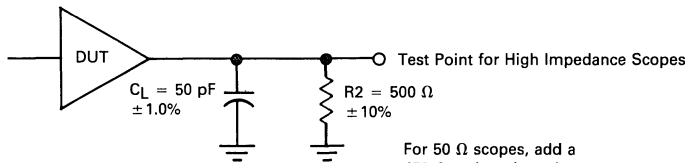


Fig. 1

Advance Information

4-BIT BIDIRECTIONAL UNIVERSAL SHIFT REGISTER

DESCRIPTION — The MC54F/74F194 is a high-speed 4-bit bidirectional universal shift register. As a high-speed multifunctional, sequential building block, it is useful in a wide variety of applications. It may be used in serial-serial, shift left, shift right, serial-parallel, parallel-serial, and parallel-parallel data register transfers. The F194 is similar in operation to the S195 universal shift register, with added features of shift left without external connections and hold (do nothing) modes of operation.

- TYPICAL SHIFT FREQUENCY OF 150 MHz
- ASYNCHRONOUS MASTER RESET
- HOLD (DO NOTHING) MODE
- FULLY SYNCHRONOUS SERIAL OR PARALLEL DATA TRANSFERS

FUNCTIONAL DESCRIPTION — The F194 contains four edge-triggered D flip-flops and the necessary interstage logic to synchronously perform shift right, shift left, parallel load and hold operations. Signals applied to the Select (S_0 , S_1) inputs determine the type of operation, as shown in the Mode Select Table. Signals on the Select, Parallel data (P_0 - P_3) and Serial data (DSR , DSL) inputs can change when the clock is in either state, provided only that the recommended setup and hold times, with respect to the clock rising edge, are observed. A LOW signal on Master Reset (MR) overrides all other inputs and forces the outputs LOW.

MODE SELECT TABLE

| OPERATING MODE | INPUTS | | | | | | OUTPUTS | | | |
|----------------|-----------------|-------|-------|-------|-------|-------|---------|-------|-------|-------|
| | \overline{MR} | S_1 | S_0 | DSR | DSL | P_n | Q_0 | Q_1 | Q_2 | Q_3 |
| Reset | L | X | X | X | X | X | L | L | L | L |
| Hold | H | l | l | X | X | X | q_0 | q_1 | q_2 | q_3 |
| Shift Left | H | h | l | X | l | X | q_1 | q_2 | q_3 | L |
| | H | h | l | X | h | X | q_1 | q_2 | q_3 | H |
| Shift Right | H | l | h | l | X | X | L | q_0 | q_1 | q_2 |
| | H | l | h | h | X | X | H | q_0 | q_1 | q_2 |
| Parallel Load | H | h | h | X | X | p_n | p_0 | p_1 | p_2 | p_3 |

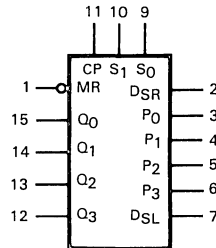
l = LOW voltage level one setup time prior to the LOW-to-HIGH clock transition.
h = HIGH voltage level one setup time prior to the LOW-to-HIGH clock transition.
 p_n (q_n) = Lower case letters indicate the state of the referenced input (or output) one setup time prior to the LOW-to-HIGH clock transition.
H = HIGH Voltage Level
L = LOW Voltage Level
X = Immaterial

MC54F194
MC74F194

4-BIT BIDIRECTIONAL UNIVERSAL SHIFT REGISTER

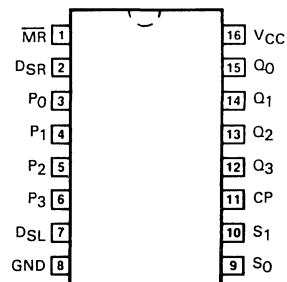
FAST™ SCHOTTKY TTL

LOGIC SYMBOL



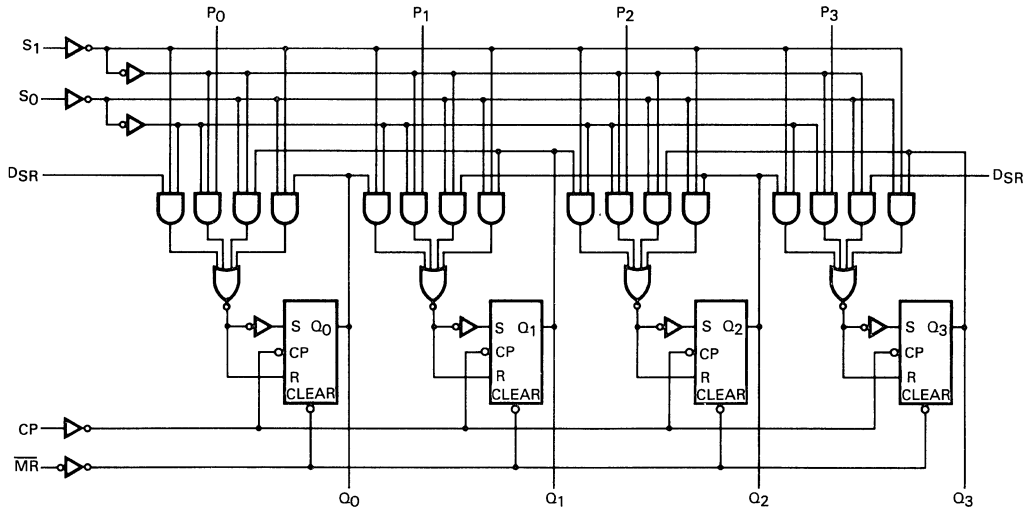
V_{CC} = Pin 16
GND = Pin 8

CONNECTION DIAGRAM



J Suffix — Case 620-08 (Ceramic)
N Suffix — Case 648-05 (Plastic)

LOGIC DIAGRAM



Please note that this diagram is provided only for the understanding of logic operations and should not be used to estimate propagation delays.

4

GUARANTEED OPERATING RANGES

| SYMBOL | PARAMETER | | MIN | TYP | MAX | UNIT |
|-----------------|-------------------------------------|--------|------|-----|------|------|
| V _{CC} | Supply Voltage | 54, 74 | 4.50 | 5.0 | 5.50 | V |
| T _A | Operating Ambient Temperature Range | 54 | -55 | 25 | 125 | °C |
| | | 74 | 0 | 25 | 70 | |
| I _{OH} | Output Current — High | 54, 74 | | | -1.0 | mA |
| I _{OL} | Output Current — Low | 54, 74 | | | 20 | mA |

AC CHARACTERISTICS

| SYMBOL | PARAMETER | 54/74F | | | 54F | | 74F | | UNITS |
|------------------|---|--|-----|-----|--|------|---|-----|-------|
| | | T _A = +25°C V _{CC} = +5.0 V C _L = 50 pF | | | T _A = -55 to +125°C V _{CC} = 5.0 V ±10% C _L = 50 pF | | T _A = 0 to +70°C V _{CC} = 5.0 V ±10% C _L = 50 pF | | |
| | | MIN | TYP | MAX | MIN | MAX | MIN | MAX | |
| f _{max} | Maximum Shift Frequency | 105 | 150 | | 90 | | 90 | | MHz |
| t _{PLH} | Propagation Delay CP to Q _n | 3.5 | 5.2 | 7.0 | 3.0 | 8.5 | 3.5 | 8.0 | ns |
| t _{PHL} | Propagation Delay MR to Q _n | 4.5 | 8.6 | 12 | 4.5 | 14.5 | 4.5 | 14 | |

DC CHARACTERISTICS OVER OPERATING TEMPERATURE RANGE (unless otherwise specified)

| SYMBOL | PARAMETER | LIMITS | | | UNITS | TEST CONDITIONS | |
|-----------------|---------------------------------------|--------|------|------|-------|---|--------------------------|
| | | MIN | TYP | MAX | | | |
| V _{IH} | Input HIGH Voltage | 2.0 | | | V | Guaranteed Input HIGH Voltage | |
| V _{IL} | Input LOW Voltage | | | 0.8 | V | Guaranteed Input LOW Voltage | |
| V _{IK} | Input Clamp Diode Voltage | | | -1.2 | V | I _{IN} = -18 mA | V _{CC} = MIN |
| V _{OH} | Output HIGH Voltage | 54, 74 | 2.5 | 3.4 | V | I _{OH} = -1.0 mA | V _{CC} = 4.50 V |
| | | 74 | 2.7 | 3.4 | V | I _{OH} = -1.0 mA | V _{CC} = 4.75 V |
| V _{OL} | Output LOW Voltage | | 0.35 | 0.5 | V | I _{OL} = 20 mA | V _{CC} = MIN |
| I _{IH} | Input HIGH Current | | | 20 | μA | V _{IN} = 2.7 V | V _{CC} = MAX |
| | | | | 100 | μA | V _{IN} = 7.0 V | |
| I _{IL} | Input LOW Current | | | -0.6 | mA | V _{IN} = 0.5 V | V _{CC} = MAX |
| I _{OS} | Output Short Circuit Current (Note 2) | -60 | | -150 | mA | V _{OUT} = 0 V | V _{CC} = MAX |
| I _{CC} | Power Supply Current | | 33 | 46 | mA | S _n , $\overline{\text{MR}}$, DSR, DSL = 4.5 V P _n = Gnd, CP = $\underline{\text{J}}$ | V _{CC} = MAX |

NOTES:

- For conditions such as MIN or MAX, use the appropriate value specified under guaranteed operating ranges.
- Not more than one output should be shorted at a time, nor for more than 1 second.

AC OPERATING REQUIREMENTS

| SYMBOL | PARAMETER | 54/74F | | | 54F | | 74F | | UNITS |
|--------------------|---|--|-----|-----|---|-----|--|-----|-------|
| | | T _A = +25°C V _{CC} = +5.0 V | | | T _A = -55 to +125°C V _{CC} = 5.0 V ± 10% | | T _A = 0 to +70°C V _{CC} = 5.0 V ± 10% | | |
| | | MIN | TYP | MAX | MIN | MAX | MIN | MAX | |
| t _S (H) | Set up Time, HIGH or LOW | 4.0 | | | 4.0 | | 4.0 | ns | |
| t _S (L) | P _n or DSR or DSL to CP | 4.0 | | | 4.0 | | 4.0 | | |
| t _H (H) | Hold Time, HIGH or LOW | 0 | | | 1.0 | | 1.0 | | |
| t _H (L) | P _n or DSR or DSL to CP | 0 | | | 1.0 | | 1.0 | | |
| t _S (H) | Set up Time, HIGH or LOW | 8.0 | | | 8.0 | | 8.0 | ns | |
| t _S (L) | S _n to CP | 8.0 | | | 8.0 | | 8.0 | | |
| t _H (H) | Hold Time, HIGH or LOW | 0 | | | 0 | | 0 | | |
| t _H (L) | S _n to CP | 0 | | | 0 | | 0 | | |
| t _w (H) | CP Pulse Width HIGH | 5.0 | | | 5.5 | | 5.5 | ns | |
| t _w (L) | $\overline{\text{MR}}$ Pulse Width LOW | 5.0 | | | 5.0 | | 5.0 | ns | |
| t _{rec} | Recovery Time $\overline{\text{MR}}$ to CP | 7.0 | | | 9.0 | | 8.0 | ns | |



MOTOROLA

**MC54/74F240
MC54/74F241
MC54/74F244**

**OCTAL BUFFER/LINE DRIVER WITH
3-STATE OUTPUTS**

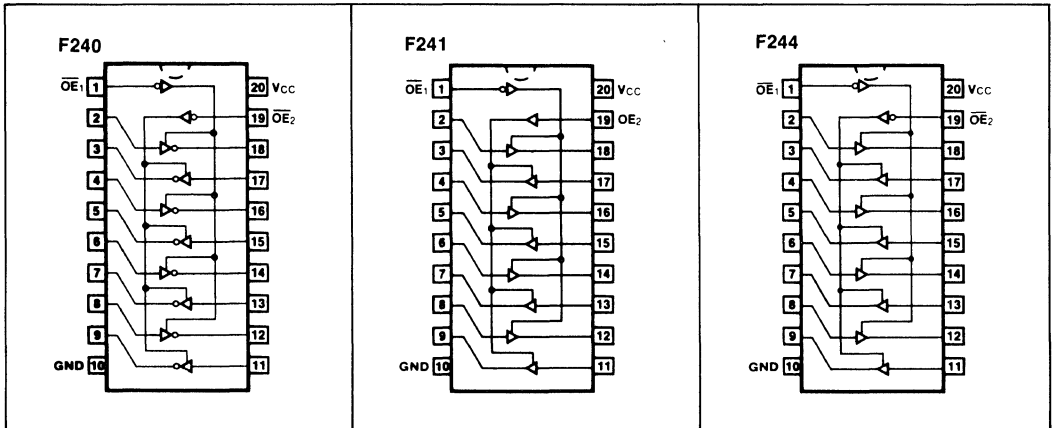
DESCRIPTION — The F240, F241 and F244 are octal buffers and line drivers designed to be employed as memory address drivers, clock drivers and bus oriented transmitters/receivers which provide improved PC board density.

- 3-STATE OUTPUTS DRIVE BUS LINES OR BUFFER MEMORY ADDRESS REGISTERS
- OUTPUTS SINK 64 mA
- 15 mA SOURCE CURRENT
- INPUT CLAMP DIODES LIMIT HIGH-SPEED TERMINATION EFFECTS

**OCTAL BUFFER/LINE DRIVER
with 3-STATE OUTPUTS**

FAST™ SCHOTTKY TTL

CONNECTION DIAGRAMS



J Suffix — Case 732-03 (Ceramic)
N Suffix — Case 738-02 (Plastic)

TRUTH TABLES

F240

| INPUTS | | D | OUTPUT | |
|-------------------|-------------------|---|--------|--|
| \overline{OE}_1 | \overline{OE}_2 | | | |
| L | L | | H | |
| L | H | | L | |
| H | X | | Z | |

F241

| INPUTS | | | OUTPUT | |
|-------------------|-------------------|---|--------|--|
| \overline{OE}_1 | \overline{OE}_2 | D | | |
| L | H | L | L | |
| L | H | H | H | |
| H | L | X | Z | |

F244

| INPUTS | | D | OUTPUT | |
|-------------------|-------------------|---|--------|--|
| \overline{OE}_1 | \overline{OE}_2 | | | |
| L | L | | L | |
| L | H | | H | |
| H | X | | Z | |

H = HIGH Voltage Level

L = LOW Voltage Level

X = Immaterial

Z = High Impedance

GUARANTEED OPERATING RANGES

| SYMBOL | PARAMETER | | MIN | TYP | MAX | UNIT |
|-----------------|-------------------------------------|----------|----------|----------|------------|------|
| V _{CC} | Supply Voltage | 54, 74 | 4.50 | 5.0 | 5.50 | V |
| T _A | Operating Ambient Temperature Range | 54 74 | -55 0 | 25 25 | 125 70 | °C |
| I _{OH} | Output Current — High | 54 74 | | | -12 -15 | mA |
| I _{OL} | Output Current — Low | 54 74 | | | 48 64 | mA |

DC CHARACTERISTICS OVER OPERATING TEMPERATURE RANGE (unless otherwise specified)

| SYMBOL | PARAMETER | LIMITS | | | UNITS | TEST CONDITIONS | |
|------------------|-----------------------------|------------------------|------|------|-------|-------------------------------|--------------------------|
| | | MIN | TYP | MAX | | | |
| V _{IH} | Input HIGH Voltage | 2.0 | | | V | Guaranteed Input HIGH Voltage | |
| V _{IL} | Input LOW Voltage | | | 0.8 | V | Guaranteed Input LOW Voltage | |
| V _{IK} | Input Clamp Diode Voltage | | | -1.2 | V | I _{IN} = -18 mA | V _{CC} = MIN |
| V _{OH} | Output HIGH Voltage | 54, 74 | 2.4 | 3.4 | V | I _{OH} = -3.0 mA | V _{CC} = 4.50 V |
| | | 74 | 2.7 | 3.4 | V | I _{OH} = -3.0 mA | V _{CC} = 4.75 V |
| | | 54, 74 | 2.0 | | V | I _{OH} = -12 mA | V _{CC} = 4.50 V |
| | | 74 | 2.0 | | V | I _{OH} = -15 mA | V _{CC} = 4.75 V |
| V _{OL} | Output LOW Voltage | 54 | | 0.55 | V | I _{OL} = 48 mA | V _{CC} = MAX |
| | | 74 | | 0.55 | V | I _{OL} = 64 mA | |
| I _{OZH} | Output Off Current HIGH | | | 50 | μA | V _{OUT} = 2.7 V | V _{CC} = MAX |
| I _{OZL} | Output Off Current LOW | | | -50 | μA | V _{OUT} = 0.5 V | V _{CC} = MAX |
| I _{IH} | Input HIGH Current | | | 20 | μA | V _{IN} = 2.7 V | V _{CC} = MAX |
| | | | | 100 | | V _{IN} = 7.0 V | |
| I _{IL} | Input LOW Current | Other | | -1.0 | mA | V _{IN} = 0.5 V | V _{CC} = MAX |
| | | Data Inputs F241, F244 | | -1.6 | | | |
| I _{OS} | Output Drive Current Note 2 | 54 | -100 | -275 | mA | V _{OUT} = GND | V _{CC} = MAX |
| | | 74 | -100 | -275 | | | |
| I _{CCH} | Power Supply Current HIGH | F240 | | 35 | mA | V _{CC} = MAX | |
| | | F241, F244 | | 60 | | | |
| I _{CCL} | Power Supply Current LOW | F240 | | 75 | mA | V _{CC} = MAX | |
| | | F241, F244 | | 90 | | | |
| I _{CCZ} | Power Supply Current OFF | F240 | | 75 | mA | V _{CC} = MAX | |
| | | F241, F244 | | 90 | | | |

NOTES:

1. For conditions shown as MIN or MAX, use the appropriate value specified under recommended operating conditions for the applicable device type.
2. Not more than one output should be shorted at a time, nor for more than 1 second.



F240
AC CHARACTERISTICS

| SYMBOL | PARAMETER | 54/74F T _A = +25°C V _{CC} = +5.0 V C _L = 50 pF | | | 54F T _A = -55 to +125°C V _{CC} = 5.0 V ±10% C _L = 50 pF | | 74F T _A = 0 to +70°C, V _{CC} = 5.0 V ±10% C _L = 50 pF | | UNITS |
|--------------------------------------|-----------------------------------|--|------------|------------|---|-------------|---|------------|-------|
| | | MIN | TYP | MAX | MIN | MAX | MIN | MAX | |
| t _{PLH} t _{PHL} | Propagation Delay, Data to Output | 3.0 2.0 | 5.1 3.5 | 7.0 4.7 | 3.0 2.0 | 9.0 6.0 | 3.0 2.0 | 8.0 5.7 | ns |
| t _{PZH} t _{PZL} | Output Enable Time | 2.0 4.0 | 3.5 6.9 | 5.2 9.0 | 2.0 4.0 | 6.5 13.5 | 2.0 4.0 | 5.7 10 | ns |
| t _{PHZ} t _{PLZ} | Output Disable Time | 2.0 2.0 | 4.0 6.0 | 5.3 8.0 | 2.0 2.0 | 6.5 12.5 | 2.0 2.0 | 6.3 9.5 | ns |

F241
AC CHARACTERISTICS

| | | | | | | | | | |
|--------------------------------------|-----------------------------------|------------|------------|------------|------------|-------------|------------|------------|----|
| t _{PLH} t _{PHL} | Propagation Delay, Data to Output | 2.5 2.5 | 4.0 4.0 | 5.2 5.2 | 2.0 2.0 | 6.5 7.0 | 2.5 2.5 | 6.2 6.5 | ns |
| t _{PZH} t _{PZL} | Output Enable Time | 2.0 2.0 | 4.3 5.4 | 5.7 7.0 | 2.0 2.0 | 7.0 8.5 | 2.0 2.0 | 6.7 8.0 | ns |
| t _{PHZ} t _{PLZ} | Output Disable Time | 2.0 2.0 | 4.5 4.5 | 6.0 6.5 | 2.0 2.0 | 7.0 12.5 | 2.0 2.0 | 7.0 7.5 | ns |

F244
AC CHARACTERISTICS

| | | | | | | | | | |
|--------------------------------------|-----------------------------------|------------|------------|------------|------------|-------------|------------|------------|----|
| t _{PLH} t _{PHL} | Propagation Delay, Data to Output | 2.5 2.5 | 4.0 4.0 | 5.2 5.2 | 2.5 2.5 | 6.5 7.0 | 2.5 2.5 | 6.2 6.5 | ns |
| t _{PZH} t _{PZL} | Output Enable Time | 2.0 2.0 | 4.3 5.4 | 5.7 7.0 | 2.0 2.0 | 7.0 8.5 | 2.0 2.0 | 6.7 8.0 | ns |
| t _{PHZ} t _{PLZ} | Output Disable Time | 2.0 2.0 | 4.5 4.5 | 6.0 6.0 | 2.0 2.0 | 7.0 10.0 | 2.0 2.0 | 7.0 7.0 | ns |

**QUAD BUS TRANSCEIVERS
(with 3-State Outputs)**

DESCRIPTION — The MC54F/74F242 and MC54F/74F243 are Quad Bus Transmitters/Receivers designed for 4-line asynchronous 2-way data communication between data buses.

- 2-WAY ASYNCHRONOUS DATA BUS COMMUNICATION
- INPUT CLAMP DIODES LIMIT HIGH-SPEED TERMINATION EFFECTS

**TRUTH TABLES
MC54F242/MC74F242**

| INPUTS | | OUTPUT | INPUTS | | OUTPUT |
|-------------|---|--------|--------|---|--------|
| \bar{E}_1 | D | | E_2 | D | |
| L | L | H | L | X | (Z) |
| L | H | L | L | X | (Z) |
| H | X | (Z) | H | L | H |
| H | X | (Z) | H | H | L |

MC54F243/MC74F243

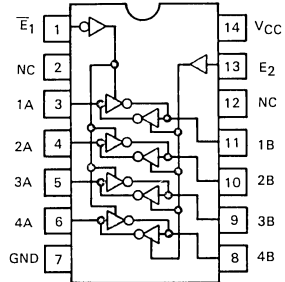
| INPUTS | | OUTPUT | INPUTS | | OUTPUT |
|-------------|---|--------|--------|---|--------|
| \bar{E}_1 | D | | E_2 | D | |
| L | L | L | L | X | (Z) |
| L | H | H | L | X | (Z) |
| H | X | (Z) | H | L | L |
| H | X | (Z) | H | H | H |

H = HIGH Voltage Level
L = LOW Voltage Level
X = Immaterial
Z = HIGH Impedance

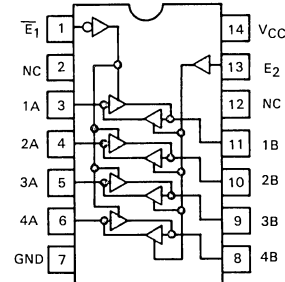
**MC54F242/243
MC74F242/243**

**QUAD BUS TRANSCEIVERS
(WITH 3-STATE OUTPUTS)
FAST™ SCHOTTKY TTL**

**MC54F242/MC74F242
(TOP VIEW)**



**MC54F243/MC74F243
(TOP VIEW)**



J Suffix — Case 632-07 (Ceramic)
N Suffix — Case 646-05 (Plastic)

GUARANTEED OPERATING RANGES

| SYMBOL | PARAMETER | | MIN | TYP | MAX | UNIT |
|----------|-------------------------------------|----------|----------|----------|------------|------|
| V_{CC} | Supply Voltage | 54, 74 | 4.5 | 5.0 | 5.5 | V |
| T_A | Operating Ambient Temperature Range | 54 74 | -55 0 | 25 25 | 125 70 | °C |
| I_{OH} | Output Current — High | 54 74 | | | -12 -15 | mA |
| I_{OL} | Output Current — Low | 54 74 | | | 48 64 | mA |



DC CHARACTERISTICS OVER OPERATING TEMPERATURE RANGE (unless otherwise specified)

| SYMBOL | PARAMETER | | LIMITS | | | UNITS | TEST CONDITIONS | |
|------------------|---------------------------------------|--------|--------|-----|------|-------|-------------------------------|--------------------------|
| | | | MIN | TYP | MAX | | | |
| V _{IH} | Input HIGH Voltage | | 2.0 | | | V | Guaranteed Input HIGH Voltage | |
| V _{IL} | Input LOW Voltage | | | | 0.8 | V | Guaranteed Input LOW Voltage | |
| V _{IK} | Input Clamp Diode Voltage | | | | -1.2 | V | I _{IN} = -18 mA | V _{CC} = MIN |
| V _{OH} | Output HIGH Voltage | 54 | 2.0 | | | V | I _{OH} = -12 mA | V _{CC} = 4.50 V |
| | | 74 | 2.0 | | | V | I _{OH} = -15 mA | V _{CC} = 4.75 V |
| | | 54, 74 | 2.4 | | | V | I _{OH} = -3.0 mA | V _{CC} = 4.50 V |
| | | 74 | 2.7 | | | V | I _{OH} = -3.0 mA | V _{CC} = 4.75 V |
| V _{OL} | Output LOW Voltage | 54 | | | 0.55 | V | I _{OL} = 48 mA | V _{CC} = MIN |
| | | 74 | | | 0.55 | V | I _{OL} = 64 mA | |
| I _{OZH} | Output Off Current HIGH | | | | 70 | μA | V _{OUT} = 2.7 V | V _{CC} = MAX |
| | | | | | 100 | μA | V _{OUT} = 5.5 V | |
| I _{OZL} | Output Off Current LOW | | | | -1.6 | mA | V _{OUT} = 0.4 V | V _{CC} = MAX |
| I _{IH} | Input HIGH Current | Enable | | | 20 | μA | V _{IN} = 2.7 V | V _{CC} = MAX |
| | | Data | | | 70 | μA | V _{IN} = 2.7 V | |
| | | Data | | | 1.0 | mA | V _{IN} = 5.5 V | |
| | | Enable | | | 0.1 | mA | V _{IN} = 7.0 V | |
| I _{IL} | Input LOW Current | Enable | | | -1.0 | mA | V _{IN} = 0.5 V | V _{CC} = MAX |
| | | Data* | | | -1.6 | mA | V _{IN} = 0.5 V | |
| I _{OS} | Output Short Circuit Current (Note 2) | | -100 | | -275 | mA | V _{OUT} = 0 V | V _{CC} = MAX |
| I _{CCH} | Power Supply Current HIGH | F242 | | | 60 | mA | Outputs HIGH | V _{CC} = MAX |
| | | F243 | | | 80 | mA | | |
| I _{CCL} | Power Supply Current LOW | F242 | | | 75 | mA | Outputs LOW | V _{CC} = MAX |
| | | F243 | | | 90 | mA | | |
| I _{CCZ} | Power Supply Current OFF | F242 | | | 75 | mA | Outputs OFF | V _{CC} = MAX |
| | | F243 | | | 90 | mA | | |

NOTES:

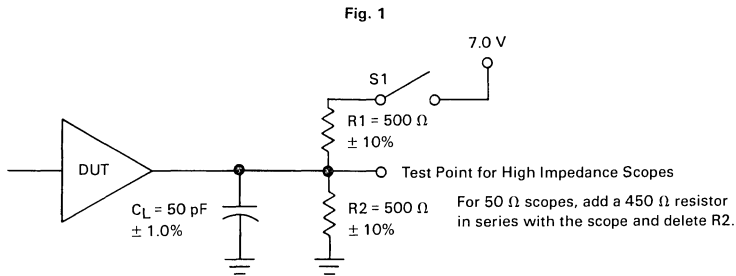
1. For conditions shown as MIN or MAX, use the appropriate value specified under recommended operating conditions for the applicable device type.
2. Not more than one output should be shorted at a time, nor for more than 1 second.

AC CHARACTERISTICS

| SYMBOL | PARAMETER | | 54F/74F T _A = +25°C V _{CC} = +5.0 V C _L = 50 pF | | 54F T _A = -55°C to +125°C V _{CC} = 5.0 V ± 10% C _L = 50 pF | | 74F T _A = 0°C to 70°C V _{CC} = 5.0 V ± 10% C _L = 50 pF | | UNITS | TEST CONDITIONS SEE FIGURE 1 S1 POSITION |
|------------------|--------------------------------------|------|---|------|--|-------|--|------|-------|---|
| | | | MIN | MAX | MIN | MAX | MIN | MAX | | |
| t _{PLH} | Propagation Delay, Data to Output | F242 | 3.0 | 7.0 | 3.0 | 9.0 | 3.0 | 8.0 | ns | Open |
| t _{PHL} | | | 1.5 | 4.7 | 1.5 | 6.0 | 1.5 | 5.7 | | |
| t _{PZH} | Output Enable Time | F242 | 2.0 | 4.7 | 2.0 | 6.5 | 2.0 | 5.7 | ns | Closed |
| t _{PZL} | | | 4.0 | 9.0 | 4.0 | 12.0 | 4.0 | 10 | | |
| t _{PHZ} | Output Disable Time | F242 | 2.0 | 5.3 | 2.0 | 6.5 | 2.0 | 6.3 | ns | Open |
| t _{PLZ} | | | 2.0 | 6.5 | 2.0 | 12.5 | 2.0 | 8.0 | | |
| t _{PLH} | Propagation Delay, Data to Output | F243 | 2.5 | 5.2 | 2.0 | 6.5 | 2.0 | 6.2 | ns | Open |
| t _{PHL} | | | 2.5 | 5.2 | 2.0 | 8.5 | 2.0 | 6.5 | | |
| t _{PZH} | Output Enable Time | F243 | 2.0 | 5.7 | 2.0 | 8.0 | 2.0 | 6.7 | ns | Closed |
| t _{PZL} | | | 2.0 | 7.5 | 2.0 | 10.5 | 2.0 | 8.5 | | |
| t _{PHZ} | Output Disable Time | F243 | 2.0 | 6.0 | 1.5 | 7.5 | 1.5 | 7.0 | ns | Open |
| t _{PLZ} | | | 2.0 | 6.5* | 2.0 | 12.5* | 2.0 | 7.5* | | |

NOTES:

1. For conditions shown as MIN or MAX, use the appropriate value specified under recommended operating conditions for the applicable device type.
 2. Not more than one output should be shorted at a time, nor for more than 1 second.
- *This limit may vary among competitors.





MC54/74F245

OCTAL BIDIRECTIONAL TRANSCEIVER WITH 3-STATE INPUTS/OUTPUTS

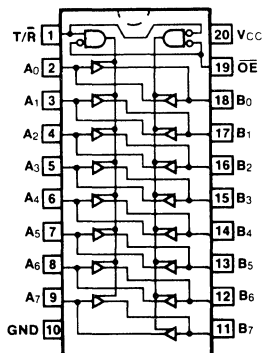
DESCRIPTION — The F245 contains eight noninverting bidirectional buffers with 3-state outputs and is intended for bus-oriented applications. Current sinking capability is 20 mA at the A ports and 64 mA at the B ports. The Transmit/Receive (T/R) input determines the direction of data flow through the bidirectional transceiver. Transmit (active HIGH) enables data from A ports to B ports; Receive (active LOW) enables data from B ports to A ports. The Output Enable input, when HIGH, disables both A and B ports by placing them in a high-Z condition.

- NONINVERTING BUFFERS
- BIDIRECTIONAL DATA PATH
- B OUTPUTS SINK 64 mA
- MOS COMPATIBLE

OCTAL BIDIRECTIONAL TRANSCEIVER WITH 3-STATE INPUTS/OUTPUTS

FAST™ SCHOTTKY TTL

CONNECTION DIAGRAM



J Suffix — Case 732-03 (Ceramic)
N Suffix — Case 738-02 (Plastic)

TRUTH TABLE

| INPUTS | | OUTPUT |
|--------|-----|---------------------|
| OE | T/R | |
| L | L | Bus B Data to Bus A |
| L | H | Bus A Data to Bus B |
| H | X | High-Z State |

H = HIGH Voltage Level
L = LOW Voltage Level
X = Immaterial

GUARANTEED OPERATING RANGES

| SYMBOL | PARAMETER | | MIN | TYP | MAX | UNIT | |
|-----------------|-------------------------------------|------------------------|----------|----------|----------|------------|----|
| V _{CC} | Supply Voltage | | 54, 74 | 4.5 | 5.0 | 5.5 | V |
| T _A | Operating Ambient Temperature Range | | 54 74 | -55 0 | 25 25 | 125 70 | °C |
| I _{OH} | Output Current — High | A _n Outputs | 54, 74 | | | -3.0 | mA |
| I _{OL} | Output Current — Low | A _n Outputs | 54, 74 | | | 20 | mA |
| I _{OH} | Output Current — High | B _n Outputs | 54 74 | | | -12 -15 | mA |
| I _{OL} | Output Current — Low | B _n Outputs | 54 74 | | | 48 64 | mA |

DC CHARACTERISTICS OVER OPERATING TEMPERATURE RANGE (unless otherwise specified)

| SYMBOL | PARAMETER | LIMITS | | | UNITS | TEST CONDITIONS | | | |
|------------------|-----------------------------------|----------------|-----|--------------------------|-------|-------------------------------|--------------------------|------------------------|-----------------------|
| | | MIN | TYP | MAX | | | | | |
| V _{IH} | Input HIGH Voltage | 2.0 | | | V | Guaranteed Input HIGH Voltage | | | |
| V _{IL} | Input LOW Voltage | | | 0.8 | V | Guaranteed Input LOW Voltage | | | |
| V _{IK} | Input Clamp Diode Voltage | | | -1.2 | V | I _{IN} = -18 mA | V _{CC} = MIN | | |
| V _{OH} | Output HIGH Voltage An Outputs | 54 | 2.5 | 3.4 | V | I _{OH} = -1.0 mA | V _{CC} = 4.50 | | |
| | | 54 | 2.4 | 3.3 | V | I _{OH} = -3.0 mA | | | |
| | | 74 | 2.5 | 3.3 | V | | | | |
| | | 74 | 2.7 | 3.3 | V | I _{OH} = -3.0 mA | V _{CC} = 4.75 | | |
| V _{OH} | Output HIGH Voltage Bn Outputs | 54 | 2.4 | 3.4 | V | I _{OH} = -3.0 mA | V _{CC} = 4.50 | | |
| | | 74 | 2.5 | 3.4 | V | | | | |
| | | 74 | 2.7 | 3.4 | V | I _{OH} = -3.0 mA | V _{CC} = 4.75 | | |
| | | 54 | 2.0 | | V | I _{OH} = -12 mA | V _{CC} = 4.50 | | |
| 74 | 2.0 | | V | I _{OH} = -15 mA | | | | | |
| V _{OL} | Output LOW Voltage An Outputs | 54 | | 0.35 | 0.5 | V | I _{OL} = 20 mA | V _{CC} = MIN | |
| | | 74 | | 0.35 | 0.5 | V | I _{OL} = 24 mA | | |
| V _{OL} | Output LOW Voltage Bn Outputs | 54 | | | 0.55 | V | I _{OL} = 48 mA | V _{CC} = MIN | |
| | | 74 | | | 0.55 | V | I _{OL} = 64 mA | | |
| I _{OZH} | Output Off Current HIGH | | | | 70 | μA | V _{OUT} = 2.7 V | V _{CC} = MAX | |
| | | | | | 100 | μA | V _{OUT} = 5.5 V | | |
| I _{OZL} | Output Off Current LOW | | | | -1.0 | mA | V _{OUT} = 5.5 V | V _{CC} = MAX | |
| I _{IH} | Input HIGH Current | OE, T/R Inputs | | | 20 | μA | V _{IN} = 2.7 V | V _{CC} = MAX | |
| | | An, Bn Inputs | | | 70 | μA | | | |
| | | OE, T/R Inputs | | | 100 | μA | V _{IN} = 7.0 V | | |
| | | An, Bn Inputs | | | 1.0 | mA | V _{IN} = 5.5 V | | |
| I _{IL} | Input LOW Current | T/R Input | | | -0.8 | mA | V _{IN} = 0.5 V | V _{CC} = MAX | |
| | | An, Bn Inputs | | | -1.0 | mA | | | |
| | | OE Input | | | -1.6 | mA | | | |
| I _{OS} | Output Drive Current (Note 2) | An Outputs | | -60 | | -150 | mA | V _{OUT} = GND | V _{CC} = MAX |
| | | Bn Outputs | | -100 | | -225 | mA | V _{OUT} = GND | V _{CC} = MAX |
| I _{CC} | Power Supply Current | | 95 | 143 | mA | V _{CC} = MAX | | | |

NOTES:

- For conditions shown as MIN or MAX, use the appropriate value specified under recommended operating conditions for the applicable device type.
- Not more than one output should be shorted at a time.

AC CHARACTERISTICS

| SYMBOL | PARAMETER | 54 / 74F | | | 54F | | 74F | | UNITS |
|------------------|----------------------|--|-----|-----|--|-----|---|-----|-------|
| | | T _A = +25°C V _{CC} = +5.0 V C _L = 50 pF | | | T _A = -55 to +125°C V _{CC} = 5.0 V ±10% C _L = 50 pF | | T _A = 0 to +70°C V _{CC} = 5.0 V ±10% C _L = 50 pF | | |
| | | MIN | TYP | MAX | MIN | MAX | MIN | MAX | |
| t _{PLH} | Propagation Delay | 2.5 | 4.2 | 6.0 | | | 2.5 | 7.0 | ns |
| t _{PHL} | An to Bn or Bn to An | 2.5 | 4.6 | 6.0 | | | 2.5 | 7.0 | |
| t _{PZH} | Output Enable Time | 3.0 | 5.3 | 7.0 | | | 3.0 | 8.0 | ns |
| t _{PZL} | | 3.5 | 7.9 | 8.0 | | | 3.5 | 9.0 | |
| t _{PHZ} | Output Disable Time | 2.5 | 5.0 | 6.5 | | | 2.5 | 7.5 | ns |
| t _{PLZ} | | 2.0 | 3.7 | 6.5 | | | 2.0 | 7.5 | |





MOTOROLA

**8-INPUT MULTIPLEXER
(With 3-State Outputs)**

DESCRIPTION — The MC54F/74F251 is a high-speed 8-input digital multiplexer. It provides, in one package, the ability to select one bit of data from up to eight sources. It can be used as universal function generator to generate any logic function of four variables. Both assertion and negation outputs are provided.

- MULTIFUNCTIONAL CAPACITY
- ON-CHIP SELECT LOGIC DECODING
- INVERTING AND NON-INVERTING 3-STATE OUTPUTS

FUNCTIONAL DESCRIPTION — This device is a logical implementation of a single-pole, 8-position switch with the switch position controlled by the state of three Select inputs, S₀, S₁, S₂. Both assertion and negation outputs are provided. The Output Enable input (\overline{OE}) is active LOW. When it is activated, the logic function provided at the output is:

$$Z = \overline{OE} \cdot (I_0 \cdot \overline{S_0} \cdot \overline{S_1} \cdot \overline{S_2} + I_1 \cdot S_0 \cdot \overline{S_1} \cdot \overline{S_2} + I_2 \cdot \overline{S_0} \cdot S_1 \cdot \overline{S_2} + I_3 \cdot S_0 \cdot S_1 \cdot \overline{S_2} + I_4 \cdot \overline{S_0} \cdot \overline{S_1} \cdot S_2 + I_5 \cdot S_0 \cdot \overline{S_1} \cdot S_2 + I_6 \cdot \overline{S_0} \cdot S_1 \cdot S_2 + I_7 \cdot S_0 \cdot S_1 \cdot S_2)$$

When the Output Enable is HIGH, both outputs are in the high impedance (high Z) state. This feature allows multiplexer expansion by tying the outputs of up to 128 devices together. When the outputs of the 3-state devices are tied together, all but one device must be in the high impedance state to avoid high currents that would exceed the maximum ratings. The Output Enable signals should be designed to ensure there is no overlap in the active LOW portion of the enable voltages.

TRUTH TABLE

| \overline{OE} | INPUTS | | | OUTPUTS | |
|-----------------|----------------|----------------|----------------|----------------|----------------|
| | S ₂ | S ₁ | S ₀ | \overline{Z} | Z |
| H | X | X | X | \overline{Z} | Z |
| L | L | L | L | I ₀ | I ₀ |
| L | L | L | H | I ₁ | I ₁ |
| L | L | H | L | I ₂ | I ₂ |
| L | L | H | H | I ₃ | I ₃ |
| L | H | L | L | I ₄ | I ₄ |
| L | H | L | H | I ₅ | I ₅ |
| L | H | H | L | I ₆ | I ₆ |
| L | H | H | H | I ₇ | I ₇ |

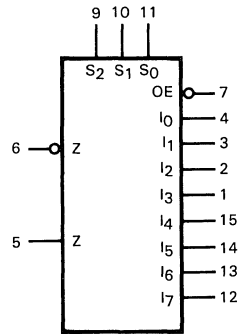
H = HIGH Voltage Level
 L = LOW Voltage Level
 X = Immaterial
 Z = High Impedance

**MC54F251
MC74F251**

**8-INPUT MULTIPLEXER
(With 3-State Outputs)**

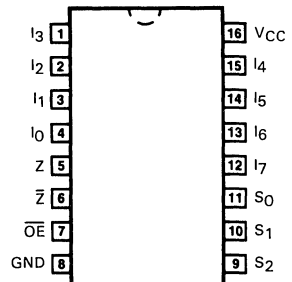
FAST™ SCHOTTKY TTL

LOGIC SYMBOL



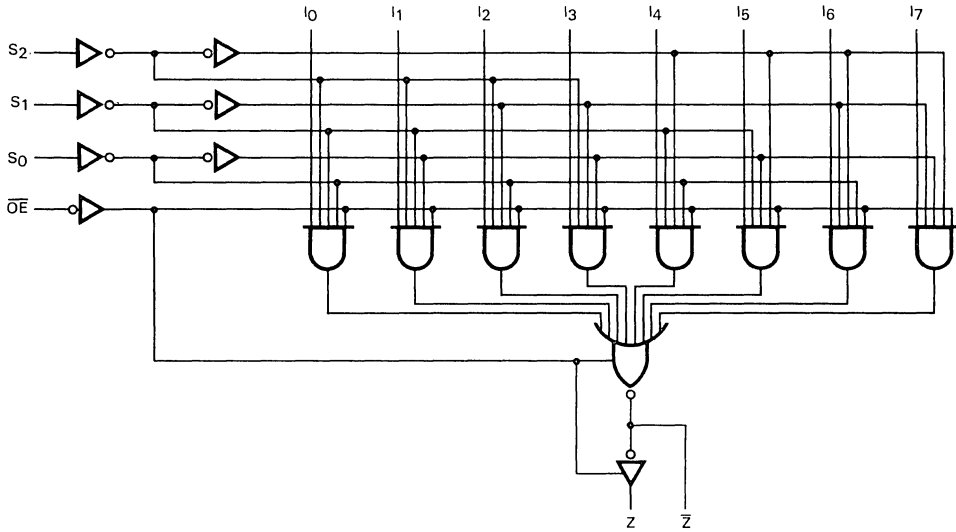
V_{CC} = Pin 16
 GND = Pin 8

CONNECTION DIAGRAM



J Suffix — Case 620-08
 (Ceramic)
 N Suffix — Case 648-05
 (Plastic)

LOGIC DIAGRAM



GUARANTEED OPERATING RANGES

| SYMBOL | PARAMETER | | MIN | TYP | MAX | UNIT |
|--------|-------------------------------------|--------|------|-----|------|------|
| VCC | Supply Voltage | 54, 74 | 4.50 | 5.0 | 5.50 | V |
| TA | Operating Ambient Temperature Range | 54 | -55 | 25 | 125 | °C |
| | | 74 | 0 | 25 | 70 | |
| IOH | Output Current — High | 54, 74 | | | -3.0 | mA |
| IOL | Output Current — Low | 54, 74 | | | 24 | mA |

DC CHARACTERISTICS OVER OPERATING TEMPERATURE RANGE (unless otherwise specified)

| SYMBOL | PARAMETER | LIMITS | | | UNITS | TEST CONDITIONS | |
|------------------|---------------------------------------|--------|------|------|-------|---|--------------------------|
| | | MIN | TYP | MAX | | | |
| V _{IH} | Input HIGH Voltage | 2.0 | | | V | Guaranteed Input HIGH Voltage | |
| V _{IL} | Input LOW Voltage | | | 0.8 | V | Guaranteed Input LOW Voltage | |
| V _{IK} | Input Clamp Diode Voltage | | | -1.2 | V | I _{IN} = 18 mA | V _{CC} = MIN |
| V _{OH} | Output HIGH Voltage | 54, 74 | 2.5 | 3.4 | V | I _{OH} = -3.0 mA | V _{CC} = 4.50 V |
| | | 74 | 2.7 | 3.4 | V | I _{OH} = -3.0 mA | V _{CC} = 4.75 V |
| V _{OL} | Output LOW Voltage | | 0.35 | 0.5 | V | I _{OL} = 24 mA | V _{CC} = MIN |
| I _{OZH} | Output Off Current—HIGH | | | 50 | μA | V _{OUT} = 2.7 V | V _{CC} = MAX |
| I _{OZL} | Output Off Current—LOW | | | -50 | μA | V _{OUT} = 0.5 V | V _{CC} = MAX |
| I _{IH} | Input HIGH Current | | | 20 | μA | V _{IN} = 2.7 V | V _{CC} = MAX |
| | | | | 100 | μA | V _{IN} = 7.0 V | |
| I _{IL} | Input LOW Current | | | -0.6 | mA | V _{IN} = 0.5 V | V _{CC} = MAX |
| I _{OS} | Output Short Circuit Current (Note 2) | | -60 | -150 | mA | V _{OUT} = 0 V | V _{CC} = MAX |
| I _{CC} | Power Supply Current | ON | 15 | 22 | mA | I _n , S _n = 4.5 V OE = GND | V _{CC} = MAX |
| | | OFF | 16 | 24 | | OE, I _n = 4.5 V | |

NOTES:

- For conditions such as MIN or MAX, use the appropriate value specified under guaranteed operating ranges.
- Not more than one output should be shorted at a time, nor for more than 1 second.

4

AC CHARACTERISTICS

| SYMBOL | PARAMETER | 54/74F | | | 54F | | 74F | | UNITS |
|------------------|---|--|-----|-----|--|------|---|------|-------|
| | | T _A = +25°C V _{CC} = +5.0 V C _L = 50 pF | | | T _A = -55 to +125°C V _{CC} = 5.0 V ±10% C _L = 50 pF | | T _A = 0 to +70°C V _{CC} = 5.0 V ±10% C _L = 50 pF | | |
| | | MIN | TYP | MAX | MIN | MAX | MIN | MAX | |
| t _{PLH} | Propagation Delay S _n to Z _n | 4.0 | 5.9 | 8.0 | 3.5 | 9.5 | 4.0 | 9.0 | ns |
| t _{PHL} | Propagation Delay S _n to Z _n | 3.2 | 5.7 | 7.5 | 3.2 | 9.5 | 3.2 | 8.5 | |
| t _{PLH} | Propagation Delay S _n to Z _n | 4.5 | 9.6 | 13 | 3.5 | 16.5 | 4.5 | 14 | ns |
| t _{PHL} | Propagation Delay S _n to Z _n | 4.5 | 6.9 | 9.0 | 3.0 | 10.5 | 4.0 | 10.5 | |
| t _{PLH} | Propagation Delay I _n to Z | 3.0 | 4.1 | 5.7 | 2.5 | 8.0 | 3.0 | 7.0 | ns |
| t _{PHL} | Propagation Delay I _n to Z | 1.5 | 3.0 | 4.0 | 1.5 | 6.0 | 1.5 | 5.0 | |
| t _{PLH} | Propagation Delay I _n to Z | 4.0 | 7.2 | 9.5 | 3.5 | 11.5 | 4.0 | 10.5 | ns |
| t _{PHL} | Propagation Delay I _n to Z | 3.0 | 5.1 | 6.5 | 3.0 | 7.5 | 3.0 | 7.5 | |
| t _{PZH} | Output Enable Time OE to Z | 3.0 | 5.4 | 7.0 | 3.0 | 9.5 | 3.0 | 8.0 | ns |
| t _{PZL} | Output Enable Time OE to Z | 3.0 | 6.4 | 8.5 | 3.0 | 10.5 | 3.0 | 9.5 | |
| t _{PHZ} | Output Disable Time OE to Z | 3.0 | 5.0 | 6.5 | 3.0 | 8.5 | 3.0 | 7.5 | ns |
| t _{PLZ} | Output Disable Time OE to Z | 2.0 | 3.2 | 4.5 | 2.0 | 7.5 | 2.0 | 5.5 | |
| t _{PZH} | Output Enable Time OE to Z | 4.0 | 6.9 | 9.0 | 4.0 | 10 | 4.0 | 10 | ns |
| t _{PZL} | Output Enable Time OE to Z | 3.5 | 6.0 | 8.0 | 3.5 | 10 | 3.5 | 9.0 | |
| t _{PHZ} | Output Disable Time OE to Z | 3.0 | 4.7 | 6.0 | 3.0 | 7.0 | 3.0 | 7.0 | ns |
| t _{PLZ} | Output Disable Time OE to Z | 2.0 | 3.5 | 4.5 | 2.0 | 8.0 | 2.0 | 5.5 | |



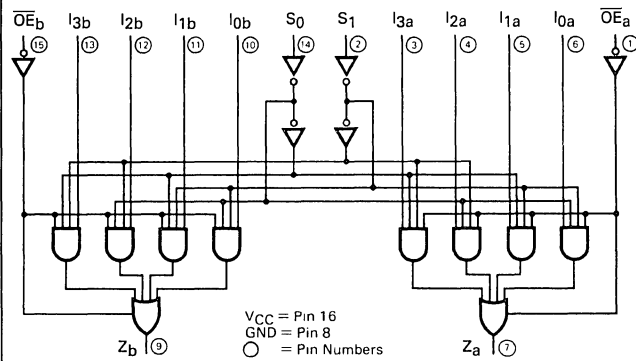
**DUAL 4-INPUT MULTIPLEXER
(with 3-State Outputs)**

DESCRIPTION — The MC54F/74F253 is a Dual 4-Input Multiplexer with 3-State Outputs. It can select two bits of data from four sources using common select inputs. The outputs may be individually switched to a high-impedance state with a HIGH on the respective Output Enable \overline{OE} inputs, allowing the outputs to interface directly with bus oriented systems.

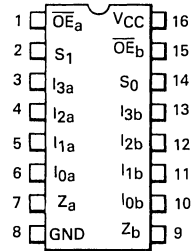
**MC54F253
MC74F253**

**DUAL 4-INPUT MULTIPLEXER
WITH 3-STATE OUTPUTS
FAST™ SCHOTTKY TTL**

LOGIC DIAGRAM



**CONNECTION DIAGRAM DIP
(TOP VIEW)**



J Suffix — Case 620-08 (Ceramic)

N Suffix — Case 648-05 (Plastic)

GUARANTEED OPERATING RANGES

| SYMBOL | PARAMETER | | MIN | TYP | MAX | UNIT |
|-----------------|-------------------------------------|----------|----------|----------|-----------|------|
| VCC | Supply Voltage | 54, 74 | 4.5 | 5.0 | 5.5 | V |
| TA | Operating Ambient Temperature Range | 54 74 | -55 0 | 25 25 | 125 70 | °C |
| I _{OH} | Output Current — High | 54, 74 | — | — | -3.0 | mA |
| I _{OL} | Output Current — Low | 54, 74 | — | — | 24 | mA |



FUNCTIONAL DESCRIPTION

The F253 contains two identical 4-Input Multiplexers with 3-State Outputs. They select two bits from four sources selected by common Select Inputs (S_0, S_1). The 4-input multiplexers have individual Output Enable ($\overline{OE}_a, \overline{OE}_b$) inputs which when HIGH, force the outputs to a high impedance (high Z) state.

The F253 is the logic implementation of a 2-pole, 4-position switch, where the position of the switch is determined by the logic levels supplied to the two select inputs. The logic equations for the outputs are shown below:

$$Z_a = \overline{OE}_a \cdot (I_{0a} \cdot \overline{S}_1 \cdot \overline{S}_0 + I_{1a} \cdot \overline{S}_1 \cdot S_0 + I_{2a} \cdot S_1 \cdot \overline{S}_0 + I_{3a} \cdot S_1 \cdot S_0)$$

$$Z_b = \overline{OE}_b \cdot (I_{0b} \cdot \overline{S}_1 \cdot \overline{S}_0 + I_{1b} \cdot \overline{S}_1 \cdot S_0 + I_{2b} \cdot S_1 \cdot \overline{S}_0 + I_{3b} \cdot S_1 \cdot S_0)$$

If the outputs of 3-state devices are tied together, all but one device must be in the high impedance state to avoid high currents that would exceed the maximum ratings. Designers should ensure that Output Enable signals to 3-state devices whose outputs are tied together are designed so that there is no overlap.

TRUTH TABLE

| SELECT INPUTS | | DATA INPUTS | | | | OUTPUT ENABLE | OUTPUT |
|---------------|-------|-------------|-------|-------|-------|-----------------|--------|
| S_0 | S_1 | I_0 | I_1 | I_2 | I_3 | \overline{OE} | Z |
| X | X | X | X | X | X | H | (Z) |
| L | L | L | X | X | X | L | L |
| L | L | L | X | X | X | L | H |
| H | L | X | L | X | X | L | L |
| H | L | X | H | X | X | L | H |
| L | H | X | X | L | X | L | L |
| L | H | X | X | H | X | L | H |
| H | H | X | X | X | L | L | L |
| H | H | X | X | X | H | L | H |

H = HIGH Level
 L = LOW Level
 X = Immaterial
 (Z) = High Impedance (off)
 Address inputs S_0 and S_1 are common to both sections.

4

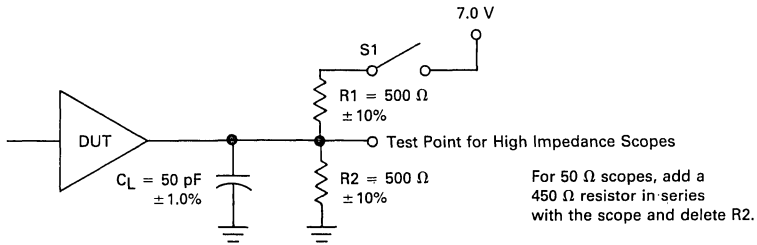
DC CHARACTERISTICS OVER OPERATING TEMPERATURE RANGE (unless otherwise specified)

| SYMBOL | PARAMETER | LIMITS | | | UNITS | TEST CONDITIONS | |
|-----------|---|--------|-----|------|---------------|---|---------------------------|
| | | MIN | TYP | MAX | | | |
| V_{IH} | Input HIGH Voltage | 2.0 | | | V | Guaranteed Input HIGH Voltage | |
| V_{IL} | Input LOW Voltage | | | 0.8 | V | Guaranteed Input LOW Voltage | |
| V_{IK} | Input Clamp Diode Voltage | | | -1.2 | V | $I_{IN} = 18 \text{ mA}$ | $V_{CC} = \text{MIN}$ |
| V_{OH} | Output HIGH Voltage | 54, 74 | 2.5 | | V | $I_{OH} = -3.0 \text{ mA}$ | $V_{CC} = 4.50 \text{ V}$ |
| | | 74 | 2.7 | | V | $I_{OH} = -3.0 \text{ mA}$ | $V_{CC} = 4.75 \text{ V}$ |
| V_{OL} | Output LOW Voltage | | | 0.5 | V | $I_{OL} = 24 \text{ mA}$ | $V_{CC} = \text{MIN}$ |
| I_{OZH} | Output Off Current—HIGH | | | 50 | μA | $V_{OUT} = 2.7 \text{ V}$ | $V_{CC} = \text{MAX}$ |
| I_{OZL} | Output Off Current—LOW | | | -50 | μA | $V_{OUT} = 0.5 \text{ V}$ | $V_{CC} = \text{MAX}$ |
| I_{IH} | Input HIGH Current | | | 20 | μA | $V_{IN} = 2.7 \text{ V}$ | $V_{CC} = \text{MAX}$ |
| | | | | 0.1 | μA | $V_{IN} = 7.0 \text{ V}$ | |
| I_{IL} | Input LOW Current | | | -0.6 | mA | $V_{IN} = 0.5 \text{ V}$ | $V_{CC} = \text{MAX}$ |
| I_{OS} | Output Short Circuit Current (Note 2) | -60 | | -150 | mA | $V_{OUT} = 0 \text{ V}$ | $V_{CC} = \text{MAX}$ |
| I_{CC} | Power Supply Current Total, Output HIGH | | | 16 | mA | $OE_n = \text{GND}$ $I_O = 4.5 \text{ V}; S_n, I_1 - I_3 = \text{GND}$ | |
| | Total, Output LOW | | | 23 | | $I_n, S_n, OE_n = \text{GND}$ $V_{CC} = \text{MAX}$ | |
| | Total at HIGH-Z | | | 23 | | $OE_n = 4.5 \text{ V}, V_{CC} = \text{MAX}$ $I_n, S_n = \text{GND}$ | |

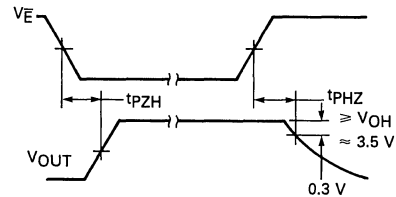
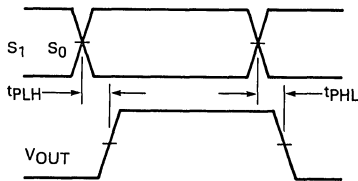
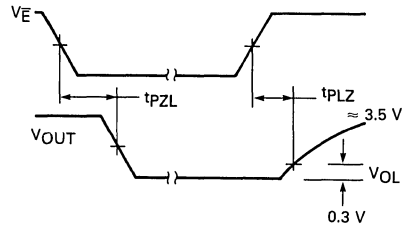
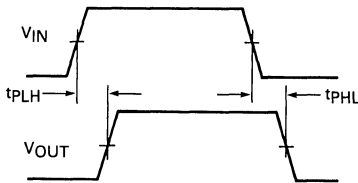
AC CHARACTERISTICS

| SYMBOL | PARAMETER | 54/74F T _A = +25°C V _{CC} = +5.0 V C _L = 50 pF | | 54F T _A = -55°C to +125°C V _{CC} = 5.0 V ±10% C _L = 50 pF | | 74F T _A = 0°C to +70°C V _{CC} = 5.0 V ±10% C _L = 50 pF | | UNITS | S1 POSITION |
|--------------------------------------|---|--|-------------|---|------------|--|------------|-------|----------------|
| | | MIN | MAX | MIN | MAX | MIN | MAX | | |
| t _{PLH} t _{PHL} | Propagation Delay S ₁ to Z _n | 4.5 3.0 | 11.5 9.0 | 3.5 2.5 | 15 11 | 4.5 3.0 | 13.5 10 | ns | OPEN |
| t _{PLH} t _{PHL} | Propagation Delay I _n to Z _n | 3.0 2.5 | 7.0 6.0 | 2.5 2.5 | 9.0 8.0 | 3.0 2.5 | 8.0 7.0 | ns | |
| t _{PZH} t _{PZL} | Output Enable Time | 3.0 3.0 | 8.0 8.0 | 2.5 2.5 | 10 10 | 3.0 3.0 | 9.0 9.0 | ns | CLOSED |
| t _{PHZ} t _{PLZ} | Output Disable Time | 2.0 2.0 | 5.0 6.0 | 2.0 2.0 | 6.5 8.0 | 2.0 2.0 | 6.0 7.0 | ns | OPEN CLOSED |

AC TEST CIRCUIT



PROPAGATION DELAY MEASUREMENTS



NOTES:

- All input waveforms have the following characteristics:
 Low Level = 0V
 High Level = 3.0 V
 Rise and Fall Times (10% to 90%) = 2.5 ns
- All timing is measured at 1.5 V unless otherwise indicated.



MOTOROLA

MC54F257 MC74F257

QUAD 3-INPUT MULTIPLEXER (With 3-State Outputs)

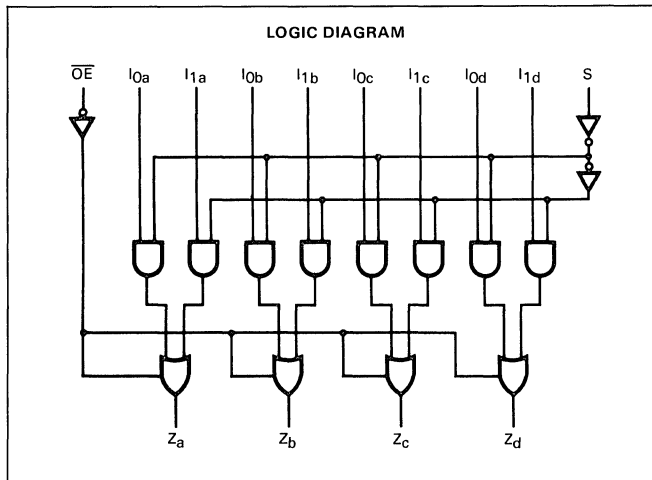
DESCRIPTION — The MC54F/74F257 is a quad 2-input multiplexer with 3-state outputs. Four bits of data from two sources can be selected using a Common Data Select input. The four outputs present the selected data in true (non-inverted) form. The outputs may be switched to a high impedance state with a HIGH on the common Output Enable (\overline{OE}) input, allowing the outputs to interface directly with bus oriented systems.

- MULTIPLEXER EXPANSION BY TYING OUTPUTS TOGETHER
- NON-INVERTING 3-STATE OUTPUTS
- INPUT CLAMP DIODES LIMIT HIGH-SPEED TERMINATION EFFECTS

QUAD 2-INPUT MULTIPLEXER (With 3-State Outputs)

FAST™ SCHOTTKY TTL

LOGIC DIAGRAM

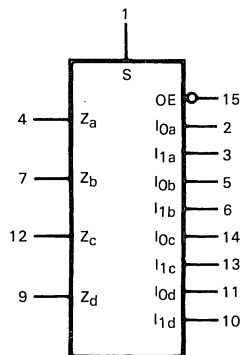


TRUTH TABLE

| OUTPUT ENABLE | SELECT INPUT | DATA INPUTS | | OUTPUTS |
|-----------------|--------------|-------------|-------|---------|
| \overline{OE} | S | I_0 | I_1 | Z |
| H | X | X | X | (Z) |
| L | H | X | L | L |
| L | H | X | H | H |
| L | L | L | X | L |
| L | L | H | X | H |

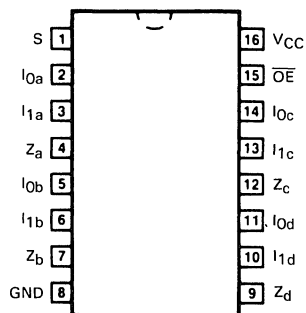
H = HIGH Voltage Level
 L = LOW Voltage Level
 X = Immaterial
 (Z) = High Impedance

LOGIC SYMBOL



V_{CC} = Pin 16
 GND = Pin 8

CONNECTION DIAGRAM



J Suffix — Case 620-08
 (Ceramic)
 N Suffix — Case 648-05
 (Plastic)

GUARANTEED OPERATING RANGES

| SYMBOL | PARAMETER | | MIN | TYP | MAX | UNIT |
|-----------------|-------------------------------------|--------|------|-----|------|------|
| V _{CC} | Supply Voltage | 54, 74 | 4.50 | 5.0 | 5.50 | V |
| T _A | Operating Ambient Temperature Range | 54 | -55 | 25 | 125 | °C |
| | | 74 | 0 | 25 | 70 | |
| I _{OH} | Output Current — High | 54, 74 | | | -3.0 | mA |
| I _{OL} | Output Current — Low | 54, 74 | | | 24 | mA |

DC CHARACTERISTICS OVER OPERATING TEMPERATURE RANGE (unless otherwise specified)

| SYMBOL | PARAMETER | LIMITS | | | UNITS | TEST CONDITIONS | |
|------------------|---------------------------------------|--------|------|------|-------|--|--------------------------|
| | | MIN | TYP | MAX | | | |
| V _{IH} | Input HIGH Voltage | 2.0 | | | V | Guaranteed Input HIGH Voltage | |
| V _{IL} | Input LOW Voltage | | | 0.8 | V | Guaranteed Input LOW Voltage | |
| V _{IK} | Input Clamp Diode Voltage | | | -1.2 | V | I _{IN} = -18 mA | V _{CC} = MIN |
| V _{OH} | Output HIGH Voltage | 54 | 2.5 | 3.4 | V | I _{OH} = -1.0 mA | V _{CC} = 4.50 V |
| | | 54 | 2.4 | 3.3 | V | I _{OH} = -3.0 mA | |
| | | 74 | 2.5 | 3.3 | V | I _{OH} = -3.0 mA | |
| | | 74 | 2.7 | 3.3 | V | I _{OH} = -3.0 mA | V _{CC} = 4.75 V |
| V _{OL} | Output LOW Voltage | | 0.35 | 0.5 | V | I _{OL} = 24 mA | V _{CC} = MIN |
| I _{OZH} | Output OFF Current — HIGH | | | 50 | μA | V _{OUT} = 2.7 V | V _{CC} = MAX |
| I _{OZL} | Output OFF Current — LOW | | | -50 | μA | V _{OUT} = 0.5 V | V _{CC} = MAX |
| I _{IH} | Input HIGH Current | | | 20 | μA | V _{IN} = 2.7 V | V _{CC} = MAX |
| | | | | 100 | | V _{IN} = 7.0 V | |
| I _{IL} | Input LOW Current | | | -0.6 | mA | V _{IN} = 0.5 V | V _{CC} = MAX |
| I _{OS} | Output Short Circuit Current (Note 2) | -60 | | -150 | mA | V _{OUT} = 0 V | V _{CC} = MAX |
| I _{CCH} | Power Supply Current | | 9.0 | 15 | mA | S, I _{1x} = 4.5 V OE, I _{0x} = Gnd | V _{CC} = MAX |
| I _{CCL} | | | 14.5 | 22 | | I _{1x} = 4.5 V OE, I _{0x} , S = Gnd | |
| I _{CCZ} | | | 15 | 23 | | S, I _{0x} = Gnd OE, I _{1x} = 4.5 V | |

NOTES:

1. For conditions such as MIN or MAX, use the appropriate value specified under guaranteed operating ranges.
2. Not more than one output should be shorted at a time, nor for more than 1 second.



FUNCTIONAL DESCRIPTION — The F257 is a quad 2-input multiplexer with 3-state outputs. It selects four bits of data from two sources under control of a Common Data Select input. When the Select input is LOW, the I_{0x} inputs are selected and when Select is HIGH, the I_{1x} inputs are selected. The data on the selected inputs appears at the outputs in true (non-inverted) form. The device is the logic implementation of a 4-pole, 2-position switch where the position of the switch is determined by the logic levels supplied to the Select input. The logic equations for the outputs are shown below:

$$Z_a = \overline{OE} \cdot (I_{1a} \cdot S + I_{0a} \cdot \overline{S}) \quad Z_b = \overline{OE} \cdot (I_{1b} \cdot S + I_{0b} \cdot \overline{S})$$

$$Z_c = \overline{OE} \cdot (I_{1c} \cdot S + I_{0c} \cdot \overline{S}) \quad Z_d = \overline{OE} \cdot (I_{1d} \cdot S + I_{0d} \cdot \overline{S})$$

When the Output Enable input (\overline{OE}) is HIGH, the outputs are forced to a high impedance OFF state. If the outputs are tied together, all but one device must be in the high impedance state to avoid high currents that would exceed the maximum ratings. Designers should ensure the Output Enable signals to 3-state devices whose outputs are tied together are designed so there is no overlap.

AC CHARACTERISTICS

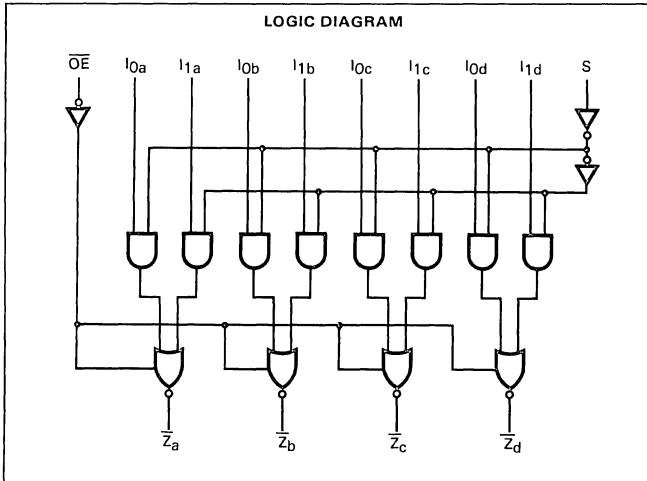
| SYMBOL | PARAMETER | 54/74F | | | 54F | | 74F | | UNITS |
|------------------------|-------------------------------------|---|-------------|------------|---|--------------|--|------------|-------|
| | | $T_A = +25^\circ\text{C}$ $V_{CC} = +5.0\text{ V}$ $C_L = 50\text{ pF}$ | | | $T_A = -55\text{ to }+125^\circ\text{C}$ $V_{CC} = 5.0\text{ V } \pm 10\%$ $C_L = 50\text{ pF}$ | | $T_A = 0\text{ to }+70^\circ\text{C}$ $V_{CC} = 5.0\text{ V } \pm 10\%$ $C_L = 50\text{ pF}$ | | |
| | | MIN | TYP | MAX | MIN | MAX | MIN | MAX | |
| t_{PLH} t_{PHL} | Propagation Delay I_n to Z_n | 3.0 2.0 | 4.5 4.2 | 6.0 5.5 | 3.0 1.5 | 8.0 8.0 | 3.0 2.0 | 7.0 6.5 | ns |
| t_{PLH} t_{PHL} | Propagation Delay S to Z_n | 4.5 3.5 | 10.1 6.5 | 13 8.5 | 4.5 3.5 | 15.5 10.5 | 4.5 3.5 | 15 9.5 | ns |
| t_{PZH} t_{PZL} | Output Enable Time | 3.0 3.0 | 5.9 5.5 | 7.5 7.5 | 3.0 3.0 | 9.5 10 | 3.0 3.0 | 8.5 8.5 | ns |
| t_{PZH} t_{PZL} | Output Disable Time | 2.0 2.0 | 4.3 4.5 | 6.0 6.0 | 2.0 2.0 | 7.0 9.5 | 2.0 2.0 | 7.0 7.0 | ns |

MC54F258 MC74F258

QUAD 2-INPUT MULTIPLEXER (With 3-State Outputs)

DESCRIPTION — The MC54F/74F258 is a quad 2-input multiplexer with 3-state outputs. Four bits of data from two sources can be selected using a Common Data Select input. The four outputs present the selected data in the complement (inverted) form. The outputs may be switched to a high impedance state with a HIGH on the common Output Enable (\overline{OE}) input, allowing the outputs to interface directly with bus oriented systems.

- MULTIPLEXER EXPANSION BY TYING OUTPUTS TOGETHER
- INVERTING 3-STATE OUTPUTS



TRUTH TABLE

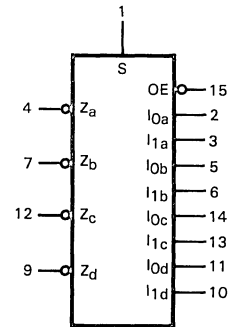
| OUTPUT ENABLE | SELECT INPUT | DATA INPUTS | | OUTPUTS |
|-----------------|--------------|-------------|-------|----------------|
| \overline{OE} | S | I_0 | I_1 | \overline{Z} |
| H | X | X | X | Z |
| L | H | X | L | H |
| L | H | X | H | L |
| L | L | L | X | H |
| L | L | H | X | L |

H = HIGH Voltage Level
L = LOW Voltage Level
X = Immaterial
Z = High Impedance

QUAD 2-INPUT MULTIPLEXER (With 3-State Outputs)

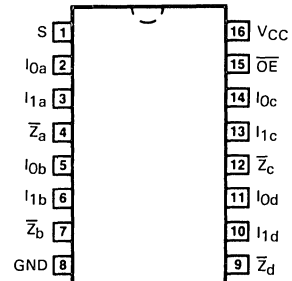
FAST™ SCHOTTKY TTL

LOGIC SYMBOLS



V_{CC} = Pin 16
GND = Pin 8

CONNECTION DIAGRAM



J Suffix — Case 620-08
(Ceramic)
N Suffix — Case 648-05
(Plastic)

GUARANTEED OPERATING RANGES

| SYMBOL | PARAMETER | | MIN | TYP | MAX | UNIT |
|-----------------|-------------------------------------|----------|----------|----------|-----------|------|
| V _{CC} | Supply Voltage | 54, 74 | 4.50 | 5.0 | 5.50 | V |
| T _A | Operating Ambient Temperature Range | 54 74 | -55 0 | 25 25 | 125 70 | °C |
| I _{OH} | Output Current — High | 54, 74 | | | -3.0 | mA |
| I _{OL} | Output Current — Low | 54, 74 | | | 24 | mA |

DC CHARACTERISTICS OVER OPERATING TEMPERATURE RANGE (unless otherwise specified)

| SYMBOL | PARAMETER | LIMITS | | | UNITS | TEST CONDITIONS | |
|------------------|---------------------------------------|--------|------|------|-------|---|--------------------------|
| | | MIN | TYP | MAX | | | |
| V _{IH} | Input HIGH Voltage | 2.0 | | | V | Guaranteed Input HIGH Voltage | |
| V _{IL} | Input LOW Voltage | | | 0.8 | V | Guaranteed Input LOW Voltage | |
| V _{IK} | Input Clamp Diode Voltage | | | -1.2 | V | I _{IN} = -18 mA | V _{CC} = MIN |
| V _{OH} | Output HIGH Voltage | 54 | 2.5 | 3.4 | V | I _{OH} = -1.0 mA | V _{CC} = 4.50 V |
| | | 54 | 2.4 | 3.3 | V | I _{OH} = -3.0 mA | |
| | | 74 | 2.5 | 3.3 | V | I _{OH} = -3.0 mA | |
| | | 74 | 2.7 | 3.3 | V | I _{OH} = -3.0 mA | |
| V _{OL} | Output LOW Voltage | | 0.35 | 0.5 | V | I _{OL} = 24 mA | V _{CC} = MIN |
| I _{OZH} | Output OFF Current — HIGH | | | 50 | μA | V _{OUT} = 2.7 V | V _{CC} = MAX |
| I _{OZL} | Output OFF Current — LOW | | | -50 | μA | V _{OUT} = 0.5 V | V _{CC} = MAX |
| I _{IH} | Input HIGH Current | | | 20 | μA | V _{IN} = 2.7 V | V _{CC} = MAX |
| | | | | 100 | | V _{IN} = 7.0 V | |
| I _{IL} | Input LOW Current | | | -0.6 | mA | V _{IN} = 0.5 V | V _{CC} = MAX |
| I _{OS} | Output Short Circuit Current (Note 2) | -60 | | -150 | mA | V _{OUT} = 0 V | V _{CC} = MAX |
| I _{CCH} | Power Supply Current | | 6.2 | 9.5 | mA | S, I _{1x} = 4.5 V O _E , I _{0x} = Gnd | V _{CC} = MAX |
| I _{CCL} | | | 15.1 | 23 | | I _{1x} = 4.5 V O _E , I _{0x} , S = Gnd | |
| I _{CCZ} | | | 11.3 | 17 | | S, I _{0x} = Gnd O _E , I _{1x} = 4.5 V | |

NOTES:

1. For conditions such as MIN or MAX, use the appropriate value specified under guaranteed operating ranges.
2. Not more than one output should be shorted at a time, nor for more than 1 second.

4

FUNCTIONAL DESCRIPTION — The F258 is a quad 2-input multiplexer with 3-state outputs. It selects four bits of data from two sources under control of a common Select input (S). When the Select input is LOW, the I_{0x} inputs are selected and when Select is HIGH, the I_{1x} inputs are selected. The data on the selected inputs appears at the outputs in inverted form. The F258 is the logic implementation of a 4-pole, 2-position switch where the position of the switch is determined by the logic levels supplied to the Select input. The logic equations for the outputs are shown below:

$$\begin{aligned} \bar{Z}_a &= \overline{OE} \cdot (I_{1a} \cdot S + I_{0a} \cdot \bar{S}) & \bar{Z}_b &= \overline{OE} \cdot (I_{1b} \cdot S + I_{0b} \cdot \bar{S}) \\ \bar{Z}_c &= \overline{OE} \cdot (I_{1c} \cdot S + I_{0c} \cdot \bar{S}) & \bar{Z}_d &= \overline{OE} \cdot (I_{1d} \cdot S + I_{0d} \cdot \bar{S}) \end{aligned}$$

When the Output Enable input (\overline{OE}) is HIGH, the outputs are forced to a high impedance OFF state. If the outputs of the 3-state devices are tied together, all but one device must be in the high impedance state to avoid high currents that would exceed the maximum ratings. Designers should ensure that Output Enable signals to 3-state devices whose outputs are tied together are designed so there is no overlap.

AC CHARACTERISTICS

| SYMBOL | PARAMETER | 54/74F | | | 54F | | 74F | | UNITS |
|------------------|-------------------------------|--|-----|-----|--|------|---|-----|-------|
| | | T _A = +25°C V _{CC} = +5.0 V C _L = 50 pF | | | T _A = -55 to +125°C V _{CC} = 5.0 V ±10% C _L = 50 pF | | T _A = 0 to +70°C V _{CC} = 5.0 V ±10% C _L = 50 pF | | |
| | | MIN | TYP | MAX | MIN | MAX | MIN | MAX | |
| t _{PLH} | Propagation Delay | 2.5 | 4.0 | 5.3 | 2.0 | 7.5 | 2.5 | 6.0 | ns |
| t _{PHL} | I _n to \bar{Z}_n | 1.5 | 3.5 | 4.7 | 1.5 | 6.0 | 1.5 | 5.5 | |
| t _{PLH} | Propagation Delay | 4.0 | 6.5 | 8.5 | 4.0 | 12 | 4.0 | 9.5 | ns |
| t _{PHL} | S to \bar{Z}_n | 4.0 | 7.3 | 9.5 | 4.0 | 11.5 | 4.0 | 11 | |
| t _{PZH} | Output Enable Time | 3.0 | 5.9 | 7.5 | 3.0 | 11 | 3.0 | 8.5 | ns |
| t _{PZL} | | 3.0 | 5.5 | 7.5 | 3.0 | 9.5 | 3.0 | 8.5 | |
| t _{PZH} | Output Disable Time | 2.0 | 4.3 | 6.0 | 1.5 | 7.0 | 2.0 | 7.0 | ns |
| t _{PZL} | | 2.0 | 4.5 | 6.0 | 2.0 | 9.0 | 2.0 | 7.0 | |

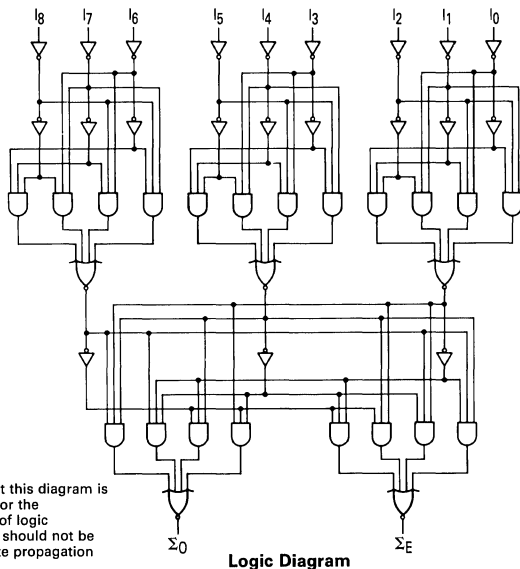




Fast Schottky TTL

9-Bit Parity Generator/Checker

The MC54/74F280 is a high-speed parity generator/checker that accepts nine bits of input data and detects whether an even or an odd number of these inputs is HIGH. If an even number of inputs is HIGH, the Sum Even output is HIGH. If an odd number is HIGH, the Sum Even output is LOW. The Sum Odd output is the complement of the Sum Even output.



Please note that this diagram is provided only for the understanding of logic operations and should not be used to estimate propagation delays.

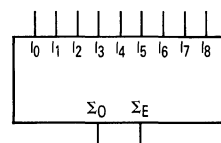
Logic Diagram

TRUTH TABLE

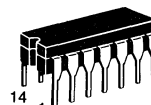
| Number of HIGH Inputs I_0-I_8 | Outputs | |
|------------------------------------|---------------|--------------|
| | Σ Even | Σ Odd |
| 0, 2, 4, 6, 8 | H | L |
| 1, 3, 5, 7, 9 | L | H |

H = HIGH Voltage Level L = LOW Voltage Level

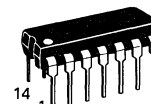
MC54F280
MC74F280



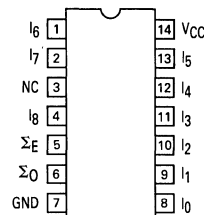
LOGIC SYMBOL



CASE 632-07



CASE 646-05



CONNECTION DIAGRAM

GUARANTEED OPERATING RANGES

| Symbol | Parameter | | Min | Typ | Max | Unit |
|--------|-------------------------------------|--------|-----|-----|-----|------|
| VCC | Supply Voltage | 54, 74 | 4.5 | 5 | 5.5 | V |
| TA | Operating Ambient Temperature Range | 54 | -55 | 25 | 125 | °C |
| | | 74 | 0 | 25 | 70 | |
| IOH | Output Current — High | 54, 74 | | | -1 | mA |
| IOL | Output Current — Low | 54, 74 | | | 20 | mA |

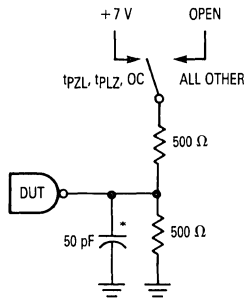
DC CHARACTERISTICS OVER OPERATING TEMPERATURE RANGE (unless otherwise specified)

| Symbol | Parameter | Limits | | | Units | Test Conditions |
|-----------------|--------------------------------|--------|-----|------|-------|--|
| | | Min | Typ | Max | | |
| V _{IH} | Input HIGH Voltage | 2 | | | V | Guaranteed Input HIGH Voltage for All Inputs |
| V _{IL} | Input LOW Voltage | | | 0.8 | V | Guaranteed Input LOW Voltage for All Inputs |
| V _{IK} | Input Clamp Diode Voltage | | | -1.2 | V | V _{CC} = MIN, I _{IIN} = -18 mA |
| V _{OH} | Output HIGH Voltage | 54 | 2.5 | 3.4 | V | V _{CC} = MIN, I _{OH} = -1 mA, V _{IN} = V _{IH} or V _{IL} per Truth Table |
| | | 74 | 2.7 | 3.4 | V | |
| V _{OL} | Output LOW Voltage | 54 | | 0.30 | V | I _{OL} = 20 mA, V _{CC} = V _{CC} MIN, V _{IN} = V _{IL} or V _{IH} per Truth Table |
| | | 74 | | 0.35 | V | |
| I _{IH} | Input HIGH Current | | | 20 | μA | V _{CC} = MAX, V _{IN} = 2.7 V |
| | | | | 100 | μA | V _{CC} = MAX, V _{IN} = 7 V |
| I _{IL} | Input LOW Current | | | -0.6 | mA | V _{CC} = MAX, V _{IN} = 0.5 V |
| I _{OS} | Short Circuit Current (Note 2) | -60 | | -150 | mA | V _{CC} = MAX, V _{OUT} = 0 V |
| I _{CC} | Power Supply Current | | 25 | 38 | mA | V _{CC} = MAX |

NOTES: 1. For conditions such as MIN or MAX, use the appropriate value specified under guaranteed operating ranges.
 2. Not more than one output should be shorted at a time, nor for more than 1 second.

AC CHARACTERISTICS

| Symbol | Parameter | 54/74F T _A = +25°C V _{CC} = +5 V C _L = 50 pF | | | 54F T _A = -55 to +125°C V _{CC} = 5 V ±10% C _L = 50 pF | | 74F T _A = 0 to +70°C V _{CC} = 5 V ±10% C _L = 50 pF | | Units |
|--------------------------------------|---|--|-----|-----|---|-----|--|-----|-------|
| | | Min | Typ | Max | Min | Max | Min | Max | |
| t _{PLH} t _{PHL} | Propagation Delay I _N to Σ _E | 6.5 | 10 | 15 | 6.5 | 20 | 6.5 | 16 | ns |
| | | 6.5 | 11 | 16 | 6.5 | 21 | 6.5 | 17 | |
| t _{PLH} t _{PHL} | Propagation Delay I _N to Σ _O | 5.0 | 10 | 15 | 5.0 | 20 | 5.0 | 16 | ns |
| | | 6.5 | 11 | 16 | 6.5 | 21 | 6.5 | 17 | |



*INCLUDES JIG AND PROBE CAPACITANCE

Figure 1. Test Load

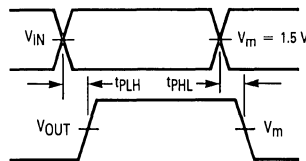


Figure 2. Whether Response Is Inverting or Non-Inverting Depends on Specific Truth Table Conditions



MOTOROLA

Advance Information

4-BIT BINARY FULL ADDER (With Fast Carry)

DESCRIPTION — MC54F/74F283 high-speed 4-bit binary full adder with internal carry lookahead accepts two 4-bit binary words (A₀ - A₃, B₀ - B₃) and a Carry input (C₀). It generates the binary Sum outputs (S₀ - S₃) and the Carry output (C₄) from the most significant bit. The 'F283 will operate with either active-HIGH or active-LOW operands (positive or negative logic).

FUNCTIONAL DESCRIPTION — The 'F283 adds two 4-bit binary words (A plus B) plus the incoming carry C₀. The binary sum appears on the Sum (S₀ - S₃) and outgoing carry (C₄) outputs. The binary weight of the various inputs and outputs is indicated by the subscript numbers, representing powers of two.

$$\begin{aligned} &2^0 (A_0 + B_0 + C_0) + 2^1 (A_1 + B_1) \\ &\quad + 2^2 (A_2 + B_2) + 2^3 (A_3 + B_3) \\ = &S_0 + 2S_1 + 4S_2 + 8S_3 + 16C_4 \end{aligned}$$

Where (+) = plus

Interchanging inputs of equal weight does not affect the operation. Thus C₀, A₀, B₀ can be arbitrarily assigned to pins 5, 6 and 7. Due to the symmetry of the binary add function, the 'F283 can be used either with all inputs and outputs active HIGH (positive logic) or with all inputs and outputs active LOW (negative logic). See Figure A. Note that if C₀ is not used it must be tied LOW for active-HIGH logic or tied HIGH for active-LOW logic.

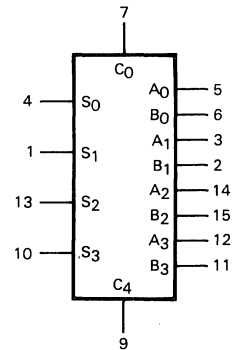
Due to pin limitations, the intermediate carries of the 'F283 are not brought out for use as inputs or outputs. However, other means can be used to effectively insert a carry into, or bring a carry out from, an intermediate stage. Figure B shows how to make a 3-bit adder. Tying the operand inputs of the fourth adder (A₃, B₃) LOW makes S₃ dependent only on, and equal to, the carry from the third adder. Using somewhat the same principle, Figure C shows a way of dividing the 'F283 into a 2-bit and a 1-bit adder. The third stage adder (A₂, B₂, S₂) is used merely as a means of getting a carry (C₁₀) signal into the fourth stage (via A₂ and B₂) and bringing out the carry from the second stage on S₂. Note that as long as A₂ and B₂ are the same, whether HIGH or LOW, they do not influence S₂. Similarly, when A₂ and B₂ are the same the carry into the third stage does not influence the carry out of the third stage. Figure D shows a method of implementing a 5-input encoder, where the inputs are equally weighted. The outputs S₀, S₁ and S₂ present a binary number equal to the number of inputs I₁ - I₅ that are true. Figure E shows one method of implementing a 5-input majority gate. When three or more of the inputs I₁ - I₅ are true, the output M₅ is true.

MC54F283 MC74F283

4-BIT BINARY FULL ADDER (With Fast Carry)

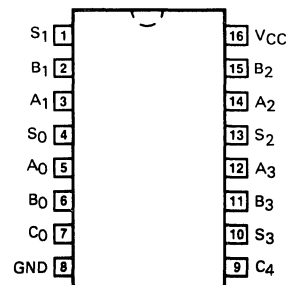
FAST™ SCHOTTKY TTL

LOGIC SYMBOL



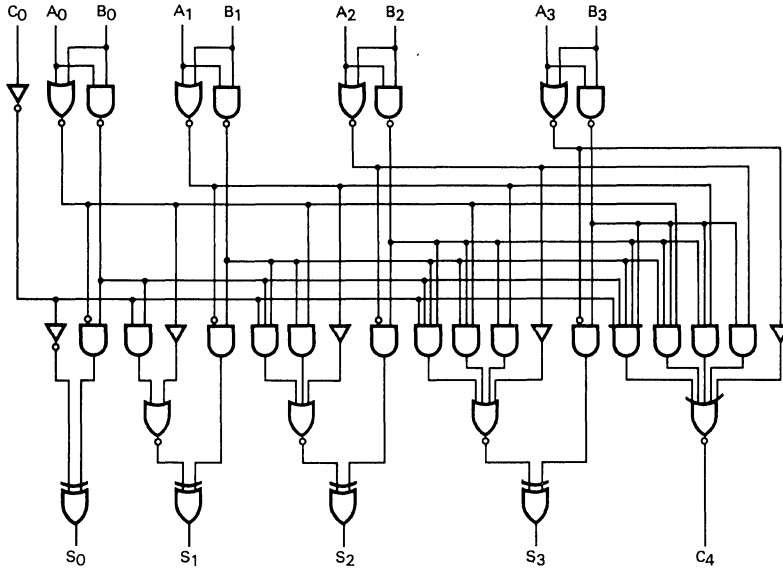
V_{CC} = Pin 16
GND = Pin 8

CONNECTION DIAGRAM



J Suffix — Case 620-08
(Ceramic)
N Suffix — Case 648-05
(Plastic)

LOGIC DIAGRAM



Please note that this diagram is provided only for the understanding of logic operations and should not be used to estimate propagation delays.



GUARANTEED OPERATING RANGES

| SYMBOL | PARAMETER | | MIN | TYP | MAX | UNIT |
|--------|-------------------------------------|--------|------|-----|------|------|
| VCC | Supply Voltage | 54, 74 | 4.50 | 5.0 | 5.50 | V |
| TA | Operating Ambient Temperature Range | 54 | -55 | 25 | 125 | °C |
| | | 74 | 0 | 25 | 70 | |
| IOH | Output Current — High | 54, 74 | — | — | -1.0 | mA |
| IOL | Output Current — Low | 54, 74 | — | — | 20 | mA |

FIGURE A — Active-HIGH versus Active-LOW Interpretation

| | C0 | A0 | A1 | A2 | A3 | B0 | B1 | B2 | B3 | S0 | S1 | S2 | S3 | C4 |
|--------------|----|----|----|----|----|----|----|----|----|----|----|----|----|----|
| Logic Levels | L | L | H | L | H | H | L | L | H | H | H | L | L | H |
| Active HIGH | 0 | 0 | 1 | 0 | 1 | 1 | 0 | 0 | 1 | 1 | 1 | 0 | 0 | 1 |
| Active LOW | 1 | 1 | 0 | 1 | 0 | 0 | 1 | 1 | 0 | 0 | 0 | 1 | 1 | 0 |

Active HIGH: $0 + 10 + 9 = 3 + 16$ Active LOW: $1 + 5 + 6 = 12 + 0$

FIGURE B — 3-Bit Adder

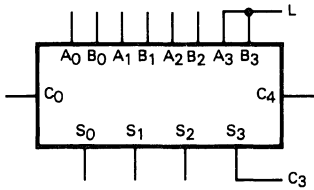


FIGURE C — 2-Bit and 1-Bit Adders

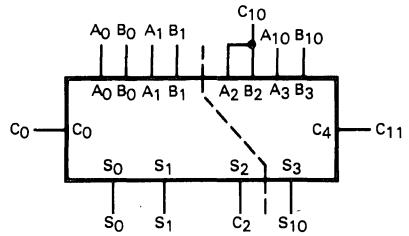


FIGURE D — 5-Input Encoder

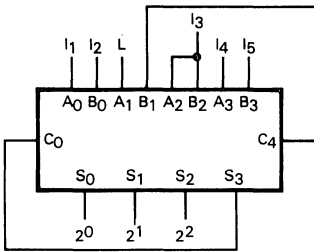
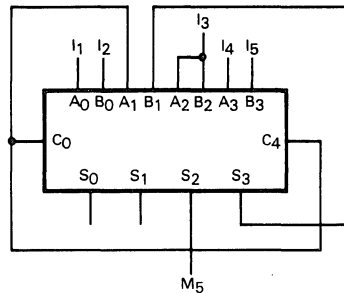


FIGURE E — 5-Input Majority Gate



4

DC CHARACTERISTICS OVER OPERATING TEMPERATURE RANGE (unless otherwise specified)

| SYMBOL | PARAMETER | LIMITS | | | UNITS | TEST CONDITIONS | |
|-----------------|---|--------|------|------|-------|-------------------------------|--------------------------|
| | | MIN | TYP | MAX | | | |
| V _{IH} | Input HIGH Voltage | 2.0 | | | V | Guaranteed Input HIGH Voltage | |
| V _{IL} | Input LOW Voltage | | | 0.8 | V | Guaranteed Input LOW Voltage | |
| V _{IK} | Input Clamp Diode Voltage | | | -1.2 | V | I _{IN} = -18 mA | V _{CC} = MIN |
| V _{OH} | Output HIGH Voltage | 54, 74 | 2.5 | 3.4 | V | I _{OH} = -1.0 mA | V _{CC} = 4.50 V |
| | | 74 | 2.7 | 3.4 | V | I _{OH} = -1.0 mA | V _{CC} = 4.75 V |
| V _{OL} | Output LOW Voltage | | 0.35 | 0.5 | V | I _{OL} = 20 mA | V _{CC} = MIN |
| I _{IH} | Input HIGH Current | | | 20 | μA | V _{IN} = 2.7 V | V _{CC} = MAX |
| | | | | 100 | μA | V _{IN} = 7.0 V | |
| I _{IL} | Input LOW Current C ₀ Input A and B Inputs | | | -0.6 | mA | V _{IN} = 0.5 V | V _{CC} = MAX |
| | | | | -1.2 | mA | | |
| I _{OS} | Output Short Circuit Current (Note 2) | -60 | | -150 | mA | V _{OUT} = 0 V | V _{CC} = MAX |
| I _{CC} | Power Supply Current | | 36 | 55 | mA | Inputs = 4.5 V | V _{CC} = MAX |

NOTES:

1. For conditions such as MIN or MAX, use the appropriate value specified under guaranteed operating ranges.
2. Not more than one output should be shorted at a time, nor for more than 1 second.

AC CHARACTERISTICS

| SYMBOL | PARAMETER | 54/74F | | | 54F | | 74F | | UNITS |
|--------|--|--|-----|-----|--|------|---|------|-------|
| | | T _A = +25°C V _{CC} = +5.0 V C _L = 50 pF | | | T _A = -55 to +125°C V _{CC} = 5.0 V ±10% C _L = 50 pF | | T _A = 0 to +70°C V _{CC} = 5.0 V ±10% C _L = 50 pF | | |
| | | MIN | TYP | MAX | MIN | MAX | MIN | MAX | |
| tPLH | Propagation Delay | 3.5 | 7.0 | 9.5 | 3.5 | 14 | 3.5 | 10.5 | ns |
| tPHL | C ₀ to S _n | 4.0 | 7.0 | 9.5 | 4.0 | 14 | 4.0 | 10.5 | |
| tPLH | Propagation Delay | 4.0 | 7.0 | 9.5 | 4.0 | 14 | 4.0 | 10.5 | ns |
| tPHL | A _n or B _n to S _n | 3.5 | 7.0 | 9.5 | 3.5 | 14 | 3.5 | 10.5 | |
| tPLH | Propagation Delay | 3.5 | 5.7 | 7.5 | 3.5 | 10.5 | 3.5 | 8.5 | ns |
| tPHL | C ₀ to C ₄ | 3.0 | 5.4 | 7.0 | 3.0 | 10 | 3.0 | 8.0 | |
| tPLH | Propagation Delay | 3.5 | 5.7 | 7.5 | 3.5 | 10.5 | 3.5 | 8.5 | ns |
| tPHL | A _n or B _n to C ₄ | 3.0 | 5.3 | 7.0 | 3.0 | 10 | 3.0 | 8.0 | |



Advance Information

4-BIT SHIFTER (With 3-State Outputs)

DESCRIPTION — MC54F/74F350 is a specialized multiplexer that accepts a 4-bit word and shifts it 0, 1, 2 or 3 places, as determined by two Select (S_0, S_1) inputs. For expansion to longer words, three linking inputs are provided for lower-order bits; thus two packages can shift an 8-bit word, four packages a 16-bit word, etc. Shifting by more than three places is accomplished by paralleling the 3-state outputs of different packages and using the Output Enable (\overline{OE}) inputs as a third Select level. With appropriate interconnections, the 'F350 can perform zero-backfill, sign-extend or end-around (barrel) shift functions.

- Linking Inputs for Word Expansion
- 3-State Outputs for Extending Shift Range

FUNCTIONAL DESCRIPTION — The 'F350 is operationally equivalent to a 4-input multiplexer with the inputs connected so that the select code causes successive one-bit shifts of the data word. This internal connection makes it possible to perform shifts of 0, 1, 2 or 3 places on words of any length.

A 7-bit data word is introduced at the I_n inputs and is shifted according to the code applied to the select inputs S_0, S_1 . Outputs O_0-O_3 are 3-state, controlled by an active-LOW output enable (\overline{OE}). When \overline{OE} is LOW, data outputs will follow selected data inputs; when HIGH, the data outputs will be forced to the high-impedance state. This feature allows shifters to be cascaded on the same output lines or to a common bus. The shift function can be logical, with zeros pulled in at either or both ends of the shifting field; arithmetic, where the sign bit is repeated during a shift down; or end around, where the data word forms a continuous loop.

LOGIC EQUATIONS

$$O_0 = \overline{S_0} \overline{S_1} I_0 + S_0 \overline{S_1} I_{-1} + \overline{S_0} S_1 I_{-2} + S_0 S_1 I_{-3}$$

$$O_1 = \overline{S_0} \overline{S_1} I_1 + S_0 \overline{S_1} I_0 + \overline{S_0} S_1 I_{-1} + S_0 S_1 I_{-2}$$

$$O_2 = \overline{S_0} \overline{S_1} I_2 + S_0 \overline{S_1} I_1 + \overline{S_0} S_1 I_0 + S_0 S_1 I_{-1}$$

$$O_3 = \overline{S_0} \overline{S_1} I_3 + S_0 \overline{S_1} I_2 + \overline{S_0} S_1 I_1 + S_0 S_1 I_0$$

TRUTH TABLE

| INPUTS | | | OUTPUTS | | | |
|-----------------|-------|-------|----------|----------|----------|-------|
| \overline{OE} | S_1 | S_0 | O_0 | O_1 | O_2 | O_3 |
| H | X | X | Z | Z | Z | Z |
| L | L | L | I_0 | I_1 | I_2 | I_3 |
| L | L | H | I_{-1} | I_0 | I_1 | I_2 |
| L | H | L | I_{-2} | I_{-1} | I_0 | I_1 |
| L | H | H | I_{-3} | I_{-2} | I_{-1} | I_0 |

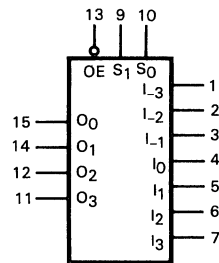
H = HIGH Voltage Level
L = LOW Voltage Level
Z = High Impedance
X = Immaterial

MC54F350 MC74F350

4-BIT SHIFTER (With 3-State Outputs)

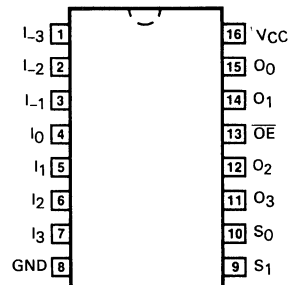
FAST™ SCHOTTKY TTL

LOGIC SYMBOL



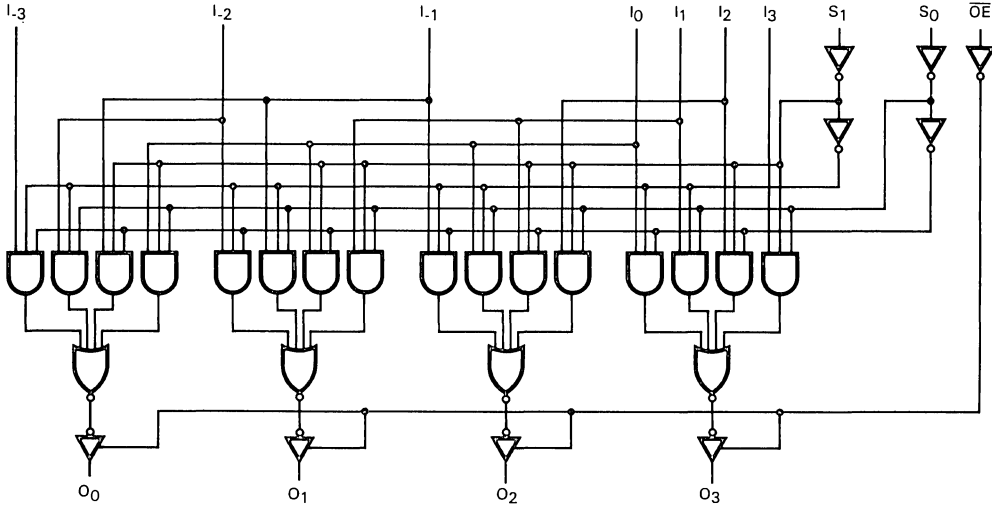
V_{CC} = Pin 16
GND = Pin 8

CONNECTION DIAGRAM



J Suffix — Case 620-08
(Ceramic)
N Suffix — Case 648-05
(Plastic)

LOGIC DIAGRAM



GUARANTEED OPERATING RANGES

| SYMBOL | PARAMETER | | MIN | TYP | MAX | UNIT |
|-----------------|-------------------------------------|--------|------|-----|------|------|
| V _{CC} | Supply Voltage | 54, 74 | 4.50 | 5.0 | 5.50 | V |
| T _A | Operating Ambient Temperature Range | 54 | -55 | 25 | 125 | °C |
| | | 74 | 0 | 25 | 70 | |
| I _{OH} | Output Current — High | 54, 74 | — | — | -3.0 | mA |
| I _{OL} | Output Current — Low | 54, 74 | — | — | 24 | mA |



DC CHARACTERISTICS OVER OPERATING TEMPERATURE RANGE (unless otherwise specified)

| SYMBOL | PARAMETER | LIMITS | | | UNITS | TEST CONDITIONS | |
|------------------|---------------------------------------|--------|-----|-----|-------|-------------------------------------|---|
| | | MIN | TYP | MAX | | | |
| V _{IH} | Input HIGH Voltage | 2.0 | | | V | Guaranteed Input HIGH Voltage | |
| V _{IL} | Input LOW Voltage | | | | 0.8 | Guaranteed Input LOW Voltage | |
| V _{IK} | Input Clamp Diode Voltage | | | | -1.2 | I _{IIN} = -18 mA | V _{CC} = MIN |
| V _{OH} | Output HIGH Voltage | 54 | 2.5 | 3.4 | V | I _{OH} = -1.0 mA | V _{CC} = MIN |
| | | 54 | 2.4 | 3.3 | V | I _{OH} = -3.0 mA | |
| | | 74 | 2.7 | 3.3 | V | I _{OH} = -3.0 mA | |
| V _{OL} | Output LOW Voltage | 0.35 | | | 0.5 | V | I _{OL} = 20 mA, V _{CC} = MIN |
| I _{OZH} | Output OFF Current — HIGH | | | | 50 | μA | V _{OUT} = 2.7 V, V _{CC} = MAX |
| I _{OZL} | Output OFF Current — LOW | | | | -50 | μA | V _{OUT} = 0.5 V, V _{CC} = MAX |
| I _{IH} | Input HIGH Current | | | | 20 | μA | V _{IN} = 2.7 V, V _{CC} = MAX |
| | | | | | 100 | | V _{IN} = 7.0 V, V _{CC} = MAX |
| I _{IL} | Input LOW Current | | | | -1.2 | mA | V _{IN} = 0.5 V, V _{CC} = MAX |
| I _{OS} | Output Short Circuit Current (Note 2) | -60 | | | -150 | mA | V _{OUT} = 0 V, V _{CC} = MAX |
| I _{CCH} | Power Supply Current | 22 | | 35 | mA | Outputs HIGH, V _{CC} = Max | |
| I _{CCL} | | 26 | | 41 | | Outputs LOW | |
| I _{CCZ} | | 26 | | 42 | | Outputs OFF | |

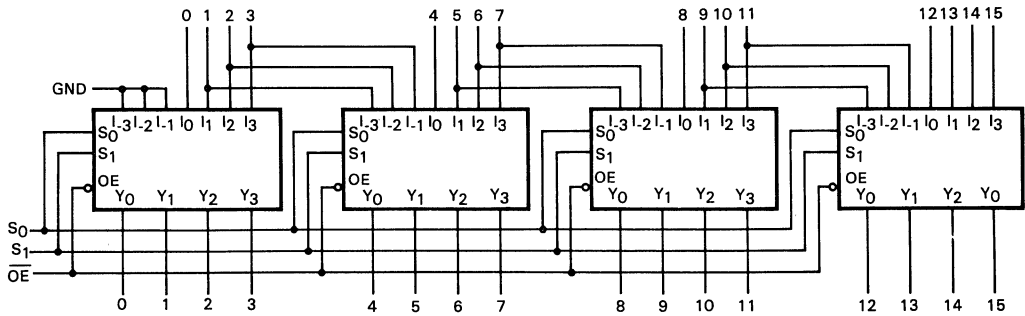
NOTES: 1. For conditions such as MIN or MAX, use the appropriate value specified under guaranteed operating ranges.
 2. Not more than one output should be shorted at a time, nor for more than 1 second.

AC CHARACTERISTICS

| SYMBOL | PARAMETER | 54/74F | | | 54F | | 74F | | UNITS |
|------------------|---|--|-----|-----|--|-----|---|-----|-------|
| | | T _A = +25°C V _{CC} = +5.0 V C _L = 50 pF | | | T _A = -55 to +125°C V _{CC} = 5.0 V ±10% C _L = 50 pF | | T _A = 0 to +70°C V _{CC} = 5.0 V ±10% C _L = 50 pF | | |
| | | MIN | TYP | MAX | MIN | MAX | MIN | MAX | |
| t _{PLH} | Propagation Delay I _n to O _n | 3.0 | 4.5 | 6.0 | 3.0 | 7.5 | 3.0 | 7.0 | ns |
| t _{PHL} | | 2.5 | 4.0 | 5.5 | 2.5 | 7.0 | 2.5 | 6.5 | |
| t _{PLH} | Propagation Delay S _n to O _n | 4.0 | 7.8 | 10 | 4.0 | 13 | 4.0 | 11 | ns |
| t _{PHL} | | 3.0 | 6.5 | 8.5 | 3.0 | 10 | 3.0 | 9.5 | |
| t _{PZH} | Output Enable Time | 2.5 | 5.0 | 7.0 | 2.5 | 8.5 | 2.5 | 8.0 | ns |
| t _{PZL} | | 4.0 | 7.0 | 9.0 | 4.0 | 11 | 4.0 | 10 | |
| t _{PHZ} | Output Disable Time | 2.0 | 3.9 | 5.5 | 2.0 | 7.0 | 2.0 | 6.5 | ns |
| t _{PLZ} | | 2.0 | 4.0 | 5.5 | 2.0 | 8.5 | 2.0 | 6.5 | |

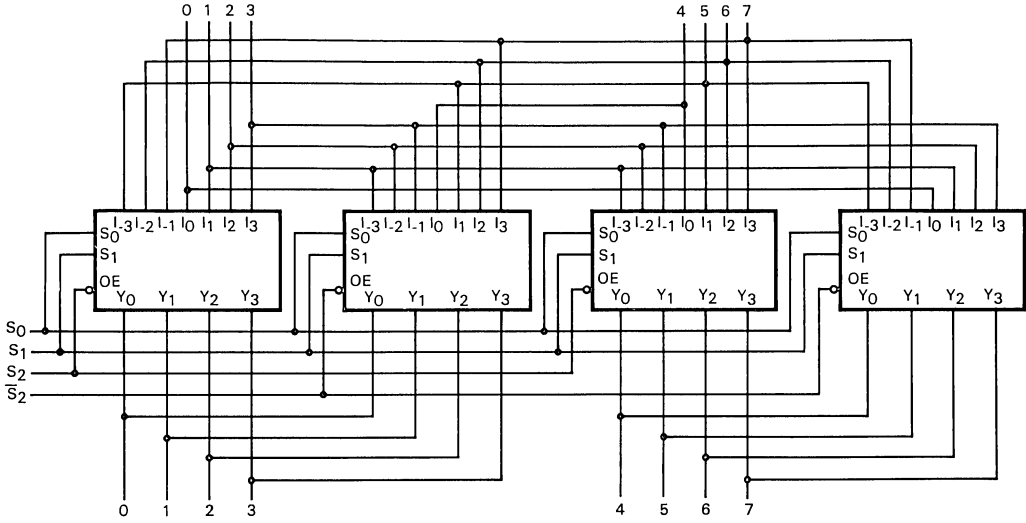
APPLICATIONS

16-Bit Shift-Up 0 to 3 Places, Zero Backfill



| S ₁ | S ₀ | |
|----------------|----------------|----------------|
| L | L | NO SHIFT |
| L | H | SHIFT 1 PLACE |
| H | L | SHIFT 2 PLACES |
| H | H | SHIFT 3 PLACES |

8-Bit End Around Shift 0 to 7 Places

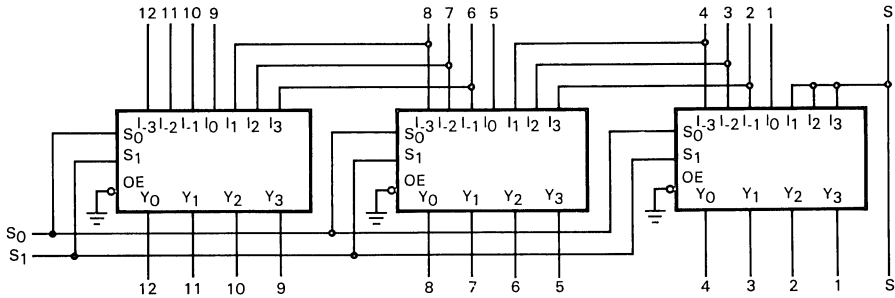


| S ₂ | S ₁ | S ₀ | |
|----------------|----------------|----------------|--------------------|
| L | L | L | NO SHIFT |
| L | L | H | SHIFT END AROUND 1 |
| L | H | L | SHIFT END AROUND 2 |
| L | H | H | SHIFT END AROUND 3 |
| H | L | L | SHIFT END AROUND 4 |

| S ₂ | S ₁ | S ₀ | |
|----------------|----------------|----------------|--------------------|
| H | L | H | SHIFT END AROUND 5 |
| H | H | L | SHIFT END AROUND 6 |
| H | H | H | SHIFT END AROUND 7 |



13-Bit Twos Complement Scaler



| S ₁ | S ₀ | SCALE |
|----------------|----------------|-----------|
| L | L | L ÷ 8 |
| L | H | L ÷ 4 |
| H | L | L ÷ 2 |
| H | H | NO CHANGE |

MC54F352 MC74F352

DUAL 4-INPUT MULTIPLEXER

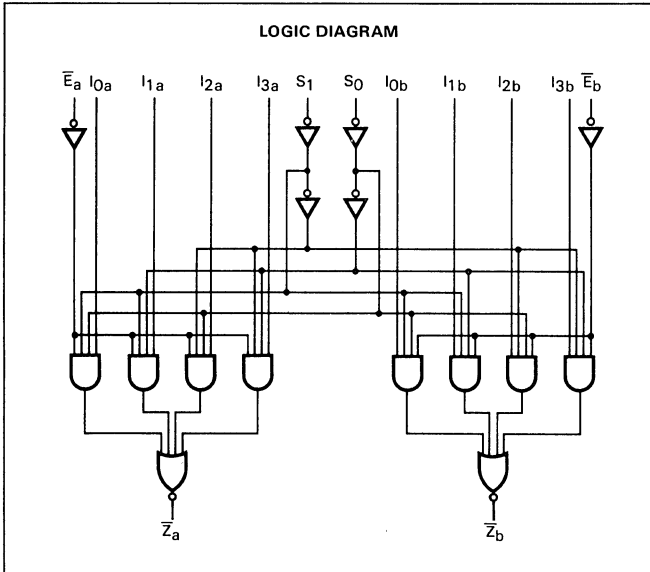
DESCRIPTION — The MC54F/74F352 is a very high speed dual 4-input multiplexer with common Select inputs and individual Enable inputs for each section. It can select two bits of data from four sources. The two buffered outputs present data in the inverted (complementary) form. The 'F352 is the functional equivalent of the 'F153 except with inverted outputs.

- Inverted Version of the 'F153
- Separate Enables for Each Multiplexer
- Input Clamp Diode Limits High Speed Termination Effects

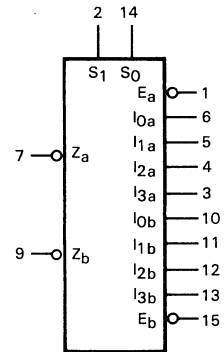
DUAL 4-INPUT MULTIPLEXER

FAST™ SCHOTTKY TTL

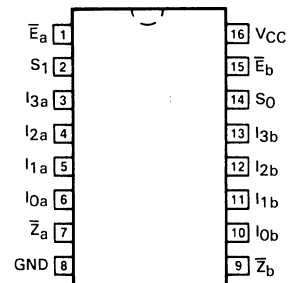
LOGIC DIAGRAM



LOGIC SYMBOL



CONNECTION DIAGRAM



J Suffix — Case 620-08
(Ceramic)
N Suffix — Case 648-05
(Plastic)

GUARANTEED OPERATING RANGES

| SYMBOL | PARAMETER | | MIN | TYP | MAX | UNIT |
|-----------------|-------------------------------------|--------|------|-----|------|------|
| V _{CC} | Supply Voltage | 54, 74 | 4.50 | 5.0 | 5.50 | V |
| T _A | Operating Ambient Temperature Range | 54 | -55 | 25 | 125 | °C |
| | | 74 | 0 | 25 | 70 | |
| I _{OH} | Output Current — High | 54, 74 | — | — | -1.0 | mA |
| I _{OL} | Output Current — Low | 54, 74 | — | — | 20 | mA |

FUNCTIONAL DESCRIPTION — The 'F352 is a dual 4-input multiplexer. It selects two bits of data from up to four sources under the control of the common Select inputs (S₀, S₁). The two 4-input multiplexer circuits have individual active-LOW Enables (\bar{E}_a , \bar{E}_b) which can be used to strobe the outputs independently. When the Enables (\bar{E}_a , \bar{E}_b) are HIGH, the corresponding outputs (\bar{Z}_a , \bar{Z}_b) are forced HIGH.

The logic equations for the outputs are shown below:

$$\bar{Z}_a = \bar{E}_a \cdot (I_{0a} \cdot \bar{S}_1 \cdot \bar{S}_0 + I_{1a} \cdot \bar{S}_1 \cdot S_0 + I_{2a} \cdot S_1 \cdot \bar{S}_0 + I_{3a} \cdot S_1 \cdot S_0)$$

$$\bar{Z}_b = \bar{E}_b \cdot (I_{0b} \cdot \bar{S}_1 \cdot \bar{S}_0 + I_{1b} \cdot \bar{S}_1 \cdot S_0 + I_{2b} \cdot S_1 \cdot \bar{S}_0 + I_{3b} \cdot S_1 \cdot S_0)$$

The 'F352 can be used to move data from a group of registers to a common output bus. The particular register from which the data came would be determined by the state of the Select inputs. A less obvious application is as a function generator. The 'F352 can generate two functions of three variables. This is useful for implementing highly irregular random logic.

TRUTH TABLE

| SELECT INPUTS | | \bar{E} | INPUTS (a or b) | | | | OUTPUT |
|----------------|----------------|-----------|-----------------|----------------|----------------|----------------|-----------|
| S ₀ | S ₁ | | I ₀ | I ₁ | I ₂ | I ₃ | \bar{Z} |
| X | X | H | X | X | X | X | H |
| L | L | L | L | X | X | X | H |
| L | L | L | H | X | X | X | L |
| H | L | L | X | L | X | X | H |
| H | L | L | X | H | X | X | L |
| L | H | L | X | X | L | X | H |
| L | H | L | X | X | H | X | L |
| H | H | L | X | X | X | L | H |
| H | H | L | X | X | X | H | L |

H = HIGH Voltage Level
 L = LOW Voltage Level
 X = Immaterial



DC CHARACTERISTICS OVER OPERATING TEMPERATURE RANGE (unless otherwise specified)

| SYMBOL | PARAMETER | LIMITS | | | UNITS | TEST CONDITIONS | |
|------------------|---------------------------------------|--------|------|------|-------|-------------------------------|--------------------------|
| | | MIN | TYP | MAX | | | |
| V _{IH} | Input HIGH Voltage | 2.0 | | | V | Guaranteed Input HIGH Voltage | |
| V _{IL} | Input LOW Voltage | | | 0.8 | V | Guaranteed Input LOW Voltage | |
| V _{IK} | Input Clamp Diode Voltage | | | -1.2 | V | I _{IN} = -18 mA | V _{CC} = MIN |
| V _{OH} | Output HIGH Voltage | 54, 74 | 2.5 | 3.4 | V | I _{OH} = -1.0 mA | V _{CC} = 4.50 V |
| | | 74 | 2.7 | 3.4 | V | I _{OH} = -1.0 mA | V _{CC} = 4.75 V |
| V _{OL} | Output LOW Voltage | | 0.35 | 0.5 | V | I _{OL} = 20 mA | V _{CC} = MIN |
| I _{IH} | Input HIGH Current | | | 20 | μA | V _{IN} = 2.7 V | V _{CC} = MAX |
| | | | | 100 | | V _{IN} = 7.0 V | |
| I _{IL} | Input LOW Current | | | -0.6 | mA | V _{IN} = 0.5 V | V _{CC} = MAX |
| I _{OS} | Output Short Circuit Current (Note 2) | -60 | | -150 | mA | V _{OUT} = 0 V | V _{CC} = MAX |
| I _{CCH} | Power Supply Current | | 9.3 | 14 | mA | V _{IN} = Gnd | V _{CC} = MAX |
| I _{CCL} | | | 13.3 | 20 | | V _{IN} = HIGH | |

NOTES:

1. For conditions such as MIN or MAX, use the appropriate value specified under guaranteed operating ranges.
2. Not more than one output should be shorted at a time, nor for more than 1 second.

4

AC CHARACTERISTICS

| SYMBOL | PARAMETER | 54/74F | | | 54F | | 74F | | UNITS |
|------------------|-------------------------------|--|-----|-----|--|-----|---|------|-------|
| | | T _A = +25°C V _{CC} = +5.0 V C _L = 50 pF | | | T _A = -55 to +125°C V _{CC} = 5.0 V ±10% C _L = 50 pF | | T _A = 0 to +70°C V _{CC} = 5.0 V ±10% C _L = 50 pF | | |
| | | MIN | TYP | MAX | MIN | MAX | MIN | MAX | |
| t _{PLH} | Propagation Delay | 3.5 | 7.4 | 11 | 3.0 | 14 | 3.0 | 12.5 | ns |
| t _{PHL} | S _N to \bar{Z}_N | 3.0 | 7.0 | 8.5 | 2.5 | 11 | 2.5 | 9.5 | |
| t _{PLH} | Propagation Delay | 2.5 | 5.0 | 7.0 | 2.0 | 10 | 2.0 | 8.0 | ns |
| t _{PHL} | \bar{E}_N to \bar{Z}_N | 3.0 | 5.0 | 7.0 | 2.5 | 9.0 | 2.5 | 8.0 | |
| t _{PLH} | Propagation Delay | 2.5 | 4.9 | 7.0 | 2.0 | 9.0 | 2.0 | 8.0 | ns |
| t _{PHL} | I _N to \bar{Z}_N | 1.5 | 3.0 | 3.5 | 1.0 | 5.0 | 1.0 | 4.0 | |



MC54F353 MC74F353

DUAL 4-INPUT MULTIPLEXER (With 3-State Outputs)

DESCRIPTION — The MC54F/74F353 is a dual 4-input multiplexer with 3-state outputs. It can select two bits of data from four sources using common Select inputs. The outputs may be individually switched to a high impedance state with a HIGH on the respective Output Enable (\overline{OE}) inputs, allowing the outputs to interface directly with bus oriented systems.

- Inverted Version of 'F253
- Multifunction Capability
- Separate Enables for Each Multiplexer

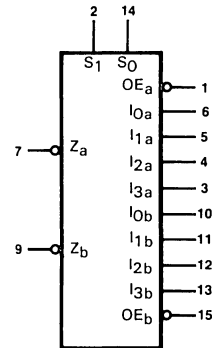
FUNCTIONAL DESCRIPTION — The 'F353 contains two identical 4-input multiplexers with 3-state outputs. They select two bits from four sources selected by common Select inputs (S_0, S_1). The 4-input multiplexers have individual Output enable ($\overline{OE}_a, \overline{OE}_b$) inputs which, when HIGH, force the outputs to a high impedance (high Z) state. The logic equations for the outputs are shown below:

$$\begin{aligned} \overline{Z}_a &= \overline{OE}_a \bullet (I_{0a} \bullet \overline{S}_1 \bullet \overline{S}_0 + I_{1a} \bullet \overline{S}_1 \bullet S_0 + \\ &\quad I_{2a} \bullet S_1 \bullet \overline{S}_0 + I_{3a} \bullet S_1 \bullet S_0) \\ \overline{Z}_b &= \overline{OE}_b \bullet (I_{0b} \bullet \overline{S}_1 \bullet \overline{S}_0 + I_{1b} \bullet \overline{S}_1 \bullet S_0 + \\ &\quad I_{2b} \bullet S_1 \bullet \overline{S}_0 + I_{3b} \bullet S_1 \bullet S_0) \end{aligned}$$

If the outputs of 3-state devices are tied together, all but one device must be in the high impedance state to avoid high currents that would exceed the maximum ratings. Designers should ensure that Output Enable signals to 3-state devices whose outputs are tied together are designed so that there is no overlap.

DUAL 4-INPUT MULTIPLEXER (With 3-State Outputs)

LOGIC SYMBOL



V_{CC} = Pin 16
GND = Pin 8

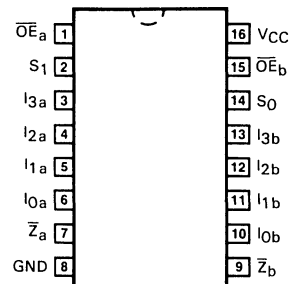
TRUTH TABLE

| SELECT INPUTS | | DATA INPUTS | | | | OUTPUT ENABLE | OUTPUT |
|---------------|-------|-------------|-------|-------|-------|-----------------|----------------|
| S_0 | S_1 | I_0 | I_1 | I_2 | I_3 | \overline{OE} | \overline{Z} |
| X | X | X | X | X | X | H | (Z) |
| L | L | L | X | X | X | L | H |
| L | L | H | X | X | X | L | L |
| H | L | X | L | X | X | L | H |
| H | L | X | H | X | X | L | L |
| L | H | X | X | L | X | L | H |
| L | H | X | X | H | X | L | L |
| H | H | X | X | X | L | L | H |
| H | H | X | X | X | H | L | L |

H = HIGH Voltage Level
L = LOW Voltage Level
X = Immaterial
(Z) = High Impedance

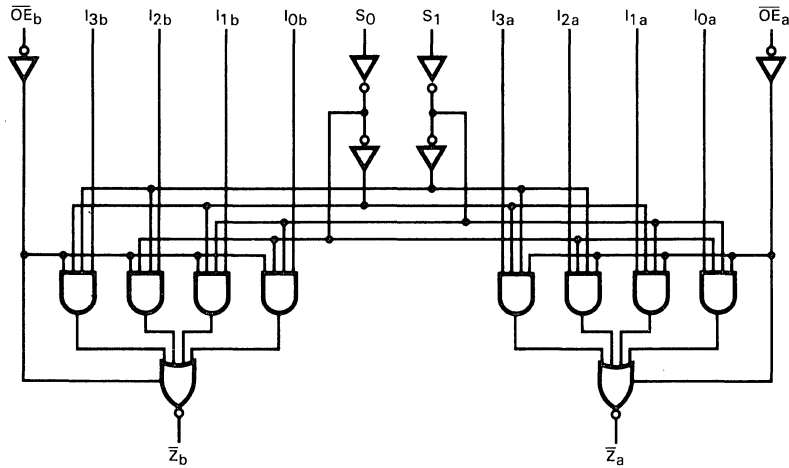
Address inputs S_0 and S_1 are common to both sections.

CONNECTION DIAGRAM



J Suffix — Case 620-08 (Ceramic)
N Suffix — Case 648-05 (Plastic)

LOGIC DIAGRAM



GUARANTEED OPERATING RANGES

| SYMBOL | PARAMETER | | MIN | TYP | MAX | UNIT |
|-----------------|-------------------------------------|--------|------|-----|------|------|
| V _{CC} | Supply Voltage | 54, 74 | 4.50 | 5.0 | 5.50 | V |
| T _A | Operating Ambient Temperature Range | 54 | -55 | 25 | 125 | °C |
| | | 74 | 0 | 25 | 70 | |
| I _{OH} | Output Current — High | 54, 74 | | | -3.0 | mA |
| I _{OL} | Output Current — Low | 54, 74 | | | 24 | mA |

AC CHARACTERISTICS

| SYMBOL | PARAMETER | 54/74F | | | 54F | | 74F | | UNITS |
|------------------|----------------------------------|--|-----|-----|--|------|---|------|-------|
| | | T _A = +25°C V _{CC} = +5.0 V C _L = 50 pF | | | T _A = -55 to +125°C V _{CC} = 5.0 V ±10% C _L = 50 pF | | T _A = 0 to +70°C V _{CC} = 5.0 V ±10% C _L = 50 pF | | |
| | | MIN | TYP | MAX | MIN | MAX | MIN | MAX | |
| t _{PLH} | Propagation Delay | 3.5 | 8.0 | 11 | 3.0 | 14 | 3.0 | 12.5 | ns |
| t _{PHL} | S _n to Z _n | 3.5 | 6.5 | 8.5 | 2.5 | 11 | 2.5 | 9.5 | |
| t _{PLH} | Propagation Delay | 2.5 | 5.6 | 7.0 | 2.0 | 9.0 | 2.0 | 8.0 | ns |
| t _{PHL} | I _n to Z _n | 1.0 | 2.5 | 3.5 | 1.0 | 5.0 | 1.0 | 4.0 | |
| t _{PZH} | Output Enable Time | 3.0 | 6.8 | 8.0 | 3.0 | 10.5 | 3.0 | 9.0 | ns |
| t _{PZL} | | 3.5 | 7.2 | 8.0 | 3.0 | 10.5 | 3.0 | 9.0 | |
| t _{PHZ} | Output Disable Time | 2.0 | 3.7 | 5.0 | 2.0 | 7.0 | 1.5 | 6.0 | ns |
| t _{PLZ} | | 2.0 | 4.4 | 6.0 | 1.5 | 8.0 | 1.5 | 7.0 | |

DC CHARACTERISTICS OVER OPERATING TEMPERATURE RANGE (unless otherwise specified)

| SYMBOL | PARAMETER | LIMITS | | | UNITS | TEST CONDITIONS | |
|------------------|---------------------------------------|--------|------|------|-------|---|--------------------------|
| | | MIN | TYP | MAX | | | |
| V _{IH} | Input HIGH Voltage | 2.0 | | | V | Guaranteed Input HIGH Voltage | |
| V _{IL} | Input LOW Voltage | | | 0.8 | V | Guaranteed Input LOW Voltage | |
| V _{IK} | Input Clamp Diode Voltage | | | -1.2 | V | I _{IN} = -18 mA | V _{CC} = MIN |
| V _{OH} | Output HIGH Voltage | 54 | 2.5 | 3.4 | V | I _{OH} = -1.0 mA | V _{CC} = 4.50 V |
| | | 54 | 2.4 | 3.3 | V | I _{OH} = -3.0 mA | |
| | | 74 | 2.5 | 3.3 | V | I _{OH} = -3.0 mA | V _{CC} = 4.75 V |
| | | 74 | 2.7 | 3.3 | V | I _{OH} = -3.0 mA | |
| V _{OL} | Output LOW Voltage | | 0.35 | 0.5 | V | I _{OL} = 24 mA | V _{CC} = MIN |
| I _{OZH} | Output OFF Current — HIGH | | | 50 | μA | V _{OUT} = 2.7 V | V _{CC} = MAX |
| I _{OZL} | Output OFF Current — LOW | | | -50 | μA | V _{OUT} = 0.5 V | V _{CC} = MAX |
| I _{IH} | Input HIGH Current | | | 20 | μA | V _{IN} = 2.7 V | V _{CC} = MAX |
| | | | | 100 | | V _{IN} = 7.0 V | |
| I _{IL} | Input LOW Current | | | -0.6 | mA | V _{IN} = 0.5 V | V _{CC} = MAX |
| I _{OS} | Output Short Circuit Current (Note 2) | -60 | | -150 | mA | V _{OUT} = 0 V | V _{CC} = MAX |
| I _{CC} | Power Supply Current | | 9.3 | 14 | mA | I _n , S _n , $\overline{O}E_n$ = Gnd | V _{CC} = Max |
| I _{CCL} | | | 13.3 | 20 | | I _n , S _n = Gnd | |
| I _{CCZ} | | | 15 | 23 | | $\overline{O}E_n$ = 4.5 V | |

NOTES:

- For conditions such as MIN or MAX, use the appropriate value specified under recommended operating conditions for the applicable device type.
- Not more than one output should be shorted at a time, nor for more than 1 second.



MOTOROLA

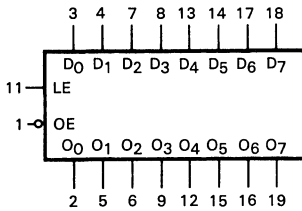
**MC54F373
MC74F373**

**OCTAL TRANSPARENT LATCH
(With 3-State Inputs)**

DESCRIPTION — The MC54F/74F373 consists of eight latches with 3-state outputs for bus organized system applications. The flip-flops appear transparent to the data when Latch Enable (LE) is HIGH. When LE is LOW, the data that meets the setup times is latched. Data appears on the bus when the Output Enable (\overline{OE}) is LOW. When \overline{OE} is HIGH the bus output is in the high impedance state.

- Eight Latches in a Single Package
- 3-State Outputs for Bus Interfacing

LOGIC SYMBOL

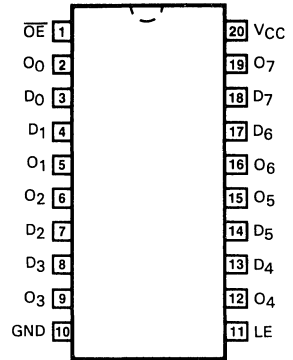


V_{CC} = Pin 20
GND = Pin 10

**OCTAL TRANSPARENT LATCH
(With 3-State Inputs)**

FAST™ SCHOTTKY TTL

CONNECTION DIAGRAM



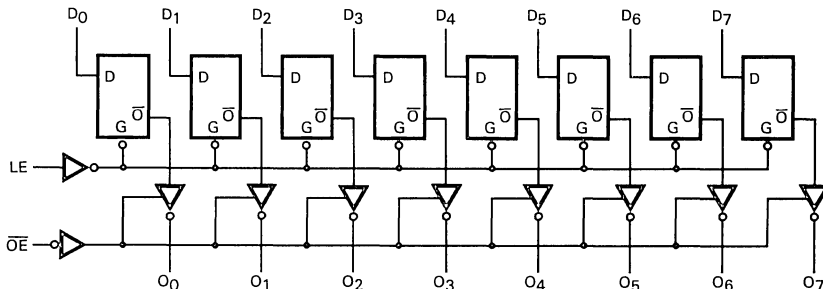
J Suffix — Case 732-03
(Ceramic)
N Suffix — Case 738-01
(Plastic)

GUARANTEED OPERATING RANGES

| SYMBOL | PARAMETER | | MIN | TYP | MAX | UNIT |
|-----------------|-------------------------------------|--------|------|-----|------|------|
| V _{CC} | Supply Voltage | 54, 74 | 4.50 | 5.0 | 5.50 | V |
| T _A | Operating Ambient Temperature Range | 54 | -55 | 25 | 125 | °C |
| | | 74 | 0 | 25 | 70 | |
| I _{OH} | Output Current — High | 54, 74 | | | -3.0 | mA |
| I _{OL} | Output Current — Low | 54, 74 | | | 24 | mA |

FUNCTIONAL DESCRIPTION — The 'F373 contains eight D-type latches with 3-state output buffers. When the Latch Enable (LE) input is HIGH, data on the D_n inputs enters the latches. In this condition the latches are transparent, i.e., a latch output will change state each time its D input changes. When LE is LOW the latches store the information that was present on the D inputs a setup time preceding the HIGH-to-LOW transition of LE. The 3-state buffers are controlled by the Output Enable (\overline{OE}) input. When \overline{OE} is LOW, the buffers are in the bi-state mode. When \overline{OE} is HIGH the buffers are in the high impedance mode but this does not interfere with entering new data into the latches.

LOGIC DIAGRAM



Please note that this diagram is provided only for the understanding of logic operations and should not be used to estimate propagation delays.

DC CHARACTERISTICS OVER OPERATING TEMPERATURE RANGE (unless otherwise specified)

| SYMBOL | PARAMETER | LIMITS | | | UNITS | TEST CONDITIONS | |
|-----------|---|--------|------|------|---------------|---------------------------------|---------------------------|
| | | MIN | TYP | MAX | | | |
| V_{IH} | Input HIGH Voltage | 2.0 | | | V | Guaranteed Input HIGH Voltage | |
| V_{IL} | Input LOW Voltage | | | 0.8 | V | Guaranteed Input LOW Voltage | |
| V_{IK} | Input Clamp Diode Voltage | | | -1.2 | V | $I_{IN} = -18 \text{ mA}$ | $V_{CC} = \text{MIN}$ |
| V_{OH} | Output HIGH Voltage | 54 | 2.5 | 3.4 | V | $I_{OH} = -1.0 \text{ mA}$ | $V_{CC} = 4.50 \text{ V}$ |
| | | 54 | 2.4 | 3.3 | V | $I_{OH} = -3.0 \text{ mA}$ | |
| | | 74 | 2.5 | 3.3 | V | $I_{OH} = -3.0 \text{ mA}$ | |
| | | 74 | 2.7 | 3.3 | V | $I_{OH} = -3.0 \text{ mA}$ | |
| V_{OL} | Output LOW Voltage | | 0.35 | 0.5 | V | $I_{OL} = 24 \text{ mA}$ | $V_{CC} = \text{MIN}$ |
| I_{OZH} | Output OFF Current — HIGH | | | 50 | μA | $V_{OUT} = 2.7 \text{ V}$ | $V_{CC} = \text{MAX}$ |
| I_{OZL} | Output OFF Current — LOW | | | -50 | μA | $V_{OUT} = 0.5 \text{ V}$ | $V_{CC} = \text{MAX}$ |
| I_{IH} | Input HIGH Current | | | 20 | μA | $V_{IN} = 2.7 \text{ V}$ | $V_{CC} = \text{MAX}$ |
| | | | | 100 | | $V_{IN} = 7.0 \text{ V}$ | |
| I_{IL} | Input LOW Current | | | -0.6 | mA | $V_{IN} = 0.5 \text{ V}$ | $V_{CC} = \text{MAX}$ |
| I_{OS} | Output Short Circuit Current (Note 2) | -60 | | -150 | mA | $V_{OUT} = 0 \text{ V}$ | $V_{CC} = \text{MAX}$ |
| I_{CCZ} | Power Supply Current (All Outputs OFF) | | 35 | 55 | mA | $\overline{OE} = 4.5 \text{ V}$ | $V_{CC} = \text{MAX}$ |
| | | | | | | $D_n, LE = \text{Gnd}$ | |

NOTES:

1. For conditions such as MIN or MAX, use the appropriate value specified under recommended operating conditions for the applicable device type.
2. Not more than one output should be shorted at a time, nor for more than 1 second.

AC CHARACTERISTICS

| SYMBOL | PARAMETER | 54/74F | | | 54F | | 74F | | UNITS |
|-----------|-------------------------------------|---|-----|------|--|------|---|-----|-------|
| | | $T_A = +25^\circ\text{C}$ $V_{CC} = +5.0\text{ V}$ $C_L = 50\text{ pF}$ | | | $T_A = -55\text{ to }+125^\circ\text{C}$ $V_{CC} = 5.0\text{ V} \pm 10\%$ $C_L = 50\text{ pF}$ | | $T_A = 0\text{ to }+70^\circ\text{C}$ $V_{CC} = 5.0\text{ V} \pm 10\%$ $C_L = 50\text{ pF}$ | | |
| | | MIN | TYP | MAX | MIN | MAX | MIN | MAX | |
| t_{PLH} | Propagation Delay D_n to O_n | 3.0 | 5.3 | 7.0 | 3.0 | 8.5 | 3.0 | 8.0 | ns |
| t_{PHL} | | 2.0 | 3.7 | 5.0 | 2.0 | 7.0 | 2.0 | 6.0 | |
| t_{PLH} | Propagation Delay LE to O_n | 5.0 | 9.0 | 11.5 | 5.0 | 15 | 5.0 | 13 | ns |
| t_{PHL} | | 3.0 | 5.2 | 7.0 | 3.0 | 8.5 | 3.0 | 8.0 | |
| t_{PZH} | Output Enable Time | 2.0 | 5.0 | 11 | 2.0 | 13.5 | 2.0 | 12 | ns |
| t_{PZL} | | 2.0 | 5.6 | 7.5 | 2.0 | 10 | 2.0 | 8.5 | |
| t_{PHZ} | Output Disable Time | 2.0 | 4.5 | 6.5 | 2.0 | 10 | 2.0 | 7.5 | ns |
| t_{PLZ} | | 2.0 | 3.8 | 6.0 | 2.0 | 7.0 | 2.0 | 6.0 | |

AC OPERATING REQUIREMENTS:

| SYMBOL | PARAMETER | 54/74F | | | 54F | | 74F | | UNITS |
|-----------|--|---|-----|-----|--|-----|---|-----|-------|
| | | $T_A = +25^\circ\text{C}$ $V_{CC} = +5.0\text{ V}$ | | | $T_A = -55\text{ to }+125^\circ\text{C}$ $V_{CC} = 5.0\text{ V} \pm 10\%$ | | $T_A = 0\text{ to }+70^\circ\text{C}$ $V_{CC} = 5.0\text{ V} \pm 10\%$ | | |
| | | MIN | TYP | MAX | MIN | MAX | MIN | MAX | |
| t_s (H) | Setup Time, HIGH or LOW D_n to LE | 2.0 | | | 2.0 | | 2.0 | | ns |
| t_s (L) | | 2.0 | | | 2.0 | | 2.0 | | |
| t_h (H) | Hold Time, High or LOW D_n to LE | 3.0 | | | 3.0 | | 3.0 | | |
| t_h (L) | | 3.0 | | | 3.0 | | 3.0 | | |
| t_w (H) | LE Pulse Width HIGH | 6.0 | | | 6.0 | | 6.0 | | ns |

**MC54F374
MC74F374**

**OCTAL D-TYPE FLIP-FLOP
(With 3-State Outputs)**

DESCRIPTION — The MC54F/74F374 is a high-speed, low-power octal D-type flip-flop featuring separate D-type inputs for each flip-flop and 3-state outputs for bus oriented applications. A buffered Clock (CP) and Output Enable (\overline{OE}) are common to all flip-flops.

- Edge-triggered D-Type Inputs
- Buffered Positive Edge-triggered Clock
- 3-State Outputs for Bus Oriented Applications

FUNCTIONAL DESCRIPTION — the 'F374 consists of eight edge-triggered flip-flops with individual D-type inputs and 3-state true outputs. The buffered clock and buffered Output Enable are common to all flip-flops. The eight flip-flops will store the state of their individual D inputs that meet the setup and hold times requirements on the LOW-to-HIGH Clock (CP) transition. With the Output Enable (\overline{OE}) LOW, the contents of the eight flip-flops are available at the outputs. When the \overline{OE} is HIGH, the outputs go to the high impedance state. Operation of the \overline{OE} input does not affect the state of the flip-flops.

TRUTH TABLE

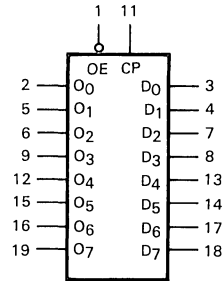
| INPUTS | | OUTPUTS | |
|--------|------------|-----------------|-------|
| D_n | CP | \overline{OE} | O_n |
| H | \nearrow | L | H |
| L | \nearrow | L | L |
| X | X | H | Z |

H = HIGH Voltage Level
L = LOW Voltage Level
X = Immaterial
Z = High Impedance

**OCTAL D-TYPE FLIP-FLOP
(With 3-State Outputs)**

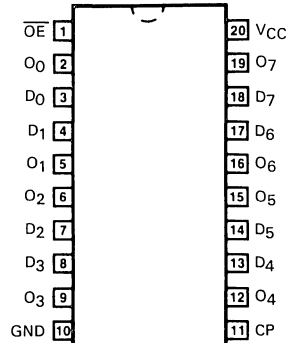
FAST™ SCHOTTKY TTL

LOGIC SYMBOL



V_{CC} = Pin 20
GND = Pin 10

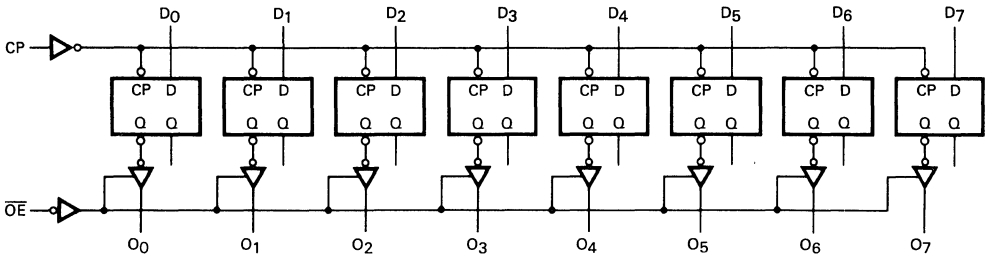
CONNECTION DIAGRAM



J Suffix — Case 732-03 (Ceramic)
N Suffix — Case 738-01 (Plastic)



LOGIC DIAGRAM



GUARANTEED OPERATING RANGES

| SYMBOL | PARAMETER | | MIN | TYP | MAX | UNIT |
|-----------------|-------------------------------------|----------|----------|----------|-----------|------|
| V _{CC} | Supply Voltage | 54, 74 | 4.50 | 5.0 | 5.50 | V |
| T _A | Operating Ambient Temperature Range | 54 74 | -55 0 | 25 25 | 125 70 | °C |
| I _{OH} | Output Current — High | 54, 74 | | | -3.0 | mA |
| I _{OL} | Output Current — Low | 54, 74 | | | 24 | mA |

DC CHARACTERISTICS OVER OPERATING TEMPERATURE RANGE (unless otherwise specified)

| SYMBOL | PARAMETER | LIMITS | | | UNITS | TEST CONDITIONS | |
|------------------|--|--------|------|------|-------|-----------------------------------|--------------------------|
| | | MIN | TYP | MAX | | | |
| V _{IH} | Input HIGH Voltage | 2.0 | | | V | Guaranteed Input HIGH Voltage | |
| V _{IL} | Input LOW Voltage | | | 0.8 | V | Guaranteed Input LOW Voltage | |
| V _{IK} | Input Clamp Diode Voltage | | | -1.2 | V | I _{IN} = -18 mA | V _{CC} = MIN |
| V _{OH} | Output HIGH Voltage | 54 | 2.5 | 3.4 | | I _{OH} = -1.0 mA | V _{CC} = 4.50 V |
| | | 54 | 2.4 | 3.3 | | I _{OH} = -3.0 mA | |
| | | 74 | 2.5 | 3.3 | | I _{OH} = -3.0 mA | |
| | | 74 | 2.7 | 3.3 | | I _{OH} = -3.0 mA | |
| V _{OL} | Output LOW Voltage | | 0.35 | 0.5 | V | I _{OL} = 24 mA | V _{CC} = MIN |
| I _{OZH} | Output OFF Current — HIGH | | | 50 | μA | V _{OUT} = 2.7 V | V _{CC} = MAX |
| I _{OZL} | Output OFF Current — LOW | | | -50 | μA | V _{OUT} = 0.5 V | V _{CC} = MAX |
| I _{IH} | Input HIGH Current | | | 20 | μA | V _{IN} = 2.7 V | V _{CC} = MAX |
| | | | | 100 | | V _{IN} = 7.0 V | |
| I _{IL} | Input LOW Current | | | -0.6 | mA | V _{IN} = 0.5 V | V _{CC} = MAX |
| I _{OS} | Output Short Circuit Current (Note 2) | -60 | | -150 | mA | V _{OUT} = 0 V | V _{CC} = MAX |
| I _{CCL} | Power Supply Current (All Outputs OFF) | | 55 | 86 | mA | D _n = Gnd OE = 4.5V | V _{CC} = MAX |

NOTES.

1. For conditions such as MIN or MAX, use the appropriate value specified under guaranteed operating ranges.
2. Not more than one output should be shorted at a time, nor for more than 1 second.

4

AC CHARACTERISTICS

| SYMBOL | PARAMETER | 54/74F | | | 54F | | 74F | | UNITS |
|------------------|---|--|-----|------|--|------|---|------|-------|
| | | T _A = +25°C V _{CC} = +5.0 V C _L = 50 pF | | | T _A = -55 to +125°C V _{CC} = 5.0 V ±10% C _L = 50 pF | | T _A = 0 to +70°C V _{CC} = 5.0 V ±10% C _L = 50 pF | | |
| | | MIN | TYP | MAX | MIN | MAX | MIN | MAX | |
| f _{max} | Maximum Clock Frequency | 100 | | | 60 | | 70 | | MHz |
| t _{PLH} | Propagation Delay CP to O _n | 4.0 | 6.5 | 8.5 | 4.0 | 10.5 | 4.0 | 10 | ns |
| t _{PHL} | | 4.0 | 6.5 | 8.5 | 4.0 | 11 | 4.0 | 10 | |
| t _{PZH} | Output Enable Time | 2.0 | 9.0 | 11.5 | 2.0 | 14 | 2.0 | 12.5 | ns |
| t _{PZL} | | 2.0 | 5.8 | 7.5 | 2.0 | 10 | 2.0 | 8.5 | |
| t _{PHZ} | Output Disable Time | 2.0 | 5.3 | 7.0 | 2.0 | 8.0 | 2.0 | 8.0 | ns |
| t _{PLZ} | | 2.0 | 4.3 | 5.5 | 2.0 | 7.5 | 2.0 | 6.5 | |

AC OPERATING REQUIREMENTS:

| SYMBOL | PARAMETER | 54/74F | | | 54F | | 74F | | UNITS |
|--------------------|---|--|-----|-----|--|-----|---|-----|-------|
| | | T _A = +25°C V _{CC} = +5.0 V | | | T _A = -55 to +125°C V _{CC} = 5.0 V ±10% | | T _A = 0 to +70°C V _{CC} = 5.0 V ±10% | | |
| | | MIN | TYP | MAX | MIN | MAX | MIN | MAX | |
| t _S (H) | Setup Time, HIGH or LOW D _n to CP | 2.0 | | | 2.5 | | 2.0 | | ns |
| t _S (L) | | 2.0 | | | 2.0 | | 2.0 | | |
| t _H (H) | Hold Time, HIGH or LOW D _n to CP | 2.0 | | | 2.0 | | 2.0 | | ns |
| t _H (L) | | 2.0 | | | 2.5 | | 2.0 | | |
| t _w (H) | CP Pulse Width, HIGH or LOW | 5.0 | | | 7.0 | | 7.0 | | ns |
| t _w (L) | | 5.0 | | | 6.0 | | 6.0 | | |

MC54F378 MC74F378

PARALLEL D REGISTER WITH ENABLE

DESCRIPTION — The MC54F/74F378 is a 6-bit register with a buffered common enable. This device is similar to the 'F174, but with common Enable rather than common Master Reset.

The 'F378 consists of six edge-triggered D-type flip-flops with individual D inputs and Q outputs. The Clock (CP) and Enable (\bar{E}) inputs are common to all flip-flops.

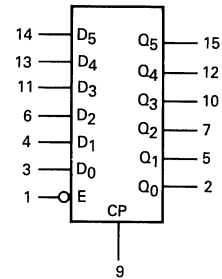
When the \bar{E} input is LOW, new data is entered into the register on the LOW-to-HIGH transition of the CP input. When the \bar{E} input is HIGH the register will retain the present data independent of the CP input. This circuit is designed to prevent false clocking by transitions on the \bar{E} input.

- 6-BIT HIGH-SPEED PARALLEL REGISTER
- POSITIVE EDGE-TRIGGERED D-TYPE INPUTS
- FULLY BUFFERED COMMON CLOCK AND ENABLE INPUTS
- INPUT CLAMP DIODES LIMIT HIGH SPEED TERMINATION EFFECTS
- FULL TTL AND CMOS COMPATIBLE

PARALLEL D REGISTER WITH ENABLE

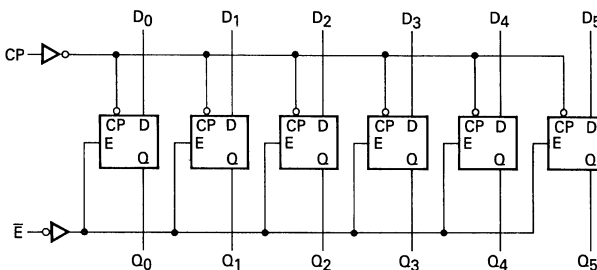
FAST™ SCHOTTKY TTL

LOGIC SYMBOL



VCC = Pin 16
GND = Pin 8

LOGIC DIAGRAM

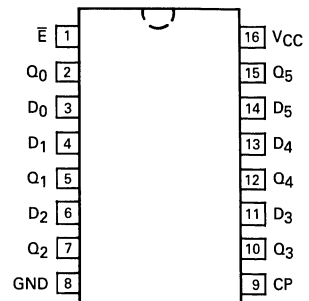


TRUTH TABLE

| INPUTS | | | OUTPUT |
|-----------|----|----------------|----------------|
| \bar{E} | CP | D _n | Q _n |
| H | | X | No change |
| L | | H | H |
| L | | L | L |

H = HIGH Voltage Level
L = LOW Voltage Level
X = Immaterial

CONNECTION DIAGRAM



GUARANTEED OPERATING RANGES

| SYMBOL | PARAMETER | | MIN | TYP | MAX | UNIT |
|-----------------|-------------------------------------|----------|----------|----------|-----------|------|
| V _{CC} | Supply Voltage | 54, 74 | 4.5 | 5.0 | 5.5 | V |
| T _A | Operating Ambient Temperature Range | 54 74 | -55 0 | 25 25 | 125 70 | °C |
| I _{OH} | Output Current — High | 54, 74 | | | -1.0 | mA |
| I _{OL} | Output Current — Low | 54, 74 | | | 20 | mA |

DC CHARACTERISTICS OVER OPERATING TEMPERATURE RANGE (unless otherwise specified)

| SYMBOL | PARAMETER | LIMITS | | | UNITS | TEST CONDITIONS |
|-----------------|---------------------------------------|--------|-----|------|-------|---|
| | | MIN | TYP | MAX | | |
| V _{IH} | Input HIGH Voltage | 2.0 | | | V | Guaranteed Input HIGH Voltage |
| V _{IL} | Input LOW Voltage | | | 0.8 | V | Guaranteed Input LOW Voltage |
| V _{IK} | Input Clamp Diode Voltage | | | -1.2 | V | V _{CC} = MIN, I _{IN} = -18 mA |
| V _{OH} | Output HIGH Voltage | 54, 74 | 2.5 | | V | I _{OL} = -1.0 mA, V _{CC} = 4.50 V |
| | | 74 | 2.7 | | V | I _{OL} = -1.0 mA, V _{CC} = 4.75 V |
| V _{OL} | Output LOW Voltage | | | 0.5 | V | I _{OL} = 20 mA, V _{CC} = MIN |
| | | | | 20 | μA | V _{CC} = MAX, V _{IN} = 2.7 V |
| I _{IH} | Input HIGH Current | | | 0.1 | mA | V _{CC} = MAX, V _{IN} = 7.0 V |
| I _{IL} | Input LOW Current | | | -0.6 | mA | V _{CC} = MAX, V _{IN} = 0.5 V |
| I _{OS} | Output Short Circuit Current (Note 2) | -60 | | -150 | mA | V _{CC} = MAX, V _{OUT} = 0 V |
| I _{CC} | Power Supply Current | | 30 | 45 | mA | V _{CC} = MAX, V _{CP} = 0 V |

NOTES:

- For conditions shown as MIN or MAX, use the appropriate value specified under recommended operating conditions for the applicable device type.
- Not more than one output should be shorted at a time, nor for more than 1 second.

AC CHARACTERISTICS

| SYMBOL | PARAMETER | 54/74F | | | 54F | | 74F | | UNITS |
|------------------|---|--|-----|-----|---|------|--|-----|-------|
| | | T _A = +25°C V _{CC} = +5.0 V C _L = 50 pF | | | T _A = -55 to +125°C V _{CC} = 5.0 V ± 10% C _L = 50 pF | | T _A = 0 to +70°C V _{CC} = 5.0 V ± 10% C _L = 50 pF | | |
| | | MIN | TYP | MAX | MIN | MAX | MIN | MAX | |
| f _{max} | Maximum Input Frequency | 80 | 140 | | 80 | | 80 | | MHz |
| t _{PLH} | Propagation Delay CP to Q _n | 3.0 | 5.5 | 7.5 | 3.0 | 9.5 | 3.0 | 8.5 | ns |
| t _{PHL} | | 3.5 | 6.0 | 8.5 | 3.5 | 10.5 | 3.5 | 9.5 | |

AC OPERATING REQUIREMENTS

| SYMBOL | PARAMETER | 54/74F | | | 54F | | 74F | | UNITS |
|--|--|--|-----|-----|--|-----|---|-----|-------|
| | | T _A = +25°C V _{CC} = +5.0 V | | | T _A = -55 to +125°C V _{CC} = 5.0 V ±10% | | T _A = 0 to +70°C V _{CC} = 5.0 V ±10% | | |
| | | MIN | TYP | MAX | MIN | MAX | MIN | MAX | |
| t _S (H) t _S (L) | Set up Time, HIGH or LOW D _n to CP | 4.0 | | | 4.0 | | 4.0 | | ns |
| t _H (H) t _H (L) | Hold Time, HIGH or LOW D _n to CP | 0.0 | | | 0.0 | | 0.0 | | |
| t _S (H) t _S (L) | Set up Time, HIGH or LOW E to CP | 6.0* | | | 6.0 | | 6.0* | | ns |
| t _H (H) t _H (L) | Hold Time, HIGH or LOW E to CP | 2.0 | | | 2.0 | | 2.0 | | |
| t _W (H) t _W (L) | CP Pulse Width, HIGH or LOW | 4.0 | | | 4.0 | | 4.0 | | ns |
| | | 6.0 | | | 6.0 | | 6.0 | | |

*This limit may vary among competitors.

AC TEST CIRCUIT

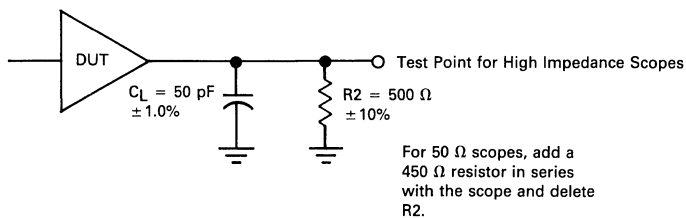


Fig. 1

4

MC54F379 MC74F379

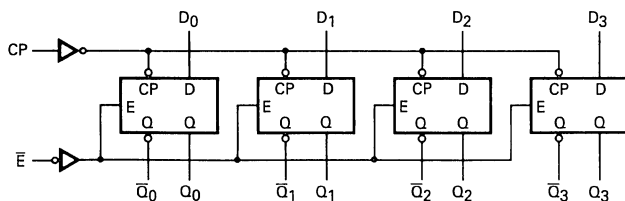
QUAD PARALLEL REGISTER

DESCRIPTION — The MC54F/74F379 is a 4-bit register with a buffered common enable. This device is similar to the 'F175 but features the common Enable rather than common Master Reset.

The 'F379 consists of four edge-triggered D-type flip-flops with individual D inputs and Q and \bar{Q} outputs. The Clock (CP) and Enable (\bar{E}) inputs are common to all flip-flops. When \bar{E} is HIGH, the register will retain the present data independent of the CP input. The D_n and \bar{E} inputs can change when the clock is in either state, provided that the recommended setup and hold times are observed. This circuit is designed to prevent false clocking by transitions on the \bar{E} input.

- EDGE-TRIGGERED D-TYPE INPUTS
- BUFFERED POSITIVE EDGE-TRIGGERED CLOCK
- BUFFERED COMMON ENABLE INPUT
- TRUE AND COMPLEMENT OUTPUTS

LOGIC DIAGRAM



TRUTH TABLE

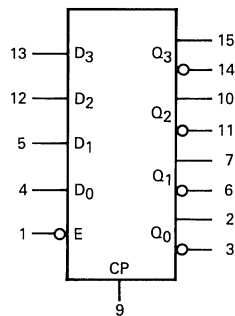
| INPUTS | | | OUTPUTS | |
|-----------|----|-------|---------|-------------|
| \bar{E} | CP | D_n | Q_n | \bar{Q}_n |
| H | ┌ | X | NC | NC |
| L | ┌ | H | H | L |
| L | ┌ | L | L | H |

H = HIGH Voltage Level X = Immaterial
L = LOW Voltage Level NC = No Change

QUAD PARALLEL REGISTER WITH ENABLE

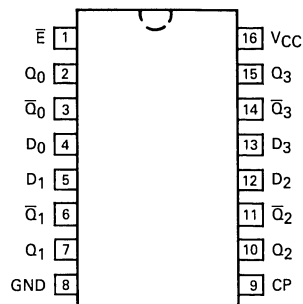
FAST™ SCHOTTKY TTL

LOGIC SYMBOL



V_{CC} = Pin 16
GND = Pin 8

CONNECTION DIAGRAM



GUARANTEED OPERATING RANGES

| SYMBOL | PARAMETER | | MIN | TYP | MAX | UNIT |
|-----------------|-------------------------------------|----------|----------|----------|-----------|------|
| V _{CC} | Supply Voltage | 54, 74 | 4.5 | 5.0 | 5.5 | V |
| T _A | Operating Ambient Temperature Range | 54 74 | -55 0 | 25 25 | 125 70 | °C |
| I _{OH} | Output Current — High | 54, 74 | | | -1.0 | mA |
| I _{OL} | Output Current — Low | 54, 74 | | | 20 | mA |

DC CHARACTERISTICS OVER OPERATING TEMPERATURE RANGE (unless otherwise specified)

| SYMBOL | PARAMETER | LIMITS | | | UNITS | TEST CONDITIONS |
|-----------------|---------------------------------------|--------|-----|------|-------|--|
| | | MIN | TYP | MAX | | |
| V _{IH} | Input HIGH Voltage | 2.0 | | | V | Guaranteed Input HIGH Voltage |
| V _{IL} | Input LOW Voltage | | | 0.8 | V | Guaranteed Input LOW Voltage |
| V _{IK} | Input Clamp Diode Voltage | | | -1.2 | V | V _{CC} = MIN, I _{IN} = -18 mA |
| V _{OH} | Output HIGH Voltage | 54, 74 | 2.5 | | V | I _{OL} = -1.0 mA, V _{CC} = 4.50 V |
| | | 74 | 2.7 | | V | I _{OL} = -1.0 mA, V _{CC} = 4.75 V |
| V _{OL} | Output LOW Voltage | | | 0.5 | V | I _{OL} = 20 mA, V _{CC} = MIN |
| I _{IH} | Input HIGH Current | | | 20 | μA | V _{CC} = MAX, V _{IN} = 2.7 V |
| | | | | 0.1 | mA | V _{CC} = MAX, V _{IN} = 7.0 V |
| I _{IL} | Input LOW Current | | | -0.6 | mA | V _{CC} = MAX, V _{IN} = 0.5 V |
| I _{OS} | Output Short Circuit Current (Note 2) | -60 | | -150 | mA | V _{CC} = MAX, V _{OUT} = 0 V |
| I _{CC} | Power Supply Current | | 28 | 40 | mA | V _{CC} = MAX, D = \bar{E} = GND, CP = \bar{L} |

NOTES:

- For conditions shown as MIN or MAX, use the appropriate value specified under recommended operating conditions for the applicable device type.
- Not more than one output should be shorted at a time, nor for more than 1 second.

AC CHARACTERISTICS

| SYMBOL | PARAMETER | 54/74F | | | 54F | | 74F | | UNITS |
|------------------|---|--|-----|-----|--|------|---|-----|-------|
| | | T _A = +25°C V _{CC} = +5.0 V C _L = 50 pF | | | T _A = -55 to +125°C V _{CC} = 5.0 V ±10% C _L = 50 pF | | T _A = 0 to +70°C V _{CC} = 5.0 V ±10% C _L = 50 pF | | |
| | | MIN | TYP | MAX | MIN | MAX | MIN | MAX | |
| f _{max} | Maximum Clock Frequency | 100 | 140 | | 90 | | 100 | | MHz |
| t _{PLH} | Propagation Delay CP to Q _n , \bar{Q}_n | 3.5* | 5.0 | 6.5 | 3.5 | 8.5 | 3.5* | 7.5 | ns |
| t _{PHL} | | 5.0 | 6.5 | 8.5 | 5.0 | 10.5 | 5.0 | 9.5 | |

AC OPERATING REQUIREMENTS

| SYMBOL | PARAMETER | 54/74F | | | 54F | | 74F | | UNITS |
|--|--|--|-----|-----|---|--|------|-----|-------|
| | | T _A = +25°C V _{CC} = +5.0 V | | | T _A = -55 to +125°C V _{CC} = 5.0 V ± 10% | T _A = 0 to +70°C V _{CC} = 5.0 V ± 10% | | | |
| | | MIN | TYP | MAX | MIN | MAX | MIN | MAX | |
| t _s (H) t _s (L) | Set up Time, HIGH or LOW D _n to CP | 3.0 | | | 3.0 | | 3.0 | | ns |
| t _h (H) t _h (L) | Hold Time, HIGH or LOW D _n to CP | 1.0 | | | 1.0 | | 1.0 | | |
| t _s (H) t _s (L) | Setup Time, HIGH or LOW E to CP | 6.0 | | | 6.0 | | 6.0 | | ns |
| t _h (H) t _h (L) | Hold Time, HIGH or LOW E to CP | 2.0* | | | 2.0 | | 2.0* | | |
| t _w (H) t _w (L) | CP Pulse Width, HIGH or LOW | 4.0 | | | 4.0 | | 4.0 | | ns |

*This limit may vary among competitors.

AC TEST CIRCUIT

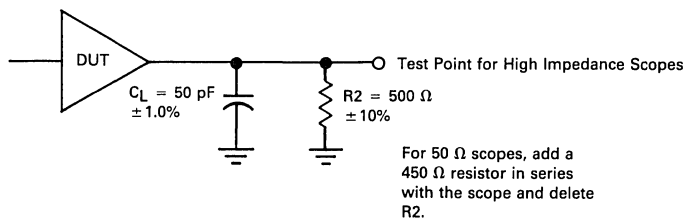


Fig. 1



MOTOROLA

MC54F381 MC74F381

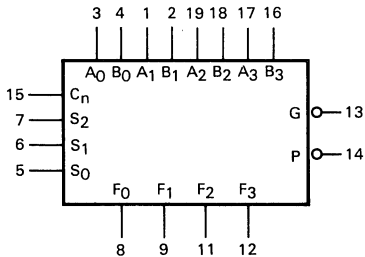
Advance Information

4-BIT ARITHMETIC LOGIC UNIT

DESCRIPTION — The MC54F/74F381 performs three arithmetic and three logic operations on two 4-bit words, A and B. Two additional Select input codes force the Function outputs LOW or HIGH. Carry Propagate and Generate outputs are provided for use with the 'F182 Carry Lookahead Generator for high-speed expansion to longer word lengths. For ripple expansion, refer to the 'F382 ALU data sheet.

- Low Input Loading Minimizes Drive Requirements
- Performs Six Arithmetic and Logic Functions
- Selectable Low (Clear) and High (Preset) Functions
- Carry Generate and Propagate Outputs for use with Carry Lookahead Generator

LOGIC SYMBOL

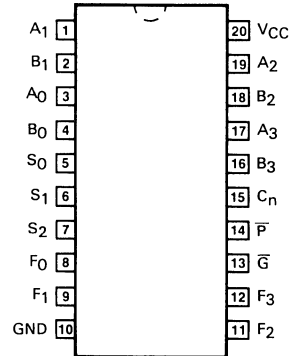


V_{CC} = Pin 20
GND = Pin 10

4-BIT ARITHMETIC LOGIC UNIT

FAST™ SCHOTTKY TTL

CONNECTION DIAGRAM



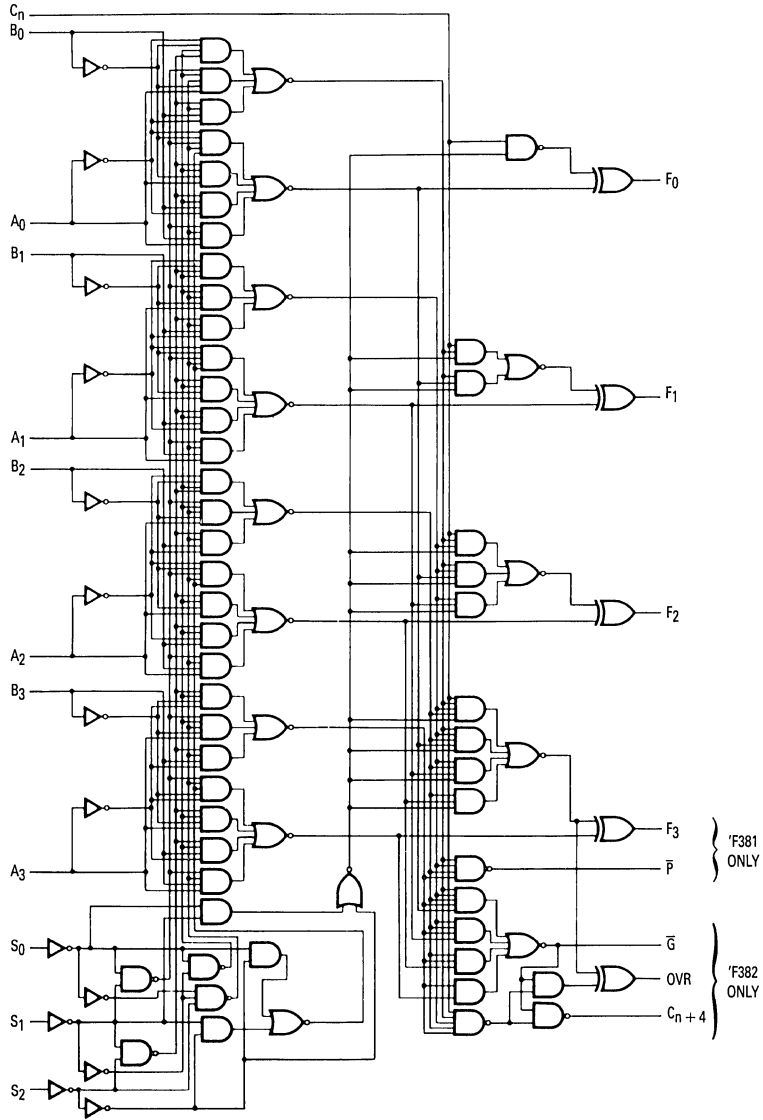
J Suffix — Case 732-03 (Ceramic)

N Suffix — Case 738-01 (Plastic)

GUARANTEED OPERATING RANGES

| SYMBOL | PARAMETER | | MIN | TYP | MAX | UNIT |
|-----------------|-------------------------------------|--------|------|-----|------|------|
| V _{CC} | Supply Voltage | 54, 74 | 4.50 | 5.0 | 5.50 | V |
| T _A | Operating Ambient Temperature Range | 54 | -55 | 25 | 125 | °C |
| | | 74 | 0 | 25 | 70 | |
| I _{OH} | Output Current — High | 54, 74 | | | -1.0 | mA |
| I _{OL} | Output Current — Low | 54, 74 | | | 20 | mA |

LOGIC DIAGRAM



DC CHARACTERISTICS OVER OPERATING TEMPERATURE RANGE (unless otherwise specified)

| SYMBOL | PARAMETER | LIMITS | | | UNITS | TEST CONDITIONS | |
|-----------------|---|--------|------|------|-------|--|--------------------------|
| | | MIN | TYP | MAX | | | |
| V _{IH} | Input HIGH Voltage | 2.0 | | | V | Guaranteed Input HIGH Voltage | |
| V _{IL} | Input LOW Voltage | | | 0.8 | V | Guaranteed Input LOW Voltage | |
| V _{IK} | Input Clamp Diode Voltage | | | -1.2 | V | I _{IN} = -18 mA | V _{CC} = MIN |
| V _{OH} | Output HIGH Voltage | 54, 74 | 2.5 | 3.4 | V | I _{OH} = -1.0 mA | V _{CC} = 4.50 V |
| | | 74 | 2.7 | 3.4 | V | I _{OH} = -1.0 mA | V _{CC} = 4.75 V |
| V _{OL} | Output LOW Voltage | | 0.35 | 0.5 | V | I _{OL} = 20 mA | V _{CC} = MIN |
| I _{IH} | Input HIGH Current | | | 20 | μA | V _{IN} = 2.7 V | V _{CC} = MAX |
| | | | | 100 | μA | V _{IN} = 7.0 V | |
| I _{IL} | Input LOW Current S ₀ - S ₂ Inputs Other Inputs | | | -0.6 | mA | V _{IN} = 0.5 V | V _{CC} = MAX |
| | | | | -2.4 | mA | V _{IN} = 0.5 V | |
| I _{OS} | Output Short Circuit Current (Note 2) | -60 | | -150 | mA | V _{OUT} = 0 V | V _{CC} = MAX |
| I _{CC} | Power Supply Current | | 59 | 89 | mA | S ₀ -S ₂ = GND; Other Inputs HIGH | V _{CC} = MAX |

NOTES:

- For conditions such as MIN or MAX, use the appropriate value specified under guaranteed operating ranges.
- Not more than one output should be shorted at a time, nor for more than 1 second.

FUNCTIONAL DESCRIPTION — Signals applied to the Select inputs S₀ - S₂ determine the mode of operation, as indicated in the Function Select Table. An extensive listing of input and output levels is shown in the Truth Table. The circuit performs the arithmetic functions for either active-HIGH or active-LOW operands, with output levels in the same convention. In the Subtract operating modes, it is necessary to force a carry (HIGH for active-HIGH operands, LOW for active-LOW operands) into the C_n input of the least significant package.

The Carry Generate (\bar{G}) and Carry Propagate (\bar{P}) outputs supply input signals to the 'F182 carry lookahead generator for expansion to longer word length, as shown in Figure A. Note that an 'F382 ALU is used for the most significant package. Typical delays for Figure A are given in Figure B.

FUNCTION SELECT TABLE

| SELECT | | | OPERATION |
|----------------|----------------|----------------|-----------|
| S ₀ | S ₁ | S ₂ | |
| L | L | L | Clear |
| H | L | L | B Minus A |
| L | H | L | A Minus B |
| H | H | L | A Plus B |
| L | L | H | A ⊕ B |
| H | L | H | A + B |
| L | H | H | AB |
| H | H | H | Preset |

H = HIGH Voltage Level L = LOW Voltage Level

FIGURE A — 16-Bit Lookahead Carry ALU Expansion

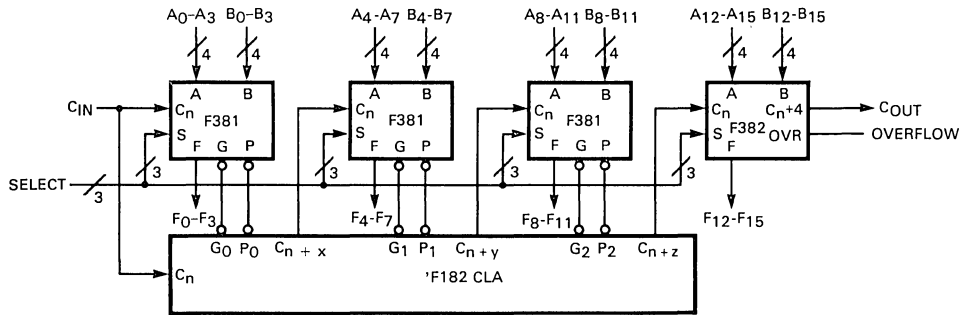


FIGURE B — 16-bit Delay Tabulation

| PATH SEGMENT | TOWARD F | OUTPUT C _{n+4} , OVR |
|---|----------|-------------------------------|
| A _i or B _i to \bar{P} | 7.2 ns | 7.2 ns |
| \bar{P}_i to C _{n+1} ('F182) | 6.2 ns | 6.2 ns |
| C _n to F | 8.1 ns | — |
| C _n to C _{n+4} , OVR | — | 8.0 ns |
| Total Delay | 21.5 ns | 21.4 ns |



AC CHARACTERISTICS

| SYMBOL | PARAMETER | 54/74F | | | 54F | | 74F | | UNITS |
|------------------|---|--|------|------|--|------|---|------|-------|
| | | T _A = +25°C V _{CC} = +5.0 V C _L = 50 pF | | | T _A = -55 to +125°C V _{CC} = 5.0 V ±10% C _L = 50 pF | | T _A = 0 to +70°C V _{CC} = 5.0 V ±10% C _L = 50 pF | | |
| | | MIN | TYP | MAX | MIN | MAX | MIN | MAX | |
| t _{PLH} | Propagation Delay | 2.5 | 8.1 | 10.5 | 2.5 | 15 | 2.5 | 11.5 | ns |
| t _{PHL} | C _n to F _i | 2.5 | 5.7 | 8.0 | 2.5 | 11.5 | 2.5 | 9.0 | |
| t _{PLH} | Propagation Delay | 4.0 | 10.4 | 13.5 | 4.0 | 19 | 4.0 | 14.5 | ns |
| t _{PHL} | Any A or B to Any F | 3.0 | 8.2 | 11 | 3.0 | 15.5 | 3.0 | 12 | |
| t _{PLH} | Propagation Delay | 4.5 | 8.3 | 11 | 4.5 | 15.5 | 4.5 | 12 | ns |
| t _{PHL} | S _i to F _i | 4.0 | 8.2 | 11 | 4.0 | 15.5 | 4.0 | 12 | |
| t _{PLH} | Propagation Delay | 3.5 | 6.4 | 9.0 | 3.5 | 12.5 | 3.5 | 10 | ns |
| t _{PHL} | A _i or B _i to \bar{G} | 4.0 | 6.8 | 10 | 4.0 | 14 | 4.0 | 11 | |
| t _{PLH} | Propagation Delay | 4.0 | 7.2 | 10.5 | 4.0 | 15 | 4.0 | 11.5 | ns |
| t _{PHL} | A _i or B _i to \bar{P} | 3.5 | 6.5 | 9.5 | 3.5 | 13 | 3.5 | 10.5 | |
| t _{PLH} | Propagation Delay | 4.0 | 7.8 | 10.5 | 4.0 | 15 | 4.0 | 11.5 | ns |
| t _{PHL} | S _i to \bar{G} or \bar{P} | 4.5 | 10.2 | 13.5 | 4.5 | 19 | 4.5 | 14.5 | |

TRUTH TABLE

| FUNCTION | INPUTS | | | | | | OUTPUTS | | | | | |
|-----------|----------------|----------------|----------------|----------------|----------------|----------------|----------------|----------------|----------------|----------------|----------------|----------------|
| | S ₀ | S ₁ | S ₂ | C _n | A _n | B _n | F ₀ | F ₁ | F ₂ | F ₃ | \overline{G} | \overline{P} |
| CLEAR | 0 | 0 | 0 | X | X | X | 0 | 0 | 0 | 0 | 0 | 0 |
| B MINUS A | 1 | 0 | 0 | 0 | 0 | 0 | 1 | 1 | 1 | 1 | 1 | 0 |
| | | | | 0 | 0 | 1 | 0 | 1 | 1 | 1 | 0 | 0 |
| | | | | 0 | 1 | 0 | 0 | 0 | 0 | 0 | 1 | 1 |
| | | | | 0 | 1 | 1 | 1 | 1 | 1 | 1 | 1 | 0 |
| | | | | 1 | 0 | 0 | 0 | 0 | 0 | 0 | 1 | 0 |
| | | | | 1 | 0 | 1 | 1 | 1 | 1 | 1 | 0 | 0 |
| | | | | 1 | 1 | 0 | 1 | 0 | 0 | 0 | 1 | 1 |
| A MINUS B | 0 | 1 | 0 | 0 | 0 | 0 | 1 | 1 | 1 | 1 | 1 | 0 |
| | | | | 0 | 0 | 1 | 0 | 0 | 0 | 0 | 1 | 1 |
| | | | | 0 | 1 | 0 | 0 | 1 | 1 | 1 | 0 | 0 |
| | | | | 0 | 1 | 1 | 1 | 1 | 1 | 1 | 1 | 0 |
| | | | | 1 | 0 | 0 | 0 | 0 | 0 | 0 | 1 | 0 |
| | | | | 1 | 0 | 1 | 1 | 0 | 0 | 0 | 1 | 1 |
| | | | | 1 | 1 | 0 | 1 | 1 | 1 | 1 | 0 | 0 |
| A PLUS B | 1 | 1 | 0 | 0 | 0 | 0 | 0 | 0 | 0 | 0 | 1 | 1 |
| | | | | 0 | 0 | 1 | 1 | 1 | 1 | 1 | 1 | 0 |
| | | | | 0 | 1 | 0 | 1 | 1 | 1 | 1 | 1 | 0 |
| | | | | 0 | 1 | 1 | 0 | 1 | 1 | 1 | 0 | 0 |
| | | | | 1 | 0 | 0 | 1 | 0 | 0 | 0 | 1 | 1 |
| | | | | 1 | 0 | 1 | 0 | 0 | 0 | 0 | 1 | 0 |
| | | | | 1 | 1 | 0 | 0 | 0 | 0 | 0 | 1 | 0 |
| A ⊕ B | 0 | 0 | 1 | X | 0 | 0 | 0 | 0 | 0 | 0 | 1 | 1 |
| | | | | X | 0 | 1 | 1 | 1 | 1 | 1 | 1 | |
| | | | | X | 1 | 0 | 1 | 1 | 1 | 1 | 0 | |
| | | | | X | 1 | 1 | 0 | 0 | 0 | 0 | 0 | |
| A + B | 1 | 0 | 1 | X | 0 | 0 | 0 | 0 | 0 | 0 | 1 | 1 |
| | | | | X | 0 | 1 | 1 | 1 | 1 | 1 | 1 | |
| | | | | X | 1 | 0 | 1 | 1 | 1 | 1 | 1 | |
| | | | | X | 1 | 1 | 1 | 1 | 1 | 1 | 0 | |
| AB | 0 | 1 | 1 | X | 0 | 0 | 0 | 0 | 0 | 0 | 0 | 0 |
| | | | | X | 0 | 1 | 0 | 0 | 0 | 0 | 1 | |
| | | | | X | 1 | 0 | 0 | 0 | 0 | 0 | 0 | |
| | | | | X | 1 | 1 | 1 | 1 | 1 | 1 | 0 | |
| PRESET | 1 | 1 | 1 | X | 0 | 0 | 1 | 1 | 1 | 1 | 1 | 1 |
| | | | | X | 0 | 1 | 1 | 1 | 1 | 1 | 1 | |
| | | | | X | 1 | 0 | 1 | 1 | 1 | 1 | 1 | |
| | | | | X | 1 | 1 | 1 | 1 | 1 | 1 | 0 | |

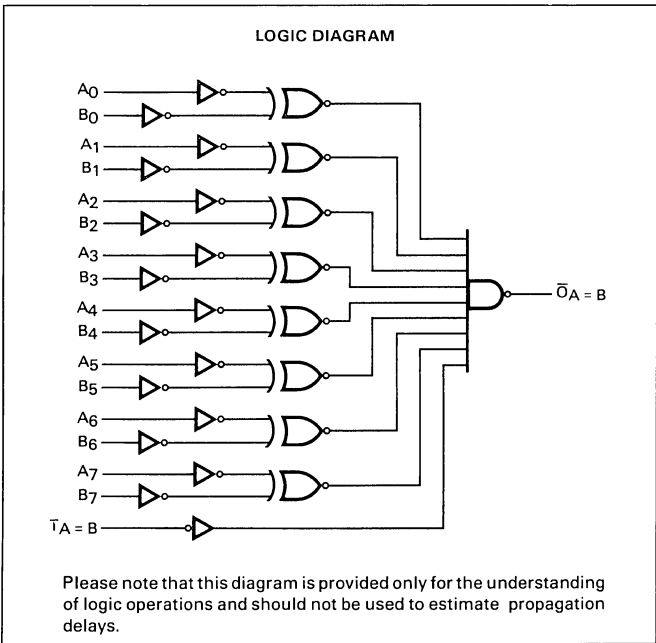
1 = HIGH Voltage Level
 0 = LOW Voltage Level
 X = Immaterial

MC54F521 MC74F521

8-BIT IDENTITY COMPARATOR

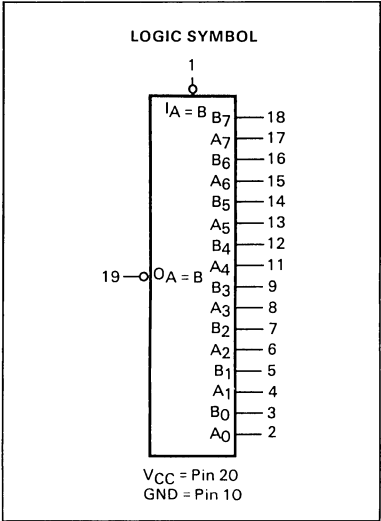
DESCRIPTION — The MC54F/74F521 is an expandable 8-bit comparator. It compares two words of up to eight bits each and provides a LOW output when the two words match bit for bit. The expansion input $\bar{I}_A = B$ also serves as an active-LOW enable input.

- Compares Two 8-Bit Words in 6.5 ns Typ
- Expandable to Any Word Length
- 20-Pin Package

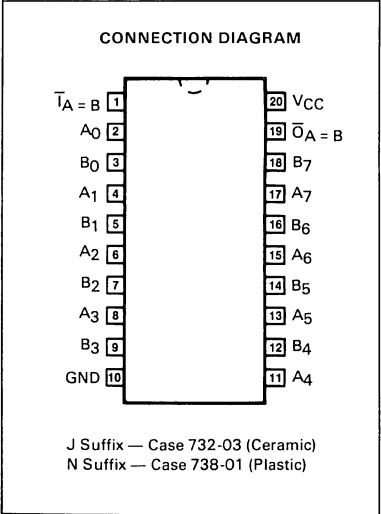


8-BIT IDENTITY COMPARATOR

FAST™ SCHOTTKY TTL



4



GUARANTEED OPERATING RANGES

| SYMBOL | PARAMETER | | MIN | TYP | MAX | UNIT |
|-----------------|-------------------------------------|--------|------|-----|------|------|
| V _{CC} | Supply Voltage | 54, 74 | 4.50 | 5.0 | 5.50 | V |
| T _A | Operating Ambient Temperature Range | 54 | -55 | 25 | 125 | °C |
| | | 74 | 0 | 25 | 70 | |
| I _{OH} | Output Current — High | 54, 74 | | | -1.0 | mA |
| I _{OL} | Output Current — Low | 54, 74 | | | 20 | mA |

DC CHARACTERISTICS OVER OPERATING TEMPERATURE RANGE (unless otherwise specified)

| SYMBOL | PARAMETER | LIMITS | | | UNITS | TEST CONDITIONS | |
|------------------|---------------------------------------|--------|------|------|-------|-------------------------------|--------------------------|
| | | MIN | TYP | MAX | | | |
| V _{IH} | Input HIGH Voltage | 2.0 | | | V | Guaranteed Input HIGH Voltage | |
| V _{IL} | Input LOW Voltage | | | 0.8 | V | Guaranteed Input LOW Voltage | |
| V _{IK} | Input Clamp Diode Voltage | | | -1.2 | V | I _{IN} = -18 mA | V _{CC} = MIN |
| V _{OH} | Output HIGH Voltage | 54, 74 | 2.5 | 3.4 | V | I _{OH} = -1.0 mA | V _{CC} = 4.50 V |
| | | 74 | 2.7 | 3.4 | V | I _{OH} = -1.0 mA | V _{CC} = 4.75 V |
| V _{OL} | Output LOW Voltage | | 0.35 | 0.5 | V | I _{OL} = 20 mA | V _{CC} = MIN |
| I _{IH} | Input HIGH Current | | | 20 | μA | V _{IN} = 2.7 V | V _{CC} = MAX |
| | | | | 100 | μA | V _{IN} = 7.0 V | |
| I _{IL} | Input LOW Current | | | -0.6 | mA | V _{IN} = 0.5 V | V _{CC} = MAX |
| I _{OS} | Output Short Circuit Current (Note 2) | -60 | | -150 | mA | V _{OUT} = 0 V | V _{CC} = MAX |
| I _{CCH} | Power Supply Current | | 24 | 36 | mA | T _A = B = Gnd | V _{CC} = MAX |
| I _{CCL} | | | 15.5 | 23 | | | |

NOTES:

- For conditions such as MIN or MAX, use the appropriate value specified under guaranteed operating ranges.
- Not more than one output should be shorted at a time, nor for more than 1 second.

TRUTH TABLE

| Inputs | | Output |
|----------------------|--------|----------------------|
| $\overline{T_A} = B$ | A, B | $\overline{O_A} = B$ |
| L | A = B* | L |
| L | A ≠ B | H |
| H | A = B* | H |
| H | A ≠ B | H |

H = HIGH Voltage Level

L = LOW Voltage Level

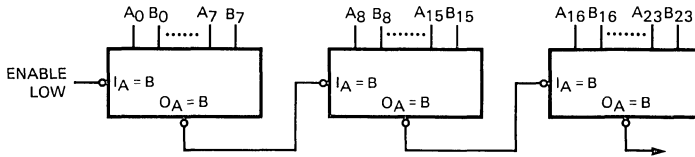
*A₀ = B₀, A₁ = B₁, A₂ = B₂, etc.

AC CHARACTERISTICS

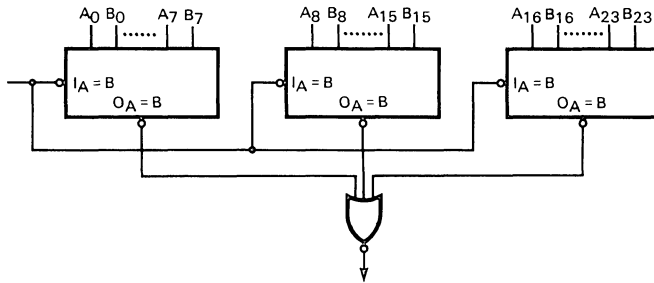
| SYMBOL | PARAMETER | 54/74F | | | 54F | | 74F | | UNITS |
|------------------|--|--|-----|-----|--|-----|---|-----|-------|
| | | T _A = +25°C V _{CC} = +5.0 V C _L = 50 pF | | | T _A = -55 to +125°C V _{CC} = 5.0 V ±10% C _L = 50 pF | | T _A = 0 to +70°C V _{CC} = 5.0 V ±10% C _L = 50 pF | | |
| | | MIN | TYP | MAX | MIN | MAX | MIN | MAX | |
| t _{PLH} | Propagation Delay A _n or B _n to $\bar{O}_A = B$ | 2.5 | 6.5 | 10 | 2.5 | 15 | 2.5 | 11 | ns |
| t _{PHL} | Propagation Delay A _n or B _n to $\bar{O}_A = B$ | 3.0 | 6.5 | 10 | 3.0 | 12 | 3.0 | 11 | |
| t _{PLH} | Propagation Delay $\bar{I}_A = B$ to $\bar{O}_A = B$ | 2.5 | 4.5 | 6.5 | 2.5 | 8.5 | 2.5 | 7.5 | ns |
| t _{PHL} | Propagation Delay $\bar{I}_A = B$ to $\bar{O}_A = B$ | 3.5 | 5.0 | 9.0 | 3.5 | 10 | 3.5 | 10 | |

APPLICATIONS

Ripple Expansion



Parallel Expansion



MC54F533 MC74F533

OCTAL TRANSPARENT LATCH (With 3-State Outputs)

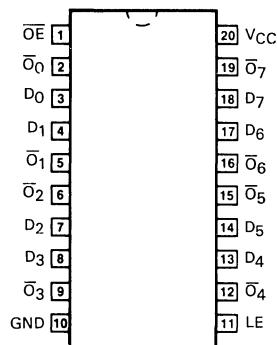
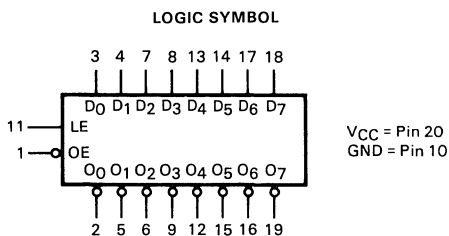
DESCRIPTION — The MC54F/74F533 consists of eight latches with 3-state outputs for bus organized system applications. The flip-flops appear transparent to the data when Latch Enable (LE) is HIGH. When LE is LOW, the data that meets the setup times is latched. Data appears on the bus when the Output Enable (\overline{OE}) is LOW. When \overline{OE} is HIGH the bus output is in the high-impedance state. The F533 is the same as the F373, except that the outputs are inverted. For description and logic diagram please see the F373 data sheet.

- Eight Latches in a Single Package
- 3-State Outputs for Bus Interfacing

OCTAL TRANSPARENT LATCH (With 3-State Outputs)

FAST™ SCHOTTKY TTL

CONNECTION DIAGRAM



J Suffix — Case 732-03
(Ceramic)

N Suffix — Case 738-01
(Plastic)

GUARANTEED OPERATING RANGES

| SYMBOL | PARAMETER | | MIN | TYP | MAX | UNIT |
|-----------------|-------------------------------------|----------|----------|----------|-----------|------|
| V _{CC} | Supply Voltage | 54, 74 | 4.50 | 5.0 | 5.50 | V |
| T _A | Operating Ambient Temperature Range | 54 74 | -55 0 | 25 25 | 125 70 | °C |
| I _{OH} | Output Current — High | 54, 74 | | | -3.0 | mA |
| I _{OL} | Output Current — Low | 54, 74 | | | 24 | mA |

DC CHARACTERISTICS OVER OPERATING TEMPERATURE RANGE (unless otherwise specified)

| SYMBOL | PARAMETER | LIMITS | | | UNITS | TEST CONDITIONS | |
|------------------|---------------------------------------|--------|------|------|-------|--|--------------------------|
| | | MIN | TYP | MAX | | | |
| V _{IH} | Input HIGH Voltage | 2.0 | | | V | Guaranteed Input HIGH Voltage | |
| V _{IL} | Input LOW Voltage | | | 0.8 | V | Guaranteed Input LOW Voltage | |
| V _{IK} | Input Clamp Diode Voltage | | | -1.2 | V | I _{IN} = -18 mA | V _{CC} = MIN |
| V _{OH} | Output HIGH Voltage | 54 | 2.5 | 3.4 | V | I _{OH} = -1.0 mA | V _{CC} = 4.50 V |
| | | 54 | 2.4 | 3.3 | V | I _{OH} = -3.0 mA | |
| | | 74 | 2.5 | 3.3 | V | I _{OH} = -3.0 mA | |
| | | 74 | 2.7 | 3.3 | V | I _{OH} = -3.0 mA | V _{CC} = 4.75 |
| V _{OL} | Output LOW Voltage | | 0.35 | 0.5 | V | I _{OL} = 24 mA | V _{CC} = MIN |
| I _{OZH} | Output OFF Current — HIGH | | | 50 | μA | V _{OUT} = 2.7 V | V _{CC} = MAX |
| I _{OZL} | Output OFF Current — LOW | | | -50 | μA | V _{OUT} = 0.5 V | V _{CC} = MAX |
| I _{IH} | Input HIGH Current | | | 20 | μA | V _{IN} = 2.7 V | V _{CC} = MAX |
| | | | | 100 | | V _{IN} = 7.0 V | |
| I _{IL} | Input LOW Current | | | -0.6 | mA | V _{IN} = 0.5 V | V _{CC} = MAX |
| I _{OS} | Output Short Circuit Current (Note 2) | -60 | | -150 | mA | V _{OUT} = 0 V | V _{CC} = MAX |
| I _{CCZ} | Power Supply Current | | 41 | 61 | mA | \overline{OE} = 4.5 V D _n , LE = Gnd | V _{CC} = MAX |

NOTES:

- For conditions such as MIN or MAX, use the appropriate value specified under guaranteed operating ranges.
- Not more than one output should be shorted at a time, nor for more than 1 second.

AC CHARACTERISTICS

| SYMBOL | PARAMETER | 54/74F | | | 54F | | 74F | | UNITS |
|------------------|------------------------------------|--|-----|-----|--|------|---|-----|-------|
| | | T _A = +25°C V _{CC} = +5.0 V C _L = 50 pF | | | T _A = -55 to +125°C V _{CC} = 5.0 V ±10% C _L = 50 pF | | T _A = 0 to +70°C V _{CC} = 5.0 V ±10% C _L = 50 pF | | |
| | | MIN | TYP | MAX | MIN | MAX | MIN | MAX | |
| t _{PLH} | Propagation Delay | 4.0 | 6.9 | 9.0 | 4.0 | 12 | 4.0 | 10 | ns |
| t _{PHL} | D _n to \overline{O}_n | 3.0 | 5.2 | 7.0 | 3.0 | 9.0 | 3.0 | 8.0 | |
| t _{PLH} | Propagation Delay | 5.0 | 8.5 | 11 | 5.0 | 14 | 5.0 | 13 | ns |
| t _{PHL} | LE to \overline{O}_n | 3.0 | 5.6 | 7.0 | 3.0 | 9.0 | 3.0 | 8.0 | |
| t _{PZH} | Output Enable Time | 2.0 | 7.7 | 10 | 2.0 | 12.5 | 2.0 | 11 | ns |
| t _{PZL} | | 2.0 | 5.1 | 6.5 | 2.0 | 9.0 | 2.0 | 7.5 | |
| t _{PHZ} | Output Disable Time | 2.0 | 4.7 | 6.0 | 2.0 | 8.5 | 2.0 | 7.0 | ns |
| t _{PLZ} | | 2.0 | 4.1 | 5.5 | 2.0 | 7.5 | 2.0 | 6.5 | |

AC CHARACTERISTICS

| SYMBOL | PARAMETER | 54/74F | | | 54F | | 74F | | UNITS |
|--------------------|-------------------------|--|-----|-----|--|-----|---|-----|-------|
| | | T _A = +25°C V _{CC} = +5.0 V | | | T _A = -55 to +125°C V _{CC} = 5.0 V ±10% | | T _A = 0 to +70°C V _{CC} = 5.0 V ±10% | | |
| | | MIN | TYP | MAX | MIN | MAX | MIN | MAX | |
| t _s (H) | Setup Time, HIGH or LOW | 2.0 | | | 2.0 | | 2.0 | | ns |
| t _s (L) | | D _n to LE | 2.0 | | | 2.0 | | 2.0 | |
| t _h (H) | Hold Time, HIGH or LOW | 3.0 | | | 3.0 | | 3.0 | | ns |
| t _h (L) | | D _n to LE | 3.0 | | | 3.0 | | 3.0 | |
| t _w (H) | LE Pulse Width HIGH | 6.0 | | | 6.0 | | 6.0 | | ns |

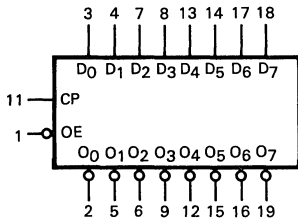
MC54F534 MC74F534

OCTAL D-TYPE FLIP-FLOP (With 3-State Outputs)

DESCRIPTION — The MC54F/74F534 is a high-speed, low-power octal D-type flip-flop featuring separate D-type inputs for each flip-flop and 3-state outputs for bus oriented applications. A buffered Clock (CP) and Output Enable (OE) are common to all flip-flops. The 'F534 is the same as the 'F374 except that the outputs are inverted.

- Edge-triggered D-Type Inputs
- Buffered Positive Edge-triggered Clock
- 3-State Outputs for Bus Oriented Applications

LOGIC SYMBOL

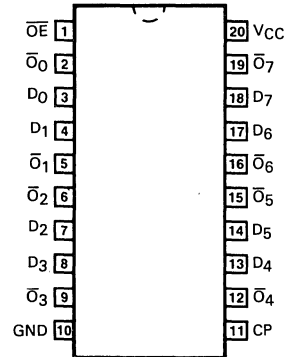


V_{CC} = Pin 20
GND = Pin 10

OCTAL D-TYPE FLIP-FLOP (With 3-State Outputs)

FAST™ SCHOTTKY TTL

CONNECTION DIAGRAM

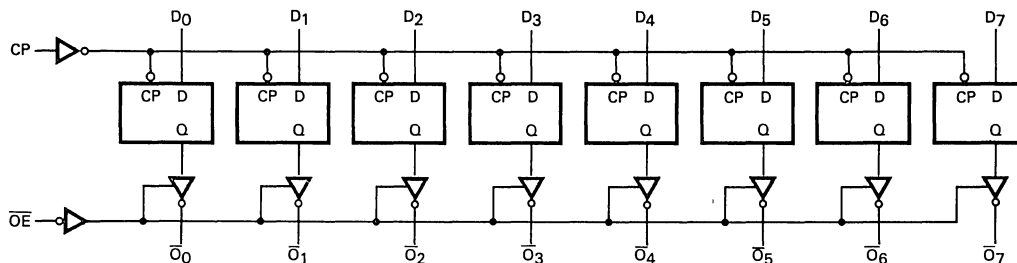


J Suffix — Case 732-03 (Ceramic)
N Suffix — Case 738-01 (Plastic)

GUARANTEED OPERATING RANGES

| SYMBOL | PARAMETER | | MIN | TYP | MAX | UNIT |
|-----------------|-------------------------------------|----------|----------|----------|-----------|------|
| V _{CC} | Supply Voltage | 54, 74 | 4.50 | 5.0 | 5.50 | V |
| T _A | Operating Ambient Temperature Range | 54 74 | -55 0 | 25 25 | 125 70 | °C |
| I _{OH} | Output Current — High | 54, 74 | | | -3.0 | mA |
| I _{OL} | Output Current — Low | 54, 74 | | | 24 | mA |

LOGIC DIAGRAM



Please note that this diagram is provided only for the understanding of logic operations and should not be used to estimate propagation delays.

FUNCTIONAL DESCRIPTION — The 'F534 consists of eight edge-triggered flip-flops with individual D-type inputs and 3-state true outputs. The buffered clock and buffered Output Enable are common to all flip-flops. The eight flip-flops will store the state of their individual D inputs that meet the setup and hold times requirements on the LOW-to-HIGH Clock (CP) transition. With the Output Enable (\overline{OE}) LOW, the contents of the eight flip-flops are available at the outputs. When the \overline{OE} is HIGH, the outputs go to the high impedance state. Operation of the \overline{OE} input does not affect the state of the flip-flops.

DC CHARACTERISTICS OVER OPERATING TEMPERATURE RANGE (unless otherwise specified)

| SYMBOL | PARAMETER | LIMITS | | | UNITS | TEST CONDITIONS | |
|-----------|--|--------|------|------|---------------|---|---------------------------|
| | | MIN | TYP | MAX | | | |
| V_{IH} | Input HIGH Voltage | 2.0 | | | V | Guaranteed Input HIGH Voltage | |
| V_{IL} | Input LOW Voltage | | | 0.8 | V | Guaranteed Input LOW Voltage | |
| V_{IK} | Input Clamp Diode Voltage | | | -1.2 | V | $I_{IN} = -18 \text{ mA}$ | $V_{CC} = \text{MIN}$ |
| V_{OH} | Output HIGH Voltage | 54 | 2.5 | 3.4 | V | $I_{OH} = -1.0 \text{ mA}$ | $V_{CC} = 4.50 \text{ V}$ |
| | | 54 | 2.4 | 3.3 | V | $I_{OH} = -3.0 \text{ mA}$ | |
| | | 74 | 2.5 | 3.3 | V | $I_{OH} = -3.0 \text{ mA}$ | $V_{CC} = 4.75 \text{ V}$ |
| | | 74 | 2.7 | 3.3 | V | $I_{OH} = -3.0 \text{ mA}$ | |
| V_{OL} | Output LOW Voltage | | 0.35 | 0.5 | V | $I_{OL} = 24 \text{ mA}$ | $V_{CC} = \text{MIN}$ |
| I_{OZH} | Output OFF Current — HIGH | | | 50 | μA | $V_{OUT} = 2.7 \text{ V}$ | $V_{CC} = \text{MAX}$ |
| I_{OZL} | Output OFF Current — LOW | | | -50 | μA | $V_{OUT} = 0.5 \text{ V}$ | $V_{CC} = \text{MAX}$ |
| I_{IH} | Input HIGH Current | | | 20 | μA | $V_{IN} = 2.7 \text{ V}$ | $V_{CC} = \text{MAX}$ |
| | | | | 100 | | $V_{IN} = 7.0 \text{ V}$ | |
| I_{IL} | Input LOW Current | | | -0.6 | mA | $V_{IN} = 0.5 \text{ V}$ | $V_{CC} = \text{MAX}$ |
| I_{OS} | Output Short Circuit Current (Note 2) | -60 | | -150 | mA | $V_{OUT} = 0 \text{ V}$ | $V_{CC} = \text{MAX}$ |
| I_{CCZ} | Power Supply Current (All Outputs Off) | | 55 | 86 | mA | $D_n = \text{Gnd}$ $\overline{OE} = 4.5 \text{ V}$ | $V_{CC} = \text{MAX}$ |

NOTES:

1. For conditions such as MIN or MAX, use the appropriate value specified under guaranteed operating ranges.
2. Not more than one output should be shorted at a time, nor for more than 1 second.



AC CHARACTERISTICS

| SYMBOL | PARAMETER | 54/74F | | | 54F | | 74F | | UNITS |
|--------------------------------------|--|---|-----|------|--|------|---|------|-------|
| | | $T_A = +25^\circ\text{C}$ $V_{CC} = +5.0\text{ V}$ $C_L = 50\text{ pF}$ | | | $T_A = -55\text{ to }+125^\circ\text{C}$ $V_{CC} = 5.0\text{ V} \pm 10\%$ $C_L = 50\text{ pF}$ | | $T_A = 0\text{ to }+70^\circ\text{C}$ $V_{CC} = 5.0\text{ V} \pm 10\%$ $C_L = 50\text{ pF}$ | | |
| | | MIN | TYP | MAX | MIN | MAX | MIN | MAX | |
| f_{max} | Maximum Clock Frequency | 100 | | | 60 | | 70 | MHz | |
| t_{PLH} t_{PHL} | Propagation Delay CP to \bar{O}_n | 4.0 | 6.5 | 8.5 | 4.0 | 10.5 | 4.0 | 10 | ns |
| t_{PZH} t_{PZL} | Output Enable Time | 2.0 | 9.0 | 11.5 | 2.0 | 14 | 2.0 | 12.5 | ns |
| t_{PHZ} t_{PLZ} | Output Disable Time | 2.0 | 5.3 | 7.0 | 2.0 | 8.0 | 2.0 | 8.0 | |
| | | 2.0 | 4.3 | 5.5 | 2.0 | 7.5 | 2.0 | 6.5 | |

AC OPERATING REQUIREMENTS

| SYMBOL | PARAMETER | 54/74F | | | 54F | | 74F | | UNITS |
|--------------------------------------|--|---|-----|-----|--|-----|---|-----|-------|
| | | $T_A = +25^\circ\text{C}$ $V_{CC} = +5.0\text{ V}$ | | | $T_A = -55\text{ to }+125^\circ\text{C}$ $V_{CC} = 5.0\text{ V} \pm 10\%$ | | $T_A = 0\text{ to }+70^\circ\text{C}$ $V_{CC} = 5.0\text{ V} \pm 10\%$ | | |
| | | MIN | TYP | MAX | MIN | MAX | MIN | MAX | |
| $t_s\text{ (H)}$ $t_s\text{ (L)}$ | Setup Time, HIGH or LOW D_n to CP | 2.0 | | | 2.5 | | 2.0 | | ns |
| $t_h\text{ (H)}$ $t_h\text{ (L)}$ | Hold Time, HIGH or LOW D_n to CP | 2.0 | | | 2.0 | | 2.0 | | |
| $t_w\text{ (H)}$ $t_w\text{ (L)}$ | CP Pulse Width HIGH or LOW | 5.0 | | | 7.0 | | 7.0 | | ns |
| | | 5.0 | | | 6.0 | | 6.0 | | |

**MC74F2960/
Am2960
MC74F2960-1/
Am2960-1**

Advance Information

ERROR DETECTION AND CORRECTION CIRCUIT

The MC74F2960 and MC74F2960-1 will be dual marked with the AMD part numbers Am2960 and Am2960-1 to indicate plug-in compatibility. However, the device will be referred to as the MC74F2960 in the remainder of this specification. The MC74F2960-1 is the speed selected version of MC74F2960 on the critical data paths and is a plug-in replacement for MC74F2960.

DESCRIPTION — The MC74F2960 Error Detection and Correction Unit (EDAC) contains the logic necessary to generate check bits on a 16-bit data field according to a modified Hamming Code, and to correct the data word when check bits are supplied. Operating on data read from memory, the MC74F2960 will correct any single bit error* and will detect all double and some triple bit errors. For 16-bit words, 6 check bits are used. The MC74F2960 is expandable to operate on 32-bit words (7 check bits) and 64-bit words (8 check bits). In all configurations, the device makes the error syndrome available on separate outputs for data logging.

The MC74F2960 also features two diagnostic modes, in which diagnostic data can be forced into portions of the chip to simplify device testing and to execute system diagnostic functions. The product will be supplied in a 48-lead DIP package.

*Double bit errors can also be corrected if at least one of the two errors is a hard error. This requires extra processor cycles.

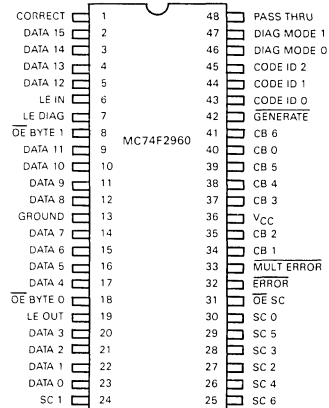
- o PIN AND FUNCTIONALLY COMPATIBLE WITH THE Am2960
- o BOOSTS MEMORY RELIABILITY
- o EXPANDABLE TO 64-BIT DATA WORDS
- o BUILT-IN DIAGNOSTICS PERMITS SOFTWARE SYSTEM CHECK
- o SEPARATE BYTE CONTROLS FACILITATE BYTE OPERATIONS
- o COMPATIBLE WITH MC68000 AND OTHER PROCESSORS

16-BIT TIMING (WORST CASE) FOR THE MC74F2960-1
CHECK BIT GENERATION — 28 ns
SINGLE ERROR DETECTION — 25 ns
SINGLE ERROR CORRECTION — 52 ns

ERROR DETECTION AND CORRECTION CIRCUIT

ADVANCED LOW POWER SCHOTTKY

CONNECTION DIAGRAM Top View



J Suffix - Case 740-02 (Ceramic)



FIGURE 1 — BLOCK DIAGRAM

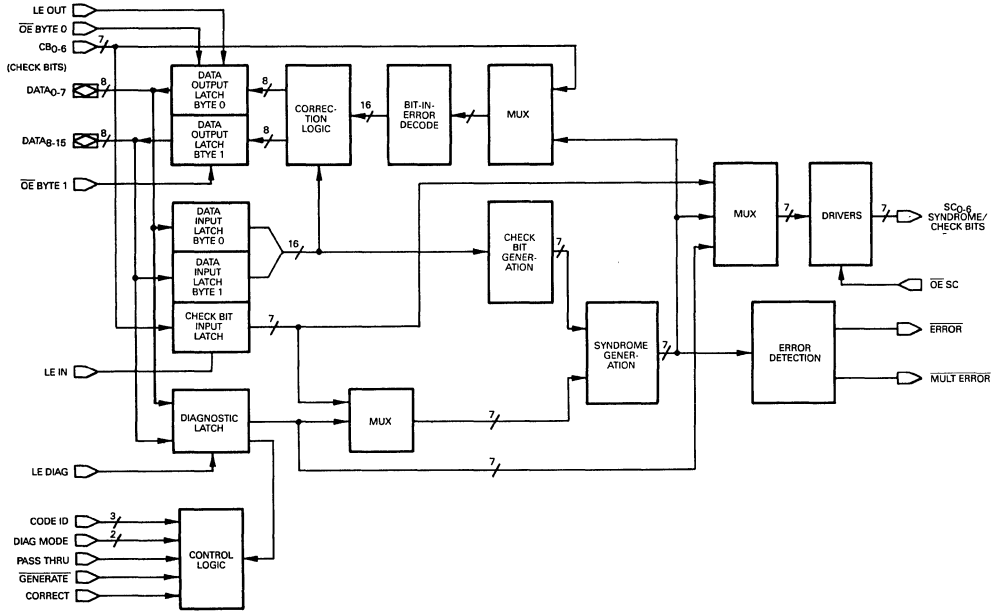


TABLE 1. MAXIMUM RATINGS

| Rating | Symbol | Value | Unit |
|--|------------------|--------------|------|
| Supply Voltage | V _{CC} | -0.5 to +7.0 | V |
| Input Voltage (Except DATA ₀₋₁₅) | V _{in} | -0.5 to +7.0 | V |
| Input Voltage (DATA ₀₋₁₅) | V _{in} | -0.5 to +5.5 | V |
| Storage Temperature Range | T _{stg} | -55 to +150 | °C |
| Junction Temperature | T _J | 150 | °C |

TABLE 2. THERMAL CHARACTERISTICS

| Characteristic | Symbol | Value | Unit |
|--------------------------|-----------------|-------|------|
| Thermal Resistance (MAX) | θ _{JA} | 40 | °C/W |

TABLE 3. GUARANTEED OPERATING RANGES

| SYMBOL | PARAMETER | MIN | TYP | MAX | UNIT |
|-----------------|-------------------------------------|------|-----|------|------|
| V _{CC} | Supply Voltage | 4.75 | 5.0 | 5.25 | V |
| T _A | Operating Ambient Temperature Range | 0 | 25 | 70 | °C |
| I _{OH} | Output Current — High | | | -0.8 | mA |
| I _{OL} | Output Current — Low | | | 8.0 | mA |

TABLE 4. DC CHARACTERISTICS OVER OPERATING TEMPERATURE RANGE (unless otherwise specified)

| SYMBOL | PARAMETER | LIMITS | | | UNITS | TEST CONDITIONS |
|------------------|---------------------------|----------------------|-----|------|-------|--|
| | | MIN | TYP | MAX | | |
| V _{IH} | Input HIGH Voltage (1) | 2.0 | | | V | Guaranteed Input HIGH Voltage |
| V _{IL} | Input LOW Voltage (1) | | | 0.8 | V | Guaranteed Input LOW Voltage |
| V _{IK} | Input Clamp Diode Voltage | | | -1.5 | V | V _{CC} = MIN, I _{IN} = -18 mA |
| V _{OH} | Output HIGH Voltage | 2.7 | | | V | V _{CC} = MIN, I _{OH} = -0.8 mA |
| V _{OL} | Output LOW Voltage | | | 0.5 | V | V _{CC} = MIN, I _{OL} = 8.0 mA |
| I _{OZH} | Output Off Current-HIGH | DATA ₀₋₁₅ | | 70 | μA | V _{CC} = MAX, V _{OUT} = 2.4 V |
| | | SC ₀₋₆ | | 50 | μA | |
| I _{OZL} | Output Off Current-LOW | DATA ₀₋₁₅ | | -410 | μA | V _{CC} = MAX, V _{OUT} = 0.5 V |
| | | SC ₀₋₆ | | -50 | μA | |
| I _{IH} | Input High Current | DATA ₀₋₁₅ | | 70 | μA | V _{CC} = MAX, V _{IN} = 2.7 V |
| | | OTHERS | | 50 | μA | |
| | | ALL | | 1.0 | mA | V _{CC} = MAX, V _{IN} = 5.5 V |
| I _{IL} | Input Low Current | DATA ₀₋₁₅ | | -410 | μA | V _{CC} = MAX, V _{IN} = 0.5 V |
| | | OTHERS | | -360 | μA | |
| I _{OS} | Short Circuit Current (2) | -25 | | -85 | mA | V _{CC} = MAX, V _O = 0 V |
| I _{CC} | Power Supply Current | | | 400 | mA | V _{CC} = MAX |

(1) These input levels provide zero noise immunity and should be tested only in a static, noise-free environment.
 (2) Not more than one output should be shorted at a time.

FIGURE 2 — AC TEST FIXTURE

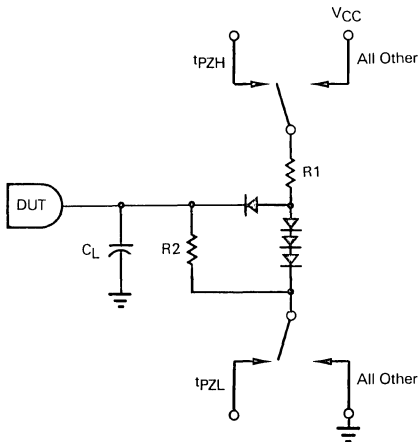


TABLE 5. TEST OUTPUT LOADS

| Pin | Pin Label | R ₁ | R ₂ |
|-------|----------------------------------|----------------|----------------|
| - | D ₀ -D ₁₅ | 430 Ω | 1 kΩ |
| 24-30 | SC ₀ -SC ₆ | 430 Ω | 1 kΩ |
| 32 | ERROR | 470 Ω | 3 kΩ |
| 33 | MULT ERROR | 470 Ω | 3 kΩ |



TABLE 6. AC CHARACTERISTICS (MAXIMUM LIMITS)

| SYMBOL | PARAMETER | | V _{CC} = 5.0 V ± 5%; T _A = 0 to +70°C; C _L = 50 pF; UNITS = ns*** | | | | | | | |
|---|--|-------------------------|--|--------------|----------------------|--------------|------------|--------------|------------|--------------|
| | From Input | To Output | SC ₀₋₆ | | DATA ₀₋₁₅ | | ERROR | | MULT ERROR | |
| t _{PLH} , t _{PHL} | Propagation Delay | | MC74F 2960 | MC74F 2960-1 | MC74F 2960 | MC74F 2960-1 | MC74F 2960 | MC74F 2960-1 | MC74F 2960 | MC74F 2960-1 |
| | DATA ₀₋₁₅ | | 32 | 28 | 65* | 52* | 32 | 25 | 50 | 50 |
| | CB ₀₋₆ (CODE ID ₂₋₀ 000, 011) | | 28 | 23 | 56 | 50 | 29 | 23 | 47 | 47 |
| | CB ₀₋₆ (CODE ID ₂₋₀ 010, 100, 101, 110, 111) | | 28 | 28 | 45 | 34 | 29 | 29 | 34 | 34 |
| | GENERATE | | 35 | 35 | 63 | 63 | 36 | 36 | 55 | 55 |
| | CORRECT (Not Internal Control Mode) | | — | — | 45 | 45 | — | — | — | — |
| | DIAG MODE ₀₋₁ (Not Internal Control Mode) | | 50 | 50 | 78 | 78 | 59 | 59 | 75 | 75 |
| | PASS THRU (Not Internal Control Mode) | | 36 | 36 | 44 | 44 | 29 | 29 | 46 | 46 |
| | CODE ID ₀₋₂ | | 61 | 61 | 90 | 90 | 60 | 60 | 80 | 80 |
| | LE IN (From latched to transparent) | | 39 | 39 | 72* | 72* | 39 | 39 | 59 | 59 |
| | LE OUT (From latched to transparent) | | — | — | 31 | 31 | — | — | — | — |
| | LE DIAG (From latched to transparent; Not Internal Control Mode) | | 45 | 45 | 78 | 78 | 45 | 45 | 65 | 65 |
| | Internal Control Mode: LE DIAG (From latched to transparent) | | 67 | 67 | 96 | 96 | 66 | 66 | 86 | 86 |
| | Internal Control Mode: DATA ₀₋₁₅ (Via Diagnostic Latch) | | 67 | 67 | 96 | 96 | 66 | 66 | 86 | 86 |
| t _{PZH} , t _{PZL} ** | Output Enable Time | OE BYTE 0, OE BYTE 1 | — | — | 30 | 30 | — | — | — | — |
| | | OE SC | 30 | 30 | — | — | — | — | — | — |
| t _{PHZ} , t _{PLZ} ** | Output Disable Time | OE BYTE 0, OE BYTE 1 | — | — | 30 | 30 | — | — | — | — |
| | | OE SC | 30 | 30 | — | — | — | — | — | — |

*Data In or LE In to Correct Data Out measurement requires timing as shown in Figure 3.

**C_L for t_{PZH}, t_{PZL}, t_{PHZ} and t_{PLZ} = 5.0 pF

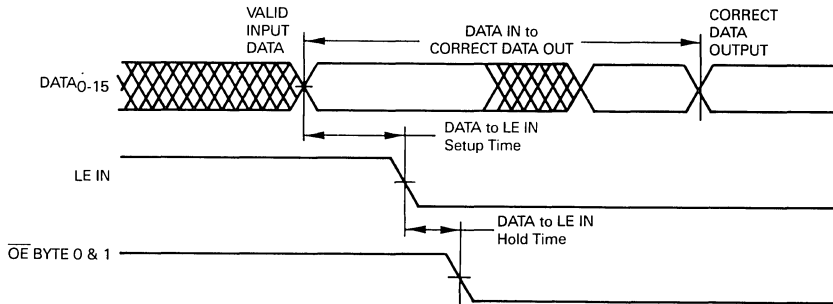
***Inputs switching between 0V and 3V at 1V/ns, measurements made at 1.5V. All outputs have maximum DC load.

TABLE 7. AC OPERATING REQUIREMENTS (MINIMUM LIMITS)

| SYMBOL | PARAMETER | | T _A = 0 to +70°C V _{CC} = 5.0 V ±5% | | UNITS |
|-----------------------------------|----------------------------------|--|--|-------------|-------|
| | | | MC74F2960 | MC74F2960-1 | |
| t _{su} t _h | Setup Time Hold Time | DATA ₀₋₁₅ to LE IN | 6 7 | 6 7 | ns |
| t _{su} t _h | Setup Time Hold Time | CB ₀₋₆ to LE IN | 5 6 | 5 6 | ns |
| t _{su} t _h | Setup Time Hold Time | DATA ₀₋₁₅ to LE OUT | 44 5 | 34 5 | ns |
| t _{su} t _h | Setup Time Hold Time | CB ₀₋₆ to LE OUT (Code ID 000, 011) | 35 0 | 35 0 | ns |
| t _{su} t _h | Setup Time Hold Time | CB ₀₋₆ to LE OUT (Code ID 010, 100, 101, 110, 111) | 27 0 | 27 0 | ns |
| t _{su} t _h | Setup Time Hold Time | GENERATE to LE OUT | 42 0 | 42 0 | ns |
| t _{su} t _h | Setup Time Hold Time | CORRECT to LE OUT | 26 1 | 26 1 | ns |
| t _{su} t _h | Setup Time Hold Time | DIAG MODE ₀₋₁ , to LE OUT | 69 0 | 69 0 | ns |
| t _{su} t _h | Setup Time Hold Time | PASS THRU to LE OUT | 26 0 | 26 0 | ns |
| t _{su} t _h | Setup Time Hold Time | CODE ID ₀₋₂ , to LE OUT | 81 0 | 81 0 | ns |
| t _{su} t _h | Setup Time Hold Time | LE IN to LE OUT | 51 5 | 51 5 | ns |
| t _{su} t _h | Setup Time Hold Time | DATA ₀₋₁₅ to LE DIAG | 6 8 | 6 8 | ns |
| t _w | Minimum Pulse Width, High or Low | LE IN, LE OUT, or LE DIAG | 15 | 15 | ns |

4

FIGURE 3 — TIMING REQUIRED for DATA IN (or LE IN) to CORRECTED DATA OUT



PIN DEFINITIONS

DATA₀₋₁₅

16 bidirectional data lines. They provide input to the Data Input Latch and Diagnostic Latch, and receive output from the Data Output Latch, DATA₀ is the least significant bit; DATA₁₅ the most significant.

CB₀₋₆

Seven Check Bit input lines. The check bit lines are used to input check bits for error detection. They are also used to input syndrome bits for error correction in 32 and 64-bit configurations.

LE IN

Latch Enable — Data Input Latch. Controls latching of the input data. When HIGH the Data Input Latch and Check Bit Input Latch follow the input data and input check bits. When LOW, the Data Input Latch and Check Bit Input Latch are latched to their previous state.

GENERATE

Generate Check Bits input. When this input is LOW the EDAC is in the Check Bit Generate Mode. When HIGH the EDAC is in the Detect Mode or Correct Mode.

In the Generate Mode the circuit generates the check bits or partial check bits specific to the data in the Data Input Latch. The generated check bits are placed on the SC outputs.

In the Detect or Correct Modes the EDAC detects single and multiple errors, and generates syndrome bits based upon the contents of the Data Input Latch and Check Bit Input Latch. In Correct Mode, single-bit errors are also automatically corrected — corrected data is placed at the inputs of the Data Output Latch. The syndrome result is placed on the SC outputs and indicates in a coded form the number of errors and the bit-in-error.

SC₀₋₆

Syndrome/Check Bit outputs. These seven lines hold the check/partial-check bits when the EDAC is in Generate Mode, and will hold the syndrome/partial syndrome bits when the device is in Detect or Correct Modes. These are 3-state outputs.

 \overline{OE} SC

Output Enable — Syndrome/Check Bits. When LOW, the 3-state output lines SC₀₋₆ are enabled. When HIGH, the SC outputs are in the high impedance state.

ERROR

Error Detected output. When the EDAC is in Detect or Correct Mode, this output will go LOW if one or more syndrome bits are asserted, meaning there are one or more bit errors in the data or check bits. If no syndrome bits are asserted, there are no errors detected and the output will be HIGH. In Generate Mode, \overline{ERROR} is forced HIGH. (In a 64-bit configuration, \overline{ERROR} must be externally implemented.)

MULT ERROR

Multiple Errors Detected output. When the EDAC is in Detect or Correct Mode, this output if LOW indicates that there are two or more bit errors that have been detected. If HIGH this indicates that either one or no errors have been detected. In Generate mode, MULT ERROR is forced HIGH.

(In a 64-bit configuration, $\overline{MULT ERROR}$ must be externally implemented.)

CORRECT

Correct input. When HIGH this signal allows the correction network to correct any single-bit error in the Data Input Latch (by complementing the bit-in-error) before putting it onto the Data Output Latch. When LOW the EDAC will drive data directly from the Data Input Latch to the Data Output Latch without correction.

LE OUT

Latch Enable — Data Output Latch. Controls the latching of the Data Output Latch. When LOW the Data Output Latch is latched to its previous state. When HIGH the Data Output Latch follows the output of the Data Input Latch as modified by the correction logic network. In Correct Mode, single-bit errors are corrected by the network before loading into the Data Output Latch. In Detect Mode, the contents of the Data Input Latch are passed through the correction network unchanged into the Data Output Latch. The inputs to the Data Output Latch are unspecified if the EDAC is in Generate Mode.

 \overline{OE} BYTE 0, \overline{OE} BYTE 1

Output Enable — Bytes 0 and 1, Data Output Latch. These lines control the 3-state outputs for each of the two bytes of the Data Output Latch. When LOW these lines enable the Data Output Latch and when HIGH these lines force the Data Output Latch into the high impedance state. The two enable lines can be separately activated to enable only one byte of the Data Output Latch at a time.

PASS THRU

Pass Thru input. This line when HIGH forces the contents of the Check Bit Input Latch onto the Syndrome/Check Bit outputs (SC₀₋₆) and the unmodified contents of the Data Input Latch onto the inputs of the Data Output Latch.

DIAG MODE₀₋₁

Diagnostic Mode Select. These two lines control the initialization and diagnostic operation of the EDAC.

CODE ID₀₋₂

Code Identification inputs. These three bits identify the size of the total data word to be processed and which 16-bit slice of larger data words a particular EDAC is processing. The three allowable data word sizes are 16, 32 and 64-bits and their respective modified Hamming codes are designated 16/22, 32/39 and 64/72. Special CODE ID input 001 (ID₂, ID₁, ID₀) is also used to instruct the EDAC that the signals CODE ID₀₋₂, DIAG MODE₀₋₁, CORRECT and PASS THRU are to be taken from the Diagnostic Latch, rather than from the input control lines.

LE DIAG

Latch Enable — Diagnostic Latch. When HIGH the Diagnostic Latch follows the 16-bit data on the input lines. When LOW the outputs of the Diagnostic Latch are latched to their previous states. The Diagnostic Latch holds diagnostic check bits, and internal control signals for CODE ID₀₋₂, DIAG MODE₀₋₁, CORRECT and PASS THRU.

FUNCTIONAL DESCRIPTION

The MC74F2960 contains the necessary logic to generate check bits on a 16-bit data field according to a modified Hamming code. This code allows the EDAC to 1) be cascaded, 2) detect all double bit errors, 3) detect RAM failure (all 1 or 0 data).

The EDAC may be configured to work on data words from 8- to 64-bits in length. When cascaded for word lengths in excess of 16 bits, each EDAC must know which bits it is processing. This is done with Code ID inputs as shown in Table 8. The Internal Control Mode is described later.

MODE SELECTION

The device control lines are $\overline{\text{GENERATE}}$, CORRECT, PASS THRU, DIAG MODE₀₋₁ and CODE ID₀₋₂. Table 9 lists the MC74F2960 modes of operation. The data flow for each of these modes is shown in Figures 4 through 7.

PASS THRU MODE

In this mode, the unmodified contents of the Data Input Latch are placed on the inputs of the Data Output Latch and the contents of the Check Bit Input Latch are placed on the SC outputs. $\overline{\text{ERROR}}$ and $\overline{\text{MULT ERROR}}$ are forced HIGH in this mode.

GENERATE MODE

In this mode check bits will be generated that correspond to the contents of the Data Input Latch. The check bits generated are placed on the SC outputs.

DETECT MODE

In this mode the device examines the contents of the Data Input Latch against the Check Bit Input Latch, and will detect all single-bit errors, all double-bit errors and some triple-bit errors. If one or more errors are detected, $\overline{\text{ERROR}}$ goes LOW. If two or more errors are detected, $\overline{\text{MULT ERROR}}$ goes LOW. Both error indicators are HIGH if there are no errors.

Also available on the SC outputs are the syndrome bits generated by the error detection step. The syndrome bits may be decoded to determine if a bit error was detected and, for single-bit errors, which of the data or check bits is in error.

In Detect Mode, the contents of the Data Input Latch are driven directly to the inputs of the Data Output Latch without correction.

CORRECT MODE

In this mode, the EDAC functions the same as in Detect Mode except that the correction network is allowed to correct (complement) any single-bit error of the Data Input Latch before putting it onto the inputs of the Data Output Latch. If multiple errors are detected, the output of the correction network is unspecified.

If the single-bit error is a check bit there is no automatic correction. If check bit correction is desired, this can be done by placing the device in GENERATE MODE to produce a correct check bit sequence for the data in the Data Input Latch.

DIAGNOSTIC GENERATE
DIAGNOSTIC DETECT
DIAGNOSTIC CORRECT

These are special diagnostic modes where check bits loaded into the Diagnostic Latch are substituted for either normal check bit inputs or outputs.

INITIALIZE

The inputs of the Data Output Latch are forced to zeroes. The check bit outputs (SC) are generated to correspond to the all-zero data. $\overline{\text{ERROR}}$ and $\overline{\text{MULT ERROR}}$ are forced HIGH in the initialize Mode.

Initialize Mode is useful after power up when RAM contents are random. The EDAC may be placed in initialize mode and its' outputs written into all memory locations by the processor.

INTERNAL CONTROL MODE

When in the internal control mode, the EDAC takes the CODE ID₀₋₂, DIAG MODE₀₋₁, CORRECT and PASS THRU control signals from the Internal Diagnostic Latch rather than from the external input lines or Memory Controller.

TABLE 8. HAMMING CODE AND SLICE IDENTIFICATION

| CODE ID ₂ | CODE ID ₁ | CODE ID ₀ | Hamming Code and Slice Selected |
|----------------------|----------------------|----------------------|---------------------------------|
| 0 | 0 | 0 | Code 16/22 |
| 0 | 0 | 1 | Internal Control Mode |
| 0 | 1 | 0 | Code 32/39, Bytes 0 and 1 |
| 0 | 1 | 1 | Code 32/39, Bytes 2 and 3 |
| 1 | 0 | 0 | Code 64/72, Bytes 0 and 1 |
| 1 | 0 | 1 | Code 64/72, Bytes 2 and 3 |
| 1 | 1 | 0 | Code 64/72, Bytes 4 and 5 |
| 1 | 1 | 1 | Code 64/72, Bytes 6 and 7 |

TABLE 9. F2960 MODES OF OPERATION

| OPERATING MODE* | CONTROL INPUTS* | | | | |
|---------------------|-----------------|-------------|-----------|------------------------------|---------|
| | DIAG MODE 1 | DIAG MODE 0 | PASS THRU | $\overline{\text{GENERATE}}$ | CORRECT |
| PASS THRU | X | X | 1 | X | X |
| GENERATE | X | 0 | 0 | 0 | X |
| DETECT | 0 | X | 0 | 1 | 0 |
| CORRECT | 0 | X | 0 | 1 | 1 |
| DIAGNOSTIC GENERATE | 0 | 1 | 0 | 0 | X |
| DIAGNOSTIC DETECT | 1 | 0 | 0 | 1 | 0 |
| DIAGNOSTIC CORRECT | 1 | 0 | 0 | 1 | 1 |
| INITIALIZE | 1 | 1 | 0 | X | X |

*The internal control mode overrides control inputs (See Text).



FIGURE 4 — CHECK BIT GENERATION

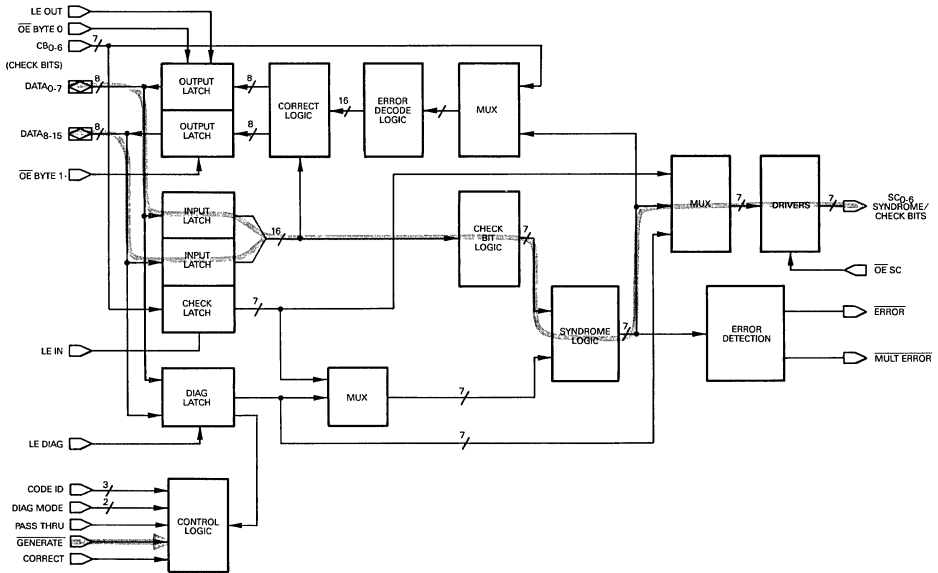


FIGURE 5 — ERROR DETECTION AND CORRECTION

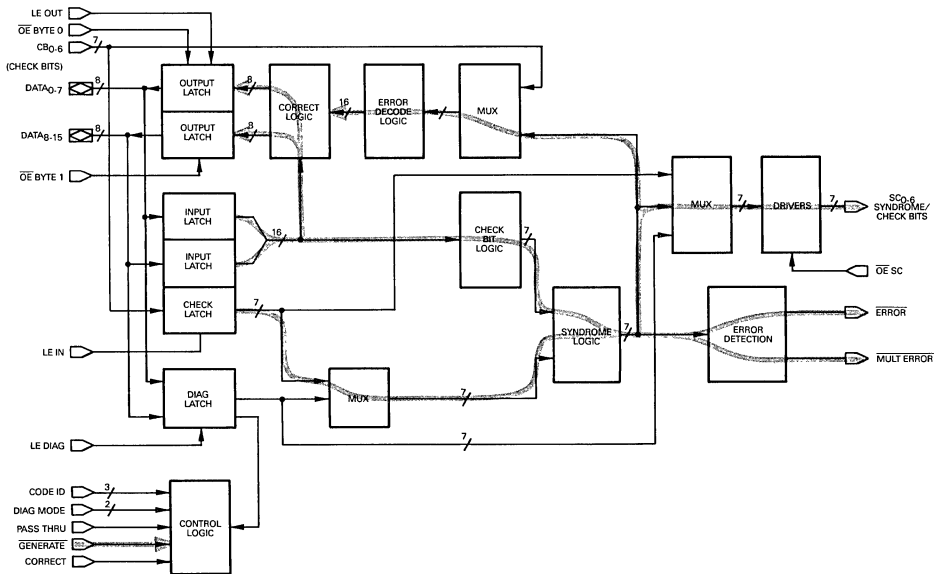


FIGURE 6 — DIAGNOSTIC CHECK BIT GENERATION

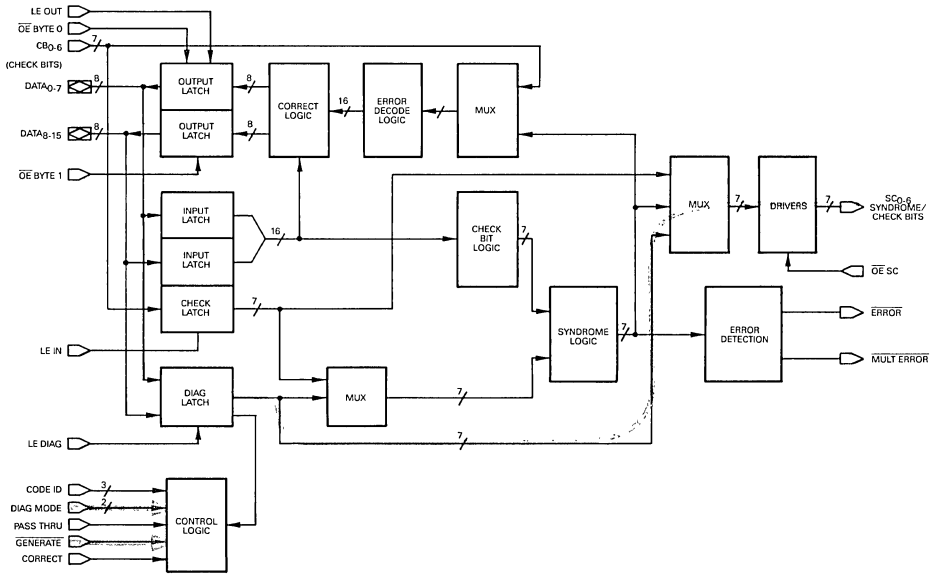
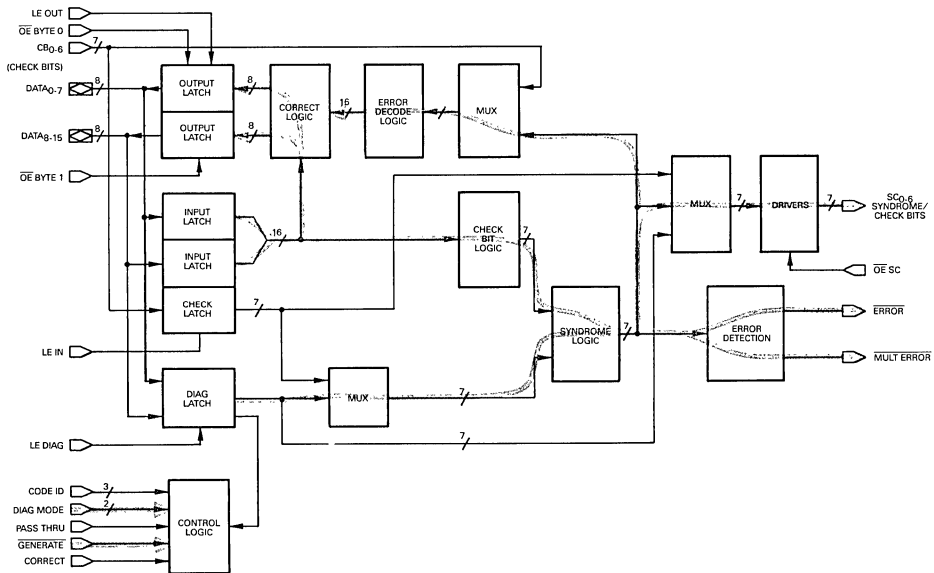


FIGURE 7 — DIAGNOSTIC DETECT AND CORRECT



CASCADING THE MC74F2960

The system configuration, as well as the specific function of various F2960 inputs and outputs, varies slightly depending upon the width of the data word.

The system configuration for 16-bit, 32-bit and 64-bit data words is shown in Figures 8, 9 and 10. In addition, accompanying figures and tables indicate the memory word format, diagnostic latch format, check bit encode, syndrome decode and ac calculations for each configuration.

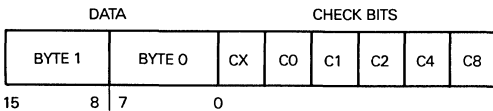
When cascading to 32- or 64-bit configurations, syndrome bits must be fed back to the check bit inputs to correct an erroneous data word. Figure 9 and Table 18

illustrate the use of a 3-state buffer to control the multiplexing of check bits and syndrome bits into the EDAC(s).

Cascading to a 64-bit configuration requires additional MSI logic to generate a portion of the Syndrome and also the ERROR flag. The implementation shown in Figure 10 results in a different meaning for the MULT ERROR flag than in other configurations. MULT ERROR is HIGH if no errors or a 1-bit error is detected, but it is also HIGH for some 2-bit errors. In order to determine if an error is correctable, a DOUBLE ERROR output indicates that 2 errors have been detected when HIGH. Otherwise DOUBLE ERROR is Low.

16-BIT DATA WORD WIDTH

TABLE 10. 16-BIT DATA FORMAT



Uses Modified Hamming Code 16/22
 — 16 data bits
 — 6 check bits
 — 22 bits in total

FIGURE 8 — 16-BIT CONFIGURATION

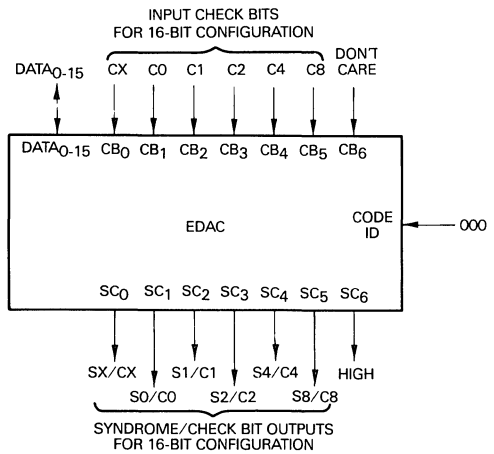


TABLE 11. 16-BIT MODIFIED HAMMING CODE — CHECK BIT ENCODE CHART

| Generated Check Bits | Parity | Participating Data Bits | | | | | | | | | | | | | | | |
|----------------------|------------|-------------------------|---|---|---|---|---|---|---|---|---|----|----|----|----|----|----|
| | | 0 | 1 | 2 | 3 | 4 | 5 | 6 | 7 | 8 | 9 | 10 | 11 | 12 | 13 | 14 | 15 |
| CX | Even (XOR) | | X | X | X | | | X | | | | | X | X | | | X |
| C0 | Even (XOR) | X | X | X | | X | X | | | X | X | X | | X | | | |
| C1 | Odd (XNOR) | X | | | X | X | | X | | | X | X | | | X | | X |
| C2 | Odd (XNOR) | X | X | | | X | X | X | | | | X | X | X | | | |
| C4 | Even (XOR) | | | X | X | X | X | X | | | | | | | | X | X |
| C8 | Even (XOR) | | | | | | | | | X | X | X | X | X | X | X | X |

The check bit is generated as either an XOR or XNOR of the eight data bits noted by an "X" in the table.

16-BIT DATA WORD WIDTH (continued)

TABLE 12. SYNDROME DECODE TO BIT-IN-ERROR

| Syndrome Bits | | | S8 | S4 | S2 | | | | | | | | | | |
|---------------|----|----|----|----|----|----|---|----|---|---|---|---|---|---|---|
| SX | S0 | S1 | 0 | 0 | 0 | 0 | 1 | 0 | 1 | 0 | 1 | 0 | 1 | 0 | 1 |
| 0 | 0 | 0 | 0 | 0 | 0 | 0 | 0 | 1 | 1 | 0 | 0 | 0 | 1 | 1 | 1 |
| 0 | 0 | 1 | C1 | T | T | 15 | T | | | | | | | | |
| 0 | 1 | 0 | C0 | T | T | M | T | 12 | 6 | T | | | | | |
| 0 | 1 | 1 | T | 10 | 4 | T | 0 | T | T | M | | | | | |
| 1 | 0 | 0 | CX | T | T | 14 | T | 11 | 5 | T | | | | | |
| 1 | 0 | 1 | T | 9 | 3 | T | M | T | T | M | | | | | |
| 1 | 1 | 0 | T | 8 | 2 | T | 1 | T | T | M | | | | | |
| 1 | 1 | 1 | M | T | T | M | T | M | M | T | | | | | |

* — no errors detected

Number — the location of the single bit-in-error

T — two errors detected

M — three or more errors detected

TABLE 13. DIAGNOSTIC LATCH LOADING — 16-BIT FORMAT

| Data Bit | Internal Function |
|----------|------------------------|
| 0 | Diagnostic Check Bit X |
| 1 | Diagnostic Check Bit 0 |
| 2 | Diagnostic Check Bit 1 |
| 3 | Diagnostic Check Bit 2 |
| 4 | Diagnostic Check Bit 4 |
| 5 | Diagnostic Check Bit 8 |
| 6, 7 | Don't Care |
| 8 | CODE ID 0 |
| 9 | CODE ID 1 |
| 10 | CODE ID 2 |
| 11 | DIAG MODE 0 |
| 12 | DIAG MODE 1 |
| 13 | CORRECT |
| 14 | PASS THRU |
| 15 | Don't Care |

32-BIT DATA WORD WIDTH

TABLE 14. SYNDROME DECODE TO BIT-IN-ERROR

| Syndrome Bits | | | | S16 | S8 | S4 | | | | | | | | | | | | |
|---------------|----|----|----|-----|----|----|----|----|---|----|----|---|---|---|---|---|---|--|
| SX | S0 | S1 | S2 | 0 | 0 | 0 | 0 | 0 | 1 | 0 | 1 | 0 | 1 | 0 | 1 | 0 | 1 | |
| 0 | 0 | 0 | 0 | 0 | 0 | 0 | 0 | 0 | 0 | 0 | 0 | 0 | 0 | 0 | 0 | 0 | 0 | |
| 0 | 0 | 0 | 1 | C2 | T | T | 27 | T | 5 | M | T | | | | | | | |
| 0 | 0 | 1 | 0 | C1 | T | T | 25 | T | 3 | 15 | T | | | | | | | |
| 0 | 0 | 1 | 1 | T | M | 13 | T | 23 | T | T | M | | | | | | | |
| 0 | 1 | 0 | 0 | C0 | T | T | 24 | T | 2 | M | T | | | | | | | |
| 0 | 1 | 0 | 1 | T | 1 | 12 | T | 22 | T | T | M | | | | | | | |
| 0 | 1 | 1 | 0 | T | M | 10 | T | 20 | T | T | M | | | | | | | |
| 0 | 1 | 1 | 1 | 16 | T | T | M | T | M | M | T | | | | | | | |
| 1 | 0 | 0 | 0 | CX | T | T | M | T | M | 14 | T | | | | | | | |
| 1 | 0 | 0 | 1 | T | M | 11 | T | 21 | T | T | M | | | | | | | |
| 1 | 0 | 1 | 0 | T | M | 9 | T | 19 | T | T | 31 | | | | | | | |
| 1 | 0 | 1 | 1 | M | T | T | 29 | T | 7 | M | T | | | | | | | |
| 1 | 1 | 0 | 0 | T | M | 8 | T | 18 | T | T | M | | | | | | | |
| 1 | 1 | 0 | 1 | 17 | T | T | 28 | T | 6 | M | T | | | | | | | |
| 1 | 1 | 1 | 0 | M | T | T | 26 | T | 4 | M | T | | | | | | | |
| 1 | 1 | 1 | 1 | T | 0 | M | T | M | T | T | M | | | | | | | |

* — no errors detected

Number — the location of the single bit-in-error

T — two errors detected

M — three or more errors detected

TABLE 15. DIAGNOSTIC LATCH LOADING — 32-BIT FORMAT

| Data Bit | Internal Function |
|----------|-------------------------|
| 0 | Diagnostic Check Bit X |
| 1 | Diagnostic Check Bit 0 |
| 2 | Diagnostic Check Bit 1 |
| 3 | Diagnostic Check Bit 2 |
| 4 | Diagnostic Check Bit 4 |
| 5 | Diagnostic Check Bit 8 |
| 6 | Diagnostic Check Bit 16 |
| 7 | Don't Care |
| 8 | Slice 0/1 — CODE ID 0 |
| 9 | Slice 0/1 — CODE ID 1 |
| 10 | Slice 0/1 — CODE ID 2 |
| 11 | Slice 0/1 — DIAG MODE 0 |
| 12 | Slice 0/1 — DIAG MODE 1 |
| 13 | Slice 0/1 — CORRECT |
| 14 | Slice 0/1 — PASS THRU |
| 15 | Don't Care |
| 16-23 | Don't Care |
| 24 | Slice 2/3 — CODE ID 0 |
| 25 | Slice 2/3 — CODE ID 1 |
| 26 | Slice 2/3 — CODE ID 2 |
| 27 | Slice 2/3 — DIAG MODE 0 |
| 28 | Slice 2/3 — DIAG MODE 1 |
| 29 | Slice 2/3 — CORRECT |
| 30 | Slice 2/3 — PASS THRU |
| 31 | Don't Care |



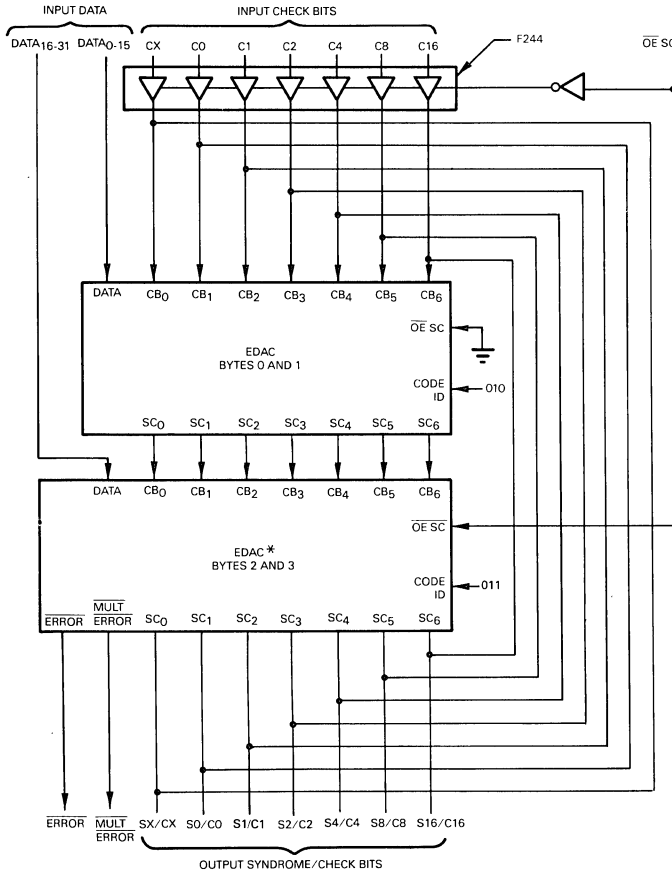
32-BIT DATA WORD WIDTH (continued)

TABLE 15. 32-BIT DATA FORMAT

| DATA | | | | | | | | CHECK BITS | | | | | | |
|--------|--------|----|--------|----|--------|---|----|------------|----|----|----|----|-----|--|
| BYTE 3 | BYTE 2 | | BYTE 1 | | BYTE 0 | | CX | C0 | C1 | C2 | C4 | C8 | C16 | |
| 31 | 24 | 23 | 16 | 15 | 8 | 7 | 0 | | | | | | | |

Uses Modified Hamming Code 32/39
 — 32 data bits
 — 7 check bits
 — 39 bits in total

FIGURE 9 — 32-BIT CONFIGURATION



*Check Bit Latch is Forced Transparent in this Code ID Combination for this Slice.

4

32-BIT DATA WORD WIDTH (continued)

TABLE 16. 32-BIT MODIFIED HAMMING CODE — CHECK BIT ENCODE CHART

| Generated Check Bits | Parity | Participating Data Bits | | | | | | | | | | | | | | | |
|----------------------|------------|-------------------------|---|---|---|---|---|---|---|---|---|----|----|----|----|----|----|
| | | 0 | 1 | 2 | 3 | 4 | 5 | 6 | 7 | 8 | 9 | 10 | 11 | 12 | 13 | 14 | 15 |
| CX | Even (XOR) | X | | | | X | X | X | X | X | X | X | | | | X | |
| C0 | Even (XOR) | X | X | X | | X | X | | | X | X | X | | X | | | |
| C1 | Odd (XNOR) | X | | | X | X | | X | | X | X | | | X | | X | |
| C2 | Odd (XNOR) | X | X | | | X | X | X | | | X | X | X | | | | |
| C4 | Even (XOR) | | | X | X | X | X | X | | | | | | | X | X | |
| C8 | Even (XOR) | | | | | | | | | X | X | X | X | X | X | X | |
| C16 | Even (XOR) | X | X | X | X | X | X | X | X | | | | | | | | |

| Generated Check Bits | Parity | Participating Data Bits | | | | | | | | | | | | | | | |
|----------------------|------------|-------------------------|----|----|----|----|----|----|----|----|----|----|----|----|----|----|----|
| | | 16 | 17 | 18 | 19 | 20 | 21 | 22 | 23 | 24 | 25 | 26 | 27 | 28 | 29 | 30 | 31 |
| CX | Even (XOR) | | X | X | X | | X | | | | X | | X | X | X | X | |
| C0 | Even (XOR) | X | X | X | | X | X | | | X | X | | | X | | | |
| C1 | Odd (XNOR) | X | | | X | X | | X | | X | X | | | X | | X | |
| C2 | Odd (XNOR) | X | X | | | X | X | X | | | X | X | X | | | | |
| C4 | Even (XOR) | | | X | X | X | X | X | | | | | | | X | X | |
| C8 | Even (XOR) | | | | | | | | | X | X | X | X | X | X | X | |
| C16 | Even (XOR) | | | | | | | | | X | X | X | X | X | X | X | |

TABLE 17. KEY AC CALCULATIONS FOR THE 32-BIT CONFIGURATION

| 32-Bit Propagation Delay | | Delay Calculation |
|--------------------------|------------------------|--|
| From | To | |
| DATA | Check Bits Out | (DATA to SC) + (CB to SC, CODE ID 011) |
| DATA IN | Corrected DATA OUT | (DATA to SC) + (CB to SC, CODE ID 011) + (CB to DATA, CODE ID 010) |
| DATA | Syndromes Out | (DATA to SC) + (CB to SC, CODE ID 011) |
| DATA | ERROR for 32 Bits | (DATA to SC) + (CB to ERROR, CODE ID 011) |
| DATA | MULT ERROR for 32 Bits | (DATA to SC) + (CB to MULT ERROR, CODE ID 011) |



64-BIT DATA WORD WIDTH

TABLE 18. 64-BIT DATA FORMAT

| DATA | | | | | | | | CHECK BITS | | | | | | | |
|--------|--------|--------|--------|--------|--------|--------|--------|------------|----|----|----|----|----|-----|-----|
| BYTE 7 | BYTE 6 | BYTE 5 | BYTE 4 | BYTE 3 | BYTE 2 | BYTE 1 | BYTE 0 | CX | C0 | C1 | C2 | C4 | C8 | C16 | C32 |
| 63 | 48 | 47 | 32 | 31 | 16 | 15 | 0 | | | | | | | | |

- Uses Modified Hamming Code 64/72
- 64 data bits
- 8 check bits
- 72 bits in total

64-BIT DATA WORD WIDTH (continued)

TABLE 19. 64-BIT MODIFIED HAMMING CODE — CHECK BIT ENCODE CHART

| Generated Check Bits | Parity | Participating Data Bits | | | | | | | | | | | | | | | |
|----------------------|------------|-------------------------|---|---|---|---|---|---|---|---|---|----|----|----|----|----|----|
| | | 0 | 1 | 2 | 3 | 4 | 5 | 6 | 7 | 8 | 9 | 10 | 11 | 12 | 13 | 14 | 15 |
| CX | Even (XOR) | | X | X | X | | X | | | X | X | | X | | | X | |
| CC | Even (XOR) | X | X | X | | X | | X | | | X | | X | | | X | |
| C1 | Odd (XNOR) | X | | | X | | X | | X | | X | | X | | X | X | |
| C2 | Odd (XNOR) | X | X | | | | | X | X | X | | | X | X | X | | |
| C4 | Even (XOR) | | | | X | X | | X | X | X | X | | | | | X | X |
| C8 | Even (XOR) | | | | | | | | | | | X | X | X | X | X | X |
| C16 | Even (XOR) | X | X | X | X | X | X | X | X | X | | | | | | | |
| C32 | Even (XOR) | X | X | X | X | X | X | X | X | X | | | | | | | |

| Generated Check Bits | Parity | Participating Data Bits | | | | | | | | | | | | | | | |
|----------------------|------------|-------------------------|----|----|----|----|----|----|----|----|----|----|----|----|----|----|----|
| | | 16 | 17 | 18 | 19 | 20 | 21 | 22 | 23 | 24 | 25 | 26 | 27 | 28 | 29 | 30 | 31 |
| CX | Even (XOR) | | X | X | X | | X | | | X | X | | X | | | X | |
| C0 | Even (XOR) | X | X | X | | X | | X | | | X | | X | | | X | |
| C1 | Odd (XNOR) | X | | | X | | X | | X | | X | | X | | X | X | |
| C2 | Odd (XNOR) | X | X | | | | | X | X | X | | | X | X | X | | |
| C4 | Even (XOR) | | | | X | X | | X | X | X | X | | | | | X | X |
| C8 | Even (XOR) | | | | | | | | | | | X | X | X | X | X | X |
| C16 | Even (XOR) | | | | | | | | | | | X | X | X | X | X | X |
| C32 | Even (XOR) | | | | | | | | | | | X | X | X | X | X | X |

| Generated Check Bits | Parity | Participating Data Bits | | | | | | | | | | | | | | | |
|----------------------|------------|-------------------------|----|----|----|----|----|----|----|----|----|----|----|----|----|----|----|
| | | 32 | 33 | 34 | 35 | 36 | 37 | 38 | 39 | 40 | 41 | 42 | 43 | 44 | 45 | 46 | 47 |
| CX | Even (XOR) | X | | | | X | | X | X | | | X | | X | X | X | |
| C0 | Even (XOR) | X | X | X | | X | | X | | X | | X | | X | | X | |
| C1 | Odd (XNOR) | X | | | X | | X | | X | | X | | X | | X | X | |
| C2 | Odd (XNOR) | X | X | | | | | X | X | X | | | X | X | X | | |
| C4 | Even (XOR) | | | | X | X | | X | X | X | X | | | | | X | X |
| C8 | Even (XOR) | | | | | | | | | | | X | X | X | X | X | X |
| C16 | Even (XOR) | X | X | X | X | X | X | X | X | X | | | | | | | |
| C32 | Even (XOR) | | | | | | | | | | | X | X | X | X | X | X |

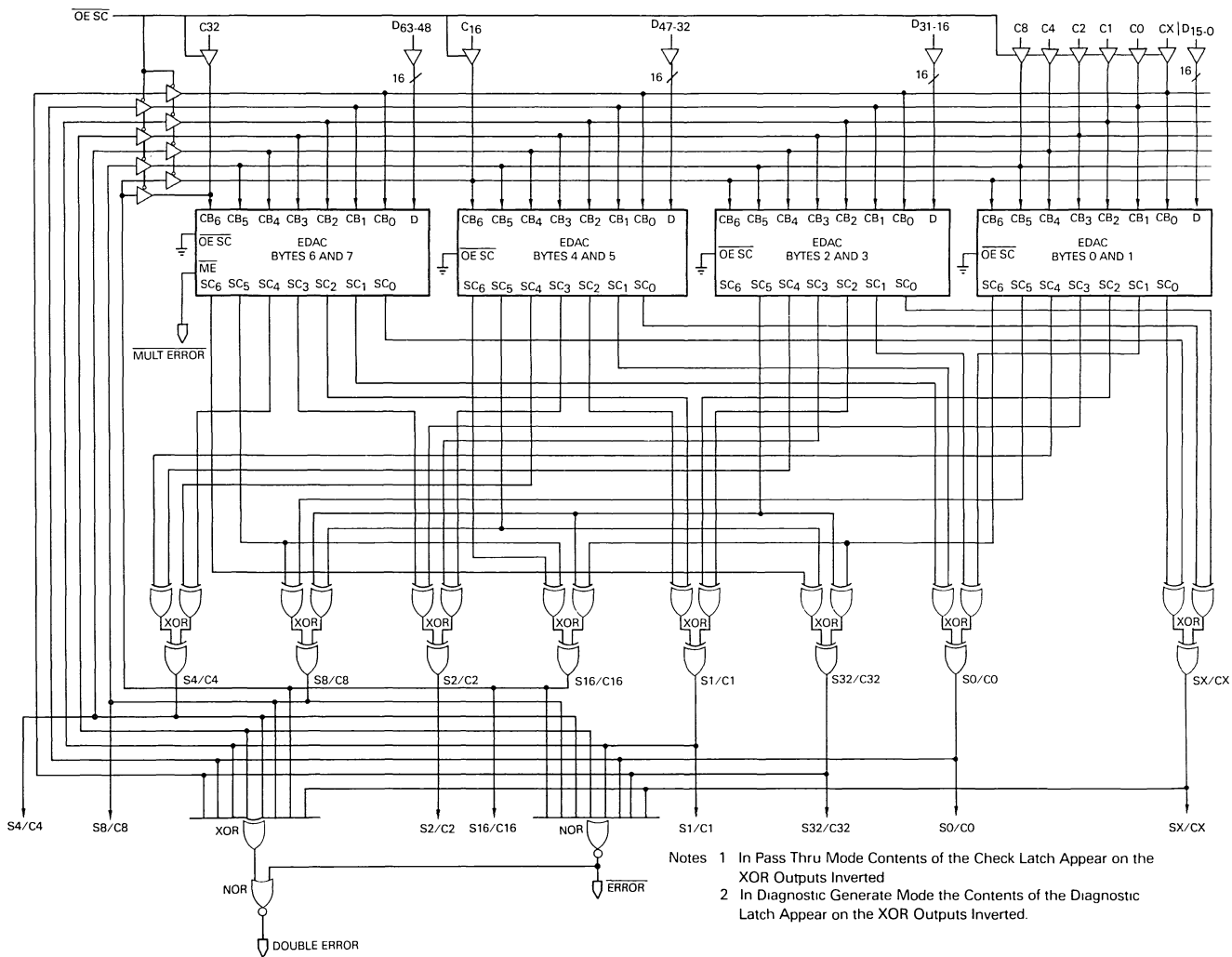
| Generated Check Bits | Parity | Participating Data Bits | | | | | | | | | | | | | | | |
|----------------------|------------|-------------------------|----|----|----|----|----|----|----|----|----|----|----|----|----|----|----|
| | | 48 | 49 | 50 | 51 | 52 | 53 | 54 | 55 | 56 | 57 | 58 | 59 | 60 | 61 | 62 | 63 |
| CX | Even (XOR) | X | | | | X | | X | X | | | X | | X | X | X | |
| C0 | Even (XOR) | X | X | X | | X | | X | | X | | X | | X | | X | |
| C1 | Odd (XNOR) | X | | | X | | X | | X | | X | | X | | X | X | |
| C2 | Odd (XNOR) | X | X | | | | | X | X | X | | | X | X | X | | |
| C4 | Even (XOR) | | | | X | X | | X | X | X | X | | | | | X | X |
| C8 | Even (XOR) | | | | | | | | | | | X | X | X | X | X | X |
| C16 | Even (XOR) | | | | | | | | | | | X | X | X | X | X | X |
| C32 | Even (XOR) | X | X | X | X | X | X | X | X | X | | | | | | | |

The check bit is generated as either an XOR or XNOR of the 32 data bits noted by an "X" in the table.

4

64-BIT DATA WORD WIDTH (continued)

FIGURE 10 — 64-BIT DATA CONFIGURATION



- Notes
- 1 In Pass Thru Mode Contents of the Check Latch Appear on the XOR Outputs Inverted
 - 2 In Diagnostic Generate Mode the Contents of the Diagnostic Latch Appear on the XOR Outputs Inverted.

64-BIT DATA WORD WIDTH (continued)

TABLE 20. SYNDROME DECODE TO BIT-IN-ERROR

| Syndrome Bits | | | | S32 | S16 | S8 | S4 | | | | | | | | | | | | | | | | | | | |
|---------------|----|----|----|-----|-----|-----|----|----|----|----|----|----|----|----|---|----|----|----|----|----|---|---|---|---|---|---|
| SX | S0 | S1 | S2 | 0 | 1 | 0 | 0 | 1 | 0 | 1 | 0 | 1 | 0 | 1 | 0 | 1 | 0 | 1 | 0 | 1 | 0 | 1 | 0 | 1 | 0 | 1 |
| 0 | 0 | 0 | 0 | * | C32 | C16 | T | T | C8 | T | T | M | C4 | T | T | M | T | T | 46 | 62 | T | T | T | T | T | T |
| 0 | 0 | 0 | 1 | C2 | T | T | M | T | 43 | 59 | T | T | 53 | 37 | T | M | T | T | M | T | T | M | T | T | M | T |
| 0 | 0 | 1 | 0 | C1 | T | T | M | T | 41 | 57 | T | T | 51 | 35 | T | 15 | T | T | 31 | T | T | M | T | T | M | T |
| 0 | 0 | 1 | 1 | T | M | M | T | 13 | T | T | 29 | 23 | T | T | 7 | T | M | M | T | T | M | T | T | M | T | T |
| 0 | 1 | 0 | 0 | C0 | T | T | M | T | 40 | 56 | T | T | 50 | 34 | T | M | T | T | M | T | T | M | T | T | M | T |
| 0 | 1 | 0 | 1 | T | 49 | 33 | T | 12 | T | T | 28 | 22 | T | T | 6 | T | M | M | T | T | M | T | T | M | T | T |
| 0 | 1 | 1 | 0 | T | M | M | T | 10 | T | T | 26 | 20 | T | T | 4 | T | M | M | T | T | M | T | T | M | T | T |
| 0 | 1 | 1 | 1 | 16 | T | T | 0 | T | M | M | T | T | M | M | T | M | T | M | T | T | M | T | T | M | T | T |
| 1 | 0 | 0 | 0 | CX | T | T | M | T | M | M | T | T | M | M | T | 14 | T | T | 30 | T | T | M | T | T | M | T |
| 1 | 0 | 0 | 1 | T | M | M | T | 11 | T | T | 27 | 21 | T | T | 5 | T | M | M | T | T | M | T | T | M | T | T |
| 1 | 0 | 1 | 0 | T | M | M | T | 9 | T | T | 25 | 19 | T | T | 3 | T | 47 | 63 | T | T | M | T | T | M | T | T |
| 1 | 0 | 1 | 1 | M | T | T | M | T | 45 | 61 | T | T | 55 | 39 | T | M | T | T | M | T | T | M | T | T | M | T |
| 1 | 1 | 0 | 0 | T | M | M | T | 8 | T | T | 24 | 18 | T | T | 2 | T | M | M | T | T | M | T | T | M | T | T |
| 1 | 1 | 0 | 1 | 17 | T | T | 1 | T | 44 | 60 | T | T | 54 | 38 | T | M | T | T | M | T | T | M | T | T | M | T |
| 1 | 1 | 1 | 0 | M | T | T | M | T | 42 | 58 | T | T | 52 | 36 | T | M | T | T | M | T | T | M | T | T | M | T |
| 1 | 1 | 1 | 1 | T | 48 | 32 | T | M | T | T | M | T | T | M | T | T | M | T | T | M | T | T | M | T | T | M |

* — no errors detected

Number — the location of the single bit-in-error

T — two errors detected

M — three or more errors detected

TABLE 21. DIAGNOSTIC LATCH LOADING — 64-BIT FORMAT

| Data Bit | Internal Function |
|----------|-------------------------|
| 0 | Diagnostic Check Bit X |
| 1 | Diagnostic Check Bit 0 |
| 2 | Diagnostic Check Bit 1 |
| 3 | Diagnostic Check Bit 2 |
| 4 | Diagnostic Check Bit 4 |
| 5 | Diagnostic Check Bit 8 |
| 6, 7 | Don't Care |
| 8 | Slice 0/1 — CODE ID 0 |
| 9 | Slice 0/1 — CODE ID 1 |
| 10 | Slice 0/1 — CODE ID 2 |
| 11 | Slice 0/1 — DIAG MODE 0 |
| 12 | Slice 0/1 — DIAG MODE 1 |
| 13 | Slice 0/1 — CORRECT |
| 14 | Slice 0/1 — PASS THRU |
| 15 | Don't Care |
| 16-23 | Don't Care |
| 24 | Slice 2/3 — CODE ID 0 |
| 25 | Slice 2/3 — CODE ID 1 |
| 26 | Slice 2/3 — CODE ID 2 |
| 27 | Slice 2/3 — DIAG MODE 0 |
| 28 | Slice 2/3 — DIAG MODE 1 |
| 29 | Slice 2/3 — CORRECT |
| 30 | Slice 2/3 — PASS THRU |

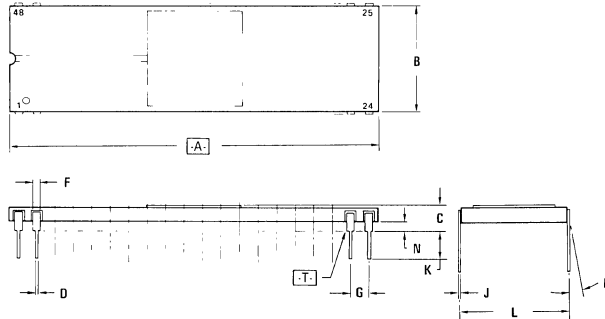
| Data Bit | Internal Function |
|----------|-------------------------|
| 31 | Don't Care |
| 32-37 | Don't Care |
| 38 | Diagnostic Check Bit 16 |
| 39 | Don't Care |
| 40 | Slice 4/5 — CODE ID 0 |
| 41 | Slice 4/5 — CODE ID 1 |
| 42 | Slice 4/5 — CODE ID 2 |
| 43 | Slice 4/5 — DIAG MODE 0 |
| 44 | Slice 4/5 — DIAG MODE 1 |
| 45 | Slice 4/5 — CORRECT |
| 46 | Slice 4/5 — PASS THRU |
| 47 | Don't Care |
| 48-54 | Don't Care |
| 55 | Diagnostic Check Bit 32 |
| 56 | Slice 6/7 — CODE ID 0 |
| 57 | Slice 6/7 — CODE ID 1 |
| 58 | Slice 6/7 — CODE ID 2 |
| 59 | Slice 6/7 — DIAG MODE 0 |
| 60 | Slice 6/7 — DIAG MODE 1 |
| 61 | Slice 6/7 — CORRECT |
| 62 | Slice 6/7 — PASS THRU |
| 63 | Don't Care |

64-BIT DATA WORD WIDTH (continued)

TABLE 22. KEY AC CALCULATIONS FOR THE 64-BIT CONFIGURATION

| 64-Bit Propagation Delay | | Delay Calculation |
|--------------------------|--------------------------|---|
| From | To | |
| DATA | Check Bits Out | (DATA to SC) + (XOR Delay) |
| DATA IN | Corrected DATA OUT | (DATA to SC) + (XOR Delay) + (Buffer Delay) + (CB to DATA, CODE ID 1xx) |
| DATA | Syndromes | (DATA to SC) + (XOR Delay) |
| DATA | ERROR for 64 Bits | (DATA to SC) + (XOR Delay) + (NOR Delay) |
| DATA | MULT ERROR for 64 Bits | (DATA to SC) + (XOR Delay) + (Buffer Delay) + (CB to MULT ERROR, CODE ID 1xx) |
| DATA | DOUBLE ERROR for 64 Bits | (DATA to SC) + (XOR Delay) + (XOR/NOR Delay) |

FIGURE 11 — OUTLINE DIMENSION



NOTES:

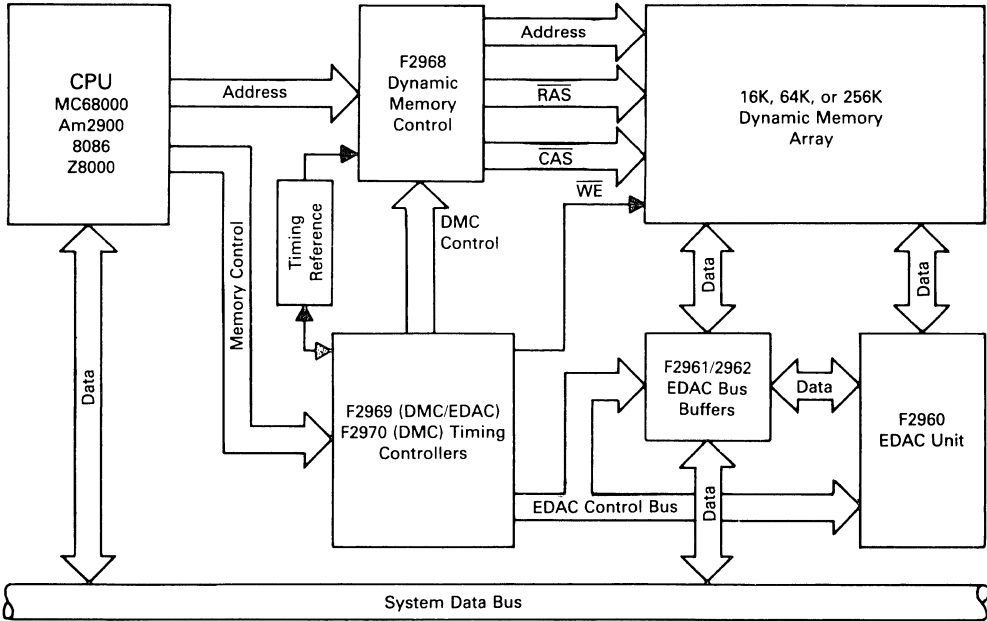
1. DIMENSION [A] IS DATUM.
2. POSITIONAL TOLERANCE FOR LEADS:
 $\phi \pm 0.25 (0.010) \text{ [T] [A] } \textcircled{M}$
3. [T] IS SEATING PLANE.
4. DIMENSION "L" TO CENTER OF LEADS WHEN FORMED PARALLEL.
5. DIMENSIONING AND TOLERANCING PER ANSI Y14.5, 1973.

| DIM | MILLIMETERS | | INCHES | |
|-----|-------------|-------|-----------|-------|
| | MIN | MAX | MIN | MAX |
| A | 60.35 | 61.57 | 2.376 | 2.424 |
| B | 14.63 | 15.34 | 0.576 | 0.604 |
| C | 3.05 | 4.32 | 0.120 | 0.160 |
| D | 0.381 | 0.533 | 0.015 | 0.021 |
| F | 0.762 | 1.397 | 0.030 | 0.055 |
| G | 2.54 BSC | | 0.100 BSC | |
| J | 0.203 | 0.330 | 0.008 | 0.013 |
| K | 2.54 | 4.19 | 0.100 | 0.165 |
| L | 14.99 | 15.65 | 0.590 | 0.616 |
| M | 0° | 10° | 0° | 10° |
| N | 1.016 | 1.524 | 0.040 | 0.060 |

CASE 740-02



FIGURE 12 — HIGH PERFORMANCE COMPUTER MEMORY



4

**MC74F2968
MC74F2969
MC74F2970**

Product Preview

A NEW GENERATION OF MEMORY SUPPORT PRODUCTS

Motorola and Advanced Micro Devices have agreed to cooperate on the development of the next generation of the F2960 Family of Memory Support products. These devices are designed to maximize the speed and minimize the cost of memory systems based on the new generation of high performance 64K and 256K MOS Dynamic RAMs (DRAMs).

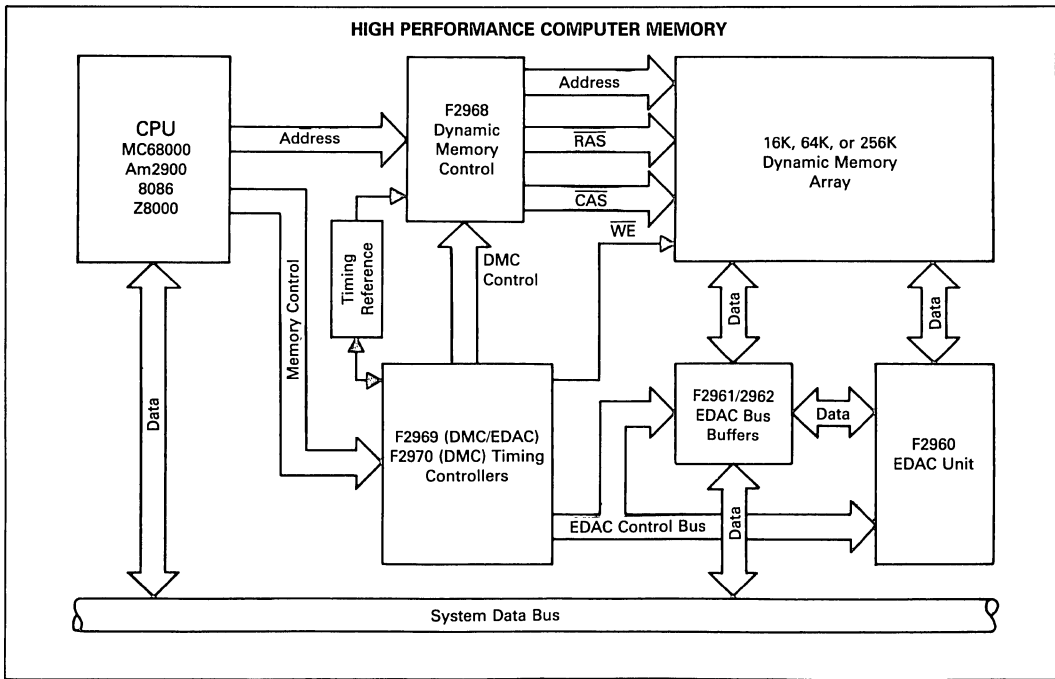
The products included in this joint development and alternate sourcing agreement are a Dynamic Memory Controller (DMC), the F2968, and two Memory Timing Controllers (MTC), the F2969 and F2970. These functions are partitioned such that address generation and refresh are provided by the F2968. Memory timing and control is achieved with either the F2969 or F2970. This partitioning allows greater design flexibility and higher system performance than would be possible by combining the DMC and MTC functions on a single chip. All three devices will be fabricated using the high performance, oxide-isolated bipolar technologies with TTL compatible I/O levels.

The Dynamic Memory Controller, F2968, will provide complete address multiplexing, refreshing, and output drive for up to 88 Dynamic Random Access Memories (DRAMs). The F2968 will be packaged in a 48-pin DIP and will interface with 16K, 64K, or 256K DRAMs.

The memory timing controller will be available in two versions. The F2969, a 48-pin version, will provide all control signals for both the F2968 Memory Controller and the F2960 Error Detection and Correction circuit (EDAC). The F2969 Timing Controller will support error logging and also handle memory initialization, refresh timing, and memory cycle arbitration. The general purpose microprocessor interface on the F2969 will facilitate its use with most microprocessors with minimal external logic. The MC68000 AMD/Intel iAPX86, and AMD 2900 bit-slice and 29116 devices are notable examples. System timing for all memory functions is derived from an external delay line to provide maximum performance and flexibility.

For systems not utilizing the F2960 Error Detection and Correction circuit (EDAC), a second version of the timing controller, the F2970, will be available without (EDAC) interface/functions. The F2970 will save on IC cost and board space as it will be packaged in 24-pin, 300-mil wide DIP.

Sample quantities on the F2968, F2969, and the F2970 are expected in the fourth quarter 1983, with production commencing early in 1984. F2960 samples are expected in the third quarter of 1983.



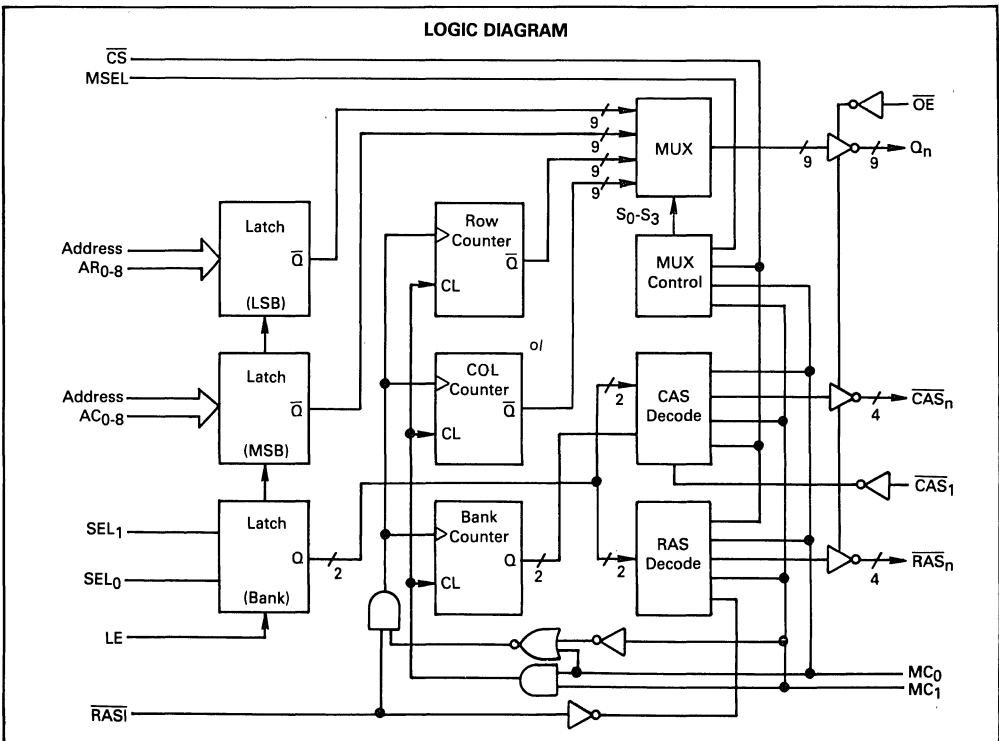
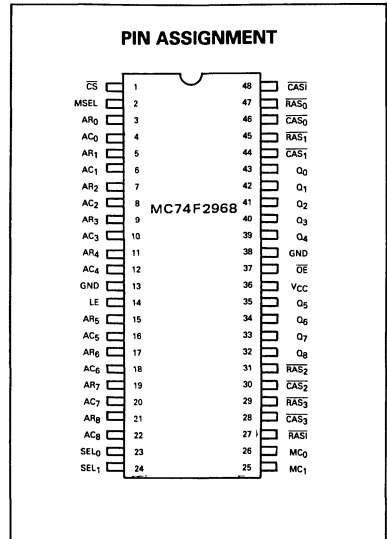
FAST AND LS TTL DATA

DYNAMIC MEMORY CONTROLLER

The MC74F2968 Dynamic Memory Controller is intended to be used with today's high performance memory systems. It has two 9-bit address latches which allow the chip to be used with 16K, 64K, or 256K dynamic RAMs. A two-bit bank select latch for the two high order address bits is provided to select one each of the four RAS and CAS outputs.

In the refresh mode, two counters cycle through the refresh address. Only the ROW counter is used for refresh without scrubbing, generating up to 512 addresses to refresh a 512-cycle-refresh DRAM. The column counter is used only for refresh with scrubbing. In this mode all RAS outputs are generated with only one CAS output.

- Provides Control for 16K, 64K, or 256K Dynamic RAM Systems
- Outputs Directly Drive Up to 88 DRAMs
- Highest Order Two Address Bits Select One of Four Banks of RAMs
- Separate $\overline{\text{RAS}}$ and $\overline{\text{CAS}}$ Lines for Each Bank of DRAM
- Supports Memory Scrubbing During Refresh
- Supports Nibble Mode Access
- Separate Output Enable for Multi-Channel Access-to-Memory
- Chip Select for Easy Expansion
- 48-Pin Dual In-Line Package



DYNAMIC MEMORY TIMING CONTROLLERS

The MC74F2969/2970 Dynamic Memory Timing Controllers are intended to be used with today's high performance memory systems. They have been designed to offer the system designer maximum flexibility and performance. Timing for both circuits is derived from an external delay line.

The F2969 is designed to control the timing for systems incorporating the MC74F2960 Error Detection And

Correction circuit, the MC74F2961/62 EDAC Bus Buffers, and the MC74F2968 Dynamic Memory Controller.

For memory systems not utilizing the F2960 EDAC unit, the F2970 will provide all control signals for the F2968 while reducing IC cost and circuit board area. The F2970 supports functions which are a subset of the F2969. By choosing not to utilize EDAC support functions, the F2970 can be packaged in a 24-pin DIP.

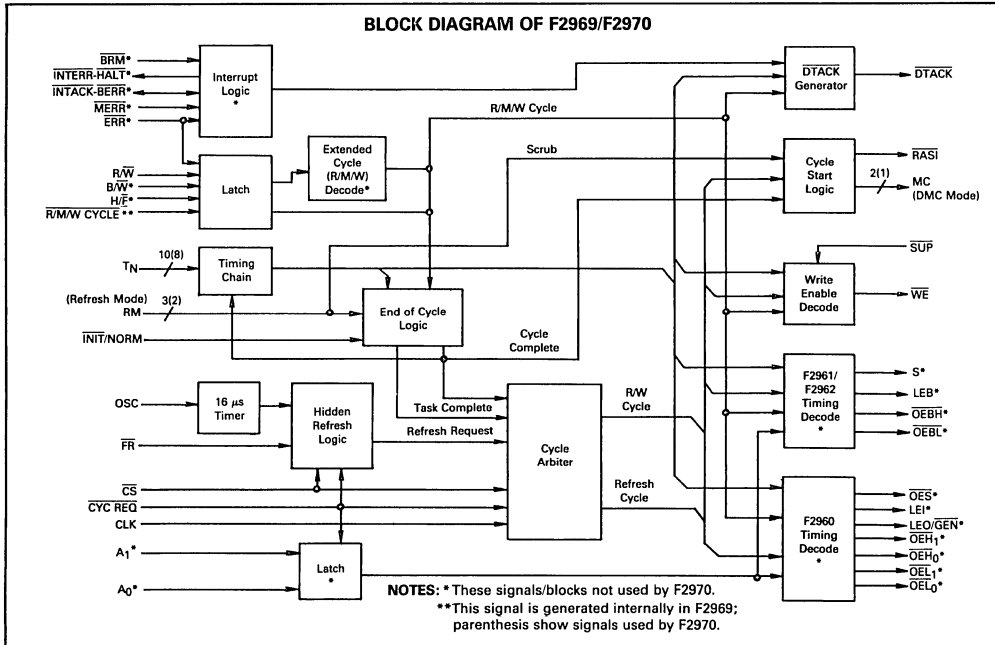
MC74F2969

- o Provides Complete Timing Control for 16K, 64K, or 256K Dynamic RAM Systems Which Utilize F2960, F2961/2962, and F2968
- o WE Output Directly Drives Up to 88 DRAMs
- o Delay-Line Controlled Timing for Maximum Performance
- o Synchronous or Asynchronous Arbitration of Memory Cycles
- o Supports Memory Scrubbing During Refresh
- o Internal or External Control of Refresh
- o Burst or Distributed Refresh Modes
- o 128-, 256-, or 512-Cycle Burst Refresh
- o Performs Hidden Refresh When Processor Accesses Other Devices (Distributed Mode)
- o Supports Byte-Writes for Memory Up to 32-Bits Wide
- o Supports the Bus Retry Feature of the MC68010

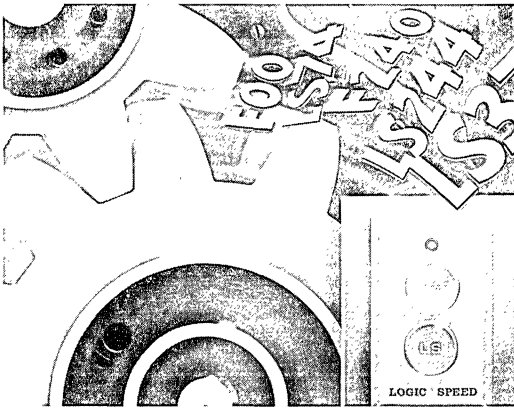
- o Initializes Memory
- o 48-Pin Dual In-Line Package

MC74F2970

- o Provides Complete Timing Control for 16K, 64K, or 256K Dynamic RAM Systems Which Utilize the F2968
- o WE Output Directly Drives Up to 88 DRAMs
- o Delay-Line Controlled Timing for Maximum Performance
- o Synchronous or Asynchronous Arbitration of Memory Cycles
- o Internal or External Control of Refresh
- o Burst or Distributed Refresh Modes
- o 128-, 256-, or 512-Cycle Burst Refresh
- o Performs Hidden Refresh When Processor Accesses Other Devices (Distributed Mode)
- o 24-Pin, 300 Mil Wide Dual In-Line Package



FAST AND LS

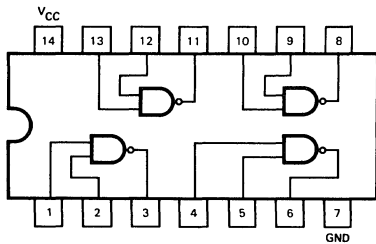


LS Data Sheets



**SN54LS00
SN74LS00**

**QUAD 2-INPUT NAND GATE
LOW POWER SCHOTTKY**



J Suffix — Case 632-07 (Ceramic)
N Suffix — Case 646-05 (Plastic)

GUARANTEED OPERATING RANGES

| SYMBOL | PARAMETER | | MIN | TYP | MAX | UNIT |
|-----------------|-------------------------------------|----------|-------------|------------|-------------|------|
| V _{CC} | Supply Voltage | 54 74 | 4.5 4.75 | 5.0 5.0 | 5.5 5.25 | V |
| T _A | Operating Ambient Temperature Range | 54 74 | -55 0 | 25 25 | 125 70 | °C |
| I _{OH} | Output Current — High | 54, 74 | | | -0.4 | mA |
| I _{OL} | Output Current — Low | 54 74 | | | 4.0 8.0 | mA |

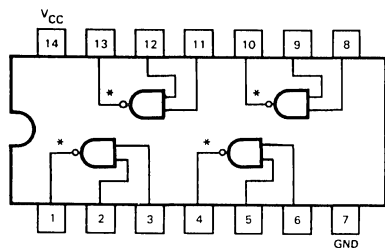
DC CHARACTERISTICS OVER OPERATING TEMPERATURE RANGE (unless otherwise specified)

| SYMBOL | PARAMETER | LIMITS | | | UNITS | TEST CONDITIONS | |
|-----------------|---|--------|-------|------|-------|--|---|
| | | MIN | TYP | MAX | | | |
| V _{IH} | Input HIGH Voltage | 2.0 | | | V | Guaranteed Input HIGH Voltage for All Inputs | |
| V _{IL} | Input LOW Voltage | 54 | | 0.7 | V | Guaranteed Input LOW Voltage for All Inputs | |
| | | 74 | | 0.8 | | | |
| V _{IK} | Input Clamp Diode Voltage | | -0.65 | -1.5 | V | V _{CC} = MIN, I _{IN} = -18 mA | |
| V _{OH} | Output HIGH Voltage | 54 | 2.5 | 3.5 | V | V _{CC} = MIN, I _{OH} = MAX, V _{IN} = V _{IH} or V _{IL} per Truth Table | |
| | | 74 | 2.7 | 3.5 | V | | |
| V _{OL} | Output LOW Voltage | 54, 74 | | 0.25 | 0.4 | I _{OL} = 4.0 mA | V _{CC} = V _{CC} MIN, V _{IN} = V _{IL} or V _{IH} per Truth Table |
| | | 74 | | 0.35 | 0.5 | I _{OL} = 8.0 mA | |
| I _{IH} | Input HIGH Current | | | 20 | μA | V _{CC} = MAX, V _{IN} = 2.7 V | |
| I _{IL} | Input LOW Current | | | 0.1 | mA | V _{CC} = MAX, V _{IN} = 7.0 V | |
| I _{OS} | Short Circuit Current | | | -0.4 | mA | V _{CC} = MAX, V _{IN} = 0.4 V | |
| I _{CC} | Power Supply Current Total, Output HIGH Total, Output LOW | | | | | V _{CC} = MAX | |
| | | | | 1.6 | 4.4 | | mA |

AC CHARACTERISTICS: T_A = 25°C

| SYMBOL | PARAMETER | LIMITS | | | UNITS | TEST CONDITIONS |
|------------------|---------------------------------|--------|-----|-----|-------|-------------------------|
| | | MIN | TYP | MAX | | |
| t _{PLH} | Turn Off Delay, Input to Output | | 9.0 | 15 | ns | V _{CC} = 5.0 V |
| t _{PHL} | Turn On Delay, Input to Output | | 10 | 15 | ns | C _L = 15 pF |

5



*OPEN COLLECTOR OUTPUTS

J Suffix — Case 632-07 (Ceramic)
N Suffix — Case 646-05 (Plastic)

SN54LS01
SN74LS01

QUAD 2-INPUT NAND GATE
LOW POWER SCHOTTKY

GUARANTEED OPERATING RANGES

| SYMBOL | PARAMETER | | MIN | TYP | MAX | UNIT |
|-----------------|-------------------------------------|--------|------|-----|------|------|
| V _{CC} | Supply Voltage | 54 | 4.5 | 5.0 | 5.5 | V |
| | | 74 | 4.75 | 5.0 | 5.25 | |
| T _A | Operating Ambient Temperature Range | 54 | -55 | 25 | 125 | °C |
| | | 74 | 0 | 25 | 70 | |
| V _{OH} | Output Voltage — High | 54, 74 | | | 5.5 | V |
| I _{OL} | Output Current — Low | 54 | | | 4.0 | mA |
| | | 74 | | | 8.0 | |

DC CHARACTERISTICS OVER OPERATING TEMPERATURE RANGE (unless otherwise specified)

| SYMBOL | PARAMETER | LIMITS | | | UNITS | TEST CONDITIONS |
|-----------------|---|--------|-------|------|-------|---|
| | | MIN | TYP | MAX | | |
| V _{IH} | Input HIGH Voltage | 2.0 | | | V | Guaranteed Input HIGH Voltage for All Inputs |
| V _{IL} | Input LOW Voltage | 54 | | 0.7 | V | Guaranteed Input LOW Voltage for All Inputs |
| | | 74 | | 0.8 | | |
| V _{IK} | Input Clamp Diode Voltage | | -0.65 | -1.5 | V | V _{CC} = MIN, I _{IN} = -18 mA |
| I _{OH} | Output HIGH Current | 54, 74 | | 100 | μA | V _{CC} = MIN, V _{OH} = MAX |
| V _{OL} | Output LOW Voltage | 54, 74 | 0.25 | 0.4 | V | I _{OL} = 4.0 mA V _{CC} = V _{CC} MIN, V _{IN} = V _{IL} or V _{IH} per Truth Table |
| | | 74 | 0.35 | 0.5 | V | |
| I _{IH} | Input HIGH Current | | | 20 | μA | V _{CC} = MAX, V _{IN} = 2.7 V |
| | | | | 0.1 | mA | V _{CC} = MAX, V _{IN} = 7.0 V |
| I _{IL} | Input LOW Current | | | -0.4 | mA | V _{CC} = MAX, V _{IN} = 0.4 V |
| I _{CC} | Power Supply Current Total, Output HIGH Total, Output LOW | | | 1.6 | mA | V _{CC} = MAX |
| | | | | 4.4 | | |

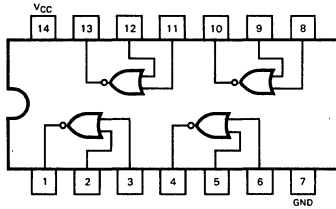
AC CHARACTERISTICS: T_A = 25°C

| SYMBOL | PARAMETER | LIMITS | | | UNITS | TEST CONDITIONS |
|------------------|---------------------------------|--------|-----|-----|-------|--|
| | | MIN | TYP | MAX | | |
| t _{PLH} | Turn Off Delay, Input to Output | | 17 | 32 | ns | V _{CC} = 5.0 V C _L = 15 pF, R _L = 2.0 kΩ |
| t _{PHL} | Turn On Delay, Input to Output | | 15 | 28 | ns | |





**SN54LS02
SN74LS02**



J Suffix — Case 632-07 (Ceramic)
N Suffix — Case 646-05 (Plastic)

QUAD 2-INPUT NOR GATE

LOW POWER SCHOTTKY

GUARANTEED OPERATING RANGES

| SYMBOL | PARAMETER | | MIN | TYP | MAX | UNIT |
|-----------------|-------------------------------------|----------|-------------|------------|-------------|------|
| V _{CC} | Supply Voltage | 54 74 | 4.5 4.75 | 5.0 5.0 | 5.5 5.25 | V |
| T _A | Operating Ambient Temperature Range | 54 74 | -55 0 | 25 25 | 125 70 | °C |
| I _{OH} | Output Current — High | 54, 74 | | | -0.4 | mA |
| I _{OL} | Output Current — Low | 54 74 | | | 4.0 8.0 | mA |

DC CHARACTERISTICS OVER OPERATING TEMPERATURE RANGE (unless otherwise specified)

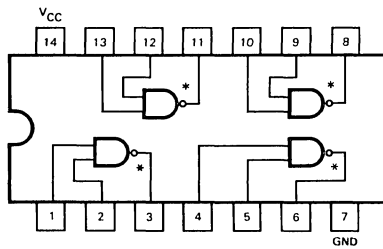
| SYMBOL | PARAMETER | LIMITS | | | UNITS | TEST CONDITIONS |
|-----------------|---|--------|-------|------|-------|--|
| | | MIN | TYP | MAX | | |
| V _{IH} | Input HIGH Voltage | 2.0 | | | V | Guaranteed Input HIGH Voltage for All Inputs |
| V _{IL} | Input LOW Voltage | 54 | | 0.7 | V | Guaranteed Input LOW Voltage for All Inputs |
| | | 74 | | 0.8 | | |
| V _{IK} | Input Clamp Diode Voltage | | -0.65 | -1.5 | V | V _{CC} = MIN, I _{IN} = -18 mA |
| V _{OH} | Output HIGH Voltage | 54 | 2.5 | 3.5 | V | V _{CC} = MIN, I _{OH} = MAX, V _{IN} = V _{IH} or V _{IL} per Truth Table |
| | | 74 | 2.7 | 3.5 | V | |
| V _{OL} | Output LOW Voltage | 54, 74 | | 0.25 | 0.4 | I _{OL} = 4.0 mA |
| | | 74 | | 0.35 | 0.5 | I _{OL} = 8.0 mA |
| I _{IH} | Input HIGH Current | | | 20 | μA | V _{CC} = MAX, V _{IN} = 2.7 V |
| | | | | 0.1 | mA | V _{CC} = MAX, V _{IN} = 7.0 V |
| I _{IL} | Input LOW Current | | | -0.4 | mA | V _{CC} = MAX, V _{IN} = 0.4 V |
| I _{OS} | Short Circuit Current | -20 | | -100 | mA | V _{CC} = MAX |
| I _{CC} | Power Supply Current Total, Output HIGH Total, Output LOW | | | 3.2 | mA | V _{CC} = MAX |
| | | | | 5.4 | | |

AC CHARACTERISTICS: T_A = 25°C

| SYMBOL | PARAMETER | LIMITS | | | UNITS | TEST CONDITIONS |
|------------------|---------------------------------|--------|-----|-----|-------|---|
| | | MIN | TYP | MAX | | |
| t _{PLH} | Turn Off Delay, Input to Output | | 10 | 15 | ns | V _{CC} = 5.0 V C _L = 15 pF |
| t _{PHL} | Turn On Delay, Input to Output | | 10 | 15 | ns | |



SN54LS03
SN74LS03



*OPEN COLLECTOR OUTPUTS

J Suffix — Case 632-07 (Ceramic)
N Suffix — Case 646-05 (Plastic)

QUAD 2-INPUT NAND GATE
LOW POWER SCHOTTKY

GUARANTEED OPERATING RANGES

| SYMBOL | PARAMETER | | MIN | TYP | MAX | UNIT |
|-----------------|-------------------------------------|--------|------|-----|------|------|
| V _{CC} | Supply Voltage | 54 | 4.5 | 5.0 | 5.5 | V |
| | | 74 | 4.75 | 5.0 | 5.25 | |
| T _A | Operating Ambient Temperature Range | 54 | -55 | 25 | 125 | °C |
| | | 74 | 0 | 25 | 70 | |
| V _{OH} | Output Voltage — High | 54, 74 | | | 5.5 | V |
| I _{OL} | Output Current — Low | 54 | | | 4.0 | mA |
| | | 74 | | | 8.0 | |

DC CHARACTERISTICS OVER OPERATING TEMPERATURE RANGE (unless otherwise specified)

| SYMBOL | PARAMETER | LIMITS | | | UNITS | TEST CONDITIONS |
|-----------------|---|--------|-------|------|-------|---|
| | | MIN | TYP | MAX | | |
| V _{IH} | Input HIGH Voltage | 2.0 | | | V | Guaranteed Input HIGH Voltage for All Inputs |
| V _{IL} | Input LOW Voltage | 54 | | 0.7 | V | Guaranteed Input LOW Voltage for All Inputs |
| | | 74 | | 0.8 | | |
| V _{IK} | Input Clamp Diode Voltage | | -0.65 | -1.5 | V | V _{CC} = MIN, I _{IN} = -18 mA |
| I _{OH} | Output HIGH Current | 54, 74 | | 100 | μA | V _{CC} = MIN, V _{OH} = MAX |
| V _{OL} | Output LOW Voltage | 54, 74 | 0.25 | 0.4 | V | I _{OL} = 4.0 mA V _{CC} = V _{CC} MIN, V _{IN} = V _{IL} or V _{IH} per Truth Table |
| | | 74 | 0.35 | 0.5 | V | |
| I _{IH} | Input HIGH Current | | | 20 | μA | V _{CC} = MAX, V _{IN} = 2.7 V |
| | | | | 0.1 | mA | V _{CC} = MAX, V _{IN} = 7.0 V |
| I _{IL} | Input LOW Current | | | -0.4 | mA | V _{CC} = MAX, V _{IN} = 0.4 V |
| I _{CC} | Power Supply Current Total, Output HIGH Total, Output LOW | | | 1.6 | mA | V _{CC} = MAX |
| | | | | 4.4 | | |

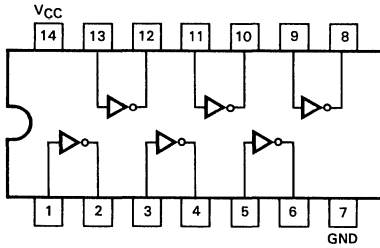
5

AC CHARACTERISTICS: T_A = 25°C

| SYMBOL | PARAMETER | LIMITS | | | UNITS | TEST CONDITIONS |
|------------------|---------------------------------|--------|-----|-----|-------|--|
| | | MIN | TYP | MAX | | |
| t _{PLH} | Turn Off Delay, Input to Output | | 17 | 32 | ns | V _{CC} = 5.0 V C _L = 15 pF, R _L = 2.0 kΩ |
| t _{PHL} | Turn On Delay, Input to Output | | 15 | 28 | ns | |



SN54LS04 SN74LS04



J Suffix — Case 632-07 (Ceramic)
N Suffix — Case 646-05 (Plastic)

HEX INVERTER LOW POWER SCHOTTKY

GUARANTEED OPERATING RANGES

| SYMBOL | PARAMETER | | MIN | TYP | MAX | UNIT |
|-----------------|-------------------------------------|--------|------|-----|------|------|
| V _{CC} | Supply Voltage | 54 | 4.5 | 5.0 | 5.5 | V |
| | | 74 | 4.75 | 5.0 | 5.25 | |
| T _A | Operating Ambient Temperature Range | 54 | -55 | 25 | 125 | °C |
| | | 74 | 0 | 25 | 70 | |
| I _{OH} | Output Current — High | 54, 74 | | | -0.4 | mA |
| I _{OL} | Output Current — Low | 54 | | | 4.0 | mA |
| | | 74 | | | 8.0 | |

DC CHARACTERISTICS OVER OPERATING TEMPERATURE RANGE (unless otherwise specified)

| SYMBOL | PARAMETER | LIMITS | | | UNITS | TEST CONDITIONS |
|-----------------|---|--------|-------|------|-------|--|
| | | MIN | TYP | MAX | | |
| V _{IH} | Input HIGH Voltage | 2.0 | | | V | Guaranteed Input HIGH Voltage for All Inputs |
| V _{IL} | Input LOW Voltage | 54 | | 0.7 | V | Guaranteed Input LOW Voltage for All Inputs |
| | | 74 | | 0.8 | | |
| V _{IK} | Input Clamp Diode Voltage | | -0.65 | -1.5 | V | V _{CC} = MIN, I _{IN} = -18 mA |
| V _{OH} | Output HIGH Voltage | 54 | 2.5 | 3.5 | V | V _{CC} = MIN, I _{OH} = MAX, V _{IN} = V _{IH} or V _{IL} per Truth Table |
| | | 74 | 2.7 | 3.5 | V | |
| V _{OL} | Output LOW Voltage | 54, 74 | | 0.25 | 0.4 | I _{OL} = 4.0 mA |
| | | 74 | | 0.35 | 0.5 | I _{OL} = 8.0 mA |
| I _{IH} | Input HIGH Current | | | 20 | μA | V _{CC} = MAX, V _{IN} = 2.7 V |
| | | | | 0.1 | mA | V _{CC} = MAX, V _{IN} = 7.0 V |
| I _{IL} | Input LOW Current | | | -0.4 | mA | V _{CC} = MAX, V _{IN} = 0.4 V |
| I _{OS} | Short Circuit Current | -20 | | -100 | mA | V _{CC} = MAX |
| I _{CC} | Power Supply Current Total, Output HIGH Total, Output LOW | | | 2.4 | mA | V _{CC} = MAX |
| | | | | 6.6 | | |

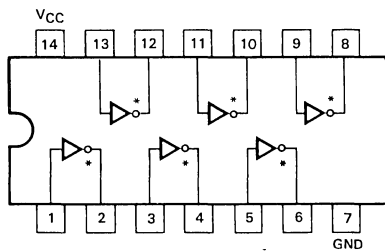
AC CHARACTERISTICS: T_A = 25°C

| SYMBOL | PARAMETER | LIMITS | | | UNITS | TEST CONDITIONS |
|------------------|---------------------------------|--------|-----|-----|-------|---|
| | | MIN | TYP | MAX | | |
| t _{PLH} | Turn Off Delay, Input to Output | | 9.0 | 15 | ns | V _{CC} = 5.0 V C _L = 15 pF |
| t _{PHL} | Turn On Delay, Input to Output | | 10 | 15 | ns | |



SN54LS05
SN74LS05

HEX INVERTER
LOW POWER SCHOTTKY



*OPEN COLLECTOR OUTPUTS

J Suffix — Case 632-07 (Ceramic)
N Suffix — Case 646-05 (Plastic)

GUARANTEED OPERATING RANGES

| SYMBOL | PARAMETER | | MIN | TYP | MAX | UNIT |
|-----------------|-------------------------------------|--|--------|------|-----|------|
| V _{CC} | Supply Voltage | | 54 | 4.5 | 5.5 | V |
| | | | 74 | 4.75 | 5.0 | |
| T _A | Operating Ambient Temperature Range | | 54 | -55 | 125 | °C |
| | | | 74 | 0 | 25 | |
| V _{OH} | Output Voltage — High | | 54, 74 | | 5.5 | V |
| I _{OL} | Output Current — Low | | 54 | | 4.0 | mA |
| | | | 74 | | 8.0 | |

DC CHARACTERISTICS OVER OPERATING TEMPERATURE RANGE (unless otherwise specified)

| SYMBOL | PARAMETER | LIMITS | | | UNITS | TEST CONDITIONS |
|-----------------|---|--------|-------|------|-------|---|
| | | MIN | TYP | MAX | | |
| V _{IH} | Input HIGH Voltage | 2.0 | | | V | Guaranteed Input HIGH Voltage for All Inputs |
| V _{IL} | Input LOW Voltage | 54 | | 0.7 | V | Guaranteed Input LOW Voltage for All Inputs |
| | | 74 | | 0.8 | | |
| V _{IK} | Input Clamp Diode Voltage | | -0.65 | -1.5 | V | V _{CC} = MIN, I _{IN} = -18 mA |
| I _{OH} | Output HIGH Current | 54, 74 | | 100 | μA | V _{CC} = MIN, V _{OH} = MAX |
| V _{OL} | Output LOW Voltage | 54, 74 | 0.25 | 0.4 | V | I _{OL} = 4.0 mA V _{CC} = V _{CC} MIN, V _{IN} = V _{IL} or V _{IH} per Truth Table |
| | | 74 | 0.35 | 0.5 | V | |
| I _{IH} | Input HIGH Current | | | 20 | μA | V _{CC} = MAX, V _{IN} = 2.7 V |
| | | | | 0.1 | mA | V _{CC} = MAX, V _{IN} = 7.0 V |
| I _{IL} | Input LOW Current | | | -0.4 | mA | V _{CC} = MAX, V _{IN} = 0.4 V |
| I _{CC} | Power Supply Current Total, Output HIGH Total, Output LOW | | | 2.4 | mA | V _{CC} = MAX |
| | | | | 6.6 | | |

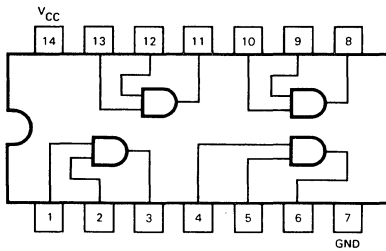
AC CHARACTERISTICS: T_A = 25°C

| SYMBOL | PARAMETER | LIMITS | | | UNITS | TEST CONDITIONS |
|------------------|---------------------------------|--------|-----|-----|-------|--|
| | | MIN | TYP | MAX | | |
| t _{PLH} | Turn Off Delay, Input to Output | | 17 | 32 | ns | V _{CC} = 5.0 V C _L = 15 pF, R _L = 2.0 kΩ |
| t _{PHL} | Turn On Delay, Input to Output | | 15 | 28 | ns | |





**SN54LS08
SN74LS08**



QUAD 2-INPUT AND GATE
LOW POWER SCHOTTKY

J Suffix — Case 632-07 (Ceramic)
N Suffix — Case 646-05 (Plastic)

GUARANTEED OPERATING RANGES

| SYMBOL | PARAMETER | | MIN | TYP | MAX | UNIT |
|-----------------|-------------------------------------|--------|------|-----|------|------|
| V _{CC} | Supply Voltage | 54 | 4.5 | 5.0 | 5.5 | V |
| | | 74 | 4.75 | 5.0 | 5.25 | |
| T _A | Operating Ambient Temperature Range | 54 | -55 | 25 | 125 | °C |
| | | 74 | 0 | 25 | 70 | |
| I _{OH} | Output Current — High | 54, 74 | | | -0.4 | mA |
| I _{OL} | Output Current — Low | 54 | | | 4.0 | mA |
| | | 74 | | | 8.0 | |

DC CHARACTERISTICS OVER OPERATING TEMPERATURE RANGE (unless otherwise specified)

| SYMBOL | PARAMETER | LIMITS | | | UNITS | TEST CONDITIONS | |
|-----------------|---|--------|-------|------|-------|--|---|
| | | MIN | TYP | MAX | | | |
| V _{IH} | Input HIGH Voltage | 2.0 | | | V | Guaranteed Input HIGH Voltage for All Inputs | |
| V _{IL} | Input LOW Voltage | 54 | | 0.7 | V | Guaranteed Input LOW Voltage for All Inputs | |
| | | 74 | | 0.8 | | | |
| V _{IK} | Input Clamp Diode Voltage | | -0.65 | -1.5 | V | V _{CC} = MIN, I _{IN} = -18 mA | |
| V _{OH} | Output HIGH Voltage | 54 | 2.5 | 3.5 | V | V _{CC} = MIN, I _{OH} = MAX, V _{IN} = V _{IH} or V _{IL} per Truth Table | |
| | | 74 | 2.7 | 3.5 | V | | |
| V _{OL} | Output LOW Voltage | 54, 74 | | 0.25 | 0.4 | V | I _{OL} = 4.0 mA V _{CC} = V _{CC} MIN, V _{IN} = V _{IL} or V _{IH} per Truth Table |
| | | 74 | | 0.35 | 0.5 | | |
| I _{IH} | Input HIGH Current | | | 20 | μA | V _{CC} = MAX, V _{IN} = 2.7 V | |
| | | | | 0.1 | mA | V _{CC} = MAX, V _{IN} = 7.0 V | |
| I _{IL} | Input LOW Current | | | -0.4 | mA | V _{CC} = MAX, V _{IN} = 0.4 V | |
| I _{OS} | Short Circuit Current | -20 | | -100 | mA | V _{CC} = MAX | |
| I _{CC} | Power Supply Current Total, Output HIGH Total, Output LOW | | | 4.8 | mA | V _{CC} = MAX | |
| | | | | 8.8 | | | |

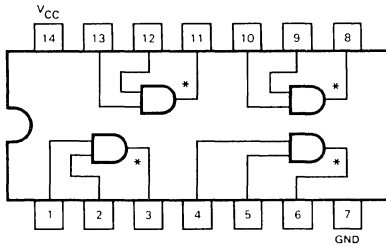
AC CHARACTERISTICS: T_A = 25°C

| SYMBOL | PARAMETER | LIMITS | | | UNITS | TEST CONDITIONS |
|------------------|---------------------------------|--------|-----|-----|-------|---|
| | | MIN | TYP | MAX | | |
| t _{PLH} | Turn Off Delay, Input to Output | | 8.0 | 15 | ns | V _{CC} = 5.0 V C _L = 15 pF |
| t _{PHL} | Turn On Delay, Input to Output | | 10 | 20 | ns | |



SN54LS09
SN74LS09

QUAD 2-INPUT AND GATE
LOW POWER SCHOTTKY



*OPEN COLLECTOR OUTPUTS

J Suffix — Case 632-07 (Ceramic)
N Suffix — Case 646-05 (Plastic)

GUARANTEED OPERATING RANGES

| SYMBOL | PARAMETER | | MIN | TYP | MAX | UNIT |
|-----------------|-------------------------------------|--------|------|-----|------|------|
| V _{CC} | Supply Voltage | 54 | 4.5 | 5.0 | 5.5 | V |
| | | 74 | 4.75 | 5.0 | 5.25 | |
| T _A | Operating Ambient Temperature Range | 54 | -55 | 25 | 125 | °C |
| | | 74 | 0 | 25 | 70 | |
| V _{OH} | Output Voltage — High | 54, 74 | | | 5.5 | V |
| I _{OL} | Output Current — Low | 54 | | | 4.0 | mA |
| 74 | | | | 8.0 | | |

DC CHARACTERISTICS OVER OPERATING TEMPERATURE RANGE (unless otherwise specified)

| SYMBOL | PARAMETER | LIMITS | | | UNITS | TEST CONDITIONS |
|-----------------|---|--------|-------|------|-------|---|
| | | MIN | TYP | MAX | | |
| V _{IH} | Input HIGH Voltage | 2.0 | | | V | Guaranteed Input HIGH Voltage for All Inputs |
| V _{IL} | Input LOW Voltage | 54 | | 0.7 | V | Guaranteed Input LOW Voltage for All Inputs |
| | | 74 | | 0.8 | | |
| V _{IK} | Input Clamp Diode Voltage | | -0.65 | -1.5 | V | V _{CC} = MIN, I _{IN} = -18 mA |
| I _{OH} | Output HIGH Current | 54,74 | | 100 | μA | V _{CC} = MIN, V _{OH} = MAX |
| V _{OL} | Output LOW Voltage | 54,74 | 0.25 | 0.4 | V | I _{OL} = 4.0 mA V _{CC} = V _{CC} MIN, V _{IN} = V _{IL} or V _{IH} per Truth Table |
| | | 74 | 0.35 | 0.5 | V | |
| I _{IH} | Input HIGH Current | | | 20 | μA | V _{CC} = MAX, V _{IN} = 2.7 V |
| | | | | 0.1 | mA | V _{CC} = MAX, V _{IN} = 7.0 V |
| I _{IL} | Input LOW Current | | | -0.4 | mA | V _{CC} = MAX, V _{IN} = 0.4 V |
| I _{CC} | Power Supply Current Total, Output HIGH Total, Output LOW | | | 4.8 | mA | V _{CC} = MAX |
| | | | | 8.8 | | |

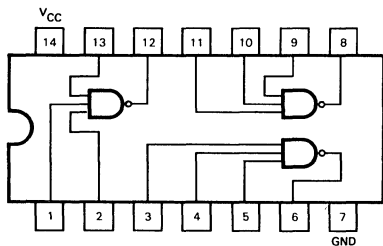
AC CHARACTERISTICS: T_A = 25°C

| SYMBOL | PARAMETER | LIMITS | | | UNITS | TEST CONDITIONS |
|------------------|---------------------------------|--------|-----|-----|-------|--|
| | | MIN | TYP | MAX | | |
| t _{PLH} | Turn Off Delay, Input to Output | | 20 | 35 | ns | V _{CC} = 5.0 V C _L = 15 pF, R _L = 2.0 kΩ |
| t _{PHL} | Turn On Delay, Input to Output | | 17 | 35 | ns | |

5



SN54LS10 SN74LS10



J Suffix — Case 632-07 (Ceramic)
N Suffix — Case 646-05 (Plastic)

TRIPLE 3-INPUT NAND GATE LOW POWER SCHOTTKY

GUARANTEED OPERATING RANGES

| SYMBOL | PARAMETER | | MIN | TYP | MAX | UNIT |
|-----------------|-------------------------------------|----------|-------------|------------|-------------|------|
| V _{CC} | Supply Voltage | 54 74 | 4.5 4.75 | 5.0 5.0 | 5.5 5.25 | V |
| T _A | Operating Ambient Temperature Range | 54 74 | -55 0 | 25 25 | 125 70 | °C |
| I _{OH} | Output Current — High | 54, 74 | | | -0.4 | mA |
| I _{OL} | Output Current — Low | 54 74 | | | 4.0 8.0 | mA |

DC CHARACTERISTICS OVER OPERATING TEMPERATURE RANGE (unless otherwise specified)

| SYMBOL | PARAMETER | LIMITS | | | UNITS | TEST CONDITIONS | |
|-----------------|---|--------|-------|------|-------|--|--|
| | | MIN | TYP | MAX | | | |
| V _{IH} | Input HIGH Voltage | 2.0 | | | V | Guaranteed Input HIGH Voltage for All Inputs | |
| V _{IL} | Input LOW Voltage | 54 | | 0.7 | V | Guaranteed Input LOW Voltage for All Inputs | |
| | | 74 | | 0.8 | | | |
| V _{IK} | Input Clamp Diode Voltage | | -0.65 | -1.5 | V | V _{CC} = MIN, I _{IN} = -18 mA | |
| V _{OH} | Output HIGH Voltage | 54 | 2.5 | 3.5 | V | V _{CC} = MIN, I _{OH} = MAX, V _{IN} = V _{IH} or V _{IL} per Truth Table | |
| | | 74 | 2.7 | 3.5 | V | | |
| V _{OL} | Output LOW Voltage | 54, 74 | | 0.25 | 0.4 | I _{OL} = 4.0 mA | |
| | | 74 | | 0.35 | 0.5 | I _{OL} = 8.0 mA | |
| I _{IH} | Input HIGH Current | | | | 20 | V _{CC} = MAX, V _{IN} = 2.7 V | |
| | | | | | 0.1 | mA | V _{CC} = MAX, V _{IN} = 7.0 V |
| I _{IL} | Input LOW Current | | | | -0.4 | mA | V _{CC} = MAX, V _{IN} = 0.4 V |
| I _{OS} | Short Circuit Current | | -20 | | -100 | mA | V _{CC} = MAX |
| I _{CC} | Power Supply Current Total, Output HIGH Total, Output LOW | | | | 1.2 | mA | V _{CC} = MAX |
| | | | | | 3.3 | | |

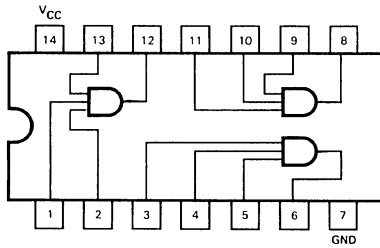
AC CHARACTERISTICS: T_A = 25°C

| SYMBOL | PARAMETER | LIMITS | | | UNITS | TEST CONDITIONS |
|------------------|---------------------------------|--------|-----|-----|-------|---|
| | | MIN | TYP | MAX | | |
| t _{PLH} | Turn Off Delay, Input to Output | | 9.0 | 15 | ns | V _{CC} = 5.0 V C _L = 15 pF |
| t _{PHL} | Turn On Delay, Input to Output | | 10 | 15 | ns | |



MOTOROLA

**SN54LS11
SN74LS11**



J Suffix — Case 632-07 (Ceramic)
N Suffix — Case 646-05 (Plastic)

TRIPLE 3-INPUT AND GATE
LOW POWER SCHOTTKY

GUARANTEED OPERATING RANGES

| SYMBOL | PARAMETER | | MIN | TYP | MAX | UNIT |
|-----------------|-------------------------------------|--------|------|-----|------|------|
| V _{CC} | Supply Voltage | 54 | 4.5 | 5.0 | 5.5 | V |
| | | 74 | 4.75 | 5.0 | 5.25 | |
| T _A | Operating Ambient Temperature Range | 54 | -55 | 25 | 125 | °C |
| | | 74 | 0 | 25 | 70 | |
| I _{OH} | Output Current — High | 54, 74 | | | -0.4 | mA |
| I _{OL} | Output Current — Low | 54 | | | 4.0 | mA |
| | | 74 | | | 8.0 | |

DC CHARACTERISTICS OVER OPERATING TEMPERATURE RANGE (unless otherwise specified)

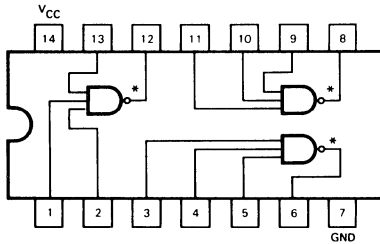
| SYMBOL | PARAMETER | LIMITS | | | UNITS | TEST CONDITIONS | |
|-----------------|---|--------|-------|------|-------|--|---|
| | | MIN | TYP | MAX | | | |
| V _{IH} | Input HIGH Voltage | 2.0 | | | V | Guaranteed Input HIGH Voltage for All Inputs | |
| V _{IL} | Input LOW Voltage | 54 | | 0.7 | V | Guaranteed Input LOW Voltage for All Inputs | |
| | | 74 | | 0.8 | | | |
| V _{IK} | Input Clamp Diode Voltage | | -0.65 | -1.5 | V | V _{CC} = MIN, I _{IN} = -18 mA | |
| V _{OH} | Output HIGH Voltage | 54 | 2.5 | 3.5 | V | V _{CC} = MIN, I _{OH} = MAX, V _{IN} = V _{IH} or V _{IL} per Truth Table | |
| | | 74 | 2.7 | 3.5 | V | | |
| V _{OL} | Output LOW Voltage | 54,74 | | 0.25 | 0.4 | V | V _{CC} = V _{CC} MIN, V _{IN} = V _{IL} or V _{IH} per Truth Table |
| | | 74 | | 0.35 | 0.5 | | |
| I _{IH} | Input HIGH Current | | | 20 | μA | V _{CC} = MAX, V _{IN} = 2.7 V | |
| | | | | 0.1 | mA | V _{CC} = MAX, V _{IN} = 7.0 V | |
| I _{IL} | Input LOW Current | | | -0.4 | mA | V _{CC} = MAX, V _{IN} = 0.4 V | |
| I _{OS} | Short Circuit Current | -20 | | -100 | mA | V _{CC} = MAX | |
| I _{CC} | Power Supply Current Total, Output HIGH Total, Output LOW | | | 3.6 | mA | V _{CC} = MAX | |
| | | | | 6.6 | | | |

AC CHARACTERISTICS: T_A = 25°C

| SYMBOL | PARAMETER | LIMITS | | | UNITS | TEST CONDITIONS |
|------------------|---------------------------------|--------|-----|-----|-------|---|
| | | MIN | TYP | MAX | | |
| t _{PLH} | Turn Off Delay, Input to Output | | 8.0 | 15 | ns | V _{CC} = 5.0 V C _L = 15 pF |
| t _{PHL} | Turn On Delay, Input to Output | | 10 | 20 | ns | |



SN54LS12 SN74LS12



*OPEN COLLECTOR OUTPUT

J Suffix — Case 632-07 (Ceramic)
N Suffix — Case 646-05 (Plastic)

TRIPLE 3-INPUT NAND GATE

LOW POWER SCHOTTKY

GUARANTEED OPERATING RANGES

| SYMBOL | PARAMETER | | MIN | TYP | MAX | UNIT |
|-----------------|-------------------------------------|----------|-------------|------------|-------------|------|
| V _{CC} | Supply Voltage | 54 74 | 4.5 4.75 | 5.0 5.0 | 5.5 5.25 | V |
| T _A | Operating Ambient Temperature Range | 54 74 | -55 0 | 25 25 | 125 70 | °C |
| V _{OH} | Output Voltage — High | 54, 74 | | | 5.5 | V |
| I _{OL} | Output Current — Low | 54 74 | | | 4.0 8.0 | mA |

DC CHARACTERISTICS OVER OPERATING TEMPERATURE RANGE (unless otherwise specified)

| SYMBOL | PARAMETER | LIMITS | | | UNITS | TEST CONDITIONS |
|-----------------|---|--------|-------|------|-------|---|
| | | MIN | TYP | MAX | | |
| V _{IH} | Input HIGH Voltage | 2.0 | | | V | Guaranteed Input HIGH Voltage for All Inputs |
| V _{IL} | Input LOW Voltage | 54 | | 0.7 | V | Guaranteed Input LOW Voltage for All Inputs |
| | | 74 | | 0.8 | | |
| V _{IK} | Input Clamp Diode Voltage | | -0.65 | -1.5 | V | V _{CC} = MIN, I _{IN} = -18 mA |
| I _{OH} | Output HIGH Current | 54, 74 | | 100 | μA | V _{CC} = MIN, V _{OH} = MAX |
| V _{OL} | Output LOW Voltage | 54, 74 | 0.25 | 0.4 | V | I _{OL} = 4.0 mA |
| | | 74 | 0.35 | 0.5 | V | I _{OL} = 8.0 mA |
| I _{IH} | Input HIGH Current | | | 20 | μA | V _{CC} = MAX, V _{IN} = 2.7 V |
| | | | | 0.1 | mA | V _{CC} = MAX, V _{IN} = 7.0 V |
| I _{IL} | Input LOW Current | | | -0.4 | mA | V _{CC} = MAX, V _{IN} = 0.4 V |
| I _{CC} | Power Supply Current Total, Output HIGH Total, Output LOW | | | 1.4 | mA | V _{CC} = MAX |
| | | | | 3.3 | | |

AC CHARACTERISTICS: T_A = 25°C

| SYMBOL | PARAMETER | LIMITS | | | UNITS | TEST CONDITIONS |
|------------------|---------------------------------|--------|-----|-----|-------|--|
| | | MIN | TYP | MAX | | |
| t _{PLH} | Turn Off Delay, Input to Output | | 17 | 32 | ns | V _{CC} = 5.0 V C _L = 15 pF, R _L = 2.0 kΩ |
| t _{PHL} | Turn On Delay, Input to Output | | 15 | 28 | ns | |



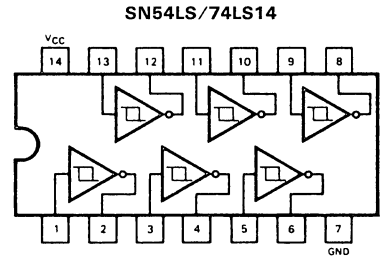
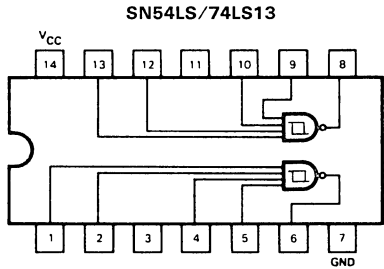
SN54LS/74LS13
SN54LS/74LS14

DESCRIPTION — The SN54LS/74LS13 and SN54LS/74LS14 contain logic gates/inverters which accept standard TTL input signals and provide standard TTL output levels. They are capable of transforming slowly changing input signals into sharply defined, jitter-free output signals. Additionally, they have greater noise margin than conventional inverters.

SCHMITT TRIGGERS
DUAL GATE/HEX INVERTER
LOW POWER SCHOTTKY

Each circuit contains a Schmitt trigger followed by a Darlington level shifter and a phase splitter driving a TTL totem pole output. The Schmitt trigger uses positive feedback to effectively speed-up slow input transitions, and provide different input threshold voltages for positive and negative-going transitions. This hysteresis between the positive-going and negative-going input thresholds (typically 800 mV) is determined internally by resistor ratios and is essentially insensitive to temperature and supply voltage variations.

LOGIC AND CONNECTION DIAGRAMS



J Suffix — Case 632-07 (Ceramic)
N Suffix — Case 646-05 (Plastic)

GUARANTEED OPERATING RANGES

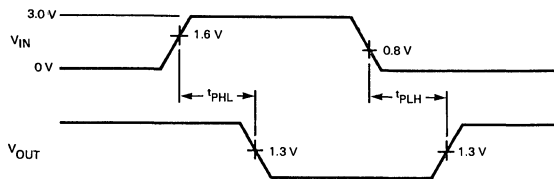
| SYMBOL | PARAMETER | | MIN | TYP | MAX | UNIT |
|-----------------|-------------------------------------|--------|------|-----|------|------|
| V _{CC} | Supply Voltage | 54 | 4.5 | 5.0 | 5.5 | V |
| | | 74 | 4.75 | 5.0 | 5.25 | |
| T _A | Operating Ambient Temperature Range | 54 | -55 | 25 | 125 | °C |
| | | 74 | 0 | 25 | 70 | |
| I _{OH} | Output Current — High | 54, 74 | | | -0.4 | mA |
| I _{OL} | Output Current — Low | 54 | | | 4.0 | mA |
| | | 74 | | | 8.0 | |

DC CHARACTERISTICS OVER OPERATING TEMPERATURE RANGE (unless otherwise specified)

| SYMBOL | PARAMETER | LIMITS | | | UNITS | TEST CONDITIONS |
|-----------------|---|--------|-------|------|---------------|--|
| | | MIN | TYP | MAX | | |
| V_{T+} | Positive-Going Threshold Voltage | 1.5 | | 2.0 | V | $V_{CC} = 5.0\text{ V}$ |
| V_{T-} | Negative-Going Threshold Voltage | 0.6 | | 1.1 | V | $V_{CC} = 5.0\text{ V}$ |
| $V_{T+}-V_{T-}$ | Hysteresis | 0.4 | 0.8 | | V | $V_{CC} = 5.0\text{ V}$ |
| V_{IK} | Input Clamp Diode Voltage | | -0.65 | -1.5 | V | $V_{CC} = \text{MIN}, I_{IN} = -18\text{ mA}$ |
| V_{OH} | Output HIGH Voltage | 54 | 2.5 | 3.4 | V | $V_{CC} = \text{MIN}, I_{OH} = -400\text{ }\mu\text{A}, V_{IN} = V_{IL}$ |
| | | 74 | 2.7 | 3.4 | | |
| V_{OL} | Output LOW Voltage | 54,74 | 0.25 | 0.4 | V | $V_{CC} = \text{MIN}, I_{OL} = 4.0\text{ mA}, V_{IN} = 2.0\text{ V}$ |
| | | 74 | 0.35 | 0.5 | V | $V_{CC} = \text{MIN}, I_{OL} = 8.0\text{ mA}, V_{IN} = 2.0\text{ V}$ |
| I_{T+} | Input Current at Positive-Going Threshold | | -0.14 | | mA | $V_{CC} = 5.0\text{ V}, V_{IN} = V_{T+}$ |
| I_{T-} | Input Current at Negative-Going Threshold | | -0.18 | | mA | $V_{CC} = 5.0\text{ V}, V_{IN} = V_{T-}$ |
| I_{IH} | Input HIGH Current | | 1.0 | 20 | μA | $V_{CC} = \text{MAX}, V_{IN} = 2.7\text{ V}$ |
| | | | | 0.1 | mA | $V_{CC} = \text{MAX}, V_{IN} = 7.0\text{ V}$ |
| I_{IL} | Input LOW Current | | | -0.4 | mA | $V_{CC} = \text{MAX}, V_{IN} = 0.4\text{ V}$ |
| I_{OS} | Short Circuit Current | -20 | | -100 | mA | $V_{CC} = \text{MAX}, V_{OUT} = 0\text{ V}$ |
| I_{CC} | Power Supply Current Total, Output HIGH | LS13 | 2.9 | 6.0 | mA | $V_{CC} = \text{MAX}$ |
| | | LS14 | 8.6 | 16 | | |
| | Total, Output LOW | LS13 | 4.1 | 7.0 | | |
| | | LS14 | 12 | 21 | | |

AC CHARACTERISTICS: $T_A = 25^\circ\text{C}$

| SYMBOL | PARAMETER | MAX | | UNITS | TEST CONDITIONS |
|-----------|------------------------------------|------|------|-------|---|
| | | LS13 | LS14 | | |
| t_{PLH} | Propagation Delay, Input to Output | 22 | 22 | ns | $V_{CC} = 5.0\text{ V}$ $C_L = 15\text{ pF}$ |
| t_{PHL} | Propagation Delay, Input to Output | 27 | 22 | ns | |



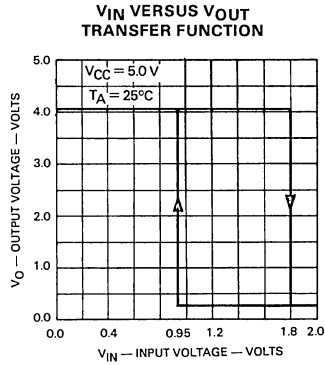


Fig. 1

THRESHOLD VOLTAGE AND HYSTERESIS VERSUS POWER SUPPLY VOLTAGE

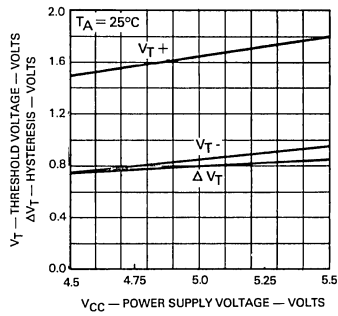


Fig. 2

THRESHOLD VOLTAGE HYSTERESIS VERSUS TEMPERATURE

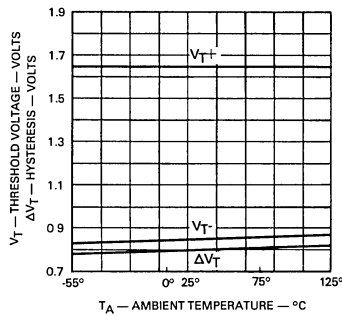
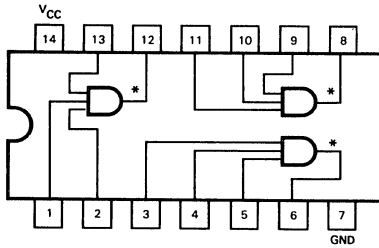


Fig. 3





SN54LS15 SN74LS15



*OPEN COLLECTOR OUTPUTS

J Suffix — Case 632-07 (Ceramic)

N Suffix — Case 646-05 (Plastic)

TRIPLE 3-INPUT AND GATE

LOW POWER SCHOTTKY

GUARANTEED OPERATING RANGES

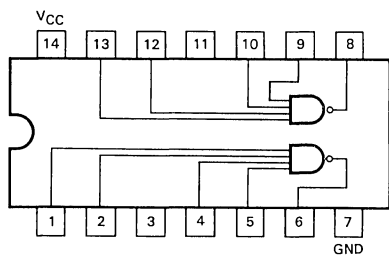
| SYMBOL | PARAMETER | | MIN | TYP | MAX | UNIT |
|-----------------|-------------------------------------|--------|------|-----|------|------|
| V _{CC} | Supply Voltage | 54 | 4.5 | 5.0 | 5.5 | V |
| | | 74 | 4.75 | 5.0 | 5.25 | |
| T _A | Operating Ambient Temperature Range | 54 | -55 | 25 | 125 | °C |
| | | 74 | 0 | 25 | 70 | |
| V _{OH} | Output Voltage — High | 54, 74 | | | 5.5 | V |
| I _{OL} | Output Current — Low | 54 | | | 4.0 | mA |
| 74 | | | | 8.0 | | |

DC CHARACTERISTICS OVER OPERATING TEMPERATURE RANGE (unless otherwise specified)

| SYMBOL | PARAMETER | LIMITS | | | UNITS | TEST CONDITIONS |
|-----------------|---|--------|-------|------|-------|---|
| | | MIN | TYP | MAX | | |
| V _{IH} | Input HIGH Voltage | 2.0 | | | V | Guaranteed Input HIGH Voltage for All Inputs |
| V _{IL} | Input LOW Voltage | 54 | | 0.7 | V | Guaranteed Input LOW Voltage for All Inputs |
| | | 74 | | 0.8 | | |
| V _{IK} | Input Clamp Diode Voltage | | -0.65 | -1.5 | V | V _{CC} = MIN, I _{IN} = -18 mA |
| I _{OH} | Output HIGH Current | 54, 74 | | 100 | μA | V _{CC} = MIN, V _{OH} = MAX |
| V _{OL} | Output LOW Voltage | 54, 74 | 0.25 | 0.4 | V | I _{OL} = 4.0 mA I _{OL} = 8.0 mA V _{CC} = V _{CC} MIN, V _{IN} = V _{IL} or V _{IH} per Truth Table |
| | | 74 | 0.35 | 0.5 | | |
| I _{IH} | Input HIGH Current | | | 20 | μA | V _{CC} = MAX, V _{IN} = 2.7 V |
| | | | | 0.1 | mA | V _{CC} = MAX, V _{IN} = 7.0 V |
| I _{IL} | Input LOW Current | | | -0.4 | mA | V _{CC} = MAX, V _{IN} = 0.4 V |
| I _{CC} | Power Supply Current Total, Output HIGH Total, Output LOW | | | 3.6 | mA | V _{CC} = MAX |
| | | | | 6.6 | | |

AC CHARACTERISTICS: T_A = 25°C

| SYMBOL | PARAMETER | LIMITS | | | UNITS | TEST CONDITIONS |
|------------------|---------------------------------|--------|-----|-----|-------|--|
| | | MIN | TYP | MAX | | |
| t _{PLH} | Turn Off Delay, Input to Output | | 20 | 35 | ns | V _{CC} = 5.0 V C _L = 15 pF, R _L = 2.0 kΩ |
| t _{PHL} | Turn On Delay, Input to Output | | 17 | 35 | ns | |



J Suffix — Case 632-07 (Ceramic)
N Suffix — Case 646-05 (Plastic)

SN54LS20
SN74LS20

DUAL 4-INPUT NAND GATE
LOW POWER SCHOTTKY

GUARANTEED OPERATING RANGES

| SYMBOL | PARAMETER | | MIN | TYP | MAX | UNIT |
|-----------------|-------------------------------------|--------|------|-----|------|------|
| V _{CC} | Supply Voltage | 54 | 4.5 | 5.0 | 5.5 | V |
| | | 74 | 4.75 | 5.0 | 5.25 | |
| T _A | Operating Ambient Temperature Range | 54 | -55 | 25 | 125 | °C |
| | | 74 | 0 | 25 | 70 | |
| I _{OH} | Output Current — High | 54, 74 | | | -0.4 | mA |
| I _{OL} | Output Current — Low | 54 | | | 4.0 | mA |
| | | 74 | | | 8.0 | |

DC CHARACTERISTICS OVER OPERATING TEMPERATURE RANGE (unless otherwise specified)

| SYMBOL | PARAMETER | LIMITS | | | UNITS | TEST CONDITIONS | |
|-----------------|---|--------|-------|------|-------|--|---|
| | | MIN | TYP | MAX | | | |
| V _{IH} | Input HIGH Voltage | 2.0 | | | V | Guaranteed Input HIGH Voltage for All Inputs | |
| V _{IL} | Input LOW Voltage | 54 | | 0.7 | V | Guaranteed Input LOW Voltage for All Inputs | |
| | | 74 | | 0.8 | | | |
| V _{IK} | Input Clamp Diode Voltage | | -0.65 | -1.5 | V | V _{CC} = MIN, I _{IN} = -18 mA | |
| V _{OH} | Output HIGH Voltage | 54 | 2.5 | 3.5 | V | V _{CC} = MIN, I _{OH} = MAX, V _{IN} = V _{IH} or V _{IL} per Truth Table | |
| | | 74 | 2.7 | 3.5 | V | | |
| V _{OL} | Output LOW Voltage | 54, 74 | | 0.25 | 0.4 | V | V _{CC} = V _{CC} MIN, V _{IN} = V _{IL} or V _{IH} per Truth Table |
| | | 74 | | 0.35 | 0.5 | V | |
| I _{IH} | Input HIGH Current | | | 20 | μA | V _{CC} = MAX, V _{IN} = 2.7 V | |
| | | | | 0.1 | mA | V _{CC} = MAX, V _{IN} = 7.0 V | |
| I _{IL} | Input LOW Current | | | -0.4 | mA | V _{CC} = MAX, V _{IN} = 0.4 V | |
| I _{OS} | Short Circuit Current | -20 | | -100 | mA | V _{CC} = MAX | |
| I _{CC} | Power Supply Current Total, Output HIGH Total, Output LOW | | | 0.8 | mA | V _{CC} = MAX | |
| | | | | 2.2 | | | |

AC CHARACTERISTICS: T_A = 25°C

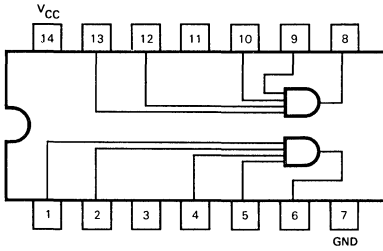
| SYMBOL | PARAMETER | LIMITS | | | UNITS | TEST CONDITIONS |
|------------------|---------------------------------|--------|-----|-----|-------|---|
| | | MIN | TYP | MAX | | |
| t _{PLH} | Turn Off Delay, Input to Output | | 9.0 | 15 | ns | V _{CC} = 5.0 V C _L = 15 pF |
| t _{PHL} | Turn On Delay, Input to Output | | 10 | 15 | ns | |





MOTOROLA

**SN54LS21
SN74LS21**



J Suffix — Case 632-07 (Ceramic)
N Suffix — Case 646-05 (Plastic)

**DUAL 4-INPUT AND GATE
LOW POWER SCHOTTKY**

GUARANTEED OPERATING RANGES

| SYMBOL | PARAMETER | | MIN | TYP | MAX | UNIT |
|-----------------|-------------------------------------|--------|------|-----|------|------|
| V _{CC} | Supply Voltage | 54 | 4.5 | 5.0 | 5.5 | V |
| | | 74 | 4.75 | 5.0 | 5.25 | |
| T _A | Operating Ambient Temperature Range | 54 | -55 | 25 | 125 | °C |
| | | 74 | 0 | 25 | 70 | |
| I _{OH} | Output Current — High | 54, 74 | | | -0.4 | mA |
| I _{OL} | Output Current — Low | 54 | | | 4.0 | mA |
| | | 74 | | | 8.0 | |

DC CHARACTERISTICS OVER OPERATING TEMPERATURE RANGE (unless otherwise specified)

| SYMBOL | PARAMETER | LIMITS | | | UNITS | TEST CONDITIONS |
|-----------------|---|--------|-------|------|-------|---|
| | | MIN | TYP | MAX | | |
| V _{IH} | Input HIGH Voltage | 2.0 | | | V | Guaranteed Input HIGH Voltage for All Inputs |
| V _{IL} | Input LOW Voltage | 54 | | 0.7 | V | Guaranteed Input LOW Voltage for All Inputs |
| | | 74 | | 0.8 | | |
| V _{IK} | Input Clamp Diode Voltage | | -0.65 | -1.5 | V | V _{CC} = MIN, I _{IN} = -18 mA |
| V _{OH} | Output HIGH Voltage | 54 | 2.5 | 3.5 | V | V _{CC} = MIN, I _{OH} = MAX, V _{IN} = V _{IH} or V _{IL} per Truth Table |
| | | 74 | 2.7 | 3.5 | V | |
| V _{OL} | Output LOW Voltage | 54, 74 | 0.25 | 0.4 | V | I _{OL} = 4.0 mA I _{OL} = 8.0 mA V _{CC} = V _{CC} MIN, V _{IN} = V _{IL} or V _{IH} per Truth Table |
| | | 74 | 0.35 | 0.5 | V | |
| I _{IH} | Input HIGH Current | | | 20 | μA | V _{CC} = MAX, V _{IN} = 2.7 V |
| | | | | 0.1 | mA | V _{CC} = MAX, V _{IN} = 7.0 V |
| I _{IL} | Input LOW Current | | | -0.4 | mA | V _{CC} = MAX, V _{IN} = 0.4 V |
| I _{OS} | Short Circuit Current | -20 | | -100 | mA | V _{CC} = MAX |
| I _{CC} | Power Supply Current Total, Output HIGH Total, Output LOW | | | 2.4 | mA | V _{CC} = MAX |
| | | | | 4.4 | | |

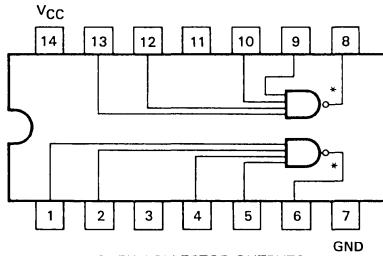
AC CHARACTERISTICS: T_A = 25°C

| SYMBOL | PARAMETER | LIMITS | | | UNITS | TEST CONDITIONS |
|------------------|---------------------------------|--------|-----|-----|-------|---|
| | | MIN | TYP | MAX | | |
| t _{PLH} | Turn Off Delay, Input to Output | | 8.0 | 15 | ns | V _{CC} = 5.0 V C _L = 15 pF |
| t _{PHL} | Turn On Delay, Input to Output | | 10 | 20 | ns | |

5



**SN54LS22
SN74LS22**



*OPEN COLLECTOR OUTPUTS

J Suffix — Case 632-07 (Ceramic)

N Suffix — Case 646-05 (Plastic)

**DUAL 4-INPUT NAND GATE
LOW POWER SCHOTTKY**

GUARANTEED OPERATING RANGES

| SYMBOL | PARAMETER | | MIN | TYP | MAX | UNIT |
|-----------------|-------------------------------------|--------|------|-----|------|------|
| V _{CC} | Supply Voltage | 54 | 4.5 | 5.0 | 5.5 | V |
| | | 74 | 4.75 | 5.0 | 5.25 | |
| T _A | Operating Ambient Temperature Range | 54 | -55 | 25 | 125 | °C |
| | | 74 | 0 | 25 | 70 | |
| V _{OH} | Output Voltage — High | 54, 74 | | | 5.5 | V |
| I _{OL} | Output Current — Low | 54 | | | 4.0 | mA |
| | | 74 | | | 8.0 | |

DC CHARACTERISTICS OVER OPERATING TEMPERATURE RANGE (unless otherwise specified)

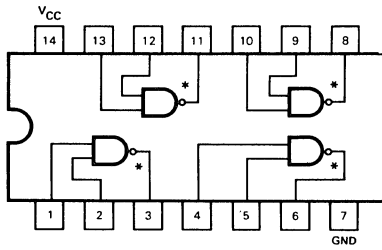
| SYMBOL | PARAMETER | | LIMITS | | | UNITS | TEST CONDITIONS |
|-----------------|---|--------|--------|-------|------|-------|---|
| | | | MIN | TYP | MAX | | |
| V _{IH} | Input HIGH Voltage | | 2.0 | | | V | Guaranteed Input HIGH Voltage for All Inputs |
| V _{IL} | Input LOW Voltage | | 54 | | 0.7 | V | Guaranteed Input LOW Voltage for All Inputs |
| | | | 74 | | 0.8 | | |
| V _{IK} | Input Clamp Diode Voltage | | | -0.65 | -1.5 | V | V _{CC} = MIN, I _{IN} = -18 mA |
| I _{OH} | Output HIGH Current | 54, 74 | | | 100 | μA | V _{CC} = MIN, V _{OH} = MAX |
| V _{OL} | Output LOW Voltage | | 54, 74 | 0.25 | 0.4 | V | I _{OL} = 4.0 mA I _{OL} = 8.0 mA V _{CC} = V _{CC} MIN, V _{IN} = V _{IL} or V _{IH} per Truth Table |
| | | | 74 | 0.35 | 0.5 | V | |
| I _{IH} | Input HIGH Current | | | | 20 | μA | V _{CC} = MAX, V _{IN} = 2.7 V |
| | | | | | 0.1 | mA | V _{CC} = MAX, V _{IN} = 7.0 V |
| I _{IL} | Input LOW Current | | | | -0.4 | mA | V _{CC} = MAX, V _{IN} = 0.4 V |
| I _{CC} | Power Supply Current Total, Output HIGH Total, Output LOW | | | | 0.8 | mA | V _{CC} = MAX |
| | | | | | 2.2 | | |

AC CHARACTERISTICS: T_A = 25°C

| SYMBOL | PARAMETER | LIMITS | | | UNITS | TEST CONDITIONS |
|------------------|---------------------------------|--------|-----|-----|-------|--|
| | | MIN | TYP | MAX | | |
| t _{PLH} | Turn Off Delay, Input to Output | | 17 | 32 | ns | V _{CC} = 5.0 V C _L = 15 pF, R _L = 2.0 kΩ |
| t _{PHL} | Turn On Delay, Input to Output | | 15 | 28 | ns | |



**SN54LS26
SN74LS26**



*OPEN COLLECTOR OUTPUTS

J Suffix — Case 632-07 (Ceramic)
N Suffix — Case 646-05 (Plastic)

QUAD 2-INPUT NAND BUFFER

LOW POWER SCHOTTKY

GUARANTEED OPERATING RANGES

| SYMBOL | PARAMETER | | MIN | TYP | MAX | UNIT |
|-----------------|-------------------------------------|--------|------|-----|------|------|
| V _{CC} | Supply Voltage | | 4.5 | 5.0 | 5.5 | V |
| | | | 4.75 | 5.0 | 5.25 | |
| T _A | Operating Ambient Temperature Range | | -55 | 25 | 125 | °C |
| | | | 0 | 25 | 70 | |
| V _{OH} | Output Voltage — High | 54, 74 | | | 15 | V |
| I _{OL} | Output Current — Low | | | | 4.0 | mA |
| | | | | | 8.0 | |

DC CHARACTERISTICS OVER OPERATING TEMPERATURE RANGE (unless otherwise specified)

| SYMBOL | PARAMETER | LIMITS | | | UNITS | TEST CONDITIONS |
|-----------------|---|--------|-------|------|-------|---|
| | | MIN | TYP | MAX | | |
| V _{IH} | Input HIGH Voltage | 2.0 | | | V | Guaranteed Input HIGH Voltage for All Inputs |
| V _{IL} | Input LOW Voltage | 54 | | 0.7 | V | Guaranteed Input LOW Voltage for All Inputs |
| | | 74 | | 0.8 | | |
| V _{IK} | Input Clamp Diode Voltage | | -0.65 | -1.5 | V | V _{CC} = MIN, I _{IN} = -18 mA |
| I _{OH} | Output HIGH Current | 54, 74 | | 1000 | μA | V _{CC} = MIN, V _{OH} = MAX |
| | | 54, 74 | | 50 | μA | V _{CC} = MIN, V _{OH} = 12 V |
| V _{OL} | Output LOW Voltage | 54, 74 | 0.25 | 0.4 | V | I _{OL} = 4.0 mA |
| | | 74 | 0.35 | 0.5 | V | I _{OL} = 8.0 mA |
| I _{IH} | Input HIGH Current | | | 20 | μA | V _{CC} = MAX, V _{IN} = 2.4 V |
| | | | | 0.1 | mA | V _{CC} = MAX, V _{IN} = 7.0 V |
| I _{IL} | Input LOW Current | | | -0.4 | mA | V _{CC} = MAX, V _{IN} = 0.4 V |
| I _{CC} | Power Supply Current Total, Output HIGH Total, Output LOW | | | 1.6 | mA | V _{CC} = MAX |
| | | | | 4.4 | | |

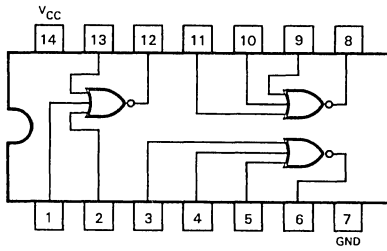
AC CHARACTERISTICS: T_A = 25°C

| SYMBOL | PARAMETER | LIMITS | | | UNITS | TEST CONDITIONS |
|------------------|---------------------------------|--------|-----|-----|-------|--|
| | | MIN | TYP | MAX | | |
| t _{PLH} | Turn Off Delay, Input to Output | | 17 | 32 | ns | V _{CC} = 5.0 V C _L = 15 pF, R _L = 2.0 kΩ |
| t _{PHL} | Turn On Delay, Input to Output | | 15 | 28 | ns | |



SN54LS27
SN74LS27

TRIPLE 3-INPUT NOR GATE
LOW POWER SCHOTTKY



J Suffix — Case 632-07 (Ceramic)
N Suffix — Case 646-05 (Plastic)

GUARANTEED OPERATING RANGES

| SYMBOL | PARAMETER | | MIN | TYP | MAX | UNIT |
|-----------------|-------------------------------------|--------|------|-----|------|------|
| V _{CC} | Supply Voltage | 54 | 4.5 | 5.0 | 5.5 | V |
| | | 74 | 4.75 | 5.0 | 5.25 | |
| T _A | Operating Ambient Temperature Range | 54 | -55 | 25 | 125 | °C |
| | | 74 | 0 | 25 | 70 | |
| I _{OH} | Output Current — High | 54, 74 | | | -0.4 | mA |
| I _{OL} | Output Current — Low | 54 | | | 4.0 | mA |
| | | 74 | | | 8.0 | |

DC CHARACTERISTICS OVER OPERATING TEMPERATURE RANGE (unless otherwise specified)

| SYMBOL | PARAMETER | LIMITS | | | UNITS | TEST CONDITIONS | |
|-----------------|---|--------|-------|------|-------|--|---|
| | | MIN | TYP | MAX | | | |
| V _{IH} | Input HIGH Voltage | 2.0 | | | V | Guaranteed Input HIGH Voltage for All Inputs | |
| V _{IL} | Input LOW Voltage | 54 | | 0.7 | V | Guaranteed Input LOW Voltage for All Inputs | |
| | | 74 | | 0.8 | | | |
| V _{IK} | Input Clamp Diode Voltage | | -0.65 | -1.5 | V | V _{CC} = MIN, I _{IN} = -18 mA | |
| V _{OH} | Output HIGH Voltage | 54 | 2.5 | 3.5 | V | V _{CC} = MIN, I _{OH} = MAX, V _{IN} = V _{IH} or V _{IL} per Truth Table | |
| | | 74 | 2.7 | 3.5 | V | | |
| V _{OL} | Output LOW Voltage | 54, 74 | | 0.25 | 0.4 | I _{OL} = 4.0 mA | V _{CC} = V _{CC} MIN, V _{IN} = V _{IL} or V _{IH} per Truth Table |
| | | 74 | | 0.35 | 0.5 | I _{OL} = 8.0 mA | |
| I _{IH} | Input HIGH Current | | | 20 | μA | V _{CC} = MAX, V _{IN} = 2.7 V | |
| | | | | 0.1 | mA | V _{CC} = MAX, V _{IN} = 7.0 V | |
| I _{IL} | Input LOW Current | | | -0.4 | mA | V _{CC} = MAX, V _{IN} = 0.4 V | |
| I _{OS} | Short Circuit Current | -20 | | -100 | mA | V _{CC} = MAX | |
| I _{CC} | Power Supply Current Total, Output HIGH Total, Output LOW | | | 4.0 | mA | V _{CC} = MAX | |
| | | | | 6.8 | | | |

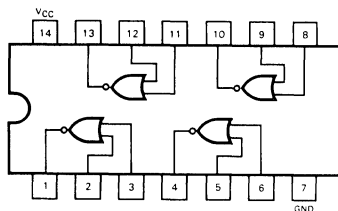
AC CHARACTERISTICS: T_A = 25°C

| SYMBOL | PARAMETER | LIMITS | | | UNITS | TEST CONDITIONS |
|------------------|---------------------------------|--------|-----|-----|-------|---|
| | | MIN | TYP | MAX | | |
| t _{PLH} | Turn Off Delay, Input to Output | | 10 | 15 | ns | V _{CC} = 5.0 V C _L = 15 pF |
| t _{PHL} | Turn On Delay, Input to Output | | 10 | 15 | ns | |





SN54LS28 SN74LS28



J Suffix — Case 632-07 (Ceramic)
N Suffix — Case 646-05 (Plastic)

QUAD 2-INPUT NOR BUFFER

LOW POWER SCHOTTKY

GUARANTEED OPERATING RANGES

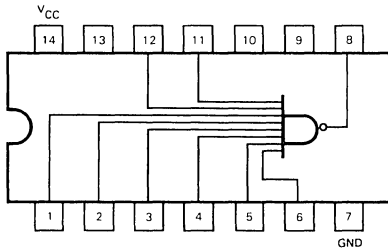
| SYMBOL | PARAMETER | | MIN | TYP | MAX | UNIT |
|----------|-------------------------------------|----------|-------------|------------|-------------|------|
| V_{CC} | Supply Voltage | 54 74 | 4.5 4.75 | 5.0 5.0 | 5.5 5.25 | V |
| T_A | Operating Ambient Temperature Range | 54 74 | -55 0 | 25 25 | 125 70 | °C |
| I_{OH} | Output Current — High | 54, 74 | | | -1.2 | mA |
| I_{OL} | Output Current — Low | 54 74 | | | 12 24 | mA |

DC CHARACTERISTICS OVER OPERATING TEMPERATURE RANGE (unless otherwise specified)

| SYMBOL | PARAMETER | LIMITS | | | UNITS | TEST CONDITIONS | |
|----------|---|--------|-------|------|---------------|--|--|
| | | MIN | TYP | MAX | | | |
| V_{IH} | Input HIGH Voltage | 2.0 | | | V | Guaranteed Input HIGH Voltage for All Inputs | |
| V_{IL} | Input LOW Voltage | 54 | | 0.7 | V | Guaranteed Input LOW Voltage for All Inputs | |
| | | 74 | | 0.8 | | | |
| V_{IK} | Input Clamp Diode Voltage | | -0.65 | -1.5 | V | $V_{CC} = \text{MIN}, I_{IN} = -18 \text{ mA}$ | |
| V_{OH} | Output HIGH Voltage | 54 | 2.5 | 3.5 | V | $V_{CC} = \text{MIN}, I_{OH} = \text{MAX}, V_{IN} = V_{IH}$ or V_{IL} per Truth Table | |
| | | 74 | 2.7 | 3.5 | V | | |
| V_{OL} | Output LOW Voltage | 54, 74 | | 0.25 | 0.4 | V | $I_{OL} = 12 \text{ mA}$ $I_{OL} = 24 \text{ mA}$ $V_{CC} = V_{CC} \text{ MIN}, V_{IN} = V_{IL} \text{ or } V_{IH}$ per Truth Table |
| | | 74 | | 0.35 | 0.5 | V | |
| I_{IH} | Input HIGH Current | | | 20 | μA | $V_{CC} = \text{MAX}, V_{IN} = 2.7 \text{ V}$ | |
| I_{IL} | Input LOW Current | | | 0.1 | mA | $V_{CC} = \text{MAX}, V_{IN} = 7.0 \text{ V}$ | |
| I_{IS} | Input SHORT-CIRCUIT Current | | | -0.4 | mA | $V_{CC} = \text{MAX}, V_{IN} = 0.4 \text{ V}$ | |
| I_{CC} | Power Supply Current Total, Output HIGH Total, Output LOW | | | -30 | -130 | mA | $V_{CC} = \text{MAX}$ |
| | | | | | 3.6 13.8 | mA | $V_{CC} = \text{MAX}$ |

AC CHARACTERISTICS: $T_A = 25^\circ\text{C}$

| SYMBOL | PARAMETER | LIMITS | | | UNITS | TEST CONDITIONS |
|-----------|-------------------|--------|-----|-----|-------|---|
| | | MIN | TYP | MAX | | |
| t_{PLH} | Propagation Delay | | 12 | 24 | ns | $V_{CC} = 5.0 \text{ V}$ $C_L = 45 \text{ pF}, R_L = 667 \Omega$ |
| t_{PHL} | Propagation Delay | | 12 | 24 | ns | |



J Suffix — Case 632-07 (Ceramic)
N Suffix — Case 646-05 (Plastic)

SN54LS30
SN74LS30

8-INPUT NAND GATE
LOW POWER SCHOTTKY

GUARANTEED OPERATING RANGES

| SYMBOL | PARAMETER | | MIN | TYP | MAX | UNIT |
|-----------------|-------------------------------------|----------|-------------|------------|-------------|------|
| V _{CC} | Supply Voltage | 54 74 | 4.5 4.75 | 5.0 5.0 | 5.5 5.25 | V |
| T _A | Operating Ambient Temperature Range | 54 74 | -55 0 | 25 25 | 125 70 | °C |
| I _{OH} | Output Current — High | 54, 74 | | | -0.4 | mA |
| I _{OL} | Output Current — Low | 54 74 | | | 4.0 8.0 | mA |

DC CHARACTERISTICS OVER OPERATING TEMPERATURE RANGE (unless otherwise specified)

| SYMBOL | PARAMETER | LIMITS | | | UNITS | TEST CONDITIONS |
|-----------------|---|--------|-------|------|-------|--|
| | | MIN | TYP | MAX | | |
| V _{IH} | Input HIGH Voltage | 2.0 | | | V | Guaranteed Input HIGH Voltage for All Inputs |
| V _{IL} | Input LOW Voltage | 54 | | 0.7 | V | Guaranteed Input LOW Voltage for All Inputs |
| | | 74 | | 0.8 | | |
| V _{IK} | Input Clamp Diode Voltage | | -0.65 | -1.5 | V | V _{CC} = MIN, I _{IN} = -18 mA |
| V _{OH} | Output HIGH Voltage | 54 | 2.5 | 3.5 | V | V _{CC} = MIN, I _{OH} = MAX, V _{IN} = V _{IH} or V _{IL} per Truth Table |
| | | 74 | 2.7 | 3.5 | V | |
| V _{OL} | Output LOW Voltage | 54, 74 | | 0.25 | 0.4 | I _{OL} = 4.0 mA |
| | | 74 | | 0.35 | 0.5 | I _{OL} = 8.0 mA |
| | | | | | | V _{CC} = V _{CC} MIN, V _{IN} = V _{IL} or V _{IH} per Truth Table |
| I _{IH} | Input HIGH Current | | | 20 | μA | V _{CC} = MAX, V _{IN} = 2.7 V |
| | | | | 0.1 | mA | V _{CC} = MAX, V _{IN} = 7.0 V |
| I _{IL} | Input LOW Current | | | -0.4 | mA | V _{CC} = MAX, V _{IN} = 0.4 V |
| I _{OS} | Short Circuit Current | -20 | | -100 | mA | V _{CC} = MAX |
| I _{CC} | Power Supply Current Total, Output HIGH Total, Output LOW | | | 0.5 | mA | V _{CC} = MAX |
| | | | | 1.1 | | |

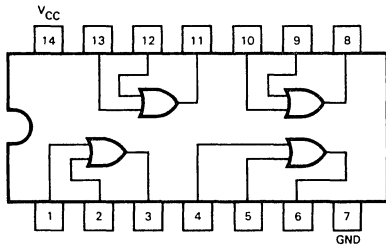
AC CHARACTERISTICS: T_A = 25°C

| SYMBOL | PARAMETER | LIMITS | | | UNITS | TEST CONDITIONS |
|------------------|---------------------------------|--------|-----|-----|-------|-------------------------|
| | | MIN | TYP | MAX | | |
| t _{PLH} | Turn Off Delay, Input to Output | | 8.0 | 15 | ns | V _{CC} = 5.0 V |
| t _{PHL} | Turn On Delay, Input to Output | | 13 | 20 | ns | C _L = 15 pF |

5



**SN54LS32
SN74LS32**



J Suffix — Case 632-07 (Ceramic)
N Suffix — Case 646-05 (Plastic)

**QUAD 2-INPUT OR GATE
LOW POWER SCHOTTKY**

GUARANTEED OPERATING RANGES

| SYMBOL | PARAMETER | | MIN | TYP | MAX | UNIT |
|-----------------|-------------------------------------|----------|-------------|------------|-------------|------|
| V _{CC} | Supply Voltage | 54 74 | 4.5 4.75 | 5.0 5.0 | 5.5 5.25 | V |
| T _A | Operating Ambient Temperature Range | 54 74 | -55 0 | 25 25 | 125 70 | °C |
| I _{OH} | Output Current — High | 54, 74 | | | -0.4 | mA |
| I _{OL} | Output Current — Low | 54 74 | | | 4.0 8.0 | mA |

DC CHARACTERISTICS OVER OPERATING TEMPERATURE RANGE (unless otherwise specified)

| SYMBOL | PARAMETER | LIMITS | | | UNITS | TEST CONDITIONS | |
|-----------------|---|--------|-------|------|-------|--|---|
| | | MIN | TYP | MAX | | | |
| V _{IH} | Input HIGH Voltage | 2.0 | | | V | Guaranteed Input HIGH Voltage for All Inputs | |
| V _{IL} | Input LOW Voltage | 54 | | 0.7 | V | Guaranteed Input LOW Voltage for All Inputs | |
| | | 74 | | 0.8 | | | |
| V _{IK} | Input Clamp Diode Voltage | | -0.65 | -1.5 | V | V _{CC} = MIN, I _{IN} = -18 mA | |
| V _{OH} | Output HIGH Voltage | 54 | 2.5 | 3.5 | V | V _{CC} = MIN, I _{OH} = MAX, V _{IN} = V _{IH} or V _{IL} per Truth Table | |
| | | 74 | 2.7 | 3.5 | V | | |
| V _{OL} | Output LOW Voltage | 54, 74 | | 0.25 | 0.4 | I _{OL} = 4.0 mA | V _{CC} = V _{CC} MIN, V _{IN} = V _{IL} or V _{IH} per Truth Table |
| | | 74 | | 0.35 | 0.5 | I _{OL} = 8.0 mA | |
| I _{IH} | Input HIGH Current | | | 20 | μA | V _{CC} = MAX, V _{IN} = 2.7 V | |
| I _{IL} | Input LOW Current | | | 0.1 | mA | V _{CC} = MAX, V _{IN} = 7.0 V | |
| I _{OS} | Short Circuit Current | | | -0.4 | mA | V _{CC} = MAX, V _{IN} = 0.4 V | |
| I _{CC} | Power Supply Current Total, Output HIGH Total, Output LOW | | | -20 | -100 | mA | V _{CC} = MAX |
| | | | | 6.2 | 9.8 | | |

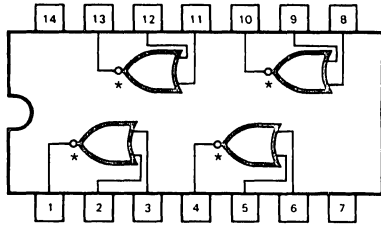
AC CHARACTERISTICS: T_A = 25°C

| SYMBOL | PARAMETER | LIMITS | | | UNITS | TEST CONDITIONS |
|------------------|---------------------------------|--------|-----|-----|-------|---|
| | | MIN | TYP | MAX | | |
| t _{PLH} | Turn Off Delay, Input to Output | | 14 | 22 | ns | V _{CC} = 5.0 V C _L = 15 pF |
| t _{PHL} | Turn On Delay, Input to Output | | 14 | 22 | ns | |



**SN54LS33
SN74LS33**

QUAD 2-INPUT NOR BUFFER
LOW POWER SCHOTTKY



*OPEN COLLECTOR OUTPUTS

J Suffix — Case 632-07 (Ceramic)
N Suffix — Case 646-05 (Plastic)

GUARANTEED OPERATING RANGES

| SYMBOL | PARAMETER | | MIN | TYP | MAX | UNIT |
|-----------------|-------------------------------------|--------|------|-----|----------|------|
| V _{CC} | Supply Voltage | 54 | 4.5 | 5.0 | 5.5 | V |
| | | 74 | 4.75 | 5.0 | 5.25 | |
| T _A | Operating Ambient Temperature Range | 54 | -55 | 25 | 125 | °C |
| | | 74 | 0 | 25 | 70 | |
| V _{OH} | Output Voltage — High | 54, 74 | | | 5.5 | V |
| I _{OL} | Output Current — Low | 54, 74 | | | 12 24 | mA |

DC CHARACTERISTICS OVER OPERATING TEMPERATURE RANGE (unless otherwise specified)

| SYMBOL | PARAMETER | LIMITS | | | UNITS | TEST CONDITIONS |
|-----------------|---|--------|-------|-------------|-------|---|
| | | MIN | TYP | MAX | | |
| V _{IH} | Input HIGH Voltage | 2.0 | | | V | Guaranteed Input HIGH Voltage for All Inputs |
| V _{IL} | Input LOW Voltage | 54 | | 0.7 | V | Guaranteed Input LOW Voltage for All Inputs |
| | | 74 | | 0.8 | | |
| V _{IK} | Input Clamp Diode Voltage | | -0.65 | -1.5 | V | V _{CC} = MIN, I _{IN} = -18 mA |
| I _{OH} | Output HIGH Current | 54, 74 | | 250 | μA | V _{CC} = MIN, V _{OH} = MAX |
| V _{OL} | Output LOW Voltage | 54, 74 | 0.25 | 0.4 | V | I _{OL} = 12 mA I _{OL} = 24 mA V _{CC} = V _{CC} MIN, V _{IN} = V _{IL} or V _{IH} per Truth Table |
| | | 74 | 0.35 | 0.5 | V | |
| I _{IH} | Input HIGH Current | | | 20 | μA | V _{CC} = MAX, V _{IN} = 2.7 V |
| I _{IL} | Input LOW Current | | | 0.1 | mA | V _{CC} = MAX, V _{IN} = 7.0 V |
| I _{CC} | Power Supply Current Total, Output HIGH Total, Output LOW | | | -0.4 | mA | V _{CC} = MAX, V _{IN} = 0.4 V |
| | | | | 3.6 13.8 | mA | |

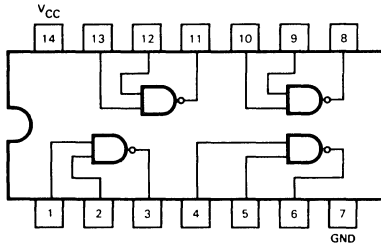
AC CHARACTERISTICS: T_A = 25°C

| SYMBOL | PARAMETER | LIMITS | | | UNITS | TEST CONDITIONS |
|------------------|---------------------------------|--------|-----|-----|-------|---|
| | | MIN | TYP | MAX | | |
| t _{PLH} | Turn Off Delay, Input to Output | | 20 | 32 | ns | V _{CC} = 5.0 V, R _L = 667 Ω C _L = 45 pF |
| t _{PHL} | Turn On Delay, Input to Output | | 18 | 28 | ns | |

5



SN54LS37 SN74LS37



J Suffix — Case 632-07 (Ceramic)
N Suffix — Case 646-05 (Plastic)

QUAD 2-INPUT NAND BUFFER

LOW POWER SCHOTTKY

GUARANTEED OPERATING RANGES

| SYMBOL | PARAMETER | | MIN | TYP | MAX | UNIT |
|-----------------|-------------------------------------|--------|------|-----|------|------|
| V _{CC} | Supply Voltage | 54 | 4.5 | 5.0 | 5.5 | V |
| | | 74 | 4.75 | 5.0 | 5.25 | |
| T _A | Operating Ambient Temperature Range | 54 | -55 | 25 | 125 | °C |
| | | 74 | 0 | 25 | 70 | |
| I _{OH} | Output Current — High | 54, 74 | | | -1.2 | mA |
| I _{OL} | Output Current — Low | 54 | | | 12 | mA |
| | | 74 | | | 24 | |

DC CHARACTERISTICS OVER OPERATING TEMPERATURE RANGE (unless otherwise specified)

| SYMBOL | PARAMETER | LIMITS | | | UNITS | TEST CONDITIONS | |
|-----------------|---|--------|-------|------|-------|--|---|
| | | MIN | TYP | MAX | | | |
| V _{IH} | Input HIGH Voltage | 2.0 | | | V | Guaranteed Input HIGH Voltage for All Inputs | |
| V _{IL} | Input LOW Voltage | 54 | | 0.7 | V | Guaranteed Input LOW Voltage for All Inputs | |
| | | 74 | | 0.8 | | | |
| V _{IK} | Input Clamp Diode Voltage | | -0.65 | -1.5 | V | V _{CC} = MIN, I _{IN} = -18 mA | |
| V _{OH} | Output HIGH Voltage | 54 | 2.5 | 3.5 | V | V _{CC} = MIN, I _{OH} = MAX, V _{IN} = V _{IH} or V _{IL} per Truth Table | |
| | | 74 | 2.7 | 3.5 | V | | |
| V _{OL} | Output LOW Voltage | 54,74 | | 0.25 | 0.4 | V | V _{CC} = V _{CC} MIN, V _{IN} = V _{IL} or V _{IH} per Truth Table |
| | | 74 | | 0.35 | 0.5 | V | |
| I _{IH} | Input HIGH Current | | | 20 | μA | V _{CC} = MAX, V _{IN} = 2.7 V | |
| | | | | 0.1 | mA | V _{CC} = MAX, V _{IN} = 7.0 V | |
| I _{IL} | Input LOW Current | | | -0.4 | mA | V _{CC} = MAX, V _{IN} = 0.4 V | |
| I _{OS} | Short Circuit Current | -30 | | -130 | mA | V _{CC} = MAX | |
| I _{CC} | Power Supply Current Total, Output HIGH Total, Output LOW | | | 2.0 | mA | V _{CC} = MAX | |
| | | | | 12 | | | |

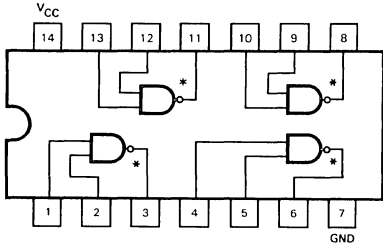
AC CHARACTERISTICS: T_A = 25°C

| SYMBOL | PARAMETER | LIMITS | | | UNITS | TEST CONDITIONS |
|------------------|---------------------------------|--------|-----|-----|-------|---|
| | | MIN | TYP | MAX | | |
| t _{PLH} | Turn Off Delay, Input to Output | | 12 | 24 | ns | V _{CC} = 5.0 V, R _L = 667 Ω C _L = 45 pF |
| t _{PHL} | Turn On Delay, Input to Output | | 12 | 24 | ns | |



SN54LS38
SN74LS38

QUAD 2-INPUT NAND BUFFER
LOW POWER SCHOTTKY



*OPEN COLLECTOR OUTPUTS

J Suffix — Case 632-07 (Ceramic)

N Suffix — Case 646-05 (Plastic)

GUARANTEED OPERATING RANGES

| SYMBOL | PARAMETER | | MIN | TYP | MAX | UNIT |
|-----------------|-------------------------------------|--------|------|-----|------|------|
| V _{CC} | Supply Voltage | 54 | 4.5 | 5.0 | 5.5 | V |
| | | 74 | 4.75 | 5.0 | 5.25 | |
| T _A | Operating Ambient Temperature Range | 54 | -55 | 25 | 125 | °C |
| | | 74 | 0 | 25 | 70 | |
| V _{OH} | Output Voltage — High | 54, 74 | | | 5.5 | V |
| I _{OL} | Output Current — Low | 54 | | | 12 | mA |
| 74 | | | | 24 | | |

DC CHARACTERISTICS OVER OPERATING TEMPERATURE RANGE (unless otherwise specified)

| SYMBOL | PARAMETER | LIMITS | | | UNITS | TEST CONDITIONS |
|-----------------|---|--------|-------|------|-------|--|
| | | MIN | TYP | MAX | | |
| V _{IH} | Input HIGH Voltage | 2.0 | | | V | Guaranteed Input HIGH Voltage for All Inputs |
| V _{IL} | Input LOW Voltage | 54 | | 0.7 | V | Guaranteed Input LOW Voltage for All Inputs |
| | | 74 | | 0.8 | | |
| V _{IK} | Input Clamp Diode Voltage | | -0.65 | -1.5 | V | V _{CC} = MIN, I _{IN} = -18 mA |
| I _{OH} | Output HIGH Current | 54, 74 | | 250 | μA | V _{CC} = MIN, V _{OH} = MAX |
| V _{OL} | Output LOW Voltage | 54, 74 | 0.25 | 0.4 | V | I _{OL} = 12 mA, V _{CC} = V _{CC} MIN, V _{IN} = V _{IL} or V _{IH} per Truth Table |
| | | 74 | 0.35 | 0.5 | V | I _{OL} = 24 mA |
| I _{IH} | Input HIGH Current | | | 20 | μA | V _{CC} = MAX, V _{IN} = 2.4 V |
| | | | | 0.1 | mA | V _{CC} = MAX, V _{IN} = 7.0 V |
| I _{IL} | Input LOW Current | | | -0.4 | mA | V _{CC} = MAX, V _{IN} = 0.4 V |
| | | | | 2.0 | mA | V _{CC} = MAX |
| I _{CC} | Power Supply Current Total, Output HIGH Total, Output LOW | | | 12 | | |

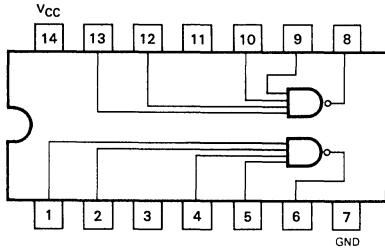
AC CHARACTERISTICS: T_A = 25°C

| SYMBOL | PARAMETER | LIMITS | | | UNITS | TEST CONDITIONS |
|------------------|---------------------------------|--------|-----|-----|-------|---|
| | | MIN | TYP | MAX | | |
| t _{PLH} | Turn Off Delay, Input to Output | | 20 | 32 | ns | V _{CC} = 5.0 V, R _L = 667 Ω C _L = 45 pF |
| t _{PHL} | Turn On Delay, Input to Output | | 18 | 28 | ns | |





SN54LS40 SN74LS40



J Suffix — Case 632-07 (Ceramic)
N Suffix — Case 646-05 (Plastic)

DUAL 4-INPUT NAND BUFFER

LOW POWER SCHOTTKY

GUARANTEED OPERATING RANGES

| SYMBOL | PARAMETER | | MIN | TYP | MAX | UNIT |
|-----------------|-------------------------------------|----------|-------------|------------|-------------|------|
| V _{CC} | Supply Voltage | 54 74 | 4.5 4.75 | 5.0 5.0 | 5.5 5.25 | V |
| T _A | Operating Ambient Temperature Range | 54 74 | -55 0 | 25 25 | 125 70 | °C |
| I _{OH} | Output Current — High | 54, 74 | | | -1.2 | mA |
| I _{OL} | Output Current — Low | 54 74 | | | 12 24 | mA |

DC CHARACTERISTICS OVER OPERATING TEMPERATURE RANGE (unless otherwise specified)

| SYMBOL | PARAMETER | LIMITS | | | UNITS | TEST CONDITIONS |
|-----------------|---|--------|-------|------|-------|--|
| | | MIN | TYP | MAX | | |
| V _{IH} | Input HIGH Voltage | 2.0 | | | V | Guaranteed Input HIGH Voltage for All Inputs |
| V _{IL} | Input LOW Voltage | 54 | | 0.7 | V | Guaranteed Input LOW Voltage for All Inputs |
| | | 74 | | 0.8 | | |
| V _{IK} | Input Clamp Diode Voltage | | -0.65 | -1.5 | V | V _{CC} = MIN, I _{IN} = -18 mA |
| V _{OH} | Output HIGH Voltage | 54 | 2.5 | 3.5 | V | V _{CC} = MIN, I _{OH} = MAX, V _{IN} = V _{IH} or V _{IL} per Truth Table |
| | | 74 | 2.7 | 3.5 | V | |
| V _{OL} | Output LOW Voltage | 54, 74 | | 0.25 | 0.4 | I _{OL} = 12 mA |
| | | 74 | | 0.35 | 0.5 | I _{OL} = 24 mA |
| I _{IH} | Input HIGH Current | | | 20 | μA | V _{CC} = MAX, V _{IN} = 2.7 V |
| | | | | 0.1 | mA | V _{CC} = MAX, V _{IN} = 7.0 V |
| I _{IL} | Input LOW Current | | | -0.4 | mA | V _{CC} = MAX, V _{IN} = 0.4 V |
| I _{OS} | Short Circuit Current | | -30 | -130 | mA | V _{CC} = MAX |
| I _{CC} | Power Supply Current Total, Output HIGH Total, Output LOW | | | 1.0 | mA | V _{CC} = MAX |
| | | | | 6.0 | | |

AC CHARACTERISTICS: T_A = 25°C

| SYMBOL | PARAMETER | LIMITS | | | UNITS | TEST CONDITIONS |
|------------------|---------------------------------|--------|-----|-----|-------|---|
| | | MIN | TYP | MAX | | |
| t _{PLH} | Turn Off Delay, Input to Output | | 12 | 24 | ns | V _{CC} = 5.0 V, R _L = 667 Ω C _L = 45 pF |
| t _{PHL} | Turn On Delay, Input to Output | | 12 | 24 | ns | |



SN54LS42 SN74LS42

DESCRIPTION — The LSTTL/MSI SN54LS/74LS42 is a Multipurpose Decoder designed to accept four BCD inputs and provide ten mutually exclusive outputs. The LS42 is fabricated with the Schottky barrier diode process for high speed and is completely compatible with all Motorola TTL families.

- MULTI-FUNCTION CAPABILITY
- MUTUALLY EXCLUSIVE OUTPUTS
- DEMULTIPLEXING CAPABILITY
- INPUT CLAMP DIODES LIMIT HIGH SPEED TERMINATION EFFECTS

ONE-OF-TEN DECODER

LOW POWER SCHOTTKY

PIN NAMES

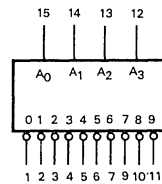
$A_0 - A_3$ Address Inputs
0 to 9 Outputs, Active LOW (Note b)

| LOADING (Note a) | |
|------------------|-------------|
| HIGH | LOW |
| 0.5 U.L. | 0.25 U.L. |
| 10 U.L. | 5(2.5) U.L. |

NOTES:

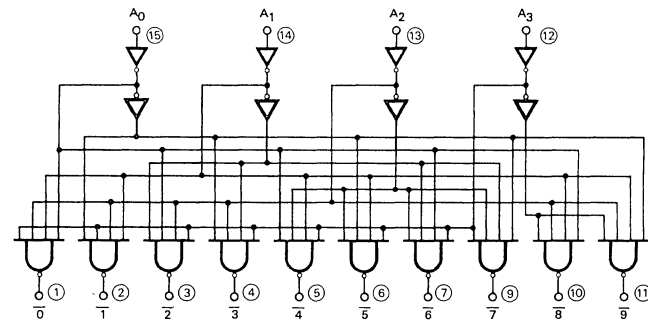
- 1 TTL Unit Load (U.L.) = 40 μ A HIGH/1.6 mA LOW.
- The Output LOW drive factor is 2.5 U.L. for Military (54) and 5 U.L. for Commercial (74) Temperature Ranges.

LOGIC SYMBOL



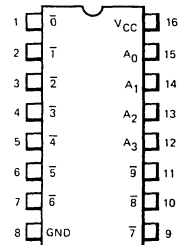
V_{CC} = Pin 16
GND = Pin 8

LOGIC DIAGRAM



V_{CC} = Pin 16
GND = Pin 8
○ = Pin Numbers

CONNECTION DIAGRAM DIP (TOP VIEW)



J Suffix — Case 620-08 (Ceramic)
N Suffix — Case 648-05 (Plastic)

NOTE:
The Flatpak version has the same pinouts (Connection Diagram) as the Dual In-Line Package.

5

FUNCTIONAL DESCRIPTION — The LS42 decoder accepts four active HIGH BCD inputs and provides ten mutually exclusive active LOW outputs, as shown by logic symbol or diagram. The active LOW outputs facilitate addressing other MSI units with LOW input enables.

The logic design of the LS42 ensures that all outputs are HIGH when binary codes greater than nine are applied to the inputs.

The most significant input A_3 produces a useful inhibit function when the LS42 is used as a one-of-eight decoder. The A_3 input can also be used as the Data input in an 8-output demultiplexer application.

TRUTH TABLE

| A_0 | A_1 | A_2 | A_3 | 0 | 1 | 2 | 3 | 4 | 5 | 6 | 7 | 8 | 9 |
|-------|-------|-------|-------|---|---|---|---|---|---|---|---|---|---|
| L | L | L | L | L | H | H | H | H | H | H | H | H | H |
| H | L | L | L | H | L | H | H | H | H | H | H | H | H |
| L | H | L | L | H | H | L | H | H | H | H | H | H | H |
| H | H | L | L | H | H | H | L | H | H | H | H | H | H |
| L | L | H | L | H | H | H | H | L | H | H | H | H | H |
| H | L | H | L | H | H | H | H | H | L | H | H | H | H |
| L | H | H | L | H | H | H | H | H | L | H | H | H | H |
| H | H | H | L | H | H | H | H | H | H | L | H | H | H |
| L | L | L | H | H | H | H | H | H | H | H | L | H | H |
| H | L | L | H | H | H | H | H | H | H | H | H | L | H |
| L | H | L | H | H | H | H | H | H | H | H | H | H | H |
| H | H | L | H | H | H | H | H | H | H | H | H | H | H |
| L | L | H | H | H | H | H | H | H | H | H | H | H | H |
| H | L | H | H | H | H | H | H | H | H | H | H | H | H |
| L | H | H | H | H | H | H | H | H | H | H | H | H | H |
| H | H | H | H | H | H | H | H | H | H | H | H | H | H |

H = HIGH Voltage Level
L = LOW Voltage Level

5

GUARANTEED OPERATING RANGES

| SYMBOL | PARAMETER | | MIN | TYP | MAX | UNIT |
|----------|-------------------------------------|--------|------|-----|------|------|
| V_{CC} | Supply Voltage | 54 | 4.5 | 5.0 | 5.5 | V |
| | | 74 | 4.75 | 5.0 | 5.25 | |
| T_A | Operating Ambient Temperature Range | 54 | -55 | 25 | 125 | °C |
| | | 74 | 0 | 25 | 70 | |
| I_{OH} | Output Current — High | 54, 74 | | | -0.4 | mA |
| I_{OL} | Output Current — Low | 54 | | | 4.0 | mA |
| | | 74 | | | 8.0 | |

DC CHARACTERISTICS OVER OPERATING TEMPERATURE RANGE (unless otherwise specified)

| SYMBOL | PARAMETER | LIMITS | | | UNITS | TEST CONDITIONS |
|-----------------|---------------------------|--------|-------|------|-------|---|
| | | MIN | TYP | MAX | | |
| V _{IH} | Input HIGH Voltage | 2.0 | | | V | Guaranteed Input HIGH Voltage for All Inputs |
| V _{IL} | Input LOW Voltage | 54 | | 0.7 | V | Guaranteed Input LOW Voltage for All Inputs |
| | | 74 | | 0.8 | | |
| V _{IK} | Input Clamp Diode Voltage | | -0.65 | -1.5 | V | V _{CC} = MIN, I _{IN} = -18 mA |
| V _{OH} | Output HIGH Voltage | 54 | 2.5 | 3.5 | V | V _{CC} = MIN, I _{OH} = MAX, V _{IN} = V _{IH} or V _{IL} per Truth Table |
| | | 74 | 2.7 | 3.5 | V | |
| V _{OL} | Output LOW Voltage | 54,74 | 0.25 | 0.4 | V | I _{OL} = 4.0 mA V _{CC} = V _{CC} MIN, V _{IN} = V _{IL} or V _{IH} per Truth Table |
| | | 74 | 0.35 | 0.5 | V | |
| I _{IH} | Input HIGH Current | | | 20 | μA | V _{CC} = MAX, V _{IN} = 2.7 V |
| | | | | 0.1 | mA | V _{CC} = MAX, V _{IN} = 7.0 V |
| I _{IL} | Input LOW Current | | | -0.4 | mA | V _{CC} = MAX, V _{IN} = 0.4 V |
| I _{OS} | Short Circuit Current | -20 | | -100 | mA | V _{CC} = MAX |
| I _{CC} | Power Supply Current | | | 13 | mA | V _{CC} = MAX |

AC CHARACTERISTICS: T_A = 25°C

| SYMBOL | PARAMETER | LIMITS | | | UNITS | TEST CONDITIONS | |
|--------------------------------------|---------------------------------|--------|----------|----------|-------|-----------------|---|
| | | MIN | TYP | MAX | | | |
| t _{PLH} t _{PHL} | Propagation Delay (2 Levels) | | 15 15 | 25 25 | ns | Fig. 2 | V _{CC} = 5.0 V C _L = 15 pF |
| t _{PLH} t _{PHL} | Propagation Delay (3 Levels) | | 20 20 | 30 30 | ns | Fig. 1 | |

AC WAVEFORMS

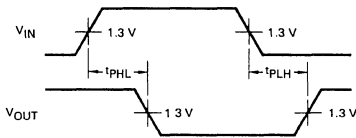


Fig. 1

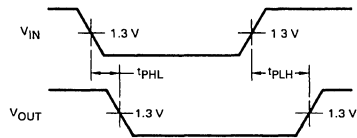


Fig. 2



SN54LS47 SN74LS47

DESCRIPTION — The SN54LS/74LS47 are Low Power Schottky BCD to 7-Segment Decoder/Drivers consisting of NAND gates, input buffers and seven AND-OR-INVERT gates. They offer active LOW, high sink current outputs for driving indicators directly. Seven NAND gates and one driver are connected in pairs to make BCD data and its complement available to the seven decoding AND-OR-INVERT gates. The remaining NAND gate and three input buffers provide lamp test, blanking input/ripple-blanking output and ripple-blanking input.

The circuits accept 4-bit binary-coded-decimal (BCD) and, depending on the state of the auxiliary inputs, decodes this data to drive a 7-segment display indicator. The relative positive-logic output levels, as well as conditions required at the auxiliary inputs, are shown in the truth tables. Output configurations of the SN54LS/74LS47 are designed to withstand the relatively high voltages required for 7-segment indicators.

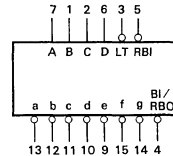
These outputs will withstand 15 V with a maximum reverse current of 250 μ A. Indicator segments requiring up to 24 mA of current may be driven directly from the SN74LS47 high performance output transistors. Display patterns for BCD input counts above nine are unique symbols to authenticate input conditions.

The SN54LS/74LS47 incorporates automatic leading and/or trailing-edge zero-blanking control (RBI and RBO). Lamp test (LT) may be performed at any time which the BI/RBO node is a HIGH level. This device also contains an overriding blanking input (BI) which can be used to control the lamp intensity or to inhibit the outputs.

- LAMP INTENSITY MODULATION CAPABILITY
- OPEN COLLECTOR OUTPUTS
- LAMP TEST PROVISION
- LEADING/TRAILING ZERO SUPPRESSION
- INPUT CLAMP DIODES LIMIT HIGH-SPEED TERMINATION EFFECTS

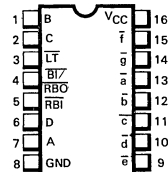
BCD TO 7-SEGMENT DECODER/DRIVER LOW POWER SCHOTTKY

LOGIC SYMBOL



V_{CC} = Pin 16
GND = Pin 8

CONNECTION DIAGRAM DIP (TOP VIEW)



J Suffix — Case 620-08 (Ceramic)
N Suffix — Case 648-05 (Plastic)

5

PIN NAMES

| | |
|--------------------------|---|
| A, B, C, D | BCD Inputs |
| RBI | Ripple Blanking Input |
| LT | Lamp Test Input |
| BI/RBO | Blanking Input or Ripple Blanking Output |
| \bar{a} , to \bar{g} | Outputs |

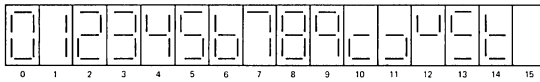
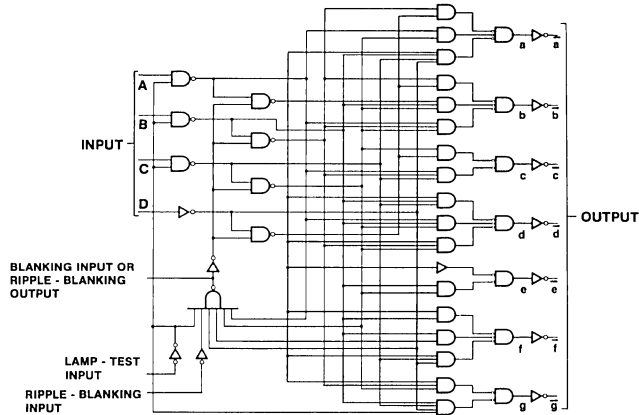
LOADING (Note a)

| | HIGH | LOW |
|--------------------------|----------------|---------------|
| A, B, C, D | 0.5 U.L. | 0.25 U.L. |
| RBI | 0.5 U.L. | 0.25 U.L. |
| LT | 0.5 U.L. | 0.25 U.L. |
| BI/RBO | 0.5 U.L. | 0.75 U.L. |
| Ripple Blanking Output | 1.2 U.L. | 2.0 U.L. |
| \bar{a} , to \bar{g} | Open-Collector | 15 (7.5) U.L. |

Notes:

- a) 1 Unit Load (U.L.) = 40 μ A HIGH, 1.6 mA LOW
 b) Output current measured at V_{OUT} = 0.5 V
 Output LOW drive factor is 7.5 U.L. for Military (54) and 15 U.L. for Commercial (74)
 Temperature Ranges.

LOGIC DIAGRAM



NUMERICAL DESIGNATIONS – RESULTANT DISPLAYS

TRUTH TABLE

| DECIMAL OR FUNCTION | INPUTS | | | | | OUTPUTS | | | | | | | NOTE | | |
|---------------------|-----------------|------------------|---|---|---|---------|--------------------------------|----------------|----------------|----------------|----------------|----------------|------|----------------|----------------|
| | \overline{LT} | \overline{RBI} | D | C | B | A | $\overline{BI}/\overline{RBO}$ | \overline{a} | \overline{b} | \overline{c} | \overline{d} | \overline{e} | | \overline{f} | \overline{g} |
| 0 | H | H | L | L | L | L | H | L | L | L | L | L | L | H | A |
| 1 | H | X | L | L | L | H | H | H | L | L | H | H | H | H | A |
| 2 | H | X | L | L | H | L | H | L | L | H | L | L | H | L | |
| 3 | H | X | L | L | H | H | H | L | L | L | L | H | H | L | |
| 4 | H | X | L | H | L | L | H | H | L | L | H | H | L | L | |
| 5 | H | X | L | H | L | H | H | L | H | L | L | H | L | L | |
| 6 | H | X | L | H | H | L | H | H | H | L | L | L | L | L | |
| 7 | H | X | L | H | H | H | H | L | L | L | H | H | H | H | |
| 8 | H | X | H | L | L | L | H | L | L | L | L | L | L | L | |
| 9 | H | X | H | L | L | H | H | L | L | L | H | H | L | L | |
| 10 | H | X | H | L | H | L | H | H | H | L | L | L | H | L | |
| 11 | H | X | H | L | H | H | H | H | L | L | H | H | L | L | |
| 12 | H | X | H | H | L | L | H | L | H | H | H | H | L | L | |
| 13 | H | X | H | H | L | H | H | L | H | H | L | H | L | L | |
| 14 | H | X | H | H | H | L | H | H | H | H | L | L | L | L | |
| 15 | H | X | H | H | H | H | H | H | H | H | H | H | H | H | |
| \overline{BI} | X | X | X | X | X | X | L | H | H | H | H | H | H | H | B |
| \overline{RBI} | H | L | L | L | L | L | L | H | H | H | H | H | H | H | C |
| \overline{LT} | L | X | X | X | X | X | H | L | L | L | L | L | L | L | D |

H = HIGH Voltage Level
 L = LOW Voltage Level
 X = Immaterial

NOTES:

- (A) $\overline{BI}/\overline{RBO}$ is wire-AND logic serving as blanking input (BI) and/or ripple-blanking output (\overline{RBO}). The blanking out (BI) must be open or held at a HIGH level when output functions 0 through 15 are desired, and ripple-blanking input (\overline{RBI}) must be open or at a HIGH level if blanking of a decimal 0 is not desired. X = input may be HIGH or LOW.
- (B) When a LOW level is applied to the blanking input (forced condition) all segment outputs go to a LOW level regardless of the state of any other input condition.
- (C) When ripple-blanking input (\overline{RBI}) and inputs A, B, C, and D are at LOW level, with the lamp test input at HIGH level, all segment outputs go to a HIGH level and the ripple-blanking output (\overline{RBO}) goes to a LOW level (response condition).
- (D) When the blanking input/ripple-blanking output ($\overline{BI}/\overline{RBO}$) is open or held at a HIGH level, and a LOW level is applied to lamp test input, all segment outputs go to a LOW level.



GUARANTEED OPERATING RANGES

| SYMBOL | PARAMETER | | MIN | TYP | MAX | UNIT | |
|---------------------|--|------------------|----------|-------------|------------|-------------|----|
| V _{CC} | Supply Voltage | | 54 74 | 4.5 4.75 | 5.0 5.0 | 5.5 5.25 | V |
| T _A | Operating Ambient Temperature Range | | 54 74 | -55 0 | 25 25 | 125 70 | °C |
| I _{OH} | Output Current — High | BI/RBO | 54,74 | | | -50 | μA |
| I _{OL} | Output Current — Low | BI/RBO BI/RBO | 54 74 | | | 1.6 3.2 | mA |
| V _{O(off)} | Off-State Output Voltage \bar{a} to \bar{g} | | 54,74 | | | 15 | V |
| I _{O(on)} | On-State Output Current \bar{a} to \bar{g} \bar{a} to \bar{g} | | 54 74 | | | 12 24 | mA |

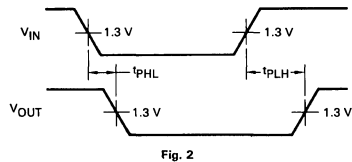
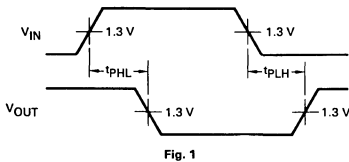
DC CHARACTERISTICS OVER OPERATING TEMPERATURE RANGE (Unless otherwise specified)

| SYMBOL | PARAMETER | | LIMITS | | | UNITS | TEST CONDITIONS |
|------------------------|---|----------|--------|-------|--------------|-------|---|
| | | | MIN | TYP | MAX | | |
| V _{IH} | Input HIGH Voltage | | 2.0 | | | V | Guaranteed Input HIGH Threshold Voltage for All Inputs |
| V _{IL} | Input LOW Voltage | 54 74 | | | 0.7 0.8 | V | Guaranteed Input LOW Threshold Voltage for All Inputs |
| V _{IK} | Input Clamp Diode Voltage | | | -0.65 | -1.5 | V | V _{CC} = MIN, I _{IN} = -18 mA |
| V _{OH} | Output HIGH Voltage, BI/RBO | | 2.4 | 4.2 | | V | V _{CC} = MIN, I _{OH} = -50 μA, V _{IN} = V _{INor} V _{IL} per Truth Table |
| V _{OL} | Output LOW Voltage | 54,74 | | 0.25 | 0.4 | V | I _{OL} = 1.6 mA |
| | BI/RBO | 74 | | 0.35 | 0.5 | V | I _{OL} = 3.2 MA |
| I _{O(off)} | Off-State Output Current \bar{a} thru \bar{g} | | | | 250 | μA | V _{CC} = MAX, V _{IN} = V _{IN} or V _{IL} per Truth Table, V _{O(off)} = 15 V |
| V _{O(on)} | On-State Output Voltage | 54,74 | | 0.25 | 0.4 | V | I _{O(on)} = 12 mA |
| | \bar{a} thru \bar{g} | 74 | | 0.35 | 0.5 | V | I _{O(on)} = 24 MA |
| I _{IH} | Input HIGH Current | | | | 20 | μA | V _{CC} = MAX, V _{IN} = 2.7 V |
| | | | | | 0.1 | mA | V _{CC} = MAX, V _{IN} = 7.0 V |
| I _{IL} | Input LOW Current BI/RBO Any Input except BI/RBO | | | | -1.2 -0.4 | mA | V _{CC} = MAX, V _{IN} = 0.4 V |
| I _{OS BI/RBO} | Output Short Circuit Current | | -0.3 | | -2.0 | mA | V _{CC} = MAX, V _{OUT} = 0 V |
| I _{CC} | Power Supply Current | | | 7.0 | 13 | mA | V _{CC} = MAX |

AC CHARACTERISTICS: T_A = 25°C

| SYMBOL | PARAMETER | | LIMITS | | | UNITS | TEST CONDITIONS |
|------------------|--|--|--------|-----|-----|-------|---|
| | | | MIN | TYP | MAX | | |
| t _{PHL} | Propagation Delay, Address Input to Segment Output | | | | 100 | ns | V _{CC} = 5.0 V C _L = 15 pF |
| t _{PLH} | | | | | 100 | ns | |
| t _{PHL} | Propagation Delay, RBI Input To Segment Output | | | | 100 | ns | |
| t _{PLH} | | | | | 100 | ns | |

AC WAVEFORMS



5

SN54LS/74LS48 SN54LS/74LS49

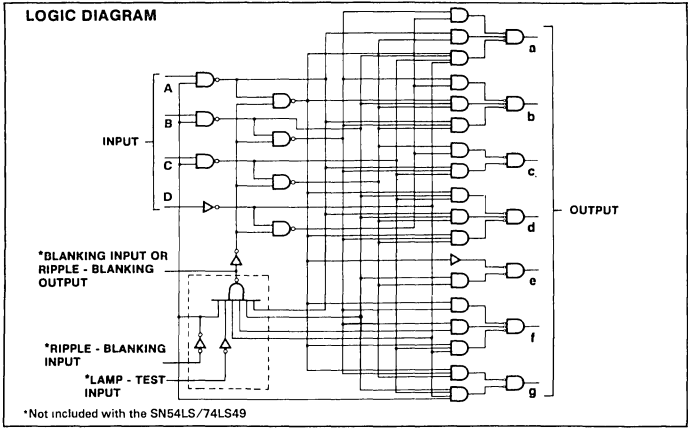
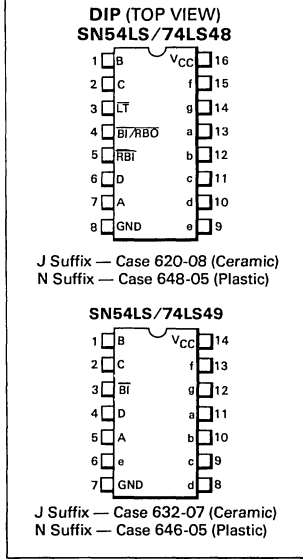
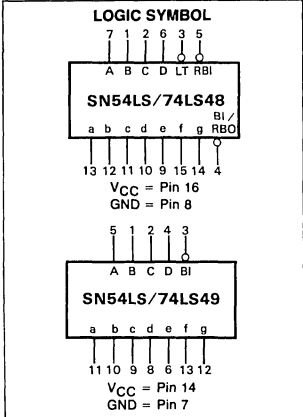
BCD TO 7-SEGMENT DECODER LOW POWER SCHOTTKY

DESCRIPTION — The SN54LS/74LS48 and SN54LS/74LS49 are BCD to 7-Segment Decoders consisting of NAND gates, input buffers and seven AND-OR-INVERT gates. The LS49 offers active HIGH open-collector outputs for current-sourcing applications to drive logic circuits or discrete, active components. Seven NAND gates and one driver are connected in pairs to make BCD data and its complement available to the seven decoding AND-OR-INVERT gates. The remaining NAND gate and three input buffers provide lamp test, blanking input/ripple-blanking input for the LS48. Four NAND gates and four input buffers provide BCD data and its complement and a buffer provides blanking input for the LS49.

The circuits accept 4-bit binary-coded-decimal (BCD) and, depending on the state of the auxiliary inputs, decodes this data to drive other components. The relative positive logic output levels, as well as conditions required at the auxiliary inputs, are shown in the truth tables.

The LS48 circuit incorporates automatic leading and/or trailing edge zero-blanking control (RBI and RBO). Lamp Test (LT) may be activated any time when the BI/RBO node is HIGH. Both devices contain an overriding blanking input (BI) which can be used to control the lamp intensity or to inhibit the outputs.

- LAMP INTENSITY MODULATION CAPABILITY
- INTERNAL PULL-UPS ELIMINATE NEED FOR EXTERNAL RESISTORS ON SN54LS/74LS48
- OPEN COLLECTOR OUTPUTS ON SN54LS/74LS49
- INPUT CLAMP DIODES ELIMINATE HIGH-SPEED TERMINATION EFFECTS



PIN NAMES

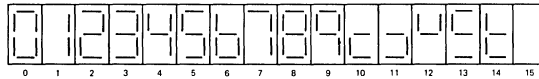
| | |
|----------------------------|---|
| A, B, C, D, | BCD Inputs |
| $\overline{\text{RBI}}$ | Ripple Blanking (Active Low) Input |
| $\overline{\text{LT}}$ | Lamp Test (Active Low) Input |
| $\overline{\text{BI/RBO}}$ | Blanking Input or Ripple Blanking Output (Active Low) |
| $\overline{\text{BI}}$ | Blanking (Active Low) Input |
| a to g | Outputs (Note b) |

LOADING (Note a)

| | HIGH | LOW |
|----------------|----------|-----------------------|
| | 0.5 U.L. | 0.25 U.L. |
| | 0.5 U.L. | 0.25 U.L. |
| | 0.5 U.L. | 0.25 U.L. |
| | 0.5 U.L. | 0.75 U.L. |
| | 1.2 U.L. | 2(1) U.L. |
| | 0.5 U.L. | 0.25 U.L. |
| Open Collector | | 3.75 (1.25) U.L. (48) |
| Open Collector | | 5 (2.5) U.L. (49) |

NOTES:

- a) Unit Load (U.L.) = 40 μA HIGH/1.6 mA LOW
- b) Output current measured at $V_{\text{OUT}} = 0.5 \text{ V}$
- Output LOW drive factor is SN54LS/74LS48: 1.25 U.L. for Military (54), 3.75 U.L. for Commercial (74), SN54LS/74LS49: 2.5 U.L. for Military (54), 5 U.L. for Commercial (74) Temperature Ranges.



NUMERICAL DESIGNATIONS – RESULTANT DISPLAYS

**TRUTH TABLE
SN54LS/74LS48**

| DECIMAL OR FUNCTION | INPUTS | | | | OUTPUTS | | | | | | | | | NOTE | |
|-------------------------|------------------------|-------------------------|---|---|---------|---|----------------------------|---|---|---|---|---|---|------|---|
| | $\overline{\text{LT}}$ | $\overline{\text{RBI}}$ | D | C | B | A | $\overline{\text{BI/RBO}}$ | a | b | c | d | e | f | | g |
| 0 | H | H | L | L | L | L | H | H | H | H | H | H | H | L | 1 |
| 1 | H | X | L | L | L | H | H | L | H | H | L | L | L | L | 1 |
| 2 | H | X | L | L | H | L | H | H | H | L | H | L | H | H | |
| 3 | H | X | L | L | H | H | H | H | H | H | H | L | L | H | |
| 4 | H | X | L | H | L | L | H | L | H | H | L | L | H | H | |
| 5 | H | X | L | H | L | H | H | L | H | L | H | L | H | H | |
| 6 | H | X | L | H | H | L | H | L | L | H | H | H | H | H | |
| 7 | H | X | L | H | H | H | H | H | H | H | L | L | L | L | |
| 8 | H | X | H | L | L | L | H | H | H | H | H | H | H | H | |
| 9 | H | X | H | L | L | H | H | H | H | L | L | L | H | H | |
| 10 | H | X | H | L | H | L | H | L | L | L | H | H | L | H | |
| 11 | H | X | H | L | H | H | H | L | L | L | H | L | L | H | |
| 12 | H | X | H | H | L | L | H | L | H | L | L | L | H | H | |
| 13 | H | X | H | L | H | H | H | L | L | L | H | L | H | H | |
| 14 | H | X | H | H | H | L | H | L | L | L | H | H | H | H | |
| 15 | H | X | H | H | H | H | H | L | L | L | L | L | L | L | |
| $\overline{\text{BI}}$ | X | X | X | X | X | X | L | L | L | L | L | L | L | L | 2 |
| $\overline{\text{RBI}}$ | H | L | L | L | L | L | L | L | L | L | L | L | L | L | 3 |
| $\overline{\text{LT}}$ | L | X | X | X | X | X | H | H | H | H | H | H | H | H | 4 |

NOTES:

- (1) $\overline{\text{BI/RBO}}$ is wired-AND logic serving as blanking input ($\overline{\text{BI}}$) and/or ripple-blanking output ($\overline{\text{RBO}}$). The blanking out ($\overline{\text{BI}}$) must be open or held at a HIGH level when output functions 0 through 15 are desired, and ripple-blanking input ($\overline{\text{RBI}}$) must be open or at a HIGH level if blanking of a decimal 0 is not desired. X=input may be HIGH or LOW.
- (2) When a LOW level is applied to the blanking input (forced condition) all segment outputs go to a LOW level, regardless of the state of any other input condition.
- (3) When ripple-blanking input ($\overline{\text{RBI}}$) and inputs A, B, C, and D are at LOW level, with the lamp test input at HIGH level, all segment outputs go to a HIGH level and the ripple-blanking output ($\overline{\text{RBO}}$) goes to a LOW level (response condition).
- (4) When the blanking input/ripple-blanking output ($\overline{\text{BI/RBO}}$) is open or held at a HIGH level, and a LOW level is applied to lamp-test input, all segment outputs go to a LOW level.

**TRUTH TABLE
SN54LS/74LS49**

| DECIMAL OR FUNCTION | INPUTS | | | | OUTPUTS | | | | | | | | | NOTE |
|------------------------|--------|---|---|---|------------------------|---|---|---|---|---|---|---|---|------|
| | D | C | B | A | $\overline{\text{BI}}$ | a | b | c | d | e | f | g | | |
| 0 | L | L | L | L | H | H | H | H | H | H | L | L | 1 | |
| 1 | L | L | L | H | H | L | L | L | L | L | L | L | | |
| 2 | L | L | H | L | H | H | L | H | L | H | L | H | | |
| 3 | L | L | H | H | H | H | H | H | L | L | L | H | | |
| 4 | L | H | L | L | H | L | H | H | L | L | H | H | | |
| 5 | L | H | L | H | H | H | L | H | L | L | L | H | | |
| 6 | L | H | H | L | H | L | L | H | H | H | H | H | | |
| 7 | L | H | H | H | H | H | L | L | L | L | L | L | | |
| 8 | H | L | L | L | H | H | H | H | H | H | H | H | | |
| 9 | H | L | L | H | H | H | H | L | L | L | L | H | | |
| 10 | H | L | H | L | H | L | L | L | L | H | L | H | | |
| 11 | H | L | H | H | H | L | L | L | L | L | L | H | | |
| 12 | H | H | L | L | H | L | H | L | L | L | L | H | | |
| 13 | H | H | L | H | H | H | L | L | L | L | L | H | | |
| 14 | H | H | H | L | H | L | L | L | L | H | H | H | | |
| 15 | H | H | H | H | H | L | L | L | L | L | L | L | | |
| $\overline{\text{BI}}$ | X | X | X | X | L | L | L | L | L | L | L | L | 2 | |

NOTES:

- (1) The blanking input must be open or held at a HIGH level when output functions 0 through 15 are desired.
- (2) When a LOW level is applied to the blanking input all segment outputs go to a LOW level regardless of the state of any other input condition. X = input may be HIGH or LOW.

H = HIGH Voltage Level
L = LOW Voltage Level
X = Immaterial

GUARANTEED OPERATING RANGES

| SYMBOL | PARAMETER | | MIN | TYP | MAX | UNIT |
|-----------------|---|-------|------|-----|------|------|
| V _{CC} | Supply Voltage | 54 | 4.5 | 5.0 | 5.5 | V |
| | | 74 | 4.75 | 5.0 | 5.25 | |
| T _A | Operating Ambient Temperature Range | 54 | -55 | 25 | 125 | °C |
| | | 74 | 0 | 25 | 70 | |
| I _{OH} | Output Current — High \bar{a} to \bar{g} | 54,74 | | | -100 | μA |
| I _{OH} | Output Current — High $\overline{BI/R\bar{B}O}$ | 54,74 | | | -50 | μA |
| I _{OL} | Output Current — Low \bar{a} to \bar{g} | 54 | | | 2.0 | mA |
| | | 74 | | | 6.0 | |
| I _{OL} | Output Current — Low $\overline{BI/R\bar{B}O}$ | 54 | | | 1.6 | mA |
| | | 74 | | | 3.2 | |

DC CHARACTERISTICS OVER OPERATING TEMPERATURE RANGE (unless otherwise specified)

| SYMBOL | PARAMETER | LIMITS | | | UNITS | TEST CONDITIONS |
|-----------------|--|--------|------|------|-------|--|
| | | MIN | TYP | MAX | | |
| V _{IH} | Input HIGH Voltage | 2.0 | | | V | Guaranteed Input HIGH Voltage for All Inputs |
| V _{IL} | Input LOW Voltage | 54 | | 0.7 | V | Guaranteed Input LOW Voltage for All Inputs |
| | | 74 | | 0.8 | | |
| V _{IK} | Input Clamp Diode Voltage | | | -1.5 | V | V _{CC} = MIN, I _{IN} = -18 mA |
| V _{OH} | Output HIGH Voltage | 2.4 | 4.2 | | μA | V _{CC} = MIN, I _{OH} = -50 μA, V _{IN} = V _{IH} or U.L. per Truth Table |
| I _O | Output Current \bar{a} to \bar{g} | -1.3 | -2.0 | | mA | V _{CC} = MIN, V _O = 0.85 V Input Conditioner as for V _{OH} |
| V _{OL} | Output LOW Voltage \bar{a} to \bar{g} | 54,74 | | 0.4 | V | I _{OL} = 2.0 mA V _{CC} =MIN, V _{IH} =2.0 V |
| | | 74 | | 0.5 | V | I _{OL} = 6.0 mA V _{IL} = V _{IL} MAX |
| V _{OL} | Output LOW Voltage $\overline{BI/R\bar{B}O}$ | 54,74 | | 0.4 | V | I _{OL} = 1.6 mA V _{CC} =MAX, V _{IH} =2.0 V |
| | | 74 | | 0.5 | V | I _{OL} = 3.2 mA V _{IL} = V _{IL} MAX |
| I _{IH} | Input HIGH Current (Except $\overline{BI/R\bar{B}O}$) | | | 20 | μA | V _{CC} = MAX, V _{IN} = 2.7 V |
| I _{IL} | Input LOW Current (Except $\overline{BI/R\bar{B}O}$) | | | 0.1 | mA | V _{CC} = MAX, V _{IN} = 7.0 V |
| I _{IL} | Input LOW Current $\overline{BI/R\bar{B}O}$ | | | -0.4 | mA | V _{CC} = MAX, V _{IN} = 0.4 V |
| I _{IL} | Input LOW Current $\overline{BI/R\bar{B}O}$ | | | -1.2 | mA | V _{CC} = MAX, V _{IN} = 0.4 V |
| I _{CC} | Power Supply Current | | 25 | 38 | mA | V _{CC} = MAX |
| I _{OS} | Short Circuit Current $\overline{BI/R\bar{B}O}$ | -0.3 | | -2.0 | mA | V _{CC} = MAX |

AC CHARACTERISTICS: V_{CC} = 5.0 V T_A = 25°C

| SYMBOL | PARAMETER | LIMITS | | | UNITS | TEST CONDITIONS |
|------------------|---|--------|-----|-----|-------|---|
| | | MIN | TYP | MAX | | |
| t _{PHL} | Propagation delay time, HIGH-to-LOW level output from A Input | | | 100 | ns | C _L = 15 pF, R _L = 4.0 kΩ |
| t _{PLH} | Propagation delay time, LOW-to-HIGH level output from A Input | | | 100 | ns | |
| t _{PHL} | Propagation delay time, HIGH-to-LOW level output from R \overline{BI} Input | | | 100 | ns | C _L = 15 pF, R _L = 6.0 kΩ |
| t _{PLH} | Propagation delay time, LOW-to-HIGH level output from R \overline{BI} Input | | | 100 | ns | |

GUARANTEED OPERATING RANGES

| SYMBOL | PARAMETER | | MIN | TYP | MAX | UNIT |
|-----------------|-------------------------------------|--------|------|-----|------|------|
| V _{CC} | Supply Voltage | 54 | 4.5 | 5.0 | 5.5 | V |
| | | 74 | 4.75 | 5.0 | 5.25 | |
| T _A | Operating Ambient Temperature Range | 54 | -55 | 25 | 125 | °C |
| | | 74 | 0 | 25 | 70 | |
| V _{OH} | Output Voltage — High | 54, 74 | | | 5.5 | V |
| I _{OL} | Output Current — Low | 54 | | | 4.0 | mA |
| | | 74 | | | 8.0 | |

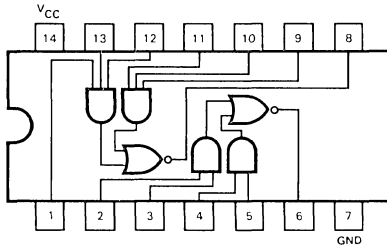
DC CHARACTERISTICS OVER OPERATING TEMPERATURE RANGE (unless otherwise specified)

| SYMBOL | PARAMETER | | LIMITS | | | UNITS | TEST CONDITIONS |
|-----------------|---------------------------|--------|--------|-----|------|-------|---|
| | | | MIN | TYP | MAX | | |
| V _{IH} | Input HIGH Voltage | | 2.0 | | | V | Guaranteed Input HIGH Voltage |
| V _{IL} | Input LOW Voltage | 54 | | | 0.7 | V | Guarantee Input LOW Voltage |
| | | 74 | | | 0.8 | V | |
| V _{IK} | Input Clamp Diode Voltage | | | | -1.5 | V | V _{CC} = MIN, I _{IN} = -18 mA |
| I _{OH} | Output HIGH Current | | | | 250 | μA | V _{CC} = MIN, V _{IH} = 2.0 V V _{IL} = V _{IL} MAX, V _{OH} = 5.5 V |
| V _{OL} | Output LOW Voltage | 54, 74 | | | 0.4 | V | I _{OL} = 4.0 mA, V _{CC} = MIN, V _{IH} = 2.0 V I _{OL} = 8.0 mA, V _{IL} = V _{IL} MAX |
| | | 74 | | | 0.5 | V | |
| I _{IH} | Input Current HIGH | | | | 20 | μA | V _{CC} = MAX, V _{IN} = 2.7 V V _{CC} = MAX, V _{IN} = 7.0 V |
| | | | | | 0.1 | mA | |
| I _{IL} | Input Current LOW | | | | -0.4 | mA | V _{CC} = MAX, V _{IN} = 0.4 V |
| I _{CC} | Power Supply Current | | | 8.0 | 15 | mA | V _{CC} = MAX |

5

AC CHARACTERISTICS: V_{CC} = 5.0 V, T_A = 25°

| SYMBOL | PARAMETER | | LIMITS | | | UNITS | TEST CONDITIONS |
|------------------|---|--|--------|-----|-----|-------|---|
| | | | MIN | TYP | MAX | | |
| t _{PHL} | Propagation delay time, HIGH-to-LOW level output from A Input | | | | 100 | ns | C _L = 15 pF, R _L = 2.0 kΩ |
| t _{PLH} | Propagation delay time, LOW-to-HIGH level output from A Input | | | | 100 | ns | |
| t _{PHL} | Propagation delay time, HIGH-to-LOW level output from RB _I Input | | | | 100 | ns | C _L = 15 pF, R _L = 6.0 kΩ |
| t _{PLH} | Propagation delay time, LOW-to-HIGH level output from RB _I Input | | | | 100 | ns | |



J Suffix — Case 632-07 (Ceramic)
N Suffix — Case 646-05 (Plastic)

SN54LS51
SN74LS51

**DUAL 2-WIDE 2-INPUT /
3-INPUT AND-OR-INVERT GATE**
LOW POWER SCHOTTKY

GUARANTEED OPERATING RANGES

| SYMBOL | PARAMETER | | MIN | TYP | MAX | UNIT |
|-----------------|-------------------------------------|----------|-------------|------------|-------------|------|
| V _{CC} | Supply Voltage | 54 74 | 4.5 4.75 | 5.0 5.0 | 5.5 5.25 | V |
| T _A | Operating Ambient Temperature Range | 54 74 | -55 0 | 25 25 | 125 70 | °C |
| I _{OH} | Output Current — High | 54, 74 | | | -0.4 | mA |
| I _{OL} | Output Current — Low | 54 74 | | | 4.0 8.0 | mA |

DC CHARACTERISTICS OVER OPERATING TEMPERATURE RANGE (unless otherwise specified)

| SYMBOL | PARAMETER | LIMITS | | | UNITS | TEST CONDITIONS | |
|-----------------|---|--------|-------|------|-------|--|---|
| | | MIN | TYP | MAX | | | |
| V _{IH} | Input HIGH Voltage | 2.0 | | | V | Guaranteed Input HIGH Voltage for All Inputs | |
| V _{IL} | Input LOW Voltage | 54 | | 0.7 | V | Guaranteed Input LOW Voltage for All Inputs | |
| | | 74 | | 0.8 | | | |
| V _{IK} | Input Clamp Diode Voltage | | -0.65 | -1.5 | V | V _{CC} = MIN, I _{IN} = -18 mA | |
| V _{OH} | Output HIGH Voltage | 54 | 2.5 | 3.5 | V | V _{CC} = MIN, I _{OH} = MAX, V _{IN} = V _{IH} or V _{IL} per Truth Table | |
| | | 74 | 2.7 | 3.5 | V | | |
| V _{OL} | Output LOW Voltage | 54, 74 | | 0.25 | 0.4 | I _{OL} = 4.0 mA | V _{CC} = V _{CC} MIN, V _{IN} = V _{IL} or V _{IH} per Truth Table |
| | | 74 | | 0.35 | 0.5 | I _{OL} = 8.0 mA | |
| I _{IH} | Input HIGH Current | | | 20 | μA | V _{CC} = MAX, V _{IN} = 2.7 V | |
| | | | | 0.1 | mA | V _{CC} = MAX, V _{IN} = 7.0 V | |
| I _{IL} | Input LOW Current | | | -0.4 | mA | V _{CC} = MAX, V _{IN} = 0.4 V | |
| I _{OS} | Short Circuit Current | -20 | | -100 | mA | V _{CC} = MAX | |
| I _{CC} | Power Supply Current Total, Output HIGH Total, Output LOW | | | 1.6 | mA | V _{CC} = MAX | |
| | | | | 2.8 | | | |

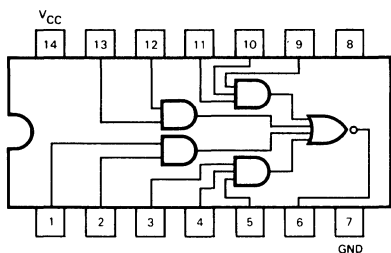


AC CHARACTERISTICS: T_A = 25°C

| SYMBOL | PARAMETER | LIMITS | | | UNITS | TEST CONDITIONS |
|------------------|---------------------------------|--------|------|-----|-------|---|
| | | MIN | TYP | MAX | | |
| t _{PLH} | Turn Off Delay, Input to Output | | 12 | 20 | ns | V _{CC} = 5.0 V C _L = 15 pF |
| t _{PHL} | Turn On Delay, Input to Output | | 12.5 | 20 | ns | |



SN54LS54 SN74LS54



J Suffix — Case 632-07 (Ceramic)
N Suffix — Case 646-05 (Plastic)

3-2-2-3-INPUT AND-OR-INVERT GATE LOW POWER SCHOTTKY

GUARANTEED OPERATING RANGES

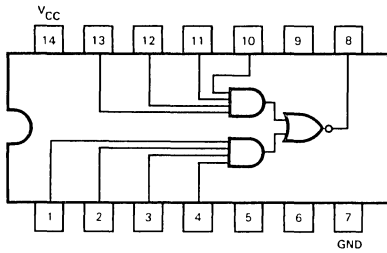
| SYMBOL | PARAMETER | | MIN | TYP | MAX | UNIT |
|-----------------|-------------------------------------|--------|------|-----|------|------|
| V _{CC} | Supply Voltage | 54 | 4.5 | 5.0 | 5.5 | V |
| | | 74 | 4.75 | 5.0 | 5.25 | |
| T _A | Operating Ambient Temperature Range | 54 | -55 | 25 | 125 | °C |
| | | 74 | 0 | 25 | 70 | |
| I _{OH} | Output Current — High | 54, 74 | | | -0.4 | mA |
| I _{OL} | Output Current — Low | 54 | | | 4.0 | mA |
| | | 74 | | | 8.0 | |

DC CHARACTERISTICS OVER OPERATING TEMPERATURE RANGE (unless otherwise specified)

| SYMBOL | PARAMETER | LIMITS | | | UNITS | TEST CONDITIONS | |
|-----------------|---|--------|-------|------|-------|--|---|
| | | MIN | TYP | MAX | | | |
| V _{IH} | Input HIGH Voltage | 2.0 | | | V | Guaranteed Input HIGH Voltage for All Inputs | |
| V _{IL} | Input LOW Voltage | 54 | | 0.7 | V | Guaranteed Input LOW Voltage for All Inputs | |
| | | 74 | | 0.8 | | | |
| V _{IK} | Input Clamp Diode Voltage | | -0.65 | -1.5 | V | V _{CC} = MIN, I _{IN} = -18 mA | |
| V _{OH} | Output HIGH Voltage | 54 | 2.5 | 3.5 | V | V _{CC} = MIN, I _{OH} = MAX, V _{IN} = V _{IH} or V _{IL} per Truth Table | |
| | | 74 | 2.7 | 3.5 | V | | |
| V _{OL} | Output LOW Voltage | 54, 74 | | 0.25 | 0.4 | I _{OL} = 4.0 mA | V _{CC} = V _{CC} MIN, V _{IN} = V _{IL} or V _{IH} per Truth Table |
| | | 74 | | 0.35 | 0.5 | I _{OL} = 8.0 mA | |
| I _{IH} | Input HIGH Current | | | 20 | μA | V _{CC} = MAX, V _{IN} = 2.7 V | |
| | | | | 0.1 | mA | V _{CC} = MAX, V _{IN} = 7.0 V | |
| I _{IL} | Input LOW Current | | | -0.4 | mA | V _{CC} = MAX, V _{IN} = 0.4 V | |
| I _{OS} | Short Circuit Current | -20 | | -100 | mA | V _{CC} = MAX | |
| I _{CC} | Power Supply Current Total, Output HIGH Total, Output LOW | | | 1.6 | mA | V _{CC} = MAX | |
| | | | | 2.0 | | | |

AC CHARACTERISTICS: T_A = 25°C

| SYMBOL | PARAMETER | LIMITS | | | UNITS | TEST CONDITIONS |
|------------------|---------------------------------|--------|------|-----|-------|---|
| | | MIN | TYP | MAX | | |
| t _{PLH} | Turn Off Delay, Input to Output | | 12 | 20 | ns | V _{CC} = 5.0 V C _L = 15 pF |
| t _{PHL} | Turn On Delay, Input to Output | | 12.5 | 20 | ns | |



J Suffix — Case 632-07 (Ceramic)
N Suffix — Case 646-05 (Plastic)

SN54LS55
SN74LS55

**2-WIDE 4-INPUT
AND- OR-INVERT GATE**
LOW POWER SCHOTTKY

GUARANTEED OPERATING RANGES

| SYMBOL | PARAMETER | | MIN | TYP | MAX | UNIT |
|-----------------|-------------------------------------|--------|------|-----|------|------|
| V _{CC} | Supply Voltage | 54 | 4.5 | 5.0 | 5.5 | V |
| | | 74 | 4.75 | 5.0 | 5.25 | |
| T _A | Operating Ambient Temperature Range | 54 | -55 | 25 | 125 | °C |
| | | 74 | 0 | 25 | 70 | |
| I _{OH} | Output Current — High | 54, 74 | | | -0.4 | mA |
| I _{OL} | Output Current — Low | 54 | | | 4.0 | mA |
| | | 74 | | | 8.0 | |

DC CHARACTERISTICS OVER OPERATING TEMPERATURE RANGE (unless otherwise specified)

| SYMBOL | PARAMETER | LIMITS | | | UNITS | TEST CONDITIONS | |
|-----------------|---|--------|-------|------|-------|--|---|
| | | MIN | TYP | MAX | | | |
| V _{IH} | Input HIGH Voltage | 2.0 | | | V | Guaranteed Input HIGH Voltage for All Inputs | |
| V _{IL} | Input LOW Voltage | 54 | | 0.7 | V | Guaranteed Input LOW Voltage for All Inputs | |
| | | 74 | | 0.8 | | | |
| V _{IK} | Input Clamp Diode Voltage | | -0.65 | -1.5 | V | V _{CC} = MIN, I _{IN} = -18 mA | |
| V _{OH} | Output HIGH Voltage | 54 | 2.5 | 3.5 | V | V _{CC} = MIN, I _{OH} = MAX, V _{IN} = V _{IH} or V _{IL} per Truth Table | |
| | | 74 | 2.7 | 3.5 | V | | |
| V _{OL} | Output LOW Voltage | 54, 74 | | 0.25 | 0.4 | V | I _{OL} = 4.0 mA V _{CC} = V _{CC} MIN, V _{IN} = V _{IL} or V _{IH} per Truth Table |
| | | 74 | | 0.35 | 0.5 | V | |
| I _{IH} | Input HIGH Current | | | 20 | μA | V _{CC} = MAX, V _{IN} = 2.7 V | |
| | | | | 0.1 | mA | V _{CC} = MAX, V _{IN} = 7.0 V | |
| I _{IL} | Input LOW Current | | | -0.4 | mA | V _{CC} = MAX, V _{IN} = 0.4 V | |
| I _{OS} | Short Circuit Current | -20 | | -100 | mA | V _{CC} = MAX | |
| I _{CC} | Power Supply Current Total, Output HIGH Total, Output LOW | | | 0.8 | mA | V _{CC} = MAX | |
| | | | | 1.3 | | | |

AC CHARACTERISTICS: T_A = 25°C

| SYMBOL | PARAMETER | LIMITS | | | UNITS | TEST CONDITIONS |
|------------------|---------------------------------|--------|------|-----|-------|---|
| | | MIN | TYP | MAX | | |
| t _{PLH} | Turn Off Delay, Input to Output | | 12 | 20 | ns | V _{CC} = 5.0 V C _L = 15 pF |
| t _{PHL} | Turn On Delay, Input to Output | | 12.5 | 20 | ns | |



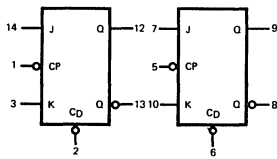


SN54LS73A SN74LS73A

DESCRIPTION — The SN54LS/74LS73A offers individual J, K, clear, and clock inputs. These dual flip-flops are designed so that when the clock goes HIGH, the inputs are enabled and data will be accepted. The logic level of the J and K inputs may be allowed to change when the clock pulse is HIGH and the bistable will perform according to the truth table as long as minimum set-up times are observed. Input data is transferred to the outputs on the negative-going edge of the clock pulse.

DUAL JK NEGATIVE EDGE-TRIGGERED FLIP-FLOP LOW POWER SCHOTTKY

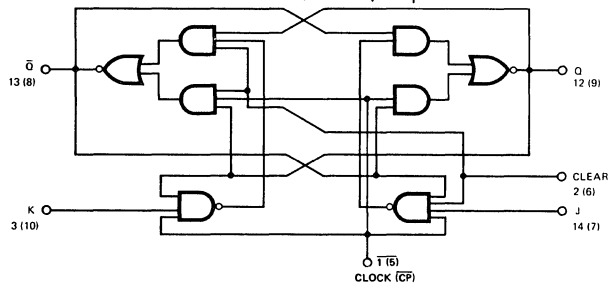
LOGIC SYMBOL



VCC = Pin 4
GND = Pin 11

J Suffix — Case 632-07 (Ceramic)
N Suffix — Case 646-05 (Plastic)

LOGIC DIAGRAM (Each Flip-Flop)



DC CHARACTERISTICS OVER OPERATING TEMPERATURE RANGE (unless otherwise specified)

| SYMBOL | PARAMETER | | LIMITS | | | UNITS | TEST CONDITIONS | |
|-----------------|---------------------------|------------------------|--------|-------|-------------------|-------|---|--|
| | | | MIN | TYP | MAX | | | |
| V _{IH} | Input HIGH Voltage | | 2.0 | | | V | Guaranteed Input HIGH Voltage for All Inputs | |
| V _{IL} | Input LOW Voltage | 54 | | | 0.7 | V | Guaranteed Input LOW Voltage for All Inputs | |
| | | 74 | | | 0.8 | | | |
| V _{IK} | Input Clamp Diode Voltage | | | -0.65 | -1.5 | V | V _{CC} = MIN, I _{IN} = -18 mA | |
| V _{OH} | Output HIGH Voltage | 54 | 2.5 | 3.5 | | V | V _{CC} = MIN, I _{OH} = MAX, V _{IN} = V _{IH} or V _{IL} per Truth Table | |
| | | 74 | 2.7 | 3.5 | | V | | |
| V _{OL} | Output LOW Voltage | 54,74 | | 0.25 | 0.4 | V | I _{OL} = 4.0 mA I _{OL} = 8.0 mA V _{CC} = V _{CC} MIN, V _{IN} = V _{IL} or V _{IH} per Truth Table | |
| | | 74 | | 0.35 | 0.5 | V | | |
| I _{IH} | Input HIGH Current | J, K Clear Clock | | | 20 60 80 | μA | V _{CC} = MAX, V _{IN} = 2.7 V | |
| | | J, K Clear Clock | | | 0.1 0.3 0.4 | mA | | V _{CC} = MAX, V _{IN} = 7.0 V |
| | | J, K Clear, Clock | | | -0.4 -0.8 | mA | | |
| I _{IL} | Input LOW Current | J, K Clear, Clock | | | -0.4 -0.8 | mA | V _{CC} = MAX, V _{IN} = 0.4 V | |
| I _{OS} | Short Circuit Current | | | -20 | -100 | mA | V _{CC} = MAX | |
| I _{CC} | Power Supply Current | | | | 6.0 | mA | V _{CC} = MAX | |

MODE SELECT – TRUTH TABLE

| OPERATING MODE | INPUTS | | | OUTPUTS | |
|------------------|------------------|---|---|----------------|----------------|
| | \overline{C}_D | J | K | Q | \overline{Q} |
| Reset (Clear) | L | X | X | L | H |
| Toggle | H | h | h | \overline{q} | q |
| Load "0" (Reset) | H | l | h | L | H |
| Load "1" (Set) | H | h | l | H | L |
| Hold | H | l | l | q | \overline{q} |

H, h = HIGH Voltage Level
 L, l = LOW Voltage Level
 X = Don't Care
 l, h (q) = Lower case letters indicate the state of the referenced input (or output) one set-up time prior to the HIGH to LOW clock transition.

GUARANTEED OPERATING RANGES

| SYMBOL | PARAMETER | | MIN | TYP | MAX | UNIT |
|-----------------|-------------------------------------|----------|-------------|------------|-------------|------|
| V _{CC} | Supply Voltage | 54 74 | 4.5 4.75 | 5.0 5.0 | 5.5 5.25 | V |
| T _A | Operating Ambient Temperature Range | 54 74 | -55 0 | 25 25 | 125 70 | °C |
| I _{OH} | Output Current — High | 54, 74 | | | -0.4 | mA |
| I _{OL} | Output Current — Low | 54 74 | | | 4.0 8.0 | mA |



AC CHARACTERISTICS: T_A = 25°C, V_{CC} = 5.0 V

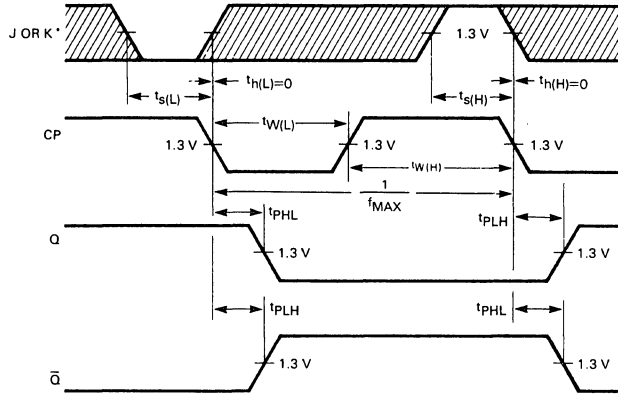
| SYMBOL | PARAMETER | LIMITS | | | UNITS | TEST CONDITIONS |
|------------------|-------------------------|--------|-----|-----|-------|---|
| | | MIN | TYP | MAX | | |
| f _{MAX} | Maximum Clock Frequency | 30 | 45 | | MHz | V _{CC} = 5.0 V C _L = 15 pF |
| t _{PLH} | Propagation Delay, | | 15 | 20 | ns | |
| t _{PHL} | Clock to Output | | 15 | 20 | ns | |

AC SETUP REQUIREMENTS: T_A = 25°C

| SYMBOL | PARAMETER | LIMITS | | | UNITS | TEST CONDITIONS |
|----------------|------------------------|--------|-----|-----|-------|-------------------------|
| | | MIN | TYP | MAX | | |
| t _W | Clock Pulse Width High | 20 | | | ns | V _{CC} = 5.0 V |
| t _W | Clear Pulse Width | 25 | | | ns | |
| t _s | Setup Time | 20 | | | ns | |
| t _h | Hold Time | 0 | | | ns | |

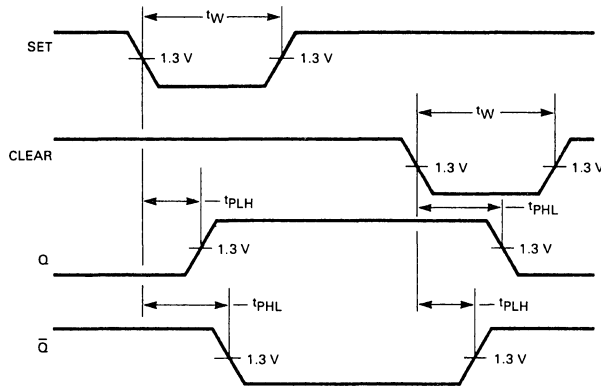
AC WAVEFORMS

Fig. 1 CLOCK TO OUTPUT DELAYS, DATA SET-UP AND HOLD TIMES, CLOCK PULSE WIDTH



*The shaded areas indicate when the input is permitted to change for predictable output performance.

Fig. 2 SET AND CLEAR TO OUTPUT DELAYS, SET AND CLEAR PULSE WIDTHS



5



MOTOROLA

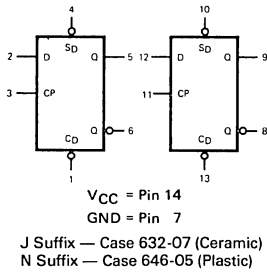
**SN54LS74A
SN54LS74A**

DESCRIPTION - The SN54LS/74LS74A dual edge-triggered flip-flop utilizes Schottky TTL circuitry to produce high speed D-type flip-flops. Each flip-flop has individual clear and set inputs, and also complementary Q and \bar{Q} outputs.

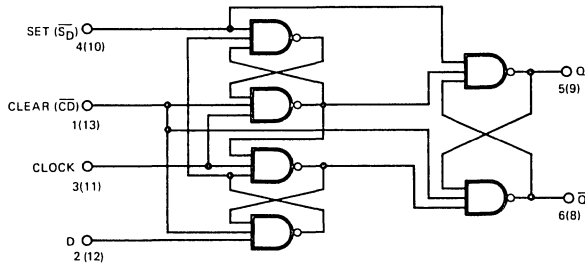
Information at input D is transferred to the Q output on the positive-going edge of the clock pulse. Clock triggering occurs at a voltage level of the clock pulse and is not directly related to the transition time of the positive-going pulse. When the clock input is at either the HIGH or the LOW level, the D input signal has no effect.

**DUAL D-TYPE POSITIVE
EDGE-TRIGGERED FLIP-FLOP**
LOW POWER SCHOTTKY

LOGIC SYMBOL



**LOGIC DIAGRAM
(EACH FLIP-FLOP)**



DC CHARACTERISTICS OVER OPERATING TEMPERATURE RANGE (unless otherwise specified)

| SYMBOL | PARAMETER | LIMITS | | | UNITS | TEST CONDITIONS |
|----------|---|--------|-------|--------------|---------------|---|
| | | MIN | TYP | MAX | | |
| V_{IH} | Input HIGH Voltage | 2.0 | | | V | Guaranteed Input HIGH Voltage for All Inputs |
| V_{IL} | Input LOW Voltage | 54 | | 0.7 | V | Guaranteed Input LOW Voltage for All Inputs |
| | | 74 | | 0.8 | | |
| V_{IK} | Input Clamp Diode Voltage | | -0.65 | -1.5 | V | $V_{CC} = \text{MIN}$, $I_{IN} = -18 \text{ mA}$ |
| V_{OH} | Output HIGH Voltage | 54 | 2.5 | 3.5 | V | $V_{CC} = \text{MIN}$, $I_{OH} = \text{MAX}$, $V_{IN} = V_{IH}$ or V_{IL} per Truth Table |
| | | 74 | 2.7 | 3.5 | V | |
| V_{OL} | Output LOW Voltage | 54,74 | 0.25 | 0.4 | V | $I_{OL} = 4.0 \text{ mA}$ $I_{OL} = 8.0 \text{ mA}$ $V_{CC} = V_{CC \text{ MIN}}$, $V_{IN} = V_{IL}$ or V_{IH} per Truth Table |
| | | 74 | 0.35 | 0.5 | V | |
| I_{IH} | Input High Current Data, Clock Set, Clear | | | 20 40 | μA | $V_{CC} = \text{MAX}$, $V_{IN} = 2.7 \text{ V}$ |
| | | | | 0.1 0.2 | mA | $V_{CC} = \text{MAX}$, $V_{IN} = 7.0 \text{ V}$ |
| I_{IL} | Input LOW Current Data, Clock Set, Clear | | | -0.4 -0.8 | mA | $V_{CC} = \text{MAX}$, $V_{IN} = 0.4 \text{ V}$ |
| I_{OS} | Output Short Circuit Current | -20 | | -100 | mA | $V_{CC} = \text{MAX}$ |
| I_{CC} | Power Supply Current | | | 8.0 | mA | $V_{CC} = \text{MAX}$ |

5

MODE SELECT — TRUTH TABLE

| OPERATING MODE | INPUTS | | | OUTPUTS | |
|------------------|------------------|------------------|---|---------|----------------|
| | \overline{S}_D | \overline{C}_D | D | Q | \overline{Q} |
| Set | L | H | X | H | L |
| Reset (Clear) | H | L | X | L | H |
| *Undetermined | L | L | X | H | H |
| Load "1" (Set) | H | H | h | H | L |
| Load "0" (Reset) | H | H | l | L | H |

*Both outputs will be HIGH while both \overline{S}_D AND \overline{C}_D are LOW, but the output states are unpredictable if \overline{S}_D and \overline{C}_D go HIGH simultaneously. If the levels at the set and clear are near V_{IL} maximum then we cannot guarantee to meet the minimum level for V_{OH} .

H, h = HIGH Voltage Level
 L, l = LOW Voltage Level
 X = Don't Care
 i, h (q) = Lower case letters indicate the state of the referenced input (or output) one set-up time prior to the LOW to HIGH clock transition.

GUARANTEED OPERATING RANGES

| SYMBOL | PARAMETER | | MIN | TYP | MAX | UNIT |
|----------|-------------------------------------|----------|-------------|------------|-------------|------|
| V_{CC} | Supply Voltage | 54 74 | 4.5 4.75 | 5.0 5.0 | 5.5 5.25 | V |
| T_A | Operating Ambient Temperature Range | 54 74 | -55 0 | 25 25 | 125 70 | °C |
| I_{OH} | Output Current — High | 54, 74 | | | -0.4 | mA |
| I_{OL} | Output Current — Low | 54 74 | | | 4.0 8.0 | mA |

5

AC CHARACTERISTICS: $T_A = 25^\circ\text{C}$, $V_{CC} = 5.0\text{ V}$

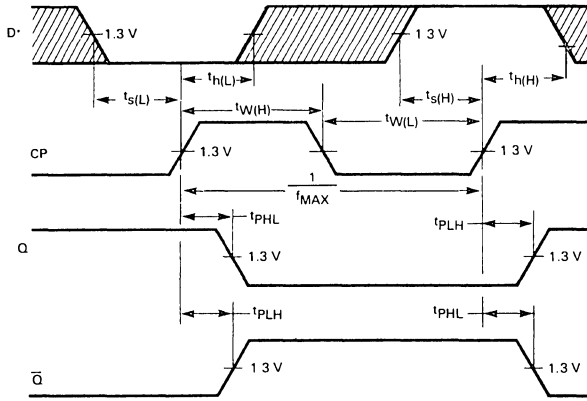
| SYMBOL | PARAMETER | LIMITS | | | UNITS | TEST CONDITIONS | |
|-----------|-----------------------------|--------|-----|-----|-------|-----------------|---|
| | | MIN | TYP | MAX | | | |
| f_{MAX} | Maximum Clock Frequency | 25 | 33 | | MHz | Fig. 1 | $V_{CC} = 5.0\text{ V}$, $C_L = 15\text{ pF}$ |
| t_{PLH} | Clock, Clear, Set to Output | | 13 | 25 | ns | Fig. 1 | |
| t_{PHL} | | | 25 | 40 | ns | | |

AC SETUP REQUIREMENTS: $T_A = 25^\circ\text{C}$, $V_{CC} = 5.0\text{ V}$

| SYMBOL | PARAMETER | LIMITS | | | UNITS | TEST CONDITIONS | |
|----------|-------------------------------|--------|-----|-----|-------|-----------------|-------------------------|
| | | MIN | TYP | MAX | | | |
| $t_W(H)$ | Clock | 25 | | | ns | Fig. 1 | $V_{CC} = 5.0\text{ V}$ |
| $t_W(L)$ | Clear, Set | 25 | | | ns | Fig. 2 | |
| t_s | Data Setup Time — HIGH LOW | 20 | | | ns | Fig. 1 | |
| | | 20 | | | ns | | |
| t_h | Hold Time | 5.0 | | | ns | Fig. 1 | |

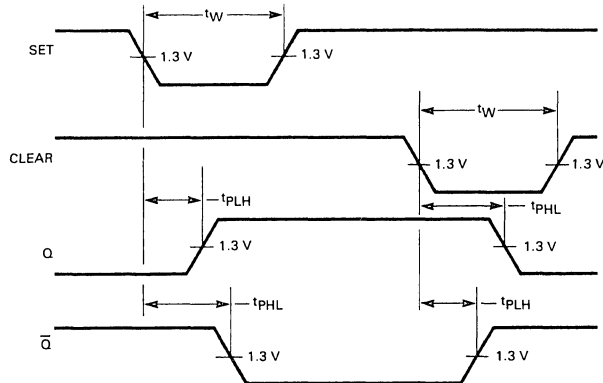
AC WAVEFORMS

Fig. 1 CLOCK TO OUTPUT DELAYS,
DATA SET-UP AND HOLD TIMES, CLOCK PULSE WIDTH



*The shaded areas indicate when the input is permitted to change for predictable output performance

Fig. 2 SET AND CLEAR TO OUTPUT DELAYS,
SET AND CLEAR PULSE WIDTHS



5



SN54LS/74LS75 SN54LS/74LS77

DESCRIPTION — The TTL/MSI SN54LS/74LS75 and SN54LS/74LS77 are latches used as temporary storage for binary information between processing units and input/output or indicator units. Information present at a data (D) input is transferred to the Q output when the Enable is HIGH and the Q output will follow the data input as long as the Enable remains HIGH. When the Enable goes LOW, the information (that was present at the data input at the time the transition occurred) is retained at the Q output until the Enable is permitted to go HIGH.

The SN54LS/74LS75 features complementary Q and \bar{Q} output from a 4-bit latch and is available in the 16-pin packages. For higher component density applications the SN54LS/74LS77 4-bit latch is available in the 14-pin package with \bar{Q} outputs omitted.

4-BIT D LATCH

LOW POWER SCHOTTKY

PIN NAMES

| | |
|---------------------------|--------------------------------------|
| D_1 – D_4 | Data Inputs |
| E_{0-1} | Enable Input Latches 0, 1 |
| E_{2-3} | Enable Input Latches 2, 3 |
| Q_1 – Q_4 | Latch Outputs (Note b) |
| \bar{Q}_1 – \bar{Q}_4 | Complimentary Latch Outputs (Note b) |

LOADING (Note a)

| | HIGH | LOW |
|---------------------------|----------|-------------|
| D_1 – D_4 | 0.5 U.L. | 0.25 U.L. |
| E_{0-1} | 2.0 U.L. | 1.0 U.L. |
| E_{2-3} | 2.0 U.L. | 1.0 U.L. |
| Q_1 – Q_4 | 10 U.L. | 5(2.5) U.L. |
| \bar{Q}_1 – \bar{Q}_4 | 10 U.L. | 5(2.5) U.L. |

Notes:

- a. 1 Unit Load (U.L.) = 40 μ A HIGH
- b. The Output LOW drive factor is 2.5 U.L. for Military (54) and 5 U.L. for Commercial (74) Temperature Ranges.

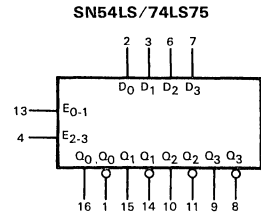
TRUTH TABLE (Each latch)

| t_n | t_{n+1} |
|-------|-----------|
| D | Q |
| H | H |
| L | L |

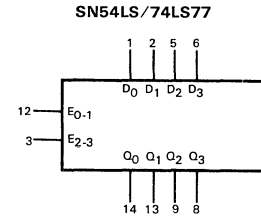
NOTES:

- t_n = bit time before enable negative-going transition
- t_{n+1} = bit time after enable negative-going transition

LOGIC SYMBOLS



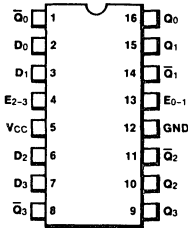
V_{CC} = Pin 5
GND = Pin 12



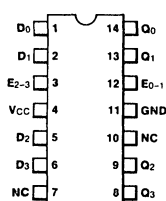
V_{CC} = Pin 4
GND = Pin 11
NC = Pin 7,10

CONNECTION DIAGRAMS DIP (TOP VIEW)

SN54LS/74LS75



SN54LS/74LS77



J Suffix — Case 620-08 (Ceramic) J Suffix — Case 632-07 (Ceramic)
N Suffix — Case 648-05 (Plastic) N Suffix — Case 646-05 (Plastic)

DC CHARACTERISTICS OVER OPERATING TEMPERATURE RANGE (unless otherwise specified)

| SYMBOL | PARAMETER | LIMITS | | | UNITS | TEST CONDITIONS |
|-----------------|---------------------------|---------|-------|------|-------|---|
| | | MIN | TYP | MAX | | |
| V _{IH} | Input HIGH Voltage | 2.0 | | | V | Guaranteed Input HIGH Voltage for All Inputs |
| V _{IL} | Input LOW Voltage | 54 | | 0.7 | V | Guaranteed Input LOW Voltage for All Inputs |
| | | 74 | | 0.8 | | |
| V _{IK} | Input Clamp Diode Voltage | | -0.65 | -1.5 | V | V _{CC} = MIN, I _{IN} = -18 mA |
| V _{OH} | Output HIGH Voltage | 54 | 2.5 | 3.5 | V | V _{CC} = MIN, I _{OH} = MAX, V _{IN} = V _{IH} or V _{IL} per Truth Table |
| | | 74 | 2.7 | 3.5 | V | |
| V _{OL} | Output LOW Voltage | 54,74 | 0.25 | 0.4 | V | I _{OL} = 4.0 mA V _{CC} = V _{CC} MIN, V _{IN} = V _{IL} or V _{IH} per Truth Table |
| | | 74 | 0.35 | 0.5 | V | |
| I _{IH} | Input HIGH Current | D Input | | 20 | μA | V _{CC} = MAX, V _{IN} = 2.7 V |
| | | E Input | | 80 | | |
| I _{IL} | Input LOW Current | D Input | | 0.1 | mA | V _{CC} = MAX, V _{IN} = 7.0 V |
| | | E Input | | 0.4 | | |
| I _{OS} | Short Circuit Current | -20 | | -100 | mA | V _{CC} = MAX |
| I _{CC} | Power Supply Current | | | 12 | mA | V _{CC} = MAX |

AC CHARACTERISTICS: T_A = 25°C, V_{CC} = 5.0 V

| SYMBOL | PARAMETER | LIMITS | | | UNITS | TEST CONDITIONS |
|--------------------------------------|--|--------|-----------|----------|-------|---|
| | | MIN | TYP | MAX | | |
| t _{PLH} t _{PHL} | Propagation Delay, Data to Q | | 15 9.0 | 27 17 | ns | V _{CC} = 5.0 V C _L = 15 pF |
| t _{PLH} t _{PHL} | Propagation Delay, Data to \bar{Q} | | 12 7.0 | 20 15 | ns | |
| t _{PLH} t _{PHL} | Propagation Delay, Enable to Q | | 15 14 | 27 25 | ns | |
| t _{PLH} t _{PHL} | Propagation Delay, Enable to \bar{Q} | | 16 7.0 | 30 15 | ns | |



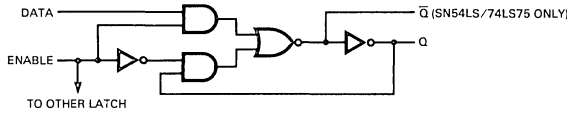
DC CHARACTERISTICS OVER OPERATING TEMPERATURE RANGE (unless otherwise specified)

| SYMBOL | PARAMETER | | LIMITS | | | UNITS | TEST CONDITIONS |
|-----------------|---------------------------|---------|--------|-------|------|-------|---|
| | | | MIN | TYP | MAX | | |
| V _{IH} | Input HIGH Voltage | | 2.0 | | | V | Guaranteed Input HIGH Voltage for All Inputs |
| V _{IL} | Input LOW Voltage | 54 | | | 0.7 | V | Guaranteed Input LOW Voltage for All Inputs |
| | | 74 | | | 0.8 | | |
| V _{IK} | Input Clamp Diode Voltage | | | -0.65 | -1.5 | V | V _{CC} = MIN, I _{IN} = -18 mA |
| V _{OH} | Output HIGH Voltage | 54 | 2.5 | 3.5 | | V | V _{CC} = MIN, I _{OH} = MAX, V _{IN} = V _{IH} or V _{IL} per Truth Table |
| | | 74 | 2.7 | 3.5 | | V | |
| V _{OL} | Output LOW Voltage | 54,74 | | 0.25 | 0.4 | V | I _{OL} = 4.0 mA, V _{CC} = V _{CC} MIN, V _{IN} = V _{IL} or V _{IH} per Truth Table |
| | | 74 | | 0.35 | 0.5 | V | I _{OL} = 8.0 mA |
| I _{IH} | Input HIGH Current | D Input | | | 20 | μA | V _{CC} = MAX, V _{IN} = 2.7 V |
| | | E Input | | | 80 | | |
| I _{IL} | Input LOW Current | D Input | | | 0.1 | mA | V _{CC} = MAX, V _{IN} = 7.0 V |
| | | E Input | | | 0.4 | | |
| I _{OS} | Short Circuit Current | | | | -0.4 | mA | V _{CC} = MAX, V _{IN} = 0.4 V |
| | | | | | -1.6 | | |
| I _{OS} | Short Circuit Current | | -20 | | -100 | mA | V _{CC} = MAX |
| I _{CC} | Power Supply Current | | | | 13 | mA | V _{CC} = MAX |

AC CHARACTERISTICS: T_A = 25°C, V_{CC} = 5.0 V

| SYMBOL | PARAMETER | | LIMITS | | | UNITS | TEST CONDITIONS |
|------------------|--------------------------------|--|--------|-----|-----|---|-----------------|
| | | | MIN | TYP | MAX | | |
| t _{PLH} | Propagation Delay, Data to Q | | 11 | 19 | ns | V _{CC} = 5.0 V C _L = 15 pF | |
| t _{PHL} | | | 9.0 | 17 | | | |
| t _{PLH} | Propagation Delay, Enable to Q | | 10 | 18 | ns | | |
| t _{PHL} | | | 10 | 18 | | | |

LOGIC DIAGRAM



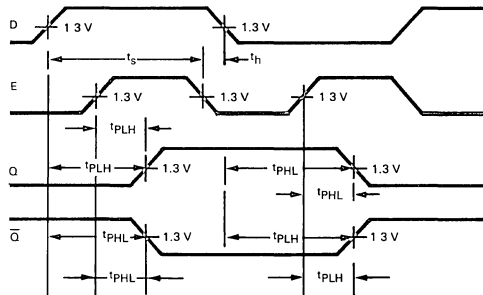
GUARANTEED OPERATING RANGES

| SYMBOL | PARAMETER | | MIN | TYP | MAX | UNIT |
|-----------------|-------------------------------------|----------|-------------|------------|-------------|------|
| V _{CC} | Supply Voltage | 54 74 | 4.5 4.75 | 5.0 5.0 | 5.5 5.25 | V |
| T _A | Operating Ambient Temperature Range | 54 74 | -55 0 | 25 25 | 125 70 | °C |
| I _{OH} | Output Current — High | 54, 74 | | | -0.4 | mA |
| I _{OL} | Output Current — Low | 54 74 | | | 4.0 8.0 | mA |

AC SETUP REQUIREMENTS: T_A = 25°C, V_{CC} = 5.0 V

| SYMBOL | PARAMETER | LIMITS | | | UNITS | TEST CONDITIONS |
|----------------|-------------------------|--------|-----|-----|-------|-------------------------|
| | | MIN | TYP | MAX | | |
| t _W | Enable Pulse Width High | 20 | | | ns | V _{CC} = 5.0 V |
| t _s | Setup Time | 20 | | | ns | |
| t _h | Hold Time | 0 | | | ns | |

AC WAVE FORMS



DEFINITION OF TERMS:

SETUP TIME (t_s) — is defined as the minimum time required for the correct logic level to be present at the logic input prior to the clock transition from HIGH-to-LOW in order to be recognized and transferred to the outputs.

HOLD TIME (t_h) — is defined as the minimum time following the clock transition from HIGH-to-LOW that the logic level must be maintained at the input in order to ensure continued recognition. A negative HOLD TIME indicates that the correct logic level may be released prior to the clock transition from HIGH-to-LOW and still be recognized.





SN54LS76A SN74LS76A

DESCRIPTION — The SN54LS/74LS76A offers individual J, K, Clock Pulse, Direct Set and Direct Clear inputs. These dual flip-flops are designed so that when the clock goes HIGH, the inputs are enabled and data will be accepted. The Logic Level of the J and K inputs will perform according to the Truth Table as long as minimum set-up times are observed. Input data is transferred to the outputs on the HIGH-to-LOW clock transitions.

**DUAL JK FLIP-FLOP
WITH SET AND CLEAR**
LOW POWER SCHOTTKY

MODE SELECT — TRUTH TABLE

| OPERATING MODE | INPUTS | | | | OUTPUTS | |
|------------------|-------------|-------------|---|---|-----------|-----------|
| | \bar{S}_D | \bar{C}_D | J | K | Q | \bar{Q} |
| Set | L | H | X | X | H | L |
| Reset (Clear) | H | L | X | X | L | H |
| *Undetermined | L | L | X | X | H | H |
| Toggle | H | H | h | h | \bar{q} | q |
| Load "0" (Reset) | H | H | l | h | L | H |
| Load "1" (Set) | H | H | h | l | H | L |
| Hold | H | H | l | l | q | \bar{q} |

*Both outputs will be HIGH while both \bar{S}_D and \bar{C}_D are LOW, but the output states are unpredictable if \bar{S}_D and \bar{C}_D go HIGH simultaneously.

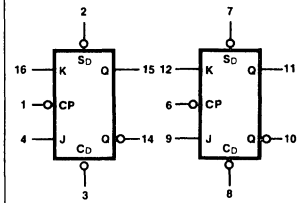
H, h = HIGH Voltage Level

L, l = LOW Voltage Level

X = Immaterial

l, h (q) = Lower case letters indicate the state of the referenced input (or output) one set-up time prior to the HIGH-to-LOW clock transition.

LOGIC SYMBOL

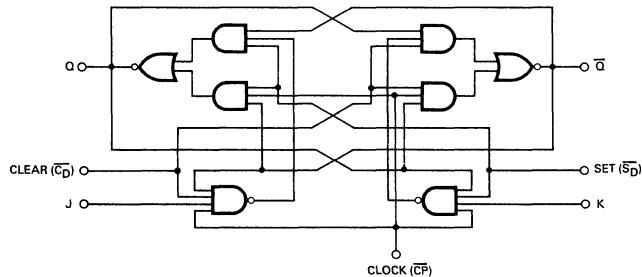


V_{CC} = Pin 5
GND = Pin 13

J Suffix — Case 620-08 (Ceramic)
N Suffix — Case 648-05 (Plastic)

5

LOGIC DIAGRAM



GUARANTEED OPERATING RANGES

| SYMBOL | PARAMETER | | MIN | TYP | MAX | UNIT |
|-----------------|-------------------------------------|----------|-------------|------------|-------------|------|
| V _{CC} | Supply Voltage | 54 74 | 4.5 4.75 | 5.0 5.0 | 5.5 5.25 | V |
| T _A | Operating Ambient Temperature Range | 54 74 | -55 0 | 25 25 | 125 70 | °C |
| I _{OH} | Output Current — High | 54, 74 | | | -0.4 | mA |
| I _{OL} | Output Current — Low | 54 74 | | | 4.0 8.0 | mA |

DC CHARACTERISTICS OVER OPERATING TEMPERATURE RANGE (unless otherwise specified)

| SYMBOL | PARAMETER | LIMITS | | | UNITS | TEST CONDITIONS | |
|-----------------|---------------------------|------------------------|-------|------|-------------------|--|---|
| | | MIN | TYP | MAX | | | |
| V _{IH} | Input HIGH Voltage | 2.0 | | | V | Guaranteed Input HIGH Voltage for All Inputs | |
| V _{IL} | Input LOW Voltage | 54 | | 0.7 | V | Guaranteed Input LOW Voltage for All Inputs | |
| | | 74 | | 0.8 | | | |
| V _{IK} | Input Clamp Diode Voltage | | -0.65 | -1.5 | V | V _{CC} = MIN, I _{IN} = -18 mA | |
| V _{OH} | Output HIGH Voltage | 54 | 2.5 | 3.5 | V | V _{CC} = MIN, I _{OH} = MAX, V _{IN} = V _{IH} or V _{IL} per Truth Table | |
| | | 74 | 2.7 | 3.5 | V | | |
| V _{OL} | Output LOW Voltage | 54,74 | | 0.25 | 0.4 | V | I _{OL} = 4.0 mA I _{OL} = 8.0 mA V _{CC} = V _{CC} MIN, V _{IN} = V _{IL} or V _{IH} per Truth Table |
| | | 74 | | 0.35 | 0.5 | V | |
| I _{IH} | Input HIGH Current | J, K Clear Clock | | | 20 60 80 | μA | V _{CC} = MAX, V _{IN} = 2.7 V |
| | | J, K Clear Clock | | | 0.1 0.3 0.4 | mA | V _{CC} = MAX, V _{IN} = 7.0 V |
| I _{IL} | Input LOW Current | J, K Clear, Clock | | | -0.4 -0.8 | mA | V _{CC} = MAX, V _{IN} = 0.4 V |
| I _{OS} | Short Circuit Current | | -20 | | -100 | mA | V _{CC} = MAX |
| I _{CC} | Power Supply Current | | | | 6.0 | mA | V _{CC} = MAX |



AC CHARACTERISTICS: T_A = 25°C, V_{CC} = 5.0 V

| SYMBOL | PARAMETER | LIMITS | | | UNITS | TEST CONDITIONS |
|------------------|-----------------------------|--------|-----|-----|-------|---|
| | | MIN | TYP | MAX | | |
| f _{MAX} | Maximum Clock Frequency | 30 | 45 | | MHz | V _{CC} = 5.0 V C _L = 15 pF |
| t _{PLH} | Clock, Clear, Set to Output | | 15 | 20 | ns | |
| t _{PHL} | | | 15 | 20 | ns | |

AC SETUP REQUIREMENTS: T_A = 25°C, V_{CC} = 5.0 V

| SYMBOL | PARAMETER | LIMITS | | | UNITS | TEST CONDITIONS |
|----------------|------------------------|--------|-----|-----|-------|-------------------------|
| | | MIN | TYP | MAX | | |
| t _W | Clock Pulse Width High | 20 | | | ns | V _{CC} = 5.0 V |
| t _W | Clear Set Pulse Width | 25 | | | ns | |
| t _s | Setup Time | 20 | | | ns | |
| t _h | Hold Time | 0 | | | ns | |



SN54LS78A SN74LS78A

DESCRIPTION — The SN54LS/74LS78A offers individual J, K, and Direct Set inputs as well as common Clock Pulse and Common Direct Clear Inputs. These dual Flip-Flops are designed so that when the clock goes HIGH, the inputs are enabled and data will be accepted. The Logic Level of the J and K inputs may be allowed to change when the clock pulse is HIGH and the bistable will perform according to the Truth Table as long as minimum setup times are observed. Input data is transferred to the outputs on the HIGH-to-LOW Clock Transition.

DUAL JK FLIP-FLOP

LOW POWER SCHOTTKY

J Suffix — Case 632-07 (Ceramic)
N Suffix — Case 646-05 (Plastic)

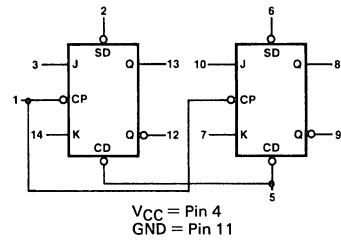
MODE SELECT — TRUTH TABLE

| OPERATING MODE | INPUTS | | | | OUTPUTS | |
|------------------|------------------|------------------|---|---|----------------|----------------|
| | \overline{S}_D | \overline{C}_D | J | K | Q | \overline{Q} |
| Set | L | H | X | X | H | L |
| Reset (Clear) | H | L | X | X | L | H |
| *Undetermined | L | L | X | X | H | H |
| Toggle | H | H | h | h | \overline{q} | q |
| Load "0" (Reset) | H | H | l | h | L | H |
| Load "1" (Set) | H | H | h | l | H | L |
| Hold | H | H | l | l | q | \overline{q} |

*Both outputs will be HIGH while both \overline{S}_D and \overline{C}_D are LOW, but the output states are unpredictable if \overline{S}_D and \overline{C}_D go HIGH simultaneously.

H, h = HIGH Voltage Level
L, l = LOW Voltage Level
X = Immaterial
l, h (q) = Lower case letters indicate the state of the referenced input (or output) one set-up time prior to the HIGH-to-LOW clock transition.

LOGIC SYMBOL



5

GUARANTEED OPERATING RANGES

| SYMBOL | PARAMETER | | MIN | TYP | MAX | UNIT |
|-----------------|-------------------------------------|--------|------|-----|------|------|
| V _{CC} | Supply Voltage | 54 | 4.5 | 5.0 | 5.5 | V |
| | | 74 | 4.75 | 5.0 | 5.25 | |
| T _A | Operating Ambient Temperature Range | 54 | -55 | 25 | 125 | °C |
| | | 74 | 0 | 25 | 70 | |
| I _{OH} | Output Current — High | 54, 74 | | | -0.4 | mA |
| I _{OL} | Output Current — Low | 54 | | | 4.0 | mA |
| | | 74 | | | 8.0 | |

DC CHARACTERISTICS OVER OPERATING TEMPERATURE RANGE (unless otherwise specified)

| SYMBOL | PARAMETER | LIMITS | | | UNITS | TEST CONDITIONS |
|-----------------|---|--------|-------|--------------------------|-------|--|
| | | MIN | TYP | MAX | | |
| V _{IH} | Input HIGH Voltage | 2.0 | | | V | Guaranteed Input HIGH Voltage for All Inputs |
| V _{IL} | Input LOW Voltage | 54 | | 0.7 | V | Guaranteed Input LOW Voltage for All Inputs |
| | | 74 | | 0.8 | | |
| V _{IK} | Input Clamp Diode Voltage | | -0.65 | -1.5 | V | V _{CC} = MIN, I _{IN} = -18 mA |
| V _{OH} | Output HIGH Voltage | 54 | 2.5 | 3.5 | V | V _{CC} = MIN, I _{OH} = MAX, V _{IN} = V _{IH} or V _{IL} per Truth Table |
| | | 74 | 2.7 | 3.5 | V | |
| V _{OL} | Output LOW Voltage | 54,74 | 0.25 | 0.4 | V | I _{OL} = 4.0 mA V _{CC} = V _{CC} MIN, V _{IN} = V _{IL} or V _{IH} per Truth Table |
| | | 74 | 0.35 | 0.5 | V | |
| I _{IH} | Input HIGH Current J, K Clear Set Clock | | | 20 120 60 160 | μA | V _{CC} = MAX, V _{IN} = 2.7 V |
| | J, K Clear Set Clock | | | 0.1 0.6 0.3 0.8 | mA | V _{CC} = MAX, V _{IN} = 7.0 V |
| | Input LOW Current J, K Set Clock, Clear | | | -0.4 -0.8 -1.6 | mA | V _{CC} = MAX, V _{IN} = 0.4 V |
| | Output Short Circuit Current | -20 | | -100 | mA | V _{CC} = MAX, V _{OUT} = 0 V |
| I _{CC} | Power Supply Current | | 4.0 | 6.0 | mA | V _{CC} = MAX, V _{CP} = 0 V |

AC CHARACTERISTICS: T_A = 25°C, V_{CC} = 5.0 V

| SYMBOL | PARAMETER | LIMITS | | | UNITS | TEST CONDITIONS |
|------------------|-----------------------------|--------|-----|-----|-------|---|
| | | MIN | TYP | MAX | | |
| f _{MAX} | Maximum Clock Frequency | 30 | 45 | | MHz | V _{CC} = 5.0 V C _L = 15 pF |
| t _{PLH} | Clear, Clock, Set to Output | | 15 | 20 | ns | |
| t _{PHL} | | | 15 | 20 | ns | |

AC SETUP REQUIREMENTS: T_A = 25°C, V_{CC} = 5.0 V

| SYMBOL | PARAMETER | LIMITS | | | UNITS | TEST CONDITIONS |
|----------------|------------------------|--------|-----|-----|-------|-------------------------|
| | | MIN | TYP | MAX | | |
| t _W | Clock Pulse Width High | 20 | | | ns | V _{CC} = 5.0 V |
| t _W | Clear Set Pulse Width | 25 | | | ns | |
| t _s | Setup Time | 20 | | | ns | |
| t _h | Hold Time | 0 | | | ns | |





SN54LS83A SN74LS83A

DESCRIPTION — The SN54LS/74LS83A is a high-speed 4-Bit Binary Full Adder with internal carry lookahead. It accepts two 4-bit binary words ($A_1 - A_4$, $B_1 - B_4$) and a Carry Input (C_0). It generates the binary Sum outputs $\Sigma_1 - \Sigma_4$ and the Carry Output (C_4) from the most significant bit. The LS83A operates with either active HIGH or active LOW operands (positive or negative logic). The SN54LS/74LS283 is recommended for new designs since it is identical in function with this device and features standard corner power pins.

**4-BIT BINARY FULL ADDER
WITH FAST CARRY**
LOW POWER SCHOTTKY

PIN NAMES

A₁ — A₄ Operand A Inputs
B₁ — B₄ Operand B Inputs
C₀ Carry Input
 $\Sigma_1 - \Sigma_4$ Sum Outputs (Note b)
C₄ Carry Output (Note b)

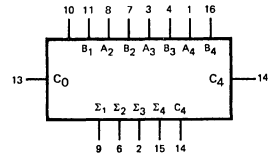
LOADING (Note a)

| | HIGH | LOW |
|---------------------------------|----------|-------------|
| A ₁ — A ₄ | 1.0 U.L. | 0.5 U.L. |
| B ₁ — B ₄ | 1.0 U.L. | 0.5 U.L. |
| C ₀ | 0.5 U.L. | 0.25 U.L. |
| $\Sigma_1 - \Sigma_4$ | 10 U.L. | 5(2.5) U.L. |
| C ₄ | 10 U.L. | 5(2.5) U.L. |

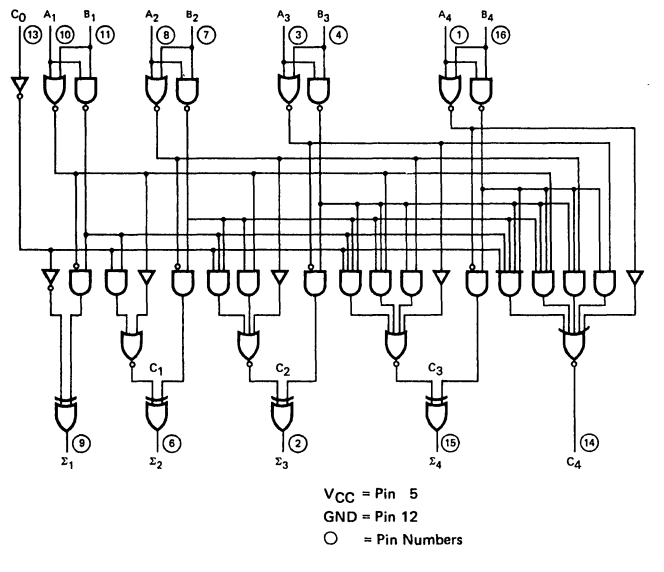
NOTES:

- a. 1 TTL Unit Load (U.L.) = 40 μ A HIGH/1.6 mA LOW.
- b. The Output LOW drive factor is 2.5 U.L. for Military (54) and 5 U.L. for commercial (74) Temperature Ranges.

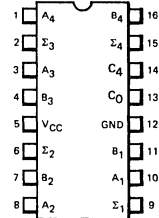
LOGIC SYMBOL



LOGIC DIAGRAM



**CONNECTION DIAGRAM
DIP (TOP VIEW)**



J Suffix — Case 620-08 (Ceramic)
 N Suffix — Case 648-05 (Plastic)

NOTE:

The Flatpak version has the same pinouts (Connection Diagram) as the Dual In-Line Package.

5

FUNCTIONAL DESCRIPTION — The LS83A adds two 4-bit binary words (A plus B) plus the incoming carry. The binary sum appears on the sum outputs (Σ_1 — Σ_4) and outgoing carry (C_4) outputs.

$$C_0 + (A_1+B_1)+2(A_2+B_2)+4(A_3+B_3)+8(A_4+B_4) = \Sigma_1+2\Sigma_2+4\Sigma_3+8\Sigma_4+16C_4$$

Where: (+) = plus

Due to the symmetry of the binary add function the LS83A can be used with either all inputs and outputs active HIGH (positive logic) or with all inputs and outputs active LOW (negative logic). Note that with active HIGH Inputs, Carry Input can not be left open, but must be held LOW when no carry in is intended.

Example:

| | C ₀ | A ₁ | A ₂ | A ₃ | A ₄ | B ₁ | B ₂ | B ₃ | B ₄ | Σ ₁ | Σ ₂ | Σ ₃ | Σ ₄ | C ₄ |
|--------------|----------------|----------------|----------------|----------------|----------------|----------------|----------------|----------------|----------------|----------------|----------------|----------------|----------------|----------------|
| Logic Levels | L | L | H | L | H | H | L | L | H | H | H | L | L | H |
| Active HIGH | 0 | 0 | 1 | 0 | 1 | 1 | 0 | 0 | 1 | 1 | 1 | 0 | 0 | 1 |
| Active LOW | 1 | 1 | 0 | 1 | 0 | 0 | 1 | 1 | 0 | 0 | 0 | 1 | 1 | 0 |

(10+9 = 19)
(carry+5+6 = 12)

Interchanging inputs of equal weight does not affect the operation, thus C₀, A₁, B₁, can be arbitrarily assigned to pins 10, 11, 13, etc.

FUNCTIONAL TRUTH TABLE

| C(n-1) | A _n | B _n | Σ _n | C _n |
|--------|----------------|----------------|----------------|----------------|
| L | L | L | L | L |
| L | L | H | H | L |
| L | H | L | H | L |
| L | H | H | L | H |
| H | L | L | H | L |
| H | L | H | L | H |
| H | H | L | L | H |
| H | H | H | H | H |

C₁ — C₃ are generated internally
 C₀ — is an external input
 C₄ — is an output generated internally

GUARANTEED OPERATING RANGES

| SYMBOL | PARAMETER | | MIN | TYP | MAX | UNIT |
|-----------------|-------------------------------------|--------|------|-----|------|------|
| V _{CC} | Supply Voltage | 54 | 4.5 | 5.0 | 5.5 | V |
| | | 74 | 4.75 | 5.0 | 5.25 | |
| T _A | Operating Ambient Temperature Range | 54 | -55 | 25 | 125 | °C |
| | | 74 | 0 | 25 | 70 | |
| I _{OH} | Output Current — High | 54, 74 | | | -0.4 | mA |
| I _{OL} | Output Current — Low | 54 | | | 4.0 | mA |
| | | 74 | | | 8.0 | |

DC CHARACTERISTICS OVER OPERATING TEMPERATURE RANGE (unless otherwise specified)

| SYMBOL | PARAMETER | LIMITS | | | UNITS | TEST CONDITIONS |
|------------------|---|--------|-------|----------------|-------|---|
| | | MIN | TYP | MAX | | |
| V _{IH} | Input HIGH Voltage | 2.0 | | | V | Guaranteed Input HIGH Voltage for All Inputs |
| V _{IL} | Input LOW Voltage | 54 | | 0.7 | V | Guaranteed Input LOW Voltage for All Inputs |
| | | 74 | | 0.8 | | |
| V _{IJK} | Input Clamp Diode Voltage | | -0.65 | -1.5 | V | V _{CC} = MIN, I _{IN} = -18 mA |
| V _{OH} | Output HIGH Voltage | 54 | 2.5 | 3.5 | V | V _{CC} = MIN, I _{OH} = MAX, V _{IN} = V _{IH} or V _{IL} per Truth Table |
| | | 74 | 2.7 | 3.5 | V | |
| V _{OL} | Output LOW Voltage | 54,74 | 0.25 | 0.4 | V | I _{OL} = 4.0 mA I _{OL} = 8.0 mA V _{CC} = V _{CC} MIN, V _{IN} = V _{IL} or V _{IH} per Truth Table |
| | | 74 | 0.35 | 0.5 | V | |
| I _{IH} | Input HIGH Current C ₀ A or B | | | 20 40 | μA | V _{CC} = MAX, V _{IN} = 2.7 V |
| | | | | 0.1 0.2 | mA | |
| I _{IL} | Input LOW Current C ₀ A or B | | | -0.4 -0.8 | mA | V _{CC} = MAX, V _{IN} = 0.4 V |
| I _{OS} | Output Short Circuit Current | -20 | | -100 | mA | V _{CC} = MAX |
| I _{CC} | Power Supply Current All Inputs Grounded All Inputs at 4.5 V, Except B All Inputs at 4.5 V | | | 39 34 34 | mA | V _{CC} = MAX |

AC CHARACTERISTICS: T_A = 25°C

| SYMBOL | PARAMETER | LIMITS | | | UNITS | TEST CONDITIONS |
|--------------------------------------|--|--------|----------|----------|-------|--|
| | | MIN | TYP | MAX | | |
| t _{PLH} t _{PHL} | Propagation Delay, C ₀ Input to any Σ Output | | 16 15 | 24 24 | ns | V _{CC} = 5.0 V C _L = 15 pF Figures 1 and 2 |
| t _{PLH} t _{PHL} | Propagation Delay, Any A or B Input to Σ Outputs | | 15 15 | 24 24 | ns | |
| t _{PLH} t _{PHL} | Propagation Delay, C ₀ Input to C ₄ Output | | 11 15 | 17 22 | ns | |
| t _{PLH} t _{PHL} | Propagation Delay, Any A or B Input to C ₄ Output | | 11 12 | 17 17 | ns | |

AC WAVEFORMS

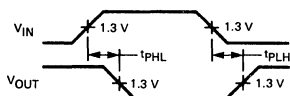


Fig. 1

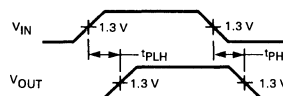


Fig. 2



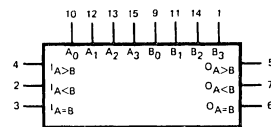
**SN54LS85
SN74LS85**

DESCRIPTION — The SN54LS/74LS85 is a 4-Bit Magnitude Comparator which compares two 4-bit words (A, B), each word having four Parallel Inputs (A_0 - A_3 , B_0 - B_3); A_3 , B_3 being the most significant inputs. Operation is not restricted to binary codes, the device will work with any monotonic code. Three Outputs are provided: "A greater than B" ($O_A > B$), "A less than B" ($O_A < B$), "A equal to B" ($O_A = B$). Three Expander Inputs, $I_A > B$, $I_A < B$, $I_A = B$, allow cascading without external gates. For proper compare operation, the Expander Inputs to the least significant position must be connected as follows: $I_A < B = I_A > B = L$, $I_A = B = H$. For serial (ripple) expansion, the $O_A > B$, $O_A < B$ and $O_A = B$ Outputs are connected respectively to the $I_A > B$, $I_A < B$, and $I_A = B$ inputs of the next most significant comparator, as shown in Figure 1. Refer to Applications section of data sheet for high speed method of comparing large words.

The Truth Table on the following page describes the operation of the SN54LS/74LS85 under all possible logic conditions. The upper 11 lines describe the normal operation under all conditions that will occur in a single device or in a series expansion scheme. The lower five lines describe the operation under abnormal conditions on the cascading inputs. These conditions occur when the parallel expansion technique is used.

**4-BIT MAGNITUDE
COMPARATOR
LOW POWER SCHOTTKY**

LOGIC SYMBOL



V_{CC} = Pin 16
GND = Pin 8

- EASILY EXPANDABLE
- BINARY OR BCD COMPARISON
- $O_A > B$, $O_A < B$, AND $O_A = B$ OUTPUTS AVAILABLE

LOADING (Note a)

| | HIGH | LOW |
|-------------------------------|----------|--------------|
| A_0 - A_3 , B_0 - B_3 | 1.5 U.L. | 0.75 U.L. |
| $I_A = B$ | 1.5 U.L. | 0.75 U.L. |
| $I_A < B$, $I_A > B$ | 0.5 U.L. | 0.25 U.L. |
| $O_A > B$ | 10 U.L. | 5 (2.5) U.L. |
| $O_A < B$ | 10 U.L. | 5 (2.5) U.L. |
| $O_A = B$ | 10 U.L. | 5 (2.5) U.L. |

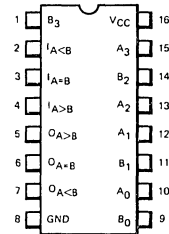
PIN NAMES

| | |
|-------------------------------|----------------------------------|
| A_0 - A_3 , B_0 - B_3 | Parallel Inputs |
| $I_A = B$ | A = B Expander Inputs |
| $I_A < B$, $I_A > B$ | A < B, A > B, Expander Inputs |
| $O_A > B$ | A Greater Than B Output (Note b) |
| $O_A < B$ | B Greater Than A Output (Note b) |
| $O_A = B$ | A Equal to B Output (Note b) |

Notes:

- a. 1 TTL Unit Load (U.L.) = 40 μ A HIGH/1.6 mA LOW
- b. The Output LOW drive factor is 2.5 U.L. for Military (54) and 5 U.L. for Commercial (74) Temperature Ranges.

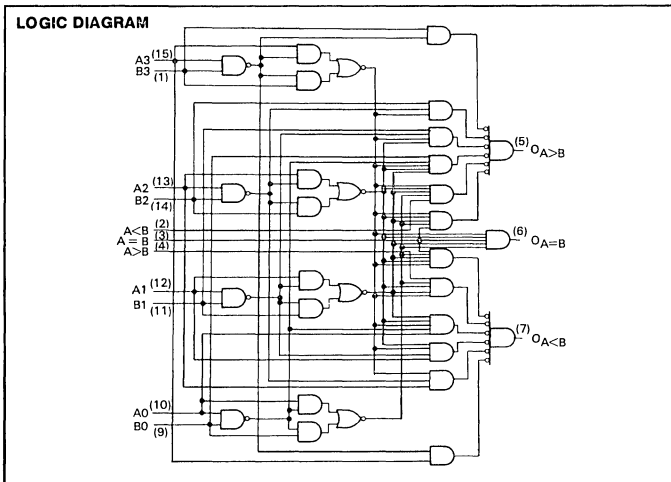
**CONNECTION DIAGRAM
DIP (TOP VIEW)**



J Suffix — Case 620-08 (Ceramic)
N Suffix — Case 648-05 (Plastic)

NOTE:

The Flatpak version has the same pinouts (Connection Diagram) as the Dual In-Line Package.



TRUTH TABLE

| COMPARING INPUTS | | | | CASCADING INPUTS | | | OUTPUTS | | |
|--------------------------------|--------------------------------|--------------------------------|--------------------------------|-------------------|-------------------|-------------------|-------------------|-------------------|-------------------|
| A ₃ ,B ₃ | A ₂ ,B ₂ | A ₁ ,B ₁ | A ₀ ,B ₀ | I _A >B | I _A <B | I _A =B | O _A >B | O _A <B | O _A =B |
| A ₃ >B ₃ | X | X | X | X | X | X | H | L | L |
| A ₃ <B ₃ | X | X | X | X | X | X | L | H | L |
| A ₃ =B ₃ | A ₂ >B ₂ | X | X | X | X | X | H | L | L |
| A ₃ =B ₃ | A ₂ <B ₂ | X | X | X | X | X | L | H | L |
| A ₃ =B ₃ | A ₂ =B ₂ | A ₁ >B ₁ | X | X | X | X | H | L | L |
| A ₃ =B ₃ | A ₂ =B ₂ | A ₁ <B ₁ | X | X | X | X | L | H | L |
| A ₃ =B ₃ | A ₂ =B ₂ | A ₁ =B ₁ | A ₀ >B ₀ | X | X | X | H | L | L |
| A ₃ =B ₃ | A ₂ =B ₂ | A ₁ =B ₁ | A ₀ <B ₀ | X | X | X | L | H | L |
| A ₃ =B ₃ | A ₂ =B ₂ | A ₁ =B ₁ | A ₀ =B ₀ | H | L | L | H | L | L |
| A ₃ =B ₃ | A ₂ =B ₂ | A ₁ =B ₁ | A ₀ =B ₀ | L | H | L | L | H | L |
| A ₃ =B ₃ | A ₂ =B ₂ | A ₁ =B ₁ | A ₀ =B ₀ | X | X | H | L | L | H |
| A ₃ =B ₃ | A ₂ =B ₂ | A ₁ =B ₁ | A ₀ =B ₀ | H | H | L | L | L | L |
| A ₃ =B ₃ | A ₂ =B ₂ | A ₁ =B ₁ | A ₀ =B ₀ | L | L | L | H | H | L |

H = HIGH Level
 L = LOW Level
 X = IMMATERIAL

GUARANTEED OPERATING RANGES

| SYMBOL | PARAMETER | | MIN | TYP | MAX | UNIT |
|-----------------|-------------------------------------|--------|------|-----|------|------|
| V _{CC} | Supply Voltage | 54 | 4.5 | 5.0 | 5.5 | V |
| | | 74 | 4.75 | 5.0 | 5.25 | |
| T _A | Operating Ambient Temperature Range | 54 | -55 | 25 | 125 | °C |
| | | 74 | 0 | 25 | 70 | |
| I _{OH} | Output Current — High | 54, 74 | | | -0.4 | mA |
| I _{OL} | Output Current — Low | 54 | | | 4.0 | mA |
| | | 74 | | | 8.0 | |

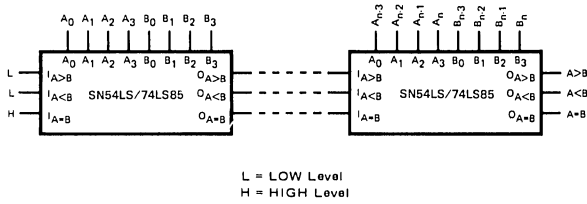


Fig. 1. COMPARING TWO n-BIT WORDS

APPLICATIONS

Figure 2 shows a high speed method of comparing two 24-bit words with only two levels of device delay. With the technique shown in Figure 1, six levels of device delay result when comparing two 24-bit words. The parallel technique can be expanded to any number of bits, see Table I.

TABLE I

| WORD LENGTH | NUMBER OF PKGS. |
|-------------|-----------------|
| 1-4 Bits | 1 |
| 5-24 Bits | 2 - 6 |
| 25-120 Bits | 8 - 31 |

NOTE:
The SN54LS/74LS85 can be used as a 5-bit comparator only when the outputs are used to drive the A₀-A₃ and B₀-B₃ inputs of another SN54LS/74LS85 as shown in Figure 2 in positions #1, 2, 3, and 4.

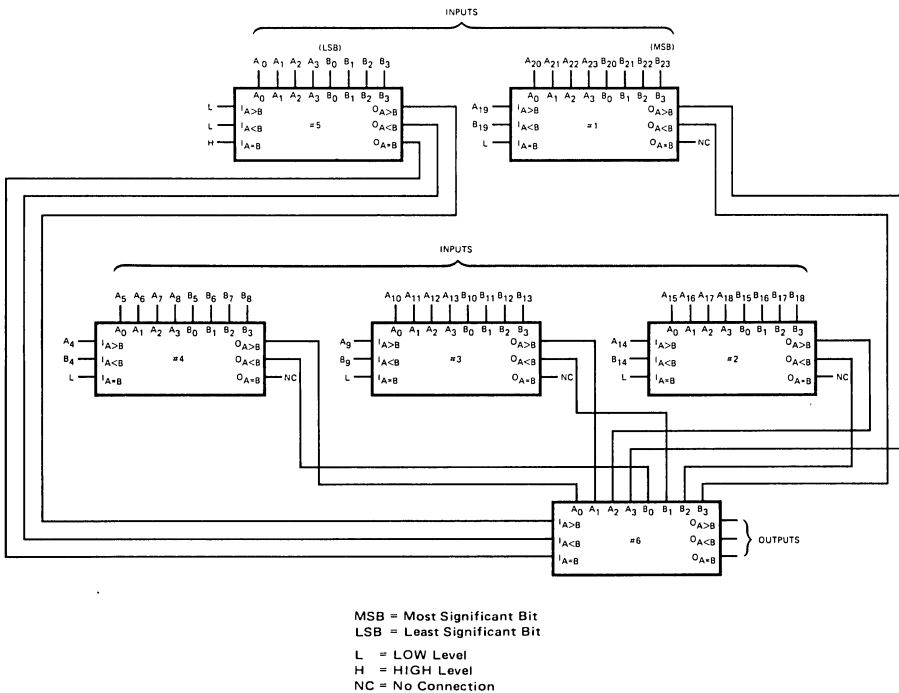


Fig. 2. COMPARISON OF TWO 24-BIT WORDS

DC CHARACTERISTICS OVER OPERATING TEMPERATURE RANGE (unless otherwise specified)

| SYMBOL | PARAMETER | LIMITS | | | UNITS | TEST CONDITIONS |
|-----------------|--|--------|-------|--------------|-------|---|
| | | MIN | TYP | MAX | | |
| V _{IH} | Input HIGH Voltage | 2.0 | | | V | Guaranteed Input HIGH Voltage for All Inputs |
| V _{IL} | Input LOW Voltage | 54 | | 0.7 | V | Guaranteed Input LOW Voltage for All Inputs |
| | | 74 | | 0.8 | | |
| V _{IK} | Input Clamp Diode Voltage | | -0.65 | -1.5 | V | V _{CC} = MIN, I _{IN} = -18 mA |
| V _{OH} | Output HIGH Voltage | 54 | 2.5 | 3.5 | V | V _{CC} = MIN, I _{OH} = MAX, V _{IN} = V _{IH} or V _{IL} per Truth Table |
| | | 74 | 2.7 | 3.5 | V | |
| V _{OL} | Output LOW Voltage | 54,74 | 0.25 | 0.4 | V | I _{OL} = 4.0 mA V _{CC} = V _{CC} MIN, V _{IN} = V _{IL} or V _{IH} per Truth Table |
| | | 74 | 0.35 | 0.5 | V | |
| I _{IH} | Input HIGH Current A < B, A > B Other Inputs | | | 20 60 | μA | V _{CC} = MAX, V _{IN} = 2.7 V |
| | | | | 0.1 0.3 | mA | |
| I _{IL} | Input LOW Current A < B, A > B Other Inputs | | | -0.4 -1.2 | mA | V _{CC} = MAX, V _{IN} = 0.4 V |
| I _{OS} | Output Short Circuit Current | -20 | | -100 | mA | V _{CC} = MAX |
| I _{CC} | Power Supply Current | | | 20 | mA | V _{CC} = MAX |

AC CHARACTERISTICS: T_A = 25°C, V_{CC} = 5.0 V

| SYMBOL | PARAMETER | LIMITS | | | UNITS | TEST CONDITIONS |
|--------------------------------------|----------------------------|--------|----------|----------|-------|---|
| | | MIN | TYP | MAX | | |
| t _{PLH} t _{PHL} | Any A or B to A < B, A > B | | 24 20 | 36 30 | ns | V _{CC} = 5.0 V C _L = 15 pF |
| t _{PLH} t _{PHL} | Any A or B to A = B | | 27 23 | 45 45 | ns | |
| t _{PLH} t _{PHL} | A < B or A = B to A > B | | 14 11 | 22 17 | ns | |
| t _{PLH} t _{PHL} | A = B to A = B | | 13 13 | 20 26 | ns | |
| t _{PLH} t _{PHL} | A > B or A = B to A < B | | 14 11 | 22 17 | ns | |

AC WAVEFORMS

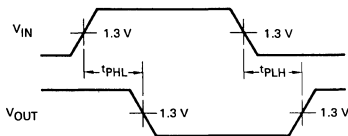


Fig. 3

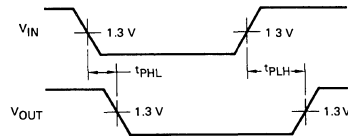
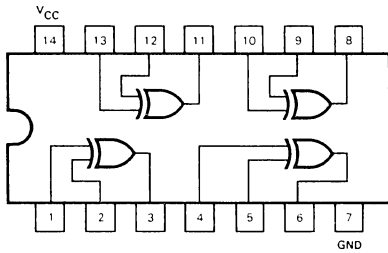


Fig. 4



SN54LS86
SN74LS86



TRUTH TABLE

| IN | | OUT |
|----|---|-----|
| A | B | Z |
| L | L | L |
| L | H | H |
| H | L | H |
| H | H | L |

**QUAD 2-INPUT
EXCLUSIVE OR GATE**
LOW POWER SCHOTTKY

J Suffix — Case 632-07 (Ceramic)
N Suffix — Case 646-05 (Plastic)

GUARANTEED OPERATING RANGES

| SYMBOL | PARAMETER | | MIN | TYP | MAX | UNIT |
|-----------------|-------------------------------------|--------|------|-----|------|------|
| V _{CC} | Supply Voltage | 54 | 4.5 | 5.0 | 5.5 | V |
| | | 74 | 4.75 | 5.0 | 5.25 | |
| T _A | Operating Ambient Temperature Range | 54 | -55 | 25 | 125 | °C |
| | | 74 | 0 | 25 | 70 | |
| I _{OH} | Output Current — High | 54, 74 | | | -0.4 | mA |
| I _{OL} | Output Current — Low | 54 | | | 4.0 | mA |
| | | 74 | | | 8.0 | |

DC CHARACTERISTICS OVER OPERATING TEMPERATURE RANGE (unless otherwise specified)

| SYMBOL | PARAMETER | LIMITS | | | UNITS | TEST CONDITIONS | |
|-----------------|---------------------------|--------|-------|------|-------|--|---|
| | | MIN | TYP | MAX | | | |
| V _{IH} | Input HIGH Voltage | 2.0 | | | V | Guaranteed Input HIGH Voltage for All Inputs | |
| V _{IL} | Input LOW Voltage | 54 | | 0.7 | V | Guaranteed Input LOW Voltage for All Inputs | |
| | | 74 | | 0.8 | | | |
| V _{IK} | Input Clamp Diode Voltage | | -0.65 | -1.5 | V | V _{CC} = MIN, I _{IN} = -18 mA | |
| V _{OH} | Output HIGH Voltage | 54 | 2.5 | 3.5 | V | V _{CC} = MIN, I _{OH} = MAX, V _{IN} = V _{IH} or V _{IL} per Truth Table | |
| | | 74 | 2.7 | 3.5 | V | | |
| V _{OL} | Output LOW Voltage | 54, 74 | | 0.25 | 0.4 | V | I _{OL} = 4.0 mA I _{OL} = 8.0 mA V _{CC} = V _{CC} MIN, V _{IN} = V _{IL} or V _{IH} per Truth Table |
| | | 74 | | 0.35 | 0.5 | | |
| I _{IH} | Input HIGH Current | | | 40 | μA | V _{CC} = MAX, V _{IN} = 2.7 V | |
| | | | | 0.2 | mA | V _{CC} = MAX, V _{IN} = 7.0 V | |
| I _{IL} | Input LOW Current | | | -0.8 | mA | V _{CC} = MAX, V _{IN} = 0.4 V | |
| I _{OS} | Short Circuit Current | | -20 | -100 | mA | V _{CC} = MAX | |
| I _{CC} | Power Supply Current | | | 10 | mA | V _{CC} = MAX | |

AC CHARACTERISTICS: T_A = 25°C

| SYMBOL | PARAMETER | LIMITS | | | UNITS | TEST CONDITIONS |
|------------------|--|--------|-----|-----|-------|---|
| | | MIN | TYP | MAX | | |
| t _{PLH} | Propagation Delay, Other Input LOW | | 12 | 23 | ns | V _{CC} = 5.0 V C _L = 15 pF |
| t _{PHL} | | | 10 | 17 | | |
| t _{PLH} | Propagation Delay, Other Input HIGH | | 20 | 30 | ns | |
| t _{PHL} | | | 13 | 22 | | |





SN54LS/74LS90
SN54LS/74LS92
SN54LS/74LS93

DESCRIPTION — The SN54LS/74LS90, SN54LS/74LS92 and SN54LS/74LS93 are high-speed 4-bit ripple type counters partitioned into two sections. Each counter has a divide-by-two section and either a divide-by-five (LS90), divide-by-six (LS92) or divide-by-eight (LS93) section which are triggered by a HIGH-to-LOW transition on the clock inputs. Each section can be used separately or tied together (Q_0 to \overline{CP}) to form BCD, bi-quinary, modulo-12, or modulo-16 counters. All of the counters have a 2-input gated Master Reset (Clear), and the LS90 also has a 2-input gated Master Set (Preset 9).

**DECADE COUNTER;
 DIVIDE-BY-TWELVE COUNTER;
 4-BIT BINARY COUNTER**
LOW POWER SCHOTTKY

J Suffix — Case 632-07 (Ceramic)
 N Suffix — Case 646-05 (Plastic)

- **LOW POWER CONSUMPTION . . . TYPICALLY 45 mW**
- **HIGH COUNT RATES . . . TYPICALLY 42 MHz**
- **CHOICE OF COUNTING MODES . . . BCD, BI-QUINARY, DIVIDE-BY-TWELVE, BINARY**
- **INPUT CLAMP DIODES LIMIT HIGH SPEED TERMINATION EFFECTS**

PIN NAMES

LOADING (Note a)

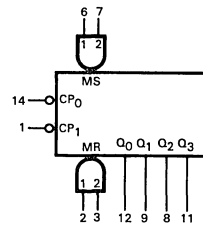
| | | LOADING (Note a) | |
|-------------------|---|------------------|-------------|
| | | HIGH | LOW |
| \overline{CP}_0 | Clock (Active LOW going edge) Input to ÷2 Section | 0.5 U.L. | 1.5 U.L. |
| \overline{CP}_1 | Clock (Active LOW going edge) Input to ÷5 Section (LS90), ÷6 Section (LS92) | 0.5 U.L. | 2.0 U.L. |
| \overline{CP}_1 | Clock (Active LOW going edge) Input to ÷8 Section (LS93) | 0.5 U.L. | 1.0 U.L. |
| MR_1, MR_2 | Master Reset (Clear) Inputs | 0.5 U.L. | 0.25 U.L. |
| MS_1, MS_2 | Master Set (Preset-9, LS90) Inputs | 0.5 U.L. | 0.25 U.L. |
| Q_0 | Output from ÷2 Section (Notes b & c) | 10 U.L. | 5(2.5) U.L. |
| Q_1, Q_2, Q_3 | Outputs from ÷5 (LS90), ÷6 (LS92), ÷8 (LS93) Sections (Note b) | 10 U.L. | 5(2.5) U.L. |

Notes:

- a. 1 TTL Unit Load (U.L.) = 40 μ A HIGH/1.6 mA LOW.
- b. The Output LOW drive factor is 2.5 U.L. for Military, (54) and 5 U.L. for commercial (74) Temperature Ranges.
- c. The Q_0 Outputs are guaranteed to drive the full fan-out plus the \overline{CP}_1 input of the device.
- d. To insure proper operation the rise (t_r) and fall time (t_f) of the clock must be less than 100 ns.

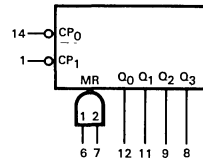
LOGIC SYMBOL

LS90



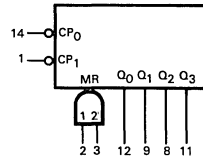
V_{CC} = Pin 5
 GND = Pin 10
 NC = Pins 4, 13

LS92

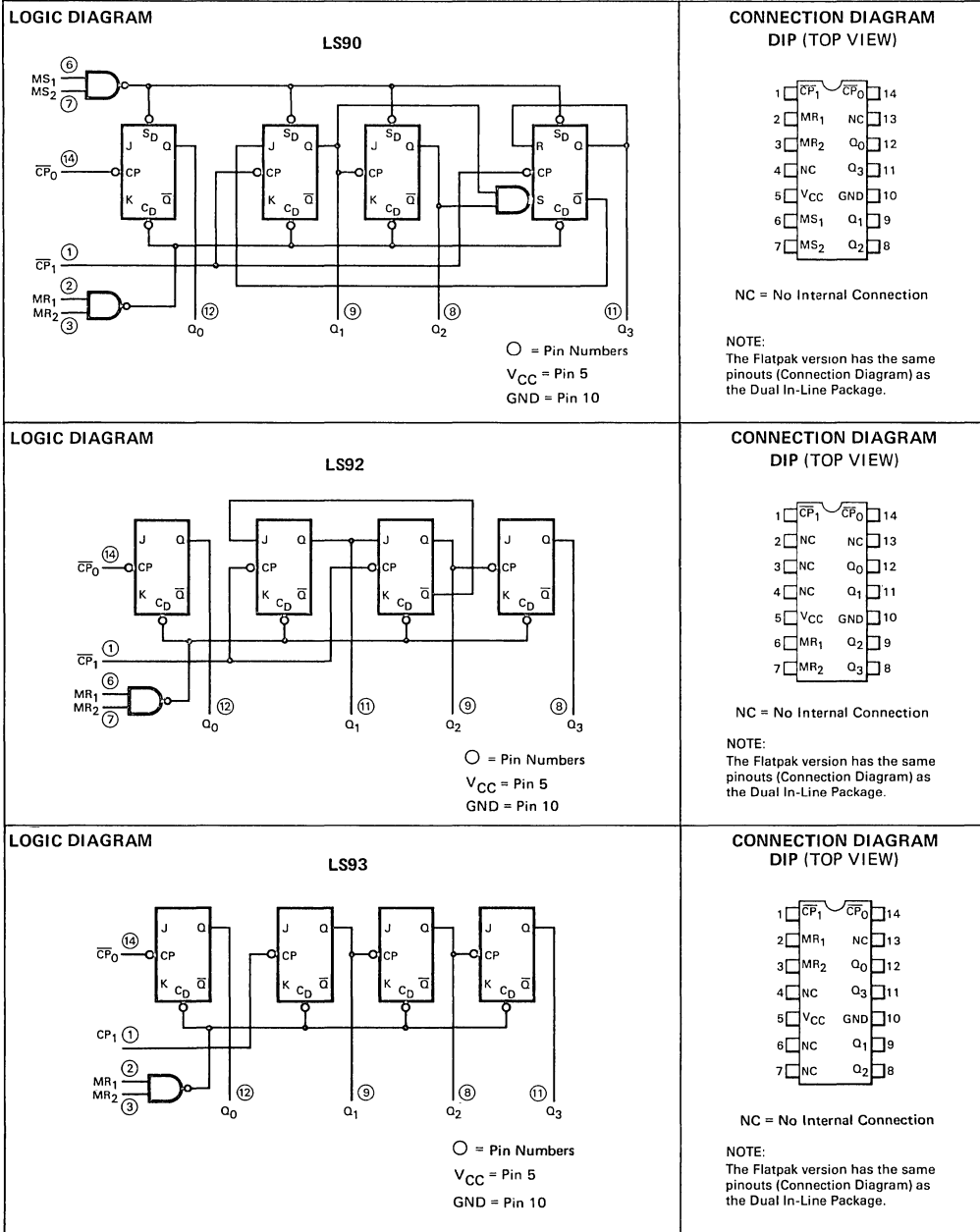


V_{CC} = Pin 5
 GND = Pin 10
 NC = Pins 2, 3, 4, 13

LS93



V_{CC} = Pin 5
 GND = Pin 10
 NC = Pins 4, 6, 7, 13



FUNCTIONAL DESCRIPTION — The LS90, LS92, and LS93 are 4-bit ripple type Decade, Divide-By-Twelve, and Binary Counters respectively. Each device consists of four master/slave flip-flops which are internally connected to provide a divide-by-two section and a divide-by-five (LS90), divide-by-six (LS92), or divide-by-eight (LS93) section. Each section has a separate clock input which initiates state changes of the counter on the HIGH-to-LOW clock transition. State changes of the Q outputs do not occur simultaneously because of internal ripple delays. Therefore, decoded output signals are subject to decoding spikes and should not be used for clocks or strobes. The Q₀ output of each device is designed and specified to drive the rated fan-out plus the \overline{CP}_1 input of the device.

A gated AND asynchronous Master Reset ($MR_1 \bullet MR_2$) is provided on all counters which overrides and clocks and resets (clears) all the flip-flops. A gated AND asynchronous Master Set ($MS_1 \bullet MS_2$) is provided on the LS90 which overrides the clocks and the MR inputs and sets the outputs to nine (HLLH).

Since the output from the divide-by-two section is not internally connected to the succeeding stages, the devices may be operated in various counting modes.

LS90

- A. BCD Decade (8421) Counter — The \overline{CP}_1 input must be externally connected to the Q₀ output. The \overline{CP}_0 input receives the incoming count and a BCD count sequence is produced.
- B. Symmetrical Bi-quinary Divide-By-Ten Counter — The Q₃ output must be externally connected to the \overline{CP}_0 input. The input count is then applied to the \overline{CP}_1 input and a divide-by-ten square wave is obtained at output Q₀.
- C. Divide-By-Two and Divide-By-Five Counter — No external interconnections are required. The first flip-flop is used as a binary element for the divide-by-two function (\overline{CP}_0 as the input and Q₀ as the output). The \overline{CP}_1 input is used to obtain binary divide-by-five operation at the Q₃ output.

LS92

- A. Modulo 12, Divide-By-Twelve Counter — The \overline{CP}_1 input must be externally connected to the Q₀ output. The \overline{CP}_0 input receives the incoming count and Q₃ produces a symmetrical divide-by-twelve square wave output.
- B. Divide-By-Two and Divide-By-Six Counter — No external interconnections are required. The first flip-flop is used as a binary element for the divide-by-two function. The \overline{CP}_1 input is used to obtain divide-by-three operation at the Q₁ and Q₂ outputs and divide-by-six operation at the Q₃ output.

LS93

- A. 4-Bit Ripple Counter — The output Q₀ must be externally connected to input \overline{CP}_1 . The input count pulses are applied to input \overline{CP}_0 . Simultaneous divisions of 2, 4, 8, and 16 are performed at the Q₀, Q₁, Q₂, and Q₃ outputs as shown in the truth table.
- B. 3-Bit Ripple Counter — The input count pulses are applied to input \overline{CP}_1 . Simultaneous frequency divisions of 2, 4, and 8 are available at the Q₁, Q₂, and Q₃ outputs. Independent use of the first flip-flop is available if the reset function coincides with reset of the 3-bit ripple-through counter.

**LS90
MODE SELECTION**

| RESET/SET INPUTS | | | | OUTPUTS | | | |
|------------------|-----------------|-----------------|-----------------|----------------|----------------|----------------|----------------|
| MR ₁ | MR ₂ | MS ₁ | MS ₂ | Q ₀ | Q ₁ | Q ₂ | Q ₃ |
| H | H | L | X | L | L | L | L |
| H | H | X | L | L | L | L | L |
| X | X | H | H | H | L | L | H |
| L | X | L | X | Count | | | |
| X | L | X | L | Count | | | |
| L | X | X | L | Count | | | |
| X | L | L | X | Count | | | |

H = HIGH Voltage Level
L = LOW Voltage Level
X = Don't Care

**LS92 AND LS93
MODE SELECTION**

| RESET INPUTS | | OUTPUTS | | | |
|-----------------|-----------------|----------------|----------------|----------------|----------------|
| MR ₁ | MR ₂ | Q ₀ | Q ₁ | Q ₂ | Q ₃ |
| H | H | L | L | L | L |
| L | H | Count | | | |
| H | L | Count | | | |
| L | L | Count | | | |

H = HIGH Voltage Level
L = LOW Voltage Level
X = Don't Care

**LS90
BCD COUNT SEQUENCE**

| COUNT | OUTPUT | | | |
|-------|----------------|----------------|----------------|----------------|
| | Q ₀ | Q ₁ | Q ₂ | Q ₃ |
| 0 | L | L | L | L |
| 1 | H | L | L | L |
| 2 | L | H | L | L |
| 3 | H | H | L | L |
| 4 | L | L | H | L |
| 5 | H | L | H | L |
| 6 | L | H | H | L |
| 7 | H | H | H | L |
| 8 | L | L | L | H |
| 9 | H | L | L | H |

NOTE: Output Q₀ is connected to Input \overline{CP}_1 for BCD count.

**LS92
TRUTH TABLE**

| COUNT | OUTPUT | | | |
|-------|----------------|----------------|----------------|----------------|
| | Q ₀ | Q ₁ | Q ₂ | Q ₃ |
| 0 | L | L | L | L |
| 1 | H | L | L | L |
| 2 | L | H | L | L |
| 3 | H | H | L | L |
| 4 | L | L | H | L |
| 5 | H | L | H | L |
| 6 | L | L | L | H |
| 7 | H | L | L | H |
| 8 | L | H | L | H |
| 9 | H | H | L | H |
| 10 | L | L | H | H |
| 11 | H | L | H | H |

Note: Output Q₀ connected to input \overline{CP}_1 .

**LS93
TRUTH TABLE**

| COUNT | OUTPUT | | | |
|-------|----------------|----------------|----------------|----------------|
| | Q ₀ | Q ₁ | Q ₂ | Q ₃ |
| 0 | L | L | L | L |
| 1 | H | L | L | L |
| 2 | L | H | L | L |
| 3 | H | H | L | L |
| 4 | L | L | H | L |
| 5 | H | L | H | L |
| 6 | L | H | H | L |
| 7 | H | H | H | L |
| 8 | L | L | L | H |
| 9 | H | L | L | H |
| 10 | L | H | L | H |
| 11 | H | H | L | H |
| 12 | L | L | H | H |
| 13 | H | L | H | H |
| 14 | L | H | H | H |
| 15 | H | H | H | H |

Note: Output Q₀ connected to input \overline{CP}_1 .



GUARANTEED OPERATING RANGES

| SYMBOL | PARAMETER | | MIN | TYP | MAX | UNIT |
|-----------------|-------------------------------------|--------|------|-----|------|------|
| V _{CC} | Supply Voltage | 54 | 4.5 | 5.0 | 5.5 | V |
| | | 74 | 4.75 | 5.0 | 5.25 | |
| T _A | Operating Ambient Temperature Range | 54 | -55 | 25 | 125 | °C |
| | | 74 | 0 | 25 | 70 | |
| I _{OH} | Output Current — High | 54, 74 | | | -0.4 | mA |
| I _{OL} | Output Current — Low | 54 | | | 4.0 | mA |
| | | 74 | | | 8.0 | |

DC CHARACTERISTICS OVER OPERATING TEMPERATURE RANGE (unless otherwise specified)

| SYMBOL | PARAMETER | LIMITS | | | UNITS | TEST CONDITIONS |
|-----------------|--|--------|-------|------------------------------|-------|---|
| | | MIN | TYP | MAX | | |
| V _{IH} | Input HIGH Voltage | 2.0 | | | V | Guaranteed Input HIGH Voltage for All Inputs |
| V _{IL} | Input LOW Voltage | 54 | | 0.7 | V | Guaranteed Input LOW Voltage for All Inputs |
| | | 74 | | 0.8 | | |
| V _{IK} | Input Clamp Diode Voltage | | -0.65 | -1.5 | V | V _{CC} = MIN, I _{IN} = -18 mA |
| V _{OH} | Output HIGH Voltage | 54 | 2.5 | 3.5 | V | V _{CC} = MIN, I _{OH} = MAX, V _{IN} = V _{IH} or V _{IL} per Truth Table |
| | | 74 | 2.7 | 3.5 | V | |
| V _{OL} | Output LOW Voltage | 54,74 | 0.25 | 0.4 | V | I _{OL} = 4.0 mA V _{CC} = V _{CC} MIN, V _{IN} = V _{IL} or V _{IH} per Truth Table |
| | | 74 | 0.35 | 0.5 | V | |
| I _{IH} | Input HIGH Current | | | 20 | μA | V _{CC} = MAX, V _{IN} = 2.7 V |
| | | | | 0.1 | mA | |
| I _{IL} | Input LOW Current MS, MR CP ₀ CP ₁ (LS90, LS92) CP ₁ (LS93) | | | -0.4 -2.4 -3.2 -1.6 | mA | V _{CC} = MAX, V _{IN} = 0.4 V |
| I _{OS} | Short Circuit Current | -20 | | -100 | mA | V _{CC} = MAX |
| I _{CC} | Power Supply Current | | | 15 | mA | V _{CC} = MAX |

AC CHARACTERISTICS: $T_A = 25^\circ\text{C}$, $V_{CC} = 5.0\text{ V}$, $C_L = 15\text{ pF}$

| SYMBOL | PARAMETER | LIMITS | | | | | | | | | UNITS |
|--------------------------------------|--|--------|----------|----------|------|----------|----------|------|----------|----------|-------|
| | | LS90 | | | LS92 | | | LS93 | | | |
| | | MIN | TYP | MAX | MIN | TYP | MAX | MIN | TYP | MAX | |
| f_{MAX} | $\overline{\text{CP}}_0$ Input Clock Frequency | 32 | | | 32 | | | 32 | | | MHz |
| f_{MAX} | $\overline{\text{CP}}_1$ Input Clock Frequency | 16 | | | 16 | | | 16 | | | MHz |
| t_{PLH} t_{PHL} | Propagation Delay, $\overline{\text{CP}}_0$ Input to Q_0 Output | | 10 12 | 16 18 | | 10 12 | 16 18 | | 10 12 | 16 18 | ns |
| t_{PLH} t_{PHL} | $\overline{\text{CP}}_0$ Input to Q_3 Output | | 32 34 | 48 50 | | 32 34 | 48 50 | | 46 46 | 70 70 | ns |
| t_{PLH} t_{PHL} | $\overline{\text{CP}}_1$ Input to Q_1 Output | | 10 14 | 16 21 | | 10 14 | 16 21 | | 10 14 | 16 21 | ns |
| t_{PLH} t_{PHL} | $\overline{\text{CP}}_1$ Input to Q_2 Output | | 21 23 | 32 35 | | 10 14 | 16 21 | | 21 23 | 32 35 | ns |
| t_{PLH} t_{PHL} | $\overline{\text{CP}}_1$ Input to Q_3 Output | | 21 23 | 32 35 | | 21 23 | 32 35 | | 34 34 | 51 51 | ns |
| t_{PLH} | MS Input to Q_0 and Q_3 Outputs | | 20 | 30 | | | | | | | ns |
| t_{PHL} | MS Input to Q_1 and Q_2 Outputs | | 26 | 40 | | | | | | | ns |
| t_{PHL} | MR Input to Any Output | | 26 | 40 | | 26 | 40 | | 26 | 40 | ns |

AC SETUP REQUIREMENTS: $T_A = 25^\circ\text{C}$, $V_{CC} = 5.0\text{ V}$

| SYMBOL | PARAMETER | LIMITS | | | | | | UNITS |
|------------------|--|--------|-----|------|-----|------|-----|-------|
| | | LS90 | | LS92 | | LS93 | | |
| | | MIN | MAX | MIN | MAX | MIN | MAX | |
| t_W | $\overline{\text{CP}}_0$ Pulse Width | 15 | | 15 | | 15 | | ns |
| t_W | $\overline{\text{CP}}_1$ Pulse Width | 30 | | 30 | | 30 | | ns |
| t_W | MS Pulse Width | 15 | | | | | | ns |
| t_W | MR Pulse Width | 15 | | 15 | | 15 | | ns |
| t_{rec} | Recovery Time MR to $\overline{\text{CP}}$ | 25 | | 25 | | 25 | | ns |

RECOVERY TIME (t_{rec}) is defined as the minimum time required between the end of the reset pulse and the clock transition from HIGH-to-LOW in order to recognize and transfer HIGH data to the Q outputs.



AC WAVE FORMS

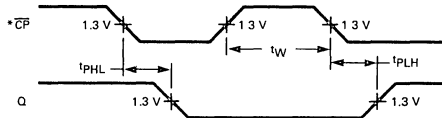


Fig. 1

*The number of Clock Pulses required between the t_{PHL} and t_{PLH} measurements can be determined from the appropriate Truth Tables.

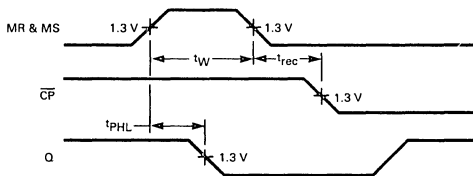


Fig. 2

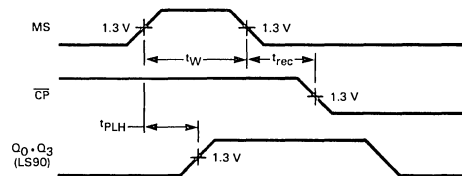


Fig. 3



SN54LS91 SN74LS91

DESCRIPTION — The SN54LS/74LS91 is an 8-Bit Serial-In/Serial Out Shift Register. This device features eight R-S master-slave flip-flops, input gating and a clock driver. By gating single-rail data and input control thru inputs A, B, and an internal inverter, complementary inputs to the first bit of the shift register are formed. An inverting clock driver provides the drive for the internal common clock line. The clock pulse inverter driver causes this circuitry to shift information one-bit on the positive edge of the input clock pulse.

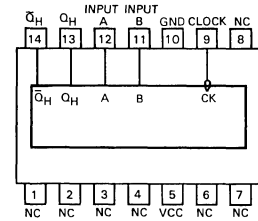
8-BIT SHIFT REGISTERS

LOW POWER SCHOTTKY

FUNCTION TABLE

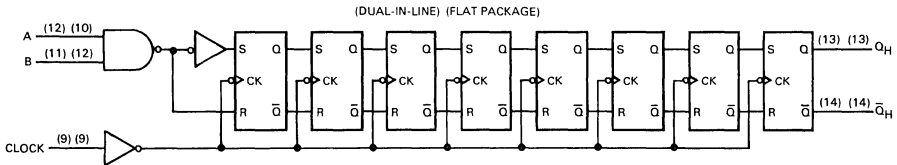
| INPUTS AT t_n | | OUTPUTS AT t_{n+8} | |
|--------------------|---|-------------------------|-------------|
| A | B | Q_H | \bar{Q}_H |
| H | H | H | L |
| L | X | L | H |
| X | L | L | H |

H = HIGH, L = LOW
 X = Irrelevant
 t_n = Reference bit time
 t_{n+8} = Bit time after 8
 LOW to High Clock
 transition



J Suffix — Case 632-07 (Ceramic)
 N Suffix — Case 646-05 (Plastic)

FUNCTIONAL BLOCK DIAGRAM



GUARANTEED OPERATING RANGES

| SYMBOL | PARAMETER | | MIN | TYP | MAX | UNIT |
|--------|-------------------------------------|--------|------|-----|------|------|
| VCC | Supply Voltage | 54 | 4.5 | 5.0 | 5.5 | V |
| | | 74 | 4.75 | 5.0 | 5.25 | |
| TA | Operating Ambient Temperature Range | 54 | -55 | 25 | 125 | °C |
| | | 74 | 0 | 25 | 70 | |
| IOH | Output Current — High | 54, 74 | | | -0.4 | mA |
| IOL | Output Current — Low | 54 | | | 4.0 | mA |
| | | 74 | | | 8.0 | |

DC CHARACTERISTICS OVER OPERATING TEMPERATURE RANGE (unless otherwise specified)

| SYMBOL | PARAMETER | LIMITS | | | UNITS | TEST CONDITIONS |
|-----------------|---------------------------|--------|-------|------|-------|---|
| | | MIN | TYP | MAX | | |
| V _{IH} | Input HIGH Voltage | 2.0 | | | V | Guaranteed Input HIGH Voltage for All Inputs |
| V _{IL} | Input LOW Voltage | 54 | | 0.7 | V | Guaranteed Input LOW Voltage for All Inputs |
| | | 74 | | 0.8 | | |
| V _{IK} | Input Clamp Diode Voltage | | -0.65 | -1.5 | V | V _{CC} = MIN, I _{IN} = -18 mA |
| V _{OH} | Output HIGH Voltage | 54 | 2.5 | 3.5 | V | V _{CC} = MIN, I _{OH} = MAX, V _{IN} = V _{IH} or V _{IL} per Truth Table |
| | | 74 | 2.7 | 3.5 | V | |
| V _{OL} | Output LOW Voltage | 54,74 | 0.25 | 0.4 | V | I _{OL} = 4.0 mA V _{CC} = V _{CC} MIN, V _{IN} = V _{IL} or V _{IH} per Truth Table |
| | | 74 | | 0.35 | 0.5 | |
| I _{IH} | Input HIGH Current | | | 20 | μA | V _{CC} = MAX, V _{IN} = 2.7 V |
| | | | | 0.1 | mA | V _{CC} = MAX, V _{IN} = 7.0 V |
| I _{IL} | Input LOW Current | | | -0.4 | mA | V _{CC} = MAX, V _{IN} = 0.4 V |
| I _{OS} | Short Circuit Current | -20 | | -100 | mA | V _{CC} = MAX |
| I _{CC} | Power Supply Current | | | 20 | mA | V _{CC} = MAX |

AC CHARACTERISTICS: T_A = 25°C, V_{CC} = 5.0 V

| SYMBOL | PARAMETER | LIMITS | | | UNITS | TEST CONDITIONS |
|------------------|-------------------------------|--------|-----|-----|-------|---|
| | | MIN | TYP | MAX | | |
| f _{MAX} | Maximum Clock Frequency | 10 | 18 | | MHz | V _{CC} = 5.0 V C _L = 15 pF |
| t _{PLH} | Propagation Delay LOW to HIGH | | 24 | 40 | ns | |
| t _{PHL} | Propagation Delay HIGH to LOW | | 27 | 40 | ns | |

AC SETUP REQUIREMENTS: T_A = 25°C, V_{CC} = 5.0 V

| SYMBOL | PARAMETER | LIMITS | | | UNITS | TEST CONDITIONS |
|----------------|-----------------------|--------|-----|-----|-------|-------------------------|
| | | MIN | TYP | MAX | | |
| t _W | Clock Pulse Width Low | 25 | | | ns | V _{CC} = 5.0 V |
| t _s | Setup Time | 25 | | | ns | |
| t _h | Hold Time | 0 | | | ns | |





SN54LS95B SN74LS95B

DESCRIPTION — The SN54LS/74LS95B is a 4-Bit Shift Register with serial and parallel synchronous operating modes. The serial shift right and parallel load are activated by separate clock inputs which are selected by a mode control input. The data is transferred from the serial or parallel D inputs to the Q outputs synchronous with the HIGH to LOW transition of the appropriate clock input.

The LS95B is fabricated with the Schottky barrier diode process for high speed and is completely compatible with all Motorola TTL families.

4-BIT SHIFT REGISTER

LOW POWER SCHOTTKY

- SYNCHRONOUS, EXPANDABLE SHIFT RIGHT
- SYNCHRONOUS SHIFT LEFT CAPABILITY
- SYNCHRONOUS PARALLEL LOAD
- SEPARATE SHIFT AND LOAD CLOCK INPUTS
- INPUT CLAMP DIODES LIMIT HIGH SPEED TERMINATION EFFECTS

PIN NAMES

| | |
|---------------------------------|--|
| S | Mode Control Input |
| D _S | Serial Data Input |
| P ₀ — P ₃ | Parallel Data Inputs |
| CP ₁ | Serial Clock (Active LOW Going Edge) Input |
| CP ₂ | Parallel Clock (Active LOW Going Edge) Input |
| Q ₀ — Q ₃ | Parallel Outputs (Note b) |

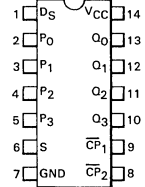
LOADING (Note a)

| | HIGH | LOW |
|---------------------------------|----------|------------|
| S | 0.5 U.L. | 0.25 U.L. |
| D _S | 0.5 U.L. | 0.25 U.L. |
| P ₀ — P ₃ | 0.5 U.L. | 0.25 U.L. |
| CP ₁ | 0.5 U.L. | 0.25 U.L. |
| CP ₂ | 0.5 U.L. | 0.25 U.L. |
| Q ₀ — Q ₃ | 10 U.L. | 5(2.5)U.L. |

NOTES:

- a. 1 TTL Unit Load (U.L.) = 40 μA HIGH/1.6 mA LOW.
- b. The Output LOW drive factor is 2.5 U.L. for Military (54) and 5 U.L. for Commercial (74) Temperature Ranges.

CONNECTION DIAGRAM DIP (TOP VIEW)

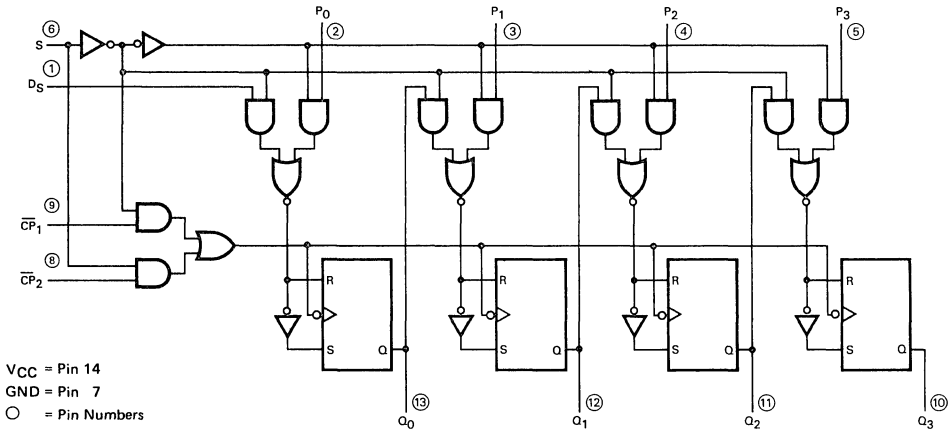


V_{CC} = Pin 14
GND = Pin 7

J Suffix — Case 632-07 (Ceramic)
N Suffix — Case 646-05 (Plastic)

NOTE:
The Flatpak version has the same pinouts (Connection Diagram) as the Dual In-Line Package.

LOGIC DIAGRAM



V_{CC} = Pin 14

GND = Pin 7

○ = Pin Numbers

FUNCTIONAL DESCRIPTION — The LS95B is a 4-Bit Shift Register with serial and parallel synchronous operating modes. It has a Serial (D_S) and four Parallel ($P_0 - P_3$) Data inputs and four Parallel Data outputs ($Q_0 - Q_3$). The serial or parallel mode of operation is controlled by a Mode Control input (S) and two Clock Inputs (\overline{CP}_1) and (\overline{CP}_2). The serial (right-shift) or parallel data transfers occur synchronous with the HIGH to LOW transition of the selected clock input.

When the Mode Control input (S) is HIGH, \overline{CP}_2 is enabled. A HIGH to LOW transition on enabled \overline{CP}_2 transfers parallel data from the $P_0 - P_3$ inputs to the $Q_0 - Q_3$ outputs.

When the Mode Control input (S) is LOW, \overline{CP}_1 is enabled. A HIGH to LOW transition on enabled \overline{CP}_1 transfers the data from Serial input (D_S) to Q_0 and shifts the data in Q_0 to Q_1 , Q_1 to Q_2 , and Q_2 to Q_3 respectively (right-shift). A left-shift is accomplished by externally connecting Q_3 to P_2 , Q_2 to P_1 , and Q_1 to P_0 , and operating the LS95B in the parallel mode (S = HIGH).

For normal operation, S should only change states when both Clock inputs are LOW. However, changing S from LOW to HIGH while \overline{CP}_2 is HIGH, or changing S from HIGH to LOW while \overline{CP}_1 is HIGH and \overline{CP}_2 is LOW will not cause any changes on the register outputs.

MODE SELECT — TRUTH TABLE

| OPERATING MODE | INPUTS | | | | | OUTPUTS | | | |
|----------------|-----------------------|-----------------------|-----------------------|-------|-------|--------------|-------|-------|-------|
| | S | \overline{CP}_1 | \overline{CP}_2 | D_S | P_n | Q_0 | Q_1 | Q_2 | Q_3 |
| Shift | L | $\overline{\text{L}}$ | X | l | X | L | q_0 | q_1 | q_2 |
| | L | $\overline{\text{L}}$ | X | h | X | H | q_0 | q_1 | q_2 |
| Parallel Load | H | X | $\overline{\text{L}}$ | X | p_n | p_0 | p_1 | p_2 | p_3 |
| Mode Change | $\overline{\text{L}}$ | L | L | X | X | No Change | | | |
| | $\overline{\text{H}}$ | L | L | X | X | No Change | | | |
| | $\overline{\text{L}}$ | H | L | X | X | No Change | | | |
| | $\overline{\text{H}}$ | H | L | X | X | Undetermined | | | |
| | $\overline{\text{L}}$ | L | H | X | X | Undetermined | | | |
| | $\overline{\text{H}}$ | L | H | X | X | No Change | | | |
| | $\overline{\text{L}}$ | H | H | X | X | Undetermined | | | |
| | $\overline{\text{H}}$ | H | H | X | X | No Change | | | |

- L = LOW Voltage Level
- H = HIGH Voltage Level
- X = Don't Care
- l = LOW Voltage Level one set-up time prior to the HIGH to LOW clock transition.
- h = HIGH Voltage Level one set-up time prior to the HIGH to LOW clock transition.
- p_n = Lower case letters indicate the state of the referenced input (or output) one set-up time prior to the HIGH to LOW clock transition.



GUARANTEED OPERATING RANGES

| SYMBOL | PARAMETER | | MIN | TYP | MAX | UNIT |
|-----------------|-------------------------------------|----------|-------------|------------|-------------|------|
| V _{CC} | Supply Voltage | 54 74 | 4.5 4.75 | 5.0 5.0 | 5.5 5.25 | V |
| T _A | Operating Ambient Temperature Range | 54 74 | -55 0 | 25 25 | 125 70 | °C |
| I _{OH} | Output Current — High | 54, 74 | | | -0.4 | mA |
| I _{OL} | Output Current — Low | 54 74 | | | 4.0 8.0 | mA |

DC CHARACTERISTICS OVER OPERATING TEMPERATURE RANGE (unless otherwise specified)

| SYMBOL | PARAMETER | | LIMITS | | | UNITS | TEST CONDITIONS |
|-----------------|---------------------------|--------|--------|-------|------|-------|---|
| | | | MIN | TYP | MAX | | |
| V _{IH} | Input HIGH Voltage | | 2.0 | | | V | Guaranteed Input HIGH Voltage for All Inputs |
| V _{IL} | Input LOW Voltage | 54 | | | 0.7 | V | Guaranteed Input LOW Voltage for All Inputs |
| | | 74 | | | 0.8 | | |
| V _{IK} | Input Clamp Diode Voltage | | | -0.65 | -1.5 | V | V _{CC} = MIN, I _{IN} = -18 mA |
| V _{OH} | Output HIGH Voltage | 54 | 2.5 | 3.5 | | V | V _{CC} = MIN, I _{OH} = MAX, V _{IN} = V _{IH} or V _{IL} per Truth Table |
| | | 74 | 2.7 | 3.5 | | V | |
| V _{OL} | Output LOW Voltage | 54, 74 | | 0.25 | 0.4 | V | I _{OL} = 4.0 mA I _{OL} = 8.0 mA V _{CC} = V _{CC} MIN, V _{IN} = V _{IL} or V _{IH} per Truth Table |
| | | 74 | | 0.35 | 0.5 | V | |
| I _{IH} | Input HIGH Current | | | | 20 | μA | V _{CC} = MAX, V _{IN} = 2.7 V |
| | | | | | 0.1 | mA | V _{CC} = MAX, V _{IN} = 7.0 V |
| I _{IL} | Input LOW Current | | | | -0.4 | mA | V _{CC} = MAX, V _{IN} = 0.4 V |
| I _{OS} | Short Circuit Current | | -20 | | -100 | mA | V _{CC} = MAX |
| I _{CC} | Power Supply Current | | | | 21 | mA | V _{CC} = MAX |

AC CHARACTERISTICS: $T_A = 25^\circ\text{C}$, $V_{CC} = 5.0\text{ V}$

| SYMBOL | PARAMETER | LIMITS | | | UNITS | TEST CONDITIONS |
|-----------|---------------------------|--------|-----|-----|-------|---|
| | | MIN | TYP | MAX | | |
| f_{MAX} | Maximum Clock Frequency | 25 | 36 | | MHz | $V_{CC} = 5.0\text{ V}$ $C_L = 15\text{ pF}$ |
| t_{PLH} | \overline{CP} to Output | | 18 | 27 | ns | |
| t_{PHL} | | | 21 | 32 | ns | |

AC SETUP REQUIREMENTS: $T_A = 25^\circ\text{C}$, $V_{CC} = 5.0\text{ V}$

| SYMBOL | PARAMETER | LIMITS | | | UNITS | TEST CONDITIONS |
|--------|-----------------------------|--------|-----|-----|-------|-------------------------|
| | | MIN | TYP | MAX | | |
| t_W | \overline{CP} Pulse Width | 20 | | | ns | $V_{CC} = 5.0\text{ V}$ |
| t_s | Data Setup Time | 20 | | | ns | |
| t_h | Data Hold Time | 20 | | | ns | |
| t_s | Mode Control Setup Time | 20 | | | ns | |
| t_h | Mode Control Hold Time | 20 | | | ns | |

DESCRIPTIONS OF TERMS:

SETUP TIME (t_s) — is defined as the minimum time required for the correct logic level to be present at the logic input prior to the clock transition from HIGH to LOW in order to be recognized and transferred to the outputs.

HOLD TIME (t_h) — is defined as the minimum time following the clock transition from HIGH to LOW that the logic level must be maintained at the input in order to ensure continued recognition. A negative HOLD TIME indicates that the correct logic level may be released prior to the clock transition from HIGH to LOW and still be recognized.

AC WAVEFORMS

The shaded areas indicate when the input is permitted to change for predictable output performance.

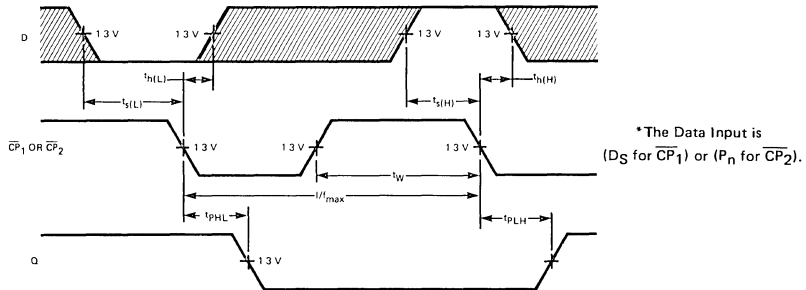


Fig. 1

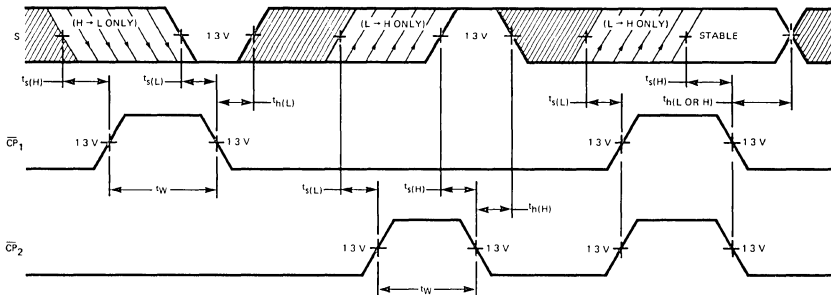


Fig. 2





SN54LS107A SN74LS107A

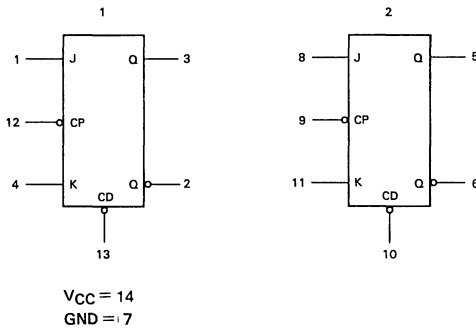
DESCRIPTION — The SN54LS/74LS107A is a Dual JK Flip-Flop with individual J, K, Direct Clear and Clock Pulse inputs. Output changes are initiated by the HIGH-to-LOW transition of the clock. A LOW signal on CD input overrides the other inputs and makes the Q output LOW.

The SN54LS/74LS107A is the same as the SN54LS/74LS73A but has corner power pins.

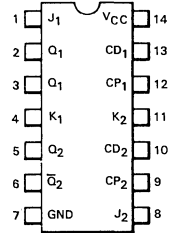
DUAL JK FLIP-FLOP

LOW POWER SCHOTTKY

LOGIC SYMBOL



CONNECTION DIAGRAM DIP (TOP VIEW)



J Suffix — Case 632-07 (Ceramic)
N Suffix — Case 646-05 (Plastic)

NOTE:
The Flatpak version has the same pinouts (Connection Diagram) as the Dual In-Line Package.

5

GUARANTEED OPERATING RANGES

| SYMBOL | PARAMETER | | MIN | TYP | MAX | UNIT |
|-----------------|-------------------------------------|--------|------|-----|------|------|
| V _{CC} | Supply Voltage | 54 | 4.5 | 5.0 | 5.5 | V |
| | | 74 | 4.75 | 5.0 | 5.25 | |
| T _A | Operating Ambient Temperature Range | 54 | -55 | 25 | 125 | °C |
| | | 74 | 0 | 25 | 70 | |
| I _{OH} | Output Current — High | 54, 74 | | | -0.4 | mA |
| I _{OL} | Output Current — Low | 54 | | | 4.0 | mA |
| | | 74 | | | 8.0 | |

DC CHARACTERISTICS OVER OPERATING TEMPERATURE RANGE (unless otherwise specified)

| SYMBOL | PARAMETER | LIMITS | | | UNITS | TEST CONDITIONS | |
|----------|---------------------------|-------------------------|-------|------|-------------------|---|---|
| | | MIN | TYP | MAX | | | |
| V_{IH} | Input HIGH Voltage | 2.0 | | | V | Guaranteed Input HIGH Voltage for All Inputs | |
| V_{IL} | Input LOW Voltage | 54 | | 0.7 | V | Guaranteed Input LOW Voltage for All Inputs | |
| | | 74 | | 0.8 | | | |
| V_{IK} | Input Clamp Diode Voltage | | -0.65 | -1.5 | V | $V_{CC} = \text{MIN}$, $I_{IN} = -18 \text{ mA}$ | |
| V_{OH} | Output HIGH Voltage | 54 | 2.5 | 3.5 | V | $V_{CC} = \text{MIN}$, $I_{OH} = \text{MAX}$, $V_{IN} = V_{IH}$ or V_{IL} per Truth Table | |
| | | 74 | 2.7 | 3.5 | V | | |
| V_{OL} | Output LOW Voltage | 54,74 | | 0.25 | 0.4 | V | $I_{OL} = 4.0 \text{ mA}$ $I_{OL} = 8.0 \text{ mA}$ $V_{CC} = V_{CC} \text{ MIN}$, $V_{IN} = V_{IL}$ or V_{IH} per Truth Table |
| | | 74 | | 0.35 | 0.5 | V | |
| I_{IH} | Input HIGH Current | J, K Clear Clock | | | 20 60 80 | μA | $V_{CC} = \text{MAX}$, $V_{IN} = 2.7 \text{ V}$ |
| | | | | | 0.1 0.3 0.4 | mA | |
| | | | | | | | |
| I_{IL} | Input LOW Current | J, K Clear and Clock | | | -0.4 -0.8 | mA | $V_{CC} = \text{MAX}$, $V_{IN} = 0.4 \text{ V}$ |
| I_{OS} | Short Circuit Current | | -20 | | -100 | mA | $V_{CC} = \text{MAX}$ |
| I_{CC} | Power Supply Current | | | | 6.0 | mA | $V_{CC} = \text{MAX}$ |

AC CHARACTERISTICS: $T_A = 25^\circ\text{C}$, $V_{CC} = 5.0 \text{ V}$

| SYMBOL | PARAMETER | LIMITS | | | UNITS | TEST CONDITIONS |
|-----------|---------------------------------------|--------|-----|-----|-------|---|
| | | MIN | TYP | MAX | | |
| f_{MAX} | Maximum Clock Frequency | 30 | 45 | | MHz | $V_{CC} = 5.0 \text{ V}$ $C_L = 15 \text{ pF}$ |
| t_{PLH} | Propagation Delay, Clock to Output | | 15 | 20 | ns | |
| t_{PHL} | | | 15 | 20 | ns | |

AC SETUP REQUIREMENTS: $T_A = 25^\circ\text{C}$, $V_{CC} = 5.0 \text{ V}$

| SYMBOL | PARAMETER | LIMITS | | | UNITS | TEST CONDITIONS |
|--------|-------------------|--------|-----|-----|-------|--------------------------|
| | | MIN | TYP | MAX | | |
| t_W | Clock Pulse Width | 20 | | | ns | $V_{CC} = 5.0 \text{ V}$ |
| t_W | Clear Pulse Width | 25 | | | ns | |
| t_s | Setup Time | 20 | | | ns | |
| t_h | Hold Time | 0 | | | ns | |

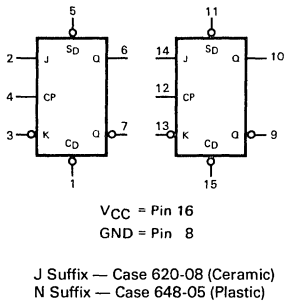


SN54LS109A SN74LS109A

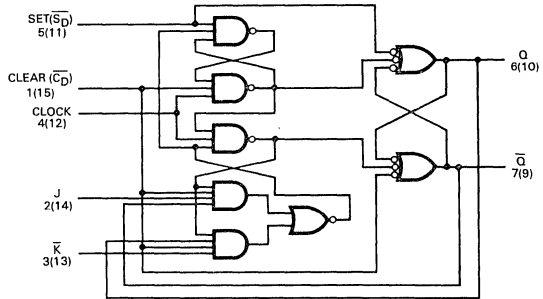
DESCRIPTION — The SN54LS/74LS109A consists of two high speed completely independent transition clocked JK flip-flops. The clocking operation is independent of rise and fall times of the clock waveform. The JK design allows operation as a D flip-flop by simply connecting the J and \bar{K} pins together.

**DUAL JK POSITIVE
EDGE-TRIGGERED FLIP-FLOP
LOW POWER SCHOTTKY**

LOGIC SYMBOL



LOGIC DIAGRAM



DC CHARACTERISTICS OVER OPERATING TEMPERATURE RANGE (unless otherwise specified)

| SYMBOL | PARAMETER | LIMITS | | | UNITS | TEST CONDITIONS |
|-----------------|--|--------|-------|--------------|---------|--|
| | | MIN | TYP | MAX | | |
| V _{IH} | Input HIGH Voltage | 2.0 | | | V | Guaranteed Input HIGH Voltage for All Inputs |
| V _{IL} | Input LOW Voltage | 54 | | 0.7 | V | Guaranteed Input LOW Voltage for All Inputs |
| | | 74 | | 0.8 | | |
| V _{IK} | Input Clamp Diode Voltage | | -0.65 | -1.5 | V | V _{CC} = MIN, I _{IN} = -18 mA |
| V _{OH} | Output HIGH Voltage | 54 | 2.5 | 3.5 | V | V _{CC} = MIN, I _{OH} = MAX, V _{IN} = V _{IH} or V _{IL} per Truth Table |
| | | 74 | 2.7 | 3.5 | V | |
| V _{OL} | Output LOW Voltage | 54,74 | 0.25 | 0.4 | V | I _{OL} = 4.0 mA V _{CC} = V _{CC} MIN, V _{IN} = V _{IL} or V _{IH} per Truth Table |
| | | 74 | 0.35 | 0.5 | V | |
| I _{IH} | Input HIGH Current J, \bar{K} , Clock Set, Clear | | | 20 40 | μ A | V _{CC} = MAX, V _{IN} = 2.7 V |
| | J, \bar{K} , Clock Set, Clear | | | 0.1 0.2 | mA | V _{CC} = MAX, V _{IN} = 7.0 V |
| I _{IL} | Input LOW Current J, \bar{K} , Clock Set, Clear | | | -0.4 -0.8 | mA | V _{CC} = MAX, V _{IN} = 0.4 V |
| I _{OS} | Output Short Circuit Current | -20 | | -100 | mA | V _{CC} = MAX |
| I _{CC} | Power Supply Current | | | 8.0 | mA | V _{CC} = MAX |

MODE SELECT – TRUTH TABLE

| OPERATING MODE | INPUTS | | | | OUTPUTS | |
|------------------|------------------|------------------|---|----------------|----------------|----------------|
| | \overline{S}_D | \overline{C}_D | J | \overline{K} | Q | \overline{Q} |
| Set | L | H | X | X | H | L |
| Reset (Clear) | H | L | X | X | L | H |
| *Undetermined | L | L | X | X | H | H |
| Load "1" (Set) | H | H | h | h | H | L |
| Hold | H | H | l | h | q | \overline{q} |
| Toggle | H | H | h | l | \overline{q} | q |
| Load "0" (Reset) | H | H | l | l | L | H |

*Both outputs will be HIGH while both \overline{S}_D and \overline{C}_D are LOW, but the output states are unpredictable if \overline{S}_D and \overline{C}_D go HIGH simultaneously.

H,h = HIGH Voltage Level

L,l = LOW Voltage Level

X = Don't Care

I, h (q) = Lower case letters indicate the state of the referenced input (or output) one set-up time prior to the LOW to HIGH clock transition.

GUARANTEED OPERATING RANGES

| SYMBOL | PARAMETER | | MIN | TYP | MAX | UNIT |
|-----------------|-------------------------------------|----------|-------------|------------|-------------|------|
| V _{CC} | Supply Voltage | 54 74 | 4.5 4.75 | 5.0 5.0 | 5.5 5.25 | V |
| T _A | Operating Ambient Temperature Range | 54 74 | -55 0 | 25 25 | 125 70 | °C |
| I _{OH} | Output Current — High | 54, 74 | | | -0.4 | mA |
| I _{OL} | Output Current — Low | 54 74 | | | 4.0 8.0 | mA |



AC CHARACTERISTICS: T_A = 25°C, V_{CC} = 5.0 V

| SYMBOL | PARAMETER | LIMITS | | | UNITS | TEST CONDITIONS |
|------------------|-----------------------------|--------|-----|-----|-------|---|
| | | MIN | TYP | MAX | | |
| f _{MAX} | Maximum Clock Frequency | 25 | 33 | | MHz | V _{CC} = 5.0 V C _L = 15 pF |
| t _{PLH} | Clock, Clear, Set to Output | | 13 | 25 | ns | |
| t _{PHL} | | | 25 | 40 | ns | |

AC SETUP REQUIREMENTS: T_A = 25°C, V_{CC} = 5.0 V

| SYMBOL | PARAMETER | LIMITS | | | UNITS | TEST CONDITIONS |
|----------------|-----------------------------------|--------|-----|-----|-------|-------------------------|
| | | MIN | TYP | MAX | | |
| t _W | Clock High Clear, Set Pulse Width | 25 | | | ns | V _{CC} = 5.0 V |
| t _s | Data Setup Time — HIGH LOW | 35 | | | ns | |
| | | 25 | | | ns | |
| t _h | Hold Time | 5.0 | | | ns | |

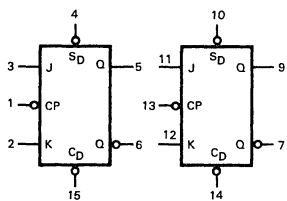


SN54LS112A SN74LS112A

DESCRIPTION — The SN54LS/74LS112A dual JK flip-flop features individual J, K, clock, and asynchronous set and clear inputs to each flip-flop. When the clock goes HIGH, the inputs are enabled and data will be accepted. The logic level of the J and K inputs may be allowed to change when the clock pulse is HIGH and the bistable will perform according to the truth table as long as minimum set-up and hold time are observed. Input data is transferred to the outputs on the negative-going edge of the clock pulse.

**DUAL JK NEGATIVE
EDGE-TRIGGERED FLIP-FLOP**
LOW POWER SCHOTTKY

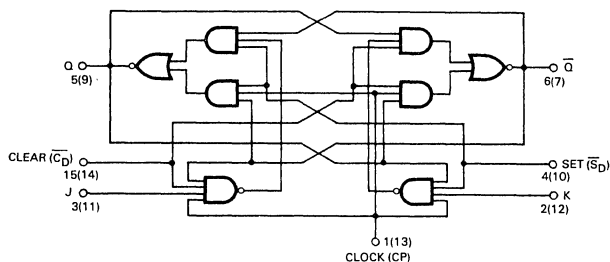
LOGIC SYMBOL



V_{CC} = Pin 16
GND = Pin 8

J Suffix — Case 620-08 (Ceramic)
N Suffix — Case 648-05 (Plastic)

**LOGIC DIAGRAM
(EACH FLIP-FLOP)**



DC CHARACTERISTICS OVER OPERATING TEMPERATURE RANGE (unless otherwise specified)

| SYMBOL | PARAMETER | LIMITS | | | UNITS | TEST CONDITIONS |
|------------------|---------------------------|-----------------------------|-------|--------------|-------|--|
| | | MIN | TYP | MAX | | |
| V _{IH} | Input HIGH Voltage | 2.0 | | | V | Guaranteed Input HIGH Voltage for All Inputs |
| V _{IL} | Input LOW Voltage | 54 | | 0.7 | V | Guaranteed Input LOW Voltage for All Inputs |
| | | 74 | | 0.8 | | |
| V _{IK} | Input Clamp Diode Voltage | | -0.65 | -1.5 | V | V _{CC} = MIN, I _{IN} = -18 mA |
| V _{OH} | Output HIGH Voltage | 54 | 2.5 | 3.5 | V | V _{CC} = MIN, I _{OH} = MAX, V _{IN} = V _{IH} or V _{IL} per Truth Table |
| | | 74 | 2.7 | 3.5 | V | |
| V _{OL} | Output LOW Voltage | 54,74 | 0.25 | 0.4 | V | V _{CC} = V _{CC} MIN, V _{IN} = V _{IL} or V _{IH} per Truth Table |
| | | 74 | 0.35 | 0.5 | V | |
| I _{IH} | Input HIGH Current | J, K Set, Clear Clock | | 20 | μA | V _{CC} = MAX, V _{IN} = 2.7 V |
| | | | | 60 | | |
| | | | | 80 | | |
| I _{IL} | Input LOW Current | J, K Set, Clear Clock | | 0.1 | mA | V _{CC} = MAX, V _{IN} = 7.0 V |
| | | | | 0.3 | | |
| | | | | 0.4 | | |
| I _{IOS} | Short Circuit Current | J, K Clear, Set, Clk | | -0.4 -0.8 | mA | V _{CC} = MAX, V _{IN} = 0.4 V |
| I _{CC} | Power Supply Current | | -20 | -100 | mA | V _{CC} = MAX |

MODE SELECT – TRUTH TABLE

| OPERATING MODE | INPUTS | | | | OUTPUTS | |
|------------------|------------------|------------------|---|---|----------------|----------------|
| | \overline{S}_D | \overline{C}_D | J | K | Q | \overline{Q} |
| Set | L | H | X | X | H | L |
| Reset (Clear) | H | L | X | X | L | H |
| *Undetermined | L | L | X | X | H | H |
| Toggle | H | H | h | h | \overline{q} | q |
| Load "0" (Reset) | H | H | l | h | L | H |
| Load "1" (Set) | H | H | h | l | H | L |
| Hold | H | H | l | l | q | \overline{q} |

*Both outputs will be HIGH while both \overline{S}_D and \overline{C}_D are LOW, but the output states are unpredictable if \overline{S}_D and \overline{C}_D go HIGH simultaneously.

H,h = HIGH Voltage Level
 L,l = LOW Voltage Level
 X = Don't Care

I, h (q) = Lower case letters indicate the state of the referenced input (or output) one set-up time prior to the HIGH to LOW clock transition.

GUARANTEED OPERATING RANGES

| SYMBOL | PARAMETER | | MIN | TYP | MAX | UNIT |
|-----------------|-------------------------------------|--------|------|-----|------|------|
| V _{CC} | Supply Voltage | 54 | 4.5 | 5.0 | 5.5 | V |
| | | 74 | 4.75 | 5.0 | 5.25 | |
| T _A | Operating Ambient Temperature Range | 54 | -55 | 25 | 125 | °C |
| | | 74 | 0 | 25 | 70 | |
| I _{OH} | Output Current — High | 54, 74 | | | -0.4 | mA |
| I _{OL} | Output Current — Low | 54 | | | 4.0 | mA |
| | | 74 | | | 8.0 | |



AC CHARACTERISTICS: T_A = 25°C, V_{CC} = 5.0 V

| SYMBOL | PARAMETER | LIMITS | | | UNITS | TEST CONDITIONS |
|------------------|--------------------------|--------|-----|-----|-------|---|
| | | MIN | TYP | MAX | | |
| f _{MAX} | Maximum Clock Frequency | 30 | 45 | | MHz | V _{CC} = 5.0 V C _L = 15 pF |
| t _{PLH} | Propagation Delay, Clock | | 15 | 20 | ns | |
| t _{PHL} | Clear, Set to Output | | 15 | 20 | ns | |

AC SETUP REQUIREMENTS: T_A = 25°C, V_{CC} = 5.0 V

| SYMBOL | PARAMETER | LIMITS | | | UNITS | TEST CONDITIONS |
|----------------|------------------------|--------|-----|-----|-------|-------------------------|
| | | MIN | TYP | MAX | | |
| t _W | Clock Pulse Width High | 20 | | | ns | V _{CC} = 5.0 V |
| t _W | Clear, Set Pulse Width | 25 | | | ns | |
| t _s | Setup Time | 20 | | | ns | |
| t _h | Hold Time | 0 | | | ns | |

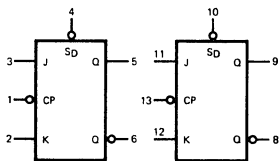


SN54LS113A SN74LS113A

DESCRIPTION — The SN54LS/74LS113A offers individual J, K, set, and clock inputs. These monolithic dual flip-flops are designed so that when the clock goes HIGH, the inputs are enabled and data will be accepted. The logic level of the J and K inputs may be allowed to change when the clock pulse is HIGH and the bistable will perform according to the truth table as long as minimum setup times are observed. Input data is transferred to the outputs on the negative-going edge of the clock pulse.

**DUAL JK NEGATIVE
EDGE-TRIGGERED FLIP-FLOP**
LOW POWER SCHOTTKY

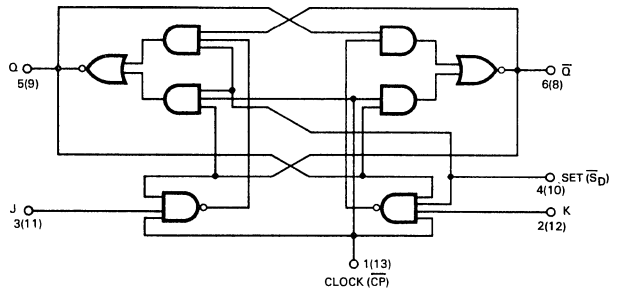
LOGIC SYMBOL



V_{CC} = Pin 14
GND = Pin 7

J Suffix — Case 632-07 (Ceramic)
N Suffix — Case 646-05 (Plastic)

**LOGIC DIAGRAM
(EACH FLIP-FLOP)**



DC CHARACTERISTICS OVER OPERATING TEMPERATURE RANGE (unless otherwise specified)

| SYMBOL | PARAMETER | LIMITS | | | UNITS | TEST CONDITIONS |
|----------|---------------------------|----------------------|-------|-------------------|---------------|--|
| | | MIN | TYP | MAX | | |
| V_{IH} | Input HIGH Voltage | 2.0 | | | V | Guaranteed Input HIGH Voltage for All Inputs |
| V_{IL} | Input LOW Voltage | 54 | | 0.7 | V | Guaranteed Input LOW Voltage for All Inputs |
| | | 74 | | 0.8 | | |
| V_{IK} | Input Clamp Diode Voltage | | -0.65 | -1.5 | V | $V_{CC} = \text{MIN}$, $I_{IN} = -18 \text{ mA}$ |
| V_{OH} | Output HIGH Voltage | 54 | 2.5 | 3.5 | V | $V_{CC} = \text{MIN}$, $I_{OH} = \text{MAX}$, $V_{IN} = V_{IH}$ or V_{IL} per Truth Table |
| | | 74 | 2.7 | 3.5 | V | |
| V_{OL} | Output LOW Voltage | 54,74 | 0.25 | 0.4 | V | $I_{OL} = 4.0 \text{ mA}$ $I_{OL} = 8.0 \text{ mA}$ $V_{CC} = V_{CC \text{ MIN}}$, $V_{IN} = V_{IL}$ or V_{IH} per Truth Table |
| | | 74 | 0.35 | 0.5 | V | |
| I_{IH} | Input HIGH Current | J, K Set Clock | | 20 60 80 | μA | $V_{CC} = \text{MAX}$, $V_{IN} = 2.7 \text{ V}$ |
| | | J, K Set Clock | | 0.1 0.3 0.4 | mA | $V_{CC} = \text{MAX}$, $V_{IN} = 7.0 \text{ V}$ |
| I_{IL} | Input LOW Current | J, K Set, Clock | | -0.4 -0.8 | mA | $V_{CC} = \text{MAX}$, $V_{IN} = 0.4 \text{ V}$ |
| I_{OS} | Short Circuit Current | | -20 | -100 | mA | $V_{CC} = \text{MAX}$ |
| I_{CC} | Power Supply Current | | | 6.0 | mA | $V_{CC} = \text{MAX}$ |

MODE SELECT – TRUTH TABLE

| OPERATING MODE | INPUTS | | | OUTPUTS | |
|------------------|-------------|---|---|-----------|-----------|
| | \bar{S}_D | J | K | Q | \bar{Q} |
| Set | L | X | X | H | L |
| Toggle | H | h | h | \bar{q} | q |
| Load "0" (Reset) | H | l | h | L | H |
| Load "1" (Set) | H | h | l | H | L |
| Hold | H | l | l | q | \bar{q} |

H,h = HIGH Voltage Level

L,l = LOW Voltage Level

X = Don't Care

l, h (q) = Lower case letters indicate the state of the referenced input (or output) one set-up time prior to the HIGH to LOW clock transition.

GUARANTEED OPERATING RANGES

| SYMBOL | PARAMETER | | MIN | TYP | MAX | UNIT |
|-----------------|-------------------------------------|--------|------|-----|------|------|
| V _{CC} | Supply Voltage | 54 | 4.5 | 5.0 | 5.5 | V |
| | | 74 | 4.75 | 5.0 | 5.25 | |
| T _A | Operating Ambient Temperature Range | 54 | -55 | 25 | 125 | °C |
| | | 74 | 0 | 25 | 70 | |
| I _{OH} | Output Current — High | 54, 74 | | | -0.4 | mA |
| I _{OL} | Output Current — Low | 54 | | | 4.0 | mA |
| | | 74 | | | 8.0 | |

5

AC CHARACTERISTICS: T_A = 25°C, V_{CC} = 5.0 V

| SYMBOL | PARAMETER | LIMITS | | | UNITS | TEST CONDITIONS |
|------------------|--------------------------|--------|-----|-----|-------|---|
| | | MIN | TYP | MAX | | |
| f _{MAX} | Maximum Clock Frequency | 30 | 45 | | MHz | V _{CC} = 5.0 V C _L = 15 pF |
| t _{PLH} | Propagation Delay, Clock | | 15 | 20 | ns | |
| t _{PHL} | Set to Output | | 15 | 20 | ns | |

AC SETUP REQUIREMENTS: T_A = 25°C, V_{CC} = 5.0 V

| SYMBOL | PARAMETER | LIMITS | | | UNITS | TEST CONDITIONS |
|----------------|------------------------|--------|-----|-----|-------|-------------------------|
| | | MIN | TYP | MAX | | |
| t _W | Clock Pulse Width High | 20 | | | ns | V _{CC} = 5.0 V |
| t _W | Set Pulse Width | 25 | | | ns | |
| t _s | Setup Time | 20 | | | ns | |
| t _h | Hold Time | 0 | | | ns | |

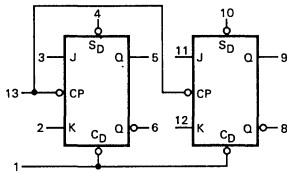


SN54LS114A SN74LS114A

DESCRIPTION — The SN54LS/74LS114A offers common clock and common clear inputs and individual J, K, and set inputs. These monolithic dual flip-flops are designed so that when the clock goes HIGH, the inputs are enabled and data will be accepted. The logic level of the J and K inputs may be allowed to change when the clock pulse is HIGH and the bistable will perform according to the truth table as long as minimum set-up times are observed. Input data is transferred to the outputs on the negative-going edge of the clock pulse.

**DUAL JK NEGATIVE
EDGE-TRIGGERED FLIP-FLOP
LOW POWER SCHOTTKY**

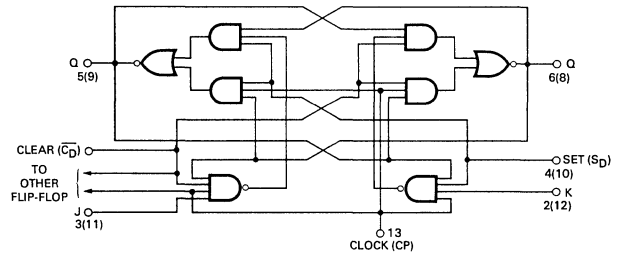
LOGIC SYMBOL



V_{CC} = Pin 14
GND = Pin 7

J Suffix — Case 632-07 (Ceramic)
N Suffix — Case 646-05 (Plastic)

**LOGIC DIAGRAM
(EACH FLIP-FLOP)**



DC CHARACTERISTICS OVER OPERATING TEMPERATURE RANGE (unless otherwise specified)

| SYMBOL | PARAMETER | LIMITS | | | UNITS | TEST CONDITIONS |
|-----------------|------------------------------|-------------------------------|-------|----------------------|-------|--|
| | | MIN | TYP | MAX | | |
| V _{IH} | Input HIGH Voltage | 2.0 | | | V | Guaranteed Input HIGH Voltage for All Inputs |
| V _{IL} | Input LOW Voltage | 54 | | 0.7 | V | Guaranteed Input LOW Voltage for All Inputs |
| | | 74 | | 0.8 | | |
| V _{IK} | Input Clamp Diode Voltage | | -0.65 | -1.5 | V | V _{CC} = MIN, I _{IN} = -18 mA |
| V _{OH} | Output HIGH Voltage | 54 | 2.5 | 3.5 | V | V _{CC} = MIN, I _{OH} = MAX, V _{IN} = V _{IH} or V _{IL} per Truth Table |
| | | 74 | 2.7 | 3.5 | V | |
| V _{OL} | Output LOW Voltage | 54,74 | 0.25 | 0.4 | V | I _{OL} = 4.0 mA V _{CC} = V _{CC} MIN, V _{IN} = V _{IL} or V _{IH} per Truth Table |
| | | 74 | 0.35 | 0.5 | V | |
| I _{IH} | Input HIGH Current | J, K Set Clear Clock | | 20 | μA | V _{CC} = MAX, V _{IN} = 2.7 V |
| | | | | 60 | | |
| | | | | 120 | | |
| | | | | 160 | | |
| I _{IL} | Input LOW Current | J, K Set Clear Clock | | 0.1 | mA | V _{CC} = MAX, V _{IN} = 7.0 V |
| | | | | 0.3 | | |
| | | | | 0.6 | | |
| | | | | 0.8 | | |
| I _{IL} | Input LOW Current | J, K Set Clear, Clock | | -0.4 -0.8 -1.6 | mA | V _{CC} = MAX, V _{IN} = 0.4 V |
| I _{OS} | Output Short Circuit Current | | -20 | -100 | mA | V _{CC} = MAX |
| I _{CC} | Power Supply Current | | | 6.0 | mA | V _{CC} = MAX |

MODE SELECT – TRUTH TABLE

| OPERATING MODE | INPUTS | | | | OUTPUTS | |
|------------------|-------------|-------------|---|---|-----------|-----------|
| | \bar{S}_D | \bar{C}_D | J | K | Q | \bar{Q} |
| Set | L | H | X | X | H | L |
| Reset (Clear) | H | L | X | X | L | H |
| *Undetermined | L | L | X | X | H | H |
| Toggle | H | H | h | h | \bar{q} | q |
| Load "0" (Reset) | H | H | l | h | L | H |
| Load "1" (Set) | H | H | h | l | H | L |
| Hold | H | H | l | l | q | \bar{q} |

*Both outputs will be HIGH while both \bar{S}_D and \bar{C}_D are LOW, but the output states are unpredictable if \bar{S}_D and \bar{C}_D go HIGH simultaneously.

H,h = HIGH Voltage Level

L,l = LOW Voltage Level

X = Don't Care

l, h (q) = Lower case letters indicate the state of the referenced input (or output) one set-up time prior to the HIGH to LOW clock transition.

GUARANTEED OPERATING RANGES

| SYMBOL | PARAMETER | | MIN | TYP | MAX | UNIT |
|-----------------|-------------------------------------|--------|------|-----|------|------|
| V _{CC} | Supply Voltage | 54 | 4.5 | 5.0 | 5.5 | V |
| | | 74 | 4.75 | 5.0 | 5.25 | |
| T _A | Operating Ambient Temperature Range | 54 | -55 | 25 | 125 | °C |
| | | 74 | 0 | 25 | 70 | |
| I _{OH} | Output Current — High | 54, 74 | | | -0.4 | mA |
| I _{OL} | Output Current — Low | 54 | | | 4.0 | mA |
| | | 74 | | | 8.0 | |

AC CHARACTERISTICS: T_A = 25°C, V_{CC} = 5.0 V

| SYMBOL | PARAMETER | LIMITS | | | UNITS | TEST CONDITIONS |
|------------------|---------------------------|--------|-----|-----|-------|---|
| | | MIN | TYP | MAX | | |
| f _{MAX} | Maximum Clock Frequency | 30 | 45 | | MHz | V _{CC} = 5.0 V C _L = 15 pF |
| t _{pLH} | Propagation Delay, Clock, | | 15 | 20 | ns | |
| t _{pHL} | Clear, Set to Output | | 15 | 20 | ns | |

AC SETUP REQUIREMENTS: T_A = 25°C, V_{CC} = 5.0 V

| SYMBOL | PARAMETER | LIMITS | | | UNITS | TEST CONDITIONS |
|----------------|------------------------|--------|-----|-----|-------|-------------------------|
| | | MIN | TYP | MAX | | |
| t _W | Clock Pulse Width High | 20 | | | ns | V _{CC} = 5.0 V |
| t _W | Clear, Set Pulse Width | 25 | | | ns | |
| t _s | Setup Time | 20 | | | ns | |
| t _h | Hold Time | 0 | | | ns | |





SN54LS/74LS122 SN54LS/74LS123

DESCRIPTION — These d-c triggered multivibrators feature pulse width control by three methods. The basic pulse width is programmed by selection of external resistance and capacitance values. The LS122 has an internal timing resistor that allows the circuits to be used with only an external capacitor. Once triggered, the basic pulse width may be extended by retriggering the gated low-level-active (A) or high-level-active (B) inputs, or be reduced by use of the overriding clear.

The LS122 and LS123 have Schmitt trigger inputs to ensure jitter-free triggering from the B input with transition rates as slow as 0.1 millivolt per nanosecond.

RETRIGGERABLE MONOSTABLE MULTIVIBRATORS LOW POWER SCHOTTKY

- OVERRIDING CLEAR TERMINATES OUTPUT PULSE
- COMPENSATED FOR V_{CC} AND TEMPERATURE VARIATIONS
- D-C TRIGGERED FROM ACTIVE-HIGH OR ACTIVE-LOW GATED LOGIC INPUTS
- RETRIGGERABLE FOR VERY LONG OUTPUT PULSES, UP TO 100% DUTY CYCLE
- INTERNAL TIMING RESISTORS ON LS122

LS122
FUNCTIONAL TABLE

| CLEAR | INPUTS | | | | OUTPUTS | |
|-------|--------|----|----|----|---------|-----------|
| | A1 | A2 | B1 | B2 | Q | \bar{Q} |
| L | X | X | X | X | L | H |
| X | H | H | X | X | L | H |
| X | X | X | L | X | L | H |
| X | X | X | X | L | L | H |
| H | L | X | ↑ | H | ↔ | ↔ |
| H | L | X | H | ↑ | ↔ | ↔ |
| H | X | L | ↑ | H | ↔ | ↔ |
| H | X | L | H | ↑ | ↔ | ↔ |
| H | H | ↓ | H | H | ↔ | ↔ |
| H | H | ↓ | H | H | ↔ | ↔ |
| H | ↓ | H | H | H | ↔ | ↔ |
| ↑ | L | X | H | H | ↔ | ↔ |
| ↑ | X | L | H | H | ↔ | ↔ |

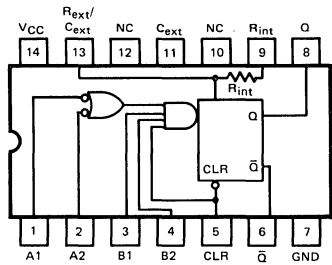
LS123
FUNCTIONAL TABLE

| CLEAR | INPUTS | | | OUTPUTS | |
|-------|--------|---|---|---------|-----------|
| | A | B | | Q | \bar{Q} |
| L | X | X | X | L | H |
| X | H | X | X | L | H |
| X | X | L | L | L | H |
| H | L | ↑ | | ↔ | ↔ |
| H | ↓ | H | | ↔ | ↔ |
| ↑ | L | H | | ↔ | ↔ |

NOTES:

1. An external timing capacitor may be connected between C_{ext} and R_{ext}/C_{ext} (positive).
2. To use the internal timing resistor of the LS122, connect R_{int} to V_{CC} .
3. For improved pulse width accuracy connect an external resistor between R_{ext}/C_{ext} and V_{CC} with R_{int} open-circuited.
4. To obtain variable pulse widths, connect an external variable resistance between R_{int}/C_{ext} and V_{CC} .

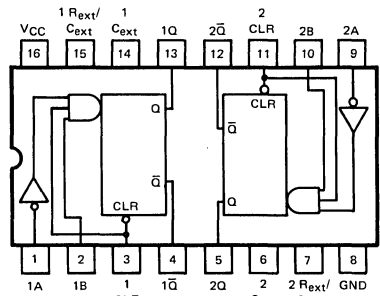
SN54LS/74LS122
(TOP VIEW) (SEE NOTES 1 THRU 4)



J Suffix — Case 632-07 (Ceramic)
N Suffix — Case 646-05 (Plastic)

NC — NO internal connection

SN54LS/74LS123
(TOP VIEW) (SEE NOTES 1 THRU 4)



J Suffix — Case 620-08 (Ceramic)
N Suffix — Case 648-05 (Plastic)

TYPICAL APPLICATION DATA

The output pulse t_W is a function of the external components, C_{ext} and R_{ext} or C_{ext} and R_{int} on the LS122. For values of $C_{ext} \geq 1000$ pF, the output pulse at $V_{CC} = 5.0$ V and $V_{RC} = 5.0$ V (see Figures 1, 2, and 3) is given by

$$t_W = K R_{ext} C_{ext} \text{ where } K \text{ is nominally } 0.45$$

If C_{ext} is in pF and R_{ext} is in k Ω then t_W is in nanoseconds.

The C_{ext} terminal of the LS122 and LS123 is an internal connection to ground, however for the best system performance C_{ext} should be hard-wired to ground.

Care should be taken to keep R_{ext} and C_{ext} as close to the monostable as possible with a minimum amount of inductance between the R_{ext}/C_{ext} junction and the R_{ext}/C_{ext} pin. Good groundplane and adequate bypassing should be designed into the system for optimum performance to insure that no false triggering occurs.

It should be noted that the C_{ext} pin is internally connected to ground on the LS122 and LS123, but not on the LS221. Therefore, if C_{ext} is hard-wired externally to ground, substitution of a LS221 onto a LS123 socket will cause the LS221 to become non-functional.

The switching diode is not needed for electrolytic capacitance application and should not be used on the LS122 and LS123.

To find the value of K for $C_{ext} \geq 1000$ pF, refer to Figure 4. Variations on V_{CC} or V_{RC} can cause the value of K to change, as can the temperature of the LS123, LS122. Figures 5 and 6 show the behaviour of the circuit shown in Figures 1 and 2 if separate power supplies are used for V_{CC} and V_{RC} . If V_{CC} is tied to V_{RC} , Figure 7 shows how K will vary with V_{CC} and temperature. Remember, the changes in R_{ext} and C_{ext} with temperature are not calculated and included in the graph.

As long as $C_{ext} \geq 1000$ pF and $5K \leq R_{ext} \leq 260$ K (SN74LS122/123) or $5K \leq R_{ext} \leq 160$ K (SN54LS122/123), the change in K with respect to R_{ext} is negligible.

If $C_{ext} \leq 1000$ pF the graph shown on Figure 8 can be used to determine the output pulse width. Figure 9 shows how K will change for $C_{ext} \leq 1000$ pF if V_{CC} and V_{RC} are connected to the same power supply. The pulse width t_W in nanoseconds is approximated by

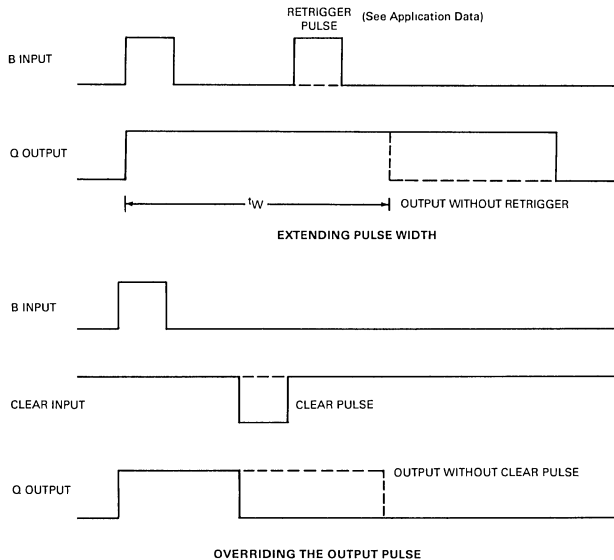
$$t_W = 6 + 0.05 C_{ext} \text{ (pF)} + 0.45 R_{ext} \text{ (k}\Omega\text{)} C_{ext} + 11.6 R_{ext}$$

In order to trim the output pulse width, it is necessary to include a variable resistor between V_{CC} and the R_{ext}/C_{ext} pin or between V_{CC} and the R_{ext} pin of the LS122. Figure 10, 11, and 12 show how this can be done. R_{ext} remote should be kept as close to the monostable as possible.

Retriggering of the part, as shown in Figure 3, must not occur before C_{ext} is discharged or the retrigger pulse will not have any effect. The discharge time of C_{ext} in nanoseconds is guaranteed to be less than $0.22 C_{ext}$ (pF) and is typically $0.05 C_{ext}$ (pF).

For the smallest possible deviation in output pulse widths from various devices, it is suggested that C_{ext} be kept ≥ 1000 pF.

WAVEFORMS



GUARANTEED OPERATING RANGES

| SYMBOL | PARAMETER | | MIN | TYP | MAX | UNIT |
|------------------------------------|---|----------|----------------|------------|-------------|------|
| V _{CC} | Supply Voltage | 54 74 | 4.5 4.75 | 5.0 5.0 | 5.5 5.25 | V |
| T _A | Operating Ambient Temperature Range | 54 74 | -55 0 | 25 25 | 125 70 | °C |
| I _{OH} | Output Current — High | 54,74 | | | -0.4 | mA |
| I _{OL} | Output Current — Low | 54 74 | | | 4.0 8.0 | mA |
| R _{ext} | External Timing Resistance | 54 74 | 5.0 5.0 | | 180 260 | kΩ |
| C _{ext} | External Capacitance | 54,74 | No Restriction | | | |
| R _{ext} /C _{ext} | Wiring Capacitance at R _{ext} /C _{ext} Terminal | 54,74 | | | 50 | pF |

DC CHARACTERISTICS OVER OPERATING TEMPERATURE RANGE (unless otherwise specified)

| SYMBOL | PARAMETER | LIMITS | | | UNITS | TEST CONDITIONS | |
|-----------------|---------------------------|--------|-------|------|-------|--|---|
| | | MIN | TYP | MAX | | | |
| V _{IH} | Input HIGH Voltage | 2.0 | | | V | Guaranteed Input HIGH Voltage for All Inputs | |
| V _{IL} | Input LOW Voltage | 54 | | 0.7 | V | Guaranteed Input LOW Voltage for All Inputs | |
| | | 74 | | 0.8 | | | |
| V _{IK} | Input Clamp Diode Voltage | | -0.65 | -1.5 | V | V _{CC} = MIN, I _{IN} = -18 mA | |
| V _{OH} | Output HIGH Voltage | 54 | 2.5 | 3.5 | V | V _{CC} = MIN, I _{OH} = MAX, V _{IN} = V _{IH} or V _{IL} per Truth Table | |
| | | 74 | 2.7 | 3.5 | V | | |
| V _{OL} | Output LOW Voltage | 54,74 | | 0.25 | 0.4 | V | I _{OL} = 4.0 mA V _{CC} = V _{CC} MIN, V _{IN} = V _{IL} or V _{IH} per Truth Table |
| | | 74 | | 0.35 | 0.5 | V | |
| I _{IH} | Input HIGH Current | | | 20 | μA | V _{CC} = MAX, V _{IN} = 2.7 V | |
| | | | | 0.1 | mA | V _{CC} = MAX, V _{IN} = 7.0 V | |
| I _{IL} | Input LOW Current | | | -0.4 | mA | V _{CC} = MAX, V _{IN} = 0.4 V | |
| I _{OS} | Short Circuit Current | -20 | | -100 | mA | V _{CC} = MAX | |
| I _{CC} | Power Supply Current | LS122 | | 11 | mA | V _{CC} = MAX | |
| | | LS123 | | 20 | | | |

5

AC CHARACTERISTICS: T_A = 25°C, V_{CC} = 5.0 V

| SYMBOL | PARAMETER | LIMITS | | | UNITS | TEST CONDITIONS |
|--------------------|--------------------------------|--------|-----|-----|-------|--|
| | | MIN | TYP | MAX | | |
| t _{PLH} | Propagation Delay, A to Q | | 23 | 33 | ns | C _{ext} = 0 C _L = 15 pF R _{ext} = 5.0 kΩ R _L = 2.0 kΩ |
| t _{PHL} | Propagation Delay, A to Q̄ | | 32 | 45 | | |
| t _{PLH} | Propagation Delay, B to Q | | 23 | 44 | | |
| t _{PHL} | Propagation Delay, B to Q̄ | | 34 | 56 | | |
| t _{PLH} | Propagation Delay, Clear to Q̄ | | 28 | 45 | | |
| t _{PHL} | Propagation Delay, Clear to Q | | 20 | 27 | | |
| t _{W min} | A or B to Q | | 116 | 200 | ns | |
| t _{WQ} | A to B to Q | 4.0 | 4.5 | 5.0 | μs | C _{ext} = 1000 pF, R _{ext} = 10 kΩ, C _L = 15 pF, R _L = 2.0 kΩ |

AC SETUP REQUIREMENTS: T_A = 25°C, V_{CC} = 5.0 V

| SYMBOL | PARAMETER | LIMITS | | | UNITS |
|----------------|-------------|--------|-----|-----|-------|
| | | MIN | TYP | MAX | |
| t _W | Pulse Width | 40 | | | ns |

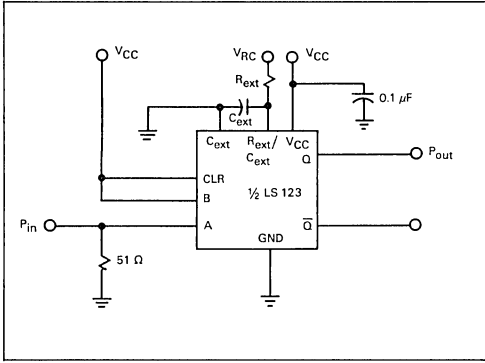


Fig. 1

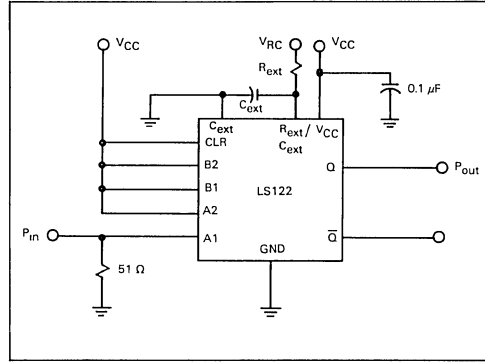


Fig. 2

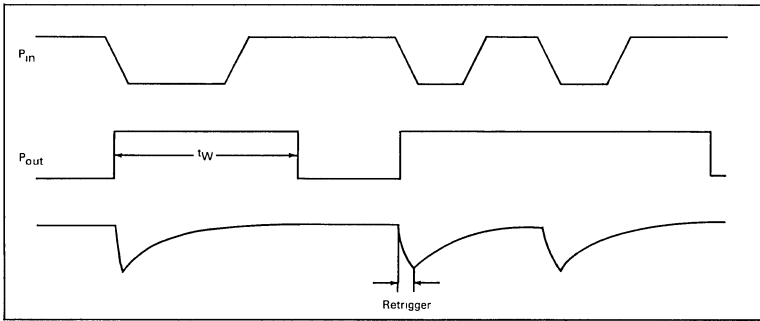


Fig. 3

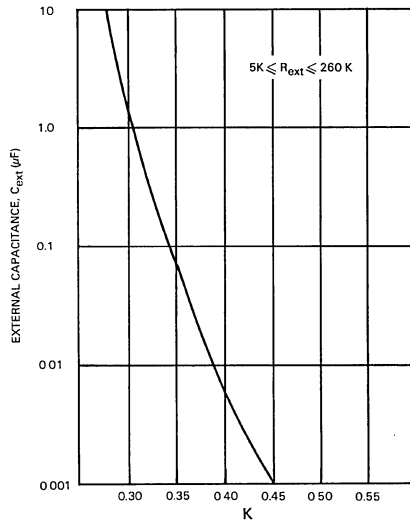


Fig. 4

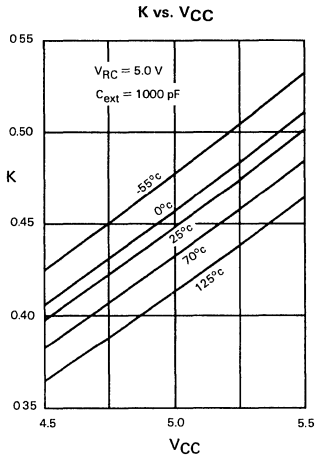


Fig. 5

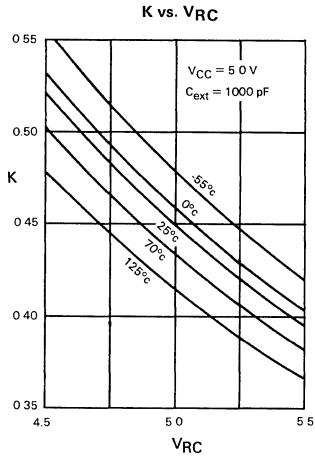


Fig. 6

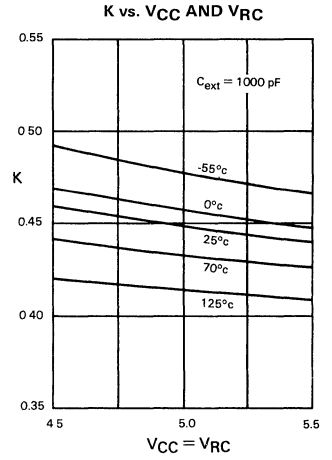


Fig. 7

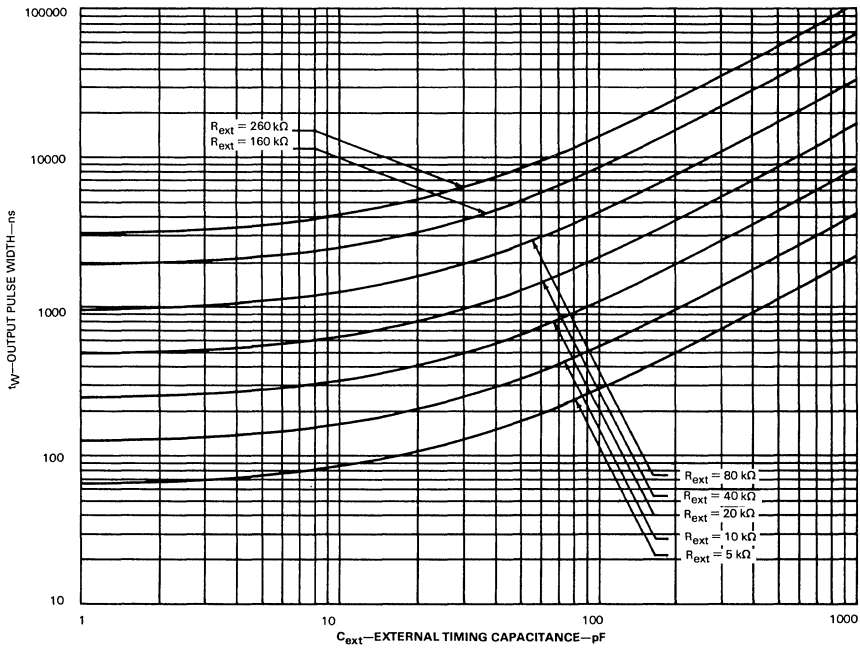


Fig. 8

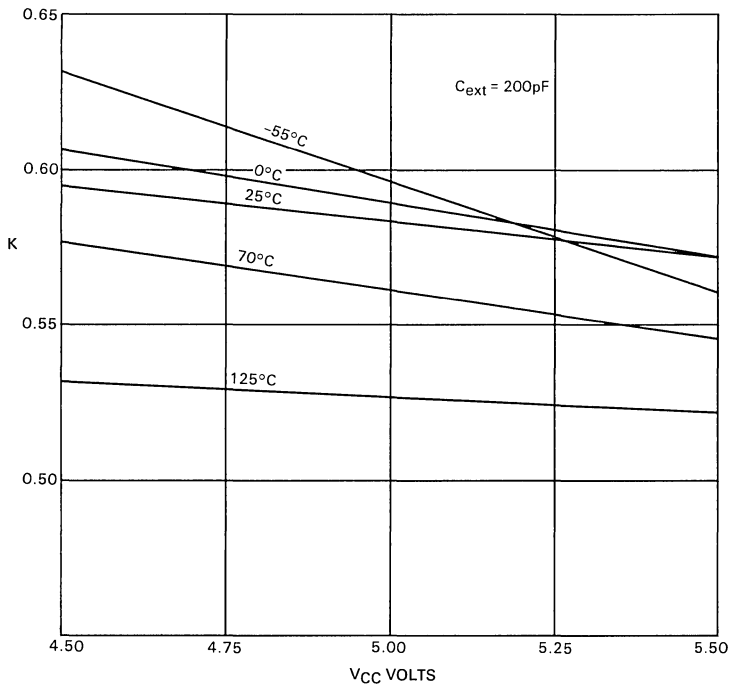


Fig. 9

5

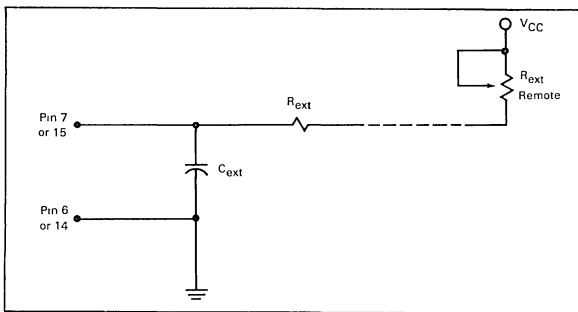


Fig. 10 — LS123 REMOTE TRIMMING CIRCUIT

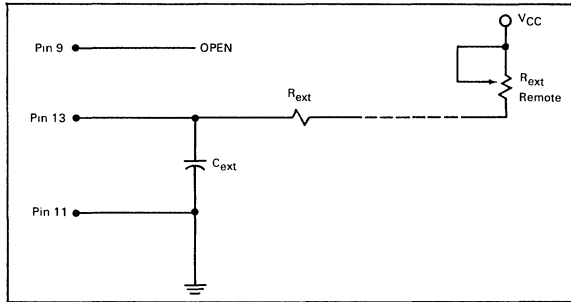


Fig. 11—LS122 REMOTE TRIMMING CIRCUIT WITHOUT R_{ext}

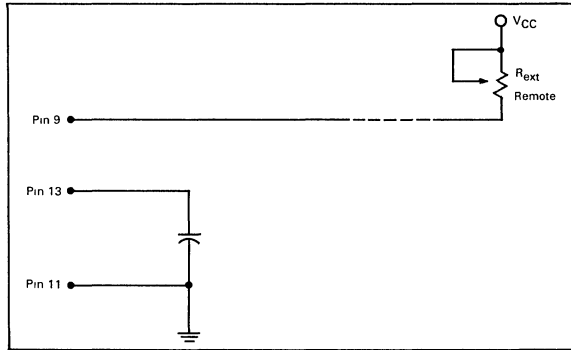


Fig. 12—LS122 REMOTE TRIMMING CIRCUIT WITH R_{int}



MOTOROLA

SN54LS/74LS125A
SN54LS/74LS126A

TRUTH TABLES

LS125A

| INPUTS | | OUTPUT |
|-----------|---|--------|
| \bar{E} | D | |
| L | L | L |
| L | H | H |
| H | X | (Z) |

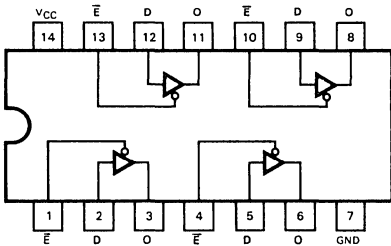
LS126A

| INPUTS | | OUTPUT |
|--------|---|--------|
| E | D | |
| H | L | L |
| H | H | H |
| L | X | (Z) |

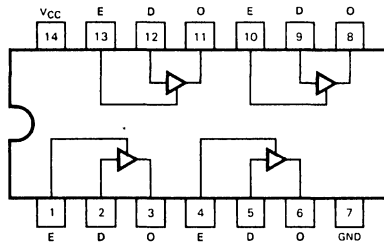
L = LOW Voltage Level
H = HIGH Voltage Level
X = Don't Care
(Z) = High Impedance (off)

QUAD 3-STATE BUFFERS
LOW POWER SCHOTTKY

J Suffix — Case 632-07 (Ceramic)
N Suffix — Case 646-05 (Plastic)



LS125A



LS126A

DC CHARACTERISTICS OVER OPERATING TEMPERATURE RANGE (unless otherwise specified)

| SYMBOL | PARAMETER | LIMITS | | | UNITS | TEST CONDITIONS |
|-----------|---------------------------|--------|-------|------|---------------|---|
| | | MIN | TYP | MAX | | |
| V_{IH} | Input HIGH Voltage | 2.0 | | | V | Guaranteed Input HIGH Voltage for All Inputs |
| V_{IL} | Input LOW Voltage | 54 | | 0.7 | V | Guaranteed Input LOW Voltage for All Inputs |
| | | 74 | | 0.8 | | |
| V_{IK} | Input Clamp Diode Voltage | | -0.65 | -1.5 | V | $V_{CC} = \text{MIN}$, $I_{IN} = -18 \text{ mA}$ |
| V_{OH} | Output HIGH Voltage | 54 | 2.4 | | V | $V_{CC} = \text{MIN}$, $I_{OH} = \text{MAX}$, $V_{IN} = V_{IH}$ or V_{IL} per Truth Table |
| | | 74 | 2.4 | | V | |
| V_{OL} | Output LOW Voltage | 54,74 | 0.25 | 0.4 | V | $I_{OL} = 12 \text{ mA}$ $I_{OL} = 24 \text{ mA}$ $V_{CC} = V_{CC} \text{ MIN}$, $V_{IN} = V_{IL}$ or V_{IH} per Truth Table |
| | | 74 | 0.35 | 0.5 | V | |
| I_{OZH} | Output Off Current HIGH | | | 20 | μA | $V_{CC} = \text{MAX}$, $V_{OUT} = 2.4 \text{ V}$ |
| I_{OZL} | Output Off Current LOW | | | -20 | μA | $V_{CC} = \text{MAX}$, $V_{OUT} = 0.4 \text{ V}$ |
| I_{IH} | Input HIGH Current | | | 20 | μA | $V_{CC} = \text{MAX}$, $V_{IN} = 2.7 \text{ V}$ |
| | | | | 0.1 | mA | $V_{CC} = \text{MAX}$, $V_{IN} = 7.0 \text{ V}$ |
| I_{IL} | Input LOW Current | | | -0.4 | mA | $V_{CC} = \text{MAX}$, $V_{IN} = 0.4 \text{ V}$ |
| I_{OS} | Short Circuit Current | -40 | | -225 | mA | $V_{CC} = \text{MAX}$ |
| I_{CC} | Power Supply Current | LS125A | | 20 | mA | $V_{CC} = \text{MAX}$, $V_{IN} = 0 \text{ V}$, $V_E = 4.5 \text{ V}$ $V_{IN} = 0 \text{ V}$, $V_E = 0 \text{ V}$ |
| | | LS126A | | 22 | | |

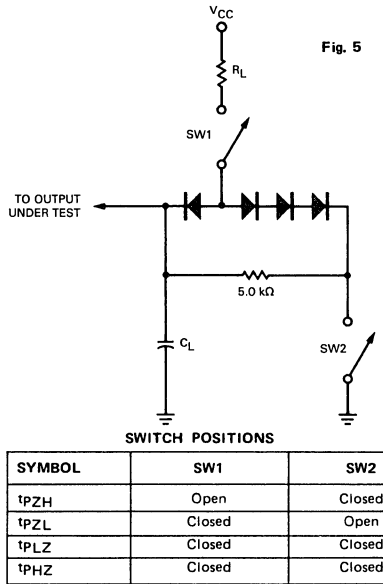
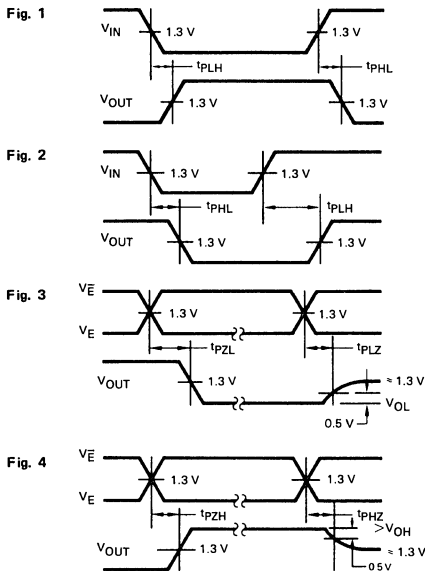
5

GUARANTEED OPERATING RANGES

| SYMBOL | PARAMETER | | MIN | TYP | MAX | UNIT |
|-----------------|-------------------------------------|----|------|-----|------|------|
| V _{CC} | Supply Voltage | 54 | 4.5 | 5.0 | 5.5 | V |
| | | 74 | 4.75 | 5.0 | 5.25 | |
| T _A | Operating Ambient Temperature Range | 54 | -55 | 25 | 125 | °C |
| | | 74 | 0 | 25 | 70 | |
| I _{OH} | Output Current — High | 54 | | | -1.0 | mA |
| 74 | | | | | -2.6 | |
| I _{OL} | Output Current — Low | 54 | | | 12 | mA |
| | | 74 | | | 24 | |

AC CHARACTERISTICS: T_A = 25°C

| SYMBOL | PARAMETER | LIMITS | | | UNITS | TEST CONDITIONS | |
|------------------|--|--------|-----|-----|-------|-----------------|--|
| | | MIN | TYP | MAX | | | |
| t _{PLH} | Propagation Delay, Data to Output | LS125A | 9.0 | 15 | ns | Fig. 2 | V _{CC} = 5.0 V C _L = 45 pF R _L = 667 Ω |
| t _{PLH} | | LS126A | 9.0 | 15 | | | |
| t _{PHL} | LS125A | 7.0 | 18 | | | | |
| t _{PHL} | LS126A | 8.0 | 18 | | | | |
| t _{PZH} | Output Enable Time to HIGH Level | LS125A | 12 | 20 | ns | Figs. 4, 5 | |
| | | LS126A | 16 | 25 | | | |
| t _{PZL} | Output Enable Time to LOW Level | LS125A | 15 | 25 | ns | Figs. 3, 5 | |
| | | LS126A | 21 | 35 | | | |
| t _{PHZ} | Output Disable Time from HIGH Level | LS125A | | 20 | ns | Figs. 4, 5 | V _{CC} = 5.0 V C _L = 5.0 pF R _L = 667 Ω |
| | | LS126A | | 25 | | | |
| t _{PLZ} | Output Disable Time from LOW Level | LS125A | | 20 | ns | Figs. 3, 5 | |
| | | LS126A | | 25 | | | |



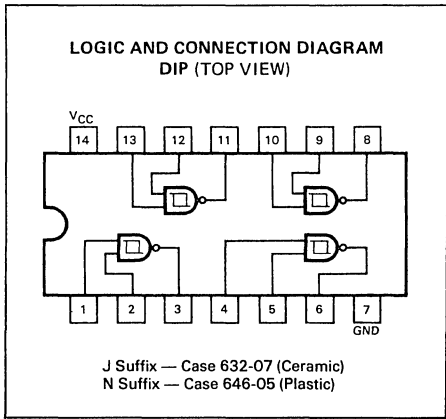


**SN54LS132
SN74LS132**

**QUAD 2-INPUT
SCHMITT TRIGGER NAND GATE
LOW POWER SCHOTTKY**

DESCRIPTION — The SN54LS/74LS132 contains four 2-Input NAND Gates which accept standard TTL input signals and provide standard TTL output levels. They are capable of transforming slowly changing input signals into sharply defined, jitter-free output signals. Additionally, they have greater noise margin than conventional NAND Gates.

Each circuit contains a 2-input Schmitt trigger followed by a Darlington level shifter and a phase splitter driving a TTL totem pole output. The Schmitt trigger uses positive feedback to effectively speed-up slow input transitions, and provide different input threshold voltages for positive and negative-going transitions. This hysteresis between the positive-going and negative-going input thresholds (typically 800 mV) is determined internally by resistor ratios and is essentially insensitive to temperature and supply voltage variations. As long as one input remains at a more positive voltage than V_{T+} (MAX), the gate will respond to the transitions of the other input as shown in Figure 1.



5

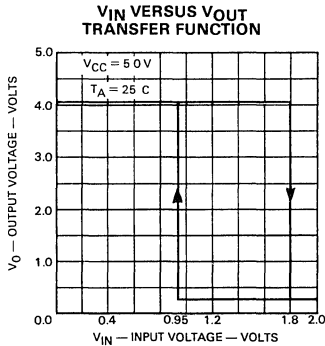


Fig. 1

GUARANTEED OPERATING RANGES

| SYMBOL | PARAMETER | | MIN | TYP | MAX | UNIT |
|-----------------|-------------------------------------|--------|------|-----|------|------|
| V _{CC} | Supply Voltage | 54 | 4.5 | 5.0 | 5.5 | V |
| | | 74 | 4.75 | 5.0 | 5.25 | |
| T _A | Operating Ambient Temperature Range | 54 | -55 | 25 | 125 | °C |
| | | 74 | 0 | 25 | 70 | |
| I _{OH} | Output Current — High | 54, 74 | | | -0.4 | mA |
| I _{OL} | Output Current — Low | 54 | | | 4.0 | mA |
| | | 74 | | | 8.0 | |

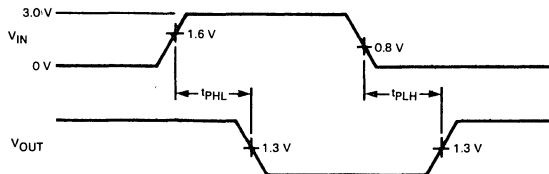
DC CHARACTERISTICS OVER OPERATING TEMPERATURE RANGE (unless otherwise specified)

| SYMBOL | PARAMETER | LIMITS | | | UNITS | TEST CONDITIONS |
|----------------------------------|---|--------|-------|------|-------|---|
| | | MIN | TYP | MAX | | |
| V _{T+} | Positive-Going Threshold Voltage | 1.5 | | 2.0 | V | V _{CC} = 5.0 V |
| V _{T-} | Negative-Going Threshold Voltage | 0.6 | | 1.1 | V | V _{CC} = 5.0 V |
| V _{T+} -V _{T-} | Hysteresis | 0.4 | 0.8 | | V | V _{CC} = 5.0 V |
| V _{IK} | Input Clamp Diode Voltage | | -0.65 | -1.5 | V | V _{CC} = MIN, I _{IN} = -18 mA |
| V _{OH} | Output HIGH Voltage | 54 | 2.5 | 3.4 | V | V _{CC} = MIN, I _{OH} = -400 μA, V _{IN} = V _{IL} |
| | | 74 | 2.7 | 3.4 | | |
| V _{OL} | Output LOW Voltage | 54, 74 | 0.25 | 0.4 | V | V _{CC} = MIN, I _{OL} = 4.0 mA, V _{IN} = 2.0 V |
| | | 74 | 0.35 | 0.5 | V | V _{CC} = MIN, I _{OL} = 8.0 mA, V _{IN} = 2.0 V |
| I _{T+} | Input Current at Positive-Going Threshold | | -0.14 | | mA | V _{CC} = 5.0 V, V _{IN} = V _{T+} |
| I _{T-} | Input Current at Negative-Going Threshold | | -0.18 | | mA | V _{CC} = 5.0 V, V _{IN} = V _{T-} |
| I _{IH} | Input HIGH Current | | | 20 | μA | V _{CC} = MAX, V _{IN} = 2.7 V |
| | | | | 0.1 | mA | V _{CC} = MAX, V _{IN} = 7.0 V |
| I _{IL} | Input LOW Current | | | -0.4 | mA | V _{CC} = MAX, V _{IN} = 0.4 V |
| I _{OS} | Output Short Circuit Current | -20 | | -100 | mA | V _{CC} = MAX, V _{OUT} = 0 V |
| I _{CC} | Power Supply Current Total, Output HIGH | | 5.9 | 11 | mA | V _{CC} = MAX, V _{IN} = 0 V |
| | | | 8.2 | 14 | mA | V _{CC} = MAX, V _{IN} = 4.5 V |

5

AC CHARACTERISTICS: T_A = 25°C

| SYMBOL | PARAMETER | LIMITS | | | UNITS | TEST CONDITIONS |
|------------------|---------------------------------|--------|-----|-----|-------|---|
| | | MIN | TYP | MAX | | |
| t _{PLH} | Turn Off Delay, Input to Output | | | 22 | ns | V _{CC} = 5.0 V C _L = 15 pF |
| t _{PHL} | Turn On Delay, Input to Output | | | 22 | ns | |



**THRESHOLD VOLTAGE AND HYSTERESIS
VERSUS
POWER SUPPLY VOLTAGE**

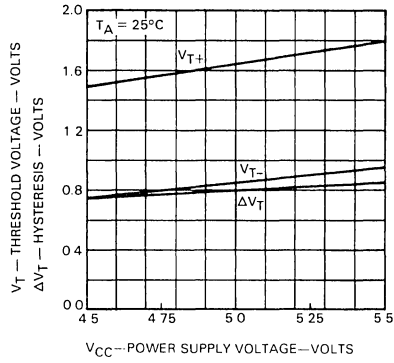


Fig. 2

**THRESHOLD VOLTAGE AND HYSTERESIS
VERSUS
TEMPERATURE**

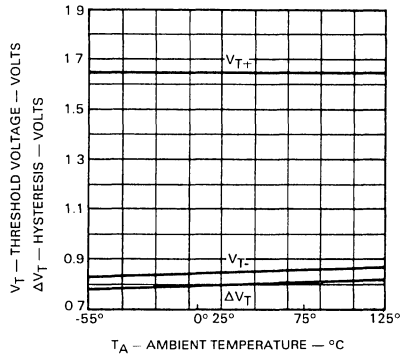
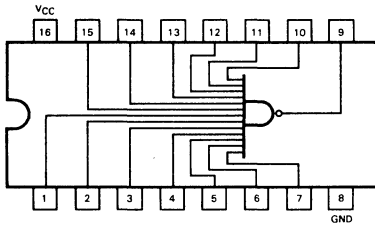


Fig. 3



**SN54LS133
SN74LS133**



**13-INPUT NAND GATE
LOW POWER SCHOTTKY**

J Suffix — Case 620-08 (Ceramic)
N Suffix — Case 648-05 (Plastic)

GUARANTEED OPERATING RANGES

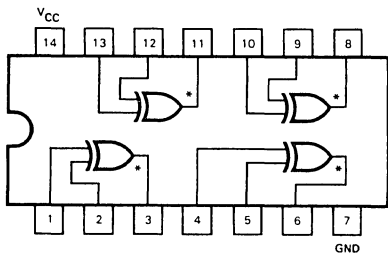
| SYMBOL | PARAMETER | | MIN | TYP | MAX | UNIT |
|-----------------|-------------------------------------|----------|-------------|------------|-------------|------|
| V _{CC} | Supply Voltage | 54 74 | 4.5 4.75 | 5.0 5.0 | 5.5 5.25 | V |
| T _A | Operating Ambient Temperature Range | 54 74 | -55 0 | 25 25 | 125 70 | °C |
| I _{OH} | Output Current — High | 54, 74 | | | -0.4 | mA |
| I _{OL} | Output Current — Low | 54 74 | | | 4.0 8.0 | mA |

DC CHARACTERISTICS OVER OPERATING TEMPERATURE RANGE (unless otherwise specified)

| SYMBOL | PARAMETER | LIMITS | | | UNITS | TEST CONDITIONS |
|-----------------|---|--------|-------|------|-------|---|
| | | MIN | TYP | MAX | | |
| V _{IH} | Input HIGH Voltage | 2.0 | | | V | Guaranteed Input HIGH Voltage for All Inputs |
| V _{IL} | Input LOW Voltage | 54 | | 0.7 | V | Guaranteed Input LOW Voltage for All Inputs |
| | | 74 | | 0.8 | | |
| V _{IK} | Input Clamp Diode Voltage | | -0.65 | -1.5 | V | V _{CC} = MIN, I _{IN} = -18 mA |
| V _{OH} | Output HIGH Voltage | 54 | 2.5 | 3.5 | V | V _{CC} = MIN, I _{OH} = MAX, V _{IN} = V _{IH} or V _{IL} per Truth Table |
| | | 74 | 2.7 | 3.5 | V | |
| V _{OL} | Output LOW Voltage | 54,74 | 0.25 | 0.4 | V | I _{OL} = 4.0 mA I _{OL} = 8.0 mA V _{CC} = V _{CC} MIN, V _{IN} = V _{IL} or V _{IH} per Truth Table |
| | | 74 | 0.35 | 0.5 | V | |
| I _{IH} | Input HIGH Current | | | 20 | μA | V _{CC} = MAX, V _{IN} = 2.7 V |
| | | | | 0.1 | mA | V _{CC} = MAX, V _{IN} = 7.0 V |
| I _{IL} | Input LOW Current | | | -0.4 | mA | V _{CC} = MAX, V _{IN} = 0.4 V |
| I _{OS} | Short Circuit Current | -20 | | -100 | mA | V _{CC} = MAX |
| I _{CC} | Power Supply Current Total, Output HIGH Total, Output LOW | | | 0.5 | mA | V _{CC} = MAX |
| | | | | 1.1 | | |

AC CHARACTERISTICS: T_A = 25°C

| SYMBOL | PARAMETER | LIMITS | | | UNITS | TEST CONDITIONS |
|------------------|---------------------------------|--------|-----|-----|-------|-------------------------|
| | | MIN | TYP | MAX | | |
| t _{PLH} | Turn Off Delay, Input to Output | | 10 | 15 | ns | V _{CC} = 5.0 V |
| t _{PHL} | Turn On Delay, Input to Output | | 40 | 59 | ns | C _L = 15 pF |



*OPEN COLLECTOR OUTPUTS

J Suffix — Case 632-07 (Ceramic)
N Suffix — Case 646-05 (Plastic)

SN74LS136

**QUAD 2-INPUT
EXCLUSIVE OR GATE**
LOW POWER SCHOTTKY

TRUTH TABLE

| IN | | OUT |
|----|---|-----|
| A | B | Z |
| L | L | L |
| L | H | H |
| H | L | H |
| H | H | L |

GUARANTEED OPERATING RANGES

| SYMBOL | PARAMETER | MIN | TYP | MAX | UNIT |
|-----------------|-------------------------------------|------|-----|------|------|
| V _{CC} | Supply Voltage | 4.75 | 5.0 | 5.25 | V |
| T _A | Operating Ambient Temperature Range | 0 | 25 | 70 | °C |
| V _{OH} | Output Voltage — High | | | 5.5 | V |
| I _{OL} | Output Current — Low | | | 8.0 | mA |

DC CHARACTERISTICS OVER OPERATING TEMPERATURE RANGE (unless otherwise specified)

| SYMBOL | PARAMETER | LIMITS | | | UNITS | TEST CONDITIONS |
|-----------------|---------------------------|--------|-------|------|-------|---|
| | | MIN | TYP | MAX | | |
| V _{IH} | Input HIGH Voltage | 2.0 | | | V | Guaranteed Input HIGH Voltage for All Inputs |
| V _{IL} | Input LOW Voltage | | | 0.8 | V | Guaranteed Input LOW Voltage for All Inputs |
| V _{IK} | Input Clamp Diode Voltage | | -0.65 | -1.5 | V | V _{CC} = MIN, I _{IN} = -18 mA |
| I _{OH} | Output HIGH Current | | | 100 | μA | V _{CC} = MIN, V _{OH} = MAX |
| V _{OL} | Output LOW Voltage | | 0.25 | 0.4 | V | I _{OL} = 4.0 mA |
| | | | 0.35 | 0.5 | V | I _{OL} = 8.0 mA |
| I _{IH} | Input HIGH Current | | | 40 | μA | V _{CC} = MAX, V _{IN} = 2.7 V |
| | | | | 0.2 | mA | V _{CC} = MAX, V _{IN} = 7.0 V |
| I _{IL} | Input LOW Current | | | -0.8 | mA | V _{CC} = MAX, V _{IN} = 0.4 V |
| I _{CC} | Power Supply Current | | | 10 | mA | V _{CC} = MAX |

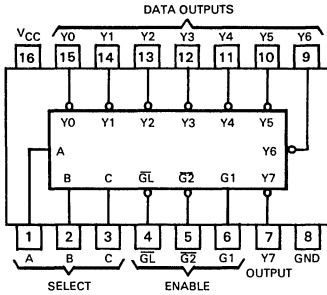
AC CHARACTERISTICS: T_A = 25°C

| SYMBOL | PARAMETER | LIMITS | | | UNITS | TEST CONDITIONS |
|------------------|--|--------|-----|-----|-------|--|
| | | MIN | TYP | MAX | | |
| t _{PLH} | Propagation Delay, Other Input LOW | | 18 | 30 | ns | V _{CC} = 5.0 V C _L = 15 pF, R _L = 2.0 kΩ |
| t _{PHL} | | | 18 | 30 | | |
| t _{PLH} | Propagation Delay, Other Input HIGH | | 18 | 30 | ns | |
| t _{PHL} | | | 18 | 30 | | |

5



SN54LS137 SN74LS137



3-LINE TO 8-LINE DECODERS/DEMULTIPLEXERS WITH ADDRESS LATCHES

LOW POWER SCHOTTKY

J Suffix — Case 620-08 (Ceramic)
N Suffix — Case 648-05 (Plastic)

GUARANTEED OPERATING RANGES

| SYMBOL | PARAMETER | | MIN | TYP | MAX | UNIT |
|-----------------|-------------------------------------|--------|------|-----|------|------|
| V _{CC} | Supply Voltage | 54 | 4.5 | 5.0 | 5.5 | V |
| | | 74 | 4.75 | 5.0 | 5.25 | |
| T _A | Operating Ambient Temperature Range | 54 | -55 | 25 | 125 | °C |
| | | 74 | 0 | 25 | 70 | |
| I _{OH} | Output Current — High | 54, 74 | | | -0.4 | mA |
| I _{OL} | Output Current — Low | 54 | | | 4.0 | mA |
| | | 74 | | | 8.0 | |

5

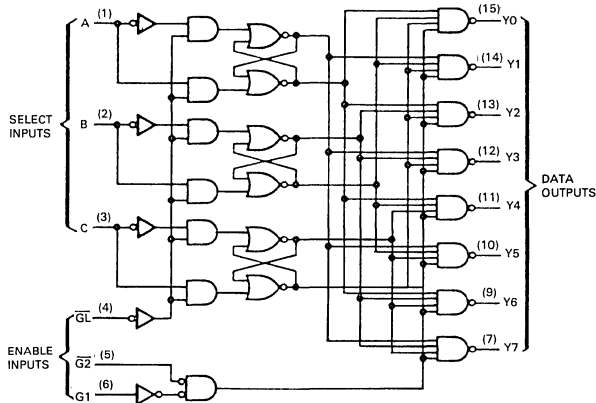
DC CHARACTERISTICS OVER OPERATING TEMPERATURE RANGE (unless otherwise specified)

| SYMBOL | PARAMETER | LIMITS | | | UNITS | TEST CONDITIONS |
|-----------------|---------------------------|--------|-------|------|-------|--|
| | | MIN | TYP | MAX | | |
| V _{IH} | Input HIGH Voltage | 2.0 | | | V | Guaranteed Input HIGH Voltage for All Inputs |
| V _{IL} | Input LOW Voltage | 54 | | 0.7 | V | Guaranteed Input LOW Voltage for All Inputs |
| | | 74 | | 0.8 | | |
| V _{IK} | Input Clamp Diode Voltage | | -0.65 | -1.5 | V | V _{CC} = MIN, I _{IN} = -18 mA |
| V _{OH} | Output HIGH Voltage | 54 | 2.5 | 3.5 | V | V _{CC} = MIN, I _{OH} = MAX, V _{IN} = V _{IH} or V _{IL} per Truth Table |
| | | 74 | 2.7 | 3.5 | V | |
| V _{OL} | Output LOW Voltage | 54, 74 | 0.25 | 0.4 | V | V _{CC} = V _{CC} MIN, V _{IN} = V _{IL} or V _{IH} per Truth Table |
| | | 74 | 0.35 | 0.5 | V | |
| I _{IH} | Input HIGH Current | | | 20 | μA | V _{CC} = MAX, V _{IN} = 2.7 V |
| | | | | 0.1 | mA | V _{CC} = MAX, V _{IN} = 7.0 V |
| I _{IL} | Input LOW Current | | | -0.4 | mA | V _{CC} = MAX, V _{IN} = 0.4 V |
| I _{OS} | Short Circuit Current | | -20 | -100 | mA | V _{CC} = MAX |
| I _{CC} | Power Supply Current | | | 18 | mA | V _{CC} = MAX |

FUNCTION TABLE

| INPUTS | | | | | | OUTPUTS | | | | | | | |
|-----------------|----|-----------------|--------|---|---|--|----|----|----|----|----|----|----|
| ENABLE | | | SELECT | | | | | | | | | | |
| \overline{GL} | G1 | $\overline{G2}$ | C | B | A | Y0 | Y1 | Y2 | Y3 | Y4 | Y5 | Y6 | Y7 |
| X | X | H | X | X | X | H | H | H | H | H | H | H | H |
| X | L | X | X | X | X | H | H | H | H | H | H | H | H |
| L | H | L | L | L | L | L | H | H | H | H | H | H | H |
| L | H | L | L | L | H | H | L | H | H | H | H | H | H |
| L | H | L | L | H | L | H | H | L | H | H | H | H | H |
| L | H | L | L | H | H | H | H | L | H | H | H | H | H |
| L | H | L | H | L | L | H | H | H | L | H | H | H | H |
| L | H | L | H | L | H | H | H | H | L | H | H | L | H |
| L | H | L | H | H | H | H | H | H | H | H | H | H | L |
| H | H | L | X | X | X | Output corresponding to stored address, L; all others, H | | | | | | | |

H = high level, L = low level, X = irrelevant



AC CHARACTERISTICS: $V_{CC} = 5.0 V, T_A = 25^\circ C$

| SYMBOL | PARAMETER | LEVELS OF DELAY | LIMITS | | | UNIT | TEST CONDITIONS |
|------------------|---|-----------------|--------|-----|-----|------|-----------------------------------|
| | | | MIN | TYP | MAX | | |
| t _{PLH} | Propagation Delay Time, A,B,C to Y | 2 | | 11 | 17 | ns | $V_{CC} = 5.0 V$ $C_L = 15 pF$ |
| t _{PHL} | | 4 | | 25 | 38 | | |
| t _{PLH} | Propagation Delay Time, A,B,C to Y | 3 | | 16 | 24 | ns | |
| t _{PHL} | | 3 | | 19 | 29 | | |
| t _{PLH} | Propagation Delay Time, Enable $\overline{G2}$ to Y | 2 | | 13 | 21 | ns | |
| t _{PHL} | | 2 | | 16 | 27 | | |
| t _{PLH} | Propagation Delay Time, Enable G1 to Y | 3 | | 14 | 21 | ns | |
| t _{PHL} | | 3 | | 18 | 27 | | |
| t _{PLH} | Propagation Delay Time, Enable \overline{GL} to Y | 3 | | 18 | 27 | ns | |
| t _{PHL} | | 4 | | 25 | 38 | | |

AC SETUP REQUIREMENTS: $T_A = 25^\circ C, V_{CC} = 5.0 V$

| SYMBOL | PARAMETER | LIMITS | | | UNITS | TEST CONDITIONS |
|----------------|---|--------|-----|-----|-------|------------------|
| | | MIN | TYP | MAX | | |
| t _w | Pulse Width — Enable at \overline{GL} | 15 | | | ns | $V_{CC} = 5.0 V$ |
| t _s | Setup Time, A,B,C | 10 | | | ns | |
| t _h | Hold Time, A,B,C | 10 | | | ns | |



SN54LS138 SN74LS138

DESCRIPTION — The LSTTL/MSI SN54LS/74LS138 is a high speed 1-of-8 Decoder/Demultiplexer. This device is ideally suited for high speed bipolar memory chip select address decoding. The multiple input enables allow parallel expansion to a 1-of-24 decoder using just three LS138 devices or to a 1-of-32 decoder using four LS138s and one inverter. The LS138 is fabricated with the Schottky barrier diode process for high speed and is completely compatible with all Motorola TTL families.

**1-OF-8-DECODER/
DEMULTIPLEXER**
LOW POWER SCHOTTKY

- DEMULTIPLEXING CAPABILITY
- MULTIPLE INPUT ENABLE FOR EASY EXPANSION
- TYPICAL POWER DISSIPATION OF 32 mW
- ACTIVE LOW MUTUALLY EXCLUSIVE OUTPUTS
- INPUT CLAMP DIODES LIMIT HIGH SPEED TERMINATION EFFECTS

PIN NAMES

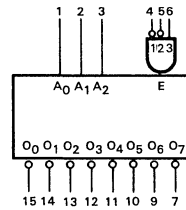
$A_0 - A_2$ Address Inputs
 \bar{E}_1, \bar{E}_2 Enable (Active LOW) Inputs
 E_3 Enable (Active HIGH) Input
 $\bar{O}_0 - \bar{O}_7$ Active LOW Outputs (Note b)

| LOADING (Note a) | |
|-------------------------|-------------|
| HIGH | LOW |
| $A_0 - A_2$ | 0.5 U.L. |
| \bar{E}_1, \bar{E}_2 | 0.25 U.L. |
| E_3 | 0.5 U.L. |
| $\bar{O}_0 - \bar{O}_7$ | 10 U.L. |
| | 5(2.5) U.L. |

NOTES:

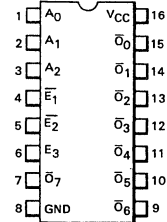
- a. 1 TTL Unit Load (U.L.) = 40 μ A HIGH/1.6 mA LOW.
 b. The Output LOW drive factor is 2.5 U.L. for Military (54) and 5 U.L. for Commercial (74) Temperature Ranges.

LOGIC SYMBOL



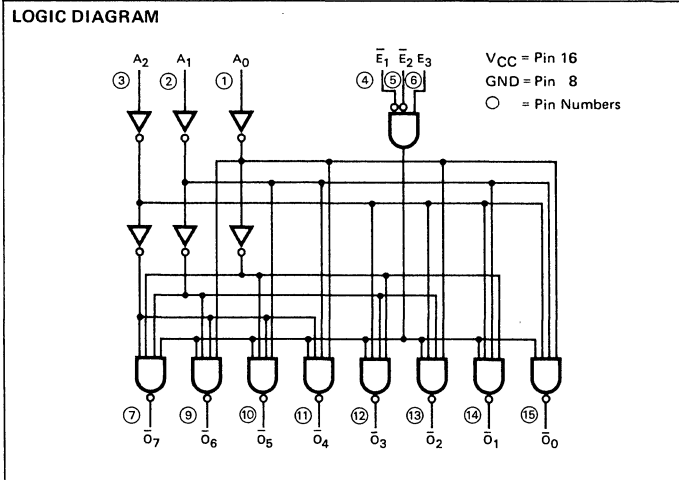
V_{CC} = Pin 16
 GND = Pin 8

**CONNECTION DIAGRAM
DIP (TOP VIEW)**



J Suffix — Case 620-08 (Ceramic)
 N Suffix — Case 648-05 (Plastic)

NOTE:
 The Flatpak version has the same pinouts (Connection Diagram) as the Dual In-Line Package.



FUNCTIONAL DESCRIPTION – The LS138 is a high speed 1-of-8 Decoder/Demultiplexer fabricated with the low power Schottky barrier diode process. The decoder accepts three binary weighted inputs (A_0, A_1, A_2) and when enabled provides eight mutually exclusive active LOW outputs ($\bar{O}_0-\bar{O}_7$). The LS138 features three Enable inputs, two active LOW (\bar{E}_1, \bar{E}_2) and one active HIGH (E_3). All outputs will be HIGH unless \bar{E}_1 and \bar{E}_2 are LOW and E_3 is HIGH. This multiple enable function allows easy parallel expansion of the device to a 1-of-32 (5 lines to 32 lines) decoder with just four LS138s and one inverter. (See Figure a.)

The LS138 can be used as an 8-output demultiplexer by using one of the active LOW Enable inputs as the data input and the other Enable inputs as strobes. The Enable inputs which are not used must be permanently tied to their appropriate active HIGH or active LOW state.

TRUTH TABLE

| INPUTS | | | OUTPUTS | | | | | | | | | | |
|-------------|-------------|-------|---------|-------|-------|-------------|-------------|-------------|-------------|-------------|-------------|-------------|-------------|
| \bar{E}_1 | \bar{E}_2 | E_3 | A_0 | A_1 | A_2 | \bar{O}_0 | \bar{O}_1 | \bar{O}_2 | \bar{O}_3 | \bar{O}_4 | \bar{O}_5 | \bar{O}_6 | \bar{O}_7 |
| H | X | X | X | X | X | H | H | H | H | H | H | H | H |
| X | H | X | X | X | X | H | H | H | H | H | H | H | H |
| X | X | L | X | X | X | H | H | H | H | H | H | H | H |
| L | L | H | L | L | L | L | H | H | H | H | H | H | H |
| L | L | H | H | L | L | H | L | H | H | H | H | H | H |
| L | L | H | L | H | L | H | H | L | H | H | H | H | H |
| L | L | H | H | H | L | H | H | H | L | H | H | H | H |
| L | L | H | L | L | H | H | H | H | H | L | H | H | H |
| L | L | H | H | L | H | H | H | H | H | H | L | H | H |
| L | L | H | L | H | H | H | H | H | H | H | H | L | H |
| L | L | H | H | H | H | H | H | H | H | H | H | H | L |

H = HIGH Voltage Level
 L = LOW Voltage Level
 X = Don't Care

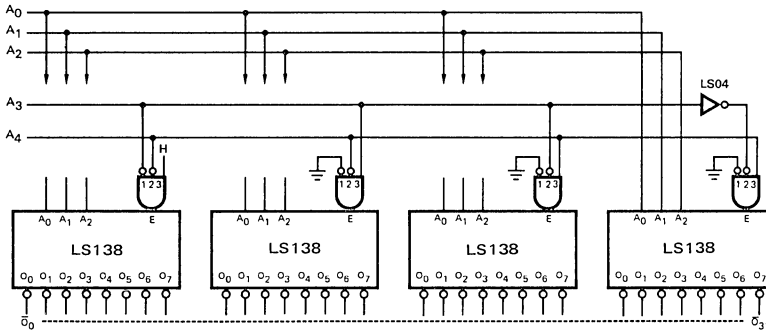


Fig. a.

GUARANTEED OPERATING RANGES

| SYMBOL | PARAMETER | | MIN | TYP | MAX | UNIT |
|-----------------|-------------------------------------|----------|-------------|------------|-------------|------|
| V _{CC} | Supply Voltage | 54 74 | 4.5 4.75 | 5.0 5.0 | 5.5 5.25 | V |
| T _A | Operating Ambient Temperature Range | 54 74 | -55 0 | 25 25 | 125 70 | °C |
| I _{OH} | Output Current — High | 54, 74 | | | -0.4 | mA |
| I _{OL} | Output Current — Low | 54 74 | | | 4.0 8.0 | mA |

DC CHARACTERISTICS OVER OPERATING TEMPERATURE RANGE (unless otherwise specified)

| SYMBOL | PARAMETER | LIMITS | | | UNITS | TEST CONDITIONS | |
|-----------------|---------------------------|--------|-------|------|-------|--|---|
| | | MIN | TYP | MAX | | | |
| V _{IH} | Input HIGH Voltage | 2.0 | | | V | Guaranteed Input HIGH Voltage for All Inputs | |
| V _{IL} | Input LOW Voltage | 54 | | 0.7 | V | Guaranteed Input LOW Voltage for All Inputs | |
| | | 74 | | 0.8 | | | |
| V _{IK} | Input Clamp Diode Voltage | | -0.65 | -1.5 | V | V _{CC} = MIN, I _{IN} = -18 mA | |
| V _{OH} | Output HIGH Voltage | 54 | 2.5 | 3.5 | V | V _{CC} = MIN, I _{OH} = MAX, V _{IN} = V _{IH} or V _{IL} per Truth Table | |
| | | 74 | 2.7 | 3.5 | V | | |
| V _{OL} | Output LOW Voltage | 54,74 | | 0.25 | 0.4 | I _{OL} = 4.0 mA | V _{CC} = V _{CC} MIN, V _{IN} = V _{IL} or V _{IH} per Truth Table |
| | | 74 | | 0.35 | 0.5 | I _{OL} = 8.0 mA | |
| I _{IH} | Input HIGH Current | | | 20 | μA | V _{CC} = MAX, V _{IN} = 2.7 V | |
| | | | | 0.1 | mA | V _{CC} = MAX, V _{IN} = 7.0 V | |
| I _{IL} | Input LOW Current | | | -0.4 | mA | V _{CC} = MAX, V _{IN} = 0.4 V | |
| I _{OS} | Short Circuit Current | -20 | | -100 | mA | V _{CC} = MAX | |
| I _{CC} | Power Supply Current | | | 10 | mA | V _{CC} = MAX | |

5

AC CHARACTERISTICS: T_A = 25°C

| SYMBOL | PARAMETER | LEVEL OF DELAY | LIMITS | | | UNITS | TEST CONDITIONS |
|------------------|---|----------------|--------|-----|-----|-------|---|
| | | | MIN | TYP | MAX | | |
| t _{PLH} | Propagation Delay Address to Output | 2 | | 13 | 20 | ns | V _{CC} = 5.0 V C _L = 15 pF |
| t _{PHL} | Propagation Delay Address to Output | 2 | | 27 | 41 | | |
| t _{PLH} | Propagation Delay Enable to Output | 3 | | 18 | 27 | | |
| t _{PHL} | Propagation Delay Enable to Output | 3 | | 26 | 39 | | |
| t _{PLH} | Propagation Delay E ₁ or E ₂ Enable to Output | 2 | | 12 | 18 | | |
| t _{PHL} | Propagation Delay E ₃ Enable to Output | 2 | | 21 | 32 | | |
| t _{PLH} | Propagation Delay E ₃ Enable to Output | 3 | | 17 | 26 | ns | |
| t _{PHL} | Propagation Delay E ₃ Enable to Output | 3 | | 25 | 38 | | |

AC WAVEFORMS

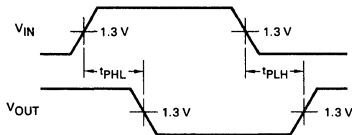


Fig. 1

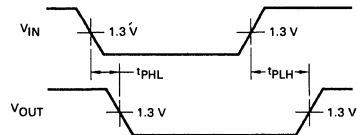


Fig. 2



SN54LS139 SN74LS139

DESCRIPTION — The LSTTL/MSI SN54LS/74LS139 is a high speed Dual 1-of-4 Decoder/Demultiplexer. The device has two independent decoders, each accepting two inputs and providing four mutually exclusive active LOW Outputs. Each decoder has an active LOW Enable input which can be used as a data input for a 4-output demultiplexer. Each half of the LS139 can be used as a function generator providing all four minterms of two variables. The LS139 is fabricated with the Schottky barrier diode process for high speed and is completely compatible with all Motorola TTL families.

DUAL 1-OF-4 -DECODER/ DEMULTIPLEXER LOW POWER SCHOTTKY

- SCHOTTKY PROCESS FOR HIGH SPEED
- MULTIFUNCTION CAPABILITY
- TWO COMPLETELY INDEPENDENT 1-OF-4 DECODERS
- ACTIVE LOW MUTUALLY EXCLUSIVE OUTPUTS
- INPUT CLAMP DIODES LIMIT HIGH SPEED TERMINATION EFFECTS

PIN NAMES

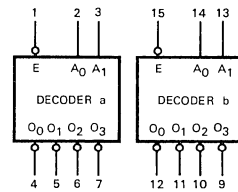
A_0, A_1 Address Inputs
 \bar{E} Enable (Active LOW) Input
 $\bar{O}_0 - \bar{O}_3$ Active LOW Outputs (Note b)

| LOADING (Note a) | |
|------------------|--------------|
| HIGH | LOW |
| 0.5 U.L. | 0.25 U.L. |
| 0.5 U.L. | 0.25 U.L. |
| 10 U.L. | 5 (2.5) U.L. |

NOTES:

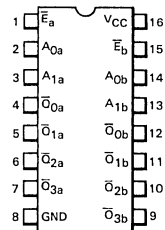
- a. 1 TTL Unit Load (U.L.) = 40 μ A HIGH/1.6 mA LOW.
 b. The Output LOW drive factor is 2.5 U.L. for Military (54) and 5 U.L. for Commercial (74) Temperature Ranges.

LOGIC SYMBOL



V_{CC} = Pin 16
 GND = Pin 8

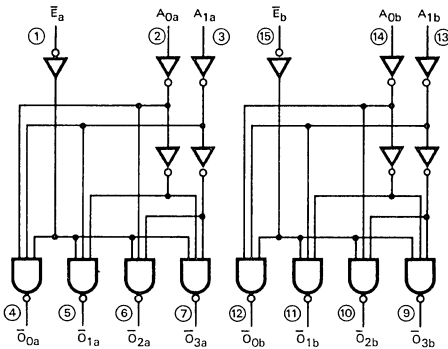
CONNECTION DIAGRAM DIP (TOP VIEW)



J Suffix — Case 620-08 (Ceramic)
 N Suffix — Case 648-05 (Plastic)

NOTE:
 The Flatpak version has the same pinouts (Connection Diagram) as the Dual In-Line Package.

LOGIC DIAGRAM



V_{CC} = Pin 16
 GND = Pin 8
 ○ = Pin Numbers

5

FUNCTIONAL DESCRIPTION — The LS139 is a high speed dual 1-of-4 decoder/demultiplexer fabricated with the Schottky barrier diode process. The device has two independent decoders, each of which accept two binary weighted inputs (A_0, A_1) and provide four mutually exclusive active LOW outputs (\bar{O}_0 - \bar{O}_3). Each decoder has an active LOW Enable (\bar{E}). When \bar{E} is HIGH all outputs are forced HIGH. The enable can be used as the data input for a 4-output demultiplexer application.

Each half of the LS139 generates all four minterms of two variables. These four minterms are useful in some applications, replacing multiple gate functions as shown in Fig. a, and thereby reducing the number of packages required in a logic network.

TRUTH TABLE

| INPUTS | | | OUTPUTS | | | |
|-----------|-------|-------|-------------|-------------|-------------|-------------|
| \bar{E} | A_0 | A_1 | \bar{O}_0 | \bar{O}_1 | \bar{O}_2 | \bar{O}_3 |
| H | X | X | H | H | H | H |
| L | L | L | L | H | H | H |
| L | H | L | H | L | H | H |
| L | L | H | H | H | L | H |
| L | H | H | H | H | H | L |

H = HIGH Voltage Level
 L = LOW Voltage Level
 X = Don't Care

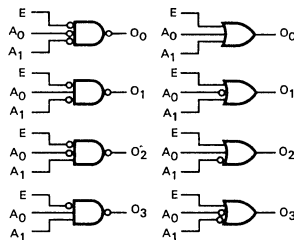


Fig. a

5

GUARANTEED OPERATING RANGES

| SYMBOL | PARAMETER | | MIN | TYP | MAX | UNIT |
|----------|-------------------------------------|--------|------|-----|------|------|
| V_{CC} | Supply Voltage | 54 | 4.5 | 5.0 | 5.5 | V |
| | | 74 | 4.75 | 5.0 | 5.25 | |
| T_A | Operating Ambient Temperature Range | 54 | -55 | 25 | 125 | °C |
| | | 74 | 0 | 25 | 70 | |
| I_{OH} | Output Current — High | 54, 74 | | | -0.4 | mA |
| I_{OL} | Output Current — Low | 54 | | | 4.0 | mA |
| | | 74 | | | 8.0 | |

DC CHARACTERISTICS OVER OPERATING TEMPERATURE RANGE (unless otherwise specified)

| SYMBOL | PARAMETER | LIMITS | | | UNITS | TEST CONDITIONS | |
|-----------------|---------------------------|--------|-------|------|-------|--|---|
| | | MIN | TYP | MAX | | | |
| V _{IH} | Input HIGH Voltage | 2.0 | | | V | Guaranteed Input HIGH Voltage for All Inputs | |
| V _{IL} | Input LOW Voltage | 54 | | 0.7 | V | Guaranteed Input LOW Voltage for All Inputs | |
| | | 74 | | 0.8 | | | |
| V _{IK} | Input Clamp Diode Voltage | | -0.65 | -1.5 | V | V _{CC} = MIN, I _{IN} = -18 mA | |
| V _{OH} | Output HIGH Voltage | 54 | 2.5 | 3.5 | V | V _{CC} = MIN, I _{OH} = MAX, V _{IN} = V _{IH} or V _{IL} per Truth Table | |
| | | 74 | 2.7 | 3.5 | V | | |
| V _{OL} | Output LOW Voltage | 54,74 | | 0.25 | 0.4 | V | I _{OL} = 4.0 mA V _{CC} = V _{CC} MIN, V _{IN} = V _{IL} or V _{IH} per Truth Table |
| | | 74 | | 0.35 | 0.5 | V | |
| I _{IH} | Input HIGH Current | | | | 20 | μA | V _{CC} = MAX, V _{IN} = 2.7 V |
| | | | | | | 0.1 | mA |
| I _{IL} | Input LOW Current | | | -0.4 | mA | V _{CC} = MAX, V _{IN} = 0.4 V | |
| I _{OS} | Short Circuit Current | -20 | | -100 | mA | V _{CC} = MAX | |
| I _{CC} | Power Supply Current | | | | 11 | mA | V _{CC} = MAX |

AC CHARACTERISTICS: T_A = 25°C

| SYMBOL | PARAMETER | LEVEL OF DELAY | LIMITS | | | UNITS | TEST CONDITIONS |
|------------------|-------------------------------------|----------------|--------|-----|-----|-------|---|
| | | | MIN | TYP | MAX | | |
| t _{PLH} | Propagation Delay Address to Output | 2 | | 13 | 20 | ns | V _{CC} = 5.0 V C _L = 15 pF |
| t _{PHL} | Propagation Delay Address to Output | 2 | | 22 | 33 | ns | |
| t _{PLH} | Propagation Delay Address to Output | 3 | | 18 | 29 | ns | |
| t _{PHL} | Propagation Delay Address to Output | 3 | | 25 | 38 | ns | |
| t _{PLH} | Propagation Delay Enable to Output | 2 | | 16 | 24 | ns | |
| t _{PHL} | Propagation Delay Enable to Output | 2 | | 21 | 32 | ns | |

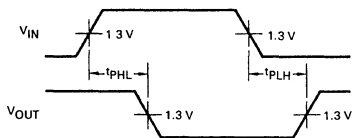


Fig. 1

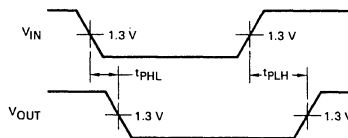


Fig. 2



SN54LS145 SN74LS145

DESCRIPTION — The SN54LS/74LS145, 1-of-10 Decoder/Driver, is designed to accept BCD inputs and provide appropriate outputs to drive 10-digit incandescent displays. All outputs remain off for all invalid binary input conditions. It is designed for use as indicator/relay drivers or as an open-collector logic circuit driver. Each of the high breakdown output transistors will sink up to 80 mA of current. Typical power dissipation is 35 mW. This device is fully compatible with all TTL families.

1-OF-10 DECODER/DRIVER OPEN-COLLECTOR LOW POWER SCHOTTKY

- LOW POWER VERSION OF 54/74145
- INPUT CLAMP DIODES LIMIT HIGH SPEED TERMINATION EFFECTS

PIN NAMES

P₀, P₁, P₂, P₃ BCD Inputs
Q₀ to Q₉ Outputs (Note b)

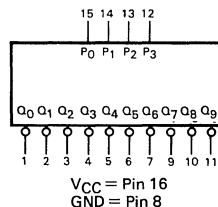
LOADING (Note a)

| | HIGH | LOW |
|----------------|----------|---------------|
| Open Collector | 0.5 U.L. | 0.25 U.L. |
| | | 15 (7.5) U.L. |

NOTES:

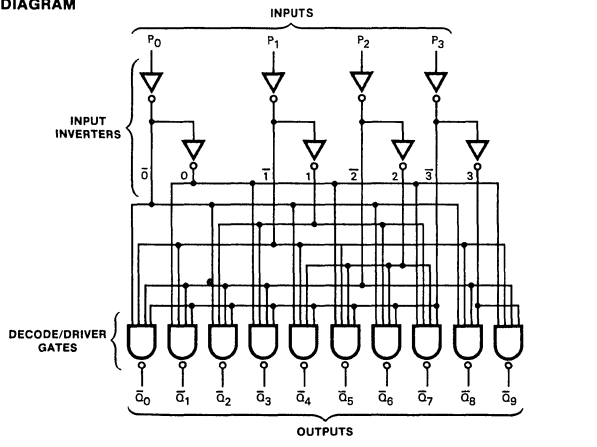
- 1 TTL Unit Load (U.L.) = 40 μ A HIGH/1.6 mA LOW.
- The Output LOW drive factor is 7.5 U.L. for Military (54) and 15 U.L. for Commercial (74) Temperature Ranges

LOGIC SYMBOL

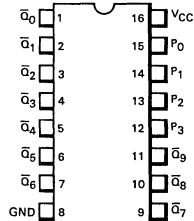


5

LOGIC DIAGRAM



CONNECTION DIAGRAM DIP (TOP VIEW)



J Suffix — Case 620-08 (Ceramic)
N Suffix — Case 648-05 (Plastic)

TRUTH TABLE

| INPUTS | | | | OUTPUTS | | | | | | | | | |
|----------------|----------------|----------------|----------------|----------------|----------------|----------------|----------------|----------------|----------------|----------------|----------------|----------------|----------------|
| P ₃ | P ₂ | P ₁ | P ₀ | Q ₀ | Q ₁ | Q ₂ | Q ₃ | Q ₄ | Q ₅ | Q ₆ | Q ₇ | Q ₈ | Q ₉ |
| L | L | L | L | L | H | H | H | H | H | H | H | H | H |
| L | L | L | H | H | L | H | H | H | H | H | H | H | H |
| L | L | H | L | H | H | L | H | H | H | H | H | H | H |
| L | L | H | H | H | H | H | L | H | H | H | H | H | H |
| L | H | L | L | H | H | H | H | L | H | H | H | H | H |
| L | H | L | H | H | H | H | H | H | L | H | H | H | H |
| L | H | H | L | H | H | H | H | H | H | L | H | H | H |
| L | H | H | H | H | H | H | H | H | H | H | L | H | H |
| H | L | L | L | H | H | H | H | H | H | H | H | L | H |
| H | L | L | H | H | H | H | H | H | H | H | H | H | L |
| H | L | H | L | H | H | H | H | H | H | H | H | H | H |
| H | L | H | H | H | H | H | H | H | H | H | H | H | H |
| H | H | L | L | H | H | H | H | H | H | H | H | H | H |
| H | H | L | H | H | H | H | H | H | H | H | H | H | H |
| H | H | H | L | H | H | H | H | H | H | H | H | H | H |
| H | H | H | H | H | H | H | H | H | H | H | H | H | H |

H = HIGH Voltage Level
L = LOW Voltage Level

GUARANTEED OPERATING RANGES

| SYMBOL | PARAMETER | | MIN | TYP | MAX | UNIT |
|-----------------|-------------------------------------|--------|------|-----|------|------|
| V _{CC} | Supply Voltage | 54 | 4.5 | 5.0 | 5.5 | V |
| | | 74 | 4.75 | 5.0 | 5.25 | |
| T _A | Operating Ambient Temperature Range | 54 | -55 | 25 | 125 | °C |
| | | 74 | 0 | 25 | 70 | |
| V _{OH} | Output Voltage — High | 54, 74 | | | 15 | V |
| I _{OL} | Output Current — Low | 54 | | | 12 | mA |
| | | 74 | | | 24 | |

DC CHARACTERISTICS OVER OPERATING TEMPERATURE RANGE (unless otherwise specified)

| SYMBOL | PARAMETER | LIMITS | | | UNITS | TEST CONDITIONS | |
|----------|---------------------------|--------|-------|------|---------------|--|--|
| | | MIN | TYP | MAX | | | |
| V_{IH} | Input HIGH Voltage | 2.0 | | | V | Guaranteed Input HIGH Voltage for All Inputs | |
| V_{IL} | Input LOW Voltage | 54 | | 0.7 | V | Guaranteed Input LOW Voltage for All Inputs | |
| | | 74 | | 0.8 | | | |
| V_{IK} | Input Clamp Diode Voltage | | -0.65 | -1.5 | V | $V_{CC} = \text{MIN}$, $I_{IN} = -18 \text{ mA}$ | |
| I_{OH} | Output HIGH Current | 54,74 | | 250 | μA | $V_{CC} = \text{MIN}$, $V_{OH} = \text{MAX}$ | |
| | | 54,74 | 0.25 | 0.4 | V | $I_{OL} = 12 \text{ mA}$ | |
| V_{OL} | Output LOW Voltage | 74 | 0.35 | 0.5 | V | $V_{CC} = V_{CC} \text{ MIN}$, $V_{IN} = V_{IL} \text{ or } V_{IH}$ per Truth Table | |
| | | 54,74 | 2.3 | 3.0 | V | | $I_{OL} = 80 \text{ mA}$ |
| | | | | | μA | | $V_{CC} = \text{MAX}$, $V_{IN} = 2.7 \text{ V}$ |
| I_{IH} | Input HIGH Current | | | 0.1 | mA | $V_{CC} = \text{MAX}$, $V_{IN} = 7.0 \text{ V}$ | |
| I_{IL} | Input LOW Current | | | -0.4 | mA | $V_{CC} = \text{MAX}$, $V_{IN} = 0.4 \text{ V}$ | |
| I_{CC} | Power Supply Current | | | 13 | mA | $V_{CC} = \text{MAX}$, $V_{IN} = \text{GND}$ | |

AC CHARACTERISTICS: $T_A = 25^\circ\text{C}$

| SYMBOL | PARAMETER | LIMITS | | | UNITS | TEST CONDITIONS |
|-----------|--|--------|-----|-----|-------|---|
| | | MIN | TYP | MAX | | |
| t_{PHL} | Propagation Delay P_n Input to Q_n Output | | | 50 | ns | $V_{CC} = 5.0 \text{ V}$ $C_L = 45 \text{ pF}$ |
| t_{PLH} | | | | 50 | | |

AC WAVEFORMS

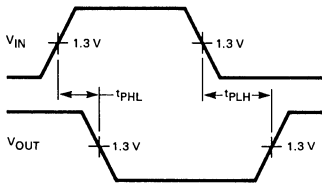


Fig. 1

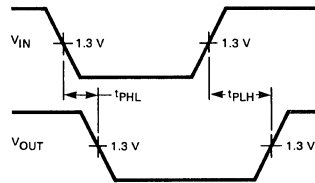


Fig. 2



DESCRIPTION — The SN54LS/74LS147 and the SN54LS/74LS148 are Priority Encoders. They provide priority decoding of the inputs to ensure that only the highest order data line is encoded. Both devices have data inputs and outputs which are active at the low logic level.

The LS147 encodes nine data lines to four-line (8-4-2-1) BCD. The implied decimal zero condition does not require an input condition because zero is encoded when all nine data lines are at a high logic level.

The LS148 encodes eight data lines to three-line (4-2-1) binary (octal). By providing cascading circuitry (Enable Input EI and Enable Output EO) octal expansion is allowed without needing external circuitry.

The SN54LS/74LS748 is a proprietary Motorola part incorporating a built-in deglitcher network which minimizes glitches on the GS output. The glitch occurs on the negative going transition of the EI input when data inputs 0-7 are at logic ones.

The only dc parameter differences between the LS148 and the LS748 are that (1) Pin 10 (input 0) has a fan-in of 2 on the LS748 versus a fan-in of 1 on the LS148; (2) Pins 1, 2, 3, 4, 11, 12 and 13 (inputs 1, 2, 3, 4, 5, 6, 7) have a fan-in of 3 on the LS748 versus a fan-in of 2 on the LS148.

The only ac difference is that t_{pHL} from EI to EO is changed from 40 to 45 ns.

**SN54LS/74LS147
FUNCTION TABLE**

| INPUTS | | | | | | | | | OUTPUTS | | | |
|--------|---|---|---|---|---|---|---|---|---------|---|---|---|
| 1 | 2 | 3 | 4 | 5 | 6 | 7 | 8 | 9 | D | C | B | A |
| H | H | H | H | H | H | H | H | H | H | H | H | H |
| X | X | X | X | X | X | X | X | L | L | H | H | L |
| X | X | X | X | X | X | X | L | H | L | H | H | H |
| X | X | X | X | X | X | L | H | H | H | L | L | L |
| X | X | X | X | X | L | H | H | H | H | L | L | H |
| X | X | X | X | L | H | H | H | H | H | L | H | L |
| X | X | X | L | H | H | H | H | H | H | L | H | H |
| X | X | L | H | H | H | H | H | H | H | H | L | L |
| X | L | H | H | H | H | H | H | H | H | H | L | H |
| L | H | H | H | H | H | H | H | H | H | H | H | L |

**SN54LS/74LS148
SN54LS/74LS748
FUNCTION TABLE**

| INPUTS | | | | | | | | OUTPUTS | | | | | |
|--------|---|---|---|---|---|---|---|---------|----|----|----|----|----|
| EI | 0 | 1 | 2 | 3 | 4 | 5 | 6 | 7 | A2 | A1 | A0 | GS | EO |
| H | X | X | X | X | X | X | X | X | H | H | H | H | H |
| L | H | H | H | H | H | H | H | H | H | H | H | H | L |
| L | X | X | X | X | X | X | X | L | L | L | L | L | H |
| L | X | X | X | X | X | X | L | H | L | L | H | L | H |
| L | X | X | X | X | X | L | H | H | L | H | L | L | H |
| L | X | X | X | L | H | H | H | H | H | L | H | L | H |
| L | X | X | X | L | H | H | H | H | H | L | L | L | H |
| L | X | X | L | H | H | H | H | H | H | L | H | L | H |
| L | X | L | H | H | H | H | H | H | H | H | L | L | H |
| L | L | H | H | H | H | H | H | H | H | H | H | L | H |

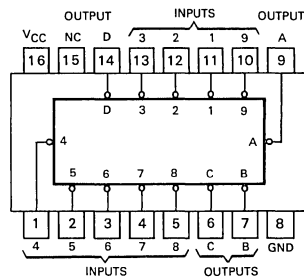
H = high logic level, L = low logic level, X = irrelevant

**SN54LS/74LS147
SN54LS/74LS148
SN54LS/74LS748**

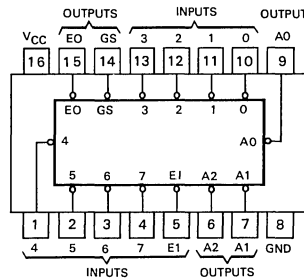
**10-LINE-TO-4-LINE
AND 8-LINE-TO-3-LINE
PRIORITY ENCODERS**

LOW POWER SCHOTTKY

**SN54LS/74LS147
(TOP VIEW)**

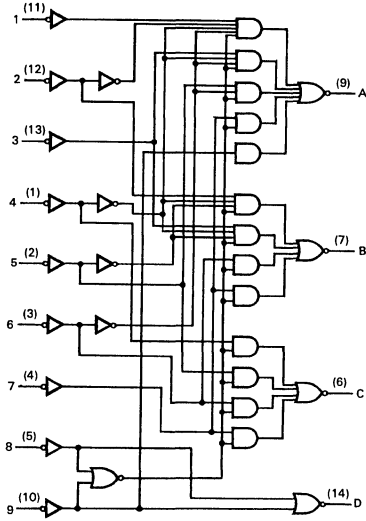


**SN54LS/74LS148
SN54LS/74LS748
(TOP VIEW)**

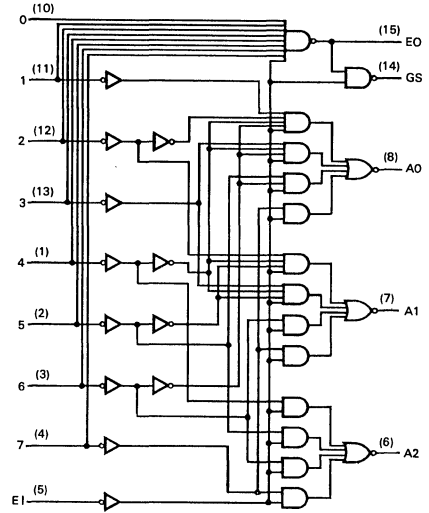


J Suffix — Case 620-08 (Ceramic)
N Suffix — Case 648-05 (Plastic)

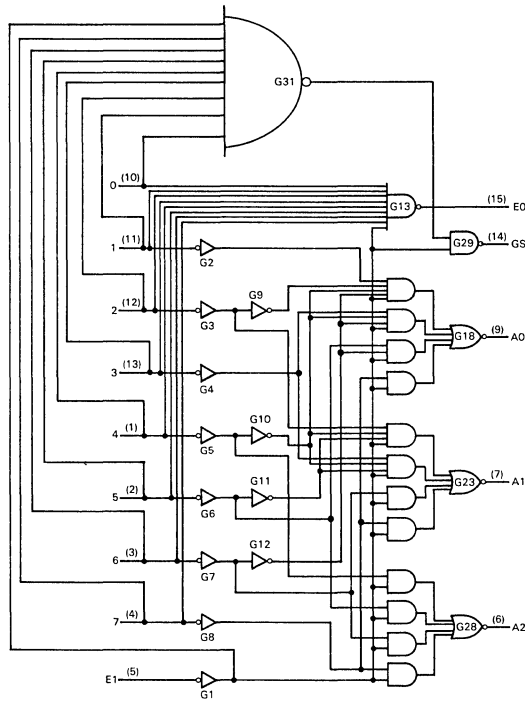
FUNCTIONAL BLOCK DIAGRAMS



SN54LS/74LS147



SN54LS/74LS148



SN54LS/74LS748

GUARANTEED OPERATING RANGES

| SYMBOL | PARAMETER | | MIN | TYP | MAX | UNIT |
|-----------------|-------------------------------------|----------|-------------|------------|-------------|------|
| V _{CC} | Supply Voltage | 54 74 | 4.5 4.75 | 5.0 5.0 | 5.5 5.25 | V |
| T _A | Operating Ambient Temperature Range | 54 74 | -55 0 | 25 25 | 125 70 | °C |
| I _{OH} | Output Current — High | 54,74 | | | -0.4 | mA |
| I _{OL} | Output Current — Low | 54 74 | | | 4.0 8.0 | mA |

DC CHARACTERISTICS OVER OPERATING TEMPERATURE RANGE (unless otherwise specified)

| SYMBOL | PARAMETER | LIMITS | | | UNITS | TEST CONDITIONS |
|------------------|---|--------|-------|------------------------------|-------|--|
| | | MIN | TYP | MAX | | |
| V _{IH} | Input HIGH Voltage | 2.0 | | | V | Guaranteed Input HIGH Voltage for All Inputs |
| V _{IL} | Input LOW Voltage | 54 | | 0.7 | V | Guaranteed Input LOW Voltage for All Inputs |
| | | 74 | | 0.8 | | |
| V _{IK} | Input Clamp Diode Voltage | | -0.65 | -1.5 | V | V _{CC} = MIN, I _{IN} = -18 mA |
| V _{OH} | Output HIGH Voltage | 54 | 2.5 | 3.5 | V | V _{CC} = MIN, I _{OH} = MAX, V _{IN} = V _{IH} or V _{IL} per Truth Table |
| | | 74 | 2.7 | 3.5 | V | |
| V _{OL} | Output LOW Voltage | 54,74 | | 0.25 | 0.4 | I _{OL} = 4.0 mA |
| | | 74 | | 0.35 | 0.5 | I _{OL} = 8.0 mA |
| I _{IH} | Input HIGH Current All Others Input 0 (LS748) Inputs 1-7 (LS148) Inputs 1-7 (LS748) | | | 20 40 40 60 | μA | V _{CC} = MAX, V _{IN} = 2.7 V |
| | All Others Input 0 (LS748) Inputs 1-7 (LS148) Inputs 1-7 (LS748) | | | 0.1 0.2 0.2 0.3 | mA | V _{CC} = MAX, V _{IN} = 7.0 V |
| I _{IL} | Input LOW Current All Others Input 0 (LS748) Inputs 1-7 (LS148) Inputs 1-7 (LS748) | | | -0.4 -0.8 -0.8 -1.2 | mA | V _{CC} = MAX, V _{IN} = 0.4 V |
| I _{OS} | Short Circuit Current | -20 | | -100 | mA | V _{CC} = MAX |
| I _{CCH} | Power Supply Current Output High | | | 17 | mA | V _{CC} = MAX, All Inputs = 4.5 V |
| I _{CCL} | Output Low | | | 20 | mA | V _{CC} = MAX, Inputs 7 & E1 = GND All Other Inputs = 4.5 V |



SN54LS/74LS147 • SN54LS/74LS148 • SN54LS/74LS748

AC CHARACTERISTICS: $V_{CC} = 5.0\text{ V}$, $T_A = 25^\circ\text{C}$

SN54LS/74LS147

| SYMBOL | FROM (INPUT) | TO (OUTPUT) | WAVEFORM | LIMITS | | | UNIT | TEST CONDITIONS |
|------------------|--------------|-------------|---------------------|--------|-----|-----|------|--|
| | | | | MIN | TYP | MAX | | |
| t _{PLH} | Any | Any | In-phase output | | 12 | 18 | ns | C _L = 15 pF, R _L = 2 kΩ |
| t _{PHL} | | | | | 12 | 18 | | |
| t _{PLH} | Any | Any | Out-of-phase output | | 21 | 33 | ns | |
| t _{PHL} | | | | | 15 | 23 | | |

SN54LS/74LS148

SN54LS/74LS748

| SYMBOL | FROM (INPUT) | TO (OUTPUT) | WAVEFORM | LIMITS | | | UNIT | TEST CONDITIONS |
|------------------|--------------|---------------|---------------------|--------|-----|-----|------|---|
| | | | | MIN | TYP | MAX | | |
| t _{PLH} | 1 thru 7 | A0, A1, or A2 | In-phase output | | 14 | 18 | ns | C _L = 15 pF, R _L = 2 kΩ, |
| t _{PHL} | | | | | 15 | 25 | | |
| t _{PLH} | 1 thru 7 | A0, A1, or A2 | Out-of-phase output | | 20 | 36 | ns | |
| t _{PHL} | | | | | 16 | 29 | | |
| t _{PLH} | 0 thru 7 | EO | Out-of-phase output | | 7.0 | 18 | ns | |
| t _{PHL} | | | | | 25 | 40 | | |
| t _{PLH} | 0 thru 7 | GS | In-phase output | | 35 | 55 | ns | |
| t _{PHL} | | | | | 9.0 | 21 | | |
| t _{PLH} | EI | A0, A1, or A2 | In-phase output | | 16 | 25 | ns | |
| t _{PHL} | | | | | 12 | 25 | | |
| t _{PLH} | EI | GS | In-phase output | | 12 | 17 | ns | |
| t _{PHL} | | | | | 14 | 36 | | |
| t _{PLH} | EI | EO | In-phase output | | 12 | 21 | ns | |
| t _{PHL} | | | | | 28 | 40 | | |
| | | | | | 30 | 45 | | (LS148) (LS748) |

5



SN54LS151 SN74LS151

DESCRIPTION — The TTL/MSI SN54LS/74LS151 is a high speed 8-Input Digital Multiplexer. It provides, in one package, the ability to select one bit of data from up to eight sources. The LS151 can be used as a universal function generator to generate any logic function of four variables. Both assertion and negation outputs are provided.

- SCHOTTKY PROCESS FOR HIGH SPEED
- MULTIFUNCTION CAPABILITY
- ON-CHIP SELECT LOGIC DECODING
- FULLY BUFFERED COMPLEMENTARY OUTPUTS
- INPUT CLAMP DIODES LIMIT HIGH SPEED TERMINATION EFFECTS

8-INPUT MULTIPLEXER

LOW POWER SCHOTTKY

PIN NAMES

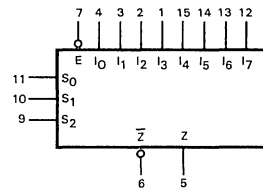
| | |
|-------------|---|
| $S_0 - S_2$ | Select Inputs |
| \bar{E} | Enable (Active LOW) Input |
| $I_0 - I_7$ | Multiplexer Inputs |
| Z | Multiplexer Output (Note b) |
| \bar{Z} | Complementary Multiplexer Output (Note b) |

| LOADING (Note a) | |
|------------------|--------------|
| HIGH | LOW |
| 0.5 U.L. | 0.25 U.L. |
| 0.5 U.L. | 0.25 U.L. |
| 0.5 U.L. | 0.25 U.L. |
| 10 U.L. | 5 (2.5) U.L. |
| 10 U.L. | 5 (2.5) U.L. |

NOTES:

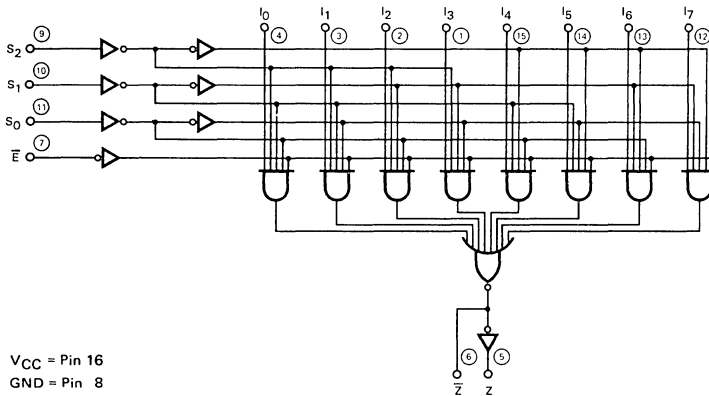
- 1 TTL Unit Load (U.L.) = 40 μ A HIGH/1.6 mA LOW.
- The Output LOW drive factor is 2.5 U.L. for Military (54) and 5 U.L. for Commercial (74) Temperature Ranges.

LOGIC SYMBOL

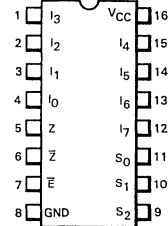


VCC = Pin 16
GND = Pin 8

LOGIC DIAGRAM



CONNECTION DIAGRAM DIP (TOP VIEW)



J Suffix — Case 620-08 (Ceramic)
N Suffix — Case 648-05 (Plastic)



FUNCTIONAL DESCRIPTION — The LS151 is a logical implementation of a single pole, 8-position switch with the switch position controlled by the state of three Select inputs, S₀, S₁, S₂. Both assertion and negation outputs are provided. The Enable input (E) is active LOW. When it is not activated, the negation output is HIGH and the assertion output is LOW regardless of all other inputs. The logic function provided at the output is:

$$Z = \bar{E} \cdot (I_0 \cdot \bar{S}_0 \cdot \bar{S}_1 \cdot \bar{S}_2 + I_1 \cdot \bar{S}_0 \cdot \bar{S}_1 \cdot S_2 + I_2 \cdot \bar{S}_0 \cdot S_1 \cdot \bar{S}_2 + I_3 \cdot \bar{S}_0 \cdot S_1 \cdot S_2 + I_4 \cdot S_0 \cdot \bar{S}_1 \cdot \bar{S}_2 + I_5 \cdot S_0 \cdot \bar{S}_1 \cdot S_2 + I_6 \cdot S_0 \cdot S_1 \cdot \bar{S}_2 + I_7 \cdot S_0 \cdot S_1 \cdot S_2).$$

The LS151 provides the ability, in one package, to select from eight sources of data or control information. By proper manipulation of the inputs, the LS151 can provide any logic function of four variables and its negation.

TRUTH TABLE

| \bar{E} | S ₂ | S ₁ | S ₀ | I ₀ | I ₁ | I ₂ | I ₃ | I ₄ | I ₅ | I ₆ | I ₇ | \bar{Z} | Z |
|-----------|----------------|----------------|----------------|----------------|----------------|----------------|----------------|----------------|----------------|----------------|----------------|-----------|---|
| H | X | X | X | X | X | X | X | X | X | X | X | H | L |
| L | L | L | L | L | X | X | X | X | X | X | X | H | L |
| L | L | L | L | H | X | X | X | X | X | X | X | L | H |
| L | L | L | H | X | L | X | X | X | X | X | X | H | L |
| L | L | L | H | X | H | X | X | X | X | X | X | L | H |
| L | L | H | L | X | X | L | X | X | X | X | X | H | L |
| L | L | H | L | X | X | H | X | X | X | X | X | L | H |
| L | L | H | H | X | X | X | L | X | X | X | X | H | L |
| L | L | H | H | X | X | X | H | X | X | X | X | L | H |
| L | H | L | L | X | X | X | X | L | X | X | X | H | L |
| L | H | L | L | X | X | X | X | H | X | X | X | L | H |
| L | H | L | H | X | X | X | X | X | L | X | X | H | L |
| L | H | L | H | X | X | X | X | X | H | X | X | L | H |
| L | H | H | L | X | X | X | X | X | X | L | X | H | L |
| L | H | H | L | X | X | X | X | X | X | H | X | L | H |
| L | H | H | H | X | X | X | X | X | X | X | X | H | L |
| L | H | H | H | X | X | X | X | X | X | X | H | L | H |

H = HIGH Voltage Level
 L = LOW Voltage Level
 X = Don't Care

5

GUARANTEED OPERATING RANGES

| SYMBOL | PARAMETER | | MIN | TYP | MAX | UNIT |
|-----------------|-------------------------------------|--------|------|-----|------|------|
| V _{CC} | Supply Voltage | 54 | 4.5 | 5.0 | 5.5 | V |
| | | 74 | 4.75 | 5.0 | 5.25 | |
| T _A | Operating Ambient Temperature Range | 54 | -55 | 25 | 125 | °C |
| | | 74 | 0 | 25 | 70 | |
| I _{OH} | Output Current — High | 54, 74 | | | -0.4 | mA |
| I _{OL} | Output Current — Low | 54 | | | 4.0 | mA |
| | | 74 | | | 8.0 | |

DC CHARACTERISTICS OVER OPERATING TEMPERATURE RANGE (unless otherwise specified)

| SYMBOL | PARAMETER | | LIMITS | | | UNITS | TEST CONDITIONS |
|-----------------|---------------------------|-------|--------|-------|------|-------|---|
| | | | MIN | TYP | MAX | | |
| V _{IH} | Input HIGH Voltage | | 2.0 | | | V | Guaranteed Input HIGH Voltage for All Inputs |
| V _{IL} | Input LOW Voltage | 54 | | | 0.7 | V | Guaranteed Input LOW Voltage for All Inputs |
| | | 74 | | | 0.8 | | |
| V _{IK} | Input Clamp Diode Voltage | | | -0.65 | -1.5 | V | V _{CC} = MIN, I _{IN} = -18 mA |
| V _{OH} | Output HIGH Voltage | 54 | 2.5 | 3.5 | | V | V _{CC} = MIN, I _{OH} = MAX, V _{IN} = V _{IH} or V _{IL} per Truth Table |
| | | 74 | 2.7 | 3.5 | | V | |
| V _{OL} | Output LOW Voltage | 54,74 | | 0.25 | 0.4 | V | I _{OL} = 4.0 mA I _{OL} = 8.0 mA V _{CC} = V _{CC} MIN, V _{IN} = V _{IL} or V _{IH} per Truth Table |
| | | 74 | | 0.35 | 0.5 | V | |
| I _{IH} | Input HIGH Current | | | | 20 | μA | V _{CC} = MAX, V _{IN} = 2.7 V |
| | | | | | 0.1 | mA | |
| I _{IL} | Input LOW Current | | | | -0.4 | mA | V _{CC} = MAX, V _{IN} = 0.4 V |
| I _{OS} | Short Circuit Current | | -20 | | -100 | mA | V _{CC} = MAX |
| I _{CC} | Power Supply Current | | | | 10 | mA | V _{CC} = MAX |

AC CHARACTERISTICS: T_A = 25°C

| SYMBOL | PARAMETER | | LIMITS | | | UNITS | TEST CONDITIONS |
|--------------------------------------|---|--|--------|----------|----------|-------|---|
| | | | MIN | TYP | MAX | | |
| t _{PLH} t _{PHL} | Propagation Delay Select to Output Z | | | 27 18 | 43 30 | ns | V _{CC} = 5.0 V C _L = 15 pF |
| t _{PLH} t _{PHL} | Propagation Delay Select to Output \bar{Z} | | | 14 20 | 23 32 | | |
| t _{PLH} t _{PHL} | Propagation Delay Enable to Output Z | | | 26 20 | 42 32 | | |
| t _{PLH} t _{PHL} | Propagation Delay Enable to Output \bar{Z} | | | 15 18 | 24 30 | | |
| t _{PLH} t _{PHL} | Propagation Delay Data to Output Z | | | 20 16 | 32 26 | | |
| t _{PLH} t _{PHL} | Propagation Delay Data to Output \bar{Z} | | | 13 12 | 21 20 | | |

5

AC WAVEFORMS

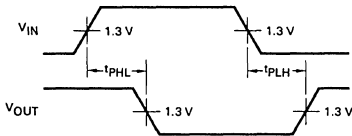


Fig. 1

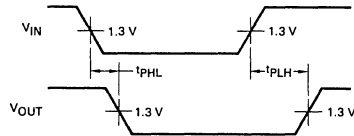


Fig. 2



MOTOROLA

SN54LS153 SN74LS153

DESCRIPTION — The LSTTL/MSI SN54LS/74LS153 is a very high speed Dual 4-Input Multiplexer with common select inputs and individual enable inputs for each section. It can select two bits of data from four sources. The two buffered outputs present data in the true (non-inverted) form. In addition to multiplexer operation, the LS153 can generate any two functions of three variables. The LS153 is fabricated with the Schottky barrier diode process for high speed and is completely compatible with all Motorola TTL families.

DUAL 4-INPUT MULTIPLEXER

LOW POWER SCHOTTKY

- MULTIFUNCTION CAPABILITY
- NON-INVERTING OUTPUTS
- SEPARATE ENABLE FOR EACH MULTIPLEXER
- INPUT CLAMP DIODES LIMIT HIGH SPEED TERMINATION EFFECTS

PIN NAMES

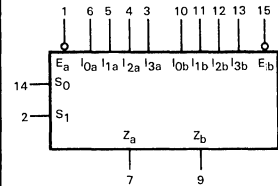
| | |
|------------|-----------------------------|
| S_0 | Common Select Input |
| E | Enable (Active LOW) Input |
| I_0, I_1 | Multiplexer Inputs |
| Z | Multiplexer Output (Note b) |

| LOADING (Note a) | |
|------------------|--------------|
| HIGH | LOW |
| 0.5 U.L. | 0.25 U.L. |
| 0.5 U.L. | 0.25 U.L. |
| 0.5 U.L. | 0.25 U.L. |
| 10 U.L. | 5 (2.5) U.L. |

NOTES:

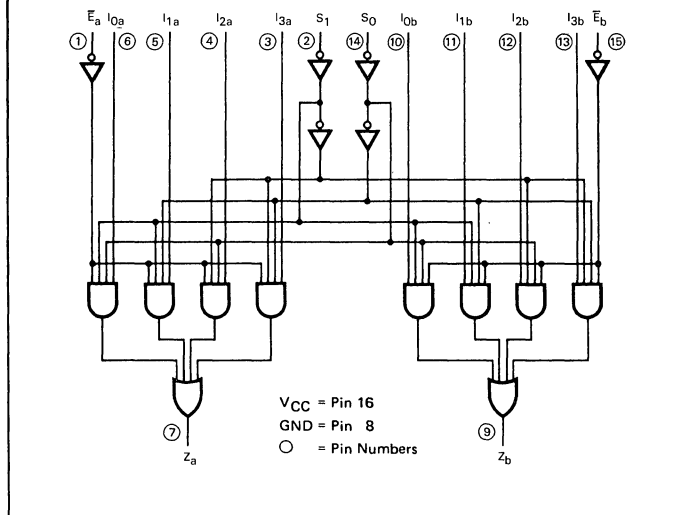
- a. 1 TTL Unit Load (U.L.) = 40 μ A HIGH/1.6 mA LOW.
 b. The Output LOW drive factor is 2.5 U.L. for Military (54) and 5 U.L. for Commercial (74) Temperature Ranges.

LOGIC SYMBOL

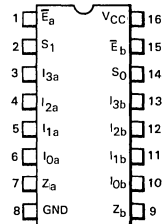


V_{CC} = Pin 16
GND = Pin 8

LOGIC DIAGRAM



CONNECTION DIAGRAM DIP (TOP VIEW)



J Suffix — Case 620-08 (Ceramic)
N Suffix — Case 648-05 (Plastic)

NOTE:
The Flatpak version has the same pinouts (Connection Diagram) as the Dual In-Line Package.

FUNCTIONAL DESCRIPTION — The LS153 is a Dual 4-Input Multiplexer fabricated with Low Power, Schottky barrier diode process for high speed. It can select two bits of data from up to four sources under the control of the common Select Inputs (S_0, S_1). The two 4-input multiplexer circuits have individual active LOW Enables (\bar{E}_a, \bar{E}_b) which can be used to strobe the outputs independently. When the Enables (\bar{E}_a, \bar{E}_b) are HIGH, the corresponding outputs (Z_a, Z_b) are forced LOW.

The LS153 is the logic implementation of a 2-pole, 4-position switch, where the position of the switch is determined by the logic levels supplied to the two Select Inputs. The logic equations for the outputs are shown below.

$$Z_a = \bar{E}_a \cdot (I_{0a} \cdot \bar{S}_1 \cdot \bar{S}_0 + I_{1a} \cdot \bar{S}_1 \cdot S_0 + I_{2a} \cdot S_1 \cdot \bar{S}_0 + I_{3a} \cdot S_1 \cdot S_0)$$

$$Z_b = \bar{E}_b \cdot (I_{0b} \cdot \bar{S}_1 \cdot \bar{S}_0 + I_{1b} \cdot \bar{S}_1 \cdot S_0 + I_{2b} \cdot S_1 \cdot \bar{S}_0 + I_{3b} \cdot S_1 \cdot S_0)$$

The LS153 can be used to move data from a group of registers to a common output bus. The particular register from which the data came would be determined by the state of the Select Inputs. A less obvious application is a function generator. The LS153 can generate two functions of three variables. This is useful for implementing highly irregular random logic.

TRUTH TABLE

| SELECT INPUTS | | \bar{E} | INPUTS (a or b) | | | | OUTPUT |
|---------------|-------|-----------|-----------------|-------|-------|-------|--------|
| S_0 | S_1 | | I_0 | I_1 | I_2 | I_3 | |
| X | X | H | X | X | X | X | L |
| L | L | L | L | X | X | X | L |
| L | L | L | H | X | X | X | H |
| H | L | L | X | L | X | X | L |
| H | L | L | X | H | X | X | H |
| L | H | L | X | X | L | X | L |
| L | H | L | X | X | H | X | H |
| H | H | L | X | X | X | L | L |
| H | H | L | X | X | X | H | H |

H = HIGH Voltage Level
 L = LOW Voltage Level
 X = Don't Care

GUARANTEED OPERATING RANGES

| SYMBOL | PARAMETER | | MIN | TYP | MAX | UNIT |
|----------|-------------------------------------|----------|-------------|------------|-------------|------|
| V_{CC} | Supply Voltage | 54 74 | 4.5 4.75 | 5.0 5.0 | 5.5 5.25 | V |
| T_A | Operating Ambient Temperature Range | 54 74 | -55 0 | 25 25 | 125 70 | °C |
| I_{OH} | Output Current — High | 54, 74 | | | -0.4 | mA |
| I_{OL} | Output Current — Low | 54 74 | | | 4.0 8.0 | mA |

DC CHARACTERISTICS OVER OPERATING TEMPERATURE RANGE (unless otherwise specified)

| SYMBOL | PARAMETER | LIMITS | | | UNITS | TEST CONDITIONS |
|-----------------|---------------------------|--------|-------|------|-------|--|
| | | MIN | TYP | MAX | | |
| V _{IH} | Input HIGH Voltage | 2.0 | | | V | Guaranteed Input HIGH Voltage for All Inputs |
| V _{IL} | Input LOW Voltage | 54 | | 0.7 | V | Guaranteed Input LOW Voltage for All Inputs |
| | | 74 | | 0.8 | | |
| V _{IK} | Input Clamp Diode Voltage | | -0.65 | -1.5 | V | V _{CC} = MIN, I _{IN} = -18 mA |
| V _{OH} | Output HIGH Voltage | 54 | 2.5 | 3.5 | V | V _{CC} = MIN, I _{OH} = MAX, V _{IN} = V _{IH} or V _{IL} per Truth Table |
| | | 74 | 2.7 | 3.5 | V | |
| V _{OL} | Output LOW Voltage | 54,74 | 0.25 | 0.4 | V | I _{OL} = 4.0 mA |
| | | 74 | 0.35 | 0.5 | V | I _{OL} = 8.0 mA |
| I _{IH} | Input HIGH Current | | | 20 | μA | V _{CC} = MAX, V _{IN} = 2.7 V |
| | | | | 0.1 | mA | V _{CC} = MAX, V _{IN} = 7.0 V |
| I _{IL} | Input LOW Current | | | -0.4 | mA | V _{CC} = MAX, V _{IN} = 0.4 V |
| I _{OS} | Short Circuit Current | -20 | | -100 | mA | V _{CC} = MAX |
| I _{CC} | Power Supply Current | | | 10 | mA | V _{CC} = MAX |

AC CHARACTERISTICS: T_A = 25°C

| SYMBOL | PARAMETER | LIMITS | | | UNITS | TEST CONDITIONS | |
|------------------|---------------------------------------|--------|-----|-----|-------|-----------------|---|
| | | MIN | TYP | MAX | | | |
| t _{PLH} | Propagation Delay Data to Output | | 10 | 15 | ns | Fig. 2 | V _{CC} = 5.0 V C _L = 15 pF |
| t _{PHL} | | | 17 | 26 | | | |
| t _{PLH} | Propagation Delay Select to Output | | 19 | 29 | ns | Fig. 1 | |
| t _{PHL} | | | 25 | 38 | | | |
| t _{PLH} | Propagation Delay Enable to Output | | 16 | 24 | ns | Fig. 2 | |
| t _{PHL} | | | 21 | 32 | | | |

5

AC WAVEFORMS

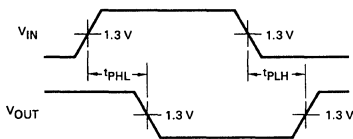


Fig. 1

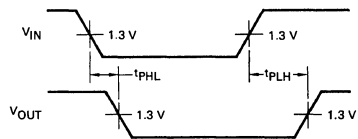


Fig. 2



SN54LS/74LS155 SN54LS/74LS156

DESCRIPTION — The SN54LS/74LS155 and SN54LS/74LS156 are high speed Dual 1-of-4 Decoder/Demultiplexers. These devices have two decoders with common 2-bit Address inputs and separate gated Enable inputs. Decoder "a" has an Enable gate with one active HIGH and one active LOW input. Decoder "b" has two active LOW Enable inputs. If the Enable functions are satisfied, one output of each decoder will be LOW as selected by the address inputs. The LS156 has open collector outputs for wired-OR (DOT-AND) decoding and function generator applications.

The LS155 and LS156 are fabricated with the Schottky barrier diode process for high speed and are completely compatible with all Motorola TTL families.

DUAL 1-OF-4 DECODER/ DEMULTIPLEXER LS156-OPEN-COLLECTOR LOW POWER SCHOTTKY

- SCHOTTKY PROCESS FOR HIGH SPEED
- MULTIFUNCTION CAPABILITY
- COMMON ADDRESS INPUTS
- TRUE OR COMPLEMENT DATA DEMULTIPLEXING
- INPUT CLAMP DIODES LIMIT HIGH SPEED TERMINATION EFFECTS

PIN NAMES

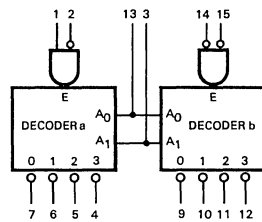
| | |
|-------------------------|-----------------------------|
| A_0, A_1 | Address Inputs |
| \bar{E}_a, \bar{E}_b | Enable (Active LOW) Inputs |
| E_a | Enable (Active HIGH) Input |
| $\bar{O}_0 - \bar{O}_3$ | Active LOW Outputs (Note b) |

| LOADING (Note a) | |
|------------------|--------------|
| HIGH | LOW |
| 0.5 U.L. | 0.25 U.L. |
| 0.5 U.L. | 0.25 U.L. |
| 0.5 U.L. | 0.25 U.L. |
| 10 U.L. | 5 (2.5) U.L. |

NOTES:

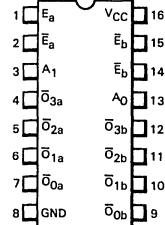
- 1 TTL Unit Load (U.L.) = 40 μ A HIGH/1.6 mA LOW.
- The Output LOW drive factor is 2.5 U.L. for Military (54) and 5 U.L. for Commercial (74) Temperature Ranges. The HIGH level drive for the LS156 must be established by an external resistor.

LOGIC SYMBOL



V_{CC} = Pin 16
GND = Pin 8

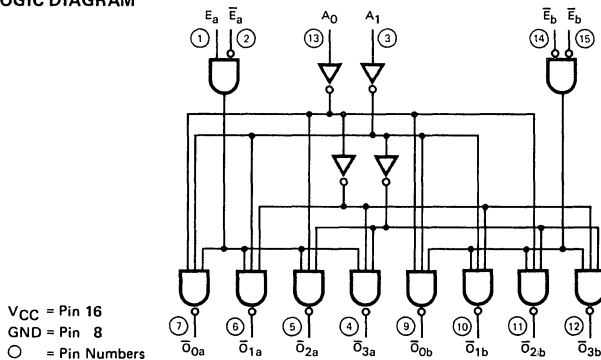
CONNECTION DIAGRAM DIP (TOP VIEW)



J Suffix — Case 620-08 (Ceramic)
N Suffix — Case 648-05 (Plastic)

NOTE:
The Flatpak version has the same pinouts (Connection Diagram) as the Dual In-Line Package.

LOGIC DIAGRAM



V_{CC} = Pin 16
GND = Pin 8
○ = Pin Numbers

5

FUNCTIONAL DESCRIPTION — The LS155 and LS156 are Dual 1-of-4 Decoder/Demultiplexers with common Address inputs and separate gated Enable inputs. When enabled, each decoder section accepts the binary weighted Address inputs (A_0, A_1) and provides four mutually exclusive active LOW outputs (\bar{O}_0 – \bar{O}_3). If the Enable requirements of each decoder are not met, all outputs of that decoder are HIGH.

Each decoder section has a 2-input enable gate. The enable gate for Decoder "a" requires one active HIGH input and one active LOW input ($E_a \cdot \bar{E}_a$). In demultiplexing applications, Decoder "a" can accept either true or complemented data by using the \bar{E}_a or E_a inputs respectively. The enable gate for Decoder "b" requires two active LOW inputs ($\bar{E}_b \cdot \bar{E}_b$). The LS155 or LS156 can be used as a 1-of-8 Decoder/Demultiplexer by tying E_a to \bar{E}_b and relabeling the common connection as (A_2). The other \bar{E}_b and \bar{E}_a are connected together to form the common enable.

The LS155 and LS156 can be used to generate all four minterms of two variables. These four minterms are useful in some applications replacing multiple gate functions as shown in Fig. a. The LS156 has the further advantage of being able to AND the minterm functions by tying outputs together. Any number of terms can be wired-AND as shown below.

$$f = (E + A_0 + A_1) \cdot (E + \bar{A}_0 + A_1) \cdot (E + A_0 + \bar{A}_1) \cdot (E + \bar{A}_0 + \bar{A}_1)$$

where $E = E_a + \bar{E}_a$; $E = E_b + E_b$

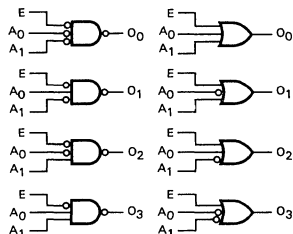


Fig. a

5

TRUTH TABLE

| ADDRESS | | ENABLE "a" | | OUTPUT "a" | | | | ENABLE "b" | | OUTPUT "b" | | | |
|---------|-------|------------|-------------|-------------|-------------|-------------|-------------|-------------|-------------|-------------|-------------|-------------|-------------|
| A_0 | A_1 | E_a | \bar{E}_a | \bar{O}_0 | \bar{O}_1 | \bar{O}_2 | \bar{O}_3 | \bar{E}_b | \bar{E}_b | \bar{O}_0 | \bar{O}_1 | \bar{O}_2 | \bar{O}_3 |
| X | X | L | X | H | H | H | H | H | X | H | H | H | H |
| X | X | X | H | H | H | H | H | X | H | H | H | H | H |
| L | L | H | L | L | H | H | H | L | L | L | H | H | H |
| H | L | H | L | H | L | H | H | L | L | H | L | H | H |
| L | H | H | L | H | H | L | H | L | L | H | H | L | H |
| H | H | H | L | H | H | H | L | L | L | H | H | H | L |

H = HIGH Voltage Level
 L = LOW Voltage Level
 X = Don't Care

GUARANTEED OPERATING RANGES

| SYMBOL | PARAMETER | | MIN | TYP | MAX | UNIT |
|-----------------|-------------------------------------|--------|------|-----|------|------|
| V _{CC} | Supply Voltage | 54 | 4.5 | 5.0 | 5.5 | V |
| | | 74 | 4.75 | 5.0 | 5.25 | |
| T _A | Operating Ambient Temperature Range | 54 | -55 | 25 | 125 | °C |
| | | 74 | 0 | 25 | 70 | |
| I _{OH} | Output Current — High | 54, 74 | | | -0.4 | mA |
| I _{OL} | Output Current — Low | 54 | | | 4.0 | mA |
| | | 74 | | | 8.0 | |

DC CHARACTERISTICS OVER OPERATING TEMPERATURE RANGE (unless otherwise specified)

| SYMBOL | PARAMETER | LIMITS | | | UNITS | TEST CONDITIONS | |
|-----------------|---------------------------|--------|-------|------|-------|--|---|
| | | MIN | TYP | MAX | | | |
| V _{IH} | Input HIGH Voltage | 2.0 | | | V | Guaranteed Input HIGH Voltage for All Inputs | |
| V _{IL} | Input LOW Voltage | 54 | | 0.7 | V | Guaranteed Input LOW Voltage for All Inputs | |
| | | 74 | | 0.8 | | | |
| V _{IK} | Input Clamp Diode Voltage | | -0.65 | -1.5 | V | V _{CC} = MIN, I _{IN} = -18 mA | |
| V _{OH} | Output HIGH Voltage | 54 | 2.5 | 3.5 | V | V _{CC} = MIN, I _{OH} = MAX, V _{IN} = V _{IH} or V _{IL} per Truth Table | |
| | | 74 | 2.7 | 3.5 | V | | |
| V _{OL} | Output LOW Voltage | 54, 74 | | 0.25 | 0.4 | V | I _{OL} = 4.0 mA V _{CC} = V _{CC} MIN, V _{IN} = V _{IL} or V _{IH} per Truth Table |
| | | 74 | | 0.35 | 0.5 | V | |
| I _{IH} | Input HIGH Current | | | 20 | μA | V _{CC} = MAX, V _{IN} = 2.7 V | |
| | | | | 0.1 | mA | V _{CC} = MAX, V _{IN} = 7.0 V | |
| I _{IL} | Input LOW Current | | | -0.4 | mA | V _{CC} = MAX, V _{IN} = 0.4 V | |
| I _{OS} | Short Circuit Current | -20 | | -100 | mA | V _{CC} = MAX | |
| I _{CC} | Power Supply Current | | | 10 | mA | V _{CC} = MAX | |

AC CHARACTERISTICS T_A = 25°C

| SYMBOL | PARAMETER | LIMITS | | UNITS | TEST CONDITIONS |
|------------------|---|--------|-----|-------|---|
| | | TYP | MAX | | |
| t _{PLH} | Propagation Delay Address, E _a or E _b to Output | 10 | 15 | ns | V _{CC} = 5.0 V C _L = 15 pF |
| t _{PHL} | Propagation Delay Address to Output | 19 | 30 | ns | |
| t _{PLH} | Propagation Delay Address to Output | 17 | 26 | ns | |
| t _{PHL} | Propagation Delay E _a to Output | 19 | 30 | ns | |
| t _{PLH} | Propagation Delay E _a to Output | 18 | 27 | ns | Fig. 1 |
| t _{PHL} | Propagation Delay E _a to Output | 18 | 27 | ns | Fig. 1 |

AC WAVEFORMS

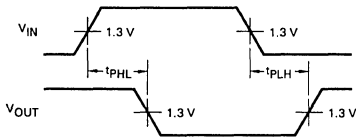


Fig. 1

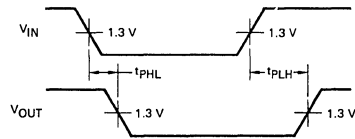


Fig. 2

GUARANTEED OPERATING RANGES

| SYMBOL | PARAMETER | | MIN | TYP | MAX | UNIT |
|-----------------|-------------------------------------|----------|-------------|------------|-------------|------|
| V _{CC} | Supply Voltage | 54 74 | 4.5 4.75 | 5.0 5.0 | 5.5 5.25 | V |
| T _A | Operating Ambient Temperature Range | 54 74 | -55 0 | 25 25 | 125 70 | °C |
| V _{OH} | Output Voltage — High | 54, 74 | | | 5.5 | V |
| I _{OL} | Output Current — Low | 54 74 | | | 4.0 8.0 | mA |

DC CHARACTERISTICS OVER OPERATING TEMPERATURE RANGE (unless otherwise specified)

| SYMBOL | PARAMETER | LIMITS | | | UNITS | TEST CONDITIONS |
|-----------------|---------------------------|--------|-------|------|-------|---|
| | | MIN | TYP | MAX | | |
| V _{IH} | Input HIGH Voltage | 2.0 | | | V | Guaranteed Input HIGH Voltage for All Inputs |
| V _{IL} | Input LOW Voltage | 54 | | 0.7 | V | Guaranteed Input LOW Voltage for All Inputs |
| | | 74 | | 0.8 | | |
| V _{IK} | Input Clamp Diode Voltage | | -0.65 | -1.5 | V | V _{CC} = MIN, I _{IN} = -18 mA |
| I _{OH} | Output HIGH Current | 54, 74 | | 100 | μA | V _{CC} = MIN, V _{OH} = MAX |
| V _{OL} | Output LOW Voltage | 54, 74 | 0.25 | 0.4 | V | I _{OL} = 4.0 mA I _{OL} = 8.0 mA V _{CC} = V _{CC} MIN, V _{IN} = V _{IL} or V _{IH} per Truth Table |
| | | 74 | 0.35 | 0.5 | V | |
| I _{IH} | Input HIGH Current | | | 20 | μA | V _{CC} = MAX, V _{IN} = 2.7 V |
| | | | | 0.1 | mA | V _{CC} = MAX, V _{IN} = 7.0 V |
| I _{IL} | Input LOW Current | | | -0.4 | mA | V _{CC} = MAX, V _{IN} = 0.4 V |
| I _{CC} | Power Supply Current | | | 10 | mA | V _{CC} = MAX |

AC CHARACTERISTICS T_A = 25°C

| SYMBOL | PARAMETER | LIMITS | | UNITS | TEST CONDITIONS |
|------------------|---|--------|-----|-------|--|
| | | TYP | MAX | | |
| t _{PLH} | Propagation Delay Address, E _a or E _b to Output | 25 | 40 | ns | V _{CC} = 5.0 V C _L = 15 pF R _L = 2 kΩ |
| t _{PHL} | Address to Output | 34 | 51 | ns | |
| t _{PLH} | Propagation Delay Address to Output | 31 | 46 | ns | |
| t _{PHL} | Address to Output | 34 | 51 | ns | |
| t _{PLH} | Propagation Delay E _a to Output | 32 | 48 | ns | |

5

AC WAVEFORMS

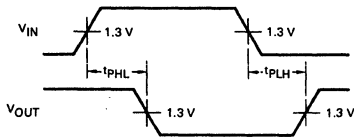


Fig. 1

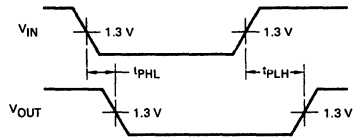


Fig. 2



SN54LS157 SN74LS157

DESCRIPTION — The LSTTL/MSI SN54LS/74LS157 is a high speed Quad 2-Input Multiplexer. Four bits of data from two sources can be selected using the common Select and Enable inputs. The four buffered outputs present the selected data in the true (non-inverted) form. The LS157 can also be used to generate any four of the 16 different functions of two variables. The LS157 is fabricated with the Schottky barrier diode process for high speed and is completely compatible with all Motorola TTL families.

QUAD 2-INPUT MULTIPLEXER

LOW POWER SCHOTTKY

- SCHOTTKY PROCESS FOR HIGH SPEED
- MULTIFUNCTION CAPABILITY
- NON-INVERTING OUTPUTS
- INPUT CLAMP DIODES LIMIT HIGH SPEED TERMINATION EFFECTS

PIN NAMES

| | |
|-------------------|------------------------------|
| S | Common Select Input |
| \bar{E} | Enable (Active LOW) Input |
| $I_{0a} - I_{0d}$ | Data Inputs from Source 0 |
| $I_{1a} - I_{1d}$ | Data Inputs from Source 1 |
| $Z_a - Z_d$ | Multiplexer Outputs (Note b) |

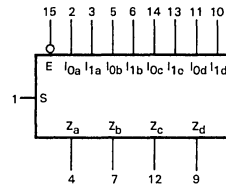
LOADING (Note a)

| HIGH | LOW |
|----------|--------------|
| 1.0 U.L. | 0.5 U.L. |
| 1.0 U.L. | 0.5 U.L. |
| 0.5 U.L. | 0.25 U.L. |
| 0.5 U.L. | 0.25 U.L. |
| 10 U.L. | 5 (2.5) U.L. |

NOTES:

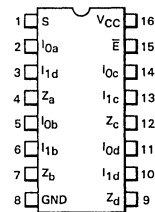
- 1 TTL Unit Load (U.L.) = 40 μ A HIGH/1.6 mA LOW.
- The Output LOW drive factor is 2.5 U.L. for Military (54) and 5 U.L. for Commercial (74) Temperature Ranges.

LOGIC SYMBOL



V_{CC} = Pin 16
GND = Pin 8

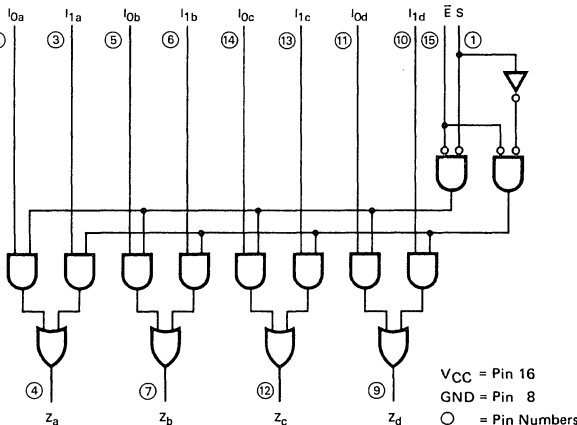
CONNECTION DIAGRAM DIP (TOP VIEW)



J Suffix — Case 620-08 (Ceramic)
N Suffix — Case 648-05 (Plastic)

NOTE:
The Flatpak version has the same pinouts (Connection Diagram) as the Dual In-Line Package.

LOGIC DIAGRAM



V_{CC} = Pin 16
GND = Pin 8
○ = Pin Numbers

FUNCTIONAL DESCRIPTION — The LS157 is a Quad 2-Input Multiplexer fabricated with the Schottky barrier diode process for high speed. It selects four bits of data from two sources under the control of a common Select Input (S). The Enable Input (E) is active LOW. When \bar{E} is HIGH, all of the outputs (Z) are forced LOW regardless of all other inputs.

The LS157 is the logic implementation of a 4-pole, 2-position switch where the position of the switch is determined by the logic levels supplied to the Select Input. The logic equations for the outputs are shown below:

$$Z_a = \bar{E} \cdot (I_{1a} \cdot S + I_{0a} \cdot \bar{S}) \quad Z_b = \bar{E} \cdot (I_{1b} \cdot S + I_{0b} \cdot \bar{S})$$

$$Z_c = \bar{E} \cdot (I_{1c} \cdot S + I_{0c} \cdot \bar{S}) \quad Z_d = \bar{E} \cdot (I_{1d} \cdot S + I_{0d} \cdot \bar{S})$$

A common use of the LS157 is the moving of data from two groups of registers to four common output busses. The particular register from which the data comes is determined by the state of the Select Input. A less obvious use is as a function generator. The LS157 can generate any four of the 16 different functions of two variables with one variable common. This is useful for implementing highly irregular logic.

TRUTH TABLE

| ENABLE | SELECT INPUT | INPUTS | | OUTPUT |
|-----------|--------------|----------------|----------------|--------|
| | | I ₀ | I ₁ | |
| \bar{E} | S | I ₀ | I ₁ | Z |
| H | X | X | X | L |
| L | H | X | L | L |
| L | H | X | H | H |
| L | L | L | X | L |
| L | L | H | X | H |

H = HIGH Voltage Level

L = LOW Voltage Level

X = Don't Care

GUARANTEED OPERATING RANGES

| SYMBOL | PARAMETER | | MIN | TYP | MAX | UNIT |
|-----------------|-------------------------------------|--------|------|-----|------|------|
| V _{CC} | Supply Voltage | 54 | 4.5 | 5.0 | 5.5 | V |
| | | 74 | 4.75 | 5.0 | 5.25 | |
| T _A | Operating Ambient Temperature Range | 54 | -55 | 25 | 125 | °C |
| | | 74 | 0 | 25 | 70 | |
| I _{OH} | Output Current — High | 54, 74 | | | -0.4 | mA |
| I _{OL} | Output Current — Low | 54 | | | 4.0 | mA |
| | | 74 | | | 8.0 | |

DC CHARACTERISTICS OVER OPERATING TEMPERATURE RANGE (unless otherwise specified)

| SYMBOL | PARAMETER | LIMITS | | | UNITS | TEST CONDITIONS | |
|-----------------|--|--------|-------|------|--------------|--|---|
| | | MIN | TYP | MAX | | | |
| V _{IH} | Input HIGH Voltage | 2.0 | | | V | Guaranteed Input HIGH Voltage for All Inputs | |
| V _{IL} | Input LOW Voltage | 54 | | 0.7 | V | Guaranteed Input LOW Voltage for All Inputs | |
| | | 74 | | 0.8 | | | |
| V _{IK} | Input Clamp Diode Voltage | | -0.65 | -1.5 | V | V _{CC} = MIN, I _{IN} = -18 mA | |
| V _{OH} | Output HIGH Voltage | 54 | 2.5 | 3.5 | V | V _{CC} = MIN, I _{OH} = MAX, V _{IN} = V _{IH} or V _{IL} per Truth Table | |
| | | 74 | 2.7 | 3.5 | V | | |
| V _{OL} | Output LOW Voltage | 54,74 | | 0.25 | 0.4 | V | I _{OL} = 4.0 mA, V _{CC} = V _{CC} MIN, V _{IN} = V _{IL} or V _{IH} per Truth Table |
| | | 74 | | 0.35 | 0.5 | V | |
| I _{IH} | Input HIGH Current I _{O,I1} E,S | | | | 20 40 | μA | V _{CC} = MAX, V _{IN} = 2.7 V |
| | | | | | 0.1 0.2 | mA | |
| I _{IL} | Input LOW Current I _{O,I1} E,S | | | | -0.4 -0.8 | mA | V _{CC} = MAX, V _{IN} = 0.4 V |
| I _{OS} | Short Circuit Current | -20 | | -100 | mA | V _{CC} = MAX | |
| I _{CC} | Power Supply Current | | | 16 | mA | V _{CC} = MAX | |

AC CHARACTERISTICS: T_A = 25°C

| SYMBOL | PARAMETER | LIMITS | | | UNITS | TEST CONDITIONS | |
|------------------|---------------------------------------|--------|-----|-----|-------|-----------------|---|
| | | MIN | TYP | MAX | | | |
| t _{PLH} | Propagation Delay Data to Output | | 9.0 | 14 | ns | Fig. 2 | V _{CC} = 5.0 V C _L = 15 pF |
| t _{PHL} | Data to Output | | 9.0 | 14 | | | |
| t _{PLH} | Propagation Delay Enable to Output | | 13 | 20 | ns | Fig. 1 | |
| t _{PHL} | Enable to Output | | 14 | 21 | | | |
| t _{PLH} | Propagation Delay Select to Output | | 15 | 23 | ns | Fig. 2 | |
| t _{PHL} | Select to Output | | 18 | 27 | | | |

AC WAVEFORMS

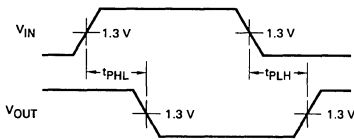


Fig. 1

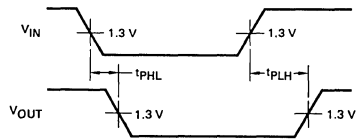


Fig. 2



SN54LS158 SN74LS158

DESCRIPTION — The LSTTL/MSI SN54LS/74LS158 is a high speed Quad 2-Input Multiplexer. It selects four bits of data from two sources using the common Select and Enable inputs. The four buffered outputs present the selected data in the inverted form. The LS158 can also generate any four of the 16 different functions of two variables. The LS158 is fabricated with the Schottky barrier diode process for high speed and is completely compatible with all Motorola TTL families.

QUAD 2-INPUT MULTIPLEXER

LOW POWER SCHOTTKY

- SCHOTTKY PROCESS FOR HIGH SPEED
- MULTIFUNCTION CAPABILITY
- INVERTED OUTPUTS
- INPUT CLAMP DIODES LIMIT HIGH SPEED TERMINATION EFFECTS

PIN NAMES

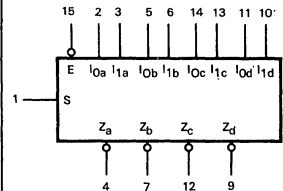
| | |
|-------------------------|---------------------------|
| S | Common Select Input |
| \bar{E} | Enable (Active LOW) Input |
| $I_{0a} - I_{0d}$ | Data Inputs from Source 0 |
| $I_{1a} - I_{1d}$ | Data Inputs from Source 1 |
| $\bar{Z}_a - \bar{Z}_d$ | Inverted Outputs (Note b) |

| LOADING (Note a) | |
|------------------|--------------|
| HIGH | LOW |
| 1.0 U.L. | 0.5 U.L. |
| 1.0 U.L. | 0.5 U.L. |
| 0.5 U.L. | 0.25 U.L. |
| 0.5 U.L. | 0.25 U.L. |
| 10 U.L. | 5 (2.5) U.L. |

NOTES:

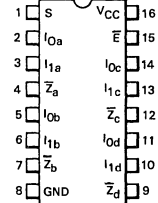
- 1 TTL Unit Load (U.L.) = 40 μ A HIGH/1.6 mA LOW.
- The Output LOW drive factor is 2.5 U.L. for Military (54) and 5 U.L. for Commercial (74) Temperature Ranges.

LOGIC SYMBOL



V_{CC} = Pin 16
GND = Pin 8

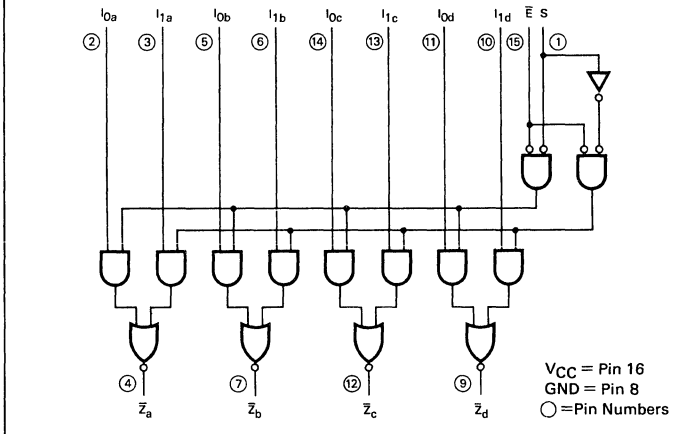
CONNECTION DIAGRAM DIP (TOP VIEW)



J Suffix — Case 620-08 (Ceramic)
N Suffix — Case 648-05 (Plastic)

NOTE:
The Flatpak version has the same pinouts (Connection Diagram) as the Dual In-Line Package.

LOGIC DIAGRAM



V_{CC} = Pin 16
GND = Pin 8
○ = Pin Numbers

FUNCTIONAL DESCRIPTION — The LS158 is a Quad 2-Input Multiplexer fabricated with the Schottky barrier diode process for high speed. It selects four bits of data from two sources under the control of a common Select Input (S) and presents the data in inverted form at the four outputs. The Enable Input (\bar{E}) is active LOW. When \bar{E} is HIGH, all of the outputs (\bar{Z}) are forced HIGH regardless of all other inputs.

The LS158 is the logic implementation of a 4-pole, 2-position switch where the position of the switch is determined by the logic levels supplied to the Select Input.

A common use of the LS158 is the moving of data from two groups of registers to four common output busses. The particular register from which the data comes is determined by the state of the Select Input. A less obvious use is as a function generator. The LS158 can generate four functions of two variables with one variable common. This is useful for implementing gating functions.

TRUTH TABLE

| ENABLE | SELECT INPUT | INPUTS | | OUTPUT |
|-----------|--------------|----------------|----------------|-----------|
| \bar{E} | S | I ₀ | I ₁ | \bar{Z} |
| H | X | X | X | H |
| L | L | L | X | H |
| L | L | H | X | L |
| L | H | X | L | H |
| L | H | X | H | L |

H = HIGH Voltage Level

L = LOW Voltage Level

X = Don't Care

GUARANTEED OPERATING RANGES

| SYMBOL | PARAMETER | | MIN | TYP | MAX | UNIT |
|-----------------|-------------------------------------|--------|------|-----|------|------|
| V _{CC} | Supply Voltage | 54 | 4.5 | 5.0 | 5.5 | V |
| | | 74 | 4.75 | 5.0 | 5.25 | |
| T _A | Operating Ambient Temperature Range | 54 | -55 | 25 | 125 | °C |
| | | 74 | 0 | 25 | 70 | |
| I _{OH} | Output Current — High | 54, 74 | | | -0.4 | mA |
| I _{OL} | Output Current — Low | 54 | | | 4.0 | mA |
| | | 74 | | | 8.0 | |

DC CHARACTERISTICS OVER OPERATING TEMPERATURE RANGE (unless otherwise specified)

| SYMBOL | PARAMETER | LIMITS | | | UNITS | TEST CONDITIONS |
|-----------------|---|--------|-------|--------------|-------|---|
| | | MIN | TYP | MAX | | |
| V _{IH} | Input HIGH Voltage | 2.0 | | | V | Guaranteed Input HIGH Voltage for All Inputs |
| V _{IL} | Input LOW Voltage | 54 | | 0.7 | V | Guaranteed Input LOW Voltage for All Inputs |
| | | 74 | | 0.8 | | |
| V _{IK} | Input Clamp Diode Voltage | | -0.65 | -1.5 | V | V _{CC} = MIN, I _{IN} = -18 mA |
| V _{OH} | Output HIGH Voltage | 54 | 2.5 | 3.5 | V | V _{CC} = MIN, I _{OH} = MAX, V _{IN} = V _{IH} or V _{IL} per Truth Table |
| | | 74 | 2.7 | 3.5 | V | |
| V _{OL} | Output LOW Voltage | 54,74 | 0.25 | 0.4 | V | I _{OL} = 4.0 mA I _{OL} = 8.0 mA V _{CC} = V _{CC} MIN, V _{IN} = V _{IL} or V _{IH} per Truth Table |
| | | 74 | 0.35 | 0.5 | V | |
| I _{IH} | Input HIGH Current I _{O,1} E,S | | | 20 40 | μA | V _{CC} = MAX, V _{IN} = 2.7 V |
| | | | | 0.1 0.2 | mA | |
| I _{IL} | Input LOW Current I _{O,1} E,S | | | -0.4 -0.8 | mA | V _{CC} = MAX, V _{IN} = 0.4 V |
| I _{OS} | Short Circuit Current | -20 | | -100 | mA | V _{CC} = MAX |
| I _{CC} | Power Supply Current | | | 8.0 | mA | V _{CC} = MAX |

AC CHARACTERISTICS: T_A = 25°C

| SYMBOL | PARAMETER | LIMITS | | | UNITS | TEST CONDITIONS |
|------------------|---------------------------------------|--------|-----|-----|-------|---|
| | | MIN | TYP | MAX | | |
| t _{PLH} | Propagation Delay Data to Output | | 7.0 | 12 | ns | V _{CC} = 5.0 V C _L = 15 pF |
| t _{PHL} | Data to Output | | 10 | 15 | ns | |
| t _{PLH} | Propagation Delay Enable to Output | | 11 | 17 | ns | |
| t _{PHL} | Enable to Output | | 18 | 24 | ns | |
| t _{PLH} | Propagation Delay Select to Output | | 13 | 20 | ns | Fig. 2 |
| t _{PHL} | Select to Output | | 16 | 24 | ns | |

5

AC WAVEFORMS

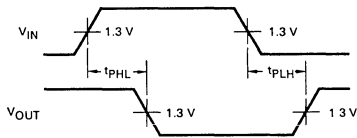


Fig. 1

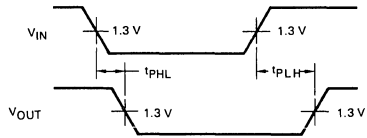


Fig. 2



SN54LS/74LS160A
SN54LS/74LS161A
SN54LS/74LS162A
SN54LS/74LS163A

DESCRIPTION — The LS160A/161A/162A/163A are high-speed 4-bit synchronous counters. They are edge-triggered, synchronously presettable, and cascadable MSI building blocks for counting, memory addressing, frequency division and other applications. The LS160A and LS162A count modulo 10 (BCD). The LS161A and LS163A count modulo 16 (binary).

The LS160A and LS161A have an asynchronous Master Reset (Clear) input that overrides, and is independent of, the clock and all other control inputs. The LS162A and LS163A have a Synchronous Reset (Clear) input that overrides all other control inputs, but is active only during the rising clock edge.

**BCD DECADE COUNTERS/
 4-BIT BINARY COUNTERS**

LOW POWER SCHOTTKY

| | BCD (Modulo 10) | Binary (Modulo 16) |
|--------------------|-----------------|--------------------|
| Asynchronous Reset | LS160A | LS161A |
| Synchronous Reset | LS162A | LS163A |

- **SYNCHRONOUS COUNTING AND LOADING**
- **TWO COUNT ENABLE INPUTS FOR HIGH SPEED SYNCHRONOUS EXPANSION**
- **TERMINAL COUNT FULLY DECODED**
- **EDGE-TRIGGERED OPERATION**
- **TYPICAL COUNT RATE OF 35 MHz**

PIN NAMES

| | |
|-----------------|--------------------------------------|
| \overline{PE} | Parallel Enable (Active LOW) Input |
| P_0 - P_3 | Parallel Inputs |
| CEP | Count Enable Parallel Input |
| CET | Count Enable Trickle Input |
| CP | Clock (Active HIGH Going Edge) Input |
| \overline{MR} | Master Reset (Active LOW) Input |
| \overline{SR} | Synchronous Reset (Active LOW) Input |
| Q_0 - Q_3 | Parallel Outputs (Note b) |
| TC | Terminal Count Output (Note b) |

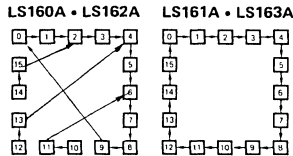
LOADING (Note a)

| | HIGH | LOW |
|-----------------|----------|--------------|
| \overline{PE} | 1.0 U.L. | 0.5 U.L. |
| P_0 - P_3 | 0.5 U.L. | 0.25 U.L. |
| CEP | 0.5 U.L. | 0.25 U.L. |
| CET | 1.0 U.L. | 0.5 U.L. |
| CP | 0.5 U.L. | 0.25 U.L. |
| \overline{MR} | 0.5 U.L. | 0.25 U.L. |
| \overline{SR} | 1.0 U.L. | 0.5 U.L. |
| Q_0 - Q_3 | 10 U.L. | 5 (2.5) U.L. |
| TC | 10 U.L. | 5 (2.5) U.L. |

NOTES:

- 1 TTL Unit Load (U.L.) = 40 μ A HIGH/1.6 mA LOW.
- The Output LOW drive factor is 2.5 U.L. for Military (54) and 5 U.L. for Commercial (74) Temperature Ranges.

STATE DIAGRAM

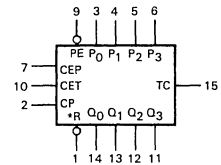


LOGIC EQUATIONS

Count Enable = $CEP \cdot CET \cdot PE$
 TC for LS160A & LS162A = $CET \cdot Q_0 \cdot \overline{Q_1} \cdot \overline{Q_2} \cdot Q_3$
 TC for LS161A & LS163A = $CET \cdot Q_0 \cdot Q_1 \cdot Q_2 \cdot Q_3$
 Preset = $\overline{PE} \cdot CP +$ (rising clock edge)
 Reset = \overline{MR} (LS160A & LS161A)
 Reset = $\overline{SR} \cdot CP +$ (rising clock edge)
 (LS162A & LS163A)

NOTE:
 The LS160A and LS162A can be preset to any state, but will not count beyond 9. If preset to state 10, 11, 12, 13, 14, or 15, it will return to its normal sequence within two clock pulses.

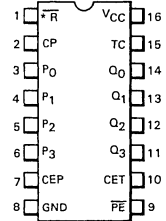
LOGIC SYMBOL



V_{CC} = Pin 16
 GND = Pin 8

*MR for LS160A and LS161A
 *SR for LS162A and LS163A

**CONNECTION DIAGRAMS
 DIP (TOP VIEW)**



*MR for LS160A and LS161A
 *SR for LS162A and LS163A

J Suffix — Case 620-08
 (Ceramic)
 N Suffix — Case 648-05
 (Plastic)

NOTE:
 The Flatpak version has the same pinouts (Connection Diagram) as the Dual In-Line Package.

FUNCTIONAL DESCRIPTION – The LS160A/161A/162A/163A are 4-bit synchronous counters with a synchronous Parallel Enable (Load) feature. These counters consist of four edge-triggered D flip-flops with the appropriate data routing networks feeding the D inputs. All changes of the Q outputs (except due to the asynchronous Master Reset in the LS160A and LS161A) occur as a result of, and synchronous with, the LOW to HIGH transition of the Clock input (CP). As long as the set-up time requirements are met, there are no special timing or activity constraints on any of the mode control or data inputs.

Three control inputs – Parallel Enable (\overline{PE}), Count Enable Parallel (CEP) and Count Enable Trickle (CET) – select the mode of operation as shown in the tables below. The Count Mode is enabled when the CEP, CET, and \overline{PE} inputs are HIGH. When the \overline{PE} is LOW, the counters will synchronously load the data from the parallel inputs into the flip-flops on the LOW to HIGH transition of the clock. Either the CEP or CET can be used to inhibit the count sequence. With the \overline{PE} held HIGH, a LOW on either the CEP or CET inputs at least one set-up time prior to the LOW to HIGH clock transition will cause the existing output states to be retained. The AND feature of the two Count Enable inputs (CET•CEP) allows synchronous cascading without external gating and without delay accumulation over any practical number of bits or digits.

The Terminal Count (TC) output is HIGH when the Count Enable Trickle (CET) input is HIGH while the counter is in its maximum count state (HLLH for the BCD counters, HHHH for the Binary counters). Note that TC is fully decoded and will, therefore, be HIGH only for one count state.

The LS160A and LS162A count modulo 10 following a binary coded decimal (BCD) sequence. They generate a TC output when the CET input is HIGH while the counter is in state 9 (HLLH). From this state they increment to state 0 (LLLL). If loaded with a code in excess of 9 they return to their legitimate sequence within two counts, as explained in the state diagram. States 10 through 15 do *not* generate a TC output.

The LS161A and LS163A count modulo 16 following a binary sequence. They generate a TC when the CET input is HIGH while the counter is in state 15 (HHHH). From this state they increment to state 0 (LLLL).

The Master Reset (\overline{MR}) of the LS160A and LS161A is asynchronous. When the \overline{MR} is LOW, it overrides all other input conditions and sets the outputs LOW. The \overline{MR} pin should never be left open. If not used, the \overline{MR} pin should be tied through a resistor to V_{CC} , or to a gate output which is permanently set to a HIGH logic level.

The active LOW Synchronous Reset (\overline{SR}) input of the LS162A and LS163A acts as an edge-triggered control input, overriding CET, CEP and \overline{PE} , and resetting the four counter flip-flops on the LOW to HIGH transition of the clock. This simplifies the design from race-free logic controlled reset circuits, e.g., to reset the counter synchronously after reaching a predetermined value.

MODE SELECT TABLE

| \overline{SR} | \overline{PE} | CET | CEP | Action on the Rising Clock Edge (\uparrow) |
|-----------------|-----------------|-----|-----|--|
| L | X | X | X | RESET (Clear) |
| H | L | X | X | LOAD ($P_n \rightarrow Q_n$) |
| H | H | H | H | COUNT (Increment) |
| H | H | L | X | NO CHANGE (Hold) |
| H | H | X | L | NO CHANGE (Hold) |

*For the LS162A and LS163A only.
 H = HIGH Voltage Level
 L = LOW Voltage Level
 X = Don't Care

GUARANTEED OPERATING RANGES

| SYMBOL | PARAMETER | | MIN | TYP | MAX | UNIT |
|----------|-------------------------------------|--------|------|-----|------|------|
| V_{CC} | Supply Voltage | 54 | 4.5 | 5.0 | 5.5 | V |
| | | 74 | 4.75 | 5.0 | 5.25 | |
| T_A | Operating Ambient Temperature Range | 54 | -55 | 25 | 125 | °C |
| | | 74 | 0 | 25 | 70 | |
| I_{OH} | Output Current — High | 54, 74 | | | -0.4 | mA |
| I_{OL} | Output Current — Low | 54 | | | 4.0 | mA |
| | | 74 | | | 8.0 | |

DC CHARACTERISTICS OVER OPERATING TEMPERATURE RANGE (unless otherwise specified)

| SYMBOL | PARAMETER | | LIMITS | | | UNITS | TEST CONDITIONS |
|-----------------|---|-------|--------|-------|--------------|-------|--|
| | | | MIN | TYP | MAX | | |
| V _{IH} | Input HIGH Voltage | | 2.0 | | | V | Guaranteed Input HIGH Voltage for All Inputs |
| V _{IL} | Input LOW Voltage | 54 | | | 0.7 | V | Guaranteed Input LOW Voltage for All Inputs |
| | | 74 | | | 0.8 | | |
| V _{IK} | Input Clamp Diode Voltage | | | -0.65 | -1.5 | V | V _{CC} = MIN, I _{IN} = -18 mA |
| V _{OH} | Output HIGH Voltage | 54 | 2.5 | 3.5 | | V | V _{CC} = MIN, I _{OH} = MAX, V _{IN} = V _{IH} or V _{IL} per Truth Table |
| | | 74 | 2.7 | 3.5 | | V | |
| V _{OL} | Output LOW Voltage | 54,74 | | 0.25 | 0.4 | V | I _{OL} = 4.0 mA |
| | | 74 | | 0.35 | 0.5 | V | I _{OL} = 8.0 mA |
| I _{IH} | Input HIGH Current MR, Data, CEP, Clock PE, CET | | | | 20 40 | μA | V _{CC} = MAX, V _{IN} = 2.7 V |
| | MR, Data, CEP, Clock PE, CET | | | | 0.1 0.2 | mA | V _{CC} = MAX, V _{IN} = 7.0 V |
| I _{IL} | Input LOW Current MR, Data, CEP, Clock PE, CET | | | | -0.4 -0.8 | mA | V _{CC} = MAX, V _{IN} = 0.4 V |
| I _{OS} | Short Circuit Current | | -20 | | -100 | mA | V _{CC} = MAX |
| I _{CC} | Power Supply Current Total, Output HIGH | | | | 31 | mA | V _{CC} = MAX |
| | Total, Output LOW | | | | 32 | | |

DC CHARACTERISTICS OVER OPERATING TEMPERATURE RANGE (unless otherwise specified)

| SYMBOL | PARAMETER | | LIMITS | | | UNITS | TEST CONDITIONS |
|-----------------|---|-------|--------|-------|--------------|-------|--|
| | | | MIN | TYP | MAX | | |
| V _{IH} | Input HIGH Voltage | | 2.0 | | | V | Guaranteed Input HIGH Voltage for All Inputs |
| V _{IL} | Input LOW Voltage | 54 | | | 0.7 | V | Guaranteed Input LOW Voltage for All Inputs |
| | | 74 | | | 0.8 | | |
| V _{IK} | Input Clamp Diode Voltage | | | -0.65 | -1.5 | V | V _{CC} = MIN, I _{IN} = -18 mA |
| V _{OH} | Output HIGH Voltage | 54 | 2.5 | 3.5 | | V | V _{CC} = MIN, I _{OH} = MAX, V _{IN} = V _{IH} or V _{IL} per Truth Table |
| | | 74 | 2.7 | 3.5 | | V | |
| V _{OL} | Output LOW Voltage | 54,74 | | 0.25 | 0.4 | V | I _{OL} = 4.0 mA |
| | | 74 | | 0.35 | 0.5 | V | I _{OL} = 8.0 mA |
| I _{IH} | Input HIGH Current Data, CEP, Clock PE, CET, SR | | | | 20 40 | μA | V _{CC} = MAX, V _{IN} = 2.7 V |
| | Data, CEP, Clock PE, CET, SR | | | | 0.1 0.2 | mA | V _{CC} = MAX, V _{IN} = 7.0 V |
| I _{IL} | Input LOW Current Data, CEP, Clock PE, CET, SR | | | | -0.4 -0.8 | mA | V _{CC} = MAX, V _{IN} = 0.4 V |
| I _{OS} | Short Circuit Current | | -20 | | -100 | mA | V _{CC} = MAX |
| I _{CC} | Power Supply Current Total, Output HIGH | | | | 31 | mA | V _{CC} = MAX |
| | Total, Output LOW | | | | 32 | | |



AC CHARACTERISTICS: $T_A = 25^\circ\text{C}$

| SYMBOL | PARAMETER | LIMITS | | | UNITS | TEST CONDITIONS |
|--------------------------------------|---|--------|------------|----------|-------|--|
| | | MIN | TYP | MAX | | |
| f_{MAX} | Maximum Clock Frequency | 25 | 32 | | MHz | $V_{\text{CC}} = 5.0\text{ V}$ $C_L = 15\text{ pF}$ |
| t_{PLH} t_{PHL} | Propagation Delay Clock to TC | | 20 18 | 35 35 | ns | |
| t_{PLH} t_{PHL} | Propagation Delay Clock to Q | | 13 18 | 24 27 | ns | |
| t_{PLH} t_{PHL} | Propagation Delay CET to TC | | 9.0 9.0 | 14 14 | ns | |
| t_{PHL} | $\overline{\text{MR}}$ or $\overline{\text{SR}}$ to Q | | 20 | 28 | ns | |

AC SETUP REQUIREMENTS: $T_A = 25^\circ\text{C}$

| SYMBOL | PARAMETER | LIMITS | | | UNITS | TEST CONDITIONS |
|------------------|--|--------|-----|-----|-------|--------------------------------|
| | | MIN | TYP | MAX | | |
| t_{WCP} | Clock Pulse Width Low | 25 | | | ns | $V_{\text{CC}} = 5.0\text{ V}$ |
| t_{W} | $\overline{\text{MR}}$ or $\overline{\text{SR}}$ Pulse Width | 20 | | | ns | |
| t_{s} | Setup Time, other* | 20 | | | ns | |
| t_{s} | Setup Time PE or SR | 25 | | | ns | |
| t_{h} | Hold Time, Any Input | 0 | | | ns | |

*CEP, CET or DATA

DEFINITION OF TERMS:

SETUP TIME (t_{s}) – is defined as the minimum time required for the correct logic level to be present at the logic input prior to the clock transition from LOW to HIGH in order to be recognized and transferred to the outputs.

HOLD TIME (t_{h}) – is defined as the minimum time following the clock transition from LOW to HIGH that the logic level must be maintained at the input in order to ensure continued recognition. A negative HOLD TIME indicates that the correct logic level may be released prior to the clock transition from LOW to HIGH and still be recognized.

RECOVERY TIME (t_{rec}) – is defined as the minimum time required between the end of the reset pulse and the clock transition from LOW to HIGH in order to recognize and transfer HIGH Data to the Q outputs.

AC WAVEFORMS

CLOCK TO OUTPUT DELAYS, COUNT FREQUENCY, AND CLOCK PULSE WIDTH.

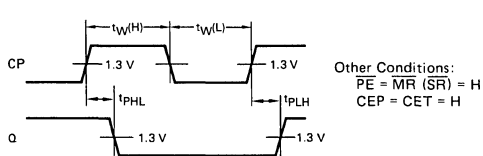


Fig. 1

MASTER RESET TO OUTPUT DELAY, MASTER RESET PULSE WIDTH, AND MASTER RESET RECOVERY TIME.

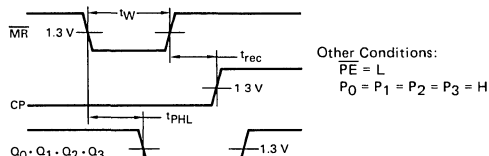


Fig. 2

AC WAVEFORMS (Cont'd)

COUNT ENABLE TRICKLE INPUT
 TO TERMINAL COUNT OUTPUT DELAYS

The positive TC pulse occurs when the outputs are in the ($Q_0 \bullet \bar{Q}_1 \bullet \bar{Q}_2 \bullet Q_3$) state for the LS160 and LS162 and the ($Q_0 \bullet Q_1 \bullet Q_2 \bullet Q_3$) state for the LS161 and LS163.

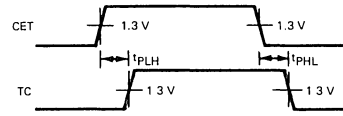


Fig. 3 Other Conditions: $\bar{PE} = \bar{CEP} = \bar{MR} = H$

CLOCK TO TERMINAL COUNT DELAYS.

The positive TC pulse is coincident with the output state ($Q_0 \bullet \bar{Q}_1 \bullet \bar{Q}_2 \bullet Q_3$) for the LS161 and LS163 and ($Q_0 \bullet Q_1 \bullet Q_2 \bullet Q_3$) for the LS161 and LS163.

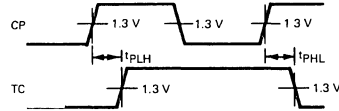


Fig. 4 Other Conditions: $\bar{PE} = \bar{CEP} = \bar{CET} = \bar{MR} = H$

SETUP TIME (t_s) AND HOLD TIME (t_h)
 FOR PARALLEL DATA INPUTS.

The shaded areas indicate when the input is permitted to change for predictable output performance.

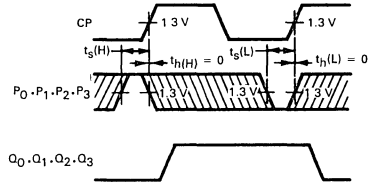


Fig. 5 Other Conditions: $\bar{PE} = L, \bar{MR} = H$

SETUP TIME (t_s) AND HOLD TIME (t_h) FOR COUNT
 ENABLE (CEP) AND (CET) AND PARALLEL ENABLE
 (\bar{PE}) INPUTS.

The shaded areas indicate when the input is permitted to change for predictable output performance.

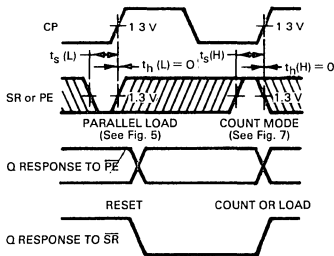
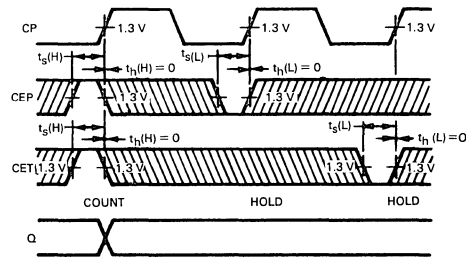


Fig. 6



Other Conditions: $\bar{PE} = H, \bar{MR} = H$

Fig. 7



SN54LS164 SN74LS164

DESCRIPTION — The SN54LS/74LS164 is a high speed 8-Bit Serial-In Parallel-Out Shift Register. Serial data is entered through a 2-Input AND gate synchronous with the LOW to HIGH transition of the clock. The device features an asynchronous Master Reset which clears the register setting all outputs LOW independent of the clock. It utilizes the Schottky diode clamped process to achieve high speeds and is fully compatible with all Motorola TTL products.

SERIAL-IN PARALLEL-OUT SHIFT REGISTER LOW POWER SCHOTTKY

- TYPICAL SHIFT FREQUENCY OF 35 MHz
- ASYNCHRONOUS MASTER RESET
- GATED SERIAL DATA INPUT
- FULLY SYNCHRONOUS DATA TRANSFERS
- INPUT CLAMP DIODES LIMIT HIGH SPEED TERMINATION EFFECTS

PIN NAMES

| | |
|-----------------|--------------------------------------|
| A, B | Data Inputs |
| CP | Clock (Active HIGH Going Edge) Input |
| \overline{MR} | Master Reset (Active LOW) Input |
| $Q_0 - Q_7$ | Outputs (Note b) |

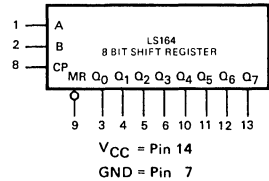
LOADING (Note a)

| | HIGH | LOW |
|-----------------|----------|-------------|
| A, B | 0.5 U.L. | 0.25 U.L. |
| CP | 0.5 U.L. | 0.25 U.L. |
| \overline{MR} | 0.5 U.L. | 0.25 U.L. |
| $Q_0 - Q_7$ | 10 U.L. | 5(2.5) U.L. |

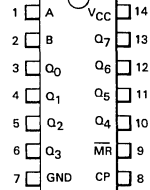
NOTES:

- 1 TTL Unit Load (U.L.) = 40 μ A HIGH/1.6 mA LOW.
- The Output LOW drive factor is 2.5 U.L. for Military (54) and 5 U.L. for Commercial (74) Temperature Ranges.

LOGIC SYMBOL



CONNECTION DIAGRAM DIP (TOP VIEW)

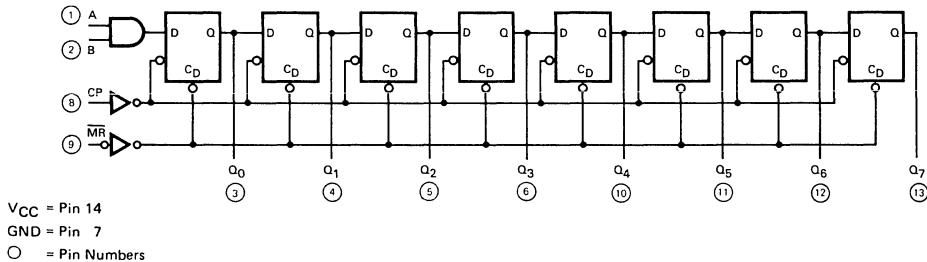


J Suffix — Case 632-07 (Ceramic)
N Suffix — Case 646-05 (Plastic)

NOTE:

The Flatpak version has the same pinouts (Connection Diagram) as the Dual In-Line Package.

LOGIC DIAGRAM



V_{CC} = Pin 14

GND = Pin 7

○ = Pin Numbers

FUNCTIONAL DESCRIPTION — The LS164 is an edge-triggered 8-bit shift register with serial data entry and an output from each of the eight stages. Data is entered serially through one of two inputs (A or B); either of these inputs can be used as an active HIGH Enable for data entry through the other input. An unused input must be tied HIGH, or both inputs connected together.

Each LOW-to-HIGH transition on the Clock (CP) input shifts data one place to the right and enters into Q₀ the logical AND of the two data inputs (A•B) that existed before the rising clock edge. A LOW level on the Master Reset (MR) input overrides all other inputs and clears the register asynchronously, forcing all Q outputs LOW.

MODE SELECT — TRUTH TABLE

| OPERATING MODE | INPUTS | | | OUTPUTS | |
|----------------|--------|---|---|----------------|---------------------------------|
| | MR | A | B | Q ₀ | Q ₁ – Q ₇ |
| Reset (Clear) | L | X | X | L | L – L |
| Shift | H | l | l | L | q ₀ – q ₆ |
| | H | l | h | L | q ₀ – q ₆ |
| | H | h | l | L | q ₀ – q ₆ |
| | H | h | h | H | q ₀ – q ₆ |

L (l) = LOW Voltage Levels

H (h) = HIGH Voltage Levels

X = Don't Care

q_n = Lower case letters indicate the state of the referenced input or output one set-up time prior to the LOW to HIGH clock transition.

GUARANTEED OPERATING RANGES

| SYMBOL | PARAMETER | | MIN | TYP | MAX | UNIT |
|-----------------|-------------------------------------|----------|-------------|------------|-------------|------|
| V _{CC} | Supply Voltage | 54 74 | 4.5 4.75 | 5.0 5.0 | 5.5 5.25 | V |
| T _A | Operating Ambient Temperature Range | 54 74 | -55 0 | 25 25 | 125 70 | °C |
| I _{OH} | Output Current — High | 54, 74 | | | -0.4 | mA |
| I _{OL} | Output Current — Low | 54 74 | | | 4.0 8.0 | mA |

DC CHARACTERISTICS OVER OPERATING TEMPERATURE RANGE (unless otherwise specified)

| SYMBOL | PARAMETER | LIMITS | | | UNITS | TEST CONDITIONS | |
|-----------------|---------------------------|--------|-------|------|-------|--|---|
| | | MIN | TYP | MAX | | | |
| V _{IH} | Input HIGH Voltage | 2.0 | | | V | Guaranteed Input HIGH Voltage for All Inputs | |
| V _{IL} | Input LOW Voltage | 54 | | 0.7 | V | Guaranteed Input LOW Voltage for All Inputs | |
| | | 74 | | 0.8 | | | |
| V _{IK} | Input Clamp Diode Voltage | | -0.65 | -1.5 | V | V _{CC} = MIN, I _{IN} = -18 mA | |
| V _{OH} | Output HIGH Voltage | 54 | 2.5 | 3.5 | V | V _{CC} = MIN, I _{OH} = MAX, V _{IN} = V _{IH} or V _{IL} per Truth Table | |
| | | 74 | 2.7 | 3.5 | V | | |
| V _{OL} | Output LOW Voltage | 54, 74 | | 0.25 | 0.4 | V | I _{OL} = 4.0 mA V _{CC} = V _{CC} MIN, V _{IN} = V _{IL} or V _{IH} per Truth Table |
| | | 74 | | 0.35 | 0.5 | V | |
| I _{IH} | Input HIGH Current | | | 20 | μA | V _{CC} = MAX, V _{IN} = 2.7 V | |
| | | | | 0.1 | mA | V _{CC} = MAX, V _{IN} = 7.0 V | |
| I _{IL} | Input LOW Current | | | -0.4 | mA | V _{CC} = MAX, V _{IN} = 0.4 V | |
| I _{OS} | Short Circuit Current | -20 | | -100 | mA | V _{CC} = MAX | |
| I _{CC} | Power Supply Current | | | 27 | mA | V _{CC} = MAX | |

AC CHARACTERISTICS: $T_A = 25^\circ\text{C}$

| SYMBOL | PARAMETER | LIMITS | | | UNITS | TEST CONDITIONS |
|--------------------------------------|---|--------|----------|----------|-------|--|
| | | MIN | TYP | MAX | | |
| f_{MAX} | Maximum Clock Frequency | 25 | 36 | | MHz | $V_{\text{CC}} = 5\text{ V}$ $C_L = 15\text{ pF}$ |
| t_{PHL} | Propagation Delay $\overline{\text{MR}}$ to Output Q | | 24 | 36 | ns | |
| t_{PLH} t_{PHL} | Propagation Delay Clock to Output Q | | 17 21 | 27 32 | ns | |

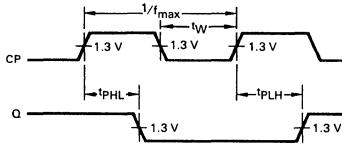
AC SETUP REQUIREMENTS: $T_A = 25^\circ\text{C}$

| SYMBOL | PARAMETER | LIMITS | | | UNITS | TEST CONDITIONS |
|----------------|--|--------|-----|-----|-------|------------------------------|
| | | MIN | TYP | MAX | | |
| t_{W} | CP, $\overline{\text{MR}}$ Pulse Width | 20 | | | ns | $V_{\text{CC}} = 5\text{ V}$ |
| t_{s} | Data Setup Time | 15 | | | ns | |
| t_{h} | Data Hold Time | 5.0 | | | ns | |

AC WAVEFORMS

*The shaded areas indicate when the input is permitted to change for predictable output performance.

**CLOCK TO OUTPUT DELAYS
AND CLOCK PULSE WIDTH**



CONDITIONS: $\overline{\text{MR}} = \text{H}$

Fig. 1

**MASTER RESET PULSE WIDTH,
MASTER RESET TO OUTPUT DELAY AND
MASTER RESET TO CLOCK RECOVERY TIME**

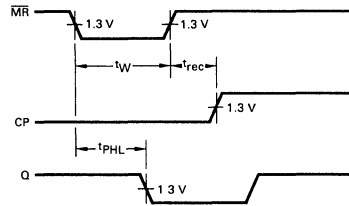


Fig. 2

DATA SETUP AND HOLD TIMES

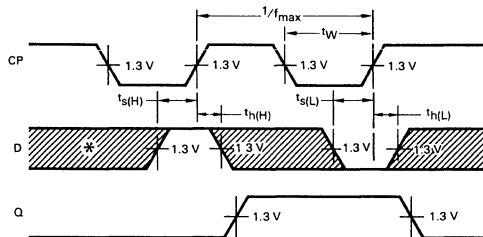


Fig. 3



SN54LS165 SN74LS165

DESCRIPTION — The SN54LS/74LS165 is an 8-bit parallel load or serial-in register with complementary outputs available from the last stage. Parallel inputing occurs asynchronously when the Parallel Load (PL) input is LOW. With \overline{PL} HIGH, serial shifting occurs on the rising edge of the clock; new data enters via the Serial Data (DS) input. The 2-input OR clock can be used to combine two independent clock sources, or one input can act as an active LOW clock enable.

8-BIT PARALLEL-TO-SERIAL CONVERTER LOW POWER SCHOTTKY

PIN NAMES

| | |
|-----------------------------------|---|
| CP ₁ , CP ₂ | Clock (LOW-to-HIGH Going Edge) Inputs |
| DS | Serial Data Input |
| PL | Asynchronous Parallel Load (Active LOW) Input |
| P ₀ -P ₇ | Parallel Data Inputs |
| Q ₇ | Serial Output from Last State (Note b) |
| \overline{Q}_7 | Complementary Output (Note b) |

LOADING (Note a)

| | HIGH | LOW |
|-----------------------------------|----------|--------------|
| CP ₁ , CP ₂ | 0.5 U.L. | 0.25 U.L. |
| DS | 0.5 U.L. | 0.25 U.L. |
| PL | 1.5 U.L. | 0.75 U.L. |
| P ₀ -P ₇ | 0.5 U.L. | 0.25 U.L. |
| Q ₇ | 10 U.L. | 5 (2.5) U.L. |
| \overline{Q}_7 | 10 U.L. | 5 (2.5) U.L. |

NOTES:

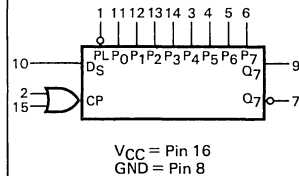
- a. 1 TTL Unit Load (U.L.) = 40 μ A HIGH/1.6 mA LOW.
- b. The Output LOW drive factor is 2.5 U.L. for Military (54) and 5 U.L. for Commercial (74) Temperature Ranges.

TRUTH TABLE

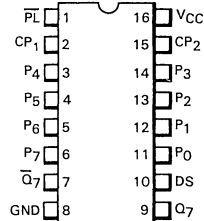
| \overline{PL} | CP | | CONTENTS | | | | | | | | RESPONSE |
|-----------------|------------|------------|----------------|----------------|----------------|----------------|----------------|----------------|----------------|----------------|----------------|
| | 1 | 2 | Q ₀ | Q ₁ | Q ₂ | Q ₃ | Q ₄ | Q ₅ | Q ₆ | Q ₇ | |
| L | X | X | P ₀ | P ₁ | P ₂ | P ₃ | P ₄ | P ₅ | P ₆ | P ₇ | Parallel Entry |
| H | L | \nearrow | D _S | Q ₀ | Q ₁ | Q ₂ | Q ₃ | Q ₄ | Q ₅ | Q ₆ | Right Shift |
| H | H | \nearrow | Q ₀ | Q ₁ | Q ₂ | Q ₃ | Q ₄ | Q ₅ | Q ₆ | Q ₇ | No Change |
| H | \nearrow | L | D _S | Q ₀ | Q ₁ | Q ₂ | Q ₃ | Q ₄ | Q ₅ | Q ₆ | Right Shift |
| H | \nearrow | H | Q ₀ | Q ₁ | Q ₂ | Q ₃ | Q ₄ | Q ₅ | Q ₆ | Q ₇ | No Change |

H = HIGH Voltage Level
L = LOW Voltage Level
X = Immaterial

LOGIC SYMBOL



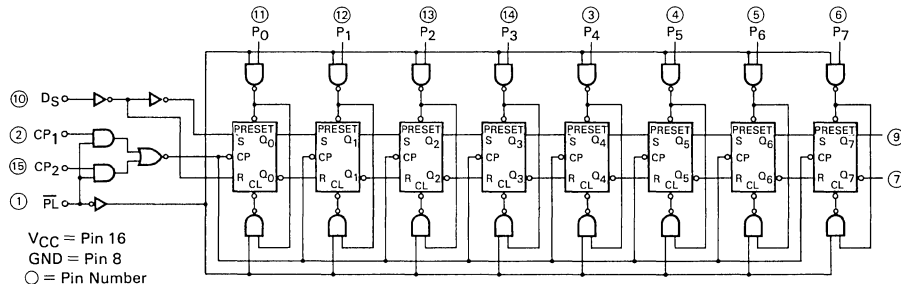
CONNECTION DIAGRAM DIP (TOP VIEW)



J Suffix — Case 620-08 (Ceramic)
N Suffix — Case 648-05 (Plastic)

NOTE:
The Flatpak version has the same pinouts (Connection Diagram) as the Dual In-Line Package.

LOGIC DIAGRAM



FUNCTIONAL DESCRIPTION — The SN54LS/74LS165 contains eight clocked master/slave RS flip-flops connected as a shift register, with auxiliary gating to provide overriding asynchronous parallel entry. Parallel data enters when the \overline{PL} signal is LOW. The parallel data can change while \overline{PL} is LOW, provided that the recommended setup and hold times are observed.

For clock operation, \overline{PL} must be HIGH. The two clock inputs perform identically; one can be used as a clock inhibit by applying a HIGH signal. To avoid double clocking, however, the inhibit signal should only go HIGH while the clock is HIGH. Otherwise, the rising inhibit signal will cause the same response as a rising clock edge. The flip-flops are edge-triggered for serial operations. The serial input data can change at any time, provided only that the recommended setup and hold times are observed, with respect to the rising edge of the clock.

GUARANTEED OPERATING RANGES

| SYMBOL | PARAMETER | | MIN | TYP | MAX | UNIT |
|-----------------|-------------------------------------|--------|------|-----|------|------|
| V _{CC} | Supply Voltage | 54 | 4.5 | 5.0 | 5.5 | V |
| | | 74 | 4.75 | 5.0 | 5.25 | |
| T _A | Operating Ambient Temperature Range | 54 | -55 | 25 | 125 | °C |
| | | 74 | 0 | 25 | 70 | |
| I _{OH} | Output Current — High | 54, 74 | | | -0.4 | mA |
| I _{OL} | Output Current — Low | 54 | | | 4.0 | mA |
| | | 74 | | | 8.0 | |

DC CHARACTERISTICS OVER OPERATING TEMPERATURE RANGE (unless otherwise specified)

| SYMBOL | PARAMETER | | LIMITS | | | UNITS | TEST CONDITIONS |
|-----------------|---|-------|--------|-------|--------------|-------|---|
| | | | MIN | TYP | MAX | | |
| V _{IH} | Input HIGH Voltage | | 2.0 | | | V | Guaranteed Input HIGH Voltage for All Inputs |
| V _{IL} | Input LOW Voltage | 54 | | | 0.7 | V | Guaranteed Input LOW Voltage for All Inputs |
| | | 74 | | | 0.8 | | |
| V _{IK} | Input Clamp Diode Voltage | | | -0.65 | -1.5 | V | V _{CC} = MIN, I _{IN} = -18 mA |
| V _{OH} | Output HIGH Voltage | 54 | 2.5 | 3.5 | | V | V _{CC} = MIN, I _{OH} = MAX, V _{IN} = V _{IH} or V _{IL} per Truth Table |
| | | 74 | 2.7 | 3.5 | | V | |
| V _{OL} | Output LOW Voltage | 54,74 | | 0.25 | 0.4 | V | I _{OL} = 4.0 mA I _{OL} = 8.0 mA V _{CC} = V _{CC} MIN, V _{IN} = V _{IL} or V _{IH} per Truth Table |
| | | 74 | | 0.35 | 0.5 | V | |
| I _{IH} | Input HIGH Current Other Inputs \overline{PL} Input | | | | 20 60 | μA | V _{CC} = MAX, V _{IN} = 2.7 V |
| | Other Inputs \overline{PL} Input | | | | 0.1 0.3 | mA | |
| I _{IL} | Input LOW Current Other Inputs \overline{PL} Input | | | | -0.4 -1.2 | mA | V _{CC} = MAX, V _{IN} = 0.4 V |
| I _{OS} | Short Circuit Current | | -20 | | -100 | mA | V _{CC} = MAX |
| I _{CC} | Power Supply Current | | | | 36 | mA | V _{CC} = MAX |

AC CHARACTERISTICS: $T_A = 25^\circ\text{C}$

| SYMBOL | PARAMETER | LIMITS | | | UNITS | TEST CONDITIONS |
|------------------------|--|--------|-----|-----|-------|---|
| | | MIN | TYP | MAX | | |
| f_{MAX} | Maximum Input Clock Frequency | 25 | 35 | | MHz | $V_{CC} = 5.0\text{ V}$ $C_L = 15\text{ pF}$ |
| t_{PLH} t_{PHL} | Propagation Delay \overline{PL} to Output | | 22 | 35 | ns | |
| t_{PLH} t_{PHL} | Propagation Delay Clock to Output | | 27 | 40 | ns | |
| t_{PLH} t_{PHL} | Propagation Delay P7 to Q7 | | 14 | 25 | ns | |
| t_{PLH} t_{PHL} | Propagation Delay P7 to \overline{Q}_7 | | 21 | 30 | ns | |
| t_{PLH} t_{PHL} | Propagation Delay P7 to \overline{Q}_7 | | 16 | 25 | ns | |

AC SETUP REQUIREMENTS: $T_A = 25^\circ\text{C}$

| SYMBOL | PARAMETER | LIMITS | | | UNITS | TEST CONDITIONS |
|-----------|--------------------------------------|--------|-----|-----|-------|-------------------------|
| | | MIN | TYP | MAX | | |
| t_W | CP Clock Pulse Width | 25 | | | ns | $V_{CC} = 5.0\text{ V}$ |
| t_W | \overline{PL} Pulse Width | 15 | | | ns | |
| t_s | Parallel Data Setup Time | 10 | | | ns | |
| t_s | Serial Data Setup Time | 20 | | | ns | |
| t_s | CP1 to CP2 Setup Time ¹ | 30 | | | ns | |
| t_h | Hold Time | 0 | | | ns | |
| t_{rec} | Recovery Time, \overline{PL} to CP | 45 | | | ns | |

① The role of CP1, and CP2 in an application may be interchanged

DEFINITION OF TERMS:

SETUP TIME (t_s) — is defined as the minimum time required for the correct logic level to be present at the logic input prior to the clock transition from LOW-to-HIGH in order to be recognized and transferred to the outputs.

HOLD TIME (t_h) — is defined as the minimum time following the clock transition from LOW-to-HIGH that the logic level must be maintained at the input in order to ensure continued recognition. A negative hold time indicates that the correct logic level may be released prior to the clock transition from LOW-to-HIGH and still be recognized.

RECOVERY TIME (t_{rec}) — is defined as the minimum time required between the end of the \overline{PL} pulse and the clock transition from LOW-to-HIGH in order to recognize and transfer loaded Data to the Q outputs.

AC WAVEFORMS

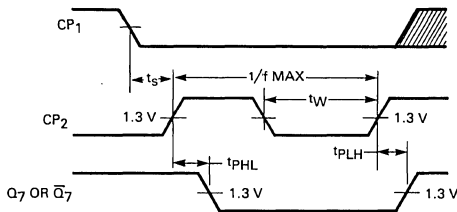


Fig. 1

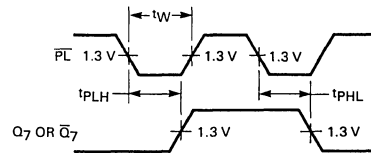


Fig. 2

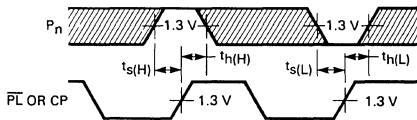


Fig. 3

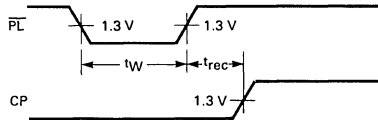


Fig. 4



SN54LS166 SN74LS166

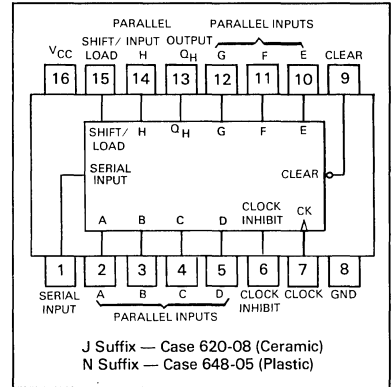
DESCRIPTION — The SN54LS/74LS166 is an 8-Bit Shift Register. Designed with all inputs buffered, the drive requirements are lowered to one 54LS/74LS standard load. By utilizing input clamping diodes, switching transients are minimized and system design simplified.

The LS166 is a parallel-in or serial-in, serial-out shift register and has a complexity of 77 equivalent gates with gated clock inputs and an overriding clear input. The shift/load input establishes the parallel-in or serial-in mode. When high, this input enables the serial data input and couples the eight flip-flops for serial shifting with each clock pulse. Synchronous loading occurs on the next clock pulse when this is low and the parallel data inputs are enabled. Serial data flow is inhibited during parallel loading. Clocking is done on the low-to-high level edge of the clock pulse via a two input positive NOR gate, which permits one input to be used as a clock enable or clock inhibit function. Clocking is inhibited when either of the clock inputs are held high, holding either input low enables the other clock input. This will allow the system clock to be free running and the register stopped on command with the other clock input. A change from low-to-high on the clock inhibit input should only be done when the clock input is high. A buffered direct clear input overrides all other inputs, including the clock, and sets all flip-flops to zero.

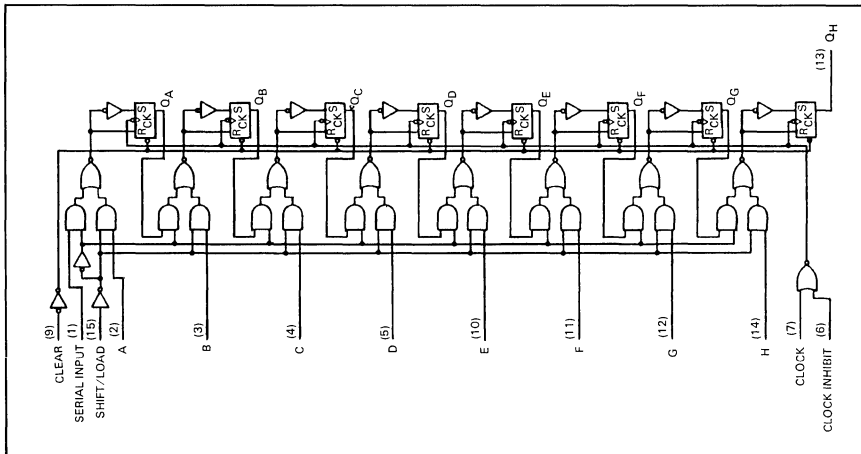
- **SYNCHRONOUS LOAD**
- **DIRECT OVERRIDING CLEAR**
- **PARALLEL TO SERIAL CONVERSION**

8-BIT SHIFT REGISTERS

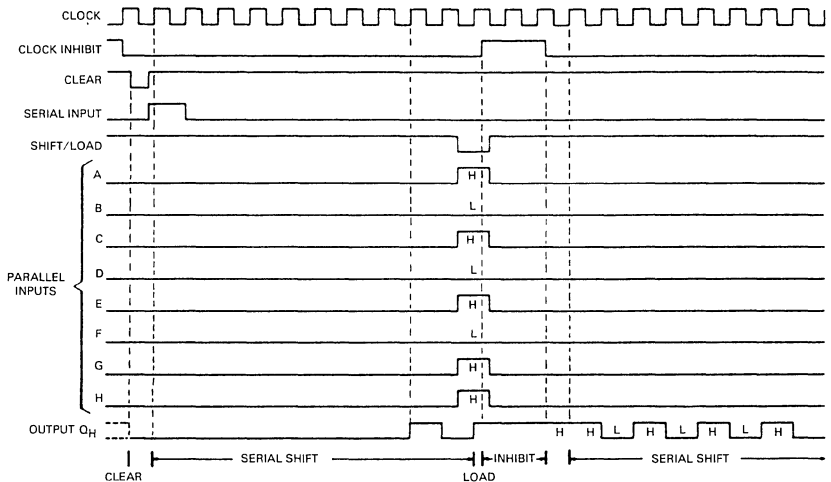
LOW POWER SCHOTTKY



5



Typical Clear, Shift, Load, Inhibit, and Shift Sequences



FUNCTION TABLE

| CLEAR | SHIFT/ LOAD | INPUTS | | | | PARALLEL A...H | INTERNAL OUTPUTS | | OUTPUT QH |
|-------|----------------|------------------|-------|--------|-------|-------------------|---------------------|-----|--------------|
| | | CLOCK INHIBIT | CLOCK | SERIAL | QA | | QB | | |
| L | X | X | X | X | X | L | L | L | |
| H | X | L | L | X | X | QA0 | QB0 | QH0 | |
| H | L | L | ↑ | X | a...h | a | b | h | |
| H | H | L | ↑ | H | X | H | QAn | QGn | |
| H | H | L | ↑ | L | X | L | QAn | QGn | |
| H | X | H | ↑ | X | X | QA0 | QB0 | QH0 | |

GUARANTEED OPERATING RANGES

| SYMBOL | PARAMETER | | MIN | TYP | MAX | UNIT |
|-----------------|-------------------------------------|-------|------|-----|------|------|
| V _{CC} | Supply Voltage | 54 | 4.5 | 5.0 | 5.5 | V |
| | | 74 | 4.75 | 5.0 | 5.25 | |
| T _A | Operating Ambient Temperature Range | 54 | -55 | 25 | 125 | °C |
| | | 74 | 0 | 25 | 70 | |
| I _{OH} | Output Current — High | 54,74 | | | -0.4 | mA |
| I _{OL} | Output Current — Low | 54 | | | 4.0 | mA |
| | | 74 | | | 8.0 | |

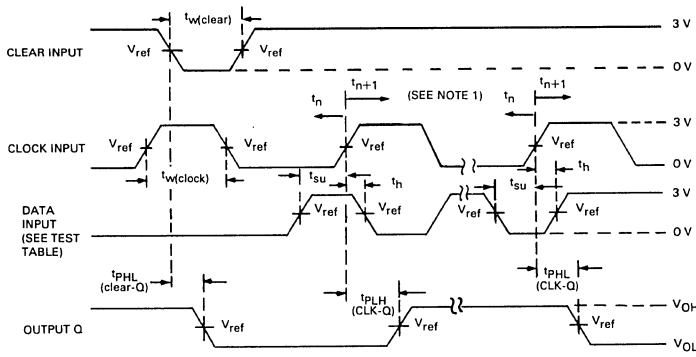
DC CHARACTERISTICS OVER OPERATING TEMPERATURE RANGE (unless otherwise specified)

| SYMBOL | PARAMETER | LIMITS | | | UNITS | TEST CONDITIONS |
|-----------------|---------------------------|--------|-------|------|-------|---|
| | | MIN | TYP | MAX | | |
| V _{IH} | Input HIGH Voltage | 2.0 | | | V | Guaranteed Input HIGH Voltage for All Inputs |
| V _{IL} | Input LOW Voltage | 54 | | 0.7 | V | Guaranteed Input LOW Voltage for All Inputs |
| | | 74 | | 0.8 | | |
| V _{IK} | Input Clamp Diode Voltage | | -0.65 | -1.5 | V | V _{CC} = MIN, I _{IN} = -18 mA |
| V _{OH} | Output HIGH Voltage | 54 | 2.5 | 3.5 | V | V _{CC} = MIN, I _{OH} = MAX, V _{IN} = V _{IH} or V _{IL} per Truth Table |
| | | 74 | 2.7 | 3.5 | V | |
| V _{OL} | Output LOW Voltage | 54,74 | 0.25 | 0.4 | V | I _{OL} = 4.0 mA I _{OL} = 8.0 mA V _{CC} = V _{CC} MIN, V _{IN} = V _{IL} or V _{IH} per Truth Table |
| | | 74 | 0.35 | 0.5 | V | |
| I _{IH} | Input HIGH Current | | | 20 | μA | V _{CC} = MAX, V _{IN} = 2.7 V |
| | | | | 0.1 | mA | V _{CC} = MAX, V _{IN} = 7.0 V |
| I _{IL} | Input LOW Current | | | -0.4 | mA | V _{CC} = MAX, V _{IN} = 0.4 V |
| I _{OS} | Short Circuit Current | -20 | | -100 | mA | V _{CC} = MAX |
| I _{CC} | Power Supply Current | | | 38 | mA | V _{CC} = MAX |

AC WAVEFORMS

TEST TABLE FOR SYNCHRONOUS INPUTS

| DATA INPUT FOR TEST | SHIFT/LOAD | OUTPUT TESTED |
|---------------------|------------|--------------------|
| H | 0 V | Q_H at t_{n+1} |
| Serial Input | 4.5 V | Q_H at t_{n+8} |



Note 1. t_n = bit time before clocking transition
 t_{n+1} = bit time after one clocking transition
 t_{n+8} = bit time after eight clocking transitions
 LS166 $V_{ref} = 1.3$ V.



AC CHARACTERISTICS: $T_A = 25^\circ\text{C}$

| SYMBOL | PARAMETER | LIMITS | | | UNITS | TEST CONDITIONS |
|------------------------|-------------------------|--------|----------|----------|-------|-----------------------------------|
| | | MIN | TYP | MAX | | |
| f_{MAX} | Maximum Clock Frequency | 25 | 35 | | MHz | $V_{CC} = 5.0$ V $C_L = 15$ pF |
| t_{PHL} | Clear to Output | | 19 | 30 | ns | |
| t_{PLH} t_{PHL} | Clock to Output | | 23 24 | 35 35 | ns | |

AC SETUP REQUIREMENTS: $T_A = 25^\circ\text{C}$

| SYMBOL | PARAMETER | LIMITS | | | UNITS | TEST CONDITIONS |
|--------|-------------------------|--------|-----|-----|-------|------------------|
| | | MIN | TYP | MAX | | |
| t_W | Clock Clear Pulse Width | 30 | | | ns | $V_{CC} = 5.0$ V |
| t_s | Mode Control Setup Time | 30 | | | ns | |
| t_s | Data Setup Time | 20 | | | ns | |
| t_h | Hold Time, Any Input | 15 | | | ns | |



SN54LS/74LS168 SN54LS/74LS169

DESCRIPTION — The SN54LS/74LS168 and SN54LS/74LS169 are fully synchronous 4-stage up/down counters featuring a preset capability for programmable operation, carry lookahead for easy cascading and a U/D input to control the direction of counting. The SN54LS/74LS168 counts in a BCD decade (8, 4, 2, 1) sequence, while the SN54LS/74LS169 operates in a Modulo 16 binary sequence. All state changes, whether in counting or parallel loading, are initiated by the LOW-to HIGH transition of the clock.

**BCD DECADE/MODULO
16 BINARY SYNCHRONOUS
BI-DIRECTIONAL COUNTERS**
LOW POWER SCHOTTKY

- LOW POWER DISSIPATION 100 mW TYPICAL
- HIGH-SPEED COUNT FREQUENCY 30 MHz TYPICAL
- FULLY SYNCHRONOUS OPERATION
- FULL CARRY LOOKAHEAD FOR EASY CASCADING
- SINGLE UP/DOWN CONTROL INPUT
- POSITIVE EDGE-TRIGGER OPERATION
- INPUT CLAMP DIODES LIMIT HIGH-SPEED TERMINATION EFFECTS

PIN NAMES

| | |
|--------------------------------|--|
| \overline{CEP} | Count Enable Parallel (Active LOW) Input |
| CET | Count Enable Trickle (Active LOW) Input |
| CP | Clock Pulse (Active positive going edge) Input |
| PE | Parallel Enable (Active LOW) Input |
| U/D | Up-Down Count Control Input |
| P ₀ -P ₃ | Parallel Data Inputs |
| Q ₀ -Q ₃ | Flip-Flop Outputs |
| TC | Terminal Count (Active LOW) Output |

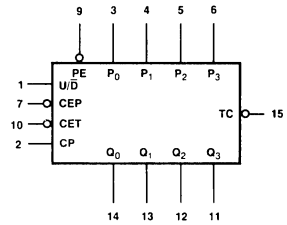
LOADING (Note a)

| | HIGH | LOW |
|------|------|---------|
| U.L. | 0.5 | 0.25 |
| U.L. | 1.0 | 0.5 |
| U.L. | 0.5 | 0.25 |
| U.L. | 0.5 | 0.25 |
| U.L. | 0.5 | 0.25 |
| U.L. | 0.5 | 0.25 |
| U.L. | 10 | 5 (2.5) |
| U.L. | 10 | 5 (2.5) |

NOTES:

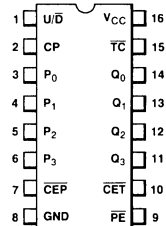
- 1 TTL Unit Load (U.L.) = 40 μA HIGH/1.6 mA LOW.
- The Output LOW drive factor is 2.5 U.L. for Military (54) and 5 U.L. for Commercial (74) Temperature Ranges.

LOGIC SYMBOL



V_{CC} = Pin 16
GND = Pin 8

**CONNECTION DIAGRAM
DIP (TOP VIEW)**

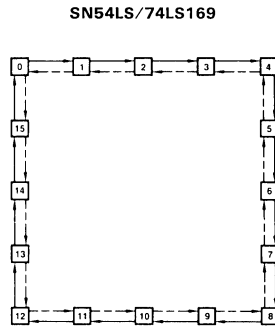
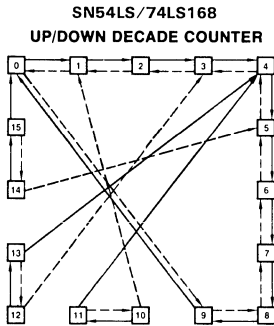


J Suffix — Case 620-08 (Ceramic)
N Suffix — Case 648-05 (Plastic)

NOTE:

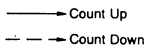
The Flatpak version has the same pinouts (Connection Diagram) as the Dual In-Line Package.

STATE DIAGRAMS



SN54LS/74LS168

UP: $TC = Q_0 \cdot Q_3 \cdot (U/D)$
DOWN: $TC = Q_0 \cdot Q_1 \cdot Q_2 \cdot Q_3 \cdot (U/D)$

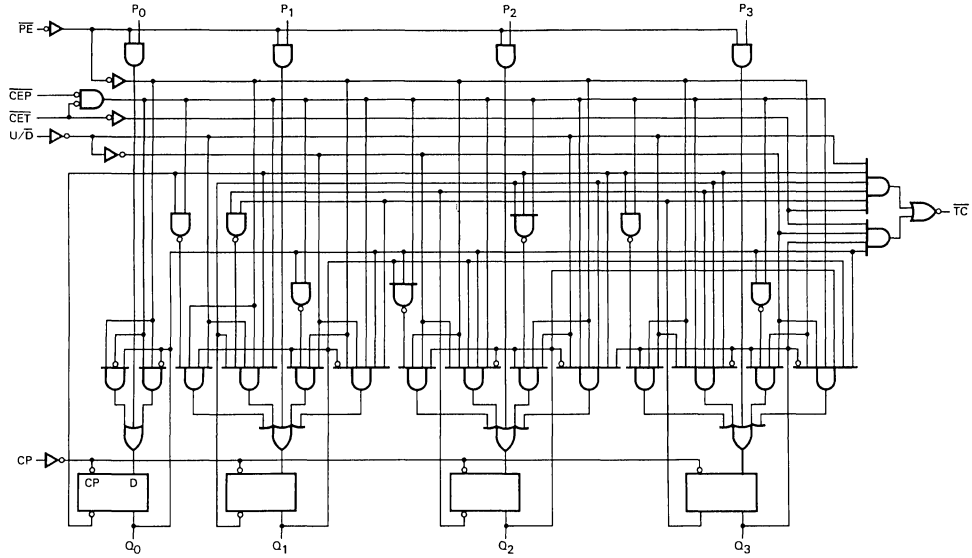


SN54LS/74LS169

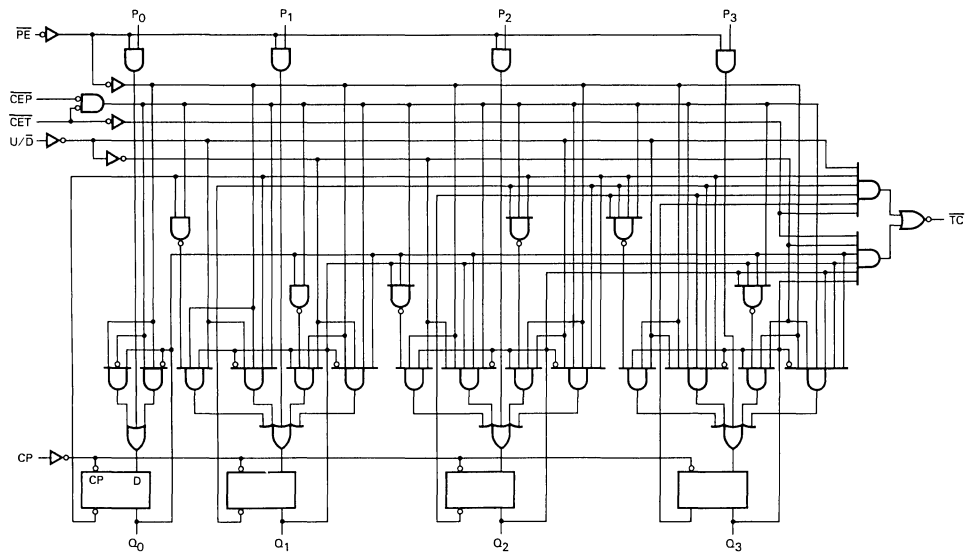
UP: $TC = Q_0 \cdot Q_1 \cdot Q_2 \cdot Q_3 \cdot (U/D)$
DOWN: $TC = Q_0 \cdot Q_1 \cdot Q_2 \cdot Q_3 \cdot (U/D)$

LOGIC DIAGRAMS

SN54LS/74LS168



SN54LS/74LS169



5

GUARANTEED OPERATING RANGES

| SYMBOL | PARAMETER | | MIN | TYP | MAX | UNIT |
|-----------------|-------------------------------------|--------|------|-----|------|------|
| V _{CC} | Supply Voltage | 54 | 4.5 | 5.0 | 5.5 | V |
| | | 74 | 4.75 | 5.0 | 5.25 | |
| T _A | Operating Ambient Temperature Range | 54 | -55 | 25 | 125 | °C |
| | | 74 | 0 | 25 | 70 | |
| I _{OH} | Output Current — High | 54, 74 | | | -0.4 | mA |
| I _{OL} | Output Current — Low | 54 | | | 4.0 | mA |
| | | 74 | | | 8.0 | |

DC CHARACTERISTICS OVER OPERATING TEMPERATURE RANGE (unless otherwise specified)

| SYMBOL | PARAMETER | LIMITS | | | UNITS | TEST CONDITIONS | |
|-----------------|---|--------|-------|--------------|-------|--|---|
| | | MIN | TYP | MAX | | | |
| V _{IH} | Input HIGH Voltage | 2.0 | | | V | Guaranteed Input HIGH Voltage for All Inputs | |
| V _{IL} | Input LOW Voltage | 54 | | 0.7 | V | Guaranteed Input LOW Voltage for All Inputs | |
| | | 74 | | 0.8 | | | |
| V _{IK} | Input Clamp Diode Voltage | | -0.65 | -1.5 | V | V _{CC} = MIN, I _{IN} = -18 mA | |
| V _{OH} | Output HIGH Voltage | 54 | 2.5 | 3.5 | V | V _{CC} = MIN, I _{OH} = MAX, V _{IN} = V _{IH} or V _{IL} per Truth Table | |
| | | 74 | 2.7 | 3.5 | V | | |
| V _{OL} | Output LOW Voltage | 54,74 | | 0.25 | 0.4 | I _{OL} = 4.0 mA | V _{CC} = V _{CC} MIN, V _{IN} = V _{IL} or V _{IH} per Truth Table |
| | | 74 | | 0.35 | 0.5 | I _{OL} = 8.0 mA | |
| I _{IH} | Input HIGH Current Other Inputs CET Input | | | 20 40 | μA | V _{CC} = MAX, V _{IN} = 2.7 V | |
| | Other Input CET Input | | | 0.1 0.2 | mA | V _{CC} = MAX, V _{IN} = 7.0 V | |
| I _{IL} | Input LOW Current Other Input CET Input | | | -0.4 -0.8 | mA | V _{CC} = MAX, V _{IN} = 0.4 V | |
| I _{OS} | Short Circuit Current | -20 | | -100 | mA | V _{CC} = MAX | |
| I _{CC} | Power Supply Current | | | 34 | mA | V _{CC} = MAX | |

FUNCTIONAL DESCRIPTION — The SN54LS74LS168 and SN54LS74LS169 use edge-triggered D-type flip-flops and that have no constraints on changing the control or data input signals in either state of the Clock. The only requirement is that the various inputs attain the desired state at least a set-up time before the rising edge of the clock and remain valid for the recommended hold time thereafter.

The parallel load operation takes precedence over the other operations, as indicated in the Mode Select Table. When \overline{PE} is LOW, the data on the P₀-P₃ inputs enters the flip-flops on the next rising edge of the Clock. In order for counting to occur, both \overline{CEP} and \overline{CET} must be LOW and \overline{PE} must be HIGH. The U/D input then determines the direction of counting.

The Terminal Count (\overline{TC}) output is normally HIGH and goes LOW, provided that \overline{CET} is LOW, when a counter reaches zero in the COUNT DOWN mode or reaches 15 (9 for the SN54LS74LS168) in the COUNT UP mode. The \overline{TC} output state is not a function of the Count Enable Parallel (\overline{CEP}) input level. The \overline{TC} output of the SN54LS74LS168 decade counter can also be LOW in the illegal states 11, 13 and 15, which can occur when power is turned on or via parallel loading. If illegal state occurs, the SN54LS74LS168 will return to the legitimate sequence within two counts. Since the \overline{TC} signal is derived by decoding the flip-flop states, there exists the possibility of decoding spikes on \overline{TC} . For this reason the use of \overline{TC} as a clock signal is not recommended.

MODE SELECT TABLE

| \overline{PE} | \overline{CEP} | \overline{CET} | U/D | Action on Rising Clock Edge |
|-----------------|------------------|------------------|-----|---|
| L | X | X | X | Load (P _n → Q _n) |
| H | L | L | H | Count Up (increment) |
| H | L | L | L | Count Down (decrement) |
| H | H | X | X | No Change (Hold) |
| H | X | H | X | No Change (Hold) |

H = HIGH Voltage Level
 L = LOW Voltage Level
 X = immaterial

AC CHARACTERISTICS: T_A = 25°C, V_{CC} = 5.0 V

| SYMBOL | PARAMETER | LIMITS | | | UNITS | TEST CONDITIONS |
|--------------------------------------|---|--------|----------|----------|-------|---|
| | | MIN | TYP | MAX | | |
| f _{MAX} | Maximum Clock Frequency | 25 | 32 | | MHz | V _{CC} = 5.0 V C _L = 15 pF |
| t _{PLH} t _{PHL} | Propagation Delay, Clock to \overline{TC} | | 23 23 | 35 35 | ns | |
| t _{PLH} t _{PHL} | Propagation Delay, Clock to any Q | | 13 15 | 20 23 | ns | |
| t _{PLH} t _{PHL} | Propagation Delay, \overline{CET} to \overline{TC} | | 15 15 | 20 20 | ns | |
| t _{PLH} t _{PHL} | Propagation Delay, U/D to \overline{TC} | | 17 19 | 25 29 | ns | |

AC SETUP REQUIREMENTS: T_A = 25°C,

| SYMBOL | PARAMETER | LIMITS | | | UNITS | TEST CONDITIONS |
|----------------|-------------------------------|--------|-----|-----|-------|-------------------------|
| | | MIN | TYP | MAX | | |
| t _W | Clock Pulse Width | 25 | | | ns | V _{CC} = 5.0 V |
| t _s | Setup Time, Data or Enable | 20 | | | ns | |
| t _s | Setup Time \overline{PE} | 25 | | | ns | |
| t _s | Setup Time U/D | 30 | | | ns | |
| t _h | Hold Time Any Input | 0 | | | ns | |



AC WAVEFORMS

CLOCK TO OUTPUT DELAYS, COUNT FREQUENCY, AND CLOCK PULSE WIDTH.

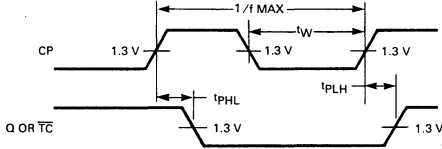


Fig. 1

COUNT ENABLE TRICKLE INPUT TO TERMINAL COUNT OUTPUT DELAYS

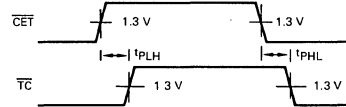


Fig. 2

CLOCK TO TERMINAL DELAYS

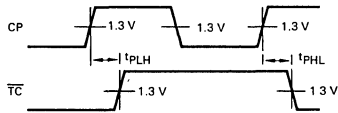


Fig. 3

SETUP TIME (t_s) AND HOLD (t_h) FOR PARALLEL DATA INPUTS.

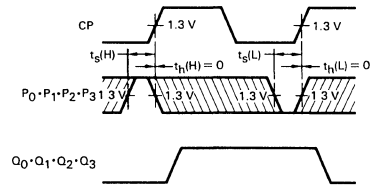
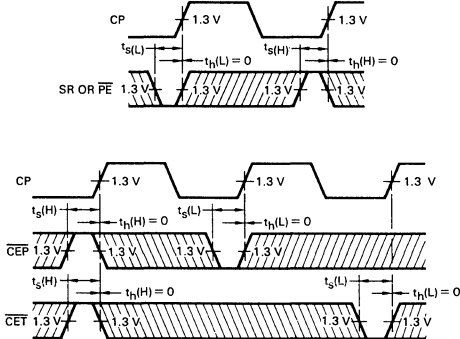


Fig. 4

SETUP TIME AND HOLD TIME FOR COUNT ENABLE AND PARALLEL ENABLE INPUTS, AND UP-DOWN CONTROL INPUTS



The shaded areas indicate when the input is permitted to change for predictable output performance.

Fig. 5

UP-DOWN INPUT TO TERMINAL COUNT OUTPUT DELAYS

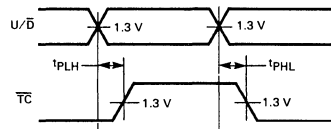


Fig. 6



SN54LS170 SN74LS170

DESCRIPTION — The TTL/MSI SN54LS/74LS170 is a high-speed, low-power 4 x 4 Register File organized as four words by four bits. Separate read and write inputs, both address and enable, allow simultaneous read and write operation.

Open-collector outputs make it possible to connect up to 128 outputs in a wired-AND configuration to increase the word capacity up to 512 words. Any number of these devices can be operated in parallel to generate an n-bit length.

The SN54LS/74LS670 provides a similar function to this device but it features 3-state outputs.

4 x 4 REGISTER FILE OPEN-COLLECTOR LOW POWER SCHOTTKY

- SIMULTANEOUS READ/WRITE OPERATION
- EXPANDABLE TO 512 WORDS OF n-BITS
- TYPICAL ACCESS TIME OF 20 ns
- LOW LEAKAGE OPEN-COLLECTOR OUTPUTS FOR EXPANSION
- TYPICAL POWER DISSIPATION OF 125 mW

PIN NAMES

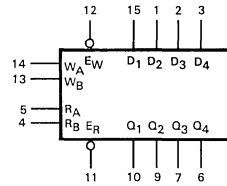
| | |
|---------------------------------|---------------------------------|
| D ₁ -D ₄ | Data Inputs |
| W _A , W _B | Write Address Inputs |
| $\bar{E}W$ | Write Enable (Active LOW) Input |
| R _A , R _B | Read Address Inputs |
| $\bar{E}R$ | Read Enable (Active LOW) Input |
| Q ₁ -Q ₄ | Outputs (Note b) |

| LOADING (Note a) | |
|------------------|------------|
| HIGH | LOW |
| 0.5 U.L. | 0.25 U.L. |
| 0.5 U.L. | 0.25 U.L. |
| 1.0 U.L. | 0.5 U.L. |
| 0.5 U.L. | 0.25 U.L. |
| 1.0 U.L. | 0.5 U.L. |
| Open-Collector | 5(2.5)U.L. |

NOTES:

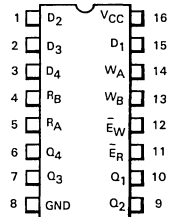
- 1 TTL Unit Load (U.L.) = 40 μ A HIGH/1.6 mA LOW
- The Output LOW drive factor is 2.5 U.L. for Military (54) and 5.0 U.L. for Commercial (74) Temperature Ranges. The Output HIGH drive must be supplied by an external resistor to V_{CC}.

LOGIC SYMBOL



V_{CC} = Pin 16
GND = Pin 8

CONNECTION DIAGRAM DIP (TOP VIEW)



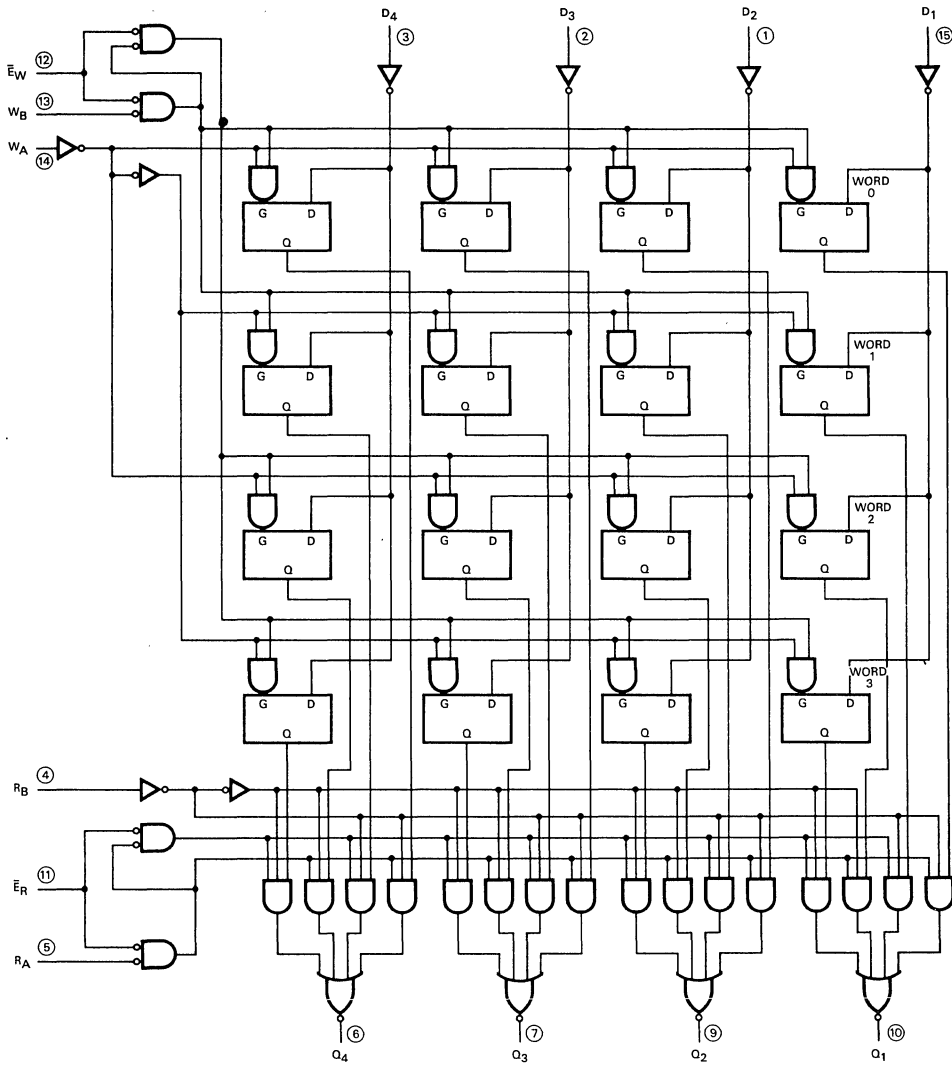
J Suffix — Case 620-08 (Ceramic)
N Suffix — Case 648-05 (Plastic)

NOTE:

The Flatpak version has the same pinouts (Connection Diagram) as the Dual In-Line Package.



LOGIC DIAGRAM



V_{CC} = Pin 16
 GND = Pin 8
 ○ = Pin Numbers

WRITE FUNCTION TABLE (SEE NOTES A, B, AND C)

| WRITE INPUTS | | | WORD | | | |
|----------------|----------------|-----------------|----------------|----------------|----------------|----------------|
| W _B | W _A | W̄ _W | 0 | 1 | 2 | 3 |
| L | L | L | Q = D | Q ₀ | Q ₀ | Q ₀ |
| L | H | L | Q ₀ | Q = D | Q ₀ | Q ₀ |
| H | L | L | Q ₀ | Q ₀ | Q = D | Q ₀ |
| H | H | L | Q ₀ | Q ₀ | Q ₀ | Q = D |
| X | X | H | Q ₀ | Q ₀ | Q ₀ | Q ₀ |

READ FUNCTION TABLE (SEE NOTES A AND D)

| READ INPUTS | | | OUTPUTS | | | |
|----------------|----------------|-----------------|---------|------|------|------|
| R _B | R _A | R̄ _R | Q1 | Q2 | Q3 | Q4 |
| L | L | L | W0B1 | W0B2 | W0B3 | W0B4 |
| L | H | L | W1B1 | W1B2 | W1B3 | W1B4 |
| H | L | L | W2B1 | W2B2 | W2B3 | W2B4 |
| H | H | L | W3B1 | W3B2 | W3B3 | W3B4 |
| X | X | H | H | H | H | H |

NOTES: A. H = high level, L = low level, X = irrelevant.
 B. (Q = D) = The four selected internal flip-flop outputs will assume the states applied to the four external data inputs.
 C. Q₀ = the level of Q before the indicated input conditions were established.
 D. W0B1 = The first bit of word 0, etc.

GUARANTEED OPERATING RANGES

| SYMBOL | PARAMETER | | MIN | TYP | MAX | UNIT |
|-----------------|-------------------------------------|----------|-------------|------------|-------------|------|
| V _{CC} | Supply Voltage | 54 74 | 4.5 4.75 | 5.0 5.0 | 5.5 5.25 | V |
| T _A | Operating Ambient Temperature Range | 54 74 | -55 0 | 25 25 | 125 70 | °C |
| V _{OH} | Output Voltage — High | 54, 74 | | | 5.5 | V |
| I _{OL} | Output Current — Low | 54 74 | | | 4.0 8.0 | mA |

DC CHARACTERISTICS OVER OPERATING TEMPERATURE RANGE (unless otherwise specified)

| SYMBOL | PARAMETER | LIMITS | | | UNITS | TEST CONDITIONS | |
|-----------------|--|--------|-------|--------------|-------|---|---|
| | | MIN | TYP | MAX | | | |
| V _{IH} | Input HIGH Voltage | 2.0 | | | V | Guaranteed Input HIGH Voltage for All Inputs | |
| V _{IL} | Input LOW Voltage | 54 | | 0.7 | V | Guaranteed Input LOW Voltage for All Inputs | |
| | | 74 | | 0.8 | | | |
| V _{IK} | Input Clamp Diode Voltage | | -0.65 | -1.5 | V | V _{CC} = MIN, I _{IN} = -18 mA | |
| I _{OH} | Output High Current | 54, 74 | | 100 | μA | V _{CC} = MIN, V _{OH} = MAX | |
| V _{OL} | Output LOW Voltage | 54, 74 | | 0.25 | 0.4 | V | I _{OL} = 4.0 mA V _{CC} = V _{CC} MIN, V _{IN} = V _{IL} or V _{IH} per Truth Table |
| | | 74 | | 0.35 | 0.5 | | |
| I _{IH} | Input HIGH Current Any D, R, W R̄ _R , W̄ _W | | | 20 40 | μA | V _{CC} = MAX, V _{IN} = 2.4 V | |
| | Any D, R, W R̄ _R , W̄ _W | | | 0.1 0.2 | mA | V _{CC} = MAX, V _{IN} = 7.0 V | |
| I _{IL} | Input LOW Current Any D, R, W R̄ _R , W̄ _W | | | -0.4 -0.8 | mA | V _{CC} = MAX, V _{IN} = 0.4 V | |
| I _{CC} | Power Supply Current | | | 40 | mA | V _{CC} = MAX | |



AC CHARACTERISTICS: $T_A = 25^\circ\text{C}$

| SYMBOL | PARAMETER | LIMITS | | | UNITS | TEST CONDITIONS |
|------------------------|--|--------|----------|----------|-------|---|
| | | MIN | TYP | MAX | | |
| t_{PLH} t_{PHL} | Propagation Delay, Negative-Going \bar{E}_R to Q Outputs | | 20 20 | 30 30 | ns | $V_{CC} = 5\text{ V}$ $C_L = 15\text{ pF}$ $R_L = 2\text{ k}\Omega$ |
| t_{PLH} t_{PHL} | Propagation Delay, R_A or R_B to Q Outputs | | 25 24 | 40 40 | ns | |
| t_{PLH} t_{PHL} | Propagation Delay, Negative-Going \bar{E}_W to Q Outputs | | 30 26 | 45 40 | ns | |
| t_{PLH} t_{PHL} | Propagation Delay, Data Inputs to Q Outputs | | 30 22 | 45 35 | ns | |
| | | | | | | |

AC SETUP REQUIREMENTS: $T_A = 25^\circ\text{C}$

| SYMBOL | PARAMETER | LIMITS | | | UNITS | TEST CONDITIONS |
|-------------|--|--------|-----|-----|-------|---|
| | | MIN | TYP | MAX | | |
| t_W | Pulse Width, \bar{E}_R , \bar{E}_W | 25 | | | ns | $V_{CC} = 5\text{ V}$ $R_L = 2\text{ k}\Omega$ |
| t_s | Setup Time, Data to \bar{E}_W | 10 | | | ns | |
| t_s | Setup Time, W_A , W_B to \bar{E}_W | 15 | | | ns | |
| t_h | Hold Time, Data to \bar{E}_W | 15 | | | ns | |
| t_h | Hold Time, W_A , W_B to \bar{E}_W | 5.0 | | | ns | |
| t_{LATCH} | Latch Time | 25 | | | ns | |

VOLTAGE WAVEFORMS

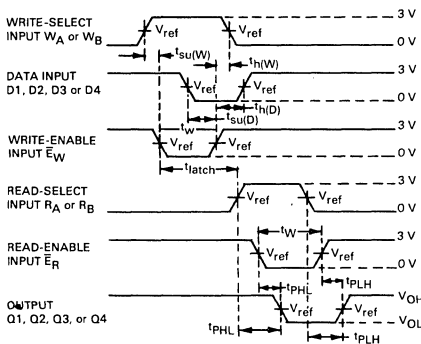


Fig. 1

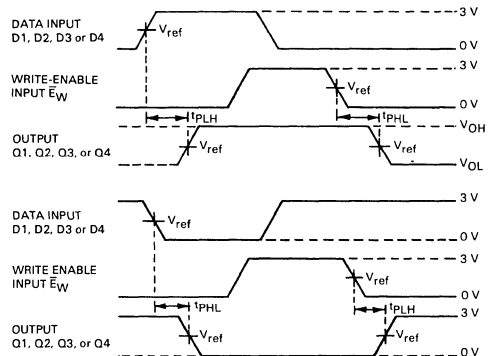


Fig. 2

5



SN54LS173A SN74LS173A

DESCRIPTION — The SN54LS/74LS173A is a high-speed 4-Bit Register featuring 3-state outputs for use in bus-organized systems. The clock is fully edge-triggered allowing either a load from the D inputs or a hold (retain register contents) depending on the state of the Input Enable Lines ($\overline{IE}_1, \overline{IE}_2$). A HIGH on either Output Enable line ($\overline{OE}_1, \overline{OE}_2$) brings the output to a high impedance state without affecting the actual register contents. A HIGH on the Master Reset (MR) input resets the Register regardless of the state of the Clock (CP), the Output Enable ($\overline{OE}_1, \overline{OE}_2$) or the Input Enable ($\overline{IE}_1, \overline{IE}_2$) lines.

- FULLY EDGE-TRIGGERED
- 3-STATE OUTPUTS
- GATED INPUT AND OUTPUT ENABLES
- INPUT CLAMP DIODES LIMIT HIGH-SPEED TERMINATION EFFECTS

PIN NAMES

| | |
|---------------------------------------|--|
| D_0 - D_3 | Data Inputs |
| \overline{IE}_1 - \overline{IE}_2 | Input Enable (Active LOW) |
| \overline{OE}_1 - \overline{OE}_2 | Output Enable (Active LOW) Inputs |
| CP | Clock Pulse (Active HIGH Going Edge) Input |
| MR | Master Reset input (Active HIGH) |
| Q_0 - Q_3 | Outputs (Note b) |

| LOADING (Note a) | |
|------------------|-------------|
| HIGH | LOW |
| 0.5 U.L. | 0.25 U.L. |
| 0.5 U.L. | 0.25 U.L. |
| 0.5 U.L. | 0.25 U.L. |
| 0.5 U.L. | 0.25 U.L. |
| 0.5 U.L. | 0.25 U.L. |
| 65(25)U.L. | 15(7.5)U.L. |

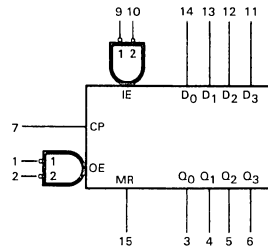
NOTES:

- a. 1 TTL Unit Load (U.L.) = 40 μ A HIGH/1.6 mA LOW.
 b. The Output LOW drive factor is 2.5 U.L. for Military (54) and 5 U.L. for Commercial (74) Temperature Ranges.

4-BIT D-TYPE REGISTER WITH 3-STATE OUTPUTS

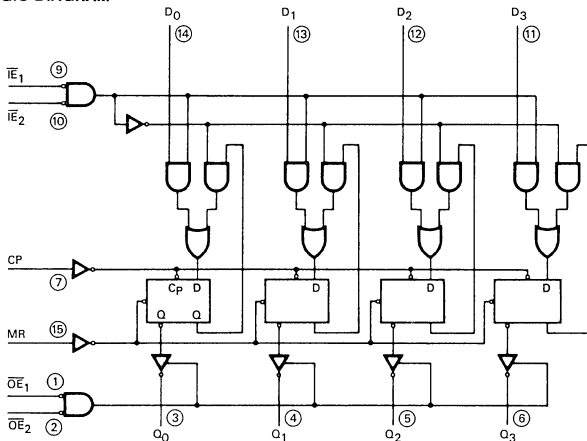
LOW POWER SCHOTTKY

LOGIC SYMBOL



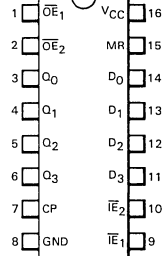
V_{CC} = Pin 16
 GND = Pin 8

LOGIC DIAGRAM



V_{CC} = Pin 16
 GND = Pin 8
 ○ = Pin Numbers

CONNECTION DIAGRAM DIP (TOP VIEW)



J Suffix — Case 620-08 (Ceramic)
 N Suffix — Case 648-05 (Plastic)

NOTE:

The Flatpak version has the same pinouts (Connection Diagram) as the Dual In-Line Package.

GUARANTEED OPERATING RANGES

| SYMBOL | PARAMETER | | MIN | TYP | MAX | UNIT |
|-----------------|-------------------------------------|----------|-------------|------------|--------------|------|
| V _{CC} | Supply Voltage | 54 74 | 4.5 4.75 | 5.0 5.0 | 5.5 5.25 | V |
| T _A | Operating Ambient Temperature Range | 54 74 | -55 0 | 25 25 | 125 70 | °C |
| I _{OH} | Output Current — High | 54 74 | | | -1.0 -2.6 | mA |
| I _{OL} | Output Current — Low | 54 74 | | | 12 24 | mA |

TRUTH TABLE

| MR | CP | TE ₁ | TE ₂ | D _n | Q _n |
|----|----|-----------------|-----------------|----------------|----------------|
| H | x | x | x | x | L |
| L | L | x | x | x | Q _n |
| L | J | H | x | x | Q _n |
| L | J | x | H | x | Q _n |
| L | J | L | L | L | L |
| L | J | L | L | H | H |

H = HIGH Voltage Level
L = LOW Voltage Level
X = Immaterial

When either OE₁ or OE₂ are HIGH, the output is in the off state (High Impedence); however this does not affect the contents or sequential operation of the register.

DC CHARACTERISTICS OVER OPERATING TEMPERATURE RANGE (unless otherwise specified)

| SYMBOL | PARAMETER | LIMITS | | | UNITS | TEST CONDITIONS |
|------------------|---------------------------|--------|-------|------|-------|--|
| | | MIN | TYP | MAX | | |
| V _{IH} | Input HIGH Voltage | 2.0 | | | V | Guaranteed Input HIGH Voltage for All Inputs |
| V _{IL} | Input LOW Voltage | 54 | | 0.7 | V | Guaranteed Input LOW Voltage for All Inputs |
| | | 74 | | 0.8 | | |
| V _{IK} | Input Clamp Diode Voltage | | -0.65 | -1.5 | V | V _{CC} = MIN, I _{IN} = -18 mA |
| V _{OH} | Output HIGH Voltage | 54 | 2.4 | 3.4 | V | V _{CC} = MIN, I _{OH} = MAX, V _{IN} = V _{IH} or V _{IL} per Truth Table |
| | | 74 | 2.4 | 3.1 | V | |
| V _{OL} | Output LOW Voltage | 54,74 | | 0.25 | 0.4 | I _{OL} = 12 mA I _{OL} = 24 mA |
| | | 74 | | 0.35 | 0.5 | |
| I _{OZH} | Output Off Current HIGH | | | | 20 | μA V _{CC} = MAX, V _O = 2.4 V |
| I _{OZL} | Output Off Current LOW | | | | -20 | μA V _{CC} = MAX, V _O = 0.4 V |
| I _{IH} | Input HIGH Current | | | | 20 | μA V _{CC} = MAX, V _{IN} = 2.7 V |
| I _{IL} | Input LOW Current | | | | 0.1 | mA V _{CC} = MAX, V _{IN} = 7.0 V |
| I _{IL} | Input LOW Current | | | | -0.4 | mA V _{CC} = MAX, V _{IN} = 0.4 V |
| I _{OS} | Short Circuit Current | -30 | | | -130 | mA V _{CC} = MAX |
| I _{CC} | Power Supply Current | | | | 30 | mA V _{CC} = MAX |

AC CHARACTERISTICS: T_A = 25°C

| SYMBOL | PARAMETER | LIMITS | | | UNITS | TEST CONDITIONS |
|------------------|------------------------------------|--------|-----|-----|-------|--|
| | | MIN | TYP | MAX | | |
| f _{MAX} | Maximum Input Clock Frequency | 30 | 50 | | MHz | V _{CC} = 5.0 V C _L = 45 pF, R _L = 667 Ω |
| t _{PLH} | Propagation Delay, Clock to Output | | 17 | 25 | ns | |
| t _{PHL} | | | 22 | 30 | | |
| t _{PHL} | Propagation Delay, MR To Output | | 26 | 35 | ns | |
| t _{PZH} | Output Enable Time | | 15 | 23 | ns | |
| t _{PZL} | | | 18 | 27 | | |
| t _{PLZ} | Output Disable Time | | 11 | 17 | ns | C _L = 5.0 pF R _L = 667 Ω |
| t _{PHZ} | | | 11 | 17 | | |

5

AC SETUP REQUIREMENTS: $T_A = 25^\circ\text{C}$

| SYMBOL | PARAMETER | LIMITS | | | UNITS | TEST CONDITIONS |
|-----------|-------------------------|--------|-----|-----|-------|-------------------------|
| | | MIN | TYP | MAX | | |
| t_W | Clock or MR Pulse Width | 20 | | | ns | $V_{CC} = 5.0\text{ V}$ |
| t_s | Data Enable Setup Time, | 35 | | | ns | |
| t_s | Data Setup Time | 17 | | | ns | |
| t_h | Hold Time, Any Input | 0 | | | ns | |
| t_{rec} | Recovery Time | 10 | | | ns | |

AC WAVEFORMS

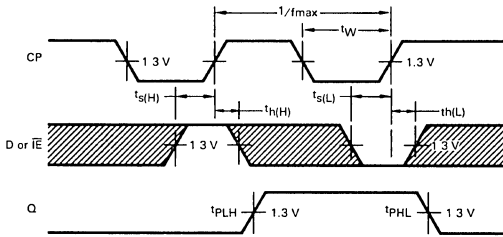


Fig. 1

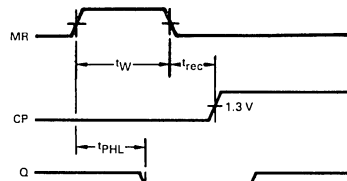


Fig. 2

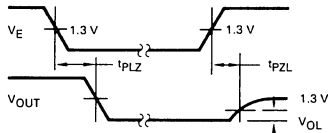


Fig. 3

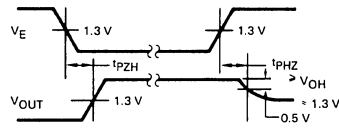
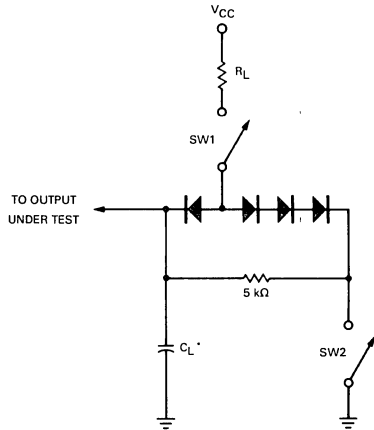


Fig. 4

AC LOAD CIRCUIT



*Includes Jig and Probe Capacitance.

Fig. 5

SWITCH POSITIONS

| SYMBOL | SW1 | SW2 |
|-----------|--------|--------|
| t_{PZH} | Open | Closed |
| t_{PZL} | Closed | Open |
| t_{PLZ} | Closed | Closed |
| t_{PHZ} | Closed | Closed |



SN54LS174 SN74LS174

DESCRIPTION — The LSTTL/MSI SN54LS/74LS174 is a high speed Hex D Flip-Flop. The device is used primarily as a 6-bit edge-triggered storage register. The information on the D inputs is transferred to storage during the LOW to HIGH clock transition. The device has a Master Reset to simultaneously clear all flip-flops. The LS174 is fabricated with the Schottky barrier diode process for high speed and is completely compatible with all Motorola TTL families.

HEX D FLIP-FLOP

LOW POWER SCHOTTKY

- EDGE-TRIGGERED D-TYPE INPUTS
- BUFFERED-POSITIVE EDGE-TRIGGERED CLOCK
- ASYNCHRONOUS COMMON RESET
- INPUT CLAMP DIODES LIMIT HIGH SPEED TERMINATION EFFECTS

PIN NAMES

| | |
|-----------------|--------------------------------------|
| $D_0 - D_5$ | Data Inputs |
| CP | Clock (Active HIGH Going Edge) Input |
| \overline{MR} | Master Reset (Active LOW) Input |
| $Q_0 - Q_5$ | Outputs (Note b) |

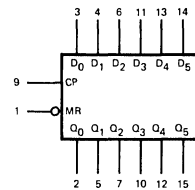
LOADING (Note a)

| | HIGH | LOW |
|-----------------|----------|--------------|
| $D_0 - D_5$ | 0.5 U.L. | 0.25 U.L. |
| CP | 0.5 U.L. | 0.25 U.L. |
| \overline{MR} | 0.5 U.L. | 0.25 U.L. |
| $Q_0 - Q_5$ | 10 U.L. | 5 (2.5) U.L. |

NOTES:

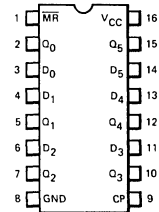
- 1 TTL Unit Load (U.L.) = 40 μ A HIGH/1.6 mA LOW.
- The Output LOW drive factor is 2.5 U.L. for Military (54) and 5 U.L. for Commercial (74) Temperature Ranges.

LOGIC SYMBOL



V_{CC} = Pin 16
 GND = Pin 8

CONNECTION DIAGRAM DIP (TOP VIEW)



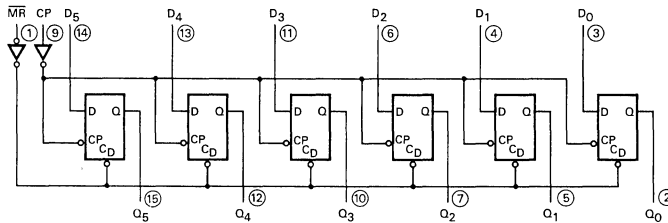
J Suffix — Case 620-08
(Ceramic)

N Suffix — Case 648-05
(Plastic)

NOTE:

The Flatpak version has the same pinouts (Connection Diagram) as the Dual In-Line Package.

LOGIC DIAGRAM



V_{CC} = Pin 16
 GND = Pin 8
○ = Pin Numbers

FUNCTIONAL DESCRIPTION — The LS174 consists of six edge-triggered D flip-flops with individual D inputs and Q outputs. The Clock (CP) and Master Reset (\overline{MR}) are common to all flip-flops.

Each D input's state is transferred to the corresponding flip-flop's output following the LOW to HIGH Clock (CP) transition.

A LOW input to the Master Reset (\overline{MR}) will force all outputs LOW independent of Clock or Data inputs. The LS174 is useful for applications where the true output only is required and the Clock and Master Reset are common to all storage elements.

TRUTH TABLE

| Inputs (t = n, \overline{MR} = H) | Outputs (t = n+1) Note 1 |
|-------------------------------------|--------------------------|
| D | Q |
| H | H |
| L | L |

Note 1: t = n + 1 indicates conditions after next clock.

GUARANTEED OPERATING RANGES

| SYMBOL | PARAMETER | | MIN | TYP | MAX | UNIT |
|-----------------|-------------------------------------|--------|------|-----|------|------|
| V _{CC} | Supply Voltage | 54 | 4.5 | 5.0 | 5.5 | V |
| | | 74 | 4.75 | 5.0 | 5.25 | |
| T _A | Operating Ambient Temperature Range | 54 | -55 | 25 | 125 | °C |
| | | 74 | 0 | 25 | 70 | |
| I _{OH} | Output Current — High | 54, 74 | | | -0.4 | mA |
| I _{OL} | Output Current — Low | 54 | | | 4.0 | mA |
| | | 74 | | | 8.0 | |

DC CHARACTERISTICS OVER OPERATING TEMPERATURE RANGE (unless otherwise specified)

| SYMBOL | PARAMETER | LIMITS | | | UNITS | TEST CONDITIONS | |
|-----------------|---------------------------|--------|-------|------|-------|--|---|
| | | MIN | TYP | MAX | | | |
| V _{IH} | Input HIGH Voltage | 2.0 | | | V | Guaranteed Input HIGH Voltage for All Inputs | |
| V _{IL} | Input LOW Voltage | 54 | | 0.7 | V | Guaranteed Input LOW Voltage for All Inputs | |
| | | 74 | | 0.8 | | | |
| V _{IK} | Input Clamp Diode Voltage | | -0.65 | -1.5 | V | V _{CC} = MIN, I _{IN} = -18 mA | |
| V _{OH} | Output HIGH Voltage | 54 | 2.5 | 3.5 | V | V _{CC} = MIN, I _{OH} = MAX, V _{IN} = V _{IH} or V _{IL} per Truth Table | |
| | | 74 | 2.7 | 3.5 | V | | |
| V _{OL} | Output LOW Voltage | 54,74 | | 0.25 | 0.4 | V | V _{CC} = V _{CC} MIN, V _{IN} = V _{IL} or V _{IH} per Truth Table |
| | | 74 | | 0.35 | 0.5 | V | |
| I _{IH} | Input HIGH Current | | | 20 | μA | V _{CC} = MAX, V _{IN} = 2.7 V | |
| | | | | 0.1 | mA | V _{CC} = MAX, V _{IN} = 7.0 V | |
| I _{IL} | Input LOW Current | | | -0.4 | mA | V _{CC} = MAX, V _{IN} = 0.4 V | |
| I _{OS} | Short Circuit Current | -20 | | -100 | mA | V _{CC} = MAX | |
| I _{CC} | Power Supply Current | | | 26 | mA | V _{CC} = MAX | |



AC CHARACTERISTICS: $T_A = 25^\circ\text{C}$

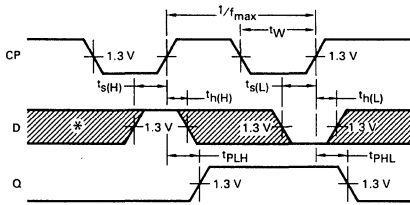
| SYMBOL | PARAMETER | LIMITS | | | UNITS | TEST CONDITIONS |
|------------------|---|--------|-----|-----|-------|--|
| | | MIN | TYP | MAX | | |
| f_{MAX} | Maximum Input Clock Frequency | 30 | 40 | | MHz | $V_{\text{CC}} = 5.0\text{ V}$ $C_L = 15\text{ pF}$ |
| t_{PHL} | Propagation Delay, $\overline{\text{MR}}$ to Output | | 23 | 35 | ns | |
| t_{PLH} | Propagation Delay, Clock to Output | | 20 | 30 | ns | |

AC SETUP REQUIREMENTS: $T_A = 25^\circ\text{C}$

| SYMBOL | PARAMETER | LIMITS | | | UNITS | TEST CONDITIONS |
|------------------|---|--------|-----|-----|-------|--------------------------------|
| | | MIN | TYP | MAX | | |
| t_{W} | Clock or $\overline{\text{MR}}$ Pulse Width | 20 | | | ns | $V_{\text{CC}} = 5.0\text{ V}$ |
| t_{s} | Data Setup Time | 20 | | | ns | |
| t_{h} | Data Hold Time | 5.0 | | | ns | |
| t_{rec} | Recovery Time | 25 | | | ns | |

AC WAVEFORMS

CLOCK TO OUTPUT DELAYS, CLOCK PULSE WIDTH, FREQUENCY, SETUP AND HOLD TIMES DATA TO CLOCK



*The shaded areas indicate when the input is permitted to change for predictable output performance.

Fig. 1

MASTER RESET TO OUTPUT DELAY, MASTER RESET PULSE WIDTH, AND MASTER RESET RECOVERY TIME

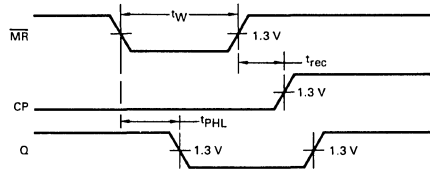


Fig. 2

DEFINITIONS OF TERMS:

SETUP TIME (t_s) – is defined as the minimum time required for the correct logic level to be present at the logic input prior to the clock transition from LOW to HIGH in order to be recognized and transferred to the outputs.

HOLD TIME (t_h) – is defined as the minimum time following the clock transition from LOW to HIGH that the logic level must be maintained at the input in order to ensure continued recognition. A negative HOLD TIME indicates that the correct logic level may be released prior to the clock transition from LOW to HIGH and still be recognized.

RECOVERY TIME (t_{rec}) – is defined as the minimum time required between the end of the reset pulse and the clock transition from LOW to HIGH in order to recognize and transfer HIGH Data to the Q outputs.



SN54LS175 SN74LS175

DESCRIPTION — The LSTTL/MSI SN54LS/74LS175 is a high speed Quad D Flip-Flop. The device is useful for general flip-flop requirements where clock and clear inputs are common. The information on the D inputs is stored during the LOW to HIGH clock transition. Both true and complemented outputs of each flip-flop are provided. A Master Reset input resets all flip-flops, independent of the Clock or D inputs, when LOW.

The LS175 is fabricated with the Schottky barrier diode process for high speed and is completely compatible with all Motorola TTL families.

QUAD D FLIP-FLOP

LOW POWER SCHOTTKY

- EDGE-TRIGGERED D-TYPE INPUTS
- BUFFERED-POSITIVE EDGE-TRIGGERED CLOCK
- CLOCK TO OUTPUT DELAYS OF 30 ns
- ASYNCHRONOUS COMMON RESET
- TRUE AND COMPLEMENT OUTPUT
- INPUT CLAMP DIODES LIMIT HIGH SPEED TERMINATION EFFECTS

PIN NAMES

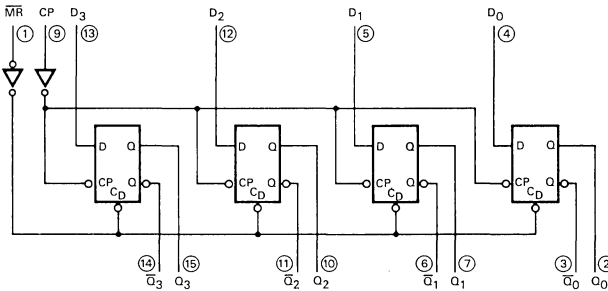
| | |
|-------------------------|--------------------------------------|
| $D_0 - D_3$ | Data Inputs |
| CP | Clock (Active HIGH Going Edge) Input |
| MR | Master Reset (Active LOW) Input |
| $Q_0 - Q_3$ | True Outputs (Note b) |
| $\bar{Q}_0 - \bar{Q}_3$ | Complemented Outputs (Note b) |

| LOADING (Note a) | |
|------------------|-------------|
| HIGH | LOW |
| 0.5 U.L. | 0.25 U.L. |
| 0.5 U.L. | 0.25 U.L. |
| 0.5 U.L. | 0.25 U.L. |
| 10 U.L. | 5(2.5) U.L. |
| 10 U.L. | 5(2.5) U.L. |

NOTES:

- 1 TTL Unit Load (U.L.) = 40 μ A HIGH/1.6 mA LOW.
- The Output LOW drive factor is 2.5 U.L. for Military (54) and 5 U.L. for Commercial (74) Temperature Ranges.

LOGIC DIAGRAM

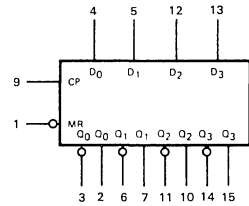


V_{CC} = Pin 16

GND = Pin 8

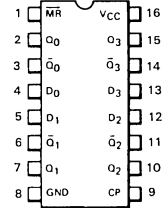
○ = Pin Numbers

LOGIC SYMBOL



V_{CC} = Pin 16
GND = Pin 8

CONNECTION DIAGRAM DIP (TOP VIEW)



J Suffix — Case 620-08
(Ceramic)

N Suffix — Case 648-05
(Plastic)

NOTE:

The Flatpak version has the same pinouts (Connection Diagram) as the Dual In-Line Package.

FUNCTIONAL DESCRIPTION — The LS175 consists of four edge-triggered D flip-flops with individual D inputs and Q and \bar{Q} outputs. The Clock and Master Reset are common. The four flip-flops will store the state of their individual D inputs on the LOW to HIGH Clock (CP) transition, causing individual Q and \bar{Q} outputs to follow. A LOW input on the Master Reset (\overline{MR}) will force all Q outputs LOW and \bar{Q} outputs HIGH independent of Clock or Data inputs.

The LS175 is useful for general logic applications where a common Master Reset and Clock are acceptable.

TRUTH TABLE

| Inputs (t = n, $\overline{MR} = H$) | | Outputs (t = n+1) Note 1 | |
|--------------------------------------|--|--------------------------|-----------|
| D | | Q | \bar{Q} |
| L | | L | H |
| H | | H | L |

Note 1: t = n + 1 indicates conditions after next clock.

GUARANTEED OPERATING RANGES

| SYMBOL | PARAMETER | | MIN | TYP | MAX | UNIT |
|-----------------|-------------------------------------|--------|------|-----|------|------|
| V _{CC} | Supply Voltage | 54 | 4.5 | 5.0 | 5.5 | V |
| | | 74 | 4.75 | 5.0 | 5.25 | |
| T _A | Operating Ambient Temperature Range | 54 | -55 | 25 | 125 | °C |
| | | 74 | 0 | 25 | 70 | |
| I _{OH} | Output Current — High | 54, 74 | | | -0.4 | mA |
| I _{OL} | Output Current — Low | 54 | | | 4.0 | mA |
| | | 74 | | | 8.0 | |

DC CHARACTERISTICS OVER OPERATING TEMPERATURE RANGE (unless otherwise specified)

| SYMBOL | PARAMETER | LIMITS | | | UNITS | TEST CONDITIONS | |
|-----------------|---------------------------|--------|-------|------|-------|--|---|
| | | MIN | TYP | MAX | | | |
| V _{IH} | Input HIGH Voltage | 2.0 | | | V | Guaranteed Input HIGH Voltage for All Inputs | |
| V _{IL} | Input LOW Voltage | 54 | | 0.7 | V | Guaranteed Input LOW Voltage for All Inputs | |
| | | 74 | | 0.8 | | | |
| V _{IK} | Input Clamp Diode Voltage | | -0.65 | -1.5 | V | V _{CC} = MIN, I _{IN} = -18 mA | |
| V _{OH} | Output HIGH Voltage | 54 | 2.5 | 3.5 | V | V _{CC} = MIN, I _{OH} = MAX, V _{IN} = V _{IH} or V _{IL} per Truth Table | |
| | | 74 | 2.7 | 3.5 | V | | |
| V _{OL} | Output LOW Voltage | 54, 74 | | 0.25 | 0.4 | I _{OL} = 4.0 mA | V _{CC} = V _{CC} MIN, V _{IN} = V _{IL} or V _{IH} per Truth Table |
| | | 74 | | 0.35 | 0.5 | I _{OL} = 8.0 mA | |
| I _{IH} | Input HIGH Current | | | 20 | μA | V _{CC} = MAX, V _{IN} = 2.7 V | |
| | | | | 0.1 | mA | V _{CC} = MAX, V _{IN} = 7.0 V | |
| I _{IL} | Input LOW Current | | | -0.4 | mA | V _{CC} = MAX, V _{IN} = 0.4 V | |
| I _{OS} | Short Circuit Current | -20 | | -100 | mA | V _{CC} = MAX | |
| I _{CC} | Power Supply Current | | | 18 | mA | V _{CC} = MAX | |

AC CHARACTERISTICS: $T_A = 25^\circ\text{C}$

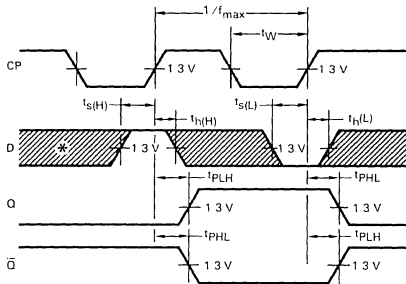
| SYMBOL | PARAMETER | LIMITS | | | UNITS | TEST CONDITIONS |
|--------------------------------------|---|--------|----------|----------|-------|--|
| | | MIN | TYP | MAX | | |
| f_{MAX} | Maximum Input Clock Frequency | 30 | 40 | | MHz | $V_{\text{CC}} = 5.0\text{ V}$ $C_L = 15\text{ pF}$ |
| t_{PLH} t_{PHL} | Propagation Delay, $\overline{\text{MR}}$ to Output | | 20 20 | 30 30 | ns | |
| t_{PLH} t_{PHL} | Propagation Delay, Clock to Output | | 13 16 | 25 25 | ns | |

AC SETUP REQUIREMENTS: $T_A = 25^\circ\text{C}$

| SYMBOL | PARAMETER | LIMITS | | | UNITS | TEST CONDITIONS |
|------------------|---|--------|-----|-----|-------|--------------------------------|
| | | MIN | TYP | MAX | | |
| t_W | Clock or $\overline{\text{MR}}$ Pulse Width | 20 | | | ns | $V_{\text{CC}} = 5.0\text{ V}$ |
| t_s | Data Setup Time | 20 | | | ns | |
| t_h | Data Hold Time | 5.0 | | | ns | |
| t_{rec} | Recovery Time | 25 | | | ns | |

AC WAVEFORMS

CLOCK TO OUTPUT DELAYS, CLOCK PULSE WIDTH, FREQUENCY, SETUP AND HOLD TIMES DATA TO CLOCK



*The shaded areas indicate when the input is permitted to change for predictable output performance.

Fig. 1

MASTER RESET TO OUTPUT DELAY, MASTER RESET PULSE WIDTH, AND MASTER RESET RECOVERY TIME

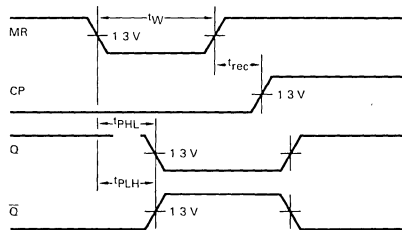


Fig. 2

DEFINITIONS OF TERMS:

SETUP TIME (t_s) — is defined as the minimum time required for the correct logic level to be present at the logic input prior to the clock transition from LOW to HIGH in order to be recognized and transferred to the outputs.

HOLD TIME (t_h) — is defined as the minimum time following the clock transition from LOW to HIGH that the logic level must be maintained at the input in order to ensure continued recognition. A negative HOLD TIME indicates that the correct logic level may be released prior to the clock transition from LOW to HIGH and still be recognized.

RECOVERY TIME (t_{rec}) — is defined as the minimum time required between the end of the reset pulse and the clock transition from LOW to HIGH in order to recognize and transfer HIGH Data to the Q outputs.



SN54LS181 SN74LS181

DESCRIPTION — The SN54LS/74LS181 is a 4-bit Arithmetic Logic Unit (ALU) which can perform all the possible 16 logic, operations on two variables and a variety of arithmetic operations.

- PROVIDES 16 ARITHMETIC OPERATIONS
ADD, SUBTRACT, COMPARE, DOUBLE, PLUS
TWELVE OTHER ARITHMETIC OPERATIONS
- PROVIDES ALL 16 LOGIC OPERATIONS OF TWO VARIABLES
EXCLUSIVE—OR, COMPARE, AND, NAND, OR,
NOR, PLUS TEN OTHER LOGIC OPERATIONS
- FULL LOOKAHEAD FOR HIGH SPEED ARITHMETIC
OPERATION ON LONG WORDS
- INPUT CLAMP DIODES

**4-BIT ARITHMETIC
LOGIC UNIT
LOW POWER SCHOTTKY**

PIN NAMES

| | |
|--|-------------------------------------|
| $\bar{A}_0-\bar{A}_3, \bar{B}_0-\bar{B}_3$ | Operand (Active LOW) Inputs |
| S_0-S_3 | Function — Select Inputs |
| M | Mode Control Input |
| C_n | Carry Input |
| $\bar{F}_0-\bar{F}_3$ | Function (Active LOW) Outputs |
| A = B | Comparator Output |
| \bar{G} | Carry Generator (Active LOW) Output |
| \bar{P} | Carry Propagate (Active LOW) Output |
| C_{n+4} | Carry Output |

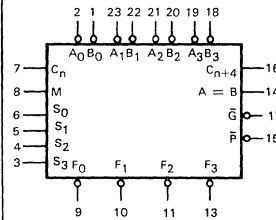
LOADING (Note a)

| | HIGH | LOW |
|--|----------------|--------------|
| $\bar{A}_0-\bar{A}_3, \bar{B}_0-\bar{B}_3$ | 1.5 U.L. | 0.75 U.L. |
| S_0-S_3 | 2.0 U.L. | 1.0 U.L. |
| M | 0.5 U.L. | 0.25 U.L. |
| C_n | 2.5 U.L. | 1.25 U.L. |
| $\bar{F}_0-\bar{F}_3$ | 10 U.L. | 5 (2.5) U.L. |
| A = B | Open Collector | 5 (2.5) U.L. |
| \bar{G} | 10 U.L. | 10 U.L. |
| \bar{P} | 10 U.L. | 5 U.L. |
| C_{n+4} | 10 U.L. | 5 (2.5) U.L. |

NOTES:

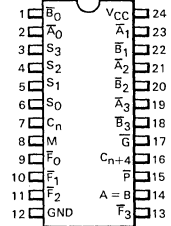
- 1 TTL Unit Load (U.L.) = 40 μ A HIGH/1.6 mA LOW
- The Output LOW drive factor is 2.5 U.L. for Military (54) and 5 U.L. for Commercial (74) Temperature Ranges.

LOGIC SYMBOL



V_{CC} = Pin 24
GND = Pin 12

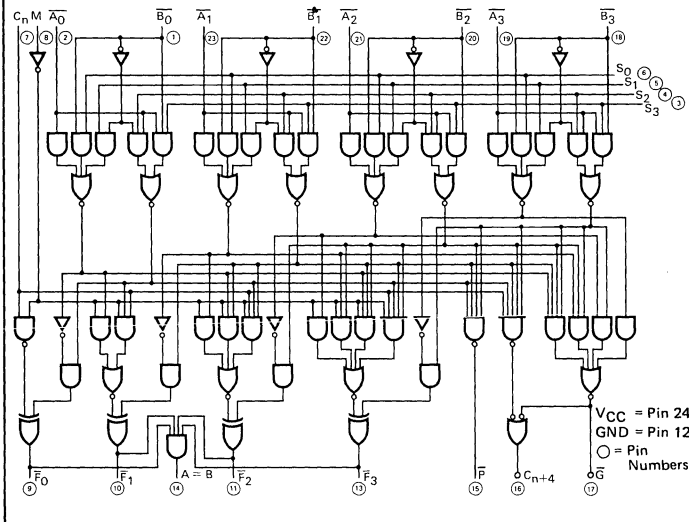
CONNECTION DIAGRAMS DIP (TOP VIEW)



J Suffix — Case 623-05
(Ceramic)
N Suffix — Case 649-03
(Plastic)

NOTE:
The Flatpak version has the same pinouts (Connection Diagram) as the Dual In-line Package.

LOGIC DIAGRAM



V_{CC} = Pin 24
GND = Pin 12
○ = Pin Numbers

FUNCTIONAL DESCRIPTION — The SN54LS/74LS181 is a 4-bit high speed parallel Arithmetic Logic Unit (ALU). Controlled by the four Function Select Inputs ($S_0 \dots S_3$) and the Mode Control Input (M), it can perform all the 16 possible logic operations or 16 different arithmetic operations on active HIGH or active LOW operands. The Function Table lists these operations.

When the Mode Control Input (M) is HIGH, all internal carries are inhibited and the device performs logic operations on the individual bits as listed. When the Mode Control Input is LOW, the carries are enabled and the device performs arithmetic operations on the two 4-bit words. The device incorporates full internal carry lookahead and provides for either ripple carry between devices using the C_{n+4} output, or for carry lookahead between packages using the signals \bar{P} (Carry Propagate) and \bar{G} (Carry Generate), \bar{P} and \bar{G} are not affected by carry in. When speed requirements are not stringent, the LS181 can be used in a simple ripple carry mode by connecting the Carry Output (C_{n+4}) signal to the Carry Input (C_n) of the next unit. For high speed operation the LS181 is used in conjunction with the 9342 or 93S42 carry lookahead circuit. One carry lookahead package is required for each group of the four LS181 devices. Carry lookahead can be provided at various levels and offers high speed capability over extremely long word lengths.

The $A = B$ output from the LS181 goes HIGH when all four \bar{F} outputs are HIGH and can be used to indicate logic equivalence over four bits when the unit is in the subtract mode. The $A = B$ output is open collector and can be wired-AND with other $A = B$ outputs to give a comparison for more than four bits. The $A = B$ signal can also be used with the C_{n+4} signal to indicate $A > B$ and $A < B$.

The Function Table lists the arithmetic operations that are performed without a carry in. An incoming carry adds a one to each operation. Thus, select code LHHL generates A minus B minus 1 (2s complement notation) without a carry in and generates A minus B when a carry is applied. Because subtraction is actually performed by complementary addition (1s complement), a carry out means borrow; thus a carry is generated when there is no underflow and no carry is generated when there is underflow.

As indicated, the LS181 can be used with either active LOW inputs producing active LOW outputs or with active HIGH inputs producing active HIGH outputs. For either case the table lists the operations that are performed to the operands labeled inside the logic symbol.

FUNCTION TABLE

| MODE SELECT INPUTS $S_3 S_2 S_1 S_0$ | ACTIVE LOW INPUTS & OUTPUTS | | ACTIVE HIGH INPUTS & OUTPUTS | |
|---|-----------------------------|------------------------------------|------------------------------|------------------------------------|
| | LOGIC (M = H) | ARITHMETIC** (M = L) ($C_n = L$) | LOGIC (M = H) | ARITHMETIC** (M = L) ($C_n = H$) |
| L L L L | \bar{A} | A minus 1 | \bar{A} | A |
| L L L H | $\bar{A}\bar{B}$ | AB minus 1 | $\bar{A} + \bar{B}$ | A + B |
| L L H L | $\bar{A} + \bar{B}$ | $\bar{A}\bar{B}$ minus 1 | $\bar{A}\bar{B}$ | A + \bar{B} |
| L L H H | Logical 1 | minus 1 | Logical 0 | minus 1 |
| L H L L | $\bar{A} + \bar{B}$ | A plus ($A + \bar{B}$) | $\bar{A}\bar{B}$ | A plus $\bar{A}\bar{B}$ |
| L H L H | \bar{B} | AB plus ($A + \bar{B}$) | \bar{B} | (A + B) plus $\bar{A}\bar{B}$ |
| L H H L | $A \oplus B$ | A minus B minus 1 | $A \oplus B$ | A minus B minus 1 |
| L H H H | $A + \bar{B}$ | A + B | $\bar{A}\bar{B}$ | AB minus 1 |
| H L L L | $\bar{A}\bar{B}$ | A plus ($A + B$) | $\bar{A} + \bar{B}$ | A plus AB |
| H L L H | $A \oplus B$ | A plus B | $A \oplus B$ | A plus B |
| H L H L | B | $\bar{A}\bar{B}$ plus ($A + B$) | B | (A + \bar{B}) plus AB |
| H L H H | A + B | A + B | AB | AB minus 1 |
| H H L L | Logical 0 | A plus A* | Logical 1 | A plus A* |
| H H L H | $\bar{A}\bar{B}$ | AB plus A | $A + \bar{B}$ | (A + B) plus A |
| H H H L | AB | $\bar{A}\bar{B}$ plus A | A + B | (A + \bar{B}) plus A |
| H H H H | A | A | A | A minus 1 |

L = LOW Voltage Level

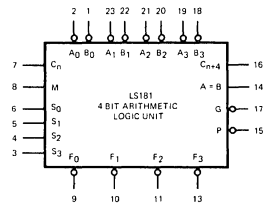
H = HIGH Voltage Level

*Each bit is shifted to the next more significant position

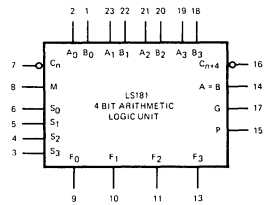
**Arithmetic operations expressed in 2s complement notation

LOGIC SYMBOLS

ACTIVE LOW OPERANDS



ACTIVE HIGH OPERANDS



GUARANTEED OPERATING RANGES

| SYMBOL | PARAMETER | | MIN | TYP | MAX | UNIT |
|-----------------|-------------------------------------|--------|------|-----|------|------|
| V _{CC} | Supply Voltage | 54 | 4.5 | 5.0 | 5.5 | V |
| | | 74 | 4.75 | 5.0 | 5.25 | |
| T _A | Operating Ambient Temperature Range | 54 | -55 | 25 | 125 | °C |
| | | 74 | 0 | 25 | 70 | |
| I _{OH} | Output Current — High | 54, 74 | | | -0.4 | mA |
| I _{OL} | Output Current — Low | 54 | | | 4.0 | mA |
| | | 74 | | | 8.0 | |
| V _{OH} | Output Voltage — High (A=B only) | 54, 74 | | | 5.5 | V |

DC CHARACTERISTICS OVER OPERATING TEMPERATURE RANGE (unless otherwise specified)

| SYMBOL | PARAMETER | LIMITS | | | UNITS | TEST CONDITIONS | |
|-----------------|---|--------|-------|------------------------------|-------|--|---|
| | | MIN | TYP | MAX | | | |
| V _{IH} | Input HIGH Voltage | 2.0 | | | V | Guaranteed Input HIGH Voltage for All Inputs | |
| V _{IL} | Input LOW Voltage | 54 | | 0.7 | V | Guaranteed Input LOW Voltage for All Inputs | |
| | | 74 | | 0.8 | | | |
| V _{IK} | Input Clamp Diode Voltage | | -0.65 | -1.5 | V | V _{CC} = MIN, I _{IN} = -18 mA | |
| V _{OH} | Output HIGH Voltage | 54 | 2.5 | 3.5 | V | V _{CC} = MIN, I _{OH} = MAX, V _{IN} = V _{IH} or V _{IL} per Truth Table | |
| | | 74 | 2.7 | 3.5 | V | | |
| V _{OL} | Output LOW Voltage Except \bar{G} and \bar{P} | 54, 74 | | 0.25 | 0.4 | V | V _{CC} = V _{CC} MIN, V _{IN} = V _{IL} or V _{IH} per Truth Table |
| | | 74 | | 0.35 | 0.5 | V | |
| | Output \bar{G} | 54, 74 | | | 0.7 | V | |
| | Output \bar{P} | 54 | | 0.6 | 0.5 | V | |
| | | 74 | | 0.5 | | V | |
| I _{OH} | Output HIGH Current | 54, 74 | | 100 | μA | V _{CC} = MIN, I _{OH} = MAX, V _{IN} = V _{IH} or V _{IL} per Truth Table | |
| I _{IH} | Input HIGH Current Mode Input Any \bar{A} or \bar{B} Input Any S Input C _n Input | | | 20 60 80 100 | μA | V _{CC} = MAX, V _{IN} = 2.7 V | |
| | Mode Input Any \bar{A} or \bar{B} Input Any S Input C _n Input | | | 0.1 0.3 0.4 0.5 | mA | V _{CC} = MAX, V _{IN} = 7.0 V | |
| I _{IL} | Input Low Current Mode Input Any \bar{A} or \bar{B} Input Any S Input C _n Input | | | -0.4 -1.2 -1.6 -2.0 | mA | V _{CC} = MAX, V _{IN} = 0.4 V | |
| I _{OS} | Short Circuit Current | | -20 | -100 | mA | V _{CC} = MAX | |
| I _{CC} | Power Supply Current See Note 1A | 54 | | 32 | mA | V _{CC} = MAX | |
| | | 74 | | 34 | | | |
| | See Note 1B | 54 | | 35 | | | |
| | | 74 | | 37 | | | |

Note 1.

With outputs open, I_{CC} is measured for the following conditions:

A. S0 through S3, M, and A inputs are at 4.5 V, all other inputs are grounded.

B. S0 through S3 and M are at 4.5 V, all other inputs are grounded.

AC CHARACTERISTICS: $T_A = 25^\circ\text{C}$, $V_{CC} = 5.0\text{ V}$, Pin 12 = GND, $C_L = 15\text{ pF}$

| SYMBOL | PARAMETER | LIMITS | | UNITS | CONDITIONS |
|------------------------|--|----------|----------|-------|--|
| | | TYP | MAX | | |
| t_{PLH} t_{PHL} | Propagation Delay, (C_n to C_{n+4}) | 18 13 | 27 20 | ns | $M = 0\text{ V}$, (Sum or Diff Mode) See Fig. 4 and Tables I and II |
| t_{PLH} t_{PHL} | (C_n to \bar{F} Outputs) | 17 13 | 26 20 | ns | $M = 0\text{ V}$, (Sum Mode) See Fig. 4 and Table I |
| t_{PLH} t_{PHL} | (\bar{A} or \bar{B} Inputs to \bar{G} Output) | 19 15 | 29 23 | ns | $M = S_1 = S_2 = 0\text{ V}$, $S_0 = S_3 = 4.5\text{ V}$ (Sum Mode) See Fig. 4 and Table I |
| t_{PLH} t_{PHL} | (\bar{A} or \bar{B} Inputs to \bar{G} Output) | 21 21 | 32 32 | ns | $M = S_0 = S_3 = 0\text{ V}$, $S_1 = S_2 = 4.5\text{ V}$ (Diff Mode) See Fig. 5 and Table II |
| t_{PLH} t_{PHL} | (\bar{A} or \bar{B} Inputs to \bar{P} Output) | 20 20 | 30 30 | ns | $M = S_1 = S_2 = 0\text{ V}$, $S_0 = S_3 = 4.5\text{ V}$ (Sum Mode) See Fig. 4 and Table I |
| t_{PLH} t_{PHL} | (\bar{A} or \bar{B} Inputs to \bar{P} Output) | 20 22 | 30 33 | ns | $M = S_0 = S_3 = 0\text{ V}$, $S_1 = S_2 = 4.5\text{ V}$ (Diff Mode) See Fig. 5 and Table II |
| t_{PLH} t_{PHL} | (\bar{A} or \bar{B} Inputs to any \bar{F} Output) | 21 13 | 32 20 | ns | $M = S_1 = S_2 = 0\text{ V}$, $S_0 = S_3 = 4.5\text{ V}$ (Sum Mode) See Fig. 4 and Table I |
| t_{PLH} t_{PHL} | (\bar{A} or \bar{B} Inputs to any \bar{F} Output) | 21 21 | 32 32 | ns | $M = S_0 = S_3 = 0\text{ V}$, $S_1 = S_2 = 4.5\text{ V}$ (Diff Mode) See Fig. 5 and Table II |
| t_{PLH} t_{PHL} | (\bar{A} or \bar{B} Inputs to \bar{F} Outputs) | 22 26 | 33 38 | ns | $M = 4.5\text{ V}$ (Logic Mode) See Fig. 4 and Table III |
| t_{PLH} t_{PHL} | (\bar{A} or \bar{B} Inputs to C_{n+4} Output) | 25 25 | 38 38 | ns | $M = 0\text{ V}$, $S_0 = S_3 = 4.5\text{ V}$, $S_1 = S_2 = 0\text{ V}$ (Sum Mode) See Fig. 6 and Table I |
| t_{PLH} t_{PHL} | (\bar{A} or \bar{B} Inputs to C_{n+4} Output) | 27 27 | 41 41 | ns | $M = 0\text{ V}$, $S_0 = S_3 = 0\text{ V}$, $S_1 = S_2 = 4.5\text{ V}$ (Diff Mode) |
| t_{PLH} t_{PHL} | (\bar{A} or \bar{B} Inputs to $A = B$ Output) | 33 41 | 50 62 | ns | $M = S_0 = S_3 = 0\text{ V}$, $S_1 = S_2 = 4.5\text{ V}$ $R_L = 2\text{ k}\Omega$ (Diff Mode) See Fig. 5 and Table II |

AC WAVEFORMS

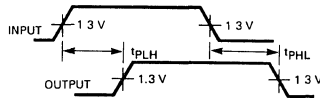


Fig. 4

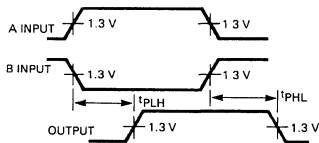


Fig. 5

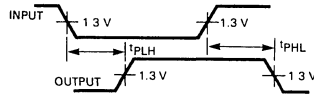


Fig. 6

DIFF MODE TEST TABLE II

FUNCTION INPUTS: $S_1 = S_2 = 4.5\text{ V}$, $S_0 = S_3 = M = 0\text{ V}$

| PARAMETER | INPUT UNDER TEST | OTHER INPUT SAME BIT | | OTHER DATA INPUTS | | OUTPUT UNDER TEST |
|--------------------------------------|------------------|----------------------|-------------|-----------------------------|---|-------------------|
| | | APPLY 4.5 V | APPLY GND | APPLY 4.5 V | APPLY GND | |
| t _{PLH} t _{PHL} | \bar{A} | None | \bar{B} | Remaining \bar{A} | Remaining \bar{B} , C_n | \bar{F}_j |
| t _{PLH} t _{PHL} | \bar{B} | \bar{A} | None | Remaining \bar{A} | Remaining \bar{B} , C_n | \bar{F}_j |
| t _{PLH} t _{PHL} | \bar{A}_j | None | \bar{B}_j | Remaining \bar{B} , C_n | Remaining \bar{A} | $\bar{F}_j + 1$ |
| t _{PLH} t _{PHL} | \bar{B}_j | \bar{A}_j | None | Remaining \bar{B} , C_n | Remaining \bar{A} | $\bar{F}_j + 1$ |
| t _{PLH} t _{PHL} | \bar{A} | None | \bar{B} | None | Remaining \bar{A} and \bar{B} , C_n | \bar{P} |
| t _{PLH} t _{PHL} | \bar{B} | \bar{A} | None | None | Remaining \bar{A} and \bar{B} , C_n | \bar{P} |
| t _{PLH} t _{PHL} | \bar{A} | \bar{B} | None | None | Remaining \bar{A} and \bar{B} , C_n | \bar{G} |
| t _{PLH} t _{PHL} | \bar{B} | None | \bar{A} | None | Remaining \bar{A} and \bar{B} , C_n | \bar{G} |
| t _{PLH} t _{PHL} | \bar{A} | None | \bar{B} | Remaining \bar{A} | Remaining \bar{B} , C_n | $A = B$ |
| t _{PLH} t _{PHL} | \bar{B} | \bar{A} | None | Remaining \bar{A} | Remaining \bar{B} , C_n | $A = B$ |
| t _{PLH} t _{PHL} | \bar{A} | \bar{B} | None | None | Remaining \bar{A} and \bar{B} , C_n | $C_n + 4$ |
| t _{PLH} t _{PHL} | \bar{B} | None | \bar{A} | None | Remaining \bar{A} and \bar{B} , C_n | $C_n + 4$ |
| t _{PLH} t _{PHL} | C_n | None | None | All \bar{A} and \bar{B} | None | $C_n + 4$ |

5

LOGIC MODE TEST TABLE III

| PARAMETER | INPUT UNDER TEST | OTHER INPUT SAME BIT | | OTHER DATA INPUTS | | OUTPUT UNDER TEST | FUNCTION INPUTS |
|--------------------------------------|------------------|----------------------|-----------|-------------------|---|-------------------|--|
| | | APPLY 4.5 V | APPLY GND | APPLY 4.5 V | APPLY GND | | |
| t _{PLH} t _{PHL} | \bar{A} | None | \bar{B} | None | Remaining \bar{A} and \bar{B} , C_n | Any \bar{F} | $S_1 = S_2 = M = 4.5\text{ V}$ $S_0 = S_3 = 0\text{ V}$ |
| t _{PLH} t _{PHL} | \bar{B} | None | \bar{A} | None | Remaining \bar{A} and \bar{B} , C_n | Any \bar{F} | $S_1 = S_2 = M = 4.5\text{ V}$ $S_0 = S_3 = 0\text{ V}$ |

SUM MODE TEST TABLE I

FUNCTION INPUTS: $S_0 = S_3 = 4.5\text{ V}$, $S_1 = S_2 = M = 0\text{ V}$

| PARAMETER | INPUT UNDER TEST | OTHER INPUT SAME BIT | | OTHER DATA INPUTS | | OUTPUT UNDER TEST |
|------------------------|------------------|----------------------|-----------|-----------------------------------|---|----------------------------|
| | | APPLY 4.5 V | APPLY GND | APPLY 4.5 V | APPLY GND | |
| t_{PLH} t_{PHL} | \bar{A}_i | \bar{B}_i | None | Remaining \bar{A} and \bar{B} | C_n | \bar{F}_i |
| t_{PLH} t_{PHL} | \bar{B}_i | \bar{A}_i | None | Remaining \bar{A} and \bar{B} | C_n | \bar{F}_i |
| t_{PLH} t_{PHL} | \bar{A}_i | \bar{B}_i | None | C_n | Remaining \bar{A} and \bar{B} | \bar{F}_{i+1} |
| t_{PLH} t_{PHL} | \bar{B}_i | \bar{A}_i | None | C_n | Remaining \bar{A} and \bar{B} | \bar{F}_{i+1} |
| t_{PLH} t_{PHL} | \bar{A} | \bar{B} | None | None | Remaining \bar{A} and \bar{B} , C_n | \bar{P} |
| t_{PLH} t_{PHL} | \bar{B} | \bar{A} | None | None | Remaining \bar{A} and \bar{B} , C_n | \bar{P} |
| t_{PLH} t_{PHL} | \bar{A} | None | \bar{B} | Remaining \bar{B} | Remaining \bar{A} , C_n | \bar{G} |
| t_{PLH} t_{PHL} | \bar{B} | None | \bar{A} | Remaining \bar{B} | Remaining \bar{A} , C_n | \bar{G} |
| t_{PLH} t_{PHL} | \bar{A} | None | \bar{B} | Remaining \bar{B} | Remaining \bar{A} , C_n | C_{n+4} |
| t_{PLH} t_{PHL} | \bar{B} | None | \bar{A} | Remaining \bar{B} | Remaining \bar{A} , C_n | C_{n+4} |
| t_{PLH} t_{PHL} | C_n | None | None | All \bar{A} | All \bar{B} | Any \bar{F} or C_{n+4} |



SN54LS182 SN74LS182

DESCRIPTION — The SN54LS/74LS182 is a high-speed Carry Lookahead Generator. It is generally used with the SN54LS/74LS181 4-Bit Arithmetic Logic Unit to provide high speed lookahead over word lengths of more than four bits. The carry lookahead generator is fully compatible with all members of the Motorola TTL Family.

- PROVIDES CARRY LOOKAHEAD ACROSS A GROUP OF FOUR ALUs
- MULTI-LEVEL LOOKAHEAD FOR HIGH-SPEED ARITHMETIC OPERATION OVER LONG WORD LENGTHS
- INPUT CLAMP DIODES LIMIT HIGH-SPEED TERMINATION EFFECTS

CARRY LOOKAHEAD GENERATOR

LOW POWER SCHOTTKY

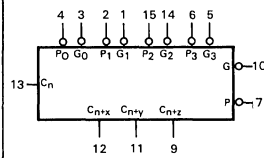
PIN NAMES

| | |
|-----------------------------|--|
| C_n | Carry Input |
| \bar{G}_0, \bar{G}_2 | Carry Generate (Active LOW) Inputs |
| \bar{G}_1 | Carry Generate (Active LOW) Input |
| \bar{G}_3 | Carry Generate (Active LOW) Input |
| \bar{P}_0, \bar{P}_1 | Carry Propagate (Active LOW) Inputs |
| \bar{P}_2 | Carry Propagate (Active LOW) Input |
| \bar{P}_3 | Carry Propagate (Active LOW) Input |
| $C_{n+x}, C_{n+y}, C_{n+z}$ | Carry Outputs (Note b) |
| \bar{G} | Carry Generate (Active LOW) Output (Note b) |
| \bar{P} | Carry Propagate (Active LOW) Output (Note b) |

LOADING (Note a)

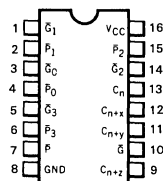
| | HIGH | LOW |
|-----------------------------|----------|--------------|
| C_n | 0.5 U.L. | 0.25 U.L. |
| \bar{G}_0, \bar{G}_2 | 3.5 U.L. | 1.75 U.L. |
| \bar{G}_1 | 4.0 U.L. | 2.0 U.L. |
| \bar{G}_3 | 2.0 U.L. | 1.0 U.L. |
| \bar{P}_0, \bar{P}_1 | 2.0 U.L. | 1.0 U.L. |
| \bar{P}_2 | 1.5 U.L. | 0.75 U.L. |
| \bar{P}_3 | 1.0 U.L. | 0.5 U.L. |
| $C_{n+x}, C_{n+y}, C_{n+z}$ | 10 U.L. | 5 (2.5) U.L. |
| \bar{G} | 10 U.L. | 5 (2.5) U.L. |
| \bar{P} | 10 U.L. | 5 (2.5) U.L. |

LOGIC SYMBOL



VCC = Pin 16
GND = Pin 8

CONNECTION DIAGRAM DIP (TOP VIEW)



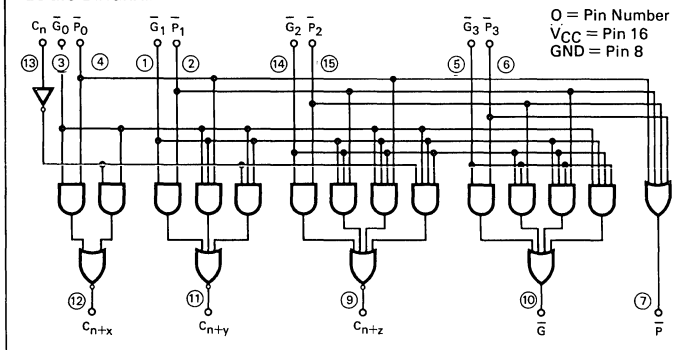
J Suffix — Case 620-08 (Ceramic)
N Suffix — Case 648-05 (Plastic)

NOTE:
The Flatpak version has the same pinouts (Connection Diagram) as the Dual In-Line Package.

NOTES:

- 1 Unit Load (U.L.) = 40 μ A HIGH/1.6 mA LOW
- The Output LOW drive factor is 2.5 U.L. for Military (54) and 5 U.L. for Commercial (74) Temperature Ranges.

LOGIC DIAGRAM



FUNCTIONAL DESCRIPTION — The SN54LS/74LS182, carry lookahead generator accepts up to four pairs of active LOW Carry Propagate ($\overline{P}_0, \overline{P}_1, \overline{P}_2, \overline{P}_3$) and Carry Generate ($\overline{G}_0, \overline{G}_1, \overline{G}_2, \overline{G}_3$) signals and an active HIGH Carry Input (C_n) and provides anticipated active HIGH carries ($C_{n+x}, C_{n+y}, C_{n+z}$) across four groups of binary adders. The SN54LS/74LS182 also has active LOW Carry Propagate (\overline{P}) and Carry Generate (\overline{G}) outputs which may be used for further levels of lookahead.

The logic equations provided at the outputs are:

$$C_{n+x} = G_0 + P_0 C_n$$

$$C_{n+y} = G_1 + P_1 G_0 = P_1 P_0 C_n$$

$$C_{n+z} = G_2 + P_2 G_1 = P_2 P_2 G_0 + P_2 P_1 P_0 C_n$$

$$\overline{G} = G_3 + P_3 G_2 + P_3 P_2 G_1 + P_3 P_2 P_1 G_0$$

$$\overline{P} = P_3 P_2 P_1 P_0$$

Also, the SN54LS/74LS182 can be used with binary ALUs in an active LOW or active HIGH input operand mode. The connections to and from the ALU to the carry lookahead generator are identical in both cases.

TRUTH TABLE

| INPUTS | | | | | | | | | OUTPUTS | | | | |
|--------|------------------|------------------|------------------|------------------|------------------|------------------|------------------|------------------|-----------|-----------|-----------|----------------|----------------|
| C_n | \overline{G}_0 | \overline{P}_0 | \overline{G}_1 | \overline{P}_1 | \overline{G}_2 | \overline{P}_2 | \overline{G}_3 | \overline{P}_3 | C_{n+x} | C_{n+y} | C_{n+z} | \overline{G} | \overline{P} |
| X | H | H | | | | | | | L | | | | |
| L | H | X | | | | | | | L | | | | |
| X | L | X | | | | | | | H | | | | |
| H | X | L | | | | | | | H | | | | |
| X | X | X | H | H | | | | | | L | | | |
| X | H | H | H | X | | | | | | L | | | |
| L | H | X | H | X | | | | | | L | | | |
| X | X | X | L | X | | | | | | H | | | |
| X | L | X | X | L | | | | | | H | | | |
| H | X | L | X | L | | | | | | H | | | |
| X | X | X | X | X | H | H | | | | | L | | |
| X | X | X | H | H | H | X | | | | | L | | |
| X | H | H | H | X | H | X | | | | | L | | |
| L | H | X | H | X | H | X | | | | | L | | |
| X | X | X | X | X | L | X | | | | | H | | |
| X | X | X | L | X | X | L | | | | | H | | |
| X | L | X | X | L | X | L | | | | | H | | |
| H | X | L | X | L | X | L | | | | | H | | |
| X | | | X | X | X | H | H | | | | | H | |
| X | | | X | X | H | H | X | | | | | H | |
| X | | | H | H | X | H | X | | | | | H | |
| X | | | X | X | X | L | X | | | | | L | |
| X | | | X | X | L | X | L | | | | | L | |
| X | | | L | X | X | L | X | | | | | L | |
| L | | | X | L | X | L | X | | | | | L | |
| | H | | | X | | X | X | | | | | | H |
| | X | | | H | | X | X | | | | | | H |
| | X | | | X | | H | X | | | | | | H |
| | X | | | X | | X | H | | | | | | H |
| | L | | | L | | L | L | | | | | | L |

H = HIGH Voltage Level
 L = LOW Voltage Level
 X = Immaterial

GUARANTEED OPERATING RANGES

| SYMBOL | PARAMETER | | MIN | TYP | MAX | UNIT |
|-----------------|-------------------------------------|----------|-------------|------------|-------------|------|
| V _{CC} | Supply Voltage | 54 74 | 4.5 4.75 | 5.0 5.0 | 5.5 5.25 | V |
| T _A | Operating Ambient Temperature Range | 54 74 | -55 0 | 25 25 | 125 70 | °C |
| I _{OH} | Output Current — High | 54, 74 | | | -0.4 | mA |
| I _{OL} | Output Current — Low | 54 74 | | | 4.0 8.0 | mA |

DC CHARACTERISTICS OVER OPERATING TEMPERATURE RANGE (unless otherwise specified)

| SYMBOL | PARAMETER | LIMITS | | | UNITS | TEST CONDITIONS |
|-----------------|---|--------|-------|--|-------|--|
| | | MIN | TYP | MAX | | |
| V _{IH} | Input HIGH Voltage | 2.0 | | | V | Guaranteed Input HIGH Voltage for All Inputs |
| V _{IL} | Input LOW Voltage | 54 | | 0.7 | V | Guaranteed Input LOW Voltage for All Inputs |
| | | 74 | | 0.8 | | |
| V _{IK} | Input Clamp Diode Voltage | | -0.65 | -1.5 | V | V _{CC} = MIN I _{IN} = -18 mA |
| V _{OH} | Output HIGH Voltage | 54 | 2.5 | | V | I _{OH} = MAX V _{CC} = MIN, V _{IN} = V _{IH} or V _{IL} per Truth Table |
| | | 74 | 2.7 | | | |
| V _{OL} | Output LOW Voltage | 54,74 | 0.25 | 0.4 | V | I _{OL} = 4.0 mA V _{CC} = MIN, V _{IN} = V _{IH} or V _{IL} per Truth Table |
| | | 74 | 0.35 | 0.5 | | |
| I _{IH} | C _n G ₀ , G ₂ G ₃ , P ₀ , P ₁ P ₂ P ₃ G ₁ | | | 20 140 80 60 40 160 | μA | V _{IN} = 2.7 V V _{CC} = MAX |
| | | | | 0.1 0.7 0.4 0.3 0.2 0.8 | mA | V _{IN} = 7.0 V V _{CC} = MAX |
| I _{IL} | C _n G ₀ , G ₂ G ₃ , P ₀ , P ₁ P ₂ P ₃ G ₁ | | | -0.4 -2.8 -1.6 -1.2 -0.8 -3.2 | mA | V _{IN} = 0.4 V V _{CC} = MAX |
| I _{OS} | Output Short-Circuit Current | -20 | | -100 | mA | V _{CC} = MAX V _{OUT} = 0 V |
| I _{CC} | Power Supply Current Total, Output HIGH | | | 12 | mA | V _{CC} = MAX |
| | Total, Output LOW | | | 16 | | |

AC CHARACTERISTICS: $T_A = 25^\circ\text{C}$, $V_{CC} = 5.0\text{ V}$, $C_L = 15\text{ pF}$

| SYMBOL | PARAMETER | LIMITS | | | UNITS | TEST CONDITIONS |
|------------------------|---|--------|-----------|----------|-------|---|
| | | MIN | TYP | MAX | | |
| t_{PLH} t_{PHL} | $(C_N \text{ to } C_{N+x}, C_{N+y}, C_{N+z})$ | | 12 17 | 25 30 | ns | $\bar{P}_0 = \bar{P}_1 = \bar{P}_2 = \text{Gnd}$, $\bar{G}_0 = \bar{G}_1 = \bar{G}_2 = 4.5\text{ V}$, Fig. 1 |
| t_{PLH} t_{PHL} | $(\bar{P}_0, \bar{P}_1, \text{ or } \bar{P}_2 \text{ to } C_{N+x}, C_{N+y}, C_{N+z})$ | | 9.0 10 | 21 22 | ns | $\bar{P}_x = \text{Gnd}$ (if not under test), $C_n = \bar{G}_0 = \bar{G}_1 = \bar{G}_2 = 4.5\text{ V}$, Fig. 2 |
| t_{PLH} t_{PHL} | $(\bar{G}_0, \bar{G}_1, \text{ or } \bar{G}_2 \text{ to } C_{N+x}, C_{N+y}, C_{N+z})$ | | 9.0 10 | 21 22 | ns | $\bar{G}_x = 4.5\text{ V}$ (if not under test), $C_n = \bar{P}_0 = \bar{P}_1 = \bar{P}_2 = \text{Gnd}$, Fig. 2 |
| t_{PLH} t_{PHL} | $(\bar{P}_1, \bar{P}_2 \text{ or } \bar{P}_3 \text{ to } \bar{G})$ | | 12 8.0 | 24 20 | ns | $\bar{P}_x = \text{Gnd}$ (if not under test), $\bar{G}_0 = \bar{G}_1 = \bar{G}_2 = \bar{G}_3 = C_n = 0.0\text{ V}$, Fig. 1 |
| t_{PLH} t_{PHL} | $(\bar{G}_0, \bar{G}_1, \bar{G}_2 \text{ or } \bar{G}_3 \text{ to } \bar{G})$ | | 13 8.0 | 25 20 | ns | $\bar{G}_x = 4.5\text{ V}$ (if not under test), $\bar{P}_1 = \bar{P}_2 = \bar{P}_3 = \text{Gnd}$, Fig. 1 |
| t_{PLH} t_{PHL} | $(\bar{P}_0, \bar{P}_1, \bar{P}_2 \text{ or } \bar{P}_3 \text{ to } \bar{P})$ | | 12 8.0 | 24 20 | ns | $\bar{P}_x = \text{Gnd}$ (if not under test), Fig. 1 |

AC WAVEFORMS

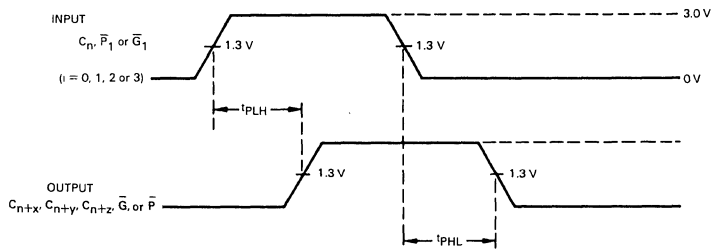


Fig. 1

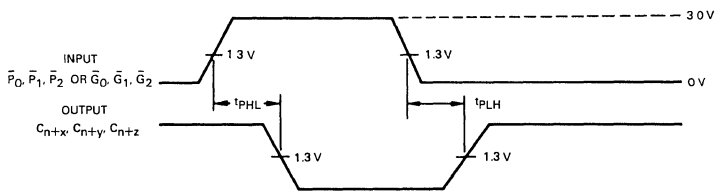


Fig. 2



DESCRIPTION—The SN54LS/74LS183 is a Dual Adder. This device features high-speed, high-fan-out Darlington outputs and all inputs are diode clamped for system design simplification. An individual carry output from each bit is featured for use in multiple-input, carry-save techniques to produce true sum and true carry outputs with no more than two gate delays.

- FOR USE IN HIGH-SPEED WALLACE-TREE SUMMING NETWORKS
- HIGH-SPEED, HIGH-FAN-OUT DARLINGTON OUTPUTS

FUNCTION TABLE

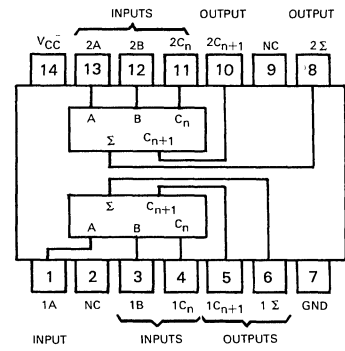
| C_n | INPUTS | | OUTPUTS | |
|-------|--------|---|----------|-----------|
| | B | A | Σ | C_{n+1} |
| L | L | L | L | L |
| L | L | H | H | L |
| L | H | L | H | L |
| L | H | H | L | H |
| H | L | L | H | L |
| H | L | H | L | H |
| H | H | L | L | H |
| H | H | H | H | H |

H = high level, L = low level

SN54LS183 SN74LS183

DUAL CARRY-SAVE FULL ADDER

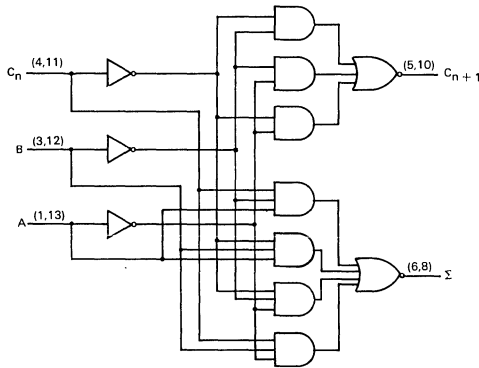
LOW POWER SCHOTTKY



J Suffix — Case 632-07 (Ceramic)
N Suffix — Case 646-05 (Plastic)

5

FUNCTIONAL BLOCK DIAGRAM



GUARANTEED OPERATING RANGES

| SYMBOL | PARAMETER | | MIN | TYP | MAX | UNIT |
|-----------------|-------------------------------------|--------|------|-----|------|------|
| V _{CC} | Supply Voltage | 54 | 4.5 | 5.0 | 5.5 | V |
| | | 74 | 4.75 | 5.0 | 5.25 | |
| T _A | Operating Ambient Temperature Range | 54 | -55 | 25 | 125 | °C |
| | | 74 | 0 | 25 | 70 | |
| I _{OH} | Output Current — High | 54, 74 | | | -0.4 | mA |
| I _{OL} | Output Current — Low | 54 | | | 4.0 | mA |
| | | 74 | | | 8.0 | |

DC CHARACTERISTICS OVER OPERATING TEMPERATURE RANGE (unless otherwise specified)

| SYMBOL | PARAMETER | LIMITS | | | UNITS | TEST CONDITIONS | |
|-----------------|---|--------|-------|------|-------|--|---|
| | | MIN | TYP | MAX | | | |
| V _{IH} | Input HIGH Voltage | 2.0 | | | V | Guaranteed Input HIGH Voltage for All Inputs | |
| V _{IL} | Input LOW Voltage | 54 | | 0.7 | V | Guaranteed Input LOW Voltage for All Inputs | |
| | | 74 | | 0.8 | | | |
| V _{IK} | Input Clamp Diode Voltage | | -0.65 | -1.5 | V | V _{CC} = MIN, I _{IN} = -18 mA | |
| V _{OH} | Output HIGH Voltage | 54 | 2.5 | 3.5 | V | V _{CC} = MIN, I _{OH} = MAX, V _{IN} = V _{IH} or V _{IL} per Truth Table | |
| | | 74 | 2.7 | 3.5 | V | | |
| V _{OL} | Output LOW Voltage | 54, 74 | | 0.25 | 0.4 | V | I _{OL} = 4.0 mA I _{OL} = 8.0 mA V _{CC} = V _{CC} MIN, V _{IN} = V _{IL} or V _{IH} per Truth Table |
| | | 74 | | 0.35 | 0.5 | V | |
| I _{IH} | Input HIGH Current | | | 60 | μA | V _{CC} = MAX, V _{IN} = 2.7 V | |
| | | | | 0.3 | mA | V _{CC} = MAX, V _{IN} = 7.0 V | |
| I _{IL} | Input LOW Current | | | -1.2 | mA | V _{CC} = MAX, V _{IN} = 0.4 V | |
| I _{OS} | Short Circuit Current | -20 | | -100 | mA | V _{CC} = MAX | |
| I _{CC} | Power Supply Current Total, Output HIGH Total, Output LOW | | | 14 | mA | V _{CC} = MAX | |
| | | | | 17 | | | |

AC CHARACTERISTICS: T_A = 25°C

| SYMBOL | PARAMETER | LIMITS | | | UNITS | TEST CONDITIONS |
|------------------|---|--------|-----|-----|-------|---|
| | | MIN | TYP | MAX | | |
| t _{PLH} | Propagation Delay Time, Low-to-High Level Output | | 9.0 | 15 | ns | V _{CC} = 5.0 V C _L = 15 pF |
| t _{PHL} | Propagation Delay Time, High-to-Low Level Output | | 20 | 33 | ns | |





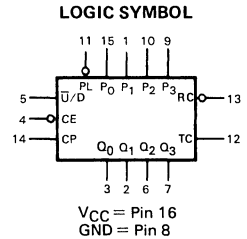
SN54LS/74LS190 SN54LS/74LS191

DESCRIPTION — The SN54LS/74LS190 is a synchronous UP/DOWN BCD Decade (8421) Counter and the SN54LS/74LS191 is a synchronous UP/DOWN Modulo-16 Binary Counter. State changes of the counters are synchronous with the LOW-to-HIGH transition of the Clock Pulse input.

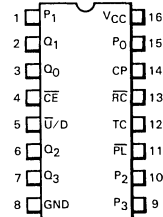
An asynchronous Parallel Load (\overline{PL}) input overrides counting and loads the data present on the P_n inputs into the flip-flops, which makes it possible to use the circuits as programmable counters. A Count Enable (\overline{CE}) input serves as the carry/borrow input in multi-stage counters. An Up/Down Count Control ($\overline{U/D}$) input determines whether a circuit counts up or down. A Terminal Count (TC) output and a Ripple Clock (\overline{RC}) output provide overflow/underflow indication and make possible a variety of methods for generating carry/borrow signals in multi-stage counter applications.

- **LOW POWER . . . 90 mW TYPICAL DISSIPATION**
- **HIGH SPEED . . . 25 MHz TYPICAL COUNT FREQUENCY**
- **SYNCHRONOUS COUNTING**
- **ASYNCHRONOUS PARALLEL LOAD**
- **INDIVIDUAL PRESET INPUTS**
- **COUNT ENABLE AND UP/DOWN CONTROL INPUTS**
- **CASCADABLE**
- **INPUT CLAMP DIODES LIMIT HIGH SPEED TERMINATION EFFECTS**

**PRESETTABLE BCD/DECADE
UP/DOWN COUNTERS
PRESETTABLE 4-BIT BINARY
UP/DOWN COUNTERS
LOW POWER SCHOTTKY**



**CONNECTION DIAGRAM
DIP (TOP VIEW)**



J Suffix — Case 620-08 (Ceramic)
N Suffix — Case 648-05 (Plastic)

NOTE:
The Flatpak version has the same pinouts (Connection Diagram) as the Dual In-Line Package.

PIN NAMES

| | |
|------------------|--|
| \overline{CE} | Count Enable (Active LOW) Input |
| CP | Clock Pulse (Active HIGH going edge) Input |
| $\overline{U/D}$ | Up/Down Count Control Input |
| \overline{PL} | Parallel Load Control (Active LOW) Input |
| P_n | Parallel Data Inputs |
| Q_n | Flip-Flop Outputs (Note b) |
| \overline{RC} | Ripple Clock Output (Note b) |
| TC | Terminal Count Output (Note b) |

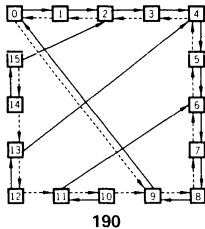
LOADING (Note a)

| | HIGH | LOW |
|------------------|----------|--------------|
| \overline{CE} | 1.5 U.L. | 0.7 U.L. |
| CP | 0.5 U.L. | 0.25 U.L. |
| $\overline{U/D}$ | 0.5 U.L. | 0.25 U.L. |
| \overline{PL} | 0.5 U.L. | 0.25 U.L. |
| P_n | 0.5 U.L. | 0.25 U.L. |
| Q_n | 10 U.L. | 5 (2.5) U.L. |
| \overline{RC} | 10 U.L. | 5 (2.5) U.L. |
| TC | 10 U.L. | 5 (2.5) U.L. |

NOTES:

- 1 TTL Unit Load (U.L.) = 40 μ A HIGH/1.6 mA LOW.
- The Output LOW drive factor is 2.5 U.L. for Military (54) and 5 U.L. for Commercial (74) Temperature Ranges.

STATE DIAGRAMS



LS190

$$\text{UP: TC} = Q_0 \cdot Q_3 \cdot (\overline{U/D})$$

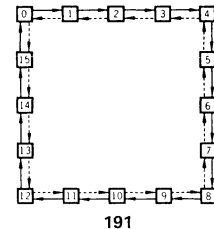
$$\text{DOWN: TC} = \overline{Q_0} \cdot \overline{Q_1} \cdot \overline{Q_2} \cdot \overline{Q_3} \cdot (\overline{U/D})$$

LS191

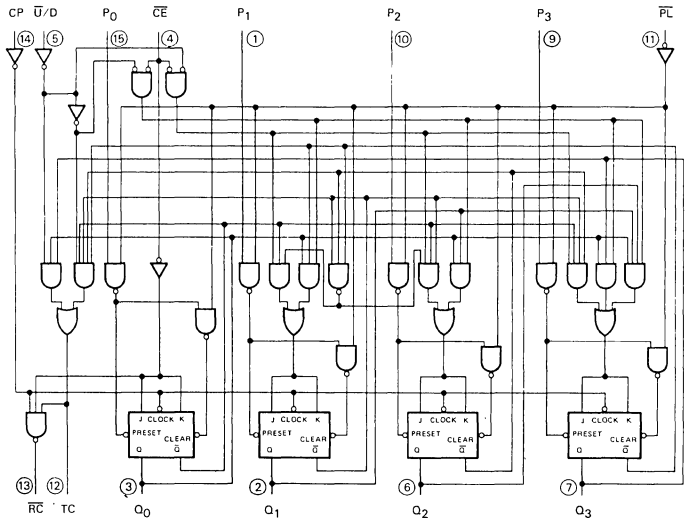
$$\text{UP: TC} = Q_0 \cdot Q_1 \cdot Q_2 \cdot Q_3 \cdot (\overline{U/D})$$

$$\text{DOWN: TC} = \overline{Q_0} \cdot \overline{Q_1} \cdot \overline{Q_2} \cdot \overline{Q_3} \cdot (\overline{U/D})$$

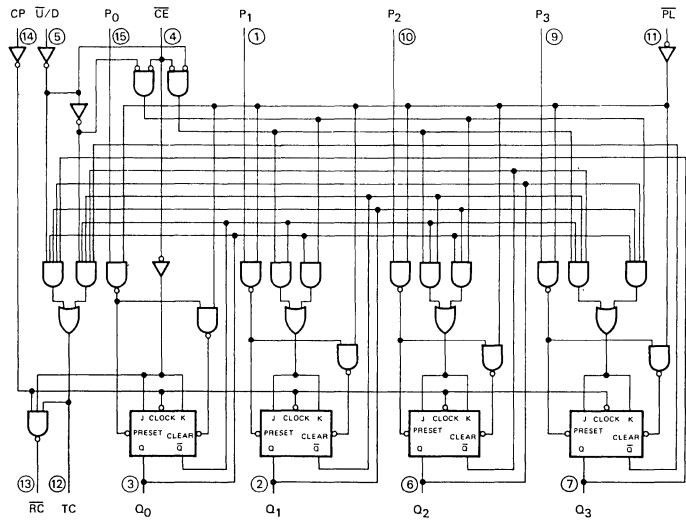
Count Up ———
Count Down - - - -



LOGIC DIAGRAMS



**DECADE COUNTER
LS190**



**BINARY COUNTER
LS191**

V_{CC} = Pin 16
 GND = Pin 8
 ○ = Pin Numbers

FUNCTIONAL DESCRIPTION — The LS190 is a synchronous Up/Down BCD Decade Counter and the LS191 is a synchronous Up/Down 4-Bit Binary Counter. The operating modes of the LS190 decade counter and the LS191 binary counter are identical, with the only difference being the count sequences as noted in the state diagrams. Each circuit contains four master/slave flip-flops, with internal gating and steering logic to provide individual preset, count-up and count-down operations.

Each circuit has an asynchronous parallel load capability permitting the counter to be preset to any desired number. When the Parallel Load (\overline{PL}) input is LOW, information present on the Parallel Data inputs (P_0 – P_3) is loaded into the counter and appears on the Q outputs. This operation overrides the counting functions, as indicated in the Mode Select Table.

A HIGH signal on the \overline{CE} input inhibits counting. When \overline{CE} is LOW, internal state changes are initiated synchronously by the LOW-to-HIGH transition of the clock input. The direction of counting is determined by the $\overline{U/D}$ input signal, as indicated in the Mode Select Table. When counting is to be enabled, the \overline{CE} signal can be made LOW when the clock is in either state. However, when counting is to be inhibited, the LOW-to-HIGH \overline{CE} transition must occur only while the clock is HIGH. Similarly, the $\overline{U/D}$ signal should only be changed when either \overline{CE} or the clock is HIGH.

Two types of outputs are provided as overflow/underflow indicators. The Terminal Count (TC) output is normally LOW and goes HIGH when a circuit reaches zero in the count-down mode or reaches maximum (9 for the LS190, 15 for the LS191) in the count-up mode. The TC output will then remain HIGH until a state change occurs, whether by counting or presetting or until $\overline{U/D}$ is changed. The TC output should not be used as a clock signal because it is subject to decoding spikes.

The TC signal is also used internally to enable the Ripple Clock (RC) output. The RC output is normally HIGH. When \overline{CE} is LOW and TC is HIGH, the RC output will go LOW when the clock next goes LOW and will stay LOW until the clock goes HIGH again. This feature simplifies the design of multi-stage counters, as indicated in Figures a and b. In Figure a, each RC output is used as the clock input for the next higher stage. This configuration is particularly advantageous when the clock source has a limited drive capability, since it drives only the first stage. To prevent counting in all stages it is only necessary to inhibit the first stage, since a HIGH signal on \overline{CE} inhibits the RC output pulse, as indicated in the RC Truth Table. A disadvantage of this configuration, in some applications, is the timing skew between state changes in the first and last stages. This represents the cumulative delay of the clock as it ripples through the preceding stages.

A method of causing state changes to occur simultaneously in all stages is shown in Figure b. All clock inputs are driven in parallel and the RC outputs propagate the carry/borrow signals in ripple fashion. In this configuration the LOW state duration of the clock must be long enough to allow the negative-going edge of the carry/borrow signal to ripple through to the last stage before the clock goes HIGH. There is no such restriction on the HIGH state duration of the clock, since the RC output of any package goes HIGH shortly after its CP input goes HIGH.

The configuration shown in Figure c avoids ripple delays and their associated restrictions. The \overline{CE} input signal for a given stage is formed by combining the TC signals from all the preceding stages. Note that in order to inhibit counting an enable signal must be included in each carry gate. The simple inhibit scheme of Figures a and b doesn't apply, because the TC output of a given stage is not affected by its own \overline{CE} .

5

MODE SELECT TABLE

| INPUTS | | | | MODE |
|-----------------|-----------------|------------------|------------|------------------|
| \overline{PL} | \overline{CE} | $\overline{U/D}$ | CP | |
| H | L | L | \uparrow | Count Up |
| H | L | H | \uparrow | Count Down |
| L | X | X | X | Preset (Asyn.) |
| H | H | X | X | No Change (Hold) |

RC TRUTH TABLE

| INPUTS | | | RC OUTPUT |
|-----------------|-----|--------------|--------------|
| \overline{CE} | TC* | CP | |
| L | H | \downarrow | \downarrow |
| H | X | X | H |
| X | L | X | H |

*TC is generated internally

- L = LOW Voltage Level
- H = HIGH Voltage Level
- X = Don't Care
- \uparrow = LOW-to-HIGH Clock Transition
- \downarrow = LOW Pulse

GUARANTEED OPERATING RANGES

| SYMBOL | PARAMETER | | MIN | TYP | MAX | UNIT |
|-----------------|-------------------------------------|--------|------|-----|------|------|
| V _{CC} | Supply Voltage | 54 | 4.5 | 5.0 | 5.5 | V |
| | | 74 | 4.75 | 5.0 | 5.25 | |
| T _A | Operating Ambient Temperature Range | 54 | -55 | 25 | 125 | °C |
| | | 74 | 0 | 25 | 70 | |
| I _{OH} | Output Current — High | 54, 74 | | | -0.4 | mA |
| I _{OL} | Output Current — Low | 54 | | | 4.0 | mA |
| | | 74 | | | 8.0 | |

DC CHARACTERISTICS OVER OPERATING TEMPERATURE RANGE (unless otherwise specified)

| SYMBOL | PARAMETER | LIMITS | | | UNITS | TEST CONDITIONS |
|-----------------|--|--------|-------|--------------|-------|---|
| | | MIN | TYP | MAX | | |
| V _{IH} | Input HIGH Voltage | 2.0 | | | V | Guaranteed Input HIGH Voltage for All Inputs |
| V _{IL} | Input LOW Voltage | 54 | | 0.7 | V | Guaranteed Input LOW Voltage for All Inputs |
| | | 74 | | 0.8 | | |
| V _{IK} | Input Clamp Diode Voltage | | -0.65 | -1.5 | V | V _{CC} = MIN, I _{IN} = -18 mA |
| V _{OH} | Output HIGH Voltage | 54 | 2.5 | 3.5 | V | V _{CC} = MIN, I _{OH} = MAX, V _{IN} = V _{IH} or V _{IL} per Truth Table |
| | | 74 | 2.7 | 3.5 | V | |
| V _{OL} | Output LOW Voltage | 54,74 | 0.25 | 0.4 | V | I _{OL} = 4.0 mA I _{OL} = 8.0 mA V _{CC} = V _{CC} MIN, V _{IN} = V _{IL} or V _{IH} per Truth Table |
| | | 74 | | 0.35 | 0.5 | |
| I _{IH} | Input HIGH Current Other Inputs ĈE | | | 20 60 | μA | V _{CC} = MAX, V _{IN} = 2.7 V |
| | Other Inputs ĈE | | | 0.1 0.3 | mA | V _{CC} = MAX, V _{IN} = 7.0 V |
| I _{IL} | Input LOW Current Other Inputs ĈE | | | -0.4 -1.2 | mA | V _{CC} = MAX, V _{IN} = 0.4 V |
| I _{OS} | Short Circuit Current | -20 | | -100 | mA | V _{CC} = MAX |
| I _{CC} | Power Supply Current | | | 35 | mA | V _{CC} = MAX |

AC CHARACTERISTICS: $T_A = 25^\circ\text{C}$

| SYMBOL | PARAMETER | LIMITS | | | UNITS | TEST CONDITIONS |
|--------------------------------------|--|--------|----------|----------|-------|--|
| | | MIN | TYP | MAX | | |
| f_{MAX} | Maximum Clock Frequency | 20 | 25 | | MHz | $V_{\text{CC}} = 5.0\text{ V}$ $C_L = 15\text{ pF}$ |
| t_{PLH} t_{PHL} | Propagation Delay, $\overline{\text{PL}}$ to Output Q | | 22 33 | 33 50 | ns | |
| t_{PLH} t_{PHL} | Data to Output Q | | 20 27 | 32 40 | ns | |
| t_{PLH} t_{PHL} | Clock to $\overline{\text{RC}}$ | | 13 16 | 20 24 | ns | |
| t_{PLH} t_{PHL} | Clock to Output Q | | 16 24 | 24 36 | ns | |
| t_{PLH} t_{PHL} | Clock to TC | | 28 37 | 42 52 | ns | |
| t_{PLH} t_{PHL} | $\overline{\text{U/D}}$ to $\overline{\text{RC}}$ | | 30 30 | 45 45 | ns | |
| t_{PLH} t_{PHL} | $\overline{\text{U/D}}$ to TC | | 21 22 | 33 33 | ns | |
| t_{PLH} t_{PHL} | $\overline{\text{CE}}$ to $\overline{\text{RC}}$ | | 21 22 | 33 33 | ns | |

AC SETUP REQUIREMENTS: $T_A = 25^\circ\text{C}$

| SYMBOL | PARAMETER | LIMITS | | | UNITS | TEST CONDITIONS |
|------------------|------------------------------------|--------|-----|-----|-------|--------------------------------|
| | | MIN | TYP | MAX | | |
| t_{W} | CP Pulse Width | 25 | | | ns | $V_{\text{CC}} = 5.0\text{ V}$ |
| t_{W} | $\overline{\text{PL}}$ Pulse Width | 35 | | | ns | |
| t_{s} | Data Setup Time | 20 | | | ns | |
| t_{h} | Data Hold Time | 5.0 | | | ns | |
| t_{rec} | Recovery Time | 40 | | | ns | |

5

DEFINITIONS OF TERMS:

SETUP TIME (t_{s}) is defined as the minimum time required for the correct logic level to be present at the logic input prior to the clock transition from LOW-to-HIGH in order to be recognized and transferred to the outputs.

HOLD TIME (t_{h}) is defined as the minimum time following the clock transition from LOW-to-HIGH that the logic level must be maintained at the input in order to ensure continued recognition. A negative HOLD TIME indicates that the correct logic level may be released prior to the clock transition from LOW-to-HIGH and still be recognized.

RECOVERY TIME (t_{rec}) is defined as the minimum time required between the end of the reset pulse and the clock transition from LOW-to-HIGH in order to recognize and transfer HIGH data to the Q outputs.

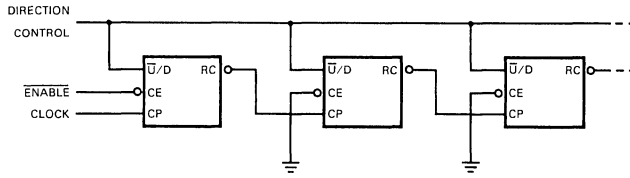


Fig. a) n-stage counter using ripple clock.

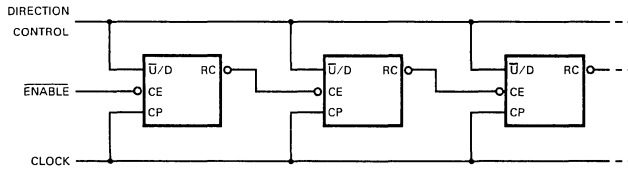


Fig. b) Synchronous n-stage counter using ripple carry/borrow.

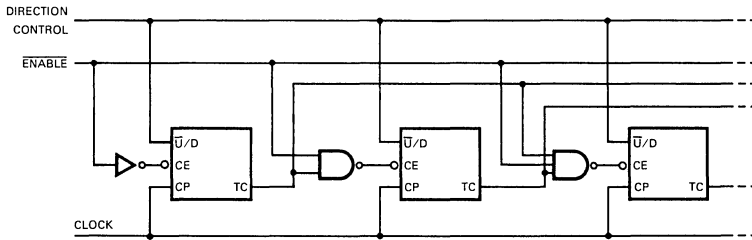


Fig. c) Synchronous n-stage counter with parallel gated carry/borrow.

AC WAVEFORMS

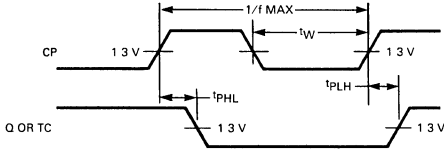


Fig. 1

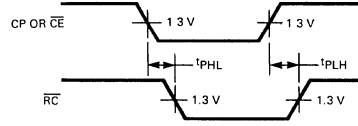
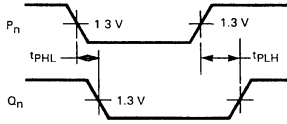


Fig. 2



NOTE: $\overline{PL} = \text{LOW}$

Fig. 3

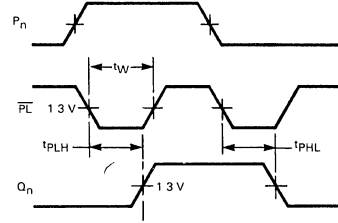


Fig. 4

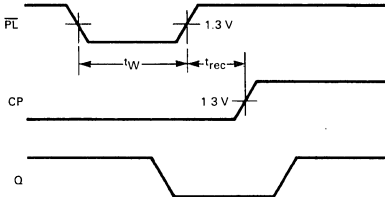
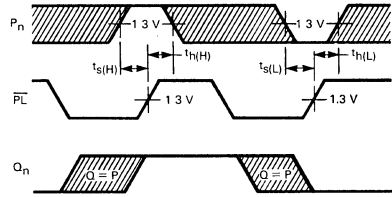


Fig. 5



*The shaded areas indicate when the input is permitted to change for predictable output performance.

Fig. 6

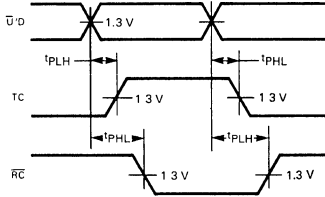


Fig. 7

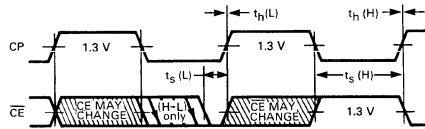


Fig. 8



SN54LS/74LS192 SN54LS/74LS193

DESCRIPTION — The SN54LS/74LS192 is an UP/DOWN BCD Decade (8421) Counter and the SN54LS/74LS193 is an UP/DOWN MODULO-16 Binary Counter. Separate Count Up and Count Down Clocks are used and in either counting mode the circuits operate synchronously. The outputs change state synchronous with the LOW-to-HIGH transitions on the clock inputs.

Separate Terminal Count Up and Terminal Count Down outputs are provided which are used as the clocks for a subsequent stages without extra logic, thus simplifying multistage counter designs. Individual preset inputs allow the circuits to be used as programmable counters. Both the Parallel Load (\overline{PL}) and the Master Reset (\overline{MR}) inputs asynchronously override the clocks.

- LOW POWER . . . 95 mW TYPICAL DISSIPATION
- HIGH SPEED . . . 40 MHz TYPICAL COUNT FREQUENCY
- SYNCHRONOUS COUNTING
- ASYNCHRONOUS MASTER RESET AND PARALLEL LOAD
- INDIVIDUAL PRESET INPUTS
- CASCADING CIRCUITRY INTERNALLY PROVIDED
- INPUT CLAMP DIODES LIMIT HIGH SPEED TERMINATION EFFECTS

PIN NAMES

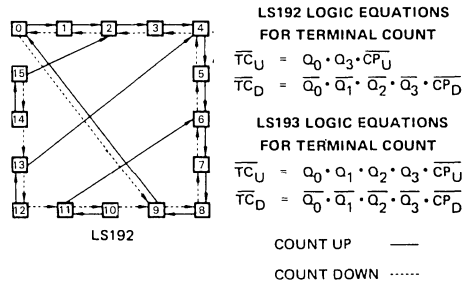
| | |
|-------------------|---|
| CP_U | Count Up Clock Pulse Input |
| CP_D | Count Down Clock Pulse Input |
| \overline{MR} | Asynchronous Master Reset (Clear) Input |
| \overline{PL} | Asynchronous Parallel Load (Active LOW) Input |
| P_n | Parallel Data Inputs |
| Q_n | Flip-Flop Outputs (Note b) |
| \overline{TC}_D | Terminal Count Down (Borrow) Output (Note b) |
| \overline{TC}_U | Terminal Count Up (Carry) Output (Note b) |

| LOADING (Note a) | |
|------------------|-------------|
| HIGH | LOW |
| 0.5 U.L. | 0.25 U.L. |
| 0.5 U.L. | 0.25 U.L. |
| 0.5 U.L. | 0.25 U.L. |
| 0.5 U.L. | 0.25 U.L. |
| 10 U.L. | 5(2.5) U.L. |
| 10 U.L. | 5(2.5) U.L. |
| 10 U.L. | 5(2.5) U.L. |

NOTES:

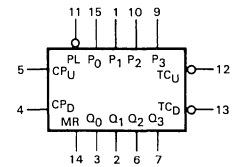
- 1 TTL Unit Load (U.L.) = 40 μ A HIGH/1.6 mA LOW
- The Output LOW drive factor is 2.5 U.L. for MILITARY (54) and 5 U.L. for COMMERCIAL (74) Temperature Ranges.

STATE DIAGRAMS



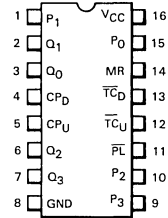
**PRESETTABLE BCD/DECADE
UP/DOWN COUNTER**
**PRESETTABLE 4-BIT BINARY
UP/DOWN COUNTER**
LOW POWER SCHOTTKY

LOGIC SYMBOL



$V_{CC} = \text{Pin } 16$
 $GND = \text{Pin } 8$

CONNECTION DIAGRAM DIP (TOP VIEW)

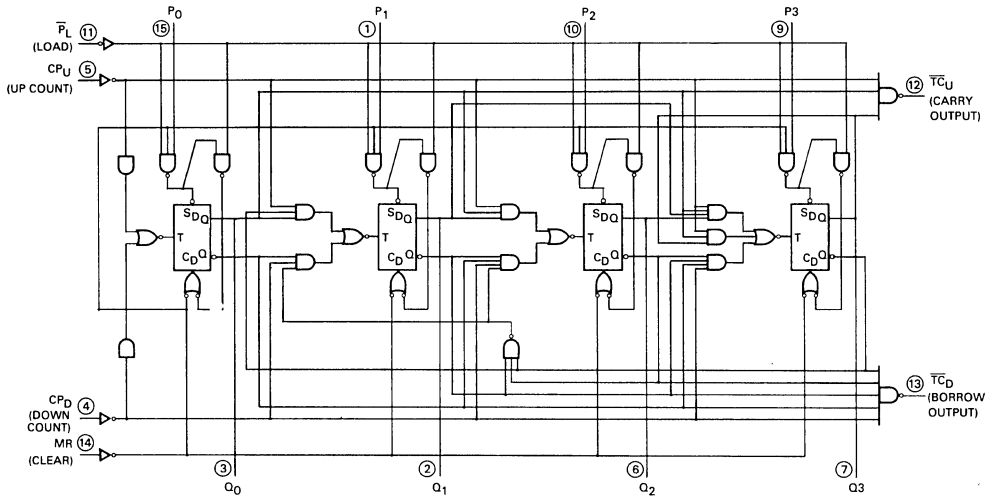


J Suffix — Case 620-08 (Ceramic)
N Suffix — Case 648-05 (Plastic)

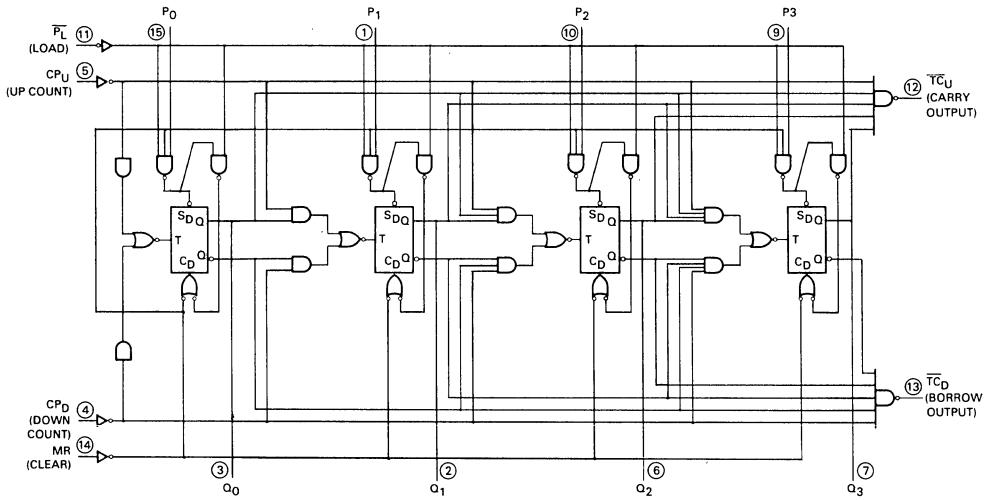
NOTE:
The Flatpak version has the same pinouts (Connection Diagram) as the Dual In-Line Package.



LOGIC DIAGRAMS



LS192



LS193

V_{CC} = Pin 16
 GND = Pin 8
 ○ = Pin Number

FUNCTIONAL DESCRIPTION — The LS192 and LS193 are Asynchronously Presettable Decade and 4-Bit Binary Synchronous UP/DOWN (Reversible) Counters. The operating modes of the LS192 decade counter and the LS193 binary counter are identical, with the only difference being the count sequences as noted in the State Diagrams. Each circuit contains four master/slave flip-flops, with internal gating and steering logic to provide master reset, individual preset, count up and count down operations.

Each flip-flop contains JK feedback from slave to master such that a LOW-to-HIGH transition on its T input causes the slave, and thus the Q output to change state. Synchronous switching, as opposed to ripple counting, is achieved by driving the steering gates of all stages from a common Count Up line and a common Count Down line, thereby causing all state changes to be initiated simultaneously. A LOW-to-HIGH transition on the Count Up input will advance the count by one; a similar transition on the Count Down input will decrease the count by one. While counting with one clock input, the other should be held HIGH. Otherwise, the circuit will either count by twos or not at all, depending on the state of the first flip-flop, which cannot toggle as long as either Clock input is LOW.

The Terminal Count Up (\overline{TC}_U) and Terminal Count Down (\overline{TC}_D) outputs are normally HIGH. When a circuit has reached the maximum count state (9 for the LS192, 15 for the LS193), the next HIGH-to-LOW transition of the Count Up Clock will cause \overline{TC}_U to go LOW. \overline{TC}_U will stay LOW until CP_U goes HIGH again, thus effectively repeating the Count Up Clock, but delayed by two gate delays. Similarly, the \overline{TC}_D output will go LOW when the circuit is in the zero state and the Count Down Clock goes LOW. Since the TC outputs repeat the clock waveforms, they can be used as the clock input signals to the next higher order circuit in a multistage counter.

Each circuit has an asynchronous parallel load capability permitting the counter to be preset. When the Parallel Load (\overline{PL}) and the Master Reset (MR) inputs are LOW, information present on the Parallel Data inputs (P_0, P_3) is loaded into the counter and appears on the outputs regardless of the conditions of the clock inputs. A HIGH signal on the Master Reset input will disable the preset gates, override both Clock inputs, and latch each Q output in the LOW state. If one of the Clock inputs is LOW during and after a reset or load operation, the next LOW-to-HIGH transition of that Clock will be interpreted as a legitimate signal and will be counted.

MODE SELECT TABLE

| MR | \overline{PL} | CP_U | CP_D | MODE |
|----|-----------------|--------|--------|----------------|
| H | X | X | X | Reset (Asyn.) |
| L | L | X | X | Preset (Asyn.) |
| L | H | H | H | No Change |
| L | H | ↕ | H | Count Up |
| L | H | H | ↕ | Count Down |

L = LOW Voltage Level
 H = HIGH Voltage Level
 X = Don't Care
 ↕ = LOW-to-HIGH Clock Transition

GUARANTEED OPERATING RANGES

| SYMBOL | PARAMETER | | MIN | TYP | MAX | UNIT |
|-----------------|-------------------------------------|----------|-------------|------------|-------------|------|
| V _{CC} | Supply Voltage | 54 74 | 4.5 4.75 | 5.0 5.0 | 5.5 5.25 | V |
| T _A | Operating Ambient Temperature Range | 54 74 | -55 0 | 25 25 | 125 70 | °C |
| I _{OH} | Output Current — High | 54, 74 | | | -0.4 | mA |
| I _{OL} | Output Current — Low | 54 74 | | | 4.0 8.0 | mA |

DC CHARACTERISTICS OVER OPERATING TEMPERATURE RANGE (unless otherwise specified)

| SYMBOL | PARAMETER | LIMITS | | | UNITS | TEST CONDITIONS | |
|-----------------|---------------------------|--------|-------|------|-------|--|--|
| | | MIN | TYP | MAX | | | |
| V _{IH} | Input HIGH Voltage | 2.0 | | | V | Guaranteed Input HIGH Voltage for All Inputs | |
| V _{IL} | Input LOW Voltage | 54 | | 0.7 | V | Guaranteed Input LOW Voltage for All Inputs | |
| | | 74 | | 0.8 | | | |
| V _{IK} | Input Clamp Diode Voltage | | -0.65 | -1.5 | V | V _{CC} = MIN, I _{IN} = -18 mA | |
| V _{OH} | Output HIGH Voltage | 54 | 2.5 | 3.5 | V | V _{CC} = MIN, I _{OH} = MAX, V _{IN} = V _{IH} or V _{IL} per Truth Table | |
| | | 74 | 2.7 | 3.5 | V | | |
| V _{OL} | Output LOW Voltage | 54, 74 | | 0.25 | 0.4 | I _{OL} = 4.0 mA | |
| | | 74 | | 0.35 | 0.5 | I _{OL} = 8.0 mA | |
| I _{IH} | Input HIGH Current | | | | 20 | V _{CC} = MAX, V _{IN} = 2.7 V | |
| | | | | | 0.1 | mA | V _{CC} = MAX, V _{IN} = 7.0 V |
| I _{IL} | Input LOW Current | | | | -0.4 | mA | V _{CC} = MAX, V _{IN} = 0.4 V |
| I _{OS} | Short Circuit Current | -20 | | | -100 | mA | V _{CC} = MAX |
| I _{CC} | Power Supply Current | | | | 34 | mA | V _{CC} = MAX |

5

AC CHARACTERISTICS: T_A = 25°C

| SYMBOL | PARAMETER | LIMITS | | | UNITS | TEST CONDITIONS |
|------------------|--------------------------|--------|-----|-----|-------|---|
| | | MIN | TYP | MAX | | |
| f _{MAX} | Maximum Clock Frequency | 25 | 32 | | MHz | V _{CC} = 5.0 V C _L = 15 pF |
| t _{PLH} | C _{PJ} Input to | | 17 | 26 | ns | |
| t _{PHL} | T _{CJ} Output | | 18 | 24 | | |
| t _{PLH} | C _{PD} Input to | | 16 | 24 | ns | |
| t _{PHL} | T _{CD} Output | | 15 | 24 | | |
| t _{PLH} | Clock to Q | | 27 | 38 | ns | |
| t _{PHL} | | | 30 | 47 | | |
| t _{PLH} | P _L to Q | | 24 | 40 | ns | |
| t _{PHL} | | | 25 | 40 | | |
| t _{PHL} | MR Input to Any Output | | 23 | 35 | ns | |

AC SETUP REQUIREMENTS: $T_A = 25^\circ\text{C}$

| SYMBOL | PARAMETER | LIMITS | | | UNITS | TEST CONDITIONS |
|-----------|-----------------|--------|-----|-----|-------|-------------------------|
| | | MIN | TYP | MAX | | |
| t_W | Any Pulse Width | 20 | | | ns | $V_{CC} = 5.0\text{ V}$ |
| t_S | Data Setup Time | 20 | | | ns | |
| t_H | Data Hold Time | 5.0 | | | ns | |
| t_{rec} | Recovery Time | 40 | | | ns | |

DEFINITIONS OF TERMS:

SETUP TIME (t_S) is defined as the minimum time required for the correct logic level to be present at the logic input prior to the \overline{PL} transition from LOW-to-HIGH in order to be recognized and transferred to the outputs.

HOLD TIME (t_H) is defined as the minimum time following the \overline{PL} transition from LOW-to-HIGH that the logic level must be maintained at the input in order to ensure continued recognition. A negative HOLD TIME indicates that the correct logic level may be released prior to the \overline{PL} transition from LOW-to-HIGH and still be recognized.

RECOVERY TIME (t_{rec}) is defined as the minimum time required between the end of the reset pulse and the clock transition from LOW-to-HIGH in order to recognize and transfer HIGH data to the Q outputs.



AC WAVEFORMS

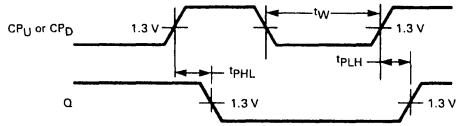


Fig. 1

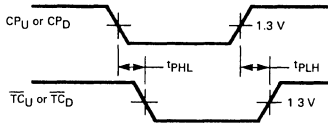
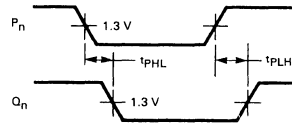


Fig. 2



NOTE: $\overline{P_L}$ = LOW

Fig. 3

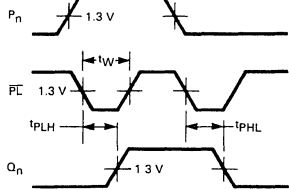


Fig. 4

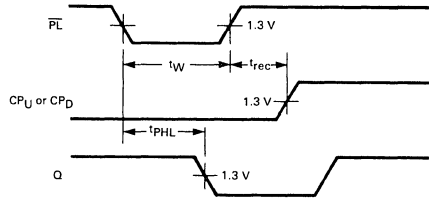
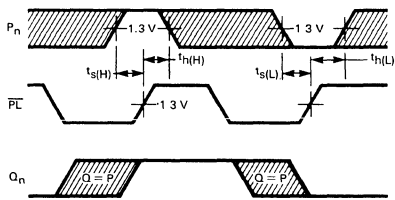


Fig. 5



*The shaded areas indicate when the input is permitted to change for predictable output performance.

Fig. 6

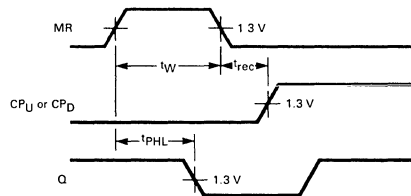


Fig. 7



SN54LS194A SN74LS194A

DESCRIPTION — The SN54LS/74LS194A is a High Speed 4-Bit Bidirectional Universal Shift Register. As a high speed multifunctional sequential building block, it is useful in a wide variety of applications. It may be used in serial-serial, shift left, shift right, serial-parallel, parallel-serial, and parallel-parallel data register transfers. The LS194A is similar in operation to the LS195A Universal Shift Register, with added features of shift left without external connections and hold (do nothing) modes of operation. It utilizes the Schottky diode clamped process to achieve high speeds and is fully compatible with all Motorola TTL families.

**4-BIT BIDIRECTIONAL
UNIVERSAL SHIFT REGISTER**
LOW POWER SCHOTTKY

- TYPICAL SHIFT FREQUENCY OF 36 MHz
- ASYNCHRONOUS MASTER RESET
- HOLD (DO NOTHING) MODE
- FULLY SYNCHRONOUS SERIAL OR PARALLEL DATA TRANSFERS
- INPUT CLAMP DIODES LIMIT HIGH SPEED TERMINATION EFFECTS

PIN NAMES

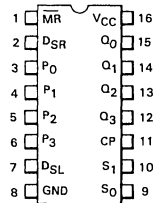
| | |
|-----------------|--------------------------------------|
| S_0, S_1 | Mode Control Inputs |
| $P_0 - P_3$ | Parallel Data Inputs |
| D_{SR} | Serial (Shift Right) Data Input |
| D_{SL} | Serial (Shift Left) Data Input |
| CP | Clock (Active HIGH Going Edge) Input |
| \overline{MR} | Master Reset (Active LOW) Input |
| $Q_0 - Q_3$ | Parallel Outputs (Note b) |

| LOADING (Note a) | |
|------------------|-------------|
| HIGH | LOW |
| 0.5 U.L. | 0.25 U.L. |
| 0.5 U.L. | 0.25 U.L. |
| 0.5 U.L. | 0.25 U.L. |
| 0.5 U.L. | 0.25 U.L. |
| 0.5 U.L. | 0.25 U.L. |
| 0.5 U.L. | 0.25 U.L. |
| 10 U.L. | 5(2.5) U.L. |

NOTES:

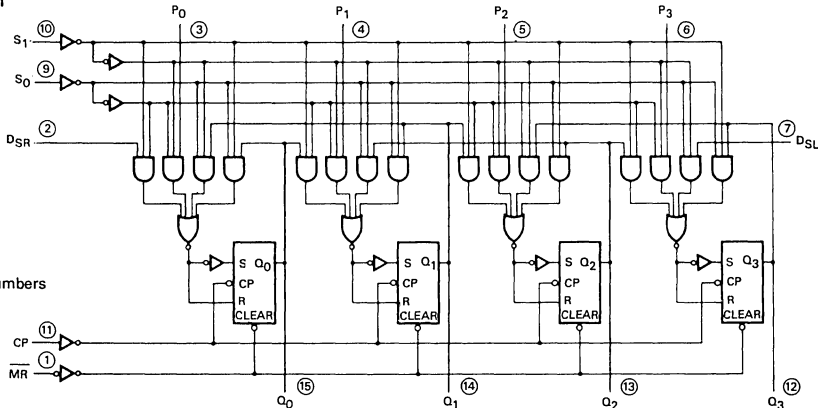
- 1 TTL Unit Load (U.L.) = 40 μ A HIGH/1.6 mA LOW.
- The Output LOW drive factor is 2.5 U.L. for Military (54) and 5 U.L. for Commercial (74) Temperature Ranges.

**CONNECTION DIAGRAM
DIP (TOP VIEW)**



J Suffix — Case 620-08 (Ceramic)
N Suffix — Case 648-05 (Plastic)

LOGIC DIAGRAM



V_{CC} = Pin 16
 GND = Pin 8
○ = Pin Numbers

5

FUNCTIONAL DESCRIPTION – The Logic Diagram and Truth Table indicate the functional characteristics of the LS194A 4-Bit Bidirectional Shift Register. The LS194A is similar in operation to the Motorola LS195A Universal Shift Register when used in serial or parallel data register transfers. Some of the common features of the two devices are described below:

1. All data and mode control inputs are edge-triggered, responding only to the LOW to HIGH transition of the Clock (CP). The only timing restriction, therefore, is that the mode control and selected data inputs must be stable one set-up time prior to the positive transition of the clock pulse.
2. The register is fully synchronous, with all operations taking place in less than 15 ns (typical) making the device especially useful for implementing very high speed CPUs, or the memory buffer registers.
3. The four parallel data inputs (P_0, P_1, P_2, P_3) are D-type inputs. When both S_0 and S_1 are HIGH, the data appearing on $P_0, P_1, P_2,$ and P_3 inputs is transferred to the $Q_0, Q_1, Q_2,$ and Q_3 outputs respectively following the next LOW to HIGH transition of the clock.
4. The asynchronous Master Reset (\overline{MR}), when LOW, overrides all other input conditions and forces the Q outputs LOW.

Special logic features of the LS194A design which increase the range of application are described below:

1. Two mode control inputs (S_0, S_1) determine the synchronous operation of the device. As shown in the Mode Selection Table, data can be entered and shifted from left to right (shift right, $Q_0 \rightarrow Q_1,$ etc.) or right to left (shift left, $Q_3 \rightarrow Q_2,$ etc.), or parallel data can be entered loading all four bits of the register simultaneously. When both S_0 and S_1 are LOW, the existing data is retained in a "do nothing" mode without restricting the HIGH to LOW clock transition.
2. D-type serial data inputs (D_{SR}, D_{SL}) are provided on both the first and last stages to allow multistage shift right or shift left data transfers without interfering with parallel load operation.

MODE SELECT – TRUTH TABLE

| OPERATING MODE | INPUTS | | | | | | OUTPUTS | | | |
|----------------|-----------------|-------|-------|----------|----------|-------|---------|-------|-------|-------|
| | \overline{MR} | S_1 | S_0 | D_{SR} | D_{SL} | P_n | Q_0 | Q_1 | Q_2 | Q_3 |
| Reset | L | X | X | X | X | X | L | L | L | L |
| Hold | H | l | l | X | X | X | q_0 | q_1 | q_2 | q_3 |
| Shift Left | H | h | l | X | l | X | q_1 | q_2 | q_3 | L |
| | H | h | l | X | h | X | q_1 | q_2 | q_3 | H |
| Shift Right | H | l | h | l | X | X | L | q_0 | q_1 | q_2 |
| | H | l | h | h | X | X | H | q_0 | q_1 | q_2 |
| Parallel Load | H | h | h | X | X | p_n | p_0 | p_1 | p_2 | p_3 |

L = LOW Voltage Level

H = HIGH Voltage Level

X = Don't Care

l = LOW voltage level one set-up time prior to the LOW to HIGH clock transition

h = HIGH voltage level one set-up time prior to the LOW to HIGH clock transition

p_n (q_n) = Lower case letters indicate the state of the referenced input (or output) one set-up time prior to the LOW to HIGH clock transition.

GUARANTEED OPERATING RANGES

| SYMBOL | PARAMETER | | MIN | TYP | MAX | UNIT |
|-----------------|-------------------------------------|----------|-------------|------------|-------------|------|
| V _{CC} | Supply Voltage | 54 74 | 4.5 4.75 | 5.0 5.0 | 5.5 5.25 | V |
| T _A | Operating Ambient Temperature Range | 54 74 | -55 0 | 25 25 | 125 70 | °C |
| I _{OH} | Output Current — High | 54, 74 | | | -0.4 | mA |
| I _{OL} | Output Current — Low | 54 74 | | | 4.0 8.0 | mA |

DC CHARACTERISTICS OVER OPERATING TEMPERATURE RANGE (unless otherwise specified)

| SYMBOL | PARAMETER | LIMITS | | | UNITS | TEST CONDITIONS | |
|-----------------|---------------------------|--------|-------|------|-------|--|---|
| | | MIN | TYP | MAX | | | |
| V _{IH} | Input HIGH Voltage | 2.0 | | | V | Guaranteed Input HIGH Voltage for All Inputs | |
| V _{IL} | Input LOW Voltage | 54 | | 0.7 | V | Guaranteed Input LOW Voltage for All Inputs | |
| | | 74 | | 0.8 | | | |
| V _{IK} | Input Clamp Diode Voltage | | -0.65 | -1.5 | V | V _{CC} = MIN, I _{IN} = -18 mA | |
| V _{OH} | Output HIGH Voltage | 54 | 2.5 | 3.5 | V | V _{CC} = MIN, I _{OH} = MAX, V _{IN} = V _{IH} or V _{IL} per Truth Table | |
| | | 74 | 2.7 | 3.5 | V | | |
| V _{OL} | Output LOW Voltage | 54,74 | | 0.25 | 0.4 | V | I _{OL} = 4.0 mA I _{OL} = 8.0 mA V _{CC} = V _{CC} MIN, V _{IN} = V _{IL} or V _{IH} per Truth Table |
| | | 74 | | 0.35 | 0.5 | V | |
| I _{IH} | Input HIGH Current | | | 20 | μA | V _{CC} = MAX, V _{IN} = 2.7 V | |
| | | | | 0.1 | mA | V _{CC} = MAX, V _{IN} = 7.0 V | |
| I _{IL} | Input LOW Current | | | -0.4 | mA | V _{CC} = MAX, V _{IN} = 0.4 V | |
| I _{OS} | Short Circuit Current | -20 | | -100 | mA | V _{CC} = MAX | |
| I _{CC} | Power Supply Current | | | 23 | mA | V _{CC} = MAX | |

AC CHARACTERISTICS: T_A = 25°C

| SYMBOL | PARAMETER | LIMITS | | | UNITS | TEST CONDITIONS |
|------------------|------------------------------------|--------|-----|-----|-------|---|
| | | MIN | TYP | MAX | | |
| f _{MAX} | Maximum Clock Frequency | 25 | 36 | | MHz | V _{CC} = 5.0 V C _L = 15 pF |
| t _{PLH} | Propagation Delay, Clock to Output | | 14 | 22 | ns | |
| t _{PHL} | Propagation Delay, MR to Output | | 17 | 26 | ns | |

AC SETUP REQUIREMENTS: $T_A = 25^\circ\text{C}$

| SYMBOL | PARAMETER | LIMITS | | | UNITS | TEST CONDITIONS |
|-----------|--------------------------------------|--------|-----|-----|-------|-------------------------|
| | | MIN | TYP | MAX | | |
| t_W | Clock or \overline{MR} Pulse Width | 20 | | | ns | $V_{CC} = 5.0\text{ V}$ |
| t_s | Mode Control Setup Time | 30 | | | ns | |
| t_s | Data Setup Time | 20 | | | ns | |
| t_h | Hold Time, Any Input | 0 | | | ns | |
| t_{rec} | Recovery Time | 25 | | | ns | |

DEFINITIONS OF TERMS:

SETUP TIME (t_s) — is defined as the minimum time required for the correct logic level to be present at the logic input prior to the clock transition from LOW to HIGH in order to be recognized and transferred to the outputs.

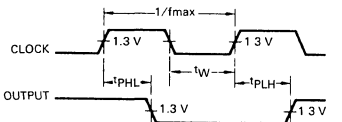
HOLD TIME (t_h) — is defined as the minimum time following the clock transition from LOW to HIGH that the logic level must be maintained at the input in order to ensure continued recognition. A negative HOLD TIME indicates that the correct logic level may be released prior to the clock transition from LOW to HIGH and still be recognized.

RECOVERY TIME (t_{rec}) — is defined as the minimum time required between the end of the reset pulse and the clock transition from LOW to HIGH in order to recognize and transfer HIGH Data to the Q outputs.

AC WAVEFORMS

The shaded areas indicate when the input is permitted to change for predictable output performance.

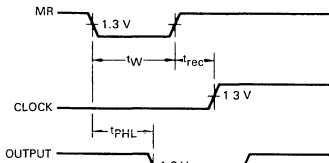
**CLOCK TO OUTPUT DELAYS
CLOCK PULSE WIDTH AND f_{max}**



OTHER CONDITIONS: $S_1 = L, \overline{MR} = H, S_0 = H$

Fig. 1

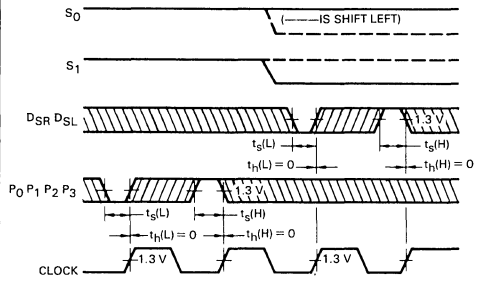
**MASTER RESET PULSE WIDTH,
MASTER RESET TO OUTPUT DELAY AND
MASTER RESET TO CLOCK RECOVERY TIME**



OTHER CONDITIONS: $S_0, S_1 = H$
 $P_0 = P_1 = P_2 = P_3 = H$

Fig. 2

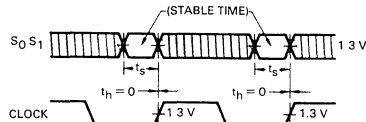
**SETUP (t_s) AND HOLD (t_h) TIME FOR SERIAL
DATA (D_{SR}, D_{SL}) AND PARALLEL DATA (P_0, P_1, P_2, P_3)**



OTHER CONDITIONS: $\overline{MR} = H$
* D_{SR} set-up time affects Q_0 only
 D_{SL} set-up time affects Q_3 only

Fig. 3

SETUP (t_s) AND HOLD (t_h) TIME FOR S INPUT



OTHER CONDITIONS: $\overline{MR} = H$

Fig. 4



SN54LS195A SN74LS195A

DESCRIPTION — The SN54LS/74LS195A is a high speed 4-Bit Shift Register offering typical shift frequencies of 39 MHz. It is useful for a wide variety of register and counting applications. It utilizes the Schottky diode clamped process to achieve high speeds and is fully compatible with all Motorola TTL products.

- TYPICAL SHIFT RIGHT FREQUENCY OF 39 MHz
- ASYNCHRONOUS MASTER RESET
- J, K INPUTS TO FIRST STAGE
- FULLY SYNCHRONOUS SERIAL OR PARALLEL DATA TRANSFERS
- INPUT CLAMP DIODES LIMIT HIGH SPEED TERMINATION EFFECTS

**UNIVERSAL 4-BIT
SHIFT REGISTER**
LOW POWER SCHOTTKY

PIN NAMES

| | |
|------------------|--|
| \overline{PE} | Parallel Enable (Active LOW) Input |
| $P_0 - P_3$ | Parallel Data Inputs |
| J | First Stage J (Active HIGH) Input |
| \overline{K} | First Stage K (Active LOW) Input |
| CP | Clock (Active HIGH Going Edge) Input |
| \overline{MR} | Master Reset (Active LOW) Input |
| $Q_0 - Q_3$ | Parallel Outputs (Note b) |
| $\overline{Q_3}$ | Complementary Last Stage Output (Note b) |

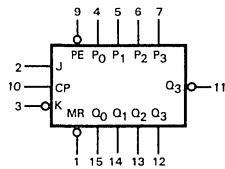
LOADING (Note a)

| | HIGH | LOW |
|------------------|----------|-------------|
| \overline{PE} | 0.5 U.L. | 0.25 U.L. |
| $P_0 - P_3$ | 0.5 U.L. | 0.25 U.L. |
| J | 0.5 U.L. | 0.25 U.L. |
| \overline{K} | 0.5 U.L. | 0.25 U.L. |
| CP | 0.5 U.L. | 0.25 U.L. |
| \overline{MR} | 0.5 U.L. | 0.25 U.L. |
| $Q_0 - Q_3$ | 10 U.L. | 5(2.5) U.L. |
| $\overline{Q_3}$ | 10 U.L. | 5(2.5) U.L. |

NOTES:

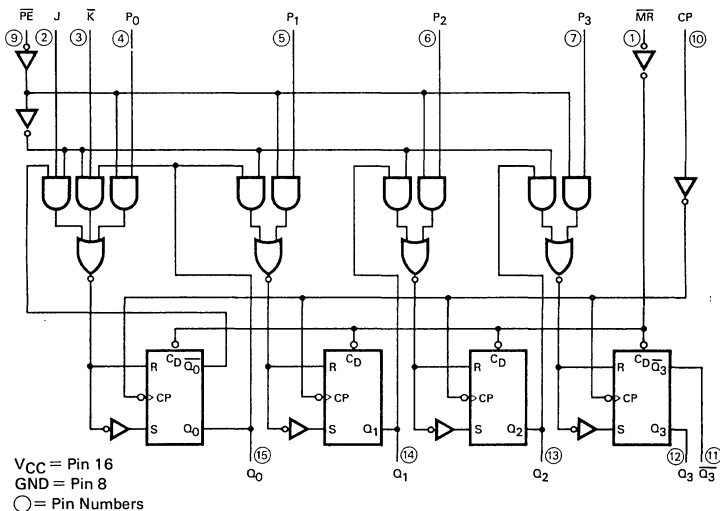
- a. 1 TTL Unit Load (U.L.) = 40 μ A HIGH/1.6 mA LOW.
- b. The Output LOW drive factor is 2.5 U.L. for Military (54) and 5 U.L. for Commercial (74) Temperature Ranges.

LOGIC SYMBOL

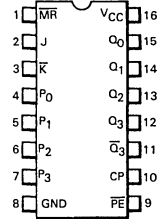


V_{CC} = Pin 16
GND = Pin 8

LOGIC DIAGRAM



CONNECTION DIAGRAM DIP (TOP VIEW)



J Suffix — Case 620-08 (Ceramic)
N Suffix — Case 648-05 (Plastic)

NOTE:
The Flatpak version has the same pinouts (Connection Diagram) as the Dual In-Line Package.

5

FUNCTIONAL DESCRIPTION — The Logic Diagram and Truth Table indicate the functional characteristics of the LS195A 4-Bit Shift Register. The device is useful in a wide variety of shifting, counting and storage applications. It performs serial, parallel, serial to parallel, or parallel to serial data transfers at very high speeds.

The LS195A has two primary modes of operation, shift right ($Q_0 \rightarrow Q_1$) and parallel load which are controlled by the state of the Parallel Enable (\overline{PE}) input. When the PE input is HIGH, serial data enters the first flip-flop Q_0 via the J and \overline{K} inputs and is shifted one bit in the direction $Q_0 \rightarrow Q_1 \rightarrow Q_2 \rightarrow Q_3$ following each LOW to HIGH clock transition. The \overline{JK} inputs provide the flexibility of the JK type input for special applications, and the simple D type input for general applications by tying the two pins together. When the \overline{PE} input is LOW, the LS195A appears as four common clocked D flip-flops. The data on the parallel inputs P_0, P_1, P_2, P_3 is transferred to the respective Q_0, Q_1, Q_2, Q_3 outputs following the LOW to HIGH clock transition. Shift left operations ($Q_3 \rightarrow Q_2$) can be achieved by tying the Q_n outputs to the P_{n-1} inputs and holding the \overline{PE} input LOW.

All serial and parallel data transfers are synchronous, occurring after each LOW to HIGH clock transition. Since the LS195A utilizes edge-triggering, there is no restriction on the activity of the J, \overline{K} , P_n and \overline{PE} inputs for logic operation — except for the set-up and release time requirements.

A LOW on the asynchronous Master Reset (\overline{MR}) input sets all Q outputs LOW, independent of any other input condition.

MODE SELECT — TRUTH TABLE

| OPERATING MODES | INPUTS | | | | | OUTPUTS | | | | |
|---------------------------|-----------------|-----------------|---|----------------|-------|------------------|-------|-------|-------|------------------|
| | \overline{MR} | \overline{PE} | J | \overline{K} | P_n | Q_0 | Q_1 | Q_2 | Q_3 | \overline{Q}_3 |
| Asynchronous Reset | L | X | X | X | X | L | L | L | L | H |
| Shift, Set First Stage | H | h | h | h | X | H | q_0 | q_1 | q_2 | \overline{q}_2 |
| Shift, Reset First Stage | H | h | l | l | X | L | q_0 | q_1 | q_2 | \overline{q}_2 |
| Shift, Toggle First Stage | H | h | h | l | X | \overline{q}_0 | q_0 | q_1 | q_2 | \overline{q}_2 |
| Shift, Retain First Stage | H | h | l | h | X | q_0 | q_0 | q_1 | q_2 | \overline{q}_2 |
| Parallel Load | H | l | X | X | P_n | P_0 | P_1 | P_2 | P_3 | \overline{P}_3 |

L = LOW voltage levels

H = HIGH voltage levels

X = Don't Care

l = LOW voltage level one set-up time prior to the LOW to HIGH clock transition.

h = HIGH voltage level one set-up time prior to the LOW to HIGH clock transition.

P_n (q_n) = Lower case letters indicate the state of the referenced input (or output) one set-up time prior to the LOW to HIGH clock transition.

GUARANTEED OPERATING RANGES

| SYMBOL | PARAMETER | | MIN | TYP | MAX | UNIT |
|----------|-------------------------------------|----------|-------------|------------|-------------|------|
| V_{CC} | Supply Voltage | 54 74 | 4.5 4.75 | 5.0 5.0 | 5.5 5.25 | V |
| T_A | Operating Ambient Temperature Range | 54 74 | -55 0 | 25 25 | 125 70 | °C |
| I_{OH} | Output Current — High | 54, 74 | | | -0.4 | mA |
| I_{OL} | Output Current — Low | 54 74 | | | 4.0 8.0 | mA |

DC CHARACTERISTICS OVER OPERATING TEMPERATURE RANGE (unless otherwise specified)

| SYMBOL | PARAMETER | LIMITS | | | UNITS | TEST CONDITIONS | |
|-----------------|---------------------------|--------|-------|------|-------|--|---|
| | | MIN | TYP | MAX | | | |
| V _{IH} | Input HIGH Voltage | 2.0 | | | V | Guaranteed Input HIGH Voltage for All Inputs | |
| V _{IL} | Input LOW Voltage | 54 | | 0.7 | V | Guaranteed Input LOW Voltage for All Inputs | |
| | | 74 | | 0.8 | | | |
| V _{IK} | Input Clamp Diode Voltage | | -0.65 | -1.5 | V | V _{CC} = MIN, I _{IN} = -18 mA | |
| V _{OH} | Output HIGH Voltage | 54 | 2.5 | 3.5 | V | V _{CC} = MIN, I _{OH} = MAX, V _{IN} = V _{IH} or V _{IL} per Truth Table | |
| | | 74 | 2.7 | 3.5 | V | | |
| V _{OL} | Output LOW Voltage | 54,74 | | 0.25 | 0.4 | V | I _{OL} = 4.0 mA V _{CC} = V _{CC} MIN, V _{IN} = V _{IL} or V _{IH} per Truth Table |
| | | 74 | | 0.35 | 0.5 | V | |
| I _{IH} | Input HIGH Current | | | 20 | μA | V _{CC} = MAX, V _{IN} = 2.7 V | |
| | | | | 0.1 | mA | V _{CC} = MAX, V _{IN} = 7.0 V | |
| I _{IL} | Input LOW Current | | | -0.4 | mA | V _{CC} = MAX, V _{IN} = 0.4 V | |
| I _{OS} | Short Circuit Current | -20 | | -100 | mA | V _{CC} = MAX | |
| I _{CC} | Power Supply Current | | | 21 | mA | V _{CC} = MAX | |

AC CHARACTERISTICS: T_A = 25°C

| SYMBOL | PARAMETER | LIMITS | | | UNITS | TEST CONDITIONS |
|------------------|--------------------------------------|--------|-----|-----|-------|---|
| | | MIN | TYP | MAX | | |
| f _{MAX} | Maximum Clock Frequency | 30 | 39 | | MHz | V _{CC} = 5.0 V C _L = 15 pF |
| t _{PLH} | Propagation Delay Clock to Output | | 14 | 22 | ns | |
| t _{PHL} | Propagation Delay MR to Output | | 17 | 26 | ns | |
| t _{PHL} | Propagation Delay MR to Output | | 19 | 30 | ns | |

AC SETUP REQUIREMENTS: T_A = 25°C

| SYMBOL | PARAMETER | LIMITS | | | UNITS | TEST CONDITIONS |
|------------------|----------------------|--------|-----|-----|-------|-------------------------|
| | | MIN | TYP | MAX | | |
| t _W | CP Clock Pulse Width | 16 | | | ns | V _{CC} = 5.0 V |
| t _W | MR Pulse Width | 12 | | | ns | |
| t _s | PE Setup Time | 25 | | | ns | |
| t _s | Data Setup Time | 15 | | | ns | |
| t _{rec} | Recovery Time | 25 | | | ns | |
| t _{rel} | PE Release Time | | | 10 | ns | |
| t _h | Data Hold Time | 0 | | | ns | |



SETUP TIME (t_s) is defined as the minimum time required for the correct logic level to be present at the logic input prior to the clock transition from LOW to HIGH in order to be recognized and transferred to the outputs.

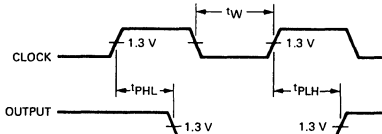
HOLD TIME (t_h) is defined as the minimum time following the clock transition from LOW to HIGH that the logic level must be maintained at the input in order to ensure continued recognition. A negative HOLD TIME indicates that the correct logic level may be released prior to the clock transition from LOW to HIGH and still be recognized.

RECOVERY TIME (t_{rec}) is defined as the minimum time required between the end of the reset pulse and the clock transition from LOW to HIGH in order to recognize and transfer HIGH data to the Q outputs.

AC WAVEFORMS

The shaded areas indicate when the input is permitted to change for predictable output performance.

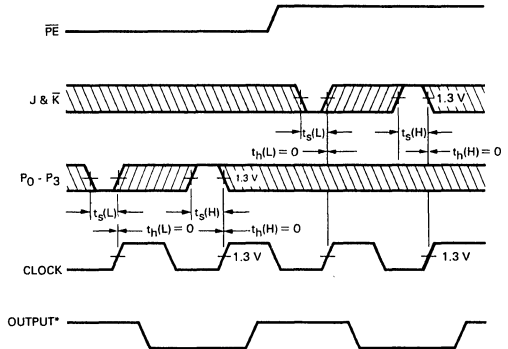
CLOCK TO OUTPUT DELAYS AND CLOCK PULSE WIDTH



CONDITIONS: $J = \overline{PE} = \overline{MR} = H$
 $\overline{K} = L$

Fig. 1

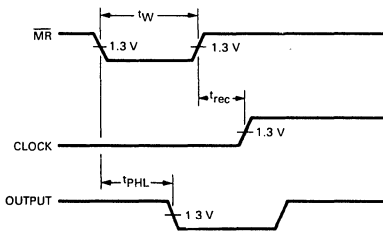
SETUP (t_s) AND HOLD (t_h) TIME FOR SERIAL DATA (J & \overline{K}) AND PARALLEL DATA (P_0, P_1, P_2, P_3)



CONDITIONS: $\overline{MR} = H$
 *J and \overline{K} set-up time affects Q_0 only

Fig. 2

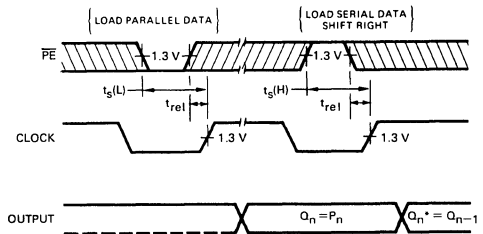
MASTER RESET PULSE WIDTH, MASTER RESET TO OUTPUT DELAY AND MASTER RESET TO CLOCK RECOVERY TIME



CONDITIONS: $\overline{PE} = L$
 $P_0 = P_1 = P_2 = P_3 = H$

Fig. 3

SETUP (t_s) AND HOLD (t_h) TIME FOR \overline{PE} INPUT



CONDITIONS: $\overline{MR} = H$
 * Q_0 state will be determined by J and \overline{K} inputs

Fig. 4



DESCRIPTION — The SN54LS/74LS196 decade counter is partitioned into divide-by-two and divide-by-five sections which can be combined to count either in BCD (8,4,2,1) sequence or in a bi-quinary mode producing a 50% duty cycle output. The SN54LS/74LS197 contains divide-by-two and divide-by-eight sections which can be combined to form a modulo-16 binary counter. Low Power Schottky technology is used to achieve typical count rates of 70 MHz and power dissipation of only 80 mW.

Both circuit types have a Master Reset (\overline{MR}) input which overrides all other inputs and asynchronously forces all outputs LOW. A Parallel Load input (\overline{PL}) overrides clocked operations and asynchronously loads the data on the Parallel Data inputs (P_n) into the flip-flops. This preset feature makes the circuits usable as programmable counters. The circuits can also be used as 4-bit latches, loading data from the Parallel Data inputs when \overline{PL} is LOW and storing the data when \overline{PL} is HIGH.

- **LOW POWER CONSUMPTION — TYPICALLY 80 mW**
- **HIGH COUNTING RATES — TYPICALLY 70 MHz**
- **CHOICE OF COUNTING MODES — BCD, BI-QUINARY, BINARY**
- **ASYNCHRONOUS PRESETTABLE**
- **ASYNCHRONOUS MASTER RESET**
- **EASY MULTISTAGE CASCADING**
- **INPUT CLAMP DIODES LIMIT HIGH SPEED TERMINATION EFFECTS**

PIN NAMES

| | |
|---------------------------|---|
| \overline{CP}_0 | Clock (Active LOW Going Edge) Input to Divide-by-Two Section |
| \overline{CP}_1 (LS196) | Clock (Active LOW Going Edge) Input to Divide-by-Five Section |
| \overline{CP}_1 (LS197) | Clock (Active LOW Going Edge) Input to Divide-by-Eight Section |
| \overline{MR} | Master Reset (Active LOW) Input |
| \overline{PL} | Parallel Load (Active LOW) Input |
| P_0 - P_3 | Data Inputs |
| Q_0 - Q_3 | Outputs (Notes b, c) |

LOADING (Note a)

| | HIGH | LOW |
|-------------------|----------|-------------|
| \overline{CP}_0 | 1.0 U.L. | 1.5 U.L. |
| \overline{CP}_1 | 2.0 U.L. | 1.75 U.L. |
| \overline{CP}_1 | 1.0 U.L. | 0.8 U.L. |
| \overline{MR} | 1.0 U.L. | 0.5 U.L. |
| \overline{PL} | 0.5 U.L. | 0.25 U.L. |
| P_0 - P_3 | 0.5 U.L. | 0.25 U.L. |
| Q_0 - Q_3 | 10 U.L. | 5(2.5) U.L. |

NOTES:

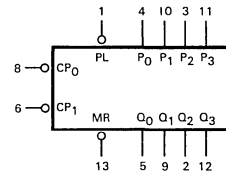
- a. 1 TTL Unit Load (U.L.) = 40 μ A HIGH/1.6 mA LOW.
- b. The Output LOW drive factor is 2.5 U.L. for Military (54) and 5 U.L. for Commercial (74) Temperature Ranges.
- c. In addition to loading shown, Q_0 can also drive \overline{CP}_1 .

**SN54LS/74LS196
SN54LS/74LS197**

**4-STAGE PRESETTABLE
RIPPLE COUNTERS**

LOW POWER SCHOTTKY

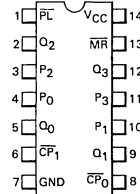
LOGIC SYMBOL



V_{CC} = Pin 14

GND = Pin 7

**CONNECTION DIAGRAM
DIP (TOP VIEW)**

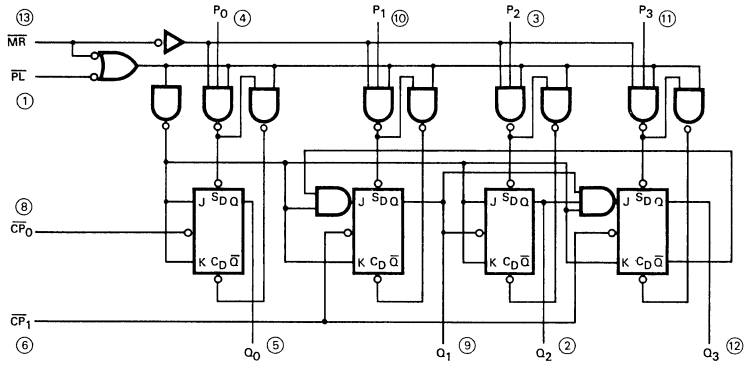


J Suffix — Case 632-07 (Ceramic)
N Suffix — Case 646-05 (Plastic)

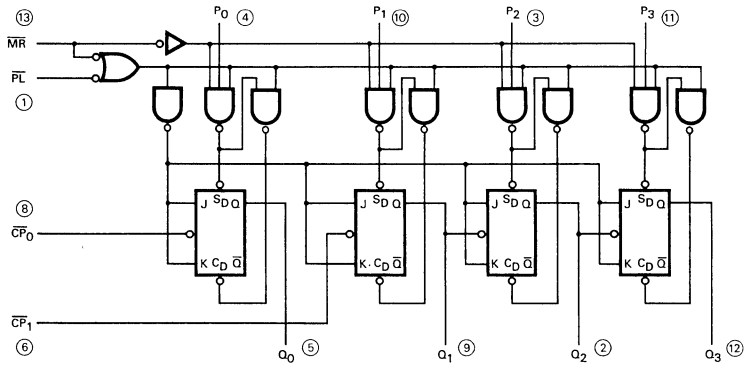
NOTE:

The Flatpak version has the same pinouts (Connection Diagram) as the Dual In-Line Package.

LOGIC DIAGRAM



LS196



LS197

VCC = Pin 14
 GND = Pin 7
 ○ = Pin Numbers

FUNCTIONAL DESCRIPTION — The LS196 and LS197 are asynchronously presettable decade and binary ripple counters. The LS196 Decade Counter is partitioned into divide-by-two and divide-by-five sections while the LS197 is partitioned into divide-by-two and divide-by-eight sections, with all sections having a separate Clock input. In the counting modes, state changes are initiated by the HIGH to LOW transition of the clock signals. State changes of the Q outputs, however, do not occur simultaneously because of the internal ripple delays. When using external logic to decode the Q outputs, designers should bear in mind that the unequal delays can lead to decoding spikes and thus a decoded signal should not be used as a clock or strobe. The $\overline{CP_0}$ input serves the Q₀ flip-flop in both circuit types while the $\overline{CP_1}$ input serves the divide-by-five or divide-by-eight section. The Q₀ output is designed and specified to drive the rated fan-out plus the $\overline{CP_1}$ input. With the input frequency connected to $\overline{CP_0}$ and Q₀ driving $\overline{CP_1}$, the LS197 forms a straightforward module-16 counter, with Q₀ the least significant output and Q₃ the most significant output.

The LS196 Decade Counter can be connected up to operate in two different count sequences, as indicated in the tables of Figure 2. With the input frequency connected to $\overline{CP_0}$ and with Q₀ driving $\overline{CP_1}$, the circuit counts in the BCD (8, 4, 2, 1) sequence. With the input frequency connected to $\overline{CP_1}$ and Q₃ driving $\overline{CP_0}$, Q₀ becomes the low frequency output and has a 50% duty cycle waveform. Note that the maximum counting rate is reduced in the latter (bi-quinary) configuration because of the interstage gating delay within the divide-by-five section.

The LS196 and LS197 have an asynchronous active LOW Master Reset input (MR) which overrides all other inputs and forces all outputs LOW. The counters are also asynchronously presettable. A LOW on the Parallel Load input (PL) overrides the clock inputs and loads the data from Parallel Data (P₀—P₃) inputs into the flip-flops. While PL is LOW, the counters act as transparent latches and any change in the P_n inputs will be reflected in the outputs.

Figure 2: LS196 COUNT SEQUENCES

| DECADE (NOTE 1) | | | | | BI-QUINARY (NOTE 2) | | | | |
|-----------------|----------------|----------------|----------------|----------------|---------------------|----------------|----------------|----------------|----------------|
| COUNT | Q ₃ | Q ₂ | Q ₁ | Q ₀ | COUNT | Q ₀ | Q ₃ | Q ₂ | Q ₁ |
| 0 | L | L | L | L | 0 | L | L | L | L |
| 1 | L | L | L | H | 1 | L | L | L | H |
| 2 | L | L | H | L | 2 | L | L | H | L |
| 3 | L | L | H | H | 3 | L | L | H | H |
| 4 | L | H | L | L | 4 | L | H | L | L |
| 5 | L | H | L | H | 5 | H | L | L | L |
| 6 | L | H | H | L | 6 | H | L | L | H |
| 7 | L | H | H | H | 7 | H | L | H | L |
| 8 | H | L | L | L | 8 | H | L | H | H |
| 9 | H | L | L | H | 9 | H | H | L | L |

- NOTES:
 1. Signal applied to CP₀, Q₀ connected to CP₁.
 2. Signal applied to CP₁, Q₃ connected to CP₀.

MODE SELECT TABLE

| INPUTS | | | RESPONSE |
|--------|----|----|---------------|
| MR | PL | CP | |
| L | X | X | Reset (Clear) |
| H | L | X | Parallel Load |
| H | H | ⌋ | Count |

- H = HIGH Voltage Level
 L = LOW Voltage Level
 X = Don't Care
 ⌋ = HIGH to Low Clock Transition



GUARANTEED OPERATING RANGES

| SYMBOL | PARAMETER | | MIN | TYP | MAX | UNIT |
|-----------------|-------------------------------------|----------|-------------|------------|-------------|------|
| V _{CC} | Supply Voltage | 54 74 | 4.5 4.75 | 5.0 5.0 | 5.5 5.25 | V |
| T _A | Operating Ambient Temperature Range | 54 74 | -55 0 | 25 25 | 125 70 | °C |
| I _{OH} | Output Current — High | 54, 74 | | | -0.4 | mA |
| I _{OL} | Output Current — Low | 54 74 | | | 4.0 8.0 | mA |

DC CHARACTERISTICS OVER OPERATING TEMPERATURE RANGE (unless otherwise specified)

| SYMBOL | PARAMETER | LIMITS | | | UNITS | TEST CONDITIONS |
|-----------------|---|--------|-------|--------------------------------------|-------|--|
| | | MIN | TYP | MAX | | |
| V _{IH} | Input HIGH Voltage | 2.0 | | | V | Guaranteed Input HIGH Voltage for All Inputs |
| V _{IL} | Input LOW Voltage | 54 | | 0.7 | V | Guaranteed Input LOW Voltage for All Inputs |
| | | 74 | | 0.8 | | |
| V _{IK} | Input Clamp Diode Voltage | | -0.65 | -1.5 | V | V _{CC} = MIN, I _{IN} = -18 mA |
| V _{OH} | Output HIGH Voltage | 54 | 2.5 | 3.5 | V | V _{CC} = MIN, I _{OH} = MAX, V _{IN} = V _{IH} or V _{IL} per Truth Table |
| | | 74 | 2.7 | 3.5 | V | |
| V _{OL} | Output LOW Voltage | 54,74 | | 0.25 | 0.4 | I _{OL} = 4.0 mA |
| | | 74 | | 0.35 | 0.5 | I _{OL} = 8.0 mA |
| I _{IH} | Input HIGH Current Data, PL MR, CP ₀ (LS196) MR, CP ₀ , CP ₁ (LS197) CP ₁ (LS196) | | | 20 40 40 80 | μA | V _{CC} = MAX, V _{IN} = 2.7 V |
| | Data, PL MR, CP ₀ (LS196) MR, CP ₀ , CP ₁ (LS197) CP ₁ (LS196) | | | 0.1 0.2 0.2 0.4 | mA | V _{CC} = MAX, V _{IN} = 7.0 V |
| I _{IL} | Input LOW Current Data, PL MR CP ₀ CP ₁ (LS196) CP ₁ (LS197) | | | -0.4 -0.8 -2.4 -2.8 -1.3 | mA | V _{CC} = MAX = V _{IN} = 0.4 V |
| I _{OS} | Short Circuit Current | -20 | | -100 | mA | V _{CC} = MAX |
| I _{CC} | Power Supply Current | | | 27 | mA | V _{CC} = MAX |

AC CHARACTERISTICS: $T_A = 25^\circ\text{C}$

| SYMBOL | PARAMETER | LIMITS | | | | | | UNITS | TEST CONDITIONS |
|--------------------------------------|--|--------|-----------|----------|-------|-----------|----------|-------|--|
| | | LS196 | | | LS197 | | | | |
| | | MIN | TYP | MAX | MIN | TYP | MAX | | |
| f_{MAX} | Maximum Clock Frequency | 30 | 40 | | 30 | 40 | | MHz | $V_{\text{CC}} = 5.0\text{ V}$ $C_L = 15\text{ pF}$ |
| t_{PLH} t_{PHL} | $\overline{\text{CP}}_0$ Input to Q ₀ Output | | 8.0 13 | 15 20 | | 8.0 14 | 15 21 | ns | |
| t_{PLH} t_{PHL} | $\overline{\text{CP}}_1$ Input to Q ₁ Output | | 16 22 | 24 33 | | 12 23 | 19 35 | ns | |
| t_{PLH} t_{PHL} | $\overline{\text{CP}}_1$ Input to Q ₂ Output | | 38 41 | 57 62 | | 34 42 | 51 63 | ns | |
| t_{PLH} t_{PHL} | $\overline{\text{CP}}_1$ Input to Q ₃ Output | | 12 30 | 18 45 | | 55 63 | 78 95 | ns | |
| t_{PLH} t_{PHL} | Data to Output | | 20 29 | 30 44 | | 18 29 | 27 44 | ns | |
| t_{PLH} t_{PHL} | $\overline{\text{PL}}$ Input to Any Output | | 27 30 | 41 45 | | 26 30 | 39 45 | ns | |
| t_{PHL} | $\overline{\text{MR}}$ Input to Any Output | | 34 | 51 | | 34 | 51 | ns | |

AC SETUP REQUIREMENTS: $T_A = 25^\circ\text{C}$

| SYMBOL | PARAMETER | LIMITS | | | | | | UNITS | TEST CONDITIONS |
|------------------|--------------------------------------|--------|-----|-----|-------|-----|-----|-------|--------------------------------|
| | | LS196 | | | LS197 | | | | |
| | | MIN | TYP | MAX | MIN | TYP | MAX | | |
| t_W | $\overline{\text{CP}}_0$ Pulse Width | 20 | | | 20 | | | ns | $V_{\text{CC}} = 5.0\text{ V}$ |
| t_W | $\overline{\text{CP}}_1$ Pulse Width | 30 | | | 30 | | | ns | |
| t_W | $\overline{\text{PL}}$ Pulse Width | 20 | | | 20 | | | ns | |
| t_W | $\overline{\text{MR}}$ Pulse Width | 15 | | | 15 | | | ns | |
| t_s | Data Input Setup Time — HIGH | 10 | | | 10 | | | ns | |
| t_s | Data Input Setup Time — LOW | 15 | | | 15 | | | ns | |
| t_h | Data Hold Time — HIGH | 10 | | | 10 | | | ns | |
| t_h | Data Hold Time — LOW | 10 | | | 10 | | | ns | |
| t_{rec} | Recovery Time | 30 | | | 30 | | | ns | |

DEFINITIONS OF TERMS:

SETUP TIME (t_s) — is defined as the minimum time required for the correct logic level to be present at the logic input prior to the clock transition from HIGH to LOW in order to be recognized and transferred to the outputs.

HOLD TIME (t_h) — is defined as the minimum time following the clock transition from HIGH to LOW that the logic level must be maintained at the input in order to ensure continued recognition. A negative HOLD TIME indicates that the correct logic level may be released prior to the clock transition from HIGH to LOW and still be recognized.

RECOVERY TIME (t_{rec}) — is defined as the minimum time required between the end of the reset pulse and the clock transition from HIGH to LOW in order to recognize and transfer LOW Data to the Q outputs.

AC WAVEFORMS

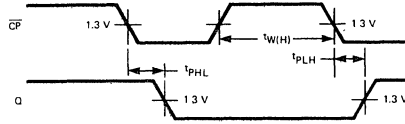
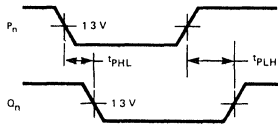


Fig. 1



NOTE: $\overline{PL} = \text{LOW}$

Fig. 2

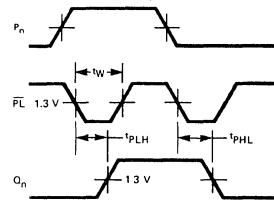


Fig. 3

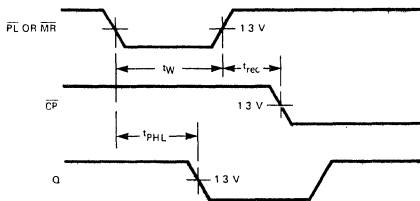
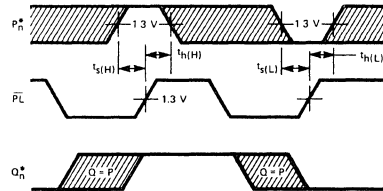


Fig. 4



*The shaded areas indicate when the input is permitted to change for predictable output performance.

Fig. 5



DESCRIPTION — Each multivibrator of the LS221 features a negative-transition-triggered input and a positive-transition-triggered input either of which can be used as an inhibit input.

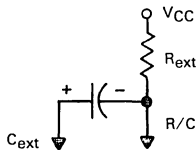
Pulse triggering occurs at a voltage level and is not related to the transition time of the input pulse. Schmitt-trigger input circuitry for B input allows jitter-free triggering for inputs as slow as 1 volt/second, providing the circuit with excellent noise immunity. A high immunity to V_{CC} noise is also provided by internal latching circuitry.

Once triggered, the outputs are independent of further transitions of the inputs and are a function of the timing components. The output pulses can be terminated by the overriding clear. Input pulse width may be of any duration relative to the output pulse width. Output pulse width may be varied from 35 nanoseconds to a maximum of 70 s by choosing appropriate timing components. With $R_{ext} = 2\text{ k}\Omega$ and $C_{ext} = 0$, a typical output pulse of 30 nanoseconds is achieved. Output rise and fall times are independent of pulse length.

Pulse width stability is achieved through internal compensation and is virtually independent of V_{CC} and temperature. In most applications, pulse stability will only be limited by the accuracy of external timing components.

Jitter-free operation is maintained over the full temperature and V_{CC} ranges for greater than six decades of timing capacitance (10pF to 10 μ F), and greater than one decade of timing resistance (2 to 70 k Ω for the SN54LS221, and 2 to 100 k Ω for the SN74LS221). Pulse width is defined by the relationship: $t_w(\text{out}) = C_{ext}R_{ext} \ln \frac{2}{1-\tilde{a}} \approx 0.7 C_{ext}R_{ext}$. If pulse cutoff is not critical, capacitance up to 1000 μ F and resistance as low as 1.4 k Ω may be used. The range of jitter-free pulse widths is extended if V_{CC} is 5 V and 25°C temperature.

- SN54LS221 and SN74LS221 IS A DUAL HIGHLY STABLE ONE-SHOT
- OVERRIDING CLEAR TERMINATES OUTPUT PULSE
- PIN OUT IS IDENTICAL TO SN54LS/74LS123

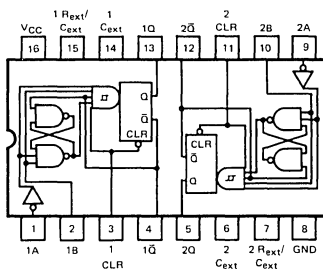


SN54LS221 SN74LS221

DUAL MONOSTABLE MULTIVIBRATORS WITH SCHMITT-TRIGGER INPUTS

LOW POWER SCHOTTKY

(TOP VIEW)



positive logic: Low input to clear resets Q low and \bar{Q} high regardless of d-c levels at A or B inputs

J Suffix — Case 620-08 (Ceramic)
N Suffix — Case 648-05 (Plastic)

FUNCTION TABLE

(EACH MONOSTABLE)

| INPUTS | | | OUTPUTS | |
|------------|--------------|------------|--------------|--------------|
| CLEAR | A | B | Q | \bar{Q} |
| L | X | X | L | H |
| X | X | X | L | H |
| X | X | L | L | H |
| H | L | \uparrow | \downarrow | \downarrow |
| H | \downarrow | H | \downarrow | \downarrow |
| \uparrow | L | H | \downarrow | \downarrow |

| TYPE | TYPICAL POWER DISSIPATION | MAXIMUM OUTPUT PULSE LENGTH |
|-----------|---------------------------------|-----------------------------------|
| SN54LS221 | 23 mW | 49 s |
| SN74LS221 | 23 mW | 70 s |

Once in the pulse trigger mode, the output pulse width is determined by $t_W = R_{ext}C_{ext}\ln 2$, as long as R_{ext} and C_{ext} are within their minimum and maximum values and the duty cycle is less than 50%. This pulse width is essentially independent of V_{CC} and temperature variations. Output pulse widths varies typically no more than $\pm 0.5\%$ from device to device.

If the duty cycle, defined as being $100 \cdot \frac{t_W}{T}$ where T is the period of the input pulse, rises above 50%, the output pulse width will

become shorter. If the duty cycle varies between low and high values, this causes the output pulse width to vary in length, or jitter. To reduce jitter to a minimum, R_{ext} should be as large as possible. (Jitter is independent of C_{ext}). With $R_{ext} = 100K$, jitter is not appreciable until the duty cycle approaches 90%.

Although the LS221 is pin-for-pin compatible with the LS123, it should be remembered that they are not functionally identical. The LS123 is retriggerable so that the output is dependent upon the input transitions once it is high. This is not the case for the LS221. Also note that it is recommended to externally ground the LS123 C_{ext} pin. However, this cannot be done on the LS221.

The SN54LS/74LS221 is a dual, monolithic, non-retriggerable, high-stability one shot. The output pulse width, t_W can be varied over 9 decades of timing by proper selection of the external timing components, R_{ext} and C_{ext} .

Pulse triggering occurs at a voltage level and is, therefore, independent of the input slew rate. Although all three inputs have this Schmitt-trigger effect, only the B input should be used for very long transition triggers ($\geq 1.0 \mu V/s$). High immunity to V_{CC} noise (typically 1.5 V) is achieved by internal latching circuitry. However, standard V_{CC} bypassing is strongly recommended.

The LS221 has four basic modes of operation.

Clear Mode: If the clear input is held low, irregardless of the previous output state and other input states, the Q output is low.

Inhibit Mode: If either the A input is high or the B input is low, once the Q output goes low, it cannot be retriggered by other inputs.

Pulse Trigger

Mode: This occurs when none of the other modes are in effect and the Q output is low. A proper transition by either the CLR, A or B input, as shown in the truth table, will cause the Q output to go high and remain high for the pulse time t_W .

Once triggered, as long as the output remains high, all input transitions (except for Clear, see Note 4) are ignored.

Overriding

Clear Mode: If the Q output is high, it may be forced low by bringing the clear input low.

GUARANTEED OPERATING RANGES

| SYMBOL | PARAMETER | | MIN | TYP | MAX | UNIT |
|-----------------|-------------------------------------|----------|-------------|------------|-------------|------|
| V _{CC} | Supply Voltage | 54 74 | 4.5 4.75 | 5.0 5.0 | 5.5 5.25 | V |
| T _A | Operating Ambient Temperature Range | 54 74 | -55 0 | 25 25 | 125 70 | °C |
| I _{OH} | Output Current — High | 54,74 | | | -0.4 | mA |
| I _{OL} | Output Current — Low | 54 74 | | | 4.0 8.0 | mA |

DC CHARACTERISTICS OVER OPERATING TEMPERATURE RANGE (unless otherwise specified)

| SYMBOL | PARAMETER | | LIMITS | | | UNITS | TEST CONDITIONS |
|-----------------|---|----|-----------|----------|------|-------|---|
| | | | MIN | TYP | MAX | | |
| V _{T+} | Positive-Going Threshold Voltage at A Input | | | 1.0 | 2.0 | V | V _{CC} = MIN |
| V _{T-} | Negative-Going Threshold Voltage at A Input | 54 | 0.7 | 1.0 | | V | V _{CC} = MIN |
| | | 74 | 0.8 | 1.0 | | V | |
| V _{T+} | Positive-Going Threshold Voltage at B Input | | | 1.0 | 2.0 | V | V _{CC} = MIN |
| V _{T-} | Negative-Going Threshold Voltage at B Input | 54 | 0.7 | 0.9 | | V | V _{CC} = MIN |
| | | 74 | 0.8 | 0.9 | | V | |
| V _{IK} | Input Clamp Voltage | | | | -1.5 | V | V _{CC} = MIN, I _{IN} = -18 mA |
| V _{OH} | Output HIGH Voltage | 54 | 2.5 | 3.4 | | V | V _{CC} = MIN, I _{OH} = MAX |
| | | 74 | 2.7 | 3.4 | | V | |
| V _{OL} | Output LOW Voltage | 54 | | 0.25 | 0.4 | V | I _{OL} = 4.0 mA |
| | | 74 | | 0.35 | 0.5 | V | I _{OL} = 8.0 mA |
| I _{IH} | Input HIGH Current | | | | 20 | μA | V _{CC} = MAX, V _{IN} = 2.7 V |
| | | | | | 0.1 | mA | V _{CC} = MAX, V _{IN} = 7.0 V |
| I _{IL} | Input LOW Current | | | | -0.4 | mA | V _{CC} = MAX, V _{IN} = 0.4 V |
| | Input A | | | | -0.8 | | |
| | Input B Clear | | | | -0.8 | | |
| I _{OS} | Short Circuit Current | | -20 | | -100 | mA | V _{CC} = MAX |
| I _{CC} | Power Supply Current | | | | | mA | V _{CC} = MAX |
| | Quiescent Triggered | | 4.7 19 | 11 27 | | | |

AC CHARACTERISTICS: $V_{CC} = 5.0\text{ V}$, $T_A = 25^\circ\text{C}$

| SYMBOL | FROM (INPUT) | TO (OUTPUT) | LIMITS | | | UNIT | TEST CONDITIONS | |
|---------------------|-----------------|----------------|--------|-----|-----|------|---|---|
| | | | MIN | TYP | MAX | | | |
| t _{PLH} | A | Q | | 45 | 70 | ns | C _L = 15 pF, See Figure 1 | C _{ext} = 80 pF, R _{ext} = 2 kΩ |
| | B | Q | | 35 | 55 | | | |
| t _{PHL} | A | \bar{Q} | | 50 | 80 | ns | | |
| | B | \bar{Q} | | 40 | 65 | | | |
| t _{PHL} | Clear | Q | | 35 | 55 | ns | | |
| t _{PLH} | Clear | \bar{Q} | | 44 | 65 | ns | | |
| t _{W(out)} | A or B | Q or \bar{Q} | 70 | 120 | 150 | ns | | |
| | | | 20 | 47 | 70 | | | |
| | | | 600 | 670 | 750 | | | |
| | | | 6 | 6.9 | 7.5 | | | |
| | | | | | | | C _{ext} = 80 pF, R _{ext} = 2 Ω | |
| | | | | | | | C _{ext} = 0, R _{ext} = 2 kΩ | |
| | | | | | | | C _{ext} = 100 pF, R _{ext} = 10 kΩ | |
| | | | | | | | C _{ext} = 1 μF, R _{ext} = 10 kΩ | |

AC SETUP REQUIREMENTS $V_{CC} = 5.0\text{ V}$, $T_A = 25^\circ\text{C}$

| SYMBOL | PARAMETER | LIMITS | | | UNITS |
|------------------|---------------------------------------|--------|-----|------|-------|
| | | MIN | TYP | MAX | |
| dv/dt | Rate of Rise or Fall of Input Pulse | | | | |
| | Schmitt, B | 1.0 | | | V/s |
| | Logic Input, A | 1.0 | | | V/μs |
| t _W | Input Pulse Width | | | | |
| | A or B, t _{W(in)} | 40 | | | ns |
| | Clear, t _W (clear) | 40 | | | |
| t _S | Clear-Inactive-State Setup Time | 15 | | | ns |
| R _{ext} | External Timing Resistance | 54 | 1.4 | 70 | kΩ |
| | | 74 | 1.4 | 100 | |
| C _{ext} | External Timing Capacitance | 0 | | 1000 | μF |
| | Output Duty Cycle | | | | |
| | RT = 2.0 kΩ | | | 50 | % |
| | R _T = MAX R _{ext} | | | 90 | |

AC WAVEFORMS

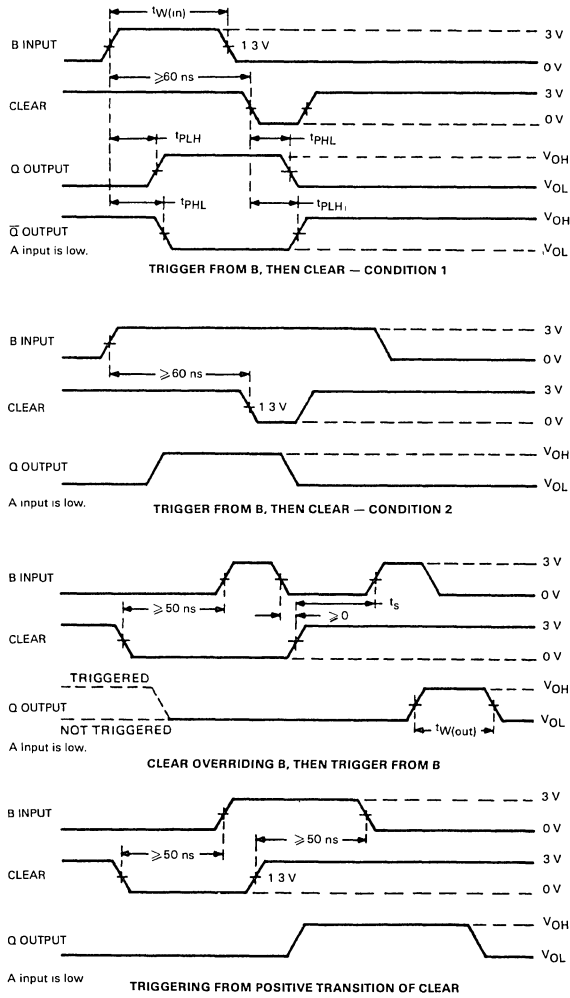


Fig. 1



SN54LS/74LS240
SN54LS/74LS241
SN54LS/74LS244

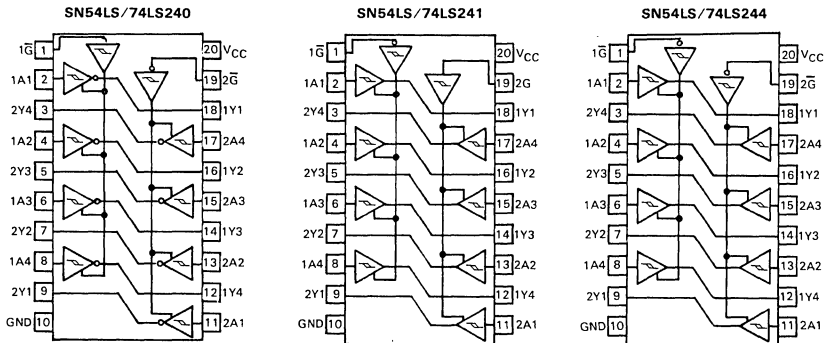
DESCRIPTION — The SN54LS/74LS240, 241 and 244 are Octal Buffers and Line Drivers designed to be employed as memory address drivers, clock drivers and bus-oriented transmitters/receivers which provide improved PC board density.

- HYSTERESIS AT INPUTS TO IMPROVE NOISE MARGINS
- 3-STATE OUTPUTS DRIVE BUS LINES OR BUFFER MEMORY ADDRESS REGISTERS
- INPUT CLAMP DIODES LIMIT HIGH-SPEED TERMINATION EFFECTS

OCTAL BUFFER/LINE DRIVER
WITH 3-STATE OUTPUTS

LOW POWER SCHOTTKY

LOGIC AND CONNECTION DIAGRAMS DIP (TOP VIEW)



TRUTH TABLES

SN54LS/74LS240

| INPUTS | | OUTPUT |
|---------------------|---|--------|
| $\overline{1G}, 2G$ | D | |
| L | L | H |
| L | H | L |
| H | X | (Z) |

SN54LS/74LS244

| INPUTS | | OUTPUT |
|---------------------|---|--------|
| $\overline{1G}, 2G$ | D | |
| L | L | L |
| L | H | H |
| H | X | (Z) |

SN54LS/74LS241

| INPUTS | | OUTPUT | INPUTS | | OUTPUT |
|-----------------|---|--------|-----------------|---|--------|
| $\overline{1G}$ | D | | $\overline{2G}$ | D | |
| L | L | L | H | L | L |
| L | H | H | H | H | H |
| H | X | (Z) | L | X | (Z) |

H = HIGH Voltage Level
 L = LOW Voltage Level
 X = Immaterial
 Z = HIGH Impedance

J Suffix — Case 732-03 (Ceramic)
 N Suffix — Case 738-01 (Plastic)

5

GUARANTEED OPERATING RANGES

| SYMBOL | PARAMETER | | MIN | TYP | MAX | UNIT |
|-----------------|-------------------------------------|----------|------|-----|------------|------|
| V _{CC} | Supply Voltage | 54 | 4.5 | 5.0 | 5.5 | V |
| | | 74 | 4.75 | 5.0 | 5.25 | |
| T _A | Operating Ambient Temperature Range | 54 | -55 | 25 | 125 | °C |
| | | 74 | 0 | 25 | 70 | |
| I _{OH} | Output Current — High | 54,74 | | | -3.0 | mA |
| | | 54 74 | | | -12 -15 | |
| I _{OL} | Output Current — Low | 54 | | | 12 | mA |
| | | 74 | | | 24 | |

DC CHARACTERISTICS OVER OPERATING TEMPERATURE RANGE (unless otherwise specified)

| SYMBOL | PARAMETER | LIMITS | | | UNITS | TEST CONDITIONS | |
|-----------------------------------|---|-----------|-------|------|-------|--|---|
| | | MIN | TYP | MAX | | | |
| V _{IH} | Input HIGH Voltage | 2.0 | | | V | Guaranteed Input HIGH Voltage for All Inputs | |
| V _{IL} | Input LOW Voltage | 54 | | 0.7 | V | Guaranteed Input LOW Voltage for All Inputs | |
| | | 74 | | 0.8 | | | |
| V _{T+} — V _{T-} | Hysteresis | 0.2 | 0.4 | | V | V _{CC} = MIN | |
| V _{IK} | Input Clamp Diode Voltage | | -0.65 | -1.5 | V | V _{CC} = MIN, I _{IN} = -18 mA | |
| V _{OH} | Output HIGH Voltage | 54,74 | 2.4 | 3.4 | V | V _{CC} = MIN, I _{OH} = -3.0 mA | |
| | | 54,74 | 2.0 | | V | V _{CC} = MIN, I _{OH} = MAX | |
| V _{OL} | Output LOW Voltage | 54,74 | | 0.25 | 0.4 | I _{OL} = 12 mA | V _{CC} = V _{CC} MIN, V _{IN} = V _{IL} or V _{IH} per Truth Table |
| | | 74 | | 0.35 | 0.5 | I _{OL} = 24 mA | |
| I _{OZH} | Output Off Current HIGH | | | 20 | μA | V _{CC} = MAX, V _{OUT} = 2.4 V | |
| I _{OZL} | Output Off Current LOW | | | -20 | μA | V _{CC} = MAX, V _{OUT} = 0.4 V | |
| I _{IH} | Input HIGH Current | | | 20 | μA | V _{CC} = MAX, V _{IN} = 2.7 V | |
| | | | | 0.1 | mA | V _{CC} = MAX, V _{IN} = 7.0 V | |
| I _{IL} | Input LOW Current | | | -0.2 | mA | V _{CC} = MAX, V _{IN} = 0.4 V | |
| I _{OS} | Output Short Circuit Current | -40 | | -225 | mA | V _{CC} = MAX | |
| I _{CC} | Power Supply Current Total, Output HIGH | | | 27 | mA | V _{CC} = MAX | |
| | Total, Output LOW | LS240 | | 44 | | | |
| | | LS241/244 | | 46 | | | |
| | Total at HIGH Z | LS240 | | 50 | | | |
| | | LS241/244 | | 54 | | | |



AC CHARACTERISTICS: $T_A = 25^\circ\text{C}$, $V_{CC} = 5.0\text{ V}$

| SYMBOL | PARAMETER | LIMITS | | | UNITS | TEST CONDITIONS |
|-----------|--|--------|-----|-----|-------|--|
| | | MIN | TYP | MAX | | |
| t_{PLH} | Propagation Delay, Data to Output LS240 | | 9.0 | 14 | ns | $C_L = 45\text{ pF}$ $R_L = 667\ \Omega$ |
| t_{PHL} | Propagation Delay, Data to Output LS240 | | 12 | 18 | ns | |
| t_{PLH} | Propagation Delay, Data to Output LS241/244 | | 12 | 18 | ns | |
| t_{PHL} | Propagation Delay, Data to Output LS241/244 | | 12 | 18 | ns | |
| t_{PZH} | Output Enable Time to HIGH Level | | 15 | 23 | ns | $C_L = 5.0\text{ pF}$ $R_L = 667\ \Omega$ |
| t_{PZL} | Output Enable Time to LOW Level | | 20 | 30 | ns | |
| t_{PLZ} | Output Disable Time from LOW Level | | 15 | 25 | ns | |
| t_{PHZ} | Output Disable Time from HIGH Level | | 10 | 18 | ns | |

AC WAVEFORMS

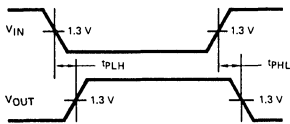


Fig. 1

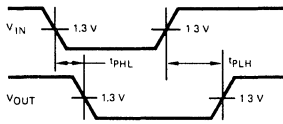


Fig. 2

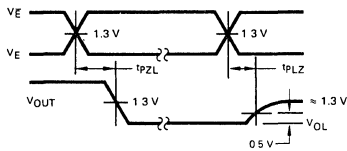


Fig. 3

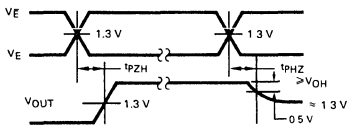
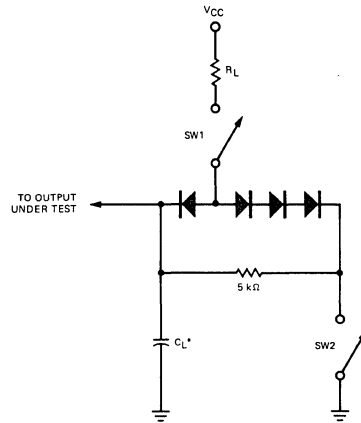


Fig. 4



SWITCH POSITIONS

| SYMBOL | SW1 | SW2 |
|-----------|--------|--------|
| t_{PZH} | Open | Closed |
| t_{PZL} | Closed | Open |
| t_{PLZ} | Closed | Closed |
| t_{PHZ} | Closed | Closed |

Fig. 5



DESCRIPTION — The SN54LS/74LS242 and SN54LS/74LS243 are Quad Bus Transmitters/Receivers designed for 4-line asynchronous 2-way data communications between data buses.

- HYSTERISIS AT INPUTS TO IMPROVE NOISE IMMUNITY
- 2-WAY ASYNCHRONOUS DATA BUS COMMUNICATION
- INPUT CLAMP DIODES LIMIT HIGH-SPEED TERMINATION EFFECTS

TRUTH TABLES

SN54LS/74LS242

| INPUTS | | OUTPUT | INPUTS | | OUTPUT |
|-------------|---|--------|-------------|---|--------|
| $\bar{G}AB$ | D | | $\bar{G}AB$ | D | |
| L | L | H | L | X | (Z) |
| L | H | L | H | L | H |
| H | X | (Z) | H | H | L |

SN54LS/74LS243

| INPUTS | | OUTPUT | INPUTS | | OUTPUT |
|-------------|---|--------|-------------|---|--------|
| $\bar{G}AB$ | D | | $\bar{G}AB$ | D | |
| L | L | L | L | X | (Z) |
| L | H | H | H | L | L |
| H | X | (Z) | H | H | H |

H = HIGH Voltage Level
 L = LOW Voltage Level
 X = Immaterial
 Z = HIGH Impedence

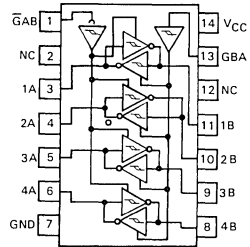
SN54LS/74LS242
SN54LS/74LS243

QUAD BUS TRANSCEIVER

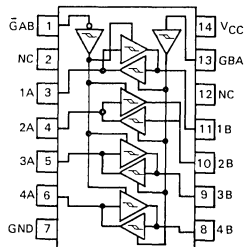
LOW POWER SCHOTTKY

LOGIC AND CONNECTION DIAGRAMS
DIP (TOP VIEW)

SN54LS/74LS242



SN54LS/74LS243



J Suffix — Case 632-07 (Ceramic)
 N Suffix — Case 646-05 (Plastic)

NOTE:
 The Flatpak version has the same pinouts (Connection Diagram) as the Dual In-Line Package



GUARANTEED OPERATING RANGES

| SYMBOL | PARAMETER | | MIN | TYP | MAX | UNIT |
|-----------------|-------------------------------------|----------|-------------|------------|-------------|------|
| V _{CC} | Supply Voltage | 54 74 | 4.5 4.75 | 5.0 5.0 | 5.5 5.25 | V |
| T _A | Operating Ambient Temperature Range | 54 74 | -55 0 | 25 25 | 125 70 | °C |
| I _{OH} | Output Current — High | 54,74 | | | -3.0 | mA |
| | | 54 74 | | | -12 -15 | mA |
| I _{OL} | Output Current — Low | 54 74 | | | 12 24 | mA |

DC CHARACTERISTICS OVER OPERATING TEMPERATURE RANGE (unless otherwise specified)

| SYMBOL | PARAMETER | | LIMITS | | | UNITS | TEST CONDITIONS |
|-----------------------------------|---|---------------------|--------|-------|------|-------|--|
| | | | MIN | TYP | MAX | | |
| V _{IH} | Input HIGH Voltage | | 2.0 | | | V | Guaranteed Input HIGH Voltage for All Inputs |
| V _{IL} | Input LOW Voltage | 54 | | | 0.7 | V | Guaranteed Input LOW Voltage for All Inputs |
| | | 74 | | | 0.8 | | |
| V _{T+} — V _{T-} | Hysteresis | | 0.2 | 0.4 | | V | V _{CC} = MIN |
| V _{IJK} | Input Clamp Diode Voltage | | | -0.65 | -1.5 | V | V _{CC} = MIN, I _{IN} = -18 mA |
| V _{OH} | Output HIGH Voltage | 54,74 | 2.4 | 3.4 | | V | V _{CC} = MIN, I _{OH} = -3.0 mA |
| | | 54,74 | 2.0 | | | V | V _{CC} = MIN, I _{OH} = MAX |
| V _{OL} | Output LOW Voltage | 54,74 | | 0.25 | 0.4 | V | I _{OL} = 12 mA |
| | | 74 | | 0.35 | 0.5 | V | I _{OL} = 24 mA |
| I _{OZH} | Output Off Current HIGH | | | | 40 | μA | V _{CC} = MAX, V _{OUT} = 2.4 V |
| I _{OZL} | Output Off Current LOW | | | | -200 | μA | V _{CC} = MAX, V _{OUT} = 0.4 V |
| I _{IH} | Input HIGH Current | D, \bar{E}_1, E_2 | | | 20 | μA | V _{CC} = MAX, V _{IN} = 2.7 V |
| | | \bar{E}_1, E_2 | | | 0.1 | mA | V _{CC} = MAX, V _{IN} = 7.0 V |
| | | D Input | | | 0.1 | mA | V _{CC} = MAX, V _{IN} = 5.5 V |
| I _{IL} | Input LOW Current | | | | -0.2 | mA | V _{CC} = MAX, V _{IN} = 0.4 V |
| I _{OS} | Output Short Circuit Current | | -40 | | -225 | mA | V _{CC} = MAX |
| I _{CC} | Power Supply Current Total, Output HIGH | | | | 38 | mA | V _{CC} = MAX |
| | | | | | 50 | | |
| | Total at HIGH Z | LS242 | | | 50 | | |
| | | LS243 | | | 54 | | |

5

AC CHARACTERISTICS: $T_A = 25^\circ\text{C}$, $V_{CC} = 5.0\text{V}$

| SYMBOL | PARAMETER | LIMITS | | | | | | UNITS | TEST CONDITIONS |
|-----------|-------------------------------------|--------|-----|-----|-------|-----|-----|-------|--|
| | | LS242 | | | LS243 | | | | |
| | | MIN | TYP | MAX | MIN | TYP | MAX | | |
| t_{PLH} | Propagation Delay, Data to Output | | 9.0 | 14 | | 12 | 18 | ns | $C_L = 45\text{ pF}$ $R_L = 667\ \Omega$ |
| t_{PHL} | | | 12 | 18 | | 12 | 18 | | |
| t_{PZH} | Output Enable Time to HIGH Level | | 15 | 23 | | 15 | 23 | ns | |
| t_{PZL} | Output Enable Time to LOW Level | | 20 | 30 | | 20 | 30 | ns | |
| t_{PLZ} | Output Disable Time from LOW Level | | 15 | 25 | | 15 | 25 | ns | $C_L = 5.0\text{ pF}$ $R_L = 667\ \Omega$ |
| t_{PHZ} | Output Disable Time from HIGH Level | | 10 | 18 | | 10 | 18 | ns | |

AC WAVEFORMS

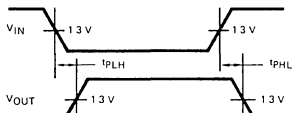


Fig. 1

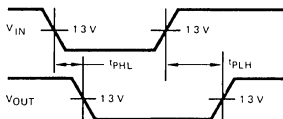


Fig. 2

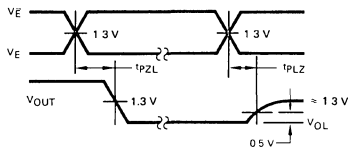


Fig. 3

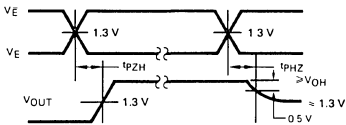
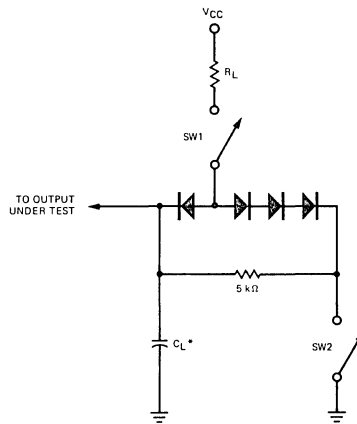


Fig. 4



SWITCH POSITIONS

| SYMBOL | SW1 | SW2 |
|-----------|--------|--------|
| t_{PZH} | Open | Closed |
| t_{PZL} | Closed | Open |
| t_{PLZ} | Closed | Closed |
| t_{PHZ} | Closed | Closed |

Fig. 5



SN54LS245 SN74LS245

DESCRIPTION — The SN54LS/74LS245 is an Octal Bus Transmitter/Receiver designed for 8-line asynchronous 2-way data communication between data buses. Direction Input (DIR) controls transmission of Data from bus A to bus B or bus B to bus A depending upon its logic level. The Enable input (\bar{E}) can be used to isolate the buses.

OCTAL BUS TRANSCEIVER

LOW POWER SCHOTTKY

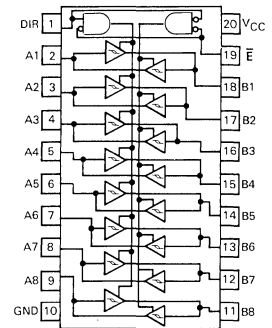
- HYSTERESIS INPUTS TO IMPROVE NOISE IMMUNITY
- 2-WAY ASYNCHRONOUS DATA BUS COMMUNICATION
- INPUT DIODES LIMIT HIGH-SPEED TERMINATION EFFECTS

TRUTH TABLE

| INPUTS | | OUTPUT |
|-----------|-----|---------------------|
| \bar{E} | DIR | |
| L | L | Bus B Data to Bus A |
| L | H | Bus A Data to Bus B |
| H | X | Isolation |

H = HIGH Voltage Level
L = LOW Voltage Level
X = Immaterial

LOGIC AND CONNECTION DIAGRAM DIP (TOP VIEW)



J Suffix — Case 732-03 (Ceramic)
N Suffix — Case 738-01 (Plastic)

GUARANTEED OPERATING RANGES

| SYMBOL | PARAMETER | | MIN | TYP | MAX | UNIT |
|-----------------|-------------------------------------|----------|-------------|------------|-------------|------|
| V _{CC} | Supply Voltage | 54 74 | 4.5 4.75 | 5.0 5.0 | 5.5 5.25 | V |
| T _A | Operating Ambient Temperature Range | 54 74 | -55 0 | 25 25 | 125 70 | °C |
| I _{OH} | Output Current — High | 54,74 | | | -3.0 | mA |
| | | 54 74 | | | -12 -15 | mA |
| I _{OL} | Output Current — Low | 54 74 | | | 12 24 | mA |

DC CHARACTERISTICS OVER OPERATING TEMPERATURE RANGE (unless otherwise specified)

| SYMBOL | PARAMETER | LIMITS | | | UNITS | TEST CONDITIONS | |
|-----------------------------------|---|-------------------------|-------|------|-------|---|-------------------------|
| | | MIN | TYP | MAX | | | |
| V _{IH} | Input HIGH Voltage | 2.0 | | | V | Guaranteed Input HIGH Voltage for All Inputs | |
| V _{IL} | Input LOW Voltage | 54 | | 0.7 | V | Guaranteed Input LOW Voltage for All Inputs | |
| | | 74 | | 0.8 | | | |
| V _{T+} - V _{T-} | Hysteresis | 0.2 | 0.4 | | V | V _{CC} = MIN | |
| V _{IK} | Input Clamp Diode Voltage | | -0.65 | -1.5 | V | V _{CC} = MIN, I _{IN} = -18 mA | |
| V _{OH} | Output HIGH Voltage | 54,74 | 2.4 | 3.4 | V | V _{CC} = MIN, I _{OH} = -3.0 mA | |
| | | 54,74 | 2.0 | | V | V _{CC} = MIN, I _{OH} = MAX | |
| V _{OL} | Output LOW Voltage | 54,74 | | 0.25 | 0.4 | V | I _{OL} = 12 mA |
| | | 74 | | 0.35 | 0.5 | V | I _{OL} = 24 mA |
| | | | | | | V _{CC} = V _{CC} MIN, V _{IN} = V _{IL} or V _{IH} per Truth Table | |
| I _{OZH} | Output Off Current HIGH | | | 20 | μA | V _{CC} = MAX, V _{OUT} = 2.4 V | |
| I _{OZL} | Output Off Current LOW | | | -200 | μA | V _{CC} = MAX, V _{OUT} = 0.4 V | |
| I _{IH} | Input HIGH Current | A or B, DR or \bar{E} | | 20 | μA | V _{CC} = MAX, V _{IN} = 2.7 V | |
| | | DR or \bar{E} | | 0.1 | mA | V _{CC} = MAX, V _{IN} = 7.0 V | |
| | | A or B | | 0.1 | mA | V _{CC} = MAX, V _{IN} = 5.5 V | |
| I _{IL} | Input LOW Current | | | -0.2 | mA | V _{CC} = MAX, V _{IN} = 0.4 V | |
| I _{OS} | Output Short Circuit Current | -40 | | -225 | mA | V _{CC} = MAX | |
| I _{CC} | Power Supply Current Total, Output HIGH | | | 70 | mA | V _{CC} = MAX | |
| | | | | 90 | | | |
| | | | | 95 | | | |
| | Total at HIGH Z | | | | | | |

5

AC CHARACTERISTICS: T_A = 25°C, V_{CC} = 5.0 V

| SYMBOL | PARAMETER | LIMITS | | | UNITS | TEST CONDITIONS |
|------------------|-------------------------------------|--------|-----|-----|-------|---|
| | | MIN | TYP | MAX | | |
| t _{PLH} | Propagation Delay, Data to Output | | 8.0 | 12 | ns | C _L = 45 pF R _L = 667 Ω |
| t _{PHL} | | | 8.0 | 12 | | |
| t _{PZH} | Output Enable Time to HIGH Level | | 25 | 40 | ns | |
| t _{PZL} | Output Enable Time to LOW Level | | 27 | 40 | ns | |
| t _{PLZ} | Output Disable Time from LOW Level | | 15 | 25 | ns | C _L = 5.0 pF R _L = 667 Ω |
| t _{PHZ} | Output Disable Time from HIGH Level | | 15 | 25 | ns | |



MOTOROLA

DESCRIPTION — The SN54LS/74LS247 thru SN54LS/74LS249 are BCD-to-Seven-Segment Decoder/Drivers.

The LS247 and LS248 are functionally and electrically identical to the LS47 and LS48 with the same pinout configuration. The LS249 is a 16-pin version of the 14-pin LS49 and includes full functional capability for lamp test and ripple blanking which was not available in the LS49.

The composition of all characters, except the 6 and 9 are identical between the LS247, 248, 249 and the LS47, 48 and 49. The LS47 thru 49 compose the 6 and 9 without tails, the LS247 thru 249 compose the 6 and 9 with the tails. The LS247 has active-low outputs for direct drive of indicators. The LS248 and 249 have active-high outputs for driving lamp buffers.

All types feature a lamp test input and have full ripple-blanking input/output controls. On all types an automatic leading and/or trailing-edge zero-blanking control (RBI and RBO) is incorporated and an overriding blanking input (BI) is contained which may be used to control the lamp intensity by pulsing or to inhibit the output's lamp test may be performed at any time when the BI/RBO node is at high level. Segment identification and resultant displays are shown below. Display pattern for BCD input counts above 9 are unique symbols to authenticate input conditions.

LS247

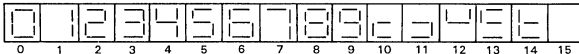
- OPEN-COLLECTOR OUTPUTS DRIVE INDICATORS DIRECTLY
- LAMP-TEST PROVISION
- LEADING/TRAILING ZERO SUPPRESSION

LS248

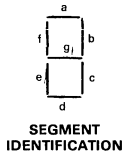
- INTERNAL PULL-UPS ELIMINATE NEED FOR EXTERNAL RESISTORS
- LAMP-TEST PROVISION
- LEADING/TRAILING ZERO SUPPRESSION

LS249

- OPEN-COLLECTOR OUTPUTS
- LAMP-TEST PROVISION
- LEADING/TRAILING ZERO SUPPRESSION



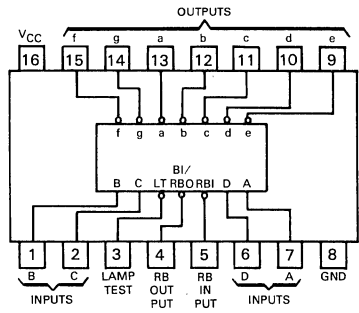
NUMERICAL DESIGNATIONS AND RESULTANT DISPLAYS



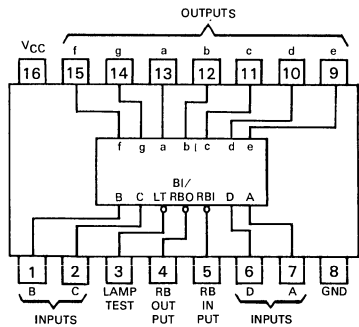
**SN54LS/74LS247
SN54LS/74LS248
SN54LS/74LS249**

**BCD-TO-SEVEN-SEGMENT
DECODERS/DRIVERS
LOW POWER SCHOTTKY**

**SN54LS/74LS247
(TOP VIEW)**



**SN54LS/74LS248
SN54LS/74LS249
(TOP VIEW)**



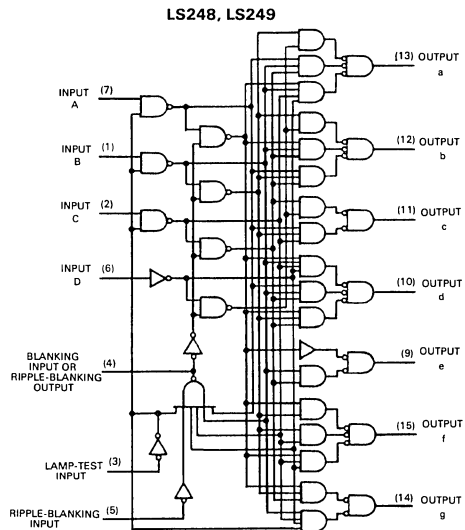
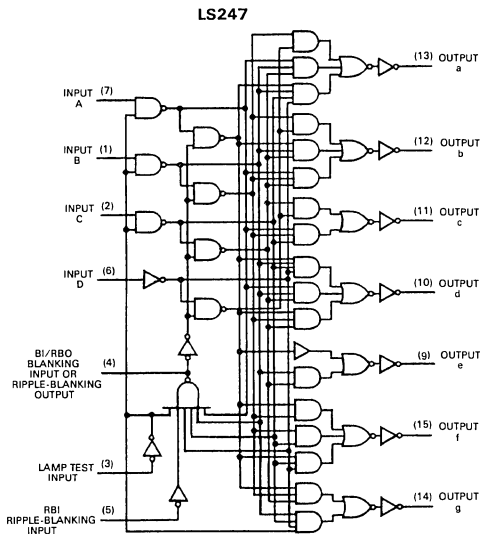
J Suffix — Case 620-08 (Ceramic)
N Suffix — Case 648-05 (Plastic)

5

ALL CIRCUIT TYPES FEATURE LAMP INTENSITY MODULATION CAPABILITY

| TYPE | DRIVER OUTPUTS | | | | TYPICAL POWER DISSIPATION |
|-----------|----------------|----------------------|--------------|-------------|---------------------------|
| | ACTIVE LEVEL | OUTPUT CONFIGURATION | SINK CURRENT | MAX VOLTAGE | |
| SN54LS247 | low | open-collector | 12 mA | 15 V | 35 mW |
| SN54LS248 | high | 2-k Ω pull-up | 2.0 mA | 5.5 V | 125 mW |
| SN54LS249 | high | open-collector | 4.0 mA | 5.5 V | 40 mW |
| SN74LS247 | low | open-collector | 24 mA | 15 V | 35 mW |
| SN74LS248 | high | 2-k Ω pull-up | 6.0 mA | 5.5 V | 125 mW |
| SN74LS249 | high | open-collector | 8.0 mA | 5.5 V | 40 mW |

LOGIC DIAGRAM



LS247
FUNCTION TABLE

| DECIMAL OR FUNCTION | INPUTS | | | | | | BI/RBO† | OUTPUTS | | | | | | | NOTE |
|---------------------|--------|-----|---|---|---|---|---------|---------|-----|-----|-----|-----|-----|-----|------|
| | LT | RBI | D | C | B | A | | a | b | c | d | e | f | g | |
| 0 | H | H | L | L | L | L | H | ON | ON | ON | ON | ON | ON | OFF | |
| 1 | H | X | L | L | L | H | H | OFF | ON | ON | OFF | OFF | OFF | OFF | |
| 2 | H | X | L | L | H | L | H | ON | ON | OFF | ON | ON | OFF | ON | |
| 3 | H | X | L | L | H | H | H | ON | ON | ON | ON | OFF | OFF | ON | |
| 4 | H | X | L | H | L | L | H | OFF | ON | ON | OFF | OFF | ON | ON | |
| 5 | H | X | L | H | L | H | H | ON | OFF | ON | ON | OFF | ON | ON | |
| 6 | H | X | L | H | H | L | H | ON | OFF | ON | ON | ON | ON | ON | |
| 7 | H | X | L | H | H | H | H | ON | ON | ON | OFF | OFF | OFF | OFF | |
| 8 | H | X | H | L | L | L | H | ON | ON | ON | ON | ON | ON | ON | |
| 9 | H | X | H | L | L | H | H | ON | ON | ON | ON | OFF | ON | ON | |
| 10 | H | X | H | L | H | L | H | OFF | OFF | OFF | ON | ON | OFF | ON | |
| 11 | H | X | H | L | H | H | H | OFF | OFF | ON | ON | ON | OFF | ON | |
| 12 | H | X | H | H | L | L | H | OFF | ON | OFF | OFF | OFF | ON | ON | |
| 13 | H | X | H | H | L | H | H | ON | OFF | OFF | ON | OFF | ON | ON | |
| 14 | H | X | H | H | H | L | H | OFF | OFF | OFF | ON | ON | ON | ON | |
| 15 | H | X | H | H | H | H | H | OFF | OFF | OFF | OFF | OFF | OFF | OFF | |
| BI | X | X | X | X | X | X | L | OFF | OFF | OFF | OFF | OFF | OFF | OFF | 2 |
| RBI | H | L | L | L | L | L | L | OFF | OFF | OFF | OFF | OFF | OFF | OFF | 3 |
| LT | L | X | X | X | X | X | H | ON | ON | ON | ON | ON | ON | ON | 4 |

LS248, LS249
FUNCTION TABLE

| DECIMAL OR FUNCTION | INPUTS | | | | | | BI/RBO† | OUTPUTS | | | | | | | NOTE |
|---------------------|--------|-----|---|---|---|---|---------|---------|---|---|---|---|---|---|------|
| | LT | RBI | D | C | B | A | | a | b | c | d | e | f | g | |
| 0 | H | H | L | L | L | L | H | H | H | H | H | H | H | L | 1 |
| 1 | H | X | L | L | L | H | H | L | H | H | L | L | L | L | 1 |
| 2 | H | X | L | L | H | L | H | H | H | L | H | H | L | H | |
| 3 | H | X | L | L | H | H | H | H | H | H | H | L | L | H | |
| 4 | H | X | L | H | L | L | H | L | H | H | L | L | H | H | 1 |
| 5 | H | X | L | H | L | H | H | H | L | H | H | L | H | H | |
| 6 | H | X | L | H | H | L | H | H | L | H | H | H | H | H | |
| 7 | H | X | L | H | H | H | H | H | H | H | L | L | L | L | |
| 8 | H | X | H | L | L | L | H | H | H | H | H | H | H | H | |
| 9 | H | X | H | L | L | H | H | H | H | H | H | L | H | H | |
| 10 | H | X | H | L | H | L | H | L | L | L | H | H | L | H | |
| 11 | H | X | H | L | H | H | H | L | L | H | H | L | L | H | |
| 12 | H | X | H | H | L | L | H | L | H | L | L | L | H | H | |
| 13 | H | X | H | H | L | H | H | H | L | L | H | L | H | H | |
| 14 | H | X | H | H | H | L | H | L | L | L | H | H | H | H | |
| 15 | H | X | H | H | H | H | H | L | L | L | L | L | L | L | |
| BI | X | X | X | X | X | X | L | L | L | L | L | L | L | L | 2 |
| RBI | H | L | L | L | L | L | L | L | L | L | L | L | L | L | 3 |
| LT | L | X | X | X | X | X | H | H | H | H | H | H | H | H | 4 |

H = high level, L = low level, X = irrelevant

- NOTES: 1. The blanking input (BI) must be open or held at a high logic level when output functions 0 through 15 are desired. The ripple-blanking input (RBI) must be open or high if blanking of a decimal zero is not desired.
2. When a low logic level is applied directly to the blanking input (BI), all segment outputs are off regardless of the level of any other input.
3. When ripple-blanking input (RBI) and inputs A, B, C, and D are at a low level with the lamp test input high, all segment outputs go off and the ripple-blanking output (RBO) goes to a low level (response condition).
4. When the blanking input/ripple blanking output (BI/RBO) is open or held high and a low is applied to the lamp-test input, all segment outputs are on.
- †BI/RBO is wire-AND logic serving as blanking input (BI) and/or ripple-blanking output (RBO).

GUARANTEED OPERATING RANGES

| SYMBOL | PARAMETER | | MIN | TYP | MAX | UNIT | |
|---------------------|-------------------------------------|--|----------|-------------|------------|-------------|----|
| V _{CC} | Supply Voltage | | 54 74 | 4.5 4.75 | 5.0 5.0 | 5.5 5.25 | V |
| T _A | Operating Ambient Temperature Range | | 54 74 | -55 0 | 25 25 | 125 70 | °C |
| I _{OH} | Output Current — High BI/RBO | | 54,74 | | | -50 | μA |
| I _{OL} | Output Current — Low BI/RBO | | 54 74 | | | 1.6 3.2 | mA |
| V _{O(off)} | Off-State Output Voltage a—g | | 54,74 | | | 15 | V |
| I _{O(on)} | On-State Output Current a—g a—g | | 54 74 | | | 12 24 | mA |

DC CHARACTERISTICS OVER OPERATING TEMPERATURE RANGE (unless otherwise specified)

| SYMBOL | PARAMETER | LIMITS | | | UNITS | TEST CONDITIONS | | |
|---------------------|---|--------|-------|------|-------|--|---|---|
| | | MIN | TYP | MAX | | | | |
| V _{IH} | Input HIGH Voltage | 2.0 | | | V | Guaranteed Input HIGH Voltage for All Inputs | | |
| V _{IL} | Input LOW Voltage | 54 | | 0.7 | V | Guaranteed Input LOW Voltage for All Inputs | | |
| | | 74 | | 0.8 | | | | |
| V _{IK} | Input Clamp Diode Voltage | | -0.65 | -1.5 | V | V _{CC} = MIN, I _{IN} = -18 mA | | |
| V _{OH} | Output HIGH Voltage BI/RBO | 54 | 2.4 | 4.2 | V | V _{CC} = MIN, I _{OH} = MAX, V _{IN} = V _{IH} or V _{IL} per Truth Table | | |
| | | 74 | 2.4 | 4.2 | V | | | |
| V _{OL} | Output LOW Voltage BI/RBO | 54,74 | | 0.25 | 0.4 | I _{OL} = 1.6 mA I _{OL} = 3.2 mA | V _{CC} = V _{CC} MIN, V _{IN} = V _{IL} or V _{IH} per Truth Table | |
| | | 74 | | 0.35 | 0.5 | | | V |
| I _{O(off)} | Off-State Output Current a—g | 54,74 | | | 250 | μA | V _{CC} = MAX, V _{IH} = 2.0 V, V _{O(off)} = 15 V, V _{IL} = MAX | |
| V _{O(on)} | On-State Output Voltage a—g | 54,74 | | 0.25 | 0.4 | V | I _{O(on)} = 12 mA I _{O(on)} = 24 mA | V _{CC} = MIN, V _{IH} = 2.0 V, V _{IL} per Truth Table |
| | | 74 | | 0.35 | 0.5 | V | | |
| I _{IH} | Input HIGH Current | | | | 20 | μA | V _{CC} = MAX, V _{IN} = 2.7 V | |
| | | | | | 0.1 | mA | V _{CC} = MAX, V _{IN} = 7.0 V | |
| I _{IL} | Input LOW Current Any Input, except BI/RBO BI/RBO | | | | -0.4 | mA | V _{CC} = MAX, V _{IN} = 0.4 V | |
| | | | | | -1.2 | | | |
| I _{OS} | Short Circuit Current BI/RBO | | -0.3 | | -2.0 | mA | V _{CC} = MAX | |
| I _{CC} | Power Supply Current | | | 7.0 | 13 | mA | V _{CC} = MAX | |

AC CHARACTERISTICS: V_{CC} = 5.0 V, T_A = 25°C

| SYMBOL | PARAMETER | LIMITS | | | UNITS | TEST CONDITIONS |
|------------------|------------------------------|--------|-----|-----|-------|---|
| | | MIN | TYP | MAX | | |
| t _{PLH} | Turn-Off Time from A Input | | | 100 | ns | C _L = 15 pF, R _L = 665 Ω |
| t _{PHL} | Turn-On Time from A Input | | | 100 | | |
| t _{PHL} | Turn-Off Time from RBI Input | | | 100 | ns | |
| t _{PLH} | Turn-On Time from RBI Input | | | 100 | | |

GUARANTEED OPERATING RANGES

| SYMBOL | PARAMETER | | MIN | TYP | MAX | UNIT |
|-----------------|---|-------|------|-----|------|------|
| V _{CC} | Supply Voltage | 54 | 4.5 | 5.0 | 5.5 | V |
| | | 74 | 4.75 | 5.0 | 5.25 | |
| T _A | Operating Ambient Temperature Range | 54 | -55 | 25 | 125 | °C |
| | | 74 | 0 | 25 | 70 | |
| I _{OH} | Output Current — High BI/RBO a—g | 54,74 | | | -50 | μA |
| | | 54,74 | | | -100 | |
| I _{OL} | Output Current — Low BI/RBO BI/RBO a—g a—g | 54 | | | 1.6 | mA |
| | | 74 | | | 3.2 | |
| | | 54 | | | 2.0 | |
| | | 74 | | | 6.0 | |

DC CHARACTERISTICS OVER OPERATING TEMPERATURE RANGE (unless otherwise specified)

| SYMBOL | PARAMETER | | LIMITS | | | UNITS | TEST CONDITIONS | |
|-----------------|---|-------|--------|-------|------|-------|--|---|
| | | | MIN | TYP | MAX | | | |
| V _{IH} | Input HIGH Voltage | | 2.0 | | | V | Guaranteed Input HIGH Voltage for All Inputs | |
| V _{IL} | Input LOW Voltage | 54 | | | 0.7 | V | Guaranteed Input LOW Voltage for All Inputs | |
| | | 74 | | | 0.8 | | | |
| V _{IK} | Input Clamp Diode Voltage | | | -0.65 | -1.5 | V | V _{CC} = MIN, I _{IN} = -18 mA | |
| V _{OH} | Output HIGH Voltage a—g and BI/RBO | 54 | 2.4 | 4.2 | | V | V _{CC} = MIN, I _{OH} = MAX, V _{IN} = V _{IH} or V _{IL} per Truth Table | |
| | | 74 | 2.4 | 4.2 | | V | | |
| I _O | Output Current a—g | 54,74 | -1.3 | -2.0 | | mA | V _{CC} = MIN, V _O = 0.85 V, Input Conditions as for V _{OH} | |
| V _{OL} | Output LOW Voltage a—g | 54,74 | | 0.25 | 0.4 | V | I _{OL} = 2.0 mA | V _{CC} = MIN, V _{IH} = 2.0 V, V _{IL} = per Truth Table |
| | | 74 | | 0.35 | 0.5 | | I _{OL} = 6.0 mA | |
| | BI/RBO | 54,74 | | 0.25 | 0.4 | V | I _{OL} = 1.6 mA | |
| | | 74 | | 0.35 | 0.5 | | I _{OL} = 3.2 mA | |
| I _{IH} | Input HIGH Current Any Input, except BI/RBO | | | | 20 | μA | V _{CC} = MAX, V _{IN} = 2.7 V | |
| | | | | | 0.1 | | mA | V _{CC} = MAX, V _{IN} = 7.0 V |
| I _{IL} | Input LOW Current Any Input, except BI/RBO BI/RBO | | | | -0.4 | mA | V _{CC} = MAX, V _{IN} = 0.4 V | |
| | | | | | -1.2 | | | |
| I _{OS} | Short Circuit Current BI/RBO | | -0.3 | | -2.0 | mA | V _{CC} = MAX | |
| I _{CC} | Power Supply Current | | | 25 | 38 | mA | V _{CC} = MAX | |

AC CHARACTERISTICS: V_{CC} = 5.0 V, T_A = 25°C

| SYMBOL | PARAMETER | LIMITS | | | UNITS | TEST CONDITIONS |
|------------------|---|--------|-----|-----|-------|---|
| | | MIN | TYP | MAX | | |
| t _{PHL} | Propagation Delay Time, High-to-Low-Level Output from A Input | | | 100 | ns | C _L = 15 pF, R _L = 4.0 kΩ |
| t _{PLH} | Propagation Delay Time, Low-to-High-Level Output from A Input | | | 100 | | |
| t _{PHL} | Propagation Delay Time, High-to-Low-Level Output from RBI Input | | | 100 | ns | C _L = 15 pF, R _L = 6.0 kΩ |
| t _{PLH} | Propagation Delay Time, Low-to-High-Level Output from RBI Input | | | 100 | | |

GUARANTEED OPERATING RANGES

| SYMBOL | PARAMETER | | MIN | TYP | MAX | UNIT |
|-----------------|-------------------------------------|--|----------|-------------|-----------------------|------------------|
| V _{CC} | Supply Voltage | | 54 74 | 4.5 4.75 | 5.0 5.0 5.25 | V |
| T _A | Operating Ambient Temperature Range | | 54 74 | -55 0 | 25 25 125 70 | °C |
| I _{OH} | Output Current — High BI/RBO | | 54,74 | | | μA |
| I _{OL} | Output Current — Low BI/RBO | | 54 74 | | | 1.6 3.2 mA |
| V _{OH} | Output Voltage — High a—g | | 54,74 | | | 5.5 V |
| I _{OL} | Output Current — Low a—g | | 54 74 | | | 4.0 8.0 mA |

DC CHARACTERISTICS OVER OPERATING TEMPERATURE RANGE (unless otherwise specified)

| SYMBOL | PARAMETER | | LIMITS | | | UNITS | TEST CONDITIONS |
|-----------------|---|-------|--------|-------|------|-------|--|
| | | | MIN | TYP | MAX | | |
| V _{IH} | Input HIGH Voltage | | 2.0 | | | V | Guaranteed Input HIGH Voltage for All Inputs |
| V _{IL} | Input LOW Voltage | 54 | | | 0.7 | V | Guaranteed Input LOW Voltage for All Inputs |
| | | 74 | | | 0.8 | | |
| V _{IK} | Input Clamp Diode Voltage | | | -0.65 | -1.5 | V | V _{CC} = MIN, I _{IN} = -18 mA |
| V _{OH} | Output HIGH Voltage BI/RBO | 54 | 2.4 | 4.2 | | V | V _{CC} = MIN, I _{OH} = MAX, V _{IN} = V _{IH} or V _{IL} per Truth Table |
| | | 74 | 2.4 | 4.2 | | V | |
| I _{OH} | Output HIGH Current a—g | 54,74 | | | 250 | μA | V _{CC} = MIN, V _{IH} = 2.0 V, V _{OH} = 5.5 V, V _{IL} = MAX |
| V _{OL} | Output LOW Voltage BI/RBO | 54,74 | | 0.25 | 0.4 | V | V _{CC} = MIN, V _{IH} = 2.0 V, V _{IL} = per Truth Table |
| | | 74 | | 0.35 | 0.5 | | |
| | a—g | 54,74 | | 0.25 | 0.4 | V | |
| | | 74 | | 0.35 | 0.5 | | |
| I _{IH} | Input HIGH Current Any Input, except BI/RBO | | | | 20 | μA | V _{CC} = MAX, V _{IN} = 2.7 V |
| | | | | | 0.1 | mA | V _{CC} = MAX, V _{IN} = 7.0 V |
| I _{IL} | Input LOW Current Any Input, except BI/RBO | | | | -0.4 | mA | V _{CC} = MAX, V _{IN} = 0.4 V |
| | | | | | -1.2 | | |
| I _{OS} | Short Circuit Current BI/RBO | | -0.3 | | -2.0 | mA | V _{CC} = MAX |
| I _{CC} | Power Supply Current | | | 8.0 | 15 | mA | V _{CC} = MAX |

AC CHARACTERISTICS: V_{CC} = 5.0 V, T_A = 25°C

| SYMBOL | PARAMETER | | LIMITS | | | UNITS | TEST CONDITIONS |
|------------------|---|--|--------|-----|-----|-------|---|
| | | | MIN | TYP | MAX | | |
| t _{PHL} | Propagation Delay Time, High-to-Low-Level Output from A Input | | | | 100 | ns | C _L = 15 pF, R _L = 2.0 kΩ |
| t _{PLH} | Propagation Delay Time, Low-to-High-Level Output from A Input | | | | 100 | | |
| t _{PHL} | Propagation Delay Time, High-to-Low-Level Output from RBI Input | | | | 100 | ns | C _L = 15 pF, R _L = 6.0 kΩ |
| t _{PLH} | Propagation Delay Time, Low-to-High-Level Output from RBI Input | | | | 100 | | |



SN74LS251

DESCRIPTION — The TTL/MSI SN74LS251 is a high speed 8-Input Digital Multiplexer. It provides, in one package, the ability to select one bit of data from up to eight sources. The LS251 can be used as a universal function generator to generate any logic function of four variables. Both assertion and negation outputs are provided.

- SCHOTTKY PROCESS FOR HIGH SPEED
- MULTIFUNCTION CAPABILITY
- ON-CHIP SELECT LOGIC DECODING
- INVERTING AND NON-INVERTING 3-STATE OUTPUTS
- INPUT CLAMP DIODES LIMIT HIGH SPEED TERMINATION EFFECTS

**8-INPUT MULTIPLEXER
WITH 3-STATE OUTPUTS**
LOW POWER SCHOTTKY

PIN NAMES

| | |
|---------------------------------|-----------------------------------|
| S ₀ — S ₂ | Select Inputs |
| \bar{E}_0 | Output Enable (Active LOW) Inputs |
| I ₀ — I ₇ | Multiplexer Inputs |
| Z | Multiplexer Output |
| \bar{Z} | Complementary Multiplexer Output |

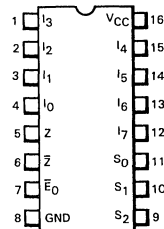
LOADING (Note a)

| | HIGH | LOW |
|---------------------------------|----------|-----------|
| I ₀ — I ₇ | 0.5 U.L. | 0.25 U.L. |
| S ₀ — S ₂ | 0.5 U.L. | 0.25 U.L. |
| Z | 65 U.L. | 15 U.L. |
| \bar{Z} | 65 U.L. | 15 U.L. |

NOTES:

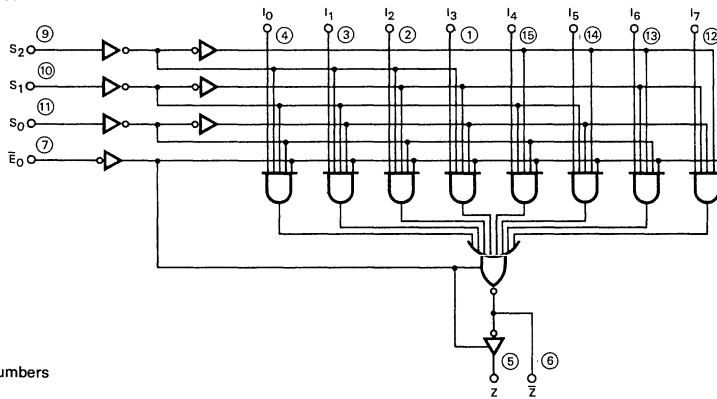
a. 1 TTL Unit Load (U.L.) = 40 μ A HIGH/1.6 mA LOW.

CONNECTION DIAGRAM DIP (TOP VIEW)



J Suffix — Case 620-08 (Ceramic)
N Suffix — Case 648-05 (Plastic)

LOGIC DIAGRAM



V_{CC} = Pin 16
GND = Pin 8
○ = Pin Numbers

FUNCTIONAL DESCRIPTION — The LS251 is a logical implementation of a single pole, 8-position switch with the switch position controlled by the state of three Select inputs, S_0, S_1, S_2 . Both assertion and negation outputs are provided. The Output Enable input (\bar{E}_0) is active LOW. When it is activated, the logic function provided at the output is:

$$Z = \bar{E}_0 \cdot (I_0 \cdot \bar{S}_0 \cdot \bar{S}_1 \cdot \bar{S}_2 + I_1 \cdot S_0 \cdot \bar{S}_1 \cdot \bar{S}_2 + I_2 \cdot \bar{S}_0 \cdot S_1 \cdot \bar{S}_2 + I_3 \cdot S_0 \cdot S_1 \cdot \bar{S}_2 + I_4 \cdot \bar{S}_0 \cdot \bar{S}_1 \cdot S_2 + I_5 \cdot S_0 \cdot \bar{S}_1 \cdot S_2 + I_6 \cdot \bar{S}_0 \cdot S_1 \cdot S_2 + I_7 \cdot S_0 \cdot S_1 \cdot S_2)$$

When the Output Enable is HIGH, both outputs are in the high impedance (high Z) state. This feature allows multiplexer expansion by tying the outputs of up to 128 devices together. When the outputs of the 3-state devices are tied together, all but one device must be in the high impedance state to avoid high currents that would exceed the maximum ratings. The Output Enable signals should be designed to ensure there is no overlap in the active LOW portion of the enable voltages.

TRUTH TABLE

| \bar{E}_0 | S_2 | S_1 | S_0 | I_0 | I_1 | I_2 | I_3 | I_4 | I_5 | I_6 | I_7 | \bar{Z} | Z |
|-------------|-------|-------|-------|-------|-------|-------|-------|-------|-------|-------|-------|-----------|-----|
| H | X | X | X | X | X | X | X | X | X | X | X | (Z) | (Z) |
| L | L | L | L | L | X | X | X | X | X | X | X | H | L |
| L | L | L | L | H | X | X | X | X | X | X | X | L | H |
| L | L | L | H | X | L | X | X | X | X | X | X | H | L |
| L | L | L | H | X | H | X | X | X | X | X | X | L | H |
| L | L | H | L | X | X | L | X | X | X | X | X | H | L |
| L | L | H | L | X | X | H | X | X | X | X | X | L | H |
| L | L | H | H | X | X | X | L | X | X | X | X | H | L |
| L | L | H | H | X | X | X | H | X | X | X | X | L | H |
| L | H | L | L | X | X | X | X | L | X | X | X | H | L |
| L | H | L | L | X | X | X | X | H | X | X | X | L | H |
| L | H | L | H | X | X | X | X | X | L | X | X | H | L |
| L | H | L | H | X | X | X | X | X | H | X | X | L | H |
| L | H | H | L | X | X | X | X | X | X | L | X | H | L |
| L | H | H | L | X | X | X | X | X | X | H | X | L | H |
| L | H | H | H | X | X | X | X | X | X | X | L | H | L |
| L | H | H | H | X | X | X | X | X | X | X | H | L | H |

- H = HIGH Voltage Level
- L = LOW Voltage Level
- X = Don't Care
- (Z) = High Impedance (Off)

GUARANTEED OPERATING RANGES

| SYMBOL | PARAMETER | MIN | TYP | MAX | UNIT |
|----------|-------------------------------------|------|-----|------|------|
| V_{CC} | Supply Voltage | 4.75 | 5.0 | 5.25 | V |
| T_A | Operating Ambient Temperature Range | 0 | 25 | 70 | °C |
| I_{OH} | Output Current — High | | | -2.6 | mA |
| I_{OL} | Output Current — Low | | | 24 | mA |

DC CHARACTERISTICS OVER OPERATING TEMPERATURE RANGE (unless otherwise specified)

| SYMBOL | PARAMETER | LIMITS | | | UNITS | TEST CONDITIONS | |
|-----------|---------------------------|--------|-------|------|---------------|---|---|
| | | MIN | TYP | MAX | | | |
| V_{IH} | Input HIGH Voltage | 2.0 | | | V | Guaranteed Input HIGH Voltage for All Inputs | |
| V_{IL} | Input LOW Voltage | | | 0.8 | V | Guaranteed Input LOW Voltage for All Inputs | |
| V_{IK} | Input Clamp Diode Voltage | | -0.65 | -1.5 | V | $V_{CC} = \text{MIN}$, $I_{IN} = -18 \text{ mA}$ | |
| V_{OH} | Output HIGH Voltage | 2.4 | 3.1 | | V | $V_{CC} = \text{MIN}$, $I_{OH} = \text{MAX}$, $V_{IN} = V_{IH}$ or V_{IL} per Truth Table | |
| V_{OL} | Output LOW Voltage | | 0.25 | 0.4 | V | $I_{OL} = 12 \text{ mA}$ | $V_{CC} = V_{CC} \text{ MIN}$, $V_{IN} = V_{IL}$ or V_{IH} per Truth Table |
| | | | 0.35 | 0.5 | V | $I_{OL} = 24 \text{ mA}$ | |
| I_{OZH} | Output Off Current HIGH | | | 20 | μA | $V_{CC} = \text{MAX}$, $V_{OUT} = 2.4 \text{ V}$ | |
| I_{OZL} | Output Off Current LOW | | | -20 | μA | $V_{CC} = \text{MAX}$, $V_{OUT} = 0.4 \text{ V}$ | |
| I_{IH} | Input HIGH Current | | | 20 | μA | $V_{CC} = \text{MAX}$, $V_{IN} = 2.7 \text{ V}$ | |
| | | | | 0.1 | mA | $V_{CC} = \text{MAX}$, $V_{IN} = 7.0 \text{ V}$ | |
| I_{IL} | Input LOW Current | | | -0.4 | mA | $V_{CC} = \text{MAX}$, $V_{IN} = 0.4 \text{ V}$ | |
| I_{OS} | Short Circuit Current | -30 | | -130 | mA | $V_{CC} = \text{MAX}$ | |
| I_{CC} | Power Supply Current | | | 10 | mA | $V_{CC} = \text{MAX}$, $V_E = 0.0 \text{ V}$ | |
| | | | | 12 | mA | $V_{CC} = \text{MAX}$, $V_E = 4.5 \text{ V}$ | |

AC CHARACTERISTICS: $T_A = 25^\circ\text{C}$, $V_{CC} = 5.0 \text{ V}$

| SYMBOL | PARAMETER | LIMITS | | | UNITS | TEST CONDITIONS | |
|------------------------|--|--------|-----------|----------|-------|-----------------|--|
| | | MIN | TYP | MAX | | | |
| t_{PLH} t_{PHL} | Propagation Delay, Select to Z Output | | 20 21 | 33 33 | ns | Fig. 1 | $C_L = 15 \text{ pF}$, $R_L = 2\text{K } \Omega$ |
| t_{PLH} t_{PHL} | Propagation Delay, Select to Z Output | | 29 28 | 45 45 | ns | Fig. 2 | |
| t_{PLH} t_{PHL} | Propagation Delay, Data to Z Output | | 10 9.0 | 15 15 | ns | Fig. 1 | |
| t_{PLH} t_{PHL} | Propagation Delay, Data to Z Output | | 17 18 | 28 28 | ns | Fig. 2 | |
| t_{PZH} t_{PZL} | Output Enable Time to Z Output | | 17 24 | 27 40 | ns | Figs. 4, 5 | |
| t_{PZH} t_{PZL} | Output Enable Time to Z Output | | 30 26 | 45 40 | ns | Figs. 3, 5 | |
| t_{PHZ} t_{PLZ} | Output Disable Time to Z Output | | 37 15 | 55 25 | ns | Figs. 3, 5 | $C_L = 5 \text{ pF}$ $R_L = 667 \Omega$ |
| t_{PHZ} t_{PLZ} | Output Disable Time to Z Output | | 30 15 | 45 25 | ns | Figs. 4, 5 | |

3-STATE AC WAVEFORMS

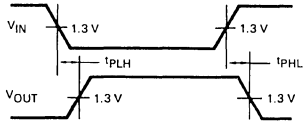


Fig. 1

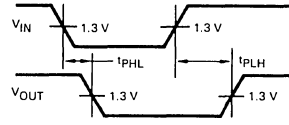


Fig. 2

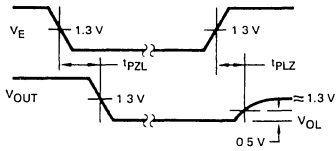


Fig. 3

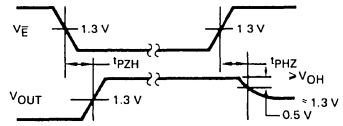
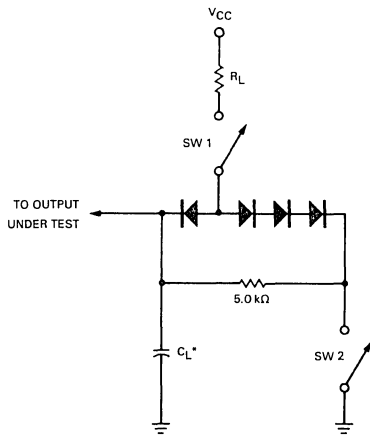


Fig. 4

AC LOAD CIRCUIT



*Includes Jig and Probe Capacitance.

Fig. 5

SWITCH POSITIONS

| SYMBOL | SW1 | SW2 |
|-----------|--------|--------|
| t_{pZH} | Open | Closed |
| t_{pZL} | Closed | Open |
| t_{pLZ} | Closed | Closed |
| t_{pHZ} | Closed | Closed |



MOTOROLA

SN54LS253 SN74LS253

DESCRIPTION — The LSTTL/MSI SN54LS/74LS253 is a Dual 4-Input Multiplexer with 3-state outputs. It can select two bits of data from four sources using common select inputs. The outputs may be individually switched to a high impedance state with a HIGH on the respective Output Enable (\bar{E}_O) inputs, allowing the outputs to interface directly with bus oriented systems. It is fabricated with the Schottky barrier diode process for high speed and is completely compatible with all Motorola TTL families.

**DUAL 4-INPUT MULTIPLEXER
WITH 3-STATE OUTPUTS**
LOW POWER SCHOTTKY

- SCHOTTKY PROCESS FOR HIGH SPEED
- MULTIFUNCTION CAPABILITY
- NON-INVERTING 3-STATE OUTPUTS
- INPUT CLAMP DIODES LIMIT HIGH SPEED TERMINATION EFFECTS

PIN NAMES

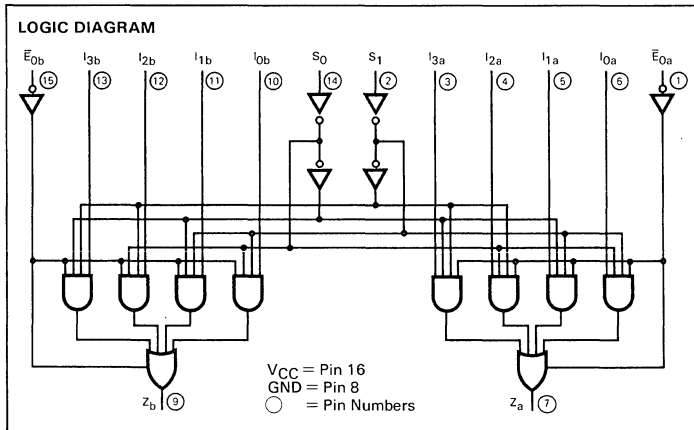
| | |
|----------------------|----------------------------------|
| S_0, S_1 | Common Select Inputs |
| Multiplexer A | |
| \bar{E}_{Oa} | Output Enable (Active LOW) Input |
| $I_{0a} - I_{3a}$ | Multiplexer Inputs |
| Z_a | Multiplexer Output (Note b) |
| Multiplexer B | |
| \bar{E}_{Ob} | Output Enable (Active LOW) Input |
| $I_{0b} - I_{3b}$ | Multiplexer Inputs |
| Z_b | Multiplexer Output (Note b) |

LOADING (Note a)

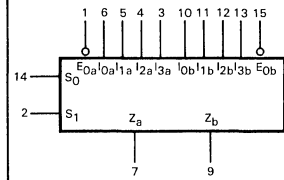
| | HIGH | LOW |
|-------------------|-------------|--------------|
| S_0, S_1 | 0.5 U.L. | 0.25 U.L. |
| \bar{E}_{Oa} | 0.5 U.L. | 0.25 U.L. |
| $I_{0a} - I_{3a}$ | 0.5 U.L. | 0.25 U.L. |
| Z_a | 65(25) U.L. | 15(7.5) U.L. |
| \bar{E}_{Ob} | 0.5 U.L. | 0.25 U.L. |
| $I_{0b} - I_{3b}$ | 0.5 U.L. | 0.25 U.L. |
| Z_b | 65(25) U.L. | 15(7.5) U.L. |

NOTES:

- 1 TTL Unit Load (U.L.) = $40 \mu A$ HIGH / 1.6 mA LOW.
- The Output LOW drive factor is 7.5 U.L. for Military (54) and 15 U.L. for Commercial (74) Temperature Ranges. The Output HIGH drive factor is 25 U.L. for Military (54) and 65 U.L. for Commercial (74) Temperature Ranges.

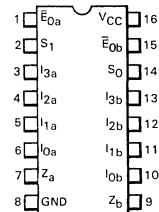


LOGIC SYMBOL



V_{CC} = Pin 16
 GND = Pin 8

CONNECTION DIAGRAM DIP (TOP VIEW)



J Suffix — Case 620-08 (Ceramic)
N Suffix — Case 648-05 (Plastic)

NOTE
The Flatpak version has the same pinouts (Connection Diagram) as the Dual In-Line Package

FUNCTIONAL DESCRIPTION — The LS253 contains two identical 4-Input Multiplexers with 3-state outputs. They select two bits from four sources selected by common select inputs (S_0, S_1). The 4-input multiplexers have individual Output Enable ($\bar{E}_{0a}, \bar{E}_{0b}$) inputs which when HIGH, forces the outputs to a high impedance (high Z) state.

The LS253 is the logic implementation of a 2-pole, 4-position switch, where the position of the switch is determined by the logic levels supplied to the two select inputs. The logic equations for the outputs are shown below:

$$Z_a = \bar{E}_{0a} \cdot (I_{0a} \cdot \bar{S}_1 \cdot \bar{S}_0 + I_{1a} \cdot \bar{S}_1 \cdot S_0 + I_{2a} \cdot S_1 \cdot \bar{S}_0 + I_{3a} \cdot S_1 \cdot S_0)$$

$$Z_b = \bar{E}_{0b} \cdot (I_{0b} \cdot \bar{S}_1 \cdot \bar{S}_0 + I_{1b} \cdot \bar{S}_1 \cdot S_0 + I_{2b} \cdot S_1 \cdot \bar{S}_0 + I_{3b} \cdot S_1 \cdot S_0)$$

If the outputs of 3-state devices are tied together, all but one device must be in the high impedance state to avoid high currents that would exceed the maximum ratings. Designers should ensure that Output Enable signals to 3-state devices whose outputs are tied together are designed so that there is no overlap.

TRUTH TABLE

| SELECT INPUTS | | DATA INPUTS | | | | OUTPUT ENABLE | OUTPUT |
|---------------|-------|-------------|-------|-------|-------|---------------|--------|
| S_0 | S_1 | I_0 | I_1 | I_2 | I_3 | \bar{E}_0 | Z |
| X | X | X | X | X | X | H | (Z) |
| L | L | L | X | X | X | L | L |
| L | L | H | X | X | X | L | H |
| H | L | X | L | X | X | L | L |
| H | L | X | H | X | X | L | H |
| L | H | X | X | L | X | L | L |
| L | H | X | X | H | X | L | H |
| H | H | X | X | X | L | L | L |
| H | H | X | X | X | H | L | H |

H = HIGH Level

L = LOW Level

X = Irrelevant

(Z) = High Impedance (off)

Address inputs S_0 and S_1 are common to both sections.

GUARANTEED OPERATING RANGES

| SYMBOL | PARAMETER | | MIN | TYP | MAX | UNIT |
|----------|-------------------------------------|----|------|-----|------|------|
| V_{CC} | Supply Voltage | 54 | 4.5 | 5.0 | 5.5 | V |
| | | 74 | 4.75 | 5.0 | 5.25 | |
| T_A | Operating Ambient Temperature Range | 54 | -55 | 25 | 125 | °C |
| | | 74 | 0 | 25 | 70 | |
| I_{OH} | Output Current — High | 54 | | | -1.0 | mA |
| | | 74 | | | -2.6 | |
| I_{OL} | Output Current — Low | 54 | | | 12 | mA |
| | | 74 | | | 24 | |

DC CHARACTERISTICS OVER OPERATING TEMPERATURE RANGE (unless otherwise specified)

| SYMBOL | PARAMETER | | LIMITS | | | UNITS | TEST CONDITIONS | |
|------------------|---------------------------|-------|--------|-------|------|-------|--|---|
| | | | MIN | TYP | MAX | | | |
| V _{IH} | Input HIGH Voltage | | 2.0 | | | V | Guaranteed Input HIGH Voltage for All Inputs | |
| V _{IL} | Input LOW Voltage | 54 | | | 0.7 | V | Guaranteed Input LOW Voltage for All Inputs | |
| | | 74 | | | 0.8 | | | |
| V _{IK} | Input Clamp Diode Voltage | | | -0.65 | -1.5 | V | V _{CC} = MIN, I _{IN} = -18 mA | |
| V _{OH} | Output HIGH Voltage | 54 | 2.4 | 3.4 | | V | V _{CC} = MIN, I _{OH} = MAX, V _{IN} = V _{IH} or V _{IL} per Truth Table | |
| | | 74 | 2.4 | 3.1 | | V | | |
| V _{OL} | Output LOW Voltage | 54,74 | | 0.25 | 0.4 | V | I _{OL} = 12 mA | V _{CC} = V _{CC} MIN, V _{IN} = V _{IL} or V _{IH} per Truth Table |
| | | 74 | | 0.35 | 0.5 | V | I _{OL} = 24 mA | |
| I _{OZH} | Output Off Current HIGH | | | | 20 | μA | V _{CC} = MAX, V _{OUT} = 2.4 V | |
| I _{OZL} | Output Off Current LOW | | | | -20 | μA | V _{CC} = MAX, V _{OUT} = 0.4 V | |
| I _{IH} | Input HIGH Current | | | | 20 | μA | V _{CC} = MAX, V _{IN} = 2.7 V | |
| | | | | | 0.1 | mA | V _{CC} = MAX, V _{IN} = 7.0 V | |
| I _{IL} | Input LOW Current | | | | -0.4 | mA | V _{CC} = MAX, V _{IN} = 0.4 V | |
| I _{OS} | Short Circuit Current | | -30 | | -130 | mA | V _{CC} = MAX | |
| I _{CC} | Power Supply Current | | | | 12 | mA | V _{CC} = MAX, V _E = 0.0 V | |
| | | | | | 14 | mA | V _{CC} = MAX, V _E = 4.5 V | |

AC CHARACTERISTICS: T_A = 25°C, V_{CC} = 5.0 V (See SN54LS251 for Waveforms)

| SYMBOL | PARAMETER | | LIMITS | | | UNITS | TEST CONDITIONS | |
|--------------------------------------|--|--|--------|----------|----------|-------|-----------------|---|
| | | | MIN | TYP | MAX | | | |
| t _{PLH} t _{PHL} | Propagation Delay, Data to Output | | | 17 13 | 25 20 | ns | Fig. 1 | C _L = 45 pF, R _L = 667 Ω |
| t _{PLH} t _{PHL} | Propagation Delay, Select to Output | | | 30 21 | 45 32 | ns | Fig. 1 | |
| t _{PZH} t _{PZL} | Output Enable Time | | | 15 15 | 28 23 | ns | Figs. 4, 5 | |
| t _{PHZ} t _{PLZ} | Output Disable Time | | | 27 18 | 41 27 | ns | Figs. 3, 5 | C _L = 5.0 pF R _L = 667 Ω |

SN54LS256 SN74LS256

DESCRIPTION — The SN54LS/74LS256 is a Dual 4-Bit Addressable Latch with common control inputs; these include two Address inputs (A_0, A_1), an active LOW Enable input (\bar{E}) and an active LOW Clear input (\bar{CL}). Each latch has a Data input (D) and four outputs (Q_0-Q_3).

When the Enable (\bar{E}) is HIGH and the Clear input (\bar{CL}) is LOW, all outputs (Q_0-Q_3) are LOW. Dual 4-channel demultiplexing occurs when the (\bar{CL}) and \bar{E} are both LOW. When \bar{CL} is HIGH and \bar{E} is LOW, the selected output (Q_0-Q_3), determined by the Address inputs, follows D . When the \bar{E} goes HIGH, the contents of the latch are stored. When operating in the addressable latch mode ($\bar{E}=\text{LOW}, \bar{CL}=\text{HIGH}$), changing more than one bit of the Address (A_0, A_1) could impose a transient wrong address. Therefore, this should be done only while in the memory mode ($\bar{E}=\bar{CL}=\text{HIGH}$).

- SERIAL-TO-PARALLEL CAPABILITY
- OUTPUT FROM EACH STORAGE BIT AVAILABLE
- RANDOM (ADDRESSABLE) DATA ENTRY
- EASILY EXPANDABLE
- ACTIVE LOW COMMON CLEAR
- INPUT CLAMP DIODES LIMIT HIGH SPEED TERMINATION EFFECTS

PIN NAMES

| | |
|--------------------------------------|---------------------------------|
| A_0, A_1 | Address Inputs |
| D_a, D_b | Data Inputs |
| \bar{E} | Enable Input (Active LOW) |
| \bar{CL} | Clear Input (Active LOW) |
| $Q_{0a}-Q_{3a}$, $Q_{0b}-Q_{3b}$ | Parallel Latch Outputs (Note b) |

LOADING (Note a)

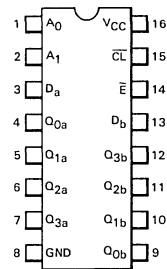
| | HIGH | LOW |
|--------------------------------------|----------|-------------|
| A_0, A_1 | 0.5 U.L. | 0.25 U.L. |
| D_a, D_b | 0.5 U.L. | 0.25 U.L. |
| \bar{E} | 1.0 U.L. | 0.5 U.L. |
| \bar{CL} | 0.5 U.L. | 0.25 U.L. |
| $Q_{0a}-Q_{3a}$, $Q_{0b}-Q_{3b}$ | 10 U.L. | 5(2.5) U.L. |

NOTES:

- a. 1 TTL Unit Load (U.L.) = 40 μA HIGH/1.6 mA LOW.
- b. The Output LOW drive factor is 2.5 U.L. for Military (54) and 5 U.L. for Commercial (74) Temperature Ranges.

DUAL 4-BIT ADDRESSABLE LATCH LOW POWER SCHOTTKY

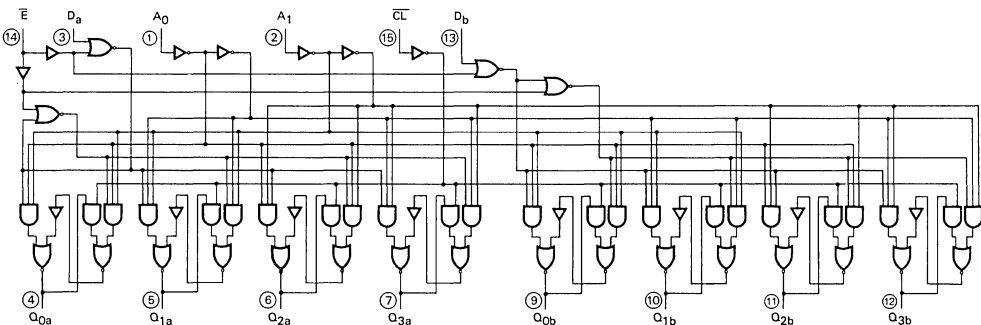
CONNECTION DIAGRAM DIP (TOP VIEW)



J Suffix — Case 620-08 (Ceramic)
N Suffix — Case 648-05 (Plastic)

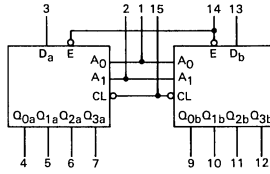
NOTE:
The Flatpak version has the same pinouts (Connection Diagram) as the Dual In-Line Package.

LOGIC DIAGRAM



V_{CC} = Pin 16
GND = Pin 8
○ = Pin Numbers

LOGIC SYMBOL



V_{CC} = Pin 16
GND = Pin 8

TRUTH TABLE

| \overline{CL} | \overline{E} | D | A ₀ | A ₁ | Q ₀ | Q ₁ | Q ₂ | Q ₃ | MODE |
|-----------------|----------------|---|----------------|----------------|------------------|------------------|------------------|------------------|-------------------|
| L | H | X | X | X | L | L | L | L | Clear |
| L | L | L | L | L | L | L | L | L | Demultiplex |
| L | L | H | L | L | H | L | L | L | |
| L | L | L | H | L | L | L | L | L | |
| L | L | H | H | L | L | H | L | L | |
| L | L | L | L | H | L | L | L | L | |
| L | L | H | L | H | L | L | H | L | |
| L | L | L | H | H | L | L | L | L | |
| L | L | H | H | H | L | L | L | H | |
| H | H | X | X | X | Q _{N-1} | Q _{N-1} | Q _{N-1} | Q _{N-1} | Memory |
| H | L | L | L | L | L | Q _{N-1} | Q _{N-1} | Q _{N-1} | Addressable Latch |
| H | L | H | L | L | H | Q _{N-1} | Q _{N-1} | Q _{N-1} | |
| H | L | L | H | L | Q _{N-1} | L | Q _{N-1} | Q _{N-1} | |
| H | L | H | H | L | Q _{N-1} | H | Q _{N-1} | Q _{N-1} | |
| H | L | L | L | H | Q _{N-1} | Q _{N-1} | L | Q _{N-1} | |
| H | L | H | L | H | Q _{N-1} | Q _{N-1} | H | Q _{N-1} | |
| H | L | L | H | H | Q _{N-1} | Q _{N-1} | L | Q _{N-1} | |
| H | L | H | H | H | Q _{N-1} | Q _{N-1} | Q _{N-1} | H | |

H = High Voltage Level
L = LOW Voltage Level
X = Immaterial

MODE SELECTION

| \overline{E} | \overline{CL} | MODE |
|----------------|-----------------|------------------------------|
| L | H | Addressable Latch |
| H | H | Memory |
| L | L | Dual 4-Channel Demultiplexer |
| H | L | Clear |

GUARANTEED OPERATING RANGES

| SYMBOL | PARAMETER | | MIN | TYP | MAX | UNIT |
|-----------------|-------------------------------------|-------|------|-----|------|------|
| V _{CC} | Supply Voltage | 54 | 4.5 | 5.0 | 5.5 | V |
| | | 74 | 4.75 | 5.0 | 5.25 | |
| T _A | Operating Ambient Temperature Range | 54 | -55 | 25 | 125 | °C |
| | | 74 | 0 | 25 | 70 | |
| I _{OH} | Output Current — High | 54,74 | | | -0.4 | mA |
| I _{OL} | Output Current — Low | 54 | | | 4.0 | mA |
| | | 74 | | | 8.0 | |

DC CHARACTERISTICS OVER OPERATING TEMPERATURE RANGE (unless otherwise specified)

| SYMBOL | PARAMETER | LIMITS | | | UNITS | TEST CONDITIONS | |
|-----------------|---|--------|-------|------|--------------|--|---|
| | | MIN | TYP | MAX | | | |
| V _{IH} | Input HIGH Voltage | 2.0 | | | V | Guaranteed Input HIGH Voltage for All Inputs | |
| V _{IL} | Input LOW Voltage | 54 | | 0.7 | V | Guaranteed Input LOW Voltage for All Inputs | |
| | | 74 | | 0.8 | | | |
| V _{IK} | Input Clamp Diode Voltage | | -0.65 | -1.5 | V | V _{CC} = MIN, I _{IN} = -18 mA | |
| V _{OH} | Output HIGH Voltage | 54 | 2.4 | 3.5 | V | V _{CC} = MIN, I _{OH} = MAX, V _{IN} = V _{IH} or V _{IL} per Truth Table | |
| | | 74 | 2.4 | 3.5 | V | | |
| V _{OL} | Output LOW Voltage | 54,74 | | 0.25 | 0.4 | I _{OL} = 4.0 mA | V _{CC} = V _{CC} MIN, V _{IN} = V _{IL} or V _{IH} per Truth Table |
| | | 74 | | 0.35 | 0.5 | I _{OL} = 8.0 mA | |
| I _{IH} | Input HIGH Current Others Ē Input | | | | 20 40 | μA | V _{CC} = MAX, V _{IN} = 2.7 V |
| | Others Ē Input | | | | 0.1 0.2 | mA | V _{CC} = MAX, V _{IN} = 7.0 V |
| I _{IL} | Input LOW Current Others Ē Input | | | | -0.4 -0.8 | mA | V _{CC} = MAX, V _{IN} = 0.4 V |
| I _{OS} | Short Circuit Current | -20 | | | -100 | mA | V _{CC} = MAX |
| I _{CC} | Power Supply Current | | | | 25 | mA | V _{CC} = MAX |

AC CHARACTERISTICS: T_A = 25°C

| SYMBOL | PARAMETER | LIMITS | | | UNITS | TEST CONDITIONS |
|------------------|-----------------------------------|--------|-----|-----|-------|---|
| | | MIN | TYP | MAX | | |
| t _{PLH} | Turn-Off Delay, Enable to Output | | 20 | 27 | ns | V _{CC} = 5.0 V, C _L = 15 pF Fig. 1 |
| t _{PHL} | Turn-On Delay, Enable to Output | | 16 | 24 | ns | |
| t _{PLH} | Turn-Off Delay, Data to Output | | 20 | 30 | ns | V _{CC} = 5.0 V, C _L = 15 pF Fig. 2 |
| t _{PHL} | Turn-On Delay, Data to Output | | 13 | 20 | ns | |
| t _{PLH} | Turn-Off Delay, Address to Output | | 20 | 30 | ns | V _{CC} = 5.0 V, C _L = 15 pF Fig. 3 |
| t _{PHL} | Turn-On Delay, Address to Output | | 14 | 24 | ns | |
| t _{PHL} | Turn-On Delay, Clear to Output | | 12 | 23 | ns | V _{CC} = 5.0 V, C _L = 15 pF Fig. 5 |

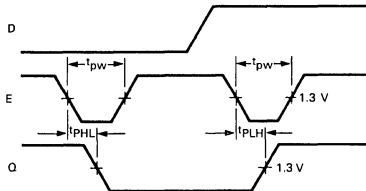


AC SETUP REQUIREMENTS: $T_A = 25^\circ\text{C}$

| SYMBOL | PARAMETER | LIMITS | | | UNITS | TEST CONDITIONS |
|--------|--------------------|--------|-----|-----|-------|--------------------------------|
| | | MIN | TYP | MAX | | |
| t_s | Data Setup Time | 20 | | | ns | $V_{CC} = 5.0\text{ V}$ Fig. 4 |
| t_s | Address Setup Time | 0 | | | ns | Fig. 6 |
| t_h | Data Hold Time | 0 | | | ns | $V_{CC} = 5.0\text{ V}$ Fig. 4 |
| t_h | Address Hold Time | 15 | | | ns | $V_{CC} = 5\text{ V}$ Fig. 6 |
| t_W | Enable Pulse Width | 15 | | | ns | $V_{CC} = 5.0\text{ V}$ Fig. 1 |

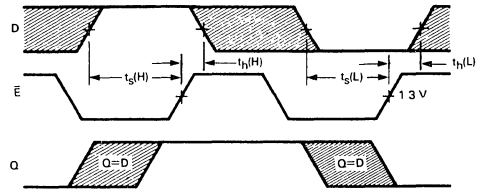
AC WAVEFORMS

Fig. 1 TURN-ON AND TURN-OFF DELAYS, ENABLE TO OUTPUT AND ENABLE PULSE WIDTH



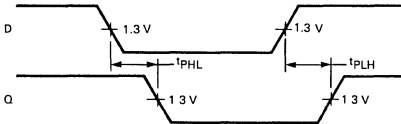
OTHER CONDITIONS: $\overline{C\bar{L}} = H, A = \text{STABLE}$

Fig. 4 SETUP AND HOLD TIME, DATA TO ENABLE



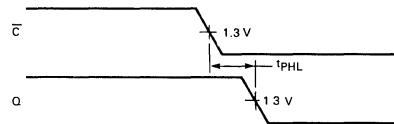
OTHER CONDITIONS: $\overline{C\bar{L}} = H, A = \text{STABLE}$

Fig. 2 TURN-ON AND TURN-OFF DELAYS, DATA TO OUTPUT



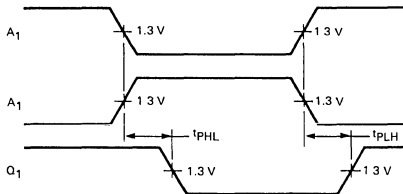
OTHER CONDITIONS: $\overline{E} = L, \overline{C\bar{L}} = H, A = \text{STABLE}$

Fig. 5 TURN-ON DELAY, CLEAR TO OUTPUT



OTHER CONDITIONS: $\overline{E} = H$

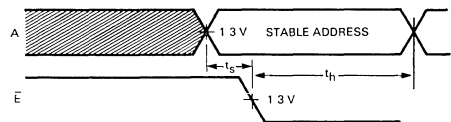
Fig. 3 TURN-ON AND TURN-OFF DELAYS, ADDRESS TO OUTPUT



OTHER CONDITIONS: $\overline{E} = L, \overline{C\bar{L}} = L, D = H$

Fig. 6 SETUP TIME, ADDRESS TO ENABLE

(SEE NOTES 1 AND 2)



OTHER CONDITIONS: $\overline{C\bar{L}} = H$

NOTES:

1. The Address to Enable Setup Time is the time before the HIGH-to-LOW Enable transition that the Address must be stable so that the correct latch is addressed and the other latches are not affected.
2. The shaded areas indicate when the inputs are permitted to change for predictable output performance.



SN54LS/74LS257A SN54LS/74LS258A

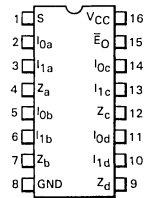
DESCRIPTION — The LSTTL/MSI SN54LS/74LS257A and the SN54LS/74LS258A are Quad 2-Input Multiplexers with 3-state outputs. Four bits of data from two sources can be selected using a Common Data Select input. The four outputs present the selected data in true (non-inverted) form. The outputs may be switched to a high impedance state with a HIGH on the common Output Enable (E_O) Input, allowing the outputs to interface directly with bus oriented systems. It is fabricated with the Schottky barrier diode process for high speed and is completely compatible with all Motorola TTL families.

- SCHOTTKY PROCESS FOR HIGH SPEED
- MULTIPLEXER EXPANSION BY TYING OUTPUTS TOGETHER
- NON-INVERTING 3-STATE OUTPUTS
- INPUT CLAMP DIODES LIMIT HIGH SPEED TERMINATION EFFECTS

QUAD 2-INPUT MULTIPLEXER WITH 3-STATE OUTPUTS LOW POWER SCHOTTKY

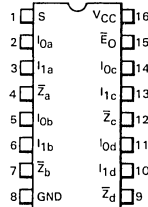
CONNECTION DIAGRAM DIP (TOP VIEW)

SN54LS/74LS257A



V_{CC} = Pin 16
GND = Pin 8

SN54LS/74LS258A

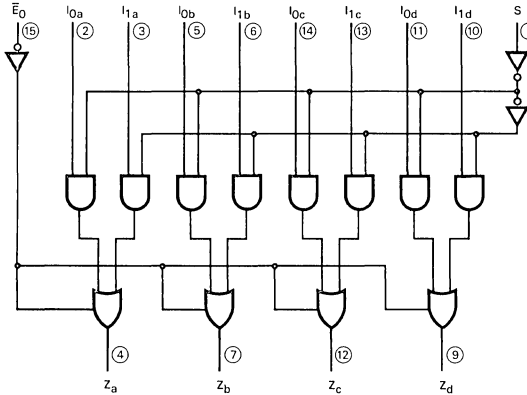


J Suffix — Case 620-08 (Ceramic)
N Suffix — Case 648-05 (Plastic)

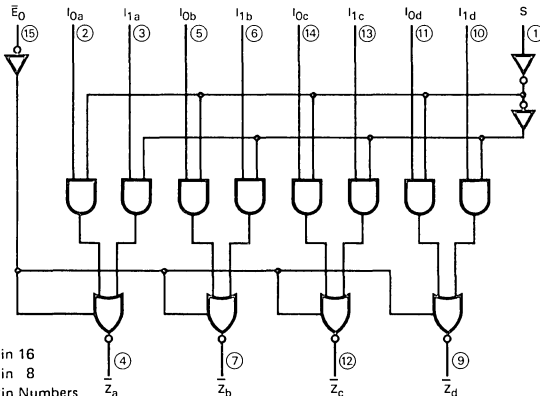
NOTE:
The Flatpak version has the same pinouts (Connection Diagram) as the Dual In-Line Package.

LOGIC DIAGRAMS

SN54LS/74LS257A



SN54LS/74LS258A



V_{CC} = Pin 16
GND = Pin 8
○ = Pin Numbers



FUNCTIONAL DESCRIPTION — The LS257A and LS258A are Quad 2-Input Multiplexers with 3-state outputs. They select four bits of data from two sources each under control of a Common Data Select Input. When the Select Input is LOW, the I₀ inputs are selected and when Select is HIGH, the I₁ inputs are selected. The data on the selected inputs appears at the outputs in true (non-inverted) form for the LS257A and in the inverted form for the LS258A.

The LS257A and LS258A are the logic implementation of a 4-pole, 2-position switch where the position of the switch is determined by the logic levels supplied to the Select Input. The logic equations for the outputs are shown below:

$$\begin{aligned}
 \text{LS257A} \quad Z_a &= \bar{E}_O \cdot (I_{1a} \cdot S + I_{0a} \cdot \bar{S}) & Z_b &= \bar{E}_O \cdot (I_{1b} \cdot S + I_{0b} \cdot \bar{S}) \\
 Z_c &= E_O \cdot (I_{1c} \cdot S + I_{0c} \cdot \bar{S}) & Z_d &= E_O \cdot (I_{1d} \cdot S + I_{0d} \cdot \bar{S}) \\
 \text{LS258A} \quad \bar{Z}_a &= \bar{E}_O \cdot (I_{1a} \cdot S + I_{0a} \cdot \bar{S}) & \bar{Z}_b &= \bar{E}_O \cdot (I_{1b} \cdot S + I_{0b} \cdot \bar{S}) \\
 \bar{Z}_c &= E_O \cdot (I_{1c} \cdot S + I_{0c} \cdot \bar{S}) & \bar{Z}_d &= E_O \cdot (I_{1d} \cdot S + I_{0d} \cdot \bar{S})
 \end{aligned}$$

When the Output Enable Input (\bar{E}_O) is HIGH, the outputs are forced to a high impedance "off" state. If the outputs are tied together, all but one device must be in the high impedance state to avoid high currents that would exceed the maximum ratings. Designers should ensure that Output Enable signals to 3-state devices whose outputs are tied together are designed so there is no overlap.

TRUTH TABLE

| OUTPUT ENABLE | SELECT INPUT | DATA INPUTS | | OUTPUTS LS257A | OUTPUTS LS258A |
|---------------|--------------|----------------|----------------|----------------|----------------|
| \bar{E}_O | S | I ₀ | I ₁ | Z | \bar{Z} |
| H | X | X | X | (Z) | (Z) |
| L | H | X | L | L | H |
| L | H | X | H | H | L |
| L | L | L | X | L | H |
| L | L | H | X | H | L |

H = HIGH Voltage Level
 L = LOW Voltage Level
 X = Don't Care
 (Z) = High impedance (off)

GUARANTEED OPERATING RANGES

| SYMBOL | PARAMETER | | MIN | TYP | MAX | UNIT |
|-----------------|-------------------------------------|----|------|-----|------|------|
| V _{CC} | Supply Voltage | 54 | 4.5 | 5.0 | 5.5 | V |
| | | 74 | 4.75 | 5.0 | 5.25 | |
| T _A | Operating Ambient Temperature Range | 54 | -55 | 25 | 125 | °C |
| | | 74 | 0 | 25 | 70 | |
| I _{OH} | Output Current — High | 54 | | | -1.0 | mA |
| | | 74 | | | -2.6 | |
| I _{OL} | Output Current — Low | 54 | | | 12 | mA |
| | | 74 | | | 24 | |

5

DC CHARACTERISTICS OVER OPERATING TEMPERATURE RANGE (unless otherwise specified)

| SYMBOL | PARAMETER | | LIMITS | | | UNITS | TEST CONDITIONS | |
|--|---|--------------|--------|-------|------|-------|--|---|
| | | | MIN | TYP | MAX | | | |
| V _{IH} | Input HIGH Voltage | | 2.0 | | | V | Guaranteed Input HIGH Voltage for All Inputs | |
| V _{IL} | Input LOW Voltage | 54 | | | 0.7 | V | Guaranteed Input LOW Voltage for All Inputs | |
| | | 74 | | | 0.8 | | | |
| V _{IK} | Input Clamp Diode Voltage | | | -0.65 | -1.5 | V | V _{CC} = MIN, I _{IN} = -18 mA | |
| V _{OH} | Output HIGH Voltage | 54 | 2.4 | 3.4 | | V | V _{CC} = MIN, I _{OH} = MAX, V _{IN} = V _{IH} or V _{IL} per Truth Table | |
| | | 74 | 2.4 | 3.1 | | V | | |
| V _{OL} | Output LOW Voltage | 54,74 | | 0.25 | 0.4 | V | I _{OL} = 12 mA | V _{CC} = V _{CC} MIN, V _{IN} = V _{IL} or V _{IH} per Truth Table |
| | | 74 | | 0.35 | 0.5 | V | I _{OL} = 24 mA | |
| I _{OZH} | Output Off Current — HIGH | | | | 20 | μA | V _{CC} = MAX, V _{OUT} = 2.4 V | |
| I _{OZL} | Output Off Current — LOW | | | | -20 | μA | V _{CC} = MAX, V _{OUT} = 0.4 V | |
| I _{IH} | Input HIGH Current | Other Inputs | | | 20 | μA | V _{CC} = MAX, V _{IN} = 2.7 V | |
| | | S Inputs | | | 40 | μA | | |
| | | Other Inputs | | | 0.1 | mA | V _{CC} = MAX, V _{IN} = 7.0 V | |
| | | S Inputs | | | 0.2 | mA | | |
| I _{IL} | Input LOW Current | Other Inputs | | | -0.4 | mA | V _{CC} = MAX, V _{IN} = 0.4 V | |
| | | S Inputs | | | -0.8 | mA | | |
| I _{OS} | Short Circuit Current | | -30 | | -130 | mA | V _{CC} = MAX | |
| I _{CC} | Power Supply Current Total, Output HIGH | LS257A | | | 10 | mA | V _{CC} = MAX | |
| | | LS258A | | | 7.0 | mA | | |
| | Power Supply Current Total, Output LOW | LS257A | | | 16 | mA | | |
| | | LS258A | | | 14 | mA | | |
| Power Supply Current Total, Output 3-State | | | | | 19 | mA | | |

AC CHARACTERISTICS: T_A = 25°C, V_{CC} = 5.0 V (See SN54LS251 for Waveforms)

| SYMBOL | PARAMETER | | LIMITS | | | UNITS | TEST CONDITIONS | |
|--------------------------------------|-------------------------------------|--|--------|----------|----------|-------|-----------------|-------------------------|
| | | | MIN | TYP | MAX | | | |
| t _{PLH} t _{PHL} | Propagation Delay, Data to Output | | | 12 12 | 18 18 | ns | Fig. 1, 2 | C _L = 45 pF |
| t _{PLH} t _{PHL} | Propagation Delay, Select to Output | | | 14 14 | 21 21 | ns | Fig. 1, 2 | C _L = 45 pF |
| t _{PZH} | Output Enable Time to HIGH Level | | | 20 | 30 | ns | Figs. 4, 5 | C _L = 45 pF |
| t _{PZL} | Output Enable Time to LOW Level | | | 20 | 30 | ns | Figs. 3, 5 | R _L = 667 Ω |
| t _{PLZ} | Output Disable Time to LOW Level | | | 16 | 25 | ns | Figs. 3, 5 | C _L = 5.0 pF |
| t _{PHZ} | Output Disable Time from HIGH Level | | | 18 | 30 | ns | Figs. 4, 5 | R _L = 667 Ω |





SN54LS259 SN74LS259

DESCRIPTION — The SN54LS/74LS259 is a high-speed 8-Bit Addressable Latch designed for general purpose storage applications in digital systems. It is a multifunctional device capable of storing single line data in eight addressable latches, and also a 1-of-8 decoder and demultiplexer with active HIGH outputs. The device also incorporates an active LOW common Clear for resetting all latches, as well as, an active LOW Enable.

- SERIAL-TO-PARALLEL CONVERSION
- EIGHT BITS OF STORAGE WITH OUTPUT OF EACH BIT AVAILABLE
- RANDOM (ADDRESSABLE) DATA ENTRY
- ACTIVE HIGH DEMULTIPLEXING OR DECODING CAPABILITY
- EASILY EXPANDABLE
- COMMON CLEAR

PIN NAMES

A₀, A₁, A₂ Address Inputs
 D Data Input
 E Enable (Active LOW) Input
 C Clear (Active LOW) Input
 Q₀ to Q₇ Parallel Latch Outputs (Note b)

LOADING (Note a)

| | HIGH | LOW |
|--|----------|-------------|
| A ₀ , A ₁ , A ₂ | 0.5 U.L. | 0.25 U.L. |
| D | 0.5 U.L. | 0.25 U.L. |
| E | 1.0 U.L. | 0.5 U.L. |
| C | 0.5 U.L. | 0.25 U.L. |
| Q ₀ to Q ₇ | 10 U.L. | 5(2.5) U.L. |

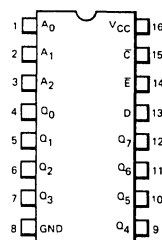
NOTES:

- a. 1 TTL Unit Load (U.L.) = 40 μA HIGH/1.6 mA LOW.
 b. The Output LOW drive factor is 2.5 U.L. for Military (54) and 5 U.L. for Commercial (74) Temperature Ranges.

8-BIT ADDRESSABLE LATCH

LOW POWER SCHOTTKY

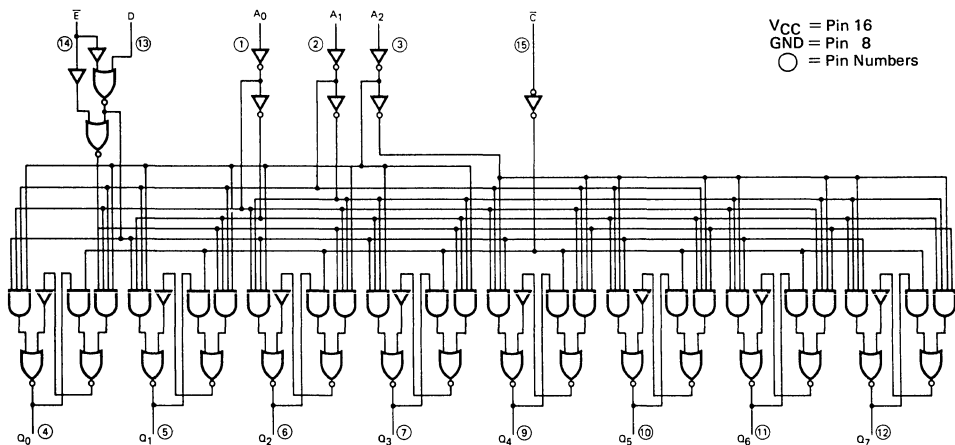
CONNECTION DIAGRAM DIP (TOP VIEW)



J Suffix — Case 620-08 (Ceramic)
 N Suffix — Case 648-05 (Plastic)

5

LOGIC DIAGRAM



SN54LS/74LS259

FUNCTIONAL DESCRIPTION — The SN54LS/74LS259 has four modes of operation as shown in the mode selection table. In the addressable latch mode, data on the Data line (D) is written into the addressed latch. The addressed latch will follow the data input with all non-addressed latches remaining in their previous states. In the memory mode, all latches remain in their previous state and are unaffected by the Data or Address inputs.

In the one-of-eight decoding or demultiplexing mode, the addressed output will follow the state of the D input with all other inputs in the LOW state. In the clear mode all outputs are LOW and unaffected by the address and data inputs.

When operating the SN54LS/74LS259 as an addressable latch, changing more than one bit of the address could impose a transient wrong address. Therefore, this should only be done while in the memory mode.

The truth table below summarizes the operations.

| MODE SELECTION | | | TRUTH TABLE | | | | | | | | | | MODE | | | | |
|----------------|-----------|---|-------------|-----------|---|----------------|----------------|----------------|--------------------|----------------|----------------|----------------|------|----------------|----------------|----------------|--------------------|
| \bar{E} | \bar{C} | MODE | \bar{C} | \bar{E} | D | A ₀ | A ₁ | A ₂ | Q ₀ | Q ₁ | Q ₂ | Q ₃ | | Q ₄ | Q ₅ | Q ₆ | Q ₇ |
| L | H | Addressable Latch | L | H | X | X | X | X | L | L | L | L | L | L | L | L | L |
| H | H | Memory | L | L | L | L | L | L | L | L | L | L | L | L | L | L | L |
| L | L | Active HIGH Eight-Channel Demultiplexer | L | L | H | L | L | L | H | L | L | L | L | L | L | L | L |
| H | L | Clear | L | L | L | H | L | L | L | L | L | L | L | L | L | L | L |
| | | | L | L | H | H | L | L | L | H | L | L | L | L | L | L | L |
| | | | . | . | . | . | . | . | . | . | . | . | . | . | . | . | . |
| | | | . | . | . | . | . | . | . | . | . | . | . | . | . | . | . |
| | | | . | . | . | . | . | . | . | . | . | . | . | . | . | . | . |
| | | | . | . | . | . | . | . | . | . | . | . | . | . | . | . | . |
| | | | L | L | H | H | H | H | L | L | L | L | L | L | L | L | H |
| | | | H | H | X | X | X | X | Q _{N-1} → | | | | | | | | Memory |
| | | | H | I | I | L | L | L | L | L | L | L | L | L | L | L | L |
| | | | H | L | H | L | L | L | L | L | L | L | L | L | L | L | L |
| | | | H | L | L | H | L | L | L | L | L | L | L | L | L | L | L |
| | | | H | L | H | H | L | L | L | L | L | L | L | L | L | L | L |
| | | | . | . | . | . | . | . | . | . | . | . | . | . | . | . | . |
| | | | . | . | . | . | . | . | . | . | . | . | . | . | . | . | . |
| | | | . | . | . | . | . | . | . | . | . | . | . | . | . | . | . |
| | | | . | . | . | . | . | . | . | . | . | . | . | . | . | . | . |
| | | | H | L | L | H | H | H | L | L | L | L | L | L | L | L | L |
| | | | H | L | H | H | H | H | L | L | L | L | L | L | L | L | L |
| | | | | | | | | | Q _{N-1} → | | | | | | | | Q _{N-1} L |
| | | | | | | | | | Q _{N-1} → | | | | | | | | Q _{N-1} H |

X = Don't Care Condition
 L = LOW Voltage Level
 H = HIGH Voltage Level
 Q_{N-1} = Previous Output State



GUARANTEED OPERATING RANGES

| SYMBOL | PARAMETER | | MIN | TYP | MAX | UNIT |
|-----------------|-------------------------------------|-------|------|-----|------|------|
| V _{CC} | Supply Voltage | 54 | 4.5 | 5.0 | 5.5 | V |
| | | 74 | 4.75 | 5.0 | 5.25 | |
| T _A | Operating Ambient Temperature Range | 54 | -55 | 25 | 125 | °C |
| | | 74 | 0 | 25 | 70 | |
| I _{OH} | Output Current — High | 54,74 | | | -0.4 | mA |
| I _{OL} | Output Current — Low | 54 | | | 4.0 | mA |
| | | 74 | | | 8.0 | |

DC CHARACTERISTICS OVER OPERATING TEMPERATURE RANGE (unless otherwise specified)

| SYMBOL | PARAMETER | | LIMITS | | | UNITS | TEST CONDITIONS |
|----------|---------------------------|-------|--------|-------|------|---------------|---|
| | | | MIN | TYP | MAX | | |
| V_{IH} | Input HIGH Voltage | | 2.0 | | | V | Guaranteed Input HIGH Voltage for All Inputs |
| V_{IL} | Input LOW Voltage | 54 | | | 0.7 | V | Guaranteed Input LOW Voltage for All Inputs |
| | | 74 | | | 0.8 | | |
| V_{IK} | Input Clamp Diode Voltage | | | -0.65 | -1.5 | V | $V_{CC} = \text{MIN}$, $I_{IN} = -18 \text{ mA}$ |
| V_{OH} | Output HIGH Voltage | 54 | 2.5 | 3.5 | | V | $V_{CC} = \text{MIN}$, $I_{OH} = \text{MAX}$, $V_{IN} = V_{IH}$ or V_{IL} per Truth Table |
| | | 74 | 2.7 | 3.5 | | V | |
| V_{OL} | Output LOW Voltage | 54,74 | | 0.25 | 0.4 | V | $I_{OL} = 4.0 \text{ mA}$ $I_{OL} = 8.0 \text{ mA}$ $V_{CC} = V_{CC} \text{ MIN}$, $V_{IN} = V_{IL}$ or V_{IH} per Truth Table |
| | | 74 | | 0.35 | 0.5 | V | |
| I_{IH} | Input HIGH Current | | | | 20 | μA | $V_{CC} = \text{MAX}$, $V_{IN} = 2.7 \text{ V}$ |
| | | | | | 0.1 | mA | $V_{CC} = \text{MAX}$, $V_{IN} = 7.0 \text{ V}$ |
| I_{IL} | Input LOW Current | | | | -0.4 | mA | $V_{CC} = \text{MAX}$, $V_{IN} = 0.4 \text{ V}$ |
| I_{OS} | Short Circuit Current | | -20 | | -100 | mA | $V_{CC} = \text{MAX}$ |
| I_{CC} | Power Supply Current | | | | 36 | mA | $V_{CC} = \text{MAX}$ |

AC CHARACTERISTICS: $T_A = 25^\circ\text{C}$, $V_{CC} = 5.0 \text{ V}$

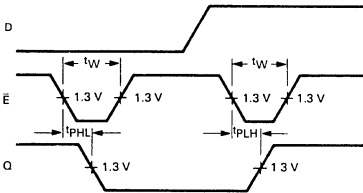
| SYMBOL | PARAMETER | | LIMITS | | | UNITS | CONDITIONS |
|-----------|-----------------------------------|--|--------|-----|-----|-------|-----------------------|
| | | | MIN | TYP | MAX | | |
| t_{PLH} | Turn-Off Delay, Enable to Output | | | 22 | 35 | ns | $C_L = 15 \text{ pF}$ |
| t_{PHL} | Turn-On Delay, Enable to Output | | | 15 | 24 | ns | |
| t_{PLH} | Turn-Off Delay, Data to Output | | | 20 | 32 | ns | |
| | Turn-On Delay, Data to Output | | | 13 | 21 | ns | |
| t_{PLH} | Turn-Off Delay, Address to Output | | | 24 | 38 | ns | |
| t_{PHL} | Turn-On Delay, Address to Output | | | 18 | 29 | ns | |
| t_{PHL} | Turn-On Delay, Clear to Output | | | 17 | 27 | ns | |

AC SETUP REQUIREMENTS: $T_A = 25^\circ\text{C}$, $V_{CC} = 5.0\text{ V}$

| SYMBOL | PARAMETER | LIMITS | | | UNITS |
|----------|------------------------------|--------|-----|-----|-------|
| | | MIN | TYP | MAX | |
| t_s | Input Setup Time | 20 | | | ns |
| t_W | Pulse Width, Clear or Enable | 15 | | | ns |
| t_h | Hold Time, Data | 5.0 | | | ns |
| t_{h1} | Hold Time, Address | 20 | | | ns |

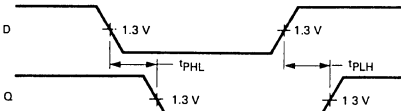
AC WAVEFORMS

Fig. 1 TURN-ON AND TURN-OFF DELAYS, ENABLE TO OUTPUT AND ENABLE PULSE WIDTH



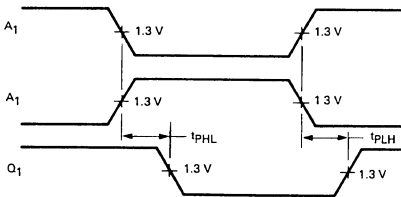
OTHER CONDITIONS: $\bar{C} = H$, $A = \text{STABLE}$

Fig. 2 TURN-ON AND TURN-OFF DELAYS, DATA TO OUTPUT



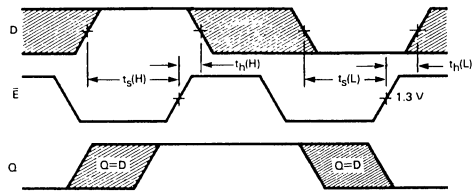
OTHER CONDITIONS: $\bar{E} = L$, $\bar{C} = H$, $A = \text{STABLE}$

Fig. 3 TURN-ON AND TURN-OFF DELAYS, ADDRESS TO OUTPUT



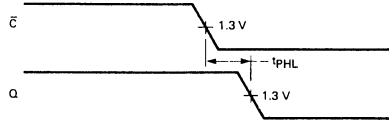
OTHER CONDITIONS: $\bar{E} = L$, $\bar{C} = L$, $D = H$

Fig. 4 SETUP AND HOLD TIME, DATA TO ENABLE



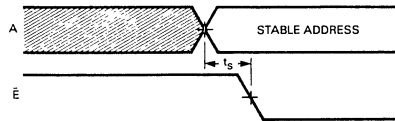
OTHER CONDITIONS: $\bar{C} = H$, $A = \text{STABLE}$

Fig. 5 TURN-ON DELAY, CLEAR TO OUTPUT



OTHER CONDITIONS: $\bar{E} = H$

Fig. 6 SETUP TIME, ADDRESS TO ENABLE (SEE NOTES 1 AND 2)



OTHER CONDITIONS: $\bar{C} = H$

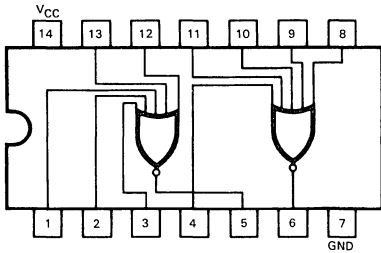
NOTES:

1. The Address to Enable Setup Time is the time before the HIGH-to-LOW Enable transition that the Address must be stable so that the correct latch is addressed and the other latches are not affected.
2. The shaded areas indicate when the inputs are permitted to change for predictable output performance.



MOTOROLA

**SN54LS260
SN74LS260**



J Suffix — Case 632-07 (Ceramic)
N Suffix — Case 646-05 (Plastic)

DUAL 5-INPUT NOR GATE

LOW POWER SCHOTTKY

GUARANTEED OPERATING RANGES

| SYMBOL | PARAMETER | | MIN | TYP | MAX | UNIT |
|-----------------|-------------------------------------|----------|-------------|------------|-------------|------|
| V _{CC} | Supply Voltage | 54 74 | 4.5 4.75 | 5.0 5.0 | 5.5 5.25 | V |
| T _A | Operating Ambient Temperature Range | 54 74 | -55 0 | 25 25 | 125 70 | °C |
| I _{OH} | Output Current — High | 54, 74 | | | -0.4 | mA |
| I _{OL} | Output Current — Low | 54 74 | | | 4.0 8.0 | mA |

DC CHARACTERISTICS OVER OPERATING TEMPERATURE RANGE (unless otherwise specified)

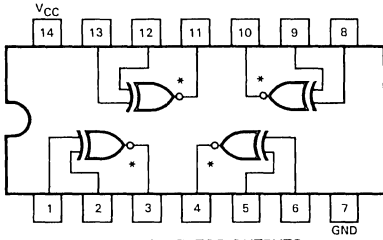
| SYMBOL | PARAMETER | LIMITS | | | UNITS | TEST CONDITIONS |
|-----------------|---|--------|-------|------|-------|--|
| | | MIN | TYP | MAX | | |
| V _{IH} | Input HIGH Voltage | 2.0 | | | V | Guaranteed Input HIGH Voltage for All Inputs |
| V _{IL} | Input LOW Voltage | 54 | | 0.7 | V | Guaranteed Input LOW Voltage for All Inputs |
| | | 74 | | 0.8 | | |
| V _{IK} | Input Clamp Diode Voltage | | -0.65 | -1.5 | V | V _{CC} = MIN, I _{IN} = -18 mA |
| V _{OH} | Output HIGH Voltage | 54 | 2.5 | 3.5 | V | V _{CC} = MIN, I _{OH} = MAX, V _{IN} = V _{IH} or V _{IL} per Truth Table |
| | | 74 | 2.7 | 3.5 | V | |
| V _{OL} | Output LOW Voltage | 54, 74 | | 0.25 | 0.4 | I _{OL} = 4.0 mA |
| | | 74 | | 0.35 | 0.5 | I _{OL} = 8.0 mA |
| I _{IH} | Input HIGH Current | | | 20 | μA | V _{CC} = MAX, V _{IN} = 2.7 V |
| | | | | 0.1 | mA | V _{CC} = MAX, V _{IN} = 7.0 V |
| I _{IL} | Input LOW Current | | | -0.4 | mA | V _{CC} = MAX, V _{IN} = 0.4 V |
| I _{OS} | Short Circuit Current | -20 | | -100 | mA | V _{CC} = MAX |
| I _{CC} | Power Supply Current Total, Output HIGH Total, Output LOW | | | 4.0 | mA | V _{CC} = MAX |
| | | | | 5.5 | | |

AC CHARACTERISTICS: T_A = 25°C

| SYMBOL | PARAMETER | LIMITS | | | UNITS | TEST CONDITIONS |
|------------------|---------------------------------|--------|-----|-----|-------|-------------------------|
| | | MIN | TYP | MAX | | |
| t _{PLH} | Turn Off Delay, Input to Output | | 5.0 | 15 | ns | V _{CC} = 5.0 V |
| t _{PHL} | Turn On Delay, Input to Output | | 6.0 | 15 | ns | C _L = 15 pF |



**SN54LS266
SN74LS266**



TRUTH TABLE

| IN | | OUT |
|----|---|-----|
| A | B | Z |
| L | L | H |
| L | H | L |
| H | L | L |
| H | H | H |

**QUAD 2-INPUT
EXCLUSIVE NOR GATE
LOW POWER SCHOTTKY**

*OPEN COLLECTOR OUTPUTS

J Suffix — Case 632-07 (Ceramic)
N Suffix — Case 646-05 (Plastic)

GUARANTEED OPERATING RANGES

| SYMBOL | PARAMETER | | MIN | TYP | MAX | UNIT |
|-----------------|-------------------------------------|-------|------|-----|------|------|
| V _{CC} | Supply Voltage | 54 | 4.5 | 5.0 | 5.5 | V |
| | | 74 | 4.75 | 5.0 | 5.25 | |
| T _A | Operating Ambient Temperature Range | 54 | -55 | 25 | 125 | °C |
| | | 74 | 0 | 25 | 70 | |
| V _{OH} | Output Voltage — High | 54,74 | | | 5.5 | V |
| I _{OL} | Output Current — Low | 54 | | | 4.0 | mA |
| | | 74 | | | 8.0 | |

DC CHARACTERISTICS OVER OPERATING TEMPERATURE RANGE (unless otherwise specified)

| SYMBOL | PARAMETER | LIMITS | | | UNITS | TEST CONDITIONS |
|-----------------|---------------------------|--------|-------|------|-------|---|
| | | MIN | TYP | MAX | | |
| V _{IH} | Input HIGH Voltage | 2.0 | | | V | Guaranteed Input HIGH Voltage for All Inputs |
| V _{IL} | Input LOW Voltage | 54 | | 0.7 | V | Guaranteed Input LOW Voltage for All Inputs |
| | | 74 | | 0.8 | | |
| V _{IK} | Input Clamp Diode Voltage | | -0.65 | -1.5 | V | V _{CC} = MIN, I _{IN} = -18 mA |
| I _{OH} | Output HIGH Current | 54,74 | | 100 | μA | V _{CC} = MIN, V _{OH} = MAX |
| | | | 0.25 | 0.4 | | |
| V _{OL} | Output LOW Voltage | 54,74 | | 0.5 | V | I _{OL} = 4.0 mA I _{OL} = 8.0 mA V _{CC} = V _{CC} MIN, V _{IN} = V _{IL} or V _{IH} per Truth Table |
| | | 74 | | 0.35 | | |
| I _{IH} | Input HIGH Current | | | 40 | μA | V _{CC} = MAX, V _{IN} = 2.7 V |
| | | | | 0.2 | | |
| I _{IL} | Input LOW Current | | | -0.8 | mA | V _{CC} = MAX, V _{IN} = 0.4 V |
| | | | | | | |
| I _{CC} | Power Supply Current | | | 13 | mA | V _{CC} = MAX |

AC CHARACTERISTICS: T_A = 25°C

| SYMBOL | PARAMETER | LIMITS | | | UNITS | CONDITIONS |
|------------------|-------------------------------------|--------|-----|-----|-------|--|
| | | MIN | TYP | MAX | | |
| t _{PLH} | Propagation Delay, Other Input LOW | | 18 | 30 | ns | V _{CC} = 5.0 V C _L = 15 pF, R _L = 2.0 kΩ |
| t _{PHL} | | | 18 | 30 | | |
| t _{PLH} | Propagation Delay, Other Input HIGH | | 18 | 30 | ns | |
| t _{PHL} | | | 18 | 30 | | |





SN54LS273 SN74LS273

DESCRIPTION — The SN54LS/74LS273 is a high-speed 8-Bit Register. The register consists of eight D-Type Flip-Flops with a Common Clock and an asynchronous active LOW Master Reset. This device is supplied in a 20-pin package featuring 0.3 inch lead spacing.

- 8-BIT HIGH SPEED REGISTER
- PARALLEL REGISTER
- COMMON CLOCK AND MASTER RESET
- INPUT CLAMP DIODES LIMIT HIGH-SPEED TERMINATION EFFECTS

OCTAL D FLIP-FLOP WITH CLEAR

LOW POWER SCHOTTKY

PIN NAMES

CP Clock (Active HIGH Going Edge) Input
 D₀–D₇ Data Inputs
 MR Master Reset (Active LOW) Input
 Q₀–Q₇ Register Outputs (Note b)

LOADING (Note a)

| | HIGH | LOW |
|--------------------------------|----------|-------------|
| CP | 0.5 U.L. | 0.25 U.L. |
| D ₀ –D ₇ | 0.5 U.L. | 0.25 U.L. |
| MR | 0.5 U.L. | 0.25 U.L. |
| Q ₀ –Q ₇ | 10 U.L. | 5(2.5) U.L. |

NOTES:

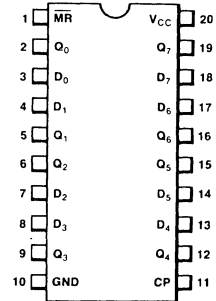
- a. 1 TTL Unit Load (U.L.) = 40 μA HIGH/1.6 mA LOW.
 b. The Output LOW drive factor is 2.5 U.L. for Military (54) and 5 U.L. for Commercial (74) Temperature Ranges.

TRUTH TABLE

| MR | CP | D _x | Q _x |
|----|----|----------------|----------------|
| L | X | X | L |
| H | | H | H |
| H | | L | L |

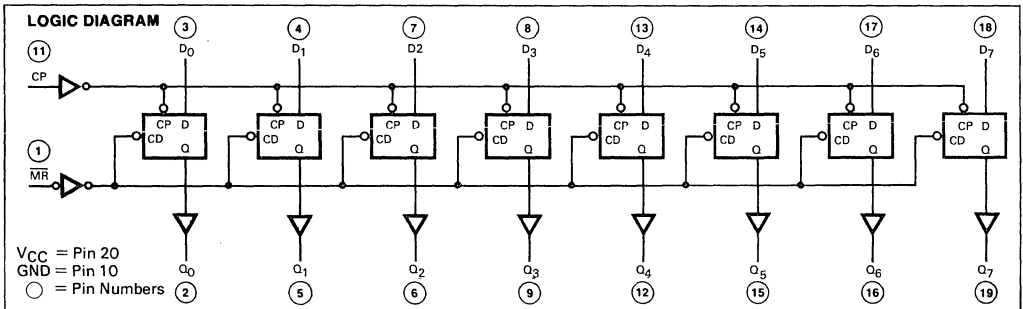
H = High Logic Level
 L = Low Logic Level
 X = Immaterial

CONNECTION DIAGRAM DIP (TOP VIEW)



J Suffix — Case 732-03 (Ceramic)
 N Suffix — Case 738-01 (Plastic)

5



FUNCTIONAL DESCRIPTION — The SN54LS/74LS273 is an 8-Bit Parallel Register with a common Clock and common Master Reset.

When the \overline{MR} input is LOW, the Q outputs are LOW, independent of the other inputs. Information meeting the setup and hold time requirements of the D inputs is transferred to the Q outputs on the LOW-to-HIGH transition of the clock input.

GUARANTEED OPERATING RANGES

| SYMBOL | PARAMETER | | MIN | TYP | MAX | UNIT |
|-----------------|-------------------------------------|----------|-------------|------------|-------------|------|
| V _{CC} | Supply Voltage | 54 74 | 4.5 4.75 | 5.0 5.0 | 5.5 5.25 | V |
| T _A | Operating Ambient Temperature Range | 54 74 | -55 0 | 25 25 | 125 70 | °C |
| I _{OH} | Output Current — High | 54,74 | | | -0.4 | mA |
| I _{OL} | Output Current — Low | 54 74 | | | 4.0 8.0 | mA |

DC CHARACTERISTICS OVER OPERATING TEMPERATURE RANGE (unless otherwise specified)

| SYMBOL | PARAMETER | | LIMITS | | | UNITS | TEST CONDITIONS |
|-----------------|---------------------------|-------|--------|-------|------|-------|--|
| | | | MIN | TYP | MAX | | |
| V _{IH} | Input HIGH Voltage | | 2.0 | | | V | Guaranteed Input HIGH Voltage for All Inputs |
| V _{IL} | Input LOW Voltage | 54 | | | 0.7 | V | Guaranteed Input LOW Voltage for All Inputs |
| | | 74 | | | 0.8 | | |
| V _{IK} | Input Clamp Diode Voltage | | | -0.65 | -1.5 | V | V _{CC} = MIN, I _{IN} = -18 mA |
| V _{OH} | Output HIGH Voltage | 54 | 2.5 | 3.5 | | V | V _{CC} = MIN, I _{OH} = MAX, V _{IN} = V _{IH} or V _{IL} per Truth Table |
| | | 74 | 2.7 | 3.5 | | V | |
| V _{OL} | Output LOW Voltage | 54,74 | | 0.25 | 0.4 | V | I _{OL} = 4.0 mA V _{CC} = V _{CC} MIN, V _{IN} = V _{IL} or V _{IH} per Truth Table |
| | | 74 | | 0.35 | 0.5 | V | |
| I _{IH} | Input HIGH Current | | | | 20 | μA | V _{CC} = MAX, V _{IN} = 2.7 V |
| I _{IL} | Input LOW Current | | | | 0.1 | mA | V _{CC} = MAX, V _{IN} = 7.0 V |
| I _{QS} | Short Circuit Current | | -20 | | -100 | mA | V _{CC} = MAX, V _{IN} = 0.4 V |
| I _{CC} | Power Supply Current | | | | 27 | mA | V _{CC} = MAX |



AC CHARACTERISTICS: $T_A = 25^\circ\text{C}$, $V_{CC} = 5.0\text{ V}$

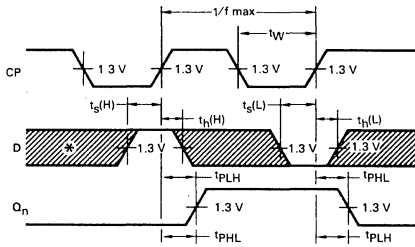
| SYMBOL | PARAMETER | LIMITS | | | UNITS | TEST CONDITIONS |
|--------------------------------------|---|--------|----------|----------|-------|-----------------|
| | | MIN | TYP | MAX | | |
| f_{MAX} | Maximum Input Clock Frequency | 30 | 40 | | MHz | Fig. 1 |
| t_{PHL} | Propagation Delay, $\overline{\text{MR}}$ to Q Output | | 18 | 27 | ns | Fig. 2 |
| t_{PLH} t_{PHL} | Propagation Delay, Clock to Output | | 17 18 | 27 27 | ns | Fig. 1 |

AC SETUP REQUIREMENTS: $T_A = 25^\circ\text{C}$, $V_{CC} = 5.0\text{ V}$

| SYMBOL | PARAMETER | LIMITS | | | UNITS | TEST CONDITIONS |
|------------------|-----------------------------|--------|-----|-----|-------|-----------------|
| | | MIN | TYP | MAX | | |
| t_{W} | Pulse Width, Clock or Clear | 20 | | | ns | Fig. 1 |
| t_{S} | Data Setup Time | 20 | | | ns | Fig. 1 |
| t_{H} | Hold Time | 5.0 | | | ns | Fig. 1 |
| t_{rec} | Recovery Time | 25 | | | ns | Fig. 2 |

AC WAVEFORMS

**CLOCK TO OUTPUT DELAYS,
CLOCK PULSE WIDTH, FREQUENCY,
SETUP AND HOLD TIMES DATA TO CLOCK**



*The shaded areas indicate when the input is permitted to change for predictable output performance.

Fig. 1

**MASTER RESET TO OUTPUT DELAY,
MASTER RESET PULSE WIDTH,
AND MASTER RESET RECOVERY TIME**

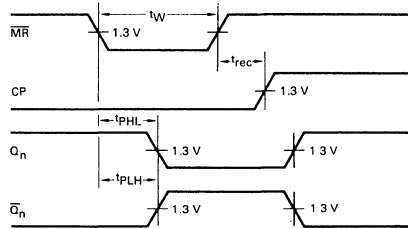


Fig. 2

DEFINITION OF TERMS:

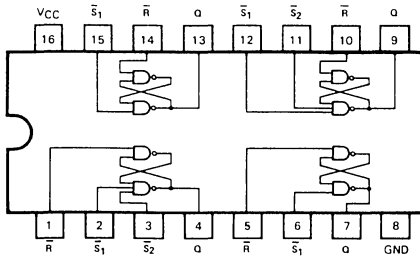
SETUP TIME (t_{S}) — is defined as the minimum time required for the correct logic level to be present at the logic input prior to the clock transition from LOW-to-HIGH in order to be recognized and transferred to the outputs.

HOLD TIME (t_{H}) — is defined as the minimum time following the clock transition from LOW-to-HIGH that the logic level must be maintained at the input in order to ensure continued recognition. A negative HOLD TIME indicates that the correct logic level may be released prior to the clock transition from LOW-to-HIGH and still be recognized.

RECOVERY TIME (t_{rec}) — is defined as the minimum time required between the end of the reset pulse and the clock transition from LOW-to-HIGH in order to recognize and transfer HIGH data to the Q outputs.



SN54LS279 SN74LS279



| INPUTS | | | OUTPUT |
|----------------|----------------|---|-----------|
| S ₁ | S ₂ | R | (Q) |
| L | L | L | h |
| L | X | H | H |
| X | L | H | H |
| H | H | L | L |
| H | H | H | No Change |

L = LOW Voltage Level
H = HIGH Voltage Level
X = Don't Care
h = The output is HIGH as long as S₁ or S₂ is LOW. If all inputs go HIGH simultaneously, the output state is indeterminate, otherwise, it follows the Truth Table

J Suffix — Case 620-08 (Ceramic)
N Suffix — Case 648-05 (Plastic)

QUAD SET-RESET LATCH LOW POWER SCHOTTKY

GUARANTEED OPERATING RANGES

| SYMBOL | PARAMETER | | MIN | TYP | MAX | UNIT |
|-----------------|-------------------------------------|----------|-------------|------------|-------------|------|
| V _{CC} | Supply Voltage | 54 74 | 4.5 4.75 | 5.0 5.0 | 5.5 5.25 | V |
| T _A | Operating Ambient Temperature Range | 54 74 | -55 0 | 25 25 | 125 70 | °C |
| I _{OH} | Output Current — High | 54,74 | | | -0.4 | mA |
| I _{OL} | Output Current — Low | 54 74 | | | 4.0 8.0 | mA |

DC CHARACTERISTICS OVER OPERATING TEMPERATURE RANGE (unless otherwise specified)

| SYMBOL | PARAMETER | LIMITS | | | UNITS | TEST CONDITIONS |
|-----------------|---------------------------|--------|-------|------|-------|--|
| | | MIN | TYP | MAX | | |
| V _{IH} | Input HIGH Voltage | 2.0 | | | V | Guaranteed Input HIGH Voltage for All Inputs |
| V _{IL} | Input LOW Voltage | 54 | | 0.7 | V | Guaranteed Input LOW Voltage for All Inputs |
| | | 74 | | 0.8 | | |
| V _{IK} | Input Clamp Diode Voltage | | -0.65 | -1.5 | V | V _{CC} = MIN, I _{IN} = -18 mA |
| V _{OH} | Output HIGH Voltage | 54 | 2.5 | 3.5 | V | V _{CC} = MIN, I _{OH} = MAX, V _{IN} = V _{IH} or V _{IL} per Truth Table |
| | | 74 | 2.7 | 3.5 | V | |
| V _{OL} | Output LOW Voltage | 54,74 | | 0.25 | 0.4 | I _{OL} = 4.0 mA I _{OL} = 8.0 mA |
| | | 74 | | 0.35 | 0.5 | |
| I _{IH} | Input HIGH Current | | | 20 | μA | V _{CC} = MAX, V _{IN} = 2.7 V |
| | | | | 0.1 | mA | V _{CC} = MAX, V _{IN} = 7.0 V |
| I _{IL} | Input LOW Current | | | -0.4 | mA | V _{CC} = MAX, V _{IN} = 0.4 V |
| I _{OS} | Short Circuit Current | -20 | | -100 | mA | V _{CC} = MAX |
| I _{CC} | Power Supply Current | | | 7.0 | mA | V _{CC} = MAX |

AC CHARACTERISTICS: T_A = 25°C

| SYMBOL | PARAMETER | LIMITS | | | UNITS | TEST CONDITIONS |
|------------------|---------------------------------|--------|-----|-----|-------|---|
| | | MIN | TYP | MAX | | |
| t _{PLH} | Propagation Delay, S̄ to Output | | 12 | 22 | ns | V _{CC} = 5.0 V C _L = 15 pF |
| t _{PHL} | | | 13 | 21 | | |
| t _{PHL} | Propagation Delay, R̄ to Output | | 15 | 27 | ns | |





DESCRIPTION — The SN54LS/74LS280 is a Universal 9-Bit Parity Generator/Checker. It features odd/even outputs to facilitate either odd or even parity. By cascading, the word length is easily expanded.

The LS280 is designed without the expander input implementation, but the corresponding function is provided by an input at Pin 4 and the absence of any connection at Pin 3. This design permits the LS280 to be substituted for the LS180 which results in improved performance. The LS280 has buffered inputs to lower the drive requirements to one LS unit load.

- GENERATES EITHER ODD OF EVEN PARITY FOR NINE DATA LINES
- TYPICAL DATA-TO-OUTPUT DELAY OF ONLY 33 ns
- CASCADABLE FOR n-BITS
- CAN BE USED TO UPGRADE SYSTEMS USING MSI PARITY CIRCUITS
- TYPICAL POWER DISSIPATION = 80 mW

FUNCTION TABLE

| NUMBER OF INPUTS A THRU 1 THAT ARE HIGH | OUTPUTS | |
|--|---------------|--------------|
| | Σ EVEN | Σ ODD |
| 0, 2, 4, 6, 8 | H | L |
| 1, 3, 5, 7, 9 | L | H |

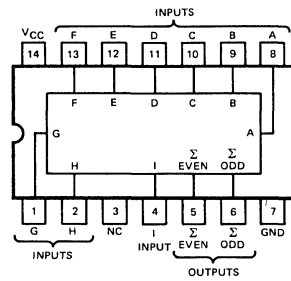
H = high level, L = low level

SN54LS280 SN74LS280

9-BIT ODD/EVEN PARITY GENERATORS/CHECKERS

LOW POWER SCHOTTKY

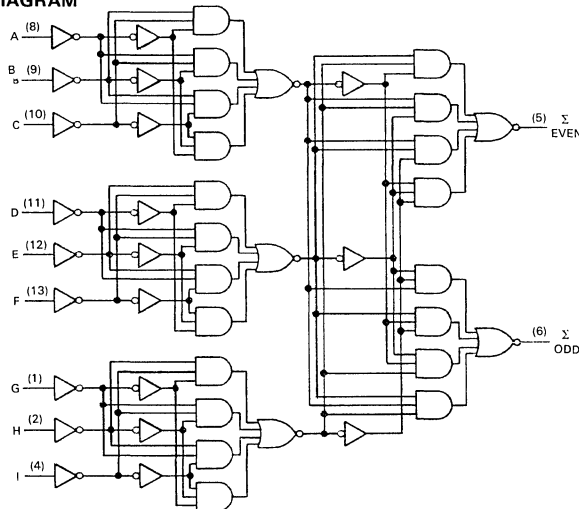
(TOP VIEW)



J Suffix — Case 632-07 (Ceramic)
N Suffix — Case 646-05 (Plastic)

5

FUNCTIONAL BLOCK DIAGRAM



GUARANTEED OPERATING RANGES

| SYMBOL | PARAMETER | | MIN | TYP | MAX | UNIT |
|-----------------|-------------------------------------|-------|------|-----|------|------|
| V _{CC} | Supply Voltage | 54 | 4.5 | 5.0 | 5.5 | V |
| | | 74 | 4.75 | 5.0 | 5.25 | |
| T _A | Operating Ambient Temperature Range | 54 | -55 | 25 | 125 | °C |
| | | 74 | 0 | 25 | 70 | |
| I _{OH} | Output Current — High | 54,74 | | | -0.4 | mA |
| I _{OL} | Output Current — Low | 54 | | | 4.0 | mA |
| | | 74 | | | 8.0 | |

DC CHARACTERISTICS OVER OPERATING TEMPERATURE RANGE (unless otherwise specified)

| SYMBOL | PARAMETER | LIMITS | | | UNITS | TEST CONDITIONS |
|-----------------|---------------------------|--------|-------|------|-------|--|
| | | MIN | TYP | MAX | | |
| V _{IH} | Input HIGH Voltage | 2.0 | | | V | Guaranteed Input HIGH Voltage for All Inputs |
| V _{IL} | Input LOW Voltage | 54 | | 0.7 | V | Guaranteed Input LOW Voltage for All Inputs |
| | | 74 | | 0.8 | | |
| V _{IK} | Input Clamp Diode Voltage | | -0.65 | -1.5 | V | V _{CC} = MIN, I _{IN} = -18 mA |
| V _{OH} | Output HIGH Voltage | 54 | 2.5 | 3.5 | V | V _{CC} = MIN, I _{OH} = MAX, V _{IN} = V _{IH} or V _{IL} per Truth Table |
| | | 74 | 2.7 | 3.5 | V | |
| V _{OL} | Output LOW Voltage | 54,74 | | 0.25 | 0.4 | I _{OL} = 4.0 mA |
| | | 74 | | 0.35 | 0.5 | I _{OL} = 8.0 mA |
| | | | | | V | V _{CC} = V _{CC} MIN, V _{IN} = V _{IL} or V _{IH} per Truth Table |
| I _{IH} | Input HIGH Current | | | 20 | μA | V _{CC} = MAX, V _{IN} = 2.7 V |
| | | | | 0.1 | mA | V _{CC} = MAX, V _{IN} = 7.0 V |
| I _{IL} | Input LOW Current | | | -0.4 | mA | V _{CC} = MAX, V _{IN} = 0.4 V |
| I _{OS} | Short Circuit Current | -20 | | -100 | mA | V _{CC} = MAX |
| I _{CC} | Power Supply Current | | | 27 | mA | V _{CC} = MAX |

AC CHARACTERISTICS: T_A = 25°C, V_{CC} = 5.0 V

| SYMBOL | PARAMETER | LIMITS | | | UNITS | TEST CONDITIONS |
|------------------|---|--------|-----|-----|-------|------------------------|
| | | MIN | TYP | MAX | | |
| t _{PLH} | Propagation Delay, Data to Output Σ EVEN | | 33 | 50 | ns | C _L = 15 pF |
| t _{PHL} | | | 29 | 45 | | |
| t _{PLH} | Propagation Delay, Data to Output Σ ODD | | 23 | 35 | ns | |
| t _{PHL} | | | 31 | 50 | | |





SN54LS283 SN74LS283

DESCRIPTION — The SN54LS/74LS283 is a high-speed 4-Bit Binary Full Adder with internal carry lookahead. It accepts two 4-bit binary words ($A_1 - A_4$, $B_1 - B_4$) and a Carry Input (C_0). It generates the binary Sum outputs ($\Sigma_1 - \Sigma_4$) and the Carry Output (C_4) from the most significant bit. The LS283 operates with either active HIGH or active LOW operands (positive or negative logic).

4-BIT BINARY FULL ADDER WITH FAST CARRY

LOW POWER SCHOTTKY

PIN NAMES

$A_1 - A_4$ Operand A Inputs
 $B_1 - B_4$ Operand B Inputs
 C_0 Carry Input
 $\Sigma_1 - \Sigma_4$ Sum Outputs (Note b)
 C_4 Carry Output (Note b)

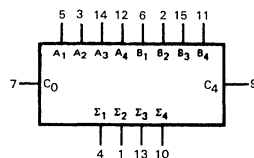
LOADING (Note a)

| | HIGH | LOW |
|-----------------------|----------|-------------|
| $A_1 - A_4$ | 1.0 U.L. | 0.5 U.L. |
| $B_1 - B_4$ | 1.0 U.L. | 0.5 U.L. |
| C_0 | 0.5 U.L. | 0.25 U.L. |
| $\Sigma_1 - \Sigma_4$ | 10 U.L. | 5(2.5) U.L. |
| C_4 | 10 U.L. | 5(2.5) U.L. |

NOTES:

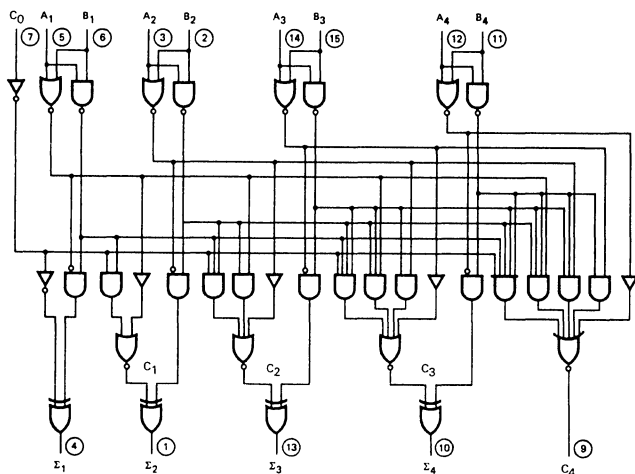
- a. 1 TTL Unit Load (U.L.) = 40 μ A HIGH/1.6 mA LOW.
 b. The Output LOW drive factor is 2.5 U.L. for Military (54) and 5 U.L. for Commercial (74) Temperature Ranges

LOGIC SYMBOL



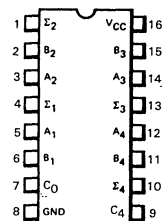
V_{CC} = Pin 16
 GND = Pin 8

LOGIC DIAGRAM



V_{CC} = Pin 16
 GND = Pin 8
 ○ = Pin Numbers

CONNECTION DIAGRAM DIP (TOP VIEW)



J Suffix — Case 620-08 (Ceramic)
 N Suffix — Case 648-05 (Plastic)

NOTES:
 The Flatpak version has the same pinouts (Connection Diagram) as the Dual In-Line Package.

FUNCTIONAL DESCRIPTION — The LS283 adds two 4-bit binary words (A plus B) plus the incoming carry. The binary sum appears on the sum outputs (Σ_1 — Σ_4) and outgoing carry (C_4) outputs.

$$C_0 + (A_1+B_1)+2(A_2+B_2)+4(A_3+B_3)+8(A_4+B_4) = \Sigma_1+2 \Sigma_2+4 \Sigma_3+8 \Sigma_4+16C_4$$

Where: (+) = plus

Due to the symmetry of the binary add function the LS283 can be used with either all inputs and outputs active HIGH (positive logic) or with all inputs and outputs active LOW (negative logic). Note that with active HIGH inputs, Carry Input can not be left open, but must be held LOW when no carry in is intended.

Example:

| | C ₀ | A ₁ | A ₂ | A ₃ | A ₄ | B ₁ | B ₂ | B ₃ | B ₄ | Σ_1 | Σ_2 | Σ_3 | Σ_4 | C ₄ |
|--------------|----------------|----------------|----------------|----------------|----------------|----------------|----------------|----------------|----------------|------------|------------|------------|------------|----------------|
| logic levels | L | L | H | L | H | H | L | L | H | H | H | L | L | H |
| Active HIGH | 0 | 0 | 1 | 0 | 1 | 1 | 0 | 0 | 1 | 1 | 1 | 0 | 0 | 1 |
| Active LOW | 1 | 1 | 0 | 1 | 0 | 0 | 1 | 1 | 0 | 0 | 0 | 1 | 1 | 0 |

(10+9=19)
(carry+5+6=12)

Interchanging inputs of equal weight does not affect the operation, thus C₀, A₁, B₁, can be arbitrarily assigned to pins 7, 5 or 3.

FUNCTIONAL TRUTH TABLE

| C (n-1) | A _n | B _n | Σ_n | C _n |
|---------|----------------|----------------|------------|----------------|
| L | L | L | L | L |
| L | L | H | H | L |
| L | H | L | H | L |
| L | H | H | L | H |
| H | L | L | H | L |
| H | L | H | L | H |
| H | H | L | L | H |
| H | H | H | H | H |

C₁ — C₃ are generated internally
 C₀ is an external input
 C₄ is an output generated internally

GUARANTEED OPERATING RANGES

| SYMBOL | PARAMETER | | MIN | TYP | MAX | UNIT |
|-----------------|-------------------------------------|-------|------|-----|------|------|
| V _{CC} | Supply Voltage | 54 | 4.5 | 5.0 | 5.5 | V |
| | | 74 | 4.75 | 5.0 | 5.25 | |
| T _A | Operating Ambient Temperature Range | 54 | -55 | 25 | 125 | °C |
| | | 74 | 0 | 25 | 70 | |
| I _{OH} | Output Current — High | 54,74 | | | -0.4 | mA |
| I _{OL} | Output Current — Low | 54 | | | 4.0 | mA |
| | | 74 | | | 8.0 | |

DC CHARACTERISTICS OVER OPERATING TEMPERATURE RANGE (unless otherwise specified)

| SYMBOL | PARAMETER | | LIMITS | | | UNITS | TEST CONDITIONS |
|-----------------|---------------------------|----------------|--------|-------|------|-------|--|
| | | | MIN | TYP | MAX | | |
| V _{IH} | Input HIGH Voltage | | 2.0 | | | V | Guaranteed Input HIGH Voltage for All Inputs |
| V _{IL} | Input LOW Voltage | 54 | | | 0.7 | V | Guaranteed Input LOW Voltage for All Inputs |
| | | 74 | | | 0.8 | | |
| V _{IK} | Input Clamp Diode Voltage | | | -0.65 | -1.5 | V | V _{CC} = MIN, I _{IN} = -18 mA |
| V _{OH} | Output HIGH Voltage | 54 | 2.5 | 3.5 | | V | V _{CC} = MIN, I _{OH} = MAX, V _{IN} = V _{IH} or V _{IL} per Truth Table |
| | | 74 | 2.7 | 3.5 | | V | |
| V _{OL} | Output LOW Voltage | 54,74 | | 0.25 | 0.4 | V | I _{OL} = 4.0 mA V _{CC} = V _{CC} MIN, V _{IN} = V _{IL} or V _{IH} per Truth Table |
| | | 74 | | 0.35 | 0.5 | V | |
| I _{IH} | Input HIGH Current | C ₀ | | | 20 | μA | V _{CC} = MAX, V _{IN} = 2.7 V |
| | | Any A or B | | | 40 | μA | |
| | | C ₀ | | | 0.1 | mA | V _{CC} = MAX, V _{IN} = 7.0 V |
| | | Any A or B | | | 0.2 | mA | |
| I _{IL} | Input LOW Current | C ₀ | | | -0.4 | mA | V _{CC} = MAX, V _{IN} = 0.4 V |
| | | Any A or B | | | -0.8 | mA | |
| I _{OS} | Short Circuit Current | | -20 | | -100 | mA | V _{CC} = MAX |
| I _{CC} | Power Supply Current | | | | | | V _{CC} = MAX |
| | Total, Output HIGH | | | | 34 | mA | |
| | Total, Output LOW | | | | 39 | mA | |

AC CHARACTERISTICS: T_A = 25°C, V_{CC} = 5.0 V

| SYMBOL | PARAMETER | | LIMITS | | | UNITS | CONDITIONS |
|------------------|--|--|--------|-----|-----|-------|---|
| | | | MIN | TYP | MAX | | |
| t _{PLH} | Propagation Delay, C ₀ Input to Any Σ Output | | | 16 | 24 | ns | C _L = 15 pF Figures 1 and 2 |
| t _{PHL} | to Any Σ Output | | | 15 | 24 | | |
| t _{PLH} | Propagation Delay, Any A or B Input to Σ Outputs | | | 15 | 24 | ns | |
| t _{PHL} | to Σ Outputs | | | 15 | 24 | | |
| t _{PLH} | Propagation Delay, C ₀ Input to C ₄ Output | | | 11 | 17 | ns | |
| t _{PHL} | to C ₄ Output | | | 11 | 22 | | |
| t _{PLH} | Propagation Delay, Any A or B Input to C ₄ Output | | | 11 | 17 | ns | |
| t _{PHL} | to C ₄ Output | | | 12 | 17 | | |

5

AC WAVEFORMS

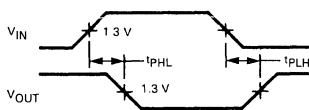


Fig. 1

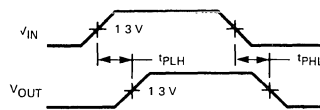


Fig. 2



SN54LS/74LS290 SN54LS/74LS293

DESCRIPTION — The SN54LS/74LS290 and SN54LS/74LS293 are high-speed 4-bit ripple type counters partitioned into two sections. Each counter has a divide-by-two section and either a divide-by-five (LS290) or divide-by-eight (LS293) section which are triggered by a HIGH-to-LOW transition on the clock inputs. Each section can be used separately or tied together (Q to CP) to form BCD, Bi-quinary, or Modulo-16 counters. Both of the counters have a 2-input gated Master Reset (Clear), and the LS290 also has a 2-input gated Master Set (Preset 9).

- CORNER POWER PIN VERSIONS OF THE LS90 and LS93
- LOW POWER CONSUMPTION . . . TYPICALLY 45 mW
- HIGH COUNT RATES . . . TYPICALLY 42 MHz
- CHOICE OF COUNTING MODES . . . BCD, BI-QUINARY, BINARY
- INPUT CLAMP DIODES LIMIT HIGH SPEED TERMINATION EFFECTS

**DECADE COUNTER;
4-BIT BINARY COUNTER**

LOW POWER SCHOTTKY

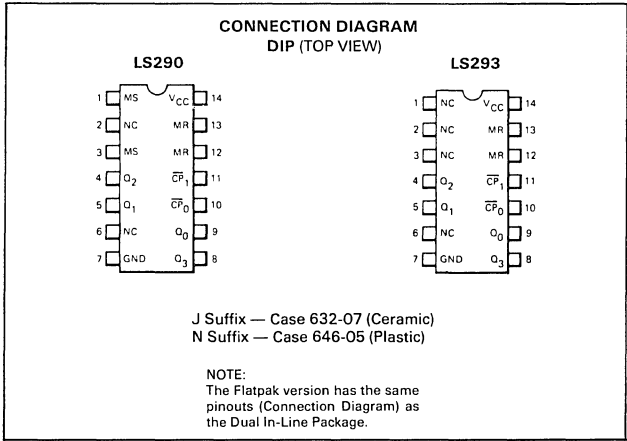
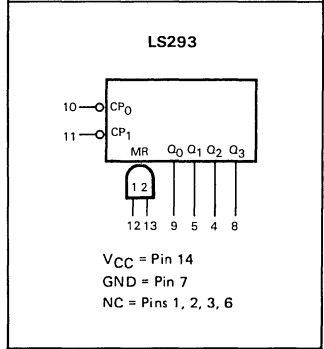
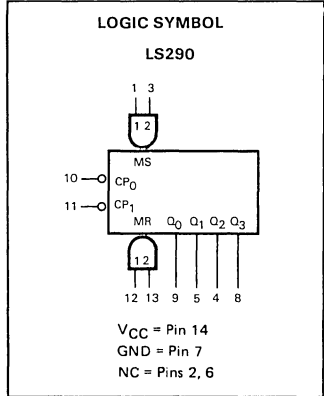
PIN NAMES

| | |
|--|--|
| \overline{CP}_0 | Clock (Active LOW going edge) Input to ÷2 Section. |
| \overline{CP}_1 | Clock (Active LOW going edge) Input to ÷5 Section (LS290). |
| \overline{CP}_1 | Clock (Active LOW going edge) Input to ÷8 Section (LS293). |
| MR ₁ , MR ₂ | Master Reset (Clear) Inputs |
| MS ₁ , MS ₂ | Master Set (Preset-9, LS290) Inputs |
| Q ₀ | Output from ÷2 Section (Notes b & c) |
| Q ₁ , Q ₂ , Q ₃ | Outputs from ÷5 & ÷8 Sections (Note b) |

LOADING (Note a)

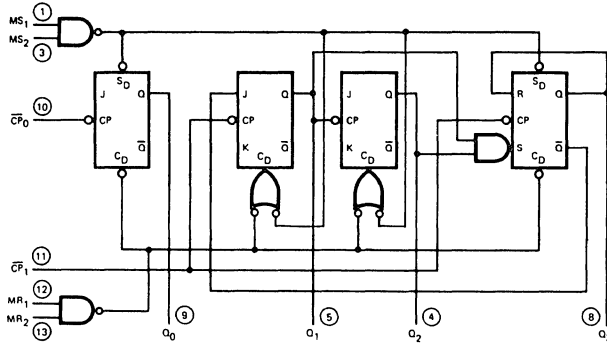
| | HIGH | LOW |
|--|-----------|-------------|
| \overline{CP}_0 | 0.05 U.L. | 1.5 U.L. |
| \overline{CP}_1 | 0.05 U.L. | 2.0 U.L. |
| \overline{CP}_1 | 0.05 U.L. | 1.0 U.L. |
| MR ₁ , MR ₂ | 0.5 U.L. | 0.25 U.L. |
| MS ₁ , MS ₂ | 0.5 U.L. | 0.25 U.L. |
| Q ₀ | 10 U.L. | 5(2.5) U.L. |
| Q ₁ , Q ₂ , Q ₃ | 10 U.L. | 5(2.5) U.L. |

- NOTES:**
- a. 1 TTL Unit Load (U.L.) = 40 μA HIGH/1.6 mA LOW.
 - b. The Output LOW drive factor is 2.5 U.L. for Military (54) and 5 U.L. for Commercial (74) Temperature Ranges.
 - c. The Q₀ Outputs are guaranteed to drive the full fan-out plus the \overline{CP}_1 Input of the device.

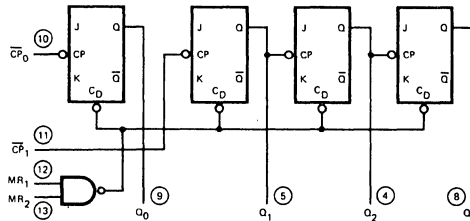


LOGIC DIAGRAMS

LS290



LS293



FUNCTIONAL DESCRIPTION — The LS290 and LS293 are 4-bit ripple type Decade, and 4-Bit Binary counters respectively. Each device consists of four master/slave flip-flops which are internally connected to provide a divide-by-two section and a divide-by-five (LS290) or divide-by-eight (LS293) section. Each section has a separate clock input which initiates state changes of the counter on the HIGH-to-LOW clock transition. State changes of the Q outputs do not occur simultaneously because of internal ripple delays. Therefore, decoded output signals are subject to decoding spikes and should not be used for clocks or strobes. The Q_0 output of each device is designed and specified to drive the rated fan-out plus the \overline{CP}_1 input of the device.

A gated AND asynchronous Master Reset ($MR_1 \cdot MR_2$) is provided on both counters which overrides the clocks and resets (clears) all the flip-flops. A gated AND asynchronous Master Set ($MS_1 \cdot MS_2$) is provided on the LS290 which overrides the clocks and the MR inputs and sets the outputs to nine (HLLH).

Since the output from the divide-by-two section is not internally connected to the succeeding stages, the devices may be operated in various counting modes:

LS290

- A. BCD Decade (8421) Counter — The \overline{CP}_1 input must be externally connected to the Q_0 output. The \overline{CP}_0 input receives the incoming count and a BCD count sequence is produced.
- B. Symmetrical Bi-quinary Divide-By-Ten Counter — The Q_3 output must be externally connected to the \overline{CP}_0 input. The input count is then applied to the \overline{CP}_1 input and a divide-by-ten square wave is obtained at output Q_0 .
- C. Divide-By-Two and Divide-By-Five Counter — No external interconnections are required. The first flip-flop is used as a binary element for the divide-by-two function (\overline{CP}_0 as the input and Q_0 as the output). The \overline{CP}_1 input is used to obtain binary divide-by-five operation at the Q_3 output.

LS293

- A. 4-Bit Ripple Counter — The output Q_0 must be externally connected to input \overline{CP}_1 . The input count pulses are applied to input \overline{CP}_0 . Simultaneous division of 2, 4, 8, and 16 are performed at the Q_0 , Q_1 , Q_2 , and Q_3 outputs as shown in the truth table.
- B. 3-Bit Ripple Counter — The input count pulses are applied to input \overline{CP}_1 . Simultaneous frequency divisions of 2, 4, and 8 are available at the Q_1 , Q_2 , and Q_3 outputs. Independent use of the first flip-flop is available if the reset function coincides with reset of the 3-bit ripple-through counter.

LS290 MODE SELECTION

| RESET/SET INPUTS | | | | OUTPUTS | | | |
|------------------|-----------------|-----------------|-----------------|----------------|----------------|----------------|----------------|
| MR ₁ | MR ₂ | MS ₁ | MS ₂ | Q ₀ | Q ₁ | Q ₂ | Q ₃ |
| H | H | L | X | L | L | L | L |
| H | H | X | L | L | L | L | L |
| X | X | H | H | H | L | L | H |
| L | X | L | X | | Count | | |
| X | L | X | L | | Count | | |
| L | X | X | L | | Count | | |
| X | L | L | X | | Count | | |

LS293 MODE SELECTION

| RESET INPUTS | | OUTPUTS | | | |
|-----------------|-----------------|----------------|----------------|----------------|----------------|
| MR ₁ | MR ₂ | Q ₀ | Q ₁ | Q ₂ | Q ₃ |
| H | H | L | L | L | L |
| L | H | | Count | | |
| H | L | | Count | | |
| L | L | | Count | | |

LS290
BCD COUNT SEQUENCE

| COUNT | OUTPUT | | | |
|-------|----------------|----------------|----------------|----------------|
| | Q ₀ | Q ₁ | Q ₂ | Q ₃ |
| 0 | L | L | L | L |
| 1 | H | L | L | L |
| 2 | L | H | L | L |
| 3 | H | H | L | L |
| 4 | L | L | H | L |
| 5 | H | L | H | L |
| 6 | L | H | H | L |
| 7 | H | H | H | L |
| 8 | L | L | L | H |
| 9 | H | L | L | H |

NOTE: Output Q₀ is connected to Input CP₁ for BCD count.

H = HIGH Voltage Level
L = LOW Voltage Level
X = Don't Care

TRUTH TABLE

| COUNT | OUTPUT | | | |
|-------|----------------|----------------|----------------|----------------|
| | Q ₀ | Q ₁ | Q ₂ | Q ₃ |
| 0 | L | L | L | L |
| 1 | H | L | L | L |
| 2 | L | H | L | L |
| 3 | H | H | L | L |
| 4 | L | L | H | L |
| 5 | H | L | H | L |
| 6 | L | H | H | L |
| 7 | H | H | H | L |
| 8 | L | L | L | H |
| 9 | H | L | L | H |
| 10 | L | H | L | H |
| 11 | H | H | L | H |
| 12 | L | L | H | H |
| 13 | H | L | H | H |
| 14 | L | H | H | H |
| 15 | H | H | H | H |

Note: Output Q₀ connected to input CP₁.

GUARANTEED OPERATING RANGES

| SYMBOL | PARAMETER | | MIN | TYP | MAX | UNIT |
|-----------------|-------------------------------------|--------|------|-----|------|------|
| V _{CC} | Supply Voltage | 54 | 4.5 | 5.0 | 5.5 | V |
| | | 74 | 4.75 | 5.0 | 5.25 | |
| T _A | Operating Ambient Temperature Range | 54 | -55 | 25 | 125 | °C |
| | | 74 | 0 | 25 | 70 | |
| I _{OH} | Output Current — High | 54, 74 | | | -0.4 | mA |
| I _{OL} | Output Current — Low | 54 | | | 4.0 | mA |
| | | 74 | | | 8.0 | |

DC CHARACTERISTICS OVER OPERATING TEMPERATURE RANGE (unless otherwise specified)

| SYMBOL | PARAMETER | LIMITS | | | UNITS | TEST CONDITIONS |
|-----------------|--|--------|-------|------------------------------|-------|--|
| | | MIN | TYP | MAX | | |
| V _{IH} | Input HIGH Voltage | 2.0 | | | V | Guaranteed Input HIGH Voltage for All Inputs |
| V _{IL} | Input LOW Voltage | 54 | | 0.7 | V | Guaranteed Input LOW Voltage for All Inputs |
| | | 74 | | 0.8 | | |
| V _{JK} | Input Clamp Diode Voltage | | -0.65 | -1.5 | V | V _{CC} = MIN, I _{IN} = -18 mA |
| V _{OH} | Output HIGH Voltage | 54 | 2.5 | 3.5 | V | V _{CC} = MIN, I _{OH} = MAX, V _{IN} = V _{IH} or V _{IL} per Truth Table |
| | | 74 | 2.7 | 3.5 | V | |
| V _{OL} | Output LOW Voltage | 54, 74 | 0.25 | 0.4 | V | I _{OL} = 4.0 mA |
| | | 74 | 0.35 | 0.5 | V | I _{OL} = 8.0 mA |
| I _{IH} | Input HIGH Current | | | 20 | μA | V _{CC} = MAX, V _{IN} = 2.7 V |
| | | | | 0.1 | mA | V _{CC} = MAX, V _{IN} = 7.0 V |
| I _{IL} | Input LOW Current MS, MR CP ₀ CP ₁ (LS290) CP ₁ (LS293) | | | -0.4 -2.4 -3.2 -1.6 | mA | V _{CC} = MAX, V _{IN} = 0.4 V |
| I _{OS} | Short Circuit Current | -20 | | -100 | mA | V _{CC} = MAX |
| I _{CC} | Power Supply Current | | | 15 | mA | V _{CC} = MAX |

AC CHARACTERISTICS: $T_A = 25^\circ\text{C}$, $V_{CC} = 5.0\text{ V}$, $C_L = 15\text{ pF}$

| SYMBOL | PARAMETER | LIMITS | | | | | | UNITS |
|--------------------------------------|--|--------|----------|----------|-------|----------|----------|-------|
| | | LS290 | | | LS293 | | | |
| | | MIN | TYP | MAX | MIN | TYP | MAX | |
| f_{MAX} | $\overline{\text{CP}}_0$ Input Clock Frequency | 32 | | | 32 | | | MHz |
| f_{MAX} | $\overline{\text{CP}}_1$ Input Clock Frequency | 16 | | | 16 | | | MHz |
| t_{PLH} t_{PHL} | Propagation Delay, $\overline{\text{CP}}_0$ Input to Q_0 Output | | 10 12 | 16 18 | | 10 12 | 16 18 | ns |
| t_{PLH} t_{PHL} | $\overline{\text{CP}}_0$ Input to Q_3 Output | | 32 34 | 48 50 | | 46 46 | 70 70 | ns |
| t_{PLH} t_{PHL} | $\overline{\text{CP}}_1$ Input to Q_1 Output | | 10 14 | 16 21 | | 10 14 | 16 21 | ns |
| t_{PLH} t_{PHL} | $\overline{\text{CP}}_1$ Input to Q_2 Output | | 21 23 | 32 35 | | 21 23 | 32 35 | ns |
| t_{PLH} t_{PHL} | $\overline{\text{CP}}_1$ Input to Q_3 Output | | 21 23 | 32 35 | | 34 34 | 51 51 | ns |
| t_{PHL} | MS Input to Q_0 and Q_3 Outputs | | 20 | 30 | | | | ns |
| t_{PHL} | MS Input to Q_1 and Q_2 Outputs | | 26 | 40 | | | | ns |
| t_{PHL} | MR Input to Any Output | | 26 | 40 | | 26 | 40 | ns |

AC SETUP REQUIREMENTS: $T_A = 25^\circ\text{C}$, $V_{CC} = 5.0\text{ V}$

| SYMBOL | PARAMETER | LIMITS | | | | UNITS |
|------------------|--|--------|-----|-------|-----|-------|
| | | LS290 | | LS293 | | |
| | | MIN | MAX | MIN | MAX | |
| t_W | $\overline{\text{CP}}_0$ Pulse Width | 15 | | 15 | | ns |
| t_W | $\overline{\text{CP}}_1$ Pulse Width | 30 | | 30 | | ns |
| t_W | MS Pulse Width | 15 | | | | ns |
| t_W | MR Pulse Width | 15 | | 15 | | ns |
| t_{rec} | Recovery Time MR to $\overline{\text{CP}}$ | 25 | | 25 | | ns |

RECOVERY TIME (t_{rec}) is defined as the minimum time required between the end of the reset pulse and the clock transition from HIGH-to-LOW in order to recognize and transfer HIGH data to the Q outputs.



AC WAVE FORMS

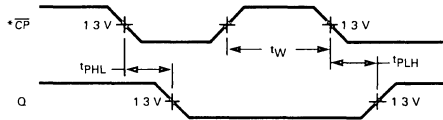


Fig. 1

*The number of Clock Pulses required between the t_{PHL} and t_{PLH} measurements can be determined from the appropriate Truth Tables.

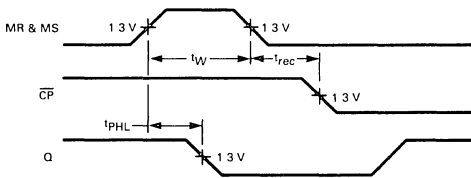


Fig. 2

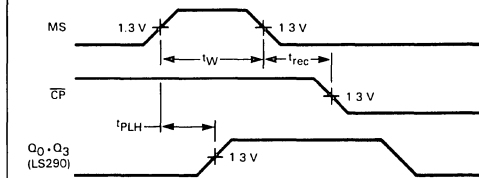


Fig. 3



SN74LS295A

DESCRIPTION — The SN74LS295A is a 4-Bit Shift Register with serial and parallel synchronous operating modes, and independent 3-state output buffers. The Parallel Enable input (PE) controls the shift-right or parallel load operation. All data transfers and shifting occur synchronous with the HIGH to LOW clock transition.

The 3-State output buffers are controlled by an active HIGH Output Enable input (EO). Disabling the output buffers does not affect the shifting or loading of input data, but it does inhibit serial expansion.

The LS295A is fabricated with the Schottky barrier diode process for high speed and is completely compatible with all Motorola TTL families.

4-BIT SHIFT REGISTERS WITH 3-STATE OUTPUTS

LOW POWER SCHOTTKY

- FULLY SYNCHRONOUS SERIAL OR PARALLEL DATA TRANSFERS
- NEGATIVE EDGE-TRIGGERED CLOCK INPUT
- PARALLEL ENABLE MODE CONTROL INPUT
- 3-STATE BUSSABLE OUTPUT BUFFERS
- INPUT CLAMP DIODES LIMIT HIGH SPEED TERMINATION EFFECTS

PIN NAMES

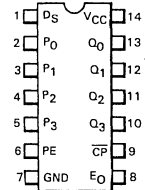
| | |
|--------------------------------|---|
| PE | Parallel Enable Input |
| DS | Serial Data Input |
| P ₀ —P ₃ | Parallel Data Input |
| EO | Output Enable Input |
| CP | Clock Pulse (Active LOW Going Edge) Input |
| Q ₀ —Q ₃ | 3-State Outputs |

| LOADING (Note a) | |
|------------------|-----------|
| HIGH | LOW |
| 0.5 U.L. | 0.25 U.L. |
| 0.5 U.L. | 0.25 U.L. |
| 0.5 U.L. | 0.25 U.L. |
| 0.5 U.L. | 0.25 U.L. |
| 10 U.L. | 5 U.L. |

NOTE:

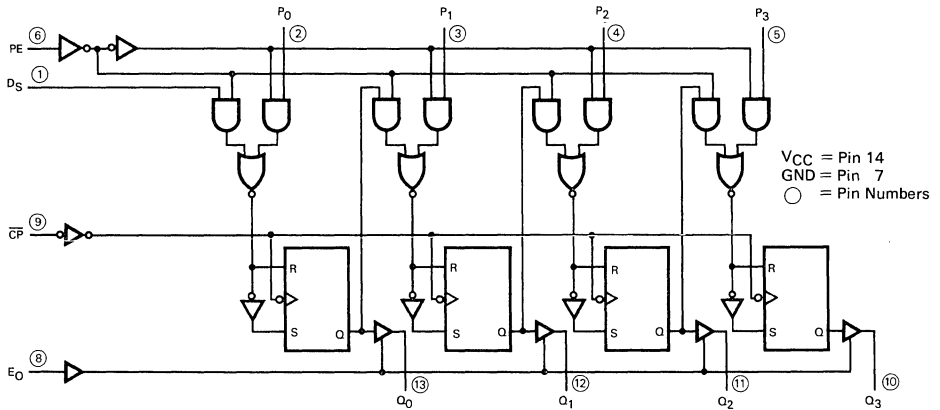
a. 1 TTL Unit Load (U.L.) = 40 μ A HIGH/1.6 mA LOW.

CONNECTION DIAGRAM DIP (TOP VIEW)



J Suffix — Case 632-07 (Ceramic)
N Suffix — Case 646-05 (Plastic)

LOGIC DIAGRAM



5

FUNCTIONAL DESCRIPTION — The LS295A is a 4-Bit Shift Register with serial and parallel synchronous operating modes. It has a Serial Data (D_S) and four Parallel Data (P_0 – P_3) inputs and four parallel 3-State output buffers (Q_0 – Q_3). When the Parallel Enable (PE) input is HIGH, data is transferred from the Parallel Data Inputs (P_0 – P_3) into the register synchronous with the HIGH to LOW transition of the Clock (CP). When the PE is LOW, a HIGH to LOW transition on the clock transfers the serial data on the D_S input to register Q_0 , and shifts data from Q_0 to Q_1 , Q_1 to Q_2 and Q_2 to Q_3 . The input data and parallel enable are fully edge-triggered and must be stable only one set-up time before the HIGH to LOW clock transition.

The 3-State output buffers are controlled by an active HIGH Output Enable input (E_O). When the E_O is HIGH, the four register outputs appear at the Q_0 – Q_3 outputs. When E_O is LOW, the outputs are forced to a high impedance "off" state. The 3-State output buffers are completely independent of the register operation, i.e., the input transitions on the E_O input do not affect the serial or parallel data transfers of the register. If the outputs are tied together, all but one device must be in the high impedance state to avoid high currents that would exceed the maximum ratings. Designers should ensure that Output Enable signals to 3-State devices whose outputs are tied together are designed so there is no overlap.

MODE SELECT – TRUTH TABLE

| OPERATING MODE | INPUTS | | | | OUTPUTS* | | | |
|----------------|--------|-----------------|-------|-------|----------|-------|-------|-------|
| | PE | \overline{CP} | D_S | P_n | Q_0 | Q_1 | Q_2 | Q_3 |
| Shift Right | l | \downarrow | l | X | L | q_0 | q_1 | q_2 |
| | l | \downarrow | h | X | H | q_0 | q_1 | q_2 |
| Parallel Load | h | \downarrow | X | p_n | p_0 | p_1 | p_2 | p_3 |

*The indicated data appears at the Q outputs when E_O is HIGH. When E_O is LOW, the indicated data is loaded into the register, but the outputs are all forced to the high impedance "off" state.

- L = LOW Voltage Levels
- H = HIGH Voltage Levels
- X = Don't Care

$p_n(q_n)$ = Lower case letters indicate the state of the referenced input (or output) one set-up time prior to the HIGH to LOW clock transition.

l = LOW Voltage Level one set-up time prior to the HIGH to LOW clock transition.

h = HIGH Voltage Level one set-up time prior to the HIGH to LOW clock transition.



GUARANTEED OPERATING RANGES

| SYMBOL | PARAMETER | MIN | TYP | MAX | UNIT |
|----------|-------------------------------------|------|-----|------|------|
| V_{CC} | Supply Voltage | 4.75 | 5.0 | 5.25 | V |
| T_A | Operating Ambient Temperature Range | 0 | 25 | 70 | °C |
| I_{OH} | Output Current — High | | | -0.4 | mA |
| I_{OL} | Output Current — Low | | | 8.0 | mA |

DC CHARACTERISTICS OVER OPERATING TEMPERATURE RANGE (unless otherwise specified)

| SYMBOL | PARAMETER | LIMITS | | | UNITS | TEST CONDITIONS |
|------------------|---------------------------|--------|-------|------|-------|---|
| | | MIN | TYP | MAX | | |
| V _{IH} | Input HIGH Voltage | 2.0 | | | V | Guaranteed Input HIGH Voltage for All Inputs |
| V _{IL} | Input LOW Voltage | | | 0.8 | V | Guaranteed Input LOW Voltage for All Inputs |
| V _{IK} | Input Clamp Diode Voltage | | -0.65 | -1.5 | V | V _{CC} = MIN, I _{IN} = -18 mA |
| V _{OH} | Output HIGH Voltage | 2.7 | 3.5 | | V | V _{CC} = MIN, I _{OH} = MAX, V _{IN} = V _{IH} or V _{IL} per Truth Table |
| V _{OL} | Output LOW Voltage | | 0.25 | 0.4 | V | I _{OL} = 4.0 mA V _{CC} = V _{CC} MIN, V _{IN} = V _{IL} or V _{IH} per Truth Table |
| | | | 0.35 | 0.5 | V | |
| I _{OZH} | Output Off Current HIGH | | | 20 | μA | V _{CC} = MAX, V _{OUT} = 2.4 V |
| I _{OZL} | Output Off Current LOW | | | -20 | μA | V _{CC} = MAX, V _{OUT} = 0.4 V |
| I _{IH} | Input HIGH Current | | | 20 | μA | V _{CC} = MAX, V _{IN} = 2.7 V |
| | | | | 0.1 | mA | |
| I _{IL} | Input LOW Current | | | -0.4 | mA | V _{CC} = MAX, V _{IN} = 0.4 V |
| I _{OS} | Short Circuit Current | -20 | | -100 | mA | V _{CC} = MAX |
| I _{CC} | Power Supply Current | | | | | V _{CC} = MAX, E _O = 4.5 V, \overline{CP} momentary 3.0 V, then GND |
| | Total, Output HIGH | | | 29 | mA | V _{CC} = MAX, E _O = GND, \overline{CP} = GND |
| | Total, Output LOW | | | 33 | | |

AC CHARACTERISTICS: T_A = 25°C

| SYMBOL | PARAMETER | LIMITS | | | UNITS | TEST CONDITIONS |
|--------------------------------------|---|--------|----------|----------|-------|---|
| | | MIN | TYP | MAX | | |
| f _{MAX} | Maximum Clock Frequency | 30 | 45 | | MHz | C _L = 15 pF V _{CC} = 5.0 V |
| t _{PLH} t _{PHL} | Propagation Delay Clock to Output | | 14 19 | 20 30 | ns | |
| t _{PZH} | Output Enable Time to HIGH LEVEL | | 18 | 26 | ns | |
| t _{PZL} | Output Enable Time to LOW Level | | 20 | 30 | ns | |
| t _{PLZ} t _{PHZ} | Output Disable Time from LOW Level Output Disable Time from HIGH Level | | 13 13 | 20 20 | ns | |

5

AC SETUP REQUIREMENTS: $T_A = 25^\circ\text{C}$, $V_{CC} = 5.0\text{ V}$

| SYMBOL | PARAMETER | LIMITS | | | UNITS | TEST CONDITIONS |
|--------|-------------------|--------|-----|-----|-------|---|
| | | MIN | TYP | MAX | | |
| t_W | Clock Pulse Width | 16 | | | ns | $V_{CC} = 5.0\text{ V}$ $C_L = 15\text{ pF}$ |
| t_s | Data Setup Time | 20 | | | ns | |
| t_h | Data Hold Time | 0 | | | ns | |

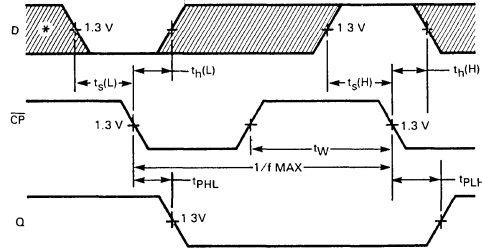
DEFINITION OF TERMS:

SETUP TIME (t_s) — is defined as the minimum time required for the correct logic level to be present at the logic input prior to the clock transition from HIGH to LOW in order to be recognized and transferred to the outputs.

HOLD TIME (t_h) — is defined as the minimum time following the clock transition from HIGH to LOW that the logic level must be maintained at the input in order to ensure continued recognition. A negative HOLD TIME indicates that the correct logic level may be released prior to the clock transition from HIGH to LOW and still be recognized.

AC WAVEFORMS

The shaded areas indicate when the input is permitted to change for predictable output performance.



*The Data Input is D_S for PE = LOW and P_n for PE = HIGH.

Fig. 1

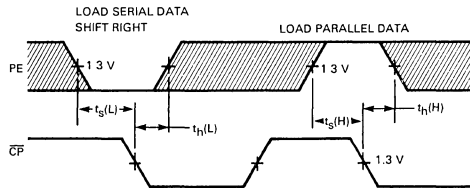


Fig. 2



SN54LS298 SN74LS298

DESCRIPTION — The SN54LS/74LS298 is a Quad 2-Port Register. It is the logical equivalent of a quad 2-input multiplexer followed by a quad 4-bit edge-triggered register. A Common Select input selects between two 4-bit input ports (data sources.) The selected data is transferred to the output register synchronous with the HIGH to LOW transition of the Clock input.

The LS298 is fabricated with the Schottky barrier process for high speed and is completely compatible with all Motorola TTL families.

- **SELECT FROM TWO DATA SOURCES**
- **FULLY EDGE-TRIGGERED OPERATION**
- **TYPICAL POWER DISSIPATION OF 65 mW**
- **INPUT CLAMP DIODES LIMIT HIGH SPEED TERMINATION EFFECTS**

PIN NAMES

| | |
|----------------------------------|-------------------------------------|
| S | Common Select Input |
| CP | Clock (Active LOW Going Edge) Input |
| I _{0a} —I _{0d} | Data Inputs From Source 0 |
| I _{1a} —I _{1d} | Data Inputs From Source 1 |
| Q _a —Q _d | Register Outputs (Note b) |

LOADING (Note a)

| | HIGH | LOW |
|----------------------------------|----------|-------------|
| S | 0.5 U.L. | 0.25 U.L. |
| CP | 0.5 U.L. | 0.25 U.L. |
| I _{0a} —I _{0d} | 0.5 U.L. | 0.25 U.L. |
| I _{1a} —I _{1d} | 0.5 U.L. | 0.25 U.L. |
| Q _a —Q _d | 10 U.L. | 5(2.5) U.L. |

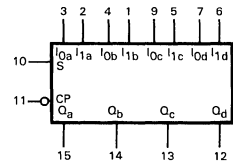
NOTES:

- a. 1 TTL Unit Load (U.L.) = 40 μ A HIGH/1.6 mA LOW.
- b. The Output LOW drive factor is 2.5 U.L. for Military (54) and 5 U.L. for Commercial (74) Temperature Ranges.

QUAD 2-INPUT MULTIPLEXER WITH STORAGE

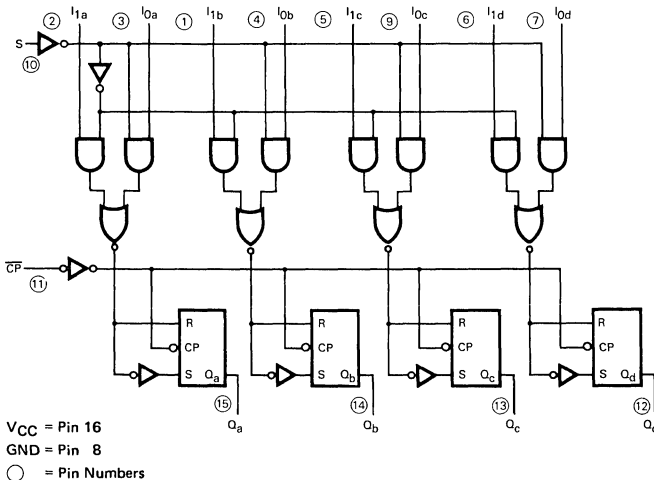
LOW POWER SCHOTTKY

LOGIC SYMBOL

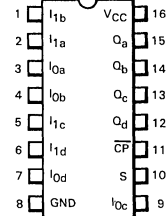


V_{CC} = Pin 16
GND = Pin 8

LOGIC OR BLOCK DIAGRAM



CONNECTION DIAGRAM DIP (TOP VIEW)



J Suffix — Case 620-08 (Ceramic)
N Suffix — Case 648-05 (Plastic)

NOTE:

The Flatpak version has the same pinouts (Connection Diagram) as the Dual In-Line Package.

FUNCTIONAL DESCRIPTION — The LS298 is a high speed Quad 2-Port Register. It selects four bits of data from two sources (ports) under the control of a Common Select Input (S). The selected data is transferred to the 4-bit output register synchronous with the HIGH to LOW transition of the Clock input (CP). The 4-bit output register is fully edge-triggered. The Data inputs (I) and Select input (S) must be stable only one setup time prior to the HIGH to LOW transition of the clock for predictable operation.

TRUTH TABLE

| INPUTS | | | OUTPUT |
|--------|----------------|----------------|--------|
| S | I ₀ | I ₁ | Q |
| l | l | X | L |
| l | h | X | H |
| h | X | l | L |
| h | X | h | H |

L = LOW Voltage Level
H = HIGH Voltage Level
X = Don't Care
l = LOW Voltage Level one setup time prior to the HIGH to LOW clock transition.
h = HIGH Voltage Level one setup time prior to the HIGH to LOW clock transition.

GUARANTEED OPERATING RANGES

| SYMBOL | PARAMETER | | MIN | TYP | MAX | UNIT |
|-----------------|-------------------------------------|----------|-------------|------------|-------------|------|
| V _{CC} | Supply Voltage | 54 74 | 4.5 4.75 | 5.0 5.0 | 5.5 5.25 | V |
| T _A | Operating Ambient Temperature Range | 54 74 | -55 0 | 25 25 | 125 70 | °C |
| I _{OH} | Output Current — High | 54,74 | | | -0.4 | mA |
| I _{OL} | Output Current — Low | 54 74 | | | 4.0 8.0 | mA |

DC CHARACTERISTICS OVER OPERATING TEMPERATURE RANGE (unless otherwise specified)

| SYMBOL | PARAMETER | LIMITS | | | UNITS | TEST CONDITIONS |
|-----------------|---------------------------|--------|-------|------|-------|---|
| | | MIN | TYP | MAX | | |
| V _{IH} | Input HIGH Voltage | 2.0 | | | V | Guaranteed Input HIGH Voltage for All Inputs |
| V _{IL} | Input LOW Voltage | 54 | | 0.7 | V | Guaranteed Input LOW Voltage for All Inputs |
| | | 74 | | 0.8 | | |
| V _{IK} | Input Clamp Diode Voltage | | -0.65 | -1.5 | V | V _{CC} = MIN, I _{IN} = -18 mA |
| V _{OH} | Output HIGH Voltage | 54 | 2.5 | 3.5 | V | V _{CC} = MIN, I _{OH} = MAX, V _{IN} = V _{IH} or V _{IL} per Truth Table |
| | | 74 | 2.7 | 3.5 | V | |
| V _{OL} | Output LOW Voltage | 54,74 | | 0.25 | 0.4 | I _{OL} = 4.0 mA I _{OL} = 8.0 mA V _{CC} = V _{CC} MIN, V _{IN} = V _{IL} or V _{IH} per Truth Table |
| | | 74 | | 0.35 | 0.5 | |
| I _{IH} | Input HIGH Current | | | 20 | μA | V _{CC} = MAX, V _{IN} = 2.7 V |
| I _{IL} | Input LOW Current | | | 0.1 | mA | V _{CC} = MAX, V _{IN} = 7.0 V |
| I _{OS} | Short Circuit Current | | | -0.4 | mA | V _{CC} = MAX, V _{IN} = 0.4 V |
| I _{CC} | Power Supply Current | -20 | | -100 | mA | V _{CC} = MAX |
| | | | | 21 | mA | V _{CC} = MAX |

AC CHARACTERISTICS: $T_A = 25^\circ\text{C}$, $V_{CC} = 5.0\text{ V}$

| SYMBOL | PARAMETER | LIMITS | | | UNITS | TEST CONDITIONS |
|-----------|--------------------|--------|-----|-----|-------|-------------------------|
| | | MIN | TYP | MAX | | |
| t_{PLH} | Propagation Delay, | | 18 | 27 | ns | $V_{CC} = 5.0\text{ V}$ |
| t_{PHL} | Clock to Output | | 21 | 32 | ns | $C_L = 15\text{ pF}$ |

AC SETUP REQUIREMENTS: $T_A = 25^\circ\text{C}$, $V_{CC} = 5.0\text{ V}$

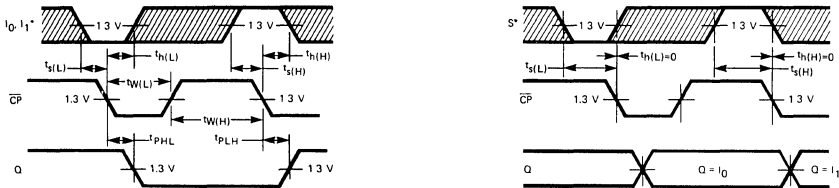
| SYMBOL | PARAMETER | LIMITS | | | UNITS | TEST CONDITIONS |
|---------------|-------------------|--------|-----|-----|-------|-------------------------|
| | | MIN | TYP | MAX | | |
| t_W | Clock Pulse Width | 20 | | | ns | $V_{CC} = 5.0\text{ V}$ |
| t_s | Data Setup Time | 15 | | | ns | |
| $t_{\bar{s}}$ | Select Setup Time | 25 | | | ns | |
| t_h | Data Hold Time | 5.0 | | | ns | |
| $t_{\bar{h}}$ | Select Hold Time | 0 | | | | |

DEFINITIONS OF TERMS:

SETUP TIME (t_s) – is defined as the minimum time required for the correct logic level to be present at the logic input prior to the clock transition from LOW to HIGH in order to be recognized and transferred to the outputs.

HOLD TIME (t_h) – is defined as the minimum time following the clock transition from LOW to HIGH that the logic level must be maintained at the input in order to ensure continued recognition. A negative HOLD TIME indicates that the correct logic level may be released prior to the clock transition from LOW to HIGH and still be recognized.

AC WAVEFORMS



*The shaded areas indicate when the input is permitted to change for predictable output performance.

Fig. 1

Fig. 2

5



SN54LS299 SN74LS299

DESCRIPTION — The SN54LS/74LS299 is an 8-Bit Universal Shift/Storage Register with 3-state outputs. Four modes of operation are possible: hold (store), shift left, shift right and load data.

The parallel load inputs and flip-flop outputs are multiplexed to reduce the total number of package pins. Separate outputs are provided for flip-flops Q_0 and Q_7 to allow easy cascading. A separate active LOW Master Reset is used to reset the register.

- COMMON I/O FOR REDUCED PIN COUNT
- FOUR OPERATION MODES: SHIFT LEFT, SHIFT RIGHT, LOAD AND STORE
- SEPARATE SHIFT RIGHT SERIAL INPUT AND SHIFT LEFT SERIAL INPUT FOR EASY CASCADING
- 3-STATE OUTPUTS FOR BUS ORIENTED APPLICATIONS
- INPUT CLAMP DIODES LIMIT HIGH-SPEED TERMINATION EFFECTS

8-BIT SHIFT/STORAGE REGISTER WITH 3-STATE OUTPUTS

LOW POWER SCHOTTKY

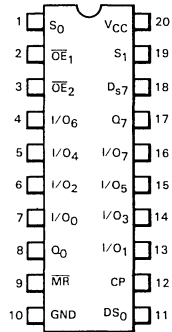
PIN NAMES

| | | LOADING (Note a) | |
|------------------------------------|---|------------------|--------------|
| | | HIGH | LOW |
| CP | Clock Pulse (active positive-going edge) Input | 0.5 U.L. | 0.25 U.L. |
| DS ₀ | Serial Data Input for Right Shift | 0.5 U.L. | 0.25 U.L. |
| DS ₇ | Serial Data Input for Left Shift | 0.5 U.L. | 0.25 U.L. |
| I/O _n | Parallel Data Input or Parallel Output (3-State) (Note c) | 0.5 U.L. | 0.25 U.L. |
| $\overline{OE}_1, \overline{OE}_2$ | 3-State Output Enable (active LOW) Inputs | 65(25) U.L. | 15(7.5) U.L. |
| Q ₀ , Q ₇ | Serial Outputs (Note b) | 0.5 U.L. | 0.25 U.L. |
| \overline{MR} | Asynchronous Master Reset (active LOW) Input | 10 U.L. | 5(2.5) U.L. |
| S ₀ , S ₁ | Mode Select Inputs | 0.5 U.L. | 0.25 U.L. |
| | | 1 U.L. | 0.5 U.L. |

NOTES:

- a. 1 TTL Unit Load (U.L.) = 40 μ A HIGH/1.6 mA LOW.
- b. The Output LOW drive factor is 2.5 U.L. for Military (54) and 5 U.L. for Commercial (74) Temperature Ranges.
- c. The Output LOW drive factor is 7.5 U.L. for Military (54) and 15 U.L. for Commercial (74), The Output HIGH drive factor is 25 U.L. for Military (54) and 65 U.L. for Commercial (74) Temperature Ranges.

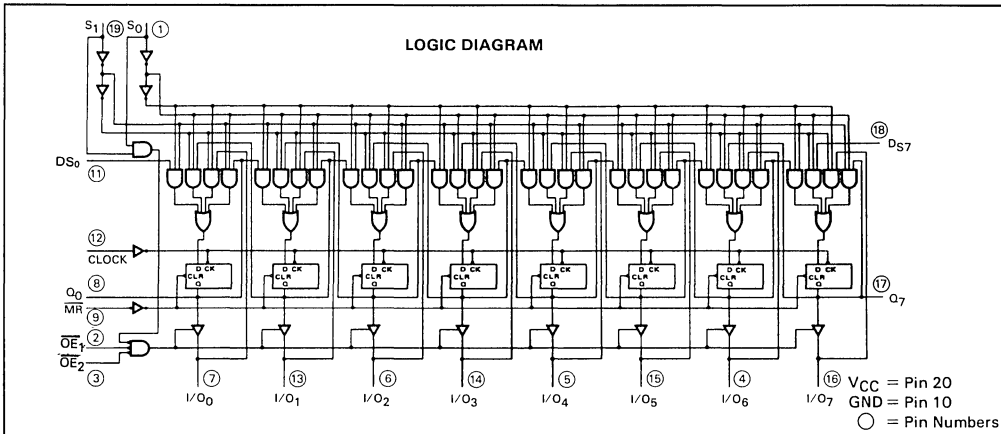
CONNECTION DIAGRAM DIP (TOP VIEW)



J Suffix — Case 732-03 (Ceramic)
N Suffix — Case 738-01 (Plastic)

NOTE:
The Flatpak version has the same pinouts (Connection Diagram) as the Dual In-Line Package.

5



GUARANTEED OPERATING RANGES

| SYMBOL | PARAMETER | | MIN | TYP | MAX | UNIT | |
|-----------------|-------------------------------------|--|----------|-------------|------------|--------------|----|
| V _{CC} | Supply Voltage | | 54 74 | 4.5 4.75 | 5.0 5.0 | 5.5 5.25 | V |
| T _A | Operating Ambient Temperature Range | | 54 74 | -55 0 | 25 25 | 125 70 | °C |
| I _{OH} | Output Current — High | Q ₀ , Q ₇ | 54, 74 | | | -0.4 | mA |
| I _{OL} | Output Current — Low | Q ₀ , Q ₇ Q ₀ , Q ₇ | 54 74 | | | 4.0 8.0 | mA |
| I _{OH} | Output Current — High | 1/O ₀ —1/O ₇ 1/O ₀ —1/O ₇ | 54 74 | | | -1.0 -2.6 | mA |
| I _{OL} | Output Current — Low | 1/O ₀ —1/O ₇ 1/O ₀ —1/O ₇ | 54 74 | | | 12 24 | mA |

DC CHARACTERISTICS OVER OPERATING TEMPERATURE RANGE (unless otherwise specified)

| SYMBOL | PARAMETER | LIMITS | | | UNITS | TEST CONDITIONS |
|------------------|---|---|-----|---------------|-------|---|
| | | MIN | TYP | MAX | | |
| V _{IH} | Input HIGH Voltage | 54 | 2.0 | | V | Guaranteed Input HIGH Voltage for All Inputs |
| V _{IL} | Input LOW Voltage | 54 | | 0.7 | V | Guaranteed Input LOW Voltage for All Inputs |
| | | 74 | | 0.8 | | |
| V _{IK} | Input Clamp Diode Voltage | | | -0.65 -1.5 | V | V _{CC} = MIN, I _{IN} = -18 mA |
| V _{OH} | Output HIGH Voltage 1/O ₀ —1/O ₇ | 54 | 2.4 | 3.2 | V | V _{CC} = MIN, I _{OH} = MAX |
| | | 74 | 2.4 | 3.1 | V | |
| V _{OH} | Output HIGH Voltage Q ₀ , Q ₇ | 54 | 2.5 | 3.4 | V | V _{CC} = MIN, I _{OH} = MAX |
| | | 74 | 2.7 | 3.4 | V | |
| V _{OL} | Output LOW Voltage 1/O ₀ —1/O ₇ | 54, 74 | | 0.25 0.4 | V | I _{OL} = 12 mA I _{OL} = 24 mA V _{CC} = V _{CC} MIN, V _{IN} = V _{IL} or V _{IH} per Truth Table |
| | | 74 | | 0.35 0.5 | V | |
| V _{OL} | Output LOW Voltage Q ₀ —Q ₇ | 54, 74 | | 0.4 | V | I _{OL} = 4.0 mA I _{OL} = 8.0 mA V _{CC} = V _{CC} MIN, V _{IN} = V _{IL} or V _{IH} per Truth Table |
| | | 74 | | 0.5 | V | |
| I _{OZH} | Output Off Current HIGH 1/O ₀ —1/O ₇ | | | 40 | μA | V _{CC} = MAX, V _{OUT} = 2.4 V |
| I _{OZL} | Output Off Current LOW 1/O ₀ —1/O ₇ | | | -400 | μA | V _{CC} = MAX, V _{OUT} = 0.4 V |
| I _{IH} | Input HIGH Current | Others | | 20 | μA | V _{CC} = MAX, V _{IN} = 2.7 V |
| | | S ₀ , S ₁ , 1/O ₀ —1/O ₇ | | 40 | μA | |
| | | Others | | 0.1 | mA | V _{CC} = MAX, V _{IN} = 7.0 V |
| | | S ₀ , S ₁ , 1/O ₀ —1/O ₇ | | 0.2 | mA | |
| I _{IL} | Input LOW Current | Others | | -0.4 | mA | V _{CC} = MAX, V _{IN} = 0.4 V |
| | | S ₀ , S ₁ | | -0.8 | mA | |
| I _{OS} | Short Circuit Current | Q ₀ , Q ₇ | -20 | -100 | mA | V _{CC} = MAX |
| | | 1/O ₀ —1/O ₇ | -30 | -130 | mA | V _{CC} = MAX |
| I _{CC} | Power Supply Current | | | 53 | mA | V _{CC} = MAX |

FUNCTION TABLE

| INPUTS | | | | | | | | RESPONSE |
|--------|----------------|----------------|-----------------|-----------------|-----------------------|-----------------|-----------------|--|
| MR | S ₁ | S ₀ | OE ₁ | OE ₂ | CP | DS ₀ | DS ₇ | |
| L | X | X | H | X | X | X | X | Asynchronous Reset; Q ₀ = Q ₇ = LOW I/O Voltage Undetermined |
| L | X | X | X | H | X | X | X | |
| L | H | H | X | X | X | X | X | |
| L | L | X | L | L | X | X | X | Asynchronous Reset; Q ₀ = Q ₇ = LOW I/O Voltage LOW |
| L | X | L | L | L | X | X | X | |
| H | L | H | X | X | $\overline{\text{J}}$ | D | X | Shift Right; D→Q ₀ ; Q ₀ →Q ₁ ; etc. Shift Right; D→Q ₀ & I/O ₀ ; Q ₀ →Q ₁ & I/O ₁ ; etc. |
| H | L | H | L | L | $\overline{\text{J}}$ | D | X | |
| H | H | L | X | X | $\overline{\text{J}}$ | X | D | Shift Left; D→Q ₇ ; Q ₇ →Q ₆ ; etc. Shift Left; D→Q ₇ & I/O ₇ ; Q ₇ →Q ₆ & I/O ₆ ; etc. |
| H | H | L | L | L | $\overline{\text{J}}$ | X | D | |
| H | H | H | X | X | $\overline{\text{J}}$ | X | X | Parallel Load; I/O _n →Q _n |
| H | L | L | H | X | X | X | X | Hold: I/O Voltage undetermined |
| H | L | L | X | H | X | X | X | |
| H | L | L | L | L | X | X | X | Hold: I/O _n = Q _n |

H = HIGH Voltage Level

L = LOW Voltage Level

X = Immaterial

AC CHARACTERISTICS: T_A = 25°C, V_{CC} = 5.0 V

| SYMBOL | PARAMETER | LIMITS | | | UNITS | TEST CONDITIONS |
|------------------|---|--------|-----|-----|-------|---|
| | | MIN | TYP | MAX | | |
| f _{MAX} | Maximum Clock Frequency | 25 | 35 | | MHz | C _L = 15 pF |
| t _{PHL} | Propagation Delay, Clock to Q ₀ or Q ₇ | | 26 | 39 | ns | |
| t _{PLH} | | | 22 | 33 | | |
| t _{PHL} | Propagation Delay, Clear to Q ₀ or Q ₇ | | 27 | 40 | ns | |
| t _{PHL} | Propagation Delay, Clock to I/O ₀ — I/O ₇ | | 26 | 39 | ns | C _L = 45 pF, R _L = 667 Ω |
| t _{PLH} | | | 17 | 25 | | |
| t _{PHL} | Propagation Delay, Clear to I/O ₀ — I/O ₇ | | 26 | 40 | ns | |
| t _{PZH} | Output Enable Time | | 13 | 21 | ns | |
| t _{PZL} | | | 19 | 30 | | |
| t _{PHZ} | Output Disable Time | | 10 | 15 | ns | C _L = 5.0 pF |
| t _{PLZ} | | | 10 | 15 | | |

AC SETUP REQUIREMENTS: T_A = 25°C, V_{CC} = 5.0 V

| SYMBOL | PARAMETER | LIMITS | | | UNITS | TEST CONDITIONS |
|------------------|------------------------|--------|-----|-----|-------|-------------------------|
| | | MIN | TYP | MAX | | |
| t _W | Clock Pulse Width HIGH | 25 | | | ns | V _{CC} = 5.0 V |
| t _W | Clock Pulse Width LOW | 15 | | | ns | |
| t _W | Clear Pulse Width LOW | 20 | | | ns | |
| t _s | Data Setup Time | 20 | | | ns | |
| t _s | Select Setup Time | 35 | | | ns | |
| t _h | Data Hold Time | 0 | | | ns | |
| t _h | Select Hold Time | 10 | | | ns | |
| t _{rec} | Recovery Time | 20 | | | ns | |

3- STATE WAVEFORMS

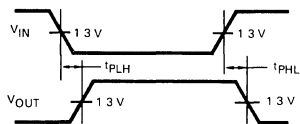


Fig. 1

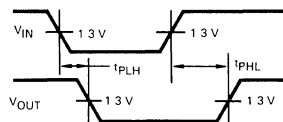


Fig. 2

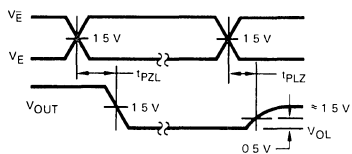


Fig. 3

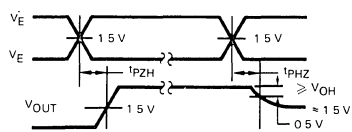
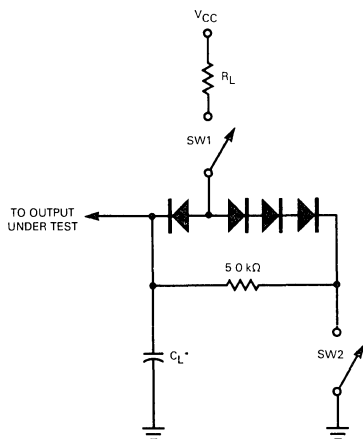


Fig. 4

AC LOAD CIRCUIT



*Includes Jig and Probe Capacitance

SWITCH POSITIONS

| SYMBOL | SW1 | SW2 |
|-----------|--------|--------|
| t_{PZH} | Open | Closed |
| t_{PZL} | Closed | Open |
| t_{PLZ} | Closed | Closed |
| t_{PHZ} | Closed | Closed |

Fig. 5



SN54LS322A SN74LS322A

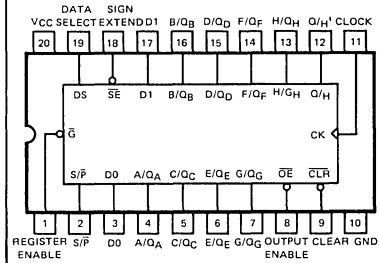
DESCRIPTION — These 8-bit shift registers have multiplexed input/output data ports to accomplish full 8-bit data handling in a single 20-pin package. Serial data may enter the shift-right register through either D0 or D1 inputs as selected by the data select pin. A serial output is also provided. Synchronous parallel loading is achieved by taking the register enable and the S/P inputs low. This places the three-state input/output ports in the data input mode. Data is entered on the low-to-high clock transition. The data extend function repeats the sign in the Q_A flip-flop during shifting. An overriding clear input clears the internal registers when taken low whether the outputs are enabled or off. The output enable does not affect synchronous operation of the register.

- MULTIPLEXED INPUTS/OUTPUTS PROVIDE IMPROVED BIT DENSITY
- SIGN EXTEND FUNCTION
- DIRECT OVERRIDING CLEAR
- 3-STATE OUTPUTS DRIVE BUS LINES DIRECTLY

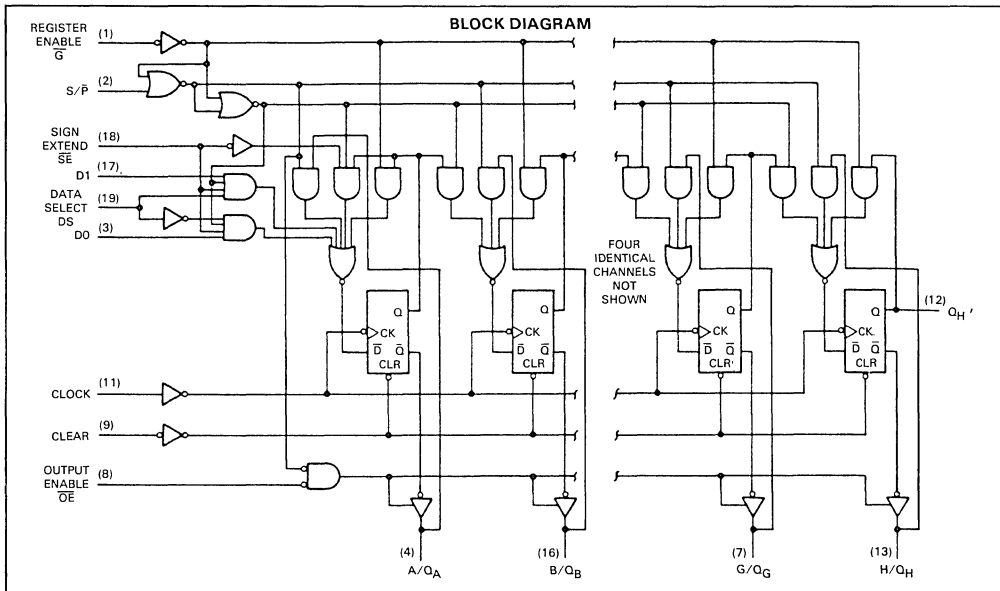
8-BIT SHIFT REGISTERS WITH SIGN EXTEND

LOW POWER SCHOTTKY

(TOP VIEW)



J Suffix — Case 732-03 (Ceramic)
N Suffix — Case 738-01 (Plastic)



GUARANTEED OPERATING RANGES

| SYMBOL | PARAMETER | | MIN | TYP | MAX | UNIT | |
|-----------------|-------------------------------------|--|----------|-------------|------------|--------------|----|
| V _{CC} | Supply Voltage | | 54 74 | 4.5 4.75 | 5.0 5.0 | 5.5 5.25 | V |
| T _A | Operating Ambient Temperature Range | | 54 74 | -55 0 | 25 25 | 125 70 | °C |
| I _{OH} | Output Current — High | Q _H ' | 54,74 | | | -0.4 | mA |
| I _{OL} | Output Current — Low | Q _H ' Q _H ' | 54 74 | | | 4.0 8.0 | mA |
| I _{OH} | Output Current — High | Q _A -Q _H Q _A -Q _H | 54 74 | | | -1.0 -2.6 | mA |
| I _{OL} | Output Current — Low | Q _A -Q _H Q _A -Q _H | 54 74 | | | 12 24 | mA |

DC CHARACTERISTICS OVER OPERATING TEMPERATURE RANGE (unless otherwise specified)

| SYMBOL | PARAMETER | LIMITS | | | UNITS | TEST CONDITIONS | |
|------------------|---------------------------|--------------------------------|-------|------|-------|---|---|
| | | MIN | TYP | MAX | | | |
| V _{IH} | Input HIGH Voltage | 2.0 | | | V | Guaranteed Input HIGH Voltage for All Inputs | |
| V _{IL} | Input LOW Voltage | 54 | | 0.7 | V | Guaranteed Input LOW Voltage for All Inputs | |
| | | 74 | | 0.8 | | | |
| V _{IK} | Input Clamp Diode Voltage | | -0.65 | -1.5 | V | V _{CC} = MIN, I _{IN} = -18 mA | |
| V _{OH} | Output HIGH Voltage | 54 | 2.4 | 3.2 | V | V _{CC} = MIN, I _{OH} = MAX | |
| | | 74 | 2.4 | 3.2 | V | | |
| V _{OH} | Output HIGH Voltage | 54 | 2.5 | 3.4 | V | V _{CC} = MIN, I _{OH} = MAX | |
| | | 74 | 2.7 | 3.4 | V | | |
| V _{OL} | Output LOW Voltage | 54,74 | | 0.25 | 0.4 | V | I _{OL} = 12 mA I _{OL} = 24 mA V _{CC} = V _{CC} MIN, V _{IN} = V _{IL} or V _{IH} per Truth Table |
| | | 74 | | 0.35 | 0.5 | V | |
| V _{OL} | Output LOW Voltage | 54,74 | | | 0.4 | V | I _{OL} = 4.0 mA I _{OL} = 8.0 mA V _{CC} = V _{CC} MIN, V _{IN} = V _{IL} or V _{IH} per Truth Table |
| | | 74 | | | 0.5 | V | |
| I _{OZH} | Output Off Current HIGH | | | | 40 | μA | V _{CC} = MAX, V _{OUT} = 2.4 V |
| I _{OZL} | Output Off Current LOW | | | | -400 | μA | V _{CC} = MAX, V _{OUT} = 0.4 V |
| I _{IH} | Input HIGH Current | Other | | | 20 | μA | V _{CC} = MAX, V _{IN} = 2.7 V |
| | | A-H, Data Select | | | 40 | μA | |
| | | Sign Extend | | | 60 | μA | |
| | | Other | | | 0.1 | mA | V _{CC} = MAX, V _{IN} = 7.0 V |
| | | Data Select | | | 0.2 | mA | |
| | | Sign Extend | | | 0.3 | mA | |
| I _{IL} | Input LOW Current | A-H | | | 0.1 | mA | V _{CC} = MAX, V _{IN} = 5.5 V |
| | | Other | | | -0.4 | mA | V _{CC} = MAX, V _{IN} = 0.4 V |
| | | Data Select | | | -0.8 | mA | |
| | Sign Extend | | | | -1.2 | mA | |
| I _{OS} | Short Circuit Current | Q _H ' | -20 | | -100 | mA | V _{CC} = MAX |
| | | Q _A -Q _H | -30 | | -130 | mA | V _{CC} = MAX |
| I _{CC} | Power Supply Current | | | | 60 | mA | V _{CC} = MAX |

5

FUNCTION TABLE

| OPERATION | INPUTS | | | | | | | INPUTS/OUTPUTS | | | | OUTPUT Q _H ' |
|-------------|--------|-----------------|--------------|-------------|-------------|---------------|--------|------------------|------------------------------------|---------------------------------------|------------------------------------|------------------------------------|
| | CLEAR | REGISTER ENABLE | S/ \bar{P} | SIGN EXTEND | DATA SELECT | OUTPUT ENABLE | CLOCK | A/Q _A | B/Q _B | C/Q _C ... H/Q _H | | |
| Clear | L L | H X | X H | X X | X X | L X | X X | L L | L L | L L | L L | |
| Hold | H | H | X | X | X | L | X | Q _{A0} | Q _{B0} | Q _{C0} ... | Q _{H0} | Q _{H0} |
| Shift Right | H H | L L | H H | H H | L H | L L | ↑ ↑ | D0 D1 | Q _{An} Q _{An} | Q _{Bn} Q _{Bn} | Q _{Gn} Q _{Gn} | Q _{Gn} Q _{Gn} |
| Sign Extend | H | L | H | L | X | L | ↑ | Q _{An} | Q _{An} | Q _{Bn} | Q _{Gn} | Q _{Gn} |
| Load | H | L | L | X | X | X | ↑ | a | b | c | h | h |

When the output enable is high, the eight input/output terminals are disabled to the high-impedance state; however, sequential operation or clearing of the register is not affected. If both the register enable input and the S/P input are low while the clear input is low, the register is cleared while the eight input/output terminals are disabled to the high-impedance state.

H = high level (steady state)
 L = low level (steady state)
 X = irrelevant (any input, including transitions)
 ↑ = transition from low to high level
 Q_{A0} ... Q_{H0} = the level of Q_A through Q_H, respectively, before the indicated steady-state conditions were established
 Q_{An} ... Q_{Hn} = the level of Q_A through Q_H, respectively, before the most recent ↑ transition of the clock
 D0, D1 = the level of steady-state inputs at inputs D0 and D1 respectively
 a ... h = the level of steady-state inputs at inputs A through H respectively

AC CHARACTERISTICS: T_A = 25°C, V_{CC} = 5.0 V

| SYMBOL | PARAMETER | LIMITS | | | UNITS | TEST CONDITIONS |
|--------------------------------------|--|--------|----------|----------|-------|---|
| | | MIN | TYP | MAX | | |
| f _{MAX} | Maximum Clock Frequency | 25 | 35 | | MHz | C _L = 15 pF |
| t _{PHL} t _{PLH} | Propagation Delay, Clock to Q _H ' | | 26 22 | 35 33 | ns | |
| t _{PHL} | Propagation Delay, Clear to Q _H ' | | 27 | 35 | ns | |
| t _{PHL} t _{PLH} | Propagation Delay, Clock to Q _A -Q _H | | 22 16 | 33 25 | ns | C _L = 45 pF, R _L = 667 Ω |
| t _{PHL} | Propagation Delay, Clear to Q _A -Q _H | | 22 | 35 | ns | |
| t _{PZH} t _{PZL} | Output Enable Time | | 15 15 | 35 35 | ns | C _L = 5.0 pF |
| t _{PHZ} t _{PLZ} | Output Disable Time | | 15 15 | 25 25 | ns | |

AC SETUP REQUIREMENTS: T_A = 25°C, V_{CC} = 5.0 V

| SYMBOL | PARAMETER | LIMITS | | | UNITS | TEST CONDITIONS |
|------------------|------------------------|--------|-----|-----|-------|-------------------------|
| | | MIN | TYP | MAX | | |
| t _W | Clock Pulse Width HIGH | 25 | | | ns | V _{CC} = 5.0 V |
| t _W | Clock Pulse Width LOW | 15 | | | ns | |
| t _W | Clear Pulse Width LOW | 20 | | | ns | |
| t _s | Data Setup Time | 20 | | | ns | |
| t _s | Select Setup Time | 15 | | | ns | |
| t _h | Data Hold Time | 0 | | | ns | |
| t _h | Select Hold Time | 10 | | | ns | |
| t _{rec} | Recovery Time | 20 | | | ns | |

DEFINITION OF TERMS:

SETUP TIME t_s is defined as the minimum time required for the correct logic level to be present at the logic input prior to the clock transition from LOW-to-HIGH in order to be recognized and transferred to the outputs.

HOLD TIME t_h is defined as the minimum time following the clock transition from LOW-to-HIGH that the logic level must be maintained at the input in order to ensure continued recognition. A negative HOLD TIME indicates that the correct logic level may be released prior to the clock transition from LOW-to-HIGH and still be recognized.

RECOVERY TIME t_{rec} is defined as the minimum time required between the end of the reset pulse and the clock transition from LOW-to-HIGH in order to recognize and transfer HIGH Data to the Q outputs.





SN54LS323 SN74LS323

DESCRIPTION — The SN54LS/74LS323 is an 8-Bit Universal Shift/Storage Register with 3-state outputs. Its function is similar to the SN54LS/74LS299 with the exception of Synchronous Reset. Parallel load inputs and flip-flop outputs are multiplexed to minimize pin count. Separate inputs and outputs are provided for flip-flops Q_0 and Q_7 to allow easy cascading.

Four operation modes are possible: hold (store), shift left, shift right, and parallel load. All modes are activated on the LOW-to-HIGH transition of the Clock.

- COMMON I/O FOR REDUCED PIN COUNT
- FOUR OPERATION MODES: SHIFT LEFT, SHIFT RIGHT, PARALLEL LOAD AND STORE
- SEPARATE CONTINUOUS INPUTS AND OUTPUTS FROM Q_0 AND Q_7 ALLOW EASY CASCADING
- FULLY SYNCHRONOUS RESET
- 3-STATE OUTPUTS FOR BUS ORIENTED APPLICATIONS
- INPUT CLAMP DIODES LIMIT HIGH-SPEED TERMINATION EFFECTS

8-BIT SHIFT/STORAGE REGISTER WITH 3-STATE OUTPUTS

LOW POWER SCHOTTKY

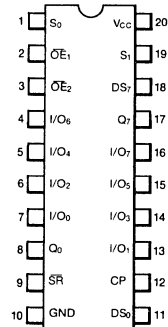
PIN NAMES

| | | LOADING (Note a) | |
|------------------------------------|---|------------------|--------------|
| | | HIGH | LOW |
| CP | Clock Pulse (active positive-going edge) Input | 0.5 U.L. | 0.25 U.L. |
| DS ₀ | Serial Data Input For Right Shift | 0.5 U.L. | 0.25 U.L. |
| DS ₇ | Serial Data Input For Left Shift | 0.5 U.L. | 0.25 U.L. |
| I/O _n | Parallel Data Input or Parallel Output (3-State) (Note c) | 1.0 U.L. | 0.5 U.L. |
| $\overline{OE}_1, \overline{OE}_2$ | 3-State Output Enable (active LOW) Inputs | 65(25) U.L. | 15(7.5) U.L. |
| Q ₀ , Q ₇ | Serial Outputs (Note b) | 10 U.L. | 5(2.5) U.L. |
| S ₀ , S ₁ | Mode Select Inputs | 1 U.L. | |
| SR | Synchronous Reset (active LOW) Input | 0.5 U.L. | 0.25 U.L. |

NOTES:

- a. 1 TTL LOAD = 40 μ A HIGH/1.6 mA LOW.
- b. The output LOW drive factor is 2.5 U.L. for Military (54) and 5 U.L. for Commercial Temperature Ranges.
- c. The output LOW drive factor is 7.5 U.L. for Military (54) and 15 U.L. for Commercial Temperature Ranges. The output HIGH drive factor is 25 U.L. for Military (54) and 65 U.L. for Commercial Temperature Ranges.

CONNECTION DIAGRAM DIP (TOP VIEW)

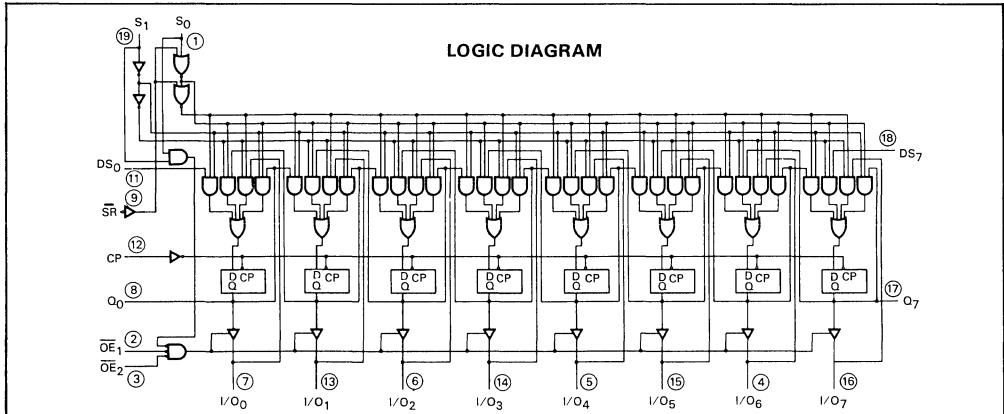


J Suffix — Case 732-03 (Ceramic)
N Suffix — Case 738-01 (Plastic)

NOTE:
The Flatpak version has the same pinouts (Connection Diagram) as the Dual In-Line Package.

5

LOGIC DIAGRAM



FUNCTIONAL DESCRIPTION The logic diagram and truth table indicate the functional characteristics of the SN54LS/74LS323 Universal Shift/Storage Register. This device is similar in operation to the SN54LS/74LS299 except for synchronous reset. A partial list of the common features are described below:

1. They use eight D-type edge-triggered flip-flops that respond only to the LOW-to-HIGH transition of the Clock (CP). The only timing restriction, therefore, is that the mode control (S₀, S₁) and data inputs (DS₀, DS₇, I/O₀-I/O₇) may be stable at least a setup time prior to the positive transition of the Clock Pulse.
2. When S₀ = S₁ = 1, I/O₀-I/O₇ are parallel inputs to flip-flops Q₀-Q₇ respectively, and the outputs of Q₀-Q₇ are in the high impedance state regardless of the state of OE₁ or OE₂.

An important unique feature of the SN54LS/74LS323 is a fully Synchronous Reset that requires only to be stable at least one setup time prior to the positive transition of the Clock Pulse.

TRUTH TABLE

| INPUTS | | | | | | | | RESPONSE | |
|----------------|----------------|----------------|-----------------|-----------------|----|-----------------|-----------------|---|--|
| S _R | S ₁ | S ₀ | OE ₁ | OE ₂ | CP | DS ₀ | DS ₇ | | |
| L | X | X | H | X | ⌄ | X | X | Synchronous Reset; Q ₀ = Q ₇ = LOW I/O voltage undetermined | |
| L | X | X | X | H | ⌄ | X | X | | |
| L | H | H | X | X | ⌄ | X | X | | |
| L | L | X | L | L | ⌄ | X | X | Synchronous Reset; Q ₀ = Q ₇ = LOW I/O voltage LOW | |
| L | X | L | L | L | ⌄ | X | X | | |
| H | L | H | X | X | ⌄ | D | X | Shift Right; D→Q ₀ ; Q ₀ →Q ₁ , etc | |
| H | L | H | L | L | ⌄ | D | X | Shift Right; D→Q ₀ & I/O ₀ ; Q ₀ →Q ₁ & I/O ₁ , etc. | |
| H | H | L | X | X | ⌄ | X | D | Shift Left; D→Q ₇ ; Q ₇ →Q ₆ , etc | |
| H | H | L | L | L | ⌄ | X | D | Shift Left; D→Q ₇ & I/O ₇ ; Q ₇ →Q ₆ & I/O ₆ ; etc | |
| H | H | H | X | X | ⌄ | X | X | Parallel Load I/O _n →Q _n | |
| H | L | L | H | X | X | X | X | Hold; I/O Voltage Undetermined | |
| H | L | L | X | H | X | X | X | | |
| H | L | L | L | L | X | X | X | Hold, I/O _n = Q _n | |

H = HIGH Voltage Level
 L = LOW Voltage Level
 X = Immaterial

GUARANTEED OPERATING RANGES

| SYMBOL | PARAMETER | | MIN | TYP | MAX | UNIT |
|-----------------|-------------------------------------|------------------------------------|-------|-----|------|------|
| V _{CC} | Supply Voltage | 54 | 4.5 | 5.0 | 5.5 | V |
| | | 74 | 4.75 | 5.0 | 5.25 | |
| T _A | Operating Ambient Temperature Range | 54 | -55 | 25 | 125 | °C |
| | | 74 | 0 | 25 | 70 | |
| I _{OH} | Output Current — High | Q ₀ , Q ₇ | 54,74 | | -0.4 | mA |
| I _{OL} | Output Current — Low | Q ₀ , Q ₇ | 54 | | 4.0 | mA |
| | | Q ₀ , Q ₇ | 74 | | 8.0 | |
| I _{OH} | Output Current — High | I/O ₀ -I/O ₇ | 54 | | -1.0 | mA |
| | | I/O ₀ -I/O ₇ | 74 | | -2.6 | |
| I _{OL} | Output Current — Low | I/O ₀ -I/O ₇ | 54 | | 12 | mA |
| | | I/O ₀ -I/O ₇ | 74 | | 24 | |

DC CHARACTERISTICS OVER OPERATING TEMPERATURE RANGE (unless otherwise specified)

| SYMBOL | PARAMETER | | LIMITS | | | UNITS | TEST CONDITIONS | | |
|------------------|---|---|--------|-------|------|-------|---|---|--|
| | | | MIN | TYP | MAX | | | | |
| V _{IH} | Input HIGH Voltage | | 2.0 | | | V | Guaranteed Input HIGH Voltage for All Inputs | | |
| V _{IL} | Input LOW Voltage | 54 | | | 0.7 | V | Guaranteed Input LOW Voltage for All Inputs | | |
| | | 74 | | | 0.8 | | | | |
| V _{IK} | Input Clamp Diode Voltage | | | -0.65 | -1.5 | V | V _{CC} = MIN, I _{IN} = -18 mA | | |
| V _{OH} | Output HIGH Voltage I/O ₀ -I/O ₇ | 54 | 2.4 | 3.2 | | V | V _{CC} = MIN, I _{OH} = MAX | | |
| | | 74 | 2.4 | 3.1 | | V | | | |
| V _{OH} | Output HIGH Voltage Q ₀ -Q ₇ | 54 | 2.5 | 3.4 | | V | V _{CC} = MIN, I _{OH} = MAX | | |
| | | 74 | 2.7 | 3.4 | | V | | | |
| V _{OL} | Output LOW Voltage I/O ₀ -I/O ₇ | 54,74 | | 0.25 | 0.4 | V | I _{OL} = 12 mA | V _{CC} = V _{CC} MIN, V _{IN} = V _{IL} or V _{IH} per Truth Table | |
| | | 74 | | 0.35 | 0.5 | V | I _{OL} = 24 mA | | |
| V _{OL} | Output LOW Voltage Q ₀ -Q ₇ | 54,74 | | | 0.4 | V | I _{OL} = 4.0 mA | V _{CC} = V _{CC} MIN, V _{IN} = V _{IL} or V _{IH} per Truth Table | |
| | | 74 | | | 0.5 | V | I _{OL} = 8.0 mA | | |
| I _{OZH} | Output Off Current HIGH I/O ₀ -I/O ₇ | | | | | 40 | μA | V _{CC} = MAX, V _{OUT} = 2.4 V | |
| I _{OZL} | Output Off Current LOW I/O ₀ -I/O ₇ | | | | | -400 | μA | V _{CC} = MAX, V _{OUT} = 0.4 V | |
| I _{IH} | Input HIGH Current | Others | | | | 20 | μA | V _{CC} = MAX, V _{IN} = 2.7 V | |
| | | S ₀ , S ₁ , I/O ₀ -I/O ₇ | | | | 40 | μA | | |
| | | Others | | | | 0.1 | mA | | V _{CC} = MAX, V _{IN} = 7.0 V |
| | | S ₀ , S ₁ | | | | 0.2 | mA | | |
| | | I/O ₀ -I/O ₇ | | | | 0.1 | mA | | |
| I _{IL} | Input LOW Current | Others | | | | -0.4 | mA | V _{CC} = MAX, V _{IN} = 0.4 V | |
| | | S ₀ , S ₁ | | | | -0.8 | mA | | |
| I _{OS} | Short Circuit Current | Q ₀ , Q ₇ | -20 | | | -100 | mA | V _{CC} = MAX | |
| | | I/O ₀ -I/O ₇ | -30 | | | -130 | mA | V _{CC} = MAX | |
| I _{CC} | Power Supply Current | | | | | 53 | mA | V _{CC} = MAX | |

5

AC CHARACTERISTICS: T_A = 25°C, V_{CC} = 5.0 V

| SYMBOL | PARAMETER | LIMITS | | | UNITS | CONDITIONS |
|--------------------------------------|---|--------|----------|----------|-------|---|
| | | MIN | TYP | MAX | | |
| f _{MAX} | Maximum Clock Frequency | 25 | 35 | | MHz | C _L = 15 pF |
| t _{PHL} t _{PLH} | Propagation Delay, Clock to Q ₀ or Q ₇ | | 26 22 | 39 33 | ns | |
| t _{PHL} t _{PLH} | Propagation Delay, Clock to I/O ₀ -I/O ₇ | | 25 17 | 39 25 | ns | C _L = 45 pF, R _L = 667 Ω |
| t _{PZH} t _{PZL} | Output Enable Time | | 14 20 | 21 30 | ns | |
| t _{PHZ} t _{PLZ} | Output Disable Time | | 10 10 | 15 15 | ns | C _L = 5.0 pF |

AC SETUP REQUIREMENTS: $T_A = 25^\circ\text{C}$, $V_{CC} = 5.0\text{ V}$

| SYMBOL | PARAMETER | LIMITS | | | UNITS | TEST CONDITIONS |
|-----------|------------------------|--------|-----|-----|-------|-------------------------|
| | | MIN | TYP | MAX | | |
| t_{W^+} | Clock Pulse Width HIGH | 25 | | | ns | $V_{CC} = 5.0\text{ V}$ |
| t_{W^-} | Clock Pulse Width LOW | 15 | | | ns | |
| t_{W^c} | Clear Pulse Width LOW | 20 | | | ns | |
| t_s | Data Setup Time | 20 | | | ns | |
| t_{s^*} | Select Setup Time | 35 | | | ns | |
| t_h | Data Hold Time | 0 | | | ns | |
| t_{h^*} | Select Hold Time | 10 | | | ns | |
| t_{rec} | Recovery Time | 20 | | | ns | |

3 - STATE WAVEFORMS

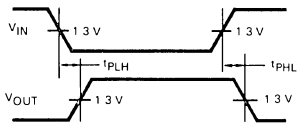


Fig. 1

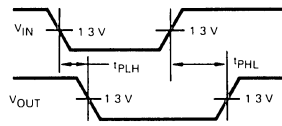


Fig. 2

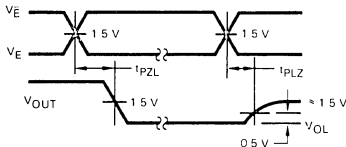


Fig. 3

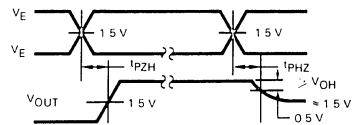
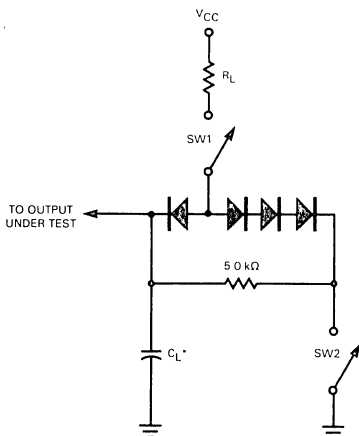


Fig. 4

AC LOAD CIRCUIT



*Includes Jig and Probe Capacitance

Fig. 5

| SWITCH POSITIONS | | |
|------------------|--------|--------|
| SYMBOL | SW1 | SW2 |
| t_{PZH} | Open | Closed |
| t_{PZL} | Closed | Open |
| t_{PLZ} | Closed | Closed |
| t_{PHZ} | Closed | Closed |



DESCRIPTION — 1The SN54LS/74LS348 and the SN54LS/74LS848 are eight input priority encoders which provide the 8-line to 3-line function.

The outputs(A0–A2) and inputs (0–7) are active low. The active low input which has the highest priority(input 7 has the highest) is represented on the outputs (output A0 is the lowest bit). An example would be if inputs 1, 2 and 4 were low, then a binary 4 would be represented on the outputs.

The GS (Group Signal) output is active low when any of the inputs are low. It serves to indicate when any of the inputs are active.

A0, A1 and A2 are three-state outputs. This allows for up to 64 line expansion without the need for special external circuitry.

A logical one on the Enable Input (EI) forces A0, A1 and A2 to the disabled state and outputs GS and EO to the high state. A high on all data inputs (0–7) together with a low on the EI input disables outputs A0, A1, and A2 and forces output GS to the high state and output EO to the low state.

Use of the EI input in conjunction with the EO output provides for the capability of having priority encoding of n input signals.

The LS848 has special internal circuitry providing for a greatly reduced negative going glitch on the GS (Group Signal) output and on a reduced tendency for the A0, A1 and A2 outputs to become momentarily enabled. Both of these occurrences happen when the EI input goes from a logical one to a logical zero and all data inputs (0–7) are held at logical ones. The internal glitch reduction circuitry does add an additional fan-in of one on all data inputs (compared to that of the LS348).

FUNCTION TABLE

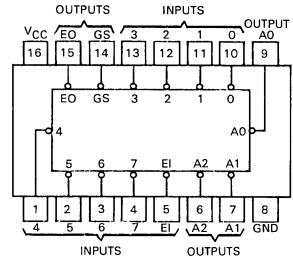
| EI | INPUTS | | | | | | | | OUTPUTS | | | | |
|----|--------|---|---|---|---|---|---|---|---------|----|----|----|----|
| | 0 | 1 | 2 | 3 | 4 | 5 | 6 | 7 | A2 | A1 | A0 | GS | EO |
| H | X | X | X | X | X | X | X | X | Z | Z | Z | H | H |
| L | H | H | H | H | H | H | H | H | Z | Z | Z | H | L |
| L | X | X | X | X | X | X | L | L | L | L | L | L | H |
| L | X | X | X | X | X | L | H | L | L | L | L | L | H |
| L | X | X | X | X | L | H | H | L | L | L | L | L | H |
| L | X | X | X | L | H | H | H | L | L | L | L | L | H |
| L | X | X | L | H | H | H | H | L | L | L | L | L | H |
| L | X | X | L | H | H | H | H | H | L | L | L | L | H |
| L | X | L | H | H | H | H | H | H | L | L | L | L | H |
| L | L | H | H | H | H | H | H | H | H | L | L | L | H |
| L | L | H | H | H | H | H | H | H | H | H | L | L | H |

H = high logic level
 L = low logic level
 X = irrelevant
 Z = high impedance state

SN54LS/74LS348 SN54LS/74LS848

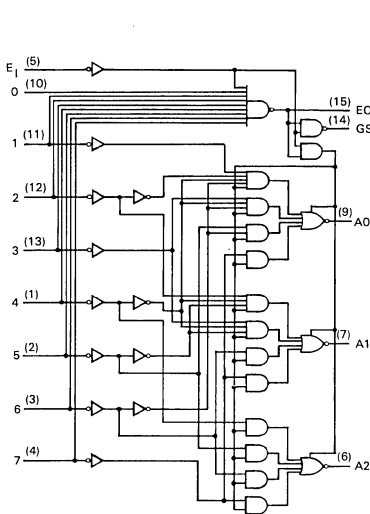
8-INPUT PRIORITY ENCODER

LOW POWER SCHOTTKY

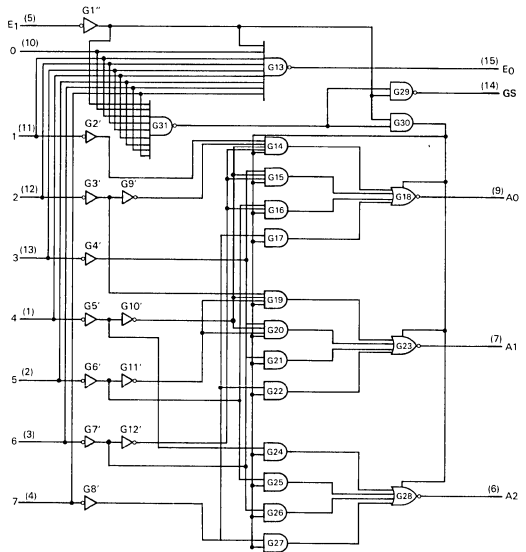


J Suffix — Case 620-08 (Ceramic)
 N Suffix — Case 648-05 (Plastic)

BLOCK DIAGRAMS



SN54LS/74LS348



SN54LS/74LS848

GUARANTEED OPERATING RANGES

| SYMBOL | PARAMETER | | MIN | TYP | MAX | UNIT | |
|-----------------|-------------------------------------|--------------------------|----------|-------------|------------|--------------|----|
| V _{CC} | Supply Voltage | | 54 74 | 4.5 4.75 | 5.0 5.0 | 5.5 5.25 | V |
| T _A | Operating Ambient Temperature Range | | 54 74 | -55 0 | 25 25 | 125 70 | °C |
| I _{OH} | Output Current — High | EO, GS | 54,74 | | | -0.4 | mA |
| I _{OH} | Output Current — High | A0, A1, A2 A0, A1, A2 | 54 74 | | | -1.0 -2.6 | mA |
| I _{OL} | Output Current — Low | EO, GS | 54 74 | | | 4.0 8.0 | mA |
| I _{OL} | Output Current — Low | A0, A1, A2 A0, A1, A2 | 54 74 | | | 12 24 | mA |

DC CHARACTERISTICS OVER OPERATING TEMPERATURE RANGE (unless otherwise specified)

| SYMBOL | PARAMETER | | LIMITS | | | UNITS | TEST CONDITIONS |
|-----------------|---------------------------|------------|--------|-------|------|-------|--|
| | | | MIN | TYP | MAX | | |
| V _{IH} | Input HIGH Voltage | | 2.0 | | | V | Guaranteed Input HIGH Voltage for All Inputs |
| V _{IL} | Input LOW Voltage | 54 | | | 0.7 | V | Guaranteed Input LOW Voltage for All Inputs |
| | | 74 | | | 0.8 | | |
| V _{IK} | Input Clamp Diode Voltage | | | -0.65 | -1.5 | V | V _{CC} = MIN, I _{IN} = -18 mA |
| V _{OH} | Output HIGH Voltage | A0, A1, A2 | 54,74 | 2.4 | 3.1 | V | V _{CC} = MIN, I _{OH} = MAX, V _{IN} = V _{IH} or V _{IL} per Truth Table |
| | | EO, GS | 54 | 2.5 | 3.5 | V | |
| | | EO, GS | 74 | 2.7 | 3.5 | V | |
| V _{OL} | Output LOW Voltage | | 54,74 | | 0.25 | 0.4 | I _{OL} = 4.0 mA |
| | | | 74 | | 0.35 | 0.5 | I _{OL} = 8.0 mA |
| I _{IH} | Input HIGH Current | | | | | 20 | V _{CC} = MAX, V _{IN} = 2.7 V |
| | Input 0, E1 — LS348 | | | | | 40 | |
| | Input 0 — LS848 | | | | | 40 | |
| | Other — LS348 | | | | | 60 | |
| | Other — LS848 | | | | | 60 | |
| | Input 0, E1 — LS348 | | | | | 0.1 | V _{CC} = MAX, V _{IN} = 7.0 V |
| Input 0 — LS848 | | | | | 0.2 | | |
| Other — LS348 | | | | | 0.2 | | |
| Other — LS848 | | | | | 0.3 | | |
| I _{IL} | Input LOW Current | | | | | -0.4 | V _{CC} = MAX, V _{IN} = 0.4 V |
| | Input 0, E1 — LS348 | | | | | -0.8 | |
| | Input 0 — LS848 | | | | | -0.8 | |
| | Other — LS348 | | | | | -1.2 | |
| I _{OS} | Short Circuit Current | EO, GS | -20 | | | -120 | V _{CC} = MAX |
| | | A0,A1,A2 | -30 | | | -130 | |
| I _{CC} | Power Supply Current | | | | | | V _{CC} = MAX, All Inputs and Outputs Open |
| | Total, Output HIGH | | | 12 | 23 | | |
| | Total, Output LOW | | | 13 | 25 | | V _{CC} = MAX, Inputs 7, E1 = GND All Others Open |

5

AC CHARACTERISTICS: $V_{CC} = 5.0\text{ V}$, $T_A = 25^\circ\text{C}$

| SYMBOL | FROM (INPUT) | TO (OUTPUT) | WAVEFORM | LS348 LIMITS | | | LS848 LIMITS | | | UNIT | TEST CONDITIONS |
|------------------|--------------|---------------|---------------------|--------------|-----|-----|--------------|-----|-----|-------------------------|-----------------|
| | | | | MIN | TYP | MAX | MIN | TYP | MAX | | |
| t _{PLH} | 1 thru 7 | A0, A1, or A2 | In-Phase output | 11 | 17 | | 12 | 18 | ns | C _L = 45 pF | |
| t _{PHL} | | | | 20 | 30 | | 20 | 30 | | | |
| t _{PLH} | 1 thru 7 | A0, A1, or A2 | Out-of-Phase output | 23 | 35 | | 23 | 35 | ns | R _L = 667 Ω | |
| t _{PHL} | | | | 23 | 35 | | 23 | 35 | | | |
| t _{PZH} | EI | A0, A1, or A2 | | 25 | 39 | | 25 | 39 | ns | | |
| t _{PZL} | | | | 24 | 41 | | 24 | 41 | | | |
| t _{PLH} | 0 thru 7 | EO | Out-of-Phase output | 11 | 18 | | 11 | 18 | ns | | |
| t _{PHL} | | | | 26 | 40 | | 26 | 40 | | | |
| t _{PLH} | 0 thru 7 | GS | In-Phase output | 38 | 55 | | 38 | 55 | ns | C _L = 15 pF | |
| t _{PHL} | | | | 9.0 | 21 | | 9.0 | 21 | | | |
| t _{PLH} | EI | GS | In-Phase output | 11 | 17 | | 11 | 17 | ns | R _L = 2.0 kΩ | |
| t _{PHL} | | | | 14 | 36 | | 14 | 36 | | | |
| t _{PLH} | EI | EO | In-Phase output | 17 | 21 | | 17 | 21 | ns | | |
| t _{PHL} | | | | 25 | 40 | | 30 | 45 | | | |
| t _{PHZ} | EI | A0, A1 or A2 | | 18 | 27 | | 18 | 27 | ns | C _L = 5.0 pF | |
| t _{PLZ} | | | | 23 | 35 | | 23 | 35 | | | |
| | | | | | | | | | | R _L = 667 Ω | |



SN54LS352 SN74LS352

DESCRIPTION — The SN54LS/74LS352 is a very high-speed Dual 4-Input Multiplexer with Common Select inputs and individual Enable inputs for each section. It can select two bits of data from four sources. The two buffered outputs present data in the inverted (complementary) form. The SN54LS/74LS352 is the functional equivalent of the SN54LS/74LS153 except with inverted outputs.

- INVERTED VERSION OF THE SN54LS/74LS153
- SEPARATE ENABLES FOR EACH MULTIPLEXER
- INPUT CLAMP DIODE LIMIT HIGH SPEED TERMINATION EFFECTS

DUAL 4-INPUT MULTIPLEXER

LOW POWER SCHOTTKY

PIN NAMES

S_0, S_1 Common Select Inputs
 \bar{E} Enable (Active LOW) Input
 I_0-I_3 Multiplexer Inputs
 Z Multiplexer Outputs (note b)

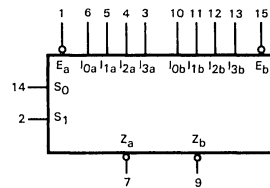
LOADING (Note a)

| | HIGH | LOW |
|----------|-------------|-----------|
| 0.5 U.L. | 0.5 U.L. | 0.25 U.L. |
| 0.5 U.L. | 0.5 U.L. | 0.25 U.L. |
| 0.5 U.L. | 0.5 U.L. | 0.25 U.L. |
| 10 U.L. | 5(2.5) U.L. | |

NOTES:

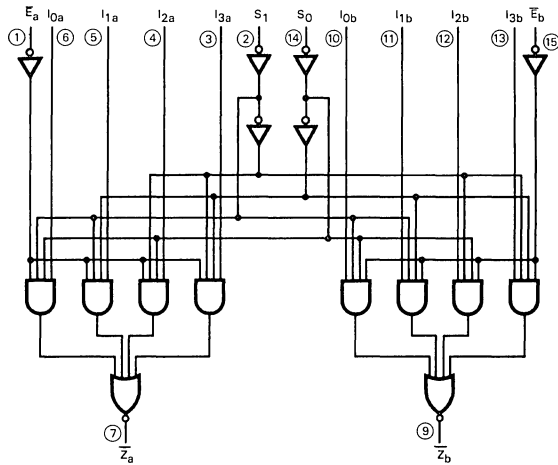
- a. 1 TTL Unit Load (U.L.) = 40 μ A HIGH/1.6 mA LOW.
 b. The Output LOW drive factor is 2.5 U.L. for Military (54) and 5 U.L. for Commercial (74) Temperature Ranges.

LOGIC SYMBOL



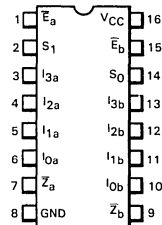
V_{CC} = Pin 16
 GND = Pin 8

LOGIC DIAGRAM



V_{CC} = Pin 16
 GND = Pin 8
 ○ = Pin Numbers

CONNECTION DIAGRAM DIP (TOP VIEW)



J Suffix — Case 620-08 (Ceramic)
 N Suffix — Case 648-05 (Plastic)

NOTE:
 The Flatpak version has the same pinouts (Connection Diagram) as the Dual In-Line Package.

FUNCTIONAL DESCRIPTION — The SN54LS/74LS352 is a Dual 4-Input Multiplexer. It selects two bits of data from up to four sources under the control of the common Select Inputs (S₀, S₁). The two 4-input multiplexer circuits have individual active LOW Enables (\bar{E}_a , \bar{E}_b) which can be used to strobe the outputs independently. When the Enables (\bar{E}_a , \bar{E}_b) are HIGH, the corresponding outputs (\bar{Z}_a , \bar{Z}_b) are forced HIGH.

The logic equations for the outputs are shown below.

$$\bar{Z}_a = \bar{E}_a \cdot (I_{0a} \cdot \bar{S}_1 \cdot \bar{S}_0 + I_{1a} \cdot \bar{S}_1 \cdot S_0 + I_{2a} \cdot S_1 \cdot \bar{S}_0 + I_{3a} \cdot S_1 \cdot S_0)$$

$$\bar{Z}_b = \bar{E}_b \cdot (I_{0b} \cdot \bar{S}_1 \cdot \bar{S}_0 + I_{1b} \cdot \bar{S}_1 \cdot S_0 + I_{2b} \cdot S_1 \cdot \bar{S}_0 + I_{3b} \cdot S_1 \cdot S_0)$$

The SN54LS/74LS352 can be used to move data from a group of registers to a common output bus. The particular register from which the data came would be determined by the state of the Select Inputs. A less obvious application is a function generator. The SN54LS/74LS352 can generate two functions of three variables. This is useful for implementing highly irregular random logic.

TRUTH TABLE

| SELECT INPUTS | | \bar{E} | INPUTS (a or b) | | | | OUTPUT \bar{Z} |
|----------------|----------------|-----------|-----------------|----------------|----------------|----------------|------------------|
| S ₀ | S ₁ | | I ₀ | I ₁ | I ₂ | I ₃ | |
| X | X | H | X | X | X | X | H |
| L | L | L | L | X | X | X | H |
| L | L | L | H | X | X | X | L |
| H | L | L | X | L | X | X | H |
| H | L | L | X | H | X | X | L |
| L | H | L | X | X | L | X | H |
| L | H | L | X | X | H | X | L |
| H | H | L | X | X | X | L | H |
| H | H | L | X | X | X | H | L |

H = HIGH Voltage Level
 L = LOW Voltage Level
 X = Immaterial

5

GUARANTEED OPERATING RANGES

| SYMBOL | PARAMETER | | MIN | TYP | MAX | UNIT |
|-----------------|-------------------------------------|-------|------|-----|------|------|
| V _{CC} | Supply Voltage | 54 | 4.5 | 5.0 | 5.5 | V |
| | | 74 | 4.75 | 5.0 | 5.25 | |
| T _A | Operating Ambient Temperature Range | 54 | -55 | 25 | 125 | °C |
| | | 74 | 0 | 25 | 70 | |
| I _{OH} | Output Current — High | 54,74 | | | -0.4 | mA |
| I _{OL} | Output Current — Low | 54 | | | 4.0 | mA |
| | | 74 | | | 8.0 | |

DC CHARACTERISTICS OVER OPERATING TEMPERATURE RANGE (unless otherwise specified)

| SYMBOL | PARAMETER | | LIMITS | | | UNITS | TEST CONDITIONS |
|-----------------|---------------------------|-------|--------|-------|------|-------|---|
| | | | MIN | TYP | MAX | | |
| V _{IH} | Input HIGH Voltage | | 2.0 | | | V | Guaranteed Input HIGH Voltage for All Inputs |
| V _{IL} | Input LOW Voltage | 54 | | | 0.7 | V | Guaranteed Input LOW Voltage for All Inputs |
| | | 74 | | | 0.8 | | |
| V _{IK} | Input Clamp Diode Voltage | | | -0.65 | -1.5 | V | V _{CC} = MIN, I _{IN} = -18 mA |
| V _{OH} | Output HIGH Voltage | 54 | 2.5 | 3.5 | | V | V _{CC} = MIN, I _{OH} = MAX, V _{IN} = V _{IH} or V _{IL} per Truth Table |
| | | 74 | 2.7 | 3.5 | | V | |
| V _{OL} | Output LOW Voltage | 54,74 | | 0.25 | 0.4 | V | I _{OL} = 4.0 mA, V _{CC} = V _{CC} MIN, V _{IN} = V _{IL} or V _{IH} per Truth Table |
| | | 74 | | 0.35 | 0.5 | V | |
| I _{IH} | Input HIGH Current | | | | 20 | μA | V _{CC} = MAX, V _{IN} = 2.7 V |
| | | | | | 0.1 | mA | V _{CC} = MAX, V _{IN} = 7.0 V |
| I _{IL} | Input LOW Current | | | | -0.4 | mA | V _{CC} = MAX, V _{IN} = 0.4 V |
| I _{OS} | Short Circuit Current | | -20 | | -100 | mA | V _{CC} = MAX |
| I _{CC} | Power Supply Current | | | | 10 | mA | V _{CC} = MAX |

AC CHARACTERISTICS: T_A = 25°C, V_{CC} = 5.0 V

| SYMBOL | PARAMETER | | LIMITS | | | UNITS | CONDITIONS | |
|--------------------------------------|-------------------------------------|--|--------|----------|----------|-------|----------------|---|
| | | | MIN | TYP | MAX | | | |
| t _{PLH} t _{PHL} | Propagation Delay, Select to Output | | | 19 25 | 29 38 | ns | Fig. 1 or 2 | V _{CC} = 5.0 V C _L = 15 pF |
| t _{PLH} t _{PHL} | Propagation Delay, Enable to Output | | | 16 21 | 24 32 | | | |
| t _{PLH} t _{PHL} | Propagation Delay, Data to Output | | | 13 17 | 20 26 | ns | Fig. 1 | |

AC WAVEFORMS

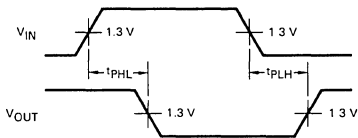


Fig. 1

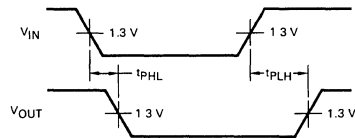


Fig. 2

SN54LS353 SN74LS353

DESCRIPTION — The LSTTL/MSI SN54LS/74LS353 is a Dual 4-Input Multiplexer with 3-state outputs. It can select two bits of data from four sources using common select inputs. The outputs may be individually switched to a high impedance state with a HIGH on the respective Output Enable (E_0) inputs, allowing the outputs to interface directly with bus oriented systems. It is fabricated with the Schottky barrier diode process for high speed and is completely compatible with all TTL families.

- INVERTED VERSION OF SN54LS/74LS253
- SCHOTTKY PROCESS FOR HIGH SPEED
- MULTIFUNCTION CAPABILITY
- INPUT CLAMP DIODES LIMIT HIGH SPEED TERMINATION EFFECTS

DUAL 4-INPUT MULTIPLEXER WITH 3-STATE OUTPUTS

LOW POWER SCHOTTKY

PIN NAMES

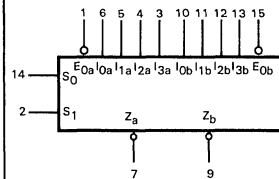
| | |
|----------------------|----------------------------------|
| S_0, S_1 | Common Select Inputs |
| Multiplexer A | |
| \bar{E}_{0a} | Output Enable (Active LOW) Input |
| $I_{0a}-I_{3a}$ | Multiplexer Inputs |
| Z_a | Multiplexer Output (Note b) |
| Multiplexer B | |
| \bar{E}_{0b} | Output Enable (Active LOW) Input |
| $I_{0b}-I_{3b}$ | Multiplexer Inputs |
| Z_b | Multiplexer Output (Note b) |

| LOADING (Note a) | |
|------------------|--------------|
| HIGH | LOW |
| 0.5 U.L. | 0.25 U.L. |
| 0.5 U.L. | 0.25 U.L. |
| 0.5 U.L. | 0.25 U.L. |
| 65(25)U.L. | 15(7.5) U.L. |
| 0.5 U.L. | 0.25 U.L. |
| 0.5 U.L. | 0.25 U.L. |
| 65(25)U.L. | 15(7.5) U.L. |

NOTES:

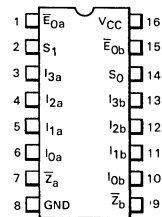
- 1 TTL Unit Load (U.L.) = 40 μ A HIGH/1.6 mA LOW.
- The Output LOW drive factor is 7.5 U.L. for Military (54) and 15 U.L. for Commercial (74) Temperature Ranges. The Output HIGH drive factor is 25 U.L. for Military and 65 U.L. for Commercial Temperature Ranges.

LOGIC SYMBOL



V_{CC} = Pin 16
 GND = Pin 8

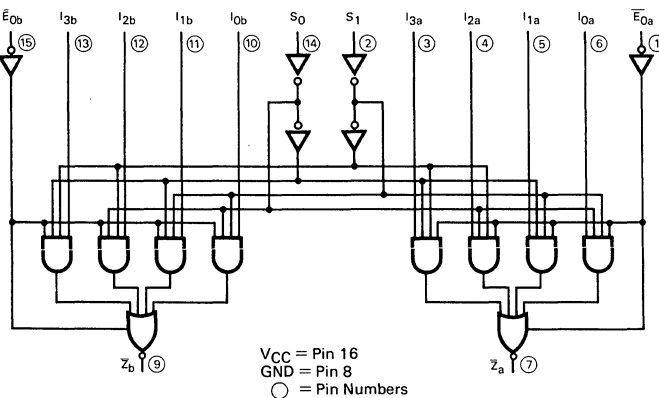
CONNECTION DIAGRAM DIP (TOP VIEW)



J Suffix — Case 620-08 (Ceramic)
N Suffix — Case 648-05 (Plastic)

NOTE:
The Flatpak version has the same pinouts (Connection Diagram) as the Dual In-Line Package.

LOGIC DIAGRAM



FUNCTIONAL DESCRIPTION — The SN54LS/74LS353 contains two identical 4-input Multiplexers with 3-state outputs. They select two bits from four sources selected by common select inputs (S₀, S₁). The 4-input multiplexers have individual Output Enable (E_{0a}, E_{0b}) inputs which when HIGH, forces the outputs to a high impedance (high Z) state.

The logic equations for the outputs are shown below:

$$\begin{aligned} Z_a &= \bar{E}_{0a} \bullet (I_{0a} \bullet \bar{S}_1 \bullet \bar{S}_0 + I_{1a} \bullet \bar{S}_1 \bullet S_0 + I_{2a} \bullet S_1 \bullet \bar{S}_0 + I_{3a} \bullet S_1 \bullet S_0) \\ Z_b &= \bar{E}_{0b} \bullet (I_{0b} \bullet \bar{S}_1 \bullet \bar{S}_0 + I_{1b} \bullet \bar{S}_1 \bullet S_0 + I_{2b} \bullet S_1 \bullet \bar{S}_0 + I_{3b} \bullet S_1 \bullet S_0) \end{aligned}$$

If the outputs of 3-state devices are tied together, all but one device must be in the high impedance state to avoid high currents that would exceed the maximum ratings. Designers should ensure that Output Enable signals to 3-state devices whose outputs are tied together are designed so that there is no overlap.

TRUTH TABLE

| SELECT INPUTS | | DATA INPUTS | | | | OUTPUT ENABLE | OUTPUT |
|----------------|----------------|----------------|----------------|----------------|----------------|---------------|--------|
| S ₀ | S ₁ | I ₀ | I ₁ | I ₂ | I ₃ | \bar{E}_0 | Z |
| X | X | X | X | X | X | H | (Z) |
| L | L | L | X | X | X | L | H |
| L | L | H | X | X | X | L | L |
| H | L | X | L | X | X | L | H |
| H | L | X | H | X | X | L | L |
| L | H | X | X | L | X | L | H |
| L | H | X | X | H | X | L | L |
| H | H | X | X | X | L | L | H |
| H | H | X | X | X | H | L | L |

H = HIGH Level
 L = LOW Level
 X = Immaterial
 (Z) = High Impedance (off)
 Address inputs S₀ and S₁ are common to both sections.



GUARANTEED OPERATING RANGES

| SYMBOL | PARAMETER | | MIN | TYP | MAX | UNIT |
|-----------------|-------------------------------------|----|------|-----|------|------|
| V _{CC} | Supply Voltage | 54 | 4.5 | 5.0 | 5.5 | V |
| | | 74 | 4.75 | 5.0 | 5.25 | |
| T _A | Operating Ambient Temperature Range | 54 | -55 | 25 | 125 | °C |
| | | 74 | 0 | 25 | 70 | |
| I _{OH} | Output Current — High | 54 | | | -1.0 | mA |
| | | 74 | | | -2.6 | |
| I _{OL} | Output Current — Low | 54 | | | 12 | mA |
| | | 74 | | | 24 | |

DC CHARACTERISTICS OVER OPERATING TEMPERATURE RANGE (unless otherwise specified)

| SYMBOL | PARAMETER | LIMITS | | | UNITS | TEST CONDITIONS | |
|------------------|--|--------|-------|------|-------|--|---|
| | | MIN | TYP | MAX | | | |
| V _{IH} | Input HIGH Voltage | 2.0 | | | V | Guaranteed Input HIGH Voltage for All Inputs | |
| V _{IL} | Input LOW Voltage | 54 | | 0.7 | V | Guaranteed Input LOW Voltage for All Inputs | |
| | | 74 | | 0.8 | | | |
| V _{IK} | Input Clamp Diode Voltage | | -0.65 | -1.5 | V | V _{CC} = MIN, I _{IN} = -18 mA | |
| V _{OH} | Output HIGH Voltage | 54 | 2.4 | 3.4 | V | V _{CC} = MIN, I _{OH} = MAX, V _{IN} = V _{IH} or V _{IL} per Truth Table | |
| | | 74 | 2.4 | 3.1 | V | | |
| V _{OL} | Output LOW Voltage Q _A - Q _H | 54,74 | | 0.25 | 0.4 | V | I _{OL} = 12 mA I _{OL} = 24 mA V _{CC} = V _{CC} MIN, V _{IN} = V _{IL} or V _{IH} per Truth Table |
| | | 74 | | 0.35 | 0.5 | V | |
| I _{OZH} | Output Off Current HIGH | | | 20 | μA | V _{CC} = MAX, V _{OUT} = 2.7 V | |
| I _{OZL} | Output Off Current LOW | | | -20 | μA | V _{CC} = MAX, V _{OUT} = 0.4 V | |
| I _{IH} | Input HIGH Current | | | 20 | μA | V _{CC} = MAX, V _{IN} = 2.7 V | |
| I _{IL} | Input LOW Current | | | 0.1 | mA | V _{CC} = MAX, V _{IN} = 7.0 V | |
| I _{IL} | Input LOW Current | | | -0.4 | mA | V _{CC} = MAX, V _{IN} = 0.4 V | |
| I _{OS} | Short Circuit Current | -30 | | -130 | mA | V _{CC} = MAX | |
| I _{CC} | Power Supply Current Total, Output 3-State Total, Output LOW | | | 14 | mA | V _{CC} = MAX | |
| | | | | 12 | | | |

AC CHARACTERISTICS: T_A = 25°C, V_{CC} = 5.0 V

| SYMBOL | PARAMETER | LIMITS | | | UNITS | TEST CONDITIONS |
|--------------------------------------|--|--------|----------|----------|-------|-----------------|
| | | MIN | TYP | MAX | | |
| t _{PLH} t _{PHL} | Propagation Delay, Data to Output | | 11 13 | 25 20 | ns | Fig. 1 |
| t _{PLH} t _{PHL} | Propagation Delay, Select to Output | | 20 21 | 45 32 | ns | Fig. 1 or 2 |
| t _{PZH} | Output Enable Time to HIGH Level | | 11 | 23 | ns | Figs. 4, 5 |
| t _{PZL} | Output Enable Time to LOW Level | | 15 | 23 | ns | Figs. 3, 5 |
| t _{PLZ} | Output Disable Time from LOW Level | | 12 | 27 | ns | Figs. 3, 5 |
| t _{PHZ} | Output Disable Time from HIGH Level | | 27 | 41 | ns | Figs. 4, 5 |

C_L = 15 pF

C_L = 5.0 pF

5

3- STATE WAVEFORMS

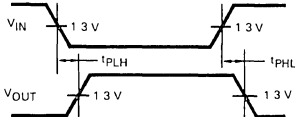


Fig. 1

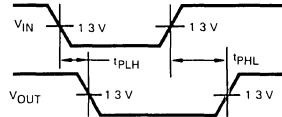


Fig. 2

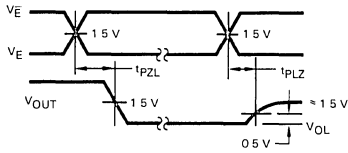


Fig. 3

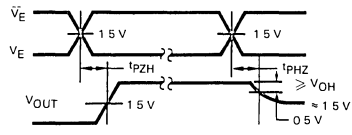
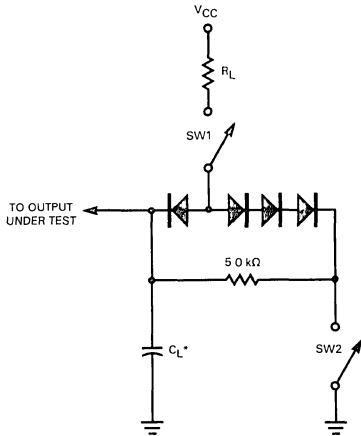


Fig. 4

AC LOAD CIRCUIT



*Includes Jig and Probe Capacitance.

Fig. 5

SWITCH POSITIONS

| SYMBOL | SW1 | SW2 |
|------------------|--------|--------|
| t _{PZH} | Open | Closed |
| t _{PZL} | Closed | Open |
| t _{PLZ} | Closed | Closed |
| t _{PHZ} | Closed | Closed |



**SN54LS/74LS365A
SN54LS/74LS366A
SN54LS/74LS367A
SN54LS/74LS368A**

DESCRIPTION — These devices are high speed hex buffers with 3-state outputs. They are organized as single 6-bit or 2-bit/4-bit, with inverting or non-inverting data (D) paths. The outputs are designed to drive 15 TTL Unit Loads or 60 Low Power Schottky loads when the Enable (E) is LOW.

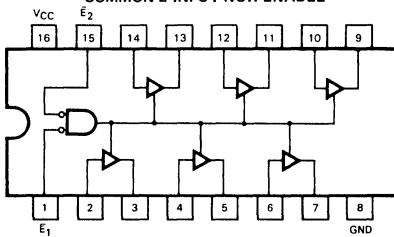
3-STATE HEX BUFFERS

LOW POWER SCHOTTKY

When the Output Enable (E) is HIGH, the outputs are forced to a high impedance "off" state. If the outputs of the 3-state devices are tied together, all but one device must be in the high impedance state to avoid high currents that would exceed the maximum ratings. Designers should ensure that Output Enable signals to 3-state devices whose outputs are tied together are designed so there is no overlap.

J Suffix — Case 620-08 (Ceramic)
N Suffix — Case 648-05 (Plastic)

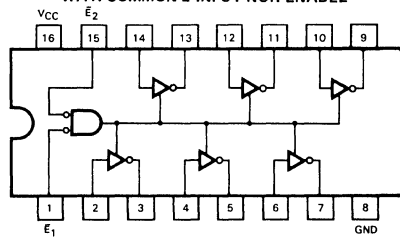
**SN54LS/74LS365A
HEX 3-STATE BUFFER WITH
COMMON 2-INPUT NOR ENABLE**



TRUTH TABLE

| INPUTS | | | OUTPUT |
|-------------|-------------|---|--------|
| \bar{E}_1 | \bar{E}_2 | D | |
| L | L | L | L |
| L | L | H | H |
| H | X | X | (Z) |
| X | H | X | (Z) |

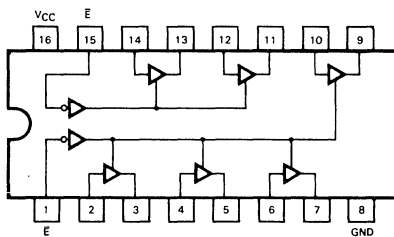
**SN54LS/74LS366A
HEX 3-STATE INVERTER BUFFER
WITH COMMON 2-INPUT NOR ENABLE**



TRUTH TABLE

| INPUTS | | | OUTPUT |
|-------------|-------------|---|--------|
| \bar{E}_1 | \bar{E}_2 | D | |
| L | L | L | H |
| L | L | H | L |
| H | X | X | (Z) |
| X | H | X | (Z) |

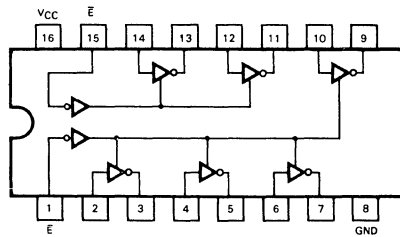
**SN54LS/74LS367A
HEX 3-STATE BUFFER
SEPARATE 2-BIT AND 4-BIT SECTIONS**



TRUTH TABLE

| INPUTS | | OUTPUT |
|-----------|---|--------|
| \bar{E} | D | |
| L | L | L |
| L | H | H |
| H | X | (Z) |

**SN54LS/74LS368A
HEX 3-STATE INVERTER BUFFER
SEPARATE 2-BIT AND 4-BIT SECTIONS**



TRUTH TABLE

| INPUTS | | OUTPUT |
|-----------|---|--------|
| \bar{E} | D | |
| L | L | H |
| L | H | L |
| H | X | (Z) |

5

GUARANTEED OPERATING RANGES

| SYMBOL | PARAMETER | | MIN | TYP | MAX | UNIT |
|-----------------|-------------------------------------|----------|-------------|------------|--------------|------|
| V _{CC} | Supply Voltage | 54 74 | 4.5 4.75 | 5.0 5.0 | 5.5 5.25 | V |
| T _A | Operating Ambient Temperature Range | 54 74 | -55 0 | 25 25 | 125 70 | °C |
| I _{OH} | Output Current — High | 54 74 | | | -1.0 -2.6 | mA |
| I _{OL} | Output Current — Low | 54 74 | | | 12 24 | mA |

DC CHARACTERISTICS OVER OPERATING TEMPERATURE RANGE (unless otherwise specified)

| SYMBOL | PARAMETER | LIMITS | | | UNITS | TEST CONDITIONS | |
|------------------|--|--------|-------|------|-------|--|--|
| | | MIN | TYP | MAX | | | |
| V _{IH} | Input HIGH Voltage | 2.0 | | | V | Guaranteed Input HIGH Voltage for All Inputs | |
| V _{IL} | Input LOW Voltage | 54 | | 0.7 | V | Guaranteed Input LOW Voltage for All Inputs | |
| | | 74 | | 0.8 | | | |
| V _{IK} | Input Clamp Diode Voltage | | -0.65 | -1.5 | V | V _{CC} = MIN, I _{IN} = -18 mA | |
| V _{OH} | Output HIGH Voltage | 54 | 2.4 | 3.4 | V | V _{CC} = MIN, I _{OH} = MAX, V _{IN} = V _{IH} or V _{IL} per Truth Table | |
| | | 74 | 2.4 | 3.1 | V | | |
| V _{OL} | Output LOW Voltage | 54,74 | | 0.25 | 0.4 | I _{OL} = 12 mA I _{OL} = 24 mA | V _{CC} = V _{CC} MIN, V _{IN} = V _{IL} or V _{IH} per Truth Table |
| | | 74 | | 0.35 | 0.5 | | |
| I _{OZH} | Output Off Current HIGH | | | 20 | μA | V _{CC} = MAX, V _{OUT} = 2.4 V | |
| I _{OZL} | Output Off Current LOW | | | -20 | μA | V _{CC} = MAX, V _{OUT} = 0.4 V | |
| I _{IH} | Input HIGH Current | | | 20 | μA | V _{CC} = MAX, V _{IN} = 2.7 V | |
| | | | | 0.1 | mA | V _{CC} = MAX, V _{IN} = 7.0 V | |
| I _{IL} | Input LOW Current E Inputs | | | -0.4 | mA | V _{CC} = MAX, V _{IN} = 0.4 V | |
| | | | | -20 | μA | V _{CC} = MAX, V _{IN} = 0.5 V Either, E Input at 2 V | |
| | | | | -0.4 | mA | V _{CC} = MAX, V _{IN} = 0.4 V Both E Inputs at 0.4 V | |
| I _{OS} | Short Circuit Current | -40 | | -225 | mA | V _{CC} = MAX | |
| I _{CC} | Power Supply Current LS365A, 367A LS366A, 368A | | | 24 | mA | V _{CC} = MAX | |
| | | | | 21 | | | |

AC CHARACTERISTICS: T_A = 25°C, V_{CC} = 5.0 V

| SYMBOL | PARAMETER | LIMITS | | | | | | UNITS | TEST CONDITIONS |
|--------------------------------------|---------------------|---------------|-----------|----------|---------------|-----------|----------|-------|---|
| | | LS365A/LS367A | | | LS366A/LS368A | | | | |
| | | MIN | TYP | MAX | MIN | TYP | MAX | | |
| t _{PLH} t _{PHL} | Propagation Delay | | 10 9.0 | 16 22 | | 7.0 12 | 15 18 | ns | C _L = 45 pF, R _L = 667 Ω |
| t _{PZH} t _{PZL} | Output Enable Time | | 19 24 | 35 40 | | 18 28 | 35 45 | | |
| t _{PHZ} t _{PLZ} | Output Disable Time | | | 30 35 | | | 32 35 | ns | C _L = 5.0 pF |



SN54LS/74LS373 SN54LS/74LS374

DESCRIPTION — The SN54LS/74LS373 consists of eight latches with 3-state outputs for bus organized system applications. The flip-flops appear transparent to the data (data changes asynchronously) when Latch Enable (LE) is HIGH. When LE is LOW, the data that meets the setup times is latched. Data appears on the bus when the Output Enable (\overline{OE}) is LOW. When \overline{OE} is HIGH the bus output is in the high impedance state.

The SN54LS/74LS374 is a high-speed, low-power Octal D-type Flip-Flop featuring separate D-type inputs for each flip-flop and 3-state outputs for bus oriented applications. A buffered Clock (CP) and Output Enable (OE) is common to all flip-flops. The SN54LS/74LS374 is manufactured using advanced Low Power Schottky technology and is compatible with all Motorola TTL families.

- EIGHT LATCHES IN A SINGLE PACKAGE
- 3-STATE OUTPUTS FOR BUS INTERFACING
- HYSTERESIS ON LATCH ENABLE
- EDGE-TRIGGERED D-TYPE INPUTS
- BUFFERED POSITIVE EDGE-TRIGGERED CLOCK
- HYSTERESIS ON CLOCK INPUT TO IMPROVE NOISE MARGIN
- INPUT CLAMP DIODES LIMIT HIGH SPEED TERMINATION EFFECTS

PIN NAMES

| | |
|-----------------|--------------------------------------|
| D_0 – D_7 | Data Inputs |
| LE | Latch Enable (Active HIGH) Input |
| CP | Clock (Active HIGH going edge) Input |
| \overline{OE} | Output Enable (Active LOW) Input |
| O_0 – O_7 | Outputs (Note b) |

LOADING (Note a)

| | HIGH | LOW |
|-----------------|------------|--------------|
| D_0 – D_7 | 0.5 U.L. | 0.25 U.L. |
| LE | 0.5 U.L. | 0.25 U.L. |
| CP | 0.5 U.L. | 0.25 U.L. |
| \overline{OE} | 0.5 U.L. | 0.25 U.L. |
| O_0 – O_7 | 65(25)U.L. | 15(7.5) U.L. |

NOTES:

- a. 1 TTL Unit Load (U.L.) = 40 μ A HIGH/1.6 mA LOW.
 b. The Output LOW drive factor is 7.5 U.L. for Military and 25 U.L. for Commercial (74) Temperature Ranges. The Output HIGH drive factor is 25 U.L. for Military (54) and 65 U.L. for Commercial (74) Temperature Ranges.

TRUTH TABLE

| LS373 | | | |
|-------|----|-----------------|-------|
| D_n | LE | \overline{OE} | O_n |
| H | H | L | H |
| L | H | L | L |
| X | X | H | Z* |

| LS374 | | | |
|-------|------------|-----------------|-------|
| D_n | CP | \overline{OE} | O_n |
| H | \uparrow | L | H |
| L | \uparrow | L | L |
| X | X | H | Z* |

H = HIGH Voltage Level
 L = LOW Voltage Level
 X = Immaterial
 Z = High Impedance

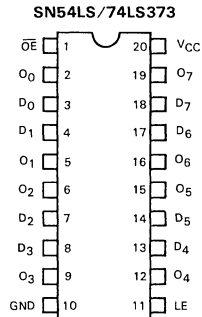
*Note: Contents of flip-flops unaffected by the state of the Output Enable input (\overline{OE})

OCTAL TRANSPARENT LATCH WITH 3-STATE OUTPUTS;

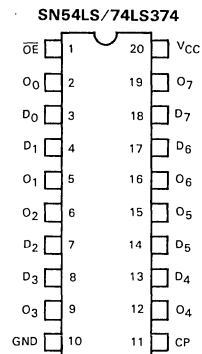
OCTAL D-TYPE FLIP-FLOP WITH 3-STATE OUTPUT

LOW POWER SCHOTTKY

CONNECTION DIAGRAM DIP (TOP VIEW)



CONNECTION DIAGRAM DIP (TOP VIEW)

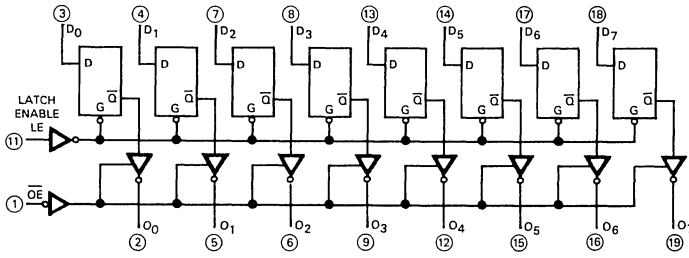


J Suffix — Case 732-03 (Ceramic)
 N Suffix — Case 738-01 (Plastic)

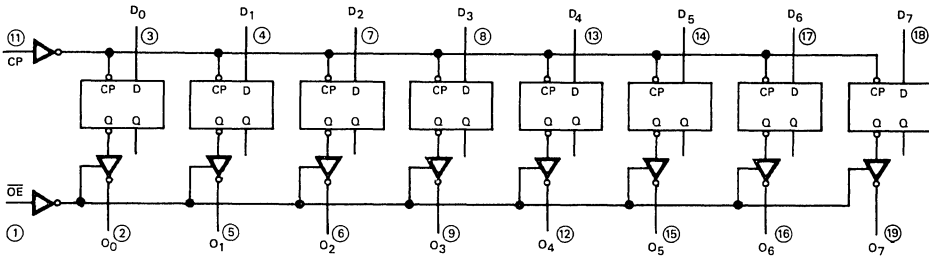
NOTE:
 The Flatpak version has the same pinouts (Connection Diagram) as the Dual In-Line Package.

LOGIC DIAGRAMS

SN54LS/74LS373



SN54LS/74LS374



V_{CC} = Pin 20
 GND = Pin 10
 ○ = Pin Numbers

GUARANTEED OPERATING RANGES

| SYMBOL | PARAMETER | | MIN | TYP | MAX | UNIT |
|-----------------|-------------------------------------|----|------|-----|------|------|
| V _{CC} | Supply Voltage | 54 | 4.5 | 5.0 | 5.5 | V |
| | | 74 | 4.75 | 5.0 | 5.25 | |
| T _A | Operating Ambient Temperature Range | 54 | -55 | 25 | 125 | °C |
| | | 74 | 0 | 25 | 70 | |
| I _{OH} | Output Current — High | 54 | | | -1.0 | mA |
| | | 74 | | | -2.6 | |
| I _{OL} | Output Current — Low | 54 | | | 12 | mA |
| | | 74 | | | 24 | |

DC CHARACTERISTICS OVER OPERATING TEMPERATURE RANGE (unless otherwise specified)

| SYMBOL | PARAMETER | LIMITS | | | UNITS | TEST CONDITIONS | |
|------------------|---------------------------|--------|-------|------|-------|--|---|
| | | MIN | TYP | MAX | | | |
| V _{IH} | Input HIGH Voltage | 2.0 | | | V | Guaranteed Input HIGH Voltage for All Inputs | |
| V _{IL} | Input LOW Voltage | 54 | | 0.7 | V | Guaranteed Input LOW Voltage for All Inputs | |
| | | 74 | | 0.8 | | | |
| V _{IK} | Input Clamp Diode Voltage | | -0.65 | -1.5 | V | V _{CC} = MIN, I _{IN} = -18 mA | |
| V _{OH} | Output HIGH Voltage | 54 | 2.4 | 3.4 | V | V _{CC} = MIN, I _{OH} = MAX, V _{IN} = V _{IH} or V _{IL} per Truth Table | |
| | | 74 | 2.4 | 3.1 | V | | |
| V _{OL} | Output LOW Voltage | 54,74 | | 0.25 | 0.4 | V | I _{OL} = 12 mA I _{OL} = 24 mA V _{CC} = V _{CC} MIN, V _{IN} = V _{IL} or V _{IH} per Truth Table |
| | | 74 | | 0.35 | 0.5 | V | |
| I _{OZH} | Output Off Current HIGH | | | 20 | μA | V _{CC} = MAX, V _{OUT} = 2.4 V | |
| I _{OZL} | Output Off Current LOW | | | -20 | μA | V _{CC} = MAX, V _{OUT} = 0.4 V | |
| I _{IH} | Input HIGH Current | | | 20 | μA | V _{CC} = MAX, V _{IN} = 2.7 V | |
| | | | | 0.1 | mA | V _{CC} = MAX, V _{IN} = 7.0 V | |
| I _{IL} | Input LOW Current | | | -0.4 | mA | V _{CC} = MAX, V _{IN} = 0.4 V | |
| I _{OS} | Short Circuit Current | -30 | | -130 | mA | V _{CC} = MAX | |
| I _{CC} | Power Supply Current | | | 40 | mA | V _{CC} = MAX | |

AC CHARACTERISTICS: T_A = 25°C, V_{CC} = 5.0 V

| SYMBOL | PARAMETER | LIMITS | | | | | | UNITS | TEST CONDITIONS |
|------------------|-----------------------------------|--------|-----|-----|-------|-----|-----|-------|---|
| | | LS373 | | | LS374 | | | | |
| | | MIN | TYP | MAX | MIN | TYP | MAX | | |
| f _{MAX} | Maximum Clock Frequency | | | | 35 | 50 | | MHz | C _L = 45 pF, R _L = 667 Ω |
| t _{PLH} | Propagation Delay, Data to Output | 12 | 18 | | | | | ns | |
| t _{PHL} | | 12 | 18 | | | | | ns | |
| t _{PLH} | Clock or Enable to Output | 20 | 30 | | 15 | 28 | | ns | |
| t _{PHL} | | 18 | 30 | | 19 | 28 | | ns | |
| t _{PZH} | Output Enable Time | 15 | 28 | | 20 | 28 | | ns | |
| t _{PZL} | | 25 | 36 | | 21 | 28 | | ns | |
| t _{PHZ} | Output Disable Time | 12 | 20 | | 12 | 20 | | ns | C _L = 5.0 pF |
| t _{PLZ} | | 15 | 25 | | 15 | 25 | | ns | |

AC SETUP REQUIREMENTS: T_A = 25°C, V_{CC} = 5.0 V

| SYMBOL | PARAMETER | LIMITS | | | | UNITS |
|----------------|-------------------|--------|-----|-------|-----|-------|
| | | LS373 | | LS374 | | |
| | | MIN | MAX | MIN | MAX | |
| t _W | Clock Pulse Width | 15 | | 15 | | ns |
| t _s | Setup Time | 5.0 | | 20 | | ns |
| t _h | Hold Time | 20 | | 0 | | ns |

DEFINITION OF TERMS:

SETUP TIME (t_s) — is defined as the minimum time required for the correct logic level to be present at the logic input prior to LE transition from HIGH-to-LOW in order to be recognized and transferred to the outputs.

HOLD TIME (t_h) — is defined as the minimum time following the LE transition from HIGH-to-LOW that the logic level must be maintained at the input in order to ensure continued recognition.

AC WAVEFORMS

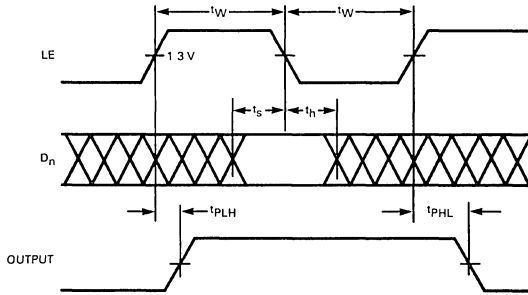


Fig. 1

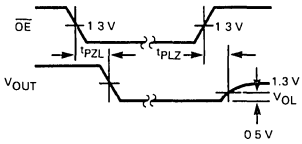


Fig. 2

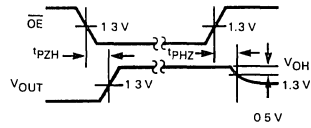
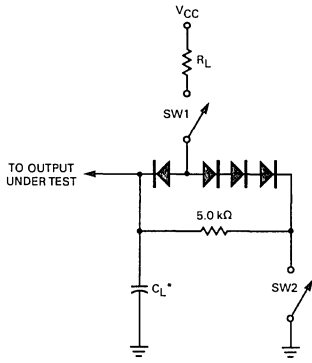


Fig. 3

AC LOAD CIRCUIT



*Includes Jip and Probe Capacitance.

Fig. 4

SWITCH POSITIONS

| SYMBOL | SW1 | SW2 |
|--------|--------|--------|
| tpZH | Open | Closed |
| tpZL | Closed | Open |
| tpLZ | Closed | Closed |
| tpHZ | Closed | Closed |

AC WAVEFORMS

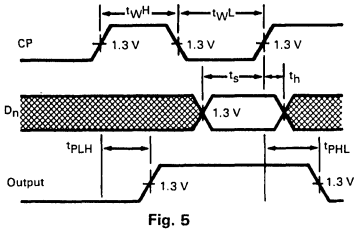


Fig. 5

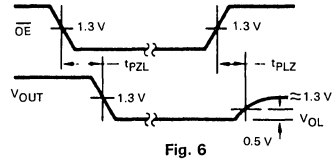


Fig. 6

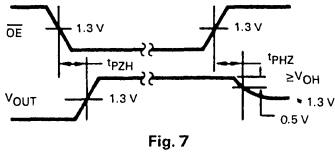
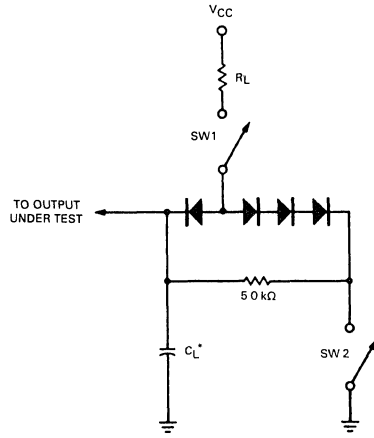


Fig. 7

AC LOAD CIRCUIT



*Includes Jig and Probe Capacitance.

Fig. 8

SWITCH POSITIONS

| SYMBOL | SW1 | SW2 |
|--------|--------|--------|
| tPZH | Open | Closed |
| tPZL | Closed | Open |
| tPLZ | Closed | Closed |
| tPHZ | Closed | Closed |



DESCRIPTION — The SN54LS/74LS375 is a 4-Bit D-Type Latch for use as temporary storage for binary information between processing limits and input/output or indicator units. When the Enable (E) is HIGH, information present at the D input will be transferred to the Q output and, if E is HIGH, the Q output will follow the input. When E goes LOW, the information present at the D input prior to its setup time will be retained at the Q outputs.

TRUTH TABLE
(Each latch)

| | |
|-------|-----------|
| t_n | t_{n+1} |
| D | Q |
| H | H |
| L | L |

NOTES:
 t_n = bit time before enable negative-going transition
 t_{n+1} = bit time after enable negative-going transition

PIN NAMES

- D₁—D₄ Data Inputs
- E₀—1 Enable Input Latches 0, 1
- E₂—3 Enable Input Latches 2, 3
- Q₁—Q₄ Latch Outputs (Note b)
- \overline{Q}_1 — \overline{Q}_4 Complimentary Latch Outputs (Note b)

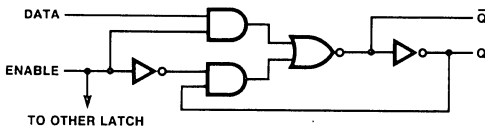
LOADING (Note a)

| HIGH | LOW |
|----------|-------------|
| 0.5 U.L. | 0.25 U.L. |
| 2.0 U.L. | 1.0 U.L. |
| 2.0 U.L. | 1.0 U.L. |
| 10 U.L. | 5(2.5) U.L. |
| 10 U.L. | 5(2.5) U.L. |

NOTES:

- a. 1 Unit Load (U.L.) = 40 μ A HIGH/1.6 mA LOW.
- b. The Output LOW drive factor is 2.5 U.L. for Military (54) and 5 U.L. for Commercial (74) Temperature Ranges.

LOGIC DIAGRAM

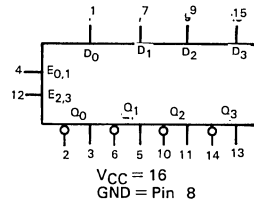


SN54LS375
SN74LS375

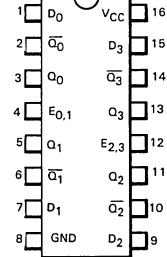
4-BIT D LATCH

LOW POWER SCHOTTKY

LOGIC SYMBOL



CONNECTION DIAGRAM
DIP (TOP VIEW)



J Suffix — Case 620-08 (Ceramic)
 N Suffix — Case 648-05 (Plastic)

NOTE:
 The Flatpak version has the same pinouts (Connection Diagram) as the Dual In-Line Package.

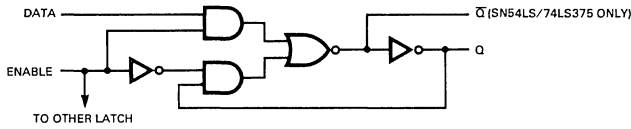
DC CHARACTERISTICS OVER OPERATING TEMPERATURE RANGE (unless otherwise specified)

| SYMBOL | PARAMETER | | LIMITS | | | UNITS | TEST CONDITIONS |
|-----------------|---------------------------|---------|--------|-------|------|-------|---|
| | | | MIN | TYP | MAX | | |
| V _{IH} | Input HIGH Voltage | | 2.0 | | | V | Guaranteed Input HIGH Voltage for All Inputs |
| V _{IL} | Input LOW Voltage | 54 | | | 0.7 | V | Guaranteed Input LOW Voltage for All Inputs |
| | | 74 | | | 0.8 | | |
| V _{IK} | Input Clamp Diode Voltage | | | -0.65 | -1.5 | V | V _{CC} = MIN, I _{IN} = -18 mA |
| V _{OH} | Output HIGH Voltage | 54 | 2.5 | 3.5 | | V | V _{CC} = MIN, I _{OH} = MAX, V _{IN} = V _{IH} or V _{IL} per Truth Table |
| | | 74 | 2.7 | 3.5 | | V | |
| V _{OL} | Output LOW Voltage | 54,74 | | 0.25 | 0.4 | V | I _{OL} = 4.0 mA I _{OL} = 8.0 mA V _{CC} = V _{CC} MIN, V _{IN} = V _{IL} or V _{IH} per Truth Table |
| | | 74 | | 0.35 | 0.5 | V | |
| I _{IH} | Input HIGH Current | D Input | | | 20 | μA | V _{CC} = MAX, V _{IN} = 2.7 V |
| | | E Input | | | 80 | | |
| I _{IL} | Input LOW Current | D Input | | | 0.1 | mA | V _{CC} = MAX, V _{IN} = 7.0 V |
| | | E Input | | | 0.4 | | |
| I _{IL} | Input LOW Current | D Input | | | -0.4 | mA | V _{CC} = MAX, V _{IN} = 0.4 V |
| | | E Input | | | -1.6 | | |
| I _{OS} | Short Circuit Current | | -20 | | -100 | mA | V _{CC} = MAX |
| I _{CC} | Power Supply Current | | | | 12 | mA | V _{CC} = MAX |

AC CHARACTERISTICS: T_A = 25°C, V_{CC} = 5.0 V

| SYMBOL | PARAMETER | | LIMITS | | | UNITS | CONDITIONS |
|--------------------------------------|--|--|--------|-----------|----------|-------|---|
| | | | MIN | TYP | MAX | | |
| t _{PLH} t _{PHL} | Propagation Delay, Data to Q | | | 15 9.0 | 27 17 | ns | V _{CC} = 5.0 V C _L = 15 pF |
| t _{PLH} t _{PHL} | Propagation Delay, Data to \bar{Q} | | | 12 7.0 | 20 15 | | |
| t _{PLH} t _{PHL} | Propagation Delay, Enable to Q | | | 15 14 | 27 25 | | |
| t _{PLH} t _{PHL} | Propagation Delay, Enable to \bar{Q} | | | 16 7.0 | 30 15 | | |

LOGIC DIAGRAM



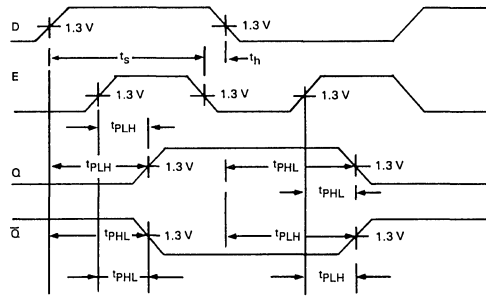
GUARANTEED OPERATING RANGES

| SYMBOL | PARAMETER | | MIN | TYP | MAX | UNIT |
|-----------------|-------------------------------------|-------|------|-----|------|------|
| V _{CC} | Supply Voltage | 54 | 4.5 | 5.0 | 5.5 | V |
| | | 74 | 4.75 | 5.0 | 5.25 | |
| T _A | Operating Ambient Temperature Range | 54 | -55 | 25 | 125 | °C |
| | | 74 | 0 | 25 | 70 | |
| I _{OH} | Output Current — High | 54,74 | | | -0.4 | mA |
| I _{OL} | Output Current — Low | 54 | | | 4.0 | mA |
| | | 74 | | | 8.0 | |

AC SETUP REQUIREMENTS: T_A = 25°C, V_{CC} = 5.0 V

| SYMBOL | PARAMETER | LIMITS | | | UNITS | TEST CONDITIONS |
|----------------|--------------------|--------|-----|-----|-------|-------------------------|
| | | MIN | TYP | MAX | | |
| t _W | Enable Pulse Width | 20 | | | ns | V _{CC} = 5.0 V |
| t _s | Setup Time | 20 | | | ns | |
| t _h | Hold Time | 0 | | | ns | |

AC WAVEFORMS



DEFINITION OF TERMS:

SETUP TIME (t_s) — is defined as the minimum time required for the correct logic level to be present at the logic input prior to the clock transition from LOW-to-HIGH in order to be recognized and transferred to the outputs.

HOLD TIME (t_h) — is defined as the minimum time following the clock transition from LOW-to-HIGH that the logic level must be maintained at the input in order to ensure continued recognition. A negative HOLD TIME indicates that the correct logic level may be released prior to the clock transition from LOW-to-HIGH and still be recognized.



SN54LS/74LS377
SN54LS/74LS378
SN54LS/74LS379

DESCRIPTION — The SN54LS/74LS377 is an 8-bit register built using advanced Low Power Schottky technology. This register consists of eight D-type flip-flops with a buffered common clock and a buffered common clock enable.

The SN54LS/74LS378 is a 6-Bit Register with a buffered common enable. This device is similar to the SN54LS/74LS174, but with common Enable rather than common Master Reset.

The SN54LS/74LS379 is a 4-Bit Register with buffered common Enable. This device is similar to the SN54LS/74LS175 but features the common Enable rather than common Master Reset.

**OCTAL D FLIP-FLOP WITH ENABLE;
 HEX D FLIP-FLOP WITH ENABLE;
 4-BIT D FLIP-FLOP WITH ENABLE**

LOW POWER SCHOTTKY

- 8-BIT HIGH SPEED PARALLEL REGISTERS
- POSITIVE EDGE-TRIGGERED D-TYPE FLIP FLOPS
- FULLY BUFFERED COMMON CLOCK AND ENABLE INPUTS
- TRUE AND COMPLEMENT OUTPUTS
- INPUT CLAMP DIODES LIMIT HIGH SPEED TERMINATION EFFECTS

PIN NAMES

| | |
|-----------------------|--------------------------------------|
| \bar{E} | Enable (Active LOW) Input |
| D_0-D_3 | Data Inputs |
| CP | Clock (Active HIGH Going Edge) Input |
| Q_0-Q_3 | True Outputs (Note b) |
| $\bar{Q}_0-\bar{Q}_3$ | Complemented Outputs (Note b) |

LOADING (Note a)

| | HIGH | LOW |
|-----------------------|----------|-------------|
| \bar{E} | 0.5 U.L. | 0.25 U.L. |
| D_0-D_3 | 0.5 U.L. | 0.25 U.L. |
| CP | 0.5 U.L. | 0.25 U.L. |
| Q_0-Q_3 | 10 U.L. | 5(2.5) U.L. |
| $\bar{Q}_0-\bar{Q}_3$ | 10 U.L. | 5(2.5) U.L. |

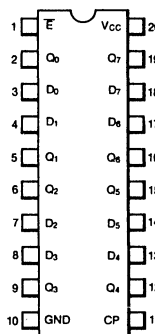
NOTES:

- 1 TTL Unit Load (U.L.) = 40 μ A HIGH/1.6 mA LOW.
- The Output LOW drive factor is 2.5 U.L. for Military (54) and 5 U.L. for Commercial (74) Temperature Ranges.

5

**CONNECTION DIAGRAM
 DIP (TOP VIEW)**

SN54LS/74LS377

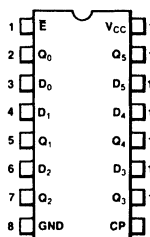


J Suffix — Case 732-03 (Ceramic)
 N Suffix — Case 738-01 (Plastic)

NOTE:
 The Flatpak version has the same pinouts (Connection Diagram) as the Dual In-Line Package.

**CONNECTION DIAGRAM
 DIP (TOP VIEW)**

SN54LS/74LS378

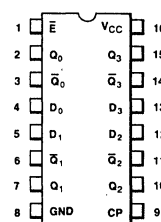


J Suffix — Case 620-08 (Ceramic)
 N Suffix — Case 648-05 (Plastic)

NOTE:
 The Flatpak version has the same pinouts (Connection Diagram) as the Dual In-Line Package.

**CONNECTION DIAGRAM
 DIP (TOP VIEW)**

SN54LS/74LS379

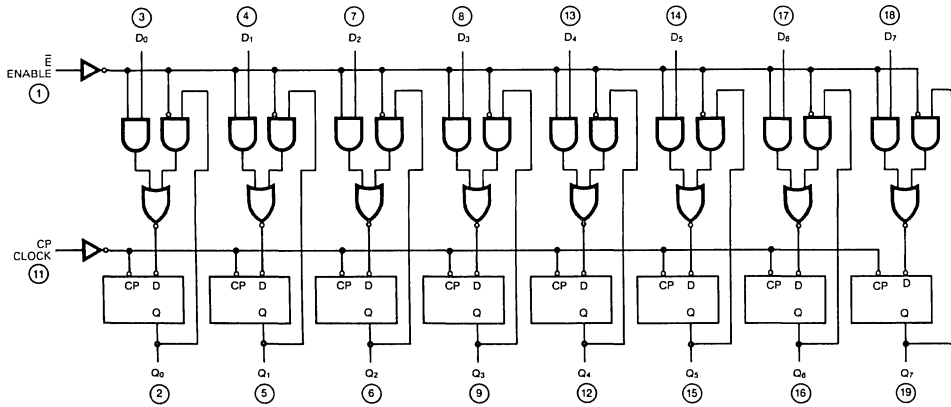


J Suffix — Case 620-08 (Ceramic)
 N Suffix — Case 648-05 (Plastic)

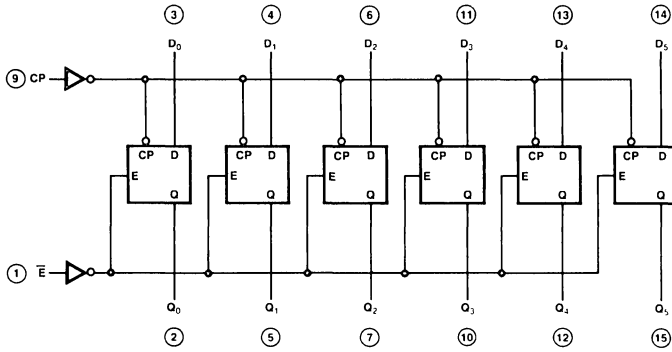
NOTE:
 The Flatpak version has the same pinouts (Connection Diagram) as the Dual In-Line Package.

LOGIC DIAGRAMS

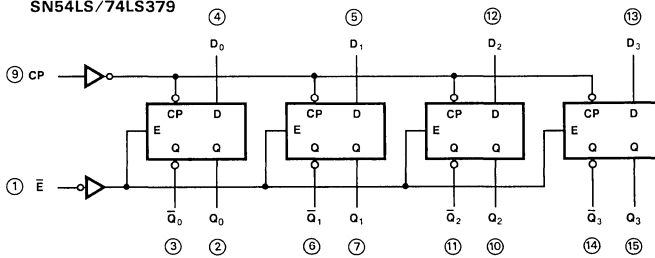
SN54LS/74LS377



SN54LS/74LS378



SN54LS/74LS379



GUARANTEED OPERATING RANGES

| SYMBOL | PARAMETER | | MIN | TYP | MAX | UNIT |
|-----------------|-------------------------------------|----------|-------------|------------|-------------|------|
| V _{CC} | Supply Voltage | 54 74 | 4.5 4.75 | 5.0 5.0 | 5.5 5.25 | V |
| T _A | Operating Ambient Temperature Range | 54 74 | -55 0 | 25 25 | 125 70 | °C |
| I _{OH} | Output Current — High | 54,74 | | | -0.4 | mA |
| I _{OL} | Output Current — Low | 54 74 | | | 4.0 8.0 | mA |

DC CHARACTERISTICS OVER OPERATING TEMPERATURE RANGE (unless otherwise specified)

| SYMBOL | PARAMETER | LIMITS | | | UNITS | TEST CONDITIONS |
|-----------------|---------------------------|--------|-------|------|-------|--|
| | | MIN | TYP | MAX | | |
| V _{IH} | Input HIGH Voltage | 2.0 | | | V | Guaranteed Input HIGH Voltage for All Inputs |
| V _{IL} | Input LOW Voltage | 54 | | 0.7 | V | Guaranteed Input LOW Voltage for All Inputs |
| | | 74 | | 0.8 | | |
| V _{IK} | Input Clamp Diode Voltage | | -0.65 | -1.5 | V | V _{CC} = MIN, I _{IN} = -18 mA |
| V _{OH} | Output HIGH Voltage | 54 | 2.5 | 3.5 | V | V _{CC} = MIN, I _{OH} = MAX, V _{IN} = V _{IH} or V _{IL} per Truth Table |
| | | 74 | 2.7 | 3.5 | V | |
| V _{OL} | Output LOW Voltage | 54,74 | | 0.25 | 0.4 | I _{OL} = 4.0 mA V _{CC} = V _{CC} MIN, V _{IN} = V _{IL} or V _{IH} per Truth Table |
| | | 74 | | 0.35 | 0.5 | |
| I _{IH} | Input HIGH Current | | | 20 | μA | V _{CC} = MAX, V _{IN} = 2.7 V |
| | | | | 0.1 | mA | |
| I _{IL} | Input LOW Current | | | -0.4 | mA | V _{CC} = MAX, V _{IN} = 0.4 V |
| I _{OS} | Short Circuit Current | -20 | | -100 | mA | V _{CC} = MAX |
| I _{CC} | Power Supply Current | LS377 | | 28 | mA | V _{CC} = MAX, NOTE 1 |
| | | LS378 | | 22 | | |
| | | LS379 | | 15 | | |

Note: With all inputs open and GND applied to all data and enable inputs, I_{CC} is measured after a momentary GND, then 4.5 V is applied to clock.

AC CHARACTERISTICS: T_A = 25°C, V_{CC} = 5.0 V

| SYMBOL | PARAMETER | LIMITS | | | UNITS | TEST CONDITIONS |
|--------------------------------------|---------------------------------------|--------|----------|----------|-------|---|
| | | MIN | TYP | MAX | | |
| f _{MAX} | Maximum Clock Frequency | 30 | 40 | | MHz | V _{CC} = 5.0 V C _L = 15 pF |
| t _{PLH} t _{PHL} | Propagation Delay, Clock to Output | | 17 18 | 27 27 | ns | |

AC SETUP REQUIREMENTS: T_A = 25°C, V_{CC} = 5.0 V

| SYMBOL | PARAMETER | LIMITS | | | UNITS | TEST CONDITIONS |
|----------------|----------------------|------------------|-----|-----|-------|-------------------------|
| | | MIN | TYP | MAX | | |
| t _W | Any Pulse Width | 20 | | | ns | V _{CC} = 5.0 V |
| t _s | Data Setup Time | 20 | | | ns | |
| t _s | Enable Setup Time | Inactive — State | 10 | | ns | |
| | | Active — State | 25 | | ns | |
| t _h | Any Hold Time | 5.0 | | | ns | |

DEFINITION OF TERMS:

SETUP TIME (t_s) — is defined as the minimum time required for the correct logic level to be present at the logic input prior to the clock transition from LOW-to-HIGH in order to be recognized and transferred to the outputs.

HOLD TIME (t_h) — is defined as the minimum time following the clock transition from LOW-to-HIGH that the logic level must be maintained at the input in order to ensure continued recognition. A negative HOLD TIME indicates that the correct logic level may be released prior to the clock transition from LOW-to-HIGH and still be recognized.

TRUTH TABLE

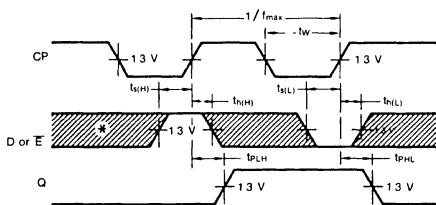
| \bar{E} | CP | D_n | Q_n | \bar{Q}_n |
|-----------|----|-------|-----------|-------------|
| H | | X | No Change | No Change |
| L | | H | H | L |
| L | | L | L | H |

L = LOW Voltage Level
 H = HIGH Voltage Level
 X = Immaterial

AC WAVEFORMS

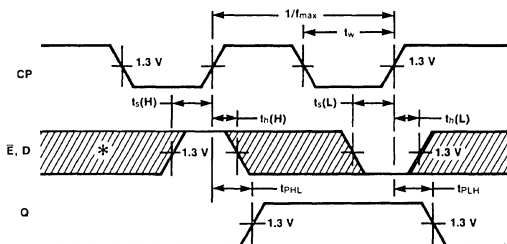
SN54LS/74LS377

CLOCK TO OUTPUT DELAYS
 CLOCK PULSE WIDTH, FREQUENCY,
 SETUP AND HOLD TIMES DATA OR ENABLE TO CLOCK



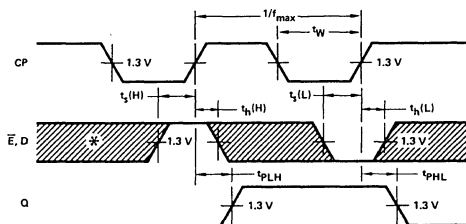
SN54LS/74LS378

CLOCK TO OUTPUT DELAYS
 CLOCK PULSE WIDTH, FREQUENCY,
 SETUP AND HOLD TIMES DATA OR ENABLE TO CLOCK



SN54LS/74LS379

CLOCK TO OUTPUT DELAYS
 CLOCK PULSE WIDTH, FREQUENCY,
 SETUP AND HOLD TIMES DATA, ENABLE TO CLOCK



*The shaded areas indicate when the input is permitted to change for predictable output performance



SN54LS385 SN74LS385

DESCRIPTION — The SN54LS/74LS385 is a general-purpose adder/subtractor which is useful as a companion part to the SN54LS/74LS384 two's-complement multiplier. The LS385 contains four independent adder/subtractor elements with common clock and clear.

Each of four independent sum (Σ) outputs reflects the respective A and B input and is controlled by the S/ \bar{A} pin.

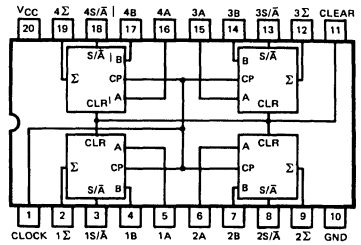
When low, the clear input asynchronously resets the sum flip-flop low and the carry flip-flop either high in the subtract mode or low in the add mode. The clock is positive-edge triggered and controls the sum and carry flip-flops.

- **FOUR SYNCHRONOUS ELEMENTS IN A SINGLE 20-PIN PACKAGE**
- **INDEPENDENT TWO'S-COMPLEMENT ADDITION/SUBTRACTION**
- **BUFFERED CLOCK AND DIRECT CLEAR INPUTS**

QUADRUPLE SERIAL ADDERS/SUBTRACTORS

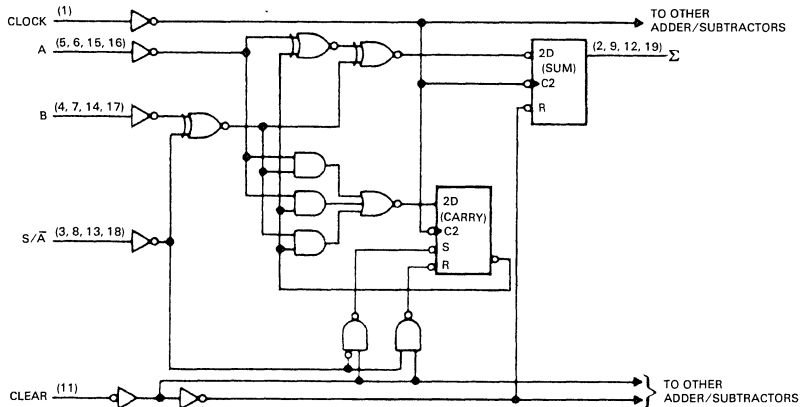
LOW POWER SCHOTTKY

CONNECTION DIAGRAM DIP (TOP VIEW)



J Suffix — Case 732-03 (Ceramic)
N Suffix — Case 738-01 (Plastic)

BLOCK DIAGRAM



FUNCTION TABLE

| SELECTED FUNCTION | INPUTS | | | | INTERNAL CARRY D INPUT | | OUTPUT AFTER ↑ |
|----------------------|--------|--------------|---|---|------------------------|----------|-------------------|
| | CLEAR | S/ \bar{A} | A | B | CLOCK | BEFORE ↑ | |
| Clear | L | L | X | X | X | L | L |
| | L | H | X | X | X | H | L |
| Add | H | L | L | L | ↑ | L | L |
| | H | L | L | L | ↑ | H | H |
| | H | L | L | H | ↑ | L | H |
| | H | L | L | H | ↑ | H | L |
| | H | L | H | L | ↑ | L | H |
| | H | L | H | L | ↑ | H | L |
| | H | L | H | H | ↑ | L | L |
| Subtract | H | H | L | L | ↑ | L | H |
| | H | H | L | L | ↑ | H | L |
| | H | H | L | H | ↑ | L | L |
| | H | H | L | H | ↑ | H | H |
| | H | H | H | L | ↑ | L | L |
| | H | H | H | L | ↑ | H | H |
| | H | H | H | H | ↑ | L | L |

H = high level, L = low level, X = irrelevant,
 ↑ = transition from low to high level at the clock input

GUARANTEED OPERATING RANGES

| SYMBOL | PARAMETER | | MIN | TYP | MAX | UNIT |
|-----------------|-------------------------------------|-------|------|-----|------|------|
| V _{CC} | Supply Voltage | 54 | 4.5 | 5.0 | 5.5 | V |
| | | 74 | 4.75 | 5.0 | 5.25 | |
| T _A | Operating Ambient Temperature Range | 54 | -55 | 25 | 125 | °C |
| | | 74 | 0 | 25 | 70 | |
| I _{OH} | Output Current — High | 54,74 | | | -0.4 | mA |
| I _{OL} | Output Current — Low | 54 | | | 4.0 | mA |
| | | 74 | | | 8.0 | |

DC CHARACTERISTICS OVER OPERATING TEMPERATURE RANGE (unless otherwise specified)

| SYMBOL | PARAMETER | LIMITS | | | UNITS | TEST CONDITIONS |
|-----------------|---------------------------|--------|-------|------|-------|---|
| | | MIN | TYP | MAX | | |
| V _{IH} | Input HIGH Voltage | 2.0 | | | V | Guaranteed Input HIGH Voltage for All Inputs |
| V _{IL} | Input LOW Voltage | 54 | | 0.7 | V | Guaranteed Input LOW Voltage for All Inputs |
| | | 74 | | 0.8 | | |
| V _{IK} | Input Clamp Diode Voltage | | -0.65 | -1.5 | V | V _{CC} = MIN, I _{IN} = -18 mA |
| V _{OH} | Output HIGH Voltage | 54 | 2.5 | 3.5 | V | V _{CC} = MIN, I _{OH} = MAX, V _{IN} = V _{IH} or V _{IL} per Truth Table |
| | | 74 | 2.7 | 3.5 | V | |
| V _{OL} | Output LOW Voltage | 54,74 | 0.25 | 0.4 | V | I _{OL} = 4.0 mA I _{OL} = 8.0 mA V _{CC} = V _{CC} MIN, V _{IN} = V _{IL} or V _{IH} per Truth Table |
| | | 74 | 0.35 | 0.5 | V | |
| I _{IH} | Input HIGH Current | | | 20 | μA | V _{CC} = MAX, V _{IN} = 2.7 V |
| | | | | 0.1 | mA | V _{CC} = MAX, V _{IN} = 7.0 V |
| I _{IL} | Input LOW Current | | | -0.4 | mA | V _{CC} = MAX, V _{IN} = 0.4 V |
| I _{OS} | Short Circuit Current | -20 | | -100 | mA | V _{CC} = MAX |
| I _{CC} | Power Supply Current | | | 75 | mA | V _{CC} = MAX |

AC CHARACTERISTICS: T_A = 25°C, V_{CC} = 5.0 V

| SYMBOL | PARAMETER | LIMITS | | | UNITS | TEST CONDITIONS |
|------------------|----------------------------------|--------|-----|-----|-------|---|
| | | MIN | TYP | MAX | | |
| f _{MAX} | Maximum Clock Frequency | 30 | 40 | | MHz | V _{CC} = 5.0 V C _L = 15 pF |
| t _{PLH} | Propagation Delay, Clock to Σ | | 14 | 22 | ns | |
| t _{PHL} | | | 18 | 27 | | |
| t _{PHL} | Propagation Delay Clear to Σ | | 18 | 30 | ns | |

AC SETUP REQUIREMENTS: T_A = 25°C, V_{CC} = 5.0 V

| SYMBOL | PARAMETER | LIMITS | | | UNITS | TEST CONDITIONS |
|----------------|-------------------|--------|-----|-----|-------|-------------------------|
| | | MIN | TYP | MAX | | |
| t _W | Clock Pulse Width | 16 | | | ns | V _{CC} = 5.0 V |
| t _s | Setup Time | 10 | | | ns | |
| t _h | Hold Time | 0 | | | ns | |

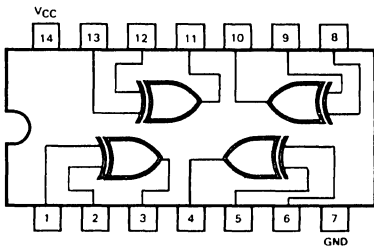


MOTOROLA

**SN54LS386
SN74LS386**

**QUAD 2-INPUT
EXCLUSIVE-OR GATE**

LOW POWER SCHOTTKY



J Suffix — Case 632-07 (Ceramic)
N Suffix — Case 646-05 (Plastic)

GUARANTEED OPERATING RANGES

| SYMBOL | PARAMETER | | MIN | TYP | MAX | UNIT |
|-----------------|-------------------------------------|----------|-------------|------------|-------------|------|
| V _{CC} | Supply Voltage | 54 74 | 4.5 4.75 | 5.0 5.0 | 5.5 5.25 | V |
| T _A | Operating Ambient Temperature Range | 54 74 | -55 0 | 25 25 | 125 70 | °C |
| I _{OH} | Output Current — High | 54,74 | | | -0.4 | mA |
| I _{OL} | Output Current — Low | 54 74 | | | 4.0 8.0 | mA |

DC CHARACTERISTICS OVER OPERATING TEMPERATURE RANGE (unless otherwise specified)

| SYMBOL | PARAMETER | LIMITS | | | UNITS | TEST CONDITIONS |
|-----------------|---------------------------|--------|-------|------|-------|--|
| | | MIN | TYP | MAX | | |
| V _{IH} | Input HIGH Voltage | 2.0 | | | V | Guaranteed Input HIGH Voltage for All Inputs |
| V _{IL} | Input LOW Voltage | 54 | | 0.7 | V | Guaranteed Input LOW Voltage for All Inputs |
| | | 74 | | 0.8 | | |
| V _{IK} | Input Clamp Diode Voltage | | -0.65 | -1.5 | V | V _{CC} = MIN, I _{IN} = -18 mA |
| V _{OH} | Output HIGH Voltage | 54 | 2.5 | 3.5 | V | V _{CC} = MIN, I _{OH} = MAX, V _{IN} = V _{IH} or V _{IL} per Truth Table |
| | | 74 | 2.7 | 3.5 | V | |
| V _{OL} | Output LOW Voltage | 54,74 | | 0.25 | 0.4 | I _{OL} = 4.0 mA |
| | | 74 | | 0.35 | 0.5 | I _{OL} = 8.0 mA |
| I _{IH} | Input HIGH Current | | | | 40 | V _{CC} = MAX, V _{IN} = 2.7 V |
| | | | | | 0.2 | mA |
| I _{IL} | Input LOW Current | | | -0.8 | mA | V _{CC} = MAX, V _{IN} = 0.4 V |
| I _{OS} | Short Circuit Current | -20 | | -100 | mA | V _{CC} = MAX |
| I _{CC} | Power Supply Current | | | 10 | mA | V _{CC} = MAX |

AC CHARACTERISTICS: T_A = 25°C

| SYMBOL | PARAMETER | LIMITS | | | UNITS | TEST CONDITIONS |
|------------------|--------------------------|--------|-----|-----|-------|---|
| | | MIN | TYP | MAX | | |
| t _{PLH} | Propagation Delay, Other | | 12 | 23 | ns | V _{CC} = 5.0 V C _L = 15 pF |
| t _{PHL} | Input LOW | | 10 | 17 | | |
| t _{PLH} | Propagation Delay, Other | | 20 | 30 | ns | |
| t _{PHL} | Input HIGH | | 13 | 22 | | |

5



DESCRIPTION — The SN54LS/74LS390 and SN54LS/74LS393 each contain a pair of high-speed 4-stage ripple counters. Each half of the LS390 is partitioned into a divide-by-two section and a divide-by-five section, with a separate clock input for each section. The two sections can be connected to count in the 8.4.2.1 BCD code or they can count in a biquinary sequence to provide a square wave (50% duty cycle) at the final output.

Each half of the LS393 operates as a Modulo-16 binary divider, with the last three stages triggered in a ripple fashion. In both the LS390 and the LS393, the flip-flops are triggered by a HIGH-to-LOW transition of their CP inputs. Each half of each circuit type has a Master Reset input which responds to a HIGH signal by forcing all four outputs to the LOW state.

- DUAL VERSIONS OF LS290 AND LS293
- LS390 HAS SEPARATE CLOCKS ALLOWING $\div 2$; $\div 2.5$; $\div 5$
- INDIVIDUAL ASYNCHRONOUS CLEAR FOR EACH COUNTER
- TYPICAL MAX COUNT FREQUENCY OF 50 MHz
- INPUT CLAMP DIODES MINIMIZE HIGH SPEED TERMINATION EFFECTS

PIN NAMES

\overline{CP} Clock (Active LOW going edge)
 Input to +16 (LS393)
 \overline{CP}_0 Clock (Active LOW going edge)
 Input to $\div 2$ (LS390)
 \overline{CP}_1 Clock (Active LOW going edge)
 Input to $\div 5$ (LS390)
 MR Master Reset (Active HIGH) Input
 Q₀—Q₃ Flip-Flop outputs (Note b)

LOADING (Note a)

| | HIGH | LOW |
|--------------------------------|----------|-------------|
| \overline{CP} | 0.5 U.L. | 1.0 U.L. |
| \overline{CP}_0 | 0.5 U.L. | 1.0 U.L. |
| \overline{CP}_1 | 0.5 U.L. | 1.5 U.L. |
| MR | 0.5 U.L. | 0.25 U.L. |
| Q ₀ —Q ₃ | 10 U.L. | 5(2.5) U.L. |

NOTES:

- a. 1 TTL Unit Load (U.L.) = 40 μ A HIGH/1.6 mA LOW.
 b. The Output LOW drive factor is 2.5 U.L. for Military (54) and 5 U.L. for Commercial (74) Temperature Ranges.

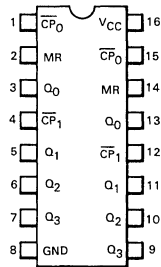
**SN54LS/74LS390
 SN54LS/74LS393**

**DUAL DECADE COUNTER;
 DUAL 4-STAGE
 BINARY COUNTER**

LOW POWER SCHOTTKY

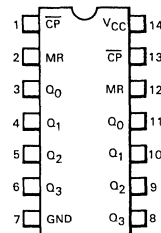
**CONNECTION DIAGRAMS
 DIP (TOP VIEW)**

SN54LS/74LS390



J Suffix — Case 620-08 (Ceramic)
 N Suffix — Case 648-05 (Plastic)

SN54LS/74LS393



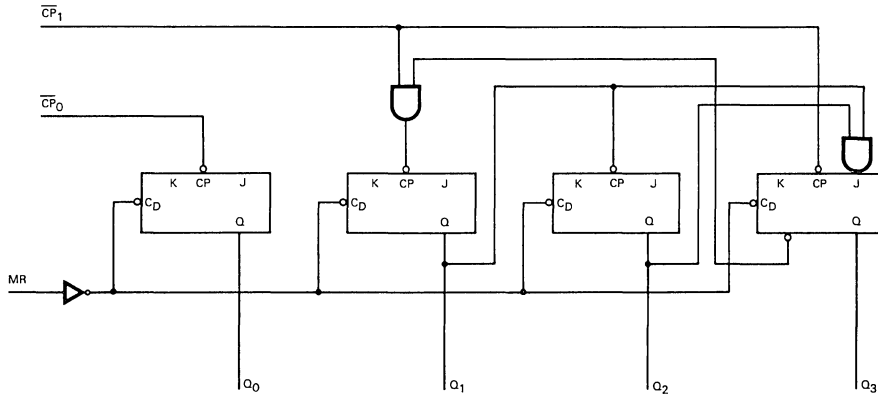
J Suffix — Case 632-07 (Ceramic)
 N Suffix — Case 646-05 (Plastic)

NOTE:
 The Flatpak version has the same pinouts (Connection Diagram) as the Dual In-Line Package.

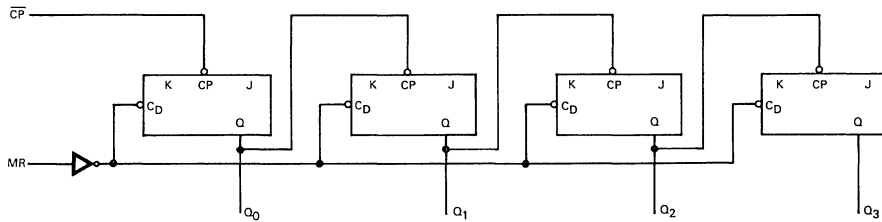
FUNCTIONAL DESCRIPTION—Each half of the SN54LS/74LS393 Operates in the Modulo 16 binary sequence, as indicated in the ÷16 Truth Table. The first flip-flop is triggered by HIGH-to-LOW transitions of the CP input signal. Each of the other flip-flops is triggered by a HIGH-to-LOW transition of the Q output of the preceding flip-flop. Thus state changes of the Q outputs do not occur simultaneously. This means that logic signals derived from combinations of these outputs will be subject to decoding spikes and, therefore, should not be used as clocks for other counters, registers or flip-flops. A HIGH signal on MR forces all outputs to the LOW state and prevents counting.

Each half of the 'LS390 contains a ÷5 section that is independent except for the common MR function. The ÷5 section operates in 4.2.1 binary sequence, as shown in the ÷5 Truth Table, with the third stage output exhibiting a 20% duty cycle when the input frequency is constant. To obtain a ÷10 function having a 50% duty cycle output, connect the input signal to CP₁ and connect the Q₃ output to the CP₀ input; the Q₀ output provides the desired 50% duty cycle output. If the input frequency is connected to CP₀ and the Q₀ output is connected to CP₁, a decade divider operating in the 8.4.2.1 BCD code is obtained, as shown in the BCD Truth Table. Since the flip-flops change state asynchronously, logic signals derived from combinations of 'LS390 outputs are also subject to decoding spikes. A HIGH signal on MR forces all outputs LOW and prevents counting.

SN54LS/74LS390 LOGIC DIAGRAM (one half shown)



SN54LS/74LS393 LOGIC DIAGRAM (one half shown)



SN54LS/74LS390 BCD
TRUTH TABLE
(Input on CP₀; Q₀ CP₁)

| COUNT | OUTPUTS | | | |
|-------|----------------|----------------|----------------|----------------|
| | Q ₃ | Q ₂ | Q ₁ | Q ₀ |
| 0 | L | L | L | L |
| 1 | L | L | L | H |
| 2 | L | L | H | L |
| 3 | L | L | H | H |
| 4 | L | H | L | L |
| 5 | L | H | L | H |
| 6 | L | H | H | L |
| 7 | L | H | H | H |
| 8 | H | L | L | L |
| 9 | H | L | L | H |

SN54LS/74LS390 ÷ 5
TRUTH TABLE
(Input on CP₁)

| COUNT | OUTPUTS | | |
|-------|----------------|----------------|----------------|
| | Q ₃ | Q ₂ | Q ₁ |
| 0 | L | L | L |
| 1 | L | L | H |
| 2 | L | H | L |
| 3 | L | H | H |
| 4 | H | L | L |

SN54LS/74LS393
TRUTH TABLE

| COUNT | OUTPUTS | | | |
|-------|----------------|----------------|----------------|----------------|
| | Q ₃ | Q ₂ | Q ₁ | Q ₀ |
| 0 | L | L | L | L |
| 1 | L | L | L | H |
| 2 | L | L | H | L |
| 3 | L | L | H | H |
| 4 | L | H | L | L |
| 5 | L | H | L | H |
| 6 | L | H | H | L |
| 7 | L | H | H | H |
| 8 | H | L | L | L |
| 9 | H | L | L | H |
| 10 | H | L | H | L |
| 11 | H | L | H | H |
| 12 | H | H | L | L |
| 13 | H | H | L | H |
| 14 | H | H | H | L |
| 15 | H | H | H | H |

H = HIGH Voltage Level
L = LOW Voltage Level

GUARANTEED OPERATING RANGES

| SYMBOL | PARAMETER | | MIN | TYP | MAX | UNIT |
|-----------------|-------------------------------------|----------|-------------|------------|-------------|------|
| V _{CC} | Supply Voltage | 54 74 | 4.5 4.75 | 5.0 5.0 | 5.5 5.25 | V |
| T _A | Operating Ambient Temperature Range | 54 74 | -55 0 | 25 25 | 125 70 | °C |
| I _{OH} | Output Current — High | 54,74 | | | -0.4 | mA |
| I _{OL} | Output Current — Low | 54 74 | | | 4.0 8.0 | mA |

DC CHARACTERISTICS OVER OPERATING TEMPERATURE RANGE (unless otherwise specified)

| SYMBOL | PARAMETER | LIMITS | | | UNITS | TEST CONDITIONS |
|-----------------|---------------------------|---------------------|-------|------|-------|--|
| | | MIN | TYP | MAX | | |
| V _{IH} | Input HIGH Voltage | 2.0 | | | V | Guaranteed Input HIGH Voltage for All Inputs |
| V _{IL} | Input LOW Voltage | 54 | | 0.7 | V | Guaranteed Input LOW Voltage for All Inputs |
| | | 74 | | 0.8 | | |
| V _{IK} | Input Clamp Diode Voltage | | -0.65 | -1.5 | V | V _{CC} = MIN, I _{IN} = -18 mA |
| V _{OH} | Output HIGH Voltage | 54 | 2.5 | 3.5 | V | V _{CC} = MIN, I _{OH} = MAX, V _{IN} = V _{IH} or V _{IL} per Truth Table |
| | | 74 | 2.7 | 3.5 | V | |
| V _{OL} | Output LOW Voltage | 54,74 | 0.25 | 0.4 | V | I _{OL} = 4.0 mA I _{OL} = 8.0 mA V _{CC} = V _{CC} MIN, V _{IN} = V _{IL} or V _{IH} per Truth Table |
| | | 74 | 0.35 | 0.5 | V | |
| I _{IH} | Input HIGH Current | | | 20 | μA | V _{CC} = MAX, V _{IN} = 2.7 V |
| | | | | 0.1 | mA | V _{CC} = MAX, V _{IN} = 7.0 V |
| I _{IL} | Input LOW Current | MR | | -0.4 | mA | V _{CC} = MAX, V _{IN} = 0.4 V |
| | | CP, CP ₀ | | -1.6 | mA | |
| | | CP ₁ | | -2.4 | mA | |
| I _{OS} | Short Circuit Current | -20 | | -100 | mA | V _{CC} = MAX |
| I _{CC} | Power Supply Current | | | 26 | mA | V _{CC} = MAX |

5

AC CHARACTERISTICS: $T_A = 25^\circ\text{C}$, $V_{CC} = 5.0\text{ V}$

| SYMBOL | PARAMETER | LIMITS | | | UNITS | TEST CONDITIONS |
|--------------------------------------|--|--------|----------|----------|-------|----------------------|
| | | MIN | TYP | MAX | | |
| f_{MAX} | Maximum Clock Frequency $\overline{\text{CP}}_0$ to Q_0 | 25 | 35 | | MHz | $C_L = 15\text{ pF}$ |
| f_{MAX} | Maximum Clock Frequency $\overline{\text{CP}}_1$ to Q_1 | 12.5 | 20 | | MHz | |
| t_{PLH} t_{PHL} | Propagation Delay, $\overline{\text{CP}}$ to Q_0 LS393 | | 12 13 | 20 20 | ns | |
| t_{PLH} t_{PHL} | $\overline{\text{CP}}_0$ to Q_0 LS390 | | 12 13 | 20 20 | ns | |
| t_{PLH} t_{PHL} | $\overline{\text{CP}}$ to Q_3 LS393 | | 40 40 | 60 60 | ns | |
| t_{PLH} t_{PHL} | $\overline{\text{CP}}_0$ to Q_2 LS390 | | 37 39 | 60 60 | ns | |
| t_{PLH} t_{PHL} | $\overline{\text{CP}}_1$ to Q_1 LS390 | | 13 14 | 21 21 | ns | |
| t_{PLH} t_{PHL} | $\overline{\text{CP}}_1$ to Q_2 LS390 | | 24 26 | 39 39 | ns | |
| t_{PLH} t_{PHL} | $\overline{\text{CP}}_1$ to Q_3 LS390 | | 13 14 | 21 21 | ns | |
| t_{PHL} | MR to Any Input LS390/393 | | 24 | 39 | ns | |

AC SETUP REQUIREMENTS: $T_A = 25^\circ\text{C}$, $V_{CC} = 5.0\text{ V}$

| SYMBOL | PARAMETER | LIMITS | | | UNITS | TEST CONDITIONS |
|------------------|---|--------|-----|-----|-------|-------------------------|
| | | MIN | TYP | MAX | | |
| t_W | Clock Pulse Width LS393 | 20 | | | ns | $V_{CC} = 5.0\text{ V}$ |
| t_W | $\overline{\text{CP}}_0$ Pulse Width LS390 | 20 | | | ns | |
| t_W | $\overline{\text{CP}}_1$ Pulse Width LS390 | 40 | | | ns | |
| t_W | MR Pulse Width LS390/393 | 20 | | | ns | |
| t_{rec} | Recovery Time LS390/393 | 25 | | | ns | |

AC WAVEFORMS

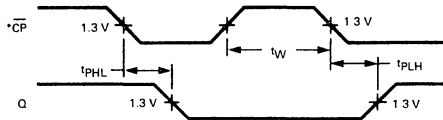


Fig. 1

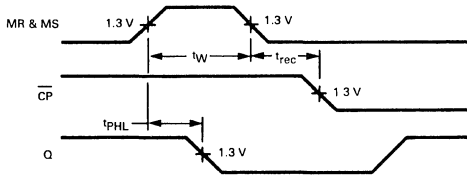


Fig. 2

*The number of Clock Pulses required between the t_{PHL} and t_{PLH} measurements can be determined from the appropriate Truth Table



SN74LS395

DESCRIPTION — The SN74LS395 is a 4-Bit Register with 3-state outputs and can operate in either a synchronous parallel load or a serial shift-right mode, as determined by the Select input. An asynchronous active LOW Master Reset (MR) input overrides the synchronous operations and clears the register. An active HIGH Output Enable (OE) input controls the 3-state output buffers, but does not interfere with the other operations. The fourth stage also has a conventional output for linking purposes in multi-stage serial operations.

4-BIT SHIFT REGISTER WITH 3-STATE OUTPUTS

LOW POWER SCHOTTKY

- SHIFT LEFT OR PARALLEL 4-BIT REGISTER
- 3-STATE OUTPUTS
- INPUT CLAMP DIODES LIMIT HIGH-SPEED TERMINATION EFFECTS

PIN NAMES

| | |
|--------------------------------|-----------------------------------|
| P ₀ -P ₃ | Parallel Inputs |
| D _S | Serial Data Input |
| S | Mode Select Input |
| CP | Clock (Active LOW) Input |
| MR | Master Reset (Active LOW) Input |
| OE | Output Enable (Active HIGH) Input |
| O ₀ -O ₃ | 3-State Register Outputs |
| Q ₃ | Register Output |

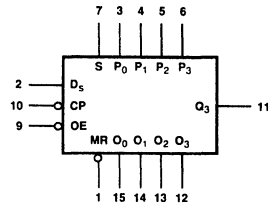
LOADING (Note a)

| | HIGH | LOW |
|--------------------------------|----------|-----------|
| D _S | 0.5 U.L. | 0.25 U.L. |
| S | 0.5 U.L. | 0.25 U.L. |
| CP | 0.5 U.L. | 0.25 U.L. |
| MR | 0.5 U.L. | 0.25 U.L. |
| OE | 0.5 U.L. | 0.25 U.L. |
| O ₀ -O ₃ | 65 U.L. | 15 U.L. |
| Q ₃ | 10 U.L. | 5 U.L. |

NOTE:

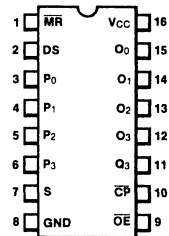
a. 1 TTL Unit Load (U.L.) = 40 μA HIGH/1.6 mA LOW.

LOGIC SYMBOL



V_{CC} = Pin 16
GND = Pin 8

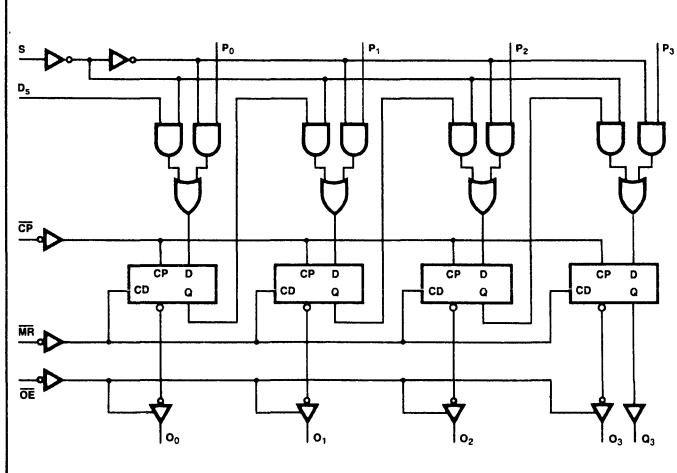
CONNECTION DIAGRAM DIP (TOP VIEW)



J Suffix — Case 620-08 (Ceramic)
N Suffix — Case 648-05 (Plastic)

5

LOGIC DIAGRAM



FUNCTIONAL DESCRIPTION — The SN74LS395 contains four D-type edge-triggered flip-flops and auxiliary gating to select a D input either from a Parallel (P_n) input or from the preceding stage. When the Select input is HIGH, the P_n inputs are enabled. A LOW signal on the S input enables the serial inputs for shift-right operations, as indicated in the Truth Table.

State changes are initiated by HIGH-to-LOW transitions on the Clock Pulse (CP) input. Signals on the P_n, D_s and S inputs can change when the Clock is in either state, provided that the recommended set-up and hold times are observed. When the S input is LOW, a CP HIGH-LOW transition transfers data in Q₀ to Q₁, Q₁ to Q₂, and Q₂ to Q₃. A left-shift is accomplished by connecting the outputs back to the P_n inputs, but offset one place to the left, i.e., Q₃ to P₂, Q₂ to P₁ and Q₁ to P₀, with P₃ acting as the linking input from another package.

When the \overline{OE} input is HIGH, the output buffers are disabled and the Q₀–Q₃ outputs are in a high impedance condition. The shifting, parallel loading or resetting operations can still be accomplished, however.

GUARANTEED OPERATING RANGES

| SYMBOL | PARAMETER | MIN | TYP | MAX | UNIT |
|-----------------|-------------------------------------|------|-----|------|------|
| V _{CC} | Supply Voltage | 4.75 | 5.0 | 5.25 | V |
| T _A | Operating Ambient Temperature Range | 0 | 25 | 70 | °C |
| I _{OH} | Output Current — High | | | –0.4 | mA |
| I _{OL} | Output Current — Low | | | 8.0 | mA |

DC CHARACTERISTICS OVER OPERATING TEMPERATURE RANGE (unless otherwise specified)

| SYMBOL | PARAMETER | LIMITS | | | UNITS | TEST CONDITIONS |
|------------------|---|--------|-------|------|-------|---|
| | | MIN | TYP | MAX | | |
| V _{IH} | Input HIGH Voltage | 2.0 | | | V | Guaranteed Input HIGH Voltage for All Inputs |
| V _{IL} | Input LOW Voltage | | | 0.8 | V | Guaranteed Input LOW Voltage for All Inputs |
| V _{IK} | Input Clamp Diode Voltage | | –0.65 | –1.5 | V | V _{CC} = MIN, I _{IN} = –18 mA |
| V _{OH} | Output HIGH Voltage | 2.7 | 3.5 | | V | V _{CC} = MIN, I _{OH} = MAX, V _{IN} = V _{IH} or V _{IL} per Truth Table |
| V _{OL} | Output LOW Voltage | | 0.25 | 0.4 | V | I _{OL} = 4.0 mA, V _{CC} = V _{CC} MIN, V _{IN} = V _{IL} or V _{IH} per Truth Table |
| | | | 0.35 | 0.5 | V | I _{OL} = 8.0 mA |
| I _{OZH} | Output Off Current HIGH | | | 20 | μA | V _{CC} = MAX, V _O = 2.4 V |
| I _{OZL} | Output Off Current LOW | | | –20 | μA | V _{CC} = MAX, V _O = 0.4 V |
| I _{IH} | Input HIGH Current | | | 20 | μA | V _{CC} = MAX, V _{IN} = 2.7 V |
| | | | | –0.1 | mA | V _{CC} = MAX, V _{IN} = 7.0 V |
| I _{IL} | Input LOW Current | | | –0.4 | mA | V _{CC} = MAX, V _{IN} = 0.4 V |
| I _{OS} | Short Circuit Current | –20 | | –100 | mA | V _{CC} = MAX |
| I _{CC} | Power Supply Current Total, Output HIGH | | | 31 | mA | V _{CC} = MAX, \overline{OE} = GND, \overline{CP} = GND |
| | Total, Output LOW | | | 34 | mA | V _{CC} = MAX, \overline{OE} = 4.5 V, \overline{CP} momentary 3.0 V then GND |

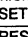
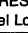

AC CHARACTERISTICS: $T_A = 25^\circ\text{C}$

| SYMBOL | PARAMETER | LIMITS | | | UNITS | TEST CONDITIONS |
|--------------------------------------|--|--------|----------|----------|-------|---|
| | | MIN | TYP | MAX | | |
| f _{MAX} | Maximum Input Clock Frequency | 30 | 45 | | MHz | V _{CC} = 5.0 V C _L = 15 pF |
| t _{PHL} | Propagation Delay, Clear to Output | | 22 | 35 | ns | |
| t _{PLH} t _{PHL} | Propagation Delay, Low to High Propagation Delay, High to Low | | 15 25 | 30 30 | ns | |
| t _{PZH} t _{PZL} | Output Enable Time | | 15 17 | 25 25 | ns | |
| t _{PLZ} t _{PHZ} | Output Disable Time | | 12 11 | 20 17 | ns | C _L = 5.0 pF |

AC SETUP REQUIREMENTS: $T_A = 25^\circ\text{C}$

| SYMBOL | PARAMETER | LIMITS | | | UNITS | TEST CONDITIONS |
|----------------|-------------------------|--------|-----|-----|-------|-------------------------|
| | | MIN | TYP | MAX | | |
| t _W | Clock Pulse Width | 16 | | | ns | V _{CC} = 5.0 V |
| t _s | Setup Time, Mode Select | 40 | | | ns | |
| t _s | Setup Time, All Others | 20 | | | ns | |
| t _h | Data Hold Time | 10 | | | ns | |

MODE SELECT — TRUTH TABLE

| Operating Mode | Inputs @ t _n | | | | | Outputs @ t _{n+1} | | | |
|--------------------------|-------------------------|--|---|----------------|----------------|----------------------------|-----------------|-----------------|-----------------|
| | MR | CP | S | D _s | P _n | O ₀ | O ₁ | O ₂ | O ₃ |
| Asynchronous Reset | L | X | X | X | X | L | L | L | L |
| Shift, SET First Stage | H |  | L | H | X | H | O _{0n} | O _{1n} | O _{2n} |
| Shift, RESET First Stage | H |  | L | L | X | L | O _{0n} | O _{1n} | O _{2n} |
| Parallel Load | H |  | H | X | P _n | P ₀ | P ₁ | P ₂ | P ₃ |

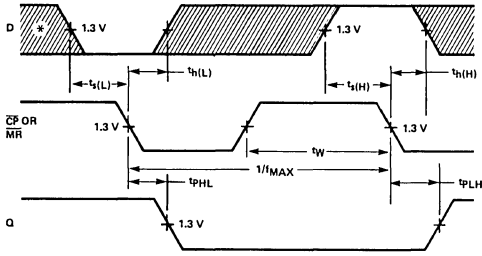
H = HIGH Voltage Level
L = LOW Voltage Level
X = Immaterial

t_n, t_{n+1} = time before and after CP HIGH-to-LOW transition

NOTE:
When OE is HIGH, outputs O₀—O₃ are in the high impedance state; however, this does not affect other operations or the Q₃ output.

AC WAVEFORMS

The shaded areas indicate when the input is permitted to change for predictable output performance.



*The Data Input is D_D for $S = \text{LOW}$ and P_n for $S = \text{HIGH}$.

Fig. 1

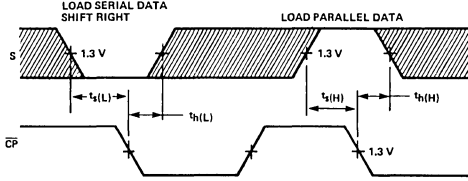


Fig. 2

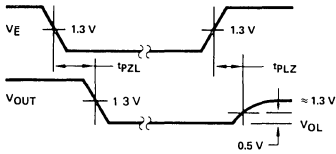


Fig. 3

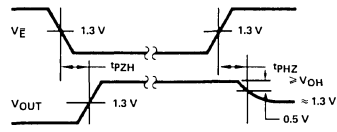
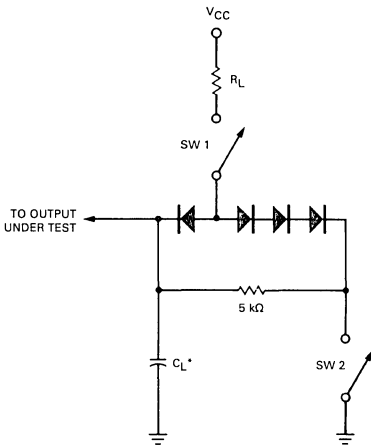


Fig. 4

AC LOAD CIRCUIT



*Includes Jig and Probe Capacitance

Fig. 5

| SWITCH POSITIONS | | |
|------------------|--------|--------|
| SYMBOL | SW1 | SW2 |
| t_{PZH} | Open | Closed |
| t_{PZL} | Closed | Open |
| t_{PLZ} | Closed | Closed |
| t_{PHZ} | Closed | Closed |



DESCRIPTION — The SN54LS/74LS398 and SN54LS/74LS399 are Quad 2-Port Registers. They are the logical equivalent of a quad 2-input multiplexer followed by a quad 4-bit edge-triggered register. A Common Select input selects between two 4-bit input ports (data sources). The selected data is transferred to the output register on the LOW-to-HIGH transition of the Clock input. The SN54LS/74LS398 features both Q and \bar{Q} inputs, while the SN54LS/74LS399 has only Q outputs.

- SELECT FROM TWO DATA SOURCES
- FULLY POSITIVE EDGE-TRIGGERED OPERATION
- BOTH TRUE AND COMPLEMENTED OUTPUTS ON SN54LS/74LS398
- INPUT CLAMP DIODES LIMIT HIGH-SPEED TERMINATION EFFECTS

PIN NAMES

| | |
|----------------------------------|---|
| S | Common Select Input |
| CP | Clock (Active HIGH Going Edge) Input |
| I _{0a} —I _{0d} | Data Inputs From Source 0 |
| I _{1a} —I _{1d} | Data Inputs From Source 1 |
| Q _a —Q _d | Register True Outputs (Note b) |
| \bar{Q}_a — \bar{Q}_d | Register Complementary Outputs (Note b) |

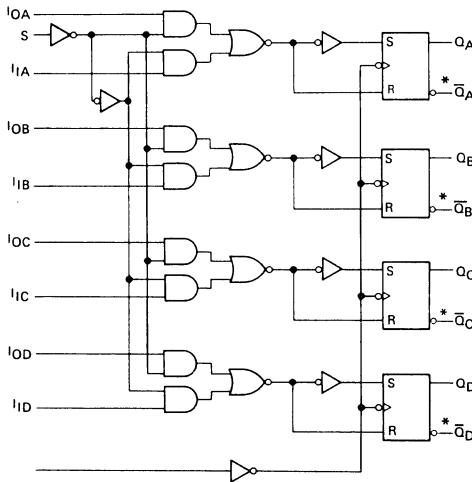
LOADING (Note a)

| | HIGH | LOW |
|----------------------------------|----------|-------------|
| S | 0.5 U.L. | 0.25 U.L. |
| CP | 0.5 U.L. | 0.25 U.L. |
| I _{0a} —I _{0d} | 0.5 U.L. | 0.25 U.L. |
| I _{1a} —I _{1d} | 0.5 U.L. | 0.25 U.L. |
| Q _a —Q _d | 10 U.L. | 5(2.5) U.L. |
| \bar{Q}_a — \bar{Q}_d | 10 U.L. | 5(2.5) U.L. |

NOTES:

- a. 1 TTL Unit Load (U.L.) = 40 μ A HIGH/1.6 mA LOW.
- b. The Output LOW drive factor is 2.5 U.L. for Military (54) and 5 U.L. for Commercial (74) Temperature Ranges.

FUNCTIONAL BLOCK DIAGRAM



* SN54LS/74LS398 only

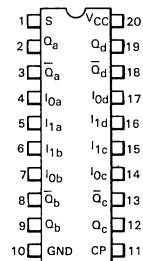
**SN54LS/74LS398
SN54LS/74LS399**

QUAD 2-PORT REGISTER

LOW POWER SCHOTTKY

**CONNECTION DIAGRAM
DIP (TOP VIEW)**

SN54LS/74LS398

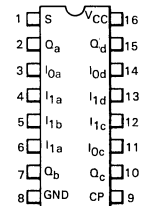


V_{CC} = Pin 20
GND = Pin 10

J Suffix — Case 732-03 (Ceramic)
N Suffix — Case 738-01 (Plastic)

**CONNECTION DIAGRAM
DIP (TOP VIEW)**

SN54LS/74LS399



V_{CC} = 16
GND = 8

J Suffix — Case 620-08 (Ceramic)
N Suffix — Case 648-05 (Plastic)

FUNCTIONAL DESCRIPTION — The SN54LS/74LS398 and SN54LS/74LS399 are high-speed Quad 2-Port Registers. They select four bits of data from two sources (Ports) under the control of a common Select Input (S). The selected data is transferred to a 4-Bit Output Register synchronous with the LOW-to-HIGH transition of the Clock input (CP). The 4-Bit RS type output register is fully edge-triggered. The Data inputs (I) and Select inputs (S) must be stable only a setup time prior to and hold time after the LOW-to-HIGH transition of the Clock input for predictable operation. The SN54LS/74LS398 has both Q and \bar{Q} Outputs available.

FUNCTION TABLE

| INPUTS | | | OUTPUTS | |
|--------|----------------|----------------|---------|-------------|
| S | I ₀ | I ₁ | Q | \bar{Q} * |
| l | l | X | L | H |
| l | h | X | H | L |
| h | X | l | L | H |
| h | X | h | H | L |

*SN54LS/74LS398 only

l = LOW Voltage Level one setup time prior to the LOW-to-HIGH clock transition
 h = HIGH Voltage Level one setup time prior to the LOW-to-HIGH clock transition
 L = LOW Voltage Level
 H = HIGH Voltage Level
 X = Immaterial

GUARANTEED OPERATING RANGES

| SYMBOL | PARAMETER | | MIN | TYP | MAX | UNIT |
|-----------------|-------------------------------------|----------|-------------|------------|-------------|------|
| V _{CC} | Supply Voltage | 54 74 | 4.5 4.75 | 5.0 5.0 | 5.5 5.25 | V |
| T _A | Operating Ambient Temperature Range | 54 74 | -55 0 | 25 25 | 125 70 | °C |
| I _{OH} | Output Current — High | 54,74 | | | -0.4 | mA |
| I _{OL} | Output Current — Low | 54 74 | | | 4.0 8.0 | mA |

DC CHARACTERISTICS OVER OPERATING TEMPERATURE RANGE (unless otherwise specified)

| SYMBOL | PARAMETER | LIMITS | | | UNITS | TEST CONDITIONS | |
|-----------------|---------------------------|--------|-------|------|-------|--|--|
| | | MIN | TYP | MAX | | | |
| V _{IH} | Input HIGH Voltage | 2.0 | | | V | Guaranteed Input HIGH Voltage for All Inputs | |
| V _{IL} | Input LOW Voltage | 54 | | 0.7 | V | Guaranteed Input LOW Voltage for All Inputs | |
| | | 74 | | 0.8 | | | |
| V _{IK} | Input Clamp Diode Voltage | | -0.65 | -1.5 | V | V _{CC} = MIN, I _{IN} = -18 mA | |
| V _{OH} | Output HIGH Voltage | 54 | 2.5 | 3.5 | V | V _{CC} = MIN, I _{OH} = MAX, V _{IN} = V _{IH} or V _{IL} per Truth Table | |
| | | 74 | 2.7 | 3.5 | V | | |
| V _{OL} | Output LOW Voltage | 54,74 | | 0.25 | 0.4 | I _{OL} = 4.0 mA | |
| | | 74 | | 0.35 | 0.5 | I _{OL} = 8.0 mA | |
| I _{IH} | Input HIGH Current | | | | 20 | V _{CC} = MAX, V _{IN} = 2.7 V | |
| | | | | | 0.1 | mA | V _{CC} = MAX, V _{IN} = 7.0 V |
| I _{IL} | Input LOW Current | | | | -0.4 | mA | V _{CC} = MAX, V _{IN} = 0.4 V |
| I _{OS} | Short Circuit Current | -20 | | | -100 | mA | V _{CC} = MAX |
| I _{CC} | Power Supply Current | | | | 13 | mA | V _{CC} = MAX |



AC CHARACTERISTICS: $T_A = 25^\circ\text{C}$, $V_{CC} = 5.0\text{ V}$

| SYMBOL | PARAMETER | LIMITS | | | UNITS | TEST CONDITIONS |
|-----------|--------------------|--------|-----|-----|-------|---|
| | | MIN | TYP | MAX | | |
| t_{PLH} | Propagation Delay, | | 18 | 27 | ns | $V_{CC} = 5.0\text{ V}$ $C_L = 15\text{ pF}$ |
| t_{PHL} | Clock to Output Q | | 21 | 32 | | |

AC SETUP REQUIREMENTS: $T_A = 25^\circ\text{C}$

| SYMBOL | PARAMETER | LIMITS | | | UNITS | TEST CONDITIONS |
|---------------|----------------------|--------|-----|-----|-------|-------------------------|
| | | MIN | TYP | MAX | | |
| t_W | Clock Pulse Width | 20 | | | ns | $V_{CC} = 5.0\text{ V}$ |
| t_s | Data Setup Time | 25 | | | | |
| $t_{\bar{s}}$ | Select Setup Time | 45 | | | | |
| t_h | Hold Time, Any Input | 0 | | | | |

DEFINITIONS OF TERMS:

SETUP TIME (t_s) — is defined as the minimum time required for the correct logic level to be present at the logic input prior to the clock transition from LOW-to-HIGH in order to be recognized and transferred to the outputs.

HOLD TIME (t_h) — is defined as the minimum time following the clock transition from LOW-to-HIGH that the logic level must be maintained at the input in order to ensure continued recognition. A negative Hold Time indicates that the correct logic level may be released prior to the clock transition from LOW-to-HIGH and still be recognized.

AC WAVEFORMS

5

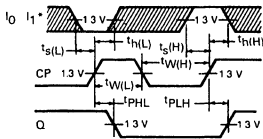


Fig. 1

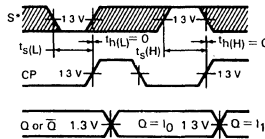


Fig. 2

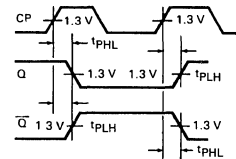


Fig. 3

*The shaded areas indicate when the input is permitted to change for predictable output performance



SN54LS490 SN74LS490

DESCRIPTION — The SN54LS/74LS490 contains a pair of high-speed 4-stage ripple counters. Each half of the SN54LS/74LS490 has individual Clock, Master Reset and Master Set (Preset 9) inputs. Each section counts in the 8, 4, 2, 1 BCD code.

- DUAL VERSION OF SN54LS/74LS90
- INDIVIDUAL ASYNCHRONOUS CLEAR AND PRESET TO 9 FOR EACH COUNTER
- COUNT FREQUENCY — TYPICALLY 65 MHz
- INPUT CLAMP DIODES LIMIT HIGH-SPEED TERMINATION EFFECTS

DUAL DECADE COUNTER

LOW POWER SCHOTTKY

PIN NAMES

MS Master Set (Set to 9) Input
 MR Master Reset
 CP Clock Input (Active LOW Going Edge)
 Q₀—Q₃ Counter Outputs (Note b)

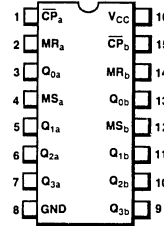
LOADING (Note a)

| | HIGH | LOW |
|--------------------------------|----------|-------------|
| MS | 0.5 U.L. | 0.25 U.L. |
| MR | 0.5 U.L. | 0.25 U.L. |
| CP | 1.5 U.L. | 1.5 U.L. |
| Q ₀ —Q ₃ | 10 U.L. | 5(2.5) U.L. |

NOTES:

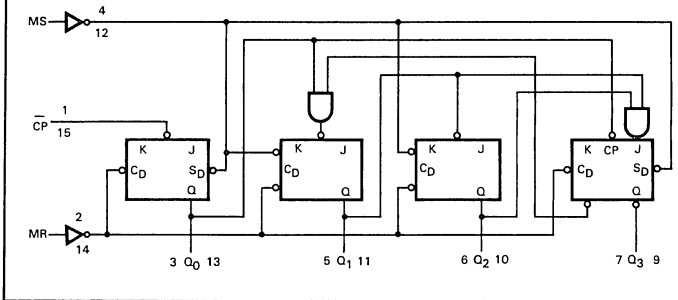
- 1 TTL Unit Load (U.L.) = 40 μA HIGH/1.6 mA LOW.
- The Output LOW drive factor is 2.5 U.L. for Military (54) and 5 U.L. for Commercial (74) Temperature Ranges.

CONNECTION DIAGRAM DIP (TOP VIEW)



J Suffix — Case 620-08 (Ceramic)
 N Suffix — Case 648-05 (Plastic)

LOGIC DIAGRAM (ONE HALF SHOWN)



TRUTH TABLE

| COUNT | OUTPUTS | | | |
|-------|----------------|----------------|----------------|----------------|
| | Q ₃ | Q ₂ | Q ₁ | Q ₀ |
| 0 | L | L | L | L |
| 1 | L | L | L | H |
| 2 | L | L | H | L |
| 3 | L | L | H | H |
| 4 | L | H | L | L |
| 5 | L | H | L | H |
| 6 | L | H | H | L |
| 7 | L | H | H | H |
| 8 | H | L | L | L |
| 9 | H | L | L | H |

GUARANTEED OPERATING RANGES

| SYMBOL | PARAMETER | | MIN | TYP | MAX | UNIT |
|-----------------|-------------------------------------|-------|------|-----|------|------|
| V _{CC} | Supply Voltage | 54 | 4.5 | 5.0 | 5.5 | V |
| | | 74 | 4.75 | 5.0 | 5.25 | |
| T _A | Operating Ambient Temperature Range | 54 | -55 | 25 | 125 | °C |
| | | 74 | 0 | 25 | 70 | |
| I _{OH} | Output Current — High | 54,74 | | | -0.4 | mA |
| I _{OL} | Output Current — Low | 54 | | | 4.0 | mA |
| | | 74 | | | 8.0 | |

DC CHARACTERISTICS OVER OPERATING TEMPERATURE RANGE (unless otherwise specified)

| SYMBOL | PARAMETER | LIMITS | | | UNITS | TEST CONDITIONS |
|-----------------|---------------------------|--------|-------|------|-------|--|
| | | MIN | TYP | MAX | | |
| V _{IH} | Input HIGH Voltage | 2.0 | | | V | Guaranteed Input HIGH Voltage for All Inputs |
| V _{IL} | Input LOW Voltage | 54 | | 0.7 | V | Guaranteed Input LOW Voltage for All Inputs |
| | | 74 | | 0.8 | | |
| V _{IK} | Input Clamp Diode Voltage | | -0.65 | -1.5 | V | V _{CC} = MIN, I _{IN} = -18 mA |
| V _{OH} | Output HIGH Voltage | 54 | 2.5 | 3.5 | V | V _{CC} = MIN, I _{OH} = MAX, V _{IN} = V _{IH} or V _{IL} per Truth Table |
| | | 74 | 2.7 | 3.5 | V | |
| V _{OL} | Output LOW Voltage | 54,74 | | 0.25 | 0.4 | I _{OL} = 4.0 mA |
| | | 74 | | 0.35 | 0.5 | I _{OL} = 8.0 mA |
| I _{IH} | Input HIGH Current | | | 20 | μA | V _{CC} = MAX, V _{IN} = 2.7 V |
| | | | | 0.1 | mA | V _{CC} = MAX, V _{IN} = 7.0 V |
| I _{IL} | Input LOW Current | MS, MR | | -0.4 | mA | V _{CC} = MAX, V _{IN} = 0.4 V |
| | | Clock | | -1.6 | mA | |
| I _{OS} | Short Circuit Current | -20 | | -100 | mA | V _{CC} = MAX |
| I _{CC} | Power Supply Current | | | 26 | mA | V _{CC} = MAX |

5

AC SETUP REQUIREMENTS: T_A = 25°C, V_{CC} = 5.0 V

| SYMBOL | PARAMETER | LIMITS | | | UNITS | TEST CONDITIONS |
|----------------|------------------------|--------|-----|-----|-------|-------------------------|
| | | MIN | TYP | MAX | | |
| t _W | Any Pulse Width | 20 | | | ns | V _{CC} = 5.0 V |
| t _s | MR or MS to Setup Time | 25 | | | ns | |

AC CHARACTERISTICS: $T_A = 25^\circ\text{C}$

| SYMBOL | PARAMETER | LIMITS | | | UNITS | TEST CONDITIONS | |
|--------------------------------------|---|--------|----------|----------|-------|-----------------|--|
| | | MIN | TYP | MAX | | | |
| f_{MAX} | Maximum Clock Frequency | 25 | 35 | | MHz | Fig. 1 | $V_{\text{CC}} = 5.0\text{ V}$ $C_L = 15\text{ pF}$ |
| t_{PLH} t_{PHL} | Propagation Delay, $\overline{\text{CP}}$ to Q_0 | | 12 13 | 20 20 | ns | Fig. 1 | |
| t_{PLH} t_{PHL} | Propagation Delay, $\overline{\text{CP}}$ to Q_1 or Q_3 | | 24 26 | 39 39 | ns | Fig. 3 | |
| t_{PLH} t_{PHL} | Propagation Delay, $\overline{\text{CP}}$ to Q_2 | | 32 36 | 54 54 | ns | Fig. 2 | |
| t_{PHL} | Propagation Delay, MR to Output | | 24 | 39 | ns | Fig. 2 | |
| t_{PLH} t_{PHL} | Propagation Delay, MS to Output | | 24 20 | 39 36 | ns | Fig. 2 | |

AC WAVEFORMS

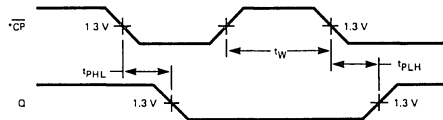


Fig. 1

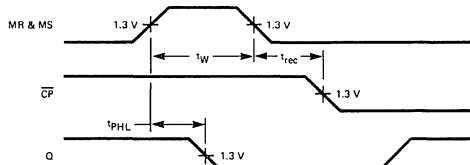


Fig. 2

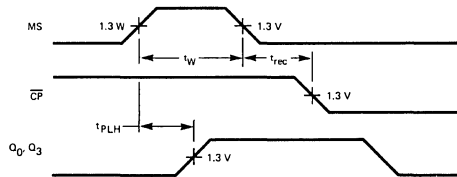


Fig. 3

*The number of Clock Pulses required between the t_{PHL} and t_{PLH} measurements can be determined from the Truth Table



SN54LS/74LS540 SN54LS/74LS541

DESCRIPTION — The SN54LS/74LS540 and SN54LS/74LS541 are octal buffers and line drivers with the same functions as the LS240 and LS241, but with pinouts on the opposite side of the package.

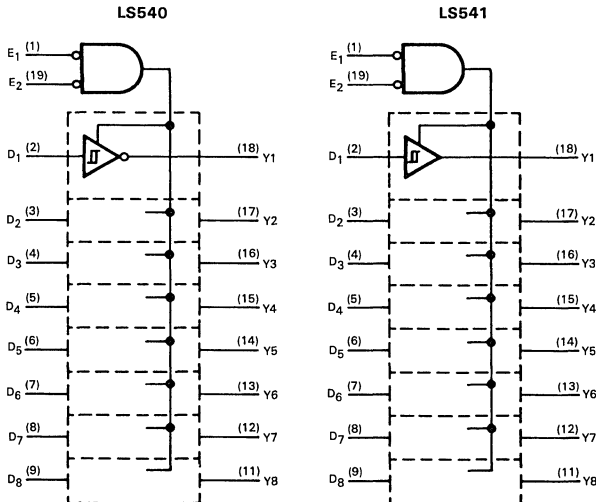
These device types are designed to be used as memory address drivers, clockdrivers and bus-oriented transmitters/receivers. These devices are especially useful as output ports for the microprocessors, allowing ease of layout and greater PC board density.

- HYSTERESIS AT INPUTS TO IMPROVE NOISE MARGIN
- PNP INPUTS REDUCE LOADING
- 3-STATE OUTPUTS DRIVE BUS LINES
- INPUTS AND OUTPUTS OPPOSITE SIDE OF PACKAGE, ALLOWING EASIER INTERFACE TO MICROPROCESSORS
- INPUT CLAMP DIODES LIMIT HIGH-SPEED TERMINATION EFFECTS

| INPUTS | | | OUTPUTS | |
|----------------|----------------|---|---------|-------|
| E ₁ | E ₂ | D | LS540 | LS541 |
| L | L | H | L | H |
| H | X | X | Z | Z |
| X | H | X | Z | Z |
| L | L | L | H | L |

L = LOW Voltage Level
H = HIGH Voltage Level
X = Immaterial
Z = High Impedance

BLOCK DIAGRAM

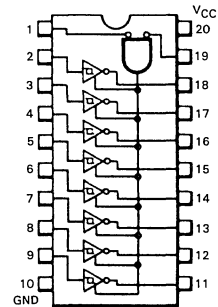


OCTAL BUFFER/LINE DRIVER WITH 3-STATE OUTPUTS

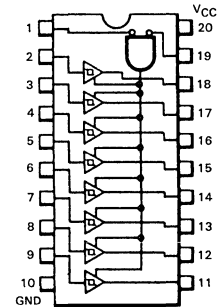
LOW POWER SCHOTTKY

LOGIC DIAGRAMS AND CONNECTION DIAGRAMS DIP (TOP VIEW)

SN54LS/74LS540



SN54LS/74LS541



J Suffix — Case 732-03 (Ceramic)
N Suffix — Case 738-01 (Plastic)

GUARANTEED OPERATING RANGES

| SYMBOL | PARAMETER | | MIN | TYP | MAX | UNIT |
|-----------------|-------------------------------------|----|------|-----|------|------|
| V _{CC} | Supply Voltage | 54 | 4.5 | 5.0 | 5.5 | V |
| | | 74 | 4.75 | 5.0 | 5.25 | |
| T _A | Operating Ambient Temperature Range | 54 | -55 | 25 | 125 | °C |
| | | 74 | 0 | 25 | 70 | |
| I _{OH} | Output Current — High | 54 | | | -12 | mA |
| | | 74 | | | -15 | |
| I _{OL} | Output Current — Low | 54 | | | 12 | mA |
| | | 74 | | | 24 | |

DC CHARACTERISTICS OVER OPERATING TEMPERATURE RANGE (unless otherwise specified)

| SYMBOL | PARAMETER | LIMITS | | | UNITS | TEST CONDITIONS |
|-----------------------------------|--|--------|-------|------|-------|---|
| | | MIN | TYP | MAX | | |
| V _{IH} | Input HIGH Voltage | 2.0 | | | V | Guaranteed Input HIGH Voltage for All Inputs |
| V _{IL} | Input LOW Voltage | 54 | | 0.7 | V | Guaranteed Input LOW Voltage for All Inputs |
| | | 74 | | 0.8 | | |
| V _{IK} | Input Clamp Diode Voltage | | -0.65 | -1.5 | V | V _{CC} = MIN, I _{IN} = -18 mA |
| V _{OH} | Output HIGH Voltage | 54,74 | 2.4 | 3.4 | V | V _{CC} = MIN, I _{OH} = -3.0 mA |
| | | 54,74 | 2.0 | | V | V _{CC} = MIN, I _{OH} = MAX, V _{IL} = 0.5 V |
| V _{OL} | Output LOW Voltage | 54,74 | | 0.25 | 0.4 | I _{OL} = 12 mA |
| | | 74 | | 0.35 | 0.5 | I _{OL} = 24 mA |
| V _{T+} , V _{T-} | Hysteresis | 0.2 | 0.4 | | V | V _{CC} = MIN |
| I _{OZH} | Output Off Current High | | | 20 | μA | V _{CC} = MAX, V _{OUT} = 2.4 V |
| I _{OZL} | Output Off Current Low | | | -20 | μA | V _{CC} = MAX, V _{OUT} = 0.4 V |
| I _{IH} | Input HIGH Current | | | 20 | μA | V _{CC} = MAX, V _{IN} = 2.7 V |
| | | | | 0.1 | mA | V _{CC} = MAX, V _{IN} = 7.0 V |
| I _{IL} | Input LOW Current | | | -0.2 | mA | V _{CC} = MAX, V _{IN} = 0.4 V |
| I _{OS} | Short Circuit Current | -40 | | -225 | mA | V _{CC} = MAX |
| I _{CC} | Power Supply Current Total, Output HIGH | LS540 | | 25 | mA | V _{CC} = MAX |
| | | LS541 | | 32 | mA | |
| | Total, Output LOW | LS540 | | 45 | mA | |
| | | LS541 | | 52 | mA | |
| | Total Output 3-State | LS540 | | 52 | mA | |
| | | LS541 | | 55 | mA | |



AC CHARACTERISTICS: $T_A = 25^\circ\text{C}$

| SYMBOL | PARAMETER | LIMITS | | | UNITS | TEST CONDITIONS |
|-----------|--|--------|-----|-----|-------|--|
| | | MIN | TYP | MAX | | |
| t_{PLH} | Propagation Delay, Data to Output | LS540 | 9.0 | 15 | ns | $V_{CC} = 5.0\text{ V}$ $C_L = 45\text{ pF}$ $R_L = 667\ \Omega$ |
| t_{PLH} | | LS541 | 12 | 15 | | |
| t_{PHL} | | LS540 | 12 | 15 | | |
| t_{PHL} | | LS541 | 12 | 18 | | |
| t_{PZH} | Output Enable Time to HIGH Level | LS540 | 15 | 25 | ns | |
| t_{PZH} | | LS541 | 15 | 32 | | |
| t_{PZL} | Output Enable Time to LOW Level | LS540 | 20 | 38 | ns | |
| t_{PZL} | | LS541 | 20 | 38 | | |
| t_{PHZ} | Output Disable Time from HIGH Level | LS540 | 10 | 18 | ns | $C_L = 5.0\text{ pF}$ |
| t_{PHZ} | | LS541 | 10 | 18 | | |
| t_{PLZ} | Output Disable Time from LOW Level | LS540 | 15 | 25 | ns | |
| t_{PLZ} | | LS541 | 15 | 29 | | |

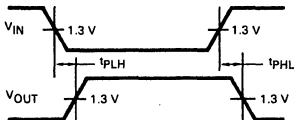


Fig. 1

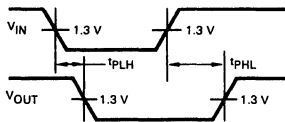


Fig. 2

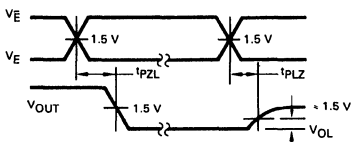


Fig. 3

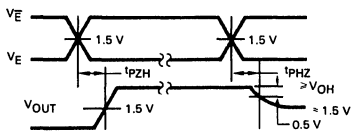
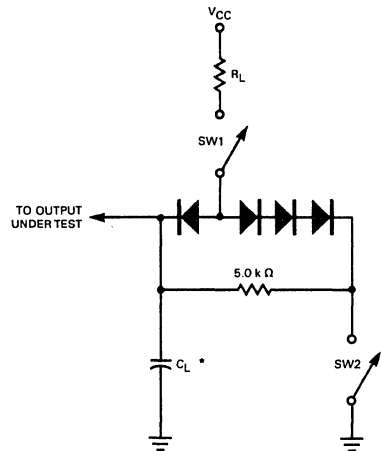


Fig. 4



SWITCH POSITIONS

| SYMBOL | SW1 | SW2 |
|-----------|--------|--------|
| t_{PZH} | Open | Closed |
| t_{PZL} | Closed | Open |
| t_{PLZ} | Closed | Closed |
| t_{PHZ} | Closed | Closed |

Fig. 5



SN54LS/74LS568 SN54LS/74LS569

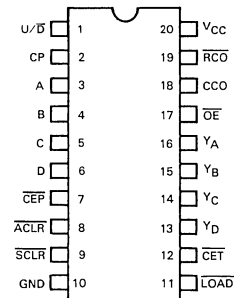
DESCRIPTION —The SN54LS/74LS568 and SN54LS/74LS569 are designed as programmable up/down BCD and Binary counters respectively. These devices have 3-state outputs for use in bus organized systems. With the exception of output enable (\overline{OE}) and asynchronous clear (\overline{ACLR}), all functions occur on the positive edge of the clock pulse (CP).

When the \overline{LOAD} input is LOW, the outputs will be programmed by the parallel data inputs (A, B, C, D) on the next clock edge. Enabling of the counters occurs only when \overline{CEP} and \overline{CET} are LOW and \overline{LOAD} is HIGH. Direction of the count is controlled by the up-down input (U/\overline{D}), HIGH counts up and LOW counts down. High-speed counting and cascading is implemented by internal look-ahead carry logic and an active LOW ripple carry output (\overline{RCO}). On the LS568, the \overline{RCO} is LOW at binary 9 during up-count and during down-count it is LOW at binary 0. On the LS569, the \overline{RCO} is LOW at binary 15 during up-count and during down-count it is also LOW at binary 0. During normal cascading operation \overline{RCO} connected to the succeeding block at \overline{CET} is the only requisite. When counting and when \overline{RCO} is LOW, the clocked carry output (CCO) provides a HIGH-LOW-HIGH pulse for a duration equal to the LOW time of the clock pulse. Two active LOW reset lines are provided, a master reset asynchronous clear (\overline{ACLR}) and a synchronous clear (SCLR). When in a HIGH state, the output control (\overline{OE}) input forces the counter output into a HIGH impedance state and when LOW, the counter outputs are enabled.

FOUR-BIT UP/DOWN COUNTERS WITH THREE-STATE OUTPUTS

LOW POWER SCHOTTKY

CONNECTION DIAGRAM
(TOP VIEW)



J Suffix — Case 732-03 (Ceramic)
N Suffix — Case 738-01 (Plastic)

V_{CC} = Pin 20
GND = Pin 10

Note: Pin 1 is marked for orientation.

FUNCTION TABLE

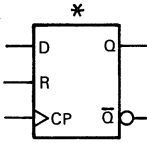
| CP | INPUTS | | | | | | | OUTPUTS | | | | | | | | | | |
|----|--------|---|---|---|-------------------|------------------|------------------|------------------|-------------------|------|-----------------|------------------|-----|--------------------|----|-------|-------|--------------------------|
| | D | C | B | A | \overline{LOAD} | \overline{CET} | \overline{CEP} | U/\overline{D} | \overline{ACLR} | SCLR | \overline{OE} | \overline{RCO} | CCO | Y_D | | Y_C | Y_B | Y_A |
| ↑ | X | X | X | X | H | L | L | H | H | H | L | A/R | A/R | ($Q_T - CP$) + 1 | | | | Count Up |
| ↑ | X | X | X | X | H | L | L | L | H | H | L | A/R | A/R | ($Q_T - CP$) - 1 | | | | Count Down |
| ↑ | X | X | X | X | H | H | X | X | H | H | L | H | H | NC | NC | NC | NC | Count Inhibit |
| ↑ | X | X | X | X | H | L | H | X | H | H | L | A/R | H | NC | NC | NC | NC | Count Inhibit |
| ↑ | X | X | X | X | X | L | L | H | H | H | L | L | ↑ | H | H | H | H | Overflow (LS569) |
| ↑ | X | X | X | X | X | L | L | H | H | H | L | L | ↑ | H | H | H | H | Overflow (LS569) |
| ↑ | X | X | X | X | X | L | L | H | H | H | L | L | ↑ | H | L | L | L | Overflow (LS568) |
| ↑ | X | X | X | X | X | L | L | H | H | H | L | L | ↑ | H | L | L | L | Overflow (LS568) |
| ↑ | X | X | X | X | X | H | X | H | H | H | L | H | H | H | H | H | H | Overflow Inhibit (LS569) |
| ↑ | X | X | X | X | X | H | X | H | H | H | L | H | H | H | L | L | H | Overflow Inhibit (LS568) |
| ↑ | X | X | X | X | X | L | L | L | H | H | L | L | ↑ | L | L | L | L | Underflow |
| ↑ | X | X | X | X | X | L | L | L | H | H | L | L | ↑ | L | L | L | L | Underflow |
| ↑ | X | X | X | X | X | H | X | L | H | H | L | H | H | L | L | L | L | Underflow Inhibit |
| ↑ | L | H | L | H | L | X | X | X | H | H | L | H | H | L | H | L | H | Load Example |
| ↑ | X | X | X | X | X | H | X | H | H | L | L | H | H | L | L | L | L | Clear (Synchronous) |
| ↑ | X | X | X | X | X | L | L | L | H | L | L | ↑ | ↑ | L | L | L | L | Clear (Synchronous) |
| ↑ | X | X | X | X | X | L | H | L | H | L | L | ↑ | ↑ | L | L | L | L | Clear (Synchronous) |
| ↑ | X | X | X | X | X | H | X | L | H | L | L | ↑ | ↑ | L | L | L | L | Clear (Synchronous) |
| X | X | X | X | X | X | X | X | H | L | X | L | H | H | L | L | L | L | Asynchronous Clear |
| ↑ | X | X | X | X | X | L | L | L | L | X | L | ↑ | ↑ | L | L | L | L | Asynchronous Clear |
| X | X | X | X | X | X | L | H | L | L | X | L | L | H | L | L | L | L | Asynchronous Clear |
| X | X | X | X | X | X | H | X | L | L | X | L | H | L | L | L | L | L | Asynchronous Clear |
| X | X | X | X | X | X | X | X | X | X | H | X | X | X | | | | | Output Disabled |

($Q_T - CP$) = Output state prior to clock edge
NC = No change

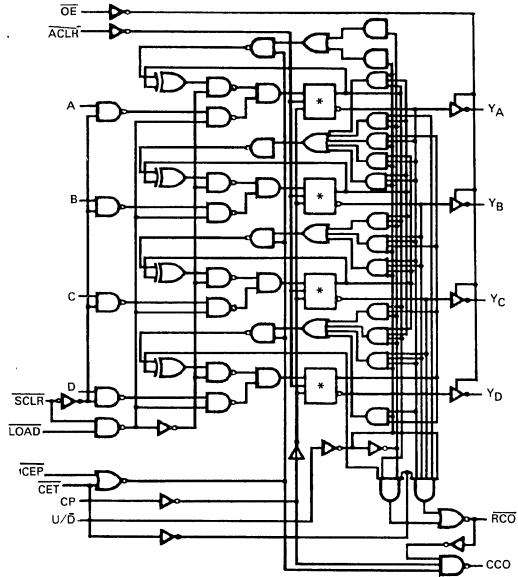
A/R = Assumes required output state;
High except during Overflow and Underflow

X = Don't care

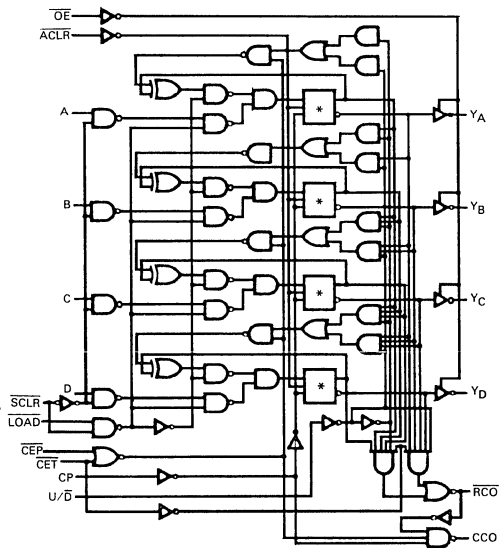
LOGIC DIAGRAMS



SN54LS/74LS568



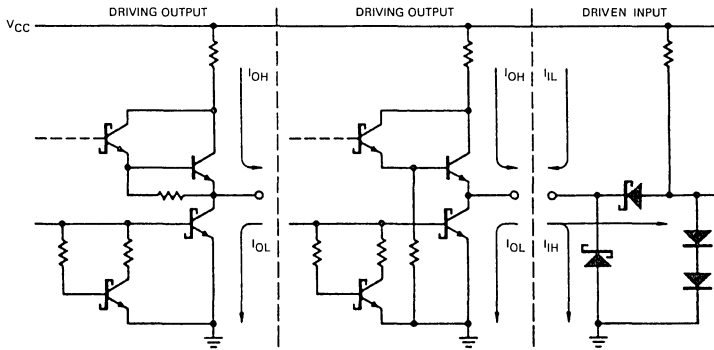
SN54LS/74LS569



DEFINITION OF FUNCTIONAL TERMS

| | | | |
|-------------------|--|-------------------------|---|
| A, B, C, D | The four programmable data inputs. | $\overline{ACL\bar{R}}$ | Asynchronous Clear. Master reset of counters to zero when $\overline{ACL\bar{R}}$ is LOW, independent of the clock. |
| \overline{CEP} | Count Enable Parallel. Can be used to enable and inhibit counting in high speed cascaded operation. \overline{CEP} must be LOW to count. | \overline{SCLR} | Synchronous clear of counters to zero on the next clock edge when \overline{SCLR} is LOW. |
| \overline{CET} | Count Enable Trickle. Enables the ripple carry output for cascaded operation. Must be LOW to count. | \overline{OE} | A HIGH on the output control sets the four counter outputs in the high impedance, and a LOW, enables the output. |
| CP | Clock Pulse. All synchronous functions occur on the LOW-to-HIGH transition of the clock. | Y_A, Y_B, Y_C, Y_D | The four counter outputs. |
| \overline{LOAD} | Enables parallel load of counter outputs from data inputs on the next clock edge. Must be HIGH to count. | \overline{RCO} | Ripple Carry Output. Output will be LOW on the maximum count on up-count. Upon down-count, \overline{RCO} is LOW at 0000. |
| U/\bar{D} | Up/Down Count Control. HIGH counts up and LOW counts down. | CCO | Clock Carry Output. While counting and \overline{RCO} is LOW, CCO will follow the clock HIGH-LOW-HIGH transition. |

LOW-POWER SCHOTTKY INPUT/OUTPUT CURRENT INTERFACE CONDITIONS



Note. Actual current flow direction shown.

GUARANTEED OPERATING RANGES

| SYMBOL | PARAMETER | | MIN | TYP | MAX | UNIT |
|-----------------|---|-------|------|-----|-------|------|
| V _{CC} | Supply Voltage | 54 | 4.5 | 5.0 | 5.5 | V |
| | | 74 | 4.75 | 5.0 | 5.25 | |
| T _A | Operating Ambient Temperature Range | 54 | -55 | 25 | 125 | °C |
| | | 74 | 0 | 25 | 70 | |
| I _{OH} | Output Current — High Except \overline{RCO} , CCO | 54 | | | -1.0 | mA |
| | | 74 | | | -2.6 | |
| I _{OH} | Output Current — High \overline{RCO} , CCO | 54,74 | | | -0.44 | mA |
| I _{OL} | Output Current — Low Except \overline{RCO} , CCO | 54 | | | 12 | mA |
| | | 74 | | | 24 | |
| I _{OL} | Output Current — Low, RCO, CCO | 54 | | | 4 | mA |
| | | 74 | | | 8 | |

DC CHARACTERISTICS OVER OPERATING TEMPERATURE RANGE (unless otherwise specified)

| SYMBOL | PARAMETER | | LIMITS | | | UNITS | TEST CONDITIONS |
|------------------|---|------------------------|--------|-------|------|-------|--|
| | | | MIN | TYP | MAX | | |
| V _{IH} | Input HIGH Voltage | | 2.0 | | | V | Guaranteed Input HIGH Voltage for All Inputs |
| V _{IL} | Input LOW Voltage | 54 | | | 0.7 | V | Guaranteed Input LOW Voltage for All Inputs |
| | | 74 | | | 0.8 | | |
| V _{IK} | Input Clamp Diode Voltage | | | -0.65 | -1.5 | V | V _{CC} = MIN, I _{IN} = -18 mA |
| V _{OH} | Output HIGH Voltage \overline{RCO} , CCO | 54 | 2.4 | 3.4 | | V | V _{CC} = MIN, I _{OH} = MAX, V _{IN} = V _{IH} or V _{IL} per Truth Table |
| | | 74 | 2.4 | 3.1 | | V | |
| | | 54 | 2.5 | 3.5 | | V | |
| | | 74 | 2.7 | 3.5 | | V | |
| V _{OL} | Output LOW Voltage | 54,74 | | 0.25 | 0.4 | V | I _{OL} = I _{OL} MAX, V _{CC} = V _{CC} MIN, V _{IN} = V _{IL} or V _{IH} per Truth Table |
| | | 74 | | 0.35 | 0.5 | V | |
| I _{OZH} | Output Off Current—High | | | | 20 | μA | V _{CC} = MAX, V _O = 2.4 V |
| I _{OZL} | Output Off Current—Low | | | | -20 | μA | V _{CC} = MAX, V _O = 0.4 V |
| I _{IH} | Input HIGH Current | | | | 20 | μA | V _{CC} = MAX, V _{IN} = 2.7 V |
| | | | | | 0.1 | mA | V _{CC} = MAX, V _{IN} = 7.0 V |
| I _{IL} | Input LOW Current | Others | | | -0.4 | mA | V _{CC} = MAX, V _{IN} = 0.4 V |
| | | CET | | | -0.8 | mA | |
| I _{OS} | Short Circuit Current | \overline{RCO} , CCO | -20 | | -100 | mA | V _{CC} = MAX |
| | | Others | -30 | | -130 | mA | |
| I _{CC} | Power Supply Current, 3-State | | | | 43 | mA | V _{CC} = MAX |

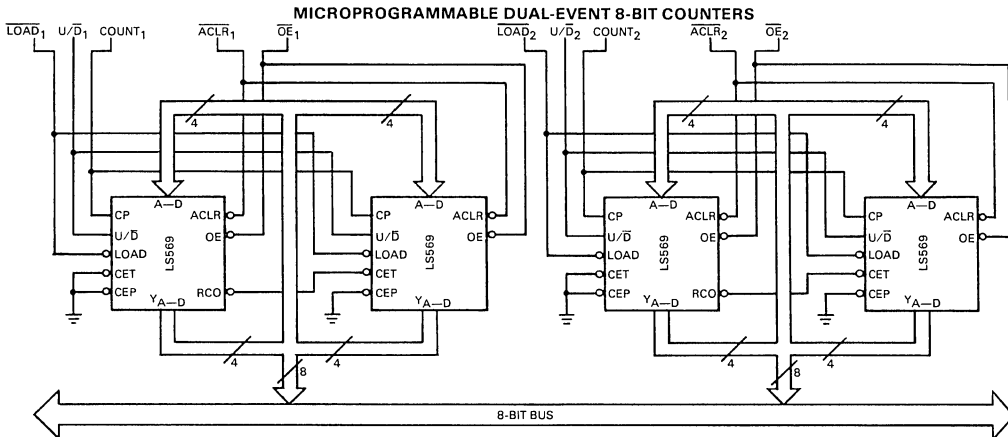
5

AC CHARACTERISTICS: $T_A = 25^\circ\text{C}$

| SYMBOL | PARAMETER | LIMITS | | | UNITS | TEST CONDITIONS |
|--------------------------------------|--|--------|----------|----------|-------|---|
| | | MIN | TYP | MAX | | |
| f_{MAX} | Maximum Toggle Frequency | 25 | | | MHz | $V_{\text{CC}} = 5.0\text{ V}$ $C_L = 45\text{ pF}$ $R_L = 667\ \Omega$ |
| t_{PLH} t_{PHL} | Propagation Delay Clock to Q | | 15 23 | 24 35 | ns | |
| t_{PLH} t_{PHL} | Propagation Delay CET to RCO | | 14 14 | 24 24 | ns | |
| t_{PLH} t_{PHL} | Propagation Delay U/D to RCO | | 20 15 | 30 24 | ns | |
| t_{PLH} t_{PHL} | Propagation Delay Clock to RCO | | 25 26 | 40 40 | ns | |
| t_{PLH} t_{PHL} | Propagation Delay CET or CEP to CCO | | 12 20 | 20 30 | ns | |
| t_{PLH} t_{PHL} | Propagation Delay Clock to CCO | | 17 26 | 27 40 | ns | |
| t_{PLH} t_{PHL} | Propagation Delay ACLR to Q | | 21 21 | 32 32 | ns | |
| t_{PZH} t_{PZL} | Output Enable Time | | 10 17 | 16 24 | ns | |
| t_{PHZ} t_{PLZ} | Output Disable Time | | 20 17 | 25 27 | ns | |

AC SETUP REQUIREMENTS: $T_A = 25^\circ\text{C}$, $V_{\text{CC}} = 5.0\text{ V}$

| SYMBOL | PARAMETER | LIMITS | | | UNITS | TEST CONDITIONS |
|--------|---|--------|-----|-----|-------|--------------------------------|
| | | MIN | TYP | MAX | | |
| t_W | Clock Pulse Width | 30 | | | ns | $V_{\text{CC}} = 5.0\text{ V}$ |
| t_s | Setup Time, A, B, C, D | 20 | | | ns | |
| t_s | Setup Time, $\overline{\text{SCLR}}$ | 20 | | | ns | |
| t_s | Setup Time, $\overline{\text{LOAD}}$ | 30 | | | ns | |
| t_s | Setup Time, U/ $\overline{\text{D}}$ | 50 | | | ns | |
| t_s | Setup Time, $\overline{\text{CET}}$, CEP | 32 | | | ns | |
| t_h | Hold Time, Any Inputs | 0 | | | ns | |





**SN54LS/74LS604
SN54LS/74LS605
SN54LS/74LS606
SN54LS/74LS607**

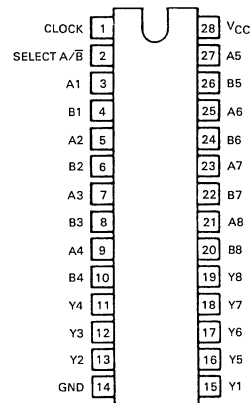
DESCRIPTION — The SN54LS/74LS604 thru SN54LS/74LS607 are multiplexed latches designed for storing data from two input buses, A and B, and providing the stored data from either the A or B register to the output bus.

Data is loaded by the clock on the positive going transition (low-level to high-level). Control of the active and high impedance states of the outputs is also on the clock pin. The outputs are in the HIGH impedance or OFF state when the clock pin is LOW and the outputs are enabled when the clock pin is HIGH.

The SN54LS/74LS604 and 605 are designed for high speed operation and the SN54LS/74LS606 and 607 are designed to eliminate decoding voltage spikes. The SN54LS/74LS 604 and 606 have 3-state outputs while the SN54LS/74LS605 and 607 are open collector.

**OCTAL 2-INPUT
MULTIPLEXED LATCHES
LOW POWER SCHOTTKY**

**CONNECTION DIAGRAM
(TOP VIEW)**



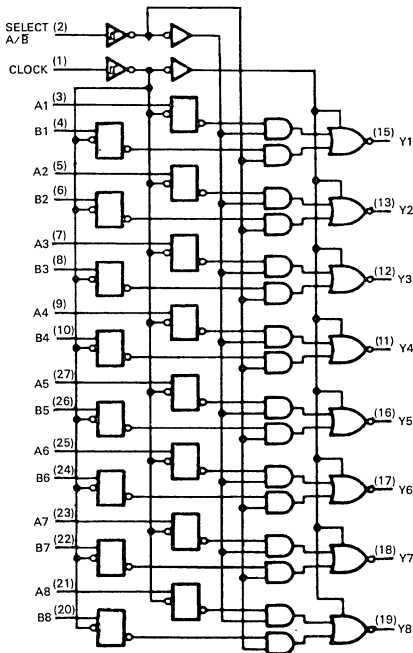
J Suffix — Case 733-02 (Ceramic)
N Suffix — Case 710-02 (Plastic)

FUNCTION TABLE

| INPUTS | | | | OUTPUTS |
|--------|--------|------------|-------|------------------------|
| A1-A8 | B1-B8 | SELECT A/B | CLOCK | Y1-Y8 |
| A data | B data | L | ↑ | B data |
| A data | B data | H | ↑ | A data |
| X | X | X | L | Z or Off |
| X | X | L | H | B register stored data |
| X | X | H | H | A register stored data |

H = high level (steady state) L = low level (steady state)
X = irrelevant Z = high-impedance state
Off = H if pull-up resistor is connected to open-collector output
↑ = transition from low to high level

BLOCK DIAGRAM



GUARANTEED OPERATING RANGES

| SYMBOL | PARAMETER | | MIN | TYP | MAX | UNIT |
|-----------------|-------------------------------------|----------|-------------|------------|--------------|------|
| V _{CC} | Supply Voltage | 54 74 | 4.5 4.75 | 5.0 5.0 | 5.5 5.25 | V |
| T _A | Operating Ambient Temperature Range | 54 74 | -55 0 | 25 25 | 125 70 | °C |
| I _{OH} | Output Current — High | 54 74 | | | -1.0 -2.6 | mA |
| I _{OL} | Output Current — Low | 54 74 | | | 12 24 | mA |

DC CHARACTERISTICS OVER OPERATING TEMPERATURE RANGE (unless otherwise specified)

| SYMBOL | PARAMETER | LIMITS | | | UNITS | TEST CONDITIONS | |
|------------------|---------------------------|------------|-------|------|-------|--|---|
| | | MIN | TYP | MAX | | | |
| V _{IH} | Input HIGH Voltage | 2.0 | | | V | Guaranteed Input HIGH Voltage for All Inputs | |
| V _{IL} | Input LOW Voltage | 54 | | 0.7 | V | Guaranteed Input LOW Voltage for All Inputs | |
| | | 74 | | 0.8 | | | |
| V _{IK} | Input Clamp Diode Voltage | | -0.65 | -1.5 | V | V _{CC} = MIN, I _{IN} = -18 mA | |
| V _{OH} | Output HIGH Voltage | 54 | 2.4 | 3.4 | V | V _{CC} = MIN, I _{OH} = MAX, V _{IN} = V _{IH} or V _{IL} per Truth Table | |
| | | 74 | 2.4 | 3.1 | V | | |
| V _{OL} | Output LOW Voltage | 54,74 | | 0.25 | 0.4 | I _{OL} = 12 mA | V _{CC} = V _{CC} MIN, V _{IN} = V _{IL} or V _{IH} per Truth Table |
| | | 74 | | 0.35 | 0.5 | I _{OL} = 24 mA | |
| I _{OZH} | Output Off Current HIGH | | | 20 | μA | V _{CC} = MAX, V _O = 2.4 V | |
| I _{OZL} | Output Off Current LOW | | | -20 | μA | V _{CC} = MAX, V _O = 0.4 V | |
| I _{IH} | Input HIGH Current | | | 20 | μA | V _{CC} = MAX, V _{IN} = 2.7 V | |
| | | | | -0.1 | mA | V _{CC} = MAX, V _{IN} = 7.0 V | |
| I _{IL} | Input LOW Current | A,B | | -0.4 | mA | V _{CC} = MAX, V _{IN} = 0.4 V | |
| | | CK, Select | | -0.2 | mA | | |
| I _{OS} | Short Circuit Current | -30 | | -130 | mA | V _{CC} = MAX | |
| I _{CC} | Power Supply Current | | | 70 | mA | V _{CC} = MAX | |

AC CHARACTERISTICS: T_A = 25°C

| SYMBOL | PARAMETER | LS604 | | | LS606 | | | UNITS | TEST CONDITIONS |
|------------------|---|--------|-----|-----|--------|-----|-----|-------|--|
| | | LIMITS | | | LIMITS | | | | |
| | | MIN | TYP | MAX | MIN | TYP | MAX | | |
| t _{PLH} | Select A/ \bar{B} , Data: A = H, B = L | | 15 | 25 | | 36 | 50 | ns | V _{CC} = 5.0 V C _L = 45 pF, R _L = 667 Ω |
| t _{PHL} | | | 23 | 35 | | 16 | 30 | | |
| t _{PLH} | Select A/ \bar{B} , Data: A = L, B = H | | 31 | 45 | | 22 | 35 | | |
| t _{PHL} | | | 19 | 30 | | 22 | 35 | | |
| t _{PZH} | Clock to Output | | 19 | 30 | | 27 | 40 | | |
| t _{PZL} | | | 27 | 40 | | 35 | 50 | | |
| t _{PLZ} | Clock to Output | | 20 | 30 | | 20 | 30 | ns | C _L = 5.0 pF |
| t _{PHZ} | | | 15 | 25 | | 15 | 25 | | |

AC SETUP REQUIREMENTS: T_A = 25°C

| SYMBOL | PARAMETER | LIMITS | | | UNITS | CONDITIONS |
|----------------|-------------------|--------|-----|-----|-------|-------------------------|
| | | MIN | TYP | MAX | | |
| t _W | Clock Pulse Width | 20 | | | ns | V _{CC} = 5.0 V |
| t _S | Setup Time | 20 | | | ns | |
| t _H | Hold Time | 0 | | | ns | |



GUARANTEED OPERATING RANGES

| SYMBOL | PARAMETER | | MIN | TYP | MAX | UNIT |
|-----------------|-------------------------------------|----------|-------------|------------|-------------|------|
| V _{CC} | Supply Voltage | 54 74 | 4.5 4.75 | 5.0 5.0 | 5.5 5.25 | V |
| T _A | Operating Ambient Temperature Range | 54 74 | -55 0 | 25 25 | 125 70 | °C |
| V _{OH} | Output Voltage — High | 54,74 | | | 5.5 | V |
| I _{OL} | Output Current — Low | 54 74 | | | 12 24 | mA |

DC CHARACTERISTICS OVER OPERATING TEMPERATURE RANGE (unless otherwise specified)

| SYMBOL | PARAMETER | LIMITS | | | UNITS | TEST CONDITIONS |
|-----------------|---------------------------|------------|-------|------|-------|---|
| | | MIN | TYP | MAX | | |
| V _{IH} | Input HIGH Voltage | 2.0 | | | V | Guaranteed Input HIGH Voltage for All Inputs |
| V _{IL} | Input LOW Voltage | 54 | | 0.7 | V | Guaranteed Input LOW Voltage for All Inputs |
| | | 74 | | 0.8 | | |
| V _{IK} | Input Clamp Diode Voltage | | -0.65 | -1.5 | V | V _{CC} = MIN, I _{IN} = -18 mA |
| I _{OH} | Output HIGH Current | 54,74 | | 250 | μA | V _{CC} = MIN, V _{OH} = MAX |
| V _{OL} | Output LOW Voltage | 54,74 | 0.25 | 0.4 | V | I _{OL} = 12 mA I _{OL} = 24 mA V _{CC} = V _{CC} MIN, V _{IN} = V _{IL} or V _{IH} per Truth Table |
| | | 74 | 0.35 | 0.5 | V | |
| I _{IH} | Input HIGH Current | | | 20 | μA | V _{CC} = MAX, V _{IN} = 2.7 V |
| | | | | 0.1 | mA | V _{CC} = MAX, V _{IN} = 7.0 V |
| I _{IL} | Input LOW Current | A,B | | -0.4 | mA | V _{CC} = MAX, V _{IN} = 0.4 V |
| | | CK, Select | | -0.2 | mA | |
| I _{CC} | Power Supply Current | | | 60 | mA | V _{CC} = MAX |

5

AC CHARACTERISTICS: T_A = 25°C

| SYMBOL | PARAMETER | LS605 | | | LS607 | | | UNITS | TEST CONDITIONS |
|--------------------------------------|---|--------|----------|----------|--------|----------|----------|-------|--|
| | | LIMITS | | | LIMITS | | | | |
| | | MIN | TYP | MAX | MIN | TYP | MAX | | |
| t _{PLH} t _{PHL} | Select A/ \bar{B} , Data: A = H, B = L | | 28 28 | 40 40 | | 51 21 | 70 30 | ns | V _{CC} = 5.0 V C _L = 45 pF, R _L = 667 Ω |
| t _{PLH} t _{PHL} | Select A/ \bar{B} , Data: A = L, B = H | | 39 25 | 60 40 | | 28 28 | 40 40 | | |
| t _{PLH} t _{PHL} | Clock to Output | | 27 25 | 40 40 | | 30 32 | 45 45 | | |

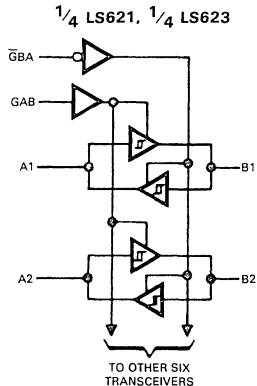
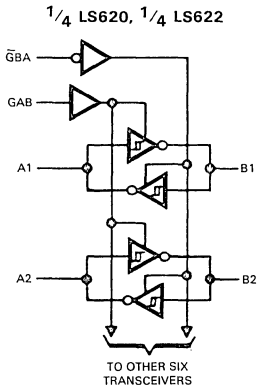
AC SETUP REQUIREMENTS: T_A = 25°C

| SYMBOL | PARAMETER | LIMITS | | | UNITS | CONDITIONS |
|----------------|-------------------|--------|-----|-----|-------|-------------------------|
| | | MIN | TYP | MAX | | |
| t _W | Clock Pulse Width | 20 | | | ns | V _{CC} = 5.0 V |
| t _s | Setup Time | 20 | | | ns | |
| t _h | Hold Time | 0 | | | ns | |



DESCRIPTION — The SN54LS/74LS620 thru SN54LS/74LS623 series are octal bus transceivers designed for asynchronous two-way communication between data buses. Control function implementation allows maximum timing flexibility. Enable inputs may be used to disable the device so that buses are effectively isolated. Depending on the Logic Levels at the enable inputs, Data transmission is allowed from the A bus to the B bus or from the B bus to the A bus. The dual-enable configuration gives the LS620 thru LS623 the capability to store data by simultaneous enabling of $\bar{G}BA$ and GAB. Each output reinforces its input in this transceiver configuration. Thus, when both control inputs are enabled all other data sources to the two sets of bus lines (16 in all) will remain at their last states. The 8-bit codes appearing on the two sets of buses will be identical for the LS621 and LS623 devices or complementary for the LS620 and LS622.

BLOCK DIAGRAMS



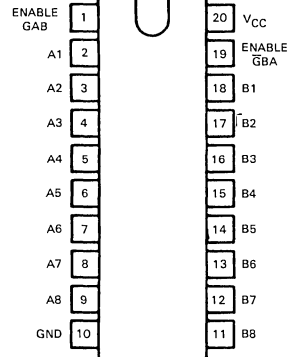
SN54LS/74LS620
SN54LS/74LS621
SN54LS/74LS622
SN54LS/74LS623

OCTAL BUS TRANSCEIVERS

LOW POWER SCHOTTKY

CONNECTION DIAGRAM

(TOP VIEW)



J Suffix — Case 732-03 (Ceramic)
 N Suffix — Case 738-01 (Plastic)

FUNCTION TABLE

| ENABLE INPUTS | | OPERATION | |
|---------------|-----|---|-------------------------------------|
| $\bar{G}BA$ | GAB | LS620, LS622 | LS621, LS623 |
| L | L | \bar{B} data to A bus | B data to A bus |
| H | H | \bar{A} data to B bus | A data to B bus |
| H | L | Isolation | Isolation |
| L | H | \bar{B} data to A bus, \bar{A} data to B bus | B data to A bus, A data to B bus |

H = high level, L = low level, X = irrelevant



GUARANTEED OPERATING RANGES

| SYMBOL | PARAMETER | | MIN | TYP | MAX | UNIT |
|-----------------|-------------------------------------|----------|-------------|------------|-------------|------|
| V _{CC} | Supply Voltage | 54 74 | 4.5 4.75 | 5.0 5.0 | 5.5 5.25 | V |
| T _A | Operating Ambient Temperature Range | 54 74 | -55 0 | 25 25 | 125 70 | °C |
| I _{OH} | Output Current — High | 54,74 | | | -3.0 | mA |
| | | 54 74 | | | -12 -15 | mA |
| I _{OL} | Output Current — Low | 54 74 | | | 12 24 | mA |

DC CHARACTERISTICS OVER OPERATING TEMPERATURE RANGE (unless otherwise specified)

| SYMBOL | PARAMETER | | LIMITS | | | UNITS | TEST CONDITIONS |
|----------------------------------|-----------------------------------|---|--------|-------|------|-------|--|
| | | | MIN | TYP | MAX | | |
| V _{IH} | Input HIGH Voltage | | 2.0 | | | V | Guaranteed Input HIGH Voltage for All Inputs |
| V _{IL} | Input LOW Voltage | 54 | | | 0.5 | V | Guaranteed Input LOW Voltage for All Inputs |
| | | 74 | | | 0.6 | | |
| V _{T+} —V _{T-} | Hysteresis | | 0.2 | 0.4 | | V | V _{CC} = MIN |
| V _{IK} | Input Clamp Diode Voltage | | | -0.65 | -1.5 | V | V _{CC} = MIN, I _{IN} = -18 mA |
| V _{OH} | Output HIGH Voltage | 54,74 | 2.4 | 3.4 | | V | V _{CC} = MIN, I _{OH} = -3.0 mA |
| | | 54,74 | 2.0 | | | V | V _{CC} = MIN, I _{OH} = MAX |
| V _{OL} | Output LOW Voltage | 54,74 | | 0.25 | 0.4 | V | I _{OL} = 12 mA, V _{CC} = V _{CC} MIN, V _{IN} = V _{IL} or V _{IH} per Truth Table |
| | | 74 | | 0.35 | 0.5 | V | I _{OL} = 24 mA |
| I _{OZH} | Output Off Current HIGH | | | | 20 | μA | V _{CC} = MAX, V _{OUT} = 2.4 V |
| I _{OZL} | Output Off Current LOW | | | | -400 | μA | V _{CC} = MAX, V _{OUT} = 4.0 V |
| I _{IH} | Input HIGH Current | A or B, $\overline{\text{G}}\text{BA}$ or GAB | | | 20 | μA | V _{CC} = MAX, V _{IN} = 2.7 V |
| | | $\overline{\text{G}}\text{BA}$ or GAB | | | 0.1 | mA | V _{CC} = MAX, V _{IN} = 7.0 V |
| | | A or B | | | 0.1 | mA | V _{CC} = MAX, V _{IN} = 5.5 V |
| I _{IL} | Input LOW Current | | | | -0.4 | mA | V _{CC} = MAX, V _{IN} = 0.4 V |
| I _{OS} | Short Circuit Current | | -40 | | -225 | mA | V _{CC} = MAX |
| | Power Supply Current Total Output | HIGH | | | 70 | mA | V _{CC} = MAX |
| | | LOW | | | 90 | | |
| Total at HIGH Z | | | | 95 | | | |

5

AC CHARACTERISTICS: T_A = 25°C, V_{CC} = 5.0 V

| SYMBOL | PARAMETER | LS620 | | | LS623 | | | UNITS | TEST CONDITIONS |
|------------------|---|--------|-----|-----|--------|-----|-----|-------|--|
| | | LIMITS | | | LIMITS | | | | |
| | | MIN | TYP | MAX | MIN | TYP | MAX | | |
| t _{PLH} | Propagation Delay A to B | | 6.0 | 10 | | 8.0 | 15 | ns | C _L = 45 pF, R _L = 667 Ω |
| t _{PHL} | Propagation Delay B to A | | 8.0 | 15 | | 11 | 15 | | |
| t _{PLH} | Propagation Delay B to A | | 6.0 | 10 | | 8.0 | 15 | | |
| t _{PHL} | Propagation Delay A to B | | 8.0 | 15 | | 11 | 15 | | |
| t _{PZL} | Output Enable Time $\overline{\text{G}}\text{BA}$ to A | | 31 | 40 | | 31 | 40 | | |
| t _{PZH} | Output Enable Time GAB to A | | 23 | 40 | | 26 | 40 | | |
| t _{PZL} | Output Enable Time GAB to B | | 31 | 40 | | 31 | 40 | ns | |
| t _{PZH} | Output Enable Time $\overline{\text{G}}\text{BA}$ to B | | 23 | 40 | | 26 | 40 | | |
| t _{PLZ} | Output Disable Time $\overline{\text{G}}\text{BA}$ to A | | 15 | 25 | | 15 | 25 | ns | C _L = 5.0 pF |
| t _{PHZ} | Output Disable Time GAB to A | | 15 | 25 | | 15 | 25 | | |
| t _{PLZ} | Output Disable Time GAB to B | | 15 | 25 | | 15 | 25 | | |
| t _{PHZ} | Output Disable Time $\overline{\text{G}}\text{BA}$ to B | | 15 | 25 | | 15 | 25 | | |

GUARANTEED OPERATING RANGES

| SYMBOL | PARAMETER | | MIN | TYP | MAX | UNIT |
|-----------------|-------------------------------------|----------|-------------|------------|-------------|------|
| V _{CC} | Supply Voltage | 54 74 | 4.5 4.75 | 5.0 5.0 | 5.5 5.25 | V |
| T _A | Operating Ambient Temperature Range | 54 74 | -55 0 | 25 25 | 125 70 | °C |
| V _{OH} | Output Voltage — High | 54,74 | | | 5.5 | mA |
| I _{OL} | Output Current — Low | 54 74 | | | 12 24 | mA |

DC CHARACTERISTICS OVER OPERATING TEMPERATURE RANGE (unless otherwise specified)

| SYMBOL | PARAMETER | LIMITS | | | UNITS | TEST CONDITIONS |
|----------------------------------|---|--------|-------|------|-------|---|
| | | MIN | TYP | MAX | | |
| V _{IH} | Input HIGH Voltage | 2.0 | | | V | Guaranteed Input HIGH Voltage for All Inputs |
| V _{IL} | Input LOW Voltage | 54 | | 0.5 | V | Guaranteed Input LOW Voltage for All Inputs |
| | | 74 | | 0.6 | | |
| V _{T+} —V _{T-} | A or B Input | 0.2 | 0.4 | | V | V _{CC} = MIN |
| V _{IK} | Input Clamp Diode Voltage | | -0.65 | -1.5 | V | V _{CC} = MIN, I _{IN} = -18 mA |
| I _{OH} | Output HIGH Current | 54,74 | | 100 | μA | V _{CC} = MIN, V _{OH} = MAX |
| V _{OL} | Output LOW Voltage | 54,74 | 0.25 | 0.4 | V | I _{OL} = 12 mA |
| | | 74 | 0.35 | 0.5 | V | I _{OL} = 24 mA |
| I _{IH} | Input HIGH Current | | | 20 | μA | V _{CC} = MAX, V _{IN} = 2.7 V |
| | | | | +0.1 | mA | V _{CC} = MAX, V _{IN} = 7.0 V |
| I _{IL} | Input LOW Current | | | -0.4 | mA | V _{CC} = MAX, V _{IN} = 0.4 V |
| I _{CC} | Power Supply Current Total, Output HIGH | | | 70 | mA | V _{CC} = MAX |
| | | | | 90 | mA | V _{CC} = MAX |
| I _{CC} | Power Supply Current Total, Output LOW | | | 70 | mA | V _{CC} = MAX |
| | | | | 90 | mA | V _{CC} = MAX |

AC CHARACTERISTICS: T_A = 25°C, V_{CC} = 5.0 V

| SYMBOL | PARAMETER | LS621 | | | LS622 | | | UNITS | TEST CONDITIONS |
|--------------------------------------|---|--------|----------|----------|--------|----------|----------|-------|---|
| | | LIMITS | | | LIMITS | | | | |
| | | MIN | TYP | MAX | MIN | TYP | MAX | | |
| t _{PLH} t _{PHL} | Propagation Delay A to B | | 17 16 | 25 25 | | 19 14 | 25 25 | ns | C _L = 45 pF, R _L = 667 Ω |
| t _{PLH} t _{PHL} | Propagation Delay B to A | | 17 16 | 25 25 | | 19 14 | 25 25 | ns | |
| t _{PLH} t _{PHL} | Output Disable Time G _{BA} to A | | 23 34 | 40 50 | | 26 43 | 40 60 | ns | |
| t _{PLH} t _{PHL} | Output Disable Time G _{AB} to B | | 25 37 | 40 50 | | 28 39 | 40 60 | ns | |



SN54LS/74LS640 thru SN54LS/74LS645

DESCRIPTION — These octal bus transceivers are designed for asynchronous two-way communication between data buses. Control function implementation minimizes external timing requirements. These circuits allow data transmission from the A bus to B or from the B bus to A bus depending upon the logic level of the direction control (DIR) input. Enable input (\bar{G}) can disable the device so that the buses are effectively isolated.

OCTAL BUS TRANSCEIVERS

LOW POWER SCHOTTKY

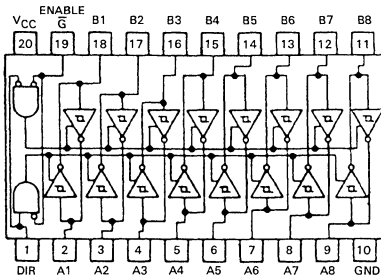
| DEVICE | OUTPUT | LOGIC |
|--------|----------------|--------------------|
| LS640 | 3-State | Inverting |
| LS641 | Open-Collector | True |
| LS642 | Open-Collector | Inverting |
| LS643 | 3-State | True and Inverting |
| LS644 | Open-Collector | True and Inverting |
| LS645 | 3-State | True |

FUNCTION TABLE

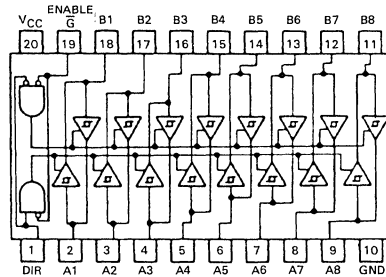
| CONTROL | | OPERATION | | |
|-----------|-----|-------------------------|-----------------|-------------------------|
| INPUTS | | LS640 | LS641 | LS643 |
| \bar{G} | DIR | LS642 | LS645 | LS644 |
| L | L | \bar{B} data to A bus | B data to A bus | B data to A bus |
| L | H | \bar{A} data to B bus | A data to B bus | \bar{A} data to B bus |
| H | X | Isolation | Isolation | Isolation |

H = High level, L = low level, X = irrelevant

CONNECTION DIAGRAMS (TOP VIEW)

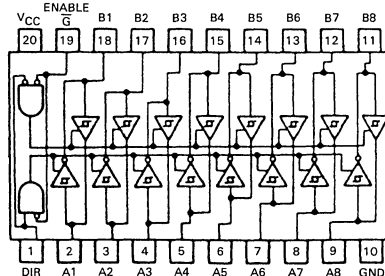


SN54LS/74LS640
SN54LS/74LS642



SN54LS/74LS641
SN54LS/74LS645

SN54LS/74LS643
SN54LS/74LS644



J Suffix — Case 732-03 (Ceramic)
N Suffix — Case 738-01 (Plastic)

GUARANTEED OPERATING RANGES

| SYMBOL | PARAMETER | | MIN | TYP | MAX | UNIT |
|-----------------|-------------------------------------|----------|-------------|------------|-------------|------|
| V _{CC} | Supply Voltage | 54 74 | 4.5 4.75 | 5.0 5.0 | 5.5 5.25 | V |
| T _A | Operating Ambient Temperature Range | 54 74 | -55 0 | 25 25 | 125 70 | °C |
| I _{OH} | Output Current — High | 54,74 | | | -3.0 | mA |
| | | 54 74 | | | -12 -15 | mA |
| I _{OL} | Output Current — Low | 54 74 | | | 12 24 | mA |

DC CHARACTERISTICS OVER OPERATING TEMPERATURE RANGE (unless otherwise specified)

| SYMBOL | PARAMETER | LIMITS | | | UNITS | TEST CONDITIONS | |
|------------------|--|--------------------------|-------|------|-------|--|--|
| | | MIN | TYP | MAX | | | |
| V _{IH} | Input HIGH Voltage | 2.0 | | | V | Guaranteed Input HIGH Voltage for All Inputs | |
| V _{IL} | Input LOW Voltage | 54 | | 0.5 | V | Guaranteed Input LOW Voltage for All Inputs | |
| | | 74 | | 0.6 | | | |
| V _{IK} | Input Clamp Diode Voltage | | -0.65 | -1.5 | V | V _{CC} = MIN, I _{IJN} = -18 mA | |
| V _{OH} | Output HIGH Voltage | 54,74 | 2.4 | 3.4 | V | V _{CC} = MIN, I _{OH} = -3.0 mA | |
| | | 54,74 | 2.0 | | V | V _{CC} = MIN, I _{OH} = MAX | |
| V _{OL} | Output LOW Voltage | 54,74 | | 0.25 | 0.4 | V | I _{OL} = 12 mA, V _{CC} = V _{CC} MIN, V _{IN} = V _{IL} or V _{IH} per Truth Table |
| | | 74 | | 0.35 | 0.5 | V | I _{OL} = 24 mA |
| I _{OZH} | Output Off Current HIGH | | | 20 | μA | V _{CC} = MAX, V _{OUT} = 2.4 V | |
| I _{OZL} | Output Off Current LOW | | | -400 | μA | V _{CC} = MAX, V _{OUT} = 0.4 V | |
| I _{IH} | Input HIGH Current | A or B, DIR or \bar{G} | | 20 | μA | V _{CC} = MAX, V _{IN} = 2.7 V | |
| | | DIR or \bar{G} | | 0.1 | mA | V _{CC} = MAX, V _{IN} = 7.0 V | |
| | | A or B | | 0.1 | mA | V _{CC} = MAX, V _{IN} = 5.5 V | |
| I _{IL} | Input LOW Current | | | -0.4 | mA | V _{CC} = MAX, V _{IN} = 0.4 V | |
| I _{CC} | Power Supply Current Total Output HIGH Total Output LOW Total at HIGH Z | | | 70 | mA | V _{CC} = MAX | |
| | | | | 90 | | | |
| | | | | 95 | | | |

5

AC CHARACTERISTICS: T_A = 25°C, V_{CC} = 5.0 V

| SYMBOL | PARAMETER | LIMITS | | | | | | | | | UNITS | TEST CONDITIONS |
|------------------|---|--------|-----|-----|-------|-----|-----|-------|-----|-----|-------|---|
| | | LS640 | | | LS643 | | | LS645 | | | | |
| | | MIN | TYP | MAX | MIN | TYP | MAX | MIN | TYP | MAX | | |
| t _{PLH} | Propagation Delay, A to B | 6.0 | 10 | | 6.0 | 10 | | 8.0 | 15 | | ns | C _L = 45 pF, R _L = 667 Ω |
| t _{PHL} | | 8.0 | 15 | | 9.0 | 15 | | 11 | 15 | | | |
| t _{PLH} | Propagation Delay, B to A | 6.0 | 10 | | 8.0 | 15 | | 8.0 | 15 | | ns | |
| t _{PHL} | | 8.0 | 15 | | 11 | 15 | | 11 | 15 | | | |
| t _{PZL} | Output Enable Time \bar{G} , DIR to A | 31 | 40 | | 32 | 45 | | 31 | 40 | | ns | |
| t _{PZH} | | 23 | 40 | | 27 | 40 | | 26 | 40 | | | |
| t _{PZL} | Output Enable Time \bar{G} , DIR to B | 31 | 40 | | 32 | 45 | | 31 | 40 | | ns | |
| t _{PZH} | | 23 | 40 | | 23 | 40 | | 26 | 40 | | | |
| t _{PLZ} | Output Disable Time \bar{G} , DIR to A | 15 | 25 | | 15 | 25 | | 15 | 25 | | ns | C _L = 5.0 pF |
| t _{PHZ} | | 15 | 25 | | 15 | 25 | | 15 | 25 | | | |
| t _{PLZ} | Output Disable Time \bar{G} , DIR to B | 15 | 25 | | 15 | 25 | | 15 | 25 | | ns | |
| t _{PHZ} | | 15 | 25 | | 15 | 25 | | 15 | 25 | | | |

GUARANTEED OPERATING RANGES

| SYMBOL | PARAMETER | | MIN | TYP | MAX | UNIT |
|-----------------|-------------------------------------|----------|-------------|------------|-------------|------|
| V _{CC} | Supply Voltage | 54 74 | 4.5 4.75 | 5.0 5.0 | 5.5 5.25 | V |
| T _A | Operating Ambient Temperature Range | 54 74 | -55 0 | 25 25 | 125 70 | °C |
| V _{OH} | Output Voltage — High | 54,74 | | | 5.5 | V |
| I _{OL} | Output Current — Low | 54 74 | | | 12 24 | mA |

DC CHARACTERISTICS OVER OPERATING TEMPERATURE RANGE (unless otherwise specified)

| SYMBOL | PARAMETER | | LIMITS | | | UNITS | TEST CONDITIONS |
|-----------------|---|-------|--------|-------|------|-------|--|
| | | | MIN | TYP | MAX | | |
| V _{IH} | Input HIGH Voltage | | 2.0 | | | V | Guaranteed Input HIGH Voltage for All Inputs |
| V _{IL} | Input LOW Voltage | 54 | | | 0.5 | V | Guaranteed Input LOW Voltage for All Inputs |
| | | 74 | | | 0.6 | | |
| V _{IK} | Input Clamp Diode Voltage | | | -0.65 | -1.5 | V | V _{CC} = MIN, I _{IN} = -18 mA |
| I _{OH} | Output HIGH Current | 54,74 | | | 100 | μA | V _{CC} = MIN, V _{OH} = MAX |
| V _{OL} | Output LOW Voltage | 54,74 | | 0.25 | 0.4 | V | I _{OL} = 12 mA V _{CC} = V _{CC} MIN, V _{IN} = V _{IL} or V _{IH} per Truth Table |
| | | 74 | | 0.35 | 0.5 | V | |
| I _{IH} | Input HIGH Current | | | | 20 | μA | V _{CC} = MAX, V _{IN} = 2.7 V |
| I _{IL} | Input LOW Current | | | | -0.1 | mA | V _{CC} = MAX, V _{IN} = 7.0 V |
| I _{CC} | Power Supply Current Total, Output HIGH | | | | 70 | mA | V _{CC} = MAX |
| | Total, Output LOW | | | | 90 | mA | V _{CC} = MAX |
| | Total at HIGH Z | | | | 95 | mA | V _{CC} = MAX |

5

AC CHARACTERISTICS: T_A = 25°C, V_{CC} = 5.0 V

| SYMBOL | PARAMETER | LIMITS | | | | | | | | | UNITS | TEST CONDITIONS |
|------------------|---|--------|-----|-----|-------|-----|-----|-------|-----|-----|-------|---|
| | | LS641 | | | LS642 | | | LS644 | | | | |
| | | MIN | TYP | MAX | MIN | TYP | MAX | MIN | TYP | MAX | | |
| t _{PLH} | Propagation Delay, A to B | | 17 | 25 | | 19 | 25 | | 17 | 25 | ns | C _L = 45 pF, R _L = 667 Ω |
| t _{PHL} | | | 16 | 25 | | 14 | 25 | | 14 | 25 | | |
| t _{PLH} | Propagation Delay, B to A | | 17 | 25 | | 19 | 25 | | 19 | 25 | | |
| t _{PHL} | | | 16 | 25 | | 14 | 25 | | 16 | 25 | | |
| t _{PLH} | Propagation Delay, \bar{G} , DIR to A | | 23 | 40 | | 26 | 40 | | 26 | 40 | | |
| t _{PHL} | | | 34 | 50 | | 43 | 60 | | 43 | 60 | | |
| t _{PLH} | Propagation Delay, \bar{G} , DIR to B | | 25 | 40 | | 28 | 40 | | 25 | 40 | | |
| t _{PHL} | | | 37 | 50 | | 39 | 60 | | 37 | 50 | | |



MOTOROLA

DESCRIPTION — The SN54LS/74LS668 and SN54LS/74LS669 are synchronous 4-bit up/down counters. The LS668 is a decade counter and the LS669 is a 4-bit binary counter. For high speed counting applications, these presettable counters feature an internal carry look-ahead for cascading purposes. By clocking all flip-flops simultaneously so the outputs change coincident with each other (when instructed to do so by the count enable inputs and internal gating) synchronous operation is provided. This helps to eliminate output counting spikes, normally associated with asynchronous (ripple-clock) counters. The four master-slave flip-flops are triggered on the rising (positive-going) edge of the clock waveform by a buffered clock input.

Circuitry of the load inputs allows loading with the carry-enable output of the cascaded counters. Because loading is synchronous, disabling of the counter by setting up a low level on the load input will cause the outputs to agree with the data inputs after the next clock pulse.

Cascading counters for N-bit synchronous applications are provided by the carry look-ahead circuitry, without additional gating. Two count-enable inputs and a carry output help accomplish this function. Count-enable inputs (\bar{P} and \bar{T}) must both be low to count. The level of the up-down input determines the direction of the count. When the input level is low, the counter counts down, and when the input is high, the count is up. Input \bar{T} is fed forward to enable the carry output. The carry output will now produce a low level output pulse with a duration = equal to the high portion of the Q_A output when counting up and when counting down = equal to the low portion of the Q_A output. This low level carry pulse may be utilized to enable successive cascaded stages. Regardless of the level of the clock input, transitions at the \bar{P} or \bar{T} inputs are allowed. By diode-clamping all inputs, transmission line effects are minimized which allows simplification of system design.

Any changes at control inputs (ENABLE \bar{P} , ENABLE \bar{T} , LOAD, UP/DOWN) will have no effect on the operating mode until clocking occurs because of the fully independant clock circuits. Whether enabled, disabled, loading or counting, the function of the counter is dictated entirely by the conditions meeting the stable setup and hold times.

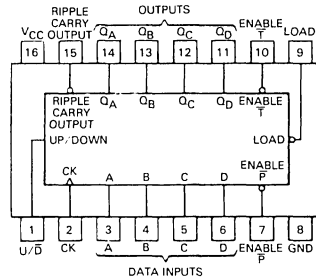
- PROGRAMMABLE LOOK-AHEAD UP/DOWN BINARY/DECADE COUNTERS**
- FULLY SYNCHRONOUS OPERATION FOR COUNTING AND PROGRAMMING
 - INTERNAL LOOK-AHEAD FOR FAST COUNTING
 - CARRY OUTPUT FOR n-BIT CASCADING
 - FULLY INDEPENDENT CLOCK CIRCUIT
 - BUFFERED OUTPUTS

SN54LS/74LS668 SN54LS/74LS669

SYNCHRONOUS 4-BIT UP/DOWN COUNTERS

LOW POWER SCHOTTKY

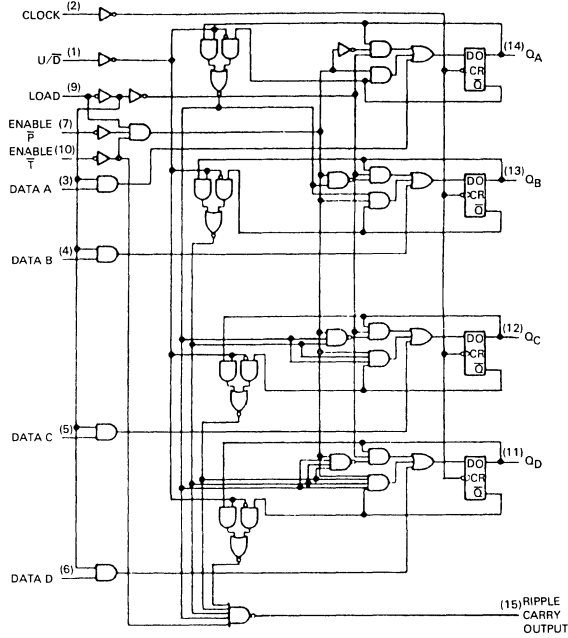
CONNECTION DIAGRAM (TOP VIEW)



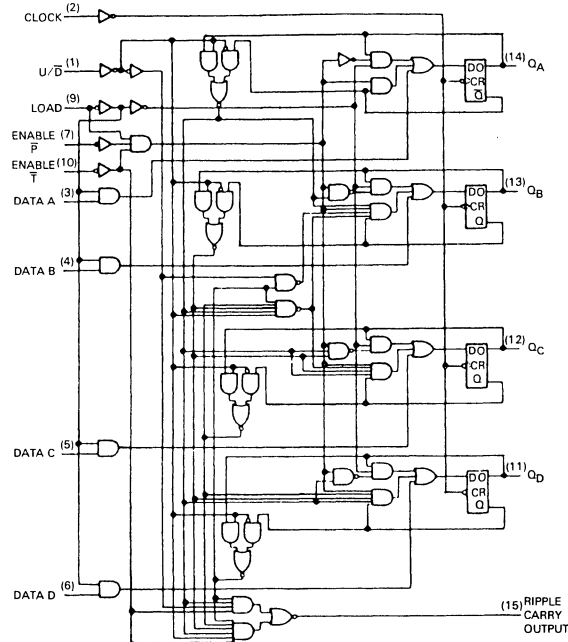
J Suffix — Case 620-08 (Ceramic)
N Suffix — Case 648-05 (Plastic)

BLOCK DIAGRAMS

SN54LS/74LS669



SN54LS/74LS668



GUARANTEED OPERATING RANGES

| SYMBOL | PARAMETER | | MIN | TYP | MAX | UNIT |
|-----------------|-------------------------------------|----------|-------------|------------|-------------|------|
| V _{CC} | Supply Voltage | 54 74 | 4.5 4.75 | 5.0 5.0 | 5.5 5.25 | V |
| T _A | Operating Ambient Temperature Range | 54 74 | -55 0 | 25 25 | 125 70 | °C |
| I _{OH} | Output Current — High | 54,74 | | | -0.4 | mA |
| I _{OL} | Output Current — Low | 54 74 | | | 4.0 8.0 | mA |

DC CHARACTERISTICS OVER OPERATING TEMPERATURE RANGE (unless otherwise specified)

| SYMBOL | PARAMETER | LIMITS | | | UNITS | TEST CONDITIONS | | |
|-----------------|---------------------------|--------|-------|------|-------|--|--|--|
| | | MIN | TYP | MAX | | | | |
| V _{IH} | Input HIGH Voltage | 2.0 | | | V | Guaranteed Input HIGH Voltage for All Inputs | | |
| V _{IL} | Input LOW Voltage | 54 | | 0.7 | V | Guaranteed Input LOW Voltage for All Inputs | | |
| | | 74 | | 0.8 | | | | |
| V _{IK} | Input Clamp Diode Voltage | | -0.65 | -1.5 | V | V _{CC} = MIN, I _{IN} = -18 mA | | |
| V _{OH} | Output HIGH Voltage | 54 | 2.5 | 3.5 | V | V _{CC} = MIN, I _{OH} = MAX, V _{IN} = V _{IH} or V _{IL} per Truth Table | | |
| | | 74 | 2.7 | 3.5 | V | | | |
| V _{OL} | Output LOW Voltage | 54,74 | | 0.25 | 0.4 | I _{OL} = 4.0 mA | | |
| | | 74 | | 0.35 | 0.5 | I _{OL} = 8.0 mA | | |
| I _{IH} | Input HIGH Current | Others | | | 20 | μA | V _{CC} = MAX, V _{IN} = 2.7 V | |
| | | Load | | | 40 | μA | | |
| | | Others | | | | 0.1 | mA | V _{CC} = MAX, V _{IN} = 7.0 V |
| | | Load | | | | 0.2 | mA | |
| I _{IL} | Input LOW Current | Others | | | -0.4 | mA | V _{CC} = MAX, V _{IN} = 0.4 V | |
| | | Load | | | | -0.8 | | mA |
| I _{OS} | Short Circuit Current | | -20 | | -100 | mA | V _{CC} = MAX | |
| I _{CC} | Power Supply Current | | | | 34 | mA | V _{CC} = MAX | |

AC CHARACTERISTICS: T_A = 25°C, V_{CC} = 5.0 V

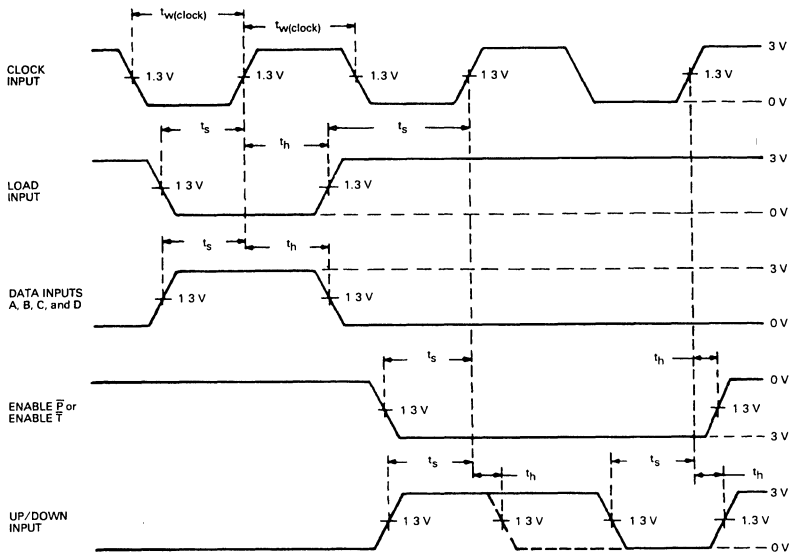
| SYMBOL | PARAMETER | LIMITS | | | UNITS | TEST CONDITIONS |
|--------------------------------------|-------------------------------------|--------|----------|----------|-------|------------------------|
| | | MIN | TYP | MAX | | |
| f _{MAX} | Maximum Clock Frequency | 25 | 32 | | MHz | C _L = 15 pF |
| t _{PLH} t _{PHL} | Propagation Delay, Clock to RCO | | 26 40 | 40 60 | ns | |
| t _{PLH} t _{PHL} | Propagation Delay Clock to Any Q | | 18 18 | 27 27 | ns | |
| t _{PLH} t _{PHL} | Enable to RCO | | 11 29 | 17 45 | ns | |
| t _{PLH} t _{PHL} | U/ \bar{D} to RCO | | 22 26 | 35 40 | ns | |

AC SETUP REQUIREMENTS: T_A = 25°C, V_{CC} = 5.0 V

| SYMBOL | PARAMETER | LIMITS | | | UNITS | TEST CONDITIONS |
|----------------|-------------------------|--------|-----|-----|-------|-------------------------|
| | | MIN | TYP | MAX | | |
| t _W | Clock Pulse Width | 20 | | | ns | V _{CC} = 5.0 V |
| t _S | Data Setup Time | 20 | | | ns | |
| t _S | Enable Setup Time | 35 | | | ns | |
| t _S | Load Setup Time | 25 | | | ns | |
| t _S | U/ \bar{D} Setup Time | 30 | | | ns | |
| t _H | Hold Time, Any Input | 0 | | | ns | |

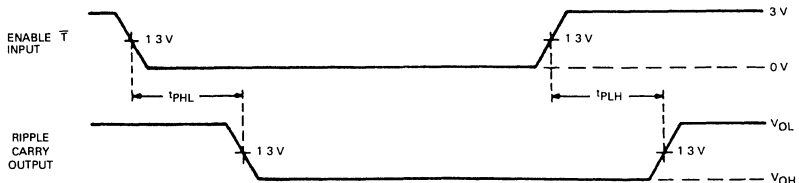


PARAMETER MEASUREMENT INFORMATION



5

VOLTAGE WAVEFORMS





SN54LS670 SN74LS670

DESCRIPTION — The TTL/MSI SN54LS/74LS670 is a high-speed, low-power 4 x 4 Register File organized as four words by four bits. Separate read and write inputs, both address and enable, allow simultaneous read and write operation.

The 3-state outputs make it possible to connect up to 128 outputs to increase the word capacity up to 512 words. Any number of these devices can be operated in parallel to generate an n-bit length.

The SN54LS/74LS170 provides a similar function to this device but it features open-collector outputs.

- SIMULTANEOUS READ/WRITE OPERATION
- EXPANDABLE TO 512 WORDS BY n-BITS
- TYPICAL ACCESS TIME OF 20 ns
- 3-STATE OUTPUTS FOR EXPANSION
- TYPICAL POWER DISSIPATION OF 125 mW

PIN NAMES

| | |
|---------------------------------|---------------------------------|
| D ₁ -D ₄ | Data Inputs |
| W _A , W _B | Write Address Inputs |
| \bar{E}_W | Write Enable (Active LOW) Input |
| R _A , R _B | Read Address Inputs |
| \bar{E}_R | Read Enable (Active LOW) Input |
| Q ₁ -Q ₄ | Outputs (Note b) |

| LOADING (Note a) | |
|------------------|--------------|
| HIGH | LOW |
| 0.5 U.L. | 0.25 U.L. |
| 0.5 U.L. | 0.25 U.L. |
| 1.0 U.L. | 0.5 U.L. |
| 0.5 U.L. | 0.25 U.L. |
| 1.5 U.L. | 0.75 U.L. |
| 65(25) U.L. | 15(7.5) U.L. |

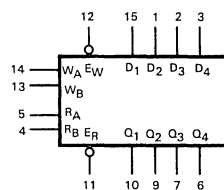
NOTES:

- a. 1 TTL Unit Load (U.L.) = 40 μ A HIGH/1.6 mA LOW.
- b. The Output LOW drive factor is 2.5 U.L. for Military (54) and 5.0 U.L. for Commercial (74) Temperature Ranges. The Output HIGH drive factor is 25 U.L. for Military and 65 U.L. for Commercial Temperature Ranges.

4 x 4 REGISTER FILE WITH 3-STATE OUTPUTS

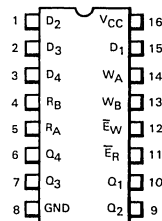
LOW POWER SCHOTTKY

LOGIC SYMBOL



V_{CC} = Pin 16
GND = Pin 8

CONNECTION DIAGRAM DIP (TOP VIEW)

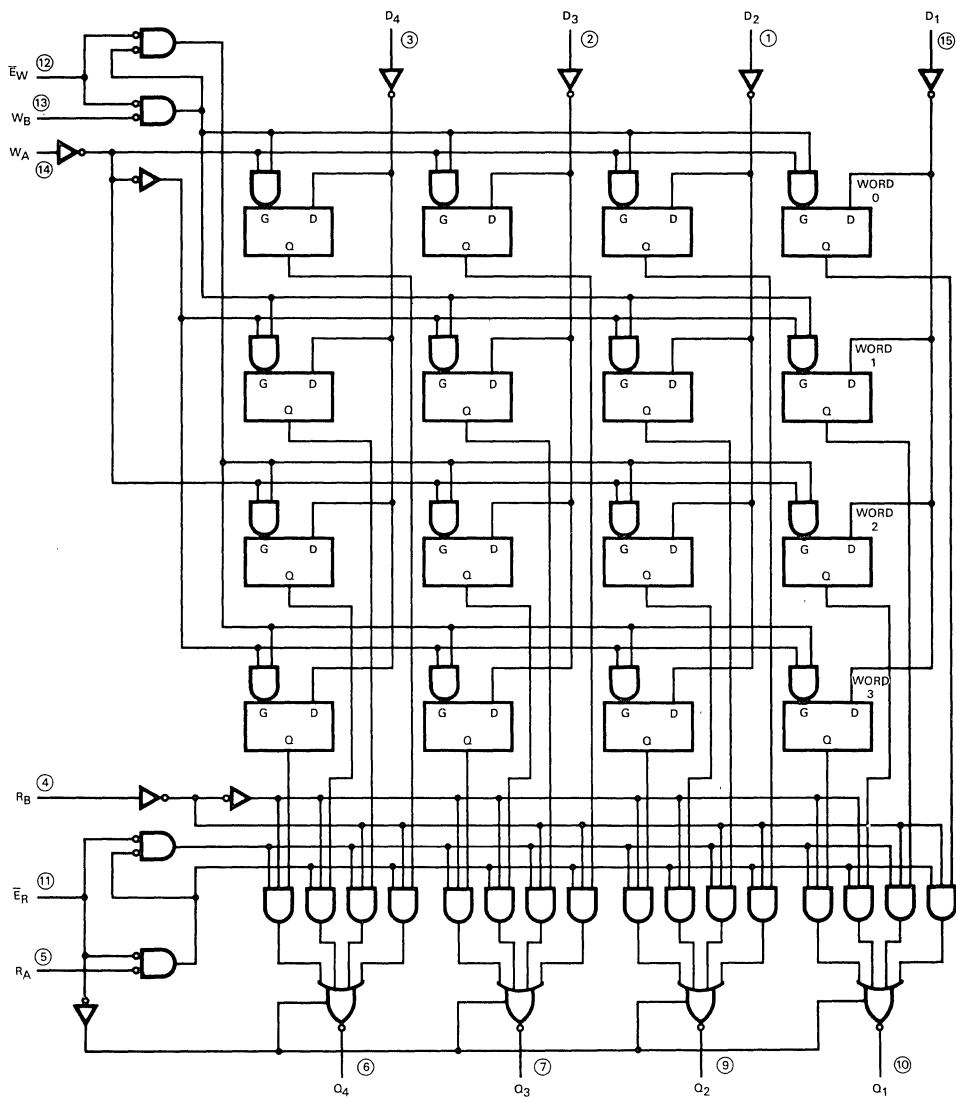


J Suffix — Case 620-08 (Ceramic)
N Suffix — Case 648-05 (Plastic)

NOTE:

The Flatpak version has the same pinouts (Connection Diagram) as the Dual In-Line Package.

LOGIC DIAGRAM



○ = Pin Numbers
 VCC = Pin 16
 GND = Pin 8

5

GUARANTEED OPERATING RANGES

| SYMBOL | PARAMETER | | MIN | TYP | MAX | UNIT |
|-----------------|-------------------------------------|----------|-------------|------------|--------------|------|
| V _{CC} | Supply Voltage | 54 74 | 4.5 4.75 | 5.0 5.0 | 5.5 5.25 | V |
| T _A | Operating Ambient Temperature Range | 54 74 | -55 0 | 25 25 | 125 70 | °C |
| I _{OH} | Output Current — High | 54 74 | | | -1.0 -2.6 | mA |
| I _{OL} | Output Current — Low | 54 74 | | | 12 24 | mA |

DC CHARACTERISTICS OVER OPERATING TEMPERATURE RANGE (unless otherwise specified)

| SYMBOL | PARAMETER | LIMITS | | | UNITS | TEST CONDITIONS | |
|------------------|---|--------|-------|----------------------|-------|--|--|
| | | MIN | TYP | MAX | | | |
| V _{IH} | Input HIGH Voltage | 2.0 | | | V | Guaranteed Input HIGH Voltage for All Inputs | |
| V _{IL} | Input LOW Voltage | 54 | | 0.7 | V | Guaranteed Input LOW Voltage for All Inputs | |
| | | 74 | | 0.8 | | | |
| V _{IK} | Input Clamp Diode Voltage | | -0.65 | -1.5 | V | V _{CC} = MIN, I _{IN} = -18 mA | |
| V _{OH} | Output HIGH Voltage | 54 | 2.4 | 3.4 | V | V _{CC} = MIN, I _{OH} = MAX, V _{IN} = V _{IH} or V _{IL} per Truth Table | |
| | | 74 | 2.4 | 3.1 | V | | |
| V _{OL} | Output LOW Voltage | 54,74 | | 0.25 | 0.4 | I _{OL} = 12 mA I _{OL} = 24 mA | V _{CC} = V _{CC} MIN, V _{IN} = V _{IL} or V _{IH} per Truth Table |
| | | 74 | | 0.35 | 0.5 | | |
| I _{OZH} | Output Off Current HIGH | | | 20 | μA | V _{CC} = MAX, V _O = 2.4 V | |
| I _{OZL} | Output Off Current LOW | | | -20 | μA | V _{CC} = MAX, V _O = 0.4 V | |
| I _{IH} | Input HIGH Current D, R, W E _W E _R | | | 20 40 60 | μA | V _{CC} = MAX, V _{IN} = 2.7 V | |
| | D, R, W E _W E _R | | | 0.1 0.2 0.3 | mA | | |
| I _{IL} | Input LOW Current D, R, W E _W E _R | | | -0.4 -0.8 -1.2 | mA | V _{CC} = MAX, V _{IN} = 0.4 V | |
| | | | | | | | |
| I _{OS} | Short Circuit Current | -30 | | -130 | mA | V _{CC} = MAX | |
| I _{CC} | Power Supply Current | | | 50 | mA | V _{CC} = MAX | |

AC CHARACTERISTICS: $T_A = 25^\circ\text{C}$

| SYMBOL | PARAMETER | LIMITS | | | UNITS | CONDITIONS |
|------------------------|---|--------|----------|----------|-------|---|
| | | MIN | TYP | MAX | | |
| t_{PLH} t_{PHL} | Propagation Delay, R_A or R_B to Output | | 23 25 | 40 45 | ns | $V_{CC} = 5.0\text{ V}$ $C_L = 45\text{ pF}$ |
| t_{PLH} t_{PHL} | Propagation Delay, \bar{E}_W to Output | | 26 28 | 45 50 | ns | |
| t_{PLH} t_{PHL} | Propagation Delay, Data to Output | | 25 23 | 45 40 | ns | |
| t_{PZH} t_{PZL} | Output Enable Time | | 15 22 | 35 40 | ns | |
| t_{PLZ} t_{PHZ} | Output Disable Time | | 16 30 | 35 50 | ns | $C_L = 5.0\text{ pF}$ |

AC SETUP REQUIREMENTS: $T_A = 25^\circ\text{C}$

| SYMBOL | PARAMETER | LIMITS | | | UNITS | TEST CONDITIONS |
|-----------|-----------------|--------|-----|-----|-------|-------------------------|
| | | MIN | TYP | MAX | | |
| t_W | Pulse Width | 25 | | | ns | $V_{CC} = 5.0\text{ V}$ |
| t_s | Setup Time, (D) | 10 | | | ns | |
| t_s | Setup Time, (W) | 15 | | | ns | |
| t_h | Hold Time (D) | 15 | | | ns | |
| t_h | Hold Time (W) | 5.0 | | | ns | |
| t_{rec} | Recovery Time | 25 | | | ns | |

AC WAVEFORMS

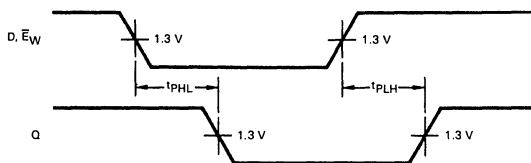


Fig. 1

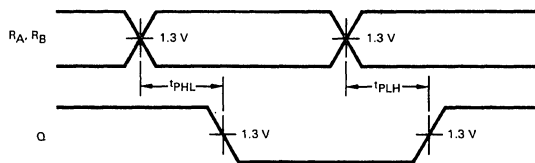


Fig. 2

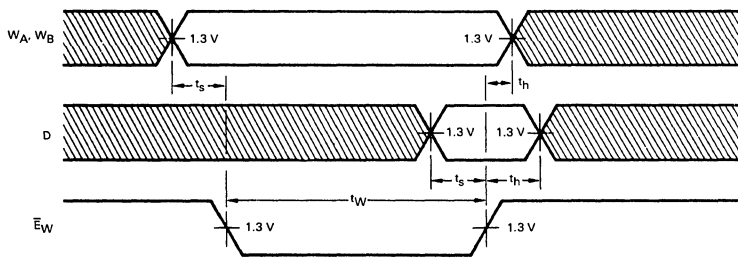


Fig. 3

5



SN54LS/74LS673 SN54LS/74LS674

DESCRIPTION — The SN54LS/74LS673 and SN54LS/74LS674 are 3-state 16-bit shift registers.

The LS673 is a 16-bit shift register and a 16-bit storage register in a single package. Serial entry and/or data reading is accomplished via a 3-state input/output (SER/Q15) port to the shift register.

Since the storage register is connected in a parallel data loop with the shift register, it may be asynchronously cleared by taking the store-clear input to a low state. The storage register may be parallel loaded with data from the shift register to provide status of the shift register via the parallel outputs. Upon command, the shift register may be parallel loaded with storage register data.

When a high logic level exists at the chip-select (\overline{CS}) input, both the shift register and storage register clocks are disabled, and the SER/Q15 is placed in a high impedance state. The store-clear function is not disabled by the chip-select.

CAUTION! To prevent false clocking of either the shift register or storage register via the chip-select input, the shift clock should be low during low-to-high transition and the store clock should be low during the high-to-low transition of chip-select.

The LS674 is a 16-bit parallel-in, serial-out shift register. Access for serial data entry or reading the shift register word in a recirculating loop is provided by a 3-state input/output (SER/Q15) port.

The LS674 has four basic modes of operation:

1. Hold
2. Write
3. Read
4. Load

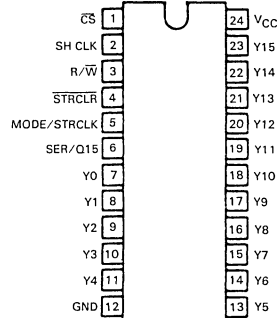
CAUTION! Transition from low-to-high level at the chip-select input should be made only when the clock input is low to avoid false clocking.

16-BIT SHIFT REGISTERS

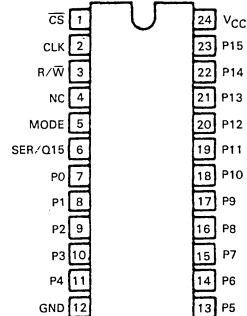
LOW POWER SCHOTTKY

CONNECTION DIAGRAMS (TOP VIEW)

SN54LS/74LS673



SN54LS/74LS674



NC — No internal connection

J Suffix — Case 623-05 (Ceramic)
N Suffix — Case 649-03 (Plastic)



FUNCTION TABLES

SN54LS/74LS673

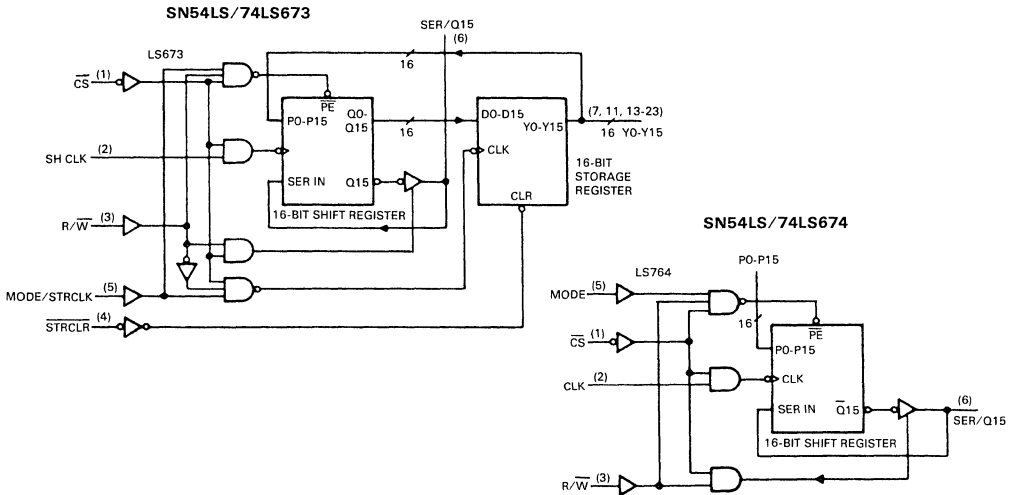
| INPUTS | | | | | SER/ Q15 | SHIFT REGISTER FUNCTIONS | | | | STORAGE REGISTER FUNCTIONS | |
|-----------------|-----|--------|---------------------|-----------------|-------------|--------------------------|----------------------------|-----------------------------|------------------|----------------------------|------|
| \overline{CS} | R/W | SH CLK | \overline{STRCLR} | MODE/ STRCLK | | SHIFT | READ FROM SERIAL OUTPUT | WRITE INTO SERIAL OUTPUT | PARALLEL LOAD | CLEAR | LOAD |
| H | X | X | X | X | Z | NO | NO | NO | NO | | NO |
| X | X | X | L | X | | | | | | YES | |
| L | L | ↓ | X | X | Z | YES | NO | YES | NO | | |
| L | L | X | X | X | Q15 | | YES | NO | | | NO |
| L | L | ↓ | X | L | Q14n | YES | YES | NO | | | NO |
| L | H | ↓ | L | H | L | NO | YES | | YES | YES | NO |
| L | H | ↓ | H | H | Y15n | NO | YES | | YES | NO | NO |
| L | L | X | H | ↑ | Z | | NO | | NO | NO | YES |

SN54LS/74LS674

| INPUTS | | | | SER/ Q15 | OPERATION |
|-----------------|-----|------|-----|-------------|-------------------------------|
| \overline{CS} | R/W | MODE | CLK | | |
| H | X | X | X | Z | Do nothing |
| L | L | X | ↓ | Z | Shift and write (serial load) |
| L | H | L | ↓ | Q14n | Shift and read |
| L | H | H | ↓ | P15 | Parallel load |

H = high level (steady state)
 L = low level (steady state)
 ↑ = transition from low to high level
 ↓ = transition from high to low level
 X = irrelevant (any input including transitions)
 Z = high impedance, input mode
 Q14n = content of 14th bit of the shift register before the most recent ↓ transition of the clock.
 Q15 = present content of 15th bit of the shift register
 Y15n = content of 15th bit of the storage register before the most recent ↑ transition of the clock.
 P15 = level of input P15

BLOCK DIAGRAMS



GUARANTEED OPERATING RANGES

| SYMBOL | PARAMETER | | MIN | TYP | MAX | UNIT | |
|-----------------|-------------------------------------|--------------------|----------|-------------|---------------------------|--------------|----|
| V _{CC} | Supply Voltage | | 54 74 | 4.5 4.75 | 5.0 5.0 5.5 5.25 | V | |
| T _A | Operating Ambient Temperature Range | | 54 74 | -55 0 | 25 25 125 70 | °C | |
| I _{OH} | Output Current — High | SER/Q15 SER/Q15 | 54 74 | | | -1.0 -2.6 | mA |
| I _{OL} | Output Current — Low | SER/Q15 SER/Q15 | 54 74 | | | 12 24 | mA |
| I _{OH} | Output Current — High | Y0-Y15 | 54,74 | | | -0.4 | mA |
| I _{OL} | Output Current — Low | Y0-Y15 Y0-Y15 | 54 74 | | | 4.0 8.0 | mA |

DC CHARACTERISTICS OVER OPERATING TEMPERATURE RANGE (unless otherwise specified)

| SYMBOL | PARAMETER | | LIMITS | | | UNITS | TEST CONDITIONS |
|------------------|--------------------------------|-------------------|--------|-------|------------|-------|---|
| | | | MIN | TYP | MAX | | |
| V _{IH} | Input HIGH Voltage | | 2.0 | | | V | Guaranteed Input HIGH Voltage for All Inputs |
| V _{IL} | Input LOW Voltage | 54 | | | 0.7 | V | Guaranteed Input LOW Voltage for All Inputs |
| | | 74 | | | 0.8 | | |
| V _{IK} | Input Clamp Diode Voltage | | | -0.65 | -1.5 | V | V _{CC} = MIN, I _{IN} = -18 mA |
| V _{OH} | Output HIGH Voltage SER/Q15 | 54 | 2.4 | 3.2 | | V | V _{CC} = MIN, I _{OH} = MAX |
| | | 74 | 2.4 | 3.2 | | V | |
| V _{OH} | Output HIGH Voltage Y0-Y15 | 54 | 2.5 | 3.4 | | V | V _{CC} = MIN, I _{OH} = MAX |
| | | 74 | 2.7 | 3.4 | | V | |
| V _{OL} | Output LOW Voltage | 54,74 | | 0.25 | 0.4 | V | I _{OL} = 12 mA I _{OL} = 24 mA V _{CC} = V _{CC} MIN, V _{IN} = V _{IL} or V _{IH} per Truth Table |
| | | 74 | | 0.35 | 0.5 | V | |
| I _{OZH} | Output Off Current HIGH | | | | 40 | μA | V _{CC} = MAX, V _{OUT} = 2.4 V |
| I _{OZL} | Output Off Current LOW | | | | -400 | μA | V _{CC} = MAX, V _{OUT} = 0.4 V |
| I _{IH} | Input HIGH Current | Others SER/Q15 | | | 20 40 | μA | V _{CC} = MAX, V _{IN} = 2.7 V |
| | | Others SER/Q15 | | | 0.1 0.1 | mA | V _{CC} = MAX, V _{IN} = 7.0 V V _{CC} = MAX, V _{IN} = 5.5 V |
| I _{IL} | Input LOW Current | | | | -0.4 | mA | V _{CC} = MAX, V _{IN} = 0.4 V |
| I _{OS} | Short Circuit Current | Y0-Y15 LS673 | -20 | | -100 | mA | V _{CC} = MAX |
| | | SER/Q15 | -30 | | -130 | mA | |
| I _{CC} | Power Supply Current | LS674 | | | 40 | mA | V _{CC} = MAX |
| | | LS673 | | | 80 | | |



AC CHARACTERISTICS: $T_A = 25^\circ\text{C}$

| SYMBOL | PARAMETER | LIMITS | | | | | | UNITS | TEST CONDITIONS |
|--------------------------------------|--|--------|----------|----------|-------|----------|----------|-------|---|
| | | LS673 | | | LS674 | | | | |
| | | MIN | TYP | MAX | MIN | TYP | MAX | | |
| f_{MAX} | Maximum Clock Frequency | 20 | 28 | | 20 | 28 | | MHz | $V_{\text{CC}} = 5.0\text{ V}$ $C_L = 45\text{ pF}$, $R_L = 667\Omega$ |
| t_{PLH} t_{PHL} | Propagation Delay, MODE/STRCLK to Y0-Y15 | | 28 30 | 45 45 | | | | ns | |
| t_{PHL} | Propagation Delay, STRCLR to Y0-Y15 | | 25 | 40 | | | | ns | |
| t_{PLH} t_{PHL} | Propagation Delay, SH CLK to SER/Q15 | | 21 26 | 33 40 | | | | | |
| t_{PLH} t_{PHL} | Propagation Delay, CLK to SER/Q15 | | | | | 21 26 | 33 40 | ns | |
| t_{PZH} t_{PZL} | Output Enable Time, $\overline{\text{CS}}$, R/ $\overline{\text{W}}$ to SER/Q15 | | 30 30 | 45 45 | | 30 30 | 45 45 | ns | |
| t_{PLZ} t_{PHZ} | Output Disable Time, $\overline{\text{CS}}$, R/ $\overline{\text{W}}$ to SER/Q15 | | 25 25 | 40 40 | | 25 25 | 40 40 | ns | |

AC SETUP REQUIREMENTS: $T_A = 25^\circ\text{C}$

| SYMBOL | PARAMETER | LIMITS | | | UNITS | TEST CONDITIONS |
|----------------|---|--------|-----|-----|-------|--------------------------------|
| | | MIN | TYP | MAX | | |
| t_{W} | Clock Clear Pulse Width | 20 | | | ns | $V_{\text{CC}} = 5.0\text{ V}$ |
| t_{s} | Setup Time, SER/Q15, P0-P15 | 20 | | | ns | |
| t_{s} | Setup Time, MODE, R/ $\overline{\text{W}}$, $\overline{\text{CS}}$ | 35 | | | ns | |
| t_{h} | Hold Time, Any Input | 0 | | | ns | |



SN54LS/74LS682 thru SN54LS/74LS689

DESCRIPTION — The SN54LS/74LS682 thru SN54LS/74LS689 are 8-bit magnitude comparators. These device types are designed to perform comparisons between two eight-bit binary or BCD words. All device types provide $P = Q$ outputs and the LS682 thru LS687 have $P > Q$ outputs also.

The LS682, LS684, LS686 and LS688 are totem pole devices. The LS683, LS685, LS687 and LS689 are open-collector devices.

The LS682 and LS683 have a 20 kΩ pullup resistor on the Q inputs for analog or switch data.

8-BIT MAGNITUDE COMPARATORS

LOW POWER SCHOTTKY

FUNCTION TABLE

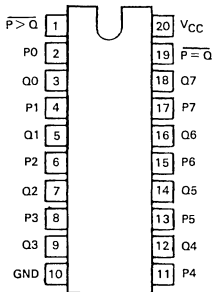
| TYPE | $\overline{P} = \overline{Q}$ | $\overline{P} > \overline{Q}$ | OUTPUT ENABLE | OUTPUT CONFIGURATION | PULLUP |
|-------|-------------------------------|-------------------------------|------------------|-------------------------|--------|
| | | | | | |
| LS682 | yes | yes | no | totem-pole | yes |
| LS683 | yes | yes | no | open-collector | yes |
| LS684 | yes | yes | no | totem-pole | no |
| LS685 | yes | yes | no | open-collector | no |
| LS686 | yes | yes | yes | totem-pole | no |
| LS687 | yes | yes | yes | open-collector | no |
| LS688 | yes | no | yes | totem-pole | no |
| LS689 | yes | no | yes | open-collector | no |

| DATA P, Q | INPUTS ENABLES | | OUTPUTS | |
|--------------|-------------------------------|-----------------|-------------------------------|-------------------------------|
| | $\overline{G}, \overline{G1}$ | $\overline{G2}$ | $\overline{P} = \overline{Q}$ | $\overline{P} > \overline{Q}$ |
| $P = Q$ | L | L | L | H |
| $P > Q$ | L | L | H | L |
| $P < Q$ | L | L | H | H |
| X | H | H | H | H |

H = high level, L = low level, X = irrelevant

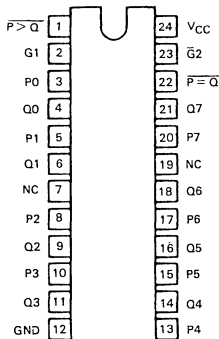
CONNECTION DIAGRAMS (TOP VIEW)

SN54LS/74LS682 THRU SN54LS/74LS685



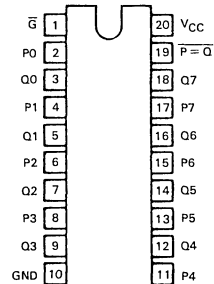
J Suffix — Case 732-03 (Ceramic)
N Suffix — Case 738-01 (Plastic)

SN54LS/74LS686 SN54LS/74LS687



J Suffix — Case 758-01 (Ceramic)
N Suffix — Case 724-02 (Plastic)
NC = no connection

SN54LS/74LS688 SN54LS/74LS689



J Suffix — Case 732-03 (Ceramic)
N Suffix — Case 738-01 (Plastic)

GUARANTEED OPERATING RANGES

| SYMBOL | PARAMETER | | MIN | TYP | MAX | UNIT |
|-----------------|-------------------------------------|----------|-------------|------------|-------------|------|
| V _{CC} | Supply Voltage | 54 74 | 4.5 4.75 | 5.0 5.0 | 5.5 5.25 | V |
| T _A | Operating Ambient Temperature Range | 54 74 | -55 0 | 25 25 | 125 70 | °C |
| I _{OH} | Output Current — High | 54,74 | | | -0.4 | mA |
| I _{OL} | Output Current — Low | 54 74 | | | 12 24 | mA |

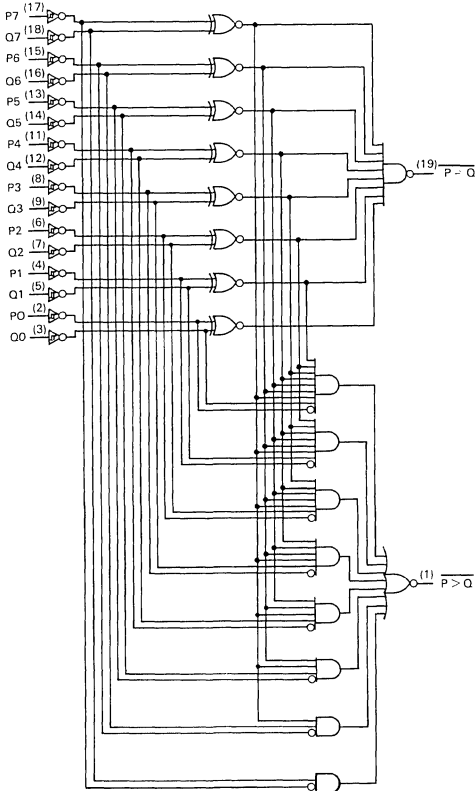
DC CHARACTERISTICS OVER OPERATING TEMPERATURE RANGE (unless otherwise specified)

| SYMBOL | PARAMETER | | LIMITS | | | UNITS | TEST CONDITIONS |
|-----------------|---------------------------|----------------|--------|-------|------|-------|--|
| | | | MIN | TYP | MAX | | |
| V _{IH} | Input HIGH Voltage | | 2.0 | | | V | Guaranteed Input HIGH Voltage for All Inputs |
| V _{IL} | Input LOW Voltage | 54 | | | 0.7 | V | Guaranteed Input LOW Voltage for All Inputs |
| | | 74 | | | 0.8 | | |
| V _{IK} | Input Clamp Diode Voltage | | | -0.65 | -1.5 | V | V _{CC} = MIN, I _{IN} = -18 mA |
| V _{OH} | Output HIGH Voltage | 54 | 2.5 | 3.5 | | V | V _{CC} = MIN, I _{OH} = MAX, V _{IN} = V _{IH} or V _{IL} per Truth Table |
| | | 74 | 2.7 | 3.5 | | V | |
| V _{OL} | Output LOW Voltage | 54,74 | | 0.25 | 0.4 | V | I _{OL} = 12 mA |
| | | 74 | | 0.35 | 0.5 | V | I _{OL} = 24 mA |
| I _{IH} | Input HIGH Current | | | | 20 | μA | V _{CC} = MAX, V _{IN} = 2.7 V |
| | | LS682-Q Inputs | | | 0.1 | mA | V _{CC} = MAX, V _{IN} = 5.5 V |
| | | Others | | | 0.1 | mA | V _{CC} = MAX, V _{IN} = 7.0 V |
| I _{IL} | Input LOW Current | LS682-Q Inputs | | | -0.4 | mA | V _{CC} = MAX, V _{IN} = 0.4 V |
| | | Others | | | -0.2 | mA | |
| I _{OS} | Short Circuit Current | | -30 | | -130 | mA | V _{CC} = MAX |
| I _{CC} | Power Supply Current | LS682 | | | 70 | mA | V _{CC} = MAX |
| | | LS684 | | | 65 | mA | |
| | | LS686 | | | 75 | mA | |
| | | LS688 | | | 65 | mA | |

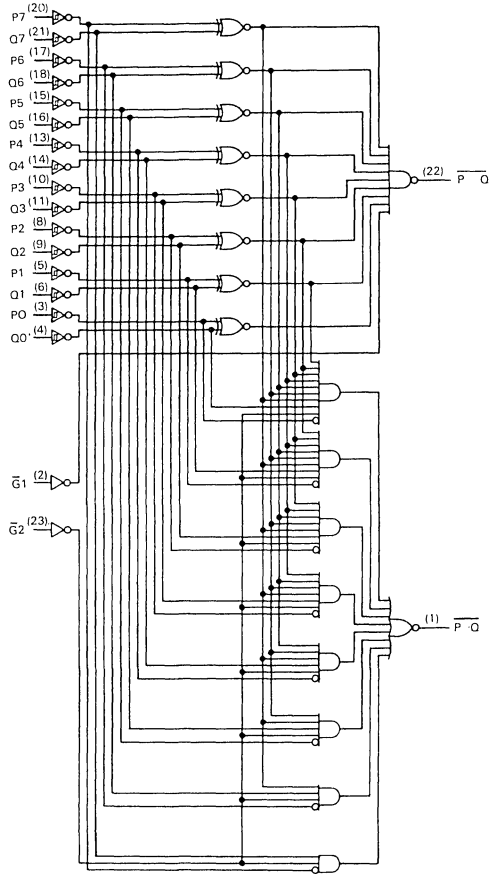
5

SN54LS/74LS683 ● SN54LS/74LS685
 SN54LS/74LS687 ● SN54LS/74LS689

BLOCK DIAGRAMS

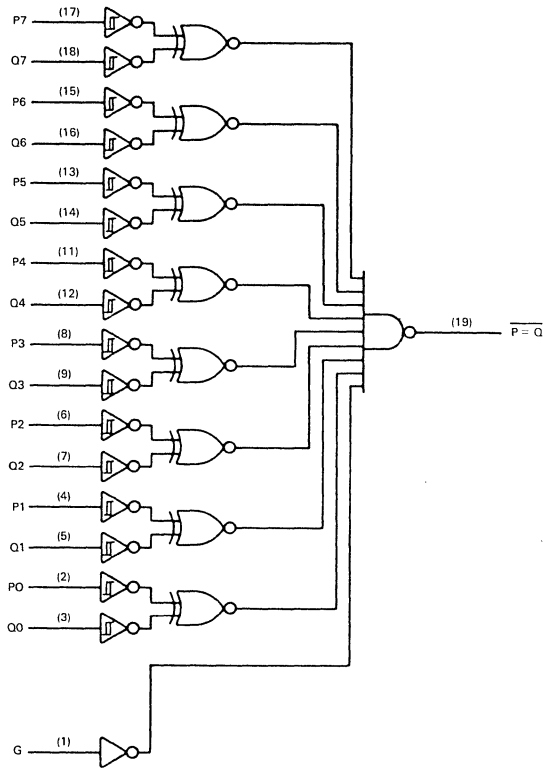


SN54LS/74LS682 thru LS685



SN54LS/74LS686, LS687

BLOCK DIAGRAM



SN54LS/74LS688, LS689

5

GUARANTEED OPERATING RANGES

| SYMBOL | PARAMETER | | MIN | TYP | MAX | UNIT |
|-----------------|-------------------------------------|-------|------|-----|------|------|
| V _{CC} | Supply Voltage | 54 | 4.5 | 5.0 | 5.5 | V |
| | | 74 | 4.75 | 5.0 | 5.25 | |
| T _A | Operating Ambient Temperature Range | 54 | -55 | 25 | 125 | °C |
| | | 74 | 0 | 25 | 70 | |
| V _{OH} | Output Voltage — High | 54,74 | | | 5.5 | V |
| I _{OL} | Output Current — Low | 54 | | | 12 | mA |
| | | 74 | | | 24 | |

DC CHARACTERISTICS OVER OPERATING TEMPERATURE RANGE (unless otherwise specified)

| SYMBOL | PARAMETER | | LIMITS | | | UNITS | TEST CONDITIONS |
|-----------------|---------------------------|-------------------|--------|-------|------|-------|---|
| | | | MIN | TYP | MAX | | |
| V _{IH} | Input HIGH Voltage | | 2.0 | | | V | Guaranteed Input HIGH Voltage for All Inputs |
| V _{IL} | Input LOW Voltage | 54 | | | 0.7 | V | Guaranteed Input LOW Voltage for All Inputs |
| | | 74 | | | 0.8 | | |
| V _{IK} | Input Clamp Diode Voltage | | | -0.65 | -1.5 | V | V _{CC} = MIN, I _{IN} = -18 mA |
| I _{OH} | Output HIGH Current | 54 | | | 250 | μA | V _{CC} = MIN, V _{OH} = MAX |
| | | 74 | | | 100 | μA | |
| V _{OL} | Output LOW Voltage | 54,74 | | 0.25 | 0.4 | V | I _{OL} = 12 mA I _{OL} = 24 mA V _{CC} = V _{CC} MIN, V _{IN} = V _{IL} or V _{IH} per Truth Table |
| | | 74 | | 0.35 | 0.5 | V | |
| I _{IH} | Input HIGH Current | | | | 20 | μA | V _{CC} = MAX, V _{IN} = 2.7 V |
| | | LS683-Q Inputs | | | 0.1 | mA | V _{CC} = MAX, V _{IN} = 5.5 V |
| | | Others | | | 0.1 | mA | V _{CC} = MAX, V _{IN} = 7.0 V |
| I _{IL} | Input LOW Current | LS683-Q Inputs | | | -0.4 | mA | V _{CC} = MAX, V _{IN} = 0.4 V |
| | | Others | | | -0.2 | mA | |
| I _{CC} | Power Supply Current | LS683 | | | 70 | mA | V _{CC} = MAX |
| | | LS685 | | | 65 | mA | |
| | | LS687 | | | 75 | mA | |
| | | LS689 | | | 65 | mA | |

AC CHARACTERISTICS: $T_A = 25^\circ\text{C}$

SN54LS/74LS682

| SYMBOL | PARAMETER | LIMITS | | | UNITS | TEST CONDITIONS |
|------------------------|--|--------|----------|----------|-------|--|
| | | MIN | TYP | MAX | | |
| t_{PLH} t_{PHL} | Propagation Delay, P to $\overline{P = Q}$ | | 13 15 | 25 25 | ns | $V_{CC} = 5.0\text{ V}$ $C_L = 45\text{ pF}$ $R_L = 667\ \Omega$ |
| t_{PLH} t_{PHL} | Propagation Delay, Q to $\overline{P = Q}$ | | 14 15 | 25 25 | ns | |
| t_{PLH} t_{PHL} | Propagation Delay, P to $\overline{P > Q}$ | | 20 15 | 30 30 | ns | |
| t_{PLH} t_{PHL} | Propagation Delay, Q to $\overline{P > Q}$ | | 21 19 | 30 30 | ns | |

SN54LS/74LS683

| SYMBOL | PARAMETER | LIMITS | | | UNITS | TEST CONDITIONS |
|------------------------|--|--------|----------|----------|-------|--|
| | | MIN | TYP | MAX | | |
| t_{PLH} t_{PHL} | Propagation Delay, P to $\overline{P = Q}$ | | 30 20 | 45 30 | ns | $V_{CC} = 5.0\text{ V}$ $C_L = 45\text{ pF}$ $R_L = 667\ \Omega$ |
| t_{PLH} t_{PHL} | Propagation Delay, Q to $\overline{P = Q}$ | | 24 23 | 35 35 | ns | |
| t_{PLH} t_{PHL} | Propagation Delay, P to $\overline{P > Q}$ | | 31 17 | 45 30 | ns | |
| t_{PLH} t_{PHL} | Propagation Delay, Q to $\overline{P > Q}$ | | 30 21 | 45 30 | ns | |

SN54LS/74LS684

| SYMBOL | PARAMETER | LIMITS | | | UNITS | TEST CONDITIONS |
|------------------------|--|--------|----------|----------|-------|--|
| | | MIN | TYP | MAX | | |
| t_{PLH} t_{PHL} | Propagation Delay, P to $\overline{P = Q}$ | | 15 17 | 25 25 | ns | $V_{CC} = 5.0\text{ V}$ $C_L = 45\text{ pF}$ $R_L = 667\ \Omega$ |
| t_{PLH} t_{PHL} | Propagation Delay, Q to $\overline{P = Q}$ | | 16 15 | 25 25 | ns | |
| t_{PLH} t_{PHL} | Propagation Delay, P to $\overline{P > Q}$ | | 22 17 | 30 30 | ns | |
| t_{PLH} t_{PHL} | Propagation Delay, Q to $\overline{P > Q}$ | | 24 20 | 30 30 | ns | |

SN54LS/74LS685

| SYMBOL | PARAMETER | LIMITS | | | UNITS | TEST CONDITIONS |
|------------------------|--|--------|----------|----------|-------|--|
| | | MIN | TYP | MAX | | |
| t_{PLH} t_{PHL} | Propagation Delay, P to $\overline{P = Q}$ | | 30 19 | 45 35 | ns | $V_{CC} = 5.0\text{ V}$ $C_L = 45\text{ pF}$ $R_L = 667\ \Omega$ |
| t_{PLH} t_{PHL} | Propagation Delay, Q to $\overline{P = Q}$ | | 24 23 | 45 35 | ns | |
| t_{PLH} t_{PHL} | Propagation Delay, P to $\overline{P > Q}$ | | 32 16 | 45 35 | ns | |
| t_{PLH} t_{PHL} | Propagation Delay, Q to $\overline{P > Q}$ | | 30 20 | 45 35 | ns | |

5

AC CHARACTERISTICS: $T_A = 25^\circ\text{C}$

SN54LS/74LS686

| SYMBOL | PARAMETER | LIMITS | | | UNITS | TEST CONDITIONS |
|------------------------|--|--------|----------|----------|-------|--|
| | | MIN | TYP | MAX | | |
| t_{PLH} t_{PHL} | Propagation Delay, P to $\overline{P} = \overline{Q}$ | | 13 20 | 25 30 | ns | $V_{CC} = 5.0\text{ V}$ $C_L = 45\text{ pF}$ $R_L = 667\ \Omega$ |
| t_{PLH} t_{PHL} | Propagation Delay, Q to $\overline{P} = \overline{Q}$ | | 13 21 | 25 30 | ns | |
| t_{PLH} t_{PHL} | Propagation Delay, \overline{G} , $\overline{G1}$ to $\overline{P} = \overline{Q}$ | | 11 19 | 20 30 | ns | |
| t_{PLH} t_{PHL} | Propagation Delay, P to $\overline{P} > \overline{Q}$ | | 19 15 | 30 30 | ns | |
| t_{PLH} t_{PHL} | Propagation Delay, Q to $\overline{P} > \overline{Q}$ | | 18 19 | 30 30 | ns | |
| t_{PLH} t_{PHL} | Propagation Delay, $\overline{G2}$ to $\overline{P} > \overline{Q}$ | | 21 16 | 30 25 | ns | |

SN54LS/74LS687

| SYMBOL | PARAMETER | LIMITS | | | UNITS | TEST CONDITIONS |
|------------------------|--|--------|----------|----------|-------|--|
| | | MIN | TYP | MAX | | |
| t_{PLH} t_{PHL} | Propagation Delay, P to $\overline{P} = \overline{Q}$ | | 24 20 | 35 30 | ns | $V_{CC} = 5.0\text{ V}$ $C_L = 45\text{ pF}$ $R_L = 667\ \Omega$ |
| t_{PLH} t_{PHL} | Propagation Delay, Q to $\overline{P} = \overline{Q}$ | | 24 20 | 35 30 | ns | |
| t_{PLH} t_{PHL} | Propagation Delay, \overline{G} , $\overline{G1}$ to $\overline{P} = \overline{Q}$ | | 21 18 | 35 30 | ns | |
| t_{PLH} t_{PHL} | Propagation Delay, P to $\overline{P} > \overline{Q}$ | | 24 16 | 35 30 | ns | |
| t_{PLH} t_{PHL} | Propagation Delay, Q to $\overline{P} > \overline{Q}$ | | 24 16 | 35 30 | ns | |
| t_{PLH} t_{PHL} | Propagation Delay, $\overline{G2}$ to $\overline{P} > \overline{Q}$ | | 24 15 | 35 30 | ns | |

SN54LS/74LS688

| SYMBOL | PARAMETER | LIMITS | | | UNITS | TEST CONDITIONS |
|------------------------|--|--------|----------|----------|-------|--|
| | | MIN | TYP | MAX | | |
| t_{PLH} t_{PHL} | Propagation Delay, P to $\overline{P} = \overline{Q}$ | | 12 17 | 18 23 | ns | $V_{CC} = 5.0\text{ V}$ $C_L = 45\text{ pF}$ $R_L = 667\ \Omega$ |
| t_{PLH} t_{PHL} | Propagation Delay, Q to $\overline{P} = \overline{Q}$ | | 12 17 | 18 23 | ns | |
| t_{PLH} t_{PHL} | Propagation Delay, \overline{G} , $\overline{G1}$ to $\overline{P} = \overline{Q}$ | | 12 13 | 18 20 | ns | |

SN54LS/74LS689

| SYMBOL | PARAMETER | LIMITS | | | UNITS | TEST CONDITIONS |
|------------------------|--|--------|----------|----------|-------|--|
| | | MIN | TYP | MAX | | |
| t_{PLH} t_{PHL} | Propagation Delay, P to $\overline{P} = \overline{Q}$ | | 24 22 | 40 35 | ns | $V_{CC} = 5.0\text{ V}$ $C_L = 45\text{ pF}$ $R_L = 667\ \Omega$ |
| t_{PLH} t_{PHL} | Propagation Delay, Q to $\overline{P} = \overline{Q}$ | | 24 22 | 40 35 | ns | |
| t_{PLH} t_{PHL} | Propagation Delay, \overline{G} , $\overline{G1}$ to $\overline{P} = \overline{Q}$ | | 22 19 | 35 30 | ns | |





SN54LS/74LS716 SN54LS/74LS718

DESCRIPTION — These monolithic devices are programmable, cascadable, modulo-N-counters. The SN54LS/74LS716 can be programmed to divide by any number (N) from 0 thru 9, the SN54LS/74LS718 from 0 thru 15.

The parallel enable (\overline{PE}) input enables the parallel data inputs D0 thru D3. All zeros are entered into the counter by applying a logic "0" level to the master reset (\overline{MR}) and \overline{PE} inputs. This causes the counter to stop counting (count = 0). All data inputs are independent of the logic level of the Clock.

Modulo-N counters are useful in frequency synthesizers, in phase-locked loops, and in other applications where a simple method for frequency division is needed.

PROGRAMMABLE MODULO-N COUNTERS

LOW POWER SCHOTTKY

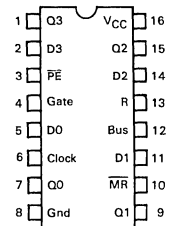
All Types:

Input Loading Factor:
Clock, \overline{PE} = 2
D0, D1, D2, D3, Gate = 1
 \overline{MR} = 4
Output Loading Factor = 8

Total Power Dissipation =
85 mW typ/pkg
Propagation Delay Time:
Clock to Q3 = 50 ns typ
Clock to Bus = 35 ns typ

CONNECTION DIAGRAM DIP (TOP VIEW)

V_{CC} = Pin 16
Gnd = Pin 8



J Suffix — Case 620-08 (Ceramic)
N Suffix — Case 648-05 (Plastic)

SN54LS/74LS718

| COUNT | OUTPUT | | | |
|-------|--------|----|----|----|
| | Q3 | Q2 | Q1 | Q0 |
| 15 | 1 | 1 | 1 | 1 |
| 14 | 1 | 1 | 1 | 0 |
| 13 | 1 | 1 | 0 | 1 |
| 12 | 1 | 1 | 0 | 0 |
| 11 | 1 | 0 | 1 | 1 |
| 10 | 1 | 0 | 1 | 0 |
| 9 | 1 | 0 | 0 | 1 |
| 8 | 1 | 0 | 0 | 0 |
| 7 | 0 | 1 | 1 | 1 |
| 6 | 0 | 1 | 1 | 0 |
| 5 | 0 | 1 | 0 | 1 |
| 4 | 0 | 1 | 0 | 0 |
| 3 | 0 | 0 | 1 | 1 |
| 2 | 0 | 0 | 1 | 0 |
| 1 | 0 | 0 | 0 | 1 |
| 0 | 0 | 0 | 0 | 0 |

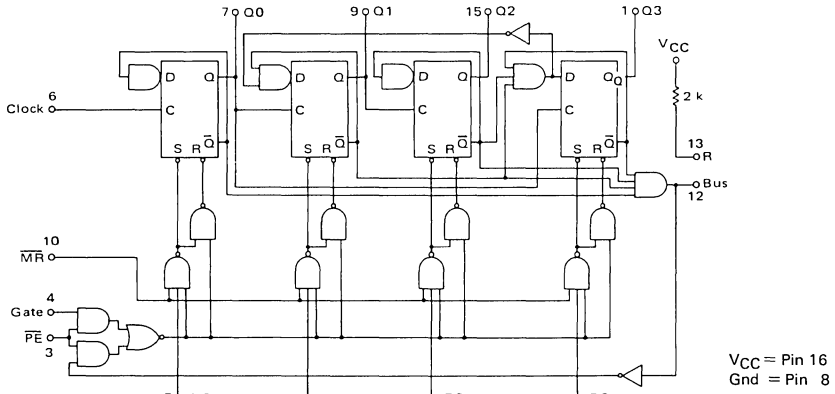
SN54LS/74LS716

| COUNT | OUTPUT | | | |
|-------|--------|----|----|----|
| | Q3 | Q2 | Q1 | Q0 |
| 9 | 1 | 0 | 0 | 1 |
| 8 | 1 | 0 | 0 | 0 |
| 7 | 0 | 1 | 1 | 1 |
| 6 | 0 | 1 | 1 | 0 |
| 5 | 0 | 1 | 0 | 1 |
| 4 | 0 | 1 | 0 | 0 |
| 3 | 0 | 0 | 1 | 1 |
| 2 | 0 | 0 | 1 | 0 |
| 1 | 0 | 0 | 0 | 1 |
| 0 | 0 | 0 | 0 | 0 |

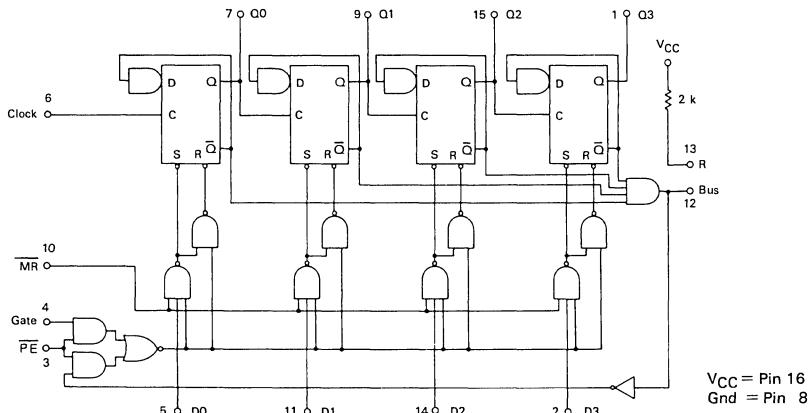
5

LOGIC DIAGRAMS

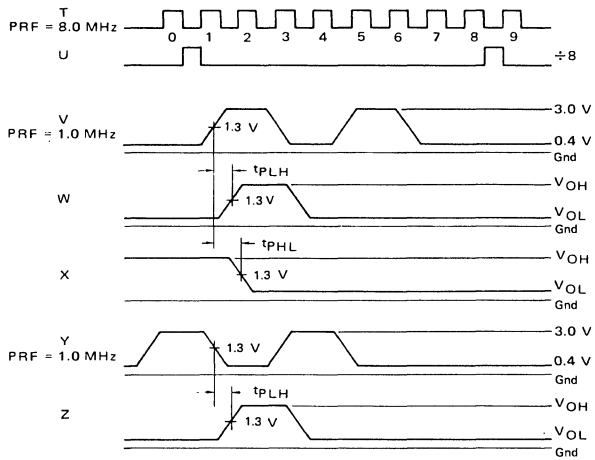
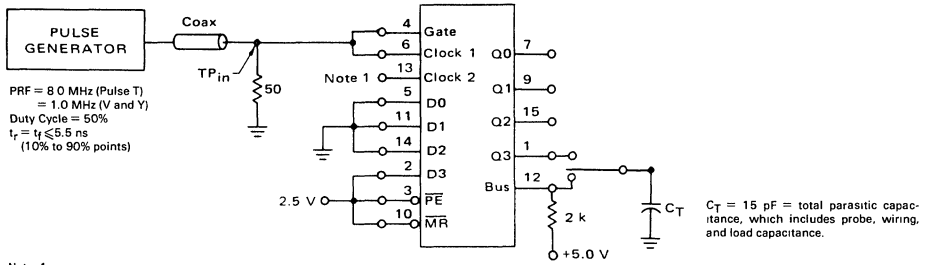
SN54LS/74LS716



SN54LS/74LS718



SWITCHING TIME TEST CIRCUIT AND VOLTAGE WAVEFORMS



SWITCHING TIME TEST PROCEDURES ($T_A = 25^\circ\text{C}$)
 (Letters shown in test columns refer to waveforms.)

| TEST | SYMBOL | INPUT | | | | OUTPUT | | LIMITS | | |
|--|------------------|-------------|------------|---------------------------|--------------------------|------------|----------|--------|----------|----------|
| | | Clock Pin 6 | Gate Pin 4 | D0, D1, D2 Pins 5, 11, 14 | D3, PE, MR Pins 2, 3, 10 | Bus Pin 12 | Q3 Pin 1 | Min | Max | Unit |
| Toggle Frequency (Check before measuring propagation delay.) | f_{tog} | T | T | Gnd | 2.5 V | — | U | 8.0 | — | MHz |
| Propagation Delay Clock to Bus | t_{PLH} | V | V | Gnd | 2.5 V | W | — | — | 65 | ns |
| Propagation Delay Gate to Q3 | t_{PLH} | Y | Y | Gnd | 2.5 V | — | Z | — | 35 | ns |
| Propagation Delay Clock 1 to Q3 SN54LS/74LS716 SN54LS/74LS718 | t_{PHL} | V | V | Gnd | 2.5 V | — | X | — | 45 78 | ns ns |

GUARANTEED OPERATING RANGES

| SYMBOL | PARAMETER | | MIN | TYP | MAX | UNIT |
|-----------------|-------------------------------------|----------|-------------|------------|--------------|------|
| V _{CC} | Supply Voltage | 54 74 | 4.5 4.75 | 5.0 5.0 | 5.5 5.25 | V |
| T _A | Operating Ambient Temperature Range | 54 74 | -55 0 | 25 25 | 125 70 | °C |
| I _{OH} | Output Current — High | 54 74 | | | -1.0 -2.6 | mA |
| I _{OL} | Output Current — Low | 54 74 | | | 12 24 | mA |

DC CHARACTERISTICS OVER OPERATING TEMPERATURE RANGE (unless otherwise specified)

| SYMBOL | PARAMETER | LIMITS | | | UNITS | TEST CONDITIONS |
|-----------------|---|----------|-------|----------------------|-------|---|
| | | MIN | TYP | MAX | | |
| V _{IH} | Input HIGH Voltage | 2.0 | | | V | Guaranteed Input HIGH Voltage for All Inputs |
| V _{IL} | Input LOW Voltage | 54 | | 0.7 | V | Guaranteed Input LOW Voltage for All Inputs |
| | | 74 | | 0.8 | | |
| V _{IK} | Input Clamp Diode Voltage | | -0.65 | -1.5 | V | V _{CC} = MIN, I _{IN} = -18 mA |
| V _{OH} | Output HIGH Voltage | 54 | 2.4 | 3.5 | V | V _{CC} = MIN, I _{OH} = MAX, V _{IN} = V _{IH} or V _{IL} per Truth Table |
| | | 74 | 2.4 | 3.5 | V | |
| V _{OL} | Output LOW Voltage | 54,74 | 0.25 | 0.4 | V | I _{OL} = 12 mA I _{OL} = 24 mA V _{CC} = V _{CC} MIN, V _{IN} = V _{IL} or V _{IH} per Truth Table |
| | | 74 | 0.35 | 0.5 | V | |
| I _{IH} | Input HIGH Current Data, Clock, Gate Enable MR | | | 20 40 80 | μA | V _{CC} = MAX, V _{IN} = 2.7 V |
| | Data, Clock, Gate Enable MR | | | 0.1 0.2 0.4 | mA | |
| I _{IL} | Input LOW Current Data, Clock, Gate Enable MR | | | -0.4 -0.8 -1.6 | mA | V _{CC} = MAX, V _{IN} = 0.4 V |
| I _{OS} | Short Circuit Current | Others | -30 | -130 | mA | V _{CC} = MAX |
| | | R Output | -1.8 | -3.8 | mA | |
| I _{CC} | Power Supply Current | | 17 | 32 | mA | V _{CC} = MAX |

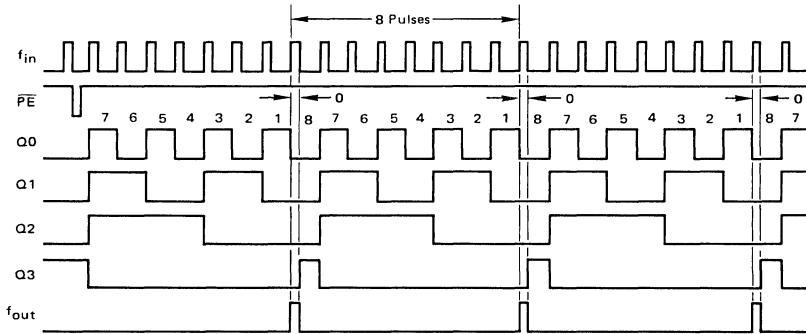
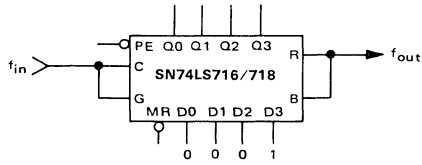


Fig. 1 — SINGLE-STAGE OPERATION

OPERATING CHARACTERISTICS

Operation of both counters is essentially the same. The SN54LS/74LS716 has a maximum modulus of ten while the SN54LS/74LS718 is capable of dividing by up to sixteen. Minor differences in the programming procedure will be covered in the discussion of cascaded stages.

Suitable connections for operating a single stage are shown in Figure 1, as well as appropriate waveforms. The desired modulus is applied to the data inputs D0, D1, D2, and D3 in binary SN74LS718 or binary coded decimal SN74LS716 positive logic format. If a number greater than nine (BCD 1001) is applied to the SN74LS716 it treats the most significant bit position as a zero; if for example, binary fourteen (1110) were applied to an SN74LS716 the counter would divide by six. BCD eight is programmed in Figure 1. As \overline{PE} is taken low the states on the parallel inputs are transferred to their respective outputs. Subsequent positive transitions of the input clock will decrement the counter until the all zero state is detected by the bus gate. The resulting positive transition of the bus line is internally inverted and fed back to the preset gating circuitry but does not yet preset the counter since the gate-clock input is still high. As the clock returns to the low state the counter is set to the programmed state, taking the bus line low. The net result is one positive pulse on the bus line for every N clock pulses. The output pulse width is approximately equal to one clock pulse high time.

Operation will continue in this fashion until the data on the programmable inputs is changed. Since the preset circuitry is inhibited except when the counter is in the zero state, preset data may be changed while clocking is occurring. If it is necessary to enter a new number before the counter has reached zero this can be done by momentarily taking \overline{PE} low. Countdown will continue from the new number on the next positive clock transition.

The counters can be made to divide by 10 (SN74LS716) or 16 (SN74LS718) by inhibiting the preset logic. This may be done by either holding the gate input high or by holding the bus line low.

The normal connections for cascading stages are indicated in Figure 2, with the appropriate waveforms. Note that the gate input of each stage is connected to the clock; all bus outputs are tied to one of the internal pullup resistors, R. The total modulus for cascaded SN74LS716's is determined from $N_T = N_0 + 10N_1 + 100N_2 + \dots$; N_T for SN74LS718's is given by $N_T = N_0 + 16N_1 + 256N_2 + \dots$. Stated another way, the BCD equivalent of each decimal digit is applied to respective SN74LS716 stages while the data inputs of the SN74LS718 stages are treated as part of one long binary number. The difference in programming is illustrated in Figure 2 where $N_T = 245$ is coded for both counter types.

Cascaded operation can be further clarified by referring to the timing diagram of Figure 2. For the SN74LS716 counting begins with the first positive clock transition after the data has been set in. After the five clock pulses, the least-significant stage has been counted down to zero. The bus line does not go high at this time since the three bus terminals are wire-ORed and the other two stages are not in the zero state. Since no reset occurs, the next positive clock edge advances the least significant stage to the nine (1001) state, causing the second stage to be decremented. The process continues in this manner with the least significant stage now dividing by ten. The second stage eventually counts down to zero and also reverts to dividing by ten. Each pulse out of the second stage decrements the third until it reaches zero. At this time the bus line goes high; it remains high until the clock goes low, causing all three stages to be reset to the programmed count again.

Maximum operating frequency of the basic SN74LS716/718 counter is limited by the time required for reprogramming at the end of each count down cycle. Operation can be extended to approximately 25 MHz by adding an "early decode" feature as shown in Figure 3. The appropriate connections for three stages are shown; however up to eight stages can be satisfactorily cascaded. Note the following differences between this and the non-extended method: the counter gate inputs are not connected to the input clock; all Parallel Enables are connected to the \overline{Q} output of a type D flip-flop formed by gates G1 through G6; the bus terminal of the least significant stage is grounded; all other bus terminals and one internal resistor, R, are connected together and serve as a data input to the flip-flop. Four additional data inputs are provided for decoding the "two" state of the least significant stage. Circuit operation is illustrated in the waveforms of Figure 3 where the timing for the end of a count-down cycle is shown in expanded form. The counter parallel inputs are assumed to have $N = 245$ applied. Timing is now shown for the third stage since it has already been counted down to the all zero state. As the next-to-least significant stage reaches zero, the common bus line goes high. Count down of the least significant stage continues until the "two" state is reached. This condition causes the remaining D inputs to the flip-flop to be high. The next-to-last clock pulse of the cycle then triggers the flip-flop Q output high. \overline{Q} simultaneously takes the parallel enable of all stages low, resetting the programmed data to the outputs. The next input pulse clocks Q (f_{OUT}) back to the zero state, since the data inputs to the flip-flop are no longer all high. The positive output pulse is one input clock period in duration. Note that division by N equal to 1 or 2 is not available using this method.

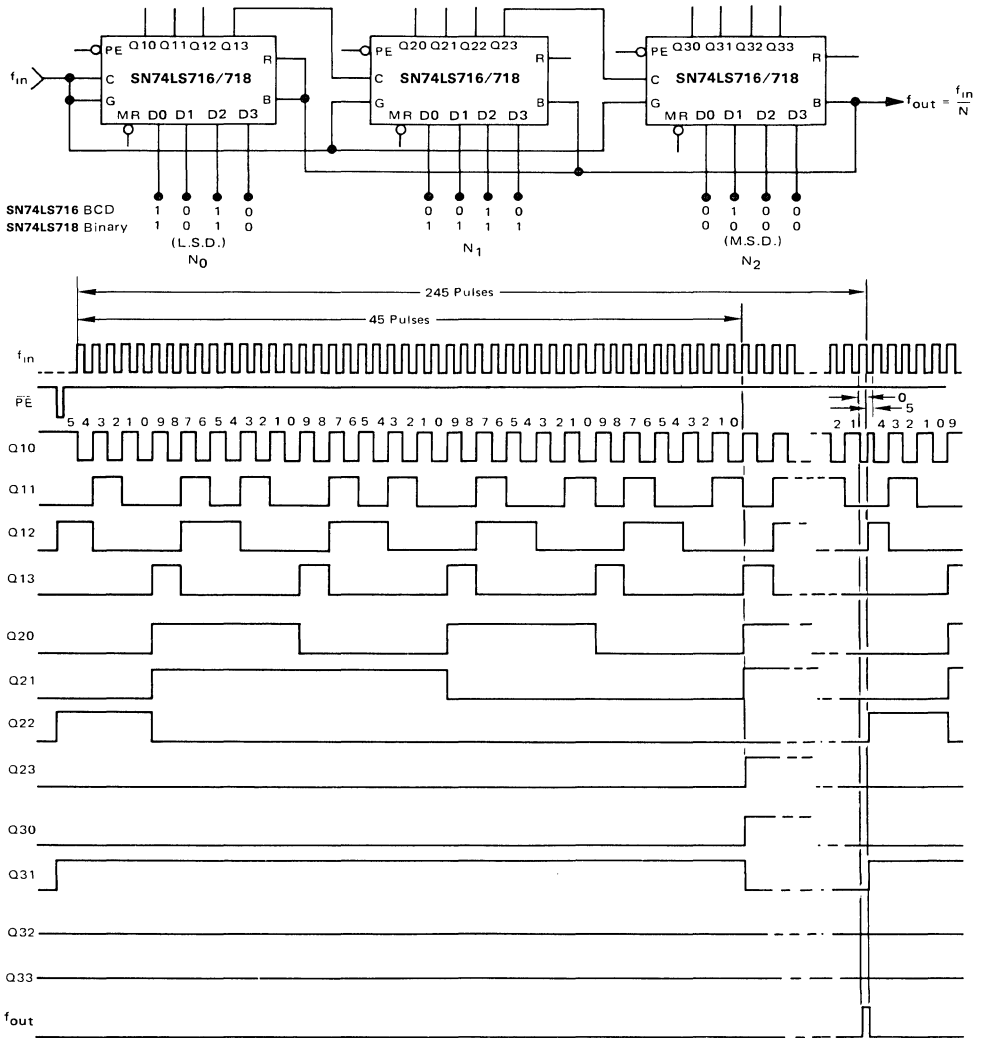


Fig. 2 — CASCADED OPERATION

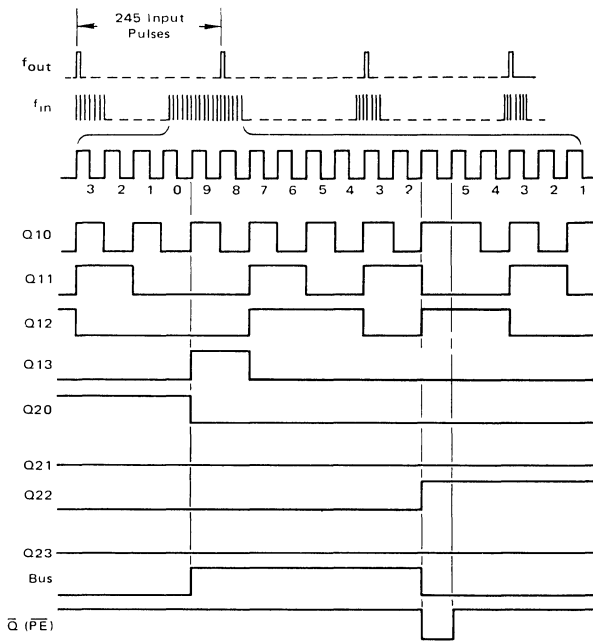
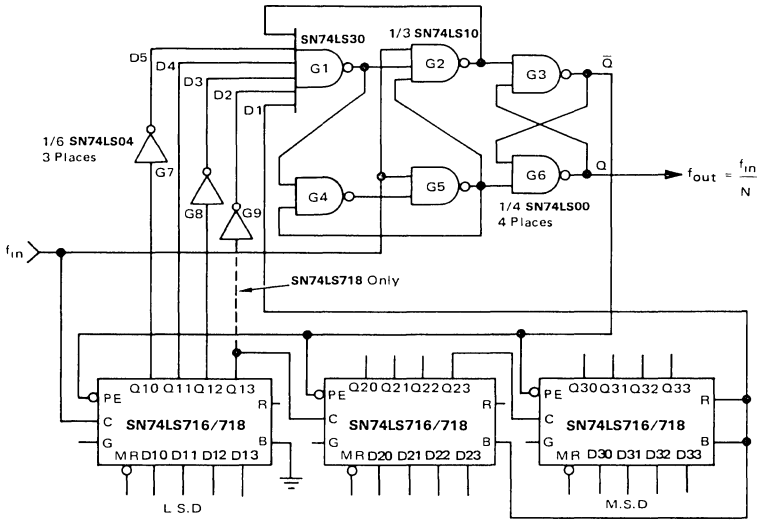


Fig. 3 — INCREASING OPERATING RANGE

APPLICATIONS INFORMATION

A typical system application for programmable counters is illustrated in the frequency synthesizer shown in Figure 4. There the counter provides a means of digitally selecting some integral multiple of a stable reference frequency. The circuit phase locks the output, f_{VCO} , of a voltage controlled oscillator to a reference frequency, f_{ref} .¹ Circuit operation is such that $f_{VCO} = Nf_{ref}$, where N is the divider ratio of the feedback counter.

In many synthesizer applications the VCO is operated at VHF frequencies too high for direct division by TTL counters. In these cases the VCO output is usually prescaled by using a suitable fixed divided-by-M ECL circuit as shown in Figure 5. For this configuration, $f_{VCO} = NMf_{ref}$, where N is variable (programmable) and M is fixed. Design of the optimum loop filter requires that the input reference frequency be as high as possible where the upper limit is established by the required channel spacing. Since $f_{VCO} = Nf_{ref}$ in the non-prescaled case, if N is changed by one, the VCO output changes by f_{ref} , or the synthesizer channel spacing is just equal to f_{ref} . When the prescaler is used as in Figure 5, $f_{VCO} = NMf_{ref}$, and a change of one in N results in the VCO changing by Mf_{ref} , i.e., if f_{ref} is set equal to the minimum permissible channel spacing as is desirable, then only every M channels in a given band can be selected. One solution is to set $f_{ref} = \text{channel spacing}/M$ but this leads to more stringent loop filter requirements.

An alternate approach that avoids this problem is provided by the counter configuration shown in Figure 6.² It too uses a prescaler ahead of a programmable counter, however the modulus of the prescaler is now controlled by a third counter, causing it to alternate between M and M + 1. Operation is best explained by assuming that all three counters have been set for the beginning of a cycle: the prescaler for division by (M + 1), the modulus control counter for division by N_{MC} , and the

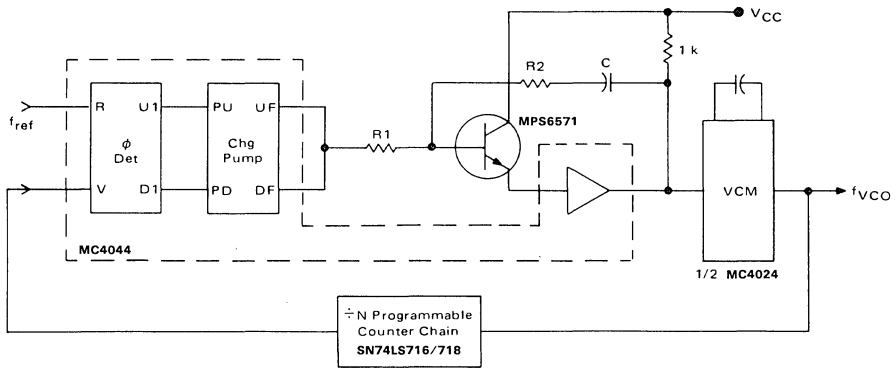


Fig. 4 — MTTL PHASE-LOCKED LOOP

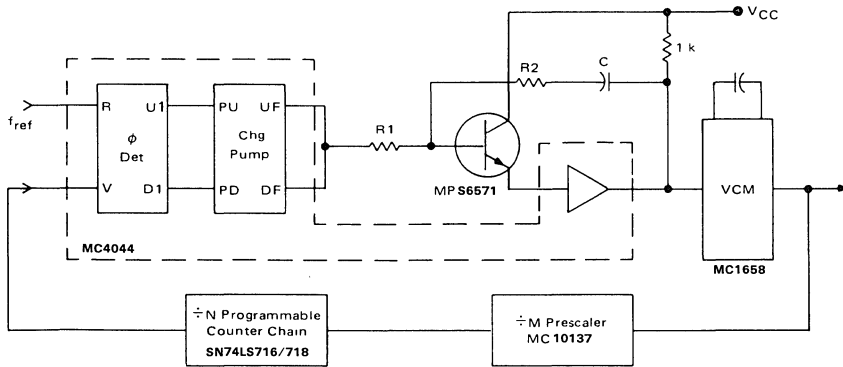


Fig. 5 — MTTL-MECL PHASE-LOCKED LOOP

¹ See Motorola Application Note AN-535 and the MC4344/4044 Data Sheet for detailed explanation of overall circuit operation.

5

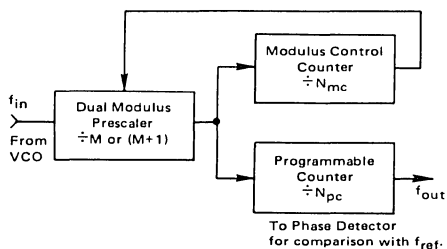


Fig. 6 — FEEDBACK COUNTERS WITH DUAL MODULUS PRESCALER

programmable counter for division by N_{pc} . The prescaler will divide by $(M + 1)$ until the modulus control counter has counted down to zero; at this time, the all zero state is detected and causes the prescaler to divide by M until the programmable counter has also counted down to zero. When this occurs, a cycle is complete and each counter is reset to its original modulus in readiness for the next cycle. For this configuration,

$$f_{out} = \frac{f_{in}}{MN_{pc} + N_{mc}}$$

In terms of the synthesizer application, $f_{VCO} = (MN_{pc} + N_{mc}) f_{ref}$ and channels can be selected every f_{ref} by letting N_{pc} and N_{mc} take on suitable integer values, including zero.

A simplified example of this technique is shown in Figure 7. The MC12013 Dual Modulus Prescaler divides by either 10 or 11 as shown in Figure 7. If the E3 and E4 Enable inputs are high at the start of a prescaler cycle, division by 10 results; if the Enable inputs are low at the beginning of the cycle, division by 11 results. The zero detection circuitry of the MC12014 Counter Control Logic is connected to monitor the outputs of the modulus control counter; this provides a suitable enable signal at E0 as the modulus control counter reaches its terminal (zero) count. The remainder of the MC12014 is connected to extend the operating frequency of the programmable counter chain.

A specific example of this technique is shown in Figure 8. There the feedback divider circuitry required for generating frequencies between the 144 MHz and 178 MHz with 30 kHz channel spacing is shown.²

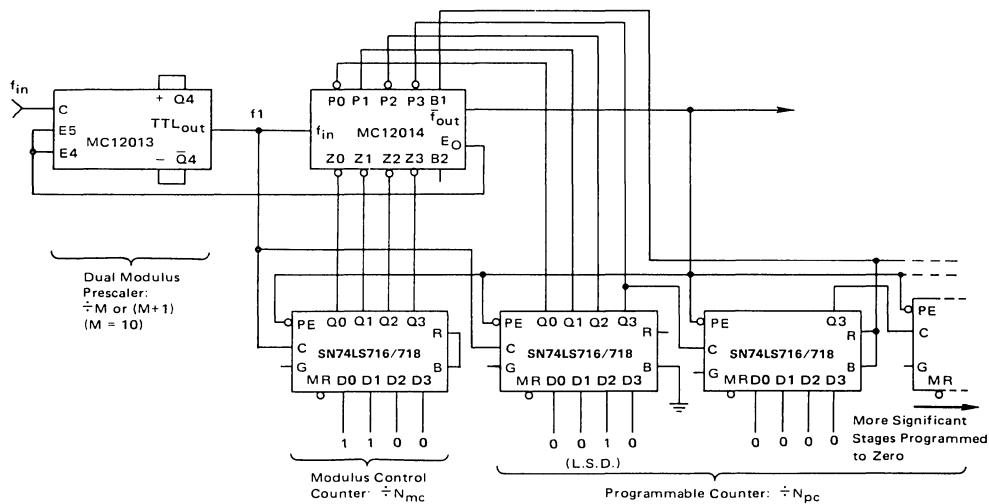


Fig. 7 — FREQUENCY DIVISION: $f_o = f_{in} / MN_{pc} = N_{mc}$

2. This application is discussed in greater detail in the MC 12014 Counter Control Logic data sheet.

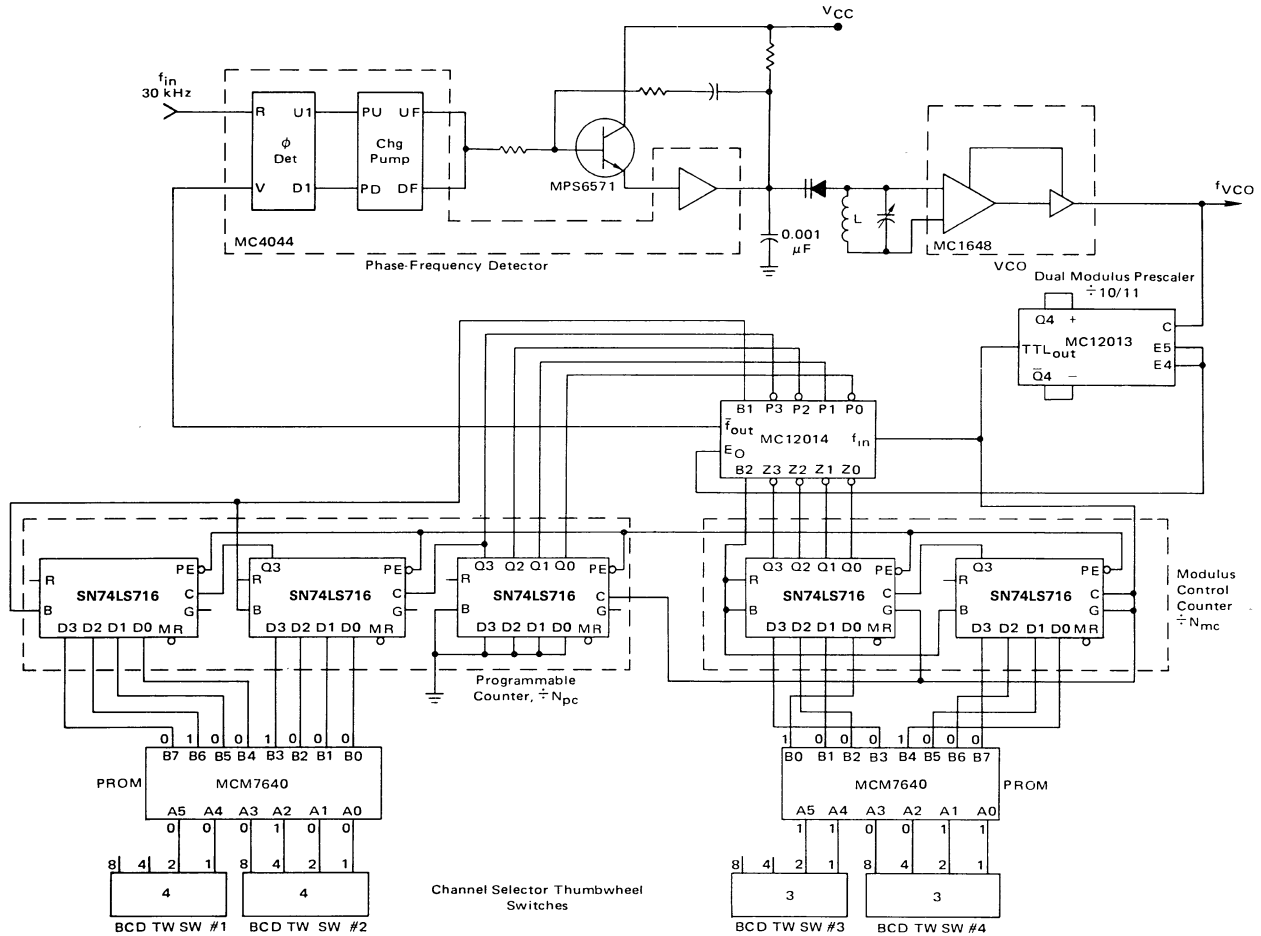


Fig. 8 — 144 to 178 MHz FREQUENCY SYNTHESIZER
WITH 30 kHz CHANNEL SPACING

SN74LS724

VOLTAGE-CONTROLLED OSCILLATOR

LOW POWER SCHOTTKY

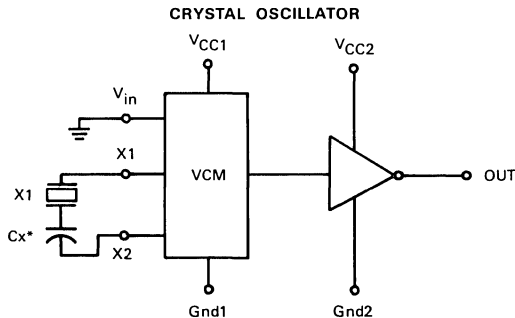
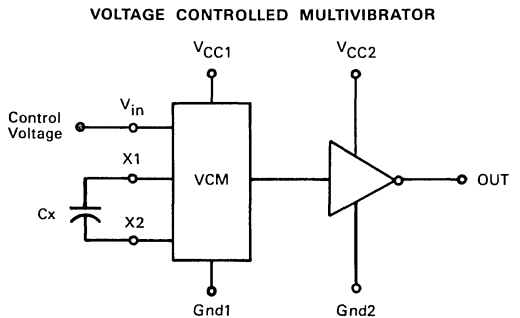
VOLTAGE CONTROLLED OSCILLATOR

DESCRIPTION — The SN74LS724 is a low power Voltage Controlled Oscillator. With an external capacitor connected across Pins 1 and 8, the output frequency can be varied over a 3.5 to 1 range by adjusting the control voltage input (V_{in}) from 1.0 to 5.0 volts.

The LS724 is ideal for video game and microcomputer applications. It can be used to generate sound IF, a colorburst reference, and/or a microprocessor clock. Also, the output rise and fall times are slow compared to standard LS logic so the generation of electromagnetic interference is reduced.

FEATURES:

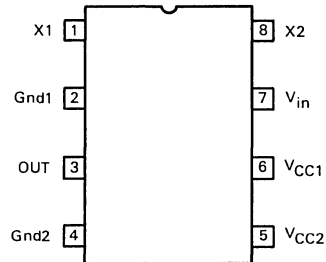
- CAN BE USED AS A VOLTAGE CONTROLLED OR CRYSTAL CONTROLLED OSCILLATOR
- 8-PIN DIP REQUIRES MINIMAL PC BOARD SPACE
- REDUCED RISE AND FALL TIMES FOR LESS EMI!
- LOW POWER — 45 mW MAX



*Cx is optional

(Cx may be necessary to trim oscillator frequency or improve performance.)

CONNECTION DIAGRAM DIP (TOP VIEW)



Case 626-04 (Plastic)
Case 693-02 (Ceramic)

GUARANTEED OPERATING RANGES

| SYMBOL | PARAMETER | MIN | TYP | MAX | UNIT |
|-----------------|-------------------------------------|------|-----|------|------|
| V _{CC} | Supply Voltage | 4.75 | 5.0 | 5.25 | V |
| T _A | Operating Ambient Temperature Range | 0 | 25 | 70 | °C |
| I _{OH} | Output Current — High | | | -0.4 | mA |
| I _{OL} | Output Current — Low | | | 4.0 | mA |

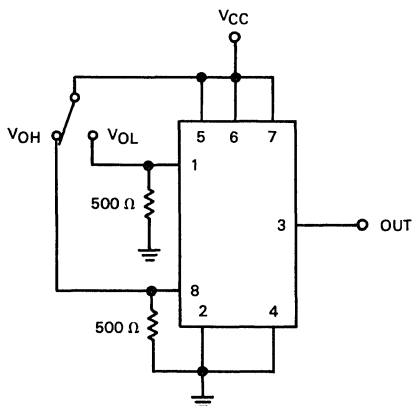
DC CHARACTERISTICS OVER OPERATING TEMPERATURE RANGE (unless otherwise specified)

| SYMBOL | PARAMETER | LIMITS | | | CONDITIONS |
|-----------------|-----------------------|--------|-----|-------|--|
| | | MIN | MAX | UNITS | |
| V _{OH} | Output HIGH Voltage | 2.7 | | V | I _{OH} = -0.4 mA, V _{CC} = MIN |
| V _{OL} | Output LOW Voltage | | 0.5 | V | I _{OL} = 4.0 mA, V _{CC} = MIN |
| I _{IN} | Input HIGH Current | | 100 | μA | V _{IN} = 5.0 V, V _{CC} = MAX |
| I _{OS} | Short Circuit Current | -8.0 | -25 | mA | V _O = 0 V, V _{CC} = MAX |
| I _{CC} | Supply Current | | 8.5 | mA | V _{CC} = MAX |

AC CHARACTERISTICS: V_{CC} = 5.0 V, T_A = 25°C, C_L = 15 pF

| SYMBOL | TEST | CONDITIONS | VALUE | | | UNITS |
|---------------------------------------|--|--|------------|------------|-----|-------|
| | | | MIN | TYP | MAX | |
| f _{max} * | Maximum Operating Frequency | C _x = 10 pF, V _{IN} = 5.0 Vdc V _{CC} = 5.0 Vdc Load = 15 pF | 11 | 16 | | MHz |
| f _{HIGH} f _{LOW} | Ratio of Frequency of Oscillation Over Specified Input Voltage Range | C _x = 100 pF V _{IN} HIGH = 5.0 Vdc V _{IN} LOW = 1.0 Vdc | 3.5 to 1.0 | 4.0 to 1.0 | | — |

*Due to the low power nature of this device, some degradation of output swing can be expected as output frequency exceeds 9.0 MHz. With V_{CC} = 5.0 V, the guaranteed V_{OH} level drops from 2.7 volts at 9.0 MHz to 2.0 volts at 16 MHz.



For dc test purposes the LS724 output can be forced into a HIGH (V_{OH}) or LOW (V_{OL}) logic state as shown.

APPLICATIONS INFORMATION

In order to improve frequency stability, separate V_{CC} and ground pins are provided to allow the oscillator to be isolated from the logic power supply. However, both ground lines must be connected externally to ensure proper operation. It is also recommended that the oscillator V_{CC} be bypassed with a good RF type capacitor of 500 to 1000 pF.

When used as a voltage controlled oscillator, the center frequency can be approximated by:

$$f_c \text{ (MHz)} \approx \frac{130}{C_x \text{ (pF)}} : V_{in} \approx 4.25 \text{ V}$$

The relationship between control input voltage, external capacitance and output frequency can be found in Figure 1 which is valid for values of capacitance in excess of 100 pF. For values of capacitance less than 100 pF, Figure 2 should be used.

FREQUENCY STABILITY

Oscillator output frequency is somewhat dependent on temperature and power supply voltage. Typical frequency variation at $V_{in} = 5.0 \text{ V}$ is approximately $\pm 10\%$ over the V_{CC} range and approximately $\pm 7\%$ over the 0°C to 70°C temperature range. As with any oscillator, internal noise will also cause the output frequency to drift slightly.

FIGURE 1 — FREQUENCY CAPACITANCE PRODUCT

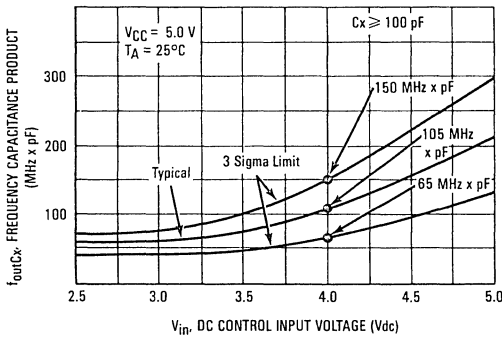
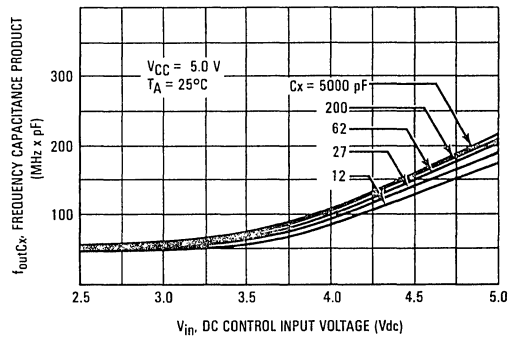


FIGURE 2 — FREQUENCY CAPACITANCE PRODUCT TYPICAL CURVES





MOTOROLA

SYNCHRONOUS ADDRESS MULTIPLEXER

The SN74LS783/MC6883 and SN74LS785 bring together the MC6809E (MPU), the MC6847 (Color Video Display Generator) and dynamic RAM to form a highly effective, compact and cost effective computer and display system.

The SN74LS783/MC6883 is designed to support 4K x 1, 16K x 1 and 64K x 1 (128 column refresh) dynamic RAMs. The SN74LS785 has been modified to support the above listed products as well as 16K x 4 and 64K x 1 (256 column refresh) dynamic RAMs. A further enhancement allows the LS785 to support low power dynamic ROMs (such as MCM68364) without additional logic.

- MC6809E, MC6800, MC6801E, MC68000 and MC6847 (VDG) Compatible
- Transparent MPU/VDG/Refresh
- RAM size — 4K, 8K, 16K, 32K or 64K Bytes (Dynamic or Static)
- Addressing Range — 96K Bytes
- Single Crystal Provides All Timing
- Register Programmable:
 - VDG Addressing Modes
 - VDG Offset (0 to 64K)
 - RAM Size
 - Page Switch
 - MPU Rate (Crystal ÷ 16 or ÷ 8)
 - MPU Rate (Address Dependent or Independent)
- System "Device Selects" Decoded 'On Chip'
- Timing is Optimized for Standard Dynamic RAMs
- +5.0 V Only Operation
- Easy Synchronization of Multiple SAM Systems
- DMA Mode

SN74LS783/ MC6883 SN74LS785

SYNCHRONOUS ADDRESS MULTIPLEXER

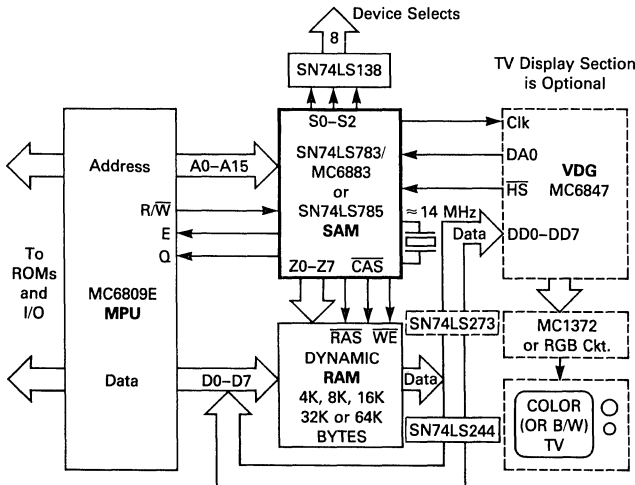
LOW POWER SCHOTTKY

PIN ASSIGNMENT

| | | | |
|----|----------------|-----------------|-----------|
| 1 | A11 | V _{CC} | 40 |
| 2 | A10 | A12 | 39 |
| 3 | A9 | A13 | 38 |
| 4 | A8 | A14 | 37 |
| 5 | OscIn | A15 | 36 |
| 6 | OscOut | Z7 | 35 (RAS1) |
| 7 | VClk | Z6 | 34 |
| 8 | DA0 | Z5 | 33 |
| 9 | H _S | Z4 | 32 |
| 10 | WE | Z3 | 31 |
| 11 | CAS | Z2 | 30 |
| 12 | RAS0 | Z1 | 29 |
| 13 | Q | Z0 | 28 |
| 14 | E | S0 | 27 |
| 15 | R/W | S1 | 26 |
| 16 | A0 | S2 | 25 |
| 17 | A1 | A7 | 24 |
| 18 | A2 | A6 | 23 |
| 19 | A3 | A5 | 22 |
| 20 | Gnd | A4 | 21 |

5

TYPICAL SYSTEM BLOCK DIAGRAM



MAXIMUM RATINGS ($T_A = 25^\circ\text{C}$ unless otherwise noted.)

| Rating | Symbol | Value | Unit |
|---|------------------------|------------------|------------------|
| Power Supply Voltage | V_{CC} | -0.5 to +7.0 | Vdc |
| Input Voltage (Except Osc_{IN}) | V_I | -0.5 to 10 | Vdc |
| Input Current (Except Osc_{IN}) | I_I | -30 to +5.0 | mA |
| Output Voltage | V_O | -0.5 to +7.0 | Vdc |
| Operating Ambient Temperature Range | T_A | 0 to +70 | $^\circ\text{C}$ |
| Storage Temperature Range | T_{stg} | -65 to +150 | $^\circ\text{C}$ |
| Input Voltage Osc_{IN} | $V_{I\text{Osc}_{IN}}$ | -0.5 to V_{CC} | Vdc |
| Input Current Osc_{IN} | $I_{I\text{Osc}_{IN}}$ | -0.5 to +5.0 | mA |

GUARANTEED OPERATING RANGES

| Parameter | Symbol | Min | Typ | Max | Unit |
|--|----------|------|-----|-------------------|------------------|
| Supply Voltage | V_{CC} | 4.75 | 5.0 | 5.25 | V |
| Operating Ambient Temperature Range | T_A | 0 | 25 | 75 | $^\circ\text{C}$ |
| Output Current High RAS0, RAS1, CAS, WE All Other Outputs | I_{OH} | — | — | -1.0 -0.2 | mA |
| Output Current Low RAS0, RAS1, CAS, WE VClk All Other Outputs | I_{OL} | — | — | 8.0 0.8 4.0 | mA |

DC CHARACTERISTICS (Unless otherwise noted specifications apply over recommended power supply and temperature ranges.)

| Characteristic | Symbol | Min | Typ | Max | Units |
|---|---|-------------------------------|----------|--------------------------|---------------|
| Input Voltage — High Logic State | V_{IH} | 2.0 | — | — | V |
| Input Voltage — Low Logic State | V_{IL} | — | — | 0.8 | V |
| Input Clamp Voltage ($V_{CC} = \text{Min}$, $I_{IN} = -18 \text{ mA}$) All Inputs Except Osc_{IN} | V_{IK} | — | — | -1.5 | V |
| Input Current — High Logic State at Max Input Voltage ($V_{CC} = \text{Max}$, $V_{IN} = 5.25 \text{ V}$) VClk Input ($V_{CC} = \text{Max}$, $V_{IN} = 5.25 \text{ V}$) DA0 Input ($V_{CC} = \text{Max}$, $V_{IN} = 5.25 \text{ V}$, $\text{Osc}_{IN} = \text{Gnd}$) Osc_{OUT} Input ($V_{CC} = \text{Max}$, $V_{IN} = 7.0 \text{ V}$) All Other Inputs Except Osc_{IN} | I_I | — | — | 200 100 250 100 | μA |
| Input Current High Logic State All Inputs Except VClk, ($V_{CC} = \text{Max}$, $V_{IN} = 2.7 \text{ V}$) DA0 Osc_{IN} , Osc_{OUT} | I_{IH} | — | — | 20 | μA |
| Input Current — Low Logic State ($V_{CC} = \text{Max}$, $V_{IN} = 0.4 \text{ V}$) DA0 Input ($V_{CC} = \text{Max}$, $V_{IN} = 0.4 \text{ V}$) VClk Input ($V_{CC} = \text{Max}$, $V_{IN} = 0.4 \text{ V}$, $\text{Osc}_{IN} = \text{Gnd}$) Osc_{OUT} Input ($V_{CC} = \text{Max}$, $V_{IN} = 0.4 \text{ V}$) All Other Inputs Except Osc_{IN} | I_{IL} | — | — -30 | -1.2 -60 -8 -4 | mA |
| Output Voltage — High Logic State ($V_{CC} = \text{Min}$, $I_{OH} = -1.0 \text{ mA}$) RAS0, RAS1, CAS, WE ($V_{CC} = \text{Min}$, $I_{OH} = -0.2 \text{ mA}$) E, Q ($V_{CC} = \text{Min}$, $I_{OH} = -0.2 \text{ mA}$) All Other Outputs | $V_{OH(C)}$ $V_{OH(E)}$ V_{OH} | 3.0 $V_{CC} - 0.75$ 2.7 | — | — | V |
| Output Voltage — Low Logic State ($V_{CC} = \text{Min}$, $I_{OL} = 8.0 \text{ mA}$) RAS0, RAS1, CAS, WE ($V_{CC} = \text{Min}$, $I_{OL} = 4.0 \text{ mA}$) E, Q Outputs ($V_{CC} = \text{Min}$, $I_{OL} = 0.8 \text{ mA}$) VClk Output ($V_{CC} = \text{Min}$, $I_{OL} = 4.0 \text{ mA}$) All Other Outputs | $V_{OL(C)}$ $V_{OL(E)}$ $V_{OL(V)}$ V_{OL} | — | — | 0.5 0.5 0.6 0.5 | V |
| Power Supply Current | I_{CC} | — | 180 | 230 | mA |
| Output Short-Circuit Current | I_{OS} | 30 | — | 225 | mA |



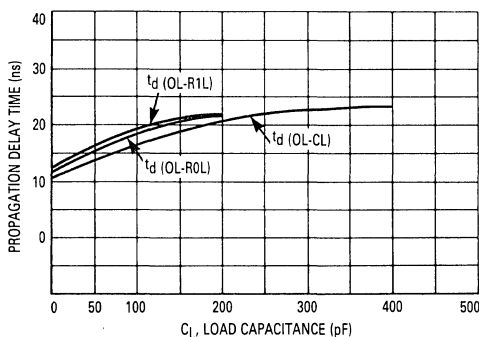
AC CHARACTERISTICS (4.75 V ≤ V_{CC} ≤ 5.25 V and 0 ≤ T_A ≤ 70°C, unless otherwise noted).

| Characteristic | Symbol | Min | Typ | Max | Units |
|--|-------------------------|------------|-----|-----|-------|
| Propagation Delay Times | | | | | |
| (See Circuit in Figure 9) Oscillator-In \rightarrow to Oscillator-Out | t _d (OL-OH) | — | 3.0 | — | ns |
| Oscillator-In \rightarrow to Oscillator-Out | t _d (OH-OL) | — | 20 | — | |
| (C _L = 195 pF) A0 thru A15 to Z0, Z1, Z2 thru Z7 | t _d (A-Z) | — | 28 | — | |
| (C _L = 30 pF) A0 thru A15, R/W to S0, S1, S3 | t _d (A-S) | — | 18 | — | |
| (C _L = 95 pF) Oscillator-Out \rightarrow to RAS0 | t _d (OL-R0H) | — | 20 | — | |
| (C _L = 95 pF) Oscillator-Out \rightarrow to RAS0 | t _d (OL-R0L) | — | 18 | — | |
| (C _L = 95 pF) Oscillator-Out \rightarrow to RAS1 | t _d (OL-R1H) | — | 22 | — | |
| (C _L = 95 pF) Oscillator-Out \rightarrow to RAS1 | t _d (OL-R1L) | — | 20 | — | |
| (C _L = 195 pF) Oscillator-Out \rightarrow to CAS | t _d (OL-CH) | — | 20 | — | |
| (C _L = 195 pF) Oscillator-Out \rightarrow to CAS | t _d (OL-CL) | — | 20 | — | |
| (C _L = 195 pF) Oscillator-Out \rightarrow to WE | t _d (OL-WH) | — | 22 | — | |
| (C _L = 195 pF) Oscillator-Out \rightarrow to WE | t _d (OL-WL) | — | 40 | — | |
| (C _L = 100 pF) Oscillator-Out \rightarrow to E | t _d (OL-EH) | — | 55 | — | |
| (C _L = 100 pF) Oscillator-Out \rightarrow to E | t _d (OL-EL) | — | 25 | — | |
| (C _L = 100 pF) Oscillator-Out \rightarrow to Q | t _d (OL-QH) | — | 55 | — | |
| (C _L = 100 pF) Oscillator-Out \rightarrow to Q | t _d (OL-QL) | — | 25 | — | |
| (C _L = 30 pF) Oscillator-Out \rightarrow to VClk | t _d (OH-VH) | — | 50 | — | |
| (C _L = 30 pF) Oscillator-Out \rightarrow to VClk | t _d (OH-VL) | — | 65 | — | |
| (C _L = 195 pF) Oscillator-Out \rightarrow to Row Address | t _d (OL-AR) | — | 36 | — | |
| (C _L = 195 pF) Oscillator-Out \rightarrow to Column Address | t _d (OL-AC) | — | 33 | — | |
| (C _L = 15 pF) Oscillator-Out \rightarrow to DA0 Earliest(1) | t _d (OL-DH) | — | -15 | — | |
| (C _L = 15 pF) Oscillator-Out \rightarrow to DA0 Latest(1) | t _d (OL-DH) | — | +15 | — | |
| (C _L = 95 pF on RAS, C _L = 195 pF on CAS) CAS \rightarrow to RAS | t _d (CL-RH) | — | 208 | — | |
| Setup Time for A0 thru A15, R/W | t _{su} (A) | Rate = +16 | 28 | — | ns |
| | | Rate = +8 | 28 | — | |
| Hold Time for A0 thru A15, R/W | t _h (A) | Rate = +16 | 30 | — | ns |
| | | Rate = +8 | 30 | — | |
| Width of HS Low ² | t _{wL} (HS) | 2.0 | 5.0 | 6.0 | μs |

Notes: 1. When using the SAM with an MC6847, the rising edge of DA0 is confined within the range shown in the timing diagrams (unless the synchronizing process is incomplete.) The synchronization process requires a maximum of 32 cycles of Osc_{Out} for completion.
 2. t_{wL}(HS) wider than 6.0 μs may yield more than 8 sequential refresh addresses.



FIGURE 1 — PROPAGATION DELAY TIMES versus LOAD CAPACITANCE



PIN DESCRIPTION TABLE

| | | Name | No. | Function | |
|------------------|-------------------------|-------|-------|--|--|
| Input Pins | Power | VCC | 40 | Apply + 5 volts ± 5%. SAM draws less than 230 mA. Return Ground for + 5 volts. | |
| | | Gnd | 20 | | |
| | MPU Address and Control | | A15 | 36 | Most Significant Bit. MPU address bits A0-A15. These 16 signals come directly from the MPU and are used to directly address up to 64K memory locations or to indirectly address up to 96K memory locations. (See pages 17 and 18 for memory maps). Each input is approximately equivalent to one low power Schottky load. Least Significant Bit. |
| | | | A14 | 37 | |
| | | | A13 | 38 | |
| | | | A12 | 39 | |
| | | | A11 | 1 | |
| | | | A10 | 2 | |
| | | | A9 | 3 | |
| | | | A8 | 4 | |
| | | | A7 | 24 | |
| | | | A6 | 23 | |
| | | | A5 | 22 | |
| | | | A4 | 21 | |
| | | | A3 | 19 | |
| | | | A2 | 18 | |
| | | | A1 | 17 | |
| | | | A0 | 16 | |
| | VDG Control | | R/W | 15 | MPU READ or WRITE. This signal comes directly from the MPU and is used to enable writing to the SAM control register, dynamic RAM (via WE), and to enable device select #0. |
| | | | OscIn | 5 | Apply 14.31818* MHz crystal and 2.5–30 pF trimmer to ground. See page 12. |
| DA0 | | | 8 | Display Address DA0. The primary function of this pin is to input the least significant bit of a 16-bit video display address. The more significant 15-bits are outputs from an internal 15-bit counter which is clocked by DA0. The secondary function of this pin is to indirectly input the logic level of the VDG "FS" (field synchronization pulse) for vertical video address updating. | |
| H \overline{S} | | | 9 | Horizontal Synchronization. The primary function of this pin is to detect the falling edge of VDG "H \overline{S} " pulse in order to initiate eight dynamic RAM refresh cycles. The secondary function is to reset up to 4 least significant bits of the internal video address counter. | |
| VClk | | | 7 | VDG Clock. The primary function of this pin is to output a 3.579545 MHz square wave** to the VDG "Clk" pin. The secondary function resets the SAM when this VClk pin is pulled to logic "0" level, acting as an input. | |
| OscOut | | | 6 | Apply 1.5 kΩ resistor to 14.31818* MHz crystal and 33 pF capacitor to ground. See page 12. | |
| Device Selects | | S2 | 25 | Most Significant Bit (Device Select Bits). The binary value of S2, S1, S0 selects one of eight "chunks" of MPU address space (numbers 0 through 7). Varying in length, these "chunks" provide efficient memory mapping for ROMs, RAMs, Input/Output devices, and MPU Vectors. (Requires 74LS 138-type demultiplexer). | |
| | | S1 | 26 | | |
| | | S0 | 27 | | Least Significant Bit. |
| MPU Clocks | | E | 14 | E (Enable Clock) "E" and "Q" are 90° out of phase and are both used as MPU clocks for the MC6809E. For the MC6800 and MC6801E, only "E" is used. "E" is also used for many MC6800 peripheral chips. | |
| | | Q | 13 | Q (Quadrature Clock). | |
| RAM Address | | Z7† | 35 | Most Significant Bit First, the least significant address bits from the MPU or "VDG" are presented to Z0–Z5 (4K x 1 RAMs) or Z0–Z6 (16K x 1 RAMs) or Z0–Z7 (64K x 1 RAMs). Next, the most significant address bits from the MPU or "VDG" are presented to Z0–Z5 (4K x 1 RAMs) or Z0–Z6 (16K x 1 RAMs) or Z0–Z7 (64K x 1 RAMs). Note that for 4K x 1 and 16K x 1 RAMs, Z7 (Pin 35) is not needed for address information. Therefore, Pin 35 is used for a second row address select which is labeled (RAS1). Least Significant Bit. | |
| | | Z6† | 34 | | |
| | | Z5† | 33 | | |
| | | Z4† | 32 | | |
| | | Z3† | 31 | | |
| | | Z2† | 30 | | |
| | | Z1† | 29 | | |
| | | Z0† | 28 | | |
| RAM Control | | RAS1† | 35 | Row Address Strobe One. This pulse strobes the least significant 6,7 or 8 address bits into dynamic RAMs in Bank #1. | |
| | | RAS0† | 12 | Row Address Strobe Zero. This pulse strobes the least significant 6,7 or 8 address bits into dynamic RAMs in Bank #0. | |
| | | CAS† | 11 | Column Address Strobe. This pulse strobes the most significant 6,7 or 8 address bits into dynamic RAMs. | |
| | | WE† | 10 | Write Enable. When low, this pulse enables the MPU to write into dynamic RAM. | |

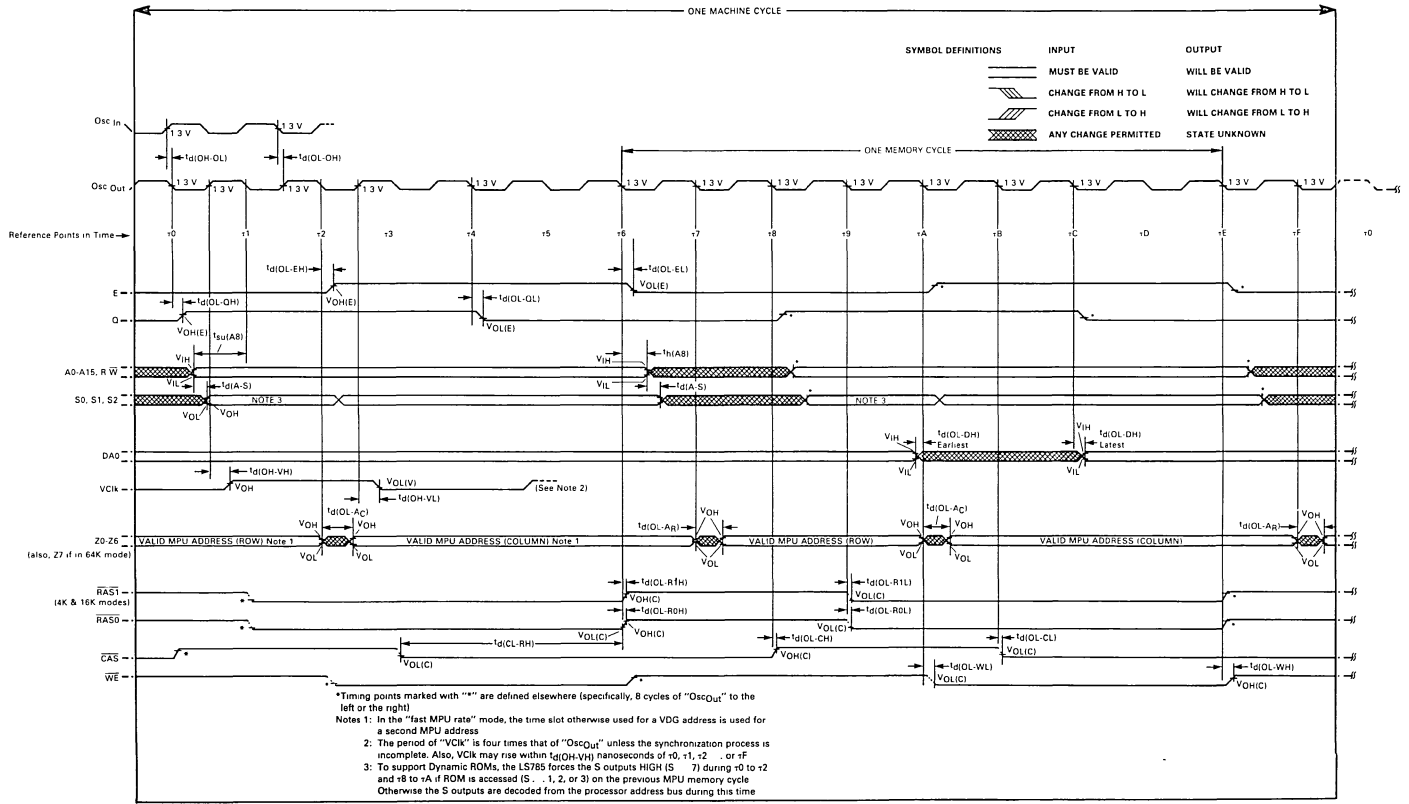
*14.31818 MHz is 4 times 3.579545 MHz television color subcarrier. Other frequencies may be used. (See page 12.)

**When VDG and SAM are not yet synchronized the "square wave" will stretch (see page 10.)

† Due to fast transitions, ferrite beads in series with these outputs may be necessary to avoid high frequency (≈ 60 MHz) resonances.



FIGURE 3 — TIMING WAVEFORMS for MPU RATE = FAST

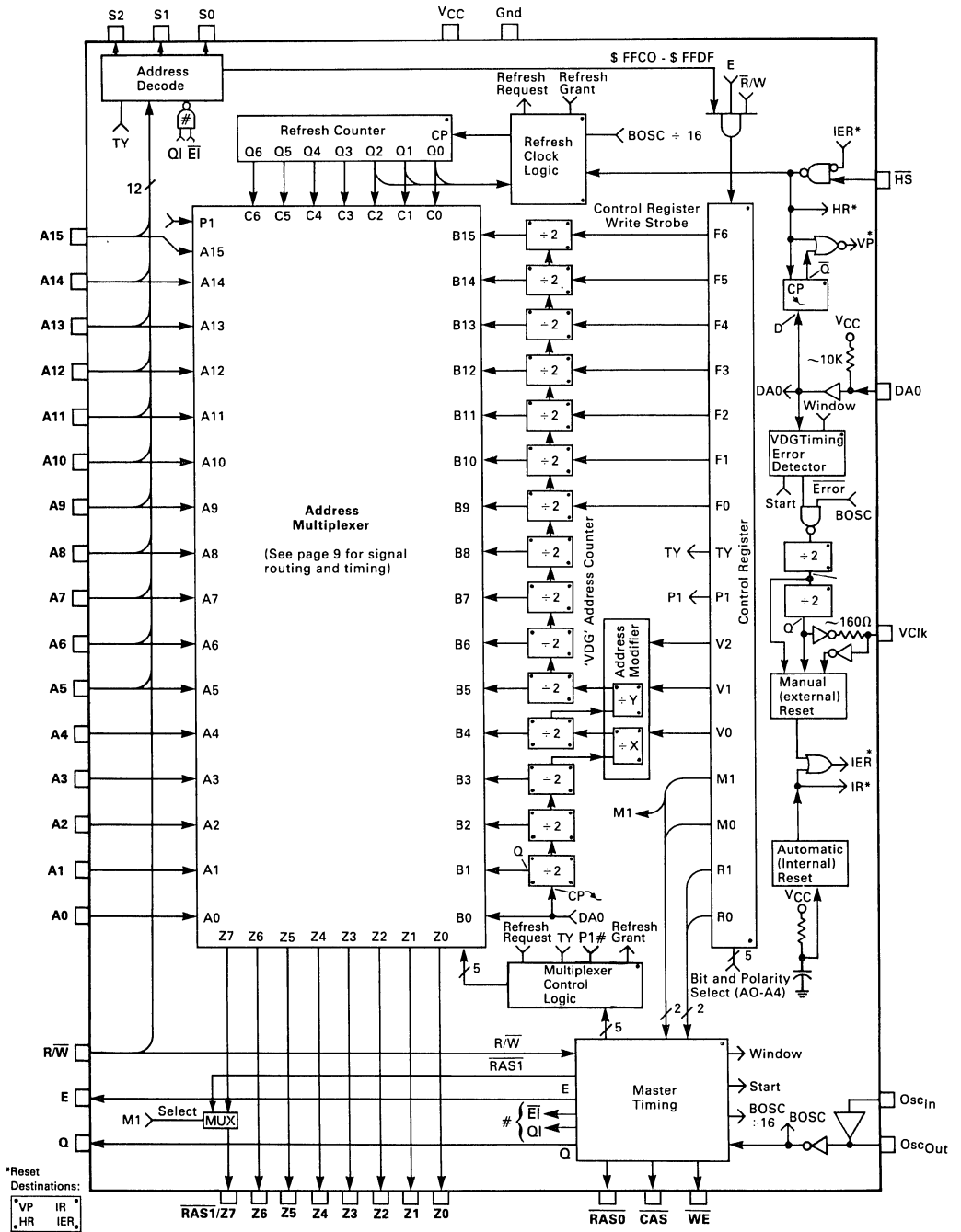


MOTOROLA SCHOTTKY TTL DEVICES

5-371



FIGURE 4 — SAM BLOCK DIAGRAM



SAM BLOCK DIAGRAM DESCRIPTION

MPU Addresses (A0–A15):

These 16 signals come directly from the MPU and are used to directly address up to 64K memory locations ($K = 1024$) or to indirectly address up to 96K memory locations, by using a paging bit "P" (see pages 17 and 18 for memory maps). Each input is approximately equivalent to one low power Schottky load.

VDG Address Counter (B0–B15):

These 16 signals are derived from one input (DA0) which is the least significant bit of the VDG address. Most of the counter is simply binary. However, to duplicate the various addressing modes of the MC6847 VDG, ADDRESS MODIFIER logic is used. Selected by three VDG mode bits (V2, V1, and V0) from the SAM CONTROL REGISTER, eight address modifications are obtained as shown in Figure 5.

Also, notice that bits B9–B15 may be loaded from bits F0–F6 from the CONTROL REGISTER. This allows the starting address of the VDG display to be offset (in 1/2K increments) from \$0000 to \$FFFF. B9–B15 are loaded when a VERTICAL PRE-LOAD (VP) pulse is generated. VP goes active (high) when \overline{HS} from the VDG rises if DA0 is high (or a high impedance). This condition should occur only while the TV electron beam is in vertical blanking and is simply implemented by connecting \overline{FS} and \overline{MS} together on the MC6847. The VP pulse also clears bits B1–B8.

Finally, a HORIZONTAL RESET (HR) pulse may also affect the counter by clearing bits B1–B3 or B1–B4 when \overline{HS} from the VDG is LOW (see Figure 5). The HR pulse should occur only while the TV electron beam is in horizontal blanking.

In summary, DA0 clocks the VDG ADDRESS COUNTER; HR initializes the horizontal portion and VP initializes the vertical portion of the VDG ADDRESS COUNTER.

REFresh Address Counter (Q0–Q7):

A seven bit binary counter (the LS785 uses an 8-bit counter) supplies bursts of eight* sequential addresses triggered by a HS high to low transition. Thus, while the TV electron beam is in horizontal blanking, eight sequential addresses are accessed. Likewise, the next eight addresses are accessed during the next horizontal blanking period, etc. In this manner, all 128 addresses are refreshed in less than 1.1 milliseconds.

Address Multiplexer:

Occupying a large portion of the block diagram in Figure 4, is the address multiplexer which outputs bits Z0–Z7 (as addresses to dynamic RAM's). Inputs to the address multiplexer include the VDG address (B0–B15) the REFresh address (C0–C6) and the MPU address (A0–A15) or (A0–A14 plus one paging bit "P"). The paging bit "P" is one bit in the SAM CONTROL REGISTER that is used in place of A15 when memory map TYPe #0 is selected (via the SAM CONTROL REGISTER "TY" bit).

Figure 6 shows which inputs are routed to Z0–Z7 and when the routing occurs relative to one SAM machine cycle. Notice that Z7 and $\overline{RAS1}$ share the same pin. Z7 is selected if "M1" in the SAM CONTROL REGISTER IS HIGH (Memory size = 64K).

Address Decode:

At the top left of Figure 4, is the Address Decode block. Outputs S2, S1, and S0 form a three bit encoded binary word(S). Thus S may be one of eight values (0 through 7) with each value representing a different range of MPU addresses. (To enable peripheral ROM's or I/O, decode the S2, S1, and S0 bits into eight separate signals by using a 74LS138, 74LS155 or 74LS156.)

On the LS783, the S2, S1 and S0 outputs are not gated with any timing signals. The LS785 forces the S outputs HIGH if accessing ROM (see Memory Map, Figures 14–16) when the E clock is LOW and the Q clock is HIGH (see Timing Diagram, Figures 2–3). This logic implementation allows the LS785 to easily interface with inexpensive "dynamic" ROMs such as MCM68364.

Along with the A5–A15 inputs is the MEMORY MAP TYPe bit (TY). This bit is soft-programmable (as are all 16 bits in the SAM CONTROL REGISTER), and selects one of two memory maps. Memory map #0 is intended to be used in systems that are primarily ROM based. Whereas, memory map #1 is intended for a primarily RAM based system with 64K contiguous RAM locations (minus 256 locations). The various meanings of S2, S1, S0 are tabulated in Figure 16 (page 19) and again on pages 17 and 18.

In addition to S2, S1, and S0 outputs is a decode of \$FFC0 through \$FFDF which, when gated with E and \overline{RW} , results in the write strobe for the SAM CONTROL REGISTER.

SAM Control Register

As shown in Figure 4, the CONTROL REGISTER has 16 "outputs":

| | | | |
|-----------------------|----------------------------|--------------------|--------|
| VDG Addressing Modes: | V2, V1, V0 | MPU Rate: | R1, R0 |
| VDG Address Offset: | F6, F5, F4, F3, F2, F1, F0 | Memory Size (RAM): | M1, M0 |
| 32K Page Switch:*** | P | Memory Map TYPe: | TY |

When the SAM is reset (see page 10), all 16 bits are cleared. To set any one of these 16 bits, the MPU simply writes to a unique** odd address (within \$FFC1 through \$FFDF). To clear any one of these 16 bits, the MPU simply writes to a unique** even address (within \$FFC0 through \$FFDE). Note that the data on the MPU data bus is irrelevant.

Inputs to the control register include A4, A3, A2, A1 (which are used to select which one of 16 bits is to be cleared or set), A0 (which determines the polarity . . . clear or set), and \overline{RW} , E and \$FFC0–\$FFDF (which restrict the method, timing and addresses for changing one of the 16 bits). For more detailed descriptions of the purposes of the 16 control

* If \overline{HS} is held low longer than 8 μ s, then the number of sequential addresses in one refresh "BURST" is proportional to the time interval during which \overline{HS} is low.

** See pages 17 or 18 for specific addresses.

*** The P bit is also used to select 16K x 4 bit dynamic RAM operation in the LS785. See the Page switch definition in the Programming Guide section.

† In this document, the "\$" symbol always precedes hexadecimal characters.

bits, refer to related sections in the BLOCK DIAGRAM DESCRIPTION (pages 8 through 12) and the PROGRAMMING GUIDE (pages 14 through 18).

** See pages 17 or 18 for specific addresses.

FIGURE 5 — VDG ADDRESS MODIFIER

| Mode | | | Division Variables | | Bits Cleared by HS (low) |
|------|----|----|--------------------|----|--------------------------|
| V2 | V1 | V0 | X | Y | |
| 0 | 0 | 0 | 1 | 12 | B1-B4 B1-B3 |
| 0 | 0 | 1 | 3 | 1 | |
| 0 | 1 | 0 | 1 | 3 | B1-B4 B1-B3 |
| 0 | 1 | 1 | 2 | 1 | |
| 1 | 0 | 0 | 1 | 2 | B1-B4 B1-B3 |
| 1 | 0 | 1 | 1 | 1 | |
| 1 | 1 | 0 | 1 | 1 | B1-B4 |
| 1 | 1 | 1 | 1 | 1 | None (DMA MODE) |

FIGURE 6 — SIGNAL ROUTING for ADDRESS MULTIPLEXER

| Memory Size | | Signal Source | Row/Column | Signals Routed to Z0-Z7 | | | | | | | | Timing (Figure 2) | |
|---------------------------|----|---------------|------------|-------------------------|--------|-----|-----|-----|-----|-----|-----|-------------------|-------|
| M1 | M0 | | | Z7 | Z6 | Z5 | Z4 | Z3 | Z2 | Z1 | Z0 | | |
| 4K ① | 0 | 0 | MPU | ROW | ② | A6 | A5 | A4 | A3 | A2 | A1 | A0 | T7-TA |
| | | | | COL | ② | LOW | A11 | A10 | A9 | A8 | A7 | A6 | TA-TF |
| | | | VDG | ROW | ② | B6 | B5 | B4 | B3 | B2 | B1 | B0 | TF-T2 |
| | | | | COL | ② | LOW | B11 | B10 | B9 | B8 | B7 | B6 | T2-T7 |
| | | | REF | ROW | ② | C6 | C5 | C4 | C3 | C2 | C1 | C0 | TF-T2 |
| | | | | COL | ② | LOW | LOW | LOW | LOW | LOW | LOW | LOW | T2-T7 |
| 16K x 1 | 0 | 1 | MPU | ROW | ② | A6 | A5 | A4 | A3 | A2 | A1 | A0 | T7-TA |
| | | | | COL | ② | A13 | A12 | A11 | A10 | A9 | A8 | A7 | TA-TF |
| | | | VDG | ROW | ② | B6 | B5 | B4 | B3 | B2 | B1 | B0 | TF-T2 |
| | | | | COL | ② | B13 | B12 | B11 | B10 | B9 | B8 | B7 | T2-T7 |
| | | | REF | ROW | ② | C6 | C5 | C4 | C3 | C2 | C1 | C0 | TF-T2 |
| | | | | COL | ② | LOW | LOW | LOW | LOW | LOW | LOW | LOW | T2-T7 |
| 16K x 4 (Page bit = 1) | 0 | 1 | MPU | ROW | A7 | A6 | A5 | A4 | A3 | A2 | A1 | A0 | T7-TA |
| | | | | COL | ③ | A13 | A12 | A11 | A10 | A9 | A8 | A7 | TA-TF |
| | | | VDG | ROW | B7 | B6 | B5 | B4 | B3 | B2 | B1 | B0 | TF-T2 |
| | | | | COL | ③ | B13 | B12 | B11 | B10 | B9 | B8 | B7 | T2-T7 |
| | | | REF | ROW | C7 | C6 | C5 | C4 | C3 | C2 | C1 | C0 | TF-T2 |
| | | | | COL | LOW | LOW | LOW | LOW | LOW | LOW | LOW | LOW | T2-T7 |
| 64K (dynamic) | 1 | 0 | MPU | ROW | A7 | A6 | A5 | A4 | A3 | A2 | A1 | A0 | T7-TA |
| | | | | COL | P/A15③ | A14 | A13 | A12 | A11 | A10 | A9 | A8 | TA-TF |
| | | | VDG | ROW | B7 | B6 | B5 | B4 | B3 | B2 | B1 | B0 | TF-T2 |
| | | | | COL | B15 | B14 | B13 | B12 | B11 | B10 | B9 | B8 | T2-T7 |
| | | | REF | ROW | C7④ | C6 | C5 | C4 | C3 | C2 | C1 | C0 | TF-T2 |
| | | | | COL | LOW | LOW | LOW | LOW | LOW | LOW | LOW | LOW | T2-T2 |
| 64K (static) | 1 | 1 | MPU | ROW | A7 | A6 | A5 | A4 | A3 | A2 | A1 | A0 | T7-T9 |
| | | | | COL | P/A15③ | A14 | A13 | A12 | A11 | A10 | A9 | A8 | T9-TF |
| | | | VDG | ROW | B7 | B6 | B5 | B4 | B3 | B2 | B1 | B0 | TF-T1 |
| | | | | COL | B15 | B14 | B13 | B12 | B11 | B10 | B9 | B8 | T1-T7 |
| | | | REF | ROW | C7④ | C6 | C5 | C4 | C3 | C2 | C1 | C0 | TF-T1 |
| | | | | COL | LOW | LOW | LOW | LOW | LOW | LOW | LOW | LOW | T1-T7 |

① When using 4K x 1 RAMs, two banks of eight IC's are allowed. This accounts for Addresses \$0000-1FFF. Also, this same RAM can be addressed at \$2000-\$3FFF, \$4000-\$5FFF and \$6000-\$7FFF.

② Z7 functions as RAS1 and its level is address dependent. For example, when using two banks of 16K x 1 RAMs, $\overline{\text{RAS0}}$ is active for addresses \$0000 to \$3FFF and RAS1 is active for addresses \$4000 to \$7FFF.

③ If Map TType = 0, then page bit "P" is the output (otherwise A15). This is a "don't care" situation for 16K x 4 MOS RAM inputs.

④ C7 = Low on LS783.

Internal Reset

By lowering V_{CC} below 0.6 volts for at least one millisecond, a **complete** SAM reset is initiated and is completed within 500 nanoseconds after V_{CC} rises above 4.25 volts.

NOTE: In some applications, (for example, multiple "VDG-RAM" systems controlled by a single MPU) **multiple** SAM ICs can be synchronized as follows:

- Drive all SAM's from one external oscillator.
- Stop external oscillator.
- Lower V_{CC} below 0.6 volts for at least 1.0 millisecond.
- Raise V_{CC} to 5.0 volts.
- Start external oscillator.
- Wait at least 500 nanoseconds.

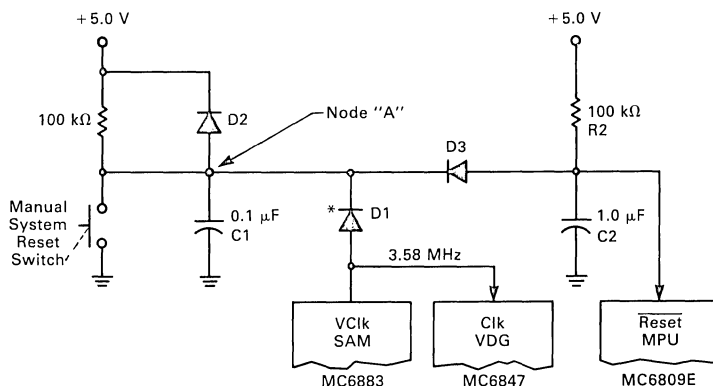
Now, the "E" clocks from all SAM's should be in-phase.

External Reset

When the VClk pin on SAM is forced below 0.8 volts for at least eight cycles of "oscillator-out", the SAM becomes **partially** reset. That is, all bits in the SAM control register are cleared. However, signals such as RAS, CAS, WE, E or Q are **not** stopped (as they are with an **internal** reset), since the SAM must maintain dynamic RAM refresh even during this external reset period.

Figure 7 shows how VClk can be pulled low through diode D1 when node "A" is low.* When node "A" is high, only the backbiased capacitance of diode D1 loads the 3.58 MHz on VClk. Diode D2 helps discharge C1 (Power-on-Reset capacitor) when power is turned off. Diode D3 allows the MPU reset time constant R2C2 to be greater than the SAM reset time constant. Thereby, ensuring **release** of the SAM reset **prior** to attempting to program the SAM control register.

FIGURE 7 — EXTERNAL RESET CIRCUITRY



VDG Synchronization

In order for the VDG and MPU to share the same dynamic RAM (see page 13,) the **VDG clock must be stopped** until the VDG data fetch and MPU data fetch are synchronized as shown in Figure 12. Once synchronized, the VDG clock resumes its 3.579545 MHz rate and is not stopped again unless an extreme temperature change (or SAM reset) occurs. When stopped, the VDG clock remains stopped for **no more than 32 OscOut** cycles (approximately 2 microseconds.)

In the block diagram in Figure 4, DA0 enters a block labeled VDG Timing Error Detector. If DA0 rises **between** time reference points** τ_A and τ_C , then Error is high and VClk is the result of dividing BOSC (Buffered OscOut \approx 14 MHz) by four. However, if DA0 rises **outside** the time Window τ_A to τ_C , then Error goes LOW and the VDG stops. A START pulse at time reference point τ_B (center of Window) restarts the VDG . . . properly synchronized.

*Use a diode with sufficiently low forward voltage drop to meet V_{IL} requirement at VClk.

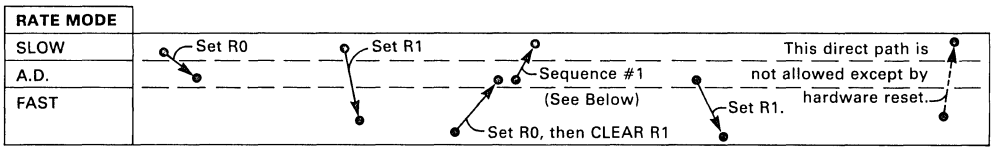
**See timing diagrams on page 5 and 6.

Changing the MPU Rate (by changing SAM control register bits R0, R1).

Two bits in the SAM control register determine the period of both "E" and "Q" MPU clocks. Three rate modes are implemented as follows:

| RATE MODE | R1 | R0 | |
|-----------------------------|----|----|---|
| SLOW | 0 | 0 | The frequency of "E" (and "Q") is $f_{crystal} \div 16$. This rate mode is automatically selected when the SAM is reset. Note that system timing is least critical in this "SLOW" rate mode. |
| A.D. (Address Dependent) | 0 | 1 | The frequency of "E" (and "Q") is either $f_{crystal} \div 16$ or $f_{crystal} \div 8$, depending on the address the MPU is presenting. |
| FAST | 1 | X | The frequency of "E" (and "Q") is $f_{crystal} \div 8$. This is accomplished by stealing the time that is normally used for VDG/REFRESH, and using this time for the MPU. Note: Neither VDG display nor dynamic RAM refresh are available in the "FAST" rate mode. (Both are available in SLOW and A.D. rate modes). |

When changing between any two of the three rate modes, the following procedures must be followed to ensure that MPU timing specifications are met:



SEQUENCE #1:

```

7D 00 00 TST #0000 ... Synchronizes STA instruction to write during T2-TG (See Figure #8).*
21 00 00 BRN 00
B7 FF D6 STA #FFD6 ... Clears bit R0
    
```

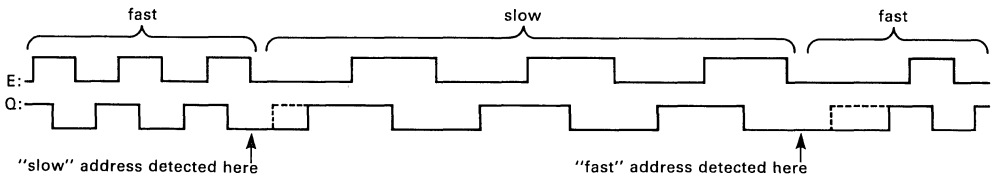
*Note: "TST" instruction affects MC6809E condition code register.

Changing the MPU Rate (In Address Dependent Mode)

When the SAM control register bits "R1", and "R0" are programmed to "0" and "1", respectively, the Address Dependent Rate Mode is selected. In this mode, the $\div 16$ MPU rate is automatically used when addressing within \$0000 to \$7FFF* or \$FF00 to \$FF1F ranges. Otherwise the $\div 8$ MPU rate is automatically used. (Refer to Figure 8 for sample "E" and "Q" waveforms yielding $\div 8$ to $\div 16$ and $\div 16$ to $\div 8$ rate changes). This mode often nearly doubles the MPU throughput while still providing transparent VDG and dynamic, RAM refresh functions. For example, since much of the MPU's time may be spent performing internal MPU functions (address = \$FFFF)**, accessing ROM (address = \$8000 to \$FEFF) or accessing I/O (address = \$FF20 — \$FF5F), the faster $f_{crystal} \div 8$ MPU rate may be used much of the time.

Note: The VDG operates normally when using the SLOW or A.D. rate modes. However, in the FAST rate mode, the VDG is not allowed access to the dynamic RAM.

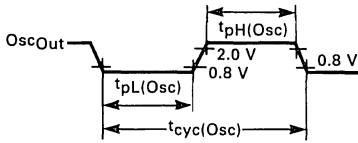
FIGURE 8 — RATE CHANGE E AND Q WAVEFORMS



*When using Memory Map 0, addresses \$0000 to \$7FFF may access Dynamic RAM.
 **The MC6809 outputs \$FFFF on A0-A15 when no other valid addresses are being presented.

Oscillator

In Figure 4, an amplifier between Osc_{IN} and Osc_{OUT} provides the gain for oscillation (using a crystal as shown in Figure 9.) Alternately, Pin 5 (Osc_{IN}) may be grounded while Pin 6 (Osc_{OUT}) may be driven at low-power Schottky levels as shown in Figure 10. Also, see V_{IH}, V_{IL} on page 2.



| AC Specifications* | | | | |
|------------------------|-----|-----|------|-------|
| | Max | Typ | Min | Units |
| t _{pH} (Osc) | — | 30 | 22 | ns |
| t _{pL} (Osc) | — | 30 | 22 | ns |
| t _{cyc} (Osc) | — | 70 | 62.4 | .ns |

FIGURE 9 — CRYSTAL OSCILLATOR

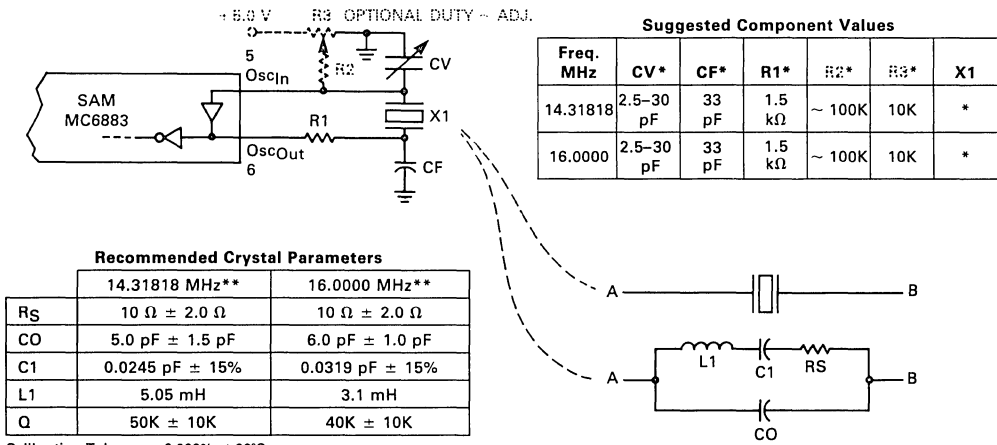
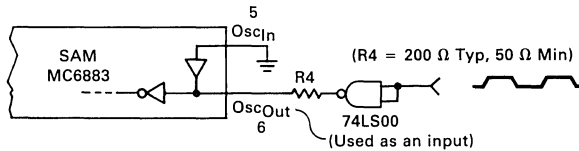


FIGURE 10 — TTL CLOCK INPUT



Typical input capacitances are 3.0 pF for Pin 5 and 5.5 pF for Pin 6.

*Optimum values depend on characteristics of the crystal (X1). For many applications, V_{CLK} must be 3.579545 MHz ± 50 Hz! Hence, Osc_{OUT} must be made similarly "drift resistant" (by balancing temperature coefficients of X1, CV, CF, R1, R2 and R3).

**Specifically cut for the SAM are International Crystal Manufacturing, Inc. Crystals (#167568 for 14.31818 MHz or #167569 for 16.0 MHz). However, other crystals may be used.

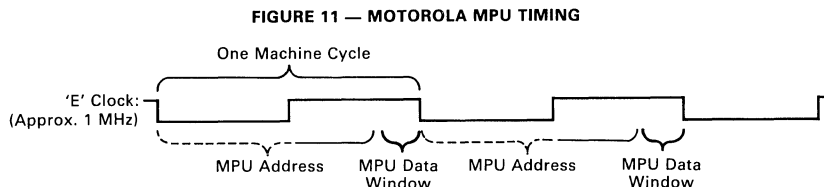
THEORY OF OPERATION

Video or No Video

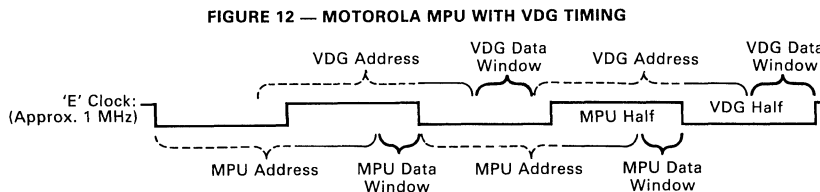
Although the SAM may be used as a dynamic RAM controller **without** a video display*, most applications are likely to include a MC6847 video display generator (VDG). Therefore, this document emphasizes use of the SAM with MC6847 systems.

Shared RAM (with interleaved DMA)

To minimize the number of RAM and interface chips, both the MPU and VDG share common dynamic RAM. Yet, the use of common RAM creates an apparent difficulty. That is, the MPU and VDG must both access the RAM without contention. This difficulty is overcome by taking advantage of the timing and architecture of Motorola MPU's (MC6800, MC6801E, MC6809E, MC68000). Specifically, all MPU accesses of external memory **always** occur in the **latter half** of the machine cycle, as shown below:



Similarly, the MC6847 (non-interlaced) VDG transfers a data byte in a half machine cycle (E or $\Phi 2$). Thus, when properly positioned, VDG and MPU RAM accesses interleave without contention as shown below:



This Interleaved Direct Memory Access (IDMA) is synchronized via the MC6883 by centering the VDG data window half-way between MPU data windows.**

The result is a shared RAM system without MPU/VDG RAM access contention, with both MPU and VDG running uninterrupted at normal operating speed, each transparent to the other.

RAM Refresh

Dynamic RAM refresh is accomplished by accessing eight*** sequential row addresses every 64*** microseconds until all addresses have been accessed. To avoid RAM access contention between REFRESH and MPU, each of the refresh accesses occupies the "VDG half" of the interleaved DMA (IDMA). Furthermore, refresh accesses occur only during the television retrace period (at which time the VDG doesn't need to access RAM).

In summary, the VDG, MPU and SAM's Refresh Counter all transparently access the common dynamic RAM without contention or interruption.

Why IDMA?

Use of the interleaved direct memory access results in fast modification to variable portions of display RAM, by the MPU, without any distracting flashes on the screen (due to RAM access contention). In addition, the MPU is not slowed down nor stopped by the SAM; thereby, assuring accurate software timing loops without costly additional hardware timers. Furthermore, additional hardware and software to give "access permission" to the MPU is eliminated since the MPU may access RAM at **any** time.

*Only 1 pin, (DA0) out of 40 pins is dedicated to the video display.

**See VDG synchronization (page 10) for more detail.

***When not using a MC6847, HS may be wired low for continuous transparent refresh.

“Systems On Silicon” Concept

Total Timing

For most applications, the SAM can supply complete system timing from its on-chip precision 14.31818 MHz oscillator. This includes buffered MPU clocks (E and Q), VDG clock, color subcarrier (3.58 MHz), row address select (\overline{RAS}), column address select (\overline{CAS}) and write enable (\overline{WE}).

Total Address Decode

For most applications, the SAM plus a “1 of 8 decoder” chip completely decodes I/O, ROM and RAM chip selects without wasting memory address space and without needlessly chopping-up contiguous address space. Chip selects are positioned in address space to allow three types of memory (RAM, local ROM and cartridge ROM) independent room for growth. For example, RAM may grow from address \$0000-up, cartridge ROM may grow from address \$FEFF-down and local ROM may grow from \$BFFF-down. Alternately, if the application requires minimum ROM and maximum contiguous RAM, a second choice of two memory maps places RAM from \$0000 to \$FEFF. (See Figures 14–16.)

In both memory maps all I/O, MPU vectors, SAM control registers, and some reserved address spaces are efficiently contained between addresses \$FF00 and \$FFFF.

How Much RAM?

Using nine SAM pins (Z0–Z7 and $\overline{RAS0}$) the following combinations require no additional address logic.

FIGURE 13 — RAM CONFIGURATIONS

| Address: | Chip Select: | |
|----------------------------|--------------------------|---|
| MSB | LSB | |
| Z5Z4Z3Z2Z1Z0 | $\overline{RAS0}$ | } One or two banks of 4K x 8 (like MCM4027's) |
| Z5Z4Z3Z2Z1Z0 | $\overline{RAS1} (= Z7)$ | |
| Z6Z5Z4Z3Z2Z1Z0 | $\overline{RAS0}$ | } One or two banks of 16K x 8 (like MCM4116's) |
| Z6Z5Z4Z3Z2Z1Z0 | $\overline{RAS1} (= Z7)$ | |
| Z7Z6Z5Z4Z3Z2Z1Z0 | $\overline{RAS0}$ | One bank of 64K x 8 (like MCM6665's) or one bank of 16K x 4 (like TMS4416's) |

PROGRAMMING GUIDE

SAM — Programmability

The SAM contains a 16-bit control register which allows the MC6809E to program the SAM for the following options:

- VDG Addressing Mode 3-bits
- VDG Address Offset 7-bits
- 32K Page Switch 1-bit
- MPU Rate 2-bits
- Memory Size 2-bits
- Map Type 1-bit

Note that when the SAM is **reset** by first applying power or by manual hardware reset,† all control register bits are **cleared** (to a logic “0”).

VDG Addressing Mode

Three bits (V2, V1, V0) control the sequence of DISPLAY ADDRESSES generated by the SAM (which are used to scan dynamic RAM for video information). For example, if you wish to display Dynamic RAM data as INTERNAL ALPHANUMERIC VIDEO, you should program‡ the MC6847 for the INTERNAL ALPHANUMERIC MODE and CLEAR BITS V2, V1 and V0 in the SAM. The table on the following page summarizes the available modes:

† See Figure 7 for manual reset circuit.

‡ Typically, part of a PIA (MC6821) at location \$FF22 is used to control MC6847 modes. (See MC6847 Data Sheet.)



| Mode Type | MC6847 Mode | | | | | SAM Mode | | |
|------------------------|-------------|------|------|---------------|-----|----------|----|----|
| | G/A | GM2‡ | GM1‡ | GM0‡ EXT/I | CSS | V2 | V1 | V0 |
| Internal Alphanumerics | 0 | X | X | 0 | X | 0 | 0 | 0 |
| External Alphanumerics | 0 | X | X | 1 | X | 0 | 0 | 0 |
| OSemigraphics — 4 | 0 | X | X | 0 | X | 0 | 0 | 0 |
| Semigraphics — 6 | 0 | X | X | 1 | X | 0 | 0 | 0 |
| Semigraphics — 8* | 0 | X | X | 0 | X | 0 | 1 | 0 |
| Semigraphics — 12* | 0 | X | X | 0 | X | 1 | 0 | 0 |
| Semigraphics — 24* | 0 | X | X | 0 | X | 1 | 1 | 0 |
| Full Graphics — 1C | 1 | 0 | 0 | 0 | X | 0 | 0 | 1 |
| Full Graphics — 1R | 1 | 0 | 0 | 1 | X | 0 | 0 | 1 |
| Full Graphics — 2C | 1 | 0 | 1 | 0 | X | 0 | 1 | 0 |
| Full Graphics — 2R | 1 | 0 | 1 | 1 | X | 0 | 1 | 1 |
| Full Graphics — 3C | 1 | 1 | 0 | 0 | X | 1 | 0 | 0 |
| Full Graphics — 3R | 1 | 1 | 0 | 1 | X | 1 | 0 | 1 |
| Full Graphics — 6C | 1 | 1 | 1 | 0 | X | 1 | 1 | 0 |
| Full Graphics — 6R | 1 | 1 | 1 | 1 | X | 1 | 1 | 0 |
| Direct Memory Access† | X | X | X | X | X | 1 | 1 | 1 |

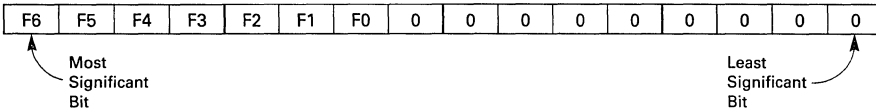
* S8, S12, & S24 modes are not described in the MC6847 Data Sheet. See appendix "A".

† DMA is identical to 6R except as shown in Figure 5 on page 9.

‡ The function of these control bits differs on the T1 version of the 6847. See the MC6847T1 data sheet for details.

VDG Address Offset

Seven bits (F6, F5, F4, F3, F2, F1 and F0) determine the **Starting Address** for the video display. The "Starting Address" is defined as "the address corresponding to data displayed in the **Upper Left** corner of the TV screen." The "Starting Address" is shown below in binary:



Note that the "Starting Address" may be placed anywhere within the 64K address space with a resolution of 1/2K (the size of one alphanumeric page).

Page Switch

One bit (P1) is used "in place of" A15 from the MC6809E in order to refer access within \$0000-\$7FFF to one of two 32K byte **pages** of RAM. For systems using the LS783 and 32K bytes of RAM or less, the Page bit serves no useful function and is a "don't care." The LS785 uses the Page bit in conjunction with the memory size bits to determine whether 16K x 1 or 16K x 4 DRAM is being accessed. P1 is set for 16K x 4 and cleared for 16K x 1. The Page bit must also be cleared for the LS785 to function with 4K x 1 DRAMs.

MPU Rate

Two bits (R1, R0) control the clock rate to the MC6809E MPU. The options are:

| RATE (FREQUENCY OF "E" CLOCK) | R1 | R0 |
|--|----|----|
| 0.9 MHz (Crystal Frequency ÷ 16) Slow | 0 | 0 |
| 0.9/1.8 MHz (Address Dependent Rate) | 0 | 1 |
| 1.8 MHz (Crystal Frequency ÷ 8) Fast | 1 | X |
| (Typical Crystal Frequency = 14.31818 MHz) | | |

In the "address dependent rate" mode, accesses to \$0000-\$7FFF and \$FF00-\$FF1F are slowed to 0.9 MHz (crystal frequency ÷ 16) and all other addresses are accessed at 1.8 MHz (crystal frequency ÷ 8).

Note: "Slow" (0.9 MHz) operation can be accomplished using 1.0 MHz MC6809E and MC6821 devices. For "Fast" (1.8 MHz) operation, 2.0 MHz MC68B09E and MC68B21 devices must be used.

Memory Size

Two bits (M1 and M0) determine RAM memory size. the options are:

| SIZE | M1 | M0 |
|---|----|----|
| One or two banks of 4K x 1 dynamic RAMs | 0 | 0 |
| One or two banks of 16K x 1 dynamic RAMs | 0 | 1 |
| One bank of 16K x 4 dynamic RAMs [Ⓛ] | 0 | 1 |
| One bank of 64K x 1 dynamic RAMs | 1 | 0 |
| Up to 64K static RAM* | 1 | 1 |

[Ⓛ] This option is only available when using the LS785.
 * Requires a latch for demultiplexing the RAM address

IMPORTANT!

Note: Be sure to program the SAM for the correct memory size **before** using RAM (i.e., for a subroutine stack).

Map Type

One bit (TY) is used to select between two memory map configurations.

Refer to Figures 14–16 for details. Early versions of the LS783 did not allow the "Fast" MPU rate to be used in conjunction with Map Type "TY = 1." Devices manufactured after January 1, 1983 allow both "Fast" and "Slow" MPU rates to be used with Map Type "TY = 1." (Date of manufacture is marked on devices as YYWW where YY is the year and WW is the week of manufacture).

Writing To The SAM Control Register

Any bit in the control register (CR) may be set by writing to a specific unique address. Each bit has two unique addresses . . . writing to the **even # address clears** the bit and writing to the **odd # address sets** the bit. (Data on the data bus is irrelevant in this procedure.) The specific addresses are tabulated in Figures 14–16.

If desired, a short routine may be written to program the SAM CR "a word at a time." For example, the following routine copies "B" bits from "A" register to SAM CR addresses beginning with address "X."

| | | | |
|------|----|-----|---------------|
| SAM1 | 46 | ROR | A |
| | 24 | 06 | BCC SAM2 |
| | 30 | 01 | INX (LEAX1,X) |
| | A7 | 80 | STA O,X+ |
| | 20 | 02 | BRA SAM3 |
| SAM2 | A7 | 81 | STA O,X++ |
| SAM3 | 5A | DEC | B |
| | 26 | F2 | BNE SAM1 |
| | 39 | RTS | |

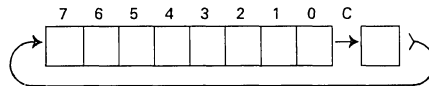
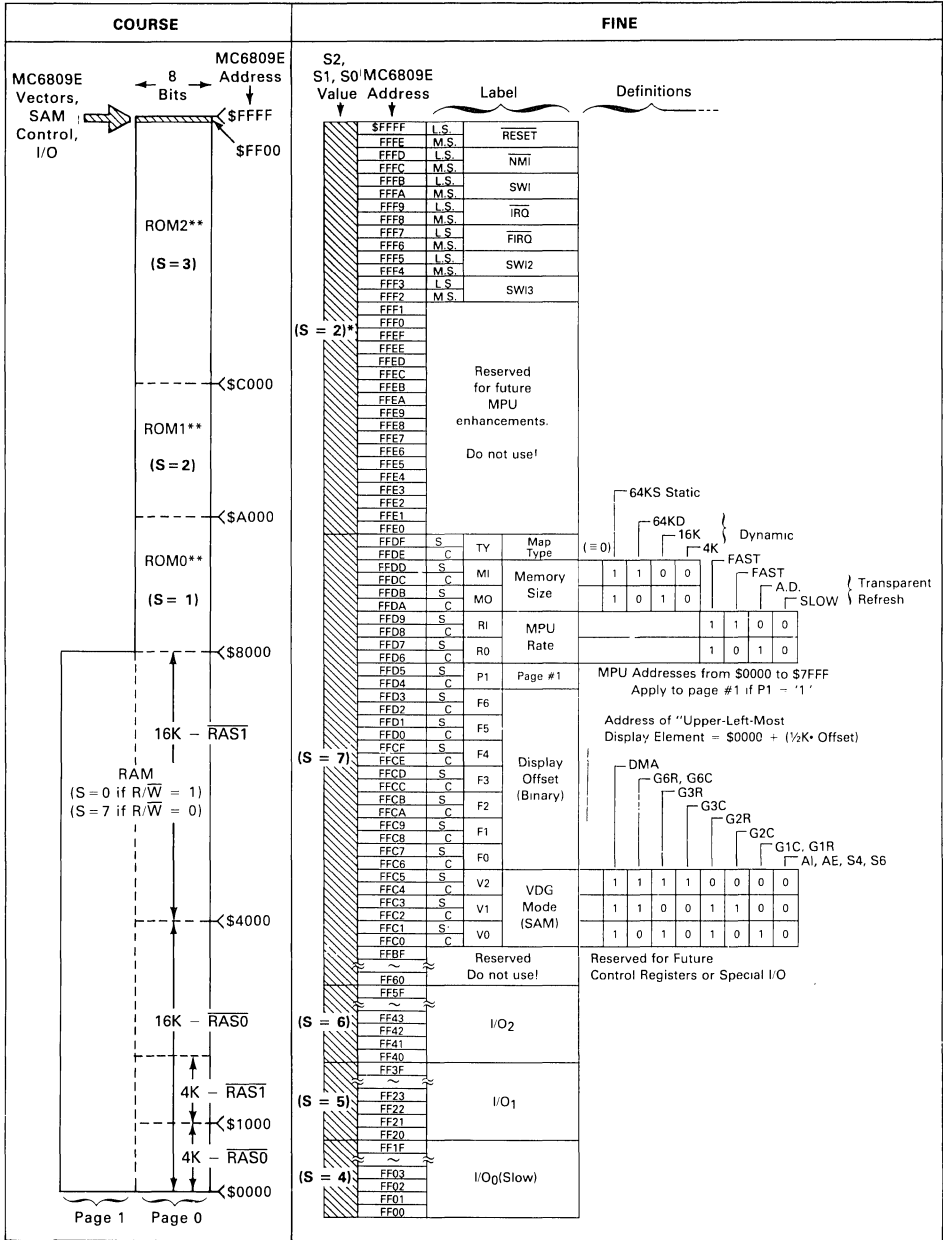


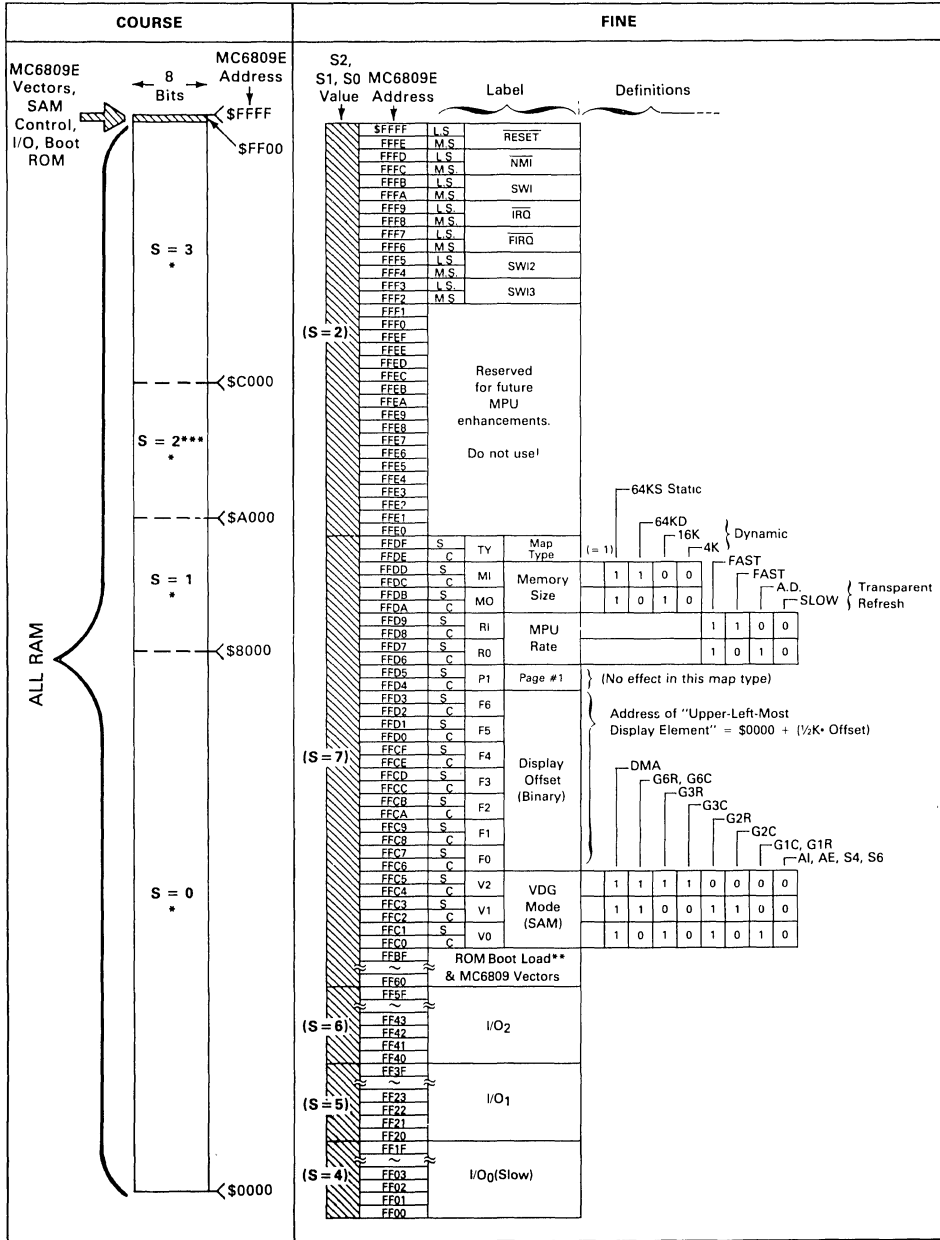
FIGURE 14 — MEMORY MAP (TYPE #0)



Abbreviations:
 M.S. = Most Significant
 L.S. = Least Significant
 S = Set Bit
 C = Clear Bit (All bits are cleared when SAM is reset.)
 S = Device Select value = 4 x S2 + 2 x S1 + 1 x S0

NOTES:
 *On LS785, S = 7 if R/W = 0
 **This memory area may also be RAM. However, locations \$FFE0-\$FFFF must be ROM when using LS785.

FIGURE 15 — LS783 MEMORY MAP (TYPE #1 64K RAM)



Abbreviations:
 M.S. = Most Significant
 L.S. = Least Significant
 S = Set Bit (All bits are cleared when SAM is reset.)
 C = Clear Bit
 S = Device Select value = 4 x S2 + 2 x S1 + 1 x S0

NOTES:
 *S = 0 if R \bar{W} = 1
 **Decode S2, S1, and S0 with an open collector SN74LS156 and 'wire-or' state 7 with state 2. (See Appendix B for suggested decode circuit.)
 ***To avoid ROM enable during R \bar{W} = LOW, the ROM at S = 2 must be gated with R \bar{W} . (See Appendix B for suggested decode circuit.)

FIGURE 17 — MEMORY ALLOCATION TABLE
 (Also, see the memory MAPs on pages 17 and 18.)

Type # 0: (Primarily for ROM based systems)

| Address Range | Intended Use |
|----------------|---|
| \$FFF2 to FFFF | MC6809E Vectors: Reset, NMI, SWI, IRQ, FIRQ, SWI2, SWI3. |
| FFE0 to FFF1 | Reserved for future MPU enhancements. |
| FFC0 to FFDF | SAM Control Register: V0, – V2, F0 – F6, P, R0, R1, M0, M1, TY. |
| FF60 to FFBF | Reserved for future control register enhancements. |
| FF40 to FF5F | I/O ₂ : Input/Output (PIAs, ACIAs, etc.) To subdivide, use A0 – A4. |
| FF20 to FF3F | I/O ₁ : Input/Output (PIAs, ACIAs, etc.) To subdivide, use A0 – A4. |
| FF00 to FF1F | I/O ₀ : Input/Output (PIAs, ACIAs, etc.) To subdivide, use A0 – A4. |
| C000 to FEFF | ROM2: 16K addresses. External cartridge ROM*. |
| A000 to BFFF | ROM1: 8K addresses. Internal ROM*. Note that MC6809E vector addresses select this ROM*. |
| 8000 to 9FFF | ROM0: 8K addresses. Internal ROM*. |
| 0000 to 7FFF | RAM: 32K addresses. RAM shared by MPU and VDG. |

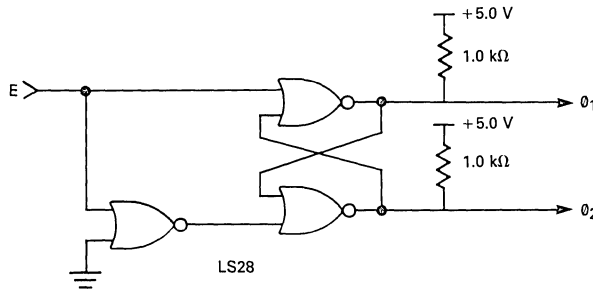
*Not restricted to ROM. For example, RAM or I/O may be used here.

Type # 1: (Primarily for RAM based systems)

| Address Range | Intended Use |
|----------------|--|
| \$FFF2 to FFFF | MC6809E Vectors: Reset, NMI, SWI, IRQ, FIRQ, SWI2, SWI3. |
| FFE0 to FFF1 | Reserved for future MPU enhancements. |
| FFC0 to FFDF | SAM Control Register: V0 – V2, F0 – F6, P, R0, R1, M0, M1, TY. |
| FF60 to FFBF | Small ROM: Boot load program and initial MC6809 vectors. |
| FF40 to FF5F | I/O ₂ : Input/Output (PIAs, ACIAs, etc.) To subdivide, use A0 – A4. |
| FF20 to FF3F | I/O ₁ : Input/Output (PIAs, ACIAs, etc.) To subdivide, use A0 – A4. |
| FF00 to FF1F | I/O ₀ : Input/Output (PIAs, ACIAs, etc.) To subdivide, use A0 – A4. |
| 0000 to FEFF | RAM: 64K(–256) addresses, shared by MPU and VDG. (If R/W = 0 then S = 3 for \$C000-\$FEFF; S = 2 for \$A000-\$BFFF; S = 1 for \$8000-\$9FFF and S = 7 for \$0000-\$7FFF.) |

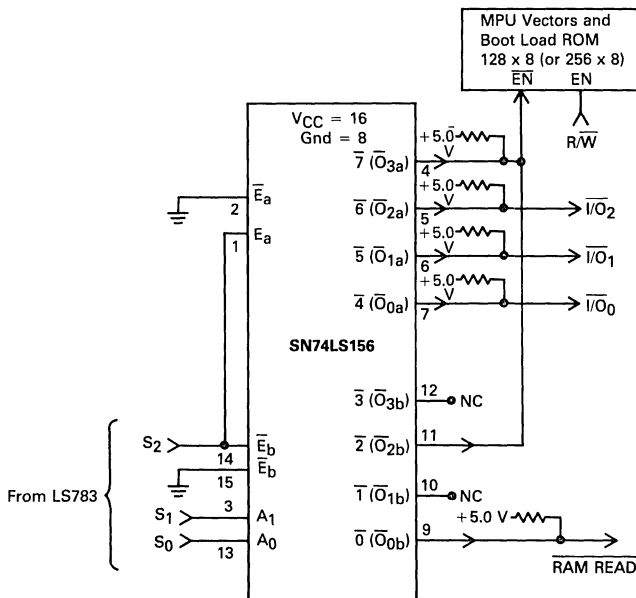
APPENDIX A

Providing a Clock for MC6800 Microprocessors



APPENDIX B

Memory Decode for LS783 "MAP TYPE = 1"



APPENDIX C

VDG/SAM Video Display System Offers 3 New Modes

by

Paul Fletcher

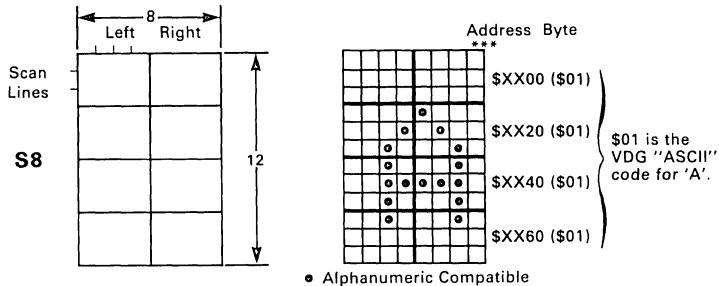
There are three new modes created when the VDG and SAM are used together in a video display system. These modes offer alphanumeric compatibility with 8 color low-to-high resolution graphics, 64H x 64 V, 64H x 96 V, 64H x 192 V. The new modes S8, S12, and S24 are created by placing the VDG in the Alpha Internal mode and having the SAM in a 2K, 3K or 6K full color graphics mode. In all modes the VDG's S/ \bar{A} and Inv. pins are connected to data bits DD7 and DD6 to allow switching on the fly between Alpha and Semigraphics and between inverted and non-inverted alpha. This method is used in most VDG systems to obtain maximum flexibility.

The three modes divide the standard 8*12 dot box used by the VDG for the standard alpha and semigraphics modes into eight 4*3 dot boxes for the S8 mode, twelve 4*2 dot boxes for the S12 mode, and twenty-four 4*1 dot boxes for the S24 mode. Figure 17 shows the arrangement of these boxes. One byte is needed to control two horizontally consecutive boxes. It therefore takes four bytes for the S8, six bytes for the S12, and 12 bytes for the S24 mode to control the entire 8*12 dot box. These two horizontally consecutive boxes have four combinations of luminance controlled by bits B0-

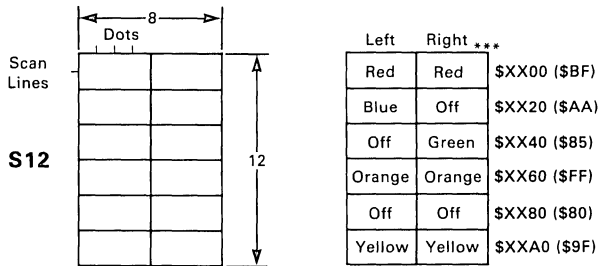
B3. For convenience B2 should be made equal to B0 and B3 should be made equal to B1. This eliminates a screen placement problem which would cause other codes to change patterns when moved vertically on the screen. The illuminated boxes can be one of eight colors which are controlled by B4-B6 (see Figure 18). The bytes needed to control all the boxes in the 8*12 dot box must be spaced 32 address spaces apart in the display RAM because of the addressing scheme originally used in the VDG and duplicated by the SAM. This means to place an alphanumeric character on the TV screen it requires 4, 6, or 12 bytes depending on the mode used. These bytes are placed 32 memory locations apart in the display RAM (see Figure 18). This multiple byte format allows the mixing of character rows of different characters in the same 8*12 dot box creating new characters and symbols. It also allows overlining and underlining in eight colors by switching to semigraphics at the correct time.

These new modes optimize the memory versus screen density tradeoffs for RF performance on color TVs. This could make them the most versatile of all the modes depending on the users creativity and the software sophistication.

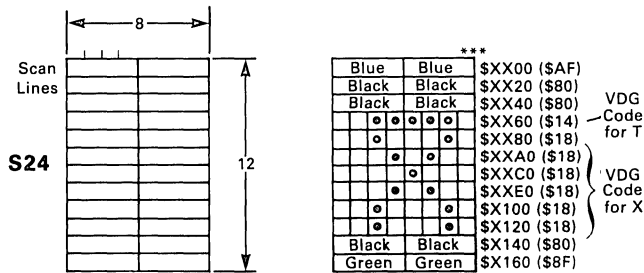
FIGURE C1 — DISPLAY MODES S8, S12, S24
Bit/Visible Dot Correlation



- Alphanumeric Compatible



- Options: One of 8 colors for L or R or both. Off = Black

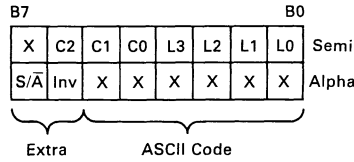
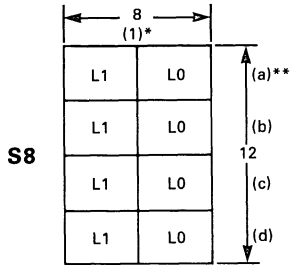


- Underline, Overline
- Mix Character Dot Rows

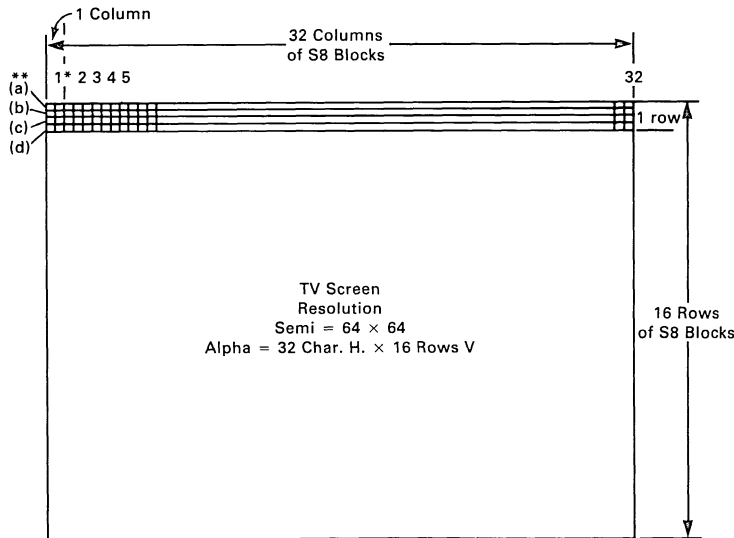
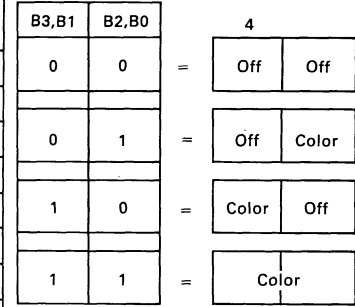
*** Characters will always remain in standard VDG positions.



FIGURE C2 — S8 DISPLAY FORMAT EXAMPLES



| LX | C2 | C1 | C0 | Color |
|----|----|----|----|---------|
| 0 | X | X | X | Black |
| 1 | 0 | 0 | 0 | Green |
| 1 | 0 | 0 | 1 | Yellow |
| 1 | 0 | 1 | 0 | Blue |
| 1 | 0 | 1 | 1 | Red |
| 1 | 1 | 0 | 0 | Buff |
| 1 | 1 | 0 | 1 | Cyan |
| 1 | 1 | 1 | 0 | Magenta |
| 1 | 1 | 1 | 1 | |



S8 Screen Memory Map

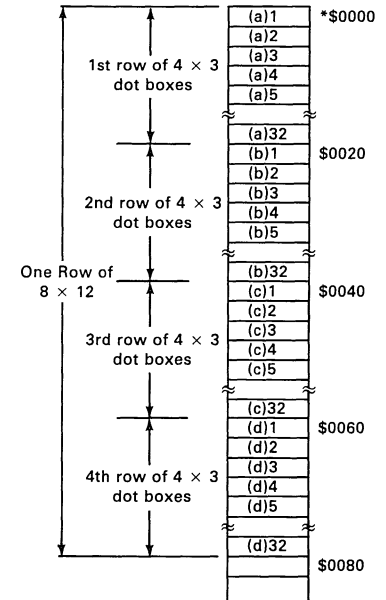


FIGURE 18 — EQUIVALENT OF OSCILLATOR INPUT AND OUTPUT

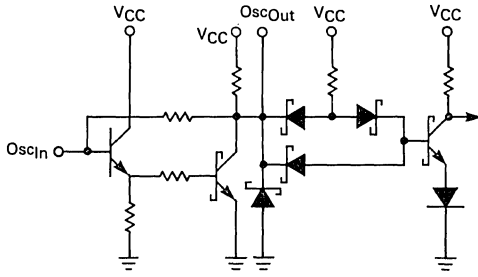


FIGURE 19 — DA0 INPUT

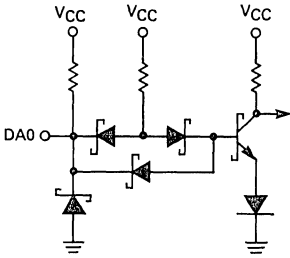


FIGURE 20 — VCik INPUT/OUTPUT

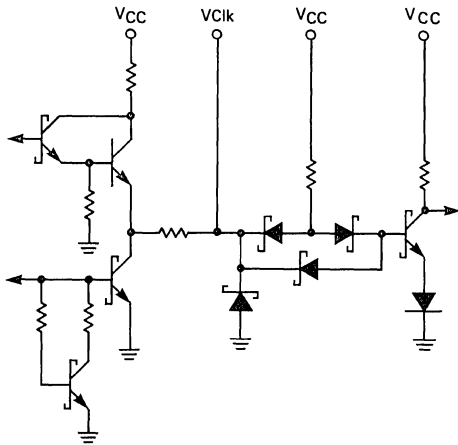


FIGURE 21 — E AND Q OUTPUTS

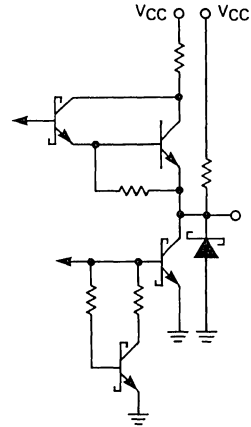


FIGURE 22 — TYPICAL INPUT

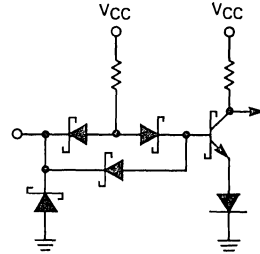


FIGURE 23 — TYPICAL OUTPUT

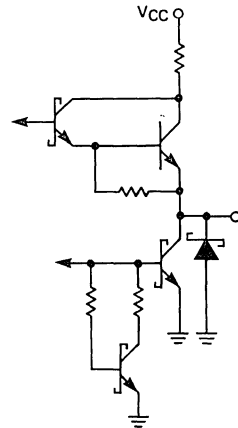
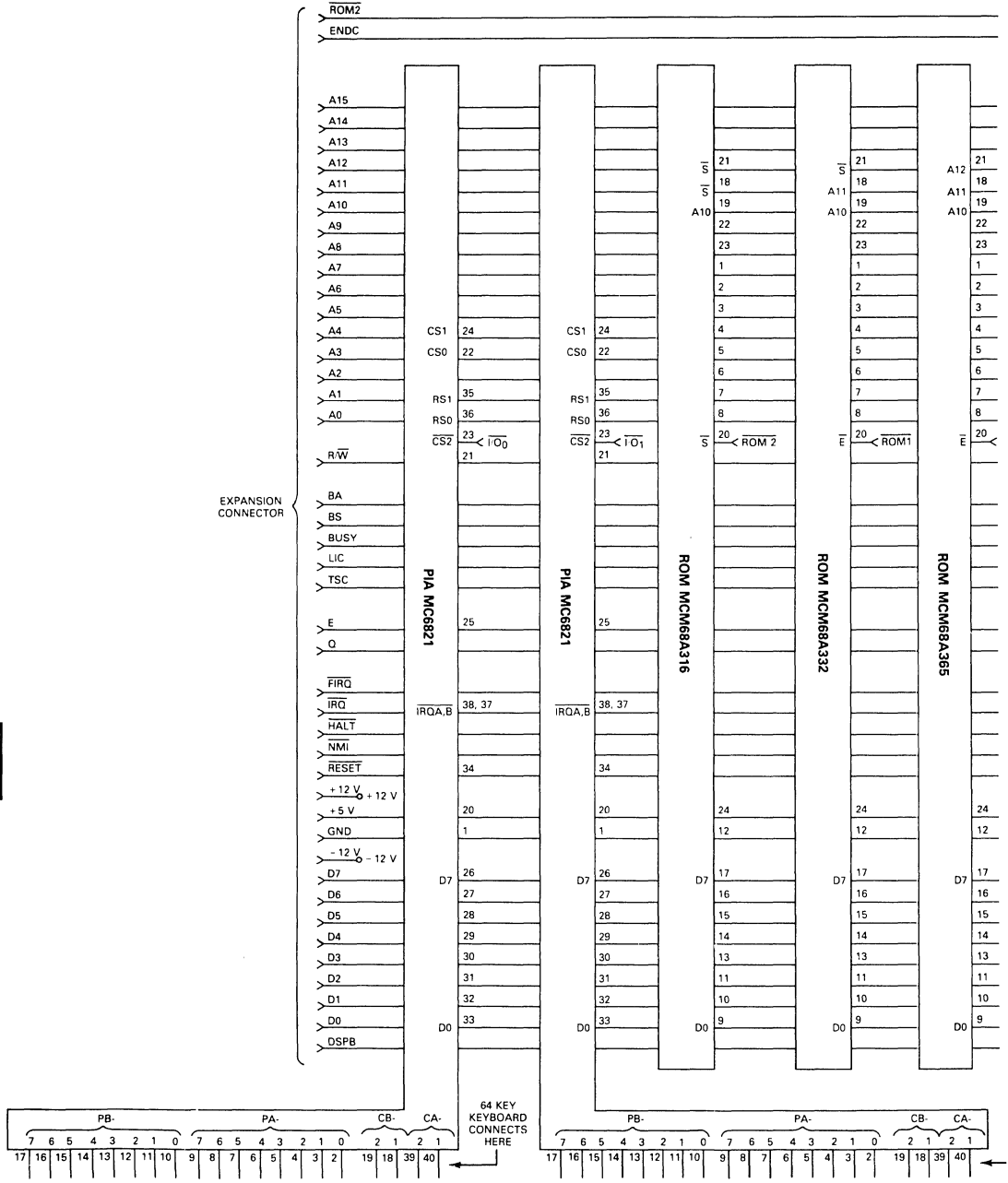
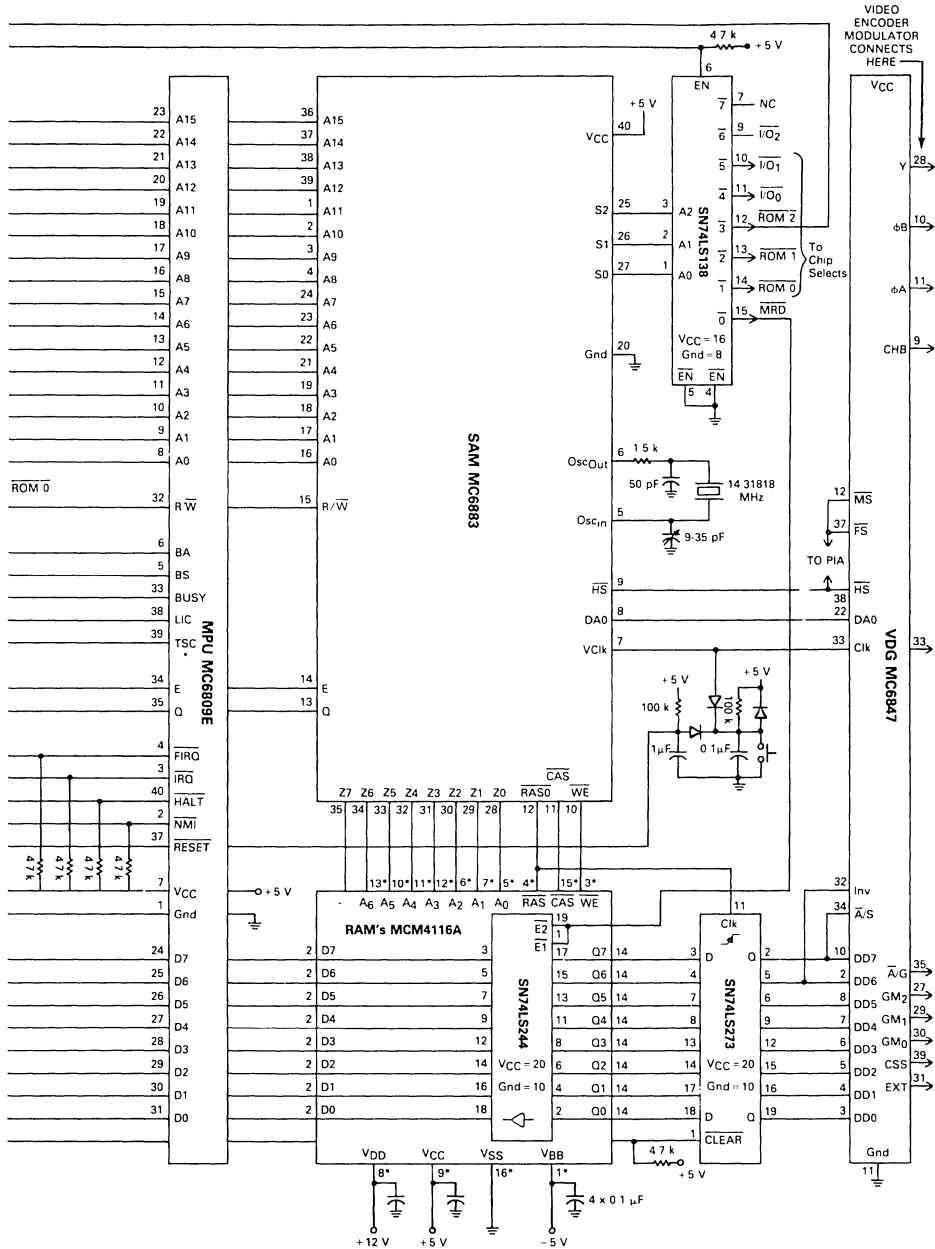


FIGURE 24 — EXAMPLE of MC6809E, MC6883 and MC6847 COMPUTER



5



MC6847 Mode Control & Misc I/O connects here.

*This pin number on 8 different RAM chips is connected to this point.





SN54LS/74LS795
SN54LS/74LS796
SN54LS/74LS797
SN54LS/74LS798

TRI-STATE OCTAL BUFFERS

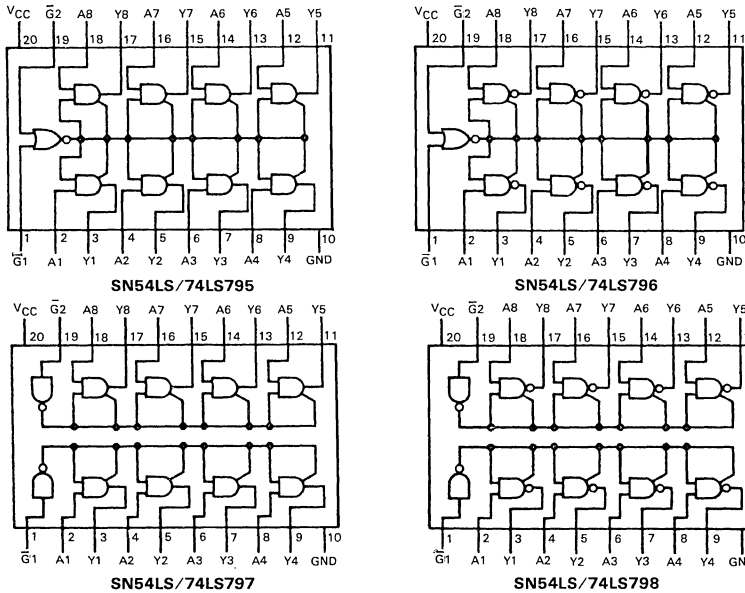
LOW POWER SCHOTTKY

DESCRIPTION — The SN54LS/74LS795 thru SN54LS/74LS798 device types provide a second source for the 71/81LS95 thru 71/81LS98 series. These devices are octal low power Schottky versions of the 70/8095 thru 70/8098 3-STATE Hex Buffers. The LS795 and LS797 are noninverting and the LS796 and LS798 are inverting functions. On each buffer, one of the two inputs is used as a control line to gate the output into the high impedance state, while the other input passes the data through the buffer. On the LS795 and LS796 access is through a 2-input NOR gate, with all eight 3-STATE enable lines common. On the LS797 and LS798, four buffers are enabled from one common line and the other four buffers from another common line. On all device types the 3-STATE condition is achieved by applying a high logic level to the enable pins.

TRUTH TABLES

| LS795 | | | | LS796 | | | | LS797 | | | LS798 | | |
|------------|------------|--------|---|------------|------------|--------|---|-----------|---|--------|-----------|---|--------|
| INPUTS | | OUTPUT | | INPUTS | | OUTPUT | | INPUTS | | OUTPUT | INPUTS | | OUTPUT |
| $\bar{G}1$ | $\bar{G}2$ | A | Y | $\bar{G}1$ | $\bar{G}2$ | A | Y | \bar{G} | A | Y | \bar{G} | A | Y |
| H | X | X | Z | H | X | X | Z | H | X | Z | H | X | Z |
| X | H | X | Z | X | H | X | Z | L | H | H | L | H | L |
| L | L | H | H | L | L | H | L | L | L | L | L | L | L |
| L | L | L | L | L | L | L | H | L | L | L | L | L | H |

LOGIC DIAGRAMS



J Suffix — Case 732-03 (Ceramic)
 N Suffix — Case 738-01 (Plastic)

GUARANTEED OPERATING RANGES

| SYMBOL | PARAMETER | | MIN | TYP | MAX | UNIT |
|-----------------|-------------------------------------|----------|-------------|------------|--------------|------|
| V _{CC} | Supply Voltage | 54 74 | 4.5 4.75 | 5.0 5.0 | 5.5 5.25 | V |
| T _A | Operating Ambient Temperature Range | 54 74 | -55 0 | 25 25 | 125 70 | °C |
| I _{OH} | Output Current — High | 54 74 | | | -2.6 -5.0 | mA |
| I _{OL} | Output Current — Low | 54 74 | | | 8.0 16 | mA |

DC CHARACTERISTICS OVER OPERATING TEMPERATURE RANGE (unless otherwise specified)

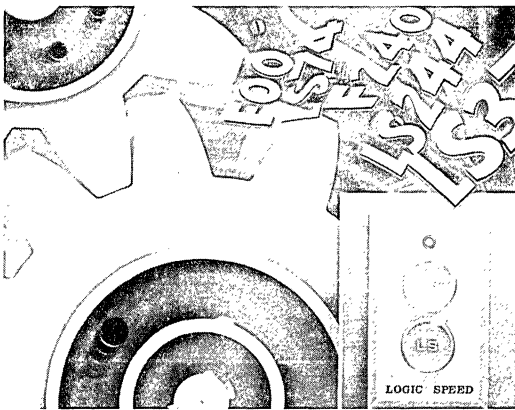
| SYMBOL | PARAMETER | LIMITS | | | UNITS | TEST CONDITIONS | |
|------------------|--|-------------|-------|------------------|-------|---|---|
| | | MIN | TYP | MAX | | | |
| V _{IH} | Input HIGH Voltage | 2.0 | | | V | Guaranteed Input HIGH Voltage for All Inputs | |
| V _{IL} | Input LOW Voltage | 54 | | 0.7 | V | Guaranteed Input LOW Voltage for All Inputs | |
| | | 74 | | 0.8 | | | |
| V _{IK} | Input Clamp Diode Voltage | | -0.65 | -1.5 | V | V _{CC} = MIN, I _{IN} = -18 mA | |
| V _{OH} | Output HIGH Voltage | 54 | 2.5 | 3.5 | V | V _{CC} = MIN, I _{OH} = MAX | |
| | | 74 | 2.7 | 3.5 | V | | |
| V _{OL} | Output LOW Voltage | 54,74 | | 0.25 | 0.4 | I _{OL} = 8.0 mA | V _{CC} = V _{CC} MIN, V _{IN} = V _{IL} or V _{IH} per Truth Table |
| | | 74 | | 0.35 | 0.5 | I _{OL} = 16 mA | |
| I _{OZH} | Output Off Current—High | | | 20 | μA | V _{CC} = MAX, V _{OUT} = 2.4 V | |
| I _{OZL} | Output Off Current—Low | | | -20 | μA | V _{CC} = MAX, V _{OUT} = 0.4 V | |
| I _{IH} | Input HIGH Current | | | 20 | μA | V _{CC} = MAX, V _{IN} = 2.7 V | |
| I _{IL} | Input LOW Current A Input, Both \bar{G} at 0.4 V \bar{G} Input | | | -0.400 -0.400 | mA | V _{CC} = MAX, V _{IN} = 0.4 V | |
| | | | | -20 | μA | V _{CC} = MAX, V _{IN} = 0.5 V | |
| I _{OS} | Short Circuit Current | -30 | | -130 | mA | V _{CC} = MAX | |
| I _{CC} | Power Supply Current | LS795/LS797 | | 26 | mA | V _{CC} = MAX | |
| | | LS796/LS798 | | 21 | mA | | |



AC CHARACTERISTICS: T_A = 25°C

| SYMBOL | PARAMETER | LIMITS | | | | | | UNITS | TEST CONDITIONS |
|------------------|---------------------|-------------|-----|-----|-------------|-----|-----|-------|-------------------------|
| | | LS795/LS797 | | | LS796/LS798 | | | | |
| | | MIN | TYP | MAX | MIN | TYP | MAX | | |
| t _{PLH} | Propagation Delay | | 11 | 16 | | 6.0 | 10 | ns | V _{CC} = 5.0 V |
| t _{PHL} | | | 15 | 22 | | 13 | 17 | | |
| t _{PZH} | Output Enable Time | | 16 | 25 | | 17 | 27 | ns | C _L = 15 pF |
| t _{PZL} | | | 13 | 20 | | 16 | 25 | | |
| t _{PHZ} | Output Disable Time | | 13 | 20 | | 13 | 20 | ns | C _L = 5.0 pF |
| t _{PLZ} | | | 19 | 27 | | 18 | 27 | | |

FAST AND LS



Reliability Data

HIGH RELIABILITY

STANDARD PROGRAMS

| MIL-STD-883 OPERATIONS METHOD | PROCESSING PER 5004/5005 | HI-REL JEDEC ⁽⁶⁾ PROCESSED PROGRAMS | | MIL-M-38510 JAN QUALIFIED |
|---|--|---|------------------------------------|---|
| | | CLASS B | CLASS C | |
| SCREEN | CLASS B METHOD | CLASS B | CLASS C | CLASS B |
| Internal Visual (Precap) | 2010 Condition B and 38510 | 100% | 100% | 100% |
| Stabilization Bake | 1008 Condition C or Equivalent | 100% | 100% | 100% |
| Temperature Cycling | 1010 Condition C | 100% | 100% | 100% |
| Constant Acceleration | 2001 Condition E (min.) Y ¹ Plane | 100% | 100% | 100% |
| Seal (a) Fine (b) Gross | 1014, Condition B 1014, Condition C | 100% 100% | 100% 100% | 100% 100% |
| Interim Electrical Parameters | Per applicable device specification | Optional ¹ | | Optional ¹ |
| Burn-in Test | 1015 160 Hrs. @ 125° C Min. (4) | 100% | | 100% |
| Final Electrical Tests (a) Static tests (1) 25°C (subgroup 1, table 1, 5005) (2) Max. and min. rated operating temp. (subgroups 2 and 3, table 1, 5005) (b) Dynamic tests and/or switching tests @ 25°C (subgroup 4 and 9, table 1, 5005) (c) Functional test @ 25°C (subgroup 7, table 1, 5005) | Per applicable device specification | 100% 100% ⁽⁵⁾ 100% 100% | (2) (2) 100% | 100% 100% ⁽⁵⁾ 100% |
| Qualification or Quality Conformance Inspection | 5005 | Group A ³ | Group A ³ | per 38510 ³ |
| External Visual | 2009 | 100% | 100% | 100% |

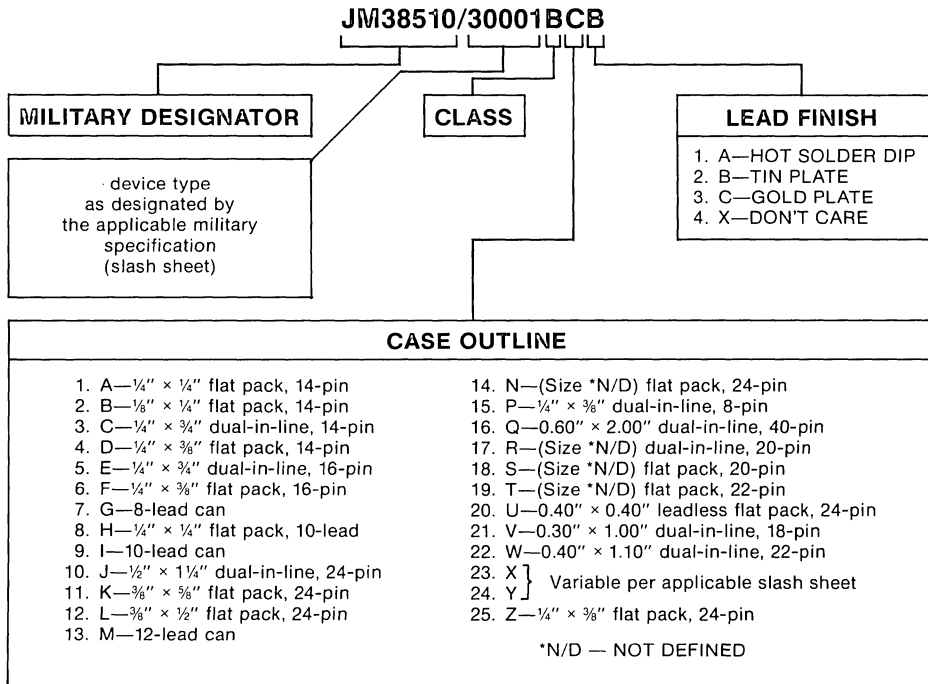
1. When specified in the applicable device specification, 100% of the devices shall be tested at Manufacturer's option.
2. Sample at Group A.
3. Full 5005 Conformance testing performed on Jan qualified product. Group A performed on Motorola HI-REL JEDEC processed product with either Generic or group B, C, D testing available.
4. Optional 0.44 eV time-temperature "equivalent" burn-in per Figure 1015-1.
5. AC sample testing at +125°C and -55°C on those types which require subgroup 10 and 11 testing per MIL-M-38510 Slash Sheet Specifications.
6. Devices Processed to earlier HI-REL "SNC" and "SNJ" program still available — contact nearest Motorola Sales Office for ordering information.

LOW POWER SCHOTTKY INTEGRATED CIRCUITS

ORDERING & MARKING FOR JEDEC HI-REL PROCESSING PROGRAM

| | | | | | |
|---------------------|------------|----------------------|----------------------|---------------------|--------------------------|
| 54LS00 | / | B | C | B | JC |
| ↑ Device Type | ↑ Slash | ↑ Device Class | ↑ Case Outline | ↑ Lead Finish | ↑ JEDEC Designator |

ORDERING & MARKING FOR JAN QUALIFIED PROGRAM



THE "BETTER" PROGRAM

The "BETTER" program is offered on TTL/LS, in dual-in-line ceramic and plastic packages.

Motorola standard commercial integrated circuits are manufactured under stringent in-process controls and quality inspections combined with the industries' finest outgoing quality inspections. The "BETTER" program offers three levels of extra processing, each tailored to meet different user needs at nominal costs.

The program is designed to:

- Eliminate incoming electrical inspection
- Eliminate need for independent test labs and associated extra time and costs
- Reduce field failures
- Reduce service calls
- Reduce equipment downtime
- Reduce board and system rework
- Reduce infant mortality
- Save time and money
- Increase end-customer satisfaction

BETTER PROCESSING — STANDARD PRODUCT PLUS:

LEVEL I (Suffix S)

- 100% temperature cycling per MIL-STD-883, Method 1010C, ten cycles from — 65°C to +150°C.
- 100% functional and dc parametric tests at maximum rated temperature.

LEVEL II (Suffix D)

- 100% burn-in to MIL-STD-883 test conditions — 160 hours at +125°C or 1.0 eV Arrhenius time/temperature equivalent.
- 100% post burn-in functional and dc parametric tests at 25°C (or max rated T_A at Motorola's option).

LEVEL III (Suffix DS)

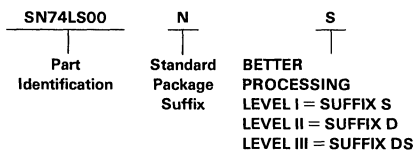
- Combination of Levels I and II above. (Post burn-in functional and dc parametric tests at maximum rated temperature.)

"BETTER" AQL GUARANTEES

| TEST | CONDITION | AQL ¹ | | |
|---|-------------------------------------|------------------|----------|-----------|
| | | LEVEL I | LEVEL II | LEVEL III |
| HIGH TEMPERATURE FUNCTIONAL | $T_A = \text{MAX}$ | 0.078 | | 0.078 |
| DC PARAMETRIC | $T_A = 25^\circ\text{C}$ | 0.078 | 0.078 | 0.078 |
| DC PARAMETRIC | $T_A \text{ MIN, } T_A \text{ MAX}$ | 0.39 | 0.39 | 0.39 |
| AC PARAMETRIC | $T_A = 25^\circ\text{C}$ | 0.078 | 0.078 | 0.078 |
| EXTERNAL VISUAL AND MECHANICAL | MAJOR/MINOR | 0.078 | 0.078 | 0.078 |
| HERMETICITY (NOT APPLICABLE TO PLASTIC PACKAGES) | GROSS/FINE | 0.15 | 0.15 | 0.15 |

1. "AQL" values shown are for references only—"LTPD" type sampling plans are used that are equal to or tighter than values indicated. Also, the guaranteed electrical and visual/mechanical AQL levels will be tightened each quarter through 1985. Contact nearest Motorola sales office for latest values.

HOW TO ORDER

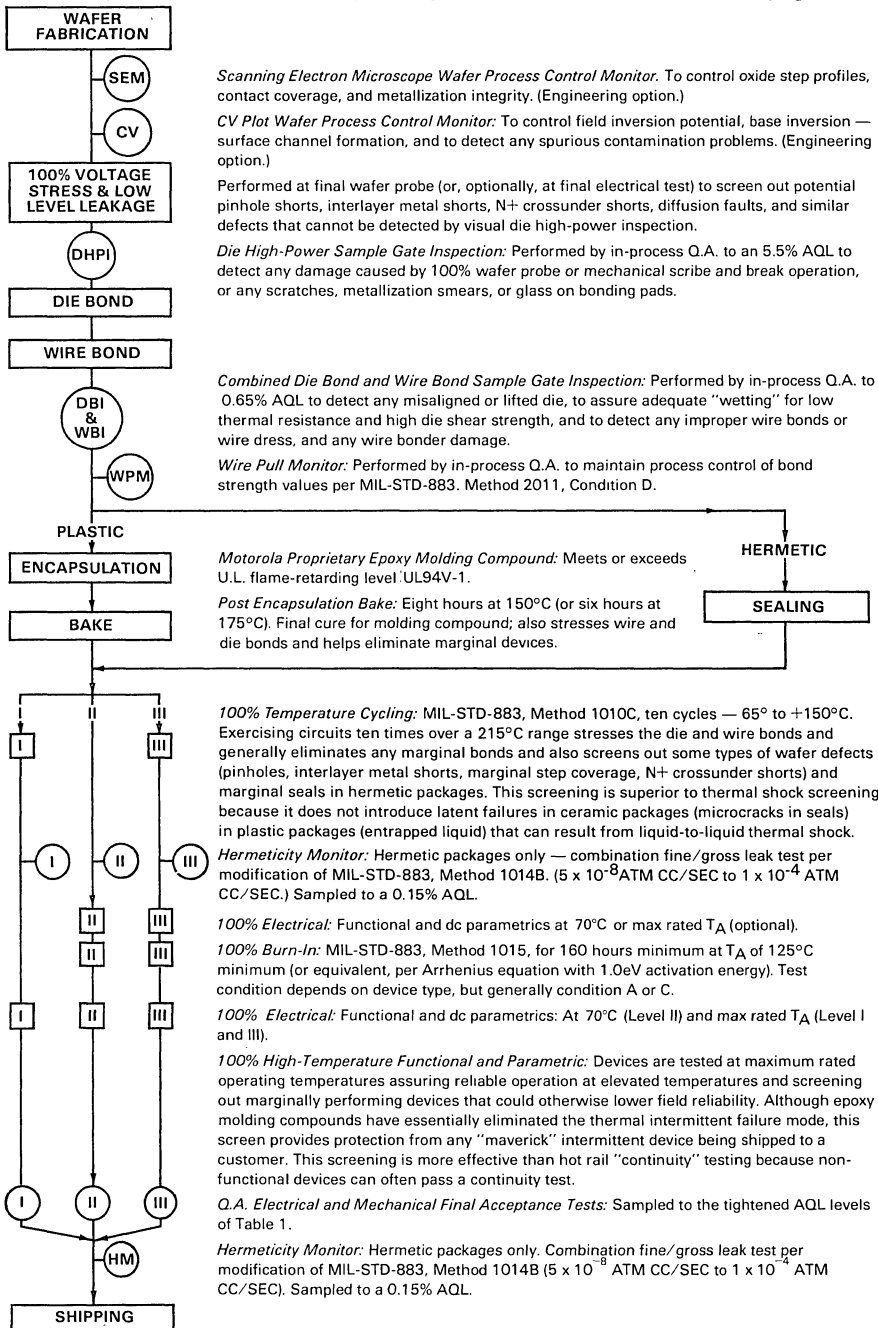


PART MARKING

The Standard Motorola part number with the corresponding "BETTER" suffix can be ordered from your local authorized Motorola distributor or Motorola sales offices. "BETTER" pricing will be quoted as an adder to standard commercial product price.

GENERALIZED PRODUCT FLOW

Generalized product flow for all Motorola Bipolar Integrated Circuits purchased to the 'BETTER' program.



“RAP” RELIABILITY AUDIT PROGRAM for BIPOLAR DIGITAL INTEGRATED CIRCUITS

1.0 INTRODUCTION

In January, 1977, Motorola Bipolar Digital Reliability Engineering implemented “RRAP” (Rapid Reliability Assessment Program) to provide rapid assessment of the reliability of newly introduced TTL Low-Power Schottky (LS) devices. This RRAP concept permits rapid feedback of information on any reliability problems to the Product Engineering group so that corrective action can be quickly implemented. The RRAP program is performed by the Reliability Engineering Department on samples submitted by Product, Process, or Package Engineering for obtaining a rapid look at the reliability of new products, processes, or packages. This program has been extended to standard 74F (FAST), TTL, TTL Memories, MDTL, MHTL, MECL III, MECL 10K and 10KH, MECL Memories, Macrocell Arrays, and Phase Lock Loop (PLL) product families. The details of the RRAP program are outlined in Section 2.0.

In March, 1977, an addition was made to the RRAP program for the purpose of auditing the reliability of outgoing TTL Low-Power Schottky (LS) product. This audit, called the Reliability Audit Program (“RAP”), is performed weekly by the Quality Assurance Group and reported monthly by Bipolar Digital Reliability Engineering. The details of this “RAP” program are outlined in Section 3.0.

2.0 RAPID RELIABILITY ASSESSMENT PROGRAM (RRAP)

2.1 Hermetic Packaged Devices (50 Units minimum per Evaluation Sample)

- a. Electrical I (initial rejects removed from test)
- b. Temp Cycling –100 cycles (–65°C/+150°C) per Method 1010C
- c. Electrical I (plus Hermeticity per Method 1014 B & C for package evaluations only)
- d. “Equivalent” Burn-In for 40 hrs at 145°C per Method 1015 A or C
- e. Electrical I

2.2 Plastic Packaged Devices (100 Units minimum per Evaluation Sample)

| S/G 1 (30 Units) | S/G 2 (40 Units) | S/G 3 (30 Units) |
|---|---|--|
| a. Electrical I | a. Electrical I | a. Electrical I |
| b. Thermal Shock –200 cycles (–55°C/+125°C –30 Sec. dwell) Method 1011B, modified | b. 16 hrs, PTHB; Rated V_{CC} (15 psig, 100%RH, 121°C) Motorola test method | b. Temp Cycling –100 cycles (–65°C/+150°C). Method 1010C |
| c. Electrical I | c. Electrical I | c. Electrical I |
| | | d. “Equivalent” Burn-In (40 hrs @ 145°C) per Method 1015 A or C |
| | | e. Electrical I |

NOTES:

1. All tests per MIL-STD-883 unless stated otherwise.
2. Electrical I = DC @ 25°C and functional @ 25°C — Go/No/Go
3. 40 hr/145°C burn-in is “equivalent” to 160 hr/125°C burn-in using 1.0 eV activation energy and the Arrhenius equation for determining acceleration factor.
4. 16 hrs of PTHB testing is equivalent to approximately 800 hrs of standard 85°C/85% RH THB testing for $V_{CC} \leq 15$ V, based on comparative tests performed by Motorola Reliability Engineering.
5. For each evaluation, the goal is zero failures. Any indicated failure is first verified and then submitted to the Product Analysis Lab for detailed analysis. Results of evaluation, along with analysis of any failure(s), are reviewed promptly with responsible design, product, process and package engineers.

3.0 RELIABILITY AUDIT PROGRAM (RAP) (per Motorola specification 12 MRM15301A)

- 3.1 PTHB** — 15 psig/121°C/100% RH at rated V_{CC} for 16 hours — performed on a weekly basis — 0 rejects allowed out of 45 devices. (To be performed on plastic encapsulated devices only.) 48 hours read out included for reliability engineering information only.
- 3.2 Temp Cycling** — MIL-STD-833, Method 1010, 1000 cycles, Condition C, -65°C/+150°C. Interim readout at 100 cycles (plastic and hermetic packages). Sample pulled on weekly basis — 0 rejects allowed out of 45 devices after 100 cycles; 1 reject allowed out of 45 devices after 1000 cycles.
- 3.3 Op. Life Test** — MIL-STD-883, Method 1005, Condition A (Reverse Bias) or C (Power plus Reverse Bias), $T_A = 145^\circ\text{C}$; readouts at 40 hrs and 250 hrs (plastic and hermetic packages). Sample pulled on weekly basis — 1 reject allowed out of 55 devices at 40 hr readout. No additional rejects allowed at 250 hrs. If no rejects at 40 hrs, 1 reject allowed at 250 hrs.
- 3.4 Report** — Monthly Reliability Engineering computer printout summarizing test results.

NOTES:

1. All standard 25°C dc and functional parameters will be measured Go/No/Go at each readout.
2. Any indicated failure is first verified and then submitted to the Product Analysis Lab for detailed analysis.
3. If both plastic and hermetic packages are available, package type will be alternated weekly.
4. Device types sampled will be by generic type within each digital I/C product family (MDTL, MTTL, MTTL-LS, etc.) and will include all major package assembly options (U/S bond, TC bond, ball bond, T.A.B., etc.) and all assembly locations (Korea, Malaysia, etc.).
5. 16 hrs PTHB is equivalent to approximately 800 hrs of 85°C/85% RH THB for $V_{CC} \leq 15\text{ V}$.
6. Only moisture related failures (like corrosion) are criteria for failure on PTHB test.
7. 40 hr/145°C Op Life is equivalent to 160 hr/125°C using 1.0 eV in Arrhenius equation.
8. 250 hrs/145°C Op Life is equivalent to 1000 hrs/125°C using 1.0 eV in Arrhenius equation.
9. Special device specifications (48A's) for digital products will reference 12MRM15301A as source of generic data for any customer required monthly audit reports.

BIPOLAR LOGIC SURFACE MOUNT

WHY SURFACE MOUNT?

Surface Mount Technology is now being utilized to offer answers to many problems that have been created in the use of insertion technology.

Limitations have been reached with insertion packages and PC board technology. Surface Mount Technology offers the opportunity to continue to advance the State-of-the-Art designs that cannot be accomplished with Insertion Technology.

Surface Mount Packages allow more optimum device performance with the smaller Surface Mount configuration. Internal lead lengths, parasitic capacitance and inductance that placed limitations on chip performance have been reduced.

The lower profile of Surface Mount Packages allows more boards to be utilized in a given amount of space. They are stacked closer together and utilize less total volume than insertion populated PC boards.

Printed circuit costs are lowered with the reduction of the number of board layers required. The elimination or reduction of the number of plated through holes in the board, contribute significantly to lower PC board prices.

Surface Mount assembly does not require the preparation of components that are common on insertion technology lines. Surface Mount components are sent directly to the

assembly line, eliminating an intermediate step.

Automatic placement equipment is available that can place Surface Mount components at the rate of a few thousand per hour to hundreds of thousands of components per hour.

Surface Mount Technology is cost effective, allowing the manufacturer the opportunity to produce smaller units and/or offer increased functions with the same size product.

SURFACE MOUNT AVAILABILITY

Bipolar Logic is currently offering LS-TTL and FAST-TTL in production quantities in SOIC packages.

Refer to the following Selector Guides (SG-60, SG-113, BR127) which indicate availability and package type for these families.

These families may be ordered in rails or on Tape and Reel. Refer to Tape and Reel information for ordering details.

THERMAL DATA

The power dissipation of surface mount packages is dependent on many factors that must be taken into consideration in the initial board design. The board material, the board surface metal thickness, pad area and the proximity to other heat generating components all have a bearing on the device dissipation capability.

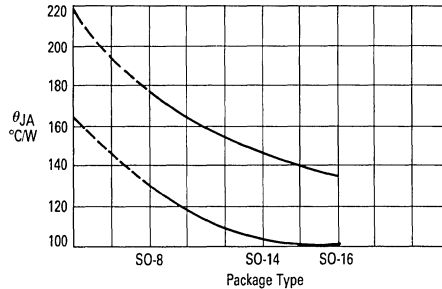


Figure 2-1. Thermal Resistance, Junction-To-Ambient (°C/W)

Thermal Resistance of SOIC Packages. Measurement specimens are solder mounted on printed circuit card 20mm x 32mm x 1.7mm in still air. No auxiliary thermal conduction aids are used. As thermal resistance varies inversely with

die area, a given package takes values between the max and min values shown which represent smallest (2000 square mils) and largest (8000 square mils) expected to be assembled in the SOIC package.

TAPE AND REEL

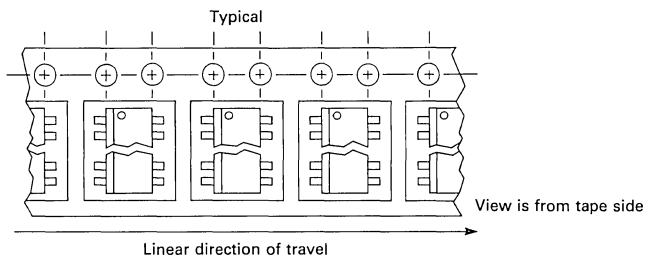
STANDARD BIPOLAR LOGIC INTEGRATED CIRCUITS

Motorola has now added the convenience of Tape and Reel packaging for our growing family of standard Integrated Circuit products. Two reel sizes are available, for all but the largest types, to support the requirements of both

first and second generation pick-and-place equipment. The packaging fully conforms to the latest EIA RS-481A specification. The antistatic embossed tape provides a secure cavity sealed with a peel-back cover tape.

MECHANICAL POLARIZATION

SOIC DEVICES



GENERAL INFORMATION

- Reel Size 13 inch (330 mm) Suffix TR13
 7 inch (178 mm) Suffix TR7
- Tape Width 12 mm to 24 mm (see table)
- Units/Reel 2500 to 250 (see table)
- No Partial Reel Counts Available and Minimum Lot Size is Per Table

ORDERING INFORMATION

To order devices which are to be delivered in Tape and Reel, add the appropriate suffix to the device number being ordered.

EXAMPLE:

| | | Tape and Reel Suffix | |
|------------|----|---------------------------|----------|
| | | Magazines (Rails) | |
| | | 7 Inch Tape and Reel | |
| | | 13 Inch Tape and Reel | |
| | | * NR = No Suffix Required | |
| SN74LSXXD | * | NR | TR7 TR13 |
| SN74LSXXDW | NR | TR7 | TR13 |
| MC74FXXD | NR | TR7 | TR13 |
| MC74FXXDW | NR | TR7 | TR13 |

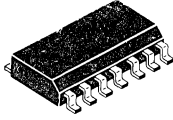
TABLE 2.1 Tape and Reel Data

| Device Type | Tape Width (mm) | Device/Reel | Reel Size (inch) | Min Lot Size Per Part No. Tape and Reel |
|-------------|-----------------|-------------|------------------|---|
| SO-8 | 12 | 500 | 7 | 5,000 |
| SO-8 | 12 | 2,500 | 13 | 5,000 |
| SO-14 | 16 | 500 | 7 | 5,000 |
| SO-14 | 16 | 2,500 | 13 | 5,000 |
| SO-16 | 16 | 500 | 7 | 5,000 |
| SO-16 | 16 | 2,500 | 13 | 5,000 |
| SO-16 Wide | 16 | 1,000 | 13 | 5,000 |
| SO-16 Wide | 16 | 250 | 7 | 4,500 |
| SO-20 Wide | 24 | 1,000 | 13 | 5,000 |
| SO-20 Wide | 24 | 250 | 7 | 4,500 |



PACKAGE OUTLINES

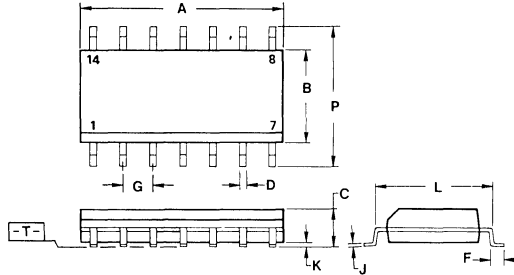
Case 751A D Suffix 14-Pin Plastic SO-14



NOTES:

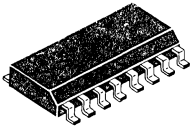
1. -T- IS SEATING PLANE.
2. DIMENSION A IS DATUM.
3. POSITIONAL TOLERANCE FOR LEADS:

± 0.25 (0.010) $\text{\textcircled{M}}$ $\text{\textcircled{A}}$ $\text{\textcircled{S}}$



| DIM | MILLIMETERS | | INCHES | |
|-----|-------------|------|-----------|-------|
| | MIN | MAX | MIN | MAX |
| A | 8.54 | 8.74 | 0.336 | 0.344 |
| B | 3.81 | 4.01 | 0.150 | 0.158 |
| C | 1.35 | 1.75 | 0.053 | 0.069 |
| D | 0.35 | 0.46 | 0.014 | 0.018 |
| F | 0.67 | 0.77 | 0.026 | 0.030 |
| G | 1.27 BSC | | 0.050 BSC | |
| J | 0.19 | 0.22 | 0.007 | 0.009 |
| K | 0.10 | 0.20 | 0.004 | 0.008 |
| L | 4.82 | 5.21 | 0.189 | 0.205 |
| P | 5.79 | 6.20 | 0.228 | 0.244 |

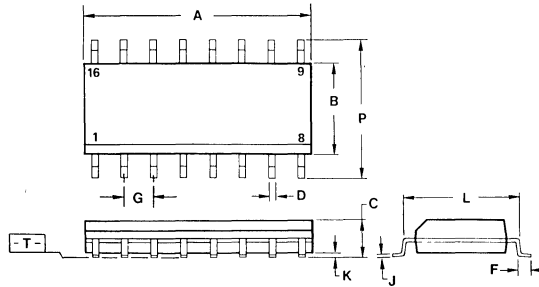
Case 751B D Suffix 16-Pin Plastic SO-16



NOTES:

1. T IS SEATING PLANE
2. DIMENSION A IS DATUM
3. POSITIONAL TOLERANCE FOR LEADS:

± 0.25 (0.010) $\text{\textcircled{M}}$ $\text{\textcircled{A}}$ $\text{\textcircled{S}}$



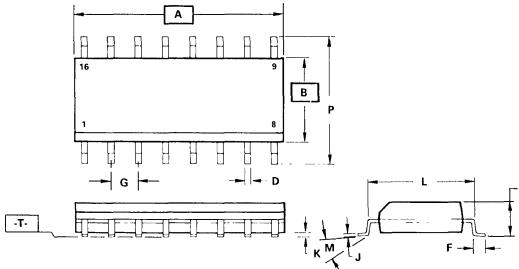
| DIM | MILLIMETERS | | INCHES | |
|-----|-------------|-------|-----------|-------|
| | MIN | MAX | MIN | MAX |
| A | 9.78 | 10.01 | 0.385 | 0.394 |
| B | 3.81 | 4.01 | 0.150 | 0.158 |
| C | 1.35 | 1.75 | 0.053 | 0.069 |
| D | 0.35 | 0.46 | 0.014 | 0.018 |
| F | 0.67 | 0.77 | 0.026 | 0.030 |
| G | 1.27 BSC | | 0.050 BSC | |
| J | 0.19 | 0.22 | 0.007 | 0.009 |
| K | 0.10 | 0.20 | 0.004 | 0.008 |
| L | 4.82 | 5.21 | 0.189 | 0.205 |
| P | 5.79 | 6.20 | 0.228 | 0.244 |

Case 751B-02 DW Suffix 16-Pin Plastic SO-16 (WIDE)



NOTES:

1. DIMENSIONS A AND B ARE DATUMS AND T IS A DATUM SURFACE
2. POSITIONAL TOLERANCE FOR TERMINALS D DIMENSION: 16 PLACES
 ± 0.25 (0.010) $\text{\textcircled{M}}$ $\text{\textcircled{A}}$ $\text{\textcircled{B}}$ $\text{\textcircled{S}}$
3. POSITIONAL TOLERANCE FOR P DIMENSION: 8 PLACES
 ± 0.25 (0.010) $\text{\textcircled{M}}$ $\text{\textcircled{T}}$
4. DIMENSIONING AND TOLERANCING PER Y14.5M, 13B2
5. CONTROLLING DIMENSION: INCH

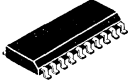


| DIM | MILLIMETERS | | INCHES | |
|-----|-------------|-------|-----------|-------|
| | MIN | MAX | MIN | MAX |
| A | 10.16 | 10.45 | 0.400 | 0.411 |
| B | 7.25 | 7.52 | 0.281 | 0.299 |
| C | 2.30 | 2.64 | 0.093 | 0.104 |
| D | 0.36 | 0.48 | 0.014 | 0.019 |
| F | 0.51 | 0.88 | 0.020 | 0.035 |
| G | 1.27 BSC | | 0.050 BSC | |
| J | 0.20 | 0.30 | 0.010 | 0.012 |
| K | 0.10 | 0.25 | 0.004 | 0.010 |
| M | 0° | 7° | 0° | 7° |
| P | 10.08 | 10.54 | 0.397 | 0.415 |

PACKAGE OUTLINES

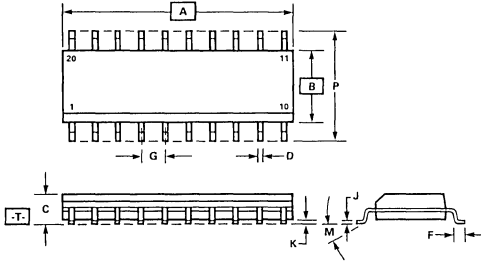
SOIC (continued)

Case 751D-01 DW Suffix 20-Pin Plastic SO-20 (WIDE)



NOTES

- 1 DIMENSIONS A AND B ARE DATUMS AND T IS A DATUM SURFACE
- 2 POSITIONAL TOLERANCE FOR D DIMENSION, 20 PLACES
 $\pm 0.25 (0.010) (M) \cdot T \cdot A (S) \cdot B (S)$
- 3 POSITIONAL TOLERANCE FOR P DIMENSION, 10 PLACES
 $\pm 0.25 (0.010) (M) \cdot T$
- 4 DIMENSIONING AND TOLERANCING PER Y14.5M, 1982
- 5 CONTROLLING DIMENSION: INCH

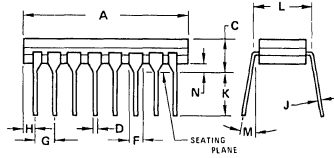
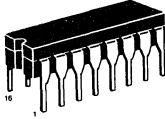


| DIM | MILLIMETERS | | INCHES | |
|-----|-------------|-------|-----------|-------|
| | MIN | MAX | MIN | MAX |
| A | 12.67 | 12.95 | 0.499 | 0.510 |
| B | 7.39 | 7.59 | 0.291 | 0.299 |
| C | 2.36 | 2.64 | 0.093 | 0.104 |
| D | 0.36 | 0.48 | 0.014 | 0.019 |
| F | 0.51 | 0.88 | 0.020 | 0.035 |
| G | 1.27 BSC | | 0.050 BSC | |
| J | 0.25 | 0.35 | 0.010 | 0.012 |
| K | 0.10 | 0.25 | 0.004 | 0.010 |
| M | 0" | 7" | 0" | 7" |
| P | 10.08 | 10.54 | 0.397 | 0.415 |

PACKAGE OUTLINES

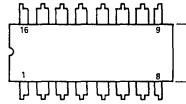
CERAMIC DUAL IN-LINE

Case 620-08 16-Pin Ceramic Dual In-Line

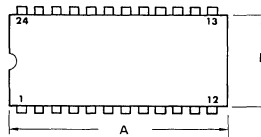
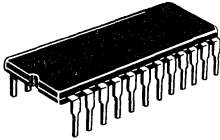


| DIM | MILLIMETERS | | INCHES | |
|-----|-------------|-------|-----------|-------|
| | MIN | MAX | MIN | MAX |
| A | 19.05 | 19.94 | 0.750 | 0.785 |
| B | 6.10 | 7.49 | 0.240 | 0.295 |
| C | — | 5.08 | — | 0.200 |
| D | 0.38 | 0.53 | 0.015 | 0.021 |
| F | 1.40 | 1.78 | 0.055 | 0.070 |
| G | 2.54 BSC | | 0.100 BSC | |
| H | 0.51 | 1.14 | 0.020 | 0.045 |
| J | 0.20 | 0.30 | 0.008 | 0.012 |
| K | 3.18 | 4.32 | 0.125 | 0.170 |
| L | 7.62 BSC | | 0.300 BSC | |
| M | — | 15° | — | 15° |
| N | 0.51 | 1.02 | 0.020 | 0.040 |

- LEADS WITHIN 0.13 mm (0.005) RADIUS OF TRUE POSITION AT SEATING PLANE AT MAXIMUM MATERIAL CONDITION.
- PACKAGE INDEX: NOTCH IN LEAD NOTCH IN CERAMIC OR INK DOT.
- DIM "L" TO CENTER OF LEADS WHEN FORMED PARALLEL.
- DIM "A" AND "B" DO NOT INCLUDE GLASS RUN-OUT.
- DIM "F" MAY NARROW TO 0.76 mm (0.030) WHERE THE LEAD ENTERS THE CERAMIC BODY.



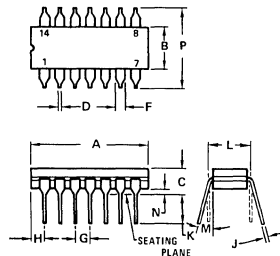
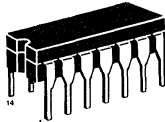
Case 623-05 24-Pin Ceramic Dual In-Line



| DIM | MILLIMETERS | | INCHES | |
|-----|-------------|-------|-----------|-------|
| | MIN | MAX | MIN | MAX |
| A | 31.24 | 32.77 | 1.230 | 1.290 |
| B | 12.70 | 15.49 | 0.500 | 0.610 |
| C | 4.06 | 5.59 | 0.160 | 0.220 |
| D | 0.41 | 0.51 | 0.016 | 0.020 |
| F | 1.27 | 1.52 | 0.050 | 0.060 |
| G | 2.54 BSC | | 0.100 BSC | |
| J | 0.20 | 0.30 | 0.008 | 0.012 |
| K | 3.18 | 4.06 | 0.125 | 0.160 |
| L | 15.24 BSC | | 0.600 BSC | |
| M | 0° | 15° | 0° | 15° |
| N | 0.51 | 1.27 | 0.020 | 0.050 |

- NOTES:
- DIM "L" TO CENTER OF LEADS WHEN FORMED PARALLEL.
 - LEADS WITHIN 0.13 mm (0.005) RADIUS OF TRUE POSITION AT SEATING PLANE AT MAXIMUM MATERIAL CONDITION. (WHEN FORMED PARALLEL).

Case 632-07 14-Pin Ceramic Dual In-Line



| DIM | MILLIMETERS | | INCHES | |
|-----|-------------|-------|-----------|-------|
| | MIN | MAX | MIN | MAX |
| A | 19.05 | 19.94 | 0.750 | 0.785 |
| B | 6.10 | 7.49 | 0.240 | 0.295 |
| C | — | 5.08 | — | 0.200 |
| D | 0.38 | 0.58 | 0.015 | 0.023 |
| F | 1.40 | 1.77 | 0.055 | 0.070 |
| G | 2.54 BSC | | 0.100 BSC | |
| H | 1.91 | 2.29 | 0.075 | 0.090 |
| J | 0.20 | 0.38 | 0.008 | 0.015 |
| K | 3.18 | 4.32 | 0.125 | 0.170 |
| L | 7.62 BSC | | 0.300 BSC | |
| M | — | 15° | — | 15° |
| N | 0.51 | 1.02 | 0.020 | 0.040 |

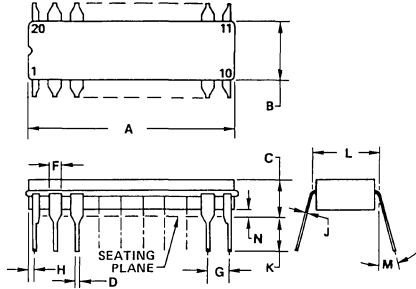
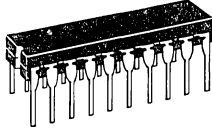
- NOTES:
- ALL RULES AND NOTES ASSOCIATED WITH MO-001 AA OUTLINE SHALL APPLY.
 - DIMENSION "L" TO CENTER OF LEADS WHEN FORMED PARALLEL.
 - DIMENSION "A" AND "B" (632-07) DO NOT INCLUDE GLASS RUN-OUT.
 - LEADS WITHIN 0.25 mm (0.010) DIA OF TRUE POSITION AT SEATING PLANE AND MAXIMUM MATERIAL CONDITION.

FAST AND LS TTL DATA

PACKAGE OUTLINES

CERAMIC DUAL IN-LINE (continued)

Case 732-03
20-Pin Ceramic Dual In-Line

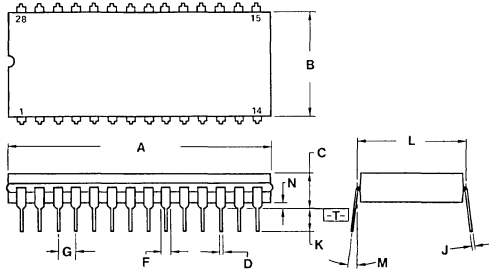
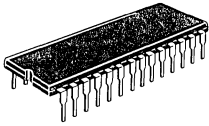


NOTES:

- LEADS WITHIN 0.25 mm (0.010) DIA, TRUE POSITION AT SEATING PLANE, AT MAXIMUM MATERIAL CONDITION.
- DIM L TO CENTER OF LEADS WHEN FORMED PARALLEL.
- DIM A AND B INCLUDES MENISCUS.

| DIM | MILLIMETERS | | INCHES | |
|-----|-------------|-------|--------|-------|
| | MIN | MAX | MIN | MAX |
| A | 23.88 | 25.15 | 0.940 | 0.990 |
| B | 6.60 | 7.49 | 0.260 | 0.295 |
| C | 3.81 | 5.08 | 0.150 | 0.200 |
| D | 0.38 | 0.56 | 0.015 | 0.022 |
| F | 1.40 | 1.65 | 0.055 | 0.065 |
| G | 2.54 BSC | | | |
| H | 0.51 | 1.27 | 0.020 | 0.050 |
| J | 0.20 | 0.30 | 0.008 | 0.012 |
| K | 3.18 | 4.06 | 0.125 | 0.160 |
| L | 7.62 BSC | | | |
| M | 0° | 15° | 0° | 15° |
| N | 0.25 | 1.02 | 0.010 | 0.040 |

Case 733-02
28-Pin Ceramic Dual In-Line

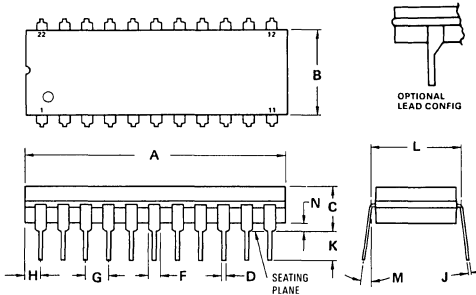
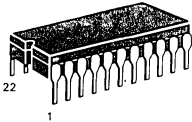


NOTES:

- DIM \square IS DATUM.
- POSITIONAL TOL FOR LEADS:
 \square β 0.25 (0.010) \square \square \square \square \square
- \square IS SEATING PLANE.
- DIM A AND B INCLUDES MENISCUS
- DIM -L- TO CENTER OF LEADS WHEN FORMED PARALLEL.
- DIMENSIONING AND TOLERANCING PER ANSI Y14.5, 1973.

| DIM | MILLIMETERS | | INCHES | |
|-----|-------------|-------|--------|-------|
| | MIN | MAX | MIN | MAX |
| A | 38.45 | 37.85 | 1.435 | 1.490 |
| B | 12.70 | 15.37 | 0.500 | 0.605 |
| C | 4.06 | 5.84 | 0.160 | 0.230 |
| D | 0.38 | 0.56 | 0.015 | 0.022 |
| F | 1.27 | 1.65 | 0.050 | 0.065 |
| G | 2.54 BSC | | | |
| J | 0.20 | 0.30 | 0.008 | 0.012 |
| K | 2.54 | 4.06 | 0.100 | 0.160 |
| L | 15.24 BSC | | | |
| M | 5° | 15° | 5° | 15° |
| N | 0.51 | 1.27 | 0.020 | 0.050 |

Case 736-04
22-Pin Ceramic Dual In-Line



NOTES:

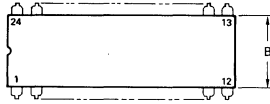
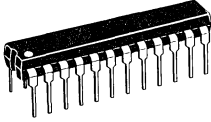
- LEADS TRUE POSITIONED WITHIN 0.25mm (0.010) DIAMETER AT SEATING PLANE AT MAXIMUM MATERIAL CONDITION (DIMENSION D)
- DIMENSION L TO CENTER OF LEADS WHEN FORMED PARALLEL
- "F" DIMENSION IS FOR FULL LEADS "HALF" LEADS ARE OPTIONAL AT LEAD POSITIONS 1, 11, 12 AND 22.

| DIM | MILLIMETERS | | INCHES | |
|-----|-------------|-------|--------|-------|
| | MIN | MAX | MIN | MAX |
| A | 26.92 | 27.69 | 1.060 | 1.090 |
| B | 3.14 | 9.91 | 0.360 | 0.390 |
| C | 3.56 | 4.57 | 0.140 | 0.180 |
| D | 0.38 | 0.53 | 0.015 | 0.021 |
| F | 1.27 | 1.65 | 0.050 | 0.065 |
| G | 2.54 BSC | | | |
| H | 0.51 | 1.27 | 0.020 | 0.050 |
| J | 0.20 | 0.30 | 0.008 | 0.012 |
| K | 3.18 | 4.32 | 0.125 | 0.170 |
| L | 10.16 BSC | | | |
| M | 0° | 15° | 0° | 15° |
| N | 0.51 | 1.27 | 0.020 | 0.050 |

PACKAGE OUTLINES

CERAMIC DUAL IN-LINE (continued)

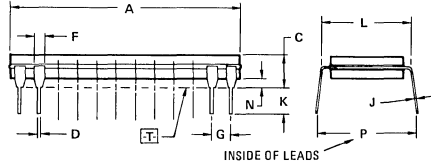
Case 758-01
24-Pin Ceramic Dual In-Line



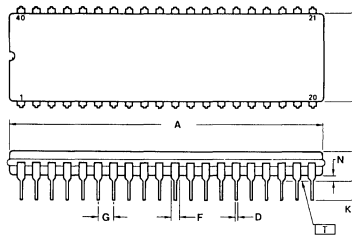
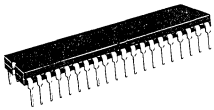
| DIM | MILLIMETERS | | INCHES | |
|-----|-------------|-------|-----------|-------|
| | MIN | MAX | MIN | MAX |
| A | 31.50 | 32.64 | 1.240 | 1.285 |
| B | 7.24 | 7.75 | 0.285 | 0.305 |
| C | 3.68 | 4.44 | 0.145 | 0.175 |
| D | 0.38 | 0.53 | 0.015 | 0.021 |
| F | 1.14 | 1.57 | 0.045 | 0.062 |
| G | 2.54 BSC | | 0.100 BSC | |
| J | 0.20 | 0.33 | 0.008 | 0.013 |
| K | 2.54 | 4.19 | 0.100 | 0.165 |
| L | 7.62 | 7.87 | 0.300 | 0.310 |
| N | 0.51 | 1.27 | 0.020 | 0.050 |
| P | 9.14 | 10.16 | 0.360 | 0.400 |

NOTES:

1. DIMENSION A IS DATUM.
2. POSITIONAL TOLERANCE FOR LEADS: 24 PLACES
 $\text{M} \begin{matrix} \text{S} \\ \text{P} \end{matrix} \text{0.25 (0.010)} \text{ (M)} \text{ T} \text{ [A} \text{ (M)} \text{]}$
3. [T] IS SEATING PLANE.
4. DIMENSION L TO CENTER OF LEADS WHEN FORMED PARALLEL.
5. DIMENSIONING AND TOLERANCING PER ANSI Y14.5, 1973.



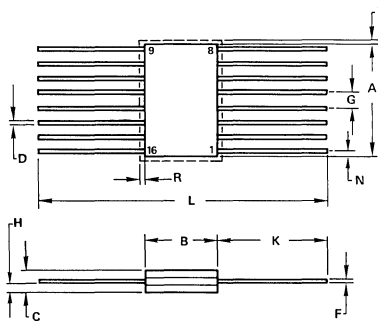
Case 734-04
J Suffix
Ceramic Package



| DIM | MILLIMETERS | | INCHES | |
|-----|-------------|-------|-----------|-------|
| | MIN | MAX | MIN | MAX |
| A | 51.31 | 53.24 | 2.020 | 2.096 |
| B | 12.70 | 15.49 | 0.500 | 0.610 |
| C | 4.06 | 5.84 | 0.160 | 0.230 |
| D | 0.38 | 0.56 | 0.015 | 0.022 |
| F | 1.27 | 1.65 | 0.050 | 0.065 |
| G | 2.54 BSC | | 0.100 BSC | |
| J | 0.20 | 0.30 | 0.008 | 0.012 |
| K | 3.18 | 4.06 | 0.125 | 0.160 |
| L | 15.24 BSC | | 0.600 BSC | |
| M | 5° | 15° | 5° | 15° |
| N | 0.51 | 1.27 | 0.020 | 0.050 |

CERAMIC FLATPAK

Case 650-03
16-Pin Ceramic Flatpak



| DIM | MILLIMETERS | | INCHES | |
|-----|-------------|-------|-----------|-------|
| | MIN | MAX | MIN | MAX |
| A | 9.40 | 10.16 | 0.370 | 0.400 |
| B | 6.22 | 7.24 | 0.245 | 0.285 |
| C | 1.52 | 2.03 | 0.060 | 0.080 |
| D | 0.41 | 0.48 | 0.016 | 0.019 |
| F | 0.08 | 0.15 | 0.003 | 0.006 |
| G | 1.27 BSC | | 0.050 BSC | |
| H | 0.64 | 0.89 | 0.025 | 0.035 |
| K | 6.35 | 9.40 | 0.250 | 0.370 |
| L | 18.92 | — | 0.745 | — |
| N | — | 0.51 | — | 0.020 |
| R | — | 0.38 | — | 0.015 |

NOTES:

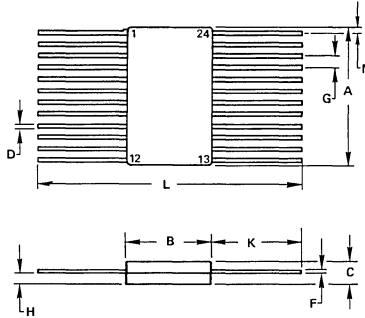
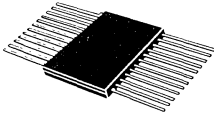
1. LEAD NO. 1 IDENTIFIED BY TAB ON LEAD OR DOT ON COVER.
2. LEADS WITHIN 0.13 mm (0.005)
3. TOTAL OF TRUE POSITION AT MAXIMUM MATERIAL CONDITION.

FAST AND LS TTL DATA

PACKAGE OUTLINES

CERAMIC FLATPAK (continued)

Case 652-02
24-Pin Ceramic Flatpak

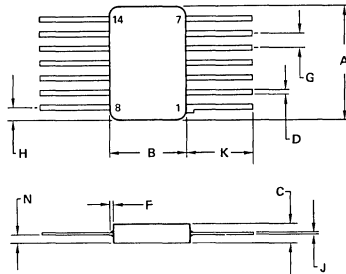


| DIM | MILLIMETERS | | INCHES | |
|-----|-------------|-------|-----------|-------|
| | MIN | MAX | MIN | MAX |
| A | 14.99 | 15.49 | 0.590 | 0.610 |
| B | 9.27 | 9.91 | 0.365 | 0.390 |
| C | 1.27 | 2.03 | 0.050 | 0.080 |
| D | 0.38 | 0.48 | 0.015 | 0.019 |
| F | 0.08 | 0.15 | 0.003 | 0.006 |
| G | 1.27 BSC | | 0.050 BSC | |
| H | 0.65 | 1.02 | 0.027 | 0.040 |
| K | 6.35 | 9.40 | 0.250 | 0.370 |
| L | 21.97 | - | 0.865 | - |
| N | 0.25 | 0.63 | 0.010 | 0.025 |

NOTE:

- LEADS WITHIN 0.25 mm (0.010) TOTAL OF TRUE POSITION AT MAXIMUM MATERIAL CONDITION.

Case 717-02
14-Pin Ceramic Flatpak

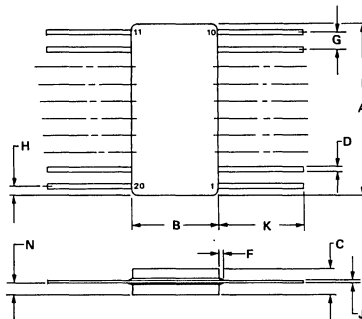
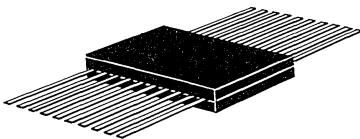


| DIM | MILLIMETERS | | INCHES | |
|-----|-------------|------|-----------|-------|
| | MIN | MAX | MIN | MAX |
| A | - | 9.91 | - | 0.390 |
| B | - | 6.73 | - | 0.265 |
| C | - | 2.03 | 0.060 | 0.080 |
| D | 0.38 | 0.48 | 0.015 | 0.019 |
| F | - | 0.25 | - | 0.010 |
| G | 1.27 BSC | | 0.050 BSC | |
| H | 0.38 | 0.89 | 0.015 | 0.035 |
| J | 0.08 | 0.15 | 0.003 | 0.006 |
| K | - | 8.26 | - | 0.325 |
| N | 0.64 | 0.89 | 0.025 | 0.035 |

NOTES:

- DIM "F" IS FOR GLASS OVERRUN.
- LEADS, TRUE POSITIONED WITHIN 0.25 mm (0.010) DIA TO DIM "A" & "B" AT MAXIMUM MATERIAL CONDITION.

Case 737-02
20-Pin Ceramic Flatpak



| DIM | MILLIMETERS | | INCHES | |
|-----|-------------|-------|-----------|-------|
| | MIN | MAX | MIN | MAX |
| A | - | 13.08 | - | 0.515 |
| B | 5.84 | 7.11 | 0.230 | 0.280 |
| C | 1.52 | 2.16 | 0.060 | 0.085 |
| D | 0.41 | 0.46 | 0.016 | 0.018 |
| F | - | 0.25 | - | 0.010 |
| G | 1.27 BSC | | 0.050 BSC | |
| H | 1.14 | 1.40 | 0.045 | 0.055 |
| J | 0.08 | 0.13 | 0.003 | 0.005 |
| K | - | 9.14 | - | 0.360 |
| N | - | 1.02 | - | 0.040 |

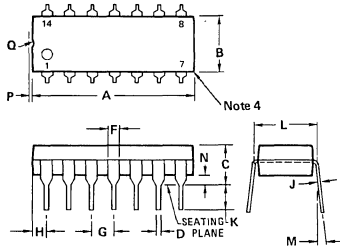
NOTE:

- LEADS WITHIN 0.25 mm (0.010) TOTAL OF TRUE POSITION AT MAXIMUM MATERIAL CONDITION.

PACKAGE OUTLINES

PLASTIC

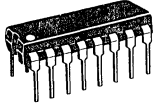
Case 646-05 14-Pin Plastic



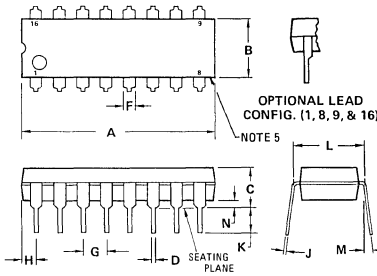
NOTES:

- LEADS WITHIN 0.13 mm (0.005) RADIUS OF TRUE POSITION AT SEATING PLANE AT MAXIMUM MATERIAL CONDITION.
- DIMENSION "L" TO CENTER OF LEADS WHEN FORMED PARALLEL.
- DIMENSION "B" DOES NOT INCLUDE MOLD FLASH.
- ROUNDED CORNERS OPTIONAL.

| DIM | MILLIMETERS | | INCHES | |
|-----|-------------|-------|-----------|-------|
| | MIN | MAX | MIN | MAX |
| A | 18.16 | 19.56 | 0.715 | 0.770 |
| B | 6.10 | 6.60 | 0.240 | 0.260 |
| C | 4.06 | 5.08 | 0.160 | 0.200 |
| D | 0.38 | 0.53 | 0.015 | 0.021 |
| F | 1.02 | 1.78 | 0.040 | 0.070 |
| G | 2.54 BSC | | 0.100 BSC | |
| H | 1.32 | 2.41 | 0.052 | 0.095 |
| J | 0.20 | 0.38 | 0.008 | 0.015 |
| K | 2.92 | 3.43 | 0.115 | 0.135 |
| L | 7.62 BSC | | 0.300 BSC | |
| M | 0° | 10° | 0° | 10° |
| N | 0.51 | 1.02 | 0.020 | 0.040 |



Case 648-05 16-Pin Plastic

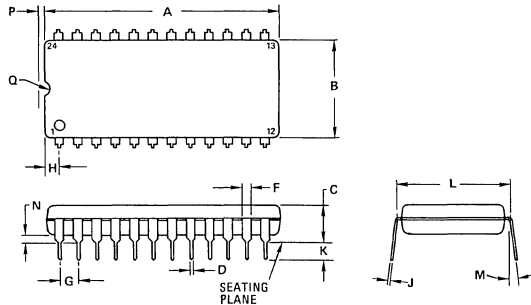
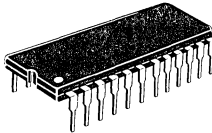


NOTES:

- LEADS WITHIN 0.13 mm (0.005) RADIUS OF TRUE POSITION AT SEATING PLANE AT MAXIMUM MATERIAL CONDITION.
- DIMENSION "L" TO CENTER OF LEADS WHEN FORMED PARALLEL.
- DIMENSION "B" DOES NOT INCLUDE MOLD FLASH.
- "F" DIMENSION IS FOR FULL LEADS. "HALF" LEADS ARE OPTIONAL AT LEAD POSITIONS 1, 8, 9, and 16).
- ROUNDED CORNERS OPTIONAL.

| DIM | MILLIMETERS | | INCHES | |
|-----|-------------|-------|-----------|-------|
| | MIN | MAX | MIN | MAX |
| A | 18.80 | 21.34 | 0.740 | 0.840 |
| B | 6.10 | 6.60 | 0.240 | 0.260 |
| C | 4.06 | 5.08 | 0.160 | 0.200 |
| D | 0.38 | 0.53 | 0.015 | 0.021 |
| F | 1.02 | 1.78 | 0.040 | 0.070 |
| G | 2.54 BSC | | 0.100 BSC | |
| H | 0.38 | 2.41 | 0.015 | 0.095 |
| J | 0.20 | 0.38 | 0.008 | 0.015 |
| K | 2.92 | 3.43 | 0.115 | 0.135 |
| L | 7.62 BSC | | 0.300 BSC | |
| M | 0° | 10° | 0° | 10° |
| N | 0.51 | 1.02 | 0.020 | 0.040 |

Case 649-03 24-Pin Plastic



NOTES:

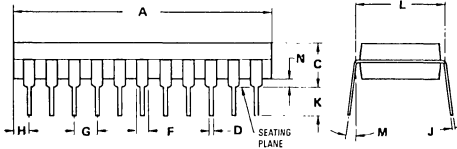
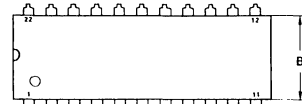
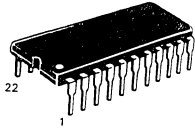
- LEADS WITHIN 0.13 mm (0.005) RADIUS OF TRUE POSITION AT SEATING PLANE AT MAXIMUM MATERIAL CONDITION.
- DIMENSION "L" TO CENTER OF LEADS WHEN FORMED PARALLEL.

| DIM | MILLIMETERS | | INCHES | |
|-----|-------------|-------|-----------|-------|
| | MIN | MAX | MIN | MAX |
| A | 31.50 | 32.13 | 1.240 | 1.265 |
| B | 13.21 | 13.72 | 0.520 | 0.540 |
| C | 4.70 | 5.21 | 0.185 | 0.205 |
| D | 0.38 | 0.51 | 0.015 | 0.020 |
| F | 1.02 | 1.52 | 0.040 | 0.060 |
| G | 2.54 BSC | | 0.100 BSC | |
| H | 1.65 | 2.16 | 0.065 | 0.085 |
| J | 0.20 | 0.30 | 0.008 | 0.012 |
| K | 2.92 | 3.43 | 0.115 | 0.135 |
| L | 14.99 | 15.49 | 0.590 | 0.610 |
| M | - | 10° | - | 10° |
| N | 0.51 | 1.02 | 0.020 | 0.040 |
| P | 0.13 | 0.38 | 0.005 | 0.015 |
| Q | 0.51 | 0.76 | 0.020 | 0.030 |

PACKAGE OUTLINES

PLASTIC (continued)

Case 708-04
22-Pin Plastic

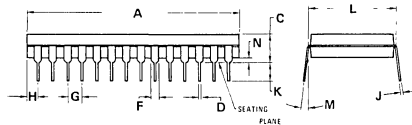
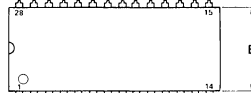
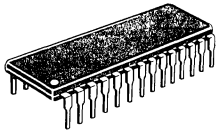


| DIM | MILLIMETERS | | INCHES | |
|-----|-------------|-------|-----------|-------|
| | MIN | MAX | MIN | MAX |
| A | 27.56 | 28.32 | 1.085 | 1.115 |
| B | 8.64 | 9.14 | 0.340 | 0.360 |
| C | 3.94 | 5.08 | 0.155 | 0.200 |
| D | 0.36 | 0.56 | 0.014 | 0.022 |
| F | 1.27 | 1.78 | 0.050 | 0.070 |
| G | 2.54 BSC | | 0.100 BSC | |
| H | 1.02 | 1.52 | 0.040 | 0.060 |
| J | 0.20 | 0.38 | 0.008 | 0.015 |
| K | 2.92 | 3.43 | 0.115 | 0.135 |
| L | 10.16 BSC | | 0.400 BSC | |
| M | 0° | 15° | 0° | 15° |
| N | 0.51 | 1.02 | 0.020 | 0.040 |

NOTES:

1. POSITIONAL TOLERANCE OF LEADS (D), SHALL BE WITHIN 0.25mm(0.010) AT MAXIMUM MATERIAL CONDITION, IN RELATION TO SEATING PLANE AND EACH OTHER.
2. DIMENSION L TO CENTER OF LEADS WHEN FORMED PARALLEL.
3. DIMENSION B DOES NOT INCLUDE MOLD FLASH

Case 710-02
28-Pin Plastic

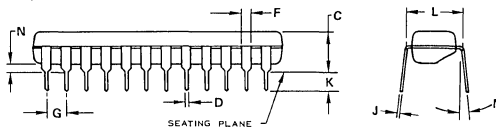
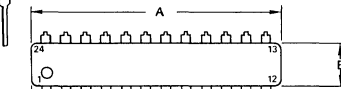
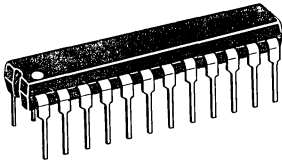


| DIM | MILLIMETERS | | INCHES | |
|-----|-------------|-------|-----------|-------|
| | MIN | MAX | MIN | MAX |
| A | 36.45 | 37.21 | 1.435 | 1.465 |
| B | 13.72 | 14.22 | 0.540 | 0.560 |
| C | 3.94 | 5.08 | 0.155 | 0.200 |
| D | 0.36 | 0.56 | 0.014 | 0.022 |
| F | 1.02 | 1.52 | 0.040 | 0.060 |
| G | 2.54 BSC | | 0.100 BSC | |
| H | 1.65 | 2.16 | 0.065 | 0.085 |
| J | 0.20 | 0.38 | 0.008 | 0.015 |
| K | 2.92 | 3.43 | 0.115 | 0.135 |
| L | 15.24 BSC | | 0.600 BSC | |
| M | 0° | 15° | 0° | 15° |
| N | 0.51 | 1.02 | 0.020 | 0.040 |

NOTES:

1. POSITIONAL TOLERANCE OF LEADS (D), SHALL BE WITHIN 0.25mm(0.010) AT MAXIMUM MATERIAL CONDITION, IN RELATION TO SEATING PLANE AND EACH OTHER.
2. DIMENSION L TO CENTER OF LEADS WHEN FORMED PARALLEL.
3. DIMENSION B DOES NOT INCLUDE MOLD FLASH.

Case 724-02
24-Pin Plastic



| DIM | MILLIMETERS | | INCHES | |
|-----|-------------|-------|-----------|-------|
| | MIN | MAX | MIN | MAX |
| A | 31.24 | 32.13 | 1.230 | 1.265 |
| B | 6.35 | 6.86 | 0.250 | 0.270 |
| C | 4.06 | 4.57 | 0.160 | 0.180 |
| D | 0.38 | 0.51 | 0.015 | 0.020 |
| F | 1.02 | 1.52 | 0.040 | 0.060 |
| G | 2.54 BSC | | 0.100 BSC | |
| H | 1.60 | 2.11 | 0.063 | 0.083 |
| J | 0.18 | 0.30 | 0.007 | 0.012 |
| K | 2.92 | 3.43 | 0.115 | 0.135 |
| L | 7.37 | 7.87 | 0.290 | 0.310 |
| M | - | 10° | - | 10° |
| N | 0.51 | 1.02 | 0.020 | 0.040 |

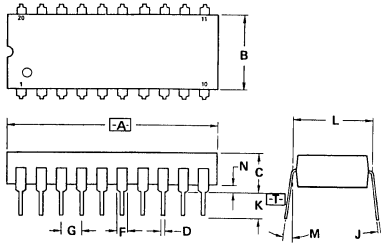
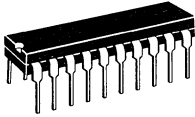
NOTE:

1. LEADS, TRUE POSITIONED WITHIN 0.25 mm (0.010) DIA AT SEATING PLANE AT MAXIMUM MATERIAL CONDITION (DIM D).

PACKAGE OUTLINES

PLASTIC (continued)

Case 738-01
20-Pin Plastic

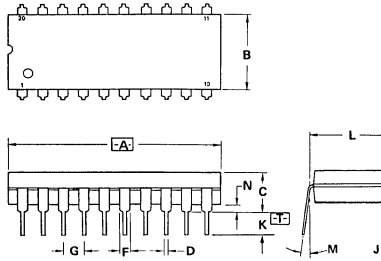
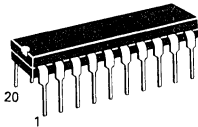


NOTES:

- DIM $\square A$ IS DATUM.
- POSITIONAL TOL FOR LEADS:
 $\oplus \beta 0.25 (0.010) \text{ T } \square A \text{ } \ominus$
- $\square T$ IS SEATING PLANE.
- DIM "B" DOES NOT INCLUDE MOLD FLASH.
- DIM $\square L$ TO CENTER OF LEADS WHEN FORMED PARALLEL.
- DIMENSIONING AND TOLERANCING PER ANSI Y14.5, 1973.

| DIM | MILLIMETERS | | INCHES | |
|-----|-------------|-------|-----------|-------|
| | MIN | MAX | MIN | MAX |
| A | 25.65 | 27.18 | 1.010 | 1.070 |
| B | 6.10 | 6.60 | 0.240 | 0.260 |
| C | 3.94 | 4.19 | 0.155 | 0.165 |
| D | 0.38 | 0.56 | 0.015 | 0.022 |
| F | 1.27 | 1.78 | 0.050 | 0.070 |
| G | 2.54 BSC | | 0.100 BSC | |
| J | 0.20 | 0.38 | 0.008 | 0.015 |
| K | 2.79 | 3.56 | 0.110 | 0.140 |
| L | 7.62 BSC | | 0.300 BSC | |
| M | 0° | 15° | 0° | 15° |
| N | 0.51 | 1.02 | 0.020 | 0.040 |

Case 738-02
20-Pin Plastic

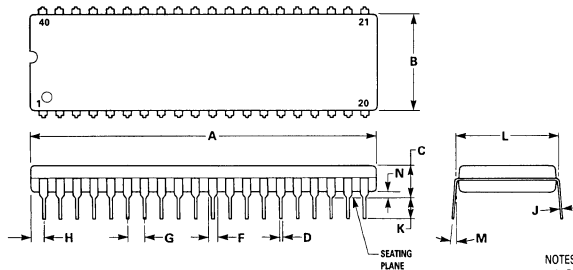
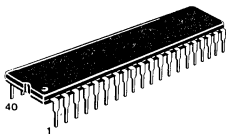


NOTES:

- DIM $\square A$ IS DATUM.
- POSITIONAL TOL FOR LEADS:
 $\oplus \beta 0.25 (0.010) \text{ T } \square A \text{ } \ominus$
- $\square T$ IS SEATING PLANE.
- DIM "B" DOES NOT INCLUDE MOLD FLASH.
- DIM $\square L$ TO CENTER OF LEADS WHEN FORMED PARALLEL.
- DIMENSIONING AND TOLERANCING PER ANSI Y14.5, 1973.

| DIM | MILLIMETERS | | INCHES | |
|-----|-------------|-------|-----------|-------|
| | MIN | MAX | MIN | MAX |
| A | 25.65 | 27.18 | 1.010 | 1.070 |
| B | 6.10 | 6.60 | 0.240 | 0.260 |
| C | 3.94 | 4.57 | 0.155 | 0.180 |
| D | 0.38 | 0.56 | 0.015 | 0.022 |
| F | 1.27 | 1.78 | 0.050 | 0.070 |
| G | 2.54 BSC | | 0.100 BSC | |
| J | 0.20 | 0.38 | 0.008 | 0.015 |
| K | 2.79 | 3.56 | 0.110 | 0.140 |
| L | 7.62 BSC | | 0.300 BSC | |
| M | 0° | 15° | 0° | 15° |
| N | 0.51 | 1.02 | 0.020 | 0.040 |

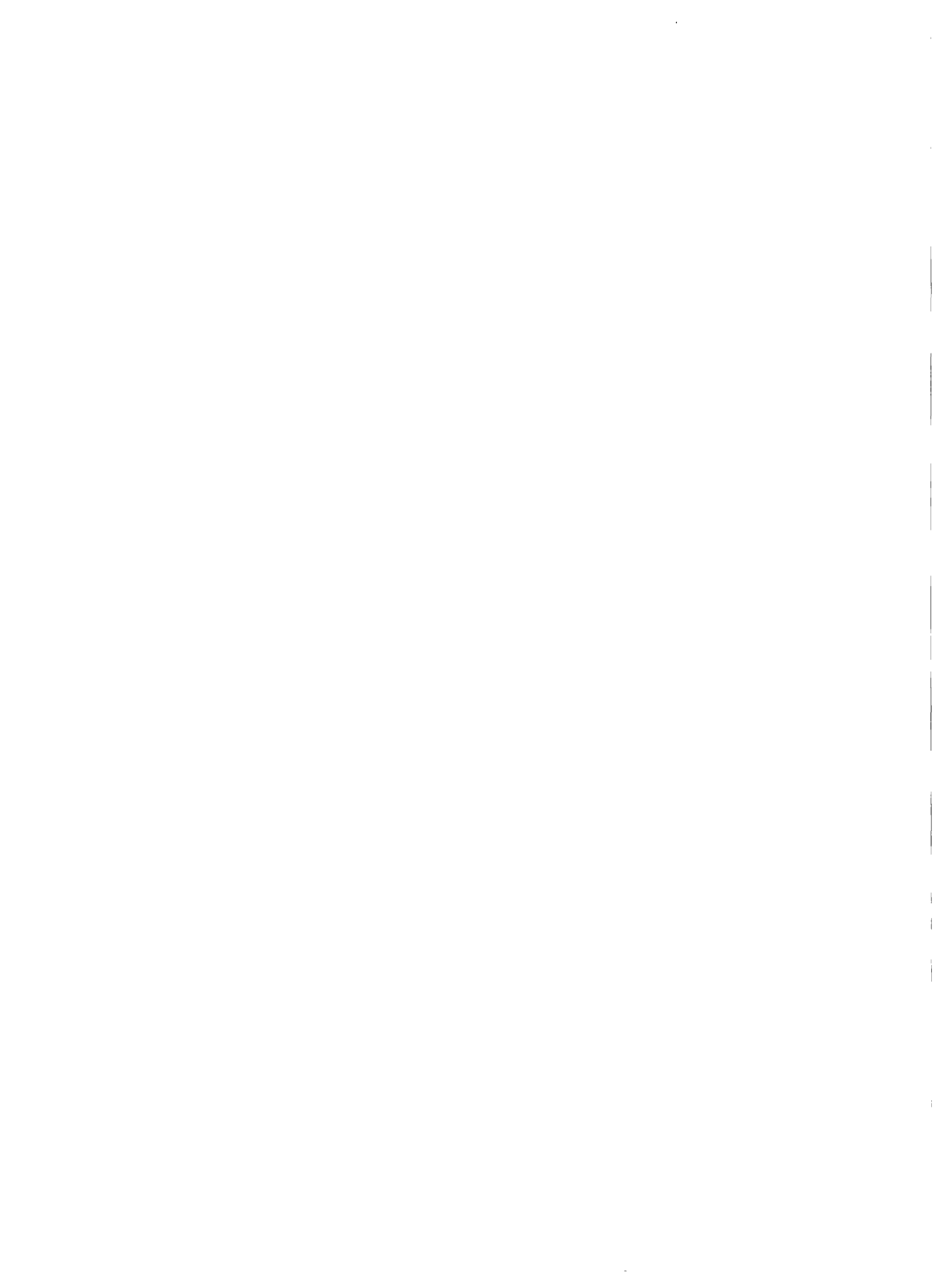
Case 711-03
40-Pin Plastic



| DIM | MILLIMETERS | | INCHES | |
|-----|-------------|-------|-----------|-------|
| | MIN | MAX | MIN | MAX |
| A | 51.69 | 52.45 | 2.035 | 2.065 |
| B | 13.72 | 14.22 | 0.540 | 0.560 |
| C | 3.94 | 5.08 | 0.155 | 0.200 |
| D | 0.36 | 0.56 | 0.014 | 0.022 |
| F | 1.02 | 1.52 | 0.040 | 0.060 |
| G | 2.54 BSC | | 0.100 BSC | |
| H | 1.65 | 2.16 | 0.065 | 0.085 |
| J | 0.20 | 0.38 | 0.008 | 0.015 |
| K | 2.82 | 3.43 | 0.115 | 0.135 |
| L | 15.24 BSC | | 0.600 BSC | |
| M | 0° | 15° | 0° | 15° |
| N | 0.51 | 1.02 | 0.020 | 0.040 |

NOTES:

- POSITIONAL TOLERANCE OF LEADS (D), SHALL BE WITHIN 0.25 mm (0.010) AT MAXIMUM MATERIAL CONDITION, IN RELATION TO SEATING PLANE AND EACH OTHER.
- DIMENSION L TO CENTER OF LEADS WHEN FORMED PARALLEL.
- DIMENSION B DOES NOT INCLUDE MOLD FLASH.



1

**Selection Information
FAST/LS**

2

Circuit Characteristics

3

**Design Considerations
and Testing**

4

FAST Data Sheets

5

LS Data Sheets

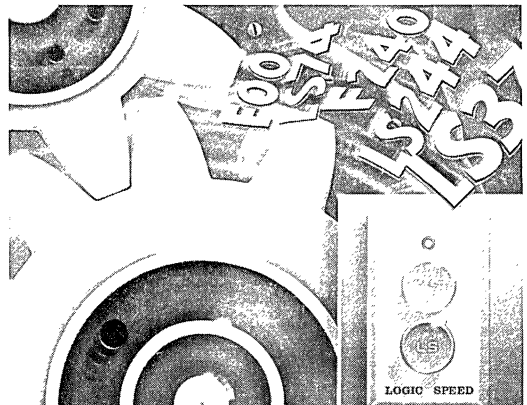
6

Reliability Data

7

**Package Information
Including
Surface Mount**

FAST AND LS





MOTOROLA *Semiconductor Products Inc.*

BOX 20912 • PHOENIX, ARIZONA 85036 • A SUBSIDIARY OF MOTOROLA INC