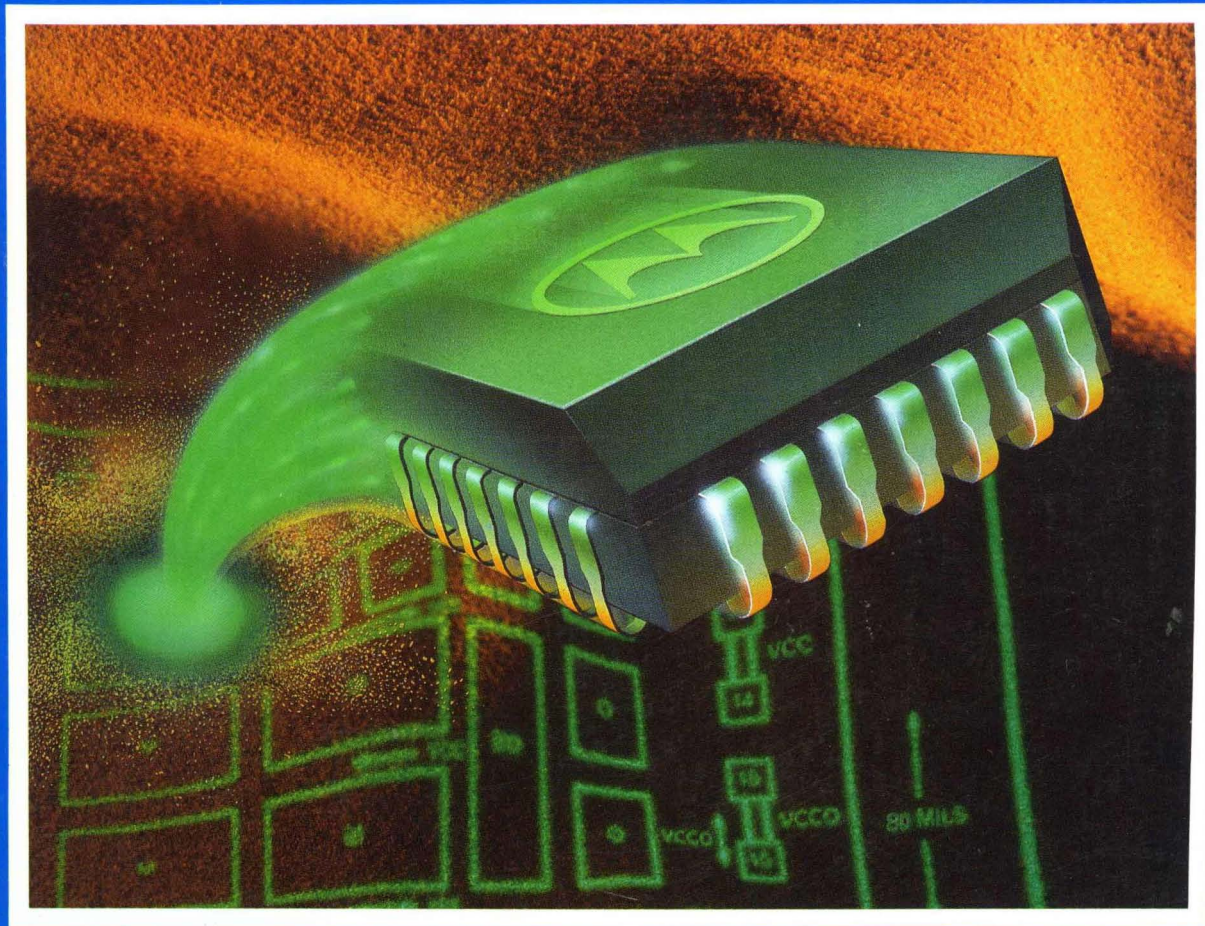


DL140  
REV 1



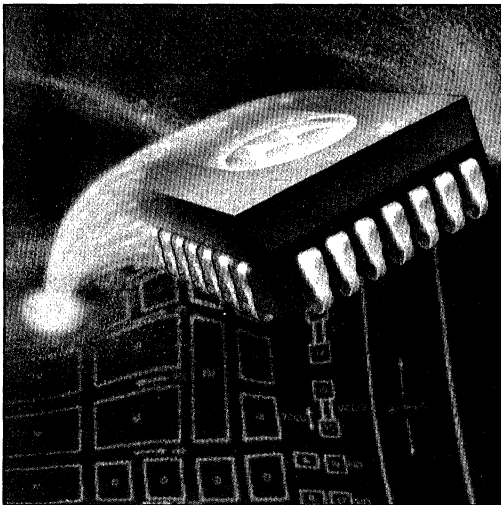
**MOTOROLA**

MOTOROLA ECLIPS DATA



# **ECLIPS** **DATA**

01-91  
DL140  
REV 1



**Numeric Index**

**1**

**General Information**

**2**

***ECL*<sup>IN</sup>*PS***  
**Family Specifications  
& Device Data Sheets**

**3**

**Design Guide**

**4**

This databook contains device specifications for Motorola's ECLinPS advanced ECL logic family.

ECLinPS (ECL in picoseconds) was developed in response to the need for an even higher performance ECL family of standard logic functions, particularly in the Computer, Automated Test, Instrumentation and Communications industries. Family general features as well as specific functions were developed in close consultation with ECL systems design engineers.

ECLinPS offers the user a single gate delay of 500 ps max., including package delay, and a flip-flop toggle frequency of 1100 MHz.

ECLinPS is compatible with two different ECL standards. Each function is available with either MECL 10KH compatibility (MC10Exxx series) or 100K compatibility (MC100Exxx series).

ECLinPS is offered in the 28-lead plastic leaded chip carrier (PLCC), a J-lead surface mount IC package. This package was selected for high performance, reduced parasitics and good thermal handling in a low cost, standard package, and reflects an industry trend towards surface mount assembly.

**Suggested References:**

The user is referred to the following for general information on the MECL and 100K ECL families:

*Motorola MECL Device Data Book*, Motorola Inc., 1987. Stock code DL122/D.


*F100K ECL Data Book*, Fairchild Camera and Instrument Corp.

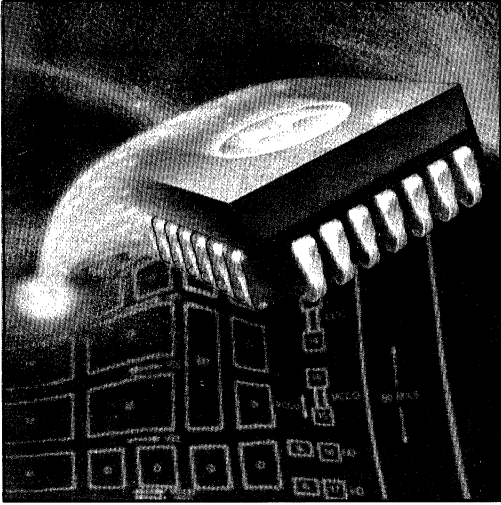
*Motorola MECL System Design Handbook*, second edition. Motorola Inc., 1983. Stock code HB205R1/D.

*Signetics ECL 10K/100K Data Manual*.

MOSAIC, MECL 10K and MECL 10KH are trademarks of Motorola Inc.

©MOTOROLA INC., 1991

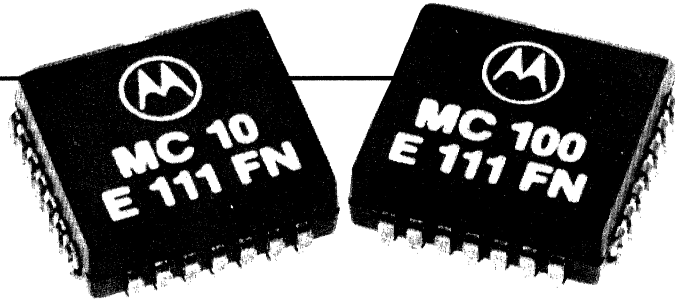
Motorola reserves the right to make changes without further notice to any products herein to improve reliability, function or design. Motorola does not assume any liability arising out of the application or use of any product or circuit described herein; neither does it convey any license under its patent rights nor the rights of others. Motorola products are not designed, intended, or authorized for use as components in systems intended for surgical implant into the body, or other applications intended to support or sustain life, or for any other application in which the failure of the Motorola product could create a situation where personal injury or death may occur. Should Buyer purchase or use Motorola products for any such unintended or unauthorized application, Buyer shall indemnify and hold Motorola and its officers, employees, subsidiaries, affiliates, and distributors harmless against all claims, costs, damages, and expenses, and reasonable attorney fees arising out of, directly or indirectly, any claim of personal injury or death associated with such unintended or unauthorized use, even if such claim alleges that Motorola was negligent regarding the design or manufacture of the part. Motorola and  are registered trademarks of Motorola, Inc. Motorola, Inc. is an Equal Opportunity/Affirmative Action Employer.



---

*This section lists ECLinPS family functions in numerical order.*

*MC10E series devices are compatible with the MECL 10KH family. MC100E series are compatible with 100K ECL.*



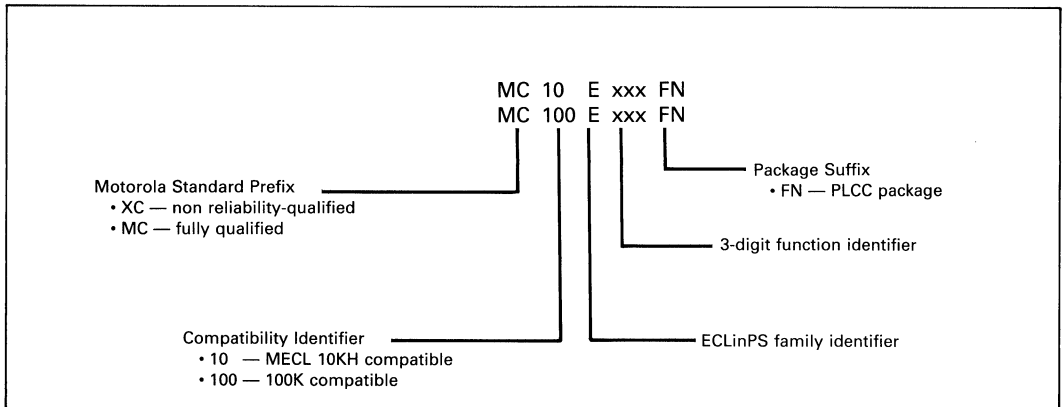


### Numeric Index

MC10/ MC100	Function	Page	MC10/ MC100	Function	Page
E016	8-Bit Synch. Binary Counter	3-3	E166	9-Bit Magnitude Comparator	3-54
E101	QUAD 4-Input OR/NOR Gate	3-9	E167	6-Bit 2:1 Mux Register	3-56
E104	QUINT 2-Input AND/NAND Gate	3-11	E171	3-Bit 4:1 Multiplexer	3-58
E107	QUINT 2-Input XOR/XNOR Gate	3-13	E175	9-Bit Latch w/Parity Gen/Checker	3-60
E111	1:9 Differential Clock Driver	3-15	E193	8-Bit EDAC/Parity	3-62
E112	QUAD Driver, Common Enable	3-18	E195	Programmable Delay Chip	3-64
E116	QUINT Diff. Line Receiver	3-20	E196	Programmable Delay Chip	3-68
E122	9-Bit Buffer	3-22	*E197	High Speed Data Separator	3-73
E131	4-Bit D Flip-Flop	3-24	E212	3-Bit Scannable ECL Driver	3-87
E136	6-Bit Universal Counter	3-26	E241	8-Bit Scannable Register	3-89
E137	8-Bit Ripple Counter	3-27	E256	3-Bit 4:1 Mux Latch	3-91
E141	8-Bit Universal Shift Register	3-28	E336	3-Bit Registered Bus Xcvr	3-93
E142	9-Bit Shift Register	3-30	E337	3-Bit Scannable Bus Xcvr	3-95
E143	9-Bit Hold Register	3-32	E404	QUAD High Freq. Diff. AND	3-98
E150	6-Bit D Latch	3-34	E416	QUINT High Freq. Line Receiver	3-100
E151	6-Bit D Register	3-36	E431	3-Bit Diff. Set/Reset Flip-Flop	3-102
E154	5-Bit 2:1 Mux Latch	3-38	E445	1:4 Serial/Parallel Converter	3-104
E155	6-Bit 2:1 Mux Latch	3-40	E446	4:1 Parallel/Serial Converter	3-105
E156	3-Bit 4:1 Mux Latch	3-42	E451	6-Bit D Reg. Diff. D and Clk	3-106
E157	QUAD 2:1 Mux, Separate Selects	3-44	E452	5-Bit D Reg. Diff. D, Clk and Q	3-108
E158	5-Bit 2:1 Multiplexer	3-46	E457	TRIPLE High Freq. Diff. 2:1 Mux	3-110
E160	12-Bit Parity Gen/Checker	3-48	*E1651	Dual Analog Comparator	3-112
E163	2-Bit 8:1 Multiplexer	3-50	*E1652	Dual Analog Comparator	3-114
E164	16:1 Multiplexer	3-52			

\*10E version only

### Nomenclature



## Selection Guide

### Gates

Quad 4-Input OR/NOR	E101
Quint 2-Input AND/NAND	E104
Quint 2-Input XOR/XNOR	E107
Quad 2-Input AND/NAND, Differential	E404

### Buffers

9-Bit Buffer	E122
1:9 Differential Clock Driver	E111
Quad Driver with Enable	E112
3-Bit Scannable Driver	E212

### Flip-Flops/Registers

4-Bit D (Async Set/Reset)	E131
6-Bit D (Async Reset)	E151
6-Bit D, Diff. Data & CLK Inputs	E451
9-Bit Hold Register	E143
3-Bit D, Edge Triggered Set & Reset	E431
5-Bit Diff. D Reg.	E452

### Latches

6-Bit D (Async Reset)	E150
9-Bit Latch w/Parity Gen/Checker	E175

### Multiplexers

5-Bit 2:1 Multiplexer	E158
3-Bit 4:1 Multiplexer	E171
2-Bit 8:1 Multiplexer	E163
Single 16:1 Multiplexer	E164
Quad 2:1 Mux, Indiv. Select	E157
Triple 2:1 Mux, Differential	E457

### Mux-Latches

5-Bit 2:1 Mux-Latch	E154
6-Bit 2:1 Mux-Latch	E155
3-Bit 4:1 Mux-Latch	E156
3-Bit 4:1 Mux-Latch	E256

### Mux-Registers

6-Bit 2:1 Mux-Register	E167
------------------------	------

### Counters

8-Bit Synchronous Binary Counter	E016
6-Bit Synchronous Universal Counter	E136
8-Bit Triple Counter	E137

### Shift Registers

8-Bit Shift Register (bidirectional)	E141
8-Bit Scannable Register (unidirectional)	E241
9-Bit Shift Register (unidirectional)	E142
9-Bit Hold Register	E143
3-Bit Scannable Driver	E212

### Parity Generator/Comparator

12-Bit Parity Generator/Checker	E160
9-Bit Magnitude Comparator	E166
8-Bit Error Detection/Correction (EDAC)	E193
9-Bit Latch w/Parity Gen/Checker	E175

### Line Receivers

Quint Differential Line Receiver	E116
1:9 Differential Clock Driver	E111
6-Bit D Reg., Diff. Data & CLK Inputs	E451
Quint High Freq. Differential Line Receiver	E416
5-Bit Diff. D Reg.	E452

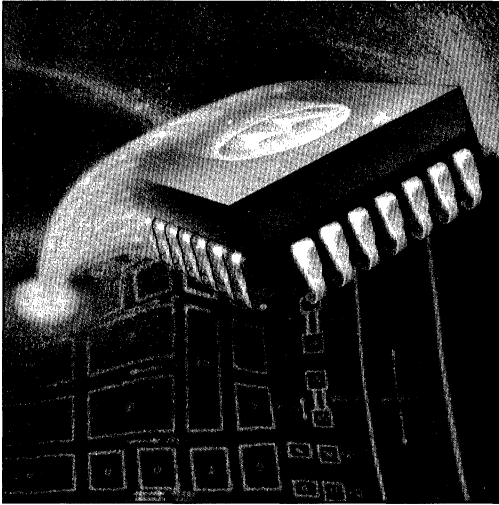
### Bus Transceivers

3-Bit Registered Bus XCVR	E336
3-Bit Scannable Reg. Bus XCVR	E337

### Miscellaneous

Dual Analog Comparator w. Latch	E1651
Dual Analog Comparator w. Latch & Hysteresis	E1652
Programmable Delay Chip, Digital	E195
Programmable Delay Chip, Digital & Analog	E196
Hard Disk Data Separator	E197
1:4 Serial/Parallel Converter	E445
4:1 Parallel/Serial Converter	E446





## General Information

2

---

*This section contains a technical overview of the ECLinPS family as well as an outline of its electrical characteristics. In addition the section outlines the procedures and philosophies used to AC test the family.*

### CONTENTS

Family Overview . . . . .	2-2
Electrical Characteristics . . . . .	2-7

## SECTION 1 Family Overview

**2**

### Introduction

Recent advances in bipolar processes have led to a proliferation of very high speed LSI and VLSI gate arrays in high end computer applications. The advent of these high speed arrays has created a need for a high speed logic family to tie or "glue" them together. Because arrays have a finite amount of circuitry and I/O pins, glue functions which are sensitive to either of these parameters may be better performed off of the array. In addition glue functions which require very tight skew control may be difficult to perform on an array due to the inherent skew of the large packages associated with large gate arrays. Therefore although the trend is to push more and more of the logic onto the array, there are design constraints which make performing some of the logic, such as clock distribution, multiplexing, decoding, latching, memory addressing and translating, in glue an attractive alternative.

The high end computer segment is not the only market segment pushing for higher performance logic parts. ATE, instrumentation and communication designs can have data rate requirements ranging from 300MHz to as high as 2.5GHz. Because large high speed arrays do not always lend themselves to passing high frequency signals on and off chip, portions of the designs must be realized with discrete logic. The current bipolar logic families are not capable of operating at these high frequencies.

To answer the call for a very high speed bipolar logic family Motorola has designed and produced the ECLinPS (ECL in Pico Seconds) logic family. The family was designed to meet the most stringent of system requirements in speed, skew and board density as well as maintaining compatibility to existing ECL families.

### ECL Design Benefits

The speed benefits of an ECL design over those of alternative logic technologies are well documented, however there are a number of other important features that make ECL an attractive technology for system designs. The ECLinPS logic family as with other ECL families afford the following advantages:

#### Complimentary Outputs

Complimentary outputs are available on many functions with equal propagation delays between the two paths. This alleviates the need for external inverters and saves

system power and board space while maintaining exceptional system timing.

#### Transmission Line Drive Capability

The low output impedance, high input impedance and high current drive capability of ECL makes it an ideal technology for driving transmission lines. Regardless of the technology, as system speeds increase, interconnect becomes more of a transmission line phenomenon. With ECL no special line driving devices are necessary as all ECL devices are line drivers.

#### Constant Power Supply Current Drain

Because of the differential amplifier design used for ECL circuits the current is not switched on and off but rather simply steered between two paths. Thus the current drain of an ECL device is independent of the logic state and the frequency of operation. This current stability greatly simplifies system power supply design.

#### Input Pulldown Resistors

ECL inputs have 50K $\Omega$  - 75K $\Omega$  internal pulldown resistors which pull the input to  $V_{EE}$  (logic LOW) when left open. This allows unused inputs to be left open and greatly simplifies logic design.

#### Differential Drive Capability

Because of the presence of high current drive complementary outputs, ECL circuits are ideally suited for driving twisted pair lines or cables over long distances. With common mode noise rejection of 1V or more ECL line receivers are less susceptible to common mode noise. In addition their differential inputs need only a few hundred millivolt voltage differences to correctly interpret the logic.

#### High Speed Design Philosophy

Today a truly high speed logic family needs more than simply short propagation delays. The minimization of all types of skew as well as a level of logic density which affords a smaller amount of board space for an equivalent function are also necessities of a high speed family. The following summary will outline the steps taken by Motorola to achieve these goals in the development of the ECLinPS logic family.

#### Fast Propagation Delays

The ECLinPS family boasts 500ps maximum packaged



gate delays and typical flip flop toggle frequencies of 1.4GHz. Simple gate functions show typical propagation delays of 360ps at 25mW of power for a speed power product of only 9pJ. For higher density devices internal gates run at 100ps with 5mW of power for a speed power product of only .5pJ.

#### Internal Differential Interconnect

The propagation delay window size, skew between rising and falling inputs and susceptibility to noise are all phenomenon which are exacerbated by  $V_{BB}$  switching reference variation. By extensively using differential interconnects internal to the chip the ECLinPS family has been able to achieve superior performance in these areas.

#### Propagation Delay Temperature Insensitivity

The variation of propagation delay through an ECLinPS device across temperature is typically less than 50ps. This stability allows for faster designs due to tighter delay windows across temperature.

#### Input impedance and Loading Capacitance

The input structures of the ECLinPS family show a positive real impedance across the applicable input frequency range. This ensures that the system will remain stable and operate as designed over a wide range of input frequencies. The input loading capacitance typically measures only 1.5pF and is virtually independent of input fanout as the device capacitance is less than 5% of the total. Because the propagation delay of a signal down a transmission line is adversely affected by loading capacitance the overall system speed is enhanced.

#### Input Buffers

To minimize propagation delays in a system environment, inputs with a large internal fanout are buffered to minimize the loading capacitance on the transmission line.

#### High Level of Integration

28 pin designs allow for the design of 9 bit functions for implementation in byte plus parity applications. Full byte plus parity implementation reduces total package count and saves expensive board space.

#### Space Efficient Package

Surface mount PLCC package affords a high level of integration with a minimum amount of required board space. Quad layout of the package equalizes pin lengths thus minimizing the skew between similar internal paths.

#### Flow Through Pin Assignment

Input and output pins have been laid out in a flow through pattern with the inputs on one side of the package and the outputs on the other. This flow through pattern helps to simplify the PC board layout operation.

#### Multiple VCCO pins

To minimize the noise generated in simultaneous switch-

ing situations a minimum of three single ended outputs per  $V_{CCO}$  has been employed in the family. Optimum placement of these  $V_{CCO}$ 's also results in superior output to output skew.

#### Advanced Bipolar Processing

The ECLinPS logic family is fabricated using Motorola's MOSAIC III process, a process which is two generations ahead of the process used in the development of the 10KH family. The small geometries and feature sizes of the MOSAIC III process enables the ECLinPS logic family to boast of a nearly 3 fold improvement in speed at less than half the power of existing ECL logic families.

The MOSAIC III process is a double polysilicon process which uses a unique self-alignment scheme for device electrode and isolation definition. The process features self aligned submicron emitters as well as polysilicon base, collector and emitter electrodes. In addition polysilicon resistors, diodes and capacitors are available to minimize the parasitic capacitance of an ECL gate. Figure 1.1 shows a cross section for an NPN device using the MOSAIC III process.

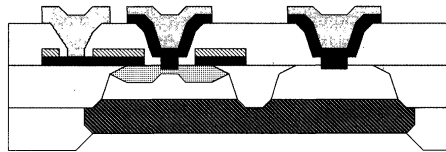


Figure 1.1 - MOSAIC III Cross Section

By incorporating the use of polysilicon contacts and resistors through the MOSAIC III process, the parasitic capacitances of an ECLinPS gate are minimized, thus minimizing the time constants which comprise the switching delays of the gate. The resultant gates show delays of 100ps for internal gates and 200ps for output gates capable of driving 50Ω loads. The small geometries of the process, nearly 350% reduction in device area compared to a 10KH device, allows these internal gate delays to be achieved at only 800μA of current.

#### Universal Compatibility

Each member of the ECLinPS family is available in both of the existing ECL standards: 10E series devices are compatible with the MECL 10KH family; 100E series devices are compatible with ECL 100K. In addition, to maintain compatibility with temperature compensated, three level series gated gate arrays the 100E devices are guaranteed to

operate without degradation to a  $V_{EE}$  of -5.46V.

The section below presents a comparison between the two standards in the new context of the ECLinPS family. The user is also referred to the Electrical Characteristics section of this book as well as appropriate family databooks and other literature for descriptive information on the earlier ECL families.

Because no supplier previous to Motorola has offered both ECL standards on an identical process, comparison of existing 10KH and 100K style devices has some limitations. Comparison of the two standards fabricated with two different processes has sometimes led to the erroneous conclusion that there are inherent AC performance differences between them. In reality this is not the case. The only inherent difference between the two standards is the difference in the behavior of the DC characteristics with temperature.

### AC Performance

From an IC design standpoint the only differences between a 10E device and a 100E device in the ECLinPS family is a small temperature compensation network in the 100E output gate, and very minimal differences in the two bias generator networks. Therefore one would expect that from an AC standpoint the performance of the two standards in the ECLinPS family should be nearly identical; measurements prove this to be the case. There is no significant measurable difference in the rise/fall times, propagation delays or toggle frequencies when comparing a 10E and 100E device. The minor difference between previous 10KH and 100K designs is due to the fact that the two are fabricated on different processes, and in some cases are designed for operation at different power levels.

### Summary

Summarizing the above information; in general the two ECL design standards, although differing somewhat in DC parameters, are nearly identical when one compares the AC performance for a given device. There may be very small differences in the AC measurements due to the slightly smaller output swing of the 100E device. However these difference are negligible when compared to the absolute value of the measurements. Therefore from an AC standpoint there is no real advantage in using one standard over the other, thus removing AC performance as a decision variable in high speed system design.

### Packaging

During the definition phase of the ECLinPS family much attention was placed on the identification of a suitable package for the family. The package had to meet the criteria of minimum parasitics and propagation delays along with an attractive I/O vs board space relationship. Although the DIP package offered a level of familiarity and convenience the performance of the package with a very high speed logic family was inadequate. In addition to the obvious parasitics

and board space problems, the propagation delays through the DIP package were nearly twice as long as the delay through the silicon.

The 28 pin PLCC package emerged as the clear favorite both internally and with the high speed market in general. The package offers a quad layout to minimize both lead lengths and lead length differences. As a result the parasitics and delays of the package are very well suited for a high speed logic family. In addition the nearly matched lead lengths allow for tighter skew among similar paths through the chip.

The board density potential of the PLCC is also attractive in that it allows for a nearly 100% reduction in board space when compared to the DIP alternative. The package is approximately a half inch square with 50 mil spaced J-bend leads. More detailed measurements can be found in the package section of this databook. The J bend leads provide a smaller footprint than a gull wing package and propose fewer temperature expansion coefficient mismatch problems than the leadless alternative.

Thermally the standard PLCC exhibits a  $\Theta_{JA}$  of 43.5°C per watt at 500 lpm air flow. With this thermal resistance most 28 pin functions can be implemented with the MOSAIC III process without encountering any severe thermal problems. For more details on thermal issues of the ECLinPS family refer to the thermal section of this databook.

### Abbreviation Definitions

The following is a list of abbreviations found in this databook and a brief definition of each.

#### Current

$I_{CC}$	Total power supply current drawn from the positive supply by an ECLinPS unit under test.
$I_{EE}$	Total power supply current drawn from an ECLinPS device under test by the negative supply.
$I_{IL}$	Current drawn by the input of an ECLinPS device with a specified low level ( $V_{IL}$ min) forced on the input.
$I_{INH}$	Current drawn by the input of an ECLinPS device with a specified high level ( $V_{IH}$ max) forced on the input.

$I_{OUT}$	The current sourced by an output under specified load conditions.
-----------	---

#### Voltage

$V_{BB}$	The switching reference voltage
$V_{BE}$	Base-to-emitter voltage drop of a transistor at

specified collector and base currents.

$V_{CB}$	Collector-to-base voltage drop of a transistor at specified collector and base currents.
$V_{CC}$	The most positive supply voltage to an ECLinPS device.
$V_{CCO}$	Power supply connection to the output emitter follower of an ECLinPS gate. For the ECLinPS logic family VCC and VCCO are common nodes.
$V_{EE}$	The most negative supply voltage to an ECLinPS device.
$V_{IH}$	Nominal input logic HIGH voltage level.
$V_{IH\ max}$	Maximum (most positive) logic HIGH voltage level for which all parametric specifications hold.
$V_{IH\ min}$	Minimum (least positive) logic HIGH voltage level for which all parametric specifications hold.
$V_{IL}$	Nominal input logic LOW voltage.
$V_{IL\ max}$	Maximum (most positive) logic LOW voltage level for which all parametric specifications hold.
$V_{IL\ min}$	Minimum (least positive) logic HIGH voltage level for which all parametric specifications hold.
$V_{OH}$	Output logic HIGH voltage level for the specified load condition.
$V_{OHA}$	Output logic HIGH voltage level with the inputs biased at VIH min or VOL max.
$V_{OH\ max}$	Maximum (most positive) logic HIGH output voltage level.
$V_{OH\ min}$	Minimum (least positive) logic HIGH output voltage level.
$V_{OL}$	Output logic LOW voltage level for the specified load condition.
$V_{OLA}$	Output logic LOW voltage level with the inputs biased at VIH min or VOL max.
$V_{OL\ max}$	Maximum (most positive) logic LOW output voltage level.
$V_{OL\ min}$	Minimum (least positive) logic LOW output voltage level.
$V_{TT}$	Output termination voltage for ECLinPS open emitter follower outputs.

$V_{PP}$	Minimum peak to peak input voltage for differential input devices.
$V_{CMR}$	The voltage range in which the logic HIGH voltage level of a differential input signal must fall for a differential input device.
$V_{CUT}$	The logic LOW voltage level for ECL BUS outputs which attain cutoff of the output emitter follower.
$V_{SUP}$	The maximum voltage difference between VEE and VCC for the E1651 comparator.

**Timing Parameters**

$t_R$	Waveform rise time of an output signal measured from the 20% to 80% levels of the signal.
$t_F$	Waveform fall time of an output signal measured from the 20% to 80% levels of the signal.
$T_{PD\pm}$	Propagation delay of a signal measured for a rising/falling input to a rising/falling output.
xpt	The crossing point of a differential input or output signal. The reference point for which differential delays are measured.
$T_{PLH}$	The propagation delay for an output transitioning from a logic LOW level to a logic HIGH level.
$T_{PHL}$	The propagation delay for an output transitioning from a logic HIGH level to a logic LOW level.
$f_{MAX}$	Maximum input frequency for which an ECLinPS flip flop will function correctly.
$f_{COUNT}$	Maximum input frequency for which an ECLinPS counter will function properly.
$f_{SHIFT}$	Maximum input frequency for which an ECLinPS shift register will function properly.
$t_{SKEW}$	The maximum delay difference between similar paths on a single ECLinPS device.
$t_S$	Setup time; the minimum amount of time an input must transition before a clock transition to ensure proper function of the device.
$t_H$	Hold time: the minimum amount of time an input must remain asserted after a clock transition to ensure proper operation of the device.
$t_{RR}$	Release time or Reset Recovery Time; the mini

imum amount of time after a signal is de-asserted that a different input must wait before assertion to ensure proper functionality of the device.

$t_w$  min Minimum pulse width of a signal necessary to ensure proper functionality of a device.

### Temperature

$T_{STG}$  The maximum temperature at which a device may be stored without damage or performance degradation.

$T_J$  Junction (or die) temperature of an integrated circuit device.

$T_A$  Ambient (environment) temperature existing in the immediate vicinity of an integrated circuit package.

$\Theta_{JA}$  Thermal resistance of an integrated circuit package between the junction and the ambient.

$\Theta_{JC}$  Thermal resistance of an integrated circuit package between the junction and the case.

$\Theta_{CA}$  Thermal resistance of an integrated circuit pac-

kage between the case and the ambient.

lfpm Linear feet per minute.

### Miscellaneous

D.U.T. Device under test.

$C_{IN}$  Input capacitance of a device.

$Z_{IN}$  Input impedance of a device.

$C_{OUT}$  Output capacitance of a device.

$Z_{OUT}$  Output impedance of a device.

$P_D$  The total dc power applied to a device, not including any power delivered from the device to the load.

$R_L$  Load resistance

$R_T$  Transmission line termination resistor.

$R_p$  An input pull-down resistor.

P.U.T. Pin under test.

**SECTION 2**  
**Electrical Characteristics**

**DC Characteristics**

**ECLinPS Transfer Curves**

As mentioned in the previous section, except for the E1651, E1652 and E197 all ECLinPS devices are offered in either 10E or 100E versions to be compatible with 10KH or 100K ECL logic respectively. The following information will overview the DC characteristics of the two versions of ECLinPS devices, for more detailed discussions the reader is referred to the MECL and F100K databooks.

Both 10E and 100E devices produce  $\approx 800\text{mV}$  output swings into a specified  $50\Omega$  to  $-2.0\text{V}$  load. However because of the low output impedance (Figure 2.1) of both standards neither is limited to  $50\Omega$  loads. Larger load resistances can be used to reduce the system power without sacrificing the speed of the device. Of course the overall system speed will be reduced due to the increased delays of the interconnect traces. In addition, to better drive high capacitive lines, smaller resistances, down to  $25\Omega$ , can be used without violating the  $50\text{mA}$  max output current specification. It is however recommended that for lines of less than  $35\Omega$  specialized  $25\Omega$  driver circuits or "ganged" output schemes should be used to ensure optimum long term reliability of the device.

The 10E devices are voltage compensated but not temperature compensated, therefore although the output voltage levels are insensitive to variations in  $V_{EE}$  they do vary with temperature. The transfer curves in Figure 2.2 pictorially illustrate the behavior of the 10E outputs. In order to maintain noise margins over temperature it is important that the  $V_{BB}$  switching reference tracks with temperature in such a way as to remain centered between the  $V_{OH}$  and  $V_{OL}$  levels. As shown in Table 2.1 the temperature tracking rates of the  $V_{OH}$  and  $V_{OL}$  for a 10E device are not equal. Therefore it is

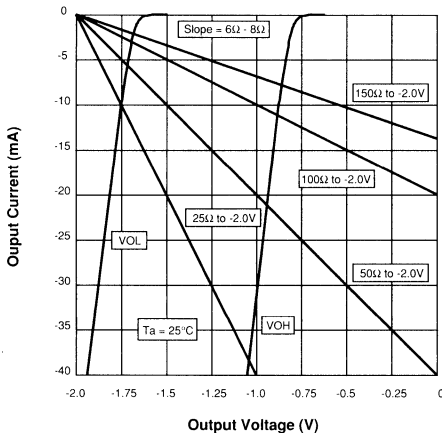


Figure 2.1 - Output Characteristics vs Load

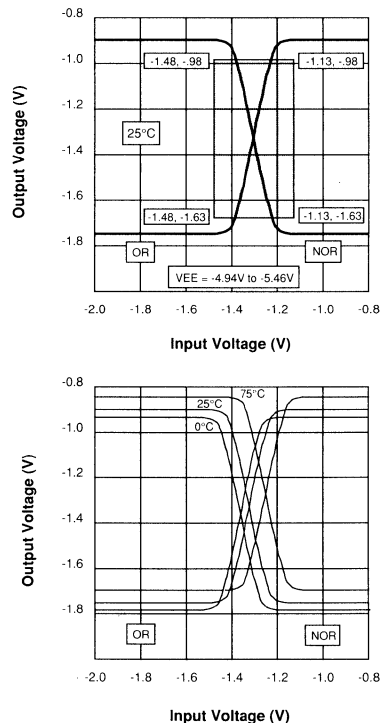


Figure 2.2 - ECLinPS 10E Transfer Curves



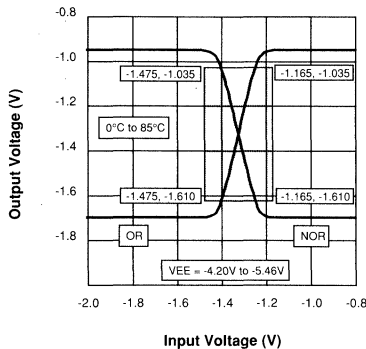
## Electrical Characteristics

necessary to design the  $V_{BB}$  reference such that it tracks at a rate equal to the average rate of the difference between the high and low output level tracking rates. Table 2.1 also outlines the temperature tracking behavior of a 10E  $V_{BB}$  switching reference.

10E	min	typ	max
$\Delta V_{OH}/\Delta T$ (mV/°C)	1.1	1.2	1.4
$\Delta V_{OL}/\Delta T$ (mV/°C)	0	0.4	0.6
$\Delta V_{BB}/\Delta T$ (mV/°C)	0.6	0.8	1.0
$\Delta V_{OH}/\Delta V_{EE}$ (mV/V)	0	5	20
$\Delta V_{OL}/\Delta V_{EE}$ (mV/V)	0	10	30
$\Delta V_{BB}/\Delta V_{EE}$ (mV/V)	0	5	20
100E	min	typ	max
$\Delta V_{OH}/\Delta T$ (mV/°C)	-.15	0	.15
$\Delta V_{OL}/\Delta T$ (mV/°C)	-.30	0	.30
$\Delta V_{BB}/\Delta T$ (mV/°C)	-.20	0	.20
$\Delta V_{OH}/\Delta V_{EE}$ (mV/V)	0	5	20
$\Delta V_{OL}/\Delta V_{EE}$ (mV/V)	0	10	30
$\Delta V_{BB}/\Delta V_{EE}$ (mV/V)	0	5	20

**Table 2.1 - ECLinPS Voltage Level Tracking Rates**

The 100E devices, on the other hand, are temperature and voltage compensated, therefore the output levels remain fairly constant over variations in both  $V_{EE}$  and temperature. Figure 2.3 shows the transfer characteristics for a 100E device. The associated tracking rates are illustrated in Table 2.1. Notice that in this case the  $V_{BB}$  switching reference is designed to remain constant over temperature to maintain an optimum position within the output swing of the device. This flat temperature tracking of the internal reference levels leads to a phenomena particular to the 100E devices.



**Figure 2.3- ECLinPS 100E Transfer Characteristics**

Since the  $V_{BE}$ 's of the current source transistor reduce with temperature, if the current source reference remains constant, as is the case for 100E devices, the  $I_{EE}$  of the device will vary with temperature. Careful scrutiny of the data sheets will reveal that the worst case  $I_{EE}$  for a function is higher for the 100E version than the 10E version of that device. As a result from a power standpoint a 100E device operating at 85°C with a -4.5V  $V_{EE}$  will be nearly identical to a 10E device operating with a -5.2V  $V_{EE}$  under identical temperature conditions.

Although differing somewhat in many DC parameters, 10E and 100E devices do share a couple of the same DC characteristics. Both designs show superior  $I_{EE}$  vs  $V_{EE}$  tracking rates due to the design of the voltage regulator. With a tracking rate of <3%/V this variation can effectively be ignored during system design. The output level and reference level variation with  $V_{EE}$  are also outstanding as can be seen in Table 2.1.

### Noise Margin

The noise margin of a device is a measure of a device's resistance to undesirable switching. For ECLinPS as well as all ECL devices, noise margin is a DC specification. The noise margin is defined as the difference between the voltage level of an output of the sending device and the required voltage level of the input of the receiving device. Therefore a worst case noise margin can be calculated from the ECLinPS data sheets by simply subtracting the  $V_{IH,max}$  or  $V_{IH,min}$  from the  $V_{OL,min}$  or  $V_{OH,max}$  respectively. Table 2.2 below illustrates the worst case and typical noise margins for both 10E and 100E ECLinPS devices. Notice that the typical noise margins are approximately 100mV larger than the worst case.

	10E		100E	
	min	typ	min	typ
$NM_{HIGH}$ (mV)	150	240	140	210
$NM_{LOW}$ (mV)	150	280	145	230

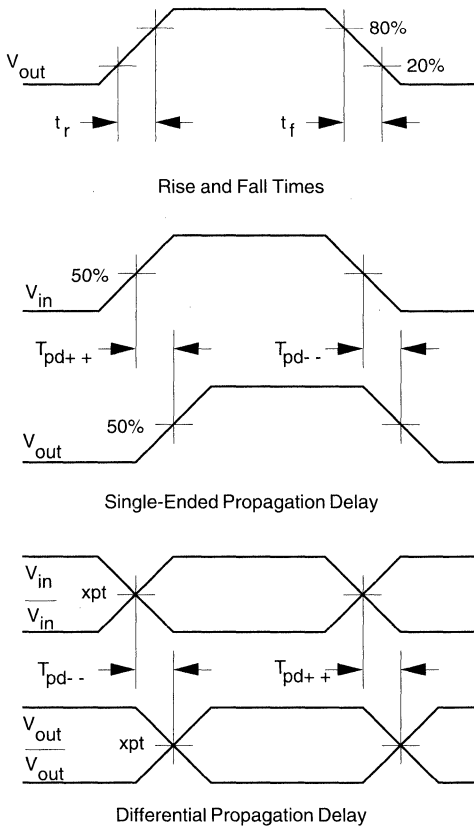
**Table 2.2 - DC Noise Margins**

As mentioned above the noise margins of a device are a DC measurement and thus can lead to some false impressions of the noise immunity of a system. For instance from the chart the worst case noise margin is 140mV for a high level of a 100E device. This would suggest that an undershoot on this line of greater than 140mV could cause an error in the system. This however is not necessarily the case as the determination as to whether or not an AC noise signal is propagated is dependent on line impedances, output impedances and propagation delays as well as noise margins. A more thorough investigation of the noise immunity of a system can be found in Application Note AN-592.

**AC Characteristics**

**Parameter Definitions**

The device data sheets in Section 3 contain specifications for the propagation delays and rise/fall times for each of the devices in the ECLinPS family. In addition, where applicable, skew, setup/hold, maximum toggle frequencies ( $f_{MAX}$ ), reset recovery and minimum pulse width specifications are included. The waveforms and terminologies used in describing the propagation delays and rise/fall times of the ECLinPS family are depicted in Figure 2.4 below.



**Figure 2.4 - ECLinPS  $T_{pd}$  Measurement Waveforms**

Propagation delays and rise/fall times are generally well understood parameters, however there is sometimes confusion surrounding the definitions of more specialized AC

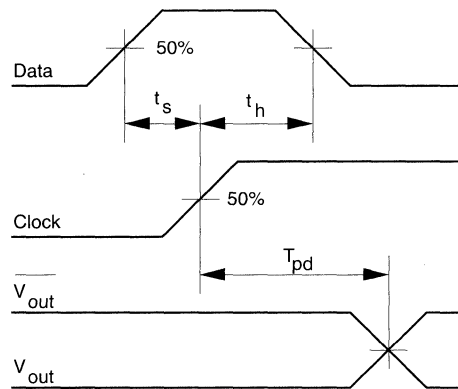
parameters such as skew, setup/hold times, release times, and maximum frequency. The following few paragraphs will outline the ways in which Motorola defines these parameters.

**Skew Times**

In the design of high speed systems skew plays nearly as important a role as propagation delay. The majority of the devices in the ECLinPS family have the skew between outputs specified. This skew specification represents the typical difference between the delays of similar paths on a single chip. No maximum value for skew is specified due to the difficulty in the production testing of this parameter. The user is encouraged to contact an ECLinPS application engineer to obtain actual evaluation data if this parameter is critical in their designs.

**Set-Up and Hold Times**

Motorola defines the setup time of a device as the minimum time, prior to the transition of the clock, that an input must be stable to ensure that the device operates properly. The hold time, on the other hand, is defined as the minimum time that an input must remain stable after the transition of the clock to ensure that the device operates properly. Figure 2.5 illustrates the way in which Motorola defines setup and hold times.



**Figure 2.5 - Set-Up and Hold Waveforms**

**Release Times**

Release times are defined as the minimum amount of time an input must wait to be clocked after an enable, master reset or set signal is deactivated to ensure proper operation. Because more times than not this specification is in reference to a master reset operation this parameter is often called reset recovery time. Figure 2.6 illustrates the definition of release time in the Motorola data sheets.

2

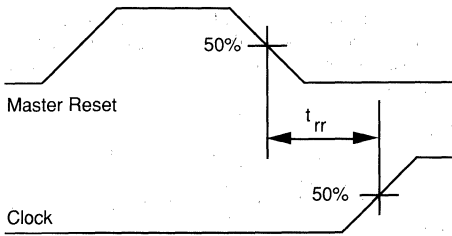


Figure 2.6 - ECLinPS Release Time Waveforms

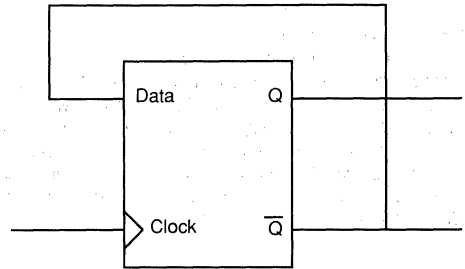


Figure 2.7 -  $f_{MAX}$  Measurement

$f_{MAX}$  Measurement

In general  $f_{MAX}$  is measured in the manner shown in Figure 2.7 with the fail criterion being either a swing of 600mV or less, or a miscount. However in some cases the feedback method of testing can lead to a pessimistic value of  $f_{MAX}$  because the feedback path delay is such that the setup times of the device are violated. If this is the case it is necessary to have two free running signal generators to ensure that the setup times are observed. This parameter, along with  $f_{SHIFT}$  and  $f_{COUNT}$ , represents the maximum frequency at which a particular flip flop, shift register or counter can be clocked with the divide, shift or count operation guaranteed. This number is generated from worst case operating conditions, thus under nominal operating conditions the maximum toggle frequency is higher.

AC Testing ECLinPS Devices

The introduction of the ECLinPS family raised the performance of silicon to a new domain. As the propagation delays of logic devices become ever faster the task of correlating between test setups becomes increasingly challenging. To obtain test results which correlate with Motorola, various testing techniques must be adhered to. A typical schematic for an ECLinPS test setup is illustrated in Figure 2.8.

A solid ground plane is a must in the test setup, as the two power supplies are bypassed to this ground plane. A 20 $\mu$ F capacitor from the two power supplies to ground is

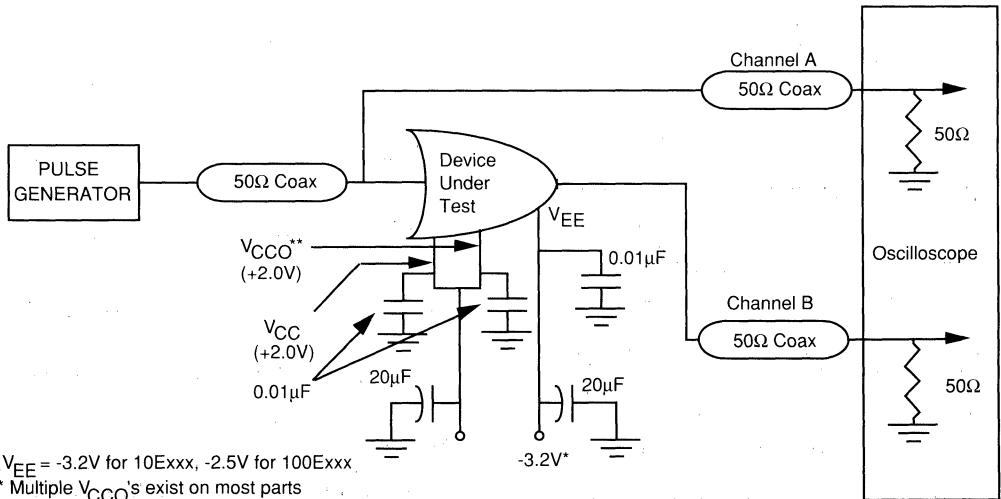


Figure 2.8 - Typical ECLinPS Test Setup

20 $\mu$ F capacitor from the two power supplies to ground is used to dampen any supply variations. An RF quality .01 $\mu$ F capacitor from each power pin to ground is used to decouple the fixture. These .01 $\mu$ F capacitors should be located as close to the power pins of the package as possible. In addition, in order to minimize the inductance of the power pins, all of the power leads should be kept as short as possible. The power supplies are shifted by +2.0V so that the load comprises only the precision 50 $\Omega$  input impedance of the oscilloscope. Use of this technique will assure that the customer and Motorola are terminating devices into equivalent loads and will improve test correlation.

To further standardize testing any unused outputs should be loaded with 50 $\Omega$  to ground.

Because the power supplies are shifted, the input levels must also be shifted by an equal amount. Table 2.3 gives the typical input levels for the ECLinPS family and their corre-

10Exxx	Typical	Shifted
V <sub>IL</sub>	-1.75V	+0.25V
V <sub>IH</sub>	-0.90V	+1.10V
100Exxx	Typical	Shifted
V <sub>IL</sub>	-1.70V	+0.30V
V <sub>IH</sub>	-0.95V	+1.05V

**Table 2.3 - ECL Levels after Translating by +2.0V**

sponding +2.0V shifted levels.

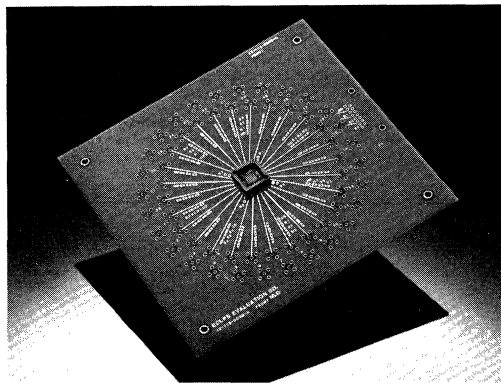
The test fixture should be in a controlled impedance 50 $\Omega$  environment, with any non-50 $\Omega$  interconnects, or stubs, kept as short as possible (<1/4"). This controlled impedance environment will help to minimize overshoot and ringing, two

phenomena which can lead to inaccuracies in AC measurements. To minimize degradation of the input and output edge rates a 50 $\Omega$  coaxial cable with a teflon dielectric is recommended, however any other cable with a bandwidth of >5.0GHz is adequate. In addition, the cables from the device under test (DUT) to the inputs of the scope should be matched in length to prevent any errors due to different path lengths from the DUT to the scope. The interconnect fittings should be 50 $\Omega$  SMA straight or SMA launchers to minimize impedance mismatches at the interface of the coax and test PC board. Although a teflon laminate board is preferable, an FR4 laminate board is acceptable as long as the signal traces are kept to five inches or less. Longer traces will result in significant edge rate degradation of the input and output signals.

To make the board useful for incoming inspection or other volume testing the board needs to be fitted with a socket. Although not suitable for AC testing due to different pin lengths and large parasitics, there are through hole sockets which are adequate for DC testing of ECLinPS devices. For AC testing purposes a 28 pin PLCC surface mount socket is recommended. At the publication of this databook there are two sockets available which the Motorola ECLinPS group recommends: AMP part # 822039-1 and Method Electronics part #'s 213-028-601 or 213-028-602.

To ease the correlation issue Motorola has developed a universal AC test board which is now available to customers. The board is fitted with a PLCC socket and comes with instructions on how it can be configured for the different device types in the family. For ordering information see the description on the following page.

Finally, to ensure correlation between Motorola and the customer, high performance state-of-the-art measuring equipment should be used. The pulse generator must be capable of producing the required input levels with rise and fall times of 500ps. In addition, if f<sub>max</sub> is going to be tested, a frequency of up to 1.5GHz may be needed. The oscilloscope should also be of the utmost in performance with a minimum bandwidth of 5.0 GHz.



**Figure 2.9 — ECLinPS AC Test Board**

**Engineering Evaluation Board  
for 28 Pin ECL Devices in the PLCC Package  
Part # ECLPSBD28**

**DESCRIPTION**

This board is designed to provide a low cost characterization tool for evaluating ECL devices in the ECLinPS Product Family. The board provides a high bandwidth 50 ohm controlled impedance environment. The board is universal and can be configured by the user for any of the 28 pin PLCC devices in the family depending on the input, output, and power pinout layout of the device. The table below indicates common input/output/power devices.

<u>Group</u>	<u>Base Device</u>	<u>Pin Compatible Devices</u>
CONF1	E196	E195
CONF2	E142	E016,E141,E143,E241
CONF3	E337	E336
CONF4	E212	E104,E107,E150,E151
CONF5	E156	E155,E167,E171,E256
CONF6	E158	E116,E122,E175,E416
CONF7	E154	E452
CONF8	E101	E131,E157,E404
CONF9	E112	
CONF10	E431	E457
CONF11	E111	
CONF12	E164	E160
CONF13	E451	
CONF14	E163	E166
CONF15	E193	

Table 1: Cross Reference of Board Configurations

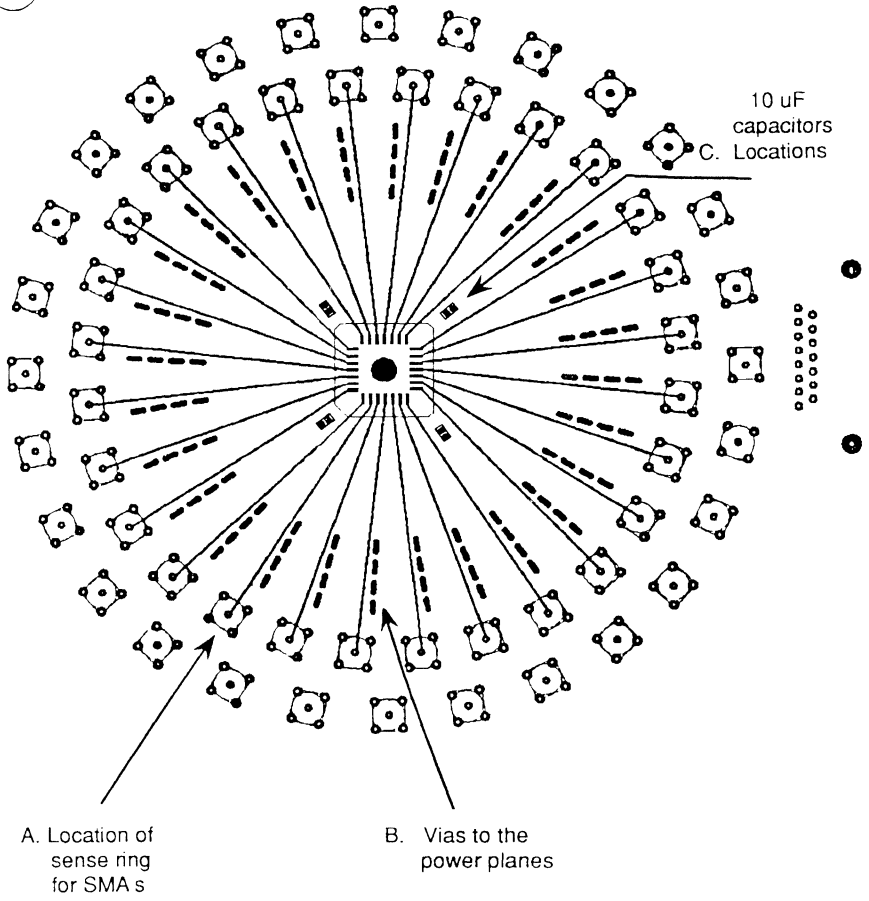
The board is designed to test devices using the fly-by (Kelvin contact) test method, therefore one input force trace and one input sense trace exists for each input pin. This allows termination of the input and output signals into the highly accurate 50 ohm impedance of an oscilloscope. The layout is engineered to have equal length traces from the device under test (DUT) socket to the sense outputs which simplifies the calibration requirements for accurate AC measurements.

The kit provides a printed circuit board with an attached surface mount socket as well as assembly instructions. For superior impedance control from the cable to the board, Motorola recommends the use of SMA coaxial connectors.





**MOTOROLA**



**Figure 1. Front View of ECLinPS Evaluation Board**

Group	Part(s)	P1	P2	P3	P4	P5	P6	P7	P8	P9	P10	P11	P12	P13	P14	P15	P16	P17	P18	P19	P20	P21	P22	P23	P24	P25	P26	P27	P28	# of Connectors	
CONF1	E196	VEE	I	I	VB	NC	NC	I	I	I	O	O	VCC	O	O	VCC	VCC	NC	I	NC	I	I	I	I	I	I	I	I	I	I	35
CONF2	E142	VEE	I	I	I	I	I	I	I	O	O	O	O	O	VCC	O	VCC	O	O	O	O	VCC	I	I	I	I	I	I	I	I	37
CONF3	E337	VEE	I	I	I	I	I	I	I	I	NC	O	NC	I	VCC	O	VCC	I	NC	O	VCC	I	I	I	I	I	I	I	I	I	37
CONF4	E212	VEE	I	I	I	I	VCC	O	O	O	O	VCC	O	O	O	O	VCC	O	O	O	O	VCC	O	I	I	I	I	I	I	I	33
CONF5	E156	VEE	I	I	I	I	I	I	I	I	VCC	O	O	O	O	VCC	O	O	VCC	O	VCC	I	I	I	I	I	I	I	I	I	40
CONF6	E158	VEE	I/VB	I	I	I	I	VCC	O	O	VCC	O	O	VCC	O	O	VCC	O	O	VCC	O	O	VCC	I	I	I	I	I	I	I	32
CONF7	E154	VEE	I/VB	I	I	I	I	I	I	I	VCC	O	O	O	O	O	VCC	O	O	O	O	O	VCC	I	I	I	I	I	I	I	38
CONF8	E101	VEE	I	I	I	I	I	I	I	I	I	VCC	O	O	O	O	VCC	O	O	O	O	VCC	O	I	I	I	I	I	I	I	40
CONF9	E112	VEE	I	I	I	NC	VCC	O	O	O	O	O	VCC	O	O	O	VCC	O	O	O	O	VCC	O	O	O	O	O	VCC	I	I	26
CONF10	E431	VEE	I/VB	I	I	I	I	I	I	I	I	VCC	O	O	O	O	VCC	O	O	I	I	I	I	I	I	I	I	I	I	I	44
CONF11	E111	VEE	I	VB	NC	O	O	O	O	O	O	O	O	O	O	VCC	O	O	O	O	O	O	I/VB	O	O	O	I/VB	O	I	I	25
CONF12	E164	VEE	I	I	I	I	I	I	I	I	I	I	I	VCC	O	O	VCC	O	O	VCC	I	I	I	I	I	I	I	I	I	I	44
CONF13	E451	VEE	I	NC	I	I	I	I	I	I	VCC	O	O	O	VCC	O	VCC	O	O	VCC	I	I	I	I	I	I	I	I	VB	I	37
CONF14	E163	VEE	I	I	I	I	I	I	I	I	I	I	I	I	VCC	NC	VCC	O	O	VCC	I	I	I	I	I	I	I	I	I	I	42
CONF15	E193	VEE	I	I	I	I	I	I	I	VCC	O	O	O	O	VCC	O	VCC	O	O	O	VCC	I	I	I	I	I	I	I	I	I	38

Table 2. Pin Cross Reference

KEY: "I" designates an input  
 "O" designates an output  
 "VEE" designates the lower voltage rail  
 "VCC" designates the upper voltage rail  
 "NC" designates a no connect  
 "VB" designates V<sub>BB</sub> output which should not be terminated into 50 ohms

## ASSEMBLING THE ECLinPS EVALUATION BOARD

The evaluation board is designed for characterizing devices in a laboratory environment using high bandwidth sampling oscilloscopes such as the Hewlett Packard 54120T, the Tektronix 11800 Series, or the Tektronix 7854. The board is designed using Kelvin contact (fly-by) techniques to present the input signals to the DUT. Each pin on the board has two traces, one force and one sense. Inputs pins use one force and one sense line, while outputs need only a sense line. This means that input signals are terminated through the sense line into the 50 ohm input of a sampling oscilloscope instead of at the input to the DUT. Please refer to the AC Testing section of the ECLinPS Data Book for further information and a simplified figure of the test setup.

The first step in building a board is determining which input/output/power configuration is necessary for the device of interest. Table 1 on the first page of the Applications Information shows all the board configurations. For example, if the devices of interest were the E104 and the E151, then CONF2 would be selected. Table 2 is a pin cross reference for each configuration.

### I. Installing the SMA Connectors

Table 2 indicates the number of SMA connectors needed to populate an evaluation board for a given configuration. Depending on the device and the parameters of interest, it may not be necessary to install the full complement of SMA connectors. For example, some devices have two clock inputs or common clocks and individual clocks. Figure 1 is the front view of the ECLinPS evaluation board. Item A points to the inner ring which connects to the sense traces of the DUT. The outer ring connects to the force traces. An input requires one SMA connector for the force and one SMA connector for the sense, while an output only requires a connection to the sense trace. Insert all the SMA connectors into the board and solder to the board. A simple assembly technique is to place a stiff piece of cardboard (8" x 7" or larger) on top of all the connectors and hold the board and cardboard together. Invert the board, place on a level surface, and all the connectors will be seated properly and can be soldered in place.

### II. Connecting Power Planes to DUT Socket

There are four voltage planes on the ECLPSBD28. One is dedicated to ground and the other three: B1, B2, B3 are uncommitted. These planes are accessible through a power connection and sets of four vias that are adjacent to each sense trace. This is identified as Item B in Figure 1. For standard parts, B1 can be assigned  $V_{CC}$ , B2 can be assigned to  $V_{EE}$ , and B3 can be assigned to ground. Table 2 indicates which pins need to be connected to the various supply voltages. On the front side of the board, solder a jumper wire from the closest  $V_{EE}$  or  $V_{CC}$  via to the sense trace for each  $V_{CC}$ ,  $V_{CCO}$ , and  $V_{EE}$  pin. Near the DUT there are sets of ground/bias plane vias that accommodate power supply decoupling capacitors. These are identified as Item C. On the front side of the board install 10  $\mu\text{F}$  capacitors and on the back side install a 0.01  $\mu\text{F}$  high frequency capacitor in parallel to decouple the  $V_{EE}$  and  $V_{CC}$  planes.

### III. Cutting Force Traces for Outputs

Because of the design of the board all force traces for output pins will appear as transmission line stubs connected to the output pin. On the back side of the board, cut the force traces associated with the outputs using a razor blade knife. It is important to cut the trace very close to the DUT area to minimize the stub length. Also cut the force traces that are connected to  $V_{CC}$ ,  $V_{CCO}$ , and  $V_{EE}$  pins.

### IV. Installing the Chip Capacitors for the $V_{CC}/V_{CCO}$ Pins

In the kit are 0.01  $\mu\text{F}$  chip capacitors for use in decoupling the  $V_{CC}$  and  $V_{CCO}$  pins to the ground plane. This is critical because the power pins are not directly connected to the  $V_{CC}$  plane as in an actual board layout. On the back side of the board beneath the DUT socket are pads for each pin which allow connection of chip capacitors to the center island (GND) for each  $V_{CC}$  and  $V_{CCO}$  pin. Stand the chip capacitors on edge when soldering them in place so that adjacent pins are not shorted together.

## V. Final Assembly

The board power plane interface is designed to accommodate a 15 pin right angle D connector. This can be used directly, or wires can be inserted into the vias to connect to the power planes that were connected to the DUT in part II. Attach standoffs into the four 0.25 inch holes at the corners of the board. This completes the assembly of the evaluation board and it should be ready to test.

## VI. SMA Connector Suppliers

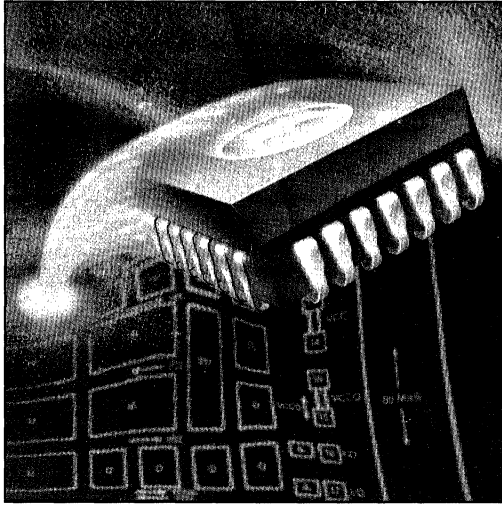
Below are two suppliers who manufacture PC Mount SMA connectors which interface to the evaluation board. Motorola has used these two connectors before, but there are other vendors who manufacture similar products.

EF Johnson  
299 Johnson Ave. P.O. Box 1249  
Waseca, Minnesota 56093  
(800)-247-8343 or (507)-835-6222

0.200" PC Mount SMA  
Jack Receptacle  
142-0701-201

MACOM Omni Spectra  
140 Fourth Avenue  
Waltham, Massachusetts 02254  
(617)-890-4750

0.200" PC Mount SMA  
Straight Jack  
2062-0000-00



# **ECL<sup>IN</sup>PS** Family Specifications & Device Data Sheets

**3**

---

*This section contains AC & DC specifications for each ECLinPS device type. Specifications common to all device types can be found in the first part of this section. While specifications unique to a particular device can be found in the individual data sheets following the family specifications.*

#### **Data Sheet Classification**

*Advance Information* — product in the sampling or pre-production stage at the time of publication.

*Product Preview* — product in the design stage at the time of publication.



# ECL<sup>in</sup>PS

## Family Specifications

### Absolute Maximum Ratings

Beyond which device life may be impaired.<sup>1</sup>

Characteristic	Symbol	Rating	Unit
Power Supply ( $V_{CC} = 0$ V)	$V_{EE}$	-8 to 0	Vdc
Input Voltage ( $V_{CC} = 0$ V)	$V_I$	0 to -6 V	Vdc
Output Current — Continuous — Surge	$I_{out}$	50 100	mA
Operating Temperature Range 10E Series 100E Series	$T_A$	0 to +75 0 to +85	°C
Operating Range <sup>2</sup>	$V_{EE}$	-5.7 to -4.2	V

1. Unless specified otherwise on individual data sheet.  
 2. Parametric values specified at: 100E series: -4.2 V to -5.46 V  
 10E series: -4.94 V to -5.46 V

### 10E Series DC Characteristics

$V_{EE} = -5.2$  V  $\pm$  5%;  $V_{CC} = V_{CCO} = GND$ <sup>1</sup>

Symbol	Characteristic	0°C		25°C		75°C		85°C		Unit
		Min	Max	Min	Max	Min	Max	Min	Max	
$V_{OH}$	Output HIGH Voltage	-1020	-840	-980	-810	-920	-735	-910	-720	mV
$V_{OL}$	Output LOW Voltage	-1950	-1630	-1950	-1630	-1950	-1600	-1950	-1595	mV
$V_{IH}$	Input HIGH Voltage	-1170	-840	-1130	-810	-1070	-735	-1060	-720	mV
$V_{IL}$	Input LOW Voltage	-1950	-1480	-1950	-1480	-1950	-1450	-1950	-1445	mV
$I_{IL}$	Input LOW Current	0.5		0.5		0.3		0.3		$\mu$ A

1. 10E series circuits are designed to meet the dc specifications shown in the table, after thermal equilibrium has been established. The circuit is in a test socket or mounted on a printed circuit board and transverse air flow greater than 500 lpm is maintained. Outputs are terminated through a 50  $\Omega$  resistor to -2.0 volts, except bus outputs which, where specified, are terminated into 25  $\Omega$ .

### 100E Series DC Characteristics

$V_{EE} = -4.2$  V to -5.46 V;  $V_{CC} = V_{CCO} = GND$ ;  $T_A = 0^\circ$  C to +85°C

Symbol	Characteristic	Min	Typ	Max	Unit	Conditions	
$V_{OH}$	Output HIGH Voltage	-1025	-955	-880	mV	$V_{IN} = V_{IH}(\text{max})$ or $V_{IL}(\text{min})$	Loading with 50 $\Omega$ to -2.0 V
$V_{OL}$	Output LOW Voltage	-1810	-1705	-1620	mV		
$V_{OHA}$	Output HIGH Voltage	-1035			mV	$V_{IN} = V_{IH}(\text{min})$ or $V_{IL}(\text{max})$	
$V_{OLA}$	Output LOW Voltage			-1610	mV		
$V_{IH}$	Input HIGH Voltage	-1165		-880	mV	Guaranteed HIGH Signal for All Inputs	
$V_{IL}$	Input LOW Voltage	-1810		-1475	mV	Guaranteed LOW Signal for All Inputs	
$I_{IL}$	Input LOW Current	0.5			$\mu$ A	$V_{IN} = V_{IL}(\text{min})$	

This table replaces the three tables at different supply voltages in the previous edition and in ECL 100K literature. The same DC parametric values at  $V_{EE} = -4.5$  V now apply across the full  $V_{EE}$  range of -4.2 to -5.46 V.

**MC10E016**  
**MC100E016**

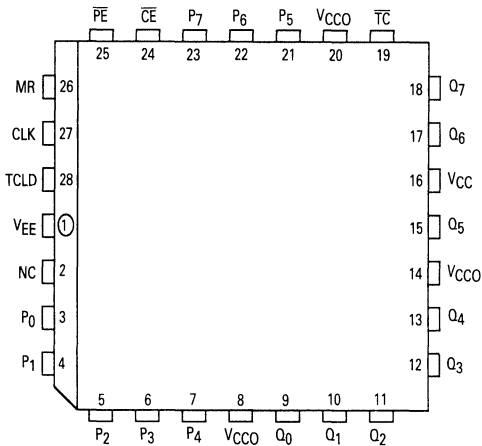
**8-BIT SYNCHRONOUS**  
**BINARY UP COUNTER**

- 700 MHz Min. Count Frequency
- 1000 ps CLK to Q,  $\overline{TC}$
- Internal  $\overline{TC}$  Feedback (Gated)
- 8-Bit
- Fully Synchronous Counting and  $\overline{TC}$  Generation
- Asynchronous Master Reset
- Extended 100E  $V_{EE}$  Range of  $-4.2$  V to  $-5.46$  V
- 75 k $\Omega$  Input Pulldown Resistors

The MC10E/100E016 is a high-speed synchronous, presettable, cascadable 8-bit binary counter. Architecture and operation are the same as the MC10H016 in the MECL 10KH family, extended to 8-bits, as shown in the logic symbol.

The counter features internal feedback of  $\overline{TC}$ , gated by the TCLD (terminal count load) pin. When TCLD is LOW (or left open, in which case it is pulled LOW by the internal pull-downs), the  $\overline{TC}$  feedback is disabled, and counting proceeds continuously, with  $\overline{TC}$  going LOW to indicate an all-one state. When TCLD is HIGH, the  $\overline{TC}$  feedback causes the counter to automatically re-load upon  $\overline{TC} = \text{LOW}$ , thus functioning as a programmable counter.

**PINOUT: 28-LEAD PLCC (TOP VIEW)**



**FUNCTION TABLE**

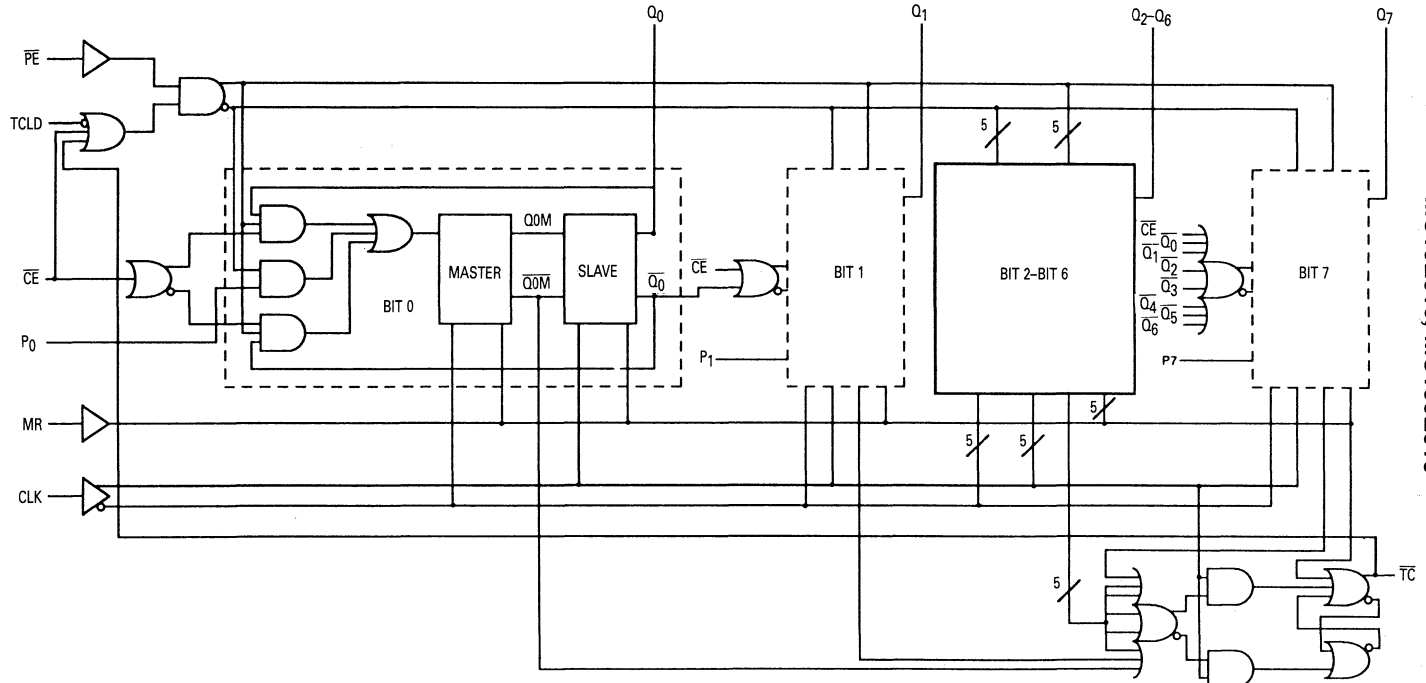
$\overline{CE}$	$\overline{PE}$	TCLD	MR	CLK	Function
X	L	X	L	Z	Load Parallel ( $P_n$ to $Q_n$ )
L	H	L	L	Z	Continuous Count
L	H	H	L	Z	Count; Load Parallel on $\overline{TC} = \text{LOW}$
H	H	X	L	Z	Hold
X	X	X	L	ZZ	Masters Respond, Slaves Hold
X	X	X	H	Z	Reset ( $Q_n := \text{LOW}, \overline{TC} := \text{HIGH}$ )

Z = clock pulse (low to high);  
 ZZ = clock pulse (high to low)

**PIN NAMES**

Pin	Function
$P_0$ - $P_7$	Parallel Data (Preset) Inputs
$Q_0$ - $Q_7$	Data Outputs
$\overline{CE}$	Count Enable Control Input
$\overline{PE}$	Parallel Load Enable Control Input
MR	Master Reset
CLK	Clock
$\overline{TC}$	Terminal Count Output
TCLD	TC-Load Control Input

## 8-BIT BINARY COUNTER LOGIC DIAGRAM



MC10E016, MC100E016

Note that this diagram is provided for understanding of logic operation only.  
It should not be used for propagation delays as many gate functions are achieved internally without incurring a full gate delay.

## MC10E016, MC100E016

**DC Characteristics:**  $V_{EE} = V_{EE}(\min)$  to  $V_{EE}(\max)$ ;  $V_{CC} = V_{CC0} = \text{GND}$

Symbol	Characteristic	0°C			25°C			85°C			Unit	Condition
		min	typ	max	min	typ	max	min	typ	max		
$I_{IH}$	Input HIGH Current			150			150			150	$\mu\text{A}$	
$I_{EE}$	Power Supply Current										$\text{mA}$	
	10E		151	181		151	181		151	181		
	100E		151	181		151	181		174	208		

**AC Characteristics:**  $V_{EE} = V_{EE}(\min)$  to  $V_{EE}(\max)$ ;  $V_{CC} = V_{CC0} = \text{GND}$

Symbol	Characteristic	0°C			25°C			85°C			Unit	Condition
		min	typ	max	min	typ	max	min	typ	max		
$f_{\text{COUNT}}$	Max. Count Frequency	700	900		700	900		700	900		MHz	
$t_{\text{PLH}}$ $t_{\text{PHL}}$	Propagation Delay to Output CLK to Q MR to Q CLK to $\overline{\text{TC}}$ (Q's loaded) CLK to $\overline{\text{TC}}$ (Q's unloaded) MR to $\overline{\text{TC}}$	600	725	1000	600	725	1000	600	725	1000	ps	1 1
$t_s$	Setup Time Pn CE PE TCLD	150	-30		150	-30		150	-30		ps	
$t_h$	Hold Time Pn CE PE TCLD	250	30		250	30		250	30		ps	
$t_{\text{RR}}$	Reset Recovery Time	900	700		900	700		900	700		ps	
$t_{\text{PW}}$	Minimum Pulse Width CLK, MR	400			400			400			ps	
$t_r$ $t_f$	Rise/Fall Times 20 - 80%	300	510	800	300	510	800	300	510	800	ps	

1. CLK to  $\overline{\text{TC}}$  propagation delay is dependent on the loading of the Q outputs. With all of the Q outputs loaded the noise generated in going from a IIII IIII state to a 0000 0000 state causes the CLK to  $\overline{\text{TC}}$  delay to increase

# MC10E016, MC100E016

## FUNCTION TABLE

FUNCTION	$\overline{PE}$	$\overline{CE}$	MR	TCLD	CLK	P7-P4	P3	P2	P1	P0	Q7-Q4	Q3	Q2	Q1	Q0	$\overline{TC}$
Load Count	L	X	L	X	Z	H	H	H	L	L	H	H	H	L	L	H
	H	L	L	L	Z	X	X	X	X	X	H	H	H	L	H	H
	H	L	L	L	Z	X	X	X	X	X	H	H	H	H	L	H
	H	L	L	L	Z	X	X	X	X	X	L	L	L	L	L	H
	H	L	L	L	Z	X	X	X	X	X	H	H	H	L	L	H
Load Hold	L	X	L	X	Z	H	H	H	L	L	H	H	H	L	L	H
	H	H	L	X	Z	X	X	X	X	X	H	H	H	L	L	H
	H	H	L	X	Z	X	X	X	X	X	H	H	H	L	L	H
	H	L	L	H	Z	H	L	H	H	L	H	H	H	L	H	H
	H	L	L	H	Z	H	L	H	H	L	H	H	H	L	H	H
Load On Terminal Count	H	L	L	H	Z	H	L	H	H	L	H	H	H	H	H	L
	H	L	L	H	Z	H	L	H	H	L	H	H	H	H	H	L
	H	L	L	H	Z	H	L	H	H	L	H	L	H	H	H	H
	H	L	L	H	Z	H	L	H	H	L	H	L	H	H	H	H
	H	L	L	H	Z	H	L	H	H	L	H	L	H	L	L	H
Reset	X	X	H	X	X	X	X	X	X	X	L	L	L	L	L	H

## Applications Information

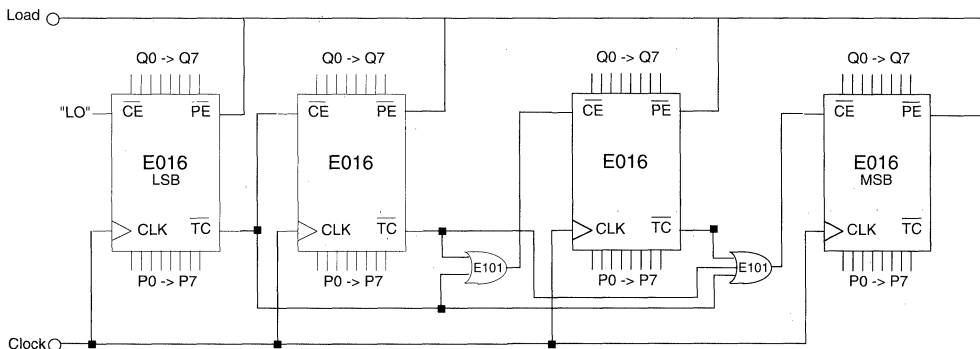
### Cascading Multiple E016 Devices

For applications which call for larger than 8-bit counters multiple E016's can be tied together to achieve very wide bit width counters. The active low terminal count ( $\overline{TC}$ ) output and count enable input ( $\overline{CE}$ ) greatly facilitate the cascading of E016 devices. Two E016's can be cascaded without the need for external gating, however for counters wider than 16 bits external OR gates are necessary for cascade implementations.

Figure 1 below pictorially illustrates the cascading of 4 E016's to build a 32-bit high frequency counter. Note the E101 gates used to OR the terminal count outputs of the lower order E016's to control the counting operation of the higher order bits. When the terminal count of the preceding device (or devices) goes low (the counter reaches an all 1's state) the more significant E016 is set in its count mode and will count one binary digit upon the next positive clock transition. In addition, the preceding devices will also count one bit thus sending their terminal count outputs back to a high state dis-

abling the count operation of the more significant counters and placing them back into hold modes. Therefore, for an E016 in the chain to count all of the lower order terminal count outputs must be in the low state. The bit width of the counter can be increased or decreased by simply adding or subtracting E016 devices from Figure 1 and maintaining the logic pattern illustrated in the same figure.

The maximum frequency of operation for the cascaded counter chain is set by the propagation delay of the TC output and the necessary setup time of the  $\overline{CE}$  input and the propagation delay through the OR gate controlling it (for 16-bit counters the limitation is only the TC propagation delay and the CE setup time). Figure 1 shows E101 gates used to control the count enable inputs, however if the frequency of operation is lower a slower ECL OR gate can be used. Using the worst case guarantees for these parameters from the ECLinPS data book the maximum count frequency for a greater than 16-bit counter is 475MHz and that for a 16-bit



**Figure 1 - 32-Bit Cascaded E016 Counter**



# MC10E016, MC100E016

## Applications Information

counter is 625MHz. Note that this assumes the trace delay between the TC outputs and the CE inputs are negligible. If this is not the case estimates of these delays need to be added to the calculations.

### Programmable Divider

The E016 has been designed with a control pin which makes it ideal for use as an 8-bit programmable divider. The TCLD pin (load on terminal count) when asserted reloads the data present at the parallel input pin (Pn's) upon reaching terminal count (an all 1's state on the outputs). Because this feedback is built internal to the chip the programmable division operation will run at very nearly the same frequency as the maximum counting frequency of the device. Figure 2 below illustrates the input conditions necessary for utilizing the E016 as a programmable divider set up to divide by 113.

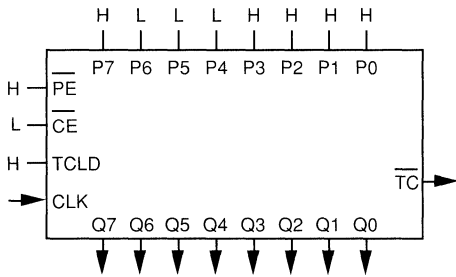


Figure 2 - Mod 2 to 256 Programmable Divider

To determine what value to load into the device to accomplish the desired division the designer simply subtracts the binary equivalent of the desired divide ratio from the binary value for 256. As an example for a divide ratio of 113:

$$Pn's = 256 - 113 = 8F_{16} = 1000\ 1111$$

where:

P0 = LSB and P7 = MSB

Forcing this input condition as per the setup in Figure 2 will result in the waveforms of Figure 3. Note that the TC output is used as the divide output and the pulse duration is equal to a

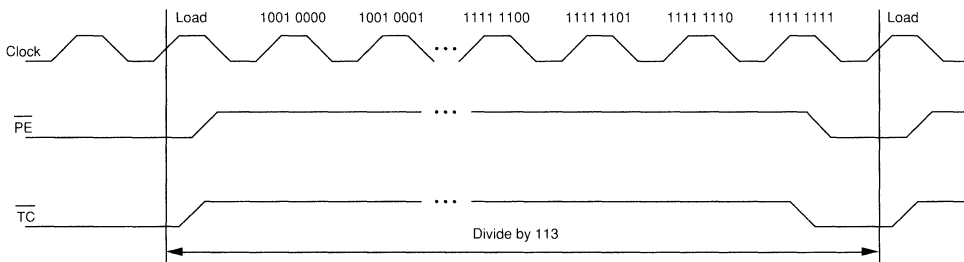
Divide Ratio	Preset Data Inputs							
	P7	P6	P5	P4	P3	P2	P1	P0
2	H	H	H	H	H	H	H	L
3	H	H	H	H	H	H	L	H
4	H	H	H	H	H	H	L	L
5	H	H	H	H	H	L	H	H
.	.	.	.	.	.	.	.	.
.	.	.	.	.	.	.	.	.
112	H	L	L	H	L	L	L	L
113	H	L	L	L	H	H	H	H
114	H	L	L	L	H	H	H	L
.	.	.	.	.	.	.	.	.
.	.	.	.	.	.	.	.	.
254	L	L	L	L	L	L	H	L
255	L	L	L	L	L	L	L	H
256	L	L	L	L	L	L	L	L

Table 1 - Preset Values for Various Divide Ratios

full clock period. For even divide ratios, twice the desired divide ratio can be loaded into the E016 and the TC output can feed the clock input of a toggle flip flop to create a signal divided as desired with a 50% duty cycle.

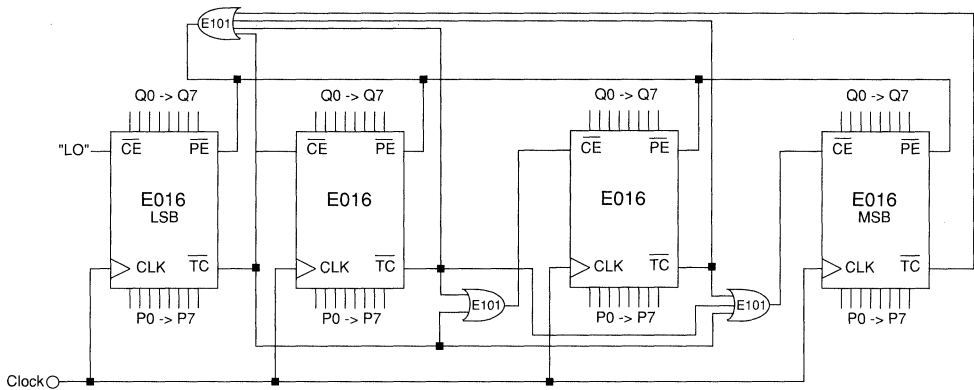
A single E016 can be used to divide by any ratio from 2 to 256 inclusive. If divide ratios of greater than 256 are needed multiple E016's can be cascaded in a manner similar to that already discussed. When E016's are cascaded to build larger dividers the TCLD pin will no longer provide a means for loading on terminal count. Because one does not want to reload the counters until all of the devices in the chain have reached terminal count, external gating of the TC pins must be used for multiple E016 divider chains.

Figure 4 on the following page shows a typical block diagram of a 32-bit divider chain. Once again to maximize the frequency of operation E101 OR gates were used. For lower frequency applications a slower OR gate could replace the E101. Note that for a 16-bit divider the OR function feeding the PE (program enable) input CANNOT be replaced by a wire OR tie as the TC output of the least significant E016 must also feed the CE input of the most significant E016. If the two TC outputs were OR tied the cascaded count operation would not operate properly. Because in the cascaded form the PE



Divide by 113 E016 Programmable Divider Waveforms





32-Bit Cascaded E016 Programmable Divider

feedback is external and requires external gating the maximum frequency of operation will be significantly less than the same operation in a single device.

#### Maximizing E016 Count Frequency

The E016 device produces 9 fast transitioning single ended outputs, thus  $V_{CC}$  noise can become significant in situations where all of the outputs switch simultaneously in the same direction. This  $V_{CC}$  noise can negatively impact the maximum frequency of operation of the device. Since the

device does not need to have the Q outputs terminated to count properly, it is recommended that if the outputs are not going to be used in the rest of the system they should be left unterminated. In addition if only a subset of the Q outputs are used in the system only those outputs should be terminated. Not terminating the unused outputs will not only cut down the  $V_{CC}$  noise generated but will also save in total system power dissipation. Following these guidelines will allow designers to either be more aggressive in their designs or provide them with an extra margin to the published data book specifications.

# MOTOROLA SEMICONDUCTOR TECHNICAL DATA

**MC10E101  
MC100E101**

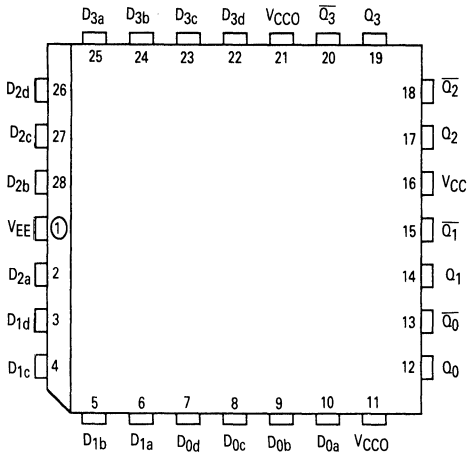
**QUAD 4-INPUT  
OR/NOR GATE**

**3**

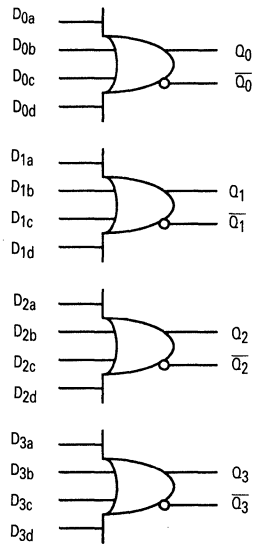
- 500 ps Max. Propagation Delay
- Extended 100E  $V_{EE}$  Range of -4.2 V to -5.46 V
- 75 k $\Omega$  Input Pulldown Resistors

The MC10E/100E101 is a quad 4-input OR/NOR gate.

**PINOUT: 28-LEAD PLCC (TOP VIEW)**



**LOGIC SYMBOL**



**PIN NAMES**

Pin	Function
D0a-D3d	Data Inputs
Q0-Q3	True Outputs
Q0-Q3	Inverting Outputs



## MC10E101, MC100E101

**DC Characteristics:**  $V_{EE} = V_{EE}(\text{min})$  to  $V_{EE}(\text{max})$ ;  $V_{CC} = V_{CCO} = \text{GND}$

Symbol	Characteristic	0°C			25°C			85°C			Unit	Condition
		min	typ	max	min	typ	max	min	typ	max		
$I_{IH}$	Input HIGH Current			150			150			150	$\mu\text{A}$	
$I_{EE}$	Power Supply Current										$\text{mA}$	
	10E		30	36		30	36		30	36		
	100E		30	36		30	36		35	42		

**3**

**AC Characteristics:**  $V_{EE} = V_{EE}(\text{min})$  to  $V_{EE}(\text{max})$ ;  $V_{CC} = V_{CCO} = \text{GND}$

Symbol	Characteristic	0°C			25°C			85°C			Unit	Condition
		min	typ	max	min	typ	max	min	typ	max		
$t_{PLH}$ $t_{PHL}$	Propagation Delay to Output D to Q	200	350	500	200	350	500	200	350	500	ps	
$t_{SKEW}$ $t_{SKEW}$	Within-Device Skew Within-Gate Skew		50			50			50		ps	1 2
$t_r$ $t_f$	Rise / Fall Time 20 - 80%	300	380	575	300	380	575	300	380	575	ps	

1. Within-device skew is defined as identical transitions on similar paths through a device
2. Within-gate skew is defined as the variation in propagation delays of a gate when driven from its different inputs.

# MOTOROLA SEMICONDUCTOR TECHNICAL DATA

- 600 ps Max. Propagation Delay
- OR/NOR Function Outputs
- Extended 100E  $V_{EE}$  Range of  $-4.2$  V to  $-5.46$  V
- 75 k $\Omega$  Input Pulldown Resistors

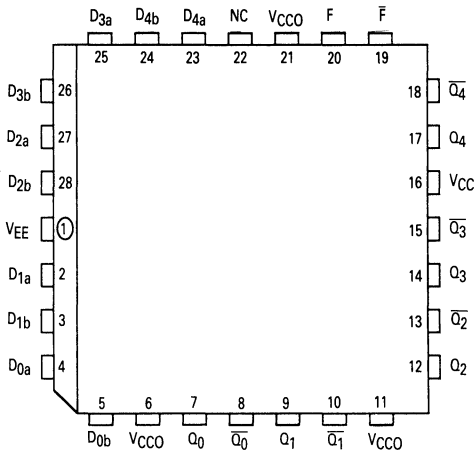
**MC10E104  
MC100E104**

The MC10E/100E104 is a quint 2-input AND/NAND gate. The function output F is the OR of all five AND gate outputs, while  $\bar{F}$  is the NOR. The Q outputs need not be terminated if only the F outputs are to be used.

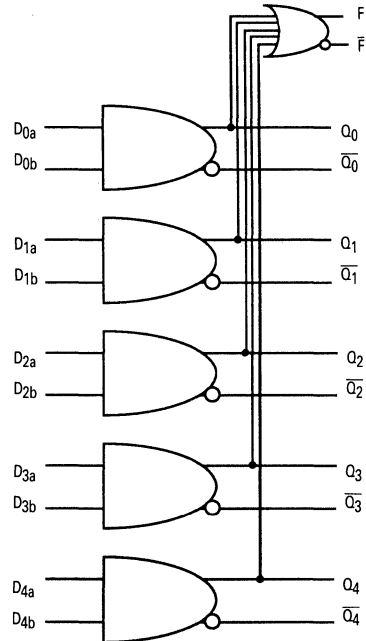
**QUINT 2-INPUT  
AND/NAND GATE**

**3**

### PINOUT: 28-LEAD PLCC (TOP VIEW)



### LOGIC SYMBOL



### PIN NAMES

Pin	Function
D0a-D4b	Data Inputs
Q0-Q4	AND Outputs
$\bar{Q}_0-\bar{Q}_4$	NAND Outputs
F	OR Output
$\bar{F}$	NOR Output

### FUNCTION OUTPUTS

$$F = (D_{0a} \cdot D_{0b}) + (D_{1a} \cdot D_{1b}) + (D_{2a} \cdot D_{2b}) + (D_{3a} \cdot D_{3b}) + (D_{4a} \cdot D_{4b})$$

## MC10E104, MC100E104

**DC Characteristics:**  $V_{EE} = V_{EE}(\text{min})$  to  $V_{EE}(\text{max})$ ;  $V_{CC} = V_{CCO} = \text{GND}$

Symbol	Characteristic	0°C			25°C			85°C			Unit	Condition
		min	typ	max	min	typ	max	min	typ	max		
$I_{IH}$	Input HIGH Current			200			200			200	$\mu\text{A}$	
$I_{EE}$	Power Supply Current										mA	
	10E	38	46		38	46		38	46			
	100E	38	46		38	46		44	53			

3

**AC Characteristics:**  $V_{EE} = V_{EE}(\text{min})$  to  $V_{EE}(\text{max})$ ;  $V_{CC} = V_{CCO} = \text{GND}$

Symbol	Characteristic	0°C			25°C			85°C			Unit	Condition
		min	typ	max	min	typ	max	min	typ	max		
$t_{PLH}$ $t_{PHL}$	Propagation Delay to Output										ps	
	D to Q	225	385	600	225	385	600	225	385	600		
	D to F	500	725	1000	500	725	1000	500	725	1000		
$t_{SKEW}$	Within-Device Skew										ps	1
	D to Q		75			75			75			
$t_r$ $t_f$	Rise / Fall Times										ps	
	20 - 80%											
	Q	275	425	700	275	425	700	275	425	700		
	F	300	475	700	300	475	700	300	475	700		

1. Within-device skew is defined as identical transitions on similar paths through a device

# MOTOROLA SEMICONDUCTOR TECHNICAL DATA

**MC10E107  
MC100E107**

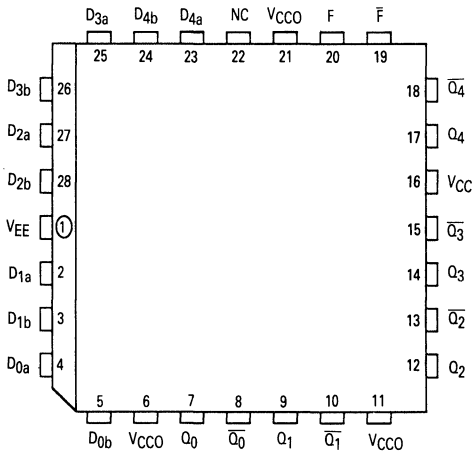
- 600 ps Max. Propagation Delay
- OR/NOR Function Outputs
- Extended 100E V<sub>EE</sub> Range of -4.2 V to -5.46 V
- 75 k $\Omega$  Input Pulldown Resistors

The MC10E/100E107 is a quint 2-input XOR/XNOR gate. The function output F is the OR of all five XOR outputs, while  $\bar{F}$  is the NOR. The Q outputs need not be terminated if only the F outputs are to be used.

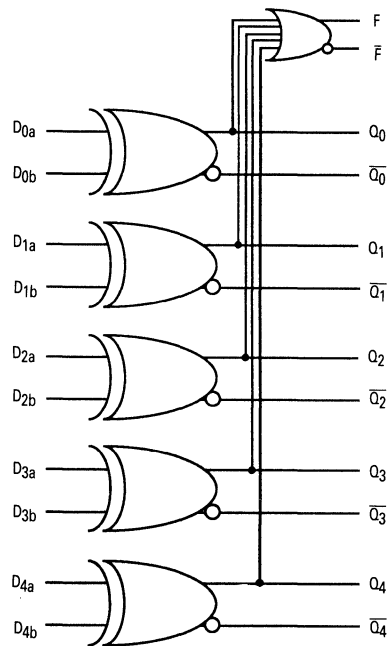
**QUINT 2-INPUT  
XOR/XNOR GATE**

**3**

### PINOUT: 28-LEAD PLCC (TOP VIEW)



### LOGIC SYMBOL



### PIN NAMES

Pin	Function
D <sub>0a</sub> -D <sub>4b</sub>	Data Inputs
Q <sub>0</sub> -Q <sub>4</sub>	XOR Outputs
$\bar{Q}_0$ - $\bar{Q}_4$	XNOR Outputs
F	OR Output
$\bar{F}$	NOR Output

### FUNCTION OUTPUTS

$$F = (D_{0a} \oplus D_{0b}) + (D_{1a} \oplus D_{1b}) + (D_{2a} \oplus D_{2b}) + (D_{3a} \oplus D_{3b}) + (D_{4a} \oplus D_{4b})$$

## MC10E107, MC100E107

**DC Characteristics:**  $V_{EE} = V_{EE}(\text{min})$  to  $V_{EE}(\text{max})$ ;  $V_{CC} = V_{CC0} = \text{GND}$

Symbol	Characteristic	0°C			25°C			85°C			Unit	Condition
		min	typ	max	min	typ	max	min	typ	max		
$I_{IH}$	Input HIGH Current			200			200			200	$\mu\text{A}$	
$I_{EE}$	Power Supply Current										mA	
	10E		42	50		42	50		42	50		
	100E		42	50		42	50		48	58		

**3**

**AC Characteristics:**  $V_{EE} = V_{EE}(\text{min})$  to  $V_{EE}(\text{max})$ ;  $V_{CC} = V_{CC0} = \text{GND}$

Symbol	Characteristic	0°C			25°C			85°C			Unit	Condition
		min	typ	max	min	typ	max	min	typ	max		
$t_{PLH}$ $t_{PHL}$	Propagation Delay to Output D to Q D to F	250 500	410 725	600 1000	250 500	410 725	600 100	250 500	410 725	600 1000	ps	
$t_{SKEW}$	Within-Device Skew D to Q		75			75			75			
$t_r$ $t_f$	Rise / Fall Times 20 - 80% Q F	275 300	450 475	700 700	275 300	450 475	700 700	275 300	450 475	700 700	ps	

1. Within-device skew is defined as identical transitions on similar paths through a device

# MOTOROLA SEMICONDUCTOR TECHNICAL DATA

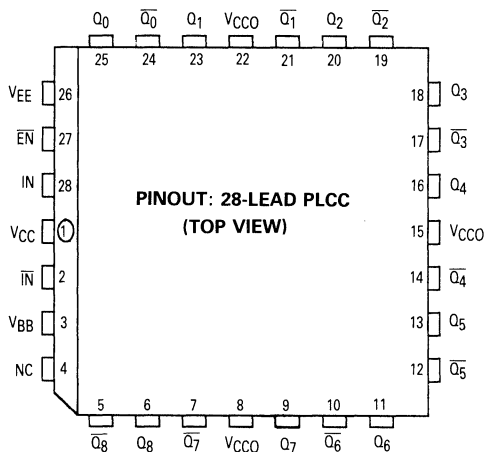
- Low Skew
- Guaranteed Skew Spec
- Differential Design
- $V_{BB}$  Output
- Enable
- Extended 100E  $V_{EE}$  Range of  $-4.2$  V to  $-5.46$  V
- 75 k $\Omega$  Input Pulldown Resistors

The MC10E100E111 is a low skew 1-to-9 differential driver, designed with clock distribution in mind. It accepts one signal input, which can be either differential or else single-ended if the  $V_{BB}$  output is used. The signal is fanned out to 9 identical differential outputs. An enable input is also provided. A HIGH disables the device by forcing all Q outputs LOW and all  $\bar{Q}$  outputs HIGH.

The device is specifically designed, modeled and produced with low skew as the key goal. Optimal design and layout serve to minimize gate to gate skew within-device, and empirical modeling is used to determine process control limits that ensure consistent  $t_{pD}$  distributions from lot to lot. The net result is a dependable, guaranteed low skew device.

To ensure that the tight skew specification is met it is necessary that both sides of the differential output are terminated into 50  $\Omega$ , even if only one side is being used. In most applications, all nine differential pairs will be used and therefore terminated. In the case where fewer than nine pairs are used, it is necessary to terminate at least the output pairs on the same package side (i.e. sharing the same  $V_{CC0}$ ) as the pair(s) being used on that side, in order to maintain minimum skew. Failure to do this will result in small degradations of propagation delay (on the order of 10–20 ps) of the output(s) being used which, while not being catastrophic to most designs, will mean a loss of skew margin.

The  $V_{BB}$  output is intended for use as a reference voltage for single-ended reception of ECL signals to that device only. When using for this purpose, it is recommended that  $V_{BB}$  is decoupled to  $V_{CC}$  via a 0.01  $\mu$ F capacitor.



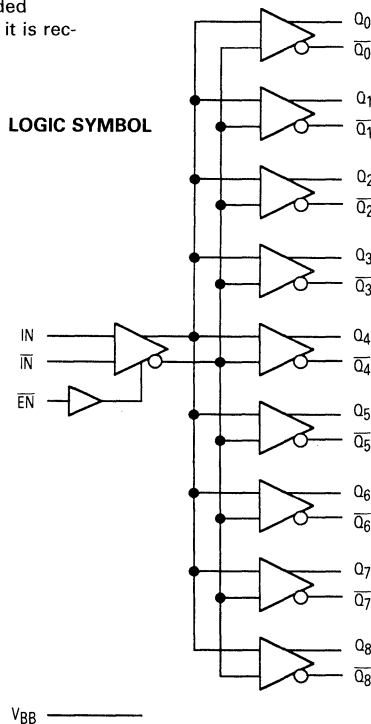
## PIN NAMES

Pin	Function
IN, $\bar{IN}$	Differential Input Pair
EN	Enable
$Q_0, \bar{Q}_0 - Q_8, \bar{Q}_8$	Differential Outputs
$V_{BB}$	$V_{BB}$ Output

**MC10E111  
MC100E111**

**1:9 DIFFERENTIAL  
CLOCK DRIVER**

**3**



# MC10E111, MC100E111

**DC CHARACTERISTICS:**  $V_{EE} = V_{EE}(\text{min})$  to  $V_{EE}(\text{max})$ ;  $V_{CC} = V_{CCO} = \text{GND}$

Symbol	Characteristic	$T_A = 0^\circ\text{C}$			$T_A = 25^\circ\text{C}$			$T_A = 85^\circ\text{C}$			Unit	Conditions
		Min	Typ	Max	Min	Typ	Max	Min	Typ	Max		
$V_{BB}$	Output Reference Voltage 10E 100E	-1.38 -1.38		-1.27 -1.26	-1.35 -1.38		-1.25 -1.26	-1.31 -1.38		-1.19 -1.26	V	
$I_{IH}$	Input HIGH Current			150			150			150	$\mu\text{A}$	
$I_{EE}$	Power Supply Current 10E 100E		48 48	60 60		48 48	60 60		48 55	60 69	mA	

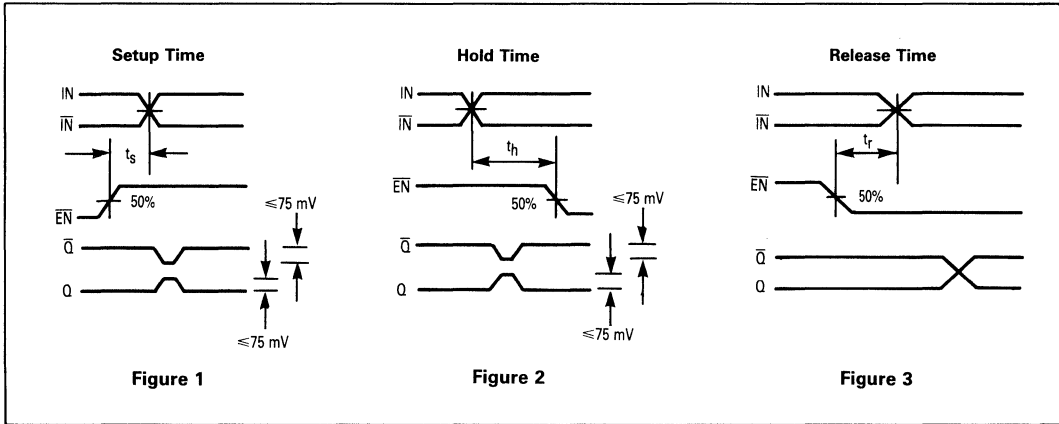
3

**AC CHARACTERISTICS:**  $V_{EE} = V_{EE}(\text{min})$  to  $V_{EE}(\text{max})$ ;  $V_{CC} = V_{CCO} = \text{GND}$

Symbol	Characteristic	$T_A = 0^\circ\text{C}$			$T_A = 25^\circ\text{C}$			$T_A = 85^\circ\text{C}$			Unit	Note
		Min	Typ	Max	Min	Typ	Max	Min	Typ	Max		
$t_{PLH}$ $t_{PHL}$	Propagation Delay to Output IN (differential) IN (single-ended) Enable Disable	430 330 450 450		630 730 850 850	430 330 450 450		630 730 850 850	430 330 450 450		630 730 850 850	ps	1 2 3 3
$t_{skew}$	Within-Device Skew		25	50		25	50		25	50	ps	4
$t_s$	Setup Time $\overline{EN}$ to IN	200	0		200	0		200	0		ps	5
$t_H$	Hold Time IN to $\overline{EN}$	0	-200		0	-200		0	-200		ps	6
$t_R$	Release Time $\overline{EN}$ to IN	300	100		300	100		300	100		ps	7
$V_{pp}$	Minimum Input Swing	250			250			250			mV	8
$V_{CMR}$	Common Mode Range	-1.6		-0.4	-1.6		-0.4	-1.6		-0.4	V	9
$t_r$ $t_f$	Rise/Fall Times 20–80%	275	375	600	275	375	600	275	375	600	ps	

**Notes:**

- The differential propagation delay is defined as the delay from the crossing points of the differential input signals to the crossing point of the differential output signals. (See *Definitions and Testing of ECLinPS AC Parameters* in this publication.)
- The single-ended propagation delay is defined as the delay from the 50% point of the input signal to the 50% point of the output signal. (See *Definitions and Testing of ECLinPS AC parameters* in this publication.)
- Enable is defined as the propagation delay from the 50% point of a **negative** transition on  $\overline{EN}$  to the 50% point of a **positive** transition on Q (or a negative transition on Q).  
Disable is defined as the propagation delay from the 50% point of a **positive** transition on  $\overline{EN}$  to the 50% point of a **negative** transition on Q (or a positive transition on Q).
- The within-device skew is defined as the worst case difference between any two similar delay paths within a single device.
- The setup time is the minimum time that  $\overline{EN}$  must be asserted prior to the next transition of IN/ $\overline{IN}$  to prevent an output response greater than  $\pm 75$  mV to that IN/ $\overline{IN}$  transition (see Figure 1).
- The hold time is the minimum time that  $\overline{EN}$  must remain asserted after a negative going IN or a positive going  $\overline{IN}$  to prevent an output response greater than  $\pm 75$  mV to that IN/ $\overline{IN}$  transition (see Figure 2).
- The release time is the minimum time that  $\overline{EN}$  must be deasserted prior to the next IN/ $\overline{IN}$  transition to ensure an output response that meets the specified IN to Q propagation delay and output transition times (see Figure 3).
- $V_{pp}(\text{min})$  is defined as the minimum input differential voltage which will cause no increase in the propagation delay. The  $V_{pp}(\text{min})$  is AC limited for the E111 as a differential input as low as 50 mV will still produce full ECL levels at the output.
- $V_{CMR}$  is defined as the range within which the  $V_{IH}$  level may vary, with the device still meeting the propagation delay specification. The  $V_{IL}$  level must be such that the peak to peak voltage is less than 1.0 V and greater than or equal to  $V_{pp}(\text{min})$ .





**MOTOROLA**  
**SEMICONDUCTOR**  
**TECHNICAL DATA**

**MC10E112**  
**MC100E112**

**QUAD**  
**DRIVER**

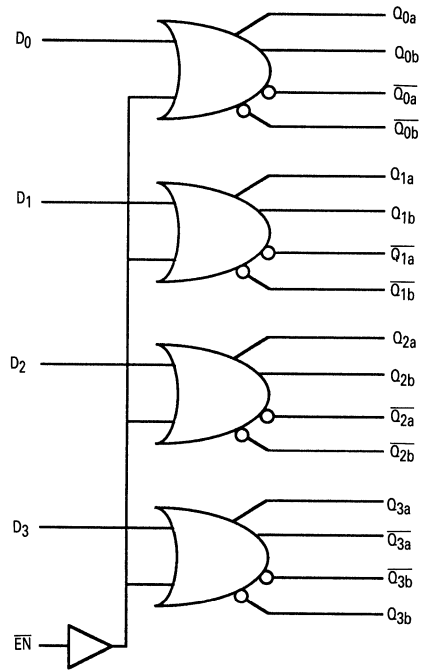
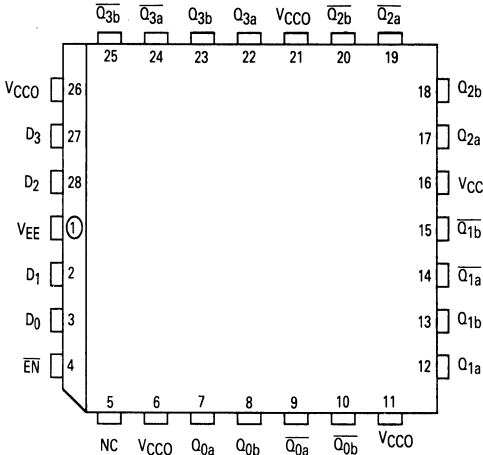
- 600 ps Max. Propagation Delay
- Common Enable Input
- Extended 100E  $V_{EE}$  Range of  $-4.2$  V to  $-5.46$  V
- 75 k $\Omega$  Input Pulldown Resistors

**3**

The MC10E/100E112 is a quad driver with two pairs of OR/NOR outputs from each gate, and a common, buffered enable input. Using the data inputs the device can serve as an ECL memory address fan-out driver. Using just the enable input, the device serves as a clock driver, although the MC10E/100E111 is designed specifically for this purpose, and offers lower skew than the E112. For memory address driver applications where scan capabilities are required, please refer to the E212 device.

**LOGIC SYMBOL**

**PINOUT: 28-LEAD PLCC (TOP VIEW)**



**PIN NAMES**

Pin	Function
D <sub>0</sub> -D <sub>3</sub>	Data Inputs
EN	Enable Input
Q <sub>na</sub> , Q <sub>nb</sub>	True Outputs
Q <sub>na</sub> , Q <sub>nb</sub>	Inverting Outputs

## MC10E112, MC100E112

**DC Characteristics:**  $V_{EE} = V_{EE}(\text{min})$  to  $V_{EE}(\text{max})$ ;  $V_{CC} = V_{CCO} = \text{GND}$

Symbol	Characteristic	0°C			25°C			85°C			Unit	Condition
		min	typ	max	min	typ	max	min	typ	max		
$I_{IH}$	Input HIGH Current D EN			200			200			200	$\mu\text{A}$	
				150			150			150		
$I_{EE}$	Power Supply Current 10E 100E		47	56		47	56		47	56	mA	
			47	56		47	56		54	65		

**AC Characteristics:**  $V_{EE} = V_{EE}(\text{min})$  to  $V_{EE}(\text{max})$ ;  $V_{CC} = V_{CCO} = \text{GND}$

Symbol	Characteristic	0°C			25°C			85°C			Unit	Condition
		min	typ	max	min	typ	max	min	typ	max		
$t_{PLH}$ $t_{PHL}$	Propagation Delay to Output D EN	200	400	600	200	400	600	200	400	600	ps	
		275	450	675	275	450	675	275	450	675		
$t_{SKEW}$	Within-Device Skew Dn to Qn, $\overline{Qn}$ Qna to Qnb		80			80			80		ps	1
			40			40			40			2
$t_r$ $t_f$	Rise / Fall Times 20 - 80%	275	425	700	275	425	700	275	425	700	ps	

1. Within-device skew is defined as identical transitions on similar paths through a device
2. Skew defined between common OR or common NOR outputs of a single gate.

3

# MOTOROLA SEMICONDUCTOR TECHNICAL DATA

- 500 ps Max. Propagation Delay
- $V_{BB}$  Supply Output
- Dedicated  $V_{CCO}$  Pin for Each Receiver
- Extended 100E  $V_{EE}$  Range of  $-4.2$  V to  $-5.46$  V
- 75 k $\Omega$  Input Pulldown Resistors

The MC10E/100E116 is a quint differential line receiver with emitter-follower outputs. An internally generated reference supply ( $V_{BB}$ ) is available for single-ended reception.

Active current sources plus a deep collector feature of the MOSAIC III process provide the receivers with excellent common-mode noise rejection. Each receiver has a dedicated  $V_{CCO}$  supply lead, providing optimum symmetry and stability.

The receiver design features clamp circuitry to cause a defined state if both the inverting and non-inverting inputs are left open; in this case the Q output goes LOW, while the  $\bar{Q}$  output goes HIGH. This feature makes the device ideal for twisted pair applications.

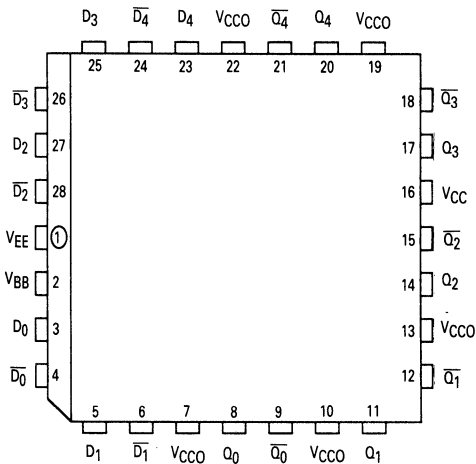
If both inverting and non-inverting inputs are at an equal potential of  $>-2.5$  V, the receiver does *not* go to a defined state, but rather current-shares in normal differential amplifier fashion, producing output voltage levels midway between HIGH and LOW, or the device may even oscillate.

The device  $V_{BB}$  output is intended for use as a reference voltage for single-ended reception of ECL signals to that device only. When using for this purpose, it is recommended that  $V_{BB}$  be decoupled to  $V_{CC}$  via a 0.01  $\mu$ F capacitor. Please refer to the interface section of the design guide for information on using the E116 in specialized applications.

The E116 features input pull-down resistors, as does the rest of the ECLinPS family.

For application which require bandwidths greater than that of the E116, the E416 device may be of interest.

## PINOUT: 28-LEAD PLCC (TOP VIEW)



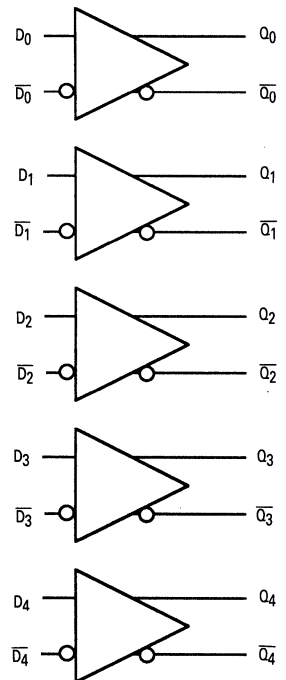
## PIN NAMES

Pin	Function
$D_0, \bar{D}_0$ - $D_4, \bar{D}_4$	Differential Input Pairs
$Q_0, \bar{Q}_0$ - $Q_4, \bar{Q}_4$	Differential Output Pairs
$V_{BB}$	Reference Voltage Output

# MC10E116 MC100E116

## QUINT DIFFERENTIAL LINE RECEIVER

## LOGIC SYMBOL



$V_{BB}$

## MC10E116, MC100E116

**DC Characteristics:**  $V_{EE} = V_{EE}(\text{min})$  to  $V_{EE}(\text{max})$ ;  $V_{CC} = V_{CCO} = \text{GND}$

Symbol	Characteristic	0°C			25°C			85°C			Unit	Condition
		min	typ	max	min	typ	max	min	typ	max		
VBB	Output Reference Voltage										V	
	10E	-1.38		-1.27	-1.35		-1.25	-1.31		-1.19		
	100E	-1.38		-1.26	-1.38		-1.26	-1.38		-1.26		
I <sub>IH</sub>	Input HIGH Current			200			200			200	μA	
I <sub>EE</sub>	Power Supply Current										mA	
	10E		29	35		29	35		29	35		
	100E		29	35		29	35		33	40		
V <sub>PP(DC)</sub>	Input Sensitivity	150			150			150			mV	1
VCMR	Common Mode Range	-2.0		-0.6	-2.0		-0.6	-2.0		-0.6	V	2

- V<sub>PP</sub> is the minimum differential input voltage required to assure full ECL levels are present at the outputs.
- V<sub>CMR</sub> is referenced to the most positive side of the differential input signal. Normal operation is obtained when the "HIGH" input is within the V<sub>CMR</sub> range and the input swing is greater than V<sub>PPMIN</sub> and < 1V.

**AC Characteristics:**  $V_{EE} = V_{EE}(\text{min})$  to  $V_{EE}(\text{max})$ ;  $V_{CC} = V_{CCO} = \text{GND}$

Symbol	Characteristic	0°C			25°C			85°C			Unit	Condition
		min	typ	max	min	typ	max	min	typ	max		
t <sub>PLH</sub> t <sub>PHL</sub>	Propagation Delay to Output										ps	
	D	200	300	450	200	300	450	200	300	450		
	D (SE)	150	300	500	150	300	500	150	300	500		
V <sub>PP(AC)</sub>	Minimum Input Swing	150			150			150			mV	1
t <sub>SKEW</sub>	Within-Device Skew Dn to Qn, Qn		50			50			50		ps	2
t <sub>SKEW</sub>	Duty Cycle Skew t <sub>PLH</sub> - t <sub>PHL</sub>		±10			±10			±10		ps	3
t <sub>r</sub> t <sub>f</sub>	Rise / Fall Times 20 - 80%	275	375	575	275	375	575	275	375	575	ps	

- Minimum input swing for which AC parameters are guaranteed.
- Within-device skew is defined as identical transitions on similar paths through a device
- Duty cycle skew defined only for differential operation when the delays are measured from the cross point of the inputs to the cross points of the outputs

# MOTOROLA SEMICONDUCTOR TECHNICAL DATA

- 500 ps Max. Propagation Delay
- Extended 100E  $V_{EE}$  Range of  $-4.2$  V to  $-5.46$  V
- 75 k $\Omega$  Input Pulldown Resistors

**MC10E122**  
**MC100E122**

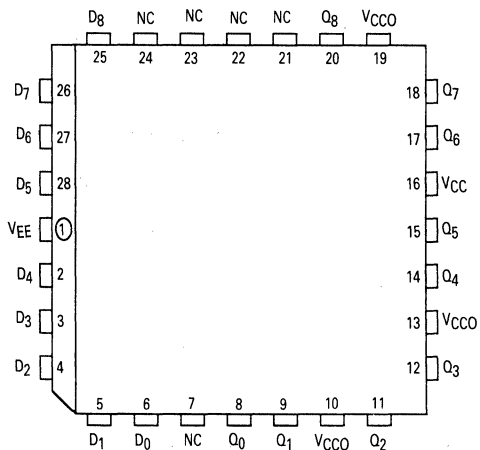
## DESCRIPTION

The MC10E/100E122 is a 9-bit buffer. The device contains nine non-inverting buffer gates.

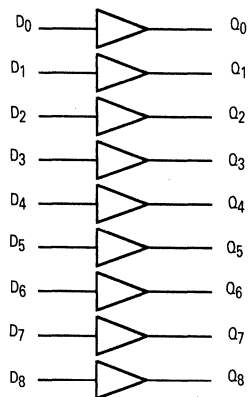
**9-BIT  
BUFFER**

3

**PINOUT: 28-LEAD PLCC (TOP VIEW)**



**LOGIC SYMBOL**



## PIN NAMES

Pin	Function
D <sub>0</sub> –D <sub>8</sub>	Data Inputs
Q <sub>0</sub> –Q <sub>8</sub>	Data Outputs

## MC10E122, MC100E122

**DC Characteristics:**  $V_{EE} = V_{EE}(\text{min})$  to  $V_{EE}(\text{max})$ ;  $V_{CC} = V_{CCO} = \text{GND}$

Symbol	Characteristic	0°C			25°C			85°C			Unit	Condition
		min	typ	max	min	typ	max	min	typ	max		
$I_{IH}$	Input HIGH Current			200			200			200	$\mu\text{A}$	
$I_{EE}$	Power Supply Current										mA	
	10E		41	49		41	49		41	49		
	100E		41	49		41	49		47	57		

**AC Characteristics:**  $V_{EE} = V_{EE}(\text{min})$  to  $V_{EE}(\text{max})$ ;  $V_{CC} = V_{CCO} = \text{GND}$

Symbol	Characteristic	0°C			25°C			85°C			Unit	Condition
		min	typ	max	min	typ	max	min	typ	max		
$t_{PLH}$ $t_{PHL}$	Propagation Delay to Output D to Q	150	350	500	150	350	500	150	350	500	ps	
$t_{SKEW}$	Within-Device Skew D to Q		75			75			75		ps	1
$t_r$ $t_f$	Rise / Fall Times 20 - 80%	300	425	800	300	425	800	300	425	800	ps	

1. Within-device skew is defined as identical transitions on similar paths through a device

# MOTOROLA SEMICONDUCTOR TECHNICAL DATA

- 1100 MHz Min. Toggle Frequency
- Differential Outputs
- Individual and Common Clocks
- Individual Resets (asynchronous)
- Paired Sets (asynchronous)
- Extended 100E  $V_{EE}$  Range of  $-4.2$  V to  $-5.46$  V
- 75 k $\Omega$  Input Pulldown Resistors

**MC10E131  
MC100E131**

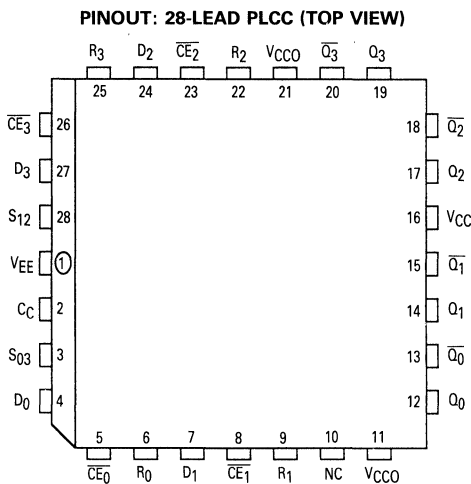
**4-BIT  
D FLIP-FLOP**

3

The MC10E/100E131 is a quad master-slave D-type flip-flop with differential outputs. Each flip-flop may be clocked separately by holding Common Clock ( $C_C$ ) LOW and using the Clock Enable ( $\overline{CE}$ ) inputs for clocking. Common clocking is achieved by holding the  $\overline{CE}$  inputs LOW and using  $C_C$  to clock all four flip-flops. In this case, the  $\overline{CE}$  inputs perform the function of controlling the common clock, to each flip-flop.

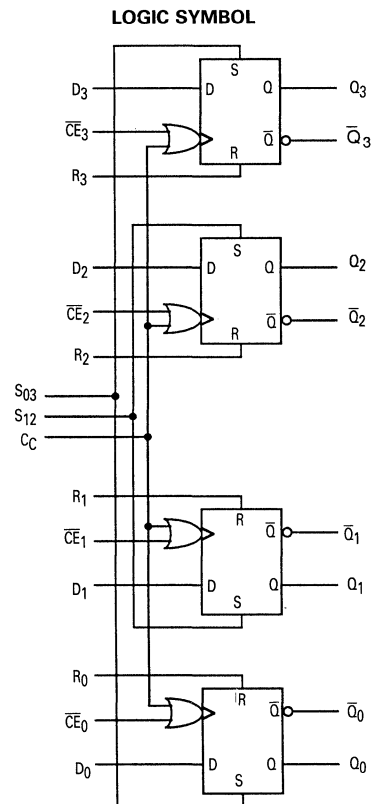
Individual asynchronous resets are provided (R). Asynchronous set controls (S) are ganged together in pairs, with the pairing chosen to reflect physical chip symmetry.

Data enters the master when both  $C_C$  and  $\overline{CE}$  are LOW, and transfers to the slave when either  $C_C$  or  $\overline{CE}$  (or both) go HIGH.



## PIN NAMES

Pin	Function
$D_0$ – $D_3$	Data Inputs
$\overline{CE}_0$ – $\overline{CE}_3$	Clock Enables (Individual)
$R_0$ – $R_3$	Resets
$C_C$	Common Clock
$S_{03}, S_{12}$	Sets (paired)
$Q_0$ – $Q_3$	True Outputs
$\overline{Q}_0$ – $\overline{Q}_3$	Inverting Outputs



## MC10E131, MC100E131

**DC Characteristics:**  $V_{EE} = V_{EE}(\text{min})$  to  $V_{EE}(\text{max})$ ;  $V_{CC} = V_{CCO} = \text{GND}$

Symbol	Characteristic	0°C			25°C			85°C			Unit	Condition
		min	typ	max	min	typ	max	min	typ	max		
$I_{IH}$	Input HIGH Current										$\mu\text{A}$	
	$C_C$			350			350			350		
	S			450			450			450		
	R			300			300			300		
	$\overline{CE}$			300			300			300		
D			150			150			150			
$I_{EE}$	Power Supply Current										$\text{mA}$	
	10E	58	70		58	70		58	70			
	100E	58	70		58	70		67	81			

3

**AC Characteristics:**  $V_{EE} = V_{EE}(\text{min})$  to  $V_{EE}(\text{max})$ ;  $V_{CC} = V_{CCO} = \text{GND}$

Symbol	Characteristic	0°C			25°C			85°C			Unit	Condition
		min	typ	max	min	typ	max	min	typ	max		
$f_{MAX}$	Max. Toggle Frequency	1100	1400		1100	1400		1100	1400		$\text{MHz}$	
$t_{PLH}$ $t_{PHL}$	Propagation Delay to Output										$\text{ps}$	
	$\overline{CE}$	360	500	700	360	500	700	360	500	700		
	CC	325	500	675	325	500	675	325	500	675		
	R	350	550	725	350	550	725	350	550	725		
S		350	550	725	350	550	725	350	550	725		
$t_s$	Setup Time										$\text{ps}$	2
	D	150	20		150	20		150	20			
$t_h$	Hold Time										$\text{ps}$	2
	D	175	-20		175	-20		150	-20			
$t_{RR}$	Reset Recovery Time	400	150		400	150		400	150		$\text{ps}$	
$t_{PW}$	Minimum Pulse Width Clk, S, R	400			400			400			$\text{ps}$	
$t_{SKEW}$	Within-Device Skew	60			60			60			$\text{ps}$	1
$t_r$ $t_f$	Rise / Fall Times 20 - 80%	300	480	675	300	480	675	300	480	675	$\text{ps}$	

1. Within-device skew is defined as identical transitions on similar paths through a device
2. Setup/hold times guaranteed for both  $C_C$  &  $\overline{CE}$



**MC10E136**  
**MC100E136**

**6-BIT**  
**UNIVERSAL**  
**COUNTER**

*Product Preview*

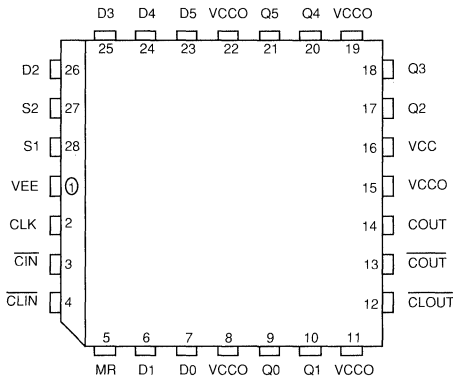
- 700MHz Min. Count Frequency
- Look-Ahead-Carry Input and Output
- Fully Synchronous Up and Down Counting
- Asynchronous Master Reset
- Internal 75kΩ Input Pulldown Resistors
- Extended 100E VEE Range of -4.2V to -5.46V

The MC 10E136/100E136 is an 6-bit synchronous, presettable, cascadable universal counter.

The device offers a look-ahead-carry input and generates a look-ahead-carry output. These two features allow for the cascading of multiple E136's to wider bit widths that operate at nearly the same frequency as a stand alone counter. The CLOUT output will pulse low for one clock cycle one count before the counter reaches terminal count.

The COUT pin will pulse low for one clock cycle when the counter reaches terminal count. The differential COUT output facilitates its use in programmable divider and self-stopping counter applications.

**PINOUT: 28-LEAD PLCC (TOP VIEW)**



**PIN NAMES**

PIN	FUNCTION
D0-D5	Preset Data Inputs
Q0-Q5	Differential Data Outputs
S1, S2	Mode Control Pins
MR	Master Reset
CLK	Clock Input
COUT, COUT	Carry Out Output (Active LOW)
CLOUT	Look-Ahead-Carry Output
CIN	Carry In Input (Active LOW)
CLIN	Look-Ahead-Carry Input

**FUNCTION TABLE**

S1	S2	CIN	MR	CLK	Function
L	L	X	L	Z	Preset Parallel Data Inputs
L	H	L	L	Z	Increment ( Count Up )
L	H	H	L	Z	Hold Count
H	L	L	L	Z	Decrement ( Count Down )
H	L	H	L	Z	Hold Count
H	H	X	L	Z	Hold Count
X	X	X	H	X	Reset (Qn = LOW; COUT = HIGH)

Z = Low to High Transition

This document contains information on a product under development. Motorola reserves the right to change or discontinue this product without notice.

*Product Preview*

- 1.2GHz Min. Count Frequency
- Synchronous and Asynchronous Enable Pins
- Differential Clock Input and Data Output Pins
- Asynchronous Master Reset
- Internal 75kΩ Input Pulldown Resistors
- Extended 100E VEE Range of -4.2V to -5.46V

**MC10E137**  
**MC100E137**

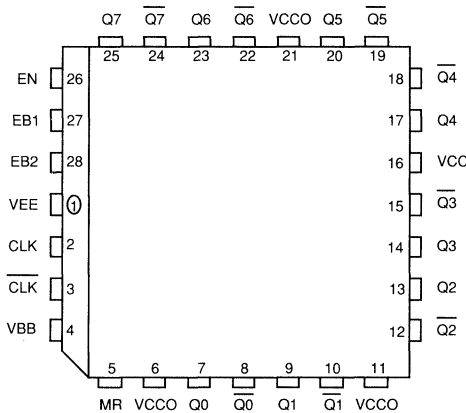
**8-BIT**  
**RIPPLE**  
**COUNTER**

The MC10E/100E137 is a very high speed binary ripple counter. The two least significant bits were designed with very fast edge rates while the more significant bits maintain standard ECLinPS output edge rates. This allows the counter to operate at very high frequencies while maintaining a moderate power dissipation level.

Both synchronous and asynchronous enables are available to maximize the devices flexibility for various applications. The device is ideally suited for multiple frequency clock generation as well as a counter in a high performance ATE time measurement board.

The asynchronous Master Reset resets the counter to an all zero state upon assertion.

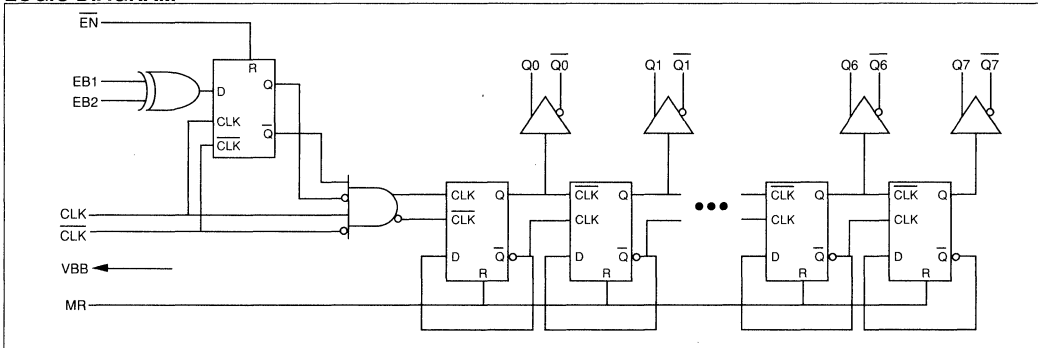
**PINOUT: 28-LEAD PLCC (TOP VIEW)**



**PIN NAMES**

PIN	FUNCTION
CLK, $\overline{\text{CLK}}$	Differential Clock Inputs
Q0-Q7, $\overline{\text{Q0-Q7}}$	Differential Q Outputs
EN	Asynchronous Enable Input
EB1, EB2	Synchronous Enable Inputs
MR	Asynchronous Master Reset
VBB	Switching Reference Output

**LOGIC DIAGRAM**



This document contains information on a product under development. Motorola reserves the right to change or discontinue this product without notice.

# MOTOROLA SEMICONDUCTOR TECHNICAL DATA

**MC10E141  
MC100E141**

**8-BIT  
SHIFT REGISTER**

**3**

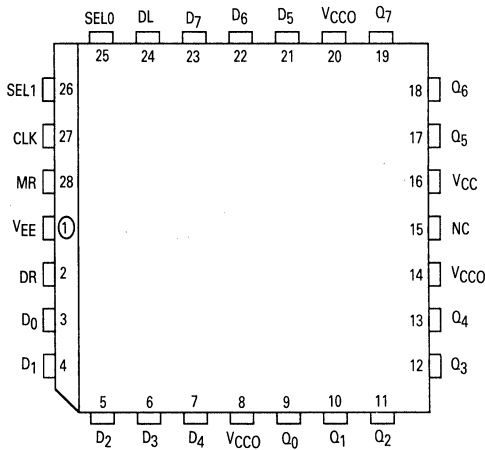
- 700 MHz Min. Shift Frequency
- 8-Bit
- Full-Function, Bi-Directional
- Asynchronous Master Reset
- Pin-Compatible with E241
- Extended 100E V<sub>EE</sub> Range of -4.2 V to -5.46 V
- 75 kΩ Input Pulldown Resistors

The MC10E/100E141 is an 8-bit full-function shift register. The E141 performs serial/parallel in and serial/parallel out, shifting in either direction. The eight inputs D<sub>0</sub>-D<sub>7</sub> accept parallel input data, while DL/DR accept serial input data for left/right shifting.

The select pins, SEL0 and SEL1, select one of four modes of operation: Load, Hold, Shift Left, Shift Right, according to the Function Table.

Input data is accepted a set-up time before the positive clock edge. A HIGH on the Master Reset (MR) pin asynchronously resets all the registers to zero.

**PINOUT: 28-LEAD PLCC (TOP VIEW)**



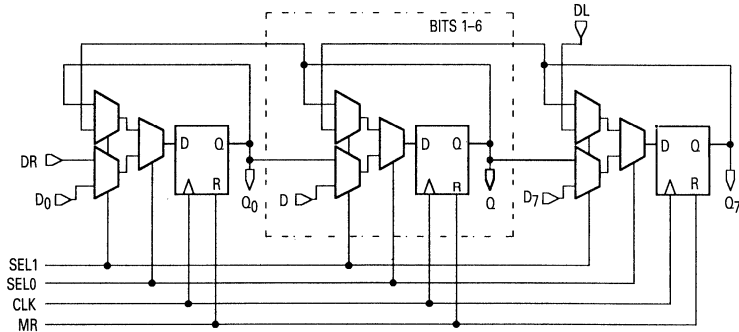
**FUNCTION TABLE**

SEL0	SEL1	Function
L	L	Load
L	H	Shift Right (D <sub>n</sub> to D <sub>n+1</sub> )
H	L	Shift Left (D <sub>n</sub> to D <sub>n-1</sub> )
H	H	Hold

**PIN NAMES**

Pin	Function
D <sub>0</sub> -D <sub>7</sub>	Parallel Data Inputs
DL, DR	Serial Data Inputs
SEL0, SEL1	Mode Select Inputs
CLK	Clock
Q <sub>0</sub> -Q <sub>7</sub>	Data Outputs
MR	Master Reset

**LOGIC SYMBOL**



## MC10E141, MC100E141

**DC Characteristics:**  $V_{EE} = V_{EE}(\text{min})$  to  $V_{EE}(\text{max})$ ;  $V_{CC} = V_{CCO} = \text{GND}$

Symbol	Characteristic	0°C			25°C			85°C			Unit	Condition
		min	typ	max	min	typ	max	min	typ	max		
$I_{IH}$	Input HIGH Current			150			150			150	$\mu\text{A}$	
$I_{EE}$	Power Supply Current										mA	
	10E		131	157		131	157		131	157		
	100E		131	157		131	157		151	181		

**AC Characteristics:**  $V_{EE} = V_{EE}(\text{min})$  to  $V_{EE}(\text{max})$ ;  $V_{CC} = V_{CCO} = \text{GND}$

Symbol	Characteristic	0°C			25°C			85°C			Unit	Condition
		min	typ	max	min	typ	max	min	typ	max		
$f_{\text{SHIFT}}$	Max. Shift Frequency	700	900		700	900		700	900		MHz	
$t_{\text{PLH}}$ $t_{\text{PHL}}$	Propagation Delay to Output Clk MR	625	750	975	625	750	975	625	750	975	ps	
$t_s$	Setup Time D SEL0 SEL1	175	25		175	-125		175	+25		ps	
$t_h$	Hold Time D SEL0 SEL1	200	-25		200	-25		200	-25		ps	
$t_{\text{RR}}$	Reset Recovery Time	900	700		900	700		900	700		ps	
$t_{\text{PW}}$	Minimum Pulse Width Clk, MR	400			400			400			ps	
$t_{\text{SKEW}}$	Within-Device Skew		60			60			60		ps	1
$t_r$ $t_f$	Rise / Fall Times 20 - 80%	300	525	800	300	525	800	300	525	800	ps	

1. Within-device skew is defined as identical transitions on similar paths through a device

### EXPANDED FUNCTION TABLE

Function	DL	DR	SEL0	SEL1	MR	CLK	Q0	Q1	Q2	Q3	Q4	Q5	Q6	Q7
Load	X	X	L	L	L	Z	D0	D1	D2	D3	D4	D5	D6	D7
Shift Right	X	L	L	H	L	Z	L	Q0	Q1	Q2	Q3	Q4	Q5	Q6
Shift Left	X	H	L	H	L	Z	H	L	Q0	Q1	Q2	Q3	Q4	Q5
	L	X	H	L	L	Z	L	Q0	Q1	Q2	Q3	Q4	Q5	L
Hold	H	X	H	L	L	Z	Q0	Q1	Q2	Q3	Q4	Q5	L	H
	X	X	H	H	L	Z	Q0	Q1	Q2	Q3	Q4	Q5	L	H
Reset	X	X	X	X	H	X	L	L	L	L	L	L	L	L

# MOTOROLA SEMICONDUCTOR TECHNICAL DATA

## MC10E142 MC100E142

### 9-BIT SHIFT REGISTER

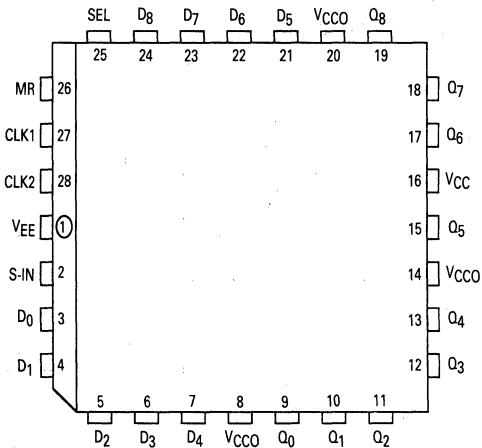
3

- 700 MHz Min. Shift Frequency
- 9-Bit for Byte-Parity Applications
- Asynchronous Master Reset
- Dual Clocks
- Extended 100E  $V_{EE}$  Range of  $-4.2$  V to  $-5.46$  V
- 75 k $\Omega$  Input Pulldown Resistors

The MC10E/100E142 is a 9-bit shift register, designed with byte-parity applications in mind. The E142 performs serial/parallel in and serial/parallel out, shifting in one direction. The nine inputs D0–D8 accept parallel input data, while S-IN accepts serial input data.

The SEL (Select) input pin is used to switch between the two modes of operation — SHIFT and LOAD. The shift direction is from bit 0 to bit 8. Input data is accepted by the registers a set-up time before the positive going edge of CLK1 or CLK2; shifting is also accomplished on the positive clock edge. A HIGH on the Master Reset pin (MR) asynchronously resets all the registers to zero.

PINOUT: 28-LEAD PLCC (TOP VIEW)



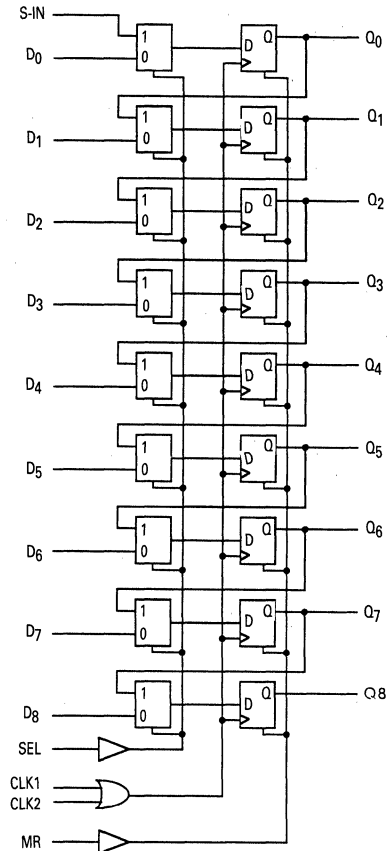
FUNCTION TABLE

SEL	Mode
L	LOAD
H	SHIFT

PIN NAMES

Pin	Function
D <sub>0</sub> –D <sub>8</sub>	Parallel Data Inputs
S-IN	Serial Data Input
SEL	Mode Select Input
CLK1, CLK2	Clock Inputs
MR	Master Reset
Q <sub>0</sub> –Q <sub>8</sub>	Data Outputs

LOGIC SYMBOL



## MC10E142, MC100E142

**DC Characteristics:**  $V_{EE} = V_{EE}(\text{min})$  to  $V_{EE}(\text{max})$ ;  $V_{CC} = V_{CCO} = \text{GND}$

Symbol	Characteristic	0°C			25°C			85°C			Unit	Condition	
		min	typ	max	min	typ	max	min	typ	max			
$I_{IH}$	Input HIGH Current			150			150			150	$\mu\text{A}$		
$I_{EE}$	Power Supply Current										mA		
	10E			120	145		120	145		120			145
	100E			120	145		120	145		138			165

**AC Characteristics:**  $V_{EE} = V_{EE}(\text{min})$  to  $V_{EE}(\text{max})$ ;  $V_{CC} = V_{CCO} = \text{GND}$

Symbol	Characteristic	0°C			25°C			85°C			Unit	Condition
		min	typ	max	min	typ	max	min	typ	max		
$f_{\text{SHIFT}}$	Max. Shift Frequency	700	900		700	900		700	900		MHz	
$t_{\text{PLH}}$ $t_{\text{PHL}}$	Propagation Delay to Output										ps	
	Clk	600	800	1000	600	800	1000	600	800	1000		
	MR	600	800	1000	600	800	1000	600	800	1000		
$t_s$	Setup Time										ps	
	D	50	-100		50	-100		50	-100			
	SEL	300	150		300	150		300	150			
$t_h$	Hold Time										ps	
	D	300	100		300	100		300	100			
	SEL	75	-150		75	-150		75	-150			
$t_{\text{RR}}$	Reset Recovery Time	900	700		900	700		900	700		ps	
$t_{\text{PW}}$	Minimum Pulse Width										ps	
	Clk, MR	400			400			400				
$t_{\text{SKEW}}$	Within-Device Skew		75			75			75		ps	1
$t_r$ $t_f$	Rise / Fall Times										ps	
	20 - 80%	300	525	800	300	525	800	300	525	800		

1. Within-device skew is defined as identical transitions on similar paths through a device

3

**MC10E143**  
**MC100E143**

**9-BIT**  
**HOLD REGISTER**

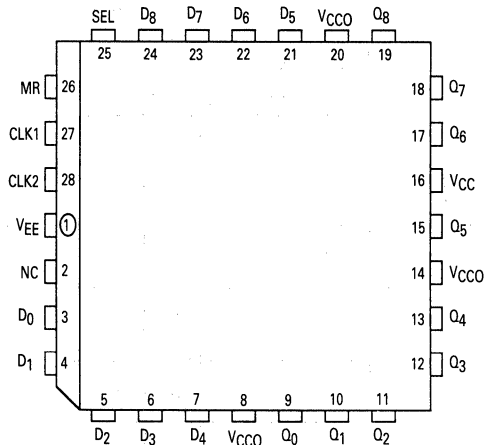
**3**

- 700 MHz Min. Operating Frequency
- 9-Bit for Byte-Parity Applications
- Asynchronous Master Reset
- Dual Clocks
- Extended 100E V<sub>EE</sub> Range of -4.2 V to -5.46 V
- 75 kΩ Input Pulldown Resistors

The MC10E/100E143 is a 9-bit holding register, designed with byte-parity applications in mind. The E143 holds current data or loads new data, with the nine inputs D<sub>0</sub>-D<sub>8</sub> accepting parallel input data.

The SEL (Select) input pin is used to switch between the two modes of operation — HOLD and LOAD. Input data is accepted by the registers a set-up time before the positive going edge of CLK1 or CLK2. A HIGH on the Master Reset pin (MR) asynchronously resets all the registers to zero.

**PINOUT: 28-LEAD PLCC (TOP VIEW)**



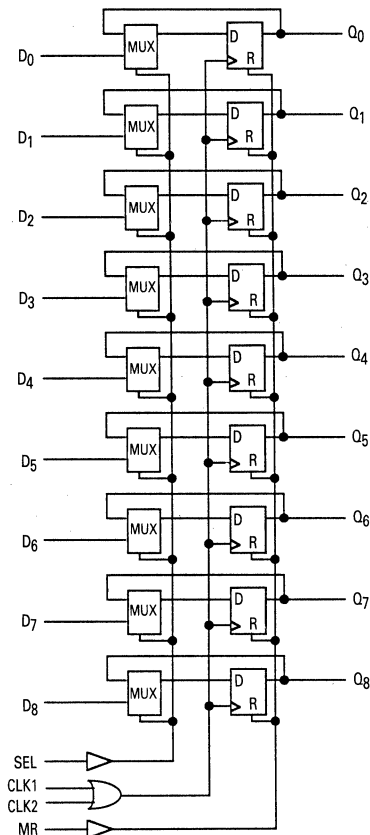
**FUNCTION TABLE**

SEL	Mode
L	LOAD
H	HOLD

**PIN NAMES**

Pin	Function
D <sub>0</sub> -D <sub>8</sub>	Parallel Data Inputs
SEL	Mode Select Input
CLK1, CLK2	Clock Inputs
MR	Master Reset
Q <sub>0</sub> -Q <sub>8</sub>	Data Outputs
NC	No Connection

**LOGIC SYMBOL**



## MC10E143, MC100E143

**DC Characteristics:**  $V_{EE} = V_{EE}(\text{min})$  to  $V_{EE}(\text{max})$ ;  $V_{CC} = V_{CCO} = \text{GND}$

Symbol	Characteristic	0°C			25°C			85°C			Unit	Condition
		min	typ	max	min	typ	max	min	typ	max		
$I_{IH}$	Input HIGH Current			150			150			150	$\mu\text{A}$	
$I_{EE}$	Power Supply Current										mA	
	10E		120	145		120	145		120	145		
	100E		120	145		120	145		138	165		

**AC Characteristics:**  $V_{EE} = V_{EE}(\text{min})$  to  $V_{EE}(\text{max})$ ;  $V_{CC} = V_{CCO} = \text{GND}$

Symbol	Characteristic	0°C			25°C			85°C			Unit	Condition
		min	typ	max	min	typ	max	min	typ	max		
$f_{\text{MAX}}$	Max. Toggle Frequency	700	900		700	900		700	900		MHz	
$t_{\text{PLH}}$ $t_{\text{PHL}}$	Propagation Delay to Output Clk	600	800	1000	600	800	1000	600	800	1000	ps	
	MR	600	800	1000	600	800	1000	600	800	1000		
$t_s$	Setup Time D	50	-100		50	-100		50	-100		ps	
	SEL	300	150		300	150		300	150			
$t_h$	Hold Time D	300	100		300	100		300	100		ps	
	SEL	75	-150		75	-150		75	-150			
$t_{\text{RR}}$	Reset Recovery Time	900	700		900	700		900	700		ps	
$t_{\text{PW}}$	Minimum Pulse Width Clk, MR	400			400			400			ps	
$t_{\text{SKEW}}$	Within-Device Skew		75			75			75		ps	1
$t_r$ $t_f$	Rise / Fall Times 20 - 80%	300	525	800	300	525	800	300	525	800	ps	

1. Within-device skew is defined as identical transitions on similar paths through a device



- 800 ps Max. Propagation Delay
- Extended 100E  $V_{EE}$  Range of  $-4.2$  V to  $-5.46$  V
- 75 k $\Omega$  Input Pulldown Resistors

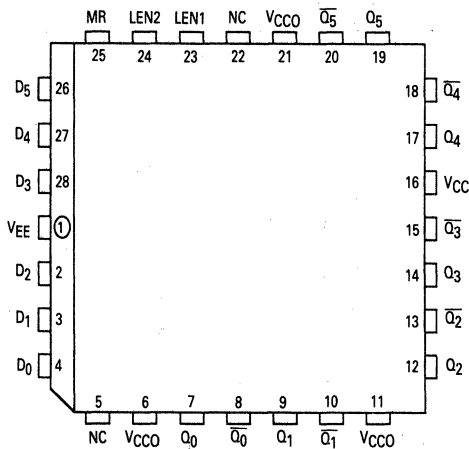
**MC10E150**  
**MC100E150**

**6-BIT**  
**D LATCH**

**3**

The MC10E/100E150 contains six D-type latches with differential outputs. When both Latch Enables (LEN1, LEN2) are LOW, the latch is transparent and input data transitions propagate through to the output. A logic HIGH on either LEN1 or LEN2 (or both) latches the data. The Master Reset (MR) overrides all other controls to set the Q outputs low.

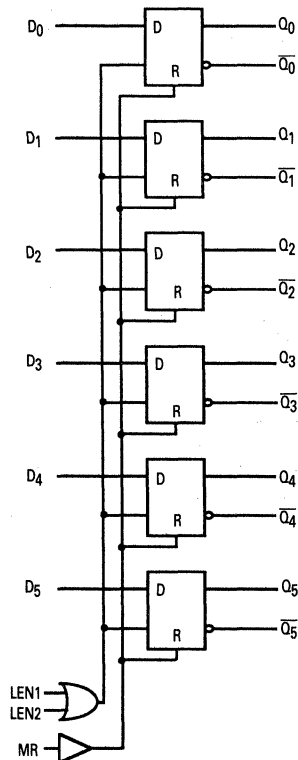
**PINOUT: 28-LEAD PLCC (TOP VIEW)**



**PIN NAMES**

Pin	Function
D <sub>0</sub> -D <sub>5</sub>	Data Inputs
LEN1, LEN2	Latch Enables
MR	Master Reset
Q <sub>0</sub> -Q <sub>5</sub>	True Outputs
$\overline{Q_0}$ - $\overline{Q_5}$	Inverting Outputs

**LOGIC SYMBOL**



## MC10E150, MC100E150

**DC Characteristics:**  $V_{EE} = V_{EE}(\text{min})$  to  $V_{EE}(\text{max})$ ;  $V_{CC} = V_{CCO} = \text{GND}$

Symbol	Characteristic	0°C			25°C			85°C			Unit	Condition
		min	typ	max	min	typ	max	min	typ	max		
$I_{IH}$	Input HIGH Current										$\mu\text{A}$	
	D			200			200			200		
	LEN, MR			150			150			150		
$I_{EE}$	Power Supply Current										mA	
	10E		52	62		52	62		52	62		
	100E		52	62		52	62		60	72		

**AC Characteristics:**  $V_{EE} = V_{EE}(\text{min})$  to  $V_{EE}(\text{max})$ ;  $V_{CC} = V_{CCO} = \text{GND}$

Symbol	Characteristic	0°C			25°C			85°C			Unit	Condition
		min	typ	max	min	typ	max	min	typ	max		
$t_{PLH}$ $t_{PHL}$	Propagation Delay to Output										ps	
	D	250	375	550	250	375	550	250	375	550		
	LEN	375	500	700	375	500	700	375	500	700		
	MR	450	625	750	450	625	750	350	625	750		
$t_s$	Setup Time										ps	
	D	200	50		200	50		200	50			
$t_h$	Hold Time										ps	
	D	200	-50		200	-50		200	-50			
$t_{RR}$	Reset Recovery Time	750	650		750	650		750	650		ps	
$t_{PW}$	Minimum Pulse Width										ps	
	MR	400			400			400				
$t_{SKEW}$	Within-Device Skew		50			50			50		ps	1
$t_r$ $t_f$	Rise / Fall Times										ps	
	20 - 80%	300	450	650	300	450	650	300	450	650		

1. Within-device skew is defined as identical transitions on similar paths through a device

# MOTOROLA SEMICONDUCTOR TECHNICAL DATA

- 1100 MHz Min. Toggle Frequency
- Differential Outputs
- Asynchronous Master Reset
- Dual Clocks
- Extended 100E  $V_{EE}$  Range of  $-4.2\text{ V}$  to  $-5.46\text{ V}$
- 75 k $\Omega$  Input Pulldown Resistors

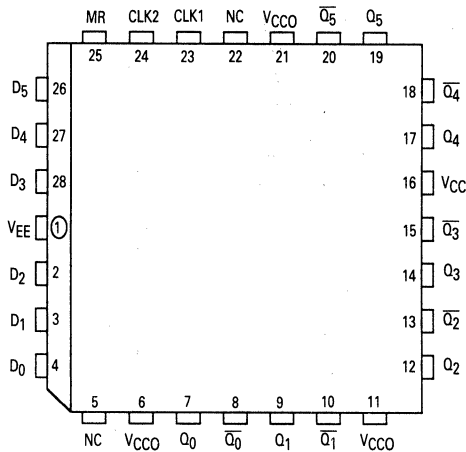
**MC10E151  
MC100E151**

**6-BIT  
D REGISTER**

3

The MC10E/100E151 contains 6 D-type, edge-triggered, master-slave flip-flops with differential outputs. Data enters the master when both CLK1 and CLK2 are LOW, and is transferred to the slave when CLK1 or CLK2 (or both) go HIGH. The asynchronous Master Reset (MR) makes all Q outputs go LOW.

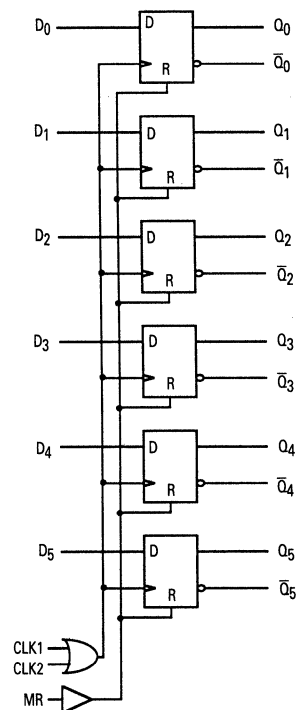
**PINOUT: 28-LEAD PLCC (TOP VIEW)**



**PIN NAMES**

Pin	Function
D <sub>0</sub> -D <sub>5</sub>	Data Inputs
CLK1, CLK2	Clock Inputs
MR	Master Reset
Q <sub>0</sub> -Q <sub>5</sub>	True Outputs
Q <sub>0</sub> -Q <sub>5</sub>	Inverted Outputs

**LOGIC SYMBOL**



## MC10E151, MC100E151

**DC Characteristics:**  $V_{EE} = V_{EE}(\text{min})$  to  $V_{EE}(\text{max})$ ;  $V_{CC} = V_{CC0} = \text{GND}$

Symbol	Characteristic	0°C			25°C			85°C			Unit	Condition
		min	typ	max	min	typ	max	min	typ	max		
$I_{IH}$	Input HIGH Current			150			150			150	$\mu\text{A}$	
$I_{EE}$	Power Supply Current										$\text{mA}$	
	10E	65		78	65		78	65		78		
	100E	65		78	65		78	75		90		

**AC Characteristics:**  $V_{EE} = V_{EE}(\text{min})$  to  $V_{EE}(\text{max})$ ;  $V_{CC} = V_{CC0} = \text{GND}$

Symbol	Characteristic	0°C			25°C			85°C			Unit	Condition
		min	typ	max	min	typ	max	min	typ	max		
$f_{\text{MAX}}$	Max. Toggle Frequency	1100	1400		1100	1400		1100	1400		MHz	
$t_{\text{PLH}}$ $t_{\text{PHL}}$	Propagation Delay to Output Clk MR	475	650	800	475	650	800	475	650	800	ps	
$t_s$	Setup Time D	0	-175		0	-175		0	-175		ps	
$t_h$	Hold Time D	350	175		350	175		350	175		ps	
$t_{\text{RR}}$	Reset Recovery Time	750	550		750	550		750	550		ps	
$t_{\text{PW}}$	Minimum Pulse Width CLK, MR	400			400			400			ps	
$t_{\text{SKEW}}$	Within-Device Skew		65			65			65		ps	1
$t_r$ $t_f$	Rise / Fall Times 20 - 80%	300	450	700	300	450	700	300	450	700	ps	

1. Within-device skew is defined as identical transitions on similar paths through a device

3

# MOTOROLA SEMICONDUCTOR TECHNICAL DATA

**MC10E154  
MC100E154**

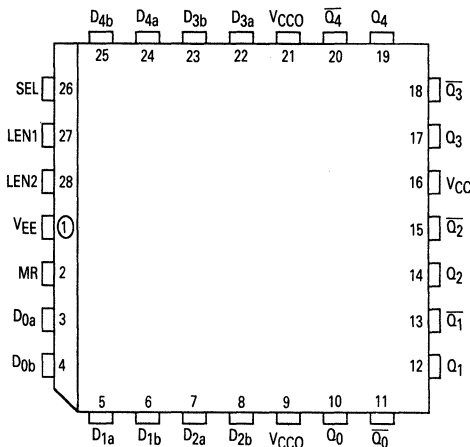
**5-BIT  
2:1 MUX-LATCH**

- 850 ps Max. LEN to Output
- 825 ps Max. D to Output
- Differential Outputs
- Asynchronous Master Reset
- Dual Latch-Enables
- Extended 100E  $V_{EE}$  Range of  $-4.2$  V to  $-5.46$  V
- 75 k $\Omega$  Input Pulldown Resistors

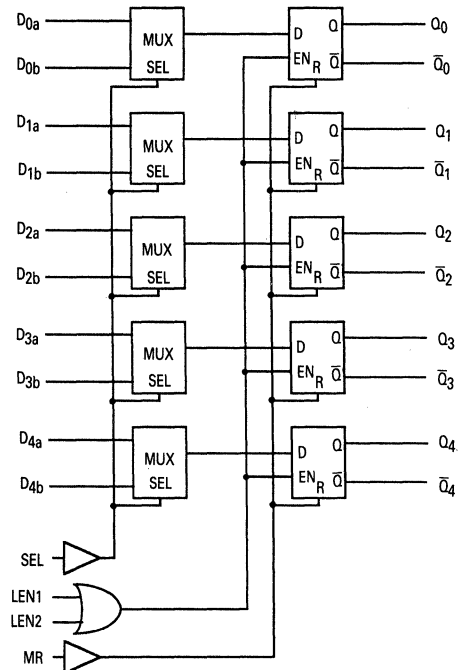
3

The MC10E/100E154 contains five 2:1 multiplexers followed by transparent latches with differential outputs. When both Latch Enables (LEN1, LEN2) are LOW, the latch is transparent, and output data is controlled by the multiplexer select control, SEL. A logic HIGH on either LEN1 or LEN2 (or both) latches the outputs. The Master Reset (MR) overrides all other controls to set the Q outputs LOW.

**PINOUT: 28-LEAD PLCC (TOP VIEW)**



**LOGIC SYMBOL**



**PIN NAMES**

Pin	Function
D0a-D4a	Input Data a
D0b-D4b	Input Data b
SEL	Data Select Input
LEN1, LEN2	Latch Enables
MR	Master Reset
Q0-Q4	True Outputs
$\bar{Q}_0$ - $\bar{Q}_4$	Inverted Outputs

## MC10E154, MC100E154

**DC Characteristics:**  $V_{EE} = V_{EE}(\text{min})$  to  $V_{EE}(\text{max})$ ;  $V_{CC} = V_{CCO} = \text{GND}$

Symbol	Characteristic	0°C			25°C			85°C			Unit	Condition
		min	typ	max	min	typ	max	min	typ	max		
$I_{IH}$	Input HIGH Current			150			150			150	$\mu\text{A}$	
$I_{EE}$	Power Supply Current										mA	
	10E		76	91		76	91		76	91		
	100E		76	91		76	91		87	105		

**AC Characteristics:**  $V_{EE} = V_{EE}(\text{min})$  to  $V_{EE}(\text{max})$ ;  $V_{CC} = V_{CCO} = \text{GND}$

Symbol	Characteristic	0°C			25°C			85°C			Unit	Condition
		min	typ	max	min	typ	max	min	typ	max		
$t_{PLH}$ $t_{PHL}$	Propagation Delay to Output										ps	
	D	325	500	700	325	500	700	325	500	700		
	SEL	475	650	925	475	650	925	475	650	925		
	LEN	350	500	750	350	500	750	350	500	750		
	MR	450	600	800	450	600	800	450	600	800		
$t_s$	Setup Time										ps	
	D	300	100		300	100		300	100			
	SEL	500	250		500	250		500	250			
$t_h$	Hold Time										ps	
	D	300	-100		300	-100		300	-100			
	SEL	200	-250		200	-250		200	-250			
$t_{RR}$	Reset Recovery Time	800	600		800	600		800	600		ps	
$t_{PW}$	Minimum Pulse Width										ps	
	MR	400			400			400				
$t_{SKEW}$	Within-Device Skew		50			50			50		ps	1
$t_r$ $t_f$	Rise / Fall Times										ps	
	20 - 80%	300	475	800	300	475	800	300	475	800		

1. Within-device skew is defined as identical transitions on similar paths through a device

3

**MC10E155**  
**MC100E155**

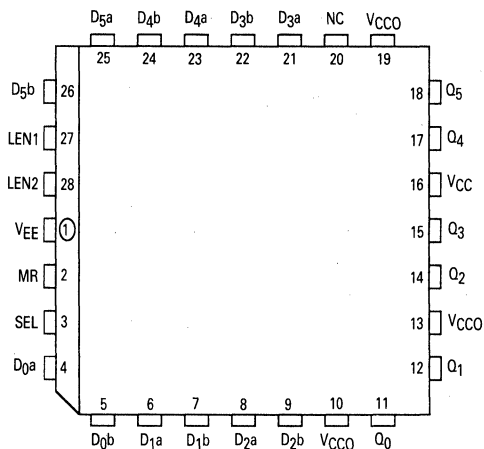
**6-BIT**  
**2:1 MUX-LATCH**

**3**

- 850 ps Max. LEN to Output
- 825 ps Max. D to Output
- Single-Ended Outputs
- Asynchronous Master Reset
- Dual Latch-Enables
- Extended 100E V<sub>EE</sub> Range of -4.2 V to -5.46 V
- 75 kΩ Input Pulldown Resistors

The MC10E/100E155 contains six 2:1 multiplexers followed by transparent latches with single-ended outputs. When both Latch Enables (LEN1, LEN2) are LOW, the latch is transparent, and output data is controlled by the multiplexer select control, SEL. A logic HIGH on either LEN1 or LEN2 (or both) latches the outputs. The Master Reset (MR) overrides all other controls to set the Q outputs LOW.

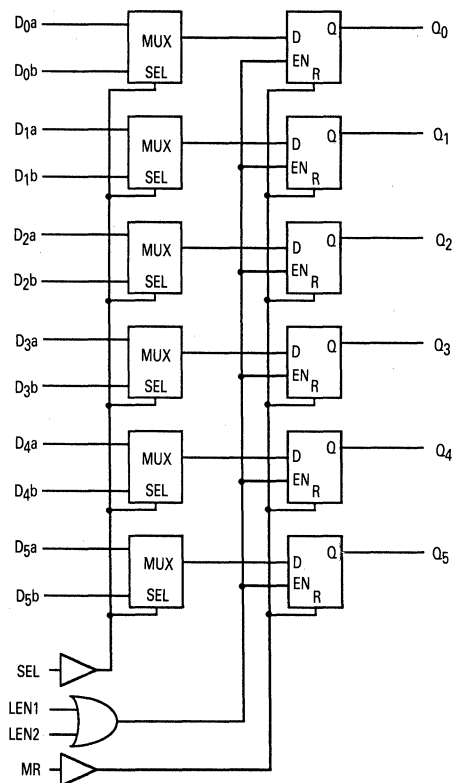
**PINOUT: 28-LEAD PLCC (TOP VIEW)**



**PIN NAMES**

Pin	Function
D0a-D4a	Input Data a
D0b-D4b	Input Data b
SEL	Data Select Input
LEN1, LEN2	Latch Enables
MR	Master Reset
Q0-Q4	Outputs

**LOGIC SYMBOL**



## MC10E155, MC100E155

**DC Characteristics:**  $V_{EE} = V_{EE}(\text{min})$  to  $V_{EE}(\text{max})$ ;  $V_{CC} = V_{CCO} = \text{GND}$

Symbol	Characteristic	0°C			25°C			85°C			Unit	Condition
		min	typ	max	min	typ	max	min	typ	max		
$I_{IH}$	Input HIGH Current			150			150			150	$\mu\text{A}$	
$I_{EE}$	Power Supply Current										$\text{mA}$	
	10E		85	102		85	102		85	102		
	100E		85	102		85	102		98	117		

**AC Characteristics:**  $V_{EE} = V_{EE}(\text{min})$  to  $V_{EE}(\text{max})$ ;  $V_{CC} = V_{CCO} = \text{GND}$

Symbol	Characteristic	0°C			25°C			85°C			Unit	Condition
		min	typ	max	min	typ	max	min	typ	max		
$t_{PLH}$ $t_{PHL}$	Propagation Delay to Output D SEL LEN MR	325 475 350 450	500 675 500 600	700 925 750 850	325 475 350 450	500 675 500 600	700 925 750 850	325 475 350 450	500 675 500 600	700 925 750 850	ps	
$t_s$	Setup Time D SEL	300 500	100 250		300 500	100 250		300 500	100 250		ps	
$t_h$	Hold Time D SEL	300 0	-100 -250		300 0	-100 -250		300 0	-100 -250		ps	
$t_{RR}$	Reset Recovery Time	800	650		800	650		800	650		ps	
$t_{PW}$	Minimum Pulse Width MR	400			400			400			ps	
$t_{SKEW}$	Within-Device Skew		75			75			75		ps	1
$t_r$ $t_f$	Rise / Fall Times 20 - 80%	300	450	800	300	450	800	300	450	800	ps	

1. Within-device skew is defined as identical transitions on similar paths through a device

3



# MOTOROLA SEMICONDUCTOR TECHNICAL DATA

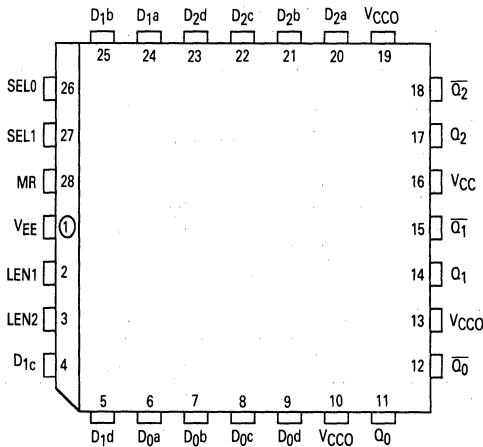
- 950 ps Max. D to Output
- 850 ps Max. LEN to Output
- Differential Outputs
- Asynchronous Master Reset
- Dual Latch-Enables
- Extended 100E  $V_{EE}$  Range of  $-4.2\text{ V}$  to  $-5.46\text{ V}$
- 75 k $\Omega$  Input Pulldown Resistors

**MC10E156**  
**MC100E156**

**3-BIT**  
**4:1 MUX-LATCH**

The MC10E/100E156 contains three 4:1 multiplexers followed by transparent latches with differential outputs. When both Latch Enables (LEN1, LEN2) are LOW, the latch is transparent, and output data is controlled by the multiplexer select controls (SEL0, SEL1). A logic HIGH on either LEN1 or LEN2 (or both) latches the outputs. The Master Reset (MR) overrides all other controls to set the Q outputs LOW.

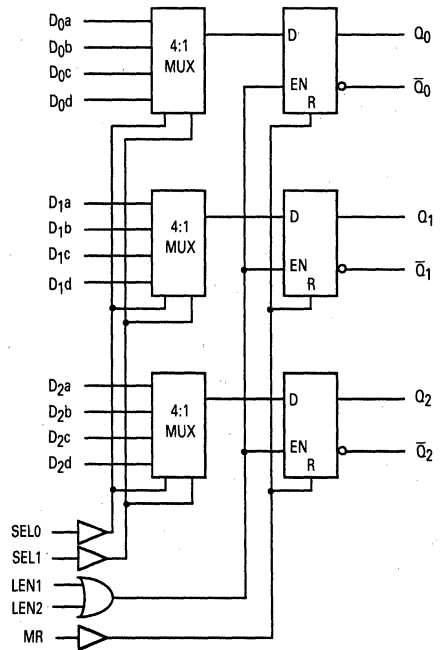
**PINOUT: 28-LEAD PLCC (TOP VIEW)**



**PIN NAMES**

Pin	Function
D0x-D3x	Input Data
SEL0, SEL1	Select Inputs
LEN1, LEN2	Latch Enables
MR	Master Reset
Q0-Q2	True Outputs
$\bar{Q}_0-\bar{Q}_2$	Inverted Outputs

**LOGIC SYMBOL**



## MC10E156, MC100E156

**DC Characteristics:**  $V_{EE} = V_{EE}(\text{min})$  to  $V_{EE}(\text{max})$ ;  $V_{CC} = V_{CCO} = \text{GND}$

Symbol	Characteristic	0°C			25°C			85°C			Unit	Condition
		min	typ	max	min	typ	max	min	typ	max		
$I_{IH}$	Input HIGH Current			150			150			150	$\mu\text{A}$	
$I_{EE}$	Power Supply Current										$\text{mA}$	
	10E		75	90		75	90		75	90		
	100E		75	90		75	90		86	103		

**AC Characteristics:**  $V_{EE} = V_{EE}(\text{min})$  to  $V_{EE}(\text{max})$ ;  $V_{CC} = V_{CCO} = \text{GND}$

Symbol	Characteristic	0°C			25°C			85°C			Unit	Condition
		min	typ	max	min	typ	max	min	typ	max		
$t_{PLH}$ $t_{PHL}$	Propagation Delay to Output D SEL0 SEL1 LEN MR	400	600	900	400	600	900	400	600	900	ps	
$t_s$	Setup Time D SEL0 SEL1	400	275		400	275		400	275		ps	
$t_h$	Hold Time D SEL0 SEL1	300	-275		300	-275		300	-275		ps	
$t_{RR}$	Reset Recovery Time	800	600		800	600		800	600		ps	
$t_{PW}$	Minimum Pulse Width MR	400			400			400			ps	
$t_{SKEW}$	Within-Device Skew		50			50			50		ps	1
$t_r$ $t_f$	Rise / Fall Times 20 - 80%	275	475	700	275	475	700	275	475	700	ps	

1. Within-device skew is defined as identical transitions on similar paths through a device

3

# MOTOROLA SEMICONDUCTOR TECHNICAL DATA

- Individual Select Controls
- 550 ps Max. D to Output
- 800 ps Max. SEL to Output
- Extended 100E VEE Range of -4.2V to -5.46V
- Internal 75kΩ Input Pulldown Resistors

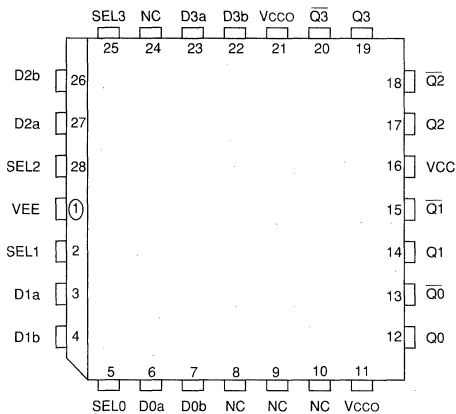
The MC 10E/100E157 contains four 2:1 multiplexers with differential outputs. The output data are controlled by the individual Select (SEL) inputs. The individual select control makes the devices well suited for random logic designs.

**MC10E157  
MC100E157**

**QUAD  
2:1 MULTIPLEXER**

3

### PINOUT: 28-LEAD PLCC (TOP VIEW)



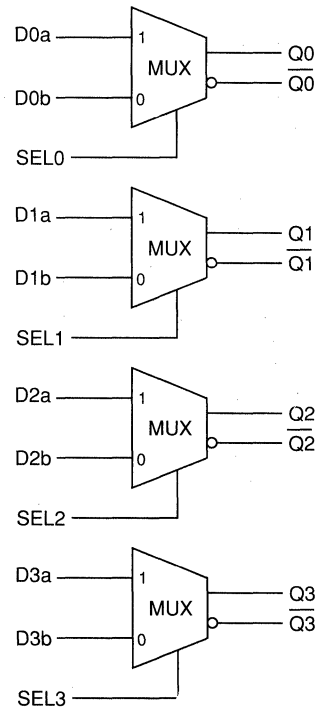
### FUNCTION TABLE

SEL	Data
H	a
L	b

### PIN NAMES

PIN	FUNCTION
D0a – D3a	Input Data a
D0b – D3b	Input Data b
SEL0 – SEL3	Select Inputs
Q0 – Q3	True Outputs
Q0-bar – Q3-bar	Inverted Outputs

### LOGIC SYMBOL



## MC10E157, MC100E157

**DC Characteristics:**  $V_{EE} = V_{EE}(\text{min})$  to  $V_{EE}(\text{max})$ ;  $V_{CC} = V_{CCO} = \text{GND}$

Symbol	Characteristic	0°C			25°C			85°C			Unit	Condition
		min	typ	max	min	typ	max	min	typ	max		
$I_{IH}$	Input HIGH Current										$\mu\text{A}$	
	D			200			200			200		
	SEL			150			150			150		
$I_{EE}$	Power Supply Current										$\text{mA}$	
	10E		32	38		32	38		32	38		
	100E		32	38		32	38		37	44		

3

**AC Characteristics:**  $V_{EE} = V_{EE}(\text{min})$  to  $V_{EE}(\text{max})$ ;  $V_{CC} = V_{CCO} = \text{GND}$

Symbol	Characteristic	0°C			25°C			85°C			Unit	Condition
		min	typ	max	min	typ	max	min	typ	max		
$t_{PLH}$ $t_{PHL}$	Propagation Delay to Output										$\text{ps}$	
	D	220	380	550	220	380	550	220	380	550		
	SEL	425	600	800	425	600	800	425	600	800		
$t_{SKEW}$	Within-Device Skew		70			70			70		$\text{ps}$	1
$t_r$ $t_f$	Rise/Fall Times 20 - 80%		275	400	650		275	400	650		$\text{ps}$	

1. Within-device skew is defined as identical transitions on similar paths through a device

# MOTOROLA SEMICONDUCTOR TECHNICAL DATA

- 600 ps Max. D to Output
- 800 ps Max. SEL to Output
- Differential Outputs
- One V<sub>CCO</sub> Pin Per Output Pair
- Extended 100E V<sub>EE</sub> Range of -4.2 V to -5.46 V
- 75 k $\Omega$  Input Pulldown Resistors

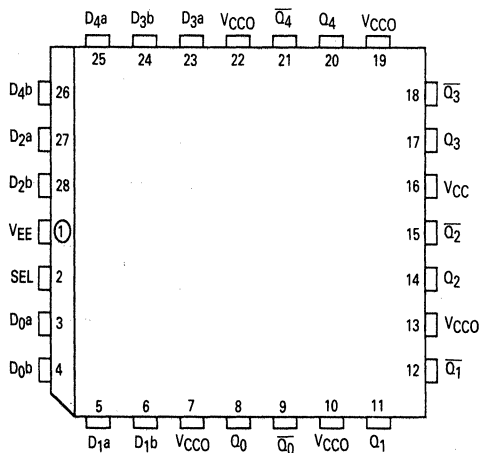
**MC10E158  
MC100E158**

**5-BIT  
2:1 MULTIPLEXER**

The MC10E/100E158 contains five 2:1 multiplexers with differential outputs. The output data are controlled by the Select input (SEL).

**3**

**PINOUT: 28-LEAD PLCC (TOP VIEW)**



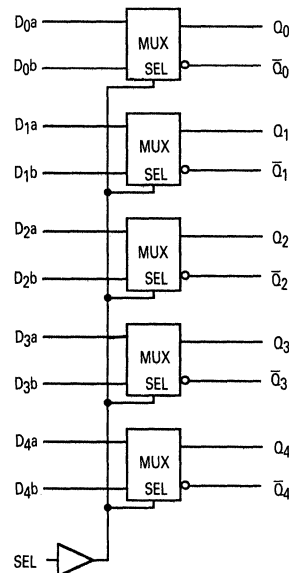
**FUNCTION TABLE**

SEL	Data
H	a
L	b

**PIN NAMES**

Pin	Function
D <sub>0a</sub> -D <sub>4a</sub>	Input Data a
D <sub>0b</sub> -D <sub>4b</sub>	Input Data b
SEL	Select Input
Q <sub>0</sub> -Q <sub>4</sub>	True Outputs
Q <sub>0</sub> -Q <sub>4</sub>	Inverted Outputs

**LOGIC SYMBOL**



## MC10E158, MC100E158

**DC Characteristics:**  $V_{EE} = V_{EE}(\text{min})$  to  $V_{EE}(\text{max})$ ;  $V_{CC} = V_{CC0} = \text{GND}$

Symbol	Characteristic	0°C			25°C			85°C			Unit	Condition
		min	typ	max	min	typ	max	min	typ	max		
$I_{IH}$	Input HIGH Current										$\mu\text{A}$	
	D			200			200			200		
	SEL			150			150			150		
$I_{EE}$	Power Supply Current										mA	
	10E		33	40		33	40		33	40		
	100E		33	40		33	40		38	46		

**AC Characteristics:**  $V_{EE} = V_{EE}(\text{min})$  to  $V_{EE}(\text{max})$ ;  $V_{CC} = V_{CC0} = \text{GND}$

Symbol	Characteristic	0°C			25°C			85°C			Unit	Condition			
		min	typ	max	min	typ	max	min	typ	max					
$t_{PLH}$ $t_{PHL}$	Propagation Delay to Output										ps				
	D	225	385	550	225	385	550	225	385	550					
	SEL	400	600	775	400	600	775	400	600	775					
$t_{SKEW}$	Within-Device Skew		60			60			60		ps	1			
$t_r$ $t_f$	Rise / Fall Time 20 - 80%		275	425	650		275	425	650		275	425	650	ps	

1. Within-device skew is defined as identical transitions on similar paths through a device

**MC10E160**  
**MC100E160**

**12-BIT PARITY**  
**GENERATOR/CHECKER**

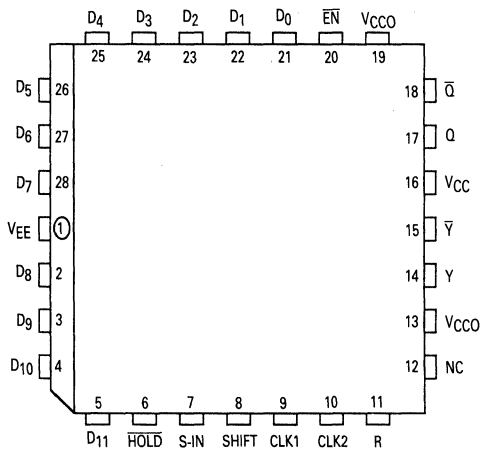
**3**

- Provides Odd-HIGH Parity of 12 Inputs
- Shiftable Output Register with Hold
- 900 ps Max. D to Q/Q Output
- Enable
- Asynchronous Register Reset
- Dual Clocks
- Extended 100E V<sub>EE</sub> Range of -4.2 V to -5.46 V
- 75 kΩ Input Pulldown Resistors

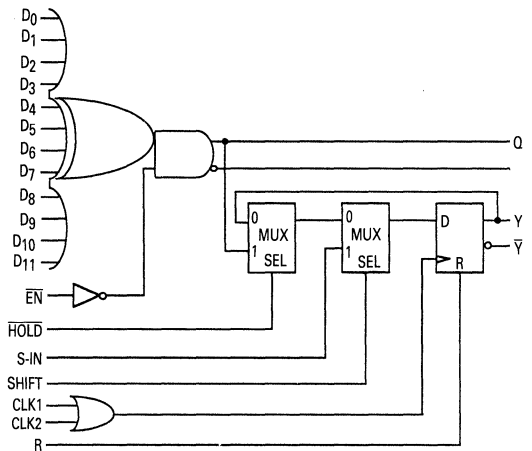
The MC10E/100E160 is a 12-bit parity generator/checker. The Q output is HIGH when an odd number of inputs are HIGH. A HIGH on the Enable input ( $\overline{EN}$ ) forces the Q output LOW.

The E160 also features an output register. Multiplexers direct the register input, giving the option of holding present data by asserting  $\overline{HOLD}$  LOW, or of shifting data in through the S-IN pin by asserting SHIFT HIGH. The output register itself is clocked by a positive edge on CLK1 or CLK2 (or both). A HIGH on the reset pin (R) overrides to force the Y output LOW.

**PINOUT: 28-LEAD PLCC (TOP VIEW)**



**LOGIC SYMBOL**



**PIN NAMES**

Pin	Function
D <sub>0</sub> -D <sub>11</sub>	Data Inputs
S-IN	Serial Data Input
$\overline{EN}$	Enable, active LOW
$\overline{HOLD}$	Hold, active LOW
SHIFT	Shift, active HIGH
CLK1, CLK2	Clock Inputs
R	Reset Input
Q, $\overline{Q}$	Direct Output
Y, $\overline{Y}$	Register Output

## MC10E160, MC100E160

**DC Characteristics:**  $V_{EE} = V_{EE}(\text{min})$  to  $V_{EE}(\text{max})$ ;  $V_{CC} = V_{CC0} = \text{GND}$

Symbol	Characteristic	0°C			25°C			85°C			Unit	Condition	
		min	typ	max	min	typ	max	min	typ	max			
$I_{IH}$	Input HIGH Current										$\mu\text{A}$		
	CLK1, CLK2			200			200			200			
	R			300			300			300			
	All Other Inputs			150			150			150			
$I_{EE}$	Power Supply Current										$\text{mA}$		
	10E			82	98		82	98		82			98
	100E			82	98		82	98		94			113

3

**AC Characteristics:**  $V_{EE} = V_{EE}(\text{min})$  to  $V_{EE}(\text{max})$ ;  $V_{CC} = V_{CC0} = \text{GND}$

Symbol	Characteristic	0°C			25°C			85°C			Unit	Condition
		min	typ	max	min	typ	max	min	typ	max		
$t_{PLH}$ $t_{PHL}$	Propagation Delay to Output										$\text{ps}$	
	D to Q	400	650	950	400	650	950	400	650	950		
	EN to Q	300	550	750	300	550	750	300	550	750		
	CLK to Y	275	500	700	275	500	700	275	500	700		
	R to Y	275	500	725	275	500	725	275	500	725		
$t_s$	Setup Time										$\text{ps}$	
	<u>D</u>	1200	900		1200	900		1200	900			
	<u>HOLD</u>	600	300		600	300		600	300			
	S-IN	350	150		350	150		350	150			
	SHIFT	500	250		500	250		500	250			
$t_h$	Hold Time										$\text{ps}$	
	<u>D</u>	-400	-900		-400	-900		-400	-900			
	<u>HOLD</u>	100	-300		100	-300		100	-300			
	S-IN	300	-150		300	-150		300	-150			
	SHIFT	200	-250		200	-250		200	-250			
$t_r$ $t_f$	Rise / Fall Time										$\text{ps}$	
	20 - 80%	300	450	650	300	450	650	300	450	650		

1. Within a device skew is guaranteed for identical transitions on similar paths through a device



# MOTOROLA SEMICONDUCTOR TECHNICAL DATA

- 850 ps Max. D to Output
- Differential Outputs
- Extended 100E  $V_{EE}$  Range of  $-4.2\text{ V}$  to  $-5.46\text{ V}$
- 75 k $\Omega$  Input Pulldown Resistors

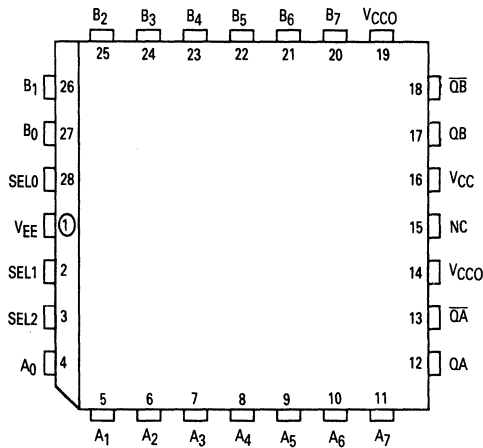
**MC10E163  
MC100E163**

**2-BIT  
8:1 MULTIPLEXER**

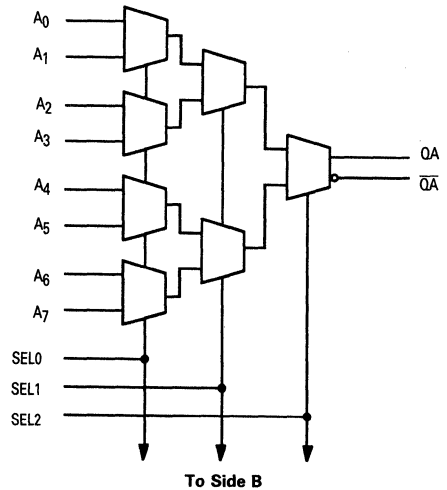
The MC10E/100E163 contains two 8:1 multiplexers with differential outputs and common select inputs. The select inputs (SEL0, 1, 2) control which one of the eight data inputs ( $A_0$ - $A_7$ ,  $B_0$ - $B_7$ ) is propagated to the output.

3

**PINOUT: 28-LEAD PLCC (TOP VIEW)**



**LOGIC SYMBOL**



**FUNCTION TABLE**

SEL2	SEL1	SEL0	A/B Data
L	L	L	0
L	L	H	1
L	H	L	2
L	H	H	3
H	L	L	4
H	L	H	5
H	H	L	6
H	H	H	7

**PIN NAMES**

Pin	Function
$A_0$ - $A_7$	A Data Inputs
$B_0$ - $B_7$	B Data Inputs
SEL0, 1, 2	Select Inputs
QA, QB	True Outputs
$\overline{QA}$ , $\overline{QB}$	Inverting Outputs

## MC10E163, MC100E163

**DC Characteristics:**  $V_{EE} = V_{EE}(\text{min})$  to  $V_{EE}(\text{max})$ ;  $V_{CC} = V_{CCO} = \text{GND}$

Symbol	Characteristic	0°C			25°C			85°C			Unit	Condition
		min	typ	max	min	typ	max	min	typ	max		
$I_{IH}$	Input HIGH Current			150			150			150	$\mu\text{A}$	
$I_{EE}$	Power Supply Current										mA	
	10E		73	88		73	88		73	88		
	100E		73	88		73	88		83	100		

**AC Characteristics:**  $V_{EE} = V_{EE}(\text{min})$  to  $V_{EE}(\text{max})$ ;  $V_{CC} = V_{CCO} = \text{GND}$

Symbol	Characteristic	0°C			25°C			85°C			Unit	Condition
		min	typ	max	min	typ	max	min	typ	max		
$t_{PLH}$ $t_{PHL}$	Propagation Delay to Output D SEL0 SEL1 SEL2	400	550	800	400	550	800	400	550	800		ps
$t_{SKEW}$	Within-Device Skew An, Bn to Q An, Am to QA Bn, Bm to QB		40			40			40		ps	1
$t_r$ $t_f$	Rise / Fall Time 20 - 80%	275	375	575	275	375	575	275	375	575	ps	

1. Within-device skew is defined as identical transitions on similar paths through a device; n=0-7, m n, m=0-7.

3

**MC10E164**  
**MC100E164**

**16:1 MULTIPLEXER**

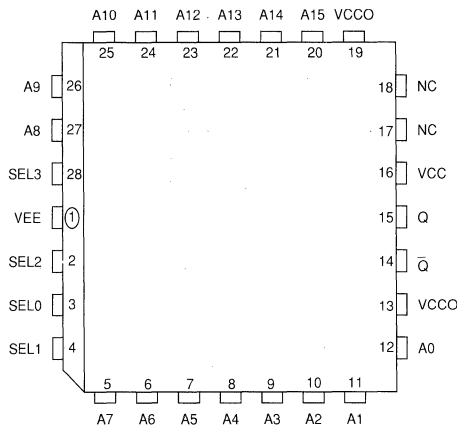
- 850 ps Data Input to Output
- Differential Output
- Extended 100E VEE Range of -4.2V to -5.46V
- Internal 75kΩ Input Pulldown Resistors

The MC 10E/100E164 is a 16:1 multiplexer with a differential output. The select inputs (SEL0, 1, 2, 3) control which one of the sixteen data inputs (A0 – A15) is propagated to the output.

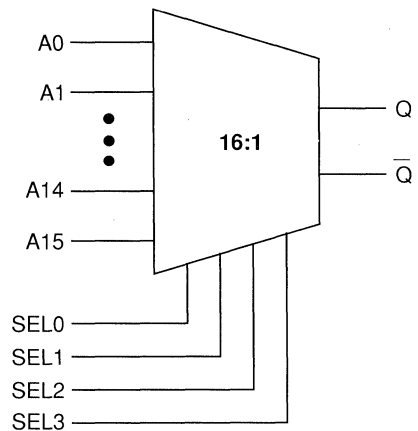
Special attention to the design layout results in a typical skew between the 16 inputs of only 50ps.

**3**

**PINOUT: 28-LEAD PLCC (TOP VIEW)**



**LOGIC SYMBOL**



**PIN NAMES**

PIN	FUNCTION
A0 – A15	Data Inputs
SEL[0:3]	Select Inputs
Q, Q̄	Output

## MC10E164, MC100E164

**DC Characteristics:**  $V_{EE} = V_{EE}(\text{min})$  to  $V_{EE}(\text{max})$ ;  $V_{CC} = V_{CC0} = \text{GND}$

Symbol	Characteristic	0°C			25°C			85°C			Unit	Condition
		min	typ	max	min	typ	max	min	typ	max		
$I_{IH}$	Input HIGH Current			150			150			150	$\mu\text{A}$	
$I_{EE}$	Power Supply Current										mA	
	10E		59	71		59	71		59	71		
	100E		59	71		59	71		68	81		

3

**AC Characteristics:**  $V_{EE} = V_{EE}(\text{min})$  to  $V_{EE}(\text{max})$ ;  $V_{CC} = V_{CC0} = \text{GND}$

Symbol	Characteristic	0°C			25°C			85°C			Unit	Condition			
		min	typ	max	min	typ	max	min	typ	max					
$t_{PLH}$ $t_{PHL}$	Propagation Delay to Output										ps				
	A Input	350	600	850	350	600	850	350	600	850					
	SEL0	500	700	900	500	700	900	500	700	900					
	SEL1	400	675	900	400	675	900	400	675	900					
	SEL2	400	675	900	400	675	900	400	675	900					
	SEL3	400	550	700	400	550	700	400	550	700					
$t_{SKEW}$	Within Device Skew		50			50			50		ps	1			
$t_r$ $t_f$	Rise/Fall Times 20 - 80%		275	400	550		275	400	550		275	400	550	ps	

1 Within Device skew is defined as the difference in the A to Q delay between the 16 different A inputs.

### FUNCTION TABLE

SEL3	SEL2	SEL1	SEL0	Data
L	L	L	L	A0
L	L	L	H	A1
L	L	H	L	A2
L	L	H	H	A3
L	H	L	L	A4
L	H	L	H	A5
L	H	H	L	A6
L	H	H	H	A7
H	L	L	L	A8
H	L	L	H	A9
H	L	H	L	A10
H	L	H	H	A11
H	H	L	L	A12
H	H	L	H	A13
H	H	H	L	A14
H	H	H	H	A15

- 1100 ps Max.  $\overline{A=B}$
- Extended 100E  $V_{EE}$  Range of  $-4.2\text{ V}$  to  $-5.46\text{ V}$
- 75 k $\Omega$  Input Pulldown Resistors

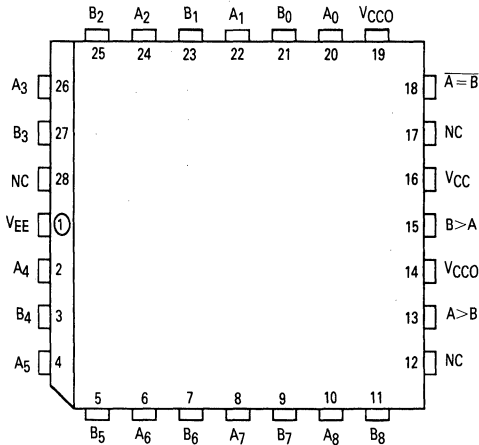
**MC10E166**  
**MC100E166**

**9-BIT MAGNITUDE  
 COMPARATOR**

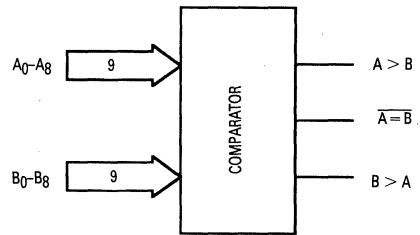
The MC10E/100E166 is a 9-bit magnitude comparator which compares the binary value of two 9-bit words and indicates whether one word is greater than, or equal to, the other.

**3**

**PINOUT: 28-LEAD PLCC (TOP VIEW)**



**LOGIC SYMBOL**



**PIN NAMES**

Pin	Function
A <sub>0</sub> -A <sub>8</sub>	A Data Inputs
B <sub>0</sub> -B <sub>8</sub>	B Data Inputs
A > B	A Greater than B Output
B > A	B Greater than A Output
$\overline{A=B}$	A Equal to B Output (active-LOW)

## MC10E166, MC100E166

**DC Characteristics:**  $V_{EE} = V_{EE(\min)}$  to  $V_{EE(\max)}$ ;  $V_{CC} = V_{CC0} = \text{GND}$

Symbol	Characteristic	0°C			25°C			85°C			Unit	Condition
		min	typ	max	min	typ	max	min	typ	max		
$I_{IH}$	Input HIGH Current			150			150			150	$\mu\text{A}$	
$I_{EE}$	Power Supply Current										$\text{mA}$	
	10E		113	136		113	136		113	136		
	100E		113	136		113	136		130	156		

**AC Characteristics:**  $V_{EE} = V_{EE(\min)}$  to  $V_{EE(\max)}$ ;  $V_{CC} = V_{CC0} = \text{GND}$

Symbol	Characteristic	0°C			25°C			85°C			Unit	Condition
		min	typ	max	min	typ	max	min	typ	max		
$t_{PLH}$ $t_{PHL}$	Propagation Delay to Output D to A=B D to A<B, A>B	500	750	1100	500	750	1100	500	750	1100	ps	
		500	850	1400	500	850	1400	500	850	1400		
$t_r$ $t_f$	Rise / Fall Time 20 - 80%	300	450	800	300	450	800	300	450	800	ps	

3

# MOTOROLA SEMICONDUCTOR TECHNICAL DATA

**MC10E167  
MC100E167**

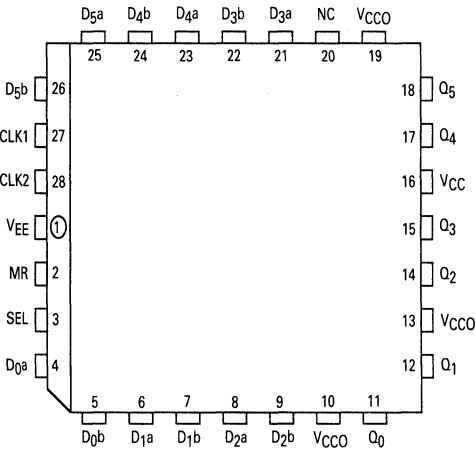
**6-BIT  
2:1 MUX-REGISTER**

**3**

- 1000 MHz Min. Operating Frequency
- 800 ps Max. Clock to Output
- Single-Ended Outputs
- Asynchronous Master Resets
- Dual Clocks
- Extended 100E V<sub>EE</sub> Range of -4.2 V to -5.46 V
- 75 kΩ Input Pulldown Resistors

The MC10E/100E167 contains six 2:1 multiplexers followed by D flip-flops with single-ended outputs. Input data are selected by the Select control, SEL. The selected data are transferred to the flip-flop outputs by a positive edge on CLK1 or CLK2 (or both). A HIGH on the Master Reset (MR) pin asynchronously forces all Q outputs LOW.

**PINOUT: 28-LEAD PLCC (TOP VIEW)**



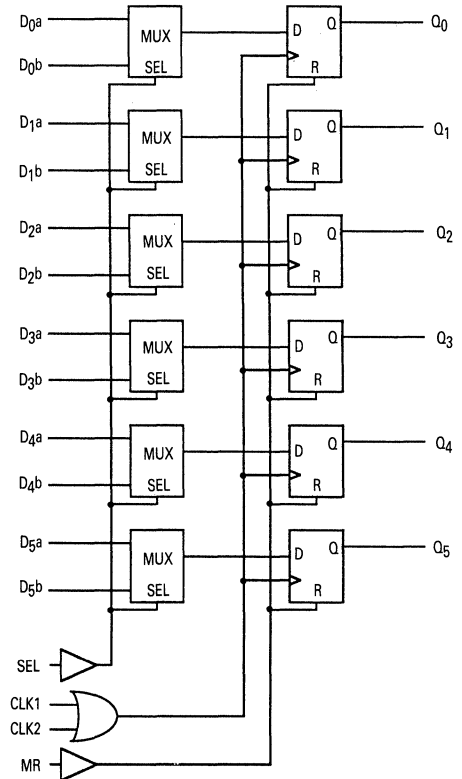
**FUNCTION TABLE**

SEL	Data
H	a
L	b

**PIN NAMES**

Pin	Function
D0a-D5a	Input Data a
D0b-D5b	Input Data b
SEL	Select Input
CLK1, CLK2	Clock Inputs
MR	Master Reset
Q0-Q5	Data Outputs

**LOGIC SYMBOL**



## MC10E167, MC100E167

**DC Characteristics:**  $V_{EE} = V_{EE}(\text{min})$  to  $V_{EE}(\text{max})$ ;  $V_{CC} = V_{CCO} = \text{GND}$

Symbol	Characteristic	0°C			25°C			85°C			Unit	Condition
		min	typ	max	min	typ	max	min	typ	max		
$I_{IH}$	Input HIGH Current			150			150			150	μA	
$I_{EE}$	Power Supply Current										mA	
	10E		94	113		94	113		94	113		
	100E		94	113		94	113		108	130		

**AC Characteristics:**  $V_{EE} = V_{EE}(\text{min})$  to  $V_{EE}(\text{max})$ ;  $V_{CC} = V_{CCO} = \text{GND}$

Symbol	Characteristic	0°C			25°C			85°C			Unit	Condition
		min	typ	max	min	typ	max	min	typ	max		
$f_{MAX}$	Max. Toggle Frequency	1000	1400		1000	1400		1000	1400		MHz	
$t_{PLH}$ $t_{PHL}$	Propagation Delay to Output Clk MR	450	650	800	450	650	800	450	650	800	ps	
$t_s$	Setup Time D	100	-50		100	-50		100	-50		ps	
	SEL	275	125		275	125		275	125			
$t_h$	Hold Time D	300	50		300	50		300	50		ps	
	SEL	75	-125		75	-125		75	-125			
$t_{RR}$	Reset Recovery Time	750	550		750	550		750	550		ps	
$t_{PW}$	Minimum Pulse Width Clk, MR	400			400			400			ps	
$t_{SKEW}$	Within-Device Skew		75			75			75		ps	1
$t_r$ $t_f$	Rise / Fall Times 20 - 80%	300	450	800	300	450	800	300	450	800	ps	

1. Within-device skew is defined as identical transitions on similar paths through a device

3



# MOTOROLA SEMICONDUCTOR TECHNICAL DATA

## MC10E171 MC100E171

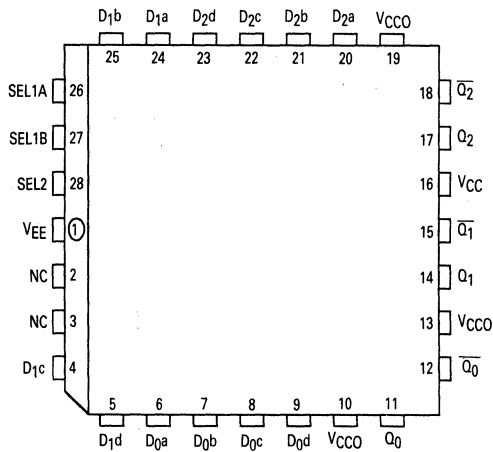
### 3-BIT 4:1 MULTIPLEXER

3

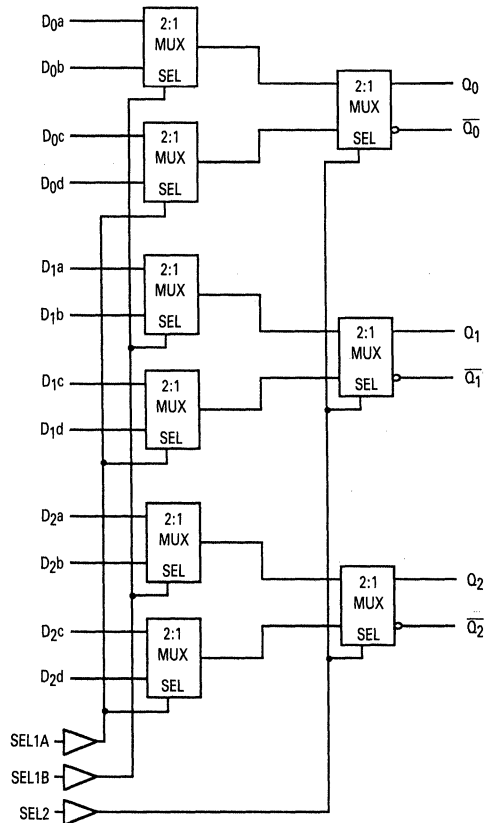
- 725 ps Max. D to Output
- Split Select
- Differential Outputs
- Extended 100E  $V_{EE}$  Range of  $-4.2$  V to  $-5.46$  V
- 75 k $\Omega$  Input Pulldown Resistors

The MC10E/100E171 contains three 4:1 multiplexers with differential outputs. Separate Select controls are provided for the leading 2:1 mux pairs (see logic symbol). The three Select inputs control which one of the four data inputs in each case is propagated to the corresponding output.

**PINOUT: 28-LEAD PLCC (TOP VIEW)**



**LOGIC SYMBOL**



**FUNCTION TABLE**

Pin	State	Operation
SEL2	H	Output c/d data
SEL1A	H	Input d data
SEL1B	H	Input b data

**PIN NAMES**

Pin	Function
$D_{0x}-D_{2x}$	Data Inputs
SEL1A, SEL1B	First-stage Select Inputs
SEL2	Second-stage Select Input
$Q_0-Q_2$	True Output
$\overline{Q_0}-\overline{Q_2}$	Inverted Output

## MC10E171, MC100E171

**DC Characteristics:**  $V_{EE} = V_{EE}(\text{min})$  to  $V_{EE}(\text{max})$ ;  $V_{CC} = V_{CC0} = \text{GND}$

Symbol	Characteristic	0°C			25°C			85°C			Unit	Condition
		min	typ	max	min	typ	max	min	typ	max		
$I_{IH}$	Input HIGH Current			150			150			150	$\mu\text{A}$	
$I_{EE}$	Power Supply Current										mA	
	10E	56	67		56	67		56	67			
	100E	56	67		56	67		65	77			

**AC Characteristics:**  $V_{EE} = V_{EE}(\text{min})$  to  $V_{EE}(\text{max})$ ;  $V_{CC} = V_{CC0} = \text{GND}$

Symbol	Characteristic	0°C			25°C			85°C			Unit	Condition
		min	typ	max	min	typ	max	min	typ	max		
$t_{PLH}$ $t_{PHL}$	Propagation Delay to Output										ps	
	D	275	480	650	275	480	650	275	480	650		
	SEL1	450	650	850	450	650	850	450	650	850		
	SEL2	350	550	700	350	550	700	350	550	700		
$t_{SKEW}$	Within-Device Skew										ps	1
	Dnm, Dnm to Qn		60			60			60			
	Da, Db, Dc, Dd to Q		40			40			40			
$t_r$ $t_f$	Rise / Fall Time										ps	
	20 - 80%	300	475	650	300	475	650	300	475	650		

1. Within-device skew is defined as identical transitions on similar paths through a device; n=0,1,2 m=a,b,c,d.

3

**MC10E175**  
**MC100E175**

**9-BIT LATCH**  
**WITH PARITY**

3

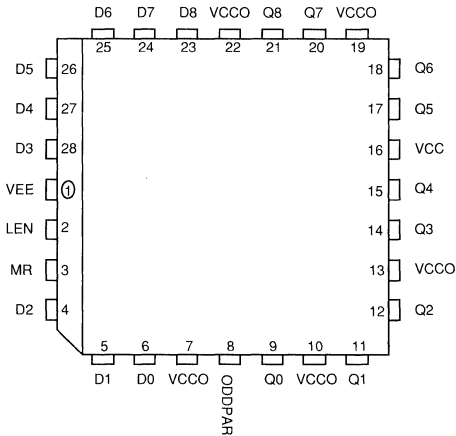
- 9-bit Latch
- Parity Detection/Generation
- 800 ps Max. D to Output
- Reset
- Extended 100E VEE Range of -4.2V to -5.46V
- Internal 75kΩ Input Pulldown Resistors

The MC 10E/100E175 is a 9-bit latch. It also features a tenth latched output, ODDPAR, which is formed as the odd parity of the nine data inputs (ODDPAR is HIGH if an odd number of the inputs are HIGH).

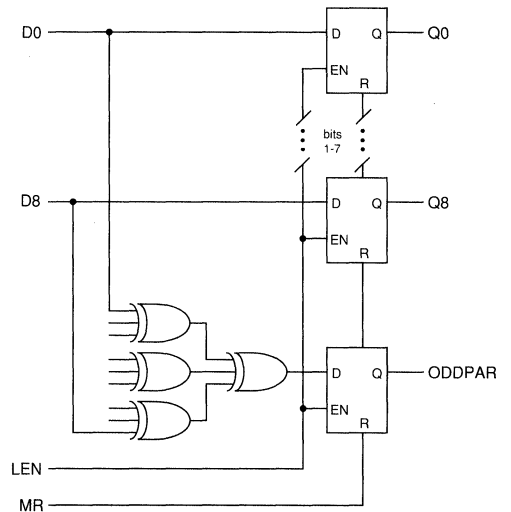
The E175 can also be used to generate byte parity by using D8 as the parity-type select ( L = even parity, H = odd parity ), and using ODDPAR as the byte parity output.

The LEN pin latches the data when asserted with a logical high and makes the latch transparent when placed at a logic low level.

**PINOUT: 28-LEAD PLCC (TOP VIEW)**



**LOGIC SYMBOL**



**PIN NAMES**

PIN	FUNCTION
D0 – D8	Data Inputs
LEN	Latch Enable
MR	Master Reset
Q0 – Q8	Data Outputs
ODDPAR	Parity Output

## MC10E175, MC100E175

**DC Characteristics:**  $V_{EE} = V_{EE}(\text{min})$  to  $V_{EE}(\text{max})$ ;  $V_{CC} = V_{CCO} = \text{GND}$

Symbol	Characteristic	0°C			25°C			85°C			Unit	Condition
		min	typ	max	min	typ	max	min	typ	max		
$I_{IH}$	Input HIGH Current	150			150			150			$\mu\text{A}$	
$I_{EE}$	Power Supply Current										$\text{mA}$	
	10E	110	132		110	132		110	132			
	100E	110	132		110	132		127	152			

**AC Characteristics:**  $V_{EE} = V_{EE}(\text{min})$  to  $V_{EE}(\text{max})$ ;  $V_{CC} = V_{CCO} = \text{GND}$

Symbol	Characteristic	0°C			25°C			85°C			Unit	Condition
		min	typ	max	min	typ	max	min	typ	max		
$t_{PLH}$ $t_{PHL}$	Propagation Delay to Output D to Q D to ODDPAR LEN to Q LEN to ODDPAR MR to Q ( $t_{PHL}$ ) MR to ODDPAR ( $t_{PHL}$ )	450	600	800	450	600	800	450	600	800	ps	
$t_s$	Setup Time D (Q) D (ODDPAR)	275	100		275			275			ps	
$t_h$	Hold Time D (Q) D (ODDPAR)	175	-100		175			175			ps	
$t_{RR}$	Reset Recovery Time	850	600		850	600		850	600		ps	
$t_{SKEW}$	Within-Device Skew LEN, MR D to Q D to ODDPAR		75			75			75		ps	1
$t_r$ $t_f$	Rise/Fall Times 20 - 80%	300	500	800	300	500	800	300	500	800	ps	

1. Within-device skew is defined as identical transitions on similar paths through a device

### FUNCTION TABLE

D	EN	MR	Q	ODDPAR
H	L	L	H	H if odd no. of Dn HIGH
L	L	L	L	H if odd no. of Dn HIGH
X	H	L	$Q_0$	$Q_0$
X	X	H	L	L

- Hamming Code Generation
- 8-Bit Word, Expandable
- Provides Parity of Whole Word
- Scannable Parity Register
- Extended 100E  $V_{EE}$  Range of  $-4.2$  V to  $-5.46$  V
- 75  $k\Omega$  Input Pulldown Resistors

**MC10E193**  
**MC100E193**

**ERROR DETECTION/  
CORRECTION CIRCUIT**

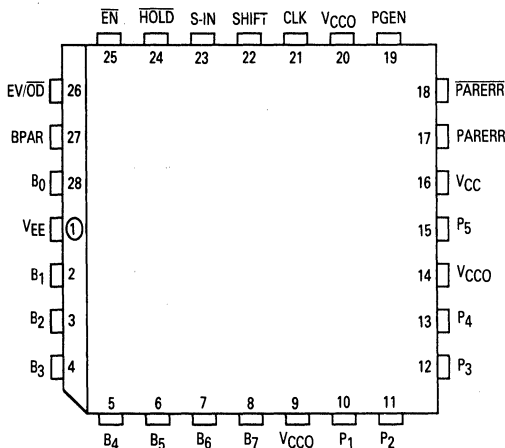
**3**

The MC10E/100E193 is an error detection and correction (EDAC) circuit. Modified Hamming parity codes are generated on an 8-bit word according to the pattern shown in the logic symbol. The P5 output gives the parity of the whole word. The word parity is also provided at the PGEN pin, after Odd/Even parity control and gating with the BPAR input. This output also feeds to a 1-bit shiftable register, for use as part of a scan ring.

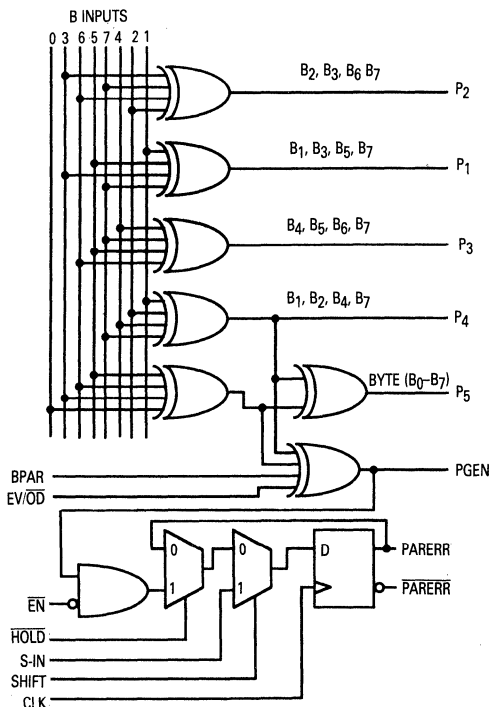
The combinatorial part of the device generates the same code pattern as the MC10193, a member of the MECL 10K family. The user is referred to the 10193 data sheet in the *MECL Device Data Book* for a fuller description of pattern expansion to long words, along with check bit generation and decoding schemes.

Used in conjunction with 12-bit parity generators such as the E160, a SECCED (single error correction, double error detection) error system can be designed for a multiple of an 8-bit word.

**PINOUT: 28-LEAD PLCC (TOP VIEW)**



**LOGIC SYMBOL**



## MC10E193, MC100E193

**DC Characteristics:**  $V_{EE} = V_{EE(min)}$  to  $V_{EE(max)}$ ;  $V_{CC} = V_{CCO} = GND$

Symbol	Characteristic	0°C			25°C			85°C			Unit	Condition
		min	typ	max	min	typ	max	min	typ	max		
$I_{IH}$	Input HIGH Current			150			150			150	$\mu A$	
$I_{EE}$	Power Supply Current										mA	
	10E		112	134		112	134		112	134		
	100E		112	134		112	134		129	155		

**AC Characteristics:**  $V_{EE} = V_{EE(min)}$  to  $V_{EE(max)}$ ;  $V_{CC} = V_{CCO} = GND$

Symbol	Characteristic	0°C			25°C			85°C			Unit	Condition
		min	typ	max	min	typ	max	min	typ	max		
$t_{PLH}$ $t_{PHL}$	Propagation Delay to Output										ps	
	B to P1, P2, P3, P4	350	700	1000	350	700	1000	350	700	1000		
	B to P5	400	775	1150	400	775	1150	400	775	1150		
	EV/OD, BPAR to PGEN	350	650	850	350	650	850	350	650	850		
	B to PGEN	600	1000	1450	600	1000	1450	600	1000	1450		
	CLK to PARERR	300	550	850	300	550	850	300	550	850		
$t_s$	Setup Time										ps	
	SHIFT	400	150		400	150		400	150			
	S-IN	300	50		300	50		300	50			
	HOLD	750	350		750	350		750	350			
	$\overline{EN}$	500	250		500	250		500	250			
	EV/OD	1300	850		1300	850		1300	850			
	BPAR	1300	850		1300	850		1300	850			
B	1700	1100		1700	1100		1700	1100				
$t_h$	Hold Time										ps	
	SHIFT	200	-150		200	-150		200	-150			
	S-IN	300	-50		300	-50		300	-50			
	HOLD	100	-350		100	-350		100	-350			
	$\overline{EN}$	100	-250		100	-250		100	-250			
	EV/OD	-200	-850		-200	-850		-200	-850			
	BPAR	-200	-850		-200	-850		-200	-850			
B	-300	-1100		-300	-1100		-300	-1100				
$t_r$ $t_f$	Rise / Fall Times										ps	
	20 - 80%	300	700	1100	300	700	1100	300	700	1100		

3

# MOTOROLA SEMICONDUCTOR TECHNICAL DATA

- 2ns Worst Case Delay Range
- $\approx 20\text{ps}$  / Delay Step Resolution
- $>1\text{GHz}$  Bandwidth
- On Chip Cascade Circuitry
- Extended 100E VEE Range of  $-4.2\text{V}$  to  $-5.46\text{V}$

The MC10E/100E195 is a programmable delay chip (PDC) designed primarily for clock de-skewing and timing adjustment. It provides variable delay of a differential ECL input transition.

The delay section consists of a chain of gates organized as shown in the logic symbol. The first two delay elements feature gates that have been modified to have delays 1.25 and 1.5 times the basic gate delay of approximately 80ps. These two elements provide the E195 with a digitally-selectable resolution of approximately 20ps. The required device delay is selected by the seven address inputs D[0:6], which are latched on chip by a high signal on the latch enable (LEN) control.

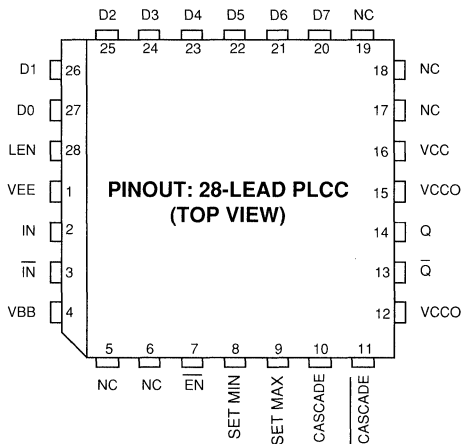
Because the delay programmability of the E195 is achieved by purely differential ECL gate delays the device will operate at frequencies of  $>1\text{GHz}$  while maintaining over 600mV of output swing.

The E195 thus offers very fine resolution, at very high frequencies, that is selectable entirely from a digital input allowing for very accurate system clock timing.

**MC10E195  
MC100E195**

**PROGRAMMABLE  
DELAY  
CHIP**

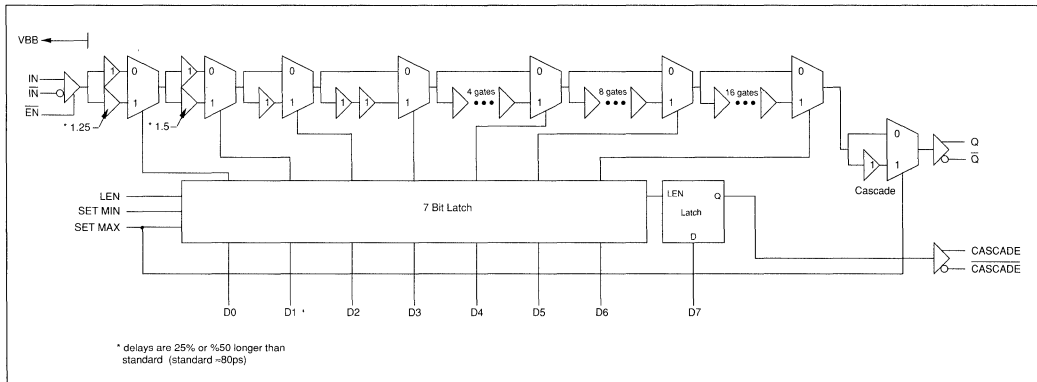
An eighth latched input, D7, is provided for cascading multiple PDC's for increased programmable range. The cascade logic allows full control of multiple PDC's, at the expense of only a single added line to the data bus for each additional PDC, without the need for any external gating.



## PIN NAMES

Pin	Function
IN/ $\overline{\text{IN}}$	Signal Input
EN	Input Enable
D[0:7]	Mux Select Inputs
Q/ $\overline{\text{Q}}$	Signal Output
LEN	Latch Enable
SET MIN	Min Delay Set
SET MAX	Max Delay Set
CASCADE	Cascade Signal

## LOGIC DIAGRAM - SIMPLIFIED



## MC10E195, MC100E195

**DC Characteristics:**  $V_{EE} = V_{EE}(\text{min})$  to  $V_{EE}(\text{max})$ ;  $V_{CC} = V_{CC0} = \text{GND}$

Symbol	Characteristic	0°C			25°C			85°C			Unit	Condition
		min	typ	max	min	typ	max	min	typ	max		
$I_{IH}$	Input HIGH Current			150			150			150	$\mu\text{A}$	
$I_{EE}$	Power Supply Current										mA	
	10E		130	156		130	156		130	156		
	100E		130	156		130	156		150	179		

3

**AC Characteristics:**  $V_{EE} = V_{EE}(\text{min})$  to  $V_{EE}(\text{max})$ ;  $V_{CC} = V_{CC0} = \text{GND}$

Symbol	Characteristic	0°C			25°C			85°C			Unit	Notes
		min	typ	max	min	typ	max	min	typ	max		
$t_{PLH}$ $t_{PHL}$	Propagation Delay IN to Q; Tap = 0 IN to Q; Tap = 127 EN to Q; Tap = 0 D7 to CASCADE	1210	1360	1510	1240	1390	1540	1440	1590	1765	ps	
$t_{RANGE}$	Programmable Range $t_{PD}(\text{max}) - t_{PD}(\text{min})$	2000	2175		2050	2240		2375	2580		ps	
$\Delta t$	Step Delay D0 High D1 High D2 High D3 High D4 High D5 High D6 High		17			17.5			21		ps	6
Lin	Linearity	D1	D0		D1	D0		D1	D0			7
$t_{SKEW}$	Duty Cycle Skew $t_{PHL} - t_{PLH}$		$\pm 30$			$\pm 30$			$\pm 30$		ps	1
$t_s$	Setup Time D to LEN	200	0		200	0		200	0		ps	2
	D to IN	800			800			800				
	EN to IN	200			200			200				
$t_h$	Hold Time LEN to D	500	250		500	250		500	250		ps	4
	IN to EN	0			0			0				



## MC10E195, MC100E195

**AC Characteristics (Cont):**  $V_{EE} = V_{EE}(\text{min})$  to  $V_{EE}(\text{max})$ ;  $V_{CC} = V_{CC0} = \text{GND}$

Symbol	Characteristic	0°C			25°C			85°C			Unit	Notes
		min	typ	max	min	typ	max	min	typ	max		
$t_R$	Release Time										ps	5
	$\overline{\text{EN}}$ to IN	300			300			300				
	SET MAX to LEN	800			800			800				
	SET MIN to LEN	800			800			800				
$t_{jit}$	Jitter	<5			<5			<5			ps	8
$t_r$ $t_f$	Rise/Fall Time										ps	
	20 - 80% (Q)	125	225	325	125	225	325	125	225	325		
	20 - 80% (CASCADE)	300	450	650	300	450	650	300	450	650		

1. Duty cycle skew guaranteed only for differential operation measured from the cross point of the input to the cross point of the output.
2. This setup time defines the amount of time prior to the input signal the delay tap of the device must be set.
3. This setup time is the minimum time that  $\overline{\text{EN}}$  must be asserted prior to the next transition of IN/ $\overline{\text{IN}}$  to prevent an output response greater than  $\pm 75\text{mV}$  to that IN/ $\overline{\text{IN}}$  transition.
4. This hold time is the minimum time that  $\overline{\text{EN}}$  must remain asserted after a negative going IN or positive going  $\overline{\text{IN}}$  to prevent an output response greater than  $\pm 75\text{mV}$  to that IN/ $\overline{\text{IN}}$  transition.
5. This release time is the minimum time that  $\overline{\text{EN}}$  must be deasserted prior to the next IN/ $\overline{\text{IN}}$  transition to ensure an output response that meets the specified IN to Q propagation delay and transition times.
6. Specification limits represent the amount of delay added with the assertion of each individual delay control pin. The various combinations of asserted delay control inputs will typically realize D0 resolution steps across the specified programmable range.
7. The linearity specification guarantees to which delay control input the programmable steps will be monotonic (ie. increasing delay steps for increasing binary counts on the control inputs Dn). Typically the device will be monotonic to the D0 input, however under worst case conditions and process variation, delays could decrease slightly with increasing binary counts when the D0 input is the LSB. With the D1 input as the LSB the device is guaranteed to be monotonic over all specified environmental conditions and process variation.
8. The jitter of the device is less than what can be measured without resorting to very tedious and specialized measurement techniques.

3

# MC10E195, MC100E195

## Applications Information

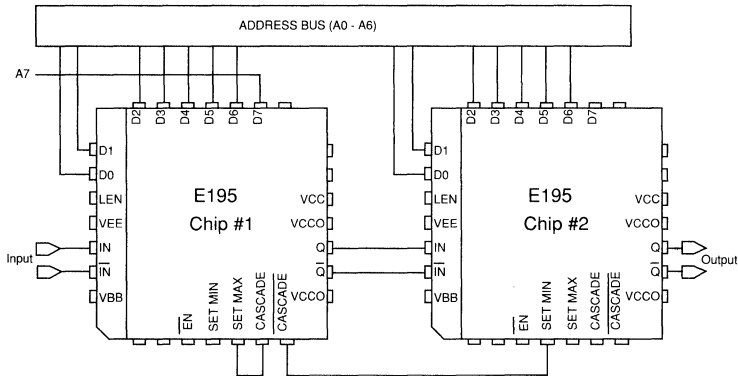


Figure 1 - Cascading Interconnect Architecture

### Cascading Multiple E195's

To increase the programmable range of the E195 internal cascade circuitry has been included. This circuitry allows for the cascading of multiple E195's without the need for any external gating. Furthermore this capability requires only one more address line per added E195. Obviously cascading multiple PDC's will result in a larger programmable range however this increase is at the expense of a longer minimum delay

Figure 1 illustrates the interconnect scheme for cascading two E195's. As can be seen, this scheme can easily be expanded for larger E195 chains. The D7 input of the E195 is the cascade control pin. With the interconnect scheme of Figure 1 when D7 is asserted it signals the need for a larger programmable range than is achievable with a single device.

An expansion of the latch section of the block diagram is pictured below. Use of this diagram will simplify the explanation of how the cascade circuitry works. When D7 of chip #1 above is low the cascade output will also be low while the cascade bar output will be a logical high. In this condition the SET MIN pin of chip #2 will be asserted and thus all of the latches of chip #2 will be reset and the device will be set at its minimum delay. Since the RESET and SET inputs of the latches are overriding any changes on the A0-A6 address bus will not affect the

operation of chip #2.

Chip #1 on the other hand will have both SET MIN and SET MAX de-asserted so that its delay will be controlled entirely by the address bus A0-A6. If the delay needed is greater than can be achieved with 31.75 gate delays (1111111 on the A0-A6 address bus) D7 will be asserted to signal the need to cascade the delay to the next E195 device. When D7 is asserted the SET MIN pin of chip #2 will be de-asserted and the delay will be controlled by the A0-A6 address bus. Chip #1 on the other hand will have its SET MAX pin asserted resulting in the device delay to be independent of the A0-A6 address bus.

When the SET MAX pin of chip #1 is asserted the D0 and D1 latches will be reset while the rest of the latches will be set. In addition, to maintain monotonicity an additional gate delay is selected in the cascade circuitry. As a result when D7 of chip #1 is asserted the delay increases from 31.75 gates to 32 gates. A 32 gate delay is the maximum delay setting for the E195.

To expand this cascading scheme to more devices one simply needs to connect the D7 input and CASCADE outputs of the current most significant E195 to the new most significant E195 in the same manner as pictured in figure 1. The only addition to the logic is the increase of one line to the address bus for cascade control of the second PDC.

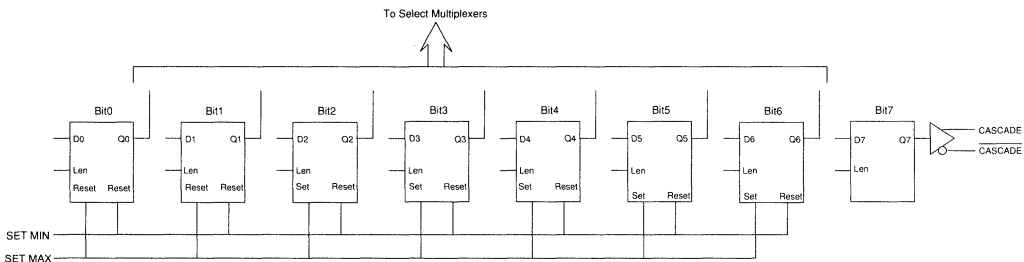


Figure 2 - Expansion of the Latch Section of the E195 Block Diagram

**MC10E196**  
**MC100E196**

**PROGRAMMABLE**  
**DELAY**  
**CHIP**

- 2ns Worst Case Delay Range
- ≈20ps Digital Step Resolution
- Linear Input for Tighter Resolution
- >1GHz Bandwidth
- On Chip Cascade Circuitry
- Extended 100E VEE range of -4.2V to -5.46V

The MC10E/100E196 is a programmable delay chip (PDC) designed primarily for very accurate differential ECL input edge placement applications.

The delay section consists of a chain of gates and a linear ramp delay adjust organized as shown in the logic symbol. The first two delay elements feature gates that have been modified to have delays 1.25 and 1.5 times the basic gate delay of approximately 80ps. These two elements provide the E196 with a digitally-selectable resolution of approximately 20ps. The required device delay is selected by the seven address inputs D[0:6], which are latched on chip by a high signal on the latch enable (LEN) control.

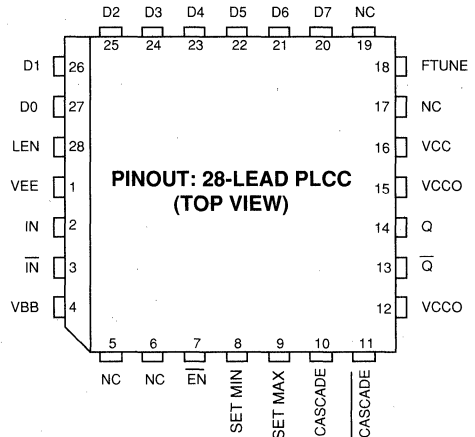
The FTUNE input takes an analog voltage and applies it to an internal linear ramp for reducing the 20ps resolution still further. The FTUNE input is what differentiates the E196 from the E195.

3

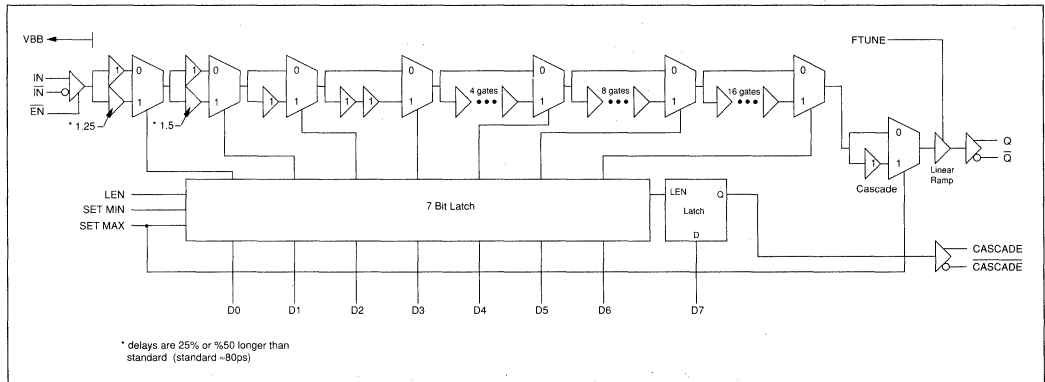
An eighth latched input, D7, is provided for cascading multiple PDC's for increased programmable range. The cascade logic allows full control of multiple PDC's, at the expense of only a single added line to the data bus for each additional PDC, without the need for any external gating.

**PIN NAMES**

Pin	Function
IN/ $\overline{\text{IN}}$	Signal Input
EN	Input Enable
D[0:7]	Mux Select Inputs
Q/ $\overline{\text{Q}}$	Signal Output
LEN	Latch Enable
SET MIN	Min Delay Set
SET MAX	Max Delay Set
CASCADE	Cascade Signal
FTUNE	Linear Voltage Input



**LOGIC DIAGRAM - SIMPLIFIED**



\*delays are 25% or %50 longer than standard (standard -80ps)

## MC10E196, MC100E196

**DC Characteristics:**  $V_{EE} = V_{EE}(\text{min})$  to  $V_{EE}(\text{max})$ ;  $V_{CC} = V_{CCO} = \text{GND}$

Symbol	Characteristic	0°C			25°C			85°C			Unit	Condition
		min	typ	max	min	typ	max	min	typ	max		
$I_{IH}$	Input HIGH Current			150			150			150	$\mu\text{A}$	
$I_{EE}$	Power Supply Current										mA	
	10E		130	156		130	156		130	156		
	100E		130	156		130	156		150	179		

3

**AC Characteristics:**  $V_{EE} = V_{EE}(\text{min})$  to  $V_{EE}(\text{max})$ ;  $V_{CC} = V_{CCO} = \text{GND}$

Symbol	Characteristic	0°C			25°C			85°C			Unit	Notes
		min	typ	max	min	typ	max	min	typ	max		
$t_{PLH}$ $t_{PHL}$	Propagation Delay IN to Q; Tap = 0 IN to Q; Tap = 127 $\overline{\text{EN}}$ to Q; Tap = 0 D7 to CASCADE	1210	1360	1510	1240	1390	1540	1440	1590	1765	ps	
$t_{\text{RANGE}}$	Programmable Range $t_{PD}(\text{max}) - t_{PD}(\text{min})$	2000	2175		2050	2240		2375	2580		ps	
$\Delta t$	Step Delay D0 High D1 High D2 High D3 High D4 High D5 High D6 High		17 34 55 68 105 115 136 180 250 272 325 505 544 620 1000 1088 1190			17.5 35 55 70 105 115 140 180 250 280 325 515 560 620 1030 1120 1220			21 42 65 84 120 140 168 205 305 336 380 620 672 740 1240 1344 1450		ps	6
Lin	Linearity	D1	D0		D1	D0		D1	D0			7
$t_{\text{SKEW}}$	Duty Cycle Skew $t_{PHL} - t_{PLH}$		$\pm 30$			$\pm 30$			$\pm 30$		ps	1
$t_s$	Setup Time D to LEN	200	0		200	0		200	0		ps	
	D to IN	800			800			800				2
	$\overline{\text{EN}}$ to IN	200			200			200				3
$t_h$	Hold Time LEN to D IN to $\overline{\text{EN}}$	500 0	250		500 0	250		500 0	250		ps	4

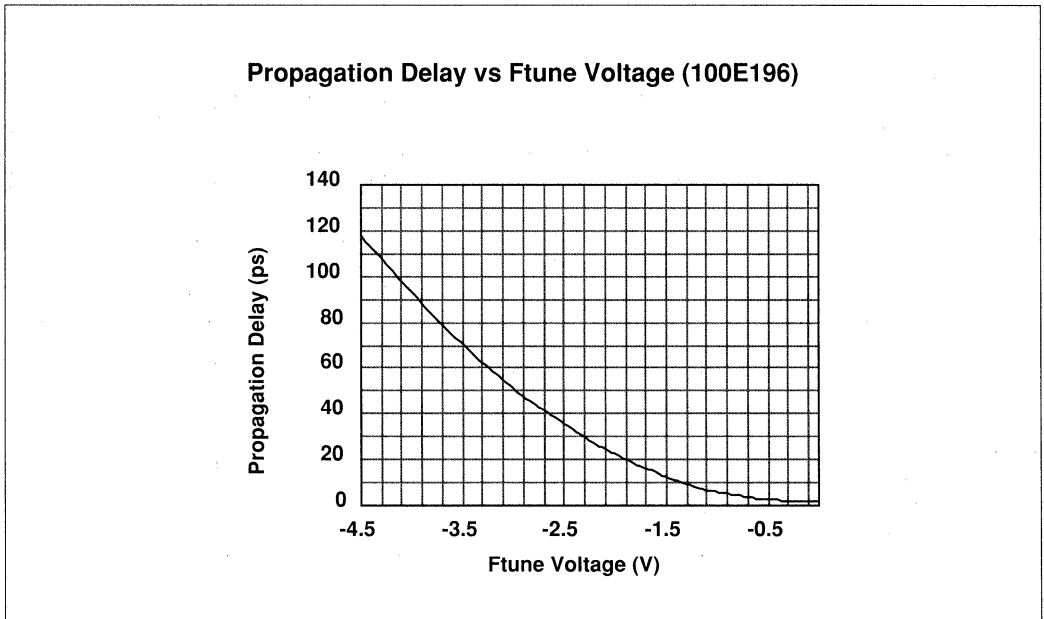
# MC10E196, MC100E196

AC Characteristics (Cont):  $V_{EE} = V_{EE}(\text{min})$  to  $V_{EE}(\text{max})$ ;  $V_{CC} = V_{CC0} = \text{GND}$

Symbol	Characteristic	0°C			25°C			85°C			Unit	Notes
		min	typ	max	min	typ	max	min	typ	max		
$t_R$	Release Time $\overline{\text{EN}}$ to IN	300			300			300			ps	5
	SET MAX to LEN	800			800			800				
	SET MIN to LEN	800			800			800				
$t_{jit}$	Jitter		<5			<5			<5		ps	8
$t_r$ $t_f$	Rise/Fall Time 20 - 80% (Q)	125	225	325	125	225	325	125	225	325	ps	
	20 - 80% (CASCADE)	300	450	650	300	450	650	300	450	650		

1. Duty cycle skew guaranteed only for differential operation measured from the cross point of the input to the cross point of the output.
2. This setup time defines the amount of time prior to the input signal the delay tap of the device must be set.
3. This setup time is the minimum time that EN must be asserted prior to the next transition of IN/IN to prevent an output response greater than  $\pm 75\text{mV}$  to that IN/IN transition.
4. This hold time is the minimum time that EN must remain asserted after a negative going IN or positive going  $\overline{\text{IN}}$  to prevent an output response greater than  $\pm 75\text{mV}$  to that IN/IN transition.
5. This release time is the minimum time that EN must be deasserted prior to the next IN/ $\overline{\text{IN}}$  transition to ensure an output response that meets the specified IN to Q propagation delay and transition times.
6. Specification limits represent the amount of delay added with the assertion of each individual delay control pin. The various combinations of asserted delay control inputs will typically realize D0 resolution steps across the specified programmable range.
7. The linearity specification guarantees to which delay control input the programmable steps will be monotonic (ie. increasing delay steps for increasing binary counts on the control inputs Dn). Typically the device will be monotonic to the D0 input, however under worst case conditions and process variation, delays could decrease slightly with increasing binary counts when the D0 input is the LSB. With the D1 input as the LSB the device is guaranteed to be monotonic over all specified environmental conditions and process variation.
8. The jitter of the device is less than what can be measured without resorting to very tedious and specialized measurement techniques.

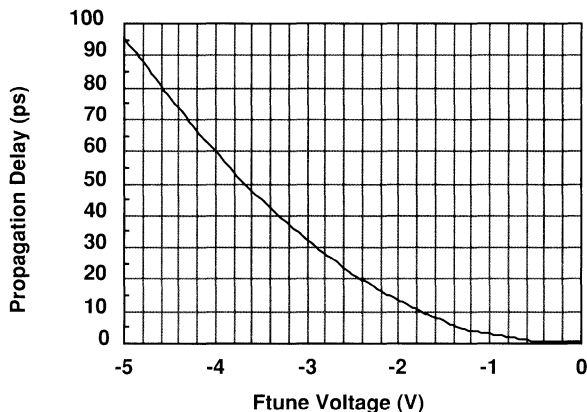
Analog Input Characteristics: Ftune = VCC to VEE



## MC10E196, MC100E196

Analog Input Characteristics (cont): Ftune = VCC to VEE

### Propagation Delay vs Ftune Voltage (10E196)



3

### USING THE FTUNE ANALOG INPUT

The analog FTUNE pin on the E196 device is intended to enhance the 20ps resolution capabilities of the fully digital E195. The level of resolution obtained is dependent on the number of increments applied to the appropriate range on the FTUNE pin.

To provide another level of resolution the FTUNE pin must be capable of adjusting the delay by greater than the 20ps digital resolution. From the provided graphs one sees that this requirement is easily achieved as over the entire FTUNE voltage range a 100ps delay can be achieved. This extra analog range ensures that the FTUNE pin will be capable even under worst case conditions of covering the digital resolution.

Typically the analog input will be driven by an external DAC to provide a digital control with very fine analog output steps. The final resolution of the device will be dependent on the width of the DAC chosen.

To determine the voltage range necessary for the FTUNE input, the graphs provided should be used. As an example if a range of 40ps is selected to cover worst case conditions and ensure coverage of the digital range, from the 100E196 graph a voltage range of -3.25V to -4V would be necessary on the FTUNE pin. Obviously there are numerous voltage ranges which can be used to cover a given delay range, users are given the flexibility to determine which one best fits their designs.

# MC10E196, MC100E196

## Applications Information

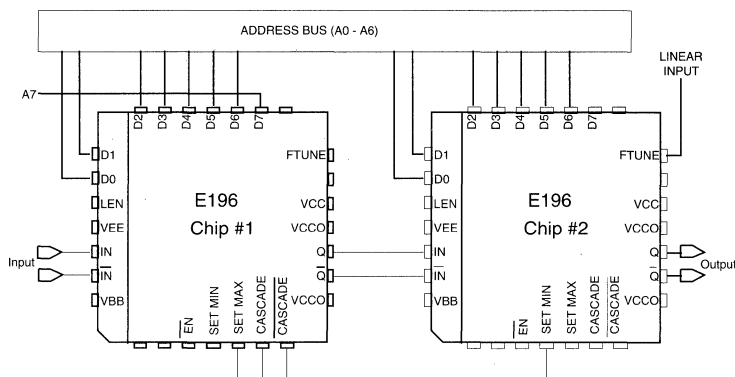


Figure 1 - Cascading Interconnect Architecture

### Cascading Multiple E196's

To increase the programmable range of the E196 internal cascade circuitry has been included. This circuitry allows for the cascading of multiple E196's without the need for any external gating. Furthermore this capability requires only one more address line per added E196. Obviously cascading multiple PDC's will result in a larger programmable range however this increase is at the expense of a longer minimum delay.

Figure 1 illustrates the interconnect scheme for cascading two E196's. As can be seen, this scheme can easily be expanded for larger E196 chains. The D7 input of the E196 is the cascade control pin. With the interconnect scheme of Figure 1 when D7 is asserted it signals the need for a larger programmable range than is achievable with a single device.

An expansion of the latch section of the block diagram is pictured below. Use of this diagram will simplify the explanation of how the cascade circuitry works. When D7 of chip #1 above is low the cascade output will also be low while the cascade bar output will be a logical high. In this condition the SET MIN pin of chip #2 will be asserted and thus all of the latches of chip #2 will be reset and the device will be set at its minimum delay. Since the RESET and SET inputs of the latches are overriding any changes on the A0-A6 address bus will not affect the

operation of chip #2.

Chip #1 on the other hand will have both SET MIN and SET MAX de-asserted so that its delay will be controlled entirely by the address bus A0-A6. If the delay needed is greater than can be achieved with 31.75 gate delays (1111111 on the A0-A6 address bus) D7 will be asserted to signal the need to cascade the delay to the next E196 device. When D7 is asserted the SET MIN pin of chip #2 will be de-asserted and the delay will be controlled by the A0-A6 address bus. Chip #1 on the other hand will have its SET MAX pin asserted resulting in the device delay to be independent of the A0-A6 address bus.

When the SET MAX pin of chip #1 is asserted the D0 and D1 latches will be reset while the rest of the latches will be set. In addition, to maintain monotonicity an additional gate delay is selected in the cascade circuitry. As a result when D7 of chip #1 is asserted the delay increases from 31.75 gates to 32 gates. A 32 gate delay is the maximum delay setting for the E196.

When cascading multiple PDC's it will prove more cost effective to use a single E196 for the MSB of the chain while using E195 for the lower order bits. This is due to the fact that only one fine tune input is needed to further reduce the delay step resolution.

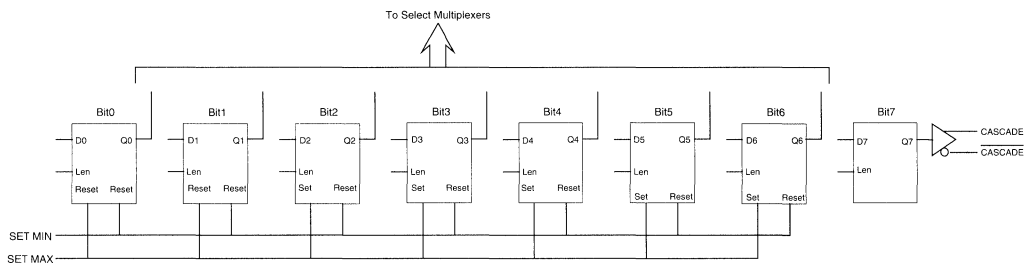


Figure 2 - Expansion of the Latch Section of the E195 Block Diagram

**MC10E197**

**Data Separator**

*Advanced Information*

- 2:7 and 1:7 RLL Format Compatible
- Fully Integrated VCO for 50Mb/s Operation
- External VCO Input for Higher Operating Frequency
- Anti-equivocation Circuitry to Ensure PLL Lock

The MC10E197 is an integrated data separator designed for use in high speed hard disk drive applications. With data rate capabilities of up to 50Mb/s the device is ideally suited for today's and future state-of-the-art hard disk designs.

The E197 is typically driven by a pulse detector which reads the magnetic information from the storage disk and changes it into ECL pulses. The device is capable of operating on both 2:7 and 1:7 RLL coding schemes. Note that the E197 does not do any decoding but rather prepares the disk data for decoding by another device.

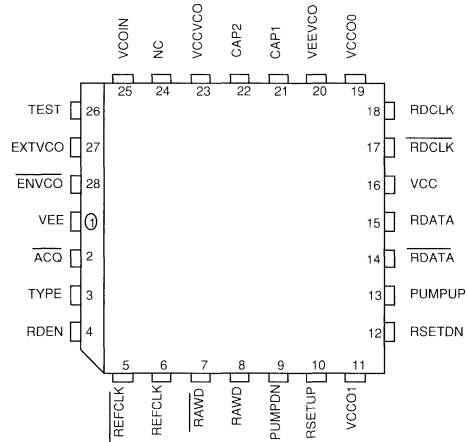
For applications with higher data rate needs, such as tape drive systems, the device accepts an external VCO. The frequency capability of the integrated VCO is the factor which limits the device to 50Mb/s.

A special anti-equivocation circuit has been employed to ensure timely lock-up when the arriving data and VCO edges are coincident.

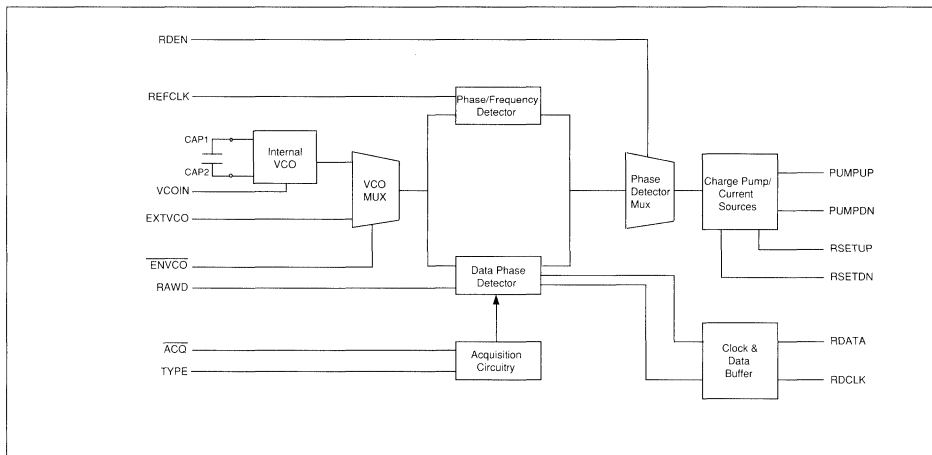
Unlike the majority of the devices in the ECLinPS family, the E197 is available in only 10KH compatible ECL. The device is available in the standard 28-lead PLCC.

Since the E197 contains both analog and digital circuitry, separate supply and ground pins have been provided to minimize noise coupling inside the device. The device can operate on either standard negative ECL supplies or as is more common on positive voltage supplies.

**PINOUT: 28-Lead PLCC (TOP VIEW)**



**LOGIC SYMBOL**



This document contains information on a new product. Specifications and information herein are subject to change without notice.



## MC10E197

### Pin Description

REFCLK	Reference clock equivalent to one clock cycle per decoding window.
RDEN	Enable data synchronizer when HIGH. When LOW enable the phase/frequency detector steered by REFCLK.
RAWD	Data Input to Synchronizer logic.
VCOIN	VCO control voltage input
CAP1/CAP2	VCO frequency controlling capacitor inputs
ENVCO	VCO select pin. LOW selects the internal VCO and HIGH selects the external VCO input. Pin floats LOW when left open.
EXTVCO	External VCO pin selected when ENVCO is HIGH
ACQ	Aquisition circuitry select pin. This pin must be driven HIGH at the end of the data sync field for some sync field types.
TYPE	Selects between the two types of commonly used sync fields. When LOW it selects a sync field interspersed with 3 zeroes (2:7 RLL code). When HIGH it selects a sync field interspersed with 2 zeroes (1:7 RLL code).
TEST	Input included to initialize the clock flip-flop for test purposes only. Pin should be left open (LOW) in actual application.
PUMPUP	Open collector charge pump output for the signal pump
PUMPDN	Open collector charge pump output for the reference pump
RSETUP	Current setting resistor for the signal pump
RSETDN	Current setting resistor for the reference pump
RDATA	Synchronized data output
RDCLK	Synchronized clock output
$V_{CC}, V_{CCO}, V_{CCVCO}$	Most positive supply rails. Digital and analog supplies are independent on chip
$V_{EE}, V_{EEVCO}$	Most negative supply rails. Digital and analog supplies are independent on chip

# MC10E197

**DC Characteristics:**  $V_{EE} = V_{EE}(\text{min})$  to  $V_{EE}(\text{max})$ ;  $V_{CC} = \text{GND}$  or  $V_{CC} = 4.75\text{V}$  to  $5.25\text{V}$ ;  $V_{EE} = \text{GND}$

Symbol	Characteristic	0°C			25°C			85°C			Unit	Condition
		min	typ	max	min	typ	max	min	typ	max		
$I_{IH}$	Input HIGH Current			150			150			150	$\mu\text{A}$	1
$I_{IL}$	Input LOW Current	0.5			0.5			0.5			$\mu\text{A}$	1
$I_{EE}$	Power Supply Current	90		180	90		180	90		180	mA	
$I_{SET}$	Charge Pump Bias Current	0.5		5	0.5		5	0.5		5	mA	2
$I_{OUT}$	Charge Pump Output Leakage Current			1			1			1	$\mu\text{A}$	3
$V_{ACT}$	PUMPUP/PUMPDN Active Voltage Range	$V_{CC}-2.5$		$V_{CC}$	$V_{CC}-2.5$		$V_{CC}$	$V_{CC}-2.5$		$V_{CC}$	V	

3

## 10 KH LOGIC LEVELS

**DC Characteristics:**  $V_{EE} = V_{EE}(\text{min})$  to  $V_{EE}(\text{max})$ ;  $V_{CC} = V_{CC0} = V_{CC01} = V_{CCVCO} = \text{GND}$

Symbol	Characteristic	0°C			25°C			85°C			Unit	Condition
		min	typ	max	min	typ	max	min	typ	max		
$V_{OH}$	Output HIGH Voltage	-1020		-840	-980		-810	-910		-720	mV	
$V_{OL}$	Output LOW Voltage	-1950		-1630	-1950		-1630	-1950		-1595	mV	
$V_{IH}$	Input HIGH Voltage	-1170		-840	-1130		-810	-1060		-720	mV	
$V_{IL}$	Input LOW Voltage	-1950		-1480	-1950		-1480	-1950		-1445	mV	

## POSITIVE EMITTER COUPLED LOGIC LEVELS

**DC Characteristics:**  $V_{EE} = V_{EEVCO} = \text{GND}$ ;  $V_{CC} = V_{CC00} = V_{CC01} = V_{CCVCO} = +5 \text{ volts}^*$

Symbol	Characteristic	0°C			25°C			85°C			Unit	Condition
		min	typ	max	min	typ	max	min	typ	max		
$V_{OH}$	Output HIGH Voltage	3980		4160	4020		4190	4090		4280	mV	
$V_{OL}$	Output LOW Voltage	3050		3370	3050		3370	3050		3405	mV	
$V_{IH}$	Input HIGH Voltage	3830		4160	3870		4190	3940		4280	mV	
$V_{IL}$	Input LOW Voltage	3050		3520	3050		3050	3050		3555	mV	

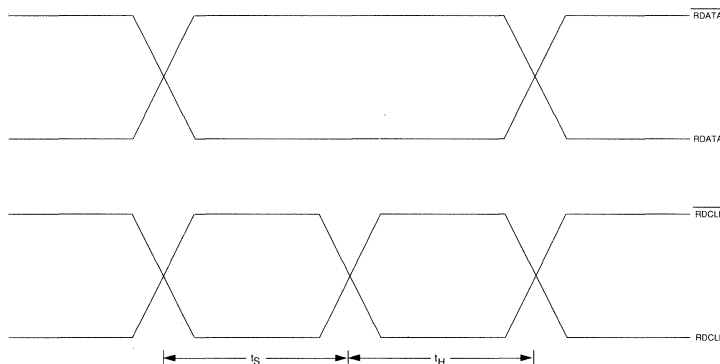
\* $V_{OH}$  and  $V_{OL}$  levels will vary 1:1 with  $V_{CC}$

# MC10E197

**AC Characteristics:**  $V_{EE} = V_{EE}(\text{min})$  to  $V_{EE}(\text{max})$ ;  $V_{CC} = \text{GND}$  or  $V_{CC} = 4.75\text{V}$  to  $5.25\text{V}$ ;  $V_{EE} = \text{GND}$

Symbol	Characteristic	0°C		25°C		85°C		Unit	Condition
		min	max	min	max	min	max		
$t_s$	Time from RDATA Valid to Rising Edge of RDCLK	$T_{VCO}-500$		$T_{VCO}-500$		$T_{VCO}-500$		ps	4,7
$t_H$	Time from Rising Edge of RDCLK to RDATA invalid	$T_{VCO}$		$T_{VCO}$		$T_{VCO}$		ps	4,7
$t_{\text{SKEW}}$	Skew Between RDATA and RDATA		300		300		300	ps	
$f_{VCO}$	Frequency of the VCO	150		150		150		MHz	5
	Tuning Ratio	1.53	1.87	1.53	1.87	1.53	1.87		6

1. Applies to the input current for each input except VCOIN
2. For a nominal set current of 3.72 mA, the resistor values for RSETUP and RSETDN should be 130Ω(0.1%). Assuming no variation between these two resistors the current match between the PUMPUP and PUMPDN output signals should be within ±3%.  $I_{\text{SET}}$  is calculated as  $(V_{EE} + 1.3v - V_{BE})/R$ ; where R is RSETUP or RSETDN and a nominal value for  $V_{BE}$  is 0.85 volts.
3. Output leakage current of the PUMPUP or PUMPDN output signals when at a LOW level.
4.  $T_{VCO}$  is the period of the VCO.
5. The VCO frequency determined with  $VCOIN = V_{EE} + 0.5\text{volts}$  and using a 10pF tuning capacitor.
6. The tuning ratio is defined as the ratio of  $f_{VCO\text{MAX}}$  to  $f_{VCO\text{MIN}}$ , where  $f_{VCO\text{MAX}}$  is measured at  $VCOIN = 1.3v + V_{EE}$  and  $f_{VCO\text{MIN}}$  is measured at  $VCOIN = 2.6v + V_{EE}$ .
7. Setup and hold timing diagrams:



## Applications Information

### General Operation

#### Operation

The E197 is a phase-locked loop circuit consisting of an internal VCO, a Data Phase detector with associated acquisition circuitry, and a Phase/Frequency detector (Fig. 1). In addition, an enable pin (ENVCO) is provided to disable the internal VCO and enable the external VCO input. Hence, the user has the option of

supplying the VCO signal.

The E197 contains two phase detectors: a data phase detector for synchronizing to the non-periodic pulses in the read data stream during the data read mode of operation, and a phase/frequency detector for frequency (and phase) locking to an external reference clock during the "idle" mode of operation. The read enable (RDEN) pin muxes between these two detectors.

## Data Read Mode

The data pins (RAWD) are enabled when the RDEN pin is placed at a logic high level, thus enabling the Data Phase detector (Fig. 1) and initiating the data read mode. In this mode the loop is servoed by the timing information taken from the positive edges of the input data pulses. This phase detector samples positive edges from the RAWD signal and generates both a pump up and pump down pulse from any edge of the input data pulse. The leading edge of the pump up pulse is time modulated by the leading edge of the data signal, whereas the rising edge of the pump up pulse is generated synchronous to the VCO clock. The falling edge of the pump down pulse is synchronous to the rising edge of the VCO clock and the rising edge of the pump down signal is synchronous to the falling edge of the VCO clock. Since both edges of the VCO are used the internal clock a duty cycle of 50%. This pulse width modulation technique is used to generate the servoing signal which drives the VCO. The pump down signal is a reference pulse which is included to provide an evenly balanced differential system, thereby allowing the synthesis of a VCO input control signal after appropriate signal processing by the loop filter.

By using suitable external filter circuitry, a control signal for input into the VCO can be generated by inverting the pump down signal, summing the inverted signal with the pump up signal and averaging the result. The polarity of this control signal is defined as zero when the data edges lead the clock by a half clock cycle. If the data edges are advanced with respect to the zero polarity data/VCO edge relationship, the control signal is defined to have a negative polarity; whereas if the VCO is advanced with respect to the zero polarity data/VCO edge relationship, the control signal is defined to have a positive polarity. If there is no data edge present at the RAWD input, the corresponding pump up and pump down outputs are not generated and the resulting control output is zero.

## Acquisition Circuitry

The acquisition circuitry is provided to assist the data phase detector in phase locking to the sync field that precedes the data. For the case in which lock-up is attempted when the data edges are coincident with the VCO edges, the pump down signal may enter an indeterminate state for an unacceptably long period due to the violation of internal set up and hold times. After an initial pump down pulse, the circuit blocks successive pump down pulses, and inserts extra pump up pulses, during portions of the sync field that are known to contain zeros. Thus the data phase detector is forced

to have a nonzero output during the lock-up period, and the restoring force ensures correction of the loop within an acceptable time. Hence, this circuitry provides a quasi-deterministic pump down output signal, under the condition of coincident data and VCO edges, allowing lock-up to occur without excessive delays.

The ACQ line is provided to disable (disable = HIGH) the acquisition circuit during the data portion of a sector block. Typically, this circuit is enabled at the beginning of the sync field by a one-shot timer to ensure a timely lock-up.

The TYPE line allows the choice between two sync field preamble types: transitions interspersed with two zeros between transitions, or three zeros between transitions. These types of sync fields are used with the 1:7 and 2:7 RLL coding schemes, respectively.

## Idle Mode

In the absence of data or when the drive is writing to the disk, PLL servoing is accomplished by pulling the read enable line (RDEN) low and providing a reference clock via the REFCLK pins. The condition whereby RDEN is low selects the Phase/Frequency detector (Fig. 1) and the 10E197 is said to be operating in the "idle mode." In order to function as a frequency detector the input waveform must be periodic. The pump up and pump down pulses from the Phase/Frequency detector will have the same frequency, phase and pulse width only when the two clocks that are being compared have their positive edges aligned and are of the same frequency.

As with the data phase detector, by using suitable external filter circuitry, a VCO input control signal can be generated by inverting the pump down signal, summing the inverted signal with the pump up signal and averaging the result. The polarity of this control signal is defined as zero when all positive edges of both clocks are coincident. For the case in which the frequencies of the two clocks are the same but the clock edges of the reference clock are slightly advanced with respect to the VCO clock, the control signal is defined to have a positive polarity. A control signal with negative polarity occurs when the edges of the reference clock are delayed with respect to those of the VCO. If the frequencies of the two clocks are different, the clock with the most edges per unit time will initiate the most pulses and the polarity of the detector will reflect the frequency error. Thus, when the reference clock is higher in frequency than the VCO clock the polarity of the control signal is positive; whereas a control signal with negative polarity occurs when the frequency of the reference clock is lower than the VCO clock.

## Phase Lock Loop Theory

### Introduction

Phase lock loop (PLL) circuits are fundamentally feedback systems used to synchronize the frequency of an oscillator to an incoming signal. In addition to frequency synchronization, the PLL circuitry is designed to minimize the phase difference between the system input and output signals. A block diagram of a feedback control system is shown in Figure 1.

where:

$A(s)$  is the product of the feed-forward transfer functions.

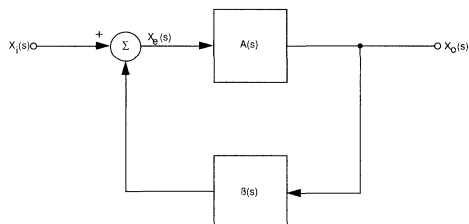


Figure 1 - Feedback System

$\beta(s)$  is the product of the feedback transfer functions.

The transfer function for this closed loop system is

$$\frac{X_o(s)}{X_i(s)} = \frac{A(s)}{1 + A(s)\beta(s)}$$

Typically, phase lock loops are modeled as feedback systems connected in a unity feedback configuration ( $\beta(s)=1$ ) with a phase detector, a VCO (voltage controlled oscillator), and a loop filter in the feed-forward path,  $A(s)$ . Figure 2 illustrates a phase lock loop as a feedback control system in block diagram form.

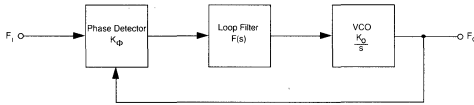


Figure 2 - Phase Lock Loop Block Diagram

The closed loop transfer function is:

$$\frac{X_o(s)}{X_i(s)} = \frac{K_\phi \frac{K_O}{s} F(s)}{1 + K_\phi \frac{K_O}{s} F(s)}$$

where:

$K_\phi$  = the phase detector gain.

$K_O$  = the VCO gain. Since the VCO introduces a pole at the origin of the s-plane,  $K_O$  is divided by s.

$F(s)$  = the transfer function of the loop filter.

The 10E197 is designed to implement the phase detector and VCO functions in a unity feedback loop, while allowing the user to select the desired filter function.

### Gain Constants

As mentioned, each of the three sections in the phase lock loop block diagram has an associated open loop gain constant. Further, the gain constant of the filter circuitry is composed of the product of three gain constants, one for each filter subsection. The open loop gain constant of the feed-forward path is given by

$$K_{ol} = K_\phi * K_O * K_1 * K_1 * K_d \quad \text{eqt. 1}$$

and obtained by performing a root locus analysis.

### Phase Detector Gain Constant

The gain of the phase detector is a function of the operating mode and the data pattern. The 10E197 provides data separation for signals encoded in 2:7 or 1:7 RLL encoding schemes; hence Tables 1 and 2 are coding tables for these schemes. Table 3 lists nominal phase detector gains for both 2:7 and 1:7 sync fields.

NRZ Data Sequence	Code Sequence
00	1000
01	0100
100	001000
101	100100
111	000100
1100	00001000
1101	00100100

Table 1 - 2:7 RLL Encoding Table

NRZ Data Sequence	Code Sequence
00	X01
01	010
10	X00
1100	010001
1101	X00000
1110	X00001
1111	010000

An X in the leading bit of a code sequence is assigned the complement of the bit

Table 2 - 1:7 RLL Encoding Table

Sync Pattern	Read Mode	Idle Mode
2:7	121 mV/radian	484 mV/radian
1:7	161 mV/radian	483 mV/radian

Table 3 - Phase Detector Gain Constants

### VCO Gain Constant

The gain of the VCO is a function of the tuning capacitor. For a value of 10 pF a nominal value of the gain,  $K_O$ , is 20MHz per volt.

### Filter Circuitry Gain Constant(s)

The open loop gain constant of the filter circuitry is given by:

$$K_{fc} = K_1 * K_1 * K_d \quad \text{eqt. 2}$$

The individual gain constants are defined in the appropriate subsections of this document.

**Loop Filter**

The two major functions of the loop filter are to remove any noise or high frequency components present in the phase detector output signal, and more importantly to control the characteristics which determine the dynamic response of the phase lock loop i.e. capture range, loop bandwidth, capture time, and transient response.

Although a variety of loop filter configurations exist, this section will only describe a filter capable of performing the signal processing as described in the Data Read Mode and the Idle Mode sections. The loop filter consists of a differential summing amplifier cascaded with an augmenting integrator which drives the VCOIN input to the 10E197 through a resistor divider network(Fig. 3).

The transfer function and the element values for the loop filter are derived by dividing the filter into three cascaded subsections: filter input, augmenting integrator, and the voltage divider network(Fig.4).

**Loop Filter Transfer Function**

The open loop transfer function of the phase lock loop is the product of each individual filter subsection, as well as the phase detector and VCO. Thus, the open loop filter transfer function is:

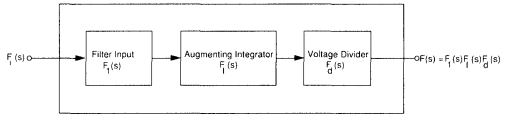
$$F_o(s) = K_\phi * \frac{K_o}{s} * F_1(s) * F_i(s) * F_d(s)$$

where:

$$F_1(s) = K_1 * \frac{1}{(s + p_1)} * \frac{1}{[s^2 + (2\zeta\omega_{o1})s + \omega_{o1}^2]}$$

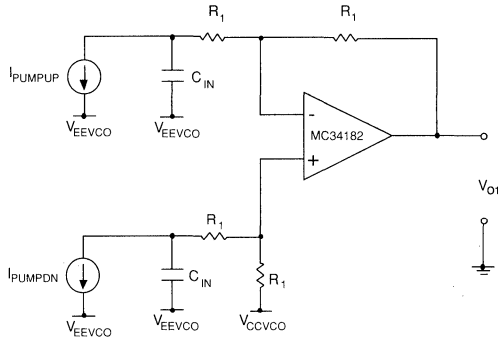
$$F_i(s) = K_i * \frac{1}{s} * \frac{(s + z)}{[s^2 + (2\zeta\omega_{o2})s + \omega_{o2}^2]}$$

$$F_d(s) = K_d * \frac{1}{(s + p_2)}$$



**Figure 4 - Loop Filter Block Diagram**

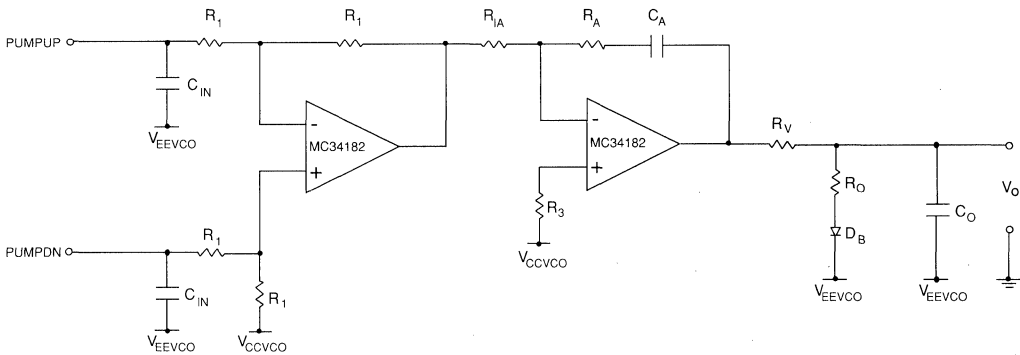
A root locus analysis is performed on the open loop transfer function to determine the final pole-zero locations and the open loop gain constant for the phase lock loop. Note that the open loop gain constant impacts the crossover frequency and that a lower frequency crossover point means a much more efficient filter. Once these positions and constants are determined the component values may be calculated.



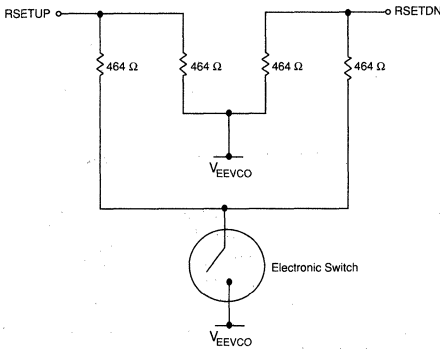
**Figure 5 - Filter Input Subsection**

**Filter Input**

The primary function of the filter input subsection is to convert the output of the phase detector into a single ended signal for subsequent processing by the integrator circuitry. This subsection consists of the 10E197 charge pump current sinks, two shunt capacitors, and a differential summing amplifier(Fig. 5).



**Figure 3 - Loop Filter Circuitry**



**Figure 6 - Dual Bandwidth Current Source Implementation**

Hence, this portion of the filter circuit contributes a real pole and two complex poles to the overall loop transfer function  $F(s)$ . Before these pole locations are selected, appropriate values for the current setting resistors (RSETUP and RSETDN) must be ascertained. The goal in choosing these resistor values is to maximize the gain of the filter input subsection while ensuring the charge pump output transistors operate in the active mode. The filter input gain is maximized for a charge pump current of 1.1 mA; a value of  $464\Omega$  for both RSETUP and RSETDN yields a nominal charge pump current of 1.1 mA.

It should be noted that a dual bandwidth implementation of the phase lock loop may be achieved by modifying the current setting resistors such that an electronic switch enables one of two resistor configurations. Figure 6 shows a circuit configuration capable of providing this dual bandwidth function. Analysis of the filter input circuitry yields the transfer function:

$$F_1(s) = K_1 * \frac{1}{(s + p_1)} * \frac{1}{[s^2 + (2\zeta\omega_{O1})s + \omega_{O1}^2]}$$

The gain constant is defined as:

$$K_1 = A_1 * \frac{1}{C_{IN}} \quad \text{eqt. 3}$$

where:

$A_1$  = op-amp gain constant for the selected pole positions.

$C_{IN}$  = phase detector shunt capacitor.

The real pole is a function of the input resistance to the op-amp and the shunt capacitors connected to the phase detector output. For stability the real pole must be placed beyond the unity gain frequency; hence, this pole is typically placed midway between the unity crossover and phase detector sampling frequency, which should be about ten times greater.

The second order pole set arises from the two pole model for an op-amp. The open loop gain and the first open loop pole for the

op-amp are obtained from the data sheets. Typically, op-amp manufacturers do not provide information on the location of the second open loop pole, however it can be approximated by measuring the roll off of the op-amp in the open loop configuration; the second pole is located where the gain begins to decrease at a rate of 40dB per decade. The inclusion of both poles in the differential summing amplifier transfer function becomes important when closing the feedback path around the op-amp because the poles migrate; and this migration must be accounted for to accurately determine the phase lock loop transient performance.

Typically the op-amp poles can be approximated by a pole pair occurring as a complex conjugate pair making an angle of  $45^\circ$  to the real axis of the complex frequency plane. Two constraints on the selection of the op-amp pole pair are that the poles lie beyond the crossover frequency and they are positioned for near unity gain operation. Performing a root locus analysis on the op-amp open loop configuration and adhering to the two constraints yields the pole positions contributed by the op-amp.

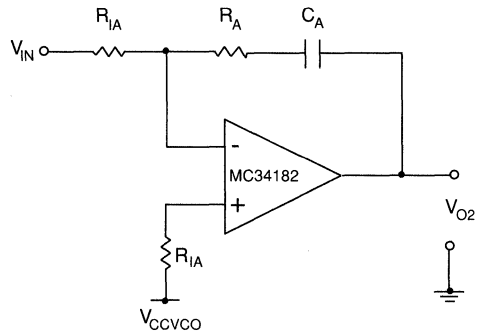
**Determination of Element Values**

Since the difference amplifier is configured to operate as a differential summer the resistor values associated with the amplifier are of equal value. Further, the typical input resistance to the summing amplifier is 1 kΩ; thus the op-amp resistors are set at 1 kΩ. Having set the input resistance to the op-amp and selected the position of the real pole, the value of the shunt capacitors is determined using the following relationship:

$$|p_1| = \frac{1}{2\pi R_1 C_{IN}} \quad \text{eqt. 4}$$

**Augmenting Integrator**

The augmenting integrator consists of an active filter with a lag-lead network in the feedback path (Fig. 7).



**Figure 7 - Integrator Subsection**

Analysis of this portion of the filter circuit yields the transfer function:

$$F_1(s) = K_1 * \frac{1}{s} * \frac{(s + z)}{[s^2 + (2\zeta\omega_{O2})s + \omega_{O2}^2]}$$

The gain constant is defined as:

$$K_I = A_I * \frac{R_A}{R_{IA}} \quad \text{eqt. 5}$$

where:

$A_I$  = op-amp gain constant for selected pole positions.

$R_A$  = integrator feedback resistor.

$R_{IA}$  = integrator input resistor.

The integrator circuit introduces a zero, a pole at the origin, and a second order pole set as described by the two pole model for an op-amp. As in the case of the differential summing amplifier, we assume the op-amp pole pair occur as a complex conjugate pair making an angle of 45° to the real axis of the complex frequency plane; are positioned for near unity gain operation; and are located beyond the crossover frequency. Since both the summing and integrating op-amps are realized by the same type of op-amp(MC34182D), the open loop pole positions for both amplifiers will be the same.

Further, the loop transfer function contains two poles located at the origin, one introduced by the integrator and the other by the VCO; hence a zero is necessary to compensate for the phase shift produced by these poles and ensure loop stability. The op-amp will be stable if the crossover point occurs before the transfer function phase angle becomes 180°. The zero should be positioned much less than one decade before the unity gain frequency.

As in the case of the filter input circuitry, the poles and zero from this analysis will be used as open loop poles and a zero when performing the root locus analysis for the complete system.

**Determination of Element Values**

The location of the zero is used to determine the element values for the augmenting integrator. The value of the capacitor,  $C_A$ , is selected to provide adequate charge storage when the loop is not sampling data. A value of 0.1μF is sufficient for most applications; this value may be increased when the RDCLK frequency is much lower than 4 MHz. The value of  $R_A$  is governed by:

$$|z| = \frac{1}{2\pi R_A C_A} \quad \text{eqt. 6}$$

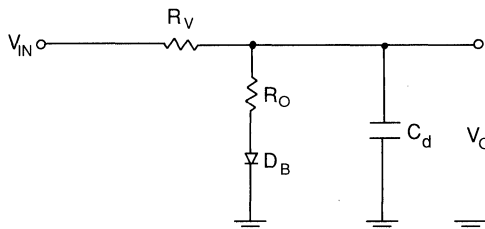
For unity gain operation of the integrating op-amp the value of  $R_{IA}$  is selected such that:

$$R_{IA} = R_A \quad \text{eqt. 7}$$

It should be noted that although the zero can be tuned by varying either  $R_A$  or  $C_A$ , caution must be exercised when adjusting the zero by varying  $C_A$  because the integrator gain is also a function of  $C_A$ . Further, the gain of the loop filter can be adjusted by changing the integrator input resistor  $R_{IA}$ .

**Voltage Divider**

The input range to the VCOIN input is from 1.3v +  $V_{EE}$  to 2.6v +  $V_{EE}$ ; hence the output from the augmenting amplifier section must be attenuated to meet the VCOIN constraints. A simple voltage divider network provides the necessary attenuation(Fig. 8).



**Figure 8 - Voltage Divider Subsection**

In addition, a shunt filter capacitor connected between the VCOIN input pin and  $V_{EE}$  provides the voltage divider subsection with a single time constant transfer function that adds a pole to the overall loop filter. The transfer function for the voltage divider network is:

$$F_d(s) = K_d * \frac{1}{(s + p_2)}$$

The gain constant,  $K_d$ , is defined as:

$$K_d = \frac{1}{R_V C_d} \quad \text{eqt. 9}$$

The value of  $K_d$  is easily extracted by rearranging Equation 1:

$$K_d = \frac{K_{ol}}{K_\phi * K_O * K_1 * K_I} \quad \text{eqt. 10}$$

The gain constant  $K_d$  is set such that the output from the integrator circuit is within the range 1.3v +  $V_{EE}$  to 2.6v +  $V_{EE}$ .

The pole for the voltage divider network should be positioned an octave beyond that for the filter input.

**Determination of Element Values**

Once the pole location and the gain constant  $K_d$  are established the resistor values for the voltage divider network are determined using the design guidelines mentioned above and from the following relationship:

$$\frac{K_d}{2\pi |p_2|} = \frac{R_O}{R_O + R_V}$$

Having determined the resistor values, the filter capacitor is calculated by rearranging Equation 9:



$$C_d = \frac{1}{R_v K_d} \quad \text{eqt. 9a}$$

Finally, a bias diode is included in the voltage divider network to provide temperature compensation. The finite resistance of this diode is neglected for these calculations.

## Calculations For a 2:7 Coding Scheme

### Introduction

The circuit component values are calculated for a 2:7 coding scheme employing a data rate of 23 Mbit/sec. Since the number of bits is doubled when the data is encoded, the data clock is at half the frequency of the RDCLK signal. Thus the operating frequency for these calculations is 46 MHz. Further, the pole and zero positions are a function of the data rate, hence the component values derived by these calculations must be scaled if a different operating frequency is used. Finally, it should be noted that the values are optimized for settling time.

The analysis is divided into three parts: static pole positioning, dynamic pole positioning, and dynamic zero positioning. Dynamic poles and zeros are those which the designer may position, to yield the desired dynamic response, through the judicious choice of element values. Static poles are not directly controlled by the choice of component values.

### Static Poles

Each op-amp introduces a pair of "static" complex conjugate poles which must lie beyond the crossover frequency. As obtained from the data sheets and laboratory measurements the two open loop poles for the MC34182D are:

$$P_{1a}^* = -0.1 \text{ Hz}$$

$$P_{1b}^* = -11.2 \text{ Hz}$$

Performing a root locus analysis and following the two guidelines previously stated, an acceptable pole set is:

$$P_{1a} = -5.65 + j5.65 \text{ MHz}$$

$$P_{1b} = -5.65 - j5.65 \text{ MHz}$$

Both op-amps introduce a set of static complex conjugate poles at these positions for a total of four poles. Further, the loop gain for each op-amp associated with these pole positions is determined from the root locus analysis to be:

$$A_1 = A_2 = 2.48 \text{ e}15 \frac{\text{V}}{\text{V}}$$

In addition to the op-amps, the integrator and the VCO each contribute a static pole at the origin. Thus, there are a total of six static poles.

### Dynamic Poles

The filter input and the voltage divider sections each contribute a dynamic pole. As stated previously, the filter input pole should be

positioned midway between the unity crossover point and the phase detector sampling frequency. Hence, the open loop filter input pole position is selected as:

$$P_1^* = -1.24 \text{ MHz}$$

The voltage divider pole is set approximately one octave higher than the filter input pole. Thus the open loop voltage divider pole position is picked to be:

$$P_2^* = -2.57 \text{ MHz}$$

### Dynamic Zero

Finally, the zero is positioned much less than one decade before the crossover frequency; for this design the zero is placed at:

$$z = -311 \text{ Hz}$$

Once the dynamic pole and zero positions have been determined, the phase margin is determined using a Bode plot; if the phase margin is not sufficient, the dynamic poles may be moved to improve the phase margin. Finally, a root locus analysis is performed to obtain the optimum closed loop pole positions for the dynamic characteristics of interest.

### Component Values

Having determined the closed loop pole and zero positions the component values are calculated. From the root locus analysis the dynamic pole and zero positions are:

$$P_1 = -573 \text{ kHz}$$

$$P_2 = -3.06 \text{ MHz}$$

$$z = -311 \text{ Hz}$$

### Filter Input Subsection

Rearranging Equation 4:

$$C_{IN} = \frac{1}{2\pi R_1 |P_1|}$$

and substituting 573 kHz for the pole position and 1 kΩ for the resistor value yields:

$$C_{IN} = 278 \text{ pF}$$

**Augmenting Integrator Subsection**

Rearranging Equation 6:

$$R_A = \frac{1}{2\pi |z| C_A}$$

and substituting 311 Hz for the zero position and 0.1 μF for the capacitor value yields:

$$R_A = 5.11 \text{ k}\Omega$$

From Equation 7 the value for the other resistors associated with the integrator op-amp are set equal to  $R_A$ :

$$R_{IA} = R_A = 5.11 \text{ k}\Omega$$

**Voltage Divider Subsection**

The element values for the voltage divider network are calculated using the relationships presented in Equations 8, 9, and 10 with the constraint that this divider network must produce a voltage that lies within the range  $1.3v + V_{EE}$  to  $2.6v + V_{EE}$ . Restating Equation 9,

$$K_d = \frac{K_{ol}}{K_\phi * K_O * K_1 * K_I}$$

From the root locus analysis  $K_{ol}$  is determined to be:

$$K_{ol} = 1.585 \text{ e}51 \frac{\text{V}}{\text{mA sec}^3}$$

From Equation 3

$$K_1 = A_1 * \frac{1}{C_{IN}}$$

and the gain constant  $K_1$  is:

$$K_1 = 8.90 \text{ e}21 \frac{\text{V}}{\text{mA sec}}$$

From Equation 5

$$K_I = A_I * \frac{R_A}{R_{IA}}$$

and the gain constant  $K_I$  is:

$$K_I = 2.48 \text{ e}15 \frac{\text{V}}{\text{V}}$$

Having determined the gain constant  $K_d$ , the value of  $R_v$  is selected such that the constraints  $R_v > R_o$  and:

$$\frac{K_d}{2\pi |P_2|} = \frac{R_o}{R_o + R_v}$$

are fulfilled. The pole position  $P_2$  is determined from the root locus analysis to be:

$$P_2 = -3.06 \text{ MHz}$$

Hence,  $R_v$  is selected to be:

$$R_v = 2.15 \text{ k}\Omega$$

and  $R_o$  is calculated to be:

$$R_o = 700 \text{ }\Omega$$

Finally, using Equation 8a:

$$C_d = \frac{1}{R_v K_d} \tag{eqt. 8a}$$

the capacitor value,  $C_d$  is:

$$C_d = 98 \text{ pF}$$

Note that the voltage divider section can be used to set the gain, but the designer is cautioned to be sure the input value to VCOIN is within the correct range.

**Component Scaling**

As mentioned, these design equations were developed for a data rate of 23 Mbit/sec. If the data rate is different from the nominal design value the reactive elements must be scaled accordingly. The following equations are provided to facilitate scaling and were derived with the assumptions that a 2:7 coding scheme is used and that the RDCLK signal is twice the frequency of the data clock.

$$C_{IN} = 278 * \frac{46}{f} \text{ (pF)} \tag{eqt. 11}$$

$$C_d = 98 * \frac{46}{f} \text{ (pF)} \tag{eqt. 12}$$

where  $f$  is the RDCLK frequency in MHz.

**Example for an 11Mbit/sec Data Rate**

As an example of scaling, assume the given filter and a 2:7 code are used but the data rate is 11 Mbit/sec. The dynamic pole positions, and therefore the bandwidth of the loop filter, are a function of the data rate. Thus a slower data rate will force the dynamic poles and the bandwidth to move to a lower frequency. From Equation 11 the value of  $C_{IN}$  is:



$$C_{IN} = 581 \text{ pF}$$

and from Equation 12 the value of  $C_d$  is:

$$C_d = 205 \text{ pF}$$

Thus the element values for the filter are:

Filter Input Subsection:

$$C_{IN} = 581 \text{ pF}$$

$$R_1 = 1 \text{ k}\Omega$$

Integrator Subsection:

$$C_A = 0.1 \text{ }\mu\text{F}$$

$$R_A = 5.11 \text{ k}\Omega$$

$$R_{IA} = 5.11 \text{ k}\Omega$$

Voltage Divider Subsection:

$$C_d = 205 \text{ pF}$$

$$R_V = 2.15 \text{ k}\Omega$$

$$R_o = 700 \text{ }\Omega$$

Note, the poles  $P_1$  and  $P_2$  are now located at:

$$P_1 = -274 \text{ kHz}$$

$$P_2 = -1.47 \text{ MHz}$$

And, the open loop filter unity crossover point is at 300 kHz. The gain can be adjusted by changing the value of  $R_{IA}$  and the value of  $C_d$ . Varying the gain by changing  $C_d$  is not recommended because this will also move the poles, hence affect the dynamic performance of the filter.

3

## Calculations For a 1:7 Coding Scheme

### Introduction

The circuit component values are calculated for a 1:7 coding scheme employing a data rate of 20 Mbit/sec. Since the number of bits increases from two to three when the data is encoded, the data clock is at two-thirds the frequency of the RDCLK signal. Thus the operating frequency for these calculations is 30 MHz. As in the case of the 2:7 coding scheme the pole and zero positions are a function of the data rate, hence the component values derived by these calculations must be scaled if a different operating frequency is used.

Again, the analysis is divided into three parts: static pole positioning, dynamic pole positioning, and dynamic zero positioning.

### Static Poles

As in the 2:7 coding example, an MC34182D op-amp is employed, hence the pole set is:

$$P_{1a} = -5.65 + j5.65 \text{ MHz}$$

$$P_{1b} = -5.65 - j5.65 \text{ MHz}$$

and the open loop gain is:

$$A_1 = A_2 = 2.48 \text{ e}15 \frac{\text{V}}{\text{V}}$$

Since the op-amps introduce a set of complex conjugate poles, a total of four poles are introduced by the op-amp. In addition, the integrator and the VCO each contribute a pole at the origin for a total of six static poles.

### Dynamic Poles

The filter input and the voltage divider sections each contribute a dynamic pole. As stated previously, the filter input pole should be positioned midway between the unity crossover point and the phase detector sampling frequency. Hence, the open loop filter input pole position is selected as:

$$P_1^* = -1.1 \text{ MHz}$$

The voltage divider pole is set approximately one octave higher than the filter input pole. Thus the open loop voltage divider pole position is selected as:

$$P_2^* = -2.28 \text{ MHz}$$

### Dynamic Zero

Finally, the zero is positioned much less than one decade before the crossover frequency; for this design the zero is placed at:

$$z = -311 \text{ Hz}$$

Once the dynamic pole and zero positions have been determined, the phase margin is determined using a Bode plot; if the phase margin is not sufficient, the dynamic poles may be moved to improve the phase margin. Finally, a root locus analysis is performed to obtain the optimum closed loop pole positions for the dynamic characteristics of interest.

**Component Values**

Having determined the closed loop pole and zero positions the component values are calculated. From the root locus analysis the dynamic pole and zero positions are:

$$P_1 = -541 \text{ kHz}$$

$$P_2 = -2.73 \text{ MHz}$$

$$z = -311 \text{ Hz}$$

**Filter Input Subsection**

Rearranging Equation 4

$$C_{IN} = \frac{1}{2\pi R_1 |p_1|}$$

and substituting 541 kHz for the pole position and 1 kΩ for the resistor value yields:

$$C_{IN} = 294 \text{ pF}$$

**Augmenting Integrator Subsection**

Rearranging Equation 6:

$$R_A = \frac{1}{2\pi |z| C_A}$$

and substituting 311 Hz for the zero position and 0.1 μF for the capacitor value yields:

$$R_A = 5.11 \text{ k}\Omega$$

From Equation 7 the value for the other resistors associated with the integrator op-amp are set equal to  $R_A$ :

$$R_{IA} = R_A = 5.11 \text{ k}\Omega$$

**Voltage Divider Subsection**

The element values for the voltage divider network are calculated using the relationships presented in Equations 8, 9, and 10 with the constraint that this divider network must produce a voltage that lies within the range  $1.3v + V_{EE}$  to  $2.6v + V_{EE}$ . Restating Equation 9,

$$K_d = \frac{K_{ol}}{K_\phi * K_O * K_1 * K_I}$$

From the root locus analysis  $K_o$  is determined to be:

$$K_{ol} = 1.258 \text{ e}51 \frac{V}{\text{mA sec}^3}$$

From Equation 3:

$$K_1 = A_1 * \frac{1}{C_{IN}}$$

and the gain constant  $K_1$ ,

$$K_1 = 8.42 \text{ e}21 \frac{V}{\text{mA sec}}$$

From Equation 5:

$$K_I = A_I * \frac{R_A}{R_{IA}}$$

and the gain constant  $K_I$  is:

$$K_I = 2.48 \text{ e}15 \frac{V}{V}$$

$$K_d = 2.98 \text{ e}6 \text{ sec}^{-1}$$

Having determined the gain constant  $K_d$ , the value of  $R_v$  is selected such that the constraints  $R_v > R_o$  and:

$$\frac{K_d}{2\pi |p_2|} = \frac{R_o}{R_o + R_v}$$

are fulfilled. The pole position  $P_2$  is determined from the root locus analysis to be:

$$P_2 = -2.73 \text{ MHz}$$

Hence,  $R_v$  is selected to be:

$$R_v = 2.15 \text{ k}\Omega$$

and  $R_o$  is calculated to be:

$$R_o = 453 \text{ }\Omega$$

Finally, using Equation 8a:

$$C_d = \frac{1}{R_v K_d} \tag{eqt. 8a}$$

the capacitor value  $C_d$  is calculated to be:

$$C_d = 156 \text{ pF}$$

Again, note the voltage divider section can be used to set the gain, but the designer is cautioned to be sure the input value to VCOIN is within the correct range.

### Component Scaling

As mentioned, these design equations were developed for a data rate of 20 Mbit/sec. If the data rate is different from the nominal design value the reactive elements must be scaled accordingly. The following equations are provided to facilitate scaling and were derived with the assumptions that a 1:7 coding scheme is used and that the RDCLK signal is twice the frequency of the data clock:

$$C_{IN} = 294 \cdot \frac{30}{f} \quad (\text{pF}) \quad \text{eqt. 13}$$

$$C_d = 156 \cdot \frac{30}{f} \quad (\text{pF}) \quad \text{eqt. 14}$$

where  $f$  is the RDCLK frequency in MHz.

### Example for an 10 Mbit/sec Data Rate

As an example of scaling, assume the given filter and a 1:7 code are used but the data rate is 10 Mbit/sec. The dynamic pole positions, and therefore the bandwidth of the loop filter, are a function of the data rate. Thus a slower data rate will force the dynamic poles and the bandwidth to move to a lower frequency. From Equation 13 the value of  $C_{IN}$  is:

$$C_{IN} = 588 \text{ pF}$$

and from Equation 14 the value of  $C_d$  is:

$$C_d = 312 \text{ pF}$$

Thus the element values for the filter are:

Filter Input Subsection:

$$C_{IN} = 588 \text{ pF}$$

$$R_1 = 1 \text{ k}\Omega$$

Integrator Subsection:

$$C_A = 0.1 \text{ }\mu\text{F}$$

$$R_A = 5.11 \text{ k}\Omega$$

$$R_{IA} = 5.11 \text{ k}\Omega$$

Voltage Divider Subsection:

$$C_d = 312 \text{ pF}$$

$$R_V = 2.15 \text{ k}\Omega$$

$$R_O = 453 \text{ }\Omega$$

Note, the poles  $P_1$  and  $P_2$  are now located at:

$$P_1 = -271 \text{ kHz}$$

$$P_2 = -1.36 \text{ MHz}$$

And, the open loop filter unity crossover point is at 300 kHz. As in the case of the 2:7 coding scheme, the gain can be adjusted by changing the value of  $R_{IA}$  and the value of  $C_d$ . Varying the gain by changing  $C_d$  is not recommended because this will also move the poles, hence affect the dynamic performance of the filter.

- Scannable Version E112 Driver
- 1025ps Max. CLK to Output
- Dual Differential Outputs
- Master Reset
- Extended 100E VEE Range of -4.2V to -5.46V
- Internal 75kΩ Input Pulldown Resistors

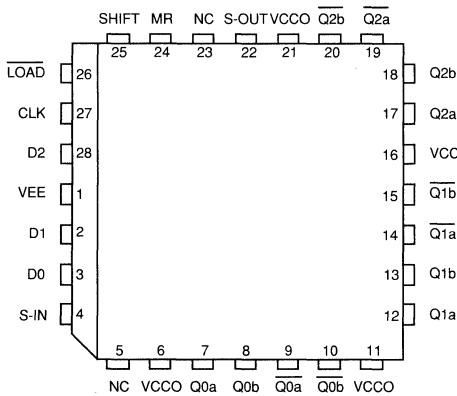
The MC 10E/100E212 is a scannable registered ECL driver typically used as a fan-out memory address driver for ECL cache driving. In a VLSI array based CPU design, use of the E212 allows the user to conserve array output cell functionality and also output pins.

The input shift register is designed with control logic which greatly facilitates its use in boundary scan applications.

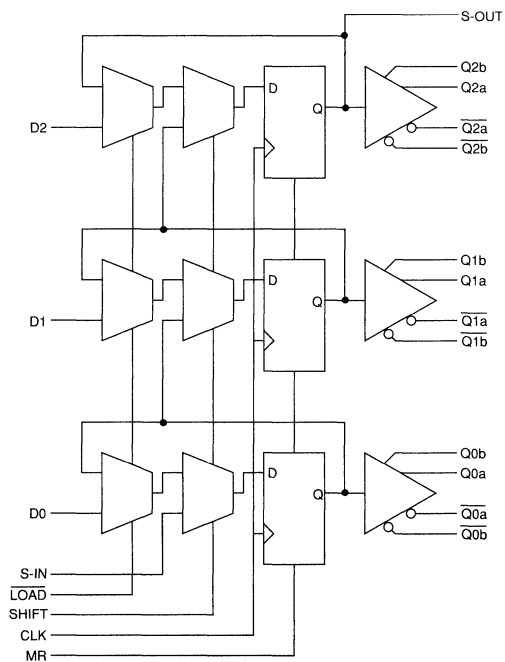
**MC10E212**  
**MC100E212**

**3-BIT SCANNABLE**  
**REGISTERED**  
**ADDRESS DRIVER**

**PINOUT: 28-LEAD PLCC (TOP VIEW)**



**LOGIC SYMBOL**



**PIN NAMES**

PIN	FUNCTION
D0 – D2	Data Inputs
S-IN	Scan Input
LOAD	LOAD/HOLD Control
SHIFT	Scan Control
CLK	Clock
MR	Reset
S-OUT	Scan Output
Q[0:2]a, Q[0:2]b	True Outputs
$\bar{Q}$ [0:2]a, $\bar{Q}$ [0:2]b	Inverting Outputs

## MC10E212 MC100E212

**DC Characteristics:**  $V_{EE} = V_{EE(\min)}$  to  $V_{EE(\max)}$ ;  $V_{CC} = V_{CCO} = \text{GND}$

Symbol	Characteristic	0°C			25°C			85°C			Unit	Condition
		min	typ	max	min	typ	max	min	typ	max		
$I_{IH}$	Input HIGH Current			150			150			150	$\mu\text{A}$	
$I_{EE}$	Power Supply Current										$\text{mA}$	
	10E		80	96		80	96		80	96		
	100E		80	96		80	96		92	110		

**3**

**AC Characteristics:**  $V_{EE} = V_{EE(\min)}$  to  $V_{EE(\max)}$ ;  $V_{CC} = V_{CCO} = \text{GND}$

Symbol	Characteristic	0°C			25°C			85°C			Unit	Condition
		min	typ	max	min	typ	max	min	typ	max		
$t_{PLH}$	Propagation Delay to Output										$\text{ps}$	
$t_{PHL}$	CLK	575	800	1025	575	800	1025	575	800	1025		
	MR	575	800	1025	575	800	1025	575	800	1025		
	CLK to S-OUT	575	800	1025	575	800	1025	575	800	1025		
$t_s$	Setup Time										$\text{ps}$	
	D	175	25		175	25		175	25			
	SHIFT	150	-50		150	-50		150	-50			
	LOAD	225	50		225	50		225	50			
	S-IN	150	-50		150	-50		150	-50			
$t_h$	Hold Time										$\text{ps}$	
	D	250	25		250	25		250	25			
	SHIFT	300	100		300	100		300	100			
	LOAD	225	0		225	0		225	0			
	S-IN	300	100		300	100		300	100			
$t_{RR}$	Reset Recovery	600	350		600	350		600	350		$\text{ps}$	
$t_{SKEW}$	Within-Device Skew		100			100			100		$\text{ps}$	1
$t_{SKEW}$	Within-Gate Skew		50			50			50		$\text{ps}$	2
$t_r$ $t_f$	Rise/Fall Times										$\text{ps}$	
	20 - 80%	275	425	650	275	425	650	275	425	650		

1. Within-device skew is defined as identical transitions on similar paths through a device.

2. Within-gate skew is defined as the difference in delays between various outputs of a gate when driven from the same input.

### FUNCTION TABLE

LOAD	SHIFT	MR	MODE
L	L	L	Load
H	L	L	Hold
X	H	L	Shift
X	X	H	Reset

# MOTOROLA SEMICONDUCTOR TECHNICAL DATA

**MC10E241  
MC100E241**

**8-BIT  
SCANNABLE REGISTER**

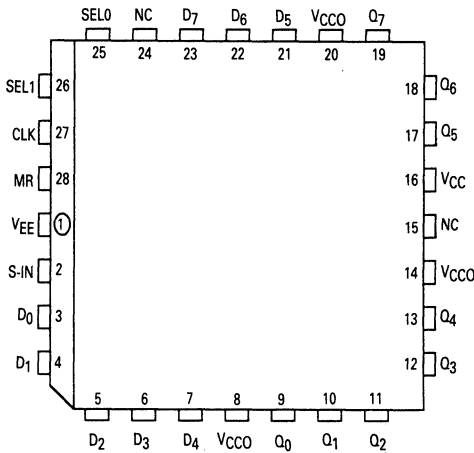
**3**

- SHIFT overrides HOLD/ $\overline{\text{LOAD}}$  Control
- 1000 ps Max. CLK to Q
- Asynchronous Master Reset
- Pin-Compatible with E141
- Extended 100E  $V_{EE}$  Range of  $-4.2\text{ V}$  to  $-5.46\text{ V}$
- 75 k $\Omega$  Input Pulldown Resistors

The MC10E/100E241 is an 8-bit shiftable register. Unlike a standard universal shift register such as the E141, the E241 features internal data feedback organized so that the SHIFT control overrides the HOLD/ $\overline{\text{LOAD}}$  control. This enables the normal operations of HOLD and LOAD to be toggled with a single control line without the need for external gating. It also enables switching to scan mode with the single SHIFT control line.

The eight inputs  $D_0$ – $D_7$  accept parallel input data, while S-IN accepts serial input data when in shift mode. Data is accepted a set-up time before the positive-going edge of CLK; shifting is also accomplished on the positive clock edge. A HIGH on the Master Reset pin (MR) asynchronously resets all the registers to zero.

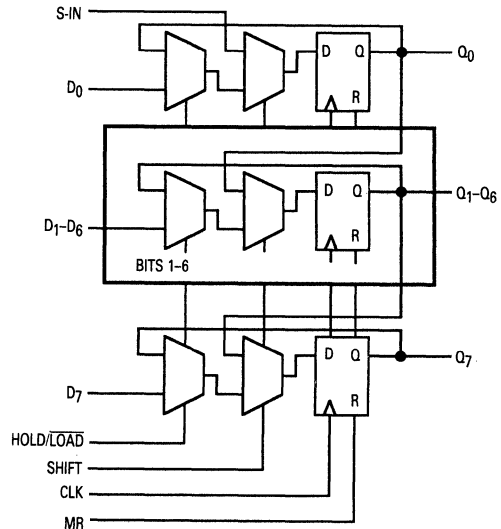
**PINOUT: 28-LEAD PLCC (TOP VIEW)**



**PIN NAMES**

Pin	Function
$D_0$ – $D_7$	Parallel Data Inputs
S-IN	Serial Data Input
SEL0	SHIFT Control
SEL1	HOLD/ $\overline{\text{LOAD}}$ Control
CLK	Clock
MR	Master Reset
$Q_0$ – $Q_7$	Data Outputs

**LOGIC SYMBOL**





## MC10E241, MC100E241

**DC Characteristics:**  $V_{EE} = V_{EE(\min)}$  to  $V_{EE(\max)}$ ;  $V_{CC} = V_{CCO} = \text{GND}$

Symbol	Characteristic	0°C			25°C			85°C			Unit	Condition
		min	typ	max	min	typ	max	min	typ	max		
$I_{IH}$	Input HIGH Current			150			150			150	$\mu\text{A}$	
$I_{EE}$	Power Supply Current										mA	
	10E		125	150		125	150		125	150		
	100E		125	150		125	150		144	173		

**AC Characteristics:**  $V_{EE} = V_{EE(\min)}$  to  $V_{EE(\max)}$ ;  $V_{CC} = V_{CCO} = \text{GND}$

Symbol	Characteristic	0°C			25°C			85°C			Unit	Condition
		min	typ	max	min	typ	max	min	typ	max		
$f_{\text{SHIFT}}$	Max. Shift Frequency	700	900		700	900		700	900		MHz	
$t_{\text{PLH}}$ $t_{\text{PHL}}$	Propagation Delay to Output Clk	625	750	975	625	750	975	625	750	975	ps	
	MR	600	725	975	600	725	975	600	725	975		
$t_s$	Setup Time										ps	
	D	175	25		175	25		175	25			
	SEL0 (SHIFT)	350	200		350	200		350	200			
	SEL1 (HOLD/LOAD) S-IN	400	250		400	250		400	250			
$t_h$	Hold Time										ps	
	D	200	-25		200	-25		200	-25			
	SEL0 (SHIFT)	100	-200		100	-200		100	-200			
	SEL1 (HOLD/LOAD) S-IN	50	-250		50	-250		50	-250			
$t_{\text{RR}}$	Reset Recovery Time	900	600		900	600		900	600		ps	
$t_{\text{PW}}$	Minimum Pulse Width Clk, MR	400			400			400			ps	
$t_{\text{SKEW}}$	Within-Device Skew		60			60			60		ps	1
$t_r$ $t_f$	Rise / Fall Times 20 - 80%	300	525	800	300	525	800	300	525	800	ps	

1. Within-device skew is defined as identical transitions on similar paths through a device

# MOTOROLA SEMICONDUCTOR TECHNICAL DATA

- 950 ps Max. D to Output
- 850 ps Max. LEN to Output
- Split Select
- Differential Outputs
- Extended 100E  $V_{EE}$  Range of  $-4.2\text{ V}$  to  $-5.46\text{ V}$
- $75\text{ k}\Omega$  Input Pulldown Resistors

The MC10E/100E256 contains three 4:1 multiplexers followed by transparent latches with differential outputs. Separate Select controls are provided for the leading 2:1 mux pairs (see logic symbol).

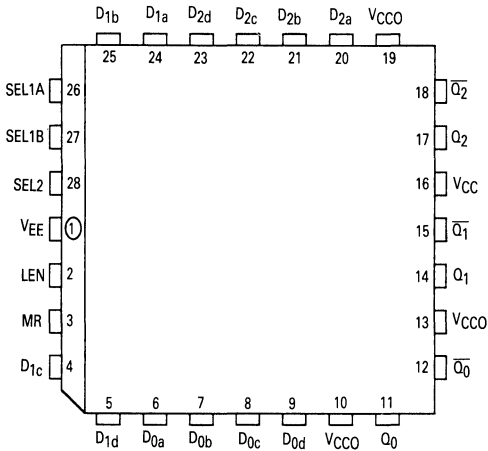
When the Latch Enable (LEN) is LOW, the latch is transparent, and output data is controlled by the multiplexer select controls. A logic HIGH on LEN latches the outputs. The Master Reset (MR) overrides all other controls to set the Q outputs LOW.

**MC10E256  
MC100E256**

**3-BIT  
4:1 MUX-LATCH**

**3**

**PINOUT: 28-LEAD PLCC (TOP VIEW)**



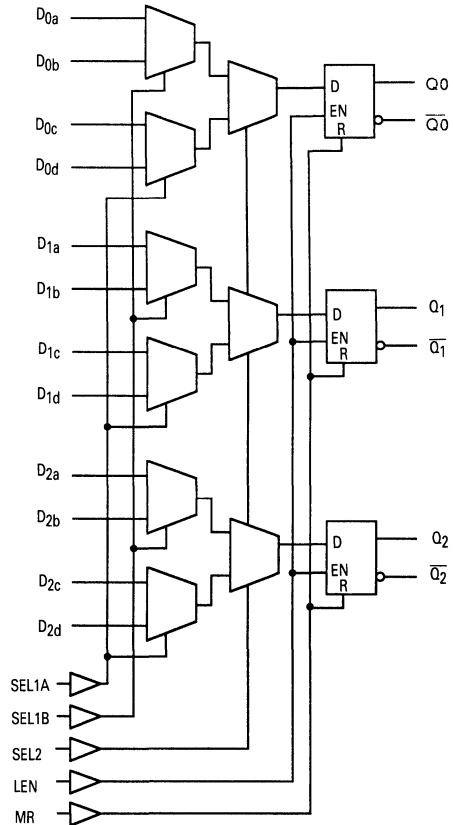
**FUNCTION TABLE**

Pin	State	Operation
SEL2	H	Output c/d Data
SEL1A	H	Input d Data
SEL1B	H	Input b Data

**PIN NAMES**

Pin	Function
$D_{0x}-D_{2x}$	Data Inputs
SEL1A, SEL1B	First-stage Select Inputs
SEL2	Second-stage Select Input
LEN	Latch Enable
MR	Master Reset
$Q_0, \overline{Q_0}-Q_2, \overline{Q_2}$	Data Outputs

**LOGIC SYMBOL**



## MC10E256, MC100E256

**DC Characteristics:**  $V_{EE} = V_{EE}(\text{min})$  to  $V_{EE}(\text{max})$ ;  $V_{CC} = V_{CC0} = \text{GND}$

Symbol	Characteristic	0°C			25°C			85°C			Unit	Condition
		min	typ	max	min	typ	max	min	typ	max		
$I_{IH}$	Input HIGH Current	150			150			150			$\mu\text{A}$	
$I_{EE}$	Power Supply Current										mA	
	10E	69	83		69	83		69	83			
	100E	69	83		69	83		79	96			

**AC Characteristics:**  $V_{EE} = V_{EE}(\text{min})$  to  $V_{EE}(\text{max})$ ;  $V_{CC} = V_{CC0} = \text{GND}$

Symbol	Characteristic	0°C			25°C			85°C			Unit	Condition
		min	typ	max	min	typ	max	min	typ	max		
$t_{PLH}$ $t_{PHL}$	Propagation Delay to Output										ps	
	D	400	600	900	400	600	900	400	600	900		
	SEL1	550	775	1050	550	775	1050	550	775	1050		
	SEL2	450	650	900	450	650	900	450	650	900		
	LEN	350	500	800	350	500	800	350	500	800		
	MR	350	600	825	350	600	825	350	600	825		
$t_s$	Setup Time										ps	
	D	400	275		400	275		400	275			
	SEL1	600	300		600	300		600	300			
	SEL2	500	250		500	250		500	250			
$t_h$	Hold Time										ps	
	D	300	-275		300	-275		300	-275			
	SEL1	100	-300		100	-300		100	-300			
	SEL2	200	-250		200	-250		200	-250			
$t_{RR}$	Reset Recovery Time	700	600		700	600		700	600		ps	
$t_{PW}$	Minimum Pulse Width										ps	
	MR	400			400			400				
$t_{SKEW}$	Within-Device Skew	50			50			50			ps	1
$t_r$ $t_f$	Rise / Fall Times										ps	
	20 - 80%	275	475	700	275	475	700	275	475	700		

1. Within-device skew is defined as identical transitions on similar paths through a device

# MOTOROLA SEMICONDUCTOR TECHNICAL DATA

- 25  $\Omega$  Cutoff Bus Outputs
- 50  $\Omega$  Receiver Outputs
- Transmit and Receive Registers
- 1500 ps Max. Clock to Bus
- 1000 ps Max. Clock to Q
- Bus Outputs Feature Internal Edge Slow-Down Capacitors
- Additional Package Ground Pins
- Extended 100E  $V_{EE}$  Range of  $-4.2$  V to  $-5.46$  V
- 75 k $\Omega$  Input Pulldown Resistors

The MC10E/100E336 contains three bus transceivers with both transmit and receive registers. The bus outputs (BUS0–BUS2) are specified for driving a 25  $\Omega$  bus; the receive outputs (Q0–Q2) are specified for 50  $\Omega$ . The bus outputs feature a normal HIGH level ( $V_{OH}$ ) and a cutoff LOW level — when LOW, the outputs go to  $-2.0$  V and the output emitter-follower is “off,” presenting a high impedance to the bus. The bus outputs also feature edge slow-down capacitors.

The Transmit Enable pins (TEN) control whether current data is held in the transmit register, or new data is loaded from the A/B inputs. A LOW on both of the Bus Enable inputs (BUSEN), when clocked through the register, disables the bus outputs to  $-2.0$  V.

The receiver section clocks bus data into the receive registers, after gating with the Receive Enable (RXEN) input.

All registers are clocked by a positive transition of CLK1 or CLK2 (or both).

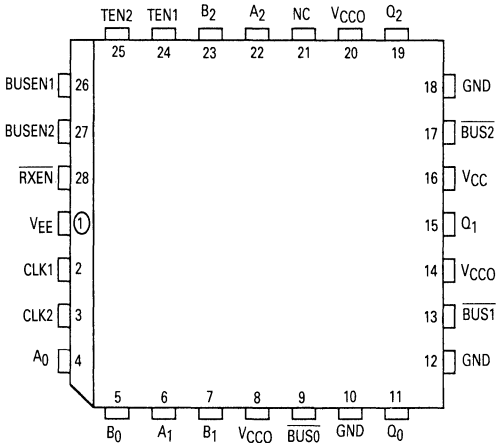
Additional leadframe grounding is provided through the Ground pins (GND) which should be connected to 0 V. The GND pins are not electrically connected to the chip.

**MC10E336  
MC100E336**

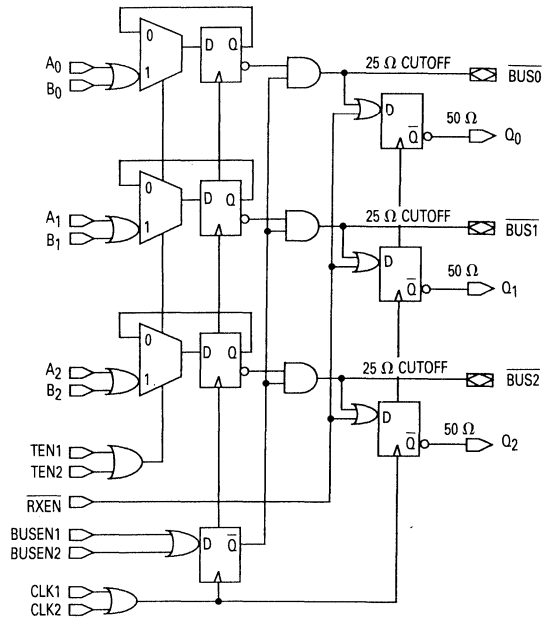
**3-BIT REGISTERED  
BUS TRANSCEIVER**

**3**

**PINOUT: 28-LEAD PLCC (TOP VIEW)**



**LOGIC SYMBOL**



## MC10E336, MC100E336

**DC Characteristics:**  $V_{EE} = V_{EE}(\text{min})$  to  $V_{EE}(\text{max})$ ;  $V_{CC} = V_{CCO} = \text{GND}$

Symbol	Characteristic	0°C			25°C			85°C			Unit	Condition
		min	typ	max	min	typ	max	min	typ	max		
$V_{CUT}$	*Cut-off Output Voltage	-2.10		-2.03	-2.10		-2.03	-2.10		-2.03	V	
$I_{IH}$	Input HIGH Current RXEN			225			225			225	$\mu\text{A}$	
	All Other Inputs			150			150			150		
$I_{EE}$	Power Supply Current										mA	
	10E		125	150		125	150		125	150		
	100E		125	150		125	150		144	173		

\*measured with  $V_{TT} = -2.10\text{V}$

**AC Characteristics:**  $V_{EE} = V_{EE}(\text{min})$  to  $V_{EE}(\text{max})$ ;  $V_{CC} = V_{CCO} = \text{GND}$

Symbol	Characteristic	0°C			25°C			85°C			Unit	Condition
		min	typ	max	min	typ	max	min	typ	max		
$t_{PLH}$ $t_{PHL}$	Propagation Delay to Output Clk to Q	500	700	100	500	700	1000	500	700	1000	ps	
	Clk to BUS	825	1250	1800	825	1250	1800	825	1250	1800		
$t_s$	Setup Time BUS, RXEN	150	-150		150	-150		150	-150		ps	
	BUSEN	100	-200		100	-200		100	-200			
	A, B Data	300	-50		300	-50		300	-50			
	TEN	450	150		450	150		450	150			
$t_h$	Hold Time BUS, RXEN	450	150		450	150		450	150		ps	
	BUSEN	500	200		500	200		500	200			
	A, B Data	350	50		350	50		350	50			
	TEN	200	-150		200	-150		200	-150			
$t_{PW}$	Minimum Pulse Width Clk	400			400			400			ps	
$t_r$ $t_f$	Rise / Fall Times 20 - 80% ( Qn )	300	450	700	300	450	700	300	450	700	ps	
	20 - 80% ( BUSn Rise )	500	800	1000	500	800	1000	500	800	1000		
	20 - 80% ( BUSn Fall )	300	500	800	300	500	800	300	500	800		

**MC10E337**  
**MC100E337**

**3-BIT**  
**SCANNABLE**  
**REGISTERED**  
**BUS TRANSCEIVER**

**3**

## Advance Information

- Scannable Version of E336
- 25  $\Omega$  Cutoff Bus Outputs
- 50  $\Omega$  Receiver Outputs
- Scannable Registers
- Sync. and Async. Bus Enables
- Non-Inverting Data Path
- 1500 ps Max. Clock to Bus (Data Transmit)
- 1000 ps Max. Clock to Q (Data Receive)
- Bus Outputs Feature Internal Edge Slow-Down Capacitors
- Additional Package Ground Pins
- Extended 100E  $V_{EE}$  Range of  $-4.2$  V to  $-5.46$  V
- 75 k $\Omega$  Input Pulldown Resistors

The MC10E/100E337 is a 3-bit registered bus transceiver with scan. The bus outputs (BUS0–BUS2) are specified for driving a 25  $\Omega$  bus; the receive outputs (Q0–Q2) are specified for 50  $\Omega$ . The bus outputs feature a normal HIGH level ( $V_{OH}$ ) and a cutoff LOW level — when LOW, the outputs go to  $-2.0$  V and the output emitter-follower is “off,” presenting a high impedance to the bus. The bus outputs also feature edge slow-down capacitors.

Both drive and receive sides feature the same logic, including a loopback path to hold data. The HOLD/LOAD function is controlled by Transmit Enable (TEN) and Receive Enable (REN) on the transmit and receive sides respectively, with a HIGH selecting LOAD. Note that the implementation of the E337 Receive Enable differs from that of the E336.

A synchronous bus enable (SBUSEN) is provided for normal, non-scan operation. The asynchronous bus disable (ABUSDIS) disables the bus immediately for scan mode.

The SYNCEN input is provided for flexibility when re-enabling the bus after disabling with ABUSDIS, allowing either synchronous or asynchronous re-enabling. An alternative use is asynchronous-only operation with ABUSDIS, in which case SYNCEN is tied LOW, or left open. SYNCEN is implemented as an overriding SET control (active-LOW) to the enable flip-flop.

Scan mode is selected by a HIGH at the SCAN input. Scan input data is shifted in through S\_IN, and output data appears at the Q2 output.

All registers are clocked on the positive transition of CLK. Additional lead-frame grounding is provided through the Ground pins (GND) which should be connected to 0 V. The GND pins are not electrically connected to the chip.

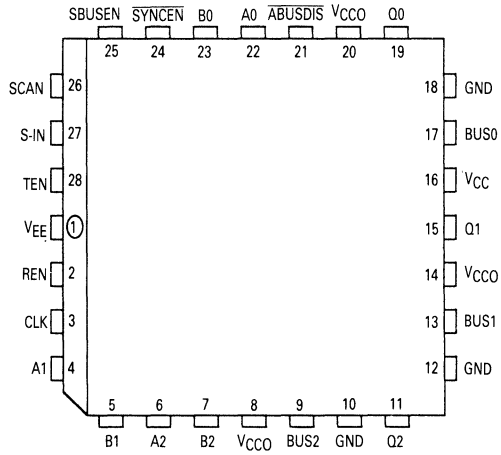
### PIN NAMES

Pin	Function
A <sub>0</sub> –A <sub>2</sub>	Data Inputs A
B <sub>0</sub> –B <sub>2</sub>	Data Inputs B
S-IN	Serial (Scan) Data Input
TEN, REN	HOLD/LOAD Controls
SCAN	Scan Control
ABUSDIS	Asynchronous Bus Disable
SBUSEN	Synchronous Bus Enable
SYNCEN	Synchronous Enable Control
CLK	Clock
BUS0–BUS2	25 $\Omega$ Cutoff Bus Outputs
Q0–Q2	Receive Data Outputs (Q2 serves as SCAN_OUT in scan mode)

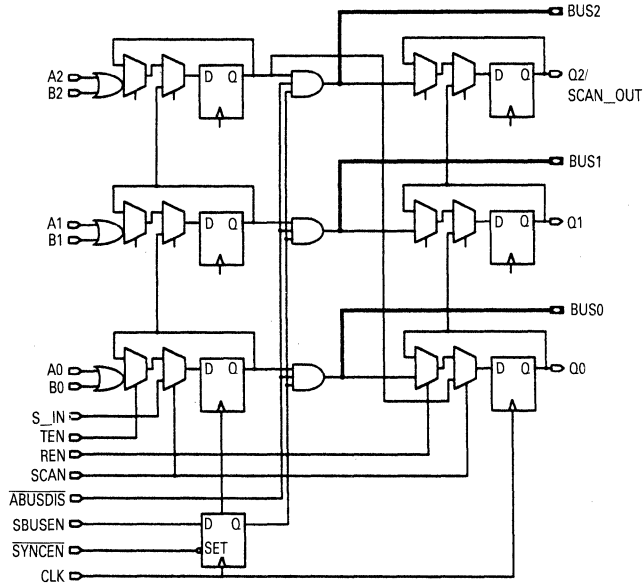
This document contains information on a new product. Specifications and information herein are subject to change without notice.

# MC10E337, MC100E337

## PINOUT: 28-LEAD PLCC (TOP VIEW)



## LOGIC SYMBOL



## MC10E337, MC100E337

**DC Characteristics:**  $V_{EE} = V_{EE(min)}$  to  $V_{EE(max)}$ ;  $V_{CC} = V_{CC0} = GND$

Symbol	Characteristic	0°C			25°C			85°C			Unit	Condition
		min	typ	max	min	typ	max	min	typ	max		
$V_{CUT}$	*Cut-off Output Voltage	-2.10		-2.03	-2.10		-2.03	-2.10		-2.03	V	
$I_{IH}$	Input HIGH Current All Other Inputs			150			150			150	μA	
$I_{EE}$	Power Supply Current										mA	
	10E		145	174		145	174		145	174		
	100E		145	174		145	174		167	200		

\*measured with  $V_{TT} = -2.10V$



**AC Characteristics:**  $V_{EE} = V_{EE(min)}$  to  $V_{EE(max)}$ ;  $V_{CC} = V_{CC0} = GND$

Symbol	Characteristic	0°C			25°C			85°C			Unit	Condition
		min	typ	max	min	typ	max	min	typ	max		
$t_{PLH}$ $t_{PHL}$	Propagation Delay to Output Clk to Q Clk to BUS ABUSDIS SYNCEN	450		1000	450		1000	450		1000	ps	
$t_s$	Setup Time BUS SBUSEN Data, S-IN TEN, REN, SCAN	350			350			350			ps	
$t_h$	Hold Time BUS SBUSEN Data, S-IN TEN, REN, SCAN	350			350			350			ps	
$t_{PW}$	Minimum Pulse Width Clk	400			400			400			ps	
$t_r$ $t_f$	Rise / Fall Times 20 - 80% ( Qn ) 20 - 80% ( BUSn Rise ) 20 - 80% ( BUSn Fall )	300		800	300		800	300		800	ps	



# MOTOROLA SEMICONDUCTOR TECHNICAL DATA

**MC10E404  
MC100E404**

**QUAD  
DIFFERENTIAL  
AND/NAND**

- Differential D and Q
- 700 ps Max. Propagation Delay
- High Frequency Outputs
- Extended 100E VEE Range of -4.2V to -5.46V
- Internal 75kΩ Input Pulldown Resistors

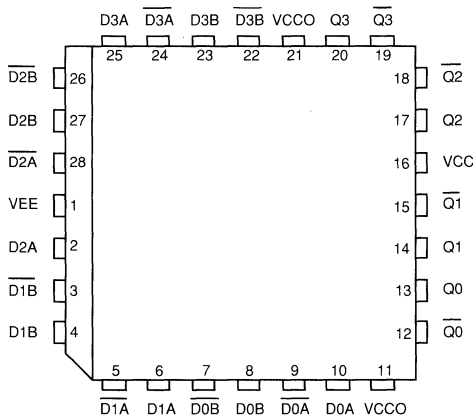
The MC 10E404/100E404 is a 4-bit differential AND/NAND device. The differential operation of the device makes it ideal for pulse shaping applications where duty cycle skew is critical. Special design techniques were incorporated to minimize the skew between the upper and lower level gate inputs.

Because a negative 2-input NAND function is equivalent to a 2-input OR function, the differential inputs and outputs of the device also allow for its use as a fully differential 2 input OR/NOR function.

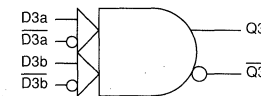
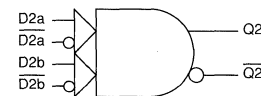
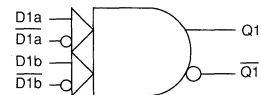
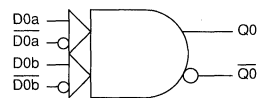
The output RISE/FALL times of this device are significantly faster than most other standard ECLinPS devices resulting in an increased bandwidth.

The differential inputs have clamp structures which will force the Q output of a gate in an open input condition to go to a LOW state. Thus inputs of unused gates can be left open and will not affect the operation of the rest of the device.

**PINOUT: 28-LEAD PLCC (TOP VIEW)**



**LOGIC SYMBOL**



**PIN NAMES**

PIN	FUNCTION
D[0:4], $\overline{D}$ [0:4]	Differential Data Inputs
Q[0:4], $\overline{Q}$ [0:4]	Differential Data Outputs

**FUNCTION TABLE**

Da	Db	Q	$\overline{Da}$	$\overline{Db}$	$\overline{Q}$
L	L	L	L	L	L
L	H	L	L	H	H
H	L	L	H	L	H
H	H	H	H	H	H

## MC10E404, MC100E404

**DC Characteristics:**  $V_{EE} = V_{EE}(\text{min})$  to  $V_{EE}(\text{max})$ ;  $V_{CC} = V_{CCO} = \text{GND}$

Symbol	Characteristic	0°C			25°C			85°C			Unit	Condition
		min	typ	max	min	typ	max	min	typ	max		
$I_{IH}$	Input HIGH Current			150			150			150	$\mu\text{A}$	
$I_{EE}$	Power Supply Current										mA	
	10E		106	127		106	127		106	127		
	100E		106	127		106	127		122	146		
$V_{PP}(\text{DC})$	Input Sensitivity	50			50			50			mV	1
$V_{CMR}$	Common Mode Range	-1.5	0		-1.5	0		-1.5	0		V	2

- Differential input voltage required to obtain a full ECL swing on the outputs.
- $V_{CMR}$  is referenced to the most positive side of the differential input signal. Normal operation is obtained when the input signals are within the  $V_{CMR}$  range and the input swing is greater than  $V_{PP\text{MIN}}$  and  $< 1V$ .

**AC Characteristics:**  $V_{EE} = V_{EE}(\text{min})$  to  $V_{EE}(\text{max})$ ;  $V_{CC} = V_{CCO} = \text{GND}$

Symbol	Characteristic	0°C			25°C			85°C			Unit	Condition
		min	typ	max	min	typ	max	min	typ	max		
$t_{PLH}$ $t_{PHL}$	Propagation Delay to Output										ps	
	Da (Diff)	350	475	650	350	475	650	350	475	650		
	Da (SE)	300	475	700	300	475	700	300	475	700		
	Db (Diff)	375	500	675	375	500	675	375	500	675		
	Db (SE)	325	500	725	325	500	725	325	500	725		
$t_{SKEW}$	Within-Device Skew		50			50			50		ps	1
$V_{PP}(\text{AC})$	Minimum Input Swing	150			150			150			mV	2
$t_r$ $t_f$	Rise / Fall Time 20 - 80%		150	400		150	400		150	400	ps	

- Within-device skew is defined as identical transitions on similar paths through a device.
- Minimum input swing for which AC parameters are guaranteed.

**MC10E416**  
**MC100E416**

**QUINT**  
**DIFFERENTIAL**  
**LINE RECEIVER**

3

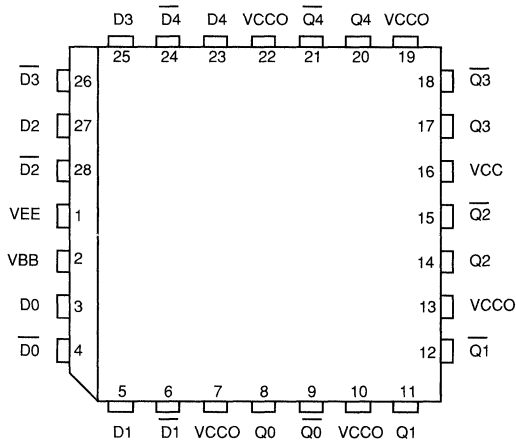
- Differential D and Q;  $V_{BB}$  available
- 600 ps Max. Propagation Delay
- High Frequency Outputs
- 2 Stages of Gain
- Extended 100E VEE Range of -4.2V to -5.46V
- Internal 75k $\Omega$  Input Pulldown Resistors

The MC 10E416/100E416 is a 5-bit differential line receiving device. The 2.0 GHz of bandwidth provided by the high frequency outputs makes the device ideal for buffering of very high speed oscillators.

A  $V_{BB}$  pin is available to AC couple an input signal to the device. More information on AC coupling can be found in the design handbook section of this data book.

The design incorporates two stages of gain internal to the device making it an excellent choice for use in high bandwidth amplifier applications.

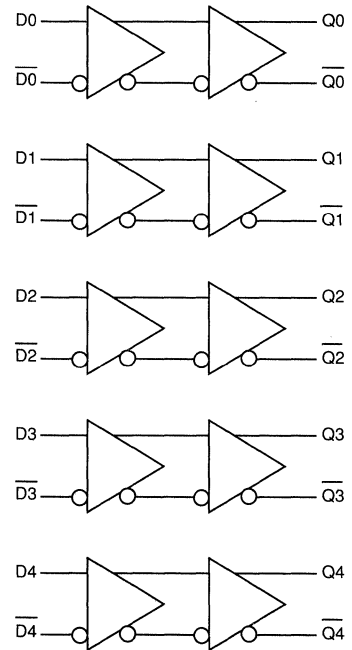
**PINOUT: 28-LEAD PLCC (TOP VIEW)**



**PIN NAMES**

PIN	FUNCTION
D[0:4], $\bar{D}$ [0:4]	Differential Data Inputs
Q[0:4], $\bar{Q}$ [0:4]	Differential Data Outputs

**LOGIC SYMBOL**



VBB  $\longleftrightarrow$

## MC10E416, MC100E416

**DC Characteristics:**  $V_{EE} = V_{EE}(\text{min})$  to  $V_{EE}(\text{max})$ ;  $V_{CC} = V_{CCO} = \text{GND}$

Symbol	Characteristic	0°C			25°C			85°C			Unit	Condition
		min	typ	max	min	typ	max	min	typ	max		
$V_{BB}$	Output Reference Voltage										V	
	10E	-1.38		-1.27	-1.35		-1.25	-1.31		-1.19		
	100E	-1.38		-1.26	-1.38		-1.26	-1.38		-1.26		
$I_{IH}$	Input HIGH Current			150			150			150	$\mu\text{A}$	
$I_{EE}$	Power Supply Current										mA	
	10E		135	162		135	162		135	162		
	100E		135	162		135	162		155	186		
$V_{PP}(\text{DC})$	Input Sensitivity	50			50			50			mV	1
$V_{CMR}$	Common Mode Range	-1.5		0	-1.5		0	-1.5		0	V	2

1. Differential input voltage required to obtain a full ECL swing on the outputs.
2.  $V_{CMR}$  is referenced to the most positive side of the differential input signal. Normal operation is obtained when the input signal are within the  $V_{CMR}$  range and the input swing is greater than  $V_{PPMIN}$  and  $< 1\text{V}$

**AC Characteristics:**  $V_{EE} = V_{EE}(\text{min})$  to  $V_{EE}(\text{max})$ ;  $V_{CC} = V_{CCO} = \text{GND}$

Symbol	Characteristic	0°C			25°C			85°C			Unit	Condition
		min	typ	max	min	typ	max	min	typ	max		
$t_{PLH}$ $t_{PHL}$	Propagation Delay to Output										ps	
	D (Diff)	250	350	500	250	350	500	250	350	500		
	D (SE)	200	350	550	200	350	550	200	350	550		
$t_{SKEW}$	Within-Device Skew		50			50			50		ps	1
$t_{SKEW}$	Duty Cycle Skew										ps	2
	$t_{PLH} - t_{PHL}$		$\pm 10$			$\pm 10$			$\pm 10$			
$V_{PP}(\text{AC})$	Minimum Input Swing	150			150			150			mV	3
$t_r$ $t_f$	Rise / Fall Time										ps	
	20 - 80%	100	200	350	100	200	350	100	200	350		

1. Within-device skew is defined as identical transitions on similar paths through a device
2. Duty cycle skew defined only for differential operation when the delays are measured from the cross point of the inputs to the cross point of the outputs.
3. Minimum input swing for which AC parameters are guaranteed

**MC10E431**  
**MC100E431**

**3-BIT**  
**DIFFERENTIAL**  
**FLIP-FLOP**

- Edge-Triggered Asynchronous Set and Reset
- Differential D, CLK and Q; VBB Reference Available
- 1100 MHz Min. Toggle Frequency
- Extended 100E VEE Range of -4.2V to -5.46V

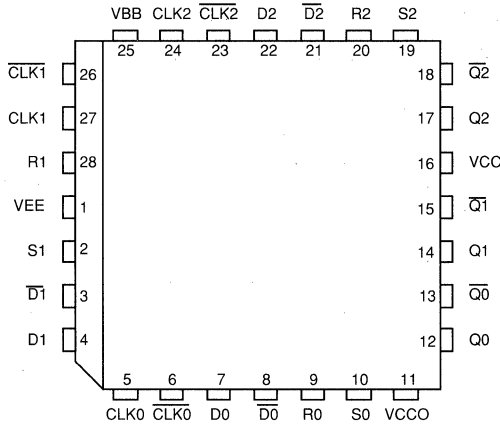
The MC 10E/100E431 is a 3-bit flip-flop with differential clock, data input and data output.

The asynchronous Set and Reset controls are edge-triggered rather than level controlled. This allows the user to rapidly set or reset the flip-flop and then continue clocking at the next clock edge, without the necessity of de-asserting the set/reset signal (as would be the case with a level controlled set/reset).

The E431 is also designed with larger internal swings, an approach intended to minimize the time spent crossing the threshold region and thus reduce the metastability susceptibility window.

3

**PINOUT: 28-LEAD PLCC (TOP VIEW)**



**PIN NAMES**

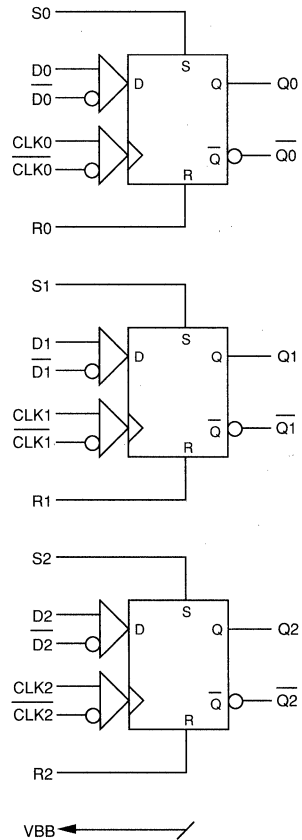
PIN	FUNCTION
D[0:2], $\overline{D}$ [0:2]	Differential Data Inputs
CLK[0:2], $\overline{CLK}$ [0:2]	Differential Clock Inputs
S[0:2]	Edge Triggered Set Inputs
R[0:2]	Edge Triggered Reset Inputs
VBB	VBB Reference Output
Q[0:2], $\overline{Q}$ [0:2]	Differential Data Outputs

**FUNCTION TABLE**

Dn	CLKn	Rn	Sn	Qn
L	Z	L	L	L
H	Z	L	L	H
X	L	Z	L	L
X	L	L	Z	H

Z=Low to high transition

**LOGIC SYMBOL**



## MC10E431, MC100E431

**DC Characteristics:**  $V_{EE} = V_{EE1}(\text{min})$  to  $V_{EE1}(\text{max})$ ;  $V_{CC} = V_{CC0} = \text{GND}$

Symbol	Characteristic	0°C			25°C			85°C			Unit	Condition
		min	typ	max	min	typ	max	min	typ	max		
$V_{BB}$	Output Reference Voltage										V	
	10E	-1.38	-1.27	-1.35	-1.25	-1.31	-1.19					
	100E	-1.38	-1.26	-1.38	-1.26	-1.38	-1.26					
$I_{IH}$	Input HIGH Current		150		150		150		150		$\mu\text{A}$	
$I_{EE}$	Power Supply Current										mA	
	10E		110 132		110 132		110 132		110 132			
	100E		110 132		110 132		127 152					
$V_{CMR}$	Common Mode Range	-1.5	0	-1.5	0	-1.5	0				V	1

1.  $V_{CMR}$  is referenced to the most positive side of the differential input signal. Normal specified operation is obtained when the input signals are within the  $V_{CMR}$  range and the input swing is greater than  $V_{PP\text{MIN}}$  and  $< 1\text{V}$ .

**AC Characteristics:**  $V_{EE} = V_{EE1}(\text{min})$  to  $V_{EE1}(\text{max})$ ;  $V_{CC} = V_{CC0} = \text{GND}$

Symbol	Characteristic	0°C			25°C			85°C			Unit	Condition	
		min	typ	max	min	typ	max	min	typ	max			
$f_{MAX}$	Max. Toggle Frequency	1100	1400		1100	1400		1100	1400		MHz		
$t_{PLH}$ $t_{PHL}$	Propagation Delay to Output										ps		
	CLK (Diff)	450	600	750	450	600	750	450	600	750			
	CLK (SE)	400	600	800	400	600	800	400	600	800			
	R	550	725	925	550	725	925	550	725	925			
	S	550	725	925	550	725	925	550	725	925			
$t_s$	Setup Time										ps		
	D	200	0		200	0		200	0				
	R	1000	700		1000	700		1000	700				1
	S	1000	700		1000	700		1000	700				1
$t_h$	Hold Time										ps		
	D	200	0		200	0		200	0				
$t_{PW}$	Minimum Pulse Width										ps		
	CLK	400			400			400					
$t_{SKEW}$	Within-Device Skew		50		50		50		50		ps	2	
$V_{PP(AC)}$	Minimum Input Swing	150			150			150			mV	3	
$t_r$ $t_f$	Rise/Fall Times										ps		
	20 - 80%	275	450	650	275	450	650	275	450	650			

1. These setup times define the minimum time the CLK or SET/RESET input must wait after the assertion of the RESET/SET input to assure the proper operation of the flip-flop.

2. Within-device skew is defined as identical transitions on similar paths through a device.

3. Minimum input swing for which AC parameters are guaranteed.

*Product Preview*

- On Chip Clock  $\pm 4$  and  $\pm 8$
- 2.5Gb/s Data Rate Capability
- Differential Clock and Serial Inputs
- VBB Output for Single-ended Input Applications
- Asynchronous Data Synchronization
- Mode Select to Expand to 8 Bits
- Internal 75k $\Omega$  Input Pulldown Resistors
- Extended 100E VEE Range of -4.2V to -5.46V

**MC10E445**  
**MC100E445**

**4-BIT**  
**SERIAL/PARALLEL**  
**CONVERTER**

**3**

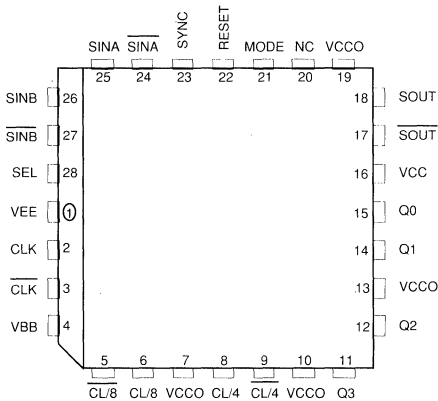
The MC10E/100E445 is an integrated 4-bit serial to parallel data converter. The device is designed to operate for NRZ data rates of up to 2.5Gb/s. The chip generates a divide by four and a divide by 8 clock for both 4-bit conversion and a two chip 8-bit conversion function. The conversion sequence was chosen to convert the first serial bit to Q0, the second to Q1 etc.

Two selectable serial inputs provide a loopback capability for testing purposes when the device is used in conjunction with the E446 parallel to serial converter.

The start bit for conversion can be moved using the SYNC input. A single pulse applied asynchronously for at least two cycles of the input clock signal shifts the start bit for conversion by one bit. For each additional shift required, an additional pulse must be supplied.

The MODE input is used to select the conversion mode of the device. With the MODE input LOW, or open, the device will function as a 4-bit converter. When the MODE input is driven HIGH the data at the output will change on every eighth clock cycle thus allowing for an 8-bit conversion scheme using two E445's.

**PINOUT: 28-LEAD PLCC (TOP VIEW)**



**PIN NAMES**

PIN	FUNCTION
SINA, $\overline{\text{SINA}}$	Diff. Serial Data Input A
SINB, $\overline{\text{SINB}}$	Diff. Serial Data Input B
SEL	Serial Input Select Pin
SOUT, $\overline{\text{SOUT}}$	Diff. Serial Data Output
Q0-Q3	Parallel Data Outputs
CLK, $\overline{\text{CLK}}$	Diff. Clock Inputs
CL/4, $\overline{\text{CL/4}}$	Diff. $\pm 4$ Clock Output
CL/8, $\overline{\text{CL/8}}$	Diff. $\pm 8$ Clock Output
MODE	Conversion Mode 4-bit/8-bit
SYNCH	Conversion Synchronizing Input

**FUNCTION TABLES**

MODE	Conversion
L	4 Bit
H	8 Bit

SEL	Serial Input
H	A
L	B

This document contains information on a product under development. Motorola reserves the right to change or discontinue this product without notice.

*Product Preview*

- On Chip Clock +4 and +8
- 2.5Gb/s Data Rate Capability
- Differential Clock and Serial Inputs
- VBB Output for Single-ended Input Applications
- Mode Select to Expand to 8 Bits
- Internal 75kΩ Input Pulldown Resistors
- Extended 100E VEE Range of -4.2V to -5.46V

The MC10E/100E446 is an integrated 4-bit parallel to serial data converter. The device is designed to operate for NRZ data rates of up to 2.5Gb/s. The chip generates a divide by four and a divide by 8 clock for both 4-bit conversion and a two chip 8-bit conversion function. The conversion sequence was chosen to convert the parallel data into a serial stream from bit D0 to D3. A serial input is provided to cascade two E446 devices for 8 bit conversion applications.

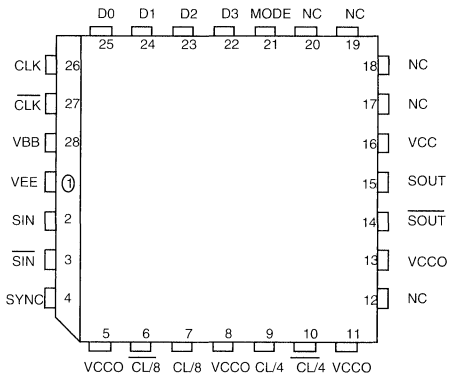
The SYNC input can be used to reset the internal clock conversion unit to select the start of the conversion process.

The MODE input is used to select the conversion mode of the device. With the MODE input LOW, or open, the device will function as a 4-bit converter. With the MODE input driven HIGH data at the serial input are read at one half of the +8 clock cycle thus allowing for an 8 bit conversion using two E446's.

**MC10E446**  
**MC100E446**

**4-BIT**  
**PARALLEL/SERIAL**  
**CONVERTER**

**PINOUT: 28-LEAD PLCC (TOP VIEW)**



**PIN NAMES**

PIN	FUNCTION
SIN	Diff. Serial Data Input
D0-D3	Parallel Data Input
SOUT, SOUT	Diff. Serial Data Output
CLK, CLK	Diff. Clock Input
CL/4, CL/4	Diff. 4 Clock Output
CL/8, CL/8	Diff. 8 Clock Output
MODE	Conversion Mode, 4 bit/8 bit
SYNC	Conversion Synchronizing Input

**FUNCTION TABLES**

MODE	Conversion
L	4 Bit
H	8 Bit

This document contains information on a product under development. Motorola reserves the right to change or discontinue this product without notice.



**MC10E451**  
**MC100E451**

**6-BIT D REGISTER,  
 DIFF. DATA & CLOCK**

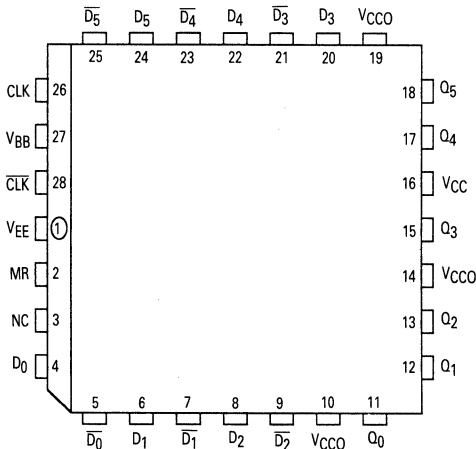
**3**

- Differential Inputs: Data and Clock
- $V_{BB}$  Output
- 1100 MHz Min. Toggle Frequency
- Asynchronous Master Reset
- Extended 100E  $V_{EE}$  Range of  $-4.2\text{ V}$  to  $-5.46\text{ V}$
- 75 k $\Omega$  Input Pulldown Resistors

The MC10E/100E451 contains six D-type flip-flops with single-ended outputs and differential data inputs. The common clock input is also differential. The registers are triggered by a positive transition of the positive clock (CLK) input.

A HIGH on the Master Reset (MR) input resets all Q outputs to LOW. The  $V_{BB}$  output is intended for use as a reference voltage for single-ended reception of ECL signals to that device only. When using for this purpose, it is recommended that  $V_{BB}$  is decoupled to  $V_{CC}$  via a  $0.01\ \mu\text{F}$  capacitor.

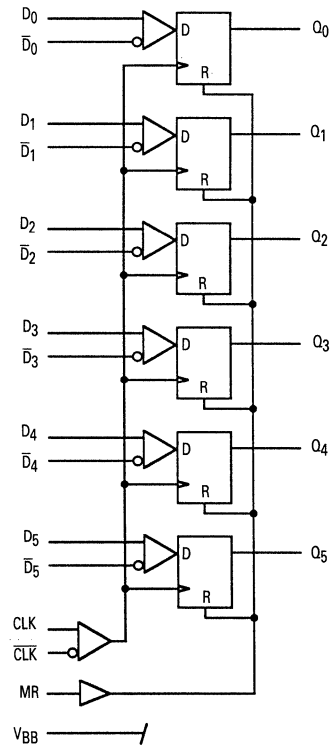
**PINOUT: 28-LEAD PLCC (TOP VIEW)**



**PIN NAMES**

Pin	Function
$D_0$ – $D_5$	+ Data Input
$\bar{D}_0$ – $\bar{D}_5$	– Data Input
CLK	+ Clock Input
$\bar{\text{CLK}}$	– Clock Input
MR	Master Reset Input
$V_{BB}$	$V_{BB}$ Output
$Q_0$ – $Q_5$	Data Outputs

**LOGIC SYMBOL**



## MC10E451, MC100E451

**DC Characteristics:**  $V_{EE} = V_{EE}(\text{min})$  to  $V_{EE}(\text{max})$ ;  $V_{CC} = V_{CCO} = \text{GND}$

Symbol	Characteristic	0°C			25°C			85°C			Unit	Condition
		min	typ	max	min	typ	max	min	typ	max		
VBB	Output Reference Voltage										V	
	10E	-1.38		-1.27	-1.35	-1.25	-1.31	-1.19				
	100E	-1.38		-1.26	-1.38	-1.26	-1.38	-1.26				
$I_{IH}$	Input HIGH Current			150			150			150	$\mu\text{A}$	
$I_{EE}$	Power Supply Current										mA	
	10E		84	101		84	101		84	101		
	100E		84	101		84	101		97	116		
VCMR	Common Mode Range	-2.0		-0.4	-2.0		-0.4	-2.0		-0.4	V	2

1.  $V_{CMR}$  is referenced to the most positive side of the differential input signal. Normal operation is obtained when the "HIGH" input is within the  $V_{CMR}$  range and the input swing is greater than  $V_{PPMIN}$  and  $< 1V$ .

**AC Characteristics:**  $V_{EE} = V_{EE}(\text{min})$  to  $V_{EE}(\text{max})$ ;  $V_{CC} = V_{CCO} = \text{GND}$

Symbol	Characteristic	0°C			25°C			85°C			Unit	Condition
		min	typ	max	min	typ	max	min	typ	max		
$f_{MAX}$	Max. Toggle Frequency	1100	1400		1100	1400		1100	1400		MHz	
$t_{PLH}$ $t_{PHL}$	Propagation Delay to Output										ps	
	CLK (Diff)	475	650	800	475	650	800	475	650	800		
	CLK (SE)	425	650	850	425	650	850	425	650	850		
	MR	425	600	850	425	600	850	425	600	850		
$t_s$	Setup Time										ps	
	D	150	-100		150	-100		150	-100			
$t_h$	Hold Time										ps	
	D	250	100		250	100		250	100			
$V_{PP(AC)}$	Minimum Input Swing	150			150			159			mV	1
$t_{RR}$	Reset Recovery Time	750	600		750	600		750	600		ps	
$t_{PW}$	Minimum Pulse Width										ps	
	CLK, MR	400			400			400				
$t_{SKEW}$	Within-Device Skew		100			100			100		ps	2
$t_r$ $t_f$	Rise / Fall Times										ps	
	20 - 80%	275	450	800	275	450	800	275	450	800		

1. Minimum input voltage for which AC parameters are guaranteed
2. Within-device skew is defined as identical transitions on similar paths through a device

**MC10E452**  
**MC100E452**

**5-BIT**  
**DIFFERENTIAL**  
**REGISTER**

**3**

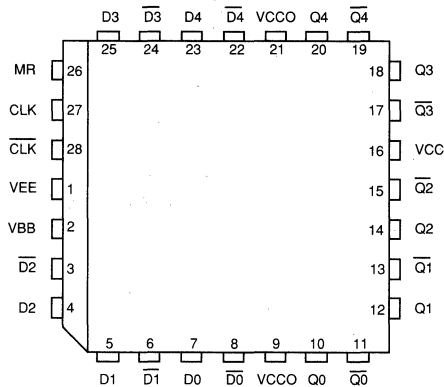
- Differential D, CLK and Q; VBB Reference Available
- 1100 MHz Min. Toggle Frequency
- Asynchronous Master Reset
- Extended 100E VEE Range of -4.2V to -5.46V

The MC 10E/100E452 is a 5-bit differential register with differential data ( inputs and outputs) and clock. The registers are triggered by a positive transition of the positive clock (CLK) input. A high on the Master Reset (MR) asynchronously resets all registers so that the Q outputs go LOW.

The differential input structures are clamped so that the inputs of unused registers can be left open without upsetting the bias network of the device. The clamping action will assert the  $\bar{D}$  and the CLK sides of the inputs. Because of the edge triggered flip flop nature of the device simultaneously opening both the clock and data inputs will result in an output which reaches an unidentified but valid state.

The fully differential design of the device makes it ideal for very high frequency applications where a registered data path is necessary.

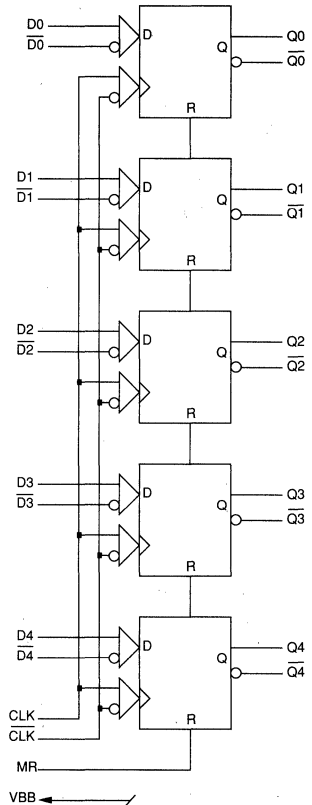
**PINOUT: 28-LEAD PLCC (TOP VIEW)**



**PIN NAMES**

PIN	FUNCTION
D[0:4], $\bar{D}$ [0:4]	Differential Data Inputs
MR	Master Reset Input
CLK, $\bar{CLK}$	Differential Clock Input
VBB	VBB Reference Output
Q[0:4], $\bar{Q}$ [0:4]	Differential Data Outputs

**LOGIC SYMBOL**



## MC10E452, MC100E452

**DC Characteristics:**  $V_{EE} = V_{EE}(\text{min})$  to  $V_{EE}(\text{max})$ ;  $V_{CC} = V_{CCO} = \text{GND}$

Symbol	Characteristic	0°C			25°C			85°C			Unit	Condition
		min	typ	max	min	typ	max	min	typ	max		
$V_{BB}$	Output Reference Voltage										V	
	10E	-1.38	-1.27	-1.35	-1.25	-1.31	-1.19					
	100E	-1.38	-1.26	-1.38	-1.26	-1.38	-1.26					
$I_{IH}$	Input HIGH Current		150			150			150		$\mu\text{A}$	
$I_{EE}$	Power Supply Current										mA	
	10E		74 89		74 89		74 89					
	100E		74 89		74 89		85 102					
$V_{CMR}$	Common Mode Range	-2.0	-0.4	-2.0	-0.4	-2.0	-0.4				V	1

1.  $V_{CMR}$  is referenced to the most positive side of the differential input signal. Normal operation is obtained when the input signal are within the  $V_{CMR}$  range and the input swing is greater than  $V_{PP\text{MIN}}$  and  $< 1\text{V}$ .

**AC Characteristics:**  $V_{EE} = V_{EE}(\text{min})$  to  $V_{EE}(\text{max})$ ;  $V_{CC} = V_{CCO} = \text{GND}$

Symbol	Characteristic	0°C			25°C			85°C			Unit	Condition
		min	typ	max	min	typ	max	min	typ	max		
$f_{\text{MAX}}$	Max. Toggle Frequency	1100	1400		1100	1400		1100	1400		MHz	
$t_{\text{PLH}}$ $t_{\text{PHL}}$	Propagation Delay to Output										ps	
	CLK (Diff)	475	600	800	475	600	800	475	600	800		
	CLK (SE)	425	600	850	425	600	850	425	600	850		
	MR	425	625	850	425	625	850	425	625	850		
$t_{\text{s}}$	Setup Time										ps	
	D	150	-50		150	-50		150	-50			
$t_{\text{h}}$	Hold Time										ps	
	D	200	50		200	50		200	50			
$t_{\text{RR}}$	Reset Recovery Time	700	450		700	450		700	450		ps	
$t_{\text{PW}}$	Minimum Pulse Width										ps	
	CLK	400			400			400				
	MR	400			400			400				
$t_{\text{SKEW}}$	Within-Device Skew		50			50			50		ps	1
$V_{\text{PP}}(\text{AC})$	Minimum Input Swing	150			150			150			mV	2
$t_{\text{r}}$ $t_{\text{f}}$	Rise/Fall Times										ps	
	20 - 80%	275	475	675	275	475	675	275	475	675		

1. Within-device skew is defined as identical transitions on similar paths through a device.

2. Minimum input swing for which AC parameters are guaranteed.

**MC10E457**  
**MC100E457**

**TRIPLE**  
**DIFFERENTIAL**  
**2:1 MULTIPLEXER**

**3**

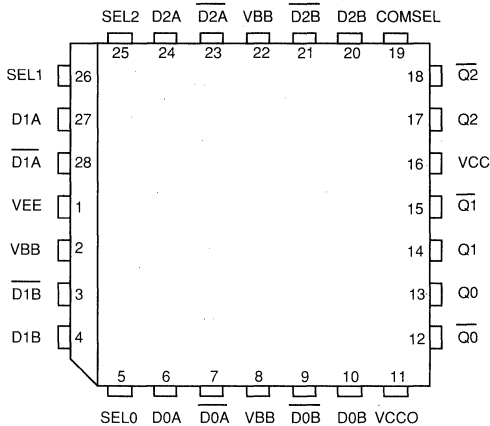
- Differential D and Q;  $V_{BB}$  available
- 700 ps Max. Propagation Delay
- High Frequency Outputs
- Separate and Common Select
- Extended 100E VEE Range of -4.2V to -5.46V
- Internal 75k $\Omega$  Input Pulldown Resistors

The MC10E457/MC100E457 is a 3-bit differential 2:1 multiplexer. The fully differential data path makes the device ideal for multiplexing low skew clock or other skew sensitive signals. Multiple  $V_{BB}$  pins are provided to ease AC coupling input signals.

The higher frequency outputs provide the device with a >1.0 GHz bandwidth to meet the needs of the most demanding system clock.

Both separate selects and a common select are provided to make the device well suited for both data path and random logic applications.

**PINOUT: 28-LEAD PLCC (TOP VIEW)**



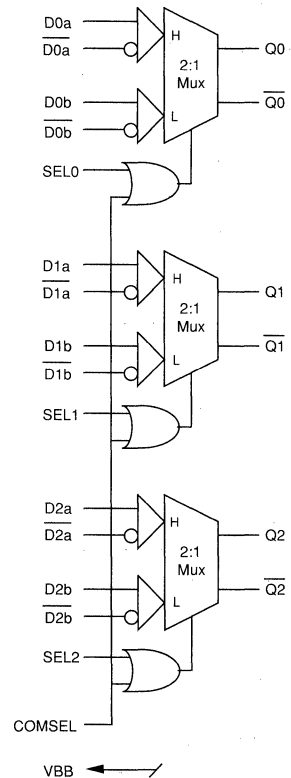
**FUNCTION TABLE**

SEL	Data
H	a
L	b

**PIN NAMES**

PIN	FUNCTION
$D_n[0:2]$ , $\overline{D_n[0:2]}$	Differential Data Inputs
SEL	Individual Select Input
COMSEL	Common Select Input
$V_{BB}$	$V_{BB}$ Reference Output
$Q[0:2]$ , $\overline{Q[0:2]}$	Differential Data Outputs

**LOGIC SYMBOL**



## MC10E457, MC100E457

**DC Characteristics:**  $V_{EE} = V_{EE}(\text{min})$  to  $V_{EE}(\text{max})$ ;  $V_{CC} = V_{CCO} = \text{GND}$

Symbol	Characteristic	0°C			25°C			85°C			Unit	Condition
		min	typ	max	min	typ	max	min	typ	max		
$V_{BB}$	Output Reference Voltage										V	
	10E	-1.38	-1.27	-1.35	-1.25	-1.31	-1.19					
	100E	-1.38	-1.26	-1.38	-1.26	-1.38	-1.26					
$I_{IH}$	Input HIGH Current			150			150			150	$\mu\text{A}$	
$I_{EE}$	Power Supply Current										mA	
	10E		92	110		92	110		92	110		
	100E		92	110		92	110		106	127		
$V_{PP}(\text{DC})$	Input Sensitivity	50			50			50			mV	1
$V_{CMR}$	Common Mode Range	-1.5	0		-1.5	0		-1.5	0		V	2

1. Differential input voltage required to obtain a full ECL swing on the outputs.

2.  $V_{CMR}$  is referenced to the most positive side of the differential input signal. Normal operation is obtained when the input signal are within the  $V_{CMR}$  range and the input swing is greater than  $V_{PP\text{MIN}}$  and  $< 1\text{V}$ .

**AC Characteristics:**  $V_{EE} = V_{EE}(\text{min})$  to  $V_{EE}(\text{max})$ ;  $V_{CC} = V_{CCO} = \text{GND}$

Symbol	Characteristic	0°C			25°C			85°C			Unit	Condition
		min	typ	max	min	typ	max	min	typ	max		
$t_{PLH}$ $t_{PHL}$	Propagation Delay to Output										ps	
	D (Diff)	375	475	650	375	475	650	375	475	650		
	D	325	475	700	325	475	700	325	475	700		
	SEL	350	500	725	350	500	725	350	500	725		
	COMSEL	375	525	750	375	525	750	375	525	750		
$t_{SKEW}$	Within-Device Skew		40			40			40		ps	1
$t_{SKEW}$	Duty Cycle Skew $t_{PLH} - t_{PHL}$		$\pm 10$			$\pm 10$			$\pm 10$		ps	2
$V_{PP}(\text{AC})$	Minimum Input Swing	150			150			150			mV	3
$t_r$ $t_f$	Rise / Fall Time 20 - 80%	150	275	450	150	275	450	150	275	450	ps	

1. Within-device skew is guaranteed for identical transitions on similar paths through a device

2. Duty cycle skew guarantee holds only for differential operation when the delays are measured from the cross point of the inputs to the cross point of the outputs.

3. Minimum Input Swing for which AC parameters are guaranteed.

## Advance Information

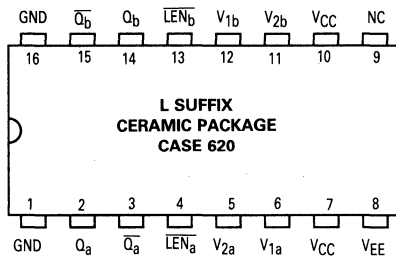
- Typ. 3.0 dB Bandwidth > 1 GHz
- Typ. V to Q Propagation Delay ps
- Typ. Output Rise/Fall 300 ps
- Common Mode Range -2.0 V to +3.0 V
- Individual Latch Enables
- Differential Outputs

**MC10E1651**

**DUAL ANALOG  
 COMPARATOR W. LATCH**

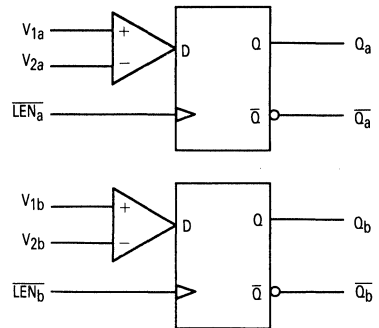
The MC10E1651 is functionally and pin-for-pin compatible with the MC1651 in the MECL III family, but is fabricated on Motorola's advanced MOSAIC III process. The part has been designed with the goal of minimizing variations in propagation delay versus the amount of input overdrive. The output voltage levels are compatible with 10KH (and 10E) standard logic devices.

### PINOUT: 16-PIN CERAMIC DIP (TOP VIEW)



### FUNCTION TABLE

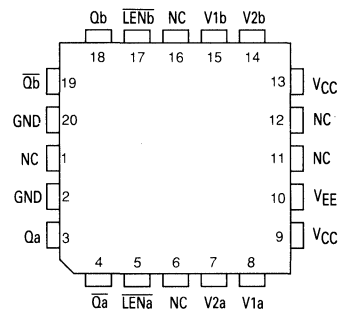
LEN	V1, V2	Q
H	V1 > V2	H
H	V1 < V2	L
L	X	Latched



V<sub>EE</sub> = -5.2 V

V<sub>CC</sub> = +5.0 V

### 10E1651 20-LEAD PLCC PINOUTS



This document contains information on a new product. Specifications and information are subject to change without notice.

# MC10E1651

## ABSOLUTE MAXIMUM RATINGS:

Beyond which device life may be impaired

Symbol	Characteristic	min	typ	max	Unit
VSUP	Total Supply Voltage  V <sub>EE</sub>   +  V <sub>CC</sub>			12.0	V
VPP	Differential Input Voltage  V <sub>1</sub> - V <sub>2</sub>			3.0	V

DC Characteristics: V<sub>EE</sub> = -5.2 V ± 5%; V<sub>CC</sub> = +5.0V ± 5%

Symbol	Characteristic	0°C			25°C			85°C			Unit	Condition
		min	typ	max	min	typ	max	min	typ	max		
V <sub>OH</sub>	Output HIGH Voltage	-1020		-840	-980		-810	-920		-735	mV	
V <sub>OL</sub>	Output Low Voltage	-1950		-1630	-1950		-1630	-1950		-1600	mV	
I <sub>I</sub>	Input Current (V <sub>1</sub> , V <sub>2</sub> )			65			65			65	μA	
I <sub>IH</sub>	Input HIGH Current (LEN)			150			150			150	μA	
I <sub>CC</sub>	Positive Supply Current			50			50			50	mA	
I <sub>EE</sub>	Negative Supply Current			-55			-55			-55	mA	
VCMR	Common Mode Range	-2.0		3.0	-2.0		3.0	-2.0		3.0	V	

3

AC Characteristics: V<sub>EE</sub> = -5.2 V ± 5%; V<sub>CC</sub> = +5.0V ± 5%

Symbol	Characteristic	0°C			25°C			85°C			Unit	Condition
		min	typ	max	min	typ	max	min	typ	max		
t <sub>PLH</sub>	Propagation Delay to Output V to Q										ps	
t <sub>PHL</sub>		600	850	1150	600	850	1150	600	850	1150		
	LEN to Q	500	750	950	500	750	950	500	750	950		
t <sub>r</sub>	Rise / Fall Times 20 - 80%										ps	
t <sub>f</sub>		200	300	700	200	300	700	200	300	700		

Note: Contact factory for more complete data sheet



**MC10E1652**

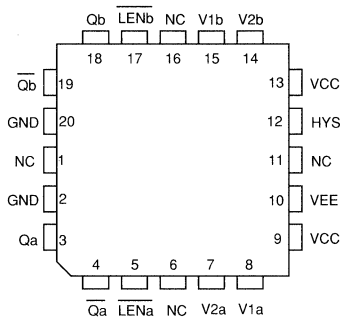
**DUAL ANALOG  
 COMPARATOR  
 w/ LATCH**

- Typ. 3.0 dB Bandwidth > 1.0GHz
- Typ. V to Q Propagation Delay of 850 ps
- Typ. Output Rise/Fall of 300 ps
- Common Mode Range -2.0 V to +3.0 V
- Individual Latch Enables
- Differential Outputs
- User Controlled Input Hysteresis

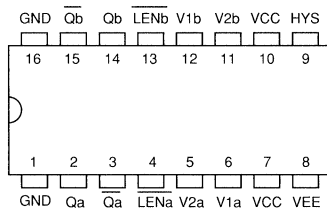
3

The MC10E1652 is functionally compatible with the MC10E1651 and thus the MC1651 in the MECL III family. The hysteresis control pin HYS allows the user to define the amount of input hysteresis where as the MC10E1651 has a built in fixed level of input hysteresis. The device comes in a 10E version only, thus the outputs are only compatible with 10KH logic devices. The device is available in both a 16-pin DIP and a 20-pin PLCC surface mount package.

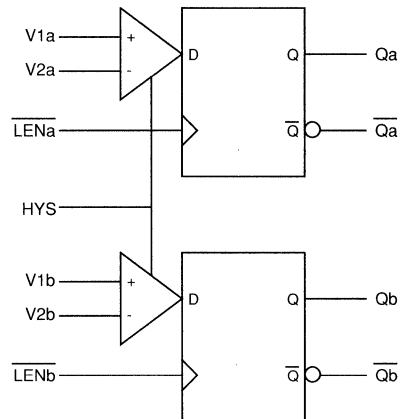
**PINOUT: 20-LEAD PLCC (TOP VIEW)**



**PINOUT: 16-PIN CERAMIC DIP (TOP VIEW)**



**LOGIC DIAGRAM**



VEE = -5.2 V  
 VCC = +5.0 V

**FUNCTION TABLE**

LEN	V1, V2	Q
H	V1 > V2	H
H	V1 < V2	L
L	X	Latched

# MC10E1652

## ABSOLUTE MAXIMUM RATINGS:

Beyond which device life may be impaired

Symbol	Characteristic	min	typ	max	Unit
VSUP	Total Supply Voltage  V <sub>EE</sub>   +  V <sub>CC</sub>			12.0	V
VPP	Differential Input Voltage  V <sub>1</sub> - V <sub>2</sub>			3.0	V

**DC Characteristics:** V<sub>EE</sub> = -5.2 V ± 5%; V<sub>CC</sub> = +5.0V ± 5%

Symbol	Characteristic	0°C			25°C			85°C			Unit	Condition
		min	typ	max	min	typ	max	min	typ	max		
V <sub>OH</sub>	Output HIGH Voltage	-1020		-840	-980	-810	-920	-735		mV		
V <sub>OL</sub>	Output Low Voltage	-1950		-1630	-1950	-1630	-1950	-1600		mV		
I <sub>I</sub>	Input Current (V <sub>1</sub> , V <sub>2</sub> )			65		65		65		μA		
I <sub>IH</sub>	Input HIGH Current (LEN)			150		150		150				
I <sub>CC</sub>	Positive Supply Current			50		50		50		mA		
I <sub>EE</sub>	Negative Supply Current			-55		-55		-55				
VCMR	Common Mode Range	-2.0		3.0	-2.0	3.0	-2.0	3.0		V		

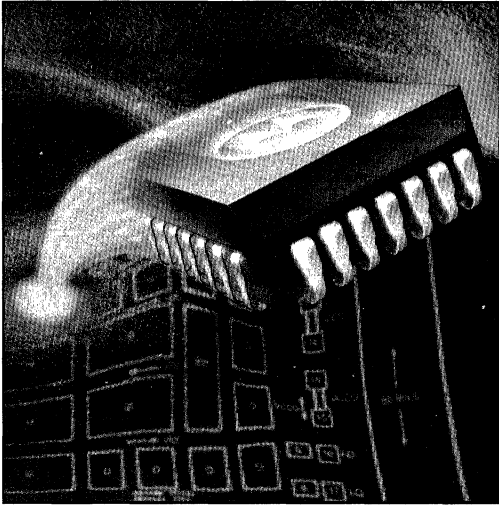
3

**AC Characteristics:** V<sub>EE</sub> = -5.2 V ± 5%; V<sub>CC</sub> = +5.0V ± 5%

Symbol	Characteristic	0°C			25°C			85°C			Unit	Condition
		min	typ	max	min	typ	max	min	typ	max		
t <sub>PLH</sub>	Propagation Delay to Output V to Q LEN to Q										ps	
t <sub>PHL</sub>		600	850	1150	600	850	1150	600	850	1150		
t <sub>r</sub>	Rise / Fall Times 20 - 80%										ps	
t <sub>f</sub>		200	300	700	200	300	700	200	300	700		

Note: Contact factory for more complete data sheet.





# Design Guide

4

---

*This section contains a design guide written exclusively with the ECLinPS product family in mind. The design guide deals with system design aspects of using the family. This section is not meant to be a replacement for the MECL System Design Handbook but rather a supplement to the information contained in it.*

## CONTENTS

<b>System Basics</b> .....	<b>4-2</b>
<b>Transmission Line Theory</b> .....	<b>4-8</b>
<b>System Interconnect</b> .....	<b>4-18</b>
<b>Interfacing with ECLinPS</b> .....	<b>4-29</b>
<b>Package and Thermal Information</b> .....	<b>4-32</b>
<b>Quality and Reliability</b> .....	<b>4-38</b>

## **SECTION 1 System Basics**

### **Power Supply Considerations**

The following text gives a brief description of the requirements and recommendation for treatment of power supplies in an ECLinPS system design. A more thorough narration on the general subject of power supplies can be found in the Motorola System Design Handbook.

#### **V<sub>CC</sub> Supply**

As with all previous ECL families the ECLinPS logic family is designed to operate with negative power supplies, in other words with V<sub>CC</sub> connected to ground. However ECLinPS circuits will work fine with positive power supplies as long as special care has been taken to ensure a stable, quiet V<sub>CC</sub> supply. The output voltage levels for a positive supply system can be determined by simply subtracting the absolute value of the standard negative output levels from the desired V<sub>CC</sub>.

To provide as small an AC impedance as possible, and minimize power bus IR drops, the V<sub>CC</sub> supply should have a dedicated power plane. By providing a full ground plane in the system the designer ensures that the current return path for the signal traveling down a transmission line does not encounter any major obstructions. It is imperative that the noise and voltage drops be as small as possible on the V<sub>CC</sub> plane as the internal switching references and output levels are all derived off of the V<sub>CC</sub> power rail. Thus any perturbations on this rail could adversely affect the noise margins of a system.

#### **V<sub>EE</sub> Supply**

To take advantage of increased logic density and temperature compensated outputs many designers are building array options with both temperature compensated output levels and a -5.2V V<sub>EE</sub> supply. To alleviate any problems with interfacing these arrays to ECLinPS 100E devices Motorola has specified the operation of 100E devices to include the standard 10KH V<sub>EE</sub> voltage range. Moreover, because of the superior voltage compensation of the bias network, this guarantee comes without any changes in the DC or AC specification limits. With the availability of both 10KH and 100K compatible devices in the ECLinPS family there is generally no need to run 10E devices at 100K voltage levels. If however this is desired, the 10E devices will function at 100E V<sub>EE</sub> levels with, at worst, a small degradation in AC performance for a few devices due to soft saturation of the current source device.

Although both the 10E and 100E devices can tolerate variations in the V<sub>EE</sub> supply without any detrimental effects, it is recommended that the V<sub>EE</sub> supply also have a dedicated power plane. If this is not a feasible constraint care should be taken so that the IR drops of the V<sub>EE</sub> bus do not create a V<sub>EE</sub> voltage outside of the specification range. To provide the switching currents resulting from stray capacitances and asymmetric loading, the V<sub>EE</sub> power supply in an ECL system needs to be bypassed. It is recommended that the V<sub>EE</sub> supply be bypassed at each device with an RF quality .01μF capacitor to ground. In addition the supply should also be bypassed to ground with a 1μF - 10μF capacitor at the power inputs to a board. If a separate output termination plane is used the V<sub>EE</sub> supply will be of a static nature as the output switching current will return to ground via the V<sub>TT</sub> supply, thus the bypassing of every device may be on the conservative side. If the design is going to include a liberal use of serial or Thevenin equivalent termination schemes a properly bypassed V<sub>EE</sub> plane is essential.

#### **V<sub>TT</sub> Supply**

The output edge rates of the ECLinPS family necessitate an almost exclusive use of controlled impedance transmission lines for system interconnect (the details of this claim will be discussed in a latter section). Thus, unless Thevenin equivalent termination schemes are going to be used, a V<sub>TT</sub> supply is a must in ECLinPS designs. The choice of using only Thevenin equivalent termination schemes to save a power supply should not be made lightly as the Thevenin scheme consumes up to ten times more power than the equivalent parallel termination to a -2.0V V<sub>TT</sub> supply.

As was the case for the V<sub>EE</sub> supply, a dedicated power plane, liberally bypassed as described above, should be used for the V<sub>TT</sub> supply. In designs which rely heavily on parallel termination schemes the V<sub>TT</sub> supply will be responsible for returning the switching current of the outputs to ground, therefore a low AC impedance is a must. For bypassing, many SIP resistor packs have bypass capacitors integrated in their design to supply the necessary bypassing of the supply. The use of SIP resistors will be discussed more thoroughly in a latter chapter.

### **Handling of Unused Inputs and Outputs**

#### **Unused Inputs**

All ECLinPS devices have internal 50KΩ-75KΩ pull-down resistors connected to V<sub>EE</sub>. As a result an input which

is left open will be pulled to  $V_{EE}$  and thus set at a logic LOW. These internal pulldowns provide more than enough noise margin to keep the input from turning on if noise is coupled to the input, therefore there is no need to tie the inputs to  $V_{EE}$  external to the package. In addition by shorting the inputs to  $V_{EE}$  external to the package one removes the current limiting effect of the pulldown resistor and under extreme  $V_{EE}$  conditions the input transistor could be permanently damaged. If there are concerns about leaving sensitive inputs, such as clocks, open they should be tied low via an unused output or a quiet connection to  $V_{TT}$ .

Unless otherwise noted on the data sheets, the outputs to differential input devices will go to a defined state when the inputs are left open. This is accomplished via an internal clamp. Note that this clamp will only take over if the voltage at the inputs fall below  $\approx -2.5V$ . Therefore if equal voltages of greater than  $-2.5V$  are placed on the inputs the outputs will attain an undefined midswing state.

Unlike saturating logic families the inputs to an ECLinPS, or any ECL device, cannot be tied directly to  $V_{CC}$  to implement a logic HIGH level. Tying inputs to  $V_{CC}$  will saturate the input transistor and the AC and DC performance will be seriously impaired. A logic HIGH on an ECLinPS input should be tied to a level no higher than 600mV below the  $V_{CC}$  rail and more typically no higher than the specified  $V_{IHmax}$  limit. A resistor or diode tree can be used to generate a logic HIGH level or more commonly an output of an unused gate can be used.

#### Unused Outputs

The handling of unused outputs is guided by two criteria: power dissipation and noise generation. For single ended output devices it is highly recommended to leave unused outputs unterminated as there are no benefits in the alternative scheme. This not only saves the power associated with the output but also reduces the noise on the  $V_{CC}$  line by reducing the current being switched through the inductance of the  $V_{CC}$  pins. For the counters and shift registers of the family the count and shift frequencies will be maximized if the parallel outputs are left unterminated. Of course for applications where these parallel outputs are needed this is not a viable alternative.

For the differential outputs, on the other hand, things are a little less cut and dry. If either of the outputs of a complimentary output pair is being used both outputs of the pair should be terminated. This termination scheme minimizes the current being switched through the  $V_{CC}$  pin and thus minimizes the noise generated on  $V_{CC}$ . If, however, neither of the outputs of a complimentary pair are being used it makes most sense to leave these unterminated to save power. Note that the E111 device has special termination rules; these rules are outlined on the data sheet for the device.

#### Minimizing Simultaneous Switching Noise

A common occurrence among ECL families is the

generation of crosstalk and other noise phenomena during simultaneous switching situations. Although the noise generated in ECL systems is minor compared to other technologies there are methods to even further minimize the problem.

Figure 1.1 below illustrates the two output scenarios of an ECL device: differential outputs and single ended outputs. During switching the current in the output device will change by  $\approx 17mA$  when loaded in the normal  $50\Omega$  to  $-2.0V$  load. With differential outputs as one output switches from a low to a high state the other switches from a high to a low state simultaneously thus the resultant current change through the  $V_{CCO}$  connection is zero. The current simply switches between the two outputs. However for the single ended output, the current change flows through the  $V_{CCO}$  connection of the output device. This current change through the  $V_{CCO}$  pin of the package causes a voltage spike due to the inductance of the pin.

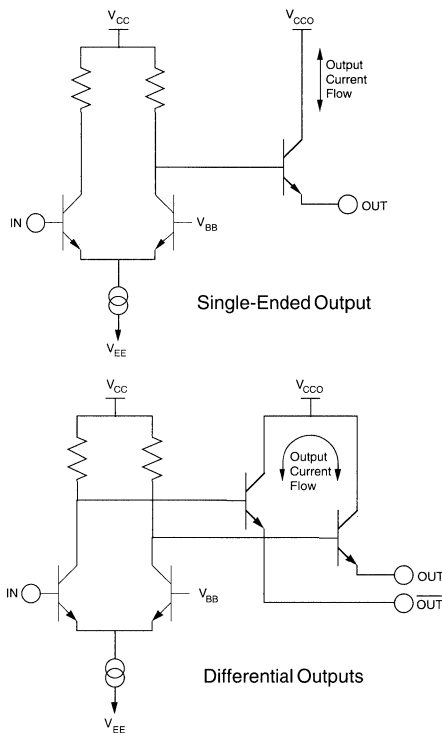


Figure 1.1 - ECL Output Structures

Traditionally manufacturers of ECL products have attempted to combat this problem by providing a separate  $V_{CC}$  pin for the output device ( $V_{CCO}$ ,  $V_{CCA}$  etc.) and the internal circuitry. By doing this the noise generated on the  $V_{CCO}$  of the output devices would see a high impedance internal to the

chip and not couple onto the the  $V_{cc}$  line which controls the output and internal bias levels. Unfortunately in practice the noise generated on the  $V_{cco}$  would couple into the chip  $V_{cc}$  through the collector base capacitance of the output device, thus a large portion of the noise seen on the  $V_{cco}$  line would also be seen on the  $V_{cc}$  line.

For the ECLinPS family and its associated edge speeds it was decided that multiple  $V_{cco}$  pins would be necessary to minimize the inductance and the associated noise generation. A design rule was established so that there would be no more than three single ended outputs per  $V_{cco}$  pin. Initially the  $V_{cc}$  and  $V_{cco}$  pins were kept isolated from one another. However it was discovered that in certain applications the parasitics of the package and the output device would combine to produce an instability which resulted in the outputs going into an oscillatory state. To alleviate this oscillation problem it was necessary to make the  $V_{cc}$  and  $V_{cco}$  metal common internal to the package. Subsequent evaluation showed that because of the liberal use of  $V_{cco}$  pins the noise generated is equal to or less than that of previous ECL families.

To further reduce the noise generated there are some things that can be done at the system level. As mentioned above there should be adequate bypassing of the  $V_{cc}$  line and the guidelines for the handling of unused outputs should be followed. In addition for wide single ended output devices an increase in the characteristic impedance of the transmission line interconnect will result in a smaller time rate of change of current; thus reducing the voltage glitch caused by the inductance of the package. This noise improvement should, of course, be weighed against the potential slowing of the higher impedance trace to optimize the performance of the entire system. In addition the connection between the device  $V_{cc}$  pins and the ground plane should be as small as possible to minimize the inductance of the  $V_{cc}$  line. Note that a device mounted in a socket will exhibit a larger amount of  $V_{cc}$  noise due to the added inductance of the socket pins.

### Effects of Capacitive Loads

The issue of AC parametric shifts with load capacitance is a common concern especially with designers coming from the TTL and CMOS worlds. For ECLinPS type edge speeds wire interconnect starts acting like transmission lines for lengths greater than  $1/2"$ . Therefore in ECLinPS designs for the majority of cases the load on an output is seen by the transmission line and not the output of the driving device. The effects of load capacitance on transmission lines will be discussed in detail in the next section.

If the load is close to the driving output ( $<1/2"$ ), the resulting degradation will be 15-25ps/pF for both propagation delays and edge rates. In general a capacitive load on an emitter follower has a greater impact on the falling edge than the rising edge. Therefore the upper end of the range given above represents the effect on fall times and the associated propagation delays while the lower end represents the effect on the rising output parameters.

For ECLinPS devices the capacitive load produced by an input ranges from 1.2pF to 2.0pF. The majority ( $\approx 95\%$ ) of this capacitance is contributed by the package with very little added by the internal input circuitry. For this reason the range is generally a result of the difference between a corner and a center pin for the PLCC package. A good typical capacitance value for a center pin is 1.4pf and for a corner pin 1.7pf. The capacitances for the other pins can be deduced through a linear interpolation.

### Wired-OR Connections

The use of wired-or connections in ECL designs is a popular way to reduce total part count and optimize the speed performance of a system. The limitation of OR-tying ECL outputs has always been a combination of increased delay per OR-tie and the negative going disturbance seen at the output when one output switches from a high to a low while the rest of the outputs remain high. For high speed devices the latter problem is the primary limitation due to the increased sensitivity to this phenomena with decreasing output transition times. The following paragraph will attempt to describe the wire-OR glitch phenomena from a physical perspective.

Figure 1.2 illustrates a typical wire-OR situation. For simplicity the discussion will deal with only two outputs, however the argument could easily be expanded to include any number of outputs. If both the A and the B outputs start in the high state they will both supply equal amounts of current to the load. If the B output then transitions from a high to a low the line at the emitter of B will see a sudden decrease in the line voltage. This negative going transition on the line will continue downward at the natural fall time of the output until the A output responds to the voltage change and supplies the needed current to the load. This lag in the time it takes for A to correct the load current and return the line to a quiescent high level is comprised of three elements: the natural response time of the A output, the delay associated with the trace length between the two outputs and the time it takes for a signal to propagate through the package. The trace delay can be effectively forced to zero by OR-tying adjacent pins. The resulting situation can then be considered "best case". In this best case situation if the delay through the package is not a significant portion of the transition time of the output the resulting negative going glitch will be relatively small ( $\approx 100mV$ ). A disturbance of this size will not propagate through a system. As the trace length between OR-tied outputs increases, the magnitude of the negative going disturbance will increase. Older ECL families specified the maximum delay allowed between OR-tied outputs to prevent the creation of a glitch which would propagate through a system.

As this glitch phenomena is a physical limitation, due to decreased edge rates, ECLinPS devices are susceptible to the problem to an even greater degree than previous slower ECL families. The package delay of even the 28-lead PLCC

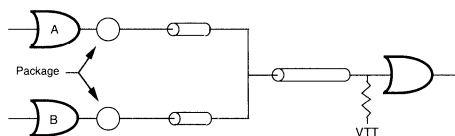


Figure 1.2 - Typical Wire-OR Configuration

is a significant portion of the transition times for an ECLinPS device. Therefore even in the best case situation described above one can expect an  $\approx 200\text{mV}$  glitch on the OR-tied line. A glitch of this magnitude will not propagate through the system but it is significantly worse than the best case situation of earlier ECL families. In fact as long as the distance between OR-tied outputs is kept to less than  $1/2''$  the resulting line disturbance will not be sufficient to propagate through most systems.

With this in mind the following recommendations are offered for OR-tying in ECLinPS designs. First OR-tying of clock lines should be avoided as even in the best case situation the disturbance on the line is significant and could cause false clocking in some situations. In addition wire-ORed outputs should be from the same package and preferably should be adjacent pins. Non adjacent outputs should be within  $1/2''$  of each other with the load resistor connection situated near the midpoint of the trace (Figure 1.2). By following these guidelines the practice of wire-ORing ECL outputs can be expanded to the ECLinPS family without encountering problems in the system.

A detailed discussion of wire-OR connections in the ECLinPS world of performance is beyond the scope of this text. For this reason a separate application note has been written which deals with this situation in a much more thorough manner. Anyone planning to use wire-OR connections in their ECLinPS design is encouraged to contact a Motorola representative to obtain this application note.

### Clock Distribution

Clock skew is a major contributor to the upper limit of operation of a high speed system, therefore any reduction in this parameter will enhance the overall performance of a system. Through the ECLinPS family and new offerings in the 10KH family Motorola is providing devices uniquely designed to meet the demands of low skew clock distribution.

By far the largest contributor to system skew is the variation between different process lots of a given device. This variation is what defines the total delay window specified in the data sheets. This window can be minimized if the devices are fully differential due to the output level defined thresholds which ensure a "centered" input swing. The propagation delay windows of single ended ECL and other

logic technologies are intimately tied to variations in the input thresholds. As illustrated in Figure 1.3 although the delays when measured from the threshold of the input to the 50% point of the output are equal; when measured from the specified 50% point of the input to the 50% point of the output the delays will vary with any shift in the switching reference. Obviously the magnitude of the delay difference is also proportional to the edge rate of the input. In addition to increasing the size of the delay windows, this reference shift will cause the duty cycle of the output of a device to be different than that of the input. Unfortunately these thresholds are perhaps the most difficult aspects of a logic device to control. As a result for the ultimate in low skew performance differential ECL devices are a must. A quick perusal of the ECLinPS databook will reveal a relatively large number of totally differential devices which will lend themselves nicely to very low skew applications such as clock distribu-

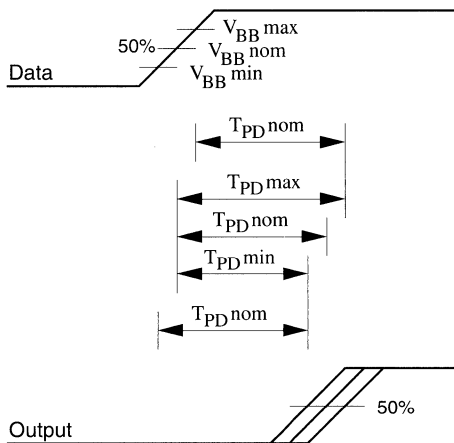


Figure 1.3 - Delay vs Switching Reference Offset

tion.

In addition to these generic differential devices there are several devices which were designed exclusively for clock distribution systems. With past ECL families designers were forced to build clock distribution trees with devices which were compromises at best. The ECLinPS family, however, was built around the E111 clock distribution chip; a fully differential 1:9 fanout device which boasts within part skews as well as part to part skews unequalled in today's market.

Additionally, to further deskew clock lines the E195 programmable delay chip is available. Although static delay lines can remove built in path length difference skew they can not compensate for variations in the delays of the devices in the clock path. The E195 allows the user to delay a signal over a 2ns range in  $\approx 20\text{ps}$  steps. Through the use



of this device the designer can match skews between clocks to 20ps.

Although these two devices satisfy the needs for many ECL designers they do overlook the needs of a special subset; the designer who mixes ECL and TTL technologies. When translating between ECL and TTL much of the skew performance gained through the E111 is lost when passed through the translator and distributed in TTL. To solve this problem a new set of translators have been introduced in the MECL 10KH family. The H641 and H643 receive a differential ECL input and fan out nine TTL outputs with a guaranteed unparallelled skew between the TTL outputs. The H640 and H642 take differential ECL inputs and generate low skew TTL outputs which are ideal for driving clocks in 68030 and 68040 microprocessor systems. By using the ECL aspects of the E111 to distribute clock lines across the backplane to TTL cards and receiving and translating these signals with the H640, H641, H642 or H643 a TTL clock distribution tree can be designed with a performance level unheard of with past logic families.

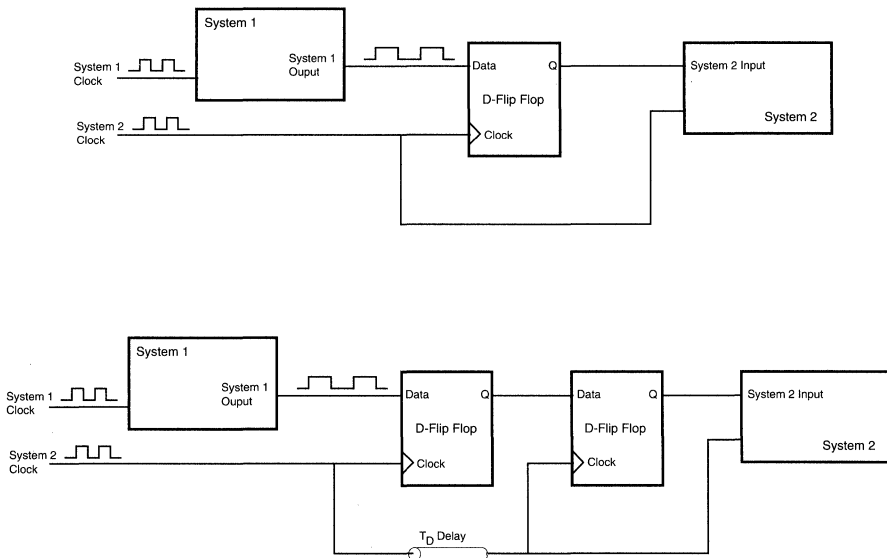
Through the development of a library of differential devices, specialized low skew distribution chips and high resolution programmable delay chips Motorola has serviced the need for low skew clock distribution designs. These offerings open the door for even higher performance next generation machines.

**Metastability Behavior**

The metastability behavior and measurement of a flip flop is a complicated subject and necessitates much more time than is available in this forum for a thorough explanation. As a result the following description is of an overview nature. Anyone interested in a more thorough narration on the subject is encouraged to contact a Motorola representative to acquire the application note which contains a more detailed discussion on the subject.

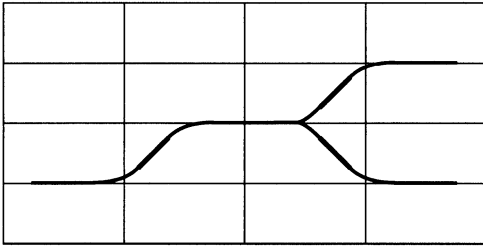
In many designs occasions arise where an asynchronous signal needs to be synchronized to the system clock. Generally this task is accomplished with the use of a single or series of D flip flops as pictured in Figure 1.4. Because the data signal and the clock signal are asynchronous the system designer cannot guarantee that the setup and hold specifications for the device will be met. This in and of itself would not cause a problem if it was not for the metastable behavior of a D flip flop. The metastable behavior of a flip flop is described by the outputs of a device attaining a non-defined logic level or perhaps going into an oscillatory state when the data and the clock inputs to the flip flop switch simultaneously. It has been shown that this metastable behavior occurs across technology boundaries as well as across performance levels within a technology.

For ECL the characteristic of a flip flop in a metastable state is a device whose outputs are in a non-defined state near the midpoint of a normal output swing. The output will return randomly to one of the two defined states some time later ( Figure 1.5). The two parameters of importance when discussing metastability are the metastability window; the



**Figure 1.4 - Clock Synchronization Schemes**





**Figure 1.5 - Metastable Behavior of an ECL Flip Flop**

window in time for which a transition on both the data and the clock will cause a metastable output, and the settling time; the time it takes for a metastable output to return to a defined state. For the single flip flop design of Figure 1.3, the data being fed into system 2 will be in an undefined state and thus unusable if the synchronizing flip flop enters a metastable state. Because of this a more popular design incorporates multiple flip flop chains with cascading data inputs and clock inputs which are delayed with respect to each other. This redundancy of flip flops helps to reduce the probability that the data entering system 2 will be at an undefined level which could wreak havoc on the logic of that system. This reduction in probability relies on the fact that even if the preceding flip flop goes metastable it will settle to a defined state prior to the clocking of the following flip flop. Obviously once the first flip flop goes metastable there is an even chance that it will settle in the wrong state and thus information will be lost. However, there are error detection and correction methods to circumvent this problem. The larger the flip flop chain the lower the probability of metastable data being fed into system 2.

Unfortunately for ECLinPS levels of performance both the window width and the settling time are difficult or impossible to measure directly. The metastable window for an ECLinPS flip flop is assuredly less than 5ps and most likely less than 1ps based on SPICE level simulation results. In either case, with today's measuring equipment it would be impossible to measure this window width directly. Although it is feasible to measure the settling time for a given occurrence, this parameter is not fixed but rather is of a variable length which makes it impossible to provide an absolute guarantee.

The challenge then becomes, how to characterize metastability behavior given the above circumstances. The standard method in the industry is to use Stoll's equation, combined with the standard MTBF equation, to develop the following relationship:

$$MTBF = 1 / (2 * f_c * f_d * T_p * 10^{-(V/c)})$$

where:  $f_c$ : Clock Frequency  
 $f_d$ : Data Frequency  
 $T_p$ : FF Propagation Delay  
 $t$ : Time Delay Between FF Clocks  
 $\tau$ : FF Resolution Time Constant

Note that the clock frequency, data frequency and time delay between flip flops are user defined parameters, thus it is up to Motorola to provide only the propagation delays and the resolution time constants for the ECLinPS flip flops.

The propagation delays are obviously already defined so this leaves only the resolution time constant yet to be determined. An evaluation fixture was fabricated and several ECLinPS flip flops were evaluated for resolution time constants. The results of the evaluation showed that the time constant was somewhat dependent on the part type as all the flip flops in the ECLinPS family do not use the same general design. The time constants range from 125 - 225 ps depending on the part type.

As an example for a system with a 100MHz clock and 75MHz data rate the required delay between clock edges of a cascaded flip flop chain for the E151 register, assuming a  $\tau$  of 200ps, would be:

$$MTBF = 1 / (2 * 100MHz * 75MHz * 800ps * 10^{-1/200ps})$$

solving for an MTBF of 10 years yields:

$$t = 3.1ns \text{ therefore:}$$

$$T_D = \Delta t + T_p = 3.9ns$$

So for an MTBF of 10 years for the above situation the second flip flop should be clocked 3.9ns after the first. Similar results can be found by applying the equation to different data and clock rates as well as different acceptable MTBF rates.

<sup>1</sup>Stoll, P. "How to Avoid Synchronization Problems," VLSI Design, November/December 1982. pp. 56-59.

**SECTION 2**  
**Transmission Line Theory**

**Introduction**

The ECLinPS family has pushed the world of ECL into the realm of picoseconds. When output transitions move into this picosecond region it becomes necessary to analyze system interconnects to determine if transmission line phenomena will occur. A handy rule of thumb to determine if an interconnect trace should be considered a transmission line is if the interconnect delay is greater than 1/8th of the signal transition time it should be considered a transmission line and afforded all of the attention required by a transmission line. If this rule is applied to the ECLinPS product line a typical PCB trace will attain transmission line behaviors for any length >1/4". Thus, a brief overview of transmission line theory is presented, including a discussion of distributed and lumped capacitance effects on transmission lines. For a more thorough discussion of transmission lines the reader is referred to Motorola's MECL Systems Design Handbook.

**Background**

Exact transmission line analysis can be both tedious and time consuming, therefore assumptions for simplifying these types of calculations must be made. A reasonable assumption is that interconnect losses caused by factors such as bandwidth limitations, attenuation, and distortion are negligible for a typical PCB trace. The basis for this assumption is that losses due to the interconnect conductor are only a fraction of the total losses in the entire interface scheme. In addition, the conductivity of insulating material is very small, as a result the dielectric losses are minimal. A second and more fundamental assumption is that transmission line behavior can be described by two parameters: line characteristic impedance ( $Z_0$ ), and propagation delay ( $T_{PD}$ ).

**Characteristic Impedance**

An interconnect which consists of two conductors and a dielectric, characterized by distributed series resistances and inductances along with distributed parallel capacitances between them, is defined as a transmission line. These transmission lines exhibit a characteristic impedance over any length for which the distributed parameters are constant. Since the contribution of the distributed series resistance to the overall impedance is minimal, this term can be neglected when expressing the characteristic impedance of a line. The characteristic impedance is a dynamic quantity defined as the ratio of the transient voltage to the transient current

passing through a point on the line. Thus,  $Z_0$  can be expressed in terms of the distributed inductance and capacitance of the line as shown by Equation 1.

$$Z_0 = V/I = \sqrt{L_0/C_0} \quad (\text{eqt. 1})$$

where:

- $L_0$  = Inductance per unit length (H)
- $C_0$  = Capacitance per unit length (F)

**Propagation Delay**

Propagation delay ( $T_{PD}$ ) is also expressed as a function of both the inductance and capacitance per unit length of a transmission line. The propagation delay of the line is defined by the following equation:

$$T_{PD} = \sqrt{L_0 * C_0} \quad (\text{eqt. 2})$$

If  $L_0$  is expressed as microHenry's per unit length and capacitance as picoFarad's per unit length, the units for delay are nanoseconds per unit length. The propagation velocity is defined as the reciprocal of the propagation delay:

$$v = 1/T_{PD} = 1/\sqrt{L_0 * C_0}$$

$L_0$  and  $C_0$  can be determined using the easily measured parameters of line delay ( $T_D$ ), line length (L), and the line characteristic impedance ( $Z_0$ ) in conjunction with Equations 1 and 2. The propagation delay is defined as the ratio of line delay to line length:

$$T_{PD} = T_D / L$$

Combining equations 1 and 2 yields:

$$C_0 = T_{PD} / Z_0 \quad (\text{eqt. 3})$$

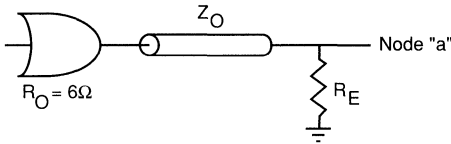
$$L_0 = T_{PD} * Z_0 \quad (\text{eqt. 4})$$

**Termination and Reflection Theory**

Figure 2.1 shows an ECLinPS gate driving a lossless transmission line of characteristic impedance  $Z_0$ , and terminated with resistance  $R_T$ . Modifying the circuit of Figure 2.1 such that the driving gate is represented by its equivalent circuit gives the configuration shown in Figure 2.2.

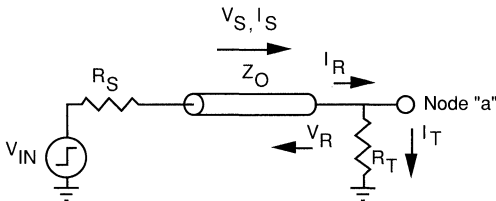
For a positive step function  $V_{IN}$ , a voltage step  $V_S$  travels down the transmission line. The initial current in the transmission line is determined by the ratio  $V_S/Z_0$ . When the

## Transmission Line Theory



**Figure 2.1 - Typical Transmission Line Driving Scenario**

traveling wave arrives at the termination resistor  $R_T$ , Ohm's Law must be maintained. If the line characteristic impedance and the termination resistance match (i.e.  $Z_O = R_T$ ), the traveling wave does not encounter a discontinuity at the line-load interface; thus the total voltage across the termination resistance is the incident voltage  $V_S$ . However, if mismatches between the line characteristic impedance and the termination resistance occur, a reflected wave must be set up to ensure Ohm's Law is obeyed at the line-load interface. In addition, the reflected wave may also encounter a discontinuity at the interface between the transmission line and the source resistance, thereby sending a re-reflected wave back towards the load. When neither the source nor the load impedance match the line characteristic impedance multiple reflections occur with the reflected signals being attenuated with each passage over the transmission line. The output response of this configuration appears as a damped oscillation, asymptotically approaching the steady state value, a phenomenon often referred to as ringing.



**Figure 2.2 - Thevenin Equivalent Circuit of Figure 2.1**

In performing transmission line analysis, designers may encounter one of three impedance situations:

1.  $R_S < Z_O$ ;  $R_T \neq Z_O$
2.  $R_S \leq Z_O$ ;  $R_T = Z_O$
3.  $R_S = Z_O$ ;  $R_T \neq Z_O$

where:

$R_S$  = Source Resistance

$R_T$  = Termination Resistance

### Case 1: $R_S < Z_O$ ; $R_T \neq Z_O$

The initial current in the transmission line is determined by the ratio  $V_S/Z_O$ . However, the final steady state current is determined by the ratio  $V_S/R_T$ ; assuming ohmic losses in the transmission line are negligible. For case 1, an impedance discontinuity exists at the line-load interface which causes a reflected voltage and current to be generated at the instant the initial signal arrives at this interface. To determine the fraction of the traveling wave that will be reflected from the line-load interface, Kirchoff's current law is applied to node "a" in Figure 2.2. This results in the following:

$$I_T = I_S + I_R \text{ where:}$$

$$I_T = V_T/R_T$$

$$I_S = V_S/Z_O$$

$$I_R = -V_R/Z_O$$

Using substitution:

$$V_T/R_T = V_S/Z_O - V_R/Z_O \quad (\text{eqt. 5})$$

Since only one voltage can exist at node "a" at any instant in time:

$$V_T = V_S + V_R \quad (\text{eqt. 6})$$

Combining Equations 5 and 6, and solving for  $V_R$  yields:

$$(V_S + V_R)/R_T = V_S/Z_O - V_R/Z_O$$

$$V_R = ((R_T - Z_O)/(R_T + Z_O)) * V_S$$

$$V_R/V_S = \rho_L = (R_T - Z_O)/(R_T + Z_O) \quad (\text{eqt. 7})$$

Therefore:

$$V_R = \rho_L * V_S$$

The term  $\rho_L$ , referred to as the load reflection coefficient, represents the fraction of the voltage wave arriving at the line-load interface that is reflected back toward the source.

Similarly, a source reflection coefficient can be derived as:

$$\rho_S = (R_S - Z_O)/(R_S + Z_O) \quad (\text{eqt. 8})$$

From equations 7 and 8 it is apparent that multiple reflections will occur when neither the source nor the load impedances match the characteristic impedance of the line. A general equation for the total line voltage as a function of time and distance is expressed by Equation 9.

$$V(x,t) = V_A(t) * [U(t - T_{PD} * x) + \rho_L * U(t - T_{PD}(2L - x)) + \rho_L * \rho_S * U(t - T_{PD}(2L + x)) + (\rho_L ** 2) * (\rho_S * U(t - T_{PD}(4L - x)) +$$

## Transmission Line Theory

$$(\rho_L^{**2}) * \rho_S^{**2}) * U(t - T_{PD}(4L+x)) + \dots + V_{DC} \quad (\text{eqt. 9})$$

where:

$V_A$  = Voltage Entering the Transmission Line

$T_{PD}$  = Propagation Delay of the Line

$L$  = Total Line Length

$x$  = Distance to an Arbitrary Point on the Line

$V_{DC}$  = Initial Quiescent Voltage of the Line

Finally, the output voltage,  $V_T$ , can be derived from the reflection coefficient by combining Equations 6 and 7:

$$V_T = (1 + (R_T - Z_0)/(R_T + Z_0)) * V_S$$

$$V_T = (2 * R_T / (R_T + Z_0)) * V_S$$

The two possible configurations for the Case 1 conditions are  $R_T > Z_0$  and  $R_T < Z_0$ . The following paragraphs will describe these two conditions in detail.

*Configuration 1:  $R_T > Z_0$*

For the case in which  $R_T > Z_0$ ,  $\rho_L$  is positive, and the initial current at node "a" is greater than the final quiescent current:

$$I_{INITIAL} > I_{FINAL}$$

Hence:

$$(V_S/Z_0) > (V_S/R_T)$$

Thus a reflected current,  $I_R$ , must flow toward the source in order to attain the final steady state current as shown in Figure 2.3.

An example of a line mismatched at both ends, with the

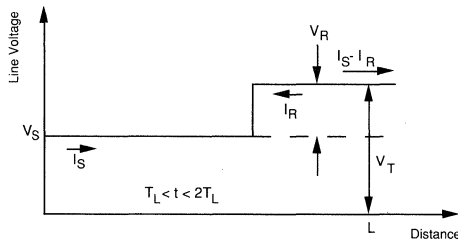


Figure 2.3 - Reflected Voltage Wave for  $R_T > Z_0$

termination resistance greater than the load resistance is shown in Figure 2.4. The initial steady state output voltage is given by:

$$V_{T1} = (65/71) * (-1.75) = -1.60V$$

The final steady state output voltage is given by:

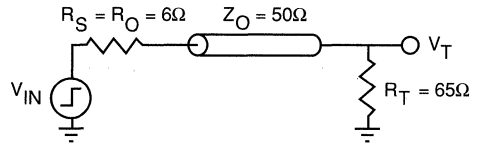


Figure 2.4 - Transmission Line Model for  $R_T > Z_0$

$$V_{TF} = (65/71) * (-0.9) = -0.82V$$

The input voltage is a ramp from -1.75V to -0.9V. The initial voltage traveling down the line is:

$$V_S = (50/56) * 0.85 = 0.76V$$

From Equations 7 and 8:

$$\rho_L = (R_T - Z_0)/(R_T + Z_0) = (65 - 50)/(65 + 50) = 0.13$$

$$\rho_S = (R_S - Z_0)/(R_S + Z_0) = (6 - 50)/(6 + 50) = -0.79$$

From Equation 9, the output voltage  $V_T$  after one line delay is:

$$V_T(L, T_{PD}) = V_A(t) * [1 + \rho_L] + V_{DC} = -0.71V$$

Likewise, after a time equal to three times the line delay, the output voltage  $V_T$  is

$$V_T(L, 3T_{PD}) = V_A(t) * [\rho_L * \rho_S + \rho_L^{**2} * \rho_S] + V_T(L, T_{PD}) = -0.83V$$

Additional iterations of Equation 9 can be performed to show that the ringing asymptotically approaches the final line voltage of -0.82V. Ringing is a characteristic response for transmission lines mismatched at both ends with  $R_T > Z_0$ . A SPICE representation of configuration 1 is illustrated in Figure 2.5.

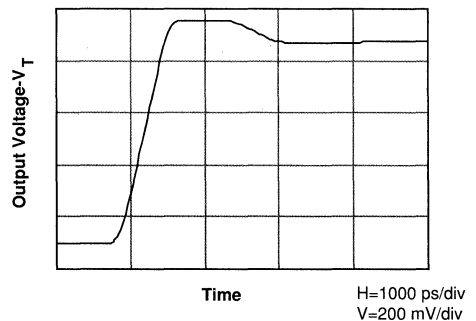


Figure 2.5 SPICE Results for Circuit of Figure 2.4

## Transmission Line Theory

Configuration 2:  $R_T < Z_0$

For the case in which  $R_T < Z_0$ ,  $\rho_L$  is negative, and the initial current at node "a" is less than the final quiescent current.

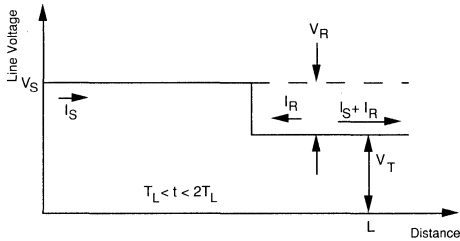
$$I_{\text{INITIAL}} < I_{\text{FINAL}}$$

Hence:

$$(V_S/Z_0) < (V_S/R_T)$$

The reflected current,  $I_R$ , flows in the same direction as the initial source current in order to attain the final steady state current. The unique characteristic of configuration 2 is the negative reflection coefficient at both the source and load ends of the transmission line (Figure 2.6). Thus, signals approaching either end of the line are reflected with opposite polarity. In addition, the line voltage is a function of the pulse duration yielding steps of decreasing magnitude for input pulse durations greater than the line delay, and a series of attenuated pulses for input pulse durations less than the line delay.

An example of a line mismatched at both ends, with the

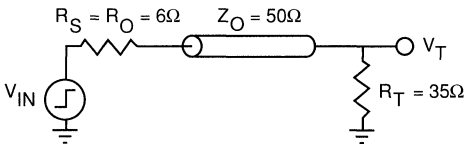


**Figure 2.6 - Reflected Voltage Wave for  $R_T < Z_0$**

termination resistance less than the line resistance, and the input pulse width greater than the line delay is shown in Figure 2.7. The initial steady state output voltage is defined as:

$$V_{T1} = (35/41) * (-1.75) = -1.49\text{V}$$

The final steady state output voltage is given by



**Figure 2.7 - Transmission Line Model for  $R_T < Z_0$**

$$V_{TF} = (35/41) * (-0.9) = -0.77\text{V}$$

For an input pulse from -1.75V to -0.9V the initial voltage traveling down the line is:

$$V_S = (50/56) * 0.85 = 0.76\text{V}$$

From Equations 7 and 8,

$$\rho_L = (35-50)/(35+50) = -0.18$$

$$\rho_S = (6-50)/(6+50) = -0.79$$

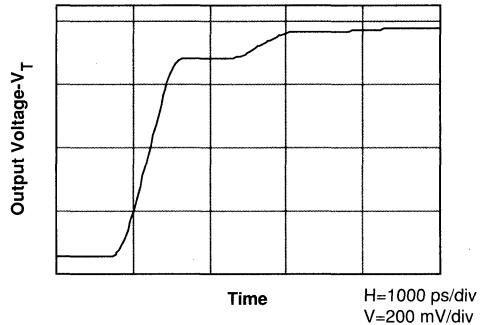
From Equation 9, the output voltage  $V_T$  after one line delay is:

$$V_T(L, T_{PD}) = V_A(t) * [1 + \rho_L] + V_{DC} = -0.87\text{V}$$

Likewise, after a time equal to three times the line delay, the output voltage  $V_T$  is:

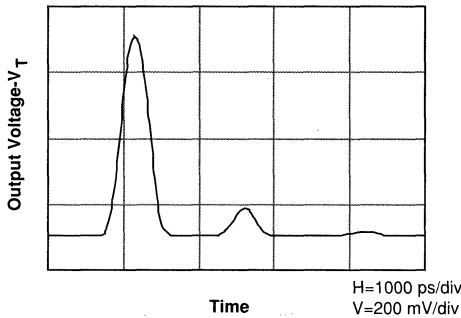
$$V_T(L, 3T_{PD}) = V_A(t) * [\rho_L * \rho_S + \rho_L ** 2 * \rho_S] + V_T(L, T_{PD}) = -0.78\text{V}$$

Additional iterations of Equation 9 can be performed to show that the output response asymptotically approaches -0.77 volts. Stair-steps are characteristic responses for transmission lines mismatched at both ends with  $R_T < Z_0$ , and a pulse width greater than the line delay. Figure 2.8 shows the results of a SPICE simulation for the case described by configuration 2.



**Figure 2.8 - SPICE Results for Circuit of Figure 2.7 with Input Pulse Width > Line Delay**

Figure 2.9 shows the line response for the same circuit as above, but for the case in which the input pulse width is less than the line delay. As in the previous example, the initial steady state voltage across the transmission line is -1.49 volts, and the reflection coefficients are -0.18 and -0.79 for the load and source respectively. However, the intermediate

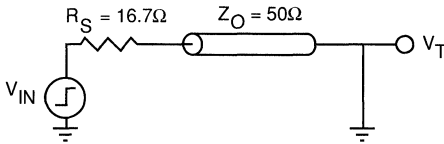


**Figure 2.9 - SPICE Results for Circuit of Figure 2.7 with Input Pulse < Line Delay**

voltage across the transmission line is a series of positive-going pulses of decreasing amplitude for each round trip of the reflected voltage, until the final steady state voltage of -1.49 volts is reached.

### Shorted Line

The shorted line is a special case of configuration 2 in which the load reflection coefficient is -1, and the reflections tend toward the steady state condition of zero line voltage and a current defined by the source voltage and the source resistance.



**Figure 2.10 - Transmission Line Model for Shorted Line**

An example of a shorted line is shown in Figure 2.10. The transmission line response for the case in which the input pulse width is greater than the line delay is shown in Figure 2.11. The initial and final steady state voltages across the transmission line are zero. The source is a step function with a 0.85 volt amplitude. The initial voltage traveling down the line is:

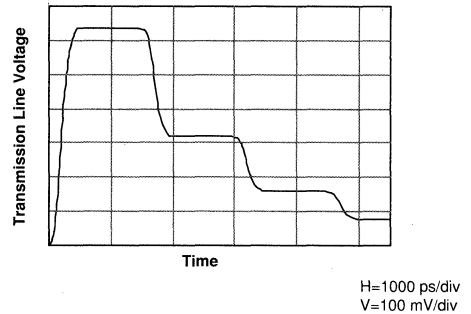
$$V_s = (50/66.7) * 0.85 = 0.64V$$

From Equations 7 and 8,

$$\rho_L = (0-50)/(0+50) = -1$$

$$\rho_S = (16.7-50)/(16.7+50) = -0.5$$

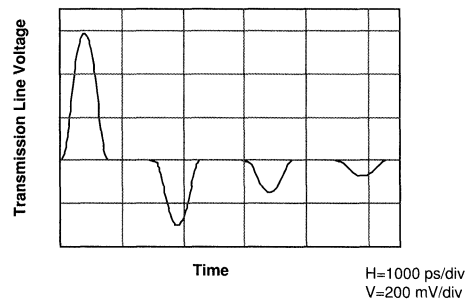
Upon reaching the shorted end of the line, the initial voltage waveform is inverted and reflected toward the source. At the



**Figure 2.11 - SPICE Results for Shorted Line with the Input Pulse Width > Line Delay**

source end the voltage is partially reflected back toward the shorted end in accordance with the source reflection coefficient. Thus, the voltage at the shorted end of the transmission line is always zero while at the source end the voltage is reduced for each round trip of the reflected voltage. The voltage at the source end tends toward the final steady state condition of zero volts across the transmission line. The values of the source and line characteristic impedances in this example are such that the amplitude decreases by 50% with each successive round trip across the transmission line.

Figure 2.12 shows the line response for the same circuit as above, but for the case in which the input pulse width is less than the line delay. As in the previous example, the initial and final steady state voltages across the transmission line are zero, and the reflection coefficients are -1 and -0.5 for the load and source respectively. However, the intermediate voltage across the transmission line is a series of negative pulses with the amplitude of each pulse decreasing for each round trip of the reflected voltage until the final steady state voltage of zero volts is attained. Again, for this example the amplitude of the output response decreases by



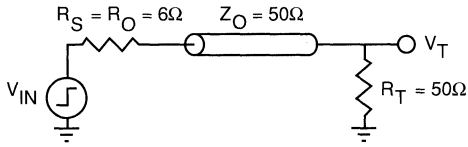
**Figure 2.12 - SPICE Results for Shorted Line with the Input Pulse Width < Line Delay**

## Transmission Line Theory

50% for each successive reflection due to the choice of source and transmission line characteristic impedances.

### Case 2: $R_S \leq Z_0$ ; $R_T = Z_0$

As in Case 1, the initial current in the transmission line is determined by the ratio of  $V_S/Z_0$ . Similarly, since  $R_T = Z_0$  the final steady state current is also determined by the ratio  $V_S/Z_0$ . Because a discontinuity does not exist at the line-load interface all the energy in the traveling step is absorbed by the termination resistance, in accordance with Ohm's Law. Therefore no reflections occur and the output response is merely a delayed version of the input waveform.



**Figure 2.13 - Transmission Line Model for Matched Termination**

An example of a line mismatched at the source but matched at the load is shown in Figure 2.13. For an input pulse of -1.75V to -0.9V is given by:

$$V_{T1} = (50/56) * (-1.75) = -1.56V$$

The final steady state output voltage is given by

$$V_{TF} = (50/56) * (-0.9) = -0.80V$$

The source is a step function with an 0.85 volt amplitude. The initial voltage traveling down the line is:

$$V_S = (50/56) * 0.85 = 0.76V$$

From Equations 7 and 8,

$$\rho_L = (50-50)/(65+50) = 0$$

$$\rho_S = (6-50)/(6+50) = -0.79$$

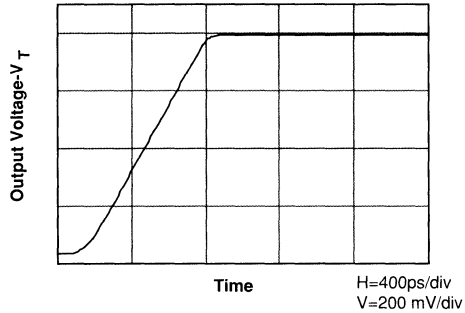
From Equation 9, the output voltage  $V_T$  after one line delay is:

$$V_T(L, T_{PD}) = V_A(t) * [1 + \rho_L] + V_{DC} = -0.80V$$

Likewise, after a time equal to three times the line delay, the output voltage  $V_T$  is:

$$V_T(L, 3T_{PD}) = V_A(t) * [\rho_L * \rho_S + \rho_L * \rho_S^2] + V_T(L, T_{PD}) = -0.80V$$

Thus the output response attains its final steady state value (Figure 2.14) after only one line delay when the termination

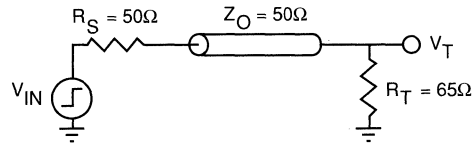


**Figure 2.14 - SPICE Results for Matched Termination**

resistance matches the line characteristic impedance. Ringing or stair-step output responses do not occur since the load reflection coefficient is zero.

### Case 3: $R_S = Z_0$ ; $R_T \neq Z_0$

When the termination resistance does not match the line characteristic impedance reflections arising from the load will occur. Fortunately, in case 3, the source resistance and the line characteristic impedance are equal, thus the reflection coefficient is zero and the energy in these reflections is completely absorbed at the source thus no further reflections occur.



**Figure 2.15 - Transmission Line Model for  $V_S = Z_0$**

An example of a line mismatched at the load but matched at the source is shown in Figure 2.15. For an input pulse of -1.75V to -0.9V the initial steady state output voltage is given by:

$$V_{T1} = (65/115) * (-1.75) = -0.99V$$

The final steady state output voltage is given by

$$V_{TF} = (65/115) * (-0.9) = -0.51V$$

The source is a step function with a 0.85 volt amplitude. The initial voltage traveling down the line is:

$$V_S = (50/100) * 0.85 = 0.43V$$

From Equations 7 and 8,



## Transmission Line Theory

$$\rho_L = (65-50)/(65+50) = 0.13$$

$$\rho_S = (50-50)/(50+50) = 0$$

From Equation 9, the output voltage  $V_T$  after one line delay is:

$$V_T(L, T_{PD}) = V_A(t) * [1 + \rho_L] + V_{DC} = -0.51V$$

Likewise, after a time equal to three times the line delay, the output voltage  $V_T$  is:

$$V_T(L, 3T_{PD}) = V_A(t) * [\rho_L * \rho_S + \rho_L ** 2 * \rho_S] + V_T(L, T_{PD}) = -0.51V$$

Thus the output response attains its final steady state value after one line delay when the source resistance matches the line characteristic impedance. Again, ringing or a stair-step output does not occur since the load reflection coefficient is zero (Figure 2.16).

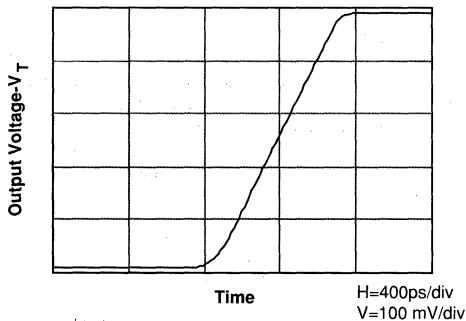


Figure 2.16 - SPICE Results for Circuit of Figure 2.15

### Series Termination

Series termination represents a special subcategory of Case 3 in which the load reflection coefficient is +1 and the source resistance is made equal to the line characteristic impedance by inserting a resistor,  $R_{ST}$ , between and in series with, the transmission line and the source resistance  $R_O$ . The reflections tend toward the steady state conditions of zero current in the transmission line, and an output voltage equal to the input voltage. This type of termination is illustrated by the circuit configuration of Figure 2.17. The initial voltage down the line will be only half the amplitude of the input signal due to the voltage division of the equal source and line impedances.

$$V_S = (Z_O / (2 * Z_O)) * V_{IN} = V_{IN} / 2 \quad (\text{eqt. 10})$$

The load reflection coefficient tends to unity, thus a voltage wave arriving at the load will double in amplitude, and a reflected wave with the same amplitude as the incident

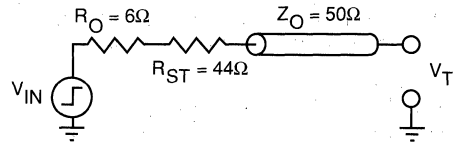


Figure 2.17 - Series Terminated Transmission Line

wave will be reflected toward the source. Since the source resistance matches the line characteristic impedance all the energy in the reflected wave is absorbed, and no further reflections occur. This "source absorption" feature reduces the effects of ringing, making series terminations particularly useful for transmitting signals through a backplane or other interconnects where discontinuities exist.

As stated previously, the signal in the line is only at half amplitude and the reflection restores the signal to the full amplitude. It is important to ensure that all loads are located near the end of the transmission line so that a two step input signal is not seen by any of the loads.

For the series terminated circuit of Figure 2.17 with  $R_O + R_{ST} = Z_O$  and an input pulse rising from -1.75V to -0.9V, the initial line voltage  $V_{TI}$  is -1.325V and the final line voltage,  $V_{TF}$  is -0.9V. The source is a step function with a 0.85 volt amplitude. The initial voltage traveling down the line is:

$$V_S = (50/100) * 0.85 = 0.43V$$

From Equations 7 and 8,

$$\rho_L = (\infty - 50) / (\infty + 50) = 1$$

$$\rho_S = (50 - 50) / (50 + 50) = 0$$

From Equation 9, the output voltage  $V_T$  after one line delay is:

$$V_T(L, T_{PD}) = V_A(t) * [1 + \rho_L] + V_{DC} = -0.9V$$

Likewise, after a time equal to three times the line delay, the output voltage  $V_T$  is:

$$V_T(L, 3T_{PD}) = V_A(t) * [\rho_L * \rho_S + \rho_L ** 2 * \rho_S] + V_T(L, T_{PD}) = -0.9V$$

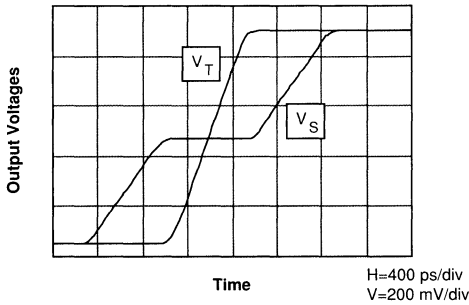
Since the load reflection coefficient is unity, the voltage at the output attains the full ECL swing, whereas the voltage at the beginning of the transmission line does not attain this level until the reflected voltage arrives back at the source termination (Figures 2.17 and 2.18). No other reflections occur because the source impedance and line characteristic impedance match.

### Capacitive Effects on Propagation Delay

#### Lumped Capacitive Loads

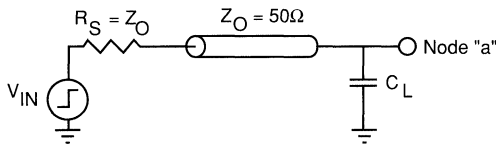
The effect of load capacitance on propagation delay

## Transmission Line Theory



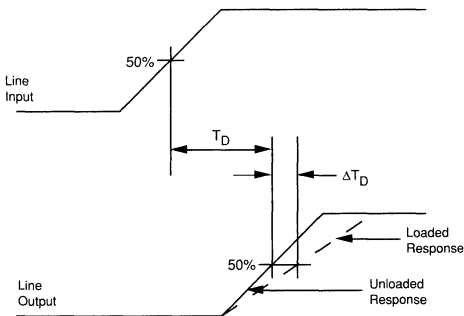
**Figure 2.18 - SPICE Results for Series Terminated Line**

must be considered when using high performance integrated circuits such as the ECLinPS family. Although capacitive loading affects both series and parallel termination schemes, it is more pronounced for the series terminated case. Figure 2.19a illustrates a series terminated line with a capacitive load  $C_L$ . Under the no load condition,  $C_L=0$ , the delay between the 50% point of the input waveform to the

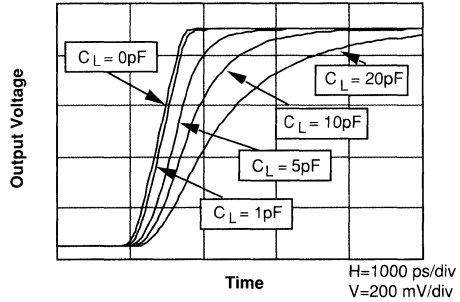


**Figure 2.19a - Lumped Load Transmission Line Model**

50% point of the output waveform is defined as the line delay  $T_D$ . A capacitive load placed at the end of the line increases the risetime of the output signal, thereby increasing  $T_D$  by an amount  $\Delta T_D$  (Figure 2.19b). Figure 2.20 shows the increase



**Figure 2.19b -  $\Delta T_D$  Introduced by Capacitive Load**

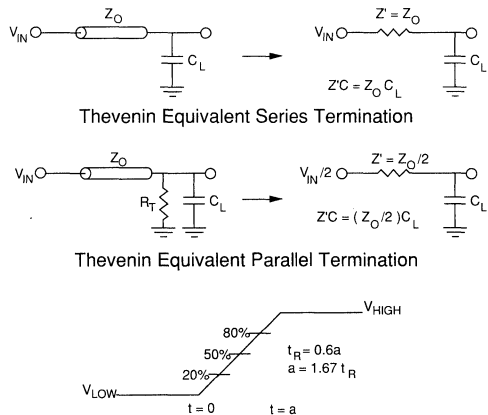


**Figure 2.20 - Line Delay vs Lumped Capacitive Load**

in delay for load capacitances of 0, 1, 5, 10 and 20 picoFarads.

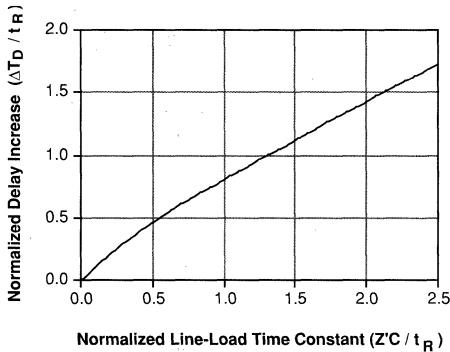
The increase in propagation delay can be determined by using Thevenin's theorem to convert the transmission line into a single time constant network with a ramp input voltage. The analysis applies to both series and parallel terminations, since both configurations can be represented as a single time constant network with a time constant,  $\tau$ , and a Thevenin impedance  $Z'$ .

Figure 2.21 shows the Thevenized versions for the series and parallel terminated configurations. The Thevenin impedance for the series configuration is approximately twice that for the parallel terminated case, thus the time constant will be two times greater for the series terminated configuration. Since  $\tau$  is proportional to the risetime, the risetime will also be two times greater; thus the reason for the larger impact of capacitive loading on the series terminated configuration.



**Figure 2.21 - Thevenin Equivalent Lumped Capacitance Circuits**

## Transmission Line Theory



**Figure 2.22 - Normalized Delay Increase Due to Lumped Capacitive Load**

The relationship between the change in delay and the line-load time constant is shown in Figure 2.22. Both the delay change ( $\Delta T_D$ ) and the line-load time constant ( $Z'C$ ) are normalized to the 20-80% risetime of the input signal. This chart provides a convenient graphical approach for approximating delay increases due to capacitive loads as illustrated by the following example.

Given a  $100\Omega$  series terminated line with a  $5\text{pF}$  load at the end of the line and a no load rise time of  $400\text{ps}$  the increase in delay,  $\Delta T_D$ , can be determined using Figure 2.22. The normalized line-load time constant is:

$$Z'C/t_r = 100\Omega \cdot 5\text{pF} / 400\text{ps} = 1.25$$

Using this value and Figure 2.22:

$$\Delta T_D/t_r = 0.9$$

Therefore:

$$\Delta T_D = 0.9 \cdot 400\text{ps} = 360\text{ps}$$

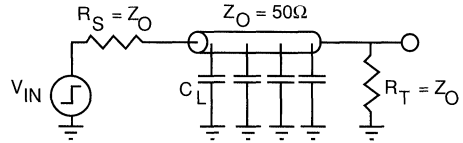
Thus  $360\text{ps}$  is added to the no load delay to arrive at the approximate delay for a  $5\text{pF}$  load. For a  $100\Omega$  line employing a matched parallel termination scheme,  $Z' = 50\Omega$ , the added delay is only  $240\text{ps}$ . This added delay is significantly less than the one encountered for the series terminated case.

Thus when critical delay paths are being designed it is incumbent on the designer to give special consideration to the termination scheme, lumped loading capacitance and line impedance to optimize the delay performance of the system.

### Distributed Capacitive Loads

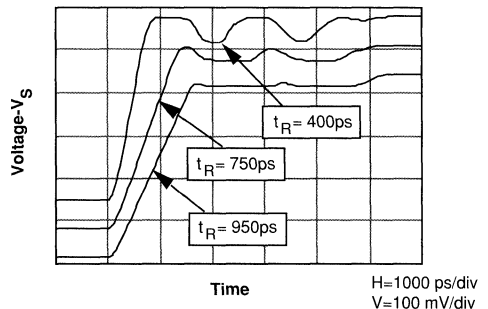
In addition to lumped loading, capacitive loads may be distributed along transmission lines. There are three consequences of distributed capacitive loading of transmission lines: reflections, lower line impedance, and increased propa-

gation delay. A circuit configuration for observing distributed capacitive loading effects is shown in Figure 2.23.



**Figure 2.23 - Transmission Line Model for Distributed Capacitive Load**

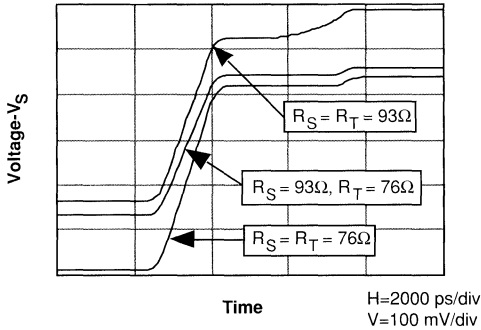
Each capacitive load connected along a transmission line causes a reflection of opposite polarity to the incident wave. If the loads are spaced such that the risetime is greater than the time necessary for the incident wave to travel from one load to the next, the reflected waves from two adjacent loads will overlap. Figure 2.24 shows the output response for a transmission line with two distributed capacitive loads of  $2\text{pF}$  separated by a line propagation time of  $750\text{ps}$ . The upper trace, with a 20-80% input signal risetime of  $400\text{ps}$ , shows two distinct reflections. The middle and lower traces with 20-80% risetimes of  $750\text{ps}$  and  $950\text{ps}$  respectively, show that overlap occurs as the risetime becomes longer than the line propagation delay.



**Figure 2.24 - Reflections Due to Distributed Capacitance**

Increasing the number of distributed capacitive loads effectively decreases the line characteristic impedance as demonstrated by Figure 2.25. The upper trace shows that reflections occur for approximately  $3.5\text{ns}$ , during which time the characteristic impedance of the line appears lower ( $\approx 76\Omega$ ) than actual due to capacitive loading. After the reflections have ended, the transmission line appears as a short and the final steady state voltage is reached. The middle trace shows that decreasing the termination resistance to match the effective line characteristic impedance produces a response typical of a properly terminated line. Finally, the lower trace shows that the original steady state output can be attained by changing the source resistance to match the load resis-

## Transmission Line Theory



**Figure 2.25 - Characteristic Impedance Changes Due to Distributed Capacitive Loads**

tance and the effective characteristic capacitance.

### Reduced Line Characteristic Impedance

To a first order approximation the load capacitance ( $C_L$ ) is represented as an increase in the intrinsic line capacitance along that portion of the transmission line for which the load capacitances are distributed. If the length over which the load capacitances are distributed is defined as "L" the distributed value of the load capacitance ( $C_D$ ) is given by

$$C_D = C_L/L \quad (\text{eqt. 11})$$

The reduced line impedance is obtained by adding  $C_D$  to  $C_O$  in Equation 1.

$$Z_O = \sqrt{L_O/C_O}$$

$$Z_O' = \sqrt{L_O/(C_O + C_D)} = \sqrt{L_O/(C_O * (1 + C_D/C_O))}$$

$$Z_O' = Z_O / \sqrt{1 + C_D/C_O} \quad (\text{eqt. 12})$$

For the circuit used to obtain the traces in Figure 2.25, the distributed load capacitance is 4pF. From Equation 3,  $C_O$  is calculated as

$$C_O = 750 \text{ ps}/93\Omega = 8\text{pF}$$

Hence:

$$Z_O' = 93\Omega / \sqrt{1 + 4\text{pF}/8\text{pF}} = 76\Omega$$

Thus the effective line impedance is 17Ω lower than the actual impedance while reflections are occurring on the line.

### Line Delay Increase

The increase in line delay caused by distributed loading is calculated by adding the distributed capacitance ( $C_D$ ) to the intrinsic line capacitance in Equation 2.

$$T_{PD} = \sqrt{L_O * C_O}$$

$$T_{PD}' = \sqrt{L_O * (C_O + C_D)}$$

$$T_{PD}' = T_{PD} * \sqrt{1 + C_D/C_O} \quad (\text{eqt. 13})$$

Once again for the circuit used to obtain the traces in Figure 2.25, the distributed load capacitance is 4pF. From the previous example the intrinsic line capacitance is 8 pF therefore,

$$T_{PD}' = 750\text{ps} * \sqrt{1 + 4\text{pF}/8\text{pF}} = 919\text{ps}$$

Thus, the effect of distributed load capacitance on line delay is to increase the delay by 169ps. From Equation 13 it is obvious that the larger the  $C_D$  of the line the smaller will be the increase in delay due to a distributive capacitive load. Therefore, to obtain the minimum impedance change and lowest propagation delay as a function of gate loading, the lowest characteristic impedance line should be used as this results in a line with the largest intrinsic line capacitance.

**SECTION 3  
System Interconnect**

**Introduction**

As mentioned earlier, edge rates of the ECLinPS family are such that most interconnects must be treated as transmission lines. Thus, a controlled impedance environment is necessary to produce predictable interconnect delays as well as limiting the reflection phenomena of undershoot and overshoot. The three most common techniques for circuit and/or system interconnect at high data rates are microstrip, stripline and coaxial cable; both microstrip and stripline are printed circuit board methods whereas coaxial cable is most often used for interconnecting different parts of a system which are separated by relatively large distances. For slower speed applications (<300MHz) a twisted pair scheme also works well. The scope of this writing will not include the twisted pair technique, however a detailed discussion of this topic can be found in the MECL System Design Handbook. Finally, wirewrap boards are not recommended for the ECLinPS family because the fast edge speeds exceed the capabilities of normal wirewrapped connections. Mismatches at the connections cause reflections which distort the fast signal, significantly reducing the noise immunity of the system and perhaps causing erroneous operation.

**Printed Circuit Boards**

Printed circuits boards (PCB's) provide a reliable and economical means of interconnecting electrical signals between system components. Printed circuit boards consist of a dielectric substrate over which the conducting printed circuit material is placed. Three major categories of printed circuit boards exist:

1. Single-sided boards
2. Double-sided boards

3. Multilayer boards

The most common printed circuit board material used for digital designs is a glass- epoxy laminate. These boards use a fiberglass dielectric with copper foils bonded to both sides of the dielectric material by an epoxy resin. Other substrate materials include a fiberglass dielectric with a polyimide resin and fiberglass dielectric with a teflon resin. For multilayer boards the inner layers are separated by sheets of prepreg which acts as both a dielectric material and a bonding agent between layers.

The choice of substrate material depends on the function for which the board will be used, the environment in which the board is to operate, and costs. Table 3.1 lists several physical qualities which characterize several of the the available PCB types. Each available substrate material has its own properties which makes it ideally suited for particular applications.

*Glass-Epoxy*

Possesses good moisture absorption, chemical , and heat resistance properties as well as mechanical strength over standard humidity and temperature ranges. The most widely used versions are G10 and FR4, the fire resistant version of G10.

*Glass-Polyimide*

Good for elevated temperature operation because of its tight tolerance of the coefficient of thermal expansion. Very hard material, so it may damage drilling equipment when being drilled.

*Glass-Teflon*

Good for use when a low dielectric material is required. Very soft material, so it may be difficult to build features

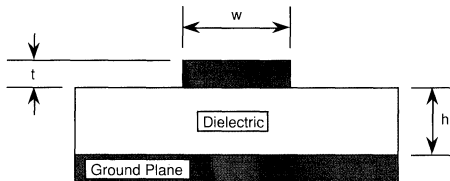
Material	Dielectric Constant	Dissipation Factor	Thermal Coefficient of Expansion	Tensile Modulus
Glass-Epoxy	4.8 (1MHz)	0.022 (1MHz)	13 - 16 (10 <sup>-6</sup> /°C)	2.5
PTFE	2.1 (10GHz)	0.0004 (10GHz)	224 (10 <sup>-6</sup> /°C)	0.05
Glass-Polyimide	4.5 (1MHz)	0.10 (1MHz)	12 - 14 (10 <sup>-6</sup> /°C)	2.8

**Table 3.1 - Characteristics of Common PCB Materials**

requiring precise geometries. Relatively expensive material.

## Microstrip

A microstrip line is the easiest printed circuit interconnect to fabricate because it consists simply of a ground plane and flat signal conductor separated by a dielectric ( Figure 3.1).



**Figure 3.1 - Microstrip Line**

The characteristic impedance,  $Z_0$ , of a microstrip line is given by:

$$Z_0 = \frac{87}{\sqrt{\epsilon_r + 1.41}} \ln \left[ \frac{(5.98 * h)}{(0.8w + t)} \right] \quad (\text{eqt. 1})$$

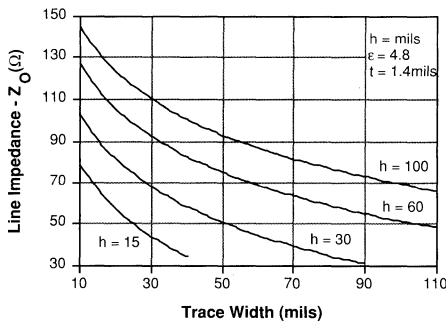
where:

- $\epsilon_r$  = Relative Dielectric Constant of the Substrate
- $w$  = Width of the Signal Trace
- $t$  = Thickness of Signal Trace
- $h$  = Thickness of the Dielectric

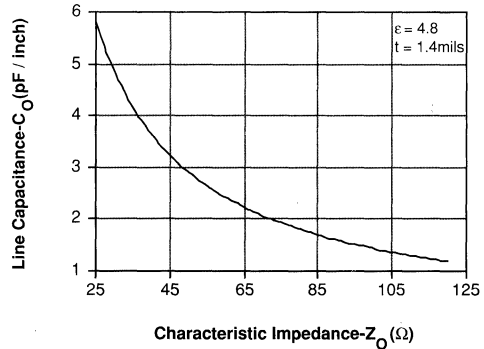
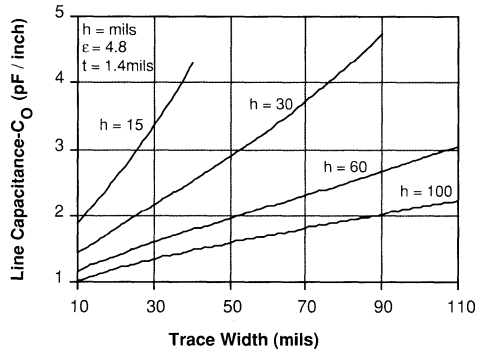
Equation 1 is accurate to within  $\pm 5\%$  when:

$$0.1 < w/h < 3.0 \text{ and } 1 < \epsilon_r < 15$$

To mitigate the effects of electric field fringing, an additional constraint is that the width of the ground plane be such that it extends past each edge of the signal line by at least the width of the signal line.



**Figure 3.2 - Microstrip Impedance vs Trace Width**



**Figure 3.3 - Line Capacitance vs Line Impedance and Trace Width**

Figure 3.2 is a plot of characteristic impedance as a function of trace width and dielectric thickness for a dielectric constant of 4.8 and a trace thickness of 1.4mils (1 ounce copper). Using the equation for  $C_0$  developed in the previous chapter and Equation 1 above the capacitance per unit length can be calculated for various trace widths. Figure 3.3 plots  $C_0$  vs trace width for several different dielectric thicknesses. In addition Figure 3.3 plots  $C_0$  vs the characteristic impedance for a microstrip line for the dielectric constant and trace thickness given above.

The propagation delay for a signal on a microstrip line is described by the following equation:

$$T_{PD} = 1.016\sqrt{(0.475 * \epsilon_r + 0.67)} \text{ ns/foot} \quad (\text{eqt 2})$$

where:

- $\epsilon_r$  = Dielectric Constant of the Board Material

Note that the propagation delay is dependent only on the dielectric constant of the PCB substrate. Figure 3.4 plots the propagation delay of a microstrip line versus the dielectric constant of the PCB.

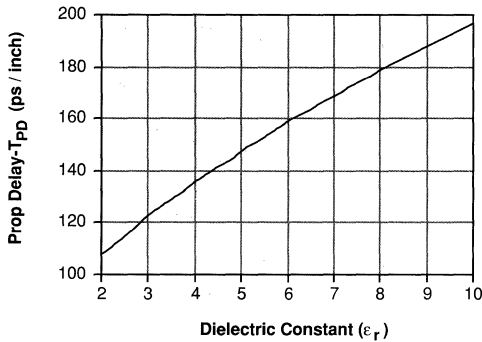


Figure 3.4 - Propagation Delay vs Dielectric Constant

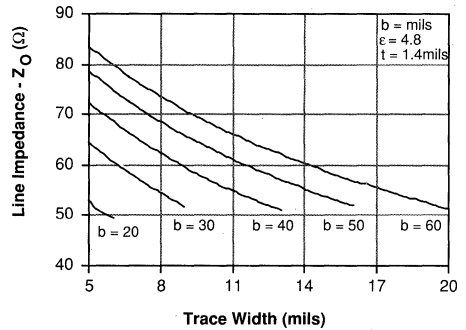


Figure 3.6 - Stripline Impedance vs Trace Width

**Stripline**

Stripline is a printed circuit board interconnect in which a signal conductor is placed in a dielectric medium which is "sandwiched" between two conducting layers (Figure 3.5).

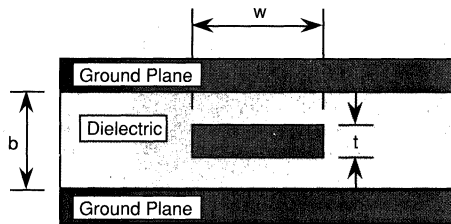


Figure 3.5 - Stripline Structure

The characteristic impedance of the stripline is given by:

$$Z_0 = \frac{60}{\sqrt{\epsilon_r}} \ln \left[ \frac{4b}{0.67\pi(0.8w + t)} \right] \quad (\text{eqt. 3})$$

where:

- $\epsilon_r$  = Relative Dielectric Constant of the Substrate
- $w$  = Width of the Stripline
- $t$  = Thickness of the Stripline
- $b$  = Distance Between the Two Ground Planes

Equation 3 is accurate for the following dimension ratios:

$$w/(b - t) < 0.35 \text{ and } t/b < 0.25$$

Once again, using a fairly typical  $\epsilon_r$  of 4.8 and a copper trace thickness of 1.4 mils, the characteristic impedance of a stripline interconnect can be plotted for various trace widths and dielectric thicknesses ( Figure 3.6 ).

As was the case with a microstrip line the capacitance per unit length of a stripline trace can be calculated using the  $C_0$  equation from Chapter 2. The graphs of Figure 3.7 plot

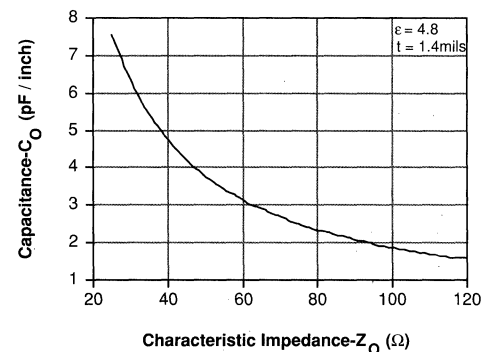
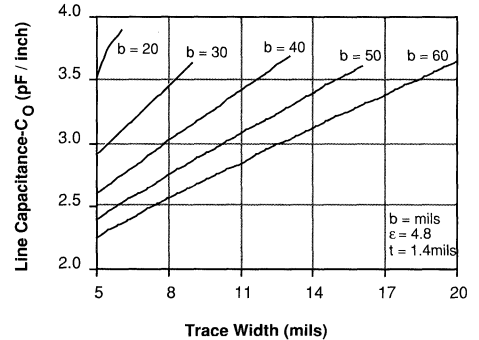


Figure 3.7 - Stripline Capacitance vs Impedance and Trace Width

4

the capacitance of a stripline structure for a number of trace widths as well as the  $C_0$  versus the characteristic impedance of the line.

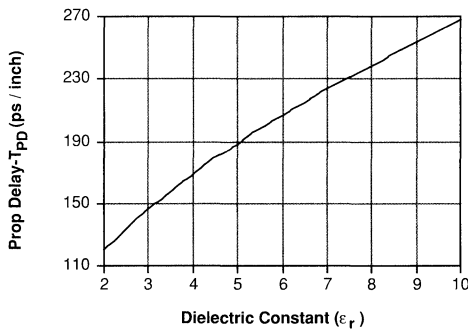
The propagation delay of a stripline trace is governed by the simple equation:

$$T_{PD} = 1.016\sqrt{\epsilon_r} \text{ ns/ft} \quad (\text{eqt. 4})$$

where:

$\epsilon_r$  = Dielectric Constant of the Board Material

Again the propagation delay of the trace is dependent only on the relative dielectric constant of the PCB substrate. Using Equation 4 the delay of the line can be plotted vs dielectric constant ( Figure 3.8 ).



**Figure 3.8 - Stripline Propagation Delay vs Dielectric Constant**

### General Information

Since fiberglass-epoxy is by far the most widely used substrate in the industry two important considerations should be mentioned:

1. The propagation delay for microstrip is  $\approx 145$  ps per inch whereas that for stripline is  $\approx 185$  ps per inch. Since the propagation delay is governed by the dielectric of the substrate, a board material with a lower dielectric constant than glass-epoxy is required if a lower propagation delay is desired.

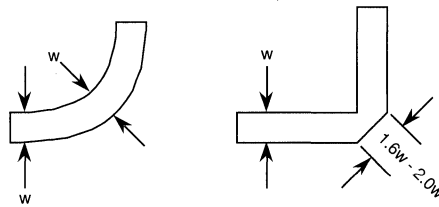
2. Cross coupled noise due to board geometries may require a substrate material with a lower dielectric constant. For example, the distance from the signal trace to the ground plane is a function of the substrate dielectric constant for a specified line characteristic impedance. Hence the switching energy coupled into adjacent traces on the same signal plane is also a function of the dielectric constant. If the dielectric thickness and trace width must be maintained for a given line impedance, the spacing between traces must be increased to maintain the noise margin. Since the dielectric constant of glass-epoxy is relatively large, the increase in

spacing between the traces may be unacceptable. So, a substrate material with a lower dielectric constant may be desirable. Generally if the distance between traces is maintained at twice the distance to the ground plane, coupling between traces will be minimal.

Finally, printed circuit signal line shape variations play a significant role in modulating both the capacitance and inductance per unit length for a transmission line; in other words shape variations cause reflections. Bends in printed circuit traces cause an increase in the capacitance per unit length and a decrease in the inductance per unit length with a pronounced effect for angles of  $90^\circ$  or more. Two techniques available to compensate for shape changes are:

1. Maintain a uniform trace width.
2. Cut the corners of the trace such that the length of the diagonal cut is in the range of 1.6 to 2.0 times the trace width.

Figure 3.9 illustrates these two techniques.



**Figure 3.9 - Compensation for Capacitive Effects of Trace Angles**

### Coaxial Cable

Coaxial cable is a two conductor transmission line consisting of a concentric inner conductor surrounded by a dielectric which in turn is surrounded by a tubular outer conductor ( Figure 3.10 ). It is ideal for transmitting high frequency signals over long distances because of its well defined and uniform characteristic impedance. Moreover, crosstalk is minimized by the ground shield provided by the outer conductor.

The propagation delay is derived in the same way as a stripline interconnect and thus is described by Equation 4. Therefore as with stripline structures the delay is a function



**Figure 3.10 - Cross Section of Coaxial Cable**



of only the dielectric constant. The characteristic impedance and capacitance per unit length are parameters specified by the coaxial cable manufacturer, hence the designer should look to the cable manufacturer for these parameters.

### Coaxial Cable Lengths

The ECLinPS family operates with rise times as fast as several hundred picoseconds, thus coaxial cable must be able to transmit these pulses without introducing a significant distortion. Viewing the ECLinPS output as a single time constant driver circuit terminated with a 50Ω load, the required line bandwidth( $f_c$ ) can be calculated as follows.

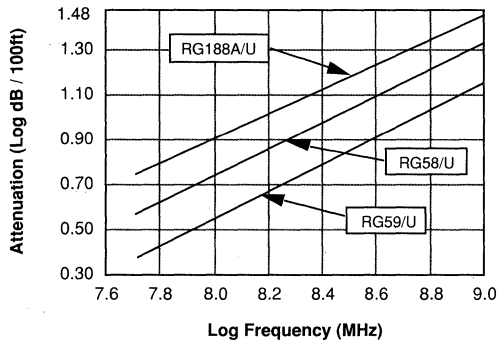
$$f_c = 0.35/t_R \quad (\text{eqt. 5})$$

where:

$t_R$  = 10% to 90% Rise Time

Converting the typical 20%-80% rise time value of 400 ps to an equivalent 10%-90% rise time value of 530ps, and using Equation 5 yields a bandwidth value of  $f_c = 660\text{MHz}$

Below 1 GHz the primary loss mechanism in transmission lines is skin effect, as dielectric losses for materials such as polyethylene and teflon are insignificant below this value. Since attenuation due to skin effect is proportional to the square root of frequency a log-log plot of attenuation versus frequency produces a linear result. The maximum coaxial cable lengths for the ECLinPS family can be derived from the plot in Figure 3.11.



**Figure 3.11 - Coaxial Cable Attenuation vs Frequency**

Typically for an ECL system the minimum peak to peak signal swing is 600 mV. The nominal peak to peak signal swing for the ECLinPS family is approximately 850 mV. Thus, the maximum permissible attenuation is:

$$\begin{aligned} \text{Loss(dB)} &= 20 * \log (V_{IN}/V_O) \\ &= 20 * \log (0.85/0.6) = 3.0 \text{ dB.} \end{aligned}$$

From Figure 3.11 the loss at 660MHz for RG58/U cable is 15

dB/ 100 feet. Therefore, the maximum length is

$$\text{Max Length} = 100 \text{ ft.} * (3.0 \text{ dB}/15 \text{ dB}) = 20 \text{ ft.}$$

Additional information concerning coaxial cable can be found in Motorola's MECL System Design Handbook.

### Summary of Values

Table 3.2 is a compilation of propagation delays at nominal dielectric values for the three types of interconnects discussed.

Interconnect	$T_{PD}$	$\epsilon_r$
Microstrip	145 ps/in	4.8
Stripline	185 ps/in	4.8
Coaxial Cable	123 ps/in	2.1

**Table 3.2 - Comparison of Interconnect Medium**

### Termination Techniques

From transmission line theory, a signal propagating down the line is partially reflected back to the source if the line is not terminated in its characteristic impedance. The magnitude of the reflected voltage signal is governed by the load reflection coefficient,  $\rho_L$ .

$$\rho_L = (R_T - Z_0) / (R_T + Z_0) \quad (\text{eqt. 6})$$

where:

$R_T$  = Load Impedance, and

$Z_0$  = Characteristic Impedance of the Line

When the reflected signal arrives at the source it is re-reflected back toward the load with a magnitude dictated by the source reflection coefficient,  $\rho_s$ .

$$\rho_s = (R_s - Z_0) / (R_s + Z_0) \quad (\text{eqt. 7})$$

where:

$R_s$  = Source Impedance

$Z_0$  = Characteristic Impedance of the Line

The reflected signal continues to be re-reflected by the source and load impedances and is attenuated with each passage over the transmission line. The output response appears as a damped oscillation asymptotically approaching the steady state value. This phenomena is often referred to as ringing.

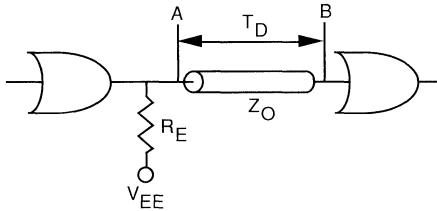
The importance of minimizing the reflected signals lies in their adverse affect on noise margin and the potential for driving the input transistors of the succeeding stage into saturation. Both of these phenomena can lead to less than ideal system performance. To minimize the potential hazards associated with reflections on transmission lines three

basic termination techniques are available:

1. Minimizing Unterminated line lengths
2. Parallel Termination
3. Series Termination

### Unterminated Lines

Figure 3.12 illustrates an unterminated transmission line. This configuration is also referred to as a stub or an open line.



**Figure 3.12 - Unterminated Transmission Line**

The function of  $R_E$  is to provide the drive current for a high to low transition at the driver output. Since the reflection coefficient at the load is of opposite polarity to that at the source, the signal will be reflected back and forth over the transmission line with the polarity changing after each reflection from the source impedance. Thus, steps appear at the input to the receiving gate. When  $R_E$  is too large steps appear in the trailing edge of the propagating signal that slows the edge speed of the input to the receiving gate, subsequently causing an increase in the net propagation delay. A reasonable negative-going signal swing at the input of the receiving gate results when the value of  $R_E$  is selected to produce an initial step of 600mV at the driving gate. Hence:

$$I * Z_O > 0.6 \quad (\text{eqt. 8})$$

$$(V_{OH} - V_{EE}) / (R_E + Z_O) * Z_O \geq 0.6$$

$$6.2Z_O \geq R_E \text{ (10E)}, \quad 4.9Z_O \geq R_E \text{ (100E)} \quad (\text{eqt. 9})$$

Load resistors of less than 180Ω should not be used because the heavy load may cause a reduction in noise immunity when the output is in the high state due to an increased output emitter-follower  $V_{BE}$  drop.

When the driver gate delivers a full ECL swing, the signal propagates from point A arriving at point B a time  $T_p$  later. At point B the signal is reflected as a function of  $\rho_L$ . The input impedance of the receiving gate is large relative to the line characteristic impedance, therefore:

$$\rho_L = (R_T - Z_O) / (R_T + Z_O) \approx 1 \quad (\text{eqt. 10})$$

A large positive reflection occurs resulting in overshoot. The reflected signal reaches point A at time  $2T_D$ , and a large

negative reflection results because the output impedance of the driver gate is much less than the line characteristic impedance (i.e.  $R_O \ll Z_O$ ). In this case the reflection coefficient is negative.

$$\rho_S = (R_O - Z_O) / (R_O + Z_O) \quad (\text{eqt. 11})$$

The signal is re-reflected back toward the load arriving at time  $3T_D$  resulting in undershoot at point B. This re-reflection of signals continues between the source and load impedances causing ringing to appear on the output response.

The impetus in restricting interconnect lengths is to mitigate the effects of overshoot and undershoot. A handy rule of thumb is that the undershoot can be limited to less than 15% of the logic swing if the two way line delay is less than the rise time of the pulse. With an undershoot of <15% the physics of the situation will result in an overshoot which will not cause saturation problems at the receiving input. Thus, the maximum line length can be determined using Equation 12.

$$L_{max} < t_R / 2 * T_{PD} \text{ (unit length)} \quad (\text{eqt. 12})$$

where:

$L$  = Line Length

$t_R$  = Rise time

$T_{PD}$  = Propagation Delay per unit Length

Further, the propagation delay increases with gate loading, thus the actual delay per unit length ( $T_{PD}'$ ) is given as:

$$T_{PD}' = T_{PD} * \sqrt{(1 + C_D / (L * C_O))}$$

Substitution of the modified delay per unit length into Equation 12 and rearranging yields Equation 13:

$$t_R \geq (2 * L) * T_{PD}' * \sqrt{(1 + C_D / (L * C_O))} \quad (\text{eqt. 13})$$

Solving Equation 13 for the maximum line length produces:

$$L_{max} = 0.5 * \sqrt{((C_D / C_O) ** 2 + (t_R / T_{PD}) ** 2) - C_D / C_O} \quad (\text{eqt. 14})$$

Assuming a worst case capacitance of 2 pF and a rise time of 200 ps for the ECLinPS family gives a value of 0.3 inches for the maximum open line length.

Table 3.3 shows maximum open line lengths derived from SPICE simulations for single and double gate loads, a maximum overshoot of 40% and undershoot of 20% was assumed. The simulation results indicate that for a 50Ω line a stub length of  $\leq 0.3$  inches will limit the overshoot to less than 40%, and the undershoot to within 20% of the logic swing. Signal traces will most assuredly be larger than .3" for all but the simplest of interconnects, thus for most practical applications it will be necessary to use ECLinPS devices in a controlled impedance environment.

Z <sub>o</sub> (Ω)	Microstrip		Stripline	
	Fanout = 1	Fanout = 2	Fanout = 1	Fanout = 2
	L <sub>max</sub> (in)	L <sub>max</sub> (in)	L <sub>max</sub> (in)	L <sub>max</sub> (in)
50	0.3	0.2	0.3	0.15
68	0.3	0.15	0.25	0.1
75	0.3	0.15	0.25	0.1
82	0.3	0.1	0.25	0.1
90	0.3	0.1	0.25	0.1
100	0.25	0.1	0.25	0.1

Table 3.3 - SPICE Derived Maximum Open Line Lengths for ECLinPS Designs

**Parallel Termination**

When the fastest circuit performance or the ability to drive distributed loads is desired, parallel termination is the method of choice. An important feature of the parallel termination scheme is the undistorted waveform along the full length of the line. A parallel terminated line is one in which the receiving end is terminated to a voltage (V<sub>TT</sub>) through a resistor (R<sub>T</sub>) with a value equal to the line characteristic impedance (Figure 3.13a). An advantage of this technique is that power consumption can be decreased by a judicious choice of V<sub>TT</sub>. For 50Ω systems the typical value of V<sub>TT</sub> is negative two volts.

Although the single resistor termination to V<sub>TT</sub> conserves power, it offers the disadvantage of requiring an

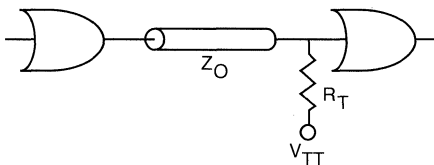


Figure 3.13a Parallel Termination to VTT

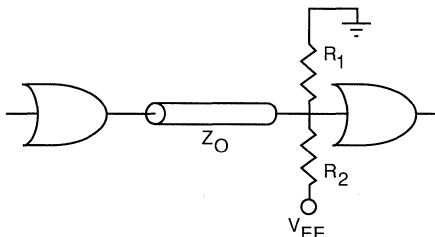


Figure 3.13b Thevenin Equivalent Parallel Termination

Figure 3.13 - Parallel Termination Schemes

additional supply voltage. An alternate approach to using a single power supply is to use a resistor divider network as shown in Figure 3.13b. The Thevenin equivalent of the two resistors is a single resistor equal to the characteristic impedance of the line, and terminated to V<sub>TT</sub>. The values for resistors R<sub>1</sub> and R<sub>2</sub> may be obtained from the following relationships:

$$R_2 = (V_{EE} / V_{TT}) * Z_o \quad \text{(eqt. 15)}$$

$$R_1 = (R_2 * V_{TT}) / (V_{EE} - V_{TT}) \quad \text{(eqt. 16)}$$

For a nominal 10E supply voltage of -5.2V and V<sub>TT</sub> of -2V:

$$R_2 = 2.6 * Z_o \quad \text{(eqt. 17)}$$

$$R_1 = R_2 / 1.6 \quad \text{(eqt. 18)}$$

For a nominal 100E supply voltage of -4.5V and V<sub>TT</sub> of -2V

$$R_2 = 2.25 * Z_o \quad \text{(eqt. 19)}$$

$$R_1 = R_2 / 1.25 \quad \text{(eqt. 20)}$$

Table 3.4 provides a reference of values for the resistor divider network of Figure 3.13b.

Z <sub>o</sub> (Ω)	10E		100E	
	R <sub>1</sub> (Ω)	R <sub>2</sub> (Ω)	R <sub>1</sub> (Ω)	R <sub>2</sub> (Ω)
50	81	130	90	113
70	113	182	126	158
75	121	195	135	169
80	130	208	144	180
90	146	234	161	202
100	162	260	180	225
120	194	312	216	270
150	243	390	270	338

Table 3.4 - Thevenin Termination Resistor Values

For both configurations, when the equivalent termination resistance matches the line impedance no reflection occurs because all the energy in the signal is absorbed by the termination. Hence, the primary tradeoff between the two types of termination schemes are power versus power supply requirements. As mentioned earlier the  $V_{TT}$  scenario requires an extra power supply, however the Theveninization technique will consume 10 fold more DC power. Fortunately this extra power consumption will not be seen on the die, therefore both techniques will result in the same die junction temperatures.

ECLinPS output drivers consists of emitter followers designed to drive a  $50\Omega$  load into a negative two volt supply ( $V_{TT}$ ). Under these conditions the nominal 10E output levels are  $-1.75$ volts at  $5\text{mA}$  for the low state and  $-0.9$ volts at  $22\text{mA}$  for the high state. For the 100E devices the nominal output levels are  $-0.955$  volts at  $20.9\text{mA}$  for the high state and  $-1.705$ volts at  $5.9\text{mA}$  for the low state.

Figure 3.14 shows the nominal output characteristics for ECLinPS devices driving various load impedances returned to a negative two volt supply. This plot applies to both 10E and 100E versions of the ECLinPS family. The output resistances  $R_H$  (high state output resistance) and  $R_L$  (low state output resistance) are obtained from the reciprocal of the slope at the desired operating point. Many applications require loads other than  $50\Omega$ , the resulting  $V_{OH}$  and  $V_{OL}$  levels can be estimated using the following technique.

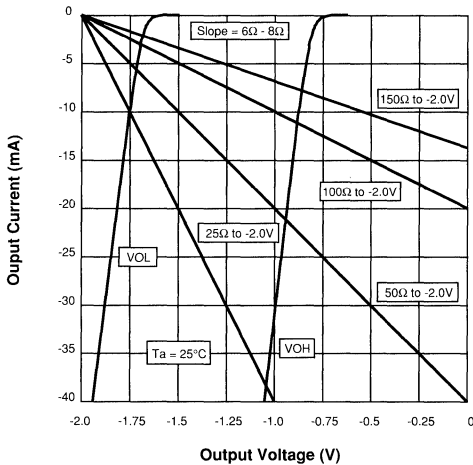


Figure 3.14 - ECLinPS Output Characteristics

10E Devices

The equivalent output circuit is shown in Figure 3.15. The output levels are estimated from Figure 3.15 as follows:

$$V_{OH} = -770\text{mV} - 6 \cdot I_{HOUT} \quad (\text{eqt. 21})$$

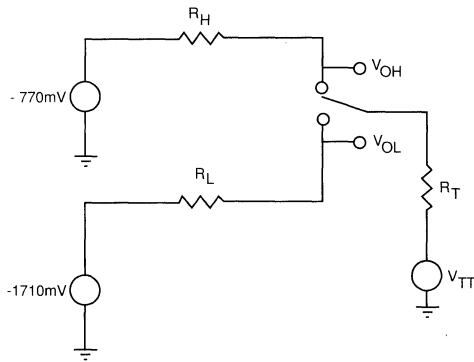


Figure 3.15 - Equivalent Model for Calculating 10E Output Levels

where:

$$I_{HOUT} = (-770\text{mV} - V_{TT}) / (6\Omega + R_T)$$

and

$$V_{OL} = -1710\text{mV} - 8 \cdot I_{LOUT} \quad (\text{eqt. 22})$$

where:

$$I_{LOUT} = (-1710\text{mV} - V_{TT}) / (8\Omega + R_T)$$

100E Devices

The equivalent output circuit is shown in Figure 3.16. The output levels are estimated from Figure 3.16 as follows:

$$V_{OH} = -830\text{mV} - 6 \cdot I_{HOUT} \quad (\text{eqt. 23})$$

where:

$$I_{HOUT} = (-830\text{mV} - V_{TT}) / (6\Omega + R_T)$$

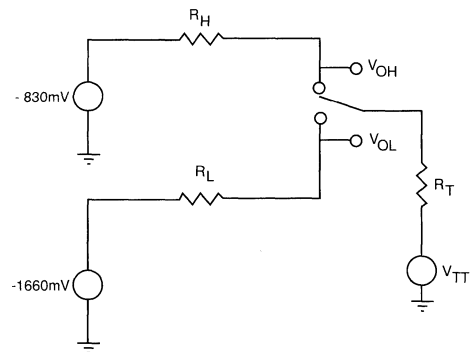


Figure 3.16 - Equivalent Circuit for Calculating 100E Output Levels

and

$$V_{OL} = -1660\text{mV} - 8 * I_{LOUT} \quad (\text{eqt. 24})$$

where:

$$I_{LOUT} = (-1660\text{mV} - V_{TT}) / (8\Omega + R_T)$$

**SIP Resistors**

The choice of resistor type for use as the termination resistor has several alternatives. Although the use of a discrete, preferably chip resistor, offers the best isolation and lowest parasitic additions there are SIP resistor packs which will work fine for ECLinPS designs. SIP resistors offer a level of density which is impossible to obtain using their discrete counterparts. However, there are some guidelines which the user should follow when using SIP resistor packs. Always terminate complimentary outputs in the same pack to minimize inductance effects on the SIP power pin. Noise generated on this pin will couple directly into all of the resistors in the pack. In addition, the SIP package should incorporate bypass capacitors in the design ( Figure 3.17 ). These capacitors are necessary to help maintain a solid  $V_{TT}$  level within the package, again mitigating any potential crosstalk or feedthrough effects. A 10 pin SIP like the DALE CSRC-10B21-500J/103M, is suitable for providing  $50\Omega$  terminations while maintaining a relatively noise free environment to non-switching inputs.

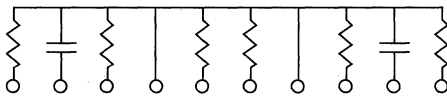


Figure 3.17 - Standard ECL 10 pin SIP

**Series Termination Technique**

Series Damping is a technique in which a termination resistance is placed between the driver and the transmission line with no termination resistance placed at the receiving end of the line (Figure 3.18).

Series Termination is a special case of series damping in which the sum of the termination resistor ( $R_{ST}$ ) and the output impedance of the driving gate ( $R_o$ ) is equal to the line characteristic impedance.

$$R_{ST} + R_o = Z_o$$

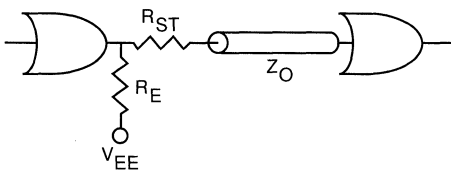


Figure 3.18 - Series Termination

As mentioned in the Transmission line section, series termination techniques are useful when the interconnect lengths are long or impedance discontinuities exist on the line. Additionally, the signal travels down the line at half amplitude minimizing problems associated with crosstalk. Unfortunately, a drawback with this technique is the possibility of a two step signal appearing when the driven inputs are far from the end of the transmission line. To avoid this problem the distance between the end of the transmission line and input gates should adhere to the guidelines specified in Table 3.3 from the section on unterminated lines.

*Series Termination Theory*

When the output of the series terminated driver gate switches, a change in voltage ( $\Delta V_B$ ) occurs at the input to the transmission line:

$$\Delta V_B = V_{IN} * (Z_o) / (R_{ST} + R_s + Z_o) \quad (\text{eqt. 25})$$

where:

- $V_{IN}$  = Internal Voltage Change
- $Z_o$  = Line Characteristic Impedance
- $R_s$  = Output Impedance of the Driver Gate
- $R_{ST}$  = Termination Resistance

Since  $Z_o = R_{ST} + R_s$  substitution into Equation 25 yields:

$$\Delta V_B = V_{IN} / 2 \quad (\text{eqt. 26})$$

From Equation 26 an incident wave of half amplitude propagates down the transmission line. Since the transmission line is unterminated at the receiving end, the reflection coefficient at the load is approximately unity; therefore the reflection causes the voltage to double at the receiving end. When the reflected wave arrives at the source end its energy is absorbed by the series resistance producing no further reflections as the impedance is equal to the characteristic impedance of the line.

An extension of the series termination technique using parallel fanout eliminates the problem of lumped loading at the expense of extra transmission lines (Figure 3.19).

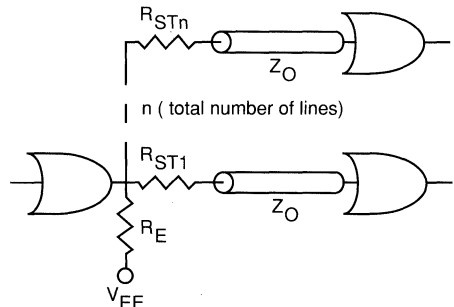
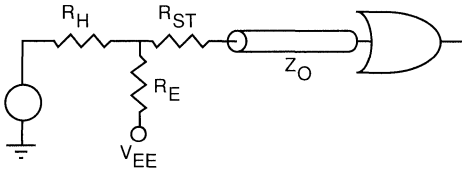


Figure 3.19 - Parallel Fanout using Series Termination

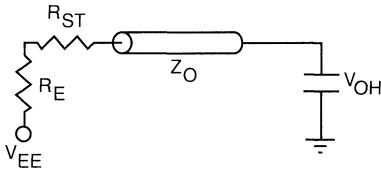
### Calculation of $R_E$

$R_E$  functions to establish  $V_{OH}$  and  $V_{OL}$  levels and to provide the negative going drive into  $R_{ST}$  and  $Z_O$  when the driver output switches to the low state. The value of  $R_E$  must be such that the required current is supplied to each transmission line while not allowing the output transistor to turn off when switching from a high to a low state. An appropriate model is to treat the output emitter follower as a simple switch ( Figure 3.20 ).



**Figure 3.20 - Equivalent Circuit for  $R_E$  Determination**

The worst case scenario occurs when the driver output emitter follower is cutoff during a negative going transition. When this happens the switch can be considered opened, and at the instant it opens the line characteristic impedance behaves as a linear resistor returned to  $V_{OH}$ . The model becomes a simple series resistive network as shown in Figure 3.21.



**Figure 3.21 - Equivalent Circuit with Output Cutoff**

The maximum current occurs at the instant the switch opens and is given by Equation 27.

$$I_{MAX} = (V_{OH} - V_{EE}) / (R_E + R_{ST} + Z_O) \quad (\text{eqt. 27})$$

The initial current must be sufficient to generate a transient voltage equal to half of the logic swing since the voltage at the receiving end of the line doubles for the series terminated case. To insure the pull down current is large enough to handle reflections caused by discontinuities and load capacitances the transient voltage is increased by 25%. Therefore,

$$I_{INIT} = (1.25 * V_{SWING} / 2) / Z_O \quad (\text{eqt. 28})$$

To satisfy the initial constraints  $I_{MAX} > I_{INIT}$

$$(V_{OH} - V_{EE}) / (R_E + R_{ST} + Z_O) > (1.25 * V_{SWING} / 2) / Z_O$$

For the 10E series

$$V_{OH} = -0.9V, V_{SWING} = 0.85V, V_{EE} = -5.2V$$

$$[-0.9 - (-5.2)] / (R_{ST} + R_E + Z_O) \geq 0.531 / Z_O$$

$$7.10 * Z_O - R_{ST} \geq R_E \quad (\text{eqt. 29})$$

For the 100E series:

$$V_{OH} = -0.955V, V_{SWING} = 0.75, V_{EE} = -4.5V$$

$$6.56 * Z_O - R_{ST} > R_E \quad (\text{eqt. 30})$$

Figure 3.19 showed a modification of the series termination scheme in which several series terminated lines are driven by a single ECL gate. The principle concern when applying this technique is to maintain the current in the output emitter follower below the maximum rated value. The value for  $R_E$  can be calculated by viewing the circuit in terms of conductances.

$$G_E > G_1 + G_2 + \dots + G_n \quad (\text{eqt. 31})$$

For the 10E series

$$1 / R_E \geq 1 / (7.10 * Z_{O1} - R_{ST1}) + 1 / (7.10 * Z_{O2} - R_{ST2}) + 1 / (7.10 * Z_{O3} - R_{STn})$$

For the case where  $Z_{O1} = Z_{O2} = \dots = Z_{On}$  and  $R_{ST1} = R_{ST2} = \dots = R_{STn}$

$$R_E \leq (7.10 * Z_O + R_{ST}) / n \quad (\text{eqt. 32})$$

where n is the number of parallel circuits.

For the 100E series

$$1 / R_E \geq 1 / (6.56 * Z_{O1} - R_{ST1}) + 1 / (6.56 * Z_{O2} - R_{ST2}) + 1 / (6.56 * Z_{O3} - R_{STn})$$

For the case where  $Z_{O1} = Z_{O2} = \dots = Z_{On}$  and  $R_{ST1} = R_{ST2} = \dots = R_{STn}$

$$R_E \leq (6.56 * Z_O + R_{ST}) / n \quad (\text{eqt. 33})$$

where n is the number of parallel circuits.

When a series terminated line is driving more than a single ECL load the issue of maximum number of loads must be addressed. The factor limiting the number of loads is the voltage drop across the termination resistor caused by the input currents to the ECL loads when the loads are in the quiescent high state. A good rule of thumb is to determine if the loss in high state noise margin is acceptable. The loss in noise margin is given by

$$NM_{LOSS} = I_T * (R_{ST} + R_O) \quad (\text{eqt. 34})$$

## System Interconnect

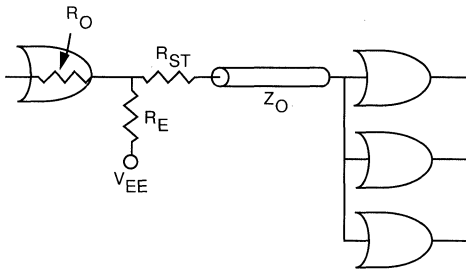


Figure 3.22 - Noise Margin Loss Example

is  $150\mu\text{A}$ . Thus for the circuit shown in Figure 3.22 in which three gate loads are present in a  $50\Omega$  environment the loss in high state noise margin is calculated as:

$$NM_{\text{LOSS}} = 3 * 150\mu\text{A} * 50\Omega = 22.5\text{mV}$$

### ECLinPS I/O SPICE Modeling Kit

Due to the heavier reliance on simulation tools for initial prototyping, Motorola has put together a SPICE modeling kit aimed at aiding the customer in modeling board interconnect behavior. The kit includes representative drivers and receivers as well as the necessary SPICE model parameters. In addition tips are provided for simulating a wide range of output conditions. The kit, in conjunction with today's CAD tools, can greatly simplify the design and characterization of critical nets in a design. Anyone interested in obtaining a copy is encouraged to contact an ECLinPS Application Engineer.

where:

$I_T$  = Sum of  $I_{\text{INH}}$  Currents

For the majority of devices in the ECLinPS family the typical maximum value for quiescent high state input current

**SECTION 4  
Interfacing with ECLinPS**

**Interfacing to Existing ECL Families**

There currently exists two basic standards for high performance ECL logic devices: 10KH and 100K. To maximize system flexibility each member of the ECLinPS family is available in both of the existing ECL standards: 10E series devices are compatible with the MECL 10KH family; 100E series devices are compatible with ECL 100K.

The difference in the DC behavior of the outputs of the two different standards necessitates caution when mixing the two technologies into a single ended input design. As illustrated in Figure 4.1 and Table 4.1, there is no problem when a 10KH device is used to drive a 100K device, however problems arise when the scenario is reversed.

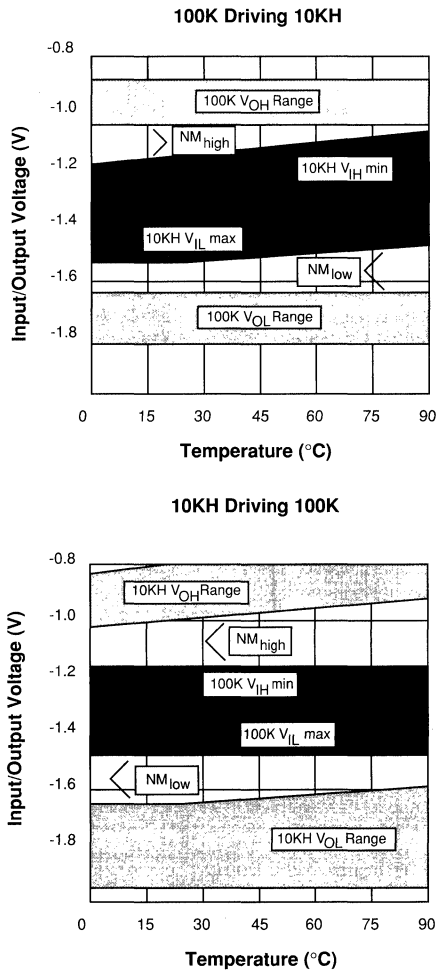
For the case of a 100K device driving a 10KH device the worst case noise margin is reduced to 35mV, a noise margin which is unacceptable for most designs. Since the problems of interfacing are an output tracking rate vs a  $V_{BB}$  tracking rate problem if the system uses only differential interconnect between the two technologies there will be no loss of noise margin and the design will operate as desired.

Fortunately the ECLinPS family, by offering devices in both standards, allows the user to integrate higher performance technology into his design without having to battle these interface problems.

Another area of concern when interfacing to older slower logic families is the behavior of ECLinPS devices with slower input edge rates. Typically, other than clock inputs, the ECLinPS family will function properly for edge speeds of up to 20ns. For edges significantly slower than 20ns the Schmitt trigger circuit of Figure 4.2 can be used to sharpen the edge rates reliably.

Obviously a very slow edge rate will amplify differences in delay paths due to any offset of the  $V_{BB}$  switching reference. This extra delay should be included in speed calculations of a design. For calculation purposes a worst case

$\pm 200\text{ps/ns}$  gate-gain delay (delay vs input edge rate) can be assumed or a more typical value of  $\pm 75\text{ps/ns}$  can be used.



Drvr > Rcvr	NM - High	NM - Low
10KH > 10KH	150mV	150mV
10KH > 100K	145mV	125mV
100K > 100K	130mV	135mV
100K > 10KH	35mV	130mV

**Table 4.1 - Worst-Case Noise Margins of a Mixed 10KH and 100K Design**

**Figure 4.1 - Interfacing 10KH ECL and 100K ECL**



Clock inputs on flip flop devices in the ECLinPS family are especially sensitive to slow edge rates. Flip flops have been successfully clocked in a noise free bench setup environment with edge rates of up to 20ns. However in ATE systems where more noise is present clocking problems arise with input edge rates of greater than 6 or 7ns. To ensure reliable operation in a system with input clock edges slower than 7ns it is recommended that the signals be buffered with an ECLinPS buffer circuit (E122, E116, E101 etc) or, for extreme conditions, the Schmitt trigger of Figure 4.2 to provide the gain necessary to sharpen the edges on the clock pulse.

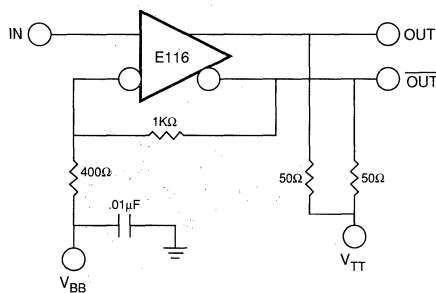


Figure 4.2 - Schmitt Trigger w/ 100mV of Hysteresis

### Interfacing to TTL/CMOS Logic

To interface ECLinPS devices to TTL or CMOS subsystems there exists several new product offerings, as well as several existing devices, in the MECL 10KH family which are ideally suited to the task. These translation devices are specially suited for clock distribution, DRAM driving as well as general purpose translation in both single supply and dual supply environments.

In mixed technology environments it is recommended that the noisy supplies of TTL and CMOS circuits be isolated from the ECL supplies. This can be done either through separate power planes in the board or a common plane with isolated ECL and TTL power sub-planes. The planes of common voltages (ie. ECL  $V_{CC}$  and TTL ground for split supply systems or common  $V_{CC}$  and ground for a single supply system) should then be connected to a common system ground or power supply through an appropriate edge connector.

### Interfacing to GaAs Logic

In general GaAs logic is designed to interface directly with ECL, however in some instances the worst case  $V_{OH}$  of a GaAs output can go as high as -0.3V. An ECLinPS device, depending on the input structure, may become saturated when driven with a -0.3V signal. It is recommended that if the

designer is using a GaAs device which produces these -0.3V signals in an ECLinPS design he contact a Motorola Applications Engineer to determine if the ECLinPS device being driven will be susceptible to saturation.

### AC Coupling

In some cases it may be necessary to interface an ECLinPS design with a signal which lacks any DC offset. The differential devices in the ECLinPS family are ideally suited for this application. As pictured in Figure 4.3 the signal can be AC coupled and biased around the  $V_{BB}$  switching reference of the device. Note that this scheme only works for a data stream with no DC bias, for data streams such as RZ or unencoded NRZ DC restoration must be performed prior to AC coupling it to an ECLinPS device.

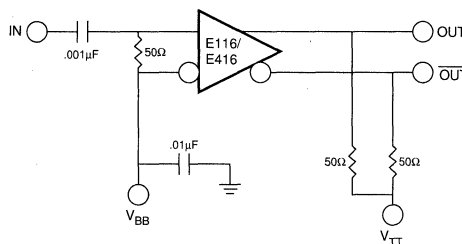
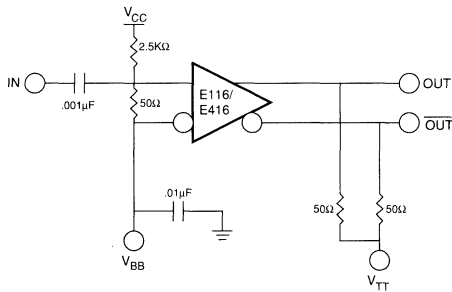


Figure 4.3 - AC Couple Circuit

The 50Ω resistor of Figure 4.3 provides the termination impedance while the  $V_{BB}$  pin provides the DC offset. The capacitor used to couple the signal must have an impedance of  $\ll 50\Omega$  for all frequency components of the input signal. Because large capacitors appear somewhat inductive at high frequencies it may be necessary to use a small capacitor in parallel with a larger one to achieve satisfactory operation. In addition it is important to bypass the  $V_{BB}$  line when used in this manner to minimize the noise coupled into the device.

Because the AC signal is biased around  $V_{BB}$ , the output of the ECLinPS device when AC coupled will have a duty cycle identical to the input. Thus this type of application is ideal for transforming high frequency sinusoidal waveforms from an oscillator into a square wave with a 50% duty cycle. The E416 device is a specialized line receiver with a much higher bandwidth than alternative ECLinPS devices, therefore for frequencies of  $>500\text{MHz}$  it is recommended that the designer use this device.

The above mentioned scenario will work fine as long as the input signal is present, however if the the inputs to the AC coupled device are left open problems may occur. With no input signal both inputs will go to  $V_{BB}$  and an undefined output, and perhaps an oscillating output, will result. If a defined output is necessary for an open input scenario, the



**Figure 4.4 - AC Couple Circuit with DC Offset**

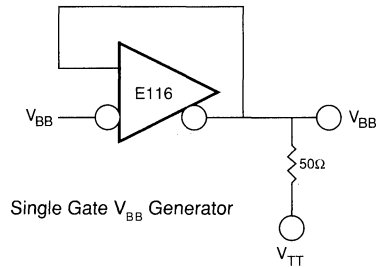
circuit of Figure 4.4 can be used. The resistor tree between  $V_{CC}$  and  $V_{BB}$  creates an offset between the two inputs so that if the driving signal is lost a stable defined output will occur.

Unfortunately this configuration will adversely affect the duty cycle of the output. Depending on the frequency of the output, the duty cycle will change due to the longer distance to threshold on a rising edge as opposed to a falling edge. With this in mind it becomes obvious that the smallest feasible offset would be the best solution. For stability a minimum of 25mV is recommended, however this will not produce full ECL levels at the outputs of an E116 and thus another differential gate should be used to further amplify the signal. The gain of the E416 on the other hand is sufficient to produce acceptable levels at the outputs for DC input voltage differences of 25mV. If a 150mV offset is used full ECL levels will be seen at the outputs of the E116 however the price in duty cycle skew will be high. Of course if the signal is divided after it is received the duty cycle will be restored.

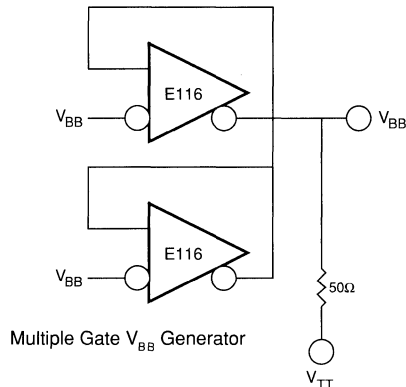
When using the circuit of Figure 4.4 care should be taken to limit the current sunk by the  $V_{BB}$  pin to a maximum of 0.5mA. To achieve an offset of greater than 25mV for the circuit of Figure 4.4 the DC current will necessarily need to be greater than 0.5mA. To alleviate this dilemma one of the gates of the E116 can be configured as pictured in Figure 4.5

to generate a  $V_{BB}$  reference with the necessary current sinking capability. A single gate configured in this way will source or sink up to 10mA without a significant shift in the generated  $V_{BB}$  level. If more current is needed several gates can be connected in parallel to provide the extra drive capability.

Note that the circuit pictured in Figure 4.4 will result in the Q outputs going high when the inputs are left open. If the opposite is desired the resistor to  $V_{CC}$  can be tied to the inverting input and  $V_{BB}$  to the non-inverting input.



**Single Gate  $V_{BB}$  Generator**



**Multiple Gate  $V_{BB}$  Generator**

**Figure 4.5 - High Current  $V_{BB}$  Generator**

**SECTION 5  
Package and Thermal Information**

**Package Choice**

ECLinPS is offered in the 28-lead plastic leaded chip carrier (PLCC) package, a leaded surface mount IC package. The lead form is of the "J-lead" type. For detailed dimensions of the 28-lead PLCC refer to the package description drawings at the end of this section.

The PLCC was selected as the optimum combination of performance, physical size and thermal handling in a low cost standard package. While more exotic packages exist to improve these qualities still further, the cost of these is prohibitive for many applications.

The PLCC features considerably faster propagation delay and reduced parasitics compared to a DIP package of similar pin-count; two properties that make it eminently suitable for very high performance logic.

The 28-lead PLCC for the ECLinPS family is available in tape and reel form to further facilitate automatic pick and place. The characteristics of the 28-lead PLCC reel are described in Figure 5.1 below.

and reel product. Therefore, to order the MC10E111FN in tape and reel the part number would become MC10E111FNR2.

**Reliability of Plastic Packages**

Although today's plastic packages are as reliable as ceramic packages under most environmental conditions, as the junction temperature increases a failure mode unique to plastic packages becomes a significant factor in the long term reliability of the device.

Modern plastic package assembly utilizes gold wire bonded to aluminum bonding pads throughout the electronics industry. As the temperature of the silicon (junction temperature) increases an intermetallic compound forms between the gold and aluminum interface. This intermetallic formation results in a significant increase in the impedance of the wire bond and can lead to performance failure of the affected pin. With this relationship between intermetallic formation and junction temperature established it is incumbent on the designer to ensure that the junction temperature for which a device will operate is consistent with the long term reliability goals of the system.

Reliability studies were performed at elevated ambient temperatures (125°C) from which an arrhenius equation relating junction temperature to bond failure was established. The application of this equation yields the table of Figure 5.2. This table relates the junction temperature of a device in a plastic package to the continuous operating time before 0.1% bond failure (1 failure per 1000 bonds)

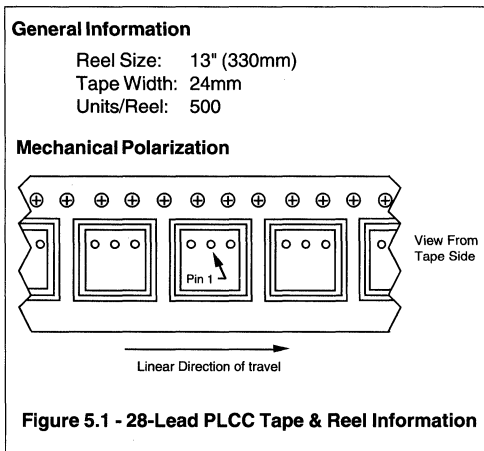
ECLinPS devices are designed with chip power levels that permit acceptable reliability levels, in most systems, under the conventional 500lfpm (2.5m/s) airflow.

**Thermal Management**

As in any system, proper thermal management is essential to establish the appropriate trade-off between performance, density, reliability and cost. In particular, the designer should be aware of the reliability implication of continuously operating semiconductor devices at high junction temperatures.

The increasing popularity of surface mount devices (SMD) is putting a greater emphasis on the need for better thermal management of a system. This is due to the fact that SMD packages generally require less board space than their through hole counterparts so that designs incorporating

4



**Figure 5.1 - 28-Lead PLCC Tape & Reel Information**

To order ECLinPS in tape and reel form a minimum 3000 piece order per device type is required. In addition orders must be full reels or multiples of full reels as no partial reels will be shipped. An R2 suffix has been established to add to the end of the part number to signify the desire for tape

$$T = 6.376 \times 10^{-9} e^{\left[ \frac{11554.267}{273.15 + T_J} \right]}$$

Where:

$T$  = Time to .1% bond failure

Junction Temp. (°C)	Time (Hrs.)	Time (Yrs.)
80	1,032,200	117.8
90	419,300	47.9
100	178,700	20.4
110	79,600	9.1
120	37,000	4.2
130	17,800	2.0
140	8,900	1.0

Figure 5.2 -  $T_J$  vs Time to .1% Bond Failure

SMD technologies have a higher thermal density. To optimize the thermal management of a system it is imperative that the user understand all of the variables which contribute to the junction temperature of the device.

The variables involved in determining the junction temperature of a device are both supplier and user defined. The supplier through lead frame design, mold compounds, die size and die attach can positively impact the thermal resistance and thus the junction temperature of a device. Motorola continually experiments with new package designs and assembly techniques in an attempt to further enhance the thermal performance of its products.

It can be argued that the user has the greatest control of the variables which commonly impact the thermal performance of a device. Ambient temperature, air flow and related cooling techniques are the obvious user controlled variables, however PCB substrate material, layout density, size of the air-gap between the board and the package, amount of exposed copper interconnect, use of thermally-conductive epoxies and number of boards in a box can all have significant impacts on the thermal performance of a system.

PCB substrates all have different thermal characteristics, these characteristics should be considered when exploring the PCB alternatives. The user should also account for the different power dissipations of the different devices in his system and space them on the PCB accordingly. In this way the heat load is spread across a larger area and "hot spots" do not appear in the layout. Copper interconnect traces act as heat radiators therefore significant thermal dissipation can be achieved through the addition of interconnect traces on the top layer of the board. Finally the use of thermally conductive epoxies can accelerate the transfer of heat from the device to the PCB where it can more easily be passed to the ambient.

The advent of SMD packaging and the industry push

towards smaller denser designs makes it incumbent on the designer to provide for the removal of thermal energy from the system. Users should be aware that they control many of the variables which impact the junction temperatures and thus to some extent the long term reliability of their designs.

### Calculating Junction Temperature

The following equation can be used to estimate the junction temperature of a device in a given environment:

$$T_J = T_A + P_D \Theta_{JA} \quad \text{where:}$$

- $T_J$  = Junction Temperature
- $T_A$  = Ambient Temperature
- $P_D$  = Power Dissipation
- $\Theta_{JA}$  = Avg Pkg Thermal Resistance (Junction - Ambient)

The power dissipation factor is made up of two elements: the internal gate power and the power associated with the output terminations. Essentially the two contributors can be calculated separately, then added to give the total power dissipation for a device.

To calculate the power of the internal gates the user simply multiplies the  $I_{EE}$  of the device times  $V_{EE}$ . Since  $I_{EE}$  in ECL is a constant parameter frequency need not be factored into the calculations. A worst case or typical number for chip power can be calculated by using either worst case or typical data book values for the  $I_{EE}$  and  $V_{EE}$  of a device.

Next the power of the outputs needs to be calculated so that the total power dissipation for a device can be determined. The output power is dependent on the termination resistance and the termination scheme used to pull down the outputs. The most typical termination scheme for ECLinPS designs is a parallel termination into -2.0V. For this scheme the following equation describes the power for a single output of the device:

$$P_{Dout} = I_{OUT} * V_{OUT} = (V_{OUT} - (-2))/R_T * V_{OUT} \quad \text{where:}$$

- $V_{OUT}$  =  $V_{OH}$  or  $V_{OL}$
- $R_T$  = Termination Resistance

The power dissipated in the output of a device is dependent on the duty cycle of that output. For an output terminated to  $V_{TT}$  the worst case situation would be if the output was in the high state all of the time, for an output terminated to  $V_{EE}$  the low state will represent worst case. For single ended output devices typically the power is calculated with the outputs in the worst case and for a 50% duty cycle. For differential outputs the power for a differential pair is constant since they are always in complimentary states, therefore for a given output the power will simply be the average of the high and low state output powers. Figure 5.3 shows the various output power levels for the different output types and conditions. In addition the table includes power numbers for various other

Termination Resistance	Output Power (mW)					
	Differential Output		Single-ended Output (50% Duty Cycle)		Single-ended Output (Worst Case)	
	10E	100E	10E	100E	10E	100E
50 to -2.0V	14.3	15.0	14.3	15.0	19.8	20.0
68 to -2.0V	10.5	11.1	10.5	11.1	14.6	14.7
100 to -2.0V	7.1	7.5	7.1	7.5	9.9	10.0
510 to -5.2V	9.7	9.8	9.7	9.8	11.8	11.7
330 to -5.2V	15.0	15.1	15.0	15.1	18.3	18.0
180 to -5.2V	27.5	27.8	27.5	27.8	33.5	33.1
510 to -4.5V	-	7.8	-	7.8	-	9.3
330 to -4.5V	-	12.3	-	12.3	-	14.4
180 to -4.5V	-	22.6	-	22.6	-	26.4

Figure 5.3 - Output Power for Various Termination Schemes

termination resistances and alternative termination schemes. These numbers can be derived by determining the  $I_{OUT}$  and  $V_{OUT}$  for the different alternatives and applying the equation above.

Now that the power dissipation of a device can be calculated one needs to determine which level of the parameter (ie. typical, max etc..) to use to estimate the long term reliability of the system. Since this number is statistical in nature simply applying the worst case numbers will be overly pessimistic as these parameters vary statistically themselves. It is not very likely, for instance, that every device type will be operating at the maximum specified  $I_{EE}$  level. Assuming all worst case conditions can have a significant impact on the resulting junction temperature estimates leading to erroneous conclusions about the reliability of the design.

Another important parameter for calculating the junction temperature of a device is the junction-ambient thermal resistance,  $\Theta_{JA}$ , of the package.  $\Theta_{JA}$  is expressed in °C per watt (°C/W) and is used to determine the temperature elevation of the die (junction) over the external package ambient temperature. Standard lab measurements of this parameter for the 28-lead PLCC yields the graph of figure 5.4.

An alternative calculation scheme for  $T_J$  substitutes the case temperature ( $T_C$ ) and the junction-to-case ( $\Theta_{JC}$ ) thermal resistance for their ambient counterparts in the  $T_J$  equation previously mentioned. The  $\Theta_{JC}$  for the 28-lead PLCC is 32°C/W. This parameter is measured by submerging the device in a liquid bath and measuring the temperature of the bath, therefore it represents an average case temperature. The difficulty in using this method arises in the determination

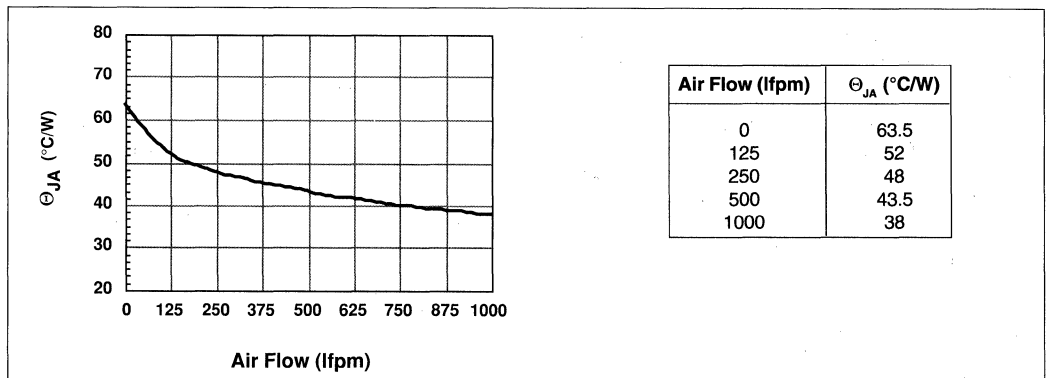


Figure 5.4 - Thermal Resistance vs Air Flow for the 28-lead PLCC

of the case temperature in an actual system. The case temperature is a function of the location at which the temperature is measured on the package. Therefore to use the  $\Theta_{jc}$  mentioned above the case temperature would have to be measured at several different points and averaged to represent the  $T_c$  of the device. This in practice could prove difficult and relatively inaccurate.

**Junction Temperature Calculation Example**

As an example the power dissipation for a 10E151 6-bit register function will be calculated for 500 lfpm airflow; both a worst case number and a typical number will be calculated. From the data sheet the typical and maximum  $I_{EE}$ 's for the device are 65mA and 85mA respectively. There are six differential output pairs.

Chip Power =

65mA \* 5.2V = 338mW typical  
 85mA \* 5.46V = 464mW worst case

Output Power =

$((-1.75 - (-2))/50 * 1.75 + (-.9 - (-2))/50 * .9)/2 = 14.3mW$

Total Power Pd =

338mW + 14.3\*12 = 510mW typical  
 464mW + 14.3\*12 = 635mW worst case

Junction Temperature =

$T_A + 43.5^{\circ}C/W * .510W = T_A + 22^{\circ}C$  typical  
 $T_A + 43.5^{\circ}C/W * .635W = T_A + 28^{\circ}C$  worst case

Note that in this case the worst case junction temperatures are not significantly larger than the typical case. This is due mainly to the fact that the device has differential outputs. A higher  $I_{EE}$ , single ended device would show a much larger discrepancy between the worst case and typical values.

**Limitations to Calculation Technique**

The use of the previously described technique for estimating junction temperatures is intimately tied to the measured values of the  $\Theta_{JA}$  of the 28-lead PLCC package. Since this parameter is a function of not only the package, but also the test fixture the results may not be applicable for every environmental condition. The 28-lead PLCC test fixture used was a 2.24" x 2.24" x .062" FR4 type glass epoxy board with 1oz. copper used for interconnects. The copper represented about 50% coverage of the test fixture.

If the users actual application does not come close to approximating this situation it may be necessary to use a different method for determining the junction temperature of a device. An empirical equation relating junction temperature to the actual case temperature and lead temperature of a device has been established. This equation has the advantage of being universal for all environmental conditions, however the disadvantage of having to make actual thermocouple temperature measurements may limit its use.

The equation describing the junction temperature is as follows:

$T_J = 24P_D + .313T_C + .687T_L \text{ } ^{\circ}C/W \text{ } (\pm 2^{\circ}C/W)$

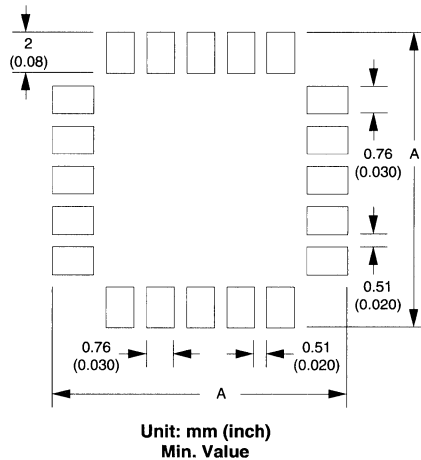
where:

- $P_D$  = Power Dissipation of the Device (W)
- $T_C$  = Case Temperature ( $^{\circ}C$ )
- $T_L$  = Lead Temperature ( $^{\circ}C$ )

$T_C$  is measured at the top-center surface of the package taking care that the thermocouple makes good contact with the case without transporting a significant amount of heat from the measurement point. The lead temperature is used to compensate for the differences in the ratio of heat transfer through the leads and the top surface of the package. This difference impacts the actual  $T_c$  of the package. As mentioned earlier this method of determining the junction temperature is effective for almost all environmental conditions except those that incorporate an external heat sink. Of all the techniques mentioned in this document, the application of this equation will lead to the most accurate assessment of the junction temperature of a device .

**Heatsinks**

A plastic fin type heatsink recently developed by EG&G Engineering for a 40-lead PLCC was modified to fit the 28-



Dimension A	Inches	mm
PLCC-20	0.430	10.9
PLCC-28	0.530	13.5
PLCC-44	0.630	16

Figure 5.5 - PLCC PCB Solder Pad Dimensions

lead PLCC and evaluated. The addition of the heatsink showed a decrease of 20°C/W in the thermal resistance of the 28-lead PLCC in a natural convection air flow environment. The test device was suspended in air to simulate a dense board application where minimal heat will transfer from the device to the PCB substrate.

For more detailed information on availability and performance of heatsinks the user is encouraged to contact the numerous heatsink vendors.

Package Dimensions

Figure 5.5 on the previous page provides recommended printed circuit board solder pad dimensions for several PLCC packages. With this information and the 28-lead PLCC dimensions provided in Figure 5.6 the system designer should have all of the information necessary to successfully mount 28-lead PLCC packages on a surface mount PCB.

28-Lead Plastic Leaded Chip Carrier

4

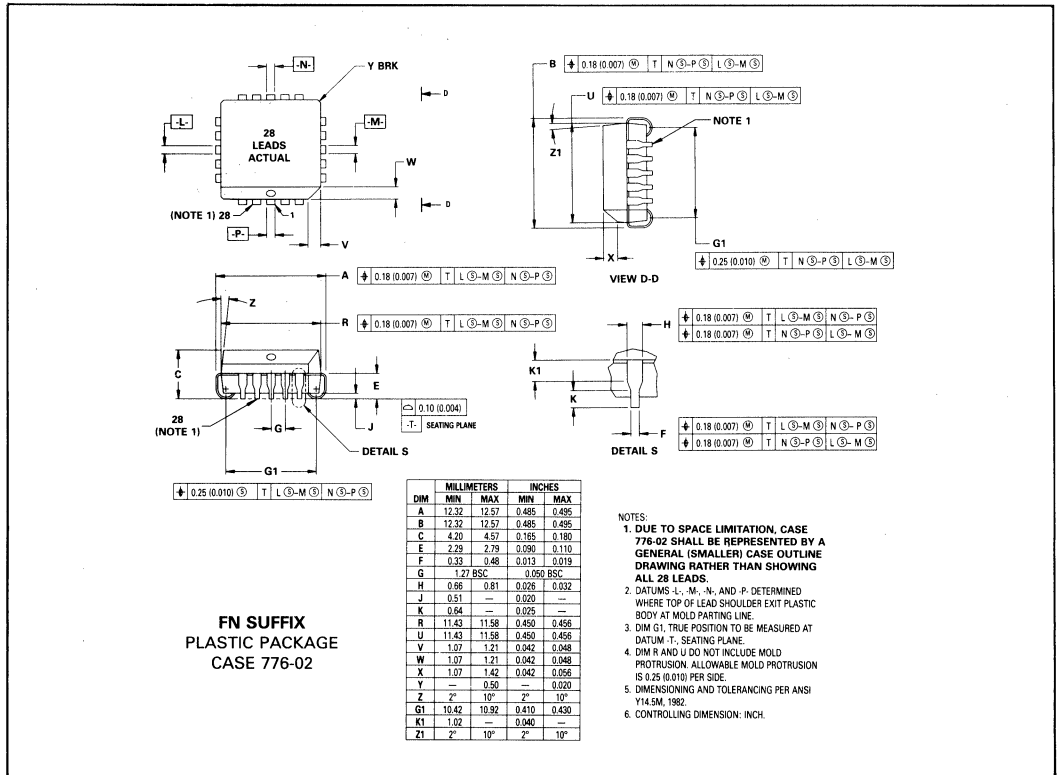


Figure 5.6 — 28-Lead PLCC Dimensions

## **SECTION 6**

### **Quality & Reliability**

#### **Quality**

The Motorola culture is a culture of quality. Throughout all phases of product development, from defining and designing to shipping the product Motorola strives for total customer satisfaction through "Six Sigma" and "On Time Delivery" programs.

#### **Defining Products**

From the beginning the goal of the ECLinPS family was to be "customer" defined. Extensive work was done up front to identify part types which were perfectly suited to the needs of our customers. This definition phase ensured a level of quality for the family in that the customer defines the product rather than the supplier dictating product types.

#### **Designing Products**

Superior quality products start with the design, and the design of a product starts with an IC process. Extensive work was done with the MOSAIC III process to ensure a solid platform for quality products. Process reliability studies were performed to uncover any weaknesses in the initial process so that enhancements could be made to strengthen it before it was released to production. In addition comprehensive characterization and correlation work was completed on the process to ensure the utmost in modeling parameter accuracy.

The design of the products strictly adhered to the design rules set forth by the process designers. Conservative, manufacturable layout rules were followed to minimize the performance variability due to a marginally manufacturable product. In addition the use of statistical modeling methods, such as factorial and response surface techniques, in the designing of the IC's leads to products with a reduced sensitivity to variations in the manufacturing process.

#### **Manufacturing Process**

Through SPC and continual engineering work, the manufacture of the MOSAIC III process is both monitored and enhanced on a continuous basis. Statistical data is gathered at both probe and final test through nth device data collection to monitor the distribution of a parameter to its specification limits. In addition final quality assurance gates are set up to guarantee the quality of outgoing product.

#### **Product Characterization**

Products are both DC and AC characterized for all data

book environmental conditions prior to the release of the product to production. The distributions of the parameters are compared to their specification limits to ensure that Motorola "manufactures" quality products as opposed to "testing" quality products through distribution truncation. In addition ongoing AC characterization is performed to enhance the distributions of the AC parameters of the device. In doing so as the distributions warrant, further enhancements to the AC specifications can be achieved.

#### **Reliability**

To ensure the long term reliability of ECLinPS products extensive accelerated life testing is performed prior to production release. This qualification work is performed by Logic Reliability Engineering, an organization specifically dedicated to monitoring and guaranteeing the quality and reliability of logic products. The accelerated life test consists of the following:

Operating Life Test - 145°C Mil. Std. 883  
Temperature Cycle - -65°C to 150°C Mil. Std. 883  
Pressure, Temperature, Humidity (Hermeticity)

A minimum of two lots, 250 die per lot taken from three different wafers in the lot constitute a qualification sample. Various intermediate readouts are taken to monitor the performance more closely. In addition the devices are tested beyond the specification limits to determine where and how they will fail.

Another responsibility of the reliability group is that of failure analysis. This failure analysis service is supported for both internal purposes and for servicing the needs of our customers. Analysis entails everything from simple package examination to internal microprobing to SEM analysis of IC structures. The results of the analysis are returned to the customer and if the analysis suggests a potential problem with the device the information is also passed to the internal product groups.

#### **RAP: Reliability Audit Program**

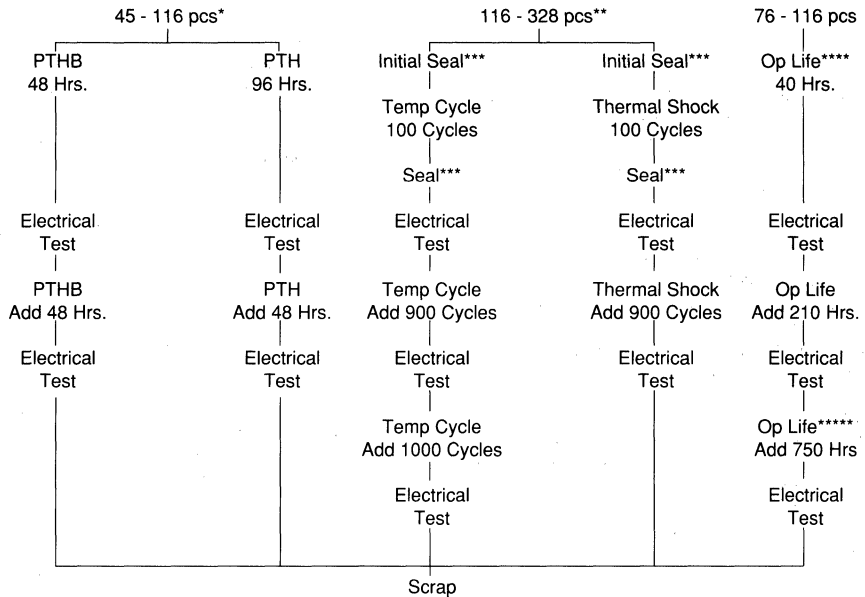
The Reliability Audit Program (RAP) developed in March 1977 is the Motorola internal reliability audit which is designed to assess outgoing product performance under accelerated stress conditions. Logic Reliability Engineering



has overall responsibility for RAP, including updating its requirements, interpreting its results, administration at off-shore locations and monthly reporting of results. These reports are available at all sales offices. Also available is the "Reliability and Quality Handbook" which contains data for all Motorola semiconductors (#BR518S).

Rap is a system of environmental and electrical tests performed periodically on randomly selected samples of standard products. Each sample receives the tests specified in Figure 6.1. Frequency of testing is specified per internal document 12MRM15301A.

Figure 6.1 - Reliability Audit Program Test Flow



- \* PTH will be run as a substitute if PTHB sockets are not available. Only required on plastics packages.
- \*\* Thermal Shock will be run if Temp Cycle is not available.
- \*\*\* Seal (fine and gross) only required on hermetic packages.
- \*\*\*\* All units for Op Life to be AC/DC tested before and after being stressed. All units failing AC after stress will be analyzed.
- \*\*\*\*\* One sample per month

- PTHB**  
15psig/121°C/100% RH at rated  $V_{CC}$  or  $V_{EE}$  - to be performed on plastic encapsulated devices only.
- Temp Cycle**  
Mil. Std. 883, Method 1010, Condition C, -65°C to 150°C
- Op Life**  
Mil. Std. 883, Method 1005, Condition C (Power plus Reverse Bias),  $T_A = 145^\circ\text{C}$ .

**Notes:**

1. All standard 25°C DC and functional parameters will be measured Go/NoGo at each readout.
2. Any indicated failure is first verified and then submitted to the Product Analysis Lab for detailed analysis.
3. Sampling to include all package types routinely.
4. Device types sampled will be by generic type within each digital IC product family (MECL, TTL, etc.) and will include all assembly locations (Korea, Phillipines, Malaysia, etc.).
5. 16 hrs. PTHB is equivalent to ≈800 hrs. of 85°C/85% RH THB for  $V_{CC} \leq 15\text{V}$ .
6. Only moisture related failures (like corrosion) are criteria for failure on PTHB test.
7. Special device specifications (48A's) for digital products will reference 12MRM15301A as a source of generic data for any customer required monthly audit reports.

4

# WORLDWIDE MOTOROLA DISTRIBUTOR AND SALES OFFICES

## AUTHORIZED DISTRIBUTORS

### UNITED STATES:

#### ALABAMA

<b>Huntsville</b>	
Future Electronics	(205)830-2322
Hall-Mark Electronics	(205)837-8700
Hamilton/Avnet Electronics	(205)837-7210
Lex Electronics	(205)895-0480
Time Electronics	(205)721-1133

#### ARIZONA

<b>Chandler</b>	
Hamilton/Avnet Electronics	(602)961-0836
<b>Phoenix</b>	
Future Electronics	(602)968-7140
Hall-Mark Electronics	(602)437-1200
Wyle Laboratories	(602)437-2088
<b>Tempe</b>	
Bell Industries	(602)966-7800
Lex Electronics	(602)491-0030
Time Electronics	(602)967-2000

#### CALIFORNIA

<b>Agoura Hills</b>	
Bell Industries	(818)706-2608
Time Electronics Corporate	(818)707-2890
<b>Calabasas</b>	
Lex Electronics	(818)880-9686
Wyle Laboratories	(818)880-9000
<b>Chatsworth</b>	
Future Electronics	(818)772-6240
Hall-Mark Electronics	(818)773-4500
Time Electronics	(818)988-7200
<b>Costa Mesa</b>	
Hamilton/Avnet Electronics	(714)754-6092
<b>Culver City</b>	
Hamilton/Avnet Corporate	(213)558-2000
<b>Cypress</b>	
Bell Industries	(714)895-7801
<b>Gardena</b>	
Bell Industries	(213)515-1800
Hamilton/Avnet Electronics	(213)516-6498
<b>Irvine</b>	
Future Electronics	(714)250-4141
Hall-Mark Electronics	(714)727-8000
Lex Electronics	(714)953-0200
Wyle Laboratories Corporate	(714)851-9953
Wyle Laboratories	(714)863-9953
<b>Los Angeles</b>	
Bell Industries Corporate	(213)826-6778
<b>Rocklin</b>	
Bell Industries	(916)652-0414
Hall-Mark Electronics	(916)624-9781
<b>Sacramento</b>	
Hamilton/Avnet Electronics	(916)925-2216
Lex Electronics	(916)364-0222
Wyle Laboratories	(916)638-5282
<b>San Diego</b>	
Future Electronics	(619)278-5020
Hall-Mark Electronics	(619)268-1201
Hamilton/Avnet Electronics	(619)571-8730
Lex Electronics	(619)495-0015
Time Electronics	(619)586-0129
Wyle Laboratories	(619)565-9171
<b>San Jose</b>	
Future Electronics	(408)434-1122
Hall-Mark Electronics	(408)432-4000
Lex Electronics	(408)432-7171
<b>Santa Clara</b>	
Wyle Laboratories	(408)727-2500
<b>Sunnyvale</b>	
Bell Industries	(408)734-8570
Hamilton/Avnet Electronics	(408)743-3300
Time Electronics	(408)734-9888
<b>Torrance</b>	
Time Electronics	(213)320-0880
<b>Tustin</b>	
Time Electronics	(714)669-0100
<b>Woodland Hills</b>	
Hamilton/Avnet Electronics	(818)594-0404

#### COLORADO

<b>Englewood</b>	
Hall-Mark Electronics	(303)790-1682
Hamilton/Avnet Electronics	(303)740-1000
Lex Electronics	(303)799-0258
Time Electronics	(303)799-8851
<b>Thornton</b>	
Wyle Laboratories	(303)457-9953
<b>Westminster</b>	
Future Electronics	(303)421-0123
<b>Wheatridge</b>	
Bell Industries	(303)424-1985

#### CONNECTICUT

<b>Bethel</b>	
Future Electronics	(203)743-9594

<b>Cheshire</b>	
Hall-Mark Electronics	(203)271-2844
<b>Danbury</b>	
Hamilton/Avnet Electronics	(203)743-6077
<b>Norwalk</b>	
Pioneer-Standard	(203)853-1515
<b>Oxford</b>	
Lex Electronics	(203)264-4700
<b>Southbury</b>	
Time Electronics	(203)271-3200

#### FLORIDA

<b>Altamonte Springs</b>	
Future Electronics	(407)767-8414
Lex Electronics	(407)331-7555
<b>Casselberry</b>	
Hall-Mark Electronics	(407)830-5855
<b>Clearwater</b>	
Future Electronics	(813)578-2770
Hall-Mark Electronics	(813)541-4394
<b>FL Lauderdale</b>	
Hamilton/Avnet Electronics	(305)767-6377
Time Electronics	(305)484-7778
<b>Orlando</b>	
Hamilton/Avnet Electronics	(407)628-3888
Time Electronics	(407)841-6565
<b>Pompano Beach</b>	
Hall-Mark Electronics	(305)971-9280
Lex Electronics	(305)977-7511
<b>St. Petersburg</b>	
Hamilton/Avnet Electronics	(813)573-3930
Time Electronics	(407)841-6565

#### GEORGIA

<b>Atlanta</b>	
Time Electronics	(404)351-3545
<b>Duluth</b>	
Hall-Mark Electronics	(404)623-4400
Hamilton/Avnet Electronics	(404)446-0611
<b>Norcross</b>	
Future Electronics	(404)441-7676
Lex Electronics	(404)449-9170
Time Electronics	(404)368-0969

#### ILLINOIS

<b>Addison</b>	
Pioneer-Standard	(708)437-9680
<b>Bensenville</b>	
Hamilton/Avnet Electronics	(708)860-7700
<b>Chicago</b>	
Newark Electronics Corp.	(312)784-5100
<b>Elk Grove Village</b>	
Bell Industries	(708)640-1910
<b>LaFox</b>	
Richardson Electronics	(708)208-2200
<b>Schaumburg</b>	
Future Electronics	(708)882-1255
Lex Electronics	(708)330-2888
Time Electronics	(708)303-3000
<b>Urbana</b>	
Bell Industries	(217)328-1077
<b>Wooddale</b>	
Hall-Mark Electronics	(708)860-3800

#### INDIANA

<b>Fort Wayne</b>	
Bell Industries	(219)423-3422
<b>Indianapolis</b>	
Bell Industries	(317)875-8200
Hall-Mark Electronics	(317)872-8875
Hamilton/Avnet Electronics	(317)944-9333
Pioneer-Standard	(317)573-0880
Lex Electronics	(317)843-1050
Time Electronics	(708)303-3000

#### IOWA

<b>Cedar Rapids</b>	
Hamilton/Avnet Electronics	(319)362-4757
Lex Electronics	(319)373-1417
Time Electronics	(314)391-6444

#### KANSAS

<b>Lenexa</b>	
Hall-Mark Electronics	(913)888-4747
<b>Overland Park</b>	
Hamilton/Avnet Electronics	(913)888-8900
Lex Electronics	(913)492-2922
Time Electronics	(314)391-6444

#### MARYLAND

<b>Columbia</b>	
Future Electronics	(301)290-0600
Hall-Mark Electronics	(301)988-9800
Hamilton/Avnet Electronics	(301)995-3500
Lex Electronics	(301)596-7800
Time Electronics	(301)964-3090

#### MASSACHUSETTS

<b>Billerica</b>	
Hall-Mark Electronics	(617)935-9777

<b>Boston</b>	
Hamilton/Avnet Electronics	(508)531-7430
<b>Burlington</b>	
Wyle Laboratories	(617)272-7300
<b>Lexington</b>	
Pioneer-Standard	(617)961-9200
<b>Peabody</b>	
Time Electronics	(508)532-9900
<b>Westborough</b>	
Future Corporate	(508)366-2400
<b>Wilmington</b>	
Lex Electronics	(508)694-9100

#### MICHIGAN

<b>Grand Rapids</b>	
Hamilton/Avnet Electronics	(616)243-8805
Pioneer-Standard	(616)698-1800
<b>Livonia</b>	
Future Electronics	(313)261-5270
Hall-Mark Electronics	(313)482-1205
Hamilton/Avnet Electronics	(313)347-4270
Lex Electronics	(313)525-8100
Pioneer-Standard	(313)525-1800
Time Electronics	(614)761-1100
<b>Wixom</b>	
Bell Industries	(313)347-6633

#### MINNESOTA

<b>Eden Prairie</b>	
Future Electronics	(612)944-2200
Hall-Mark Electronics	(612)941-2600
<b>Edina</b>	
Time Electronics	(612)943-2433
<b>Minneapolis</b>	
Hamilton/Avnet Electronics	(612)932-0600
Lex Electronics	(612)941-5280
Pioneer-Standard	(612)944-3355

#### MISSOURI

<b>Earth City</b>	
Hall-Mark Electronics	(314)291-5350
Hamilton/Avnet Electronics	(314)537-1600
Lex Electronics	(314)739-0526
<b>St. Louis</b>	
Future Electronics	(314)469-6805
Pioneer-Standard	(314)432-4350
Time Electronics	(314)391-6444

#### NEW HAMPSHIRE

<b>Manchester</b>	
Hamilton/Avnet Electronics	(603)624-9400

#### NEW JERSEY

<b>Cherry Hill</b>	
Hamilton/Avnet Electronics	(609)424-0100

#### Fairfield

Future Electronics	(201)227-4346
Hall-Mark Electronics	(201)575-4415
Hamilton/Avnet Electronics	(201)575-3390
<b>Mount Laurel</b>	
Future Electronics	(609)778-7600
Hall-Mark Electronics	(609)235-1900
<b>Pinebrook</b>	
Lex Electronics	(201)227-7880
Pioneer-Standard	(201)575-3510

#### Wayne

Time Electronics	(201)785-8250
------------------	---------------

#### NEW MEXICO

<b>Albuquerque</b>	
Alliance Electronics	(505)292-3360
Bell Industries	(505)292-2700
Hamilton/Avnet Electronics	(505)345-0001

#### NEW YORK

<b>Binghamton</b>	
Pioneer-Standard	(607)722-9300
<b>Fairport</b>	
Pioneer-Standard	(716)381-7070
<b>Hauppauge</b>	
Future Electronics	(516)234-4000
Hall-Mark Electronics	(516)737-0600
Hamilton/Avnet Electronics	(516)231-9800
Lex Electronics	(516)231-2500
Time Electronics	(516)273-0100
<b>Liverpool</b>	
Future Electronics	(315)451-2371
<b>Pittsford</b>	
Lex Electronics	(716)389-8020

#### Rochester

Future Electronics	(716)272-1120
Hall-Mark Electronics	(716)425-3300
Hamilton/Avnet Electronics	(716)292-0730
Time Electronics	(315)432-0355
<b>Syracuse</b>	
Hamilton/Avnet Electronics	(315)437-2641
Time Electronics	(315)432-0355

#### Westbury, LI

Lex Electronics Corporate	(516)876-4000
---------------------------	---------------

#### Woodbury, LI

Pioneer-Standard	(516)921-8700
------------------	---------------

# AUTHORIZED DISTRIBUTORS — continued

## UNITED STATES (cont'd):

<b>NORTH CAROLINA</b>	
<b>Charlotte</b>	
Future Electronics	(704)529-5500
Time Electronics	(704)522-7600
<b>Raleigh</b>	
Future Electronics	(919)790-7111
Hall-Mark Electronics	(919)872-0712
Hamilton/Avnet Electronics	(919)878-0810
Lex Electronics	(919)876-0000
<b>OHIO</b>	
<b>Beachwood</b>	
Lex Electronics	(216)464-2970
<b>Cleveland</b>	
Hall-Mark Electronics	(216)349-4632
Hamilton/Avnet Electronics	(216)349-5100
Pioneer-Standard Corporate	(216)587-3600
Time Electronics	(614)761-1100
<b>Columbus</b>	
Hamilton/Avnet Electronics	(614)882-7004
Time Electronics	(614)794-3301
<b>Dayton</b>	
Pioneer-Standard	(513)236-9900
Bell Industries	(513)435-8660
Hamilton/Avnet Electronics	(513)439-6700
Lex Electronics	(513)439-1800
Time Electronics	(614)761-1100
<b>Mayfield Heights</b>	
Future Electronics	(216)449-6996
<b>Toledo</b>	
Hamilton/Avnet Electronics	(419)242-6610
<b>Worthington</b>	
Hall-Mark Electronics	(614)888-3313
<b>OKLAHOMA</b>	
<b>Tulsa</b>	
Hall-Mark Electronics	(918)254-6110
Hamilton/Avnet Electronics	(918)252-7297
Lex Electronics	(918)665-0277
<b>OREGON</b>	
<b>Beaverton</b>	
Almac Electronics Corp.	(503)641-9070
Future Electronics	(503)645-9454
<b>Hillsboro</b>	
Wyle Laboratories	(503)643-7900
<b>Lake Oswego</b>	
Bell Industries	(503)241-4115
<b>Portland</b>	
Hamilton/Avnet Electronics	(503)627-0201
Time Electronics	(503)664-3780
<b>PENNSYLVANIA</b>	
<b>Erie</b>	
Hamilton/Avnet Electronics	(814)455-6767

<b>Philadelphia</b>	
Hall-Mark Electronics	(215)355-7300
Lex Electronics	(609)273-7900
Time Electronics	(609)596-6700
<b>Pittsburgh</b>	
Hamilton/Avnet Electronics	(412)281-4150
Pioneer-Standard	(412)782-2300
Lex Electronics	(412)963-6807
Time Electronics	(614)761-1100
<b>TEXAS</b>	
<b>Addison</b>	
Lex Electronics	(214)247-6300
<b>Austin</b>	
Hall-Mark Electronics	(512)258-8848
Hamilton/Avnet Electronics	(512)832-4306
Lex Electronics	(512)339-0088
Time Electronics	(512)339-3051
Wyle Laboratories	(512)345-8853
<b>Dallas</b>	
Future Electronics	(214)437-2437
Hall-Mark Corporate	(214)343-5000
Hall-Mark Electronics	(214)553-4300
Lex Electronics	(214)247-6300
Hamilton/Avnet Electronics	(214)308-8140
Time Electronics	(214)480-5030
Wyle Laboratories	(214)235-9953
<b>Ft. Worth</b>	
Allied Electronics	(817)336-5401
<b>Houston</b>	
Future Electronics	(713)556-8696
Hall-Mark Electronics	(713)781-6100
Hamilton/Avnet Electronics	(713)240-7898
Lex Electronics	(713)784-3600
Time Electronics	(713)530-0800
Wyle Laboratories	(713)879-9953
<b>UTAH</b>	
<b>Salt Lake City</b>	
Bell Industries	(801)972-6969
Future Electronics	(801)972-8489
Hamilton/Avnet Electronics	(801)972-2800
Wyle Laboratories	(801)974-9953
<b>West Valley City</b>	
Hall-Mark Electronics	(801)972-1008
Time Electronics	(801)973-8181
<b>WASHINGTON</b>	
<b>Bellevue</b>	
Almac Electronics Corp.	(206)643-9992
Future Electronics	(206)881-8199
Hall-Mark Electronics	(206)547-0415
<b>Redmond</b>	
Bell Industries	(206)747-1515
Hamilton/Avnet Electronics	(206)241-8555
Time Electronics	(206)882-1600
Wyle Laboratories	(206)881-1150

<b>WISCONSIN</b>	
<b>Brookfield</b>	
Pioneer-Standard	(414)784-3480
<b>Milwaukee</b>	
Time Electronics	(708)303-3000
<b>New Berlin</b>	
Hall-Mark Electronics	(414)797-7844
Hamilton/Avnet Electronics	(414)784-4510
Lex Electronics	(414)784-9451
<b>Waukesha</b>	
Bell Industries	(414)547-8879
Future Electronics	(414)786-1884

## CANADA:

<b>ALBERTA</b>	
<b>Calgary</b>	
Electro Sonic Inc.	(403)255-9550
Future Electronics	(403)235-5325
Hamilton/Avnet Electronics	(403)236-2484
<b>Edmonton</b>	
Future Electronics	(403)438-2858
Hamilton/Avnet Electronics	(800)863-5500
<b>BRITISH COLUMBIA</b>	
<b>Vancouver</b>	
Electro Sonic Inc.	(609)273-2911
Future Electronics	(604)244-1166
Hamilton/Avnet Electronics	(604)420-4101
<b>MANITOBA</b>	
<b>Winnipeg</b>	
Electro Sonic Inc.	(209)783-3105
Future Electronics	(204)786-7711
Hamilton/Avnet Electronics	(204)942-3992
<b>NOVA SCOTIA</b>	
<b>Halifax</b>	
Hamilton/Avnet Electronics	(902)465-4224
<b>ONTARIO</b>	
<b>Ottawa</b>	
Arrow Electronics	(613)226-6903
Electro Sonic Inc.	(613)726-8333
Future Electronics	(613)820-8313
Hamilton/Avnet Electronics	(613)226-1700
<b>QUEBEC</b>	
<b>Montreal</b>	
Arrow Electronics	(514)735-5511
Future Electronics	(514)694-7710
Hamilton/Avnet Electronics	(514)335-1000
<b>Toronto</b>	
Arrow Electronics	(416)670-7769
Electro Sonic Inc.	(416)494-1555
Future Electronics	(416)638-4771
Hamilton/Avnet Electronics	(416)677-7432
<b>Quebec City</b>	
Arrow Electronics	(418)687-4231
Future Electronics	(418)682-8092

## SALES OFFICES

### UNITED STATES:

<b>ALABAMA</b> , Huntsville	(205)830-1051
<b>ARIZONA</b> , Phoenix	(602)897-5056
<b>ARIZONA</b> , Tempe	(602)438-3719
<b>CALIFORNIA</b> , Agoura Hills	(818)706-1929
<b>CALIFORNIA</b> , Lawndale	(213)536-8888
<b>CALIFORNIA</b> , Orange	(714)634-2844
<b>CALIFORNIA</b> , Sacramento	(916)922-7152
<b>CALIFORNIA</b> , San Diego	(619)541-2153
<b>CALIFORNIA</b> , Sunnyvale	(408)748-0510
<b>COLORADO</b> , Colorado Springs	(719)599-7497
<b>COLORADO</b> , Denver	(303)337-3434
<b>CONNECTICUT</b> , Wallingford	(203)284-0810
<b>FLORIDA</b> , Maitland	(407)628-2636
<b>FLORIDA</b> , Pompano Beach	
Ft. Lauderdale	(305)486-9776
<b>FLORIDA</b> , St. Petersburg	(813)576-6035
<b>GEORGIA</b> , Atlanta	(404)449-3875
<b>ILLINOIS</b> , Chicago	(708)490-9500
Hoffman Estates	(219)436-5818
<b>INDIANA</b> , Fort Wayne	(317)571-0400
<b>INDIANA</b> , Indianapolis	(317)457-6634
<b>INDIANA</b> , Kokomo	(319)373-1328
<b>IOWA</b> , Cedar Rapids	(319)451-8555
<b>KANSAS</b> , Kansas City/Mission	(301)381-1570
<b>MARYLAND</b> , Columbia	(301)381-1570
<b>MASSACHUSETTS</b> , Marlborough	(508)481-8100
<b>MASSACHUSETTS</b> , Woburn	(617)922-9700
<b>MICHIGAN</b> , Detroit	(313)347-6800
<b>MINNESOTA</b> , Minneapolis	(612)941-6800
<b>MISSOURI</b> , St. Louis	(314)275-7380
<b>NEW JERSEY</b> , Fairfield	(201)808-2400
<b>NEW YORK</b> , Fairport	(716)425-4000
<b>NEW YORK</b> , Hauppauge	(516)361-7000
<b>NEW YORK</b> , Poughkeepsie	
Fishkill	(914)473-8102
<b>NORTH CAROLINA</b> , Raleigh	(919)876-6026
<b>INDIANA</b> , Cleveland	(216)349-3100
<b>OHIO</b> , Columbus/Worthington	(614)431-8492
<b>OHIO</b> , Dayton	(513)495-6800
<b>OKLAHOMA</b> , Tulsa	(918)664-5233
<b>OREGON</b> , Portland	(503)641-3681
<b>PENNSYLVANIA</b> , Philadelphia/	
Colmar	(215)997-1020
Horsham	(215)957-4100

<b>TENNESSEE</b> , Knoxville	(615)690-5593
<b>TEXAS</b> , Austin	(512)973-2000
<b>TEXAS</b> , Houston	(713)783-6402
<b>TEXAS</b> , Houston	(713)251-1291
<b>TEXAS</b> , Richardson	(214)480-8100
<b>WASHINGTON</b> , Bellevue	(206)454-4160
Seattle Access	(206)622-9960
<b>WISCONSIN</b> , Milwaukee	
Brookfield	(414)792-0122

Field Applications Engineering Available  
Through All Sales Offices

### CANADA:

<b>BRITISH COLUMBIA</b> , Vancouver	(604)434-9134
<b>ONTARIO</b> , Toronto	(416)497-8181
<b>ONTARIO</b> , Ottawa	(613)226-3491
<b>QUEBEC</b> , Montreal	(514)731-6881

### INTERNATIONAL:

<b>AUSTRALIA</b> , Melbourne	61(3)887-0711
<b>AUSTRALIA</b> , Sydney	61(2)906-3855
<b>BRAZIL</b> , Sao Paulo	55(11)813-1459
or	55(11)813-1554
<b>FINLAND</b> , Helsinki	358(0)693-5840
car phone	358(49)211501
<b>FRANCE</b> , Paris	33(1)4095-5900
<b>GERMANY</b> , Langenhagen/	
Hannover	49(511)789911
<b>GERMANY</b> , Munich	49(89)92103-0
<b>GERMANY</b> , Nuremberg	49(91)164-3044
<b>GERMANY</b> , Sindelfingen	49(703)183074
<b>GERMANY</b> , Wiesbaden	49(6121)761921
<b>HONG KONG</b> , Kwai Chung	852480-8333
<b>ISRAEL</b> , Tel Aviv	972(3)753-8222
or	39(2)82201
<b>JAPAN</b> , Aizu	81(241)272231
<b>JAPAN</b> , Atsugi	81(462)23-0761
<b>JAPAN</b> , Kumagaya	81(465)26-2600
<b>JAPAN</b> , Kyushu	81(92)771-4212
<b>JAPAN</b> , Mito	81(292)26-2340
<b>JAPAN</b> , Nagoya	81(52)232-1621

<b>JAPAN</b> , Osaka	81(6)305-1801
<b>JAPAN</b> , Sendai	81(22)268-4333
<b>JAPAN</b> , Tachikawa	81(425)23-6700
<b>JAPAN</b> , Tokyo	81(3)440-3311
<b>JAPAN</b> , Yokohama	81(45)472-2751
<b>KOREA</b> , Pusan	82(51)463-5035
<b>KOREA</b> , Seoul	82(2)554-5118-21
<b>MALAYSIA</b> , Penang	60(4)374514
<b>MEXICO</b> , Mexico City	52(5)207-7880
or	52(5)207-7727
<b>MEXICO</b> , Guadalajara	52(36)21-89-77
or	52(36)21-91-29
<b>NETHERLANDS</b> , Maarssen	(31)4498961-211
<b>PUERTO RICO</b> , San Juan	(809)793-2170
<b>SINGAPORE</b>	65294-5438
<b>SPAIN</b> , Madrid	34(1)457-8204
or	34(1)457-9254
<b>SWEDEN</b> , Solna	46(8)794-8800
<b>SWITZERLAND</b> , Geneva	41(22)799-1111
<b>SWITZERLAND</b> , Zurich	41(1)730-4074
<b>TAIWAN</b> , Taipei	886(2)717-7089
<b>UNITED KINGDOM</b> , Aylesbury	44(296)395-252

### FULL LINE REPRESENTATIVES:

<b>COLORADO</b> , Grand Junction	
Cheryl Lee Whitley	(303)243-9658
<b>KANSAS</b> , Wichita	
Melinda Shores/Kelly Greiving	(316)838-0190
<b>NEVADA</b> , Reno	
Galena Technology Group	(702)746-0642
<b>NEW MEXICO</b> , Albuquerque	
S&S Technologies, Inc.	(505)255-5599
<b>UTAH</b> , Salt Lake City	
Utah Component Sales, Inc.	(801)561-5099
<b>WASHINGTON</b> , Spokane	
Doug Kenley	(509)924-2322
<b>ARGENTINA</b> , Buenos Aires	
Argonics, S.A.	(541)30-2461

### LIASON OFFICE:

<b>INDIA</b> , New Delhi	(011)371-4739
--------------------------	---------------



**Literature Distribution Centers:**

USA: Motorola Literature Distribution; P.O. Box 20912; Phoenix, Arizona 85036.

EUROPE: Motorola Ltd.; European Literature Center; 88 Tanners Drive, Blakelands, Milton Keynes, MK14 5BP, England.

JAPAN: Nippon Motorola Ltd.; 4-32-1, Nishi-Gotanda, Shinagawa-ku, Tokyo 141 Japan.

ASIA-PACIFIC: Motorola Semiconductors H.K. Ltd.; Silicon Harbour Center, No. 2 Dai King Street, Tai Po Industrial Estate, Tai Po, N.T., Hong Kong.