

SANYO

No. 5188

Analog Signal Processing Circuit (ASP) for CD players

Overview

The LA9220M is an analog signal processing and servo control bipolar IC designed for use in compact disc players; a compact disc player can be configured by combining this IC, a CD-DSP such as the LC78681KE, and a small number of additional components.

Functions

I/V amplifier, RF amplifier (with AGC), SLC, APC, VCOC amplifier, VCO (supports double-speed playback), FE, TE (with VCA and auto-balance function), tracking servo amplifier (with offset cancellation function), spindle servo amplifier (with gain switching function), sled servo amplifier (with off function), focus detection (DRF, FZD), track detection (HFL, TES), defect detection, and shock detection.

Features

The following automatic adjustment functions are built in.

- Focus offset auto cancel
- Tracking offset auto cancel
- EF balance auto adjustment
- RF level AGC function
- Tracking servo gain RF level following function

Specifications

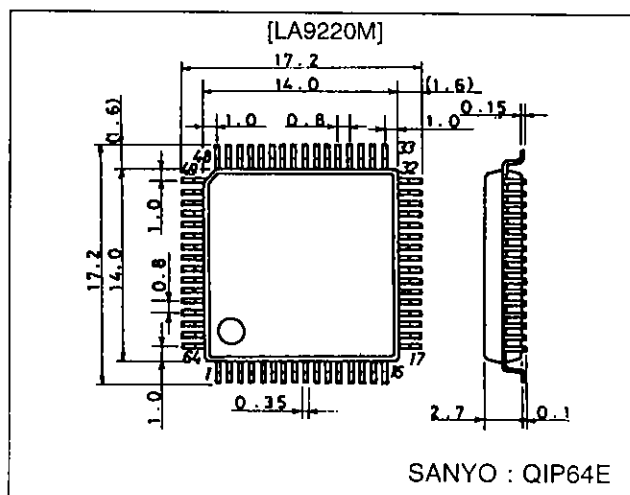
Absolute Maximum Ratings at Ta = 25 °C, Pins 22, 45 = GND

Parameter	Symbol	Conditions	Ratings	Unit
Maximum supply voltage	Vsup max	Pin 56, 64	7	V
Allowable power dissipation	Pd max		350	mW
Operating temperature	Topr		-25 to +75	°C
Storage temperature	Tstg		-40 to +150	°C

Package Dimensions

unit : mm

3159-QFP64E



LA9220M

Operating Conditions at Pins 22, 45 = GND

Parameter	Symbol	Conditions	Ratings	Unit
Recommended supply voltage	V_{CC}		+5	V
Operating supply voltage	$V_{CC\ op}$		3.6 to 5.5	V

Operating Characteristics at $T_a = 25\ ^\circ\text{C}$, Pins 22, 45 = GND, V_{CC} (pins 56, 64) = 5 V

Parameter	Symbol	Conditions	min	typ	max	Unit
Current drain	I_{CCO}	V_{CC1} (pin 64) + V_{CC2} (pin 56)	25	40	55	mA
Reference voltage	V_{ref}	VR	2.3	2.5	2.7	V
[Interface]						
CE-Vth	CE_{vth}	CE		0.8		V
CL-Vth	CL_{vth}	CL		0.8		V
DAT-Vth	DAT_{vth}	DAT		0.8		V
Maximum CL frequency	CL_{max}		500			kHz
[RF amplifier]						
RFSM no signal voltage	$RFSM_o$		1.35	1.60	1.85	V
Minimum gain	$RFSM_{Gmin}$	FIN1, FIN2 : 1 M Ω -input, PH1 = 4 V freq = 200 kHz, RFSM	-14.0	-12.5	-11.0	dB
[Focus amplifier]						
FDO gain	FD_G	FIN2 : 1 M Ω -input, FDO	3.5	5.0	6.5	dB
FDO offset	FD_{ost}	Difference from reference voltage, servo on	-170	0	+170	mV
Off time offset	FD_{ofost}	Difference from reference voltage, servo off	-40	0	+40	mV
Offset adjustment step	FD_{step}	FDO		50		V
F search voltage H	FS_{max}	FDO		0.8		V
F search voltage L	FS_{min}	FDO		-0.8		V
[Tracking amplifier]						
TE gain MAX	TE_{Gmax}	f = 10 kHz, E: 1 M Ω -input, PH1 = 4 V	5.0	6.5	8.0	dB
TE gain MIN	TE_{Gmin}	f = 10 kHz, E: 1 M Ω -input, PH1 = 1 V	-0.5	+1.8	+4.0	dB
TE-3 dB	TE_{fc}	E: 1 M Ω -input		60		kHz
TO gain	TO_G	TH \rightarrow TO gain, THLD mode	4.0	6.0	8.0	dB
TGL offset	TGL_{ost}	Servo on, TGL = H, TO	-250	0	+250	mV
TGH offset	TGH_{ost}	TGL = L, difference from TGL offset, TO	-50	0	+50	mV
THLD offset	$THLD_{ost}$	THLD mode, difference from TGL offset, TO	-50	0	+50	mV
Off 1 offset	$OFF1_{ost}$	TOFF = H	-50	0	+50	mV
Off 2 offset	$OFF2_{ost}$	TOFF2 off (IF)	-50	0	+50	mV
Offset adjustment step	TO_{step}	TO		60		mV
Balance range H	BAL-H	Δ gain E/F input, TB = 5 V		+3.5		dB
Balance range L	BAL-L	Δ gain E/F input, TB = 0 V		-3.5		dB
TOFF-VTH	$TOFF_{vth}$		1.0	2.5	3.0	V
TGL-VTH	TGL_{vth}		1.0	2.5	3.0	V
[PH]						
No signal voltage	PH_o	Difference from RFSM	-0.85	-0.65	-0.45	V
[BH]						
No signal voltage	BH_o	Difference from RFSM	0.45	0.65	0.85	V
[DRF]						
Detection voltage	DRF_{vth}	Difference from VR at RFSM	-0.60	-0.35	-0.20	V
Output voltage H	$DRF-H$		4.5	4.9		V
Output voltage L	$DRF-L$			0	+0.5	V
[FZD]						
Detection voltage 1	$FZD1$	FE, difference from VR	0	+0.2		V
Detection voltage 2	$FZD2$	FE, difference from VR		0		V

Continued on next page.

LA9220M

Continued from proceeding page.

Parameter	Symbol	Conditions	min	typ	max	Unit
[HFL]						
Detection voltage	HFLvth	Difference from VR at RFSM	-0.35	-0.2	-0.05	V
Output voltage H	HFL-H		4.5	4.9		V
Output voltage L	HFL-L			0	+0.5	V
[TES]						
Detection voltage LH	TES-LH	TESI, difference from VR	-0.15	-0.10	-0.05	V
Detection voltage HL	TES-HL	TESI, difference from VR	0.05	0.10	0.15	V
Output voltage H	TES-H		4.5	4.9		V
Output voltage L	TES-L			0	+0.5	V
[JP]						
Output voltage H	JP-H	Difference from JP ⁺ = 0 V, JP ⁻ = 0 V at JP ⁺ = 0 V, JP ⁻ = 5 V, TO	0.35	0.5	0.65	V
Output voltage L	JP-L	Difference from JP ⁺ = 0 V, JP ⁻ = 0 V at JP ⁺ = 5 V, JP ⁻ = 0 V, TO	-0.65	-0.5	-0.35	V
[Spindle amplifier]						
Offset 12	SPD12ost	Difference from VR at SPD, 12 cm mode	-40	0	+40	mV
Offset 8	SPD8ost	Difference from VR at SPD, 8 cm mode	-40	0	+40	mV
Offset off	SPDof	Difference from VR at SPD, OFF mode	-30	0	+30	mV
Output voltage H12	SPD-H12	Difference from offset-12, 12 cm mode CV ⁺ = 5 V, CV ⁻ = 0 V	0.75	1.0	1.25	V
Output voltage L12	SPD-L12	Difference from offset-12, 12 cm mode CV ⁺ = 0 V, CV ⁻ = 5 V	-1.25	-1.0	-0.75	V
Output voltage H8	SPD-H 8	Difference from offset-8, 8 cm mode CV ⁺ = 5 V, CV ⁻ = 0 V	0.35	0.5	0.65	V
[Sled amplifier]						
SLEQ offset	SLEQost	Difference from TO at SLEQ	-30	0	+30	mV
Offset SLD	SLDost	SLEQ = VR, difference from VR	-100	0	+100	mV
Offset off	SLDof	Off mode	-40	0	+40	mV
Off VTH	SLOFvth	SLOF	1.0	1.4	2.0	V
[SLC]						
No signal voltage	SLCo	SLC	2.25	2.5	2.75	V
[Shock]						
No signal voltage	SClo	SCI, difference from VR	-40	0	+40	mV
Detection voltage H	SClvthH	SCI, difference from VR	60	100	140	mV
Detection voltage L	SClvthL	SCI, difference from VR	-140	-100	-60	mV
[DEF]						
Detection voltage	DEFvth	Difference between LF2 voltage when RFSM = 3.5 V and DEF is detected, and LF2 voltage when RFSM = 3.5 V	0.20	0.35	0.50	V
Output voltage H	DEF-H		4.5	4.9		V
Output voltage L	DEF-L			0	+0.5	V
[APC]						
Reference voltage	LDS	LDS voltage at which LDD = 3 V	150	180	210	mV
Off voltage	LDDof	LDD	3.9	4.3	4.6	V
[VCO]						
Free-running frequency fo	VCOfo	CLK = 4.23 MHz	8.14	8.64	9.14	MHz
Upper limit variable width ΔfH	VCOΔfH	Difference from fo	1.4	2.1	2.8	MHz
Lower limit variable width ΔfL	VCOΔfL	Difference from fo	-2.5	-1.9	-1.3	MHz
Output level 1	VCOv1	Normal mode	0.5	1.0		Vp-p
Output level 2	VCOv2	2FREQ mode	0.5	1.0		Vp-p

LA9220M

Pin Functions

Pin No.	Symbol *	Contents
1	FIN2	Pickup photodiode connection pin. Added to pin FIN1 to generate the RF signal, subtracted from pin FIN1 to generate the FE signal.
2	FIN1	Pickup photodiode connection pin.
3	E	Pickup photodiode connection pin. Subtracted from pin F to generate the TE signal.
4	F	Pickup photodiode connection pin.
5	TB	TE signal DC component input pin.
6	TE ⁻	Pin to which the TE signal gain setting resistor is connected between this pin and TE pin.
7	TE	TE signal output pin.
8	TESI	TES (Track Error Sense) comparator input pin. The TE signal is input through a bandpass filter.
9	SCI	Shock detection input pin.
10	TH	Tracking gain time constant setting pin.
11	TA	Pin to connect to the servo high-pass elimination capacitor.
12	TD ⁻	Pin for configuring the tracking phase compensation constant between the TD and VR pins.
13	TD	Tracking phase compensation setting pin.
14	JP	Tracking jump signal (kick pulse) amplitude setting pin.
15	TO	Tracking control signal output pin.
16	FD	Focusing control signal output pin.
17	FD ⁻	Pin for configuring the focusing phase compensation constant between the FD and FA pins.
18	FA	Pin for configuring the focusing phase compensation constant between the FD ⁻ and FA ⁻ pins.
19	FA ⁻	Pin for configuring the focusing phase compensation constant between the FA and FE pins.
20	FE	FE signal output pin.
21	FE ⁻	Pin to which the FE signal gain setting resistor is connected between this pin and FE pin.
22	AGND	Analog signal GND.
23	SP	CV ⁺ and CV ⁻ pin input signal single-end output.
24	SPI	Spindle amplifier input.
25	SPG	12 cm spindle mode gain setting resistor connection pin.
26	SP ⁻	Spindle phase compensation constant connection pin, along with the SPD pin.
27	SPD	Spindle control signal output pin.
28	SLEQ	Sled phase compensation constant connection pin.
29	SLD	Sled control signal output pin.
30	SL ⁻	Input pin for sled movement signal from microprocessor.
31	SL ⁺	Input pin for sled movement signal from microprocessor.
32	JP ⁻	Input pin for tracking jump signal from DSP.
33	JP ⁺	Input pin for tracking jump signal from DSP.
34	TGL	Input pin for tracking gain control signal from DSP. Gain is low when TGL is high.
35	TOFF	Input pin for tracking off control signal from DSP. Tracking servo is off when TOFF is high.
36	TES	Output pin for TES signal to DSP.
37	HFL	The High Frequency Level is used to determine whether the main beam is positioned over a bit or over the mirrored surface.
38	SLOF	Sled servo off control input pin
39	CV ⁻	Input pin for CLV error signal from DSP.
40	CV ⁺	Input pin for CLV error signal from DSP.
41	RFSM	RF output pin.
42	RFS ⁻	RF gain setting and EFM signal 3T compensation constant setting pin, along with the RFSM pin.
43	SLC	Slice Level Control is an output pin that controls the data slice level used by the DSP for the RF waveform.
44	SLI	Input pin used by DSP for controlling the data slice level.
45	DGND	Digital system GND pin.
46	VC ⁻	VCO control amplifier input pin. Configures PLL loop filter along with VCOC and PDO of DSP.
47	VCOC	VCO control output pin.
48	VCO	VCO output pin.
49	DEF	Disc defect detection output pin.
50	CLK	Reference clock input pin. 4.23 MHz signal from the DSP is input.
51	CL	Microprocessor command clock input pin.

Continued on next page.

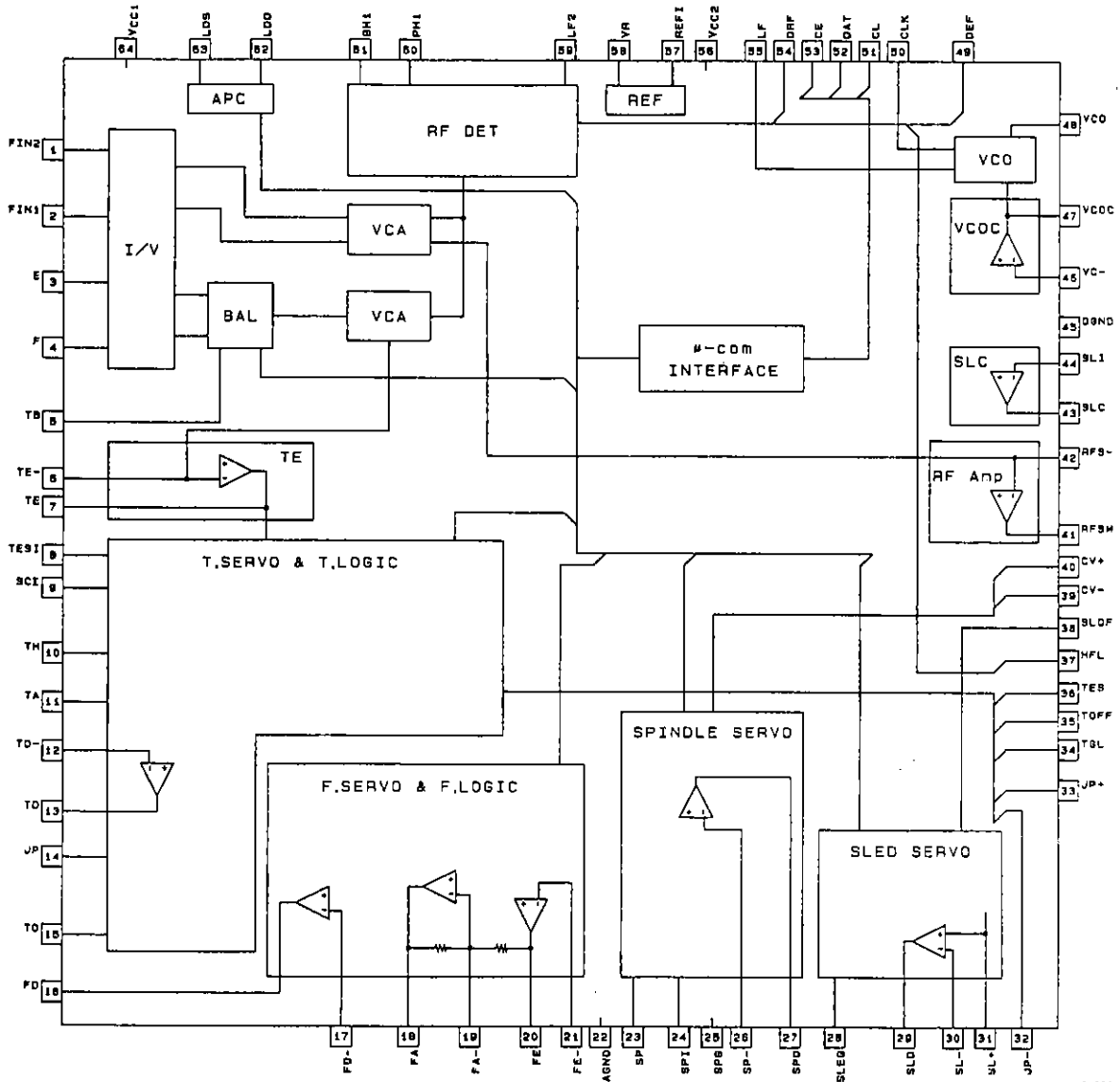
LA9220M

Continued from preceding page.

Pin No.	Symbol	Contents
52	DAT	Microprocessor command data input pin.
53	CE	Microprocessor command chip enable input pin.
54	DRF	RF level detection output (Detect RF).
55	LF	VCO free-running adjustment pin.
56	V _{CC} 2	Servo system and digital system V _{CC} pin.
57	REF1	Bypass capacitor connection pin for reference voltage.
58	VR	Reference voltage output pin.
59	LF2	Disc defect detection time constant setting pin.
60	PH1	RF signal peak hold capacitor connection pin.
61	BH1	RF signal bottom hold capacitor connection pin.
62	LDD	APC circuit output pin.
63	LDS	APC circuit input pin.
64	V _{CC} 1	RF system V _{CC} pin.

LA9220M

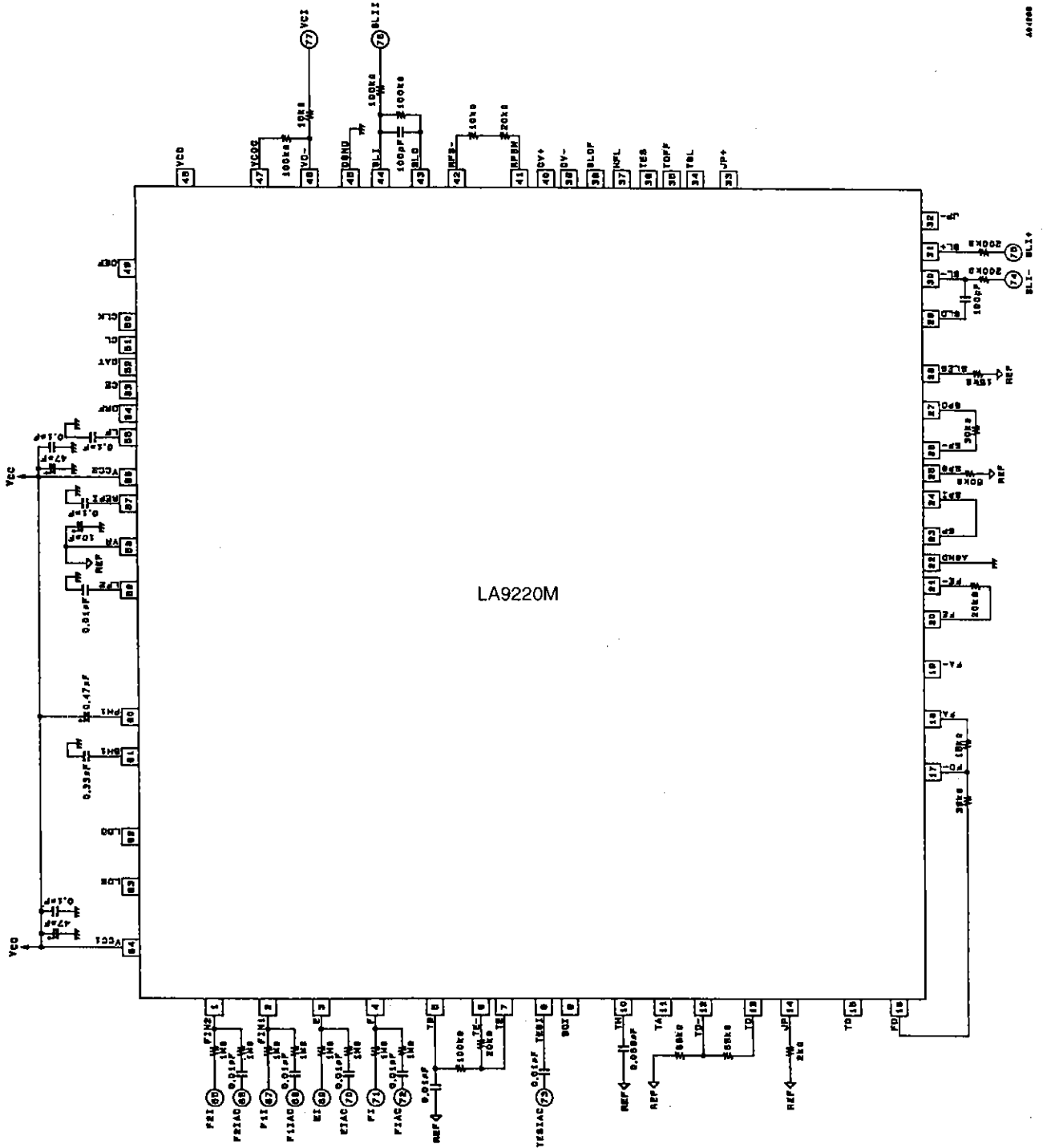
Block Diagram



AD489A

LA9220M

Test Circuit



441008

Description of Operation

- APC (auto laser power control)
This circuit controls the pickup laser power. The laser is turned on and off by commands from the microprocessor.
- RF amplifier (eye pattern output)
The pickup photodiode output current (A + C) is input to FIN2 (pin 1), and (B + D) is input to FIN1 (pin 2). The current that is input is converted to the voltage, passes through the AGC circuit, and is then output from the RFSM amplifier output RFSM (pin41). The internal AGC circuit has a variable range of ± 3 dB, and the time constant can be changed through the external capacitor connected to PH1 (pin 60). In addition, this circuit also controls the bottom level of the EFM signal (RFSM output), and the response can be changed through the external capacitor connected to BH1 (pin 61). The center gain setting for the AGC variable range is set by the resistance between RFSM (pin 41) and RFS⁻ (pin 42); if necessary, this resistance is also used for 3T compensation for the EFM signal.
- SLC (slice level control)
The SLC sets the duty ratio for the EFM signal that is input to the DSP to 50%. The DC level is determined by integrating the EFMO signal output from the DSP to determine the duty ratio.
- Focus servo
The focus error signal is derived by detecting the difference between (A + C) and (B + D), which is $(B + D) - (A + C)$, and is then output from FE (pin 20). The focus error signal gain is set by the resistance between FE (pin 20) and FE⁻ (pin 21). The FA amplifier is the pickup phase compensation amplifier, and the equalizer curve is set by the external capacitor and resistance. Furthermore, this amplifier has a mute function which is applied when V_{CC} is turned on, when the F-SERVO OFF command is sent, and during F-SEARCH. In order to turn the focus servo on, send either the LASER ON command or the F-SERVO ON command.
The FD amplifier has a phase compensation circuit, a focus search signal composition function, and an offset cancellation function. Focus search is initiated by the F-SEARCH command, and a ramp waveform is generated by the internal clock. This waveform is used for focus detection (focus zero cross) with the focus error signal and then turn the focus servo on. The ramp waveform amplitude is set by the resistance between FD (pin 16) and FD⁻ (pin 17). Offset cancellation cancels the IC offset; adjustment is started by the FOCUS-OFFSET ADJUST START command, and is completed in about 250ms.
To cancel even the offset for the IV amplifier, etc., it is necessary to send the F-SERVO ON (LASER OFF) command. The FOCUS-OFFSET ADJUST OFF command is used to return to the state prior to offset cancellation.
- Tracking servo
The pickup photodiode output current is input to E (pin 3) and F (pin 4). The current that is input is converted to the voltage, passes through the balance adjustment VCA circuit and then the VCA circuit that follows the gain in the RFAGC circuit, and is then output from TE (pin 7). The tracking error gain is set by the resistance between TE⁻ (pin6) and TE (pin7). The TH amplifier alters the servo response characteristics according to the THLD signal, etc., generated internally after detection of the TGL signal from the DSP or the JP signal. When a defect is detected, the THLD mode goes into effect internally. To avoid this, short DEF (pin 49) to L = GND. By inserting an external bandpass filter to remove the shock component from the tracking error signal at SCI (pin 9), the gain is automatically boosted when a defect is detected. The TOFF amplifier that is positioned immediately after TD (pin 13) functions to turn off the servo in response to the TOFF signal from the DSP.
The TD amplifier performs servo loop phase compensation; the characteristics are set by external CR. Furthermore, this amplifier has a mute function, which is applied when V_{CC} is turned on or the TRACK-SERVO OFF command is issued. The muting function is released by the TRACK-SERVO ON command.
The TO amplifier has a JP pulse composition function and a tracking offset cancellation function. The JP pulse is set by JP (pin 14). (THLD detection is performed internally.) Offset cancellation is completed in about 30 ms. The TRACK-SERVO ON command and setting the TOFF pin (pin 35) low are required for offset cancellation.
Note: The LC78681KE TOFF ON/OFF command is valid only when disc motor control is in CLV mode. Accordingly, tracking offset is cancelled in normal CLV mode. Note that when performed in STOP mode, external control of the TOFF pin is required.
- Sled servo
The response characteristics are set by SLEQ (pin 28). The amplifier positioned after SLEQ (pin 28) has a mute function that is applied either when SLOF (pin 38) goes high or the SLED OFF command is issued. The sled is moved by inputting current to SL⁻ (pin 30) and SL⁺ (pin 31); specifically, the pins are connected to the microprocessor output ports via resistors, and the movement gain is set by the resistance value of that resistor. It is important to note that if there is a deviation in the resistance values for SL⁻ (pin 30) and SL⁺ (pin 31), an offset will arise in the SLD output.

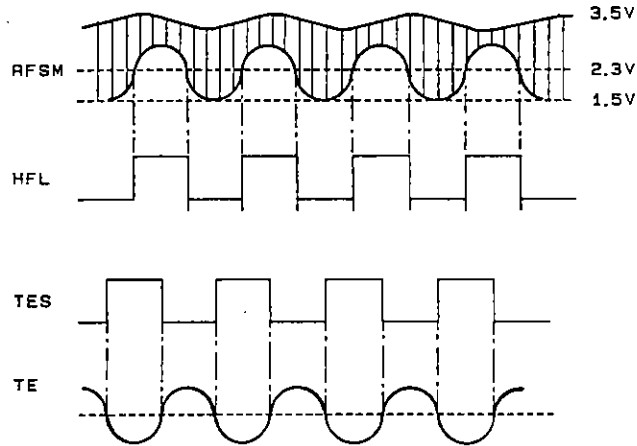
LA9220M

- Spindle servo

This configures the servo circuit, which maintains the linear velocity of the disc at a constant speed, along with the DSP. This circuit accepts signals from the DSP through CV⁻ (pin 39) and CV⁺ (pin 40) and sets the equalizer characteristics through SP (pin 23), SP⁻ (pin 36), and SPD (pin 27), which are output to SPD (pin 27). The 12-cm mode amplifier gain is set by the resistor connected between SPG (pin 25) and the reference voltage. In 8-cm mode, this amplifier serves as an internal buffer, and SPG (pin 25) is ignored. Note that the gain setting is made for 8-cm mode first, and then 12-cm mode. If SPG (pin 25) is left open, the gain is forcibly set for 8-cm mode, regardless of whether 8-cm or 12-cm mode is in effect.

- TES and HFL (traverse signals)

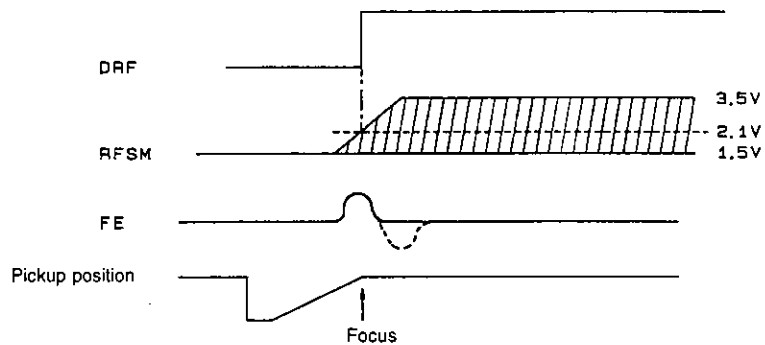
When moving the pickup from the outer track to the inner track, the EF output from the pickup must be connected so that the phase relationship of TES and HFL is as shown in the diagram below. For the TES1 input, the TES comparator has negative polarity and hysteresis of approximately ± 100 mV. An external bandpass filter is needed in order to extract only the required signal from the TE signal.



A04297

- DRF (luminous energy determination)

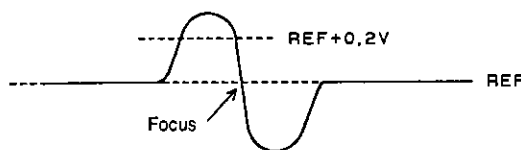
DRF goes high when the peak of the EFM signal (RFSM output) held by the PH1 (pin 60) capacitor exceeds approximately 2.1 V. The PH1 (pin 60) capacitor affects the DRF detection time constant and the RFAGC response bidirectional setting.



A04298

- Focus determination

Focus is assumed to be obtained when the focus error signal "S" curve reaching REF + 0.2 V is detected, and the "S" curve subsequently returns to REF.

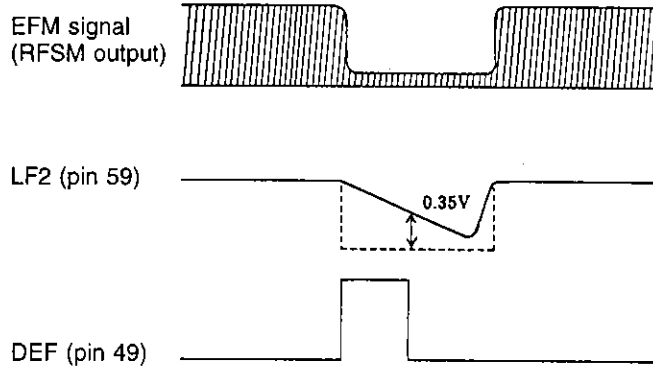


A04299

LA9220M

• **DEFECT**

The mirrored surface level is maintained by the capacitor for LF2 (pin 59); when a drop in the EFM signal (RFSM output) reaches 0.35 V or more, a high signal is output to DEF (pin 49). If DEF (pin 49) goes high, the tracking servo enters THLD mode. In order to prevent the tracking servo from entering THLD mode when a defect is detected, prevent DEFECT from being output by either shorting DEF (pin 49) to GND, or shorting LF2 (pin 59) to GND. The DEFECT output is driven by constant current (approximately 100 μ A).



A04300

• **V_{CC} /REF/GND**

- V_{CC} 1 (pin 64) : RF system
- V_{CC} 2 (pin 56) : SERVO system, DIGITAL system
- AGND (pin 22) : RF system, SERVO system
- DGND (pin 45) : DIGITAL system

• **PLL circuit**

VCO is the loop filter setting amplifier for the EFM signal PLL, and equalizes the PLL phase comparison output from the DSP, and outputs it to the internal VCO.

VCO is the VCO circuit for the EFM signal PLL, and requires the reference clock from the DSP (4.23 MHz only; does not support 2.1609 MHz for the LC7860KA, etc.). The VCO free-running frequency can be varied according to the current input to LF (pin 55). The VCO output can be turned on or off by using the VCO-OUT ON/OFF command.

Command	VCO output frequency
Normal speed	Average: 8.6436 MHz
Double speed	Average: 17.2872 MHz

• **Reset circuit**

The power-on reset is released when V_{CC} exceeds approximately 2.8 V.

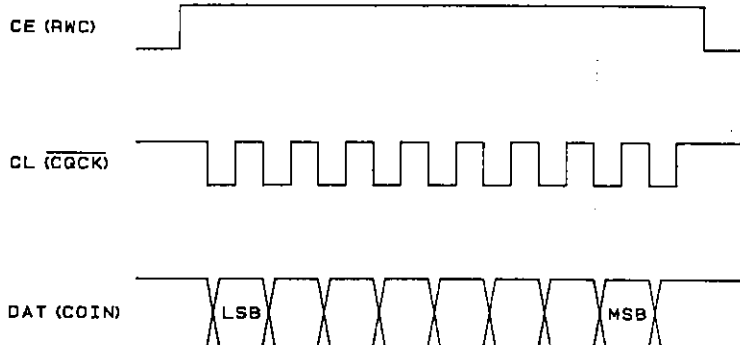
• **Microprocessor interface**

Because the Reset (Nothing) command initializes the LA9220M, it must be used carefully.

The LA9220M command acceptance (mode switching) timing is defined by the internal clock (4.23 MHz divided to 130 kHz) after the falling edge of CE (RWC); therefore, when commands are sent consecutively, CE must go low for at least 10 μ s. For this reason, the 4.23 MHz clock is required even when VCO of LA9220M is not used. 2BYTE-COMMAND RESET is used only for the purpose of masking two-byte data.

All instructions can be input by setting CE high and sending commands synchronized with the CL clock from the microprocessor to DAT (pin 52) in LSB first format. Note that the command is executed at the falling edge of CE.

Timing chart



A04301

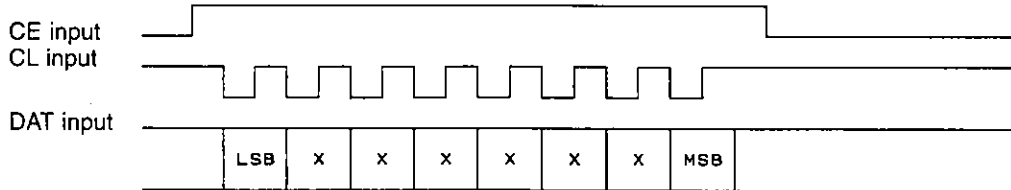
*The DSP pin names are shown in parentheses.

LA9220M

Command List

MSB	LSB	Command	Reset mode Power on mode	DSP
0	0000000	RESET		RESET(NOTHING)
0	0001000	FOCUS START		FOCUS START #1
1	0001110	VCO-OUT ON	○	OSC ON
1	0001101	VCO-OUT OFF		OSC OFF
1	1000001	VCO-2FREQ		2TIMES-SPEED PLAY MODE
1	1000010	VCO-NORMAL	○	NORMAL-SPEED PLAY MODE
1	11110000	2BYTE-COMMAND DETECT		2BYTE-COMMAND DETECT
1	11111000	2BYTE-COMMAND DETECT		2BYTE-COMMAND DETECT
1	11111111	2BYTE-COMMAND RESET		2BYTE-COMMAND RESET
1	0010000	FOCUS-OFFSET ADJUST START		—
1	0010001	FOCUS-OFFSET ADJUST OFF	○	—
1	0010010	TRACK-OFFSET ADJUST START		—
1	0010011	TRACK-OFFSET ADJUST OFF	○	—
1	0010100	LASER ON		—
1	0010101	LASER OFF : F-SERVO ON		—
1	0010110	LASER OFF : F-SERVO OFF	○	—
1	0010111	SPINDLE 8CM		—
1	0011000	SPINDLE 12 CM	○	—
1	0011001	SPINDLE OFF		—
1	0011010	SLED ON	○	—
1	0011011	SLED OFF		—
1	0011100	E/F BALANCE START	Nonadjusted	—
1	0011101	TRACK-SERVO OFF	○	—
1	0011110	TRACK-SERVO ON		—

Timing chart



A04302

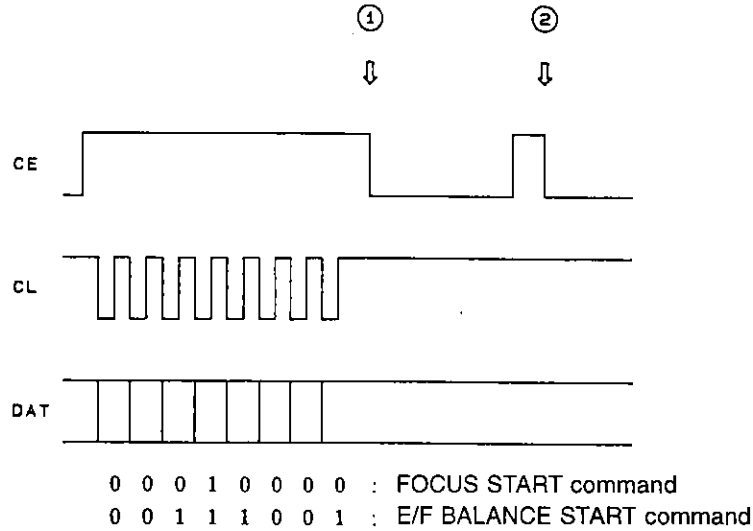
Notes Concerning Microprocessor Program Creation (Supplementary)

1. Commands .

After sending the FOCUS START command and the E/F BALANCE START command, send 11111110 (FEH) in order to clear the internal registers of the IC. MSB LSB

Reason: Although the above commands are executed at point ① in the timing chart below, the same commands will be executed again at point ② if there is subsequent input to CE as shown below.

Timing chart



A04303

2. When sending the TRACK-OFFSET ADJUST START command or the FOCUS-OFFSET ADJUST START command after either the V_{CC} ON (POWER ON RESET), RESET command or a corresponding OFFSET ADJUST OFF command, waiting time is necessary as listed below. (Only when a 4.2 MHz clock is input.)

TRACK-OFFSET ADJUST START: 4 ms or more
FOCUS-OFFSET ADJUST START: 30 ms or more

3. E/F balance adjustment

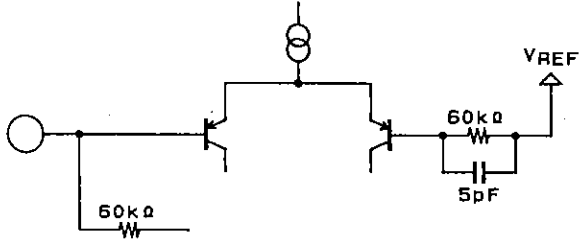
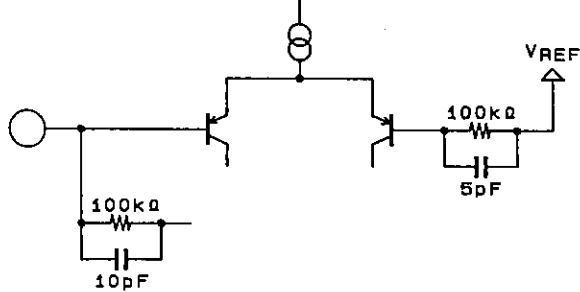
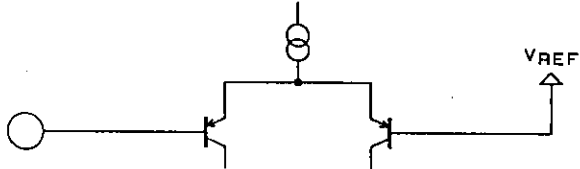
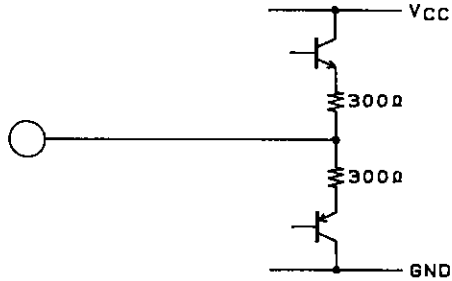
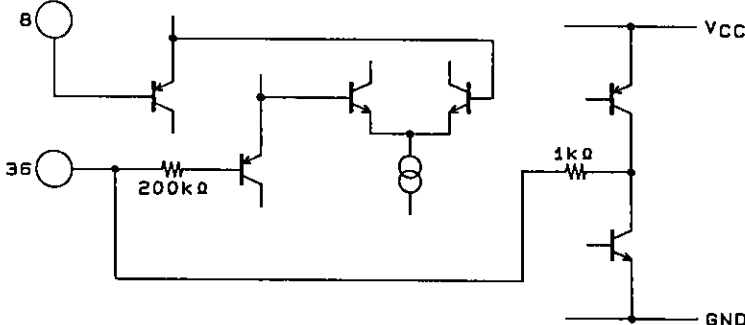
E/F balance adjustments should be made in a bit region of the disc, not a mirrored region. (This is because the E/F balance adjustment entails about 100 to 200 track kicks.)

Pattern Design Notes

To prevent signal jump-in from CV⁺ (pin 40) to RFSM (pin 41), a shielding line is necessary in between.

LA9220M

Pin Internal Equivalent Circuit

Pin No., (): Pin Name	Internal Equivalent Circuit
Pin 1 (FIN2) Pin 2 (FIN1)	 <p style="text-align: right;">A04508</p>
Pin 3 (E) Pin 4 (F)	 <p style="text-align: right;">A04509</p>
Pin 5 (TB) Pin 6 (TE ⁻) Pin 17 (FD ⁻) Pin 21 (FE ⁻) Pin 26 (SP ⁻) Pin 28 (SLEQ) Pin 44 (SLI) Pin 46 (VC ⁻)	 <p style="text-align: right;">A04510</p>
Pin 16 (FD) Pin 27 (SPD) Pin 43 (SLC)	 <p style="text-align: right;">A04511</p>
Pin 8 (TESI) Pin 36 (TES)	 <p style="text-align: right;">A04512</p>

Continued on next page.

LA9220M

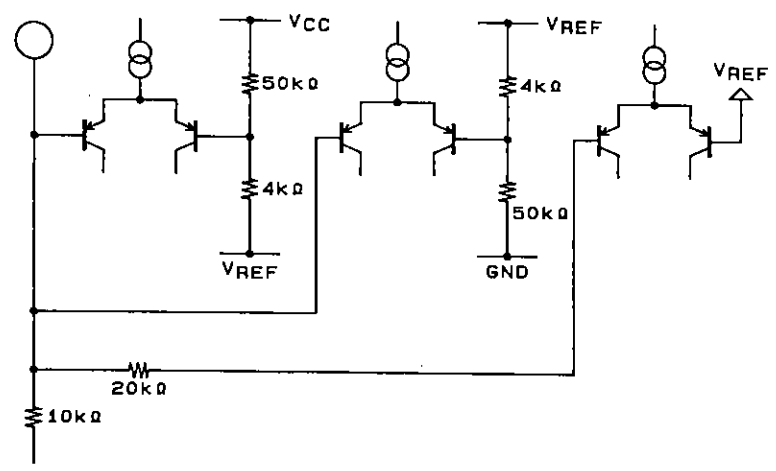
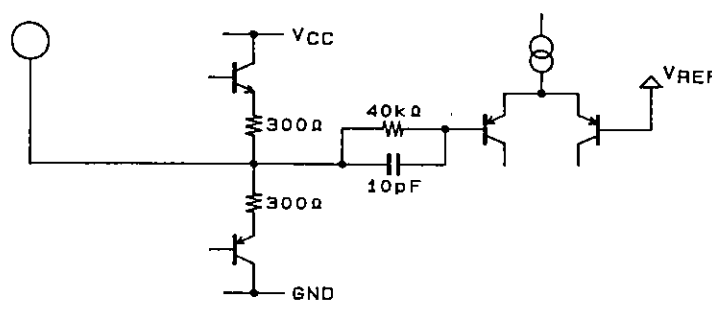
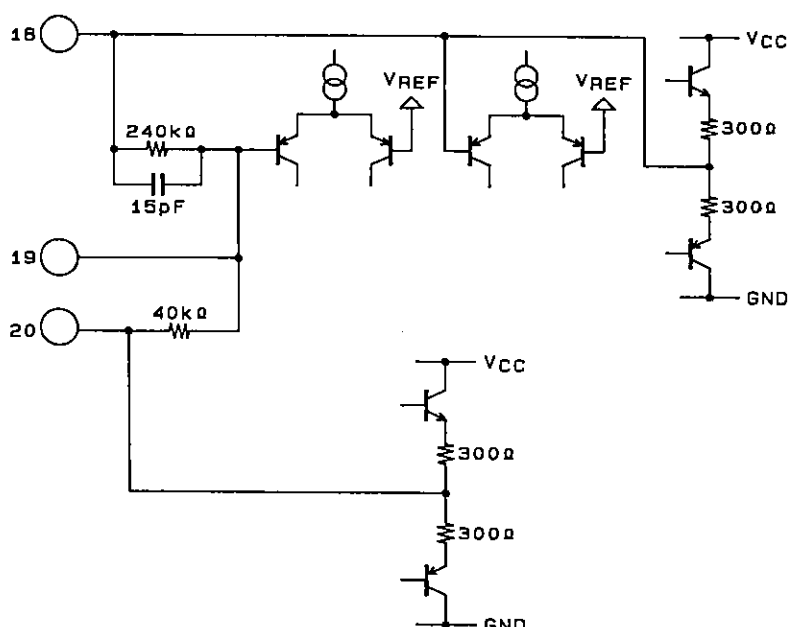
Continued from preceding page.

Pin No., (): Pin Name	Internal Equivalent Circuit
Pin 9 (SCI) Pin 34 (TGL)	
Pin 7 (TE) Pin 10 (TH)	
Pin 11 (TA) Pin 12 (TD-)	
Pin 13 (TD)	

Continued on next page.

LA9220M

Continued from preceding page.

Pin No., (): Pin Name	Internal Equivalent Circuit
Pin 14 (JP)	 <p style="text-align: right; margin-top: 10px;">A04517</p>
Pin 15 (TO)	 <p style="text-align: right; margin-top: 10px;">A04518</p>
Pin 18 (FA) Pin 19 (FA ⁻) Pin 20 (FE)	 <p style="text-align: right; margin-top: 10px;">A04519</p>

Continued on next page.

LA9220M

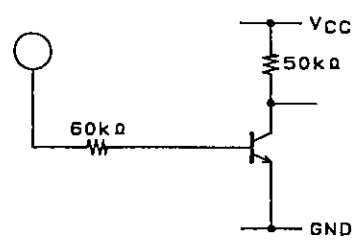
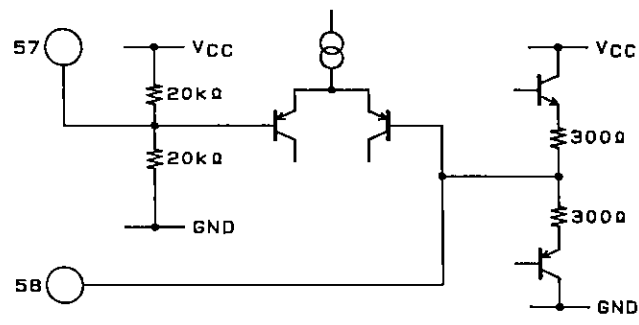
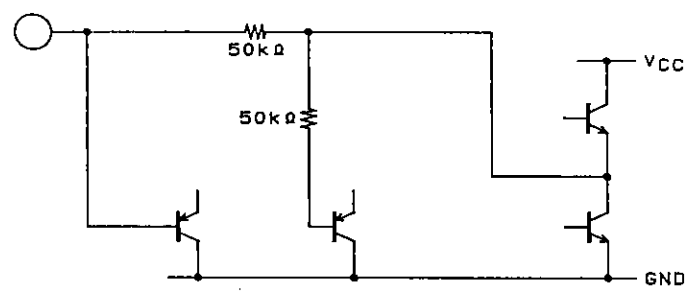
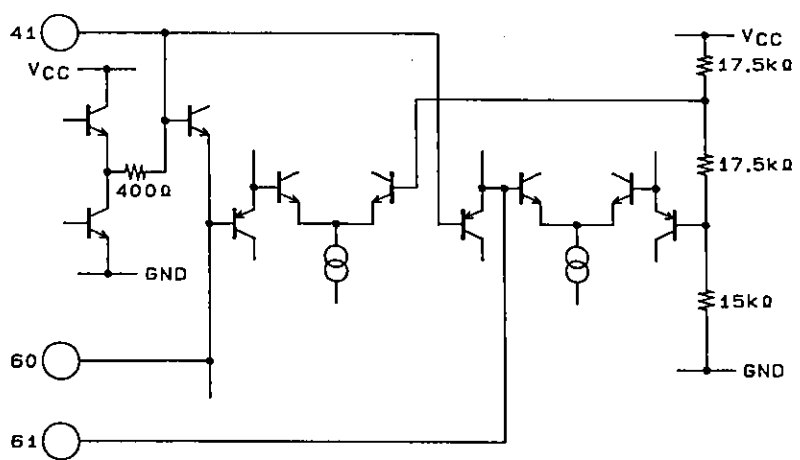
Continued from preceding page.

Pin No., (): Pin Name	Internal Equivalent Circuit
Pin 24 (SPI) Pin 25 (SPG)	<p style="text-align: right;">A04520</p>
Pin 29 (SLD) Pin 30 (SL ⁻) Pin 31 (SL ⁺)	<p style="text-align: right;">A04521</p>
Pin 32 (JP ⁻) Pin 33 (JP ⁺)	<p style="text-align: right;">A04522</p>
Pin 35 (TOFF)	<p style="text-align: right;">A04523</p>

Continued on next page.

LA9220M

Continued from preceding page.

Pin No., (): Pin Name	Internal Equivalent Circuit
Pin 51 (CL) Pin 52 (DAT) Pin 53 (CE)	 <p style="text-align: right;">A04529</p>
Pin 57 (REFI) Pin 58 (VR)	 <p style="text-align: right;">A04530</p>
Pin 59 (LF2)	 <p style="text-align: right;">A04531</p>
Pin 41 (RFSM) Pin 60 (PH1) Pin 61 (BH1)	 <p style="text-align: right;">A04532</p>

Continued on next page.

LA9220M

Continued from preceding page.

Pin No., (): Pin Name	Internal Equivalent Circuit
Pin 62 (LDD)	<p style="text-align: right;">A04533</p>
Pin 63 (LDS)	<p style="text-align: right;">A04534</p>
Pin 47 (VCOC) Pin 55 (LF)	<p style="text-align: right;">A04535</p>
Pin 48 (VCO)	<p style="text-align: right;">A04536</p>

- No products described or contained herein are intended for use in surgical implants, life-support systems, aerospace equipment, nuclear power control systems, vehicles, disaster/crime-prevention equipment and the like, the failure of which may directly or indirectly cause injury, death or property loss.
- Anyone purchasing any products described or contained herein for an above-mentioned use shall:
 - ① Accept full responsibility and indemnify and defend SANYO ELECTRIC CO., LTD., its affiliates, subsidiaries and distributors and all their officers and employees, jointly and severally, against any and all claims and litigation and all damages, cost and expenses associated with such use:
 - ② Not impose any responsibility for any fault or negligence which may be cited in any such claim or litigation on SANYO ELECTRIC CO., LTD., its affiliates, subsidiaries and distributors or any of their officers and employees jointly or severally.
- Information (including circuit diagrams and circuit parameters) herein is for example only; it is not guaranteed for volume production. SANYO believes information herein is accurate and reliable, but no guarantees are made or implied regarding its use or any infringements of intellectual property rights or other rights of third parties.

This catalog provides information as of September, 1995. Specifications and information herein are subject to change without notice.