

Revision History		
Rev.	Date	Description
X00	11/11/03	Preliminary
A00	07/26/04	Released for fab
B00	09/23/04	Released for fab

Sil3124 SATA 2 X 2 Board (2-Internal & 2-External Connectors)

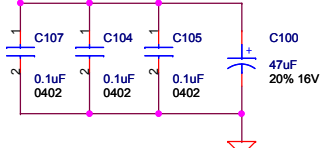
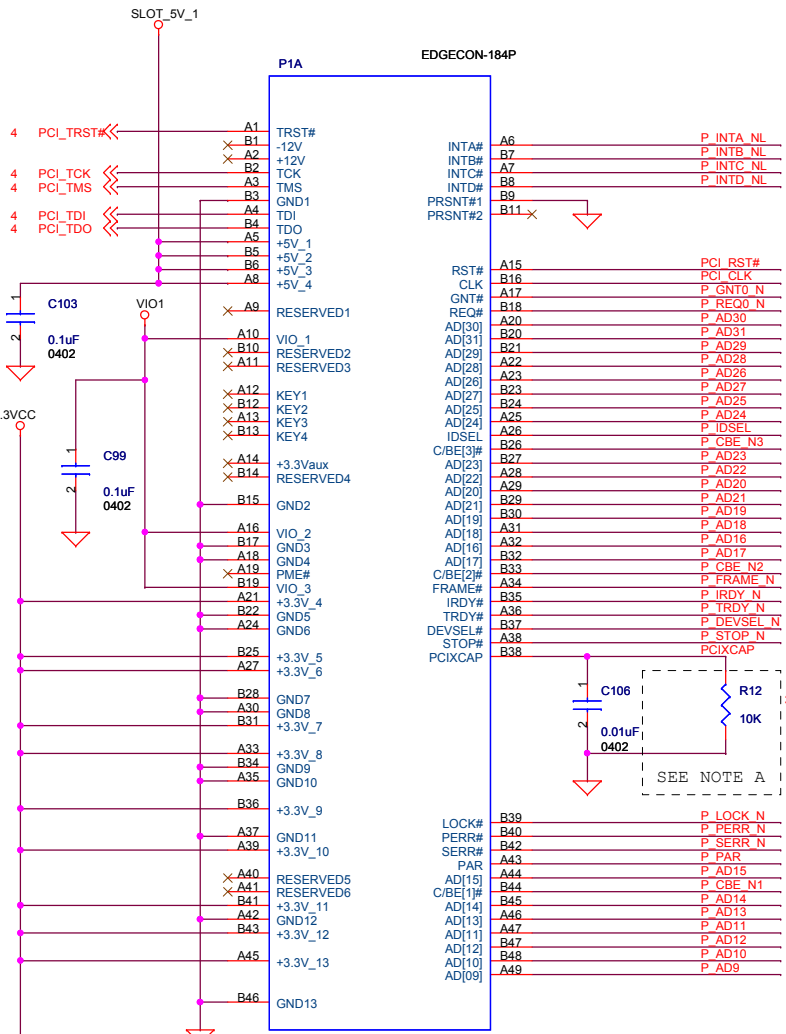
1. INDEX
2. PCI (X)_CONNECTOR_1
3. PCI (X)_CONNECTOR_2
4. FLASH, I2C, SATA INTERFACE
5. VOLTAGE REGULATOR AND DECOUPLING CAPS
6. POWER & GROUND

NOTES: Unless Otherwise Specified:

1. All components are subject to change.
2. All resistors and capacitors are in surface mount 0603 package unless otherwise specified

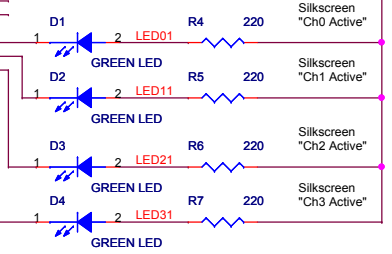
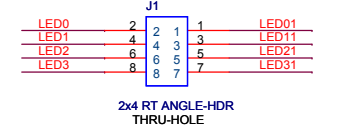
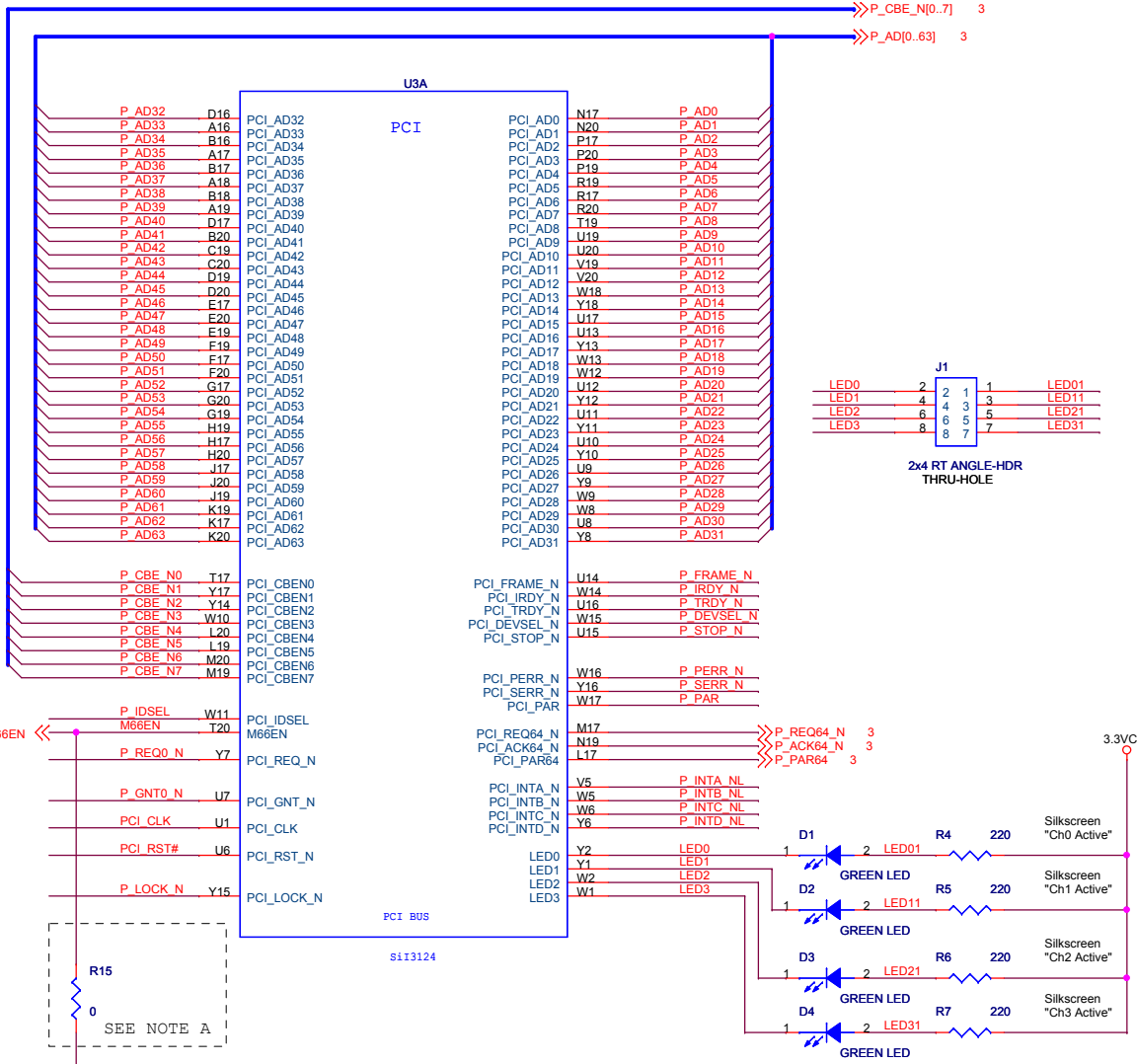
COVER SHEET

SILICON IMAGE, INC.		
Title Sil3124 SATA 2 X 2 Board		
Size B	Document Number SCH-312404-000	Rev B00
Date: Monday, October 09, 2006	Sheet 1 of 6	

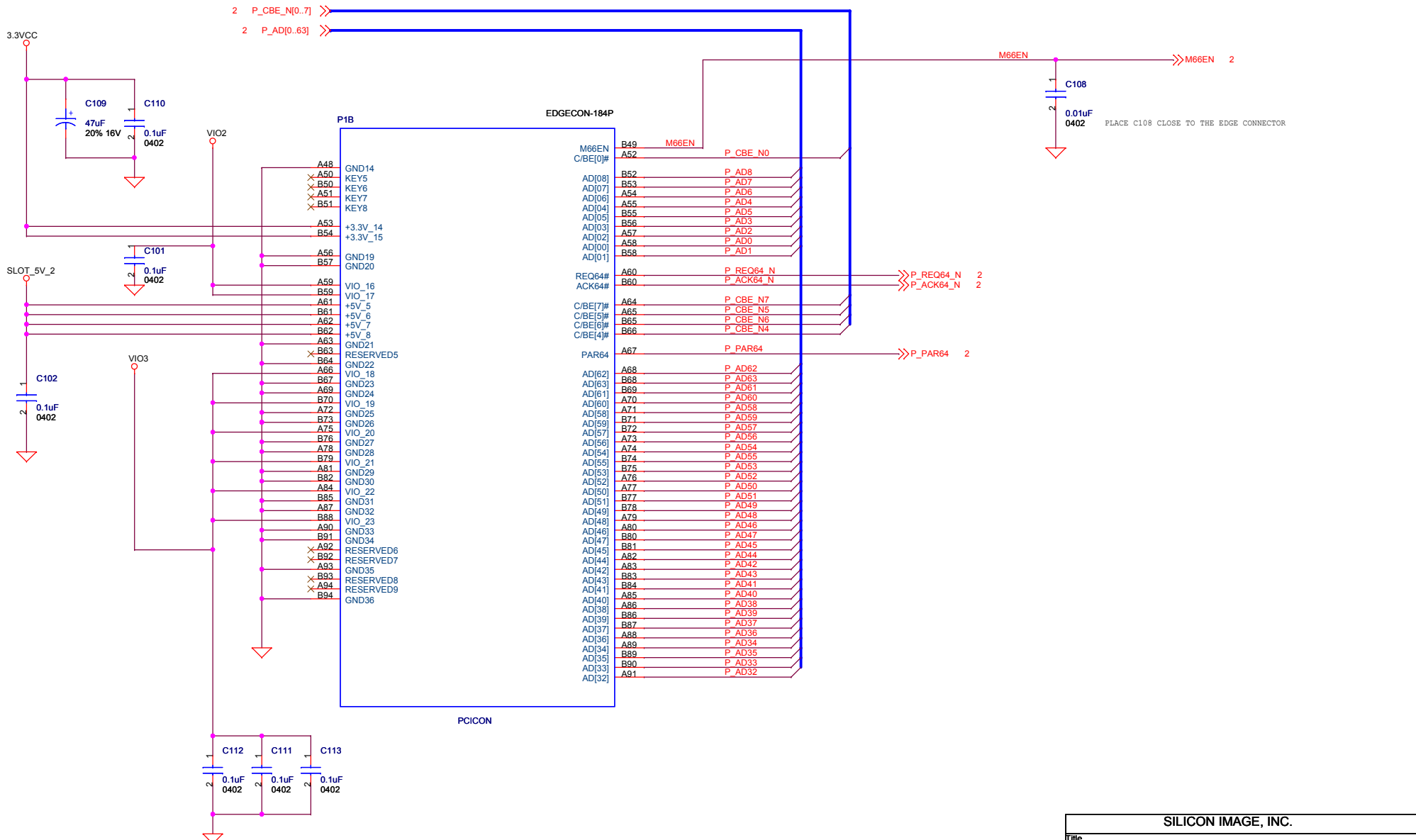


NOTE A

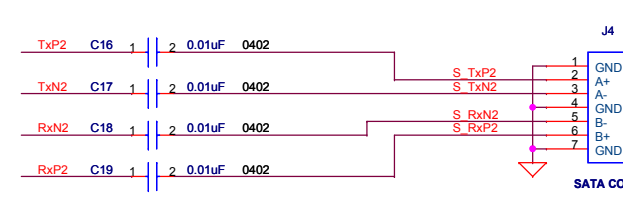
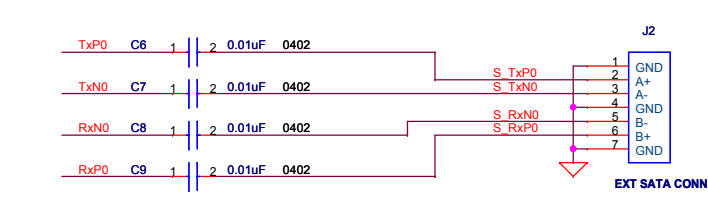
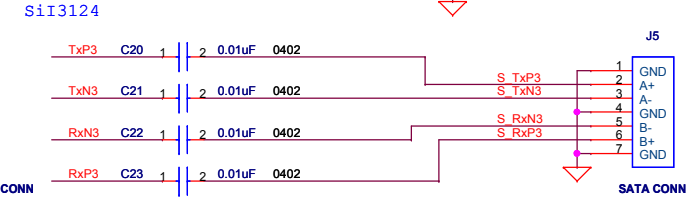
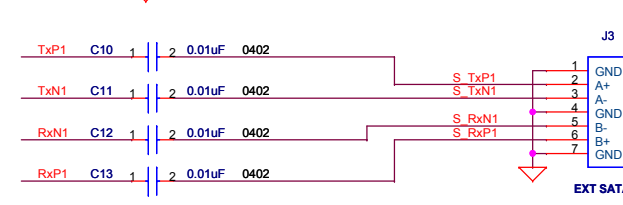
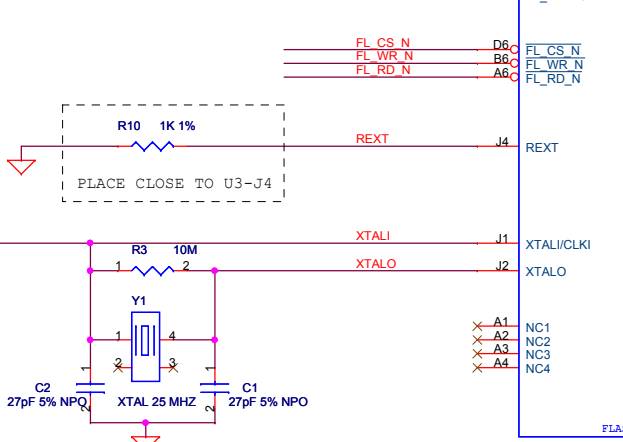
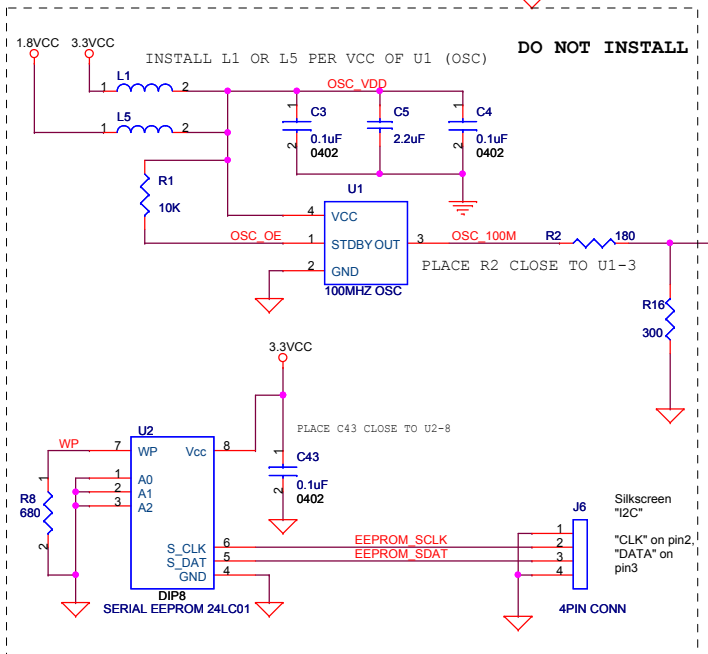
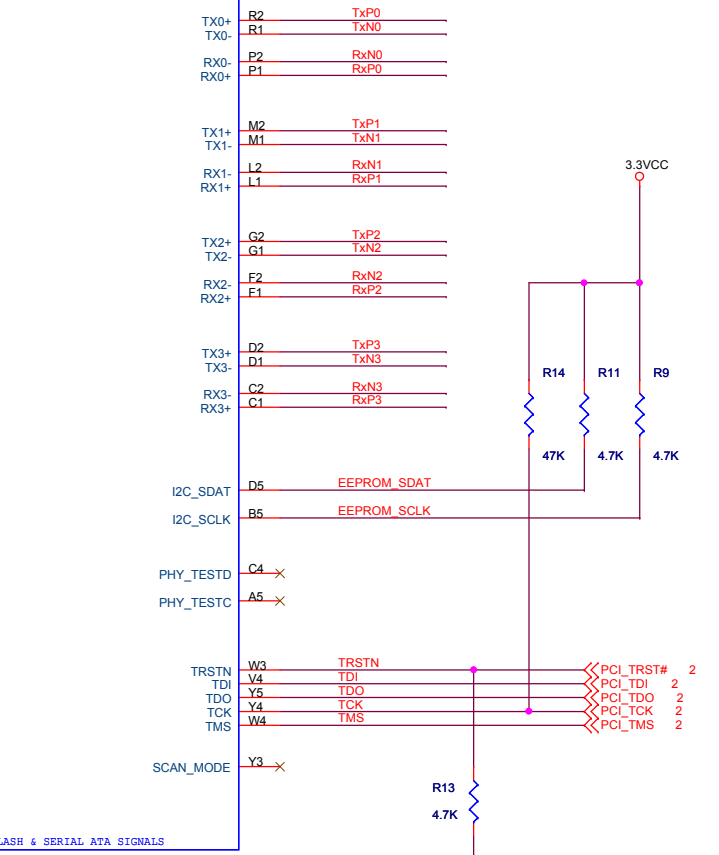
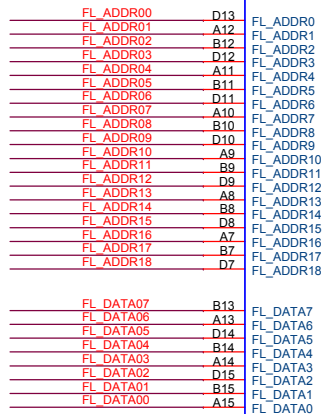
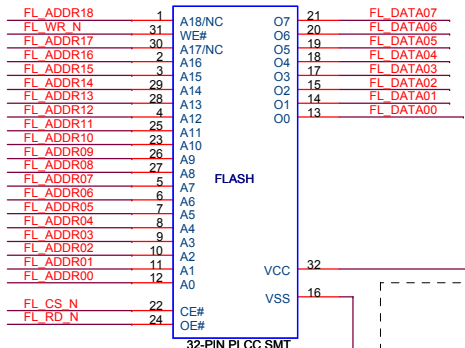
R12	R15	PCI MODE
OPEN	-	PCI-X 133
10K OHM	-	PCI-X 66
0 OHM	OPEN	PCI-66
0 OHM	0 OHM	PCI-33



SILICON IMAGE, INC.		
Title	PCI (X) CONNECTOR_1	
Size	Document Number	Rev
B	SCH-312404-000	B00
Date:	Monday, September 27, 2004	Sheet 2 of 6

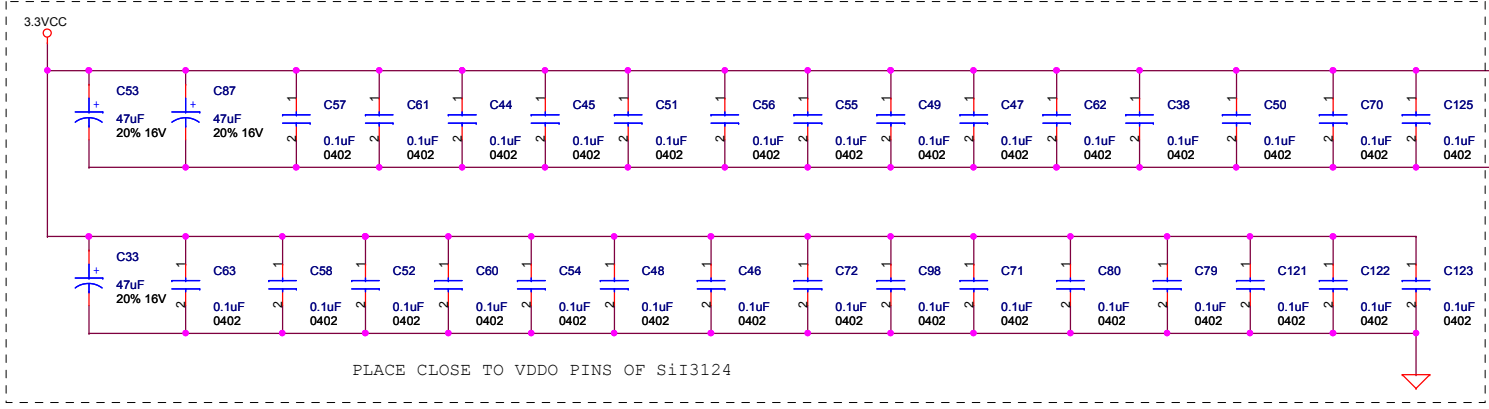
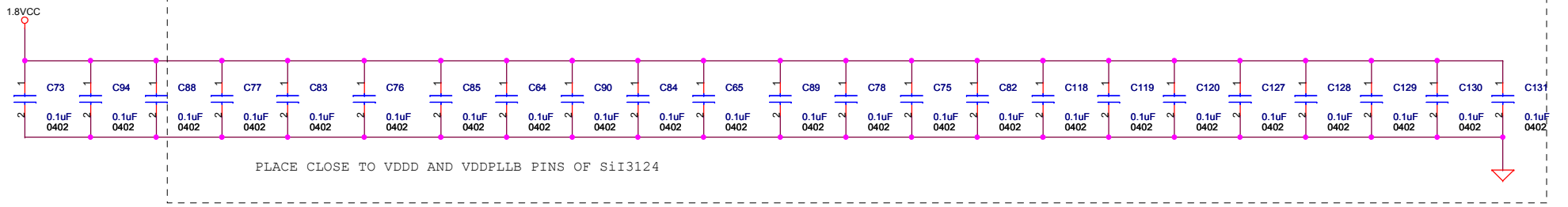
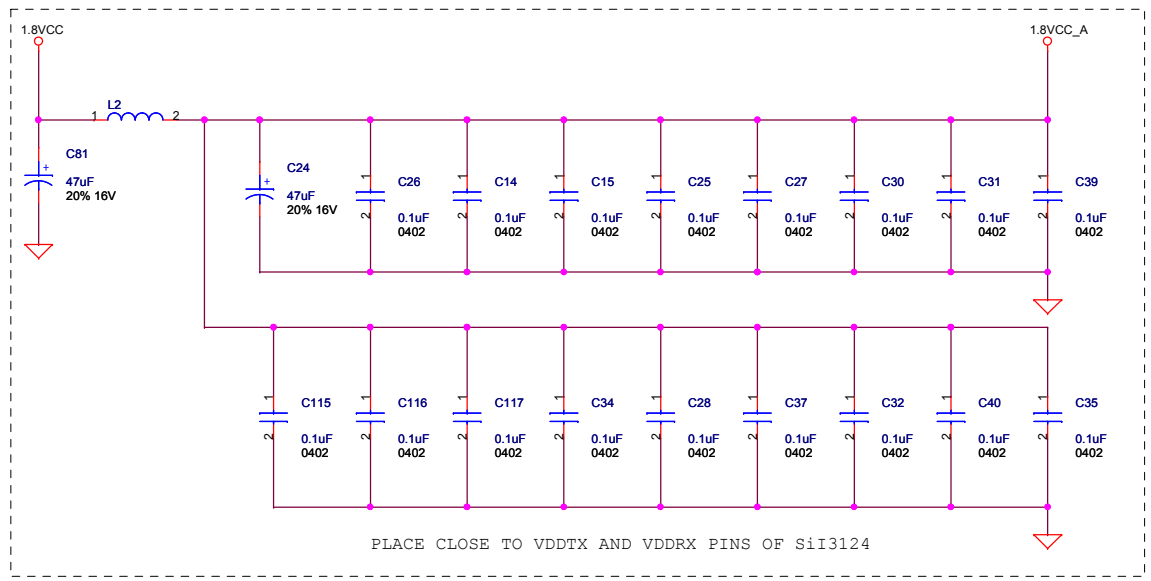
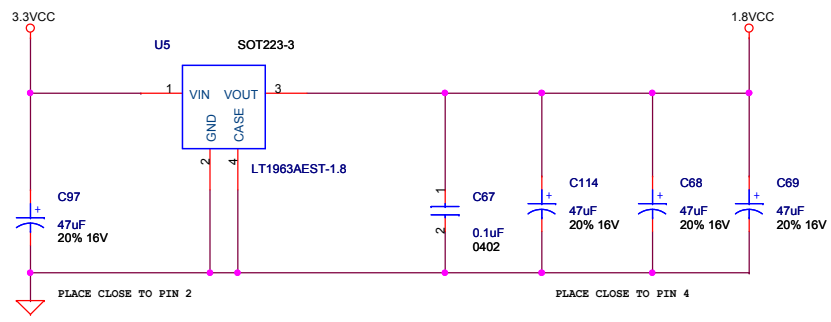


SILICON IMAGE, INC.		
Title PCI (X) CONNECTOR_2		
Size B	Document Number SCH-312404-000	Rev B00
Date: Monday, September 27, 2004	Sheet 3	of 6

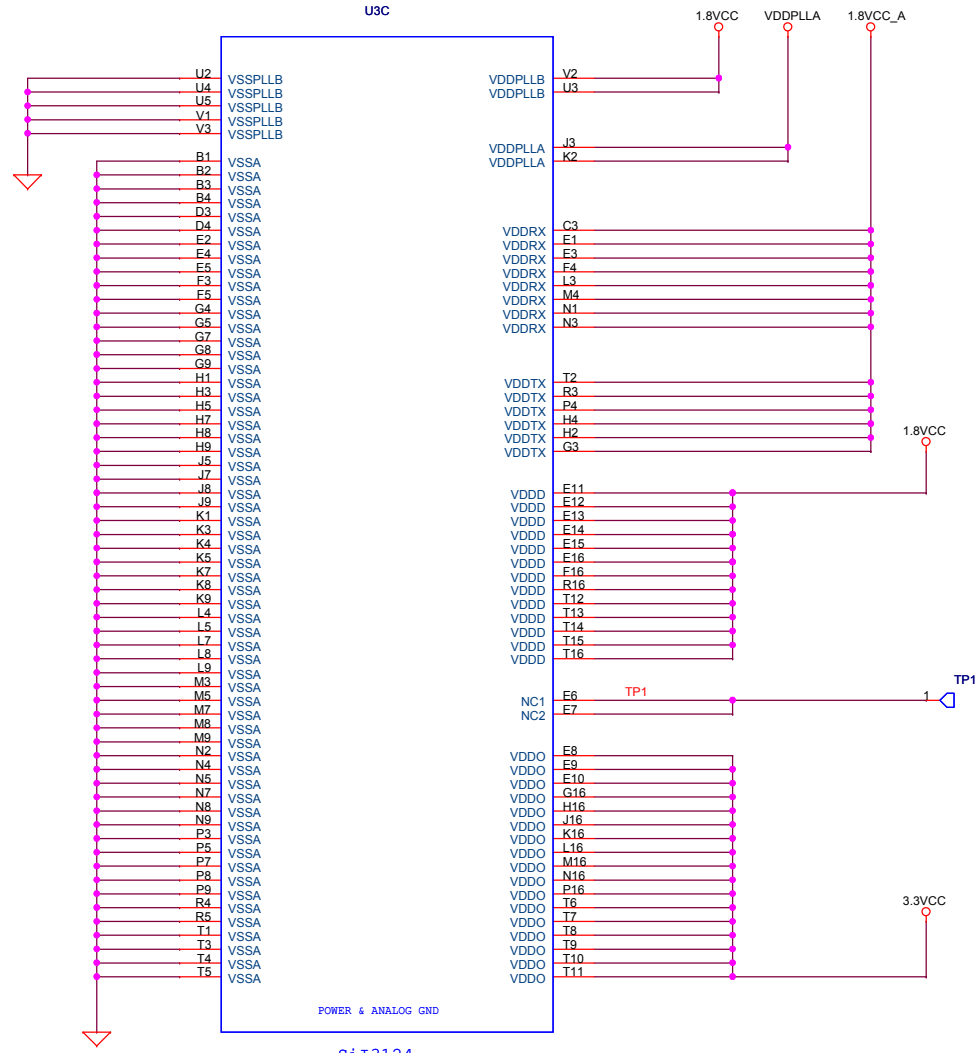
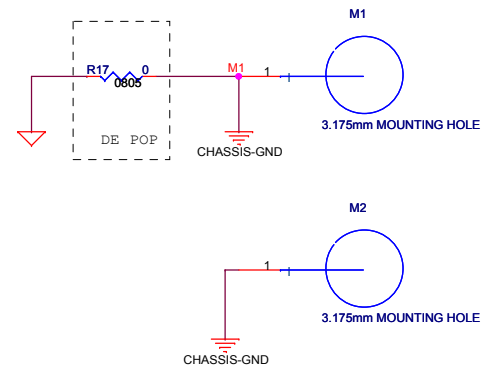
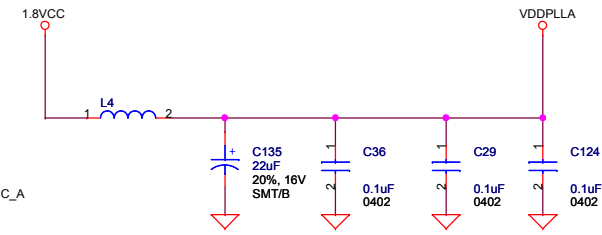
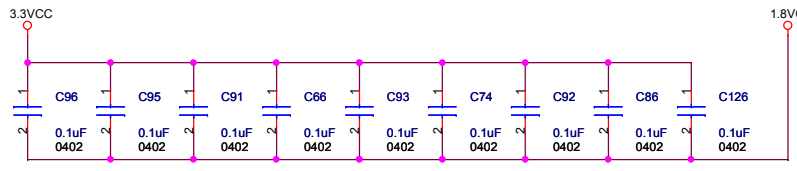


SATA CONNECTORS WITH GOLD FINGERS FACING DOWN (STANDARD)

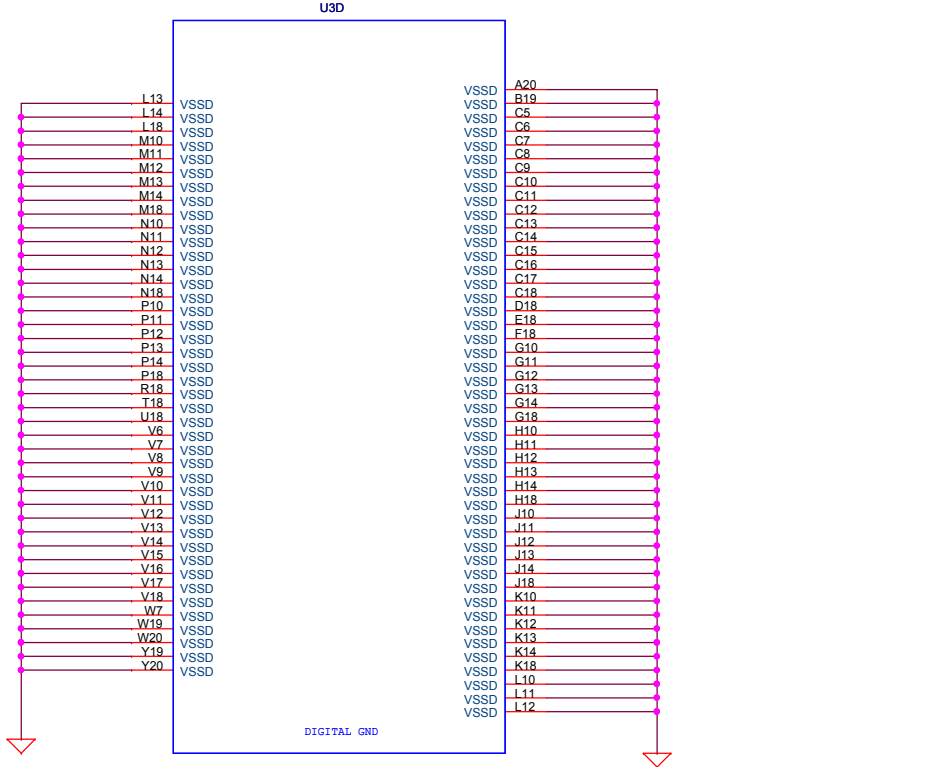
SILICON IMAGE, INC.		
Title		
FLASH, I2C, SATA INTERFACE		
Size		
Document Number		Rev
SCH-312404-000		B00
Date:		Sheet
Monday, September 27, 2004		4 of 6



SILICON IMAGE, INC.		
VOLTAGE REGULATOR AND DECOUPLING CAPS		
Title	Document Number	Rev
B	SCH-312404-000	B00
Date:	Monday, September 27, 2004	Sheet 5 of 6



PLACE ONE CAP CLOSE TO EACH VDDPLLA PIN OF SABLE



SILICON IMAGE, INC.		
POWER AND GROUND		
Size B	Document Number SCH-312404-000	Rev B00
Date: Monday, September 27, 2004 Sheet 6 of 6		