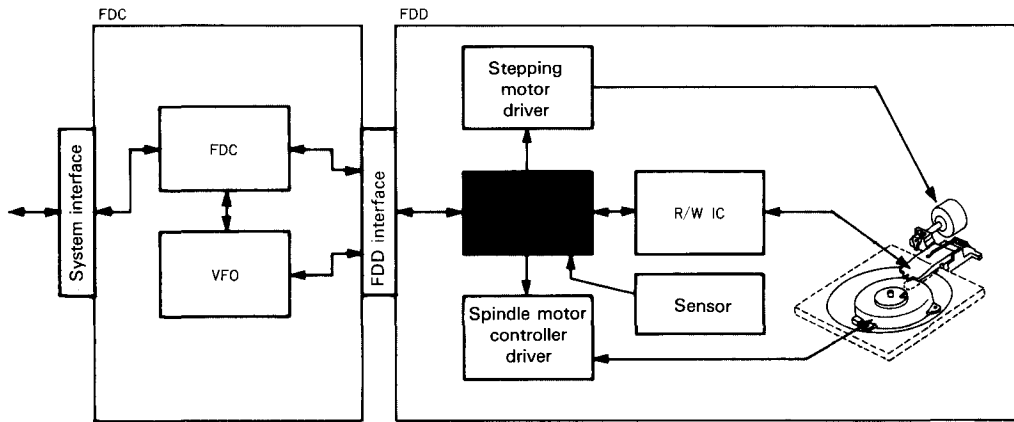


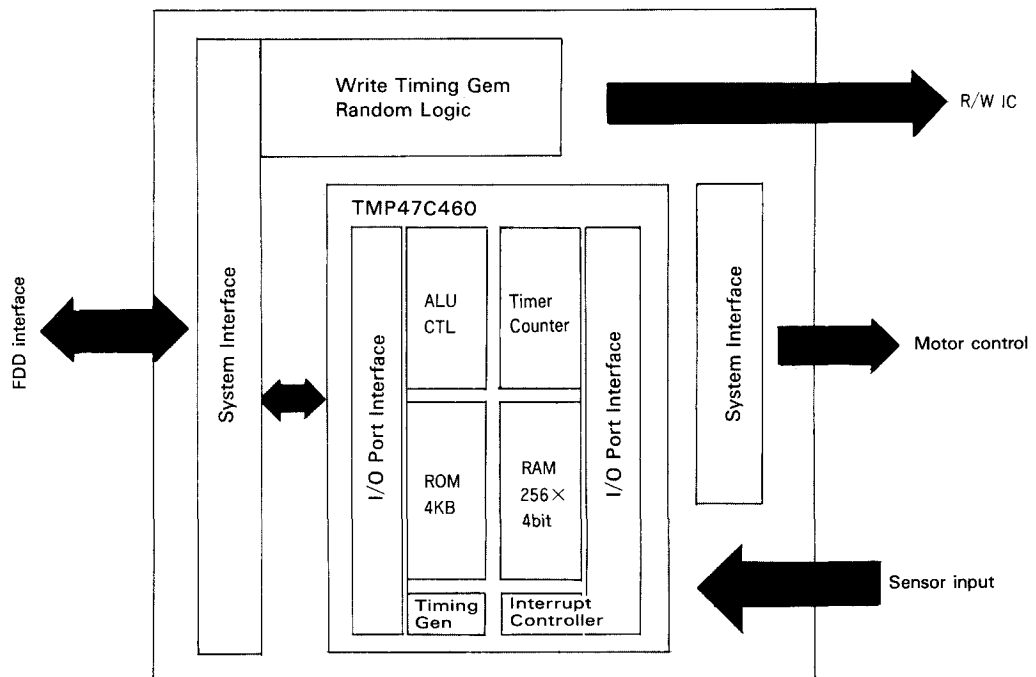
# II. Control Section

## FDD Mechanism Control CPU (FDMC)

### FDD System Block Diagram



### FDMC Block Diagram



### FDD Mechanism Control LSI Product Chart

Name	Type No.	Package	Voltage	Features
FDMC-4	TC8605F(C)	MFP60	+5V	For 3.5-inch FDDs, high-speed type
	TC8607F	MFP60	+5V	For 5.25-inch FDDs, high-speed type
	TC8615F-002	MFP60	+5V	For 3.5-inch FDDs, high-speed type; seek noise prevention
	TC8625F-105	MFP60	+5V	For 5.25-inch FDDs, high-speed type; seek noise prevention
FDMC-5	* TC8606F	MFP60	+5V	For 3.5-inch FDDs, high-speed type BI-CMOS
	* TC8608F	MFP60	+5V	For 5.25-inch FDDs, high speed type BI-CMOS
FDMC-7	* TC8612F	MFP80	+5V	For 3.5-inch FDDs, high-speed type, DC motor, PLL circuit built in for control

\* : Under development