

FE3001

AT Clock Generation & Cycle Control Device

- Programmable CPU and DMA clock generator
- System clock generator
- Programmable bus timing
- Programmable wait state generator
- Refresh and DMA controls
- Bus arbitration logic
- NMI generator and Parity error logic
- Reset/shutdown control
- Sleep mode
- 80286 interface logic
- 1.25 micron HCMOS technology
- 84-Pin PLCC

The FE3001 contains all of the clock generation and cycle control logic necessary to implement an IBM* AT* compatible computer. It is part of the FE3600B chip set intended to simplify the design of 80286 based AT computers.

Its features include programmable CPU and DMA clock generation, system clock generation, programmable bus timing, programmable wait state generator, refresh and DMA controls, bus arbitration logic, NMI generator and parity error logic, reset/shutdown control, sleep mode, and 80286 interface logic and packaged in an 84-pin PLCC.

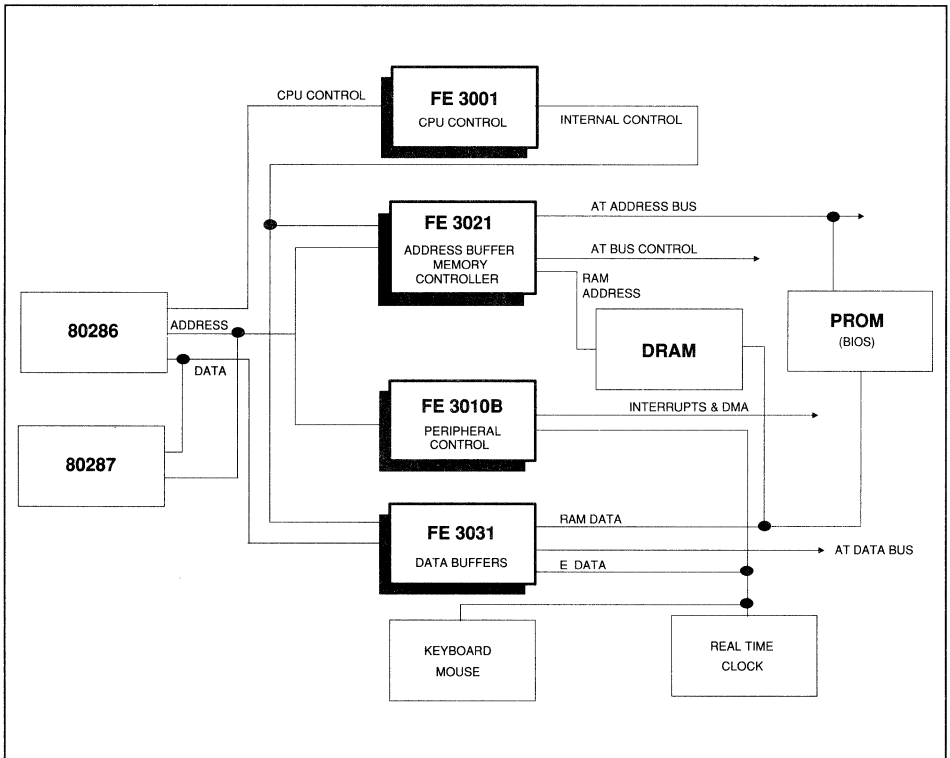


Figure 1. FE3600B Chip Set Functional Block Diagram

Additional References

*IBM * AT Technical Reference Manual*
Intel Microprocessor and Peripheral Handbook*

Disclaimer

Western Digital Corporation makes no representation or warranty of any kind with regard to the hardware and documentation herein described and especially disclaims any implied warranties of merchantability or fitness for any particular purpose. Further, Western Digital Corporation reserves the right to revise this hardware and associated documentation and to make changes from time to time in the content without obligation of Western Digital Corporation to notify any person of such revisions or changes.

Copyright

Copyright © 1988, 1989 Western Digital Corporation. All rights reserved. No part of this publication may be reproduced, transmitted, transcribed, stored in a retrieval system, or translated into any language or computer language, in any form or by any means, electronic, mechanical, magnetic, optical, chemical, manual, or otherwise, without the prior written permission of Western Digital Corporation, 2445 McCabe Way, Irvine, CA 92714.

Western Digital Corporation reserves the right to make changes or improvements to the equipment, software, hardware, and documentation described herein at any time and without notice.

Western Digital is a registered trademark of Western Digital Corporation.

(*) IBM and AT are registered trademarks of International Business Machines Corporation. Intel is a registered trademark of Intel Corporation

Table of Contents

1.0	Functional Description	5
1.1	Functional Overview	5
1.2	Clock Generator	5
1.3	Command Control	6
1.4	Bus Control	7
1.5	A0/BHE Generator	7
1.6	Priority Control	7
1.7	DMA Control	8
1.8	Error Control	8
1.9	Coprocessor Interface	8
1.10	Reset Control	8
1.11	General Notes	9
2.0	FE3001 Registers	10
2.1	Error Control Register (061H), Read/Write	10
2.2	Speed Select (063H), Write	10
2.3	NMI Enable (070H), Write	10
2.4	Command Control Registers	11
2.5	Command Register Pointer	12
2.6	BALE Timing	12
2.7	8 Bit Memory & 8/16 Bit I/O Command Delay	12
2.8	8 Bit Memory & I/O Wait States	12
2.9	16 Bit I/O Wait States	12
2.10	16 Bit AT Bus Memory Timing	12
2.11	ZEROWS Bus Cycle Wait States	12
2.12	On-Board Memory Timing	12
2.13	On-Board I/O Timing	13
2.14	Clear 80287 Busy (0F0H), Write	13
2.15	Reset 80287 (0F1H), Write	13
3.0	Package	13
4.0	Absolute Maximum Ratings	13
5.0	DC Characteristics	13
6.0	FE3001 Timing Parameters	14
A	Appendix : FE3001 Recommended Bus Cycle Programming	A
A.1	6.25 MHz System Clock Speed	.B
A.2	8 MHz System Clock Speed	.B
A.3	12.5 MHz System Clock Speed	.B
A.4	16 MHz System Clock Speed	.B

List of Illustrations

1	FE3600B Chip Set Functional Block Diagram	Cover
2	FE3001 Block Diagram	1
3	FE3001 Pin Assignments	2
4	SYSCLK Timing During High Speed Operation	6
5	Programmable Command Timing	11
6	CPU Cycle Timing for ALE, Byte Select, ONBRD and READY	20
7	Clock Timing (1 of 2)	21
8	Clock Timing (2 of 2)	22
9	On-board Memory Cycle Timing	23
10	16-Bit Memory Read Timing for Low Speed CPU Clock	24
11	16-Bit Memory Write timing for Low Speed CPU Clock	25
12	16-Bit Memory Timing for High Speed (16 MHz) CPU	26
13	16-Bit Memory Timing with ZEROWS Asserted and High Speed (16 MHz) CPU	27
14	16-Bit I/O Timing with Low Speed CPU Clock	28
15	16-Bit I/O Timing with High Speed (16 MHz) CPU Clock	29
16	8-Bit Cycle Timing for Low Speed CPU Clock -- Even Byte Access	30
17	8-Bit Cycle Timing for Low Speed CPU Clock -- Odd Byte Access	31
18	8-Bit Cycle Timing for Low Speed Clock-- Word Read from Even Address	32
19	8-Bit Cycle Timing for Low Speed CPU Clock -- Word Write to Even Address	33
20	Interrupt Acknowledge Cycle for Low Speed CPU Clock	34
21	Shutdown Cycle Timing	35
22	Refresh Cycle Timing	36
23	Basic HOLD/HLDA Timing for DMA and Master Mode Transfers	37
24	DMA Transfer Timing: 8-Bit, I/O to On-board Memory, Even Byte, with No Added Wait States	38
25	DMA Transfer Timing: 8-Bit, On-board Memory to I/O, Odd Byte, with No Added Wait States	39
26	DMA Transfer Timing: 16-Bit, I/O to On-board Memory, Wait State Added	40
27	Parity Error Timing for DMA or Master Mode Transfers	41
28	Basic Master Mode Transfer Timing	42
29	Master Mode Transfer Timing: On-board Memory Read/Write	43
30	Master Mode Timing: Off-board Memory Read/Write	44
31	Master Mode Timing: Off-board I/O Read/Write	45
32	84-Pin PLCC Packaging Diagram	46

List of Tables

1	Signal Descriptions	3
2	Bus Cycles	9
3	Summary of Command Timing Registers	11
4	DC Characteristics	13
5	FE3001 Timing Parameters	14

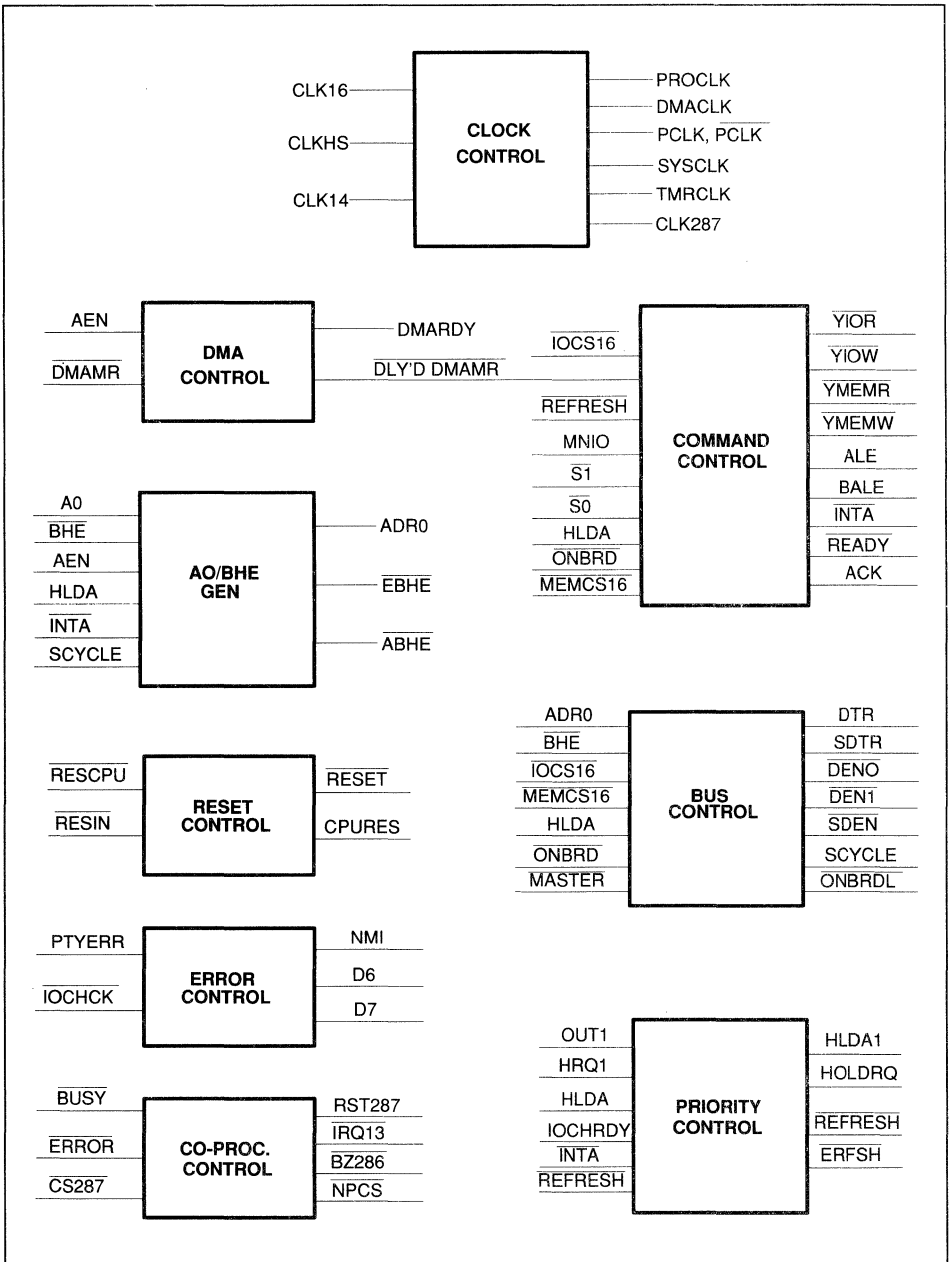


Figure 2. FE3001 Block Diagram

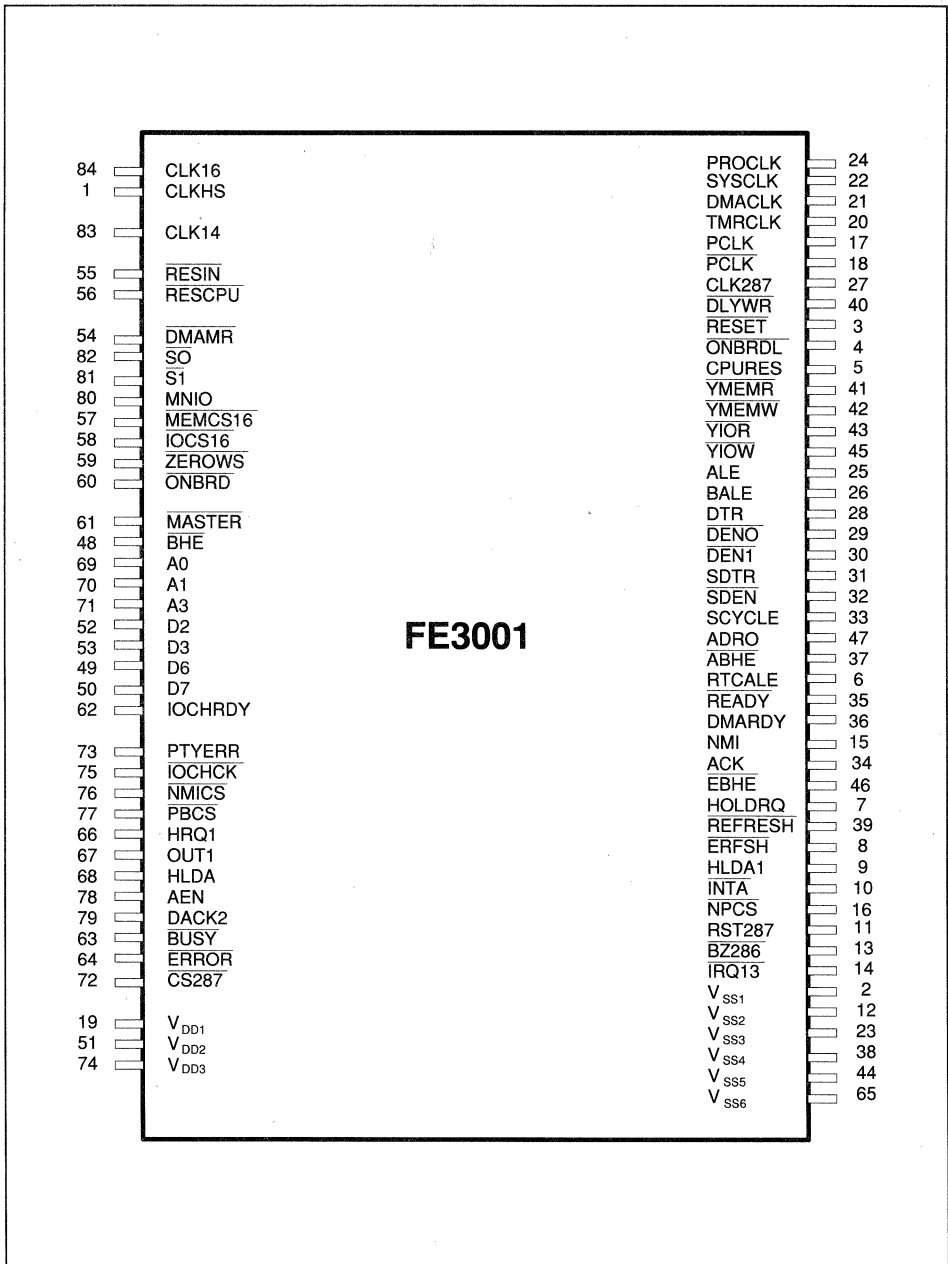


Figure 3. FE3001 Pin Assignments

PIN#	SIGNAL	TYPE	DESCRIPTION
1	CLKHS	I	High speed clock input. This provides the high speed clock when selected. When CLK16 (pin 84) is pulled high, this input (divided by two) is used as the low speed clock.
2	V _{SS1}		Ground.
3	RESET	O	Reset to the system.
4	ONBRDL	O	ONBRD input latched by ALE internally. Follows ONBRD when HLDA high.
5	CPURES	O	Reset to 80286.
6	RTCALE	O	Real Time Clock Address Latch Enable (I/O address 70H).
7	HOLDRQ	O	Hold request to 80286 for DMA or Refresh.
8	ERFSH	O	Enable refresh address signal to 3010B. Puts refresh address on address bus.
9	HLDA1	O	DMA hold acknowledge signal to FE3010B. Not active during refresh.
10	INTA	O	Interrupt acknowledge to FE3010B.
11	RST287	O	Reset to 80287 (Write to I/O address FIH or system reset).
12	V _{SS2}		Ground.
13	BZ286	O	80287 busy signal to 80286. Latched low by 80287 ERROR signal.
14	IRQ13	O	Interrupt request 13 for 80287 error to FE3010B.
15	NMI	O	Non-Maskable Interrupt to 80286. Generated in response to a parity error or bus IOCHCK.
16	NPCS	O	80287 Co-processor chip select. (I/O Addresses F8H, FAH and FCH).
17	PCLK	O	7.16 MHz clock for keyboard controller.
18	PCLK	O	Inverted PCLK.
19	V _{DD1}		+5 V V _{DD} .
20	TMRCLK	O	1.19 MHz timer clock to FE3010B.
21	DMACLK	O	Software selectable clock for DMA to FE3010B.
22	YSCLK	O	System clock needed for bus timing. See description in synchronization section.
23	V _{SS3}		Ground.
24	PROCLK	O	Software selectable 80286 clock.
25	ALE	O	Local Address Latch Enable.
26	BALE	O	Bus Address Latch Enable. (Programmable)
27	CLK287	O	Clock for 80287. See clock section for details.
28	DTR	O	Data direction to FE3031 data buffer.
29	DEN0	O	Low byte PC/AT Bus data enable to FE3031 data buffer.
30	DEN1	O	High byte PC/AT Bus data enable to FE3031 data buffer.
31	SDTR	O	PC/AT Bus byte swap direction to FE3031 data buffer.
32	S DEN	O	PC/AT Bus byte swap enable to FE3031 data buffer.
33	SCYCLE	O	Latch low byte during byte swap read.
34	ACK	O	DMA or Refresh Acknowledge signal to the PC/AT bus.
35	READY	O	Ready to 80286.
36	DMARDY	O	When high allows FE3010B to complete a DMA cycle.
37	ABHE	O	High byte enable for devices on local bus.
38	V _{SS4}		Ground.
39	REFRESH	I/O	Refresh cycle. Generated from FE3010B timer signal OUT1 or externally from the bus.
40	DLYWR	I/O	YIOW delayed to the FE3010B, active edge delayed one PROCLK. Input from FE3010B during DMA to generate YIOW.
41	YMEMR	I/O	Memory read. Input during Master cycle.
42	YMEMW	I/O	Memory write. Input during HLDA cycle.
43	YIOR	I/O	I/O read. Input during HLDA cycle.

Table 1. Signal Descriptions

PIN	SIGNAL	TYPE	DESCRIPTION
44	V _{SS5}		Ground.
45	YIOW	I/O	I/O write. Input during Master cycle.
46	EBHE	I/O	High byte enable to expansion bus. Input during Master cycle.
47	ADRO	I/O	Low byte enable. Latched with ALE during a CPU cycle, driven low during 16-Bit DMA cycles.
48	BHE	I/O	High byte enable from the 80286. Output during MASTER and DMA cycles for use by the FE3021.
49	D6	I/O	Peripheral data bus bit 6.
50	D7	I/O	Peripheral data bus bit 7.
51	V _{DD2}		+5 V V _{DD} .
52	D2	I	Peripheral data bus bit 2.
53	D3	I	Peripheral data bus bit 3.
54	DMAMR	I	DMA memory read from DMA controller.
55	RESIN	I	System reset input.
56	RESCPU	I	CPU reset input from keyboard controller.
57	MEMCS16	I	Signals 16 bit memory transfer capability on the PC/AT bus.
58	IOCS16	I	Signals 16 bit I/O transfer capability on the PC/AT bus.
59	ZEROWS	I	Zero wait state bus cycle request. See description for more details.
60	ONBRD	I	16 bit on-board DRAM memory, BIOS, or I/O device. Implies local memory on memory cycles and fast I/O bus timing for I/O cycles.
61	MASTER	I	Master on PC/AT bus has control of the bus when asserted.
62	IOCHRDY	I	Current bus cycle may complete when high. May be used to extend CPU, DMA, or refresh cycles.
63	BUSY	I	80287 co-processor busy.
64	ERROR	I	Error from 80287.
65	V _{SS6}		Ground.
66	HRQ1	I	Hold request from DMA controller in FE3010B.
67	OUT1	I	Refresh timer input from FE3010B.
68	HLDA	I	Hold acknowledge from 80286.
69	A0	I	Local 80286 address bus 0.
70	A1	I	Local 80286 address bus 1.
71	A3	I	Local 80286 address bus 3.
72	CS287	I	80287 select decode from FE3021 (0E0H - 0FFH).
73	PTYERR	I	On-board RAM parity error. Sampled on the first falling edge of PROCLK after YMEMR goes high.
74	V _{DD3}		+5 V V _{DD} .
75	IOCHCK	I	Error from PC/AT bus.
76	NMICS	I	NMI port enable decode (07XH). Also used for programming bus control registers.
77	PBCS	I	Port B chip select decode (061H - 06FH, 0DD). See register description for decode definitions.
78	AEN	I	DMA cycle enable from FE3010B.
79	DACK2	I	16 bit DMA acknowledge from FE3010B.
80	M/IO	I	80286 memory/IO select. High indicates memory halt, or shutdown cycles. Low indicates I/O or interrupt acknowledge cycles.
81	S1	I	80286 Status 1.
82	S0	I	80286 Status 0.
83	CLK14	I	14.318 MHz clock input used to derive TMRCLK, PCLK, and PCLK.
84	CLK16	I	16 MHz clock input. This provides the low speed CPU clock for 8 MHz operation. When this pin is pulled high, CLKHS + 2 is used as the low speed clock.

Table 1. Signal Descriptions (Continued)

1.0 FUNCTIONAL DESCRIPTION

1.1 FUNCTIONAL OVERVIEW

The FE3001 is designed to run with the FE3010B peripheral controller, and the FE3021 and FE3031 buffers/memory controls to create a 16 MHz or 20 MHz PC/AT compatible system. The basic architecture of an AT compatible system using the FE3600B chip set involves putting the system DRAM on the local data and command bus, allowing high speed access. The BIOS ROM can be put on the local bus or expansion bus; the FE3021 has provisions especially to use the ROM on the higher speed bus. During accesses to local memory, the data buffer controls in the FE3001 prevent data collisions between the local and expansion buses. The FE3021 and FE3031 also inhibit memory read and write signals to the expansion bus for local memory accesses.

The FE3001 generates all of the clocks needed in the system. The CPU clock to the 80286 processor (PROCLK) is programmable, as is the DMA clock for the DMA controller in the FE3010B (DMACLK). The expansion bus clock (SYSCLK) and coprocessor clock for the 80287 (CLK287) automatically adjust to the current operating configuration. The clock for the timers in the FE3010B (TMRCLK) is fixed at 1.19 MHz, and the clocks for the keyboard controller (PCLK and PCLK) are fixed at 7.16 MHz.

The FE3001 has registers to delay the five commands (memory read and write, I/O read and write, interrupt acknowledge) during a CPU cycle and control the length of the commands based on various input signals (16 bit memory, 16 bit I/O, on-board memory, fast 16 bit I/O device, and zero wait state device). On power-up, these registers are loaded with values to run the system with a 16 MHz PROCLK (8 MHz system) with full AT compatibility and no register programming necessary. Before switching to high speed operation, it is necessary to program the registers for proper bus emulation. These registers eliminate the need to either slow down the processor for expansion bus operations or run the bus asynchronously. Note that a 16 MHz system can be made to exactly match the bus timing of an 8 MHz system.

1.2 CLOCK GENERATOR

This module generates clocks for the CPU, DMA, 8042 keyboard controller, timer and 80287 Numeric Processor. The CPU clock is software selectable for low speed or high speed CPU operation. The DMA clock is also software selectable between standard and high speed. The 80287 clock is fixed at the low speed CPU clock.

1.2.1 PROCLK

The CLK16 and CLKHS input clocks to the FE3001 are used to create the low speed and high speed clocks to the CPU. The CLKHS input is used when the high speed CPU clock is selected. If the CLK16 input is connected to an oscillator, it will be used when the low speed CPU clock is selected (typically from 6 to 8 MHz CPU speed). Alternatively, if CLK16 is tied high through a pullup resistor, then CLKHS + 2 will be used as the low speed clock, saving an oscillator.

The CPU clock circuitry ensures a glitchless speed switch. PROCLK will be held high at most 1 1/2 clock periods of the clock being selected in order to achieve synchronization. Since SYSCLK and DMACLK are based on PROCLK, they will also switch speeds without glitches.

1.2.2 DMACLK

DMACLK can be software selected between standard speed and a special high speed mode. Standard speed provides a 4 MHz DMA clock to the DMA controller on a 16 MHz system, the same as an 8 MHz IBM PC/AT. This will be the most common selection of DMA speed. Selecting high speed DMA runs the DMA controller at twice standard speed. This would likely be confined to special dedicated systems where only well defined DMA peripherals that can run that fast are used.

DMACLK is PROCLK + 4 when the low speed CPU clock is selected. DMACLK is PROCLK + 8 when the high speed CPU clock is selected. DMACLK will always change on CPU "t" state boundaries, but no other synchronization is attempted. The previous discussion applies to standard speed DMA. If high speed DMA is selected, it runs twice as fast in all cases.

1.2.3 CLK287

CLK287 is always the same as the low speed CPU clock. It is not affected by speed switching. It follows CLK16 if that input is toggling or is CLKHS + 2 if CLK16 is pulled high.

1.2.4 SYSCLK

When the low speed clock is selected, SYSCLK is PROCLK + 2. During high speed operation, SYSCLK is PROCLK + 4. In the high speed case, SYSCLK is brought into sync with the PC/AT bus at the end of ALE. See Figure 4 for SYSCLK functional timing.

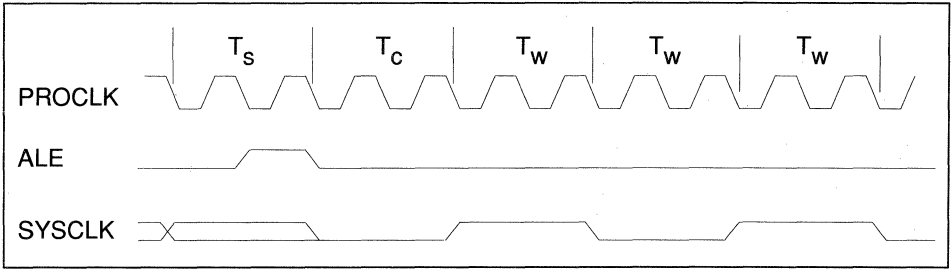


Figure 4. SYSCLK Timing during High Speed Operation

1.2.5 PCLK, PCLK, and TMRCLK

The CLK14 input is used to generate PCLK, $\overline{\text{PCLK}}$, and TMRCLK. It must be 14.31818 MHz in order for TMRCLK to be 1.1932 MHz, as required for the timers in the FE3010B to be AT compatible. TMRCLK is $\text{CLK14} \div 12$. PCLK is $\text{CLK14} \div 2$ (7.16 MHz). $\overline{\text{PCLK}}$ is the complement of PCLK. PCLK and $\overline{\text{PCLK}}$ can be used to drive the 8042 keyboard controller.

1.2.6 STOPPING THE CLOCKS (SLEEP MODE)

Software may put the FE3001 in sleep mode by setting port 063H bit 6. In sleep mode, PROCLK and DMACK will be stopped at a high level. SYSCLK will also be stopped, but at an indeterminate logic level. DMACK and PROCLK will each stop on their first rising edge after HLDA is seen active by the FE3001. Typically, this would be the first refresh cycle after the sleep bit is written. SYSCLK will stop with PROCLK.

By stopping these clocks, power can be conserved in battery operated systems. Note that a static CMOS 80286 must be used in order to stop the CPU clock. PCLK, $\overline{\text{PCLK}}$, TMRCLK, and CLK287 will continue to run in sleep mode, allowing the keyboard controller, timers, and coprocessor to operate. Either a keyboard interrupt or a system clock interrupt is a likely choice to wake the CPU up.

To restart the clocks (wake up the CPU), the $\overline{\text{RESCPU}}$ input must be pulsed low. The rising edge of $\overline{\text{RESCPU}}$ will kick off internal synchronization that will restart the clocks roughly 2 PCLK periods later. No glitches will occur on the clocks as a result of a restart. Also note that the pulse on $\overline{\text{RESCPU}}$ will not reset the CPU if the FE3001 is in sleep mode. Refer to Application Notes for information on external logic needed to implement sleep mode.

1.3 COMMAND CONTROL

This module generates the I/O read and write commands, memory read and write commands, interrupt acknowledge, ALE and BALE from $\overline{\text{SI}}$, $\overline{\text{S0}}$, and MNIO. It also controls the number of wait states used during each CPU cycle. See the register descriptions for programming information. For recommended program values, refer to Appendix A.

1.3.1 ON-BOARD CYCLES

When the $\overline{\text{ONBRD}}$ signal is active, then this cycle is directed toward 16-bit, high speed local DRAM, BIOS, or I/O. The timing for these cycles is defined by registers R9, R10, and R12. The AT bus timing signals $\overline{\text{MEMCS16}}$ and $\overline{\text{IOCS16}}$ have no effect. IOCHRDY can be used to lengthen the cycle, and indeed is used by the FE3021 to add wait states for a DRAM page miss or EMS cycles.

The wait states for on-board reads and writes are individually programmable by registers R9 and R10 in order to optimize DRAM access speed. Both memory and I/O cycles use these values. The command delay for on-board I/O cycles is set by register R12. The command delay for on-board memory cycles is always zero.

1.3.2 AT BUS CYCLES

All I/O and memory cycles where $\overline{\text{ONBRD}}$ is inactive will be directed to the AT bus. The command delay and wait states are programmable for each type of AT bus cycle. Refer to section 2 for more details.

Memory cycles use 16-bit timing when $\overline{\text{MEMCS16}}$ is driven low before either the memory command ($\overline{\text{YMEMR}}$ or $\overline{\text{YMEMW}}$) is programmed to go active or BALE falls, whichever is earlier. I/O cycles use 16-bit timing when $\overline{\text{IOCS16}}$ is driven low before the I/O command ($\overline{\text{YIOR}}$ or $\overline{\text{YIOW}}$) is programmed to go active. Otherwise, all cycles use 8-bit timing.

ZEROWS can be driven low for either 8-bit or 16-bit cycles to terminate the cycle early. As on the AT, it should not be driven until a command is active. It will cause the cycle to end after the prescribed minimum number of wait states in register R8 is met. Note that the FE3001 contains circuitry to ensure that an AT bus cycle will end (command goes high) on a rising edge of SYSCLK and will add a wait state if needed to enforce this. This synchronization circuitry will override register programming and the IOCHRDY and ZEROWS inputs.

1.3.3 OTHER CYCLES

Interrupt acknowledge cycles follow the same command timing as an 8-bit AT bus cycle. HALT cycles do not generate ALE, BALE or cause the READY output to go high. Effectively, the FE3001 does not respond to a HALT cycle. A SHUTDOWN cycle is handled like a HALT, except that it causes the CPURES line to be pulsed, resetting the CPU only.

1.4 BUS CONTROL

This module generates the data buffer controls for CPU, DMA, and refresh cycles. DEN0 and DEN1 are used to enable the lower and upper bytes of the FE3031 AT Bus data buffers, respectively. DTR sets the direction of these buffers. SDEN and SDTR control the enable and direction of a buffer which transfers data between the upper and lower bytes of the AT data bus. The rising edge of SCYCLE latches data on the lower byte of the AT bus into the FE3031, needed for 16-bit to 8-bit bus conversion cycles. ONBRDL is ONBRD latched by ALE to keep it valid throughout the cycle.

The ONBRD signal is used to indicate on-board DRAM and I/O operations. On-board memory and fast on-board I/O devices are assumed to be 16 bit devices. During CPU cycles which access on-board memory, the AT data buffers will be disabled. For Bus Master and DMA cycles, ONBRD must be decoded only for on-board memory.

1.5 A0/BHE GENERATOR

This module generates the system ADR0, ABHE, and EBHE using A0 and BHE from the 80286 CPU and AEN and DACK2 from the DMA controller in the FE3010B.

1.5.1 ADR0

During CPU cycles, A0 from the 80286 is latched with ALE to produce ADR0. For 16 bit DMA transfers and interrupt acknowledge cycles, ADR0 is forced low so that the low byte of the data bus is activated. For all other CPU hold conditions ADR0 is tri-stated. The FE3001 performs two cycles when the CPU attempts a 16 bit operation to an 8-bit device on an even address

boundary. ADR0 is automatically forced to one at the start of the second cycle to select the second byte.

1.5.2 ABHE

ABHE is the local upper byte select used by the FE3031. During CPU cycles, ABHE is BHE latched with ALE. It is forced low during 16-bit DMA (DACK2 and AEN inputs high) so that the upper byte is always selected. For 8-bit DMA, it is the inversion of ADR0 so that only one byte is selected at a time. During master mode, ABHE follows the EBHE input.

1.5.3 EBHE

EBHE is the upper byte select to the AT bus. During CPU cycles, EBHE is ABHE latched with BALE to provide proper AT bus timing. During DMA, EBHE follows ABHE. During refresh the EBHE output is disabled. It is an input during Master Mode transfers.

1.6 PRIORITY CONTROL

The Priority Control module generates the hold request signal to the CPU in response to a request from the DMA controller or refresh timer.

1.6.1 REFRESH CYCLES

The FE3001 generates a hold request in response to a rising edge on the OUT1 input, signalling that a refresh cycle is needed. A refresh cycle is initiated when HLDA comes back from the CPU. The FE3001 refresh state machine drives REFRESH low to signal a refresh cycle to the AT bus, and sets ERFSH low to the FE3010B to enable the refresh address onto the CPU address bus. YMEMR will also be strobed low during a refresh cycle. Refer to the timing diagrams for more detail. Note that REFRESH is a bidirectional open-collector signal, and a refresh cycle can be started by an expansion card.

1.6.2 DMA CYCLES AND REQUEST ARBITRATION

Requests for control by the DMA controller are made by taking the HRQ1 input high. The FE3001 grants control to the DMA controller by setting HLDA1 high.

When the FE3001 receives a HLDA, it grants control either to the refresh state machine (REFRESH goes low) or to the DMA controller (HLDA1 goes high). Priority is given to the refresh state machine in the event of simultaneous requests. Note that if simultaneous requests do exist, then HOLDRQ will not be dropped after the first request is satisfied. Instead, the FE3001 will grant control sequentially to both requestors with the same HLDA.

1.7 DMA CONTROL

This module generates the DMARDY signal for the FE3010B peripheral controller. This signal indicates that the DMA may complete its cycle. The module also generates YMEMR during DMA by delaying the leading (falling) edge of the FE3010B DMAMR signal by one DMA clock.

1.8 ERROR CONTROL

This module generates a non-maskable interrupt (NMI) to the 80286 when a parity error or system bus error is encountered. Parity error, system bus error or NMI can be enabled or disabled from software. They are all disabled on system reset.

The PTYERR input is examined each time YMEMR goes high and it is an on-board cycle (ONBRDL low). The state of the PTYERR input is actually latched on the first falling edge of PROCLK after YMEMR goes high. This applies to all on-board reads including CPU, DMA, and Bus Master cycles. If PTYERR was high, it signals a parity failure and will generate an NMI to the CPU if enabled. The parity error latch can be cleared by disabling and then enabling parity errors.

The IOCHCK input is driven low by a device on the AT bus to signal a catastrophic error, such as a parity error on a plug-in RAM card. A low on the IOCHCK input will generate an NMI to the CPU if enabled. The error condition can be cleared by disabling and then enabling IOCHCK. However, the IOCHCK input must also be reset high or it will generate another NMI.

When the CPU receives an NMI, it can interrogate I/O register 061H (PORT B) to determine whether a parity error or an IOCHCK is the source of the interrupt. Note that this is the only time the FE3001 will drive the data bus. All other I/O locations are write only. Also, only bits 6 and 7 will be driven during the read. The FE3010B will supply the 6 lower order bits.

1.9 COPROCESSOR INTERFACE

The Coprocessor Interface module provides the system interface to the 80287 Numeric Processor Extension. The reset and chip select to the 80287 are generated in this module in addition to the busy signal to the CPU and interrupt request 13 to the interrupt controller.

In a FE3600B system, as in any PC/AT compatible system, ERROR from the 80287 coprocessor is not

connected to the ERROR input on the 80286. Instead, the ERROR input on the 80286 is tied high, while BUSY and interrupt request 13 are used to flag errors. The FE3001 has a BZ286 output which connects to the BUSY input of the 80286. It also has ERROR and BUSY inputs which hook to those outputs from the 80287.

Normally, BZ286 just follows the BUSY input. However, when ERROR goes low while BUSY is low, IRQ13 will go active to signal the CPU that a coprocessor error has occurred. IRQ13 will stay active until ERROR goes back high. Also, BZ286 will be latched low to prevent another coprocessor instruction from being loaded. BZ286 will stay low until either the 80287 is reset or there is a write to I/O address 0F0H. When either of these occurs, then BZ286 will return to following the BUSY input.

The FE3001 RST287 output connects to the 80287 RESET input. This allows the coprocessor to be reset through software by an I/O write to address 0F1H. It will also be reset when the system RESET output is active.

The FE3001 expects the CS287 input to be active for addresses 0E0H-0FFH. This is used to provide the NPCS chip select decode output for the 80287. It will be active for addresses 0E8H-0EFH and 0F8H-0FFH when INTA is high and M/I/O from the CPU was low for this cycle.

1.10 RESET CONTROL

This module generates the CPURES signal which is used to reset only the 80286 and the RESET signal which resets the rest of the system (including the FE3001). The RESIN input causes a full system reset when driven low. Both CPURES and RESET will go active for as long as RESIN is low and for at least 30 PROCLK cycles after RESIN goes high.

The RESCPU input, when driven low, causes only the CPURES output to go high. RESCPU would normally be connected to both the 8042 keyboard controller and the FE3021 (to provide "hot" reset). The CPURES output will stay high for at least 4 DMACK periods, longer if RESCPU remains low. CPURES will also go high for 4 DMACK periods if the 80286 executes a Shutdown cycle.

M/IO	SI	S0	TYPE OF BUS CYCLE
0	0	0	Interrupt Acknowledge
0	0	1	I/O Read
0	1	0	I/O Write
0	1	1	None, not a status cycle
1	0	0	Halt (if A1 = 1) or Shutdown (if A1 = 0)
1	0	1	Memory Read
1	1	0	Memory Write
1	1	1	None, not a status cycle

Table 2. Bus Cycles

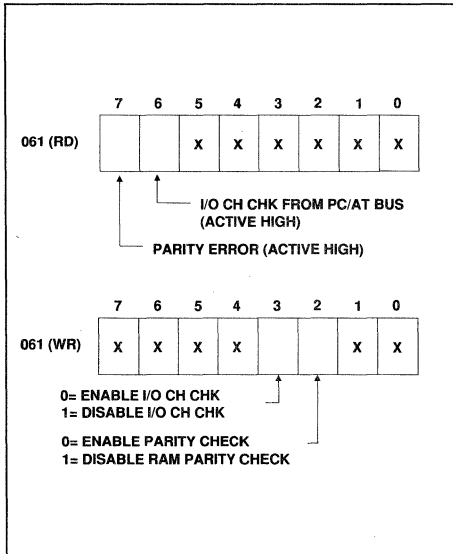
1.11 GENERAL NOTES

- * \overline{ONBRD} must not be active during interrupt acknowledge cycles.
- * For memory cycles with \overline{ONBRD} asserted, the system will use the MDATA bus of the FE3031 for data transfers. For I/O cycles with \overline{ONBRD} asserted, the system will use the expansion bus (DATA) of the FE3031 for data transfers.
- * On-board I/O devices must drive $\overline{IOCS16}$ in order for a Bus Master to access them as 16-bit devices. Otherwise, \overline{SDEN} will go low for Bus Master I/O cycles where \overline{ADRO} is high.
- * Inputs CLK16, \overline{BUSY} , \overline{ERROR} , and $\overline{CS287}$ have internal 100k Ω (approx.) pull-up resistors.

2.0 FE3001 REGISTERS

2.1 ERROR CONTROL REGISTER (061H), READ/WRITE

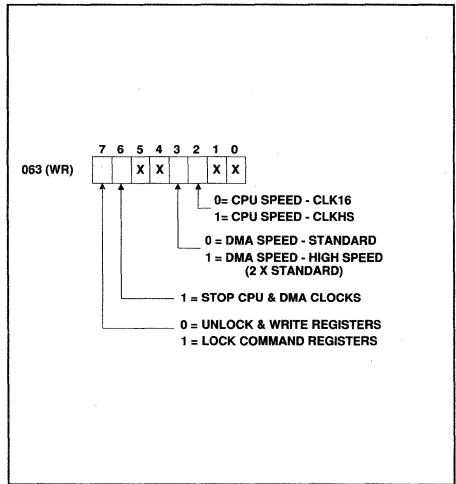
The error control register contains masks for the on-board RAM parity check and I/O channel check signals. It also provides a read port to check the status of these signals.



2.2 SPEED SELECT (063H), WRITE

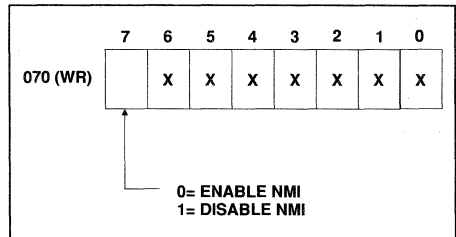
The speed select register controls the speed of the CPU and DMA clocks. This register is also used to stop the CPU (sleep mode) and unlock the command control and speed select registers for access. The lock bit must be reset and D7 must be low to change speed or stop clocks.

The Stop Clock bit stops all the clocks except for the timer clock, coprocessor clock, and keyboard controller clocks. This allows refresh to continue. Bits 2,3, and 6 in the register are cleared and bit 7 is set by system reset.



2.3 NMI ENABLE (070H), WRITE

The NMI enable register contains the mask for NMI to the 80286. Bit 7 is set on power-up.



2.4 COMMAND CONTROL REGISTERS (072H,073H), WRITE

The timing of the command controls on the expansion bus is programmable via the Command Control Registers. These registers control the timing of BALE, YMEMR, YMEMW, YIOR, YIOW, INTA and the number of wait states in a CPU cycle. This section describes the programming of these registers. Recom-

mended program values for CPU clock speeds of 16, 25, and 32 MHz are provided in Appendix A.

The programmable bus signals are shown in Figure 5. A summary of the timing registers is shown in Table 3.

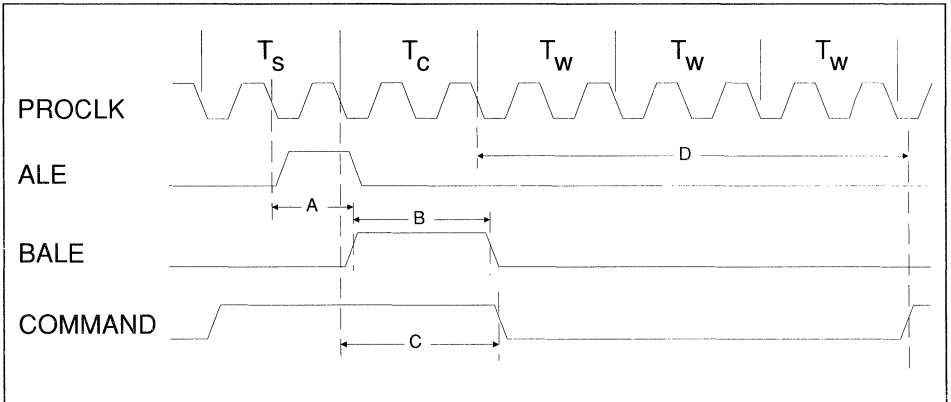


Figure 5. Programmable Command Timing

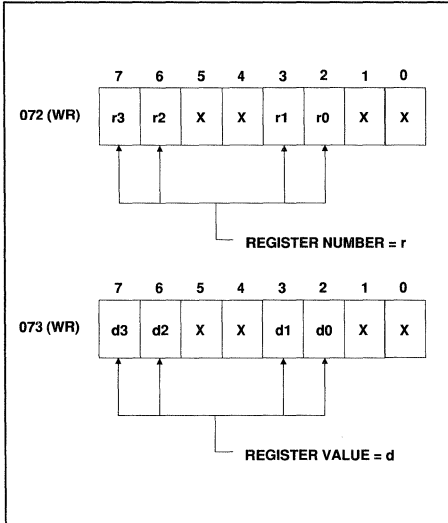
REG	BITS	FUNCTION	WAVEFORM	DEFAULT	RANGE
R0	2	BALE delay from ALE leading edge	A	0	0 - 3
R1	2	BALE width	B	1	1 - 3
R2		Not used			
R3	4	8 bit memory, 8/16 bit I/O - command delay	C	1	0 - 15
R4	4	8 bit operation - wait states	D	4	0 - 15
R5	4	16 bit I/O operation - wait states	D	1	0 - 15
R6	4	16 bit memory operation - command delay	C	0	0 - 15
R7	4	16 bit memory operation - wait states	D	1	0 - 15
R8	4	Minimum number of wait states when ZEROWS is asserted - wait states	D	0	0 - 15
R9	4	On-board 16 bit read cycle - wait states	D	1	0 - 15
R10	4	On-board 16 bit write cycle - wait states	D	1	0 - 15
R11		Not used			
R12	4	On-Board I/O operation - command delay	C	1	0 - 15

Table 3. Summary of Command Timing Registers

- * Command delay is number of PROCLKs from end of T_S
- * Each wait state is two PROCLKs.
- * One wait state may be added in high speed mode for synchronization.

2.5 COMMAND REGISTER POINTER (072H)

The Command Register Pointer points to one of 11 registers at location 073H. Each register contains a command timing parameter based on the selected CPU clock. Whichever register number is loaded in bits 7,6,3, and 2 in location 072H is the register which is loaded with the next write to address 073H. Refer to Table 3 for details.



2.6 BALE TIMING (R₀,R₁)

The leading edge and width of BALE are controlled by these two registers. BALE delay is defined as the number of PROCLK cycles from the leading edge of ALE. BALE width is the width in PROCLK cycles.

Default values: Delay (R₀) - 0
Width (R₁) - 1

2.7 8 BIT MEMORY AND 8/16 BIT I/O COMMAND DELAY (R₃)

This register controls the command delay for 8 bit memory and 8/16 bit I/O operations. Command delay is defined as the number of PROCLK cycles from the trailing edge of ALE to the start of the command.

Default value: Command Delay (R₃) - 1

2.8 8 BIT MEMORY AND I/O WAIT STATES (R₄)

This register controls the number of wait states for 8 bit operations. The number of wait states is the number of CPU wait states required for these operations.

Default value: Wait States (R₄) - 4

2.9 16 BIT I/O WAIT STATES (R₅)

This register controls the number of wait states for 16 bit I/O cycles. These cycles are indicated by the assertion of IOCS16. The number of wait states is the number of CPU wait states required for this operation.

Default values: Wait States (R₅) - 1

2.10 16 BIT AT BUS MEMORY TIMING (R₆,R₇)

These registers control the command delay and number of wait states for 16 bit memory operations. These cycles are indicated by the assertion of MEMCS16. Command delay is defined as the number of PROCLK cycles from the trailing edge of ALE. The number of wait states is the number of CPU wait states required for this operation.

Default values: Command Delay (R₆) - 0
Wait States (R₇) - 1

2.11 ZEROWS BUS CYCLE WAIT STATES

This register sets the minimum number of wait states which must occur before the assertion of the ZEROWS signal can terminate a cycle.

Default values: Wait States, ZWS (R₈) - 0

2.12 ON-BOARD MEMORY TIMING (R₉,R₁₀)

These two registers control the number of wait states for on-board operations. These cycles are indicated by the assertion of ONBRD during CPU cycles. Command delay is zero for all on board memory operations. The number of wait states is the number of CPU wait states required for this operation. There are separate registers to program the number of wait states for read and write operations to give the system designer added flexibility and potential for greater speed.

Default values: Wait States,Read (R₉) - 1
Wait States,Write (R₁₀) - 1

2.13 ON-BOARD I/O TIMING (R₁₂)

This register controls the command delay for 16 bit on-board I/O operations. These cycles are indicated by the assertion of $\overline{\text{ONBRD}}$ during CPU I/O cycles. Command delay is defined as the number of PROCLK cycles from the trailing edge of ALE. The number of wait states for on-board I/O is defined by the on-board memory registers described above. Additional wait states can be added by using the IOCHRDY signal.

Default values: Command Delay (R₁₂) - 1

2.14 CLEAR 80287 BUSY (0F0H), WRITE

When an error signal is received from the 80287, the $\overline{\text{BZ286}}$ signal is latched low. The latch is cleared by an OUT instruction to this port. The output data is don't care.

2.15 RESET 80287 (0F1H), WRITE

An OUT instruction to this port generates a reset to the 80287.

3.0 PACKAGE

The FE3001 is packaged in a 84-pin PLCC.

4.0 ABSOLUTE MAXIMUM RATINGS

Ambient Temperature (operating): 0° to +70° C
 Storage Temperature: -40° to +125° C
 Voltage on any pin to ground: -.5 V to +7 V
 Power Dissipation: 400 mW

5.0 DC CHARACTERISTICS

Refer to Table 4 below.

SYMBOL	PARAMETER	MIN	MAX	UNIT	TEST CONDITION
V _{IL}	Input LOW Voltage		0.8	V	
V _{IH}	Input HIGH Voltage	2.0		V	
I _{OL}	LOW V Output Current ^{1,4}	4		mA	V _{OL} = 0.4 V
I _{OH}	HIGH V Output Current ¹	-4		mA	V _{OH} = 2.4 V
I _{OL}	LOW V Output Current ^{2,3}	8		mA	V _{OL} = 0.4 V
I _{OH}	HIGH V Output Current ²	-8		mA	V _{OH} = 2.4 V
V _{OHC}	PROCLK Out HIGH Volt	3.8		V	I _{OH} = -2 mA
V _{DD}	Supply Voltage (Any V _{DD})	4.5	5.5	V	
I _{DD}	Supply Current (Total)			mA	

Table 4. DC Characteristics

- * 1. Output currents are for $\overline{\text{DMACLK}}$, $\overline{\text{TMRLCK}}$, $\overline{\text{PCLK}}$, $\overline{\text{PCLK}}$, $\overline{\text{CLK287}}$, $\overline{\text{CPURES}}$, $\overline{\text{ALE}}$, $\overline{\text{RTCALE}}$, $\overline{\text{DTR}}$, $\overline{\text{SDTR}}$, $\overline{\text{DENO}}$, $\overline{\text{DEN1}}$, $\overline{\text{SDEN}}$, $\overline{\text{SCYCLE}}$, $\overline{\text{READY}}$, $\overline{\text{DMARDY}}$, $\overline{\text{NPCS}}$, $\overline{\text{RST287}}$, $\overline{\text{BZ286}}$, $\overline{\text{IRQ13}}$, $\overline{\text{NMI}}$, $\overline{\text{HOLDRQ}}$, $\overline{\text{ERFSH}}$, $\overline{\text{HLDA1}}$, $\overline{\text{INTA}}$, $\overline{\text{DLYWR}}$, $\overline{\text{ABHE}}$, $\overline{\text{BHE}}$, $\overline{\text{ONBRDL}}$.
- * 2. Output currents are for $\overline{\text{RESET}}$, $\overline{\text{YMEMR}}$, $\overline{\text{YMEMW}}$, $\overline{\text{YIOR}}$, $\overline{\text{YIOW}}$, D₆, D₇, ADR₀, SYSCLK, BALE, $\overline{\text{EBHE}}$, ACK.
- * 3. Output current for $\overline{\text{REFRESH}}$. This is an I/O pin which is only driven low in output mode. It is in a tri-state condition otherwise. A pull-up resistor is needed to bring the output high.
- * 4. Output low current for PROCLK.

6.0 FE3001 TIMING PARAMETERS

(T_a=0° to 70°C, V_{DD}=4.5 to 5.5V, C_L=50pf)

SYMBOL	PARAMETER	16 MHz	
		MIN	MAX (NS)
T1	ALE rising edge delay from PROCLK		12
T2	ALE falling edge delay from PROCLK		15
T3	BALE rising edge delay from PROCLK		21
T4	BALE falling edge delay from PROCLK		20
T5	YMEMR, YMEMW fall delay from PROCLK		16
T6	YMEMR, YMEMW rise delay from PROCLK		19
T7	YIOR, YIOW falling delay from PROCLK		20
T8	YIOR, YIOW rising delay from PROCLK		20
T11	READY falling edge delay from PROCLK		12
T12	READY rising edge delay from PROCLK		16
T13	DTR fall delay from PROCLK; read cycle		20
T16	DEN ₀ , DEN ₁ rise delay from PROCLK; read cycle		18
T17	DEN ₀ , DEN ₁ low delay from PROCLK; write cycle		28
T18	DEN ₀ , DEN ₁ rise delay from PROCLK; write cycle		24
T21	S ₁ , S ₀ setup time to PROCLK	13	
T23	ONBRD setup time to PROCLK; memory cycle	22	
T24	ONBRD setup time to PROCLK; I/O cycle	32	
T25	MEMCS ₁₆ setup time to PROCLK	32	
T26	IOCS ₁₆ setup time to PROCLK	35	
T27	IOCHRDY setup time to PROCLK	12	
T28	IOCHRDY hold time from PROCLK	0	
T30	S ₁ , S ₀ hold time from PROCLK	1	
T31	A ₀ setup time to PROCLK	10	
T32	BHE setup time to PROCLK	2	
T33	BHE hold time from PROCLK	15	
T34	A ₀ hold time from PROCLK	15	
T35	ABHE delay from PROCLK		21
T36	ADR ₀ delay from PROCLK		20
T37	EBHE delay from PROCLK		28
T38	ONBRD hold time from PROCLK	10	
T39	ONBRDL delay from ONBRD		19

Table 5. FE3001 Timing Parameters

SYMBOL	PARAMETER	16 MHz	
		MIN	MAX (NS)
T40	ONBRDL delay from PROCLK		24
T41	CLK14 period	69	
T42	CLK14 low time	27	
T43	CLK14 high time	27	
T44	PCLK rise/fall delay from CLK14 falling		29
T45	PCLK rise/fall delay from CLK14 falling		24
T46	TMRCLK rise/fall delay from CLK14 falling		27
T47	CLKHS period	31	
T48	CLKHS high time	14	
T49	CLKHS low time	14	
T50	PROCLK falling edge delay from CLKHS fall; High speed PROCLK selected		20
T51	PROCLK rising edge delay from CLKHS rising; High speed PROCLK selected		16
T52	PROCLK duty cycle skew (T50 - T51); High speed PROCLK selected. PROCLK low time = T49 - T52 PROCLK high time = T48 + T52	- 2	4
T53	PROCLK rise/fall delay from CLKHS falling; Low speed PROCLK, CLK16 tied to +5V		26
T54	CLK287 rise/fall delay from CLKHS falling; CLK16 input tied to +5V		18
T55	CLK16 period	62	
T56	CLK16 high time	28	
T57	CLK16 low time	28	
T58	PROCLK rise/fall delay from CLK16 ; low speed PROCLK, CLK16 toggling		22
T59	CLK287 rise/fall delay from CLK16 ; CLK16 toggling		18
T60	SYSCLK rise/fall delay from PROCLK; Low speed PROCLK selected		17
T61	SYSCLK rise/fall delay from PROCLK; High speed PROCLK selected		17
T62	DMACLK rise/fall delay from PROCLK; Divide by 2		30
T63	DMACLK rise/fall delay from PROCLK; Divide by 4		37
T64	DMACLK rise/fall delay from PROCLK; Divide by 8		37
T65	M/I \bar{O} setup time to $\bar{S}0$, $\bar{S}1$ falling edge	4	
T66	M/I \bar{O} hold time from PROCLK (end of Ts)	15	

Table 5. FE3001 Timing Parameters (Continued)

SYMBOL	PARAMETER	16 MHz	
		MIN	MAX (NS)
T67	DTR rise delay from PROCLK; read cycle		24
T68	SDTR rise delay from PROCLK		24
T69	SDTR fall delay from PROCLK		30
T70	PTYERR setup time to PROCLK	11	
T71	PTYERR hold time from PROCLK	4	
T72	MEMCS16 hold time from PROCLK	17	
T73	DEN0 low delay from PROCLK; read cycle		27
T74	DEN1 low delay from PROCLK; read cycle		25
T75	ZER0WS setup time to PROCLK	24	
T76	ZER0WS hold time from PROCLK	0	
T77	DEN0, DEN1 low delay from ONBRD high; write cycle		28
T78	IOCS16 hold time from PROCLK	5	
T79	DLYWR falling edge delay from PROCLK		13
T80	DLYWR rising edge delay from PROCLK		23
T81	SDEN falling edge delay from PROCLK		30
T82	SDEN rising edge delay from PROCLK; YMEMR, YMEMW, or YIOR active		32
T83	SDEN rising edge delay from PROCLK; YIOW active		16
T84	SCYCLE rising edge delay from PROCLK		17
T85	SCYCLE falling edge delay from PROCLK		22
T86	INTA falling edge delay from PROCLK		18
T87	INTA rising edge delay from PROCLK		17
T88	ADRO low delay from PROCLK; interrupt acknowledge cycle		21
T89	DEN0 low delay from PROCLK; interrupt acknowledge cycle		26
T90	DEN0 rise delay from PROCLK; interrupt acknowledge cycle		19
T91	CPURES rising edge delay from PROCLK; shutdown cycle		18
T92	CPURES falling edge delay from PROCLK; shutdown cycle		17
T93	OUT1 setup time to PCLK; asynchronous input	15	
T94	HOLDERQ rising edge delay from PCLK		12
T95	HOLDERQ falling edge delay from PCLK		14
T96	HLDA setup time to PCLK; asynchronous input	26	
T97	REFRESH low delay from HLDA high		29

Table 5. FE3001 Timing Parameters (Continued)

SYMBOL	PARAMETER	16 MHz	
		MIN	MAX (NS)
T98	REFRESH output tristate delay from PCLK		9
T99	ERFSH falling edge delay from PCLK		10
T100	ERFSH rising edge delay from PCLK		10
T101	YMEMR falling edge delay from PCLK; refresh cycle		10
T102	YMEMR rising edge delay from PCLK; refresh cycle		10
T103	IOCHRDY setup time to PCLK	19	
T104	HRQ1 setup to PCLK; asynchronous input	18	
T105	HLDA1 rising edge delay from PCLK		10
T106	HLDA1 high delay from HLDA high		20
T107	HLDA1 falling edge delay from PCLK		11
T108	BALE high delay from HLDA high		18
T109	BALE low delay from HLDA low		19
T110	ACK high delay from HLDA high		16
T111	ACK high delay from MASTER high		16
T112	ACK low delay from HLDA low		16
T113	ACK low delay from MASTER low		16
T114	ONBRD setup before YIOR falls	9	
T115	ONBRD to ONBRDL delay; HLDA high		19
T116	HLDA high to ADR0 float delay		20
T117	HLDA low to ADR0 enable delay		20
T118	ADR0 input to ABHE output delay		19
T119	HLDA high to EBHE float delay		23
T120	HLDA low to EBHE enable delay		23
T121	AEN high to EBHE enable delay		23
T122	AEN low to EBHE float delay		22
T123	ADR0 input to EBHE output delay		28
T124	HLDA1 high to BHE enable delay		10
T125	HLDA1 low to BHE float delay		11
T126	EBHE to BHE delay		11
T127	HLDA high to YIOR float delay		21
T128	HLDA low to YIOR enable delay		23
T129	HLDA high to YMEMW float delay		21
T130	HLDA low to YMEMW enable delay		23
T131	YIOR low to DEN0 low delay		20
T132	YIOR high to DEN0 high delay		19
T 133	YIOR low to DTR low delay		18
T134	YIOR high to DTR high delay		18

Table 5. FE3001 Timing Parameters (Continued)

SYMBOL	PARAMETER	16 MHz	
		MIN	MAX (NS)
T135	YIOR low to SDTR high delay		26
T136	YIOR high to SDTR low delay		23
T137	ONBRD setup before DMACLK which causes YMEMR to go low	22	
T138	DMAMR setup time to DMACLK	16	
T139	YMEMR falling edge delay from DMACLK		10
T140	DMAMR high to YMEMR high delay		19
T141	DLYWR input low to YIOW output low		16
T142	DLYWR input high to YIOW output high		16
T143	YMEMR low to DEN1 low delay		18
T144	YMEMR high to DEN1 high delay		17
T145	YMEMR low to SDEN low delay		21
T146	YMEMR high to SDEN high delay		19
T147	AEN high to ADR0 enable delay; DACK2 high		25
T148	DACK2 low to ADR0 float delay		20
T149	AEN high to ABHE low delay; DACK2 high		27
T150	IOCHRDY setup time before DMACLK	14	
T151	YIOR low to DMARDY low delay		17
T152	DMAMR low to DMARDY low delay		18
T153	DMARDY rising edge delay from DMACLK		11
T154	YMEMR setup time before PROCLK	11	
T155	ONBRDL hold time from PROCLK	2	
T156	EBHE to ABHE delay; master mode		22
T157	AEN low to ADR0 float delay; master mode		23
T158	AEN high to DLYWR float delay		20
T159	AEN low to DLYWR enable delay		21
T160	ONBRD setup time before memory command falls; master mode	18	
T161	ADR0 setup time before memory command falls; master mode	6	
T162	EBHE setup time before memory command falls; master mode	6	
T163	DTR low delay from memory command low; master mode		17
T164	DTR high delay from memory command high; master mode		17
T165	DEN0 low delay from memory command low; master mode		20
T166	DEN0 high delay from memory command high; master mode		19

Table 5. FE3001 Timing Parameters (Continued)

SYMBOL	PARAMETER	16 MHz	
		MIN	MAX (NS)
T167	DEN $\bar{1}$ low delay from memory command low; master mode		19
T168	DEN $\bar{1}$ high delay from memory command high; master mode		18
T169	MEMCS $\bar{16}$ setup time before memory command falls; master mode, ADR $\bar{0}$ high	9	
T170	SDTR low delay from memory command low; master mode, ADR $\bar{0}$ high		21
T171	SDTR high delay from memory command high; master mode, ADR $\bar{0}$ high		20
T172	SDEN low delay from memory command low; master mode, ADR $\bar{0}$ high		21
T173	SDEN high delay from memory command high; master mode, ADR $\bar{0}$ high		20
T174	ADR $\bar{0}$ setup time before I/O command falls; master mode	5	
T175	SDTR low delay from I/O command low; master mode, ADR $\bar{0}$ high		19
T176	SDTR high delay from I/O command high; master mode, ADR $\bar{0}$ high		19
T177	SDEN low delay from I/O command low; master mode, ADR $\bar{0}$ high		23
T178	SDEN high delay from I/O command high; master mode, ADR $\bar{0}$ high		23
T179	IOCS $\bar{16}$ setup time before I/O command falls; master mode, ADR $\bar{0}$ high	14	

Table 5. FE3001 Timing Parameters (Continued)

NOTES:

All delays with respect to PROCLK are with respect to the falling edge of PROCLK.

lier of either (1) the memory command strobe falls as programmed by R6, or (2) BALE falls as programmed by R0 and R1.

T22: ZEROWS SETUP TIME NOTES

The ZEROWS signal is sampled by the FE3001 in the middle of every CPU wait state during AT bus cycles. ZEROWS will terminate an AT bus cycle early when it is sampled after the minimum number of wait states programmed into R8 have occurred.

T26: IOCS $\bar{16}$ SETUP TIME NOTES

IOCS $\bar{16}$ is only examined during AT bus I/O cycles. It must be valid before the I/O command falls as programmed by R3.

T25: MEMCS $\bar{16}$ SETUP TIME NOTES

MEMCS $\bar{16}$ is only examined during AT bus memory cycles. It must be valid before the ear-

T27: IOCHR \bar{D} Y SETUP TIME NOTES

IOCHR \bar{D} Y is sampled with the falling edge of PROCLK at the end of each CPU "t" state. It must be sampled low one full "t" state before a cycle would normally end in order to extend it.

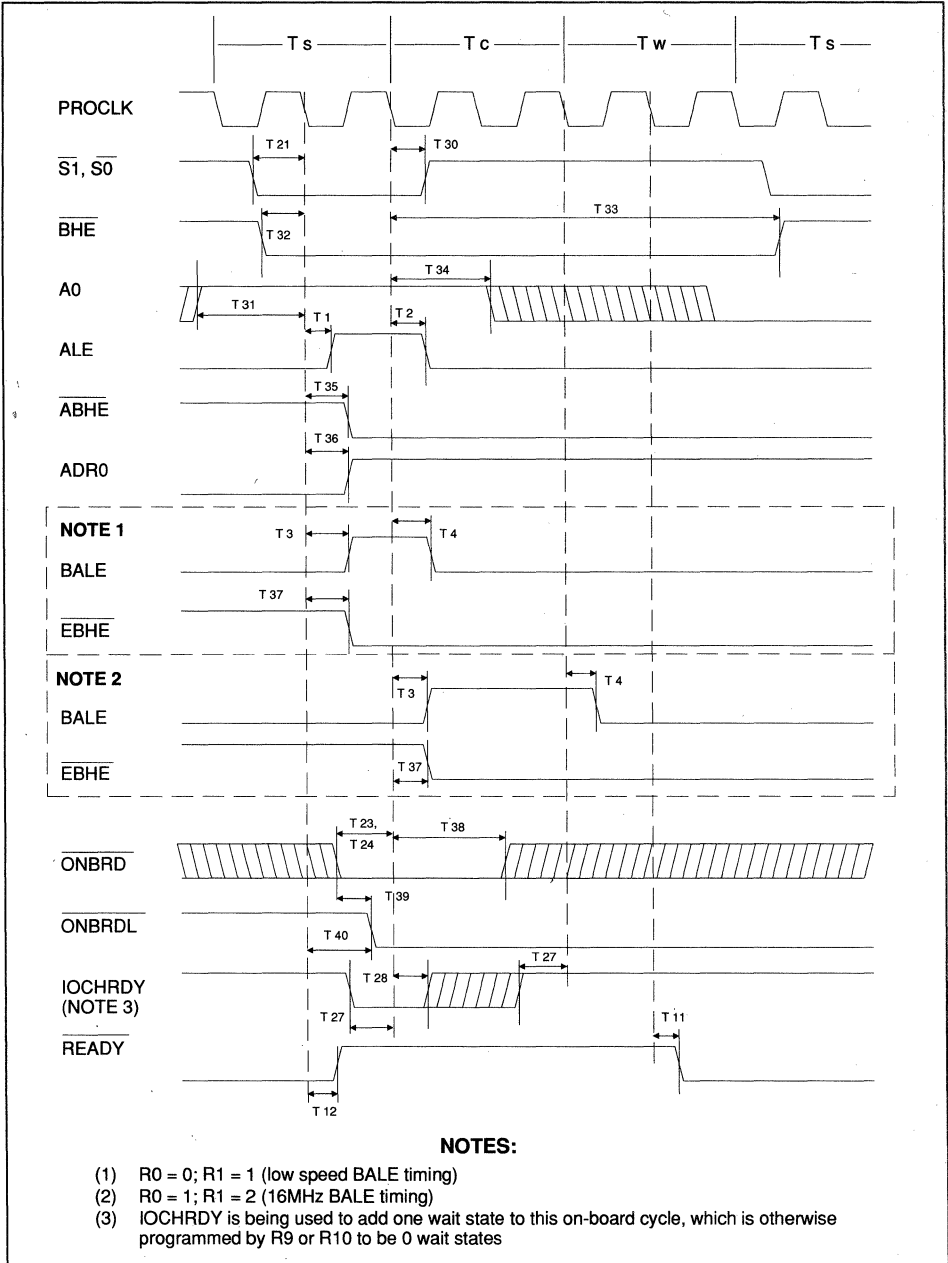
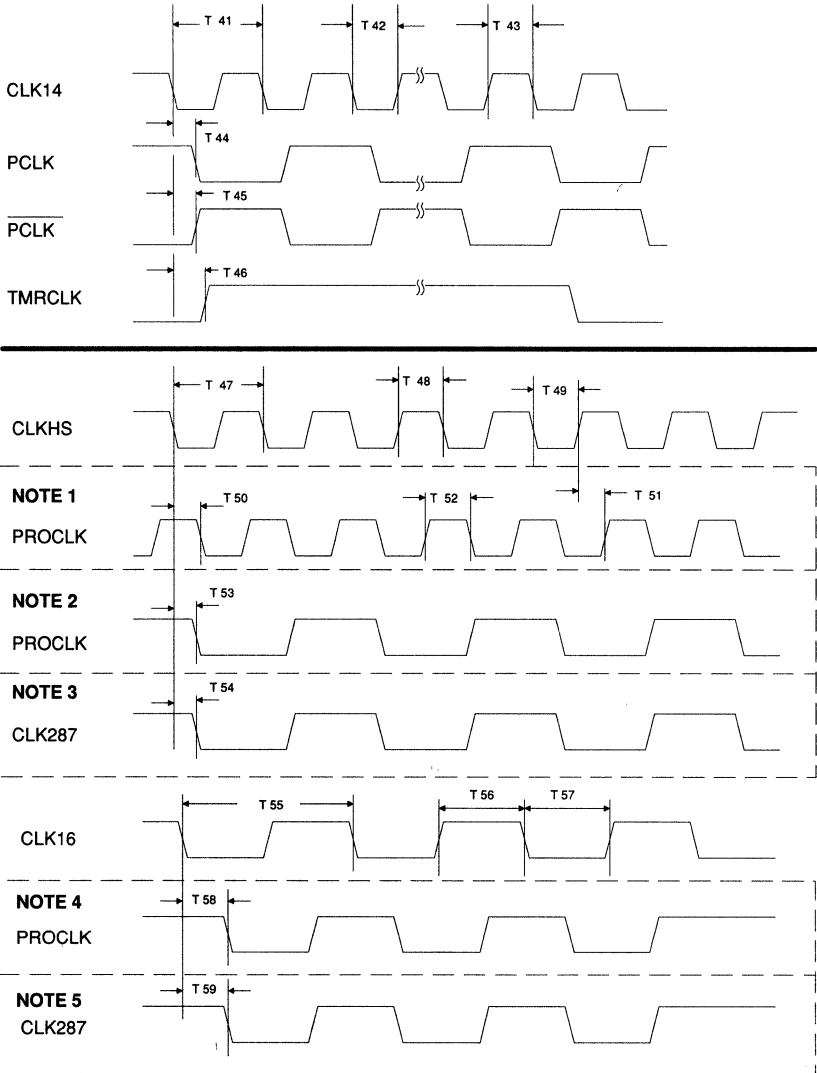


Figure 6. CPU Cycle Timing for ALE, Byte Select, ONBRD and READY



NOTES:

- (1) Bit 2 of I/O Addr 63 set to 1 (High speed CPU clock)
- (2) Bit 2 of I/O Addr 63 set to 0 (low speed CPU clock) and CLK16 input connected to +5V
- (3) CLK16 input connected to +5V
- (4) Bit 2 of I/O Addr 63 set to 0 (low speed CPU clock) and CLK16 input driven by an oscillator
- (5) CLK16 input driven by an oscillator

Figure 7. Clock Timing (1 of 2)

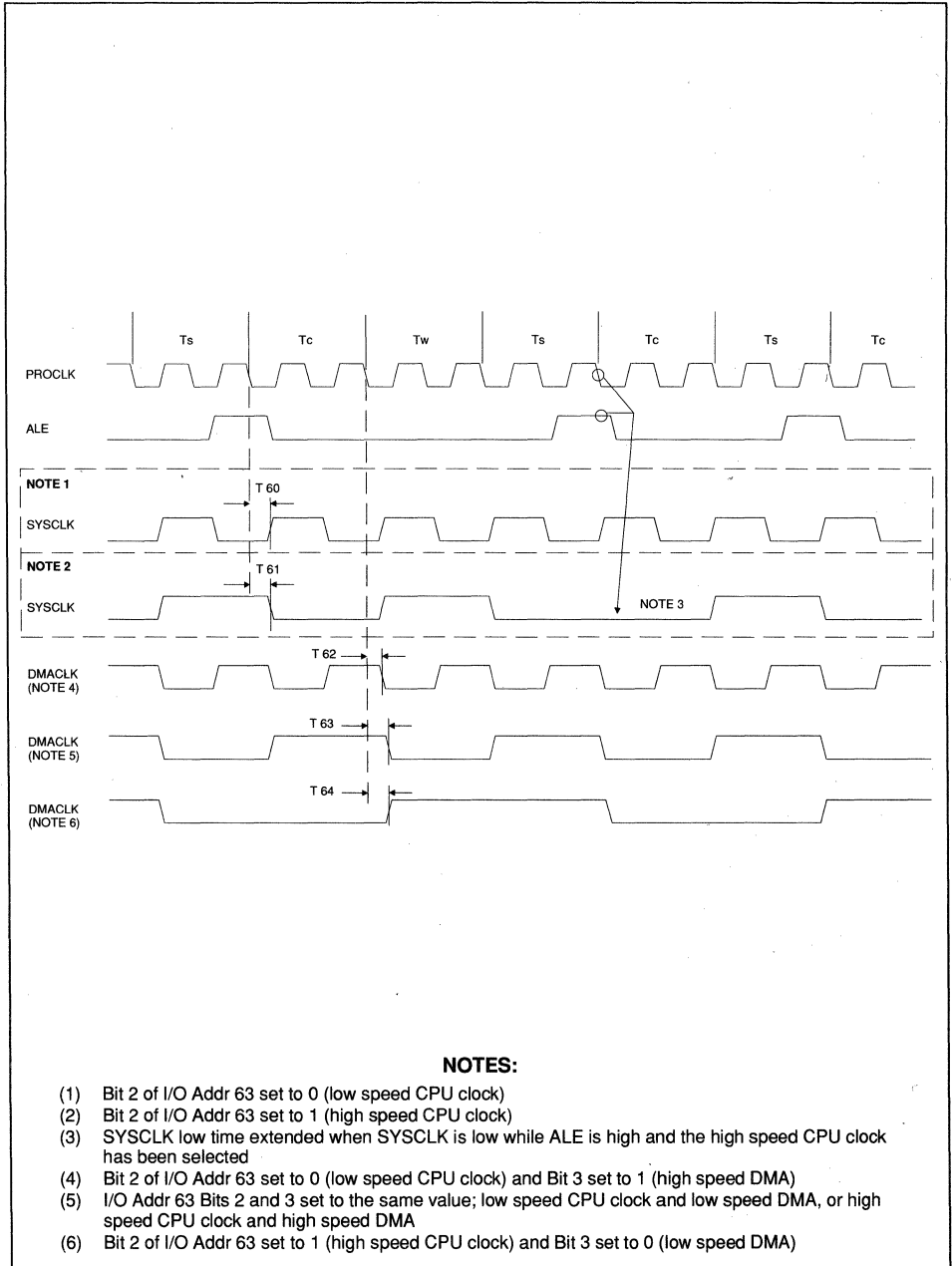
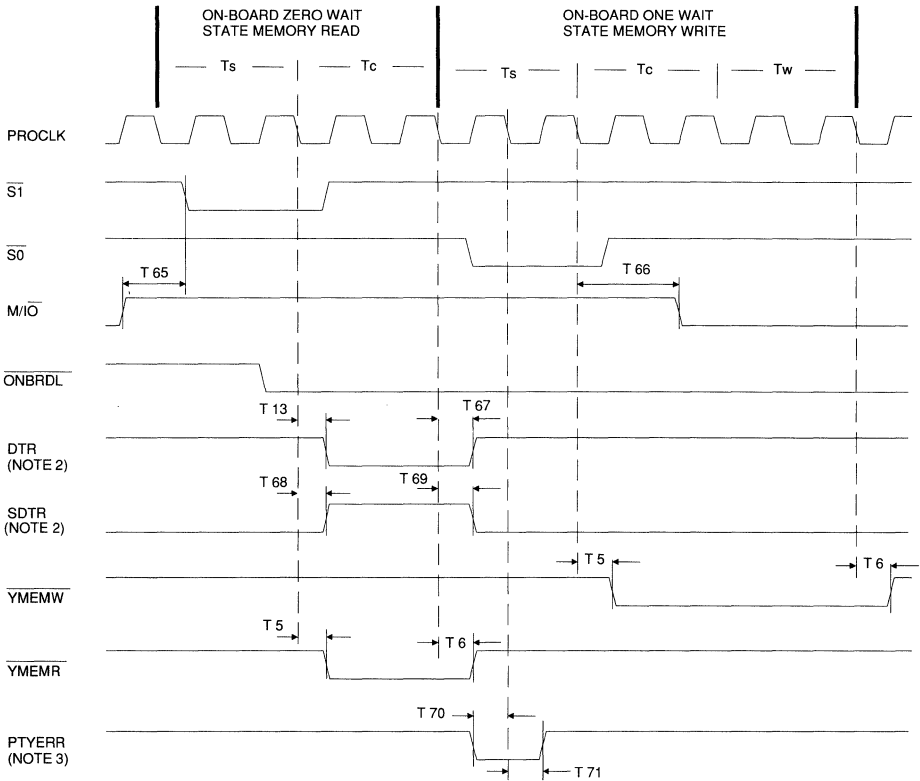


Figure 8. Clock Timing (2 of 2)



NOTES:

- (1) $\overline{DEN0}$, $\overline{DEN1}$, and \overline{SDEN} will remain high and \overline{SYSCLE} will remain low during on-board memory cycles
- (2) NOT USED by the FE3031 during on-board memory cycles; shown for reference only
- (3) PTYERR must be low when shown to prevent a parity NMI from being generated (if enabled). PTYERR is sampled one PROCLK after the end of an on-board memory read

Figure 9. On-board Memory Cycle Timing

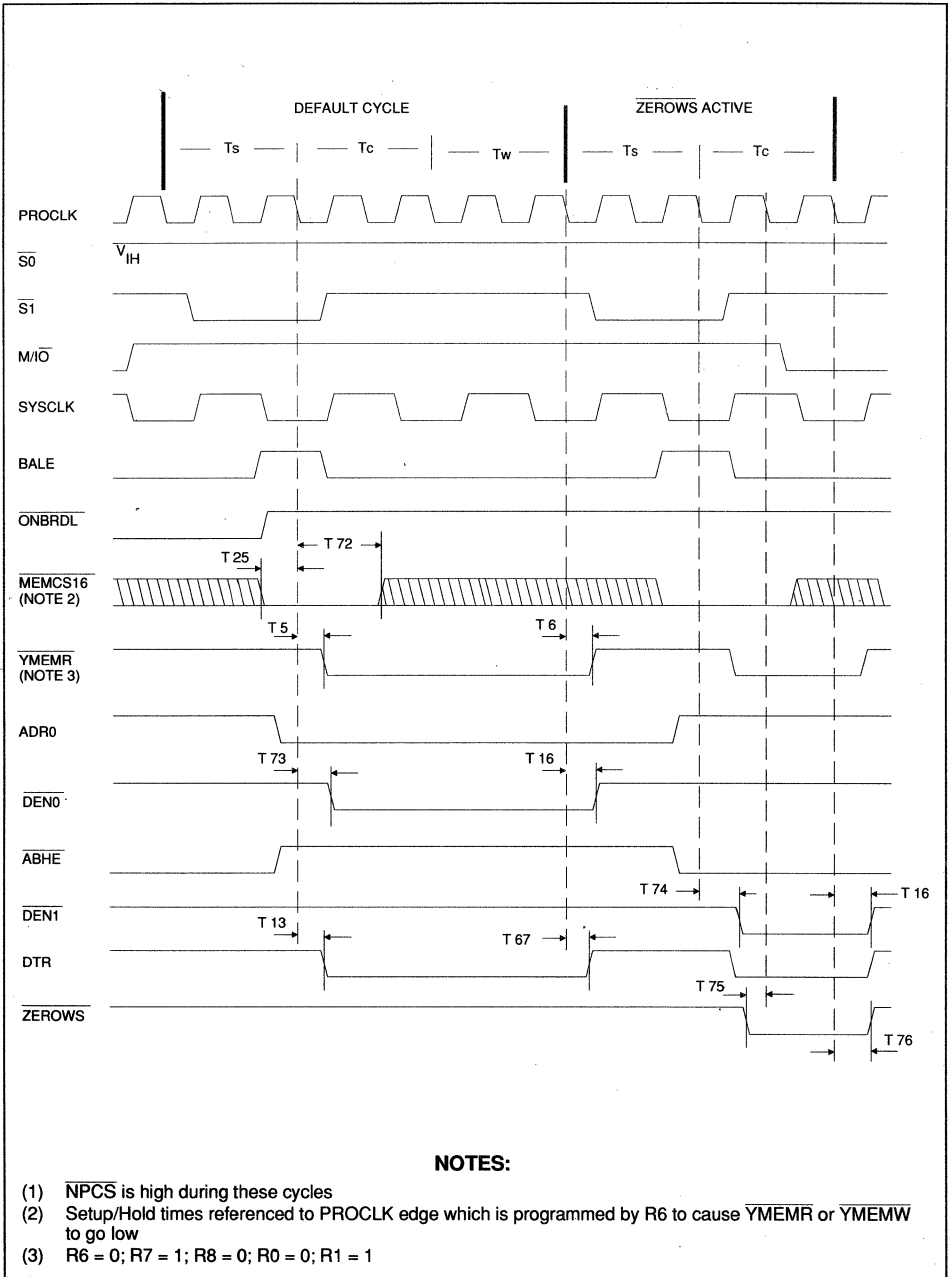


Figure 10. 16-Bit Memory Read Timing for Low Speed CPU Clock

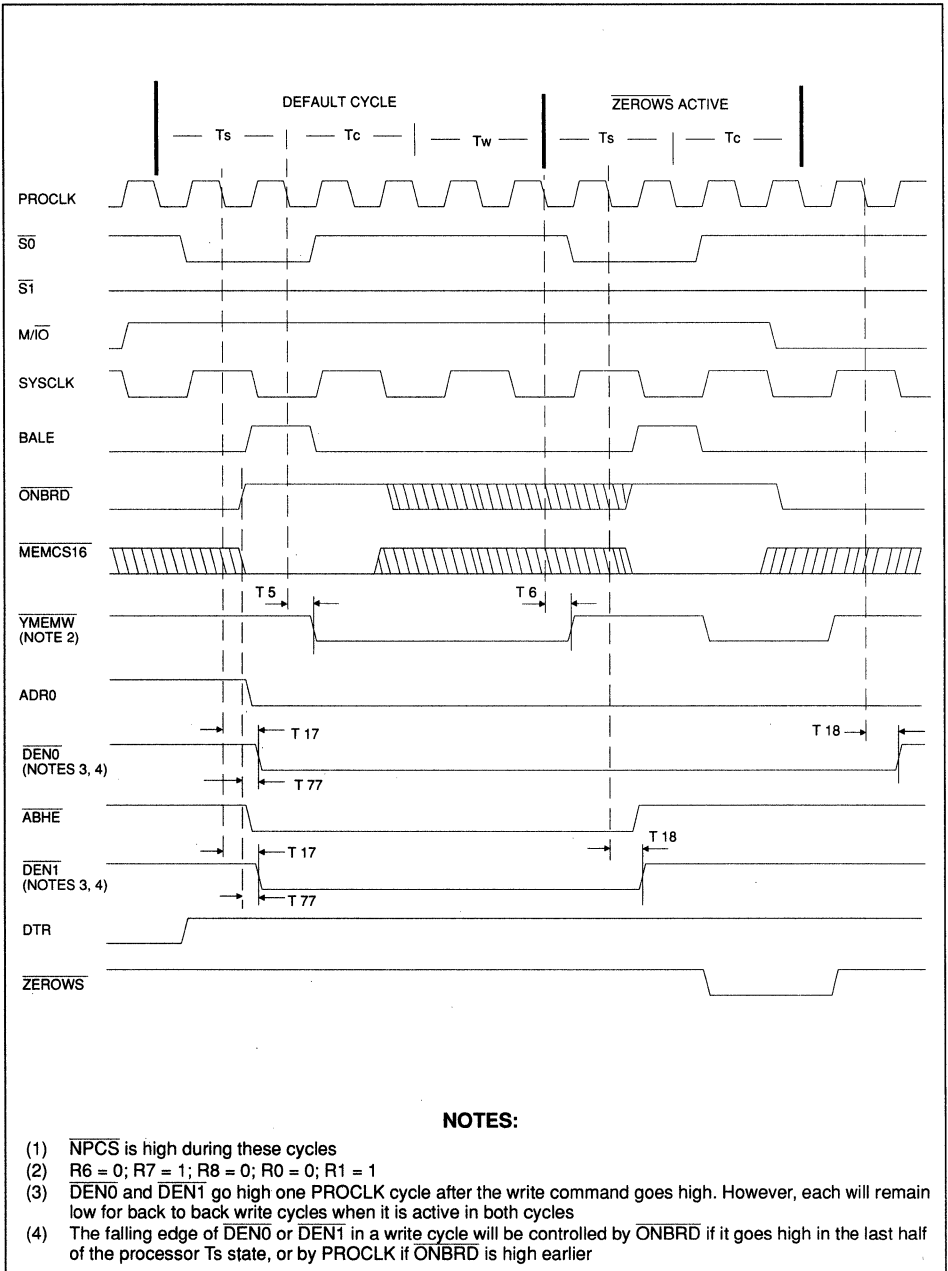


Figure 11. 16-Bit Memory Write Timing for Low Speed CPU Clock

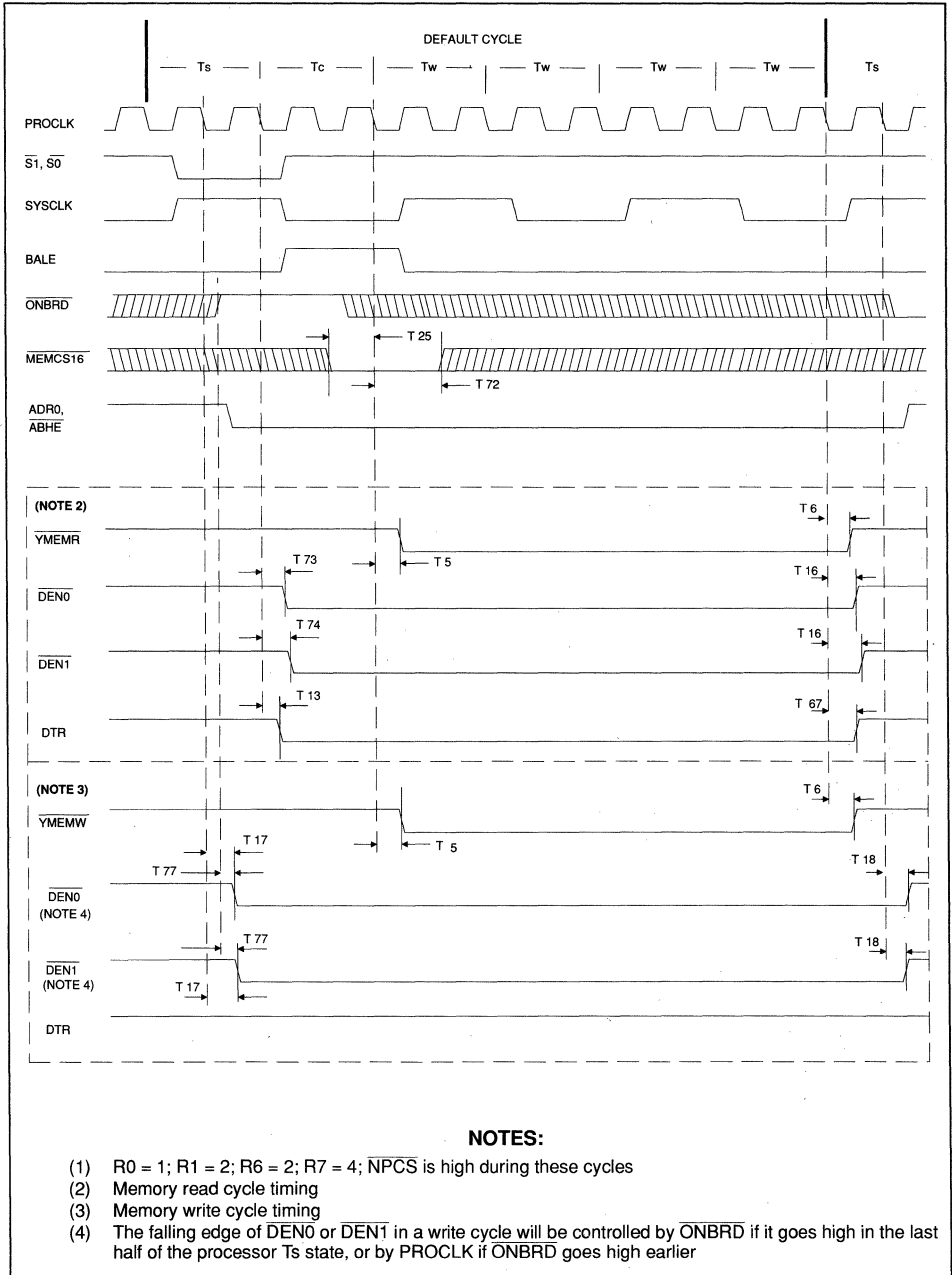


Figure 12. 16-Bit Memory Timing for High Speed (16 MHz) CPU

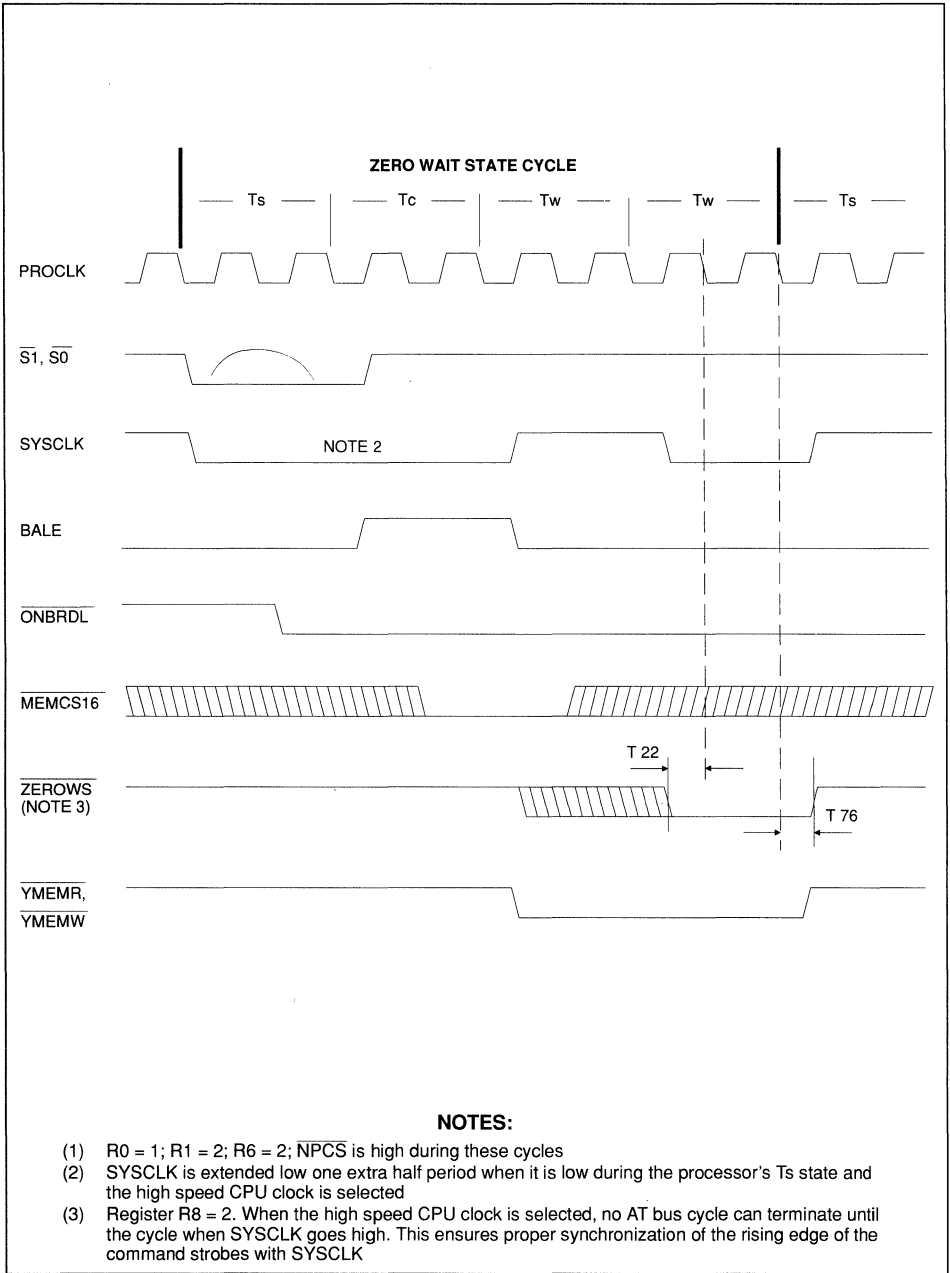


Figure 13. 16-Bit Memory Timing with ZEROWS Asserted and High Speed (16 MHz) CPU

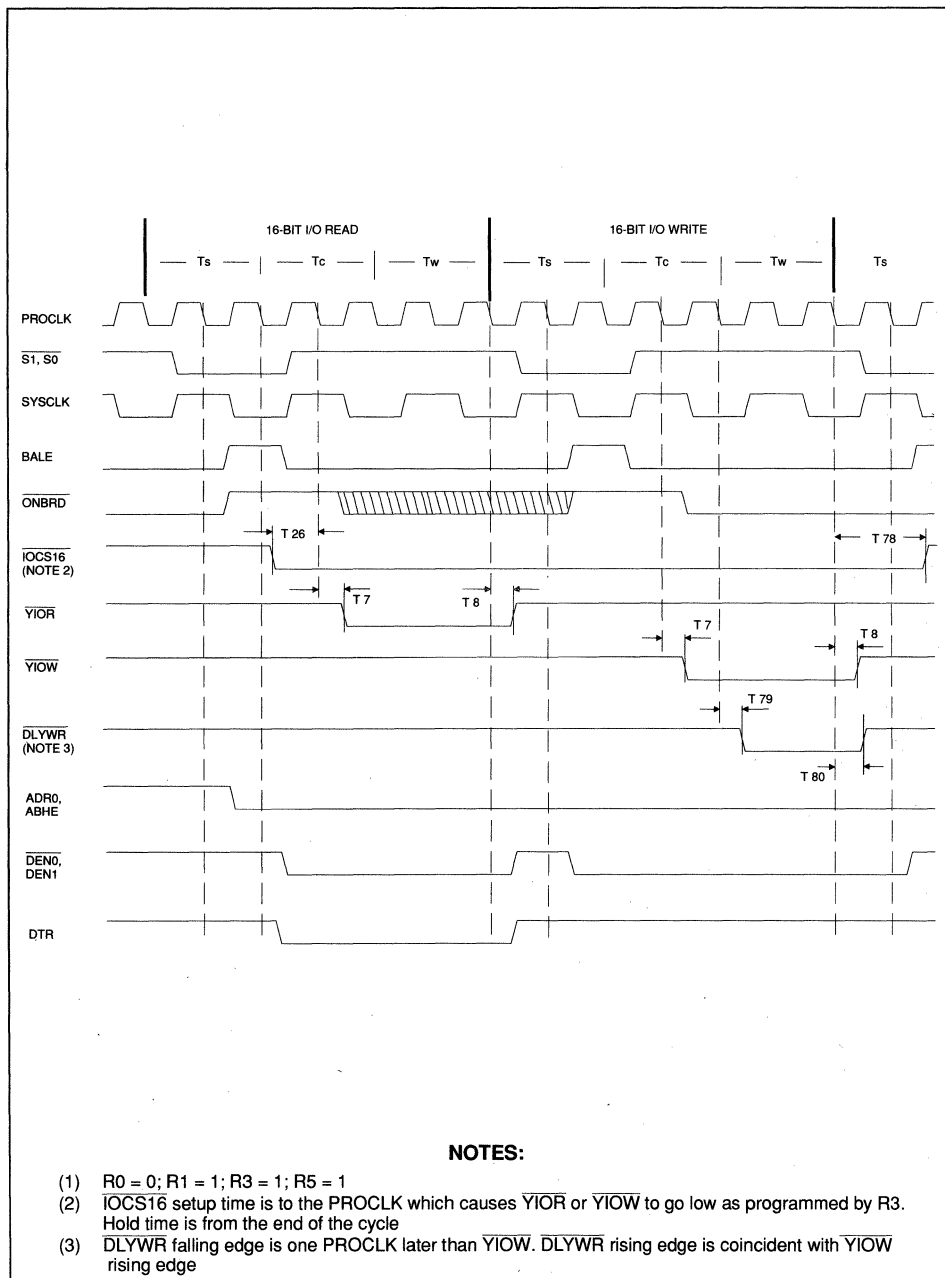


Figure 14. 16-Bit I/O Timing with Low Speed CPU Clock

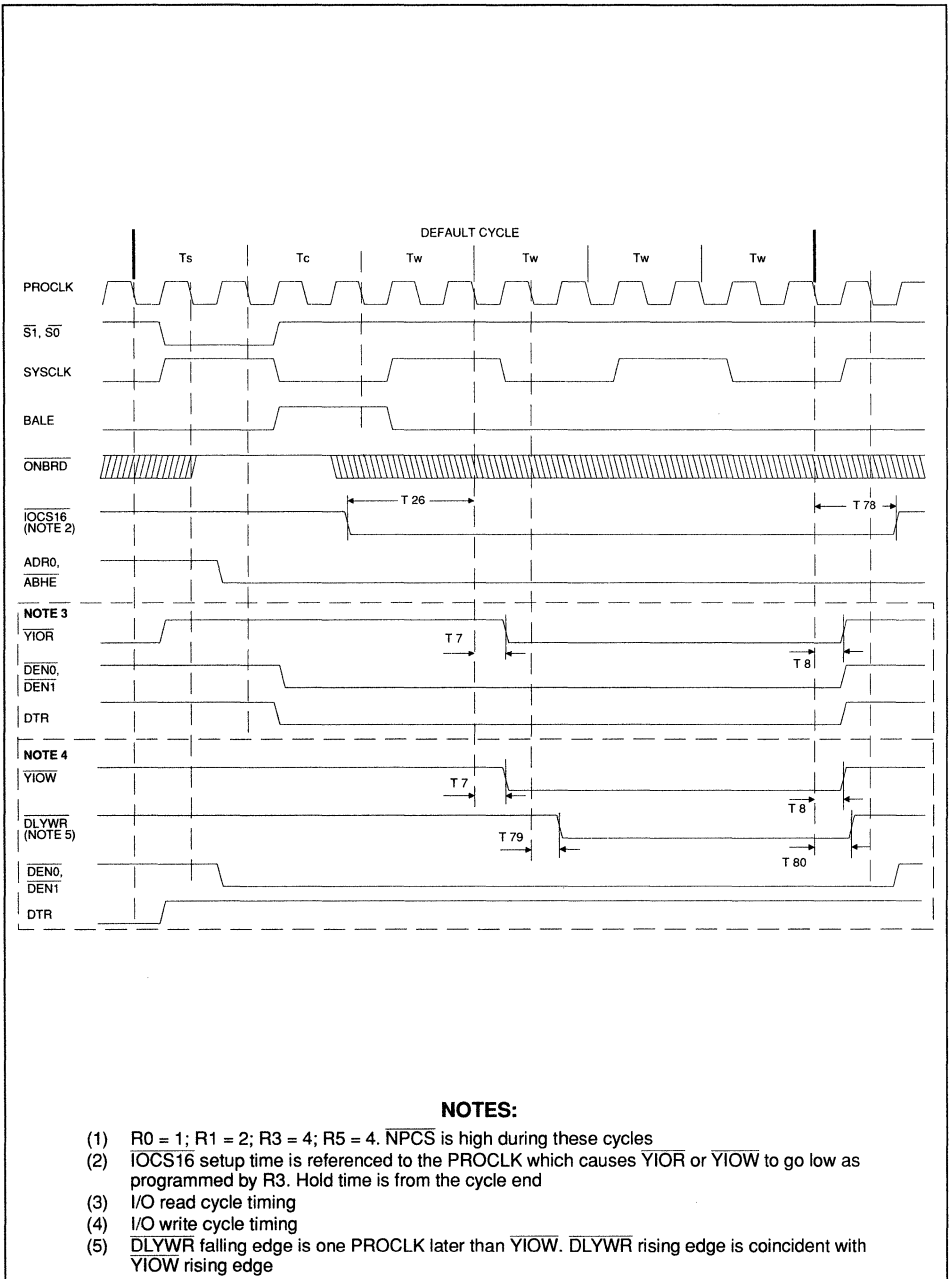


Figure 15. 16-Bit I/O Timing with High Speed (16 MHz) CPU Clock

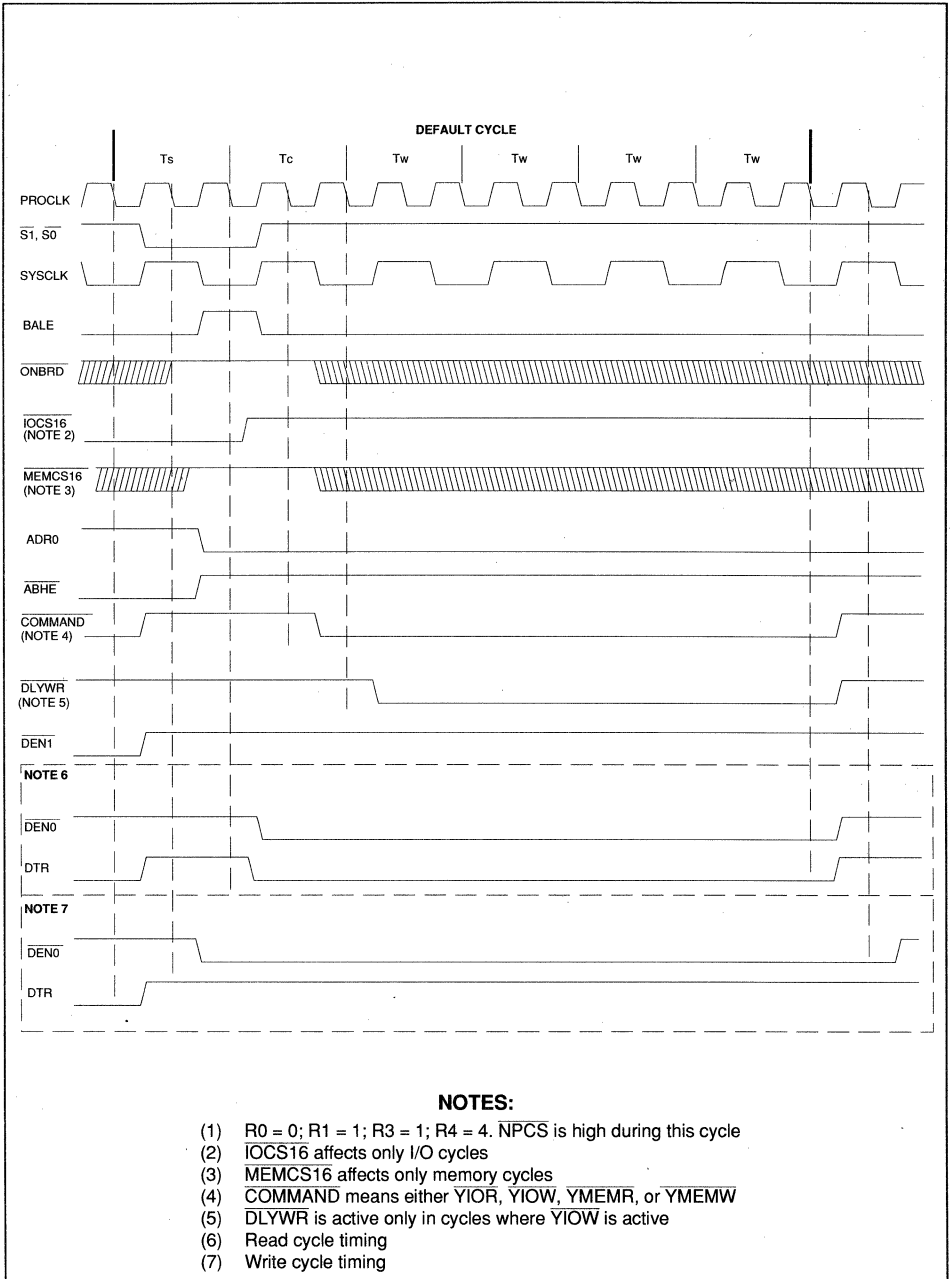
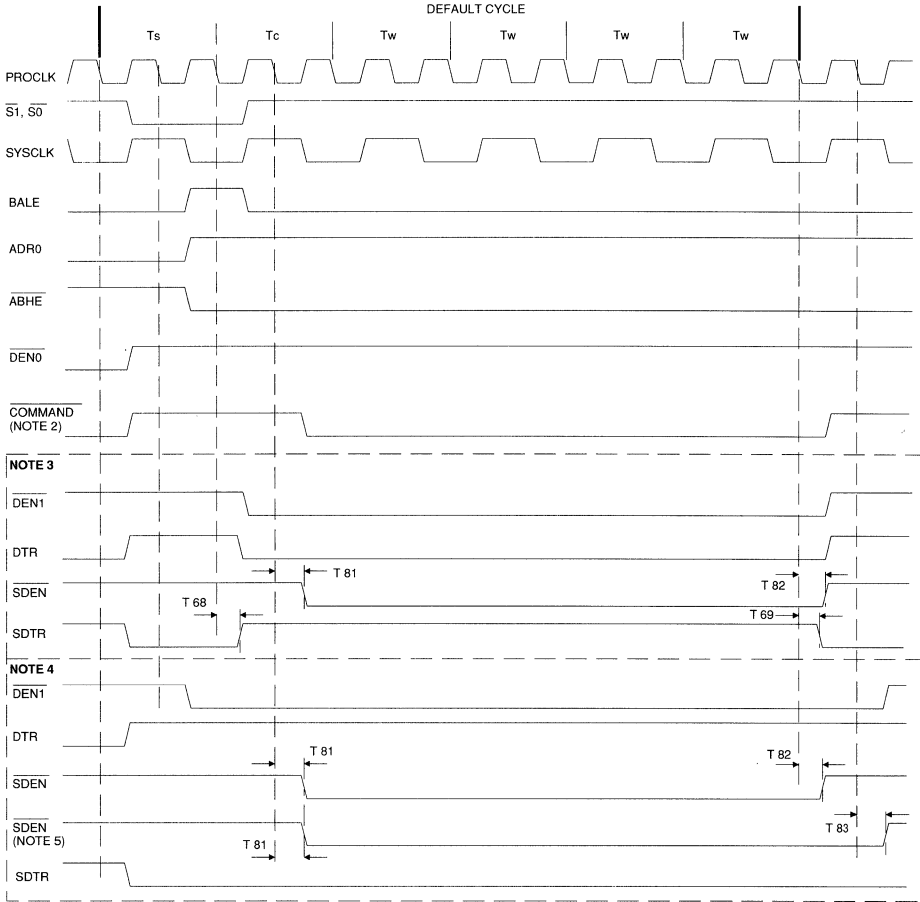


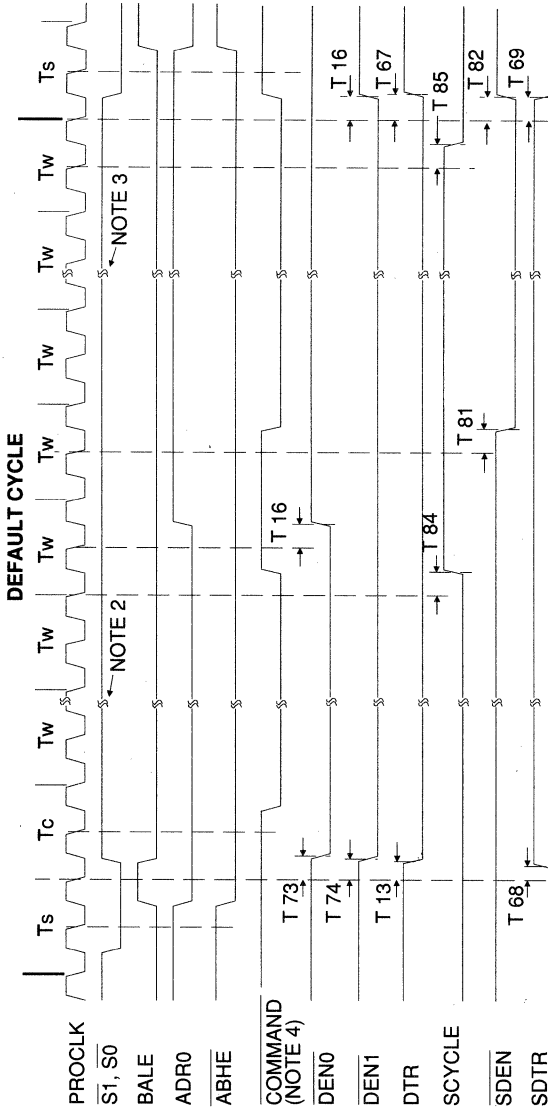
Figure 16. 8-Bit Cycle Timing for Low Speed CPU Clock -- Even Byte Access



NOTES:

- (1) R0 = 0; R1 = 1; R3 = 1; R4 = 4. NPCS and ONBRD are inactive. IOCS16 is inactive during I/O cycles. MEMCS16 is inactive during memory cycles
- (2) COMMAND means either YIOR, YIOW, YMEMR, or YMEMW
- (3) Read cycle timing
- (4) Write cycle timing
- (5) SDEN stays low one additional PROCLK during cycles when YIOW is active

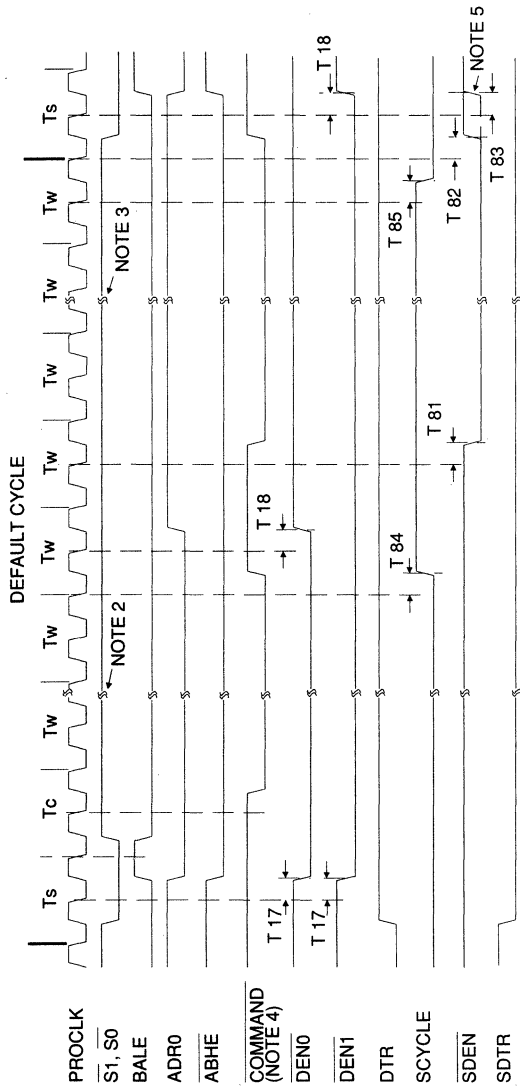
Figure 17. 8-Bit Cycle Timing for Low Speed CPU Clock - -Odd Byte Access



NOTES:

- (1) R0 = 0; R1 = 1; R3 = 1; R4 = 4. $\overline{\text{NPCS}}$ and $\overline{\text{ONBRD}}$ are inactive. $\overline{\text{IOCS16}}$ is inactive during I/O cycles. $\overline{\text{MEMCS16}}$ is inactive during memory cycles
- (2) Two additional wait states are not shown
- (3) One additional wait state is not shown
- (4) COMMAND means either YIOR or YMEMR

Figure 18. 8-Bit Cycle Timing for Low Speed CPU Clock - Word Read from Even Address



NOTES:

- (1) R0 = 0; R1 = 1; R3 = 1; R4 = 4. NPCS and ONBRD are inactive. IOCS16 is inactive during I/O cycles. MEMCS16 is inactive during memory cycles
- (2) Two additional wait states are not shown
- (3) One additional wait state is not shown
- (4) COMMAND means either YIOW or YMEMW
- (5) SDEN low time extended one PROCLK for I/O write cycles

Figure 19. 8-Bit Cycle Timing for Low Speed CPU Clock --Word Write to Even Address

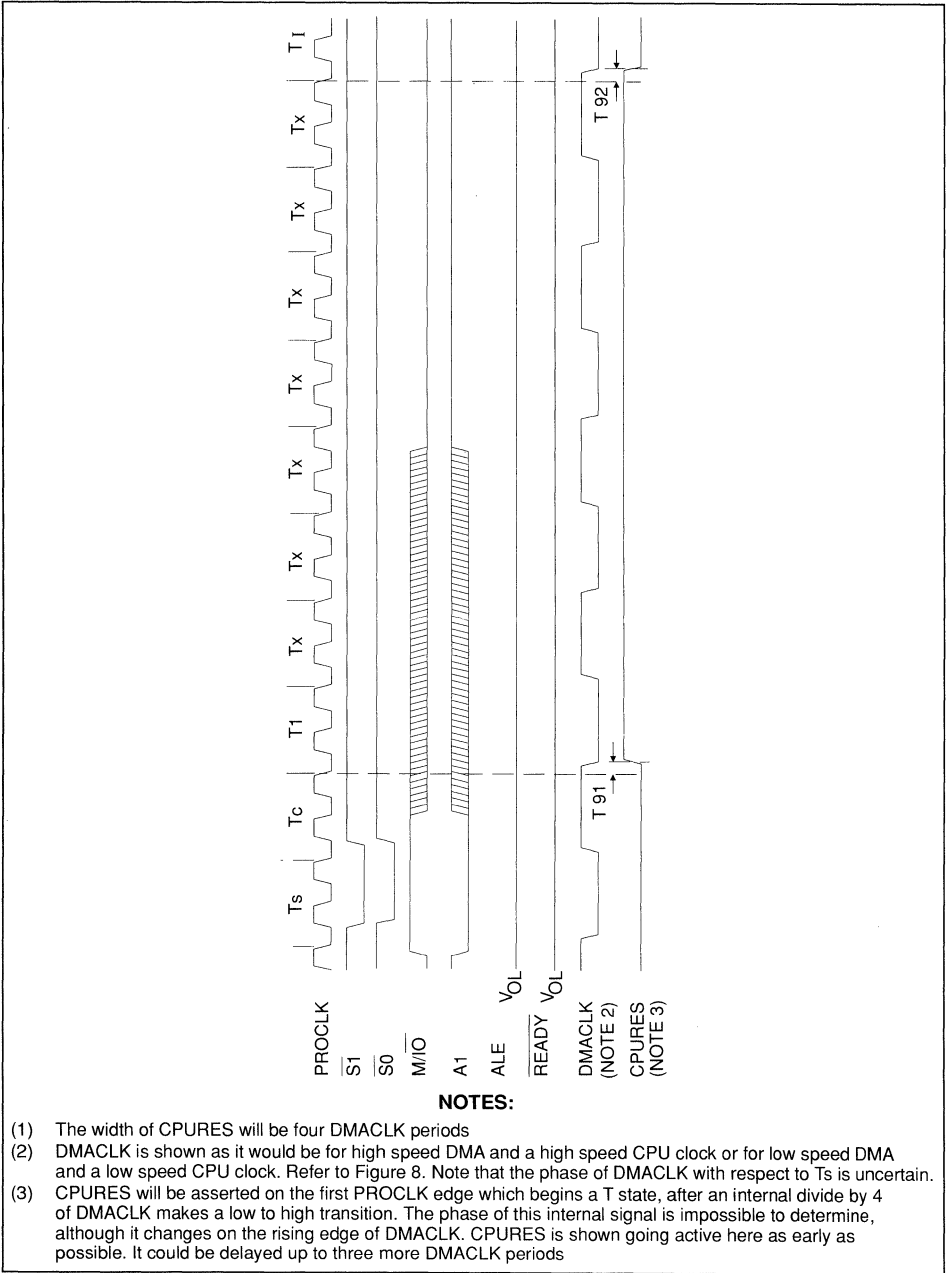
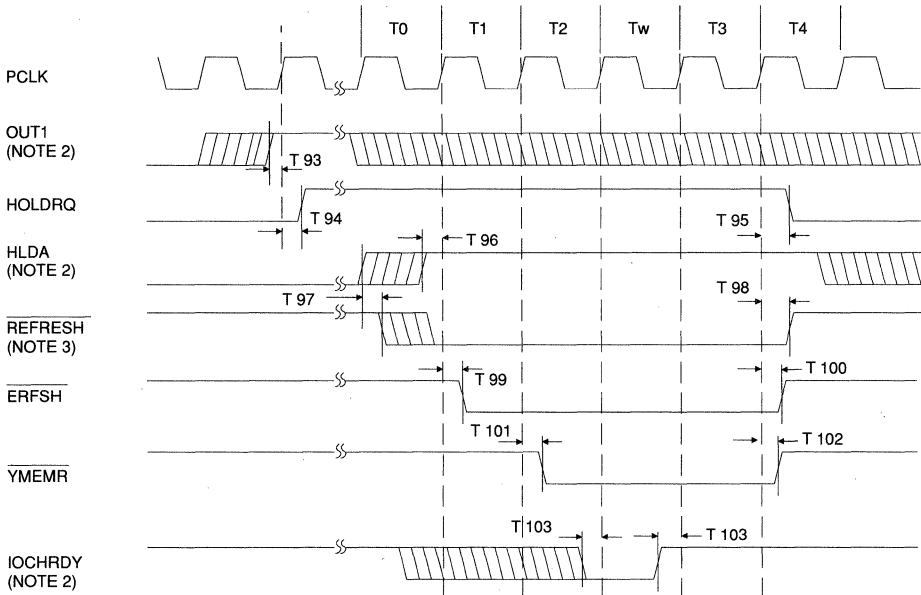
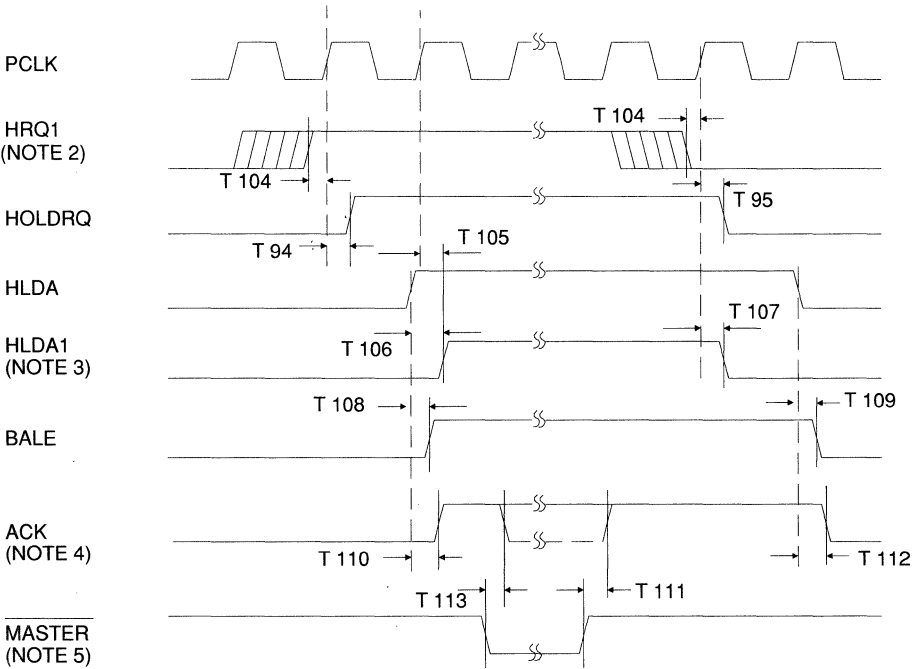


Figure 21. Shutdown Cycle Timing

**NOTES:**

- (1) Cycle shown with one wait state (one PCLK period) inserted
- (2) OUT1, HLDA, and IOCHRDY are asynchronous inputs. Setup times are shown only to guarantee recognition at a particular edge of PCLK
- (3) The falling edge of REFRESH is combinatorially generated from HLDA. The rising edge is controlled by the FE3001
- (4) HRQ1 and HLDA1 are not active

Figure 22. Refresh Cycle Timing



NOTES:

- (1) No refresh cycle is pending
- (2) HRQ1 is an asynchronous input. Setup time is shown only to guarantee recognition at a particular PCLK edge
- (3) HLDA1 rising edge will be controlled by the later of the PCLK edge shown or HLDA
- (4) ACK will follow the dashed lines shown only when MASTER is asserted
- (5) Applicable for Bus Master cycles only

Figure 23. Basic HOLD/HDLA Timing for DMA and Master Mode Transfers

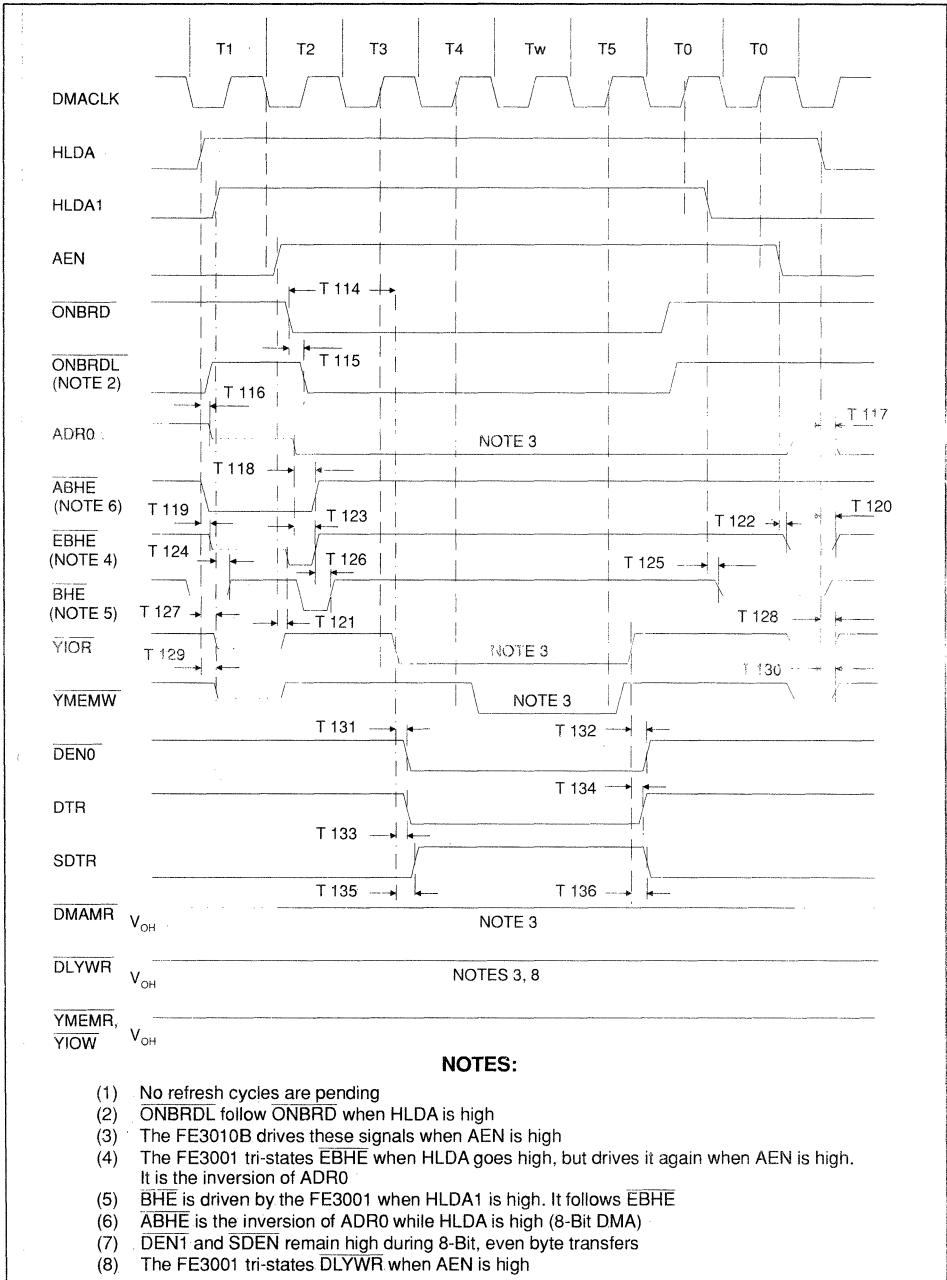
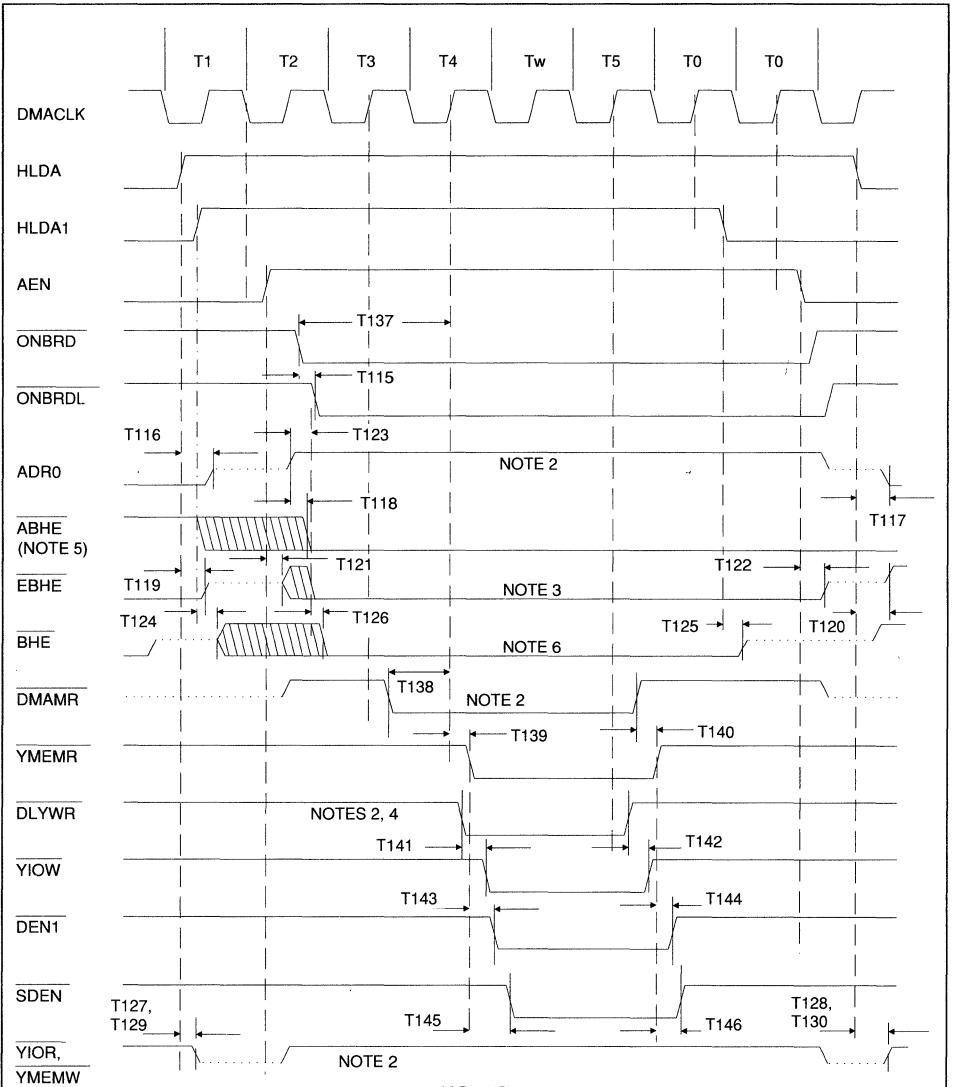


Figure 24. DMA Transfer Timing: 8-Bit, I/O to On-board Memory, Even Byte, with no Added Wait States



NOTES:

- (1) No refresh cycles are pending
- (2) The FE3010B drives these signals when AEN is high
- (3) The FE3001 tri-states EBHE when HLDA goes high, but drives it again when AEN is high
- (4) The FE3001 tri-states DLYWR when AEN is high
- (5) ABHE is the inversion of ADRO when HLDA is high
- (6) BHE is driven by the FE3001 when HLDA1 is high. It follows EBHE
- (7) DEN0 and DTR remain high and SDTR remains low during this cycle

Figure 25. DMA Transfer Timing: 8-Bit, On-board Memory to I/O, Odd Byte, with No Added Wait States

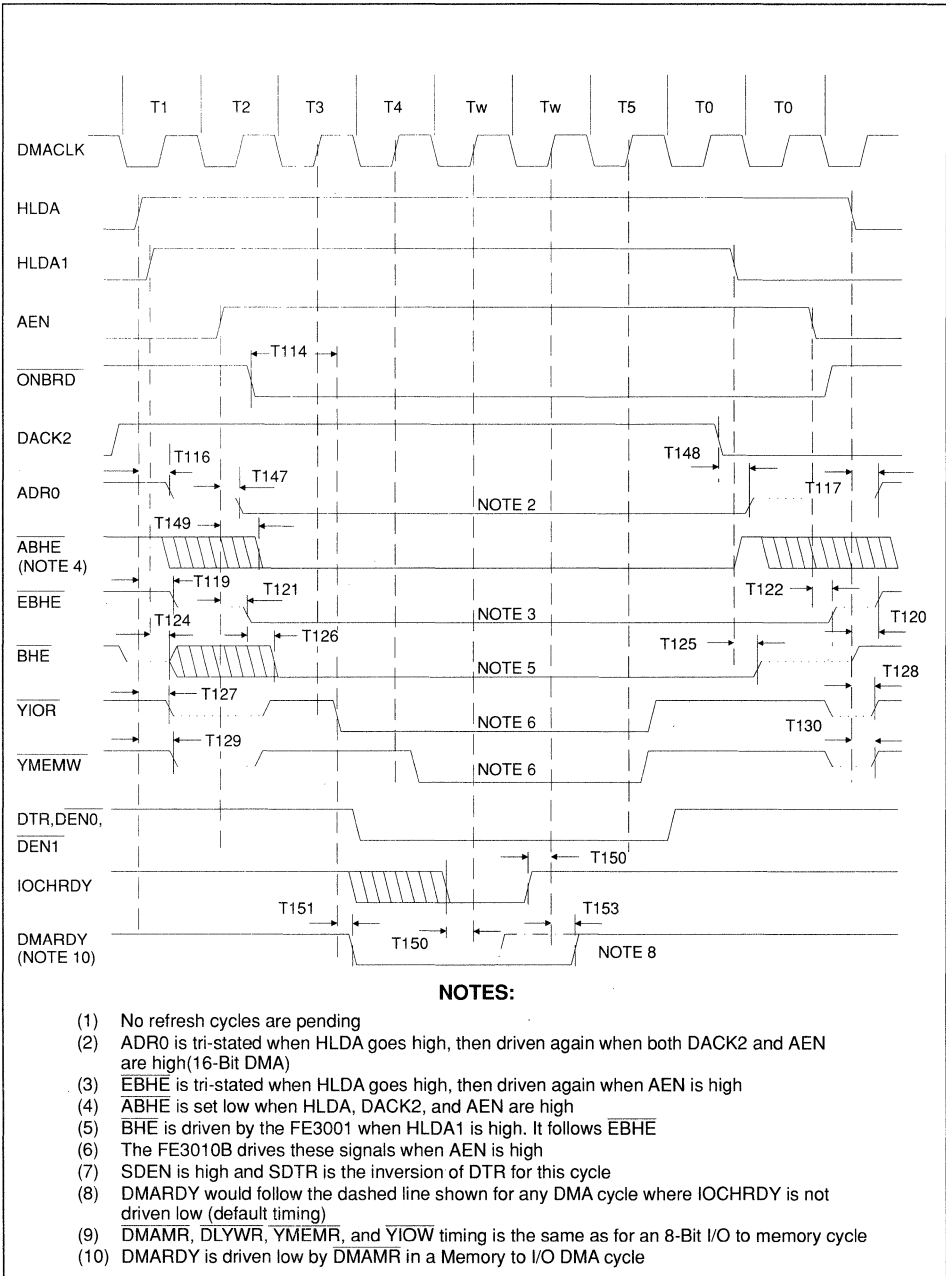
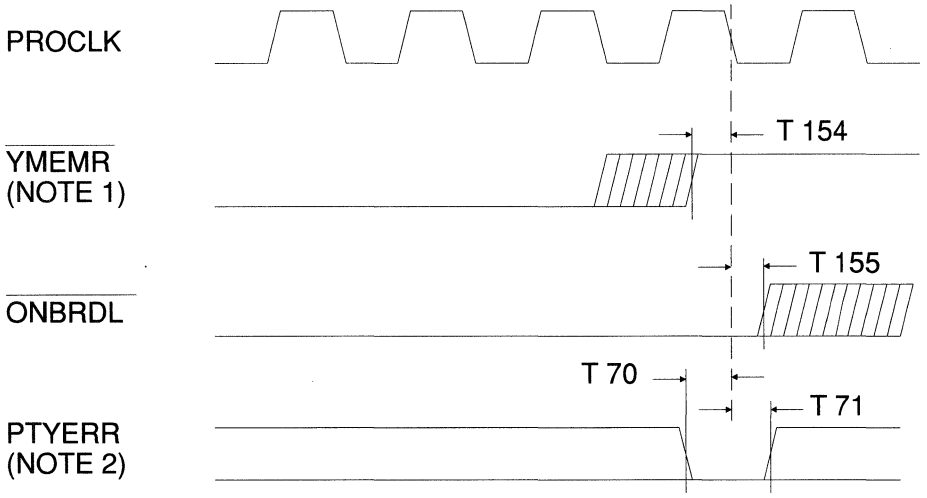


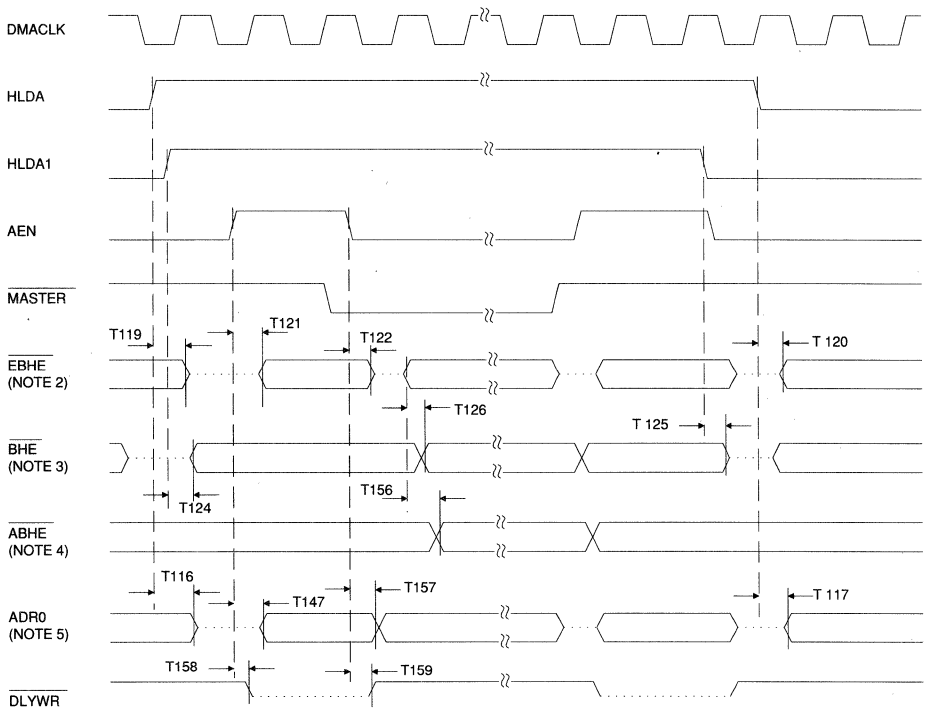
Figure 26. DMA Transfer Timing: 16-Bit, I/O to On-board Memory, Wait State Added



NOTES:

- (1) $\overline{\text{YMEMR}}$ is an asynchronous signal during DMA or MASTER cycles. Setup time is shown for recognition at a particular edge of PROCLK
- (2) PTYERR will be sampled at the first falling edge of PROCLK after $\overline{\text{YMEMR}}$ goes high

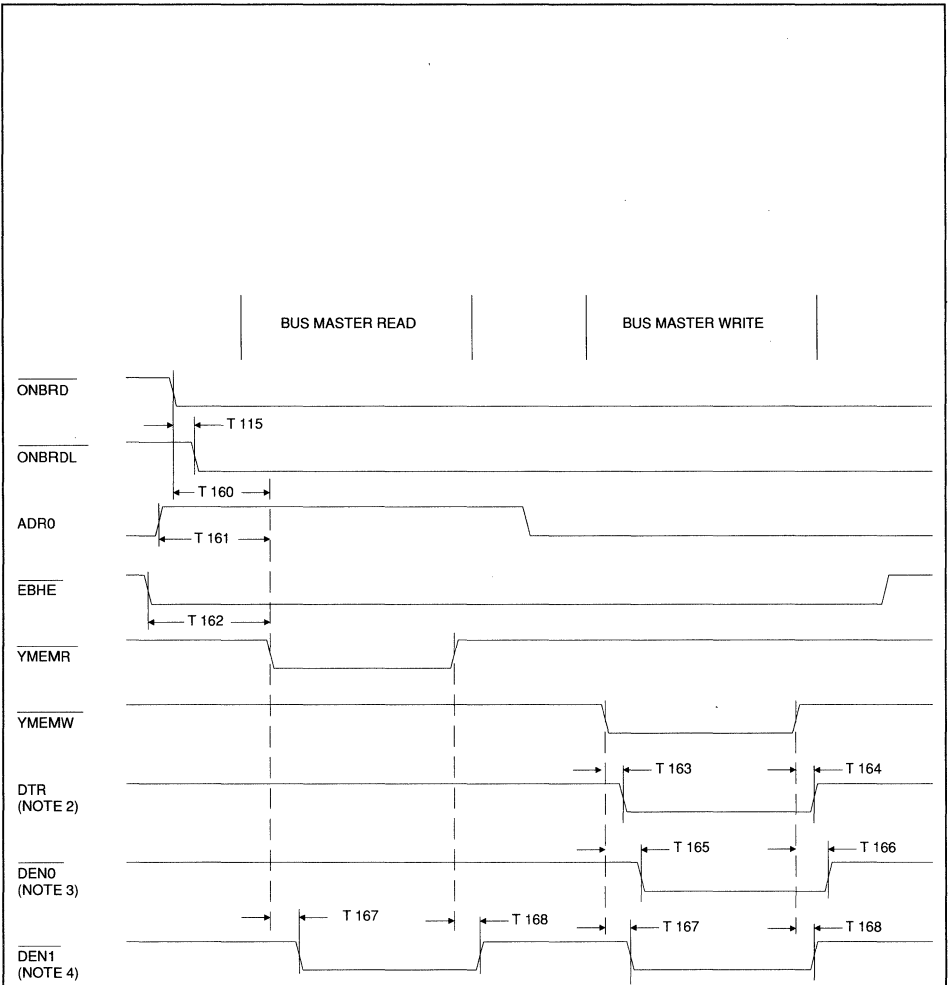
Figure 27. Parity Error Timing for DMA or Master Mode Transfers



NOTES:

- (1) No refresh cycles are pending
- (2) EBHE is driven by the FE3001 when HLDA is low or AEN is high. It is driven by a Bus Master when MASTER is low
- (3) BHE is driven by the FE3001 when HLDA1 is high. BHE will follow EBHE during Master mode
- (4) ABHE follows EBHE during Master mode
- (5) ADR0 is driven by the FE3001 when HLDA is low. It will also be driven by the FE3001 when AEN is high if DACK2 is high (Bus Master uses DMA channel 5 - 7). ADR0 will be driven by the FE3021 when MASTER is low

Figure 28. Basic Master Mode Transfer Timing



NOTES:

- (1) MASTER is low during these cycles
- (2) DTR follows YMEMW during Master Mode
- (3) DEN0 follows YMEMR or YMEMW if both ONBRD and ADR0 are low
- (4) DEN1 follows YMEMR or YMEMW if both ONBRD and EBHE are low
- (5) SDEN is high during these cycles

Figure 29. Master Mode Transfer Timing: On-board Memory Read/Write

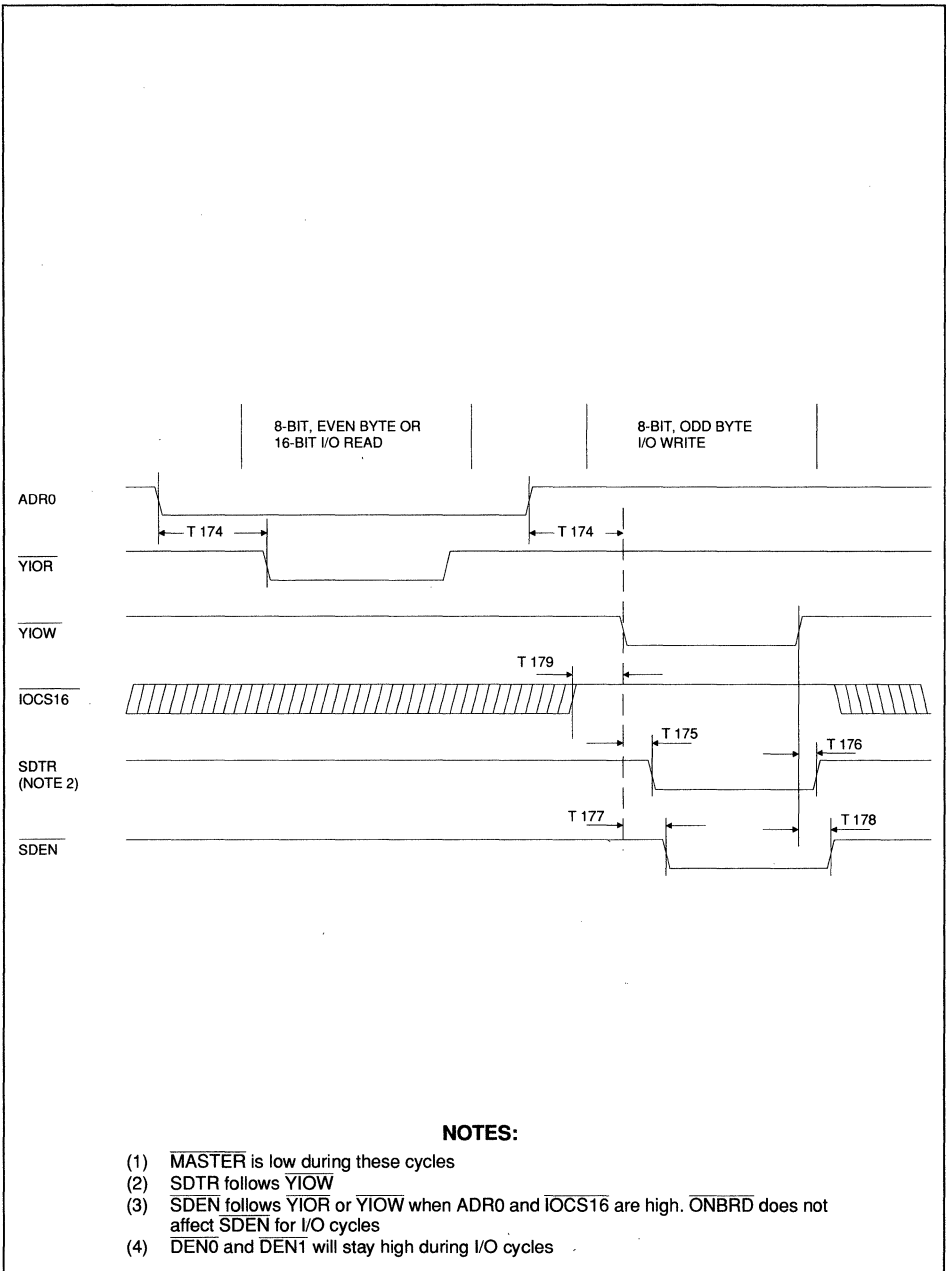
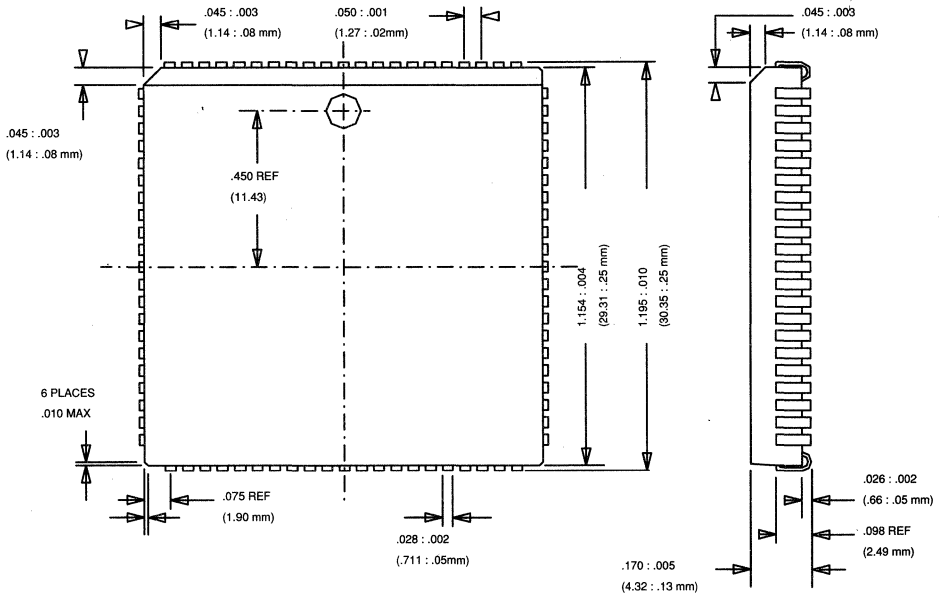


Figure 31. Master Mode Timing: Off-Board I/O Read/Write

84-Pin Plastic Chip Carrier (J-bend Leads)



1. Mating Socket: Burndy part number Q1LE84P10

Figure 32. 84-Pin PLCC Packaging Diagram

APPENDIX A

FE3001 RECOMMENDED BUS CYCLE PROGRAMMING

The following tables give recommended values for programming bus timing registers R0-R8 (see Figure 5 and Table 3). These tables address only AT bus timing parameters, as on-board timing is very application specific. Values are provided for 6.25, 8, 12.5 and 16 MHz system clock speeds. The recommended values in these tables are based on emulating an 8 MHz IBM PC/AT Expansion Bus. Two issues that may affect these recommended values are listed below. Consult application notes for additional details.

(1) If the sum of R0 and R1 is 3 or greater, then an internal BALE logic error in first production FE3001 parts may cause BALE to remain high from a previous on-board cycle and fall one PROCLK cycle too early. Widening BALE by one clock accounts for this.

(2) Some adapter boards decode the SA0-SA19 address lines to generate MEMCS16, a dangerous practice. However, widening BALE and delaying the commands

relative to an 8 MHz AT provides relaxed MEMCS16 setup time, which is needed for some of these boards to function reliably.

When preparing to select a new CPU clock speed, it is important to setup the FE3001 registers in a particular order so that BALE and commands do not become too short during the programming process. The recommended programming order for selecting high speed or low speed CPU clocks are given below:

Selecting High Speed CPU Clock:

R5, R6, R7, R8, R9, R10, R12, R4, R3, R1, R0

Selecting Low Speed CPU Clock:

R5, R6, R7, R8, R9, R10, R12, R0, R1, R3, R4

A.1 6.25 MHz SYSTEM CLOCK SPEED

REGISTER	FUNCTION	VALUE
R0	BALE delay from ALE leading edge	0
R1	BALE width	1
R3	8 bit memory, 8/16 bit I/O - command delay	1
R4	8 bit memory or I/O cycle - wait states	4
R5	16 bit I/O cycle - wait states	1
R6	16 bit memory cycle - command delay	0
R7	16 bit memory cycle - wait states	1
R8	Minimum number of wait states when ZEROWS is asserted	0

A.2 8 MHz SYSTEM CLOCK SPEED

REGISTER	FUNCTION	VALUE
R0	BALE delay from ALE leading edge	0
R1	BALE width	1
R3	8 bit memory, 8/16 bit I/O - command delay	1
R4	8 bit memory or I/O cycle - wait states	4
R5	16 bit I/O cycle - wait states	1
R6	16 bit memory cycle - command delay	0
R7	16 bit memory cycle - wait states	1
R8	Minimum number of wait states when ZEROWS is asserted	0

A.3 12.5 MHz SYSTEM CLOCK SPEED

REGISTER	FUNCTION	VALUE
R0	BALE delay from ALE leading edge	1
R1	BALE width	2
R3	8 bit memory, 8/16 bit I/O - command delay	4
R4	8 bit memory or I/O cycle - wait states	8
R5	16 bit I/O cycle - wait states	4
R6	16 bit memory cycle - command delay	2
R7	16 bit memory cycle - wait states	4
R8	Minimum number of wait states when ZEROWS is asserted	2

A.4 16 MHz SYSTEM CLOCK SPEED

REGISTER	FUNCTION	VALUE
R0	BALE delay from ALE leading edge	1
R1	BALE width	2
R3	8 bit memory, 8/16 bit I/O - command delay	4
R4	8 bit memory or I/O cycle - wait states	10
R5	16 bit I/O cycle - wait states	4
R6	16 bit memory cycle - command delay	2
R7	16 bit memory cycle - wait states	4
R8	Minimum number of wait states when ZEROWS is asserted	2