

HDC-2001

Hard Disk Controller

Technical Manual



USA OFFICE
5432 PRODUCTION DRIVE
HUNTINGTON BEACH, CA 92649
TELEPHONE : (714) 891-4004
TELEX: 183210 ADVANCED HTBH

UNITED KINGDOM OFFICE
27 PRINCESS STREET
HANOVER SQUARE, LONDON W1R8NQ
UNITED KINGDOM
409-0077 / 409-3351
TLX 265840 FINEST

ADVANCED DIGITAL CORP. is proud to introduce its HDC-2001 hard disk controller board. The HDC-2001 is a single board controller with ECC(error correction) and CRC all on one board. It follows the IEEE-696 standards and will fit it to any S-100 Motherboard.

1.	INTRODUCTION.....	Page 1
1.1.	General Description.....	Page 1
1.2.	Features.....	Page 2
1.3.	Specifications.....	Page 3
1.4.	Simplified System Block Diagram.....	Page 4
2.	INTERFACE CONNECTORS.....	Page 5
2.1.	Organization.....	Page 5
2.2.	Drive Control Signals.....	Page 5
2.2.1.	RWC.....	Page 5
2.2.2.	Write Gate.....	Page 5
2.2.3.	Seek Complete.....	Page 5
2.2.4.	Track000.....	Page 5
2.2.5.	Write Fault.....	Page 5
2.2.6.	HS0-HS2.....	Page 5
2.2.7.	Sector.....	Page 6
2.2.8.	Index.....	Page 6
2.2.9.	Ready.....	Page 6
2.2.10.	Step.....	Page 6
2.2.11.	Direction In.....	Page 6
2.2.12.	DS1-DS4.....	Page 6
2.2.13.	Control Driver/Receiver.....	Page 7
2.2.14.	50 Pin Drive Control Connector.....	Page 8
2.2.15.	34 Pin Drive Control Connector.....	Page 9
2.3.	Drive Data Signals.....	Page 9
2.3.1.	Drive Selected.....	Page 9
2.3.2.	Timing Clock+.....	Page 9
2.3.3.	Timing Clock-.....	Page 9
2.3.4.	MFM Write Data +/-.....	Page 9
2.3.5.	MFM Read Data +/-.....	Page 10
2.3.6.	Drive Data Connectors.....	Page 10
2.3.7.	Differential Data Driver/Receiver.....	Page 10
3.	INTERFACE TIMING.....	Page 11
3.1.	Drive Control Timing.....	Page 11
3.2.	Drive Data Timing.....	Page 12
4.	TASK FILE.....	Page 13
4.1.	Task File Basics.....	Page 13
4.2.	Register Array.....	Page 13
4.3.	Register Definitions.....	Page 13
4.3.1.	Command Register.....	Page 13
4.3.2.	Status Register.....	Page 13
4.3.3.	SDH Register.....	Page 13
4.3.4.	Cylinder Number.....	Page 14
4.3.5.	Sector Number.....	Page 14
4.3.6.	Sector Count.....	Page 15
4.3.7.	Error Register.....	Page 15

4.3.8.	Write Precomp.....	Page 15
4.3.9.	Data Register.....	Page 15
4.4.	Status Registers.....	Page 16
4.5.	Status Registers Bits.....	Page 16
4.5.1.	Error.....	Page 16
4.5.2.	Corrected.....	Page 16
4.5.3.	Data Request.....	Page 16
4.5.4.	Seek Complete.....	Page 16
4.5.5.	Write Fault.....	Page 16
4.5.6.	Ready.....	Page 17
4.5.7.	Busy.....	Page 17
4.6.	Error Register Bits.....	Page 17
4.6.1.	DAM Not Found.....	Page 17
4.6.2.	TR000 Error.....	Page 17
4.6.3.	Aborted Command.....	Page 17
4.6.4.	ID Not Found.....	Page 17
4.6.5.	CRC Error ID.....	Page 17
4.6.6.	Uncorrectable.....	Page 18
4.6.7.	Bad Block Detect.....	Page 18
5.	COMMANDS.....	Page 19
5.1.	Command Summary.....	Page 20
5.1.1.	Stepping Rates.....	Page 20
5.1.2.	DMA Read.....	Page 20
5.1.3.	Long Read and Write.....	Page 21
5.2.	Type I Commands.....	Page 21
5.2.1.	Restore.....	Page 21
5.2.2.	Seek.....	Page 22
5.3.	Type II Commands.....	Page 22
5.3.1.	Read Sector.....	Page 22
5.3.2.	Multiple Sector Reads.....	Page 24
5.4.	Type III Commands.....	Page 24
5.4.1.	Write Sector.....	Page 25
5.4.2.	Format Track.....	Page 25
6.	PROGRAMMING.....	Page 27
6.1.	Setting Up Task Files.....	Page 28
6.1.1.	Cylinders and Tracks.....	Page 28
6.2.	Type I Command Programming.....	Page 28
6.2.1.	Stepping Rates.....	Page 29
6.2.2.	Use of Busy Bit.....	Page 29
6.2.3.	Use of Interrupts.....	Page 29
6.2.4.	Use of the Error Bit.....	Page 29
6.2.5.	Use of the Corrected Bit.....	Page 30
6.3.	Type II Command Programming.....	Page 30
6.3.1.	DMA Mode.....	Page 30
6.3.2.	Block Moves.....	Page 31
6.3.3.	Using DMA.....	Page 31
6.3.4.	Multiple Sector Transfers.....	Page 31
6.3.5.	Simulated Completions.....	Page 33
6.4.	Type III Command Programming.....	Page 33
6.4.1.	Formatting.....	Page 34

6.4.2.	Interleaving.....	Page 34
6.5.	Bad Block Mapping.....	Page 35
6.5.1.	Sector Pre-allocation.....	Page 35
6.5.2.	Alternate Tracks.....	Page 36
6.5.3.	Spare Sectors.....	Page 36
6.5.4.	Bad Block Bit.....	Page 36
7.	THEORY OF OPERATION.....	Page 38
7.1.	General.....	Page 38
7.2.	Processor Functions.....	Page 38
7.2.1.	Fast IO Select.....	Page 39
7.2.2.	Internal Bus Control.....	Page 39
7.2.3.	Reset Circuit.....	Page 40
7.2.4.	Processor Power Supply.....	Page 40
7.2.5.	Read and Write Ports.....	Page 40
7.2.6.	Read/Write Memory.....	Page 40
7.2.7.	Miscellaneous Control Ports.....	Page 41
7.3.	Serial Data Separation.....	Page 42
7.3.1.	Incoming Data Selection.....	Page 42
7.3.2.	Reference Clock.....	Page 43
7.3.3.	Clock Gating.....	Page 43
7.3.4.	High Frequency Detector.....	Page 43
7.3.5.	Sample on Phase Detection.....	Page 44
7.3.6.	Error Amplifier.....	Page 44
7.3.7.	VCO.....	Page 44
7.3.8.	Window Extension.....	Page 45
7.3.9.	Clock Detection.....	Page 46
7.4.	Data Conversion and Checking.....	Page 46
7.4.1.	AM Detection.....	Page 46
7.4.2.	Error Detection and Correction.....	Page 47
7.4.3.	Serial to Parallel Conversion.....	Page 48
7.5.	Serial Data Generation.....	Page 49
7.5.1.	Parallel to Serial Conversion.....	Page 49
7.5.2.	CRC/ECC Generation.....	Page 50
7.5.3.	MFM Generation.....	Page 50
7.6.	Host Interface.....	Page 52
7.6.1.	Wait Enable.....	Page 52
7.6.2.	Bus Gating.....	Page 53
7.6.3.	Register Selection.....	Page 53
7.6.4.	Interrupts and DRQs.....	Page 53
7.6.5.	Address Select.....	Page 53
7.6.6.	Boot Prom.....	Page 54
8.	MAINTENANCE.....	Page 55
8.1.	DRUN Adjustments.....	Page 56
8.2.	Oscillator Frequency.....	Page 56
8.3.	Balance Adjustment.....	Page 57
A.	DISK DRIVER EXAMPLE.....	Page 59
A.1.	Polled Status Driver.....	Page 60
A.1.1.	Initialization.....	Page 61

A.1.2.	Read Sector.....	Page 62
A.1.3.	Write Sector.....	Page 63
A.1.4.	Task File Updating.....	Page 64
B.	INTERLEAVE CALCULATING UTILITY.....	Page 65
B.1.	BASIC Interleave Calculating Program.....	Page 66
C.	SECTOR CALCULATING UTILITY.....	Page 67
C.1.	BASIC Sectors per Track Utility.....	Page 68
D.	PROGRAMMERS QUICK REFERENCE.....	Page 69
D.1.	Task File.....	Page 69
D.2.	Valid Commands.....	Page 69
D.3.	SDH Register Format.....	Page 70
D.4.	Status and Error Register Bits.....	Page 70
E.	OPERATING SYSTEMS.....	Page 71
E.1.	Operating Systems Available.....	Page 71
F.	DRAWINGS.....	Page 72
F.1.	Schematic.....	Page 72
F.1.1.	Microcontroller.....	Page 73
F.1.2.	Bus Interface/Drive Control.....	Page 74
F.1.3.	Data Separator.....	Page 75
F.1.4.	Serial Data Interface.....	Page 76
F.1.5.	S100 Interface.....	Page 77
G.	APPENDIX.....	Page 78
G.1.	8X300 CPU.....	Page 78
G.2.	ST506.....	Page 79
G.3.	SA1000 or Q2000 Series.....	Page 80

1. INTRODUCTION

1.1. General Description

The HDC-2001 is an S-100 bus Winchester Controller board with error correction (ECC) capabilities. It is designed to interface up to four Winchester disk drives. There are two versions of the board, the HDC-1001-5/8. The HDC-2001-8 can operate 8" drives. The HDC-001-5 is used with most 5-1/4" drives.

The drive signals are based upon the floppy look-alike interface available on the Shugart Associates' SA1000, the Seagate Technology ST506, and other compatible drives. All necessary buffers and receivers/drivers are included on the board to allow direct connection to the drive. Four 20 pin radial connectors are provided for data. Either a 34 pin (5-1/4" drive) or a 50 pin (8" drive) connector is provided for drive control.

All data to be written to or read from the disk, status information, and macro commands are transferred via the S-100 bus. An on board sector buffer allows data transfers to the host computer independent of the actual data transfer rate of the drive.

*NOTE: In this manual the S-100 interface is called the "Host."

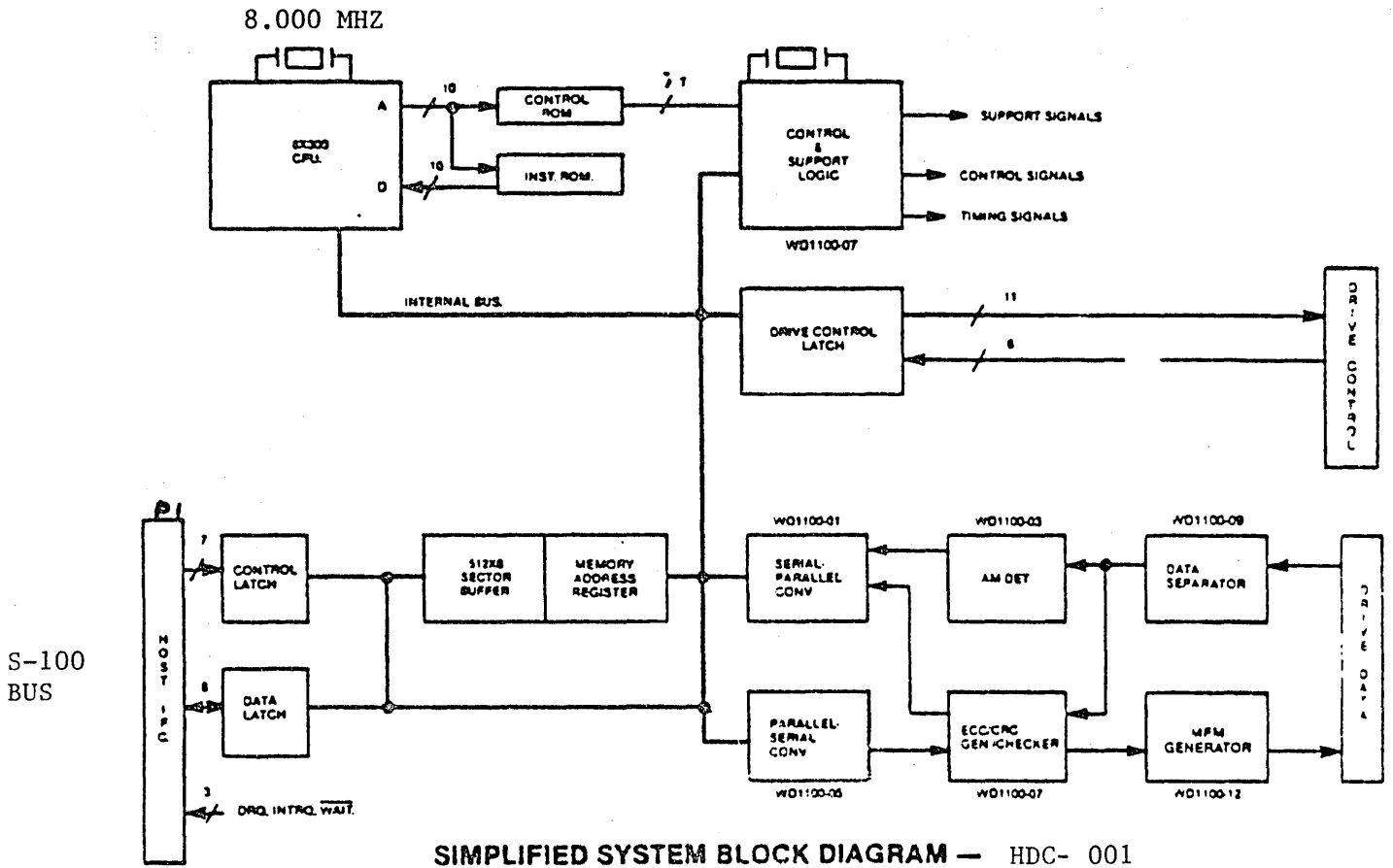
1.2. Features

- * S-100 IEEE 696
- * Single 8V Supply
- * Built-in Data Separator
- * Built-in Write Precompensation logic
- * Data rates up to 5 Mbits/sec
- * Control for up to 4 drives
- * Control for up to 8 R/W heads
- * 1024 cylinder addressing range
- * 256 sector addressing range
- * CRC generation/verification
- * Automatic formatting
- * 128, 256, or 512 bytes per sector (User selectable)
- * Unlimited sector interleave capability
- * Multiple sector reads and writes
- * Overlap seek capability
- * Implied seek on all commands
- * Automatic retries on all errors
- * Automatic restore and re-seek on seek error
- * Error correction on data field errors
- * Diagnostic reads and writes for checking error correction
- * Power Consumption +5V @ 2.5 amps

1.3. Specifications

Encoding method:	MFM
Cylinders per Head:	Up to 1024
Sectors per Track:	Up to 256 (512 byte sec)
Heads:	8
Drive Selects:	4
Step rate:	35 μ S to 7.5 mS (0.5 mS increments)
Data Transfer Rate:	4.34 Mbits/sec (SA1000) 5.000 Mbits/sec (ST506)
Write Precomp Time:	12 nanoseconds
CRC Polynomial:	$X^{16}+X^{12}+X^5+1$
ECC Polynomial:	$X^{32}+X^{28}+X^{26}+X^{19}+X^{17}+X^{10}+X^6+X^2+1$
Reciprocal ECC Polynomial:	$X^{32}+X^{30}+X^{26}+X^{22}+X^{15}+X^{13}+X^6+X^4+1$
Miscorrection Probability:	256 byte sector - $(8.0 \text{ E}-6)$ 512 byte sector - $(1.5 \text{ E}-5)$
Non-detection Probability:	$-2.3 \text{ E}-10$
Correction Span:	5 bits
Sectoring:	Soft
Host Interface:	8 Bit bi-directional Bus
Drive Capability:	10 LS Loads
Drive Cable Length:	10 ft. (3 M) max.
Power Requirements:	+8V, 3.0A Max (2.5A typ.)
Ambient Operating Temperature:	0 C to 50 C (32 F to 122 F)
Relative Humidity:	20% to 80%
MTBF:	10,000 POH
MTTR:	30 minutes

1.4. Simplified System Block Diagram



SIMPLIFIED SYSTEM BLOCK DIAGRAM — HDC- 001

2. INTERFACE CONNECTORS

2.1. Organization

The HDC-2001 has six on board connectors. These connectors consist of a two drive control connector, and four high speed data connectors.

The drive control cable is daisy-chained to each of the four drives.

The drive data connectors carry differential signals and are radially connected. Up to four drives can be accommodated by the HDC- 001.

2.2. Drive Control Signals

The Drive Control connector (J5 and J6) is a (relatively) low speed bus that is daisy chain connected to each of up to four drives in the system. To properly terminate each TTL level output signal from the HDC- 001, the last drive in the daisy chain should have a 220/330 ohm line termination resistor pack installed. All other drives should have no termination. Drive Control Signals are as follows:

2.2.1. RWC-

When the Reduce Write Current line is activated with Write Gate, a lower write current is used to compensate for greater bit packing density on the inner cylinders. The RWC- line is activated when the cylinder number is greater than or equal to four times the contents of the Write Precomp Register.

2.2.2. Write Gate-

This output signal allows data to be written to the disk.

2.2.3. Seek Complete-

Informs the HDC-2001 that the head of the selected drive has reached the desired cylinder and has stabilized. Seek Complete is not checked after a SEEK command, thus allowing overlapped seeks.

2.2.4. Track 000-

Indicates that the R/W heads are positioned on the outermost cylinder. This line is sampled immediately before each step is issued.

2.2.5. Write Fault-

Informs the HDC-2001 that some fault has occurred on the selected drive. The HDC-2001 will not execute commands

2.2.6. HS0-HS2-

Head Select lines are used by the HDC-2001 to select a specific R/W head on the selected drive.

2.2.7. Sector-

For hard sectored drives, this line is used to indicate the sector boundaries during formatting. Note that this line is not used unless special PROMs are installed to handle hard sectored drives.

2.2.8. Index-

Is used to indicate the index point for synchronization during formatting and as a time out mechanism for retries. This signal should pulse once each rotation of the disk.

2.2.9. Ready-

Informs the HDC-2001 that the desired drive is selected and that its motor is up to speed. The HDC- 001 will not execute commands unless this line is true.

2.2.10. Step-

This line is pulsed once for each cylinder to be stepped. The direction of the step will be determined by the Direction In- line. The step pulse period is determined by the internal stepping rate register during implied seek operations or explicitly during Seek and Restore commands. During auto restore, the step pulse period is determined by the Seek Complete-time from the drive.

2.2.11. Direction In-

Determines the direction of motion of the R/W head when the step line is pulsed. A high on this line defines the direction as out and a low defines direction as in.

2.2.12. DS1-DS4-

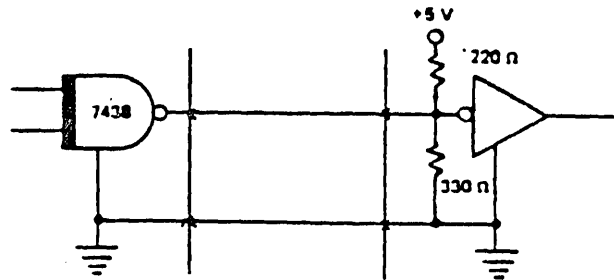
These four Drive Select lines are used to select one of four possible drives.

2.2.13. Control Driver/Receiver

The control lines have the following electrical specifications:

True= 0.0 V to 0.4 V at $I_{in} = 40$ ma. (max.)

False= 2.5 V to 5.25 V at $I_{in} = -0$ ma. (open)



2.2.14. 50 Pin Drive Control Connector

This Drive Control Connector (J5) is a 50 pin vertical header on tenth-inch centers that mates with Burndy #FRS50BS. The cable used should be flat ribbon cable or twisted pair with a length of less than 10 feet. The cable pin-outs are as follows:

Signal Ground	Signal Pin	I/O	Signal Name
1	2	0	RWC-
3	4	0	Head Select 2-
5	6		NC
7	8	I	Seek Complete-
9	10		NC
11	12		NC
13	14	0	Head Select 0-
15	16	I	Sector-
17	18	0	Head Select 1-
19	20	I	Index-
21	22	I	Ready-
23	24		NC
25	26	0	Drive Select 1-
27	28	0	Drive Select 2-
29	30	0	Drive Select 3-
31	32	0	Drive Select 4-
33	34	0	Direction In-
35	36	0	Step-
37	38		NC
39	40	0	Write Gate-
41	42	I	TR000-
43	44	I	Write Fault-
45	46		NC
47	48		NC
49	50		NC

2.2.15. 34 Pin Drive Control Connector

This Drive Control connector (J6) is a 34 pin vertical header on tenth-inch centers that mates with Burndy #FRS34BS. The cable used should be flat ribbon cable or twisted pair with a length of less than 10 feet. The cable pin-outs are as follows:

Signal Ground	Signal Pin	I/O	Signal Name
1	2	O	RWC-
3	4	O	Head Select 2-
5	6	O	Write Gate-
7	8	I	Seek Complete-
9	10	I	TR000-
11	12	I	Write Fault-
13	14	O	Head Select 0-
15	16	I	Sector-
17	18	O	Head Select 1-
19	20	I	Index-
21	22	I	Ready-
23	24	O	Step-
25	26	O	Drive Select 1-
27	28	O	Drive Select 2-
29	30	O	Drive Select 3-
31	32	O	Drive Select 4-
33	34	O	Direction In-

2.3. Drive Data Signals

The Drive Data Connectors carry the high speed differential MFM data between the drive and the HDC-2001. Due to the loading characteristics of these differential lines, each of the drives have their own data connector. Drive Data Signals are as follows:

2.3.1. Drive Selected-

This signal is not used on the HDC-1001.

2.3.2. Timing Clock+

One half of the differential Timing Clock signal. This line contains a square wave signal equal to 1/64 the frequency of the write clock crystal.

2.3.3. Timing Clock-

This is the complimentary version of Timing Clock+.

2.3.4. MFM Write Data+-

Differential MFM data from the controller to the disk.

2.3.5. MFM Read Data+-

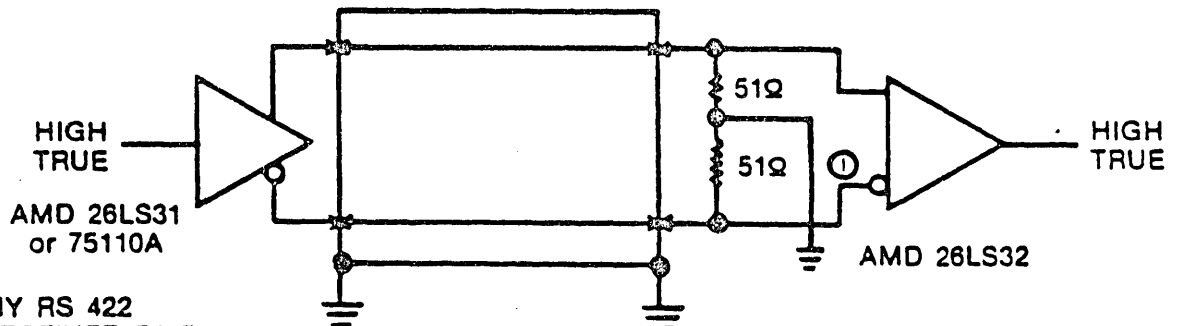
Differential MFM data from the disk to the controller.

2.3.6. Drive Data Connectors

Four Data connectors (J1-4) are provided for clock signals and data between the HDC-2001 and each drive. All lines associated with the transfer of data between the drive and the HDC-2001 system are differential in nature and may not be multiplexed. The Data connectors are 20 pin vertical headers on tenth-inch centers that mate with Burndy #FRS20BS. The cable used should be flat ribbon cable or twisted pair with a length of less than 10 feet. The cable pin-outs are as follows:

Signal Ground	Signal Pin	I/O	Signal Name
2	1	I	Drive Selected
4	3		NC
6	5	I	Write Protect-
8	7		NC
	9	O	Timing Clock+
	10	O	Timing Clock-
11			GND
12			GND
	13	O	MFM Write Data+
	14	O	MFM Write Data-
15			GND
16			GND
	17	I	MFM Read Data+
	18	I	MFM Read Data-
19			GND
20			GND

2.3.7. Differential Data Driver/Receiver



NOTE: ANY RS 422 DRIVER/RECEIVER PAIR WILL INTERFACE

FLAT RIBBON OR TWISTED PAIR
MAX 10 FT.

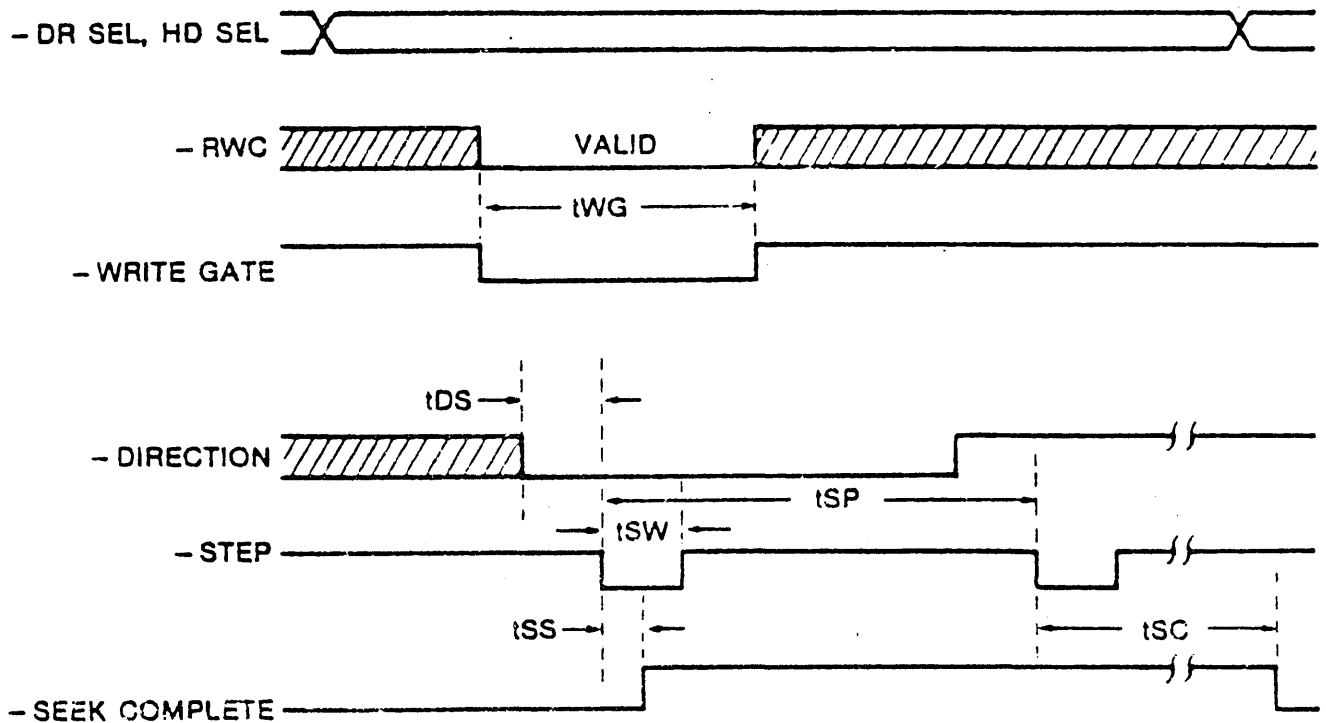
3. INTERFACE TIMING

3.1. Drive Control Timing

SYMBOL	CHARACTERISTIC	MIN	MAX	UNITS
tWG	Write gate pulse width	1 sector	2 rotation	
tDS	Direction to step delay	250		nS
tSW	Step pulse width	5 (typical)		uS
tSP	Programmed Step pulse period	0.01	7.5	uS
tSS	Step to Seek Complete false		9	uS
tSC	Last Step to seek Complete		128	Index times

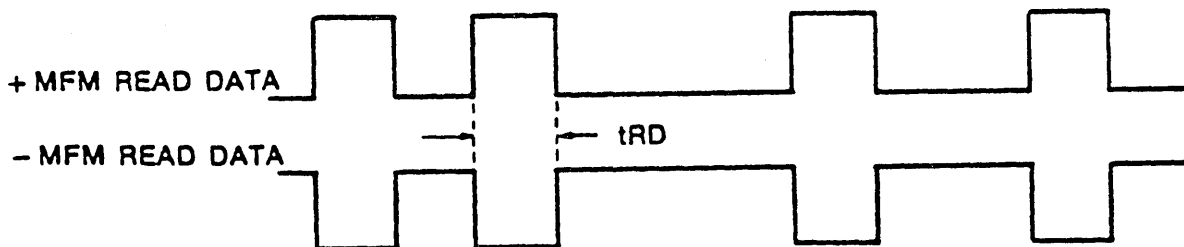
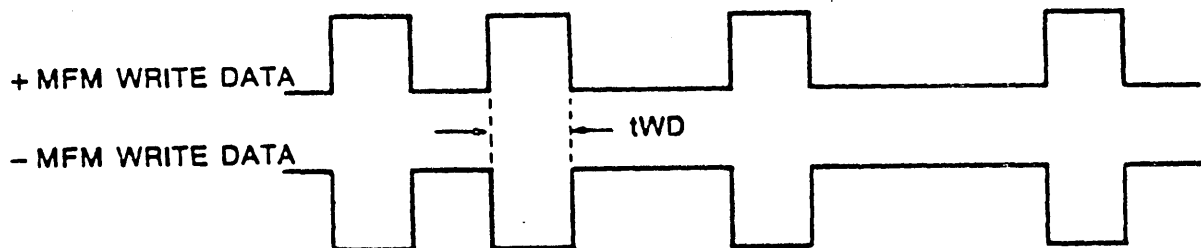
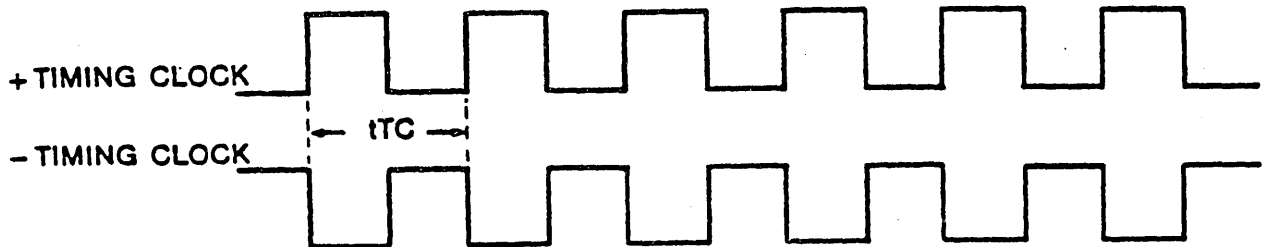
Notes:

- Write gate pulse width will vary depending on the sector size and the rotation rate of the disk.
- Step pulse period will be equal to seek complete time during auto-restore.



3.2. Drive data timing

SYMBOL	CHARACTERISTIC	MIN	MAX	UNITS
tTC	Timing clock period	WCLK/16	(typical)	
tWD	Write data pulse width	60	120	nS
tRD	Read data pulse width	25		nS



4. TASK FILE

4.1. Task File Basics

The HDC-2001 performs all disk functions through a set of registers called the Task File. These registers are loaded with parameters such as Sector Number, Cylinder Number, etc., prior to issuing a command. Individual registers are selected via A0-2. The following registers are available:

4.2. Register Array

CS-	A2	A1	A0	RE-	WE-
1	X	X	X	Deselected	Deselected
0	0	0	0	Data Register	Data Register
0	0	0	1	Error Register	Write Precomp
0	0	1	0	Sector Count	Sector Count
0	0	1	1	Sector Number	Sector Number
0	1	0	0	Cylinder Low	Cylinder Low
0	1	0	1	Cylinder High	Cylinder High
0	1	1	0	Size/Drive/Head	Size/Drive/Head
0	1	1	1	Status Register	Command Register

4.3. Register Definitions

4.3.1. Command Register

All commands are loaded into this register after the task registers have been set. Writing to this register will cause the INTRQ Line to be reset. The Command register is a write-only register.

4.3.2. Status Register

After execution of a command, the Status register is internally loaded with status information pertaining to the command executed. The host must read this register to determine successful execution of the command. The Status register is a read-only register; it cannot be written to by the host. If the busy bit is set, no other bits in this register are valid. Accessing this register will cause the INTRQ line to be reset.

4.3.3. SDH Register

This register contains the ECC mode, sector Size, Drive select, and Head select bits. The SDH register is a

read/write register organized as follows:

7	6	5	4	3	2	1	0
E	Sec	Drive	Head				
	Size	Select	Select				

E=0 CRC in data field
 E=1 ECC in data field

Bit 6	Bit 5	Sector Size
0	0	256 Bytes
0	1	512 Bytes
1	1	128 Bytes

Bit 4	Bit 3	Drive Selected
0	0	Drive Sel 1
0	1	Drive Sel 2
1	0	Drive Sel 3
1	1	Drive Sel 4

Bit 2	Bit 1	Bit 0	Head Selected
0	0	0	Head 0
0	0	1	Head 1
0	1	0	Head 2
0	1	1	Head 3
1	0	0	Head 4
1	0	1	Head 5
1	1	0	Head 6
1	1	1	Head 7

4.3.4. Cylinder Number

These two read/write registers form the cylinder number where the head is to be positioned on a Seek, Read, Write, or Format command. Internally, a separate set of cylinder register values are maintained for each drive. The two least significant bits of the Cylinder High register form the most significant bits of the cylinder number as illustrated below:

	Cylinder High	Cylinder Low
Register bits:	17161514131211101	17161514131211101
Cylinder bits:	11111119181	17161514131211101

4.3.5. Sector number

This register is loaded with the desired sector number prior to a Read or Write command. The Sector Number

register is a read/write register and may be read or written to by the host.

4.3.6. Sector Count

This read/write register is loaded with the number of sectors to be processed. On Read or Write multiple commands, the number of sectors to be transferred is loaded into this register. During a Format command, this register is loaded with the number of sectors to be formatted. During the course of a command, the Sector Count register is decremented towards zero and should be re-loaded for each command.

4.3.7. Error Register

This register contains specific fault information pertaining to the last command executed. This register is valid only if the Error bit in the Status register is set. The Error register is read only.

4.3.8. Write Precomp

The Write Precompensation register holds the cylinder number where the RWC line will be asserted and Write Precompensation logic is to be turned on. This write-only register is loaded with the cylinder number divided-by-4 to achieve a range of 1024 cylinders. For example, if write precompensation is desired for cylinder 128 (80 Hex) and higher, this register must be loaded with 32 (20 Hex). The Write Precompensation delay is fixed at 12 nanoseconds from nominal. On drives that require separate write precompensation and reduce write current cylinders, set the Write Precomp register to the cylinder where write current reduction is desired.

4.3.9. Data Register

This register is the user's window to the on-board full sector buffer. It contains the next byte of data to be written to or read from the internal sector buffer. The Data register is accessed once for each byte in the sector. When the DRQ (Data ReQuest) line is asserted, the sector buffer contains data in a read command, or is awaiting data to be written during a write command into the Data register. If the HDC-001 is interfaced using programmed I/O, data transfers to this register can be implemented using block moves. This register may not be read from or written to except in the context of a valid command.

4.4. Status Registers

There are two registers in the HDC-2001 that are used to monitor the execution of commands. They are the Status register and the Error register. Each bit of these registers is used to define a particular type of status or error condition.

Bit	Status Register	Error Register
7	Busy	Bad Block Detect
6	Ready	Uncorrectable
5	Write Fault	CRC Error - ID Field
4	Seek Complete	ID Not Found
3	Data Request	-
2	Corrected	Aborted Command
1	-	TR000 Error
0	Error	DAM Not Found

4.5. Status Register Bits

4.5.1. Error

When set, indicates that a bit is set in the Error register. It provides an efficient means of checking for an error condition by the host. This bit is reset on receipt of a new command.

4.5.2. Corrected

Indicates that there was a read error condition either in the data field or the ECC check bits themselves, and that the controller was able to correct the condition.

4.5.3. Data Request

Functions almost identically to the hardware DRQ line. When set, it indicates that the sector buffer is ready to accept data or contains data to be read out by the host. The Data Request bit is reset when the sector buffer has been fully read from or written to. Normally, the host need not consult this bit to determine if a byte should be transferred.

4.5.4. Seek Complete

Indicates the condition of the Seek Complete line on the selected drive.

4.5.5. Write Fault

Indicates the condition of the Write Fault line on a

selected drive. The HDC-2001 will not execute any command if this bit is set.

4.5.6. Ready

Indicates the condition of the Ready line of the selected drive. The HDC-2001 will not execute any commands unless this bit is set.

4.5.7. Busy

After issuing a command, this bit will be set, indicating that the HDC-2001 is busy executing a command. No other bits or registers are valid when this bit is set.

4.6. Error Register Bits

4.6.1. DAM Not Found

Will be set during a Read Sector command if, after successfully identifying the ID field, the Data Address mark was not detected within 16 bytes of ID field.

4.6.2. TR000 Error

Will be set during a Restore command if, after issuing 1024 stepping pulses, the Track 000 line was not asserted by the drive.

4.6.3. Aborted Command

Indicates that a valid command has been received that cannot be executed, based on status information from the drive. For example, if a write sector command has been issued while the Write Fault line is set, the Aborted Command bit will be set. Interrogation of the Status and/or Error registers by the host can be performed to determine the cause of failure.

4.6.4. ID Not Found

When set, this bit indicates that an ID field containing a specified cylinder, head, sector number or sector size was not found.

4.6.5. CRC Error ID

Indicates that a CRC error was encountered in an ID field.

4.6.6. Uncorrectable

Indicates that an error was detected while reading the data field or ECC check bits and the error was so severe that the controller was not able to correct the condition.

4.6.7. Bad Block Detect

Indicates that a Bad Block Mark has been detected in the specified ID field. If the command issued was a write sector command, no writing will be performed. If generated from a read sector command, the data field will not be read. Note that bad block will not be detected if the flaw is in the ID field unless multiple ID fields were written.

5. C O M M A N D S

The HDC-2001 executes five easy to use macro commands. Most commands feature automatic 'implied' seek, which means the host system need not tell the HDC-2001 where the R/W heads of each drive are or when to move them. The controller automatically performs all needed retries on all errors encountered including data field errors. If the data field contains an error, the controller will perform a correction, if possible. If the R/W head mispositions, the HDC-2001 will automatically perform a restore and a re-seek. If the error is completely unrecoverable, the HDC-2001 will simulate a normal completion to simplify the host system's software.

Commands are executed by loading a command byte into the Command register while the controller is not busy. (Controller will not be busy if it has completed the previous command.) The task file must be loaded prior to issuing a command. No command will execute if the Seek Complete or Ready lines are false or if the Write Fault line is true. Normally it is not necessary to poll these signals before issuing a command. If the HDC-2001 receives a command that is not defined in the following table, undefined results will occur.

5.1. Command Summary

For ease of discussion, commands are divided into three types which are summarized in the following table:

TYPE	COMMAND	BITS							
		7	6	5	4	3	2	1	0
I	Restore	0	0	0	1	r3	r2	r1	r0
I	Seek	0	1	1	1	r3	r2	r1	r0
II	Read Sector	0	0	1	0	D	M	L	0
III	Write Sector	0	0	1	1	0	M	L	0
III	Format Track	0	1	0	1	0	0	0	0

L=Long Read/Write
M=Multiple Sector

D=DMA Read Interrupt
rX=Stepping Rate

5.1.1. Stepping Rates

r3-r0 - Stepping Rate	
0000 = 35 uS	1000 = 4.0 mS
0001 = 0.5 mS	1001 = 4.5 mS
0010 = 1.0 mS	1010 = 5.0 mS
0011 = 1.5 mS	1011 = 5.5 mS
0100 = 2.0 mS	1100 = 6.0 mS
0101 = 2.5 mS	1101 = 6.5 mS
0110 = 3.0 mS	1110 = 7.0 mS
0111 = 3.5 mS	1111 = 7.5 mS

5.1.2. DMA Read

D = DMA Read Mode
0 = Programmed I/O Mode
1 = DMA Mode

The DMA bit is used to position INTRQ in relation to DRQs during the read sector command. If the DMA bit is reset (D=0), the interrupt will occur before the first DRQ. This allows the programmed I/O host to intervene and transfer the data from the sector buffer. If the DMA bit is set (D=1), then the interrupt will occur only after the system DMA controller has transferred the entire buffer of data.

5.1.3. Long Read and Write

If the Long bit is set, a special diagnostic read or write will be performed. During normal reads or writes, the ECC check bytes are not visible to the user. The Long bit allows the user to read and write these normally invisible bytes.

During a Read Long, the HDC-2001 will return a sector that is four bytes longer than the selected sector size. These four bytes will be the ECC check bits as recorded on the disk. During a Write Long, the host give the HDC-2001 a sector that is four bytes longer than normal. These four extra bytes are recorded in place of the ECC bytes that are normally written after each sector.

The Read and Write Long option may only be used when the HDC-2001 is in ECC mode.

5.2. Type I Commands

These commands simply position the R/W heads of the selected drive. Both commands have explicit stepping rate fields. The lower four bits of these commands form the stepping rate which is stored for later Read, Write or format operations.

5.2.1. Restore

The Restore command is used to calibrate the position of the R/W head on each drive by stepping the head outward until the TR000 line goes true. Upon receipt of the Restore command, the Busy bit in the Status Register is set. Cylinder High and Cylinder Low registers are cleared. The lower four bits of the command byte are stored in the stepping rate register for subsequent implied seeks. The state of Seek Complete, Ready and Write Fault are sampled, and if an error condition exists, the Aborted command bit in the Error register is set, the Error bit in the Status register is set, an interrupt is generated, and the Busy bit is reset.

If no errors are encountered thus far, the internal head position register for the selected drive is cleared. The TR000 line is sampled. If TR000 is true, an interrupt is generated and the Busy bit is reset. If TR000 is not true, stepping pulses at a rate determined by the stepping rate field are issued until the TR000 line is activated. When TR000 is activated, the Busy bit is reset and an interrupt is issued. If the TR000 line is not activated within 1024 stepping pulses, the TR000 Error bit in the Error Register and the Error bit in the Status Register are set, the Busy bit is reset, and an interrupt is issued.

5.2.2. Seek

The Seek command positions the R/W head to a certain cylinder. It is primarily used to start two or more concurrent seeks on drives that support buffered stepping. Upon receipt of the Seek command, the Busy bit in the Status Register is set. The lower four bits of the command byte are stored in the stepping rate register for subsequent implied seeks. The state of Seek complete, Ready and Write Fault are sampled, and if an error condition exists, the Aborted command bit in the Error register is set, the Error bit in the Status register is set, an interrupt is generated, and the Busy bit is reset.

If no errors are encountered thus far, the internal head position register for the selected drive is updated, the direction line is set to the proper direction and a step pulse is issued for each cylinder to be stepped. When all stepping pulses have been issued, the Busy bit is reset and an interrupt is issued. Note that the Seek Complete line is not sampled after the Seek command, allowing multiple seek operations to be started using drives with buffered seek capability.

5.3. Type II Commands

This type of command is characterized by a transfer of a block of data from the HDC-2001 buffer to the host. This command has an implicit stepping rate as set by the last Restore or Seek command.

5.3.1. Read Sector

The Read Sector command is used to read a sector of data from the disk to the host computer. Upon receipt of the Read command, the Busy bit in the Status register is set. The state of Seek Complete, Ready and Write Fault are sampled, and if an error condition exists, the Aborted Command bit in the Error register is set, the Error bit in the Status register is set, and a normal completion is simulated.

Implied Seek

If no errors are encountered so far, a Seek command is executed. The Seek Complete line is sampled. If the Seek Complete line does not go true within 128 Index pulses, then the Aborted command bit in the Error register is set, the Error bit in the Status register is set, and a normal completion is simulated.

Retries

Once the head has settled over the desired cylinder, the HDC-2001 will attempt to read the sector. The HDC-2001 performs all retries necessary to recover the data during the read command. The controller attempts to read the desired sector up to 15 times. It will attempt a retry if it

not find an ID, if the ID of that sector has a bad CRC, if the Data Address Mark (DAM) couldn't be found, or even if the data was actually read from the disk but was in error.

Error Correction

If an error was detected while reading the data field, the controller will attempt to correct the error. If the error was correctable, the Corrected bit in the status register will be set and the command resumed. If it was uncorrectable, the Uncorrectable Error bit will be set, the Error bit in the Status register is set, and a normal completion is simulated.

Auto Restore

Every time the controller encounters an error, it records the occurrence of that error in an internal register. If, after 16 retries, the controller was not able to get a match on the ID field, it assumes that the head was possibly mis-positioned and executes an auto-restore. During the auto-restore, the stepping rate is implied to be equal to the Seek Complete period. If the TRK000 does not go true within 1024 steps, the TRK000 Error bit in the Error register is set, the Error bit in the Status register is set and a normal completion is simulated.

After the auto-restore has been successfully completed, the controller re-seeks and attempts to read the sector once again. An auto-restore will be performed only once per read or write sector command.

Hard Errors

If the controller encounters a non-recoverable error, the controller examines its internal error history register. It then sets the bit in the Error Register of the highest severity error incurred. If the Uncorrectable bit is set, the data that last produced that error will be available in the sector buffer. The Error bit in the Status Register is set and a normal completion is simulated.

Error Severity Levels

Although the HDC-2001 might encounter any number of errors in the course of executing a command, it only reports the most severe error. Errors are ranked from most severe to least severe as follows:

1. Aborted Command
2. TR000 Error
3. Bad Block*
4. Uncorrectable
5. Data Address Mark Not Found
6. ID CRC Error
7. ID Not Found

* - Bad Block will only be detected if there is no ID CRC Error or ID Not Found Error in the sector with the Bad Block bit set.

Normal Completion

If the HDC-2001 encountered no errors, it is considered a normal completion. The busy bit is reset. The status of the DMA bit in the command byte is examined. If this bit is reset (D=0; programmed I/O mode) then an interrupt is issued at this time. DRQs are then generated for each byte to be read from the buffer. (Note: It is recommended that programmed I/O transfers should take place as a block move without consulting the DRQ bit in the Status Register.) After all the data has been moved from the buffer, the DMA bit in the command byte is consulted again. If this bit is set (D=1; DMA mode) then an interrupt will be issued.

5.3.2. Multiple Sector Reads

If the M bit in the command byte is set, then the HDC-2001 will attempt to read multiple sectors. After all the data has been transferred from the sector buffer to the host on a read, the Sector Number register is incremented, the Sector Count register is decremented, and if the Sector Count reaches zero or if a fatal error is encountered, the HDC-001 will stop and interrupt the host.

When a Correctable error is encountered during a multiple sector read, the occurrence of the error is logged, but no interrupts are generated. After the whole multiple transfer is complete, the host can read the Corrected bit of the Status register to determine if any automatic corrections have taken place.

5.4. Type III Commands

This type of command is characterized by a transfer of a block of data from the host to the HDC-001 buffer. These commands have implicit stepping rates as set by the last Restore or Seek command.

5.4.1. Write Sector

The Write Sector command is used to write a sector of data from the host computer to the disk. Upon receipt of the Write command, the controller generates DRQs for each byte to be written to the buffer. (Note: It is recommended that programmed I/O transfers should take place as a block move without consulting the DRQ bit in the Status register.)

After all data has been sent to the sector buffer, the Busy bit in the Status register is set. The state of Seek Complete, Ready and Write Fault are sampled, and if an error condition exists, the Aborted Command bit in the Error register is set, the Error bit in the Status register is set, an interrupt is generated and the Busy bit is reset.

Retries

Once the head has settled over the desired cylinder, it will attempt to read the ID of the sector. The HDC-2001 performs all retries necessary to recover the ID during the write command. The controller attempts to read the ID of the desired sector up to 16 times. It will attempt a retry if it doesn't find an ID or if the ID of that sector has a bad CRC.

Auto Restore

Every time the controller encounters an error, it records the occurrence of that error in an internal register. If, after 16 retries, the controller was not able to get a match on the ID field, it assumes that the head was possibly mis-positioned and executes an auto-restore. During the auto-restore, the stepping rate is implied to be equal to the Seek Complete period. After the auto-restore has been successfully completed, the controller re-seeks and attempts to write the sector once again.

Hard Errors

If the controller encounters a non-recoverable error, the controller examines its internal error history register. It then sets the bit in the Error register of the highest severity error incurred. The Error bit in the Status register is set, an interrupt is generated and the Busy bit is reset.

If the proper sector is located, the sector buffer is written to the disk, an interrupt is generated and the Busy bit is reset.

5.4.2. Format Track

The Format Command is used for initializing the ID and data fields on a

particular disk. Upon receipt of the Format command, the controller generates DRQs for each byte of the interleave table to be written to the buffer. Information on setting up an interleave table can be found in Section 7. In all cases, the number of bytes transferred to the buffer must correspond to the current sector size.

After all data has been set to the buffer, the Busy bit in the Status register is set. The state of Seek Complete, Ready and Write Fault lines are sampled. If an error condition exists, the Aborted Command bit in the Error register is set, the Error bit in the Status register is set, an interrupt is generated and the Busy bit is reset.

Implied Seek

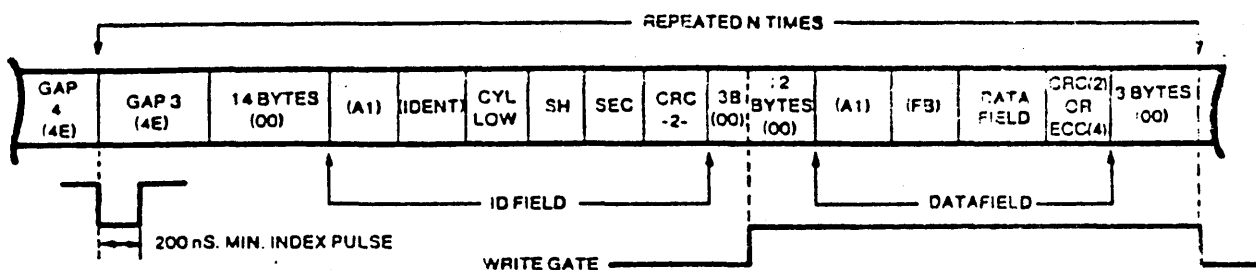
If no errors are encountered so far, a Seek command is executed. No verification of track positioning accuracy is performed because the track may not have any ID fields present. After the Seek operation has been performed, the Seek Complete line is sampled. If the Seek Complete line is not asserted within 128 Index pulses, the Aborted Command bit in the Error register is set, the Error bit in the Status register is set, an interrupt is generated and the Busy bit is reset.

Once the head has settled over the desired cylinder, the controller waits until the Index line is asserted. Once the index is found, a number of ID fields and nulled data fields are written to the disk. The number of sectors written is equal to the contents of the Sector Count Register. As each sector is written the Sector Count Register is decremented, and consequently, must be updated before each format operation.

After the last sector is written, the controller back-fills the track with 4E's. When the next index pulse after the last sector is written is encountered, the format operation is terminated, an interrupt is generated and the Busy bit is reset.

Track Format

The Format command formats the track using the following format:



NOTE:

- 1) When MSB of SH byte = 1, bad block is detected.
- 2) Write Gate turn-on is 3 bytes after the ID field's CRC byte.
- 3) Write Gate turn-off is 3 bytes after the Data Field's check bytes.
- 4) 12 bytes of zeroes are re-written on a Data Field update.
- 5) The 2 LSB's of the IDENT byte are used for Cylinder high.
These values are:
FE - 0 to 255 cylinders
FF - 256 to 511 cylinders
FC - 512 to 767 cylinders
FD - 768 to 1023 cylinders

6. P R O G R A M M I N G

Users familiar with floppy disk systems will find programming the HDC-2001 a pleasant surprise. A substantial amount of intelligence that was required by the host computer has been incorporated into the HDC-2001. The HDC-2001 performs all needed retries, even on head positioning errors. If there is an error in the data field, the HDC-2001 will attempt to correct it. Most commands feature automatic 'implied' seek which means that seek commands need not be issued to perform basic read/write functions. The HDC-2001 keeps track of the position of up to four read/write head assemblies, so the host system does not have to maintain track tables. All transfers to and from the disk are through an on-board full sector buffer. This means that data transfers are fully interruptable and can take place at any speed that is convenient to the system designer. In the event of an unrecoverable error, the HDC-2001 simulates a normal completion so that special error recovery software is not needed.

This section assumes that the user has read sections five (Task File) and six (Commands).

6.1. Setting up Task Files

Before any of the five commands may be executed, a set of parameter registers called the Task File must be set up. For most commands, this informs the HDC-2001 of the exact location on the disk that the transfer should take place. For a normal read or write sector operation, the Sector Number, the Size/Drive/Head, Cylinder Number and Command register (usually in that order) will be written.

Note that most of these registers are readable as well as writable. These registers normally are not read from, but this feature is provided so that error reporting routines can determine physically where an error occurred without recalculating the sector, head and cylinder parameters.

Since the HDC-2001 can recall all the Task File parameters sent to it, it is recommended that Task File parameters be stored in the HDC-2001 as they are calculated. This will save the programmer a few instructions and microseconds by not maintaining two copies of the same information.

6.1.1. Cylinders and Tracks

Since most hard disk drives contain more than one head per positioner, it is more efficient to step the R/W head assemblies of most disk drives by cylinders, not tracks. In other words, the disk driver software should be designed to read or write all data that is directly accessible by all the heads on a positioner before stepping to a new cylinder. The following example illustrates a cylinder-by-cylinder sequential file read on a four head, two platter disk drive:

Physical Cylinder	Logical Head Number	Physical Head Side	Physical Platter
25	3	Top	B
26	0	Bottom	A
26	1	Top	A
26	2	Bottom	B
26	3	Top	B
27	0	Bottom	A

6.2. Type I Command Programming

Restore and Seek are Type I commands. These commands position the R/W heads of the selected drive and set the implied stepping rate register. No data is transferred to or from the Data Register. To execute a Type I command, the system software must do the following functions in this order:

1. Set up Task File and issue command with stepping rate

(HDC-2001 will attempt to execute Type I command)

2. Wait for interrupt or for Busy bit in Status Register to be reset
3. Check Error bit in Status Register for proper completion.

6.2.1. Stepping Rates

Most drives that use the HDC-2001's 35 uS stepping rate require a slower rate (usually 3 mS or more) for Restore operations. This is why the HDC-2001 allows you to have explicit stepping rates on both Restore and Seek. Upon power up, it is good practice to issue a Restore command with a slower stepping rate to recalibrate the head assembly. After waiting for that operation to complete, issue a Seek command with the faster stepping rate to set the stepping rate for subsequent implied seeks.

6.2.2. Use of Busy bit

There are two different ways to sense the completion of a command. The first way, for smaller single user systems, is to poll the Busy bit of the Status Register. The Busy bit (bit 7) is set whenever the controller starts a disk operation and is reset whenever the controller is ready to communicate with the host computer.

The HDC-2001 busy bit is located in the same place as the sign bit of many computers to simplify the polling process.

This is one way to poll this bit using 8080 code:

```

WAIT:   IN   STATUS           ;Input HDC-2001, update sign flag
        ANA  A               ;Update 8080 sign flag
        JM   WAIT           ;Wait if busy (sign) bit set
  
```

6.2.3. Use of Interrupts

Another more efficient way of notifying the CPU that the HDC-2001 has completed a command is through interrupts. The INTRQ line on the HDC-2001 makes a low to high transition whenever the disk controller requires CPU intervention. This allows the host CPU to run other tasks while the HDC-2001 is reading or writing data to the disk.

6.2.4. Use of the Error bit

Since the HDC-2001 simulates normal completions, it acts the same whether or not errors are encountered. The only way to check error status is to check the Error bit in the Status register. The HDC-2001 Error bit is located so that it can be easily tested by rotating it into the carry bit of many processors. The contents of the Error register are not valid unless the Error bit is set.

This is one way to check the Error bit using 8080 code:

```
IN   STATUS           ;Get status (if not already in A)
RAR                ;Rotate error bit into C
JC   ERROR           ;Jump if error found
```

6.2.5. Use of the Corrected bit

Correctable errors are usually quite benign and can almost always be ignored. However, some systems designers may wish to log their occurrence. The Corrected bit is positioned in the Status register to facilitate error logging. Correctable and fatal errors can be detected with the following 8080 code:

```
IN   STATUS           ;Get HDC-2001 status
ANI  5               ;Mask off Error and Correct bits
JNZ  SOMERR          ;Jump if we have either a correct-
                       ;able or fatal error
```

6.3. Type II Command Programming

The Read Sector command is the only Type II command. This command is characterized by the transfer of a block of data from the HDC-2001 buffer to the host. This command features implied seek with an implicit stepping rate. To execute a Type II single sector command in programmed I/O mode, the system software must do the following functions in this order:

1. Set up Task File and issue command with DMA bit reset (HDC-2001 will attempt to read sector)
2. Wait for interrupt or for Busy bit in Status Register to be reset
3. Do block move from HDC-2001 buffer to system memory
4. Check Error bit in Status Register for proper completion

Note: Steps 3 and 4 above can be reversed.

To execute a Type II single or multiple sector command in DMA mode with interrupts, the system software does the following:

1. Set up Task File and issue command with DMA bit set
2. Set up DMA controller (HDC-2001 will attempt to read single or multiple sectors) (DMA controller will move data from HDC-2001 to memory)
3. Wait for interrupt from HDC-2001
4. Check Error bit in Status register for proper completion

Note: The above sequence is preferred but steps 1 and 2 above can be reversed.

6.3.1. DMA Mode

The DMA mode bit (D) in the above read sector examples is a special bit in

the command byte that is used to optimize the HDC-2001's interrupts during programmed I/O and DMA operations. If the DMA bit is reset (D=0) the interrupt will come before the buffer is transferred. This allows a programmed I/O host to intervene and transfer the buffer of data. If the DMA bit is set (D=1) then the interrupt will happen only after the data has been transferred. This allows the host to go uninterrupted until the entire buffer has been transferred.

6.3.2. Block Moves

The HDC-2001 performs all transfers between it and the disk drive through an on-board full sector buffer. Once the disk has been read, the data is available to the host at any rate from DC to as high as a byte every 1.75 μ S. In programmed I/O applications there is no need to consult the DRQ bit in the status register to determine if another byte is ready to be processed. Once an interrupt occurs or the busy bit is reset on a read, the host computer should do a block move of all the bytes in the sector.

The following 8080 code demonstrates a transfer from the HDC-2001 to system memory. The transfer address is in HL and the byte count is in B:

```

READIT:  IN      DATA      ;Get data from HDC-2001 sector buffer
         MOV     M,A        ;Store it in memory
         INX    H          ;Increment memory pointer
         DCR    B          ;Decrement byte counter
         JNZ    READIT     ;Do it again if whole sector not xfered

```

The following Z-80 instruction does it all. The transfer address is in HL, byte count is in B and HDC-2001 data register address in C:

```

READIT:  INIR          ;Transfer buffer from HDC-2001 to memory

```

6.3.3. Using DMA

There are several features in the HDC-2001 which simplify the use of DMA. Of course, there's the DRQ line that makes a low to high transition for each byte to be transferred. As mentioned earlier, there is a special bit in the Read Sector command which optimizes the HDC-2001 interrupts for DMA operation.

6.3.4. Multiple Sector Transfers

The HDC-2001 can transfer more than one sector per command if interfaced using DMA and interrupts. Transfers as large as an entire track can be executed. The Sector Count register holds the number of records to be transferred. (If Sector Count is zero then 256 records will be transferred.) The Sector Number register holds the starting sector of the transfer. When a multiple sector transfer is successfully completed, the Sector Count register will be equal to zero and the Sector Number register will be equal to the last sector transferred plus one.

If a fatal error is encountered during a multiple sector transfer, the Sector Number register will be left pointing to the sector that contained the fatal error and the Sector Count register will hold the number of sectors that were not transferred.

If a correctable error is encountered during a multiple sector read, the corrected bit in the Status register will be set but the operation will not be terminated because correctable errors are not considered fatal.

Partial Sector Transfers

The HDC-2001 allows partial sector transfers on read operations. This allows the user to read the first part of a sector and then discard the rest. During programmed I/O, the byte counter in the block move routine is set to the number of bytes to be read. During DMA operations, the DMA controller is set with the number of bytes to be transferred.

Normally the HDC-2001 will interrupt the host after the sector has been transferred during a DMA read operation, but if a partial sector has been read, the HDC-2001 will not know that the operation has been completed. For this reason, the 'transfer complete' interrupt must come from the DMA controller. There is, still, a problem. During write sector operations, the DMA controller will interrupt the system after the buffer has been transferred to the HDC-2001 but before the data has been written. Some systems with advanced interrupt handling capabilities can easily mask off the spurious DMA interrupt. For those that can't, the HDC-2001 has a provision built into its command structure to detect read operations.

Interrupt Source Selection

Bit 4 of all commands determines whether the operation will be a read sector operation or something else. Those commands that require the interrupt from the HDC-2001 have this bit set to a 1. The read sector command (the only one that might need the DMA controller's interrupt) has this bit set to a 0.

Clearing Hardware DRQ

During partial sector reads, the DMA controller will stop the DMA transfer before the HDC-2001 has a chance to issue its last data request. Because of this, the DRQ line may be set the next time transfer parameters are sent to the DMA controller. To avoid spurious (and often fatal) DRQ's, the user must do a hardware clear of the DRQ line. This is accomplished by reading or writing the Cylinder Low register. (This will only clear the DRQ line. The DRQ bit in the Status Register will be indeterminate.) This action is typically done before a subsequent read or write sector command in the normal course of updating the Task File. Care should be exercised to insure that the DMA controller has passed its parameters only after the Task File is updated.

6.3.5. Simulated Completions

All HDC-2001 commands (except multiple sector transfers) act in precisely the same manner, whether or not an error was encountered. The only way to detect that an error has occurred is to sample the Error bit in the Status Register. Simulated Completions offer the system designer several tangible benefits.

- o Simplifies masking and generation of interrupts
- o Simplifies non-error handling portions of the system software
- o Eliminates the software overhead of handling different types of errors
- o Simplifies system software error handling validation (any error is handled the same as any other error)
- o Prevents system failure in the event of some obscure error condition that the system programmer did not anticipate

6.4. Type III Command Programming

Write Sector and Format are Type III commands. These commands are characterized by the transfer of a block of data from the host to the HDC-2001 buffer. Like Type II commands, these commands feature implied seek with an implicit stepping rate. To execute a single sector Type III command in programmed I/O mode, the system software must do the following functions in this order:

1. Set up Task File and issue command
2. Do block move from system memory to HDC-2001 buffer (HDC-2001 will attempt to write a sector or format)
3. Wait for interrupt or for Busy bit in Status Register to be reset
4. Check Error bit in Status Register for proper completion

To execute a single or multiple sector Type III command in DMA mode with interrupts, the system software does the following:

1. Set up Task File and issue command
2. Set up DMA controller
3. Wait for interrupt from HDC-2001
4. Check Error bit in Status Register for proper completion

Note: Steps 1 and 2 above can be reversed.

6.4.1. Formatting

The format command is very similar to the write sector command, except instead of filling the sector buffer with user data, it is filled with interleave and bad block information. Two bytes will be written to the buffer for each sector to be formatted.

The first (lower) byte will be either a 00 or an 80 in hex. If the lower byte is a 00, the sector is marked as good. If the lower byte is an 80, the sector will set the Bad Block bit in the Status Register if there is any attempt to read or write to it. Please see cautions in section on bad block mapping.

The second (upper) byte is the logical sector number of the next sector to be formatted. This number will be recorded on the disk. The Sector Number register is not used during Format.

On a 32 sector per track disk, 32 pairs of formatting information must be supplied to the drive during each format operation. To start the format operation the buffer must be completely filled, even if the sector table is not as long as the buffer. On a 32 sector per track disk, 64 bytes of formatting information are supplied. If the sector size is 256 bytes then 192 bytes of garbage must be passed to the controller to start the format operation.

Since the contents of the sector buffer do not imply how many sectors are to be formatted, a dedicated register is provided. This Sector Count register must be loaded with the number of sectors to be formatted before each and every format operation. To calculate the maximum number of sectors per track, see Appendix C.

6.4.2. Interleaving

If we try to read physically sequential sectors on the disk, there is not enough time for us to set up to read or write the next sector before it has passed by the read/write head. This means that the disk will have to make a complete rotation to pick up the next sector. If we were to read all 32 sectors on a particular track it would take 32 rotations, or about a half a second per 8K bytes. This performance can be tremendously improved by allowing the system to read or write more than one sector per rotation. This can be accomplished with interleaving.

Suppose our system takes less than three sector times ($3/32$ rotational period with 256 byte sectors) to digest the data that it has read and to set up the next read operation. That means that if we can arrange to have the second logical sector placed physically only four sectors away from the first one, the controller will be able to read it without much delay. This four to one interleave factor will allow us to potentially read the entire track in only four rotations. In our particular example, this will increase the throughput by a factor of eight.

The simplest way to determine the optimum interleave for any particular system is through experimentation. If the system maintains its directories

or virtual memory swapping areas in a certain place on the disk, it sometimes makes sense to have more than one interleave.

To simplify driver software, the HDC-2001 will automatically map logical to physical sectors to achieve interleave. This logical to physical map is recorded on each track of the disk in the ID fields of the sectors. This map is recorded on the disk during the format operation. Here is an example of an interleave table for a 32 sector track with 4:1 interleave and no bad blocks:

Interleave table with 32 sectors and 4:1 interleave

00	00	00	08	00	10	00	18	<u>00</u>	<u>01</u>	00	09	00	11	00	19
00	02	00	0A	00	12	00	1A	00	03	00	0B	00	13	00	1B
00	04	00	0C	00	14	00	1C	00	05	00	0D	00	15	00	1D
00	06	00	0E	00	16	00	1E	00	07	00	0F	00	17	00	1F

Remember: The balance of the buffer must be filled with something to start the format operation.

The first byte in each byte pair in the preceding example is set to 00. This marks each block as a 'good' block. The second byte of each byte pair is the logical sector number. The first byte pair above represents the first logical sector of the track. The underlined byte pair represents the second logical sector.

6.5. Bad Block Mapping

The Winchester and thin film technology drives that interface to the HDC-2001 often do not have perfect media. Imperfections in the media allow much more latitude in what the media manufacturers can ship, significantly bringing down the cost of the media and, consequently, the drives.

The user is required to map out these imperfections. There are many ways it can be done, some of which are highly operating system dependent. Here are a few ideas:

6.5.1. Sector Pre-allocation

If the operating system supports random sector or group allocation, the bad blocks can sometimes be mapped out by recording an un-deletable file using all the bad sectors on the disk. When the operating system tries to write to the bad block, it will see that the sector or group that contains the error has already been allocated. The operating system will automatically map over the bad sector.

There are a couple of minor restrictions associated with this form of bad block mapping. The file that contains the bad sector must never be moved to another section of the disk. The bad sector file may not be read (for obvious reasons) and reads or write to the disk, that do not consult the disk allocation map (physical reads/writes), are not allowed.

6.5.2. Alternate Tracks

This method works on most operating systems but, it requires more software overhead. Whenever a read or write is attempted, the track number (cylinder and head select) is checked against a table maintained by the operating system or driver. If the track number matches the table, the driver knows that there is a flaw somewhere on that track. The driver will look up the alternate track for that flawed track and the read or write will be performed elsewhere.

The primary disadvantages of this type of bad block mapping is its rather high software overhead. When the system is brought up, the alternate track table has to be read from some flawless areas of the disk. After it has been read, every read or write operation must check the alternate track table before performing its respective operation.

The HDC-2001 bad block marking and detection facility is useful for eliminating the software overhead of looking up each track number before each write is performed. During format, all the sectors of the bad track should be written redundantly with the bad block bit set (See section on Bad Block bit below). When any read or write is attempted on the bad track, the HDC-2001 will interrupt with the Error bit in the Status register and the Bad Block bit in the Error register set. The driver can then look up the alternate track in its internal table and resume the operation.

6.5.3. Spare Sectors

This method is probably the simplest to implement in most systems. Its primary disadvantage is that at least one sector must be set aside as a spare for each track. During format, the physical sector that contains the flaw is written with some illegal sector number. The physical sector following it contains the real logical sector and its data. In the following interleave table, the user mapped out the fifth physical sector by telling the HDC-2001 to write a logical sector number of FF to it.

Interleave table with 32 sectors and 4:1 interleave with physical sector five mapped out:

00	00	00	08	00	10	00	18	00	FF	00	01	00	09	00	11
00	19	00	02	00	0A	00	12	00	1A	00	03	00	0B	00	13
00	1B	00	04	00	0C	00	14	00	1C	00	05	00	0D	00	15
00	1D	00	06	00	0E	00	16	00	1E	00	07	00	0F	00	17

Please note that when formatting the disk in this manner, at least one sector must have an illegal sector number. Also, since we have allocated one sector to bad block mapping, we no longer have a sector 1F.

6.5.4. Bad Block Bit

The HDC-2001 Allows the user to set a marker that is recorded into the ID field. When the HDC-2001 attempts to read or write a sector with a bad block mark set, the operation will be aborted and the Error bit in the Status register and the Bad Block bit in the Error register will be set. The Size, Head, Cylinder, Sector and ID CRC fields of the selected sector must be correct in order to detect the bad block mark.

To insure that the Bad Block bit can be read even though some ID fields may be defective, the ID fields must be recorded redundantly. In order to make this possible, the HDC-2001 includes a special variation of the Format command. When a Bad Block bit in the interleave table is set during format, the HDC-2001 records only the ID field of that sector. No data field is recorded. This helps to make room for redundant ID fields.

In the following interleave table the user has marked all the sectors with a bad block mark and recorded all sectors redundantly. The interleave is not very important here because the driver (hopefully) will not attempt to read bad sectors sequentially.

Interleave table with redundant sectors, no interleave, an all sectors marked as bad blocks:

80	00	80	01	80	02	80	03	80	04	80	05	80	06	80	07
80	08	80	09	80	0A	80	0B	80	0C	80	0D	80	0E	80	0F
80	10	80	11	80	12	80	13	80	14	80	15	80	16	80	17
80	18	80	19	80	1A	80	1B	80	1C	80	1D	80	1E	80	1F
80	00	80	01	80	02	80	03	80	04	80	05	80	06	80	07
80	08	80	09	80	0A	80	0B	80	0C	80	0D	80	0E	80	0F
80	10	80	11	80	12	80	13	80	14	80	15	80	15	80	17
80	18	80	19	80	1A	80	1B	80	1C	80	1D	80	1E	80	1F

7. THEORY OF OPERATION

7.1. General

The HDC-2001 hard disk controller is a discrete implementation of all functions required to control SA1000/ST506 compatible Winchester hard disk drives via the S-100 bus. The controller is fabricated using a mix of high-speed bipolar and NMOS devices contained on a single, 2-sided PC board. The design of the circuitry makes use of a high-speed Microcontroller, the 8X300, newly developed NMOS support devices, Schottky, and low power Schottky devices to achieve low component count and low cost while maintaining high performance and reliability. All I/O connections are made using standard ribbon cable connectors. Standard pin-out configurations for disk interface connectors are provided to permit direct pin-for-pin connection to SA1000 compatible 8" drives and ST506 compatible 5-1/4" drives. All power for the board can be supplied from a single +8 Volt power supply. All host to disk data transfers are buffered by an onboard RAM to achieve totally asynchronous transfers to and from the disk by the host. In addition, the HDC-2001 has the ability to perform error correction (ECC) using firmware and a custom designed NMOS device.

The HDC-2001 is available in two different formats - a 5-1/4" or 8" board.

The disk controller is built around 5 basic sections:

1. Processor functions
2. Serial data separation
3. Data conversion, checking and correcting
4. Serial data generation
5. Host interface functions (S-100)

7.2. Processor Functions

All functions of the HDC-2001 controller are ultimately controlled by the onboard processor. Due to the high data rates associated with hard disk drives, processing of data and control of machine functions within the circuitry requires a processor capable of extremely fast execution speed. The processor used is the 8X300, a bipolar microcontroller, particularly well suited for handling data efficiently at high rates.

The 8X300 is operated at a basic clock rate of 8 MHz and performs all operations within 2 clock cycles, giving it a speed of 4 MIPS (Million Instructions Per Second) or one instruction executed every 250 ns. The architecture of the processor is different from most popular microprocessors in that no common data or address bus is provided to be shared by RAM, ROM or peripheral devices.

Instructions are fetched from ROM via a dedicated instruction address and data bus. The instruction address bus (IA13-IA0) is capable of directly

accessing 8K words of program storage. The HDC-2001, however, uses only the first 10 address lines, limiting onboard program storage to 1K words. Program data is input to the 8X300 on the Instruction Data Bus (ID15-ID0) as 16 bit words which are decoded to perform the desired operation. All bus designations utilized by the 8X300 are reversed from the traditional LSB to MSB weighting. On the HDC-2001 these lines have been renamed on the schematic, using traditional weighting to provide a more conventional designation system for the board.

Data is transferred between the processor and its ports on a separate 8-bit bus called the "IO" bus. This bus is active low. It must be noted that this bus is in no way related to the instruction data bus and should be thought of as simply an 8-bit bi-directional IO bus for the 8X300. In fact, it has been renamed as IO0-IO7 to reflect this definition.

7.2.1. Fast IO Select

An extension byte has been added onto the instruction data memory to provide port access decoding on an instruction by instruction basis. This "Fast IO Select" byte is not processed by the 8X300; rather it is decoded by auxiliary hardware to provide 8 read strobes, 8 write strobes, and 8 single bit output ports which route data to the various devices distributed along the IO bus.

The write part of the Fast IO byte is latched into a 4-bit latch and the input of a decoder/latch on the trailing edge of MCLK. This ensures that data remains stable during the entire instruction. The read strobe and write strobe are selected through a pair of 1-of-8 decoders which are alternately enabled by the SC- control strobe produced by the 8X300.

It also provides latch-address data to the addressable latch for drive and ECC control signals. To provide edges on read strobes during sequential read operations from various ports, the read strobe decoder is always disqualified at the end of instruction by MCLK-. Because each decoder has a unique input and the latch is directly addressable, it is possible to select any read port with any write port, during each instruction.

7.2.2. Internal Bus Control

Several bus control signals are produced by the 8X300 to identify and strobe the data on the IO bus. SC- is a signal which determines the direction of the data to and from peripherals. When SC- is false, (during the first half cycle) the 8X300 inputs data from the IO bus. When SC- is true (only during the second half cycle), the 8X300 outputs data to the IO bus. The HDC-2001 allows 8-bit immediate data moves from the 8X300 to any output port within one instruction, instead of the normal 5-bit immediate moves provided for by the instruction set.

All instruction fetches occur late in the second cycle of the preceding instruction. This time is marked by the generation of a 65 nS (nominal) active high pulse called MCLK, which occurs every instruction. On some ports, MCLK is also used to latch data prior to being input on the IO bus

to insure stability during reads, and to disqualify read strobes which would otherwise remain true into the second clock cycle of any instruction which does not write to a port.

All I/O ports on the 8X300 are logically divided into two address spaces. This address space is qualified with RIGHT BANK SELECT (RB-). All HDC-2001 I/O ports, except RAM, appear in the left bank address space. The RAM is placed in the right bank and the right bank signal is run directly to the CS- inputs of the RAMs to avoid the propagation delays associated with the Fast I/O Select logic. This allows slower RAMs to be used and provides better access margins on read operations.

7.2.3. Reset Circuit

The 8X300 is held reset for approximately 40 mS after initial power-on. This is accomplished by an RC network (R24:R5, C24:C16 and CR1:CR1) which drives a Schmitt trigger to provide a proper rise/fall time on the RESET-line of the 8X300 and various port latches. Alternate reset of the HDC-2001 can be accomplished by asserting MR- whenever the host wishes to reset the controller. A Schmitt trigger is provided with a 4.7K pull-up to buffer the MR- input from the host. RESET- also propagates to the drive control latches, the host interface Support Logic Chip, and the INTRQ and DRQ latches.

7.2.4. Processor Power Supply

Power is supplied to the 8X300 from the +5 Volt (Vcc) power bus. Due to the internal operation of the 8X300, an on-chip voltage reference is provided to produce bias to an external pass transistor which drops Vcc to the 8X300 to approximately +3.0 Volts. This supply is used internally by the 8X300 logic and all signals of the 8X300 are internally level shifted to be TTL compatible.

7.2.5. Read and Write Ports

Throughout the circuit, output ports consist of D type latches using write strobes (WR0-7) to latch data into the ports. Reading of ports is accomplished by using read strobes RD0, RD2, and RD4-6. The read strobes individually enable selected tri-state output devices on the IO bus. Additionally, two read strobes are used to clock the host DRQ and INTRQ latches for instructions not requiring data from a port. This ensures glitchless operation of the Fast IO port decoders.

7.2.6. Read/Write Memory

Since the 8X300 does not permit data to be saved or retrieved from dedicated program storage, RAM must be installed on the IO bus and it must be accessed via the IO bus by I/O instructions like all other port accesses. To provide for addressing the RAM, three latch/counters are connected to the IO bus to receive and store addresses required to access

the RAM.

RAM Addressing

The RAM address bus (RA0-RA9) uniquely addresses 1024 memory locations. As each counter chip reaches a count of 0, it will set a borrow condition to the next higher counter which will be decremented at the end of the next access to RAM. When all bits of the address have been reset, the ROVF- bit on the last counter will be reset, providing an overflow status which can be read by the processor. By setting various beginning address values, ROVF- can be used to mark the end of any RAM access loop from 1 to 1034 bytes in length. In the HDC-2001 this function is used for setting sector buffer lengths of 128, 256 and 512 bytes in the normal mode and 132, 260, 516 in the long mode.

Sector Buffering

All data read from the disk or written to the disk is passed through the RAM to provide buffering required for asynchronous data transfer between the host and disk. The counters are post-decremented so that addresses are stable to the RAM by at least one instruction prior to the actual access. This preselection feature effectively reduces RAM access time to the output enable and propagation time of the RAM for read operations and the width of the minimum WR- strobe pulse for write operations.

RAM Accessing

RAM access is initiated by RB- which is output by the 8X300. Data to be read from RAM will be placed on the IO bus whenever RB- is low and SC- is high. Data is written into a selected RAM cell on the trailing edge of SC- if RB- is low. During writes, RB- will be low for at least 120 nS so that data setup time requirements are met.

Scratchpad Operations

Because the RAM address counters are presettable direct reads and writes to a specific address are possible. However, resolution of the address is limited to the nearest fourth address location. This limitation is imposed so that a full ten bit address can be specified with a single eight bit output. The least significant two bits are implied to be 10 (binary).

7.2.7. Miscellaneous Control Ports

Control of the various functional sections of the HDC-2001 is accomplished by a dedicated 6-bit control port called the MAC CNTRL and an addressable latch. MAC CNTRL enables the functions of the WAIT control circuitry (WAEN-), ECC generation (ECCIZ-), gating of read data into data separation circuitry (RGATE), selection of read or write functions (WRITE-), control of ECC check word output (IBLA-), and AM detection (SRCH). MAC CNTRL output states are latched into the port by a write strobe (WR7).

The addressable latch controls drive functions and CRC/ECC selection. This latch enables direction of the drive (DIRIN-), stepping pulses to the drive (STEP-), reduced write current (RWC-), write precomp (WPC-), write enable (WRITE GATE-), and switching the enable between CRC and ECC (CRC-/ECC).

All remaining ports are distributed among the basic functional sections of the HDC-001 and will be described in detail within the discussion of those functions.

7.3. Serial Data Separation

The HDC-2001 controller utilizes an NMOS device (WD1100-09) especially designed to process incoming MFM data from the drive by a process called data separation. Here, some background information may be helpful:

In order to provide maximum data recording density and storage efficiency, data is recorded on the disk using a Modified Frequency Modulation (MFM) technique. This technique requires clock bits to be recorded only when two successive data bits are missing in the serial data stream. This reduces the total number of bits required to record a given amount of information on the disk. This results in an effective doubling of the amount of data capacity, hence the term "double density."

Because clock bits are not recorded with every data bit cell, circuitry is required that can remain in sync with data during the absence of clock bits. Synchronous decoding of MFM data streams requires the decoder circuitry to synthesize clock bit timing when clocks are missing and synchronize to clock bits when they are present. This is accomplished by using a phase locked oscillator employing an error amplifier/filter to sync onto and hold a specific phase relationship to the data and clock bits in the data stream. The synthesized clock called RCLK can then be used to separate data bits from clock bits and to shift the resultant serial data into registers for byte parallelization.

7.3.1. Incoming Data Selection

In the HDC-2001, serial data is input from up to 4 radially connected drives via a quad RS-422 differential receiver. The receiver converts differential input data to TTL levels for use by the controller. The data from the selected drive is then routed to the data separation circuitry by a 4-section AND/OR/INVERT gate. Due to the fact that different drives produce varying data pulse widths, the data is first routed through a one-shot to provide a consistent data pulse width. At this point data and clocks are still combined and appear as 50 nS nominal active high pulses spaced at intervals of 1, 1.5 or 2 times the RCLK period. This data is presented to the Data Separator chip (U6:U34) which will then gate either MFM data or a reference clock into the first stage of the VCO error amplifier circuitry.

7.3.2. Reference Clock

The reference clock is derived from the write clock crystal oscillator (and associated circuitry). This oscillator uses a fundamental crystal cut to oscillate at 4 times the RCLK frequency. The 4X output is then divided by U4 to produce both a 2X clock (2XDR) which is used as a reference and a 1X clock (WCLK) which is used to produce MFM write data for the disk. The crystal (Y1) frequency is 20.000 MHz for ST506 compatible drives or 17.360 MHz for SA1000 compatible drives.

7.3.3. Clock Gating

The gating of the reference and MFM data into the data separator is dependent on the condition of the read gate (RGATE) signal and the spacing of the data on the serial stream after RGATE is brought true. Due to the techniques which are employed to separate data from clocks, it is necessary to run the VCO at a rate twice the data clock (RCLK) rate. The VCO is set to a open loop frequency of 2X RCLK. Any variations in this rate due to variations in disk rotational speed must be compensated for by the VCO, but instantaneous shifts in data due to the effects of adjacent bit cells on the disk and minor noise must be ignored. Also, the response of the VCO must be adjusted to effectively ride over missing clock bits which occur as a result of the MFM recording technique. The resultant compromise between response and reject requirements of the VCO cause the VCO to have a tendency to become locked onto harmonics of the data rate rather easily. This is likely to occur if the VCO is connected to a data stream over a field of data which has data bits spaced at 1.5 or 2 times the actual RCLK time intervals.

To provide protection against this undesirable condition, the VCO is always held locked onto a stable clock running at 2X RCLK frequency whenever the controller is not actually reading data. Care is taken to switch in read data to the VCO error detector only when it is known that the data stream frequency is equal to the RCLK frequency. This can occur only when the data is a solid stream of all ones or all zeros.

7.3.4. High Frequency Detector

The switch from reference clock to live data is initiated immediately after the RGATE goes true and will only occur after 16 consecutive ones or zeros (high frequency) are detected on the raw MFM. This detection is accomplished by a one-shot and the data separator. The one-shot is adjusted for a pulse width of 1.25 times the RCLK period (250 +/-10 nS for ST506 compatible drives and 287 +/-10 nS for SA1000 compatible drives). The adjustment of the one-shot provides tolerance of up to 1/4 RCLK period in jitter on the MFM data bits while still being able to distinguish MFM zeros or ones from other data patterns.

Each clock or data bit on the serial stream triggers the one-shot. If the time between successive triggers is less than the one-shot time constant, the one-shot remains retriggered. As the one-shot is triggered by data

stream bits, so is a counter in the Data Separator Device), whose reset is controlled by the state of the one-shot outputs. While the one-shot is being retriggered the counter counts up. When any data bit fails to reach the one-shot before its time constant is over, the one-shot resets and in turn clears the counter. Only when 16 successive retriggers occur can the counter reach its terminal count. At this time, the counter overflow goes true and sets a latched. DRUN- output low, which switches read data in the reference clock out. DRUN- is read by the 8X300 to determine the condition of the MFM data stream.

At this point data and clocks have finally been connected to the first stage of the data separator. The heart of the data separator is the VCO, the error amplifier, filter and the Data Separator Support Logic Chip (WD1100-09).

7.3.5. Sample on Phase Detection

When an input signal is applied to the system, its phase relationship is detected within the Data Separator Device. The function of this phase detector is to provide windows, during which the leading edge of the incoming MFM data can be compared to the leading edges of the VCO clock. The windows are approximately 50 nS in length. The windows are initiated by the leading edge of any data bit as it enters the detector. They are terminated by that same data bit, edge delayed by 60 nS or the VCO output (OSC-). When both the delayed data bit (delayed by DL1) and the nearest VCO edge arrive at the detector, the detector is reset until the next data bit arrives on the MFM data stream. The delayed data bit sets its half of the detector latches to produce a pump up condition at the error amplifier. The VCO clock edge set its half of the detector to produce a pump-down condition. When the circuit is balanced, both pumps are on or off, producing no net pump-up or pump-down.

7.3.6. Error Amplifier

Control of the VCO is accomplished by the error amplifier, filter, and Data Separator Chip. The error amplifier is a balanced current mirror, whose output sources or sinks current to the filter stage. Whenever the VCO is running too slow, the error amplifier receives pulses from data bits before pulses from the VCO clock. This causes the error amplifier to produce pump-up pulses to the filter. The filter integrates these pulses, producing an average increase in the voltage to the VCO. Whenever the VCO is running too fast, the error amplifier produces pump-down pulses to the filter. It must be noted, however, that some slight error will always be present because, without pumps, the filter will float and the VCO will drift. The overall gain of the error amplifier and the VCO will maintain this error very small, resulting in very close tracking between the VCO output phase and the incoming data phase.

7.3.7. VCO

The HDC-2001 uses a single chip VCO, which simplifies circuitry and

adjustments. The operating point of the VCO is initially set by adjusting the variable capacitor for a 10 Mhz (when running on 5 Mhz drives) output center frequency and the frequency control voltage input to 2.5A +/-0.5V. It should be noted here that the frequency range voltage and the frequency output are adjusted to the 'locked' center frequency with the same variable capacitor adjuster.

The output of the error amplifier and filter is fed to the VCO and represents how far the VCO frequency is from that of the incoming signal. The error signal, which is proportional to the difference, allows the VCO frequency to shift from center frequency and become the same frequency as the input signal. When the loop is in lock, the difference frequency component (error voltage) is DC and will be passed by the low pass filter. Thus, the lock range is limited by the range of the error voltage that can be generated. The lock range is essentially a DC parameter and is not effected by the band edge of the low pass filter. It can be defined as the frequency range, usually centered about the VCO initial free running frequency, over which the loop can track the input signal once lock has been acquired.

Frequency control is actually a matter of frequency range. The difference component may fall outside the band edge of the low pass filter and be removed along with the sum frequency component. If this is the case, no information is transmitted around the loop and the VCO remains at its initial free running frequency. As the input frequency approaches that of the VCO, the frequency of the difference component decreases and approaches the band edge of the low pass filter. Now, some of the difference component is passed, which tends to drive the VCO towards the frequency of the input signal. This, in turn, decreases the frequency of the difference component and allows more information to be transmitted through the low pass filter to the VCO. This is essentially a positive feed-back, which causes the VCO to snap into 'lock' with the input signal. With this in mind, the term 'capture range' can be defined as the frequency range centered about the VCO initial free running frequency over which the loop can acquire lock with the input signal.

As previously stated, the VCO runs at a frequency twice that of the RCLK rate. By setting the center frequency equal to twice the data rate, the VCO will lock to the data and give an exact synchronized clock.

7.3.8. Window Extension

Once the VCO has been locked onto the phase of the incoming data, the actual separation of data and clocks can occur using a technique called window extension. This technique causes data bits to first have their leading edges shifted into the center of the RCLK half cycles and then to be latched or extended until the next rising edge of the RCLK. The delayed data clocks a pair of latches. The 'data' latch has its D input and CLEAR connected to +RCLK and the 'clock' latch has its D input connected to RCLK-.

If an MFM data bit enters the latches while RCLK+ is high, it will be extended as a data bit. If RCLK- is high, it will be extended as a clock

bit. Due to this extension technique, bits can jitter approximately 1/4 the RCLK period without being lost. The output of each latch is then further extended by feeding directly into another stage of latches and clocked on alternate edges of RCLK. The final outputs of the data extension/separation stage are two separate signals, one consisting solely of NRZ data, and the other NRZ clocks. NRZ data and clocks are finally in a form suitable for processing by subsequent circuitry within the HDC-2001.

7.3.9. Clock Detection

Due to the nature of MFM data encoding, it is impossible to know exactly if MFM bits are data or clocks. This ambiguity results in having to assume that bits on RCLK- are actually data bits until the VCO is locked on and a unique data/clock pattern is detected. This is accomplished by holding the VCO to RCLK divider reset until it is fairly certain that bits on the data stream are actually clocks belonging to a field of zero data.

Once this assessment has been made, the processor releases the AM detector by raising the SEARCH signal. This signal releases a latch which will remove DHOLD- from the RCLK divider on the next rising edge of a MFM data bit so that CLOCKS will be on the RCLK- phase and DATA will be on the RCLK+ phase. The processor makes its assessment of the state of the data stream solely on the one-shot in the DRUN circuit. Once released, the phase of RCLK versus data and clocks will remain stable throughout the read of an ID or data field. Whenever SEARCH is dropped, the VCO to RCLK divider is once again reset and no RCLKS are produced.

7.4. Data Conversion and Checking

MFM data which has been separated to form NRZ data and clocks are processed through specialized circuitry to prepare it for parallel processing by the 8X300. This processing consists of 3 functional circuits.

- 1) AM detection
- 2) ECC/CRC checking circuit
- 3) Serial to Parallel Conversion

Each function will be discussed separately but bear in mind that many interdependencies exist.

7.4.1. AM Detection

As previously stated, it is impossible to know whether serial data bits are actually data or clock bits by just looking at the data stream. Also, it is equally impossible to determine byte boundaries of the data stream. This problem is solved by a uniquely recorded data/clock pattern called an Address Mark (AM). The AM consists of a data pattern of hexadecimal 'A1' with a missing clock pattern of hex '0A'. Normally a data byte of hex 'A1' requires a clocking pattern of hex '0E'.

The AM is used to uniquely identify the start of a field of information

(Data or ID field) within each sector. Preceding each AM on the disk there is always a long run of 'zero' data. Zeros have a clock bit for every RCLK. When attempting to read information from the disk, the HDC-2001 first acquires phase lock over a field of zeros. After this acquisition is achieved, the processor releases the AM detector by raising the SEARCH control line (SRCH) on the MAC CNTRL port. Due to the circuitry associated with the VCO to RCLK divider the RDAT- output of the data separator will be high and the CLKS- output will be low. RCLK- will be the shifting clock for RDAT- and RCLK+ will be the shifting clock for CLKS-. These 4 signals are routed into the AM detector.

Inside the AM detector, the RDAT- is shifted into an 8-bit synchronous serial shift register and clocked on the falling edge of RCLK-. CLKS- are shifted into a similar shift register on the falling edge of RCLK+. The output stage of the RDAT- register is dumped into an 'A1' comparator and the output stage of the CLKS- register is dumped into a '0A' comparator. AM detection occurs when both detectors are true, setting the AMDET latch. At the instant AM occurs, the exact relationship between data and clocks is known. It is also known that data is being clocked by RCLK- so CLKS- can actually be discarded; its only purpose was in detecting AM. The AMDET- signal is used as a synchronization signal to start subsequent conversion circuitry. The AMDET- signal remains true until the processor again de-asserts the SEARCH control line.

The AMDET- signal is processed by a D latch, located in the Support Logic device (WD1100-07), to precisely time the leading edge of AMDET- to the rising edge of RCLK. This synchronization relaxes timing requirements on the data and clock inputs of the serial to parallel converter. Also, a one-bit delay is placed in the AMDET path within the Support Logic Device to compensate for correct timing with the ECC architecture.

7.4.2. Error Detection and Correction

Data recorded on magnetic media is prone to several types of errors which could render data unusable if some form of error detection were not employed.

On the HDC-2001, error detection is performed on all data transfers from the disk. The ID fields use a 16 bit Cyclic Redundancy Check (CRC) and the data fields use either the same CRC or a special 32 bit Error Correction Code (ECC). The CRC and ECC fields are appended to the data field that they are to protect.

The HDC-2001 uses the same device to generate and check CRCs and ECCs. Normally, the HDC-2001 uses CRCs in ID fields and ECCs in data fields. Also, as a software selectable option, the HDC-2001 may be used in a CRC only mode by appending CRC check bytes to both ID and Data fields. Although either polynomial could be used for both fields, the use of the ECC polynomial is limited to data only. On-the-fly correction of ID fields cannot be done and CRC provides adequate checking for the ID fields. The ECC and CRC polynomials used are as follows:

$$\text{ECC} = X^{**31} + X^{**28} + X^{**26} + X^{**19} + X^{**17} + X^{**10} + X^{**6} + X^{**2} + 1$$

$$\text{CRC} = X^{**16} + X^{**12} + X^{**5} + 1 \quad (\text{Also known as CRC-CCITT})$$

As data is being read from the disk, the CRC/ECC generator re-computes the original check bits. After all the data are read the value in the CRC/ECC generator is exclusive ORed with the check bits recorded on the disk. The result is called the syndrome. If the syndrome was zero, the data was correctly read. Otherwise, an error occurred. If the field was protected by a CRC, the data can often be recovered by a retry which the HDC-001 performs automatically. If the field was protected by an ECC, the non-zero syndrome is used by the on board processor to compute the displacement and the error vector within the sector. This information is then used to correct the data if a single burst of no more than five bits in error occurred.

The CRC/ECC generator is initialized by setting ECCIZ- low for at least 250 nS during the search for the AM. ECCIZ- is originated on the MAC CNTRL port. Upon receiving the ECCIZ- signal, the ECC generator will preset all 32 of its internal polynomial division shift registers to logic ones and arm an internal latch which will start the CRC/ECC generator on the leading edge of the first non-zero bit (hopefully an AM) to enter the device.

Once enabled by the first non-zero data bit, the ECC device will shift succeeding data bits into a feedback shift register string with exclusive OR gates tied to the feedback nodes of the register. As each RCLK occurs, the registers will divide the incoming data and a unique pattern of ones and zeros will appear across the registers. The ECCEN input line is set low, indicating that the internal circuitry is ready to begin the computation of the ECC/CRC check bytes.

Sometime before the last byte of data and after the next to the last byte of data is transferred through the device, the DCSS line is set low. When the last bit of an ID or data field is processed, the pattern in the registers should be equivalent to the 16 or 32 check bits appended to the fields during original recording. The check bits on the disk are exclusive ORed with the check bits in the CRC/ECC device to produce the syndrome.

Data is deserialized after being processed by the ECC/CRC device and Byte-Sync boundaries are marked by byte-sync pulses obtained from the Data Support logic device on the RBS input. The byte-sync pulses are internally ANDed with the RWCP line to insure the smooth transition of check/syndrome bytes on the DOUT output line, after the last bit of data has been entered into the device. A one-bit time delay occurs on the DOUT line because an internal latch is used to deglitch the output line.

7.4.3. Serial to Parallel Conversion

After data has been processed by the ECC device, the Serial to Parallel Converter takes over. NRZ data and RCLK are used to shift data bits into an 8-bit serial to parallel shift register. As each bit is shifted, a divide-by-8 counter circuit is incremented. After every eighth bit of data is shifted, the counter produces an overflow pulse, marking byte boundaries

in the serial data stream. The overflow bit from the counter resets the counter, clocks the data from the shift register into an 8-bit parallel latch, and sets a tri-state flag register called BDONE. The flag can be read by the processor to see if any converted data is ready to be read from the latches.

When the processor sees BDONE in the true state, it services the device by gating data onto the IO bus using read strobe 4 (RD4-) in conjunction with a tri-state buffer. The act of reading the latches also clears the BDONE flag. As successive bytes are processed, BDONE is serviced by the processor as data becomes available.

7.5. Serial Data Generation

The HDC-2001 records data on the disk in MFM format. In order to produce the proper data format, the HDC-001 uses several specialized devices to process the parallel data supplied by the host into a serial MFM data stream. The data supplied by the host is temporarily stored in the buffer RAM until the correct sector is located for the data to be written.

The process of writing is essentially the opposite of reading except that the data separator circuitry is not required and the generation of the MFM data stream is produced by synchronous clocking techniques.

The functional sections of the serial data generation section are listed below:

1. Parallel to Serial conversion
2. ECC/CRC generation
3. MFM and precompensation

7.5.1. Parallel to Serial Conversion

Parallel data is converted into a serial NRZ data stream by the Parallel to Serial device. The processor enables this conversion by lowering the WRITE- signal on MAC CNTRL. WRITE- causes the tri-state buffers present on the parallel to serial device to become active, supplying the ECC device with data, clocks, and BDONE strobes.

The processor presents parallel data on the IO bus along with the WR4- write strobe which latches the data into the parallel port on the trailing edge of the strobe. The write strobe also resets any pending BDONE. Inside the parallel to serial device, the parallel latches are loaded into a serial shift register on every eighth WCLK transition. As the data is transferred to the shift registers, the BDONE status flag is set. The processor reads this flag to determine when to write the next parallel byte to the device. The timing of the parallel accesses is at a rate 1/8 that of the bit rate of the NRZ data stream. For ST506 compatible drives the byte timing is 1.6 μ S and for SA1000 drives it is 1.84 μ S.

The output of the last register in the shift string is brought out of the device as NTZ serial data.

Whenever it is desired to write a repetitive string of identical data bytes, the processor can simply ignore the BDONE flag and permit the device to reload the data from its latches over and over again for as long as required to generate the field. This feature of the device is used in writing certain fields used in formatting.

7.5.2. CRC/ECC Generation

The CRC/ECC generator/checker is used to generate the CRC/ECC bits and to append them to the end of the data being written to the disk. The operation of the polynomial generator is identical to read operations except that at the end of the data field the processor sets a signal which causes the device to output the computed CRC/ECC after the data instead of producing the syndrome.

The initial states of the shift registers within the device are forced to all ones by the processor pulsing ECCIZ- for at least 250 nS while the parallel to serial device is outputting all zeros on the NRZ data line. At that time, a latch is set which holds the registers at ones until the first non-zero data bit enters the device.

The first non-zero bit will be the MSB of the AM (hexadecimal A1) of the data field to be written. When the processor decides that enough zeros have been written to satisfy the sync field requirements, it will store a hex A1 in the parallel to serial device. At the proper time (in sync with BDONE) the parallel to serial device will begin to send the MSB of the AM to the CRC/ECC device. This will start the CRC or ECC polynomial generator and the ECC will be computed.

To write the ECC/CRC check bits, the processor will assert the One Byte Look-Ahead (1BLA-) signal on MAC CNTRL port just after the last data byte was sent to the parallel to serial converter. The internal switch over from data to check bits is synchronized to the next byte time by the WCP-signal. Once the switch takes place, the CRC/ECC generator will begin dumping the computed CRC or ECC onto the NRZ data stream. The net effect of this is to append the proper CRC or ECC information to the end of a field of data. 1BLA- is maintained true for the duration of the unloading process which lasts for up to four byte times.

During the unloading process, the ECC registers back-fill with zeros. This feature is handy because by leaving 1BLA- low for additional time, zeros will always be written after the CRC or ECC which is a requirement of the format of the disk. The NRZ data from the CRC/ECC device is sent to the MFM generator device.

7.5.3. MFM Generation

The conversion from NRZ write data to MFM write data takes place in the MFM/Precomp device. This device accepts NRZ data and a complimentary WCLK and produces MFM data and clocks by sending the data through circuitry which decides when and where to write clocks on the data stream under the

MFM encoding rules. The proper encoding of the data into MFM requires the device to apply three rules to the data.

- 1) If the current data cell contains a data bit then no clock bit will be generated.
- 2) If the previous data cell contained a data bit then no clock bit will be generated.
- 3) If the previous data cell and the present data cell are vacant then produce a clock bit in the current clock cell.

The terms 'data cell' and 'clock cell' are defined by the state of the WCLK. While WCLK is low it is a data cell and while high it is a clock cell. It can be seen then, that both clock and data cells are 1/2 the period of WCLK or 100 nS for ST506 compatible drives and 115 nS for SA1000 drives. Also, note that by the rules stated above, a clock and data bit can never occur within the same WCLK period and legal spacings for bits can be 1, 1.5, or 2 times the WCLK period only. The rules are implemented within the device by shift registers that hold the next two, last and present data bits and combinatorial logic. The state of WCLK is considered and the appropriate bit cells are filled and combined on the MFMW output line of the device.

Write Precompensation

The MFM data stream is now totally compatible with the recording rules and may be sent to suitable line drivers for transmission to the drive except for one modification. Due to the decreasing radius on the physical surface of the disk, the inside tracks have less circumference and therefore exhibit an increase in recording flux density over the outside tracks. This increase in flux density aggravates a problem in magnetic recording known as 'dynamic bit shift.'

Dynamic bit shift comes about as the result of one bit on the disk (a flux reversal) influencing an adjacent bit. The effect is to shift the leading edge of both bits closer together or further apart than recorded. The net result is that enough jitter is added to the data recorded on the inside tracks to make them harder to recover without error.

Write precompensation is used to reduce the effect of dynamic bit shift. It is a way of predicting which direction a particular bit will be shifted and intentionally writing that bit out of position in the opposite direction to the expected shift. This done by examining the next two data bits, the last and the present bits to be written and producing three signals depending on what these bits are. The three signals are EARLY, LATE and NORMAL. They are used in conjunction with a delay line to cause the leading edge of a data or clock bit to be written earlier, later or on time.

The processor can enable or disable the generation of these signals by controlling the Write Pre-Comp (WPC) line from the addressable latch. When

WPC is high, precomp is in effect. When WPC is low, no precomp is generated and the nominal output of the device is held true.

The delay line actually performs the precomp with the help of an AND/OR/INVERT gate. MFMW pulses are applied to the input of the delay line and depending on which of the three precomp signals is present the AND/OR/INVERT gate selects a different tap on the delay line. Nominal data is actually tapped from the second tap. Early data from the first and late data from the third. From the AND/OR/INVERT gate the MFMW data is sent to the input of an RS-422 driver where it is converted to a differential form and then is sent to the drive.

7.6. Host Interface

The source or destination register inside the HDC-2001 is selected by accessing the address of the desired register. Since the access time for any particular read or write operation will vary, the HDC-2001 provides a not ready signal (WAIT-). For systems using interrupts and/or DMA, the HDC-1001 provides INterrupt ReQuest (INTRQ) and Data ReQuest (DRQ).

7.6.1. Wait Enable

Since most of the registers in the HDC-2001 are not implemented in hardware, it takes the 8X300 a finite amount of time to actually fetch the requested data on a read or store data on a write. This time varies depending on the amount of processing the 8X300 must do to access the desired register. After the data has been written or read, the HDC-2001 de-asserts the WAIT- line, allowing the host to terminate the current bus cycle.

The generation of the WAIT- signal is controlled by a bit in the MAC latch called WAit ENable (WAEN-). If the HDC-2001 is ready to accept random accesses to its task file, WAEN- will be asserted. The leading edge of CS- clocks the wait line (Support Logic Chip) transferring the WAEN-state through the chip. This clocking action is required to insure that WAIT- will not be asserted in the middle of any bus access already in progress. After the wait latch has been clocked, CS- causes WAIT- to be asserted to the host.

The WAIT- line is released on the trailing edge of any read or write strobe to the communications latch. This release is caused by the logical OR of RD6- and WR6- which presets the wait latch to a non-wait request condition. The WAIT- signal is stretched to the trailing edge of the RD6- or WR6-.

If WAEN- is de-asserted, the HDC-2001 generates no waits at all. In this case, the host will read the dummy status written to the communications latch by the 8X300. This feature is used by the microcode to simulate a busy condition when the host reads the status register in non-interrupt driven systems. When the HDC-2001 becomes un-busy, the WAEN- line will be asserted and operations on the host interface bus will be monitored once again.

The S-100 pin that receives the wait- line is selected by the jumper at location G. G1-2 is for selecting XRDY-, G2-3 is for selecting PRDY-.

7.6.2. Bus Gating

During all accesses by the host, one of two signals will be produced to gate the bus. During read operations, CS- and RE- are ANDed, producing Bus Output Control (BOC-). This signal gates the contents of the communication latch onto the DAL bus. During write operations, CS- and WE- produce Bus Input Control (BIC). This signal latches the state of the DAL lines into an internal R/S latch.

7.6.3. Register Selection

The combination of a host read or write operation along with the WAEN- signal being asserted, causes a signal, Card Select ACcess (CSAC), to be generated. The 8X300 samples this signal every 250 nS, and if asserted, reads the status of A0-2 and WE-. The state of A0-2 and WE- determine which register is to be accessed (A0-2) and in what direction that access will take place.

7.6.4. Interrupts and DRQs

The HDC-001 produces INTerrupt ReQuests (INTRQ) to signal the end of all disk operations and Data ReQuests (DRQ) to signal data ready to DMA controllers. INTRQ and DRQ originate on the MFM generator as an auxiliary function of the chip. Interrupts are cleared by HSAC- (Host Select Access) and A0, A1 when the host reads the Status register, issues a command, or accesses the Sector Number register. DRQs are cleared when the host accesses the Data or Cylinder Low registers. DRQs will be re-issued for each byte to be transferred. HSAC- is a 200 nS version of the CSAC- signal, which is produced by the Data Separator Support Device (WD1100-08). During Power-On Reset or Master Reset (MR-), INTRQ and DRQ are reset.

The destination of INTRQ- is selected by jumper area H as shown in table below:

Position	<u>Interrupt Line</u>								
	VI0	VI1	VI2	VI3	VI4	VI5	VI6	VI7	INT
	1	2	3	4	5	6	7	8	9

7.6.5. Address Select

The address at which the HDC-2001 board responds on the S-100 bus is determined by the address switches (U16.) Switches 1 through 5 select the upper 5 bits of the address (A7-A3) which the HDC-1001 acknowledges. A closed switch equals a 1 and an open switch equals a 0 for that address line.

8. MAINTENANCE

The HDC- 001 requires no scheduled preventative maintenance. There are three adjustments associated with the data separation circuitry that may need to be adjusted if a drive with a different data rate is installed.

The HDC- 001 is available in two different ways, the HDC- 001-8 for 8" drives and the HDC- 001-5 for 5 1/4" drives.

8.1. DRUN Adjustments

To facilitate the process of acquiring phase lock on data being read from a disk, a hardware detector is utilized to indicate when the read/write head of the drive is over a recorded field of all ones or all zeros. The detector depends on the timing of a one-shot (U4) which is adjustable by the DRUN pot (R14). DRUN must be adjusted according to the following procedures:

The DRUN adjustment is made with the HDC-001 in an operating test configuration with a host, drive and power source.

Monitor DRUN- (U4 pin 7:) with a 10X oscilloscope probe while attempting to read a sector of data from the drive. The scope should be set to trigger on a high to low transition. While observing DRUN-, adjust R14. The period of the DRUN single shot should be adjusted to 1.25 times the period of RCLK.

Disconnect all test equipment.

Y1:&2 Frequency	DRUN Period	Freq. Range	Final Setting
20.000 Mhz	250 nS	9.0-11.0 MHz	10.0 Mhz +/-1 KHz
17.360 Mhz	280 nS	7.5- 9.5 MHz	8.68 Mhz +/-1 KHz

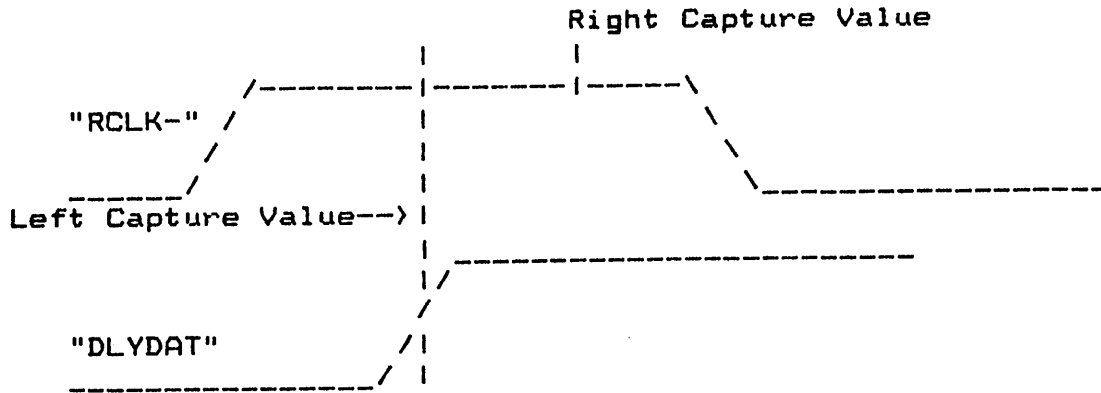
OSCILLATOR FREQUENCY

Data separation circuitry on the HDC 2001 uses a voltage controlled oscillator (VCO) which phase locks onto incoming data & provides a lock suitable for separating data lock bits or an MFM emoded data stream. The VCO must be adjusted using the following procedures:

-Disconnect jumper J: Then make all connections to the board, including the host & drive. Connect a frequency counter to the VCO buffered output on TP8 (U14 PIN 10). Adjust the variable capacitor C15 until the frequency output locks onto the desired center frequency for the drive being used which is 10.000 MHz for ST 506 or 8.68 MHz for SA 1000. Once this "locked on" frequency is achieved an input voltage of U14 pin 1 of 3.00 +/- 0.5 volts will automatically occur.

BALANCE ADJUSTMENT:

The balance adjustment fine tunes the relationship of delayed data (DLYDAT) to read clock (RCLK). Attach channel 1 of a dual trace oscilloscope to U23 pin 1 (RCLK) set scope for 20 NS/DIV with a positive slope. Attach the other channel to TP7 (DLYDAT). While the controller is doing constant reads to single sector, adjust C15 (if needed) so that the edge of DLYDAT is moving to the right or left with respect to RCLK until we have the "right capture value".



REMOVE ALL TEST EQUIPMENT.

A. D I S K D R I V E R E X A P M L E

Sometimes an example is worth a thousand words. Hopefully, these sample disk drivers will be the catalyst to get your first driver running. Note that even though these drivers are very simplistic, they represent everything needed to satisfy the HDC-001 operating requirements. As you might notice, there is no retry software included in these examples. That is because the HDC-2001 does all needed retries.

Two examples are presented. The first is a programmed I/O, programmed status driver using the eight bit Intel 8085 microprocessor. The second example is programmed I/O and interrupt driven and is written for the sixteen bit Western Digital WD16 microprocessor.

A.1. Polled Status Driver

```

;*****;
;   HDC-2001 Hard Disk Controller Driver   ;
;   Example for 8085 Microprocessor       ;
;   with programmed I/O and polled status ;
;*****;

```

;This driver is intended to demonstrate one simple approach to writing a driver for the HDC-2001. It assumes that the HDC-2001 is interfaced using programmed I/O without interrupts.

;The specifications of the imaginary demonstration drive are:

```

;Sector size:           256 bytes
;Sector per Track:     33
;Surfaces per drive:   4 (two platters)
;Cylinders per drive:  512
;Stepping rate:       2 milliseconds
STRATE = 2             ;Define stepping rate for assembler

```

;Since we're allowing the HDC-2001 to map around the bad blocks for us, we have to sacrifice one sector per track. This brings down the logical sector per track count to 32.

;Experienced systems programmers will note that we are not making our drive as flexible as it should be. Since HDC-2001 compatible drives will be introduced in the future and present manufacturers will be increasing the density of their current drives, the driver that you write should be built with plenty of equates and conditional assemblies.

;Our imaginary operating system can access up to 65536 logical records of 256 bytes each. It has three types of calls: Initialize, Read and Write. Three numerical parameters are passed in the following registers:

```

;   Drive number           C
;   Logical record number  DE
;   Transfer address       HL

```

;Upon completion of all commands, the carry bit of the 8085 will be reset if the operation terminated properly, and set if there was an error. If there was an error during read or write, the error handling routine will decode it and print it out on the user console.

```

;*****;
;      Equates      ;
;*****;

;***  Port Definition  ***
BASADD  =      0C8      ;Base address of HDC-2001
DATA    =      BASADD  ;Data register
ERROR   =      BASADD+1 ;Error Register
WPC     =      BASADD+1 ;Write Precomp
SECNT   =      BASADD+2 ;Sector Count
SECNO   =      BASADD+3 ;Sector Number
CYLLO   =      BASADD+4 ;Cylinder Number
CYLHI   =      BASADD+5 ;Cylinder High
SDH     =      BASADD+6 ;Size/Head/Drive
STATUS  =      BASADD+7 ;Status register
COMND   =      BASADD+7 ;Command register

;***  Command Definition  ***
REST    =      10      ;Restore command
READ    =      20      ;Read command (programmed I/O mode)
WRITE   =      30      ;Write command

```

A.1.1. Initialization

```

;*****;
;      INITIALIZATION      ;
;*****;

;This routine is called once whenever the system is powered up or reset.
;It sets the stepping rate and restores the head on the selected drive.

RESTOR:  CALL      UPTASK      ;Select drive, don't care about record
          MVI      A,REST+(STRATE*2) ;Get stepping rate and restore
          OUT      COMND      ;Output command to HDC-2001
RSWAIT:  IN        STATUS     ;Wait 'till restore done
          ANA      A          ;by updating sign flag in 8085
          JM       RSWAIT     ;and wait 'till bit 7 (Busy) goes low
          RAR      RAR       ;Put error bit in carry
          RET      RET       ;Return to operating system

```

A.1.2. Read Sector

```

;*****;
;   READ   ;
;*****;

;This is the read routine for our imaginary operating system.
READIT:  CALL  UPTASK      ;Update HDC-2001 task file
         MVI   A, READ    ;Get READ command
         OUT  COMND      ;Output command to HDC- 001

;Wait for HDC-2001 to read in a sector
RWAIT:   IN    STATUS     ;Check Busy bit
         ANA   A         ;by updating sign flag in 8085
         JM    RWAIT     ;and wait 'till bit 7 goes low

;Transfer sector from HDC- 001 to system memory
;(Transfer address in HL)
         MVI   B, 0      ;Init byte counter to 256 bytes
READLP:  IN    DATA     ;Get a byte of data from HDC-2001
         MOV   M, A      ;Move it to memory
         INX   H         ;Increment memory pointer
         DCR   B         ;Decrement byte counter and continue
         JNZ  READLP     ;if we haven't transferred 256 yet
         IN    STATUS    ;Re-read status for errors
         JMP  DONE      ;Now check the completion status

```

A.1.3. Write Sector

```

;*****;
;   WRITE   ;
;*****;

;This is the write routine for the driver
WRITIT:  CALL      UPTASK      ;Update HDC-2001 task file
         MVI      A,WRITE     ;Get WRITE command
         OUT      COMND       ;Output command to HDC-2001

;Transfer sector from system memory to HDC-2001
;(Transfer address in HL)
WRITLP:  MVI      E,0         ;Init byte counter to 256 bytes
         MOV      A,M         ;Get a byte of data from memory
         OUT      DATA      ;Move it to HDC-2001
         INX     H           ;Increment memory pointer
         DCR     B           ;Decrement byte counter and continue
         JNZ     WRITLP      ;if we haven't transferred 256 yet

;Wait for HDC- 001 to write the sector
WWAIT:   IN       STATUS     ;Check Busy bit
         ANA     A           ;by updating sign flag in 8085
         JM      WWAIT       ;and wait 'till bit 7 goes low

;*****;
;   DONE   ;
;*****;

;Both READ and WRITE commands finish here to check for errors
DONE:    RAR              ;Rotate Error bit to carry
         RNC              ;and return to OS is no error
         IN      ERROR     ;Get HDC-2001 error code

;((( Place error reporting routine here)))

         STC              ;Set carry to flag an error
         RET              ;and return to OS with error

```

A.1.4. Task File Updating

```

;*****;
;          UPTASK SUBROUTINE          ;
;*****;

;This subroutine sets up the task file registers

;Sector number
UPTASK:  MOV     A,E           ;Get lower 7 bits of record number
        ANI     31.          ;Mask off lower 5 bits (bits 1-4)
        OUT     SECND        ;and send to sector number register

;Size/Drive/Head
        MOV     A,E           ;Get lower 8 bits again
        RLC                    ;Rotate remaining 3 bits
        RLC                    ;to get an effective right shift of 5
        RLC                    ;Mask off next two bits (5-6)
        ANI     3.            ;to make head number
        MOV     B,A           ;and store it away momentarily
        MOV     A,C           ;Get drive number
        ADD     A              ;and left shift it by 3
        ADD     A
        ADD     A
        ADD     A
        ORA     B             ;OR in head number and
        ORI     80           ;OR in ECC flag and size field
        OUT     SDH          ;send it to Size/Drive/Head register

;Cylinder low
        MOV     A,E           ;Get last bit of lower record number
        RAL                    ;and put it in carry
        MOV     A,D           ;Get upper half of record number
        RAL                    ;Left shift it and merge in carry
        OUT     CYLLO        ;Send it to lower cylinder register

;Cylinder high
        MVI     A,0           ;Clear all bits except for the
        RAL                    ;the least significant and send
        OUT     CYLHI        ;to the upper cylinder register
        RET
        END

```

B. INTERLEAVE CALCULATING UTILITY

This BASIC program simplified the process of generating interleave tables. It is written in a fairly standard subset of the BASIC language and should run on many BASIC interpreters and compilers. Some implementations of BASIC may require the variable names to be converted to single letter names and the IF THEN ELSE constructs may have to be re-written.

The two questions at the beginning of the program should be answered in decimal. The interleave is printed in hexadecimal.

B.1. BASIC Interleave Calculating Program

```
10 PRINT"HDC-2001 Interleave calculating program"
20 PRINT
30 INPUT"Number of sectors?";COUNT
40 INPUT"Interleave Factor?";INTER
50 DIMHEX$(16),SECTOR(COUNT)
60 FOR INDEX=1 TO 16
70 READ HEX$(INDEX)
80 NEXT
90 FOR INDEX=1 TO COUNT
100 SECTOR(INDEX)=1
110 NEXT
115 RES=0
120 FOR INDEX=0 TO COUNT-1
130 IF RES>=COUNT THEN RES=RES-COUNT
140 IF SECTOR(RES+1)=-1 THEN SECTOR(RES+1)=INDEX ELSE RES=RES+1:GOTO 130
150 RES=INTER+RES
160 NEXT
170 PRINT
180 PRINT"Interleave table with";COUNT;"sectors and";INTER;": 1 interleave"
190 FOR INDEX=1 TO COUNT
200 X=INT(SECTOR(INDEX)/16)
210 PRINT HEX$(X+1);HEX$(SECTOR(INDEX)-X*16+1),
220 NEXT
230 PRINT
240 DATA 0, 1, 2, 3, 4, 5, 6, 7, 8, 9, A, B, C, D, E, F
250 END
```


C. SECTOR CALCULATING UTILITY

HDC-2001 compatible disk drives are constantly changing. Higher bit packing densities and higher accuracy spindle motors help to increase the amount of data that can be put on a track. This appendix will help you to determine the maximum number of sectors that can be recorded on your disk drive.

The unformatted byte capacity can be figured from this formula:

$$\text{Capacity} = \text{Bits per second} / \text{Revolutions per second} \times (1 - \text{Error}) / 8$$

We'll take a hypothetical drive (the same one as in the disk driver examples) with a data rate of 5M bits per second and revolution rate of 3600 RPM. Our drive has a spindle speed accuracy of 3%. These numbers applied to our formula yield:

$$10,104 = 5,000,000 / 60 \times (1 - 0.03) / 8$$

To be on the safe side, we will always round down when we come up with a fractional value. The unformatted capacity of this drive is 10,104 bytes. To figure the number of sectors per some number of bytes apply this formula.

$$\text{Sectors} = \text{Capacity} / (\text{Data field size} + \text{Gap3} + \text{Check bytes} + \text{Other overhead})$$

Using 512 byte sectors with a Gap3 size of 30 bytes, running ECC we end up with:

$$17 = 10,104 / (512 + 30 + 4 + 41)$$

The BASIC program on the next page can be used to automate the sector per track calculations presented here.

C.1.1. BASIC Sectors per Track Utility

```
10 PRINT "HDC-2001 Sectors per Track Calculating Utility"
20 PRINT
30 INPUT "Data rate of drive in bits per second: ";DATARATE
40 INPUT "Revolutions per minute: ";RPM
50 INPUT "Rotational speed error in percent: ";RERROR
60 CAPACITY=INT(DATARATE/RPM*60*(1-RERROR/100)/8)
70 PRINT "Unformatted capacity is "CAPACITY"bytes."
80 PRINT
90 INPUT "Data field size in bytes (128, 256, etc.):";SIZE
100 INPUT "Formatted with CRC or ECC: ";ECCMODE$
110 ECCMODE$LEFT$(USC(ECCMODE$),1)
120 IF ECCMODE$("<"E" AND ECCMODE$("<"C" THEN 100
130 IF ECCMODE$="E" THEN CHECKBYTES=4 ELSE CHECKBYTES=2
140 IF SIZE>256 THEN GAP3=30 ELSE GAP3=15
150 SECTORS=INT(CAPACITY/(SIZE+GAP3+CHECKBYTES+41))
160 PRINT "Formatted capacity is";SECTORS*SIZE;"bytes per track using";
170 PRINT SECTORS;"sectors per track."
180 END
```

D. PROGRAMMERS QUICK REFERENCE

D.1. Task File

CS-	A2	A1	A0	RE-	WE-
1	X	X	X	Deselected	Deselected
0	0	0	0	Data Register	Data Register
0	0	0	1	Error Register	Write Precomp
0	0	1	0	Sector Count	Sector Count
0	0	1	1	Sector Number	Sector Number
0	1	0	0	Cylinder Low	Cylinder Low
0	1	0	1	Cylinder High	Cylinder High
0	1	1	0	Size/Drive/Head	Size/Drive/Head
0	1	1	1	Status Register	Command Register

D.2. Valid Commands

TYPE	COMMAND	BITS							
		7	6	5	4	3	2	1	0
I	Restore	0	0	0	1	r3	r2	r1	r0
I	Seek	0	1	1	1	r3	r2	r1	r0
II	Read Sector	0	0	1	0	D	M	L	0
III	Write Sector	0	0	1	1	0	M	L	0
III	Format Track	0	1	0	1	0	0	0	0

L=Long Read/Write
M=Multiple Sector

D=DMA Read Interrupt
rX=Stepping Rate

D.3. SDH Register Format

Bit	7	6	5	4	3	2	1	0
Function	E	Sec	Size	Drive	Select	Head	Select	

E=ECC Mode

Bit 6	Bit 5	Sector Size	Bit 4	Bit 3	Drive Selected
0	0	256 Bytes	0	0	Drive Sel 1
0	1	512 Bytes	0	1	Drive Sel 2
1	1	128 Bytes	1	0	Drive Sel 3
			1	1	Drive Sel 4

Bit 2	Bit 1	Bit 0	Head Selected
0	0	0	Head 0
0	0	1	Head 1
0	1	0	Head 2
0	1	1	Head 3
1	0	0	Head 4
1	0	1	Head 5
1	1	0	Head 6
1	1	1	Head 7

D.4. Status and Error Register Bits

Bit	Status Register	Error Register
7	Busy	Bad Block Detect
6	Ready	Uncorrectable
5	Write Fault	CRC Error - ID Field
4	Seek Complete	ID Not Found
3	Data Request	-
2	Corrected	Aborted Command
1	-	TR000
0	Error	DAM not found

JUMPER MODIFICATIONS ON HDC-2001

JUMPER A: Located between U9 & U15 - These jumpers are designed to select TIMCLR. If we are using SA1001 drive, you must jumper 2 to 3.

JUMPER B: Located below U13 on the left hand side of Jumper C. This jumper area is designed to send a ready wait signal to extend the processor cycle. Depending on how the master processor is designed to look at either XRDY or PRDY. If you are using ADVANCED DIGITAL's Super Quad or Super Six you must jumper 2 to 1.

JUMPER C: Located between jumper B & D. This jumper area is designed to select slave CLR, POE (power on clear) or reset mode.

JUMPER D: Located on the top left corner of U20. These jumpers are designed to select DRQ (DMA-request). Other 2 jumpers reserved for future use.

JUMPER E, F, G, & H These jumpers are designed to select drive 1,2,3 & 4. With the new 8X305 processor on board, it is not required to jumper these pins because the 8X305 will generate drive select inside automatically.

INTERRUPT

JUMPER: Located on the left hand side of U20. These jumpers will depend on master configuration.

S1 POSITION: The S1 on HDC 2002 is to determine the port addressing. ADVANCED DIGITAL software is set up to look at port E0 which is the hard disk controller base address (SQHDC.MAC). So the position of the switch must be:

1	2	3	4	5	6	7	8
ON	ON	ON	ON	ON	OFF	OFF	OFF

Switches 4 through 8 select the upper 5 bits of the address (A3 - A7). A closed switch (ON position) equals a 0 and an opened switch (OFF position) equals a 1. To select a 0E - 00H address (1110 - 0XXX) address A3 & A4 will have to be low and address A5, A6, A7, will have to be high. So the switch 4 & 5 have to be in the ON position (equal 0) and the switch 6, 7 & 8 have to be in the OFF position (equal 1).

E. O P E R A T I N G S Y S T E M S

E.1. Operating Systems Available

1. CP/M on 8" or 5 1/4" version
2. Turbo-Dos on 8" or 5 1/4 " version

F. D R A W I N G S

E.1. SCHEMATIC

PARTS LIST

HDC 2001
Rev. C

PART NUMBER	QTY	REFERENCE DESIGNATOR	MFG	DESCRIPTION	NOTE
741S74	1	U1			
74LS191	3	U3, U4, U5			
MC3487	2	U6, U7			
74LS54	1	U8			
WD1100-12	1	U9			
WD1100-06	1	U10			
74LS174	1	U11			
AM2149-70DC	2	U12, U13			
74S124	1	U14			
74S74	3	U15, U22, U23			
WD1100-03	1	U16			
WD1100-05	1	U17			
74LS00	1	U18			
74LS14	2	U19, U44			
74LS367	2	U20, U27			
LP411	1	U21			
WD1100-01	1	U24			
74LS244	2	U25, U31			
74LS688	1	U26			
TPQ6700	1	U28			
WD1100-08	1	U29			
74LS08	1	U30			
8T31	1	U33			
74LS241	2	U33, U45			
AM26LS32	1	U34			
74S64	1	U35			
AM26S02	1	U36			
WD1100-07	1	U37			
DM7406	2	U38, U46			
74LS273	1	U39			
74LS374	1	U40			
74L138	1	U41			
74LS137	1	U42			
74LS32	1	U43			
74LS259	1	U47			
74S00	1	U48			
74LS175	1	U49			
82S181(FIV)	1	U50			
82S181(MSB)	1	U51			
82S181(LSB)	1	U52			
DL6710	1	U53			
7438	1	U54			
74S04	1	U55			
8X305	1	U56			
				TOTAL IC SOCKET:59 14 PINS: 20 16 PINS: 16 20 PINS: 15 18 PINS: 2 24 PINS: 4 50 PINS: 1 8 PINS: 1	(58 HAVE BEEN USE
				** NOTE: U2 DO NOT USE	**

PARTS LIST

HDC 2001
Rev. C

PART NUMBER	QTY	REFERENCE DESIGNATOR	MFG	DESCRIPTION	NOTE
.1 MF	42	C1, C2, C4, C5, C6, C7, C8, C9, C10, C11, C12, C13, C17, C18, C19, C20, C21, C23, C24, C26, C27, C28, C29, C31, C32, C33, C35, C36, C37, C38, C39, C40, C42, C43, C44, C45, C47, C48, C49, C50, C52		CAPACITOR " " " " " " " " " "	
10 MF	1	C6		"	
.22 MF	1	C14		"	
22 PF	2	C16, C51		"	
220 PF	1	C25		"	
150 PF	1	C22		"	
68 PF	2	C30, C34		"	
47 PF	1	C41		"	
33 MF	1	C46		"	
IN4148	11	GR1, CR2, C43, CR4, CR5, CR6, CR7, CR8, CR9, CR10, CR11, CR12, CR13,		DIODE " " "	
OSC 20.000 Mhz	1	Y1		OSCILLATOR	CRYSTAL
OSC 8.000 Mhz	1	Y2		OSCILLATOR	CRYSTAL
10K SIP	1	RP1		SIP RESISTOR	NETWORK
220/330 SIP	1	RP2		SIP RESISTOR	NETWORK
2N 3904	1	Q1		TRANSISTOR	NPN
2N 5320	1	Q2		TRANSISTOR	NPN
4.7 Mh	2	L1, L2		COIL	
4-20 PF POT	1	C15		VARIABLE CAP	
LM 323(78L05)	1	VR1		VOLTAGE REGULATOR	
79L05	1	VR2		VOLTAGE REGULATOR	
1K OHM	5	R1, R10, R27, R35, R37, R42		RESISTOR RESISTOR	
1.5K	2	R2, R39		RESISTOR	
4.7K	3	R3, R33, R41		"	
5.6K	1	R4		"	
150 OHM	2	R5, R12		"	
2.4K	2	R6, R7		"	
1.6K	1	R8		"	
110K	1	R9		"	
2K	1	R11		"	
330 OHM	1	R13		"	
680 OHM	1	R14		"	
220 OHM ½W-1%	4	R15, R16, R17, R18		"	
51 OHM	8	R19, R20, R21, R22 R23, R24, R25, R26		" "	
499 OHM ½W-1%	1	R28		"	
3.3K	1	R29		"	
5K POT	1	R30		VARIABLE RESISTOR	
2K	1	R31		RESISTOR	
200 OHM	1	R32		"	
10K	1	R34		"	

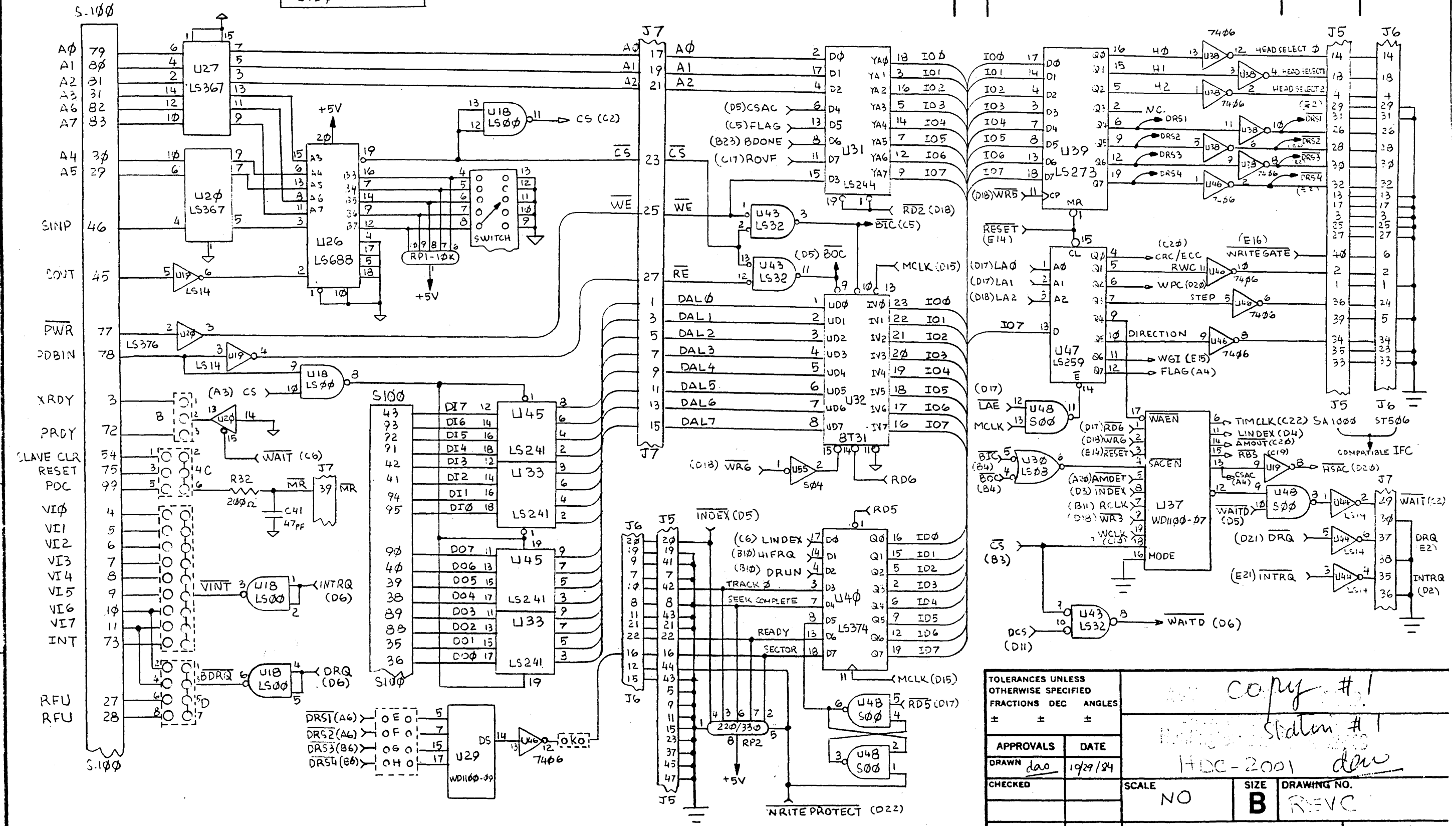
PARTS LIST

HDC 2001
Rev. C

PART NUMBER	QTY	REFERENCE DESIGNATOR	MFG	DESCRIPTION	NOTE
27K	1	R36		RESISTOR	
10K	1	R38		"	
115K	1	R39		"	
820 OHM	1	R40		"	

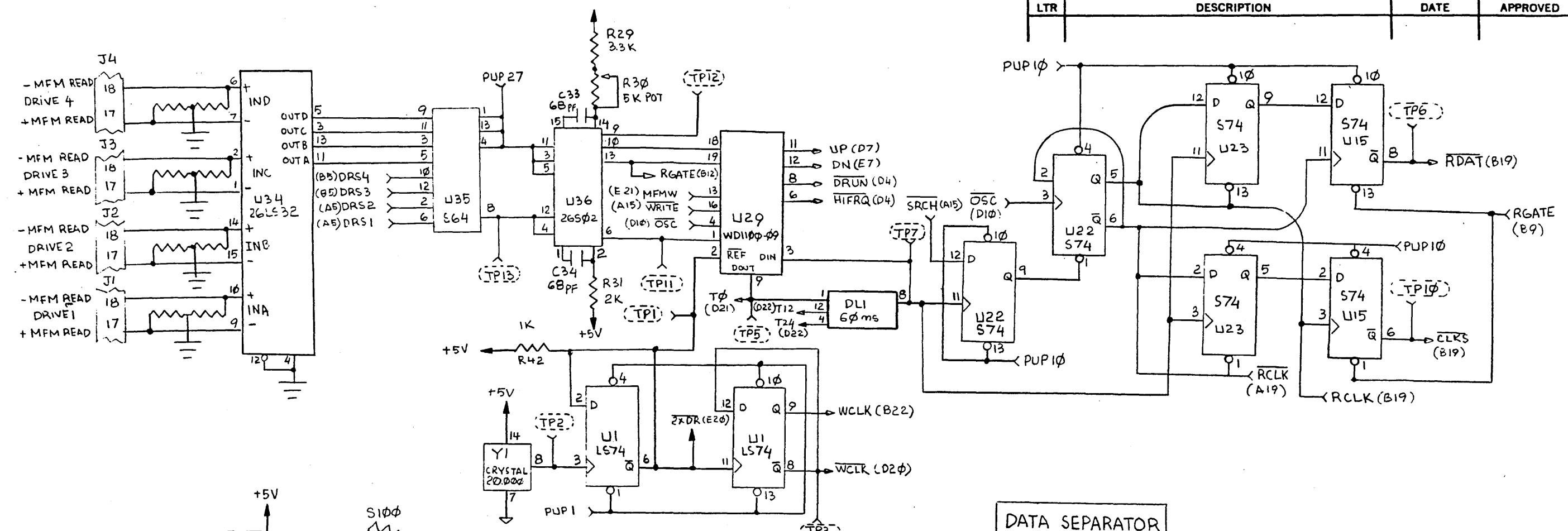
S100 INTERFACE

REVISIONS			
LTR	DESCRIPTION	DATE	APPROVED



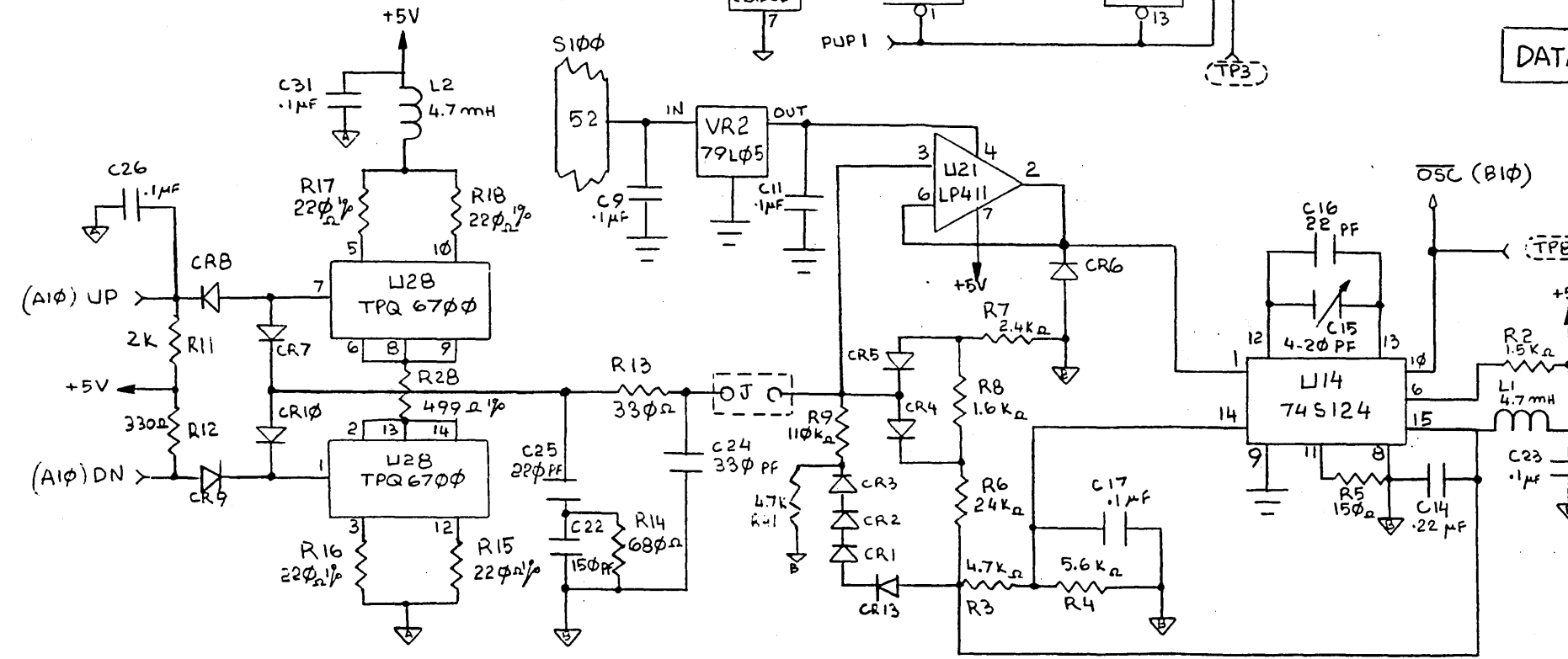
TOLERANCES UNLESS OTHERWISE SPECIFIED		FRACTIONS DEC ANGLES	
±	±	±	±
APPROVALS	DATE	<p>copy #1</p> <p>Station #1</p> <p>HDC-2001 daw</p>	
DRAWN daw	10/27/84	SCALE	SIZE
CHECKED		NO	B
		DRAWING NO. REV C	
DO NOT SCALE DRAWING			SHEET 1 OF 4

REVISIONS			
LTR	DESCRIPTION	DATE	APPROVED



DATA SEPARATOR

NOTE * CR1, CR2, CR3, CR4, CR5, CR6, CR7, CR8, CR9, CR10 and CR11 = 1N4148
 * OSC = 10 MHz ± .01%

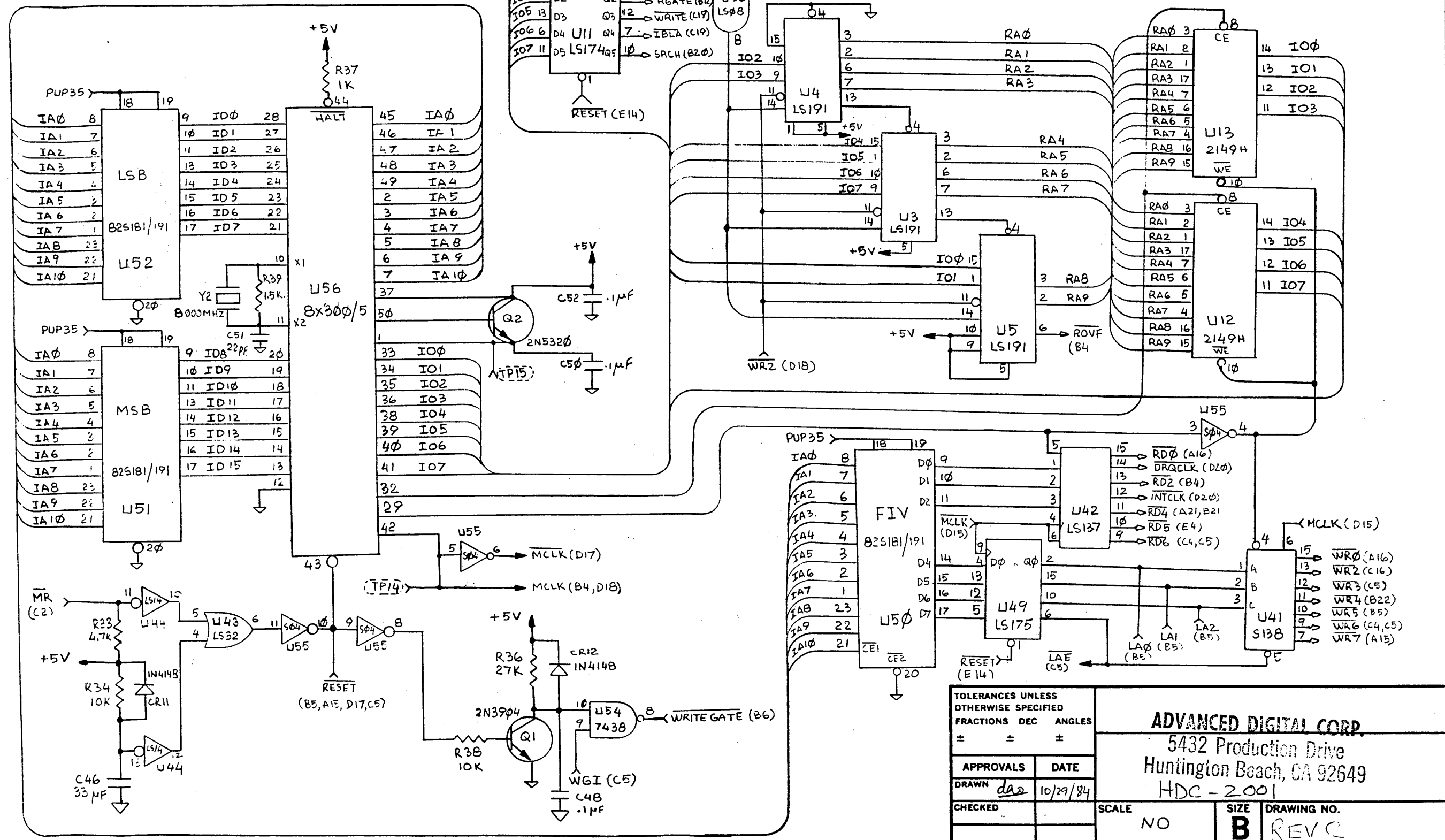


TOLERANCES UNLESS OTHERWISE SPECIFIED		FRACTIONS DEC ANGLES	
±	±	±	±
APPROVALS	DATE	ADVANCED DIGITAL CORP.	
		5432 Production Drive	
		Huntington Beach, CA 92649	
		HDC-2001	
DRAWN <i>dao</i>	10/29/84	SCALE	SIZE
CHECKED		NO	B
			REV C
DO NOT SCALE DRAWING		SHEET 2 of 4	

MICRO CONTROLLER

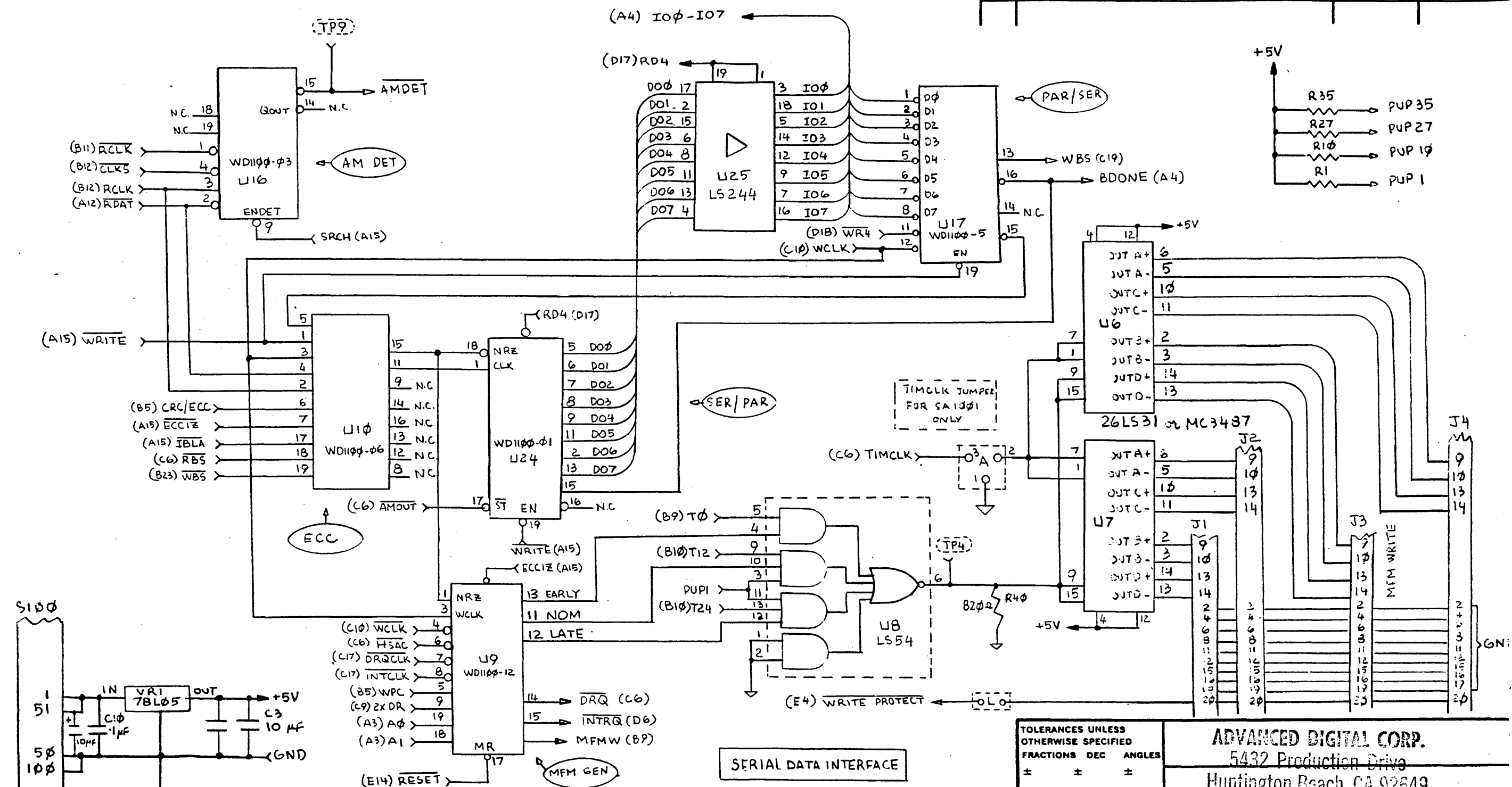
MAC CONTROL

REVISIONS			
LTR	DESCRIPTION	DATE	APPROVED



TOLERANCES UNLESS OTHERWISE SPECIFIED		ADVANCED DIGITAL CORP.	
FRACTIONS	DEC	5432 Production Drive	
±	±	Huntington Beach, CA 92649	
±	±	HDC-2001	
APPROVALS	DATE	SCALE	SIZE
DRAWN <i>das</i>	10/29/84	NO	B
CHECKED		DRAWING NO.	REV C
		DO NOT SCALE DRAWING	SHEET 3 of 4

REVISIONS			
LTR	DESCRIPTION	DATE	APPROVED



TOLERANCES UNLESS OTHERWISE SPECIFIED		ADVANCED DIGITAL CORP.	
FRACTIONS	DEC	5432 Production Drive	
±	±	Huntington Beach, CA 92649	
±	±	HDC-2001	
APPROVALS	DATE	SCALE	SIZE
DRAWN <i>des</i>	10/29/84	NO	B
CHECKED		DRAWING NO.	REVC
DO NOT SCALE DRAWING		SHEET 4 ~ 4	

Chapter 1

INTRODUCTION

This manual provides the system designer with a complete technical discussion of the Signetics 8X305 Bipolar MicroController. The first two chapters address the functional operation of the 8X305, Chapter 3 is a reference for the device instruction set, Chapter 4 discusses timing considerations, and the final two chapters deal with application of the device.

The 8X305 Data Sheet provides complementary data to this manual, including detailed timing and electrical characteristics. The 8X300 Family Product Capabilities Manual discusses the 8X305 in the context of the many compatible support devices available from Signetics. Together, the three documents provide the information necessary to design and implement a system that takes full advantage of the powerful features of the 8X305.

The Signetics 8X305 Bipolar MicroController provides a real alternative to the complexity of bit-slice designs and the relatively slow speed of MOS microprocessors in high performance, cost effective control systems.

1.1 DEVICE DESCRIPTION

The 8X305 MicroController (Figure 1-1) is a monolithic Central Processing Unit implemented in bipolar Schottky technology. It is designed to operate at a speed of 200 nsec for each 16-bit instruction, fetched on a dedicated bus for higher throughput. It controls a series of peripheral devices which are attached to it by means of a standard 8-bit bus known as the Interface Vector bus and its associated control signals. The 8X305 can be easily integrated into most support systems using 8X300 Family support devices.

The 8X305 is upward-compatible with its predecessor, the 8X300, allowing enhancement of existing MicroController systems. Software written for the 8X300 will function correctly on an 8X305, but the expansion of the instruction set and internal working storage allows more flexible manipulation of data, higher throughput, and simplification of code. Care should be taken, however, in analyzing signal and timing requirements for each application where the MicroController is to be updated.

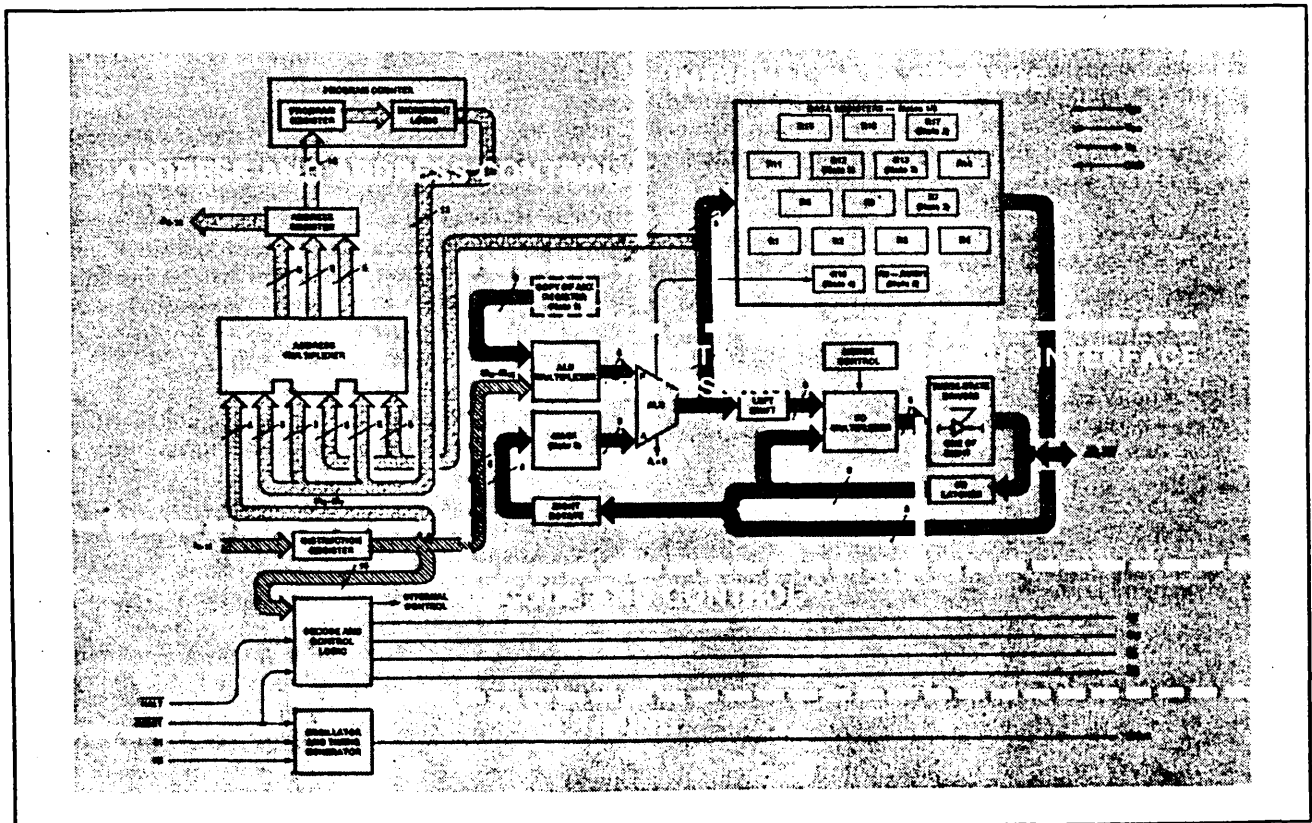


Figure 1-1 Architectural Overview of 8X305 MicroController

USERS MANUAL

8X305

The 8X305 is designed to provide the optimum combination of features for controller design:

- Powerful, simple instruction set
- Eight instruction classes
- Single chip package
- Bipolar speed
- Family of compatible peripheral devices
- Flexible bit manipulation in a single instruction
- Single +5 volt supply
- TTL three-state bus operation

1.2 DEVICE ARCHITECTURE

An understanding of the internal architecture of the 8X305 is required to maximize the efficiency of a design. Figure 1-1 illustrates the logical structure, but does not necessarily represent exact physical connections within the device.

The instruction arrives at the Instruction Register from the Instruction Bus (I_0 - I_{15}). It is interpreted on the basis of the Op Code which defines the significance of the other bits in the instruction. Data paths within the chip are set up by the Decode and Control logic. External control signals are also generated by this logic. At a later point in the cycle, the Program Counter, Increment Logic, and Address Multiplexer generate the address of the next instruction to be executed and place it in the Address Register. The address is then placed on the Instruction Address Bus (A_0 - A_{12}) to fetch the next instruction.

All timing is generated by an on-chip oscillator running at twice the actual instruction cycle speed.

Source data can be accessed from three locations:

- 16 internal registers
- The IV bus
- Absolute or modified constant specifications from the current instruction word

Data from external sources can be manipulated by means of the Rotate and Mask Logic before becoming the first operand for an ALU operation. The implied second operand is the Auxiliary Register (AUX or R0). The result of the operation is stored in an Internal Register or transmitted to the IV bus.

The sixteen 8-bit registers contained in the 8X305 are used as temporary storage of data and pointers. Three of these registers have special applications for IV bus address transmission and flag storage, leaving thirteen available as general-purpose storage.

1.3 PIN DESCRIPTION

The 8X305 MicroController is housed in a 0.9-inch wide, 50-pin Dual In-Line (DIP) package, with pin assignments and designated functions as indicated in Figure 1-2.

1.4 THE INTERFACE VECTOR BUS

The 8X305 communicates with peripheral devices by means of a bidirectional, 8-bit TTL bus known as the Interface Vector, or IV bus. Five control signals generated by the 8X305 indicate the direction in which the bus is being driven and the configuration of the data or address on the bus.

Devices connected to the IV bus are commonly referred to as I/O Ports. Any one of up to 256 such devices can be selected in a single cycle when the 8X305 places the I/O Port's unique address on the bus and asserts the Select Command (SC) signal. Once selected, an I/O Port normally remains selected until the SC signal is again asserted with a different address on the bus.

The direction of data flow is indicated by the Write Command (WC) signal. This signal is asserted when data is being placed on the bus by the 8X305, and is not asserted when data is being read from the bus. The data will normally be read from or written into whatever I/O Port was last selected.

To optimize the 8X305's capabilities in data manipulation and device selection, two control signals known as Left Bank (\overline{LB}) and Right Bank (\overline{RB}) are provided. These signals are asserted concurrently with other control signals based on the contents of the instruction word. They can be used in conjunction with the other signals to determine which I/O Port will be enabled at any given time. They can be used in a variety of ways, but the two most significant are as follows:

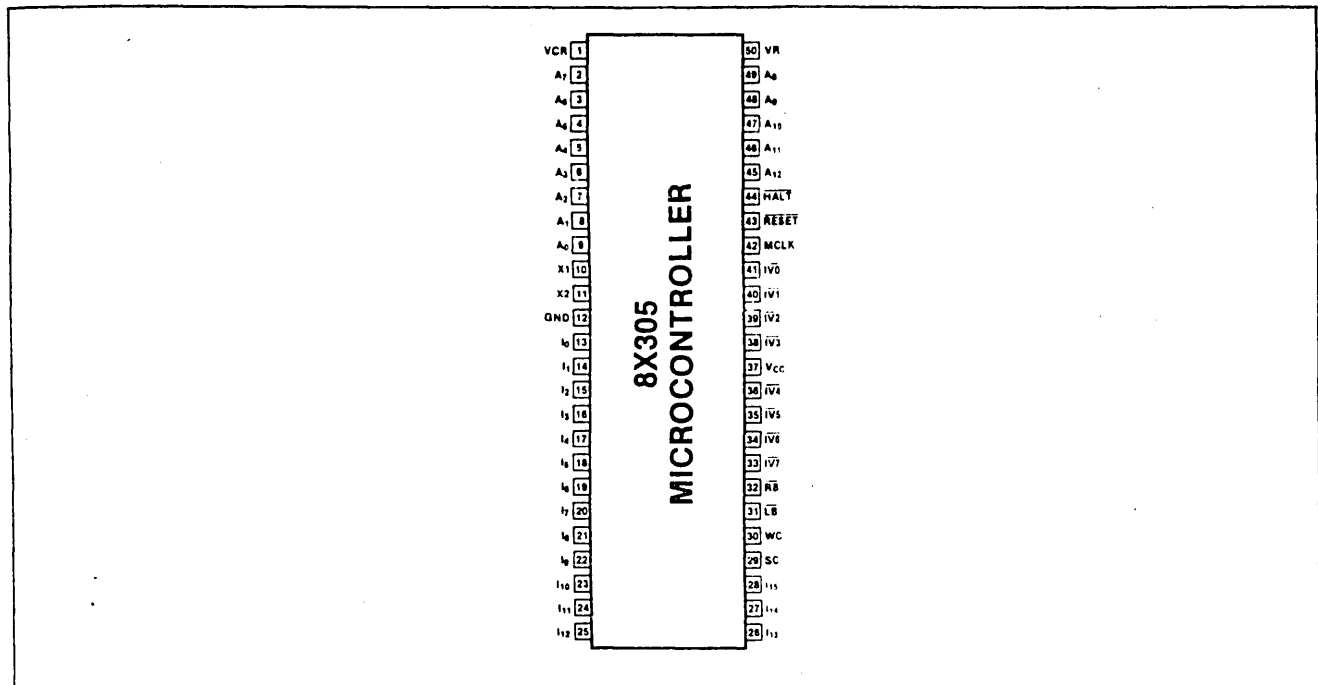
1. The optimum performance of the MicroController can be achieved by connecting the input I/O Port to one bank and the output port to the other. The two ports can then be selected concurrently and data can pass between them in a single cycle, resulting in a transfer rate of five megabytes per second.
2. Since the bank select signal (\overline{LB} or \overline{RB}) must be asserted for a port to be enabled, two ports may share the same address provided that they are connected to opposite banks. This expands the number of I/O Ports that can be addressed in a single cycle to 512.

Timing on the bus is synchronized with the Master Clock (MCLK) signal. Together with the other control signals, it enables the I/O Ports to access the IV bus at the correct points in the MicroController's instruction cycle.

Signetics

USERS MANUAL

8X305



PIN NO.	IDENTIFIER	FUNCTION
1	VCR	Regulated voltage input from series-pass transistor (2N5320 or equivalent).
2-9, 45-49	A ₀ -A ₁₂	Program Address Lines: These active-high outputs permit direct addressing of up to 8192 words of program storage; A ₁₂ is least significant bit.
10, 11	X1, X2	Timing generator connections for a capacitor, a series resonant crystal, or an external clock source with complementary outputs.
12	GND	Ground.
13-28	I ₀ -I ₁₅	Instruction Lines: These active-high input lines receive 16-bit instructions from program storage; I ₁₅ is least significant bit.
29	SC	Select Command: When high (binary 1), an address is being output on pins $\overline{IV0}$ through $\overline{IV7}$.
30	WC	Write Command: When high (binary 1), data is being output on pins $\overline{IV0}$ through $\overline{IV7}$.
31	\overline{LB}	Left Bank Control: When low (binary 0), devices connected to the Left Bank are accessed. (Note. Typically, the \overline{LB} signal is tied to the \overline{ME} input pin of I/O peripherals.)
32	\overline{RB}	Right Bank Control: When low (binary 0), devices connected to the Right Bank are accessed (Note. Typically, the \overline{RB} signal is tied to the \overline{ME} input pin of I/O peripherals.)
33-36, 38-41	$\overline{IV0}$ - $\overline{IV7}$	Interface Vector (Input/Output Bus) — these bidirectional active-low three-state lines communicate data and/or addresses to I/O devices and memory locations. A low voltage level equals a binary "1"; $\overline{IV7}$ is Least Significant Bit.
37	V _{CC}	+ 5V power supply.
42	MCLK	Master Clock: This active-high output signal is used for clocking I/O devices and/or synchronization of external logic.
43	\overline{RESE}	When \overline{RESE} input is low (binary 0), the 8X305 is initialized — sets Program Counter/Address Register to zero and inhibits MCLK. For the period of time \overline{RESE} is low, the Left Bank/Right Bank ($\overline{LB}/\overline{RB}$) signals are forced high asynchronously.
44	\overline{HALT}	When \overline{HALT} input is low (binary 0), internal operation of the 8X305 stops at the start of next instruction; MCLK is not inhibited nor is any internal register affected; however, both the Left Bank/ Right Bank ($\overline{LB}/\overline{RB}$) signals are synchronously driven high during the first quarter of the instruction cycle time and remain high during the time \overline{HALT} is low.
50	VR	Internally-generated reference output voltage for external series-pass regulator transistor.

Figure 1-2. 8X305 Pin Designations and Functions

USERS MANUAL

The I/O Ports must be capable of performing the address select operation, determining the direction of the bus, analyzing the bank control signals, and presenting or receiving data. Signetics offers numerous circuits that perform these functions for specific applications. Refer to the 8X300 Family Product Capabilities Manual for information on these devices.

1.5 SYSTEM ENVIRONMENT

A generalized system configuration consisting of program storage (ROM/PROM), working storage (RAM), I/O devices, and the IV bus interface (IV0-IV7) is shown in Figure 1-3. Except for the off-chip timing crystal, the regulator transistor, and any user-generated logic associated with the $\overline{\text{HALT}}$ and $\overline{\text{RESET}}$ lines, no external parts are required for implementation. The TTL-compatible bus, simple interface logic, and bit-manipulation features optimize the 8X305 MicroController for almost any system where high-speed operation, flexibility, and minimum board space are required.

The program storage can consist of any ROM or PROM with sufficient access speed. It can be configured to the

size of program required by the application, up to a maximum of 8,192 instruction words.

An Interrupt Control Coprocessor, the 8X310, is available. This device connects to the Instruction Bus and Instruction Address Bus, providing a single-chip interrupt handler and an enhanced ability for subroutine processing.

Ports on the IV bus must be tailored to the application. Some additional high-speed working storage may also be required. This is implemented by assigning contiguous memory locations in a small byte-wide RAM to a series of contiguous port addresses. It is good practice to pair peripherals which transfer a good deal of data between each other on opposite banks, which enables single-instruction processing and transfer of data.

Since they have been designed specifically for the IV bus, the 8X300 Family of parts provide the simplest solution to most requirements encountered in an 8X305 system. The family includes an array of I/O Ports, working storage RAM, and single-chip solutions to problems such as floppy disk control and computer bus interfacing.

1.0 Introduction

1.1 General Description:

The ST-506/412 disc drive is a random access storage device utilizing two non-removable 5¼ inch discs as storage media. Each disc surface employs one movable head to service 153/306 data tracks. The total formatted capacity of the four heads and surfaces is 5/10 megabytes (32 sectors per track, 256 bytes per sector, 612/1224 tracks).

Low cost and unit reliability are achieved through the use of a band actuator and open loop stepper head positioning mechanism. The inherent simplicity of mechanical construction and electronic controls allows maintenance free operation throughout the life of the drive. Both electronic PCB's are mounted outside the head disc assembly, allowing field serviceability.

Mechanical and contamination protection for the heads, actuator, and discs is provided by an impact resistant aluminum enclosure. A self-contained recirculating system supplies clean air through a 0.3 micron filter. A second port in the filter assembly allows pressure equalization with ambient air without chance of contamination. A patented spindle pump assures adequate air flow and uniform temperature distribution throughout the head and disc area. Thermal isolation of the stepper and spindle motor assemblies from the disc enclosure results in a very low temperature rise within the enclosure. This provides significantly greater off track margin and the ability to immediately perform read and write operations after power up with no thermal stabilization delay.

The ST-506/412 electrical interface is similar to Shugart Associates' SA1000 family of 8 inch fixed disc drives. ST-506/412 *size and mounting* are identical to the industry standard minifloppy disc drives, and they use the same DC voltages and connector. No AC power is required.

Key Features:

- * Storage Capacity of 6.38/12.76 megabytes unformatted, 5.0/10.0 megabytes formatted as shipped.
- * Same physical size and mounting as the minifloppy.
- * Same DC voltages as the minifloppy.
- * Band actuator and stepper motor head positioning.
- * 5.0 megabit/second transfer rate.
- * Simple floppy-like interface.
- * Same track capacity as a double density 8 inch floppy.

1.2 Specification Summary:

1.2.1 Physical Specifications:

Environmental Limits:

Ambient Temperature

Operating: 40° to 122°F (4° to 50°C)

Non-Operating: -14° to 140°F (-10° to 60°C)

Max Temperature Gradient

Operating: 18°F/hr. (10°C)

Non-operating: Below Condensation

Relative Humidity: 8 to 80% non-condensing

Maximum Elevation

Operating: 10,000 ft.

Non-operating: -1000 to 12,000 ft.

Shock

Operating: 10G's

Non-operating: 40G's (on box side frames)

DC Power Requirements

+12V±5%, 1.8A typical, 4.5A maximum (at power on)

+5V±5%, .7A typical, 1.0A maximum

+12V/+5V Maximum Ripple = 50mV P-P

Mechanical Dimensions:

Height 3.25 inches

Width 5.75 inches

Depth 8.00 inches

Weight 4.8 lbs. (2.1 kg)

Shipping Weight 7.0 lbs. (3.2 kg)

Heat Dissipation

25 watts typical

29 watts maximum

1.2.2 Reliability Specifications:

MTBF 11,000 POH, typical usage

PM Not Required

MTTR 30 minutes

Component Design Life 6 years

Error Rates:

Soft read errors 1 per 10¹⁰ bits read

Hard read errors* 1 per 10¹² bits read

Seek errors 1 per 10⁶ seek

* Not recoverable within 16 retries

1.2.3 Performance Specifications:

	ST-506	ST-412
Capacity		
Unformatted		
Per Drive	6.38 Megabytes	12.76 Megabytes
Per Surface	1.59 Megabytes	3.19 Megabytes
Per Track	10416 Bytes	10416 Bytes
Formatted		
Per Drive	5.0 Megabytes	10.0 Megabytes
Per Surface	1.25 Megabytes	2.5 Megabytes
Per Track	8192 Bytes	8192 Bytes
Per Sector	256 Bytes	256 Bytes
Sectors Per Track	32	32
Transfer Rate	5.0 Mbits/sec	5.0 Mbits/sec
Access Time		
Track to Track	3ms	3ms
Average*	85ms	85ms
Maximum*	205ms	205ms
Setting Time	15ms	15ms
*using fast seek algorithm (including setting)		
Average Latency	8.33ms	

1.2.4 Functional Specifications:

Rotational speed	3600 rpm \pm 1%	3600 rpm \pm 1%
Recording density	7690 bpi max	9074 bpi max
Flux density	7690 fci	9074 fci
Track density	255 tpi	345 tpi
Cylinders	153	306
Tracks	612	1224
R/W Heads	4	4
Discs	2	2

2.0 Functional Characteristics

2.1 General Operation:

The ST-506/412 disc drive consists of read/write and control electronics, read/write heads, track positioning actuator, media, and air filtration system. The components perform the following functions:

1. Interpret and generate control signals.
2. Position the heads over the desired track.
3. Read and write data.
4. Provide a contamination free environment.

2.2 Read/Write and Control Electronics

Electronics are packaged on two printed circuit boards. The primary board to which power, control and data signals are connected includes:

1. Index detection circuit.
2. Head position/actuator circuit.
3. Read/write circuits.
4. Drive up to speed circuit.
5. Head select circuit.
6. Write fault detection circuit.
7. Step motor drive circuit.
8. Drive select circuit.
9. Track zero detector circuit.

The second PCB, mounted to the sideframe under the primary board derives its power from the primary board and provides power and speed control to the spindle drive motor.

2.3 Drive Mechanism

A brushless DC drive motor rotates the spindle at 3600 rpm. The spindle is driven directly with no belt or pulley being used. The motor is thermally isolated from the head/disc assembly to minimize temperature rise in the sealed chamber containing the heads and discs. The motor and spindle are dynamically balanced to insure a low vibration level. A brake is used to quickly stop the spindle motor when power is removed. The head/disc assembly is shock mounted to minimize transmission of vibration through the chassis or frame.

2.4 Air Filtration System (Figures 1A & 1B)

The discs and read/write heads are fully enclosed in a module using an integral recirculation air system and absolute filter to maintain a clean environment. Integral to the filter is a port which also permits ambient pressure equalization without contaminate entry.

2.5 Positioning Mechanism (Figure 2)

The read/write heads are mounted on a ball bearing supported carriage which is positioned by a band actuator connected to the stepper motor shaft. The stepper motor is thermally isolated from the head/disc assembly to minimize temperature rise in the sealed chamber.

1.0 INTRODUCTION

1.1 GENERAL DESCRIPTION

The Shugart Model 1000 series disk drive is a random access storage device with one or two non-removable 8" disks as storage media. Each disk surface employs one movable head to service 256 data tracks. The two models of the SA1000 series are the 1002 and the 1004 with single and double platters respectively. The SA1002 provides 5 megabytes accessed by 2 movable heads and the SA1004 provides 10 megabytes accessed by 4 movable heads.

Low cost and unit reliability are achieved through the use of a unique band actuator design. The inherent simplicity of mechanical construction and electronic controls allows maintenance free operation throughout the life of the drive.

Mechanical and contamination protection for the head, actuator and disks are provided by an impact resistant plastic and aluminum enclosure. A self contained recirculating system supplies clean air through a 0.3 micron filter. Another absolute filter allows pressure equalization with ambient air.

The optional SA1200 Data Separator PCB or equivalent circuitry is necessary to provide MFM encoding/decoding, write precompensation, a crystal write oscillator and address mark writing and detection. These functions are also provided by the optional SA1400 controller.

The SA1000 fixed disk drive's interface is similar* to the Shugart 8" family of floppy disk drives. The SA1000 is designed to fit into the same physical space as the 8" floppies.

Key Features:

- Storage Capacity of 5.33 or 10.67 megabytes.
- Winchester design reliability.
- Same physical size and identical mounting configuration as the SA800/850 floppies.
- Uses the same D.C. voltages as the SA800/850 floppies.
- Proprietary Fas Flex III band actuator.
- 4.34 Mbits/second transfer rate.
- Simple floppy like interface.

*Existing floppy controllers are not compatible with the SA1000 due to differences in the data transfer rates.

1.2 Specification Summary

1.2.1 Physical Specifications

Environmental Limits

Ambient Temperature =	50° to 115°F (10° to 46°C)
Relative Humidity =	8% to 80%
Maximum Wet Bulb =	78° non-condensing

AC Power Requirements

50/60 Hz \pm 0.5Hz	
100/115 VAC Installations	= 90-127V at 1.1A typical
200/230 VAC Installations	= 180-253V at 0.6A typical

DC Voltage Requirements

<u>DC Voltage</u>	<u>Ripple</u> <u>MV P-P</u>		
+5 \pm V	50	Stepping	2.0 amp typical 2.5 amp max.
		Steady State	3.6 amp typical 4.1 amp max.
-5 \pm 0.5 V (-7 to -16V optional)	50 (N/A)		0.20 amp typical 0.25 amp max.
\pm 24 \pm 3.6 V	1000	Stepping	2.8 amp typical 3.3 amp max.
		Steady State	0.20 amp typical 0.25 amp max.

Mechanical Dimensions

	Rack Mount	Standard Mount
Height =	4.62 in. (117.3mm)	4.62 in. (117.3mm)
Width =	8.55 in. (217.2mm)	9.50 in. (241.3mm)
Depth =	14.25 in. (362.0mm)	14.25 in. (362.0mm)
Weight =	17 lbs. (7.7Kg)	17 lbs. (7.7Kg)

Heat Dissipation = 511 BTU/Hr. typical (150 Watts)

1.2.2 Reliability Specifications

MTBF: 8,000 POH typical usage

PM: None Required

MTTR: 30 minutes

Component Life: 5 years

Error Rates:

Soft Read Errors:	1 per 10^{10} bits read
Hard Read Errors:	1 per 10^{12} bits read
Seek Errors:	1 per 10^6 seeks

1.2.3 Performance Specifications

	SA1002	SA1004
Capacity		
Unformatted		
Per Drive	5.33 Mbytes	10.67 Mbytes
Per Surface	2.67 Mbytes	2.67 Mbytes
Per Track	10.4 Kbytes	10.4 Kbytes
Formatted		
Per Drive	4.2 Mbytes	8.4 Mbytes
Per Surface	2.1 Mbytes	2.1 Mbytes
Per Track	8.2 Kbytes	8.2 Kbytes
Per Sector	256 bytes	256 bytes
Sectors/Track	32	32
Transfer Rate	4.34 Mbits/sec	4.34 Mbits/sec
Access Time		
Track to Track	19 msec	19 msec
Average	70 msec	70 msec
Maximum	150 msec	150 msec
Average Latency	9.6 msec	9.6 msec

1.2.4 Functional Specifications

Rotational Speed	3125 rpm	3125 rpm
Recording Density	6270 bpi	6270 bpi
Flux Density	6270 fci	6270 fci
Track Density	172 tpi	172 tpi
Cylinders	256	256
Tracks	512	1024
R/W Heads	2	4
Disks	1	2

Q2000 FIXED DISK DRIVE

The Q2000 fixed disk drive interface is similar to the Shugart 8" floppy drive and a superset of Shugart's SA1000 series disk drive interface. The Q2000 series disk drive is designed with the same form factor and power supply voltage requirements as 8" floppy drives.

Key Features:

- ° Storage Capacity of 10, 20, 30, or 40 megabytes
- ° Winchester design reliability
- ° Same physical size and mounting as 8" floppy drives
- ° Uses the same D.C. voltages as 8" floppy.
- ° Proprietary, rotary, high resolution, quiet head position actuator
- ° 4.34M bits/second transfer rate
- ° Microprocessor controlled temperature compensation servo

Q2000 FIXED DISK DRIVE

1.2 SPECIFICATION SUMMARY

1.2.1 PHYSICAL SPECIFICATIONS
ENVIRONMENTAL LIMITS

NON OPERATIONAL

Storage temperature 50°F to 150°F (10°C to 65.5°C)

Shipping temperature -40°F to 150°F (-40°C to 65.5°C)

Storage and shipping altitude = 1000 to 40,000 feet

OPERATING

Max Operating Altitude = 10,000 feet

Ambient temperature = 50° to 115°F (10° to 46°C)

Relative humidity = 8% to 80%

Maximum wet bulb = 78° non-condensing

Q2000 FIXED DISK DRIVE

AC POWER REQUIREMENTS

50/60Hz \pm 0.5Hz

100/115VAC Installations = 90-127V at 1.0A Typical

200/230VAC Installations = 180-253V at 0.5A Typical

DC VOLTAGE REQUIREMENTS

+24VDC \pm 10% 1.25A Typical (1.5 A max)

+5VDC \pm 5% 1.0A Typical (1.5 A max)

-5VDC \pm 5% (-7 to -16VDC optional) 0.2A Typical (0.25 A max)

MECHANICAL DIMENSIONS

Height = 4.50 in. (114.3mm)

Width = 8.55 in. (217.2mm)

Depth = 14.25 in. (362.0mm)

Weight = 17 lbs. (7.7Kg)

QUANTUM CORPORATION

PRODUCT SPECIFICATION

Q2000 FIXED DISK DRIVE

VIBRATION

The level specified for vibration applies to three mutually perpendicular directions. (Principle cabinet axes). Equipment shall be operable during and after the maximum vibration levels in the following table.

	<u>FREQUENCY</u>	<u>PEAK TO PEAK</u>	
	<u>Hz</u>	<u>In</u>	<u>G's</u>
Operating	5 - 25	.0014	---
	25 - 55	.0007	---
	55 - 300	---	0.3
Non-Operating	5 - 25	.008	---
	25 - 55	.004	---
	55 - 300	---	2.0

TRACK GEOMETRY

Track width = .00225 + - .00015 inches
Track spacing = .00287 inches average
Track zero radius = 3.637 inches nominal
Track 511 radius = 2.155 inches nominal
Shipping and landing zone track = 2.050 inches nominal

PRODUCT SPECIFICATION

Q2000 FIXED DISK DRIVE

HEAT DISSIPATION

239 BTU/HR. TYP (70 Watts) Nominal

1.2.2 RELIABILITY SPECIFICATION

MTBF:8,000 POH typical usage

PM: not required

MTTR:30 minutes

Component Life: 5 years

ERROR RATES

Soft read errors: 1 per 10^{10} bits read

Hard read errors: 1 per 10^{12} bits read

Seek errors: 1 per 10^6 seeks

These error rates assume that the drive is being operated within its specified limits. Errors caused by media defects are excluded.

1.2.3 PERFORMANCE SPECIFICATIONS

	<u>Q2010</u>	<u>Q2020</u>	<u>Q2030</u>	<u>Q2040</u>
Capacity				
Unformatted				
Per drive	10.66Mb	21.33Mb	32.00Mb	42.66Mb
Per surface	5.33Mb	5.33Mb	5.33Mb	5.33Mb
Per track	10.40Kb	10.40Kb	10.40Kb	10.40Kb

QUANTUM CORPORATION

PRODUCT SPECIFICATION

Q2000 FIXED DISK DRIVE

Formatted (MFM)

Per drive	8.40Mb	16.80Mb	25.20Mb	33.60Mb
Per surface	4.20Mb	4.20Mb	4.20Mb	4.20Mb
Per track	8.20Kb	8.20Kb	8.20Kb	3.20Kb
Per sector	256 Byte	256 Bytes	256 Bytes	256 Bytes
Sectors/TK	32	32	32	32
Transfer Rate	4.34Mbits/ sec	4.34Mbits/ sec	4.34Mbits/ sec	4.34Mbits/ sec

Access Time (Nominal voltages, 25°C)

TK to TK(max)	15 ms	15 ms	15 ms	15 ms
Average(max)	55 ms	60 ms	60 ms	65 ms
Full Stroke(typ)	115 ms	115 ms	115 ms	115 ms
Avg. Latency	10 ms	10 ms	10 ms	10 ms

1.2.4 FUNCTIONAL SPECIFICATIONS

Nom Rotational Speed	3000 RPM	3000 RPM	3000 RPM	3000 RPM
Max Rotational Speed	3083 RPM	3083 RPM	3083 RPM	3083 RPM
Min Rotational Speed	2904 RPM	2904 RPM	2904 RPM	2904 RPM
Recording Density	6600 bpi	6600 bpi	6600 bpi	6600 bpi
Flux Density	6600 fci	6600 fci	6600 fci	6600 fci
Track Density	345 tpi	345 tpi	345 tpi	345 tpi
Cylinders	512	512	512	512
Tracks	1024	2048	3072	4096
R/W Heads	2	4	6	8
Disks	1	2	3	4
Index	1	1	1	1

Quantum guarantees a track capacity of a minimum of 10102 bytes when written using a timing of 1.84 microseconds/byte.

2.0 FUNCTIONAL CHARACTERISTICS

2.1 GENERAL OPERATION

The Series 2000 fixed disk drive consists of read/write and control electronics, read/write heads, head positioning mechanism, media, air filtration, and disk rotation system. (See Fig 1-A for functional block diagram) These components perform the following functions:

Spin the disk(s) and generate control signals

Position the heads over the selected track with appropriate corrections in position to compensate for thermal effects on track location

Read and write data

Provide a contamination free environment around the media and heads

Perform diagnostics on the head positioning and servo systems

2.2 READ/WRITE AND CONTROL ELECTRONICS

The electronics for the drive are packaged on two printed circuit boards, the control PCB and the Transducer PCB.

Q2000 FIXED DISK DRIVE

2.2.1 TRANSDUCER PCB

The Transducer PCB contains the following circuits:

Optical position encoder detector circuits

Raw track 0 detector circuit

AGC circuit for position sensors

Head select diode matrix

Actuator motor connections

Drive capacity option jumpers

2.2.2 CONTROL PCB

The main PCB contains the following circuits:

Index detector circuit

Head positioning actuator circuits

Microprocessor (with ROM Program*) for
diagnostics and head positioning control

Read/write amplifier/drivers

Head select circuits

Drive select circuit

Drive ready circuit

Write fault detection circuit

Power on reset circuit

Track 0 detection circuit

2.3 DRIVE MECHANISM

The spindle rotates at 3000 rpm through a belt drive from an AC motor. Either 50 or 60Hz power is accommodated by changing the motor drive pulley and belt. 220/230VAC operation can be utilized by a motor change. (See Appendix C)

* © Quantum Corp. 1981

Q2000 FIXED DISK DRIVE

2.4 READ/WRITE HEAD AND DISKS

The recording media is a lubricated thin magnetic oxide coated on an 8 inch (200mm) diameter aluminum substrate. This lubricated coating formulation, together with the low load force/low mass Winchester type flying heads permit reliable contact start/stop operation. To protect recorded data, heads are positioned in a landing zone inside of cylinder 511 when the disks are not up to speed.

2.5 HEAD POSITIONING SYSTEM

The head positioning system consists of three major elements: rotary torque motor actuator, optical track position encoder, and temperature compensation servo.

2.5.1 ROTARY TORQUE MOTOR ACTUATOR (FIG. 3)

The read/write heads are mounted on counterbalanced arms attached to the hub of the rotary torque motor. This configuration applies a pure torque to the rotor. The balanced system maximizes bearing life and leads to high mechanical stability and maximum vibration resistance.

The motor is of simple construction consisting of a ring magnet, two flat plate pole pieces, a single plane moving coil and two bearings. This system is faster than stepper motors and its performance matches many voice coil actuator systems.

2.5.2 OPTICAL TRACK POSITION ENCODER

The optical track position encoder is a proven technology utilizing a highly reliable photo etched scale, an LED light source and photodiode sensors. The encoder components are located inside the bubble with the scale attached to the lowermost actuator arm.

2.5.3 TEMPERATURE COMPENSATION SERVO

The temperature compensation (fine) servo obtains position feedback directly from the disk surface once per revolution. This track location coding is embedded between the last inter-record gap and the index pulse. Writing is inhibited by the drive during this time but reading is not. The 1F or 2F servo signal will appear on the MFM read data lines. Compatibility is maintained with like drives by reducing the disk rotational speed by 4%. This servo method places no restrictions on format and allows the same data rate and track capacity as other comparable competitive units.