


RECOMP II



SYSTEM
REFERENCE
SCHEMATICS

RECOMP II

SYSTEM
REFERENCE
SCHEMATICS

20 August 1959

Publication 508-T-11

Autonetics  **Industrial Products**
A DIVISION OF NORTH AMERICAN AVIATION, INC. 3584 WILSHIRE BOULEVARD, LOS ANGELES 5, CALIFORNIA

PREFACE

This manual is 1 of a set of 5 published by Autonetics to provide maintenance information on the RECOMP II computer system.

System Service Manual: Publication No. 508-T-6
Computer Service Manual: Publication No. 508-T-7
Input-Output Service Manual: Publication No. 508-T-8
Test Equipment Service Manual: Publication No. 508-T-9
System Reference Schematics: Publication No. 508-T-11

The block diagram of figure 1 illustrates each system component and shows its applicable service manual. In brief, the scope of each RECOMP II service manual is as follows:

System Service Manual: This manual describes the general concept of RECOMP II maintenance and provides operating instructions for checkout of the computer system using the system tester and both manual and automatic test routines. The goal of these system test procedures is to isolate malfunctions to a specific operational area or system component.

Computer Service Manual: This manual describes the operational components located in the computer assembly, including memory unit, power circuits, and signal circuits. It also provides maintenance instructions and adjustments for computer components, and gives a detailed set of test procedures for computer circuit boards using the component tester.

Input-Output Service Manual: This manual describes the operational characteristics of RECOMP II input-output equipment (control console, typewriter, tape reader, and tape punch). It also provides maintenance and test instructions for these input-output devices and the associated desk assembly.

Test Equipment Service Manual: This manual describes the functional characteristics of the system tester and component tester. It also provides maintenance and test instructions for these two RECOMP II test equipments.

System Reference Schematics: This publication provides a set of schematics, assembly drawings, wiring charts, and signal charts for each system component; i. e., computer, desk, control console, tape reader, typewriter, and tape punch.

SYSTEM REFERENCE SCHEMATICS

This publication contains reference schematics and parts location diagrams of the electrical assemblies and basic plug-in circuits of the RECOMP II computer system. An apparatus list is provided with each parts location diagram.

For the signal circuit boards of the computer, one schematic and one parts location diagram is shown for each board type. However, because most designations of input and output signals of each board differ from those of other identical boards, signal charts are presented for the computer. These charts list the signals and voltages present at the terminals of all connectors.

Reference schematics presented in this supplement are used in conjunction with the following service manuals:

RECOMP II Computer Service Manual
RECOMP II Input-Output Service Manual
RECOMP II Test Equipment Service Manual
RECOMP II System Service Manual

Minor changes in basic electronic circuits or assemblies may be made from time to time to increase reliability of the system components. Therefore, these schematics are for reference only, and when an up-to-date drawing is required for repair or troubleshooting, it should be requested from Industrial Products, Field Service Department, Autonetics. Component schematics appear in the following order:

Computer
Desk
Control console
Photoelectric tape reader
Typewriter
Tape punch
Component tester
System tester

LIST OF ILLUSTRATIONS

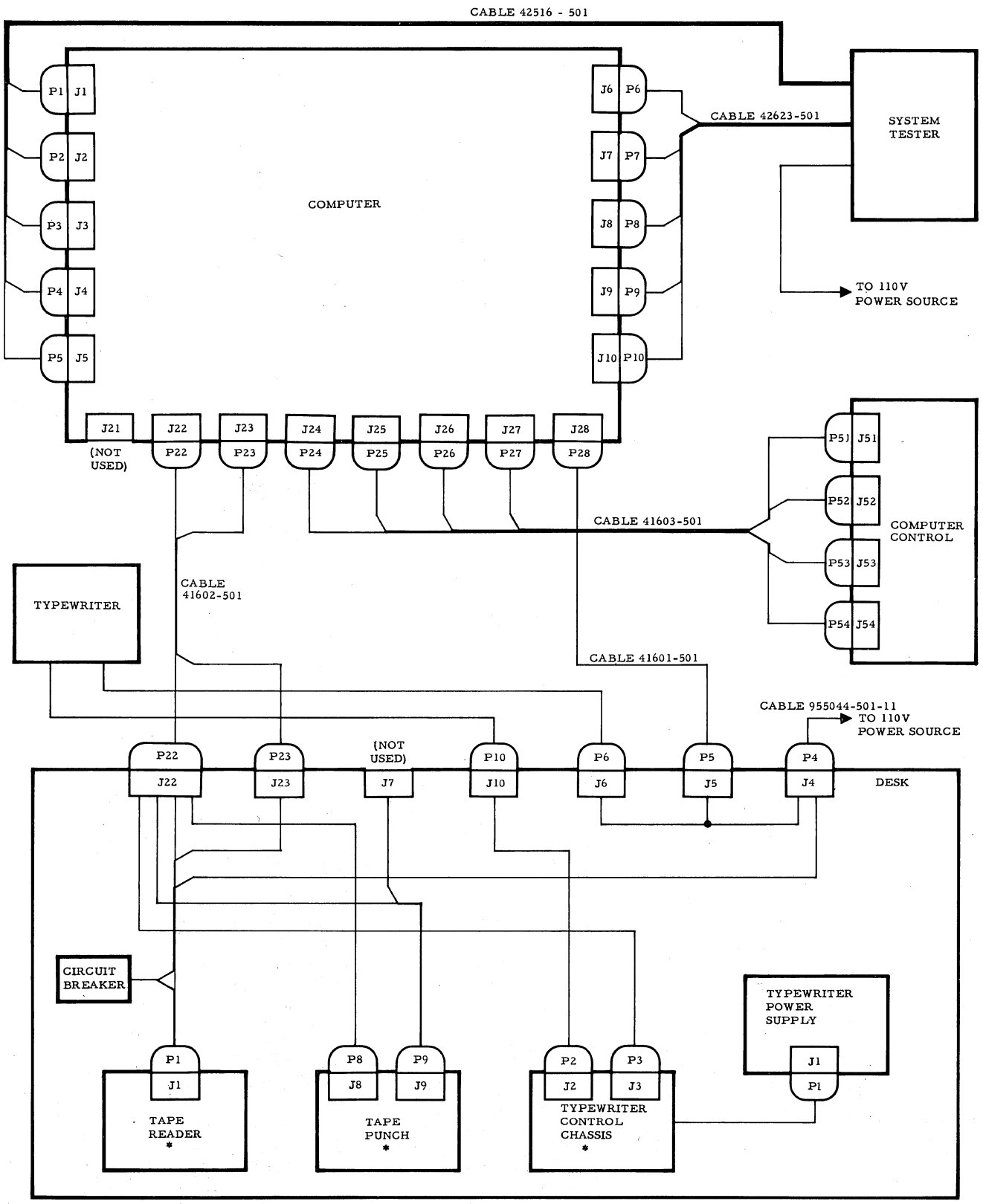
COMPUTER

Figure	Page
1. Computer Cabling Diagram	5
2. Computer Connector Signal Chart	7
3. Circuit Board Connector Signal Chart	8
4. Computer, Digital Assembly Diagram (41570-501)	14
5. Computer Frame Assembly (41595-501)	17
6. Computer Power Supply Assembly (41567-501)	18
7. Computer Power Supply Schematic	19
8. Clock Power Amplifier No. 1 Parts Location Diagram (57314-501)	20
9. Clock Power Amplifier No. 1 Schematic (57315-501)	21
10. Clock Power Amplifier No. 2 Parts Location Diagram (57347-501)	22
11. Clock Power Amplifier No. 2 Schematic (57412-501).	23
12. Write Switching Circuit Board Parts Location Diagram (57341-501)	24
13. Write Switching Circuit Board Schematic (57413-501)	25
14. Write Amplifier Circuit Board Parts Location Diagram (57339-501)	26
15. Write Amplifier Circuit Board Schematic (57415-501)	27
16. Read Switching Circuit Board Parts Location Diagram (57335-501)	28
17. Read Switching Circuit Board Schematic (57416-501).	29
18. Read Amplifier Circuit Board Parts Location Diagram (57337-501)	30
19. Read Amplifier Circuit Board Schematic (57414-501)	31
20. Logic Circuit Board Parts Location Diagram (57343-501)	32
21. Logic Circuit Board Schematic (57344-501)	33
22. Logic Flip-Flop Circuit Board Parts Location Diagram (57333-501)	34
23. Logic Flip-Flop Circuit Board Schematic (57417-501)	35
24. Network Circuit Board Parts Location Diagram (65524-501)	36
25. Network Circuit Board Schematic (65525-501).	37
26. Relay Control, Power Supply Circuit Board Parts Location Diagram (57965-501)	38
27. Relay Control, Power Supply Circuit Board Schematic (57933-501)	39
28. -18-, -100-, -3-Volt Power Supply Circuit Board Parts Location Diagram (57354-501)	40

LIST OF ILLUSTRATIONS

COMPUTER

<u>Figure</u>		<u>Page</u>
29.	-18-, -100-, -3-Volt Power Supply Circuit Board Schematic (57355-501)	41
30.	-12-, 75-Volt Power Supply Circuit Board Parts Location Diagram (57351-501)	42
31.	-12-, +75-Volt Power Supply Circuit Board Schematic (57352-501).	43
32.	+6-, -6-, +0.75-Volt Power Supply Circuit Board Parts Location Diagram (57349-501)	44
33.	+6-, -6-, 0.75-Volt Power Supply Circuit Board Schematic (57411-501).	45
34.	Network Power Supply Circuit Board Parts Location Diagram (57910-501)	46
35.	Network Power Supply Circuit Board Schematic (57911-501) . . .	47
36.	Network-Filter Power Supply Circuit Board Parts Location Diagram (57913-501)	48
37.	Network-Filter Power Supply Circuit Board Schematic (57914-501)	49



*NOTE:
 DESK INTERCONNECTIONS ARE MADE
 WITH CABLE 55060-501

RC1-196

Figure 1. Computer Cabling Diagram

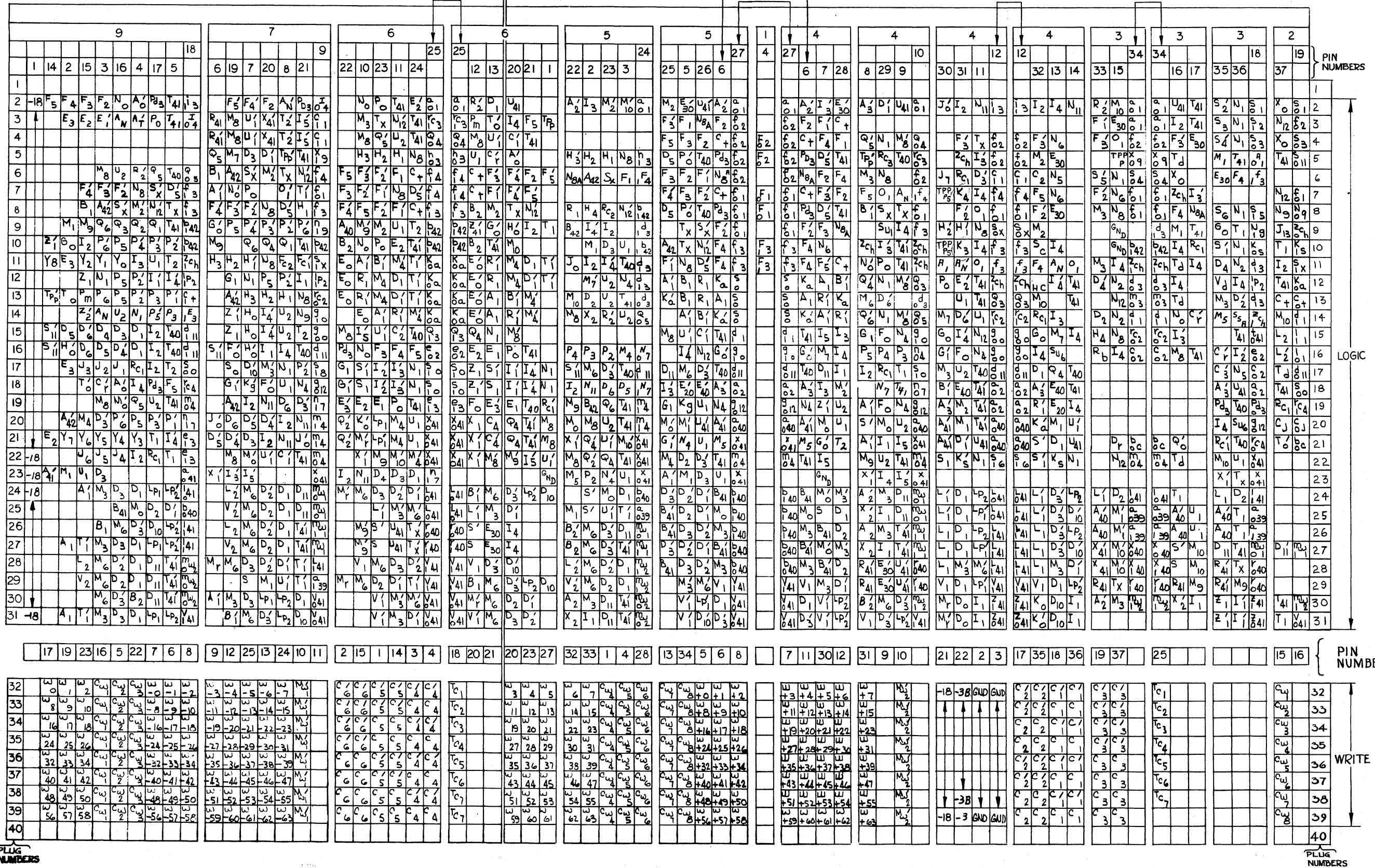


Figure 3. Circuit Board Connector Signal Chart (Sheet 1 of 6)

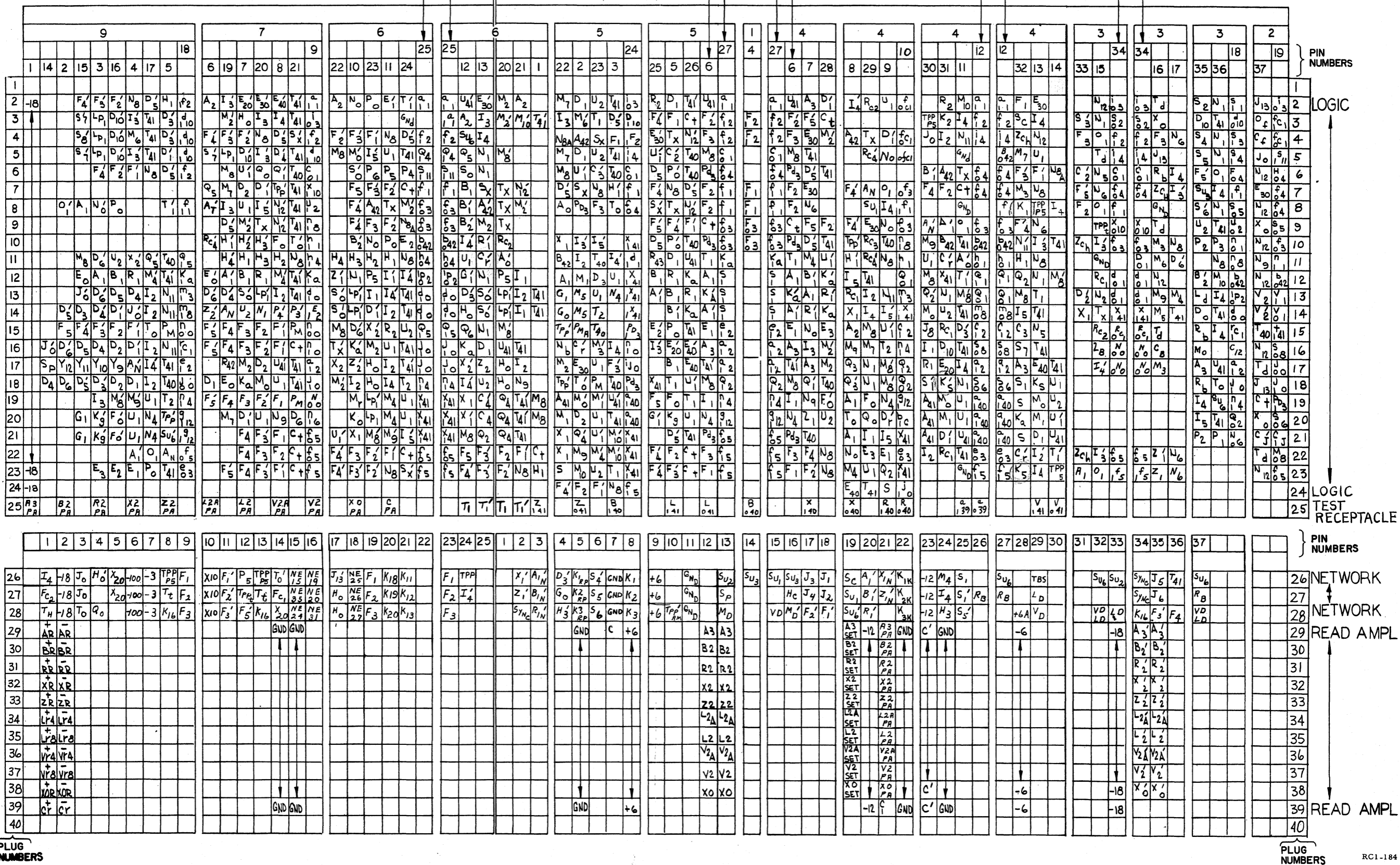


Figure 3. Circuit Board Connector Signal Chart (Sheet 3 of 6)

100-200 PLUG SERIES-SIDE #2

(141 THROUGH 180) 100 ← → 200 (241 THROUGH 280)

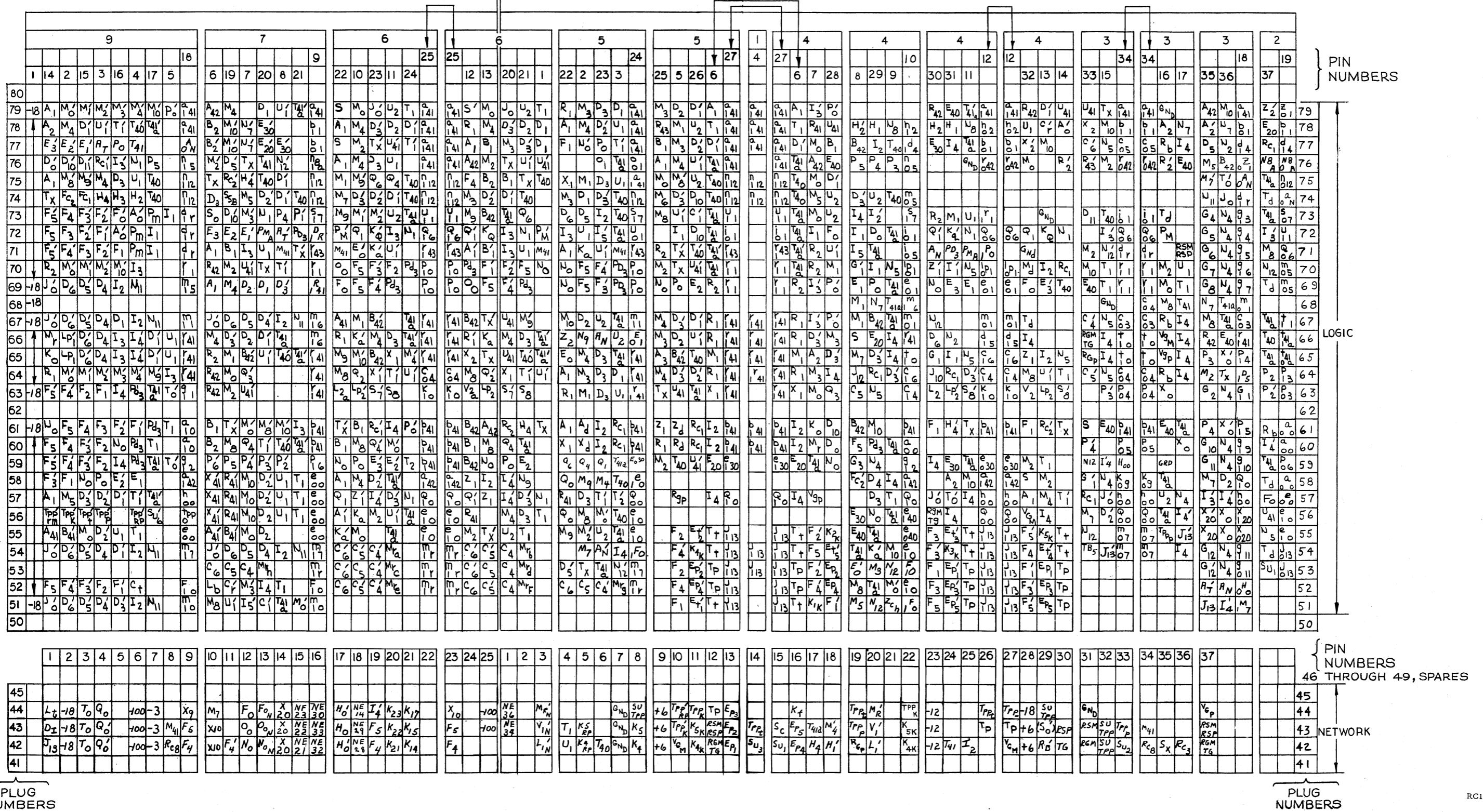


Figure 3. Circuit Board Connector Signal Chart (Sheet 4 of 6)

300 SERIES SIDE # 2
(341 THROUGH 380)

VOLTAGE LEVELS

1				2				3				4				VOLTAGE LEVELS							PIN NUMBERS														
TP SET	INPUT	OUTPUT	TP OUTPUT	TP SET	INPUT	OUTPUT	TP OUTPUT	TP SET	INPUT	OUTPUT	TP OUTPUT	TP SET	INPUT	OUTPUT	TP OUTPUT	TP SET	INPUT	OUTPUT	TP OUTPUT	GND	GND	-6'		+6	-12V	CLOCK	PAD RES	PAD RES									
80																												80									
79	D4	d 14	D 4	D 4	B1	b 1	B 1	M9	m 9	M 9	M 9	Z1	z 1	Z 1	Z 1													79									
78	H 2	h 2	H 2	H 2	B1	b 1	B 1	T 2	t 2	T 2	T 2	D 2	d 2	D 2	D 2													78									
77	A1	a 1	A 1	A 1	O1	o 1	O 1	U 4	u 4	U 4	U 4	C 5	c 5	C 5	C 5													77									
76	N 5	n 5	N 5	N 5	N 5	n 5	N 5	X 1	x 1	X 1	X 1	R 5	r 5	R 5	R 5													76									
75	N 12	n 12	N 12	N 12	A N	a n	A N	P M A	p m a	P M A	P M A	D 6	d 6	D 6	D 6													75									
74																												74									
73	G 3	g 3	G 3	G 3	S 7	s 7	S 7	U 1	u 1	U 1	U 1	N 11	n 11	N 11	N 11													73									
72	G 4	g 4	G 4	G 4	D 7	d 7	D 7	Q 6	q 6	Q 6	Q 6	I 1	i 1	I 1	I 1													72									
71	G 5	g 5	G 5	G 5	R 43	r 43	R 43	R 43	r 43	R 43	R 43	I 5	i 5	I 5	I 5													71									
70	G 6	g 6	G 6	G 6	M 5	m 5	M 5	M 5	m 5	M 5	M 5	L P 1	l p 1	L P 1	L P 1													70									
69	G 7	g 7	G 7	G 7	E 1	e 1	E 1	R 1	r 1	R 1	R 1	I 2	i 2	I 2	I 2													69									
68																													68								
67	M 1	m 1	M 1	M 1	M 6	m 6	M 6	C 3	c 3	C 3	C 3	E 20	e 20	E 20	E 20													67									
66	T 4	t 4	T 4	T 4	T 1	t 1	T 1	D 5	d 5	D 5	D 5	P M	p m	P M	P M													66									
65	T 0	t 0	T 0	T 0	R 4	r 4	R 4	C 6	c 6	C 6	C 6	K 0	k 0	K 0	K 0													65									
64	P 4	p 4	P 4	P 4	P 3	p 3	P 3	T 4	t 4	T 4	T 4	P 0	p 0	P 0	P 0													64									
63	G 1	g 1	G 1	G 1	G 3	g 3	G 3	T 4	t 4	T 4	T 4	P 0	p 0	P 0	P 0													63									
62																													62								
61	P 2	p 2	P 2	P 2	B 4	b 4	B 4	A 0	a 0	A 0	A 0	A 0	0 0	0 0	0 0													61									
60	G 9	g 9	G 9	G 9	P 5	p 5	P 5	E 30	e 30	E 30	E 30	G 2	g 2	G 2	G 2													60									
59	G 10	g 10	G 10	G 10	P 6	p 6	P 6	T P	t p	T P	T P	K G	k g	K G	K G													59									
58	A 42	a 42	A 42	A 42	A 40	a 40	A 40	T P	t p	T P	T P	K G	k g	K G	K G													58									
57	Q 0	q 0	Q 0	Q 0	M 5	m 5	M 5	K 0	k 0	K 0	K 0	H 0	h 0	H 0	H 0													57									
56																													56								
55	M 7	m 7	M 7	M 7	J 13	j 13	J 13	A T	a t	A T	A T	F 2	f 2	F 2	F 2													55									
54	C r	c r	C r	C r	U 2	u 2	U 2	G 11	g 11	G 11	G 11	F 0	f 0	F 0	F 0													54									
53	T x	t x	T x	T x	G 8	g 8	G 8	M 0	m 0	M 0	M 0	M 0	0 0	0 0	0 0													53									
52																													52								
51																													51								
50																													50								
	1	2	3	4	5	6	7	8	9	10	11	12	13	14	15	16	17	18	19	20	21	22	23	24	25	26	27	28	29	30	31	32	33	34	35	36	37
49	MR 54	MR 57	MR 58	MR 58	MR 61	MR 62	MR 62	+6	MR 14	MR 16	MR 16	-18 C1	C3	-12	CR 7	CR 5	CR 5	CR 1	MR 56	MR 57	MR 58	MR 58	MR 59	MR 60	MR 61	MR 62	GND	GND	GND	GND	C2	CR 1	CR 2	CR 2	49		
48	MR 48	MR 49	MR 50	MR 51	MR 52	MR 52	MR 54		MR 16	MR 16	MR 16	C1	C3		CR 7	CR 5	CR 5	CR 1	MR 48	MR 49	MR 50	MR 51	MR 52	MR 53	MR 54	MR 55	GND	GND	GND	GND	C2	CR 2	CR 3	CR 4	48		
47	MR 40	MR 41	MR 42	MR 43	MR 44	MR 45	MR 46		MR 17	MR 17	MR 17	C1	C3		CR 7	CR 5	CR 5	CR 1	MR 40	MR 41	MR 42	MR 43	MR 44	MR 45	MR 46	MR 47	GND	GND	GND	GND	C2	CR 3	CR 4	CR 5	47		
46	MR 30	MR 33	MR 34	MR 35	MR 36	MR 37	MR 38		MR 18	MR 18	MR 18	C1	C3		CR 7	CR 5	CR 5	CR 1	MR 30	MR 33	MR 34	MR 35	MR 36	MR 37	MR 38	MR 39	GND	GND	GND	GND	C2	CR 4	CR 5	CR 6	46		
45	MR 24	MR 25	MR 26	MR 27	MR 28	MR 29	MR 30		MR 19	MR 19	MR 19	C1	C3		CR 7	CR 5	CR 5	CR 1	MR 24	MR 25	MR 26	MR 27	MR 28	MR 29	MR 30	MR 31	GND	GND	GND	GND	C2	CR 5	CR 6	CR 7	45		
44	MR 16	MR 17	MR 18	MR 19	MR 20	MR 21	MR 22		MR 20	MR 20	MR 20	C1	C3		CR 7	CR 5	CR 5	CR 1	MR 16	MR 17	MR 18	MR 19	MR 20	MR 21	MR 22	MR 23	GND	GND	GND	GND	C2	CR 6	CR 7	CR 8	44		
43	MR 8	MR 9	MR 10	MR 11	MR 12	MR 13	MR 14		MR 21	MR 21	MR 21	C1	C3		CR 7	CR 5	CR 5	CR 1	MR 8	MR 9	MR 10	MR 11	MR 12	MR 13	MR 14	MR 15	GND	GND	GND	GND	C2	CR 7	CR 8	CR 9	43		
42	MR 0	MR 1	MR 2	MR 3	MR 4	MR 5	MR 6	+6	MR 22	MR 22	MR 22	-18 C1	C3	-12	CR 7	CR 5	CR 5	CR 1	MR 0	MR 1	MR 2	MR 3	MR 4	MR 5	MR 6	MR 7	GND	GND	GND	GND	C2	CR 8	CR 9	CR 4	42		
41									MR 7	MR 7	MR 7								MR 7	MR 8	MR 9	MR 10	MR 11	MR 12	MR 13	MR 14	GND	GND	GND	GND	C2	CR 9	CR 4	CR 2	41		

FLIP-FLOPS

READ SWITCHES

Figure 3. Circuit Board Connector Signal Chart (Sheet 5 of 6)

400-500 PLUG SERIES SIDE #2

(541 through 500) 500 ← → 400 (441 through 480)

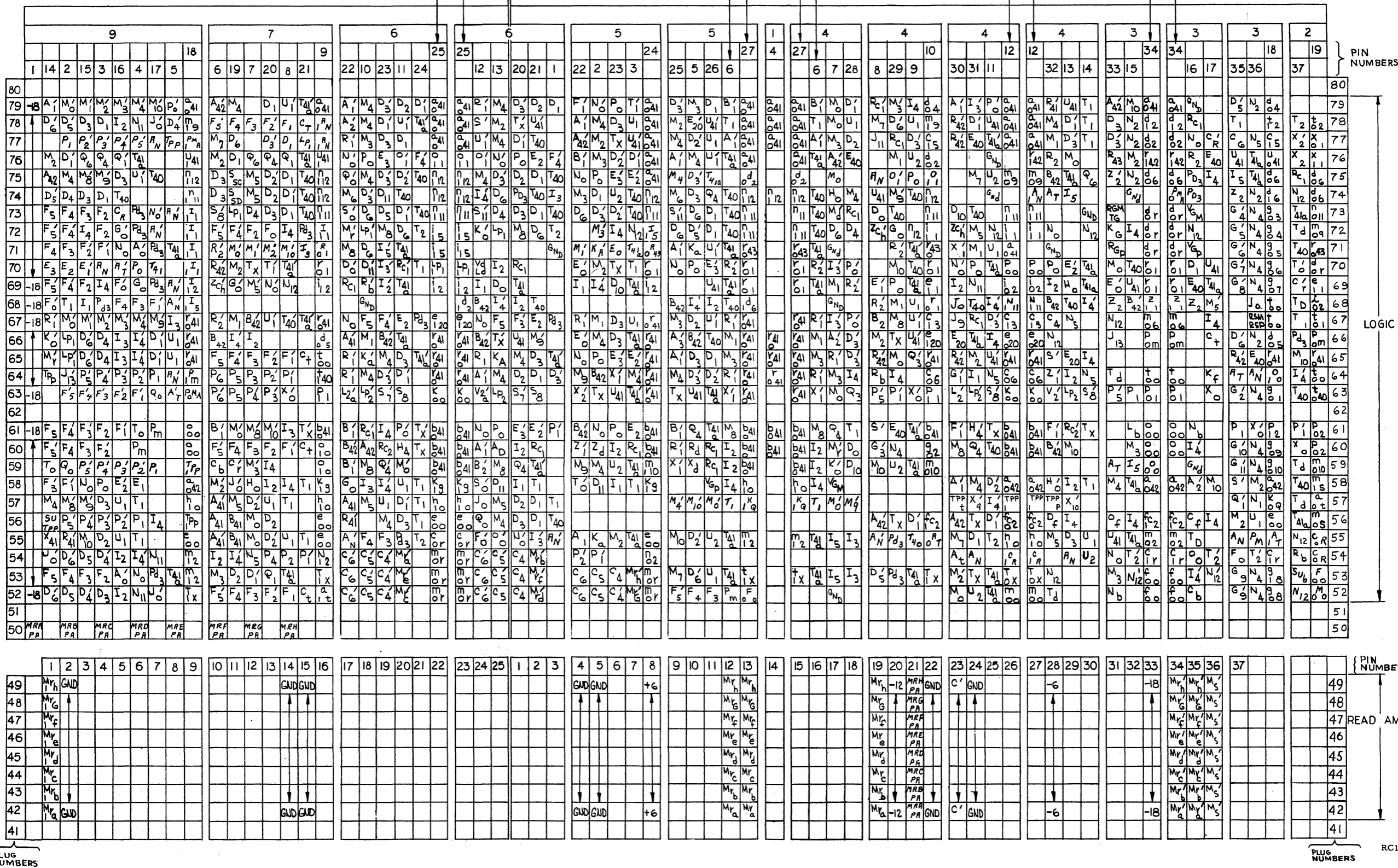
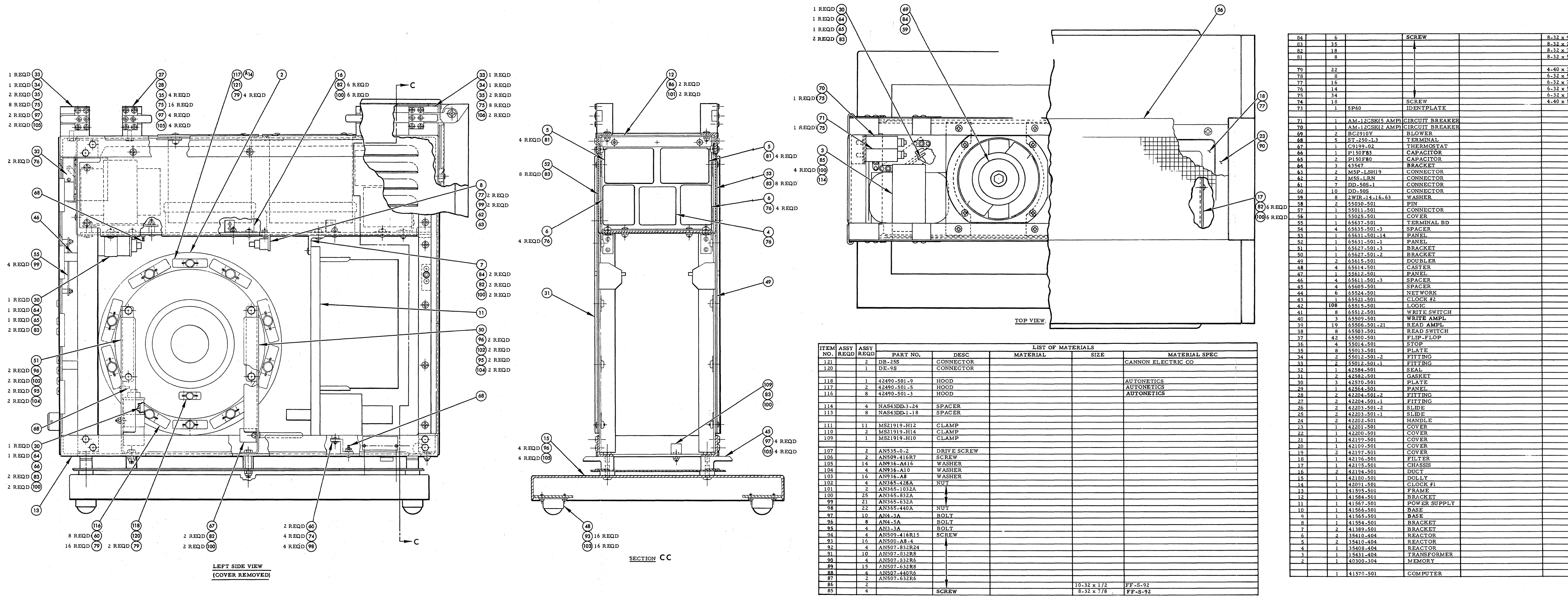


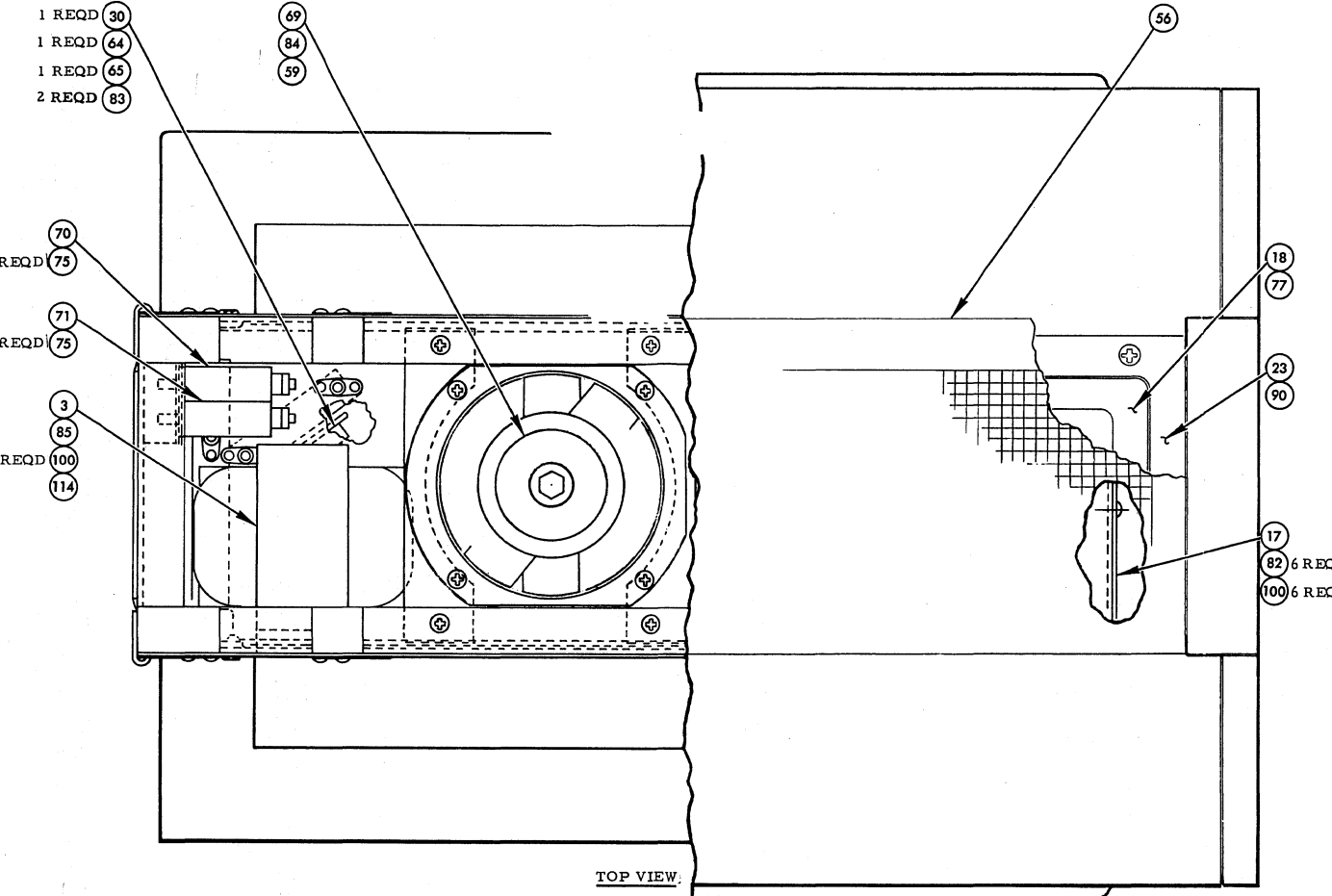
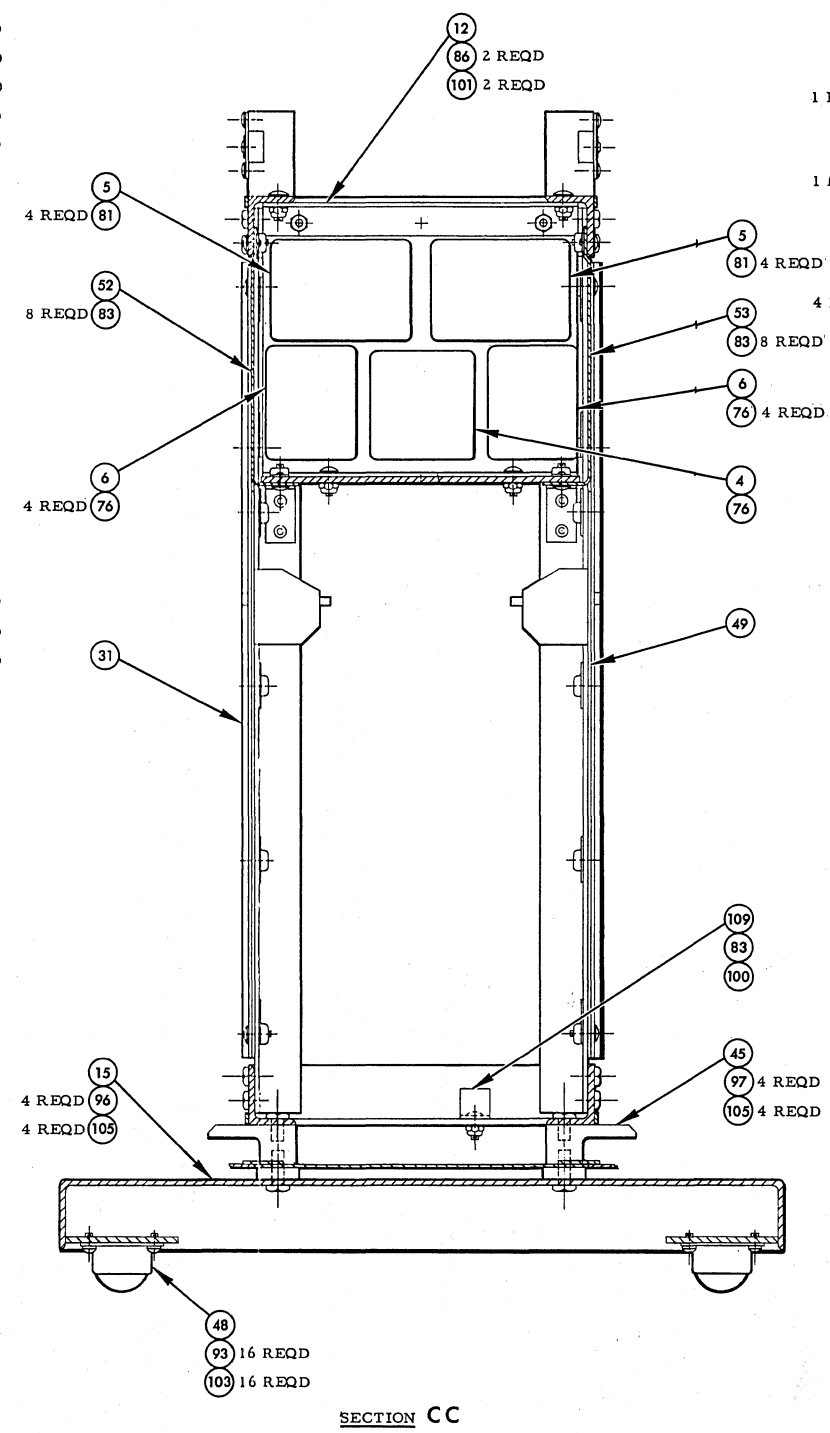
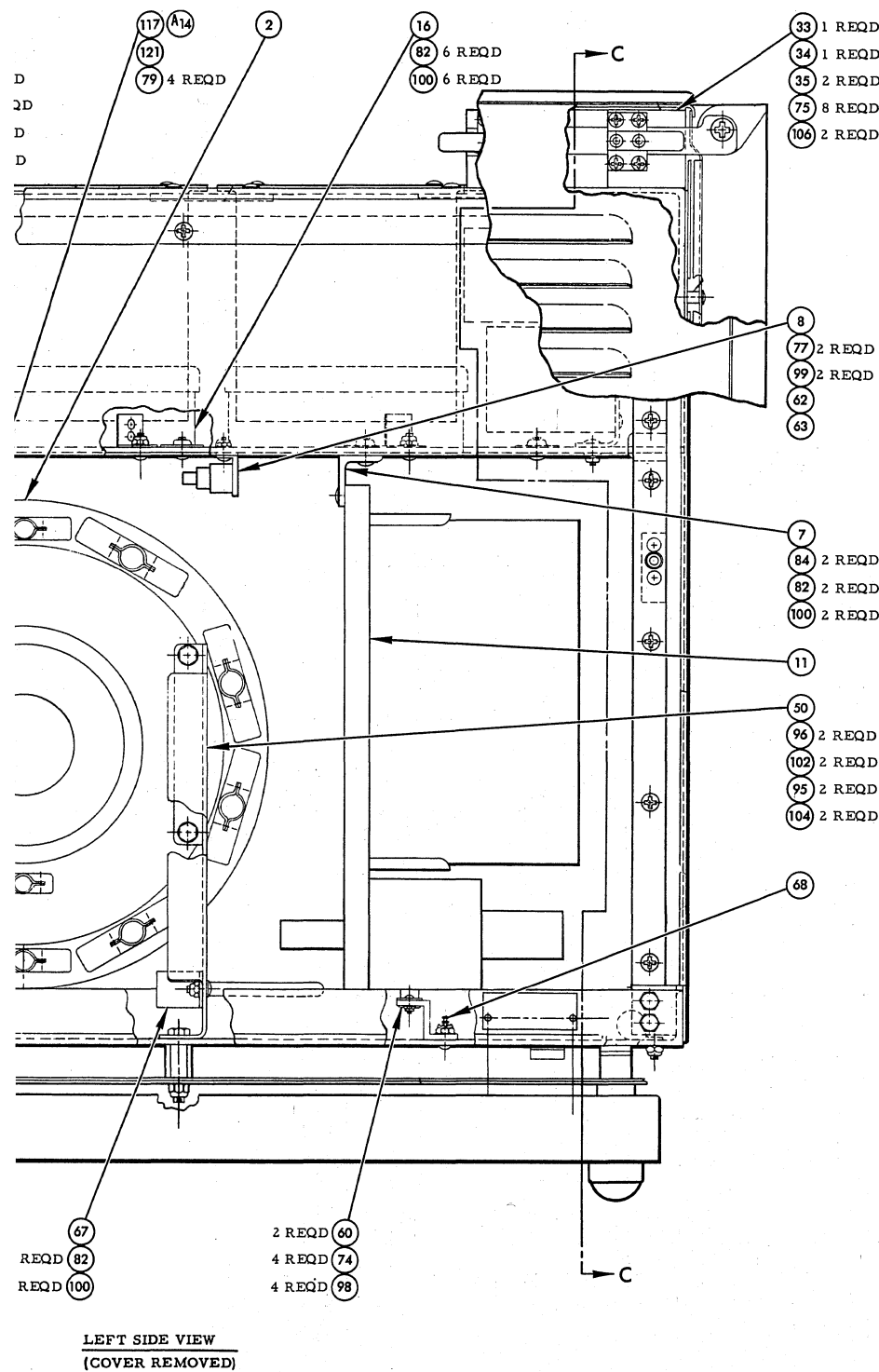
Figure 3. Circuit Board Connector Signal Chart (Sheet 6 of 6)



ITEM NO.	ASSY REQD	ASSY REQD	PART NO.	DESC	MATERIAL	SIZE	MATERIAL SPEC
121	2		DB-25S	CONNECTOR			CANNON ELECTRIC CO
120	1		DE-9S	CONNECTOR			
118	1		42490-501-9	HOOD			AUTONETICS
117	2		42490-501-5	HOOD			AUTONETICS
116	8		42490-501-3	HOOD			AUTONETICS
114	4		NAS43DD-3-24	SPACER			
113	8		NAS43DD-1-18	SPACER			
111	11		MS21919-H12	CLAMP			
110	2		MS21919-H14	CLAMP			
109	1		MS21919-H10	CLAMP			
107	2		AN535-0-2	DRIVE SCREW			
106	2		AN509-416R7	SCREW			
105	14		AN936-A416	WASHER			
104	4		AN936-A10	WASHER			
103	16		AN936-A8	WASHER			
102	4		AN365-428A	NUT			
101	2		AN365-1032A	NUT			
100	25		AN365-832A	NUT			
99	21		AN365-632A	NUT			
98	22		AN365-440A	NUT			
97	10		AN4-3A	BOLT			
96	8		AN4-5A	BOLT			
95	4		AN3-3A	BOLT			
94	4		AN509-416R15	SCREW			
93	16		AN500-A8-4	SCREW			
92	4		AN507-832R24	SCREW			
91	10		AN507-832R8	SCREW			
90	4		AN507-832R6	SCREW			
89	15		AN507-632R8	SCREW			
88	4		AN507-440R6	SCREW			
87	2		AN507-632R6	SCREW			
86	2			SCREW		10-32 x 1/2	FF-S-92
85	4			SCREW		8-32 x 7/8	FF-S-92

84	6		SCREW		8-32 x 9
83	35				8-32 x 1
82	18				8-32 x 7
81	8				8-32 x 5
79	22				4-40 x 3
78	8				6-32 x 5
77	16				6-32 x 7
76	14				6-32 x 5
75	34				6-32 x 1
74	18		SCREW		8-32 x 5
73	1	5P60	IDENTPLATE		4-40 x 5
71	1	AM-12GSK(5 AMP)	CIRCUIT BREAKER		
70	1	AM-12GSK(2 AMP)	CIRCUIT BREAKER		
69	2	BC2910V	BLOWER		
68	5	ST-250-L3	TERMINAL		
67	1	C9199-02	THERMOSTAT		
66	1	P150F83	CAPACITOR		
65	2	P150F80	CAPACITOR		
64	3	42547	BRACKET		
63	2	MSP-LSH19	CONNECTOR		
62	2	MSS-LRN	CONNECTOR		
61	7	DD-505-1	CONNECTOR		
60	10	DD-505	CONNECTOR		
59	8	2WIR-14-16-63	WASHER		
58	2	55030-501	PIN		
57	1	55011-501	CONNECTOR		
56	1	55025-501	COVER		
55	1	65637-501	TERMINAL BD		
54	4	65635-501-3	SPACER		
53	1	65631-501-14	PANEL		
52	1	65631-501-1	PANEL		
51	1	65627-501-3	BRACKET		
50	1	65627-501-2	BRACKET		
49	2	65615-501	DOUBLER		
48	4	65614-501	CASTER		
47	1	65612-501	PANEL		
46	4	65611-501-3	SPACER		
45	4	65605-501	SPACER		
44	6	65524-501	NETWORK		
43	1	65521-501	CLOCK #2		
42	108	65515-501	LOGIC		
41	8	65512-501	WRITE SWITCH		
40	3	65509-501	WRITE AMPL		
39	19	65506-501-21	READ AMPL		
38	8	65503-501	READ SWITCH		
37	42	65500-501	FLIP-FLOP		
36	4	65504-501	STOP		
35	8	65503-501	PLATE		
34	2	65502-501-2	FITTING		
33	2	65502-501-1	FITTING		
32	1	42584-501	SEAL		
31	2	42582-501	GASKET		
30	3	42570-501	PLATE		
29	1	42564-501	PANEL		
28	2	42204-501-2	FITTING		
27	2	42204-501-1	FITTING		
26	2	42203-501-2	SLIDE		
25	2	42203-501-1	SLIDE		
24	2	42202-501	HANDLE		
23	1	42201-501	COVER		
22	1	42200-501	COVER		
21	1	42199-501	COVER		
20	1	42109-501	COVER		
19	2	42197-501	COVER		
18	1	42196-501	FILTER		
17	1	42195-501	CHASSIS		
16	2	42194-501	DUCT		
15	1	42180-501	DOLLY		
14	1	42091-501	CLOCK #1		
13	1	41595-501	FRAME		
12	1	41584-501	BRACKET		
11	1	41567-501	POWER SUPPLY		
10	1	41566-501	BASE		
9	1	41565-501	BASE		
8	1	41554-501	BRACKET		
7	2	41389-501	BRACKET		
6	2	35410-404	REACTOR		
5	2	35410-404	REACTOR		
4	1	35408-404	REACTOR		
3	1	15431-404	TRANSFORMER		
2	1	40300-304	MEMORY		
1	1	41570-501	COMPUTER		

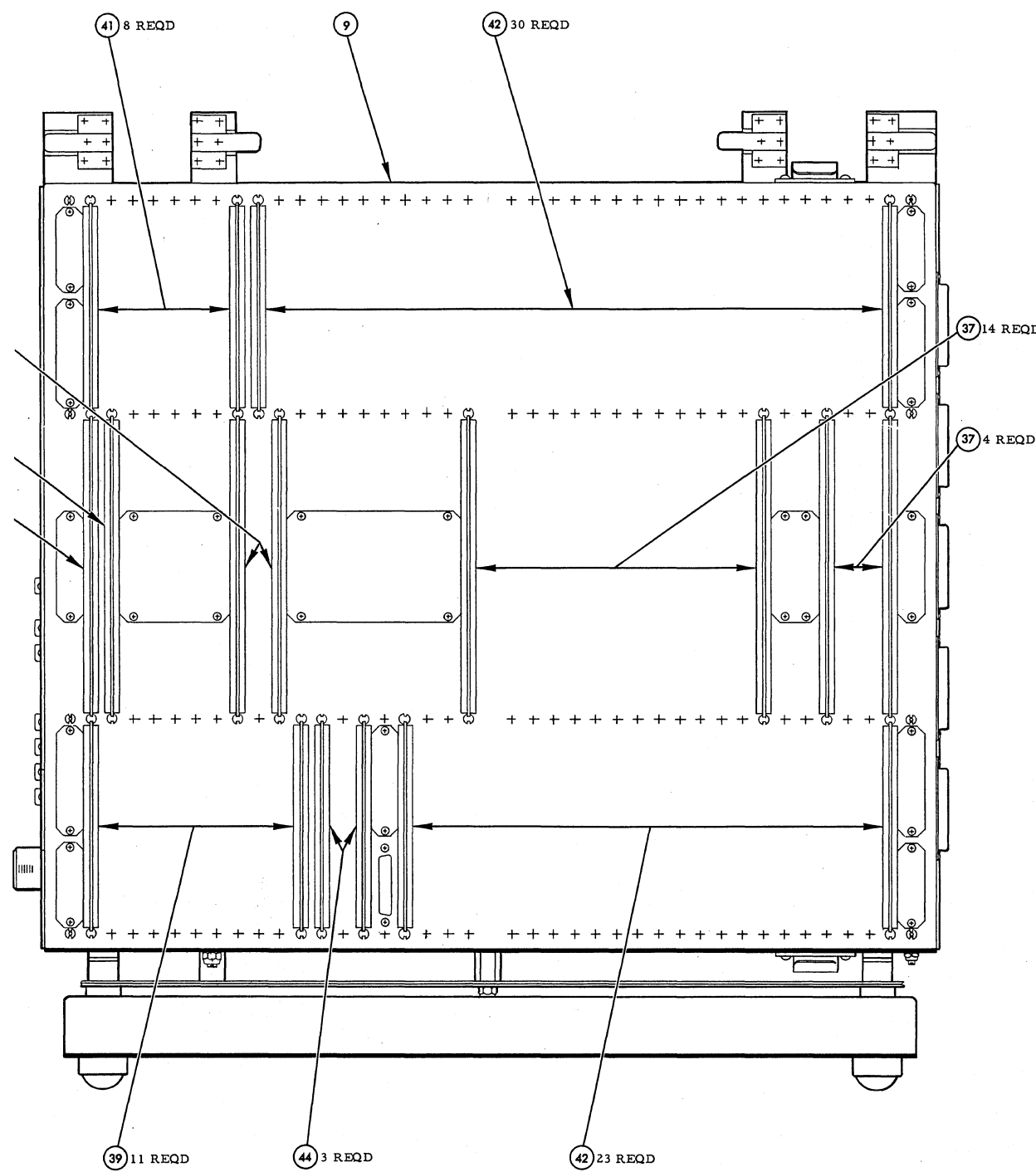
Figure 4. Computer, Digital Assembly Diagram (41570-501)
(Sheet 1 of 2)



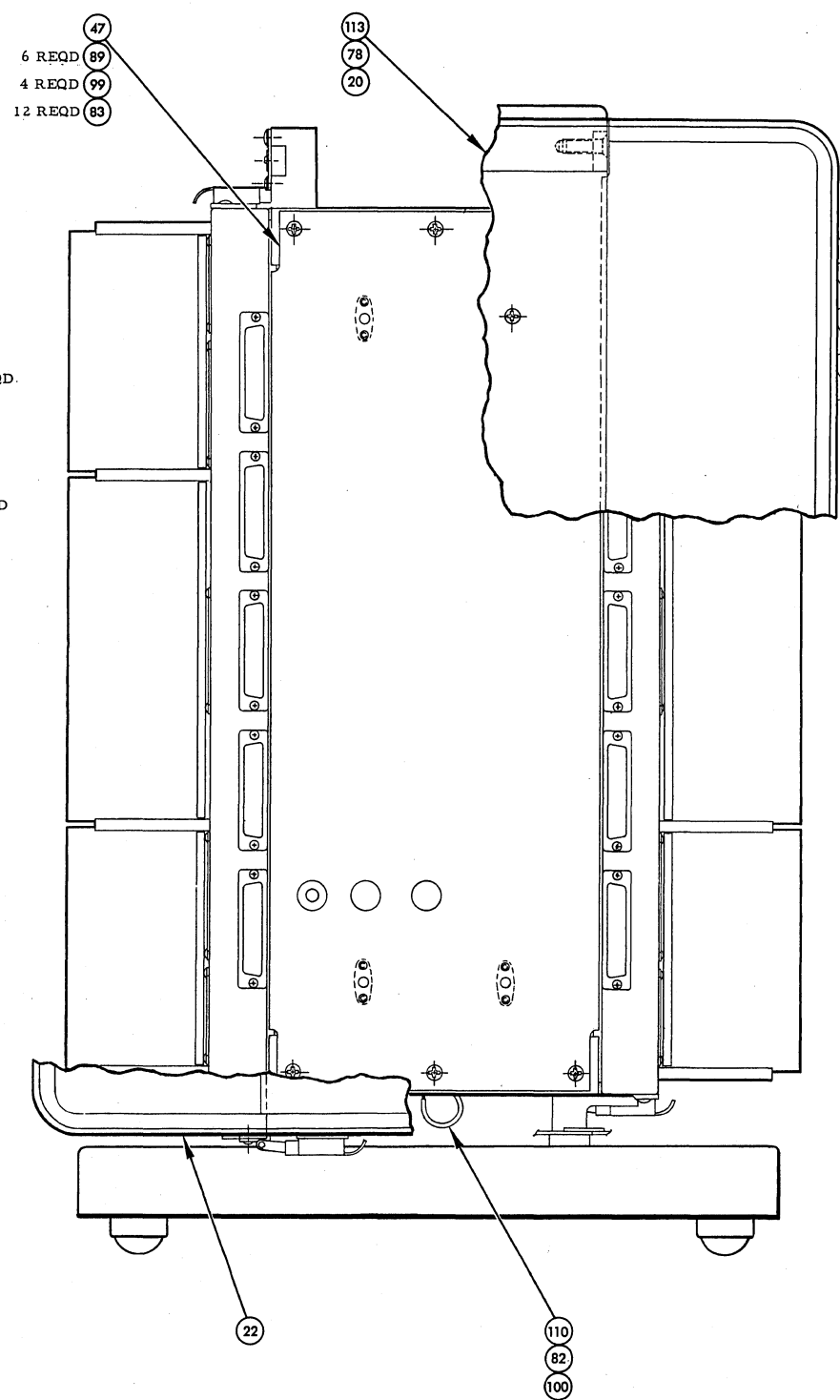
LIST OF MATERIALS						
ITEM NO.	ASSY REQD	ASSY REQD	PART NO.	DESC	MATERIAL	SIZE
121	2	1	DB-255	CONNECTOR		
120	1	1	DE-9S	CONNECTOR		
118	1	1	42490-501-9	HOOD		
117	2	2	42490-501-5	HOOD		
116	8	8	42490-501-3	HOOD		
114	4	4	NAS43DD-3-24	SPACER		
113	8	8	NAS43DD-1-18	SPACER		
111	11	11	MS21919-H12	CLAMP		
110	2	2	MS21919-H14	CLAMP		
109	1	1	MS21919-H10	CLAMP		
107	2	2	AN335-0-2	DRIVE SCREW		
106	2	2	AN509-416R7	SCREW		
105	14	14	AN936-A416	WASHER		
104	4	4	AN936-A10	WASHER		
103	16	16	AN936-A8	WASHER		
102	4	4	AN365-428A	NUT		
101	2	2	AN365-1032A	NUT		
100	25	25	AN365-832A	NUT		
99	21	21	AN365-632A	NUT		
98	22	22	AN365-440A	NUT		
97	10	10	AN4-3A	BOLT		
96	8	8	AN4-5A	BOLT		
95	4	4	AN3-3A	BOLT		
94	4	4	AN509-416R15	SCREW		
93	16	16	AN500-A8-4	SCREW		
92	4	4	AN507-832R24	SCREW		
91	10	10	AN507-832R8	SCREW		
90	4	4	AN507-832R6	SCREW		
89	15	15	AN507-632R8	SCREW		
88	4	4	AN207-440R6	SCREW		
87	2	2	AN507-632R6	SCREW		
86	2	2	AN507-632R6	SCREW		
85	4	4	SCREW		10-32 x 1/2	FF-S-92
					8-32 x 7/8	FF-S-92

84	6	SCREW		8-32 x 9/16	FF-S-92
83	35			8-32 x 1/2	
82	18			8-32 x 7/16	
81	8			8-32 x 5/16	
79	22			4-40 x 3/16	
78	8			6-32 x 5/8	
77	16			6-32 x 7/16	
76	14			6-32 x 5/16	
75	34			6-32 x 1/4	
74	18	SCREW		4-40 x 5/16	FF-S-92
73	1	5P60 IDENTPLATE			AUTONETICS
71	1	AM-12CSK(5 AMP) CIRCUIT BREAKER			HEINEMAN ELECTRIC CO
70	1	AM-12CSK(2 AMP) CIRCUIT BREAKER			HEINEMAN ELECTRIC CO
69	2	BC2910V BLOWER			INDUCTION MOTORS CORP
68	5	ST-250-L3 THERMOSTAT			SEALLECTRO CORP
67	1	C9199-02 THERMOSTAT			METALS AND CONTROLS CORP
66	1	P150F83 CAPACITOR			AEROVAX CORP
65	2	P150F80 CAPACITOR			AEROVAX CORP
64	3	43547 BRACKET			AEROVAX CORP
63	2	M5P-LSH19 CONNECTOR			WINCHESTER ELECTRONICS INC
62	2	M5S-LRN CONNECTOR			WINCHESTER ELECTRONICS INC
61	7	DD-50S-1 CONNECTOR			CANNON ELECTRIC CO
60	10	DD-50S CONNECTOR			CANNON ELECTRIC CO
59	8	ZWIR-14-16-63 WASHER			AMS 3207
58	2	55030-501 PIN			AUTONETICS
57	1	55011-501 CONNECTOR			
56	1	55025-501 COVER			
55	1	65637-501 TERMINAL BD			
54	4	65635-501-3 SPACER			
53	1	65631-501-14 PANEL			
52	1	65631-501-1 PANEL			
51	1	65627-501-3 BRACKET			
50	1	65627-501-2 BRACKET			
49	2	65615-501 DOUBLER			
48	4	65614-501 CASTER			
47	1	65612-501 PANEL			
46	4	65611-501-3 SPACER			
45	4	65605-501 SPACER			
44	6	65524-501 NETWORK			
43	1	65521-501 CLOCK #2			
42	108	65515-501 LOGIC			
41	8	65512-501 WRITE SWITCH			
40	3	65509-501 WRITE AMPL			
39	19	65506-501-21 READ AMPL			
38	8	65503-501 READ SWITCH			
37	42	65500-501 FLIP-FLOP			
36	4	55014-501 STOP			
35	8	55013-501 PLATE			
34	2	55012-501-2 FITTING			
33	2	55012-501-1 FITTING			
32	1	42584-501 SEAL			
31	2	42582-501 GASKET			
30	3	42570-501 PLATE			
29	1	42564-501 PANEL			
28	2	42204-501-2 FITTING			
27	2	42204-501-1 FITTING			
26	2	42203-501-2 SLIDE			
25	2	42203-501-1 SLIDE			
24	2	42202-501 HANDLE			
23	1	42201-501 COVER			
22	1	42200-501 COVER			
21	1	42199-501 COVER			
20	1	42109-501 COVER			
19	2	42197-501 COVER			
18	1	42196-501 FILTER			
17	1	42135-501 CHASSIS			
16	2	42124-501 DUC			
15	1	42180-501 DOLLY			
14	1	42091-501 CLOCK #1			
13	1	41595-501 FRAME			
12	1	41584-501 BRACKET			
11	1	41567-501 POWER SUPPLY			
10	1	41566-501 BASE			
9	1	41565-501 BASE			
8	1	41554-501 BRACKET			
7	2	41389-501 BRACKET			
6	2	35410-404 REACTOR			
5	2	35410-404 REACTOR			
4	1	35408-404 REACTOR			
3	1	15431-404 TRANSFORMER			
2	1	40300-304 MEMORY			
1	1	41570-501 COMPUTER			

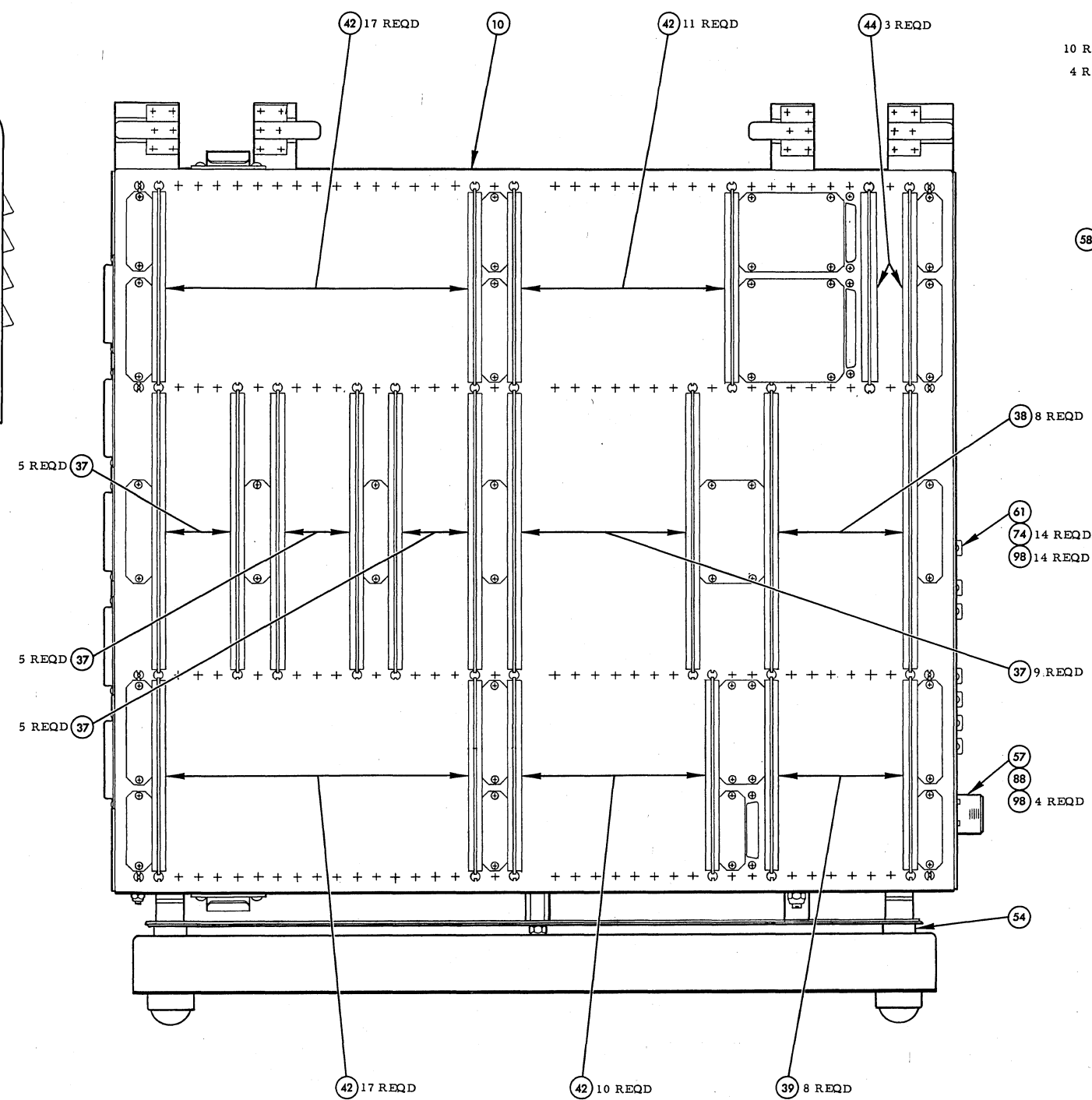
QUANTITY PER END ITEM	1	NEXT ASSY	55026-501
-----------------------	---	-----------	-----------



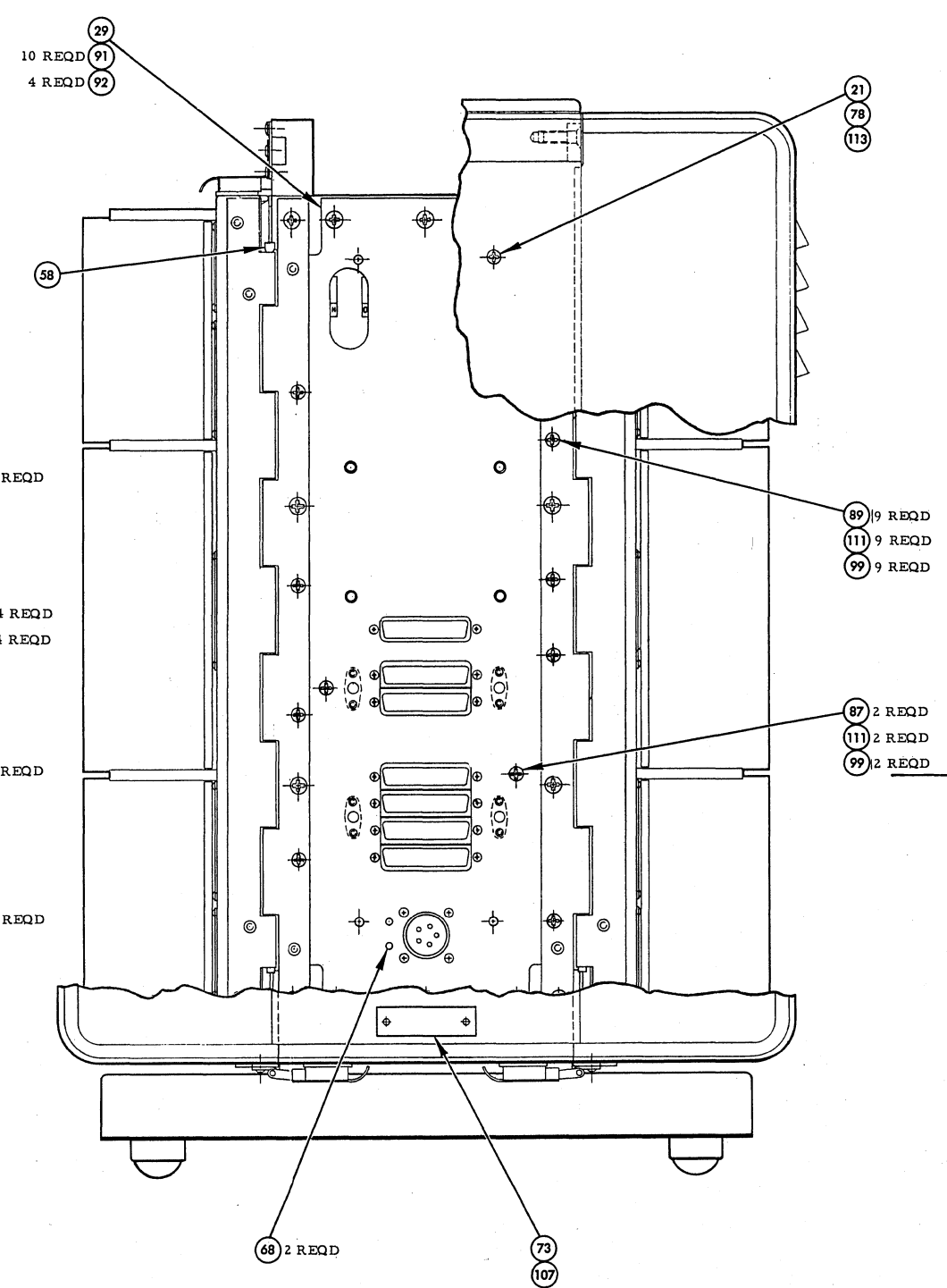
LEFT HAND CASTING



COMPUTER FRONT VIEW



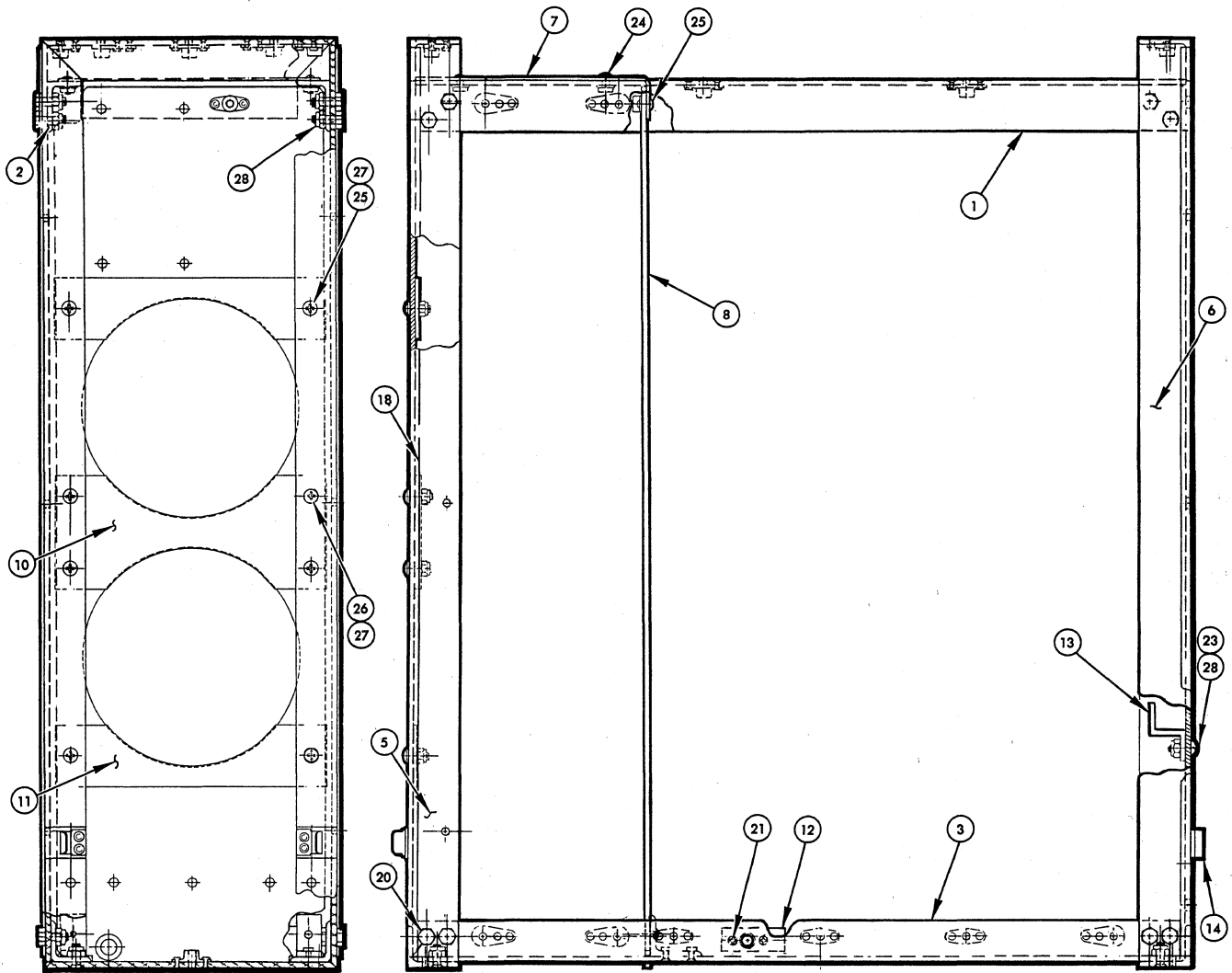
RIGHT HAND CASTING



COMPUTER BACK VIEW

NOTE: FOR ASSEMBLY PARTS LIST, REFER TO SHEET 1

Figure 4. Computer, Digital Assembly Diagram (41570-501) (Sheet 2 of 2)

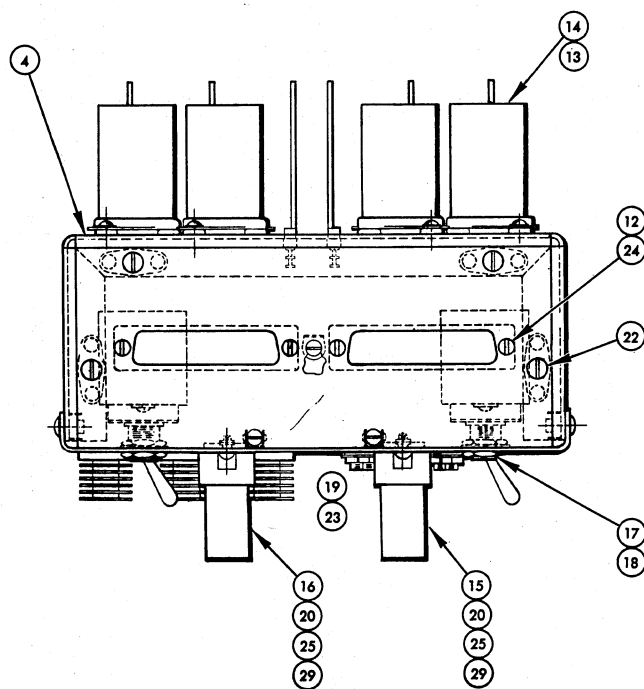
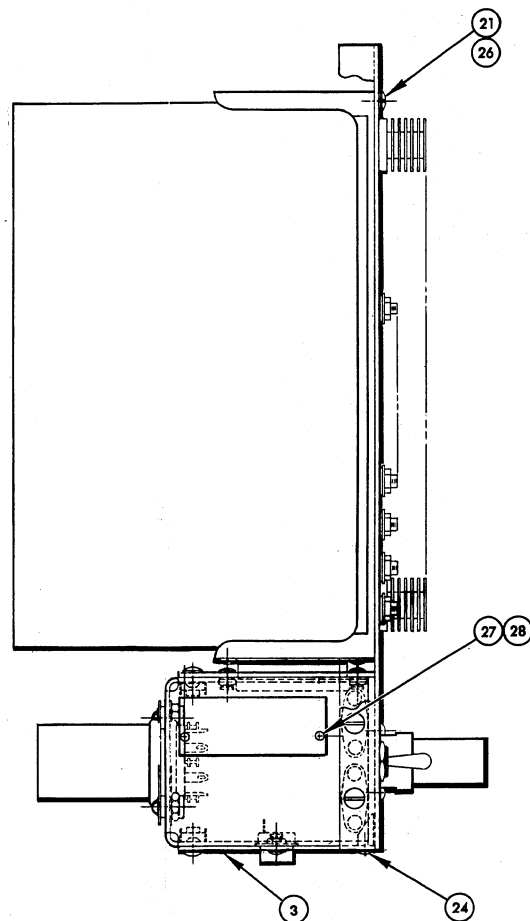
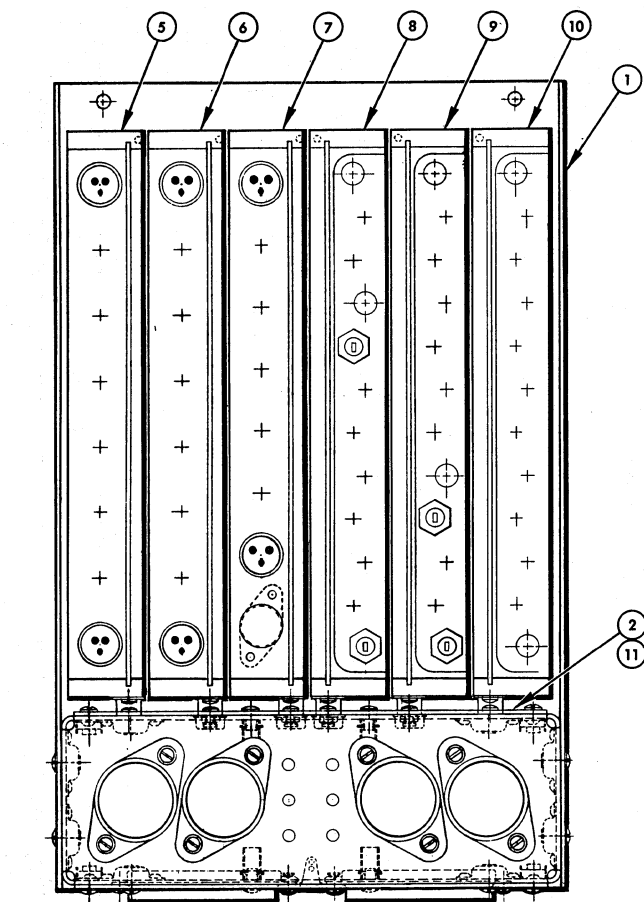


LIST OF MATERIALS							
ITEM NO.	ASSY REQD	ASSY REQD	PART NO.	DESC	MATERIAL	SIZE	MATERIAL SPEC
28		22	AN365-1032A	NUT			
27		8	AN365-832A	NUT			
26		4		SCREW		8-32 x 9/16	FF-S-92
25		7		SCREW		8-32 x 1/2	FF-S-92
24		4		SCREW		8-32 x 3/8	FF-S-92
23		2	AN520-10R10	SCREW			
22		4	AN509-10R9	SCREW			
21		4	AN507-632R5	SCREW			
20		16	AN3-4A	BOLT			
18		4	41595-501-3	GASKET	SYNTHETIC RUBBER	1/16 x 1/4 x 22-1/2	AMS3208
16		4	NO. 42	DRAWBOLT (HOOK)			EXCELSIOR HARDWARE CO.
14		2	42560-501	BASE			AUTONETICS
13		1	65649-501	BRACKET			
12		2	65657-501	SWITCH			
11		2	41598-501	BRACKET			
10		1	41597-501	BRACKET			
9		2	65693-501	PLATE			
8		1	41590-501	PANEL			
7		1	41564-501	PANEL			
6		1	65624-501	FRAME			
5		1	41596-501	FRAME			
4		1	65603-501-2	UPRIGHT			
3		1	65603-501-1	UPRIGHT			
2		1	65604-501-2	UPRIGHT			
1		1	65604-501-1	UPRIGHT			
		1	41595-501	ASSEMBLY			AUTONETICS

QUANTITY PER END ITEM	1	NEXT ASSY 41570-501
--------------------------	---	------------------------

RCL-113

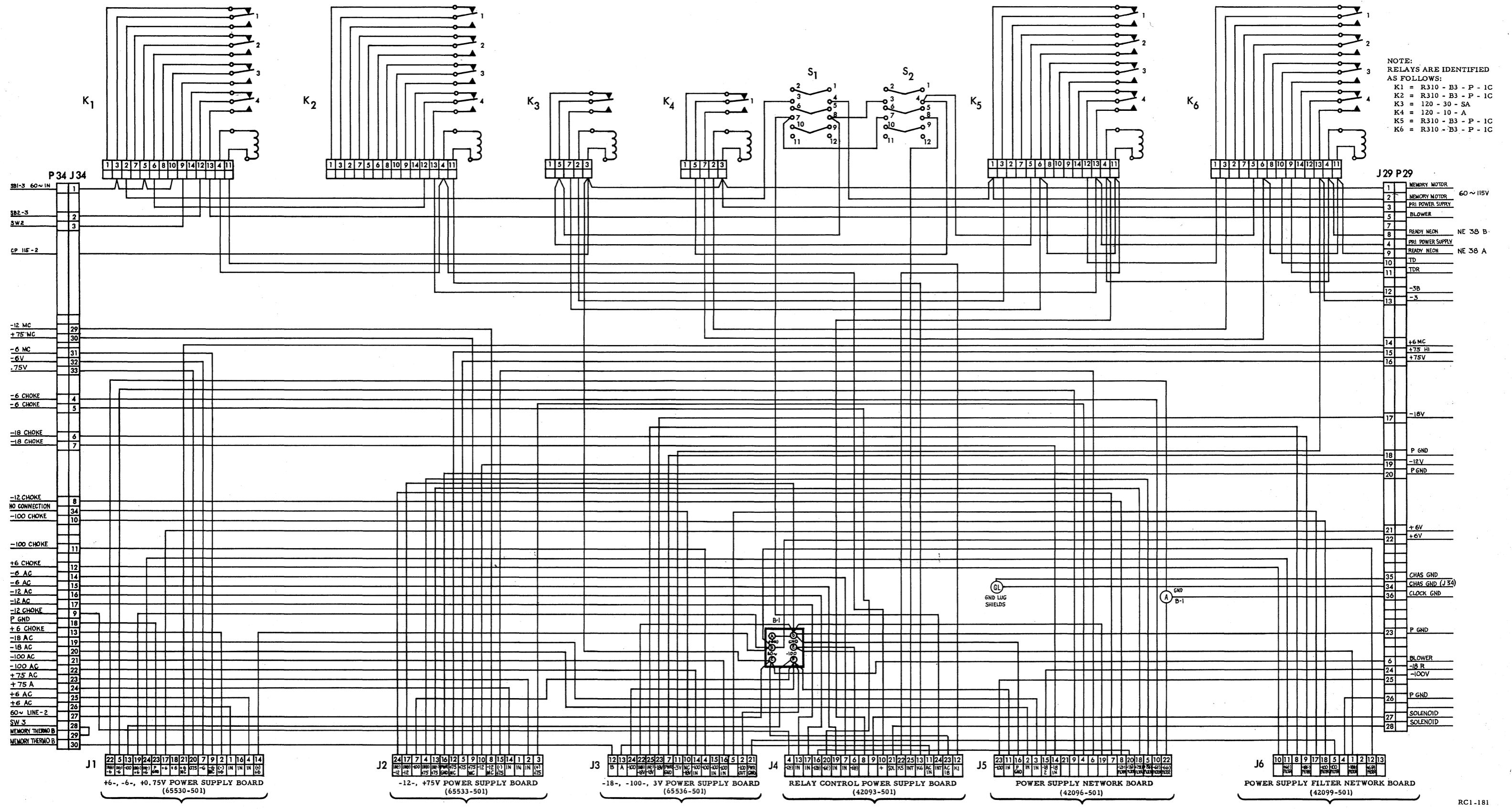
Figure 5. Computer Frame Assembly (41595-501)



ITEM NO.	ASSY REQD	ASSY REQD	LIST OF MATERIALS				
			PART NO.	DESC	MATERIAL	SIZE	MATERIAL SPEC
29	2		TS102P01	SOCKET			JAN-S-28
28	2		AN535-0-2	DRIVE SCREW			
27	1		5P60	NAMEPLATE			
26	6		AN936A6	WASHER			
25	4		AN5154R4	SCREW, ROUND HD			
24	20			SCREW, BIND. HD		4-40 x 5/16	FF-S-92
23	1			SCREW, BIND. HD		4-40 x 1/4	FF-S-92
22	12			SCREW, BIND. HD		6-32 x 3/8	FF-S-92
21	6			SCREW, BIND. HD		6-32 x 1/4	FF-S-92
20	4		F1C440-1	NUT			KLINCHER LOCKNUT CORP.
19	1		2102-04-00	TERMINAL			SHAKEPROOF INC.
18	2		K3-4	SWITCH			ELECTRO-SNAP SWITCH AND MFG CO.
17	2		A3-10	ACTUATOR			ELECTRO-SNAP SWITCH AND MFG CO.
16	1		120-10-A	RELAY			CURTISS-WRIGHT CORP.
15	1		120-30-A	RELAY			CURTISS-WRIGHT CORP.
14	4		R310-B3-P-1C	RELAY			THE HART MFG CO.
13	4		R101PS	SOCKET			THE HART MFG CO.
12	2		41508-501-21	CONNECTOR			AUTONETICS
11	6		41508-501-11	CONNECTOR			
10	1		42099-501	FILTER NETWORK			
9	1		42098-501	NETWORK			
8	1		42093-501	RELAY CONTROL			
7	1		65536-501	-18, -100, AND -3V			
6	1		65533-501	-12 AND +75V			
5	1		65530-501	+6, -6, AND +0.75V			
4	1		42212-501	CHASSIS			
3	1		65651-501	PLATE			
2	1		65650-501	PLATE			
1	1		42213-501	CHASSIS			
			41567-501	POWER SUPPLY			

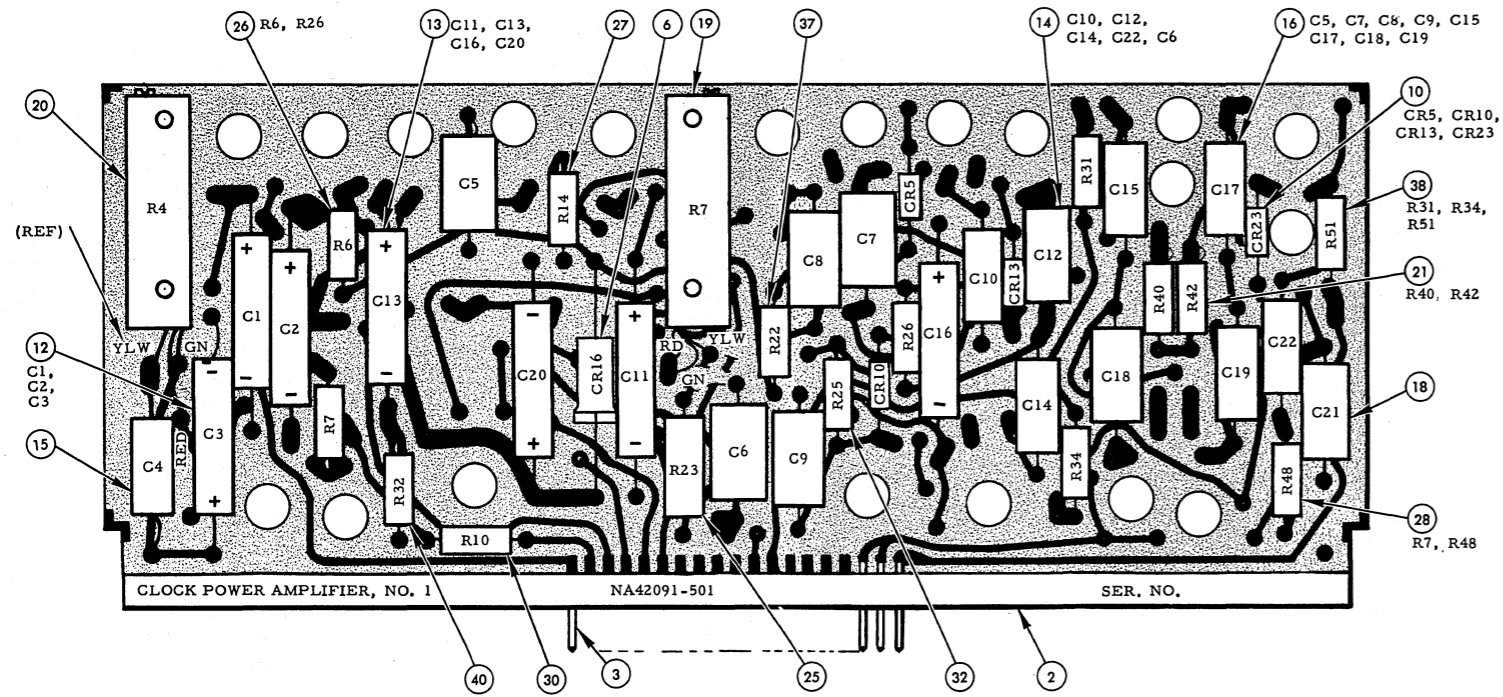
AUTONETICS	
QUANTITY PER END ITEM	NEXT ASSY 1 41570-501

Figure 6. Computer Power Supply Assembly (41567-501)

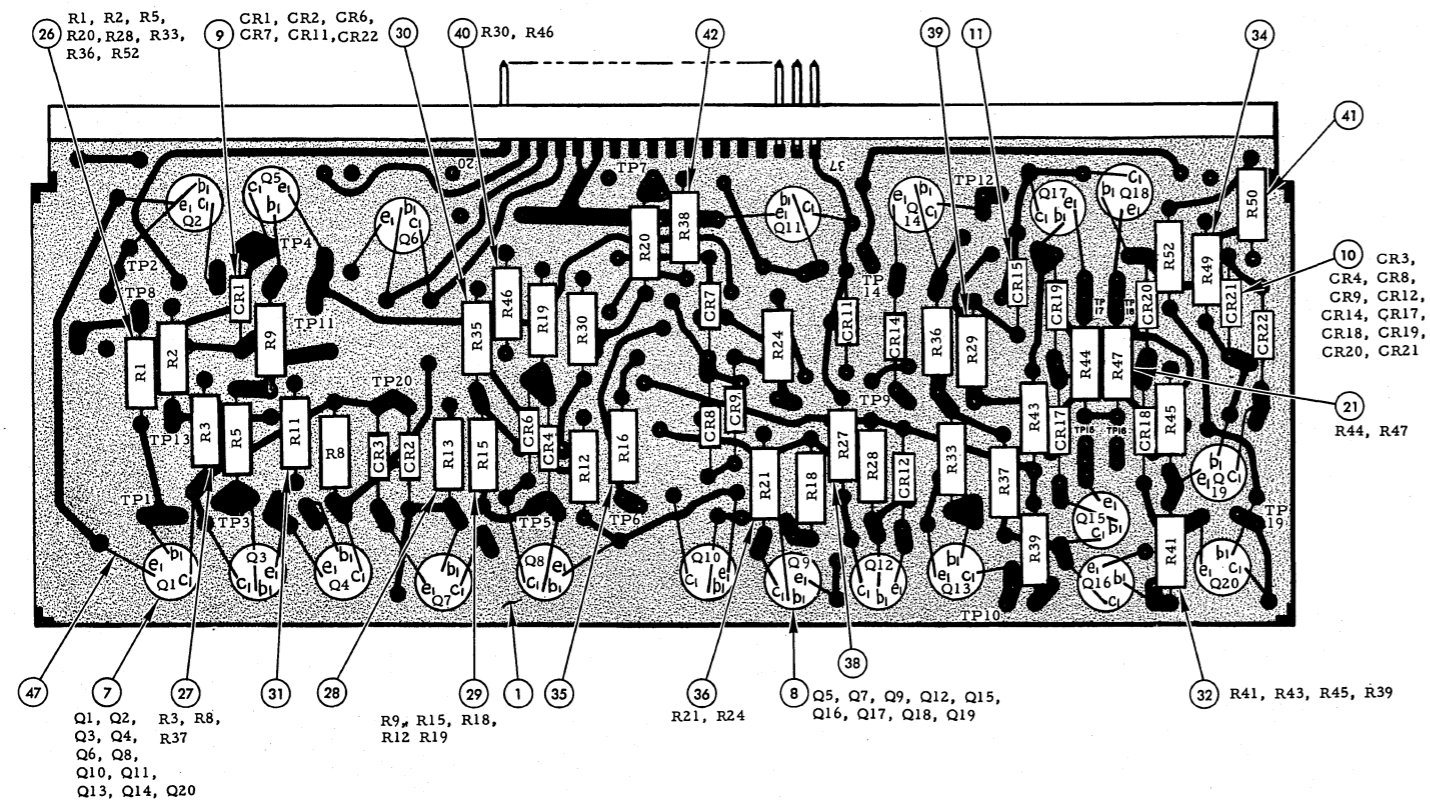


NOTE:
RELAYS ARE IDENTIFIED
AS FOLLOWS:
K1 = R310 - B3 - P - 1C
K2 = R310 - B3 - P - 1C
K3 = 120 - 30 - SA
K4 = 120 - 10 - A
K5 = R310 - B3 - P - 1C
K6 = R310 - B3 - P - 1C

Figure 7. Computer Power Supply Schematic

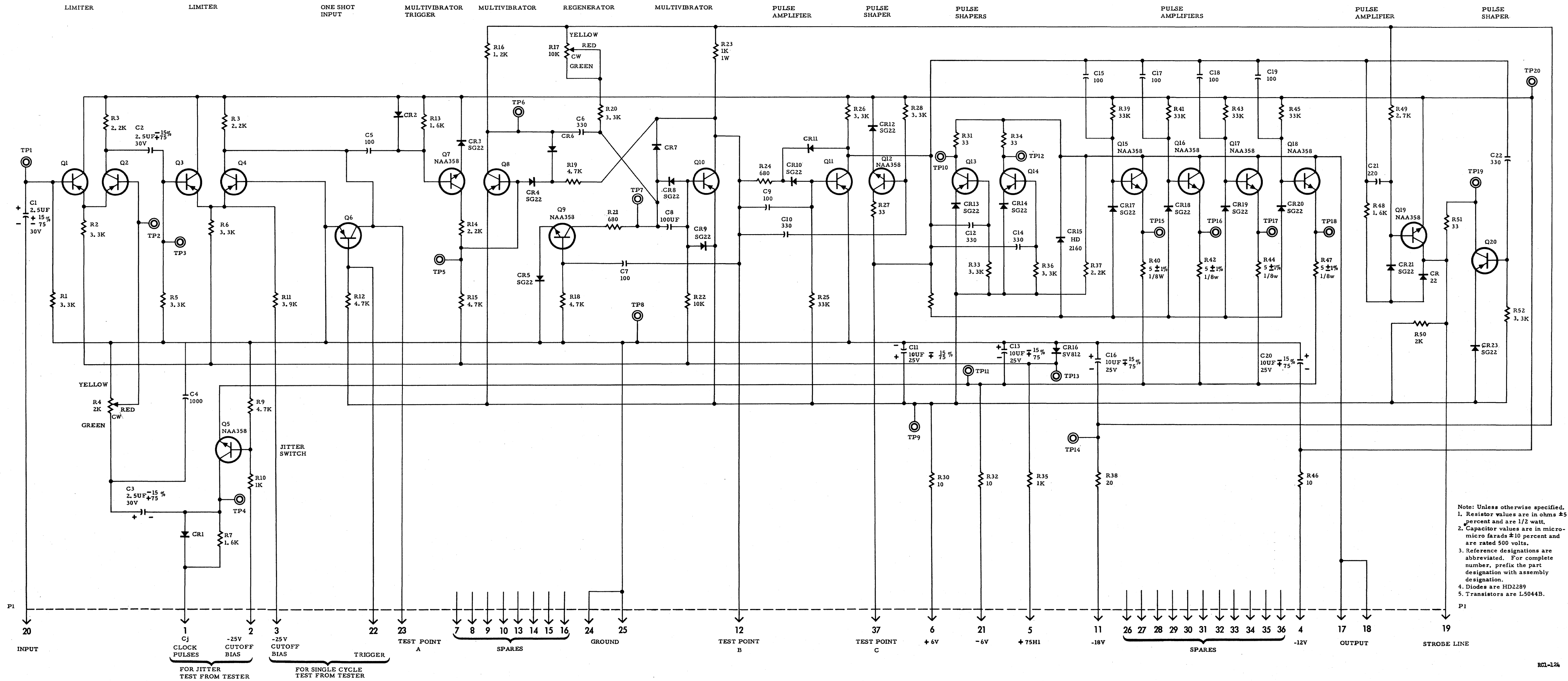


ITEM NO.	ASSY REQD	ASSY REQD	LIST OF MATERIALS					
			PART NO.	DESC	MATERIAL	SIZE	MATERIAL SPEC	
47	1		ST22-9	SLEEVING		3 FT	NA2-4174	
42	1		RC20GF200J	RESISTOR			MIL-R-11	
41	1		RC20GF202J					
40	3		RC20GF100J					
39	1		RC20GF221J					
38	4		RC20GF330J					
37	1		RC20GF103J					
36	2		RC20GF681J					
35	1		RC20GF122J					
34	1		RC20GF272J					
32	5		RC20GF333J					
31	1		RC20GF392J					
30	2		RC20GF102J					
29	5		RC20GF472J					
28	3		RC20GF162J					
27	4		RC20GF222J					
26	10		RC20GF332J					
25	1		RC32GF102J	RESISTOR			MIL-R-11	
21	4			RESISTOR	TYPE C85	5 OHMS±1%/8W	TRANSITRON ELECTRONIC CORP	
20	1		120-1-E2000	RESISTOR, VAR			BOURNS LABORATORIES	
19	1		120-1-E10000	RESISTOR, VAR			BOURNS LABORATORIES	
18	1		GP-2-K221	CAPACITOR		220UUF ±10%500V	ERIE RESISTOR CORP	
16	8		GP-1-K101	CAPACITOR		100UUF ±10%500V	ERIE RESISTOR CORP	
15	1		GP-2-L102			1000UUF ±10%500V	ERIE RESISTOR CORP	
14	5		GP-2-K331			330UUF ±10%500V	ERIE RESISTOR CORP	
13	4		Z9F446G4				GENERAL ELECTRIC CO	
12	3		Z9F617G4	CAPACITOR			GENERAL ELECTRIC CO	
11	1		HD2160	DIODE			HUGHES AIRCRAFT CO	
10	15		SG22	DIODE			TRANSITRON ELECTRONIC CORP	
9	6		HD2289	DIODE			HUGHES AIRCRAFT CO	
8	9		NAA358	TRANSISTOR			GENERAL TRANSISTOR CORP	
7	11		L5044B	TRANSISTOR			PHILCO CORP	
6	1		SV812	DIODE			TRANSITRON ELECTRONIC CORP	
3	37		14462-501	CONTACT			AUTONETICS	
2	1		65551-501	FRAME			AUTONETICS	
1	1		65520-501	BOARD			AUTONETICS	
1	1		42091-501	CLOCK AMPLIFIER			AUTONETICS	
							QUANTITY PER END ITEM	NEXT ASSY
							1	D4A-C1 41570-501
							1	D4A-A1 41579-501



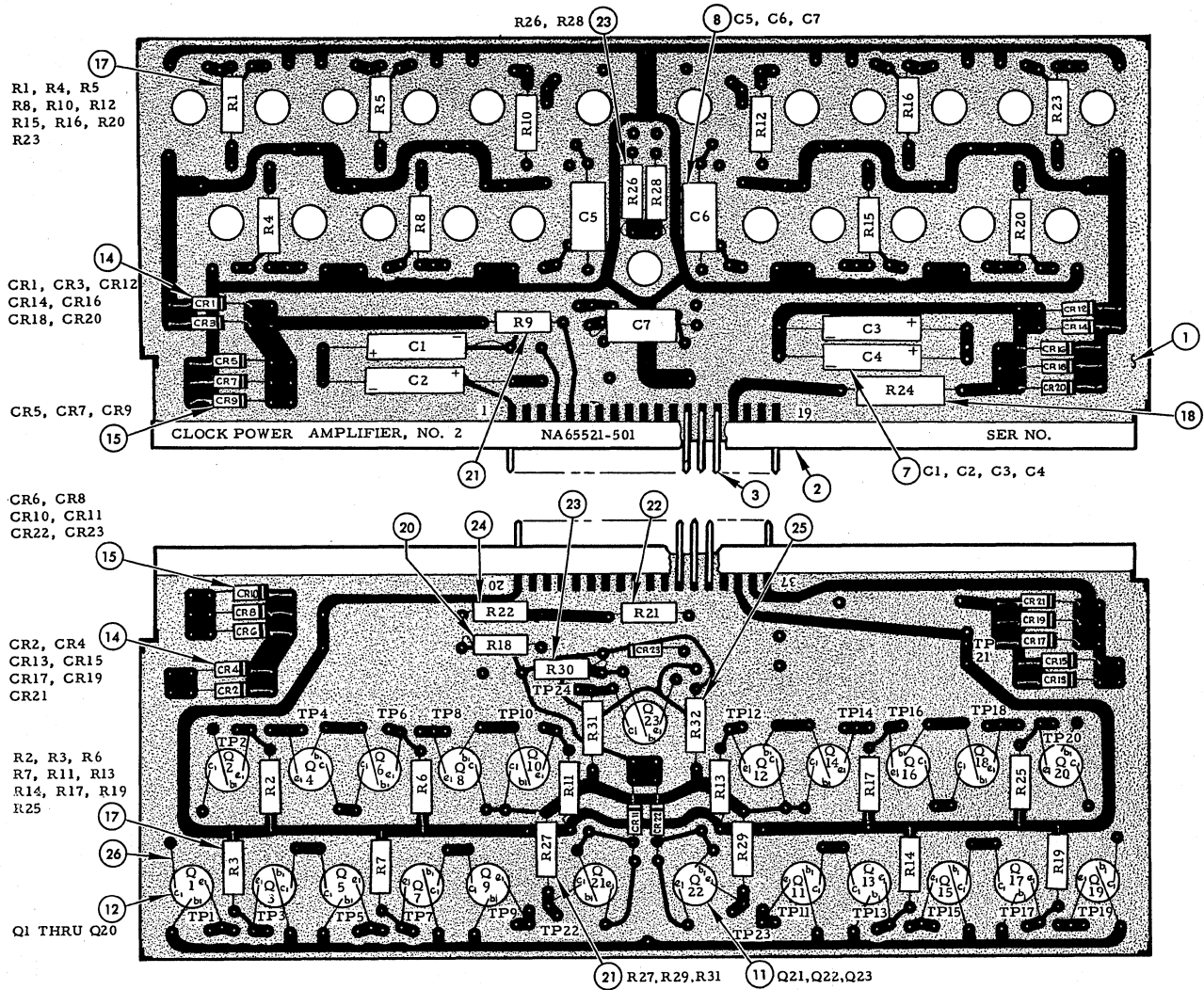
- Note: Unless otherwise specified
- Component designations establish location only and do not appear on actual parts
 - Reference designations are abbreviated. For complete number, prefix the part designation with the assembly designation.
 - IN99 diode is a replacement for HD2289 diode. (Item 9)
 - NAA316 transistor is a replacement for L5044B transistor. (Item 7)

Figure 8. Clock Power Amplifier No. 1 Parts Location Diagram (57314-501)



Note: Unless otherwise specified,
 1. Resistor values are in ohms ± 5 percent and are 1/2 watt.
 2. Capacitor values are in micro-micro farads ± 10 percent and are rated 500 volts.
 3. Reference designations are abbreviated. For complete number, prefix the part designation with assembly designation.
 4. Diodes are HD2289
 5. Transistors are L5044B.

Figure 9. Clock Power Amplifier No. 1 Schematic (57315-501)



ITEM NO.	ASSY REQD	ASSY REQD	LIST OF MATERIALS				
			PART NO.	DESC	MATERIAL	SIZE	MATERIAL SPEC
26		1	ST22-9	SLEEVING		2 FT	NA2-4174
25		1	RC20GF331J	RESISTOR			MIL-R-11
24		1	RC20GF560J				
23		3	RC20GF332J				
22		1	RC20GF162J				
21		4	RC20GF330J				
20		1	RC20GF100J	RESISTOR			MIL-R-11
18		1		RESISTOR	TYPE BW-1/2	1 OHM±5% 1/2W	INTERNATIONAL RESISTANCE CORP
17		20		RESISTOR	TYPE C85	5 OHM±1% 1/8W	MEPCO INC
15		9	SG22	DIODE			TRANSITRON ELECTRONIC CORP
14		14	HD2160	DIODE			HUGHES AIRCRAFT CO
12		20	L5044B	TRANSISTOR			PHILCO TUBE CO
11		3	NAA358	TRANSISTOR			GENERAL TRANSISTOR CORP
8		3	GP-2-K331	CAPACITOR		330UUF±10%500V	ERIE RESISTOR CORP
7		4	Z9F446G4	CAPACITOR			GENERAL ELECTRIC CO
							AUTONETICS
3		37	14462-501	CONTACT			
2		1	65551-501	FRAME			
1		1	65523-501	BOARD			
			65521-501	CLOCK AMPL			AUTONETICS

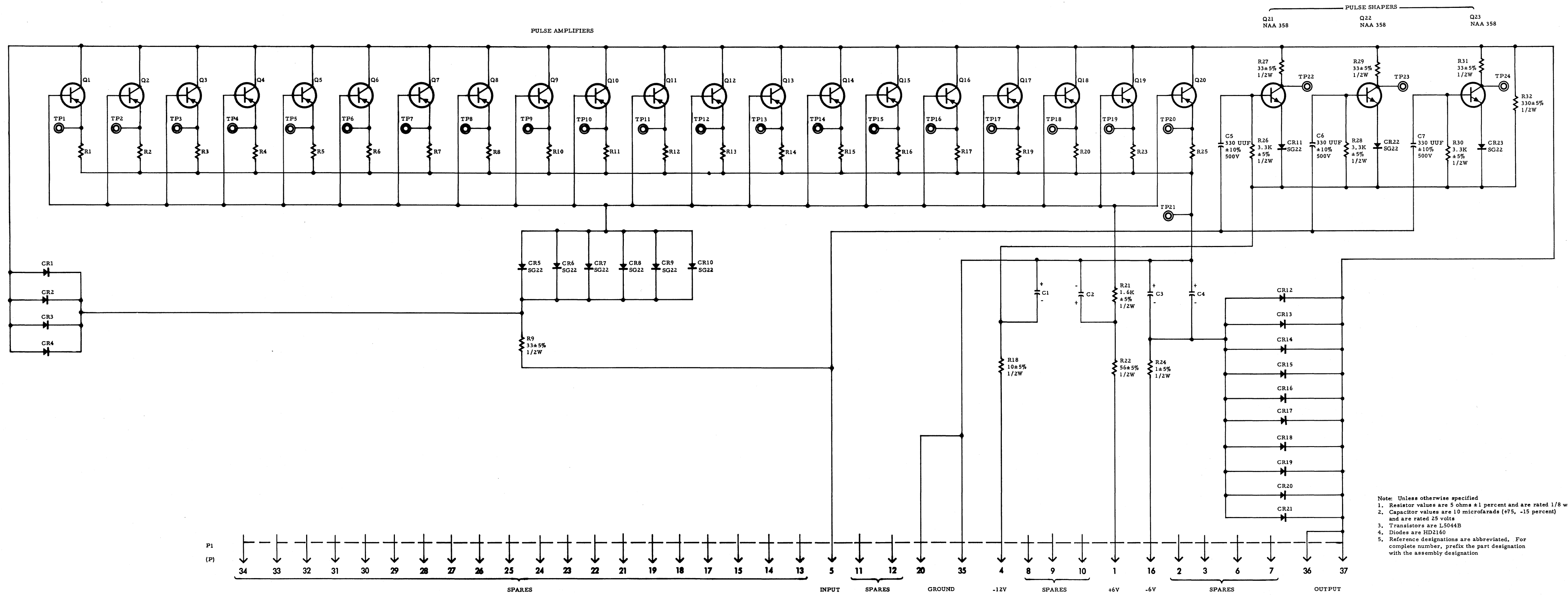
Note: Unless otherwise specified

- Component designations establish location only and do not appear on actual parts.
- Reference designations are abbreviated. For complete number, prefix the part designation with the assembly designation.
- NAA316 transistor is a replacement for L5044B transistor.

QUANTITY PER END ITEM	1	NEXT ASSY
		41570-501

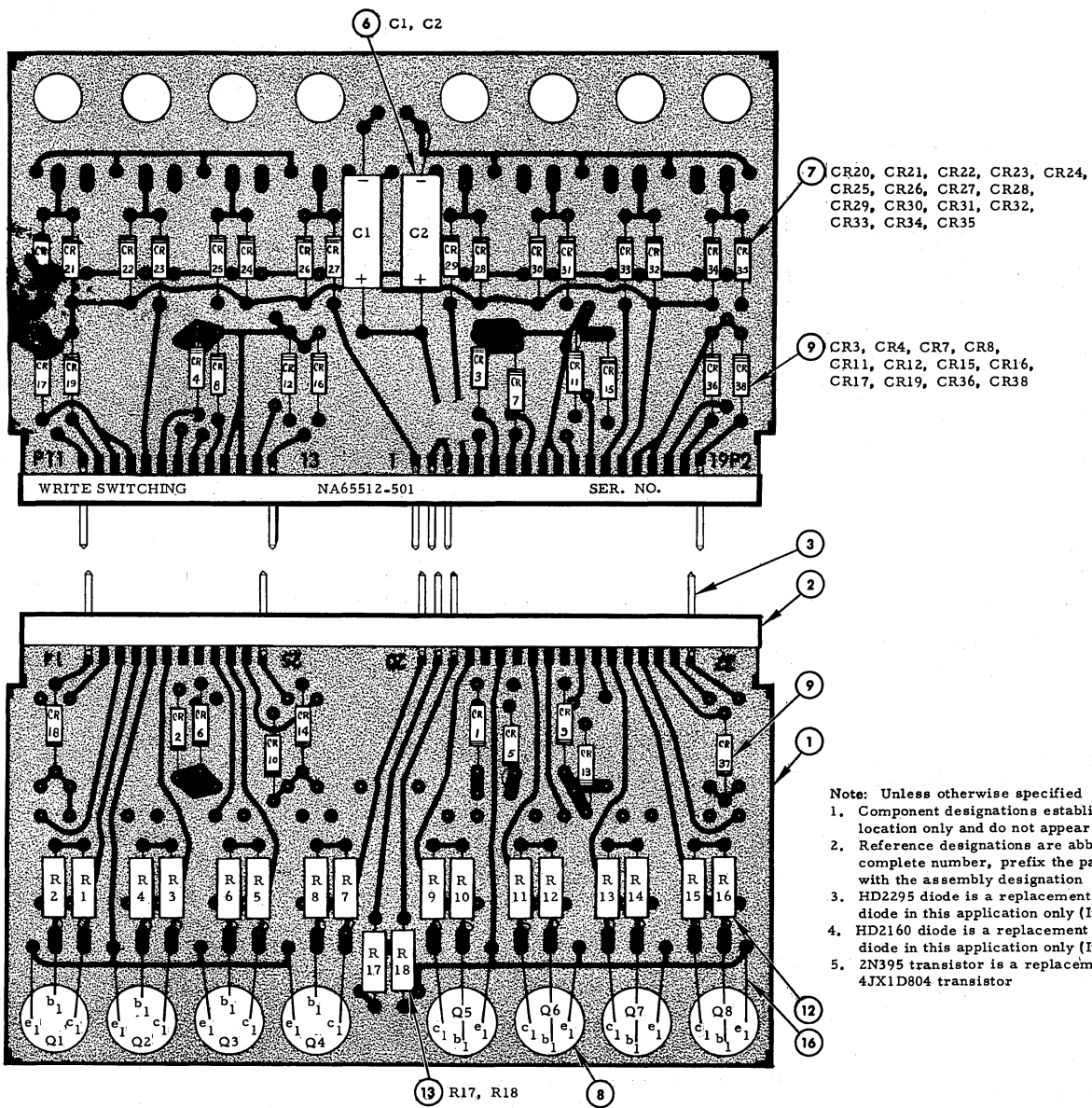
RC1-105

Figure 10. Clock Power Amplifier No. 2
Parts Location Diagram (57347-501)



Note: Unless otherwise specified
 1. Resistor values are 5 ohms ± 1 percent and are rated 1/8 watt
 2. Capacitor values are 10 microfarads (+75, -15 percent) and are rated 25 volts
 3. Transistors are L5044B
 4. Diodes are HD2160
 5. Reference designations are abbreviated. For complete number, prefix the part designation with the assembly designation

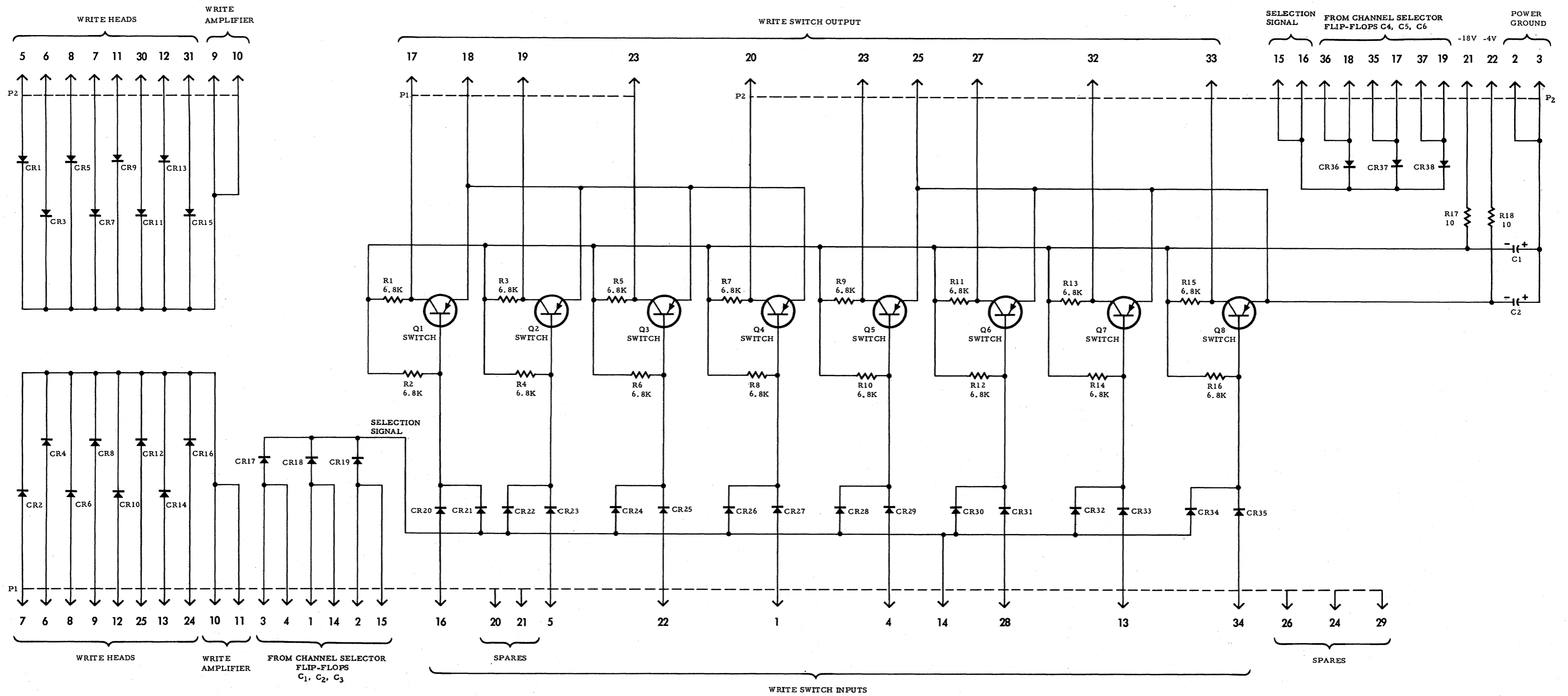
Figure 11. Clock Power Amplifier No. 2 Schematic (57412-501)



ITEM NO.	ASSY REQD	ASSY REQD	LIST OF MATERIALS					
			PART NO.	DESC	MATERIAL	SIZE	MATERIAL SPEC	
16		1	ST22-9	SLEEVING		1 FT	NA2-4174	
13		2	RC20GF100J	RESISTOR			MIL-R-11	
12		16	RC20GF682J	RESISTOR			MIL-R-11	
9		22	HD2289	DIODE			HUGHES AIRCRAFT COMPANY	
8		8	4JX1D804	TRANSISTOR			GENERAL ELECTRIC COMPANY	
7		16	HD2289	DIODE			HUGHES AIRCRAFT COMPANY	
6		2	29F446G4	CAPACITOR			GENERAL ELECTRIC COMPANY	
3		62	14462-501	CONTACT			AUTONETICS	
2		1	65552-501	FRAME			AUTONETICS	
1		1	65514-501	BOARD			AUTONETICS	
1		1	65512-501	NETWORK			AUTONETICS	
							QUANTITY PER END ITEM	8
							NEXT ASSY	
							41570-501	

RC1-156

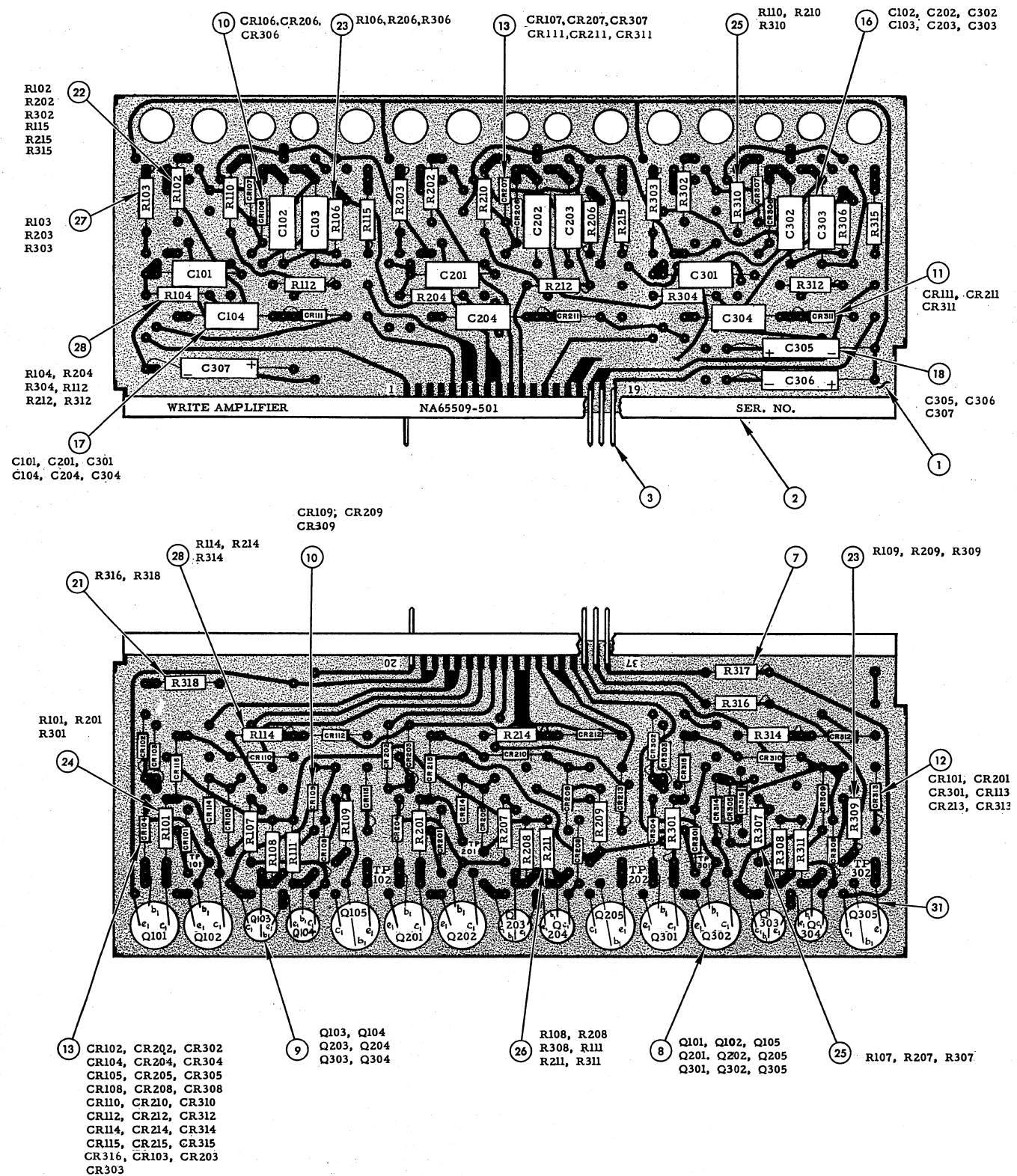
Figure 12. Write Switching Circuit Board Parts Location Diagram (57341-501)



Note: Unless otherwise specified
 1. Resistor values are in ohms ± 5 percent and are 1/2 watt
 2. Capacitor values are 10 microfarads (-15, +75 percent) and are rated 25 volts
 3. Diodes are HD2289
 4. Transistors are 4JX1D804
 5. Reference designations are abbreviated. For complete number prefix the part designation with the assembly designation

501-161

Figure 13. Write Switching Circuit Board Schematic (57413-501)



ITEM NO.	ASSY REQD	ASSY REQD	LIST OF MATERIALS					
			PART NO.	DESC	MATERIAL	SIZE	MATERIAL SPEC	
31		1	ST22-9	SLEEVING		3 FT	NA2-4174	
28		9	RC20GF124J	RESISTOR			MIL-R-11	
27		3	RC20GF393J					
26		6	RC20GF203J					
25		6	RC20GF123J					
24		3	RC20GF392J					
23		6	RC20GF222J					
22		6	RC20GF201J					
21		2	RC20GF100J	RESISTOR			MIL-R-11	
18		3	29F617G4	CAPACITOR			GENERAL ELECTRIC CO	
17		6	GP-2-K271	CAPACITOR		270UUF±10%500V	ERIE RESISTOR CORP	
16		6	GP-2-K151	CAPACITOR		150UUF±10%500V	ERIE RESISTOR CORP	
13		34	HD2289	DIODE			HUGHES AIRCRAFT CO	
12		6	HD2160	DIODE			HUGHES AIRCRAFT CO	
10		6	HD6179	DIODE			TRANSITRON ELECTRONIC CORP	
9		6	NAA358	TRANSISTOR			GENERAL TRANSISTOR CORP	
8		9	4JX1D804	TRANSISTOR			GENERAL ELECTRIC CO	
7		1	EB27G5	RESISTOR			ALLEN BRADLEY CO	
3		37	14462-501	CONTACT			AUTONETICS	
2		1	65551-501	FRAME			AUTONETICS	
1		1	65511-501	BOARD			AUTONETICS	
		1	65509-501	WRITE AMPL.			AUTONETICS	
							QUANTITY PER	NEXT ASSY
							END ITEM	3 41570-501

AUTONETICS

Note: Unless otherwise specified

- Component designations establish location only and do not appear on actual part
- Reference designations are abbreviated. For complete number, prefix the part designation with the assembly designation
- HD2295 diode is a replacement for HD2289 diode in this application only (Item 13)
- 2N395 transistor is a replacement for 4JX1D804.
- SG22 diode is a replacement for HD6179 in this application only (Item 10)

Figure 14. Write Amplifier Circuit Board Parts Location Diagram (57339-501)

RC1-104

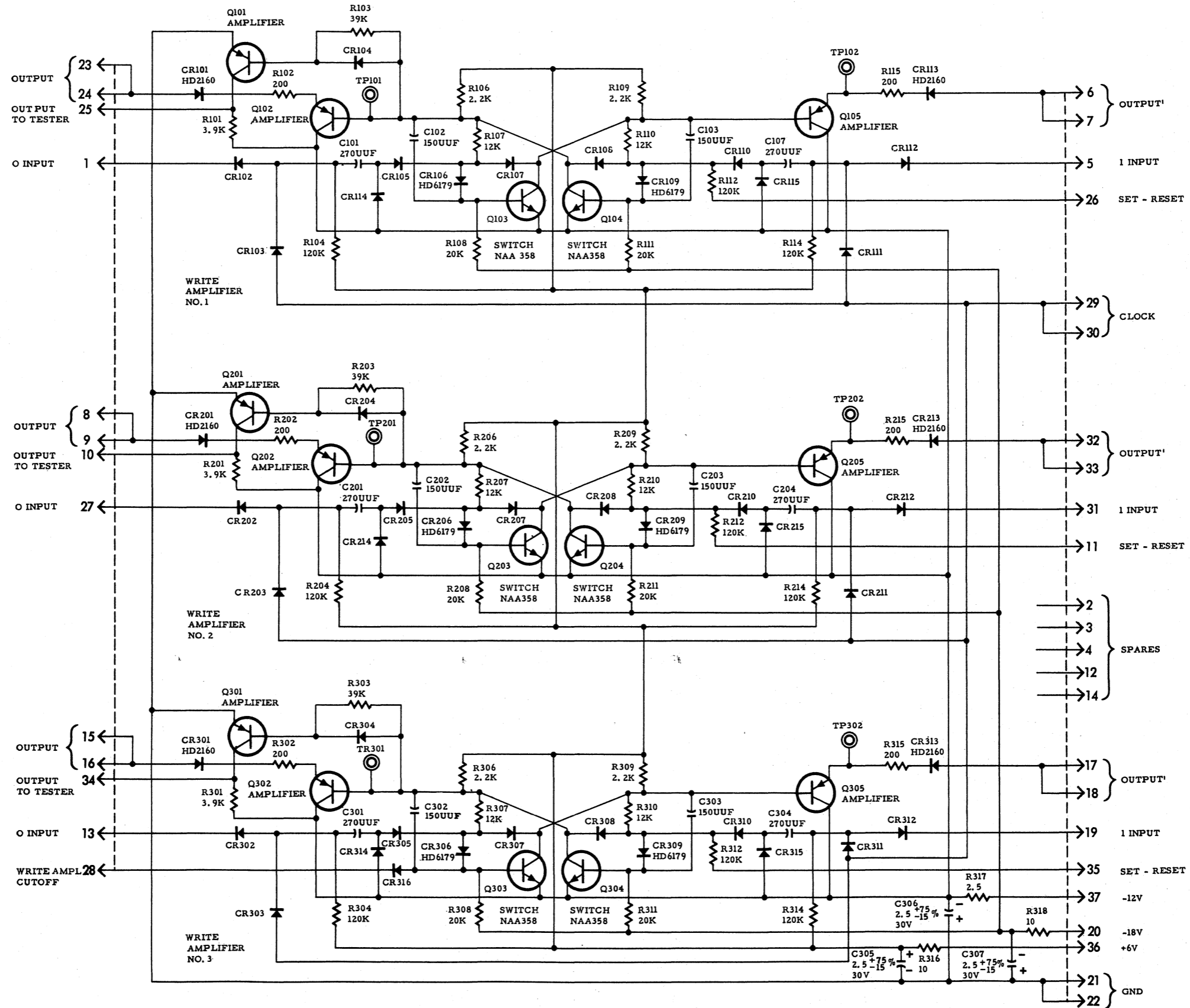
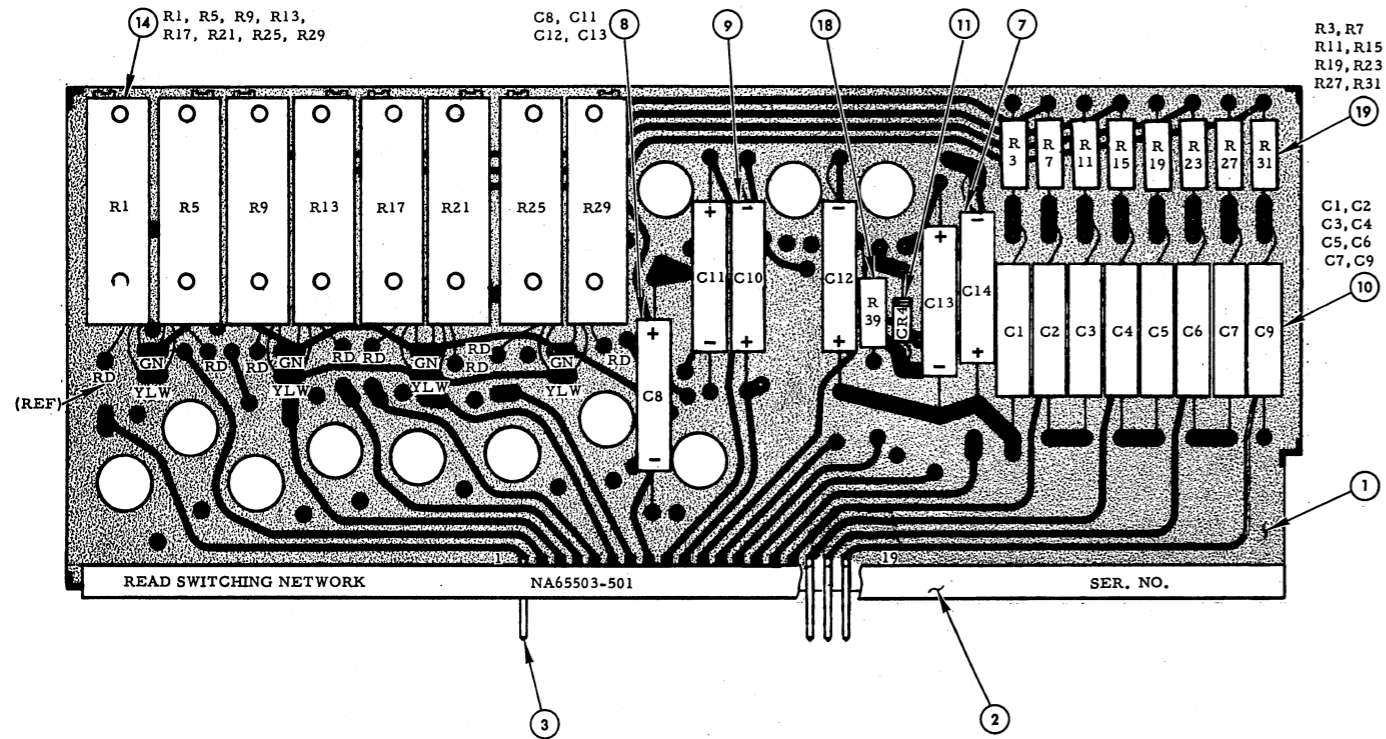
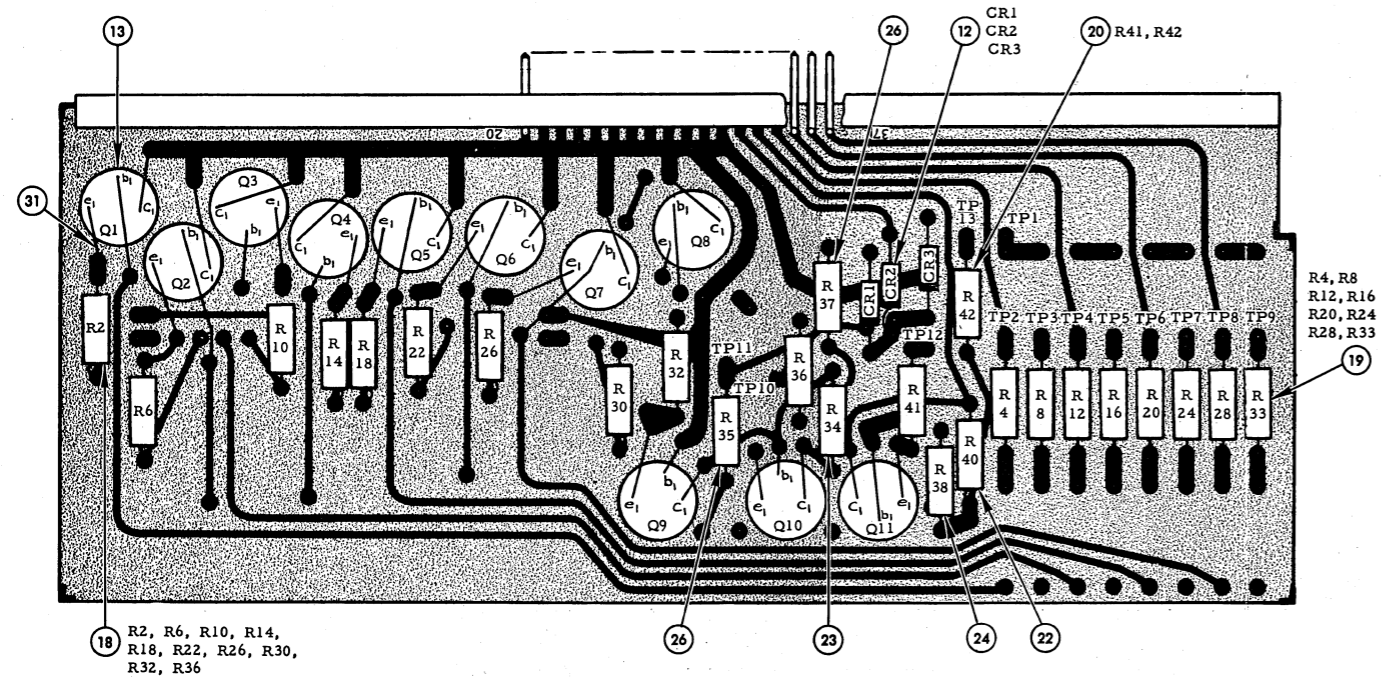


Figure 15. Write Amplifier Circuit Board Schematic (57415-501)



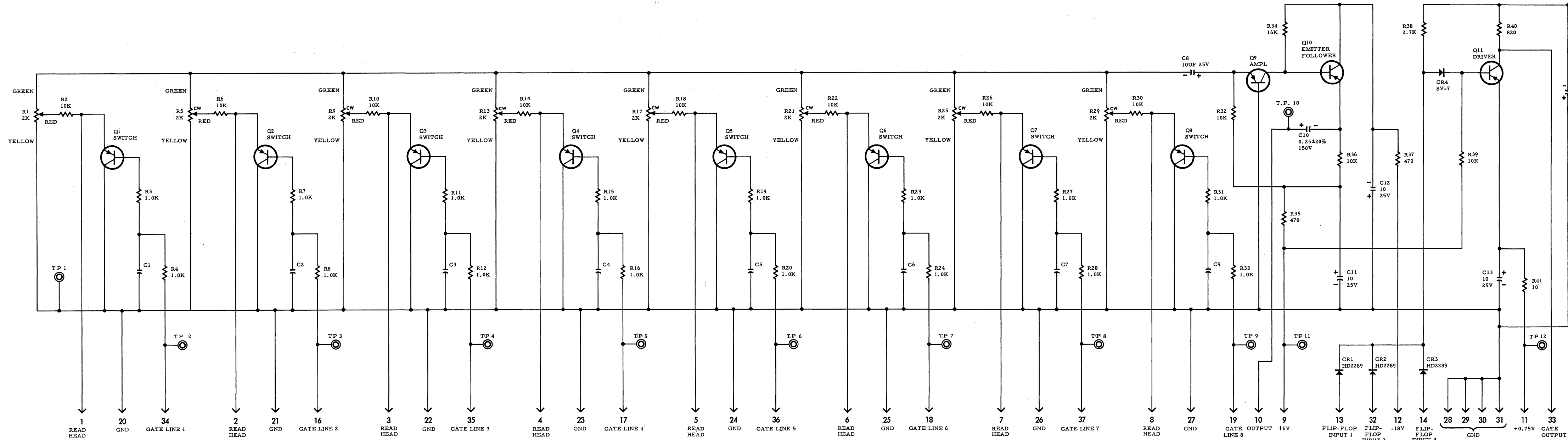
ITEM NO.	ASSY REQD	ASSY REQD	LIST OF MATERIALS					
			PART NO.	DESC	MATERIAL	SIZE	MATERIAL SPEC	
31		1	ST22-9	SLEEVING		2 FT	NA2-4174	
26		2	RC20GF471J	RESISTOR			MIL-R-11	
24		1	RC20GF272J	RESISTOR			MIL-R-11	
23		1	RC20GF163J	RESISTOR			MIL-R-11	
22		1	RC20GF821J	RESISTOR			MIL-R-11	
20		2	RC20GF100J	RESISTOR			MIL-R-11	
19		16	RC20GF102J	RESISTOR			MIL-R-11	
18		11	RC20GF103J	RESISTOR			MIL-R-11	
14		8	120-1-E2000	RESISTOR VAR			BOURNS LABORATORIES	
13		11	4JX1D804	TRANSISTOR			GENERAL ELECTRIC CO	
12		3	HD2289	DIODE			HUGHES AIRCRAFT CO	
11		1	SV-7	DIODE			TRANSITRON ELECTRONIC CORP	
10		8	AP009A1KB682K	CAPACITOR			SPRAGUE ELECTRIC CO	
9		1	Z9F408G4	CAPACITOR			GENERAL ELECTRIC CO	
8		4	Z9F446G4	CAPACITOR			GENERAL ELECTRIC CO	
7		1	Z9F617G4	CAPACITOR			GENERAL ELECTRIC CO	
3		37	14462-501	CONTACT			AUTONETICS	
2		1	65551-501	FRAME			AUTONETICS	
1		1	65505-501	BOARD			AUTONETICS	
		1	65503-501	READ SWITCH			AUTONETICS	
							QUANTITY PER END ITEM	NEXT ASSY 41570-501



Note: Unless otherwise specified

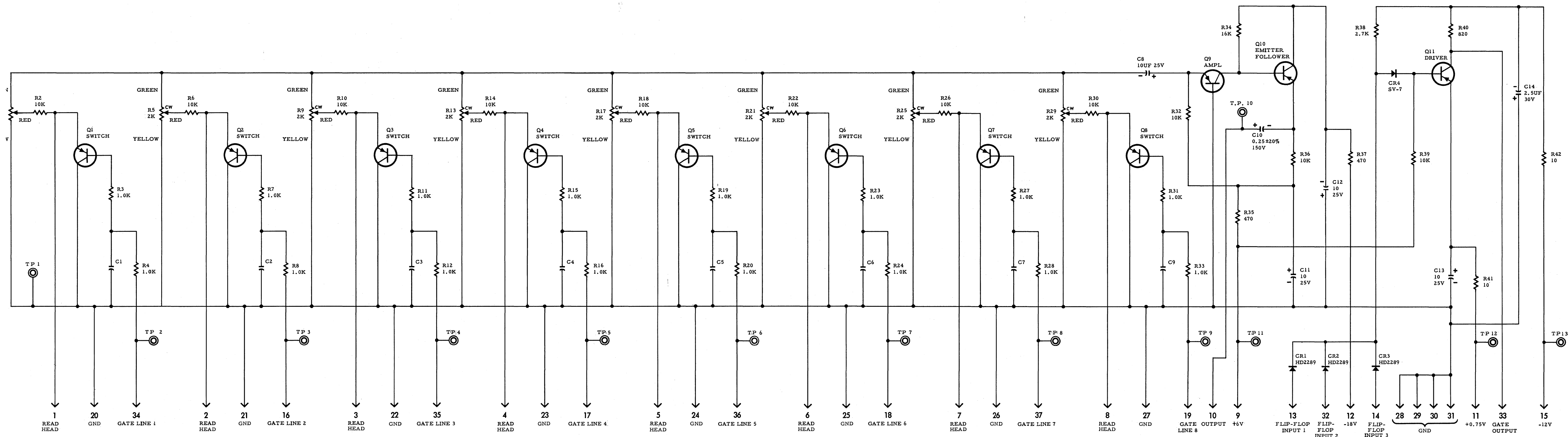
1. Component designations establish location only and do not appear on actual parts
2. Reference designations are abbreviated. For complete number, prefix the part designation with the assembly designation
3. HD2295 diode is a replacement for HD2289. (Item 12)
4. 2N395 transistor is a replacement for 4JX1D804 transistor. (Item 13)

Figure 16. Read Switching Circuit Board Parts Location Diagram (57335-501)



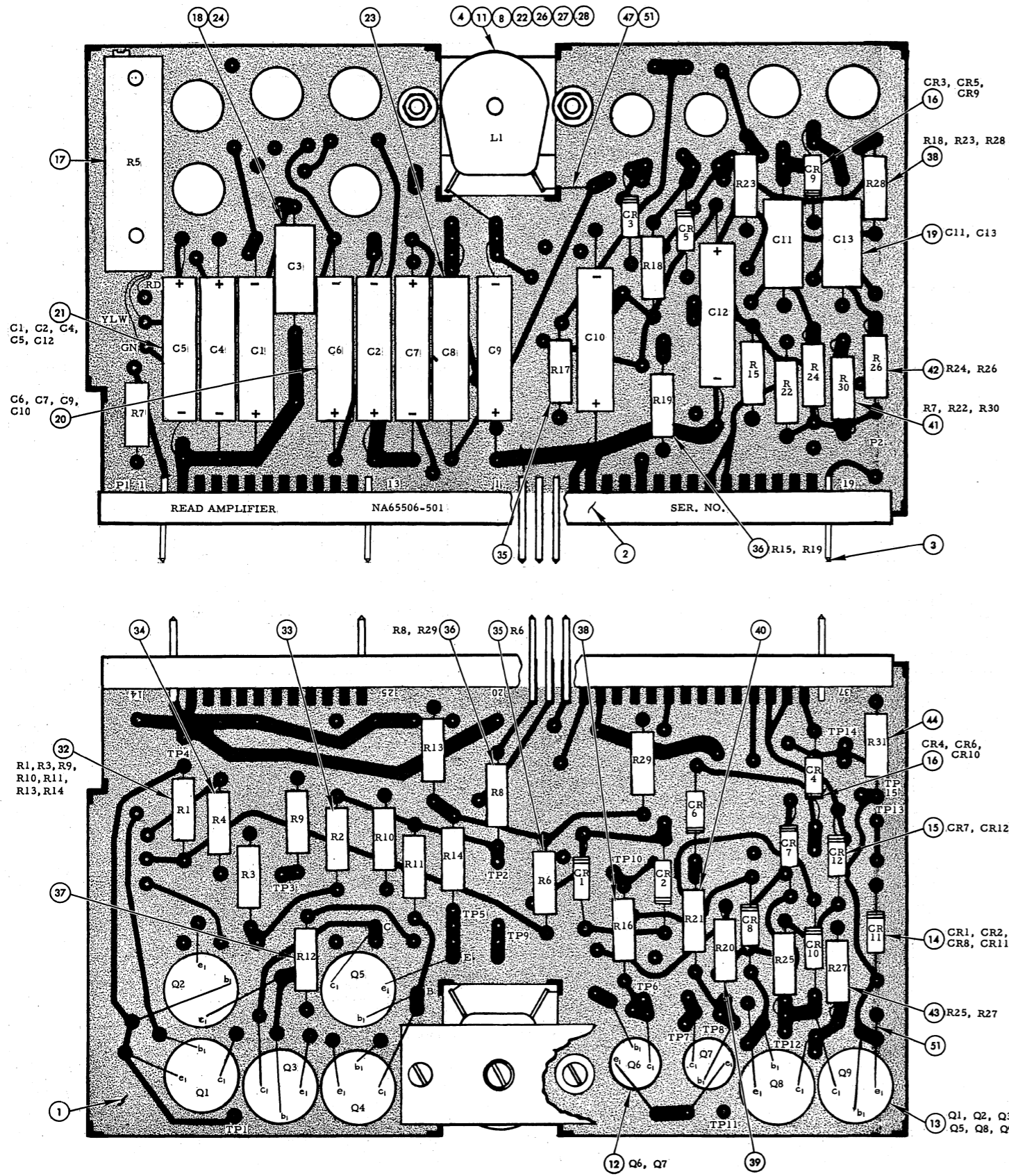
Note: Unless otherwise specified
 1. Resistor values are in ohms ±5 percent and are 1/2 watt.
 2. Capacitor values are in microfarads .0068 ±10 percent and are 100 volt.
 3. Transistors are 4JX1D804
 4. Reference designations are abbreviated. For complete number, prefix the part designation with the assembly designation

Figure 17. Read Switching Circuit Board Schematic (57416-501)



Note: Unless otherwise specified
 1. Resistor values are in ohms ± 5 percent and are 1/2 watt.
 2. Capacitor values are in microfarads ± 10 percent and are 100 volt.
 3. Transistors are 4JX1D804
 4. Reference designations are abbreviated. For complete number, prefix the part designation with the assembly designation

Figure 17. Read Switching Circuit Board Schematic (57416-501)

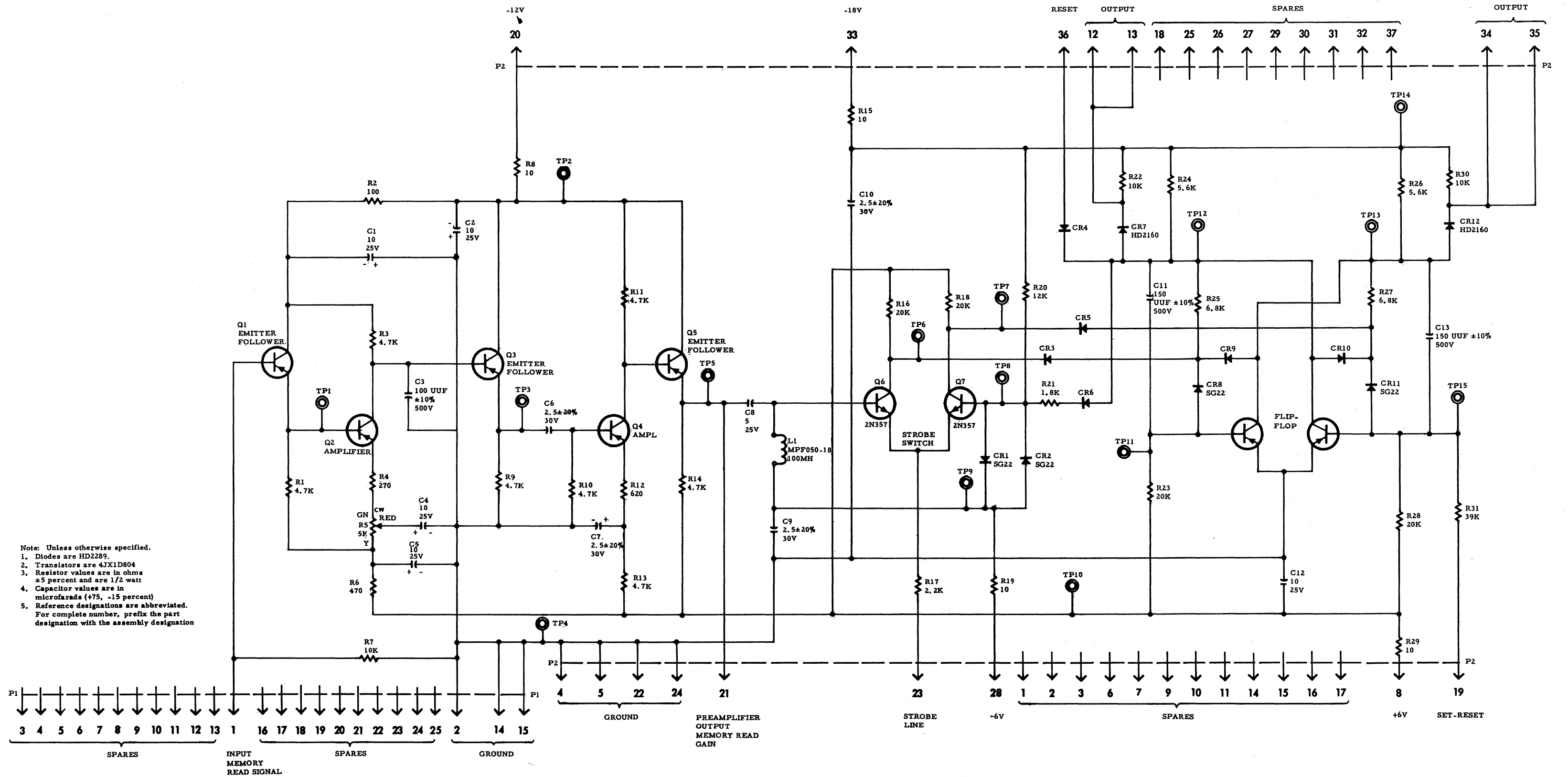


ITEM NO.	ASSY REQD	ASSY REQD	LIST OF MATERIALS				
			PART NO.	DESC	MATERIAL	SIZE	MATERIAL SPEC
51	1	1	ST22-9	SLEEVING		2 FT	NA2-4174
47	1	1		WIRE	SOFT, TIN COATED	22AWG x 0.5 FT	MIL-W-3861 TYPE S
44	1	1	RC20GF393J	RESISTOR			MIL-R-11
43	2	2	RC20GF682J				
42	2	2	RC20GF562J				
41	3	3	RC20GF103J				
40	1	1	RC20GF182J				
39	1	1	RC20GF123J				
38	4	4	RC20GF203J				
37	1	1	RC20GF122J				
36	4	4	RC20GF100J				
35	2	2	RC20GF222J				
34	1	1	RC20GF151J				
33	1	1	RC20GF471J				
32	7	7	RC20GF392J	RESISTOR			MIL-R-11
28	1	1	AN515-3-3	SCREW			
27	2	2	AN515-2-5	SCREW			
26	1	1	AN935-2	LOCK WASHER			
24	1	1	GP2-K101	CAPACITOR		220UUF±10%500V	ERIE RESISTOR CORP
23	1	1	29F489G4	CAPACITOR			GENERAL ELECTRIC CO
22	2	2	92-1660-26	LOCK NUT			ELASTIC STOP NUT CORP
21	5	5	29F446G4	CAPACITOR			GENERAL ELECTRIC CO
20	4	4	29F617G4	CAPACITOR			GENERAL ELECTRIC CO
19	2	2	GP-2-K151	CAPACITOR		150UUF±10%500V	ERIE RESISTOR CORP
18	1	1	GP-2-K221	CAPACITOR		100UUF±10%500V	ERIE RESISTOR CORP
17	1	1	120-1-E2000	RESISTOR VAR			BOURNS LABORATORIES
16	6	6	HD2289	DIODE			HUGHES AIRCRAFT CO
15	2	2	HD2160	DIODE			HUGHES AIRCRAFT CO
14	4	4	SG22	DIODE			TRANSITRON ELECTRONIC CORP
13	7	7	4JX1D804	TRANSISTOR			GENERAL ELECTRIC CO
12	2	2	NAA358	TRANSISTOR			GENERAL TRANSISTOR CORP
11	1	1	MPP050-18	CHOKE		100 MH	COMMUNICATIONS ACCESSORIES CO
8	4	4	2W18-2	WASHER			AUTONETICS
4	1	1	65550-501	PLATE			AUTONETICS
3	62	62	14462-501	CONTACT			
2	1	1	65552-501	FRAME			
1	1	1	65508-501	BOARD			
-21	-11	-11	65506-501	READ AMPL			AUTONETICS

QUANTITY PER END ITEM	NEXT ASSY
	41570-501

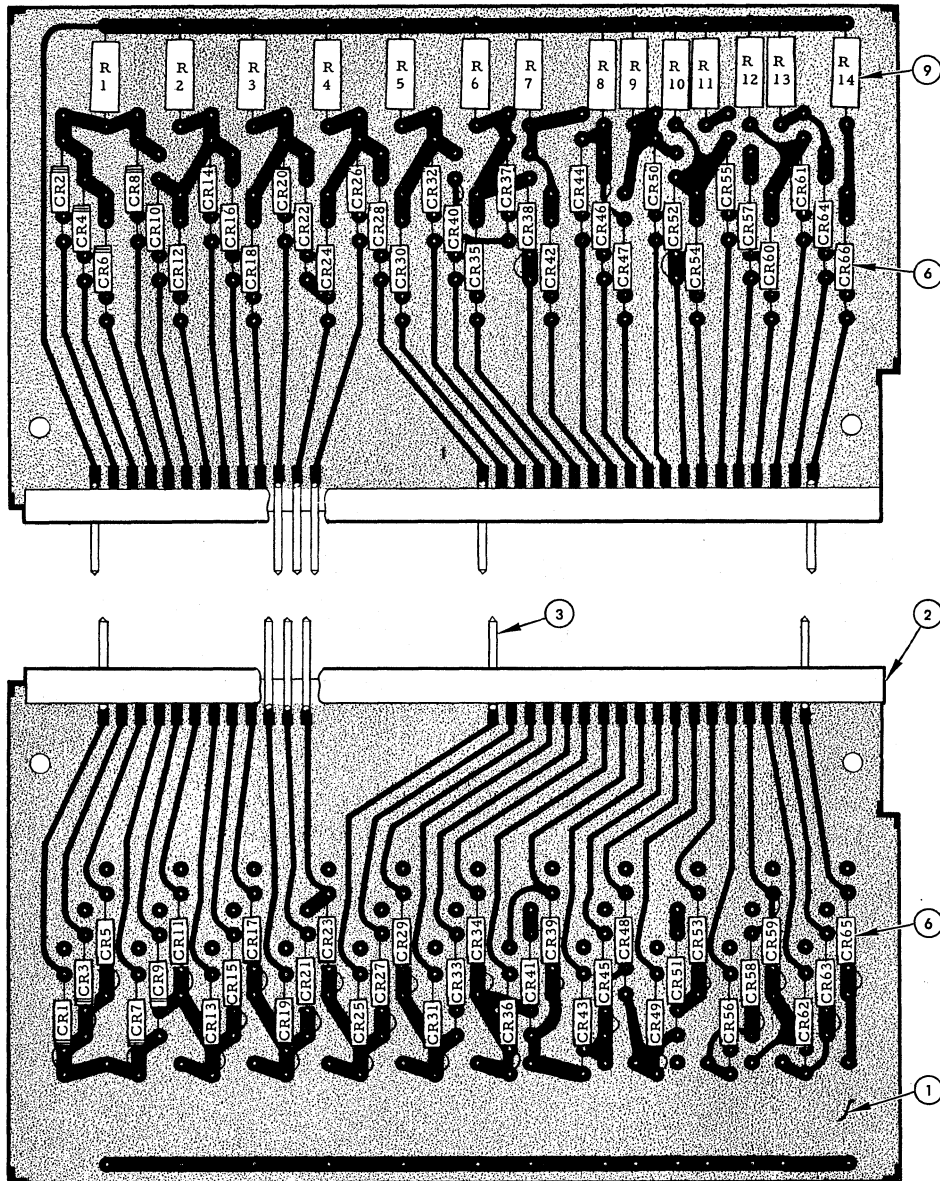
Note: Unless otherwise specified
 1. Component designations establish location only and do not appear on actual parts
 2. Reference designations are abbreviated. For complete number, prefix the part designation with the assembly designation
 3. HD2295 diode is a replacement for HD2289 diode. (Item 16)
 4. 2N395 transistor is a replacement for 4JX1D804 transistor. (Item 13)

Figure 18. Read Amplifier Circuit Board Parts Location Diagram (57337-501)



Note: Unless otherwise specified.
 1. Diodes are HD2289.
 2. Transistors are 4JX1D804
 3. Resistor values are in ohms ±5 percent and are 1/2 watt
 4. Capacitor values are in microfarads (+75, -15 percent)
 5. Reference designations are abbreviated. For complete number, prefix the part designation with the assembly designation

Figure 19. Read Amplifier Circuit Board Schematic (57414-501)



ITEM NO.	ASSY REQD	ASSY REQD	LIST OF MATERIALS						
			PART NO.	DESC	MATERIAL	SIZE	MATERIAL SPEC		
9		14	RC20GF163J	RESISTOR			MIL-R-11		
6		66	HD2289	DIODE			HUGHES AIRCRAFT CO		
3		62	14462-501	CONTACT			AUTONETICS		
2		1	65552-501	FRAME			AUTONETICS		
1		1	65517-501	BOARD			AUTONETICS		
		1	65515-501	NETWORK			AUTONETICS		
							QUANTITY PER END ITEM	108	NEXT ASSY
									41570-501

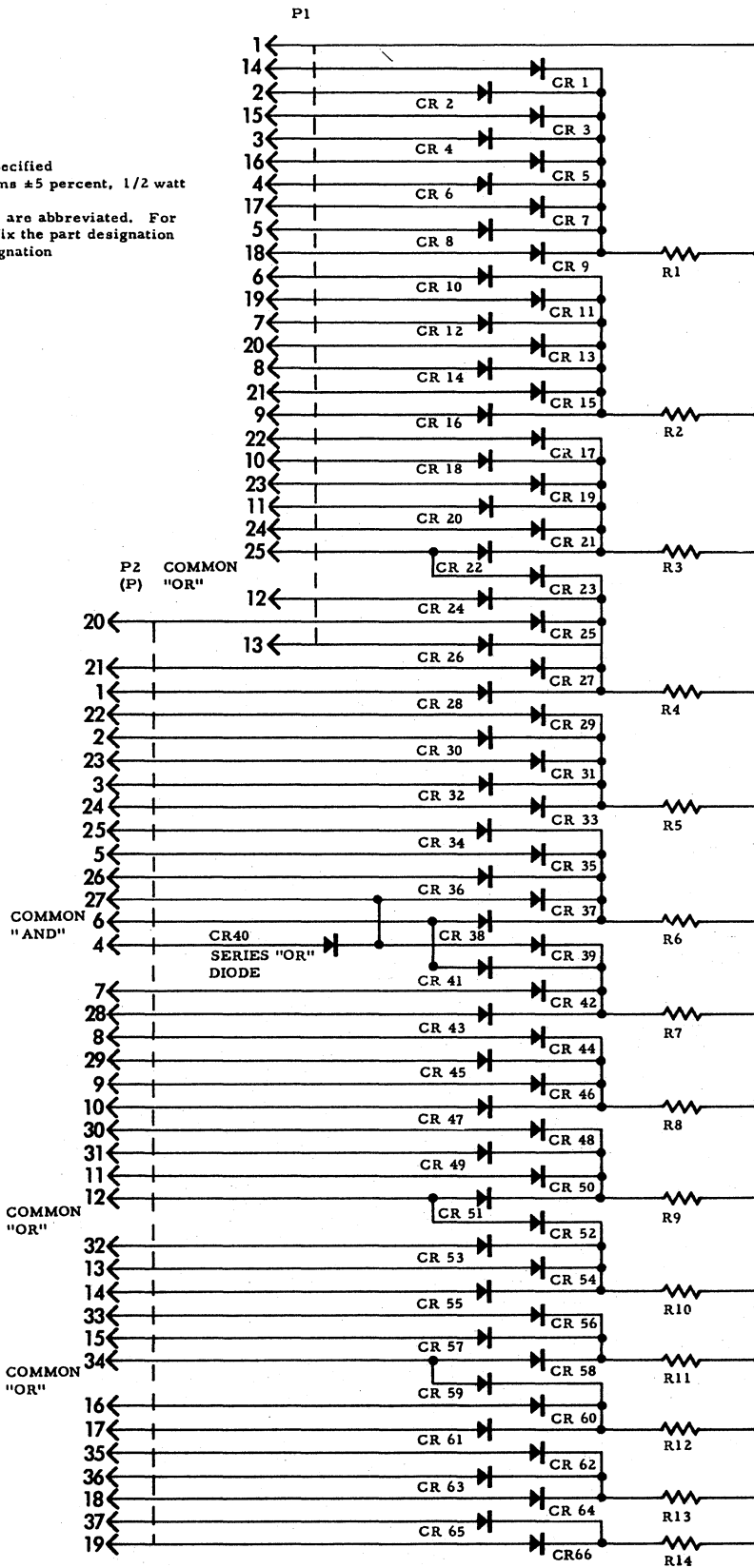
Note: Unless otherwise specified

1. Component designations establish parts location only and do not appear on actual parts
2. Reference designations are abbreviated, For complete number, prefix the part designation with the assembly designation.
3. HD2295 diode is a replacement for HD2289 diode in this application only

RC1-162

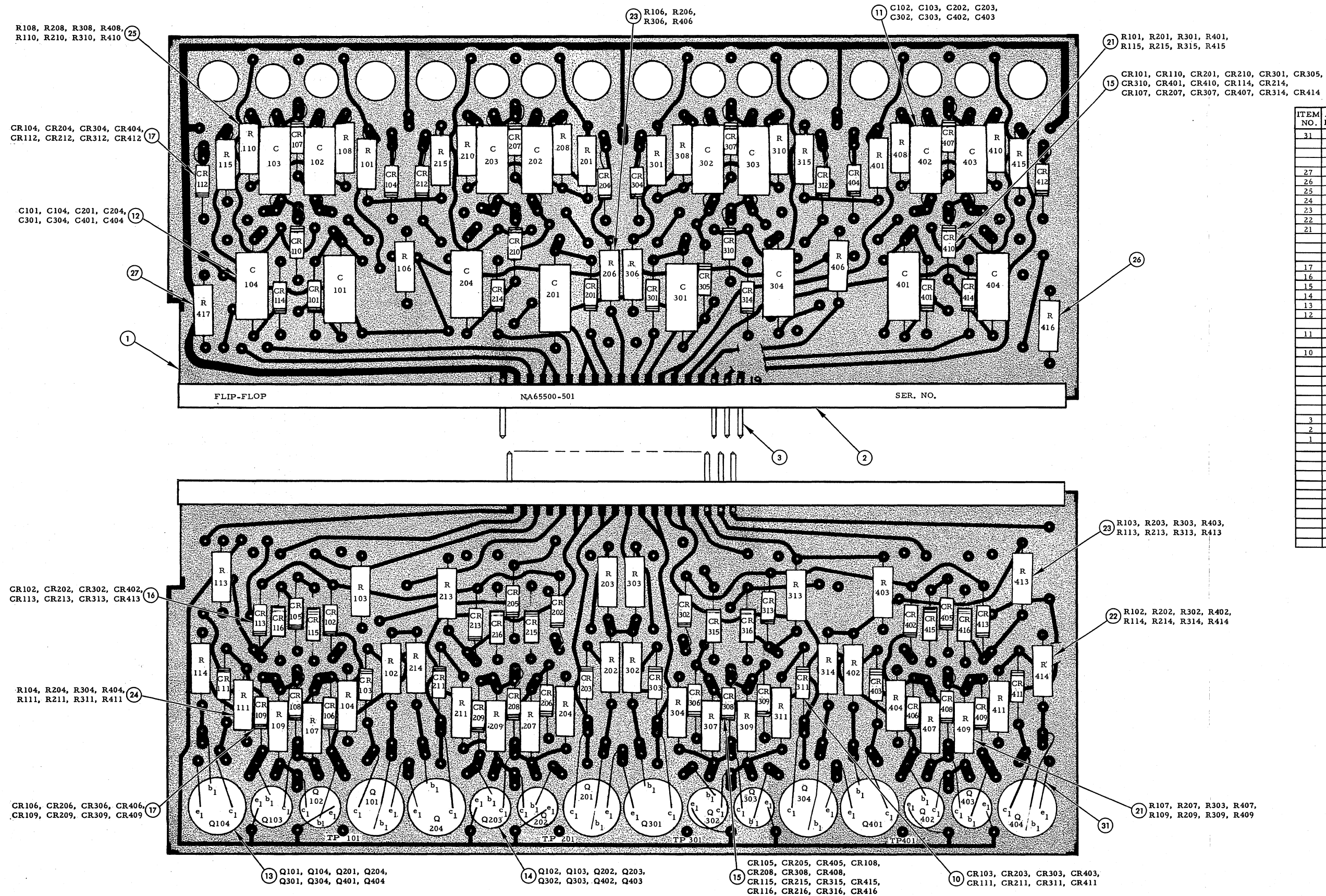
Figure 20. Logic Circuit Board Parts Location Diagram (57343-501)

- Note: Unless otherwise specified
1. Resistors are 16 kilohms ± 5 percent, 1/2 watt
 2. Diodes are HD2289
 3. Reference designations are abbreviated. For complete number, prefix the part designation with the assembly designation



REL-169

Figure 21. Logic Circuit Board Schematic
(57344-501)



ITEM NO.	ASSY REQD	ASSY REQD	LIST OF MATERIALS					
			PART NO.	DESC	MATERIAL	SIZE	MATERIAL SPEC	
31	1		ST22-9	SLEEVING		3 FT	NA2-4174	
27	1		RC20GF272J	RESISTOR			MIL-R-11	
26	1		RC20GF102J	RESISTOR				
25	8		RC20GF163J	RESISTOR				
24	8		RC20GF331J	RESISTOR				
23	12		RC20GF124J	RESISTOR				
22	8		RC20GF222J	RESISTOR				
21	16		RC20GF392J	RESISTOR			MIL-R-11	
17	16		HD6179	DIODE			HUGHES AIRCRAFT CO	
16	8		HD6179	DIODE			HUGHES AIRCRAFT CO	
15	32		HD2289	DIODE			HUGHES AIRCRAFT CO	
14	8		NAA358	TRANSISTOR			GENERAL TRANSISTOR CORP	
13	8		4JX1D804	TRANSISTOR			GENERAL ELECTRIC CO	
12	8		GP-2-K271	CAPACITOR		270 UUF ± 10%	ERIE RESISTOR CORP	
						500 V		
11	8		GP-2-K151	CAPACITOR		150 UUF ± 10%	ERIE RESISTOR CORP	
						500 V		
10	8		HD2289	DIODE			HUGHES AIRCRAFT CO	
3	37		14462-501	CONTACT			AUTONETICS	
2	1		65551-501	FRAME				
1	1		65502-501	BOARD				
			65500-501	FLIP-FLOP			AUTONETICS	
							QUANTITY PER END ITEM	NEXT ASSY
							43	41570-501

Note: Unless otherwise specified.

- Reference designations establish location only and do not appear on actual part.
- Reference designations are abbreviated. For complete number and prefix the part designation with the assembly designation.
- Diodes 1N99 and HD6001 are replacements for diodes HD2289 in this application.
- Diodes SG22 and HD6001 are replacements for diodes HD6179 in this application.
- Transistor 2N395 is a replacement for transistor 4JX1D804 in this application.

Figure 22. Logic Flip-Flop Circuit Board Parts Location Diagram (57333-501)

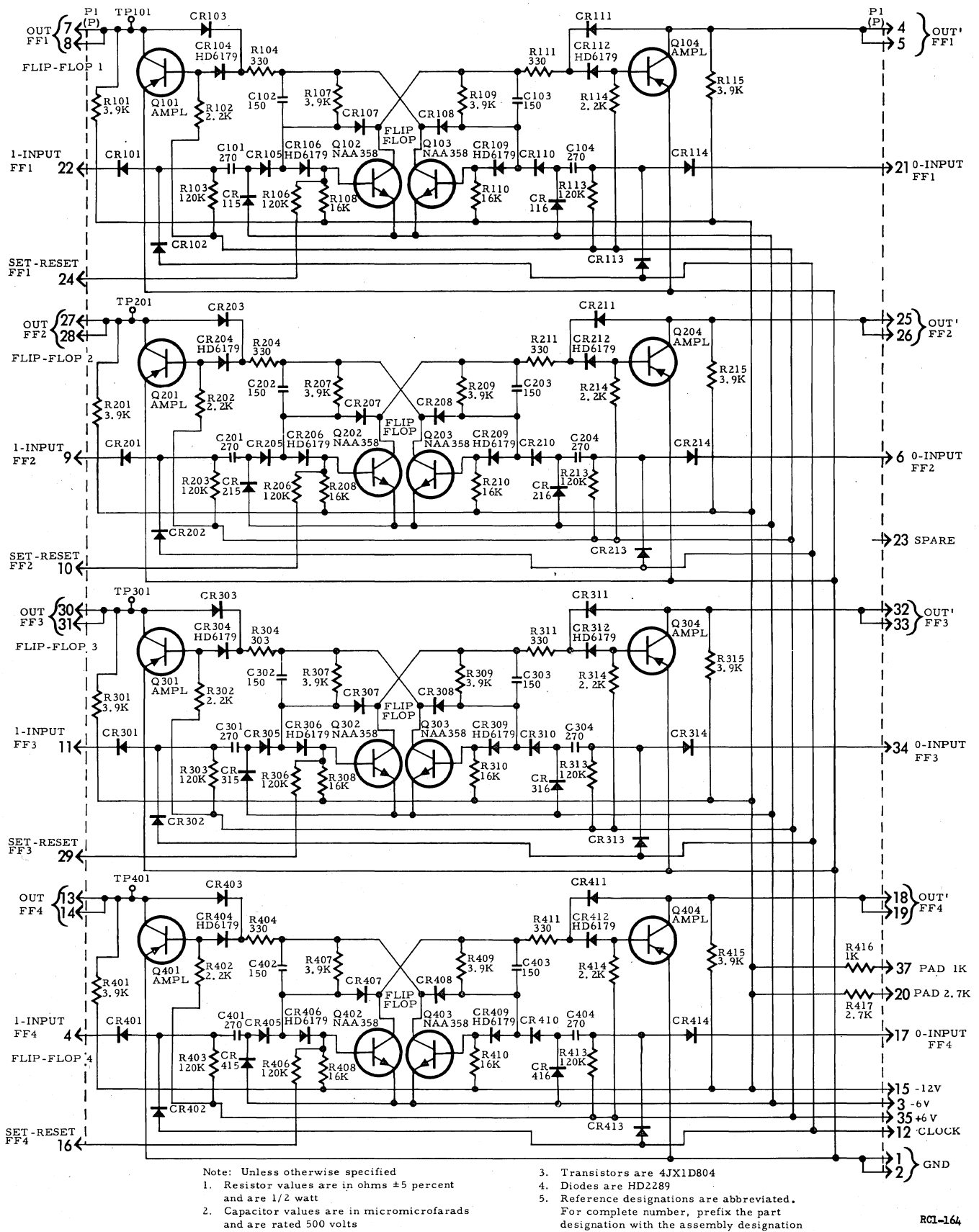
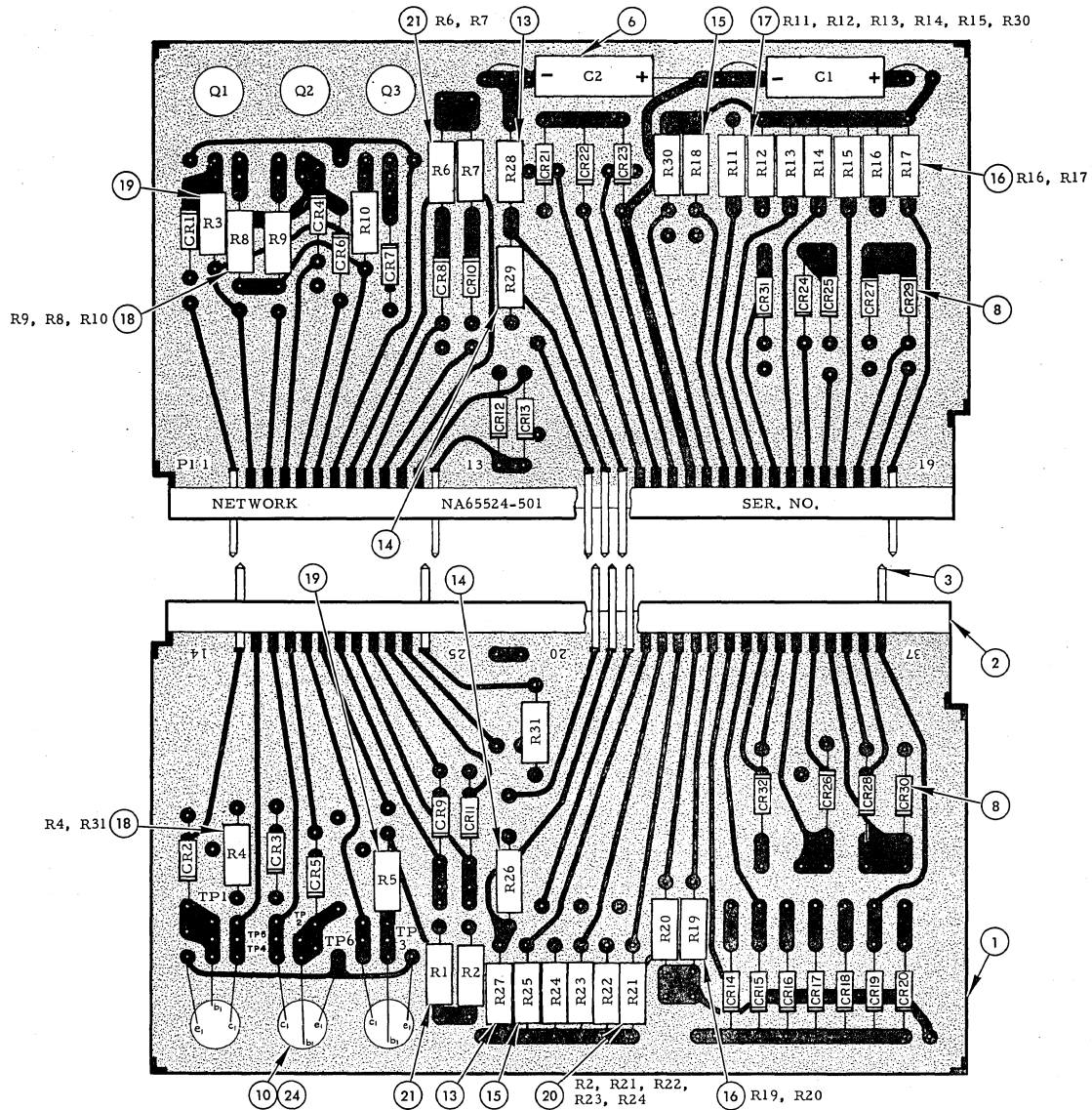


Figure 23. Logic Flip-Flop Circuit Board Schematic (57417-501)



ITEM NO.	ASSY REQD	ASSY REQD	LIST OF MATERIALS				
			PART NO.	DESC	MATERIAL	SIZE	MATERIAL SPEC
24		1	ST22-9	SLEEVING		1 FT	NA2-4174
21	3		RC20GF163J	RESISTOR			MIL-R-11
20	5		RC20GF102J				
19	2		RC20GF124J				
18	5		RC20GF224J				
17	6		RC20GF472J				
16	4		RC20GF122J				
15	2		RC20GF100J				
14	2		RC20GF103J				
13	2		RC20GF222J	RESISTOR			MIL-R-11
10	3		2N398	TRANSISTOR			RADIO CORPORATION OF AMERICA
8	32		HD2289	DIODE			HUGHES AIRCRAFT CO
6	2		29F446G4	CAPACITOR			GENERAL ELECTRIC CO
3	62		14462-501	CONTACT			AUTONETICS
2	1		6552-501	FRAME			AUTONETICS
1	1		65526-501	BOARD			AUTONETICS
1	1		65524-501	NETWORK			AUTONETICS

Note: Unless otherwise specified
 1. Component designations establish location only and do not appear on actual part
 2. Reference designations are abbreviated. For complete number, prefix the part designation with the assembly designation

QUANTITY PER END ITEM	7	NEXT ASSY 41570-501
--------------------------	---	------------------------

RC1-165

Figure 24. Network Circuit Board Parts Location Diagram (65524-501)

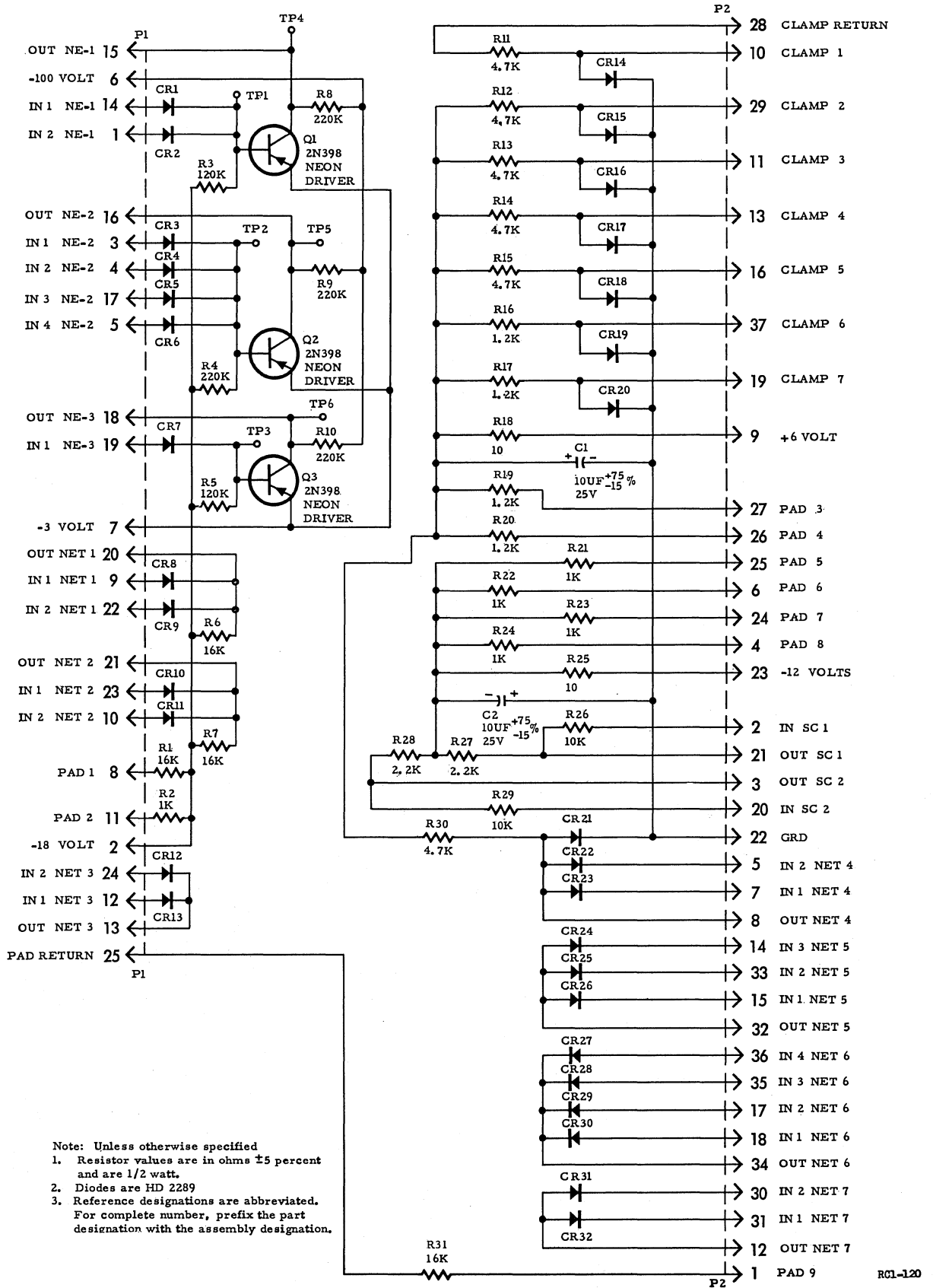
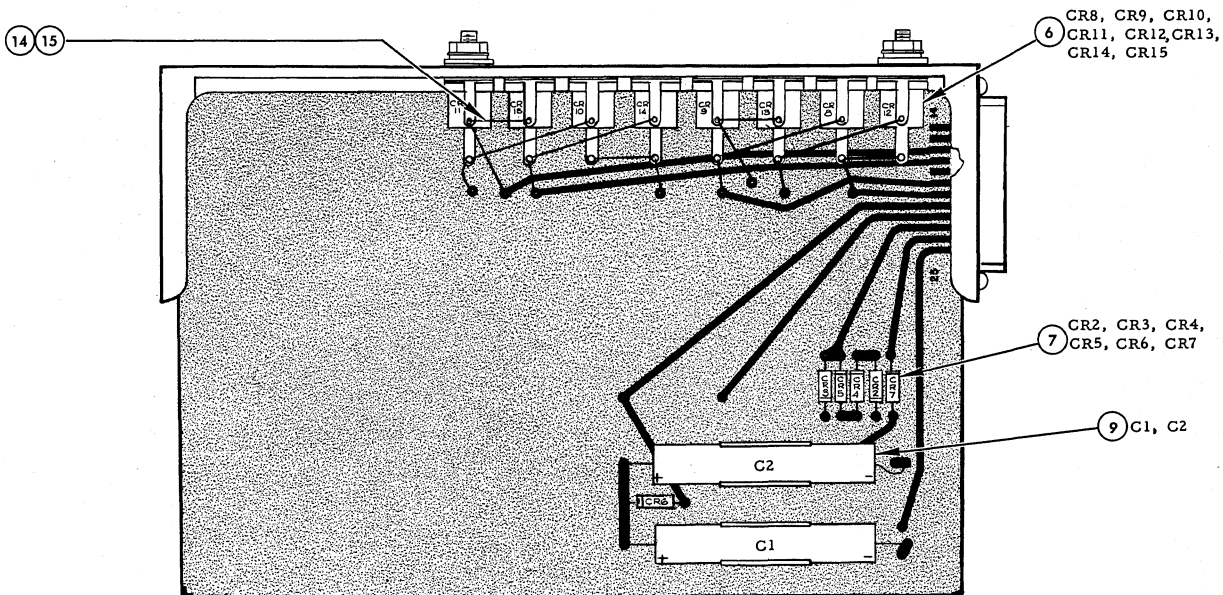
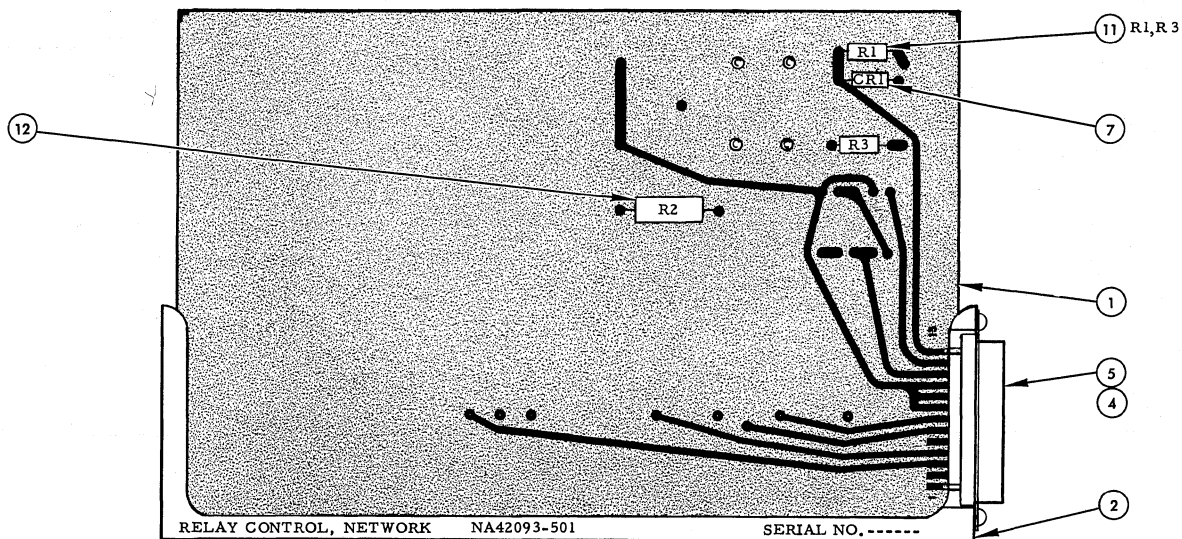


Figure 25. Network Circuit Board Schematic (65525-501)



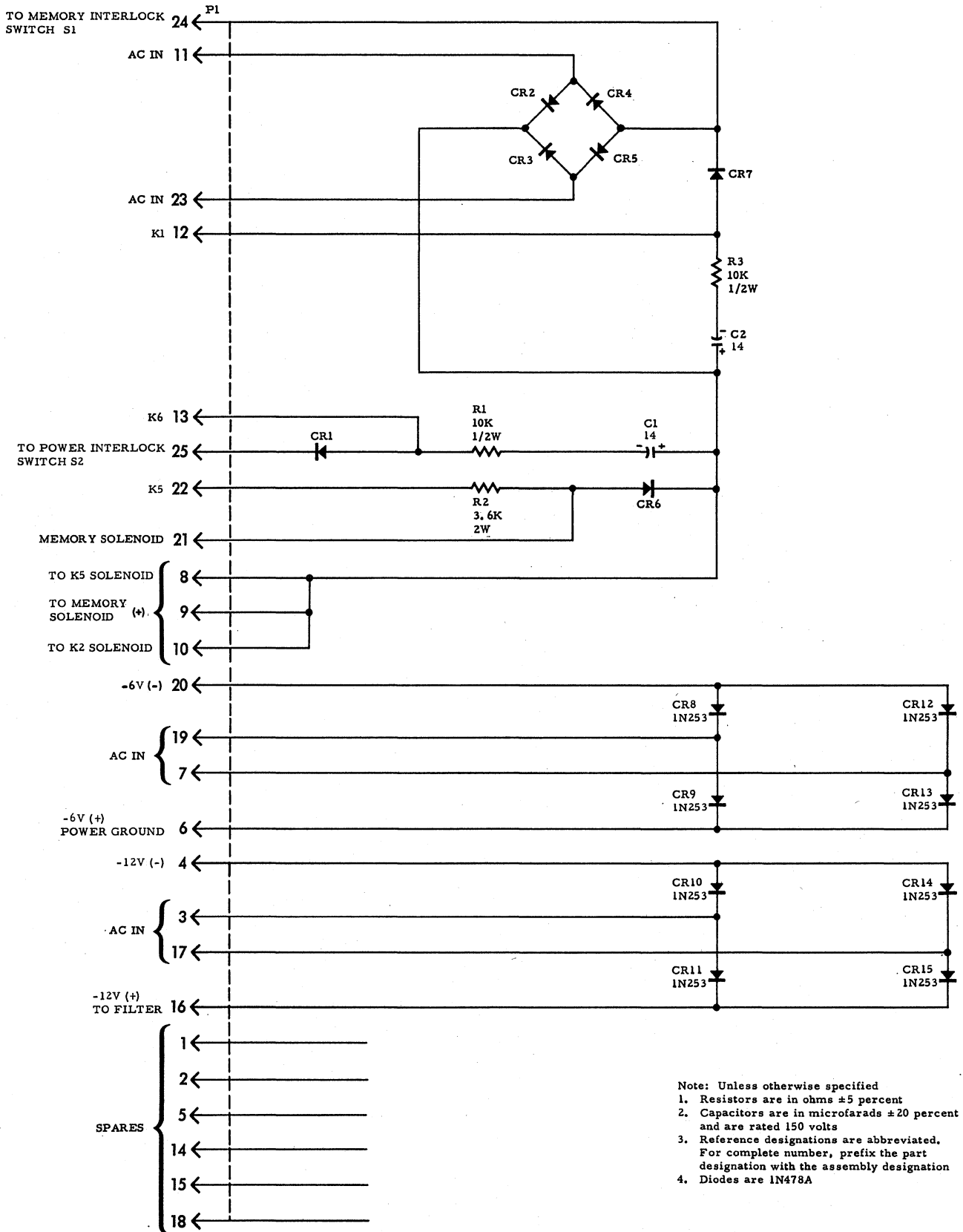
LIST OF MATERIALS							
ITEM NO.	ASSY REQD	ASSY REQD	PART NO.	DESC	MATERIAL	MATERIAL SPEC	
15		1		WIRE	SOFT, TIN COATED	MIL-W-3861 TYPE S	
14		1	ST22-9	SLEEVING	2 FT	NA2-4174	
12		1	RC42GF362J	RESISTOR		MIL-R-11	
11		2	RC20GF103J	RESISTOR		MIL-R-11	
9		2	29F602G4	CAPACITOR		GENERAL ELECTRIC CO	
7		7	IN487A	DIODE		TRANSITRON ELECTRONIC CORP	
6		8	IN253	DIODE		TRANSITRON ELECTRONIC CORP	
5		1	DB-25P	CONNECTOR		CANNON ELECTRIC CO	
4		2		SCREW BIND HD	4-40 x 3/16	FF-S-92	
2		1	65653-501	FRAME		AUTONETICS	
1		1	42095-501	BOARD		AUTONETICS	
		1	42093-501	NETWORK		AUTONETICS	
						QUANTITY PER END ITEM	NEXT ASSY
						1	41567-501

Note: Unless otherwise specified

- Reference designations shown on parts establish location only and do not appear on actual parts.
- Reference designations are abbreviated. For complete number, prefix the part designation with the assembly designation.

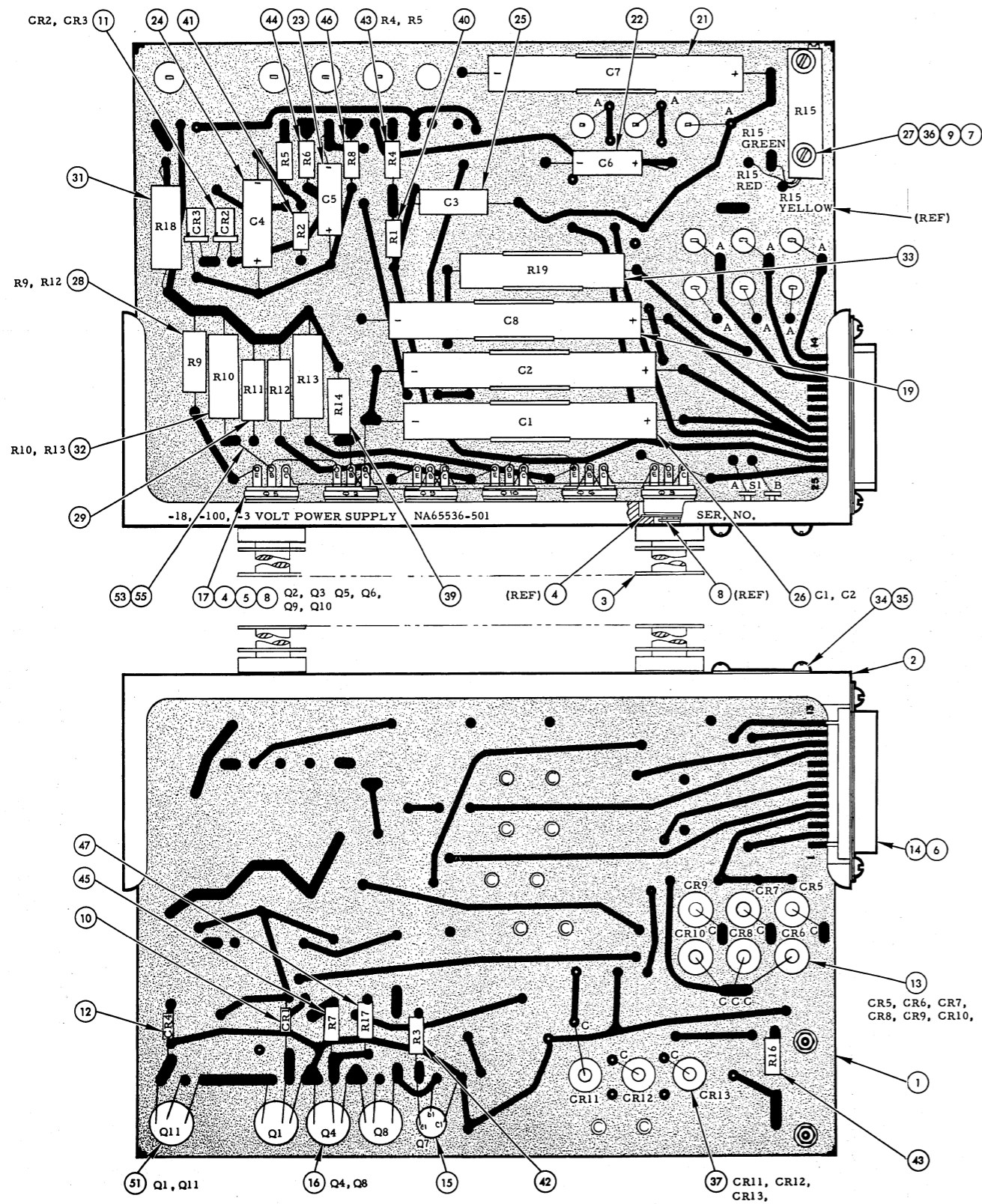
RC1-115

Figure 26. Relay Control, Power Supply Circuit Board
Parts Location Diagram (57965-501)



EM-123

Figure 27. Relay Control, Power Supply Circuit Board Schematic (57933-501)



ITEM NO.	ASSY REQD	ASSY REQD	LIST OF MATERIALS				
			PART NO.	DESC	MATERIAL	SIZE	MATERIAL SPEC
55	1			WIRE	SOFT, TIN COATED	22AWG x 3 FT	MIL-W-3861 TYPE S
53	1		ST22-9	SLEEVING		4 FT	NA2-4174
51	2		2N525	TRANSISTOR			GENERAL ELECTRIC CO
47	1		RC20GF101J	RESISTOR			MIL-R-11
46	1		RC20GF392J				
45	1		RC20GF471J				
44	1		RC20GF152J				
43	3		RC20GF222J				
42	1		RC20GF123J				
41	1		RC20GF393J				
40	1		RC20GF473J				
39	1		RC32GF220J	RESISTOR			MIL-R-11
37	3		IN536	DIODE			GENERAL ELECTRIC CO
36	2		AN515C2-14	SCREW			
35	2		AN5154R4	SCREW			
34	1		MI-120-105-1-6-1	THERMOSTAT			METALS AND CONTROLS CORP
33	1			RESISTOR	TS-10W	10 OHM ±5%10W	TEPRO ELECTRIC CORP
32	2			RESISTOR	TS-5W	3 OHM ±5%5W	
31	1			RESISTOR	TS-5W	0.22 OHM ±5%5W	
29	1			RESISTOR	TS-2W	4 OHM ±5%2W	
28	2			RESISTOR	TS-2W	2 OHM ±5%2W	TEPRO ELECTRIC CORP
27	1		120-1-E2000	RESISTOR VAR			BOURNS LABORATORIES
26	2		29F476G4	CAPACITOR			GENERAL ELECTRIC CO
25	1		29F408G4				
24	1		29F474G4				
23	1		29F617G4				
22	1		29F446G4				
21	1		29F630G4	CAPACITOR			
19	1		29F479G4	CAPACITOR			GENERAL ELECTRIC CO
17	6		2N539A	TRANSISTOR			MINNEAPOLIS-HONEYWELL CO
16	2		41X1D804	TRANSISTOR			GENERAL ELECTRIC CO
15	1		NAA358	TRANSISTOR			GENERAL TRANSISTOR CO
14	1		DB-25P	CONNECTOR			CANNON ELECTRIC CO
13	6		IN539	DIODE			GENERAL ELECTRIC CO
12	1		SG22				TRANSITRON ELECTRIC CORP
11	2		IN429				HOFFMAN SEMICONDUCTOR PRODUCTS
10	1		SV139	DIODE			TRANSITRON ELECTRIC CORP
9	2		92-1660-26	NUT			ELASTIC STOP NUT CORP
8	6		2W1P-11-10-47	WASHER			AMS-3605
7	6		2W18-2L	WASHER			
6	2			SCREW BIND HD		4-40 x 3/16	FF-S-92
5	6		41606-501	WASHER			AUTONETICS
4	6		41605-501	WASHER			
3	6		65647-501	DISSIPATOR			
2	1		65646-501	FRAME			
1	1		65538-501	BOARD			
			65536-501-21	ASSY			AUTONETICS

QUANTITY PER END ITEM	NEXT ASSY	
1	D4A-A	41567-501-21
1	D4A-C	41580-501-21

Note: Unless otherwise specified
 1. Reference designations shown on parts establish location only and do not appear on actual parts.
 2. Reference designations are abbreviated. For complete number, prefix the part designation with the assembly designation.
 3. C and A indicate cathode and anode and do not appear on actual board.

Figure 28. -18-, -100-, -3-Volt Power Supply Circuit Board Parts Location Diagram (57354-501)

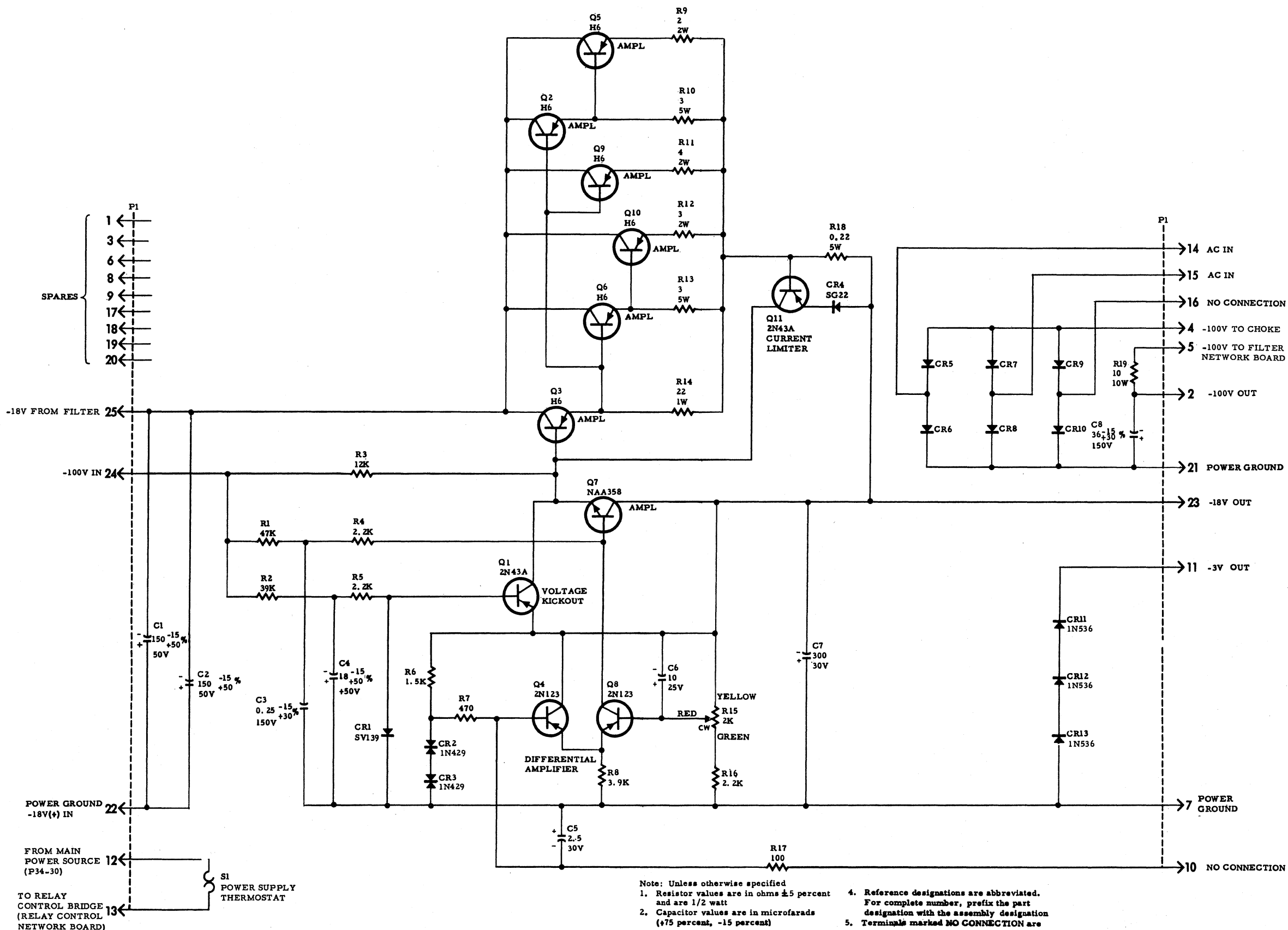
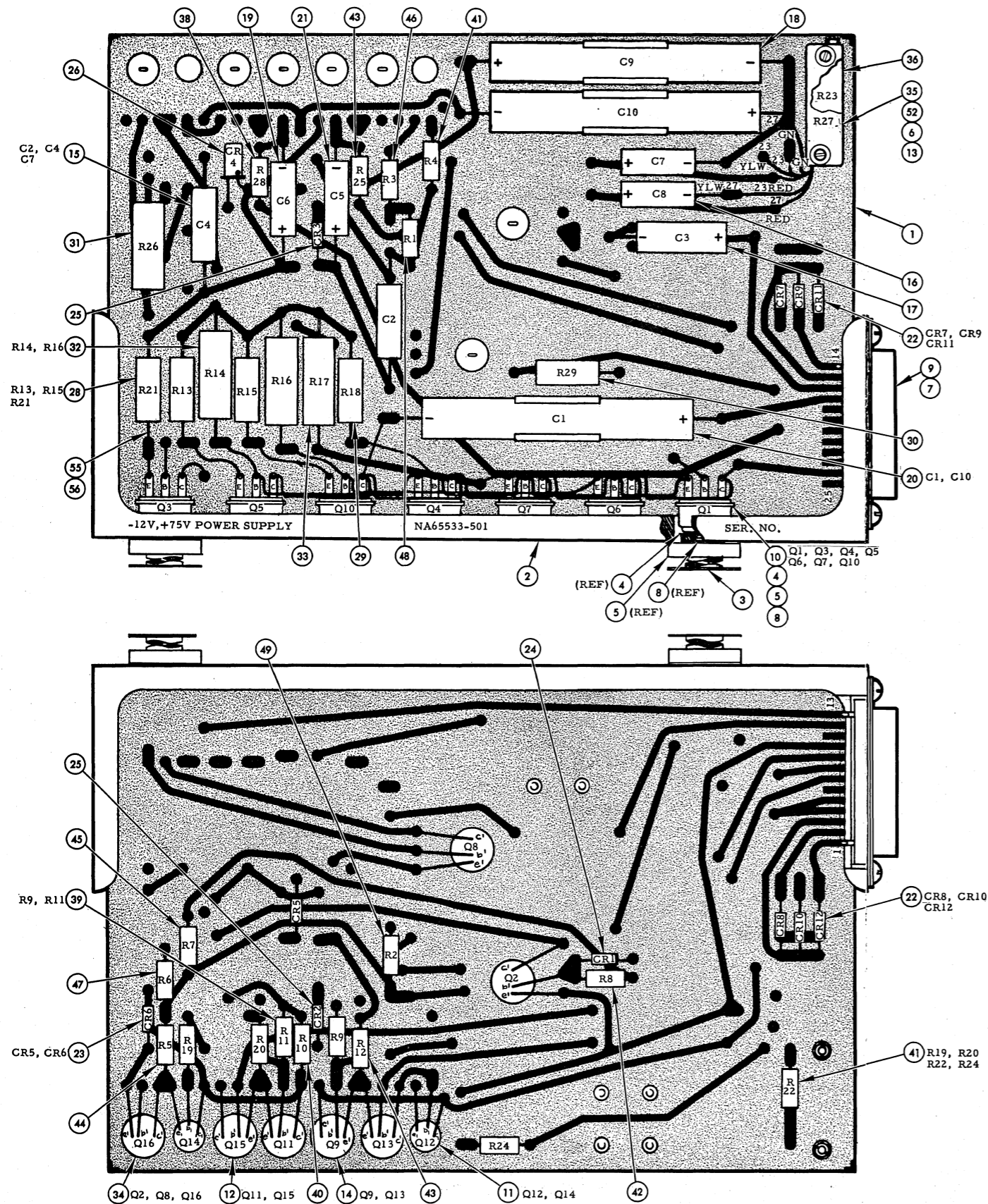


Figure 29. -18-, -100-, -3-Volt Power Supply Circuit Board Schematic (57355-501)



ITEM NO.	ASSY REQD	ASSY REQD	LIST OF MATERIALS				
			PART NO.	DESC	MATERIAL	SIZE	MATERIAL SPEC
56	1		ST22-9	INSL SLEEVING		3 FT	NA2-4174
55	1			WIRE	SOFT TIN COATED	22AWG x 2 FT	MIL-W-3861 TYPE S
52	2		AN515C2-14	SCREW			
49	1		RC20GF683J	RESISTOR			MIL-R-11
48	1		RC20GF623J				
47	1		RC20GF563J				
46	1		RC20GF333J				
45	1		RC20GF273J				
44	1		RC20GF123J				
43	2		RC20GF103J				
42	1		RC20GF272J				
41	5		RC20GF222J				
40	1		RC20GF152J				
39	2		RC20GF471J				
38	1		RC20GF101J	RESISTOR			MIL-R-11
36	1		120-1-E10000	RESISTOR VAR			BOURNS LABORATORIES
35	1		120-1-E2000	RESISTOR VAR			BOURNS LABORATORIES
34	3		2N43A	TRANSISTOR			GENERAL ELECTRIC CO
33	1			RESISTOR	TS-5W	4 OHMS ± 5% 5W	TEPRO ELECTRIC CORP
32	2				TS-5W	3 OHMS ± 5% 5W	
31	1				TS-5W	0.22 OHM ± 5% 5W	
30	1				TS-2W	3.3K ± 5% 2W	
29	1				TS-2W	22 OHMS ± 5% 2W	
28	3			RESISTOR	TS-2W	2 OHMS ± 5% 2W	TEPRO ELECTRIC CORP
26	1		IN429	DIODE			HOFFMAN SEMICONDUCTOR PRODUCTS
25	2		SV139				TRANSITRON ELECTRONIC CORP
24	1		SV133				TRANSITRON ELECTRONIC CORP
23	2		SG22				TRANSITRON ELECTRONIC CORP
22	6		IN485A	DIODE			TRANSITRON ELECTRONIC CORP
21	1		29F473G4	CAPACITOR			GENERAL ELECTRIC CO
20	2		29F630G4				
19	1		29F617G4				
18	1		29F479G4				
17	1		29F474G4				
16	1		29F446G4				
15	3		29F408G4	CAPACITOR			GENERAL ELECTRIC CO
14	2		2N398	TRANSISTOR			RADIO CORP OF AMERICA
13	2		92-1660-26	NUT			ELASTIC STOP NUT CORP
12	2		2N123	TRANSISTOR			GENERAL ELECTRIC CO
11	2		NAA358	TRANSISTOR			GENERAL TRANSISTOR CORP
10	7		2N539A	TRANSISTOR			MINNEAPOLIS-HONEYWELL CO
9	1		DB-25P	CONNECTOR			CANNON ELECTRIC CO
8	7		2WIP-11-10-62	WASHER			AMS 3605
7	2			SCREW BIND HD		4-40 x 3/16	FF-S-92
6	4		2W18-2L	WASHER			AUTONETICS
5	7		41606-501	WASHER			
4	7		41605-501	WASHER			
3	7		65647-501	DISSIPATOR			
2	1		65645-501	FRAME			
1	1		65535-501	BOARD			
			65533-501	ASSEMBLY			AUTONETICS
							1 41580-501
							1 41567-501
							QUANTITY PER NEXT ASSY
							END ITEM

Figure 30. -12-, 75-Volt Power Supply Circuit Board Parts Location Diagram (57351-501)

Note: Unless otherwise specified
 1. Reference designations shown on parts establish location only and do not appear on actual parts
 2. Reference designations are abbreviated. For complete number, prefix the part designation with the assembly designation
 3. ZJ11-509 is a substitute for 2N123 transistor
 4. 2N525 is a substitute for 2N43A

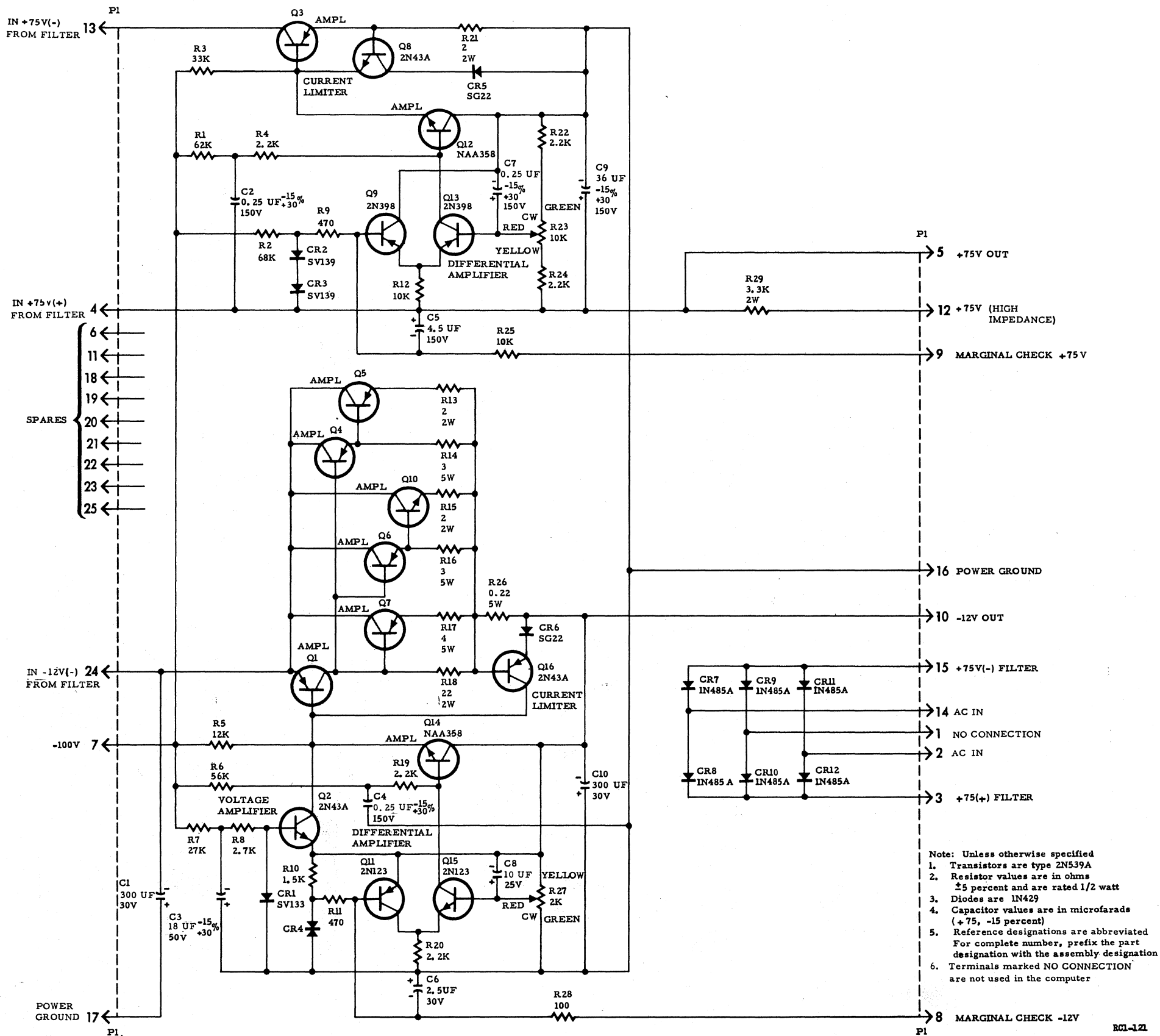
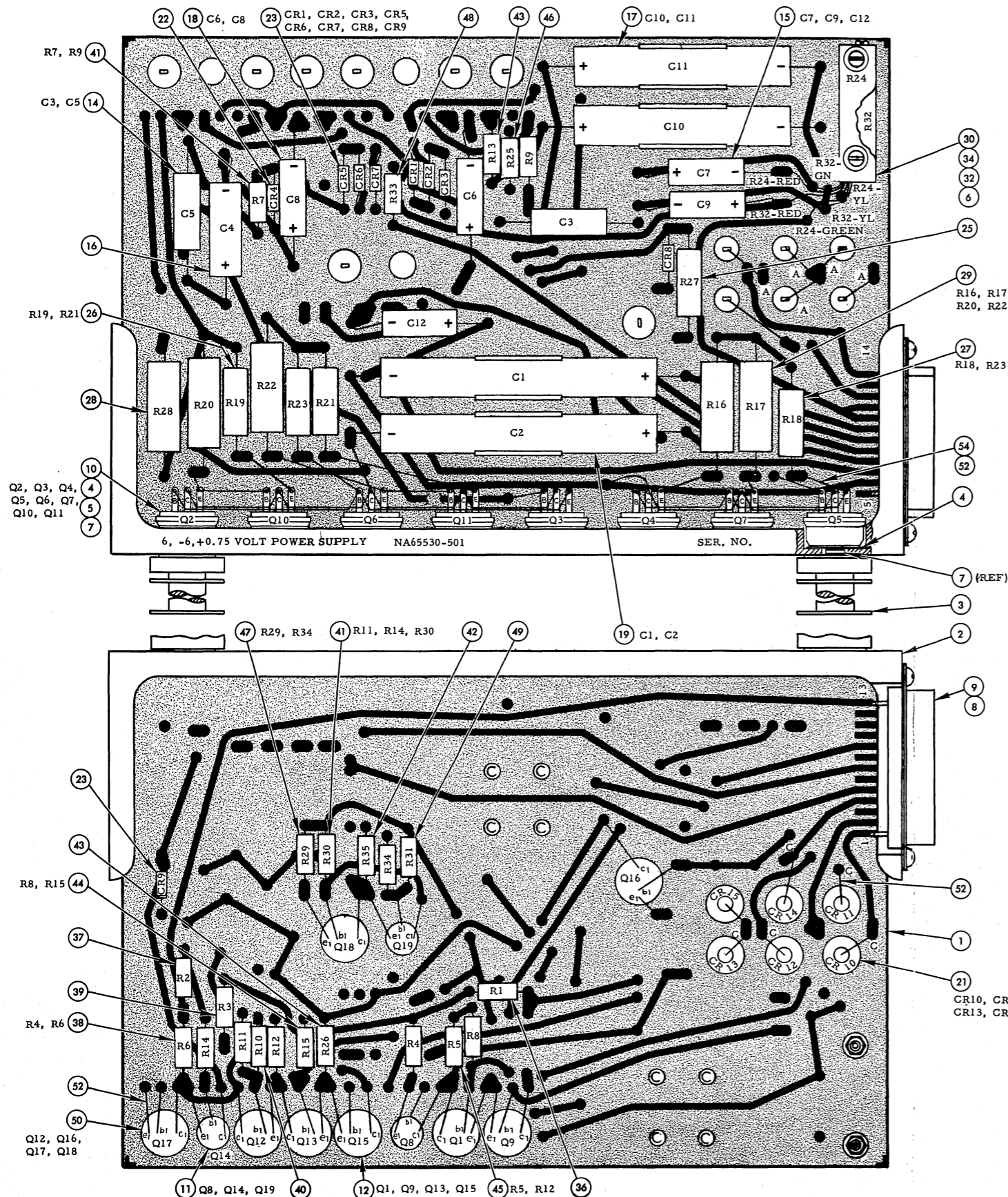


Figure 31. -12-, +75-Volt Power Supply Circuit Board Schematic (57352-501)



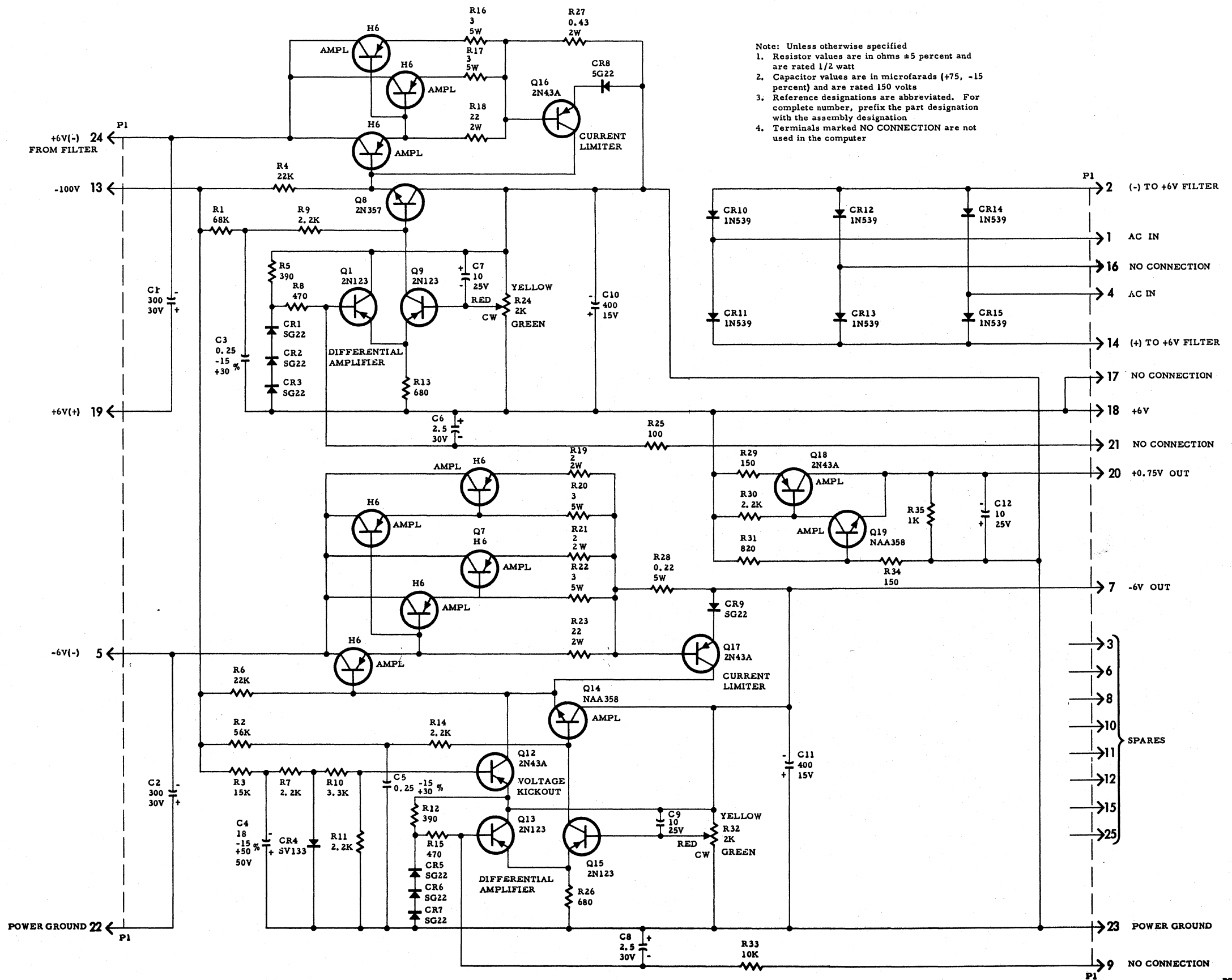
ITEM NO.	ASSY REQD	ASSY REQD	LIST OF MATERIALS				
			PART NO.	DESC	MATERIAL	SIZE	MATERIAL SPEC
54	1			WIRE	SOFT, TIN COATED	22AWG x 3 FT	MIL-W-3861 TYPE S
52	1		ST22-9	SLEEVING		3 FT	NA2-4174
50	4		2N525	TRANSISTOR			GENERAL ELECTRIC CO
49	1		RC20GF821J	RESISTOR			MIL-R-11
48	1		RC20GF103J				
47	2		RC20GF151J				
46	1		RC20GF101J				
45	2		RC20GF391J				
44	2		RC20GF471J				
43	2		RC20GF681J				
42	1		RC20GF102J				
41	5		RC20GF222J				
40	1		RC20GF332J				
39	1		RC20GF153J				
38	2		RC20GF223J				
37	1		RC20GF563J				
36	1		RC20GF683J	RESISTOR			MIL-R-11
34	2		AN515C2-14	SCREW			
32	2		92-1660-26	NUT			ELASTIC STOP NUT CORP
30	2		120-1-EZ000	RESISTOR VAR			BOURNS LABORATORIES
29	4			RESISTOR	TS-5W	3 OHM±5%5W	TEPRO ELECTRIC CORP
28	1				TS-5W	0.22 OHM±5%5W	
27	2				TS-2W	22 OHM±5%2W	
26	2				TS-2W	2 OHM±5%2W	
25	1			RESISTOR	TS-2W	0.43 OHM±5%2W	TEPRO ELECTRIC CORP
23	8		SG22	DIODE			TRANSITRON ELECTRONIC CORP
22	1		SV133	DIODE			TRANSITRON ELECTRONIC CORP
21	6		IN539	DIODE			GENERAL ELECTRIC CO
19	2		29F630G4	CAPACITOR			
18	2		29F617G4				
17	2		29F483G4				
16	1		29F474G4				
15	3		29F446G4				
14	2		29F408G4	CAPACITOR			GENERAL ELECTRIC CO
12	4		4JX1D804	TRANSISTOR			GENERAL ELECTRIC CO
11	3		NAA358	TRANSISTOR			GENERAL TRANSISTOR CORP
10	8		2N539A	TRANSISTOR			MINNEAPOLIS-HONEYWELL CO
9	1		DB-25P	CONNECTOR			CANNON ELECTRIC CO
8	2			SCREW BIND HD		4-40 x 3/16	FF-S-92
7	8		2W1P-11-10-62	WASHER			AMS-3605
6	4		2W1P-2L	WASHER			AUTONETICS
5	8		41606-501	WASHER			
4	8		41605-501	WASHER			
3	8		65647-501	DISSIPATOR			
2	1		65645-501	FRAME			
1	1		65532-501	BOARD			
	1		65530-501	ASSEMBLY			AUTONETICS

QUANTITY PER END ITEM	NEXT ASSY
1	D4A-C 41580-501
1	D4A-B 41567-501

Note: Unless otherwise specified

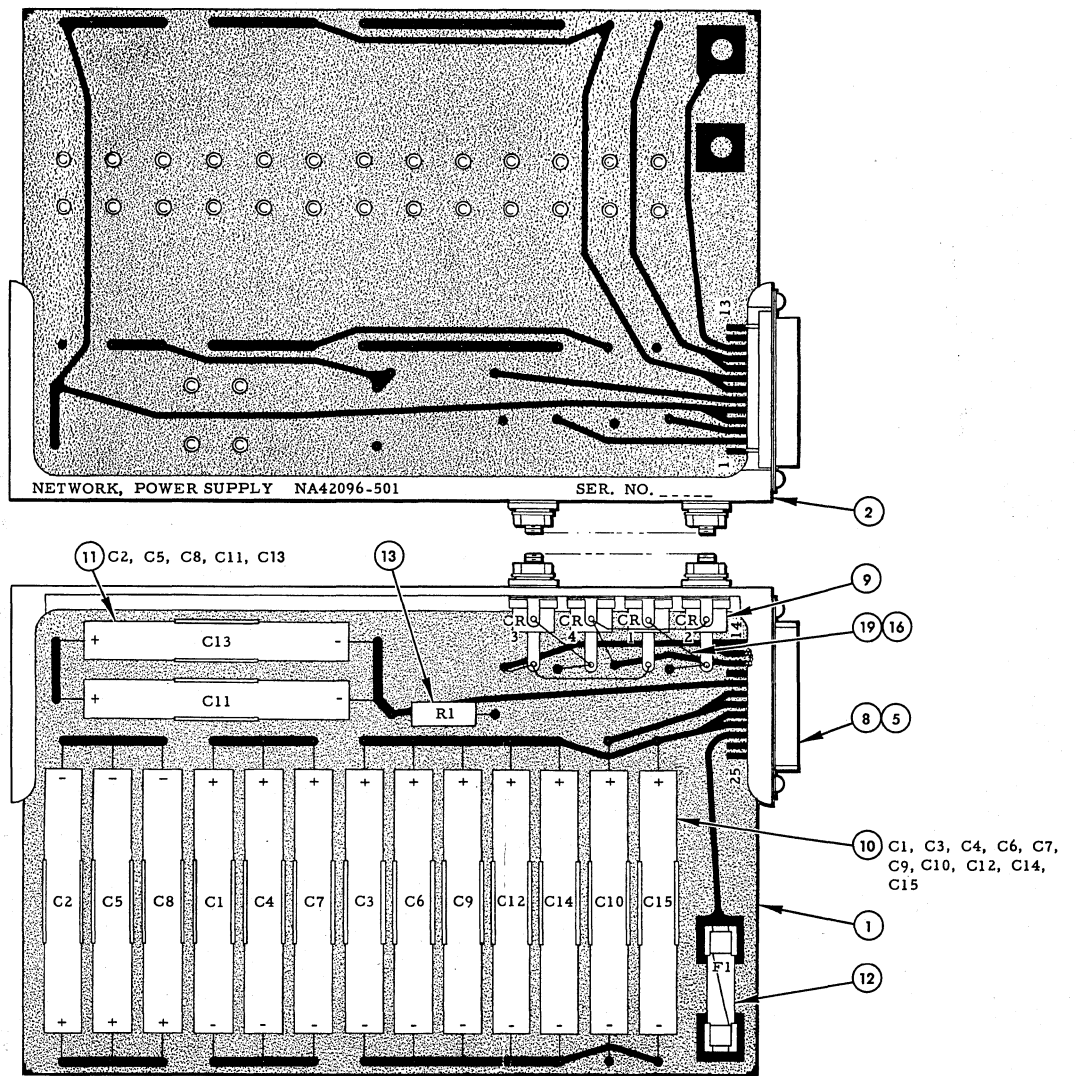
- Reference designations shown on parts establish location only and do not appear on actual parts
- Reference designations are abbreviated. For complete number, prefix the part designation with the assembly designation
- A and C denote anode and cathode and do not appear on actual part
- 2N43A transistor is a replacement for 2N525 transistor

Figure 32. +6-, -6-, +0.75-Volt Power Supply Circuit Board
Parts Location Diagram (57349-501)



- Note: Unless otherwise specified
1. Resistor values are in ohms ± 5 percent and are rated 1/2 watt
 2. Capacitor values are in microfarads (+75, -15 percent) and are rated 150 volts
 3. Reference designations are abbreviated. For complete number, prefix the part designation with the assembly designation
 4. Terminals marked NO CONNECTION are not used in the computer

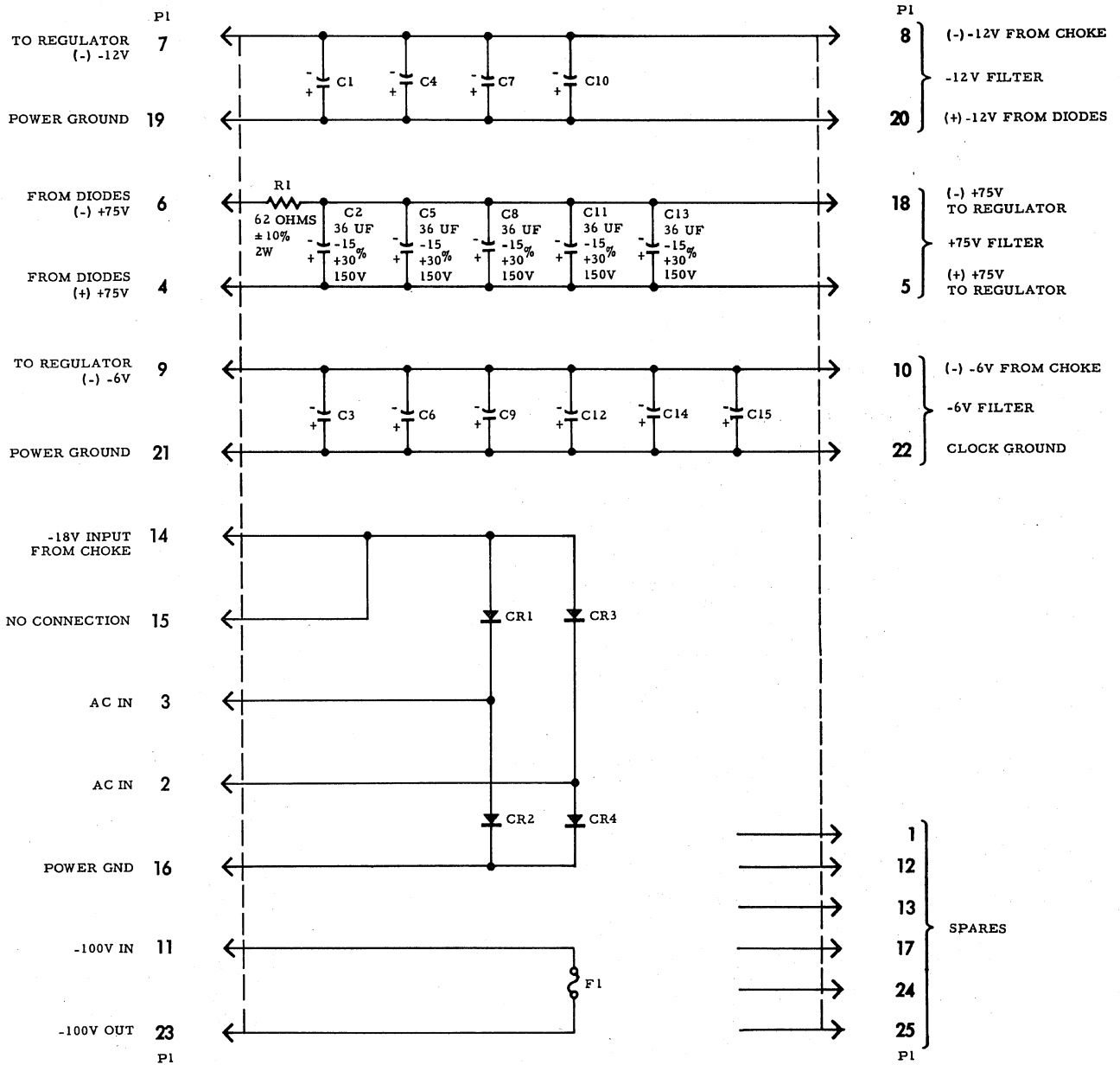
Figure 33. +6-, -6-, 0.75-Volt Power Supply Circuit Board Schematic (57411-501)



ITEM NO.	ASSY REQD	ASSY REQD	LIST OF MATERIALS					
			PART NO.	DESC	MATERIAL	SIZE	MATERIAL SPEC	
19		1		WIRE	SOFT, TIN COATED	22AWG X 1 FT	ML-W-3861 TYPE S	
16	1		ST22-9	SLEEVING		1 FT	NA2-4174	
13	1			RESISTOR	TS-2W	62 OHM ± 10% 2W	TEPRO ELECTRIC CORP	
12	1		312001	FUSE		1A 250V 3 AG	LITTLE FUSE CO	
11	5		29F479G4	CAPACITOR			GENERAL ELECTRIC	
10	10		29F630G4	CAPACITOR			GENERAL ELECTRIC	
9	4		1N253	DIODE			TRANSITRON ELECTRONIC CORP	
8	1		DB-25P	CONNECTOR			CANNON ELECTRIC CO	
5	2			SCREW, BIND HD		4-40 x 3/16	FF-S-92	
2	1		65653-501	FRAME			AUTONETICS	
1	1		42098-501	BOARD			AUTONETICS	
	1		42096-501	NETWORK			AUTONETICS	
							QUANTITY PER END ITEM	1
							NEXT ASSY	41567-501

RCL-114

Figure 34. Network Power Supply Circuit Board Parts Location Diagram (57910-501)



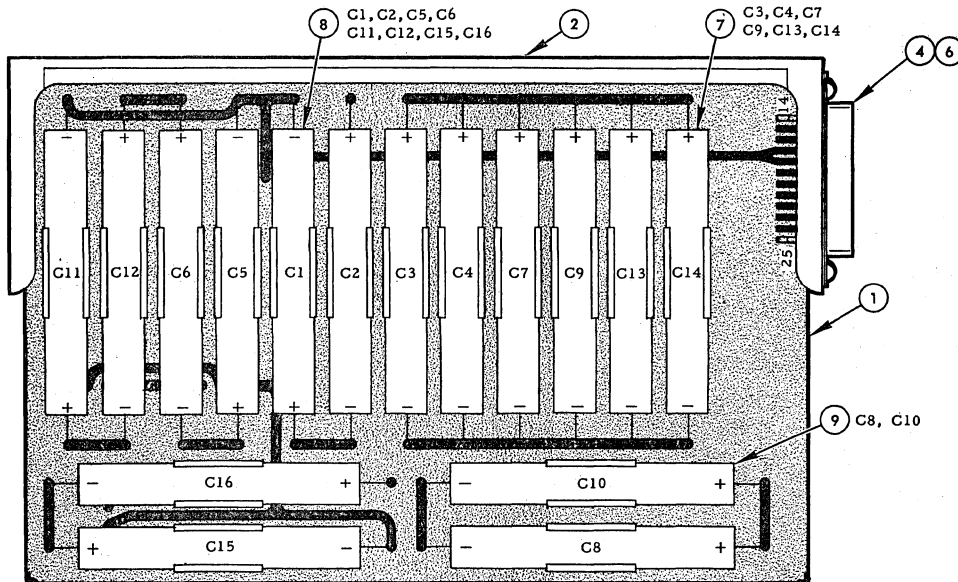
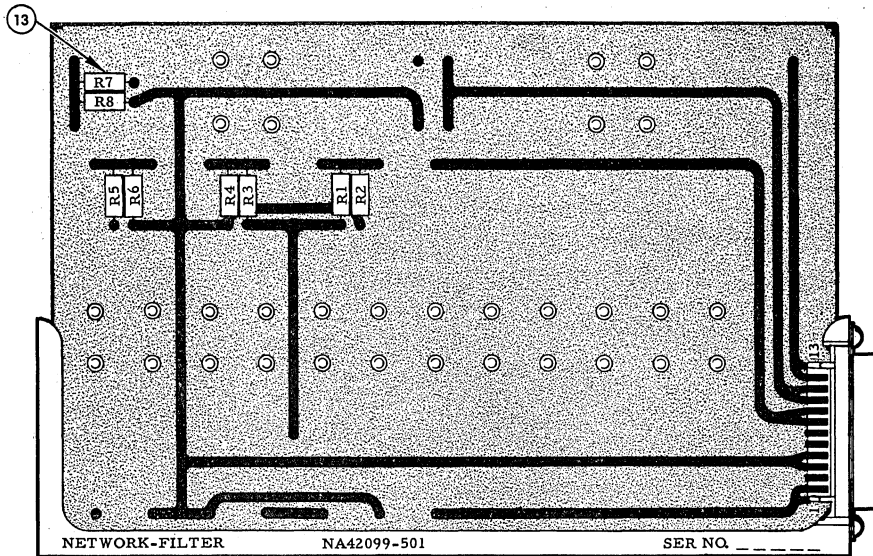
Note: Unless otherwise specified

1. Diodes are 1N253
2. Capacitors are 300 microfarads (+75, -15 percent), and are rated 30 volts

3. Reference designations are abbreviated. For complete number, prefix the part designation with the assembly designation
4. Terminals marked "no connection" are not used in the computer

RC1-118

Figure 35. Network Power Supply Circuit Board Schematic (57911-501)



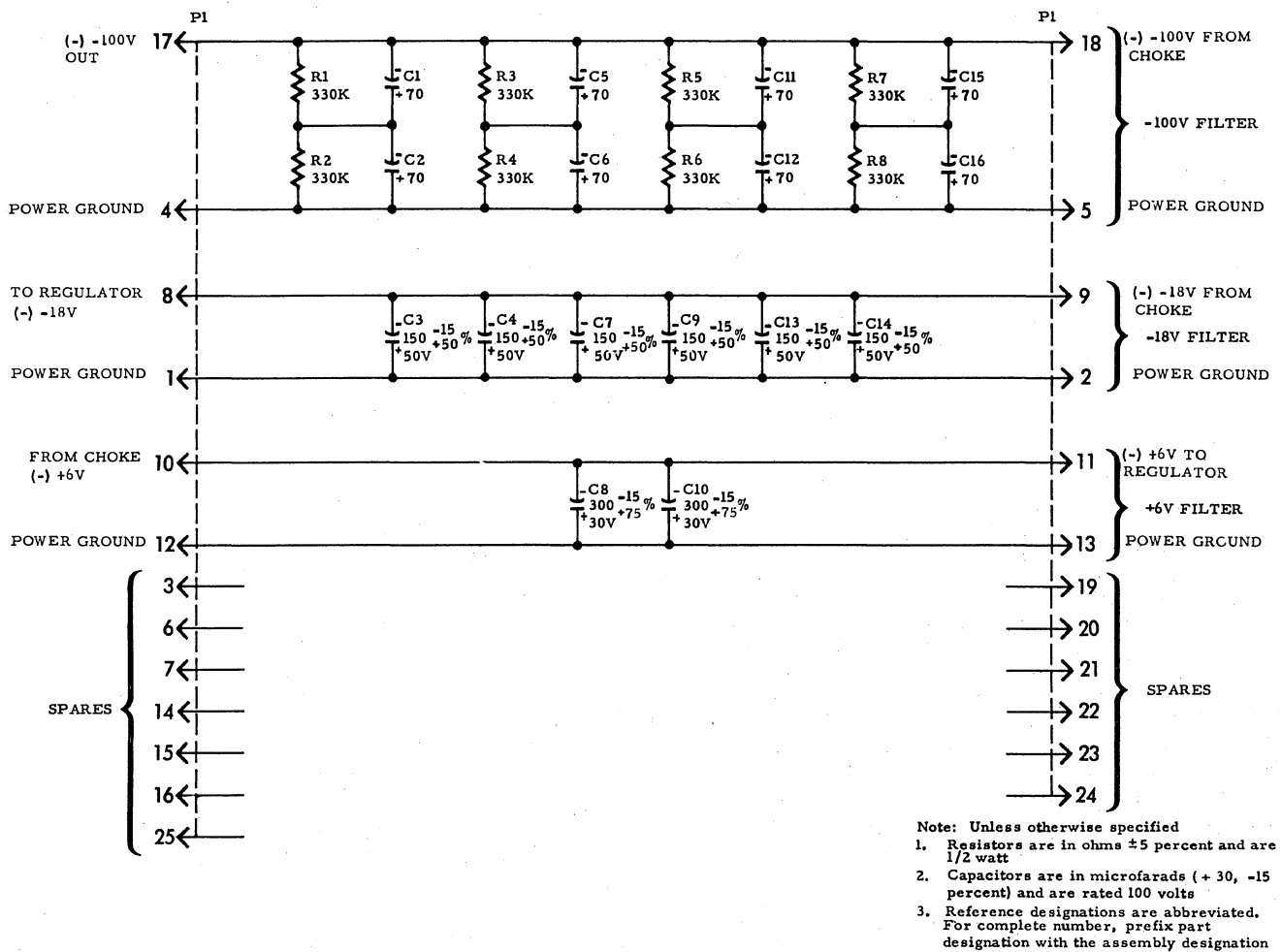
ITEM NO.	ASSY REQD	ASSY REQD	LIST OF MATERIALS					
			PART NO.	DESC	MATERIAL	SIZE	MATERIAL SPEC	
13	8		RC20GF334J	RESISTOR			MIL-R-11	
9	2		29F630G4	CAPACITOR			GENERAL ELECTRIC CO	
8	8		29F518G4	CAPACITOR			GENERAL ELECTRIC CO	
7	6		29F476G4	CAPACITOR			GENERAL ELECTRIC CO	
6	1		DB-25P	CONNECTOR			CANNON ELECTRIC CO	
4	2			SCREW BIND HD		4-40 x 3/16	FF-S-92	
2	1		65645-501	FRAME			AUTONETICS	
1	1		42101-501	BOARD			AUTONETICS	
	1		42099-501	NETWORK			AUTONETICS	
							QUANTITY PER END ITEM	1
							NEXT ASSY	
							41567-501	

Note: Unless otherwise specified

1. Reference designations shown on parts establish location only and do not appear on actual parts.
2. Reference designations are abbreviated. For complete number, prefix the part designation with the assembly designation.

RCL-116

Figure 36. Network-Filter Power Supply Circuit Board
Parts Location Diagram (57913-501)



RCL-122

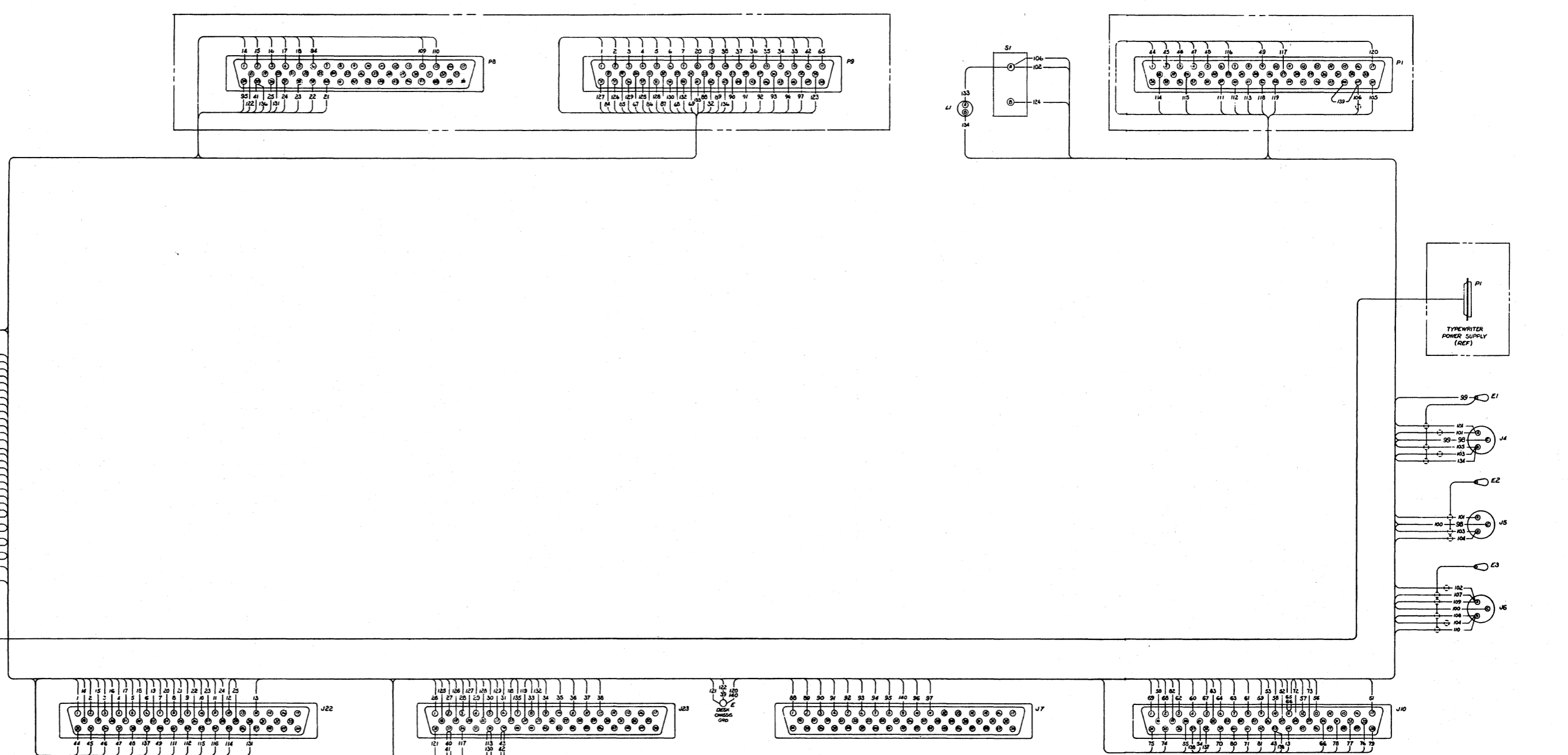
Figure 37. Network-Filter Power Supply Circuit Board Schematic (57914-501)

LIST OF ILLUSTRATIONS

DESK

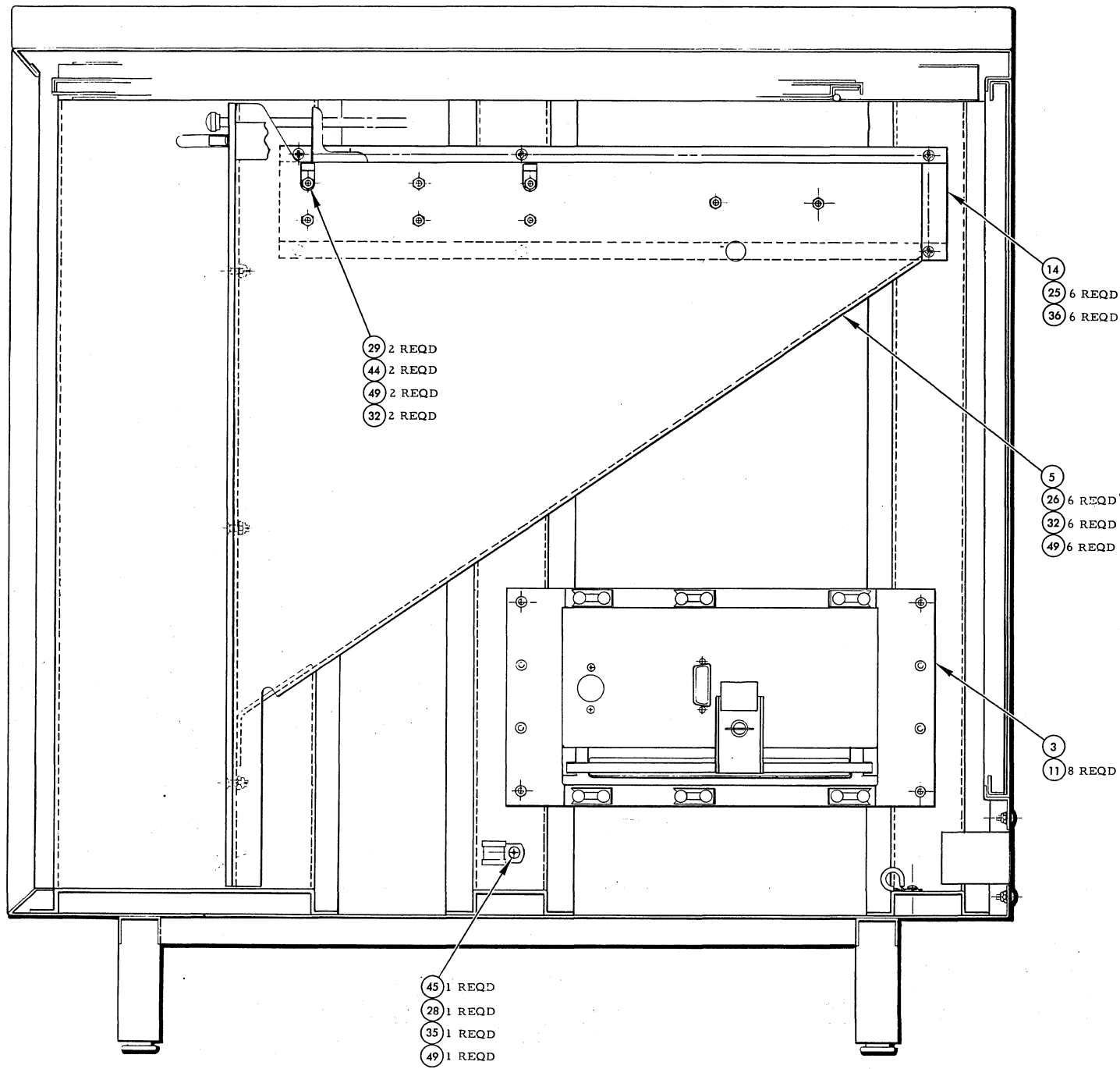
<u>Figure</u>		<u>Page</u>
38.	Desk Wiring Diagram (55060-501)	53
39.	Desk Installation-Input-Output Equipment (41576-501)	54

WIRE LIST					WIRE LIST				
NO.	LN	IN.	FROM	TO	NO.	LN	IN.	FROM	TO
1	5		P8-1	J22-1	129	5		P8-36	J23-32
2	5		P8-2	J22-2	130	5		P8-37	J23-33
3	5		P8-3	J22-3	131	5		P8-38	J23-34
4	5		P8-4	J22-4	132	5		P8-39	J23-35
5	5		P8-5	J22-5	133	5		P8-40	J23-36
6	5		P8-6	J22-6	134	5		P8-41	J23-37
7	5		P8-7	J22-7	135	5		P8-42	J23-38
8	5		P8-8	J22-8	136	5		P8-43	J23-39
9	5		P8-9	J22-9	137	5		P8-44	J23-40
10	5		P8-10	J22-10	138	5		P8-45	J23-41
11	5		P8-11	J22-11	139	5		P8-46	J23-42
12	5		P8-12	J22-12	140	5		P8-47	J23-43
13	5		P8-13	J22-13					
14	5		P8-14	J22-14					
15	5		P8-15	J22-15					
16	5		P8-16	J22-16					
17	5		P8-17	J22-17					
18	5		P8-18	J22-18					
19	5		P8-19	J22-19					
20	5		P8-20	J22-20					
21	5		P8-21	J22-21					
22	5		P8-22	J22-22					
23	5		P8-23	J22-23					
24	5		P8-24	J22-24					
25	5		P8-25	J22-25					
26	5		P8-26	J22-26					
27	5		P8-27	J22-27					
28	5		P8-28	J22-28					
29	5		P8-29	J22-29					
30	5		P8-30	J22-30					
31	5		P8-31	J22-31					
32	5		P8-32	J22-32					
33	5		P8-33	J22-33					
34	5		P8-34	J22-34					
35	5		P8-35	J22-35					
36	5		P8-36	J22-36					
37	5		P8-37	J22-37					
38	5		P8-38	J22-38					
39	5		P8-39	J22-39					
40	5		P8-40	J22-40					
41	5		P8-41	J22-41					
42	5		P8-42	J22-42					
43	5		P8-43	J22-43					
44	5		P8-44	J22-44					
45	5		P8-45	J22-45					
46	5		P8-46	J22-46					
47	5		P8-47	J22-47					
48	5		P8-48	J22-48					
49	5		P8-49	J22-49					
50	5		P8-50	J22-50					
51	5		P8-51	J22-51					
52	5		P8-52	J22-52					
53	5		P8-53	J22-53					
54	5		P8-54	J22-54					
55	5		P8-55	J22-55					
56	5		P8-56	J22-56					
57	5		P8-57	J22-57					
58	5		P8-58	J22-58					
59	5		P8-59	J22-59					
60	5		P8-60	J22-60					
61	5		P8-61	J22-61					
62	5		P8-62	J22-62					
63	5		P8-63	J22-63					
64	5		P8-64	J22-64					
65	5		P8-65	J22-65					
66	5		P8-66	J22-66					
67	5		P8-67	J22-67					
68	5		P8-68	J22-68					
69	5		P8-69	J22-69					
70	5		P8-70	J22-70					
71	5		P8-71	J22-71					
72	5		P8-72	J22-72					
73	5		P8-73	J22-73					
74	5		P8-74	J22-74					
75	5		P8-75	J22-75					
76	5		P8-76	J22-76					
77	5		P8-77	J22-77					
78	5		P8-78	J22-78					
79	5		P8-79	J22-79					
80	5		P8-80	J22-80					
81	5		P8-81	J22-81					
82	5		P8-82	J22-82					
83	5		P8-83	J22-83					
84	5		P8-84	J22-84					
85	5		P8-85	J22-85					
86	5		P8-86	J22-86					
87	5		P8-87	J22-87					
88	5		P8-88	J22-88					
89	5		P8-89	J22-89					
90	5		P8-90	J22-90					
91	5		P8-91	J22-91					
92	5		P8-92	J22-92					
93	5		P8-93	J22-93					
94	5		P8-94	J22-94					
95	5		P8-95	J22-95					
96	5		P8-96	J22-96					
97	5		P8-97	J22-97					
98	5		P8-98	J22-98					
99	5		P8-99	J22-99					
100	5		P8-100	J22-100					



- 6. REF DESIGNATIONS SHOWN ARE FOR LOCATING PURPOSES ONLY & MAY NOT APPEAR ON ACTUAL PARTS.
- 7. TYPE F, GRADE C, FORM UN, CLASS 1, OFFERED I
- 8. COLOR CODE FOR MIL-N-76
- 9. COVER EACH USED CONNECTOR TERMINAL WITH TAPLEX 105 THERMOPLASTIC INSULATOR WITH INSULATOR CO, IRVINGTON, NJ
- 10. WIRE LENGTHS IN THE LHM ARE APPROX EXACT LENGTHS OF INDIVIDUAL WIRES IN WIRE LIST TO BE DETERMINED FROM FIRST SATISFACTORY ASSEMBLY AND ENGINEERING NOTIFIED
- 11. WIRE PER NAM SPEC A0013-005
- NOTE: UNLESS OTHERWISE SPECIFIED

Figure 38. Desk Wiring Diagram (55060-501)



SECTION C-C (SEE SHEET 2)

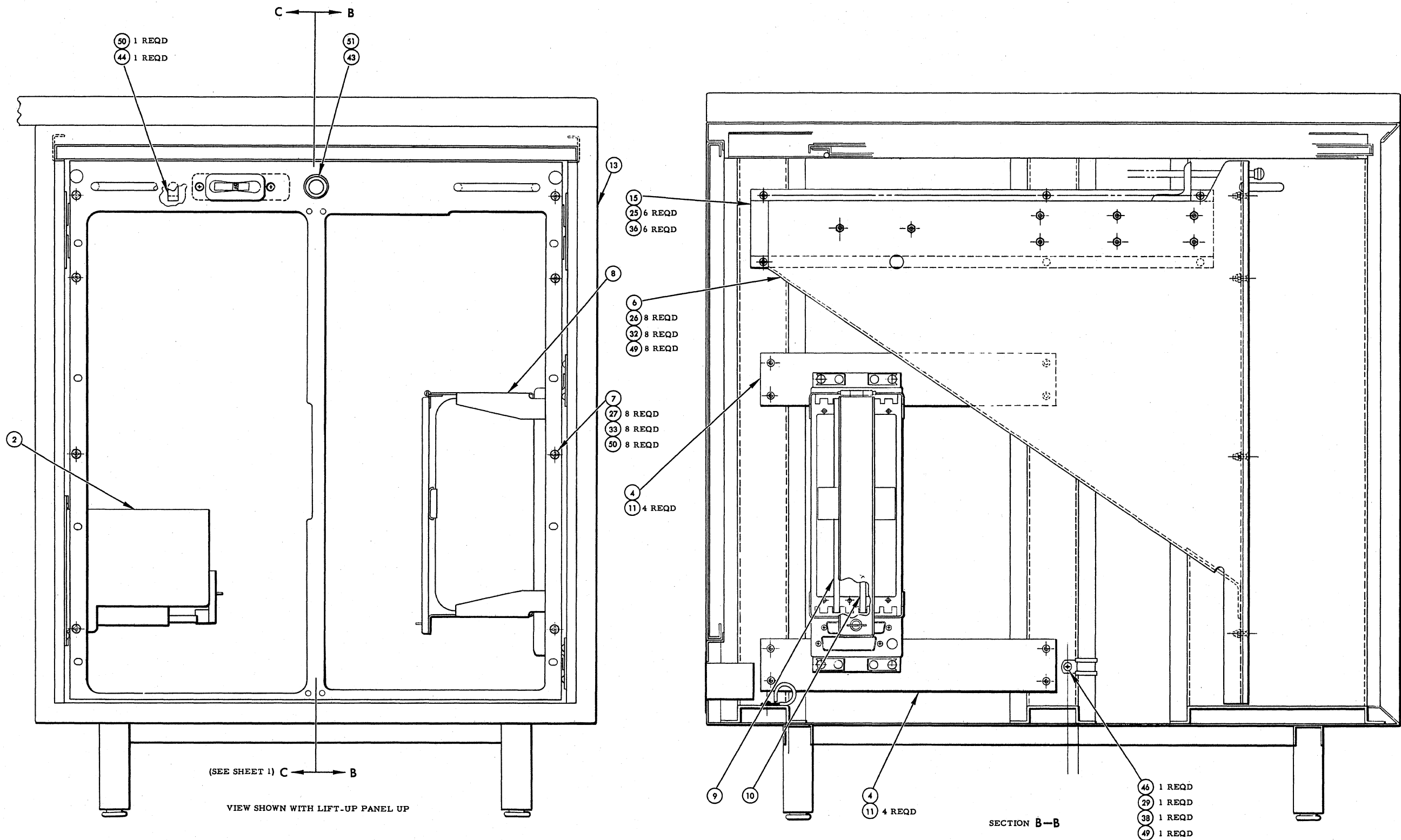
LIST OF MATERIALS							
ITEM NO.	ASSY REQD	ASSY REQD	PART NO.	DESC	MATERIAL	SIZE	MATERIAL SPEC
51		1	NE-5	LAMP			MIL-L-15098
50		9	2W18-8	WASHER			
49		20	2W18-6	WASHER			
48		8	2W18-4	WASHER			
47		9	2W17-6	WASHER			
46		2	MS21919 DS10	CLAMP			
45		2	MS21919 DS6	CLAMP			
43		1	LH64 PR5	LAMP HOLDER	MS90287		MIL-L-3661
44		3	NPC-4	CLAMP			HOLUB INDUSTRIES INC.
43		2	3600-02	NUTPLATE			NUT-SHEL CO.
42		3	2104-06-00	LUG			SHAKEPROOF INC
41		4	20964	HOOD			CANNON ELECTRIC CO
40		1	20963	HOOD			CANNON ELECTRIC CO
39		8	20420	LOCK			CANNON ELECTRIC CO
38		2	20419	LOCK			CANNON ELECTRIC CO
37		3	ST16-9	SLEEVING		7/16	NA2-4174
36		12	AN936 C6	WASHER			
35		6	AN936 A6	WASHER			
33		8	AN365-832A	NUT			
32		25	AN365-632A	NUT			
31		8	AN365-440A	NUT			
30		3	AN507-6R6	SCREW			
29		2	AN505-6R10	SCREW			
28		10	AN526-632-5	SCREW			
27		8	AN507-832R10	SCREW			
26		14	AN505-6R8	SCREW			
25		12	AN505-6R4	SCREW			
24		8		SCREW		4-40 X 5/16	FF-S-92
22		1	DC 375	CONNECTOR			CANNON ELECTRIC CO
21		2	5279	CONNECTOR			HARVEY HUBBEL INC.
20		1	5278	CONNECTOR			HARVEY HUBBEL INC
19		2	DD50P	CONNECTOR			CANNON ELECTRIC CO
18		6	DD50S	CONNECTOR			CANNON ELECTRIC CO
17		1	AM1015-MG3	CIRCUIT BREAKER	6 AMP, 115V LESS 60 CPS TIME DELAY TRIP CURVE 1		HEINEMAN ELECTRIC CO
15		1	393AG2Y-2	SLIDE			AUTONETICS
14		1	393AG2Y-1	SLIDE			AUTONETICS
13		1	7218	DESK			AUTONETICS
11		16	CR563-4-10	PULL RIVET			TOWNSEND CO
10		1	42602-501	NETWORK BD			AUTONETICS
9		1	42587-501	DRIVER BD			
8		1	42583-501-21	CHASSIS			
7		1	42581-501	PANEL			
6		1	42580-501-2	GUSSET			
5		1	42580-501-1	GUSSET			
4		2	42578-501	PLATE			
3		1	42577-501	PLATE			
2		1	42471-501	PWR SUPPLY			
1		1	55060-501	WIRING DIAGRAM			
1		1	41576-501	INSTALLATION			

QUANTITY PER END ITEM	1	NEXT ASSY	41573-501
-----------------------	---	-----------	-----------

Note: Unless otherwise specified

- ① 1. Commercial part, see Autonetics Design Specification Control Drawing 955195-501 before ordering.
- ② 2. Commercial part, see Autonetics Design Specification Control Drawing 942210-501 before ordering.

Figure 39. Desk Installation-Input-Output Equipment (41576-501)
(Sheet 1 of 3)



RC9-105

Figure 39. Desk Installation-Input-Output-Equipment (41576-501)
(Sheet 2 of 3)

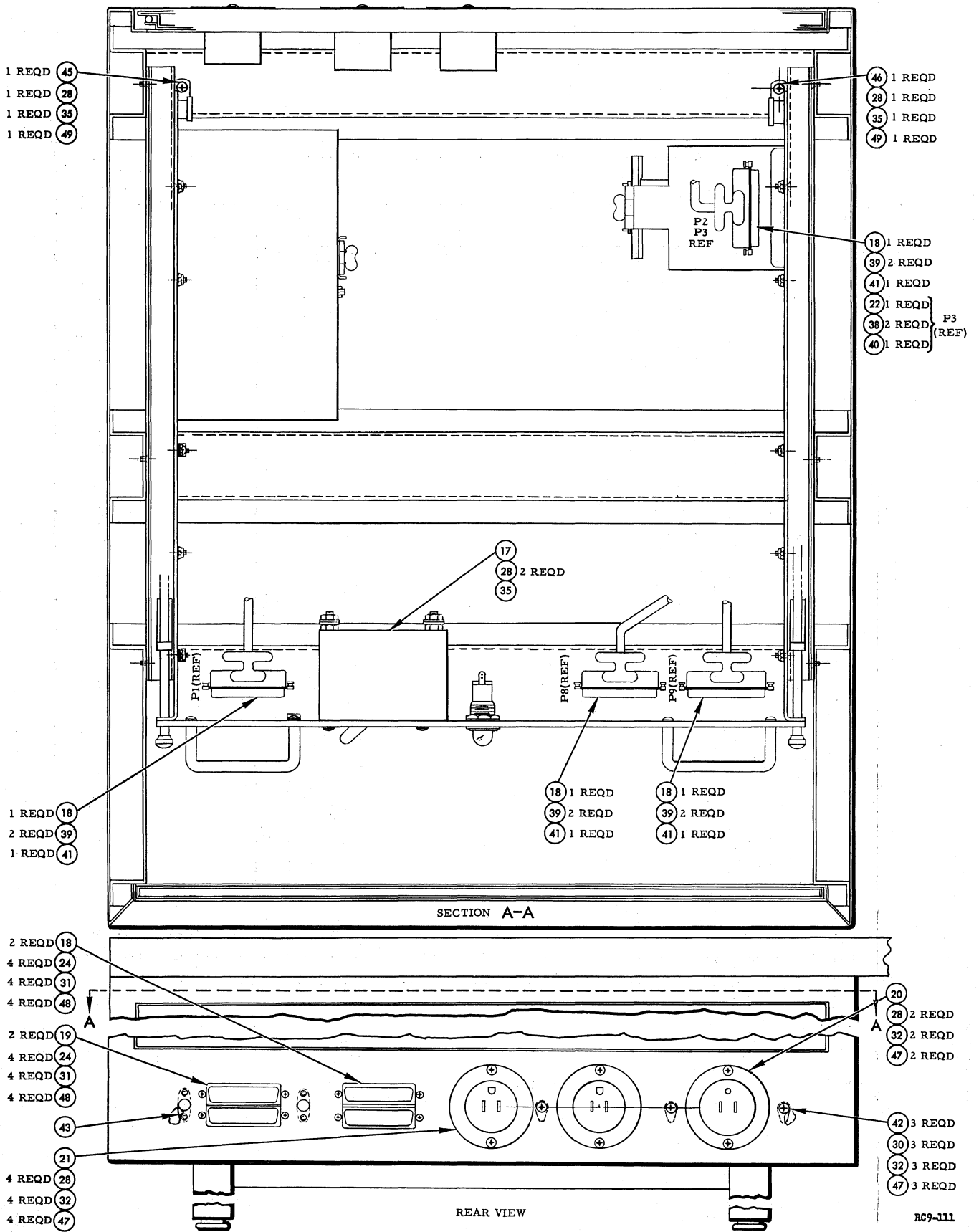
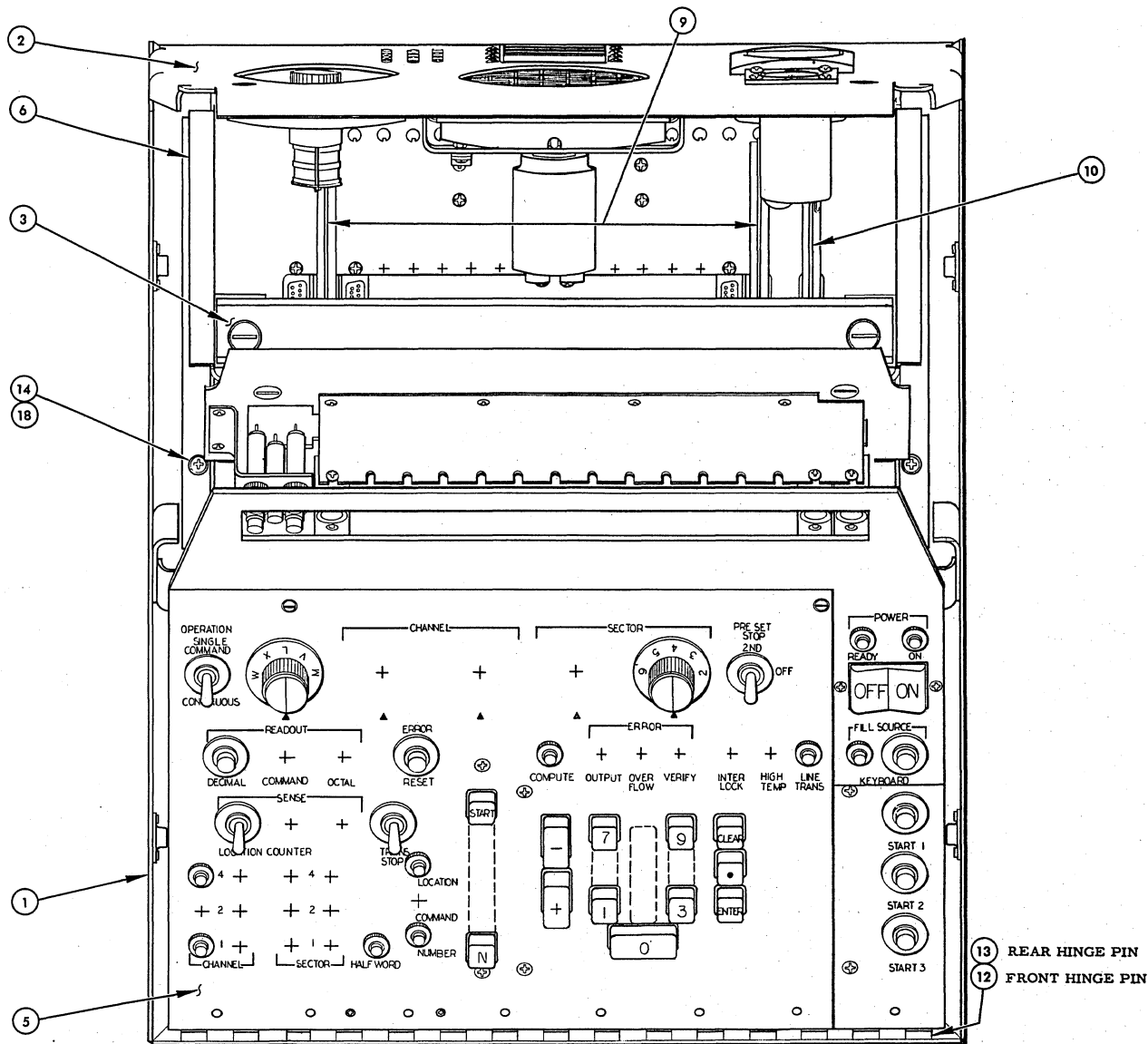


Figure 39. Desk Installation-Input-Output Equipment (41576-501)
(Sheet 3 of 3)

LIST OF ILLUSTRATIONS

CONTROL UNIT

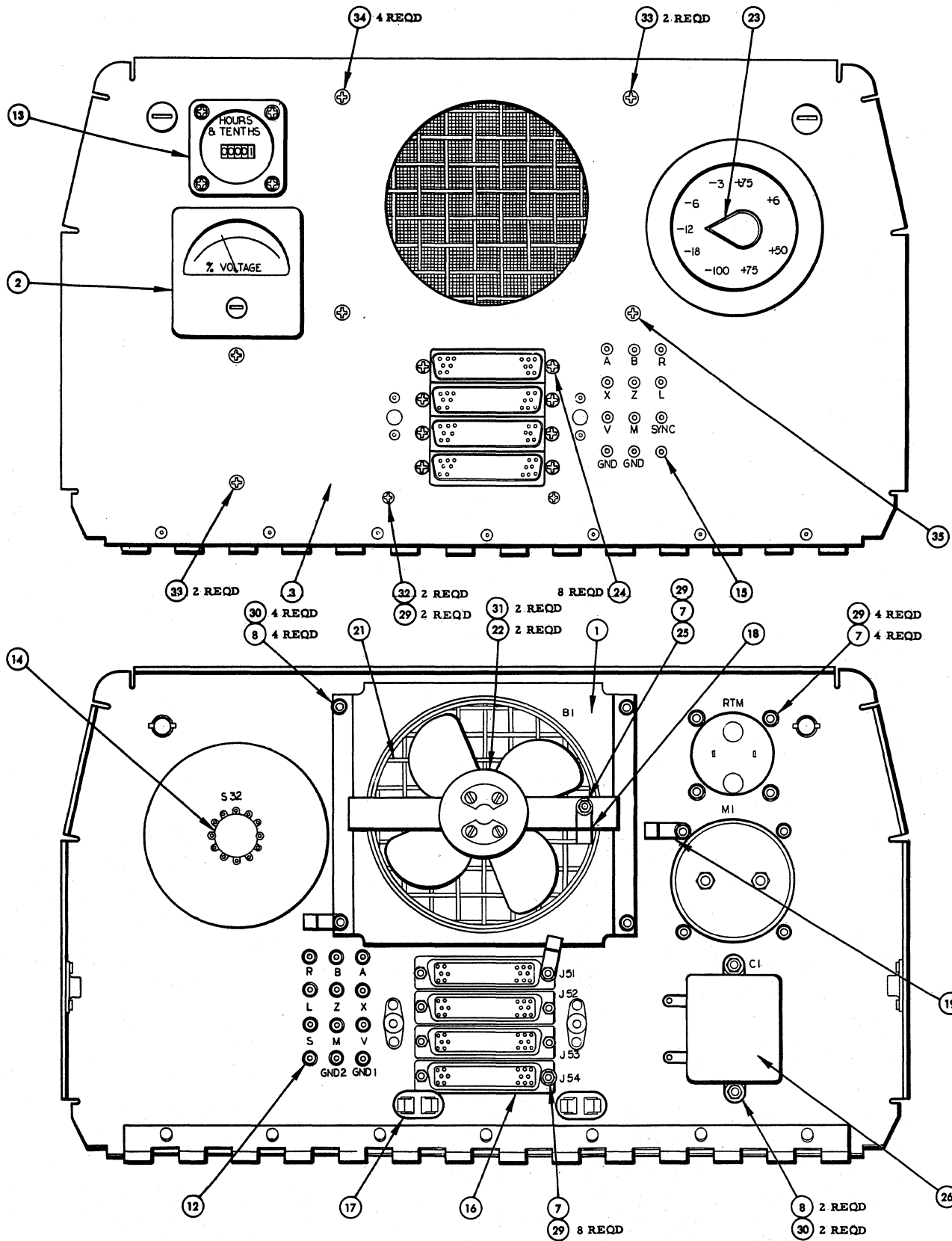
<u>Figure</u>		<u>Page</u>
40.	Control Console Assembly Diagram (421593-501)	59
41.	Control Console Rear Panel - Power Distribution (42179-501)	61
42.	Control Console Front Panel - Power Distribution (41600-501)	62
43.	Control Console Subassembly (41568-501)	63
44.	Decade Driver Circuit Board Parts Location Diagram (57372-501)	64
45.	Decade Driver Circuit Board Schematic (57410-501)	65
46.	Network Circuit Board Parts Location Diagram (57398-501)	66
47.	Network Circuit Board Schematic (57409-501).	67



ITEM NO.	ASSY REQD	ASSY REQD	LIST OF MATERIALS				MATERIAL SPEC	
			PART NO.	DESC	MATERIAL	SIZE		
18		4				6-32 x 1/4	FF-S-92	
14		4	AN936 B6	WASHER				
13		1	AN253-2-13625	HINGE PIN				
12		1	AN253-2-14625	HINGE PIN				
10		1	65673-501	NETWORK			AUTONETICS	
9		16	65562-501	DECADE DRIVER			AUTONETICS	
6		1	41568-501					
5		1	41600-501	PANEL FRONT				
3		1	42211-501	RETAINER				
2		1	42179-501	PANEL REAR				
1		1	42186-501	BASE				
		1	42193-501	ASSEMBLY				
							AUTONETICS	
							QUANTITY PER END ITEM	1
							NEXT ASSY	41571-501

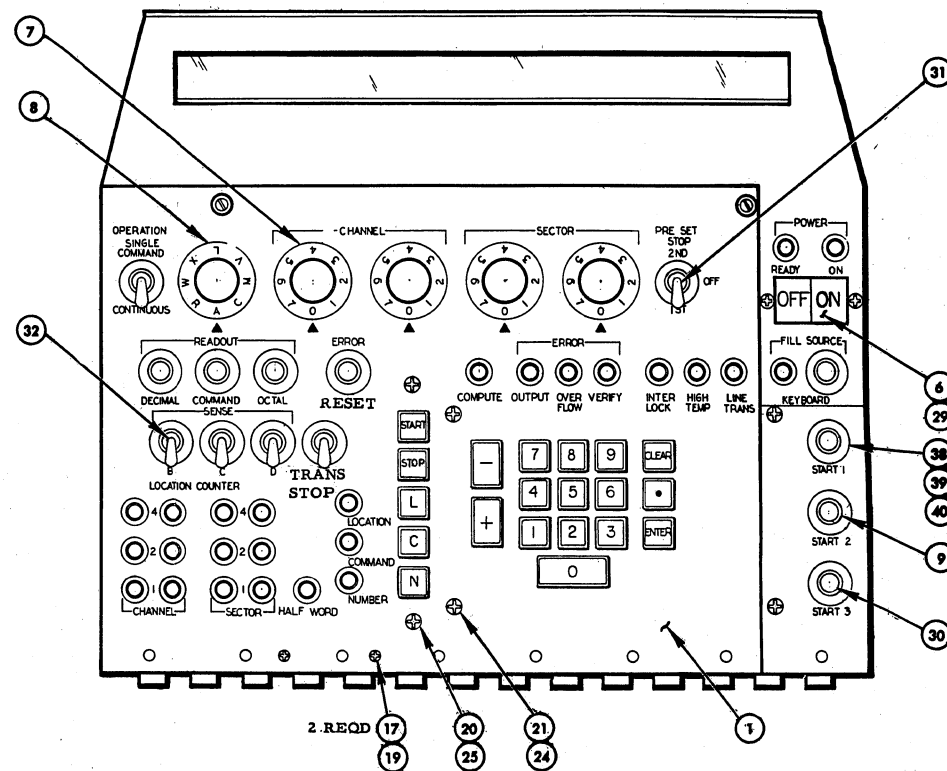
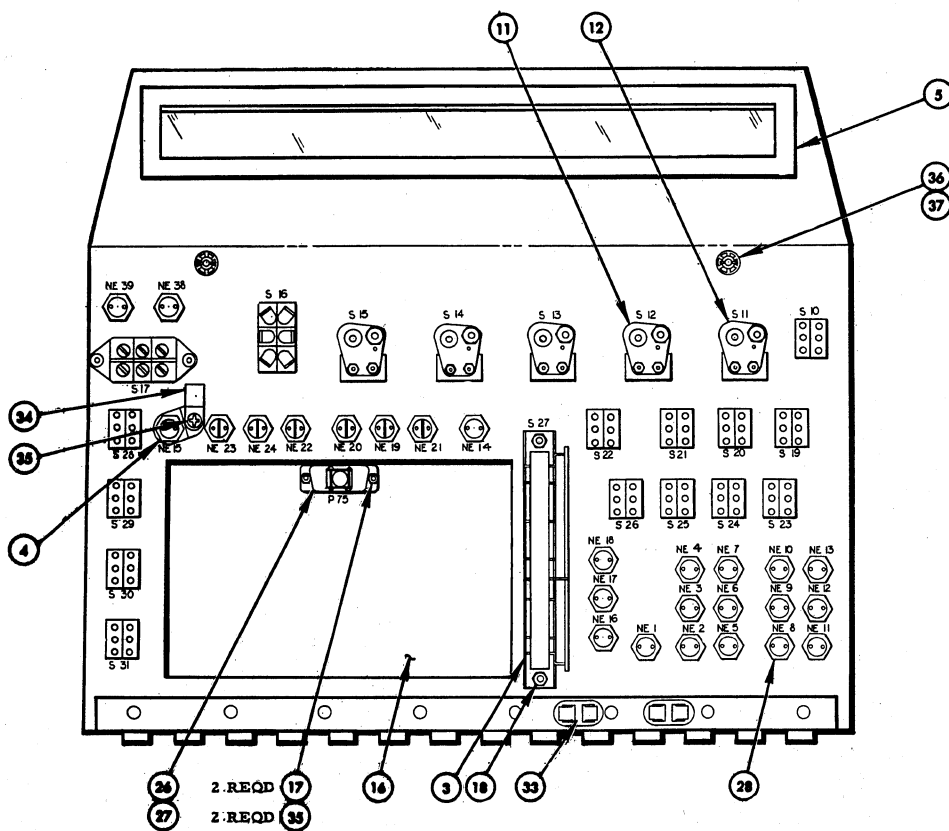
Note: Unless otherwise specified
1. Reference wire list No. 55047-501.

Figure 40. Control Console Assembly Diagram
(42193-501)



ITEM NO.	ASSY REQD	ASSY REQD	LIST OF MATERIALS				
			PART NO.	DESC	MATERIAL	SIZE	MATERIAL SPEC
35		1	AN507-632R8	SCREW			
34		4	AN515-4-R5	SCREW			
33		5	AN507-6-R6	SCREW			
32		2	AN507-4-R8	SCREW			
31		2	AN507-4-R5	SCREW			
30		6	AN365-632A	NUT			
29		15	AN365-440A	NUT			
26		1	CP53B1EF105K	CAPACITOR			PYRAMID ELECTRIC CO
25		1		SCREW		4-40 x 7/16	FF-S-92
24		8		SCREW		4-40 x 5/16	FF-S-92
23		1	70-4-2G	KNOB	COCOA BROWN		RAYTHEON MANUFACTURING CO
22		1	19A705	MOTOR			GLOBE INDUSTRIES INC
21		1	1711	FILTER			SUPREME-AIRE MANUFACTURING CO
19		3	NPC-4	CLAMP			HOLUB INDUSTRIES INC
18		1	NPC-2	CLAMP			HOLUB INDUSTRIES INC
17		2	2C1-37M-9	CABLE CLAMP			COLLINS ENGINEERING CO
16		4	DD-50P	CONNECTOR			CANNON ELECTRIC CO
15		12	SKT-10	PIN JACK			SEAELECTRO CORP
14		1	24002-10	SWITCH			GRAYHILL INC
13		1	7010-001	TIMEMETER			HAYDON MANUFACTURING CO
12		12	8063-18-01	WASHER			SEAELECTRO CORP
8		6	2W18-6L	WASHER			
7		6	2W18-4L	WASHER			
3		1	42189-501	PANEL			AUTONETICS
2		1	42185-501	VOLTMETER			
1		1	42177-501	FAN SUPPORT			
		1	42179-501	SUB ASSY			AUTONETICS
				QUANTITY PER	1	NEXT ASSY	
				END ITEM		42193-501	

Figure 41. Control Console Rear Panel - Power Distribution (42179-501)



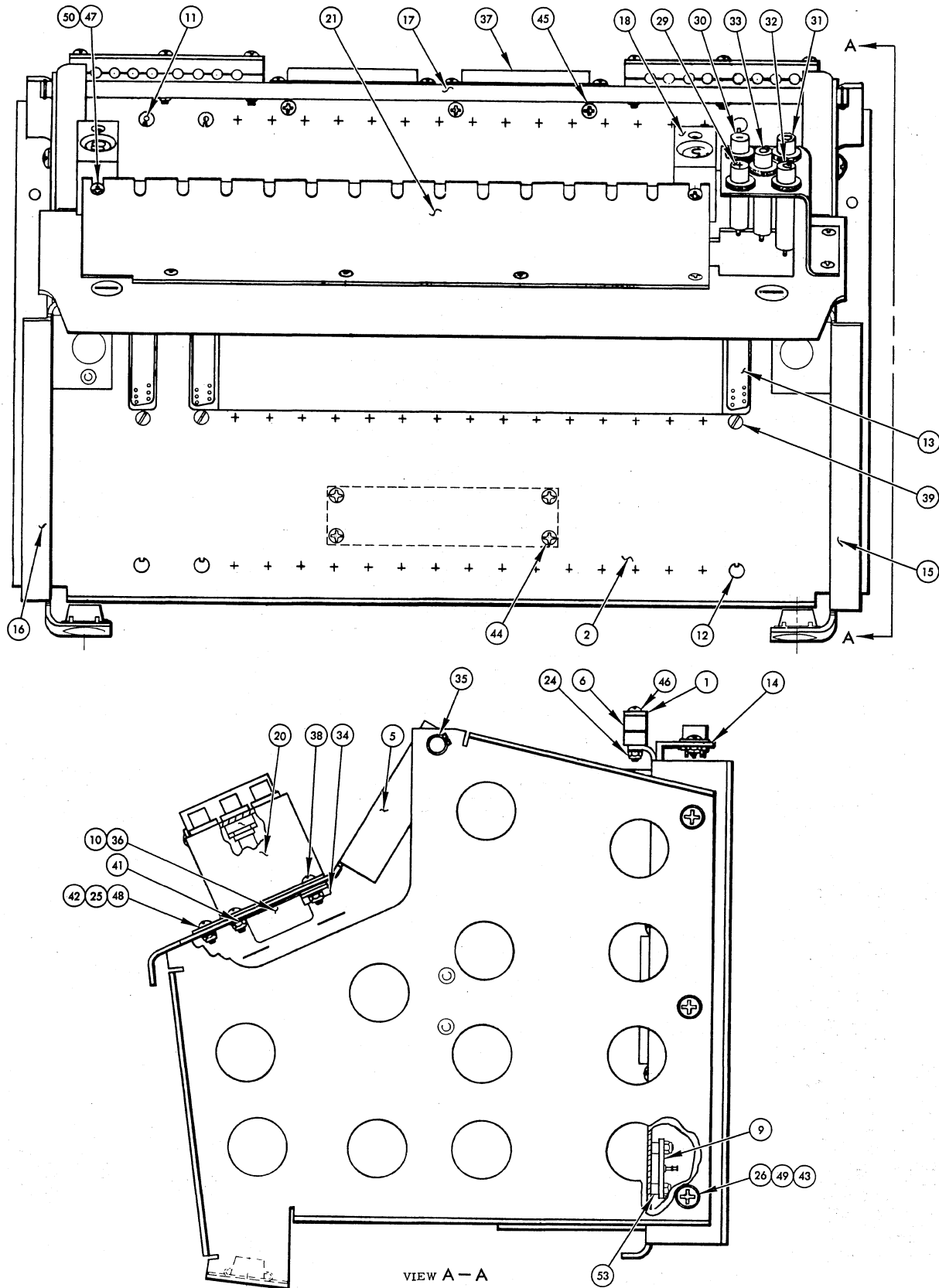
LIST OF MATERIALS						
ITEM NO.	ASSY REQD	ASSY REQD	PART NO.	DESC	MATERIAL	MATERIAL SPEC
48		14	Z6	LOCKWASHER		HETHERINGTON INC.
39		14	Z232	NUT		HETHERINGTON INC.
38		14	A128417	ADAPTER		HETHERINGTON INC.
37		2	2700-6S	STUD		CAMLOC FASTNER CORP.
36		2	2600-LW	RETAINER		CAMLOC FASTNER CORP.
35		3		SCREW BD HD	#4-40 x 1/4	FF-S-92
34		1	NPC-6	CLAMP		HOLUB INDUSTRIES INC
33		2	2C1-37M-9	CLAMP		DAKOTA ENGINEERING CO
32		5	23AT11	SWITCH		MICRO SWITCH CO
31		1	12TS1-1	SWITCH		MICRO SWITCH CO
30		8	2PB15	SWITCH		MICRO SWITCH CO
29		1	2TP17-70	SWITCH		MICRO SWITCH CO
28		26	1EG-82K RES	NEON		ELDEMA GORP
27		1	DAJ/S 19678-1	HOOD		CANNON ELECTRIC CO.
26		1	DA 155	CONNECTOR		CANNON ELECTRIC CO.
25		2	NAS-43-1-20	SPACER		
24		4	NAS-43-1-16	SPACER		
21		6	AN507-632-R10	SCREW		
20		2	AN507-632-R12	SCREW		
19		2	AN507-440-R6	SCREW		
18		2	AN365-632A	NUT		
17		4	AN365-440A	NUT		
16		1	5K124 5K124 PAA-922	KEYBOARD		SOROBAN ENGINEERING INC.
12		1	17AS843	SWITCH		MICRO SWITCH CO
11		4	17AS638	SWITCH		MICRO SWITCH CO
9		8	55052-501	BUTTON		AUTONETICS
8		1	65699-501-9	KNOB		
7		4	65699-501-7	KNOB		
6		1	55037-501	INSERT		
5		1	55027-501	WINDOW		
4		1	41561-501	BRACKET		
3		1	41516-501	SWITCH		
1		1	42192-501	PANEL		
		1	41600-501	SUB ASSY		

Note: Unless otherwise specified
1. Reference designations establish location only and do not appear on part

QUANTITY PER END ITEM	i	NEXT ASSY 42193-501
--------------------------	---	------------------------

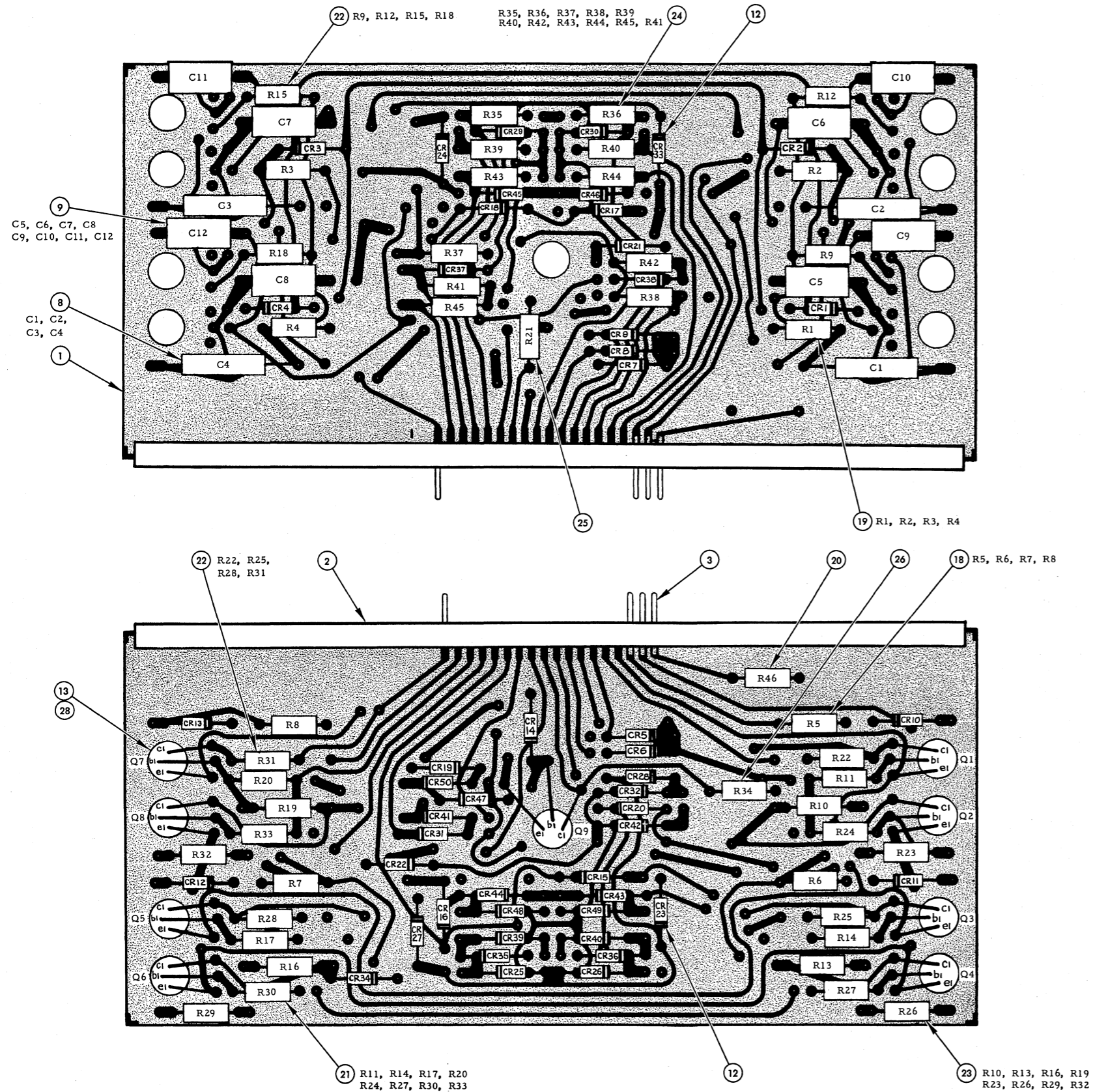
BC2-105

Figure 42. Control Console Front Panel - Power Distribution (41600-501)



ITEM NO.	ASSY REQD	ASSY REQD	PART NO.	DESC	LIST OF MATERIALS				
					MATERIAL	SIZE	MATERIAL SPEC		
53		4	NAS43D-0-8	SPACER					
50	15		AN936A6	WASHER					
49	6		AN515-8R8	SCREW					
48	4		AN515-6R6						
47	15		AN515-6R4						
46	6		AN515-4R14						
45	3		AN507-632R6						
44	4		AN507-440R6	SCREW					
43	6		AN365-832A	NUT					
42	7		AN365-632A	NUT					
41	46		AN365-440A	NUT					
39	71			SCREW		4-40 x 5/16	FF-S-92		
38	1			SCREW		4-40 x 7/16	FF-S-92		
37	2		DC37P	PLUG			CANNON ELECTRIC CO		
36	15		DA15S	RECEPTACLE			CANNON ELECTRIC CO		
35	2		5100-25P	RETAINER			WALDES KOHINOOR INC		
34	1		NPC-3	CLAMP			HOLUB INDUSTRIES INC		
33	1		55035-501-5	LAMP			AUTONETICS		
32	1		55035-501-3						
31	1		55035-501-7						
30	1		55035-501-11						
29	1		55035-501-9	LAMP			AUTONETICS		
26	12		2W18-8	WASHER					
25	22		2W18-6	WASHER					
24	12		2W18-4	WASHER					
21	1		65697-501	BRACKET			AUTONETICS		
20	1		65696-501	BRACKET					
18	15		65689-501	INDICATOR					
17	1		65669-501	PIN					
16	1		65667-501-2	BRACKET					
15	1		65667-501-1	BRACKET					
14	1		65666-501	BRACKET					
13	18		49A25745	RECEPTACLE					
12	36		65609-501	PIN					
11	1		65639-501-11	PIN					
10	15		55010-501	SHELL					
9	1		41604-501	BOARD					
6	2		41390-501	CLAMP					
5	1		41387-501	PANEL					
2	1		41521-501	BASE					
1	2		41512-501	RETAINER					
	1		41568-501	SUB ASSEMBLY			AUTONETICS		
							QUANTITY PER	1	NEXT ASSY
							END ITEM		42193-501

Figure 43. Control Console Subassembly (41568-501)



ITEM NO.	ASSY REQD	ASSY REQD	LIST OF MATERIALS					
			PART NO.	DESC	MATERIAL	SIZE	MATERIAL SPEC	
28			ST22-9	SLEEVING		3 FT	NA2-4174	
26		1	RC20GF224J	RESISTOR			MIL-R-11	
25		1	RC20GF203J					
24		11	RC20GF683J					
23		8	RC20GF623J					
22		8	RC20GF433J					
21		8	RC20GF243J					
20		1	RC20GF223J					
19		4	RC20GF163J					
18		4	RC20GF103J	RESISTOR			MIL-R-11	
13		9	2N398	TRANSISTOR			RADIO CORP OF AMERICA	
12		50	HD2289	DIODE			HUGHES AIRCRAFT CO	
9		8	GP-2-K-151	CAPACITOR		150 UUF ± 10%	ERIE RESISTOR CORP	
8		4	196P27291S4	CAPACITOR		500 V	SPRAGUE ELECTRIC CO	
3		37	14462-501	CONTACT			AUTONETICS	
2		1	65551-501	FRAME				
1		1	65563-501	BOARD				
		1	65562-501	DECADE DRIVER			AUTONETICS	
							QUANTITY PER	NEXT ASSY
							END ITEM	16
								41571-501

Note: Unless otherwise specified
 1. Reference designations establish location only and do not appear on actual part.
 2. Reference designations are abbreviated. For complete number, prefix the part designation with the assembly designation.

Figure 44. Decade Driver Circuit Board Parts Location Diagram (57372-501)

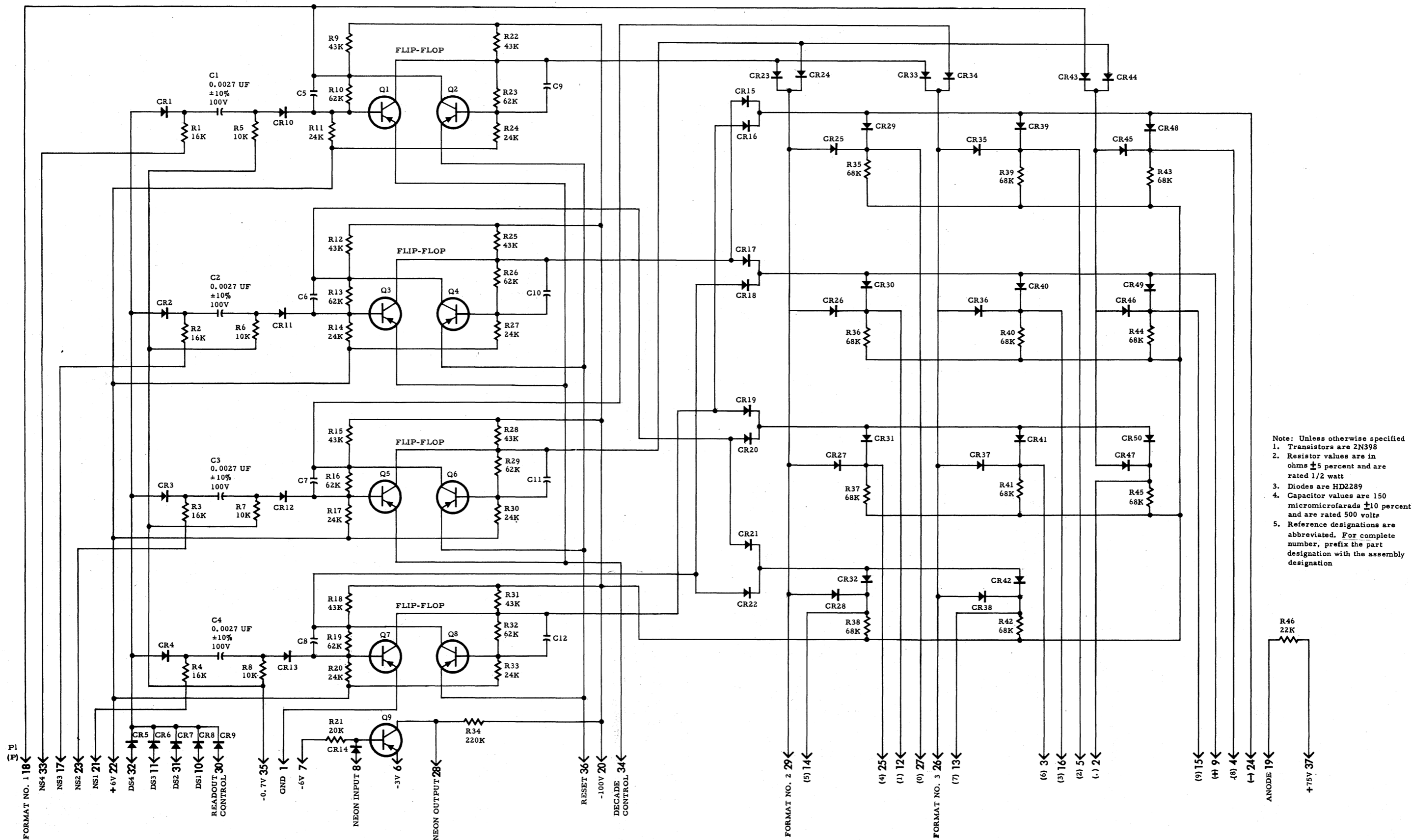
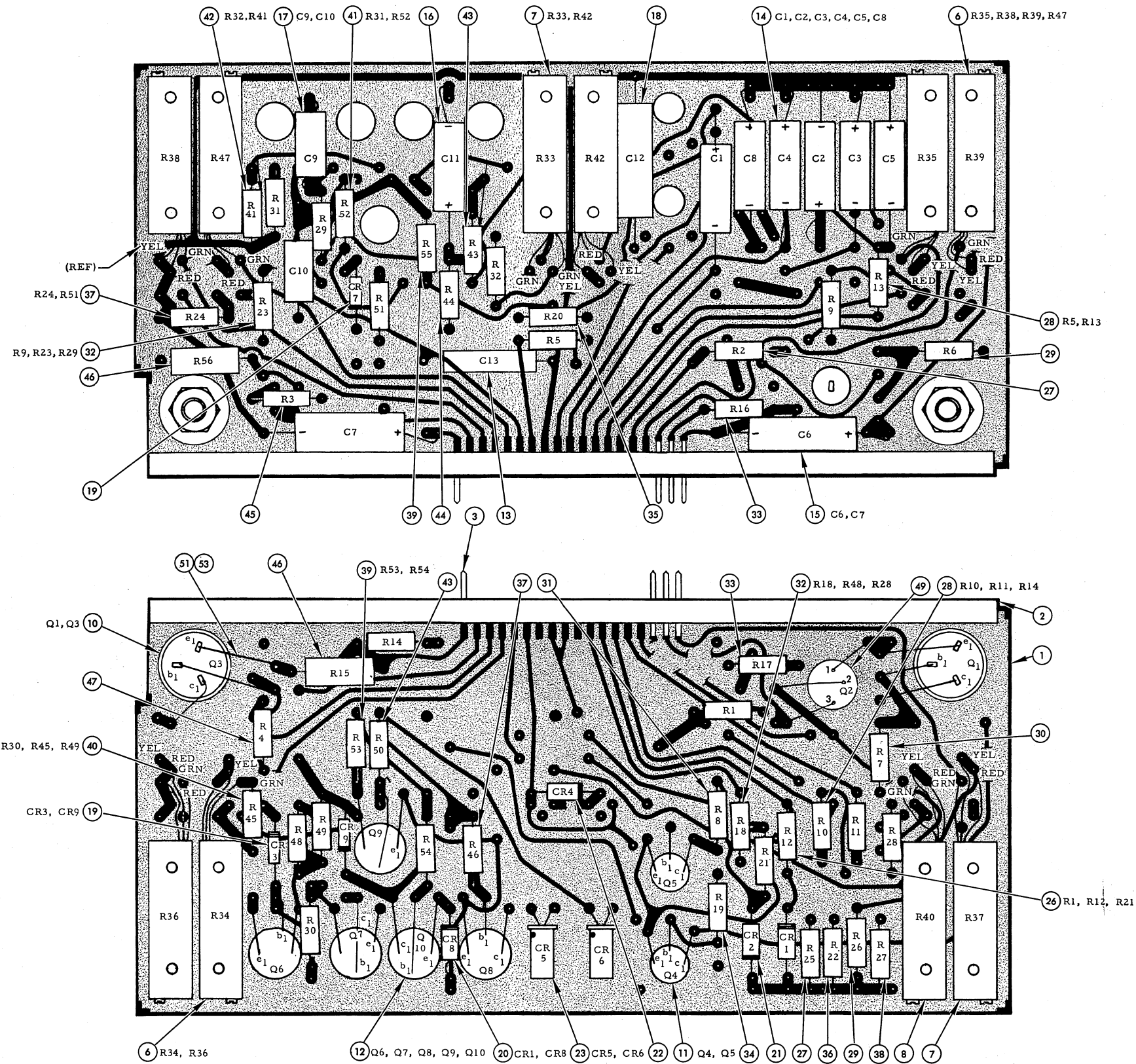


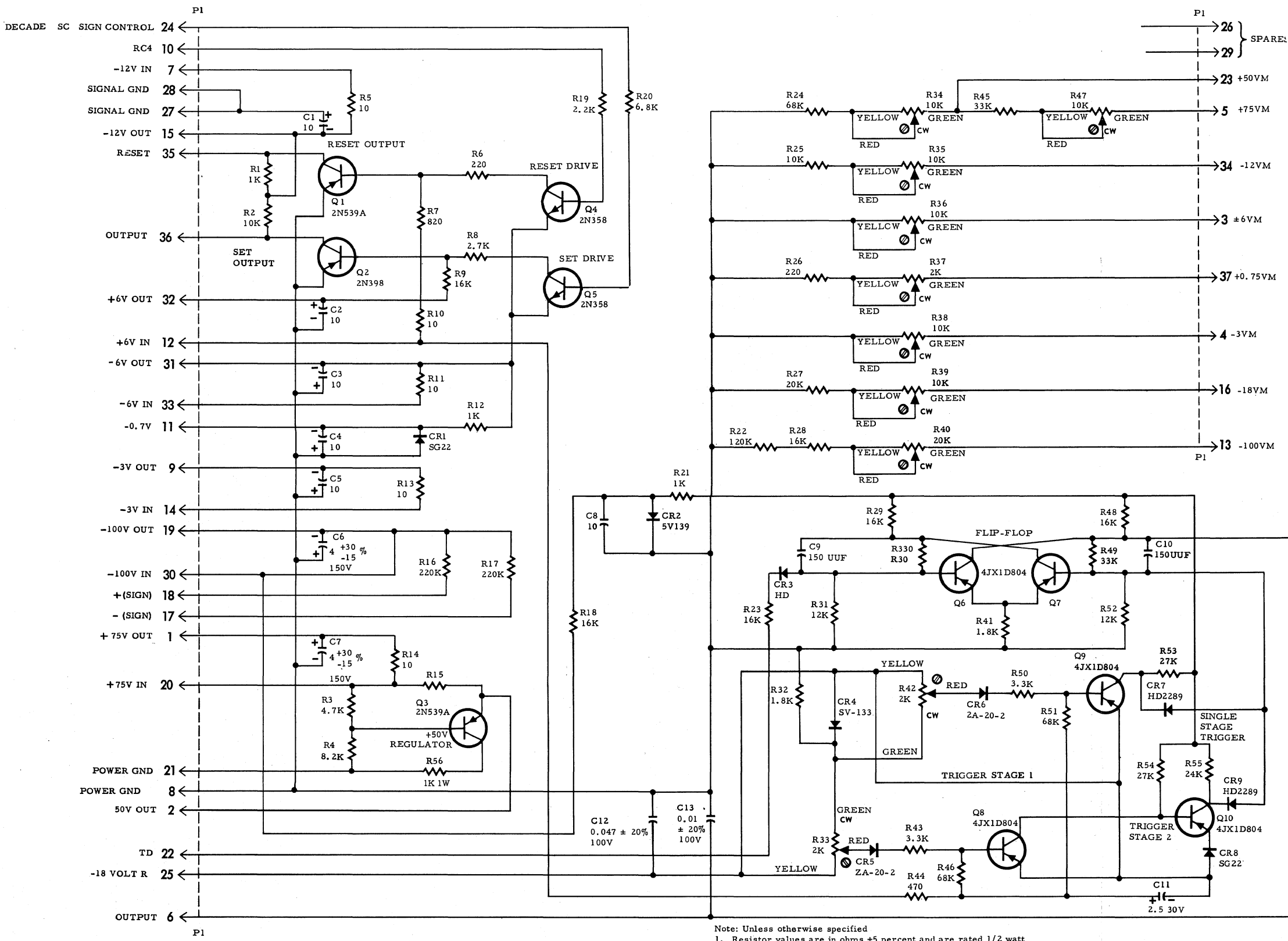
Figure 45. Decade Driver Circuit Board Schematic (57410-501)



ITEM NO.	ASSY REQD	ASSY REQD	LIST OF MATERIALS				MATERIAL SPEC	
			PART NO.	DESC	MATERIAL	SIZE		
53		1		WIRE	SOFT, TIN COATED	22AWG x 0.5 FT	MIL-W-3861 TYPE S	
51		1	ST22-9	SLEEVING		2 FT	NA2-4174	
49		1	2N398	TRANSISTOR			RADIO CORP OF AMERICA	
47		1	RC20GF822J	RESISTOR			MIL-R-11	
46		2	RC32GF102J					
45		1	RC20GF472J					
44		1	RC20GF471J					
43		2	RC20GF332J					
42		2	RC20GF182J					
41		2	RC20GF123J					
40		3	RC20GF333J					
39		3	RC20GF273J					
38		1	RC20GF203J					
37		3	RC20GF683J					
36		1	RC20GF124J					
35		1	RC20GF682J					
34		1	RC20GF222J					
33		2	RC20GF224J					
32		6	RC20GF163J					
31		1	RC20GF272J					
30		1	RC20GF821J					
29		2	RC20GF221J					
28		5	RC20GF100J					
27		2	RC20GF103J					
26		3	RC20GF102J	RESISTOR			MIL-R-11	
23		2	ZA-20-2	DIODE		20 V	HOFFMAN SEMICONDUCTOR	
22		1	SV-133				TRANSITRON ELECTRONIC CORP	
21		1	SV-139				TRANSITRON ELECTRONIC CORP	
20		2	SG22				TRANSITRON ELECTRONIC CORP	
19		3	HD2289	DIODE			HUGHES AIRCRAFT CO.	
18		1	196P47301S2	CAPACITOR			SPRAGUE ELECTRIC CO	
17		2	GP-2-K151	CAPACITOR		150 UUF ± 10% 500 V	ERIE RESISTOR CORP	
16		1	29F417G4	CAPACITOR			GENERAL ELECTRIC CO	
15		2	29F447G4	CAPACITOR			GENERAL ELECTRIC CO	
14		6	29F446G4	CAPACITOR			GENERAL ELECTRIC CO	
13		1	196P10301S2	CAPACITOR			SPRAGUE ELECTRIC CO	
12		5	4JX1D804	TRANSISTOR			GENERAL ELECTRIC CO	
11		2	NAA358	TRANSISTOR			GENERAL TRANSISTOR CORP	
10		2	2N539A	TRANSISTOR			MINNEAPOLIS HONEYWELL CO	
8		1	200L-1-203	RESISTOR, VAR			BOURNS LABORATORIES	
7		3	120-1-E2000	RESISTOR, VAR			BOURNS LABORATORIES	
6		6	120-1-E10,000	RESISTOR, VAR			BOURNS LABORATORIES	
3		37	14462-501	CONTACT			AUTONETICS	
2		1	65551-501	FRAME				
1		1	65674-501	BOARD				
		1	65673-501	NETWORK			AUTONETICS	
							QUANTITY PER END ITEM	1
							NEXT ASSY	41571-501

Note: Unless otherwise specified
 1. Designations establish location only and do not appear on actual parts.
 2. Reference designations are abbreviated. For complete number, prefix the part designation with the assembly designation.

Figure 46. Network Circuit Board Parts Location Diagram (57398-501)



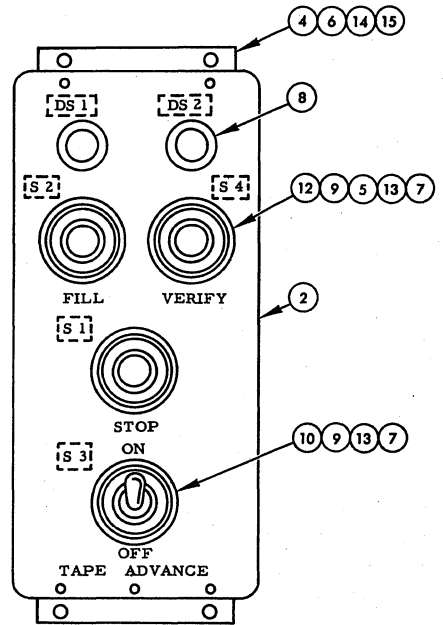
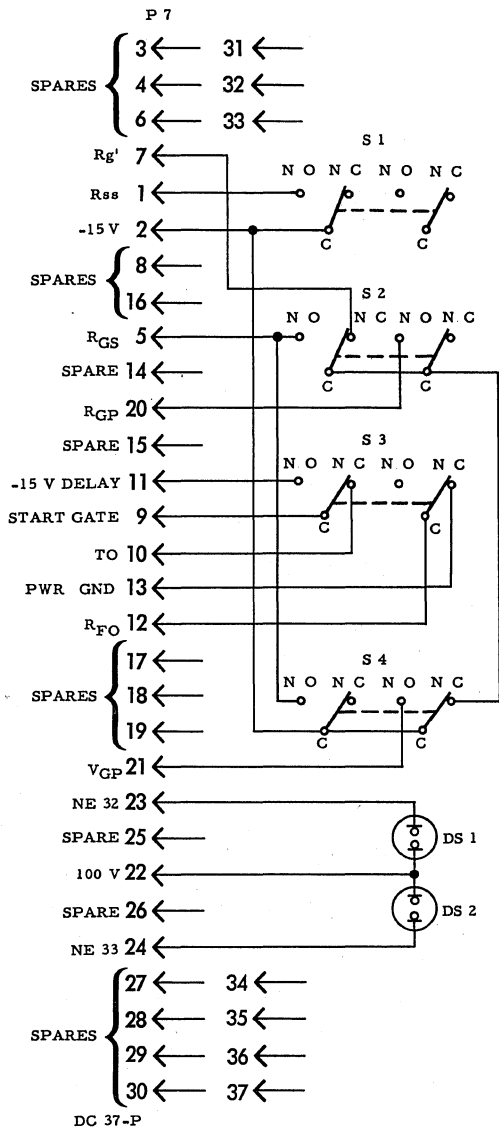
Note: Unless otherwise specified
 1. Resistor values are in ohms ± 5 percent and are rated 1/2 watt
 2. Capacitor values are in microfarads ± 75 , -15 percent and are rated 25 volts
 3. Reference designations are abbreviated. For complete number, prefix the part designation with the assembly designation

Figure 47. Network Circuit Board Schematic (57409-501)

LIST OF ILLUSTRATIONS

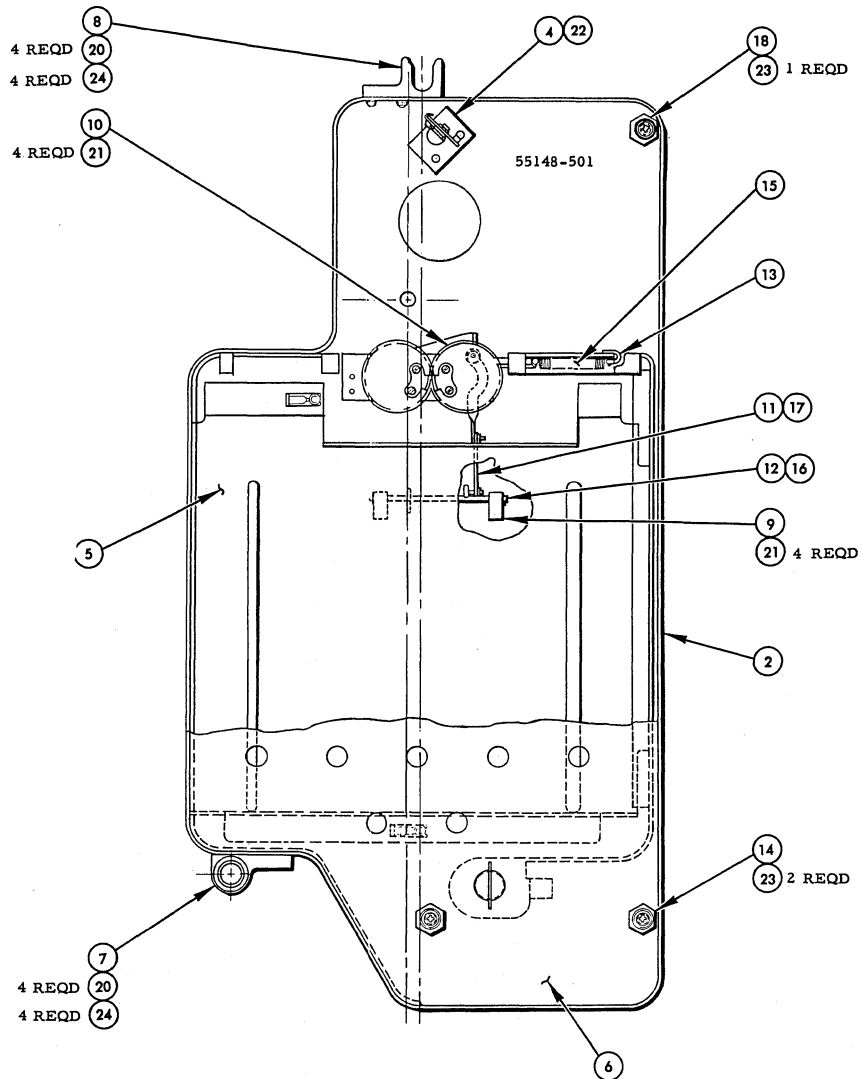
PHOTOREADER

<u>Figure</u>	<u>Page</u>
48. Panel Knockout Assembly - Photoreader (42436-501).	71
49. Canister Assembly - Photoreader (55148-501).	73
50. Photoreader Circuit Board Chassis Assembly (42464-501)	74
51. Circuit Board Chassis Schematic (55167-501).	75
52. Photodiode Semiconductor Device Set (42377-501).	77
53. Photodiode Amplifier Circuit Board Parts Location Diagram	78
54. Photodiode Amplifier Circuit Board Schematic (57902-501).	79
55. Electronic Control Amplifier Circuit Board Parts Location Diagram (57903-501)	80
56. Electronic Control Amplifier Circuit Board (57905-501).	81
57. AGC Electronic Control Amplifier Circuit Board Parts Location Diagram (57906-501)	82
58. AGC Electronic Control Amplifier Circuit Board Schematic (57908-501).	83
59. Power Supply Chassis Assembly (57916-501)	84
60. Power Supply Chassis Schematic (55087-501)	85
61. Power Supply Circuit Board Parts Location Diagram (57925-501)	86
62. Power Supply Circuit Board Schematic (57927-501)	87



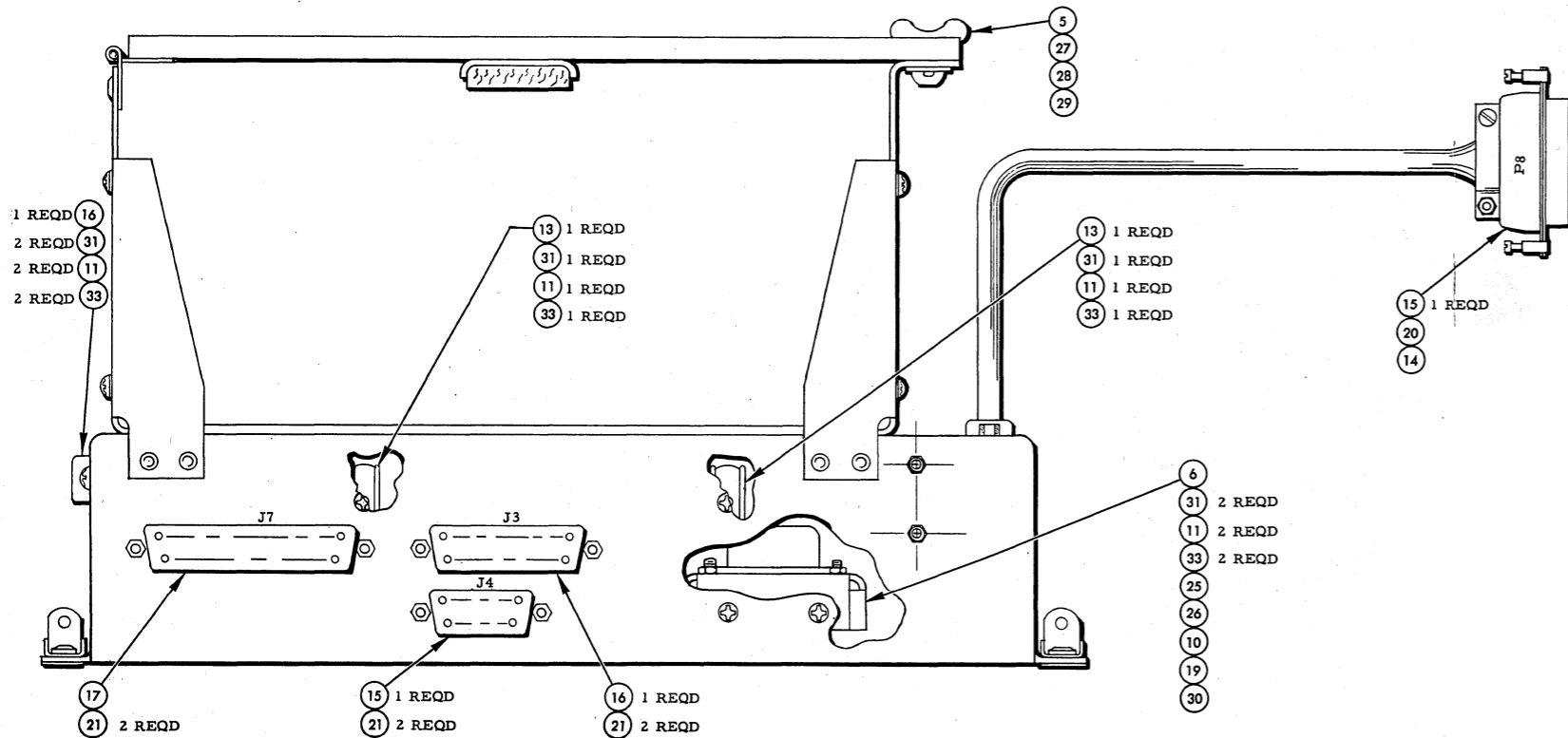
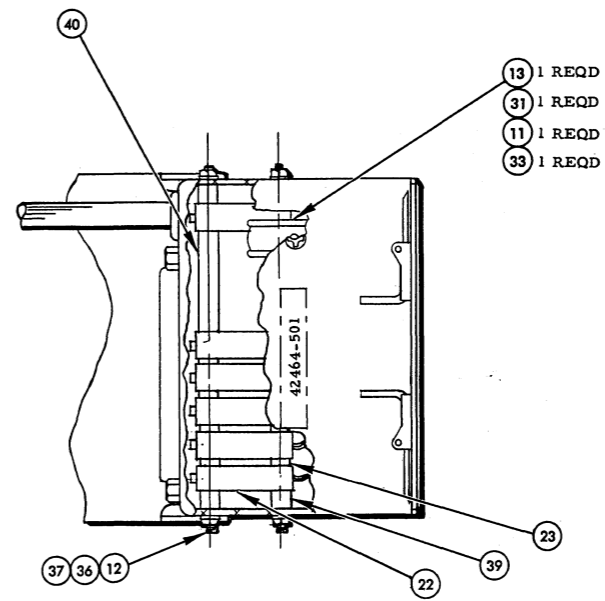
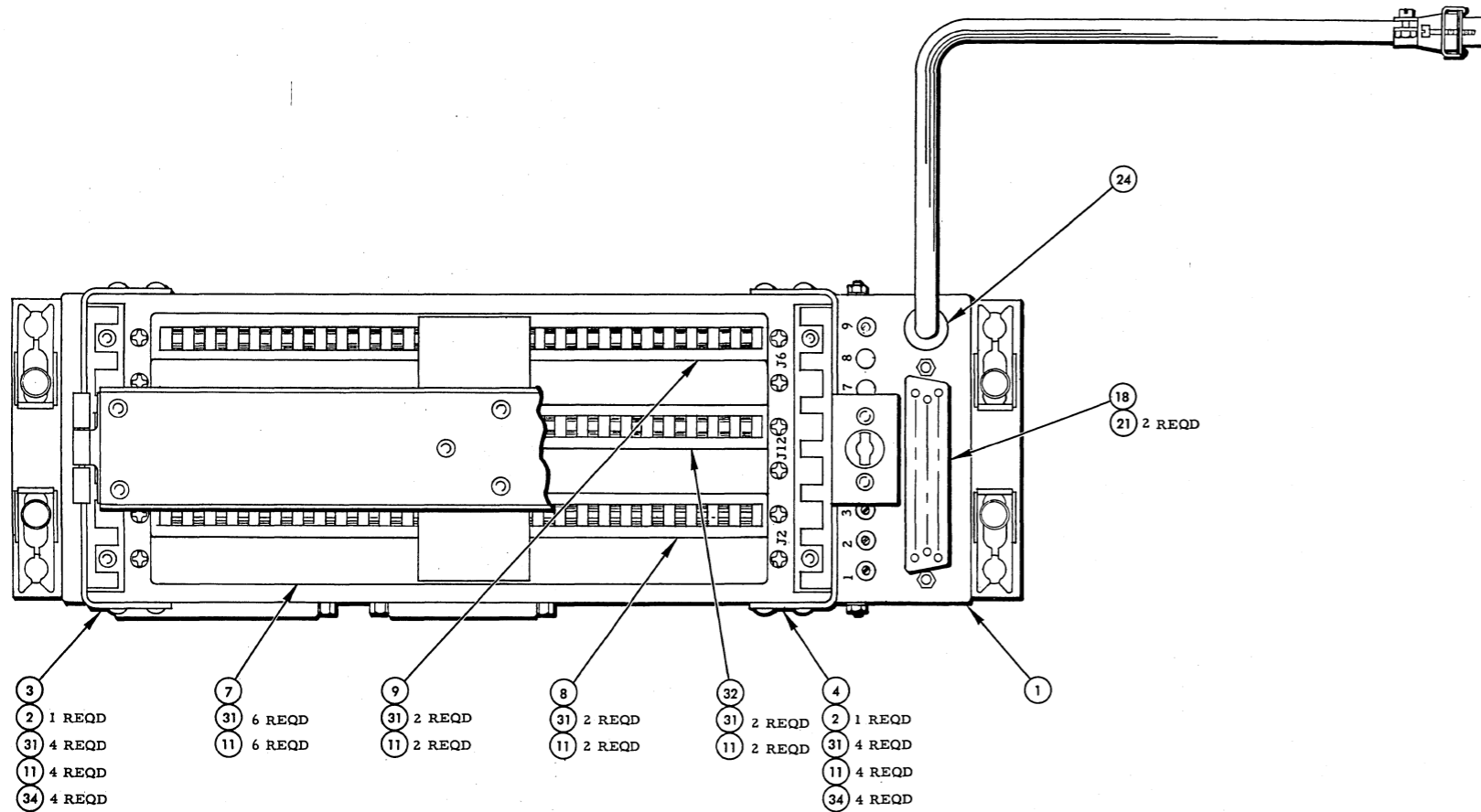
ITEM NO	ASSY REQD	ASSY REQD	LIST OF MATERIALS				
			PART NO	DESC	MATERIAL	SIZE	MATERIAL SPEC
15		4	AN936B4	WASHER			
14		4	AN5154R5	SCREW			
13		4	2-16	WASHER			HETHERINGTON INC
12		3	2PB15	SWITCH			MICRO SWITCH CO
10		1	56386-501	SWITCH			MICRO SWITCH CO
9		4	A128417	RING			HETHERINGTON INC
8		2	1EG-82K	NEON IND			ELDEMA CORP
7		4	Z-232	NUT			HETHERINGTON INC
6		4	2W17-4	WASHERS			
5		3	55052-501	BUTTON			AUTONETICS
4		2	42442-501	SUPPORT			
2		1	42443-501-5	PANEL			
		1	42436-501-21	PANEL			
							AUTONETICS
						QUANTITY PER	1
						END ITEM	NEXT ASSY
							41574-501-11

Figure 48. Panel Knockout Assembly - Photoreader
(42436-501)



ITEM NO.	ASSY REQD	ASSY REQD	LIST OF MATERIALS				MATERIAL SPEC	
			PART NO.	DESC	MATERIAL	SIZE		
24		8	AN936-A4	WASHER				
23		3	AN507-440R6	SCREW				
22		2	AN507-440R3	SCREW				
21		8	AN505-2-3	SCREW				
20		8	AN500-4-3	SCREW				
18		1	56373-501	ROLLER				
17		2	5555-7	RET. RING			WALDES KOHINOOR INC	
16		2	5105-9	RET. RING			WALDES KOHINOOR INC	
15		1	167A	SPRING			LANE SPRING CO	
14		2	56368-501	ROLLER			AUTONETICS	
13		1	55168-501	HOOK-SPRING				
12		1	55161-501	CONTROL ARM				
11		1	55156-501	LINK				
10		1	55155-501	TAPE TENSIONER				
9		2	55150-501	BLOCK				
8		1	55142-501	BLOCK-UPPER				
7		1	55141-501	BLOCK-LOWER				
6		1	42451-501	COVER				
5		1	42431-501	BAFFLE ASSY				
4		1	42424-501	PEDESTAL ASSY				
2		1	42184-501-11	CANNISTER				
		1	55148-501-11	ASSEMBLY			AUTONETICS	
							QUANTITY PER END ITEM	1
							NEXT ASSY	55169-501-11

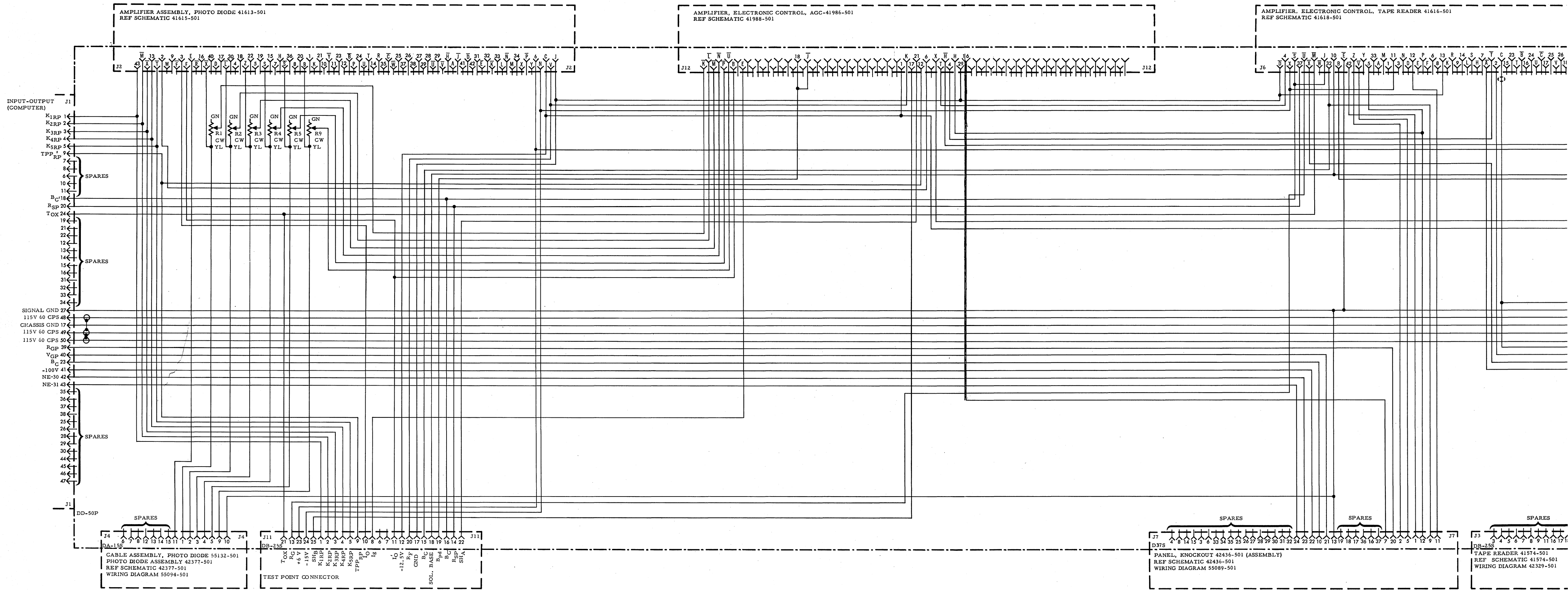
Figure 49. Canister Assembly - Photoreader (55148-501)



ITEM NO.	ASSY REQD	ASSY REQD	PART NO.	DESC	MATERIAL	SIZE	MATERIAL SPEC	
	1		55166-501	WIRING DIAGRAM				
40	2		NAS42DD-3-70	SPACER				
39	4		NAS42DD-3-11	SPACER				
37	4		AN936-A2	WASHER				
36	4		AN340-2	NUT				
34	8		AN936-B4	WASHER				
33	7		AN365-440	NUT				
32	1		2162-00036-224	CONNECTOR			CSCD 73005-113	
31	23		AN515-4R6	SCREW				
30	1		7272602	WASHER KIT			DELCO RADIO DIV	
29	1		2600-LW	WASHER			CAMLOC CO	
28	1		2600-5W	STUD			CAMLOC CO	
27	1		212-12	RECEPTACLE			CAMLOC CO	
26	2		MT57-30G	TERMINAL			WINCHESTER ELECTRONICS INC	
25	1		2N443	TRANSISTOR			DELCO RADIO DIV	
24	1		#3	GROMMET			RUBBERCRAFT CORP	
23	8		2W1AL-6-6-62	WASHER				
22	6		201L-1-503-50K	RESISTOR			BOURNES LABORATORIES	
21	8		20418	LOCK SCREW			CANNON ELECTRIC CO	
20	2		20419	LOCK SCREW			CANNON ELECTRIC CO	
19	2		92-1660-26	NUT			ELASTIC STOP NUT CORP	
18	1		DD-50P	CONNECTOR			CANNON ELECTRIC CO	
17	1		DC-37S	CONNECTOR				
16	2		DB-25S	CONNECTOR				
15	2		DA-15S	CONNECTOR				
14	1		DA 20961	SHELL			CANNON ELECTRIC CO	
13	3		174-5	CABLE CLIP	ETHOLOC		WECKESSER CO	
12	2		56361-501	STUD				
11	27		2W17-4	WASHER				
10	4		2W1C-6-8-16	WASHER				
9	1		2162-00036-196	CONNECTOR			CSCD 730C5-113	
8	1		2162-00036-161	CONNECTOR			CSCD 730C5-113	
7	3		55124-501	COVER			AUTONETICS	
6	1		42470-501	PLATFORM				
5	1		42469-501	SUPPORT				
4	1		42468-501	BRACKET				
3	1		42467-501	BRACKET				
2	2		42466-501	GUIDE				
1	1		42465-501	CHASSIS				
	1		42464-501-11	ASSY				
							AUTONETICS	
							QUANTITY PER	1
							END ITEM	NEXT ASSY
								41574-501-11

Note: Unless otherwise specified
 1. [] Commercial part: See commercial specifications control drawing before ordering

Figure 50. Photoreader Circuit Board Chassis Assembly (42464-501)



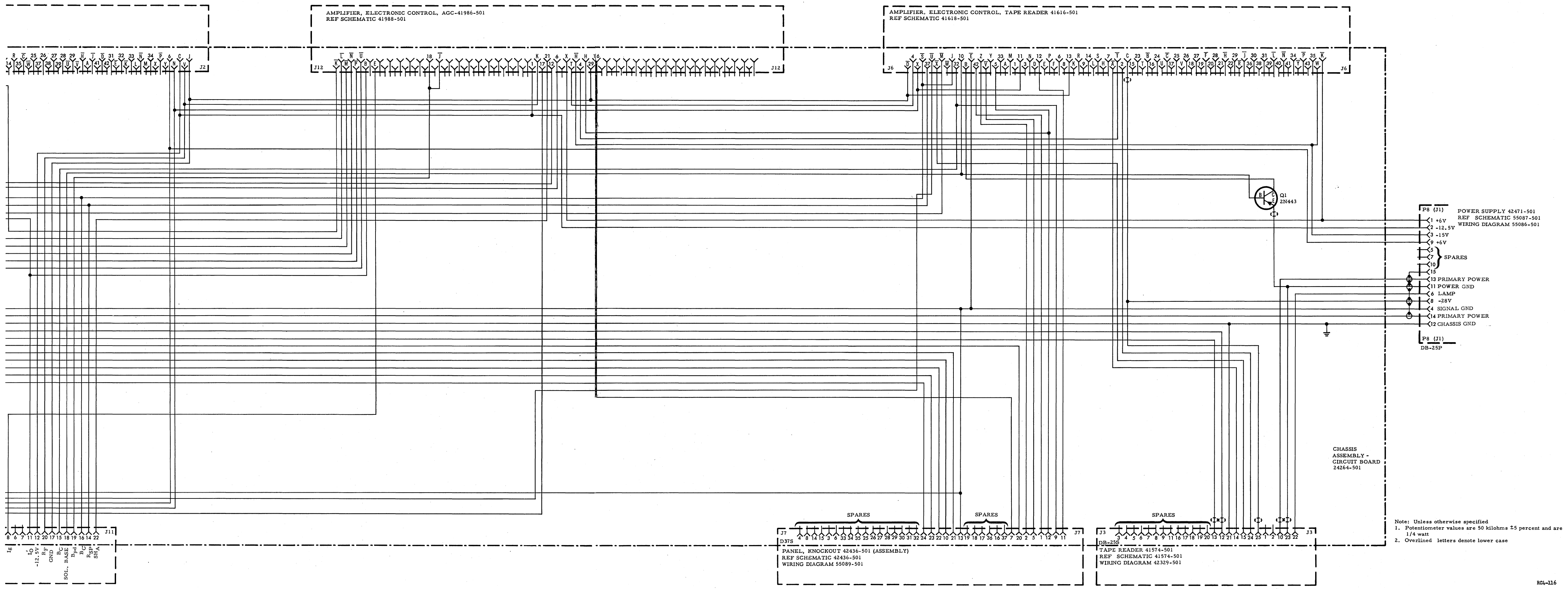
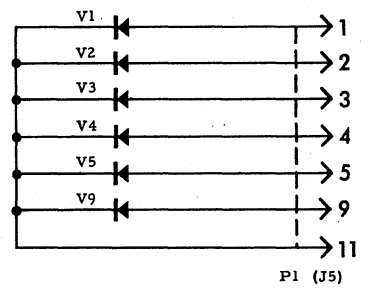
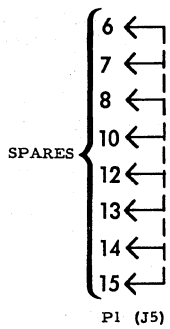
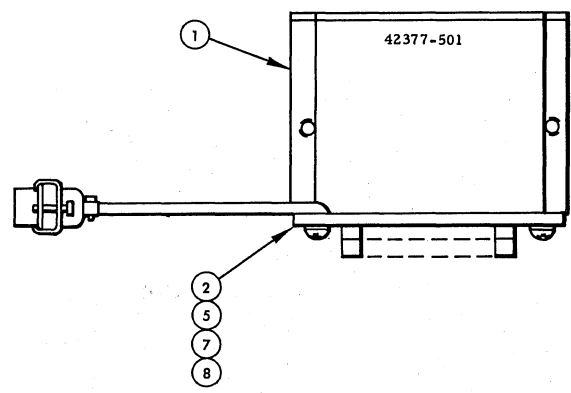
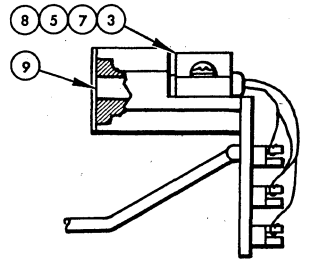
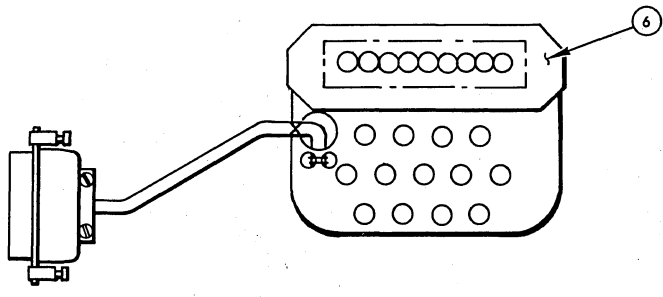


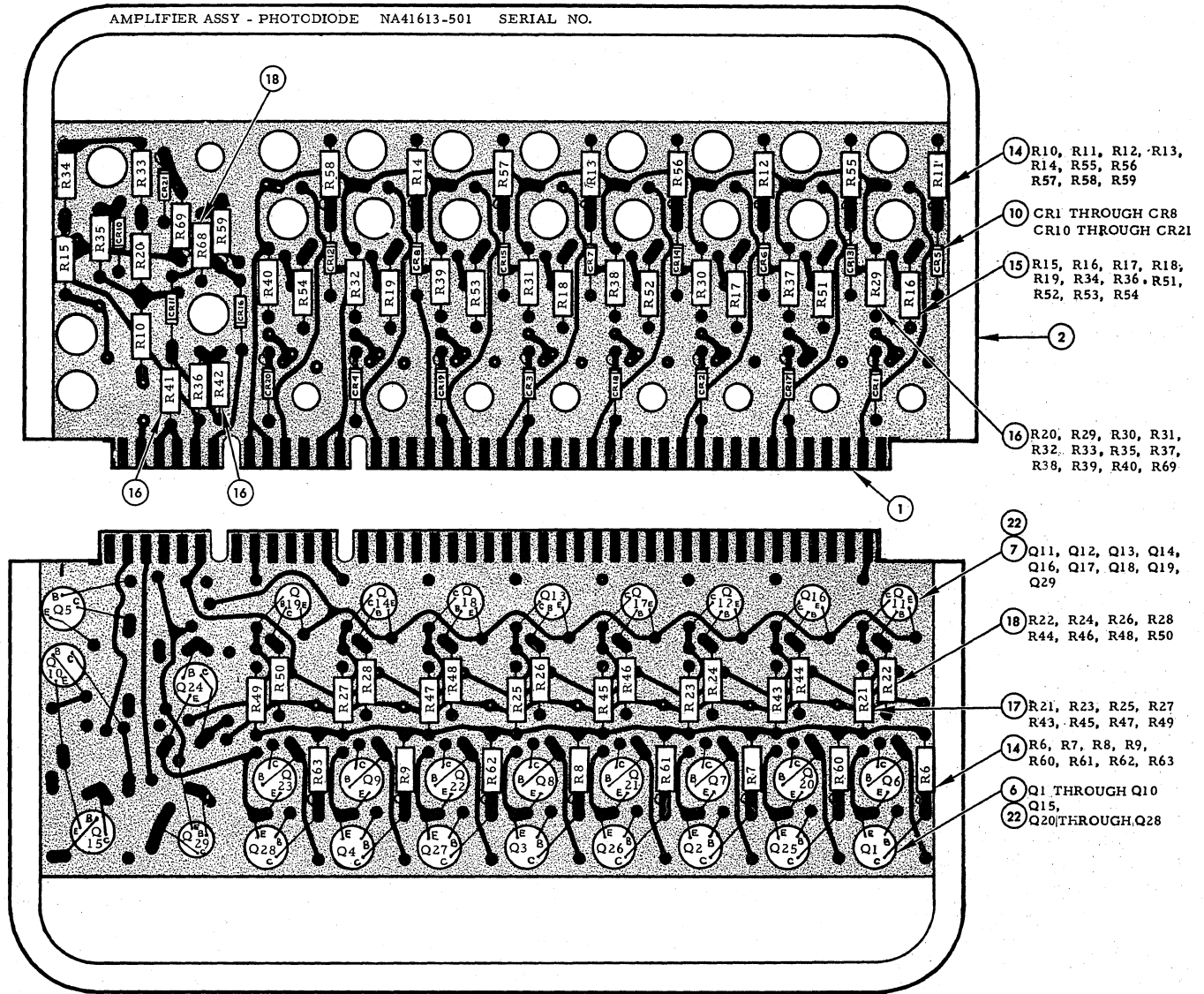
Figure 51. Circuit Board Chassis Schematic (55167-501)



ITEM NO.	ASSY REQD	ASSY REQD	LIST OF MATERIALS				MATERIAL SPEC	
			PART NO.	DESC	MATERIAL	SIZE		
9		6	IN 77 B	DIODE			SYLVANIA ELECTRIC CO.	
8		4	AN936-A2	WASHER				
7		4	AN515-2R4	SCREW				
6		1		GLASS	RIBBON GLASS	0.010 x 1/2 x 1-1/2	CORNING GLASS WORKS	
5		2	2W18-2	WASHER				
4		1	55094-501	WIRING DIAGRAM			AUTONETICS	
3		1	42433-501	CLAMP				
2		1	42371-501	BOARD				
1		1	42337-501	HOLDER				
1		1	42377-501	ASSY			AUTONETICS	
							QUANTITY PER END ITEM	1
							NEXT ASSY	
							41574-501-11	

RC4-117

Figure 52. Photodiode Semiconductor Device Set (42377-501)



ITEM NO.	ASSY REQD	ASSY REQD	LIST OF MATERIALS				
			PART NO.	DESC	MATERIAL	SIZE	MATERIAL SPEC
22		1	ST22-9	SLEEVING		2 FT	NA2-4174
18		9	RC20GF153J	RESISTOR			MIL-R-11
17		8	RC20GF682J				
16		14	RC20GH103J				
15		11	RC20GF333J				
14		18	RC20GF223J	RESISTOR			MIL-R-11
10		20	HD2289	DIODE			HUGHES AIRCRAFT CO
7		9	NAA358	TRANSISTOR			GENERAL TRANSISTOR CO
6		20	2N321	TRANSISTOR			GENERAL ELECTRIC CO
2		1	42554-501	FRAME			AUTONETICS
1		1	41614-501	BOARD			AUTONETICS
		1	41613-501	TAPE READER			AUTONETICS

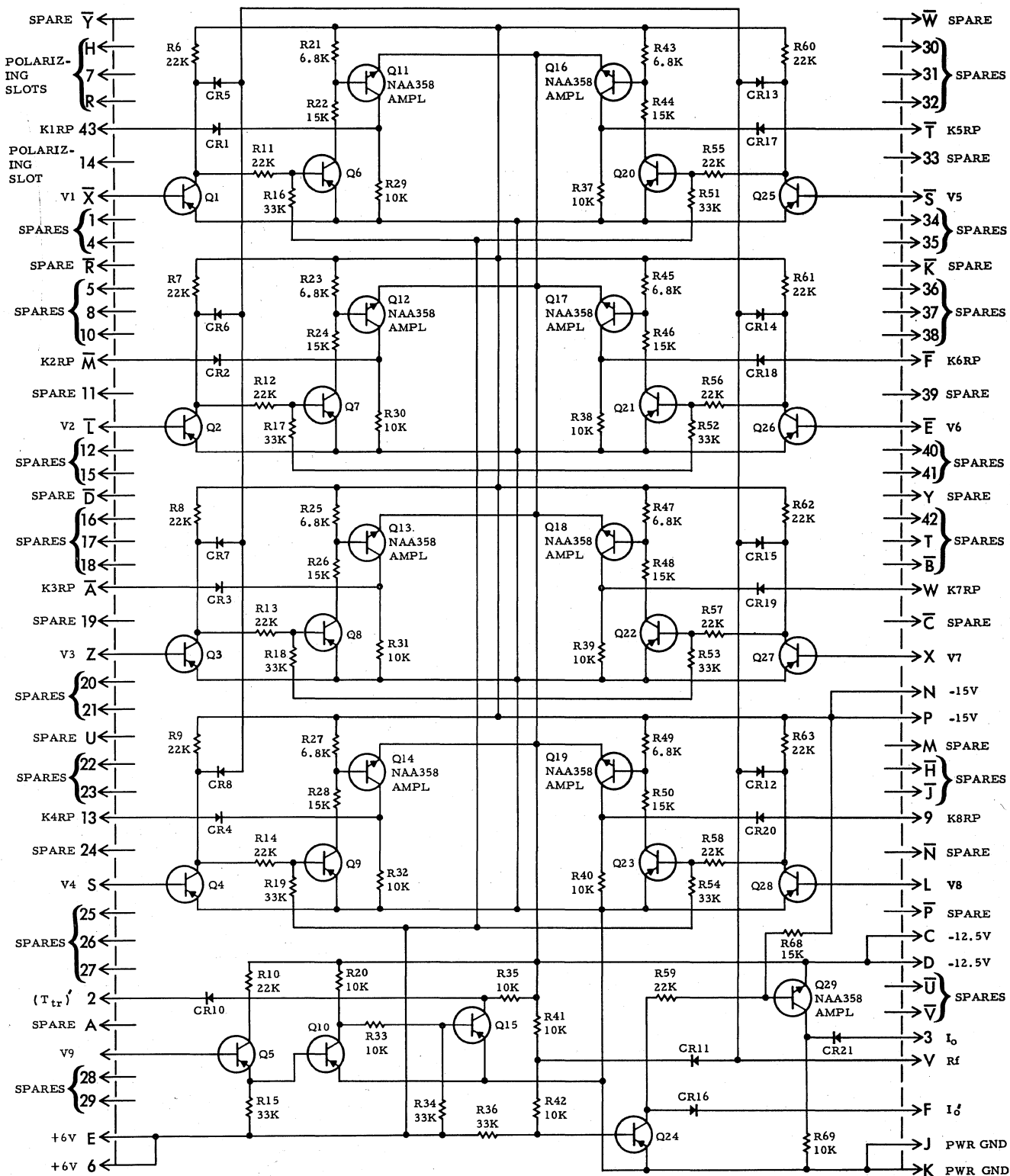
Note: Unless otherwise specified
 1. Reference designations establish location only and do not appear on actual part

2. Reference designations are abbreviated.
 For complete number, prefix the part designation with the assembly designation

QUANTITY PER END ITEM	1	NEXT ASSY
		42464-501

RC4-121

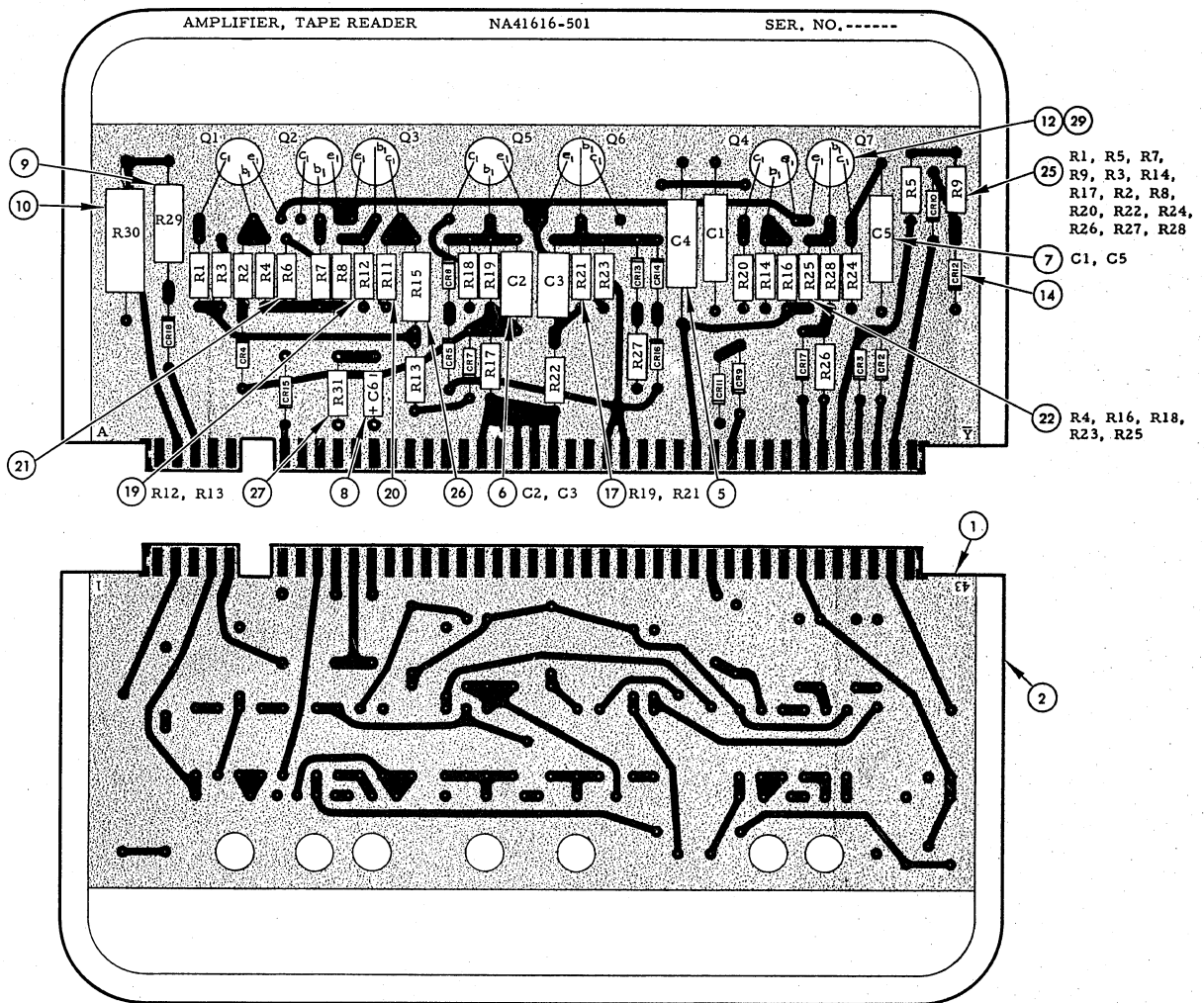
Figure 53. Photodiode Amplifier Circuit Board Parts Location Diagram



Note: Unless otherwise specified
 1. Resistor values are in ohms ± 5 percent 1/2 watt.
 2. Transistors are 2N321 amplifiers.
 3. Diodes are HD2289.
 4. Reference designations are abbreviated. For complete number, prefix the part designation with the assembly designation

RC4-101

Figure 54. Photodiode Amplifier Circuit Board Schematic (57902-501)



ITEM NO.	ASSY REQD	ASSY REQD	LIST OF MATERIALS					
			PART NO.	DESC	MATERIAL	SIZE	MATERIAL SPEC	
29		1	ST22-9	SLEEVING			NA2-4174	
27		1	RC20GF154J	RESISTOR			MIL-R-11	
26		1	RC32GF471J	RESISTOR			MIL-R-11	
25		15	RC20GF103J	RESISTOR			MIL-R-11	
22		5	RC20CF333J	RESISTOR			MIL-R-11	
21		1	RC20GF681J	RESISTOR			MIL-R-11	
20		1	RC20GF101J	RESISTOR			MIL-R-11	
19		2	RC20GF332J	RESISTOR			MIL-R-11	
17		2	RC20GF153J	RESISTOR			MIL-R-11	
14		16	HD2289	DIODE			HUGHES AIRCRAFT CO	
12		7	2N321	TRANSISTOR			GENERAL ELECTRIC CO	
10		1		RESISTOR	TS-5W	27 Ω \pm 10%5W	TEPRO ELECTRIC CORP	
9		1		RESISTOR	TS 2W	100 Ω \pm 10%2W	TEPRO ELECTRIC CORP	
8		1	150D196A1	CAPACITOR			SPRAGUE ELECTRIC CO	
7		2	196P1029152	CAPACITOR			SPRAGUE ELECTRIC CO	
6		2	GP-2-K150	CAPACITOR			ERIE RESISTOR CORP	
5		1	29F293G4	CAPACITOR			GENERAL ELECTRIC CO	
2		1	42554-501	FRAME			AUTONETICS	
1		1	41617-501	BOARD			AUTONETICS	
		1	41616-501	ASSY			AUTONETICS	
							QUANTITY PER	NEXT ASSY
							END ITEM	41574-501-11

Note: Unless otherwise specified
 1. Component designations establish location only and do not appear on actual parts.
 2. Reference designations are abbreviated. For complete number, prefix the part designation with the assembly designation.

RC4-102

Figure 55. Electronic Control Amplifier Circuit Board
 Parts Location Diagram (57903-501)

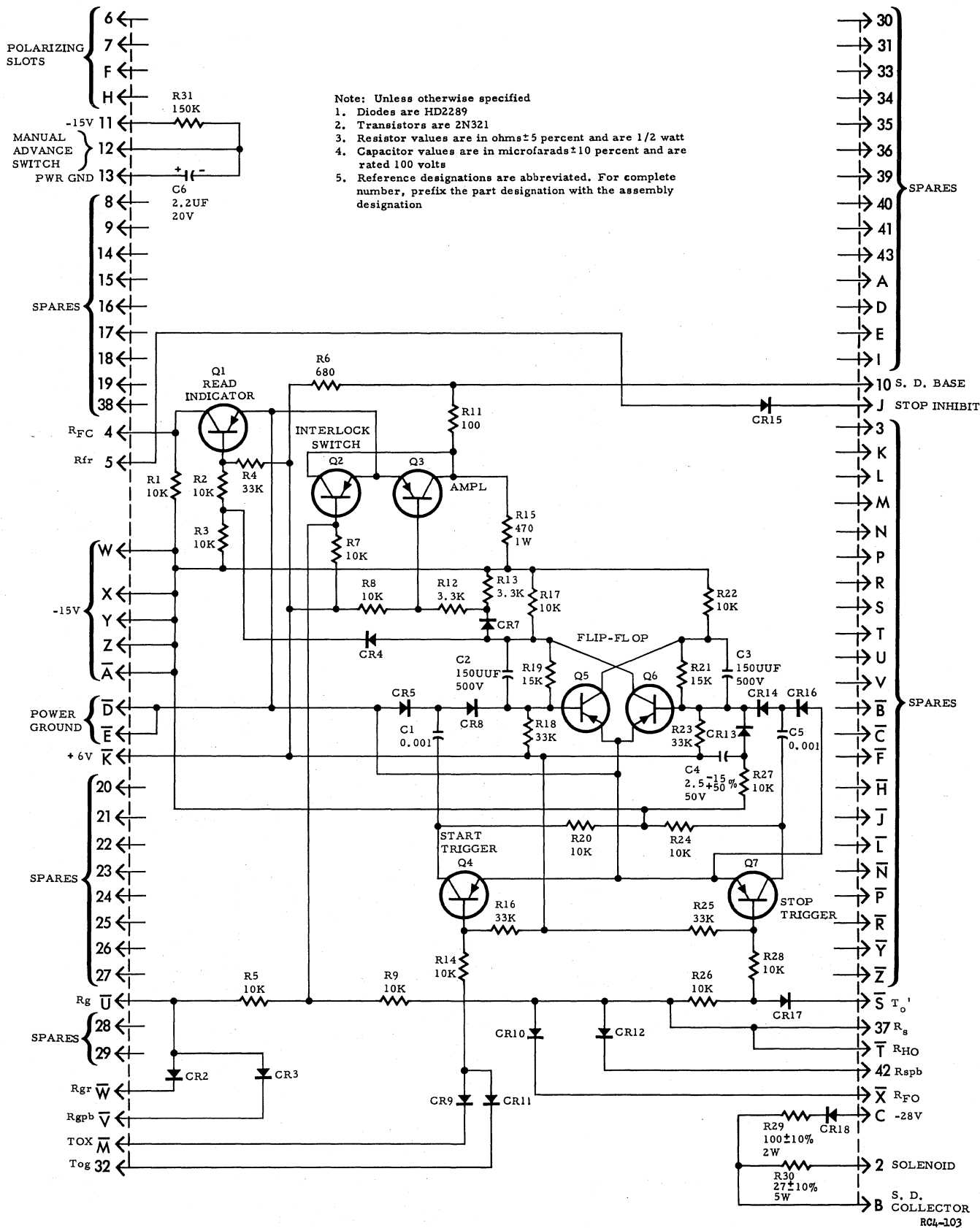
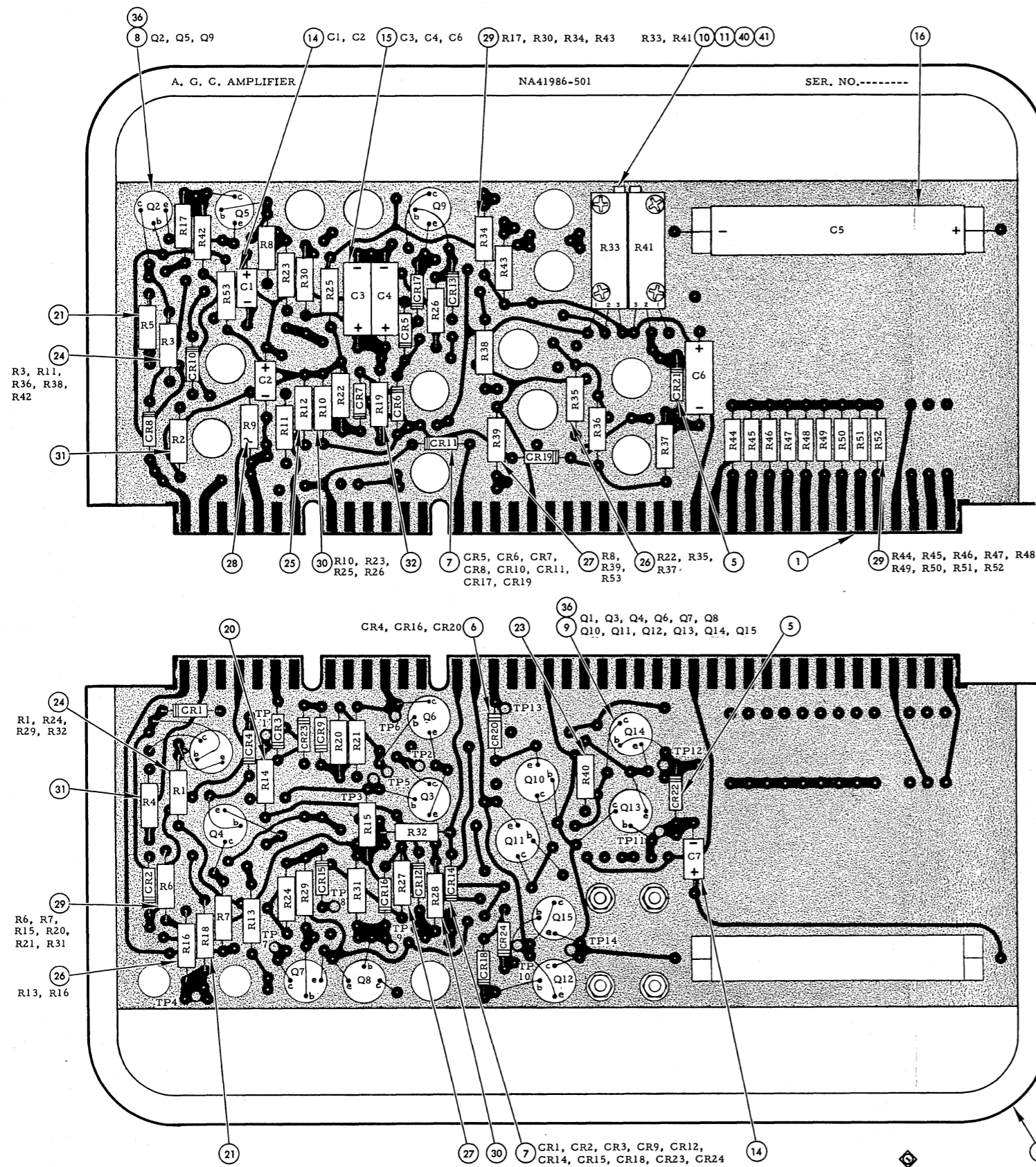


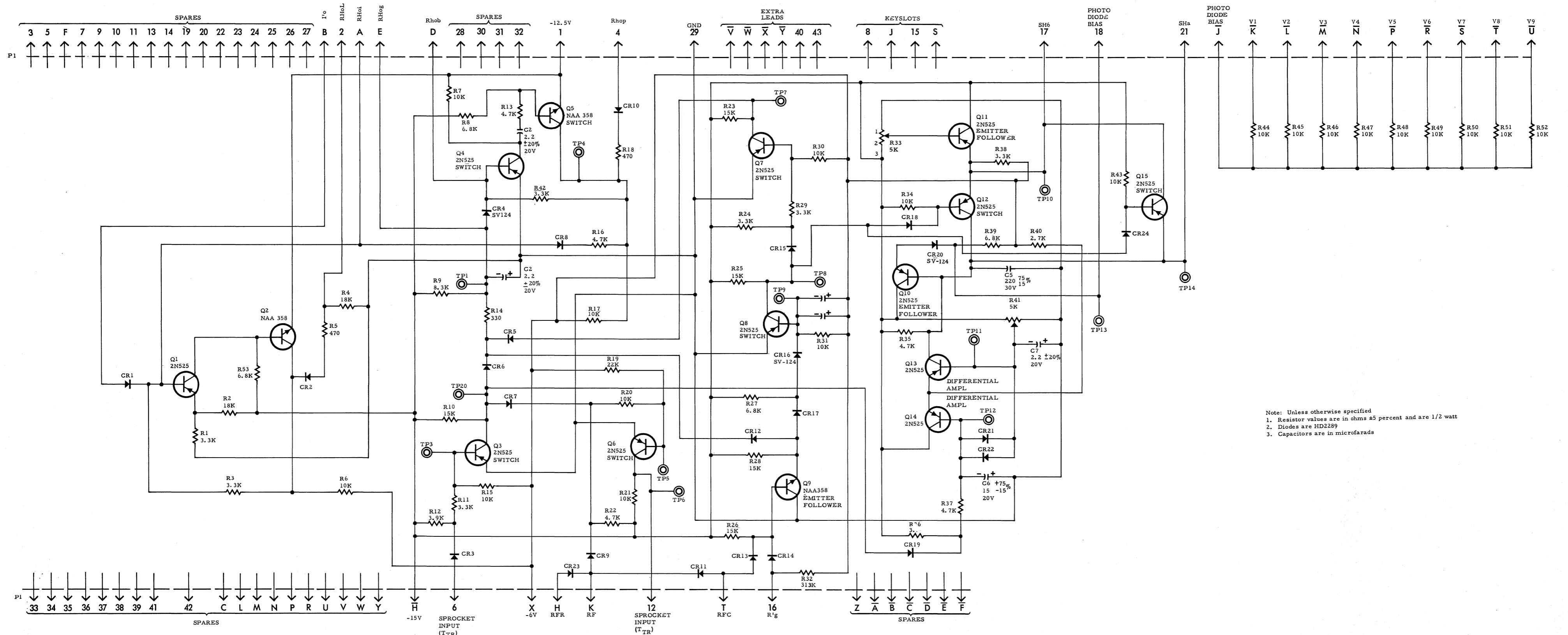
Figure 56. Electronic Control Amplifier Circuit Board (57905-501)



ITEM NO.	ASSY REQD	ASSY REQD	LIST OF MATERIALS				
			PART NO.	DESC	MATERIAL	SIZE	MATERIAL SPEC
41	4		2W18-2	WASHER			
40	4			BD HD SCREW		2-56 x 3/18 FF-S-92	
36	1		ST22-9	SLEEVING		2 FT NA2-4174	
32	1		MS35043-119			22K±5% 1/2W MS35043	
31	2		-117			18K	
30	5		-115			15K	
29	19		-111			10K	
28	1		-109			8.2K	
27	4		-107			6.8K	
26	5		-103			4.7K	
25	1		-101			3.9K	
24	9		-99			3.3K	
23	1		MS35043-97			2.7K±5% 1/2W MS35043	
21	2		MS35043-79			470Ω±5% 1/2W MS35043	
20	1		MS35043-75			330Ω±5% 1/2W MS35043	
16	1		29F629G4	CAPACITOR		220UF ±5% 30V GENERAL ELECTRIC CO	
15	3		217C10-11	CAPACITOR		15UF ±20% 20V 219C10	
14	3		217C10-7	CAPACITOR		2.2UF ±20% 20V 219C10	
11	4		92-1662-26	NUT		ELASTIC STOP NUT CORP	
10	2		220-1-502	RESISTOR		5K BOURNES LABORATORIES INC	
9	12		2N525	TRANSISTOR		GENERAL ELECTRIC CO	
8	3		NAA358	TRANSISTOR		GENERAL TRANSISTOR CORP	
7	19		HD2289	DIODE		HUGHES AIRCRAFT CORP	
6	3		SV124	DIODE		TRANSITRON ELECTRONICS CO	
5	2		SG22	DIODE		TRANSITRON ELECTRONICS CO	
2	1		42554-501	FRAME		AUTONETICS	
1	1		41987-501	CIRCUIT BOARD		AUTONETICS	
	1		41986-501	ASSY		AUTONETICS	
						QUANTITY PER	NEXT ASSY
						END ITEM	1 41574-501-11

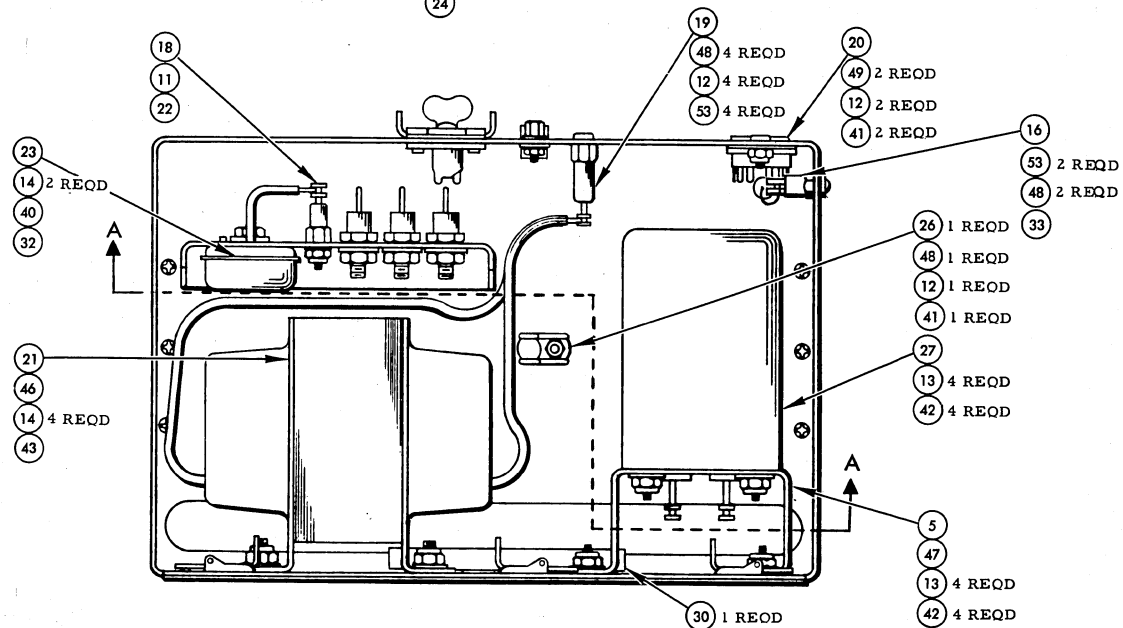
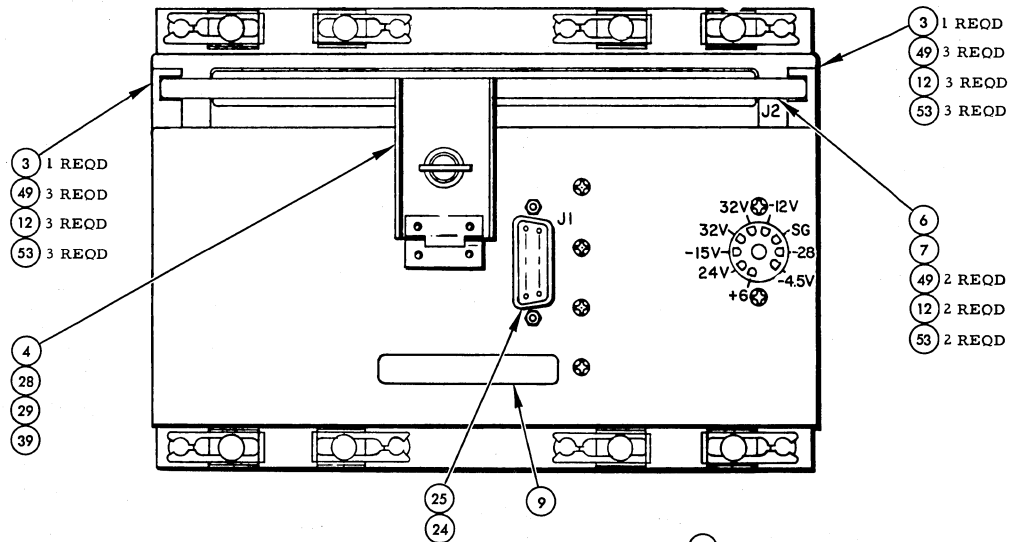
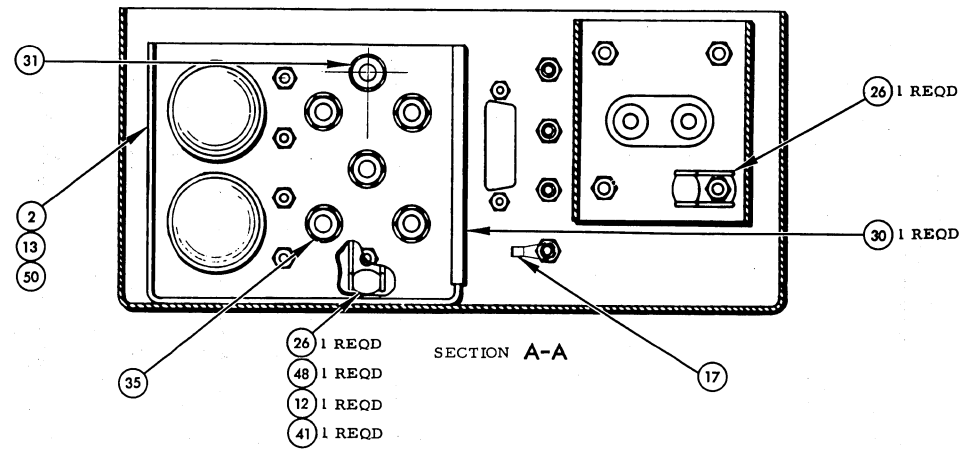
Note: Unless otherwise specified
 1. Reference designations establish location only and do not appear on actual parts
 2. Commercial parts: See Autonetics commercial specification control drawing before ordering

Figure 57. AGC Electronic Control Amplifier Circuit Board
 Parts Location Diagram (57906-501)



Note: Unless otherwise specified
 1. Resistor values are in ohms ± 5 percent and are 1/2 watt
 2. Diodes are HD2289
 3. Capacitors are in microfarads

Figure 58. AGC Electronic Control Amplifier Circuit Board Schematic (57908-501)



ITEM NO.	ASSY REQD	ASSY REQD	LIST OF MATERIALS				
			PART NO.	DESC	MATERIAL	SIZE	MATERIAL SPEC
53		14	AN936B4	WASHER			
50		2	AN5156R6	SCREW			
49		9	AN5154R5				
48		8	AN5154R4				
47		4	AN507632R6				
46		4	AN5071032R6	SCREW			
43		4	AN365-1032	NUT			
42		8	AN365-632				
41		4	AN365-440				
40		2	AN341-10	NUT			
39		1	AN253-1-125	PIN			
35		5	910D19-3	DIODE			AUTONETICS
33		1	29F447G4	CAPACITOR			GENERAL ELECTRIC
32		2	7272602	WASHER KIT			DELCO RADIO DIV.
31		1	SV904	DIODE			TRANSITRON ELECTRONIC CORP.
30		2	1019	EDGING	RUBBER	3 IN.	RUBBERCRAFT CORP.
29		1	2600-LW	WASHER			CAMLOC CO.
28		1	2600-5	STUD			CAMLOC CO.
27		1	15101	CHOKE			TRIAD TRANSFORMER CORP.
26		3	1/8-5	CABLE CLIP			WECKESSER CO.
25		1	DA-15P	CONNECTOR			CANNON ELECTRIC CO.
24		2	DA20418	SCREW LOCK			CANNON ELECTRIC CO.
23		2	2N443	TRANSISTORS			DELCO RADIO DIV.
22		4	92-1660-26	NUT			ELASTIC STOPNUT CORP.
21		1	NCF-3275	TRANSFORMER			CHICAGO TRANSFORMER CORP.
20		1	44C20389	SOCKET			CINCH MFG. CO.
19		4	760-30G	TERMINAL			WINCHESTER ELECTRONICS, INC.
18		4	MTS7-30G	TERMINAL			WINCHESTER ELECTRONICS, INC.
17		1	31679	TERMINAL			AIRCRAFT-MARINE PRODUCTS, INC.
16		2	756	TERMINAL			WINCHESTER ELECTRONICS, INC.
14		6	2W17-10	WASHER			
13		10	2W17-6				
12		16	2W17-4				
11		4	ZWC1-6-8-16	WASHER			
9		1	66039-201	PLATE			AUTONETICS
		1	55086-501	WIRING DIAG.			AUTONETICS
7		1	2162-0036-426	CONNECTOR			730C5-113
6		1	42605-501	BOARD			AUTONETICS
5		1	55130-501	BRACKET			
4		1	42478-501	SUPPORT			
3		2	42474-501	GUIDE			
2		1	42473-501	BRACKET			
1		1	42472-501	CHASSIS			
		1	42471-501	ASSEMBLY			AUTONETICS

Notes: Unless otherwise specified
 ① See Autonetics Commercial Specification Control Drawing 910D19 before ordering
 ② See Autonetics Commercial Specification Control Drawing 730C5-113 before ordering

QUANTITY PER END ITEM	1	NEXT ASSY	41574-501-11
-----------------------	---	-----------	--------------

Figure 59. Power Supply Chassis Assembly (57916-501)

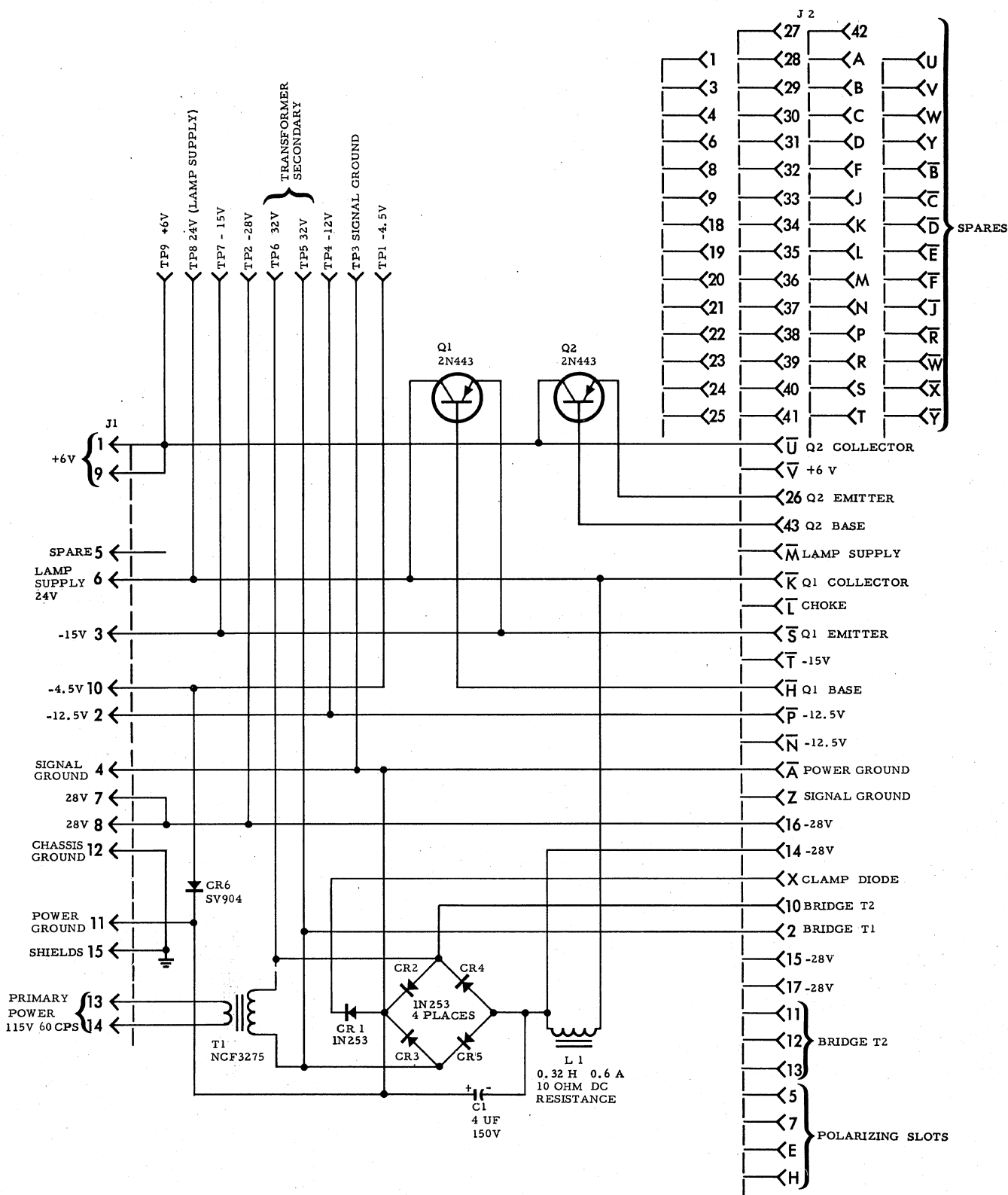
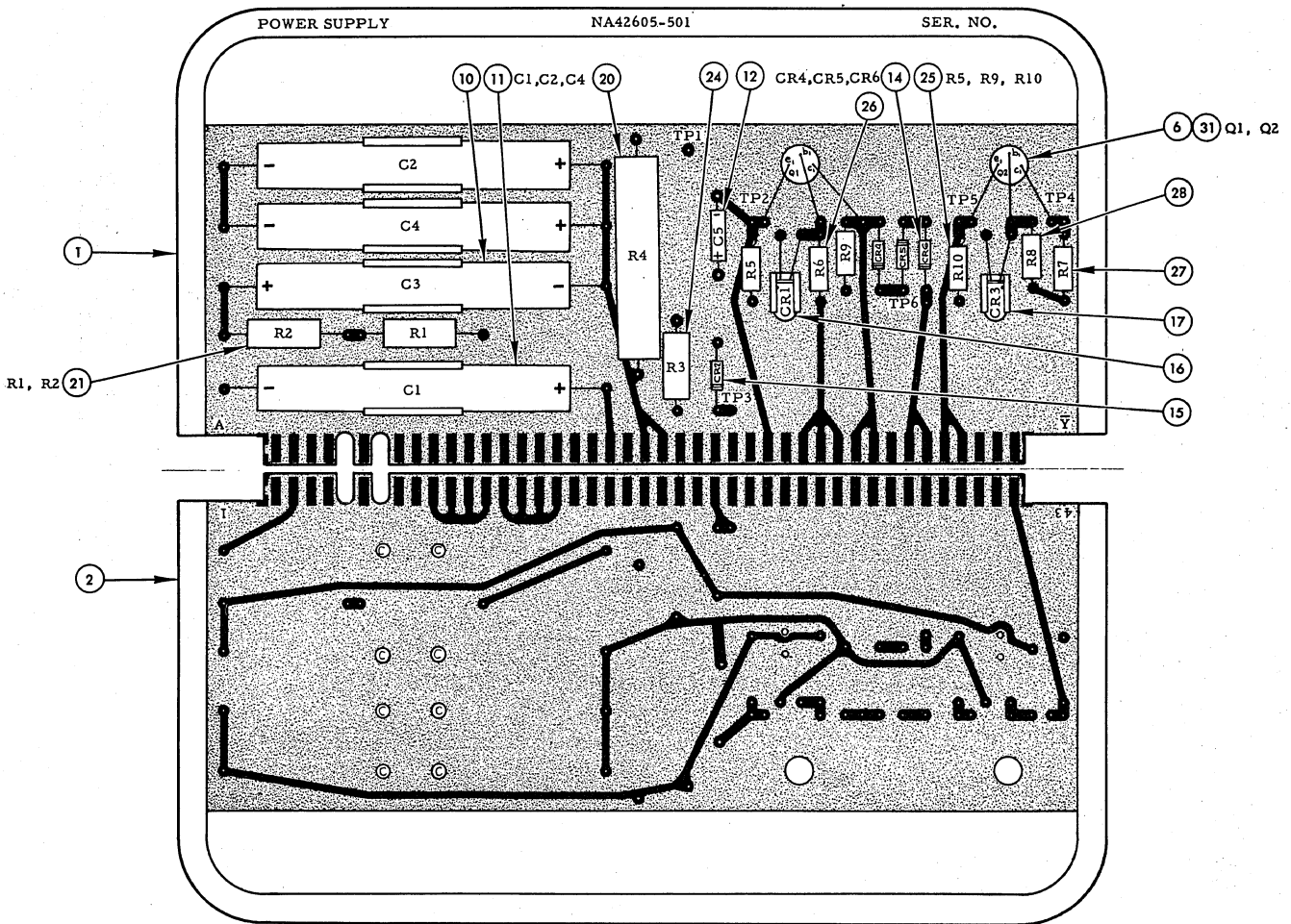


Figure 60. Power Supply Chassis Schematic (55087-501)

RC4-112



LIST OF MATERIALS									
ITEM NO.	ASSY REQD	ASSY REQD	PART NO.	DESC	MATERIAL	MATERIAL SPEC			
31		1	ST22-9	SLEEVING		1 FT NA2-4174			
28		1	RC20GF222J	RESISTOR		MIL-R-11			
27		1	RC20GF471J	RESISTOR		MIL-R-11			
26		1	RC20GF332J	RESISTOR		MIL-R-11			
25		3	RC20GF102J	RESISTOR		MIL-R-11			
24		1	RC32GF102J	RESISTOR		MIL-R-11			
21		2	TS-2W	RESISTOR	33Ω ± 5% 2W	TEPRO ELECTRIC CORP			
20		1	TS-10W	RESISTOR	330Ω ± 5% 10W	TEPRO ELECTRIC CORP			
17		1	IN429	DIODE		HOFFMAN SEMICONDUCTOR DIV			
16		1	ZA-15-2	DIODE	15V ± 5%	HOFFMAN SEMICONDUCTOR DIV			
15		1	IN485A	DIODE		TRANSITRON ELECTRONIC CORP			
14		3	SG22	DIODE		TRANSITRON ELECTRONIC CORP			
12		1	217C10-7	CAPACITOR		AUTONETICS			
11		3	29F476G4	CAPACITOR		GENERAL ELECTRIC CO			
10		1	29F630G4	CAPACITOR		GENERAL ELECTRIC CO			
6		2	NAA358	TRANSISTOR		GENERAL TRANSISTOR CORP			
2		1	42554-501	FRAME		AUTONETICS			
1		1	42606-501	BOARD		AUTONETICS			
1		1	42605-501	ASSEMBLY		AUTONETICS			
						<table border="1"> <tr> <td>QUANTITY PER END ITEM</td> <td>3</td> <td>NEXT ASSY 42471-501</td> </tr> </table>	QUANTITY PER END ITEM	3	NEXT ASSY 42471-501
QUANTITY PER END ITEM	3	NEXT ASSY 42471-501							

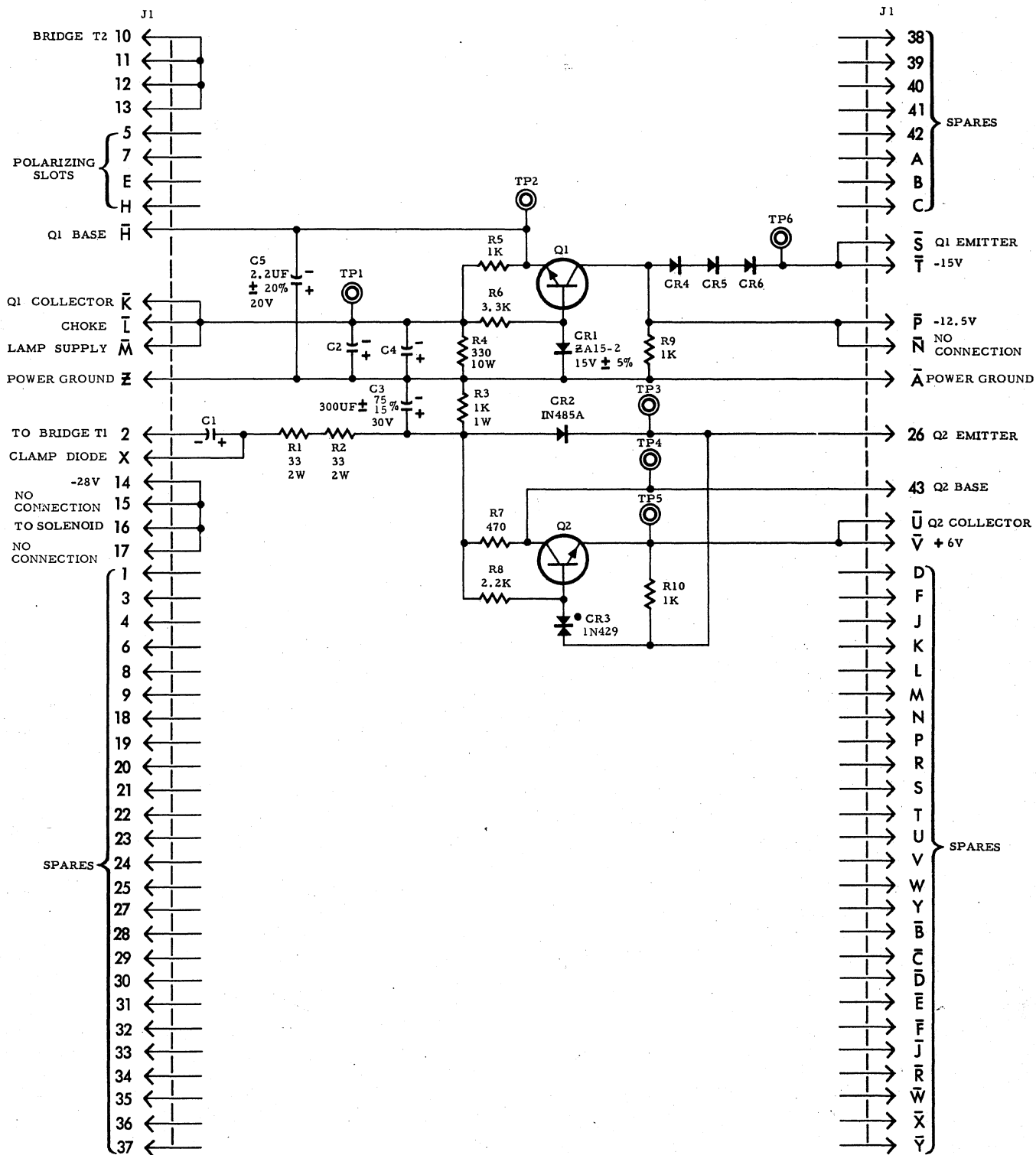
Note: Unless otherwise specified

- Reference designations establish location only and do not appear on actual part
- Reference designations are abbreviated. For complete number, prefix the part designation with the assembly designation

- Commercial parts: See Autonetics commercial specification control drawing 217C10 before ordering

BC4-109

Figure 61. Power Supply Circuit Board Parts Location Diagram (57925-501)



Note: Unless otherwise specified
 1. Resistor values are in ohms ± 5 percent and are 1/2 watt
 2. Diodes are SG22
 3. Transistors are NAA358 amplifiers
 4. Capacitor values are 150 microfarads (+50, -15 percent) and are rated 50 volts
 5. Reference designations are abbreviated. For complete number, prefix the part designation with the assembly designation

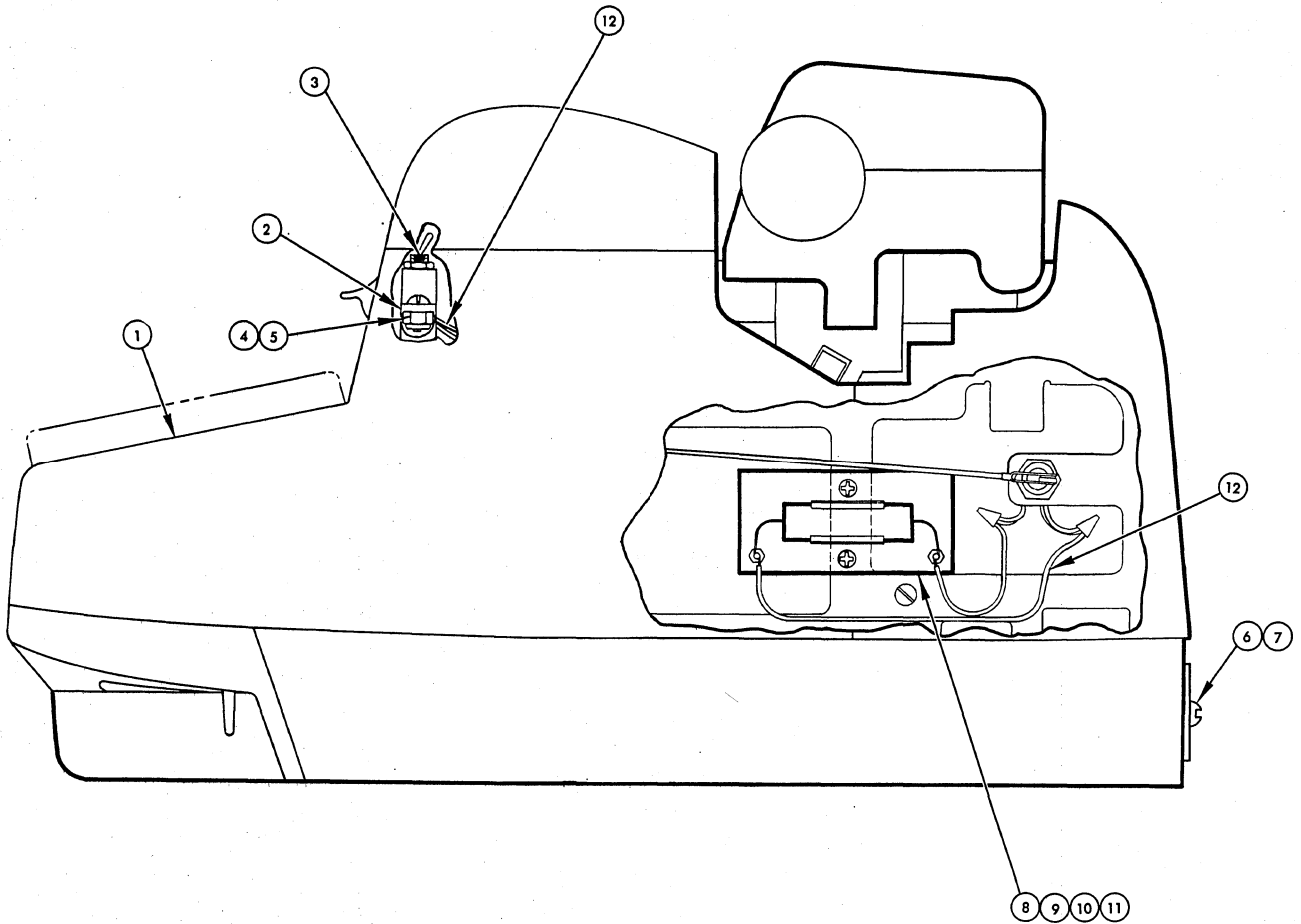
RC4-110

Figure 62. Power Supply Circuit Board Schematic (57927-501)

LIST OF ILLUSTRATIONS

TYPEWRITER

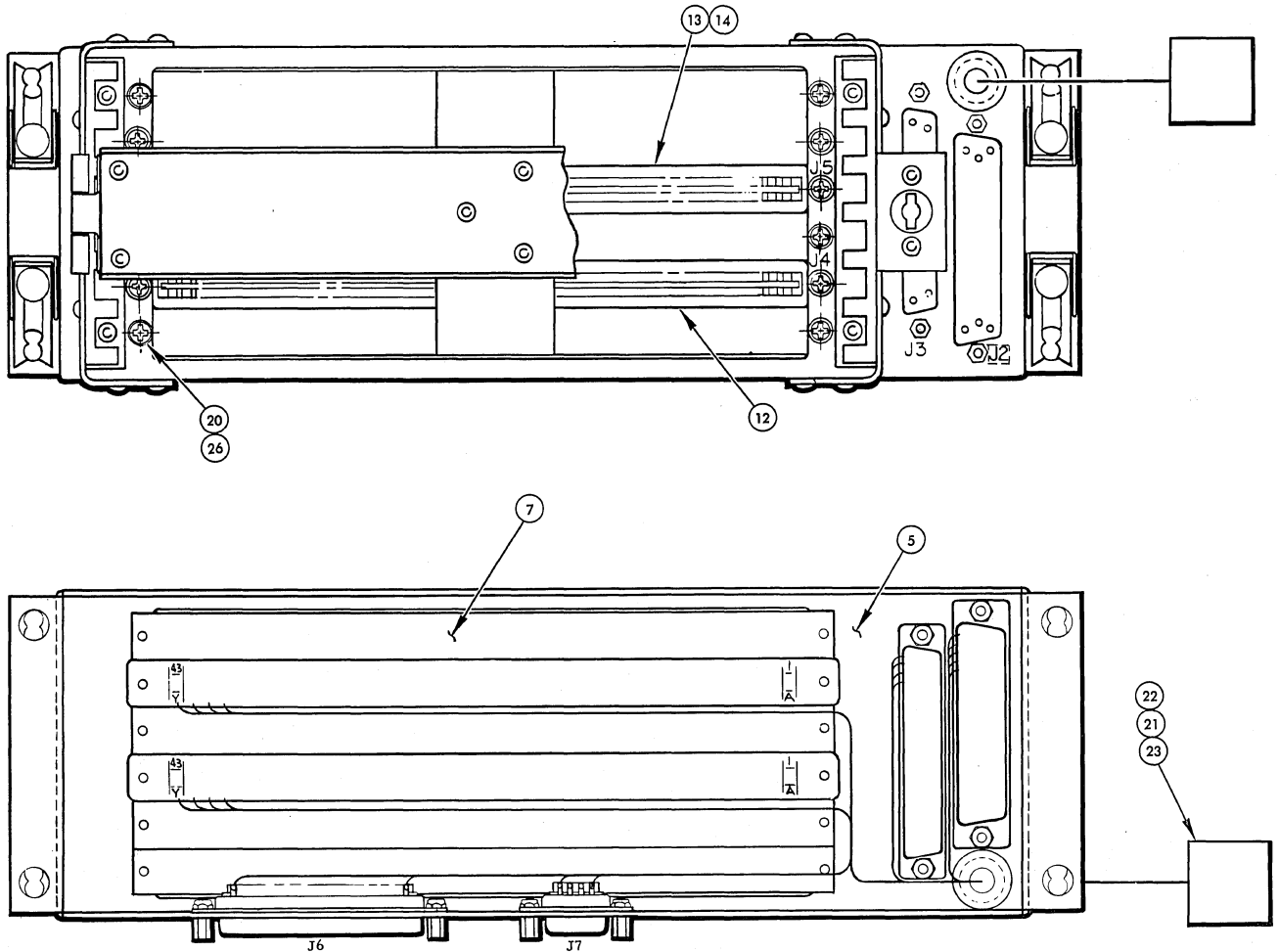
Figure	Page
63. Typewriter Assembly (55179-501)	91
64. Typewriter Control Chassis Assembly Diagram (42583-501)	93
65. Network Circuit Board, Parts Location Diagram (42602-501)	94
66. Network Circuit Board Schematic (42604-501).	95
67. Typewriter Driver Circuit Board Parts Location Diagram (57922-501)	96
68. Typewriter Driver Circuit Board Schematic (57924-501)	97
Typewriter Power Supply Chassis Assembly Diagram (57916-501) (See Figure 59, Page 84)	
Typewriter Power Supply Chassis Schematic (55087-501) (See Figure 60, Page 85)	
Typewriter Power Supply Circuit Board Parts Location Diagram (57925-501) (See Figure 61, Page 86)	
Power Supply Circuit Board Schematic (57927-501) (See Figure 62, Page 87)	



ITEM NO.	ASSY REQD	ASSY REQD	LIST OF MATERIALS				MATERIAL SPEC	
			PART NO.	DESC	MATERIAL	SIZE		
12		1		WIRE	WHITE NYLON	24(19/36) x 4 FT	MIL-W-16878 TYPE B	
11		2	AN365-632	NUT				
10		2	AN515-6R6	SCREW				
9		2	2W18-6	WASHER				
8		1	55203-501	BOARD			AUTONETICS	
7		2	AN535-0-2	SCREW, DRIVE				
6		1	5P60	NAME PLATE				
5		1	AN365-832	NUT				
4		1	AN515-8R6	SCREW				
3		1	6AT2	SWITCH			MICROSWITCH CO	
2		1	55191-501	BRACKET			AUTONETICS	
1		1	55179-501	TYPEWRITER			AUTONETICS	
							QUANTITY PER END ITEM	1
							NEXT ASSY	41573-501

Note: Unless otherwise specified
 1. Board 55203-501 contains capacitor CP04A1KF224K,
 material specification MIL-C-25/10

Figure 63. Typewriter Assembly (55179-501)

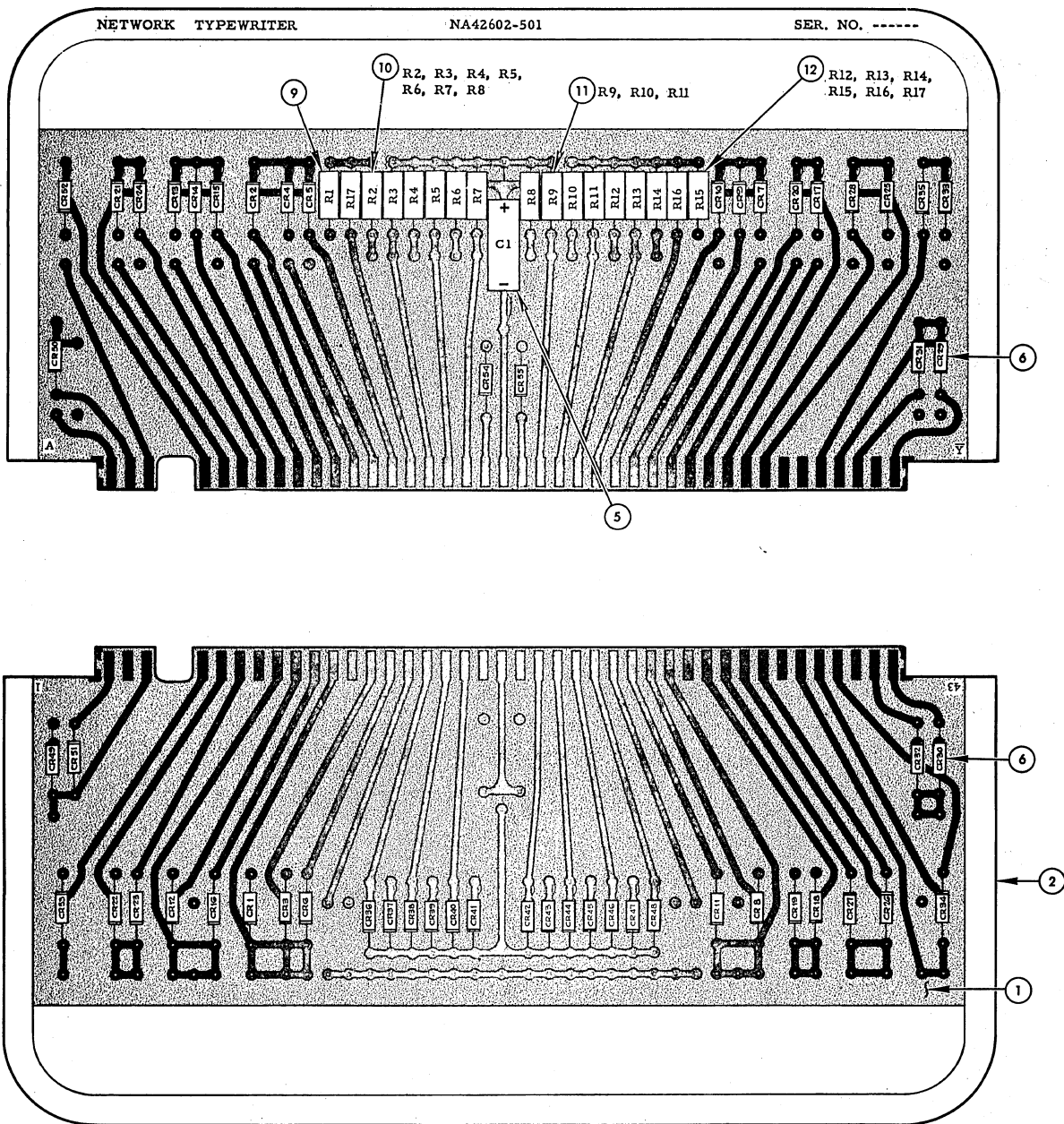


ITEM NO.	ASSY REQD	ASSY REQD	LIST OF MATERIALS				MATERIAL SPEC	
			PART NO.	DESC	MATERIAL	SIZE		
26		12	AN 936-A4	WASHER				
23		1	DA J/S 20961	HOOD			CANNON ELECTRIC CO	
22		1	DA 15 S	CONNECTOR			CANNON ELECTRIC CO	
21		1	20419	LOCK			CANNON ELECTRIC CO	
20		12		BIND HD SCREW		440 x 3/8	FF-S-92	
14			2162-00029-129	CONNECTOR			AUTONETICS	
13		1	2162-00029-095	CONNECTOR			AUTONETICS	
12		1	2162-00029-096	CONNECTOR			AUTONETICS	
7		4	55124-501	COVER			AUTONETICS	
5		1	55024-501	CHASSIS			AUTONETICS	
		1	42583-501-21	ASSEMBLY			AUTONETICS	
							QUANTITY PER END ITEM	NEXT ASSY
							1	41576-501

Note: Unless otherwise specified
 ① 1. Commercial part. See commercial specification control drawing (2162-00029) before ordering

RC9-101

Figure 64. Typewriter Control Chassis Assembly Diagram (42583-501)

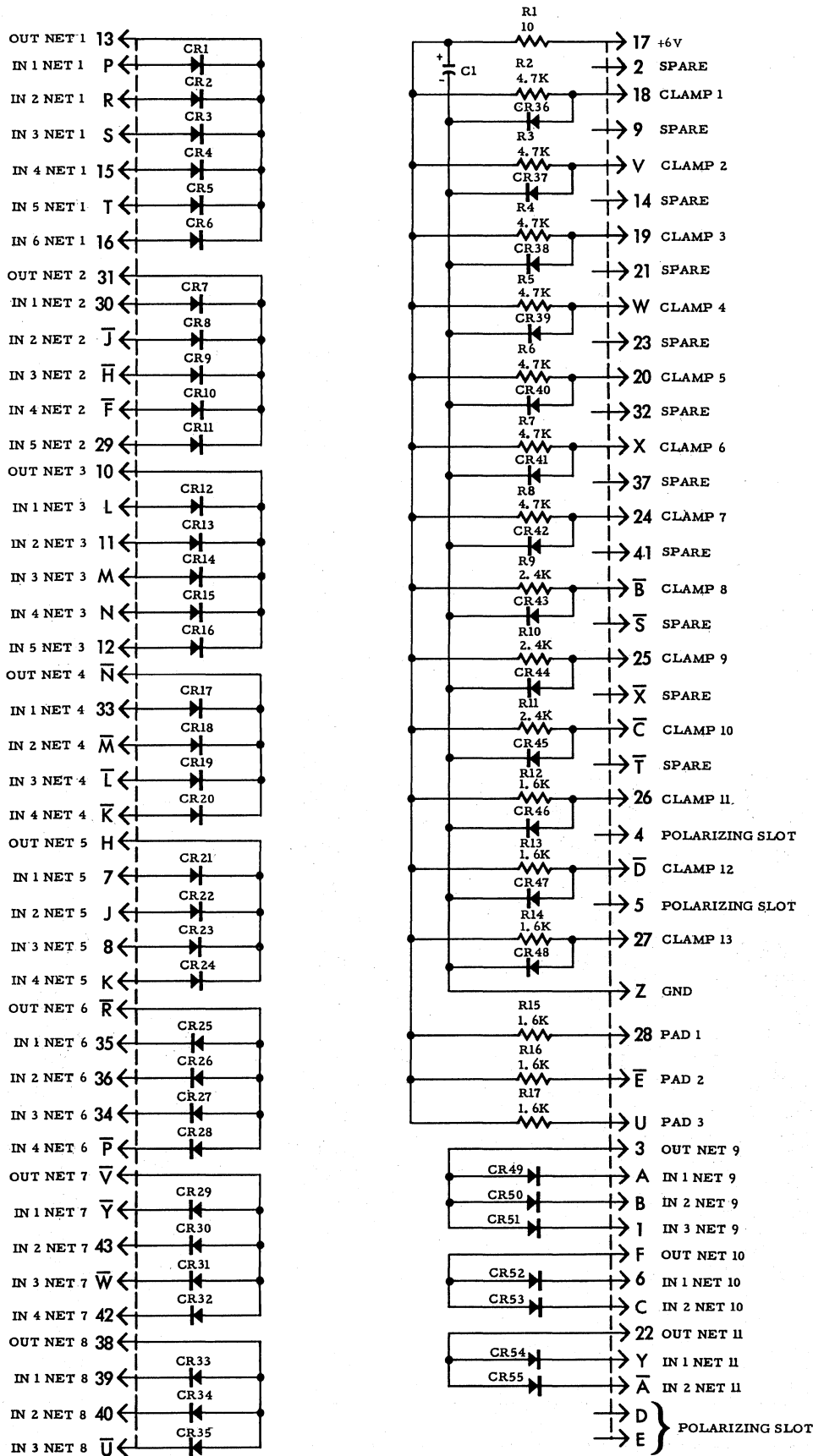


LIST OF MATERIALS							
ITEM NO.	ASSY REQD	ASSY REQD	PART NO.	DESC	MATERIAL	MATERIAL SPEC	
12		6	RC20GF162J	RESISTOR		MIL-R-11	
11		3	RC20GF242J				
10		7	RC20GF472J				
9		1	RC20GF100J	RESISTOR		MIL-R-11	
6		55	HD2289	DIODE		HUGHES AIRCRAFT CO	
5		1	29F446G4	CAPACITOR		GENERAL ELECTRIC CO	
2		1	42554-501	FRAME		AUTONETICS	
1		1	42603-501	BOARD		AUTONETICS	
		1	42602-501	NETWORK		AUTONETICS	
QUANTITY PER						1	NEXT ASSY
END ITEM							42583-501

Note: Unless otherwise specified
 1. Reference designations are for location only and do not appear on actual parts.
 2. Reference designations are abbreviated. For complete number, prefix the part designation with the assembly/designation

RC9-103

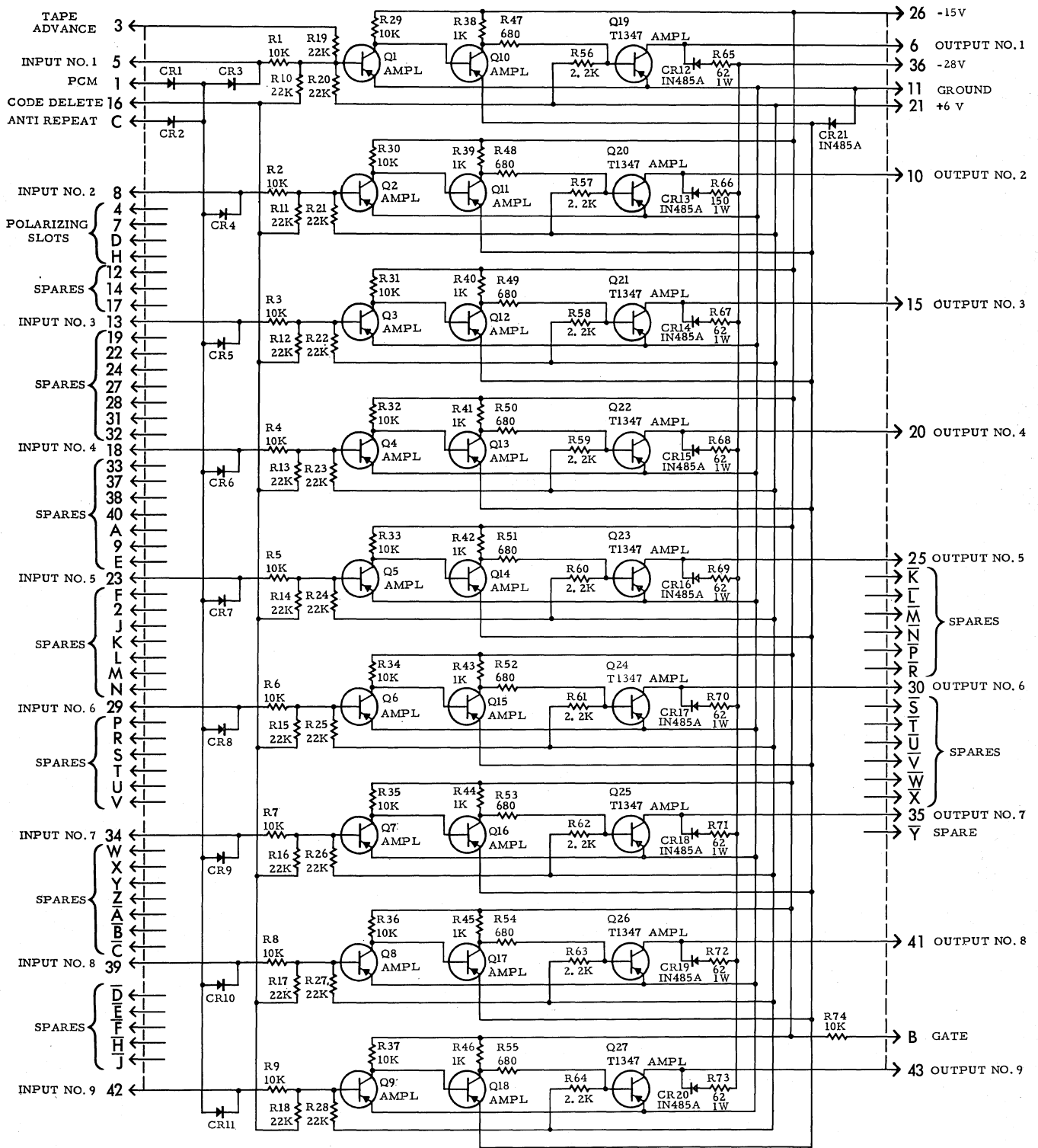
Figure 65. Network Circuit Board, Parts Location Diagram (42602-501)



Note: Unless otherwise specified:
 1. Capacitor is 10 microfarads +75 percent and is rated 25 volts
 2. Resistor values are in ohms ± 5 percent and are 1/2 watt.
 3. Diodes are HD2289
 4. Reference designations are abbreviated. For complete number, prefix the part designation with the assembly designation

RC9-104

Figure 66. Network Circuit Board Schematic (42604-501)



Note: Unless otherwise specified
 1. Resistor values are in ohms \pm 5 percent and are 1/2 watt
 2. Diodes are HD2289
 3. Transistors are 2N321
 4. Reference designations are abbreviated.
 For complete number, prefix the part designation with the assembly or unit designation or both

RC9-100

Figure 68. Typewriter Driver Circuit Board Schematic (57924-501)

LIST OF ILLUSTRATIONS

TAPE PUNCH

<u>Figure</u>		<u>Page</u>
69.	Tape Punch Input-Output Schematic	101
70.	Tape Punch Control Circuit Board Parts Location Diagram (42590-501)	102
71.	Control Circuit Board Schematic (42592-501)	103
72.	Tape Punch Driver Circuit Board Parts Location Diagram (57922-501)	104
73.	Tape Punch Driver Circuit Board Schematic (57924-501)	105
	Tape Punch Power Supply Chassis Assembly Diagram (57916-501) (See Figure 59, Page 84)	
	Tape Punch Power Supply Chassis Schematic (55087-501) (See Figure 60, Page 85)	
	Tape Punch Power Supply Circuit Board Parts Location Diagram (57925-501) (See Figure 61, Page 86)	
	Tape Punch Power Supply Circuit Board Schematic (57927-501) (See Figure 61, Page 87)	

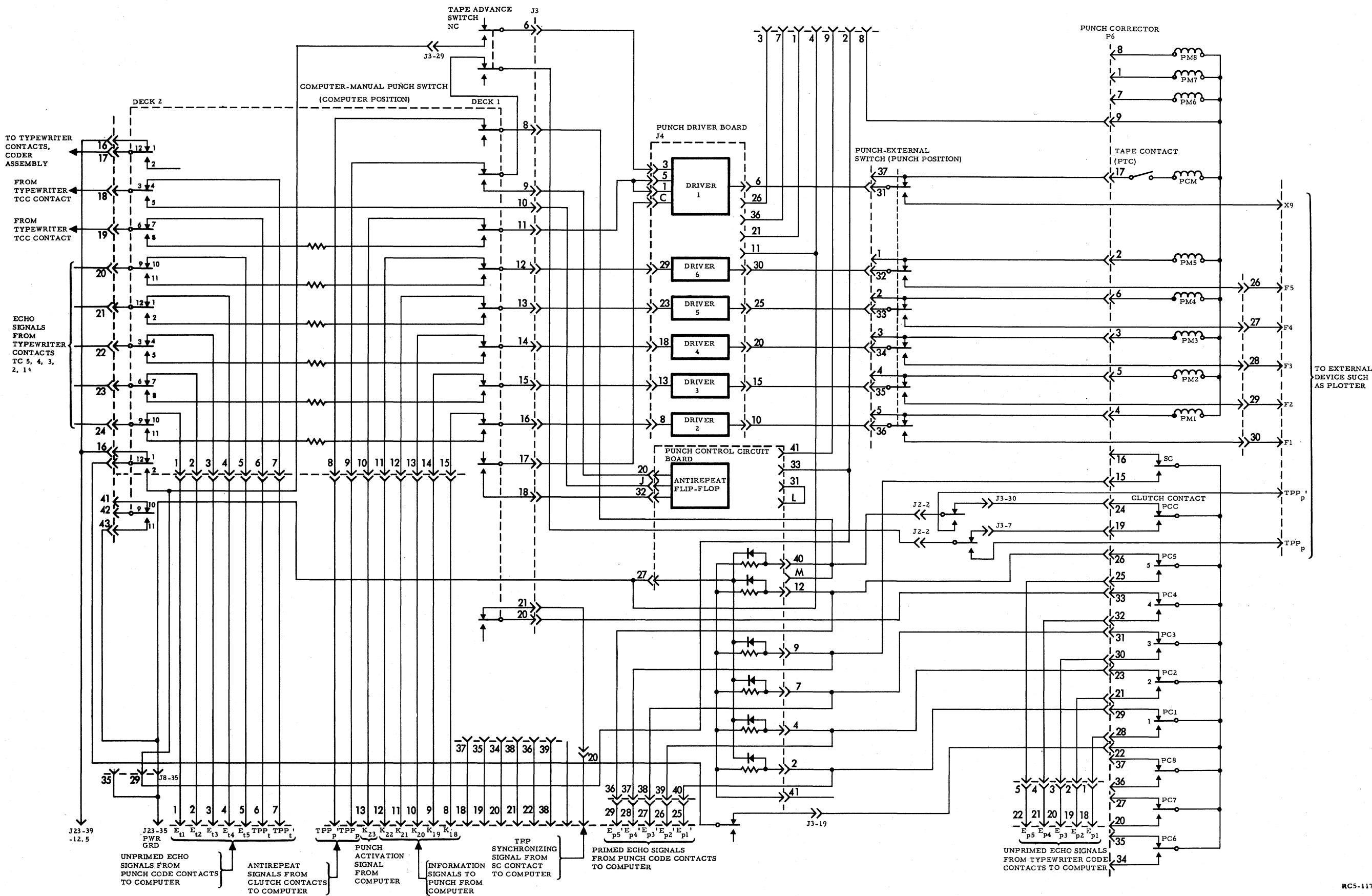
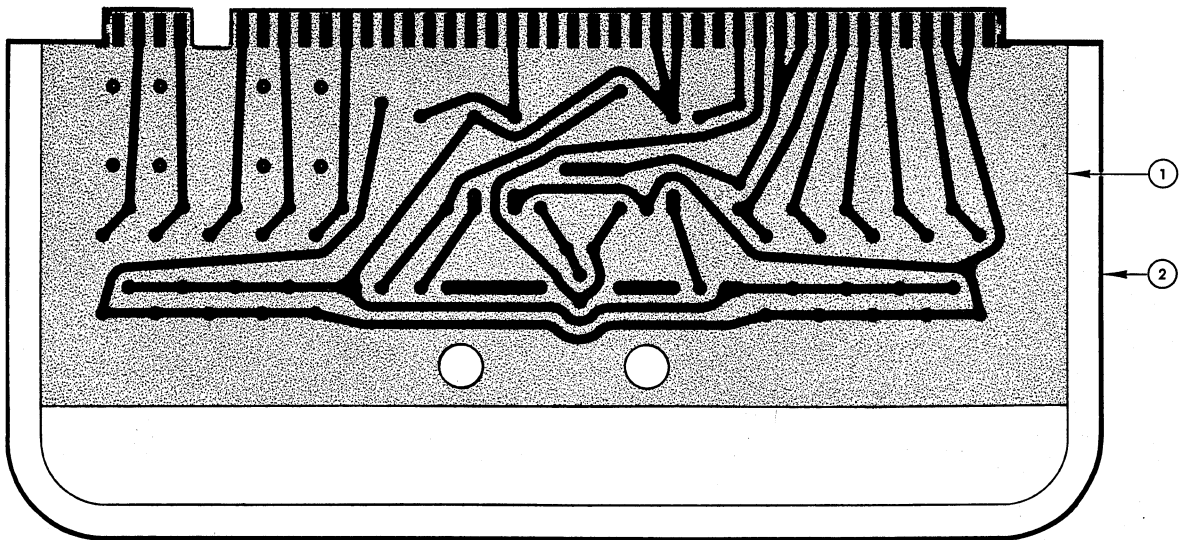
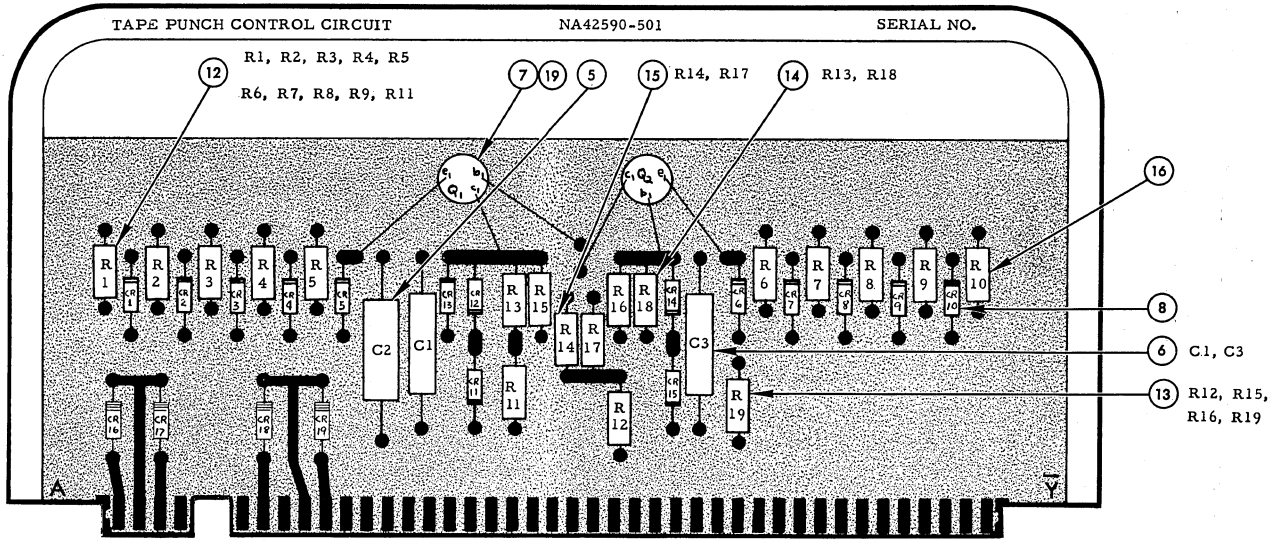


Figure 69. Tape Punch Input-Output Schematic



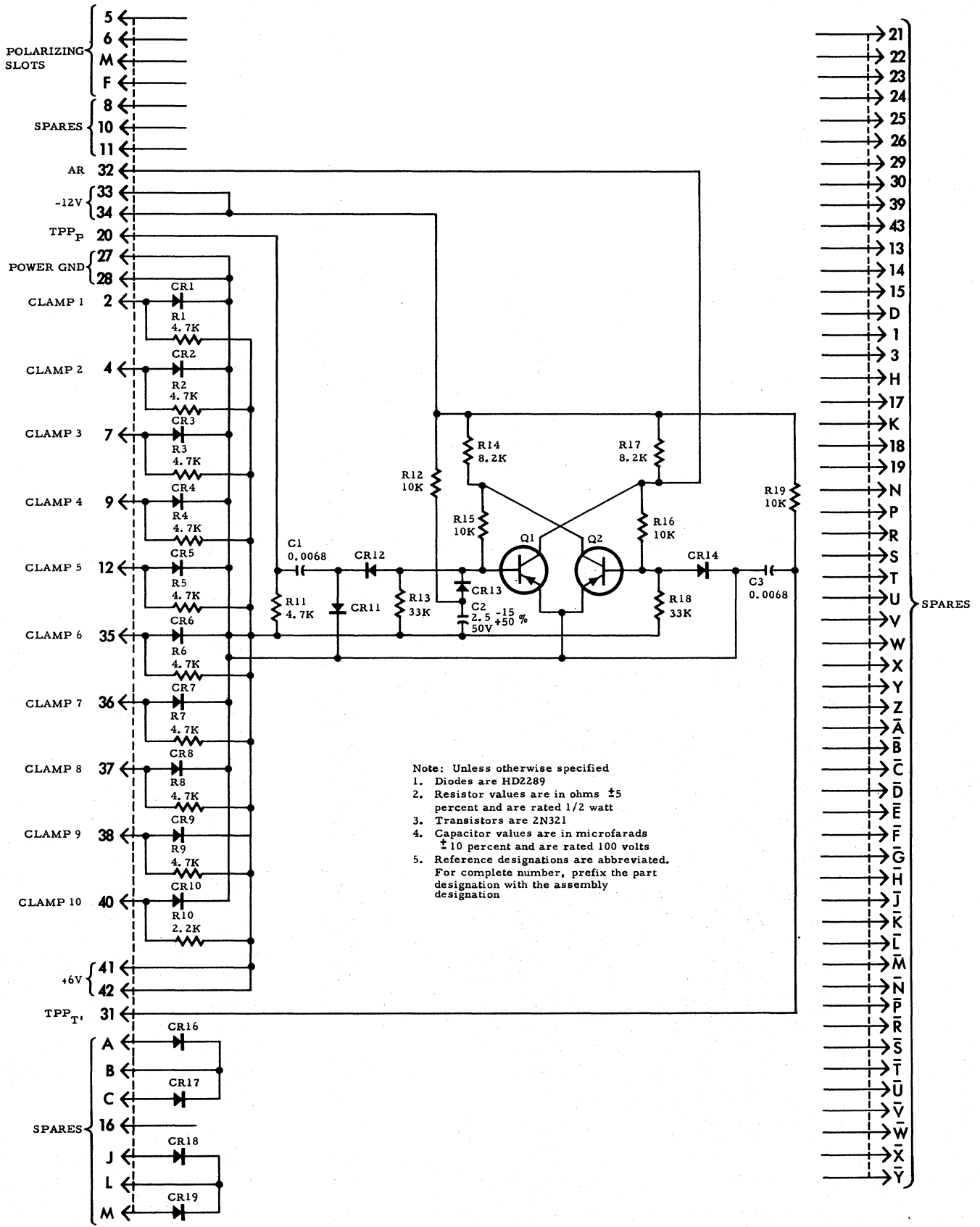
ITEM NO.	ASSY REQD	ASSY REQD	LIST OF MATERIALS				MATERIAL SPEC
			PART NO.	DESC	MATERIAL	SIZE	
19		1	ST22-9	SLEEVING		0.5 FT	NA2-4174
16		1	RC20GF222J	RESISTOR			MIL-R-11
15		2	RC20GF822J				
14		2	RC20GF333J				
13		4	RC20GF103J				
12		10	RC20GF472J	RESISTOR			MIL-R-11
8		19	HD2289	DIODE			HUGHES AIRCRAFT CO
7		2	2N321	TRANSISTOR			GENERAL ELECTRIC CO
6		2	196P68291S2	CAPACITOR			SPRAGUE ELECTRIC CO
5		1	29F493G4	CAPACITOR			GENERAL ELECTRIC CO
2		1	42554-501	FRAME			AUTONETICS
1		1	42591-501	BOARD			AUTONETICS
		1	42590-501	ASSY			AUTONETICS

Note: Unless otherwise specified
 1. Reference designations establish location only and do not appear on actual parts
 2. Reference designations are abbreviated. For complete number, prefix the part designation with the assembly designation

QUANTITY PER END ITEM	1	NEXT ASSY
		42464-501

RC5-104

Figure 70. Tape Punch Control Circuit Board Parts Location Diagram (42590-501)

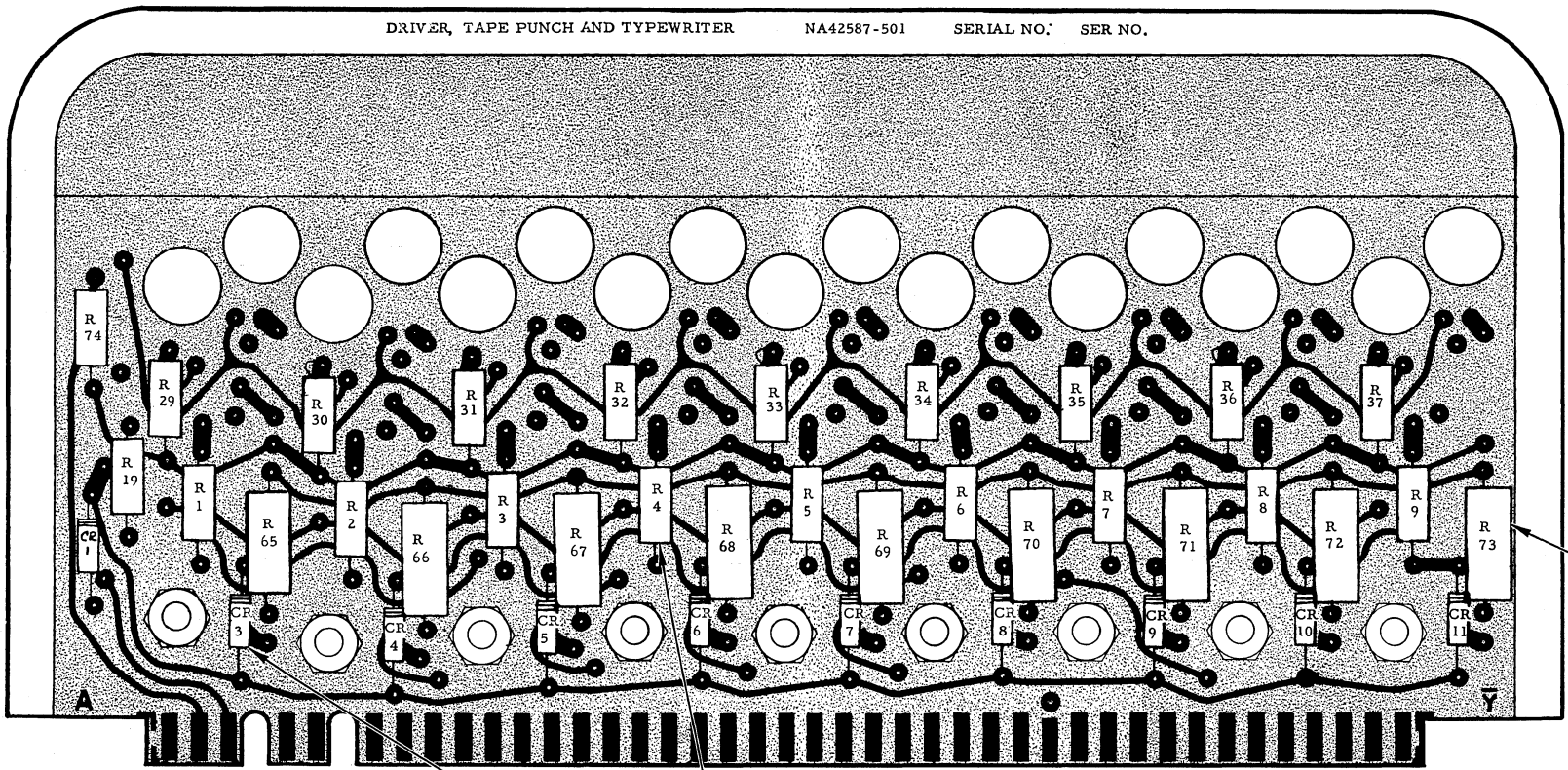


Note: Unless otherwise specified

1. Diodes are HD2289
2. Resistor values are in ohms ± 5 percent and are rated 1/2 watt
3. Transistors are 2N321
4. Capacitor values are in microfarads ± 10 percent and are rated 100 volts
5. Reference designations are abbreviated. For complete number, prefix the part designation with the assembly designation

Figure 71. Control Circuit Board Schematic (42592-501)

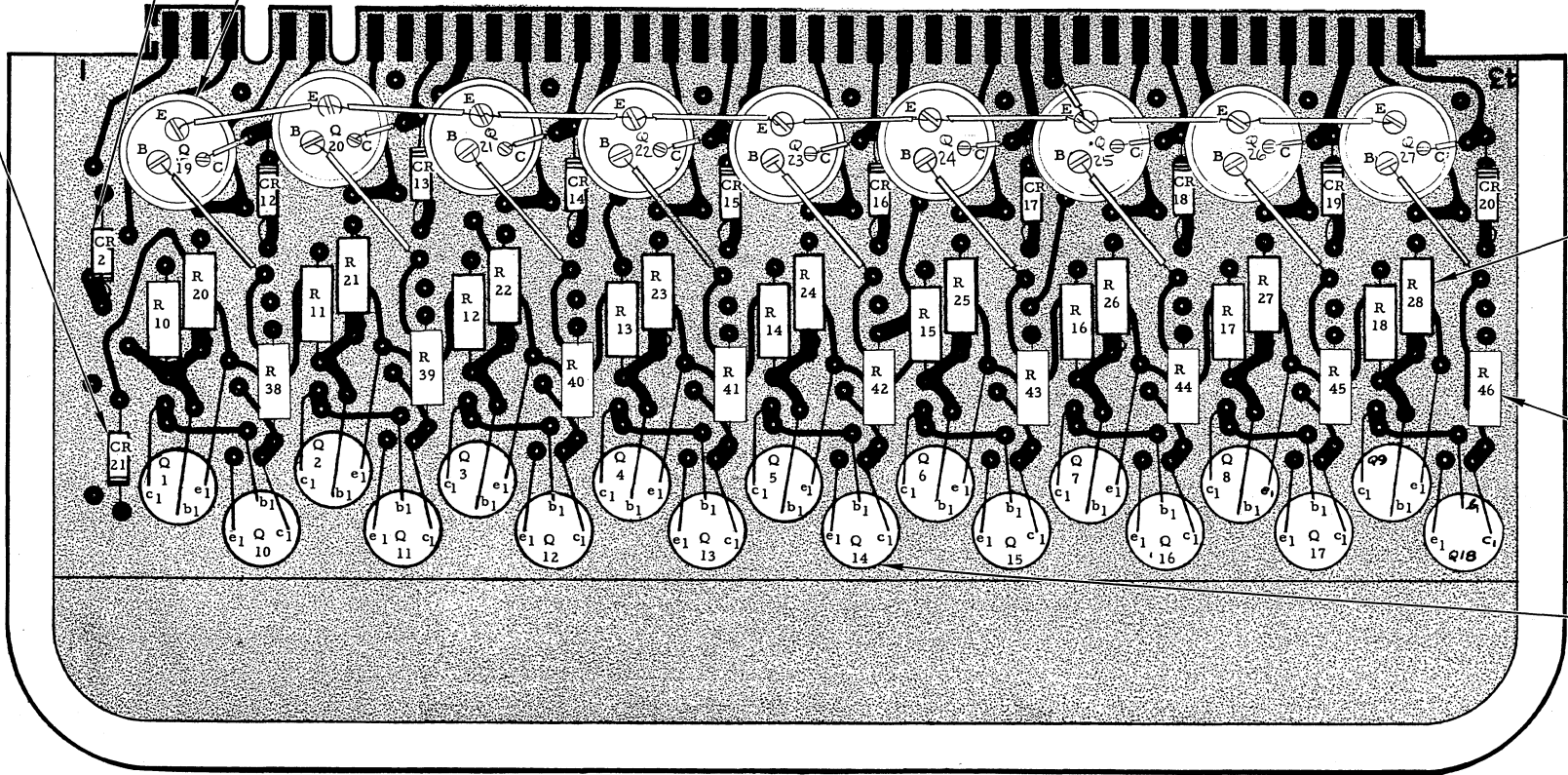
RC5-101



ITEM NO.	ASSY REQD	ASSY REQD	LIST OF MATERIALS					
			PART NO.	DESC	MATERIAL	SIZE	MATERIAL SPEC	
20		1	ST22-9	SLEEVING		5 FT	NA2-4174	
18		1	RC32GF151J	RESISTOR			MIL-R-11	
17		8	RC32GF620J	RESISTOR			MIL-R-11	
14		9	R20GF751J					
13		19	RC20GF103J					
12		19	RC20GF103J	RESISTOR			MIL-R-11	
9		10	1N485A	DIODE			TRANSITRON ELECTRONIC CORP	
8		11	HD2289	DIODE			HUGHES AIRCRAFT CO	
6		9	2N539A	TRANSISTOR			MINN-HONEYWELL REGULATOR CO	
5		18	2N321	TRANSISTOR			COML	
2		1	42554-501	FRAME			AUTONETICS	
1		1	42588-501	BOARD			AUTONETICS	
		1	42587-501	DRIVER			AUTONETICS	
							QUANTITY PER END ITEM	NEXT ASSY

17 R66, R67, R68, R69, R70, R71, R72, R73

9 CR12, CR13, CR14, CR15, CR16, CR17, CR18, CR19, CR20, CR21
 8 Q19, Q20, Q21, Q22, Q23, Q24, Q25, Q26, Q27
 8 CR1, CR3, CR4, CR5, CR6, CR7, CR8, CR9, CR10, CR11
 12 R1, R2, R3, R4, R5, R6, R7, R8, R9, R29, R30, R31, R32, R33, R34, R35, R36, R37, R74



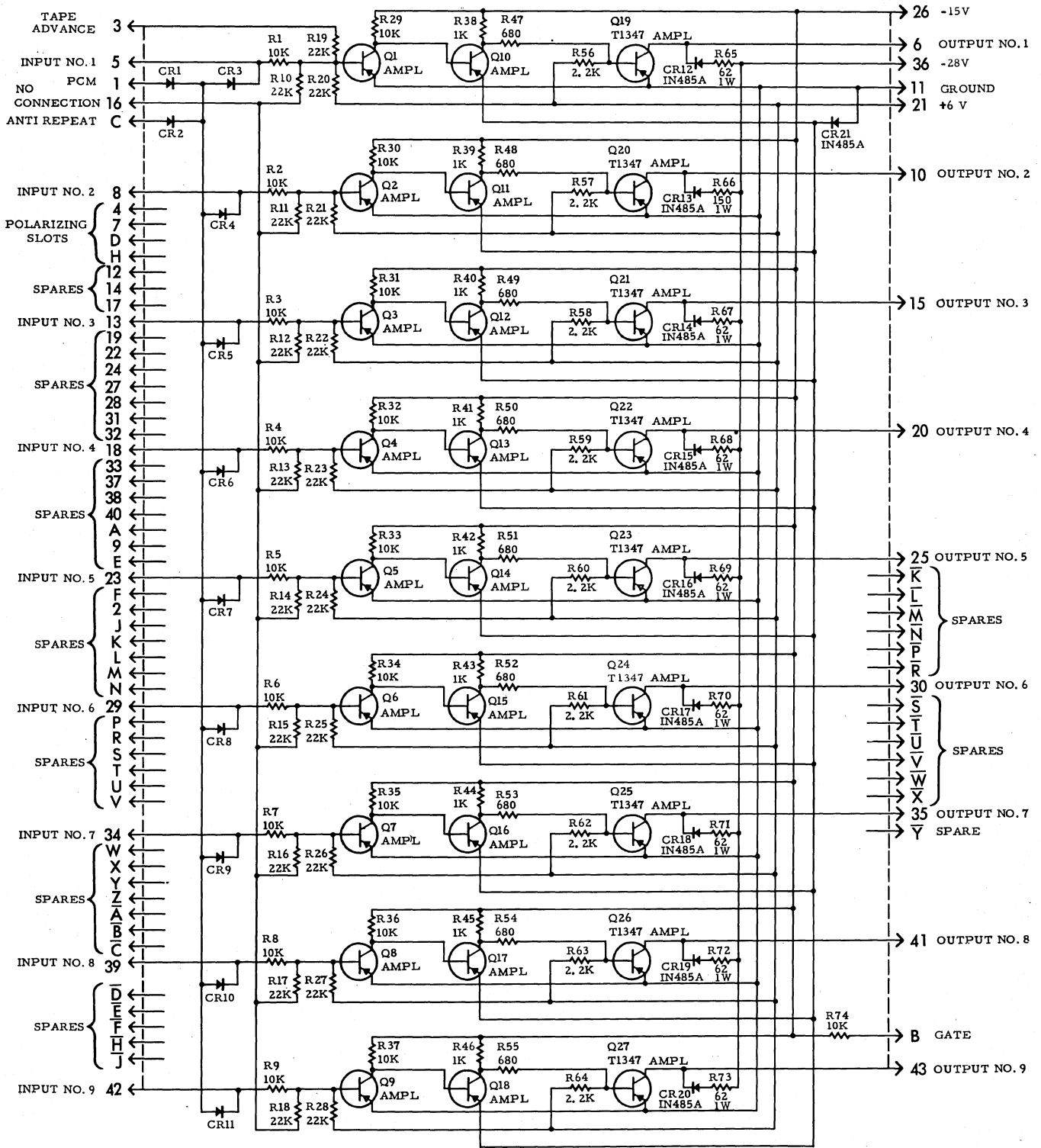
13 R10, R11, R12, R13, R14, R15, R16, R17, R18, R20, R21, R22, R23, R24, R25, R26, R27, R28

14 R38, R39, R40, R41, R42, R43, R44, R45, R46

2

5 Q1, Q2, Q3, Q4, Q5, Q6, Q7, Q8, Q9, Q10, Q11, Q12, Q13, Q14, Q15, Q16, Q17, Q18

Figure 72. Tape Punch Driver Circuit Board Parts Location Diagram (57922-501)



Note: Unless otherwise specified

1. Resistor values are in ohms ± 5 percent and are 1/2 watt
2. Diodes are HD2289
3. Transistors are 2N321
4. Reference designations are abbreviated. For complete number, prefix the part designation with the assembly or unit designation or both
5. Pins marked NO CONNECTION are not used in the tape punch

RC5-113

Figure 73. Tape Punch Driver Circuit Board Schematic (57924-501)

LIST OF ILLUSTRATIONS

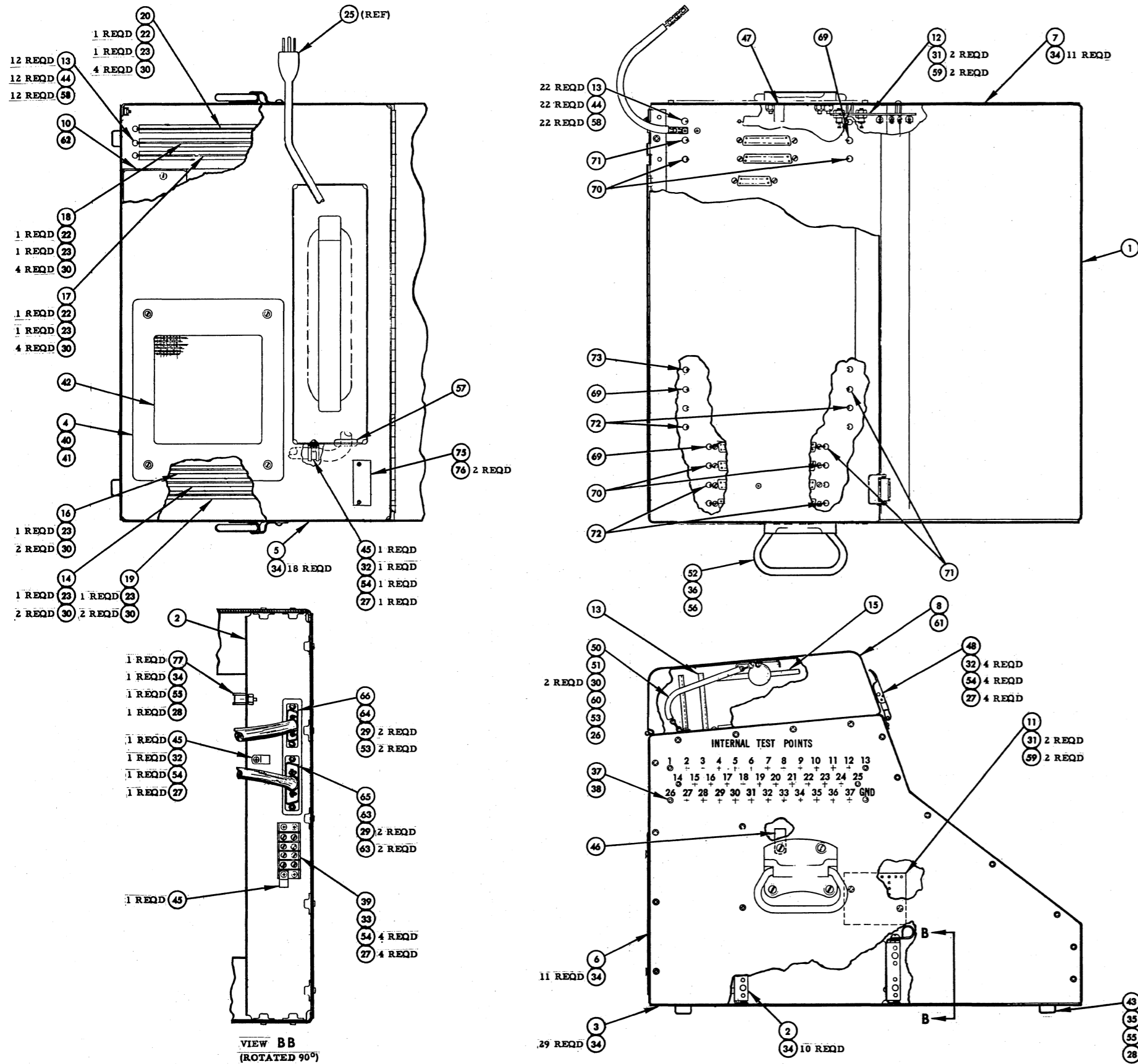
COMPONENT TESTER

Figure	Page
74. Component Test Set (42228-501)	109
75. 60-Cycle Power Supply Assembly Diagram (42250-501)	110
76. Component Tester Power Supply Schematic (42248-501)	111
-18-, -100-, -3-Volt Power Supply Circuit Board Parts Location Diagram (57354-501) (See Figure 28, Page 40)	
-18-, -100-, -3-Volt Power Supply Circuit Board Schematic (57355-501) (See Figure 29, Page 41)	
77. -200-, +50-, -1, -0.7-Volt Power Supply Circuit Board Parts Location Diagram (57363-501)	112
78. -200-, +50-, -1-, -0.7-Volt Power Supply Circuit Board Schematic (57365-501).	113
-12-, 75-Volt Power Supply Circuit Board Parts Location Diagram (57351-501) (See Figure 30, Page 42)	
-12-, 75-Volt Power Supply Circuit Board Schematic (57352-501) (See Figure 31, 43)	
6-, -6-, 0.75-Volt Power Supply Circuit Board Parts Location Diagram (57349-501) (See Figure 32, Page 44)	
6-, -6-, 0.75-Volt Power Supply Circuit Board Schematic (57411-501) (See Figure 33, Page 45)	
79. Filter Network, Power Supply Circuit Board Parts Location Diagram (57374-501)	114
80. Filter Network Power Supply Circuit Board Schematic (57376-501)	115
Clock Amplifier No. 1 Circuit Board Parts Location Diagram (57314-501) (See Figure 8, Page 20)	
Clock Amplifier No. 1 Circuit Board Schematic (57315-501) (See Figure 9, Page 21)	
Logic Network Circuit Board Parts Location Diagram (57343-501) (See Figure 20, Page 32)	
Logic Network Circuit Board Schematic (57344-501) (See Figure 21, Page 33)	
81. Component Tester Network No. 1 Circuit Board Parts Location Diagram (57357-501)	116
82. Component Tester Network No. 1 Circuit Board Schematic (57359-501)	117
83. Component Tester Network No. 2 Circuit Board Parts Location Diagram (57369-501)	118
84. Component Tester Network No. 2 Circuit Board Schematic (57371-501)	119

LIST OF ILLUSTRATIONS

COMPONENT TESTER (Continued)

Figure	Page
Flip-Flop Circuit Board Parts Location Diagram (57333-501) (See Figure 22, Page 34)	
Flip-Flop Circuit Board Schematic (57417-501) (See Figure 23, Page 35)	
85. Frequency Calibrator Circuit Board Parts Location Diagram (57366-501).	120
86. Frequency Calibrator Circuit Board Schematic (57368-501)	121
87. Terminal Board No. 1 Parts Location Diagram (42256-501)	122
88. Terminal Board No. 2 Parts Location Diagram (42257-501)	123
89. Terminal Board No. 4 Parts Location Diagram (42259-501)	124
90. Nixie Tube Assembly (42236-501).	125

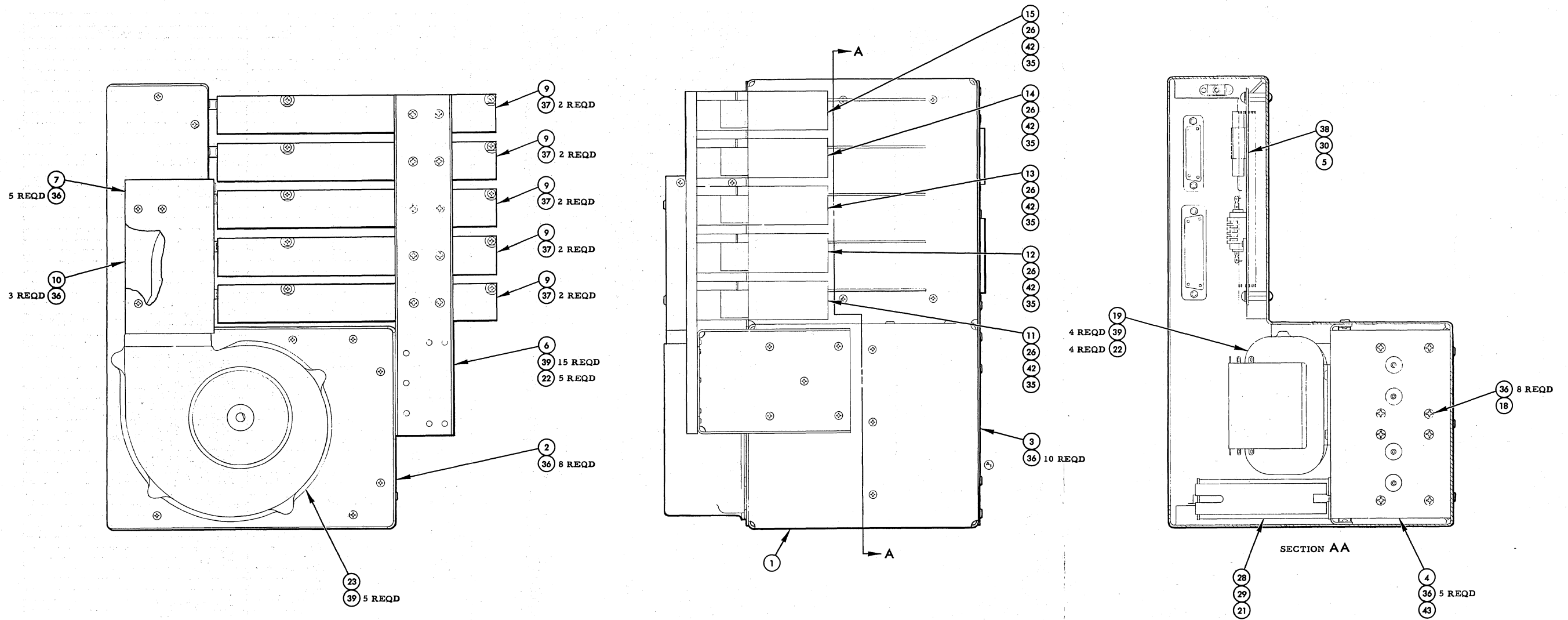


ITEM NO.	ASSY REQD	ASSY REQD	LIST OF MATERIALS				
			PART NO.	DESC	MATERIAL	SIZE	MATERIAL SPEC
77	1		MS21919HH	CLAMP			
76	2		AN535-0-2	DRIVE SCREW			
75	1		5P60	NAMEPLATE			
73	1		65639-501-11	PIN STRAIGHT			
72	4		65639-501-9				
71	3		65639-501-7				
70	4		65639-501-5				
69	3		65639-501-3	PIN-STRAIGHT			
66	1		DD-25P	CONNECTOR			CANNON ELECTRIC CO.
65	1		DD-50P	CONNECTOR			
64	1		20962	HOOD			
63	1		20964	HOOD			CANNON ELECTRIC CO.
62	4		AN507-632R8	SCREW			
61	1		AN253-2-1850	PIN, HINGE			
60	2		AN507-440R5	SCREW			
59	4		AN936-A6	WASHER			
58	34		AN935-10	WASHER			
57	1		AN931-8-13	GROMMET			
56	8		AN365-1032	NUT			
55	5		AN365-832	NUT			
54	10		AN365-632	NUT			
53	8		AN365-440	NUT			
52	2		1205	HANDLE		3-1/4 IN.	STANLEY WORKS
51	1			SLEEVING CHAIN	POLYVINYL CHLORIDE BRASS	1/4 ID x 15 IN.	IRVINGTON VARNISH AND INSULATOR CO.
50	2		NO. 1			7-1/4 IN.	CAMPBELL CHAIN CO.
48	2		42-N	LATCH			EXCELSIOR HARDWARE CO.
47	1		5/8-6R	CLAMP		3-1/4 IN.	WECKESSER CO.
46	1		7/16 6R	CLAMP			WECKESSER CO.
45	2		1/4-5	CLAMP			WECKESSER CO.
44	34			NUT HEX		10-32 NF-2B	HERCULES FASTENER CORP.
43	4		698	FEET			ATLANTIC INDIA RUBBER WORKS
42	1			FILTER		1/2 x 6 x 6	PLIOTRON SUPREME-AIRE
41	4		2600-LW	WASHER			CAMLOC FASTENER CORP.
40	4		2700-5	STUD			CAMLOC FASTENER CORP.
39	1		4-141	TERM BLOCK			CINCH MFG CO.
38	83		8063-18-01	WASHER			SHAKE PROOF INC.
37	83		SKT-10	TEST POINT			SEAELECTRO CORP.
36	8			SCREW OVAL HD MACH		10-32 NF 2A x3/4	HERCULES FASTENER CORP.
35	4			SCREW	BINDING HEAD	8-32 x 5/8	FF-S-92
34	80					8-32 x 1/2	
33	4					6-32 x 5/8	
32	6					6-32 x 1/2	
31	4					6-32 x 3/8	
30	20					4-40 x 3/8	FF-S-92
29	4			SCREW	BINDING HEAD	4-40 x 1/4	FF-S-92
28	5		2W 18-8	WASHER			
27	10		2W 18-6	WASHER			
26	4		2W 18-4	WASHER			
25	1		955044-501	POWER CORD			AUTONETICS
23	6		49A25745	CONNECTOR			CINCH MFG CO.
22	3		49A25746	CONNECTOR			CINCH MFG CO.
20	1		65559-501-11	ASSY, NET, 2			AUTONETICS
19	1		65556-501-21	ASSY, FREQ GAL			
18	1		65547-501-11	ASSY, NET, 1			
17	1		65515-501	ASSY, LOGIC			
16	1		65500-501	ASSY, FLIP-FLOP			
15	2		41501-501	EXTRACTOR			
14	1		42091-501	ASSY, AMPL			
13	34		42264-501	PIN, GUIDE			
12	1		42259-501	ASSY TB4			
11	1		42257-501	ASSY TB2			
10	1		42250-501	ASSY P/S			
9	1		42249-501	WIRING DIAG			
8	1		42239-501	COVER			
7	1		42235-501-21	PANEL, SIDE			
6	1		42235-501-11	PANEL, SIDE			
5	1		42234-501	PANEL, BACK			
4	1		42233-501	PLATE, FILTER			
3	1		42231-501	PLATE, BOTTOM			
2	1		42230-501	FRAME			
1	1		42229-501	PANEL ASSY			AUTONETICS
	1		42228-501	ASSY			

Note:
25 1. Commercial part. See Autometrics design specification control drawing before ordering.

QUANTITY PER END ITEM | 1 | NEXT ASSY

Figure 74. Component Test Set (42228-501)



ITEM NO.	ASSY REQD	ASSY REQD	PART NO.	DESC	MATERIAL	SIZE	MATERIAL SPEC
25		1	DD-503	CONNECTOR			CANNON ELECTRIC CO
23		1	B3-1	BLOWER			WESTERN GEAR CO
22		9	F1C832-1	NUT			KLINCHER LOCKNUT CO
21		2	F1C1032-1	NUT			KLINCHER LOCKNUT CO
19		1	15439-404	TRANSFORMER			AUTONETICS
18		2	35405-404	REACTOR			
15		1	65565-501	BOARD			
14		1	65553-501	BOARD			
13		1	65536-501-21	BOARD			
12		1	65533-501	BOARD			
11		1	65530-501	BOARD			
10		1	42246-501	DEFLECTOR			
9		5	42245-501	DUCT NO. 1			
8		1	42247-501	WIRING DIAGRAM			
7		1	42262-501	BRACKET			
6		1	42260-501	BRACKET			
5		1	42256-501	TERMINAL BD			
4		1	42254-501	BRACKET			
3		1	42253-501	PLATE			
2		1	42252-501	PLATE			
1		1	42251-501	CHASSIS			
		1	42250-501	POWER SUPPLY			AUTONETICS

ITEM NO.	ASSY REQD	ASSY REQD	PART NO.	DESC	MATERIAL	SIZE	MATERIAL SPEC	
43		2	AN507-632R6	SCREW				
42		14	AN365-440	NUT				
39		24		SCREW BINDING HEAD		8-32 x 3/8	FF-S-92	
38		8				6-32 x 1/4		
37		10				6-32 x 1/2		
36		39				6-32 x 3/8		
35		14		SCREW BINDING HEAD		4-40 x 5/16	FF-S-92	
31		1	686	EXTRUSION	RUBBER	APPROX 6 IN.	RUBBERCRAFT INC	
30		4	1551E	STAND-OFF			U.S. ENGINEERING CO	
29		1	CP07SB4	BRACKET			GENERAL ELECTRIC CO	
28		1	CP70B1EF405K	CAPACITOR			GENERAL ELECTRIC CO	
26		6	DB-25S	CONNECTOR			CANNON ELECTRIC CO	
							QUANTITY PER END ITEM	1
							NEXT ASSY	42228-501

Figure 75. 60-Cycle Power Supply Assembly Diagram (42250-501)

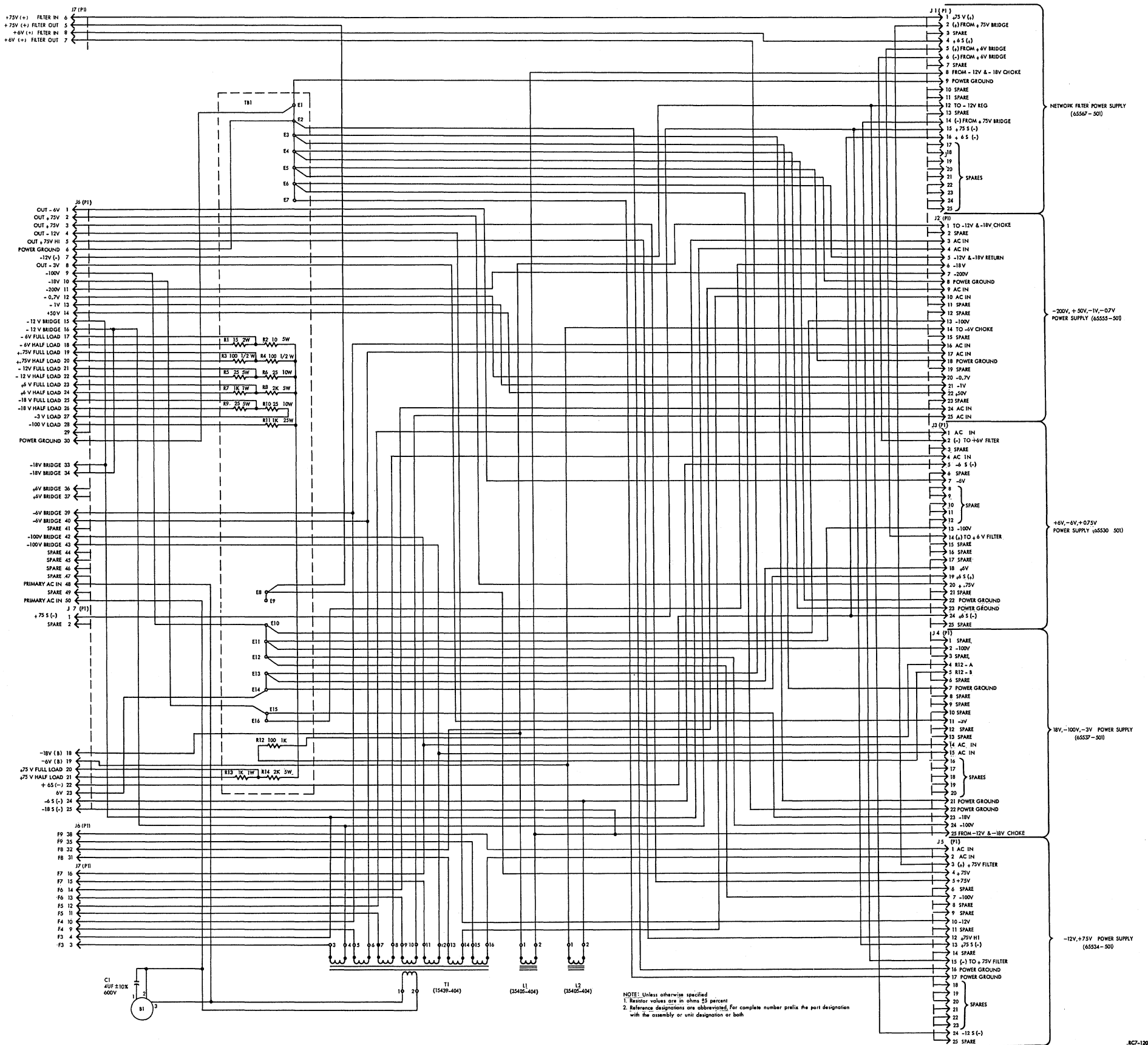
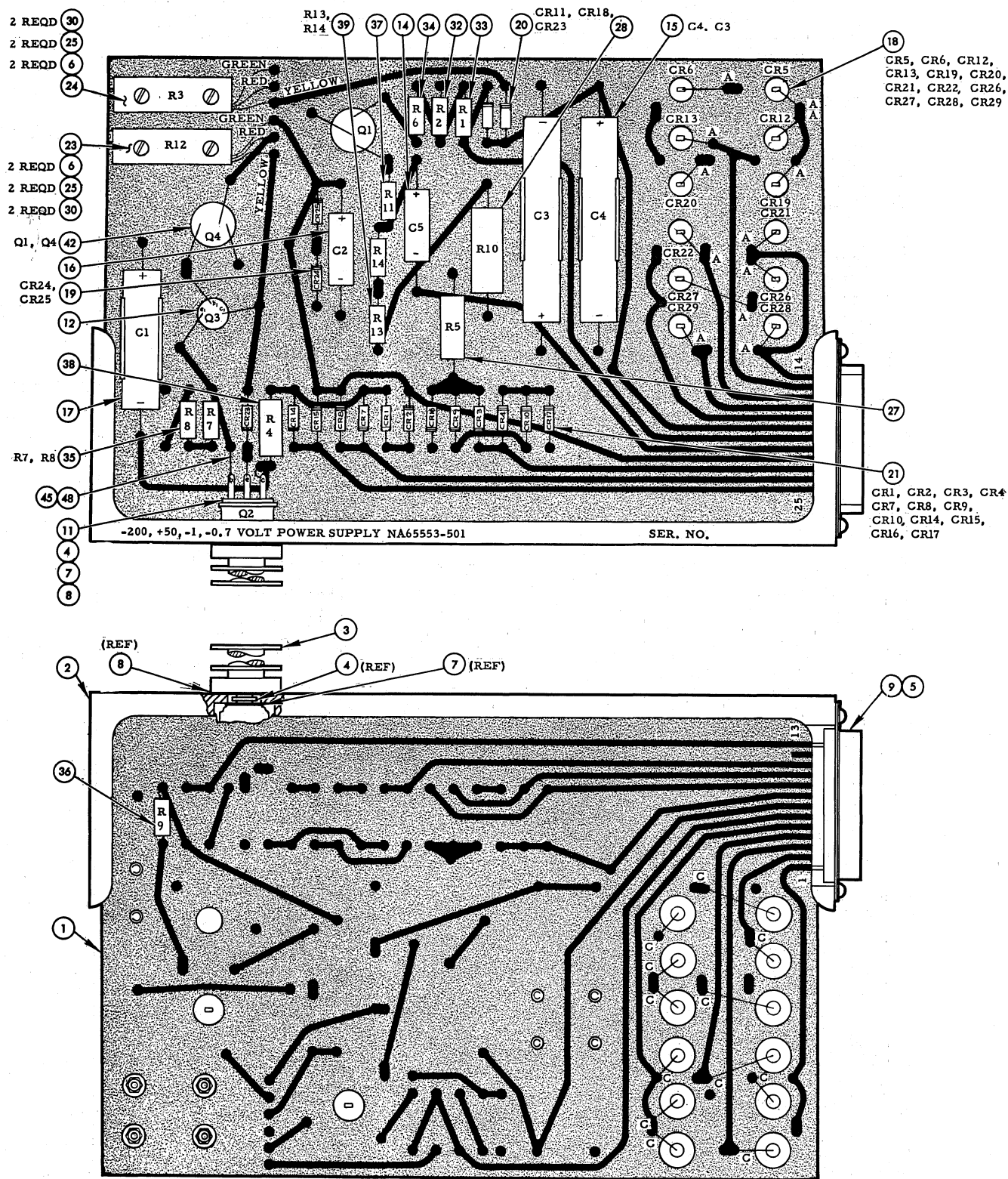


Figure 76. Component Tester Power Supply Schematic
(42248-501)

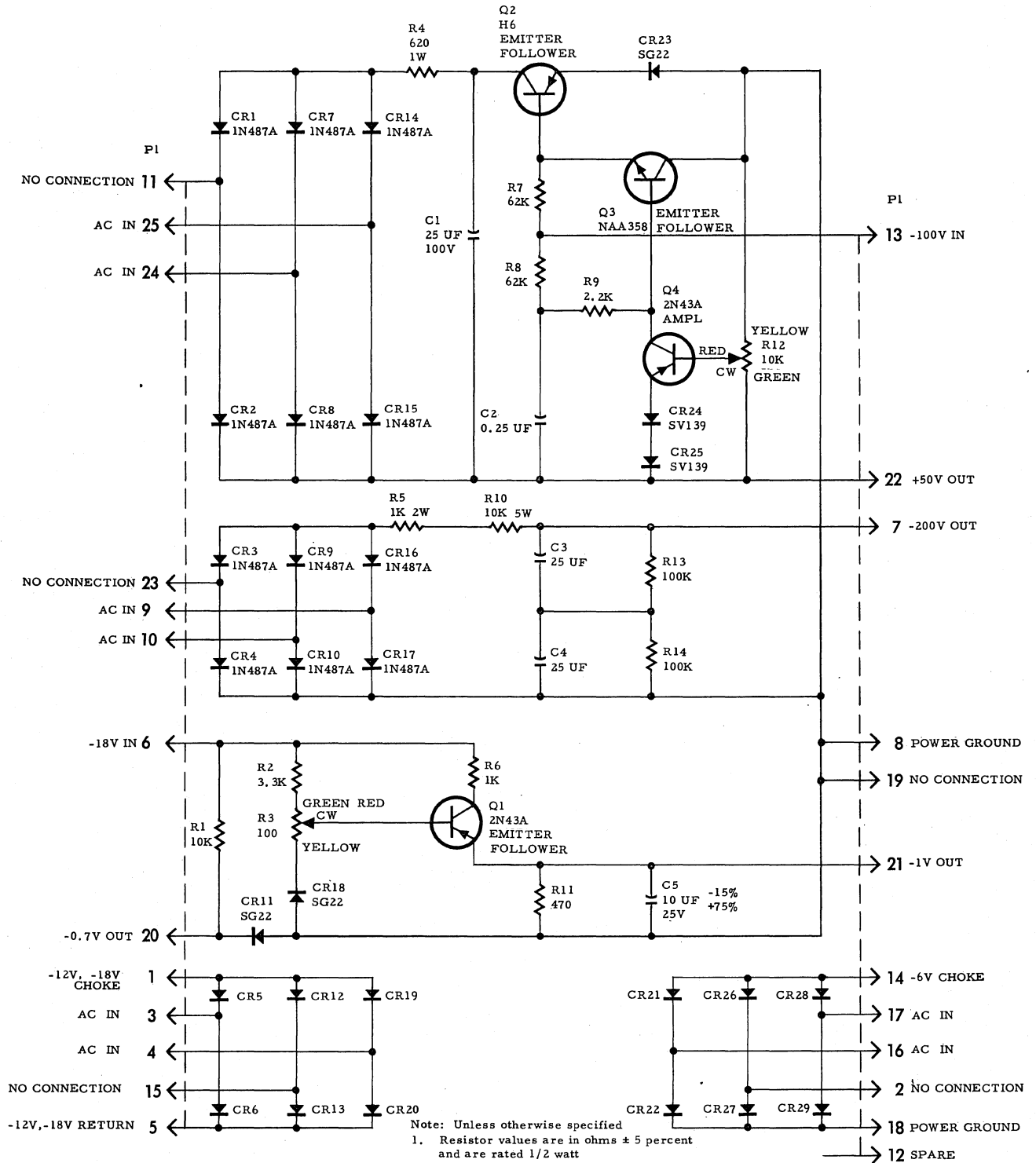


ITEM NO.	ASSY REQD	ASSY REQD	PART NO.	DESC	LIST OF MATERIALS		
					MATERIAL	SIZE	MATERIAL SPEC
48	1			WIRE	SOFT, TIN COATED	22AWG x .5 FT	MIL-W-3861
45	1		ST22-9	SLEEVING		.5 FT	NA2-4174
42	2		2N43A	TRANSISTOR			GENERAL ELECTRIC CO.
39	2		RC20GF104J	RESISTOR			MIL-R-11
38	1		RC32GF621J				
37	1		RC20GF471J				
36	1		RC20GF222J				
35	2		RC20GF623J				
34	1		RC20GF102J				
33	1		RC20GF103J				
32	1		RC20GF332J	RESISTOR			MIL-R-11
30	4		AN5152-6	SCREW			
28	1			RESISTOR	TS-5W	10K±5%5W	TEPRO ELECTRIC CORP
27	1			RESISTOR	TS-2W	1K±5%2W	TEPRO ELECTRIC CORP
25	4		92-1660-26	NUT			ELASTIC STOP NUT CORP
24	1		120-1-E-100	RESISTOR, VAR			BOURNS LABORATORIES
23	1		120-1-E-10,000	RESISTOR, VAR			BOURNS LABORATORIES
21	12		IN487A	DIODE			TRANSITRON ELECTRONIC CORP
20	3		SG22	DIODE			TRANSITRON ELECTRONIC CORP
19	2		SV139	DIODE			TRANSITRON ELECTRONIC CORP
18	12		IN539	DIODE			GENERAL ELECTRIC CO
17	1		29F516G4	CAPACITOR			
16	1		29F408G4	CAPACITOR			
15	2		29F478G4	CAPACITOR			
14	1		29F446G4	CAPACITOR			GENERAL ELECTRIC CO
12	1		NAA358	TRANSISTOR			GENERAL TRANSISTOR CORP
11	1		H6	TRANSISTOR			MINNEAPOLIS-HONEYWELL CO
9	1		DB-25P	CONNECTOR			CANNON ELECTRIC CO
8	1		41606-501	WASHER			AUTONETICS
7	1		41605-501	WASHER			AUTONETICS
6	4		2W18-2L	WASHER			
5	2			SCREW BIND HD		4-40 x 3/16	FF-S-92
4	1		2W1P-11-10-62	WASHER			
3	1		65647-501	DISSIPATOR			AUTONETICS
2	1		65645-501	FRAME			
1	1		65554-501	BOARD			
1	1		65553-501	ASSY			AUTONETICS

QUANTITY PER END ITEM	1	NEXT ASSY 41580-501
--------------------------	---	------------------------

Note: Unless otherwise specified
 1. Reference designations shown on parts establish location only and do not appear on actual parts.
 2. Reference designations are abbreviated. For complete number, prefix the part designation with the assembly designation

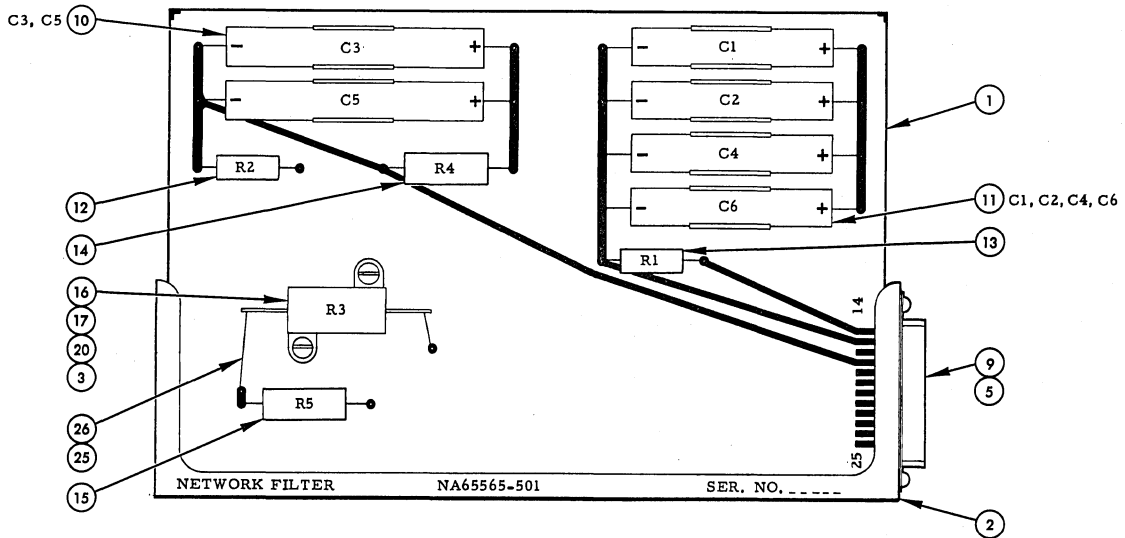
Figure 77. -200-, +50-, -1, -0.7-Volt Power Supply Circuit Board Parts Location Diagram (57363-501)



- Note: Unless otherwise specified
1. Resistor values are in ohms \pm 5 percent and are rated 1/2 watt
 2. Diodes are 1N539
 3. Capacitor values are in microfarads (-15, +30 percent) and are rated 150 volts
 4. Reference designations are abbreviated. For complete number, prefix the part designation with the assembly or unit designation or both
 5. Terminals labeled NO CONNECTION are not used in the component tester

RC7-102

Figure 78 -200-, +50-, -1-, -0.7-Volt Power Supply
Circuit Board Schematic (57365-501)

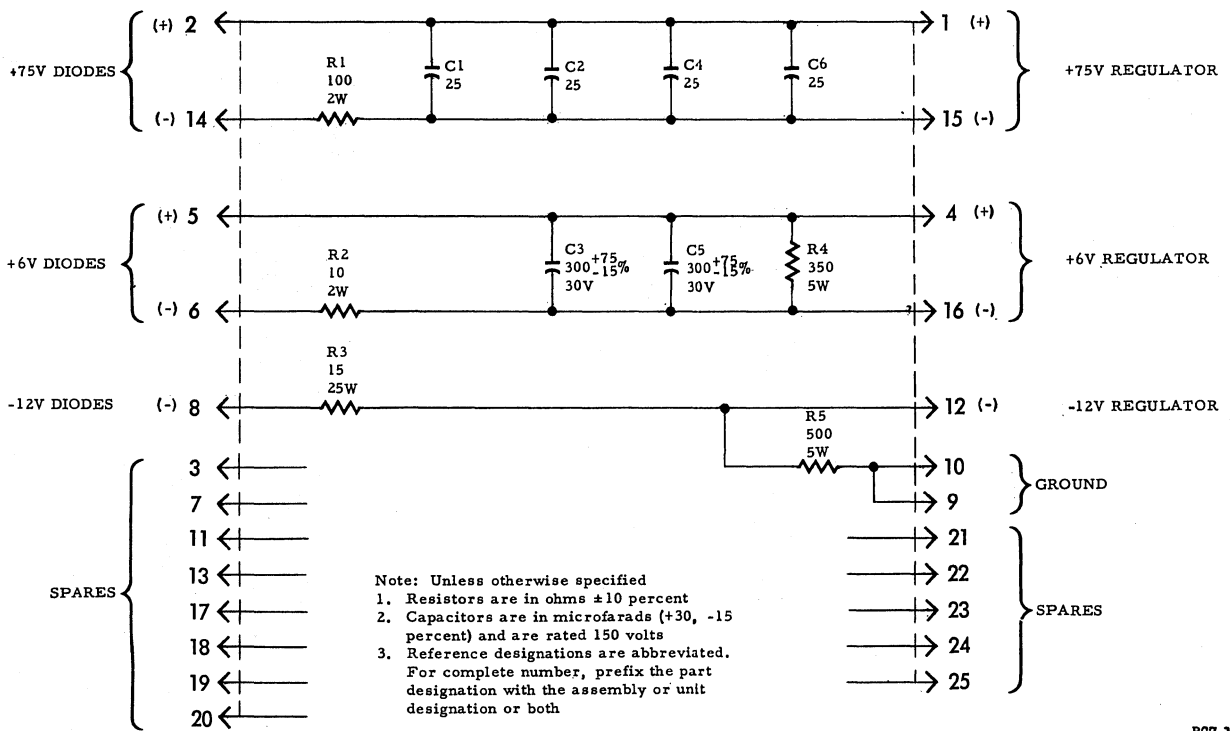


Note: Unless otherwise specified
 1. Reference designations shown on parts establish location only and do not appear on actual parts.
 2. Reference designations are abbreviated. For complete number, prefix the part designation with the assembly designation.

ITEM NO.	ASSY REQD	ASSY REQD	LIST OF MATERIALS					
			PART NO.	DESC	MATERIAL	SIZE	MATERIAL SPEC	
26		1		WIRE	SOFT, TIN COATED	22 AWG x 0.5 FT	MIL-W-3861 TYPES	
23		1	ST22-9	SLEEVING		0.5 FT	NA2-4174	
20		2	AN5152-6	SCREW				
17		2	92-1660-26	NUT			ELASTIC STOP-NUT CORP	
16		1		RESISTOR	TM-25W	15 OHMS ± 10%	TEPRO ELECTRIC CORP	
15		1			TS-5W	25W 500 OHMS ± 10%		
14		1			TS-5W	4W 350 OHMS ± 10%		
13		1			TS-2W	5W 100 OHMS ± 10%		
12		1		RESISTOR	TS-2W	2W 10 OHMS ± 10%	TEPRO ELECTRIC CORP	
11		4	29F478G4	CAPACITOR			GENERAL ELECTRIC CO	
10		2	29F630G4	CAPACITOR			GENERAL ELECTRIC CO	
9		1	DB-25P	CONNECTOR			CANNON ELECTRIC CO	
6		2	2W18-2L	WASHER				
5		2		SCREW, BIND HD		4-40 x 3/16	FF-S-92	
2		1	65645-501	FRAME			AUTONETICS	
1		1	65566-501	BOARD			AUTONETICS	
		1	65565-501	ASSEMBLY			AUTONETICS	
							QUANTITY PER	
							END ITEM	1
							NEXT ASSY	
							41580-501	

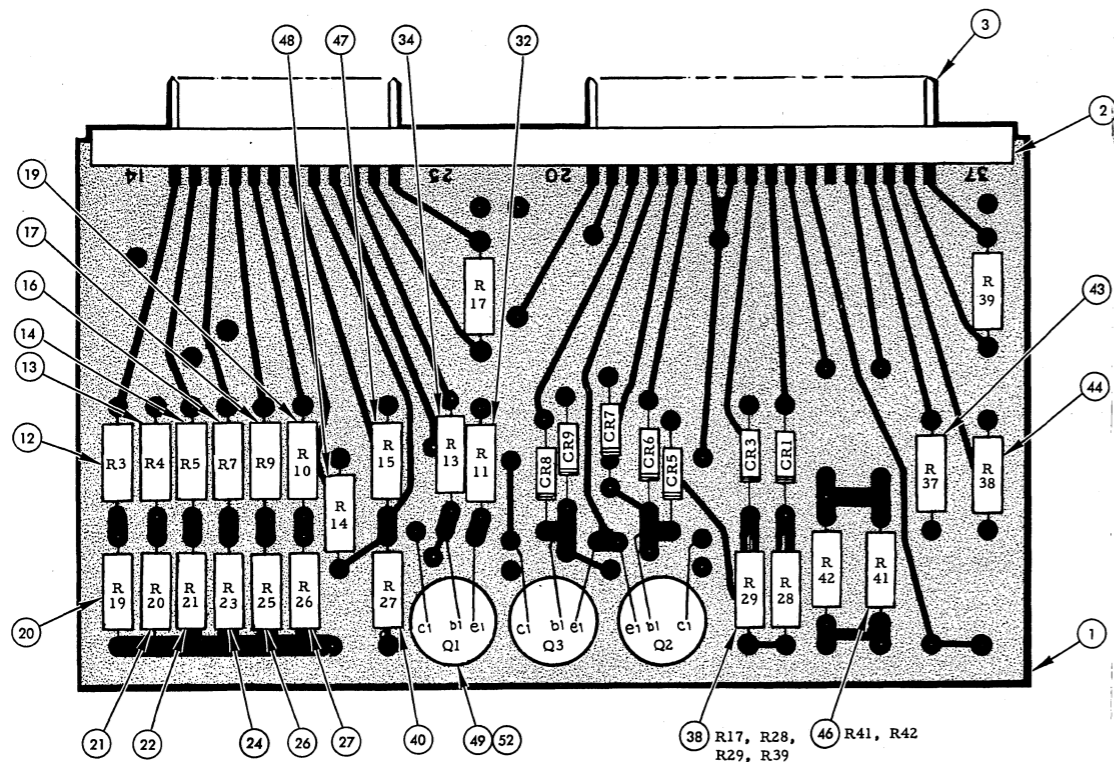
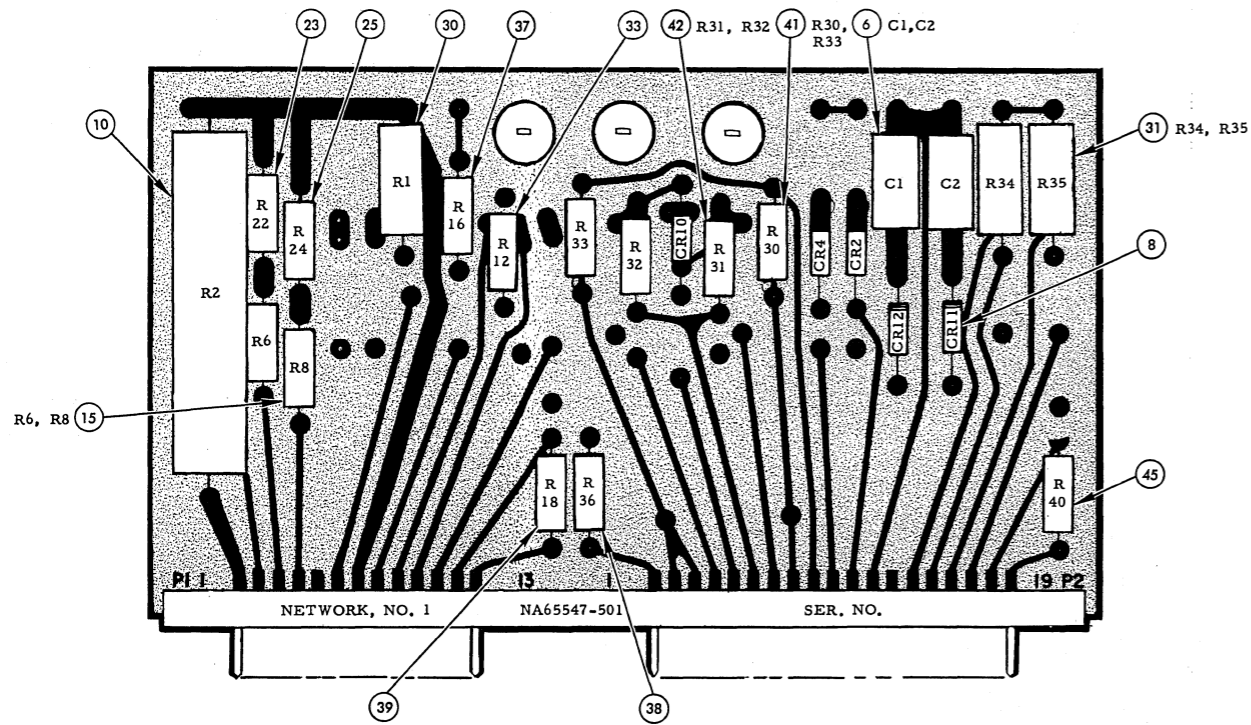
RC7-123

Figure 79. Filter Network, Power Supply Circuit Board Parts Location Diagram (57374-501)



RC7-108

Figure 80 Filter Network Power Supply Circuit Board Schematic (57376-501)



LIST OF MATERIALS								
ITEM NO.	ASSY REQD	ASSY REQD	PART NO.	DESC	MATERIAL	SIZE	MATERIAL SPEC	
52		1	ST22-9	SLEEVING		.5 FT	NA2-4174	
49	3		2N43A	TRANSISTOR			GENERAL ELECTRIC CO	
48	1		RC20GF821J	RESISTOR			MIL-R-11	
47	1		RC20GF162J	RESISTOR				
46	2		RC20GF182J	RESISTOR				
45	1		RC20GF392J					
44	1		RC20GF103J					
43	1		RC20GF133J					
42	2		RC20GF124J					
41	2		RC20GF224J					
40	1		RC20GF680J					
39	1		RC20GF511J					
38	5		RC20GF163J					
37	1		RC20GF152J					
34	1		RC20GF910J					
33	1		RC20GF241J					
32	1		RC20GF154J					
31	2		RC32GF151J	RESISTOR			MIL-R-11	
30	1		RC32GF331J	RESISTOR				
27	1			RESISTOR	TYPE C-85	620 OHM±1%/8W	MEPCO INC	
26	1					680 OHM		
25	1					220 OHM		
24	1					120 OHM		
23	1					200 OHM		
22	1					240 OHM		
21	1					430 OHM		
20	1					110 OHM		
19	1					8.2K		
17	1					910 OHM		
16	1					120 OHM		
15	2					330 OHM		
14	1					820 OHM		
13	1					6.2K		
12	1				TYPE C-85	4.3K±1%/8W	MEPCO INC	
10	1			RESISTOR	TS-10W	36 OHM±5% 10W	TEPRO ELECTRIC CORP	
8	12		HD2289	DIODE			HUGHES AIRCRAFT CORP	
6	2		GP-2-K221	CAPACITOR		220UF±10%500V	ERIE RESISTOR CORP	
3	62		14462-501	CONTACT			AUTONETICS	
2	1		65552-501	FRAME				
1	1		65548-501	BOARD				
			65547-501-11	NETWORK			AUTONETICS	
							QUANTITY PER END ITEM	1
							NEXT ASSY	41579-501

Note: Unless otherwise specified
 1. Reference designations are abbreviated. For complete number, prefix the part designation with the assembly designation
 2. Reference designations shown on parts establish location only and do not appear on actual parts.
 3. Diode HD2295 is a replacement for diode HD2289 in this application.

Figure 81. Component Tester Network No. 1 Circuit Board Parts Location Diagram (57357-501)

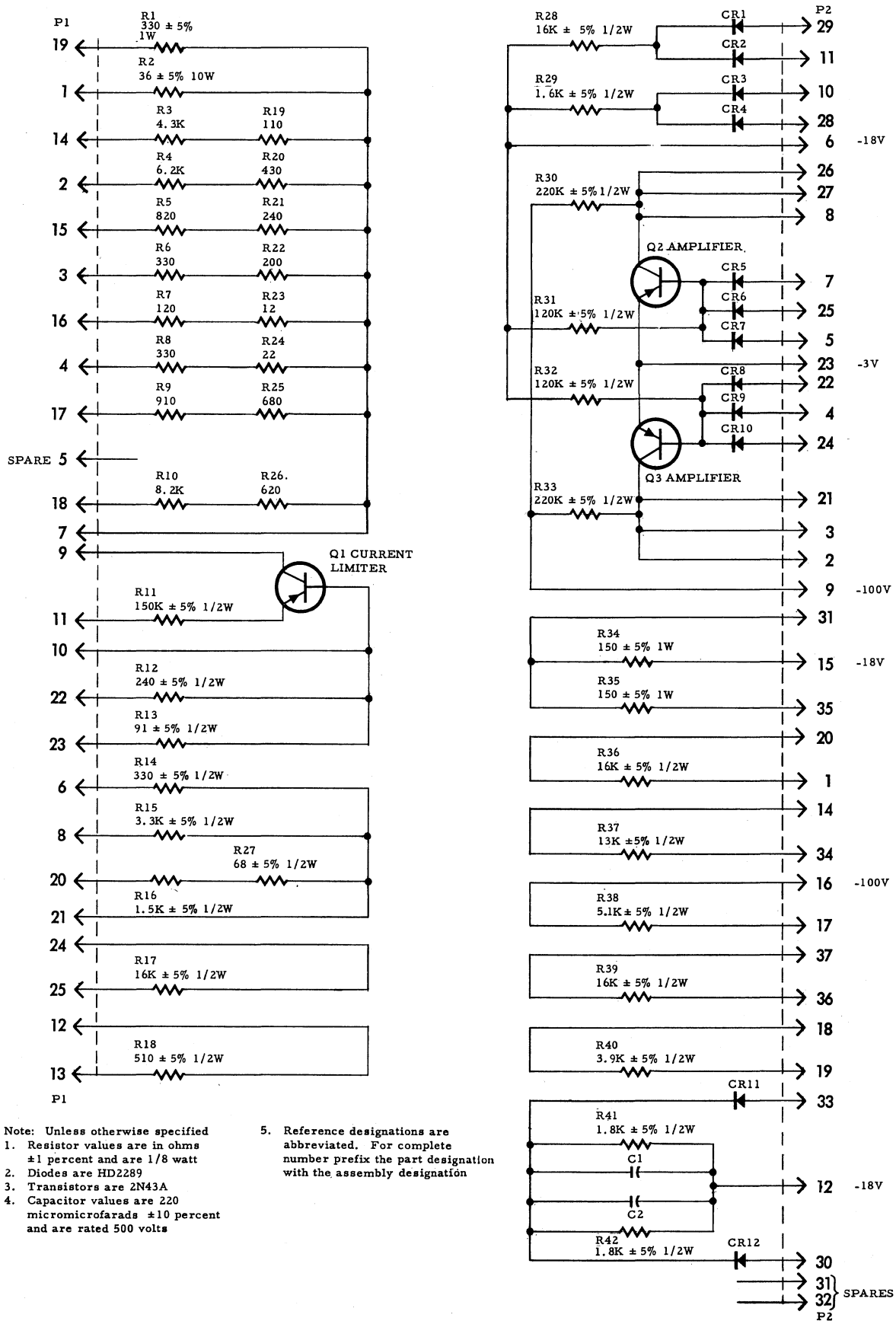


Figure 82. Component Tester Network No. 1
Circuit Board Schematic (57359-501)

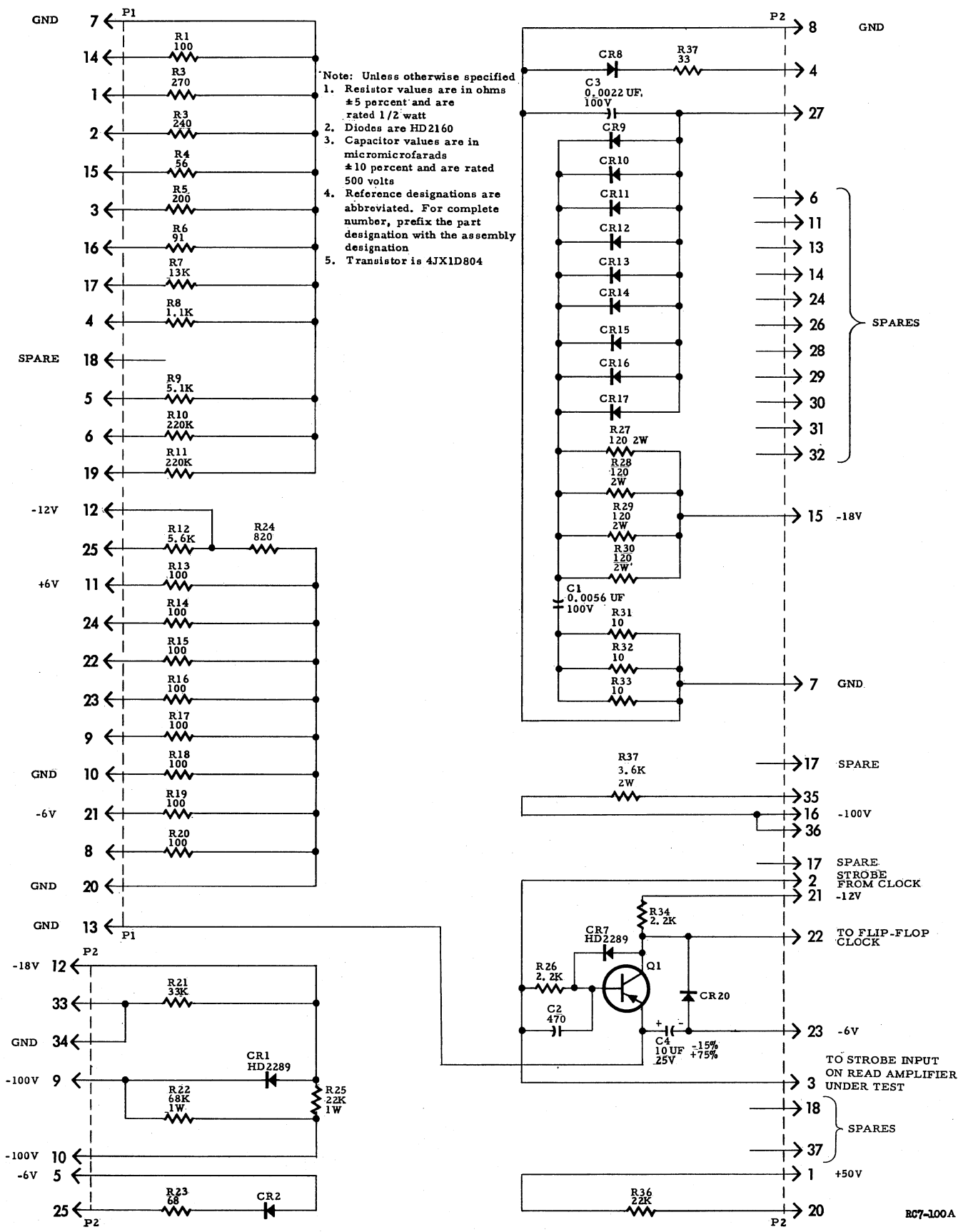
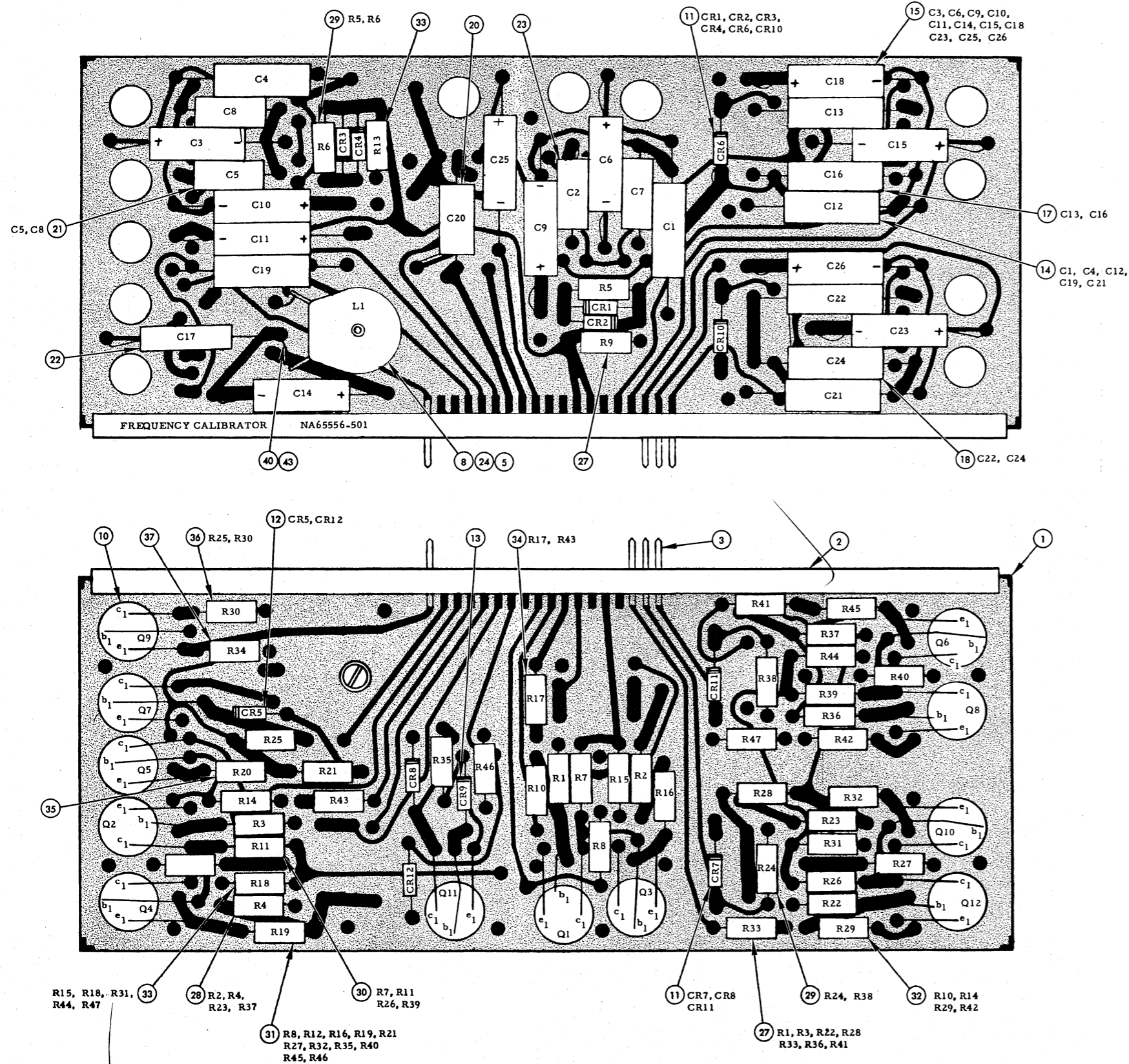


Figure 84. Component Tester Network No. 2 Circuit Board Schematic (57371-501)



LIST OF MATERIALS									
ITEM NO.	ASSY REQD	ASSY REQD	PART NO.	DESC	MATERIAL	SIZE	MATERIAL SPEC		
43	1		ST22-9	SLEEVING		2 FT	NA2-4174		
40	1			WIRE	SOFT, TIN COATED	22 AWG x 0.5 FT	MIL-W-3861 TYPES		
37	1		RC20GF332J	RESISTOR			MIL-R-11		
36	2		RC20GF472J						
35	1		RC20GF103J						
34	2		RC20GF331J						
33	6		RC20GF681J						
32	4		RC20GF223J						
31	11		RC20GF222J						
30	4		RC20GF822J						
29	4		RC20GF101J						
28	4		RC20GF622J						
27	8		RC20GF102J	RESISTOR			MIL-R-11		
24	1		AN5152-6	SCREW					
23	2		GP-2-K181	CAPACITOR		180 UUF ± 10% 500V	ERIE RESISTOR CORP		
22	1		GP-2-K471			470 UUF ± 10% 500V	ERIE RESISTOR CORP		
21	2		205C2-3			220 UUF ± 10% 300V	AUTONETICS		
20	1		GP-1-K1D1			100 UUF ± 10% 500V	ERIE RESISTOR CORP		
18	2		196P33291S4				SPRAGUE ELECTRIC CO		
17	2		196P56391S4				SPRAGUE ELECTRIC CO		
15	11		29F446G4				GENERAL ELECTRIC CO		
14	5		29F489G4	CAPACITOR			GENERAL ELECTRIC CO		
13	1		SG22	DIODE			TRANSITRON ELECTRIC CORP		
12	2		HD2160	DIODE			HUGHES AIRCRAFT CO		
11	9		HD2289	DIODE			HUGHES AIRCRAFT CO		
10	12		4JX1D804	TRANSISTOR			GENERAL ELECTRIC CO		
8	1		MPF 051-6	CHOKE		2.4 MH	COMMUNICATIONS ACCESSORIES CO		
5	1		2W18-2L	WASHER					
3	37		14462-501	CONTACT			AUTONETICS		
2	1		65551-501	FRAME			AUTONETICS		
1	1		65557-501	BOARD			AUTONETICS		
			65556-501-21	FREQUENCY CALIBRATOR			AUTONETICS		
							QUANTITY PER END ITEM	1	NEXT ASSY 42228-501

Note: Unless otherwise specified

- Reference designations shown on parts establish location only and do not appear on actual parts.
- Reference designations are abbreviated. For complete number, prefix the part designation with the assembly designation.
- Diode 1N99 is a replacement for diode HD2289
- Transistor 2N395 is a replacement for transistor 4JX1D804
- Commercial part. See Autonetics commercial specification control drawing 205C2-3 before ordering.

Figure 85. Frequency Calibrator Circuit Board Parts Location Diagram (57366-501)

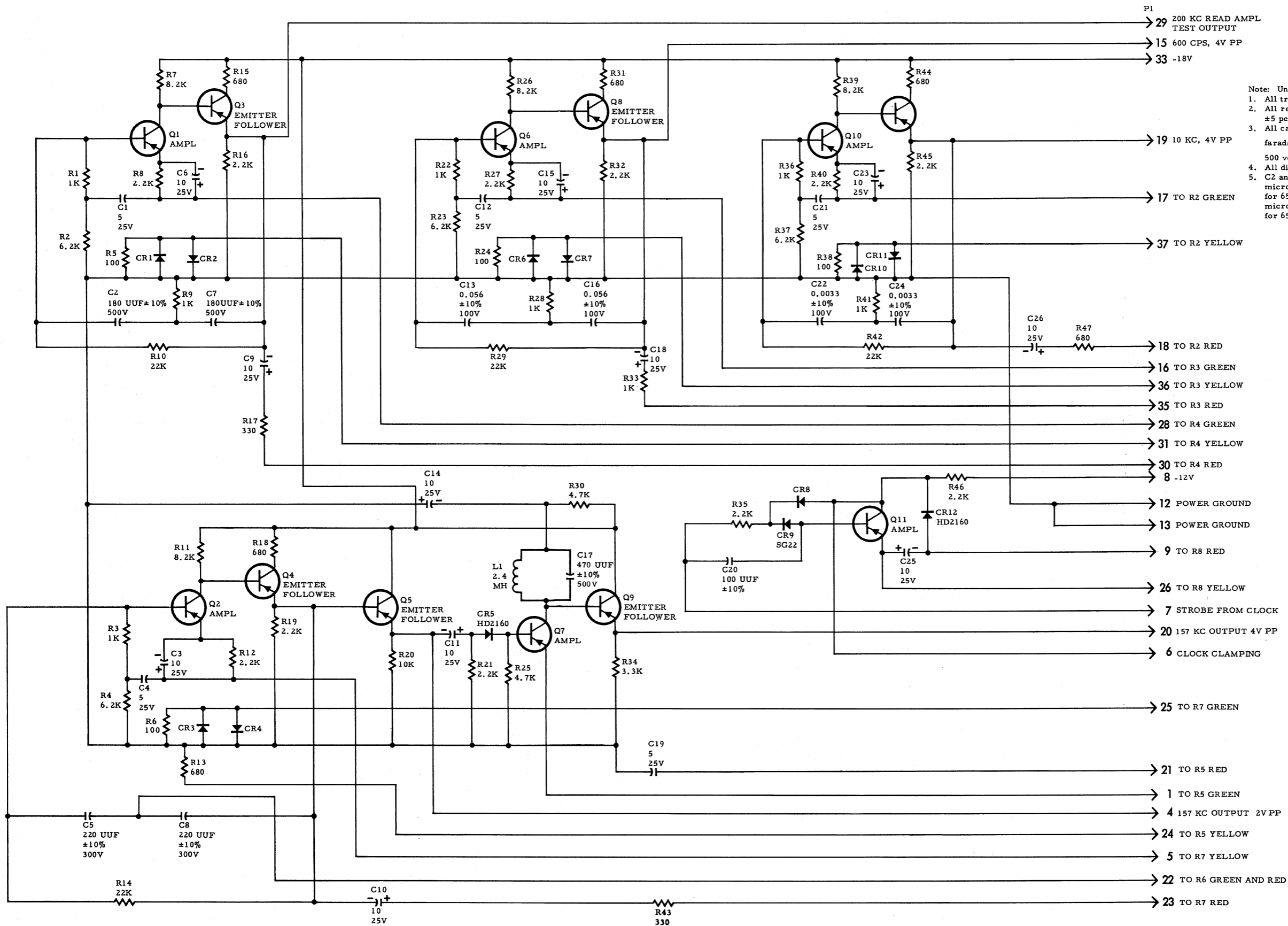
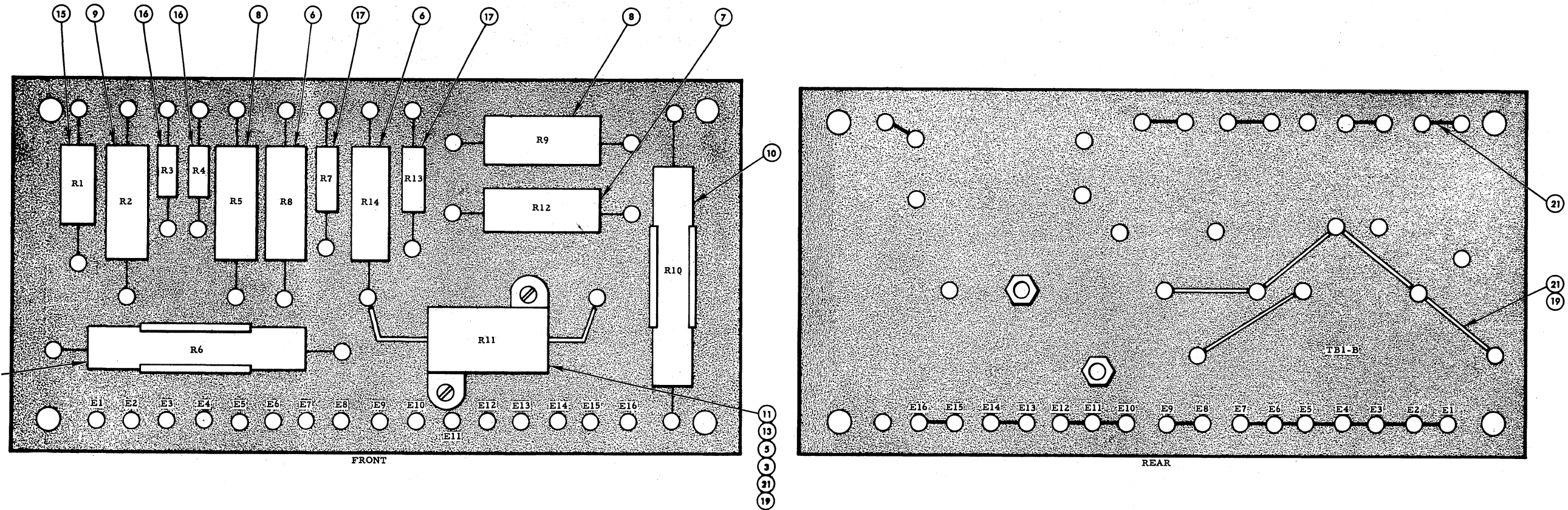


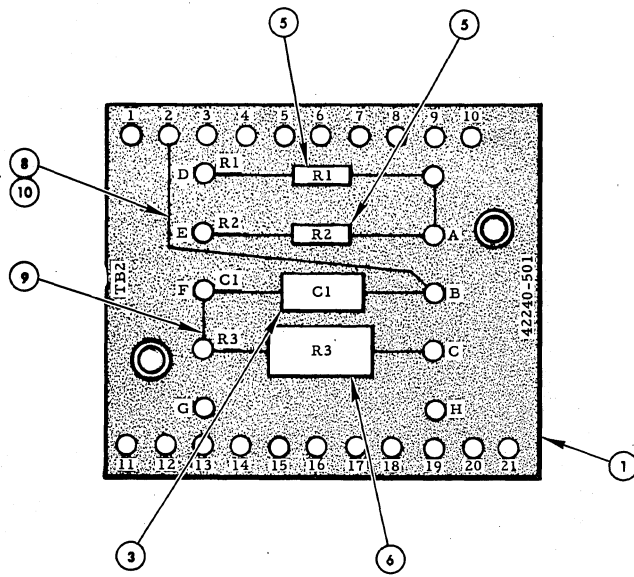
Figure 86. Frequency Calibrator Circuit Board Schematic (57368-501)



LIST OF MATERIALS						
ITEM NO.	ASSY REQD	ASSY REQD	PART NO.	DESC	MATERIAL	MATERIAL SPEC
21		1		WIRE	SOFT TIN COATED	MIL-W-3861 TYPES
19		1	ST20-9	SLEEVING		NA2-4174
17		2	RC32GF102J	RESISTOR		MIL-R-11
16		2	RC20GF101J	RESISTOR		MIL-R-11
15		1	RC42GF150J	RESISTOR		MIL-R-11
13		2		SCREW BIND HD		FF-S-92
11		1		RESISTOR	TM-25W	TEPRO ELECTRIC CORP
10		2			TS-10W	
9		1			TS-5W	
8		2			TS-5W	
7		1			TS-5W	
6		2		RESISTOR	TS-5W	TEPRO ELECTRIC CORP
5		2	92-1660-40	NUT		ELASTIC STOP NUT CORP
3		2	2W18-4L	WASHER		
1		1	42255-501	BOARD		AUTONETICS
		1	42256-501	ASSEMBLY		AUTONETICS
						QUANTITY PER
						END ITEM
						1
						NEXT ASSY
						42250-501

Note: Unless otherwise specified
 1. Reference designations do not appear on actual part.
 2. Reference designations are abbreviated. For complete number, prefix the part designation with the assembly designation

Figure 87. Terminal Board No. 1 Parts Location Diagram (42256-501)

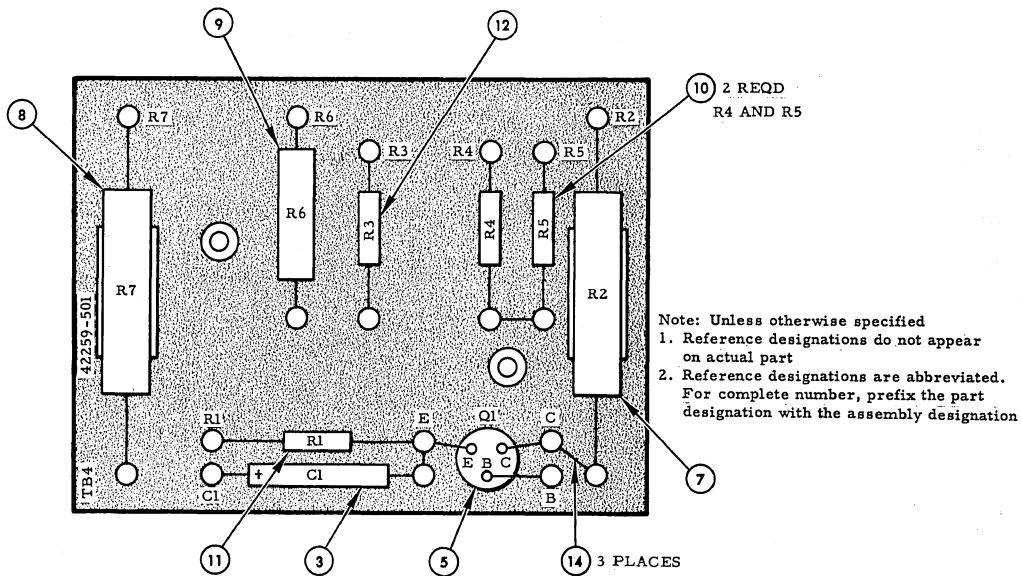


Note: Unless otherwise specified
 1. Reference designations do not appear on actual part
 2. Reference designations are abbreviated. For complete number, prefix the part designation with the assembly designation

ITEM NO.	ASSY REQD	ASSY REQD	LIST OF MATERIALS					
			PART NO.	DESC	MATERIAL	SIZE	MATERIAL SPEC	
10		1	ST20-9	SLEEVING		3 INCHES	NA2-4174	
8		1		WIRE	SOFT TIN COATED	20AWG 3"	MIL-W-3861 TYPES	
6		1	MS35045-79	RESISTOR			MIL-R-11	
5		2	MS35043-111	RESISTOR			MIL-R-11	
3		1	GP-2-K680	CAPACITOR			ERIE RESISTOR CORP	
1		1	42240-501	BOARD			AUTONETICS	
		1	42257-501	ASSEMBLY			AUTONETICS	
							QUANTITY PER END ITEM	1
								NEXT ASSY 42257-501

RC7-116

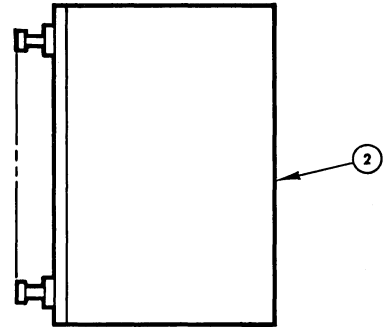
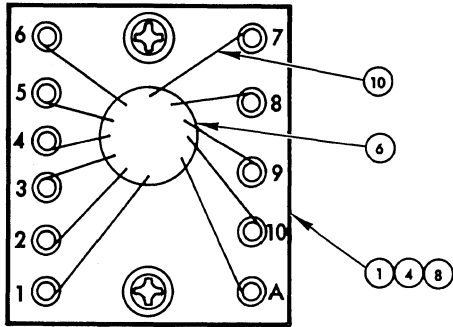
Figure 88. Terminal Board No. 2 Parts Location Diagram (42257-501)



ITEM NO.	ASSY REQD	ASSY REQD	LIST OF MATERIALS					
			PART NO.	DESC	MATERIAL	SIZE	MATERIAL SPEC	
14		1		WIRE	SOFT, TIN-COATED	22 AWG 1/2 FT	MIL-W-3861 TYPE-S	
12		1	MS35043-100	RESISTOR			MIL-R-11	
11		1	MS35043-123	RESISTOR			MIL-R-11	
10		2	MS35043-135	RESISTOR			MIL-R-11	
9		1	TS-5W	RESISTOR	100 OHMS ± 5% 5W		TEPRO ELECTRIC CORP.	
8		1	TS-10W	RESISTOR	50 OHMS ± 5% 10W		TEPRO ELECTRIC CORP.	
7		1	TS-10W	RESISTOR	15 OHMS ± 5% 10W		TEPRO ELECTRIC CORP.	
5		1	4JX1D804	TRANSISTOR			TRANSITRON ELECTRONIC CORP.	
3		1	102D126	CAPACITOR			SPRAGUE ELECTRIC CO.	
1		1	42258-501	BOARD			AUTONETICS	
		1	42259-501	ASSEMBLY			AUTONETICS	
							QUANTITY PER END ITEM	1
							NEXT ASSY	42228-501

RC7-115A

Figure 89. Terminal Board No. 4 Parts Location Diagram (42259-501)



LIST OF MATERIALS						
ITEM NO.	ASSY REQD	ASSY REQD	PART NO.	DESC	MATERIAL	MATERIAL SPEC
10		1	ST22-9	SLEEVING		NA2-4174
8		2	AN515-2-4	SCREW		
6		1	BD-200	TUBE		BURROUGHS CORP
4		2	2W1C-6-8-16	WASHER		
2		1	42237-501	HOLDER		AUTONETICS
1		1	42238-501	BOARD		AUTONETICS
		1	42236-501	ASSY		AUTONETICS
					QUANTITY PER	NEXT ASSY
					END ITEM	
						42229-501

RC7-118

RC7-118

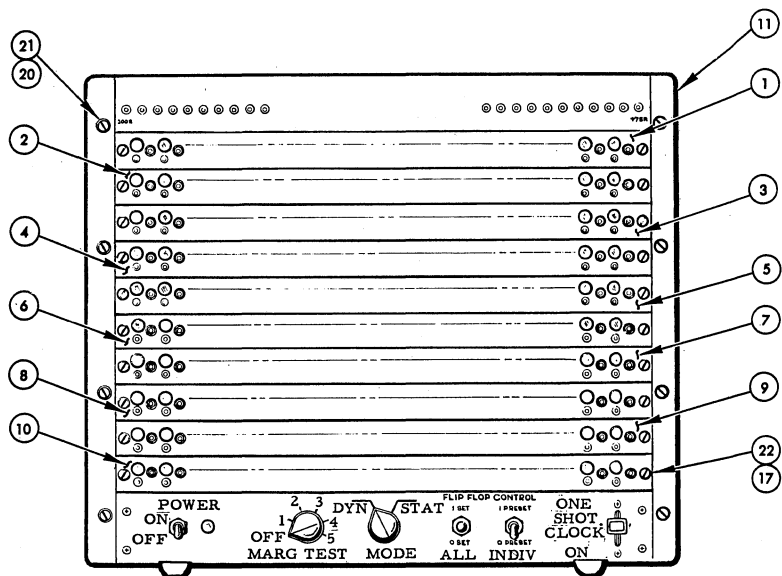
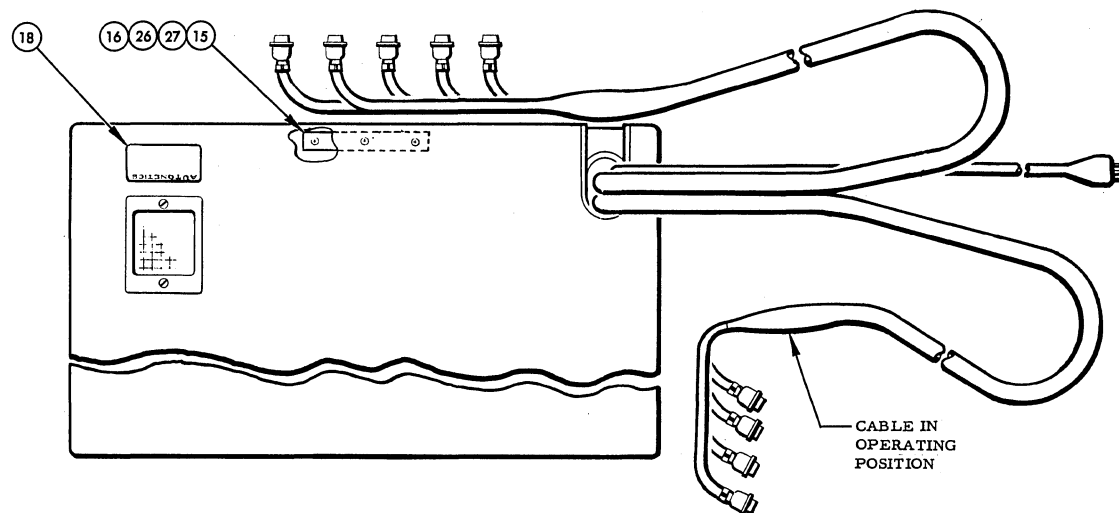
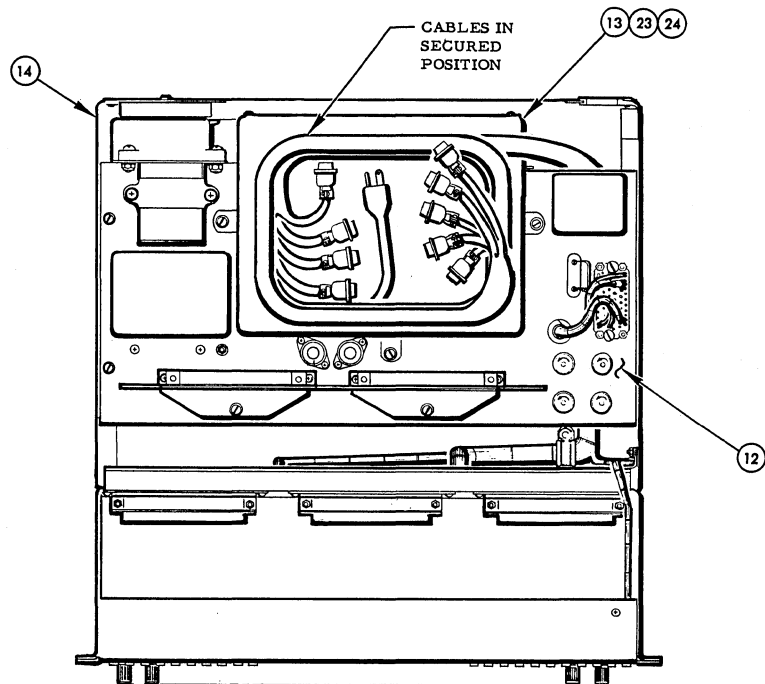
Size F

Figure 90. Nixie Tube Assembly (42236-501)

LIST OF ILLUSTRATIONS

SYSTEM TESTER

<u>Figure</u>	<u>Page</u>
91. System Tester Assembly Diagram (42508-501)	129
92. Subassembly Wiring and Cabling Diagram (42517-501)	130
93. System Tester Subassembly Diagram (42532-501)	131
94. Indicator Panel Subassembly Parts Location Diagram (57981-501)	132
95. Indicator Panel Subassembly Schematic (57983-501)	133
96. Power Supply Chassis Assembly (42513-501)	134
97. Power Supply Wiring Diagram (42514-501).	135
98. System Tester Power Supply Schematic (42515-501)	136
99. 25-, -25-, -3-, -12-Volt Power Supply Circuit Board Parts Location Diagram (57311-501)	138
100. 25-, -25-, -3-, -12-Volt Power Supply Circuit Board Schematic (57313-501).	139
101. -200-Volt Power Supply Circuit Board Parts Location Diagram (57402-501)	140
102. -200-Volt Power Supply Circuit Board Schematic (57404-501)	141
103. Network Power Supply Circuit Board Parts Location Diagram (57405-501)	142
104. Network Power Supply Circuit Board Schematic (57407-501)	143
105. Marginal Test Circuit Board Parts Location Diagram (57304-501)	144
106. Marginal Test Circuit Board Schematic (57310-501)	145



ITEM NO.	ASSY REQD	ASSY REQD	LIST OF MATERIALS					
			PART NO.	DESC	MATERIAL	SIZE	MATERIAL SPEC	
27		3	AN507-440R10	SCREW				
26		3	AN365-440A	NUT				
24		3	2600-LW	RETAINER			CAMLOC FASTENER CORP	
23		3	2600-5	STUD			CAMLOC FASTENER CORP	
22		20	4653-8	SCREW			ALDEN PRODUCTS CO	
21		8		SCROVL HD MACH	BRASS, NICKEL PL	10-32NF-2A x 1	HERCULES FASTENER CORP	
20		8		WASHER, CUP 82°	BRASS, NICKEL PL	#10	CONTINENTAL SCREW CO	
18		1	5P61	PLATE				
17		20	2W17-8L	WASHER				
16		3	2W18-4L	WASHER				
15		1	42523-501	CLIP			AUTONETICS	
14		1	42532-501	SUB ASSY				
13		1	42520-501	CAGE				
12		1	42513-501	PWR SUPPLY				
11		1	42510-501	HOOD				
10		1	41644-501-151	SUB ASSY, IND				
9		1		-141				
8		1		-131				
7		1		-121				
6		1		-111				
5		1		-101				
4		1		-91				
3		1		-81				
2		1		-71				
1		1	41644-501-61	SUB ASSY, IND				
		1	42508-501	TEST SET				
							AUTONETICS	
							QUANTITY PER END ITEM	NEXT ASSY

Figure 91. System Tester Assembly Diagram (42508-501)

RC6-112

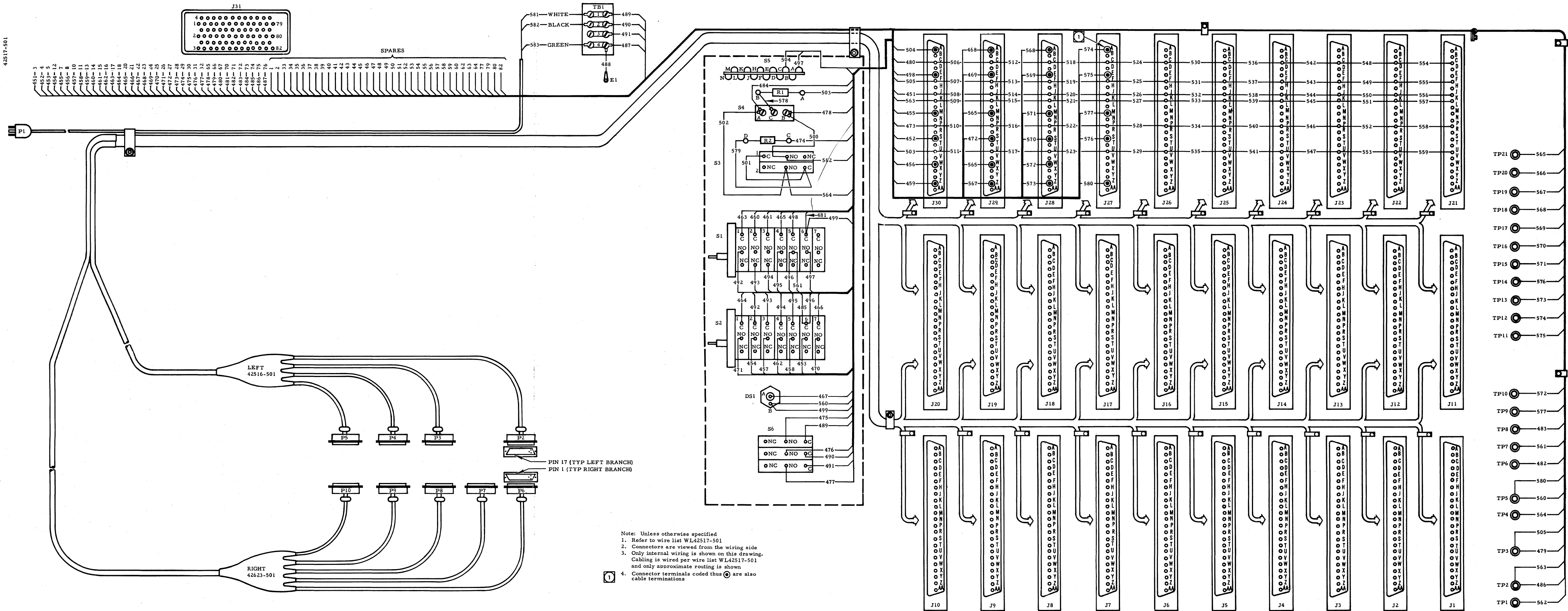
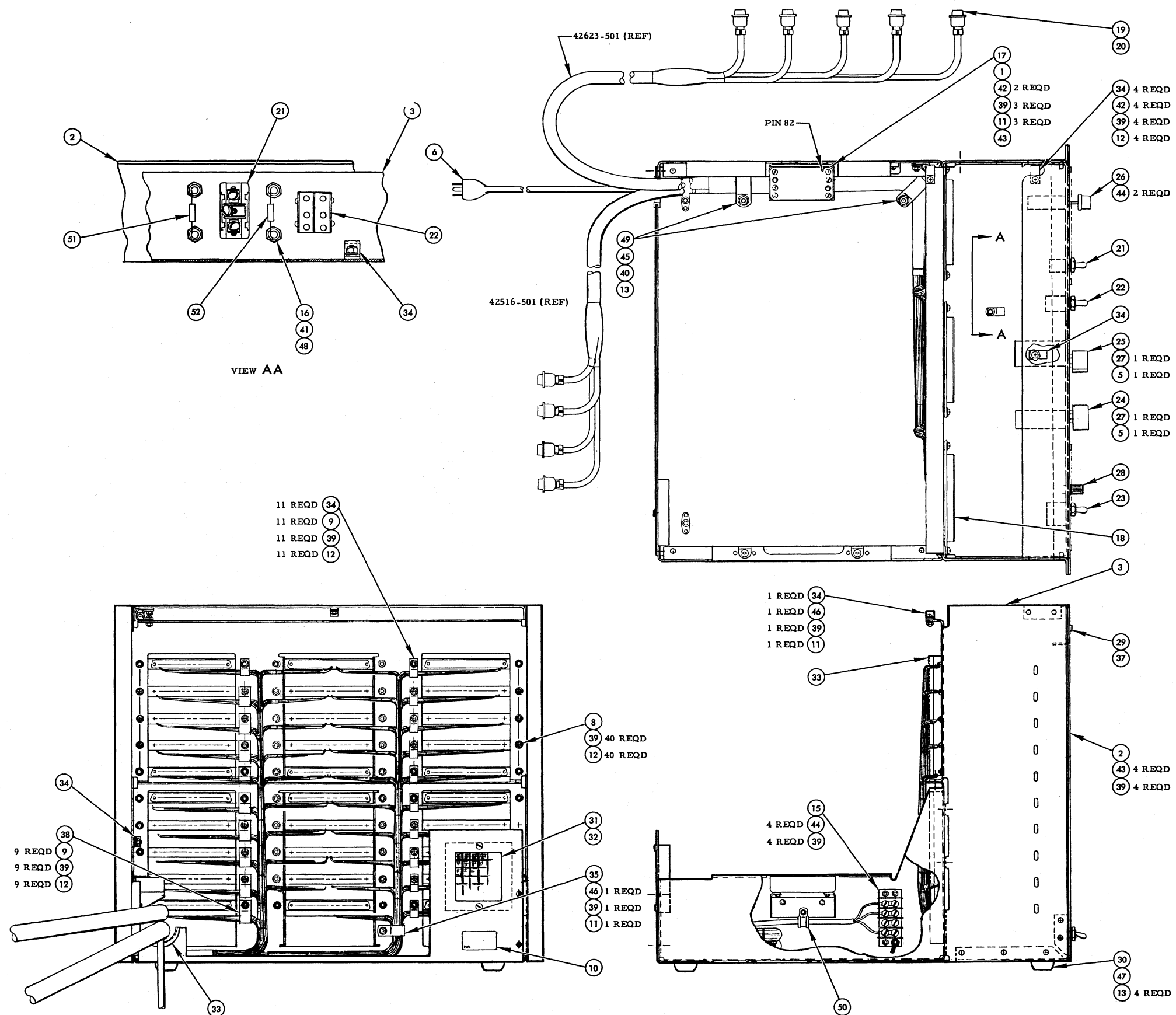
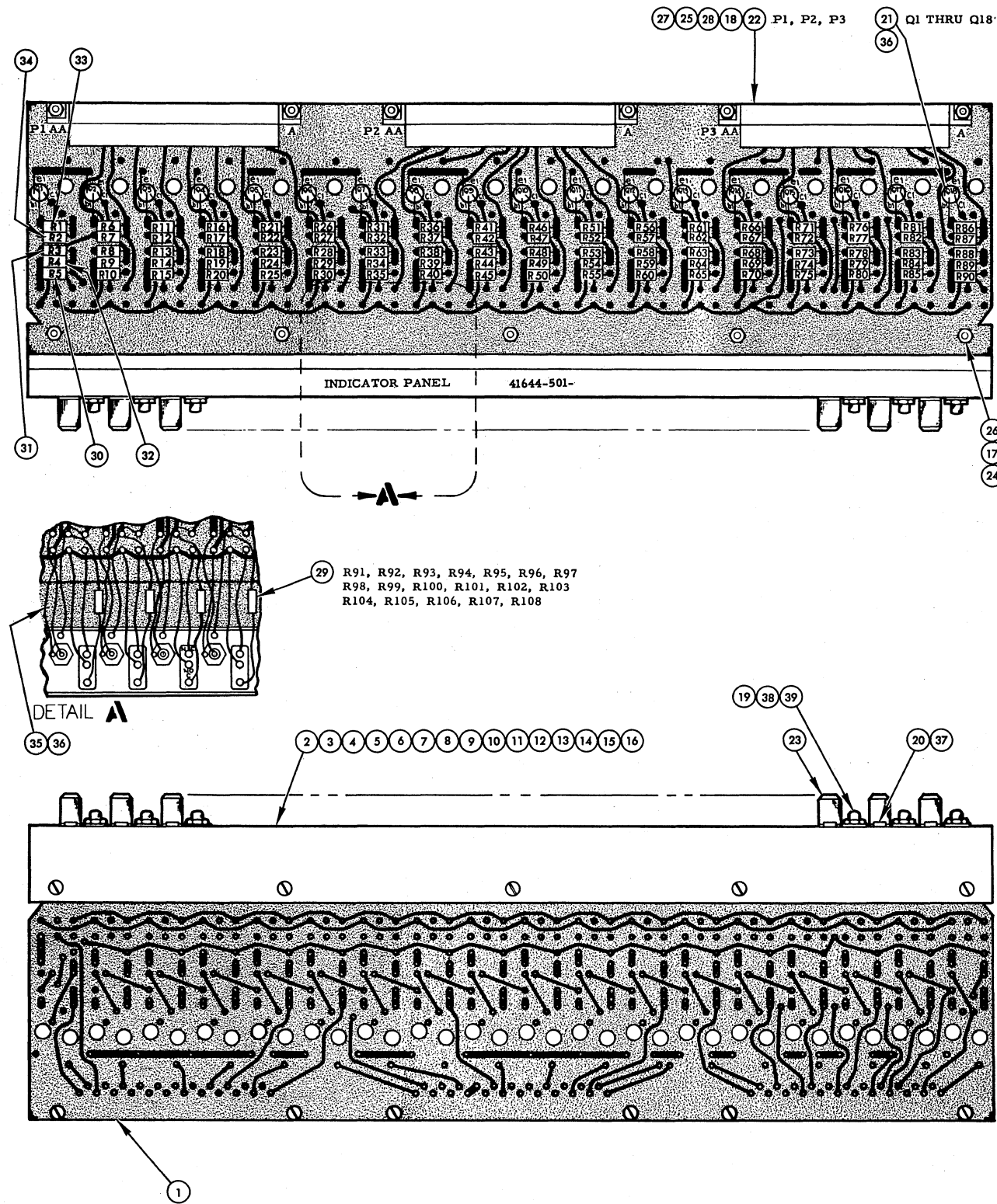


Figure 92. Subassembly Wiring and Cabling Diagram (42517-501)



ITEM NO.	ASSY REQD	ASSY REQD	LIST OF MATERIALS				
			PART NO.	DESC	MATERIAL	SIZE	MATERIAL SPEC
52	1		RC20GF470J	RESISTOR			MIL-R-11
51	1		RC20GF103J	RESISTOR			MIL-R-11
50	1		MS21919WDG-6	CLAMP			
49	2		AN742D-23	CLAMP			
48	4		AN936-A4	WASHER			
47	4		AN515-8R6	SCREW			
46	2		AN515-6R6				
45	2		AN507-832R8				
44	4		AN507-632R10				
43	5		AN507-632R8				
42	6		AN507-632R6				
41	4		AN507-440R4	SCREW			
40	6		AN365-832A	NUT			
39	75		AN365-632A	NUT			
38	9		3/8-6R	CLAMP			WECKESSER CO
37	21		8063-18-01	WASHER			SHAKEPROOF, ILLINOIS TOOL WORKS
35	1		3/4-6R	CLAMP			WECKESSER CO
34	16		1/4-5	CLAMP			WECKESSER CO
33	1		1019	EXTRUSION	BROWN RUBBER	APPROX 3 FT	RUBBERCRAFT INC
32	2			SCREW	SHEET METAL BIND HD	8 x 1/2	PARKER-KALON CORP
31	1		1707	FILTER		1/2 x 3 x 3	SUPREME AIRE
30	4		698	BUMPER			ATLANTIC INDIA RUBBER WORKS
29	21		SKT-10	RECEPTACLE, TEST			SEALCTRO CORP
28	1		CMLD-NG-C	LAMP			CIRCON COMPONENT CO
27	2		70-4-26	KNOB			RAYTHEON MANUFACTURING CO
26	1		1457	SWITCH			CENTRALAB DIVISION
25	1		17AS715				MICROSWITCH, MINNEAPOLIS HONEYWELL
24	1		17AS714				
23	1		23AT2				
22	1		13AT1				
21	1		11TS1-3	SWITCH			MICROSWITCH, MINNEAPOLIS HONEYWELL
20	9		20964	SHELL			CANNON ELECTRIC CO
19	9		DD50-P	CONNECTOR			CANNON ELECTRIC CO
18	30		W23G	CONNECTOR			WINCHESTER ELECTRONICS INC
17	1		XMRE75S-F-2000	CONNECTOR			WINCHESTER ELECTRONICS INC
16	4		760-30G	TERMINAL			WINCHESTER ELECTRONICS INC
15	1		4-141	TERMINAL BD			JONES-CINCH MANUFACTURING CO
13	6		2W18-8	WASHER			
12	64		2W18-6L	WASHER			
11	4		2W18-6	WASHER			
10	1		5P44	ID PLATE			
9	38			SCREW BIND HD		6-32 x 5/8	
8	40			SCREW BIND HD		6-32 x 1/2	FF-S-92
7							
6	1			PWR CABLE			AUTONETICS
5	2		42519-501	INSERT			
4	1		42517-501	WIRING DIAG			
3	1		42509-501	CHASSIS			
2	1		42496-501	CONT PANEL			
1	1		42487-501	BRACKET			
	1		42532-501	SUBASSY			AUTONETICS

Figure 93. System Tester Subassembly Diagram (42532-501)

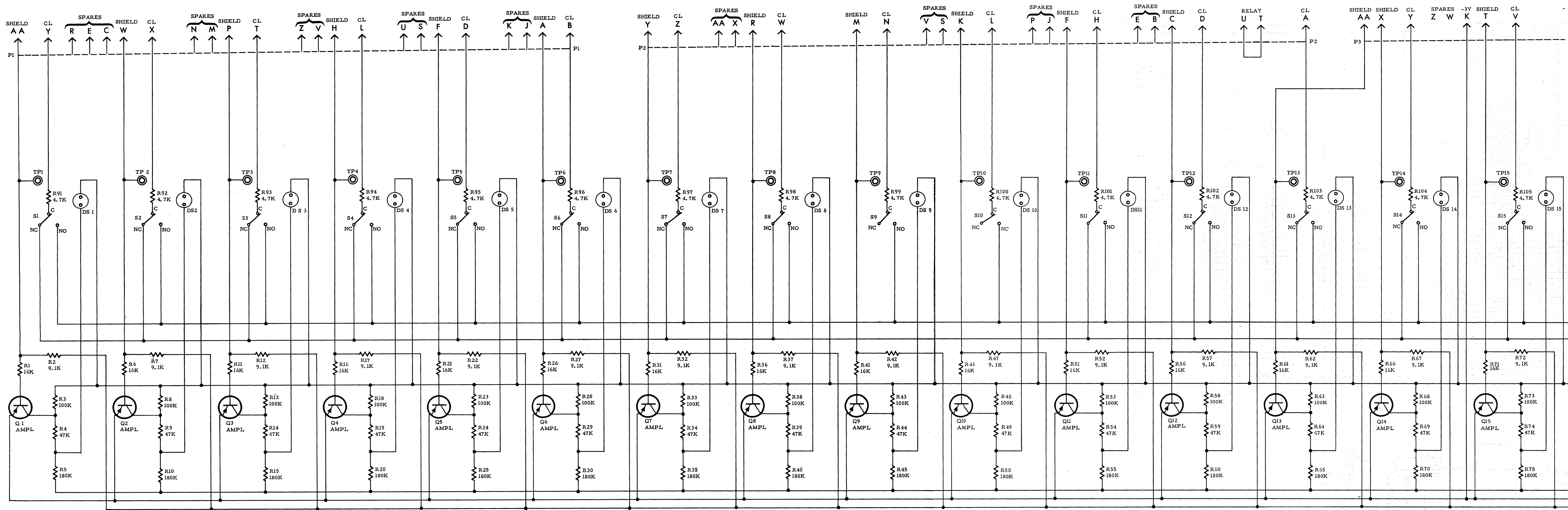


ITEM NO.	ASSY REQD	ASSY REQD	ASSY REQD	ASSY REQD	ASSY REQD	ASSY REQD	ASSY REQD	ASSY REQD	ASSY REQD	ASSY REQD	LIST OF MATERIALS				
											PART NO.	DESC	MATERIAL	SIZE	MATERIAL SPEC
39	18	18	18	18	18	18	18	18	18	18	AT-10065	NUT		MICRO SWITCH	
38	18	18	18	18	18	18	18	18	18	18	PB-10427	WASHER		MICRO SWITCH	
37	18	18	18	18	18	18	18	18	18	18	8063-18-01	WASHER		SHAKE PROOF INC.	
36	1	1	1	1	1	1	1	1	1	1	ST22-9	SLEEVING	29 FT.	NA2-4174	
35	1	1	1	1	1	1	1	1	1	1		WIRE	SOFT TIN COATED	22AWG 25 FT	MIL-W-3861, TYPE-S
34	18	18	18	18	18	18	18	18	18	18	RC20GF912J	RESISTOR		MIL-R-11	
33	18	18	18	18	18	18	18	18	18	18	RC20GF163J				
32	18	18	18	18	18	18	18	18	18	18	RC20GF473J				
31	18	18	18	18	18	18	18	18	18	18	RC20GF104J				
30	18	18	18	18	18	18	18	18	18	18	RC20GF184J				
29	18	18	18	18	18	18	18	18	18	18	RC20FD472J	RESISTOR		MIL-R-11	
28	6	6	6	6	6	6	6	6	6	6	AN935-6	WASHER			
27	6	6	6	6	6	6	6	6	6	6		SCREW BIND HD	6-32X 3/8	FF-5-92	
26	5	5	5	5	5	5	5	5	5	5	AN507-440R5	SCREW			
25	6	6	6	6	6	6	6	6	6	6		NUT	PLAIN-HEX	6-32 NC-2B	HERCULES FASTENER CORP
24	5	5	5	5	5	5	5	5	5	5	92-1660-40	NUT		ELASTIC STOP NUT CORP	
23	18	18	18	18	18	18	18	18	18	18	CMLD-NC-C	LAMP		CIRCON COMPONENT CO	
22	3	3	3	3	3	3	3	3	3	3	W23P-3	CONNECTOR		WINCHESTER ELECTRONICS INC	
21	18	18	18	18	18	18	18	18	18	18	2N398	TRANSISTOR		RADIO CORPORATION OF AMERICA	
20	18	18	18	18	18	18	18	18	18	18	SKT-10	CONTACT		SEALCRO CORP.	
19	18	18	18	18	18	18	18	18	18	18	A4-5/E4-3	SWITCH		ELASTIC STOP NUT CORP	
18	6	6	6	6	6	6	6	6	6	6	2W18-6L	WASHER		AUTONETICS	
17	5	5	5	5	5	5	5	5	5	5	2W17-4	WASHER			
16	1										42501-501-21	BRACKET			
15		1									-19				
14			1								-17				
13				1							-15				
12					1						-13				
11						1					-11				
10							1				-9				
9								1			-7				
8									1		-5				
7										1	42501-501-3				
6											41647-501-11				
5											-9				
4											-7				
3											-5				
2											41647-501-3	BRACKET			
1	1	1	1	1	1	1	1	1	1	1	41645-501	BOARD			
	-151	-141	-131	-121	-111	-101	-91	-81	-71	-61	41644-501	SUB-ASSY			

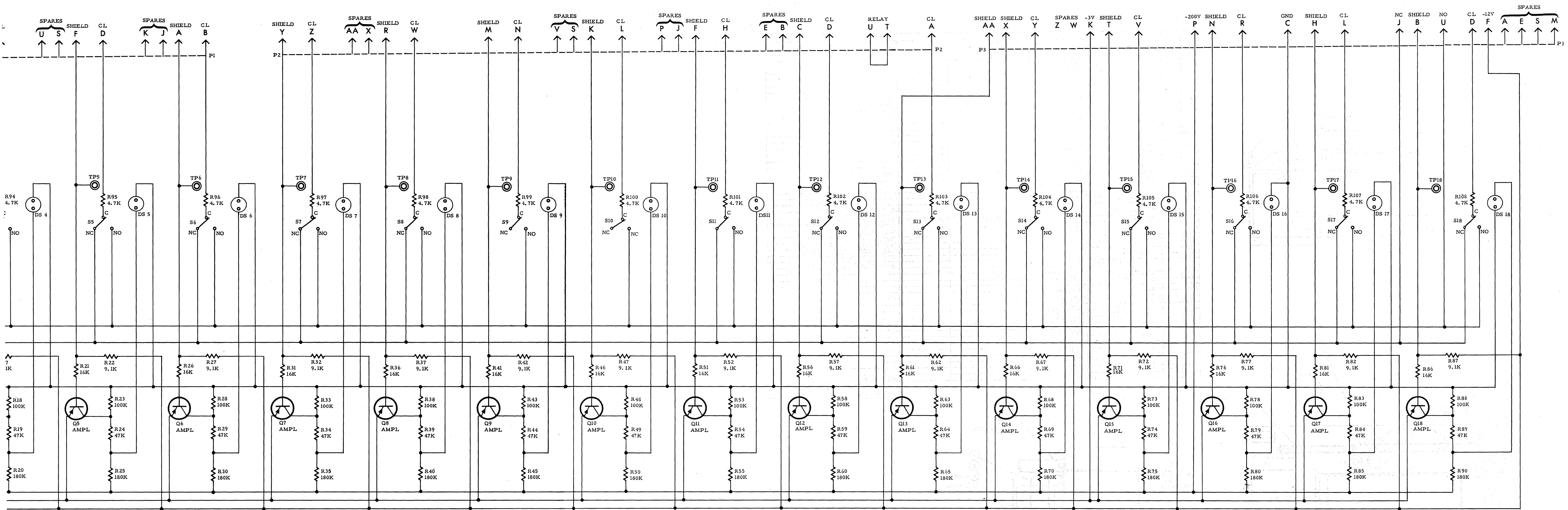
QUANTITY PER END ITEM	NEXT ASSY	
1(-151)	D4A-C	42508-501
1(-141)		
1(-131)		
1(-121)		
1(-111)		
1(-101)		
1(-91)		
1(-81)		
1(-71)		
1(-61)	D4A-C	42508-501

Note: Unless otherwise specified
 1. Reference designations establish location only and do not appear on actual parts.
 2. Reference designations are abbreviated. For complete number, prefix the part designation with the assembly designation
 3. Resistors in each horizontal row are equal in value.

Figure 94. Indicator Panel Subassembly Parts Location Diagram (57981-501)

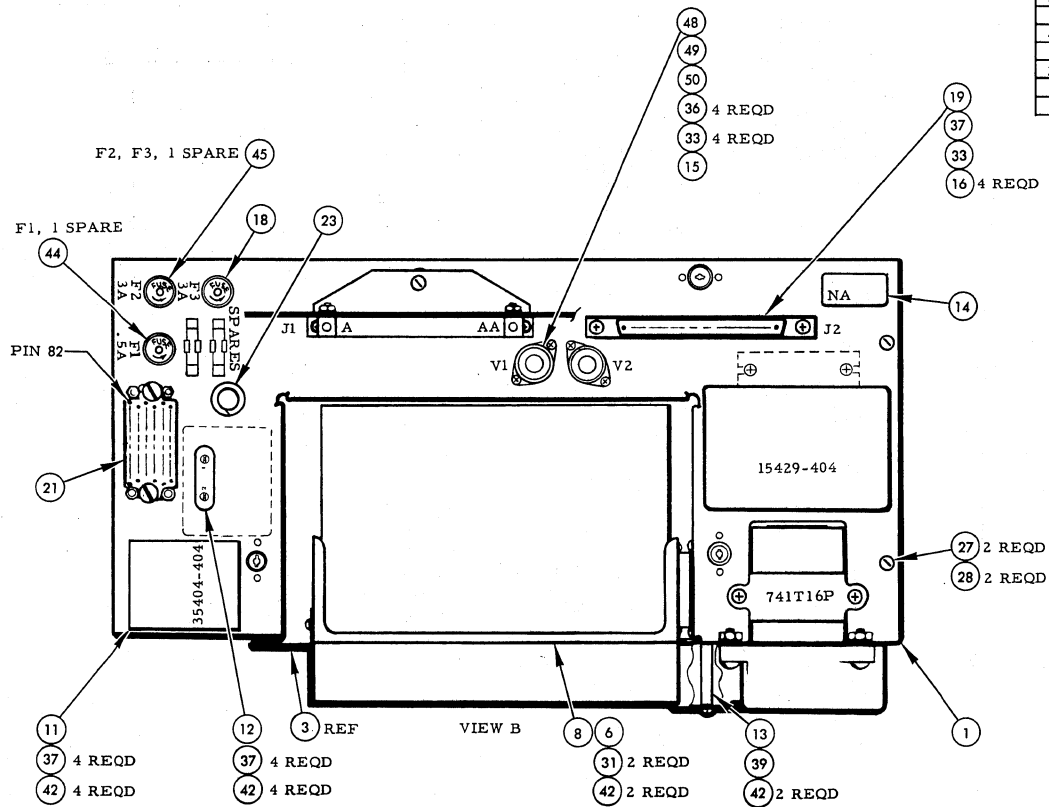
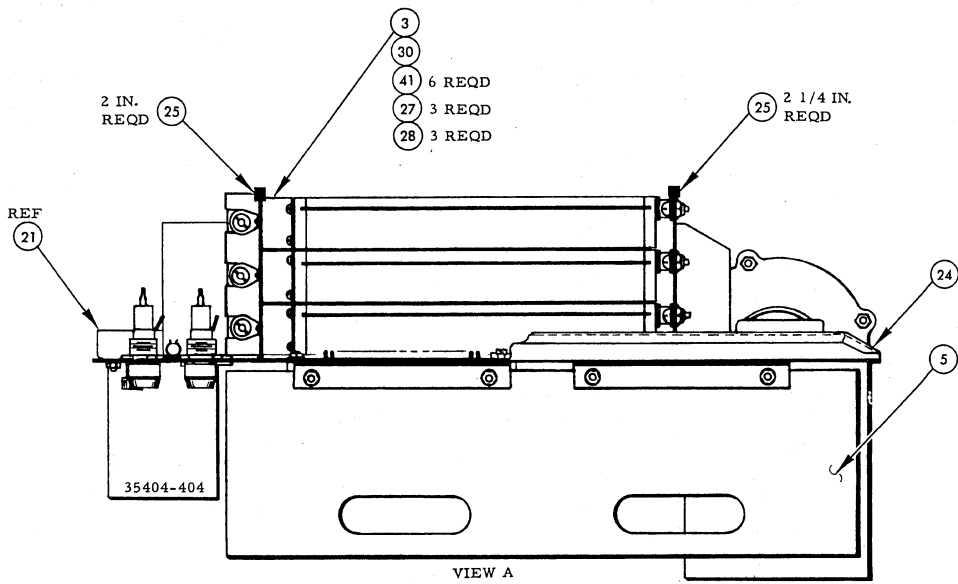


Figure



Note: Unless otherwise specified
 1. Transistors are type 2N398
 2. Resistors are 1/2 watt and resistance tolerance is ± 5 percent

Figure 95. Indicator Panel Subassembly Schematic (57983-501)



ITEM NO.	ASSY REQD	ASSY REQD	LIST OF MATERIALS				
			PART NO.	DESC	MATERIAL	SIZE	MATERIAL SPEC
52		1	CP67B1FP105K	CAPACITOR			MIL-C-25
50		2	TS102UO3	SHIELD			JAN-S-28
49		2	TS102PO1	SOCKET			JAN-S-28
48		2	JANOB2-WA	ELECTRON TUBE			MIL-E-1B
45		3	313003	FUSE			LITTLEFUSE
44		2	312.500	FUSE			LITTLEFUSE
43		2	AN74T16P	CLAMP			
42		14	AN936-A6	WASHER			
41		6	AN936-A4	WASHER			
40		2	AN515-8R18	SCREW			
39		2	AN515-6R5	SCREW			
38		4	AN515-6R8	SCREW			
37		10	AN515-6R6	SCREW			
36		10	AN515-4R5	SCREW			
35		6	AN365-832	NUT			
34		6	AN365-632	NUT			
33		10	AN365-440	NUT			
32		2		INSULATION	RUBBER SHT	1/16 x 1 x 2 3/4	AMS 3200
31		4		SCREW BIND HD		6-32 x 9/16	FF-S-92
30		6		SCREW BIND HD		4-40 x 5/16	FF-S-92
28		5	2600-5	STUD			CAMLOC FASTENER CORP
27		5	2600-LW	RETAINER			CAMLOC FASTENER CORP
26		4	7054	FEET	RUBBER		WALSCO ELECTRONICS
25		1	686	EXTRUSION	BROWN RUBBER	APPROX. 5 IN	RUBBERCRAFT CO
24		1	1019	EXTRUSION	BROWN RUBBER	APPROX. 1.5 FT	RUBBERCRAFT CO
23		1	B1503-8	GROMMET			U.S. GASKET CO
22		1	B212-1	BLOWER			WESTERN GEAR
21		1	XMRE75PM1000	CONNECTOR			WINCHESTER ELECTRONICS INC
20		2	W23S	CONNECTOR			WINCHESTER ELECTRONICS INC
19		3	DB25S	CONNECTOR			CANNON ELECTRIC CO
18		4	HKP-E-H-J-R-Z	FUSEHOLDER			BUSSMAN MANUFACTURING CO
17		8	2W18-8	WASHER			
16		6	2W18-6L	WASHER			
15		4	2W18-4	WASHER			
14		1	5P44	ID PLATE			
13		1	42518-501	SPACER			AUTONETICS
12		1	35405-404	REACTOR			
11		1	35404-404	REACTOR			
10		1	15429-404	TRANSFORMER			
9		1	65727-501	NETWORK			
8		1	42085-501	PWR SUPPLY			
7		1	65718-501	PWR SUPPLY			
6		1	42494-501	DUCT			
5		1	41630-501	ASSY			
4		1	42514-501	WIRING DIAG			
3		3	42495-501	BRACKET			
2		1	42522-501	DUCT			
1		1	42492-501	PLATFORM			
		1	42513-501	POWER SUPPLY			

AUTONETICS	
QUANTITY PER END ITEM	1
NEXT ASSY	42508-501

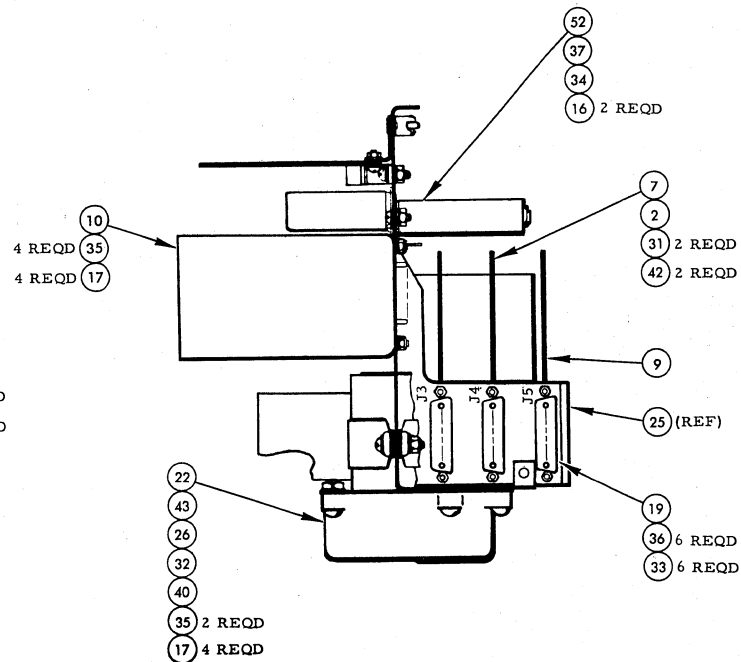


Figure 96. Power Supply Chassis Assembly
(42513-501)

NO.	FROM		TO	
	ITEM	TERM	ITEM	TERM
1	P1	3	J2	A
2		5		C
3		7		F
4		8		I
5		10		K
6		11		L
7		12		E
8		13		T
9		14		X
10		15		Z
11		16	J2	AA
12		17	J1	A
13		18		B
14		20		C
15		21		D
16		22		K
17		23		V
18		24		W
19		25		Y
20		26		Z
21		27		AA
22		28	J1	N
23		29	J2	A
24		30	F2	A
25		31	F3	A
26		65	J4	4
27		66	J1	P
28		67	J3	19
29		70	J3	21
30		71	J3	8
31		72	J2	W
32		73	J3	14
33		74	J2	M
34		75	J3	22
35		76	TL	A
36	P1	19	J2	T
37	J3	N	J1	N
38	J2	N	J4	19
39	J4	19	J3	9
40	J3	3	J2	W
41	J3	1	J2	M
42	J1	P	J3	17
43	F2	B	C1	B
44	F3	B	T1	1
45	C1	B	T1	2
46	J3	25	J5	20
47	J3	16	J5	21
48	J3	23	J5	14
49	J3	24	J5	1
50	J3	20	J4	12
51	J3	18	J4	11
52	J4	24	J3	2
53	J4	15	L1	1
54	J4	12	J5	23
55	J4	11	J5	24
56	J4	24	J5	24
57	J4	9	F1	A
58	F1	B	J4	20
59	J4	20	J5	18
60	J4	6	V1	7
61	V1	1	V2	7
62	V2	1	J4	10
63	J4	1	J5	17
64	J4	14	J5	5
65	J4	21	J5	16
66	J4	13	J5	6
67	J4	15	T1	12
68	J4	16	T1	11
69	J4	23	T1	8
70	J4	25	T1	7
71	J5	8	T1	14
72	J5	9	T1	13
73	J5	25	T1	10
74	J5	12	T1	9
75	J5	3	T1	6
76	J5	2	T1	5
77	J5	11	T1	4
78	J5	13	T1	3
79	J5	22	L1	2
80	J5	19	L2	1
81	J5	7	L2	2
82	J5	15	J5	10
83	B1	1BN	T1	2
84	B1	2BN	T1	1
85	B1	3YL	C1	A
86	B1	4YL	T1	1
87				

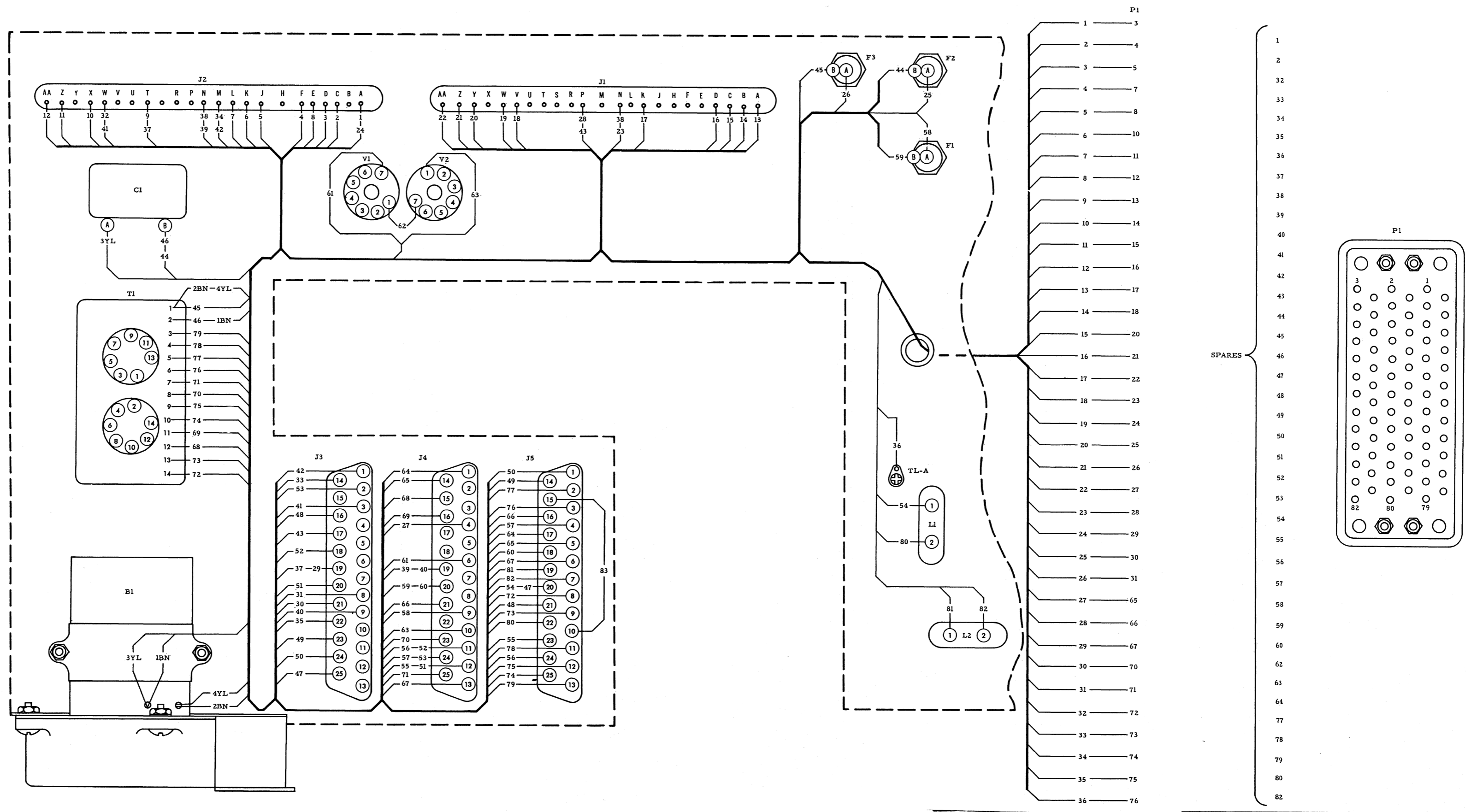


Figure 97. Power Supply Wiring Diagram (42514-501)

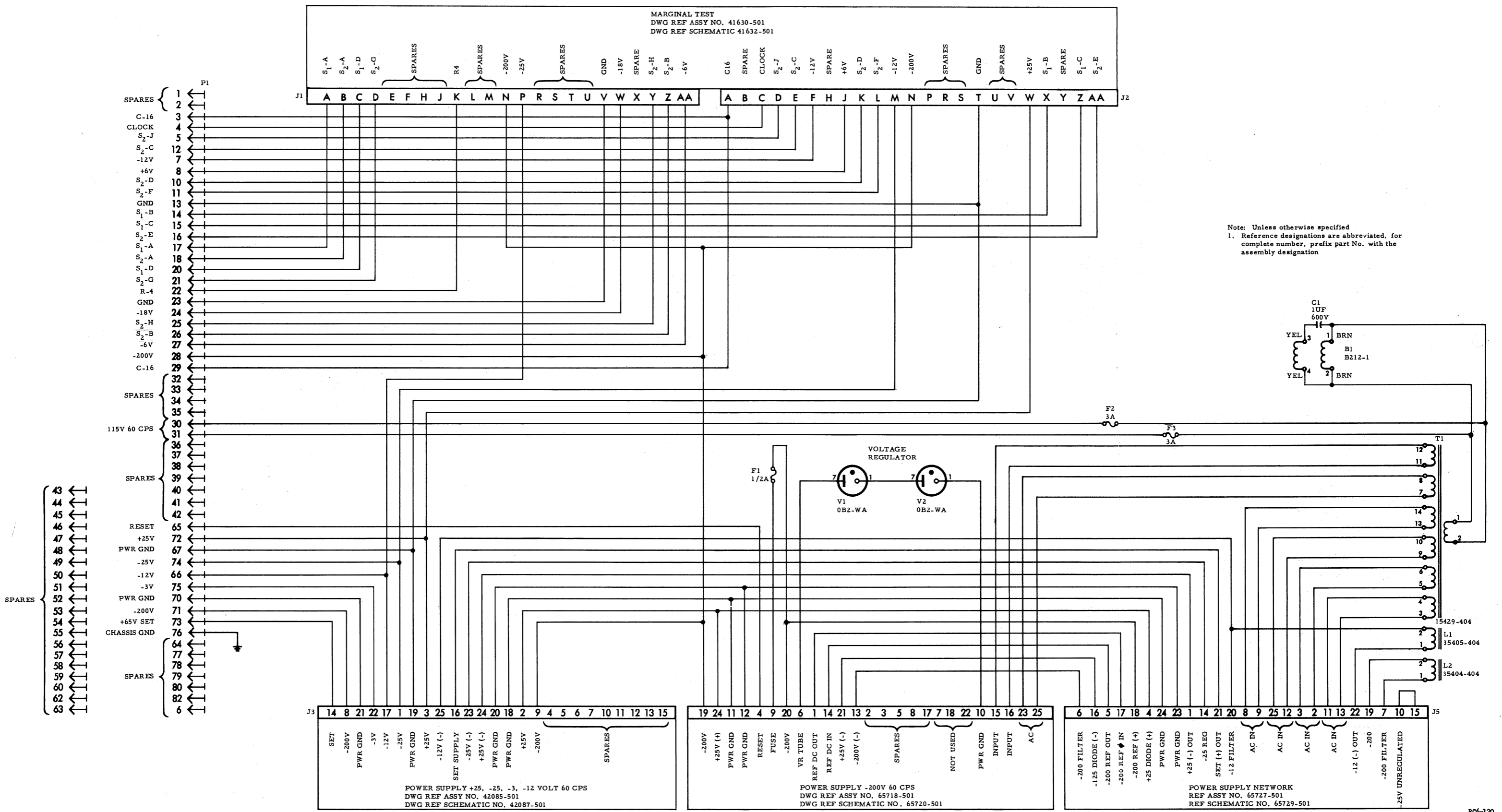
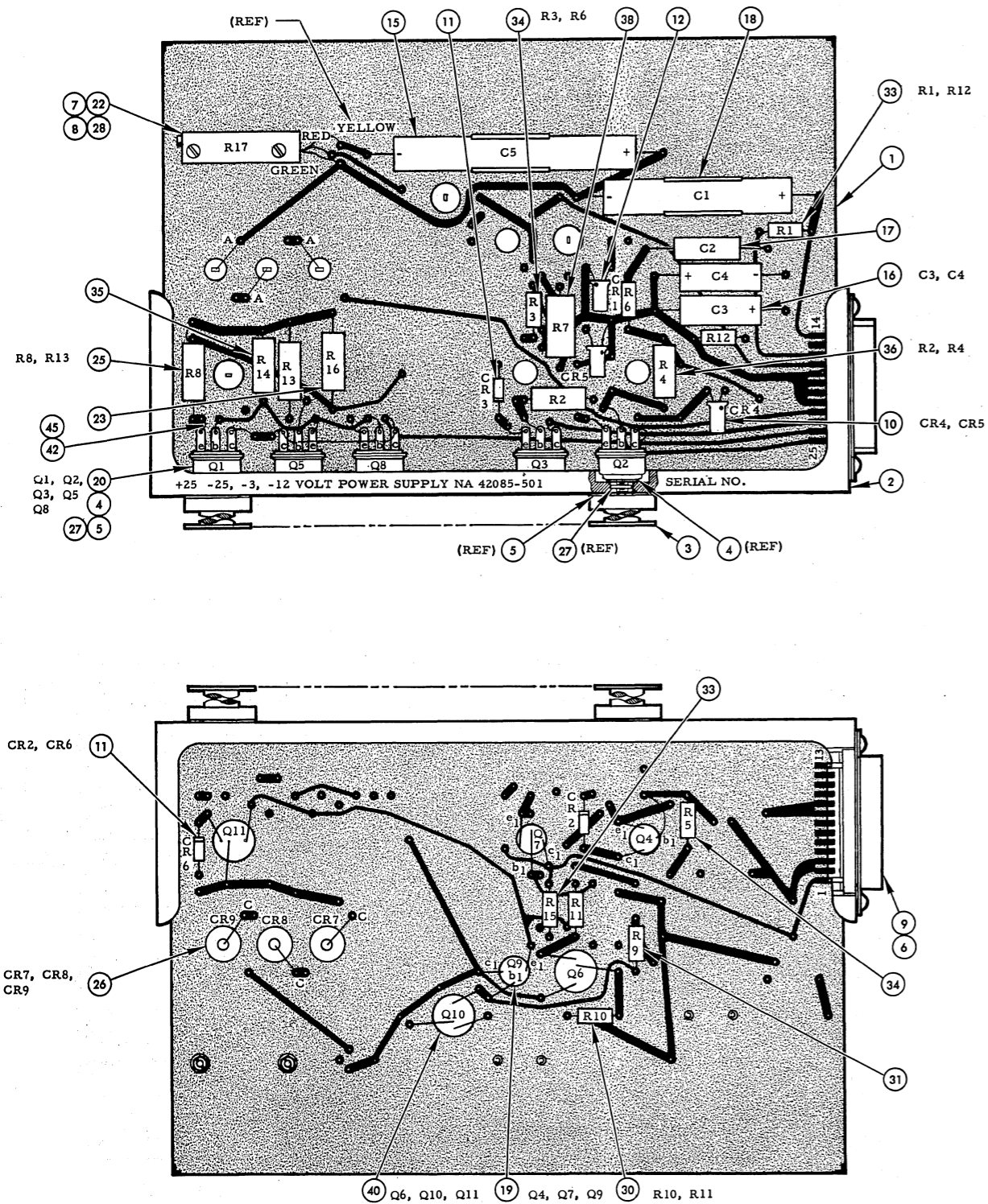


Figure 98. System Tester Power Supply Schematic (42515-501)



ITEM NO.	ASSY REQD	ASSY REQD	LIST OF MATERIALS				
			PART NO.	DESC	MATERIAL	SIZE	MATERIAL SPEC
45	1			WIRE	SOFT, TIN COATED	22AWG x 2 FT	MIL-W-3861 TYPES
42	1		ST22-9	SLEEVING		4 FT	NA2-4174
40	3		2N43A	TRANSISTOR			GENERAL ELECTRIC CO
38	1		RC42GF333J	RESISTOR			MIL-R-11
36	2		RC32GF683J				
35	1		RC32GF100J				
34	3		RC20GF104J				
33	3		RC20GF103J				
31	1		RC20GF222J				
30	2		RC20GF152J	RESISTOR			MIL-R-11
28	2		AN515C2-8	SCREW			
27	5		2W1P-11-10-47	WASHER			ASM 3065
26	3		IN536	DIODE			GENERAL ELECTRIC CO
25	2			RESISTOR	TS-2W	30HM±5%2W	TEPRO ELECTRIC CORP
23	1			RESISTOR	TS-2W	10HM±5%2W	TEPRO ELECTRIC CORP
22	1		120-1-E2000	RESISTOR, VAR			BOURNS LABORATORIES
20	5		2N539A	TRANSISTOR			MINNEAPOLIS-HONEYWELL CORP
19	3		NAA358	TRANSISTOR			GENERAL TRANSISTOR CORP
18	1		29F478G4	CAPACITOR			GENERAL ELECTRIC CO
17	1		29F408G4				
16	2		29F474G4				
15	1		29F630G4	CAPACITOR			GENERAL ELECTRIC CO
12	1		IN429	DIODE			TRANSITRON ELECTRONIC CORP
11	3		SG22	DIODE			TRANSITRON ELECTRONIC CORP
10	2		ZA-25	DIODE			HOFFMAN SEMICONDUCTOR PRODUCTS
9	1		DB-25P	CONNECTOR			CANNON ELECTRIC CO
8	2		92-1660-26	NUT			ELASTIC STOP NUT CO
7	2		2W18-2L	WASHER			
6	2			SCREW BIND HD		4-40 x 3/16	FF-S-92
5	5		41606-501	WASHER			AUTONETICS
4	5		41605-501	WASHER			
3	5		65647-501	DISSIPATOR			
2	1		65645-501	FRAME			
1	1		42086-501	BOARD			
			42085-501	ASSY			AUTONETICS

QUANTITY PER END ITEM	1	NEXT ASSY
		41582-501

Note: Unless otherwise specified
 1. Reference designations are for location only and do not appear on actual part.
 2. Reference designations are abbreviated. For complete number, prefix part number with assembly designation.
 3. Circled number designates parts list item number.

Figure 99. 25-, -25-, -3-, -12-Volt Power Supply Circuit Board Parts Location Diagram (57311-501)

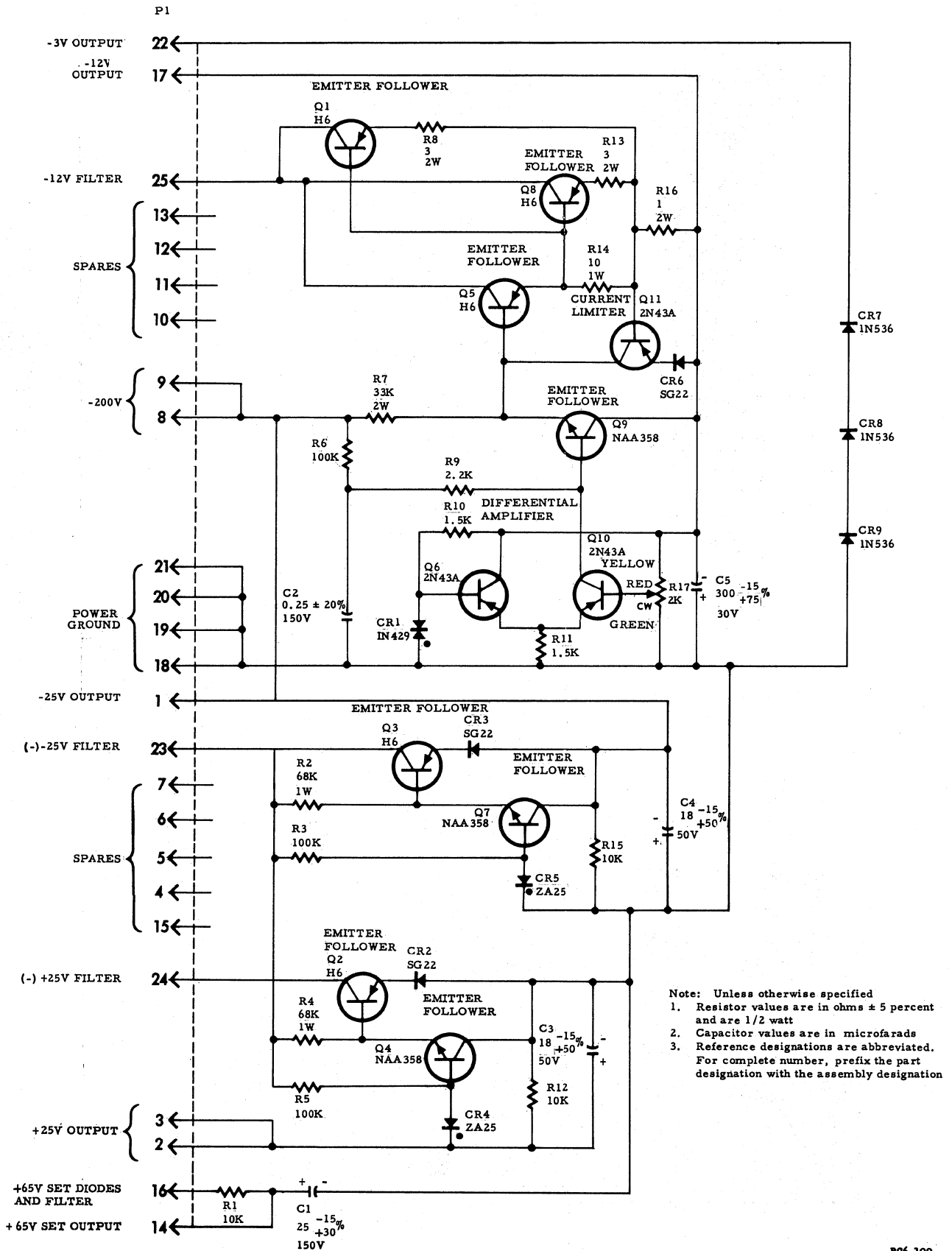
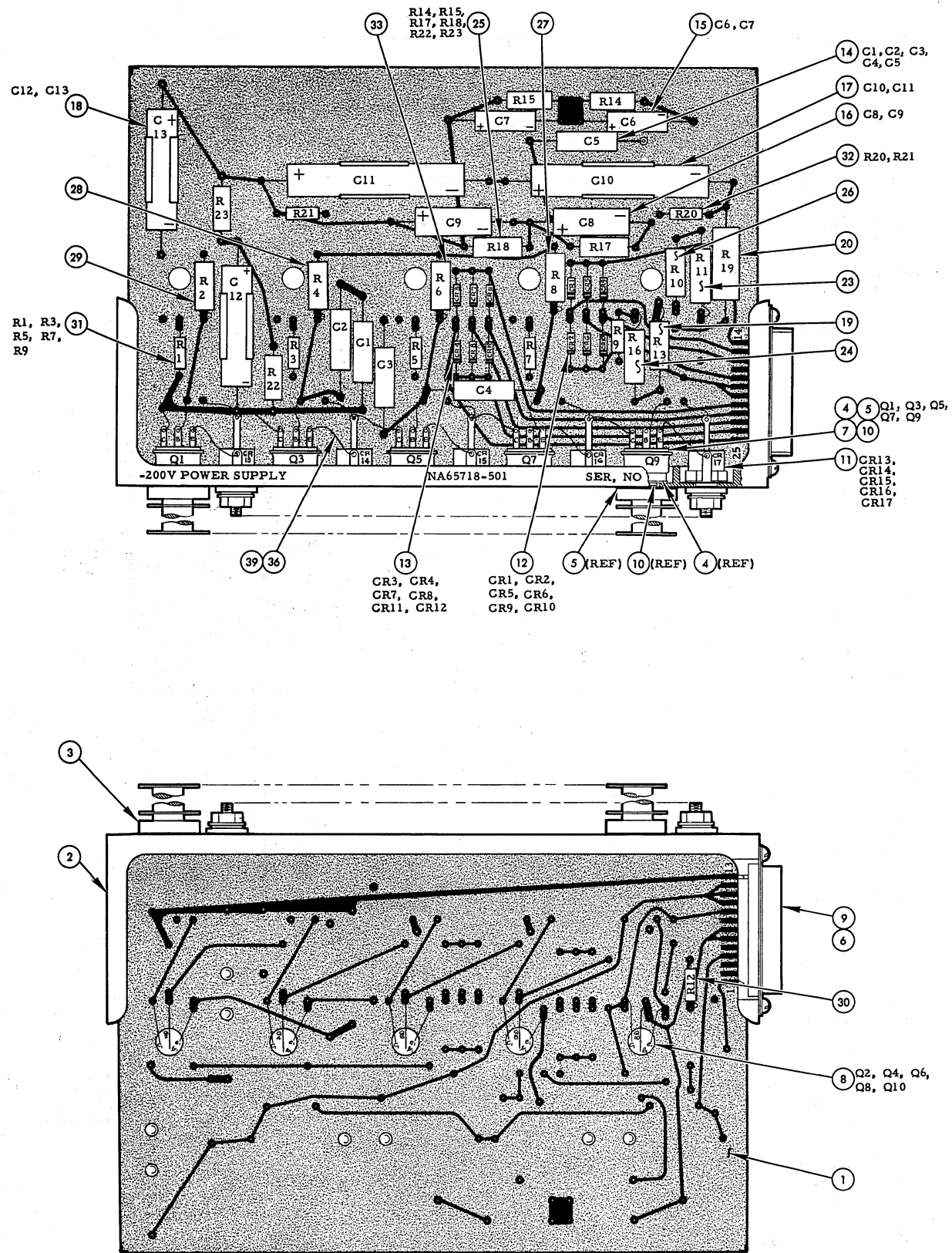


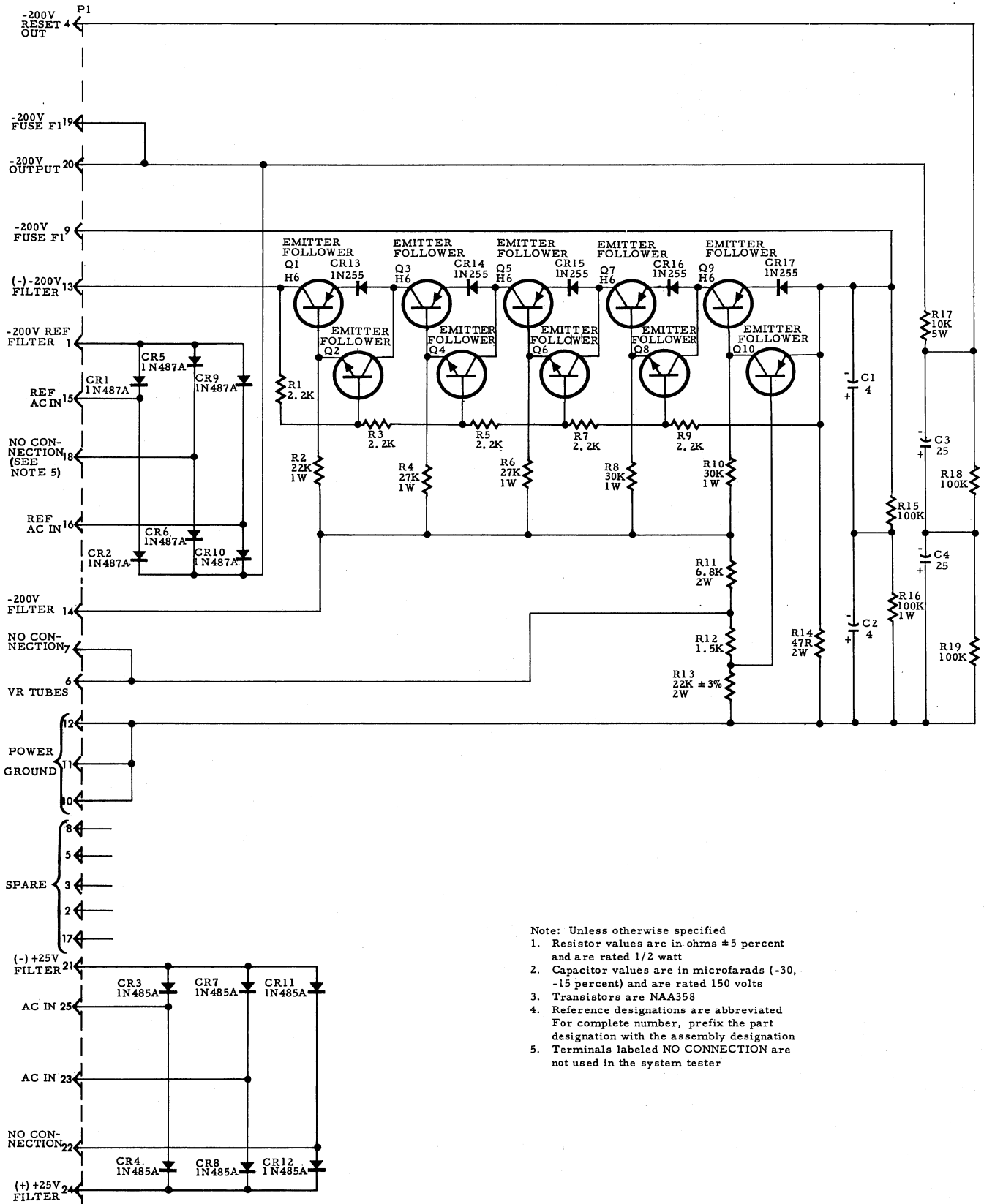
Figure 100. 25-, -25-, -3-, -12-Volt Power Supply Circuit Board Schematic (57313-501)



ITEM NO.	ASSY REQD	ASSY REQD	LIST OF MATERIALS						
			PART NO.	DESC	MATERIAL	SIZE	MATERIAL SPEC		
39	1		ST22-9	INS SLEEVING		3 FT	NA2-4174		
36	1			WIRE	SOFT TIN COATED	22AWG x 3 FT	MIL-W-3861 TYPE S		
33	1		RC32GF203J	RESISTOR			MIL-R-11		
32	2		RC20GF104J						
31	5		RC20GF222J						
30	1		RC20GF152J						
29	1		RC32GF103J						
28	1		RC32GF153J						
27	1		RC32GF223J						
26	1		RC32GF243J						
25	6		RC32GF104J						
24	1		RC42GF473J						
23	1		RC42GF682J	RESISTOR			MIL-R-11		
20	1			RESISTOR	TS-5W	10K±5%5W	TEPRO ELECTRIC CORP		
19	1			RESISTOR	TS-2W	22K±3%2W	TEPRO ELECTRIC CORP		
18	2		29F413G4	CAPACITOR		2UF±20%150V	GENERAL ELECTRIC CO		
17	2		29F478G4	CAPACITOR		25UF±7%150V			
16	2		29F447G4	CAPACITOR		4UF±7%150V			
15	2		29F408G4	CAPACITOR		0.25UF±20%150V	GENERAL ELECTRIC CO		
14	5		29F461G4	CAPACITOR		0.1UF±20%150V	GENERAL ELECTRIC CO		
13	6		IN485A	DIODE			TRANSITRON ELECTRONIC CORP		
12	6		IN487A	DIODE			TRANSITRON ELECTRONIC CORP		
11	5		IN255	DIODE			TRANSITRON ELECTRONIC CORP		
10	5		2W1P-11-10-62	WASHER			AMS3605		
9	1		DB25-P	CONNECTOR			CANNON ELECTRIC CO		
8	5		NAA358	TRANSISTOR			GENERAL TRANSISTOR CORP		
7	5		2N539A	TRANSISTOR			MINNEAPOLIS - HONEYWELL CO		
6	2			SCREW BIND HD		4-40 x 3/16	FF-S-92		
5	5		41606-501	WASHER			AUTONETICS		
4	5		41605-501	WASHER					
3	5		65647-501	DISSIPATOR					
2	1		65741-501	FRAME					
1	1		65719-501	BOARD					
	1		65718-501	ASSY			AUTONETICS		
							QUANTITY PER	1	NEXT ASSY
							END ITEM		42513-501

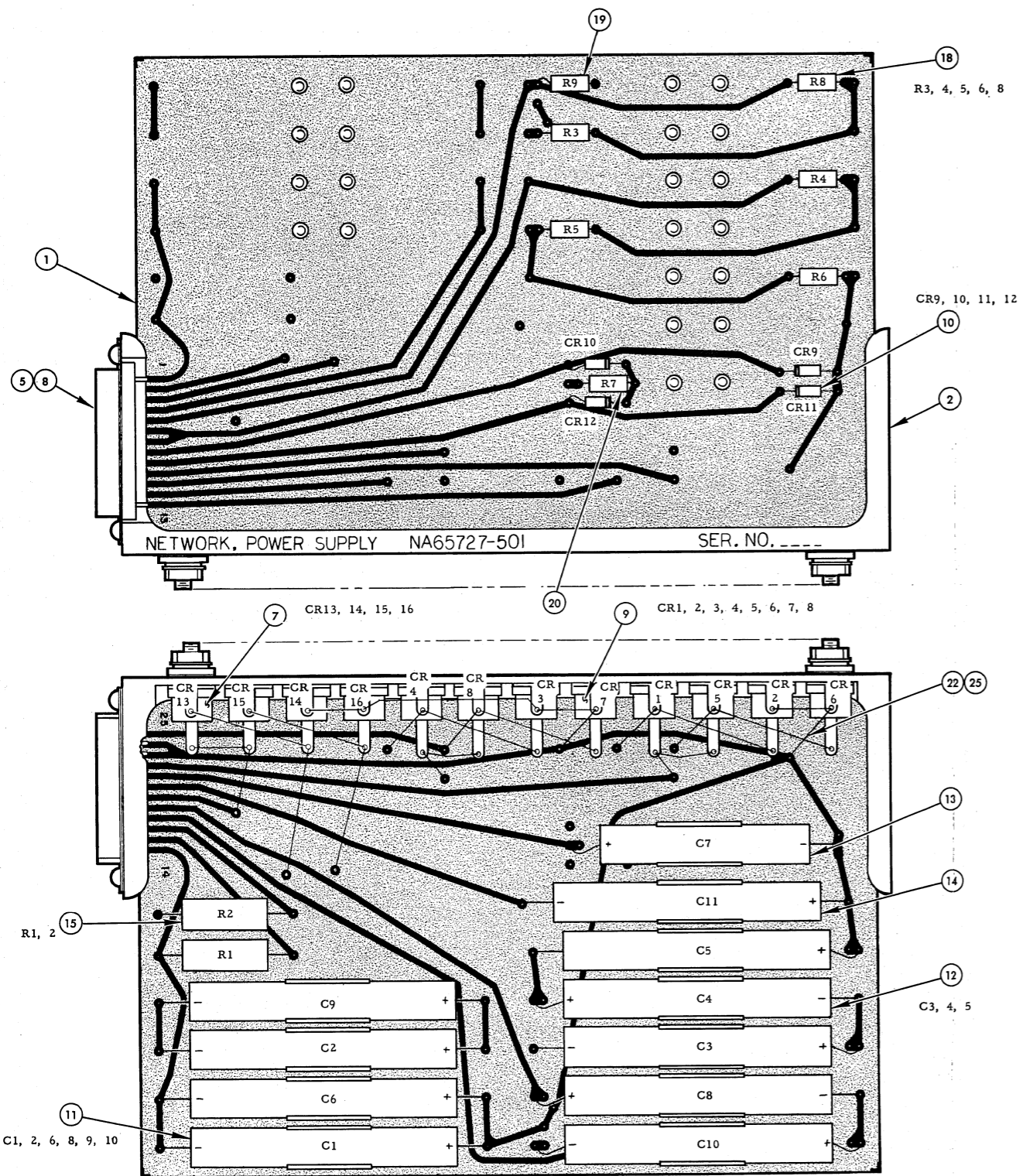
Note: Unless otherwise specified
 1. Reference designations establish location only and do not appear on actual part
 2. Reference designations are abbreviated. For complete number, prefix the part designation with the assembly designation

Figure 101. -200-Volt Power Supply Circuit Board Parts Location Diagram (57402-501).



RC6-110

Figure 102. -200-Volt Power Supply Circuit Board Schematic (57404-501)



ITEM NO.	ASSY REQD	ASSY REQD	LIST OF MATERIALS					
			PART NO.	DESC	MATERIAL	SIZE	MATERIAL SPEC	
25	1			WIRE	SOFT TIN COATED	22AWG 2 FT	MIL-W-3861 TYPE S	
22	1		ST22-9	SLEEVING		2 FT	NA2-4174	
20	1		RC20GF102J	RESISTOR			MIL-R-11	
19	1		RC20GF101J	RESISTOR			MIL-R-11	
18	5		RC20GF334J	RESISTOR			MIL-R-11	
15	2			RESISTOR	TS-5W	150 OHM±5% 5W	TEPRO ELECTRIC CORP	
14	1		29F476G4	CAPACITOR			GENERAL ELECTRIC CO	
13	1		29F478G4					
12	3		29F479G4					
11	6		29F518G4	CAPACITOR			GENERAL ELECTRIC CO	
10	4		IN485A	DIODE			TRANSITRON ELECTRONIC CORP	
9	8		IN253	DIODE			TRANSITRON ELECTRONIC CORP	
8	1		DB-25P	CONNECTOR			CANNON ELECTRIC CO	
7	4		IN255	DIODE			TRANSITRON ELECTRONIC CORP	
5	2			SCREW BIND HD		4-40 x 3/16	FF-S-92	
2	1		65738-501	FRAME			AUTONETICS	
1	1		65728-501	BOARD			AUTONETICS	
	1		65727-501	ASSY			AUTONETICS	
							QUANTITY PER END ITEM	1
							NEXT ASSY	41582-501

Note: Unless otherwise specified
 1. Reference designations establish location only and do not appear on actual part.
 2. Reference designations are abbreviated. For complete number, prefix the part designation with the assembly designation.

Figure 103. Network Power Supply Circuit Board
 Parts Location Diagram (57405-501)

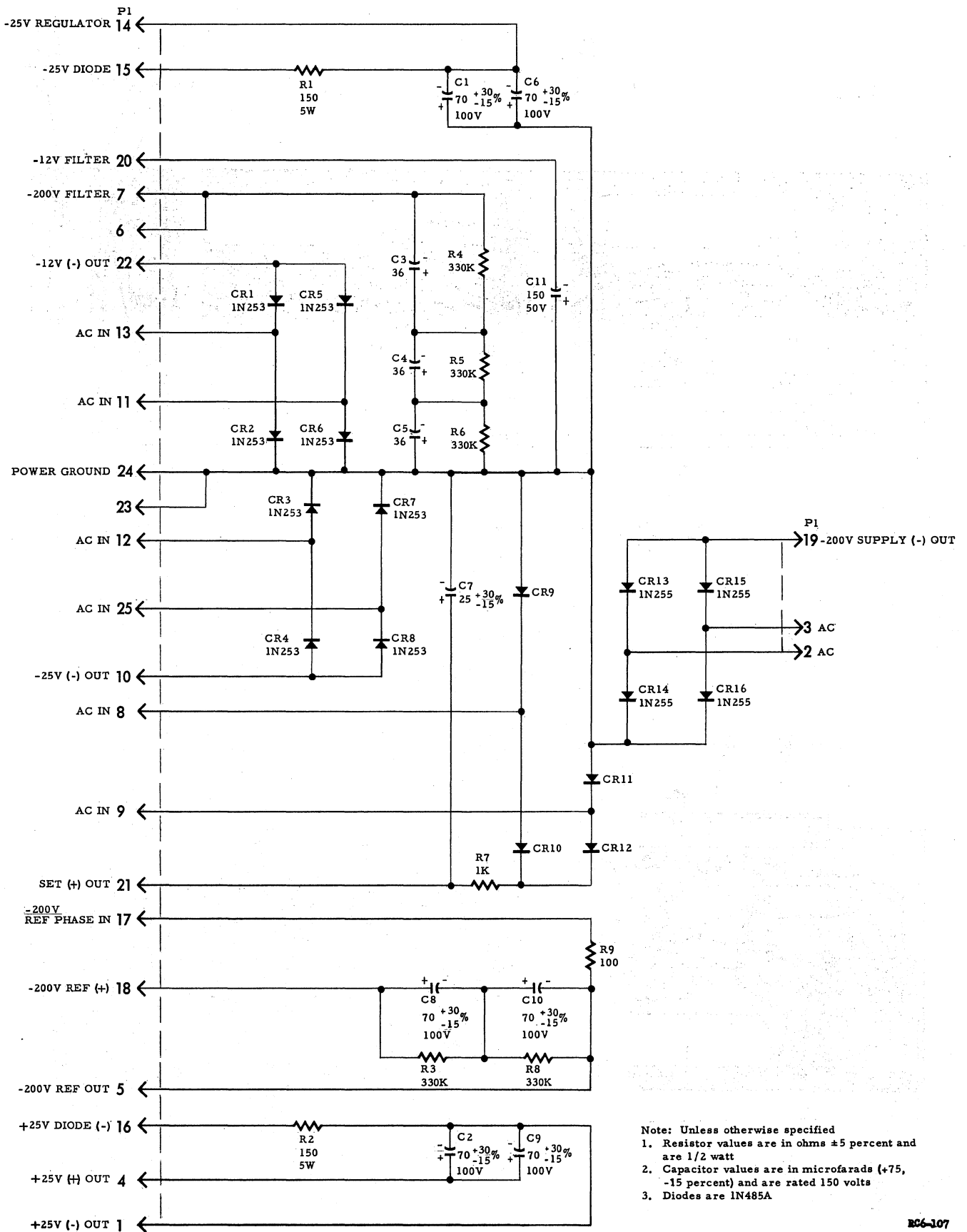
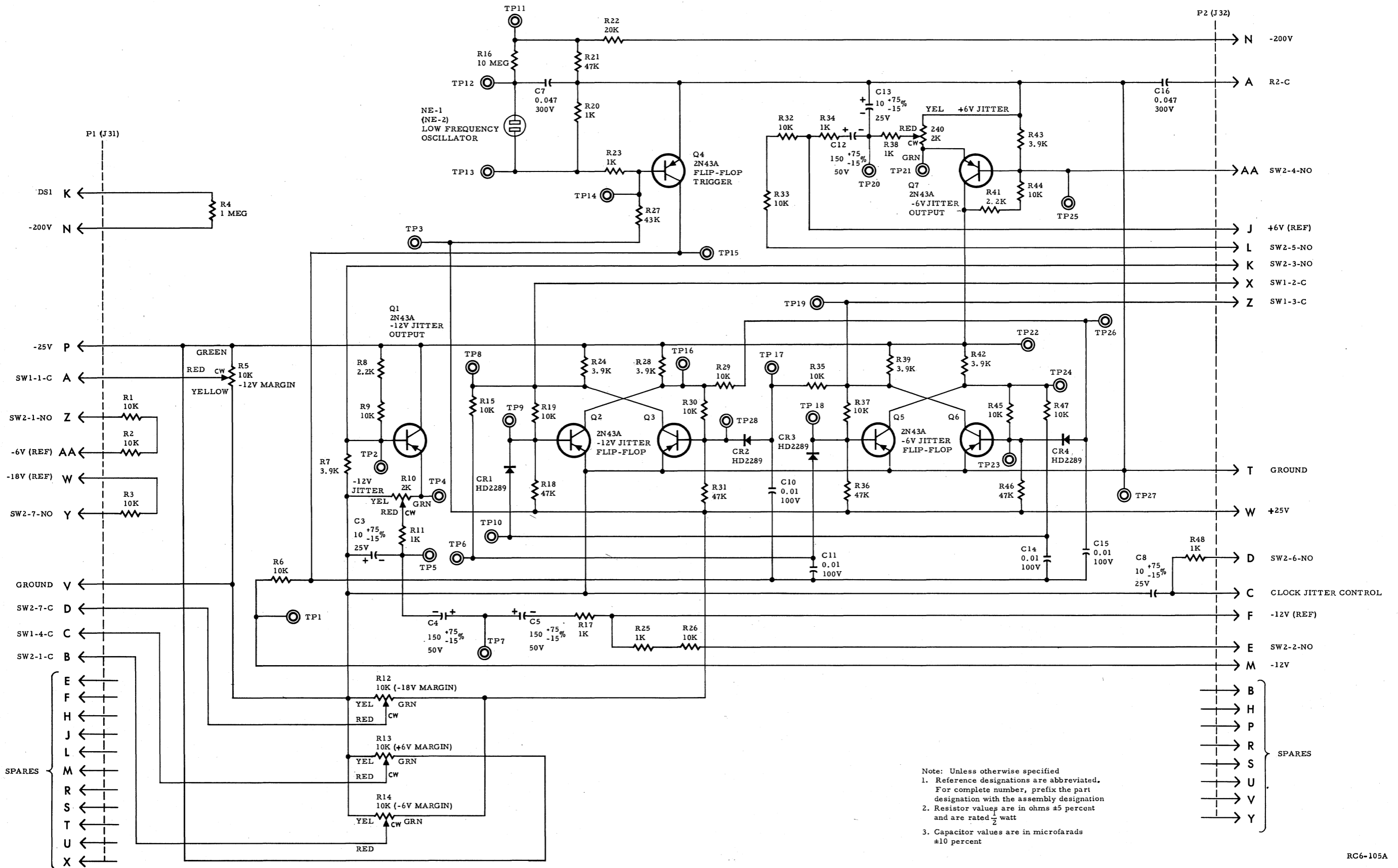


Figure 104 Network Power Supply Circuit Board Schematic (57407-501)



RC6-105A

Figure 106. Marginal Test Circuit Board Schematic (57310-501)