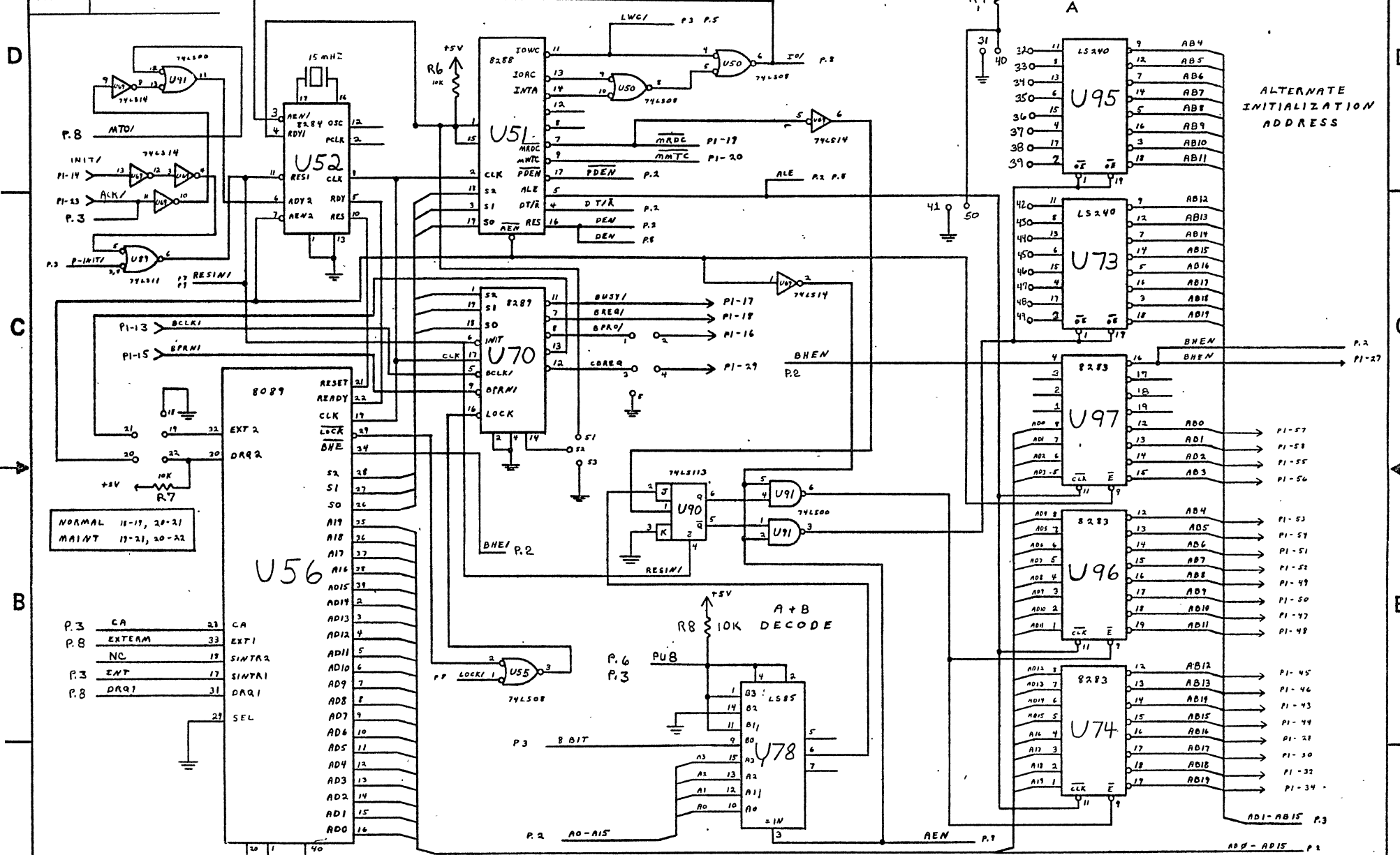


TABULATION
DASH NO.

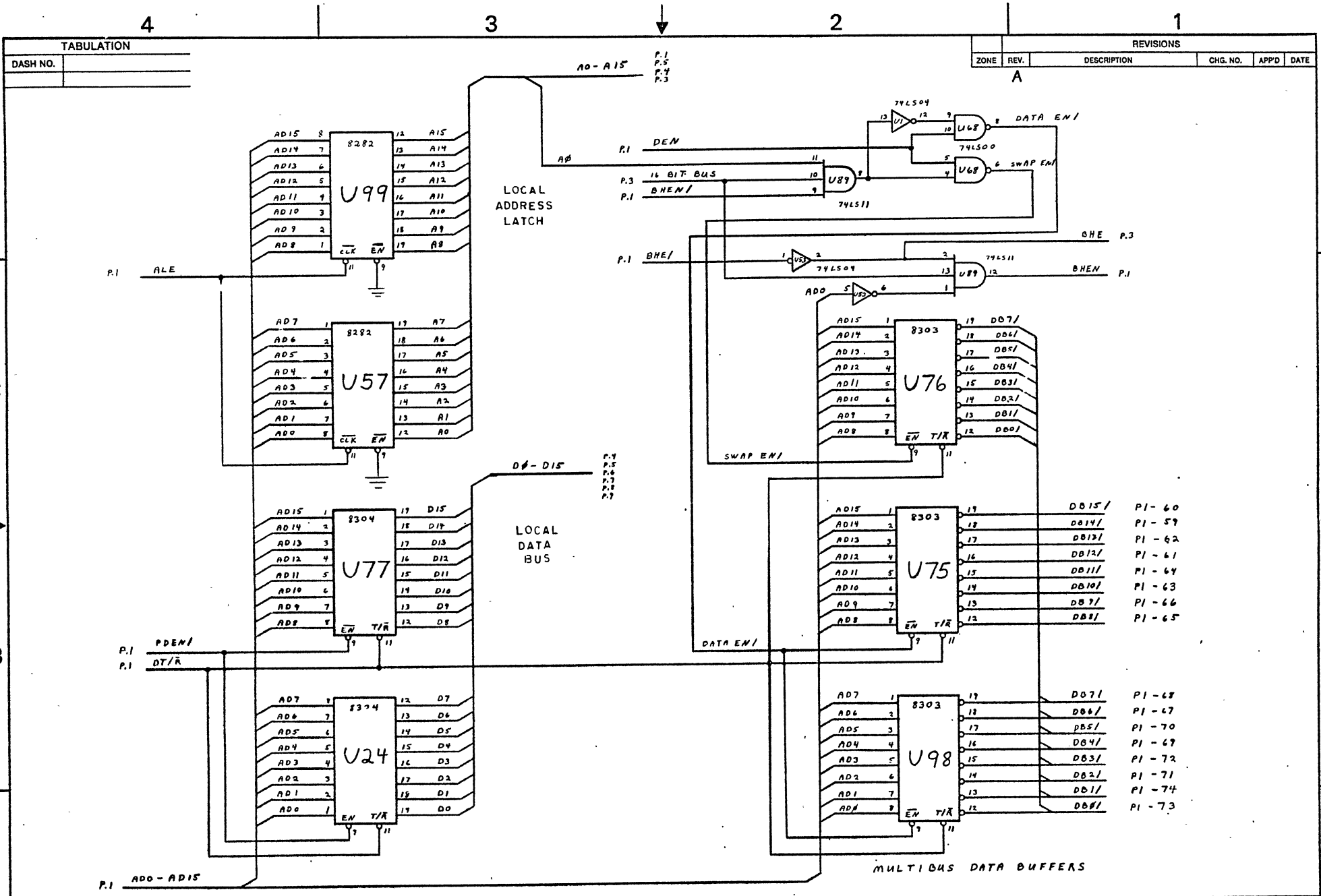
| REVISIONS | | | |
|-----------|------|-------------|----------|
| ZONE | REV. | DESCRIPTION | CHG. NO. |
| A | | | |



NORMAL 11-17, 20-21
MAINT 17-21, 20-22

| | | | |
|-----|--------|----|---------|
| P.3 | CA | 21 | CA |
| P.8 | EXTARM | 33 | EXT1 |
| | NC | 19 | SINTRA |
| P.3 | EXT | 17 | SINTRA1 |
| P.8 | DRQ1 | 31 | DRQ1 |

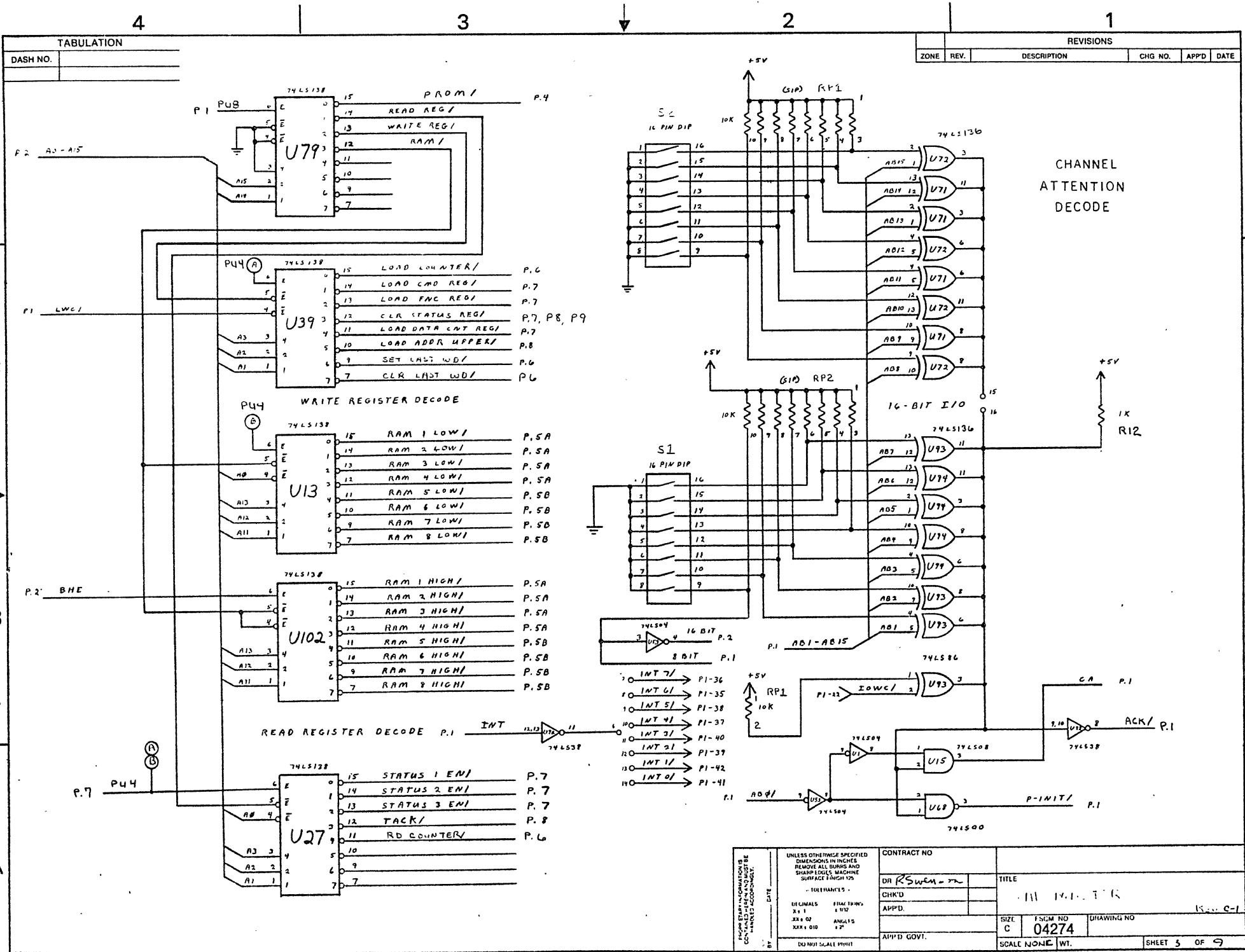
| | | | |
|--|--|-----------------------|--|
| UNLESS OTHERWISE SPECIFIED DIMENSIONS IN INCHES. REMOVE ALL BURRS AND SHARP EDGES MACHINE SURFACE FINISH 125 | | CONTRACT NO. | |
| -TOLERANCES- | | DR. <i>RS Swanson</i> | |
| DECIMALS FRACTIONS | | TITLE | |
| .XX ± .02 .XX ± .01 | | TAFE INVERTER | |
| ANGLES 2° | | APPD. | |
| DO NOT SCALE PRINT | | APPD. GOVT | |
| DATE | | SCALE NONE | |
| BY | | WT. | |
| | | SHEET 1 OF 9 | |



| TABULATION | |
|------------|--|
| DASH NO. | |
| | |

| REVISIONS | | | | |
|-----------|------|-------------|----------|------------|
| ZONE | REV. | DESCRIPTION | CHG. NO. | APP'D DATE |
| | | | | |

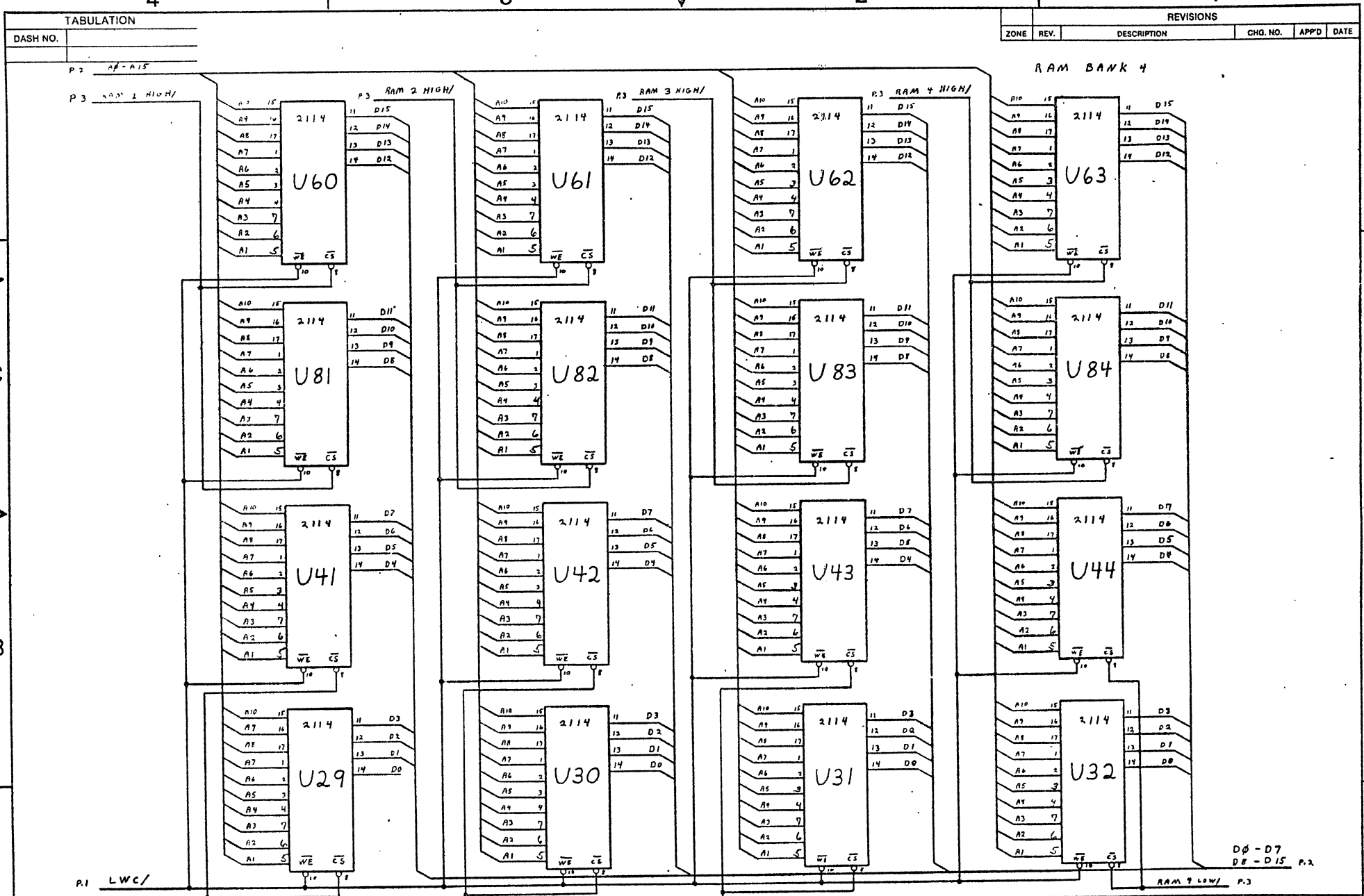
| | | |
|---|---|--|
| PROPRIETARY INFORMATION IS CONTAINED HEREIN. UNLESS OTHERWISE SPECIFIED DIMENSIONS IN INCHES. REMOVE ALL BURRS AND SHARP EDGES MACHINE SURFACE FINISH 125 -TOLERANCES- DECIMALS ±.01 FRACTIONS ±.02 XX ±.02 ANGLES ±.2° XXX ±.010 DO NOT SCALE PRINT | CONTRACT NO. DR. R. Swenson CHK'D APP'D APP'D GOVT. | TITLE THE MASTER SIZE C FSCM NO. 04274 DRAWING NO. 150 C-1 SCALE NONE WT. SHEET 2 OF 9 |
| | DATE | DRAWING NO. |
| | DO NOT SCALE PRINT | SHEET 2 OF 9 |
| | DATE | SHEET 2 OF 9 |



| REVISIONS | | | | | |
|-----------|------|-------------|---------|------|------|
| ZONE | REV. | DESCRIPTION | CHG NO. | APPD | DATE |
| | | | | | |

| TABULATION | |
|------------|--|
| DASH NO. | |
| | |

| | | | |
|--|---|--|---|
| FROM DRAWING INFORMATION CONTAINED HEREIN AND MUST BE MAINTAINED PERMANENTLY | UNLESS OTHERWISE SPECIFIED DIMENSIONS IN INCHES REMOVE ALL BURRS AND SHARP EDGES. MACHINE SURFACE FINISH 125 | CONTRACT NO. | TITLE |
| | 100% FINISH | DR <i>RSW</i> | |
| | USE DIMENSIONS X 1 1/16 X 2 1/8 X 3 1/4 X 4 1/2 X 6 3/8 X 8 1/2 X 12 1/2 X 18 1/2 X 24 1/2 X 36 1/2 X 48 1/2 X 72 1/2 X 96 1/2 X 144 1/2 X 192 1/2 X 288 1/2 X 384 1/2 X 576 1/2 X 768 1/2 X 1152 1/2 X 1728 1/2 X 2304 1/2 X 3456 1/2 X 5184 1/2 X 7776 1/2 X 11664 1/2 X 17496 1/2 X 26244 1/2 X 39366 1/2 X 58998 1/2 X 88497 1/2 X 132745 1/2 X 199118 1/2 X 298677 1/2 X 448016 1/2 X 672024 1/2 X 1008036 1/2 X 1512054 1/2 X 2272081 1/2 X 3408122 1/2 X 5112183 1/2 X 7668274 1/2 X 11502411 1/2 X 17253617 1/2 X 25880426 1/2 X 38820639 1/2 X 58230966 1/2 X 87346449 1/2 X 131024674 1/2 X 196537011 1/2 X 294805517 1/2 X 442208276 1/2 X 663312414 1/2 X 994968621 1/2 X 1492452932 1/2 X 2238679398 1/2 X 3358019097 1/2 X 5037028646 1/2 X 7555542969 1/2 X 11332564608 1/2 X 17001846917 1/2 X 25502769876 1/2 X 38254154814 1/2 X 57381232221 1/2 X 86071848332 1/2 X 128107272499 1/2 X 192160907948 1/2 X 288241361922 1/2 X 432362042883 1/2 X 648543064324 1/2 X 972814596477 1/2 X 1459221894714 1/2 X 2188832842071 1/2 X 3283249263107 1/2 X 4924873894660 1/2 X 7387310841991 1/2 X 11080966262982 1/2 X 16621449394473 1/2 X 24932174091709 1/2 X 37398261137566 1/2 X 55947391706349 1/2 X 84071087559526 1/2 X 126086531239289 1/2 X 189129796858934 1/2 X 283694695288401 1/2 X 425542042932602 1/2 X 643313064398903 1/2 X 964969596598354 1/2 X 1447454394897531 1/2 X 2171181592346302 1/2 X 3256772388519457 1/2 X 4900158582779184 1/2 X 7350237874168776 1/2 X 11025356811253167 1/2 X 16538035216879754 1/2 X 24807052825319631 1/2 X 36750679237979442 1/2 X 54750638855959168 1/2 X 82125958083938752 1/2 X 123188937125918144 1/2 X 184783405688877216 1/2 X 277175108533315840 1/2 X 415762662800000000 1/2 X 623643994200000000 1/2 X 935465991300000000 1/2 X 1403198987000000000 1/2 X 2104798480500000000 1/2 X 3157197720750000000 1/2 X 4735796581125000000 1/2 X 7098694866687500000 1/2 X 10648042300000000000 1/2 X 15972063450000000000 1/2 X 23958095175000000000 1/2 X 35937142762500000000 1/2 X 53905714143750000000 1/2 X 80864286190625000000 1/2 X 121296429286875000000 1/2 X 181944643930312500000 1/2 X 272916965895468750000 1/2 X 409375448843187500000 1/2 X 614063173264812500000 1/2 X 919659860000000000000 1/2 X 1379489790000000000000 1/2 X 2069234685000000000000 1/2 X 3103852027500000000000 1/2 X 4655778041250000000000 1/2 X 6983667061875000000000 1/2 X 10475500592812500000000 1/2 X 15713250889218750000000 1/2 X 23569876333828125000000 1/2 X 35354814500000000000000 1/2 X 53032221750000000000000 1/2 X 79548332625000000000000 1/2 X 119322498937500000000000 1/2 X 178983748406250000000000 1/2 X 268475622609375000000000 1/2 X 402713431914062500000000 1/2 X 604070147871250000000000 1/2 X 906105221806875000000000 1/2 X 1359157832710312500000000 1/2 X 2038736749065625000000000 1/2 X 3058105123598437500000000 1/2 X 4587157685397687500000000 1/2 X 6880736528096875000000000 1/2 X 10320894792145312500000000 1/2 X 15481342188218125000000000 1/2 X 23218014282312500000000000 1/2 X 34827021423484375000000000 1/2 X 52238532135228125000000000 1/2 X 78357798202893750000000000 1/2 X 117536747304343750000000000 1/2 X 176305120956518750000000000 1/2 X 264457681434781250000000000 1/2 X 396686522152187500000000000 1/2 X 590035283228281250000000000 1/2 X 877505424842437500000000000 1/2 X 1316258137263687500000000000 1/2 X 1974387205895437500000000000 1/2 X 2961570728843125000000000000 1/2 X 4442356093264812500000000000 1/2 X 6663534640000000000000000000 1/2 X 10000000000000000000000000000 1/2 | DR <i>RSW</i> CHK'D APP'D APP'D GOVT. | FSCM NO 04274 DRAWING NO 15... C-1 SCALE NONE WT. SHEET 3 OF 9 |

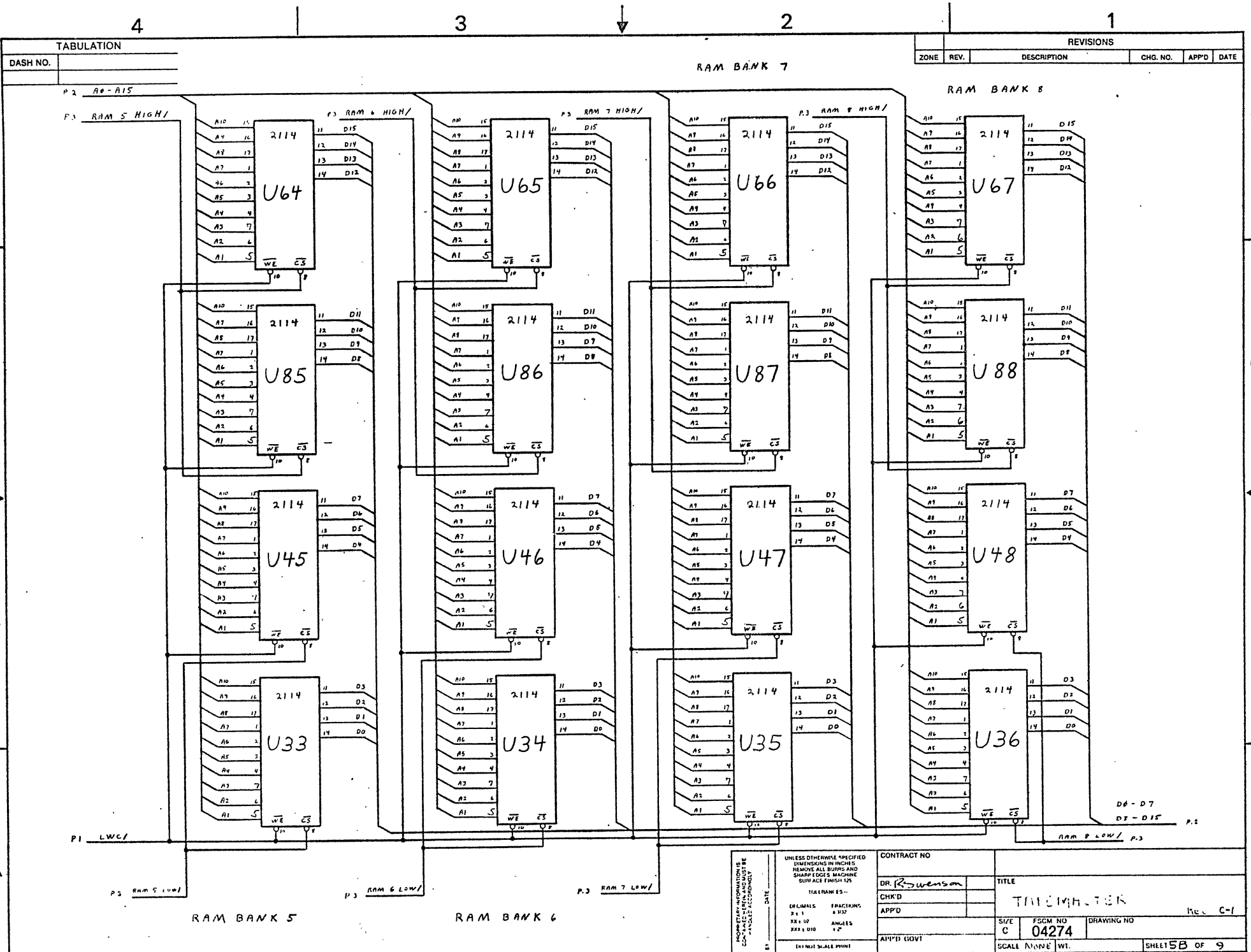


| TABULATION | |
|------------|-------------|
| DASH NO. | |
| P.2 | AF-A15 |
| P.3 | RAM 1 HIGH/ |

| REVISIONS | | | | |
|-----------|------|-------------|----------|------------|
| ZONE | REV. | DESCRIPTION | CHG. NO. | APPD. DATE |

| | | | | | | | |
|--|--|---------------------|--|-------------------|--|------------------------|--|
| P.1 LWC/ P.3 RAM 1 LOW/ | | P.3 RAM 2 LOW/ | | P.3 RAM 3 LOW/ | | P.3 RAM 4 LOW/ | |
| RAM BANK 1 | | RAM BANK 2 | | RAM BANK 3 | | RAM BANK 4 | |
| CONTRACT NO. DR <i>R Swenson</i> CHKD APPD. | | TITLE TAPEMASTER | | FSCM NO. 04274 | | DRAWING NO. Rev C-1 | |
| APP D. GOVT. | | SCALE: NONE | | WT. | | SHEET 5A OF 9 | |

UNLESS OTHERWISE SPECIFIED DIMENSIONS IN INCHES REMOVE ALL BURRS AND SHARP EDGES MACHINE SURFACE FINISH 125 -TOLERANCES- DECIMALS FRACTIOMS X 1 1/2 XX 1/2 ANGLES 2° DO NOT SCALE PRINT



TABULATION

| | |
|----------|--|
| DASH NO. | |
|----------|--|

| REVISIONS | | | | |
|-----------|------|-------------|----------|-----------|
| ZONE | REV. | DESCRIPTION | CHG. NO. | APPD DATE |
| | | | | |

RAM BANK 7

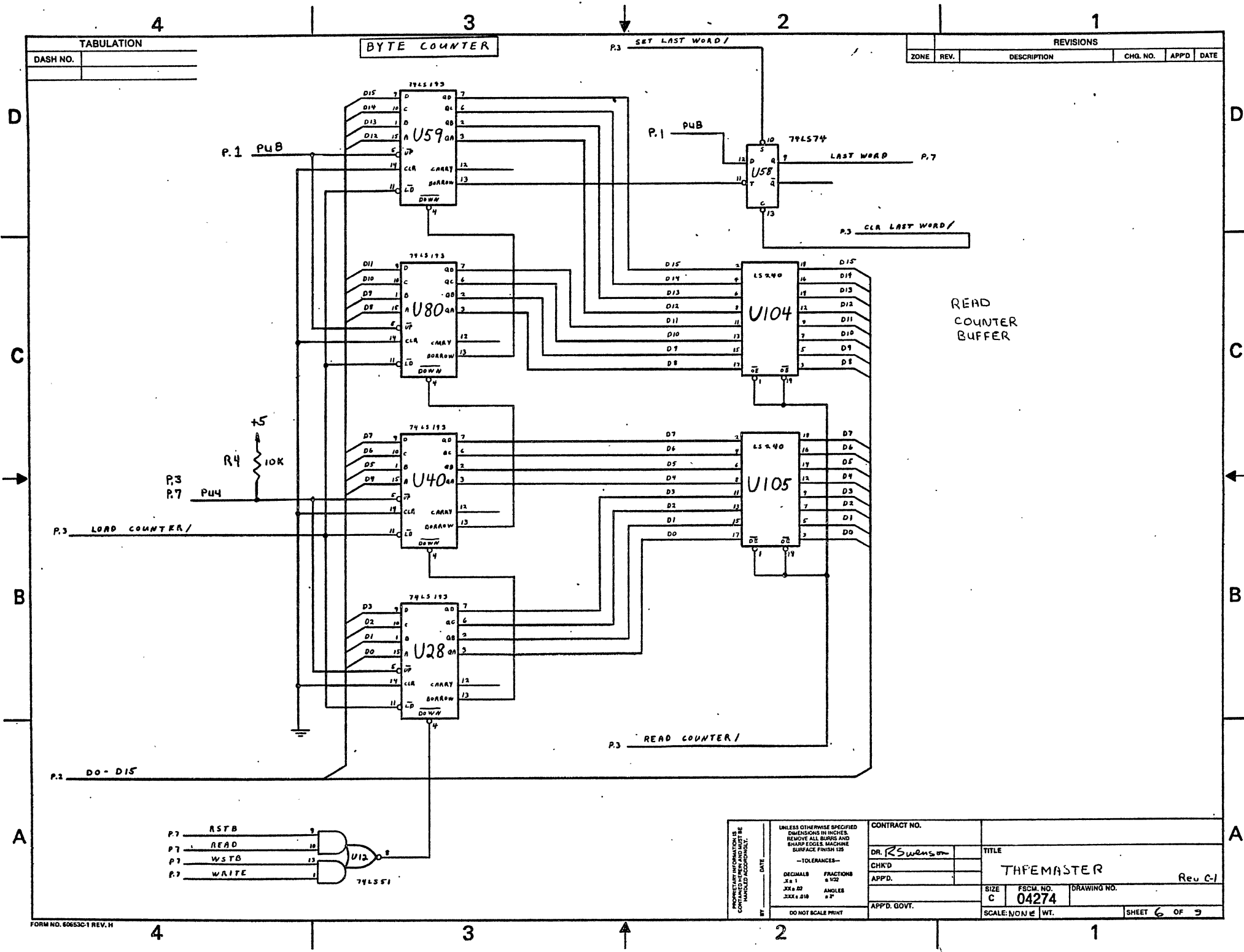
RAM BANK 8

RAM BANK 5

RAM BANK 6

UNLESS OTHERWISE SPECIFIED
DIMENSIONS IN INCHES
REMOVE ALL BURRS AND
SHARP EDGES MACHINE
SURFACE FINISH 125
TOLERANCES--
DECIMALS FRACTIONS
X 1 1 1/32
X 2 1/64 1/64
X 3 1/128 1/128
X 4 1/256 1/256
X 5 1/512 1/512
X 6 1/1024 1/1024
X 7 1/2048 1/2048
X 8 1/4096 1/4096
X 9 1/8192 1/8192
X 10 1/16384 1/16384
X 11 1/32768 1/32768
X 12 1/65536 1/65536
X 13 1/131072 1/131072
X 14 1/262144 1/262144
X 15 1/524288 1/524288
X 16 1/1048576 1/1048576
X 17 1/2097152 1/2097152
X 18 1/4194304 1/4194304
X 19 1/8388608 1/8388608
X 20 1/16777216 1/16777216
X 21 1/33554432 1/33554432
X 22 1/67108864 1/67108864
X 23 1/134217728 1/134217728
X 24 1/268435456 1/268435456
X 25 1/536870912 1/536870912
X 26 1/1073741824 1/1073741824
X 27 1/2147483648 1/2147483648
X 28 1/4294967296 1/4294967296
X 29 1/8589934592 1/8589934592
X 30 1/17179869184 1/17179869184
X 31 1/34359738368 1/34359738368
X 32 1/68719476736 1/68719476736
X 33 1/137438953472 1/137438953472
X 34 1/274877906944 1/274877906944
X 35 1/549755813888 1/549755813888
X 36 1/1099511627776 1/1099511627776
X 37 1/2199023255552 1/2199023255552
X 38 1/4398046511104 1/4398046511104
X 39 1/8796093022208 1/8796093022208
X 40 1/17592186044416 1/17592186044416
X 41 1/35184372088832 1/35184372088832
X 42 1/70368744177664 1/70368744177664
X 43 1/140737488355328 1/140737488355328
X 44 1/281474976710656 1/281474976710656
X 45 1/562949953421312 1/562949953421312
X 46 1/1125899906842624 1/1125899906842624
X 47 1/2251799813685248 1/2251799813685248
X 48 1/4503599627370496 1/4503599627370496
X 49 1/9007199254740992 1/9007199254740992
X 50 1/18014398509481984 1/18014398509481984
X 51 1/36028797018963968 1/36028797018963968
X 52 1/72057594037927936 1/72057594037927936
X 53 1/144115188075855872 1/144115188075855872
X 54 1/288230376151711744 1/288230376151711744
X 55 1/576460752303423488 1/576460752303423488
X 56 1/1152921504606846976 1/1152921504606846976
X 57 1/2305843009213693952 1/2305843009213693952
X 58 1/4611686018427387904 1/4611686018427387904
X 59 1/9223372036854775808 1/9223372036854775808
X 60 1/18446744073709551616 1/18446744073709551616
X 61 1/36893488147419103232 1/36893488147419103232
X 62 1/73786976294838206464 1/73786976294838206464
X 63 1/147573952589676412928 1/147573952589676412928
X 64 1/295147905179352825856 1/295147905179352825856
X 65 1/590295810358705651712 1/590295810358705651712
X 66 1/1180591620717411303424 1/1180591620717411303424
X 67 1/2361183241434822606848 1/2361183241434822606848
X 68 1/4722366482869645213696 1/4722366482869645213696
X 69 1/9444732965739290427392 1/9444732965739290427392
X 70 1/18889465931478580854784 1/18889465931478580854784
X 71 1/37778931862957161709568 1/37778931862957161709568
X 72 1/75557863725914323419136 1/75557863725914323419136
X 73 1/151115727451828646838272 1/151115727451828646838272
X 74 1/302231454903657293675544 1/302231454903657293675544
X 75 1/604462909807314587351088 1/604462909807314587351088
X 76 1/1208925819614629174702176 1/1208925819614629174702176
X 77 1/2417851639229258349404352 1/2417851639229258349404352
X 78 1/4835703278458516698808704 1/4835703278458516698808704
X 79 1/9671406556917033397617408 1/9671406556917033397617408
X 80 1/19342813113834066795234816 1/19342813113834066795234816
X 81 1/38685626227668133590469632 1/38685626227668133590469632
X 82 1/77371252455336267180939264 1/77371252455336267180939264
X 83 1/15474250491067253436187728 1/15474250491067253436187728
X 84 1/30948500982134506872375456 1/30948500982134506872375456
X 85 1/61897001964269013744750912 1/61897001964269013744750912
X 86 1/123794003928538027489501824 1/123794003928538027489501824
X 87 1/247588007857076054979003648 1/247588007857076054979003648
X 88 1/49517601571415210995800736 1/49517601571415210995800736
X 89 1/99035203142830421991601472 1/99035203142830421991601472
X 90 1/198070406285660843923202944 1/198070406285660843923202944
X 91 1/396140812571321687846405888 1/396140812571321687846405888
X 92 1/792281625142643375692811776 1/792281625142643375692811776
X 93 1/1584563250285286751385623552 1/1584563250285286751385623552
X 94 1/3169126500570573502771247104 1/3169126500570573502771247104
X 95 1/6338253001141147005542494208 1/6338253001141147005542494208
X 96 1/12676506002282294011084988416 1/12676506002282294011084988416
X 97 1/25353012004564588022169976832 1/25353012004564588022169976832
X 98 1/50706024009129176044339953664 1/50706024009129176044339953664
X 99 1/101412048018258352088679907328 1/101412048018258352088679907328
X 100 1/202824096036516704177359814656 1/202824096036516704177359814656

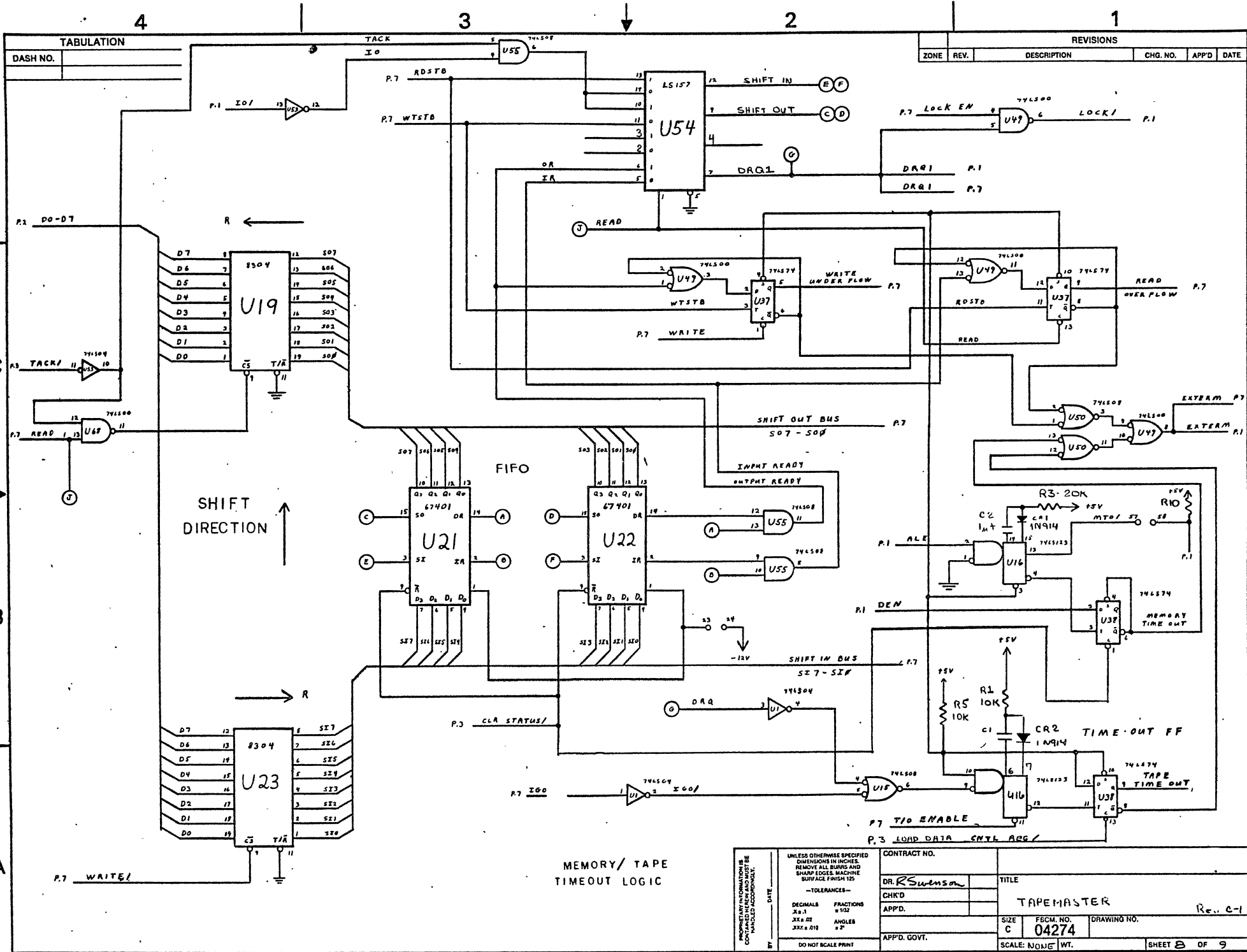
| | | | |
|-----------------------|--|---------------|---------|
| CONTRACT NO | | TITLE | |
| DR. <i>R. Swenson</i> | | TITLE | |
| CHK'D | | TITLE | |
| APP'D | | TITLE | |
| APP'D (GOVT) | | SIZE | FSCM NO |
| | | C | 04274 |
| | | DRAWING NO | |
| | | SCALE | NONE |
| | | WT. | |
| | | SHEET 5B OF 9 | |

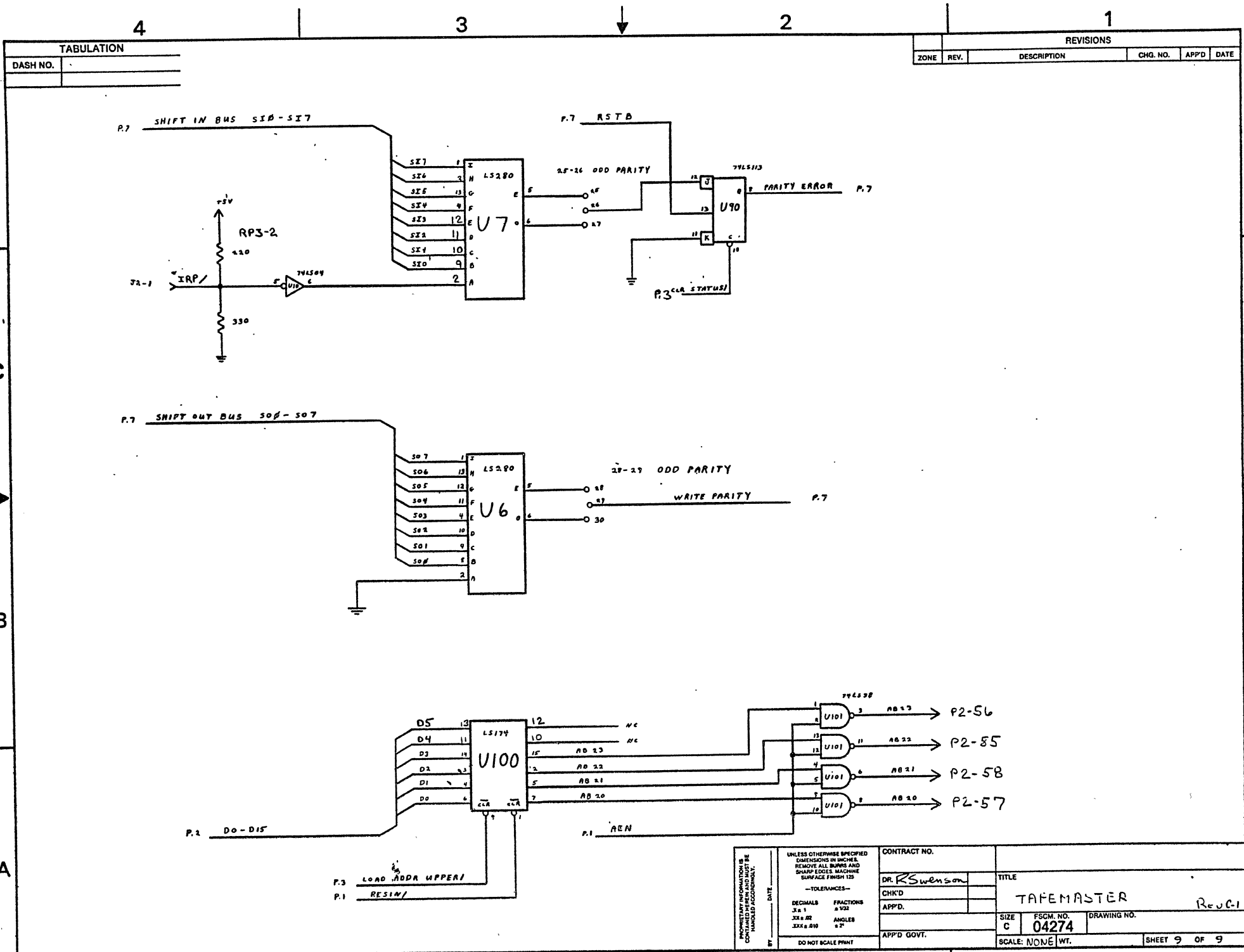


| TABULATION | |
|------------|--|
| DASH NO. | |
| | |

| REVISIONS | | | | |
|-----------|------|-------------|----------|------------|
| ZONE | REV. | DESCRIPTION | CHG. NO. | APPD. DATE |

| | | | | |
|--|---------------------|------------------|-----------------------|--------------|
| PROPRIETARY INFORMATION IS CONTAINED HEREIN AND MUST BE KEPT SECRET. | CONTRACT NO. | | TITLE | |
| | DR. <i>RSwenson</i> | | THEFEMASTER | |
| | CHK'D | | APP'D. <i>Rev C-1</i> | |
| | SIZE | FSCM. NO. | DRAWING NO. | |
| | C | 04274 | | |
| APP'D. GOVT. | | SCALE: NON & WT. | | SHEET 6 OF 9 |





| TABULATION | |
|------------|--|
| DASH NO. | |
| | |

| REVISIONS | | | | |
|-----------|------|-------------|----------|------------|
| ZONE | REV. | DESCRIPTION | CHG. NO. | APP'D DATE |
| | | | | |

UNLESS OTHERWISE SPECIFIED
DIMENSIONS IN INCHES
REMOVE ALL BURRS AND
SHARP EDGES MACHINE
SURFACE FINISH 125

—TOLERANCES—
DECIMALS FRACTIONS
X ± .01 ± .002
XX ± .02 ANGLES
XXX ± .10 ± 2°

DO NOT SCALE PRINT

| | | | |
|---------------------|--|--------------|-----------|
| CONTRACT NO. | | TITLE | |
| DR. <i>RSwenson</i> | | TAFEMASTER | |
| CHK'D | | SIZE | FSCM. NO. |
| APP'D. | | C | 04274 |
| | | DRAWING NO. | |
| APP'D GOVT. | | SCALE: NONE | WT. |
| | | SHEET 9 OF 9 | |