

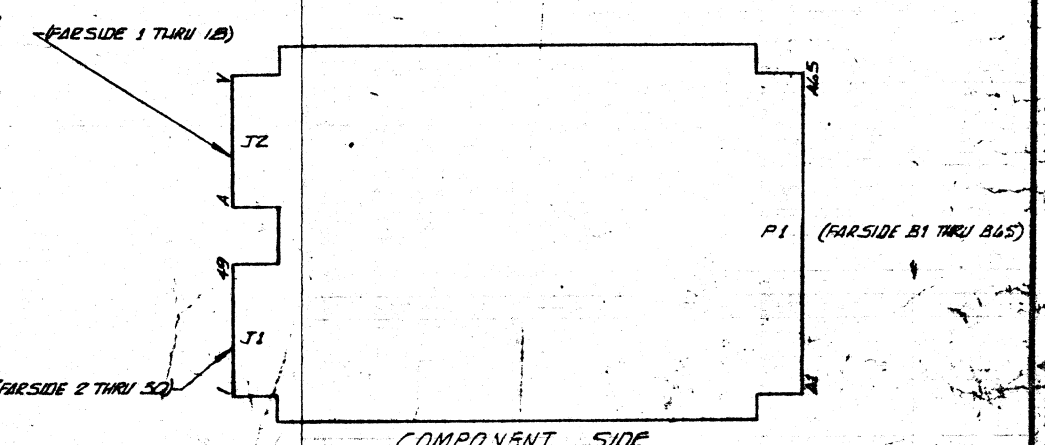
CONNECTOR SIGNAL

P1	SIGNAL	DIRECTION
PIN 01	AVD	→
02	SPARE	
03	SPARE	
04	+12V	→
05	-12V	→
06	CNTEN	→
07	55W	→
08	TTLF	→
09	+5H	NU
10	SPARE	→
11	SPARE	
12	+5V	→
13	MST	→
14	MACK	→
15	SPARE	
16	FCLK	→
17	PRD	NU
18	AB08	→
19	SPARE	
20	SPARE	
21	AB10	NU
22	GND	→
23	SPARE	
24	AB12	→
25	SPARE	
26	AB14	→
27	AL	→
28	SPARE	
29	SPARE	
30	SPARE	
31	DB00	→
32	DB02	→
33	DB04	→
34	SPARE	
35	+5V	→
36	SPARE	
37	SPARE	
38	DB08	→
39	DB06	→
40	DB11	→
41	SPARE	
42	DB12	→
43	DB15	→
44	SPARE	
45	SPARE	
46	EXE2	→
47	GND	→
48	SPARE	
49	TQCL	→
50	CLK	NU
51	TUE	→
52	SPARE	
53	TAR	→
54	RST	→
55	BD15	→
56	PLSE	→
57	ECH0	→
58	+5V	→
59	AB03	→
60	AB05	→
61	AB07	→
62	AB01	→
63	STEND	→
64	BS04	→
PIN 65	GND	→

P1	SIGNAL	DIRECTION
PIN 01	GND	→
02	JEST	→
03	SPARE	
04	+12V	→
05	-12V	→
06	DOKE	→
07	JTIFI	→
08	SPARE	
09	+5H	NU
10	QATLD	→
11	JPT	→
12	+5V	→
13	SPARE	
14	ED	NU
15	PRPT	→
16	SLB	→
17	MDIS	→
18	AB09	NU
19	SPARE	
20	SPARE	
21	AB11	→
22	GND	→
23	SPARE	
24	AB13	→
25	SPARE	
26	AB15	NU
27	SPARE	
28	SPARE	
29	SPARE	
30	SPARE	
31	DB01	→
32	DB03	→
33	DB05	→
34	SPARE	
35	+5V	→
36	SPARE	
37	SPARE	
38	DB09	→
39	DB07	→
40	DB10	→
41	CPREST1A	→
42	DB13	→
43	DB14	→
44	SPARE	
45	SPARE	
46	IN	→
47	GND	→
48	SPARE	
49	OUT	→
50	SER	→
51	SPARE	
52	SPARE	
53	SPARE	
54	TUA	NU
55	SPARE	
56	PRPT	→
57	ZANR	→
58	15V	→
59	AB04	→
60	AB06	→
61	AB00	→
62	AB02	→
63	QMDIS	→
64	QINT	→
PIN 65	GND	→

J1	SIGNAL	DIRECTION
PIN 1	TTLF	→
2	55W	→
3	SLCT1	→
4	JEST	→
5	PRPT	→
6	MAT	→
7	CP006	→
8	TCLK	→
9	SLCT2	→
10	QATLD	→
11	CLKIN	→
12	INH	→
13	CP026	→
14	CP013	→
15	CP104	→
16	CP052	→
17	CP568	→
18	CP416	→
19	CP208	→
20	QMDIS	→
21	SPARE	
22	MEL	→
23	GND	→
24	GND	→
25	GND	→
26	GND	→
27	ORIN	→
28	ENDSW	→
29	TTY0F	→
30	RCDAT	→
31	DS03	→
32	SMDAT	→
33	DS01	→
34	DS00	→
35	DPT	→
36	DS02	→
37	RST	→
38	ZINT	→
39	IKHE	→
40	IDENR	→
41	STR1	→
42	STR2	→
43	STR3	→
44	STR4	→
45	PS	→
46	DTDAT	→
47	WLS1	→
48	WLS2	→
49	RI	→
PIN 50	SBS	→

J2	SIGNAL	DIRECTION
PIN 1	IRDR0	→
2	DTDAT	→
3	EIAT	→
4	RTS	→
5	RDR0	→
6	RDR1	→
7	---	NU
8	MAT+	→
9	MAT-	→
10	GND	→
11	RCY	→
12	TDAT	→
13	QINT	→
14	AL	→
15	ORIN	→
16	GND	→
17	GND	→
18	CLKI	→
A	TRUE-1	→
B	GND	→
C	GND	→
D	ORIN	→
E	AL	→
F	QINT	→
H	TQAT	→
J	RLY	→
K	GND	→
L	MAT-	→
M	MAT+	→
N	---	NU
P	RDR0	→
R	RDR1	→
S	EIAR	→
T	CTS	→
U	SMDAT	→
PIN V	IRDR1	→



DASH NO	DESCRIPTION
-41	BV+TTY+RTC+AL
-51	BV+TTY+EIA+AL
-55	BV+TTY+EIA+RTC+AL
-56	BV+TTY+EIA+RTC+AL

DASH NO.	DESCRIPTION
-01	BV (BASIC VARIABLES)
-03	BV+TTY
-05	BV+RTC
-07	BV+TTY+RTC
-09	BV+AL
-11	BV+TTY+AL
-13	BV+RTC+AL
-15	BV+TTY+RTC+AL
-19	BV+TTY+EIA
-23	BV+TTY+EIA+RTC
-27	BV+TTY+EIA+AL
-31	BV+TTY+EIA+RTC+AL
-33	BV+AL
-35	BV+TTY+AL
-36	BV+TTY+AL
-37	BV+RTC+AL
-39	BV+TTY+RTC+AL
-40	BV+TTY+RTC+AL

5. IC 24-5 IS CONNECTED TO GND FOR ASSYS -05, -09, -13.
4. ALL .022UF, 25V CAPACITORS ARE +80% - 20%, 25V.
3. ALL POLARIZED CAPACITORS, SEE 110%.
2. → DENOTE OUTPUT SIGNALS
← DENOTE INPUT SIGNALS
↔ DENOTE BIDIRECTIONAL SIGNALS
1. ALL RESISTORS ARE 1/4W, 5% AND VALUE ARE IN OHMS.
8. COMPONENTS NOT USED: C20
7. RESISTOR PACKS ARE 1/8W AND VALUES ARE IN OHMS.
6. LAST REF. DESIGNATOR USED IC 74 C00 29

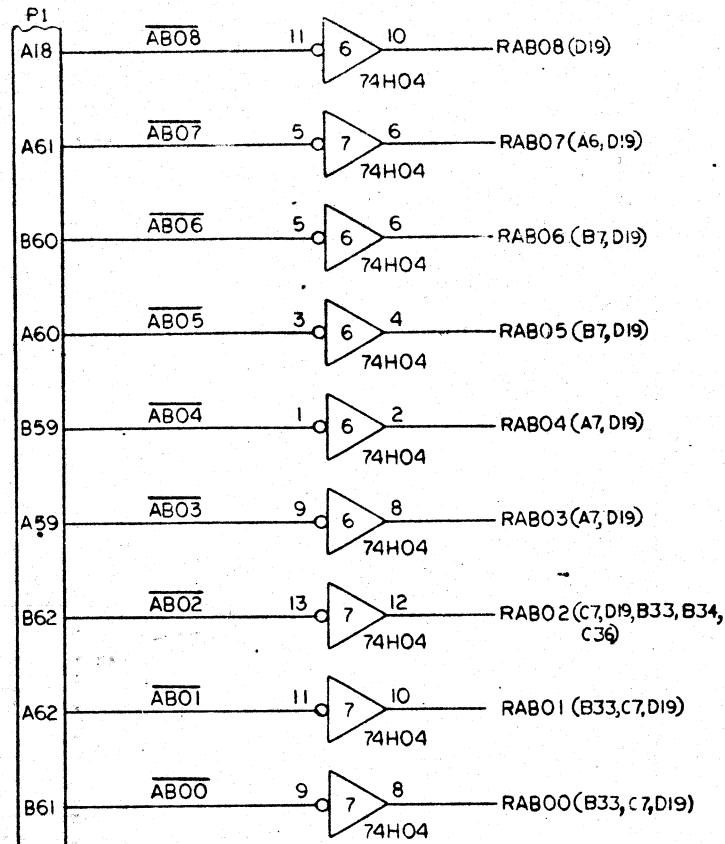
PROPRIETARY RIGHTS NOTICE
THIS DOCUMENT AND INFORMATION THAT IT CONTAINS ARE THE PROPERTY OF COMPUTER AUTOMATION, INC. RIGHTS TO DUPLICATE OR OTHERWISE COPY THIS DOCUMENT AND RIGHTS TO DISCLOSE THE DOCUMENT AND SUCH INFORMATION TO OTHERS AND THE RIGHT TO USE THE INFORMATION CONTAINED THEREIN, MAY BE ACQUIRED ONLY BY WRITTEN PERMISSION GRANTED BY A DULY AUTHORIZED OFFICER OF COMPUTER AUTOMATION, INC.

NOTES UNLESS SPECIFIED	DR	CH	DATE	APPROVAL
1. TOLERANCES XX ±.03 ANGULAR XXX ±.010 ±.5°				
2. BREAK ALL SHARP EDGES .010 APPROX.				
3. ALL DIM. IN INCHES				
DASH NO.	NEXT ASSEMBLY			
	75-33505-11			

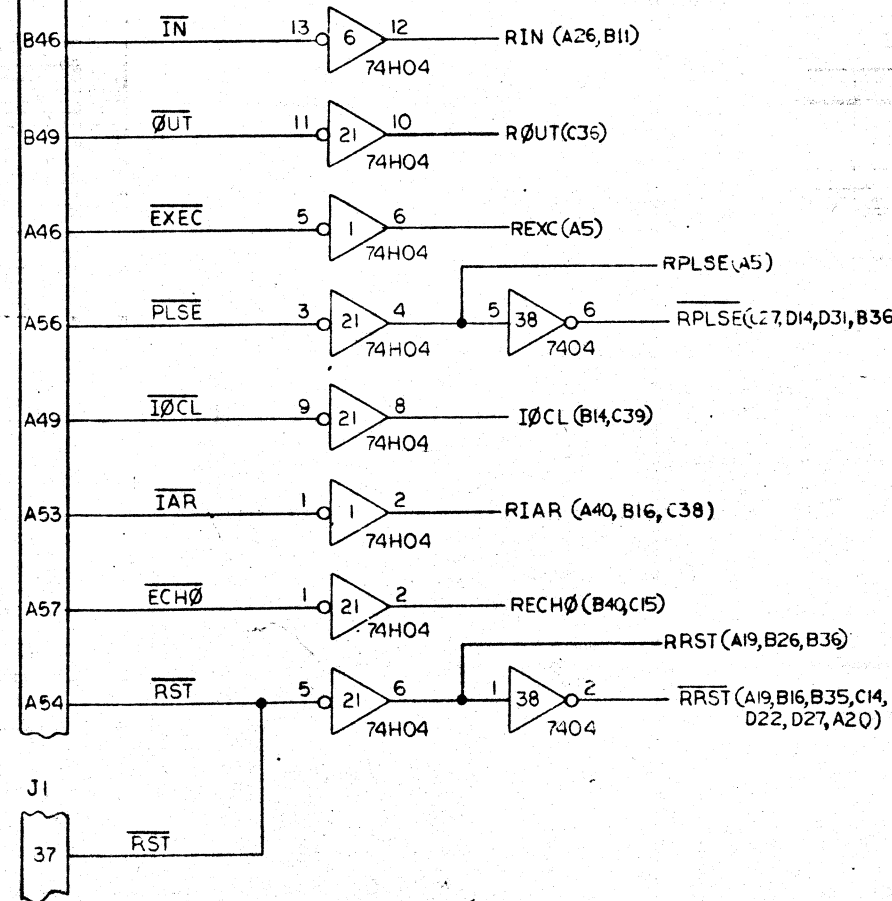
COMPUTER AUTOMATION INC.		CASEL FOR KAMAR, BRYNE, CAL 0004	
DR	R. Easton	DATE	7/20/74
CH	...	DATE	9/10/74
ENR	(11) Ch...	DATE	11/10/74
TITLE			
LOGIC DIAGRAM - OPTION CARD			
DASH NO.		SIZE	
75-33505-11		D 75-53505-11 G5	

REVISIONS			
SYM	DESCRIPTION	DATE	APPROVAL

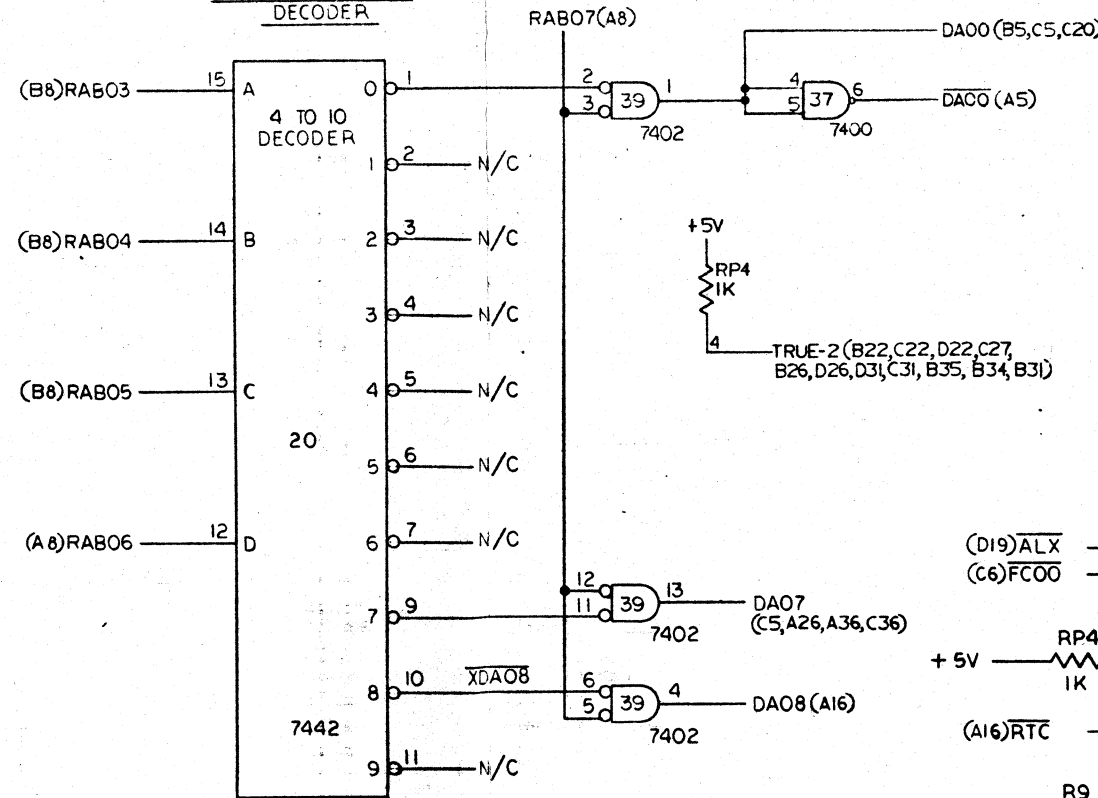
ADDRESS BUS RECEIVERS



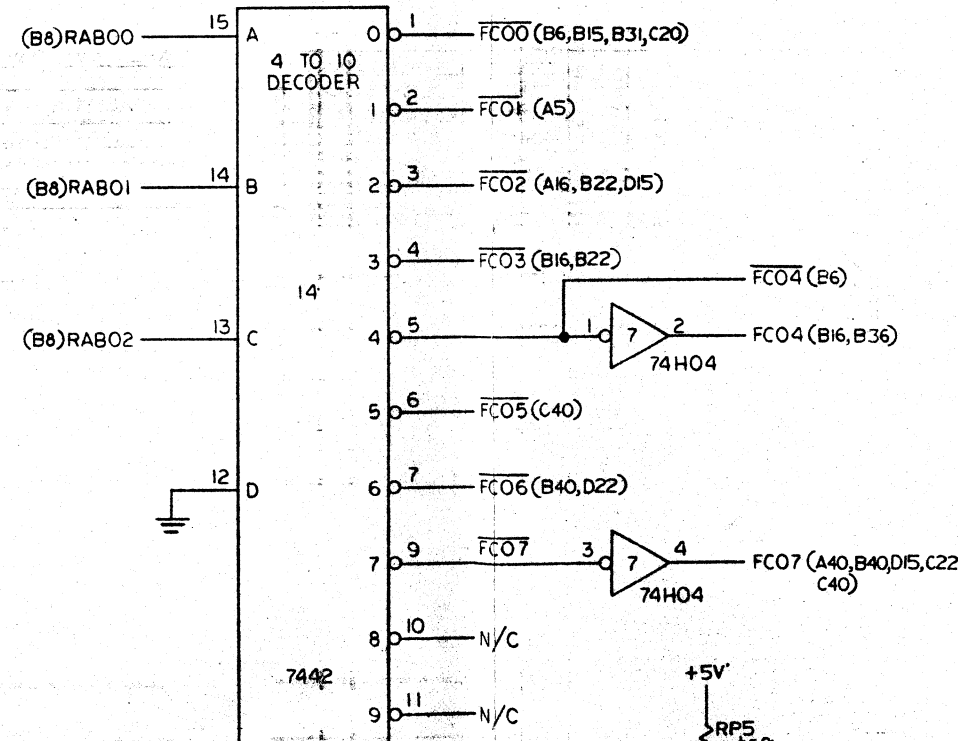
CONTROL BUS RECEIVERS



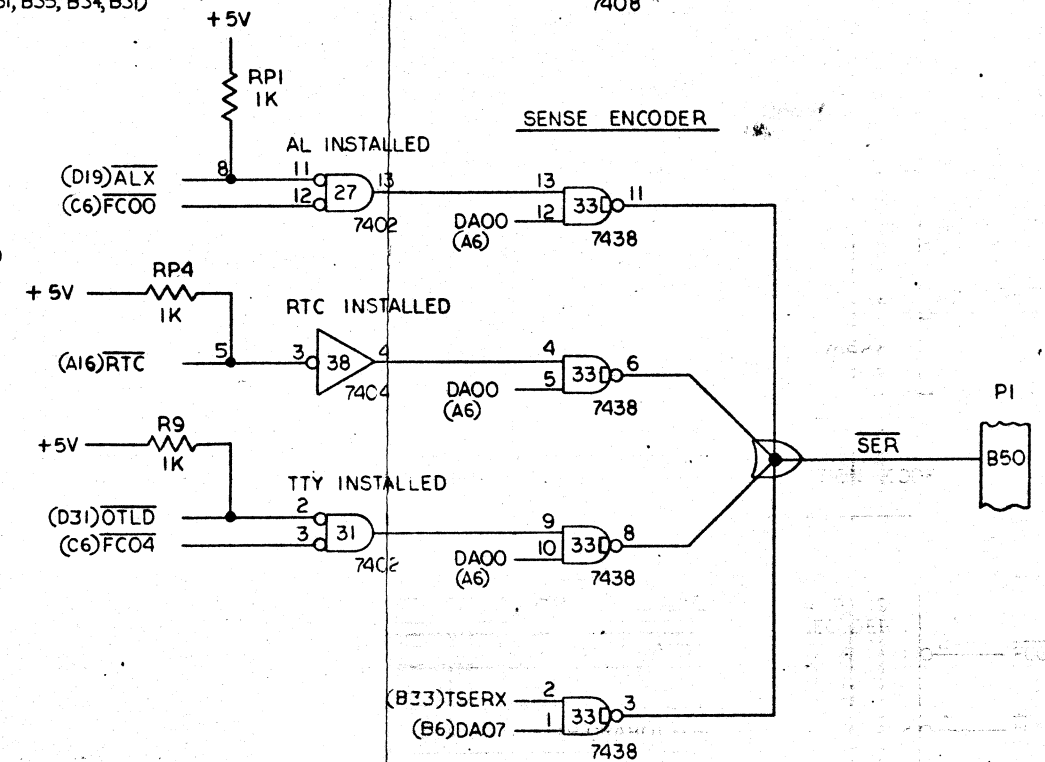
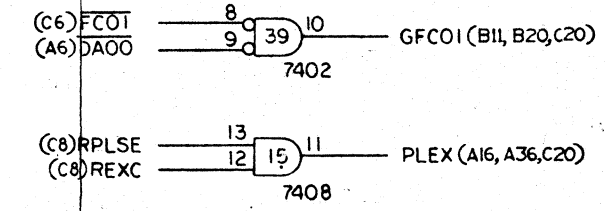
DEVICE ADDRESS DECODER



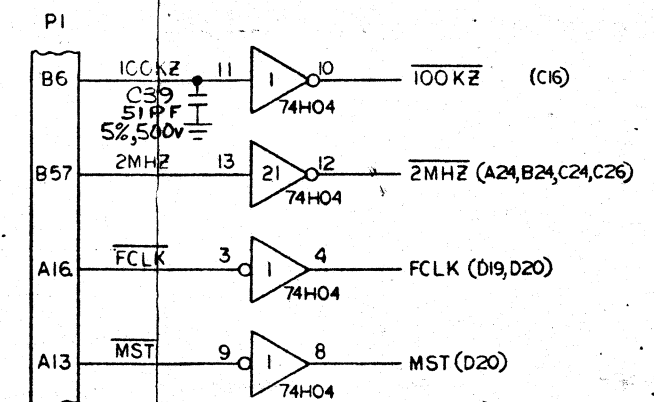
FUNCTION CODE DECODER



COMMON LOGIC



SPECIAL SIGNAL RECEIVERS

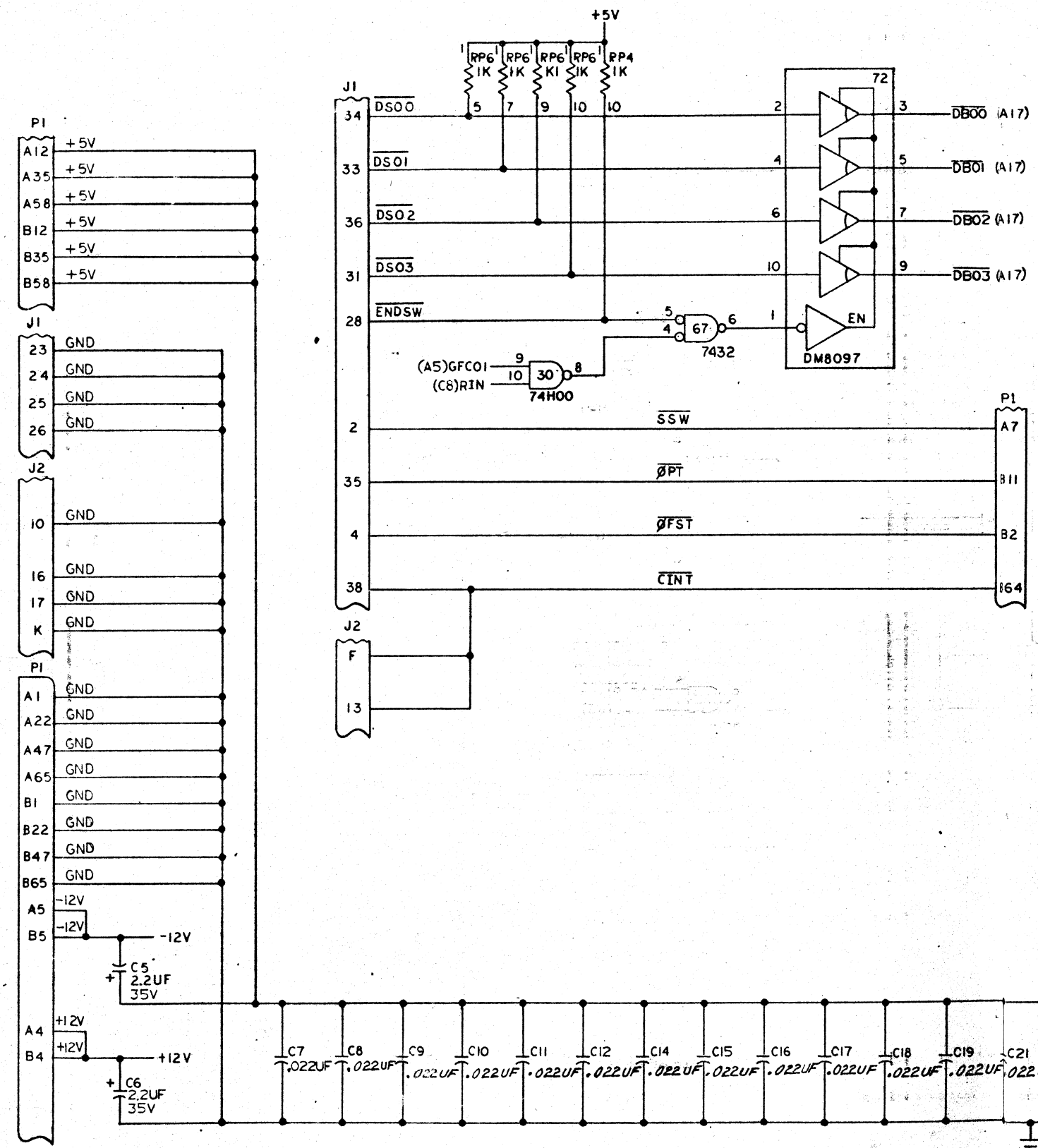


PROPRIETARY RIGHTS NOTICE
 THIS DOCUMENT AND INFORMATION CONTAINED HEREIN ARE THE PROPERTY OF COMPUTER AUTOMATION, INC. RIGHTS TO DUPLICATE OR OTHERWISE COPY OR TRANSMIT THIS RIGHTS TO STUDIES AND THE RIGHTS TO USE THE INFORMATION CONTAINED HEREIN, MAY BE ACQUIRED ONLY BY WRITTEN PERMISSION SIGNED BY A DULY AUTHORIZED OFFICER OF COMPUTER AUTOMATION, INC.

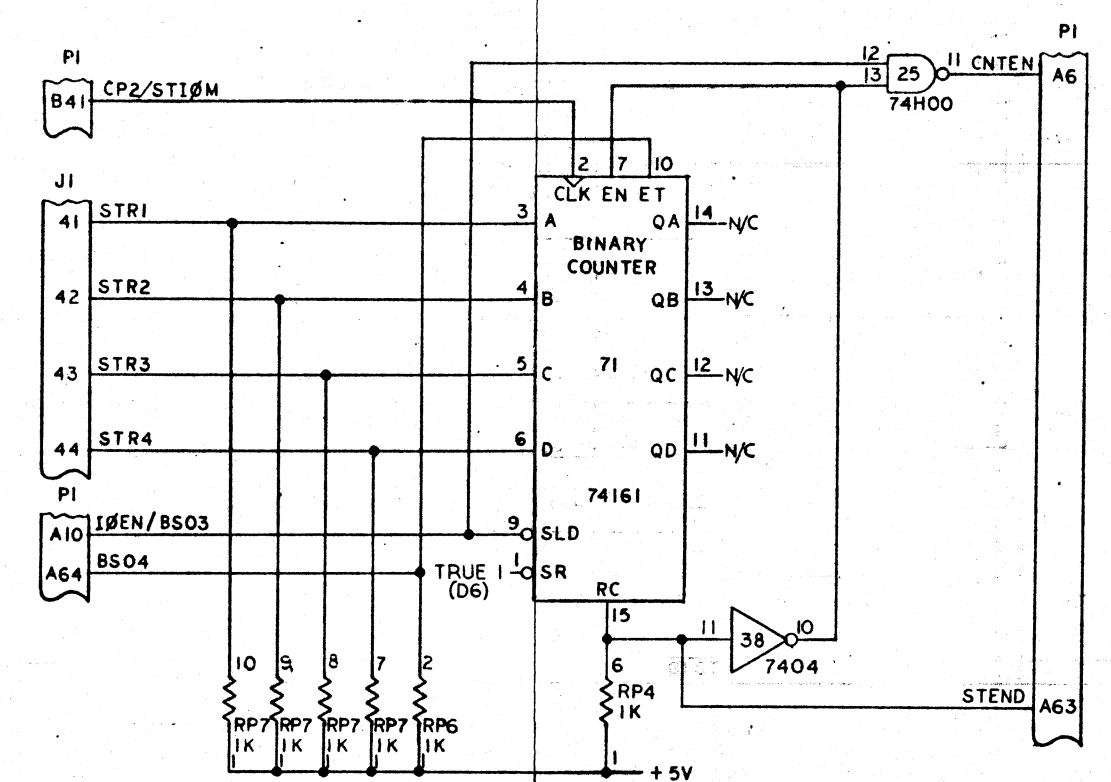
SIZE	D	75-53505-XX	REV	G5
SCALE	=		SH.	2 OF 10

REVISIONS			
SYN	DESCRIPTION	DATE	APPROVAL

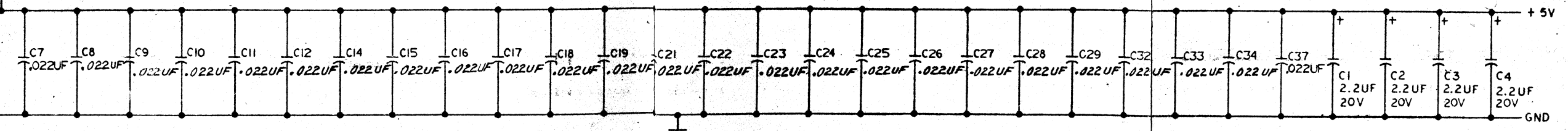
CONSOLE SKELETON



I/O STRETCH COUNTER



BASIC VARIABLES

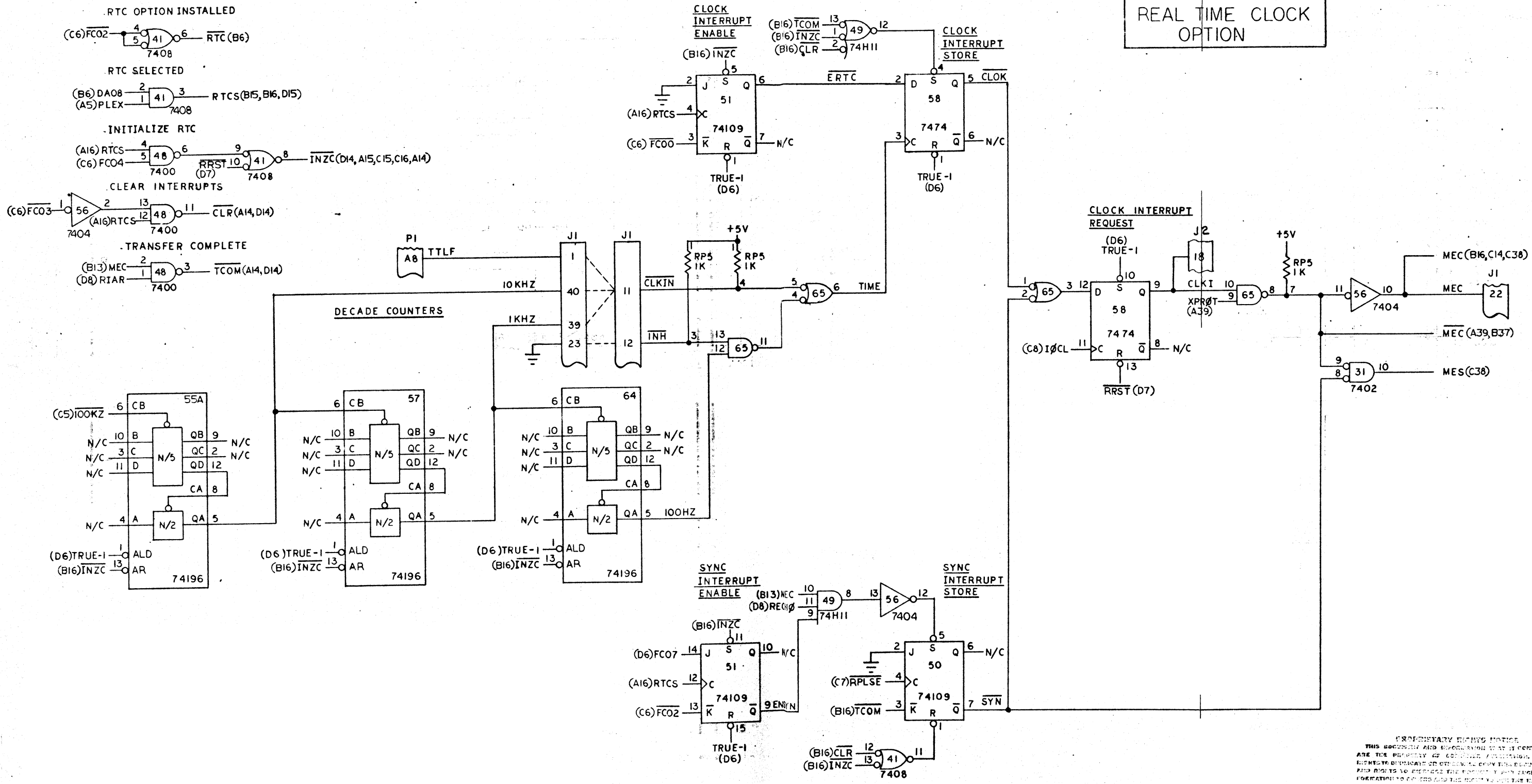


PROPRIETARY RIGHTS NOTICE
 THIS DOCUMENT AND ALL INFORMATION CONTAINED HEREIN ARE THE PROPERTY OF COMPTON AUTOMATIC, INC. RIGHTS FOR REPRODUCTION OR ANY OTHER USE ARE HEREBY DENIED TO ALL OTHERS WITHOUT THE WRITTEN PERMISSION OF COMPTON AUTOMATIC, INC. BY A DULY AUTHORIZED OFFICER OF COMPTON AUTOMATIC, INC.

SIZE	D	75-53505-XX	REV	G5
SCALE			SHT.	3 OF 10

REVISIONS		
SYM	DESCRIPTION	DATE/APPROVAL

REAL TIME CLOCK OPTION

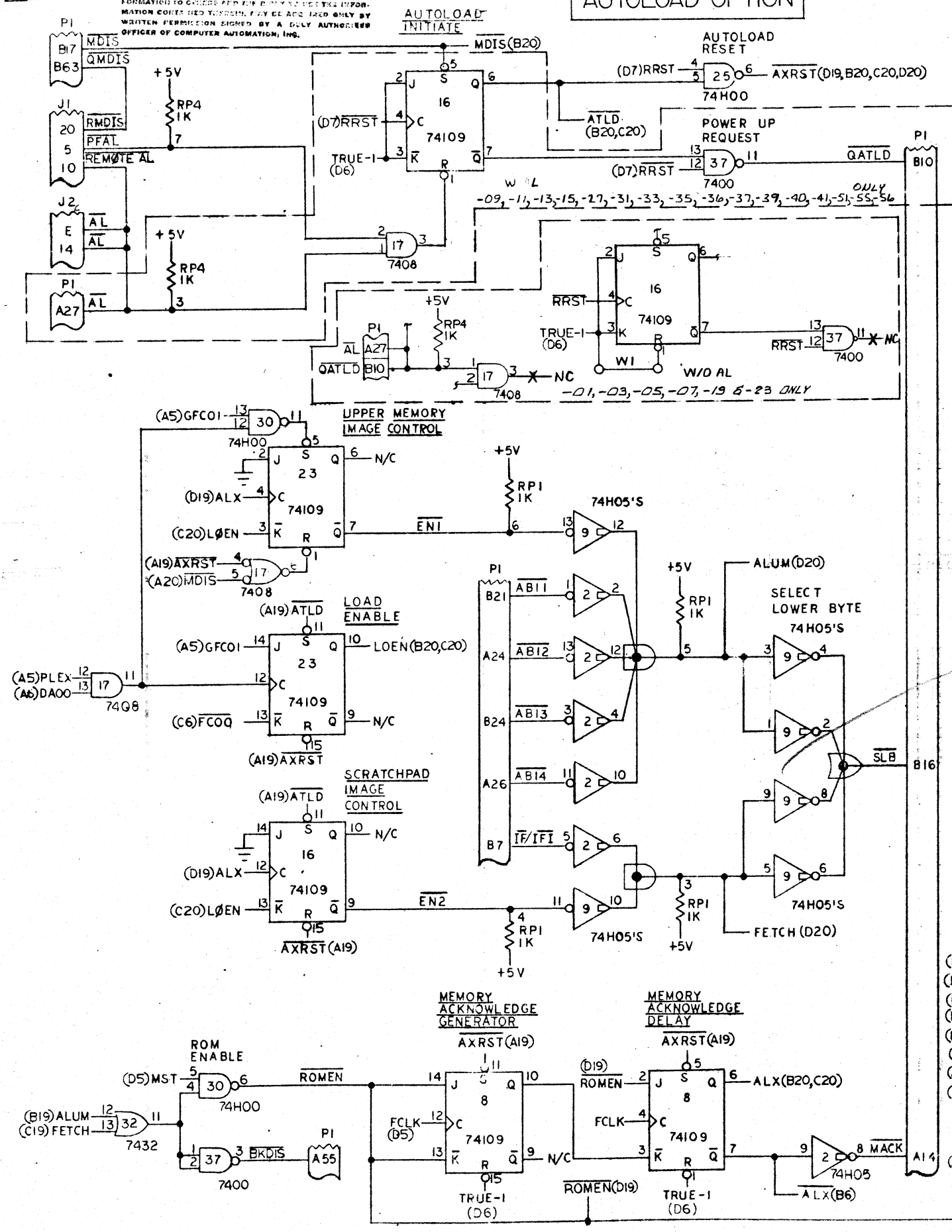


PROPRIETARY RIGHTS NOTICE
 THIS DOCUMENT AND INFORMATION CONTAINED HEREIN ARE THE PROPERTY OF COMPUTER AUTOMATION, INC. RIGHTS TO REPRODUCE OR TRANSMIT IN ANY FORM OR BY ANY MEANS, ELECTRONIC OR MECHANICAL, INCLUDING PHOTOCOPYING, RECORDING, OR BY ANY INFORMATION STORAGE AND RETRIEVAL SYSTEM, WITHOUT THE WRITTEN PERMISSION OF COMPUTER AUTOMATION, INC. ARE PROHIBITED. THIS DOCUMENT IS UNCLASSIFIED AND IS AVAILABLE TO THE PUBLIC.

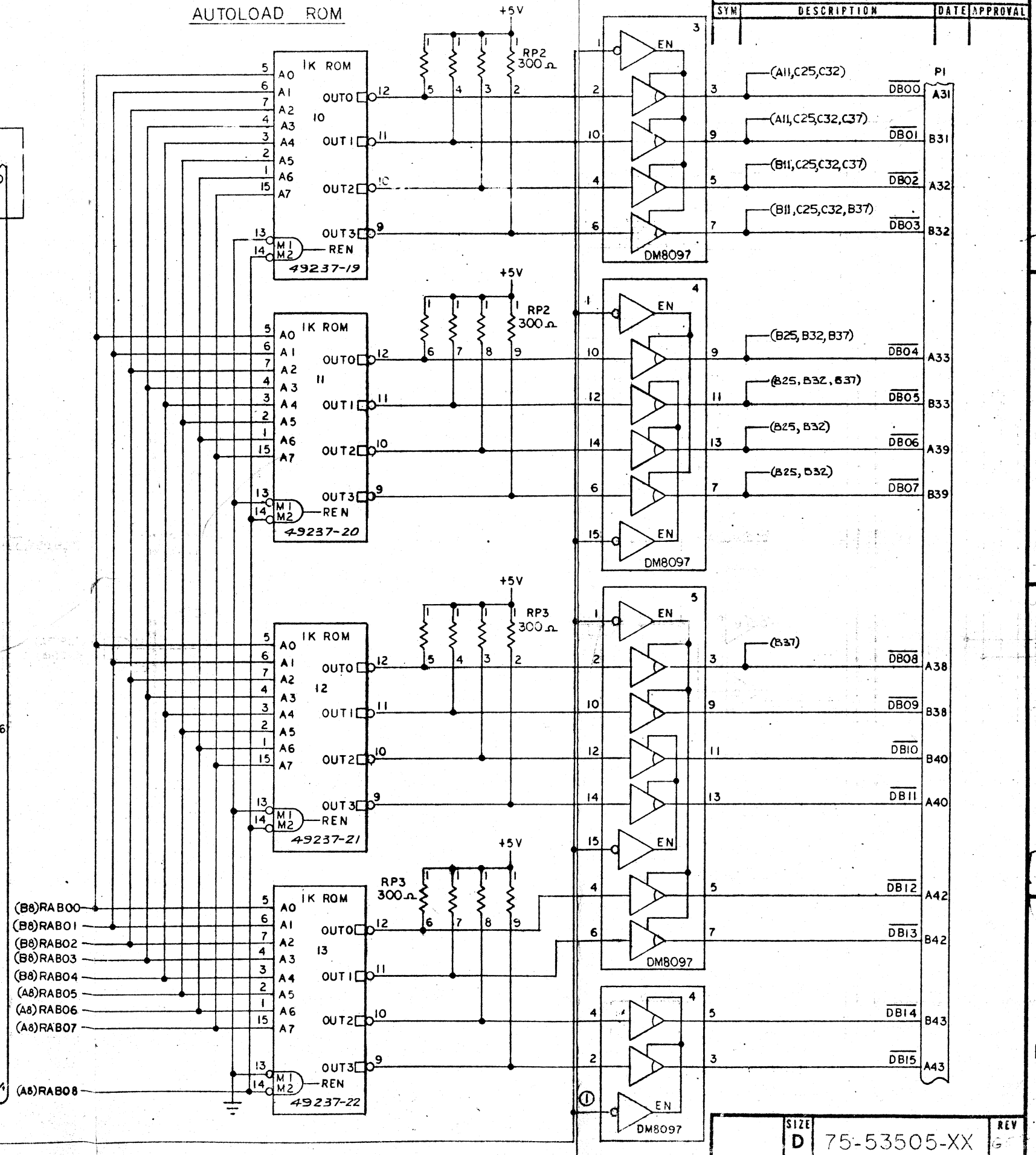
SIZE	D	75-53505-XX	REV	6
SCALE	=		SHEET	4 OF 10

PROPRIETARY RIGHTS RESERVED
 ARE THE PROPERTY OF CONTROL DATA CORPORATION.
 RIGHTS TO REPRODUCE OR TRANSMIT IN ANY FORM OR BY ANY MEANS
 AND RIGHTS TO EXTEND THE TERM OF PROTECTION AND TO MAKE
 INFORMATION TO BE MADE PUBLIC IN ANY MANNER ARE RESERVED.
 INFORMATION CONTAINED HEREIN MAY BE REPRODUCED ONLY BY
 WRITTEN PERMISSION SIGNED BY A DULY AUTHORIZED
 OFFICER OF CONTROL DATA CORPORATION.

AUTOLOAD OPTION



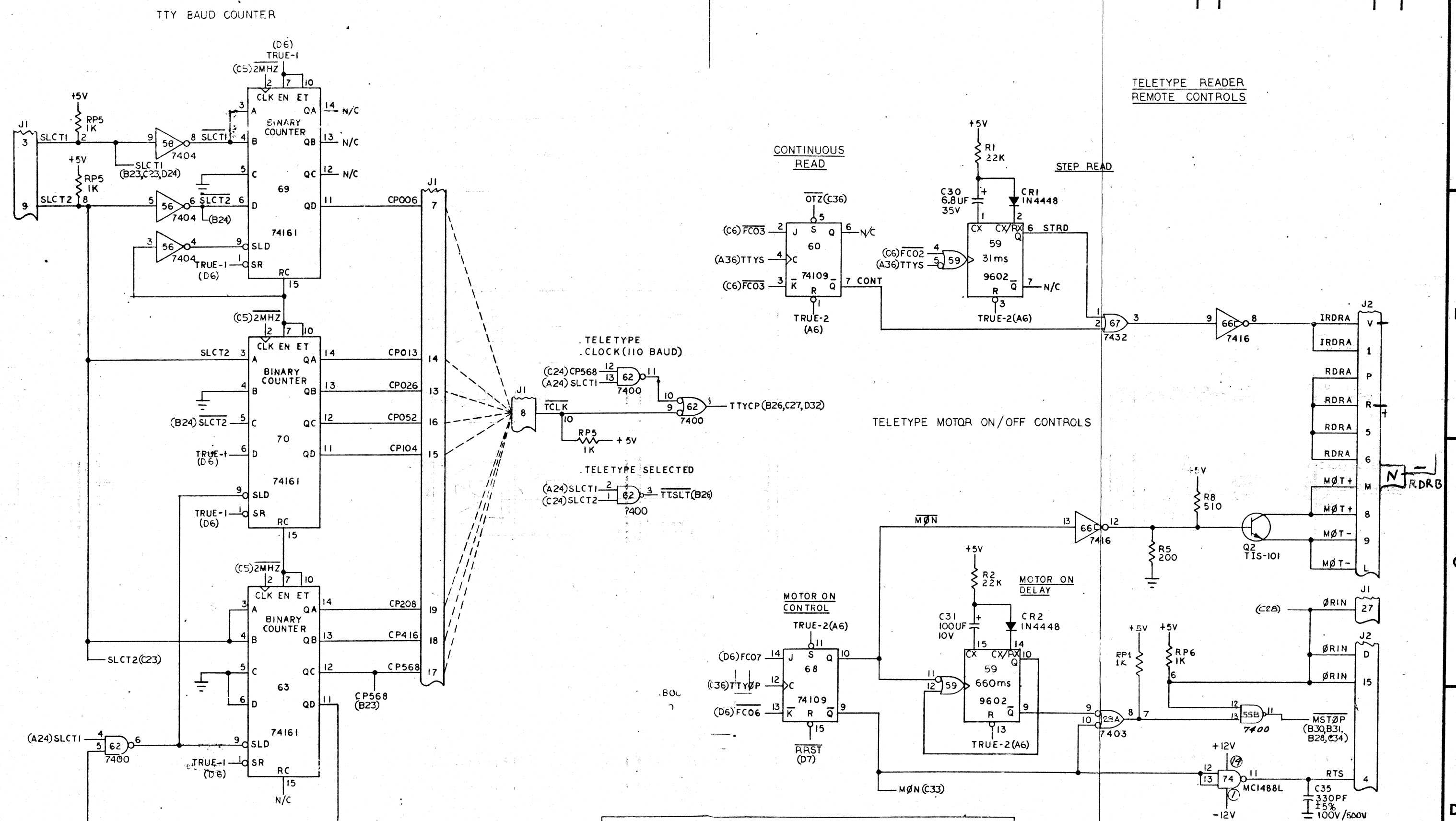
AUTOLOAD ROM



REVISIONS		DATE	APPROVAL
SYM	DESCRIPTION		
	(A11, C25, C32)		PI A31
	(A11, C25, C32, C37)		DB01 B31
	(B11, C25, C32, C37)		DB02 A32
	(B11, C25, C32, B37)		DB03 B32
	(B25, B32, B37)		DB04 A33
	(B25, B32, B37)		DB05 B33
	(B25, B32)		DB06 A39
	(B25, B32)		DB07 B39
	(B37)		DB08 A38
			DB09 B38
			DB10 B40
			DB11 A40
			DB12 A42
			DB13 B42
			DB14 B43
			DB15 A43

SIZE	D	REV	6
75-53505-XX		SHT. 5 OF 10	

REVISIONS		
SYM	DESCRIPTION	DATE/APPROVAL



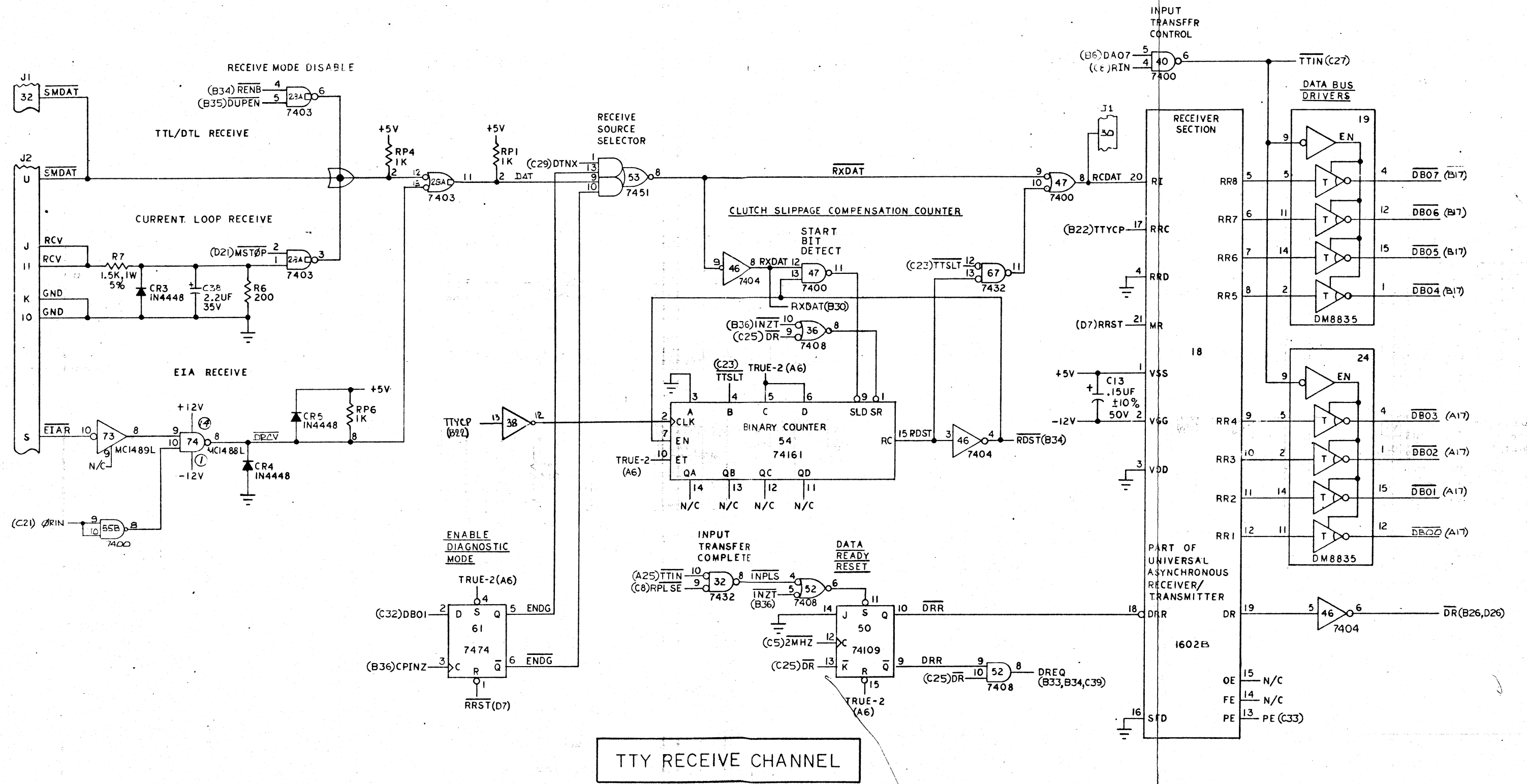
TELETYPE READER
REMOTE CONTROLS

TELETYPE TIMING AND AUXILIARY CONTROLS

THIS DOCUMENT CONTAINS UNCLASSIFIED INFORMATION EXCEPT WHERE SHOWN OTHERWISE. IT IS THE PROPERTY OF THE NATIONAL AERONAUTICS AND SPACE ADMINISTRATION AND IS LOANED TO YOUR ORGANIZATION. IT AND ITS CONTENTS ARE NOT TO BE DISTRIBUTED OUTSIDE YOUR ORGANIZATION.

SIZE	D	75-53505-XX	REV	G5
SCALE			SHT. 6 OF 10	

REVISIONS			
SYN	DESCRIPTION	DATE	APPROVAL

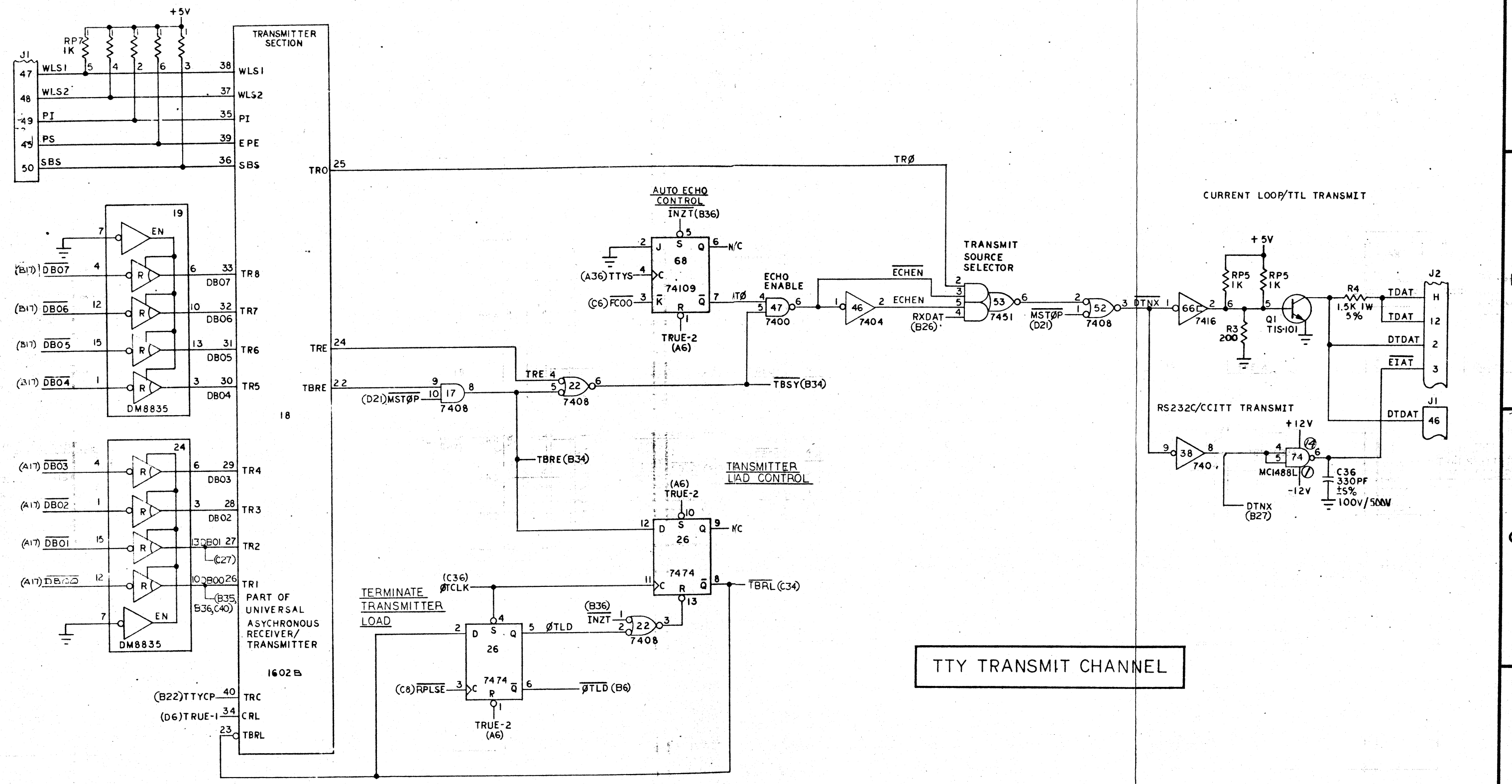


TTY RECEIVE CHANNEL

PROPRIETARY RIGHTS NOTICE
 THIS DOCUMENT AND INFORMATION CONTAINED HEREIN ARE THE PROPERTY OF COMPUTER ASSOCIATION, INC. AND ARE LOANED TO YOU BY THE COMPANY. IT IS NOT TO BE REPRODUCED OR TRANSMITTED IN ANY FORM OR BY ANY MEANS, ELECTRONIC OR MECHANICAL, INCLUDING PHOTOCOPYING, RECORDING, OR BY ANY INFORMATION STORAGE AND RETRIEVAL SYSTEM, WITHOUT PERMISSION IN WRITING FROM COMPUTER ASSOCIATION, INC. PERMISSION TO REPRODUCE THIS DOCUMENT MAY BE OBTAINED ONLY BY WRITING PERMISSION FROM A FULLY AUTHORIZED OFFICER OF COMPUTER ASSOCIATION, INC.

SIZE	D	75-53505-XX	REV	G5
SCALE			SHT.	7 OF 10

REVISIONS			
SYM	DESCRIPTION	DATE	APPROVAL

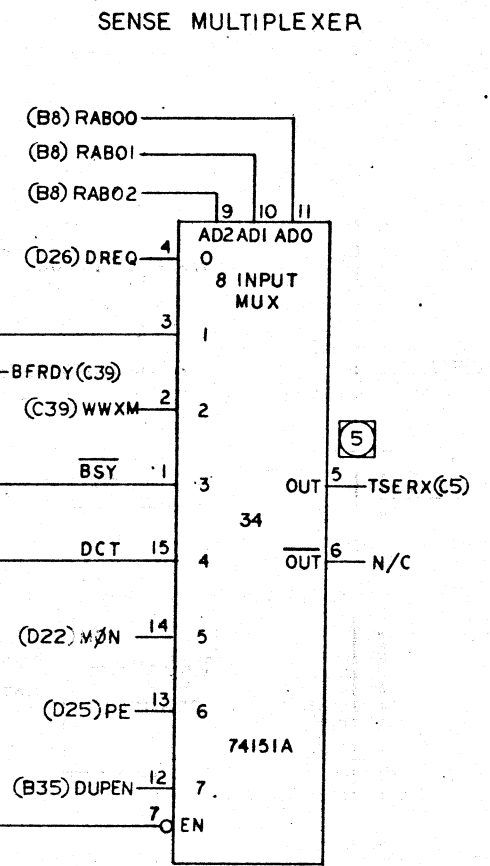
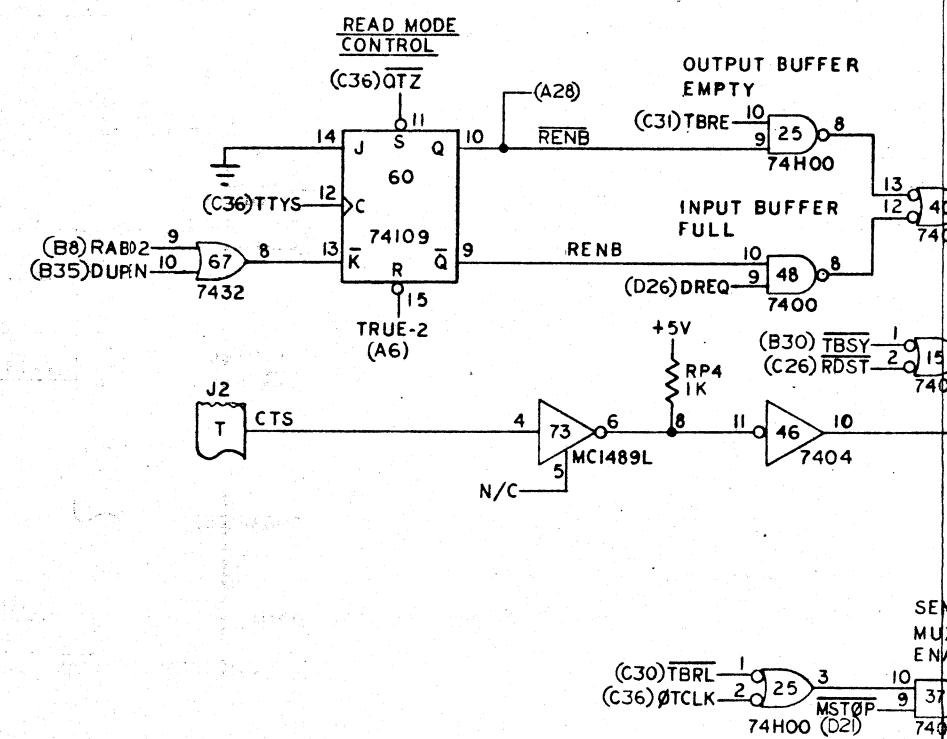
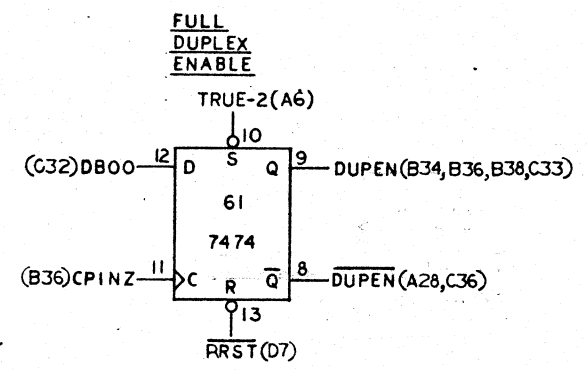
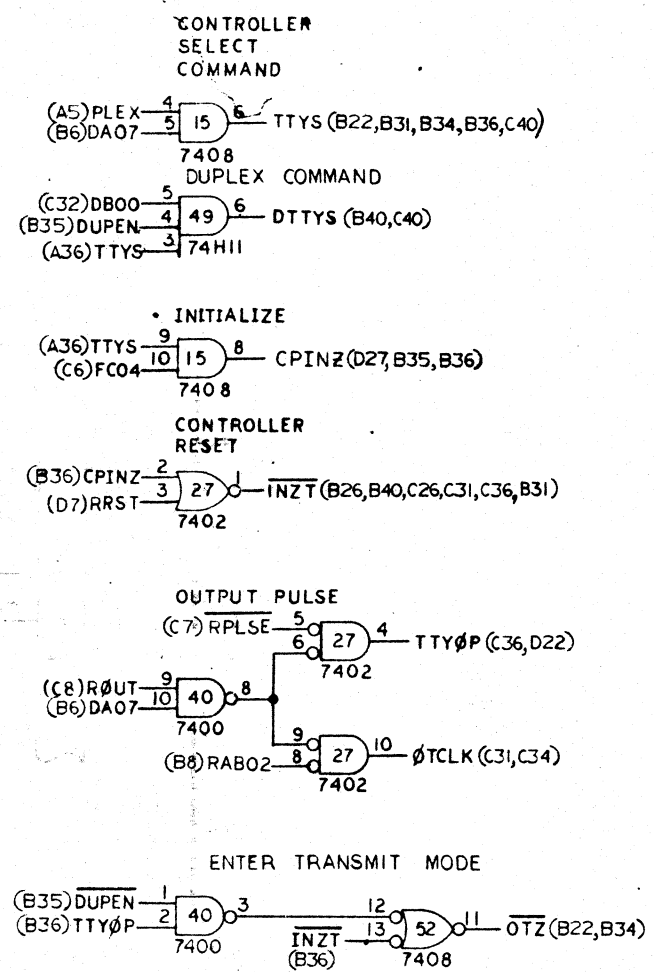


TTY TRANSMIT CHANNEL

PROPRIETARY RIGHTS NOTICE
THIS DOCUMENT AND INFORMATION CONTAINED HEREIN ARE THE PROPERTY OF ROCKWELL INTERNATIONAL, INC. RIGHTS TO REPRODUCE OR TRANSMIT IN ANY FORM OR BY ANY MEANS, ELECTRONIC OR MECHANICAL, INCLUDING PHOTOCOPYING, RECORDING, OR BY ANY INFORMATION STORAGE AND RETRIEVAL SYSTEM, WITHOUT PERMISSION GRANTED BY A ROCKWELL INTERNATIONAL OFFICER OF COMPETENT JURISDICTION, IS PROHIBITED.

SIZE	D	75-53505-XX	REV	G5
SCALE			SHT. 8 OF 10	

SYM	REVISIONS	
	DESCRIPTION	DATE/APPROVAL



TELETYPE/PROCESSOR CONTROL INTERFACE

PROPRIETARY RIGHTS NOTICE
 THIS DOCUMENT AND INFORMATION THAT IT CONTAINS ARE THE PROPERTY OF COMPTON CORPORATION, INC. RIGHTS TO DUPLICATE OR OTHERWISE COPY THIS DOCUMENT AND RIGHTS TO EXPLORE THE DOCUMENT AND SUCH INFORMATION TO OTHERS AND THE RIGHT TO USE THE INFORMATION CONTAINED THEREIN MAY BE ACQUIRED ONLY BY WRITTEN PERMISSION SIGNED BY A DULY AUTHORIZED OFFICER OF COMPTON CORPORATION, INC.

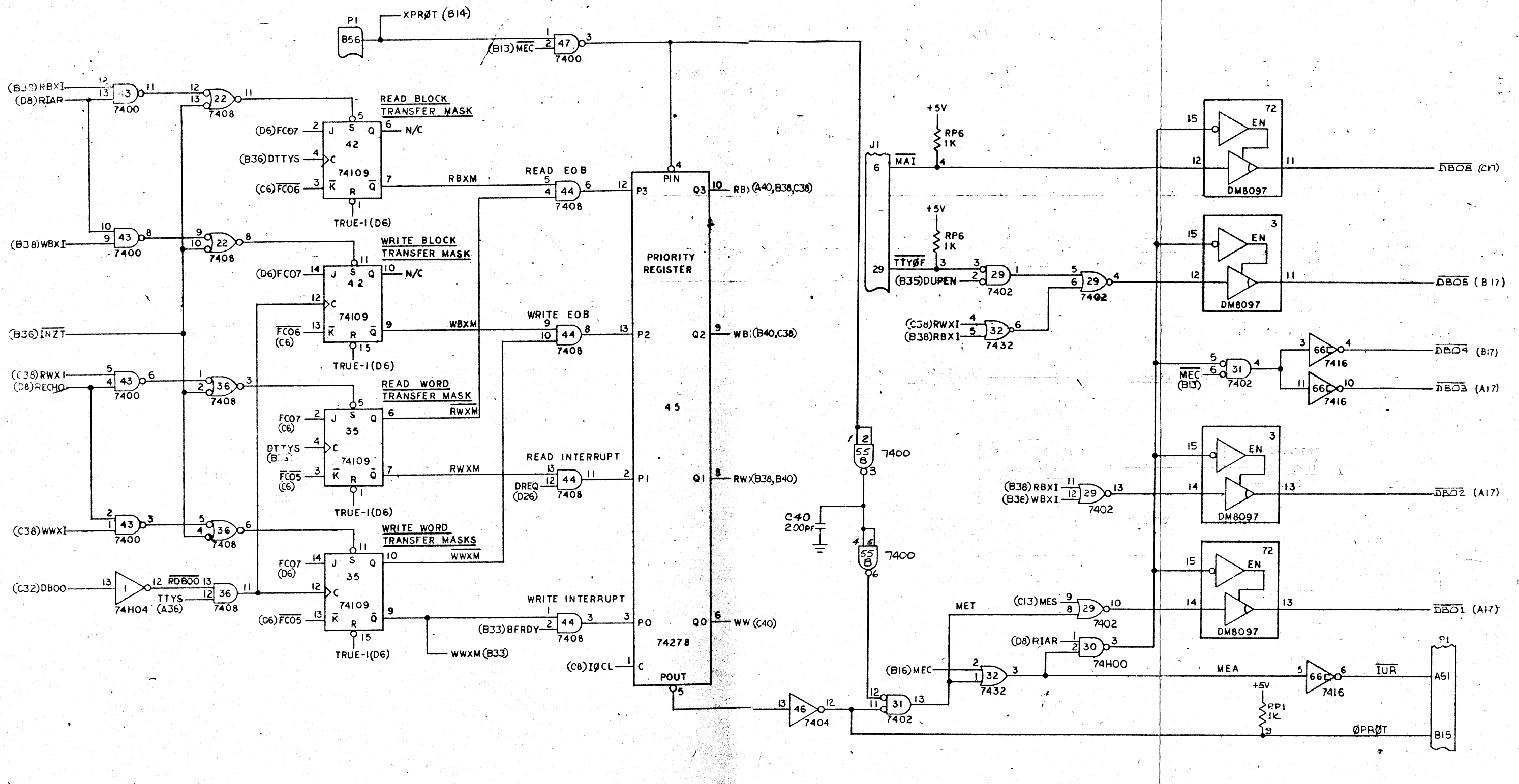
SIZE D	75-53505-XX	REV G5
SCALE =	SHT. 9 OF 10	

REVISIONS		DATE	APPROVAL
SYM	DESCRIPTION		

INTERRUPT MASKS

INTERRUPT PRIORITY ENCODER

INTERRUPT ADDRESS GENERATOR



TTY INTERRUPT FUNCTION

PROPRIETARY RIGHTS NOTICE
 THIS DOCUMENT AND INFORMATION THAT IT CONTAINS ARE THE PROPERTY OF CREDESYS ASSOCIATION, INC. RIGHTS TO INVENTION OR OTHER RIGHTS ARE RESERVED AND INTEND TO ENFORCE THE PATENT RIGHTS WHICH INFORMATION TO ENFORCE PATENT RIGHTS IS FOR THE INFORMATION OF THE USER AND IS NOT TO BE USED FOR ANY OTHER PURPOSES WITHOUT THE WRITTEN PERMISSION OF CREDESYS ASSOCIATION, INC.

SIZE	D	75-53505-XX	REV	6
SCALE			SHEET NO	OF 10