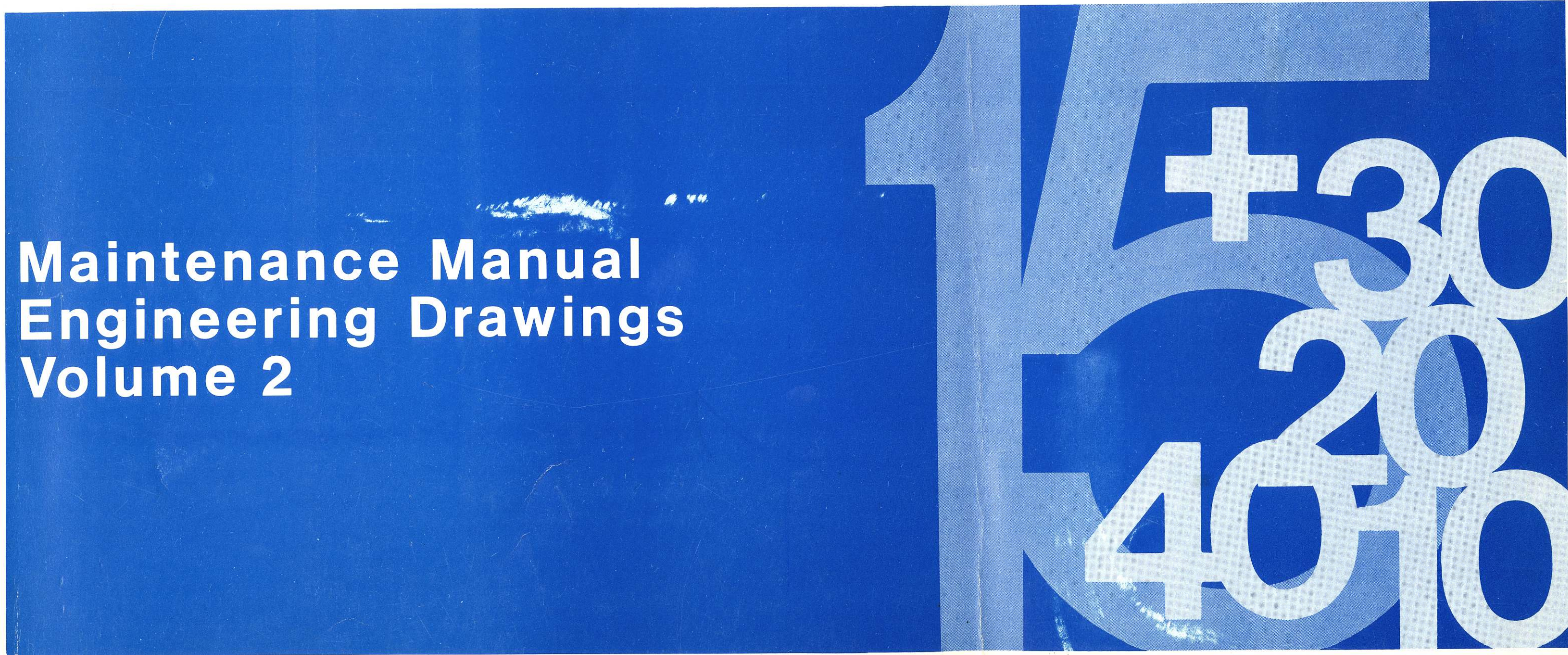


**PDP-15 Systems**

**Maintenance Manual  
Engineering Drawings  
Volume 2**



**PDP-15**  
MAINTENANCE MANUAL  
ENGINEERING DRAWINGS  
VOLUME 2

1st Printing September 1970  
2nd Printing (Rev) December 1970

Copyright © 1970 by Digital Equipment Corporation

The material in this manual is for information purposes and is subject to change without notice.

The following are trademarks of Digital Equipment Corporation, Maynard, Massachusetts

DEC  
FLIP CHIP  
DIGITAL

PDP  
FOCAL  
COMPUTER LAB

## CONTENTS

|                                    | Page |
|------------------------------------|------|
| <b>PDP-15 ENGINEERING DRAWINGS</b> |      |
| Introduction                       | 1    |
| Engineering Drawing Organization   | 1    |
| Drawing Codes                      | 1    |
| Drawing Number Index               | 1    |
| Signal Glossary                    | 1    |
| Logic Symbols                      | 2    |
| Logic Gates                        | 2    |
| Flip-Flops                         | 2    |
| Variable Clock                     | 3    |
| Pulse Amplifier                    | 3    |
| Miscellaneous Logic Symbols        | 3    |
| Symbol Designators                 | 3    |
| Signal Names                       | 3    |
| Name Changes                       | 4    |
| Negated Signals                    | 4    |
| Disable Signals                    | 4    |

## ILLUSTRATIONS

|    |                                 |   |
|----|---------------------------------|---|
| 1  | NAND Gate                       | 2 |
| 2  | NAND Gate                       | 2 |
| 3  | NOR Gate                        | 2 |
| 4  | NOR Gate                        | 2 |
| 5  | Inverter                        | 2 |
| 6  | Inverter                        | 2 |
| 7  | Combined Logic Functions        | 2 |
| 8  | D Flip-Flop, Edge-Triggered     | 2 |
| 9  | J-K Flip-Flop                   | 2 |
| 10 | R-S Flip-Flop                   | 3 |
| 11 | Variable Clock                  | 3 |
| 12 | Pulse Amplifier                 | 3 |
| 13 | I/O Bus Receiver                | 3 |
| 14 | Delay                           | 3 |
| 15 | Binary to Octal Decimal Decoder | 3 |
| 16 | Gate Symbol Designators         | 3 |
| 17 | Flip-Flop Symbol Designators    | 3 |
| 18 | Typical Signal Names            | 3 |
| 19 | Signal Name Changes             | 4 |
| 20 | Negated Signals                 | 4 |
| 21 | Disable Signal                  | 4 |

## TABLES

|     |                      |   |
|-----|----------------------|---|
| 1-1 | Drawing Number Index | 4 |
| 1-2 | Signal Glossary      | 8 |

# PDP-15 Engineering Drawings

## NOTE

Throughout the text and block schematic prints, block schematic references are noted in short form. For example, "D-BS-KP15-0-32" is shortened to "KP32" and "D-BS-KE15-0-04" is shortened to "KE04".

## INTRODUCTION

Volume 2 of the PDP-15 maintenance manual includes a set of engineering drawings for the basic processor and options.

## ENGINEERING DRAWING ORGANIZATION

All PDP-15 systems, from the basic PDP-15/10 through the disk-oriented background/foreground PDP-15/40 system are organized into four main sections: central processor (CP), core memory, input/output (I/O) processor, and console. The designations of these sections are: KP15 Central Processor, MM15 Memory, KD15 I/O Processor and KC15 Console. Additional options that may be implemented in a system are: KE15 Extended Arithmetic Element, KA15 Automatic Priority Interrupt, KM15 Memory Protect, MP15 Memory Parity, KT15 Memory Protect/Relocate, KW15 Real Time Clock, and KF15 Power Fail. Each engineering drawing is assigned a coded drawing identification number that indicates the type of drawing, applicable section, and series.

For example, the drawing identification number D-FD-PDP-15-0-4 provides the following information:

|        |   |
|--------|---|
| D      | "D" size (22 x 34 inches)                               |
| FD     | Flow diagram (drawing type)                             |
| PDP-15 | Pertains to overall PDP-15 system                       |
| 0      | Manufacturing variation                                 |
| 4      | The fourth in a series of overall system flow diagrams. |

As a second example, the drawing identification number D-BS-KP15-0-32 provides the following information:

|      |                                    |
|------|------------------------------------|
| D    | "D" size                           |
| BS   | Block schematic (Drawing type)     |
| KP15 | Pertains to KP15 Central Processor |

The short form references are only for reader convenience. Use the complete drawing number to order a specific print.

## Drawing Codes

The codes assigned to each type of engineering drawing are listed in the following chart.

| Type Code | Definition          | Type Code | Definition                 |
|-----------|---------------------|-----------|----------------------------|
| AD        | Assembly drawing    | IC        | Interface cabling diagram  |
| AR        | Arrangement drawing | ML        | Master drawing list        |
| BD        | Block diagram       | MU        | Module utilization drawing |
| BS        | Block schematic     | PL        | Parts list                 |
| CD        | Cable diagram       | SP        | Specification              |
| CL        | Cable list          | TD        | Timing diagram             |
| CP        | Component list      | UA        | Unit assembly              |
| CS        | Circuit schematic   | WD        | Wiring diagram             |
| FD        | Flow diagram        | WL        | Wire list                  |

## Drawing Number Index

Table 1-1 is an index to the engineering drawing arranged by section and drawing number in alphanumeric order.

## Signal Glossary

Table 1-2 is a signal glossary arranged in alphanumeric order. The signal glossary includes the short form block schematic print number (DRAWING) that shows how the signal is developed.

The ORIGIN column indicates the module location and output pin number for test purposes. The FUNCTION column provides a brief description of the purpose of the signal. The signal glossary is

not intended to be a complete list of signal mnemonics. Many of the mnemonics are self-explanatory and easily interpreted, once the reader is familiar with the signal mnemonic conventions which are described in the section titled SIGNAL NAMES.

### LOGIC SYMBOLS

The logic modules used in the PDP-15 are primarily DEC M-series, which is the integrated circuit, positive logic series. The voltages used are:

Low (L) = 0V (0V — +0.4V)  
 High (H) = +3V (+2.4V — +3.6V)

For specific information on operating frequencies, loading etc., refer to the PDP-15 Module Manual. The logic symbology used is MIL-STD-806B. The gating symbols use small circles at the inputs of gates to indicate that a low signal activates the function. The absence of a circle indicates that a high signal activates the function. The presence or absence of a circle at the output of a gate indicates that the output is low (L) or high (H), respectively, when the gate has been activated (its output is true). An output is false if it is at a voltage different from that shown by the gate's polarity indicator (presence or absence of circle). Suffixes L or H indicate the low or high level of a signal when it is true or enabled.

### Logic Gates

Boolean Functions are symbolized as follows:

| Symbol | Function               |
|--------|------------------------|
| *      | Logic AND              |
| +      | Logical OR (inclusive) |
| -      | Logical negation       |

The most commonly used gating symbols are the NAND (Figures 1 and 2); NOR (Figures 3 and 4), and the inverter (Figures 5 and 6). Each figure shows both the symbol and a Boolean expression of the logical operation it performs.

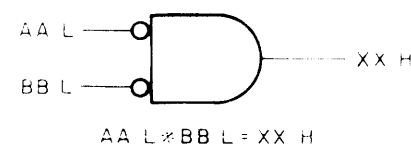


Figure 1 NAND Gate

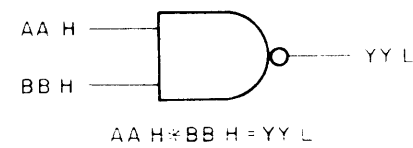


Figure 2 NAND Gate

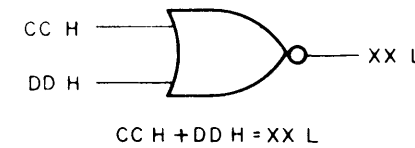


Figure 3 NOR Gate

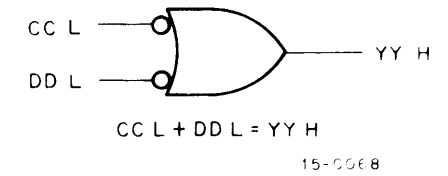


Figure 4 NOR Gate

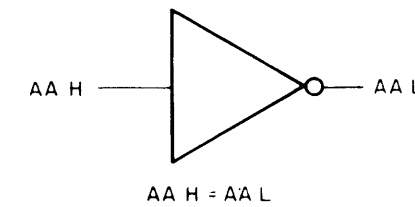


Figure 5 Inverter

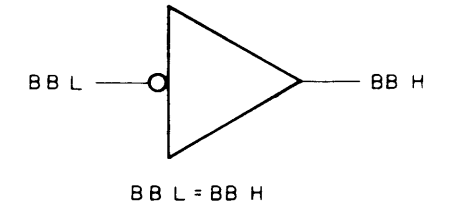


Figure 6 Inverter

Some of the logic gate symbols consist of combinations of basic logic functions, as shown in Figure 7. The logic functions of these gates can be determined by combining the basic logic functions.

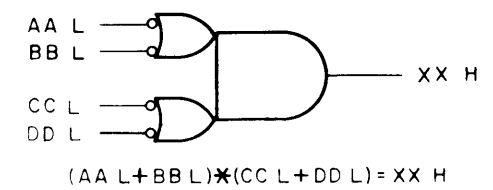


Figure 7 Combined Logic Functions

### Flip-Flops

A major part of the work accomplished by the computer's logic is performed by flip-flops. Figures 8 through 10 illustrate the types of flip-flops used in the PDP-15 Systems.

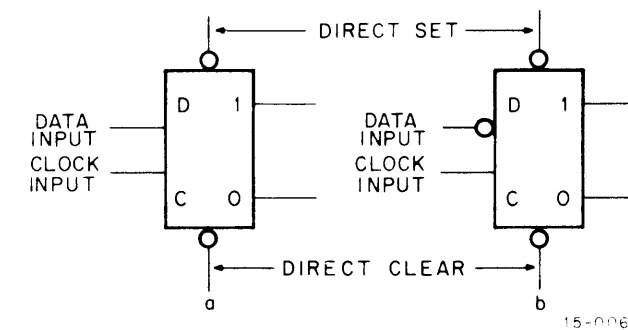


Figure 8 D Flip-Flop, Edge-Triggered

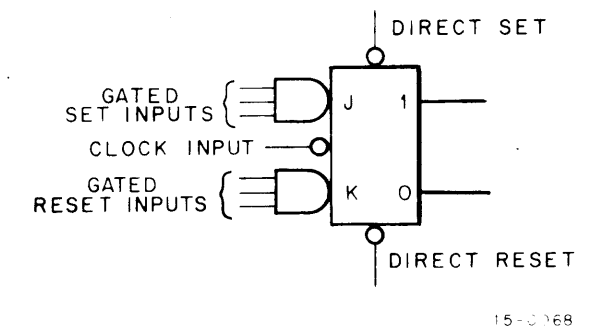


Figure 9 J-K Flip-Flop

The flip-flop in Figure 8a requires a high data input when clocked to set; the flip-flop in Figure 8b requires a low data input to be set. The D flip-flop will be drawn on the logic diagrams to agree with the voltage level of the data input necessary to set the flop.

Figure 9 shows the J-K flip-flop. The flop has direct set and reset inputs, and clock-gated set and reset inputs. If both gated inputs are high when the flop is clocked, the flop will complement.

The flip-flop in Figure 10a can be reset by either one of two inputs; the flip-flop in Figure 10b has the OR gate on its set side.

### Variable Clock

The PDP-15 uses variable clocks to generate timing signals and control gating functions. Figure 11 shows a typical variable clock symbol.

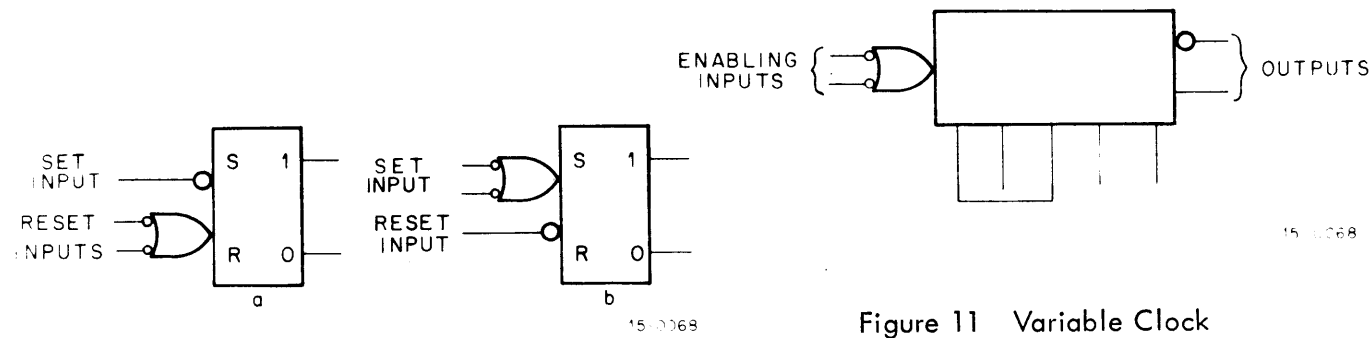


Figure 10 R-S Flip-Flop

Figure 11 Variable Clock

### Pulse Amplifier

The symbol for a typical pulse amplifier used in the PDP-15 is shown in Figure 12.

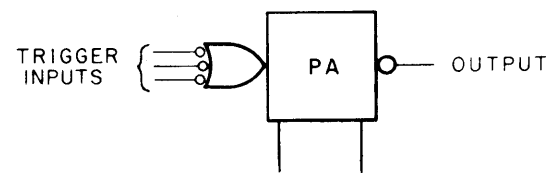


Figure 12 Pulse Amplifier

### Miscellaneous Logic Symbols

Figures 13 through 15 show additional logic symbols that appear in the PDP-15 engineering drawing block schematics.

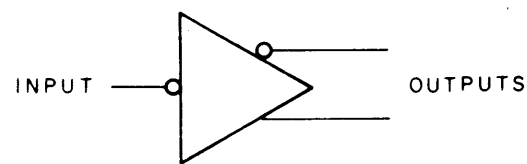


Figure 13 I/O Bus Receiver

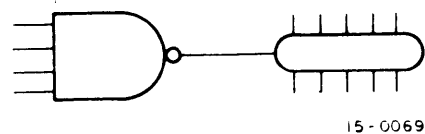


Figure 14 Delay

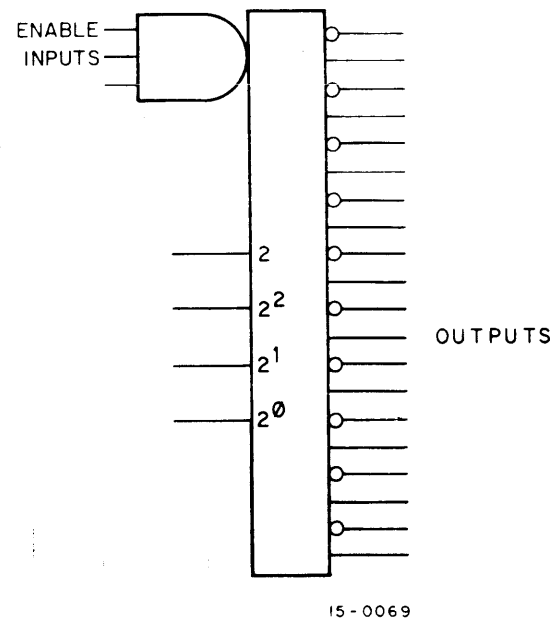


Figure 15 Binary to Octal Decimal Decoder

### SYMBOL DESIGNATORS

Each logic symbol that appears on an engineering drawing block schematic contains designators that indicate the type of module used to perform the logic function, the physical location of the specific module used, and the electrical input and output pin connections that are used by that logic function.

The symbol designators used on the NAND gate shown in Figure 16 provide the following information:

- M112 The NAND gate is provided by an M112 module.
- L18 The module is installed in location L18.
- P1,R1 Input logic signals are applied to pins P1 and R1 on the module.
- S1 The output logic signal is available at pin S1 on the module.

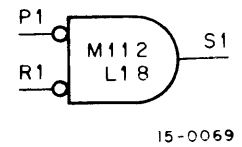


Figure 16 Gate Symbol Designators

In addition to the information listed above, flip-flop symbol designators include a name, such as READ, as shown in Figure 17.

### SIGNAL NAMES

All signal mnemonics that appear on the block schematics include a prefix, signal mnemonic, and signal level indicators, as shown in Figure 18. The signal mnemonic provides the following information:

- a. The prefix indicates the short form print number where the signal originated. KP32 indicates the signal is developed as shown on print 32 of the KP15 Central Processor section.
- b. The signal mnemonic (RD RST) is usually an abbreviation of the complete signal name (read restart).
- c. The signal level indicator (H or L) indicates whether the signal is active when high (+3V) or low (0V).

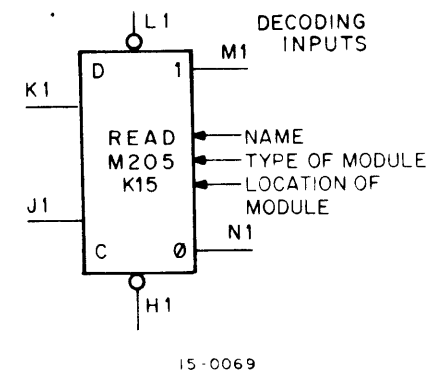


Figure 17 Flip-Flop Symbol Designators

When the signal is developed by a flip-flop, a (1) or (0) is included to indicate the flip-flop state required to provide the active signal. For example, KP32 CP ACT(1)H will be high (+3V) when the CP ACT flip-flop shown on KP32 is set. The source of this signal is the true (1) output of the CP ACT flip-flop. The signal convention allows this same signal to be designated KP32 CP ACT(0)L when it is applied as an active input to a low input type of gate.

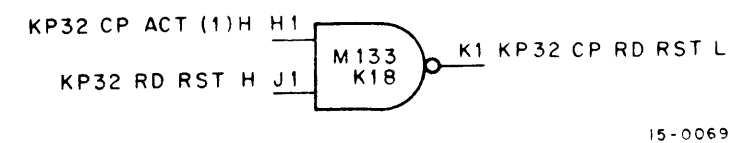


Figure 18 Typical Signal Names

Name Changes

If a flip-flop output is passed through an inverter (possibly for fan-out purposes) the signal name is changed to avoid confusion as to the signal origin. Refer to Figure 19. Logically, the KP66 IN STOP H signal is equivalent to KP64 IN STOP 02(0)L but a new name is assigned for identification purposes.

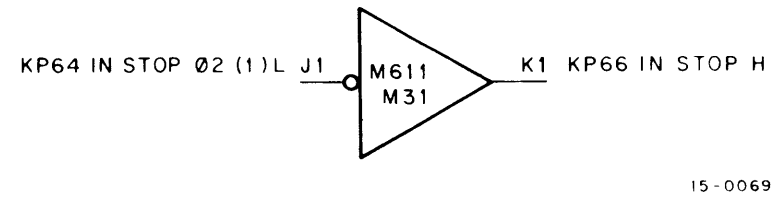


Figure 19 Signal Name Changes

Negated Signals

Negated signals are indicated by a dash that precedes the signal name. For example, when a signal called KP23 INC PC H is inverted, the output becomes — KP23 INC PC H. This convention is used when the signal is applied as an activating input to a high input gate. The signal is logically equivalent to KP23 INC PC L. The latter expression is used when the signal is applied as an activating input to a low input gate.

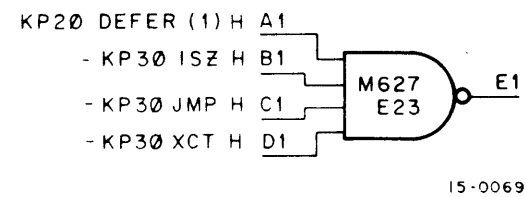


Figure 20 Negated Signals

An example of negated signals applied to a NAND gate is shown in Figure 20.

Disable Signals

Refer to Figure 21. A true output, logic 0, from gate A causes gate B to be disabled.

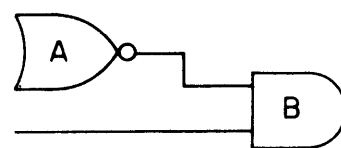


Figure 21 Disable Signal

Table 1-1  
Drawing Number Index

| Size (Original)                | Type | Number      | Title                                     |
|--------------------------------|------|-------------|---|
| E                              | UA   | PDP15-0-0   | PDP-15 Assembly                           |
| A                              | PL   | PDP15-0-0   | PDP-15 Assembly Parts List                |
| D                              | DI   | PDP15-0-1   | Drawing Index List                        |
| D                              | AR   | PDP15-0-2   | System Configuration                      |
| D                              | IC   | PDP15-0-3   | Signal Wiring                             |
| D                              | IC   | PDP15-0-14  | Power Wiring                              |
| KC15A Console Assembly         |      |             |   |
| E                              | IA   | 5408392-0-0 | Switch Board                              |
| D                              | CS   | 5408392-0-1 | Circuit Schematic                         |
| D                              | IA   | 5408394-0-0 | Console Light Board                       |
| D                              | CS   | 5408394-0-1 | Console Indicator Panel Circuit Schematic |
| KP15 I/O and Central Processor |      |             |   |
| D                              | MU   | KP15-0-102  | Module Utilization                        |
| D                              | BS   | KP15-0-1    | Register and Bus Bit 00                   |
| D                              | BS   | KP15-0-2    | Register and Bus Bit 01                   |
| D                              | BS   | KP15-0-3    | Register and Bus Bit 02                   |
| D                              | BS   | KP15-0-4    | Register and Bus Bit 03                   |
| D                              | BS   | KP15-0-5    | Register and Bus Bit 04                   |
| D                              | BS   | KP15-0-6    | Register and Bus Bit 05                   |
| D                              | BS   | KP15-0-7    | Register and Bus Bit 06                   |
| D                              | BS   | KP15-0-8    | Register and Bus Bit 07                   |
| D                              | BS   | KP15-0-9    | Register and Bus Bit 08                   |
| D                              | BS   | KP15-0-10   | Register and Bus Bit 09                   |
| D                              | BS   | KP15-0-11   | Register and Bus Bit 10                   |
| D                              | BS   | KP15-0-12   | Register and Bus Bit 11                   |
| D                              | BS   | KP15-0-13   | Register and Bus Bit 12                   |
| D                              | BS   | KP15-0-14   | Register and Bus Bit 13                   |
| D                              | BS   | KP15-0-15   | Register and Bus Bit 14                   |
| D                              | BS   | KP15-0-16   | Register and Bus Bit 15                   |
| D                              | BS   | KP15-0-17   | Register and Bus Bit 16                   |



Table 1-1 (Cont)  
Drawing Number Index

| Size (Original) | Type | Number                                | Title                         |
|-----------------|------|---------------------------------------|-------------------------------|
|                 |      | KP15 I/O and Central Processor (Cont) |                               |
| D               | BS   | KP15-0-18                             | Register and Bus Bit 17       |
| D               | BS   | KP15-0-19                             | Major Bus Control Logic       |
| D               | BS   | KP15-0-20                             | Major State Generator         |
| D               | BS   | KP15-0-21                             | Time State Generator          |
| D               | BS   | KP15-0-22                             | Link and Link Control         |
| D               | BS   | KP15-0-23                             | Skip Control                  |
| D               | BS   | KP15-0-24                             | Register Strobes              |
| D               | BS   | KP15-0-25                             | Indicator Strobes             |
| D               | BS   | KP15-0-26                             | Memory Mpx                    |
| D               | BS   | KP15-0-27                             | CP/Memory Interface Cables    |
| D               | BS   | KP15-0-28                             | Operate Decoding              |
| D               | BS   | KP15-0-29                             | Index Instruction Bus Control |
| D               | BS   | KP15-0-30                             | Major Instruction Decoding    |
| D               | BS   | KP15-0-31                             | Instruction Register          |
| D               | BS   | KP15-0-32                             | Memory Interface Control      |
| D               | BS   | KP15-0-33                             | Detect X Mode and C Bus       |
| D               | BS   | KP15-0-34                             | Console Interface             |
| D               | BS   | KP15-0-35                             | Interrupt Control Logic       |
| D               | BS   | KP15-0-38                             | I Bus 00-08, M1, M2, MQ       |
| D               | BS   | KP15-0-39                             | I Bus 00-08, EAE, DSR         |
| D               | BS   | KP15-0-40                             | I Bus 09-17, MQ, M1, M2       |
| D               | BS   | KP15-0-41                             | I Bus 09-17, EAE, DSR         |
| D               | BS   | KP15-0-42                             | I Bus 08, 10-17, SC           |
| D               | BS   | KP15-0-43                             | I Bus 18-23, IR               |
| D               | BS   | KP15-0-44                             | Console Control No. 1         |
| D               | BS   | KP15-0-45                             | Console Control No. 2         |
| D               | BS   | KP15-0-46                             | Miscellaneous Control Logic   |
| D               | BS   | KP15-0-47                             | Memory Input Control          |
| D               | BS   | KP15-0-48                             | Miscellaneous Logic           |
| D               | BS   | KP15-0-49                             | CP Read In Logic              |
| D               | BS   | KP15-0-50                             | Device Selector               |

Table 1-1 (Cont)  
Drawing Number Index

| Size (Original) | Type | Number                                | Title                                 |
|-----------------|------|---------------------------------------|---------------------------------------|
|                 |      | KP15 I/O and Central Processor (Cont) |                                       |
| D               | BS   | KP15-0-51                             | I/O Control Sync                      |
| D               | BS   | KP15-0-52                             | I/O Bus Bits 09-17                    |
| D               | BS   | KP15-0-53                             | I/O Bus Bits 00-08                    |
| D               | BS   | KP15-0-55                             | IOT and Time Logic                    |
| D               | BS   | KP15-0-57                             | Power Fail and Real Time Clock        |
| D               | BS   | KP15-0-58                             | Internal IOT Decoder                  |
| D               | BS   | KP15-0-59                             | MDL Drivers                           |
| D               | BS   | KP15-0-60                             | I Bus 00-08                           |
| D               | BS   | KP15-0-62                             | I Bus 09-17                           |
| D               | BS   | KP15-0-64                             | Teletype Receiver                     |
| D               | BS   | KP15-0-65                             | Teletype Transmitter                  |
| D               | BS   | KP15-0-66                             | Read In Logic                         |
| D               | BS   | KP15-0-68                             | I/O Address                           |
| D               | BS   | KP15-0-69                             | I/O Bus Cable                         |
| D               | FD   | KP15-0-70                             | KP15 Block Diagram and Print Key      |
| D               | FD   | KP15-0-71                             | PDP-15 Address Calculation Flow Chart |
| D               | FD   | KP15-0-72                             | Indicator Bus Signal Chart            |
| D               | FD   | KP15-0-73                             | Key Flow                              |
| D               | FD   | KP15-0-74                             | Interrupt Flow Graph                  |
| D               | FD   | KP15-0-75                             | Read In Flow                          |
| D               | FD   | KP15-0-76                             | Instruction Flow Chart                |
| D               | TD   | KP15-0-77                             | API/PI Timing Diagram Bus Signals     |
| D               | TD   | KP15-0-78                             | CP/Memory Timing                      |
| D               | TD   | KP15-0-79                             | CP Timing, Common Events              |
| D               | TD   | KP15-0-80                             | IOT Instruction Timing Diagram        |
| D               | BS   | KP15-0-81                             | Power Regulator and OK Bus            |
|                 |      | KD15 Data Channel                     |                                       |
| D               | BS   | KD15-0-01                             | DSR 00-05                             |
| D               | BS   | KD15-0-02                             | DSR 06-11                             |
| D               | BS   | KD15-0-03                             | DSR 12-17                             |

Drawing Number Index

| Size (Original)                        | Type | Number    | Title  |
|--|------|-----------|--|
| KD15 Data Channel (Cont)               |      |           |  |
| D                                      | BS   | KD15-0-04 | I/O Buffer 00-08                                       |
| D                                      | BS   | KD15-0-05 | I/O Buffer 09-17                                       |
| D                                      | BS   | KD15-0-06 | Miscellaneous Data Channel Logic                       |
| D                                      | TD   | KD15-0-07 | Single Cycle I/O Transfers, Detailed Timing            |
| D                                      | TD   | KD15-0-08 | Three-Cycle Data Channel In Transfer, Detailed Timing  |
| D                                      | TD   | KD15-0-09 | Increment MB Transfer, Detailed Timing                 |
| D                                      | TD   | KD15-0-10 | Three-Cycle Data Channel Out Transfer, Detailed Timing |
| D                                      | TD   | KD15-0-11 | Data Channel Input Timing Diagram, Bus Signals         |
| D                                      | TD   | KD15-0-12 | Data Channel Output Timing Diagram, Bus Signals        |
| D                                      | TD   | KD15-0-13 | Single Cycle Input Timing, Bus Signals                 |
| D                                      | TD   | KD15-0-14 | Single Cycle Output Timing, Bus Signals                |
| D                                      | TD   | KD15-0-15 | Increment Memory Timing Diagram, Bus Signals           |
| KE15 Extended Arithmetic Element (EAE) |      |           |  |
| D                                      | BS   | KE15-0-01 | Bi-directional Shift Register 00-08 (MQ Reg.)          |
| D                                      | BS   | KE15-0-02 | Bi-directional Shift Register 09-17 (MQ Reg.)          |
| D                                      | BS   | KE15-0-03 | Step Counter and Control                               |
| D                                      | BS   | KE15-0-04 | EAE Control M770                                       |
| D                                      | BS   | KE15-0-05 | IR Sign Divide Logic                                   |
| D                                      | FD   | KE15-0-06 | EAE Flow Diagram                                       |
| D                                      | FD   | KE15-0-07 | Data Flow Diagram                                      |
| MM15 Core Memory                       |      |           |  |
| D                                      | MU   | MM15-0-26 | Module Utilization                                     |
| D                                      | DI   | MM15-0-25 | MM15 Drawing Index                                     |
| D                                      | BS   | MM15-0-01 | Memory Control   |

Drawing Number Index

| Size (Original)         | Type | Number      | Title                                      |
|-------------------------|------|-------------|--|
| MM15 Core Memory (Cont) |      |             |  |
| D                       | BS   | MM15-0-02   | Memory Control                             |
| D                       | BS   | MM15-0-03   | MA and MB Registers, 00-05                 |
| D                       | BS   | MM15-0-04   | MA and MB Registers, 06-11                 |
| D                       | BS   | MM15-0-05   | MA and MB Registers, 12-17                 |
| D                       | BS   | MM15-0-06   | X Axis, 0 to 4K                            |
| D                       | BS   | MM15-0-07   | Y Axis, 0 to 4K                            |
| D                       | BS   | MM15-0-08   | X Axis, 4 to 8K                            |
| D                       | BS   | MM15-0-09   | Y Axis, 4 to 8K                            |
| D                       | BS   | MM15-0-10   | Sense Amplifiers and Inhibit Drivers, 0-4K |
| D                       | BS   | MM15-0-11   | Sense Amplifiers and Inhibit Drivers, 0-4K |
| D                       | BS   | MM15-0-12   | Sense Amplifiers and Inhibit Drivers, 0-4K |
| D                       | BS   | MM15-0-13   | Sense Amplifiers and Inhibit Drivers, 4-8K |
| D                       | BS   | MM15-0-14   | Sense Amplifiers and Inhibit Drivers, 4-8K |
| D                       | BS   | MM15-0-15   | Sense Amplifiers and Inhibit Drivers, 4-8K |
| D                       | BS   | MM15-0-16   | Memory Bus Drivers                         |
| D                       | BS   | MM15-0-17   | Memory Bus Drivers                         |
| D                       | BS   | MM15-0-18   | Memory Bus Drivers                         |
| D                       | BS   | MM15-0-19   | I/O Memory Cables                          |
| D                       | BS   | MM15-0-20   | Memory Power Regulators                    |
| D                       | BS   | MM15-0-21   | Timing Diagram                             |
| D                       | BS   | MM15-0-22   | X Diode Matrix                             |
| D                       | BS   | MM15-0-23   | Y Diode Matrix                             |
| D                       | BS   | MM15-0-24   | Parity Bit                                 |
| Power Supplies          |      |             |  |
| D                       | CS   | 715-0-1     | 715 Power Supply Circuit Schematic         |
| B                       | CS   | 5408408-0-1 | Bulk Regulator Circuit Schematic           |
| C                       | CS   | 716-0-1     | 716 Power Supply Circuit Schematic         |
| D                       | CS   | H721-0-1    | H721 Power Supply Circuit Schematic        |
| B                       | CS   | 734D-0-1    | 734D Power Supply Circuit Schematic        |
| A                       | PL   | 734D-0-1    | 734D Power Supply Parts List               |

Table 1-1 (Cont)  
Drawing Number Index

| Size (Original)                         | Type | Number    | Title  |
|---|------|-----------|--|
| Power Supplies (Cont)                   |      |           |  |
| B                                       | CS   | 799A-0-1  | 799A Power Supply Circuit Schematic            |
| A                                       | PL   | 799A-0-0  | 799A Power Supply Parts List                   |
| B                                       | CS   | 841-B     | 841B Power Control Circuit Schematic           |
| A                                       | PL   | 841-B-0   | 841B Power Control Parts List                  |
| B                                       | CS   | 853-F-1   | 853F Power Supply Circuit Schematic            |
| A                                       | PL   | 853-F-0   | 853F Power Supply Parts List                   |
| BB15 Peripheral Expander                |      |           |  |
| D                                       | DI   | BB15-0-01 | BB15 Drawing Index List                        |
| D                                       | MU   | BB15-0-04 | Module Utilization List                        |
| KA15 Automatic Priority Interrupt (API) |      |           |  |
| D                                       | BS   | KA15-0-01 | Requests                                       |
| D                                       | BS   | KA15-0-02 | Priority Levels 00-03                          |
| D                                       | BS   | KA15-0-03 | Priority Levels 04-07                          |
| D                                       | BS   | KA15-0-04 | API Control                                    |
| D                                       | BS   | KA15-0-05 | Test Request                                   |
| D                                       | BS   | KA15-0-06 | I/O Address Gating                             |
| D                                       | BS   | KA15-0-07 | API Cables                                     |
| D                                       | BS   | KA15-0-08 | I/O Bus Receivers                              |
| D                                       | BS   | KA15-0-09 | Miscellaneous Drivers                          |
| D                                       | BS   | KA15-0-10 | I Bus Drivers                                  |
| D                                       | BS   | KA15-0-11 | I/O Bus Drivers                                |
| KM15 Memory Protect Option              |      |           |  |
| D                                       | BS   | KM15-0-10 | Control Logic                                  |
| D                                       | BS   | KM15-0-11 | IOT and Control                                |
| D                                       | BS   | KM15-0-12 | P Mode Enable                                  |
| D                                       | BS   | KM15-0-13 | Boundary Register and Boundary Detection No. 1 |
| D                                       | BS   | KM15-0-14 | Boundary Register and Boundary Detection No. 2 |

Table 1-1 (Cont)  
Drawing Number Index

| Size (Original)                             | Type | Number    | Title                               |
|---|------|-----------|-------------------------------------|
| KM15 Memory Protect Option (Cont)           |      |           |                                     |
| D   | BS   | KM15-0-15 | BB15 Jumper Card Configuration      |
| KT15 Memory Protect/Relocate Option         |      |           |                                     |
| D   | BS   | KT15-0-10 | MDL Control                         |
| D   | BS   | KT15-0-11 | Relocation Register                 |
| D   | BS   | KT15-0-12 | Relocate MDL's                      |
| D   | BS   | KT15-0-13 | I/O Bus or BR                       |
| D   | BS   | KT15-0-14 | RA Buffers and MDL Terminators      |
| D   | BS   | KT15-0-15 | Relocation Address Register 01-06   |
| D   | BS   | KT15-0-16 | Relocation Address Register 07-09   |
| MP15 Memory Parity Option                   |      |           |                                     |
| D   | BS   | MP15-0-10 | Parity Control                      |
| D   | BS   | MP15-0-11 | Parity Input Interface              |
| D   | BS   | MP15-0-12 | Parity Decoder and Parity Generator |
| D   | BS   | MP15-0-13 | Parity Memory Bus Connections       |
| BA15 Peripheral Expander                    |      |           |                                     |
| D   | MU   | BA15-0-7  | Module Utilization                  |
| D   | DI   | BA15-0-08 | BA15 Drawing Index List             |
| D   | IC   | BA15-0-01 | I/O Bus Interface                   |
| D   | BS   | BA15-0-02 | BA15 Line Receivers                 |
| D   | BS   | BA15-0-03 | BA15 Line Drivers                   |
| D   | BS   | BA15-0-04 | I/O Mixer                           |
| D   | BS   | BA15-0-05 | Multiplexer                         |
| D   | IC   | BA15-0-06 | Indicator Cable                     |
| PC15 High-Speed Paper Tape Reader and Punch |      |           |                                     |
| D   | BS   | PC15-0-01 | High Speed Punch Control            |
| D   | BS   | PC15-0-02 | High Speed Reader Control           |
| D   | BS   | PC15-0-03 | Reader Register                     |

Table 1-1 (Cont)  
Drawing Number Index

| Size<br>(Original) | Type | Number                                   | Title                   |
|--------------------|------|--|-------------------------|
|                    |      | LT15A Single TTY Interface               |                         |
| D                  | BS   | LT15-A-01                                | Teletype Control        |
| D                  | BS   | LT15-A-02                                | Teletype Receiver       |
| D                  | BS   | LT15-A-03                                | Teletype Transmitter    |
|                    |      | VP15 Display Logic                       |                         |
| D                  | BS   | VP15-0-1                                 | Display D/A & Dev Sel   |
| D                  | BS   | VP15-0-2                                 | Display Control BA15    |
| D                  | IC   | VP15-BL-1                                | Interconnection Diagram |
|                    |      | DW15A Positive-to-Negative Bus Converter |                         |
| D                  | BS   | DW15-A-1                                 | BI Direct I/O Bus       |
| D                  | BS   | DW15-A-2                                 | BI Direct I/O Bus       |
| D                  | BS   | DW15-A-3                                 | AP DCH RQ + BI BS CON   |
| D                  | BS   | DW15-A-4                                 | API + DCH Enables       |
| D                  | BS   | DW15-A-5                                 | API + DCH Grants        |
| D                  | BS   | *DW15-A-6                                | I/O Addr 03-10          |
| D                  | BS   | DW15-A-7                                 | I/O Addr 11-17          |
| D                  | BS   | DW15-A-8                                 | One Way Signals         |
| D                  | BS   | DW15-A-9                                 | Positive Input Cables   |
| D                  | BS   | DW15-A-10                                | Positive Bus Cables     |
| D                  | BS   | DW15-A-11                                | Negative Bus Cables     |
| D                  | MU   | DW15-A-12                                | Module Utilization      |

| Signal Mnemonic    | Signal Origin |                  | Signal Function  |
|--------------------|---------------|------------------|--|
|                    | Drawing       | Module           |  |
| ADD-MEM            | KD05          | M17-L1           | Adds contents of I/O bus to memory location specified by current address and writes new value into memory location.  |
| ADD 1              | KD04          | N18-V2           | Increment data storage register during word count and current address cycles in three cycle DCH Transfers and during increment memory breaks.                          |
| ADR ACK            | MM02          | A18-H2           | Acknowledges memory address has been accepted and memory cycle has started. Refer to memory timing diagram MM21.   |
| API CAL            | KP31          | N11-C1           | Indicates CAL for Automatic Priority Interrupt.  |
| API SYNC           | KP51          | N22-V2           | Recognizes API request from API option and allows I/O Processor to synchronize with CPU during API break.  |
| BAC-C 00-08, 09-17 | KP19          | F10-J2<br>F11-J2 | Gates contents of buffered AC to C bus.  |
| BACK-TO-BACK       | KD06          | M21-L1           | Used for single cycle transfers to designate that two or more successive breaks will be made without returning control to CPU.   |
| BANK MODE          | KP46          | M27-V1           | Output of bank mode flop that selects memory bank or page mode of operation.   |
| BANK 1 AVAIL       | KP45          | N25-E2           | 27.5 $\mu$ s pulse active during last half of console time slot 3. Clocks active key input from console into associated key flop.                                      |
| BUMP IOT           | KP51          | N20-K2           | Used by I/O processor to reset IOT flop for any priority higher than IOT request.  |
| BUS DONE           | MM02          | A20-J2           | Set by MRLS ACK to release MDL. Shown on memory timing diagram MM21.   |
| C-A BUS            | KP19          | F16-S1           | Gates C bus to A bus.  |
| -C-A BUS           | KP19          | F30-S1           | Gates complemented C bus to A bus.   |
| CA                 | KD04          | N23-M1           | Signal specifies current address portion of the DCH multicycle break is in progress.   |
| CA DLYD            | KD06          | L31-N1           | Used for internal timing during three cycle DCH transfer. Clears the I/O memory hold flop during current address cycle, causing an I/O memory request to be available. |
| CARRY              | KP22          | F02-S1           | Carry sets link if L (0) and resets link if L (1).   |
| CARRY 01           | KD03          | H13-D1           | Carry insert to more significant adder from previous 6-bit adder.  |
| CARRY 02           | KD02          | H13-D1           |  |
| CDL 00 through 23  | KP44<br>KP45  |                  | Buffered console data lines from I Bus.  |

| Signal Mnemonic | Signal Origin |        | Signal Function   |
|-----------------|---------------|--------|---|
|                 | Drawing       | Module |   |
| CF PULSE        | KP45          | N24-M2 | Clock signal for KEY ACTIVE flop. For START, DEPOSIT, EXAMINE, READ IN, CONT and EXECUTE non-repeat, clock signal is 27.5- $\mu$ s pulse active during console time slot 4. For REPEAT, CONT, and EXECUTE, clock signal occurs at repeat clock frequency. |
| CLK IN          | KP46          | N28-D2 | A 36-kHz signal, from clock oscillator, that is used to generate console timing.  |
| CLK SYNC        | KP51          | N17-U1 | Causes multiplexer to issue clock address (000008) on I/O address lines.  |
| CLR IR 00-05    | KP31          | F31-J1 | Clears IR register if FORCE FETCH, KEY ACTIVE, or PWR CLR occurs.   |
| CONSOLE CK      | KP45          | N25-U2 | Non-symmetrical 3-kHz output of console modulo 6 counter that drives console timing failure detector.   |
| CONSOLE DLY 1   | KP44          | M26-K1 | Provides 18-ms delay for console clock failure detection (for failure in ground state).   |
| CONSOLE DLY 2   | KP44          | N26-K1 | Provides 18-ms delay for console clock failure detection (for failure in +V state).   |
| CONSOLE DLY 3   | KP45          | N25-H1 | Connects R-C network to delay stage to provide 120 - 130 ms delay that prevents gating of more than one pulse for switch active input from console.   |
| CONSOLE FAIL    | KP46          | N27-K2 | Output of console failure detector that monitors operation of console timing. Inhibit timing outputs to console switch and indicator circuits if a failure occurs.  |
| CONSOLE LOCKED  | KP46          | K03-L2 | A ground level from console lock switch on 715 Power Supply that prevents program interruption at the console.  |
| CONSOLE ONE     | KP45          | E22-01 | Non-symmetrical 3-kHz square wave. Used with Console Zero and Console Two signals to generate strobes for console switch and indicator circuits.  |
| CONSOLE TWO     | KP45          | E22-10 | A 9-kHz symmetrical square wave used with Console Zero and Console One signals to generate strobes for console switch and indicator circuits.   |
| CONSOLE ZERO    | KP45          | E22-04 | Used with Console One and Console Two signals to generate strobes for console switch and indicator circuits.  |
| CONTINUE        | KP45          | E08-05 | Output of CONT ENABLE flop used to set KEY ACTIVE flop.   |

## Signal Glossary

| Signal Mnemonic | Signal Origin  |   | Signal Function  |          |                |          |   |   |      |   |   |   |   |   |                                  |   |   |   |
|-----------------|----------------|---|--|----------|----------------|----------|---|---|------|---|---|---|---|---|----------------------------------|---|---|---|
|                 | Drawing        | Module  |  |          |                |          |   |   |      |   |   |   |   |   |                                  |   |   |   |
| CP ACT          | KP26           | K13-P1  | Initiates CP memory cycle and inhibits I/O ACT until memory cycle is completed.  |          |                |          |   |   |      |   |   |   |   |   |                                  |   |   |   |
| CP MEM REQ HOLD | KP32           | K13-H1  | Stores memory request until CP ACT can be set to initiate a CP M REQ.  |          |                |          |   |   |      |   |   |   |   |   |                                  |   |   |   |
| CP MRLS         | KP32           | K15-M1  | CP memory release; indicates CP done with memory.  |          |                |          |   |   |      |   |   |   |   |   |                                  |   |   |   |
| CP WR ADR ACK   | KP32           | F12-J2  | Acknowledges memory address during a CP initiated clear-write memory cycle.  |          |                |          |   |   |      |   |   |   |   |   |                                  |   |   |   |
| DATA CYCLE      | KD05           | M17-P2  | Used during data cycle of 3-cycle DCH transfer.  |          |                |          |   |   |      |   |   |   |   |   |                                  |   |   |   |
| DATA IN         | KD05           | M17-S1  | Generated during 3-cycle DCH transfer to indicate data transfer from device to memory.   |          |                |          |   |   |      |   |   |   |   |   |                                  |   |   |   |
| DATA OFLO       | KD05           | M21-S1  | Signal used by I/O device to indicate an incorrect sum has occurred due to an overflow occurring during the third cycle of an add-to-memory operation.   |          |                |          |   |   |      |   |   |   |   |   |                                  |   |   |   |
| DATA OUT        | KD05           | M17-V2  | Generated during 3-cycle DCH transfer to indicate data transfer from memory to device.   |          |                |          |   |   |      |   |   |   |   |   |                                  |   |   |   |
| DCH DONE        | KD05           | K31-K2  | Indicates completion of a DCH transfer.  |          |                |          |   |   |      |   |   |   |   |   |                                  |   |   |   |
| DCH EN IOP2     | KD06           | N18-L2  | Used during 3-cycle data transfer to enable data onto I/O bus from device.   |          |                |          |   |   |      |   |   |   |   |   |                                  |   |   |   |
| DCH OUT XFER    | KD06           | K18-V2  | Indicates transfer of data from memory to device during 3-cycle DCH transfer and also causes IOP 4 to be generated.  |          |                |          |   |   |      |   |   |   |   |   |                                  |   |   |   |
| DCH RESET       | KD05           | K31-N2  | Is generated as a result of I/O Reset or Power Clear to initialize the DCH circuitry.  |          |                |          |   |   |      |   |   |   |   |   |                                  |   |   |   |
| DCH REQ         | KP69           | N03-S2  | A signal generated by an external device indicating a 3-cycle DCH transfer, an increment memory, or an add-to-memory. The signal is also used with SINC CYC REQ to indicate a single cycle transfer as indicated below:<br><br><table border="1" style="margin-left: auto; margin-right: auto;"> <thead> <tr> <th>DCH RQ L</th> <th>SING CYC REQ L</th> <th>FUNCTION</th> </tr> </thead> <tbody> <tr> <td>0</td> <td>0</td> <td>None</td> </tr> <tr> <td>0</td> <td>1</td> <td>Single cycle transfer (from memory to device)</td> </tr> <tr> <td>1</td> <td>0</td> <td>Multi-cycle transfer (in or out)</td> </tr> <tr> <td>1</td> <td>1</td> <td>Single cycle transfer (from device to memory)</td> </tr> </tbody> </table> | DCH RQ L | SING CYC REQ L | FUNCTION | 0 | 0 | None | 0 | 1 | Single cycle transfer (from memory to device) | 1 | 0 | Multi-cycle transfer (in or out) | 1 | 1 | Single cycle transfer (from device to memory) |
| DCH RQ L        | SING CYC REQ L | FUNCTION                                      |  |          |                |          |   |   |      |   |   |   |   |   |                                  |   |   |   |
| 0               | 0              | None  |  |          |                |          |   |   |      |   |   |   |   |   |                                  |   |   |   |
| 0               | 1              | Single cycle transfer (from memory to device) |  |          |                |          |   |   |      |   |   |   |   |   |                                  |   |   |   |
| 1               | 0              | Multi-cycle transfer (in or out)              |  |          |                |          |   |   |      |   |   |   |   |   |                                  |   |   |   |
| 1               | 1              | Single cycle transfer (from device to memory) |  |          |                |          |   |   |      |   |   |   |   |   |                                  |   |   |   |

Table 1-2 (Cont)  
Signal Glossary

| Signal Mnemonic | Signal Origin        |        | Signal Function   |
|-----------------|----------------------|--------|---|
|                 | Drawing              | Module |   |
| DCH SYNC        | KP51                 | N23-H2 | Acknowledges receipt of request from control device by causing GRANT to be issued. The signal also causes the multiplexer to issue an I/O request to memory.                  |
| DCH WAIT        | KD05                 | N12-N2 | Causes I/O processor to wait until after DCH transfers from memory to device has been completed.  |
| DEPOSIT         | KP45                 | M25-M2 | DEPOSIT flop output used to set KEY ACTIVE flop.  |
| DISABLE SYNC    | KD06                 | N32-M1 | During DCH transfers, this signal allows time for I/O Processor to finish processing current DCH transfer and prevents I/O synchronizer from setting PI, API, or Clock flops. |
| DISPLAY STATUS  | KP44                 | M26-M1 | 55- $\mu$ s pulse active during console time slot 001. Gates I/O Bus 01, 02, and 08 through 17 and status of I/O devices to I Bus.  |
| DS-C            | KP19                 | F14-E1 | Gates data switch buffer contents to the C bus during TS02 when DEPOSIT, NEXT, or EXEC key is pressed or OAS is executed.   |
| DSR-I/O BUS     | KD05                 | M21-P2 | Data in DSR to be transferred to I/O Bus.   |
| DSR - MDL       | KD04                 | M20-L1 | Data in DSR to be transferred to MDL.   |
| DSR00 - DSR17   | KD01<br>KD02<br>KD03 |        | Data storage register bits 00 through 17.   |
| DSR OVERFLOW    | KD01                 | H13-D1 | Carry out of most significant stage of DSR. Used to set word count overflow indicating completion of block transfer of data during 3-cycle DCH operation.                     |
| EAC             | KP22                 | E08-R2 | Enables ones complement end around carry when set by CARRY.   |
| ENB CYCLE       | KD05                 | M17-E1 | Enables data cycle for three cycle DCH transfer and determines whether data is transferred to or from.  |
| EN CA           | KD06                 | L21-F1 | Used to enable current address cycle of 3-cycle DCH transfer. This signal is inhibited during single cycle break, clock break or Increment MB.                                |
| END OF CP CYCLE | KP32                 | K16-L2 | Indicates end of central processor memory cycle.  |
| EN RD           | KD04                 | N12-F2 | Sets I/O WRITE flop indicating a transfer from an external device to memory.  |
| EX SW           | KP45                 | N25-E1 | EXECUTE flop output used to set KEY ACTIVE flop.  |
| EXAMINE         | KP45                 | M25-U2 | Output of EXAMINE flop used to set KEY ACTIVE flop.   |

Table 1-2 (Cont)  
Signal Glossary

| Signal Mnemonic     | Signal Origin        |                            | Signal Function   |
|---------------------|----------------------|----------------------------|---|
|                     | Drawing              | Module                     |   |
| GRANT               | KD06                 | M22-J2                     | Signal generated by I/O Processor to acknowledge receipt of request from external device.   |
| HOLD MO             | KP26                 | K15-J2                     | Prevents contents of MO register from being removed from MDL until a CP memory cycle is initiated.  |
| INC CA              | KP68                 | N10-P1                     | Used to inhibit incrementing current address during DCH transfer.   |
| IN XFER CYCLE       | KD05                 | M17-H2                     | Used to denote data transfer position of the DCH cycle.   |
| INCR PC             | KP23                 | F23-J1                     | Increments program counter during TS01 of EXECUTE when SKIP is set.   |
| INH                 | MM02                 | A19-S1                     | Gates data from MB register to inhibit drivers during write half-cycle. Shown on memory timing diagram MM21.  |
| INH PC COUNT        | KP24                 | F32-S2                     | Inhibits program counter incrementation if an execute switches instruction is in progress, an interrupt has been acknowledged or key functions are in progress. |
| I BUS 00 through 23 | KP46                 |                            | Bi-directional data lines between console panel and central processor.  |
| I/O ACT             | KP26                 | K14-H1                     | Part of the Memory Synchronization for the I/O Processor.   |
| I/O ADDR ACK        | KD04                 | M31-M1                     | Derived from ADR ACK when I/O is enabled. Clears M REQ.   |
| I/O ADDR 03-17      | KP68                 |                            | I/O Address bit 03 through bit 17.  |
| I/O ADR 15, 16, 17  | KD03<br>KD03<br>KD03 | K19-C1<br>K19-F2<br>K19-N2 | When bits 15, 16 and 17 are logic 1, the real time clock address of 000007 is developed.  |
| I/O ADDRESS - DSR   | KD04                 | K27-E1                     | Gates I/O address to DSR.   |
| I/O BUF-DSR         | KD05                 | M12-M1                     | Gates contents of I/O buffer to DSR.  |
| I/O CYCLE REQ       | KD04                 | L10-S2                     | Indicates that I/O Processor is requesting a memory cycle.  |
| I/O DATA ACK        | KD04                 | M20-E1                     | This signal is generated in the I/O Processor and is sent to memory indicating that the processor has received the data from memory during a read-write cycle.  |
| I/O ENABLE          | KP32                 | M13-C1                     | Enables I/O processor functions when power is on and I/O ACT is set.  |

Table 1-2 (Cont)  
Signal Glossary

| Signal Mnemonic | Signal Origin |        | Signal Function   |
|-----------------|---------------|--------|---|
|                 | Drawing       | Module |   |
| I/O M HOLD      | KD04          | M23-E1 | Used during DCH transfers to temporarily store M REQ signal while the I/O Processor and memory are being synchronized.  |
| I/O M REQ       | KP26          | K15-E1 | Set to initiate an I/O memory request.  |
| I/O MRLS        | KD04          | M20-H2 | Signal generated by I/O processor during DCH transfers indicating that I/O processor is completed with current memory cycle and is releasing memory for additional requests.  |
| I/O MRLS ACK    | KD04          | N18-T2 | Response from memory that it has received the I/O MRLS signal.  |
| IOP 1           | KP51          | N17-L1 | Decoded from bit 17 of IOT instruction. This signal is used for skip instructions to test a device flag or other control function.  |
| IOP 2           | KP51          | N17-H2 | Decoded from bit 16 of IOT instruction. This signal is generally used to transfer data from an external device to the processor, to clear a device register, or for other control functions excluding skip sensing. |
| IOP 4           | KP51          | N17-E1 | Decoded from bit 15 of IOT instruction. This signal is generally used to transfer data from the CPU to the device and cannot be used to transfer data from the device to the CPU or to determine a skip condition.  |
| I/O RD RST      | KP26          | K18-F2 | This signal is generated in memory and indicates to the I/O Processor that the information contained in the address, which was on the MDL when M REQ was issued, can now be read from the MDL.                      |
| I/O READ        | KD04          | M20-P2 | Indicates that data is being read from memory to external device via the I/O Processor.   |
| I/O RESET       | KP45          | E02-09 | I/O RESET flop output used with STOP condition to clear major registers and control devices.  |
| I/O WRITE       | KD04          | M20-S1 | Indicates that data from external device is being written into memory.  |
| IND A BUS       | KP44          | E01-08 | 55- $\mu$ s pulse active during console time slot 001. Gates contents of accumulator to I Bus.  |
| IND AC          | KP44          | E01-11 | 55- $\mu$ s pulse active during console time slot 001. Gates contents of accumulator to I Bus.  |
| IND B BUS       | KP44          | E16-06 | 55- $\mu$ s pulse active during console time slot 001. Gates B Bus to I Bus.  |
| IND C BUS       | KP44          | E16-08 | 55- $\mu$ s pulse active during console time slot 001. Gates C Bus to I Bus.  |

Table 1-2 (Cont)  
Signal Glossary

| Signal Mnemonic | Signal Origin |        | Signal Function  |
|-----------------|---------------|--------|--|
|                 | Drawing       | Module |  |
| IND DSR         | KP44          | E07-11 | 55- $\mu$ s pulse active during console time slot 001 for gating content of Data Storage Register to I Bus.                        |
| IND EAE         | KP44          | E07-03 | 55- $\mu$ s pulse active during console time slot 001. Gates discrete bits of EAE control functions to I Bus.                      |
| IND I/O A       | KP44          | E13-08 | 55- $\mu$ s pulse active during console time slot 001. Gates 15 bits of I/O address to I Bus 03 through 17.                        |
| IND IOB         | KP44          | E04-03 | 55- $\mu$ s pulse active during console time slot 001 for gating I/O Bus to the I Bus.   |
| IND LR          | KP44          | E10-11 | 55- $\mu$ s pulse active during console time slot 001. Gates contents of Limit Register onto I Bus.                                |
| IND OA          | KP44          | E16-11 | 55- $\mu$ s pulse active during console time slot 001. Gates contents of Memory Address Register in CP onto I Bus.                 |
| IND MDL         | KP44          | E07-08 | 55- $\mu$ s pulse active during console time slot 001. Gates Memory data lines to I Bus.   |
| IND MMA         | KP44          | E04-06 | 55- $\mu$ s pulse active during console time slot 001. Gates content of Memory Address Register onto I Bus.                        |
| IND MMB         | KP44          | E04-08 | 55- $\mu$ s pulse active during console time slot 001. Gates content of Memory Buffer Register (MMB) onto I Bus.                   |
| IND MO          | KP44          | E01-03 | 55- $\mu$ s strobe active during console time slot 001. Gates contents of Memory Output Register onto I Bus.                       |
| IND MQ          | KP44          | E13-03 | 55- $\mu$ s pulse active during console time slot 001. Gates contents of Multiplier Quotient Register to I Bus.                    |
| IND MST         | KP44          | E10-0  | 55- $\mu$ s pulse active during console time slot 001. Gates memory status and states onto I Bus.                                  |
| IND M1          | KP44          | E10-08 | 55- $\mu$ s pulse active during console time slot 001. Gates CP group I discrete control signals to the I Bus.                     |
| IND M2          | KP44          | E07-06 | 55- $\mu$ s pulse active during console time slot 001. Gates CP control discretes to I Bus.  |
| INC PC          | KP44          | E16-03 | 55- $\mu$ s pulse active during console time slot 001. Gates content Program Counter onto I Bus.                                   |
| IND PL/SC       | KP44          | E13-11 | 55- $\mu$ s pulse active during console time slot 001. Gates status of Priority Level flops and contents of Step Counter to I Bus. |

Table 1-2 (Cont)  
Signal Glossary

| Signal Mnemonic | Signal Origin |                                     | Signal Function  |
|-----------------|---------------|-------------------------------------|--|
|                 | Drawing       | Module                              |  |
| IND SHIFT BUS   | KP44          | E13-06                              | 55- $\mu$ s pulse active during console time slot 001. Gates CP Shift Bus to I Bus.  |
| IND SUM BUS     | KP44          | E10-06                              | 55- $\mu$ s pulse active during console time slot 001. Gates Sum Bus to I Bus.   |
| IND XR          | KP44          | E10-03                              | 55- $\mu$ s pulse active during console time slot 001. Gates contents of Index Register onto I Bus.  |
| IR00-IR05       | KP31          | F09-E1,<br>H2, L1,<br>P2, S1,<br>V2 | Index register bits IR00-IR05 are loaded from MI00-MI05 during FETCH to store instruction op code.   |
| JAM PC TO MO    | KP23          | J31-V1                              | Sets PC contents into MO register during TS01 of EXECUTE if SKIP is not set.   |
| KEY ACT         | KP34          | F27-J2                              | Key active flow is set when console function keys are pressed.   |
| KEY READ IN     | KP45          | E04-08                              | A level generated by READ-IN flop when READ IN key is on. Used to initiate paper tape read in to memory.   |
| L BM UM-A       | KP19          | F14-T2                              | Gates status of link (L), bank mode (BM), and user mode bit (UM) to the A bus. Generated during TS02 (Fetch or Defer) of a group 4 instruction (JMS or CAL). |
| LD AC           | KP24          | H04-J2                              | Load accumulator bits AC00-AC17.   |
| LR-C            | KP19          | F16-P2                              | Gates contents of limit register to C bus to test limit register or when XG ENAB LR is low.  |
| LIKE SIGNS      | KD06          | N32-J2                              | Used to compare signs of data in I/O buffer (I/O BUF00) and data in memory (MDL 00). In add-to-memory cycle, this signal is used to set DATA OFLO.           |
| MA HOLD         | MM02          | A18-E1                              | Set by START to prevent MA register contents from changing, once memory cycle has been initiated. Shown on memory timing diagram MM21.                       |
| MA LOAD         | MM01          | A15-L1                              | Strobes memory address from MDL to MA register. Refer to memory timing diagram MM21.   |
| MB CLEAR        | MM01          | A15-S1                              | Clears MB register at start of memory cycle. Refer to memory timing diagram MM21.  |
| MB LOAD         | MM02          | A15-J2                              | Strobes MDL data into MB register during write half-cycle. Shown on memory timing diagram MM21.  |
| -MI-B 00-08     | KP19          | E07-N2                              | Gates complemented MI register bits MI00 through MI08 to the B bus.  |



Table 1-2 (Cont)  
Signal Glossary

| Signal Mnemonic    | Signal Origin |            | Signal Function  |
|--------------------|---------------|------------|--|
|                    | Drawing       | Module     |  |
| -MI-B 09-17        | KP19          | F14-F2     | Gates complemented MI register bits MI09 through MI17 to the B bus.  |
| -MP API RQ         | MP10          | B15-U2     | Automatic priority interrupt request generated by parity error flag.   |
| MPX                | KP26          | K14-A1     | Establishes priority of I/O M REQ if DCH SYNC or CLK SYNC are set.   |
| MQ-C               | KP19          | F08-V2     | Gates contents of MQ register to C bus during EAE instruction.   |
| MRD                | KP26          | K10-E2, H2 | Generated by I/O Read or by START READ (if I/O ACT (0)). Selects read-restore memory cycle.  |
| MRLS ACK           | MM02          | A18-V2     | Acknowledges MRLS after WR EN flop is set. Shown on memory timing diagram MM21.  |
| -MRLS DLY          | MP10          | A16-J2     | Produces INH MRLS to delay memory release until parity is decoded and parity bit is generated.   |
| MWR (memory write) | KP32          | K10-K2, M2 | Generated by I/O WRITE or by START WRITE if I/O ACT (0). Selects clear-write memory cycle.   |
| NO SHIFT-D         | KP19          | F15-L1     | No shift enabled to D bus. Occurs if current instruction is not an EAE, OPR SHIFT, SWH, or CLA instruction.                              |
| ONE CYCLE BK       | KD06          | M21-E1     | This signal indicates a single cycle transfer whereby the external device maintains its own word count and current address.              |
| OPR                | KP28          | E06-E1     | Indicates operate instruction decoded from IR bits IR00-IR04.  |
| OVERFLOW           | KP22          | F03-C1     | Sets link when Sum Bus bit 00 is positive and AC00 and MI00 are same sign.   |
| PAR ERR            | MP10          | B16-K2     | Indicates parity error has been detected.  |
| PC-A 01-02         | KP19          | J13-U1     | Gates program counter bits PC01 and PC02 to the A bus.   |
| PC-A 03-04         | KP19          | J30-J2     | Gates program counter bits PC03 and PC04 to the A bus.   |
| PC-A 05            | KP19          | E07-S1     | Gates program counter bit PC05 to the A bus.   |
| PC-A 06-17         | KP19          | F18-P2     | Gates program counter bits PC06 through PC17 to the A bus.   |
| PI SYNC            | KP51          | N22-S1     | This signal indicates that the I/O Processor has recognized a Program Interrupt and allows the I/O processor to synchronize with the CP. |

Table 1-2 (Cont)  
Signal Glossary

| Signal Mnemonic  | Signal Origin |        | Signal Function   |
|------------------|---------------|--------|---|
|                  | Drawing       | Module |   |
| PRE MRLS         | KD06          | N16-K2 | Generated a short time after Read Restart. This signal is used to enable DSR-I/O BUS on transfers of data from memory to the device and also acknowledges when the I/O Processor has received the data. |
| RD CON           | MM01          | A18-R2 | Set by MRD to control read-restore memory cycle. Refer to memory timing diagram MM21.   |
| RD RST           | MM02          | A19-L1 | Indicates data read from memory is available on MDL and the requesting processor can proceed. Shown on memory timing diagram MM21.  |
| RD RST DLY       | MP10          | A14-F1 | Produces INH RD RST to delay read restart until parity has been tested.   |
| RDX              | MM02          | A19-H1 | Generates read current in the selected X drive line. Shown on memory timing diagram MM21.   |
| RDY              | MM02          | A19-E1 | Generates read current in the selected Y drive line. Shown on memory timing diagram MM21.   |
| REG MAINT STROBE | KP45          | E21-06 | 55- $\mu$ s pulse active during console time slot 001. Generated when REG GROUP switch is on. Combined with 12 register select inputs from I Bus to generate one of 12 I Bus gating strobes.            |
| REG NORM STROBE  | KP45          | E21-08 | 55- $\mu$ s pulse active during console time slot 001. Generated when REG GROUP switch is off. Combined with 12 register select inputs from I Bus to generate one of 12 I Bus gating strobes.           |
| REPT VAR IN      | KP46          | N24-L2 | Input from Repetitive Speed potentiometer on console switch panel that controls repetition rate of repeat clock.  |
| REQ              | MM01          | A12-S1 | Produced by M REQ to initiate a memory cycle. Refer to memory timing diagram MM21.  |
| RESTART          | KD06          | M18-H1 | Indicates completion of DCH transfer and clears out DCH and DCH SYNC flops.   |
| RETURN DATA      | KD04          | L19-L2 | Generated by the I/O Processor to indicate a transfer of data from the external device to memory.   |
| RI RD RST        | KP32          | K30-E1 | Re-starts central processor functions after data has been deposited by hardware read in.  |
| RTL-D            | KP19          | F14-P1 | Shifts D bus data left two places. Enabled by RTL during TS02 Fetch.  |
| RTR-D            | KP19          | F14-L2 | Shifts D bus data right two places. Enabled by RTR during TS02 Fetch.   |

Table 1-2 (Cont)  
Signal Glossary

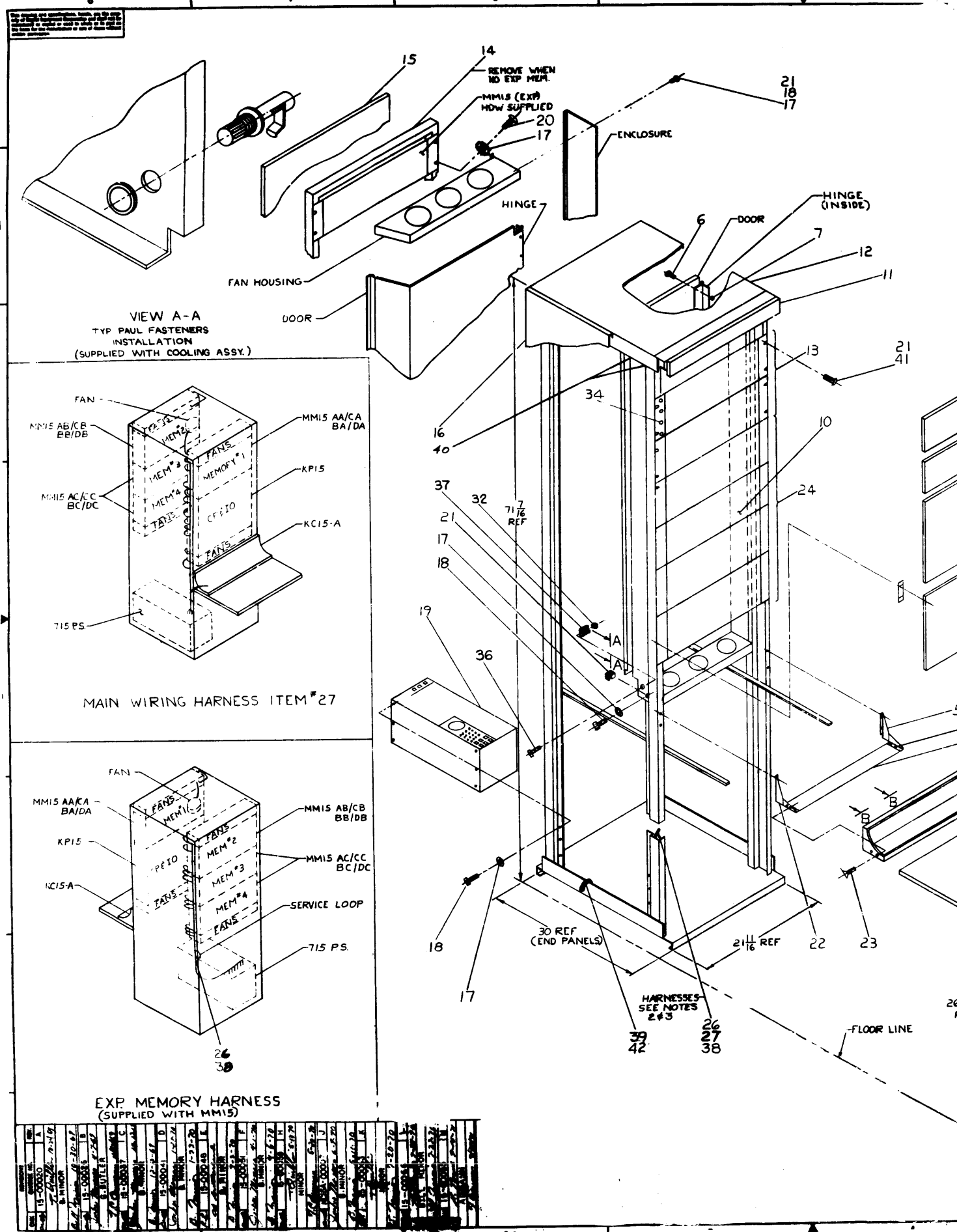
| Signal Mnemonic  | Signal Origin |        | Signal Function  |
|------------------|---------------|--------|--|
|                  | Drawing       | Module |  |
| SE (signs equal) | KP22          | E08-N1 | Indicates when MI and AC bits AC00 and MI00 (sign bits) are same sign. SE flop cleared when bits are opposite sign.  |
| SET DSR-MDL      | KD06          | N15-F2 | Enables contents of DSR to be placed on the MDL during DCH transfers.  |
| SET FETCH        | KP20          | E22-F2 | Enables the FETCH major state flop. Occurs if no other major state is enabled.   |
| SET GRANT        | KD06          | K18-S2 | Used to set the GRANT flop during single cycle back-to-back data transfers.  |
| SING CYC DIR     | KD06          | M21-H2 | This signal determines whether the single cycle transfer direction is to be an "in" transfer (from device to memory) or an "out" transfer (from memory to device). See note on KD06. |
| SING CYC IOP 4   | KD06          | M24-K2 | Generated during single cycle, back-to-back from memory to the external device.  |
| SING INST        | KP46          | M27-H2 | Output of SING INST flop supplied to time state generator to implement a single instruction.   |
| SING STEP        | KP46          | M27-L2 | Output of SING STEP flop supplied to time state generator to permit the manual stepping of a program through major states of an instruction.   |
| SING TIME        | KP46          | M27-E1 | Output of SING TIME flop supplied to time state generator for manual stepping through time state of each major state.  |
| SKIP             | KP23          | E08-U2 | Causes PC to be incremented by one to skip next instruction.   |
| START            | KP45          | M25-V2 | Output of console START ENABLE flop used to set KEY ACTIVE flop.   |
| START            | MM01          | A14-V2 | Initiates a memory cycle when M REQ is received and no address has been acknowledged previously. Refer to memory timing diagram MM21.  |
| START READ       | KP32          | F24-J2 | Starts a read-restore memory cycle.  |
| START WRITE      | KP32          | F30-E1 | Starts a clear-write memory cycle.   |
| STOP             | KP45          | M25-K2 | STOP flop output terminates CP operation by resetting RUN flop.  |
| STP TM CHAIN     | KD05          | M22-R2 | Stops the I/O clock in Time 2 during memory data transfer. The I/O processor cannot generate IOP 4 until the next Time 1 signal occurs.  |
| STROBE           | MM02          | C14    | Produced by RD CON to gate sense amplifier outputs into MB register.   |

Table 1-2 (Cont)  
Signal Glossary

| Signal Mnemonic | Signal Origin |        | Signal Function  |
|-----------------|---------------|--------|--|
|                 | Drawing       | Module |  |
| STROBE ADDR     | KD06          | L21-K2 | Strobes the address from the I/O Bus to the DSR during DCH transfers.  |
| STROBE ONE      | KP46          | K32-V1 | A 55- $\mu$ s pulse active during console time slot 2. Gates memory input register, instruction register code and defer and index bits onto I Bus.             |
| STROBE TWO      | KP45          | N25-K2 | 55- $\mu$ s pulse active during console time slot 011. Gates Memory Input Register and Instruction Register contents onto I Bus.                               |
| STROBE ZERO     | KP45          | E18-06 | 55- $\mu$ s pulse active during console time slot 000. Gates central processor status to I Bus.  |
| START CA        | KD04          | L22-L1 | Enables current address cycle during a 3-cycle DCH transfer.   |
| STROBE DSR      | KD04          | M16-S1 | Loads DSR with address or data for transfers to or from memory.  |
| STROBE I/O BUF  | KD05          | M16-J2 | Used for DCH transfers from device to memory to strobe the data from the I/O Bus into the I/O Buffer.  |
| STROBE IOP2     | KP51          | M14-V2 | Occurs 750-ns after beginning of IOP2 and is used to load AC from the device during DCH and IOT transfers.   |
| STROBE MRLS     | KD06          | L18-C1 | A signal used to set the MRLS flop in order to release memory for further requests.  |
| STROBE IOP1     | KP51          | L06-S2 | Occurs 750-ns after IOP1 and is used to set the skip flop during DCH and IOT transfers.  |
| STROBE MRLS DLY | KD06          | M18-H1 | This signal is delayed from strobe MRLS and is used in back-to-back single cycle transfers to strobe the address into the DSR.                                 |
| SWITCH INHIBIT  | KP46          | N27-R2 | Output of console delay 3 that prevents a second clock pulse to key flops for switch active functions. During run condition, blocks clock signal to key flops. |
| SYNC            | KP55          | L23-N1 | SYNC occurs at time 1 and is set on the I/O bus by the I/O processor to synchronize the device with the I/O processor.   |
| TIME 1          | KP55          | N13-J2 | 250-ns pulse.  |
| TIME 2          | KP55          | N13-F2 | 250-ns pulse starting at completion of TIME 1 pulse.   |
| TIME 3          | KP55          | N13-K1 | 250-ns pulse starting at completion of TIME 2 pulse.   |

Table 1-2 (Cont)  
Signal Glossary

| Signal Mnemonic | Signal Origin |        | Signal Function   |
|-----------------|---------------|--------|---|
|                 | Drawing       | Module |   |
| TIME 4          | KP55          | N13-M1 | 250-ns pulse starting at completion of TIME 3 pulse.  |
| WC              | KD04          | M22-U2 | This signal indicates the word count cycle in a 3-cycle DCH transfer.   |
| WC ENABLE       | KD04          | M22-E1 | Indicates entry to word count cycle while I/O processor is synchronizing to memory.                               |
| WC OVERFLOW     | KD04          | M23-J2 | Indicates completion of block transfer of data; i.e., desired number of words have been transferred.              |
| WR              | MM02          | A19-V2 | Generates write current in X and Y drive lines. Shown on memory timing diagram MM21.                              |
| WR CON          | MM01          | A18-U1 | Set by MWR to control clear-write memory cycle. Refer to memory timing diagram MM21.                              |
| WR DONE         | MM02          | A20-F1 | Indicates end of write half-cycle. Shown on memory timing diagram MM21.   |
| WR EN           | MM02          | A19-P2 | Enables write half-cycle to begin 50-ns after RD RST. Shown on memory timing diagram MM21.                        |
| WRITE REQ       |               |        | Signal on MDL indicating transfer of data from Processor to memory.   |
| +1 WC           | KP68          | N10-L1 | Used during word count cycle of 3-cycle DCH transfer to increment the word count each time a word is transferred. |
| XG ENAB AC      | KP29          | F18-E1 | Enables AC for index register instructions PAX and PAL.   |
| XG ENAB LR      | KP29          | F18-J2 | Enables limit register for index register instructions PLA and PLX.   |
| XG ENAB XR      | KP29          | F19-E1 | Enables index register for index register instructions to PXA and PXL.  |
| XOR-C           | KP19          | F16-J2 | Used to exclusive-OR AC with memory buffer contents during TS02 of XOR, or TS01 of SAD.                           |
| XR-B 00-05      | KP19          | E11-D1 | Gates index register bits XR00-XR05 to the B bus.   |
| XR-B 06-17      | KP19          | M01-H1 | Gates index register bits XR06-XR17 to the B bus.   |
| 3 CYCLE         | KD06          | N18-U1 | Indicates 3 cycle DCH transfer and is used to clear GRANT flop when address is available.                         |
| +1 TO CA INH    | KP69          | N03-E1 | Used during increment memory operation to inhibit incrementing the current address. Produces KP68 - INC CA.       |



**LOCATION OF SPEED NUTS ITEM #21**

LOCATE ALL NUTS BY COUNTING HOLES DOWN FROM TOP OF CAB FRAME SUPPORTS

| FRONT HOLE NUMBERS |    |    |    | REAR HOLE NUMBERS |  |
|--------------------|----|----|----|-------------------|--|
| 3                  | 21 | 39 | 57 | 48 LEFT ONLY      |  |
| 7                  | 25 | 43 | 61 | 80 LEFT ONLY      |  |
| 12                 | 30 | 48 | 73 |                   |  |
| 16                 | 34 | 52 | 75 |                   |  |

| LEFT SIDE HOLE NUMBERS |            | RIGHT SIDE HOLE NUMBERS |             |
|------------------------|------------|-------------------------|-------------|
| LEFT REAR              | LEFT FRONT | RIGHT REAR              | RIGHT FRONT |
|                        | 2 53       | 70                      | 2 53        |
|                        | 5 59       | 71                      | 5 59        |
|                        | 8 62       |                         | 8 62        |
| 70                     | 70         |                         | 23 70       |
| 71                     | 71         |                         | 38 71       |

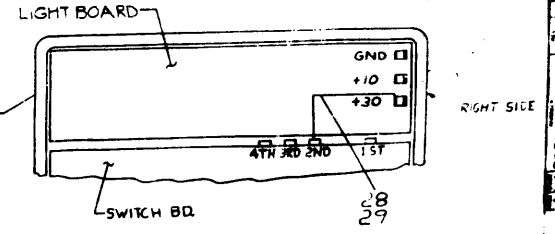
MTC PANEL DOOR HOLE LOCATIONS  
TO BE USED ONLY WITH EXTENDED MEMORY & REAR COOLING

| LEFT SIDE HOLE NUMBERS |    |    |    | RIGHT SIDE HOLE NUMBERS |    |    |    |
|------------------------|----|----|----|-------------------------|----|----|----|
| 5                      | 23 | 46 | 64 | 5                       | 23 | 46 | 64 |
| 7                      | 28 | 50 | 68 | 7                       | 28 | 50 | 68 |
| 10                     | 32 | 55 | 73 | 10                      | 32 | 55 | 73 |
| 14                     | 37 | 59 | 77 | 14                      | 37 | 59 | 77 |
| 19                     | 41 | 62 | 80 | 19                      | 41 | 62 | 80 |

- NOTES:**
- FOR DRAWING INDEX LIST REFER TO D-01-PDP15-0-1.
  - HARNESSES TO BE ROUTED INSIDE OF CABINET CHANNELS.
  - HARNESSES TO BE SECURED USING ITEMS 26 & 30.
  - REF DOCUMENTS REFER TO D-0C-M150-0-0 & D-AR-PDP15-0-2.
  - IF MAX NO OF MEM UNITS ON THE REAR DOOR (3) IS NOT INCLUDED IN THE SYS THE FOLLOWING PROCEDURE IS USED FOR UNUSED PWR CONNS:
    - A UNUSED MATE N-LOCK CONNS TO BE MATED WITH FEMALE COOLING ASSY WIRING SCREWS
    - B UNUSED HEYCO TABS TO BE COVERED WITH SHRINK TUBING AND SECURED TO HARNESSES WITH TIE WRAPS
    - C FASTEN HARNESSES AGAINST CORNER USING ITEMS 26 & 30.

**MAIN WIRING & EXP MEM HARNESS**

| PART NO. | COLOR | FROM/HARNESS         | TO SYSTEM            | REMARKS       |
|----------|-------|----------------------|----------------------|---------------|
| 700425   | -     | P1                   | 715 P1 - P1          |               |
| -        | -     | P2                   | 715 P1 - P2          |               |
| -        | -     | P3                   | 715 P1 - P3          |               |
| -        | -     | P4                   | 715 P1 - P4          |               |
| -        | -     | P5                   | 715 P1 - P5          |               |
| -        | -     | P6                   | 715 P1 - P6          |               |
| -        | -     | P7                   | 715 P1 - P7          |               |
| -        | -     | P8                   | 715 P1 - P8          |               |
| WHT      | 75    | TOP FAN ASSY         | WHT HEYCO TAB        |               |
| RED      | 76    | TOP FAN ASSY         | RED HEYCO TAB        |               |
| -        | -     | A101                 | GRN/BLK/BLK/RED      |               |
| BLU      | 71    | C101 TOP TAB         |                      |               |
| RED      | 72    | C101 BOT TAB         |                      |               |
| YEL      | 73    | D116 TOP TAB         |                      |               |
| BLK      | 74    | D116 BOT TAB         |                      |               |
| -        | -     | P23                  | E101 RED/BLK/BLK/GRN |               |
| -        | -     | P22                  | H101 GRN/BLK/BLK/RED |               |
| -        | -     | P20                  | K103 GRN/BLK/GRN/RED |               |
| -        | -     | P21                  | K101 RED/BLK/BLK/GRN |               |
| RED      | 55    | L102 TOP TAB         |                      |               |
| BLK      | 56    | L102 2ND TAB         |                      |               |
| BLK      | 57    | L102 3RD TAB         |                      |               |
| GRY      | 58    | L102 BOT TAB         |                      |               |
| -        | -     | P19                  | M101 RED/BLK/BLK/GRN |               |
| WHT      | 44    | BOT FAN ASSY         | WHT HEYCO TAB        |               |
| RED      | 45    | BOT FAN ASSY         | RED HEYCO TAB        |               |
| BLU      | 81    | CONSOLE SW BD        | 1ST FROM RIGHT       |               |
| GRN/BL   | 82    | CONSOLE SW BD        | 3RD FROM RIGHT       |               |
| GRY/BL   | 83    | CONSOLE SW BD        | 4TH FROM RIGHT       |               |
| RED      | 84    | CONSOLE +10V         |                      |               |
| BLK      | 85    | CONSOLE GND          |                      |               |
| 700442   | ORN   | 86                   | CONSOLE +30V         |               |
| 700401   | -     | P9                   | 715 P1 - P9          |               |
| -        | -     | P10                  | 715 P1 - P10         |               |
| -        | -     | P11                  | 715 P1 - P11         |               |
| -        | -     | P12                  | 715 P1 - P12         |               |
| -        | -     | P13                  | 715 P1 - P13         |               |
| -        | -     | P14                  | 715 P1 - P14         |               |
| WHT      | 55    | TOP FAN ASSY         | WHT HEYCO TAB        |               |
| RED      | 56    | TOP FAN ASSY         | RED HEYCO TAB        |               |
| -        | -     | A201                 | GRN/BLK/BLK/RED      |               |
| RED      | 49    | C201 BOT TAB         |                      |               |
| BLU      | 50    | C201 TOP TAB         |                      |               |
| YEL      | 47    | D216 TOP TAB         |                      |               |
| BLK      | 48    | D216 BOT TAB         |                      |               |
| RED      | 41    | A301 GRN/BLK/BLK/RED |                      |               |
| RED      | 41    | C301 BOT TAB         |                      |               |
| BLU      | 42    | C301 TOP TAB         |                      |               |
| YEL      | 39    | D316 TOP TAB         |                      |               |
| BLK      | 40    | D316 BOT TAB         |                      |               |
| -        | -     | P16                  | A401 GRN/BLK/BLK/RED |               |
| RED      | 32    | C401 BOT TAB         |                      |               |
| BLU      | 31    | C401 TOP TAB         |                      |               |
| YEL      | 24    | D416 TOP TAB         |                      |               |
| BLK      | 33    | D416 BOT TAB         |                      |               |
| WHT      | 30    | BOT FAN ASSY         | WHT HEYCO TAB        |               |
| 700401   | RED   | 29                   | BOT FAN ASSY         | RED HEYCO TAB |
| RED      | -     | -                    | CONSOLE SW BOT       |               |
| WHT      | -     | -                    | FRONT FAN ASSY       |               |



**VIEW B-B**

| REV | DESCRIPTION             | DATE     | BY | CHECKED |
|-----|-------------------------|----------|----|---------|
| 1   | ISSUED FOR PRODUCTION   | 12-22-61 |    |         |
| 2   | REVISED TO SHOW CHANGES | 1-10-62  |    |         |
| 3   | REVISED TO SHOW CHANGES | 1-10-62  |    |         |
| 4   | REVISED TO SHOW CHANGES | 1-10-62  |    |         |

**PDP15 ASSEMBLY**

A-M-L-PDP15-0

**EXP. MEMORY HARNESS (SUPPLIED WITH MMIS)**

| REV | DESCRIPTION             | DATE     | BY | CHECKED |
|-----|-------------------------|----------|----|---------|
| 1   | ISSUED FOR PRODUCTION   | 12-22-61 |    |         |
| 2   | REVISED TO SHOW CHANGES | 1-10-62  |    |         |
| 3   | REVISED TO SHOW CHANGES | 1-10-62  |    |         |
| 4   | REVISED TO SHOW CHANGES | 1-10-62  |    |         |
| 5   | REVISED TO SHOW CHANGES | 1-10-62  |    |         |
| 6   | REVISED TO SHOW CHANGES | 1-10-62  |    |         |
| 7   | REVISED TO SHOW CHANGES | 1-10-62  |    |         |
| 8   | REVISED TO SHOW CHANGES | 1-10-62  |    |         |
| 9   | REVISED TO SHOW CHANGES | 1-10-62  |    |         |
| 10  | REVISED TO SHOW CHANGES | 1-10-62  |    |         |
| 11  | REVISED TO SHOW CHANGES | 1-10-62  |    |         |
| 12  | REVISED TO SHOW CHANGES | 1-10-62  |    |         |
| 13  | REVISED TO SHOW CHANGES | 1-10-62  |    |         |
| 14  | REVISED TO SHOW CHANGES | 1-10-62  |    |         |
| 15  | REVISED TO SHOW CHANGES | 1-10-62  |    |         |
| 16  | REVISED TO SHOW CHANGES | 1-10-62  |    |         |
| 17  | REVISED TO SHOW CHANGES | 1-10-62  |    |         |
| 18  | REVISED TO SHOW CHANGES | 1-10-62  |    |         |
| 19  | REVISED TO SHOW CHANGES | 1-10-62  |    |         |
| 20  | REVISED TO SHOW CHANGES | 1-10-62  |    |         |
| 21  | REVISED TO SHOW CHANGES | 1-10-62  |    |         |
| 22  | REVISED TO SHOW CHANGES | 1-10-62  |    |         |
| 23  | REVISED TO SHOW CHANGES | 1-10-62  |    |         |
| 24  | REVISED TO SHOW CHANGES | 1-10-62  |    |         |
| 25  | REVISED TO SHOW CHANGES | 1-10-62  |    |         |
| 26  | REVISED TO SHOW CHANGES | 1-10-62  |    |         |
| 27  | REVISED TO SHOW CHANGES | 1-10-62  |    |         |
| 28  | REVISED TO SHOW CHANGES | 1-10-62  |    |         |
| 29  | REVISED TO SHOW CHANGES | 1-10-62  |    |         |
| 30  | REVISED TO SHOW CHANGES | 1-10-62  |    |         |
| 31  | REVISED TO SHOW CHANGES | 1-10-62  |    |         |
| 32  | REVISED TO SHOW CHANGES | 1-10-62  |    |         |
| 33  | REVISED TO SHOW CHANGES | 1-10-62  |    |         |
| 34  | REVISED TO SHOW CHANGES | 1-10-62  |    |         |
| 35  | REVISED TO SHOW CHANGES | 1-10-62  |    |         |
| 36  | REVISED TO SHOW CHANGES | 1-10-62  |    |         |
| 37  | REVISED TO SHOW CHANGES | 1-10-62  |    |         |
| 38  | REVISED TO SHOW CHANGES | 1-10-62  |    |         |
| 39  | REVISED TO SHOW CHANGES | 1-10-62  |    |         |
| 40  | REVISED TO SHOW CHANGES | 1-10-62  |    |         |
| 41  | REVISED TO SHOW CHANGES | 1-10-62  |    |         |

**DIGITAL EQUIPMENT CORPORATION**  
MAYNARD, MASSACHUSETTS  
**PARTS LIST**

MADE BY J. FLEMING  
DATE 7/25/69  
ENG W. *Donna*  
DATE 8/18/69

CHECKED J. MADDEN  
DATE  
PROD  
DATE

SECTION 1  
ISSUED SECT. 1

| ITEM NO. | DWG NO. / PART NO. | DESCRIPTION                        | QUANTITY / VARIATION |
|----------|--------------------|------------------------------------|----------------------|
| 1        | D-UA-H950-HA-0     | SHORT DOOR ASSY (23-3/8)           | 1                    |
| 2        | D-UA-H950-G-0      | TABLE ASSY                         | 1                    |
| 3        | E-UA-KC15A-0-0     | CONSOLE ASSY KC15A                 | 1                    |
| 4        | C-MD-7407280-0-0   | BOTTOM PLATE (CONSOLE)             | 1                    |
| 5        | C-IA-7407093-2-0   | BRACKET MTG CONSOLE R.H.           | 1                    |
| 6        | 9006560            | KEPS HEX NUT #6-32                 | 10                   |
| 7        | 9006021-1          | SCR, PHL, HD, PAN #6-32 X 5/16 SST | 8                    |
| 8        | D-UA-H950-Q-0      | H950-Q 19 IN COVER PNL (10-1/2)    | 2                    |
| 9        | D-UA-H950-P-0      | H950-P 19 IN COVER PNL (5-1/4)     | 2                    |
| 10       | A-PL-7006112-0-0   | COOLING ASSY (LOGIC)               | 1                    |
| 11       | C-IA-7407384-0-0   | PANEL LOGO PDP15                   | 1                    |
| 12       | C-PL-7006501-4-0   | BASIC CAB. ASSY. 19"               | 1                    |
| 13       | A-PL-MM15-0-0      | MM15 (MEMOR.)                      | 1                    |
| 14       | D-AD-7006199-0-0   | 19" MTG PNL DR REWORK              | 1                    |
| 15       | D-UA-H950-C-0      | H950-C 19 IN FULL LG DR (L.H.)     | 1                    |
| 16       | E-UA-H952-A-0      | H952-A END PANEL                   | 2                    |
| 17       | 9007651            | WASH EXT TOOTH #10                 | 53                   |
| 18       | 9006231            | SCR HEX HD CAP #10-32 X 1/2 SST    | 19                   |
| 19       | E-UA-715-0-0       | POWER SUPPLY 715                   | 1                    |
| 20       | 9006073-3          | SCR ML HD TRUSS #10-32 X 1/2 SST   | 31                   |
| 21       | 9007786            | NUT #C31758-1032-27 TINNERMAN      | 83                   |
| 22       | C-IA-7407093-1-0   | BRACKET MTG CONSOLE L.H.           | 1                    |

TITLE PDP15 ASSEMBLY

ASSY NO. E-UA-PDP15-0-0  
SHEET 1 OF 2

SIZE CODE A PL  
NUMBER PDP15-0-0  
REV M  
ECO NO. 15-00085

**DIGITAL EQUIPMENT CORPORATION**  
MAYNARD, MASSACHUSETTS  
**PARTS LIST**

MADE BY J. FLEMING  
DATE 7/25/69  
ENG W. *Donna*  
DATE 8/18/69

CHECKED J. MADDEN  
DATE  
PROD  
DATE

SECTION 1  
ISSUED SECT. 1

| ITEM NO. | DWG NO. / PART NO.    | DESCRIPTION                                  | QUANTITY / VARIATION |
|----------|-----------------------|--|----------------------|
| 23       | 9006071-2             | SCR PHL HD FLAT 10-32 X 3/8 SST              | 4                    |
| 24       | A-ML-KP15-0           | KP15 I/O & CP                                | 1                    |
| 25       | <del>9007772-14</del> | <del>CLAMP CAP 5 PNL 901 X 200X DAKOTA</del> | <del>1</del>         |
| 26       | 9007032               | TIE WRAP #SST-2-F (PANDUIT)                  | A/R                  |
| 27       | J-IA-7006425-0-0      | HARNES MAIN WIRING                           | 1                    |
| 28       | 9107370-33            | WIRE #14 AWG STRD ORN                        | A/R                  |
| 29       | 9007919               | CONN #14 WIRE #50906 ARKLESS                 | 2                    |
| 30       | <del>9007009</del>    | <del>CLAMP 3/4 HOLES</del>                   | <del>6</del>         |
| 31       | <del>9006008-3</del>  | <del>PHL HD TRUSS 10-32 X 1/4 SST</del>      | <del>2</del>         |
| 32       | 9006565               | NUT KEPS HEX 10-32 SST                       | 4                    |
| 33       | 9006990               | STRAP, GROUND 740F-33-20                     | A/R                  |
| 34       | 9007060               | FASTENERS 1/2" OCT #48152                    | 24                   |
| 35       | 9007055               | FASTER 7/32" OCT #48150                      | 1                    |
| 36       | 9006233               | SCR, HEX HD CAP # 10-32 X 3/4 SST            | 2                    |
| 37       | 9007772-9             | CLAMP CAB L TITE 2 CL X 100 DAKOTA           | 2                    |
| 38       | 9008264-0             | TIE WRAP MOUNT (PANDUIT ABMS-A)              | A/R                  |
| 39       | 9008887               | GROUND STRAP                                 | A/R                  |
| 40       | 9006070-1             | SCR, PHL, HD, PAN #10-32 X 5/16 SST,         | 2                    |
| 41       | 9006074-2             | SCR PHL HD FLAT 10-32 x 5/8 SST              | 24                   |
| 42       | 91007646              | TUBING (BLACK)                               | A/R                  |

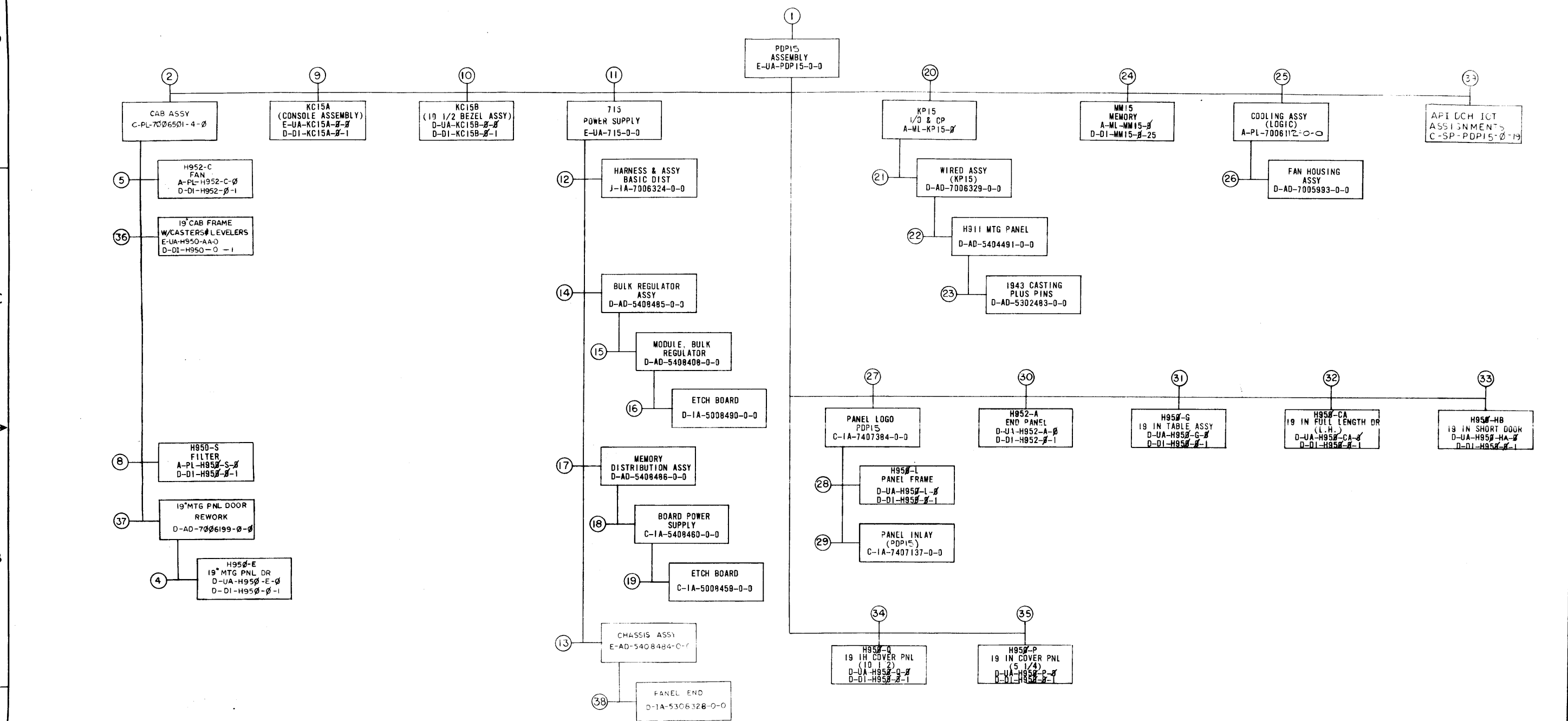
TITLE PDP15 ASSEMBLY

ASSY NO. E-UA-PDP15-0-0  
SHEET 2 OF 2

SIZE CODE A PL  
NUMBER PDP15-0-0  
REV M  
ECO NO.

This drawing and specifications herein are the property of Digital Equipment Corporation and shall not be reproduced or copied or used in whole or in part as the basis for the manufacture or sale of items without written permission.

1 - 0-5 PDP15-0 2



UNIT ASSY. NO. E-UA-PDP15-0-0

| REV | CHG      | NO | DATE     | BY | APP | DESCRIPTION      |
|-----|----------|----|----------|----|-----|------------------|
| A   | 15-00020 |    | 10-24-69 |    |     | 7. Sub. 10-24-69 |
| B   | 15-00022 |    | 10-30-69 |    |     | B. MINOR         |
| C   | 15-00023 |    | 11-11-69 |    |     | 1. 11-11-69      |
| D   | 15-00024 |    | 11-11-69 |    |     | 2. 11-11-69      |
| E   | 15-00060 |    | 12-11-69 |    |     | 3. 12-11-69      |
| F   | 15-00061 |    | 12-11-69 |    |     | 4. 12-11-69      |
| G   | 15-00062 |    | 12-11-69 |    |     | 5. 12-11-69      |
| H   | 15-00063 |    | 12-11-69 |    |     | 6. 12-11-69      |
| I   | 15-00064 |    | 12-11-69 |    |     | 7. 12-11-69      |
| J   | 15-00065 |    | 12-11-69 |    |     | 8. 12-11-69      |
| K   | 15-00066 |    | 12-11-69 |    |     | 9. 12-11-69      |
| L   | 15-00067 |    | 12-11-69 |    |     | 10. 12-11-69     |
| M   | 15-00068 |    | 12-11-69 |    |     | 11. 12-11-69     |

FIRST USED ON OPTION / MODEL  
PDP15

|                       |                                      |
|-----------------------|--------------------------------------|
| DO NOT SCALE DRAWING  | UNLESS OTHERWISE SPECIFIED           |
| TOLERANCES            | DECIMALS FRACTIONS ANGLES            |
| ± .005 ± .001 ± .030  | ± .005 ± .001 ± .030                 |
| FINAL SURFACE QUALITY | REMOVE BURRS AND BREAK SHARP CORNERS |
| MATERIAL              | FINISH                               |
| ++                    | ++                                   |

| QTY.         | DESCRIPTION | PART NO.   | ITEM NO. |
|--------------|-------------|--|----------|
| PARTS LIST   |             |  |          |
| DRN          | DATE        | <b>digital</b> EQUIPMENT CORPORATION<br>DRAWING INDEX LIST PDP15 |          |
| CHG'D        | DATE        |  |          |
| ENG          | DATE        |  |          |
| PROJ. ENG.   | DATE        |  |          |
| PROD.        | DATE        | NEXT HIGHER ASSY   |          |
|              |             | A-ML-PDP15-0   |          |
| SCALE NONE   |             | SIZE CODE NUMBER   |          |
| SHEET 1 OF 3 |             | DIDI PDP15-0-1 M   |          |

This drawing and specifications herein are the property of Digital Equipment Corporation and shall not be reproduced or copied or used in whole or in part as the basis for the manufacture or sale of items without written permission.

| MECHANICAL |  |   |            | DEPT USAGE |  |  |            | MECHANICAL |  |  |            | DEPT USAGE |  |   |            | ELECTRICAL |                        |                  |            | DEPT USAGE |   |  |  |    |  |  |  |   |  |   |  |    |                  |                  |  |    |  |   |  |    |   |  |  |    |   |  |  |   |                              |  |  |    |  |  |  |   |   |  |  |    |                         |                                    |  |    |                                   |                                      |  |   |   |  |  |    |   |  |  |    |   |                                      |  |   |   |  |  |    |                               |                                    |  |   |  |  |  |    |   |  |  |   |                                 |  |  |    |   |  |  |    |   |  |  |   |  |   |  |    |   |  |  |    |  |  |  |    |   |  |  |    |   |                                      |  |    |                              |  |  |
|------------|--|---|------------|------------|--|--|------------|------------|--|--|------------|------------|--|---|------------|------------|------------------------|------------------|------------|------------|---|--|--|----|--|--|--|---|--|---|--|----|------------------|------------------|--|----|--|---|--|----|---|--|--|----|---|--|--|---|------------------------------|--|--|----|--|--|--|---|---|--|--|----|-------------------------|------------------------------------|--|----|-----------------------------------|--------------------------------------|--|---|---|--|--|----|---|--|--|----|---|--------------------------------------|--|---|---|--|--|----|-------------------------------|------------------------------------|--|---|--|--|--|----|---|--|--|---|---------------------------------|--|--|----|---|--|--|----|---|--|--|---|--|---|--|----|---|--|--|----|--|--|--|----|---|--|--|----|---|--------------------------------------|--|----|------------------------------|--|--|
| FIND NO.   | DESCRIPTION  | PART NO.  | DEPT USAGE | FIND NO.   | DESCRIPTION  | PART NO.   | DEPT USAGE | FIND NO.   | DESCRIPTION  | PART NO.   | DEPT USAGE | FIND NO.   | DESCRIPTION  | PART NO.  | DEPT USAGE | FIND NO.   | DESCRIPTION            | PART NO.         | DEPT USAGE |            |   |  |  |    |  |  |  |   |  |   |  |    |                  |                  |  |    |  |   |  |    |   |  |  |    |   |  |  |   |                              |  |  |    |  |  |  |   |   |  |  |    |                         |                                    |  |    |                                   |                                      |  |   |   |  |  |    |   |  |  |    |   |                                      |  |   |   |  |  |    |                               |                                    |  |   |  |  |  |    |   |  |  |   |                                 |  |  |    |   |  |  |    |   |  |  |   |  |   |  |    |   |  |  |    |  |  |  |    |   |  |  |    |   |                                      |  |    |                              |  |  |
| 1          | PDP15 ASSEMBLY<br>PDP15 ASSEMBLY (PL)<br>HARNESS MAIN WIRING<br>BOTTOM PLATE (CONSOLE)<br>BRACKET, MTG. (CONSOLE) R.H.<br>BRACKET, MTG. (CONSOLE) L.H.<br>EQUIPMENT LAYOUT PDP15 | E-UA-PDP15- <del>2</del> - <del>2</del><br>A-PL-PDP15- <del>2</del> - <del>2</del><br>J-1A-7006425-0-0<br>C-MD-7407280-0-0<br>C-A-7407280-0-0<br>C-1A-7407280-0-0<br>D-AR-PDP15-0-2 |            | 3          | CHASSIS ASSY<br>CHASSIS ASSY (PL)<br>SUPPORT CAPACITOR #1<br><br>BRACKET CONNECTOR #2<br>BRACKET CAPACITOR #3<br>SUPPORT CAPACITOR #2<br>BRACKET CONNECTOR #1<br>CHASSIS POWER SUPPLY<br>GUARD, SWITCH | E-AD-5408484-0-0<br>A-PL-5408484-0-0<br>D-1A-5308324-0-0<br><br>D-1A-5308326-0-0<br>D-1A-5308326-0-0<br>D-1A-5308237-0-0<br>E-1A-5308329-0-0<br>B-MD-7408144-0-0 |            | 25         | COOLING ASSY (LOGIC)<br>ENCLOSURE<br>HINGE DOOR<br>DOOR, LOGIC COOLING | A-PL-7006112-0-0<br>D-MD-7006112-0-0<br>C-MD-7406896-0-0<br>D-1A-7406895-0-0 |            | 1          | PDP15<br>PDP15 ASSEMBLY<br>PDP15 ASSEMBLY (PL)<br>EQUIPMENT LAYOUT PDP15<br>SIGNAL WIRING PDP15<br>READ IN FLOW<br>FLOW INTERRUPT GRAPH<br>CHECK POINT SPEC<br>SYSTEM REC<br>CHECK POINT SPEC<br>SIGNAL CHART AND BUS<br>KEYS MASTER LIST<br>KEYS MASTER LIST<br>LOWER WIRING<br>HARDWARE ACCESSORY<br>TIMING ADJUSTMENTS<br>USABLE MODULE LIST<br>SPARE PARTS 15/10<br>SPARE PARTS 15/20<br>SPARE PARTS 15/30<br>SPARE PARTS 15/40<br>SPARE PARTS<br>SPARE PARTS 15/35<br>SPARE PARTS 15/50 | A-ML-PDP15-0<br>E-UA-PDP15- <del>2</del> - <del>2</del><br>A-PL-PDP15- <del>2</del> - <del>2</del><br>D-AR-PDP15- <del>2</del> - <del>2</del><br>D-1C-PDP15- <del>3</del> - <del>3</del><br>D-FD-PDP15- <del>4</del> - <del>4</del><br>D-FD-PDP15- <del>5</del> - <del>5</del><br>A-SP-PDP15- <del>7</del> - <del>7</del><br>A-SP-PDP15- <del>7</del> - <del>7</del><br>A-SP-PDP15- <del>11</del> - <del>11</del><br>A-SP-PDP15- <del>13</del> - <del>13</del><br>A-MLEK15-0<br>A-MLEK15-0<br>D-1C-PDP15- <del>14</del> - <del>14</del><br>A-PL-PDP15- <del>15</del> - <del>15</del><br>A-SP-PDP15- <del>16</del> - <del>16</del><br>A-SP-PDP15- <del>17</del> - <del>17</del><br>A-PL-SP15-A-1<br>A-PL-SP15-B-1<br>A-PL-SP15-C-1<br>A-PL-SP15-D-1<br>A-ML-SP15-0<br>A-PL-SP15-E-1<br>A-PL-SP15-F-1<br>A-ML-KC15A-0 |            | 2          | BASIC CAB ASSEMBLY 19" | C-PL-7006501-4-0 |            | 14         | BULK REGULATOR ASSY<br>BULK REGULATOR ASSY (PL)<br>PANEL FRONT<br>PANEL SIDE<br>FAN BRACKET<br>PANEL REAR | D-AD-5408485-0-0<br>A-PL-5408485-0-0<br>C-MD-5308480-0-0<br>C-MD-5308479-0-0<br>D-MD-5308478-0-0<br>C-MD-5308481-0-0 |  | 26 | FAN HOUSING ASSY<br>FAN HOUSING ASSY (PL)<br>FAN HOUSING<br>DECAL, FAN HOUSING | D-AD-7005993-0-0<br>A-PL-7005993-0-0<br>D-1A-7406892-0-0<br>A-DC-7407314-0-0 |  | 9 | KC15A (CONSOLE ASSEMBLY)<br>KC15A (CONSOLE ASSEMBLY) (PL)<br>DRAWING INDEX KC15A | E-UA-KC15A- <del>2</del> - <del>2</del><br>A-PL-KC15A- <del>2</del> - <del>2</del><br>D-DI-KC15A- <del>2</del> - <del>2</del> |  | 27 | PANEL LOGO PDP15 | C-1A-7407384-0-0 |  | 10 | KC15B (10-1/2 BEZEL ASSY)<br>KC15B (10-1/2 BEZEL ASSY) (PL)<br>DRAWING INDEX KC15B | D-UA-KC15B- <del>2</del> - <del>2</del><br>A-PL-KC15B- <del>2</del> - <del>2</del><br>D-DI-KC15B- <del>2</del> - <del>2</del> |  | 29 | H952-L PANEL FRAME<br>H952-L PANEL FRAME (PL) | D-UA-H952-L- <del>2</del> - <del>2</del><br>A-PL-H952-L- <del>2</del> - <del>2</del> |  | 11 | 715 POWER SUPPLY<br>715 POWER SUPPLY<br>CIRCUIT SCHEMATIC | E-UA-715-0-0<br>A-PL-715-0-0<br>D-CS-715-0-1 |  | 3 | H952-C FAN<br>DWG INDEX H952 | A-PL-H952-C- <del>2</del> - <del>2</del><br>D-DI-H952-C- <del>2</del> - <del>2</del> |  | 15 | MODULE BULK REGULATOR<br>MODULE BULK REGULATOR (PL)<br>CIRCUIT SCHEMATIC | D-AD-5408408-0-0<br>A-PL-5408408-0-0<br>B-CS-5408408-0-1 |  | 4 | H952-E 19 IN MTG PNL DR (LH)<br>H952-E 19 IN MTG PNL DR (LH) (PL)<br>DWG INDEX H952 | D-UA-H952-E- <del>2</del> - <del>2</del><br>A-PL-H952-E- <del>2</del> - <del>2</del><br>D-DI-H952-E- <del>2</del> - <del>2</del> |  | 16 | ETCH BOARD<br>PC LAYOUT | D-1A-5008409-0-0<br>PC-5008409-0-0 |  | 13 | CHASSIS ASSY<br>CHASSIS ASSY (PL) | E-AD-5408484-0-0<br>A-PL-5408484-0-0 |  | 5 | H952-G 19 IN MTG PNL DR (LH)<br>H952-G 19 IN MTG PNL DR (LH) (PL)<br>DWG INDEX H952 | D-UA-H952-G- <del>2</del> - <del>2</del><br>A-PL-H952-G- <del>2</del> - <del>2</del><br>D-DI-H952-G- <del>2</del> - <del>2</del> |  | 17 | MEMORY DISTRIBUTION ASSY<br>MEMORY DISTRIBUTION ASSY (PL)<br>PANEL POWER PACK CONTROL<br>HARNESS MEMORY DIST<br>BRACKET DISTRIBUTION MEMORY | D-AD-5408486-0-0<br>A-PL-5408486-0-0<br>E-1A-5308323-0-0<br>D-1A-7006113-0-0<br>D-1A-5308322-0-0 |  | 18 | BOARD POWER SUPPLY<br>CIRCUIT SCHEMATIC | C-1A-5408460-0-0<br>B-CS-5408460-0-0 |  | 6 | H952-HA 19 IN SHORT DOORS<br>H952-HA 19 IN SHORT DOORS (PL) | D-UA-H952-HA- <del>2</del> - <del>2</del><br>A-PL-H952-HA- <del>2</del> - <del>2</del> |  | 19 | ETCH BOARD<br>PRINTED CIRCUIT | C-1A-5008459-0-0<br>PC-5008459-0-0 |  | 7 | H952-Q 19 IN COVER PNL (10-1/2)<br>H952-Q 19 IN COVER PNL (PL)<br>DWG INDEX H952 | D-UA-H952-Q- <del>2</del> - <del>2</del><br>A-PL-H952-Q- <del>2</del> - <del>2</del><br>D-DI-H952-Q- <del>2</del> - <del>2</del> |  | 20 | KP15 10 & CP<br>MODULE UTILIZATION<br>WIRE LIST<br>REG & BUS BIT<br>REG & BUS BIT<br>REG & BUS BIT<br>REG & BUS BIT<br>REG & BUS BIT<br>REG & BUS BIT<br>REG & BUS BIT<br>REG & BUS BIT<br>REG & BUS BIT<br>REG & BUS BIT<br>REG & BUS BIT<br>REG & BUS BIT<br>REG & BUS BIT<br>REG & BUS BIT | A-ML-KP15- <del>2</del> - <del>2</del><br>D-MU-KP15- <del>1</del> - <del>1</del><br>K-WL-KP15- <del>1</del> - <del>1</del><br>D-BS-KP15- <del>1</del> - <del>1</del><br>D-BS-KP15- <del>2</del> - <del>2</del><br>D-BS-KP15- <del>3</del> - <del>3</del><br>D-BS-KP15- <del>4</del> - <del>4</del><br>D-BS-KP15- <del>5</del> - <del>5</del><br>D-BS-KP15- <del>6</del> - <del>6</del><br>D-BS-KP15- <del>7</del> - <del>7</del><br>D-BS-KP15- <del>8</del> - <del>8</del><br>D-BS-KP15- <del>9</del> - <del>9</del><br>D-BD-KP15- <del>10</del> - <del>10</del><br>D-BS-KP15- <del>11</del> - <del>11</del><br>D-BS-KP15- <del>12</del> - <del>12</del><br>D-BS-KP15- <del>13</del> - <del>13</del> |  | 8 | H952-S FILTER<br>DWG INDEX H952 | A-PL-H952-S- <del>2</del> - <del>2</del><br>D-DI-H952-S- <del>2</del> - <del>2</del> |  | 21 | WIRED ASSY (KP15)<br>WIRED ASSY (KP15) (PL)<br>LOGIC FRAME DECALS | D-AD-7006329-0-0<br>A-PL-7006329-0-0<br>A-DC-7406371-0-0 |  | 14 | H952-P 19 IN COVER PNL (5-1/4)<br>H952-P 19 IN COVER PNL (PL)<br>DWG INDEX H952 | D-UA-H952-P- <del>2</del> - <del>2</del><br>A-PL-H952-P- <del>2</del> - <del>2</del><br>D-DI-H952-P- <del>2</del> - <del>2</del> |  | 9 | KC15B (10-1/2 BEZEL ASSY)<br>KC15B (10-1/2 BEZEL ASSY) (PL)<br>DRAWING INDEX KC15B | D-UA-KC15B- <del>2</del> - <del>2</del><br>A-PL-KC15B- <del>2</del> - <del>2</del><br>D-DI-KC15B- <del>2</del> - <del>2</del> |  | 22 | H911 MTG PANEL<br>H911 MTG PANEL<br>288 PIN CONN BLOCK TYPE #H803 | D-AD-5404491-0-0<br>A-PL-5404491-0-0<br>E-SC-1205348-0-0 |  | 10 | 715 POWER SUPPLY<br>715 POWER SUPPLY (PL)<br>SCREEN POWER SUPPLY | E-UA-715-0-0<br>A-PL-715-0-0<br>D-1A-5308464-0-0 |  | 23 | 1943 CASTING PLUS PINS<br>1943 CASTING PLUS PINS (PL)<br>1943 FRAME CASTING | D-AD-5302483-0-0<br>A-PL-5302488-0-0<br>E-MD-1202885-0-0 |  | 11 | HARNESS & ASSY BASIC DIST<br>BRACKET BASIC DISTRIBUTION | J-1A-7006324-0-0<br>D-1A-5308327-0-0 |  | 24 | MM15 MEMORY<br>DRAWING INDEX | A-PL-MM15- <del>2</del> - <del>2</del><br>D-DI-MM15- <del>2</del> - <del>2</del> |  |

|                   |        |   |            |                      |                  |       |           |  |        |     |
|-------------------|--------|---|------------|----------------------|------------------|-------|-----------|--|--------|-----|
| REV<br>CHANGE NO. | CHK    | FIRST USED ON OPTION/MODEL<br>PDP15                             |            | DO NOT SCALE DRAWING |                  | DRAWN | DATE      | digital EQUIPMENT CORPORATION<br>MAYNARD MASSACHUSETTS |        |     |
|                   |        | UNLESS OTHERWISE SPECIFIED<br>DIMENSION IN INCHES<br>TOLERANCES |            | CHK'D                | DATE             | TITL  |           | DRAWING INDEX LIST PDP15                               |        |     |
|                   |        | DECIMALS = .005<br>FRACTIONS = 1/64<br>ANGLES = 0°30'           | PROJ. ENG. | DATE                 | NEXT HIGHER ASSY |       | SIZE CODE |  | NUMBER | REV |
|                   |        | FINAL SURFACE QUALITY<br>REMOVE BURRS AND BREAK SHARP CORNERS   | PROD.      | DATE                 | A-ML-PDP15-0     | D01   | PDP15-0-1 | M  |        |     |
| MATERIAL          | FINISH |   | SHEET      |                      | OF               |       | DIST      |  |        |     |

This drawing and specifications are the property of Digital Equipment Corporation and are not to be reproduced or copied or used in any way without the written permission of the manufacturer.

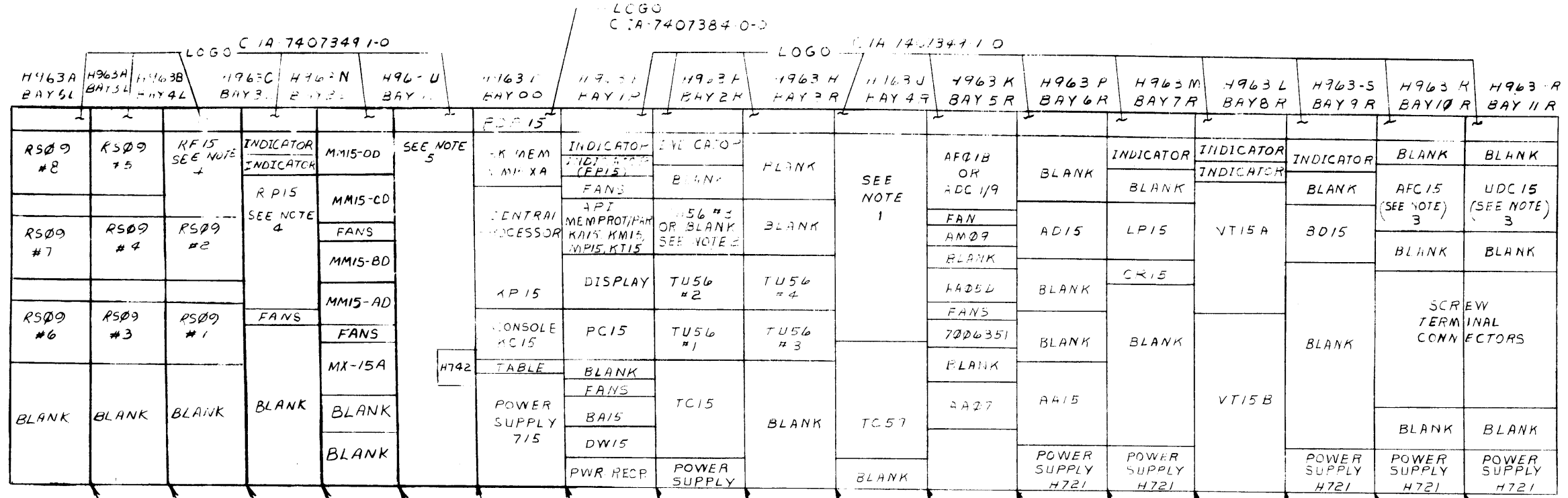
| FIND NO. | DESCRIPTION                             | PART NO.        | DEPT USAGE |      |     |
|----------|---|-----------------|------------|------|-----|
|          |   |                 | PROD       | CUST | F/C |
| 20       | REG & BUS BIT                           | D-BS-KP15-14    |            |      |     |
|          | REG & BUS BIT                           | D-BS-KP15-15    |            |      |     |
|          | REG & BUS BIT                           | D-BS-KP15-16    |            |      |     |
|          | REG & BUS BIT                           | D-BS-KP15-17    |            |      |     |
|          | REG & BUS BIT                           | D-BS-KP15-18    |            |      |     |
|          | REG & BUS BIT                           | D-BS-KP15-19    |            |      |     |
|          | INSTRUCTION IMPLEMENTATION              | D-BS-KP15-20    |            |      |     |
|          | MAJOR STATE GENERATOR                   | D-BS-KP15-21    |            |      |     |
|          | TIME STATE GENERATOR                    | D-BS-KP15-22    |            |      |     |
|          | LINC - LINC CONTROL                     | D-BS-KP15-23    |            |      |     |
|          | SKIP CONTROL                            | D-BS-KP15-24    |            |      |     |
|          | REG STROBE CONTROL                      | D-BS-KP15-25    |            |      |     |
|          | INDICATOR STROBES                       | D-BS-KP15-26    |            |      |     |
|          | CARRY IN                                | D-BS-KP15-27    |            |      |     |
|          | C/P MEMORY CABLE                        | D-BS-KP15-28    |            |      |     |
|          | OPR DECODE                              | D-BS-KP15-29    |            |      |     |
|          | INDEX GRP CONTROL                       | D-BS-KP15-30    |            |      |     |
|          | MAJOR INST DECODING                     | D-BS-KP15-31    |            |      |     |
|          | INSTR REGISTER                          | D-BS-KP15-32    |            |      |     |
|          | MEMORY INTERFACE CONTROL                | D-BS-KP15-33    |            |      |     |
|          | DEC + X MODE BUS CONTROL                | D-BS-KP15-34    |            |      |     |
|          | CONSOLE INTERFACE                       | D-BS-KP15-35    |            |      |     |
|          | C/P I/O INTERFACE                       | D-BS-KP15-36    |            |      |     |
|          | I BUS #1-18 M1, M2, M0                  | D-BS-KP15-38    |            |      |     |
|          | I BUS #1-18 EAE, DSR                    | D-BS-KP15-39    |            |      |     |
|          | I BUS #9-17 M0, M1, M2                  | D-BS-KP15-40    |            |      |     |
|          | I BUS #9-17 EAE, DSR                    | D-BS-KP15-41    |            |      |     |
|          | I BUS 08-17 SC                          | D-BS-KP15-42    |            |      |     |
|          | I BUS 18-23 IR                          | D-BS-KP15-43    |            |      |     |
|          | CONSOLE CONTROL #1                      | D-BS-KP15-44    |            |      |     |
|          | CONSOLE CONTROL #2                      | D-BS-KP15-45    |            |      |     |
|          | MISC CONTROL LOGIC                      | D-BS-KP15-46    |            |      |     |
|          | MEM IN CONTROL                          | D-BS-KP15-47    |            |      |     |
|          | MISC LOGIC                              | D-BS-KP15-48    |            |      |     |
|          | DEVICE SELECTOR (D11)                   | D-BS-KP15-50    |            |      |     |
|          | I/O CONTROL SYNC (D11)                  | D-BS-KP15-51    |            |      |     |
|          | I/O BUS (D12)                           | D-BS-KP15-52    |            |      |     |
|          | I/O BUS (D13)                           | D-BS-KP15-53    |            |      |     |
|          | TIME LOGIC (D16)                        | D-BS-KP15-55    |            |      |     |
|          | POWER FAIL REAL TIME CLOCK OPTION (D20) | D-BS-KP15-57    |            |      |     |
|          | INTERNAL IOT DECODER                    | D-BS-KP15-58    |            |      |     |
|          | MDL DRIVERS                             | D-BS-KP15-59    |            |      |     |
|          | I BUS #1-18                             | D-BS-KP15-60    |            |      |     |
|          | I BUS #9-17                             | D-BS-KP15-62    |            |      |     |
|          | TEL REC                                 | D-BS-KP15-64    |            |      |     |
|          | TEL TRANS                               | D-BS-KP15-65    |            |      |     |
|          | READ IN                                 | D-BS-KP15-66    |            |      |     |
|          | MISC TEL LOGIC                          | D-BS-KP15-67    |            |      |     |
|          | A & REC                                 | D-BS-KP15-68    |            |      |     |
|          | I/O ADDRESS BUS                         | D-BS-KP15-69    |            |      |     |
|          | MODULE PARTS LIST                       | A-PL-KP15-172   |            |      |     |
| 24       | MM15 MEMORY                             | A-ML-MM15-0     |            |      |     |
|          | DRAWING INDEX LIST MM15                 | D-DI-MM15-0-25  |            |      |     |
| 39       | API, DCH, IOT ASSIGNMENTS               | C-SP-PDP15-0-19 |            |      |     |

|                   |           |     |                                       |  |  |                                 |   |
|-------------------|-----------|-----|---------------------------------------|--|--|---------------------------------|---|
| REV<br>CHANGE NO. | REVISIONS | CHK | FIRST USED ON OPTION / MODEL<br>PDP15 | DO NOT SCALE DRAWING<br>UNLESS OTHERWISE SPECIFIED<br>DIMENSION IN INCHES<br>TOLERANCES<br>DECIMALS FRACTIONS ANGLES<br>= .005 = 1/64 = 0°30'<br>FINAL SURFACE QUALITY<br>REMOVE BURRS AND BREAK SHARP CORNERS | DRN. <i>[Signature]</i> DATE <i>3-4-69</i>       | DATE <i>3-4-69</i>              | digital EQUIPMENT CORPORATION<br>MAYNARD, MASSACHUSETTS |
|                   |           |     |                                       |  | CHK'D. <i>[Signature]</i> DATE <i>3-4-69</i>     | DATE <i>3-4-69</i>              |   |
|                   |           |     |                                       |  | ENG. <i>[Signature]</i> DATE <i>3-4-69</i>       | DATE <i>3-4-69</i>              | TITLE<br>DRAWING INDEX<br>LIST PDP15                    |
|                   |           |     |                                       |  | PROJ. ENG. <i>[Signature]</i> DATE <i>3-4-69</i> | DATE <i>3-4-69</i>              | SCALE <i>1:1</i>  |
|                   |           |     |                                       |  | PROD. <i>[Signature]</i> DATE <i>3-4-69</i>      | DATE <i>3-4-69</i>              | NUMBER<br>D-DI-PDP15-0-1                                |
|                   |           |     |                                       |  | MATERIAL<br><i>+</i>                             | NEXT HIGHER ASSY<br>A-ML-MM15-0 | DIST. <i>[Signature]</i>                                |
|                   |           |     |                                       |  | FINISH<br><i>[Signature]</i>                     | SCALE <i>1:1</i>                | OF 3  |

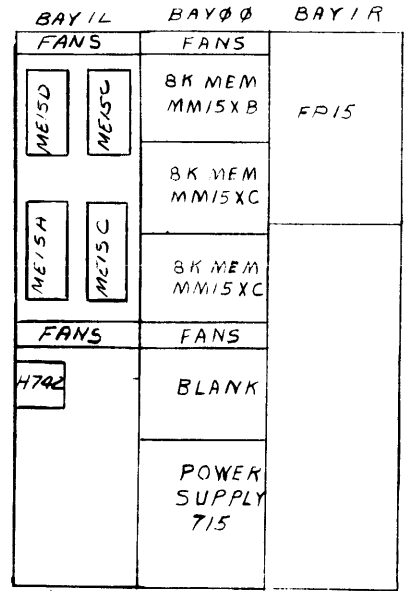


FRONT VIEW

- NOTES:
1. OPTIONS LT19, DP09, CR03B, XY15 OR DP29 AND THE LB29A, DE05 ARE LOCATED IN AVAILABLE SPACE IN THE H963-J CAB ORDER OF PREFERENCE, IS TC59, LT19, DP29, ETC. PLACED IN THE ORDER LISTED ABOVE FROM BOTTOM TO TOP IN THE EVENT THAT ALL OPTIONS ARE INCLUDED A SECOND CAB IS REQUIRED.
  2. IF FOUR TU56'S ARE ORDERED, TU56 #3 & #4 ARE INSTALLED IN SECOND CAB AS SHOWN.
  3. AFC-15 & UDC-15 CABINETS COULD BE A MAX OF 11UDC AND 11AFC CABINETS EACH TO MEET THE REQUIREMENTS OF THE CUSTOMER.
  4. IF EXTENSIVE MXIS SYSTEM INSTALLED DISK SYSTEM (RF15 AND/OR RP15) CABINETS MAY BE PHYSICALLY SEPARATED AND REPOSITIONED AT INSTALLATION TO MAINTAIN CABLE LENGTHS.
  5. SEE A-SP-ME15-0 FOR H963U USAGE REQUIREMENTS



FILLER STRIP H952-G



| MODEL NO | OPTIONS INCLUDED   |
|----------|--|
| PDP15/10 | MM15 (A,C OR MM15 DA), ASR-33, KC15 (A, B), KP15   |
| PDP15/20 | MM15 CA (OR MM15 DA), PC15, TC15 (OR TC02 & DW/5A), KSR-35, KC15 (A, B), KP15, KE15, 1 TU56 (OR 2 TU56)  |
| PDP15/30 | MM15 CA (OR MM15 DA), MM15 CB (OR MM15 DA), PC15, TC15 (OR TC02 & DW/5A), KE15, KA15, KM15, KW15, BA15, LT15, KSR-35, KSR-33, KC15 (A, B), RP15, 2 TU56 (OR 3 TU56)  |
| PDP15/40 | (1) MM15 CA (OR MM15 DA), MM15 CB (OR MM15 DB), PC15, TC15 (OR TC02 & DW/5A), KE15, KA15, KM15, KW15, BA15, LT15A, RF15, 2 RS09, KSR-35, KSR-33, KC15 (A, B), KP15, MM15 CC (OR MM15 DC), 1 TU56 (OR 2 TU56) |

| CAB. DES. | MAX CONFIGURATION DRAWING NUMBER |
|-----------|----------------------------------|
| H-963-A   | 7006707 (RS29)                   |
| B         | 7006708 (RF15)                   |
| C         | 7006820 (RP-15)                  |
| D         | (MAIN PROCESSOR)                 |
| E         | 7006621 (PC15)                   |
| F         | 7006725 (TC-15)                  |
| H         | 7006725 (TC-15)                  |
| J         | 7006633 (TC59)                   |
| K         | (AA05)                           |
| L         | (VT15)                           |
| M         | (LP15)                           |
| N         | 7006863 (MX-15)                  |
| P         | (ANALOG SUBSYSTEM)               |
| R         | (AFC15 & UDC15)                  |
| S         | (BD15)                           |

| REV | CHANGE NO | DATE     | BY      | CHKD |
|-----|-----------|----------|---------|------|
| 1   | 15-00019  | 11/17/71 | M       |      |
| 2   | 15-00020  | 11/17/71 | N       |      |
| 3   | 15-00021  | 11/17/71 | P       |      |
| 4   | 15-00022  | 11/17/71 | R       |      |
| 5   | 15-00023  | 11/17/71 | S       |      |
| 6   | 15-00024  | 11/17/71 | T       |      |
| 7   | 15-00025  | 11/17/71 | F. DOLL |      |

| QTY | DESCRIPTION                            | PART NO | ITEM NO |
|-----|--|---------|---------|
|     | UNLESS OTHERWISE SPECIFIED             |         |         |
|     | UNLESS OTHERWISE SPECIFIED             |         |         |
|     | TOLERANCES                             |         |         |
|     | DECIMALS FRACTIONS ANGLES              |         |         |
|     | 0.005 0.125 10                         |         |         |
|     | FINAL SURFACE QUALITY                  |         |         |
|     | REMOVE BURRS AND BREAK CHAMFER CORNERS |         |         |
|     | MATERIAL                               |         |         |
|     | FINISH                                 |         |         |
|     | SCALE                                  |         |         |
|     | SHEET                                  |         |         |
|     | OF                                     |         |         |
|     | DIST                                   |         |         |

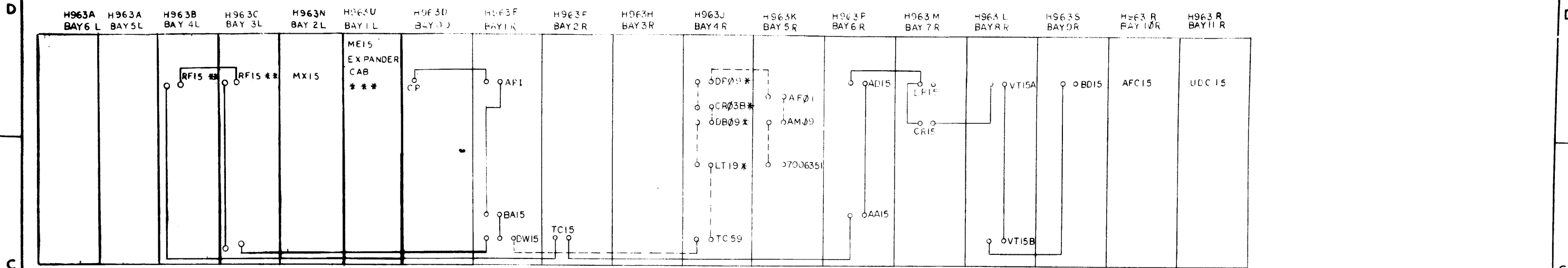
digital CORPORATION  
EQUIPMENT LAYOUT  
PDP15

SIZE CODE: DAE PDP15-0-2  
NUMBER: T

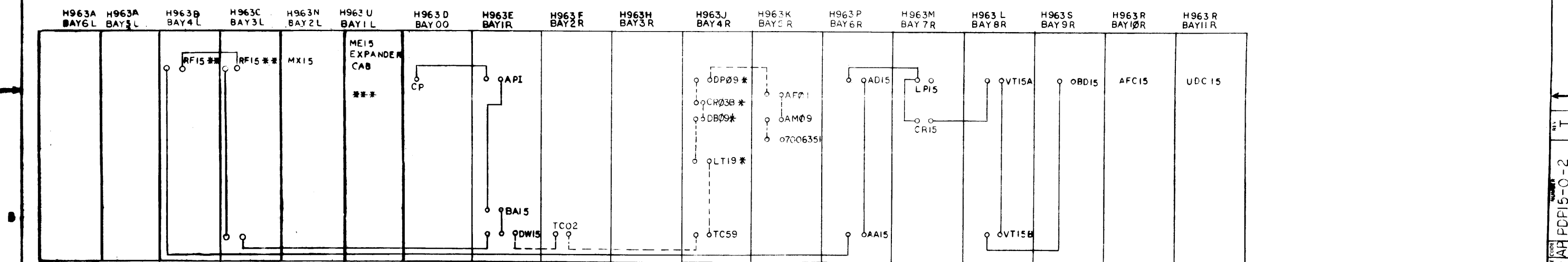
This drawing and specifications, herein, are the property of Digital Equipment Corporation and shall not be used for any other purpose or in whole or in part in any form without the written permission of Digital Equipment Corporation. 1972

LEGEND  
 --- POSITIVE BUS = 1 BC09B  
 - - - - - NEGATIVE BUS = 2 BC09A'S

NOTE:  
 \* SEE NOTE 1 PAGE 1 OF 5 THIS PRINT  
 \*\* SEE NOTE 4 PAGE 1 OF 5 THIS PRINT  
 \*\*\* SEE NOTE 5 PAGE 1 OF 5 THIS PRINT



POSITIVE DECTAPE



NEGATIVE DECTAPE

INPUT/OUTPUT BUS ROUTING

|     |      |    |
|-----|------|----|
| REV | DATE | BY |
|     |      |    |
|     |      |    |
|     |      |    |

| FIRST USED ON OPTION/MOD                                   | QTY              | DESCRIPTION | PART NO | ITEM NO       |
|--|------------------|-------------|---------|---------------|
| PDP15  |                  |             |         |               |
| PARTS LIST   |                  |             |         |               |
| UNLESS OTHERWISE SPECIFIED                                 | DRN              | KELLY       | DATE    | 6/23/67       |
| DIMENSION IN INCHES  | CHK'D            | MADDEN      | DATE    | 6/20/69       |
| TOLERANCES   | ENG              | SWANSON     | DATE    | 7/22/69       |
| DECIMALS FRACTIONS ANGLES                                  | PROJ. ENG.       | BUTLER      | DATE    | 7/21/69       |
| ± .005 ± .004 ± 0°30'                                      | PROD.            | LASKEY      | DATE    | 7/23/67       |
| FINAL SURFACE QUALITY REMOVE BURRS AND BREAK SHARP CORNERS | NEXT NUMBER ASSY |             |         |               |
| MATERIAL   |                  |             |         |               |
| FINISH   | SCALE            | 1" = 1"     | NUMBER  | DAR PDP15-0-2 |
|  | SHEET            | 2 OF 5      | DIST.   |               |

DAR PDP15-0-2



This drawing and operations manual are the property of Digital Equipment Corporation and should not be reproduced, stored in a retrieval system, or used in any manner for the manufacture of any product without the written consent of Digital Equipment Corporation. 1972

NOTE  
1 BC098 ASSEMBLY FORMS 1  
POSITIVE I/O BUS CABLE  
2 BC099 ASSEMBLY FORM 1 NEGATIVE  
I/O BUS CABLE SEE PAGE 3 OF 5  
THIS PRINT FOR CABLE LENGTHS (-)  
FOR USE OF TUS5 TRANSPORT IN  
TC15 TUS6 SYSTEM DATA CABLE  
IS FROM LAST TUS6 TO FIRST TUS5,  
COMMAND CABLE IS FROM TC15 TO  
FIRST TUS5

Table with columns: FROM (DEVICE, LOCATION), TO (DEVICE, LOCATION), CABLE NAME, CABLE #, CABLE TYPE, REMARKS. Includes cable types like FLEXPRI, COAX, FIBER, etc.

DATE: P15-0-2

REVISIONS  
CHANGE NO.  
CHK

Table with columns: QTY, DESCRIPTION, PART NO, ITEM NO. Includes a parts list for 'EQUIPMENT LAYOUT PDP-15' and a header for 'digital EQUIPMENT CORPORATION'.

This drawing and specifications, herein, are the property of Digital Equipment Corporation and shall not be reproduced or copied in whole or in part in any form without the written permission of Digital Equipment Corporation.

| FROM      | TO       | CABLE NAME   | CABLE #    | CABLE TYPE | REMARKS   |
|-----------|----------|--------------|------------|------------|---|
| LT190     | CO 03 04 | NEG 1/0 BUS  | BC09A-1    | COAX       | SEE NOTE 1  |
| LT190     | CO 05 06 | NEG 1/0 BUS  | BC09A-7    | COAX       | SEE NOTE 1  |
| LT190     | CO 07 08 | NEG 1/0 BUS  | BC09A-7    | COAX       | SEE NOTE 1  |
| LT19E (1) | D13      | TTY (1)      |            | BELDEN     | PART OF TTY ASSEMBLY<br>(7005593)<br>(OR)<br>(7005594)  |
| LT19E (2) | D21      | TTY (2)      |            | BELDEN     |   |
| LT19E (3) | B02      | TTY (3)      |            | BELDEN     |   |
| LT19E (4) | B10      | TTY (4)      |            | BELDEN     |   |
| LT19E (5) | B18      | TTY (5)      |            | BELDEN     |   |
| LT19F (1) | A25      | DATA SET     | 7005717    | BELDEN     | ASSEMBLY<br>INCLUDES<br>DATA SET<br>CONNECTOR   |
| LT19F (2) | A26      | DATA SET     | 7005717    | BELDEN     |   |
| LT19F (3) | A27      | DATA SET     | 7005717    | BELDEN     |   |
| LT19F (4) | A28      | DATA SET     | 7005717    | BELDEN     |   |
| LT19F (5) | A29      | DATA SET     | 7005717    | BELDEN     |   |
| 0099      | AB 01 02 | NEG 1/0 BUS  | BC09A-T    | COAX       | SEE NOTE 1  |
| 0099      | AB 03 04 | NEG 1/0 BUS  | BC09A-T    | COAX       | SEE NOTE 1  |
| 0099      | CO 01 02 | NEG 1/0 BUS  | BC09A-T    | COAX       | SEE NOTE 1  |
| 0099      | CO 03 04 | NEG 1/0 BUS  | BC09A-T    | COAX       | SEE NOTE 1  |
| 0099      | AB 23/24 | DATA CABLE   | BC09A-L    | COAX       | L- LENGTH WILL DEPEND<br>ON DISTANCE BETWEEN SYSTEMS  |
| 0099      | CO 23/24 | DATA CABLE   | BC09A-L    | COAX       | SEE NOTE 1  |
| 0099      | AB 01/02 | NEG 1/0 BUS  | BC09A-T    | COAX       | SEE NOTE 1  |
| 0099      | AB 03/04 | NEG 1/0 BUS  | BC09A-T    | COAX       | SEE NOTE 1  |
| 0099      | AB 05/06 | NEG 1/0 BUS  | BC09A-T    | COAX       | SEE NOTE 1  |
| 0099      | AB 07/08 | NEG 1/0 BUS  | BC09A-T    | COAX       | SEE NOTE 1  |
| 0099      | AB 09    | DATA CABLE   | 7005943    | 36 PAIR    | SEE NOTE 1  |
| 0099A     | AB 01/02 | NEG 1/0 BUS  | BC09A-T    | COAX       | SEE NOTE 1  |
| 0099A     | AB 03/04 | NEG 1/0 BUS  | BC09A-T    | COAX       | SEE NOTE 1  |
| 0099A     | AB 05/06 | NEG 1/0 BUS  | BC09A-T    | COAX       | SEE NOTE 1  |
| 0099A     | AB 07/08 | NEG 1/0 BUS  | BC09A-T    | COAX       | SEE NOTE 1  |
| 637       | AB1      | INTERFACE    | 7405553-28 | FLEXPRINT  | DATA SET<br>XMIT REC LOGIC<br>TO INTERFACE  |
| 637       | AB2      | INTERFACE    | 7405553-29 | FLEXPRINT  |   |
| 637       | B01      | INTERFACE    | 7405553-30 | FLEXPRINT  |   |
| 637       | B02      | INTERFACE    | 7405553-30 | FLEXPRINT  |   |
| 637       | B03      | INTERFACE    | 7405553-30 | FLEXPRINT  |   |
| 637       | AB3      | DATA/CTRL    | 7005639-1  | BELDEN     | SEE NOTE 1  |
| AD15      | AB 01 02 | POS 1/0 BUS  | BC09B-T    | COAX       | SEE NOTE 1  |
| AD15      | AB 03 04 | POS 1/0 BUS  | BC09B-T    | COAX       | SEE NOTE 1  |
| AD15      | F 14     | ANALOG IN    |            | RIBBON     | CABLES ARE PART OF ASSEM<br>BC01N-4 OR BC01P-4<br>FOR EXPANSION OF INPUT CHANNEL<br>MULTIPLEXER |
| AD15      | F 14     | ANALOG IN    |            | RIBBON     |   |
| AD15      | AB 14    | MULTIPLEX    | M335       | FLEXPRINT  | SEE NOTE 1  |
| AD15      | AB 01/02 | NEG 1/0 BUS  | BC09A-T    | COAX       | SEE NOTE 1  |
| AD15      | AB 03/04 | NEG 1/0 BUS  | BC09A-T    | COAX       | SEE NOTE 1  |
| AD15      | AB 05/06 | NEG 1/0 BUS  | BC09A-T    | COAX       | SEE NOTE 1  |
| AD15      | AB 07/08 | NEG 1/0 BUS  | BC09A-T    | COAX       | SEE NOTE 1  |
| MM15      | AB 02/03 | POS 1/0 BUS  | BC09B-T    | COAX       | SEE NOTE 1  |
| MM15      | AB 04/05 | POS 1/0 BUS  | BC09B-T    | COAX       | SEE NOTE 1  |
| TC15      | AB21     | DATA         | 7405152-1  | ASSY       | CONTROL TO  |
| TC15      | A27      | COMMAND      | 7405151-1  | ASSY       | TRANSPORT   |
| TC02      | C025     | DATA         | 7405152-1  | ASSY       | CONTROL TO  |
| TC02      | C32      | COMMAND      | 7000223    | ASSY       | TRANSPORT   |
| TU08      | AB11     | DATA         | 7405152-1  | ASSY       | TRANSPORT TO  |
| TU08      | AB7      | COMMAND      | 7000223    | ASSY       | TRANSPORT (TC 02 CONTROLLER)  |
| TU08      | AB11     | DATA         | 7405152-1  | ASSY       | SEE NOTE 2  |
| TC15      | A27      | COMMAND      | 7405151-1  | ASSY       |   |
| FP15      | J05      | IND PANEL    |            | FLEXPRINT  | CABLES ARE PART<br>OF INDICATOR PANEL<br>(7006341-20)<br>AS VIEWED FROM REAR                    |
| FP15      | J06      | IND PANEL    |            | FLEXPRINT  |   |
| FP15      | J07      | IND PANEL    |            | FLEXPRINT  |   |
| FP15      | J08      | IND PANEL    |            | FLEXPRINT  |   |
| FP15      | H20      | IND PANEL    |            | FLEXPRINT  |   |
| FP15      | H30      | MDL          | BC08A-5    | FLEXPRINT  |   |
| FP15      | H41      | MDL          | BC08A-5    | FLEXPRINT  |   |
| FP15      | H41      | API CON. RD. | BC08A-5    | FLEXPRINT  |   |
| FP15      | J31      | API CONTROL  | BC08A-3    | FLEXPRINT  | - NECESSARY ONLY IF API<br>OPTION IS INSTALLED IN BB15  |

| FROM | TO      | CABLE NAME   | CABLE # | CABLE TYPE | REMARKS                      |                                  |
|------|---------|--------------|---------|------------|------------------------------|----------------------------------|
| FP15 | J29     | MDL          | BC08A-3 | FLEXPRINT  | IF BB15 IS PART<br>OF SYSTEM |                                  |
| FP15 | J30     | MDL          | BC08A-3 | FLEXPRINT  |                              |                                  |
| FP15 | J29     | MDL          | BC08A-3 | FLEXPRINT  |                              | IF BB15 IS NOT<br>PART OF SYSTEM |
| FP15 | J30     | MDL          | BC08A-3 | FLEXPRINT  |                              |                                  |
| CR15 | AB07/08 | POS 1/0 BUS  | BC09E   | COAX       |                              |                                  |
| CR15 | AB09/10 | POS 1/0 BUS  | BC09E   | COAX       |                              |                                  |
| CR15 | AB01/02 | DATA/CONTROL | 7005594 | COAX       |                              |                                  |
| ME15 | KP15    | OR           |         |            | SEE PRINT<br>A-50-ME15-0     |                                  |
|      | BB15    |              |         |            |                              |                                  |
|      | MM15    |              |         |            |                              |                                  |
|      | FP15    |              |         |            |                              |                                  |

| REV. | CHANGE NO. |
|------|------------|
|      |            |

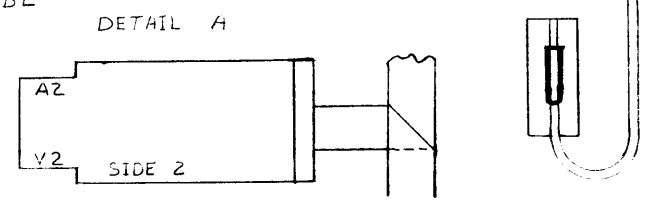
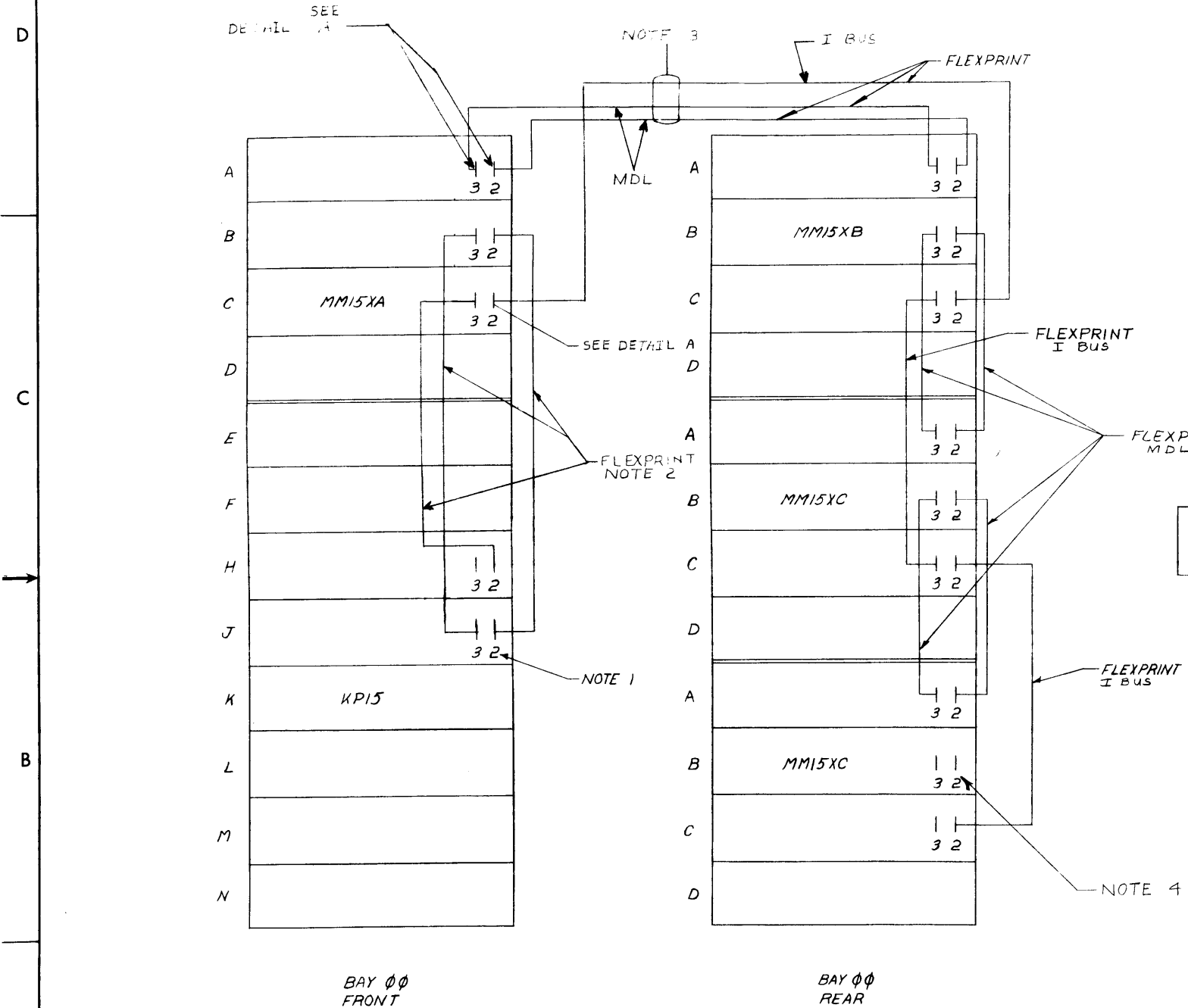
SIZE (DIN) **DAR** FCPI5-0-2

| FIRST USED ON OPTION/MOD             | QTY | DESCRIPTION | PART NO          | ITEM NO      |
|--------------------------------------|-----|-------------|------------------|--------------|
| PDP-15                               |     |             |                  |              |
| PARTS LIST                           |     |             |                  |              |
| UNLESS OTHERWISE SPECIFIED           |     |             | DRN              | FLEMING      |
| UNLESS OTHERWISE SPECIFIED           |     |             | CHK'D            | MAIDEN       |
| DIMENSION IN INCHES                  |     |             | ENG              | SWANSON      |
| TOLERANCES                           |     |             | PROJ. ENG.       | RUTLER       |
| DECIMALS FRACTIONS ANGLES            |     |             | PROD.            | LASKEY       |
| = .005 .015 .030                     |     |             | NEXT HIGHER ASSY |              |
| FINAL SURFACE QUALITY = 7            |     |             | SCALE            | SHEET 5 OF 8 |
| REMOVE BURRS AND BREAK SHARP CORNERS |     |             | FINISH           |              |
| TITLE                                |     |             |                  |              |
| <b>digital</b> EQUIPMENT CORPORATION |     |             |                  |              |
| EQUIPMENT LAYOUT PDP-15              |     |             |                  |              |
| SIZE CODE                            |     |             |                  | NUMBER       |
| DAR/PDP15-0-2                        |     |             |                  | REV          |
|                                      |     |             |                  | T            |
| DIST                                 |     |             |                  |              |

This drawing and specifications herein are the property of Digital Equipment Corporation and shall not be reproduced or copied or used in whole or in part as the basis for the manufacture or sale of items without written permission 1974

| WIRE TABLE |            |           |           |         |        |      |        |      |  |
|------------|------------|-----------|-----------|---------|--------|------|--------|------|--|
|            |            | CABLE     |           |         | FROM   |      | TO     |      |  |
|            | PART NO.   | MODULES   | WIRE      | LG      | OPTION | SLOT | OPTION | SLOT |  |
| 4K OR      | 7006414-1  | M918/M918 | FLEXPRINT | 8'      | KP15   | H2   | MM15XA | C3   |  |
| 8K         | 7006907-YA | M943/M943 | FLEXPRINT | 13 1/4' | KP15   | J2   | MM15XA | B2   |  |
| 16K SYS    | 7006907-YA | M943/M943 | FLEXPRINT | 13 1/4' | KP15   | J3   | MM15XA | B3   |  |
| ADD FOR    | 7006414-2  | M918/M918 | FLEXPRINT | 6'      | MM15XA | C3   | MM15XB | C2   |  |
| 12K OR     | BC08A-3    | M903/M903 | FLEXPRINT | 3'      | MM15XA | A2   | MM15XB | A2   |  |
| 16K SYS    | BC08A-3    | M903/M903 | FLEXPRINT | 3'      | MM15XA | A3   | MM15XB | A3   |  |
| ADD FOR    | 7006414-1  | M918/M918 | FLEXPRINT | 8'      | MM15XB | C3   | MM15XC | C3   |  |
| 20K OR     | 7006907-0E | M943/M943 | FLEXPRINT | 5 1/4'  | MM15XB | B2   | MM15XC | A2   |  |
| 24K SYS    | 7006907-0E | M943/M943 | FLEXPRINT | 5 1/4'  | MM15XB | B3   | MM15XC | A3   |  |
| ADD FOR    | 7006414-1  | M918/M918 | FLEXPRINT | 8'      | MM15XC | C2   | MM15XC | C2   |  |
| 28K OR     | 7006907-0E | M943/M943 | FLEXPRINT | 5 1/4'  | MM15XC | B2   | MM15XC | A2   |  |
| 32K SYS    | 7006907-0E | M943/M943 | FLEXPRINT | 5 1/4'  | MM15XC | B3   | MM15XC | A3   |  |

- NOTES:
- NUMBERS INDICATE MODULE SLOTS.
  - IF BB15 IS IN SYSTEM, SEE PRINT D-IC-34-1-01
  - ROUTE I BUS AND MDL CABLES THROUGH TWO LENGTHS (A/R) OF "ZIPPER TUBING" (DEC 9107679)
  - TWO MSAA TERMINATORS SHOULD BE USED ON MDL LINES



| REV | CHANGE NO. | DATE     | BY         | CHK'D.     |
|-----|------------|----------|------------|------------|
| 1   | 15-00021   | 11-20-69 | E. STRANGE | J. FLEMING |
| 2   | 15-00072   | 8-29-70  | E. STRANGE | G. BUTLER  |
| 3   | 15-00092   | 8-29-70  | E. STRANGE | F. LASKEY  |
| 4   | 15-00091   | 2-26-73  | K. SWANSON | F. LASKEY  |
| 5   | 15-00092   | 2-26-73  | K. SWANSON | F. LASKEY  |
| 6   | 15-00092   | 2-26-73  | K. SWANSON | F. LASKEY  |
| 7   | 15-00092   | 2-26-73  | K. SWANSON | F. LASKEY  |
| 8   | 15-00092   | 2-26-73  | K. SWANSON | F. LASKEY  |

FIRST USED ON OPTION / MODEL  
PDP 15

| DO NOT SCALE DRAWING   |           |         |
|--|-----------|---------|
| UNLESS OTHERWISE SPECIFIED DIMENSION IN INCHES               |           |         |
| DECIMALS   | FRACTIONS | ANGLES  |
| ± .005   | ± 1/64    | ± 0°30' |
| FINAL SURFACE QUALITY / REMOVE BURRS AND BREAK SHARP CORNERS |           |         |
| MATERIAL   |           |         |
| FINISH   |           |         |

| QTY.                             | DESCRIPTION          | PART NO.     | ITEM NO. |
|----------------------------------|----------------------|--------------|----------|
| PARTS LIST                       |                      |              |          |
| 1                                | DRN. FONTAINE        | DATE 7-25-69 |          |
| 1                                | CHK'D. J. FLEMING    | DATE 7-29-69 |          |
| 1                                | ENG. E. STRANGE      | DATE 8-5-69  |          |
| 1                                | PROJ. ENG. G. BUTLER | DATE 8-5-69  |          |
| 1                                | PROD. F. LASKEY      | DATE 8-5-69  |          |
| NEXT HIGHER ASSY<br>A-ML-PDP15-0 |                      |              |          |
| SCALE NONE                       |                      | SHEET 1 OF 1 |          |
| DIST.                            |                      | REV H        |          |

digital EQUIPMENT CORPORATION  
MAYNARD, MASSACHUSETTS

TITLE  
SIGNAL WIRING  
PDP 15

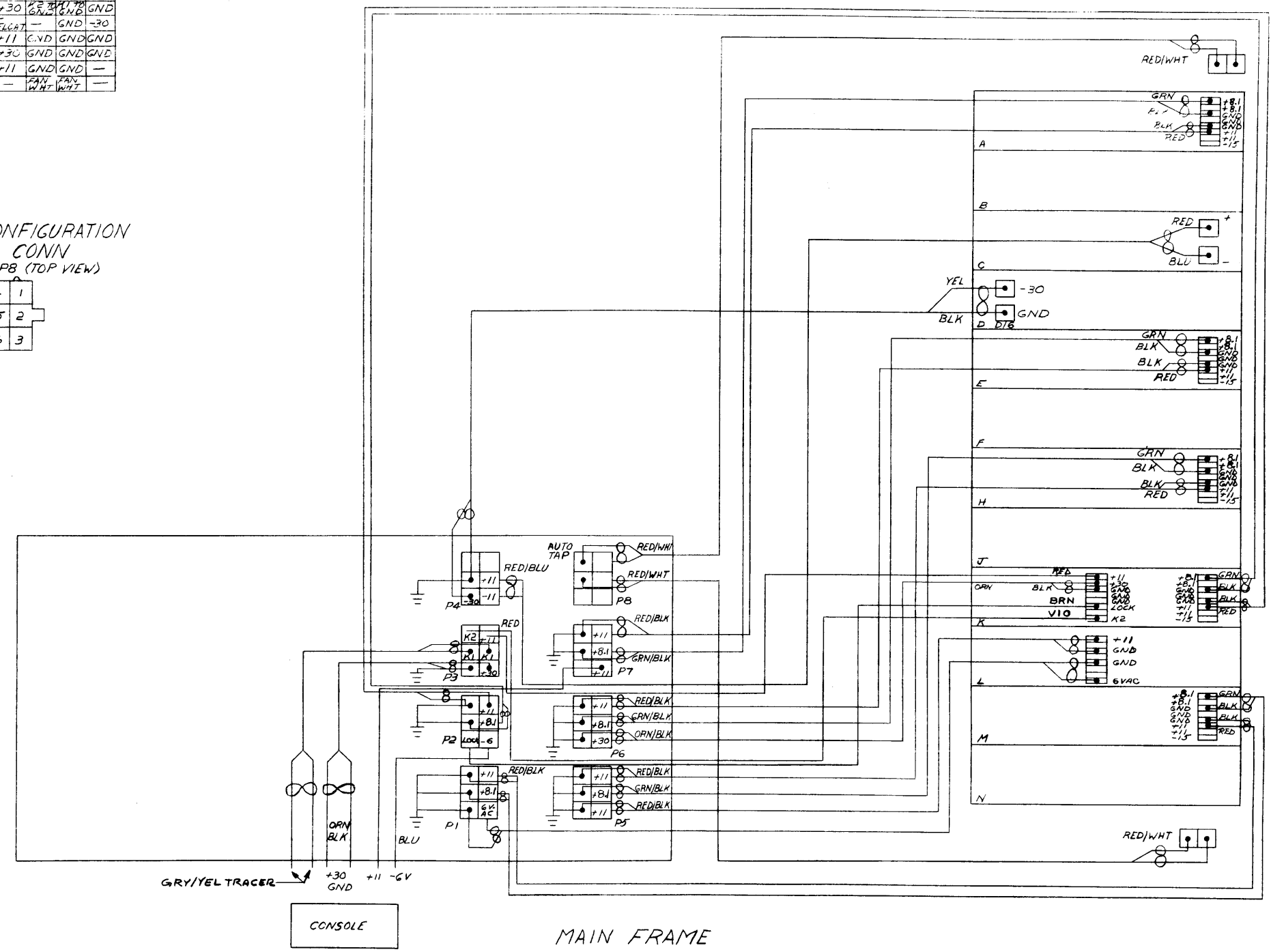
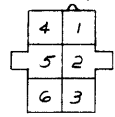
SIZE CODE NUMBER  
D I C PDP15-0-3

REV H  
ITEM NO.  
PDP15-0-3

This drawing and specifications, herein are the property of Digital Equipment Corporation and shall not be reproduced or copied or used in whole or in part as the basis for the manufacture or sale of items without written permission.

| CONN | PL  | PL    | PL    | PL  | PL  | PL   | PL  |
|------|-----|-------|-------|-----|-----|------|-----|
| P1   | +11 | +8.1  | 6VAC  | GND | GND | GND  | GND |
| P2   | +11 | +8.1  | -6    | GND | GND | LOCK | GND |
| P3   | +11 | 6VAC  | +30   | GND | GND | GND  | GND |
| P4   | -   | FLOAT | FLOAT | -   | GND | -30  | -   |
| P5   | +11 | +8.1  | +11   | GND | GND | GND  | GND |
| P6   | +11 | +8.1  | +30   | GND | GND | GND  | GND |
| P7   | +11 | +8.1  | +11   | GND | GND | -    | -   |
| P8   | RED | RED   | -     | FAN | FAN | WHT  | -   |

PIN CONFIGURATION FOR CONN P1-P8 (TOP VIEW)



| REV       | NO | DATE     | BY  | CHK'D | DATE |
|-----------|----|----------|-----|-------|------|
| 15-00022  | 1  | 10-21-69 | ... | ...   | ...  |
| 715-00014 | A  | 10-28-69 | ... | ...   | ...  |

| FIRST USED ON OPT/MOD      | QTY.      | DESCRIPTION      | PART NO.                             | ITEM NO. |
|----------------------------|-----------|------------------|--------------------------------------|----------|
| PDP-15                     |           |                  |                                      |          |
| UNLESS OTHERWISE SPECIFIED |           |                  |                                      |          |
| DIMENSION IN INCHES        |           | TOLERANCES       |                                      |          |
| DECIMALS                   | FRACTIONS | ANGLES           | FINISH                               |          |
| = .005                     | = 1/64    | = 0°30'          | REMOVE BURRS AND BREAK SHARP CORNERS |          |
| MATERIAL                   |           | NEXT HIGHER ASSY |                                      |          |
| FINISH                     |           | SCALE NONE       |                                      |          |
| SHEET 1 OF 2               |           | DIST.            |                                      |          |

digital EQUIPMENT CORPORATION  
MAYNARD MASSACHUSETTS

TITLE  
**POWER WIRING**  
PDP-15

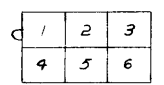
SIZE/CODE  
D I C PDP15-0-14

NUMBER  
PDP15-0-14

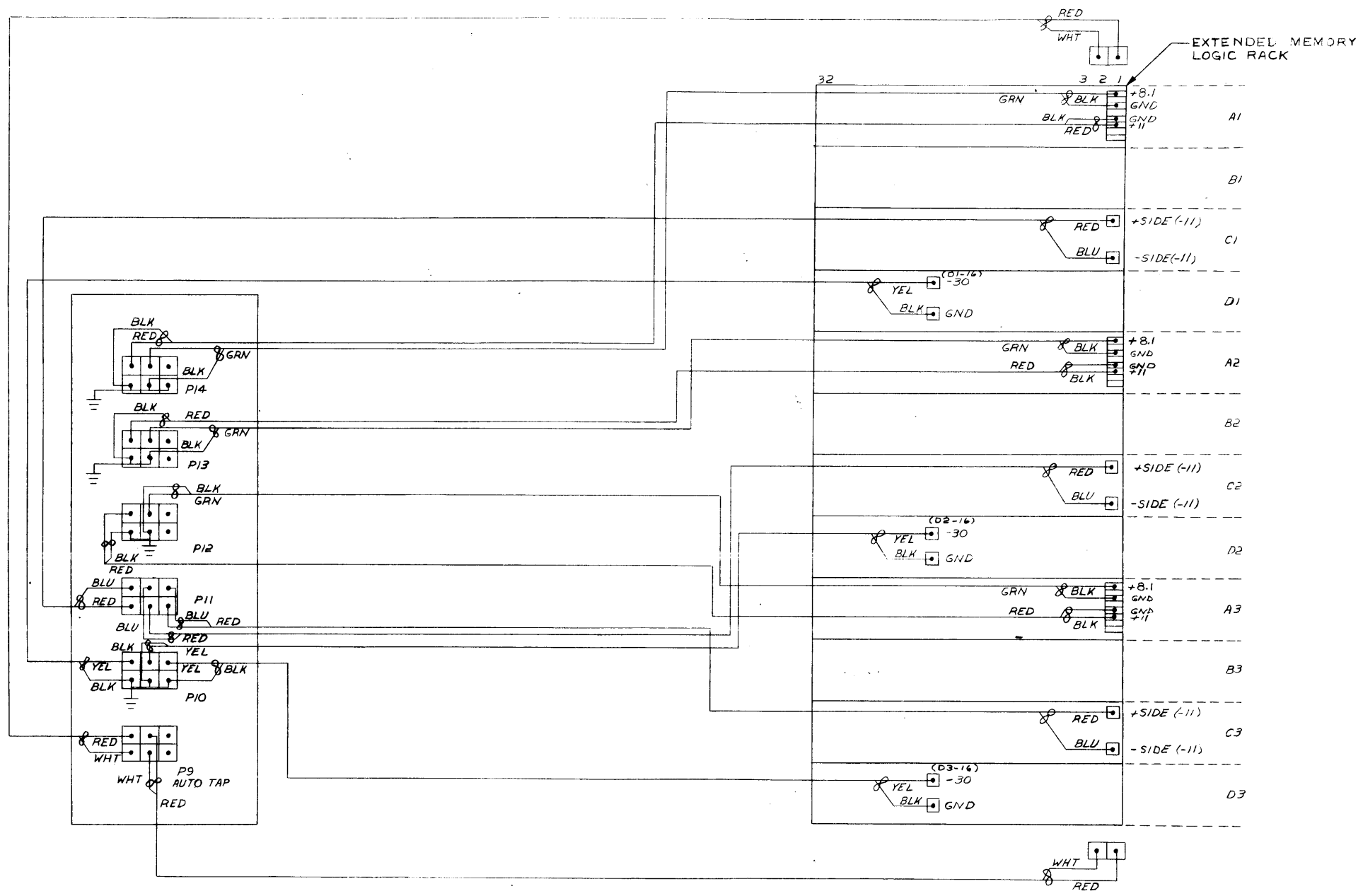
REV  
B

This drawing and specifications, herein, are the property of Digital Equipment Corporation and shall not be reproduced or copied or used in whole or in part as the basis for the manufacture or sale of items without written permission.

PIN CONFIGURATION FOR CONN. 9-14  
TOP VIEW



| CONN | PIN 1  | PIN 2    | PIN 3 | PIN 4        | PIN 5    | PIN 6 |
|------|--------|----------|-------|--------------|----------|-------|
| P9   | AC HOT | FANS HOT | —     | AC FANS NEUT | FAN NEUT | —     |
| P10  | -30    | -30      | -30   | GND          | GND      | GND   |
| P11  | —      | —        | —     | —            | —        | —     |
| P12  | +11    | +8.1     | —     | GND          | GND      | —     |
| P13  | +11    | +8.1     | —     | GND          | GND      | —     |
| P14  | +11    | +8.1     | —     | GND          | GND      | —     |



EXTENDED MEMORY

|            |     |
|------------|-----|
| REVISIONS  | REV |
| CHANGE NO. |     |
| CHK        |     |

| QTY.   | DESCRIPTION | PART NO.                                  | ITEM NO.                      |
|--|-------------|---|-------------------------------|
| PARTS LIST   |             |   |                               |
| UNLESS OTHERWISE SPECIFIED                                 |             | DRN. <i>by Minoso</i> DATE 10-27-69       |                               |
| UNLESS OTHERWISE SPECIFIED                                 |             | CHK'D. <i>W. Sutherland</i> DATE 10-28-69 |                               |
| DIMENSION IN INCHES  |             |   |                               |
| TOLERANCES   |             |   |                               |
| DECIMALS   | FRACTIONS   | ANGLES                                    | DATE 10/31/69                 |
| ± .005   | ± 1/64      | ± 0°30'                                   | PROJ. ENG. <i>[Signature]</i> |
| FINAL SURFACE QUALITY REMOVE BURRS AND BREAK SHARP CORNERS |             |   |                               |
| MATERIAL   |             | DATE 10/31/69                             |                               |
| FINISH   |             | PROD. <i>[Signature]</i>                  |                               |
| FIRST USED ON  |             | DATE 10/31/69                             |                               |
| SCALE  |             | TITLE                                     |                               |
| SHEET 2 OF 2   |             | POWER WIRING PDP-15                       |                               |
| DIST.  |             | SIZE CODE NUMBER REV.                     |                               |
| D I C PDP15-0-14   |             | B   |                               |

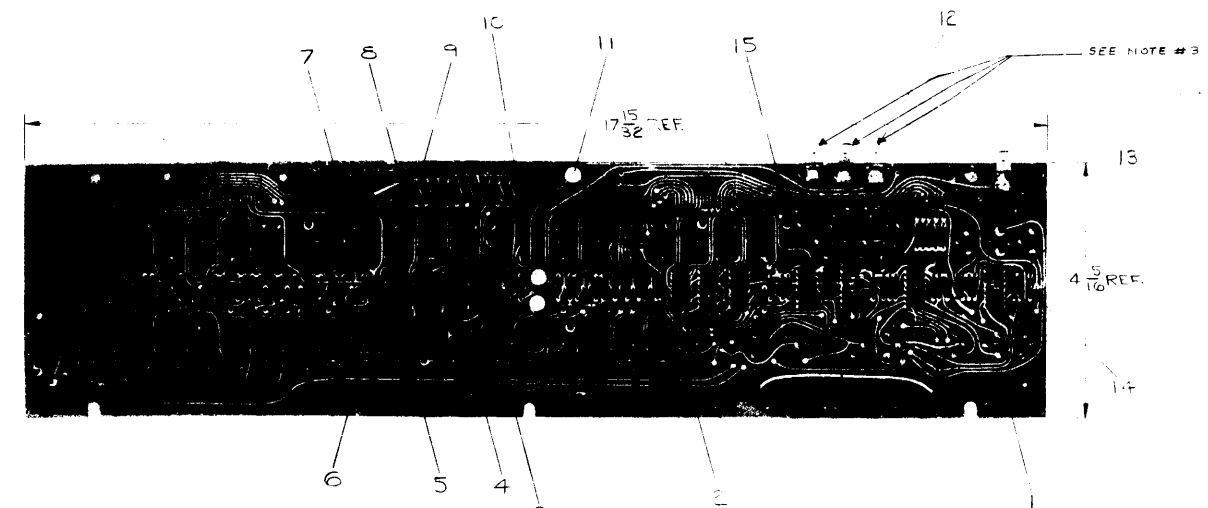
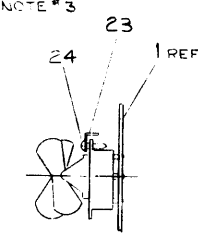
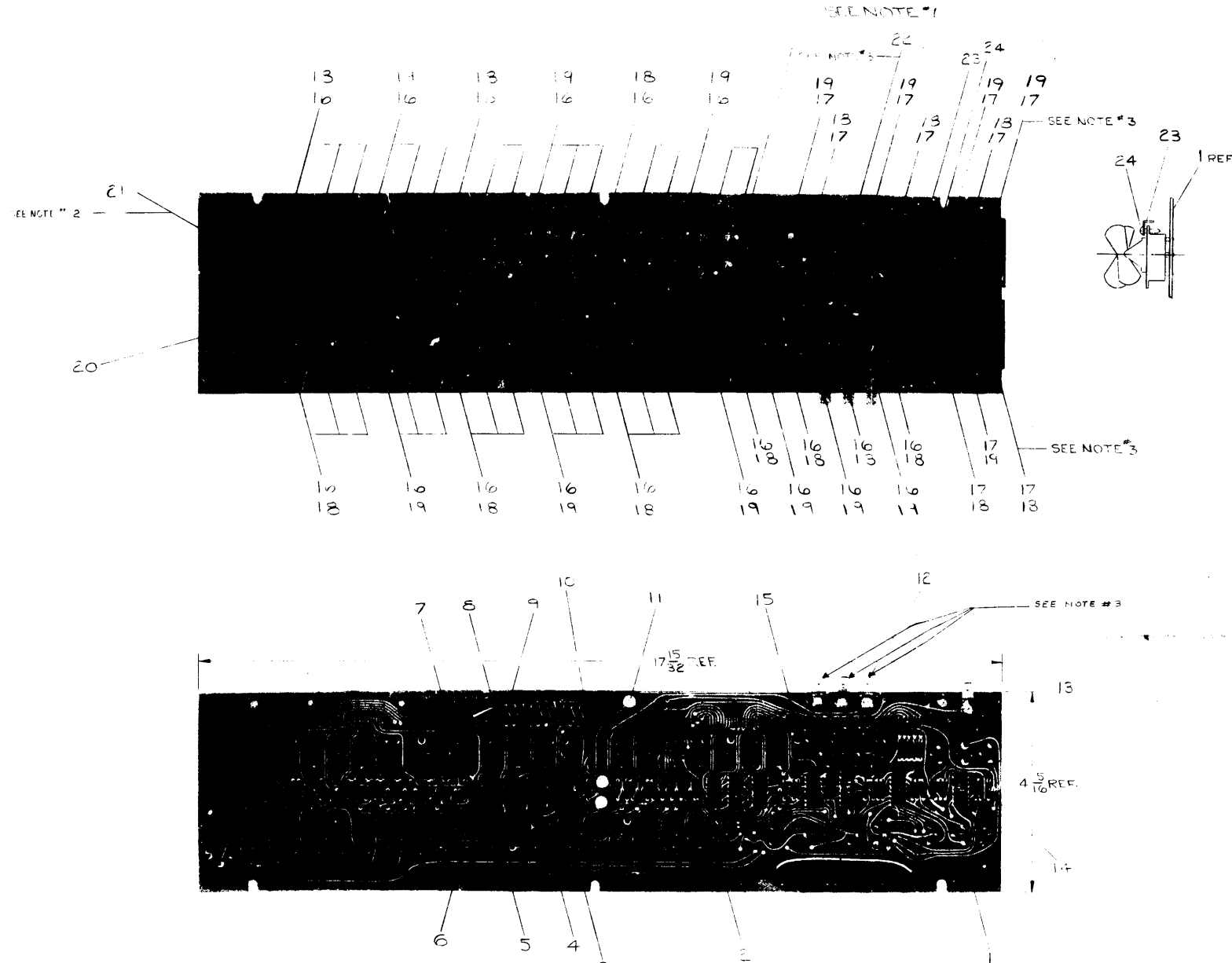
REV. B  
NUMBER  
D I C PDP15-0-14  
SIZE CODE



8 7 6 5 4 3 2 1

UNLESS OTHERWISE SPECIFIED  
 DIMENSIONS ARE IN INCHES  
 TOLERANCES ARE:  
 FRACTIONS .104 ± 0.002  
 DECIMALS .0005 ± 0.0001  
 ANGLES ± 0.0001

NOTES:  
 1. \* INDICATES POSITION OF WHT MARKER ON HANDLES.  
 2. DO NOT USE EXTERNAL TOOTH LOCK WASHER INCLUDED WITH ITEM #21.  
 3. FOR USE IN KC15B, THE FOLLOWING CHANGES MUST BE MADE:  
 A) 2 RESISTORS (#22) SHOULD BE MOUNTED ON OPPOSITE SIDE OF BOARD.  
 B) POWER INPUT TABS (ITEM #12) SHOULD BE BENT 90° TOWARD COMPONENT SIDE OF BOARD.  
 C) SWITCH BUTTONS (ITEM #18 & 19) SHOULD BE REPLACED WITH DEC PARTS 1205849-B & 1205849-C RESPECTIVELY.



\*\* SEE NOTE 3

|       |                             |                   |    |
|-------|-----------------------------|-------------------|----|
| 3     | DIODE D668                  | 1102161           |    |
| REF   | ASSY/DRILLING HOLE LAYOUT   | JAH-5408392-0     |    |
| REF   | XY COORDINATE HOLE LOCATION | K-30-5408392-0    |    |
| REF   | CIRCUIT SCHEMATIC           | D-C5-5408392-0    |    |
| 102   | SCR AND SLT HD SH MET #4    | 9008201           | 24 |
| 4     | ENCL TIT 1/2" SUPPORT       | 7407423-0-023     |    |
| ** 2  | RES 20 OHM 2 W 5%           | 1303526           | 22 |
| 1     | POT 12 POS 04-006-00-0      | 1209178           | 21 |
| 1     | POT (REWORK)                | B-MD300805-0-020  |    |
| ** 24 | BUTTON ROCKER SW COMPN BLU  | D-9C-1205849-0-09 |    |
| ** 27 | BUTTON ROCKER SW NAVY BU    | D-9C-1205849-0-08 |    |
| 0     | SWITCH RS-93-FB-PC          | 1205275           | 17 |
| 41    | SWITCH RS-50-FB-PC          | 1205941           | 10 |
| 1     | IC DEC74-3C                 | 1905578           | 5  |
| 48    | DIODE D672                  | 1105275           | 14 |
| 15    | RES 1K 1/4 5%               | 1300365           | 13 |
| ** 4  | TAB 60145-1 AMP             | 9007112           | 12 |
| 3     | TSTR DEC 6531               | 1509338           | 11 |
| 3     | RES 3K 1/4 5%               | 1300432           | 10 |
| 5     | DIODE D662                  | 1100113           | 9  |
| 4     | RES 330 OHM 1/4 5%          | 1300295           | 8  |
| 11    | CAP .01 MFD                 | 1001610           | 7  |
| 1     | RES 750 OHM 1/4 5%          | 1301401           | 6  |
| 6     | IC DEC7400                  | 1905575           | 5  |
| 1     | IC DEC7410                  | 1905576           | 4  |
| 3     | IC DEC7411                  | 1905590           | 3  |
| 44    | RES 30K 1/4 5%              | 1302394           | 2  |

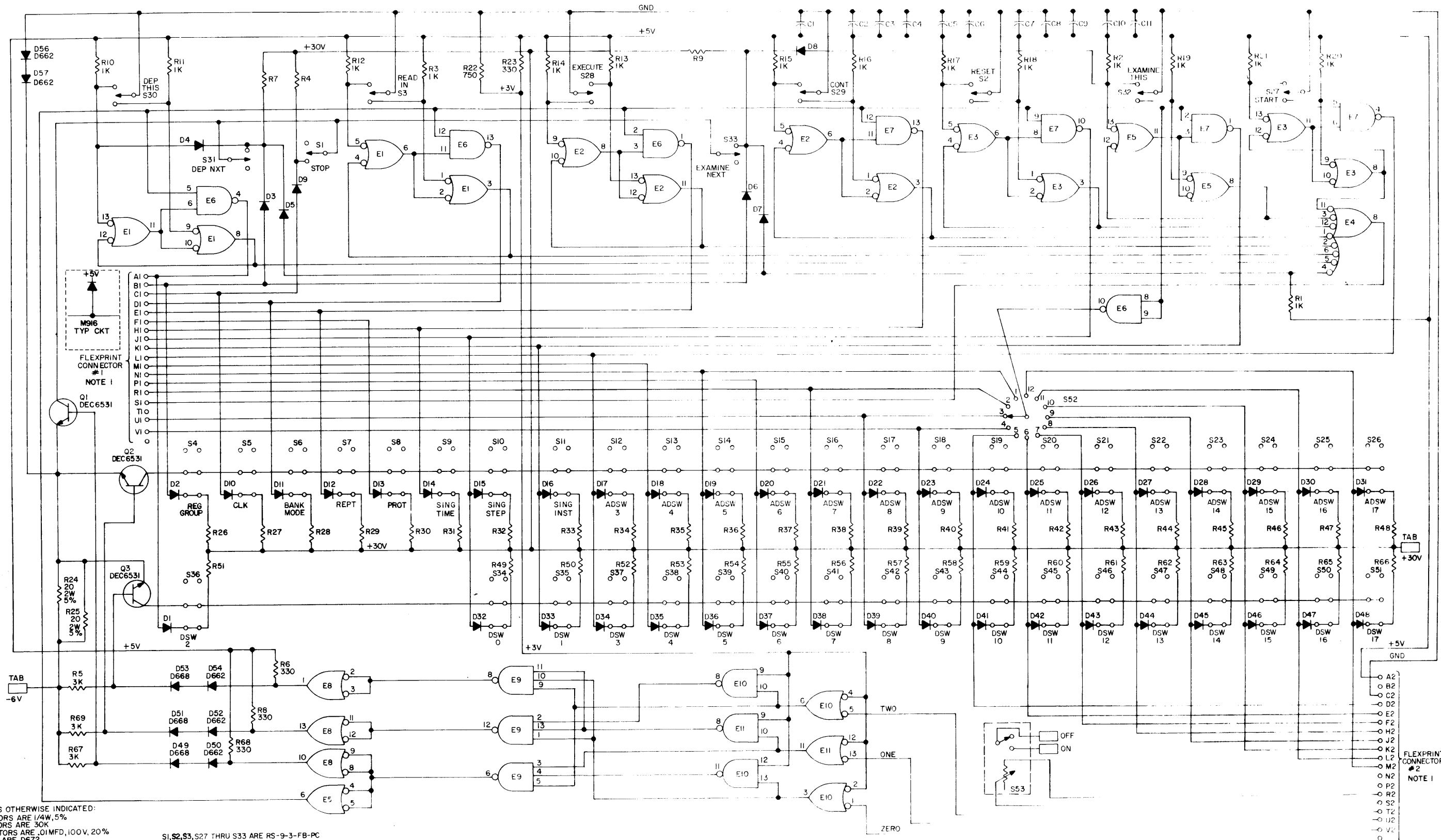
|  |   |                       |                  |          |
|--|---|-----------------------|------------------|----------|
| ETCH REV C   | 1 | ETCH BOARD            | E-1A-5408392-0-0 | 1        |
| KCI5   |   | QTY                   | DESCRIPTION      | PART NO. |
| UNLESS OTHERWISE SPECIFIED<br>DIMENSIONS ARE IN INCHES<br>TOLERANCES ARE:<br>FRACTIONS .104 ± 0.002<br>DECIMALS .0005 ± 0.0001<br>ANGLES ± 0.0001<br>FINISH: 100-325-0 |   | EQUIPMENT CORPORATION |                  |          |
| TITLE: SWITCH BOARD  |   | DRAWN: [Signature]    |                  |          |
| SCALE: 1/1   |   | SHEET: 1 of 1         |                  |          |

|    |                            |                   |    |
|----|----------------------------|-------------------|----|
| 1  | RES 1K 1/4 5%              | 1300365           | 13 |
| 2  | RES 20 OHM 2 W 5%          | 1303526           | 22 |
| 3  | RES 3K 1/4 5%              | 1300432           | 10 |
| 4  | RES 330 OHM 1/4 5%         | 1300295           | 8  |
| 5  | RES 750 OHM 1/4 5%         | 1301401           | 6  |
| 6  | RES 30K 1/4 5%             | 1302394           | 2  |
| 7  | RES 1K 1/4 5%              | 1300365           | 13 |
| 8  | RES 20 OHM 2 W 5%          | 1303526           | 22 |
| 9  | RES 3K 1/4 5%              | 1300432           | 10 |
| 10 | RES 330 OHM 1/4 5%         | 1300295           | 8  |
| 11 | RES 750 OHM 1/4 5%         | 1301401           | 6  |
| 12 | TAB 60145-1 AMP            | 9007112           | 12 |
| 13 | TSTR DEC 6531              | 1509338           | 11 |
| 14 | DIODE D672                 | 1105275           | 14 |
| 15 | RES 1K 1/4 5%              | 1300365           | 13 |
| 16 | RES 20 OHM 2 W 5%          | 1303526           | 22 |
| 17 | POT 12 POS 04-006-00-0     | 1209178           | 21 |
| 18 | POT (REWORK)               | B-MD300805-0-020  |    |
| 19 | BUTTON ROCKER SW COMPN BLU | D-9C-1205849-0-09 |    |
| 20 | BUTTON ROCKER SW NAVY BU   | D-9C-1205849-0-08 |    |
| 21 | SWITCH RS-93-FB-PC         | 1205275           | 17 |
| 22 | SWITCH RS-50-FB-PC         | 1205941           | 10 |
| 23 | IC DEC74-3C                | 1905578           | 5  |
| 24 | DIODE D668                 | 1102161           |    |
| 25 | DIODE D662                 | 1100113           | 9  |
| 26 | RES 330 OHM 1/4 5%         | 1300295           | 8  |
| 27 | CAP .01 MFD                | 1001610           | 7  |
| 28 | RES 750 OHM 1/4 5%         | 1301401           | 6  |
| 29 | IC DEC7400                 | 1905575           | 5  |
| 30 | IC DEC7410                 | 1905576           | 4  |
| 31 | IC DEC7411                 | 1905590           | 3  |
| 32 | RES 30K 1/4 5%             | 1302394           | 2  |

8 7 6 5 4 3 2 1

THIS SCHEMATIC IS FURNISHED ONLY FOR TEST AND MAINTENANCE PURPOSES. THE CIRCUITS ARE PROPRIETARY IN NATURE AND SHOULD BE TREATED ACCORDINGLY. COPYRIGHT 1969 BY DIGITAL EQUIPMENT CORPORATION.

1 3 265R-43 [S] [D] [C] [K]



UNLESS OTHERWISE INDICATED:  
 RESISTORS ARE 1/4W, 5%  
 RESISTORS ARE 30K  
 CAPACITORS ARE .01MFD, 100V, 20%  
 DIODES ARE D672  
 E6, E7, E8 ARE SN7401N  
 E4 IS SN7430N  
 E9 IS SN7410N  
 E10, E11, E2, E3, E5, E11 ARE SN7400N  
 PIN 7 ON EACH IC = GND  
 PIN 14 ON EACH IC = +5V  
 S33 IS POT. ON/OFF SWITCH # 5308805  
 S52 IS ROTARY SWITCH 1P 12 POS -04-006-00-0  
 REF ASSY DWG # PL E-1A-5408392-0-0

S1, S2, S3, S27 THRU S33 ARE RS-9-3-FB-PC  
 S4 THRU S26, S34 THRU S51 ARE RS-50-FB-PC  
 NOTE:  
 1. THE OTHER END OF THE FLEXPRINT CABLE IS CONNECTED TO AN M916 MODULE WHICH PROVIDES A DIODE CLAMP TO +5V FOR EACH LINE.

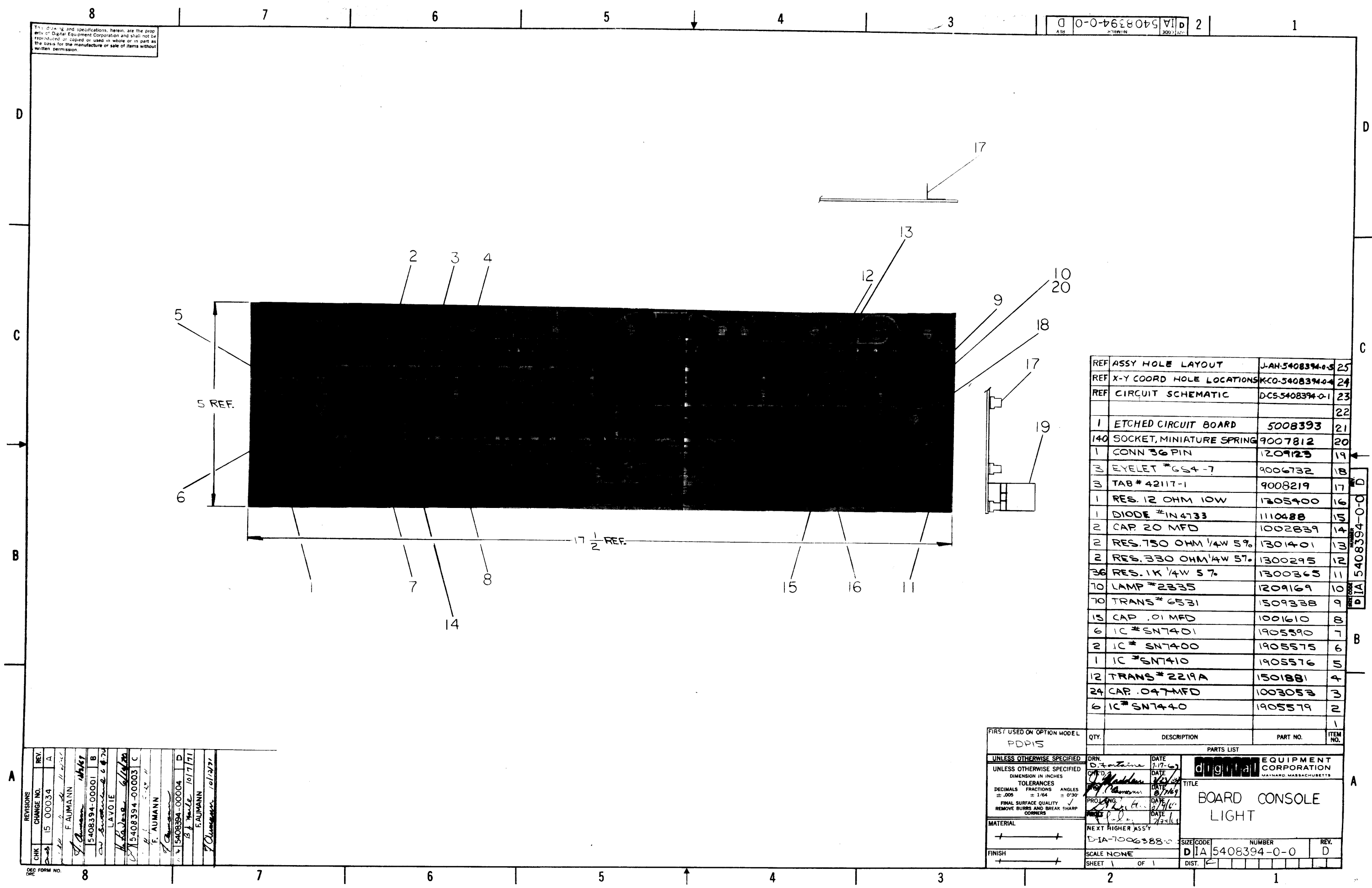
| REVISIONS | CHK    | CHG | NO | REV | DATE | BY | APP |
|-----------|--------|-----|----|-----|------|----|-----|
| 1         | 000101 | C   |    |     |      |    |     |
| 2         | 000102 | D   |    |     |      |    |     |
| 3         | 000103 | E   |    |     |      |    |     |
| 4         | 000104 | F   |    |     |      |    |     |
| 5         | 000105 | G   |    |     |      |    |     |
| 6         | 000106 | H   |    |     |      |    |     |
| 7         | 000107 | I   |    |     |      |    |     |
| 8         | 000108 | J   |    |     |      |    |     |
| 9         | 000109 | K   |    |     |      |    |     |
| 10        | 000110 | L   |    |     |      |    |     |
| 11        | 000111 | M   |    |     |      |    |     |
| 12        | 000112 | N   |    |     |      |    |     |
| 13        | 000113 | O   |    |     |      |    |     |
| 14        | 000114 | P   |    |     |      |    |     |
| 15        | 000115 | Q   |    |     |      |    |     |
| 16        | 000116 | R   |    |     |      |    |     |
| 17        | 000117 | S   |    |     |      |    |     |
| 18        | 000118 | T   |    |     |      |    |     |
| 19        | 000119 | U   |    |     |      |    |     |
| 20        | 000120 | V   |    |     |      |    |     |

| TRANSISTOR & DIODE CONVERSION CHART |        | # 21 (WOL) IN 5606 IN SERIES |     |
|-------------------------------------|--------|------------------------------|-----|
| DEC                                 | FIA    | DEC                          | FIA |
| D662                                | IN3645 |                              |     |
| D672                                | IN3655 |                              |     |
| D688                                | IN3655 |                              |     |
| D693                                | NONE   |                              |     |

**digital** EQUIPMENT CORPORATION  
 PDP-10 CONSOLE SWITCH BOARD  
 NUMBER: 5408392-0-1  
 PRINTED CIRCUIT REV: B C

The drawing and specifications herein are the property of Digital Equipment Corporation and shall not be reproduced or copied or used in whole or in part as the basis for the manufacture or sale of items without written permission.

REV. 2 5408394-0-0

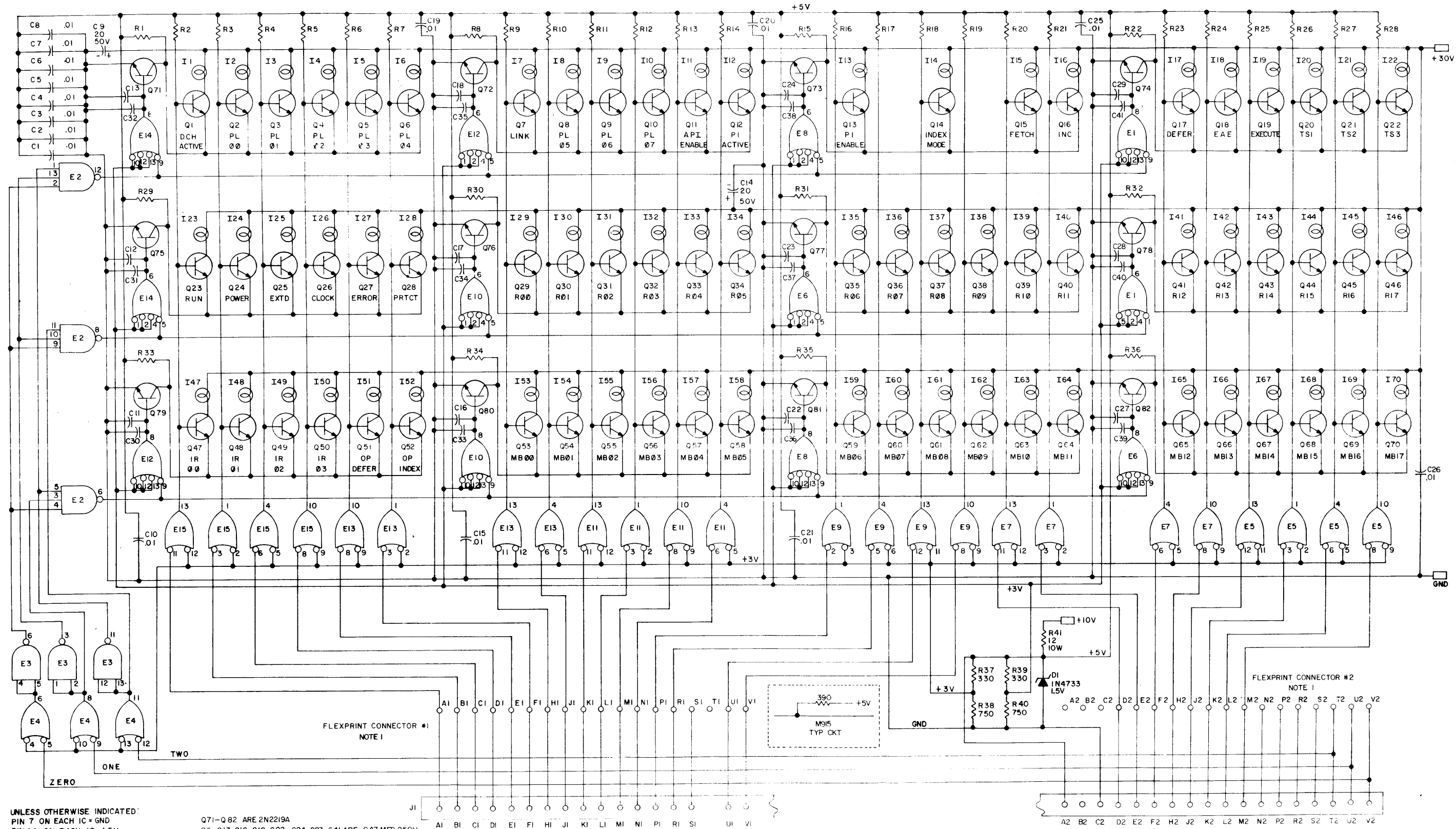


| REF | DESCRIPTION              | PART NO.         | QTY |
|-----|--------------------------|------------------|-----|
| REF | ASSY HOLE LAYOUT         | J-AH-5408394-0-0 | 25  |
| REF | X-Y COORD HOLE LOCATIONS | K-CO-5408394-0-0 | 24  |
| REF | CIRCUIT SCHEMATIC        | D-CS-5408394-0-1 | 23  |
|     |                          |                  | 22  |
| 1   | ETCHED CIRCUIT BOARD     | 5008393          | 21  |
| 140 | SOCKET, MINIATURE SPRING | 9007812          | 20  |
| 1   | CONN 36 PIN              | 1209123          | 19  |
| 3   | EYELET *GS4-7            | 9006732          | 18  |
| 3   | TAB *42117-1             | 9008219          | 17  |
| 1   | RES. 12 OHM 10W          | 1305400          | 16  |
| 1   | DIODE *IN4733            | 1110488          | 15  |
| 2   | CAP. 20 MFD              | 1002839          | 14  |
| 2   | RES. 750 OHM 1/4W 5%     | 1301401          | 13  |
| 2   | RES. 330 OHM 1/4W 5%     | 1300295          | 12  |
| 36  | RES. 1K 1/4W 5%          | 1300363          | 11  |
| 70  | LAMP *2335               | 1209169          | 10  |
| 70  | TRANS *6531              | 1509338          | 9   |
| 15  | CAP. .01 MFD             | 1001610          | 8   |
| 6   | IC *SN7401               | 1905590          | 7   |
| 2   | IC *SN7400               | 1905575          | 6   |
| 1   | IC *SN7410               | 1905576          | 5   |
| 12  | TRANS *2219A             | 1501881          | 4   |
| 24  | CAP. .047 MFD            | 1003053          | 3   |
| 6   | IC *SN7440               | 1905579          | 2   |
|     |                          |                  | 1   |

|  |  |                 |   |           |
|--|--|-----------------|---|-----------|
| FIRST USED ON OPTION MODEL<br>PDP15  | QTY.                                   | DESCRIPTION     | PART NO.  | ITEM NO.  |
| PARTS LIST   |  |                 |   |           |
| UNLESS OTHERWISE SPECIFIED<br>DIMENSION IN INCHES<br>TOLERANCES<br>DECIMALS FRACTIONS ANGLES<br>±.005 ±.1/64 ±.030<br>FINAL SURFACE QUALITY<br>REMOVE BURRS AND BREAK SHARP<br>CORNERS | DRN.<br>D. Fontaine<br>DATE<br>7/17/69 | DATE<br>7/17/69 | digital EQUIPMENT CORPORATION<br>MAYNARD, MASSACHUSETTS |           |
| MATERIAL<br>+ + +  | PROL. ENG.<br>DATE<br>7/24/69          | DATE<br>7/24/69 | TITLE<br>BOARD CONSOLE LIGHT                            |           |
| FINISH<br>+ + +  | NEXT HIGHER ASSY<br>D-IA-7006388-0     | SCALE NONE      | SIZE CODE<br>D IA 5408394-0-0                           | REV.<br>D |
|  | SHEET 1 OF 1                           | DIST.           |   |           |

| CHK | REVISIONS       | CHANGE NO. | REV. |
|-----|-----------------|------------|------|
|     | 15              | 00034      | A    |
|     | F. AUMANN       |            |      |
|     | 5408394-00001 B |            |      |
|     | LAVOIE          |            |      |
|     | 5408394-00003 C |            |      |
|     | F. AUMANN       |            |      |
|     | 5408394-00004 D |            |      |
|     | F. AUMANN       |            |      |
|     | 5408394-00005 E |            |      |
|     | F. AUMANN       |            |      |

THIS SCHEMATIC IS FURNISHED ONLY FOR TEST AND MAINTENANCE PURPOSES. THE CIRCUITS ARE PROPRIETARY IN NATURE AND SHOULD BE TREATED ACCORDINGLY. COPYRIGHT 1969 BY DIGITAL EQUIPMENT CORPORATION



UNLESS OTHERWISE INDICATED:  
 PIN 7 ON EACH IC = GND  
 PIN 14 ON EACH IC = +5V  
 E1, E6, E8, E10, E12, E14 ARE DEC7440N  
 E2, IS DEC7410N  
 E3, E4 ARE DEC7400N  
 E5, E7, E9, E11, E13, E15 ARE DEC7401N  
 CAPACITORS ARE MFD, 100V  
 LIGHTS ARE #2335  
 RESISTORS ARE 1K, 1/4W, 5%  
 TRANSISTORS ARE DEC6531

Q71-Q82 ARE 2N2219A  
 C11-C13, C16-C18, C22-C24, C27-C41 ARE .047 MFD 250V  
 NOTE 1: THE OTHER END OF FLEXPRINT CABLE IS CONNECTED TO AN MS15. THIS PROVIDES A PULL UP OF 390 OHMS TO +5V FOR EACH LINE.

| REV | DATE     | BY | CHKD |
|-----|----------|----|------|
| 1   | 7-9-69   |    |      |
| 2   | 11-11-69 |    |      |
| 3   | DEC 6931 |    |      |
| 4   | 11750    |    |      |
| 5   | 1N4733   |    |      |

| TRANSISTOR | DATE     | BY | CHKD |
|------------|----------|----|------|
| 2N2219A    | 7-9-69   |    |      |
| 2N2219A    | 11-11-69 |    |      |
| DEC 6931   | DEC 6931 |    |      |
| 1N750      | 11750    |    |      |
| 1N4733     | 1N4733   |    |      |

| DATE     | BY | CHKD |
|----------|----|------|
| 7-9-69   |    |      |
| 11-11-69 |    |      |
| DEC 6931 |    |      |
| 11750    |    |      |
| 1N4733   |    |      |

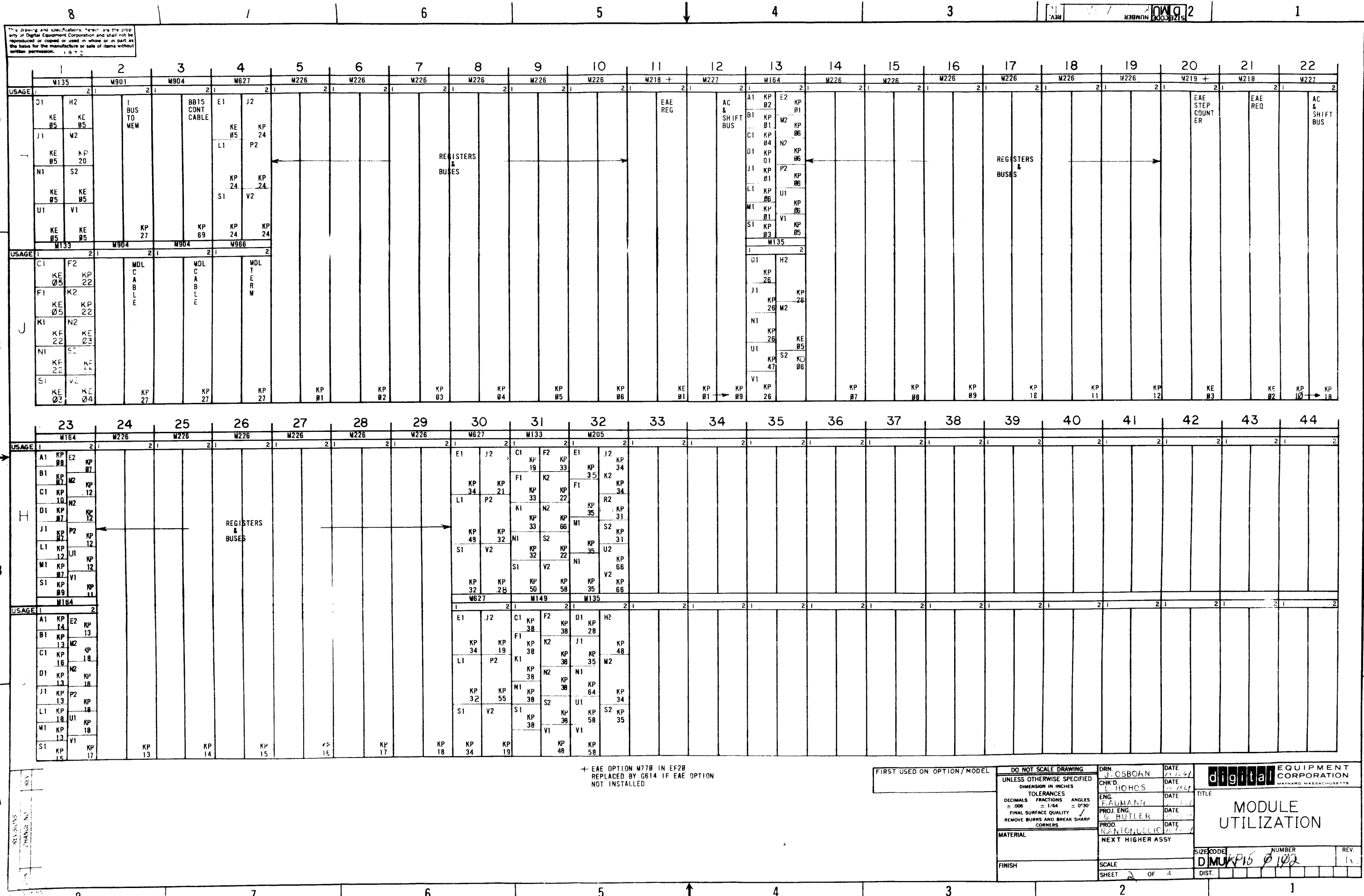
|                        |      |                         |     |
|------------------------|------|-------------------------|-----|
| digital                |      | TITLE                   |     |
| EQUIPMENT CORPORATION  |      | CONSOLE INDICATOR PANEL |     |
| MAYFORD, MASSACHUSETTS |      | 5408394                 |     |
| SIZE                   | CODE | NUMBER                  | REV |
| D                      | CS   | 5408394-0-1             | D   |
| PRINTED CIRCUIT        |      | REV                     | D   |

This drawing and specifications, herein, are the property of Digital Equipment Corporation and shall not be reproduced or copied or used in whole or in part as the basis for the manufacture or sale of items without written permission. 1972

Main grid table with columns 1-22 and 23-44, rows D, C, B, T. Contains usage codes and component identifiers like M216, M133, M149, M161, M133, M111, M133, M205, M127, M133, M135, M611, M627, M627, M135, M133, M627, M611, M127, M7781, M133, M611.

REVISIONS table with columns: REV, CHG, NO, DATE, BY, DESCRIPTION. Includes entries for AUMANN, SWANSON, and F. DOLL.

Technical specifications and title block. Includes 'FIRST USED ON OPTION/MODEL', 'DO NOT SCALE DRAWING', 'UNLESS OTHERWISE SPECIFIED DIMENSION IN INCHES', 'TOLERANCES', 'MATERIAL', 'FINISH', 'SCALE', 'SHEET 1 OF 4', 'TITLE: MODULE UTILIZATION', 'DIGITAL EQUIPMENT CORPORATION', 'D M U K P 15 - 0 - 102', 'P/V R'.



This drawing and specifications herein are the property of Digital Equipment Corporation and shall not be reproduced or copied or used in whole or in part as the basis for the manufacture or sale of items without written permission.

+ EAE OPTION M770 IN EF20  
REPLACED BY G614 IF EAE OPTION  
NOT INSTALLED.

FIRST USED ON OPTION/MODEL

DO NOT SCALE DRAWING  
UNLESS OTHERWISE SPECIFIED  
DIMENSION IN INCHES  
TOLERANCES  
DECIMALS FRACTIONS ANGLES  
± .005 ± 1/64 ± 0°30'  
FINAL SURFACE QUALITY 7  
REMOVE BURRS AND BREAK SHARP CORNERS

|            |              |      |         |
|------------|--------------|------|---------|
| DRN.       | J. OSBORN    | DATE | 2/12/67 |
| CHK'D      | L. HOHOS     | DATE | 6/28/67 |
| ENG.       | E. MANN      | DATE | 6/2/67  |
| PROJ. ENG. | G. BUTLER    | DATE | 6/2/67  |
| PROD.      | R. ANTILUSIC | DATE | 6/1/67  |

NEXT HIGHER ASSY

digital EQUIPMENT CORPORATION  
MAYNARD, MASSACHUSETTS

MODULE  
UTILIZATION

|             |        |      |
|-------------|--------|------|
| SIZE CODE   | NUMBER | REV. |
| DMP15-0-102 |        | 1    |

SCALE  
SHEET 2 OF 4

This drawing and specifications, herein, are the property of Digital Equipment Corporation and shall not be reproduced or copied or used in whole or in part as the basis for the manufacture or sale of items without written permission. 1972

REV. 7-7 DRAWING NUMBER 80009371

|       |  |  |      |            |  |  |  |  |  |  |  |  |  |  |  |  |  |  |  |  |  |  |  |  |  |  |  |  |
|-------|--|--|------|------------|--|--|--|--|--|--|--|--|--|--|--|--|--|--|--|--|--|--|--|--|--|--|--|--|
|       | 1  | 2  | 3    | 4          | 5  | 6  | 7  | 8  | 9  | 10   | 11   | 12   | 13   | 14   | 15   | 16   | 17   | 18   | 19   | 20   | 21   | 22   |  |  |  |  |  |  |
| USAGE | M611   | G858   | G827 | K303       | M205   | M113*  | M621   | M621   | M621   | M622   | M149   | M149   | M242   | M242   | M285   | M602   | M133   | M133   | M133   | M112   | M115   | M112   |  |  |  |  |  |  |
| D     | B1 KE 05<br>F2 KP 22<br>E1 KE 05<br>HI KE 05<br>K1 KE 05<br>M1 KP 23<br>P1 KE 05<br>S1 KE 04<br>U1 KE 05 | J2 KE 05<br>L2 KP 57<br>R2 KE 05<br>T2 KP 31<br>V2 KP 22 | TTY  | CABLE CARD | PWR SEQUENCE<br>PWR SEQUENCE<br>L2<br>U2<br>R2<br>S2 | D2 KP 57<br>E2 KP 57<br>K2 KP 57<br>L2 KP 57<br>R2 KP 57<br>S2 KP 57 | E1 KP 57<br>F1 KP 57<br>K1 KP 57<br>M1 KP 57<br>N1 KP 57<br>S1 KP 57<br>U1 KP 57 | J2 KP 66<br>K2 KP 66<br>L2 KP 66<br>R2 KP 66<br>S2 KP 66 | C1 KP 57<br>F2 KP 57<br>K2 KP 57<br>L2 KP 57<br>R2 KP 57<br>S2 KP 57 | E1 KP 57<br>F2 KP 57<br>K2 KP 57<br>L2 KP 57<br>R2 KP 57<br>S2 KP 57 | E2 KP 59<br>H2 KP 59<br>K2 KP 59<br>L2 KP 59<br>R2 KP 59<br>S2 KP 59 | E2 KP 59<br>H2 KP 59<br>K2 KP 59<br>L2 KP 59<br>R2 KP 59<br>S2 KP 59 | D2 KP 26<br>E2 KP 26<br>H2 KP 26<br>K2 KP 26<br>L2 KP 26<br>R2 KP 26<br>S2 KP 26<br>V2 KP 26 | C1 KP 38<br>F1 KP 38<br>K1 KP 38<br>M1 KP 38<br>N1 KP 38<br>S1 KP 38<br>U1 KP 38 | F2 KP 38<br>K2 KP 38<br>L2 KP 38<br>R2 KP 38<br>S2 KP 38 | C1 KP 39<br>F2 KP 39<br>K2 KP 39<br>L2 KP 39<br>R2 KP 39<br>S2 KP 39 | A1 KP 26<br>J2 KP 26<br>K2 KP 26<br>L2 KP 26<br>R2 KP 26<br>S2 KP 26 | A1 KP 26<br>J2 KP 26<br>K2 KP 26<br>L2 KP 26<br>R2 KP 26<br>S2 KP 26 | E1 KP 26<br>J2 KP 26<br>K2 KP 26<br>L2 KP 26<br>R2 KP 26<br>S2 KP 26 | F2 KP 26<br>K2 KP 26<br>L2 KP 26<br>R2 KP 26<br>S2 KP 26 | C1 KP 06<br>F2 KP 06<br>K2 KP 06<br>L2 KP 06<br>R2 KP 06<br>S2 KP 06 | C1 KP 03<br>F2 KP 03<br>K2 KP 03<br>L2 KP 03<br>R2 KP 03<br>S2 KP 03 | C1 KP 21<br>F2 KP 66<br>K2 KP 66<br>L2 KP 66<br>R2 KP 66<br>S2 KP 66 | J1 KP 55<br>K2 KP 55<br>L2 KP 55<br>R2 KP 55<br>S2 KP 55 | H2 KP 55<br>K2 KP 55<br>L2 KP 55<br>R2 KP 55<br>S2 KP 55 | C1 KP 68<br>F2 KP 50<br>K2 KP 50<br>L2 KP 50<br>R2 KP 50<br>S2 KP 50 | F1 KP 68<br>K2 KP 31<br>L2 KP 50<br>R2 KP 50<br>S2 KP 50 | C1 KP 68<br>F2 KP 50<br>K2 KP 50<br>L2 KP 50<br>R2 KP 50<br>S2 KP 50 |

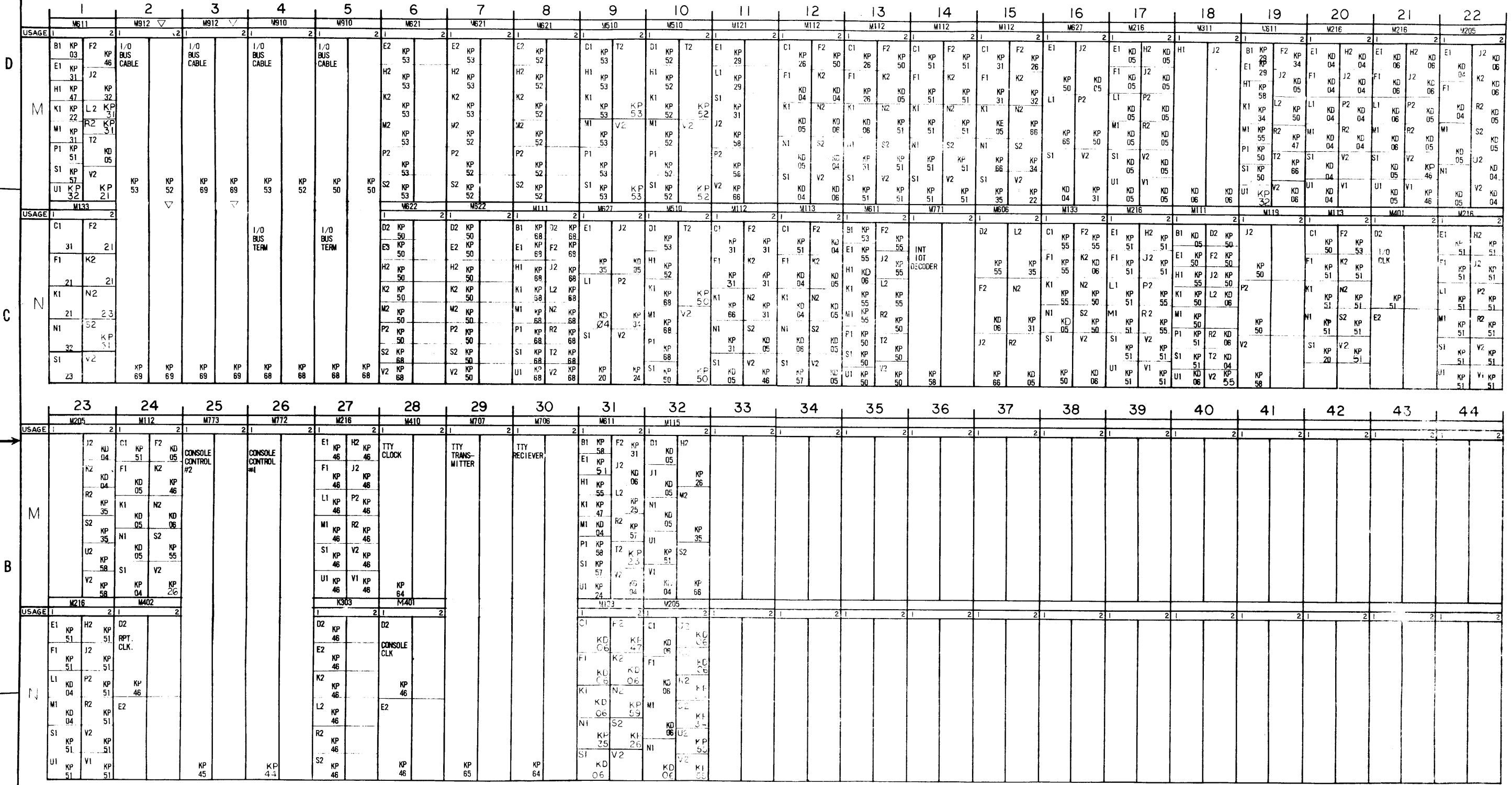
|       |   |                                  |                                |                 |  |  |  |  |  |          |  |  |  |  |  |  |  |  |  |  |  |  |  |  |  |  |                      |  |  |  |
|-------|---|----------------------------------|--------------------------------|-----------------|--|--|--|--|--|----------|--|--|--|--|--|--|--|--|--|--|--|--|--|--|--|--|----------------------|--|--|--|
|       | 23  | 24                               | 25                             | 26              | 27   | 28   | 29   | 30   | 31   | 32       | 33   | 34   | 35   | 36   | 37   | 38   | 39   | 40   | 41   | 42   | 43   | 44   |  |  |  |  |                      |  |  |  |
| USAGE | M149                                      | M149                             | M611                           | M133            | M611   | M149   | M149   | M627   | M113   | M149     |  |  |  |  |  |  |  |  |  |  |  |  |  |  |  |  |                      |  |  |  |
| C     | E1 KE 05<br>L1 KE 05<br>S1 KE 05<br>KE 05 | J2 KE 05<br>P2 KE 05<br>V2 KE 05 | CONSOLE LIGHT BOARD CABLE CARD | REAL TIME CLOCK | E1 KP 57<br>F1 KP 57<br>K1 KP 57<br>M1 KP 57<br>N1 KP 57<br>S1 KP 57 | J2 KP 57<br>K2 KP 57<br>L2 KP 57<br>R2 KP 57<br>S2 KP 57 | C1 KP 57<br>F2 KP 57<br>K2 KP 57<br>L2 KP 57<br>R2 KP 57<br>S2 KP 57 | C1 KP 57<br>F2 KP 57<br>K2 KP 57<br>L2 KP 57<br>R2 KP 57<br>S2 KP 57 | D2 KP 53<br>E2 KP 53<br>H2 KP 53<br>K2 KP 53<br>L2 KP 53<br>R2 KP 53<br>S2 KP 53 | MDL TERM | D2 KP 66<br>E2 KP 66<br>H2 KP 66<br>K2 KP 66<br>L2 KP 66<br>R2 KP 66<br>S2 KP 66 | D2 KP 66<br>E2 KP 66<br>H2 KP 66<br>K2 KP 66<br>L2 KP 66<br>R2 KP 66<br>S2 KP 66 | C1 KP 57<br>F2 KP 57<br>K2 KP 57<br>L2 KP 57<br>R2 KP 57<br>S2 KP 57 | F2 KP 57<br>K2 KP 57<br>L2 KP 57<br>R2 KP 57<br>S2 KP 57 | E1 KP 04<br>J2 KP 04<br>K2 KP 04<br>L2 KP 04<br>R2 KP 04<br>S2 KP 04 | E1 KP 04<br>J2 KP 04<br>K2 KP 04<br>L2 KP 04<br>R2 KP 04<br>S2 KP 04 | E1 KP 05<br>J2 KP 05<br>K2 KP 05<br>L2 KP 05<br>R2 KP 05<br>S2 KP 05 | D2 KP 57<br>E2 KP 57<br>F2 KP 57<br>H2 KP 57<br>K2 KP 57<br>L2 KP 57<br>R2 KP 57<br>S2 KP 57 | N2 KP 57<br>P2 KP 31<br>T2 KP 66<br>U2 KP 03<br>V2 KP 21 | C1 KP 06<br>F2 KP 35<br>K2 KP 06<br>L2 KP 06<br>R2 KP 06<br>S2 KP 06 | C1 KP 06<br>F2 KP 06<br>K2 KP 06<br>L2 KP 06<br>R2 KP 06<br>S2 KP 06 | B1 KP 35<br>F2 KP 04<br>K2 KP 06<br>L2 KP 06<br>R2 KP 06<br>S2 KP 06 | E1 KP 51<br>F2 KP 06<br>K2 KP 06<br>L2 KP 06<br>R2 KP 06<br>S2 KP 06 | H1 KP 68<br>K2 KP 06<br>L2 KP 06<br>R2 KP 06<br>S2 KP 06 | M1 KP 26<br>N2 KP 06<br>P1 KP 35<br>S1 KP 35<br>T2 KP 28<br>U1 KP 20<br>V2 KP 31 | K1 KP 06<br>L2 KP 06<br>R2 KP 06<br>S2 KP 06 | N1 KP 06<br>S2 KP 06 | C1 KP 06<br>F2 KP 06<br>K2 KP 06<br>L2 KP 06<br>R2 KP 06<br>S2 KP 06 | F1 KP 06<br>K2 KP 06<br>L2 KP 06<br>R2 KP 06<br>S2 KP 06 | C1 KP 06<br>F2 KP 06<br>K2 KP 06<br>L2 KP 06<br>R2 KP 06<br>S2 KP 06 |

|                                |      |  |
|--------------------------------|------|--|
| REVISIONS<br>CHANGE NO.<br>CHK | REV. |  |
|                                | CHK  |  |
|                                | DATE |  |
|                                | BY   |  |

\* POWER FAIL OPTION  
 ▲ REAL TIME CLOCK OPTION  
 ▼ IF NO 1/0 BUS CABLE INSTALLED, 4 M989 WILL BE M985. SHOULD BE MOVED TO END OF BUS WHEN CABLE IS INSTALLED.

|                            |   |   |   |
|----------------------------|---|---|---|
| FIRST USED ON OPTION/MODEL | DO NOT SCALE DRAWING<br>UNLESS OTHERWISE SPECIFIED<br>DIMENSION IN INCHES<br>TOLERANCES<br>DECIMALS FRACTIONS ANGLES<br>± .005 ± 1/64 ± 0°30' | DRN. J. OSBORN<br>CHK'D. L. HCHCS<br>ENG. F. FAURNAN<br>PROJ. ENG. G. BUTLER<br>PROD. RANTON/C.C.C. | DATE 10-15-79<br>DATE 10-13-67<br>DATE 10-15-67<br>DATE<br>DATE |
| MATERIAL                   | FINISH  | SCALE<br>SHEET 3 OF 1   | TITLE<br>MODULE UTILIZATION                                     |
|                            |   | NEXT HIGHER ASSY  | SIZE CODE<br>D MU   |
|                            |   |   | NUMBER<br>R-10-100  |

This drawing and specifications, herein, are the property of Digital Equipment Corporation and shall not be reproduced or copied or used in whole or in part as the basis for the manufacture or sale of items without written permission. 1972



▽ IF NO I/O BUS CABLE INSTALLED, 4 M909 WILL BE M905 SHOULD BE MOVED TO END OF BUS WHEN CABLE IS INSTALLED.

FIRST USED ON OPTION / MODEL

DO NOT SCALE DRAWING  
UNLESS OTHERWISE SPECIFIED  
DIMENSION IN INCHES

TOLERANCES  
DECIMALS FRACTIONS ANGLES  
± .005 ± 1/64 ± 0°30'

DRN: OSBORN DATE: 12/12/72  
CHK'D: HCHOS DATE: 12/12/72  
ENG: FAUMANN DATE: 12/12/72  
PROJ. ENG: G. BUTLER DATE: 12/12/72  
PROD. R. ANTONUCCI DATE: 12/12/72  
NEXT HIGHER ASSY:

digital EQUIPMENT CORPORATION  
MODULE UTILIZATION

Table with columns: REVISIONS, CHANGE NO., REV., CHK.

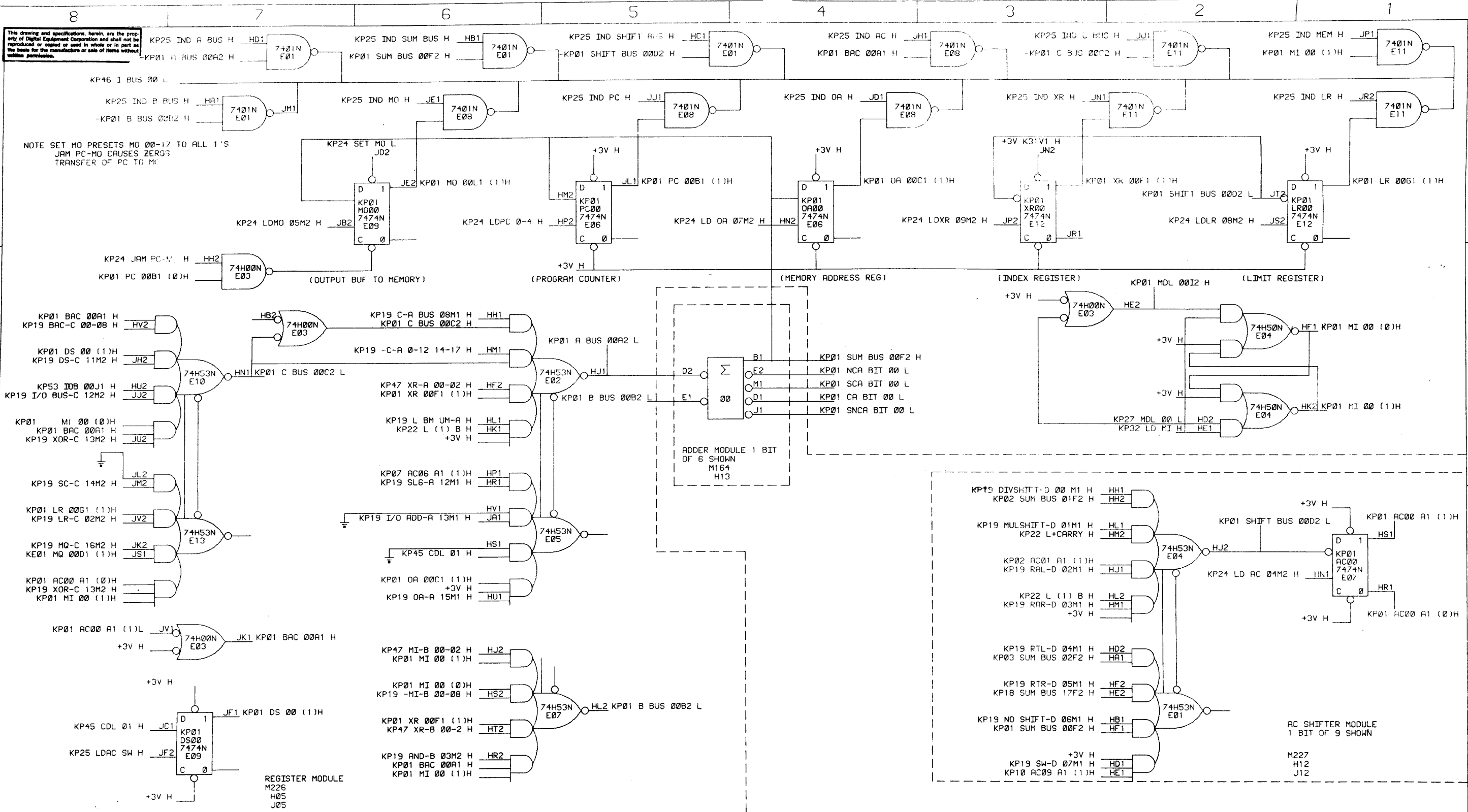
Table with columns: MATERIAL, FINISH, SCALE, SHEET, OF.

Table with columns: SIZE CODE, NUMBER, REV.

SIZE CODE NUMBER: D M U K 1 5 0 - 1 0 2



This drawing and specifications, herein, are the property of Digital Equipment Corporation and shall not be reproduced or copied or used in whole or in part as the basis for the manufacture or sale of items without written permission.

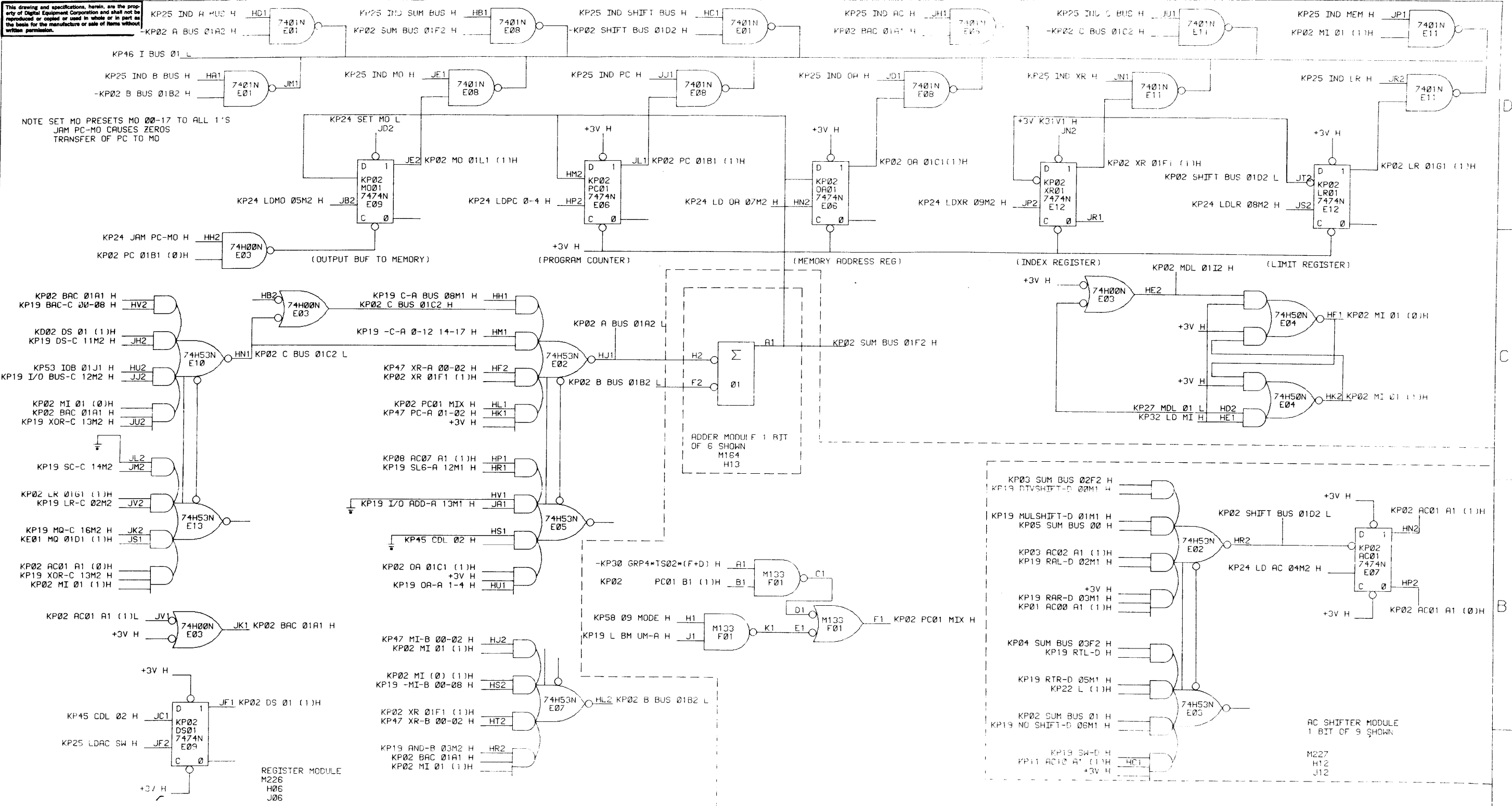


NOTE SET MO PRESETS MO 00-17 TO ALL 1'S  
JAM PC-MO CAUSES ZERO'S  
TRANSFER OF PC TO MI

| REVISIONS |                 |      | REVISIONS |            |      |
|-----------|-----------------|------|-----------|------------|------|
| CHK       | CHANGE NO.      | REV. | CHK       | CHANGE NO. | REV. |
| LH        | KP15-00038      | D    |           | KP15-00038 | J    |
| S         | GOLDSBY 7-14-70 |      |           |            |      |
| F         | AUMANN 7-22-70  |      |           |            |      |
| GH        | KP15-00046      | E    |           |            |      |
| K         | WALSH 12/11/70  |      |           |            |      |
| F         | AUMANN 12/11/70 |      |           |            |      |
| GH        | KP15-00052      | F    |           |            |      |
| S         | GOLDSBY 3/1/71  |      |           |            |      |
| F         | AUMANN 3/2/71   |      |           |            |      |
|           | KP15-00056      | H    |           |            |      |

|                         |                 |                   |                           |
|-------------------------|-----------------|-------------------|---------------------------|
| DRN<br>M. SCHURMAN      | DATE<br>11-7-69 |                   | TITLE<br>REG & BUS BIT 00 |
| CHKD.<br>N. RHEULT      | DATE<br>11-7-69 |                   |                           |
| ENG.<br>F. AUMANN       | DATE<br>11-7-69 |                   |                           |
| PROJ. ENG.<br>G. BUTLER | DATE<br>11-7-69 |                   |                           |
| PROD.<br>F. LASKEY      | DATE<br>11-7-69 |                   |                           |
| FIRST USED ON<br>KP15   |                 |                   |                           |
| SCALE<br>SHEET 1 OF 1   | DIST.           | SIZE CODE<br>D BS | NUMBER<br>KP15-0-01       |
|                         |                 |                   | REV.<br>J                 |

This drawing and specifications, herein, are the property of Digital Equipment Corporation and shall not be reproduced or copied or used in whole or in part as the basis for the manufacture or sale of items without written permission.



NOTE SET MD PRESETS MD 00-17 TO ALL 1'S  
JAM PC-MO CAUSES ZEROS  
TRANSFER OF PC TO MD

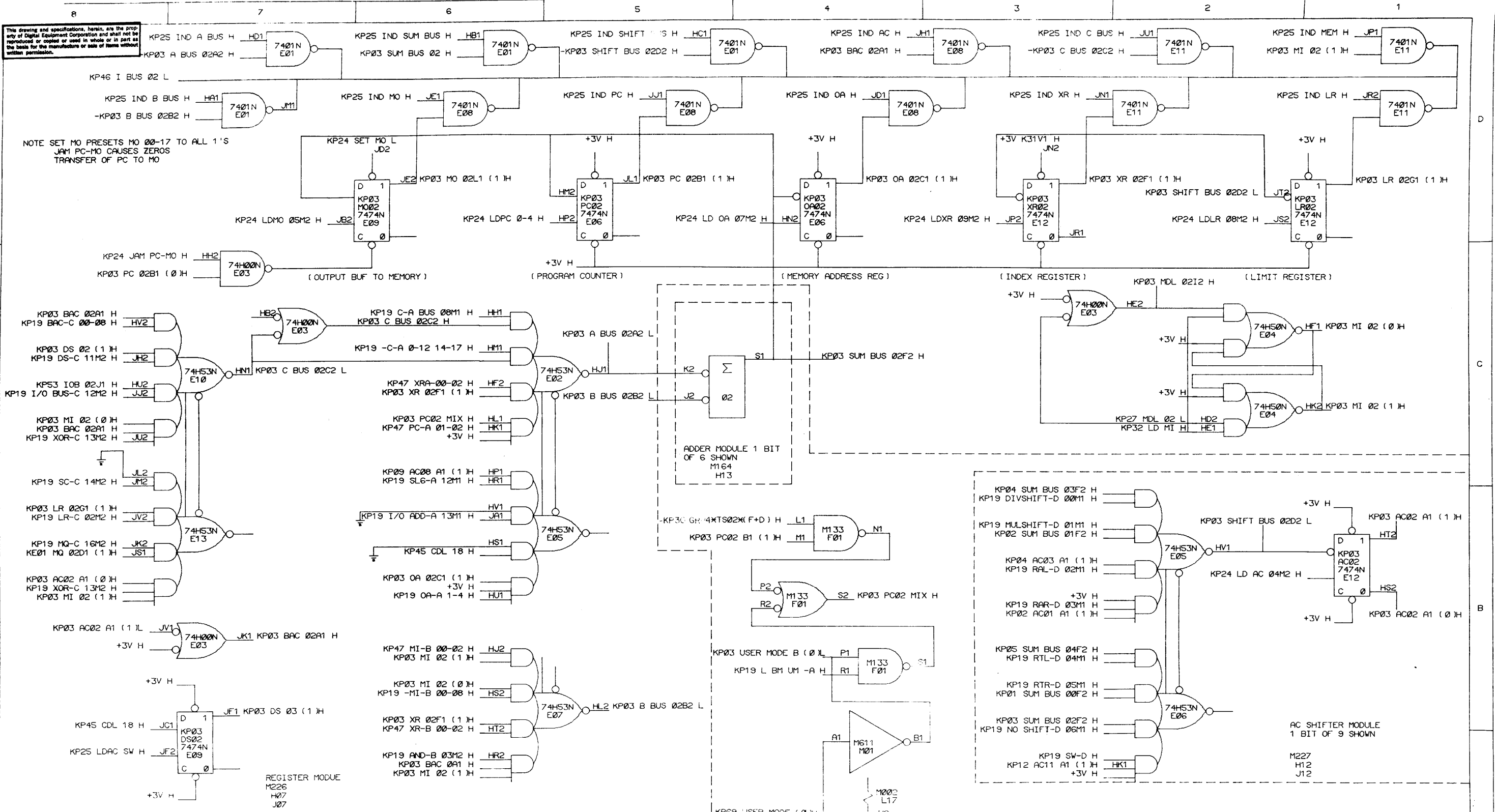
REGISTER MODULE  
M226  
H06  
J06

AC SHIFTER MODULE  
1 BIT OF 9 SHOWN  
M227  
H12  
J12

| REVISIONS |                 |      | REVISIONS  |            |      |
|-----------|-----------------|------|------------|------------|------|
| CHK       | CHANGE NO.      | REV. | CHK        | CHANGE NO. | REV. |
| LH        | KP15-00038      | D    | KP15-00038 | 1          | H    |
| S         | GOLDSBY 7/15/70 |      |            |            |      |
| F         | HUMANN 7/22/70  |      |            |            |      |
| S         | KP15-00052      | E    |            |            |      |
| S         | GOLDSBY 5/1/71  |      |            |            |      |
| F         | HUMANN 3/2/71   |      |            |            |      |
| F         | KP15-00056      | F    |            |            |      |

|                         |                     |   |
|-------------------------|---------------------|---|
| DRN<br>M. SCHURMAN      | DATE<br>11-7-69     | digital<br>EQUIPMENT<br>CORPORATION<br>MAYNARD, MASSACHUSETTS |
| CHK'D<br>N. REICHLT     | DATE<br>11-7-69     |   |
| ENG<br>F. HUMANN        | DATE<br>11-7-69     | TITLE<br>REG 6 BUS R11 01                                     |
| PROJ. ENG.<br>B. BUTLER | DATE<br>11-7-69     |   |
| PROD.<br>F. LASKEY      | DATE<br>11-7-69     |   |
| FIRST USED ON<br>KP15   |                     |   |
| SCALE<br>D 1/8"         | SIZE/CODE<br>D 1/8" | NUMBER<br>KP15-0-02   |
| SHEET 1                 | OF 1                | REV.<br>H   |

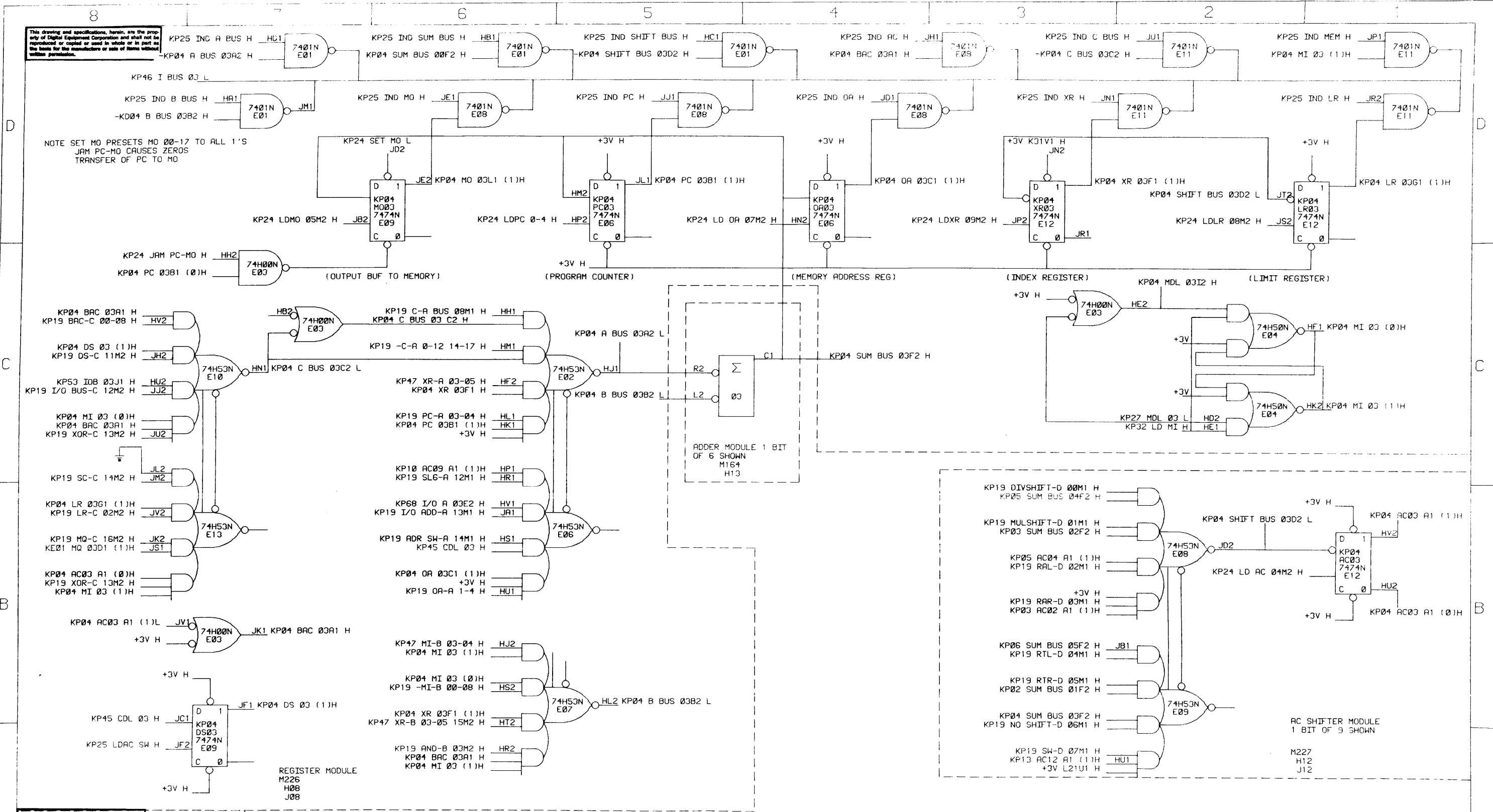
This drawing and specifications, herein, are the property of Digital Equipment Corporation and shall not be reproduced or copied or used in whole or in part as the basis for the manufacture or sale of items without written permission.



| REVISIONS |                 |      | REVISIONS |            |      |
|-----------|-----------------|------|-----------|------------|------|
| CHK       | CHANGE NO.      | REV. | CHK       | CHANGE NO. | REV. |
| LH        | KP15-00038      | E    |           |            |      |
| S         | GOLDSBY 7/14/70 |      |           |            |      |
| F         | F. MANN 7/22/70 |      |           |            |      |
| SH        | KP15-00052      | F    |           |            |      |
| S         | GOLDSBY 3/1/71  |      |           |            |      |
| F         | F. MANN 3/2/71  |      |           |            |      |
|           | KP15-00053      |      |           |            |      |

|                         |                   |   |
|-------------------------|-------------------|---|
| DRN.<br>M. SCHURMAN     | DATE<br>11-7-69   | digital EQUIPMENT CORPORATION<br>MAYNARD, MASSACHUSETTS |
| CHK'D.<br>N. RHEAULT    | DATE<br>11-7-69   |   |
| ENG.<br>F. MANN         | DATE<br>11-7-69   | TITLE<br>REG & BUS BIT 02                               |
| PROJ. ENG.<br>G. BUTLER | DATE<br>11-7-69   |   |
| PROD.<br>L. LASKEY      | DATE<br>11-7-69   |   |
| FIRST USED ON<br>KP15   |                   |   |
| SCALE                   | SIZE CODE<br>D BS | NUMBER<br>KP15-0-03                                     |
| SHEET 1 OF 1            | DIST.             | REV.<br>J   |

This drawing and specifications, herein, are the property of Digital Equipment Corporation and shall not be reproduced or copied or used in whole or in part as the basis for the manufacture or sale of items without written permission.



NOTE SET MO PRESETS MO 00-17 TO ALL 1'S  
JAM PC-MO CAUSES ZEROS  
TRANSFER OF PC TO MO

| REVISIONS |                   |      |
|-----------|-------------------|------|
| CHK       | CHANGE NO.        | REV. |
| LH        | KP15-00038        | C    |
|           | S GOLDSBY 7/17/70 |      |
|           | F AUMANN 7/22/70  |      |
| GH        | KP15-00052        | D    |
|           | S GOLDSBY 3/1/71  |      |
|           | F AUMANN 3/2/71   |      |
|           | KP15-00250        | E    |
|           | 7/2/71            |      |
|           | 7/2/71            |      |
|           | 7/2/71            |      |

|               |             |        |           |
|---------------|-------------|--------|-----------|
| DRN           | J FASSHAUER | DATE   | 10/7/69   |
| CHKD          | R COOK      | DATE   | 10/7/69   |
| ENG           | F AUMANN    | DATE   | 10/7/69   |
| PROJ. ENG.    | G BUTLER    | DATE   | 10/7/69   |
| PROD.         | F LASKEY    | DATE   | 10/7/69   |
| FIRST USED ON |             |        |           |
|               | KP15        |        |           |
| SCALE         | U BS        | NUMBER | KP15-0-09 |
| SHEET         | 1           | OF     | 1         |
| DIST.         |             |        |           |

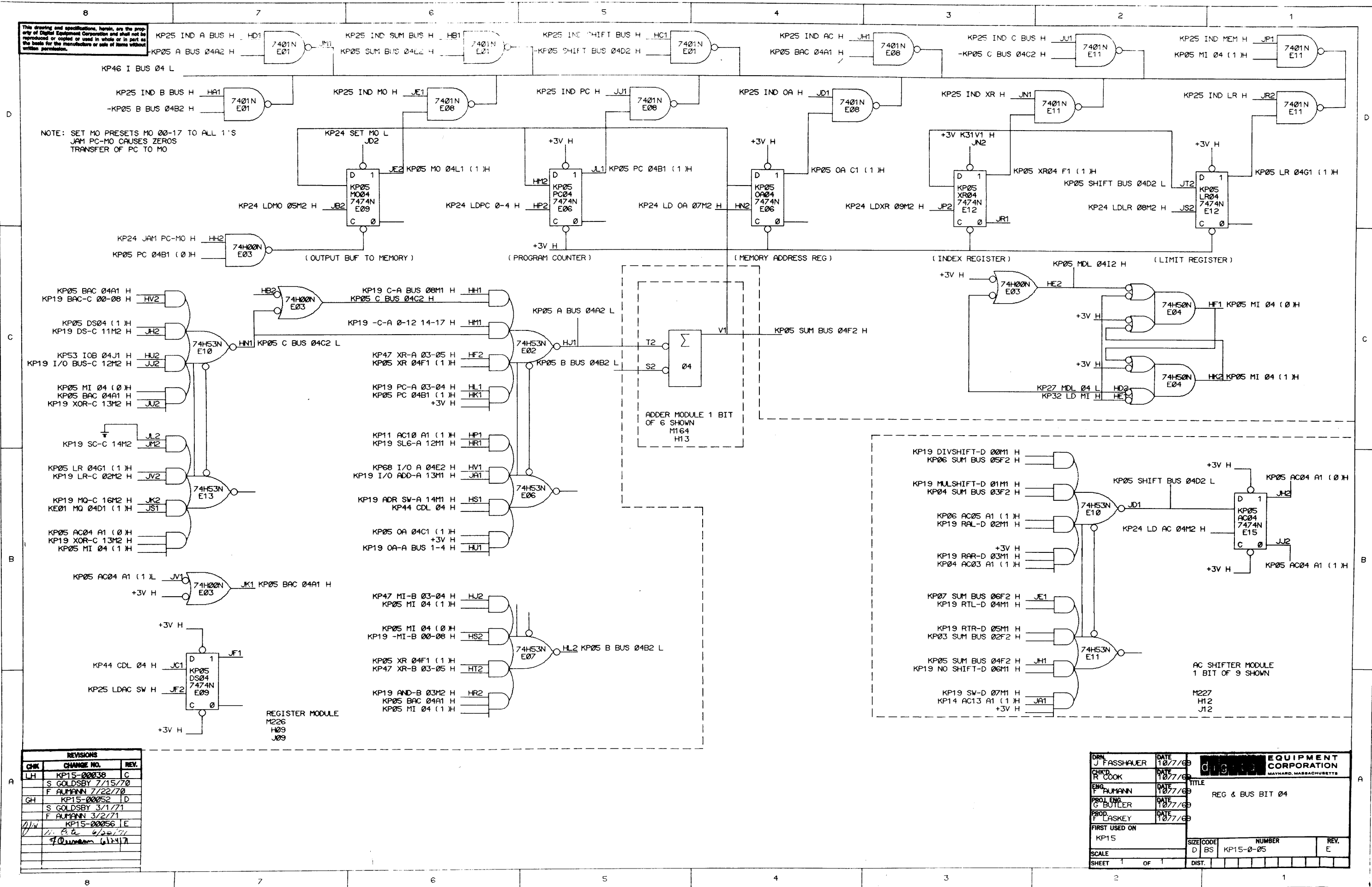
**digital EQUIPMENT CORPORATION**  
MAYNARD, MASSACHUSETTS

TITLE  
REG & BUS BIT 03

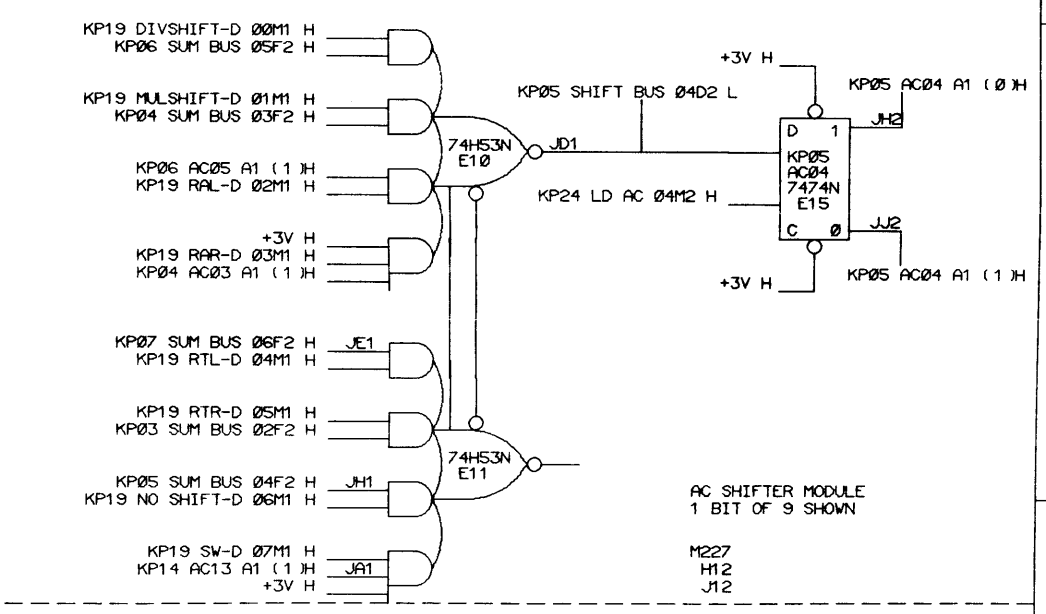
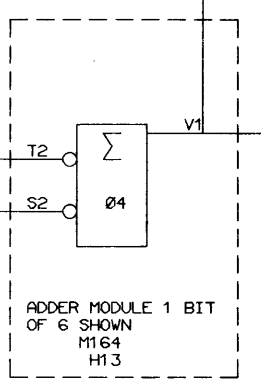
M227  
H12  
J12

REV.  
E

This drawing and specifications, herein, are the property of Digital Equipment Corporation and shall not be reproduced or copied in whole or in part as the basis for the manufacture or sale of items without written permission.



NOTE: SET MO PRESETS MO 00-17 TO ALL 1'S  
JAM PC-MO CAUSES ZEROS  
TRANSFER OF PC TO MO

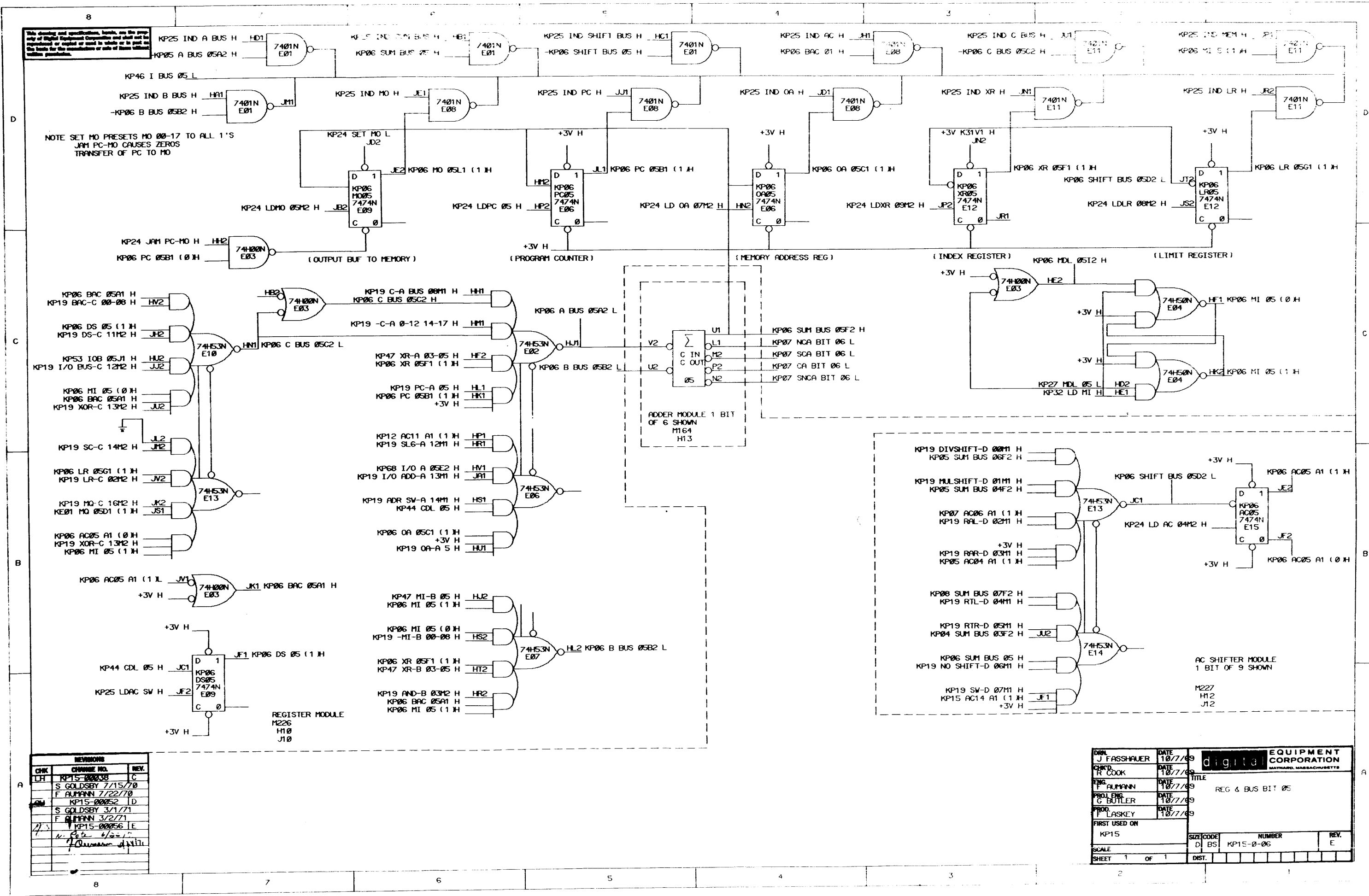


| CHK | CHANGE NO.       | REV. |
|-----|------------------|------|
| LH  | KP15-00038       | C    |
| S   | GOLDSBY 7/15/70  |      |
| F   | AUMANN 7/22/70   |      |
| GH  | KP15-00052       | D    |
| S   | GOLDSBY 3/1/71   |      |
| F   | AUMANN 3/2/71    |      |
| W   | KP15-00056       | E    |
| W   | W. E. G. 6/22/71 |      |
| W   | W. E. G. 6/24/71 |      |

| DRN         | DATE    | TITLE            |
|-------------|---------|------------------|
| J FASSHAUER | 10/7/69 | REG & BUS BIT 04 |
| R COOK      | 10/7/69 |                  |
| F AUMANN    | 10/7/69 |                  |
| G BUTLER    | 10/7/69 |                  |
| F LASKEY    | 10/7/69 |                  |

| SIZE CODE | NUMBER    | REV. |
|-----------|-----------|------|
| D BS      | KP15-0-05 | E    |

This drawing and specifications, herein, are the property of Digital Equipment Corporation and shall not be reproduced or copied or used in whole or in part in any manner without the written permission of Digital Equipment Corporation.



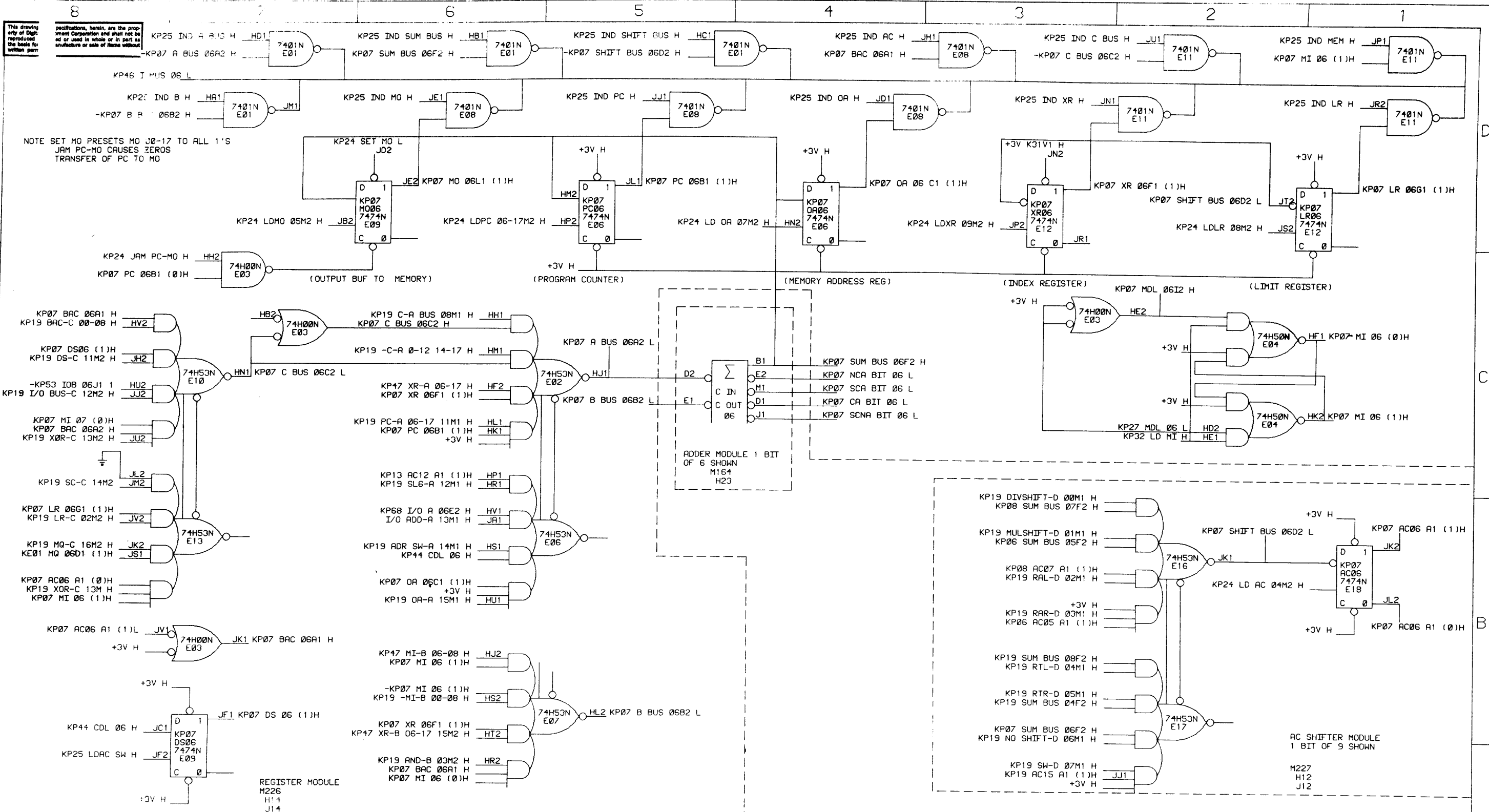
| CHK | CHANGE NO.      | REV. |
|-----|-----------------|------|
| LH  | KP15-00038      | C    |
| S   | GOLDSBY 7/15/70 |      |
| F   | AUMANN 7/22/70  |      |
| S   | GOLDSBY 3/1/71  |      |
| F   | AUMANN 3/2/71   |      |
| S   | GOLDSBY 4/22/71 |      |
| F   | AUMANN 4/22/71  |      |

| DATE    | BY          | TITLE            |
|---------|-------------|------------------|
| 10/7/69 | J FASSHAUER | REG & BUS BIT 05 |
| 10/7/69 | R COOK      |                  |
| 10/7/69 | F AUMANN    |                  |
| 10/7/69 | G BUTLER    |                  |
| 10/7/69 | F LASKEY    |                  |

|           |           |       |
|-----------|-----------|-------|
| SIZE CODE | NUMBER    | REV.  |
| D1 BS     | KP15-0-06 | E     |
| SHEET     | 1 OF 1    | DIST. |

This drawing is the property of Digital Equipment Corporation and shall not be reproduced in whole or in part without the written permission of Digital Equipment Corporation.

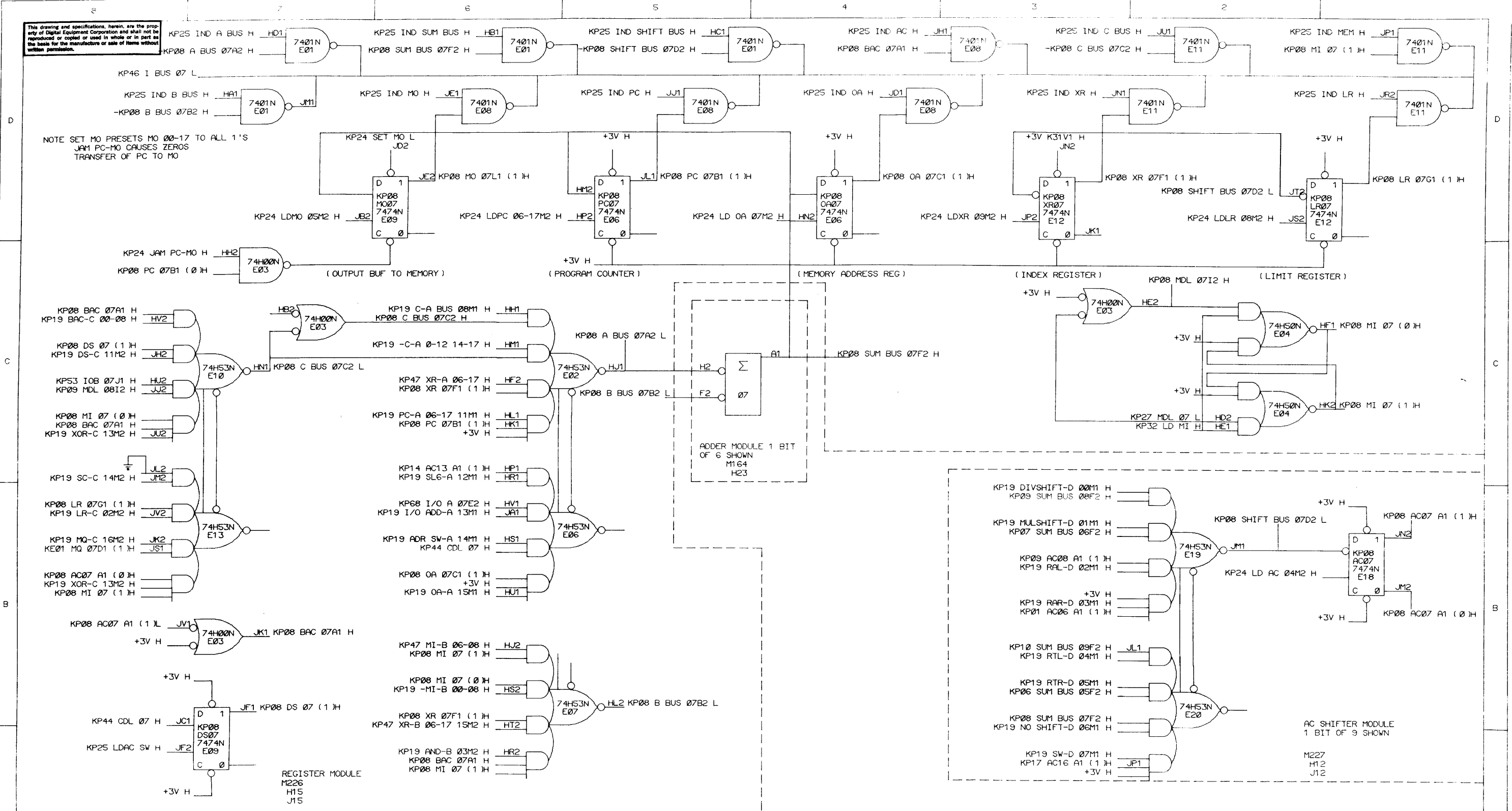
Specifications, herein, are the property of Digital Equipment Corporation and shall not be reproduced in whole or in part without the written permission of Digital Equipment Corporation.



| REVISIONS  |                 |      |
|------------|-----------------|------|
| CHK        | CHANGE NO.      | REV. |
| LH         | KP15-0003B      | B    |
| S          | GOLDSBY 7/15/70 |      |
| F          | AUMANN 7/22/70  |      |
| GH         | KP15-00052      | C    |
| S          | GOLDSBY 3/1/71  |      |
| F          | AUMANN 3/2/71   |      |
| KP15-0005F |                 | D    |
|            |                 |      |
|            |                 |      |

|                         |                   |                           |
|-------------------------|-------------------|---------------------------|
| DRN<br>J. FRASCHAUER    | DATE<br>10/7/69   |                           |
| CHKD.<br>F. COOK        | DATE<br>10/7/69   |                           |
| ENG.<br>F. AUMANN       | DATE<br>10/7/69   | TITLE<br>REG & BUS BIT 06 |
| PROJ. ENG.<br>G. BUTLER | DATE<br>10/7/69   |                           |
| PROD.<br>F. LASKEY      | DATE<br>10/7/69   |                           |
| FIRST USED ON           |                   |                           |
| KP15                    | SIZE CODE<br>D BS | NUMBER<br>KP15-0-07       |
| SCALE                   |                   | REV.<br>D                 |
| SHEET 1 OF 1            | DIST.             |                           |

This drawing and specifications, herein, are the property of Digital Equipment Corporation and shall not be reproduced or copied or used in whole or in part as the basis for the manufacture or sale of items without written permission.



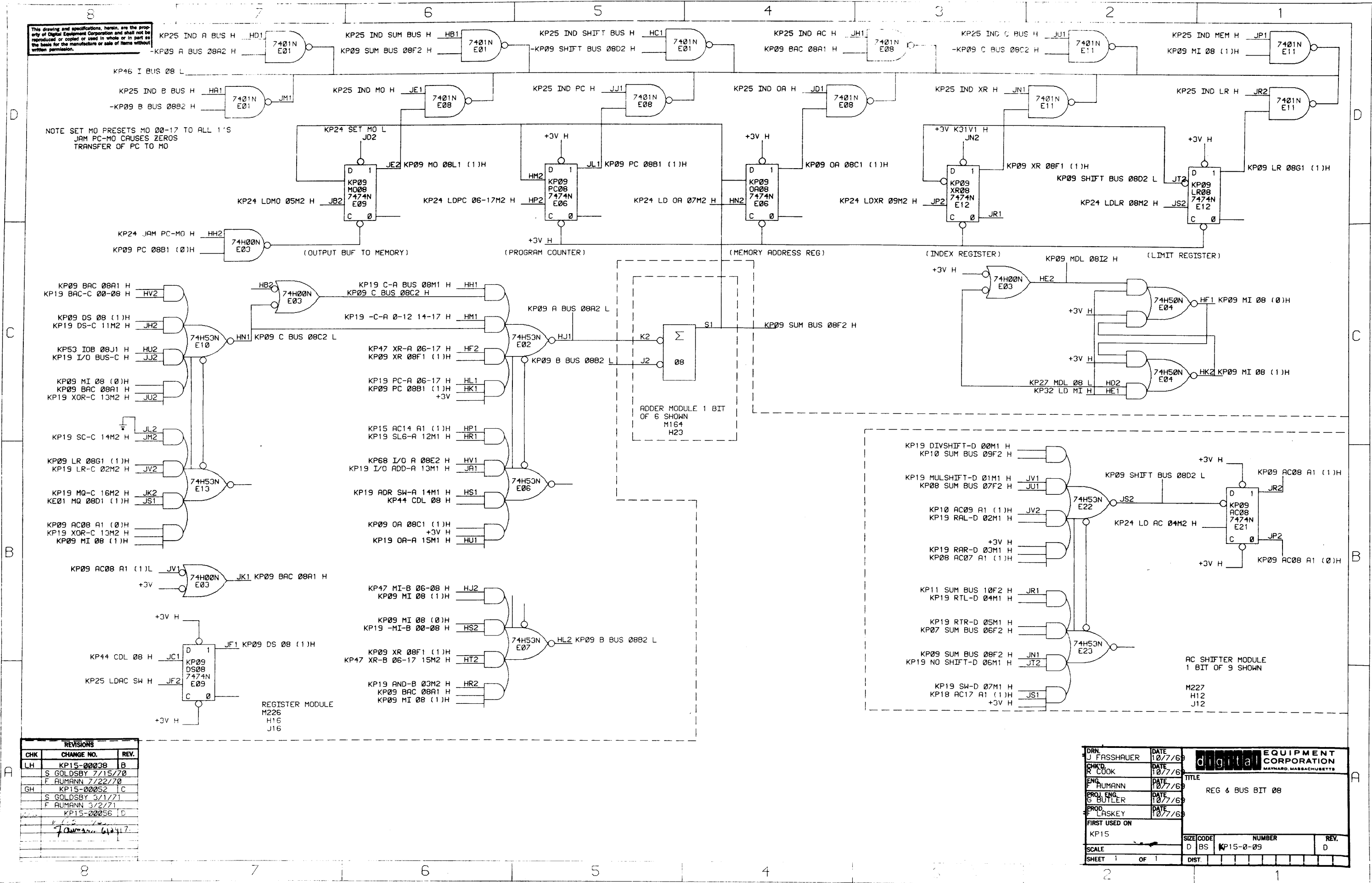
NOTE SET MO PRESETS MO 00-17 TO ALL 1'S  
JAM PC-MO CAUSES ZEROS  
TRANSFER OF PC TO MO

| REVISIONS |                 |      |
|-----------|-----------------|------|
| CHK       | CHANGE NO.      | REV. |
| LH        | KP15-00038      | B    |
| S         | GOLDSBY 7/15/70 |      |
| F         | AUMANN 7/22/70  |      |
| GH        | KP15-00052      | C    |
| S         | GOLDSBY 3/1/71  |      |
| F         | AUMANN 3/2/71   |      |
| H         | KP15-00056      | D    |
| L         | 7/2/71          |      |
| F         | 7/2/71          |      |

|                     |               |  |
|---------------------|---------------|--|
| DRN. J FASSHAUER    | DATE 10/77/69 | digital EQUIPMENT CORPORATION<br>MAYNARD MASSACHUSETTS |
| CHKD. R COOK        | DATE 10/77/69 |  |
| ENG. AUMANN         | DATE 10/77/69 | TITLE  |
| PROL. ENG. G BUTLER | DATE 10/77/69 | REG&BUS BIT 07   |
| PROD. F LASKEY      | DATE 10/77/69 |  |
| FIRST USED ON       |               |  |
| KP15                |               |  |
| SCALE               | SIZE CODE     | NUMBER   |
| D BS                | KP15-0-06     | REV. D   |
| SHEET 1 OF 1        | DIST.         |  |



This drawing and specifications herein are the property of Digital Equipment Corporation and shall not be reproduced or copied or used in whole or in part as the basis for the manufacture or sale of items without written permission.



NOTE SET MO PRESETS MO 00-17 TO ALL 1'S  
JAM PC-MO CAUSES ZEROS  
TRANSFER OF PC TO MO

(OUTPUT BUF TO MEMORY)

(PROGRAM COUNTER)

(MEMORY ADDRESS REG)

(INDEX REGISTER)

(LIMIT REGISTER)

ADDER MODULE 1 BIT  
OF 6 SHOWN  
M164  
H23

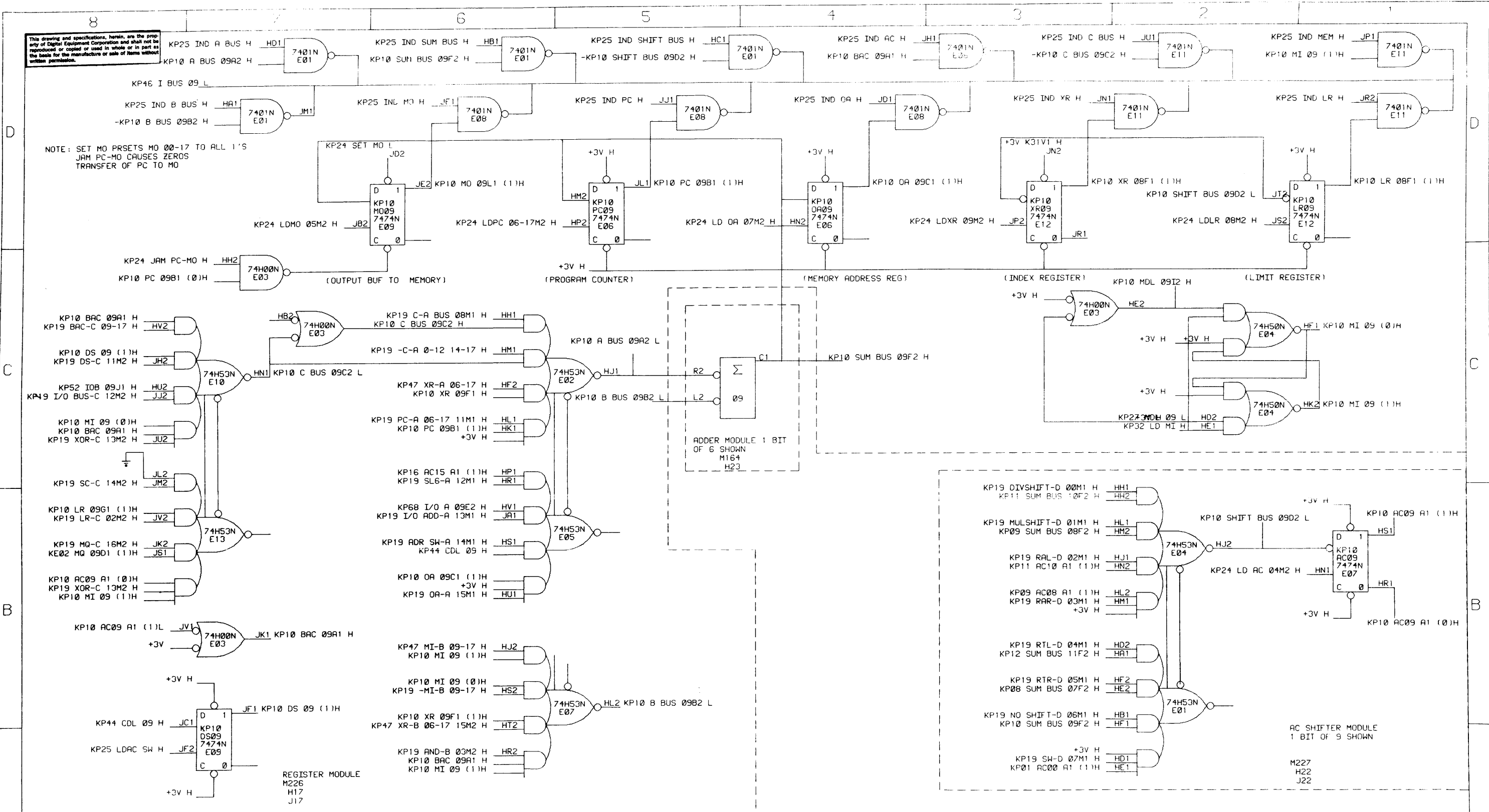
AC SHIFTER MODULE  
1 BIT OF 9 SHOWN  
M227  
H12  
J12

REGISTER MODULE  
M226  
H16  
J16

| REVISIONS |                 |      |
|-----------|-----------------|------|
| CHK       | CHANGE NO.      | REV. |
| LH        | KP15-00038      | B    |
| S         | GOLDSBY 7/15/70 |      |
| F         | RUMANN 7/22/70  |      |
| GH        | KP15-00052      | C    |
| S         | GOLDSBY 3/1/71  |      |
| F         | RUMANN 3/2/71   |      |
|           | KP15-00056      | D    |
|           |                 |      |
|           |                 |      |

|                       |                   |   |
|-----------------------|-------------------|---|
| DRN<br>J FRASSHAUER   | DATE<br>10/7/69   | <b>digital</b><br>EQUIPMENT CORPORATION<br>MAYNARD, MASSACHUSETTS |
| CHK'D<br>R COOK       | DATE<br>10/7/69   |   |
| ENG<br>F RUMANN       | DATE<br>10/7/69   | TITLE<br>REG & BUS BIT 08   |
| PROJ ENG<br>S BUTLER  | DATE<br>10/7/69   |   |
| PROD<br>L LASKEY      | DATE<br>10/7/69   |   |
| FIRST USED ON<br>KP15 | SIZE CODE<br>D BS | NUMBER<br>KP15-0-09   |
| SCALE                 | DIST.             | REV.<br>D   |
| SHEET 1               | OF 1              |   |

This drawing and specifications, herein, are the property of Digital Equipment Corporation and shall not be reproduced or copied in whole or in part as the basis for the manufacture or sale of items without written permission.



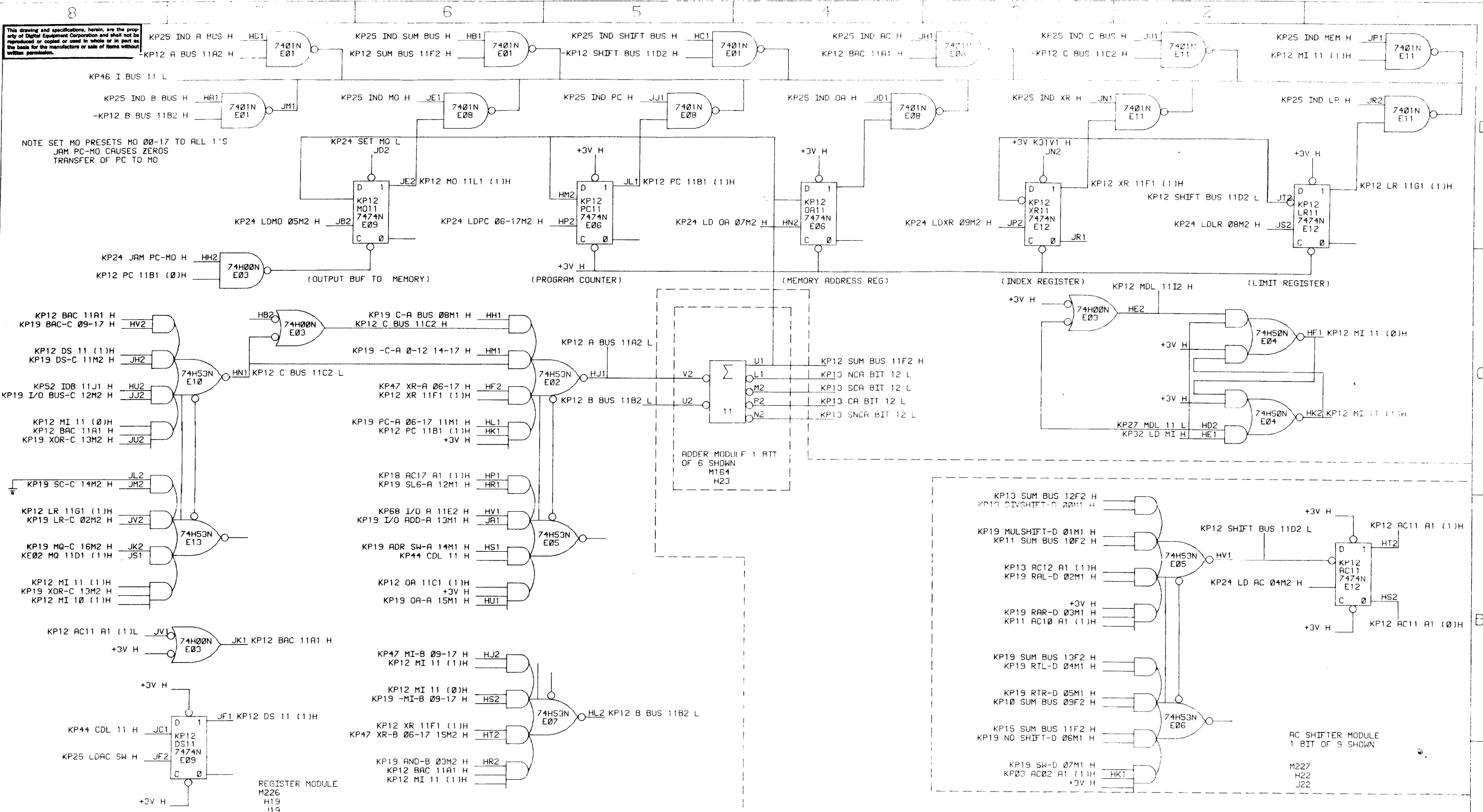
| REVISIONS |                 |      |
|-----------|-----------------|------|
| CHK       | CHANGE NO.      | REV. |
| LH        | KP15-0003B      | B    |
| S         | GOLDSBY 7/15/70 |      |
| F         | AUMANN 7/22/70  |      |
| JK        | KP15-00052      | C    |
|           | 700             |      |

|                         |                   |   |
|-------------------------|-------------------|---|
| DRAWN<br>J. FASSHAUER   | DATE<br>10/7/69   | digital EQUIPMENT CORPORATION<br>MAYNARD, MASSACHUSETTS |
| CHKD.<br>R. COOK        | DATE<br>10/7/69   |   |
| ENG.<br>F. AUMANN       | DATE<br>10/7/69   | TITLE<br>REG & BUS BIT 09                               |
| PROJ. ENG.<br>G. BUTLER | DATE<br>10/7/69   |   |
| PROD.<br>F. LASKEY      | DATE<br>10/7/69   |   |
| FIRST USED ON           |                   |   |
| KP15                    | SIZE CODE<br>D 65 | NUMBER<br>KP15-0-10                                     |
| SCALE                   | 1                 | REV.<br>C   |
| ISHEET 1 OF 1           | DIST.             |   |



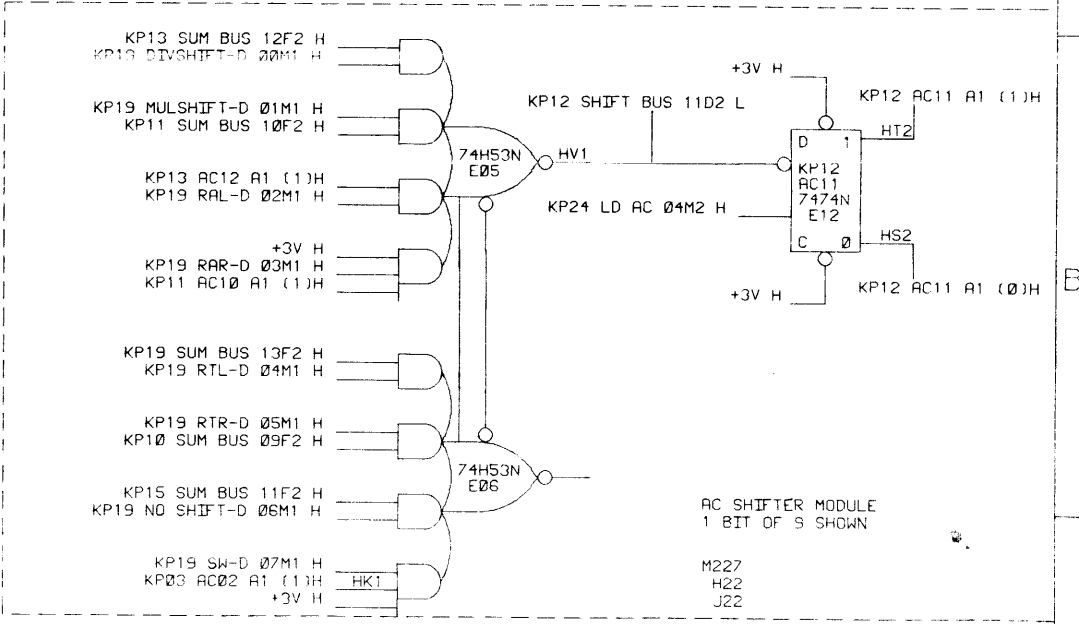
This drawing and specifications, herein, are the property of Digital Equipment Corporation and shall not be reproduced or copied or used in whole or in part as the basis for the manufacture or sale of items without written permission.

NOTE SET MO PRESETS MO 00-17 TO ALL 1'S  
JAM PC-MO CAUSES ZEROS  
TRANSFER OF PC TO MO



| REVISIONS |                 |      |
|-----------|-----------------|------|
| CHK       | CHANGE NO.      | REV. |
| LH        | KP15-00038      | 3    |
| S         | SOLOSBY 7/15/77 |      |
| F         | AUMANN 7/22/77  |      |
| SH        | KE15-202        |      |
| S         | SOLOSBY 7/17/77 |      |
| F         | AUMANN 7/27/77  |      |
| F         | AUMANN 7/27/77  |      |
| F         | KE15-00038      |      |

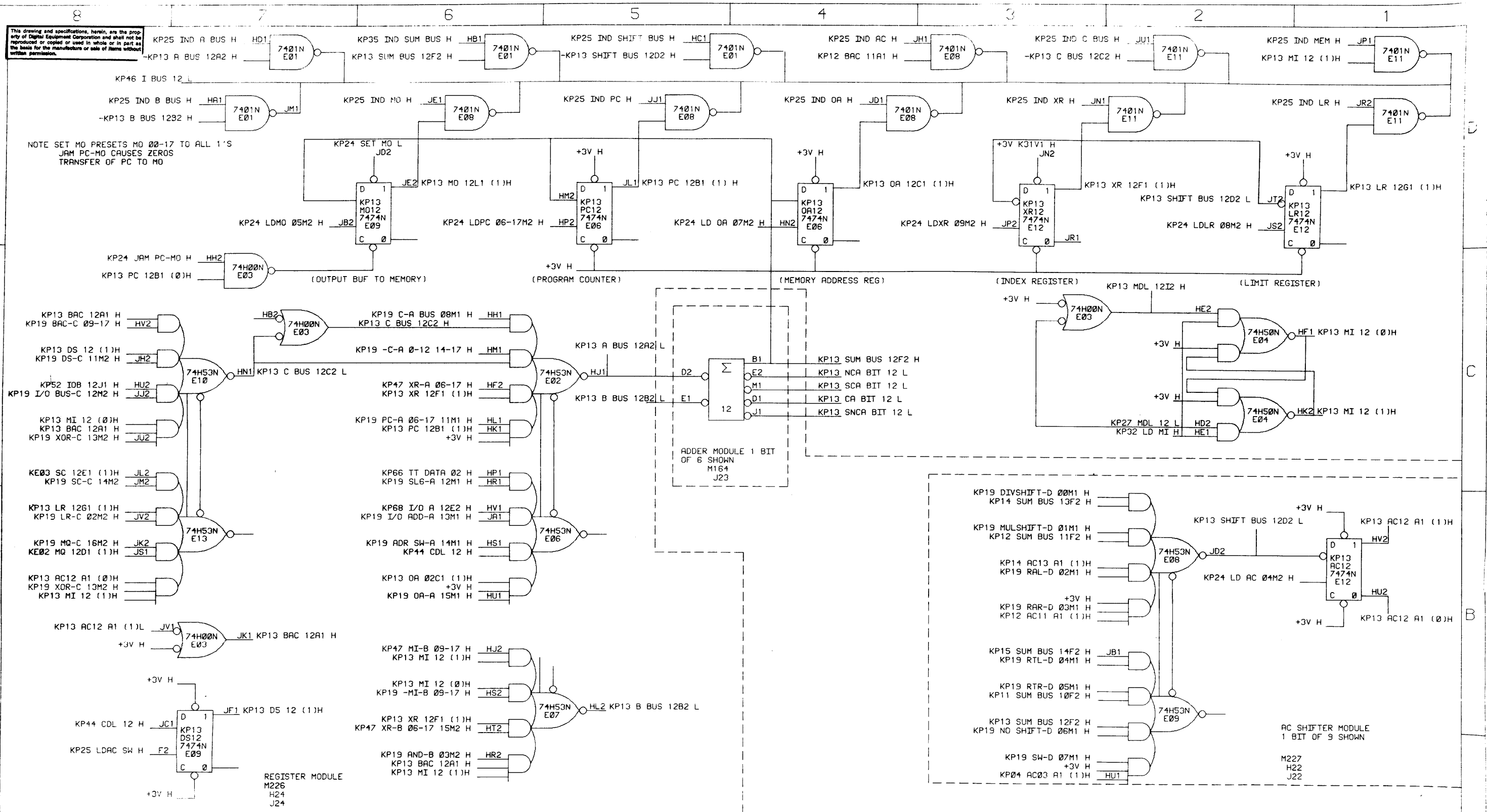
REGISTER MODULE  
M226  
H19  
J19



M227  
H22  
J22

|                       |                   |   |
|-----------------------|-------------------|---|
| DRN<br>J FASSHAUER    | DATE<br>10/7/69   | digital EQUIPMENT CORPORATION<br>MAYNARD, MASSACHUSETTS |
| CHK'D<br>R COOK       | DATE<br>10/7/69   |   |
| ENG<br>F AUMANN       | DATE<br>10/7/69   | TITLE<br>REG & BUS BIT 11                               |
| PROJ. ENG<br>G BUTLER | DATE<br>10/7/69   |   |
| PROD.<br>F LASKEY     | DATE<br>10/7/69   |   |
| FIRST USED ON<br>KP15 | SIZE/CODE<br>D BS | NUMBER<br>KP15-0-12                                     |
| SCALE                 |                   | REV.<br>D   |
| SHEET 1 OF 1          | DIST.             |   |

This drawing and specifications, herein, are the property of Digital Equipment Corporation and shall not be reproduced or copied in whole or in part as the basis for the manufacture or sale of items without written permission.

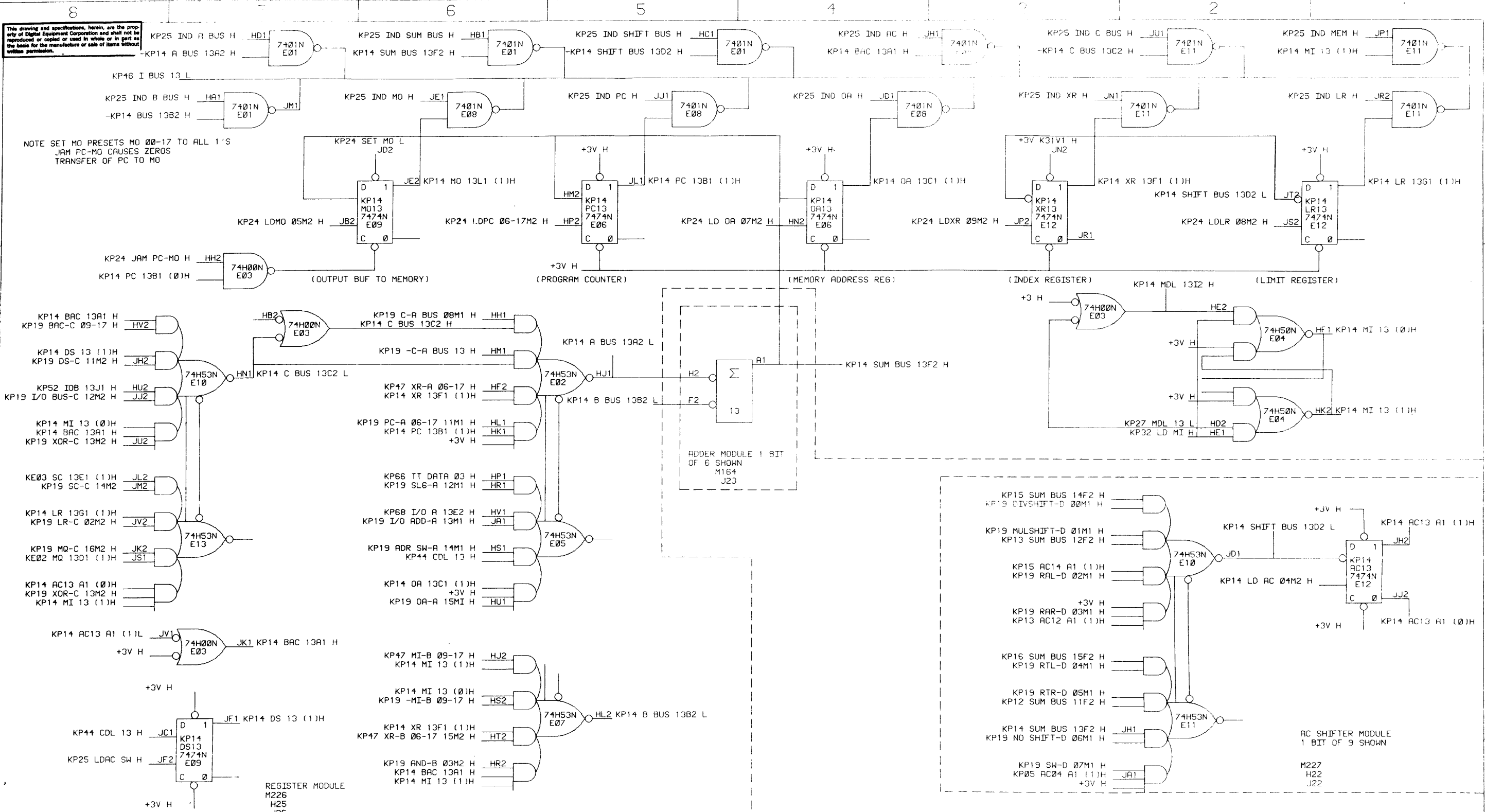


| REVISIONS |                 |      |
|-----------|-----------------|------|
| CHK       | CHANGE NO.      | REV. |
| LH        | KP15-00038      | B    |
| S         | GOLDSBY 7/15/70 |      |
| F         | RUMANN 7/22/70  |      |
| GH        | KP15-00052      | C    |
| S         | GOLDSBY 3/1/71  |      |
| F         | RUMANN 3/2/71   |      |
|           | KP15-00056      | D    |
|           |                 |      |
|           |                 |      |

|                         |                 |                   |                             |
|-------------------------|-----------------|-------------------|-----------------------------|
| DRN<br>J. FASSHAUER     | DATE<br>10/7/69 |                   | <b>REG &amp; BUS BIT 12</b> |
| CHKD.<br>R. COOK        | DATE<br>10/7/69 |                   |                             |
| ENG.<br>F. RUMANN       | DATE<br>10/7/69 |                   |                             |
| PROJ. ENG.<br>G. BUTLER | DATE<br>10/7/69 |                   |                             |
| PROD.<br>F. LASKEY      | DATE<br>10/7/69 |                   |                             |
| FIRST USED ON<br>KP15   |                 |                   |                             |
| SCALE                   |                 |                   |                             |
| SHEET 1 OF 1            | DIST.           | SIZE CODE<br>D BS | NUMBER<br>KP15-0-13         |
|                         |                 |                   | REV.<br>D                   |

This drawing and specifications, herein, are the property of Digital Equipment Corporation and shall not be reproduced or copied or used in whole or in part as the basis for the manufacture or sale of items without written permission.

NOTE SET MO PRESETS MO 00-17 TO ALL 1'S  
JAM PC-MO CAUSES ZEROS  
TRANSFER OF PC TO MO

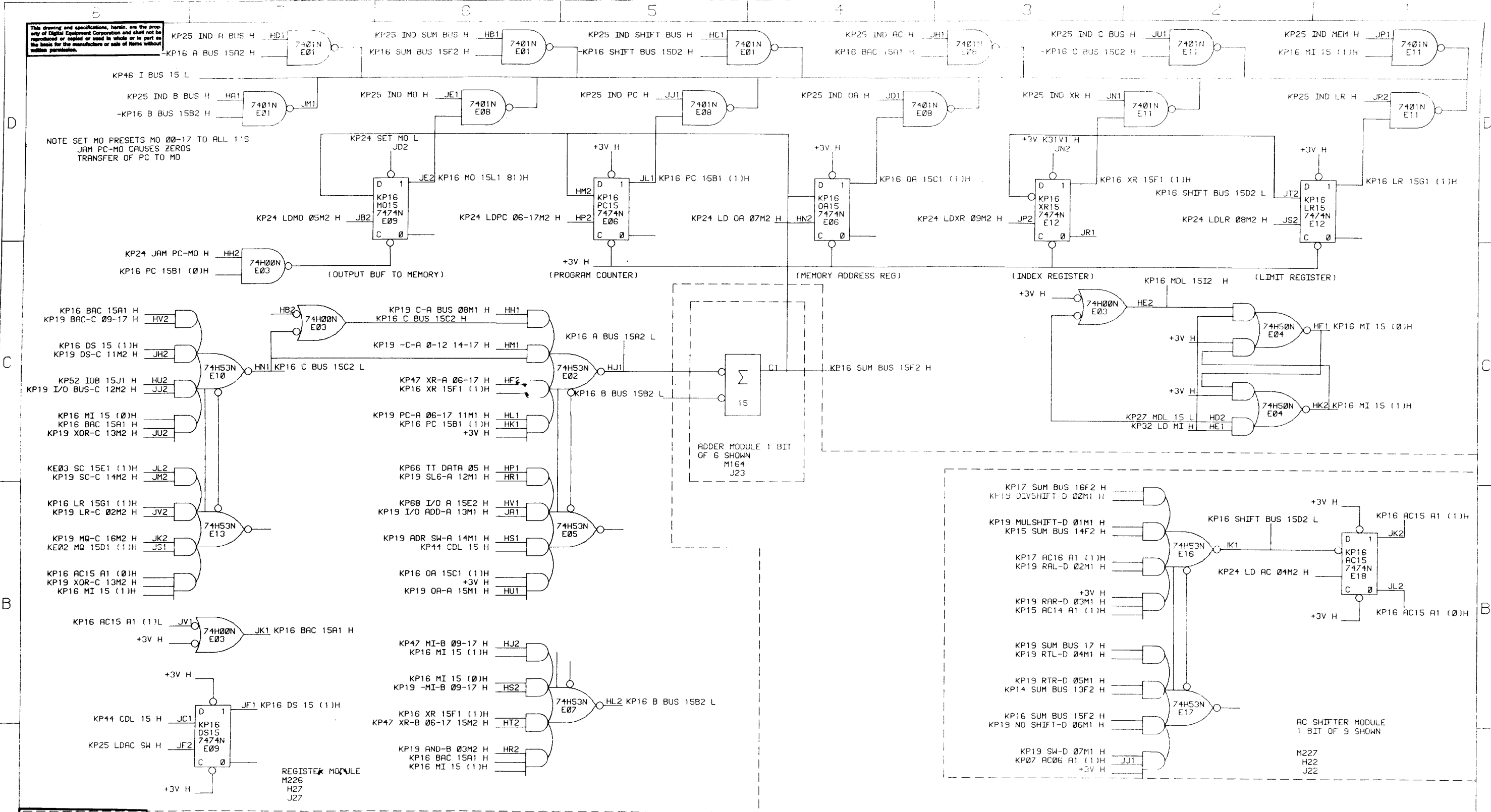


| REVISIONS |                 |      |
|-----------|-----------------|------|
| CHK       | CHANGE NO.      | REV. |
| LH        | KP15-00038      | B    |
| S         | GOLDSBY 7/15/70 |      |
| F         | AUMANN 7/22/70  |      |
| GH        | KP15-00052      | C    |
| S         | GOLDSBY 3/1/71  |      |
| F         | AUMANN 3/2/71   |      |
|           | KP15-00050      | D    |

|               |              |           |           |  |
|---------------|--------------|-----------|-----------|--|
| DRN           | J. FASSHAUER | DATE      | 10/7/68   | <b>digital EQUIPMENT CORPORATION</b><br>MAYNARD, MASSACHUSETTS |
| CHK'D.        | R. COOK      | DATE      | 10/7/68   |  |
| ENG.          | F. AUMANN    | DATE      | 10/7/68   |  |
| PROJ. ENG.    | G. BUTLER    | DATE      | 10/7/68   |  |
| PROD.         | F. LASKEY    | DATE      | 10/7/68   |  |
| FIRST USED ON |              |           |           |  |
| KP15          |              | SIZE CODE | NUMBER    |  |
| SCALE         |              | D 8S      | KP15-0-11 |  |



This drawing and specifications, herein, are the property of Digital Equipment Corporation and shall not be reproduced or copied or used in whole or in part as the basis for the manufacture or sale of items without written permission.



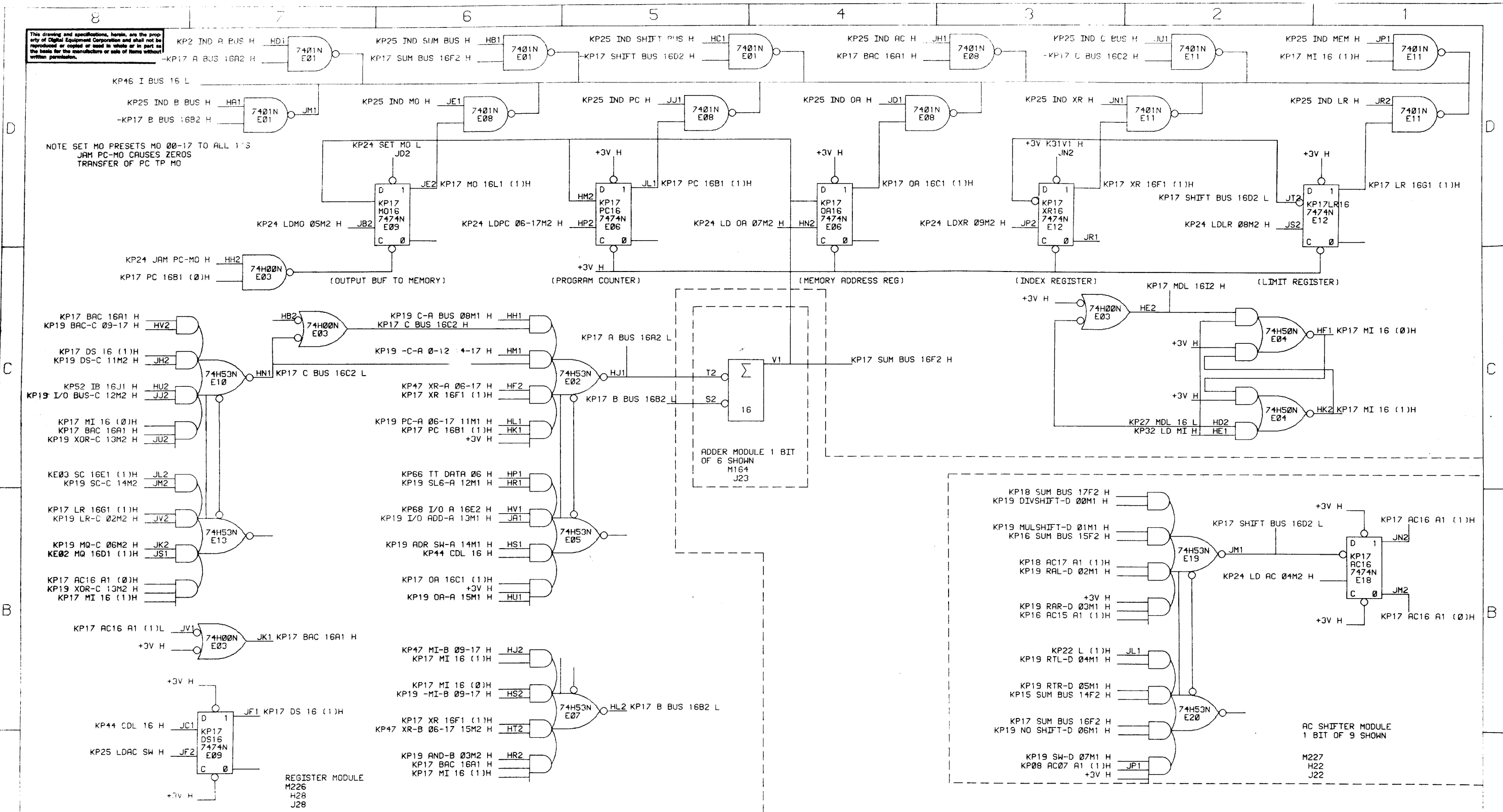
NOTE SET MO PRESETS MO 00-17 TO ALL 1'S  
JAM PC-MO CAUSES ZEROS  
TRANSFER OF PC TO MO

| REVISIONS |                |      |
|-----------|----------------|------|
| CHK       | CHANGE NO.     | REV. |
| LH        | KP15-00038     | B    |
| S         | GOLDSB 7/15/70 |      |
| F         | HUMANN 7/22/70 |      |
| GH        | KP15-00052     | C    |
| S         | GOLDSB 7/31/71 |      |
| F         | HUMANN 8/2/71  |      |
|           | KP15-00056     | D    |

|                        |                   |                     |                           |
|------------------------|-------------------|---------------------|---------------------------|
| DRN:<br>J FASSHAUER    | DATE<br>10/7/68   |                     | TITLE<br>REG & BUS BIT 15 |
| CHK'D:<br>R COOK       | DATE<br>10/7/68   |                     |                           |
| ENG:<br>F HUMANN       | DATE<br>10/7/68   |                     |                           |
| PROJ. ENG:<br>G BUTLER | DATE<br>10/7/68   |                     |                           |
| PROD.<br>F LASKY       | DATE<br>10/7/68   |                     |                           |
| FIRST USED ON<br>KP15  |                   |                     |                           |
| SCALE                  | SIZE CODE<br>D BS | NUMBER<br>KP15-0-16 | REV.<br>D                 |
| SHEET 1 OF 1           | DIST.             |                     |                           |



This drawing and specifications, herein, are the property of Digital Equipment Corporation and shall not be reproduced or copied or used in whole or in part as the basis for the manufacture or sale of items without written permission.

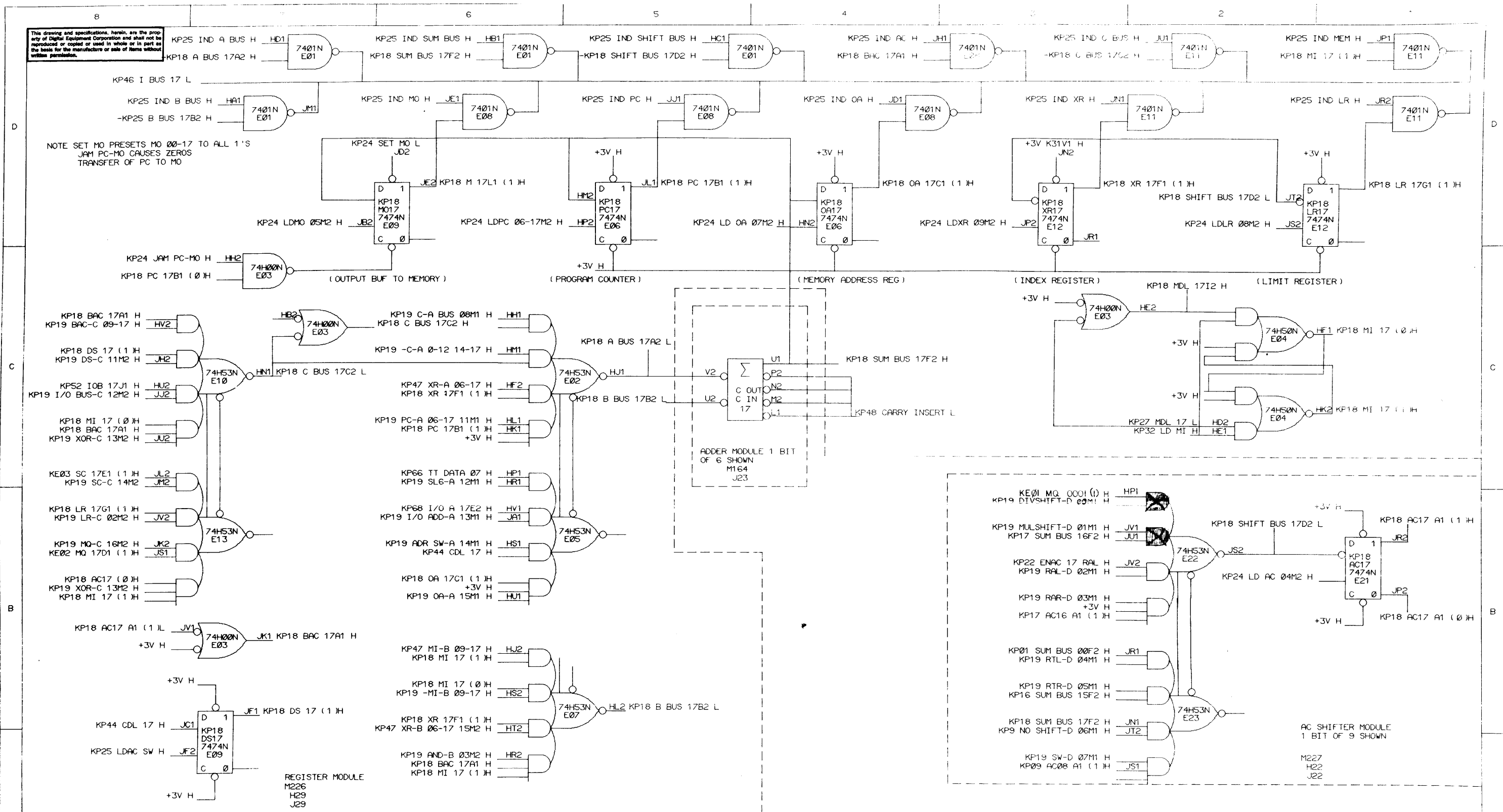


NOTE SET MO PRESETS MO 00-17 TO ALL 1'S  
JAM PC-MO CAUSES ZEROS  
TRANSFER OF PC TP MO

| REVISIONS |                 |      |
|-----------|-----------------|------|
| CHK       | CHANGE NO.      | REV. |
| LH        | KP15-00038      | B    |
| S         | GOLDSBY 7/15/70 |      |
| F         | HUMANN 7/22/70  |      |
| GH        | KP15-00252 IC   |      |
| S         | GOLDSBY 7/17/71 |      |
| F         | HUMANN 7/22/71  |      |
|           | KP15-00256      |      |

|                       |                  |                     |                           |
|-----------------------|------------------|---------------------|---------------------------|
| DRN<br>J FASSHAUER    | DATE<br>10/77/69 |                     | TITLE<br>REG & BUS BIT 16 |
| CHK'D<br>R' COOK      | DATE<br>10/77/69 |                     | SIZE CODE<br>7 BS         |
| ENG<br>F HUMANN       | DATE<br>10/77/69 | NUMBER<br>KP15-0-17 | REV.<br>2                 |
| PROJ. ENG<br>G BUTLER | DATE<br>10/77/69 |                     |                           |
| PROD.<br>F LASKEY     | DATE<br>10/77/69 |                     |                           |
| FIRST USED ON<br>KP15 |                  |                     |                           |
| SCALE                 |                  |                     |                           |
| SHEET 1 OF 1          |                  |                     |                           |

This drawing and specifications, herein, are the property of Digital Equipment Corporation and shall not be reproduced or copied or used in whole or in part as the basis for the manufacture or sale of items without written permission.

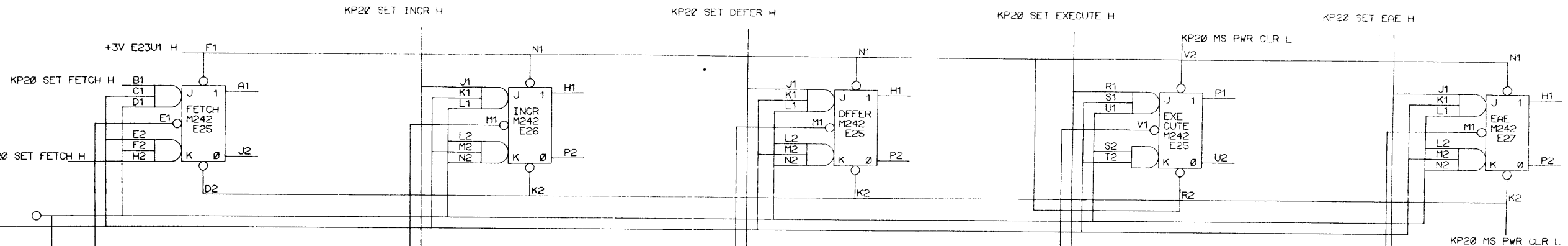
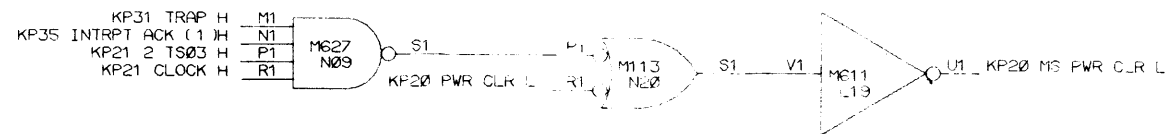


| REVISIONS |                 |      | REVISIONS |            |      |
|-----------|-----------------|------|-----------|------------|------|
| CHK       | CHANGE NO.      | REV. | CHK       | CHANGE NO. | REV. |
| LH        | KP15-00038      | C    | ...       | ...        | ...  |
| S         | GOLDSBY 7/15/70 |      | ...       | ...        | ...  |
| F         | AUMANN 7/22/70  |      | ...       | ...        | ...  |
| GH        | KP15-00052      | D    | ...       | ...        | ...  |
| S         | GOLDSBY 3/1/71  |      | ...       | ...        | ...  |
| F         | AUMANN 3/2/71   |      | ...       | ...        | ...  |
|           | KP15-00056      | E    | ...       | ...        | ...  |

|                    |                |  |
|--------------------|----------------|--|
| DRN. HOHOS         | DATE 7/15/70   | <b>digital EQUIPMENT CORPORATION</b><br>MAYNARD, MASSACHUSETTS |
| CHK'D. HOHOS       | DATE 7/15/70   |  |
| ENG. AUMANN        | DATE 7/15/70   | TITLE REG. & BUS BIT 17  |
| PROJ. ENG. AUMANN  | DATE 7/15/70   |  |
| PROD. LASKLEY      | DATE 7/15/70   |  |
| FIRST USED ON KP15 |                |  |
| SCALE              | SIZE CODE D ES | NUMBER KP15-0-18   |
| SHEET OF           | DIST           | REV. F   |



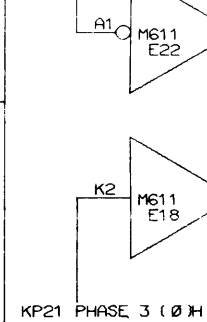
This drawing and specifications, herein, are the property of Digital Equipment Corporation and shall not be reproduced or copied or used in whole or in part as the basis for the manufacture or sale of items without written permission.



MAINTENANCE POINT  
GROUND TO INHIBIT  
MAJOR STATE TRANSITIONS

KP21 TIME STATE 3 (1) L

+3V E32V1 H



KP20 FETCH H

KP31 IR04 (1) H

KP33 AUTO (1) H

KP20 DEFER (1) H

KP30 ISZ H

KP30 ISZ H

KP33 AUTO (0) H

KP20 INCR (1) H

-KP20 SET INCR H  
-KP20 SET DEFER H  
-KP20 SET EXECUTE H  
-KP20 SET EAE H

KP20 FETCH (1) L

KP30 GRP 2 H

KP34 FORCE FETCH (0) H

KP50 INT RESET H

KP20 PWR CLR L

KP20 PWR CLR H

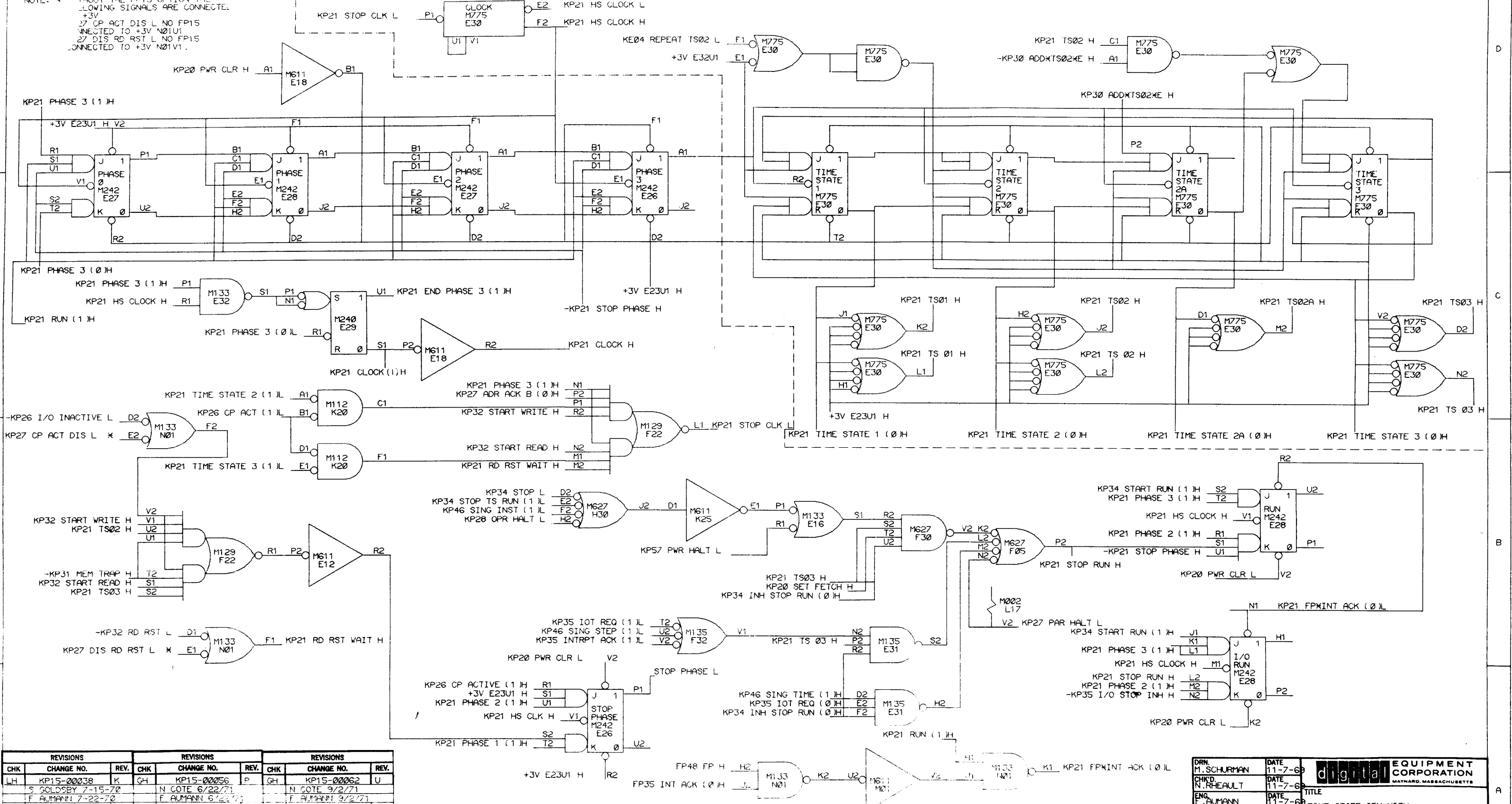
| REVISIONS |                  |      | REVISIONS |            |      |
|-----------|------------------|------|-----------|------------|------|
| CHK       | CHANGE NO.       | REV. | CHK       | CHANGE NO. | REV. |
| LH        | KP15-00038       | E    | LH        | KP15-00065 | K    |
| S         | GOLDSBY 7-15-70  |      |           |            |      |
| F         | AUMANN 7-22-70   |      |           |            |      |
| GH        | KP15-00046       | F    |           |            |      |
|           | F AUMANN 3/2/71  |      |           |            |      |
| GH        | KP15-00056       | H    |           |            |      |
|           | N COTE 6/22/71   |      |           |            |      |
|           | F AUMANN 6/22/71 |      |           |            |      |
| GH        | KP15-00057       | J    |           |            |      |
|           | N COTE 6/30/71   |      |           |            |      |
|           | E PERMON 9/3/71  |      |           |            |      |

|                      |              |   |
|----------------------|--------------|---|
| DRN. J. FASSHAUER    | DATE 10/7/69 | DIGITAL EQUIPMENT CORPORATION<br>MAYNARD, MASSACHUSETTS |
| CHK'D. R. COCK       | DATE 10/7/69 |   |
| ENG. F. AUMANN       | DATE 10/7/69 | TITLE   |
| PROJ. ENG. G. BUTLER | DATE 10/7/69 | MAJOR STATE SEVER-                                      |
| PROD. F. LASKEY      | DATE 10/7/69 |   |
| FIRST USED ON        |              |   |
| KP15                 | SIZE CODE    | NUMBER  |
| SCALE                |              | KP15-0-28   |
| SHEET                | OF           | DIST.   |

This drawing and any other Digital Equipment Corporation drawing shall not be reproduced or copied in whole or in part without the written permission of Digital Equipment Corporation.

NOTE: TYPICAL TIME 66NS.

NOTE: \* WITHOUT THE FP15 OPTION THE FOLLOWING SIGNALS ARE CONNECTED TO +3V:  
 37 CP ACT DIS L NO FP15 CONNECTED TO +3V N01U1  
 27 DIS RD RST L NO FP15 CONNECTED TO +3V N01V1.



| REVISIONS |                   | REVISIONS |     | REVISIONS        |      |
|-----------|-------------------|-----------|-----|------------------|------|
| CHK       | CHANGE NO.        | REV.      | CHK | CHANGE NO.       | REV. |
| LH        | KP15-00038        | K         | GH  | KP15-00056       | P    |
|           | S GOLDSBY 7-15-70 |           |     | N COTE 6/22/71   |      |
|           | F AUMANN 7-22-70  |           |     | F AUMANN 6/22/71 |      |
| GH        | KP15-00040        | L         | GH  | KP15-00057       | R    |
|           | K WALSH 12/18/70  |           |     | N COTE 6/30/71   |      |
|           | F AUMANN 12/18/70 |           |     | F AUMANN 6/30/71 |      |
| GH        | KP15-00048        | M         | GH  | KP15-00058       | S    |
|           | N LEGERE 1/12/71  |           |     | N COTE 7/6/71    |      |
|           | F AUMANN 1/12/71  |           |     | F AUMANN 7/6/71  |      |
| GH        | KP15-00057        | N         | GH  | KP15-00059       | T    |
|           | S GOLDSBY 2/3/71  |           |     | N COTE 8/1/71    |      |
|           | F AUMANN 2/12/71  |           |     | F AUMANN 8/1/71  |      |

|               |             |        |           |
|---------------|-------------|--------|-----------|
| DRN           | M. SCHURMAN | DATE   | 11-7-69   |
| CHKD          | N. RHEAULT  | DATE   | 11-7-69   |
| ENG           | F. AUMANN   | DATE   | 11-7-69   |
| PROJ. ENG.    | G. BUTLER   | DATE   | 11-7-69   |
| PROD.         | F. LASKEY   | DATE   | 11-7-69   |
| FIRST USED ON |             |        |           |
| KP15          |             |        |           |
| SCALE         | D BS        | NUMBER | KP15-0-21 |
| SHEET         | 1 OF 1      | DIST.  |           |

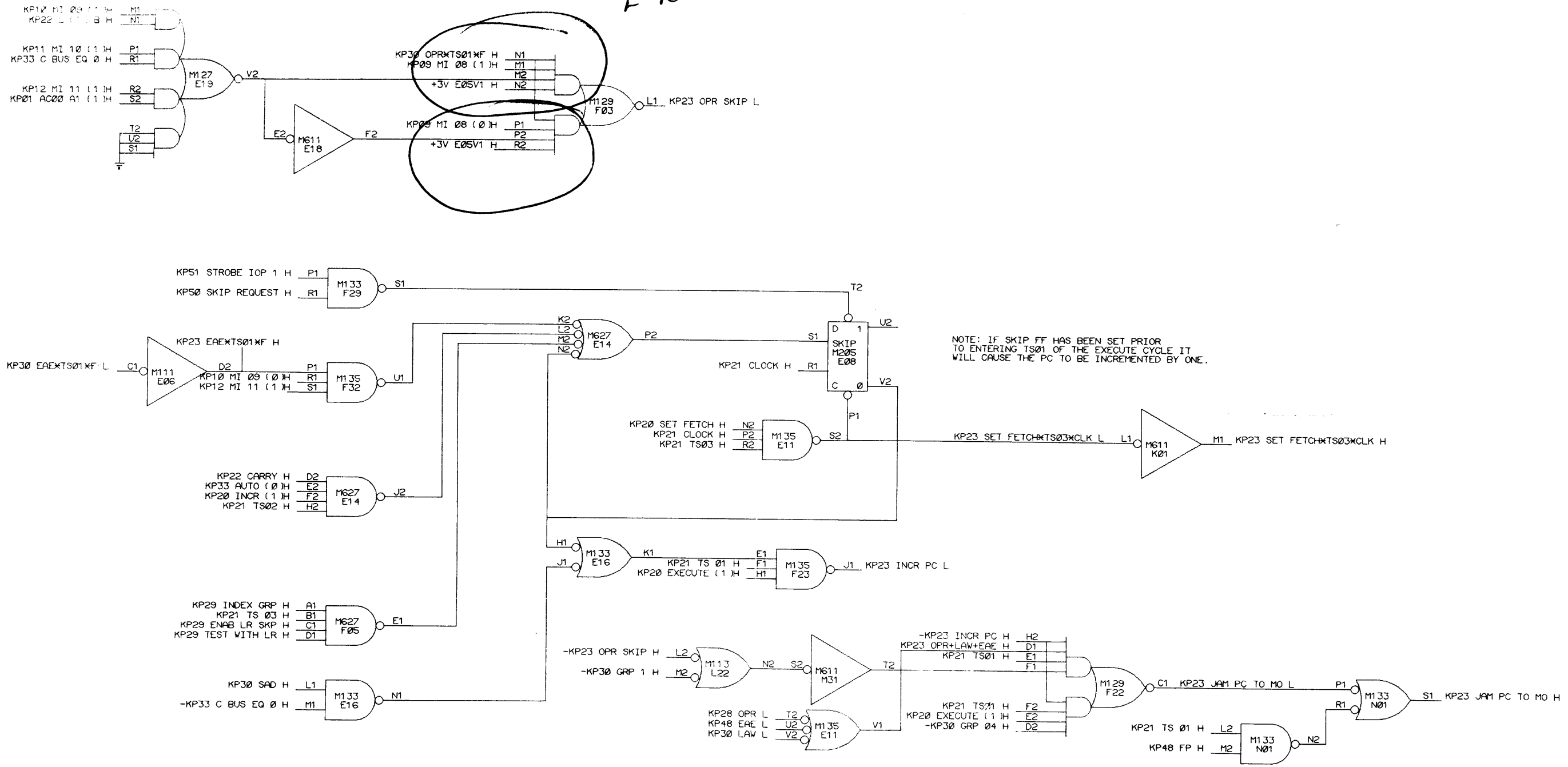
**digital EQUIPMENT CORPORATION**  
 MAYNARD, MASSACHUSETTS

TITLE  
 TIME STATE GEN WITH  
 START STOP CONTROL



This drawing and specifications, herein, are the property of Digital Equipment Corporation and shall not be reproduced or copied or used in whole or in part as the basis for the manufacture or sale of items without written permission.

*ERROR on Pin.*

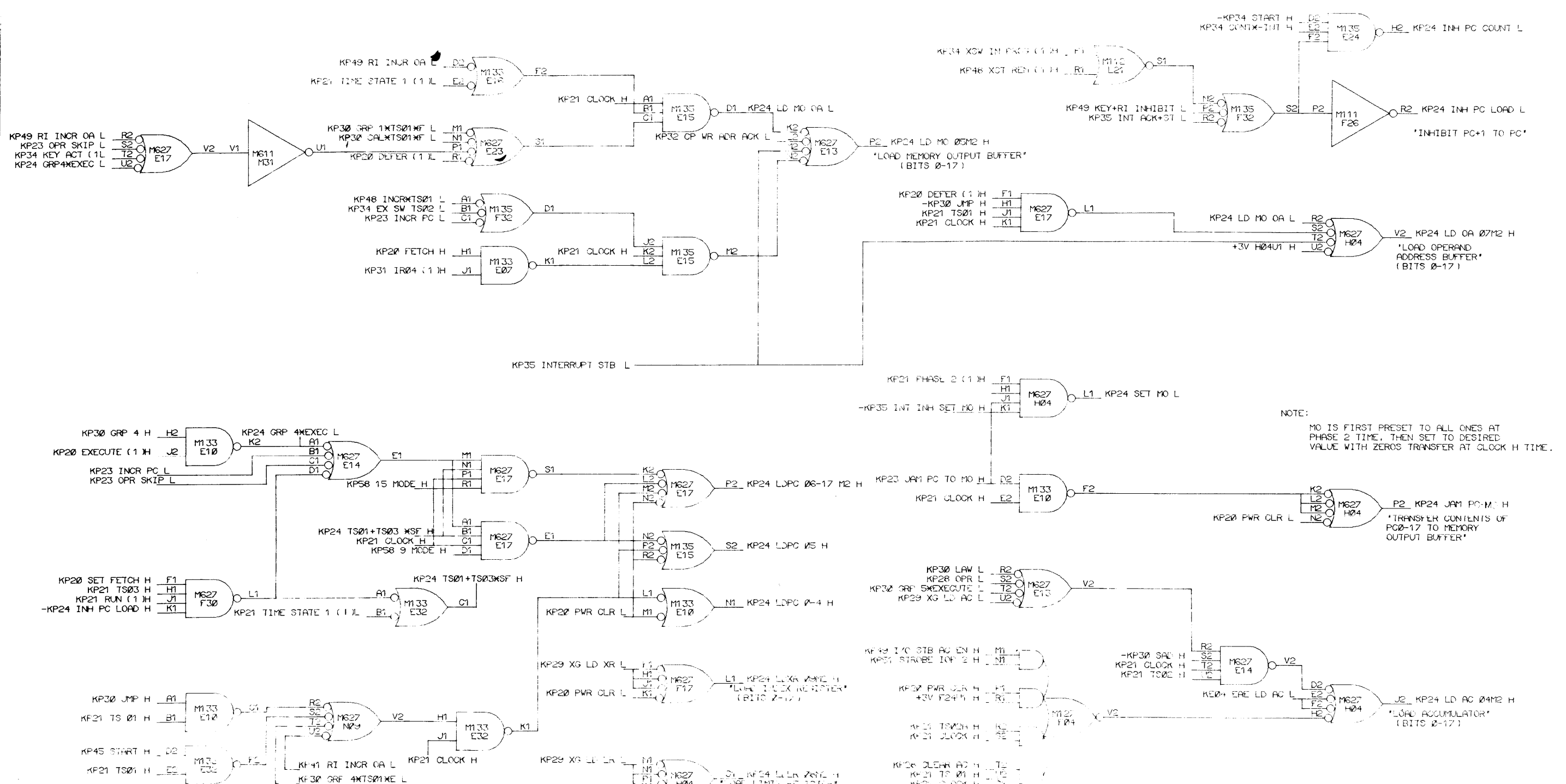


NOTE: IF SKIP FF HAS BEEN SET PRIOR TO ENTERING TS01 OF THE EXECUTE CYCLE IT WILL CAUSE THE PC TO BE INCREMENTED BY ONE.

| REVISIONS |                   |      | REVISIONS |            |      |
|-----------|-------------------|------|-----------|------------|------|
| CHK       | CHANGE NO.        | REV. | CHK       | CHANGE NO. | REV. |
| LH        | KP15-00038        | D    |           | KP15-00065 | J    |
|           | S GOLDSBY 7-15-70 |      |           |            |      |
|           | F ALMANN 7-22-70  |      |           |            |      |
| G.A.H.    | KP15-00046        | E    |           |            |      |
|           | K WALSH 12/18/70  |      |           |            |      |
|           | F ALMANN 12/18/70 |      |           |            |      |
|           | KP15-00056        | F    |           |            |      |
|           | J GOTE 6/22/71    |      |           |            |      |
|           | F ALMANN 6/22/71  |      |           |            |      |
|           | KP15-00057        | G    |           |            |      |
|           | J GOTE 6/22/71    |      |           |            |      |
|           | E PERKINS 9/3/71  |      |           |            |      |

|                       |                   |   |
|-----------------------|-------------------|---|
| DRN<br>J. FASSHAUER   | DATE<br>10/7/69   | digital EQUIPMENT CORPORATION<br>MAYNARD, MASSACHUSETTS |
| CHKD<br>R. COOK       | DATE<br>10/7/69   |   |
| ENG<br>F. ALMANN      | DATE<br>10/7/69   | TITLE<br>SKIP CONTROL                                   |
| PROL ENG<br>G. BUTLER | DATE<br>10/7/69   |   |
| PROD.<br>F. LASKEY    | DATE<br>10/8/69   |   |
| FIRST USED ON<br>KP15 |                   |   |
| SCALE                 | SIZE CODE<br>D BS | NUMBER<br>KP15-0-23                                     |
| SHEET 1 OF 1          | DIST.             | REV.<br>J   |

This drawing and specifications, herein, are the property of Digital Equipment Corporation and shall not be reproduced or copied or used in whole or in part as the basis for the manufacture or sale of items without written permission.

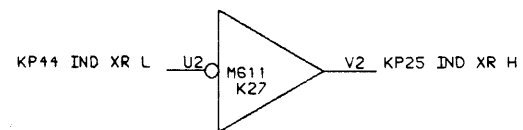
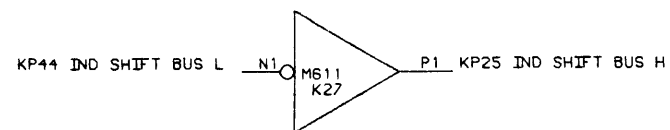
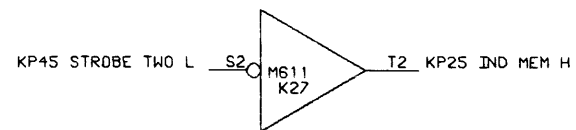
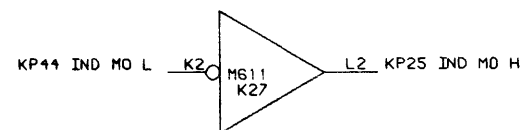
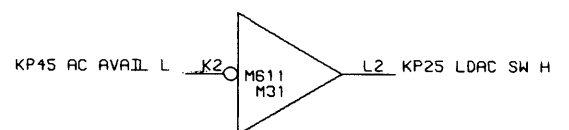
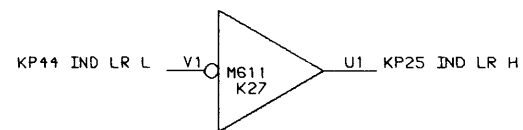
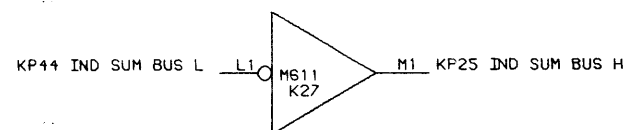
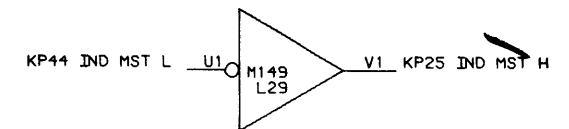
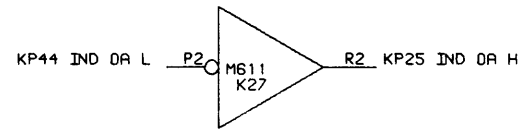
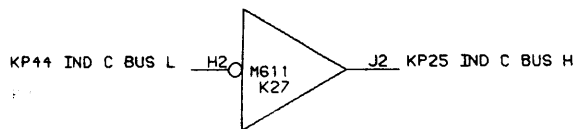
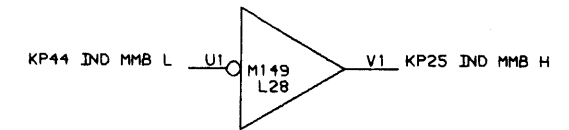
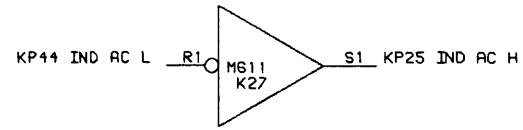
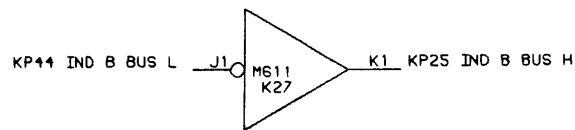
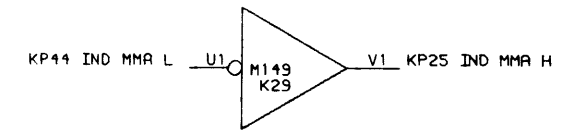
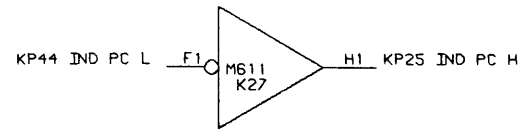
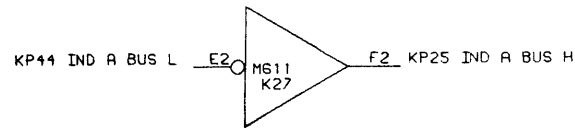


| REVISIONS |            |      | REVISIONS |            |      |
|-----------|------------|------|-----------|------------|------|
| CHK       | CHANGE NO. | REV. | CHK       | CHANGE NO. | REV. |
|           | KP15-00038 |      |           | KP15-00078 | P    |
|           |            |      |           | F. DOLL    |      |
|           |            |      |           | KP15-00082 | R    |
|           |            |      |           | F. DOLL    |      |

|                         |                 |   |      |
|-------------------------|-----------------|---|------|
| DRN.<br>M. SCHURMAN     | DATE<br>11-7-63 | <b>digital</b> EQUIPMENT CORPORATION<br>MAYNARD MASSACHUSETTS |      |
| CHK'D.<br>N. RICHULT    | DATE<br>11-7-63 |   |      |
| ENG.<br>T. BISHOP       | DATE<br>11-7-63 | TITLE   |      |
| PROJ. ENG.<br>G. BUTSON | DATE<br>11-7-63 | REALITY CHECKED   |      |
| PROD.<br>T. BISHOP      | DATE<br>11-7-63 |   |      |
| FIRST USED ON           |                 |   |      |
| SCALE                   | SIZE CODE       | NUMBER  | REV. |
| SHEET                   | OF              | DIST.   |      |



This drawing and specifications herein are the property of Digital Equipment Corporation and shall not be reproduced or copied or used in whole or in part as the basis for the manufacture or sale of items without written permission.

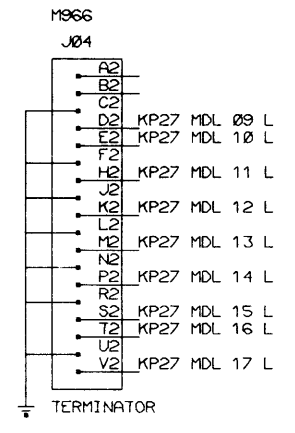
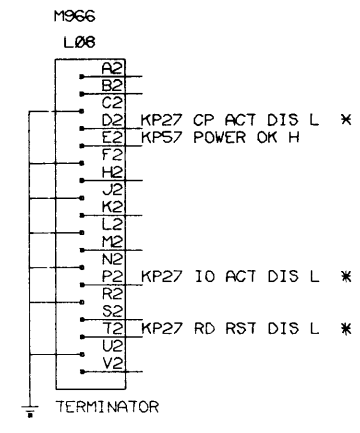
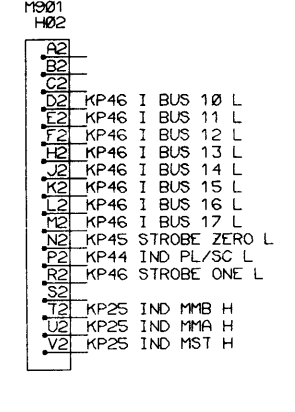
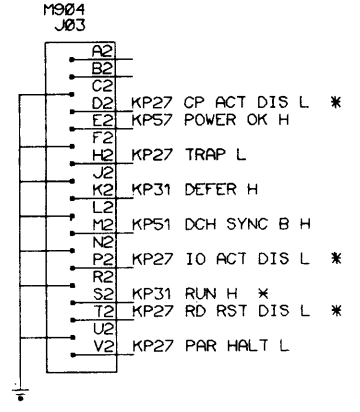
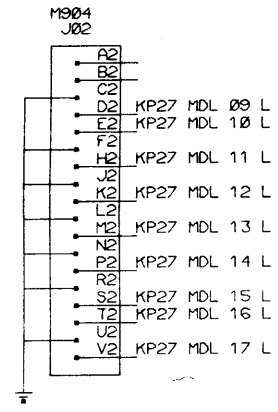
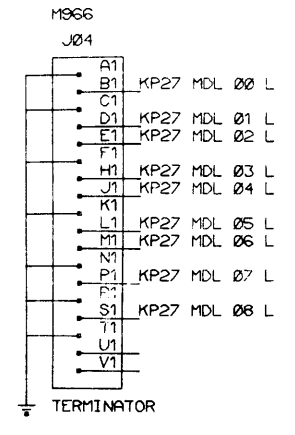
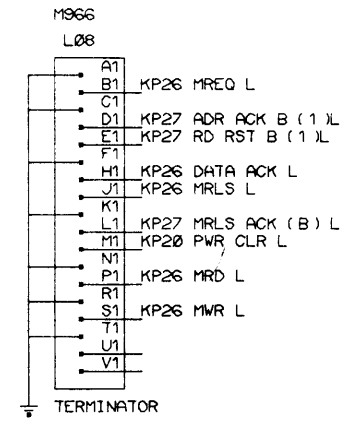
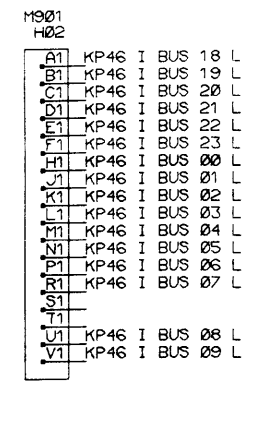
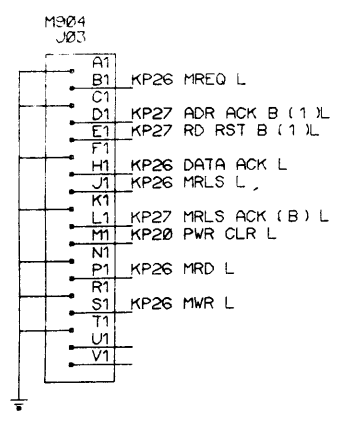
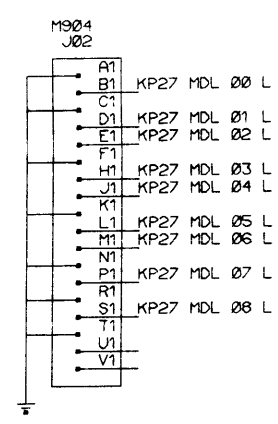


| REVISIONS |            |      |
|-----------|------------|------|
| CHK       | CHANGE NO. | REV. |
| AK        | 1          | A    |

|               |      |   |                                   |
|---------------|------|---|-----------------------------------|
| DRN           | DATE | <br><b>digital EQUIPMENT CORPORATION</b><br><small>MAYNARD, MASSACHUSETTS</small> | <b>TITLE</b><br>INDICATOR STROBES |
| CHK'D         | DATE |   |                                   |
| ENG           | DATE |   |                                   |
| PROJ. ENG.    | DATE |   |                                   |
| PROD.         | DATE |   |                                   |
| FIRST USED ON | DATE |   |                                   |
| KP15          |      | <b>SIZE CODE</b><br>D BS  | <b>NUMBER</b><br>KP15-0-25        |
| SCALE         |      |   | <b>REV.</b><br>A                  |
| SHEET 1 OF 1  |      | <b>DIST.</b>  |                                   |



This drawing and specifications, herein, are the property of Digital Equipment Corporation and shall not be reproduced or copied in whole or in part as the basis for the manufacture or sale of items without written permission.

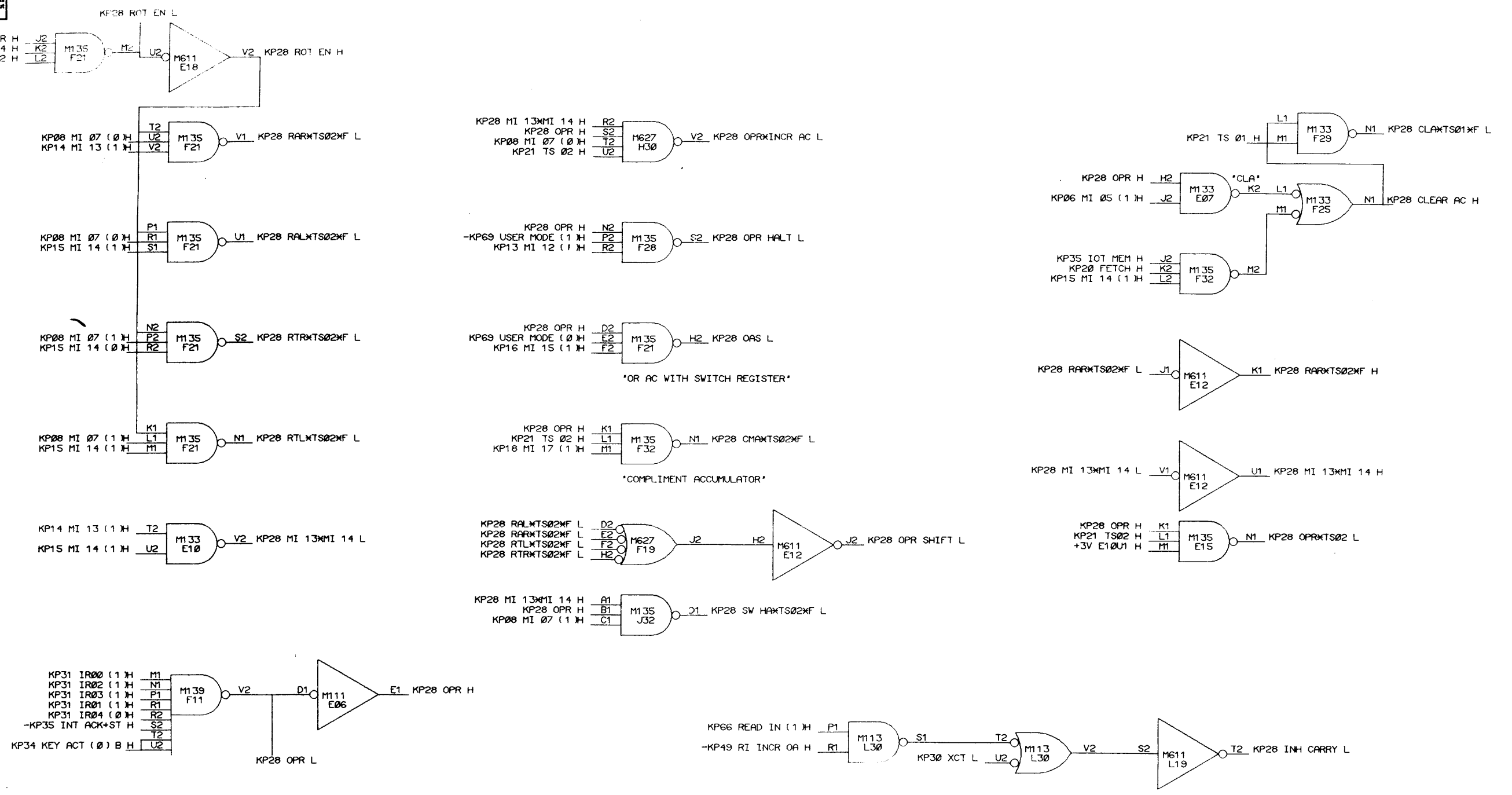


\* THESE SIGNALS WILL ONLY BE PRESENT ON THE CABLE WHEN A FP15 IS INSTALLED IN THE SYSTEM

| REVISIONS |                   |      | REVISIONS |                  |      |
|-----------|-------------------|------|-----------|------------------|------|
| CHK       | CHANGE NO.        | REV. | CHK       | CHANGE NO.       | REV. |
| LH        | KP15-00038        | C    | GH        | KP15-00057       | H    |
|           | S GOLDSBY 7/15/70 |      |           | N GOTE 6/30/71   |      |
|           | F ALMANN 7/20/70  |      |           | F ALMANN 7/27/71 |      |
| GH        | KP15-00044        | D    |           | KP15-00059       | J    |
|           | S GOLDSBY 10-9-70 |      |           |                  |      |
|           | F ALMANN 10-16-70 |      |           |                  |      |
| GH        | KP15-00046        | E    |           |                  |      |
|           | K WALSH 12/11/70  |      |           |                  |      |
|           | F ALMANN 12/11/70 |      |           |                  |      |
| GH        | KP15-00055        | F    |           |                  |      |
|           | K WALSH 12/11/70  |      |           |                  |      |
|           | F ALMANN 12/11/70 |      |           |                  |      |

|             |         |   |   |
|-------------|---------|---|---|
| DRN.        | DATE    | digital EQUIPMENT CORPORATION<br>MAYNARD, MASSACHUSETTS |   |
| M. SCHURMAN | 11-7-68 |   |   |
| CHK'D.      | DATE    | TITLE   |   |
| N. RHEAULT  | 11-7-68 |   |   |
| ENG.        | DATE    | CP MEM INTERFACE CABLES                                 |   |
| F. ALMANN   | 11-7-68 |   |   |
| PROJ. ENG.  | DATE    | FIRST USED ON   |   |
| G. BUTLER   | 11-7-68 |   |   |
| PROD.       | DATE    | SIZE CODE NUMBER REV.                                   |   |
| F. LASKEY   | 11-7-68 |   |   |
| KP15        |         | D BS KP15-0-27  | L |
| SCALE       |         |   |   |
| SHEET 1     | OF 1    | DIST.   |   |

This drawing and specifications, herein, are the property of Digital Equipment Corporation and shall not be reproduced or copied or used in whole or in part as the basis for the manufacture or sale of items without written permission.

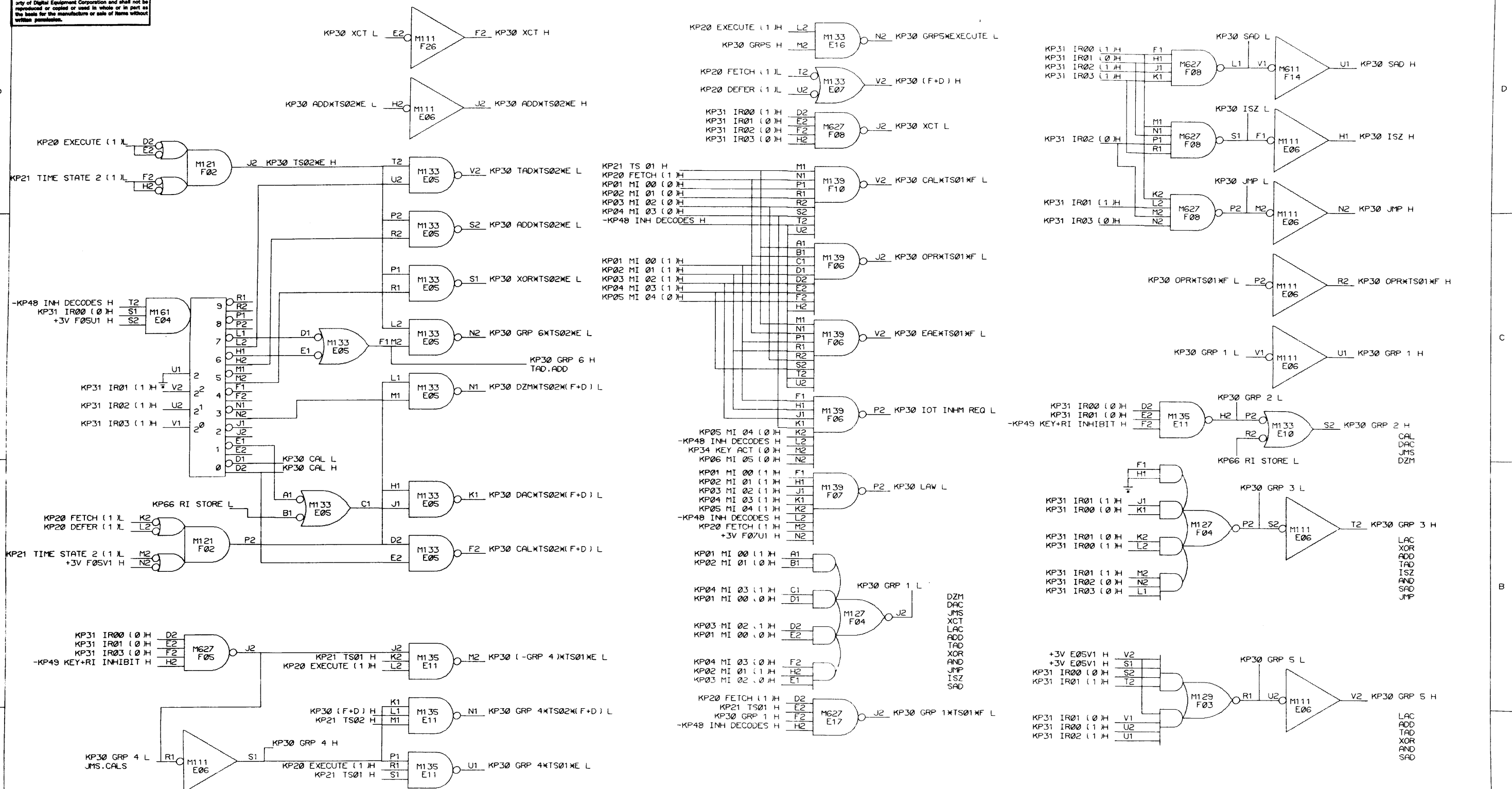


| REVISIONS |                  |      |
|-----------|------------------|------|
| CHK       | CHANGE NO.       | REV. |
| LH        | KP15-00038       | E    |
|           | S GOLDSY 7/15/70 |      |
|           | F ALMANN 7/15/70 |      |
|           | KP15-00056       | F    |
|           | N S. 7/15/70     |      |
|           | KP15-00082       | H    |
|           | F D. 11          |      |
|           | 7.7.70           |      |

|               |             |        |           |  |  |      |   |
|---------------|-------------|--------|-----------|--|--|------|---|
| DRN.          | M. SCHURMAN | DATE   | 11-7-69   | <br><b>digital EQUIPMENT CORPORATION</b><br>MAYNARD, MASSACHUSETTS |  |      |   |
| CHK'D.        | N. RHEAULT  | DATE   | 11-7-69   |  |  |      |   |
| ENG.          | F. ALMANN   | DATE   | 11-7-69   |  |  |      |   |
| PROJ. ENG.    | G. BUTLER   | DATE   | 11-7-69   |  |  |      |   |
| PROD.         | F. LASKEY   | DATE   | 11-7-69   |  |  |      |   |
| FIRST USED ON | KP15        | SIZE   | CODE      |  |  |      |   |
| SCALE         | N 1/8"      | NUMBER | KP15-2-28 |  |  |      |   |
| SHEET         | 1           | OF     | 1         | DIST.  |  | REV. | H |



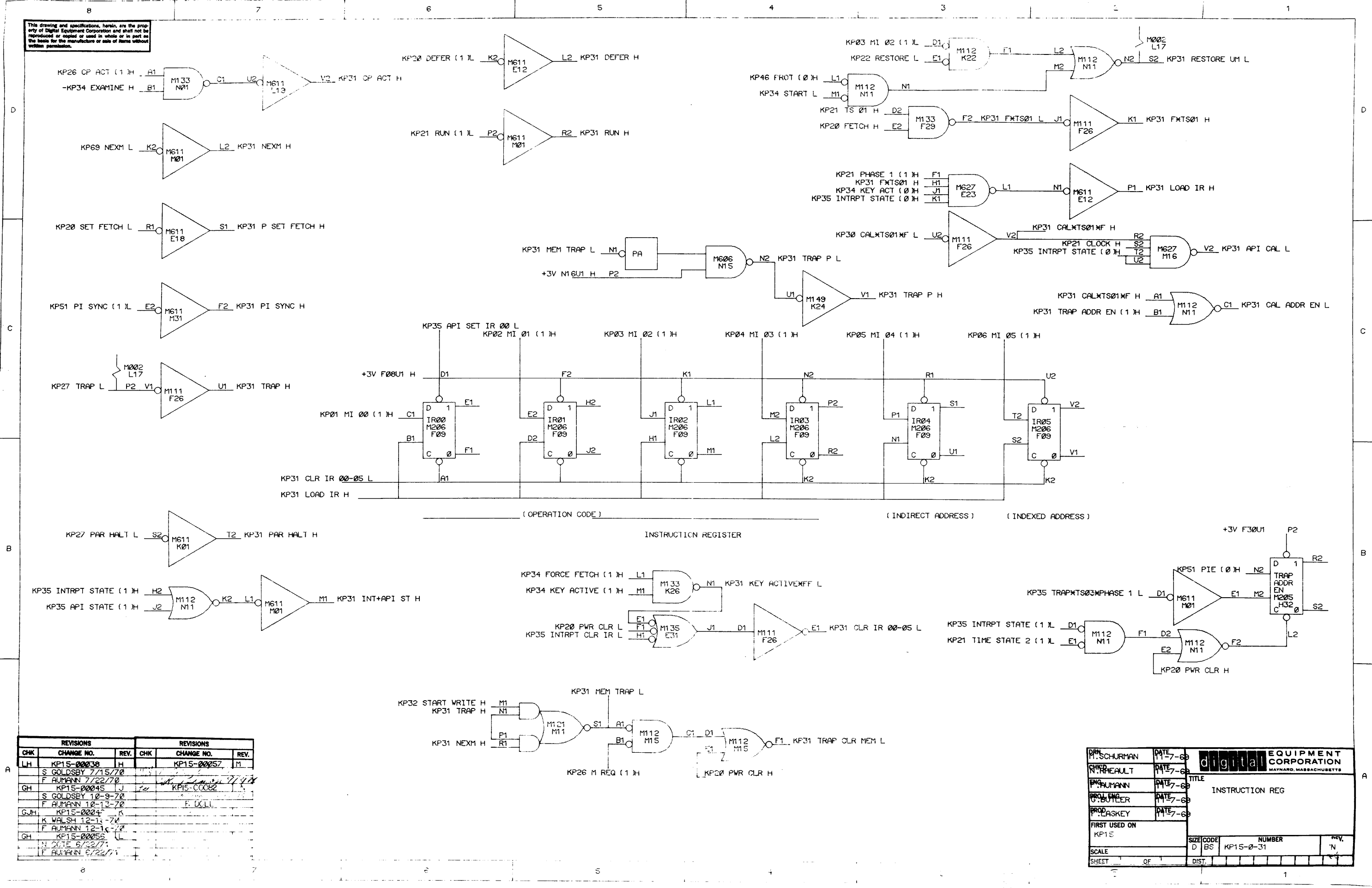
This drawing and specifications, herein, are the property of Digital Equipment Corporation and shall not be reproduced or copied or used in whole or in part as the basis for the manufacture or sale of items without written permission.



| REVISIONS |                 |      |
|-----------|-----------------|------|
| CHK       | CHANGE NO.      | REV. |
| LH        | KP15-00038      | H    |
| S         | GOLDSBY 7-15-70 |      |
| F         | AUMANN 7-22-70  |      |
|           | KP15-00046      | J    |
|           | K WALSH         |      |
| GH        | KP15-00050      | K    |
| S         | GOLDSBY 2/9/71  |      |
| F         | AUMANN 2/10/71  |      |
|           | KP15-00057      | L    |

|                         |                 |           |                              |
|-------------------------|-----------------|-----------|------------------------------|
| DRAWN<br>M. SCHURMAN    | DATE<br>11-7-69 |           | TITLE<br>MAJOR INST DECODING |
| CHKD.<br>N. RHEAULT     | DATE<br>11-7-69 |           |                              |
| ENG.<br>F. AUMANN       | DATE<br>11-7-69 |           |                              |
| PROJ. ENG.<br>G. BUTLER | DATE<br>11-7-69 |           |                              |
| PROD.<br>F. LASKEY      | DATE<br>11-7-69 |           |                              |
| FIRST USED ON           |                 |           |                              |
| KP15                    |                 | SIZE CODE | NUMBER                       |
| SCALE                   |                 | D/B/S     | KP15-0-30                    |
| SHEET                   | OF 1            | DIST.     | REV.<br>L                    |

This drawing and specifications, herein, are the property of Digital Equipment Corporation and shall not be reproduced or copied in whole or in part as the basis for the manufacture or sale of items without written permission.



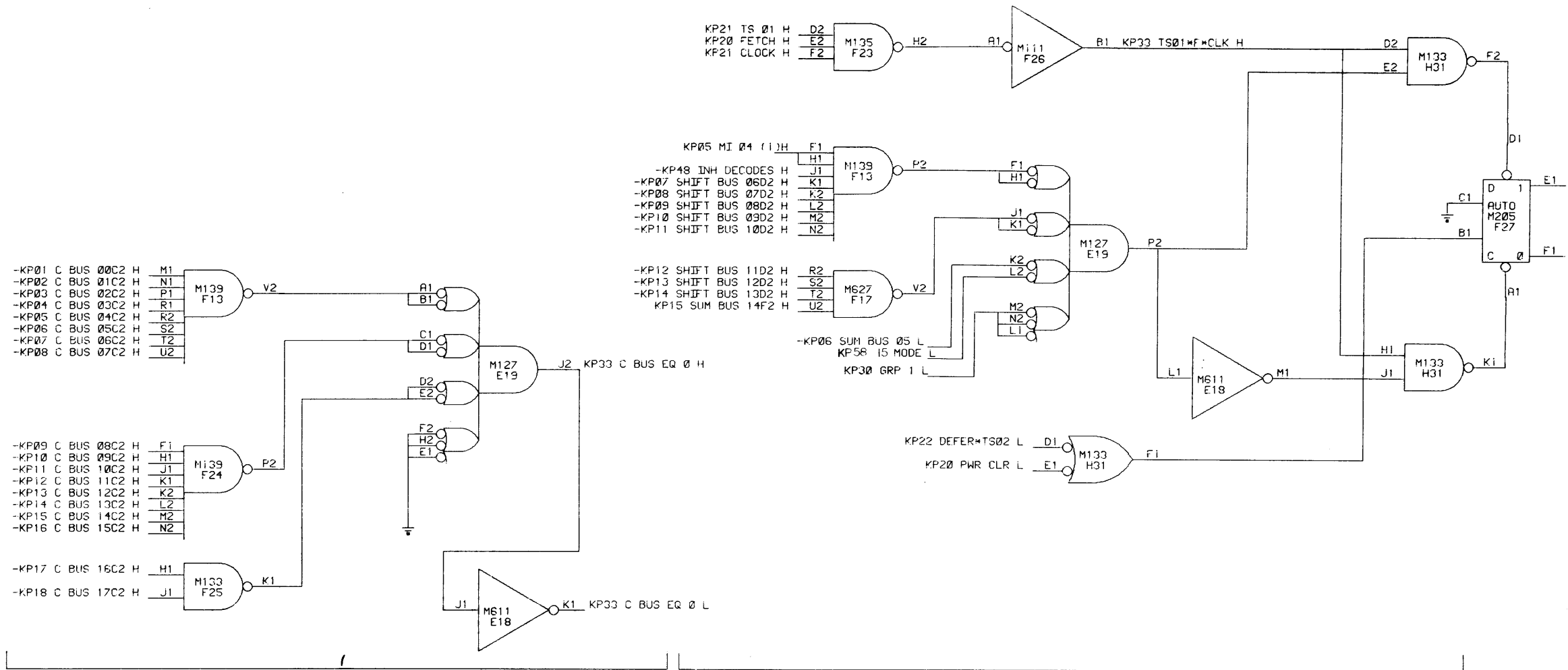
| REVISIONS |                   |      | REVISIONS |            |      |
|-----------|-------------------|------|-----------|------------|------|
| CHK       | CHANGE NO.        | REV. | CHK       | CHANGE NO. | REV. |
| LH        | KP15-00038        | H    |           | KP15-00257 | M    |
|           | S GOLDSBY 7/15/70 |      |           |            |      |
|           | F AUMANN 7/22/70  |      |           |            |      |
| GH        | KP15-00045        | J    |           | KP15-00082 |      |
|           | S GOLDSBY 10-9-70 |      |           |            |      |
|           | F AUMANN 10-13-70 |      |           |            |      |
| GJH       | KP15-00047        | K    |           |            |      |
|           | K WALSH 12-14-70  |      |           |            |      |
|           | F AUMANN 12-16-70 |      |           |            |      |
| GH        | KP15-00056        | L    |           |            |      |
|           | N OOTE 5/22/71    |      |           |            |      |
|           | F AUMANN 5/22/71  |      |           |            |      |

|               |             |       |         |   |
|---------------|-------------|-------|---------|---|
| DRN           | P. SCHURMAN | DATE  | 7-17-68 | digital EQUIPMENT CORPORATION<br>MAYNARD, MASSACHUSETTS |
| CHKD          | M. FREULT   | DATE  | 7-17-68 |   |
| ENG           | F. AUMANN   | DATE  | 7-7-68  | TITLE<br>INSTRUCTION REG                                |
| PROL ENG      | G. BUTLER   | DATE  | 7-7-68  |   |
| PROD          | P. LASKEY   | DATE  | 7-7-68  |   |
| FIRST USED ON | KP15        | SIZE  | CODE    | NUMBER  |
|               |             | D     | BS      | KP15-0-31   |
| SCALE         |             |       |         | REV.  |
| SHEET         | OF          | DIST. |         | N   |





This drawing and specifications, herein, are the property of Digital Equipment Corporation and shall not be reproduced or copied or used in whole or in part as the basis for the manufacture or sale of items without written permission.



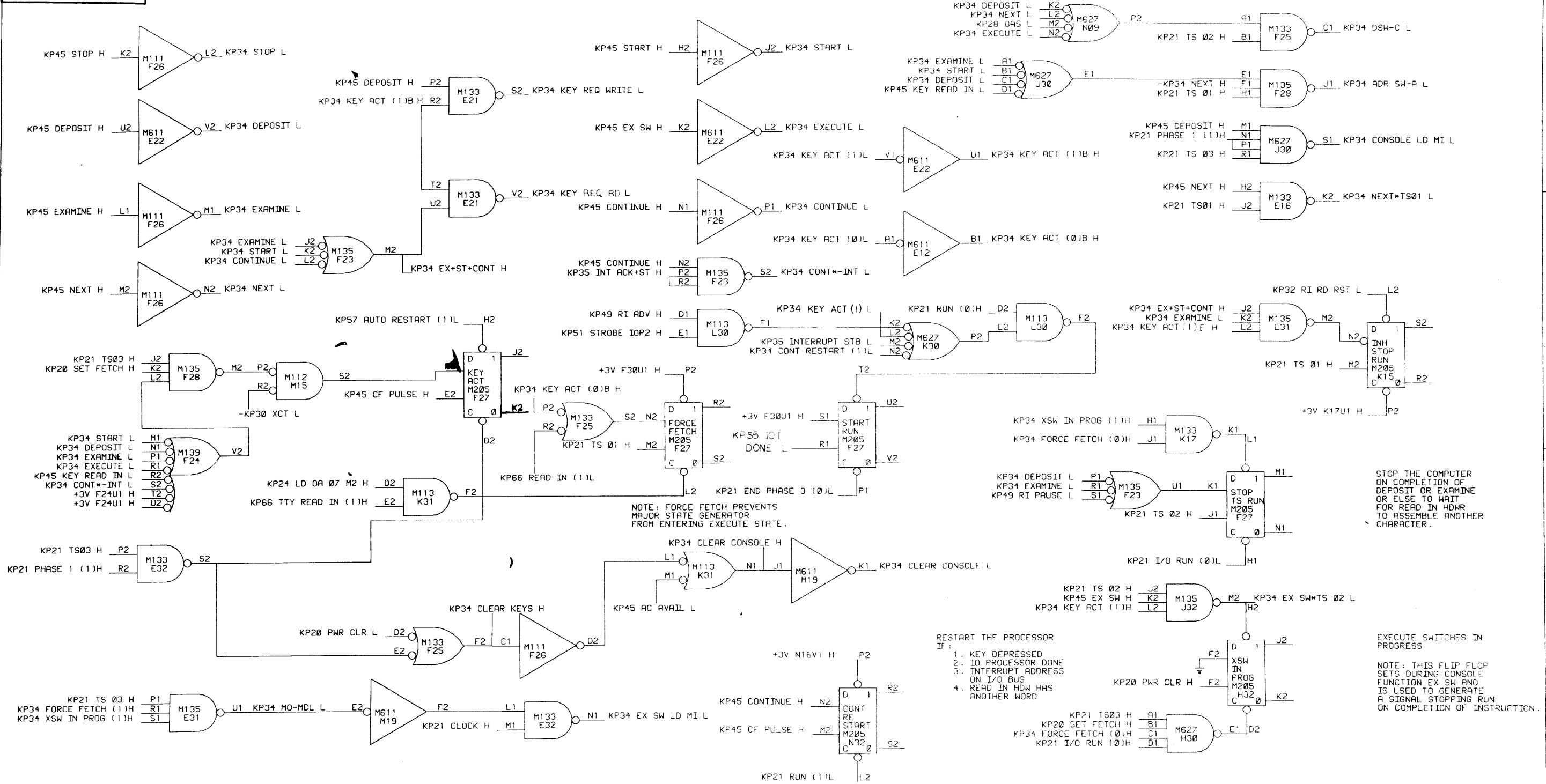
LOGIC TESTS C BUS FOR ALL ZEROS  
USED FOR OPERATE SKIP TESTS  
AND SAD

LOGIC EXAMINES ADDRESS OF MEMORY REFERENCE INSTRUCTIONS  
IF ADDRESS REFERENCED INDIRECTLY IS BETWEEN 10 AND 17  
THEN CONTENTS OF REFERENCED LOCATION IS AUTO INCREMENTED

| REVISIONS |                 |      | REVISIONS |            |      |
|-----------|-----------------|------|-----------|------------|------|
| CHK       | CHANGE NO.      | REV. | CHK       | CHANGE NO. | REV. |
| LH        | KP15-00038      | C    | 75        | KI 5-1-70  | F    |
| S         | GOLDSBY 7-15-70 |      |           |            |      |
| F         | AUMANN 7-22-70  |      |           | F. DCLL    |      |
| GH        | KP15-00046      | D    |           |            |      |
| K         | WALSH 12/18/70  |      |           |            |      |
| F         | AUMANN 12/18/70 |      |           |            |      |
|           | KP15-00056      | E    |           |            |      |
|           |                 |      |           |            |      |

|               |              |       |         |                               |           |      |   |
|---------------|--------------|-------|---------|-------------------------------|-----------|------|---|
| DRN.          | J. FASSHAUER | DATE  | 10/7/69 | <br>MAYNARD, MASSACHUSETTS    |           |      |   |
| CHK'D.        | R. COOK      | DATE  | 10/7/69 |                               |           |      |   |
| ENG.          | F. AUMANN    | DATE  | 10/7/69 | TITLE<br>DETECT XMODE & C BUS |           |      |   |
| PROJ. ENG.    | G. BUTLER    | DATE  | 10/9/69 |                               |           |      |   |
| PROD.         | F. LASKLEY   | DATE  | 10/8/69 |                               |           |      |   |
| FIRST USED ON | KP15         | SIZE  | D BS    | NUMBER                        | KP15-0-33 | REV. | F |
| SHEET         | OF 1         | DIST. |         |                               |           |      |   |

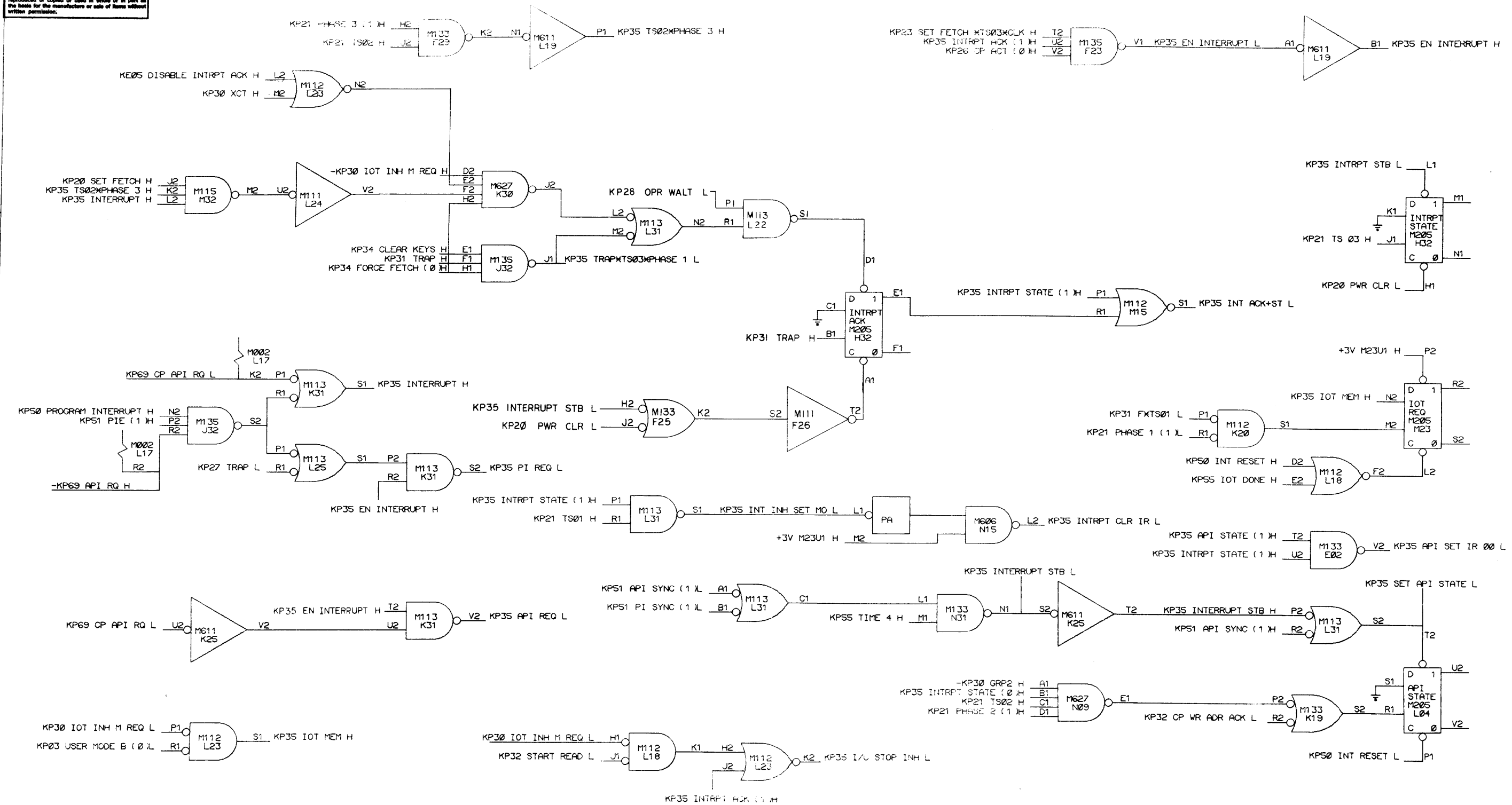
This drawing and specifications, herein, are the property of Digital Equipment Corporation and shall not be reproduced or copied or used in whole or in part as the basis for the manufacture or sale of items without written permission.



| REVISIONS |                 |      | REVISIONS       |                         |      |
|-----------|-----------------|------|-----------------|-------------------------|------|
| CHK       | CHANGE NO.      | REV. | CHK             | CHANGE NO.              | REV. |
| LH        | KP15-00038      | L    | <i>Blodgett</i> | KP15-00075              | P    |
| S         | GOLDSBY 7/15/70 |      |                 | <i>Blodgett 7/16/71</i> |      |
| F         | AUMANN 7/15/70  |      |                 | <i>DOLL</i>             |      |
| GH        | KP15-00048      | M    |                 |                         |      |
| N         | LEGERE 1/12/71  |      |                 | KP15-00082              | R    |
| F         | AUMANN 1/12/71  |      |                 |                         |      |
| N         | KP15-00056      | N    |                 |                         |      |
|           |                 |      |                 | <i>F. DOLL</i>          |      |

|                            |                    |  |
|----------------------------|--------------------|--|
| DRAWN<br>M. SCHURMAN       | DATE<br>11-7-69    | <br><b>digital</b> EQUIPMENT CORPORATION<br>MAYNARD, MASSACHUSETTS |
| CHKD.<br>R. RHEAULT        | DATE<br>11-7-69    |  |
| ENG.<br>F. AUMANN          | DATE<br>11-7-69    |  |
| PROJ. ENG.<br>G. BULTER    | DATE<br>11-7-69    |  |
| PROD.<br>F. LASKEY         | DATE<br>11-7-69    |  |
| FIRST USED ON<br>KP15      |                    |  |
| TITLE<br>CONSOLE INTERFACE |                    |  |
| SCALE<br>D: 80             | NUMBER<br>KP15 034 | REV.<br>R  |
| SHEET 1 OF 1               | DIST.              |  |

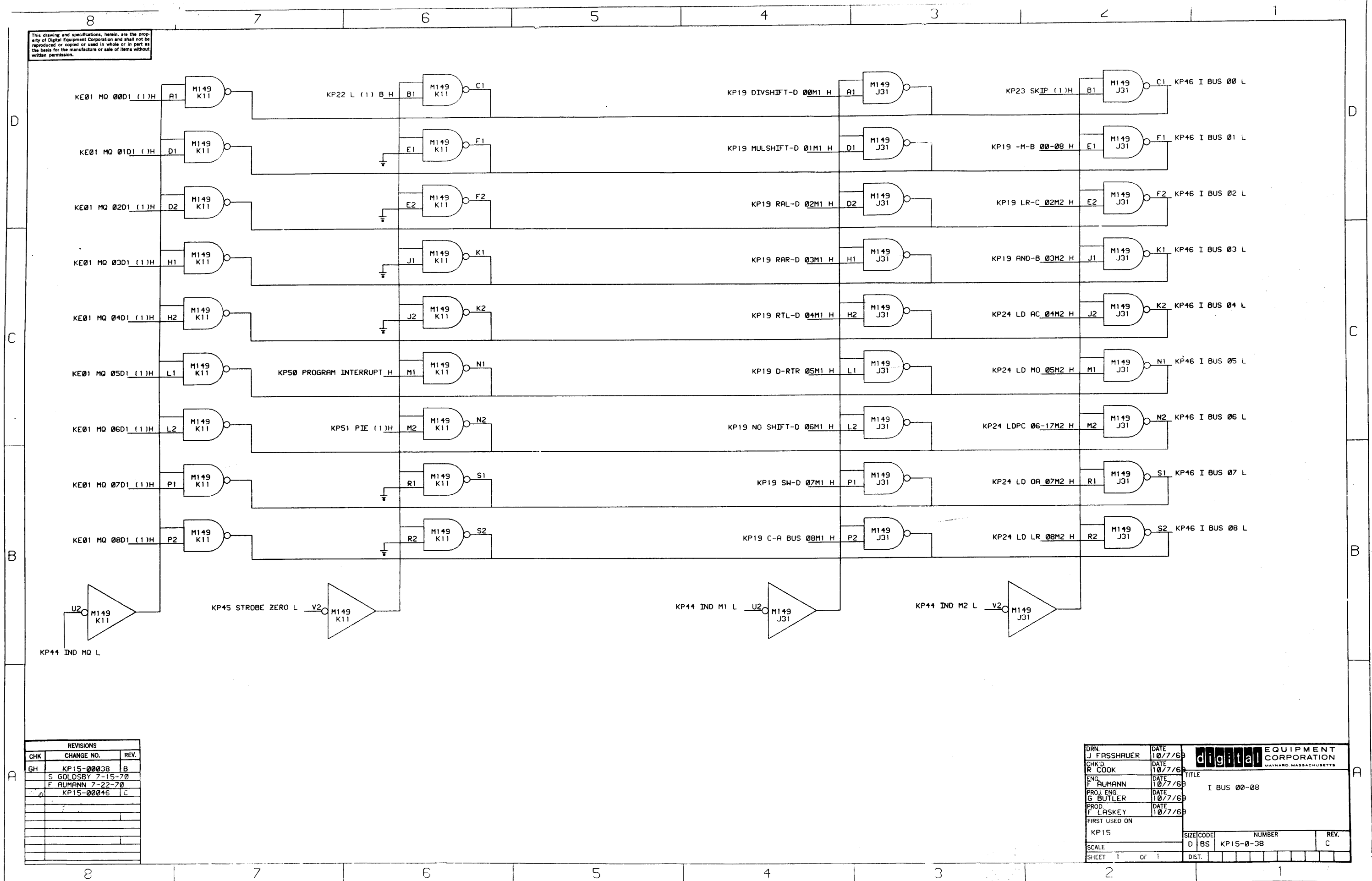
This drawing and specifications, herein, are the property of Digital Equipment Corporation and shall not be reproduced or copied or used in whole or in part as the basis for the manufacture or sale of items without written permission.



| REVISIONS |                 | REVISIONS |     | REVISIONS      |      |
|-----------|-----------------|-----------|-----|----------------|------|
| CHK       | CHANGE NO.      | REV.      | CHK | CHANGE NO.     | REV. |
| LH        | KP15-00038      | L         | GH  | KP15-00056     | R    |
| S         | GOLDSBY 7-15-70 |           | N   | COTE 6/22/71   |      |
| F         | AUMANN 7-22-70  |           | F   | AUMANN 6/24/71 |      |
| GH        | KP15-00046      | M         | GH  | KP15-00062     | S    |
| K         | WALSH 12/11/70  |           | N   | COTE 9/7/71    |      |
| F         | AUMANN 12/11/70 |           | F   | AUMANN 9/27/71 |      |
| GH        | KP15-00048      | N         | GH  | KP15-00066     | T    |
| N         | LEGERE 1/12/71  |           |     |                |      |
| F         | AUMANN 1/12/71  |           |     |                |      |
| GH        | KP15-00053      | F         |     |                |      |
| S         | GOLDSBY 3/1/71  |           |     |                |      |
| F         | AUMANN 3/2/71   |           |     |                |      |

|                        |                  |  |                     |           |
|------------------------|------------------|--|---------------------|-----------|
| DRN<br>S GOLDSBY       | DATE<br>10-15-69 | <br><b>DIGITAL EQUIPMENT CORPORATION</b><br>MAYNARD, MASSACHUSETTS |                     |           |
| CHK'D<br>L HOSOS       | DATE<br>10-15-69 |  |                     |           |
| ENG<br>F AUMANN        | DATE<br>10-7-69  | <b>INTERRUPT CONTROL LOGIC</b>                                     |                     |           |
| PROJ. ENG.<br>G BUTLER | DATE<br>10-7-69  |  |                     |           |
| PROD.<br>F LASKEY      | DATE<br>10-7-69  |  |                     |           |
| FIRST USED ON<br>KP15  |                  |  |                     |           |
| SCALE<br>SHEET 1 OF 1  | DIST.            | SIZE CODE<br>D BS  | NUMBER<br>KP15-0-35 | REV.<br>W |

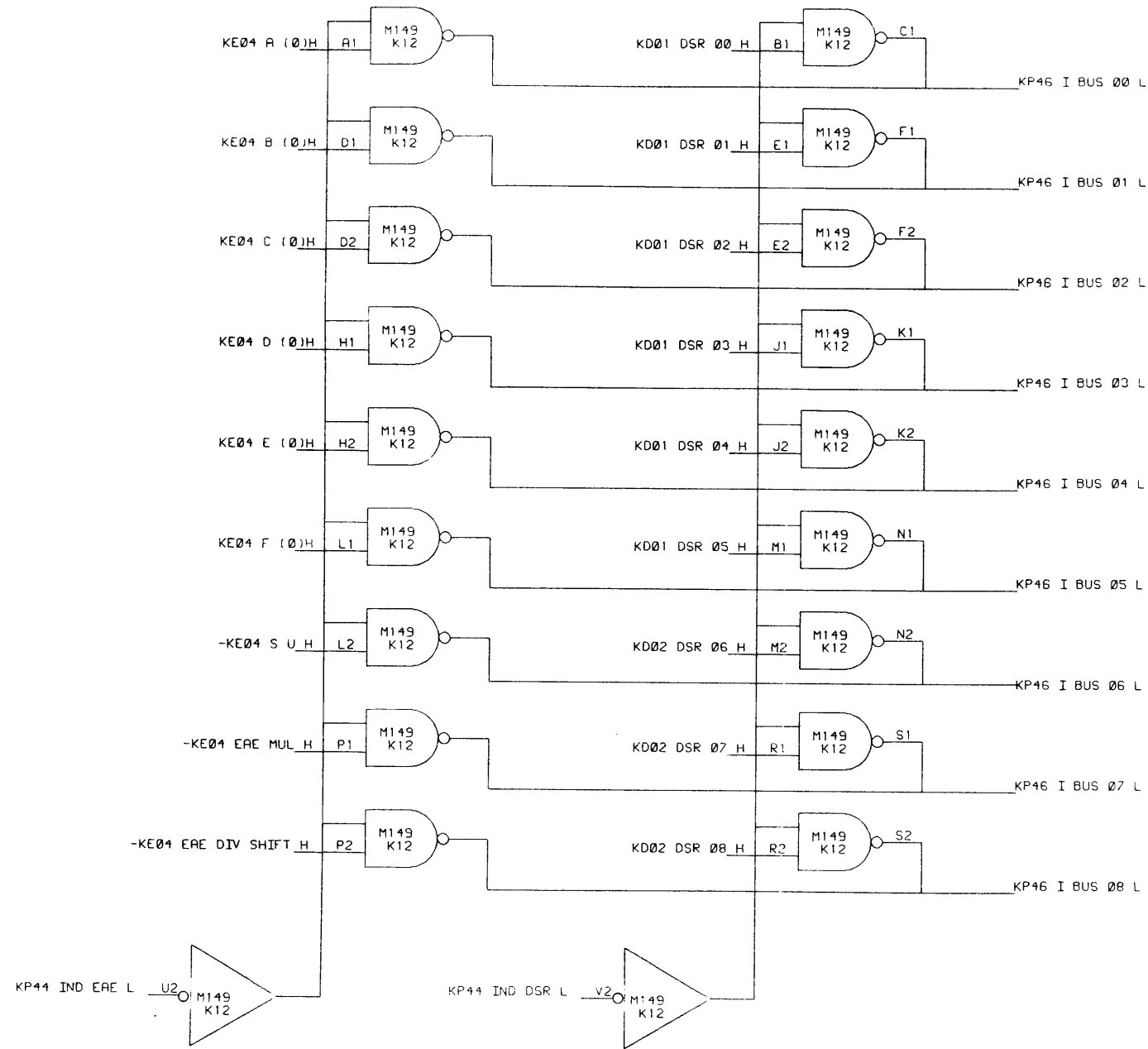
This drawing and specifications herein are the property of Digital Equipment Corporation and shall not be reproduced or copied in whole or in part as the basis for the manufacture or sale of items without written permission.



| REVISIONS |                 |      |
|-----------|-----------------|------|
| CHK       | CHANGE NO.      | REV. |
| GH        | KP15-00038      | B    |
| S         | GOLDSBY 7-15-70 |      |
| F         | RUMANN 7-22-70  |      |
| 0         | KP15-00046      | C    |
|           |                 |      |
|           |                 |      |
|           |                 |      |
|           |                 |      |
|           |                 |      |
|           |                 |      |

|                        |                 |   |
|------------------------|-----------------|---|
| DRN<br>J FRASSHAUER    | DATE<br>10/7/69 | digital EQUIPMENT CORPORATION<br>MAYNARD, MASSACHUSETTS |
| CHK'D<br>R COOK        | DATE<br>10/7/69 |   |
| ENG.<br>F RUMANN       | DATE<br>10/7/69 | TITLE<br>I BUS 00-08                                    |
| PROJ. ENG.<br>G BUTLER | DATE<br>10/7/69 |   |
| PROD.<br>F LASKEY      | DATE<br>10/7/69 |   |
| FIRST USED ON<br>KP15  |                 | SIZE/CODE<br>D BS                                       |
| SCALE                  |                 | NUMBER<br>KP15-0-38                                     |
| SHEET 1                | OF 1            | DIST. REV. C  |

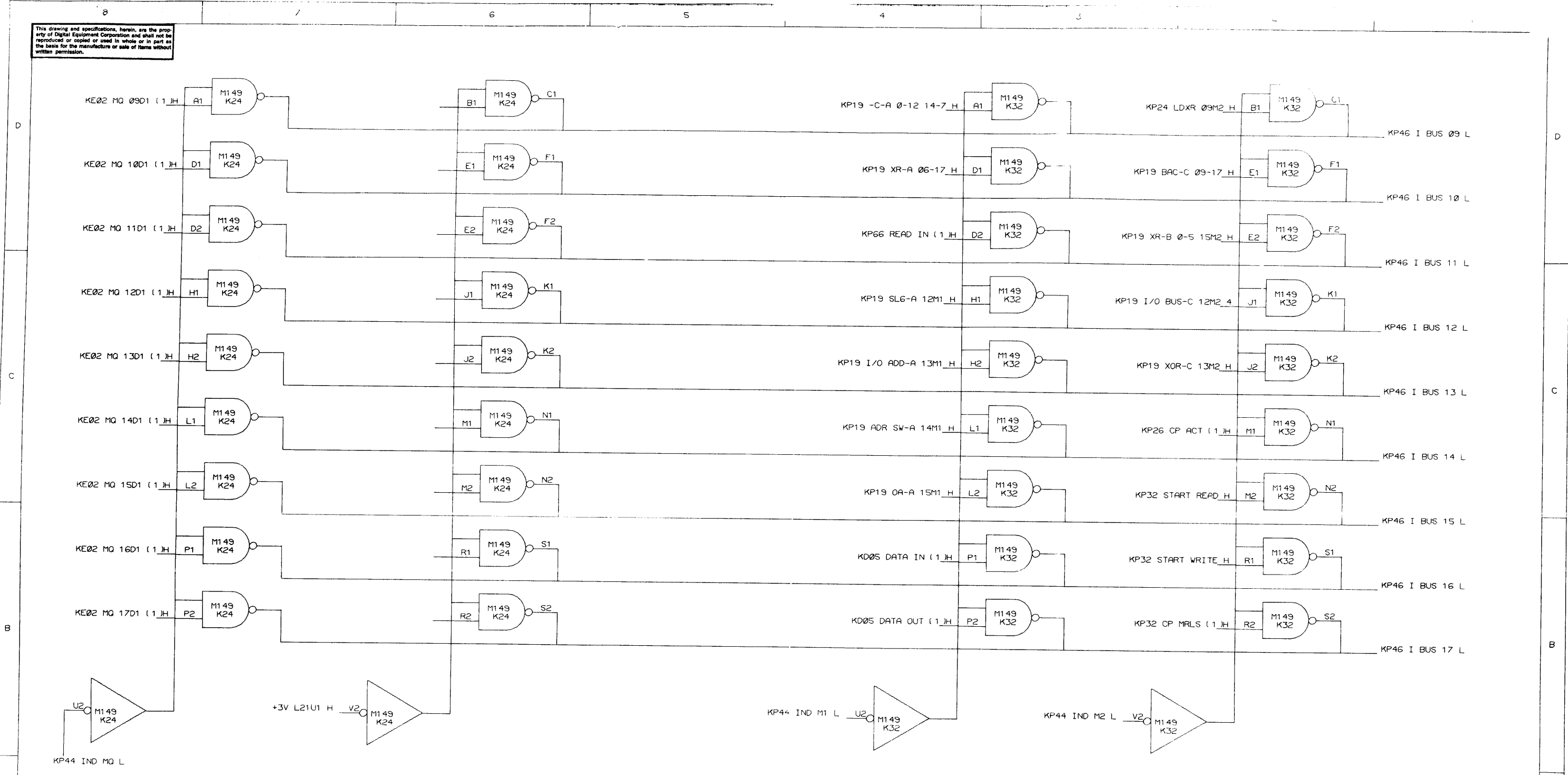
This drawing and specifications, herein, are the property of Digital Equipment Corporation and shall not be reproduced or copied or used in whole or in part as the basis for the manufacture or sale of items without written permission.



| REVISIONS |            |      |
|-----------|------------|------|
| CHK       | CHANGE NO. | REV. |
| KH        | 1          | 1    |

|               |           |   |
|---------------|-----------|---|
| DRN.          | DATE      | digital EQUIPMENT CORPORATION<br>MAYNARD, MASSACHUSETTS |
| CHK'D.        | DATE      |   |
| ENG.          | DATE      | TITLE   |
| PROJ. ENG.    | DATE      | I BUS 00-06   |
| PROD.         | DATE      |   |
| FIRST USED ON |           |   |
| KP15          |           |   |
| SCALE         | SIZE/CODE | NUMBER  |
|               | D BS      | KP15 0-02   |
| SHEET         | OF        | REV.  |
|               |           | A   |

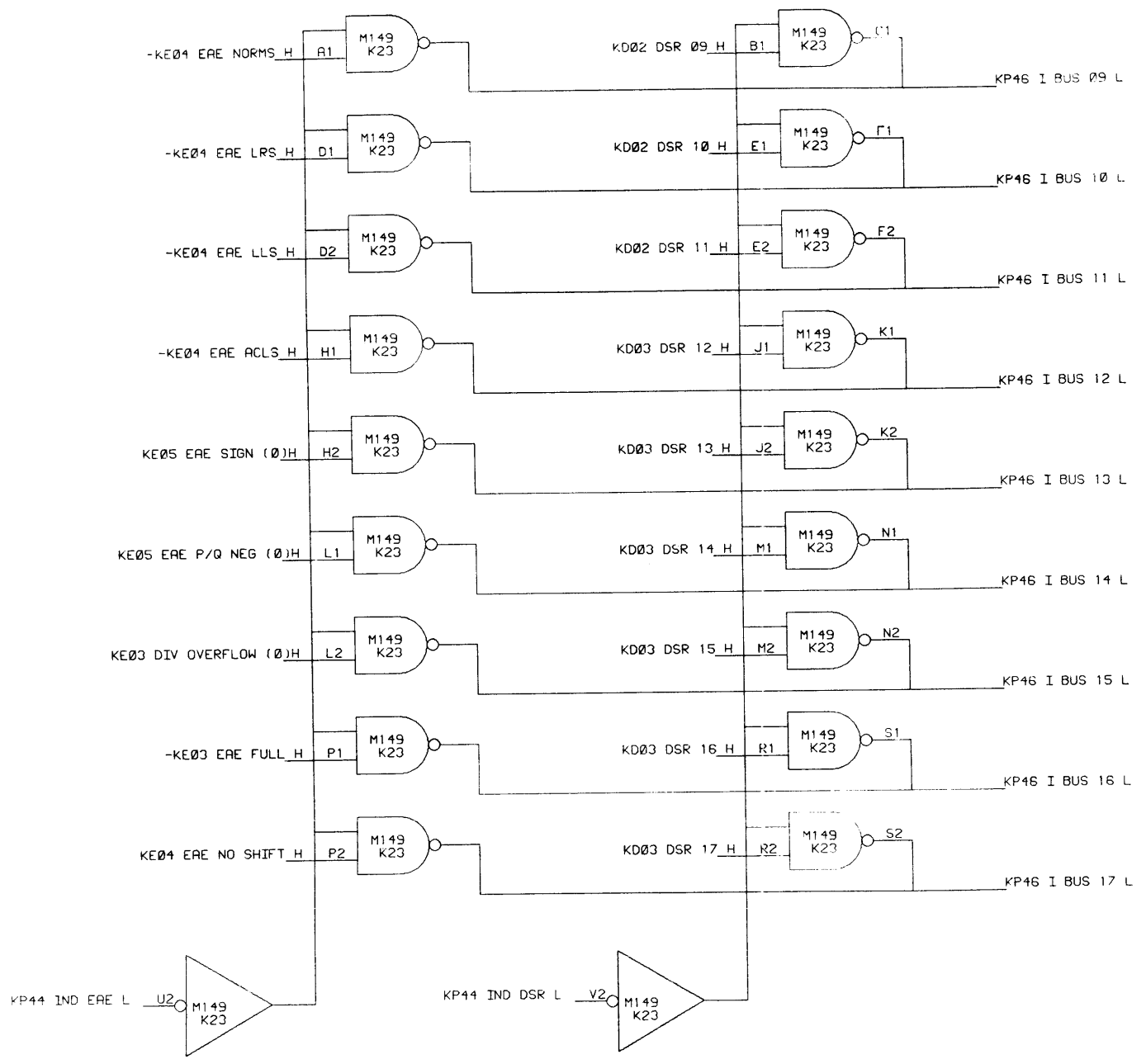
This drawing and specifications, herein, are the property of Digital Equipment Corporation and shall not be reproduced or copied or used in whole or in part as the basis for the manufacture or sale of items without written permission.



| REVISIONS |                   |      |
|-----------|-------------------|------|
| CHK       | CHANGE NO.        | REV. |
| LH        | KP15-00030        | B    |
|           | S GOLDSBY 7/15/70 |      |
|           | F ALMANN 7/22/70  |      |
|           | KP15-00057        | C    |

|               |              |      |          |  |                                      |           |
|---------------|--------------|------|----------|--|--------------------------------------|-----------|
| DRN           | J. FASSHAUER | DATE | 10/77/68 |  | <b>TITLE</b><br>I BUS 09-17 MQ-M1-M2 |           |
| CHK'D         | R. COOK      | DATE | 10/77/68 |  |                                      |           |
| ENG.          | A. MANN      | DATE | 10/77/68 |  |                                      |           |
| PROJ. ENG.    | G. BUTLER    | DATE | 10/77/68 |  |                                      |           |
| PROD.         | F. LASKEY    | DATE | 10/77/68 |  |                                      |           |
| FIRST USED ON | KP15         |      |          |  | SIZE                                 | D BS      |
| SCALE         |              |      |          |  | NUMBER                               | KP15-0-40 |
| SHEET         | OF           |      |          |  | REV.                                 | C         |

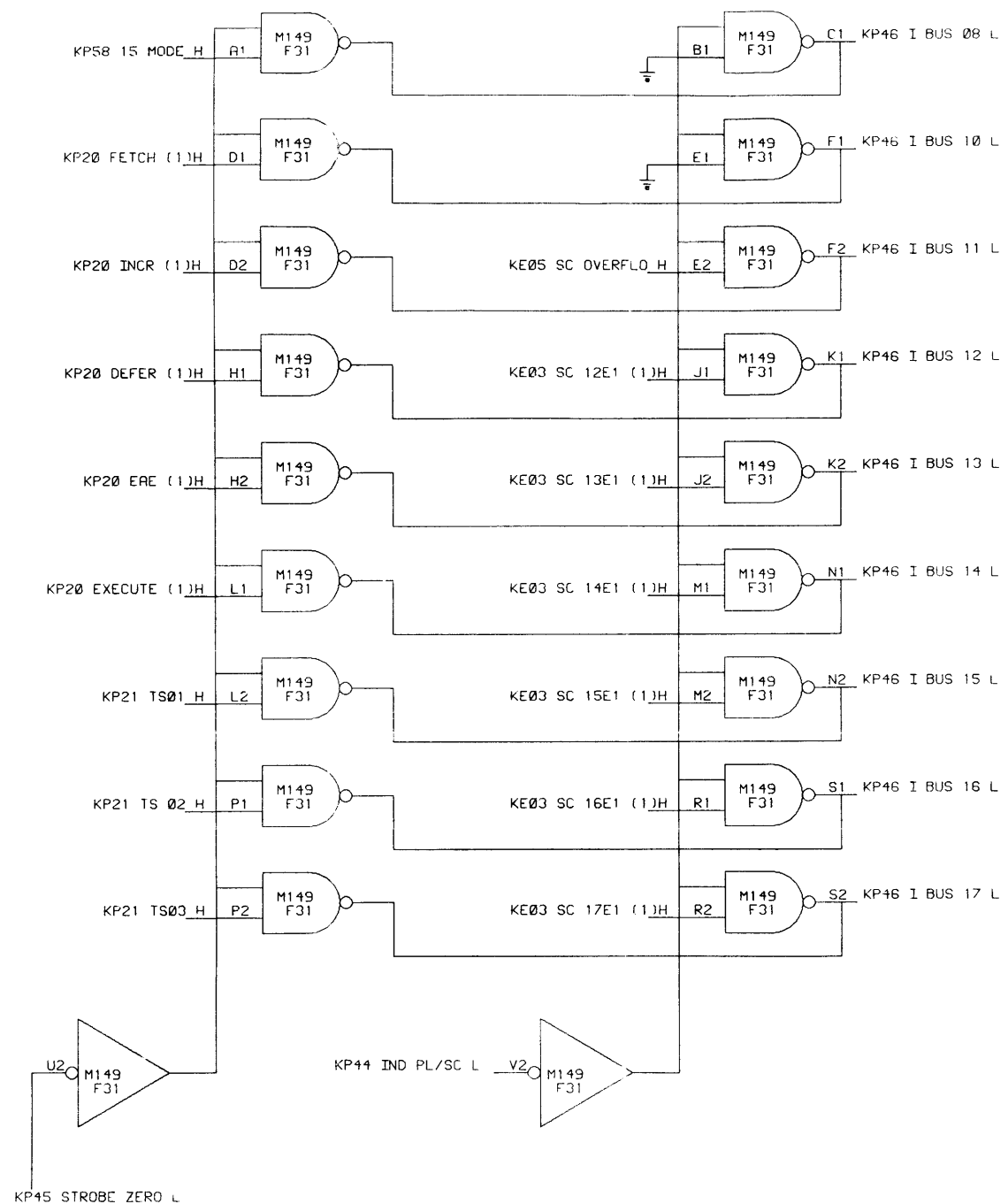
This drawing and specifications, herein, are the property of Digital Equipment Corporation and shall not be reproduced or copied or used in whole or in part as the basis for the manufacture or sale of items without written permission.



| REVISIONS |            |      |
|-----------|------------|------|
| CHK       | CHANGE NO. | REV. |
| 24        | KP15-0003  | 1    |
|           |            |      |
|           |            |      |
|           |            |      |
|           |            |      |
|           |            |      |
|           |            |      |
|           |            |      |
|           |            |      |
|           |            |      |

|                        |                     |  |
|------------------------|---------------------|--|
| DRN<br>J. FRASCHAUER   | DATE<br>10/7/69     | <b>digital</b> EQUIPMENT CORPORATION<br>MAYNARD, MASSACHUSETTS |
| CHKD.<br>R. COOK       | DATE<br>10/7/69     |  |
| ENG.<br>F. RUMANN      | DATE<br>10/7/69     | TITLE<br>I BUS 09-17   |
| PRJ. ENG.<br>B. BUTLER | DATE<br>10/9/69     |  |
| PRD.<br>F. LASKEY      | DATE<br>10/8/69     |  |
| FIRST USED ON<br>KP15  |                     |  |
| SCALE<br>D BS          | NUMBER<br>KP15-0-41 | REV.<br>8  |
| SHEET 1 OF 1           | DIST.               |  |

This drawing and specifications, herein, are the property of Digital Equipment Corporation and shall not be reproduced or copied or used in whole or in part as the basis for the manufacture or sale of items without written permission.

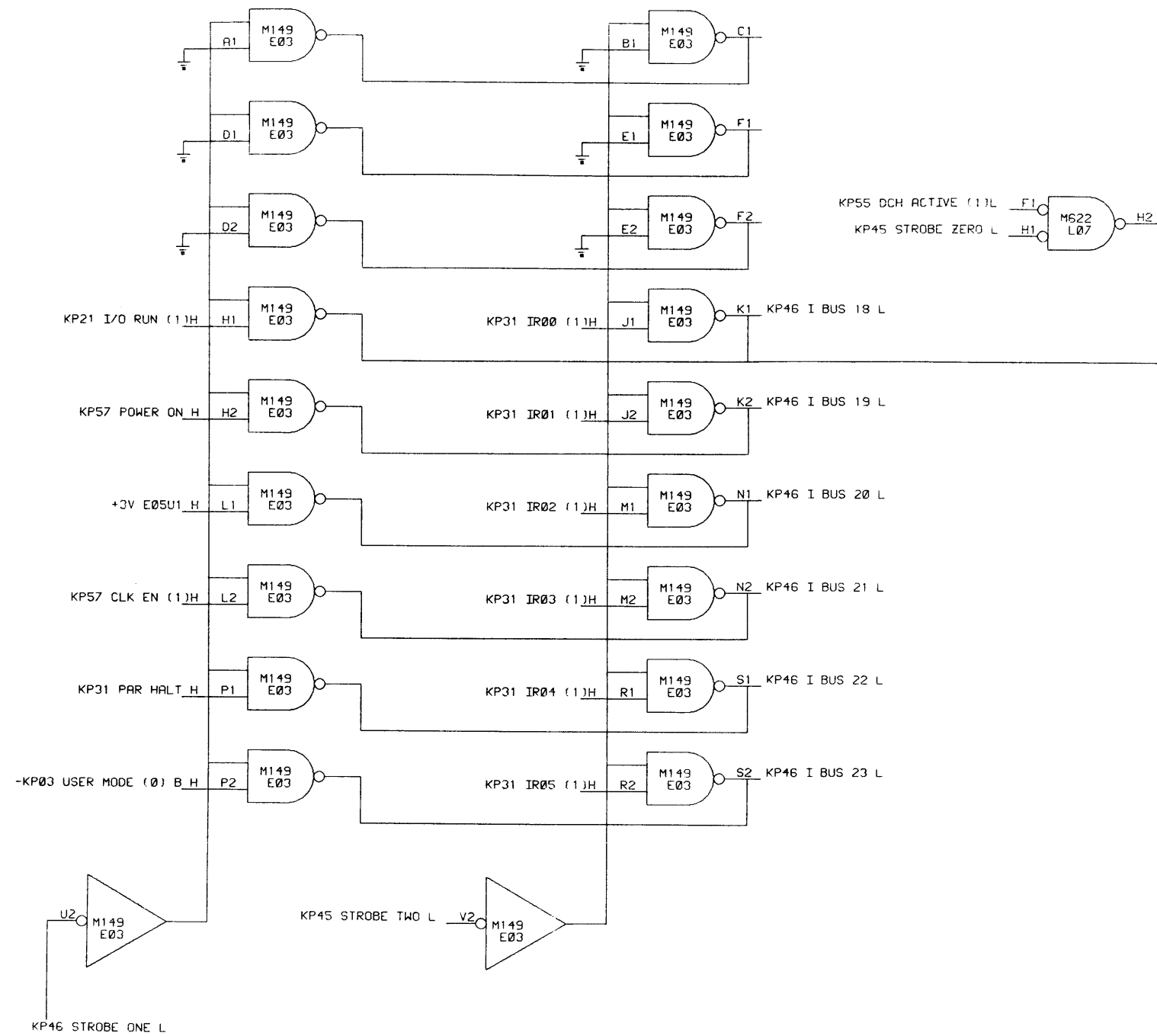


| REVISIONS |            |      |
|-----------|------------|------|
| CHK       | CHANGE NO. | REV. |
| ✓         | KP15-000   | 1    |
|           |            |      |
|           |            |      |
|           |            |      |
|           |            |      |
|           |            |      |
|           |            |      |
|           |            |      |
|           |            |      |

|                         |                   |   |
|-------------------------|-------------------|---|
| DRN<br>J. FASSHAUER     | DATE<br>10/7/69   | <br><b>digital EQUIPMENT CORPORATION</b><br><small>MAYNARD, MASSACHUSETTS</small> |
| CHKD<br>R. LUDOK        | DATE<br>10/7/69   |   |
| ENG<br>M. MUMANN        | DATE<br>10/7/69   | TITLE<br>I BUS 08 10-17 SC  |
| PROJ. ENG.<br>B. BUTLER | DATE<br>10/9/69   |   |
| PROD.<br>P. LASKEY      | DATE<br>10/8/69   |   |
| FIRST USED ON<br>KP15   |                   |   |
| SCALE                   | SIZE CODE<br>D BS | NUMBER<br>KP15-0-12   |
| SHEET 1                 | OF 1              | DIS.  |
|                         |                   | REV.<br>B   |



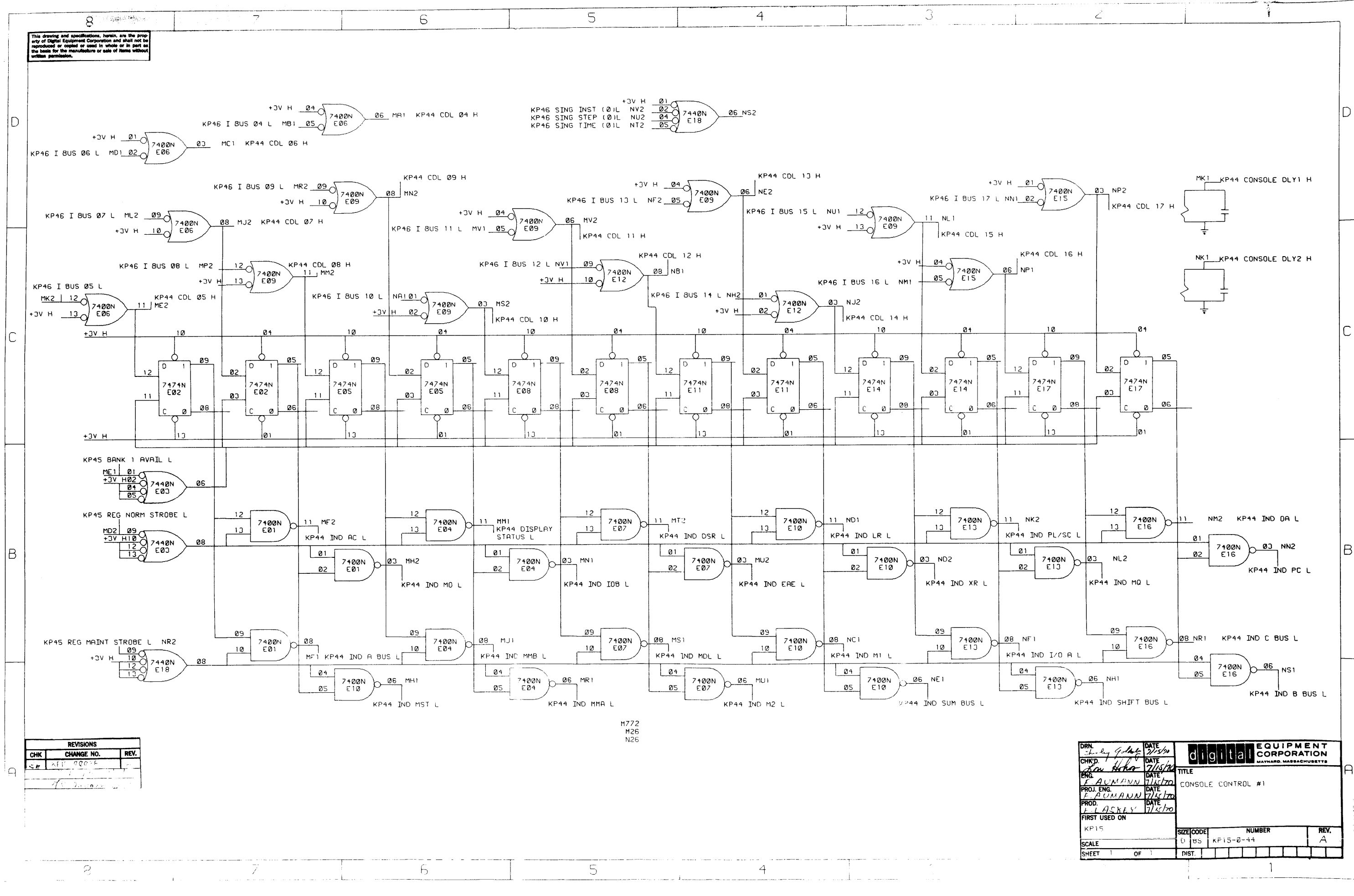
This drawing and specifications herein are the property of Digital Equipment Corporation and shall not be reproduced or copied in whole or in part as the basis for the manufacture or sale of items without written permission.



| REVISIONS |                 |      |
|-----------|-----------------|------|
| CHK       | CHANGE NO.      | REV. |
| LH        | KP15-00038      | B    |
| S         | GOLDSBY 7/15/70 |      |
| F         | RUMANN 7/22/70  |      |
| GH        | KP15-00045      | C    |
| S         | GOLDSBY 10-9-70 |      |
| F         | RUMANN 10-13-70 |      |
| GH        | KP15-00046      | D    |
| S         | GOLDSBY 1/1/71  |      |
| F         | RUMANN 3/2/71   |      |
|           | KP15-00056      | E    |

|               |           |      |          |  |
|---------------|-----------|------|----------|--|
| DRN           | S GOLDSBY | DATE | 10-15-69 | <b>digital</b> EQUIPMENT CORPORATION<br>MAYNARD, MASSACHUSETTS |
| CHK'D         | L FLOHOS  | DATE | 10-15-69 |  |
| ENG           | F RUMANN  | DATE | 10-7-69  |  |
| PROJ. ENG.    | G BUTLER  | DATE | 10-7-69  |  |
| PROD.         | F LASKEY  | DATE | 10-7-69  | TITLE  |
| FIRST USED ON |           |      |          | I BUS 13-23 IR   |
| KP15          |           |      |          | SIZE CODE  |
| SCALE         |           |      |          | D BS   |
| SHEET 1 OF 1  |           |      |          | NUMBER   |
|               |           |      |          | KP15-0-43  |
|               |           |      |          | REV.   |
|               |           |      |          | E  |
|               |           |      |          | DIST.  |

This drawing and specifications, herein, are the property of Digital Equipment Corporation and shall not be reproduced or copied in whole or in part as the basis for the manufacture or sale of items without written permission.

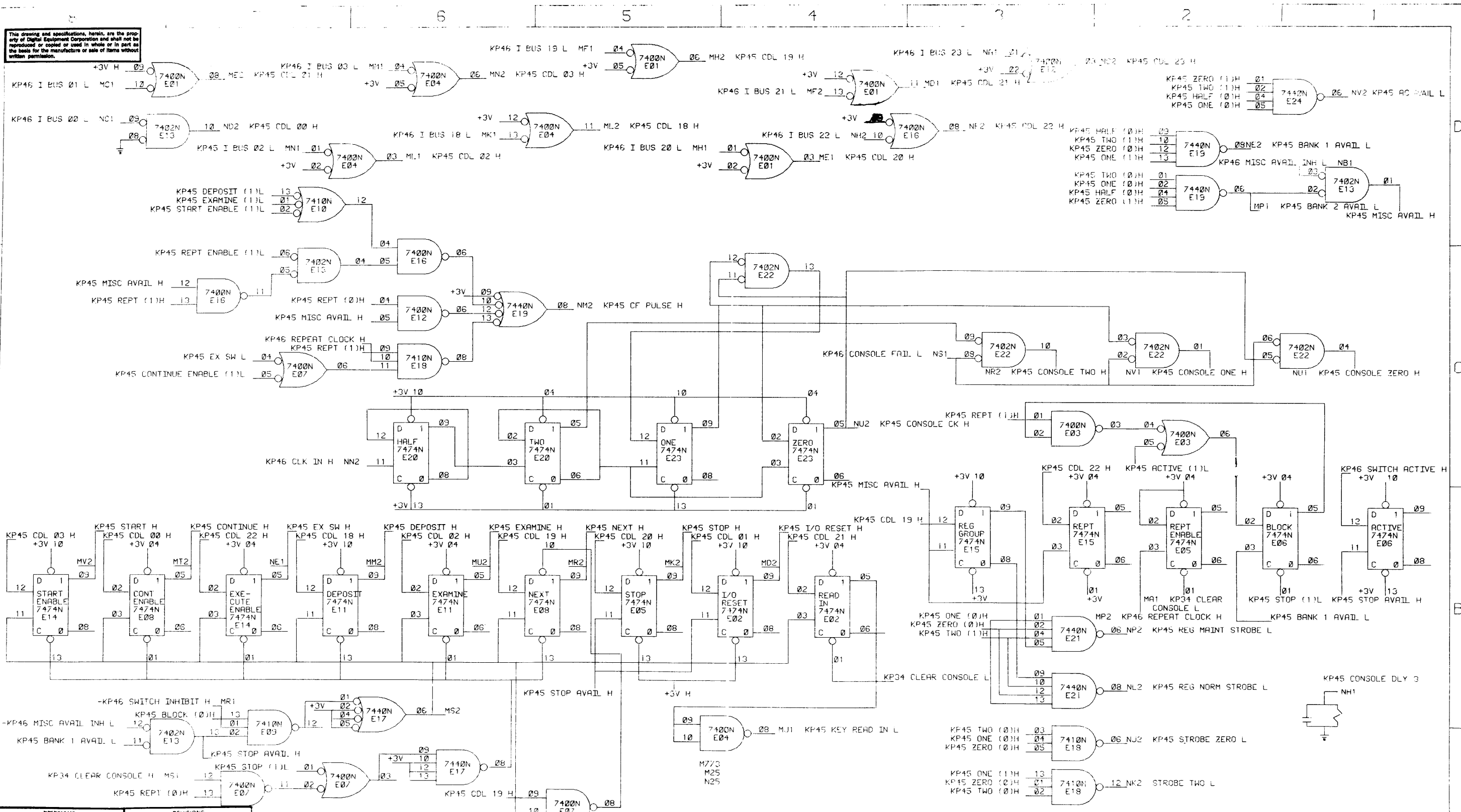


| REVISIONS |            |      |
|-----------|------------|------|
| CHK       | CHANGE NO. | REV. |
| SW        | 1          | 1    |

M772  
M26  
N26

|                             |                     |  |
|-----------------------------|---------------------|--|
| DRN. <i>Shirley Galt</i>    | DATE <i>7/15/70</i> | <b>digital EQUIPMENT CORPORATION</b><br>MAYNARD, MASSACHUSETTS |
| CHK'D <i>Tom Akers</i>      | DATE <i>7/15/70</i> |  |
| ENG. <i>E. Aumann</i>       | DATE <i>7/15/70</i> | TITLE<br>CONSOLE CONTROL #1                                    |
| PROJ. ENG. <i>E. Aumann</i> | DATE <i>7/15/70</i> |  |
| PROD. <i>E. Laskey</i>      | DATE <i>7/15/70</i> |  |
| FIRST USED ON<br>KP15       | SIZE CODE<br>0 05   | NUMBER<br>KP15-0-44  |
| SCALE<br>SHEET 1 OF 1       | DIST.               | REV.<br>A  |

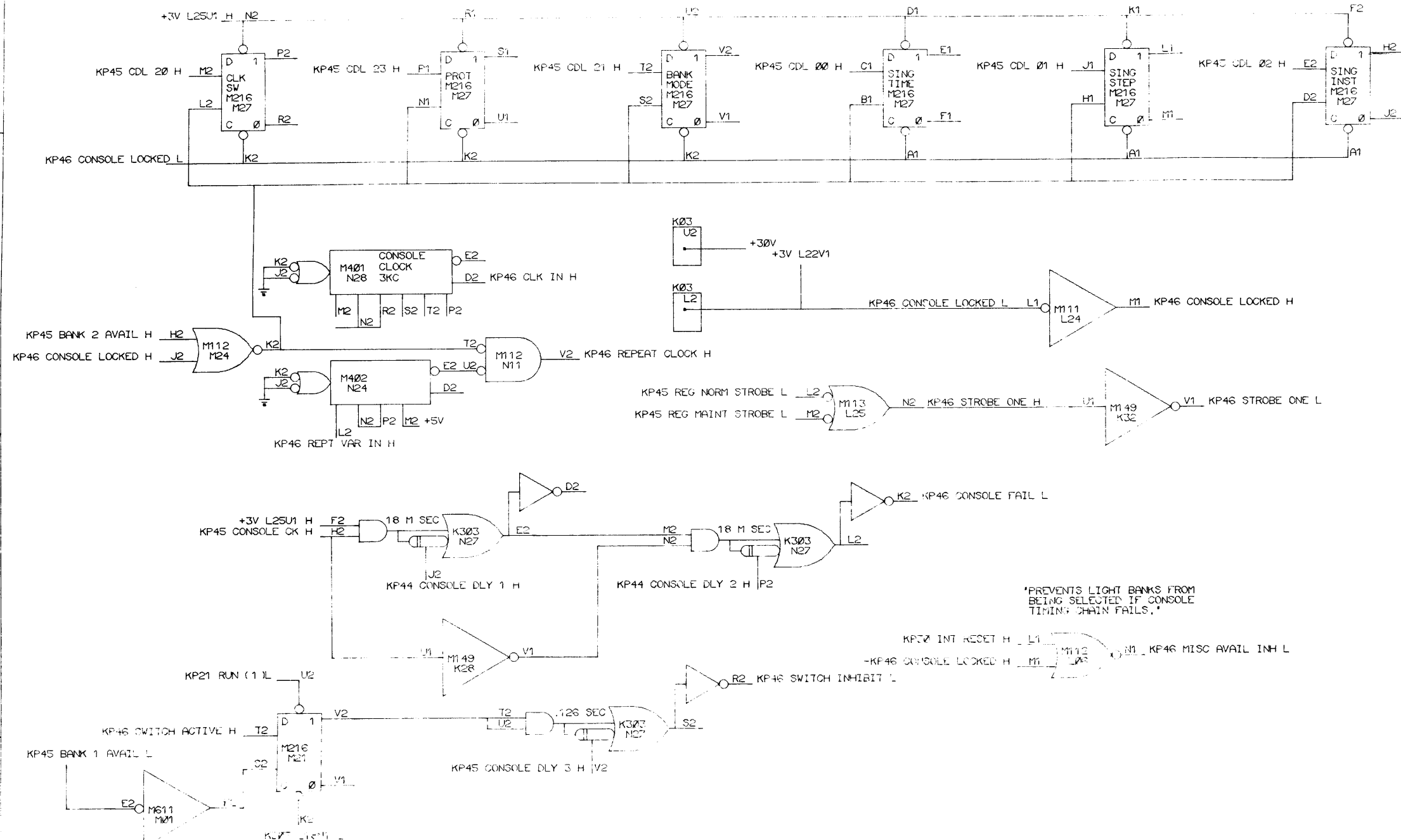
This drawing and specifications, herein, are the property of Digital Equipment Corporation and shall not be reproduced or copied in whole or in part as the basis for the manufacture or sale of items without written permission.



| REVISIONS |                    |      | REVISIONS |            |      |
|-----------|--------------------|------|-----------|------------|------|
| CHK       | CHANGE NO.         | REV. | CHK       | CHANGE NO. | REV. |
| LH        | KP15-00238         | C    |           |            |      |
|           | S. GOLDSBY 7-15-70 |      |           |            |      |
|           | F. ALMANN 7-22-72  |      |           |            |      |
|           | KP15-00848         |      |           |            |      |
|           | K. WALSH 12/18/72  |      |           |            |      |
|           | F. ALMANN 12/14/72 |      |           |            |      |
|           | KP15-00250         |      |           |            |      |

|                         |                   |   |
|-------------------------|-------------------|---|
| DRN<br>J. FASSHAUER     | DATE<br>10-7-68   | <b>digital EQUIPMENT CORPORATION</b><br><small>MAYNARD, MASSACHUSETTS</small> |
| CHK'D<br>R. COOK        | DATE<br>10-7-68   |   |
| ENG.<br>F. HUMANN       | DATE<br>10-7-68   |   |
| PROJ. ENG.<br>G. BUTLER | DATE<br>10-8-68   |   |
| PROD.<br>F. LASKEY      | DATE<br>10-8-68   | TITLE<br>CONSOLE CONTROL #2   |
| FIRST USED ON<br>KP15   | SIZE CODE<br>D BS | NUMBER<br>KP15-0-15   |
| SCALE                   |                   | REV.<br>F   |
| SHEET 1 OF 1            | DIST.             |   |

This drawing and specifications, herein, are the property of Digital Equipment Corporation and shall not be reproduced or copied or used in whole or in part as the basis for the manufacture or sale of items without written permission.



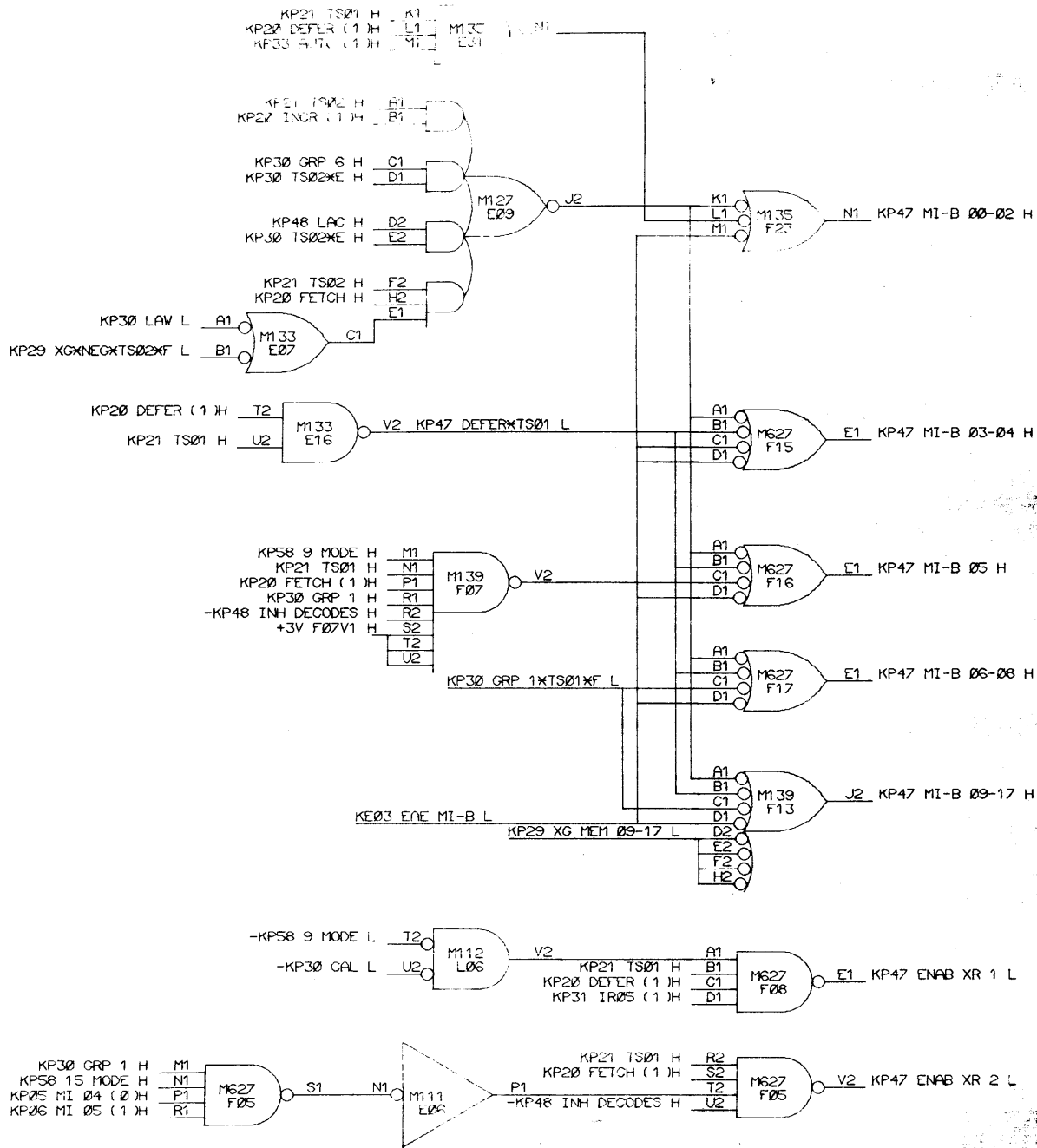
- M901 L02
- A1 KP46 I BUS 18 L
  - B1 KP46 I BUS 19 L
  - C1 KP46 I BUS 20 L
  - D1 KP46 I BUS 21 L
  - E1 KP46 I BUS 22 L
  - F1 KP46 I BUS 23 L
  - H1 KP46 I BUS 00 L
  - J1 KP46 I BUS 01 L
  - K1 KP46 I BUS 02 L
  - L1 KP46 I BUS 03 L
  - M1 KP46 I BUS 04 L
  - N1 KP46 I BUS 05 L
  - P1 KP46 I BUS 06 L
  - R1 KP46 I BUS 07 L
  - S1 KP46 SWITCH ACTIVE H
  - T1 KP46 I BUS 08 L
  - V1 KP46 I BUS 09 L

- M901 L02
- A1 +5V H
  - B1 KP46 I BUS 10 L
  - C1 KP46 I BUS 11 L
  - D1 KP46 I BUS 12 L
  - E1 KP46 I BUS 13 L
  - F1 KP46 I BUS 14 L
  - G1 KP46 I BUS 15 L
  - H1 KP46 I BUS 16 L
  - I1 KP46 I BUS 17 L
  - J1
  - K1
  - L1
  - M1
  - N1
  - P1
  - R1 KP46 REPT VAR IN H
  - S1
  - T1 KP45 CONSOLE TWO H
  - U1 KP45 CONSOLE ONE H
  - V1 KP45 CONSOLE ZERO H

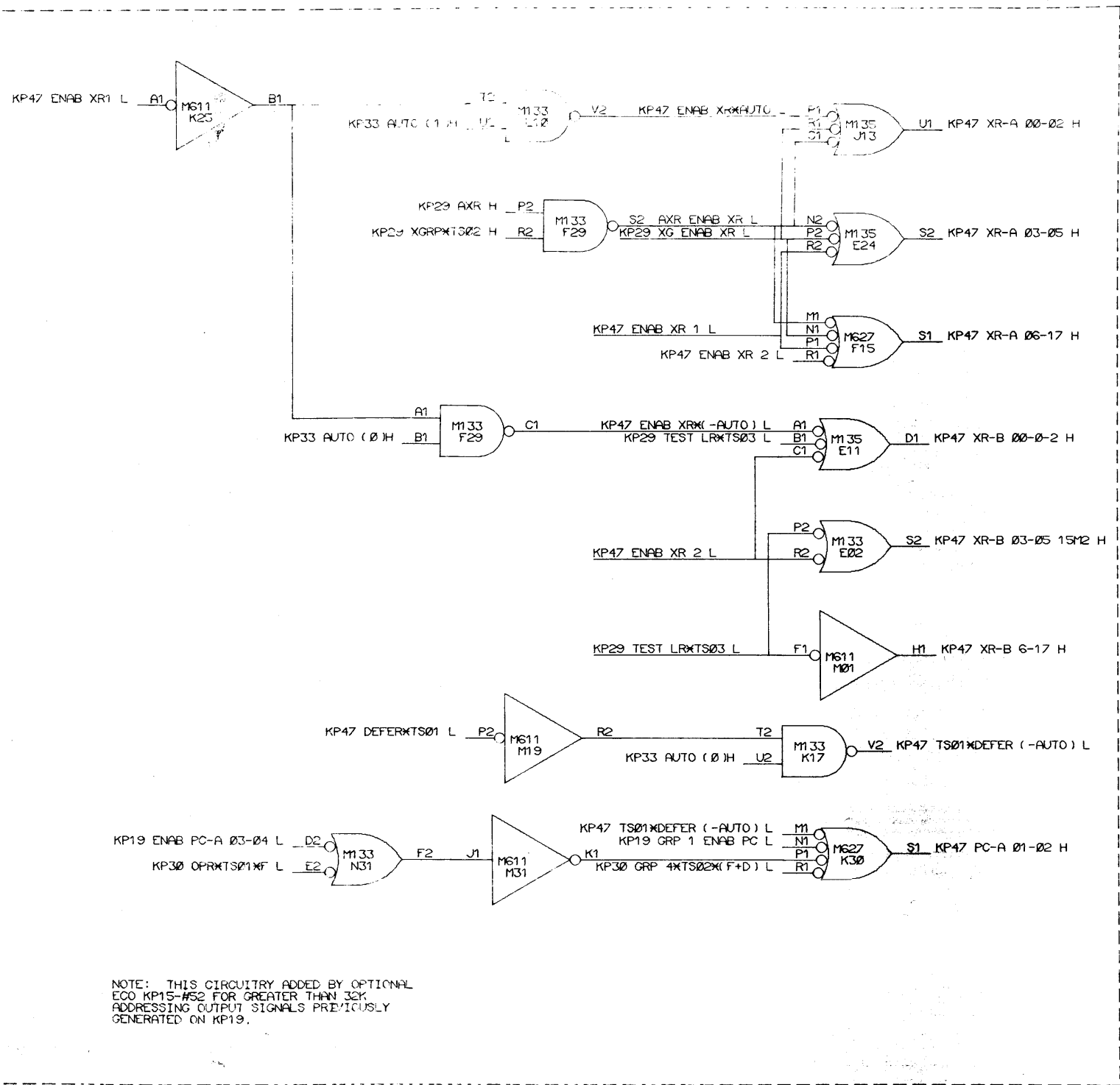
| REVISIONS |                     |      |
|-----------|---------------------|------|
| CHK       | CHANGE NO.          | REV. |
| 1         | KP13-2007-08        | H    |
| 2         | 10 OCTOBER 7-10-77  |      |
| 3         | 11 NOVEMBER 2-25-77 |      |
| 4         | 12 JANUARY 20-24-78 |      |
| 5         | 13 MARCH 12-16-77   |      |
| 6         | 14 APRIL 12-16-77   |      |
| 7         | 15 JUNE 2-24-78     |      |

|                         |                 |   |
|-------------------------|-----------------|---|
| DRN<br>M. SCHURMAN      | DATE<br>11-7-69 | digital EQUIPMENT CORPORATION<br>MAYNARD, MASSACHUSETTS |
| CHK'D<br>N. RHEHULT     | DATE<br>11-7-69 |   |
| ENG.<br>J. RUMANN       | DATE<br>11-7-69 | TITLE<br>MISC CONSOLE LOGIC                             |
| PROJ. ENG.<br>R. BULLER | DATE<br>11-7-69 |   |
| PROD.<br>J. LASKY       | DATE<br>11-7-69 | FIRST USED ON<br>KP13                                   |
| SIZE CODE<br>U BS       |                 |   |
| SCALE<br>SHEET 1 OF 1   |                 | REV.<br>K   |

This drawing and specifications, herein, are the property of Digital Equipment Corporation and shall not be reproduced or copied or used in whole or in part as the basis for the manufacture or sale of items without written permission.



ENABLE INDEX REGISTER FOR INDEXED ADDRESSING

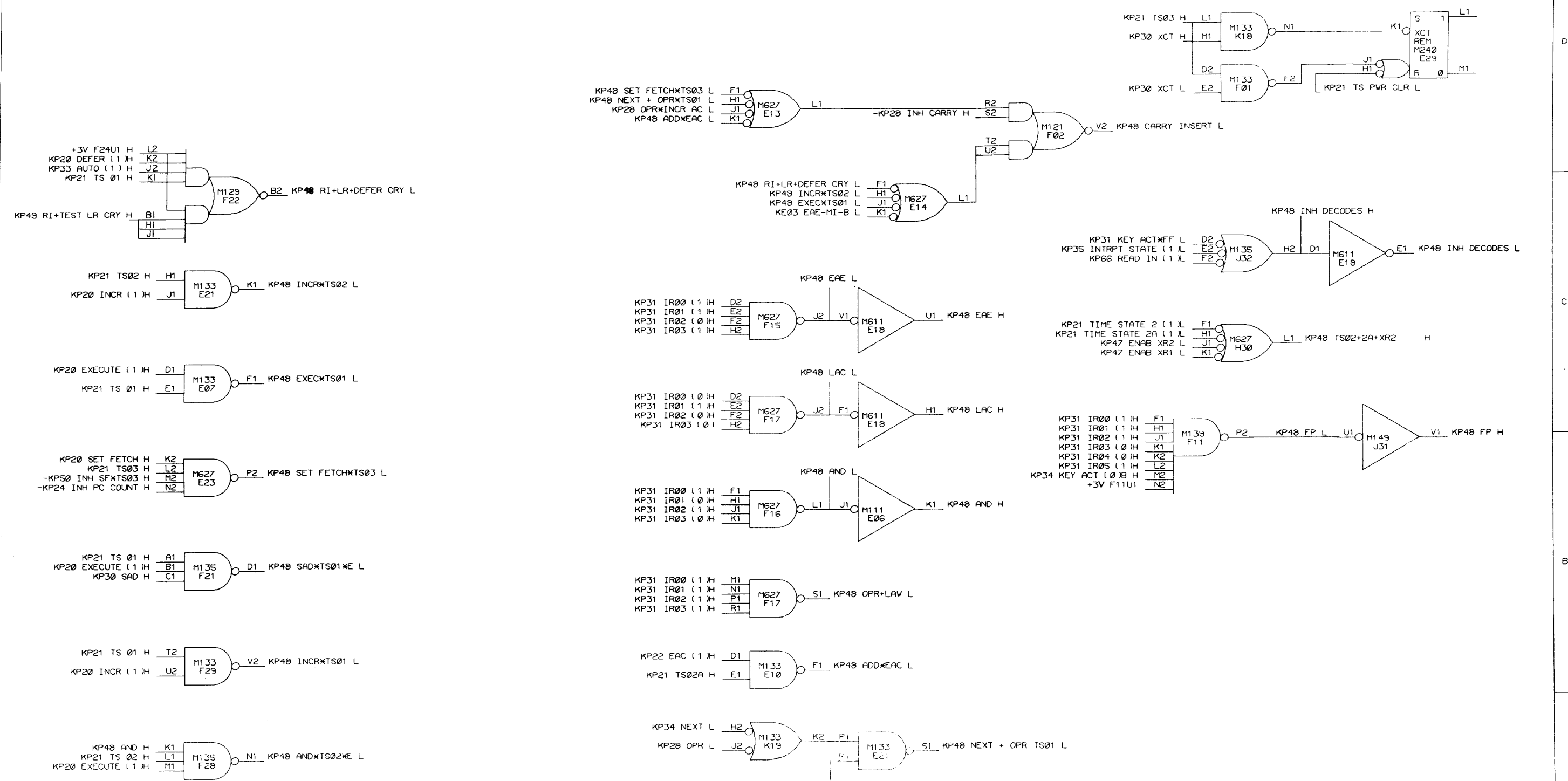


NOTE: THIS CIRCUITRY ADDED BY OPTIONAL ECO KP15-#52 FOR GREATER THAN 32K ADDRESSING OUTPUT SIGNALS PREVIOUSLY GENERATED ON KP19.

| REVISIONS |                    |      |
|-----------|--------------------|------|
| CHK       | CHANGE NO.         | REV. |
| LH        | KP15-00038         | D    |
|           | S. GOLDSBY 7/15/77 |      |
|           | E. HUMANN 7/22/77  |      |
|           | KP15-00038         |      |
|           | S. GOLDSBY 3/1/78  |      |
|           | E. HUMANN 3/1/78   |      |
|           | KP15-00038         |      |
|           | Humann 4/14/78     |      |

|                       |                   |   |
|-----------------------|-------------------|---|
| DRN<br>J FASSHAUER    | DATE<br>10/7/69   | digital<br>EQUIPMENT<br>CORPORATION<br>MAYNARD, MASSACHUSETTS |
| CHKD<br>R COOK        | DATE<br>10/7/69   |   |
| ENG<br>F HUMANN       | DATE<br>10/7/69   | TITLE<br>MI CONTROL   |
| PROJ. ENG<br>G BUTLER | DATE<br>10/7/69   |   |
| PROD.<br>P LASKEY     | DATE<br>10/7/69   |   |
| FIRST USED ON<br>KP15 | SIZE CODE<br>D BS | NUMBER<br>KP15-0-47   |
| SCALE<br>SHEET 1 OF 1 | DIST.             | REV.<br>F   |

This drawing and specifications, herein, are the property of Digital Equipment Corporation and shall not be reproduced or copied or used in whole or in part as the basis for the manufacture or sale of items without written permission.

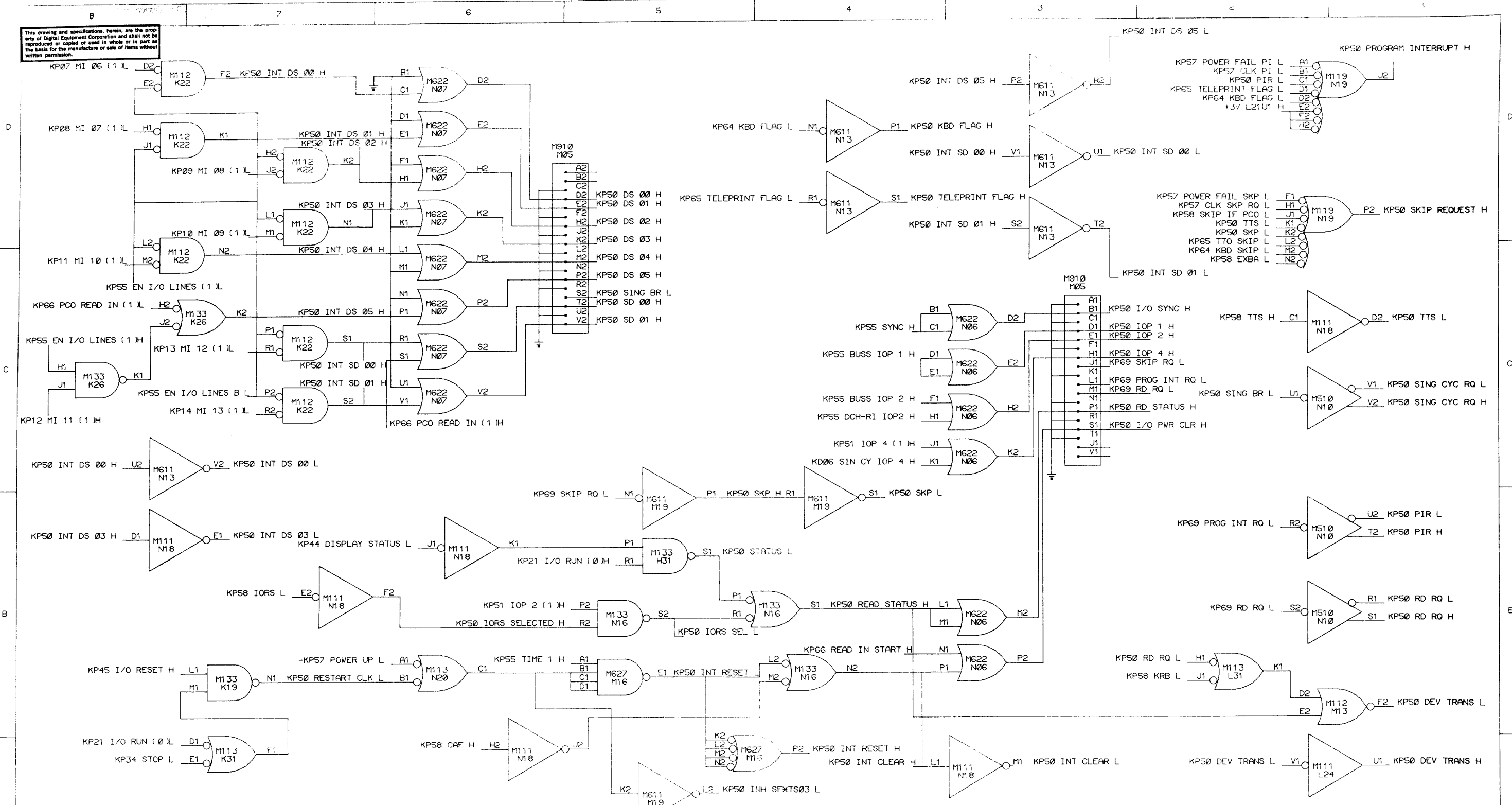


| REVISIONS |                   |      | REVISIONS |            |      |
|-----------|-------------------|------|-----------|------------|------|
| CHK       | CHANGE NO.        | REV. | CHK       | CHANGE NO. | REV. |
| LH        | KP15-00038        | E    |           |            |      |
|           | S GOLDSBY 7-15-70 |      |           |            |      |
|           | F AUMANN 7-22-70  |      |           |            |      |
| GH        | KP15-00046        | F    |           |            |      |
|           | K WALSH 12/11/70  |      |           |            |      |
|           | F AUMANN 12/11/70 |      |           |            |      |
|           | KP15-00057        | H    |           |            |      |
|           |                   |      |           |            |      |
|           |                   |      |           |            |      |

|               |             |           |         |   |            |
|---------------|-------------|-----------|---------|---|------------|
| DRN.          | M. SCHURMAN | DATE      | 11-7-68 | digital EQUIPMENT CORPORATION<br>MAYNARD, MASSACHUSETTS |            |
| CHK'D.        | N. RHEAULT  | DATE      | 11-7-68 |   |            |
| ENG.          | F. AUMANN   | DATE      | 11-7-68 |   |            |
| PROJ. ENG.    | G. BUTLER   | DATE      | 11-7-68 |   |            |
| PROD.         | F. LASKEY   | DATE      | 11-7-68 | TITLE   | MISC LOGIC |
| FIRST USED ON | KP15        | SIZE CODE | D BS    | NUMBER  | KP15-0-48  |
| SCALE         |             |           |         | REV.  | J          |
| SHEET         | 1           | OF        | 1       | DIST.   |            |



This drawing and specifications, herein, are the property of Digital Equipment Corporation and shall not be reproduced or copied or used in whole or in part as the basis for the manufacture or sale of items without written permission.

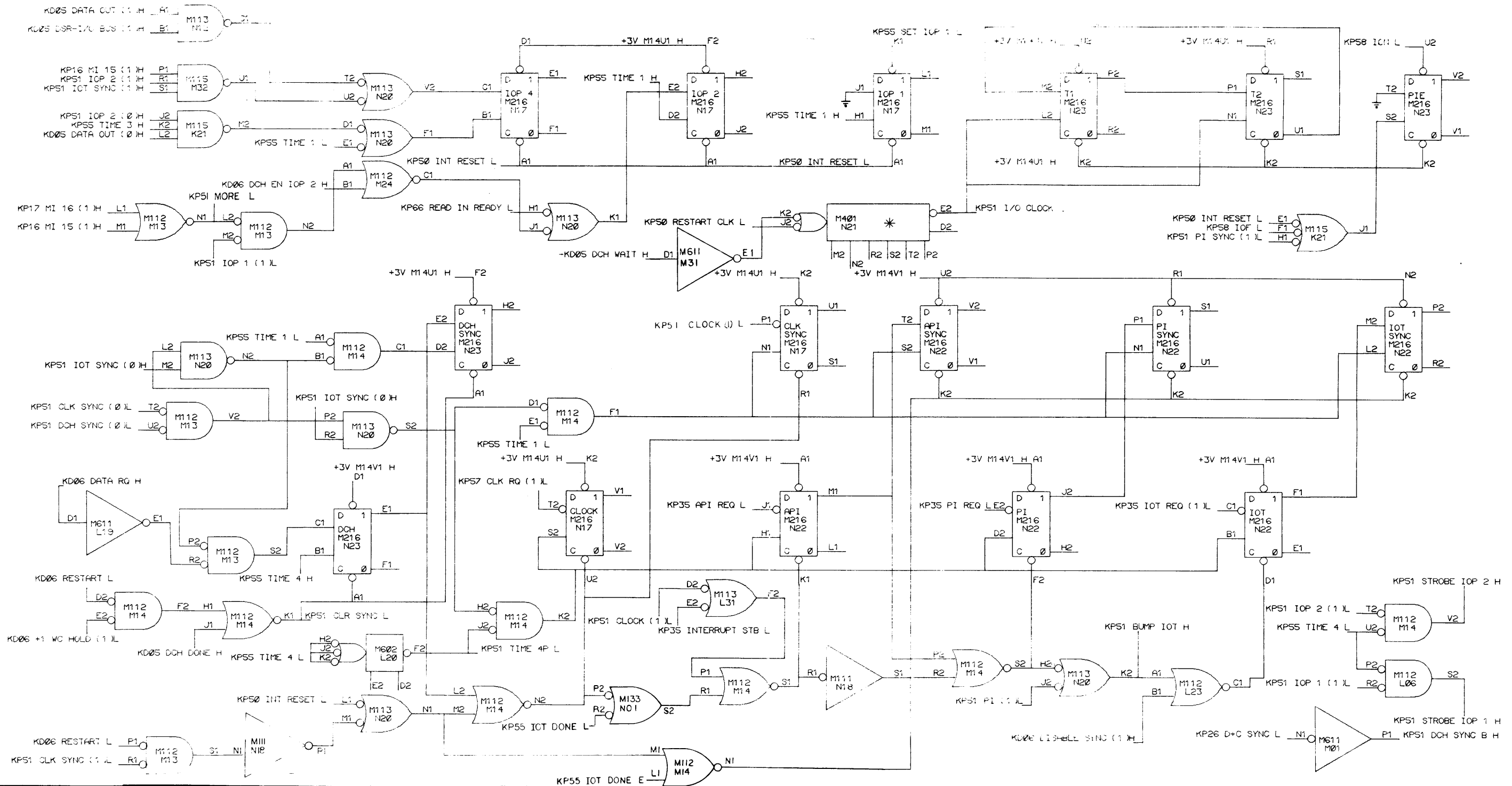


| REVISIONS |                    |      |
|-----------|--------------------|------|
| CHK       | CHANGE NO.         | REV. |
| LH        | KP15-00038         | H    |
|           | C. COLLOPY 7-15-70 |      |
|           | F. ALMANN 7-22-70  |      |
|           | K. WALSH 7-18-70   |      |
|           | F. ALMANN 7-18-70  |      |
|           | KP15-00038 JK      |      |

|                      |              |  |                          |
|----------------------|--------------|--|--------------------------|
| DRN. M. SCHURMAN     | DATE 11-7-69 | <b>digital</b> CORPORATION<br>MAYNARD, MASSACHUSETTS | TITLE<br>DEVICE SELECTOR |
| CHK'D. N. RHEAULT    | DATE 11-7-69 |  |                          |
| ENG. F. ALMANN       | DATE 11-7-69 |  |                          |
| PROJ. ENG. G. BUTLER | DATE 11-7-69 |  |                          |
| PROD. F. LASKEY      | DATE 11-7-69 |  |                          |
| FIRST USED ON        |              |  |                          |
| SCALE                | SIZE CODE    | NUMBER   | REV.                     |
| SHEET 1 OF 1         | D BS         | KP15-0-50  | K                        |



This drawing and specifications, herein, are the property of Digital Equipment Corporation and shall not be reproduced or copied or used in whole or in part as the basis for the manufacture or sale of items without written permission.  
773

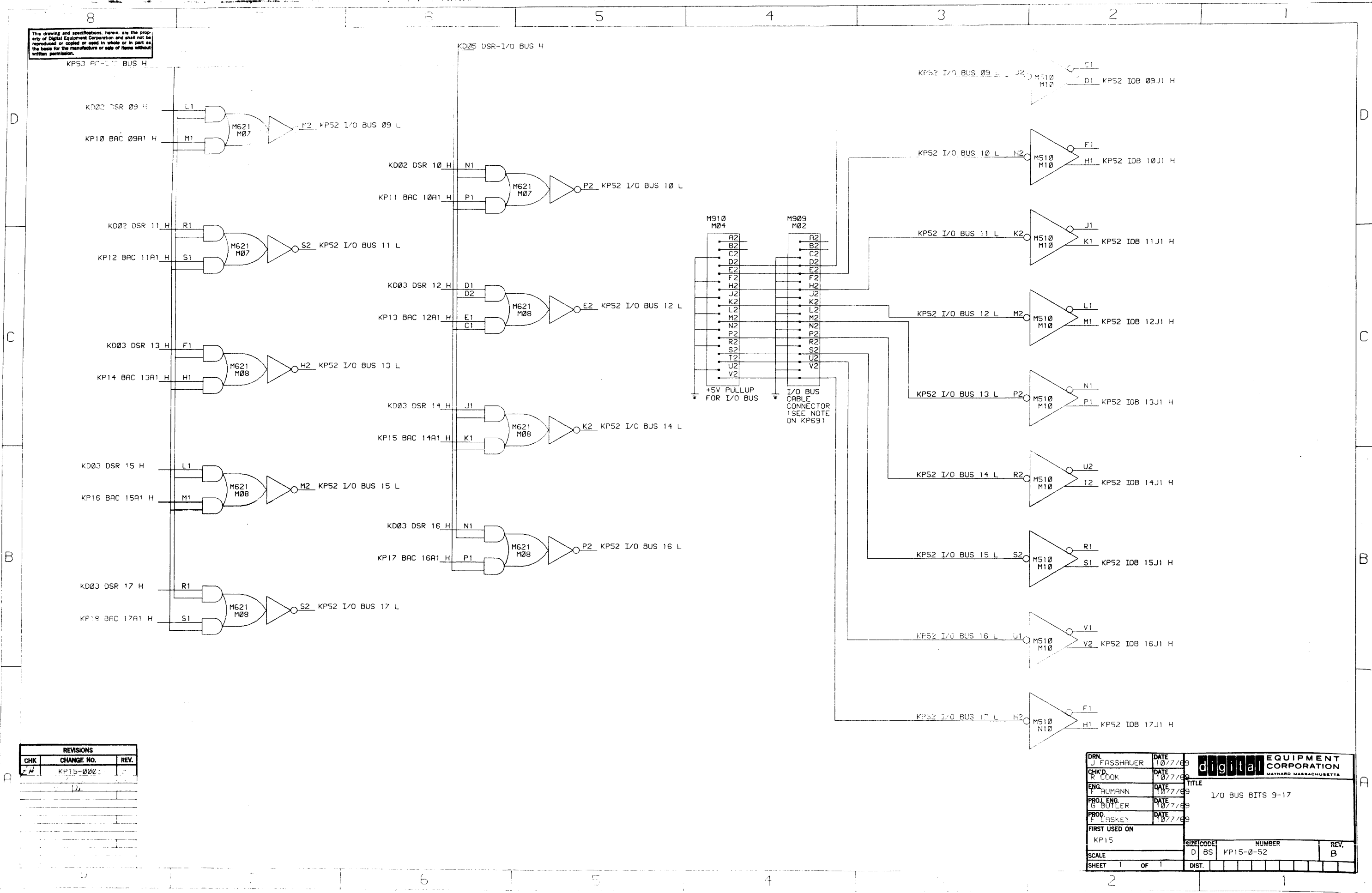


| REVISIONS  |            | REVISIONS |            | REVISIONS  |      | REVISIONS  |            |
|------------|------------|-----------|------------|------------|------|------------|------------|
| CHK        | CHANGE NO. | REV.      | CHK        | CHANGE NO. | REV. | CHK        | CHANGE NO. |
| H          | KP15-00038 |           | H          | KP15-00048 |      | V          | KP15-00078 |
| S. GOLDBEY | 7/15/70    |           | N. LEGERE  | 1/12/71    |      | F. DOLL    | 1/14/71    |
| F. LAMBERT | 7/22/70    |           | F. HUPPERT | 1/15/71    |      | F. DOLL    | 1/14/71    |
| KP15-00039 |            |           | KP15-00039 |            |      | KP15-00052 |            |
| KP15-00040 |            |           | KP15-00040 |            |      | KP15-00052 |            |
| KP15-00041 |            |           | KP15-00041 |            |      | KP15-00052 |            |
| KP15-00042 |            |           | KP15-00042 |            |      | KP15-00052 |            |
| KP15-00043 |            |           | KP15-00043 |            |      | KP15-00052 |            |
| KP15-00044 |            |           | KP15-00044 |            |      | KP15-00052 |            |
| KP15-00045 |            |           | KP15-00045 |            |      | KP15-00052 |            |
| KP15-00046 |            |           | KP15-00046 |            |      | KP15-00052 |            |
| KP15-00047 |            |           | KP15-00047 |            |      | KP15-00052 |            |
| KP15-00048 |            |           | KP15-00048 |            |      | KP15-00052 |            |
| KP15-00049 |            |           | KP15-00049 |            |      | KP15-00052 |            |
| KP15-00050 |            |           | KP15-00050 |            |      | KP15-00052 |            |
| KP15-00051 |            |           | KP15-00051 |            |      | KP15-00052 |            |
| KP15-00052 |            |           | KP15-00052 |            |      | KP15-00052 |            |

\* NORMAL SETTING IS 250 NS SET TO 300 NS WHEN MX15A AND MX15B ARE CONNECTED TO THE MUX.

|                      |                |   |
|----------------------|----------------|---|
| DRN. J. FASSHAWER    | DATE 10/7/69   | digital EQUIPMENT CORPORATION<br>MAYNARD, MASSACHUSETTS |
| CHKD. R. COOK        | DATE 10/7/69   |   |
| ENG. F. ALMANN       | DATE 10/7/69   | TITLE I/O CONTROL SYNC                                  |
| PROJ. ENG. G. BUTLER | DATE 10/7/69   |   |
| PROD. F. LASKY       | DATE 10/7/69   |   |
| FIRST USED ON        |                |   |
| KP15                 | SIZE CODE D BS | NUMBER KP15-0-51  |
| SCALE                |                | REV. 2  |
| SHEET 1 OF 1         | DIST.          |   |

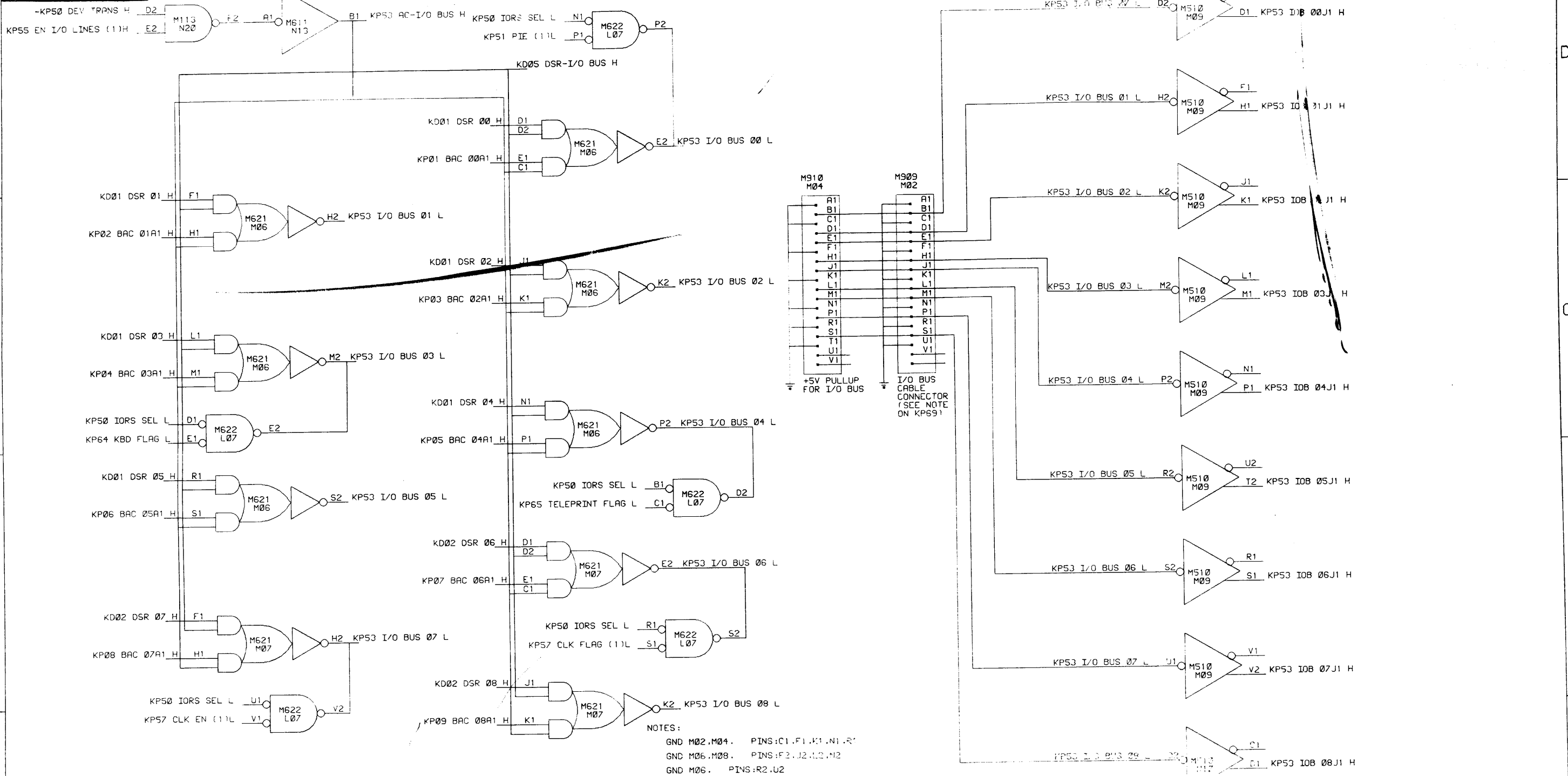
This drawing and specifications herein are the property of Digital Equipment Corporation and shall not be reproduced or copied or used in whole or in part as the basis for the manufacture or sale of items without written permission.



| REVISIONS |            |      |
|-----------|------------|------|
| CHK       | CHANGE NO. | REV. |
| CH        | KP15-000   |      |
|           |            |      |
|           |            |      |
|           |            |      |
|           |            |      |
|           |            |      |
|           |            |      |
|           |            |      |
|           |            |      |

|               |               |        |           |                   |
|---------------|---------------|--------|-----------|-------------------|
| DRN           | J. FRASCHAUER | DATE   | 10/77/69  |                   |
| CHK'D         | R. COOK       | DATE   | 10/77/69  |                   |
| ENG.          | F. RUMANN     | DATE   | 10/77/69  | TITLE             |
| PROJ. ENG.    | G. BUTLER     | DATE   | 10/77/69  | I/O BUS BITS 9-17 |
| PROD.         | F. LASKEY     | DATE   | 10/77/69  |                   |
| FIRST USED ON | KP15          |        |           |                   |
| SCALE         | D BS          | NUMBER | KP15-0-52 | REV. B            |
| SHEET 1 OF 1  | DIST.         |        |           |                   |

This drawing and specifications, herein, are the property of Digital Equipment Corporation and shall not be reproduced or copied or used in whole or in part as the basis for the manufacture or sale of items without written permission.

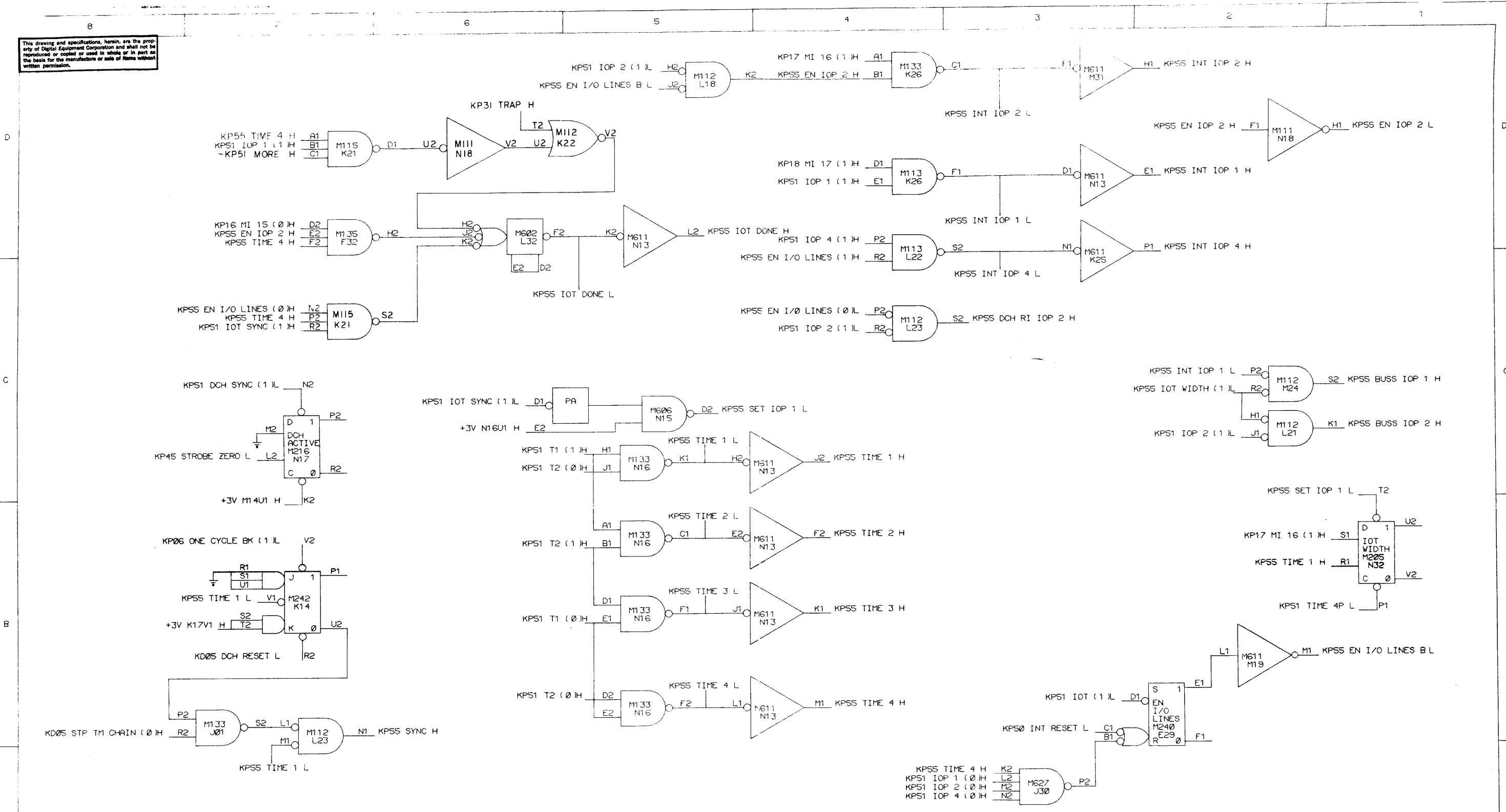


NOTES:  
 GND M02, M04. PINS: C1, F1, K1, N1, R1  
 GND M06, M08. PINS: F2, J2, L2, M2  
 GND M06. PINS: R2, U2

| REVISIONS |            |      |
|-----------|------------|------|
| CHK       | CHANGE NO. | REV. |
| 24        | KP15-001   | 1    |

|               |              |           |         |   |
|---------------|--------------|-----------|---------|---|
| DRN           | J. FASSHAUER | DATE      | 10/7/69 | digital EQUIPMENT CORPORATION<br>MAYNARD, MASSACHUSETTS |
| CHKD          | R. COOK      | DATE      | 10/7/69 |   |
| ENG           | F. ALMANN    | DATE      | 10/7/69 | TITLE   |
| PROJ. ENG.    | G. BUTLER    | DATE      | 10/7/69 | I/O BUS BITS 0-8  |
| PROD.         | F. CASKEY    | DATE      | 10/7/69 |   |
| FIRST USED ON | KP15         | SIZE CODE | D BS    | NUMBER  |
| SCALE         |              |           |         | KP15-0-53   |
| SHEET         | 1            | OF        | 1       | REV.  |
|               |              |           |         | B   |

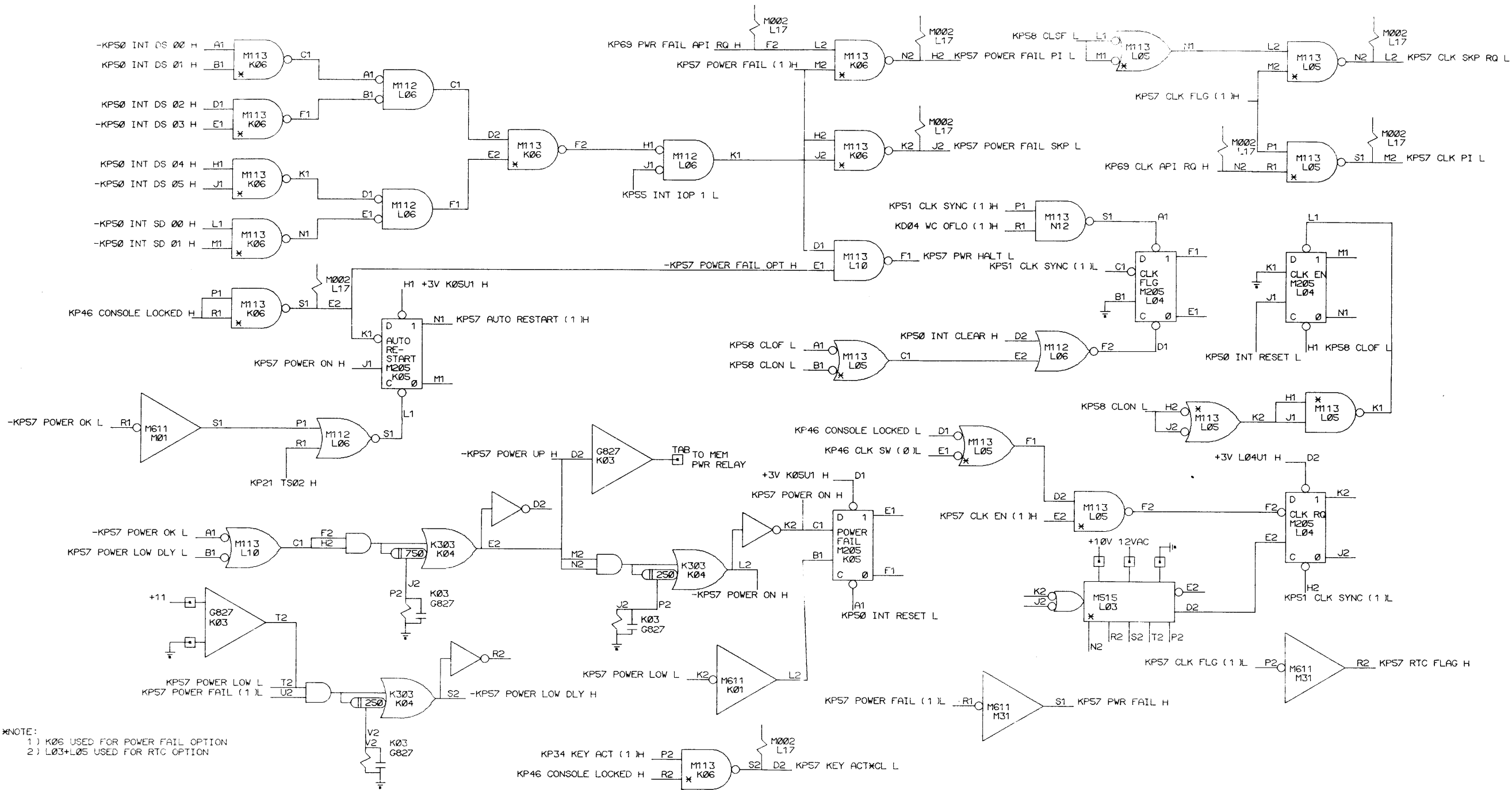
This drawing and specifications, herein, are the property of Digital Equipment Corporation and shall not be reproduced or copied or used in whole or in part as the basis for the manufacture or sale of items without written permission.



| REVISIONS |                    |      | REVISIONS |            |      |
|-----------|--------------------|------|-----------|------------|------|
| CHK       | CHANGE NO.         | REV. | CHK       | CHANGE NO. | REV. |
| LH        | KP15-00038         | H    |           | KP15-00065 | M    |
|           | S. GOLDSBY 7-15-70 |      |           |            |      |
|           | F. HUMANN 7-21-70  |      |           |            |      |
| GH        | KP15-00046         | J    |           | KP15-00078 | N    |
|           | K. WASH 12/11/70   |      |           |            |      |
|           | F. HUMANN 12/11/70 |      |           |            |      |
| GH        | KP15-00048         | K    |           | KP15-00072 | P    |
|           | N. LESERE 1/13/71  |      |           |            |      |
|           | F. HUMANN 1/12/71  |      |           |            |      |
| GH        | KP15-00050         | L    |           |            |      |
|           | H. GATE 2/18/71    |      |           |            |      |
|           | F. HUMANN 2/24/71  |      |           |            |      |

|                  |              |                       |  |      |
|------------------|--------------|-----------------------|--|------|
| DRN. M. SCHURMAN | DATE 11-7-69 |                       | <b>digital EQUIPMENT CORPORATION</b><br>MAYNARD, MASSACHUSETTS |      |
| CHKD. N. REAULT  | DATE 11-7-69 |                       | TITLE<br>I/O AND TIME LOGIC                                    |      |
| ENG. F. HUMANN   | DATE 11-7-69 | PROJECT<br>G. BUTLER  |  |      |
| PROD. F. LASKEY  | DATE 11-7-69 | FIRST USED ON<br>KP15 |  |      |
| SCALE            |              | SIZE CODE             | NUMBER   | REV. |
| SHEET 1 OF 1     |              | D'ST.                 | KP15-0-55  | F    |

This drawing and specifications herein are the property of Digital Equipment Corporation and shall not be reproduced or copied or used in whole or in part as the basis for the manufacture or sale of items without written permission.

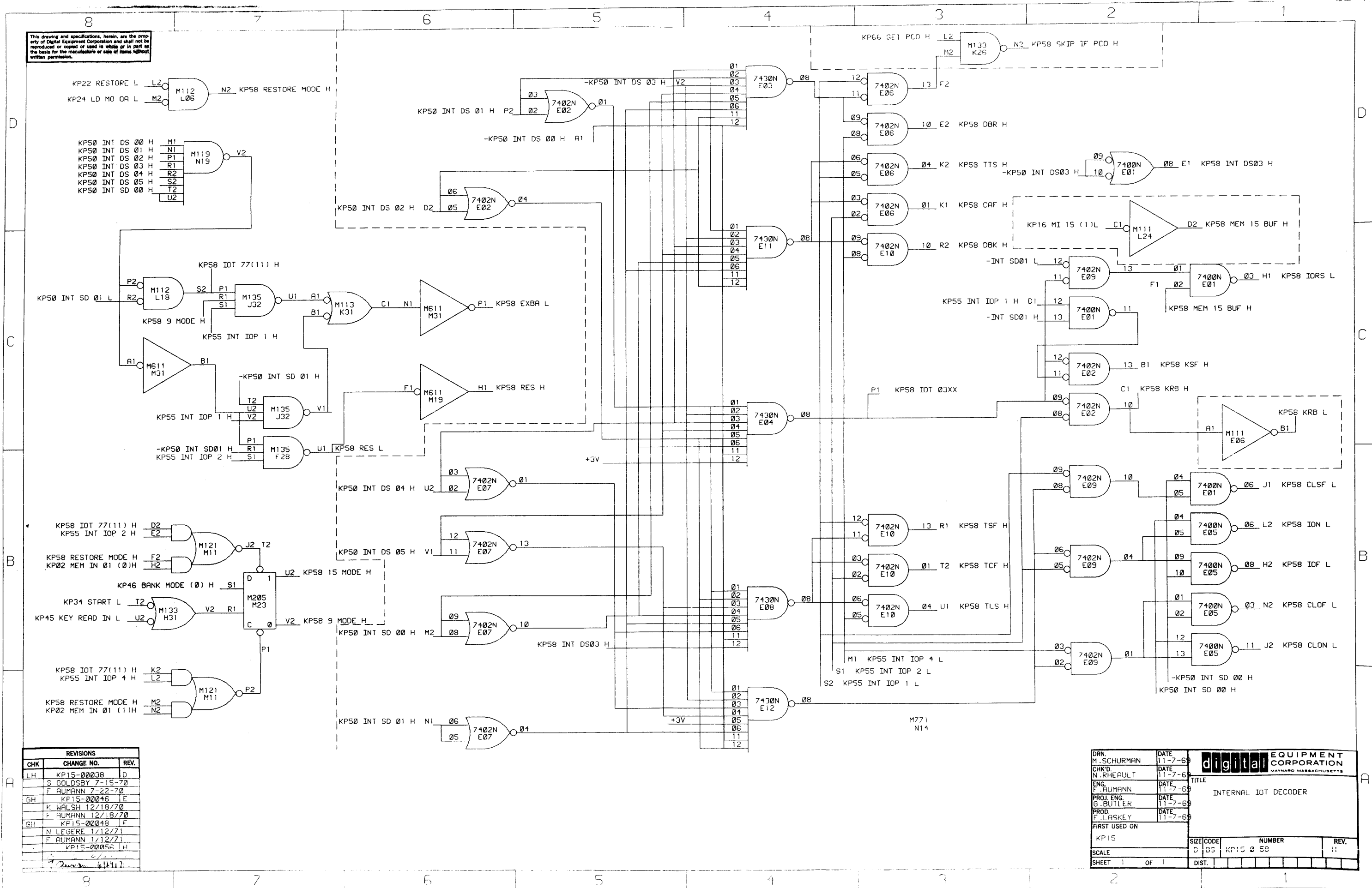


\*NOTE:  
 1) K06 USED FOR POWER FAIL OPTION  
 2) L03+L05 USED FOR RTC OPTION

| REVISIONS |                    |      | REVISIONS |            |      |
|-----------|--------------------|------|-----------|------------|------|
| CHK       | CHANGE NO.         | REV. | CHK       | CHANGE NO. | REV. |
| LH        | KP15-00038         | H    |           | KP15-00056 | M    |
|           | S. GOLDSBY 7/15/70 |      |           |            |      |
|           | F. ALMANN 7/22/70  |      |           |            |      |
| GH        | KP15-00043         |      |           |            |      |
|           | J. EGGERE 3-8-70   |      |           |            |      |
|           | F. ALMANN 3-19-70  |      |           |            |      |
| GH        | KP15-00042         |      |           |            |      |
|           | K. WALCH 12/11/70  |      |           |            |      |
|           | F. ALMANN 12/11/70 |      |           |            |      |
| GH        | KP15-00040         |      |           |            |      |
|           | F. ALMANN 11/24/70 |      |           |            |      |
|           | F. ALMANN 11/24/70 |      |           |            |      |

|                       |                   |   |
|-----------------------|-------------------|---|
| DRN<br>J. FASSHAUER   | DATE<br>10/7/69   | <br><b>digital EQUIPMENT CORPORATION</b><br><small>MAYNARD, MASSACHUSETTS</small> |
| CHKD<br>S. COOK       | DATE<br>10/7/69   |   |
| ENG<br>F. ALMANN      | DATE<br>10/7/69   | TITLE<br>POWER FAIL AND R T CLOCK   |
| PROJ ENG<br>G. BUTLER | DATE<br>10/7/69   |   |
| PROD<br>F. LASKEY     | DATE<br>10/7/69   |   |
| FIRST USED ON         |                   |   |
| SCALE                 | SIZE CODE<br>D BS | NUMBER<br>KP15-0-57   |
| SHEET 1 OF 1          | DIST.             | REV.<br>M   |

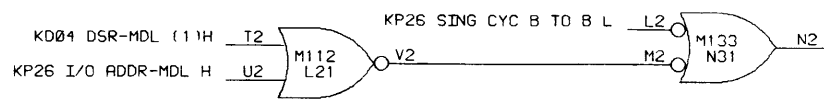
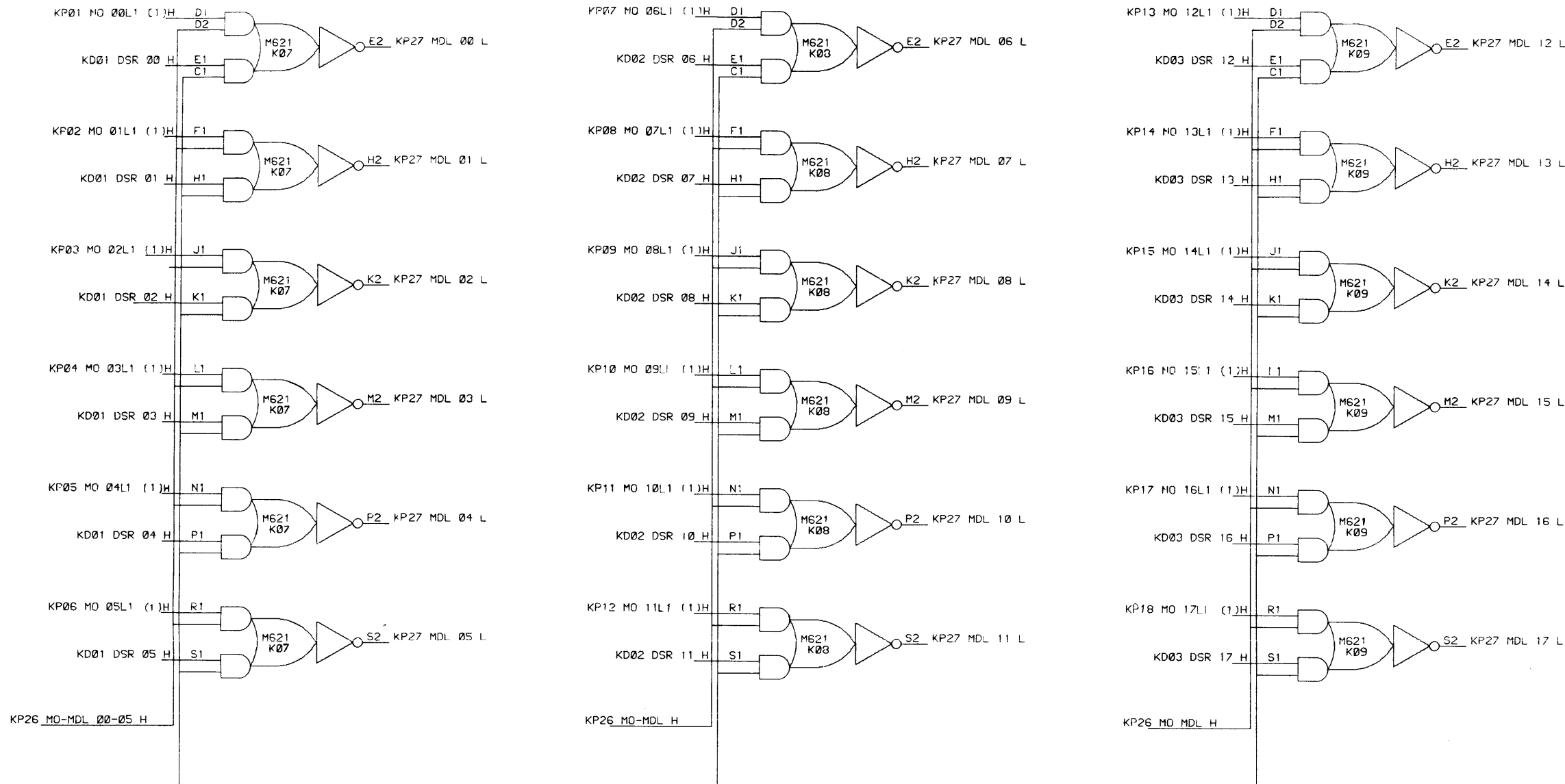
This drawing and specifications, herein, are the property of Digital Equipment Corporation and shall not be reproduced or copied or used in whole or in part as the basis for the manufacture or sale of items without written permission.



| REVISIONS |                   |      |
|-----------|-------------------|------|
| CHK       | CHANGE NO.        | REV. |
| LH        | KP15-00038        | D    |
|           | S GOLDSBY 7-15-70 |      |
|           | F RUMANN 7-22-70  |      |
| GH        | KP15-00046        | E    |
|           | K WALSH 12/18/70  |      |
|           | F RUMANN 12/18/70 |      |
| GH        | KP15-00048        | F    |
|           | N LEGERE 1/12/71  |      |
|           | F RUMANN 1/12/71  |      |
|           | KP15-00056        | H    |
|           |                   |      |
|           |                   |      |

|                      |                  |         |                               |
|----------------------|------------------|---------|-------------------------------|
| DRN. M. SCHURMAN     | DATE 11-7-69     |         | TITLE<br>INTERNAL IOT DECODER |
| CHKD. N. RHEAULT     | DATE 11-7-69     |         |                               |
| ENG. F. RUMANN       | DATE 11-7-69     |         |                               |
| PROJ. ENG. G. BUTLER | DATE 11-7-69     |         |                               |
| PROD. F. LASKEY      | DATE 11-7-69     |         |                               |
| FIRST USED ON        |                  |         |                               |
| KP15                 |                  |         |                               |
| SCALE D 05           | NUMBER KP15 0 58 | REV. 11 |                               |
| SHEET 1 OF 1         | DIST.            |         |                               |

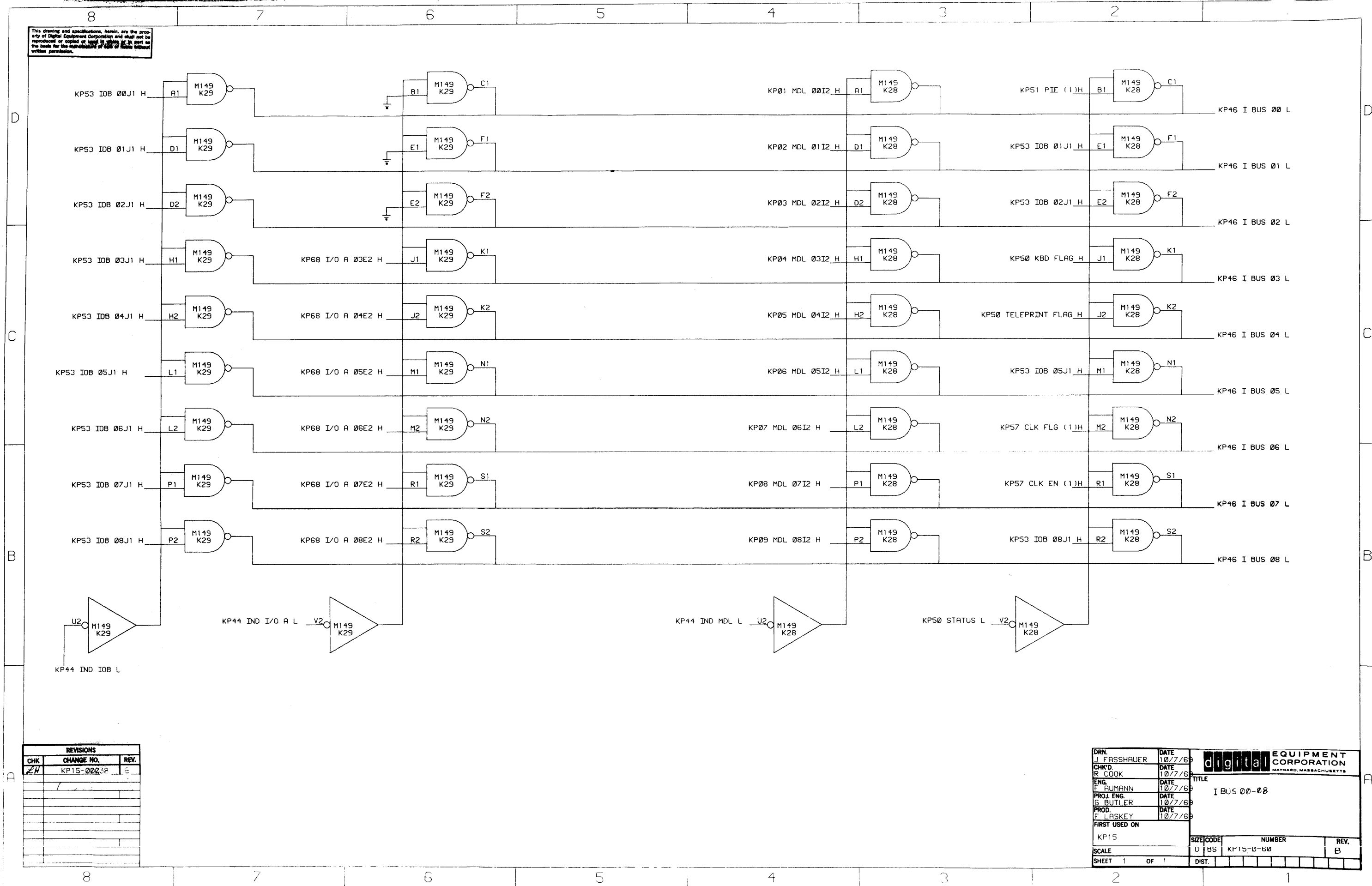
This drawing and specifications, herein, are the property of Digital Equipment Corporation and shall not be reproduced or copied or used in whole or in part as the basis for the manufacture or sale of items without written permission.



| REVISIONS |                   |      |
|-----------|-------------------|------|
| CHK       | CHANGE NO.        | REV. |
| LH        | KP15-00038        | S    |
|           | S GOLDSBY 7-15-70 |      |
|           | F RUMANN 7-22-70  |      |
| GJ        | KP15-00046        | C    |
|           | K WALSH 12/11/70  |      |
|           | F RUMANN 12/11/70 |      |
|           | KP15-00248        | D    |

|                      |              |  |
|----------------------|--------------|--|
| DRN. M. SCHURMAN     | DATE 11-7-69 | <b>digital</b> EQUIPMENT CORPORATION<br>MAYNARD, MASSACHUSETTS |
| CHK'D N. RHEAULT     | DATE 11-7-69 |  |
| ENG. F. RUMANN       | DATE 11-7-69 | TITLE  |
| PROJ. ENG. G. BUTLER | DATE 11-7-69 | MDL DRIVER   |
| PROD. F. LASKEY      | DATE 11-7-69 |  |
| FIRST USED ON        |              |  |
| KP15                 | SIZE CODE    | NUMBER   |
| SCALE                | 1/8"         | BS KP15-0-59   |
| SHEET 1 OF 1         | DIST.        | REV. D   |

This drawing and specifications, herein, are the property of Digital Equipment Corporation and shall not be reproduced or copied or used in whole or in part as the basis for the manufacture of any of items without written permission.

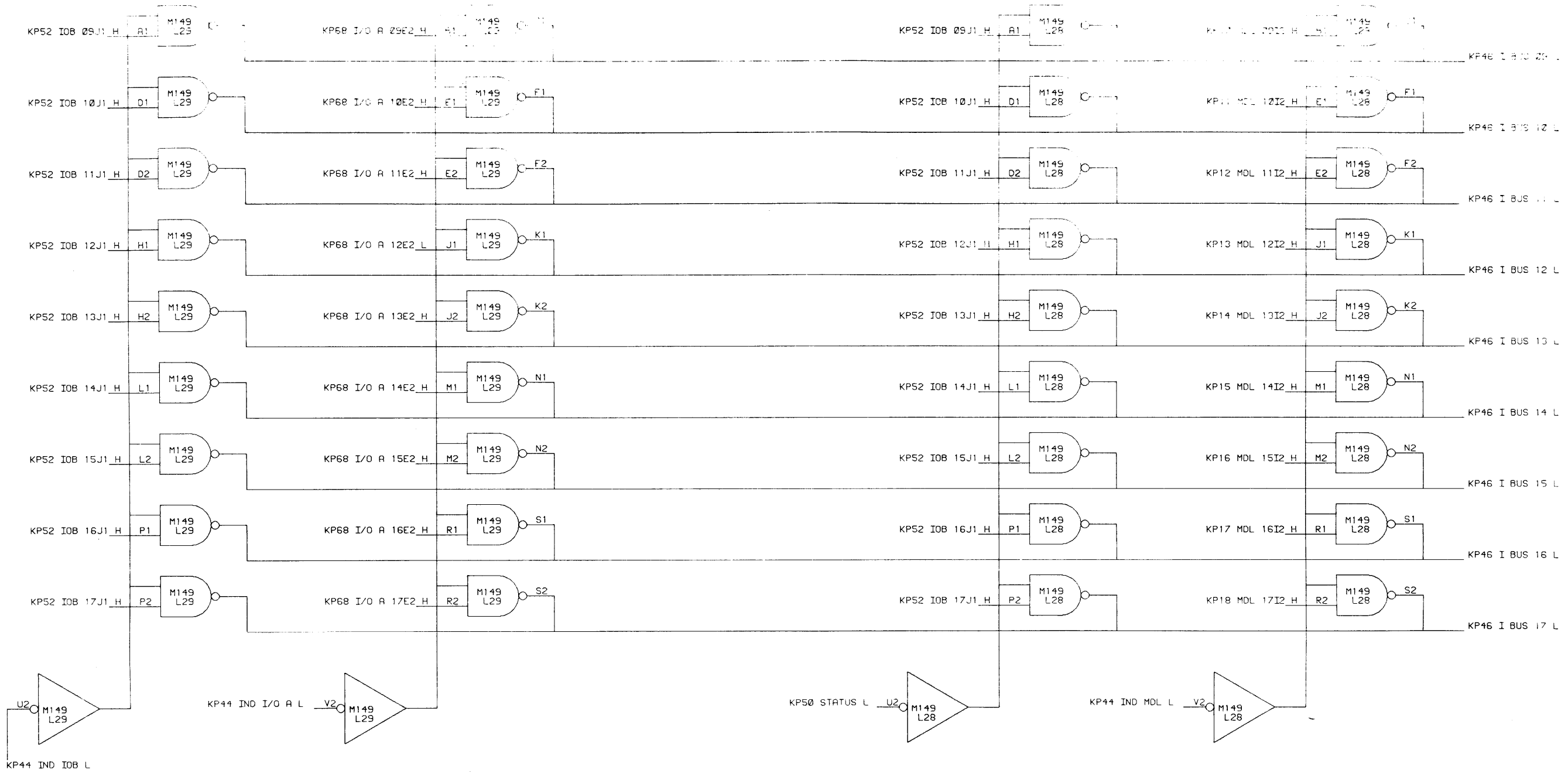


| REVISIONS |            |      |
|-----------|------------|------|
| CHK       | CHANGE NO. | REV. |
| ZH        | KP15-00038 | E    |
|           |            |      |
|           |            |      |
|           |            |      |
|           |            |      |
|           |            |      |
|           |            |      |
|           |            |      |
|           |            |      |

|                         |                 |   |
|-------------------------|-----------------|---|
| DRN.<br>J FRASSHAUER    | DATE<br>10/7/69 | digital EQUIPMENT CORPORATION<br>MAYNARD, MASSACHUSETTS |
| CHK'D.<br>R COOK        | DATE<br>10/7/69 |   |
| ENG.<br>F. RUMANN       | DATE<br>10/7/69 | TITLE<br>I BUS 00-08                                    |
| PROJ. ENG.<br>G. BUTLER | DATE<br>10/7/69 |   |
| PROD.<br>F. LASKEY      | DATE<br>10/7/69 |   |
| FIRST USED ON<br>KP15   |                 |   |
| SCALE<br>D BS           |                 |   |
| SHEET 1 OF 1            | DIST.           |   |



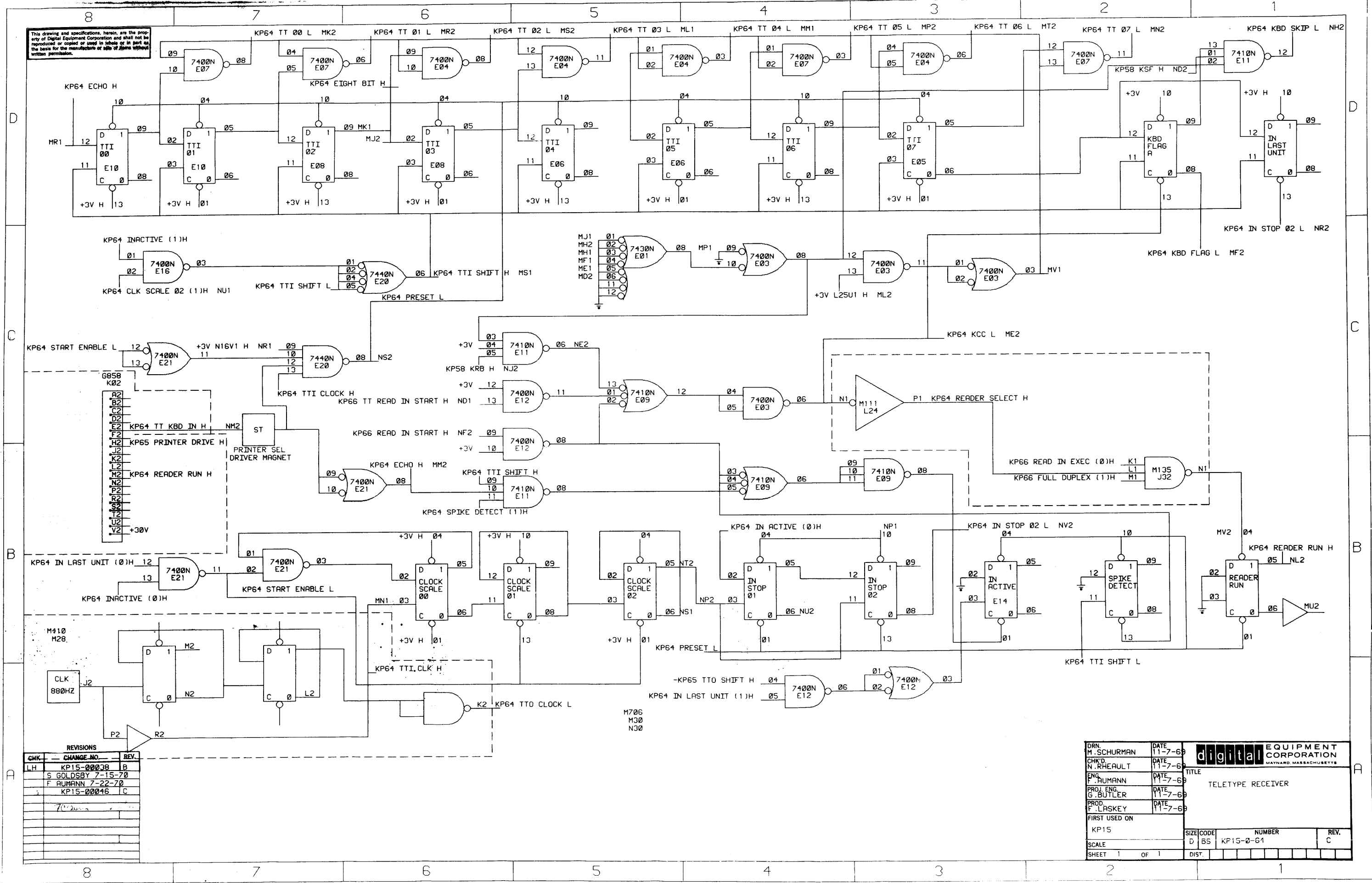
This drawing and specifications, herein, are the property of Digital Equipment Corporation and shall not be reproduced or copied or used in whole or in part as the basis for the manufacture or sale of items without written permission.



| REVISIONS |            |      |
|-----------|------------|------|
| CHK       | CHANGE NO. | REV. |
| ZP        | 2003E      | A    |

|                           |                   |  |
|---------------------------|-------------------|--|
| DRN<br>J. G. Giddens      | DATE<br>7/1/70    | <b>digital EQUIPMENT CORPORATION</b><br>MAYNARD, MASSACHUSETTS<br>TITLE<br>I BUS 09-17 |
| CHKD.<br>Don Stokes       | DATE<br>7/15/70   |  |
| ENG.<br>F. ALVARADO       | DATE<br>7/15/70   |  |
| PROJ. ENG.<br>F. ALVARADO | DATE<br>7/15/70   |  |
| PROD.<br>L. CASCHL        | DATE<br>7/16/70   |  |
| FIRST USED ON<br>KP15     |                   |  |
| SCALE                     | SIZE CODE<br>D BS | NUMBER<br>KP15-0-02  |
| SHEET 1 OF 1              | DIST.             | REV.<br>A  |

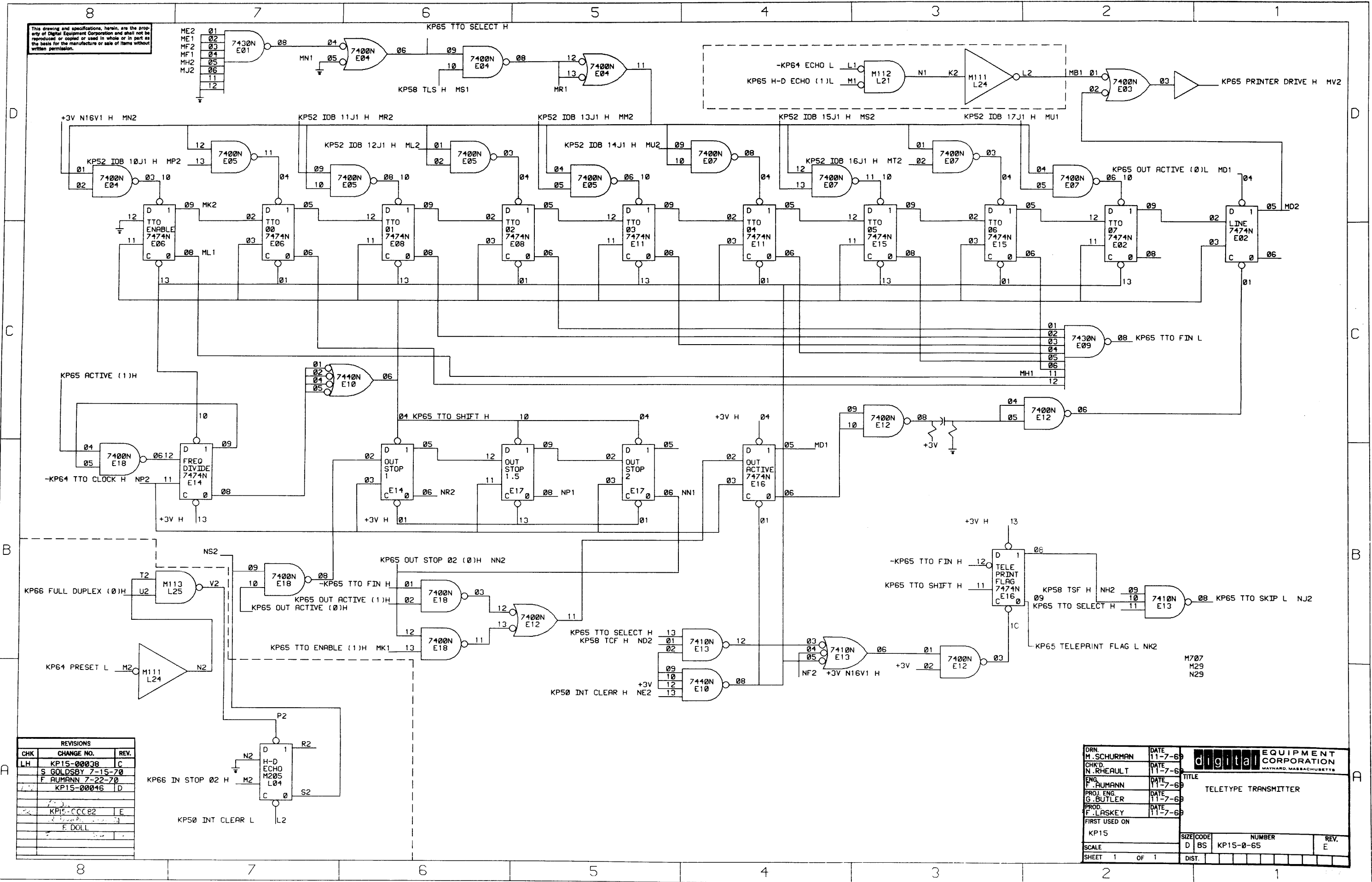
This drawing and specifications, herein, are the property of Digital Equipment Corporation and shall not be reproduced or copied or used in whole or in part as the basis for the manufacture of any items without written permission.



| REVISIONS |                   |      |
|-----------|-------------------|------|
| CHK       | CHANGE NO.        | REV. |
| LH        | KP15-00038        | B    |
|           | S GOLDSBY 7-15-70 |      |
|           | F RUMANN 7-22-70  |      |
|           | KP15-00046        | C    |
|           |                   |      |
|           |                   |      |
|           |                   |      |
|           |                   |      |

|                      |                |   |
|----------------------|----------------|---|
| DRN. M. SCHURMAN     | DATE 11-7-69   | <br>digital EQUIPMENT CORPORATION<br>MAYNARD, MASSACHUSETTS |
| CHKD. N. RHEAULT     | DATE 11-7-69   |   |
| ENG. F. RUMANN       | DATE 7-69      |   |
| PROJ. ENG. G. BUTLER | DATE 11-7-69   |   |
| PROD. F. LASKY       | DATE 11-7-69   |   |
| FIRST USED ON        |                |   |
| KP15                 |                |   |
| SCALE                | SIZE CODE D BS | NUMBER KP15-0-04  |
| SHEET 1 OF 1         | DIST.          | REV. C  |

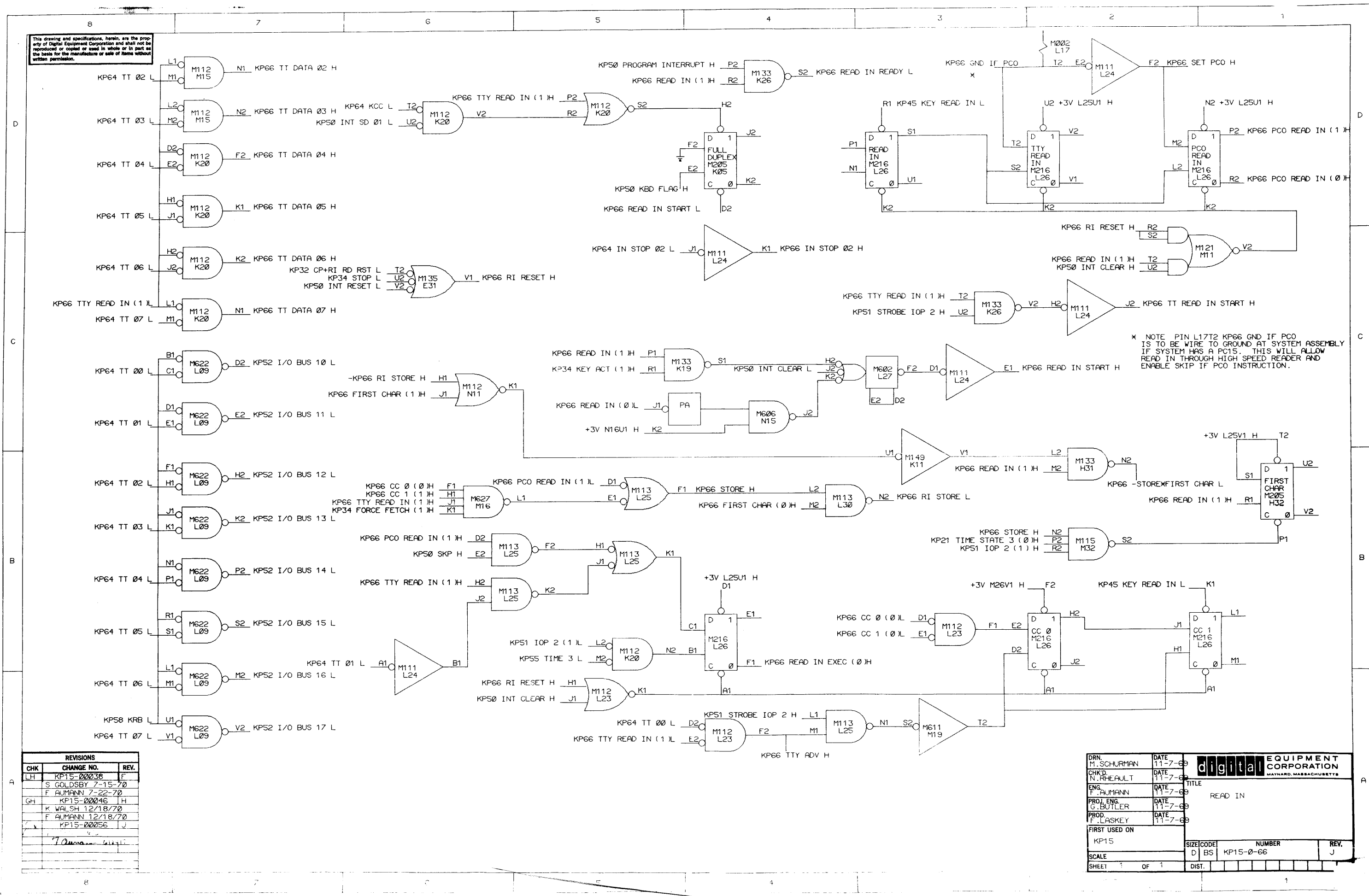
This drawing and specifications, herein, are the property of Digital Equipment Corporation and shall not be reproduced or copied or used in whole or in part as the basis for the manufacture or sale of items without written permission.



| REVISIONS |                 |      |
|-----------|-----------------|------|
| CHK       | CHANGE NO.      | REV. |
| LH        | KP15-00038      | C    |
| S         | GOLDSBY 7-15-70 |      |
| F         | AUMANN 7-22-70  |      |
|           | KP15-00046      | D    |
|           |                 |      |
|           | KP15-CCC82      | E    |
|           | F. DOLL         |      |

|                         |                   |  |
|-------------------------|-------------------|--|
| DRN<br>M. SCHURMAN      | DATE<br>11-7-69   | <br>digital EQUIPMENT CORPORATION<br><small>MAYNARD, MASSACHUSETTS</small> |
| CHKD<br>N. RHEAULT      | DATE<br>11-7-69   |  |
| ENG.<br>F. AUMANN       | DATE<br>11-7-69   | TITLE<br>TELETYPE TRANSMITTER  |
| PROJ. ENG.<br>G. BUTLER | DATE<br>11-7-69   |  |
| PROD.<br>F. LASKEY      | DATE<br>11-7-69   |  |
| FIRST USED ON<br>KP15   |                   |  |
| SCALE<br>SHEET 1 OF 1   | SIZE CODE<br>D BS | NUMBER<br>KP15-0-65  |
|                         | DIST.             | REV.<br>E  |

This drawing and specifications, herein, are the property of Digital Equipment Corporation and shall not be reproduced or copied in whole or in part as the basis for the manufacture or sale of items without written permission.

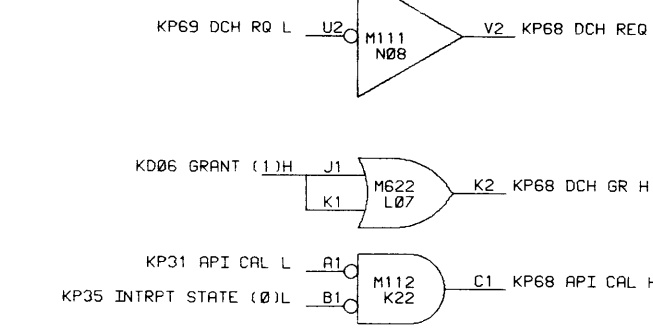
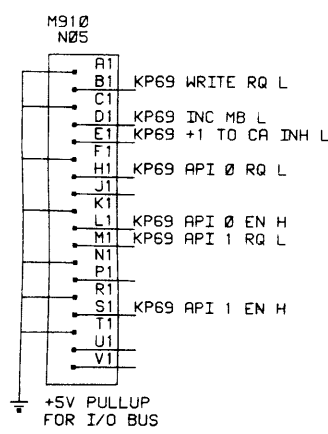
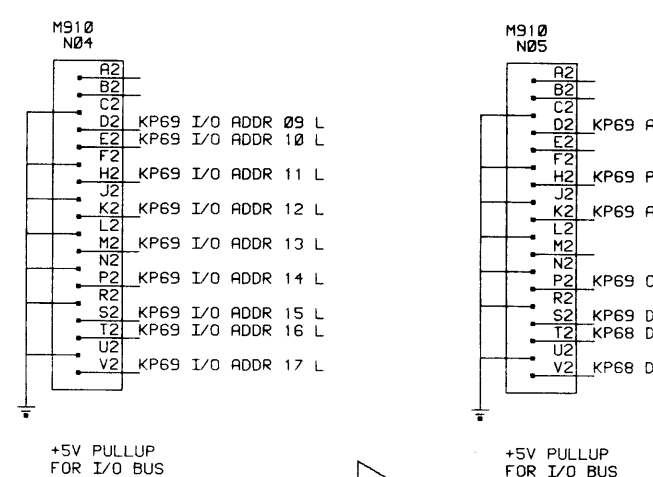
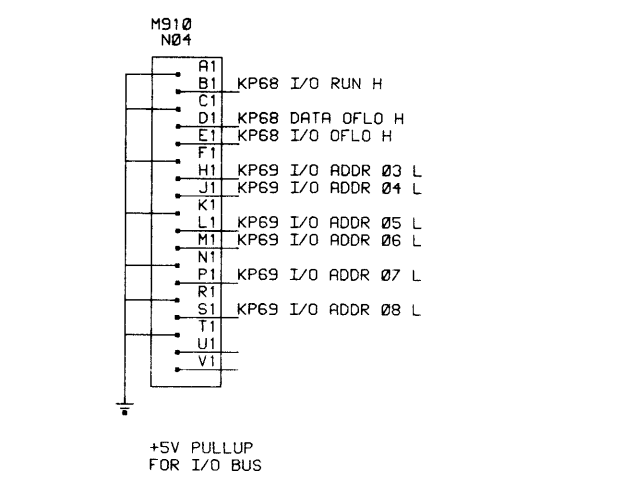
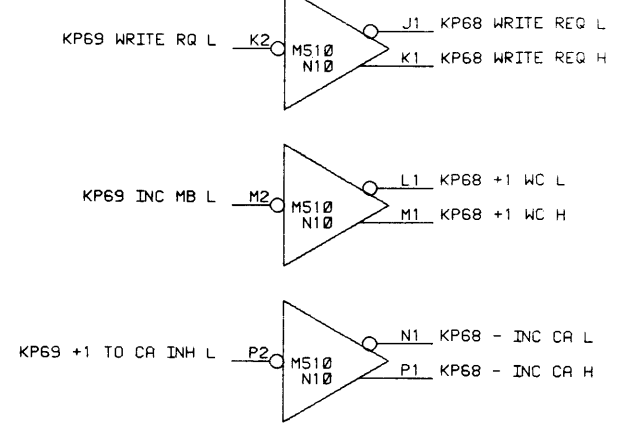
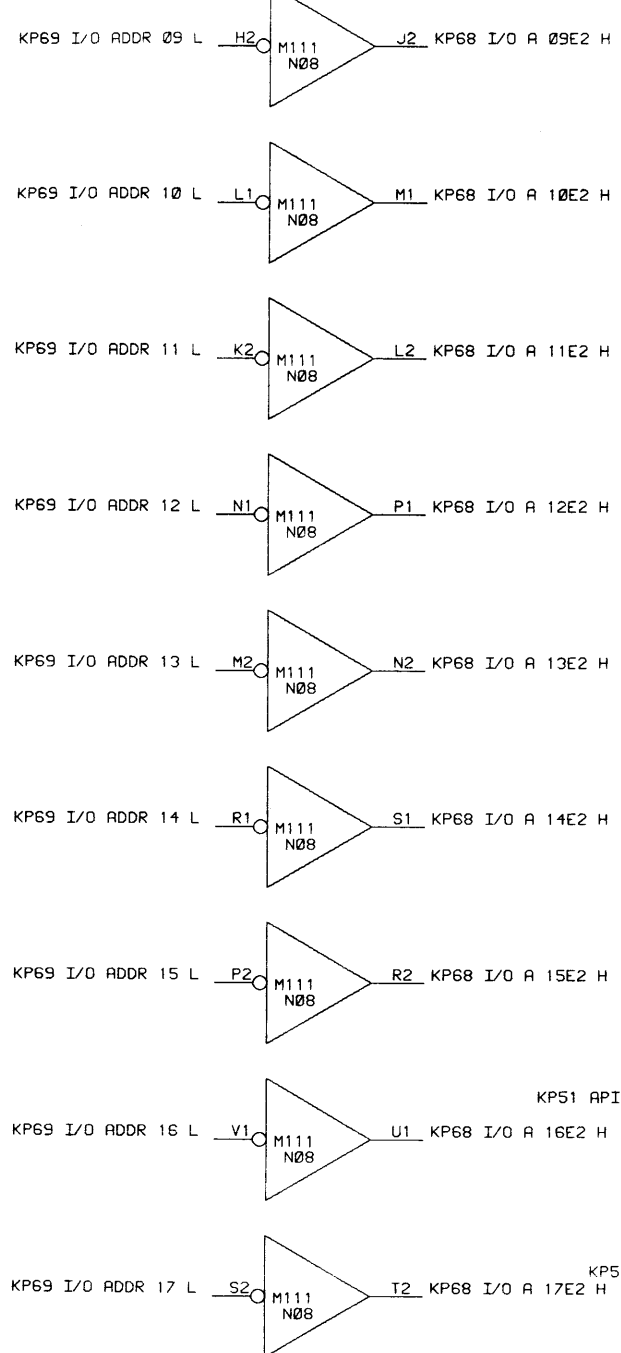
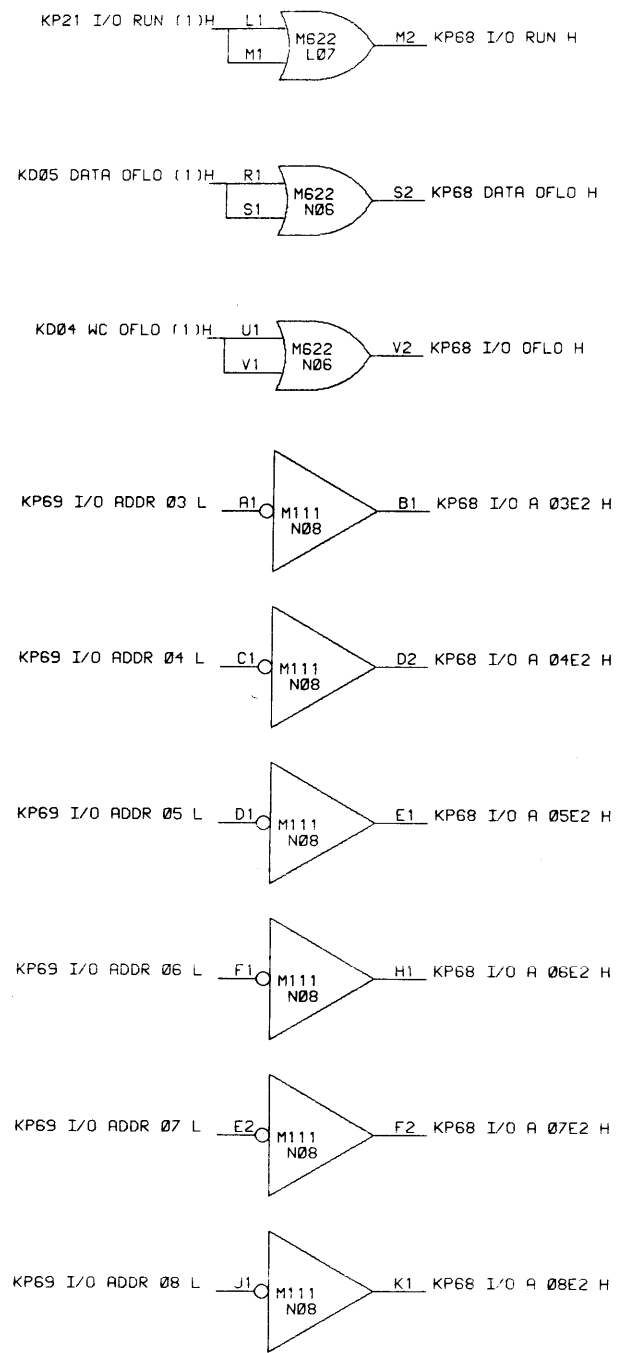


\* NOTE PIN L17T2 KP66 GND IF PCO IS TO BE WIRE TO GROUND AT SYSTEM ASSEMBLY IF SYSTEM HAS A PC15. THIS WILL ALLOW READ IN THROUGH HIGH SPEED READER AND ENABLE SKIP IF PCO INSTRUCTION.

| REVISIONS |                 |      |
|-----------|-----------------|------|
| CHK       | CHANGE NO.      | REV. |
| LH        | KP15-00036      | F    |
| S         | GOLDSBY 7-15-70 |      |
| F         | AUMANN 7-22-70  |      |
| GH        | KP15-00046      | H    |
| K         | WALSH 12/18/70  |      |
| F         | AUMANN 12/18/70 |      |
| J         | KP15-00056      | J    |
|           |                 |      |
|           |                 |      |

|                         |                   |   |
|-------------------------|-------------------|---|
| DRN.<br>M. SCHURMAN     | DATE<br>11-7-69   | digital EQUIPMENT CORPORATION<br>MAYNARD, MASSACHUSETTS |
| CHK'D.<br>N. RHEAULT    | DATE<br>11-7-69   |   |
| ENG.<br>F. AUMANN       | DATE<br>11-7-69   | TITLE<br>READ IN  |
| PROJ. ENG.<br>G. BUTLER | DATE<br>11-7-69   |   |
| PROD.<br>F. LASKEY      | DATE<br>11-7-69   |   |
| FIRST USED ON<br>KP15   |                   |   |
| SCALE                   | SIZE/CODE<br>D BS | NUMBER<br>KP15-0-66                                     |
| SHEET 1 OF 1            | DIST.             | REV.<br>J   |

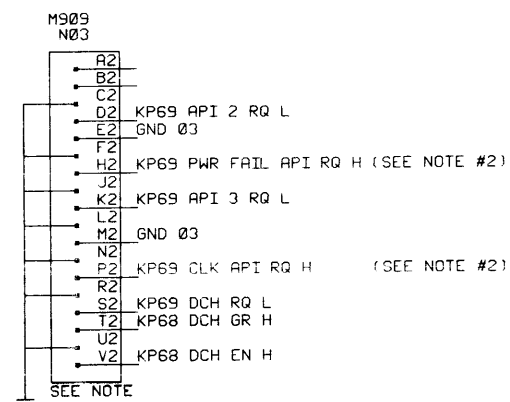
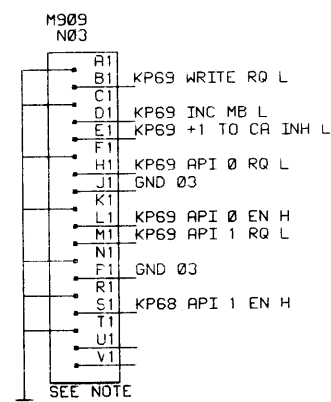
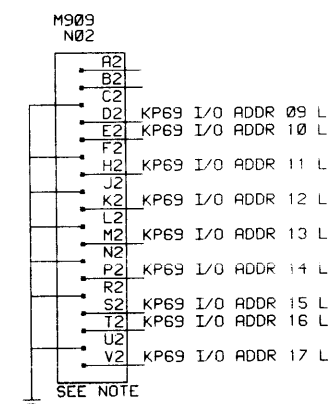
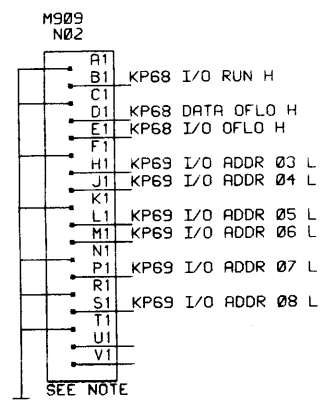
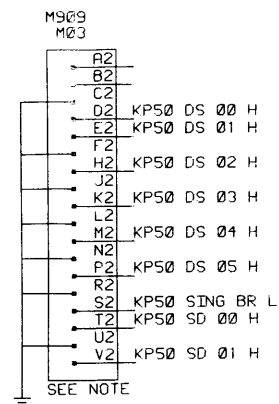
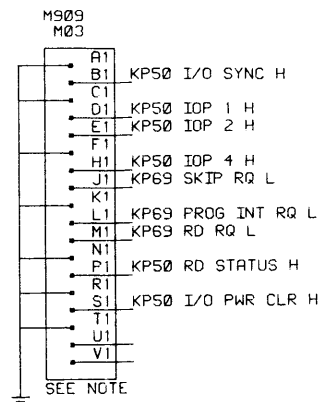
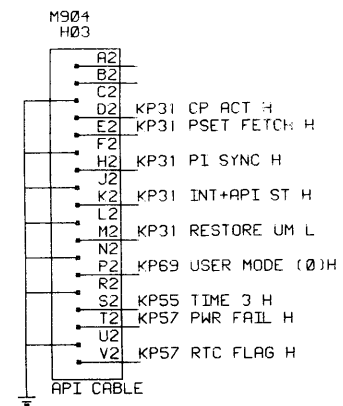
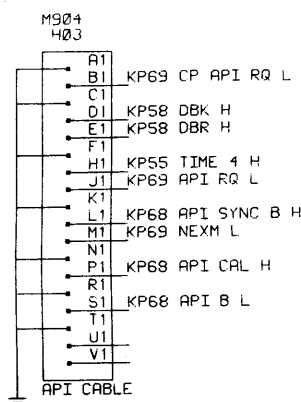
This drawing and specifications, herein, are the property of Digital Equipment Corporation and shall not be reproduced or copied or used in whole or in part as the basis for the manufacture or sale of items without written permission.



| REVISIONS |                 |      |
|-----------|-----------------|------|
| CHK       | CHANGE NO.      | REV. |
| LH        | KP15-00038      | B    |
| S         | GOLDSBY 7/15/70 |      |
| F         | AUMANN 7/22/70  |      |
| GH        | KP15-00048      | C    |
| N         | LEGERE 1/12/71  |      |
| F         | AUMANN 1/12/71  |      |
| L         | KP15-00056      | D    |
| F         | AUMANN 1/12/71  |      |

|                      |               |   |
|----------------------|---------------|---|
| DRN. S. GOLDSBY      | DATE 10-15-69 | digital EQUIPMENT CORPORATION<br>MAYNARD, MASSACHUSETTS |
| CHK'D. L. HOHOS      | DATE 10-15-69 |   |
| ENG. F. AUMANN       | DATE 10-7-69  | TITLE I/O ADDRESS                                       |
| PROJ. ENG. G. BUTLER | DATE 10-7-70  |   |
| PROD. F. LASKEY      | DATE 10-7-70  |   |
| FIRST USED ON        |               |   |
| KP15                 | SIZE CODE     | NUMBER  |
| SCALE                | D BS          | KP15-0-68   |
| SHEET 1 OF 1         | DIST          | REV. D  |

This drawing and specifications, herein, are the property of Digital Equipment Corporation and shall not be reproduced or copied or used in whole or in part as the basis for the manufacture or sale of items without written permission.



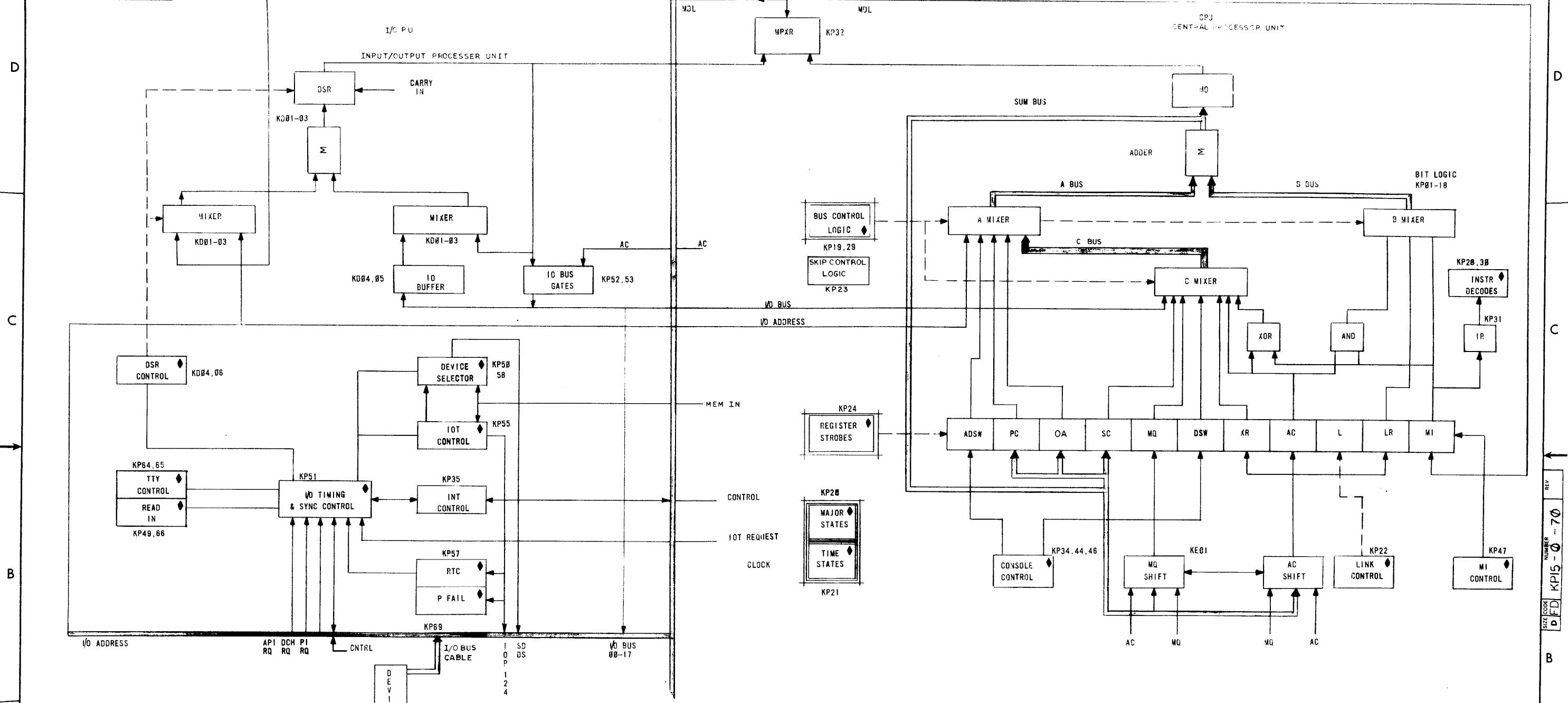
NOTE #1: M909 TERMINATOR BOARDS IN M.N02.03 ARE USED IN PLACE OF THE M912 I/O BUS CABLE CONNECTOR WHEN NO I/O BUS CABLE IS INCLUDED IN THE SYSTEM. IN SYSTEM USING AN I/O BUS CABLE THE M909'S MUST BE PLACED IN THE LAST DEVICE ON THE I/O BUS.

NOTE #2: IF API (KA15) IS PART OF SYSTEM, SIGNALS ON N03H2 AND N03P2 ARE RESPECTIVELY KP69 API 2 EN H AND KP69 API 3 EN H.

| REVISIONS |                   |      |
|-----------|-------------------|------|
| CHK       | CHANGE NO.        | REV. |
| LH        | KP15-00038        | E    |
|           | S GOLDSBY 7-15-70 |      |
|           | F AUMANN 7-22-70  |      |
| GH        | KP15-00046        | F    |
|           | K WALSH 12/18/70  |      |
|           | F AUMANN 12/19/70 |      |
| GH        | KP15-00049        | H    |
|           | N LEGERE 1/12/71  |      |
|           | F AUMANN 1/12/71  |      |
|           | KP15-00056        | I    |

|                         |                   |  |
|-------------------------|-------------------|--|
| DRN<br>M. SCHURMAN      | DATE<br>11-7-69   | <b>digital</b> EQUIPMENT CORPORATION<br>MAYNARD, MASSACHUSETTS |
| CHK'D<br>N. RHEAULT     | DATE<br>11-7-69   |  |
| ENG.<br>F. AUMANN       | DATE<br>11-7-69   | TITLE<br>I/O BUS CABLE   |
| PROJ. ENG.<br>G. BUTLER | DATE<br>11-7-69   |  |
| PROD.<br>F. LASKEY      | DATE<br>11-7-69   |  |
| FIRST USED ON<br>KP15   | SIZE CODE<br>D IC | NUMBER<br>KP15-0-69  |
| SCALE<br>1 OF 1         | DIST.             | REV.<br>J  |

This drawing and specifications herein are the property of Digital Equipment Corporation and shall not be reproduced or copied or used in whole or in part as the basis for the manufacture or sale of items without written permission.

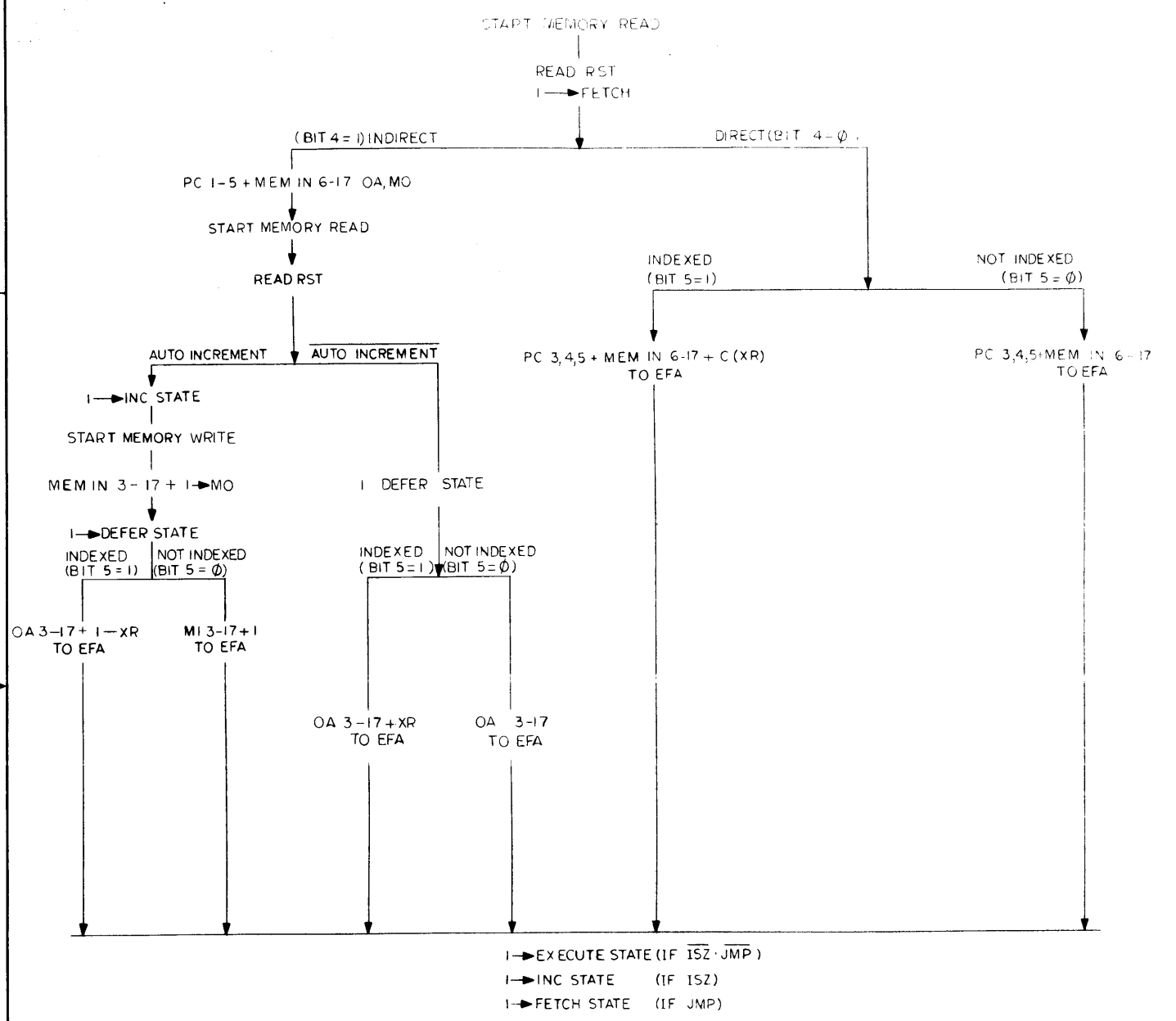


◆ = CONTROL LOGIC  
 FOR KEY TO ABBREVIATIONS SEE:

| REV | CHG | NO |
|-----|-----|----|
|     |     |    |
|     |     |    |

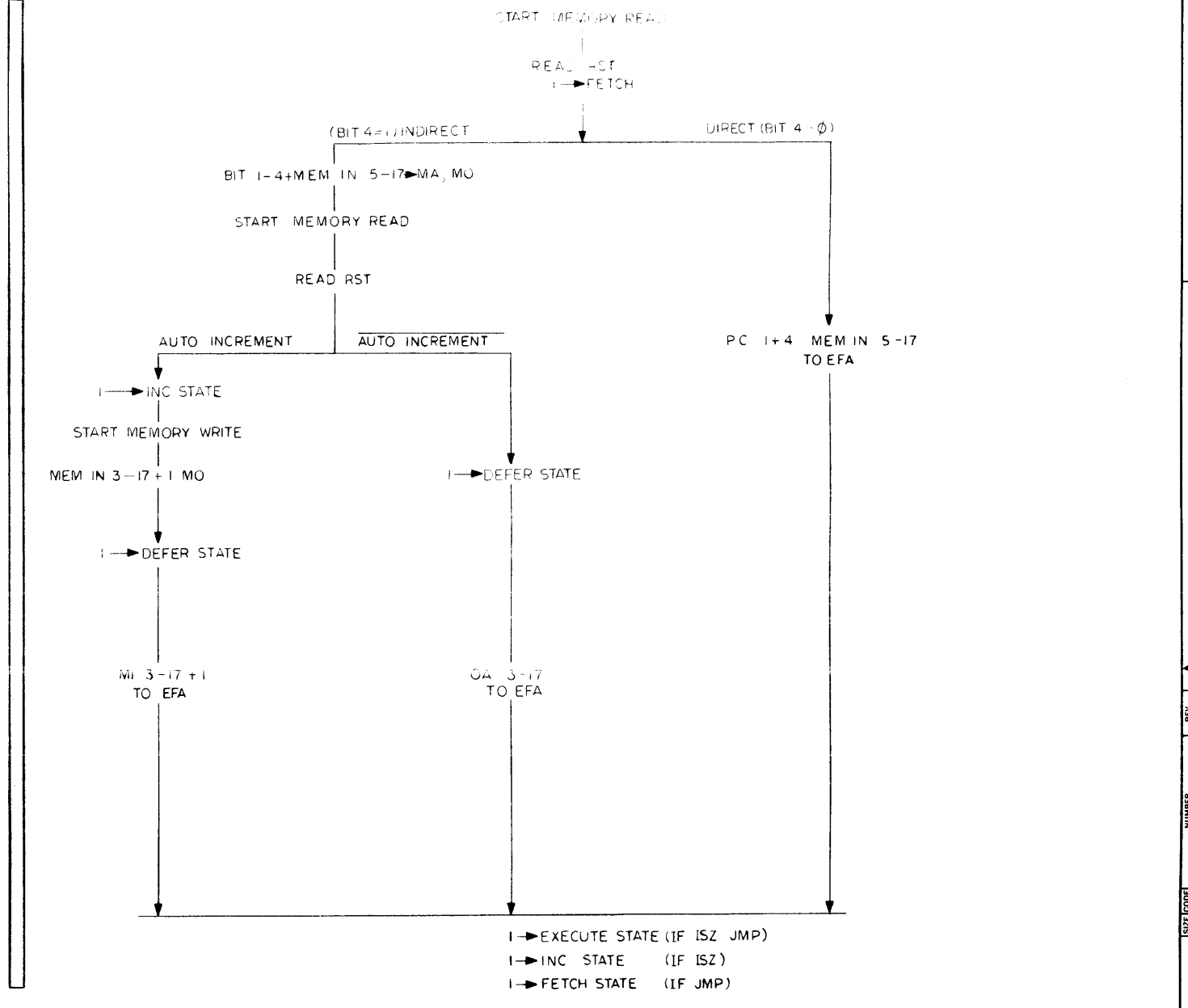
| FIRST USED ON OPTION/MODEL                       | QTY. | DESCRIPTION | PART NO. | ITEM NO. |
|--|------|-------------|----------|----------|
| PDP15  |      |             |          |          |
| PARTS LIST                                       |      |             |          |          |
|  |      |             |          |          |
| TITLE: <b>KP15 BLOCK DIAGRAM &amp; PRINT KEY</b> |      |             |          |          |
| NEXT HIGHER ASSY: <b>A-ML-KP15-0</b>             |      |             |          |          |
| SCALE: <b>1" = 1"</b>                            |      |             |          |          |
| SHEET: <b>1 OF 1</b>                             |      |             |          |          |
| SIZE CODE: <b>DFD</b>                            |      |             |          |          |
| NUMBER: <b>KP15-0-70</b>                         |      |             |          |          |
| REV: <b> </b>                                    |      |             |          |          |

This drawing and specifications herein are the property of Digital Equipment Corporation and shall not be reproduced or copied or used in whole or in part as the basis for the manufacture or sale of items without written permission.



BANK MODE = 0  
(NORMAL)

EFA = EFFECTIVE ADDRESS



BANK MODE = 1  
(PDP 9 COMPATIBLE)

EFA = EFFECTIVE ADDRESS

| REV.       |  |
|------------|--|
| CHANGE NO. |  |
| CHK.       |  |

DEC FORM NO. DRD 100

FIRST USED ON OPTION / MODEL  
PDP15

|                                      |                  |      |
|--------------------------------------|------------------|------|
| DO NOT SCALE DRAWING                 |                  |      |
| UNLESS OTHERWISE SPECIFIED           | DRN.             | DATE |
| DIMENSION IN INCHES                  | CHK'D.           | DATE |
| TOLERANCES                           | ENG.             | DATE |
| DECIMALS FRACTIONS ANGLES            | PROF. EFG.       | DATE |
| ± .005 ± 1/64 ± 0°30'                | PROD.            | DATE |
| FINAL SURFACE QUALITY                |                  |      |
| REMOVE BURRS AND BREAK SHARP CORNERS |                  |      |
| MATERIAL                             | NEXT HIGHER ASSY |      |
| FINISH                               | A-MI-KP15-0      |      |
| SCALE                                | SHEET 1 OF 1     |      |

| QTY.   | DESCRIPTION | PART NO.          | ITEM NO. |
|--|-------------|-------------------|----------|
| PARTS LIST   |             |                   |          |
| <b>digital</b> EQUIPMENT CORPORATION<br>MAYNARD, MASSACHUSETTS |             |                   |          |
| TITLE<br>PDP15 ADDRESS CALCULATION FLOW CHART                  |             |                   |          |
| SIZE CODE: DFD   |             | NUMBER: KP15-0-71 | REV.     |
| SHEET 1 OF 1   |             | DIST.             |          |

REV. NUMBER KP15-0-71

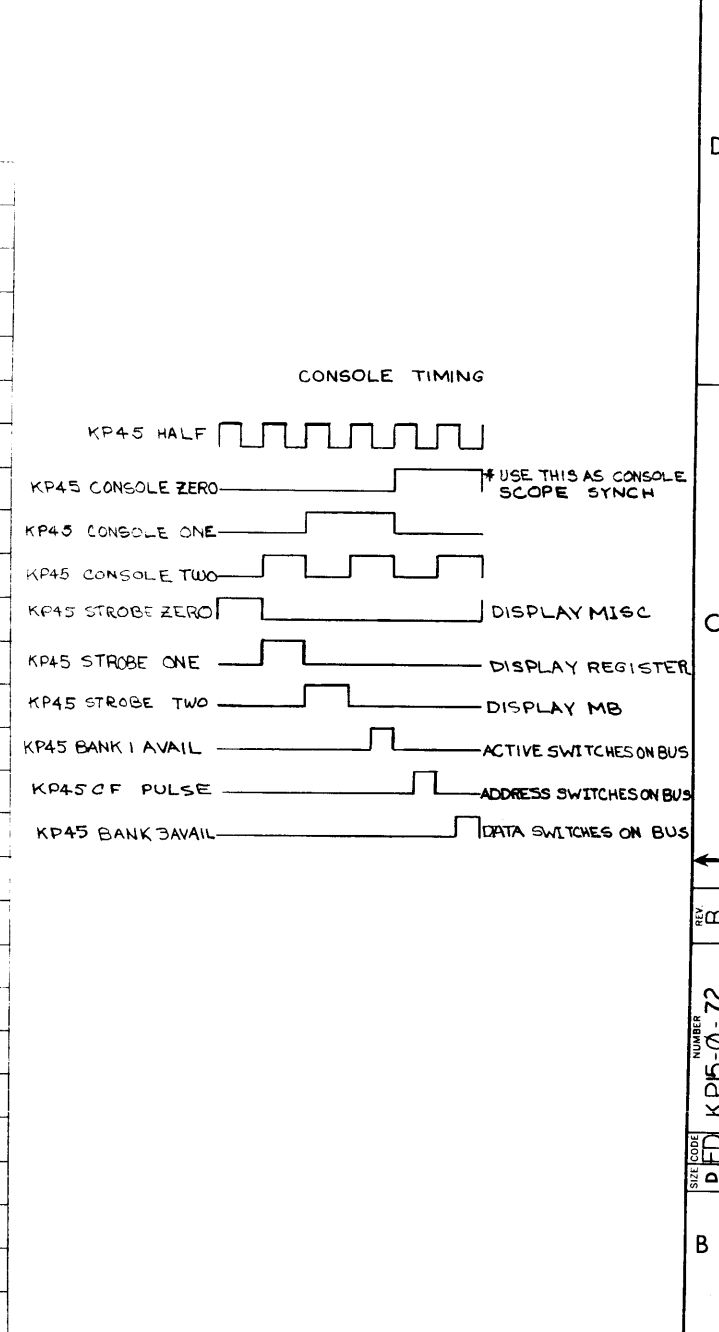
B

A



This drawing and specifications herein are the property of Digital Equipment Corporation and shall not be reproduced or copied or used in whole or in part as the basis for the manufacture or sale of items without written permission.

Table with columns for CABLE LOC., TIME, and various bus indicators (IND AC, IND PC, IND OA, etc.) for buses 00 through 23.



\* INDICATES A LOW TRUE SIGNAL WHEN INDICATOR IS NOT LIGHTED SIGNAL IS TRUE

REVISIONS table with columns for CHK, CHANGE NO., REV, and dates.

Table with columns for QTY., DESCRIPTION, PART NO., and ITEM NO., listing various components.

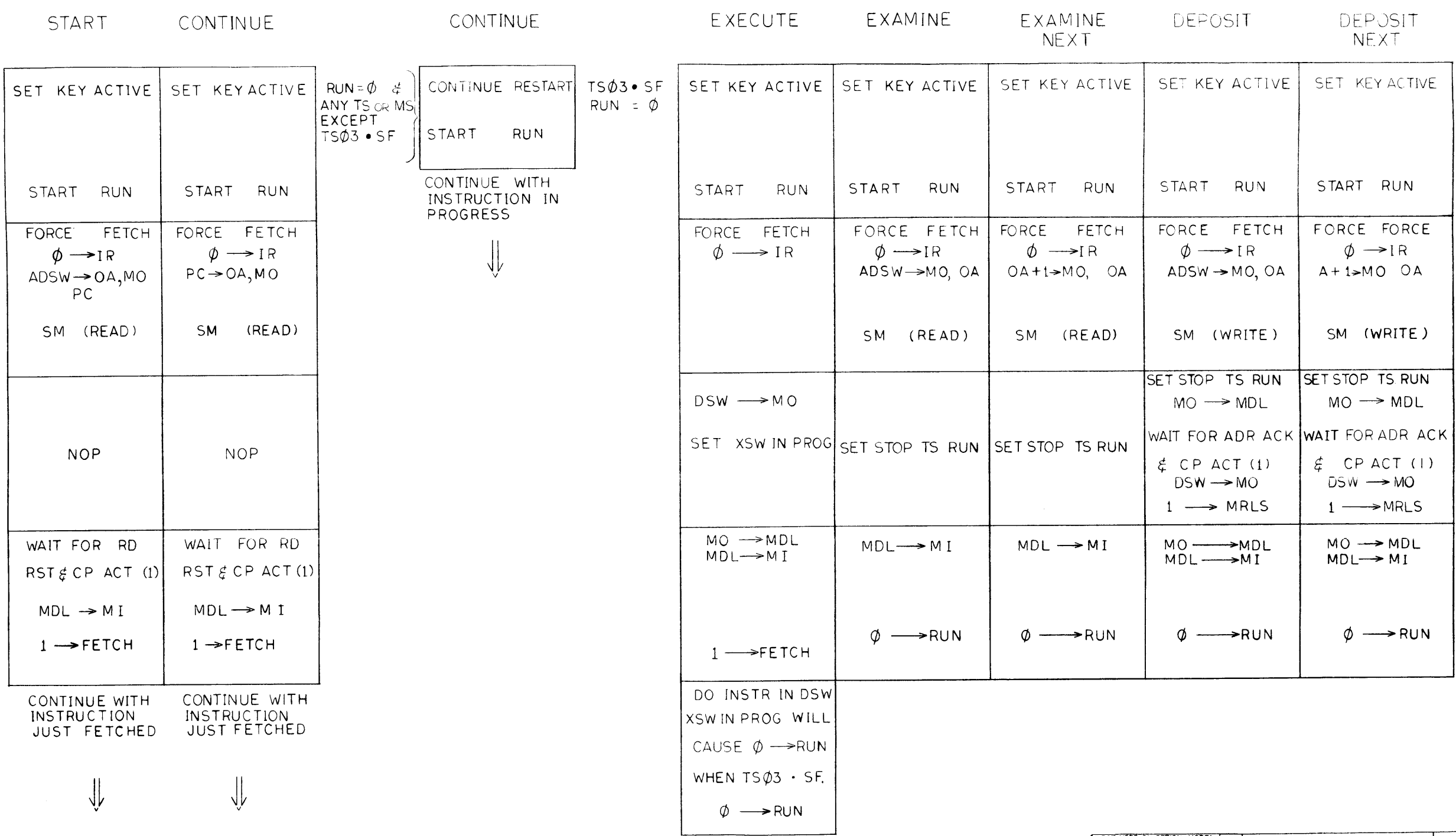
DO NOT SCALE DRAWING, UNLESS OTHERWISE SPECIFIED DIMENSION IN INCHES, TOLERANCES DECIMALS FRACTIONS ANGLES = 005 = 1/64 = 0°30'

digital EQUIPMENT CORPORATION MAYNARD, MASSACHUSETTS

SIGNAL CHART IND BUS

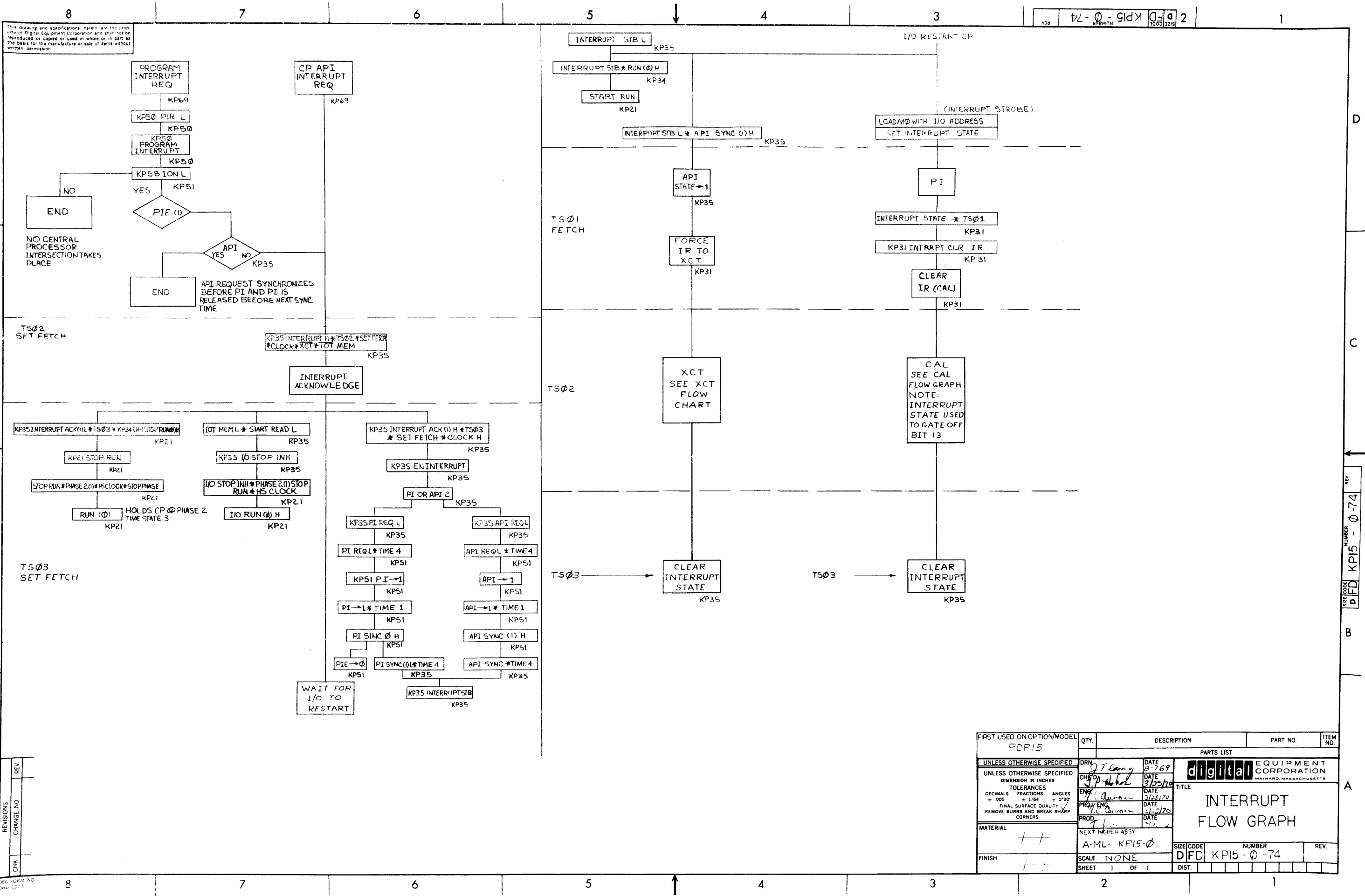
Table with columns for SIZE CODE, NUMBER, and REV, containing drawing identification information.

This drawing and specifications, herein, are the property of Digital Equipment Corporation and shall not be reproduced or copied in whole or in part as the basis for the manufacture or sale of items without written permission.



|     |  |
|-----|--|
| REV |  |
| CHG |  |
| CHK |  |

|                                      |          |             |   |           |
|--------------------------------------|----------|-------------|---|-----------|
| FIRST USED ON OPTION MODEL<br>PDP15  | QTY.     | DESCRIPTION | PART NO.  | ITEM NO.  |
| UNLESS OTHERWISE SPECIFIED           | DRN      | DATE        | PARTS LIST  |           |
| UNLESS OTHERWISE SPECIFIED           | CHKD     | DATE        | digital EQUIPMENT CORPORATION<br>MAYNARD, MASSACHUSETTS |           |
| DIMENSION IN INCHES                  | ENG      | DATE        | TITLE   |           |
| TOLERANCES                           | PROJ ENG | DATE        | KEY FLOW  |           |
| DECIMALS = 005                       | PROD     | DATE        | NEXT HIGHER ASSY  |           |
| FRACTIONS = 1/64                     |          |             | A-ML-KP15-0   |           |
| ANGLES = 0°30'                       |          |             | SIZE CODE   | NUMBER    |
| FINAL SURFACE QUALITY                |          |             | D FD  | KP15-0-73 |
| REMOVE BURRS AND BREAK SHARP CORNERS |          |             | SCALE   |           |
|                                      |          |             | SHEET 1   | OF 1      |
|                                      |          |             | DIST.   |           |



This drawing and specifications herein are the property of Digital Equipment Corporation and shall not be reproduced or copied or used in whole or in part as the basis for the manufacture or sale of items without written permission.

SIZE CODE DFD KPI5-0-74 2

| REV | CHG | NO. | DATE |
|-----|-----|-----|------|
|     |     |     |      |

|                                      |          |              |   |          |
|--------------------------------------|----------|--------------|---|----------|
| FIRST USED ON OPTION/MODEL<br>PDP15  | QTY.     | DESCRIPTION  | PART NO.  | ITEM NO. |
| PARTS LIST                           |          |              |   |          |
| UNLESS OTHERWISE SPECIFIED           | DRN      | DATE         | digital EQUIPMENT CORPORATION<br>MAYNARD, MASSACHUSETTS |          |
| UNLESS OTHERWISE SPECIFIED           | CHKD     | DATE         | TITLE   |          |
| DIMENSION IN INCHES                  |          | 3/25/70      | INTERRUPT FLOW GRAPH                                    |          |
| TOLERANCES                           | ENG      | DATE         |   |          |
| DECIMALS FRACTIONS ANGLES            |          | 3/25/70      |   |          |
| = .005 ± 1/64 ± 0°30'                | PROJ ENG | DATE         |   |          |
| FINAL SURFACE QUALITY                |          | 3/25/70      |   |          |
| REMOVE BURRS AND BREAK SHARP CORNERS | PROD     | DATE         |   |          |
| MATERIAL                             |          |              |   |          |
| FINISH                               |          |              |   |          |
| NEXT HIGHER ASSY                     |          | A-ML- KPI5-0 |   |          |
| SCALE NONE                           |          | SIZE CODE    | NUMBER  | REV.     |
| SHEET 1 OF 1                         |          | DFD          | KPI5-0-74   |          |

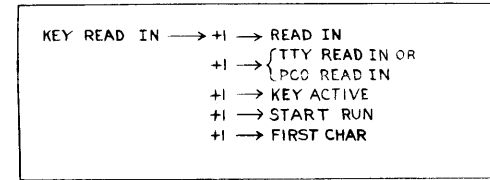
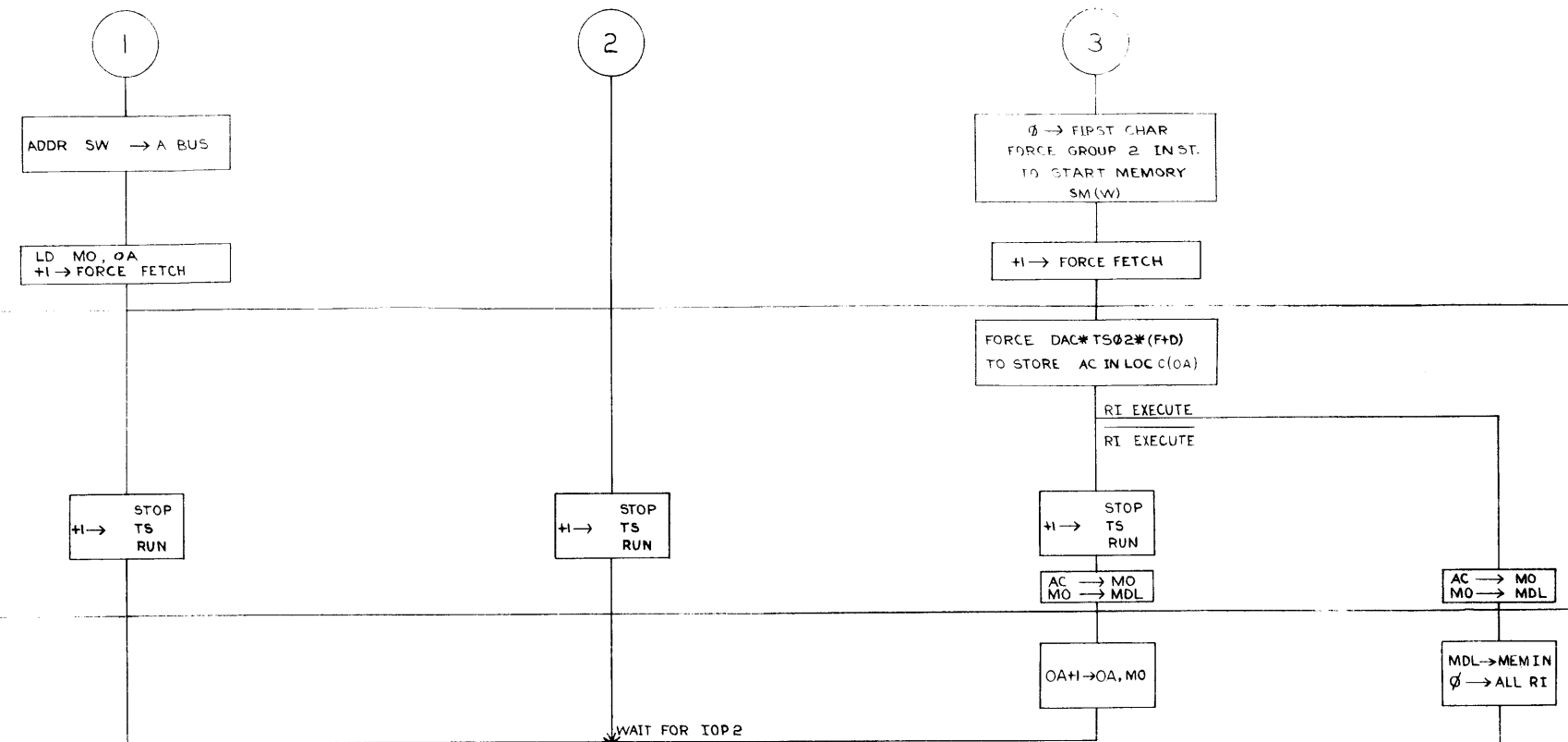
REV. NUMBER - 0-74

This drawing and specifications, herein, are the property of Digital Equipment Corporation and shall not be reproduced or copied or used in whole or in part as the basis for the manufacture or sale of items without written permission.

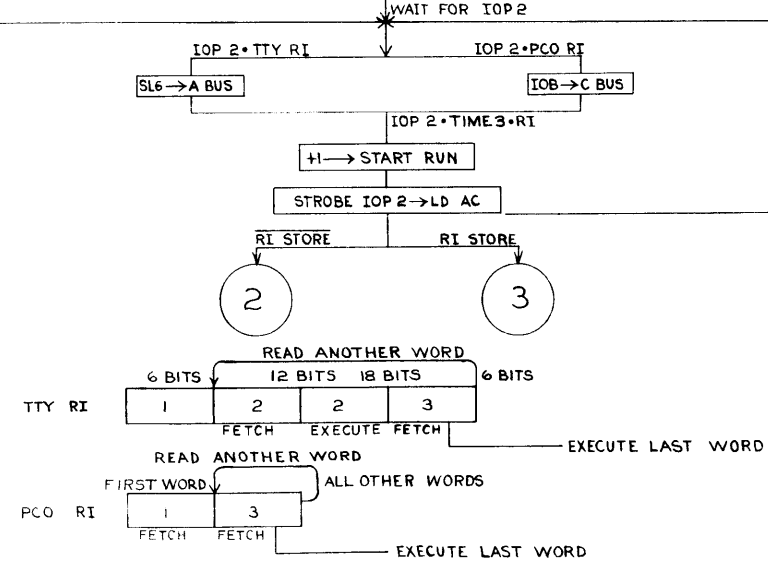
TS01

TS02

TS03

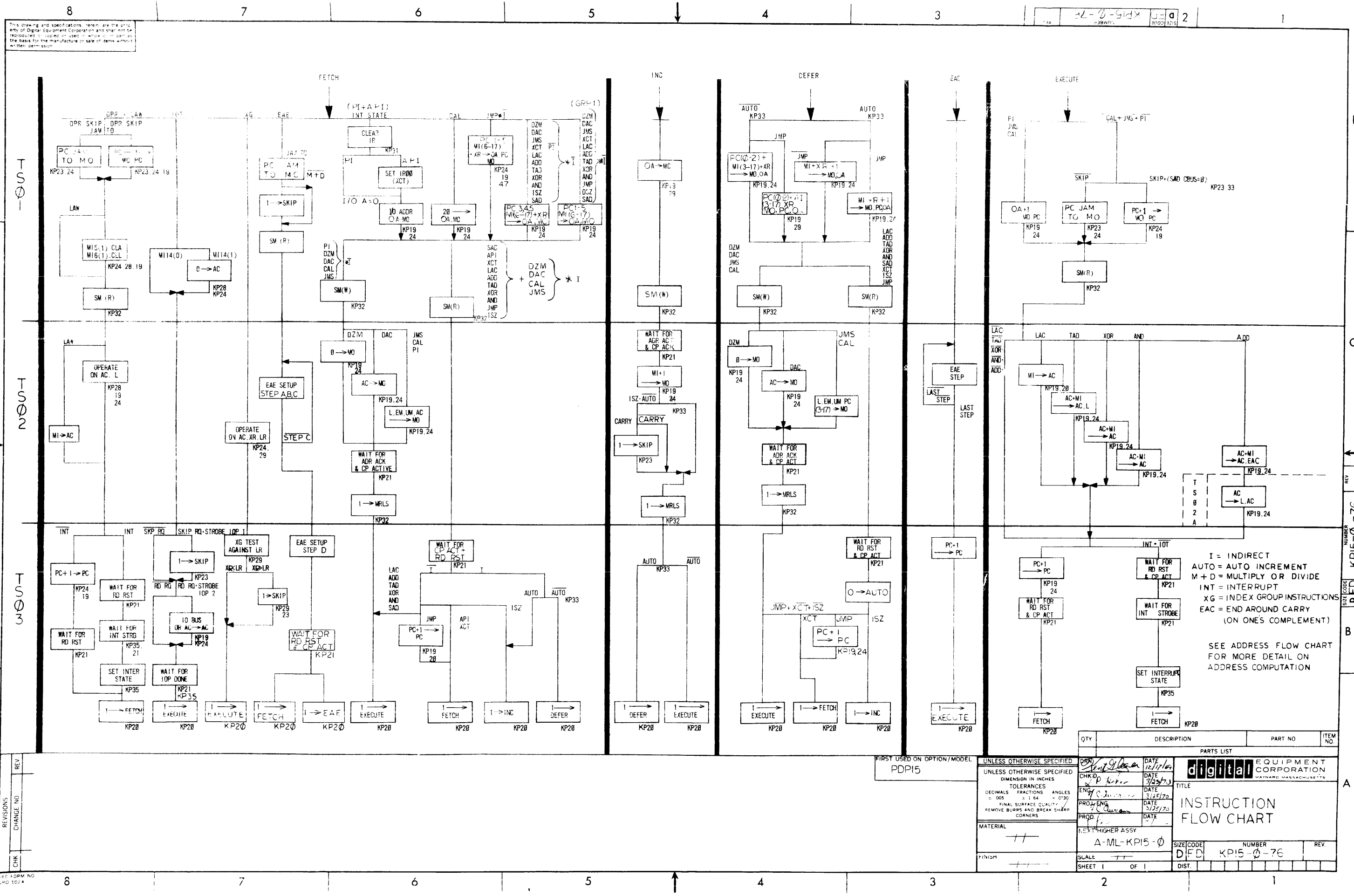


NOTES:  
 1. RI EXECUTE SET BY (PCO RI • SKIP) V (TTY RI • HOLE 7)  
 2. RI STORE = FIRST CHAR • [PCO RI V (TTY RI • THIRD CHAR)]



|            |  |
|------------|--|
| REV        |  |
| CHK        |  |
| CHANGE NO. |  |
| REVISIONS  |  |

|   |  |                                      |  |                     |
|---|--|--------------------------------------|--|---------------------|
| FIRST USED ON OPT/ MOD<br>PDP 15  | QTY.                                       | DESCRIPTION                          | PART NO.   | ITEM NO.            |
| UNLESS OTHERWISE SPECIFIED<br>DIMENSION IN INCHES<br>TOLERANCES<br>DECIMALS ± .005<br>FRACTIONS ± 1/64<br>ANGLES ± 0°30'<br>FINAL SURFACE QUALITY<br>REMOVE BURRS AND BREAK SHARP CORNERS | DRN<br>CHK'D<br>ENG<br>PROD. ENG.<br>PROD. | DATE<br>DATE<br>DATE<br>DATE<br>DATE | PARTS LIST<br><b>digital</b> EQUIPMENT CORPORATION<br>MAYNARD, MASSACHUSETTS |                     |
| MATERIAL  | NEXT HIGHER ASSY<br>A-ML-KP15-0            | TITLE<br>READ IN FLOW                | SIZE CODE<br>DFD   | NUMBER<br>KP15-0-75 |
| FINISH  | SCALE                                      | SHEET                                | OF   | DIST.               |



TS 1  
TS 2  
TS 3

REV  
NUMBER  
D F D  
K P I 5 - 0 - 7 6

REV  
NO  
CHG  
NO

FIRST USED ON OPTION/MODEL  
PDP15

UNLESS OTHERWISE SPECIFIED  
DIMENSION IN INCHES  
TOLERANCES  
DECIMALS FRACTIONS ANGLES  
± .005 ± .164 ± 0°30'  
FINAL SURFACE QUALITY  
REMOVE BURRS AND BREAK SHARP CORNERS

DATE 12/17/68  
DATE 3/23/70  
DATE 3/15/70  
DATE 3/25/70

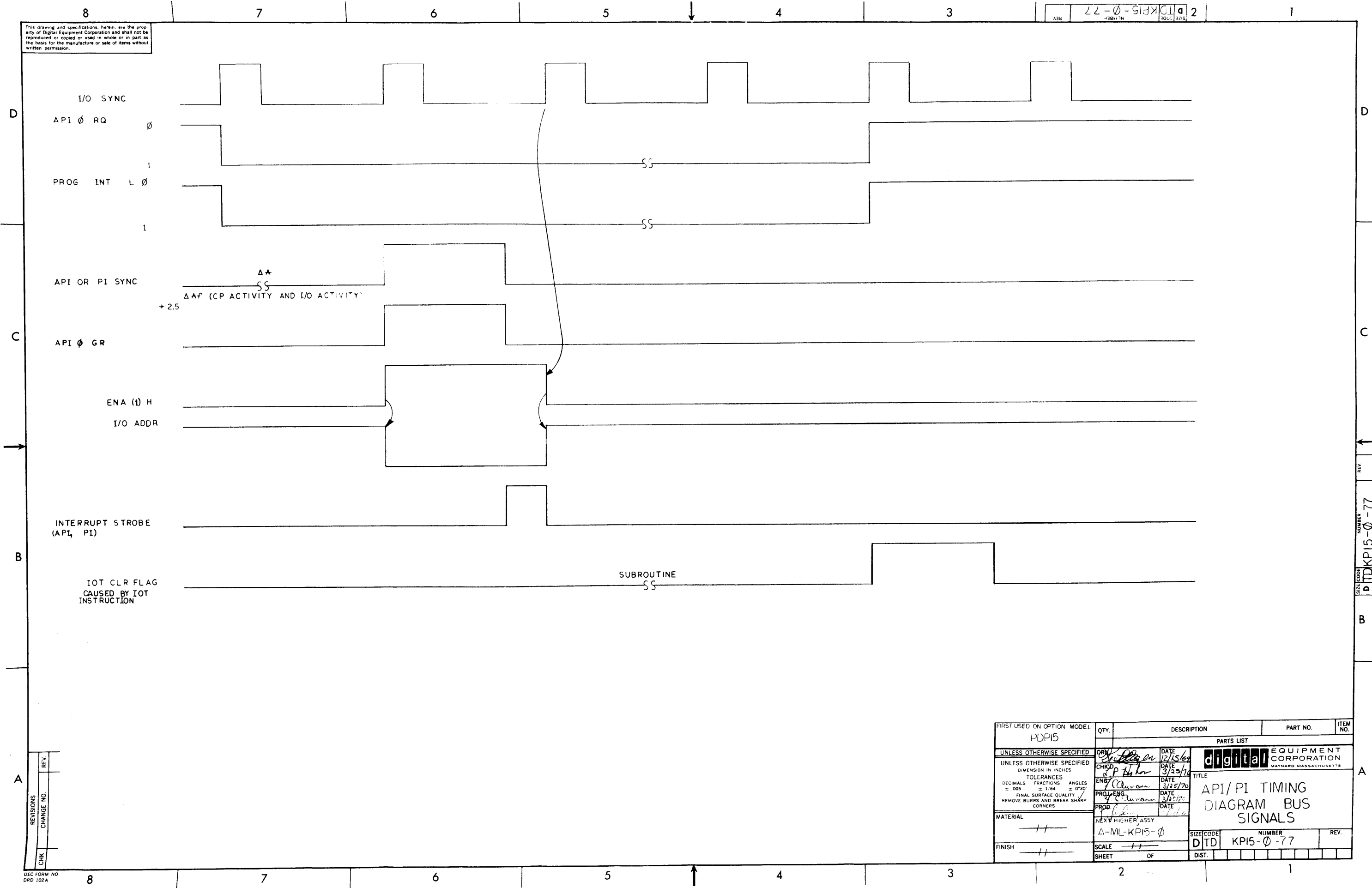
**digital** EQUIPMENT CORPORATION  
NATAND MASSACHUSETTS

TITLE  
**INSTRUCTION FLOW CHART**

SIZE CODE NUMBER REV  
D F D K P I 5 - 0 - 7 6

SHEET 1 OF 1

This drawing and specifications, herein, are the property of Digital Equipment Corporation and shall not be reproduced or copied or used in whole or in part as the basis for the manufacture or sale of items without written permission.



| REV. | CHANGE NO. |
|------|------------|
|      |            |

DEC FORM NO. DRD 102A

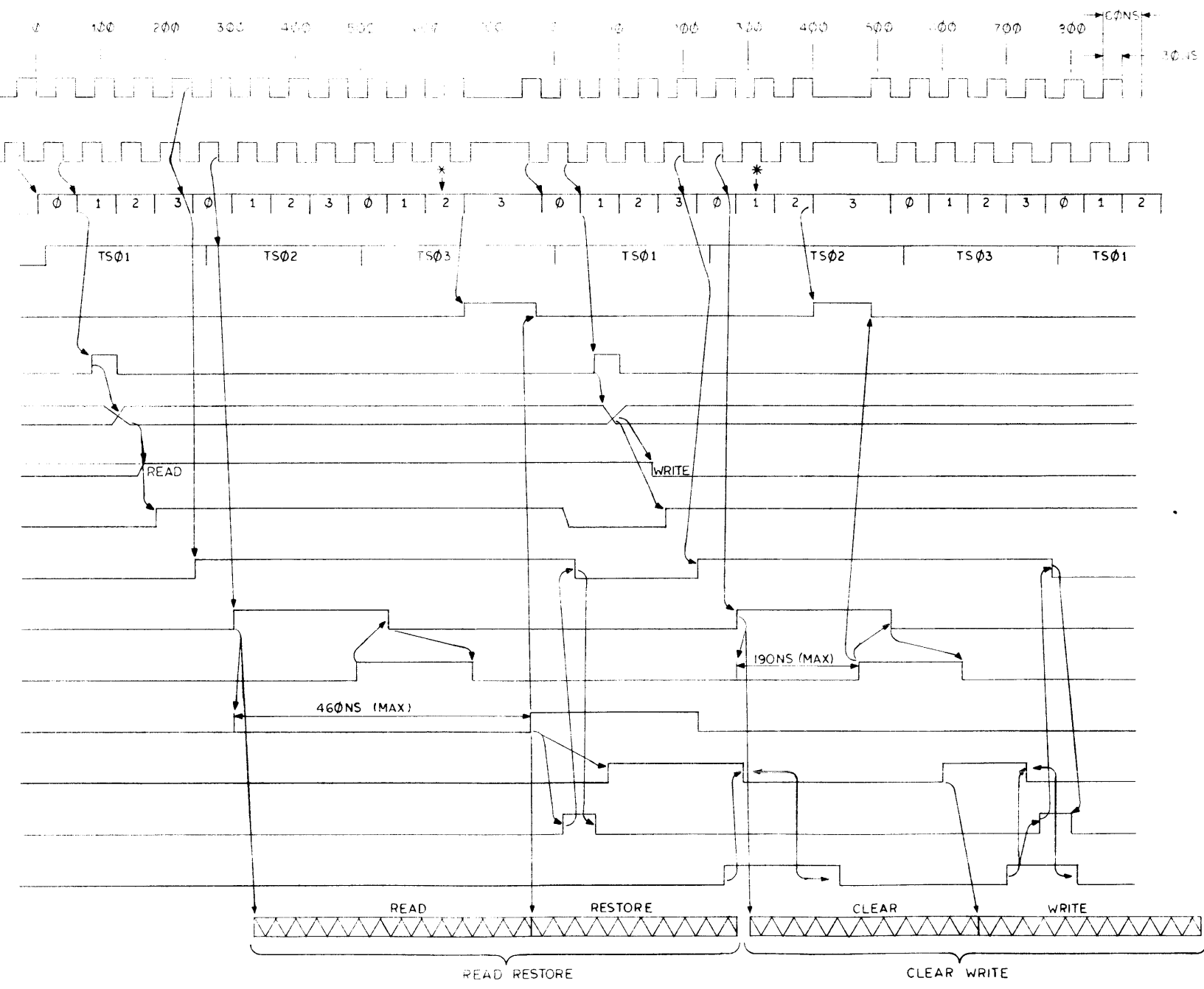
|                                      |                  |             |   |           |
|--------------------------------------|------------------|-------------|---|-----------|
| FIRST USED ON OPTION MODEL<br>PDP15  | QTY.             | DESCRIPTION | PART NO.  | ITEM NO.  |
| UNLESS OTHERWISE SPECIFIED           | DRN              | DATE        | PARTS LIST  |           |
| DIMENSION IN INCHES                  | CHKD             | DATE        | digital EQUIPMENT CORPORATION<br>MAYNARD, MASSACHUSETTS |           |
| TOLERANCES                           | ENG              | DATE        | TITLE   |           |
| DECIMALS FRACTIONS ANGLES            | PROJ             | DATE        | API/PI TIMING DIAGRAM BUS SIGNALS                       |           |
| ± .005 ± 1/64 ± 0°30'                | PROD             | DATE        | SIZE CODE   | NUMBER    |
| FINAL SURFACE QUALITY                |                  |             | D TD  | KPI5-0-77 |
| REMOVE BURRS AND BREAK SHARP CORNERS |                  |             | DIST.   | REV.      |
| MATERIAL                             | NEXT HIGHER ASSY |             |   |           |
| FINISH                               | Δ-MIL-KPI5-0     | SCALE       |   |           |
|                                      |                  | SHEET       |   |           |

REV. 2  
 NUMBER: KPI5-0-77

REV.

This drawing and specifications herein are the property of Digital Equipment Corporation and shall not be reproduced or copied or used in whole or in part as the basis for the manufacture or sale of items without written permission.

D  
C  
B  
A



NOTE: \*HOLD IN PHASE 2 WITH CLOCK RUNNING IF I/O ACT WAIT FOR MEMORY AVAILABILITY TO CP.

THIS CHART SHOWS WORSE CASE TIMING SITUATIONS. TYPICAL TIMING MAY SHOW AS MUCH AS 50% LESS DELAY BETWEEN CERTAIN SIGNALS

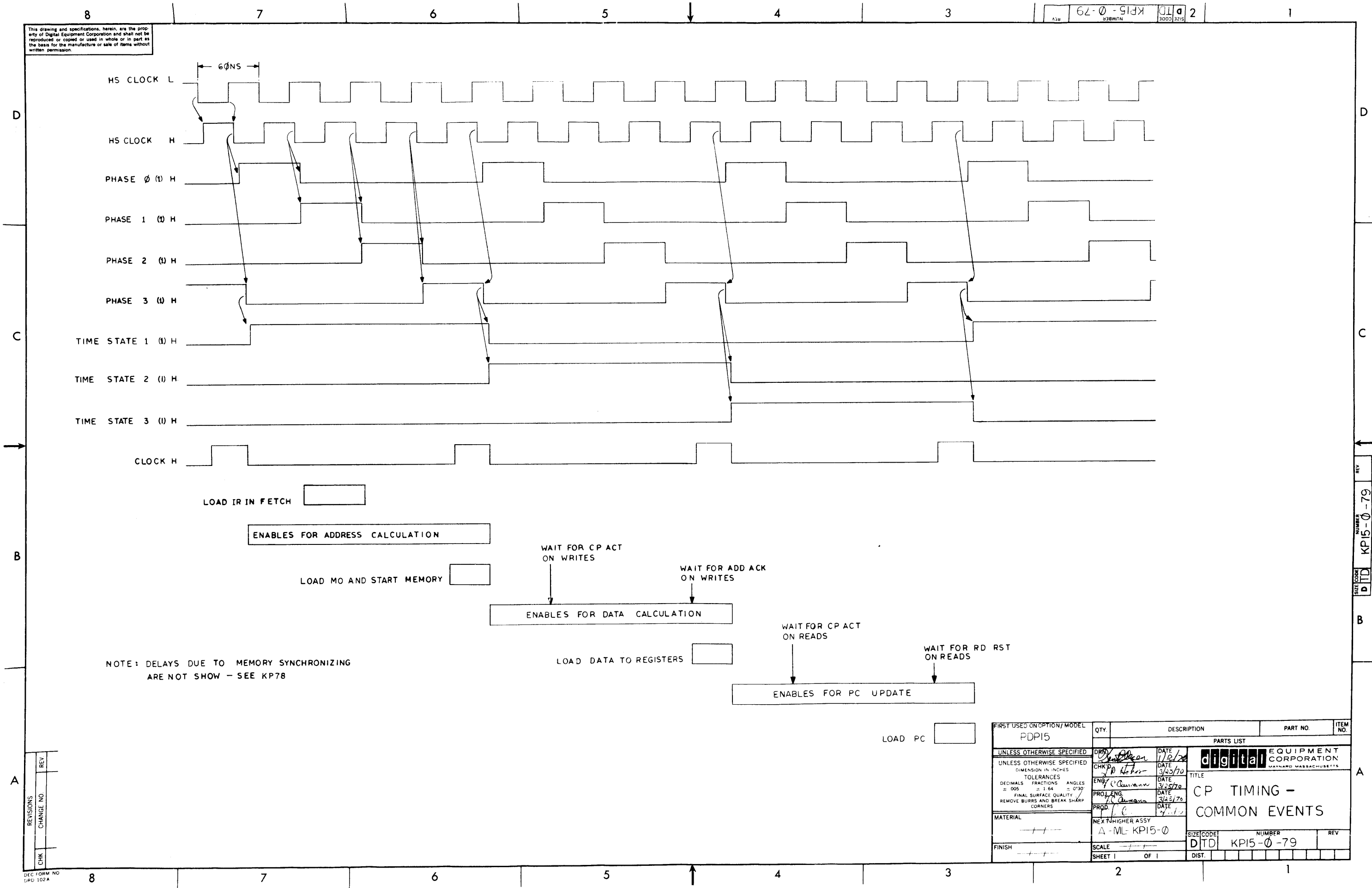
REV A  
NUMBER KP15-0-78  
SIZE CODE DTD

|           |     |            |        |
|-----------|-----|------------|--------|
| REVISIONS | CHK | CHANGE NO  | REV    |
|           |     | KP15-00082 | A      |
|           |     | 2-3-74     |        |
|           |     | F. DOLL    | 1-4-74 |

|                                      |                                      |               |  |          |
|--------------------------------------|--------------------------------------|---------------|--|----------|
| FIRST USED ON OPTION/MODEL<br>PDP15  | QTY                                  | DESCRIPTION   | PART NO  | ITEM NO. |
| PARTS LIST                           |                                      |               |  |          |
| UNLESS OTHERWISE SPECIFIED           | DRN                                  | DATE 12/19/68 | digital EQUIPMENT CORPORATION<br>MAYNARD MASSACHUSETTS |          |
| UNLESS OTHERWISE SPECIFIED           | CHK                                  | DATE 5/25/70  | TITLE  |          |
| DIMENSION IN INCHES                  | ENG                                  | DATE 3/25/70  | CP - MEMORY  |          |
| TOLERANCES                           | PROV                                 | DATE 3/25/70  | TIMING   |          |
| DECIMALS FRACTIONS ANGLES            | PRD                                  | DATE          |  |          |
| ± .005 ± .001 ± .030                 |                                      |               |  |          |
| FINAL SURFACE QUALITY                |                                      |               |  |          |
| REMOVE BURRS AND BREAK SHARP CORNERS |                                      |               |  |          |
| MATERIAL                             | NEXT HIGHER ASSY                     |               |  |          |
| FINISH                               | A-MIL-KP15-0                         |               |  |          |
| SCALE                                | SIZE CODE DTD NUMBER KP15-0-78 REV A |               |  |          |
| SHEET 1 OF 1                         | DIST.                                |               |  |          |

A

This drawing and specifications, herein, are the property of Digital Equipment Corporation and shall not be reproduced or copied or used in whole or in part as the basis for the manufacture or sale of items without written permission.

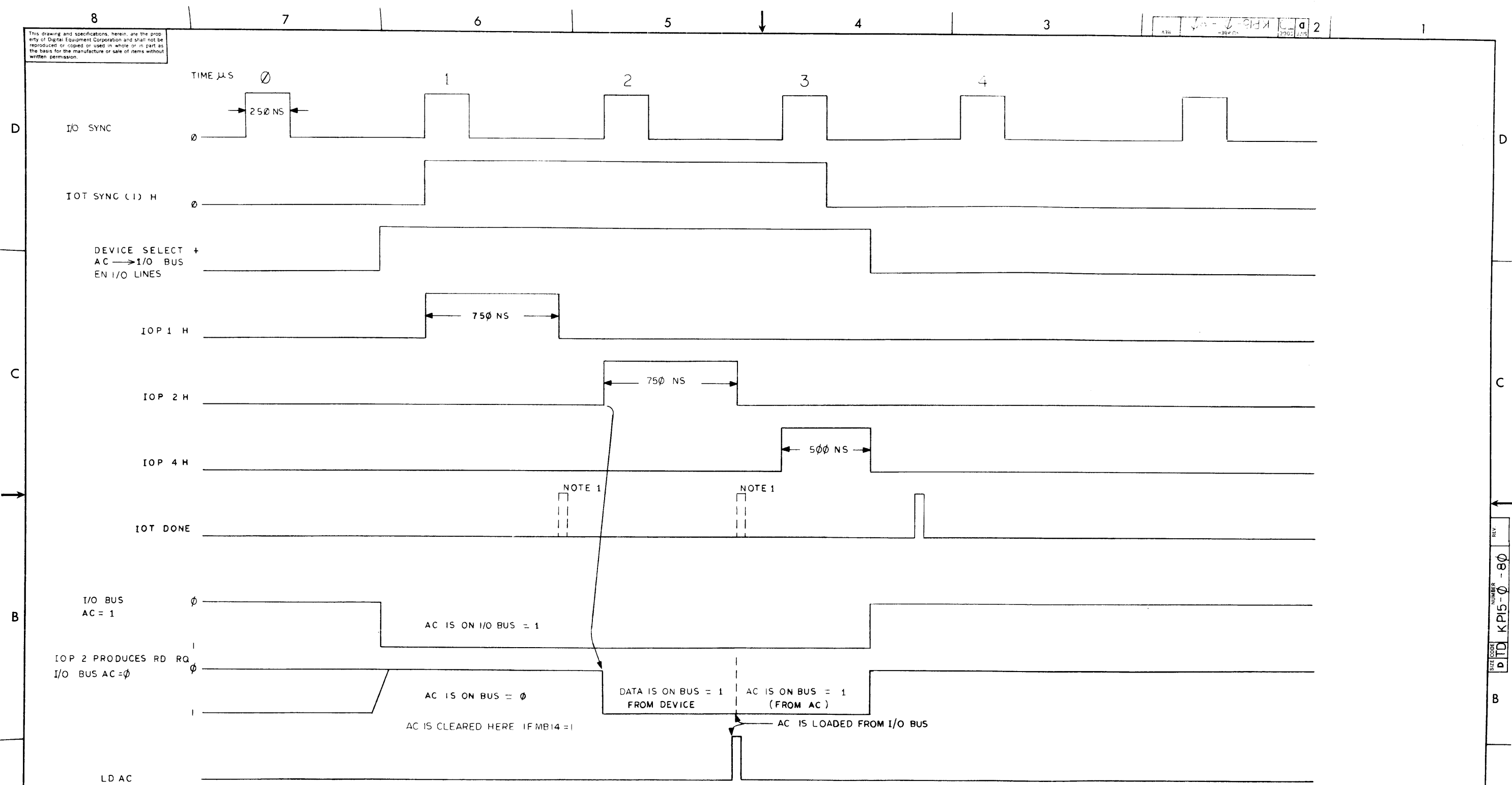


|            |     |
|------------|-----|
| REVISIONS  | REV |
| CHANGE NO. |     |
| CHK        |     |



This drawing and specifications herein are the property of Digital Equipment Corporation and shall not be reproduced or copied or used in whole or in part as the basis for the manufacture or sale of items without written permission.

REV. 2



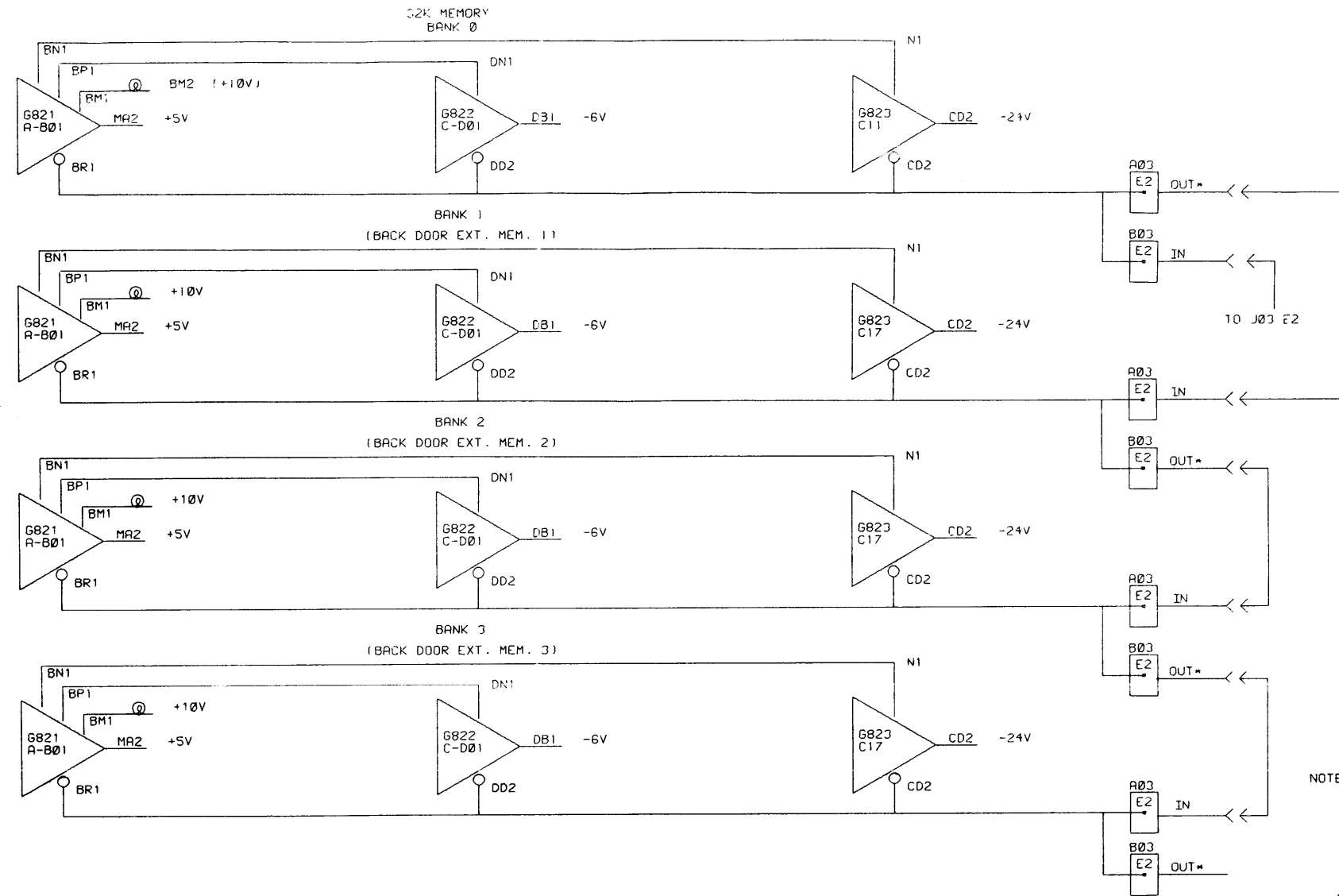
NOTE 1

NOTE: 1. IOT DONE IS ISSUED WITH LAST IOP PULSE.

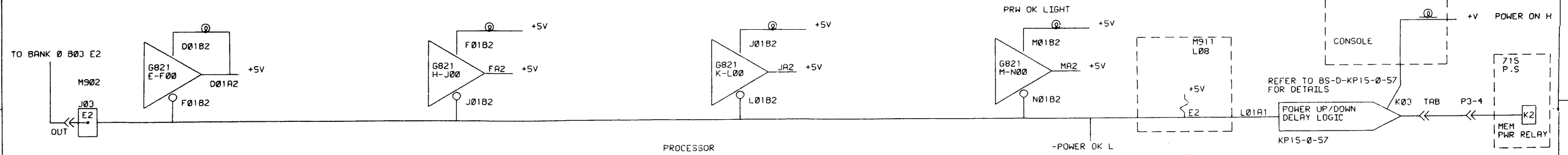
|            |  |
|------------|--|
| REV.       |  |
| CHANGE NO. |  |
| CHK        |  |

| FIRST USED ON OPTION/MODEL                                   | QTY.      | DESCRIPTION      | PART NO.  | ITEM NO.   |
|--|-----------|------------------|-----------|--|
| PDP15  |           |                  |           |  |
| PARTS LIST   |           |                  |           |  |
| UNLESS OTHERWISE SPECIFIED                                   |           | DRN              | DATE      | <b>digital</b> EQUIPMENT CORPORATION<br>MAYNARD, MASSACHUSETTS |
| UNLESS OTHERWISE SPECIFIED                                   |           | CHK'D            | DATE      |  |
| DIMENSION IN INCHES  |           | ENG              | DATE      |  |
| TOLERANCES   |           | PROD. ENG.       | DATE      |  |
| DECIMALS   | FRACTIONS | ANGLES           |           | <b>IOT INSTRUCTION TIMING DIAGRAM BUS SIGNALS</b>              |
| ± .005   | ± 1/64    | ± 0°30'          |           |  |
| FINAL SURFACE QUALITY / REMOVE BURRS AND BREAK SHARP CORNERS |           | PROD.            | DATE      |  |
| MATERIAL   |           | NEXT HIGHER ASSY |           |  |
| FINISH   |           | A-ML-KP15-0      |           |  |
|  |           | SCALE            | SIZE CODE | NUMBER   |
|  |           | SHEET 1 OF 1     | D1TD      | KP15-0-80  |
|  |           | DIST.            |           | REV.   |

This drawing and specifications, herein, are the property of Digital Equipment Corporation and shall not be reproduced or copied or used in whole or in part as the basis for the manufacture or sale of items without written permission.



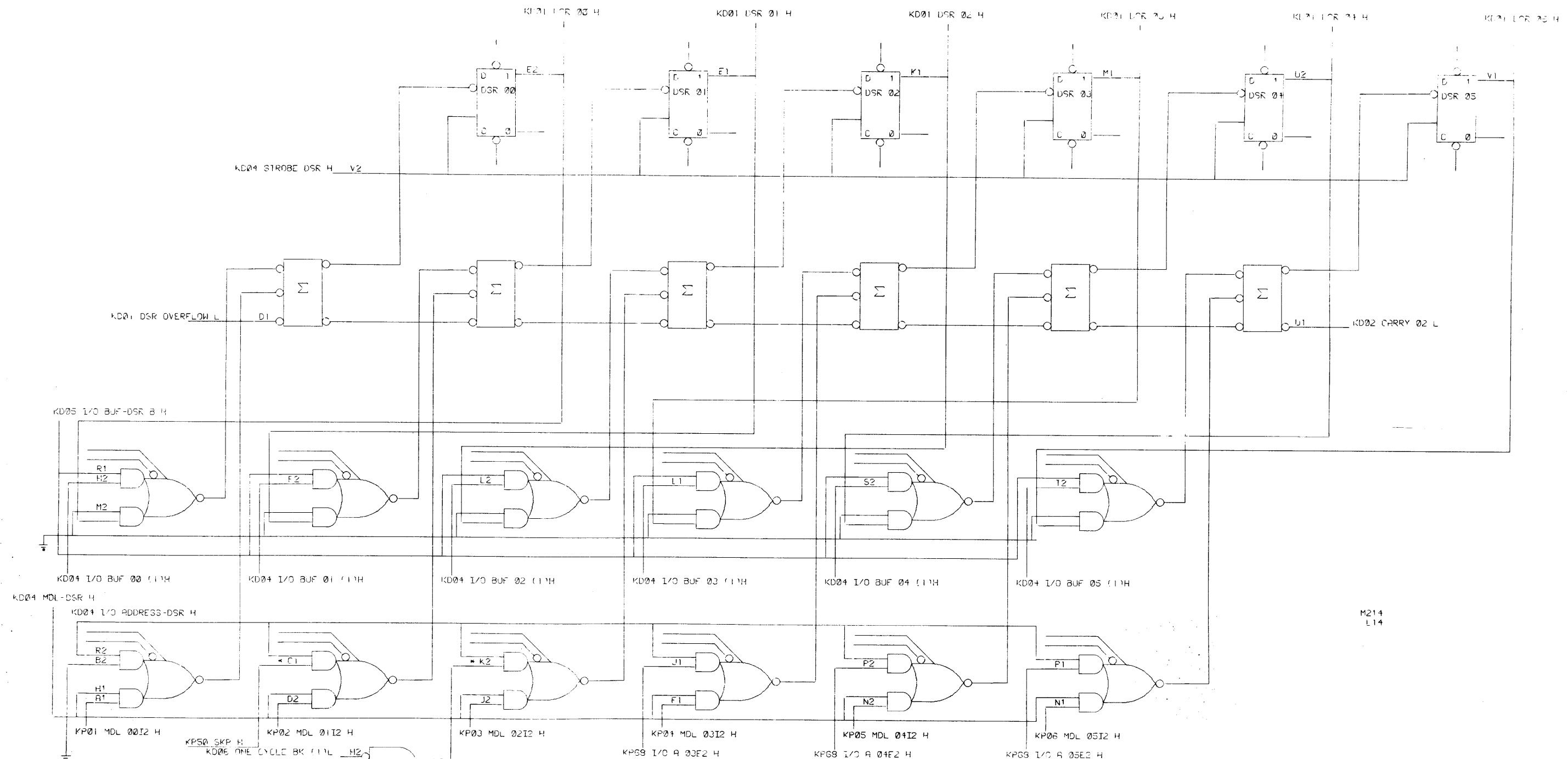
- NOTES:
- \*THE M902 TERMINATOR CARD IS ALWAYS PLACED IN THE LAST BANK OF THE TOTAL MEMORY CAPACITY.
  - REFER TO MM15-0-20 FOR INDIVIDUAL REGULATOR VOLTAGE ADJUSTMENT.



| REVISIONS |            |      |
|-----------|------------|------|
| CHK       | CHANGE NO. | REV. |
| 21        | KP15-0003E | E    |
|           |            |      |
|           |            |      |

|               |       |   |
|---------------|-------|---|
| DRN           | DATE  | digital EQUIPMENT CORPORATION<br>MAYNARD, MASSACHUSETTS |
| CHK'D         | DATE  |   |
| ENG           | DATE  | TITLE   |
| PROJ. ENG.    | DATE  | POWER REGULATOR & OK BUS                                |
| PROD.         | DATE  |   |
| FIRST USED ON |       |   |
| KP15          | SCALE | NUMBER  |
|               | D BS  | KP15-0-81   |
|               | SHEET | REV.  |
|               | OF    | B   |

This drawing and specifications, herein, are the property of Digital Equipment Corporation and shall not be reproduced or copied or used in whole or in part as the basis for the manufacture or sale of items without written permission.

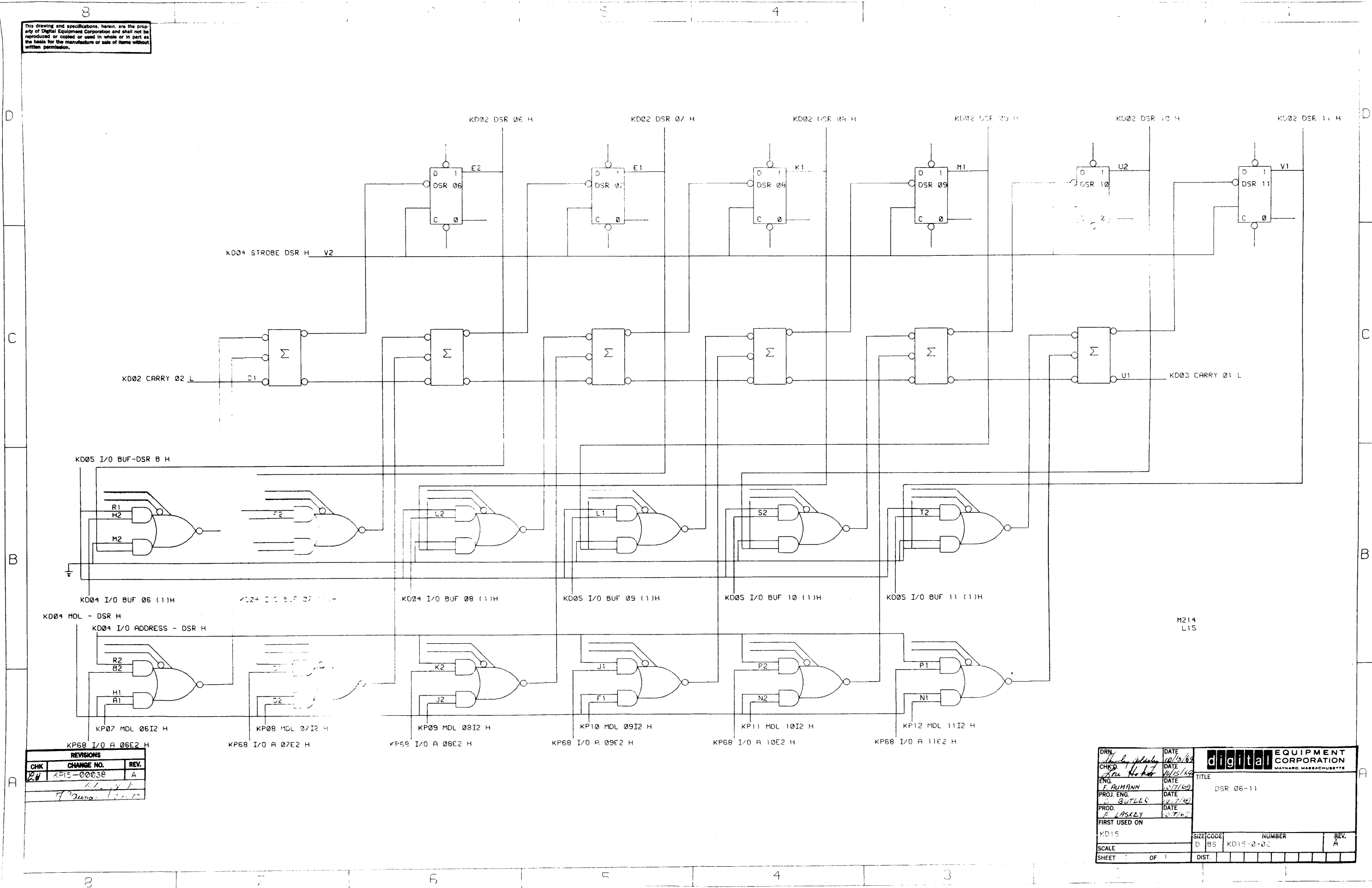


\*NOTE: IF ECO KP15-#52 (OPTIONAL IN OLDER MACHINES) IS NOT INSTALLED, INDICATED PINS ARE GROUNDED.

| REVISIONS |                 |      |
|-----------|-----------------|------|
| CHK       | CHANGE NO.      | REV. |
| S         | GOLDSBY 7/15/70 |      |
| F         | FUMANN 7/22/70  |      |
|           | KP15-00052 13   |      |
|           |                 |      |
|           |                 |      |

|               |            |           |          |        |   |
|---------------|------------|-----------|----------|--------|---|
| DRN           | S. GOLDSBY | DATE      | 10/14/69 |        | <b>digital</b> EQUIPMENT CORPORATION<br><small>MAYNARD, MASSACHUSETTS</small> |
| CHK'D         | L. HOHOS   | DATE      | 10/15/69 |        |   |
| ENG.          | F. RUMANN  | DATE      | 10/7/69  |        |   |
| PROJ. ENG.    | G. BUTLER  | DATE      | 10/7/69  |        |   |
| PROD.         | F. LASKEY  | DATE      | 10/7/69  | TITLE  | DSR 00-05   |
| FIRST USED ON | KD15       | SIZE CODE | C 32     | NUMBER | KD15-C-01   |
| SCALE         |            |           |          | REV.   | B   |
| SHEET         | 1          | OF        | 1        | DIST.  |   |

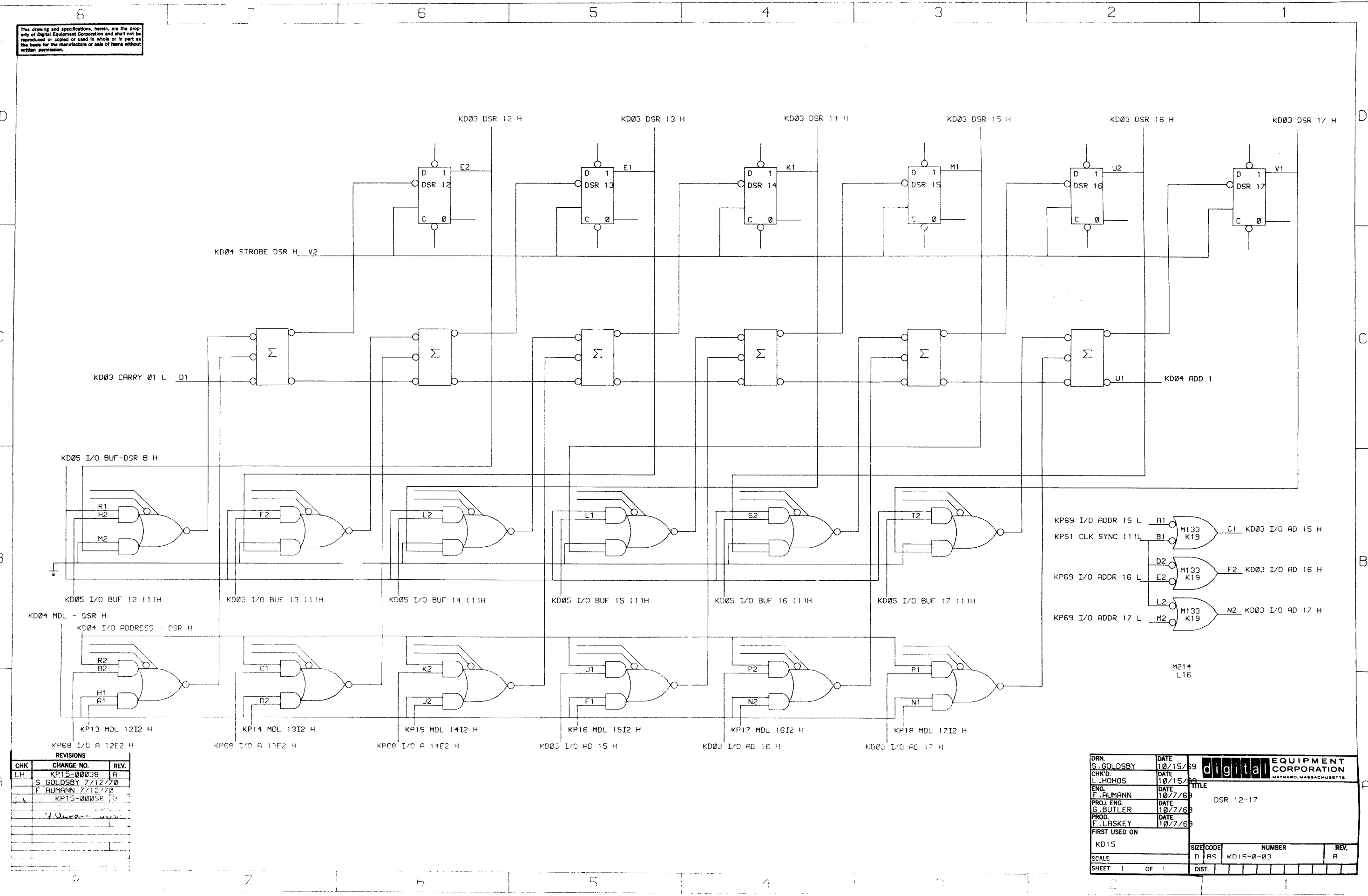
This drawing and specifications, herein, are the property of Digital Equipment Corporation and shall not be reproduced or copied or used in whole or in part as the basis for the manufacture or sale of items without written permission.



| REVISIONS |            |      |
|-----------|------------|------|
| CHK       | CHANGE NO. | REV. |
| 24        | KP15-00038 | A    |
|           |            |      |
|           |            |      |

|                          |                |  |
|--------------------------|----------------|--|
| DRN. <i>Frank...</i>     | DATE 10/15/69  | <b>digital</b> EQUIPMENT CORPORATION<br>MAYNARD, MASSACHUSETTS |
| CHK'D. <i>Joe...</i>     | DATE 10/15/69  |  |
| ENG. <i>F. Bumann</i>    | DATE 10/17/69  | TITLE DSR 06-11  |
| PROJ. ENG. <i>BUTLER</i> | DATE 10/27/69  |  |
| PROD. <i>F. LASKEY</i>   | DATE 10/27/69  |  |
| FIRST USED ON            |                |  |
| KD15                     | SIZE CODE D BS | NUMBER KD15-0-02   |
| SCALE                    |                | REV. A   |
| SHEET 1 OF 1             | DIST.          |  |

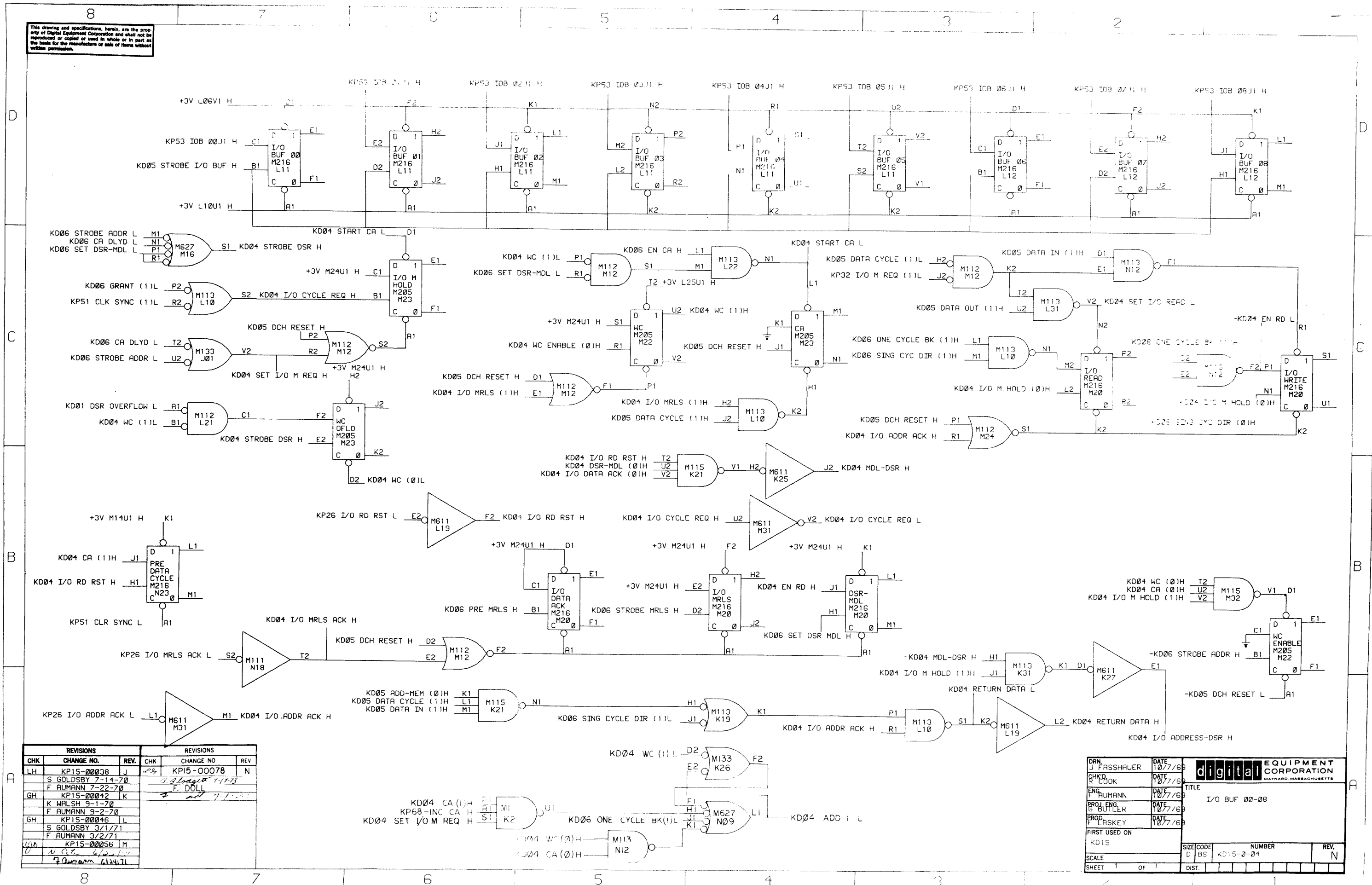
This drawing and specifications, herein, are the property of Digital Equipment Corporation and shall not be reproduced or copied or used in whole or in part as the basis for the manufacture or sale of items without written permission.



| REVISIONS |                 |      |
|-----------|-----------------|------|
| CHK       | CHANGE NO.      | REV. |
| LH        | KP15-00038      | A    |
| S         | GOLDSBY 7/12/70 |      |
| F         | RUMANN 7/12/70  |      |
|           | KP15-00056      | B    |

|               |            |           |           |                    |
|---------------|------------|-----------|-----------|--------------------|
| DRN.          | S. GOLDSBY | DATE      | 10/15/69  |                    |
| CHKD.         | L. HOHOS   | DATE      | 10/15/69  |                    |
| ENG.          | F. RUMANN  | DATE      | 10/7/69   | TITLE<br>DSR 12-17 |
| PROJ. ENG.    | G. BUTLER  | DATE      | 10/7/69   |                    |
| PROD.         | F. LASKEY  | DATE      | 10/7/69   |                    |
| FIRST USED ON | KD15       |           |           |                    |
| SCALE         | D BS       | SIZE CODE | NUMBER    | REV.               |
| SHEET 1 OF 1  | DIST.      |           | KD15-0-03 | B                  |

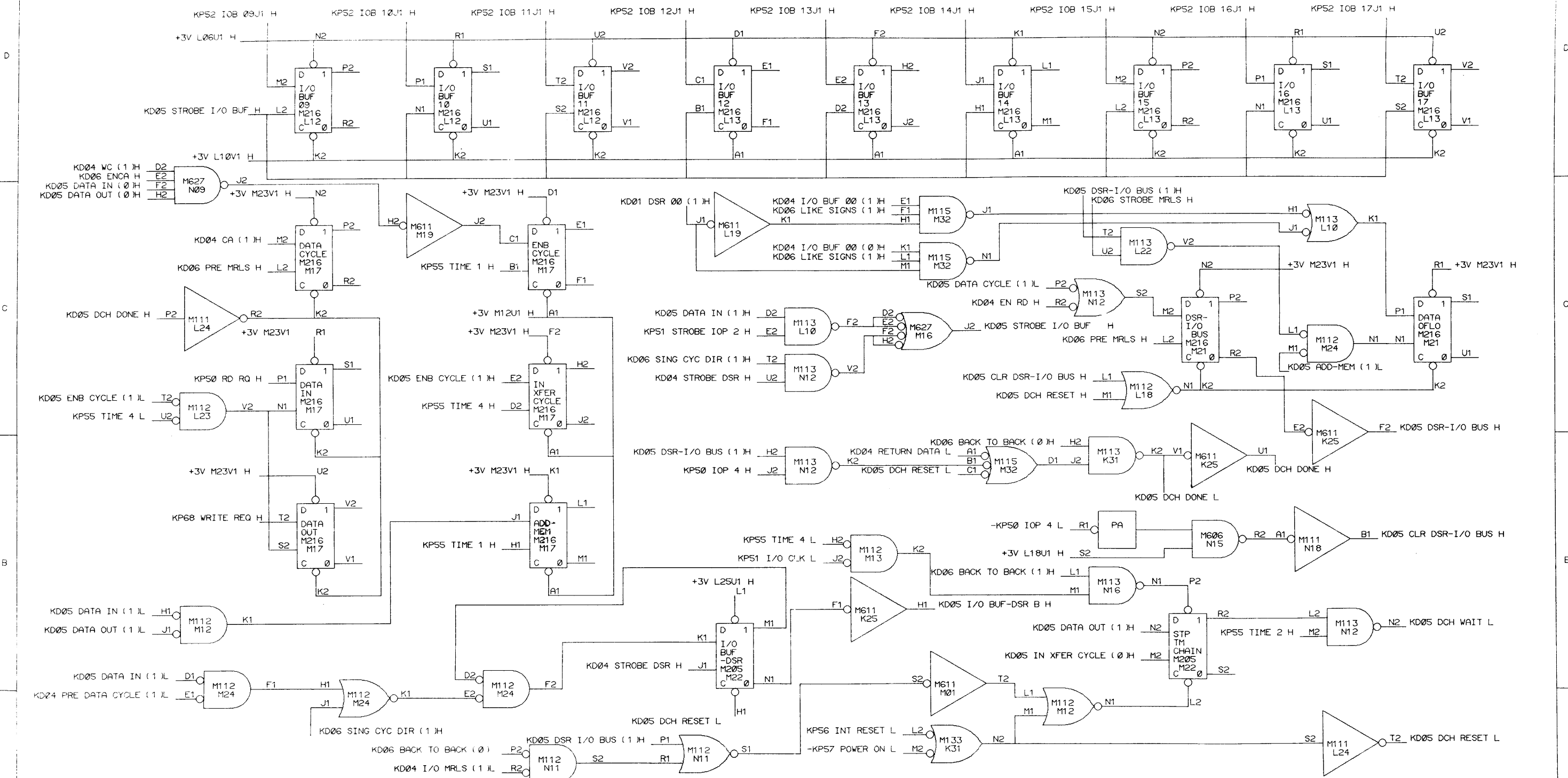
This drawing and specifications, herein, are the property of Digital Equipment Corporation and shall not be reproduced or copied or used in whole or in part as the basis for the manufacture or sale of items without written permission.



| REVISIONS |                 |      | REVISIONS  |            |      |
|-----------|-----------------|------|------------|------------|------|
| CHK       | CHANGE NO.      | REV. | CHK        | CHANGE NO. | REV. |
| LH        | KP15-00038      | J    | KPI5-00078 | N          |      |
| S         | GOLDSBY 7-14-70 |      | F. DOLL    |            |      |
| F         | AUMANN 7-22-70  |      |            |            |      |
| GH        | KP15-00042      | K    |            |            |      |
| K         | WALSH 9-1-70    |      |            |            |      |
| F         | AUMANN 9-2-70   |      |            |            |      |
| GH        | KP15-00046      | L    |            |            |      |
| S         | GOLDSBY 3/1/71  |      |            |            |      |
| F         | AUMANN 3/2/71   |      |            |            |      |
| GH        | KP15-00056      | M    |            |            |      |
| S         | GOLDSBY 6/22/71 |      |            |            |      |
| F         | AUMANN 6/22/71  |      |            |            |      |

|               |              |      |         |        |                        |
|---------------|--------------|------|---------|--------|------------------------|
| DRN           | J. FASSHAUER | DATE | 10/7/69 |        | TITLE<br>I/O BUF 00-08 |
| CHK'D         | C. COOK      | DATE | 10/7/69 |        |                        |
| ENG.          | F. AUMANN    | DATE | 10/7/69 |        |                        |
| PROJ. ENG.    | G. BUTLER    | DATE | 10/7/69 |        |                        |
| PROD.         | F. LARKEY    | DATE | 10/7/69 |        |                        |
| FIRST USED ON | KD15         | SIZE | D       |        |                        |
| SCALE         |              | BS   |         |        |                        |
| SHEET         | OF           | DIST |         | NUMBER | KD15-0-04              |
|               |              |      |         | REV.   | N                      |

This drawing and specifications, herein, are the property of Digital Equipment Corporation and shall not be reproduced or copied in whole or in part as the basis for the manufacture or sale of items without written permission.



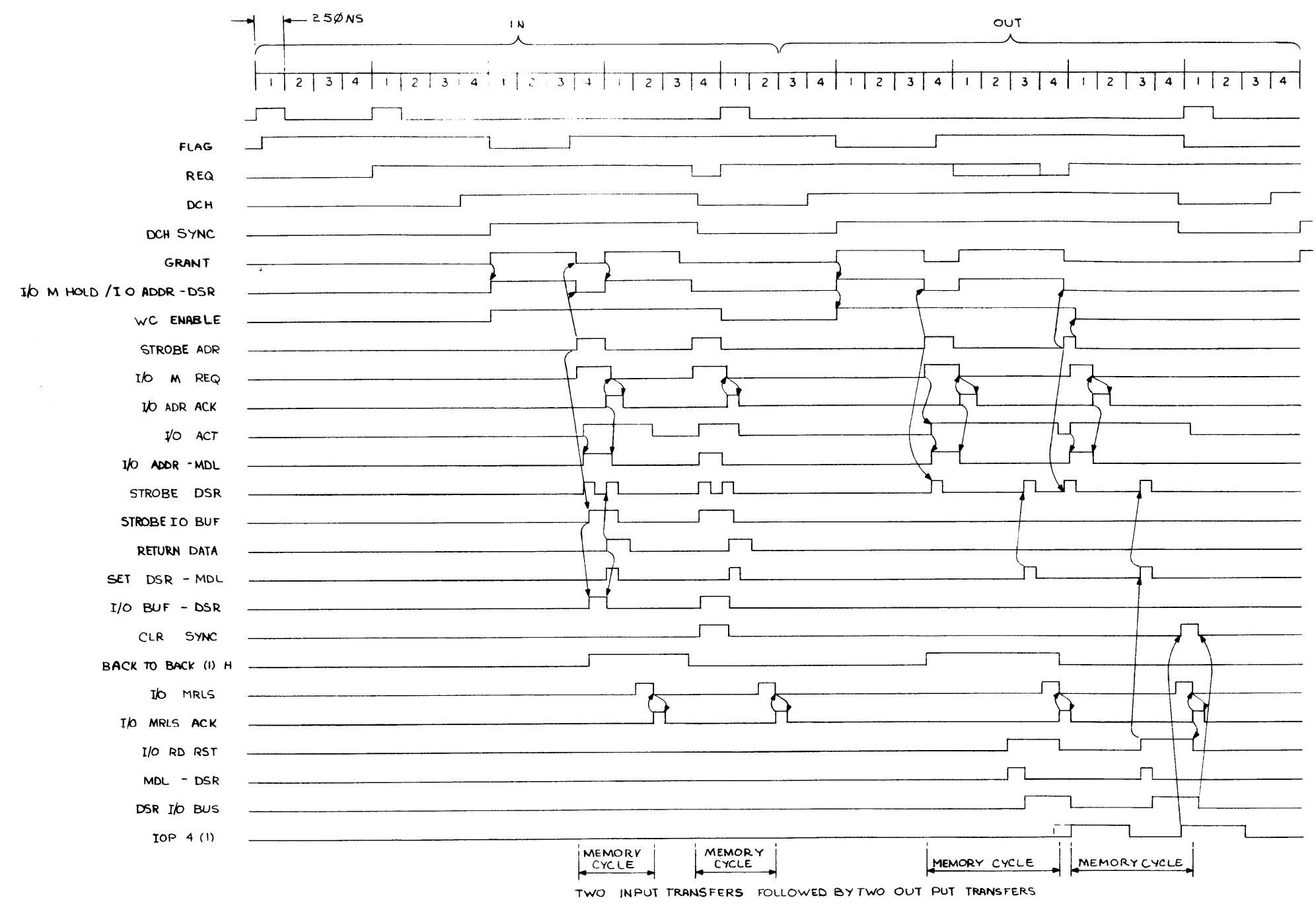
| REVISIONS |                   |      | REVISIONS  |            |      |
|-----------|-------------------|------|------------|------------|------|
| CHK       | CHANGE NO.        | REV. | CHK        | CHANGE NO. | REV. |
| LH        | KP15-00038        | E    | KP15-00056 | K          |      |
| LH        | S GOLDSBY 7-15-70 |      |            |            |      |
| LH        | F HUMANN 7-17-70  |      |            |            |      |
| LH        | KP15-00042        | F    |            |            |      |
| LH        | KP15-00044        | H    |            |            |      |
| LH        | S GOLDSBY 10-3-70 |      |            |            |      |
| LH        | F HUMANN 10-12-70 |      |            |            |      |
| LH        | KP15-00048        | J    |            |            |      |
| LH        | S GOLDSBY 3/1/71  |      |            |            |      |
| LH        | F HUMANN 3/2/71   |      |            |            |      |

|                       |                 |   |                        |
|-----------------------|-----------------|---|------------------------|
| DRN<br>J FASSHAUER    | DATE<br>10/7/69 | <br>digital EQUIPMENT CORPORATION<br>MAYNARD, MASSACHUSETTS | TITLE<br>I/O BUF 09-17 |
| CHKD<br>R COOK        | DATE<br>10/7/69 |   |                        |
| ENG<br>F HUMANN       | DATE<br>10/7/69 | SIZE CODE<br>D BS   | NUMBER<br>KD15-0-05    |
| PROL ENG<br>G BUTLER  | DATE<br>10/7/69 | SCALE<br>SHEET 1 OF 1                                       | REV.<br>L              |
| PROD<br>F LASKEY      | DATE<br>10/7/69 | DIST.   |                        |
| FIRST USED ON<br>KD15 |                 |   |                        |





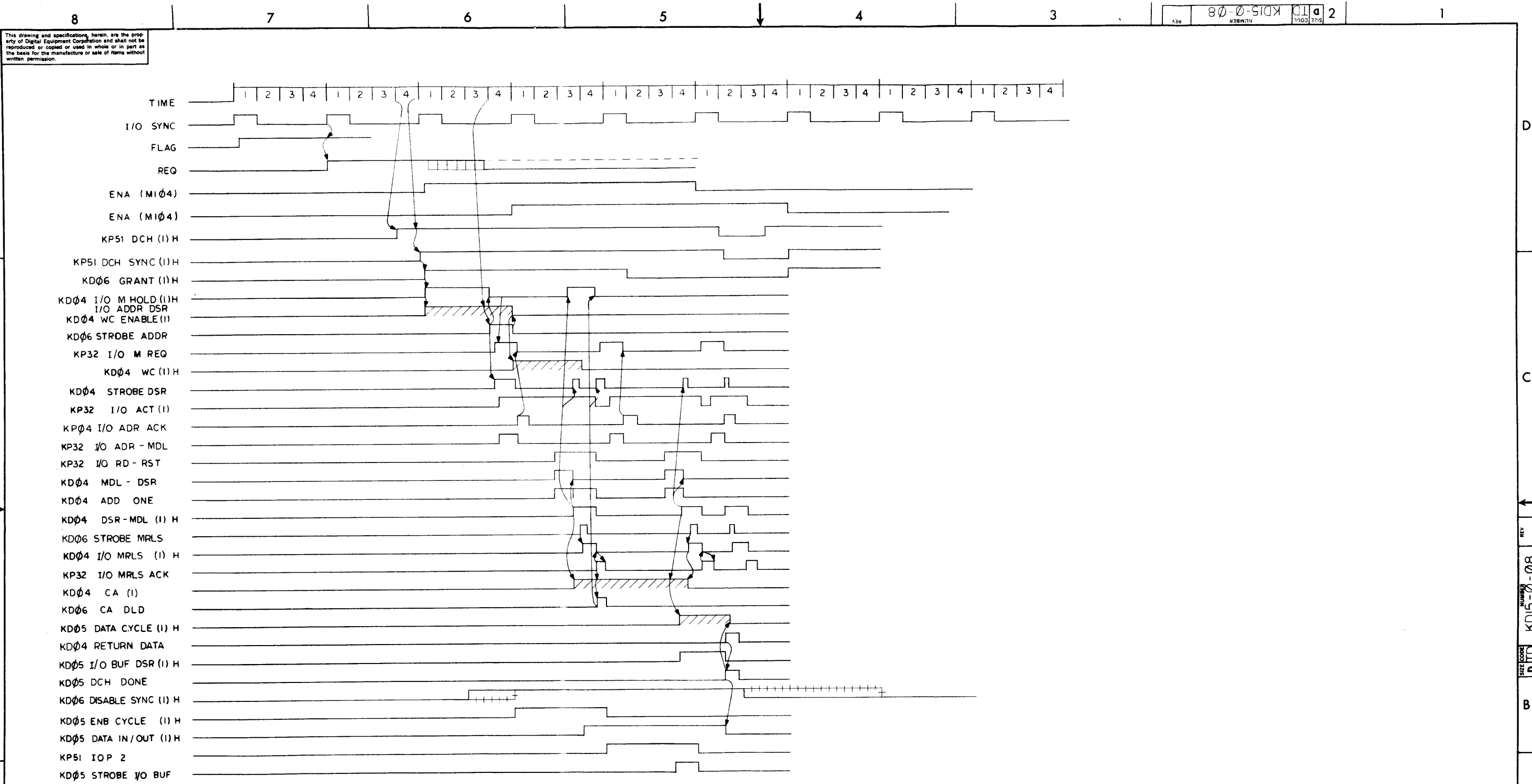
This drawing and specifications herein, are the property of Digital Equipment Corporation and shall not be reproduced or copied or used in whole or in part as the basis for the manufacture or sale of items without written permission.



|           |  |
|-----------|--|
| REV       |  |
| CHANGE NO |  |
| CHK       |  |

|                                      |         |             |   |           |
|--------------------------------------|---------|-------------|---|-----------|
| FIRST USED ON OPTION/ MODEL<br>PDP15 | QTY.    | DESCRIPTION | PART NO.  | ITEM NO.  |
| PARTS LIST                           |         |             |   |           |
| UNLESS OTHERWISE SPECIFIED           | DRN     | DATE        | digital EQUIPMENT CORPORATION<br>MAYNARD, MASSACHUSETTS |           |
| UNLESS OTHERWISE SPECIFIED           | CHK'D   | DATE        | TITLE   |           |
| DIMENSION IN INCHES                  |         | 3/25/70     | DETAILED TIMING -                                       |           |
| TOLERANCES                           | ENG     | DATE        | SINGLE CYCLE  |           |
| DECIMALS = .005                      |         | 3/25/70     | IN&OUT TRANSFERS  |           |
| FRACTIONS = 1/64                     | PROD    | DATE        | NEXT HIGHER ASSY  |           |
| ANGLES = 0°30'                       |         | 2/6/72      | A-ML-KDI5-0   |           |
| FINAL SURFACE QUALITY                |         |             | SIZE CODE   | NUMBER    |
| REMOVE BURRS AND BREAK SHARP CORNERS |         |             | DTD   | KDI5-0-07 |
| MATERIAL                             |         |             | DIST.   |           |
| FINISH                               |         |             |   |           |
|                                      | SCALE   |             |   |           |
|                                      | SHEET 1 | OF 1        |   |           |

This drawing and specifications herein, are the property of Digital Equipment Corporation and shall not be reproduced or copied or used in whole or in part as the basis for the manufacture or sale of items without written permission.



|     |    |
|-----|----|
| REV | NO |
| CHK | NO |

DEC FORM NO DRD 102A

|                                       |                  |             |   |          |
|---------------------------------------|------------------|-------------|---|----------|
| FIRST USED ON OPTION / MODEL<br>PDP15 | QTY.             | DESCRIPTION | PART NO.  | ITEM NO. |
| PARTS LIST                            |                  |             |   |          |
| UNLESS OTHERWISE SPECIFIED            | DRW              | DATE        | <b>digital</b> EQUIPMENT CORPORATION<br>MATTAPOISETT, MASSACHUSETTS         |          |
| UNLESS OTHERWISE SPECIFIED            | CHK'D            | DATE        |   |          |
| DIMENSION IN INCHES                   | ENG              | DATE        |   |          |
| TOLERANCES                            | PRD              | DATE        |   |          |
| DECIMALS FRACTIONS ANGLES             | PROJ             | DATE        | TITLE<br><b>DETAILED TIMING</b><br><b>3 CYCLE DCH IN</b><br><b>TRANSFER</b> |          |
| ± .005 ± 1/64 ± 0°30'                 | PROJ             | DATE        |   |          |
| FINAL SURFACE QUALITY                 | PROJ             | DATE        | NUMBER<br><b>KD15-Ø-Ø8</b>  |          |
| REMOVE BURRS AND BREAK SHARP CORNERS  | PROJ             | DATE        |   |          |
| MATERIAL                              | NEXT HIGHER ASSY |             | SIZE CODE<br><b>D TD</b>  |          |
| FINISH                                | SCALE            |             |   |          |
|                                       | SHEET 1 OF 1     |             | REV.<br>1   |          |
|                                       |                  |             |   |          |

REV. NO. 1  
 NUMBER  
**KD15-Ø-Ø8**  
 SIZE CODE  
**D|TD**

This drawing and specifications, herein, are the property of Digital Equipment Corporation and shall not be reproduced or copied or used in whole or in part as the basis for the manufacture or sale of items without written permission.

REV 60-0-09  
 NUMBER  
 SIZE CODE  
 DTD

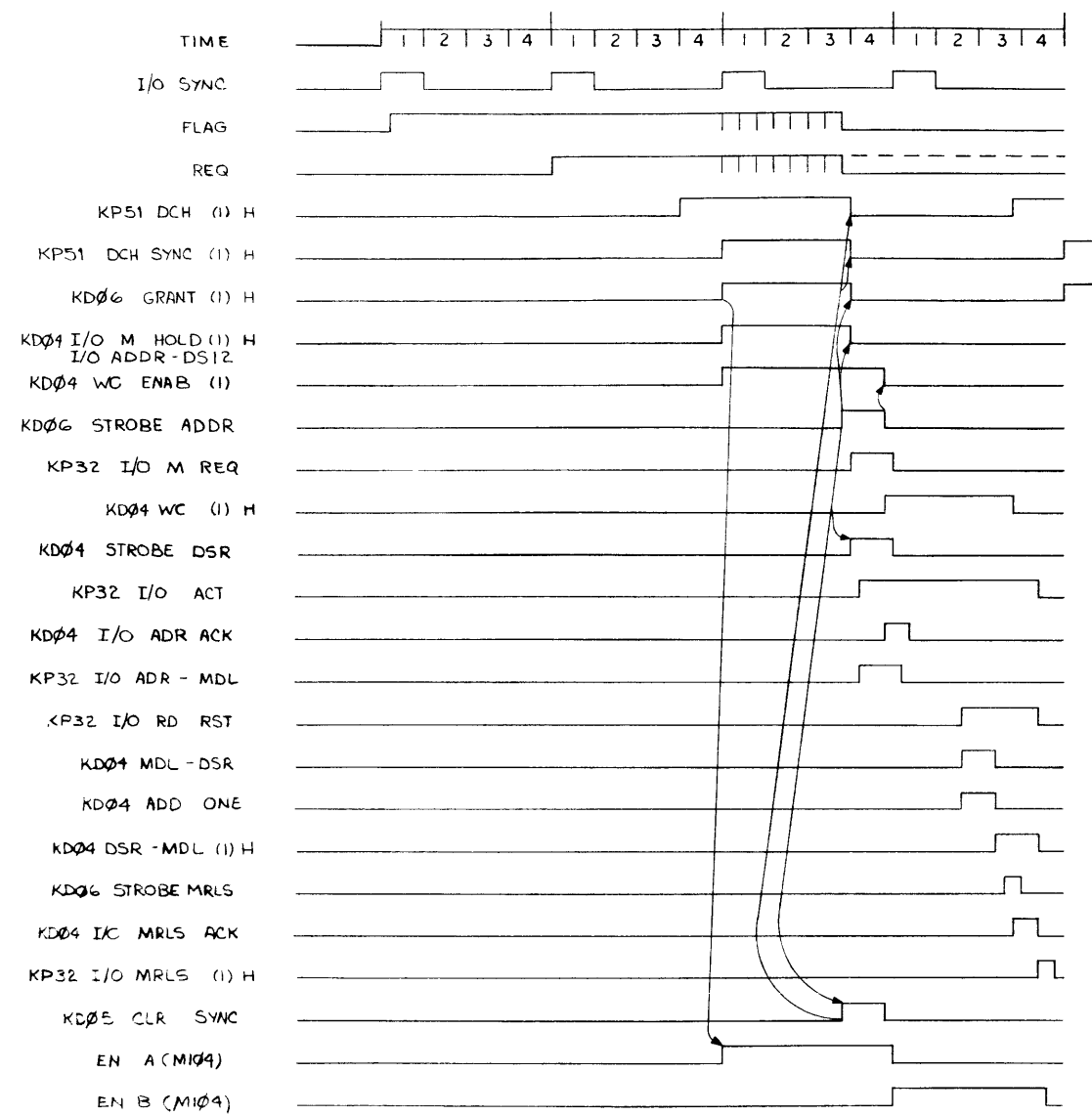
D  
C  
B  
A

D  
C  
B  
A

|            |  |
|------------|--|
| REV        |  |
| CHANGE NO. |  |
| CHK        |  |

DEC FORM NO  
 DRD 102A

8 7 6 5 4 3 2 1

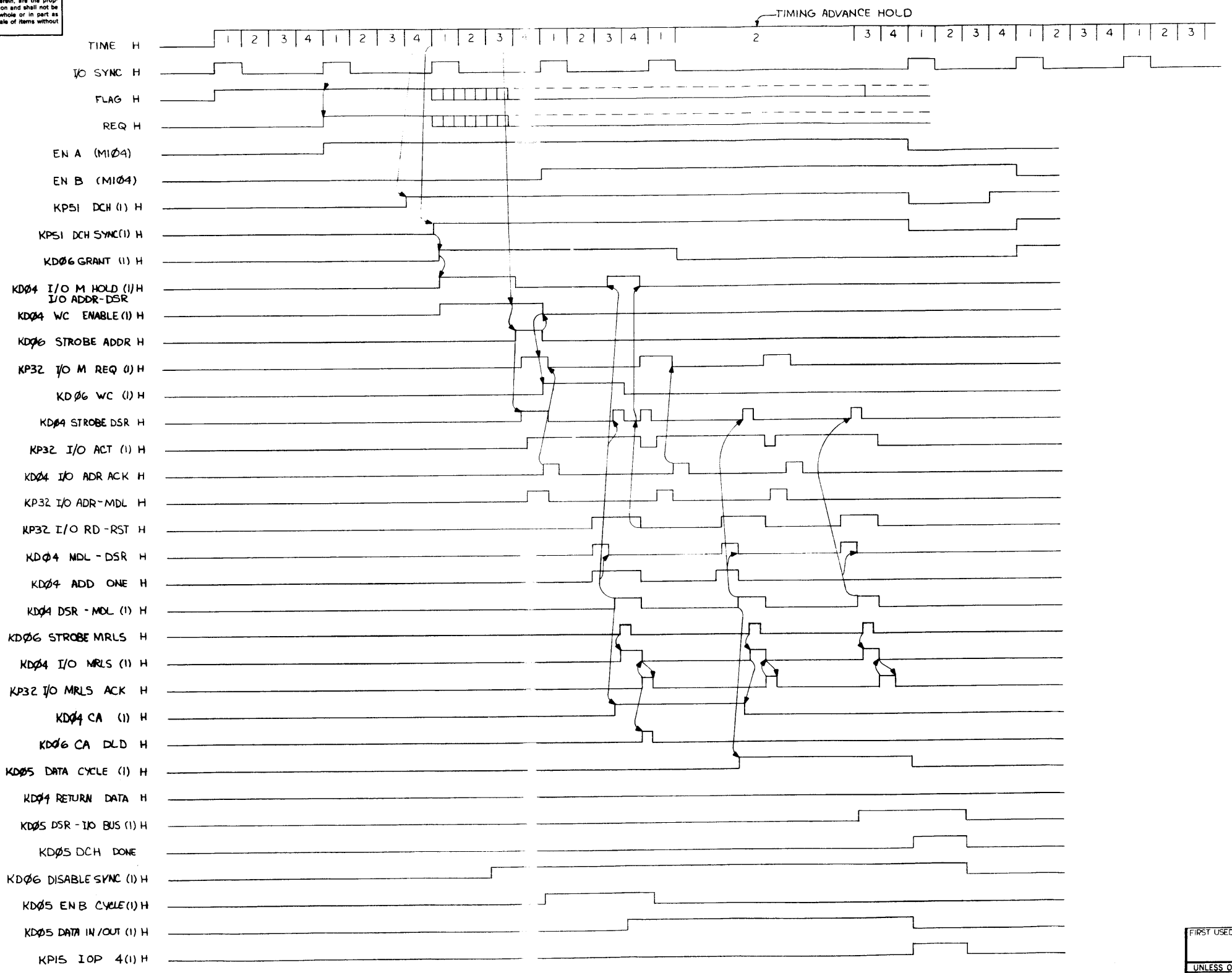


REV  
 NUMBER  
 DTD  
 KDI5-0-09

|  |   |                 |  |                     |
|--|---|-----------------|--|---------------------|
| FIRST USED ON OPTION / MODEL<br>PDI5                             | QTY.                                      | DESCRIPTION     | PART NO.   | ITEM NO.            |
| PARTS LIST   |   |                 |  |                     |
| UNLESS OTHERWISE SPECIFIED<br>DIMENSION IN INCHES                | DRW<br>DATE<br>12/10/69                   | DATE<br>3/25/70 | <b>digital</b> EQUIPMENT CORPORATION<br>MAYNARD, MASSACHUSETTS |                     |
| TOLERANCES<br>DECIMALS FRACTIONS ANGLES<br>= .005 = 1/64 = 0°30' | CHKD<br>DATE<br>3/25/70                   | DATE<br>3/25/70 |  |                     |
| FINAL SURFACE QUALITY<br>REMOVE BURRS AND BREAK SHARP CORNERS    | ENG<br>DATE<br>3/25/70                    | DATE<br>3/25/70 | TITLE<br><b>DETAILED TIMING<br/>INC MB TRANSFER</b>            |                     |
| MATERIAL<br>---  | PROD<br>DATE<br>3/25/70                   | DATE<br>3/25/70 |  |                     |
| FINISH<br>---  | NEXT HIGHER ASSEMBLY<br>A - ML - KDI5 - 0 | SCALE<br>---    | SIZE CODE<br>DTD   | NUMBER<br>KDI5-0-09 |
| SHEET 1 OF 1   |   | REV.            |  |                     |

8 7 6 5 4 3 2 1

This drawing and specifications herein, are the property of Digital Equipment Corporation and shall not be reproduced or copied or used in whole or in part as the basis for the manufacture or sale of items without written permission.



D

C

B

A

D

C

B

A

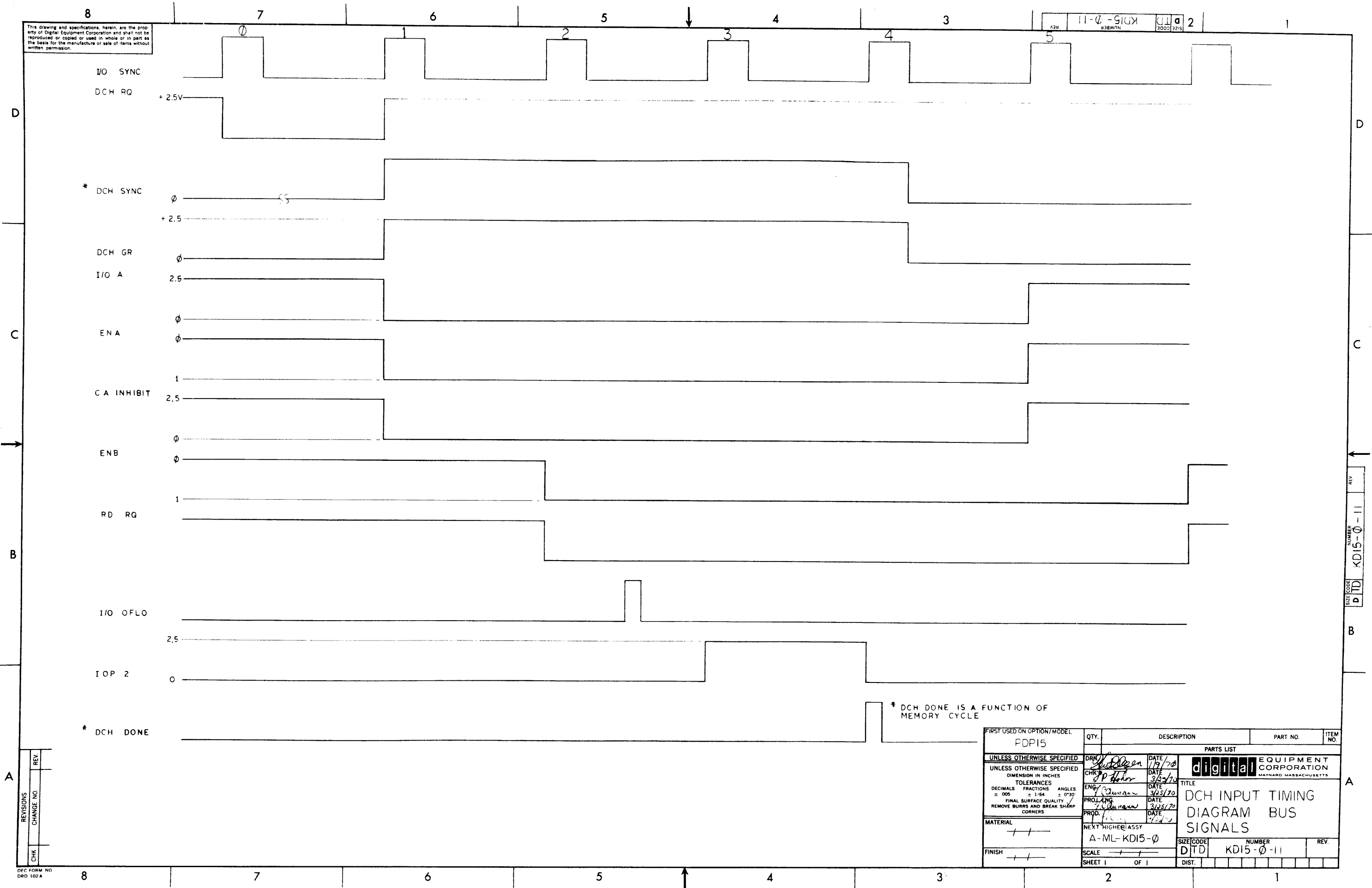
| FIRST USED ON OPTION MODEL                                       | QTY.             | DESCRIPTION | PART NO.  | ITEM NO.            |
|--|------------------|-------------|---|---------------------|
| PDP15  |                  |             |   |                     |
| PARTS LIST   |                  |             |   |                     |
| UNLESS OTHERWISE SPECIFIED                                       | DRY              | DATE        | digital EQUIPMENT CORPORATION<br>MAYNARD, MASSACHUSETTS   |                     |
| UNLESS OTHERWISE SPECIFIED                                       | CHKD             | DATE        | TITLE<br>DETAILED TIMING - 3<br>CYCLE DCH OUT<br>TRANSFER |                     |
| TOLERANCES   | ENG              | DATE        |   |                     |
| DECIMALS FRACTIONS ANGLES<br>= .005 = 1/64 = 0°30'               | PROV             | DATE        |   |                     |
| FINAL SURFACE QUALITY<br>REMOVE BURRS AND BREAK SHARP<br>CORNERS | PROD             | DATE        | SIZE CODE<br>D1TD   | NUMBER<br>KD15-0-10 |
| MATERIAL   | NEXT HIGHER ASSY |             | SCALE   | REV.                |
| FINISH   | A-ML-KD15-0      |             | SHEET   | 1 OF 1              |
|  |                  |             | DIST.   |                     |

| REV. | CHANGE NO. | CHK |
|------|------------|-----|
|      |            |     |

REV. NUMBER KD15-0-10

This drawing and specifications, herein, are the property of Digital Equipment Corporation and shall not be reproduced or copied or used in whole or in part as the basis for the manufacture or sale of items without written permission.

11-0-SIGM  
 NUMBER  
 2

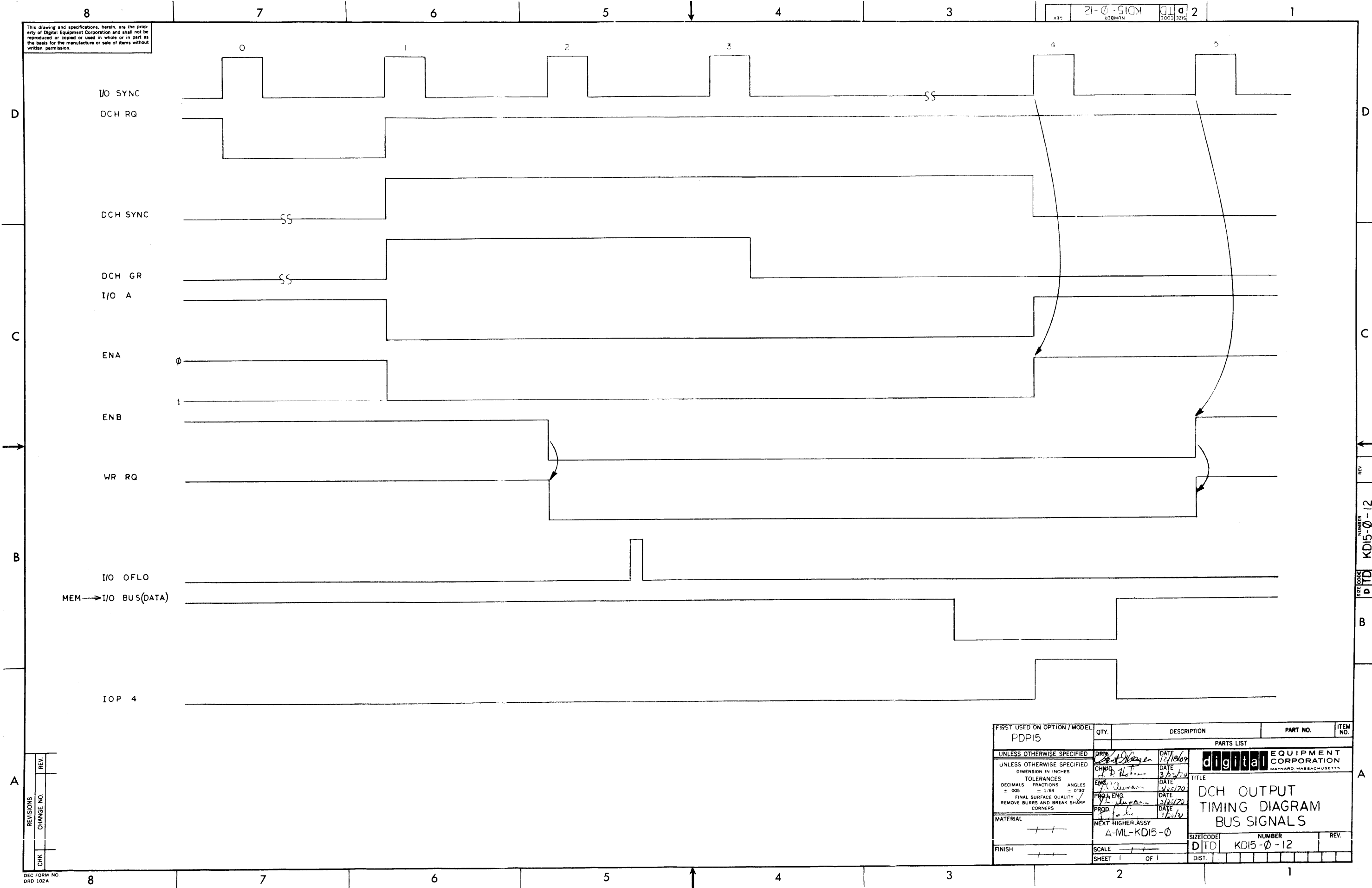


|            |  |
|------------|--|
| REV.       |  |
| CHANGE NO. |  |
| CHK        |  |

|  |                    |             |  |           |
|--|--------------------|-------------|--|-----------|
| FIRST USED ON OPTION / MODEL<br>FDPI5                        | QTY.               | DESCRIPTION | PART NO.   | ITEM NO.  |
| PARTS LIST   |                    |             |  |           |
| UNLESS OTHERWISE SPECIFIED                                   | DRN                | DATE        | digital EQUIPMENT CORPORATION<br>MAYNARD MASSACHUSETTS |           |
| UNLESS OTHERWISE SPECIFIED                                   | CHK                | DATE        | TITLE  |           |
| DIMENSION IN INCHES  | ENG                | DATE        | DCH INPUT TIMING                                       |           |
| TOLERANCES   | PROL               | DATE        | DIAGRAM BUS  |           |
| DECIMALS FRACTIONS ANGLES                                    | PROD               | DATE        | SIGNALS  |           |
| $\pm .005$ $\pm 1/64$ $\pm 0^{\circ}30'$                     |                    |             | SIZE CODE  | NUMBER    |
| FINAL SURFACE QUALITY / REMOVE BURRS AND BREAK SHARP CORNERS |                    |             | D/TD   | KD15-0-11 |
| MATERIAL   | NEXT HIGHER CLASSY |             | DIST.  | REV.      |
| FINISH   | A-ML-KD15-0        |             |  |           |
|  | SCALE              |             |  |           |
|  | SHEET 1 OF 1       |             |  |           |

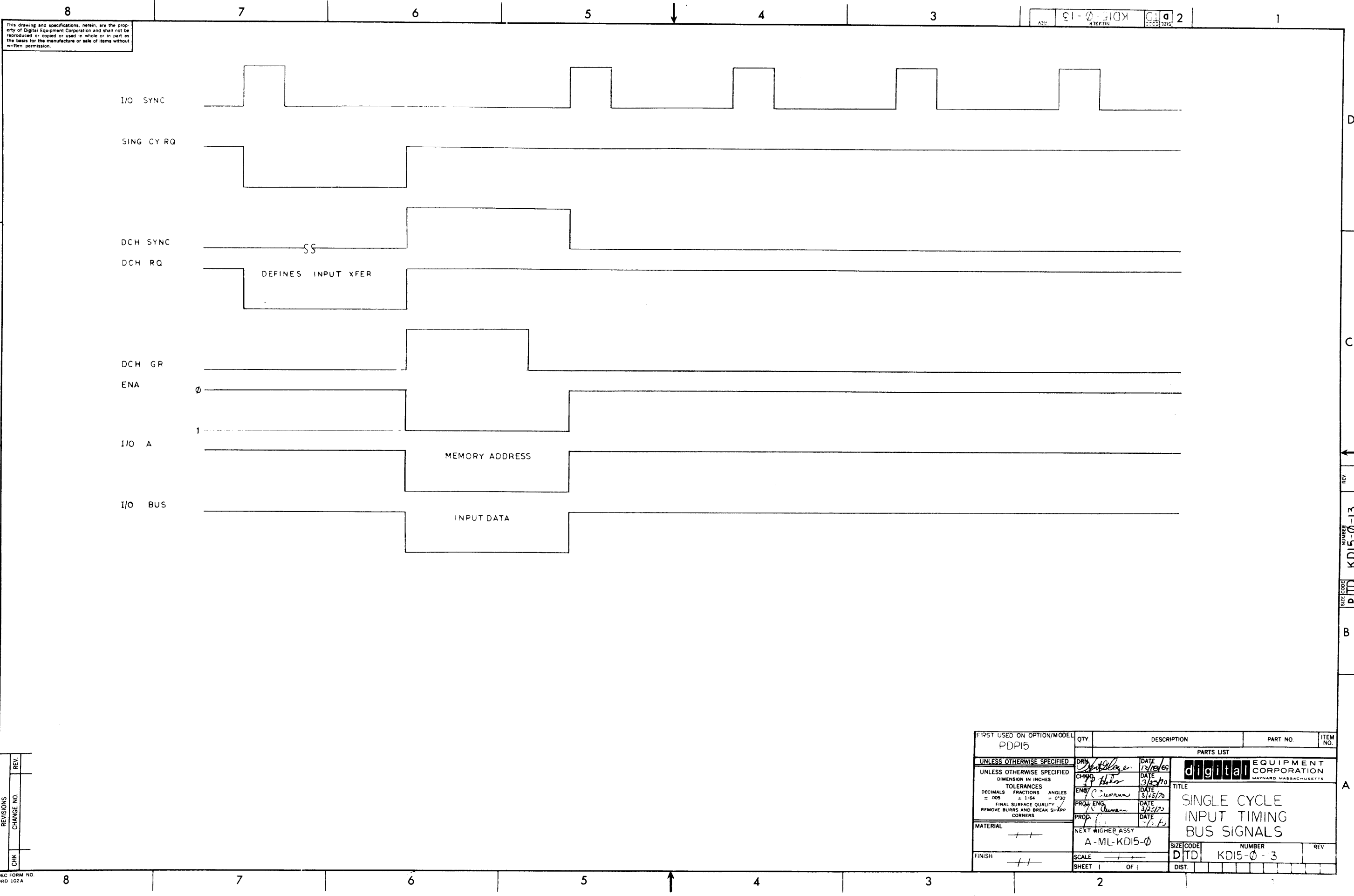
This drawing and specifications herein are the property of Digital Equipment Corporation and shall not be reproduced or copied or used in whole or in part as the basis for the manufacture or sale of items without written permission.

SIZE CODE: DITD NUMBER: KDI5-0-12



| FIRST USED ON OPTION / MODEL         | QTY.             | DESCRIPTION | PART NO.  | ITEM NO. |
|--------------------------------------|------------------|-------------|---|----------|
| PDP15                                |                  |             |   |          |
| PARTS LIST                           |                  |             |   |          |
| UNLESS OTHERWISE SPECIFIED           | DRN              | DATE        | <b>digital</b> EQUIPMENT CORPORATION<br>MAYNARD, MASSACHUSETTS  |          |
| UNLESS OTHERWISE SPECIFIED           | CHKD             | DATE        |   |          |
| DIMENSION IN INCHES                  | BY               | DATE        |   |          |
| TOLERANCES                           | PROJ. ENG.       | DATE        |   |          |
| DECIMALS FRACTIONS ANGLES            | PROD.            | DATE        | TITLE<br><b>DCH OUTPUT TIMING DIAGRAM</b><br><b>BUS SIGNALS</b> |          |
| = .005 = 1/64 = 0°30'                |                  |             |   |          |
| FINAL SURFACE QUALITY                |                  |             | SIZE CODE: DITD NUMBER: KDI5-0-12 REV.                          |          |
| REMOVE BURRS AND BREAK SHARP CORNERS |                  |             |   |          |
| MATERIAL                             | NEXT HIGHER ASSY |             |   |          |
| FINISH                               | A-ML-KDI5-0      |             |   |          |
|                                      | SCALE            |             |   |          |
|                                      | SHEET 1 OF 1     |             |   |          |

| REV. | CHANGE NO. | CHK |
|------|------------|-----|
|      |            |     |



This drawing and specifications herein are the property of Digital Equipment Corporation and shall not be reproduced or copied or used in whole or in part as the basis for the manufacture or sale of items without written permission.

SIZE CODE DTD 2  
 NUMBER KDI5-0-13  
 REV

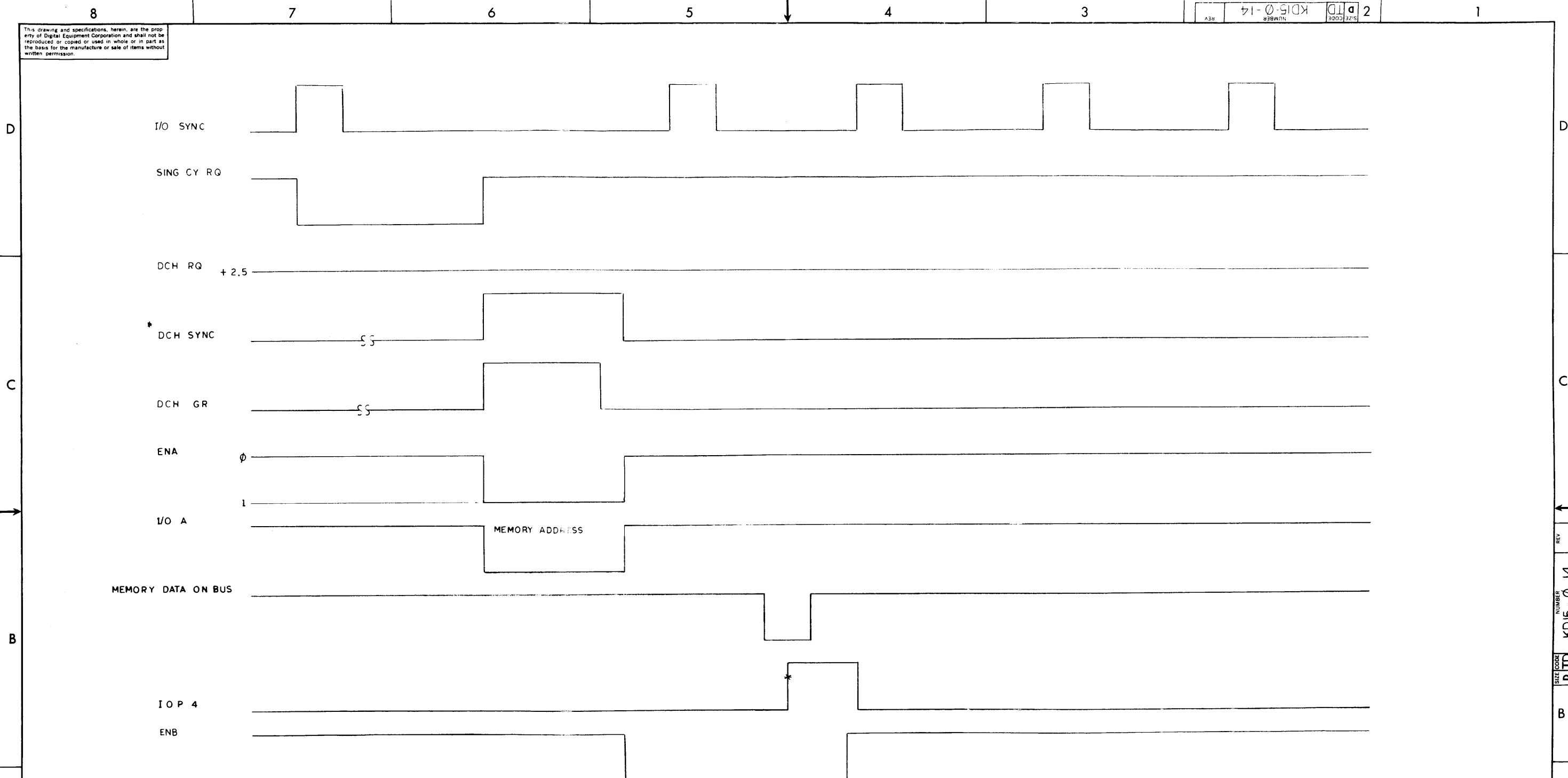
|            |     |
|------------|-----|
| REVISIONS  | REV |
| CHANGE NO. |     |
| CHK        |     |

|                                      |                  |   |          |          |
|--------------------------------------|------------------|---|----------|----------|
| FIRST USED ON OPTION/MODEL<br>PDP15  | QTY.             | DESCRIPTION   | PART NO. | ITEM NO. |
| UNLESS OTHERWISE SPECIFIED           | DRY              | PARTS LIST  |          |          |
| UNLESS OTHERWISE SPECIFIED           | DATE 12/19/69    | digital EQUIPMENT CORPORATION<br>MAYNARD, MASSACHUSETTS |          |          |
| DIMENSION IN INCHES                  | DATE 3/25/70     | TITLE   |          |          |
| TOLERANCES                           | DATE 3/25/70     | SINGLE CYCLE<br>INPUT TIMING<br>BUS SIGNALS             |          |          |
| DECIMALS ± .005                      | DATE 3/25/70     | SIZE CODE DTD   |          |          |
| FRACTIONS ± 1/64                     | DATE 3/25/70     | NUMBER KDI5-0-13  |          |          |
| ANGLES ± 0°30'                       | DATE             | REV   |          |          |
| FINAL SURFACE QUALITY                | DATE             | DIST.   |          |          |
| REMOVE BURRS AND BREAK SHARP CORNERS | DATE             | SHEET 1 OF 1  |          |          |
| MATERIAL                             | NEXT HIGHER ASSY | A-ML-KDI5-0   |          |          |
| FINISH                               | SCALE            | REV   |          |          |

SIZE CODE DTD  
 NUMBER KDI5-0-13  
 REV

This drawing and specifications, herein, are the property of Digital Equipment Corporation and shall not be reproduced or copied or used in whole or in part as the basis for the manufacture or sale of items without written permission.

REV. 2  
SIZE CODE DTD  
NUMBER KDI5-0-14



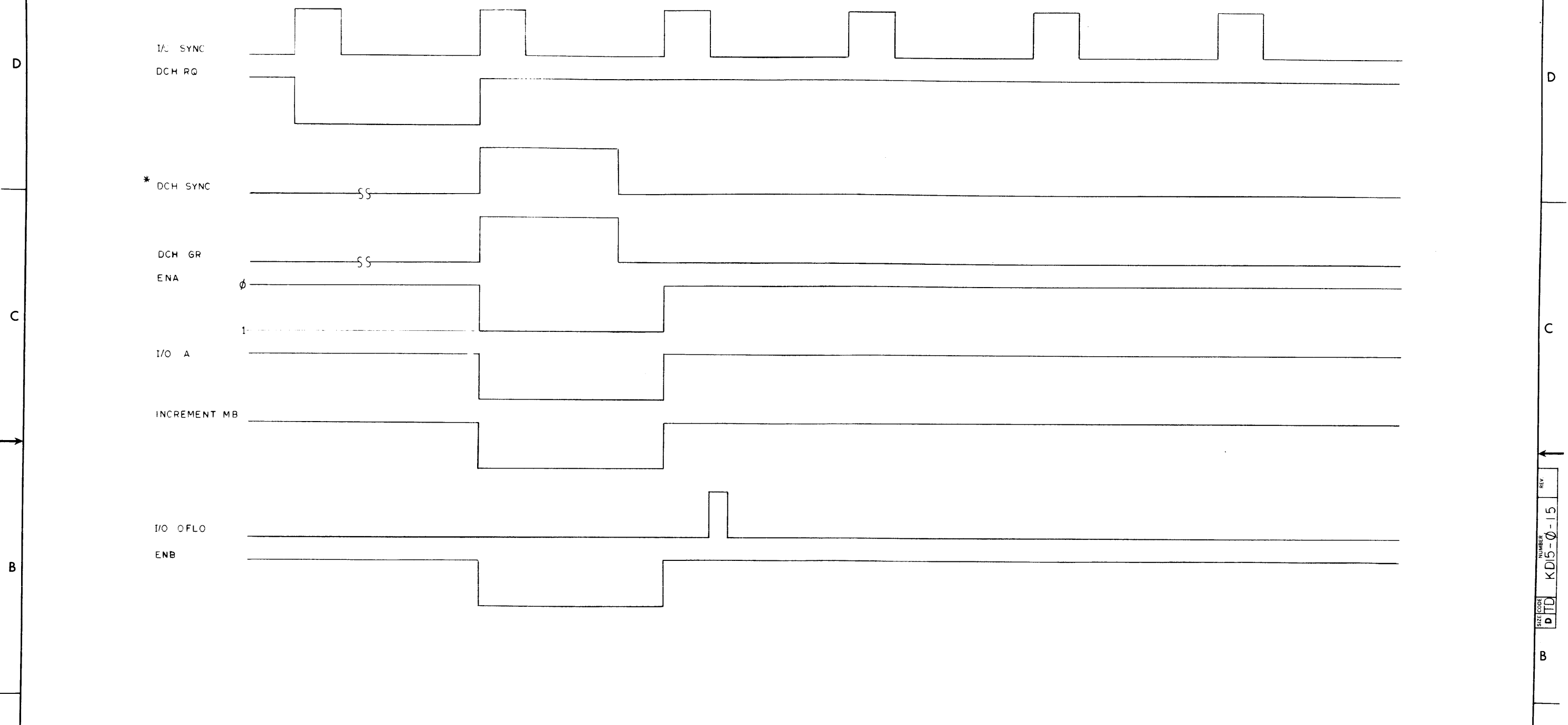
NOTE: MUST USE LEADING EDGE TRIGGER OF IOP 4 TO LOAD REGISTER

|            |  |
|------------|--|
| REV.       |  |
| CHANGE NO. |  |
| CHK        |  |

|                                      |       |             |   |          |
|--------------------------------------|-------|-------------|---|----------|
| FIRST USED ON OPTION MODEL<br>PDP15  | QTY.  | DESCRIPTION | PART NO.  | ITEM NO. |
| PARTS LIST                           |       |             |   |          |
| UNLESS OTHERWISE SPECIFIED           | DRM   | DATE        | digital EQUIPMENT CORPORATION<br>MAYNARD, MASSACHUSETTS |          |
| UNLESS OTHERWISE SPECIFIED           | CHK'D | DATE        | TITLE   |          |
| DIMENSION IN INCHES                  | DATE  | DATE        | SINGLE CYCLE OUTPUT                                     |          |
| TOLERANCES                           | DATE  | DATE        | TIMING DIAGRAM BUS                                      |          |
| DECIMALS FRACTIONS ANGLES            | DATE  | DATE        | SIGNALS   |          |
| ± .005 ± .004 ± .0130                | DATE  | DATE        | NEXT HIGHER ASSY  |          |
| FINAL SURFACE QUALITY                | DATE  | DATE        | A-ML-KDI5-0   |          |
| REMOVE BURRS AND BREAK SHARP CORNERS | DATE  | DATE        | SCALE   |          |
|                                      | DATE  | DATE        | SHEET 1 OF 1  |          |
| MATERIAL                             |       |             | SIZE CODE   |          |
|                                      |       |             | D T D   |          |
| FINISH                               |       |             | NUMBER  |          |
|                                      |       |             | KDI5-0-14   |          |
|                                      |       |             | REV.  |          |
|                                      |       |             |   |          |



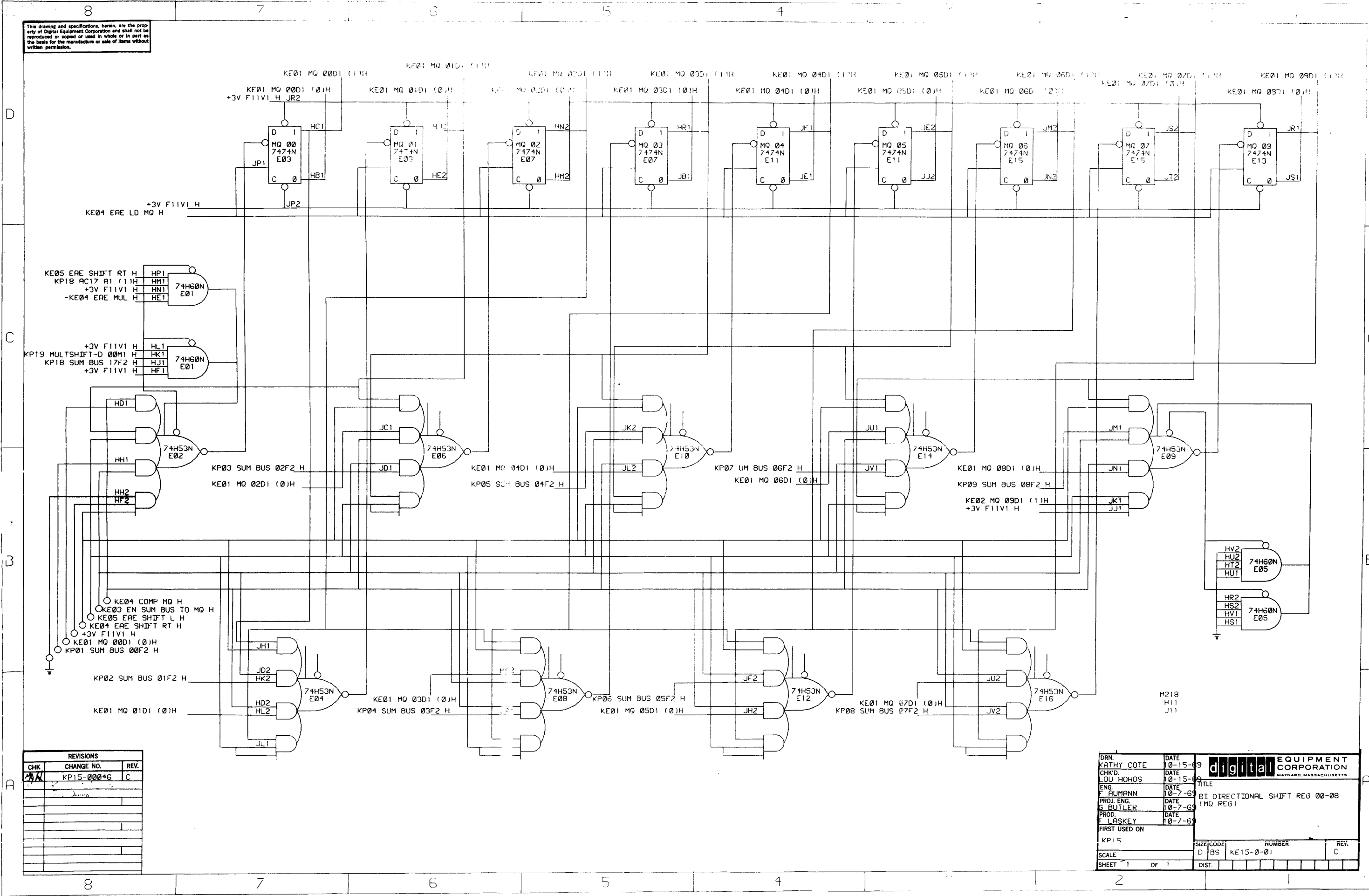
This drawing and specifications, herein, are the property of Digital Equipment Corporation and shall not be reproduced or copied or used in whole or in part as the basis for the manufacture or sale of items without written permission.



|            |  |
|------------|--|
| REV.       |  |
| CHANGE NO. |  |
| CHK        |  |

|                                      |                  |              |  |          |
|--------------------------------------|------------------|--------------|--|----------|
| FIRST USED ON OPTION/MODEL<br>PDP 15 | QTY.             | DESCRIPTION  | PART NO.   | ITEM NO. |
| UNLESS OTHERWISE SPECIFIED           |                  |              |  |          |
| UNLESS OTHERWISE SPECIFIED           |                  | DATE         | PARTS LIST   |          |
| DIMENSION IN INCHES                  |                  | 12/15/67     | <b>digital</b> EQUIPMENT CORPORATION<br>MAYNARD, MASSACHUSETTS |          |
| TOLERANCES                           |                  | DATE         | TITLE  |          |
| DECIMALS                             | FRACTIONS        | 3/25/70      | INCREMENT MEMORY   |          |
| ± .005                               | ± 1/64           | DATE         | TIMING DIAGRAM   |          |
| ANGLES ± 0°30'                       |                  | 3/25/70      | BUS SIGNALS  |          |
| FINAL SURFACE QUALITY                |                  | DATE         | SIZE CODE NUMBER REV.  |          |
| REMOVE BURRS AND BREAK SHARP CORNERS |                  | 3/25/70      | DTD KD15-0-15  |          |
| MATERIAL                             | NEXT HIGHER ASSY | DATE         | DIST.  |          |
| ++                                   | A-ML-KD15-0      |              |  |          |
| FINISH                               | SCALE            | SHEET 1 OF 1 |  |          |
| ++                                   |                  |              |  |          |

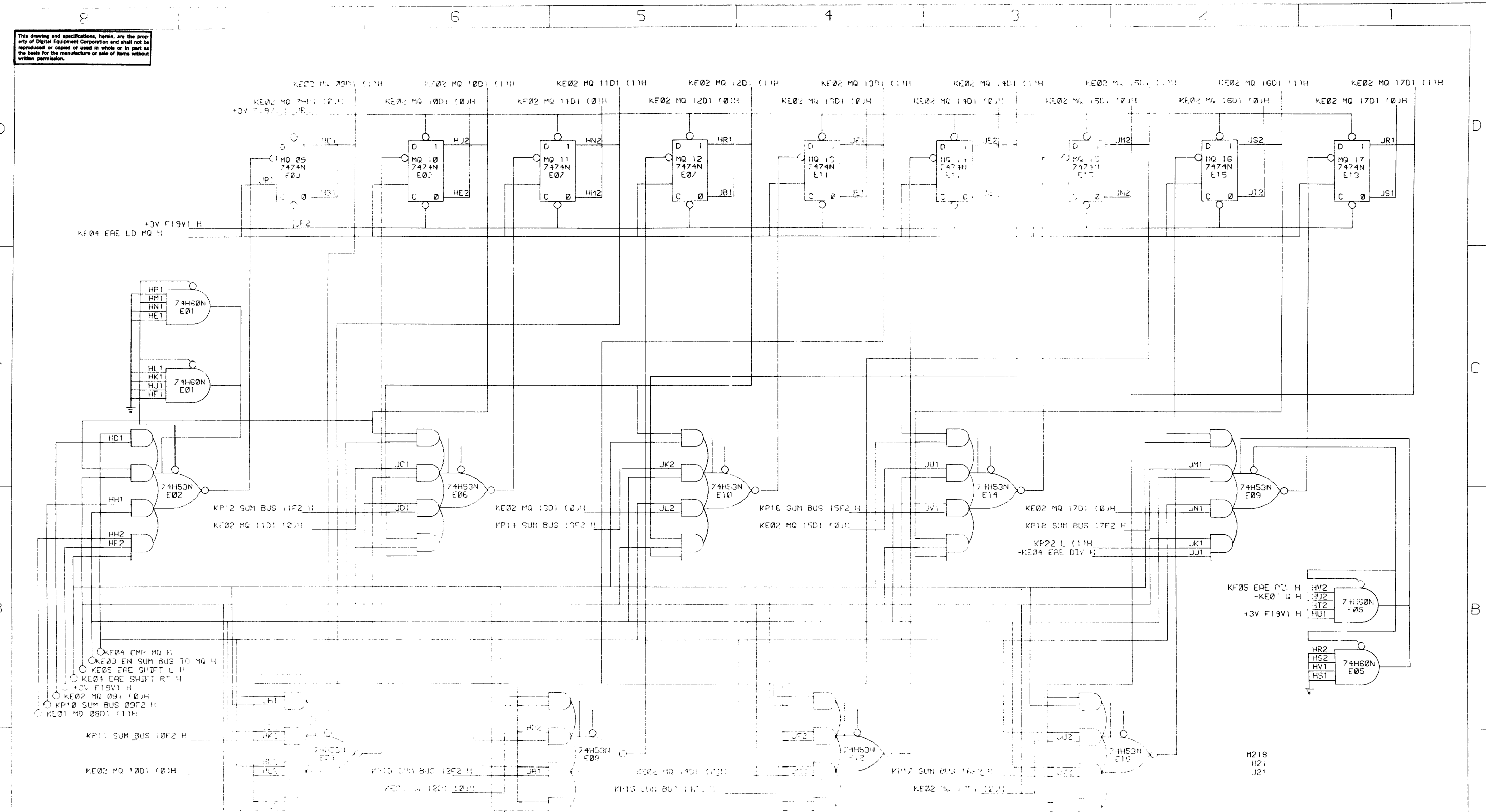
This drawing and specifications, herein, are the property of Digital Equipment Corporation and shall not be reproduced or copied or used in whole or in part as the basis for the manufacture or sale of items without written permission.



| REVISIONS |            |      |
|-----------|------------|------|
| CHK       | CHANGE NO. | REV. |
| AK        | KP15-00046 | C    |
|           |            |      |
|           |            |      |
|           |            |      |
|           |            |      |
|           |            |      |
|           |            |      |
|           |            |      |
|           |            |      |
|           |            |      |

|                          |                   |   |
|--------------------------|-------------------|---|
| DRN.<br>KATHY COTE       | DATE<br>10-15-69  | <br>digital EQUIPMENT CORPORATION<br>MAYNARD, MASSACHUSETTS |
| CHK'D.<br>LOU HOHOS      | DATE<br>10-15-69  |   |
| ENG.<br>RUMANN           | DATE<br>10-7-69   | TITLE<br>BI DIRECTIONAL SHIFT REG 00-08                     |
| PROJ. ENGR.<br>S. BUTLER | DATE<br>10-7-69   | (MQ REG)  |
| PROD.<br>LASKEY          | DATE<br>10-7-69   |   |
| FIRST USED ON<br>KP15    |                   |   |
| SCALE                    | SIZE/CODE<br>D BS | NUMBER<br>KE15-0-01   |
| SHEET 1 OF 1             | DIST.             | REV.<br>C   |

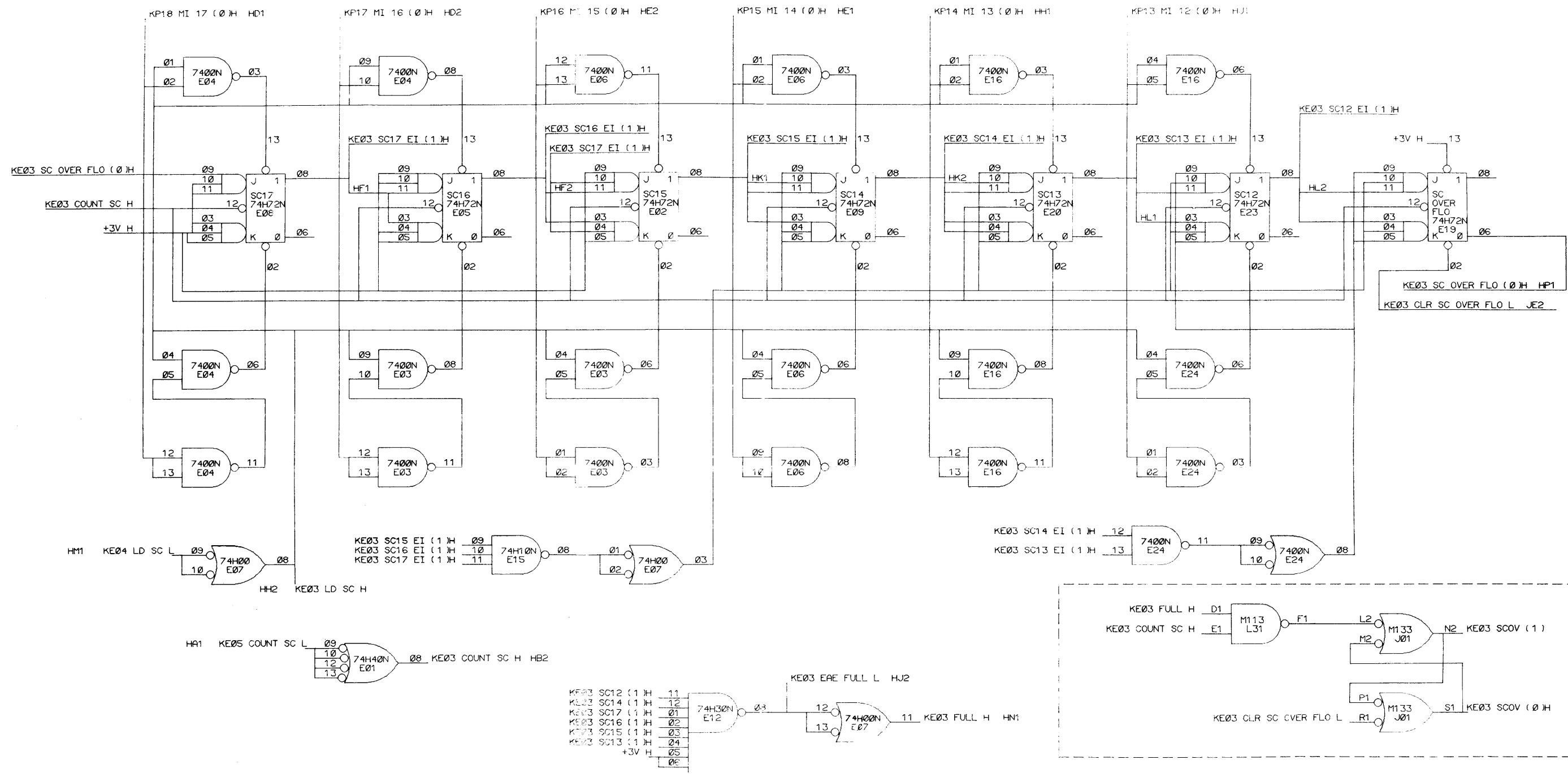
This drawing and specifications, herein, are the property of Digital Equipment Corporation and shall not be reproduced or copied or used in whole or in part as the basis for the manufacture or sale of items without written permission.



| REVISIONS |            |      |
|-----------|------------|------|
| CHK       | CHANGE NO. | REV. |
| ...       | ...        | ...  |

|               |           |  |
|---------------|-----------|--|
| DRN.          | DATE      | <b>digital</b> EQUIPMENT CORPORATION<br>MAYNARD, MASSACHUSETTS |
| CHKD.         | DATE      |  |
| ENG.          | DATE      | TITLE  |
| PROJ. ENG.    | DATE      | BI DIRECTIONAL SHIFT REG 09-17<br>(MQ REG)                     |
| PROD.         | DATE      |  |
| FIRST USED ON |           |  |
| SCALE         | SIZE CODE | NUMBER   |
| SHEET         | DIST.     | REV.   |

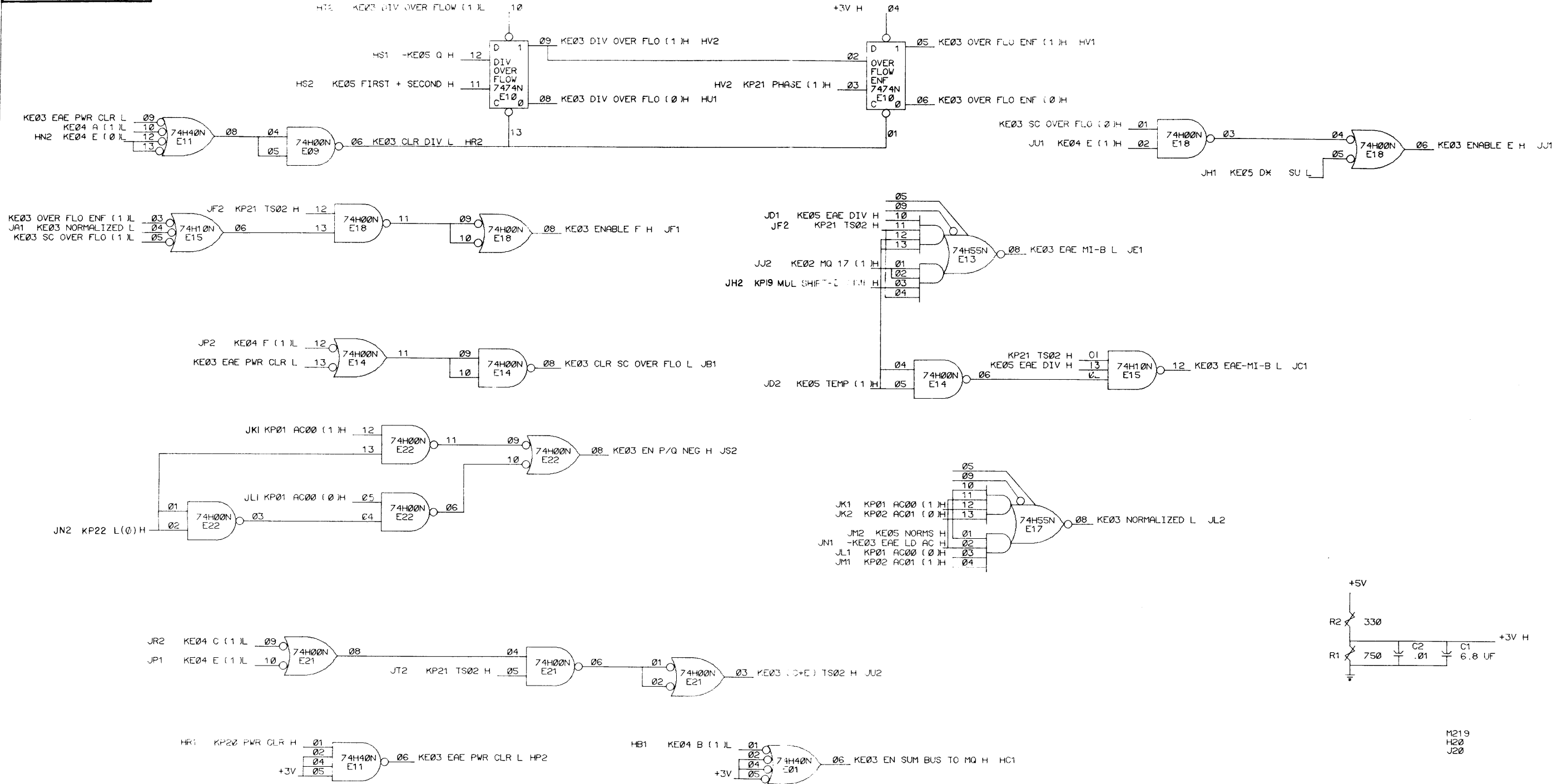
This drawing and specifications, herein, are the property of Digital Equipment Corporation and shall not be reproduced or copied or used in whole or in part as the basis for the manufacture or sale of items without written permission.



| REVISIONS |                   |      | DATE | BY      |
|-----------|-------------------|------|------|---------|
| CHK       | CHANGE NO.        | REV. |      |         |
| CH        | KP15-00046        | C    |      | F. DCLL |
| CH        | K WALSH 12/9/70   |      |      |         |
| CH        | F. RUMANN 12/9/70 |      |      |         |
| CH        | KP15-00056        | D    |      |         |
| CH        | N. COTE           |      |      |         |
| CH        | F. RUMANN         |      |      |         |
| CH        | KP15-00058        | E    |      |         |
| CH        | N. COTE 7/6/71    |      |      |         |
| CH        | F. RUMANN 7/6/71  |      |      |         |
| CH        | KP15-00062        |      |      |         |

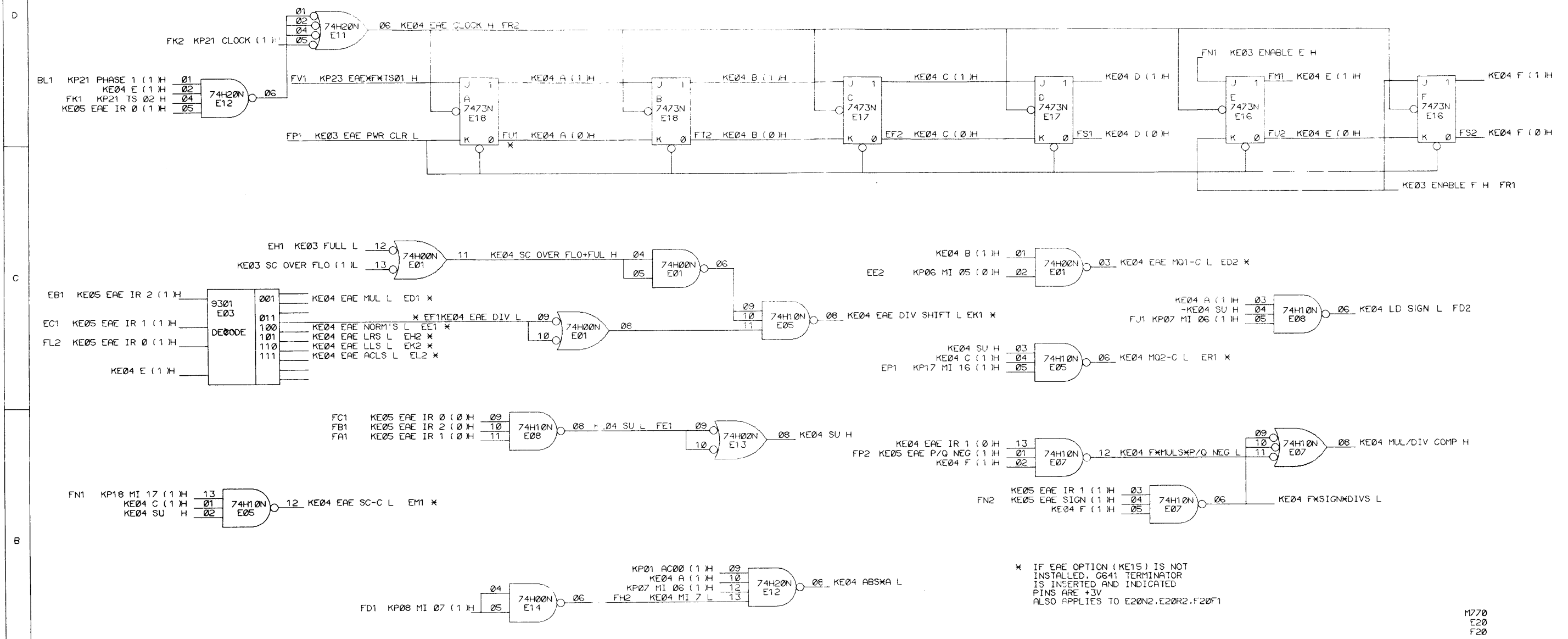
|               |            |           |          |        |   |
|---------------|------------|-----------|----------|--------|---|
| DRN           | KATHY COTE | DATE      | 10-15-69 |        | <b>digital</b><br><b>EQUIPMENT CORPORATION</b><br><small>MAYNARD, MASSACHUSETTS</small> |
| CHK'D         | LOU HOHCS  | DATE      | 10-15-69 |        |   |
| ENG.          | F. RUMANN  | DATE      | 10-7-69  | TITLE  | STEP COUNTER AND CONTROL  |
| PROJ. ENG.    | G. BUTLER  | DATE      | 10-7-69  |        |   |
| PROD.         | F. LASKEY  | DATE      | 10-7-69  |        |   |
| FIRST USED ON | KP10       | SIZE/CODE | D 1BS    | NUMBER | KE15-0-03   |
| SCALE         |            | DIST.     |          | REV.   | H   |
| SHEET         | 1          | OF        | 2        |        |   |

This drawing and specifications, herein, are the property of Digital Equipment Corporation and shall not be reproduced or copied or used in whole or in part as the basis for the manufacture or sale of items without written permission.



|                       |                   |  |
|-----------------------|-------------------|--|
| DRN<br>KATHY COTE     | DATE<br>10-15-69  | <b>digital EQUIPMENT CORPORATION</b><br>MAYNARD, MASSACHUSETTS |
| CHKD<br>LOU HOHOS     | DATE<br>10-15-69  |  |
| ENG<br>F. MUMANN      | DATE<br>10-7-69   | TITLE<br>STEP COUNTER AND CONTROL                              |
| PROL ENG<br>G. BUTLER | DATE<br>10-7-69   |  |
| PROD<br>F. LASKEY     | DATE<br>10-7-69   |  |
| FIRST USED ON<br>KP15 | SIZE CODE<br>D BS | NUMBER<br>KE15-0-03  |
| SCALE                 | SHEET 2 OF 2      | REV.<br>H  |

This drawing and specifications, herein, are the property of Digital Equipment Corporation and shall not be reproduced or copied or used in whole or in part as the basis for the manufacture or sale of items without written permission.

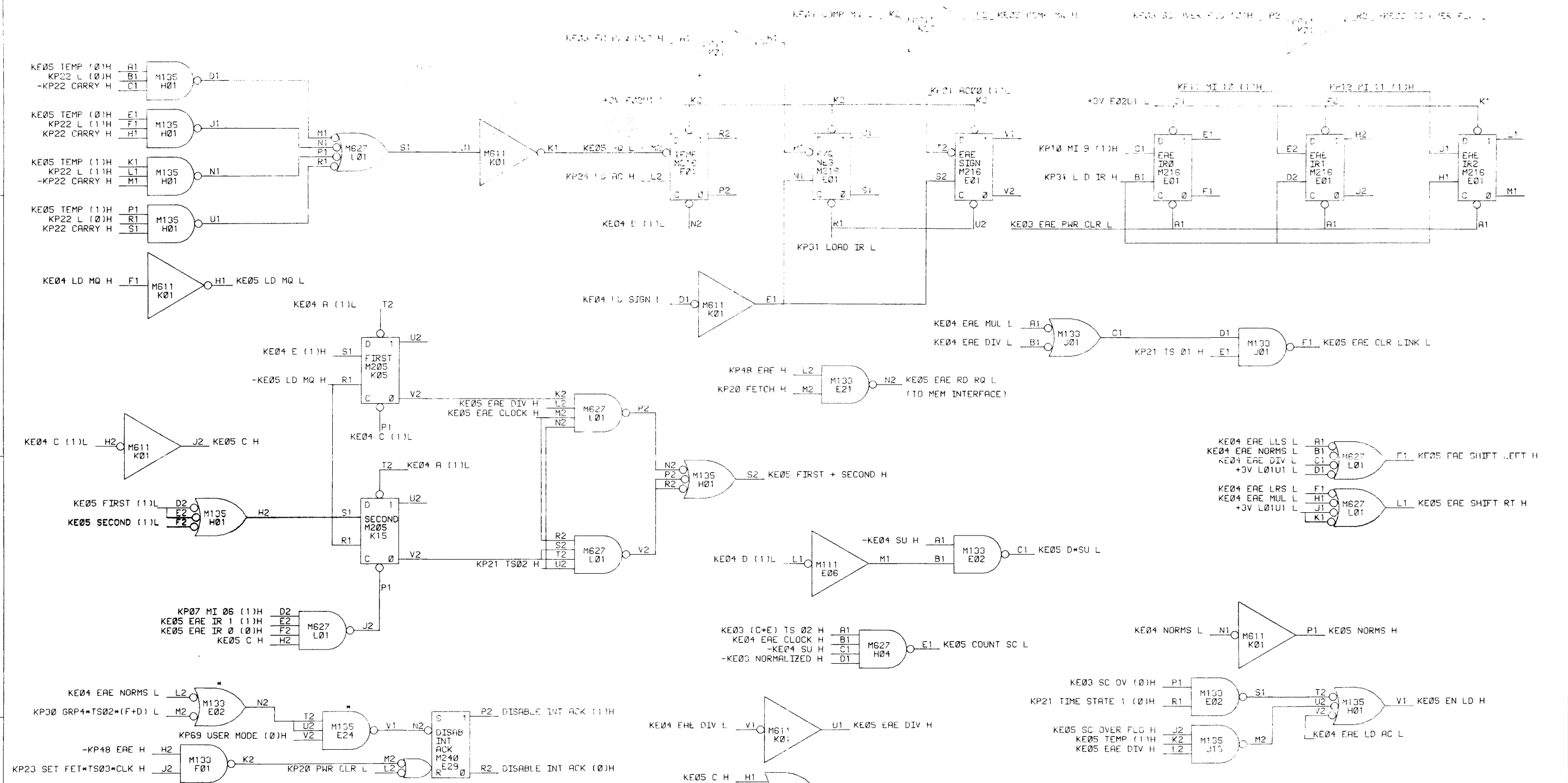


| REVISIONS |                   |      |
|-----------|-------------------|------|
| CHK       | CHANGE NO.        | REV. |
| GH        | KP15-00046        | C    |
|           | K WALSH 12/18/70  |      |
|           | F AUMANN 12/18/70 |      |
|           | KP15-00056        | C    |
|           |                   |      |
|           |                   |      |
|           | KP15-00082        | D    |
|           |                   |      |
|           | F. DOLL           |      |

|                       |                   |  |
|-----------------------|-------------------|--|
| DRN. KATHY COTE       | DATE 10-15-69     | <b>digital</b> EQUIPMENT CORPORATION<br>MAYNARD, MASSACHUSETTS |
| CHK'D. LOU HOHOS      | DATE 10-15-69     |  |
| ENG. F. ALMANN        | DATE 10-7-69      | TITLE<br>EAE CONTROL M770                                      |
| PROJ. ENG. G. BUTLER  | DATE 10-7-69      |  |
| PROD. F. LASKEY       | DATE 10-7-69      |  |
| FIRST USED ON<br>KP15 | SIZE/CODE<br>D BS | NUMBER<br>KE15-0-04  |
| SCALE                 |                   | REV.<br>0  |
| SHEET 1 OF 2          | DIST.             |  |



This drawing and specifications, herein, are the property of Digital Equipment Corporation and shall not be reproduced or copied or used in whole or in part as the basis for the manufacture or sale of items without written permission.



\*NOTE: ONE FREE INST. AFTER JMS.CAL.PI EXCEPT WHEN IN USER MODE  
TWO FREE INST. AFTER NORM

OPTIONAL ECO KP15-#50  
KE04 ERE NORMS L WILL BE TIED TO  
E29N2 IF ECO NOT INSTALLED

\*NOTE: Q L TO MQ17  
TEMP L0)=SUB  
TEMP (1)=ADD

| REVISIONS |                 |      | REVISIONS |            |      |
|-----------|-----------------|------|-----------|------------|------|
| CHK       | CHANGE NO.      | REV. | CHK       | CHANGE NO. | REV. |
| LH        | KP15-00038      | B    |           |            |      |
| S         | GOLDSBY 7/15/70 |      |           |            |      |
| F         | AUMANN 7/22/70  |      |           |            |      |
| GH        | KP15-00050      | C    |           |            |      |
| S         | GOLDSBY 3/1/71  |      |           |            |      |
| F         | AUMANN 3/2/71   |      |           |            |      |
|           | KP15-00056      | D    |           |            |      |

|               |          |           |          |  |
|---------------|----------|-----------|----------|--|
| DRN           | K COTE   | DATE      | 10/15/69 | <b>digital</b> EQUIPMENT CORPORATION<br>MAYNARD, MASSACHUSETTS |
| CHK'D         | ED HOHOS | DATE      | 10/15/69 |  |
| ENG.          | AUMANN   | DATE      | 10/7/69  | TITLE  |
| PROJ. ENG.    | G BUTLER | DATE      | 10/7/69  | IR SIGN DIVIDE LOGIC   |
| PROD.         | F LASKY  | DATE      | 10/7/69  |  |
| FIRST USED ON | KP15     | SIZE/CODE | D B S    | NUMBER   |
| SCALE         |          |           |          | KE15-0-05  |
| SHEET         | 1        | OF        | 1        | REV.   |
|               |          |           |          | E  |



This drawing and specifications herein are the property of Digital Equipment Corporation and shall not be reproduced or copied or used in whole or in part as the basis for the manufacture or sale of items without written permission.

SETUP INSTRUCTIONS

| EVENT TIMES                       | CP OPERATIONS   | LRS (S)<br>MEM 4 (1): SIGNED<br>640500  | LLS (S)<br>640600   | ALS (S)<br>640700                      | NORM (S)<br>640444  | MUL (S)<br>653122  | DIV (S)<br>640323  | IDIV (S)<br>653323                     | FRDIV (S)<br>650323 | CP OPERATIONS              | EAE NOP<br>640000 | LACQ<br>641002      | LACS<br>641001      | CLQ<br>650000 | ABS<br>644000                 | GSM<br>664000                                | OSC<br>640001                    | OMQ<br>640002       | CMG<br>640004 | LMQ<br>652000       |                     |
|-----------------------------------|---|---|---|--|---|--|--|--|---------------------|----------------------------|-------------------|---------------------|---------------------|---------------|-------------------------------|--|----------------------------------|---------------------|---------------|---------------------|---------------------|
| A<br>AC<br>MODIFICATIONS          |   | MEM IN 4 (1): AC00 (1): 1 → LINK<br>MEM IN 12-17 → SC, LOAD SC                    |   |  |   | MEM IN 12-17 → SC<br>MEM 6 (1): AC00 (1): 1 → SIGN<br>MEM 6 (1): L ≠ AC00: 1 → /Q NEG.   |  |  |                     |                            |                   |                     |                     |               | AC → C BUS<br>LDAC IF AC00(1) | AC → C BUS<br>IF AC00 (1) SET<br>LINK, LD AC |                                  |                     |               |                     |                     |
| B<br>MQ<br>TRANSFERS              | FETCH<br>TS02   | MQ → MQ   |   |  |   | SIGN (0): AC → MQ  | SIGN (1): AC → MQ  | SIGN (1): AC → MQ<br>SIGN (0): AC → MQ | 0 → MQ              |                            | FETCH<br>TS02     | MQ → MQ             | MQ → MQ             | MQ → MQ       | MQ → C BUS<br>LD MQ           | MQ → MQ                                      | MQ → MQ                          | MQ → MQ             | MQ → MQ       | MQ → C BUS<br>LD MQ | AC → C BUS<br>LD MQ |
| C<br>AC<br>TRANSFERS              |   | AC → AC   |   |  |   | MEM 8 (1): 0 → AC  |  | MEM 8 (1): 0 → AC                      |                     |                            | AC → AC           | MQ → C BUS<br>LD AC | SC → C BUS<br>LD AC | AC → AC       | AC → AC                       | AC → AC                                      | SC → C BUS<br>AC → C BUS<br>LDAC | MQ → C BUS<br>LD AC | AC → AC       | AC → AC             |                     |
| D<br>NO<br>TRANSFERS              | FETCH<br>TS03<br>SET EAE  |   |   |  |   |  | 0 → TEMP   | 0 → TEMP                               | 0 → TEMP            | FETCH<br>TS03<br>SET FETCH |                   |                     |                     |               |                               |  |                                  |                     |               |                     |                     |
| E<br>SHIFTS                       | EAE<br>TS01<br>TS02<br>LOOP IN TS02<br>UNTIL<br>SC OVERFLOW<br>OR<br>NORMALIZED | LRS DECODED<br>L AC00<br>ACn → ACn+1<br>AC17 → MQ00<br>MQn → MQn+1<br>MQ17 → LOST | LLS DECODED<br>L → MQ17<br>MQn → MQn-1<br>MQ00 → AC17<br>ACn → ACn-1<br>AC00 → LOST | ALS DECODED<br>L → AC17<br>ACn → ACn-1 | NORMS DECODED<br>L → MQ17<br>MQn → MQn-1<br>MQ00 → AC17<br>ACn → ACn-1<br>AC00 → LOST<br>1 → F WHEN<br>NORMALIZED | MQ17 (1) ADD MEM<br>TO AC, SHIFT RT.<br>MQ17 (0) SHIFT RT.<br>L → AC00, MQ17 →<br>LOST SUM BUS 17 →<br>MQ00.<br>MQn → MQn+1<br>SUM BUS n → ACn+1 | CHECK FOR DIVIDE<br>OVERFLOW IF<br>CARRY ON FIRST<br>OR SECOND SUB<br>1 → OVERFLOW<br>TEMP (1) ADD<br>TEMP (0) SUB<br>SHIFT LEFT | SAME<br>AS<br>DIV                      | SAME<br>AS<br>DIV   |                            |                   |                     |                     |               |                               |  |                                  |                     |               |                     |                     |
| F<br>COMPLEMENTING<br>SET EXECUTE | EAE<br>TS03   |   |   |  |   | P/Q NEG (1): COMP MQ   |  |  |                     |                            |                   |                     |                     |               |                               |  |                                  |                     |               |                     |                     |
|                                   |   |   |   |  |   | P/Q NEG (1)<br>COMP AC   |  |  |                     |                            |                   |                     |                     |               |                               |  |                                  |                     |               |                     |                     |
|                                   |   |   |   |  |   | SIGN (1): COMP AC  |  |  |                     |                            |                   |                     |                     |               |                               |  |                                  |                     |               |                     |                     |

- NOTE:
1. AN INTERRUPT IS HELD OFF FOR 2 CYCLES AFTER A NORM INSTRUCTION TO ALLOW A DAC TO STORE THE STEP COUNTER.
  2. DURING LRS LLS ALS AND NORM OPERATIONS SHIFTING IS DONE AT TWICE THE NORMAL PULSE RATE, SHIFT AT PHASE 1 AND PHASE 3 TIME

| REV | CHANGE NO  | DATE    |
|-----|------------|---------|
| A   | KP15-CC082 | 4-22-74 |
|     | F DOLL     | 7-4-77  |

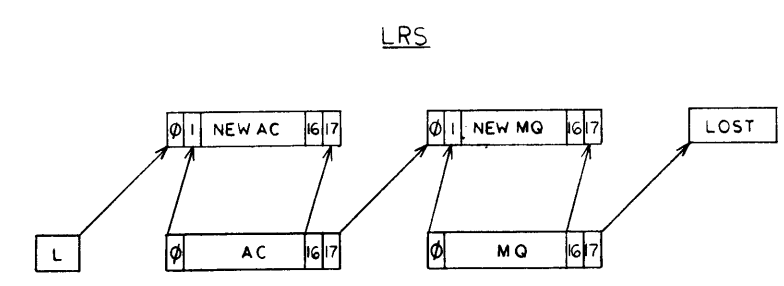
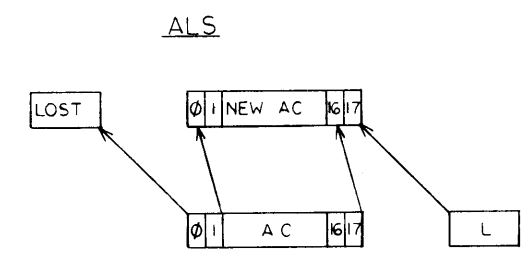
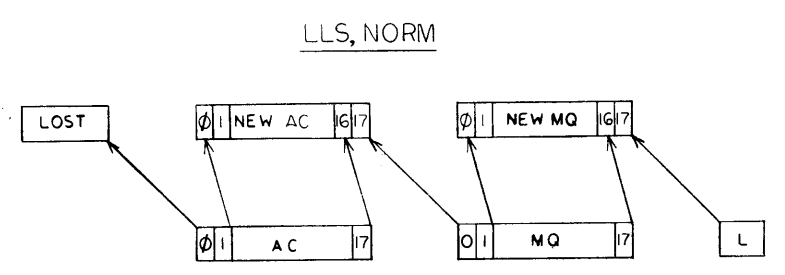
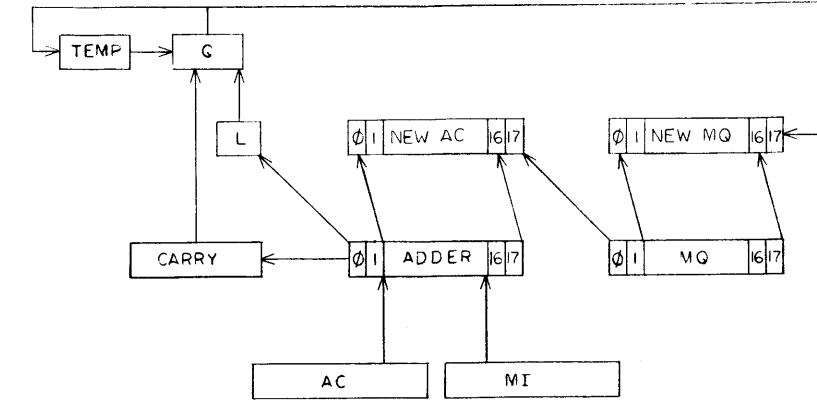
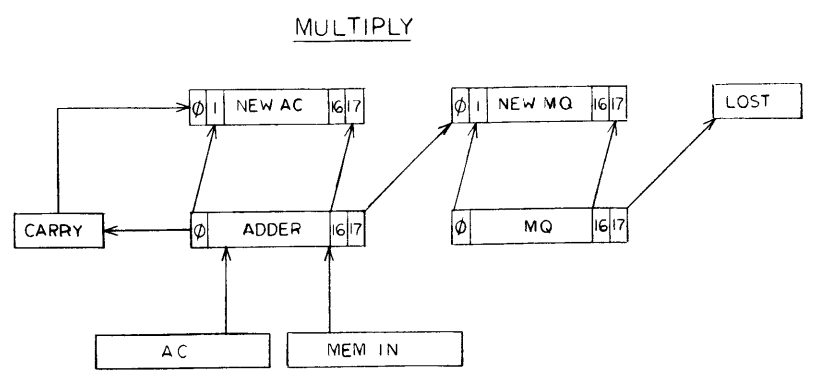
| QTY.                                 | DESCRIPTION | PART NO.      | ITEM NO. |
|--------------------------------------|-------------|---------------|----------|
| PARTS LIST                           |             |               |          |
| UNLESS OTHERWISE SPECIFIED           |             | DATE 12/1/74  |          |
| UNLESS OTHERWISE SPECIFIED           |             | DATE 2-5-70   |          |
| DIMENSION IN INCHES                  |             | DATE 2-5-70   |          |
| TOLERANCES                           |             | DATE          |          |
| DECIMALS FRACTIONS ANGLES            |             | DATE          |          |
| ± .005 ± 1/64 ± 0°30'                |             | DATE          |          |
| FINAL SURFACE QUALITY                |             | DATE          |          |
| REMOVE BURRS AND BREAK SHARP CORNERS |             | DATE          |          |
| MATERIAL                             |             | FIRST USED ON |          |
| FINISH                               |             | SCALE         |          |
| SHEET 1 OF 1                         |             | DIST.         |          |

digital EQUIPMENT CORPORATION  
 MAYNARD MASSACHUSETTS

TITLE: EAE FLOW

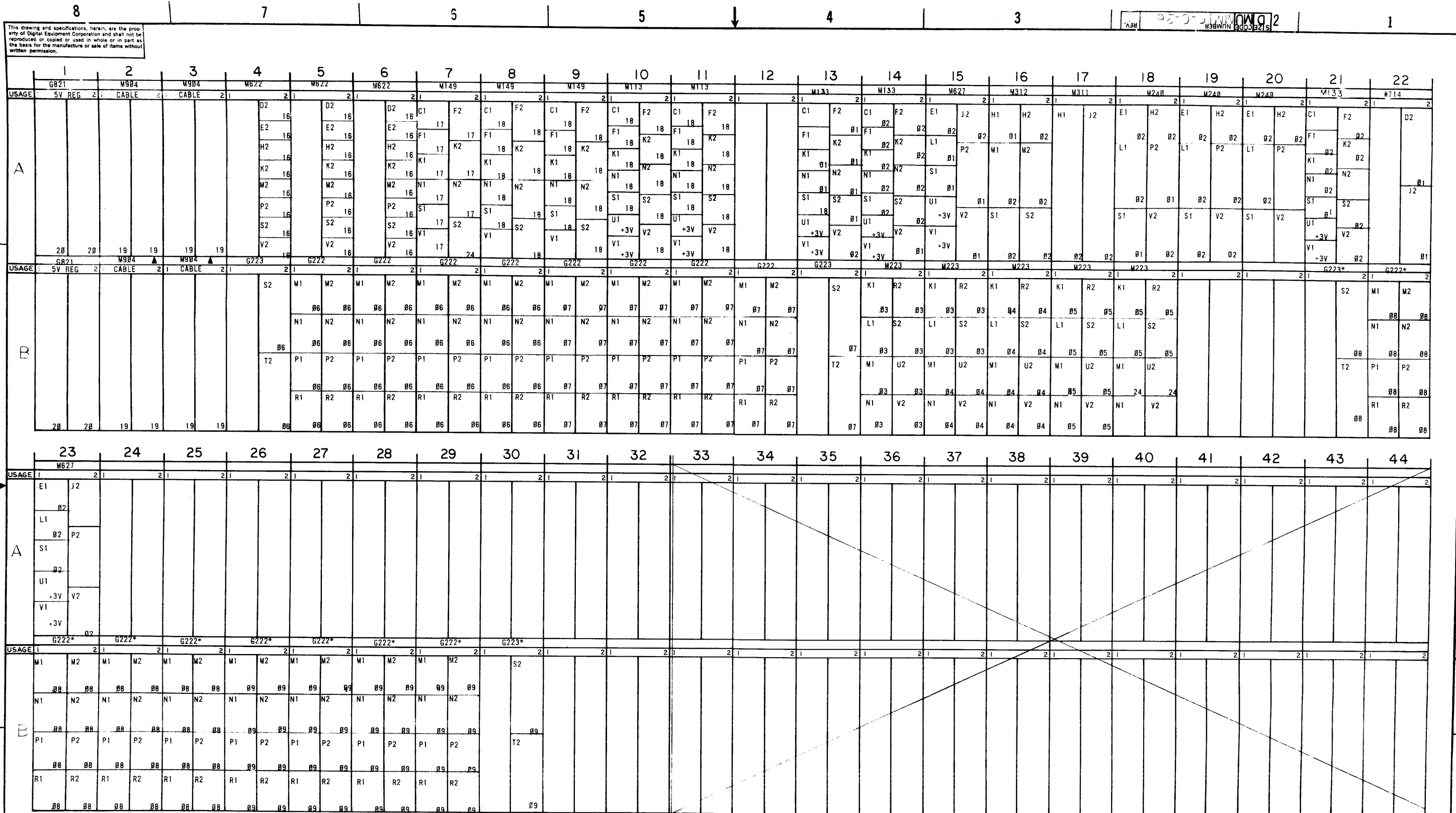
SIZE CODE: DFD NUMBER: KE15-0-06 REV: A

This drawing and specifications, herein, are the property of Digital Equipment Corporation and shall not be reproduced or copied or used in whole or in part as the basis for the manufacture or sale of items without written permission.



|          |  |
|----------|--|
| REV.     |  |
| CHG. NO. |  |
| CHK      |  |

| QTY.                       | DESCRIPTION | PART NO.  | ITEM NO. |
|----------------------------|-------------|---|----------|
| PARTS LIST                 |             |   |          |
| UNLESS OTHERWISE SPECIFIED |             | digital EQUIPMENT CORPORATION<br>MAYNARD, MASSACHUSETTS |          |
| CHK'D.                     | DATE        | TITLE   |          |
| ENG.                       | DATE        | DATA FLOW   |          |
| PROJ. ENG.                 | DATE        | SIZE CODE NUMBER REV.                                   |          |
| PROD.                      | DATE        | DIFD KE15-0-07  |          |
| MATERIAL                   |             | SHEET OF 1  |          |
| FINISH                     |             | DIST.   |          |



This drawing and specifications, herein, are the property of Digital Equipment Corporation and shall not be reproduced or copied or used in whole or in part as the basis for the manufacture or sale of items without written permission.

REV. 1  
SIZE CODE NUMBER DMU MM 15-0-26

| REV. | CHANGE NO.        | BY | DATE     |
|------|-------------------|----|----------|
| 1    | M M 15-00018      | C  |          |
| 2    | REDRAWN / REVISED |    |          |
| 3    | AUMANN            |    | 12-31-70 |
| 4    | MM 15-00023       | D  |          |
| 5    | AUMANN            |    | 7-1-71   |
| 6    | MM 15-00026       | E  |          |
| 7    | SWANSON           |    | 1-13-72  |
| 8    | MM 15-00027       | F  |          |
| 9    | FDOLL             |    | 7-16-73  |

▲ MODULE IS M966 TERMINATOR IF UNIT IS LAST MM 15 ON MDL LINES

FIRST USED ON OPTION/MODEL

DO NOT SCALE DRAWING  
UNLESS OTHERWISE SPECIFIED  
DIMENSION IN INCHES  
TOLERANCES  
DECIMALS FRACTIONS ANGLES  
= .005 = 1/64 = 0°30'  
FINAL SURFACE QUALITY  
REMOVE BURRS AND BREAK SHARP CORNERS

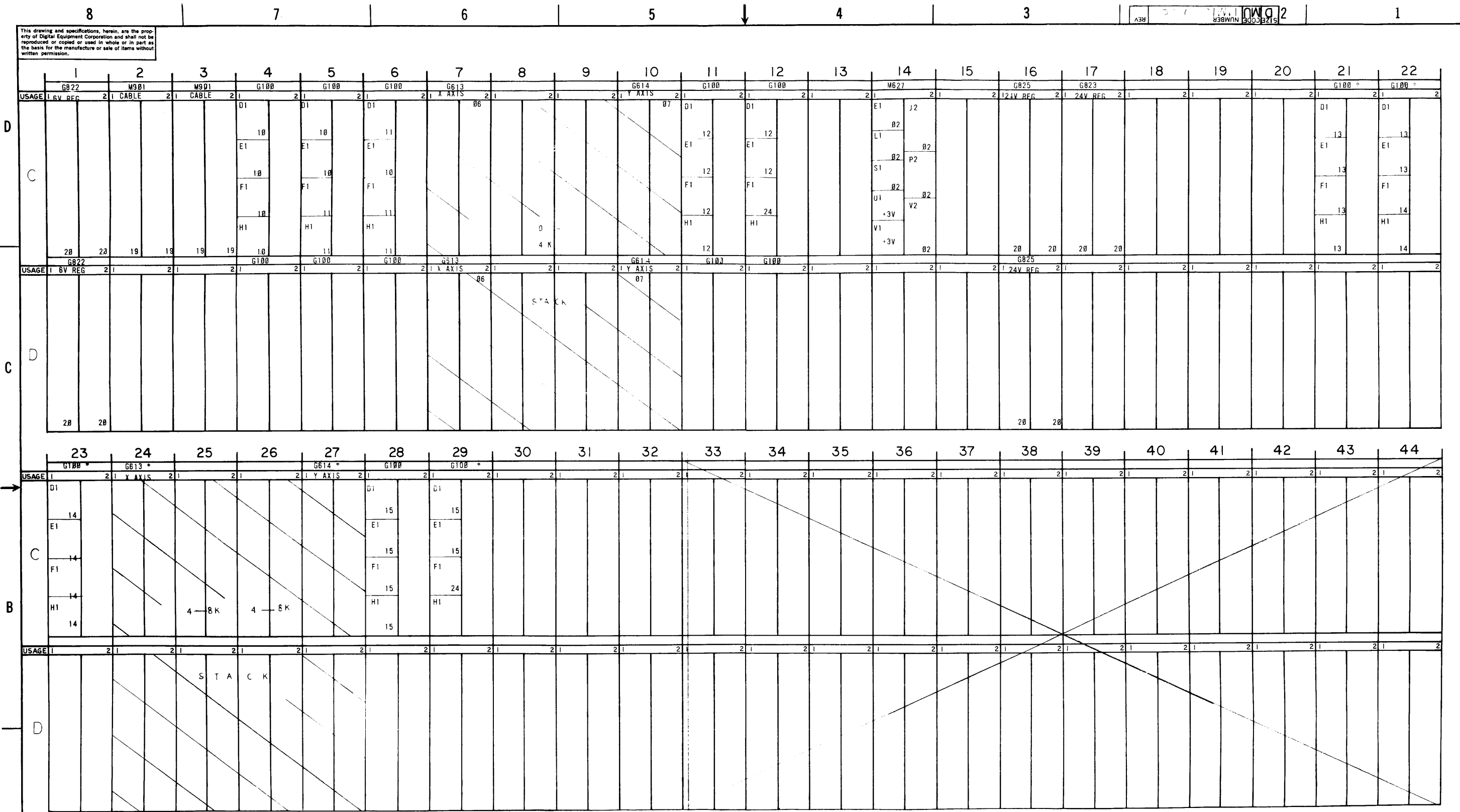
DRN D. FONTAINE DATE 8-4-69  
CHK'D J. MADLEN DATE 8-4-69  
ENG. C. C. O. DATE 8-11-69  
PROJ. ENG. D. E. COCHRAN DATE 8-11-69  
PROD. F. LASKEY DATE 8-11-69  
NEXT HIGHER ASSY D-UA-FE-15-0-0  
SCALE SHEET 1 OF 2

**digital** EQUIPMENT CORPORATION  
MAYNARD, MASSACHUSETTS

TITLE  
**MODULE UTILIZATION**

SIZE CODE NUMBER **DMU MM 15-0-26** REV. **1**

This drawing and specifications, herein, are the property of Digital Equipment Corporation and shall not be reproduced or copied or used in whole or in part as the basis for the manufacture or sale of items without written permission.

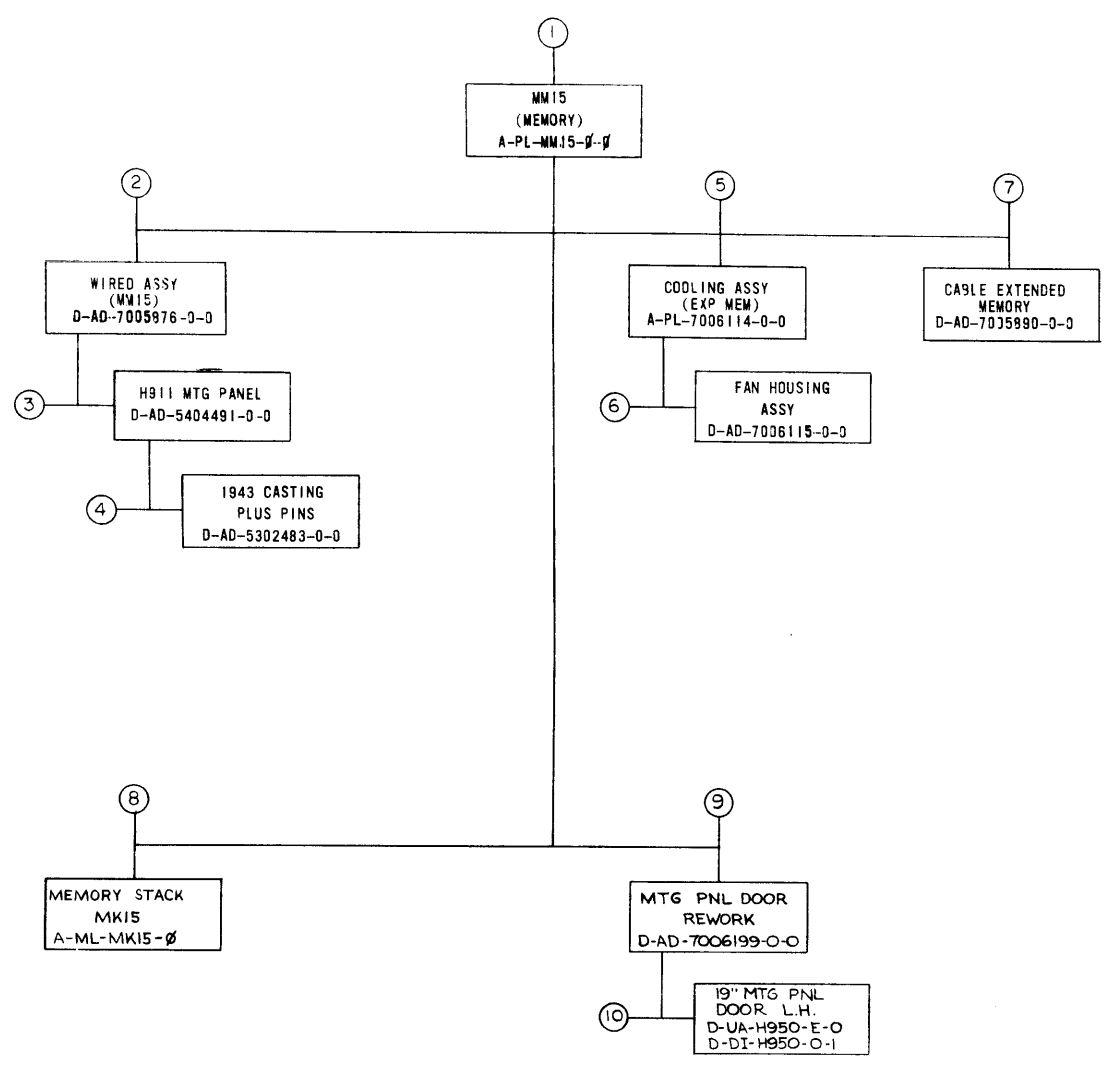


|                    |           |  |  |                      |      |                    |  |
|--------------------|-----------|--|--|----------------------|------|--------------------|--|
| REV.<br>CHANGE NO. | REVISIONS | NOTE * FOR MK15 OPTION<br>CORE STACKS ARE<br>3009200-B-1 18 BITS<br>3009200-B-2 19 BITS (PARITY) | FIRST USED ON OPTION/ MODEL  | DO NOT SCALE DRAWING | DRN. | DATE               | <b>digital</b> EQUIPMENT CORPORATION<br>MAYNARD, MASSACHUSETTS |
|                    | CHK       |  | UNLESS OTHERWISE SPECIFIED DIMENSION IN INCHES   | CHK'D.               | DATE | TITLE              |  |
|                    |           |  | TOLERANCES<br>DECIMALS ± .005<br>FRACTIONS ± 1/64<br>ANGLES ± 0'30"<br>FINAL SURFACE QUALITY<br>REMOVE BURRS AND BREAK SHARP CORNERS | ENG.                 | DATE | MODULE UTILIZATION |  |
|                    |           |  | MATERIAL   | PROJ. ENG.           | DATE |                    |  |
|                    | FINISH    |  | PROD.  | DATE                 |      |                    |  |
|                    |           |  | NEXT HIGHER ASSY   |                      |      |                    |  |
|                    |           |  | SCALE  |                      |      |                    |  |
|                    |           |  | SHEET 2 OF 2   |                      |      |                    |  |

SIZE CODE NUMBER D1MU026 REF.

This drawing and specifications herein are the property of Digital Equipment Corporation and shall not be reproduced or copied or used in whole or in part as the basis for the manufacture or sale of items without written permission.

D  
C  
B  
A



| MECHANICAL |  |   |      |      |     | ELECTRICAL |   |  |      |      |     |
|------------|--|---|------|------|-----|------------|---|--|------|------|-----|
| FIND NO.   | DESCRIPTION  | PART NO   | PROD | CUST | F/C | FIND NO.   | DESCRIPTION   | PART NO  | PROD | CUST | F/C |
| 1          | MM15 (MEMORY)<br>CABLE M917 TO M917<br>CABLE M918 TO M918<br>CABLE FLAT CO-AX M9#4-M9#4<br>HARNESS EXT MEMORY<br>MEMORY STACK (PDP15)(19BIT)<br>MEMORY STACK (PDP15)(19BIT)<br>BRACKET CABLE #2<br>BRACKET CABLE #1<br>USED FOR #17<br>COMPRESS. JACKSON | A-PL-MM15-#-#<br>D-1A-7006094-0-0<br>D-1A-7006414-0-0<br>D-1A-8C#9B-#-#<br>E-1A-7036401-0-0<br>D-SC-3009200-1-0<br>D-SC-3009200-2-0<br>E-MD-7407279-0-0<br>C-MD-7407278-0-0<br>A-PL-37-38-1-0 |      |      |     | 1          | MM15 (MEMORY)<br>MEMORY CONTROL<br>MEMORY CONTROL<br>MA & MB REGISTERS #5<br>MA & MB REGISTERS 08-11<br>MA & MB REGISTERS 12-17<br>X AXIS (#-4K)<br>Y AXIS (#-4K)<br>X AXIS (4-8K)<br>Y AXIS (4-8K)<br>SENSE AMP & INH DRIVER (#-4K)<br>SENSE AMP & INH DRIVER (#-4K)<br>SENSE AMP & INH DRIVER (#-4K)<br>SENSE AMP & INH DRIVER (4K-8K)<br>SENSE AMP & INH DRIVER (4K-8K)<br>SENSE AMP & INH DRIVER (4K-8K)<br>MEMORY BUS DRIVERS<br>INDICATOR BUS DRIVERS<br>INDICATOR BUS DRIVER<br>I/O MEMORY CABLES<br>MEMORY POWER REGULATORS<br>TIMING DIAGRAM<br>X DIODE MATRIX<br>Y DIODE MATRIX<br>PARITY BIT<br>WIRE LIST MM15<br>MODULE UTIL (MM15)<br>MEMORY MODULE LIST<br>GENERAL WIRING SHEET | A-WL-MM15-#<br>D-BM-MM15-#-1<br>D-BS-MM15-#-2<br>D-BM-MM15-#-3<br>D-BM-MM15-#-4<br>D-BS-MM15-#-5<br>D-BM-MM15-#-6<br>D-BS-MM15-#-7<br>D-BM-MM15-#-8<br>D-BS-MM15-#-9<br>D-BM-MM15-#-10<br>D-BS-MM15-#-11<br>D-BM-MM15-#-12<br>D-BS-MM15-#-13<br>D-BM-MM15-#-14<br>D-BS-MM15-#-15<br>D-BM-MM15-#-16<br>D-BS-MM15-#-17<br>D-BM-MM15-#-18<br>D-1C-MM15-#-19<br>D-BS-MM15-#-20<br>D-TD-MM15-#-21<br>D-BS-MM15-#-22<br>D-BS-MM15-#-23<br>D-BS-MM15-#-24<br>K-WL-MM15-#-27<br>D-MU-MM15-#-26<br>A-PL-MM15-0-26<br>A-WL-MM15-0-28 |      |      |     |
| 2          | WIRED ASSY (MM15)<br>WIRED ASSY (MM15)(P.L.)<br>LOGIC FRAME DECALS   | D-AD-7005876-0-0<br>A-PL-7005876-0-0<br>A-DC-7406371-0-0  |      |      |     | 2          | WIRED ASSY (MM15)<br>WIRED ASSY (MM15)(PL)  | D-AD-7005876-0-0<br>A-PL-7005876-0-0   |      |      |     |
| 3          | H911 MTG PANEL<br>H911 MTG PANEL (PL)<br>238 PIN CONN. BLOCK #H003   | D-AD-5404491-0-0<br>A-PL-5404491-0-0<br>E-SC-1205348-0-0  |      |      |     | 9          | MK15 MEMORY STACK<br>MODULE UTIL (MK15)   | A-WL-MK15-#<br>K-WL-MK15-#-1   |      |      |     |
| 4          | 1943 CASTING PLUS PINS<br>1943 CASTING PLUS PINS (PL)<br>1943 FRAME CASTING  | D-AD-5302483-0-0<br>A-PL-5302483-0-0<br>E-MD-1202885-0-0  |      |      |     |            |   |  |      |      |     |
| 5          | COOLING ASSY (EXP MEM)<br>DOOR (EXP MEM)<br>HINGE DOOR<br>ENCLOSURE (EXP MEM)  | A-PL-7009114-0-0<br>D-1A-7407294-0-0<br>C-MD-7406896-0-0<br>D-MD-7407293-0-0  |      |      |     |            |   |  |      |      |     |
| 6          | FAN HOUSING ASSY<br>FAN HOUSING ASSY PL<br>DECAL, FAN HOUSING<br>FAN HOUSING   | D-AD-7006115-0-0<br>A-PL-7006115-0-0<br>A-DC-7407314-0-0<br>D-1A-7407287-0-0  |      |      |     |            |   |  |      |      |     |
| 7          | CABLE (EXT MEMORY)<br>CABLE M918 TO M918<br>CABLE FLAT CO-AX M9#4 TO M9#4  | D-AD-7005890-0-0<br>C-1A-7006414-2-0<br>D-UA-8C#9B-5-#  |      |      |     |            |   |  |      |      |     |
| 8          | MEMORY STACK MK15  | A-WL-MK15-#   |      |      |     |            |   |  |      |      |     |
| 9          | 19" MTG PNL DR REWORK<br>19" MTG PNL DR REWORK (P.L.)  | D-AD-7006199-0-0<br>A-PL-7006199-0-0  |      |      |     |            |   |  |      |      |     |
| 10         | H950-E 19" MTG PNL DR (L.H.)<br>H950-E 19" MTG PNL DR (L.H.) (PL)<br>DWG INDEX H950  | D-UA-H950-E-0<br>A-PL-H950-E-0<br>D-DI-H950-O-1   |      |      |     |            |   |  |      |      |     |

D  
C  
B  
A

| REV | CHG | NO | DATE    | BY | APP | DESCRIPTION |
|-----|-----|----|---------|----|-----|-------------|
| A   |     | 1  | 1-6-70  |    |     | MM15-00006  |
| B   |     | 2  | 1-15-70 |    |     | D.O CONNOR  |
| C   |     | 3  | 1-23-70 |    |     | 15-00041    |
| D   |     | 4  | 1-23-70 |    |     | B MINOR     |
| E   |     | 5  | 1-23-70 |    |     | MM15-00018  |
| F   |     | 6  | 1-23-70 |    |     | MM15-00023  |
| G   |     | 7  | 1-23-70 |    |     | MM15-00021  |
| H   |     | 8  | 1-23-70 |    |     | LAWRENCE    |
| I   |     | 9  | 1-23-70 |    |     | MM15-00023  |
| J   |     | 10 | 1-23-70 |    |     | AUMANN      |
| K   |     | 11 | 1-23-70 |    |     | AUMANN      |
| L   |     | 12 | 1-23-70 |    |     | AUMANN      |

FIRST USED ON OPTION/MODEL  
PDP15

DO NOT SCALE DRAWING  
UNLESS OTHERWISE SPECIFIED  
DIMENSION IN INCHES  
TOLERANCES  
DECIMALS FRACTIONS ANGLES  
± .005 ± 1/64 ± 0'30"  
FINAL SURFACE QUALITY  
REMOVE BURRS AND BREAK SHARP CORNERS

MATERIAL  
FINISH

DRN: [Signature]  
DATE: [Date]  
CHK'D: [Signature]  
DATE: [Date]  
ENG: [Signature]  
DATE: [Date]  
PROJ. ENG: [Signature]  
DATE: [Date]  
PROD: [Signature]  
DATE: [Date]

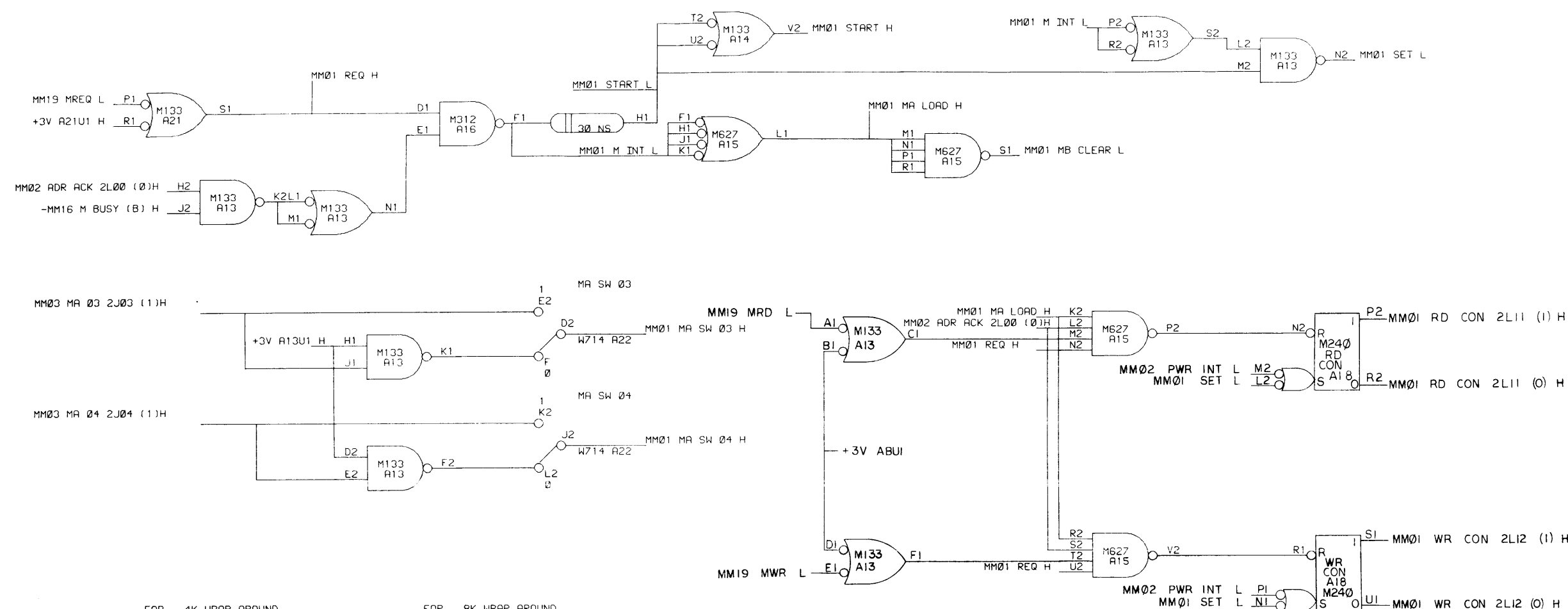
digital EQUIPMENT CORPORATION  
MAYNARD, MASSACHUSETTS

TITLE  
DRAWING INDEX (MM15)

SCALE: +---+  
SHEET 1 OF 1

SIZE CODE NUMBER REV.  
DDI MM15 0-25 E

This drawing and specifications herein are the property of Digital Equipment Corporation and shall not be reproduced or copied in whole or in part as the basis for the manufacture or sale of items without written permission.



FOR 4K WRAP AROUND  
DELETE:  
B13D2-B15S1  
B15S1-A21P2  
A17F2-A14N1  
ADD:  
A17F2-A23K1  
A22D2-A22J2  
A22J2-A21V1  
C21S1-C21T1  
A21P2-B13D2  
A21P2-A23U1  
REMOVE W714 FROM A22

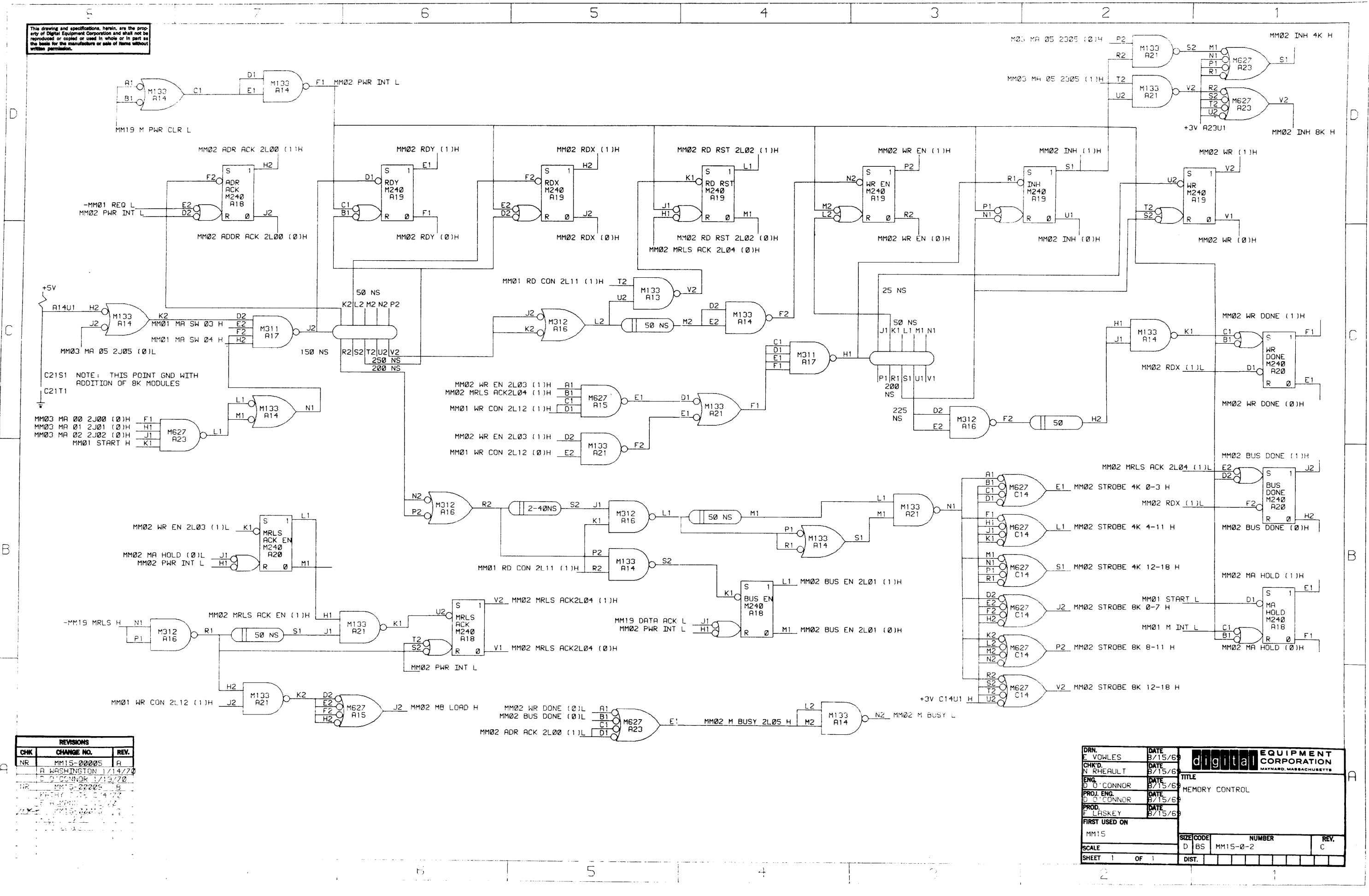
FOR 8K WRAP AROUND  
ADD:  
A22D2-A22J2  
A22J2-A21V1  
REMOVE W714 FROM A22

| MEMORY BANK SELECTION |                      |                      |
|-----------------------|----------------------|----------------------|
| BANK                  | UPPER SW<br>MA SW 03 | LOWER SW<br>MA SW 04 |
| 0-8K                  | 0                    | 0                    |
| 8-16K                 | 0                    | 1                    |
| 16-24K                | 1                    | 0                    |
| 24-32K                | 1                    | 1                    |

| REVISIONS |            |         | REVISIONS |            |      |
|-----------|------------|---------|-----------|------------|------|
| CHK       | CHANGE NO. | REV.    | CHK       | CHANGE NO. | REV. |
|           | MM15-00001 | H       | H. LAVOIE | 2-21-73    | D    |
| K         | BORGES     | 9/10/69 |           |            |      |
| D         | O'CONNOR   | 9/18/69 |           |            |      |
| W         | MM15-00009 | 1B      |           |            |      |
|           | KATHY COLE | 2/4/72  |           |            |      |
|           | O'CONNOR   | 2/4/72  |           |            |      |
|           | MM15-00010 | 1C      |           |            |      |
|           |            |         |           |            |      |
|           | MM15-00025 | 1D      |           |            |      |
|           |            |         |           |            |      |

|                          |                   |   |
|--------------------------|-------------------|---|
| DRN.<br>E VOWLES         | DATE<br>8/15/69   | digital EQUIPMENT CORPORATION<br>MAYNARD, MASSACHUSETTS |
| CHK'D<br>N RHEAULT       | DATE<br>8/15/69   |   |
| ENG.<br>D O'CONNOR       | DATE<br>8/15/69   | TITLE<br>MEMORY CONTROL                                 |
| PROJ. ENG.<br>D O'CONNOR | DATE<br>8/15/69   |   |
| PROD.<br>F LASKY         | DATE<br>8/15/69   |   |
| FIRST USED ON<br>MM15    |                   |   |
| SCALE<br>D BS            | SIZE CODE<br>D BS | NUMBER<br>MM15-0-01                                     |
| SHEET<br>1               | OF<br>1           | REV.<br>D   |

This drawing and specifications, herein, are the property of Digital Equipment Corporation and shall not be reproduced or copied or used in whole or in part as the basis for the manufacture or sale of items without written permission.

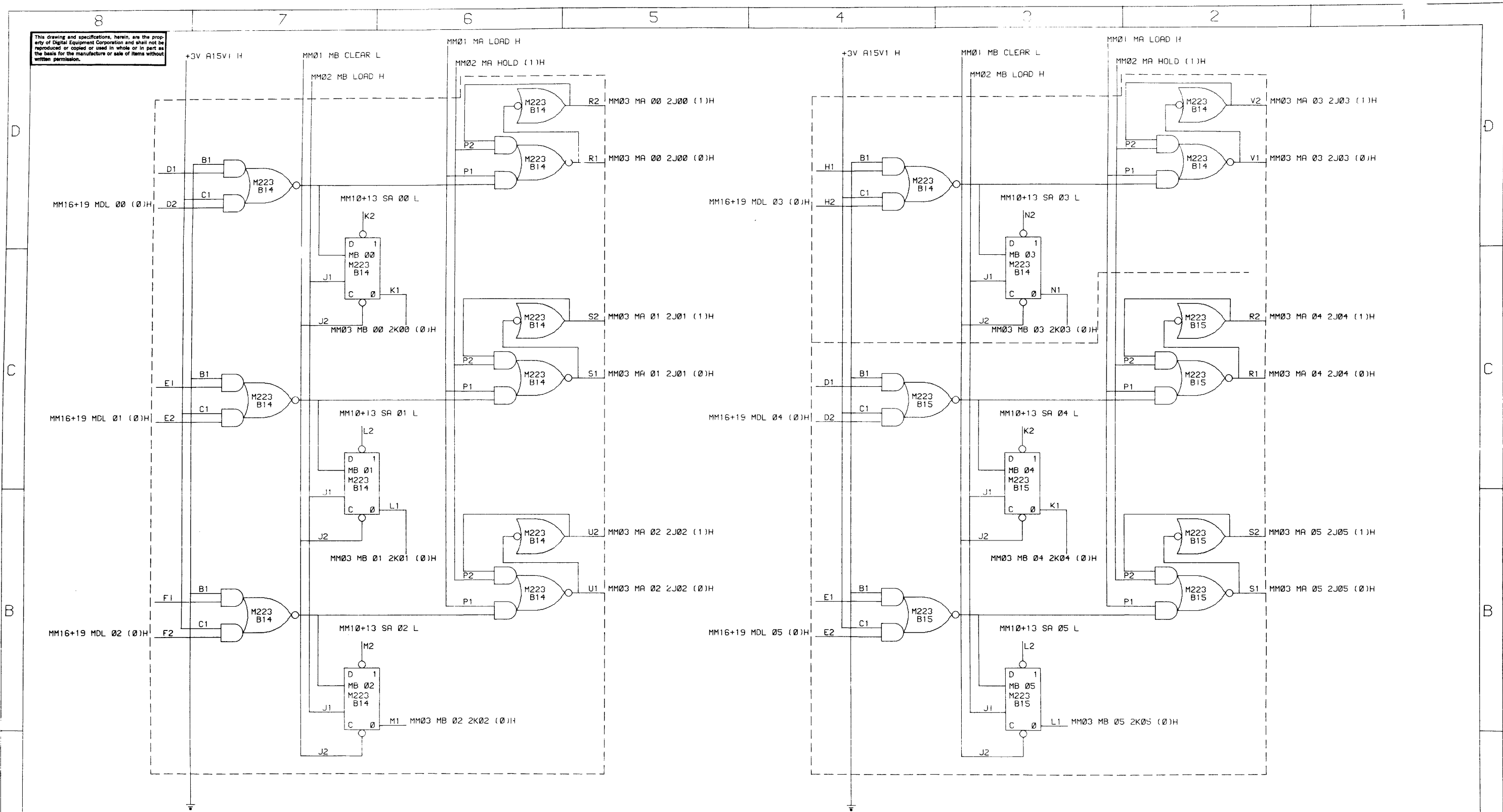


NOTE: THIS POINT GND WITH ADDITION OF BK MODULES

| REVISIONS |                      |      |
|-----------|----------------------|------|
| CHK       | CHANGE NO.           | REV. |
| NR        | MM15-00005           | A    |
| NR        | A WASHINGTON 1/14/70 |      |
| NR        | C O'CONNOR 1/19/70   |      |
| NR        | MM15-22209           | B    |
| NR        | WASH 1/25/70         |      |
| NR        | MM15-22209           | C    |

|                          |                 |  |
|--------------------------|-----------------|--|
| DRN.<br>E VOWLES         | DATE<br>8/15/69 | <b>digital EQUIPMENT CORPORATION</b><br>MAYNARD, MASSACHUSETTS |
| CHKD.<br>N RHEAULT       | DATE<br>8/15/69 |  |
| ENG.<br>D O'CONNOR       | DATE<br>8/15/69 |  |
| PROJ. ENG.<br>D O'CONNOR | DATE<br>8/15/69 |  |
| PROD.<br>F LASKEY        | DATE<br>8/15/69 | TITLE<br>MEMORY CONTROL  |
| FIRST USED ON<br>MM15    |                 | SIZE CODE<br>D BS  |
| SCALE                    |                 | NUMBER<br>MM15-0-2   |
| SHEET 1 OF 1             |                 | REV.<br>C  |

This drawing and specifications, herein, are the property of Digital Equipment Corporation and shall not be reproduced or copied or used in whole or in part as the basis for the manufacture or sale of items without written permission.

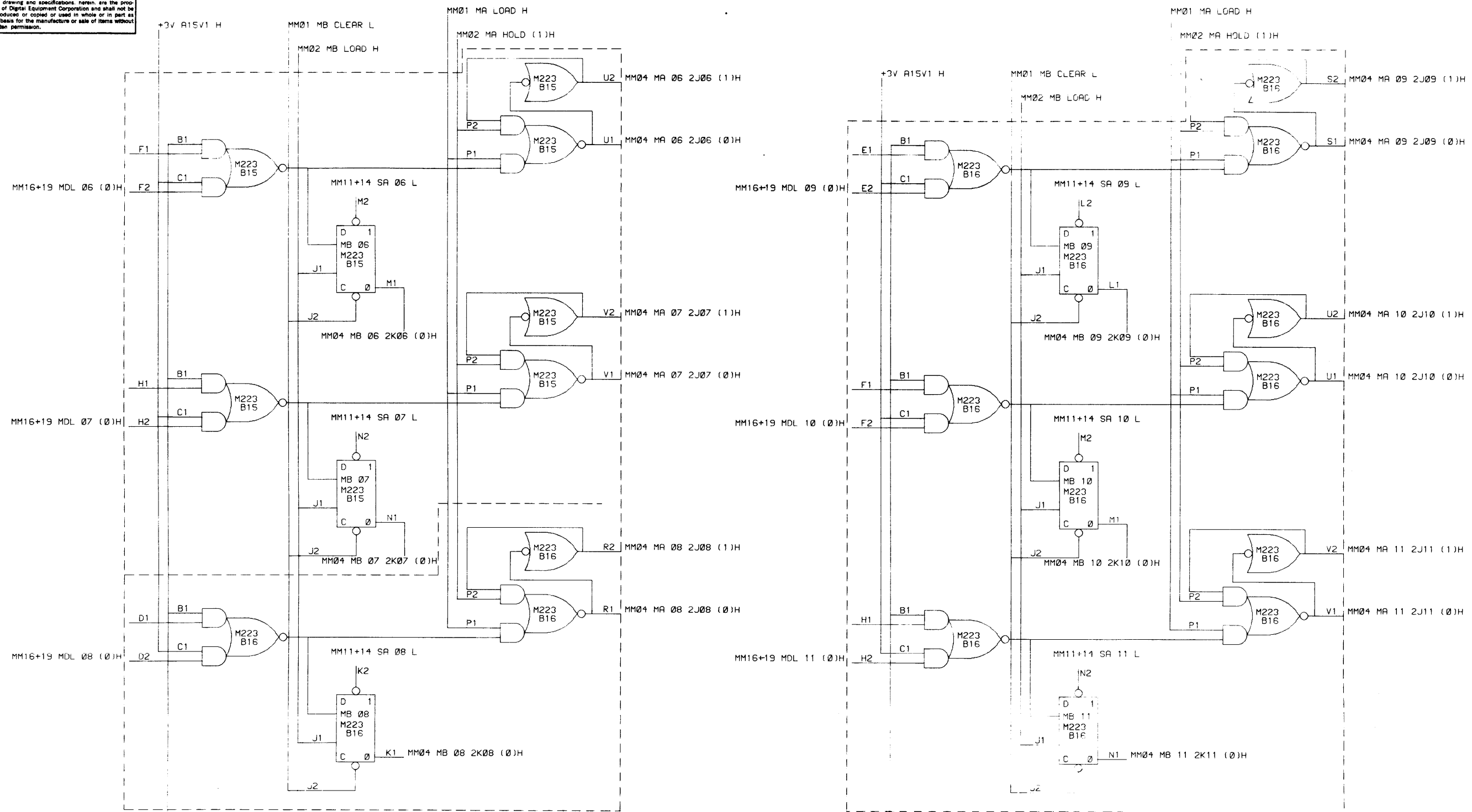


| REVISIONS |            |      |
|-----------|------------|------|
| CHK       | CHANGE NO. | REV. |
|           |            |      |

|                            |                   |  |
|----------------------------|-------------------|--|
| DRN<br>E. Nowles           | DATE<br>8-14-69   | <br>digital EQUIPMENT CORPORATION<br><small>MAYNARD, MASSACHUSETTS</small> |
| CHK'D<br>W. B. Reault      | DATE<br>8-15-69   |  |
| ENG.<br>D. E. Connor       | DATE<br>8-15-69   | TITLE<br>MA+MB REGISTERS 0-5   |
| PROJ. ENG.<br>D. E. Connor | DATE<br>8-15-69   |  |
| PROD.<br>F. Lashley        | DATE<br>8-15-69   |  |
| FIRST USED ON<br>MM15      |                   |  |
| SCALE                      | SIZE/CODE<br>D BS | NUMBER<br>MM15-0-3   |
| SHEET 1 OF 1               | DIST.             | REV.<br>00   |



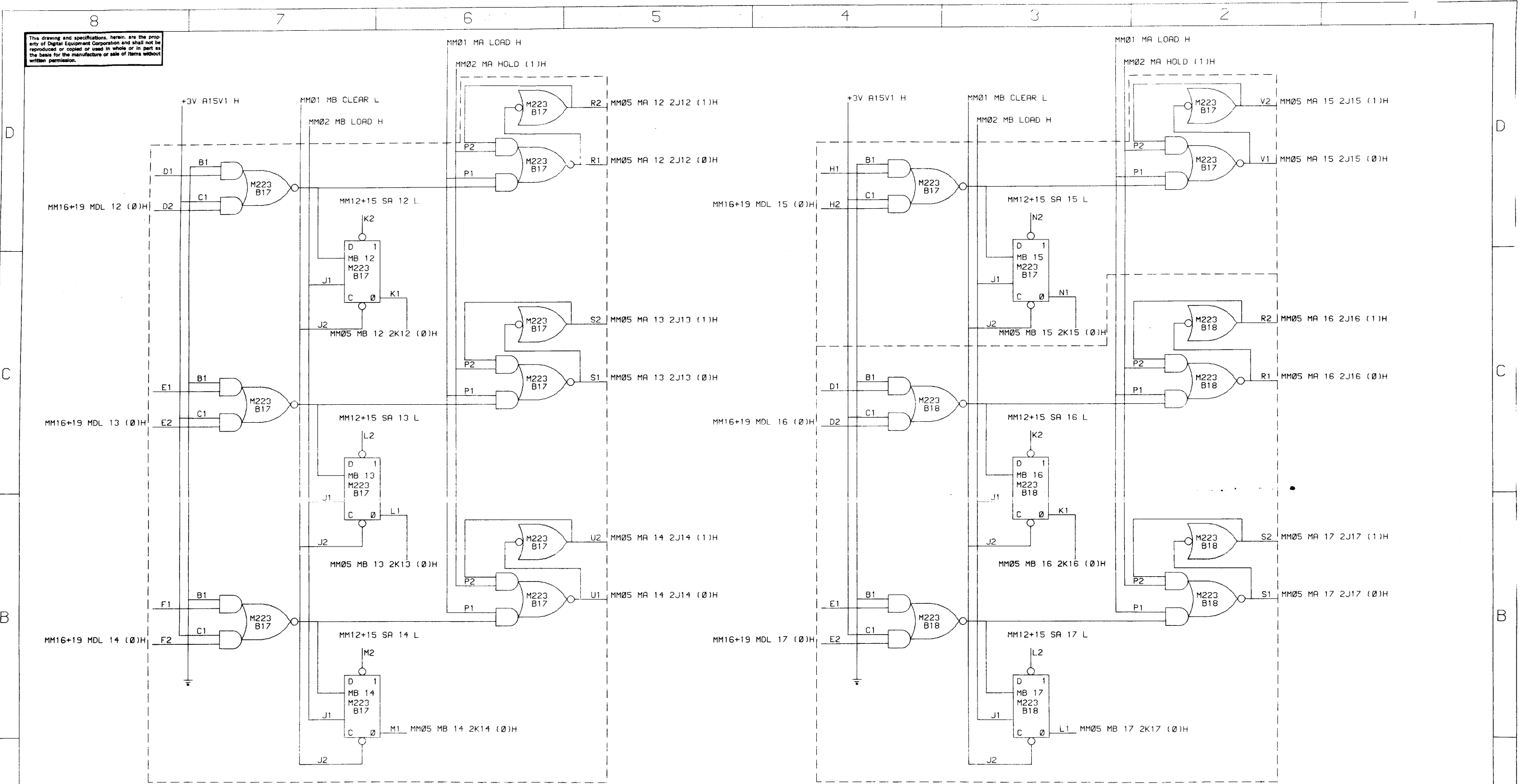
This drawing and specifications herein are the property of Digital Equipment Corporation and shall not be reproduced or copied or used in whole or in part as the basis for the manufacture or sale of items without written permission.



| REVISIONS |            |      |
|-----------|------------|------|
| CHK       | CHANGE NO. | REV. |
|           |            |      |

| QTY.          | DESCRIPTION | PART NO.  | ITEM NO. |
|---------------|-------------|---|----------|
| PARTS LIST    |             |   |          |
| DRN.          | DATE        | <b>digital</b> EQUIPMENT CORPORATION<br><small>MAYNARD, MASSACHUSETTS</small> |          |
| CHK'D.        | DATE        |   |          |
| ENG.          | DATE        |   |          |
| PROJ. ENG.    | DATE        |   |          |
| PROD.         | DATE        |   |          |
| FIRST USED ON |             | TITLE   |          |
| MM15          |             | MA+MB REGISTERS 06-11   |          |
| SCALE         | SIZE CODE   | NUMBER  | REV.     |
| SHEET 1 OF 1  | D BS        | MM15-0-4  | 00       |
| DIST.         |             |   |          |

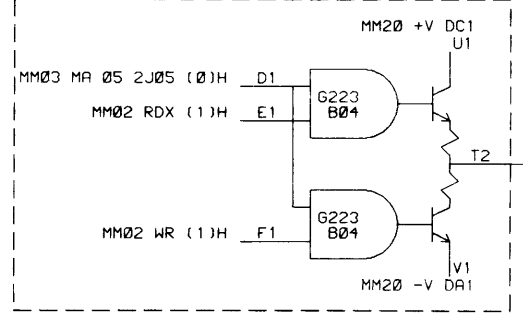
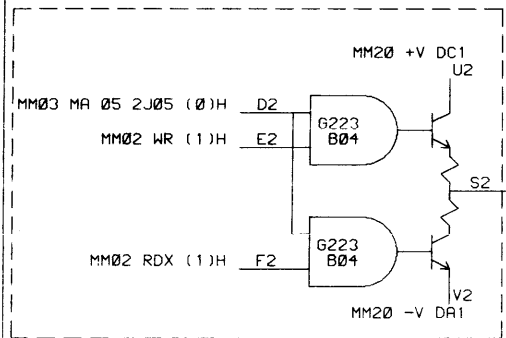
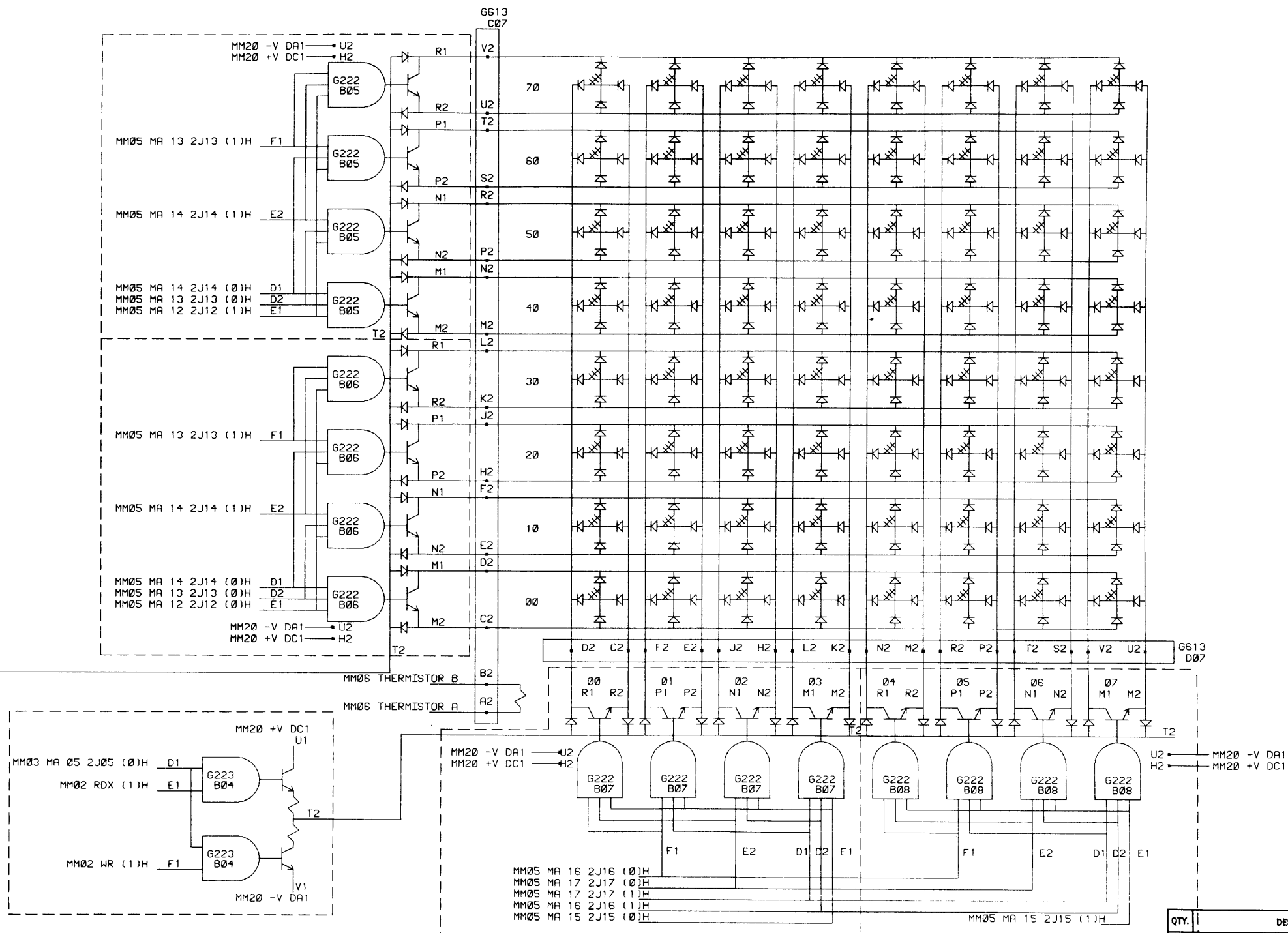
This drawing and specifications herein are the property of Digital Equipment Corporation and shall not be reproduced or copied in whole or in part as the basis for the manufacture or sale of items without written permission.



| REVISIONS |            |      |
|-----------|------------|------|
| CHK       | CHANGE NO. | REV. |
|           |            |      |

| QTY.          | DESCRIPTION | PART NO.  | ITEM NO. |
|---------------|-------------|---|----------|
| PARTS LIST    |             |   |          |
| DRN.          | DATE        | <b>digital</b> EQUIPMENT CORPORATION<br><small>MAYNARD, MASSACHUSETTS</small> |          |
| CHK'D.        | DATE        |   |          |
| ENG.          | DATE        |   |          |
| PROJ. ENG.    | DATE        |   |          |
| PROD.         | DATE        |   |          |
| FIRST USED ON |             | TITLE   |          |
| MM15          |             | MA+B REGISTERS 12-17  |          |
| SCALE         | SIZE CODE   | NUMBER  | REV.     |
| SHEET         | D BS        | MM15-0-5  | 00       |
| OF            | DIST.       |   |          |

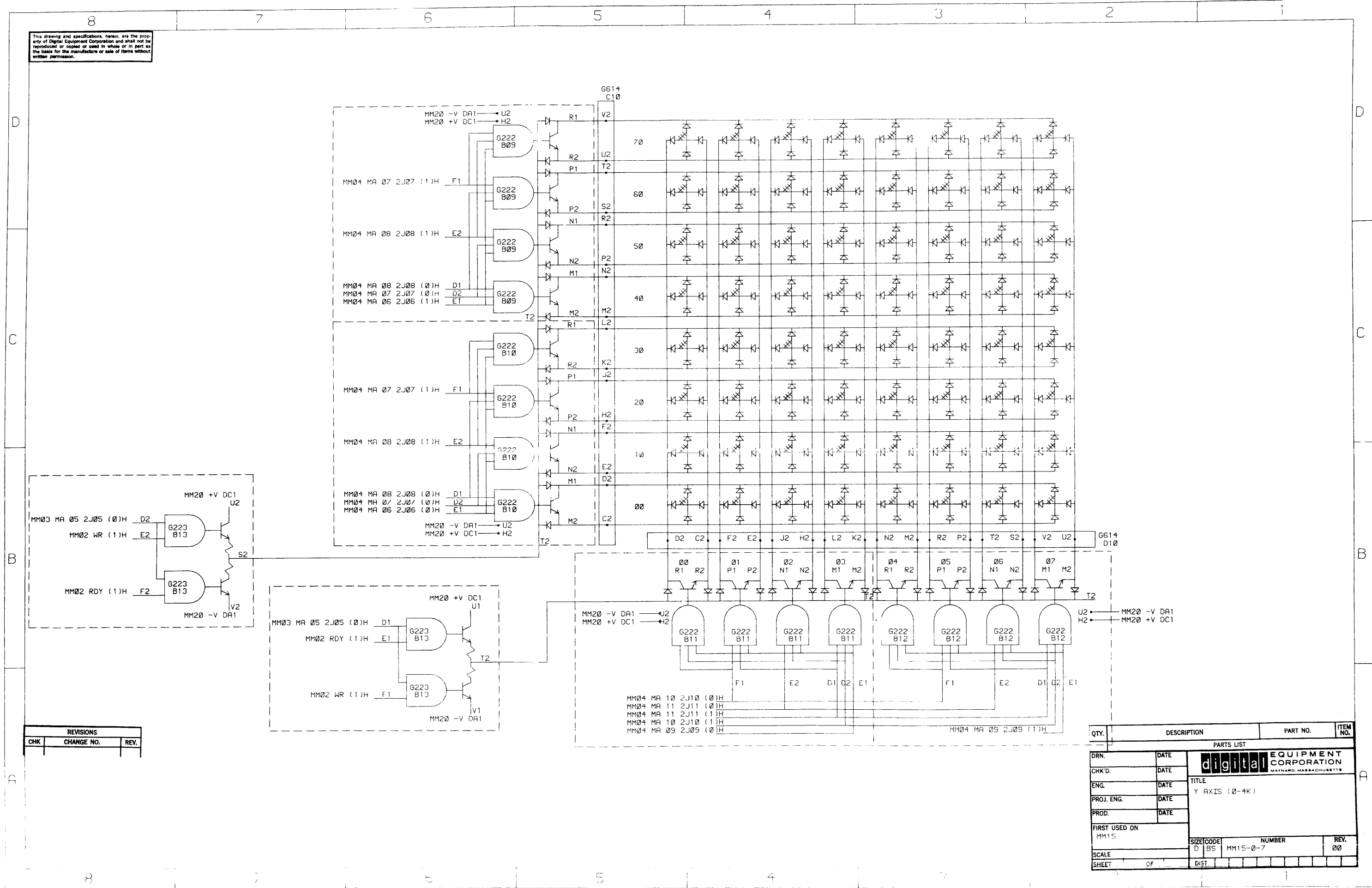
This drawing and specifications, herein, are the property of Digital Equipment Corporation and shall not be reproduced or copied or used in whole or in part as the basis for the manufacture or sale of items without written permission.



| REVISIONS |            |      |
|-----------|------------|------|
| CHK       | CHANGE NO. | REV. |
|           |            |      |

| QTY.          | DESCRIPTION | PART NO.  | ITEM NO. |
|---------------|-------------|---|----------|
| PARTS LIST    |             |   |          |
| DRN.          | DATE        | <b>digital EQUIPMENT CORPORATION</b><br><small>MAYNARD, MASSACHUSETTS</small><br>TITLE<br>X AXIS (0-4K) |          |
| CHK'D.        | DATE        |   |          |
| ENG.          | DATE        |   |          |
| PROJ. ENG.    | DATE        |   |          |
| PROD.         | DATE        |   |          |
| FIRST USED ON |             | SIZE CODE   | NUMBER   |
| MM15          |             | D BS  | MM15-0-6 |
| SCALE         |             | DIST.   | REV.     |
| SHEET 1 OF 1  |             |   | 00       |

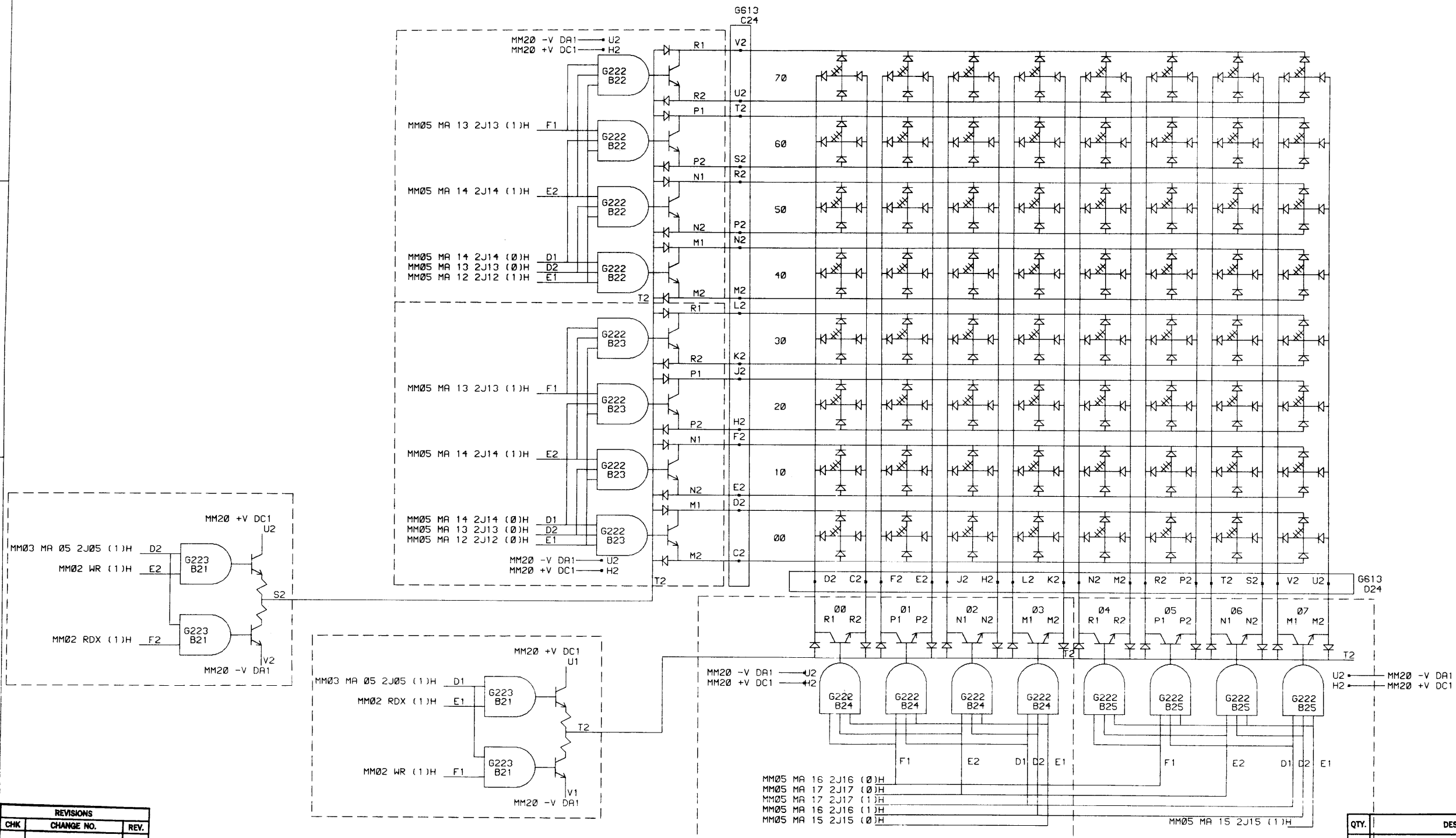
This drawing and specifications herein are the property of Digital Equipment Corporation and shall not be reproduced or copied or used in whole or in part as the basis for the manufacture or sale of items without written permission.



| REVISIONS |            |      |
|-----------|------------|------|
| CHK       | CHANGE NO. | REV. |
|           |            |      |

| QTY.          | DESCRIPTION | PART NO.  | ITEM NO. |
|---------------|-------------|---|----------|
| PARTS LIST    |             |   |          |
| DRN.          | DATE        | <b>digital</b> EQUIPMENT CORPORATION<br><small>MAYNARD, MASSACHUSETTS</small> |          |
| CHK'D.        | DATE        |   |          |
| ENG.          | DATE        |   |          |
| PROJ. ENG.    | DATE        |   |          |
| PROD.         | DATE        |   |          |
| FIRST USED ON |             | SIZE CODE   | NUMBER   |
| MM15          |             | D BS  | MM15-0-7 |
| SCALE         |             | DIST.   | REV.     |
| SHEET         | OF          |   | 00       |

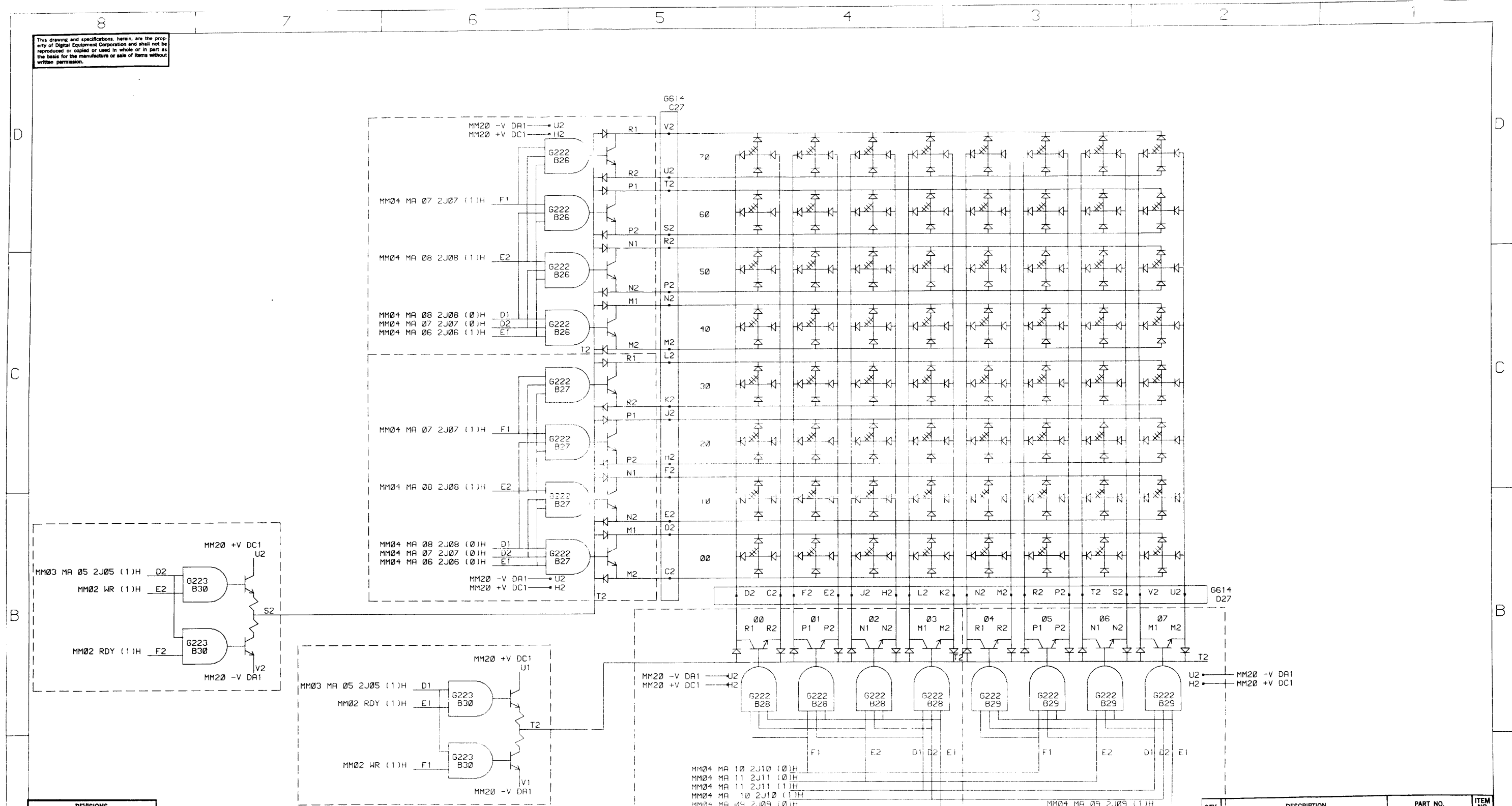
This drawing and specifications, herein, are the property of Digital Equipment Corporation and shall not be reproduced or copied or used in whole or in part as the basis for the manufacture or sale of items without written permission.



| REVISIONS |            |      |
|-----------|------------|------|
| CHK       | CHANGE NO. | REV. |
|           |            |      |

| QTY.          | DESCRIPTION | PART NO.   | ITEM NO. |
|---------------|-------------|--|----------|
| PARTS LIST    |             |  |          |
| DRN.          | DATE        | <b>digital</b> EQUIPMENT CORPORATION<br>MATNARD, MASSACHUSETTS<br>TITLE<br>X AXIS (4-8K) |          |
| CHK'D.        | DATE        |  |          |
| ENG.          | DATE        |  |          |
| PROJ. ENG.    | DATE        |  |          |
| PROD.         | DATE        |  |          |
| FIRST USED ON |             | SIZE CODE  | NUMBER   |
| MM15          |             | D BS   | MM15-0-8 |
| SCALE         |             |  | REV.     |
| SHEET 1       | OF 1        | DIST.  | 00       |

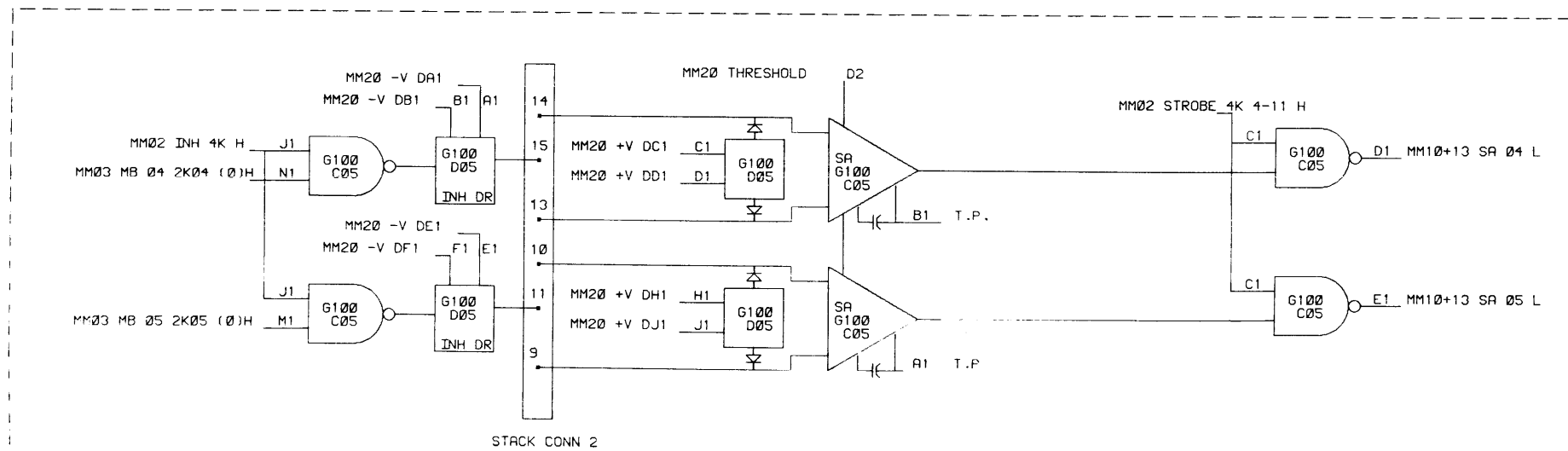
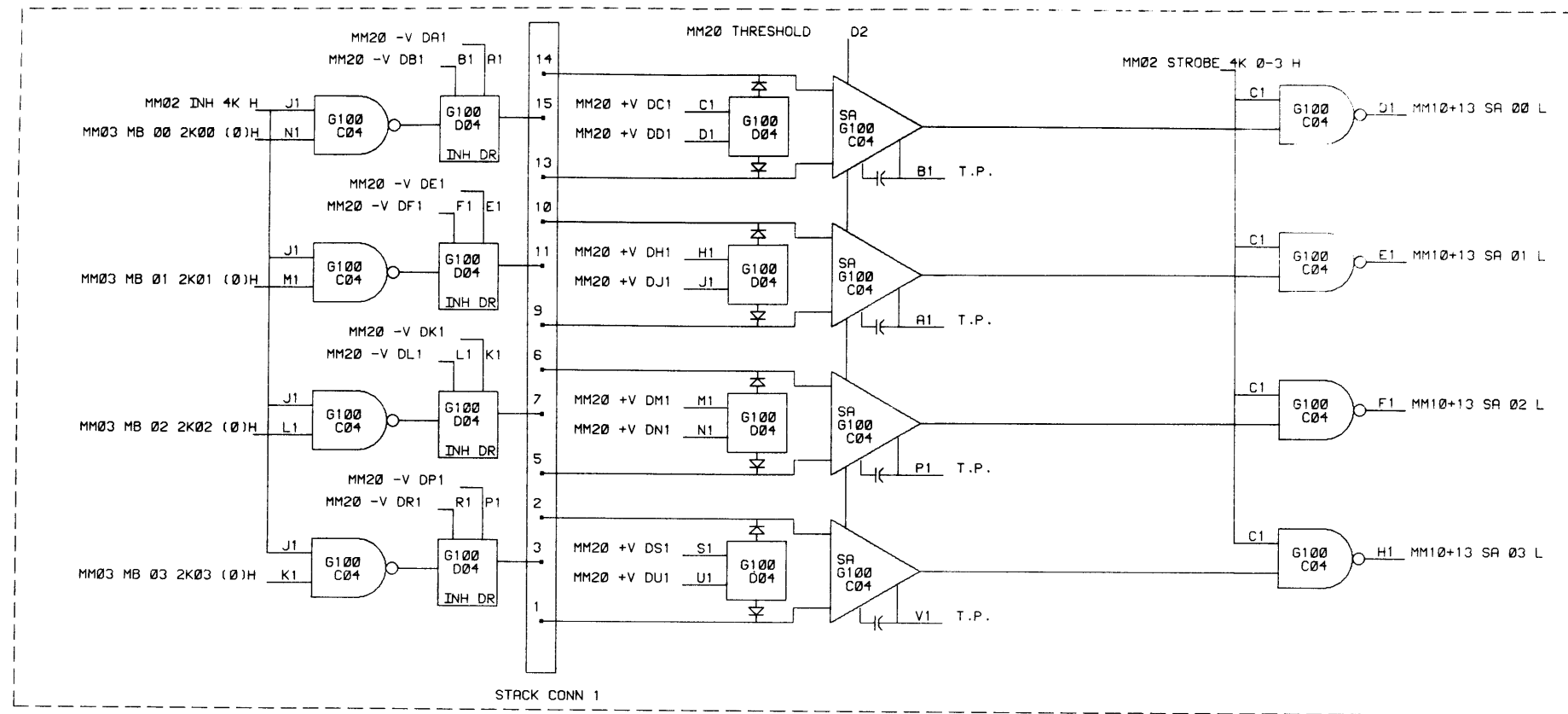
This drawing and specifications herein are the property of Digital Equipment Corporation and shall not be reproduced or copied or used in whole or in part as the basis for the manufacture or sale of items without written permission.



| REVISIONS |            |      |
|-----------|------------|------|
| CHK       | CHANGE NO. | REV. |
|           |            |      |

| QTY.          | DESCRIPTION | PART NO.  | ITEM NO. |
|---------------|-------------|---|----------|
| PARTS LIST    |             |   |          |
| DRN.          | DATE        | <b>digital EQUIPMENT CORPORATION</b><br><small>MAYNARD, MASSACHUSETTS</small><br>TITLE<br>Y AXIS (4-8K) |          |
| CHK'D.        | DATE        |   |          |
| ENG.          | DATE        |   |          |
| PROJ. ENG.    | DATE        |   |          |
| PROD.         | DATE        |   |          |
| FIRST USED ON |             | SIZE CODE   | NUMBER   |
| MM15          |             | D BS  | MM15-0-9 |
| SCALE         |             | DIST.   | REV.     |
| SHEET         | OF          |   | 00       |

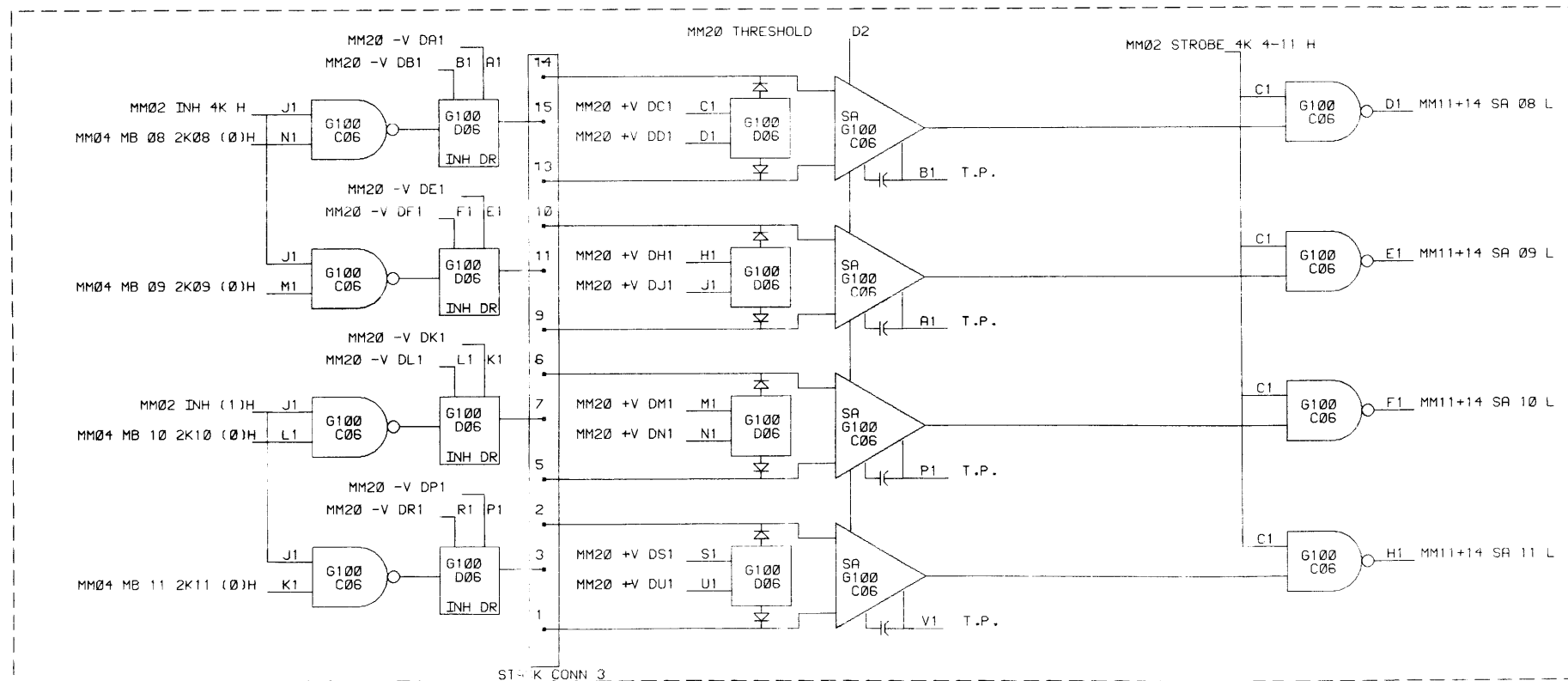
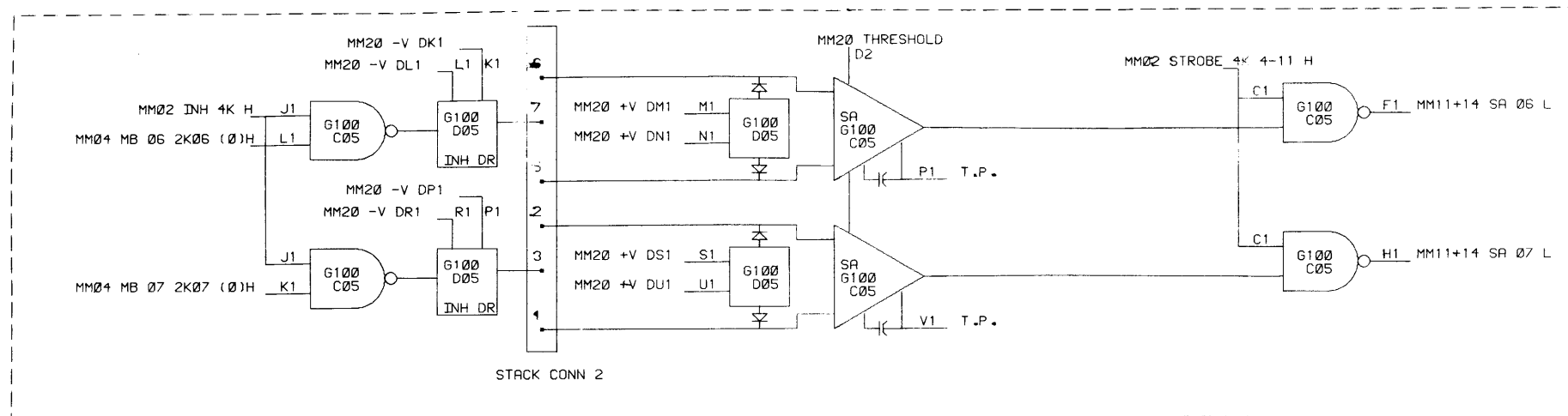
This drawing and specifications herein are the property of Digital Equipment Corporation and shall not be reproduced or copied or used in whole or in part as the basis for the manufacture or sale of items without written permission.



| QTY.          | DESCRIPTION | PART NO.  | ITEM NO.  |
|---------------|-------------|---|-----------|
| PARTS LIST    |             |   |           |
| DRN.          | DATE        | <b>digital EQUIPMENT CORPORATION</b><br><small>MAYNARD, MASSACHUSETTS</small><br>TITLE<br>SENSE AMP + INH DRIVER (0-4K) |           |
| CHK'D.        | DATE        |   |           |
| ENG.          | DATE        |   |           |
| PROJ. ENG.    | DATE        |   |           |
| PROD.         | DATE        |   |           |
| FIRST USED ON |             | MM15  | REV. 00   |
| SCALE         | D BS        | NUMBER  | MM15-0-10 |
| SHEET 1       | OF 1        | DIST.   |           |

| REVISIONS |            |      |
|-----------|------------|------|
| CHK       | CHANGE NO. | REV. |
|           |            |      |

This drawing and specifications herein are the property of Digital Equipment Corporation and shall not be reproduced or copied or used in whole or in part as the basis for the manufacture or sale of items without written permission.

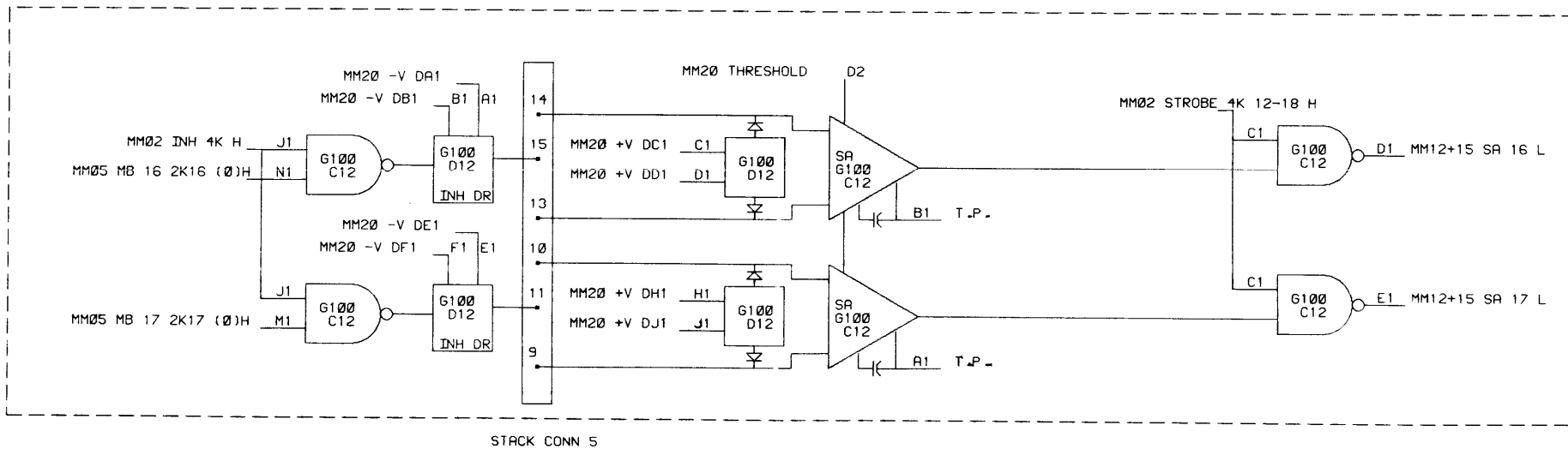
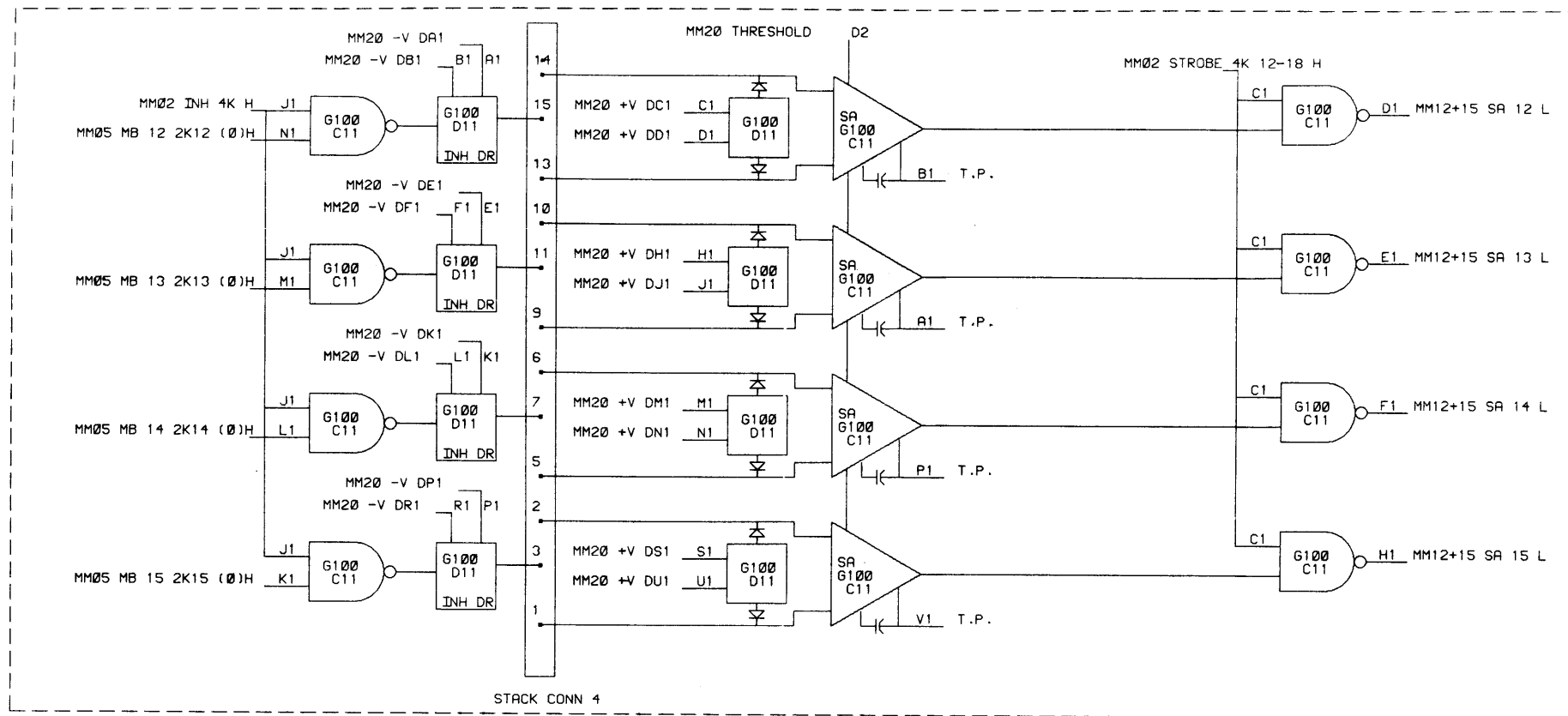


| REVISIONS |            |      |
|-----------|------------|------|
| CHK       | CHANGE NO. | REV. |
|           |            |      |

| QTY.          | DESCRIPTION | PART NO.  | ITEM NO. |
|---------------|-------------|---|----------|
| PARTS LIST    |             |   |          |
| DRN.          | DATE        | <b>digital</b> EQUIPMENT CORPORATION<br><small>MAYNARD, MASSACHUSETTS</small> |          |
| CHK'D.        | DATE        |   |          |
| ENG.          | DATE        |   |          |
| PROJ. ENG.    | DATE        |   |          |
| PROD.         | DATE        |   |          |
| TITLE         |             | SENSE AMP + INH DRIVER (0-4K)   |          |
| FIRST USED ON |             | MM15  |          |
| SCALE         | D BS        | NUMBER  | REV.     |
| SHEET         | OF          | DIST.   | 00       |



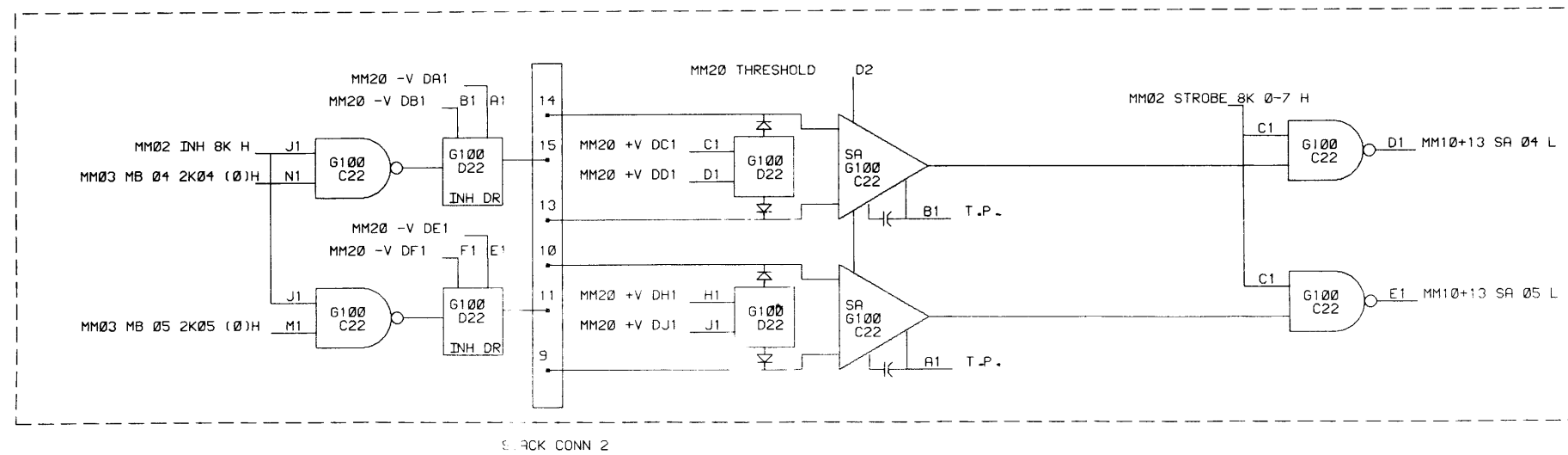
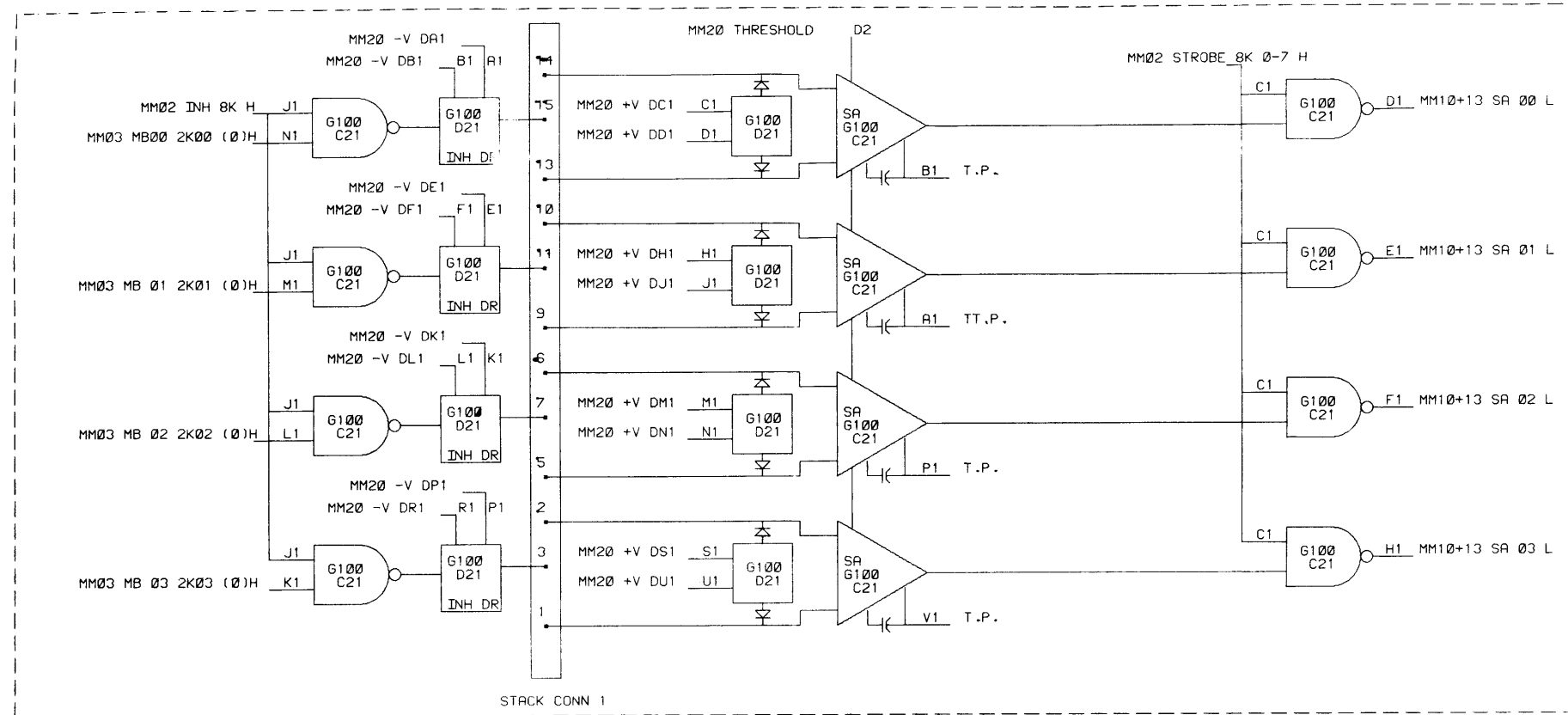
This drawing and specifications herein are the property of Digital Equipment Corporation and shall not be reproduced or copied or used in whole or in part as the basis for the manufacture or sale of items without written permission.



| REVISIONS |            |      |
|-----------|------------|------|
| CHK       | CHANGE NO. | REV. |
|           |            |      |

| QTY.          | DESCRIPTION | PART NO.   | ITEM NO.  |
|---------------|-------------|--|-----------|
| PARTS LIST    |             |  |           |
| DRN.          | DATE        | <b>digital</b> EQUIPMENT CORPORATION<br>MAYNARD, MASSACHUSETTS<br>TITLE<br>SENSE AMP + INH DRIVER (0-4K) |           |
| CHK'D.        | DATE        |  |           |
| ENG.          | DATE        |  |           |
| PROJ. ENG.    | DATE        |  |           |
| PROD.         | DATE        |  |           |
| FIRST USED ON |             | SIZE CODE  | NUMBER    |
| MM15          |             | D BS   | MM15-0-12 |
| SCALE         |             |  | REV.      |
| SHEET 1 OF 1  |             |  | 00        |

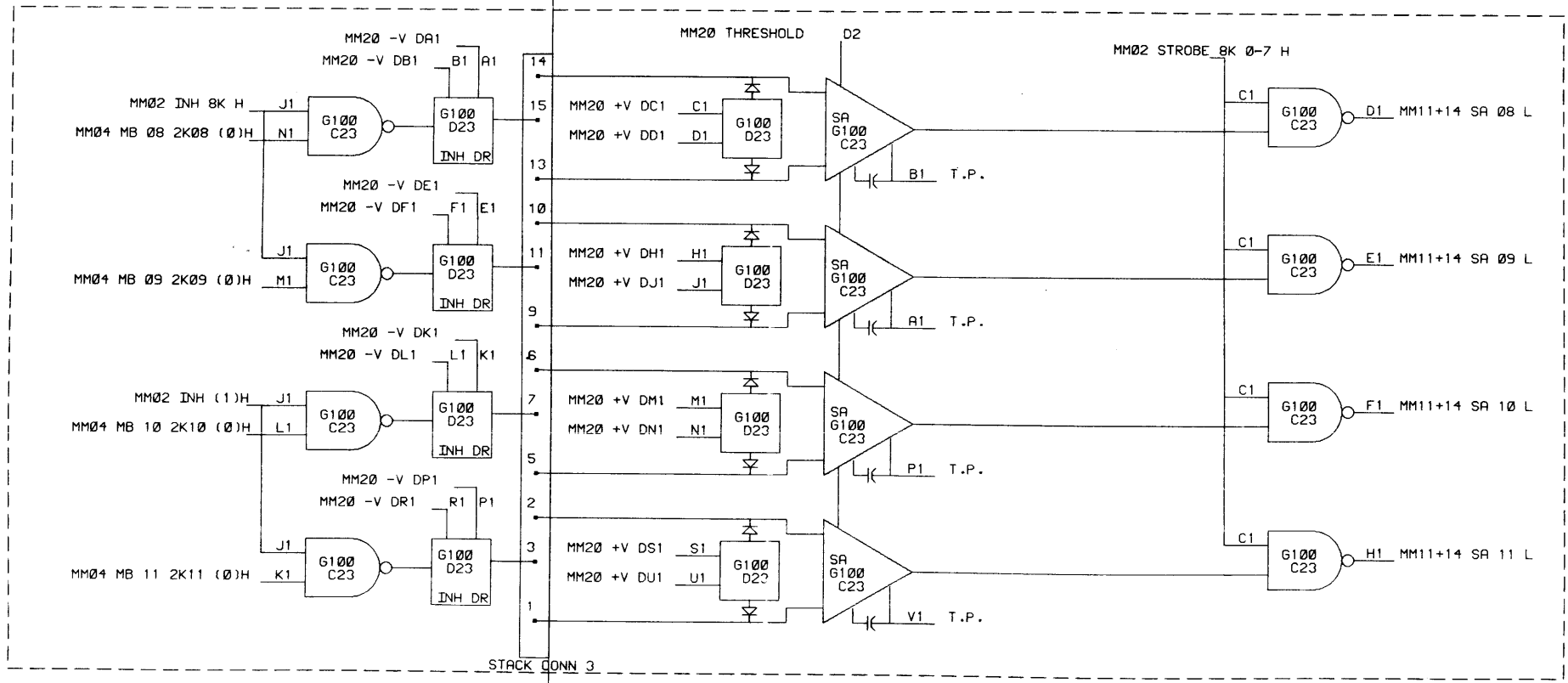
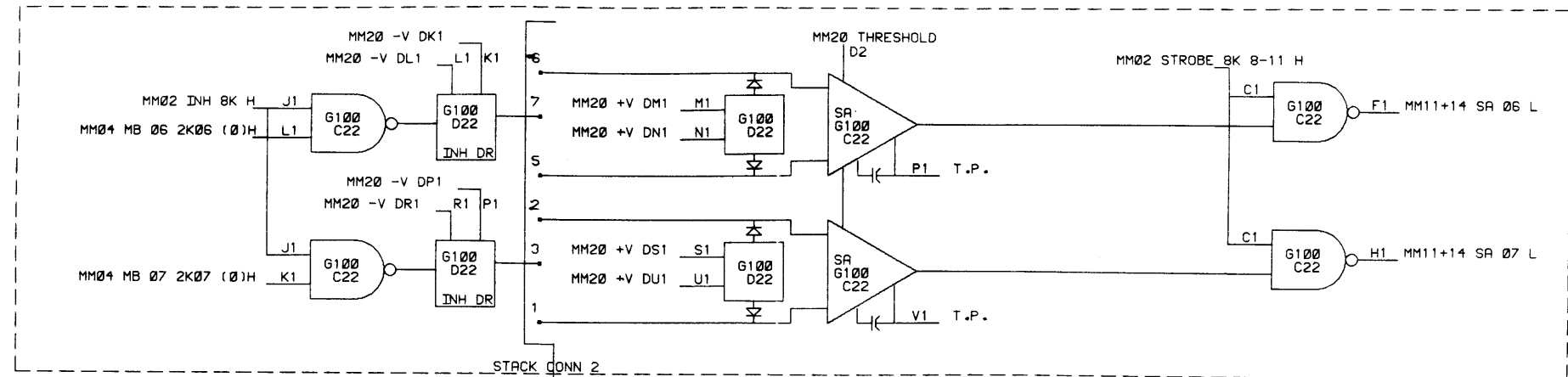
This drawing and specifications herein are the property of Digital Equipment Corporation and shall not be reproduced or copied or used in whole or in part as the basis for the manufacture or sale of items without written permission.



| REVISIONS |            |      |
|-----------|------------|------|
| CHK       | CHANGE NO. | REV. |
|           |            |      |

| QTY.          | DESCRIPTION | PART NO.  | ITEM NO. |
|---------------|-------------|---|----------|
| PARTS LIST    |             |   |          |
| DRN.          | DATE        | <b>digital EQUIPMENT CORPORATION</b><br><small>MAYNARD, MASSACHUSETTS</small> |          |
| CHK'D.        | DATE        |   |          |
| ENG.          | DATE        |   |          |
| PROJ. ENG.    | DATE        |   |          |
| PROD.         | DATE        |   |          |
| FIRST USED ON |             | TITLE   |          |
| MM15          |             | SENSE AMP + INH DRIVER (4-8K)   |          |
| SCALE         | SIZE CODE   | NUMBER  | REV.     |
| SHEET         | 0 BS        | MM15-0-13   | 00       |
| OF            | DIST.       |   |          |

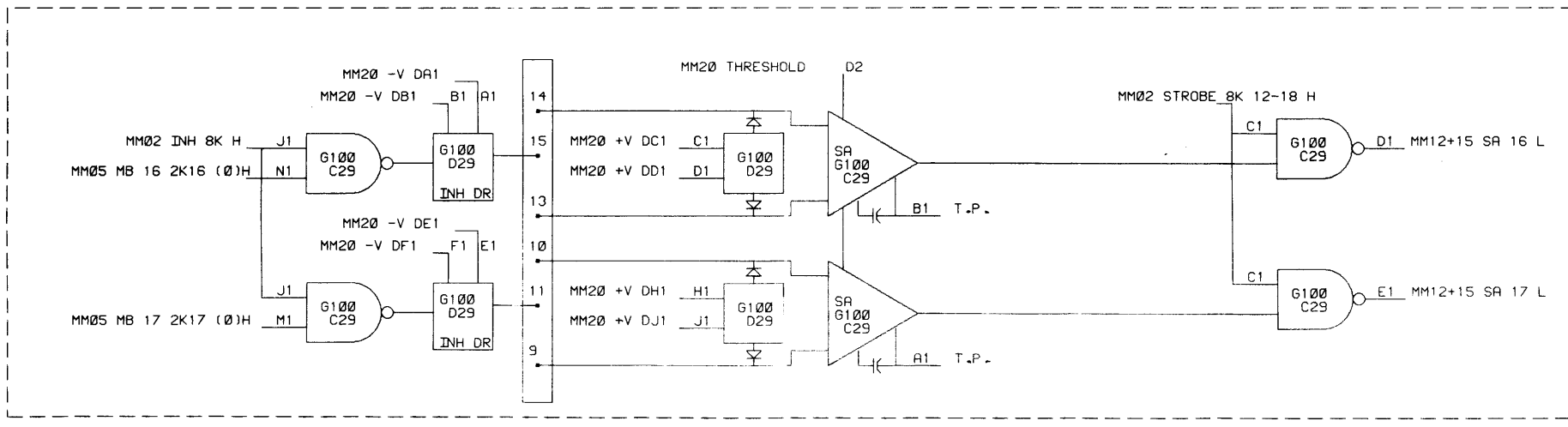
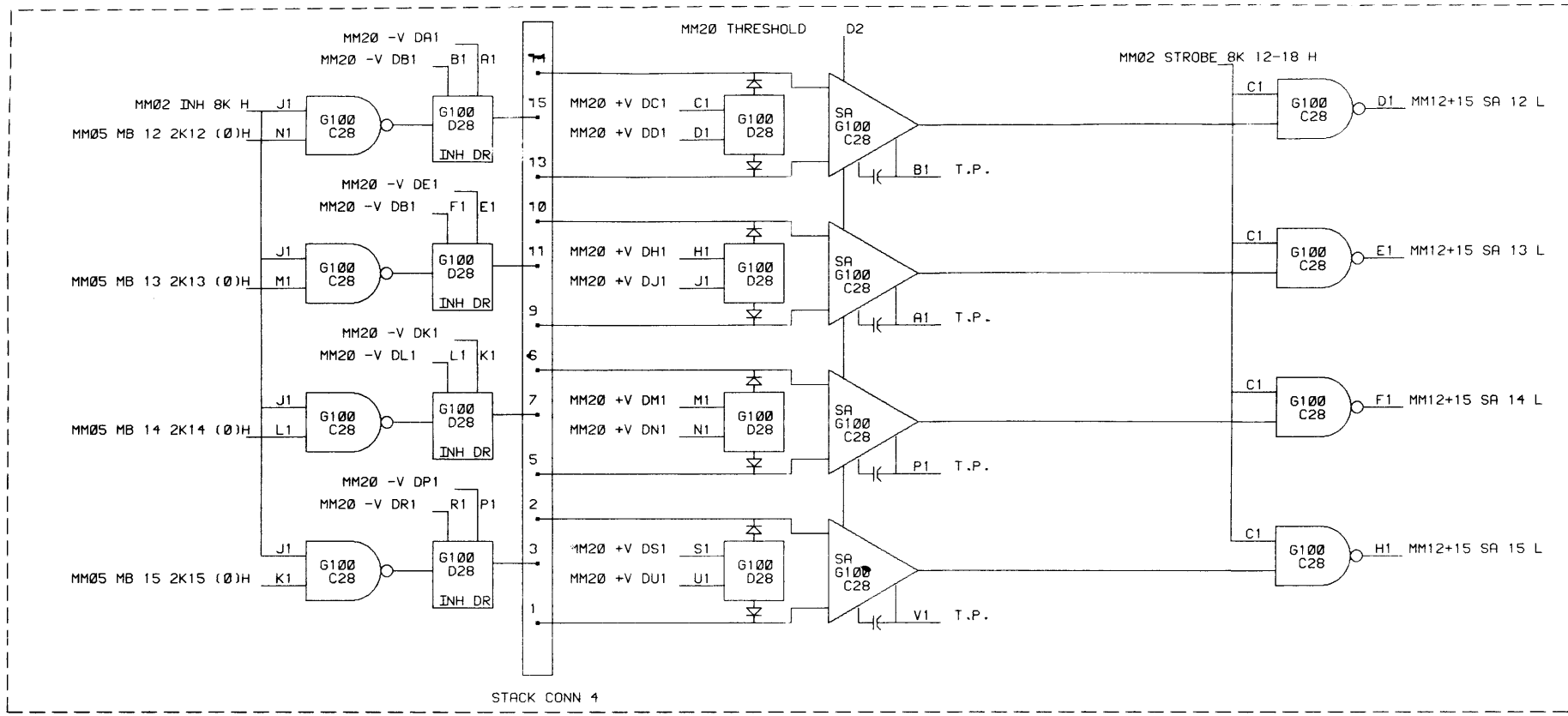
This drawing and specifications, herein, are the property of Digital Equipment Corporation and shall not be reproduced or copied or used in whole or in part as the basis for the manufacture or sale of items without written permission.



| REVISIONS |            |      |
|-----------|------------|------|
| CHK       | CHANGE NO. | REV. |
|           |            |      |

| QTY.          | DESCRIPTION | PART NO.   | ITEM NO.  |        |      |      |           |    |
|---------------|-------------|--|-----------|--------|------|------|-----------|----|
| PARTS LIST    |             |  |           |        |      |      |           |    |
| DRN.          | DATE        | <b>digital</b> EQUIPMENT CORPORATION<br><small>MAYNARD, MASSACHUSETTS</small>  |           |        |      |      |           |    |
| CHK'D.        | DATE        |  |           |        |      |      |           |    |
| ENG.          | DATE        |  |           |        |      |      |           |    |
| PROJ. ENG.    | DATE        |  |           |        |      |      |           |    |
| PROD.         | DATE        |  |           |        |      |      |           |    |
| FIRST USED ON | DATE        |  |           |        |      |      |           |    |
| MM15          |             | <table border="1" style="width: 100%;"> <tr> <th>SIZE CODE</th> <th>NUMBER</th> <th>REV.</th> </tr> <tr> <td>D BS</td> <td>MM15-0-14</td> <td>00</td> </tr> </table> | SIZE CODE | NUMBER | REV. | D BS | MM15-0-14 | 00 |
| SIZE CODE     | NUMBER      | REV.   |           |        |      |      |           |    |
| D BS          | MM15-0-14   | 00   |           |        |      |      |           |    |
| SCALE         |             |  |           |        |      |      |           |    |
| SHEET 1 OF 1  | DIST.       |  |           |        |      |      |           |    |

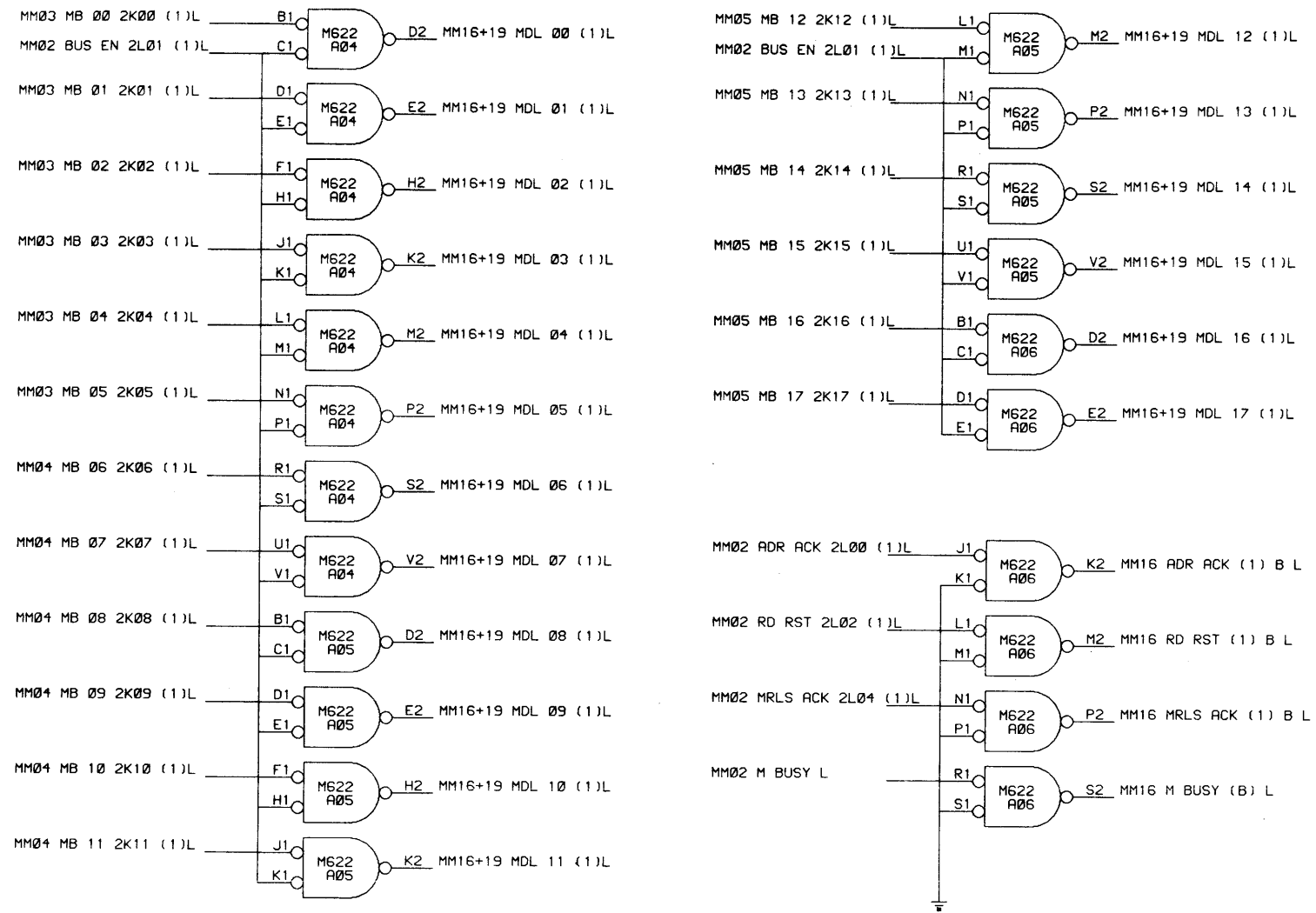
This drawing and specifications herein are the property of Digital Equipment Corporation and shall not be reproduced or copied in whole or in part without written permission.



| REVISIONS |            |      |
|-----------|------------|------|
| CHK       | CHANGE NO. | REV. |
|           |            |      |

| QTY.          | DESCRIPTION | PART NO.  | ITEM NO.  |
|---------------|-------------|---|-----------|
| PARTS LIST    |             |   |           |
| DRN.          | DATE        | <b>digital</b> EQUIPMENT CORPORATION<br><small>MAYNARD, MASSACHUSETTS</small><br>TITLE<br>SENSE AMP + INH DRIVER (4-8K) |           |
| CHK'D.        | DATE        |   |           |
| ENG.          | DATE        |   |           |
| PROJ. ENG.    | DATE        |   |           |
| PROD.         | DATE        |   |           |
| FIRST USED ON |             | SIZE CODE   | NUMBER    |
| MM15          |             | D BS  | MM15-0-15 |
| SCALE         |             | REV.  |           |
| SHEET 1 OF 1  |             |   | 00        |

This drawing and specifications, herein, are the property of Digital Equipment Corporation and shall not be reproduced or copied or used in whole or in part as the basis for the manufacture or sale of items without written permission.

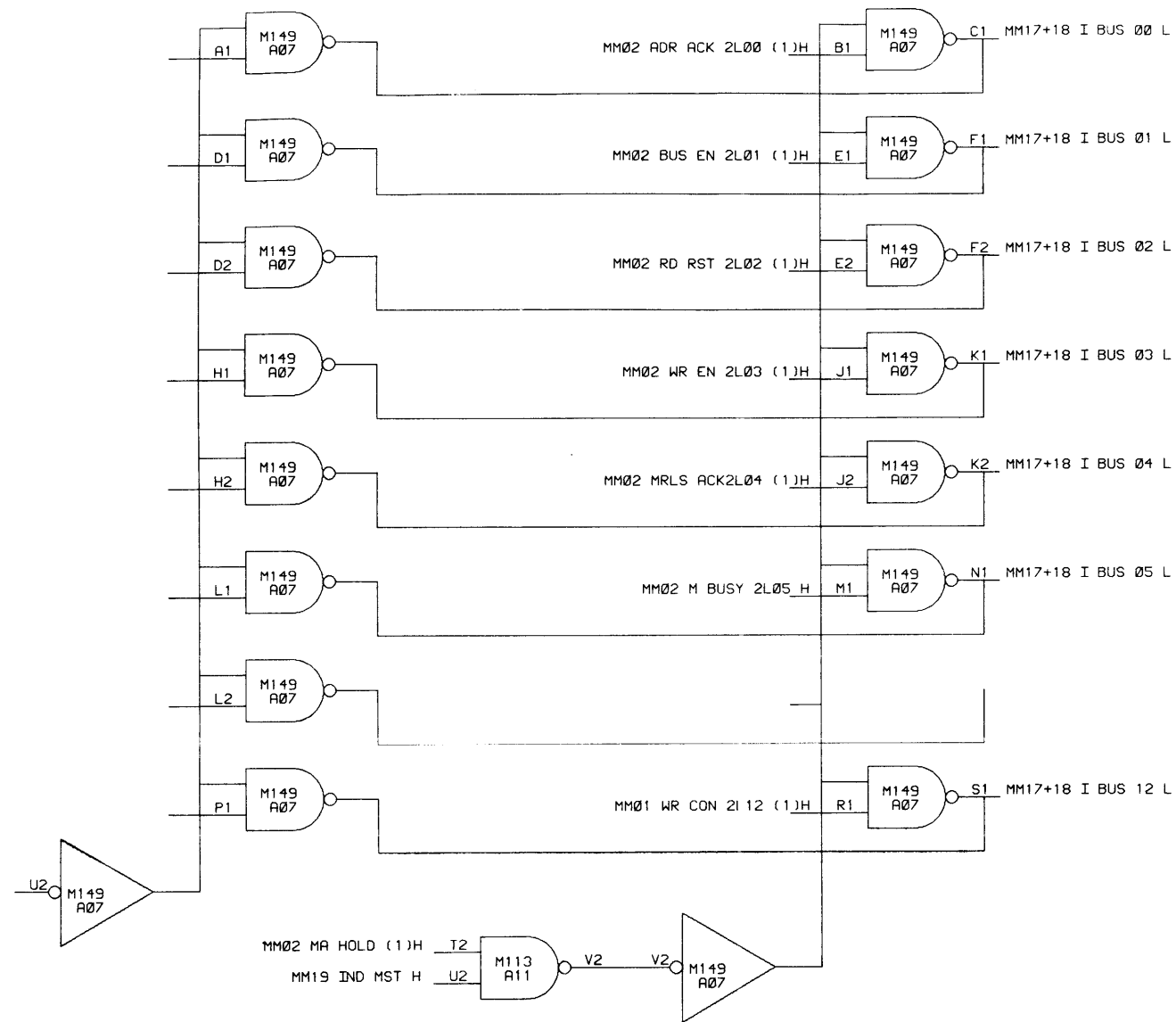


NOTE: GND PINS C2.F2.J2.L2.N2.R2.U2.T1 ON ALL M622

| REVISIONS |            |      |
|-----------|------------|------|
| CHK       | CHANGE NO. | REV. |
|           |            |      |

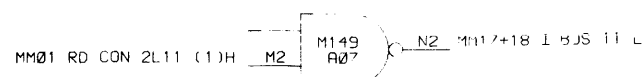
| QTY.          | DESCRIPTION | PART NO.   | ITEM NO.  |
|---------------|-------------|--|-----------|
| PARTS LIST    |             |  |           |
| DRN.          | DATE        | <b>digital</b> EQUIPMENT CORPORATION<br><small>MAYNARD, MASSACHUSETTS</small><br>TITLE<br>MEMORY BUS DRIVERS |           |
| CHK'D.        | DATE        |  |           |
| ENG.          | DATE        |  |           |
| PROJ. ENG.    | DATE        |  |           |
| PROD.         | DATE        |  |           |
| FIRST USED ON |             | SIZE CODE  | NUMBER    |
| MM15          |             | D BS   | MM15-0-16 |
| SCALE         | 1 OF 1      | DIST.  | REV. 00   |

This drawing and specifications herein are the property of Digital Equipment Corporation and shall not be reproduced or copied or used in whole or in part as the basis for the manufacture or sale of items without written permission.

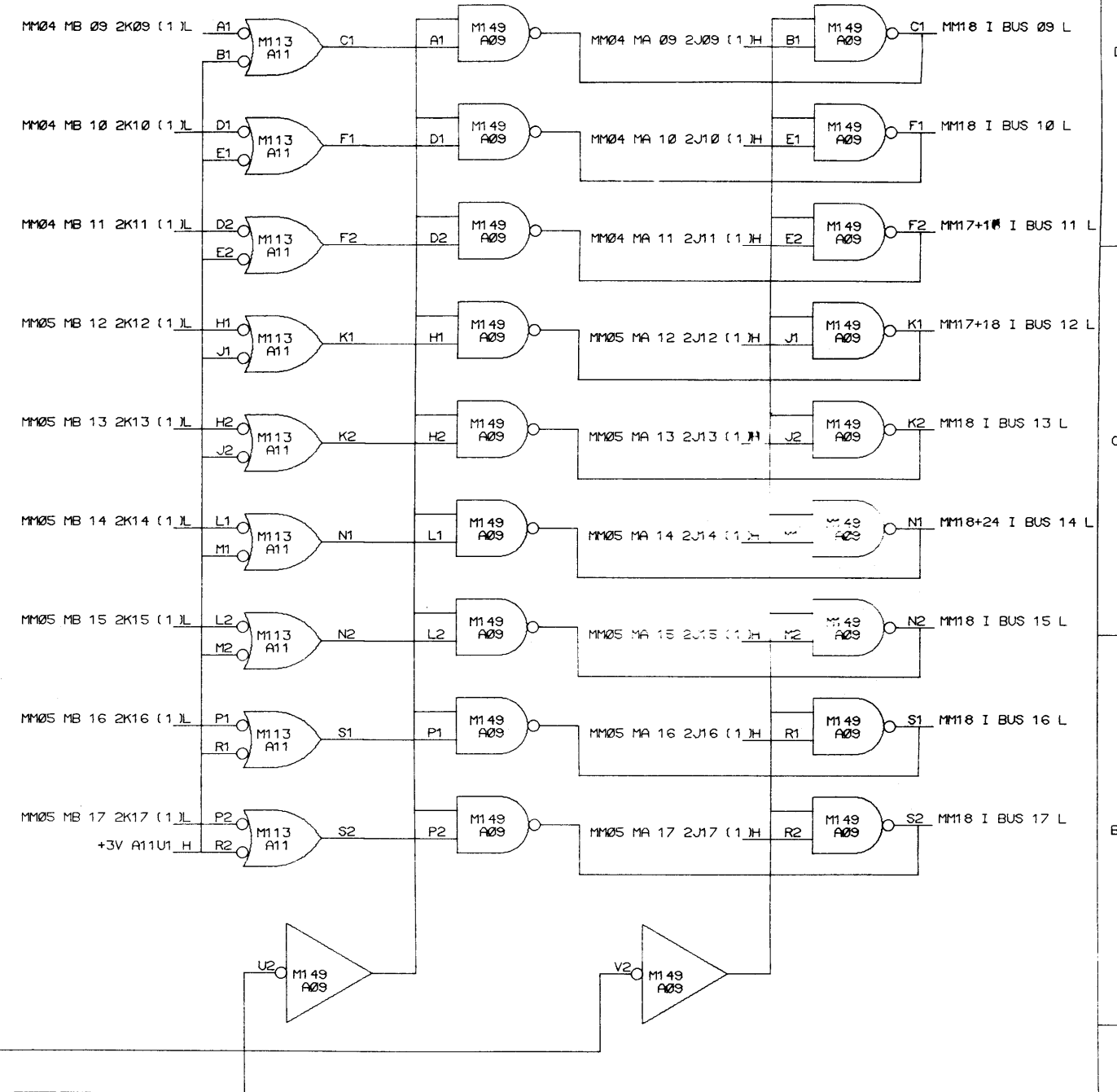
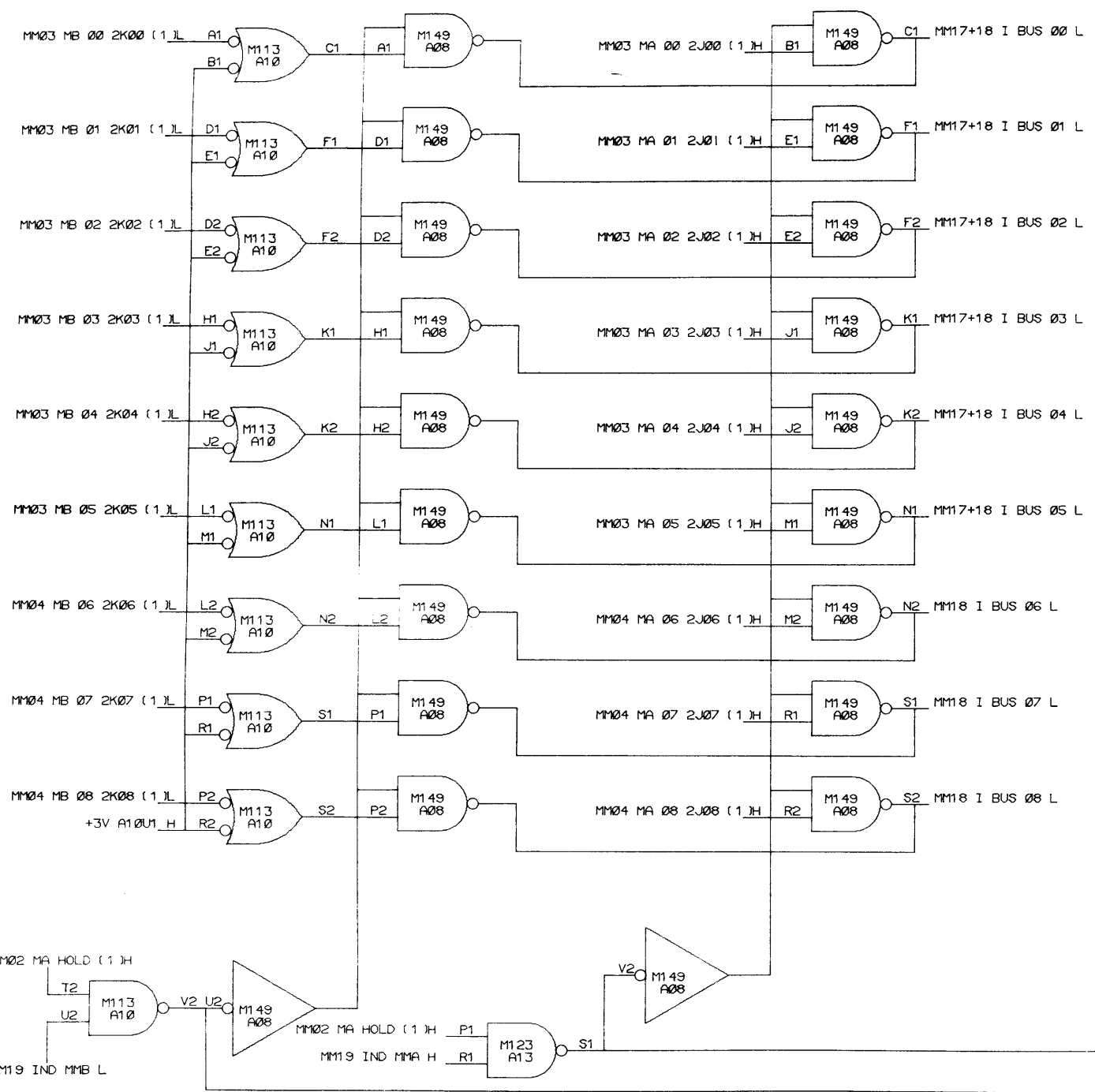


| REVISIONS |            |      |
|-----------|------------|------|
| CHK       | CHANGE NO. | REV. |
|           |            |      |

| QTY.          | DESCRIPTION | PART NO.  | ITEM NO. |
|---------------|-------------|---|----------|
| PARTS LIST    |             |   |          |
| DRN.          | DATE        | <b>digital</b> EQUIPMENT CORPORATION<br><small>MAYNARD, MASSACHUSETTS</small> |          |
| CHK'D.        | DATE        |   |          |
| ENG.          | DATE        |   |          |
| PROJ. ENG.    | DATE        |   |          |
| PROD.         | DATE        |   |          |
| FIRST USED ON |             | TITLE   |          |
| MM15          |             | INDICATOR BUS DRIVERS   |          |
| SCALE         | SIZE/CODE   | NUMBER  | REV.     |
| SHEET 1 OF 1  | D BS        | MM15-0-17   | 00       |
| DIST.         |             |   |          |



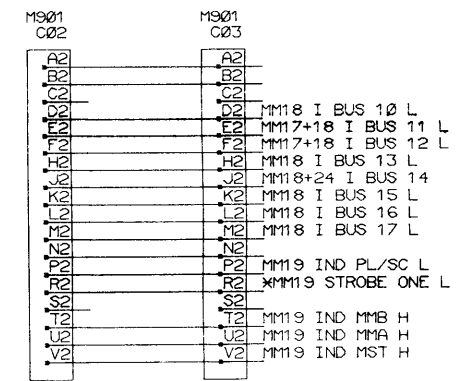
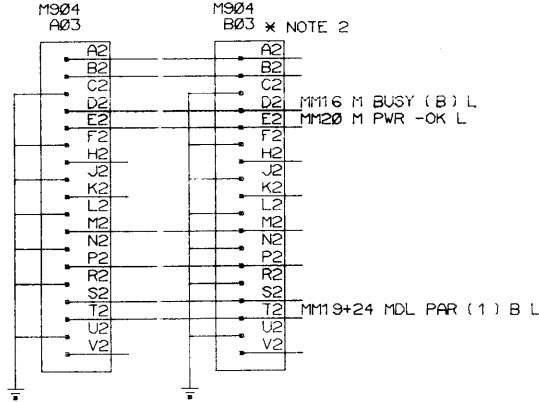
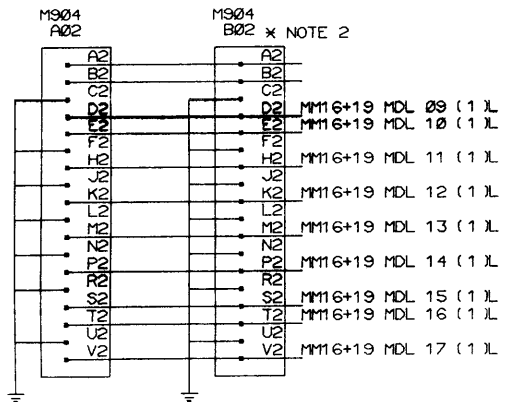
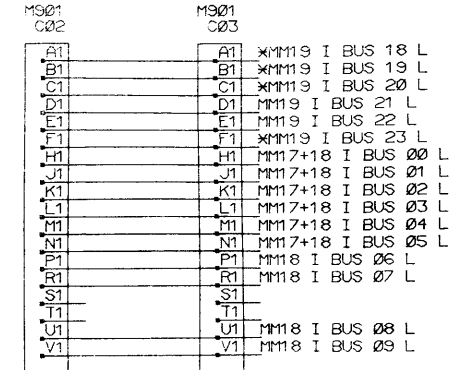
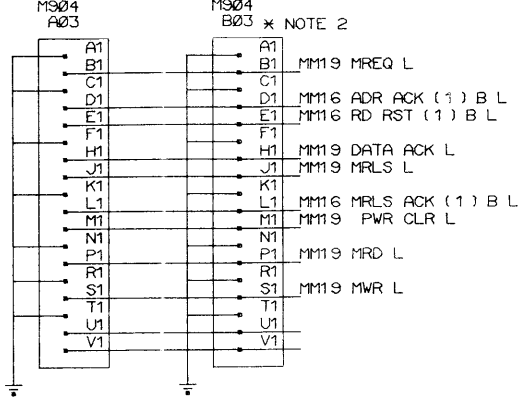
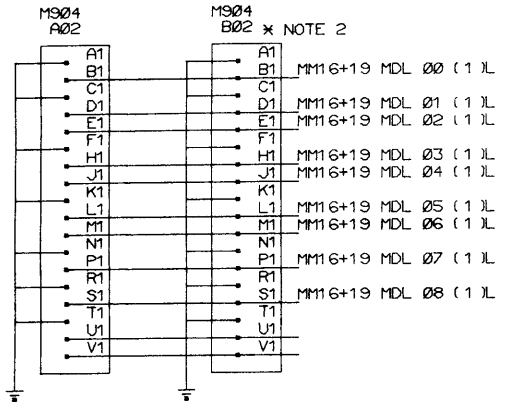
This drawing and specifications, herein, are the property of Digital Equipment Corporation and shall not be reproduced or copied in whole or in part as the basis for the manufacture or sale of items without written permission.



| REVISIONS |                     |      |
|-----------|---------------------|------|
| CHK       | CHANGE NO.          | REV. |
| NR        | MM15-00001          | A    |
|           | K. BOGGS 9/16/69    |      |
|           | D. O'CONNOR 9/18/69 |      |
|           | MM15-00022          | B    |

|                           |                   |   |
|---------------------------|-------------------|---|
| DRN<br>E. VOWLES          | DATE<br>8/15/69   | <br><b>digital EQUIPMENT CORPORATION</b><br><small>MAYNARD, MASSACHUSETTS</small> |
| CHKD<br>R. FREULT         | DATE<br>8/15/69   |   |
| ENG<br>D. O'CONNOR        | DATE<br>8/15/69   | TITLE<br>INDICATOR BUS DRIVERS  |
| PROJ. ENG.<br>D. O'CONNOR | DATE<br>8/15/69   |   |
| PROD.<br>F. LASKEY        | DATE<br>8/15/69   |   |
| FIRST USED ON<br>MM15     | SIZE CODE<br>D BS | NUMBER<br>MM15-0-18   |
| SCALE<br>SHEET 1 OF 1     | DIST.             | REV.<br>B   |

This drawing and specifications, herein, are the property of Digital Equipment Corporation and shall not be reproduced or copied or used in whole or in part as the basis for the manufacture or sale of items without written permission.



NOTE:  
 1. SIGNALS PREFIXED MM19 COME FROM EXTERNAL SOURCE.  
 2. TERMINATE MDL LINES IN LAST MEMORY WITH TWO M966 MODULES.  
 SIGNALS MARKED WITH \* NOT USED IN MM15.

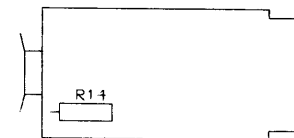
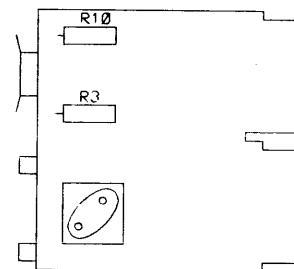
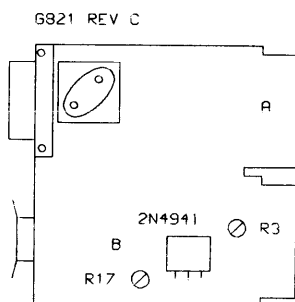
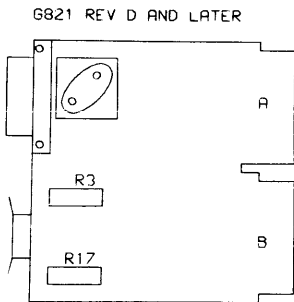
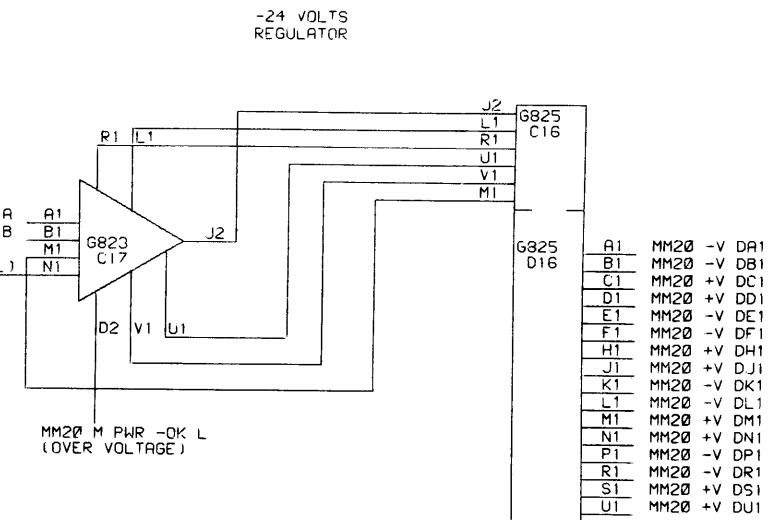
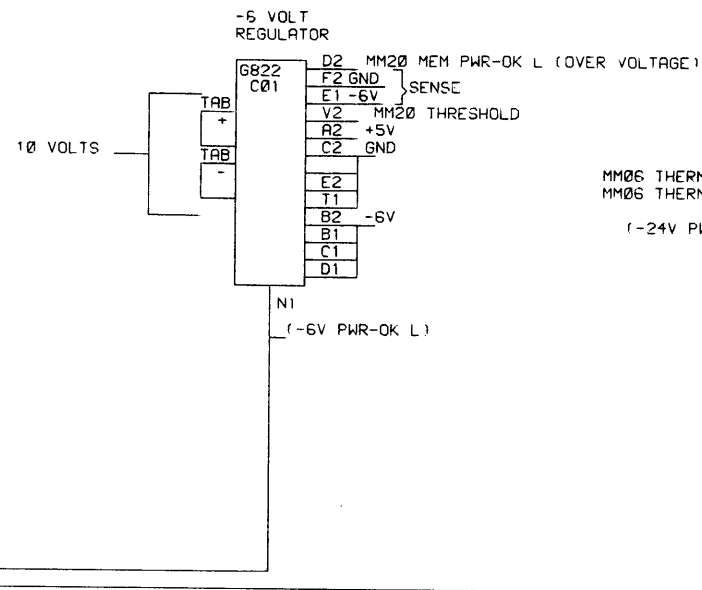
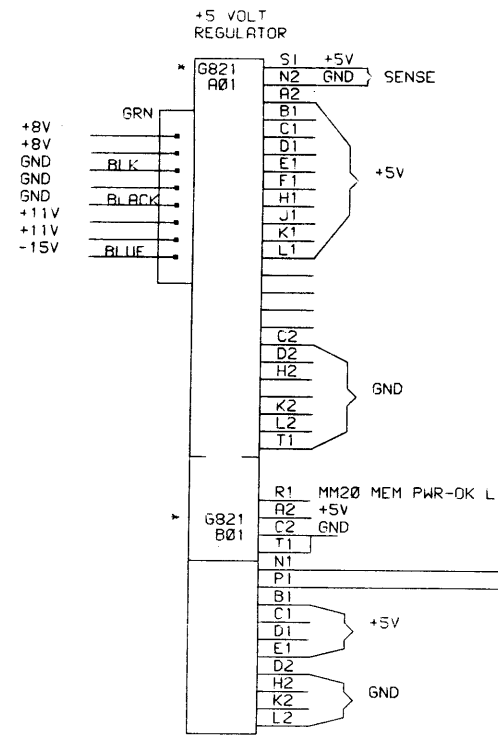
| REVISIONS |                      |      |
|-----------|----------------------|------|
| CHK       | CHANGE NO.           | REV. |
| NR        | MM15-00005           | A    |
| A         | A WASHINGTON 1/14/70 |      |
|           | D O'CONNOR 1/19/70   |      |
| NR        | MM15-00015           | B    |
|           | KATHY COTE           |      |
|           | D. O'CONNOR          |      |
|           | MM15-00023           | C    |
|           |                      |      |
|           |                      |      |

| QTY.          | DESCRIPTION | PART NO.  | ITEM NO.  |
|---------------|-------------|---|-----------|
| PARTS LIST    |             |   |           |
| DRN.          | DATE        | <b>digital</b> EQUIPMENT CORPORATION<br>MAYNARD MASSACHUSETTS |           |
| E. VOWLES     | 8/15/69     |   |           |
| CHK'D.        | DATE        | TITLE   |           |
| N. RHEAULT    | 8/15/69     |   |           |
| ENG.          | DATE        | I/C MEMORY CABLES   |           |
| D. O'CONNOR   | 8/15/69     |   |           |
| PROJ. ENG.    | DATE        |   |           |
| D. O'CONNOR   | 8/15/69     |   |           |
| PROD.         | DATE        |   |           |
| F. LASKEY     | 8/15/69     |   |           |
| FIRST USED ON |             |   |           |
| MM15          |             | SIZE/CODE   | NUMBER    |
|               |             | D I C   | MM15-0-19 |
| SCALE         |             |   | REV.      |
| SHEET 1       | OF 1        | DIST.   | C         |



This drawing and specifications, herein, are the property of Digital Equipment Corporation and shall not be reproduced or copied in whole or in part as the basis for the manufacture or sale of items without written permission.

\* MUST BE G929 IN MM15-AD.-BD.-CD. OR -DD. MOUNTED IN H96J-N CABINET.



G822--TO ADJUST -6VOLTS LOOK AT PIN C01B2 AND SET R3 TO -6V.  
TO ADJUST THRESHOLD LOOK AT PIN C01V2 AND SET R10 TO APPROX. -4.0V  
SET IN CENTER OF RUNNING RANGE

G823--TO ADJUST THE -24VOLTS LOOK AT PIN C17R1 AND SET R14 TO -24V. (400MA IN CURRENT LOOP)

G821--TO ADJUST POWER OK--SET +5V TO 4.75V (PIN A01A2 AND VARY R3). TURN R17 C.C.W. UNTIL PANEL LIGHT RESPECTIVE TO MODULE BEING ADJUSTED TURNS OFF OR OBSERVE PIN BR1 RESPECTIVE TO MODULE GO TO GROUND.

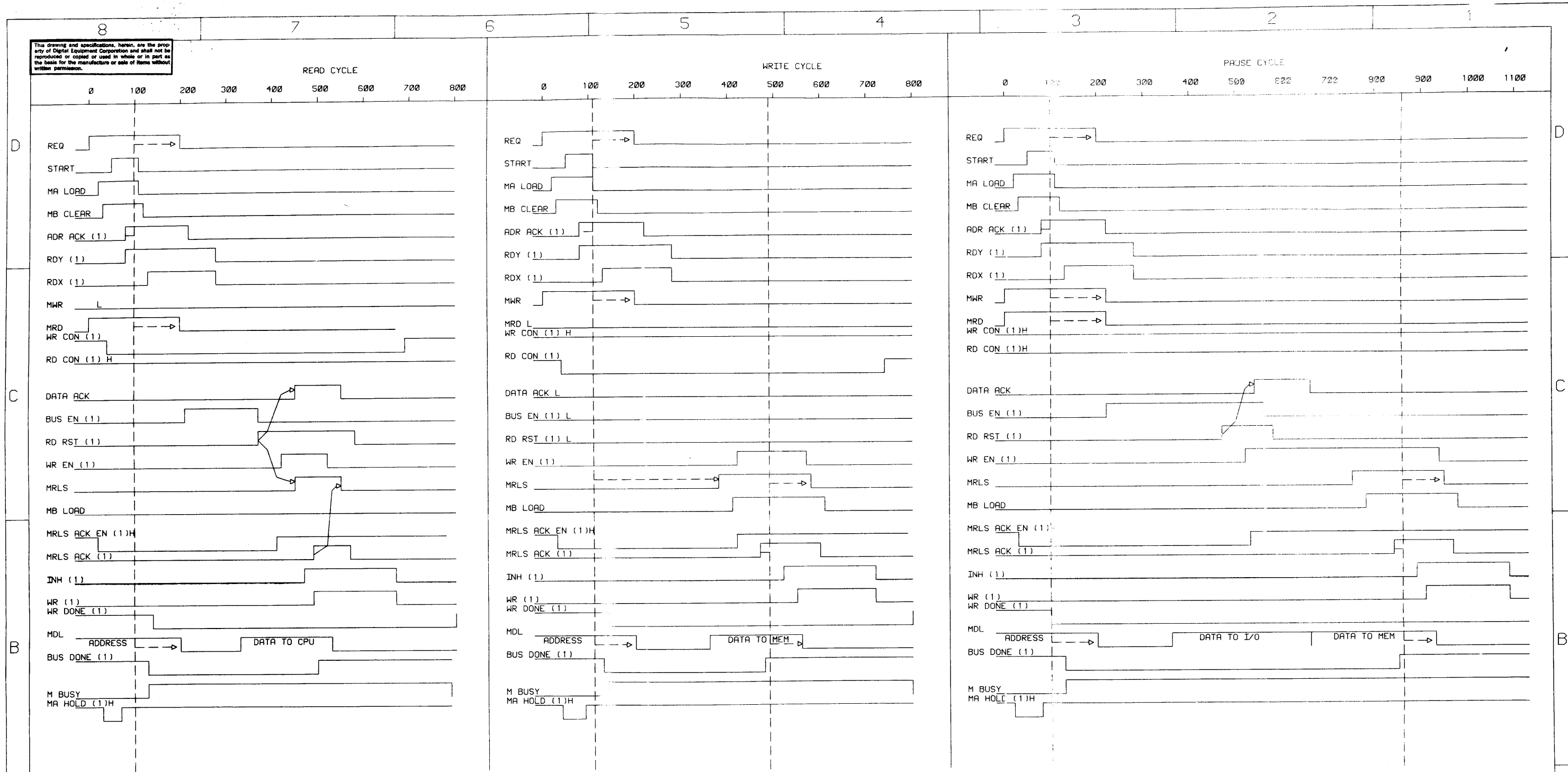
THEN TURN R17 C.W. UNTIL THE SAME LIGHT TURNS ON OR PIN BR1 GOES HIGH.

TO ADJUST +5 VOLTS LOOK AT PIN A01A2 AND VARY R3 ADJUST TO +5V.

| REVISIONS |            |      | REVISIONS |                  |      |
|-----------|------------|------|-----------|------------------|------|
| CHK       | CHANGE NO. | REV. | CHK       | CHANGE NO.       | REV. |
|           |            | A    | GH        | MM15-00017       | C    |
|           |            |      |           | K WALSH 8-1-70   |      |
|           |            |      |           | F RUMANN 9-15-70 |      |
| NR        | MM15-00007 | B    |           | KP15-00046       | F    |
|           |            |      |           |                  |      |
|           |            |      |           |                  |      |
| FV        | MM15-00012 | C    |           |                  |      |
|           |            |      |           |                  |      |
|           |            |      |           |                  |      |
| FV        | MM15-00013 | D    |           |                  |      |
|           |            |      |           |                  |      |
|           |            |      |           |                  |      |

|                           |                   |   |
|---------------------------|-------------------|---|
| DRN<br>E. VOYLES          | DATE<br>8-15-68   | digital EQUIPMENT CORPORATION<br>MAYNARD, MASSACHUSETTS |
| CHKD<br>N. RHEAULT        | DATE<br>8-15-68   |   |
| ENG.<br>D. O'CONNOR       | DATE<br>8-15-68   | TITLE<br>MEMORY POWER REGULATORS                        |
| PROJ. ENG.<br>D. O'CONNOR | DATE<br>8-15-68   |   |
| PROD.<br>F. LASKEY        | DATE<br>8-15-68   |   |
| FIRST USED ON<br>MM15     | SIZE CODE<br>D B5 | NUMBER<br>MM15-0-20                                     |
| SCALE                     | DIST.             | REV.<br>F   |
| SHEET 1 OF 1              |                   |   |

This drawing and specifications, herein, are the property of Digital Equipment Corporation and shall not be reproduced or copied or used in whole or in part as the basis for the manufacture or sale of items without written permission.



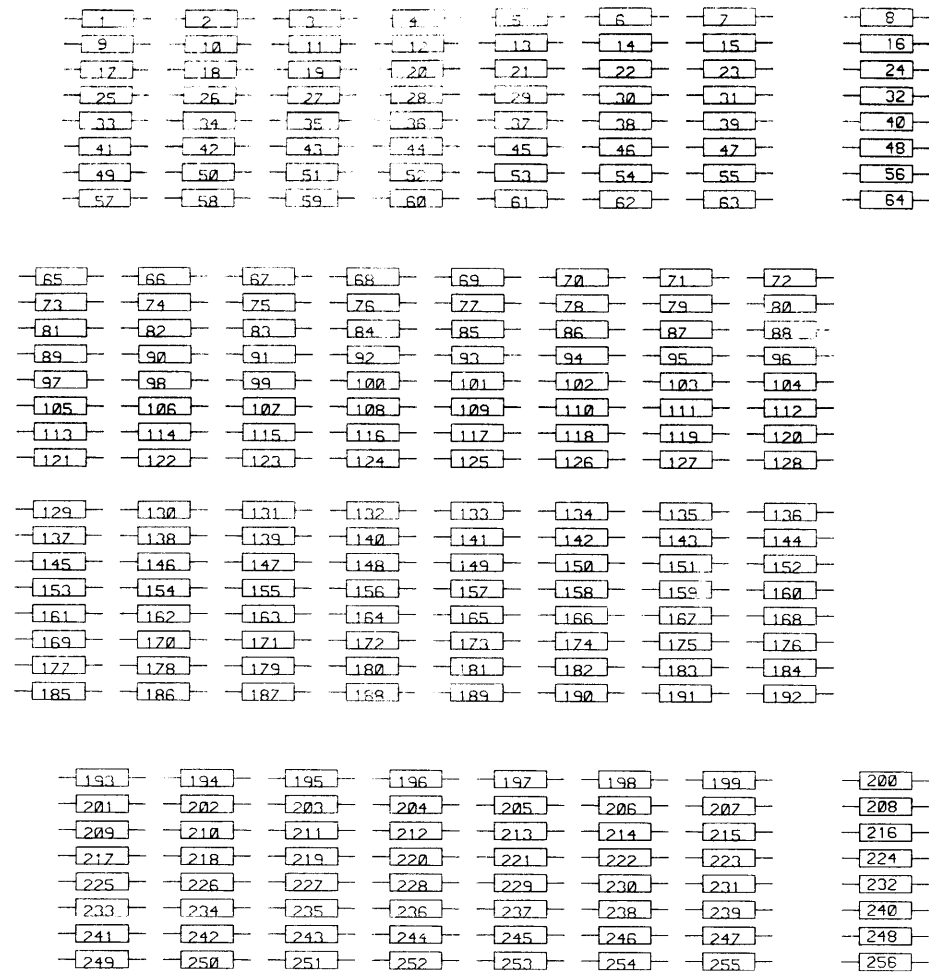
- NOTE:
1. ALL SIGNALS SHOWN POSITIVE FOR ASSERTION
  2. ARROWS INDICATE MEM BUS DELAY

| REVISIONS |            |      |
|-----------|------------|------|
| CHK       | CHANGE NO. | REV. |
|           |            |      |

| QTY.          | DESCRIPTION | PART NO.  | ITEM NO. |
|---------------|-------------|---|----------|
| PARTS LIST    |             |   |          |
| DRN.          | DATE        | <b>digital</b> EQUIPMENT CORPORATION<br><small>MAYNARD, MASSACHUSETTS</small> |          |
| CHK'D.        | DATE        |   |          |
| ENG.          | DATE        |   |          |
| PROJ. ENG.    | DATE        |   |          |
| PROD.         | DATE        |   |          |
| FIRST USED ON |             | TITLE   |          |
| MM 5          |             | TIMING DIAGRAM  |          |
| SCALE         | SIZE/CODE   | NUMBER  | REV.     |
| SHEET 1 OF 1  | D BS        | MM15-0-21   | 00       |

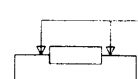
This drawing and specifications, herein, are the property of Digital Equipment Corporation and shall not be reproduced or copied or used in whole or in part as the basis for the manufacture or sale of items without written permission.

SIDE 1

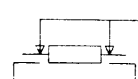


DIODE REPLACEMENT PROCEDURE:

1. DETERMINE WHICH DIODE IS DEFECTIVE IN MATRIX
2. USING DIODE NUMBERS FIND ITS PHYSICAL LOCATION ON BOARD
3. CLIP OUT DEFECTIVE DIODE. DO NOT UNSOLDER LEADS
4. TACK SOLDER NEW DIODE INTO PLACE ON OLD LEADS

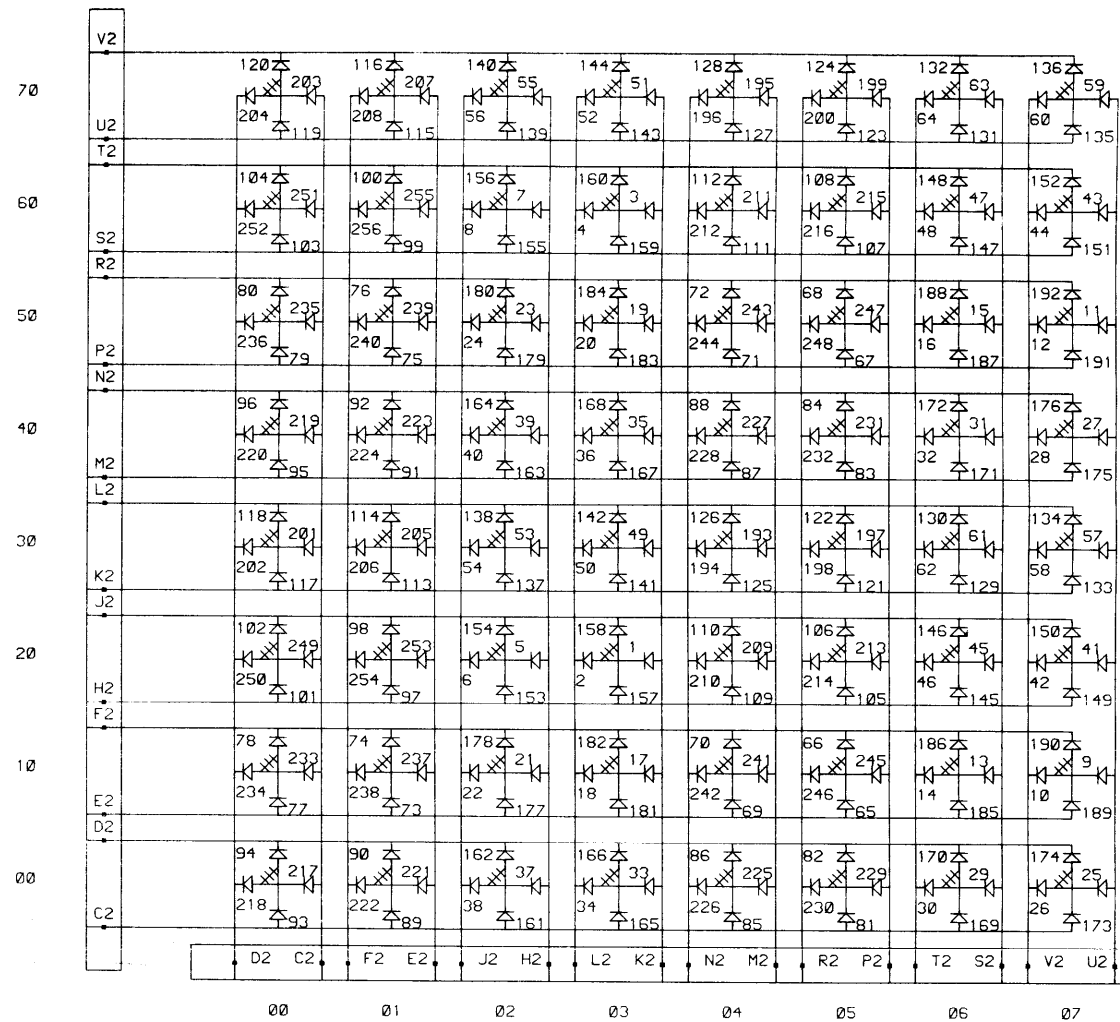


CUT DIODE HERE



LAP SOLDER NEW DIODE ON TO OLD LEADS

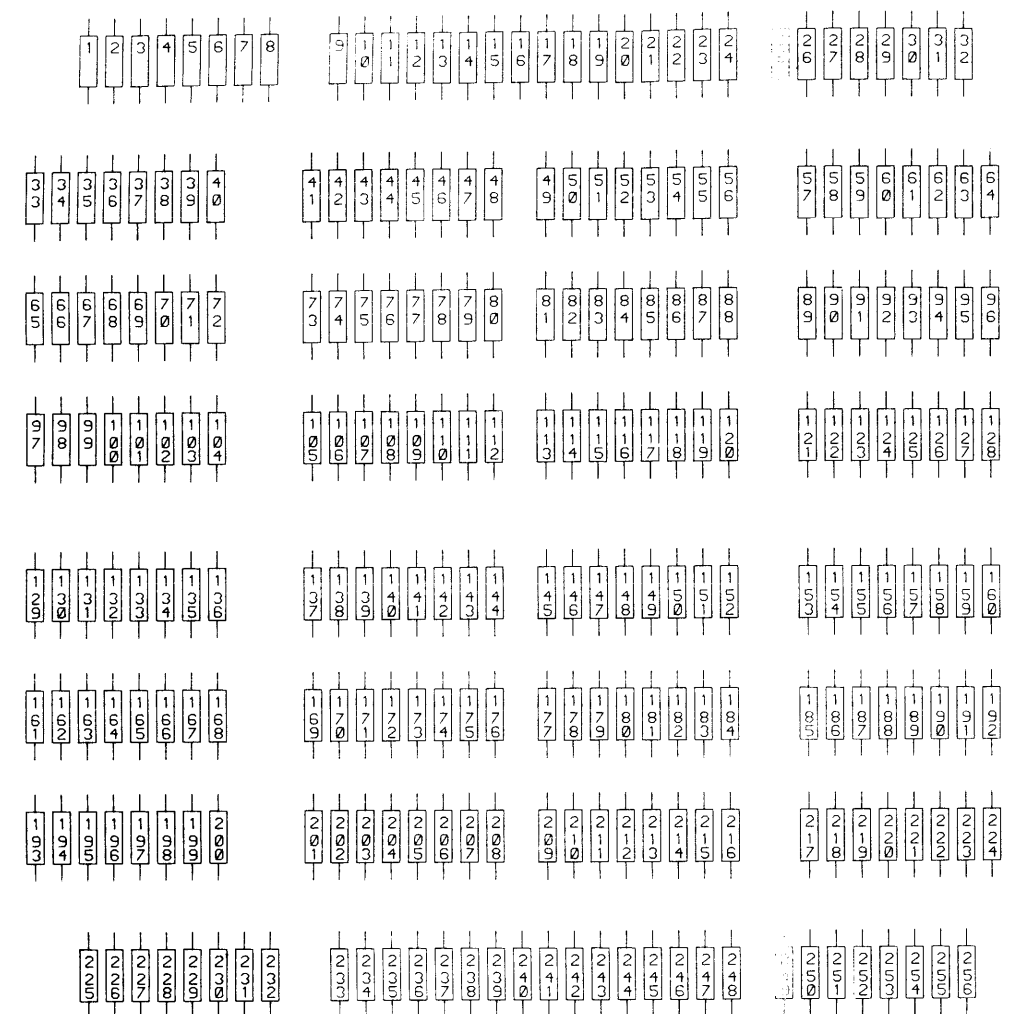
6613



| REVISIONS |            |      |
|-----------|------------|------|
| CHK       | CHANGE NO. | REV. |
| AB        | MM15-00015 | A    |

|                         |                   |   |
|-------------------------|-------------------|---|
| DRN.<br>E VOWLES        | DATE<br>8/15/68   | digital EQUIPMENT CORPORATION<br>MAYNARD, MASSACHUSETTS |
| CHK'D<br>N RHEAULT      | DATE<br>8/15/68   |   |
| ENG<br>D O CONNOR       | DATE<br>8/15/68   | TITLE<br>X DIODE MATRIX                                 |
| PROJ. ENG<br>D O CONNOR | DATE<br>8/15/68   |   |
| PROD.<br>F LASKEY       | DATE<br>8/15/68   |   |
| FIRST USED ON<br>MM15   |                   |   |
| SCALE                   | SIZE CODE<br>D 30 | NUMBER<br>MM15 0 22                                     |
| SHEET 1 OF 1            | DIST.             | REV.<br>A   |

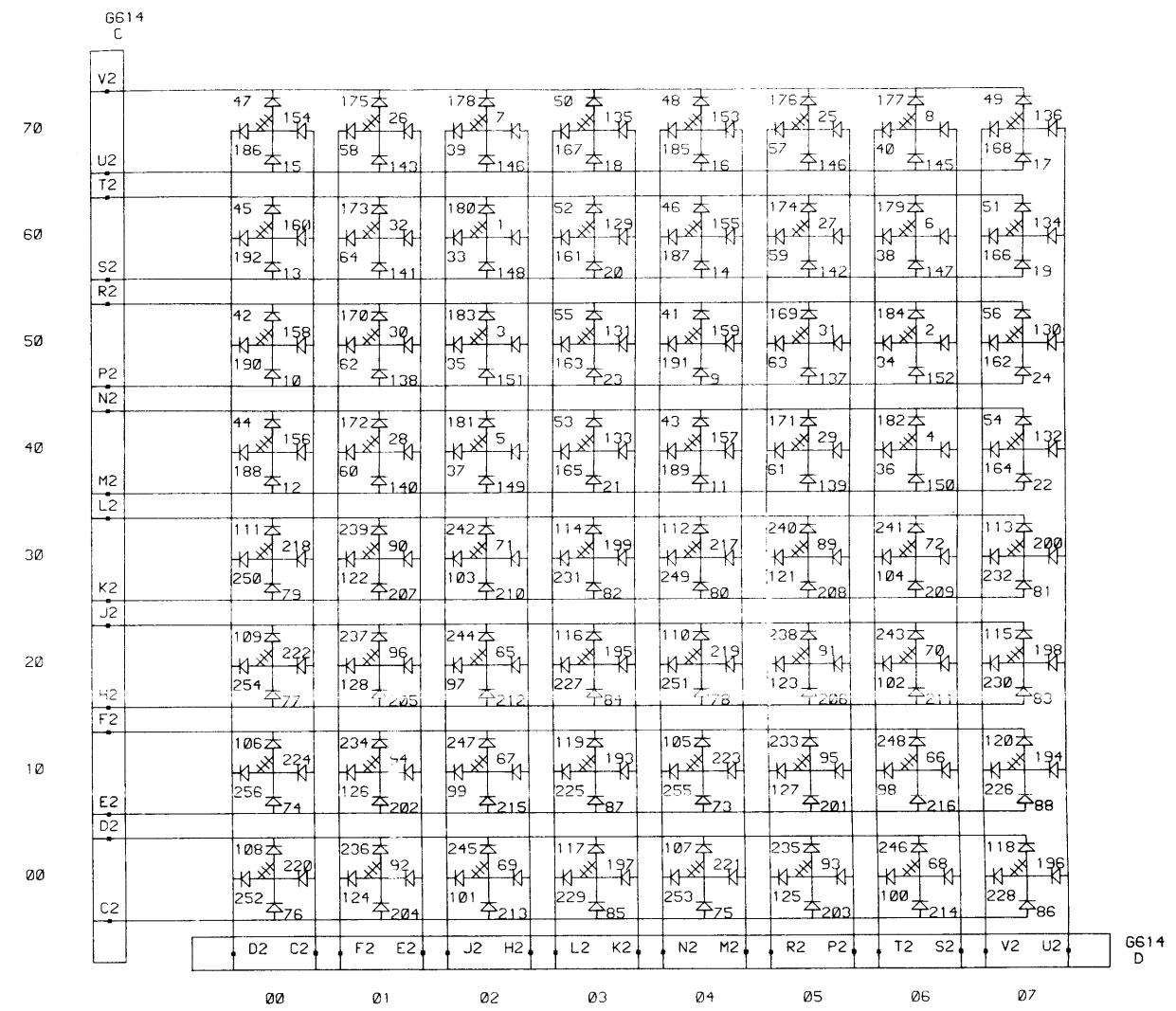
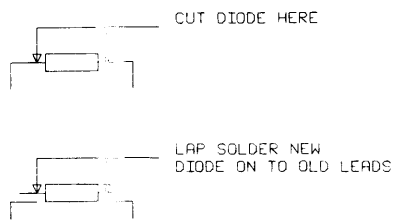
This drawing and specifications herein are the property of Digital Equipment Corporation and shall not be reproduced or copied or used in whole or in part as the basis for the manufacture or sale of items without written permission.



SIDE 2

DIODE REPLACEMENT PROCEDURE:

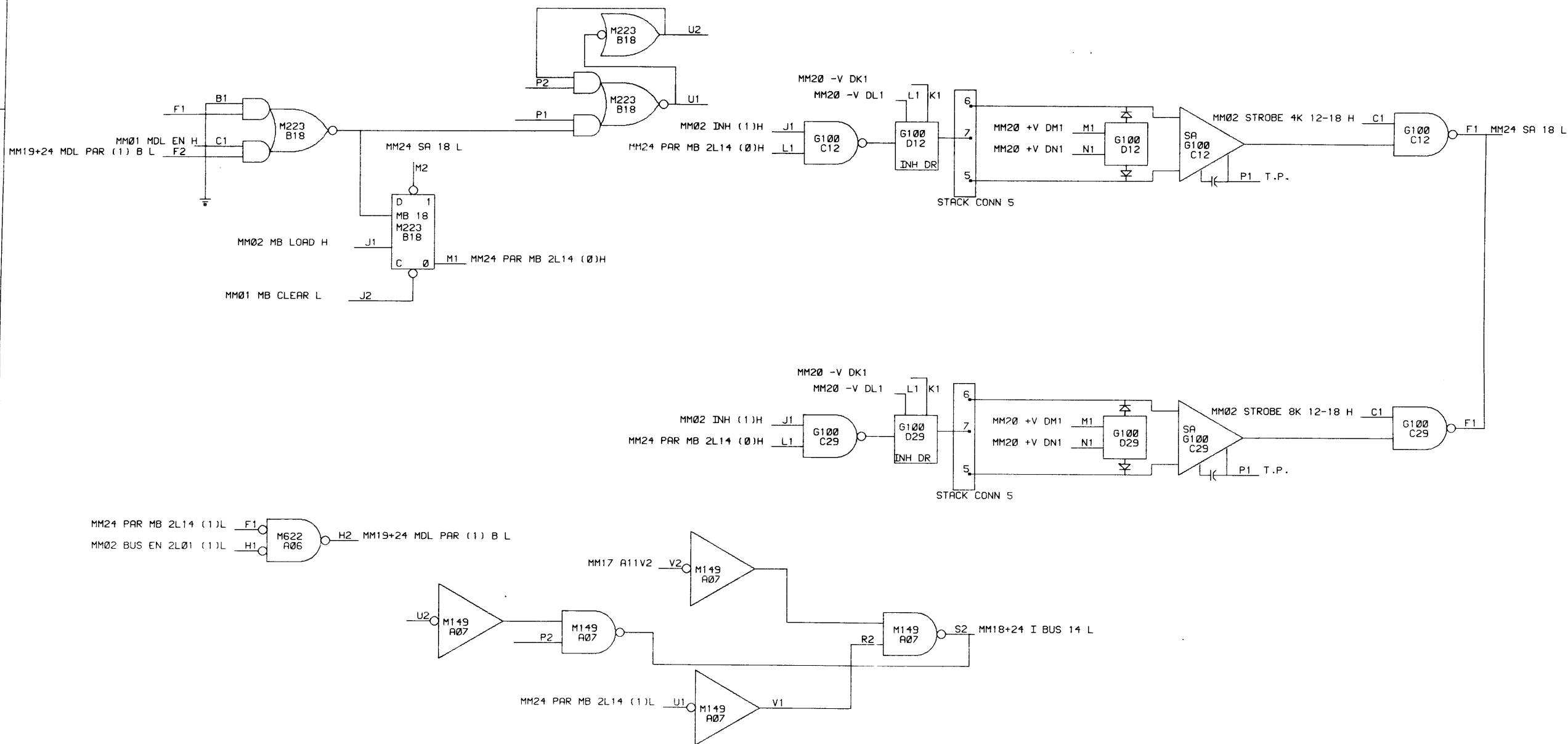
1. DETERMINE WHICH DIODE IS DEFECTIVE IN MATRIX
2. USING DIODE NUMBERS FIND ITS PHYSICAL LOCATION ON BOARD
3. CLIP OUT DEFECTIVE DIODE. DO NOT UNSOLDER LEADS
4. TACK SOLDER NEW DIODE INTO PLACE ON OLD LEADS



| REVISIONS |            |      |
|-----------|------------|------|
| CHK       | CHANGE NO. | REV. |
| MM15      | 00015      | A    |

|                       |                |   |
|-----------------------|----------------|---|
| DRN. E VOWLES         | DATE 8/15/69   | digital EQUIPMENT CORPORATION<br>MAYNARD, MASSACHUSETTS |
| CHK'D. N RHEAULT      | DATE 8/15/69   |   |
| ENG. D O'CONNOR       | DATE 8/15/69   | TITLE   |
| PROJ. ENG. D O'CONNOR | DATE 8/15/69   | DIODE MATRIX  |
| PROD. F LASKEY        | DATE 8/15/69   |   |
| FIRST USED ON         |                |   |
| MM15                  |                |   |
| SCALE                 | SIZE CODE D BS | NUMBER MM15-0-23  |
| SHEET                 | OF             | DIST.   |

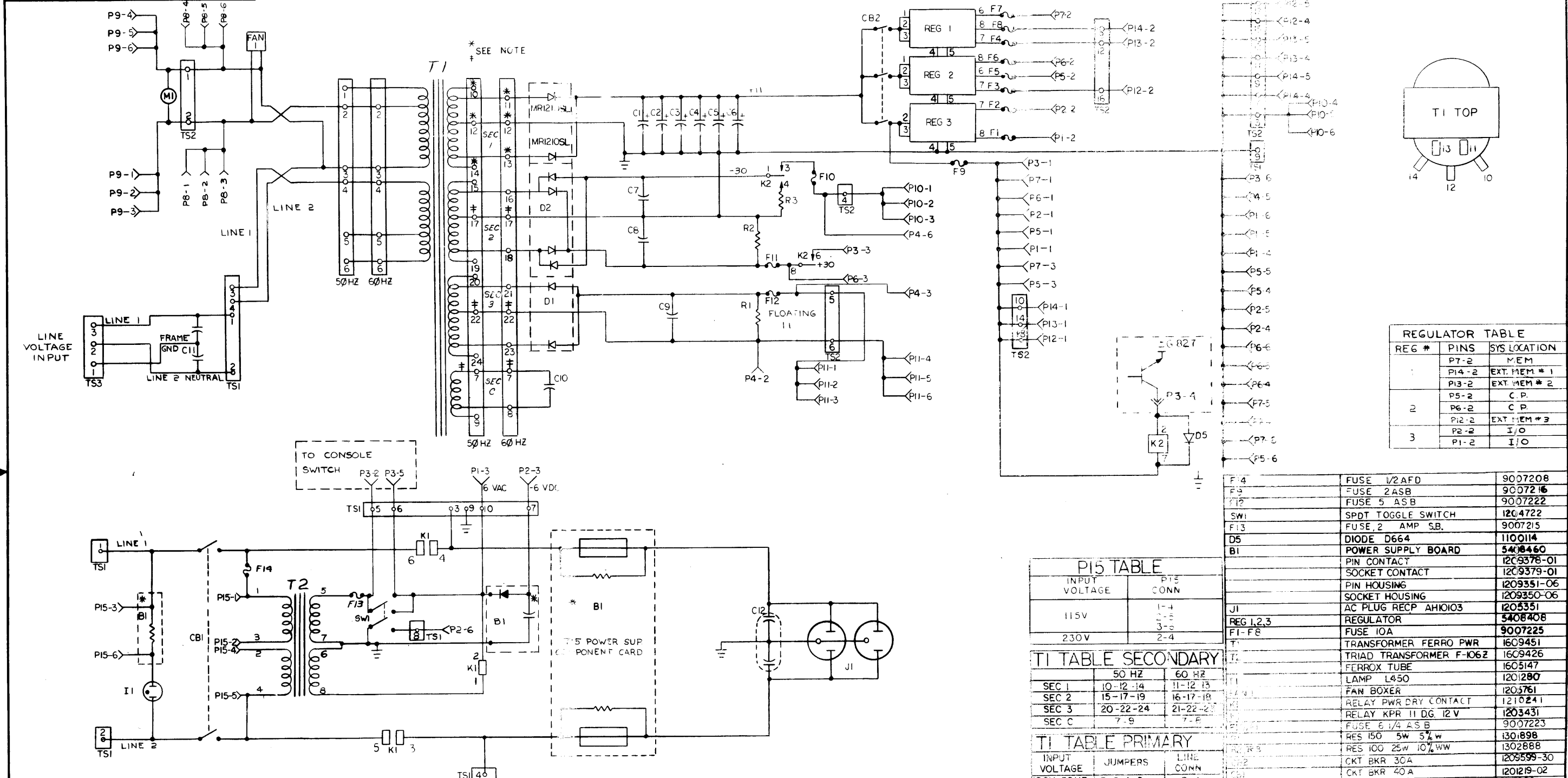
This drawing and specifications herein are the property of Digital Equipment Corporation and shall not be reproduced or copied or used in whole or in part as the basis for the manufacture or sale of items without written permission.



| REVISIONS |            |      |
|-----------|------------|------|
| CHK       | CHANGE NO. | REV. |
|           |            |      |

| QTY.          | DESCRIPTION | PART NO.  | ITEM NO.  |
|---------------|-------------|---|-----------|
| PARTS LIST    |             |   |           |
| DRN.          | DATE        | <b>digital</b> EQUIPMENT CORPORATION<br><small>MAYNARD, MASSACHUSETTS</small> |           |
| CHK'D.        | DATE        |   |           |
| ENG.          | DATE        |   |           |
| PROJ. ENG.    | DATE        |   |           |
| PROD.         | DATE        |   |           |
| FIRST USED ON | DATE        |   |           |
| MM15          |             | SIZE CODE   | NUMBER    |
| SCALE         |             | D BS  | MM15-0-24 |
| SHEFT         | OF          | DIST.   | REV. 00   |

THIS SCHEMATIC IS FURNISHED ONLY FOR TEST AND MAINTENANCE PURPOSES. THE CIRCUITS ARE PROPRIETARY IN NATURE AND SHOULD BE TREATED ACCORDINGLY. COPYRIGHT 1969 BY DIGITAL EQUIPMENT CORPORATION.



**REGULATOR TABLE**

| REG # | PINS  | SYS LOCATION |
|-------|-------|--------------|
| 1     | P7-2  | MEM          |
|       | P14-2 | EXT. MEM # 1 |
|       | P13-2 | EXT. MEM # 2 |
| 2     | P5-2  | C.P.         |
|       | P6-2  | C.P.         |
| 3     | P12-2 | EXT. MEM # 3 |
|       | P2-2  | I/O          |
|       | P1-2  | I/O          |

**P15 TABLE**

| INPUT VOLTAGE | P15 CONN          |
|---------------|-------------------|
| 115V          | 1-4<br>2-5<br>3-6 |
| 230V          | 2-4               |

**T1 TABLE SECONDARY**

|       | 50 HZ    | 60 HZ    |
|-------|----------|----------|
| SEC 1 | 10-12-14 | 11-12-13 |
| SEC 2 | 15-17-19 | 16-17-18 |
| SEC 3 | 20-22-24 | 21-22-23 |
| SEC C | 7-9      | 7-8      |

**T1 TABLE PRIMARY**

| INPUT VOLTAGE | JUMPERS  | LINE CONN |
|---------------|----------|-----------|
| 100V 50HZ     | 3-5, 4-2 | 3-4       |
| 115V 50HZ     | 3-6, 4-1 | 3-4       |
| 200V 50HZ     | 2-5      | 3-4       |
| 215V 50HZ     | 2-6      | 3-4       |
| 230V 50HZ     | 1-8      | 3-4       |
| 120V 60HZ     | 3-5, 2-4 | 3-4       |
| 240V 60HZ     | 2-5      | 3-4       |
| 50 HZ         | 6 AMP    | 1-3       |
| AUTO TAP      | 6 AMP    | 2-5       |

**PARTS LIST**

| REF                    | DESCRIPTION              | PART NO.   |
|------------------------|--------------------------|------------|
| F4                     | FUSE 1/2 AFD             | 9007208    |
| F5                     | FUSE 2 ASB               | 9007216    |
| F12                    | FUSE 5 ASB               | 9007222    |
| SW1                    | SPDT TOGGLE SWITCH       | 1204722    |
| F13                    | FUSE 2 AMP S.B.          | 9007215    |
| D5                     | DIODE D664               | 1100114    |
| B1                     | POWER SUPPLY BOARD       | 5408460    |
|                        | PIN CONTACT              | 1209378-01 |
|                        | SOCKET CONTACT           | 1209379-01 |
|                        | PIN HOUSING              | 1209351-06 |
|                        | SOCKET HOUSING           | 1209350-06 |
| J1                     | AC PLUG RECP AH10103     | 1205351    |
| REG 1,2,3              | REGULATOR                | 5408408    |
| F1-F8                  | FUSE 10A                 | 9007225    |
| T1                     | TRANSFORMER FERRO PWR    | 1609451    |
| T2                     | TRIAD TRANSFORMER F-106Z | 1609426    |
|                        | FERROX TUBE              | 1605147    |
| L1                     | LAMP L450                | 1201290    |
| FAN                    | FAN BOXER                | 1203761    |
|                        | RELAY PWR DRY CONTACT    | 1210241    |
|                        | RELAY KPR 11 DG. 12 V    | 1203431    |
|                        | FUSE 6 1/4 AS B          | 9007223    |
|                        | RES 150 5W 5% W          | 1301898    |
|                        | RES 100 25W 10% W W      | 1302888    |
|                        | CKT BKR 30A              | 1205599-30 |
|                        | CKT BKR 40A              | 1201219-02 |
| M1                     | HOUR METER 115 VAC 60 HZ | 1201208    |
| D3, D4                 | DIODE 80A 50V MR1210     | 1109425    |
| D2                     | DIODE 10A-100V           | 1105397    |
| D1                     | DIODE 10A-50V            | 1102933    |
| C11, C12               | CAP .1 MFD 440 VDC       | 1002153    |
| C10 (SUPPLIED W/TRANS) | CAP 18 MFD 600 VDC       |            |
| C7, C8, C9             | CAP 57,000 MFD 50VDC     | 1004875    |
| C1, C2, C3, C4, C5, C6 | CAP 160,000 MFD 20VDC    | 1004874    |

**NOTE:**  
 \* INDICATES LUGS ON TRANSFORMER NOT CONNECTED TO JONES STRIP.  
 † INDICATES WIRES FROM TRANSFORMER NOT CONNECTED TO JONES STRIP.

**REVISIONS**

| CHK | NO | REV | DATE | BY |
|-----|----|-----|------|----|
| A   | 1  |     |      |    |
| B   | 2  |     |      |    |
| C   | 3  |     |      |    |
| D   | 4  |     |      |    |
| E   | 5  |     |      |    |
| F   | 6  |     |      |    |
| G   | 7  |     |      |    |
| H   | 8  |     |      |    |
| I   | 9  |     |      |    |
| J   | 10 |     |      |    |
| K   | 11 |     |      |    |
| L   | 12 |     |      |    |

**digital 715 POWER SUP.**

EQUIPMENT CORPORATION  
 MATTAPOCSETT, MASSACHUSETTS

DATE: 1/15/69  
 BY: [Signature]  
 CHECKED: [Signature]  
 PROD: [Signature]

TRAY, RESISTOR & DIODE CONVERSION CHART

SIZE: 11x17  
 CONF: D CS 715-0-1  
 NUMBER: 1  
 REV: L

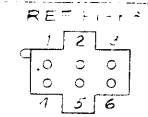
SHEET 1 OF 2

This drawing and specifications, herein, are the property of Digital Equipment Corporation and shall not be reproduced or copied or used in whole or in part as the basis for the manufacture or sale of items without written permission.

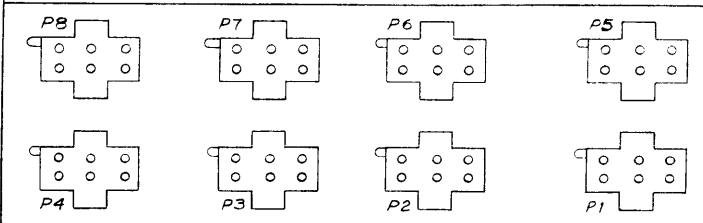
1-0-912 SU a 2  
838WMM 2000 3215

PIN CONNECTORS AND LEVELS

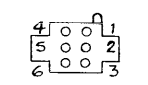
PIN TABLE  
TOP VIEW



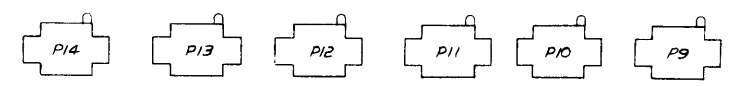
APPLIES FOR  
120V 60-C  
INPUT 120V



| PINS  | LEVEL         | PINS  | LEVEL         | PINS  | LEVEL    |
|-------|---------------|-------|---------------|-------|----------|
| P1-1  | +11V          | P2-1  | +11V          | P3-1  | +11V     |
| P1-2  | +8.1V         | P2-2  | +8.1V         | P3-2  | 6VA-C    |
| P1-3  | 6VA-C         | P2-3  | -6V           | P3-3  | +30V     |
| P1-4  | GND           | P2-4  | GND           | P3-4  | GND      |
| P1-5  | GND           | P2-5  | GND           | P3-5  | CON. SW. |
| P1-6  | GND           | P2-6  | LOCK          | P3-6  | GND      |
| P4-2  | +11V FLOATING | P5-1  | +11V          | P6-1  | +11V     |
| P4-3  | -11V FLOATING | P5-2  | +8.1V         | P6-2  | +8.1V    |
| P4-5  | GND           | P5-3  | +11V          | P6-3  | +30V     |
| P4-6  | -30V          | P5-4  | GND           | P6-4  | GND      |
|       |               | P5-5  | GND           | P6-5  | GND      |
|       |               | P5-6  | GND           | P6-6  | GND      |
| PT-1  | +11V          | P8-1  | HOT           | P9-1  | HOT      |
| PT-2  | +8.1V         | P8-2  | HOT           | P9-2  | HOT      |
| PT-3  | +11V          | P8-3  | HOT           | P9-3  | HOT      |
| PT-4  | GND           | P8-4  | NEUTRAL       | P9-4  | NEUTRAL  |
| PT-5  | GND           | P8-5  | NEUTRAL       | P9-5  | NEUTRAL  |
| PT-6  | GND           | P8-6  | NEUTRAL       | P9-6  | NEUTRAL  |
| PI0-1 | -30V          | PI1-1 | FLOATING -11V | PI2-1 | +11V     |
| PI0-2 | -30V          | PI1-2 | FLOATING -11V | PI2-2 | +8.1V    |
| PI0-3 | -30V          | PI1-3 | FLOATING -11V | PI2-4 | GND      |
| PI0-4 | GND           | PI1-4 | FLOATING +11V | PI2-5 | GND      |
| PI0-5 | GND           | PI1-5 | FLOATING +11V |       |          |
| PI0-6 | GND           | PI1-6 | FLOATING +11V |       |          |
| PI3-1 | +11V          | PI4-1 | +11V          |       |          |
| PI3-2 | +8.1V         | PI4-2 | +8.1V         |       |          |
| PI3-4 | GND           | PI4-4 | GND           |       |          |
| PI3-5 | GND           | PI4-5 | GND           |       |          |



REF.  
P9-P14  
TOP VIEW

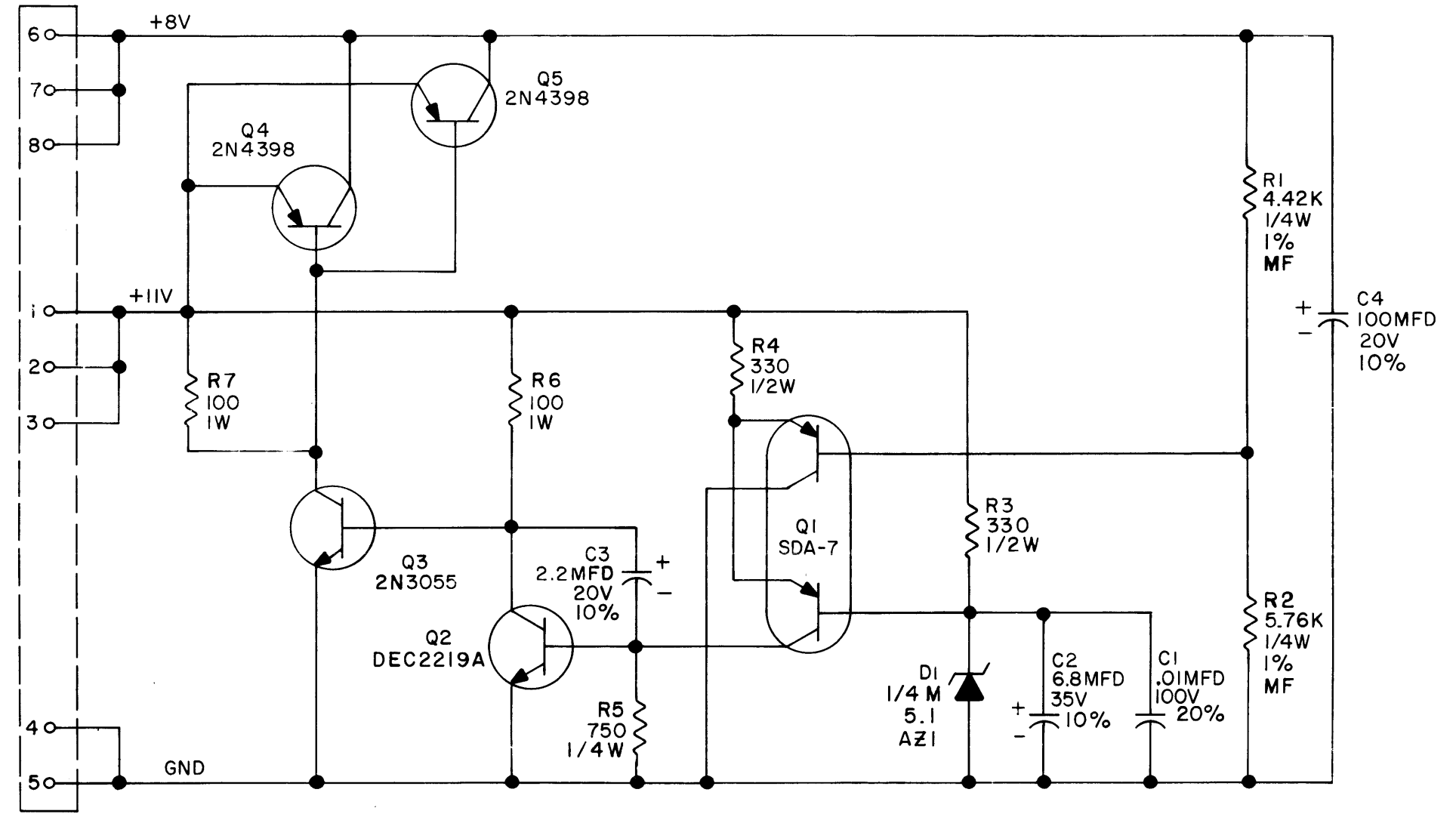


REV. J  
NUMBER 715-0-1  
SIZE CODE DCS

REVISIONS  
CHANGE NO.  
REV.

| QTY.  | DESCRIPTION            | PART NO.         | ITEM NO.  |
|---|------------------------|------------------|---|
| PARTS LIST  |                        |                  |   |
| UNLESS OTHERWISE SPECIFIED                                    | DRN<br>KELLY           | DATE<br>6-24-69  | <b>digital</b> EQUIPMENT CORPORATION<br><small>MAYNARD, MASSACHUSETTS</small> |
| UNLESS OTHERWISE SPECIFIED                                    | CHKD.<br>MADDEN        | DATE<br>7-18-69  |   |
| DIMENSION IN INCHES   | ENG.<br>O'CONNOR       | DATE             |   |
| TOLERANCES  | PROJ. ENG.<br>O'CONNOR | DATE             |   |
| DECIMALS FRACTIONS ANGLES                                     | PROD.<br>LASKEY        | DATE<br>7-18-69  |   |
| ± .005 ± 1/64 ± 0°30'   | FIRST USED ON          |                  |   |
| FINAL SURFACE QUALITY<br>REMOVE BURRS AND BREAK SHARP CORNERS | SCALE                  | SHEET 2 OF 2     | TITLE<br><b>715 POWER SUPPLY</b>  |
| MATERIAL  | FINISH                 | SIZE CODE<br>DCS | NUMBER<br>715 0-1   |
|   |                        | DIST.            | REV.<br>L   |

THIS SCHEMATIC IS FURNISHED ONLY FOR TEST AND MAINTENANCE PURPOSES. THE RIGHTS ARE PROPRIETARY IN NATURE AND SHOULD BE TREATED ACCORDINGLY. COPYRIGHT 1969 BY DIGITAL EQUIPMENT CORPORATION



UNLESS OTHERWISE INDICATED:  
RESISTORS ARE 5%

| REVISIONS | CHK | CHG NO. | REV. |
|-----------|-----|---------|------|
|           |     | 00001   | B    |
|           |     | 00002   | C    |

|                             |                        |
|-----------------------------|------------------------|
| DRN.<br><i>BUTLER</i>       | DATE<br><i>8/7/69</i>  |
| CHK'D<br><i>[Signature]</i> | DATE<br><i>26/8/69</i> |
| ENG.<br><i>[Signature]</i>  | DATE<br><i>12/7/69</i> |
| PROD.                       | DATE                   |

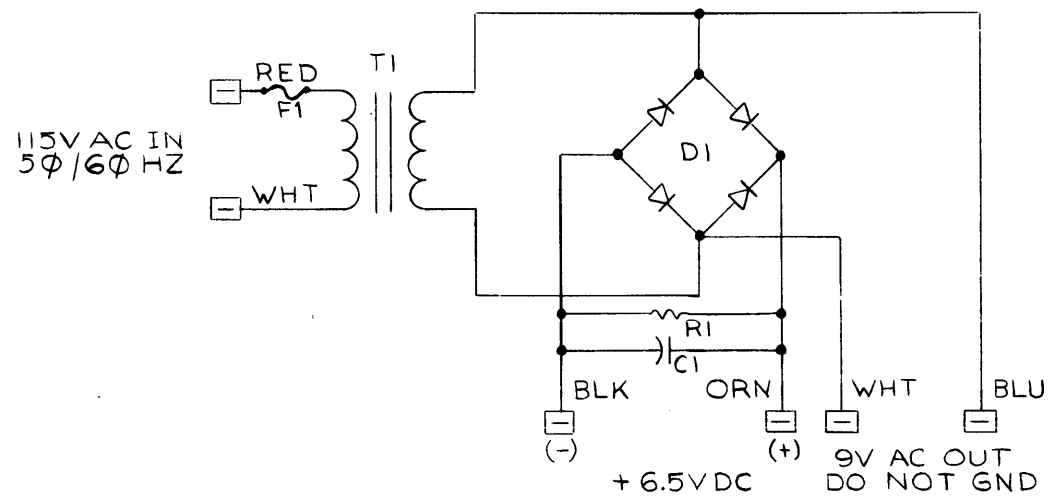
| TRANSISTOR & DIODE CONVERSION CHART |  |        |  |
|-------------------------------------|--|--------|--|
| DEC                                 |  | EIA    |  |
| 1/4M 5.1 AZ1                        |  | SAME   |  |
| DEC2219                             |  | 2N2219 |  |
| 2N4398                              |  | NONE   |  |
| 2N3055                              |  | NONE   |  |
| SDA-7                               |  | SAME   |  |

**digital**  
EQUIPMENT CORPORATION  
MAYNARD, MASSACHUSETTS

|                      |            |                       |           |
|----------------------|------------|-----------------------|-----------|
| TITLE BULK REGULATOR |            |                       |           |
| 5408408              |            |                       |           |
| SIZE<br>B            | CODE<br>CS | NUMBER<br>5408408-0-1 | REV.<br>C |
| PRINTED CIRCUIT REV. |            |                       | B         |



THIS SCHEMATIC IS FURNISHED ONLY FOR TEST AND MAINTENANCE PURPOSES. THE CIRCUITS ARE PROPRIETARY IN NATURE AND SHOULD BE TREATED ACCORDINGLY. COPYRIGHT BY DIGITAL EQUIPMENT CORPORATION



|                 |                    |              |
|-----------------|--------------------|--------------|
| F1              | 1/2 AMP S.B. FUSE  | 9007209      |
| R1              | 5ohm 25W RES       | 1300165      |
| C1              | 18000MFD 10V DCCAP | 1009437      |
|                 | PARTS LIST         | D-UA-716-0-0 |
| T1              | X MFR *F64-U TRIAD | 1609588      |
| DI              | DIODE PACK DM-2    | 1105397      |
| REF DESIGNATION | DESCRIPTION        | PART NO.     |

PARTS LIST

| REVISIONS | CHK | ENG   | NO   | REV |
|-----------|-----|-------|------|-----|
| 1         | LIB | 00001 | A    |     |
| 2         | RE  | DRY   | REV  | V   |
| 3         | WAS | B     | SIZE |     |
| 4         | LIB | 00001 | B    |     |
| 5         | RE  | DRY   | REV  | V   |
| 6         | WAS | B     | SIZE |     |

| DRN.       | DATE    |
|------------|---------|
| RAIMONDI   | 5-18-69 |
| CHK'D      | DATE    |
| HEALY      | 6-25-69 |
| ENG.       | DATE    |
| VONADA     | 7-21-69 |
| PROD.      | DATE    |
| ANTONUCCIO | 7-25-69 |

TRANSISTOR & DIODE CONVERSION CHART

| DEC | EIA | DEC | EIA |
|-----|-----|-----|-----|
|     |     |     |     |
|     |     |     |     |
|     |     |     |     |
|     |     |     |     |

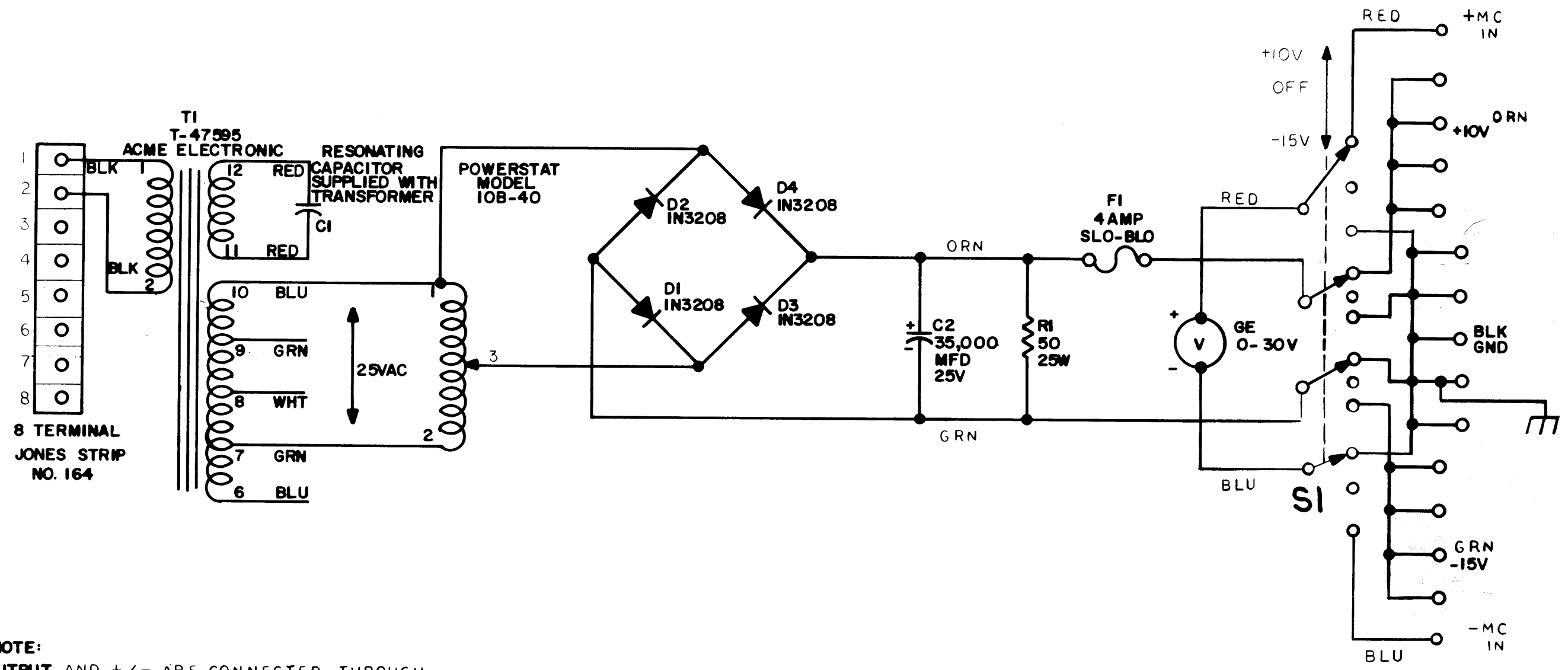
**digital**  
EQUIPMENT  
CORPORATION  
MAYNARD, MASSACHUSETTS

TITLE CIRCUIT SCHEMATIC  
716  
SIZE CODE NUMBER  
C CS 716-0-1  
PRINTED CIRCUIT REV.

SIZE CODE NUMBER  
C CS 716-0-1 REV. C



THIS SCHEMATIC IS FURNISHED ONLY FOR TEST AND MAINTENANCE PURPOSES. THE CIRCUITS ARE OF A GENERAL NATURE AND SHOULD BE TREATED ACCORDINGLY. COPYRIGHT © 1969 DIGITAL EQUIPMENT CORPORATION



**NOTE:**  
**OUTPUT AND +/- ARE CONNECTED THROUGH HEYMAN TAB TERMINALS**

FOR PARTS LIST REFER TO DWG  
 A-PL-734D-0-0

|                                       |                             |                  |  |     |     |     |  |  |            |                    |           |
|---------------------------------------|-----------------------------|------------------|--|-----|-----|-----|--|--|------------|--------------------|-----------|
| REVISIONS<br>CHG NO. REV.<br>000001 A | DRN.<br><i>[Signature]</i>  | DATE<br>11/14/69 | <b>TRANSISTOR &amp; DIODE CONVERSION CHART</b> |     |     |     | <b>digital</b><br><b>EQUIPMENT CORPORATION</b><br>MAYNARD, MASSACHUSETTS | TITLE<br>VARIABLE POWER SUPPLY<br>734D |            |                    |           |
|                                       | CHK'D<br><i>[Signature]</i> | DATE<br>12-8-69  | DEC  | EIA | DEC | EIA |  | SIZE<br>B                              | CODE<br>CS | NUMBER<br>734D-0-1 | REV.<br>A |
|                                       | ENG.<br><i>[Signature]</i>  | DATE<br>12/9/69  |  |     |     |     |  | PRINTED CIRCUIT REV.                   |            |                    |           |
|                                       | PROD.<br><i>[Signature]</i> | DATE<br>12/10/69 |  |     |     |     |  |  |            |                    |           |

PINK

**DIGITAL EQUIPMENT CORPORATION**  
MAYNARD, MASSACHUSETTS  
**PARTS LIST**

MADE BY KEN GULICK  
 DATE 11/13/69  
 ENG *K. Gulick*  
 DATE 12/19/69

CHECKED *K. Gulick*  
 DATE 12-8-69  
 PROD *K. Gulick*  
 DATE 12/19/69

SECTION 1  
 ISSUED SECT. 1

| ITEM NO. | DWG NO./PART NO. BASIC VAR. | DESCRIPTION                                 | QTY/VAR | UNIT COST | UNIT QUANTITY | QUANTITY ISSUED |
|----------|-----------------------------|---|---------|-----------|---------------|-----------------|
| REF      | B-CS-734D-0-1               | VARIABLE POWER SUPPLY 734D                  | 1       |           |               |                 |
| REF      | B-CS-734E-0-1               | VARIABLE POWER SUPPLY 734E                  | -       |           |               |                 |
| 1        | E-MD-5304671-0-0            | CRASSIS 734D & E                            | 1       |           |               |                 |
| 2        | 9007236                     | BUSH JUN TERM #DC-202-1 (GRN) 1/4" DIA      | 4       |           |               |                 |
| 3        | 9007238                     | CONN TAN #E-202-S HEYMAN                    | 15      |           |               |                 |
| 4        | 9007237                     | BUSH JUN TERM #DC-202-1 (BLU) HEYMAN        | 1       |           |               |                 |
| 5        | 9006056-1                   | SCR TEL HD PAN #1/4-20 X 1/2 LG SST         | 4       |           |               |                 |
| 6        | 9007860                     | NUT KEYS #1/4-20 SST                        | 4       |           |               |                 |
| 7        | B-MD-500-355-0-0            | PROTECTION PLATE (8 TERM)                   | 1       |           |               |                 |
| 8        | 9006020-1                   | SCR TEL HD PAN #6-32 X 1" LG SST            | 2       |           |               |                 |
| 9        | 9006033                     | WASH INT TOOTH #6 HOLE                      | 6       |           |               |                 |
| 10       | 9006051                     | SPACER 1/4 AF X 1/2 LG X #6-32              | 2       |           |               |                 |
| 11       | 9006024-1                   | SCR TEL HD PAN #6-32 X 1/2 LG SST           | 13      |           |               |                 |
| 12       | 9006560                     | NUT KEYS #6-32 SST                          | 6       |           |               |                 |
| 13       | 1100130                     | DIODE #IN3208 MOTOROLA                      | 4       |           |               |                 |
| 14       | 9006094                     | FOSE EXTRACTOR POST #342001 "A" LITTLE FUSE | 1       |           |               |                 |
| 15       | 9007221                     | FUSE SLO-SLO TYPE MDX-4AMP FUSETRON         | 1       |           |               |                 |
| 16       | A-DC-530801-0-0             | DECALS 734D POWER SUPPLY                    | 1       |           |               |                 |
| 17       | 9007619                     | CONN SOLDERLESS #3000C27 INS ARK-LESS       | 2       |           |               |                 |
| 18       | 1000098                     | CAP #FAN 792-11P-35000 MFD 25WV C.D.        | 1       |           |               |                 |
| 19       | 9006091-1                   | SCR TEL HD PAN 10-32 X 1/2 LG SST           | 6       |           |               |                 |
| 20       | 9006066                     | NUT KEYS #10-32 SST                         | 2       |           |               |                 |

TITLE VARIABLE POWER SUPPLY 734D  
 ASSY NO. D-UA-734D-0-0  
 SHEET 1 OF 3  
 SIZE CODE A PL  
 NUMBER 34D-0-0  
 REV. ECO NO. 734D-00002  
 A

**DIGITAL EQUIPMENT CORPORATION**  
MAYNARD, MASSACHUSETTS  
**PARTS LIST**

MADE BY KEN GULICK  
 DATE 11/13/69  
 ENG *K. Gulick*  
 DATE 12/19/69

CHECKED *K. Gulick*  
 DATE 12-8-69  
 PROD *K. Gulick*  
 DATE 12/19/69

SECTION 1  
 ISSUED SECT. 1

| ITEM NO. | DWG NO./PART NO. BASIC VAR. | DESCRIPTION                          | QTY/VAR | UNIT COST | UNIT QUANTITY | QUANTITY ISSUED |
|----------|-----------------------------|--------------------------------------|---------|-----------|---------------|-----------------|
| 21       | 120110                      | SW TOGGLE 4PDT 3POS C.B.             | 1       |           |               |                 |
| 22       | 9007261                     | VAR AUTO XFMR #10E-40 SUPERIOR ELECT | 1       |           |               |                 |
| 23       | 1000091                     | XFMR DEC #130-16-1025 TRIADE         | 1       |           |               |                 |
| 24       | A-DC-5803070-0-0            | DECALS 734E POWER SUPPLY             | -       |           |               |                 |
| 25       | 120110                      | METER D.C. TYPE DO-91 #516 X 4 G.M.  | 1       |           |               |                 |
| 26       | 120110                      | KNOB #1930-2 M. DAVIS MOLD CO.       | 1       |           |               |                 |
| 27       | 9007234                     | BUSH JUN TERM #DC-202-1 (RED) HEYMAN | 1       |           |               |                 |
| 28       | 9007234                     | BUSH JUN TERM #DC-202-1 (GRN) HEYMAN | 4       |           |               |                 |
| 29       | 9007237                     | BUSH JUN TERM #DC-202-1 (BLK) HEYMAN | 5       |           |               |                 |
| 30       | 1301212                     | RES FIXED #25F50 500 NS 25W LEONARD  | 1       |           |               |                 |
| 31       | 9007658-1                   | SCR TEL HD PAN #6-32 X 2 3/4 LG SST  | 1       |           |               |                 |
| 32       | B-MD-5002005-0-0            | JUNCTION TERMINAL BRACKET            | 1       |           |               |                 |
| 33       | 9006032                     | SPACER 1/4 AF X 1" LG X #6-32        | 4       |           |               |                 |
| 34       | 9107300-0                   | BUSS WIRE #14 AWG STRD               | A/RA/R  |           |               |                 |
| 35       | 9107300-0                   | WIRE #14 AWG STRD TEF INS BLK        | A/RA/R  |           |               |                 |
| 36       | 9107300-22                  | WIRE #14 AWG STRD TEF INS RED        | A/RA/R  |           |               |                 |
| 37       | 9107300-23                  | WIRE #14 AWG STRD TEF INS ORN        | A/RA/R  |           |               |                 |
| 38       | 9107370-5                   | WIRE #14 AWG STRD TEF INS GRN        | A/RA/R  |           |               |                 |
| 39       | 9107300-0                   | WIRE #14 AWG STRD TEF INS FLU        | A/RA/R  |           |               |                 |
| 40       | 9107300                     | Y-SHRING TUB 1/2 LG RED              | A/RA/R  |           |               |                 |
| 41       | 9007020                     | TIE WRAP SST-2-B PANDUIT             | A/RA/R  |           |               |                 |
| 42       | 9008100                     | CONN #2104 SHAKEPROOF                | 3       |           |               |                 |

TITLE VARIABLE POWER SUPPLY 734D  
 ASSY NO. D-UA-734D-0-0  
 SHEET 2 OF 3  
 SIZE CODE A PL  
 NUMBER 734D-0-0  
 REV. ECO NO. A

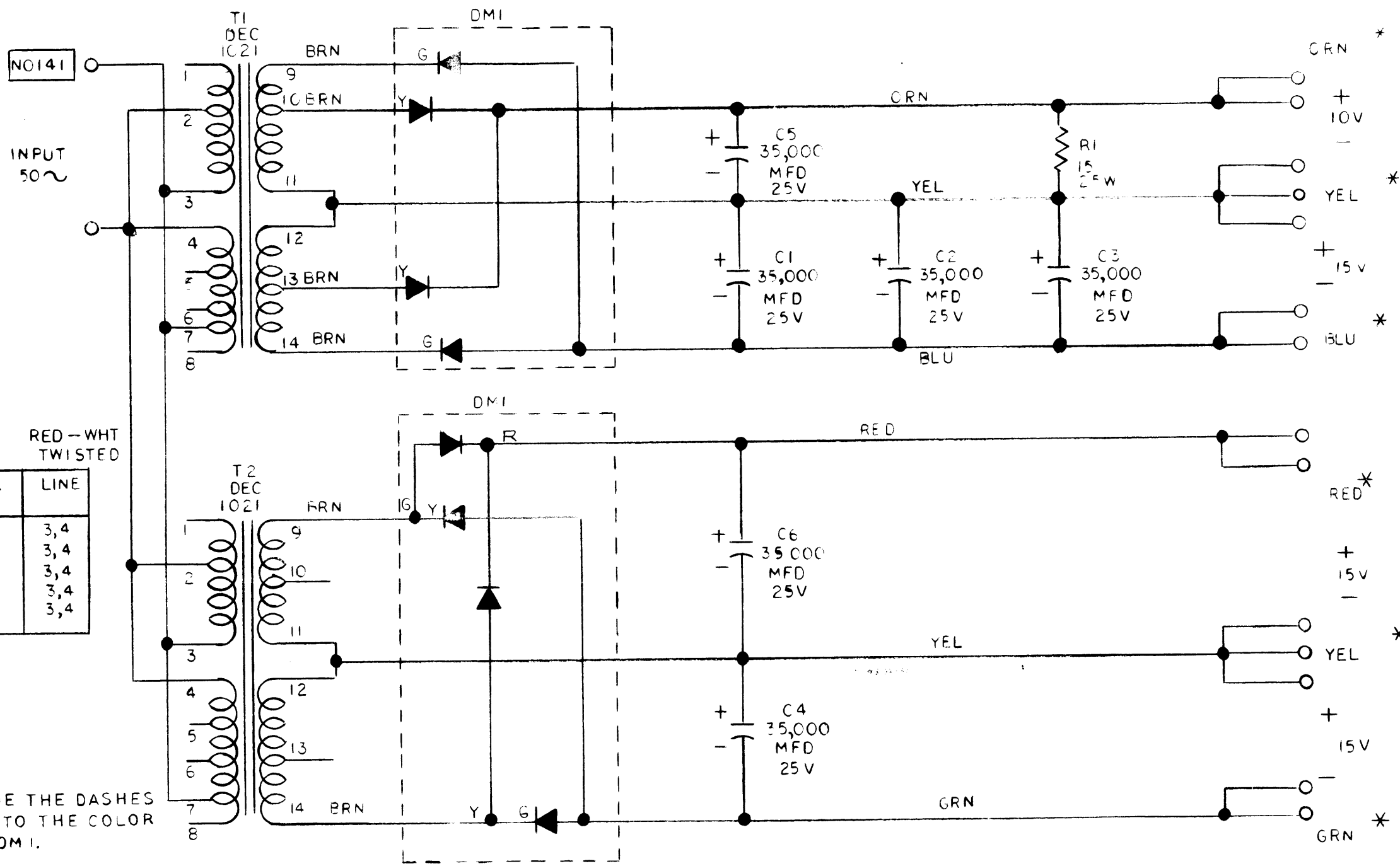
**DIGITAL EQUIPMENT CORPORATION**  
MAYNARD, MASSACHUSETTS  
**PARTS LIST**

|         |                  |         |                  |              |   |
|---------|------------------|---------|------------------|--------------|---|
| MADE BY | KEN GULICK       | CHECKED | <i>K. Gulick</i> | SECTION      | 1 |
| DATE    | 11/13/69         | DATE    | 12-8-69          | ISSUED SECT. | 1 |
| ENG     | <i>J. Gulick</i> | PROD    |                  |              |   |
| DATE    | 12/9/69          | DATE    |                  |              |   |

| ITEM NO. | DWG NO./PART NO. |       |      | DESCRIPTION                       | QTY/VAR |      | UNIT COST | UNIT QUANTITY | QUANTITY ISSUED |
|----------|------------------|-------|------|-----------------------------------|---------|------|-----------|---------------|-----------------|
|          | CL               | BASIC | VAR. |                                   | 734D    | 734E |           |               |                 |
| 43       | 9007919          |       |      | CONN SOLDERLESS #50905 ARKLES     | 5       | 0    |           |               |                 |
| 44       | 9007925          |       |      | CONN SOLDERLESS#3000-21A ARKLES   | 2       | 2    |           |               |                 |
| 45       | 9007595          |       |      | SOLDER ALPHA 63/37                | A/RA/R  |      |           |               |                 |
| 46       | 9107370-11       |       |      | WIRE #14 AWG STRD TEF INS (BRN)   | A/RA/R  |      |           |               |                 |
| 47       | 9107370-99       |       |      | WIRE #14 AWG STRD TEF INS (WHT)   | A/RA/R  |      |           |               |                 |
| 48       | 1602545          |       |      | XFMR DEC 16-1026                  | -       | 1    |           |               |                 |
| 49       | MD-C-01558       |       |      | CAPACITOR MTG BRACKET             | 1       | 1    |           |               |                 |
| 50       | 9006674          |       |      | WASH 916-CORE 2A WARD LEN         | 1       | 1    |           |               |                 |
| 51       | 9006831          |       |      | SPACER 1/2 AF X 1/2 LG X #10 HOLE | 1       | 1    |           |               |                 |
| 52       | A-DC-5308703-0-0 |       |      | LABLE PWR SUPPLY 734E             | 1       | 1    |           |               |                 |
| 53       | 9006635          |       |      | WASH INT TOOTH #10 HOLE           | 4       | 4    |           |               |                 |
| 54       | 1202356          |       |      | SCR SHOULDER #10-32 x 9/32 LG     | 4       | 4    |           |               |                 |
| 55       | D-MD-5309646-0-1 |       |      | SHIELD PLEXIGLAS                  | 1       | 1    |           |               |                 |
| 56       | 9009062          |       |      | SPACER HEX 1/2AF x 5 LG x #10-32  | 4       | 4    |           |               |                 |
|          |                  |       |      |                                   |         |      |           |               |                 |
|          |                  |       |      |                                   |         |      |           |               |                 |
|          |                  |       |      |                                   |         |      |           |               |                 |
|          |                  |       |      |                                   |         |      |           |               |                 |
|          |                  |       |      |                                   |         |      |           |               |                 |
|          |                  |       |      |                                   |         |      |           |               |                 |
|          |                  |       |      |                                   |         |      |           |               |                 |
|          |                  |       |      |                                   |         |      |           |               |                 |
|          |                  |       |      |                                   |         |      |           |               |                 |
|          |                  |       |      |                                   |         |      |           |               |                 |
|          |                  |       |      |                                   |         |      |           |               |                 |
|          |                  |       |      |                                   |         |      |           |               |                 |
|          |                  |       |      |                                   |         |      |           |               |                 |
|          |                  |       |      |                                   |         |      |           |               |                 |

|                            |               |       |      |          |      |        |
|----------------------------|---------------|-------|------|----------|------|--------|
| TITLE                      | ASSY NO.      | SIZE  | CODE | NUMBER   | REV. | ECONO. |
| VARIABLE POWER SUPPLY 734D | D-UA-734D-Ø-Ø | A     | PL   | 734D-Ø-Ø | A    |        |
|                            | SHEET 3 OF 3  | DIST. | G    |          |      |        |

THIS SCHEMATIC IS FURNISHED ONLY FOR TEST AND MAINTENANCE PURPOSES. THE CIRCUITS ARE PROPRIETARY IN NATURE AND SHOULD BE TREATED ACCORDINGLY. COPYRIGHT BY DIGITAL EQUIPMENT CORPORATION



NOTE:

| INPUT VOLTAGE | JUMPER  | LINE |
|---------------|---------|------|
| 112.5V 10%    | 2-4,3-7 | 3,4  |
| 123.5V 10%    | 1-4,3-8 | 3,4  |
| 195V 10%      | 1-5     | 3,4  |
| 220V 10%      | 1-6     | 3,4  |
| 235V 10%      | 2-8     | 3,4  |

NOTE:

1. LETTERS INSIDE THE DASHES CORRESPONDS TO THE COLOR DOTS ON THE DMI.

UNLESS OTHERWISE INDICATED  
 \* HEYMAN MFG CO TAB-TERMINAL IN PLASTIC BUSHING  
 [ ] CINCH JONES TERMINAL STRIP

| REVISIONS | CHK | CHG NO. | REV |
|-----------|-----|---------|-----|
|           |     | 799A-   | A   |
|           |     | 000002  |     |

St. Paul  
 GERELODS  
 [Signature]

| DRN.     | DATE     |
|----------|----------|
| Problems | 10-18-68 |
| CHK'D    | DATE     |
| EAM      | 11-5-69  |
| ENG.     | DATE     |
|          | 11-9-68  |
| PROD.    | DATE     |
|          | 11-2-68  |

| TRANSISTOR & DIODE CONVERSION CHART |     |     |     |
|-------------------------------------|-----|-----|-----|
| DEC                                 | EIA | DEC | EIA |
|                                     |     |     |     |
|                                     |     |     |     |
|                                     |     |     |     |
|                                     |     |     |     |
|                                     |     |     |     |

**digital**  
 EQUIPMENT CORPORATION  
 MAYNARD, MASSACHUSETTS

| TITLE                |      |         |      |
|----------------------|------|---------|------|
| POWER SUPPLY 799-A   |      |         |      |
| SIZE                 | CODE | NUMBER  | REV. |
| B                    | CS   | 799-A-1 | A    |
| PRINTED CIRCUIT REV. |      |         |      |
|                      |      |         |      |

# DIGITAL EQUIPMENT CORPORATION

MAYNARD, MASSACHUSETTS

## PARTS LIST

MADE BY STAN FOITRAS  
 DATE 10/30/68  
 ENG /  
 DATE 11/5/68

CHECKED E.A. MILEWSKI  
 DATE 11/5/68  
 SECTION 1  
 ISSUED SECT. 1

| ITEM NO. | DWG NO. / PART NO. | DESCRIPTION                           | QUANTITY / VARIATION |
|----------|--------------------|---------------------------------------|----------------------|
|          | B-CS-799-A-1       | POWER SUPPLY-799-A                    |                      |
| 1        | D-IA-7406925-0-0   | CHASSIS (798-799)                     | 1                    |
| 2        | D-MD-728-0-1-0-3   | CAP HOLD DOWN BRACKET                 | 2                    |
|          | 9006509            | POP RIVET                             | 4                    |
|          | 9006565            | KEPS HEX NUT #10-32 SST               | 4                    |
|          | C-MD-728A-0-1-2    | JUNCTION TERMINAL BRACKET             | 2                    |
| 3        | 9007238            | TAB T-202-S                           | 14                   |
| 7        | 9007236            | JUNCTION TERM BUSH DC-202-2 GRN       | 1                    |
| 8        | 9007233            | JUNCTION TERM BUSH DC-202-2 YEL       | 2                    |
| 9        | 9007231            | JUNCTION TERM BUSH DC-202-2 RHD       | 1                    |
| 10       | A-DC-7406953-0-0   | 779-A-POWER SUPPLY (LABEL)            | 1                    |
| 11       | 1300181            | FIXED RESISTOR 15-OHM 25WF15          | 1                    |
| 12       | 9006050            | SCR PH P#6-32x2 3/4 LG SST            | 1                    |
| 13       |                    | CENTERING WASHER #916 CORE TYPE 2A    | 2                    |
|          |                    | (WARD LEONARD)                        |                      |
| 14       | 9006831            | SPACER 1/2 OD x 3/16 ID x 1/2 LG      | 1                    |
| 15       | 9107305            | HY SHRINK TUBE RED #14x1/2 LG         | AR                   |
| 16       | 9007649            | WASH EXT TOOTH #6                     | 9                    |
| 17       | 9007234            | JUNCTION TERMINAL BUSH #DC-202-2 ORN  | 1                    |
| 18       | 9007232            | JUNCTION TERMINAL BUSH #DC -202-2 BLU | 1                    |
| 19       | 9006586            | NUT C-30110-1032-4 TINNERMAN          | 8                    |
| 20       | 9006073            | SCR PH TRUSS #10-32x1/2 LG SST        | 8                    |

TITLE POWER SUPPLY 799-A  
 ASSY NO. D-UA-799-A-0  
 SIZE CODE A PL  
 SHEET 1 OF 2  
 DIST. 6  
 NUMBER 799-A-0  
 REV. ECO NO. A 00002  
 434 329 23 436

# DIGITAL EQUIPMENT CORPORATION

MAYNARD, MASSACHUSETTS

## PARTS LIST

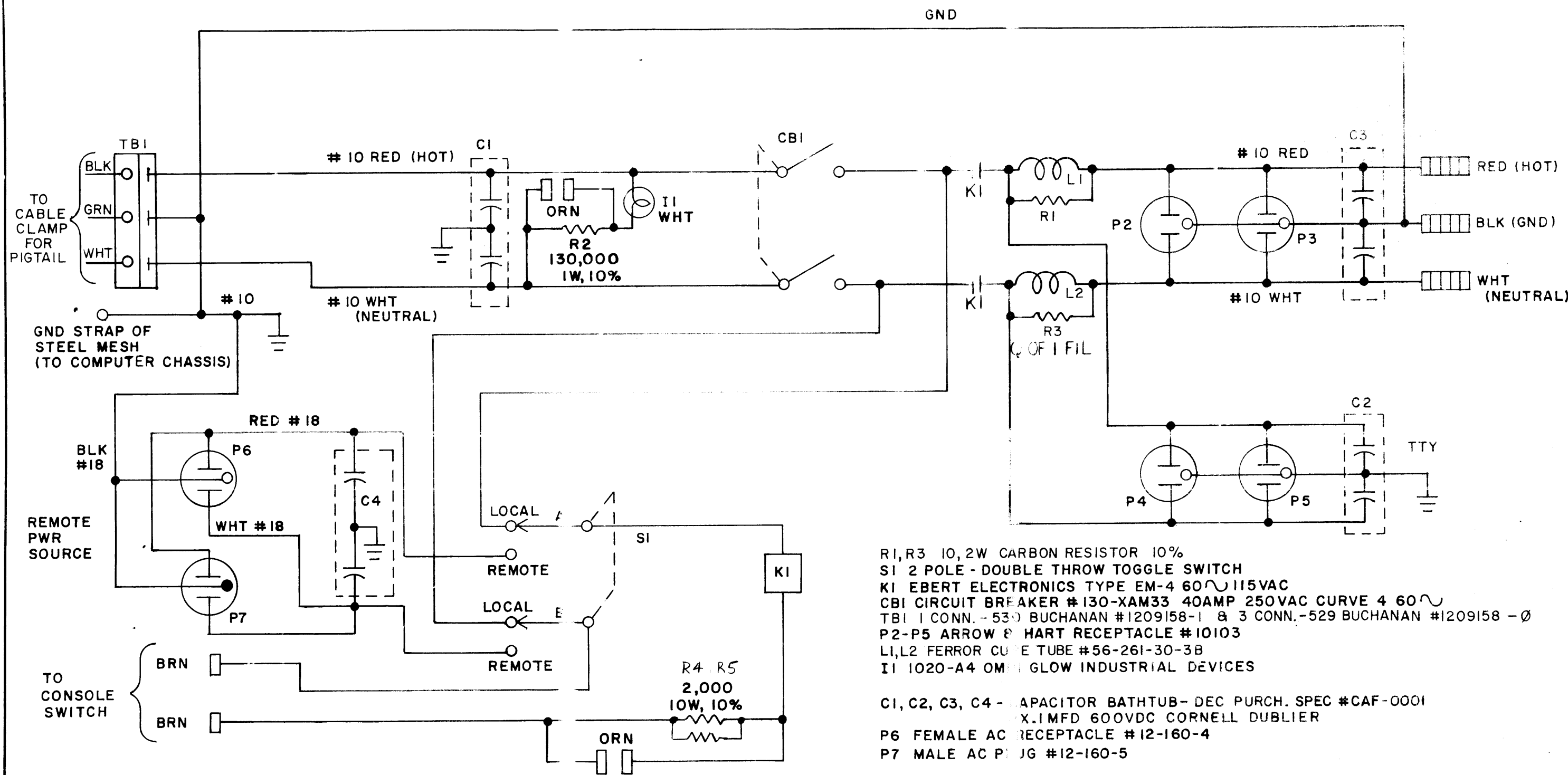
MADE BY STAN FOITRAS  
 DATE 10/30/68  
 ENG /  
 DATE 11-6-68

CHECKED E.A. MILEWSKI  
 DATE 11/5/68  
 SECTION 1  
 ISSUED SECT. 1

| ITEM NO. | DWG NO. / PART NO. | DESCRIPTION                           | QUANTITY / VARIATION |
|----------|--------------------|---------------------------------------|----------------------|
| 1        | 9006444            | SLOTTED HEX PD SEMS SCR #10-32x3/8 LG | 6                    |
| 2        | 9007651            | LOCKWASHER EXT #10                    | 6                    |
| 3        | 1000098            | CAPACITOR, 10-35K MFD 25V DC          | 6                    |
| 4        | 9007035            | CATA ILLAR GROMMET 7-3/4" LG          | 2                    |
| 25       | 161733             | TRANSFORMER POWER                     | 2                    |
| 26       | 9006776            | SOLDERLESS CONN                       | 23                   |
| 27       | 9007132            | JUMPER #141J (HOWARD B. JONES)        | 2                    |
| 28       | 9006022            | SCR PH H PAN #6-32x3/8 LG SST         | 4                    |
| 29       | 9006656            | WASHER #6                             | 8                    |
| 30       | 9006862            | SPACER 1/4 OD x #6 HOLE 1" LONG       | 4                    |
| 31       | 9006025            | SCR PH H PAN #6-32x5/8 LG SST         | 4                    |
| 32       | 9006633            | WASH INT TOOTH #6                     | 4                    |
| 33       | 9006997            | AMP TERMINAL                          | 50                   |
| 34       | 1102933            | DM-1 RECTIFIER                        | 2                    |
| 35       | 9006029-1          | SCR PH H #6-32x1 1/4 LG               | 4                    |
| 36       | 9007649            | #6 EXT TOOTH LOCKWASHER               | 12                   |

TITLE POWER SUPPLY 799-A  
 ASSY NO. D-UA-799-A-0  
 SIZE CODE A PL  
 SHEET 2 OF 2  
 DIST. 6  
 NUMBER 799-A-0  
 REV. ECO NO. A 00002

THIS SCHEMATIC IS FURNISHED ONLY FOR TEST AND MAINTENANCE PURPOSES. THE CIRCUITS ARE PROPRIETARY IN NATURE AND SHOULD BE TREATED ACCORDINGLY. COPYRIGHT 1969 BY DIGITAL EQUIPMENT CORPORATION



- R1, R3 10, 2W CARBON RESISTOR 10%
- SI 2 POLE - DOUBLE THROW TOGGLE SWITCH
- KI EBERT ELECTRONICS TYPE EM-4 60~115VAC
- CBI CIRCUIT BREAKER #130-XAM33 40AMP 250VAC CURVE 4 60~
- TBI 1 CONN. - 530 BUCHANAN #1209158-1 & 3 CONN. - 529 BUCHANAN #1209158 - 0
- P2-P5 ARROW & HART RECEPTACLE #10103
- L1, L2 FERROR CORE TUBE #56-261-30-3B
- I1 1020-A4 0M GLOW INDUSTRIAL DEVICES
- C1, C2, C3, C4 - CAPACITOR BATHTUB- DEC PURCH. SPEC #CAF-0001
- P6 FEMALE AC RECEPTACLE #12-160-4
- P7 MALE AC PLUG #12-160-5

| REVISIONS | CHK | CHG NO. | REV |
|-----------|-----|---------|-----|
|           |     |         |     |
|           |     |         |     |

| DRN              | DATE    |
|------------------|---------|
| <i>M. Waller</i> | 2-17-69 |
| CHK              | DATE    |
| ENG              | DATE    |
| PROC             | DATE    |

| TRANSISTOR & DIODE CONVERSION CHART |     |     |     |
|-------------------------------------|-----|-----|-----|
| DEC                                 | EIA | DEC | EIA |
|                                     |     |     |     |
|                                     |     |     |     |
|                                     |     |     |     |

**digital**  
EQUIPMENT CORPORATION  
MAYNARD MASSACHUSETTS

| TITLE               |      |         |      |
|---------------------|------|---------|------|
| POWER CONTROL 841B  |      |         |      |
| SIZE                | CODE | NUMBER  | REV. |
| B                   | CS   | 841-B-1 | B    |
| PRINTED CIRCUIT REV |      |         |      |





DIGITAL EQUIPMENT CORPORATION  
MAYNARD, MASSACHUSETTS

**PARTS LIST**

MADE BY K. GULICK  
DATE 9/19/66  
NG  
DATE 3/1/69

CHECKED DICK REILLY  
DATE 2/19/69  
PROJ  
DATE 3/1/69

SECTION 1  
ISSUED SECT. 1

| ITEM NO. | DWG NO.          | PART NO. | DESCRIPTION                        | QTY    | REV   |
|----------|------------------|----------|------------------------------------|--------|-------|
| 1        | E-IA-5308295-0-0 |          | CHASSIS-841-B                      | 1      | 841-C |
| 2        | 9007231          |          | BUSH TERM DC-202-1 RED             | 5      |       |
| 3        | 9007238          |          | TAB SOLDER T-202-S                 | 15     |       |
| 4        | 9007237          |          | BUSH TERM DC-202-1 BLK             | 5      |       |
| 5        | 9007235          |          | BUSH TERM DC-202-1 WHT             | 5      |       |
| 6        | 9107560-5        |          | WIRE #14 AWG SOLID BUSSING         | A/RA/R |       |
| 7        | B-IA-5304373-0-0 |          | RECEPTACLE ASSEMBLY                | 2      |       |
| 8        | 9006024-1        |          | SCR PHL H PAN 6-32 x 1/2 SST       | 10     |       |
| 9        | 90066633         |          | WASH INT TOOTH LOCK                | 12     |       |
| 10       | 10-02153         |          | CAP-BATH 1000VDC 440 AC 2 x .1 MFD | 4      |       |
| 11       | 9006022-1        |          | SCR PHL H PAN 6-32 x 3/8 SST       | 18     |       |
| 12       | 9006560          |          | NUT KEPS <del>6-32</del>           | 16     |       |
| 13       | 9007089          |          | CLAMP 3/4 NYLON                    | 1      |       |
| 14       | 1209158-0        |          | BARRIER STRIP 3 BUCHANNAN 529 MD   | 3      |       |
| 15       | 9006656          |          | WASH FLAT #6                       | 2      |       |
| 16       | 9008283          |          | ARK #50918-1                       | 55     |       |
| 17       | 9007113          |          | TERMINAL #1290 .MP                 | 2      |       |
| 18       | 1201219-02       |          | CIR BREAKER AM33MG6 40 AMP 250V    | 1      |       |
| 19       | 12-05303         |          | LAMP #1020A4 (WHT) OMNI GLOW       | 1      |       |
| 20       | 1204816          |          | SW TOGGLE 7592K9 CUTLER HAM        | 1      |       |
| 21       | 9007633          |          | BUSH TERM DC-202-1 BRN             | 2      |       |
| 22       | 9007239          |          | TAB DOUB MALE T-202-D              | 6      |       |

|       |                       |          |           |           |      |        |         |     |       |
|-------|-----------------------|----------|-----------|-----------|------|--------|---------|-----|-------|
| TITLE | POWER CONTROL 841-B&C | ASSY NO. | D-UA-841E | SIZE CODE | A PL | NUMBER | 841-B-0 | REV | 841-C |
|       |                       | SHEET    | 1 OF 3    | DIST.     |      |        |         |     | K     |

DIGITAL EQUIPMENT CORPORATION  
MAYNARD, MASSACHUSETTS

**PARTS LIST**

MADE BY K. GULICK  
DATE 9/19/66  
NG  
DATE 3/1/69

CHECKED D. REILLY  
DATE 2/19/69  
PROJ  
DATE 3/1/69

SECTION 1  
ISSUED SECT. 1

| ITEM NO. | DWG NO.          | PART NO. | DESCRIPTION                     | QTY    | REV   |
|----------|------------------|----------|---------------------------------|--------|-------|
| 1        | B-DC-5308302-0-0 |          | DECAL 841-B + 841-C             | 1      | 841-C |
| 2        | D-MD-5308214-0-0 |          | COVER                           | 1      |       |
| 3        | 9007035          |          | GROMMET CATERPILAR 1/16         | A/RA/R |       |
| 4        | 1201252          |          | PLUG #160-5 AMPHENOL            | 1      |       |
| 5        | 1201251          |          | RECP #160-4 AMPHENOL            | 1      |       |
| 6        | 9107440-4        |          | WIRE #10 RED & WHT STRD         | A/RA/R |       |
| 7        | 9107370-1        |          | WIRE #10 BLK STRD               | A/RA/P |       |
| 8        | 9107273-10       |          | TUBING #18 WHITE                | A/R/R  |       |
| 9        | 1305603          |          | RESISTOR 2K 10W 10%             | 2      |       |
| 10       | 1305604          |          | RESISTOR 130K 1W 5%             | 1      |       |
| 11       | 9107360-3        |          | WIRE #18 RED STRD               | A/RA/R |       |
| 12       | 9107360-10       |          | WIRE #18 WHT STRD               | A/RA/R |       |
| 13       | 9107255          |          | <del>SHRINK TUBING</del> WHT    | A/RA/R |       |
| 14       | 9107430-2        |          | WIRE #18 RED & WHT STRD         | A/RA/R |       |
| 15       | 12-05768         |          | RELAY EM-4 120 VAC              | 1      |       |
| 16       | 9006071-1        |          | PHL H PAN 10-32 x 3/8 SST       | 2      |       |
| 17       | 9006565          |          | NUT KEPS HEX 10-32              | 2      |       |
| 18       | 1300172          |          | RESISTOR 10 OHMS 2W 10%         | 2      |       |
| 19       | 1605147          |          | FERRITE CUBE TUBE #56-261-30-3B | 2      |       |
| 20       | 9007234          |          | RUSH TERM DC-202-1 ORN          | 1      |       |
| 21       | 9107278-3        |          | TUBING #18 RED                  | 4      |       |
| 22       | 9007015          |          | GROMMET #1043-M                 | A/RA/R |       |

|       |                       |          |           |           |      |        |         |     |       |
|-------|-----------------------|----------|-----------|-----------|------|--------|---------|-----|-------|
| TITLE | POWER CONTROL 841-B&C | ASSY NO. | D-UA-841E | SIZE CODE | A PL | NUMBER | 841-B-0 | REV | 841-C |
|       |                       | SHEET    | 2 OF 3    | DIST.     |      |        |         |     | K     |

DIGITAL EQUIPMENT CORPORATION  
 WALTHAM, MASSACHUSETTS

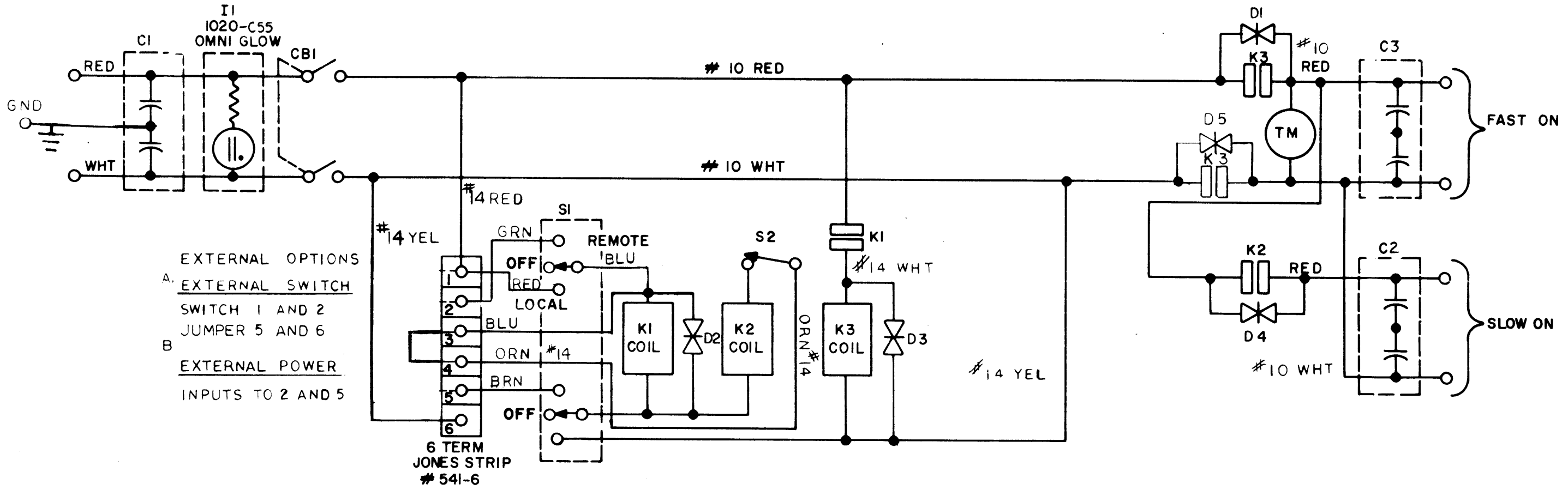
PARTS LIST

|         |           |         |           |           |      |
|---------|-----------|---------|-----------|-----------|------|
| MADE BY | K. GULICK | CHECKED | D. REILLY | SECTION   |      |
| DATE    |           | DATE    | 2/19/69   | ISSUED TO | SECT |
| DATE    |           | DATE    |           |           | 1    |

| ITEM NO.      | DWG NO. / PART NO. | DESCRIPTION                        | 841-B        | 841-C        |
|---------------|--------------------|------------------------------------|--------------|--------------|
| 45            | 1209158-1          | BARRIER STRIP KUCHANNAN 530        | 1            | 1            |
| <del>46</del> | <del>9007920</del> | <del>TERMINAL ARK LES 5090-7</del> | <del>6</del> | <del>6</del> |
| 47            | 9107390-1          | WIRE #10 BLK STRD                  | A/R          | A/R          |
| 48            | 1209406-1          | CONTACTOR 30A 2P 6R USE-03         | -            | 1            |
| 49            | 9007055            | DOT FASTENER # BS 48150            | 5            | 5            |
| 50            | 9006782            | CONN AMP 34071                     | 1            | 1            |
| 51            | 9007917            | CONN AMP                           | 22           | 22           |
| 52            | A-PI-3700059-0-0   | 841 POWER CONTROL INTERPLANT       | 1            | 1            |
|               |                    | SHIPPING PACKAGE                   |              |              |
| 53            | 9007930            | TERMINAL                           |              | 2            |

|                        |              |           |         |     |       |
|------------------------|--------------|-----------|---------|-----|-------|
| TITLE                  | ASSY NO.     | SIZE CODE | NUMBER  | REV | ECONO |
| POWER CONTROL, 841-BSC | D-UA 841-B-0 | A PL      | 841-B-0 | K   |       |
|                        | SHEET 3 OF 3 | DIST.     |         |     |       |

THIS SCHEMATIC IS FURNISHED ONLY FOR TEST AND MAINTENANCE PURPOSES. THE CIRCUITS ARE PROPRIETARY IN NATURE AND SHOULD BE TREATED ACCORDINGLY. COPYRIGHT 1968 BY DIGITAL EQUIPMENT CORPORATION



- EXTERNAL OPTIONS
- A. EXTERNAL SWITCH  
SWITCH 1 AND 2  
JUMPER 5 AND 6
  - B. EXTERNAL POWER  
INPUTS TO 2 AND 5

- NOTES:
- D1, D2, D3, D4, D5 THYRECTOR, G.E. 20SP4B4, 115V
  - C1, C2, C3 CAPACITOR (BATH) 2 X .1 MFD 1000 VDC
  - S1 TOGGLE SWITCH DPDT 7563K6 C.H. 3POS CENTER OFF
  - S2 TOGGLE SWITCH DPST 7590K9
  - K1 RELAY #1040-8-687 NORMALLY OPEN 115 VAC COIL 3-5 SEC DELAY QUICK OPERATE, SLOW RELEASE.
  - K2 RELAY #1040-8-58 NORMALLY OPEN 115 VAC COIL 3-5 SEC DELAY SLOW OPERATE, QUICK RELEASE.
  - K3 RELAY # EM-4 115 VAC EBERT ELECTRONICS.
  - CBI CIRCUIT BREAKER #190-230-104 30 AMPS. 250V, 60 CYC-CURVE 4
  - TM HOBBS TIME METER TYPE M11906 120V 60 CYC-CURVE 4

|                                    |  |                                     |     |     |     |   |   |      |          |     |
|------------------------------------|--|-------------------------------------|-----|-----|-----|---|---|------|----------|-----|
| REVISIONS<br>CHG NO REV<br>00001 A | DRN<br><i>Robert H. Tuttle</i><br>DATE<br>12/18/65 | TRANSISTOR & DIODE CONVERSION CHART |     |     |     | <b>digital</b><br>EQUIPMENT CORPORATION<br>MAYNARD, MASSACHUSETTS | TITLE POWER CONTROL 853-F<br>(115 VOLT DUAL OUTPUT) |      |          |     |
|                                    | CHK'D<br><i>E. Carnell</i><br>DATE<br>12/23/68     | DEC                                 | EIA | DEC | EIA |   | SIZE  | CODE | NUMBER   | REV |
|                                    | ENG<br><i>W. J. Farrell</i><br>DATE<br>1-2-69      |                                     |     |     |     |   | B   | CS   | 853F-0-1 | A   |
|                                    | PROP<br><i>W. J. Farrell</i><br>DATE<br>1-3-69     |                                     |     |     |     |   | PRINTED CIRCUIT REV                                 |      |          |     |

**DIGITAL EQUIPMENT CORPORATION**  
MAYNARD, MASSACHUSETTS  
**PARTS LIST**

MADE BY ROBERT MUTNAK  
DATE 1/13/69  
CHECKED R. CARVELLI  
DATE 12/16/68  
SECTION  
ENG W.W. GERELDS  
DATE 1/2/69  
PROD L. PRENTICE  
DATE 1/3/69  
ISSUED SECT.

| ITEM NO. | DWG NO. / PART NO. | DESCRIPTION                            | QUANTITY / VARIATION |
|----------|--------------------|--|----------------------|
| REF      | B-CS-853-F-1       | POWER CONT 853-F                       |                      |
| 1        | D-MD-5308193-0-0   | CHASSIS                                | 1                    |
| 2        | 9006071-1          | SCR PHL PAN ID #10-32 x 3/8 LG SST     | 4                    |
| 3        | 9006625            | WASHER INT TOOTH #10                   | 4                    |
| 4        | B-D-5308221-0      | DECALS 853-F FWR CONT                  | 1                    |
| 5        | 1205901            | SWITCH DPDT CENT OFF CU7563K6          | 1                    |
| 6        | 1201303            | METER ML 1906 120V 60 CY LOBBS         | 1                    |
| 7        | 9006011-1          | SCR PHL PAN ID #4-40 x 3/8 LG SST      | 3                    |
| 8        | 9006527            | NUT, KEPS #4-40 SST                    | 3                    |
| 9        | 9007112            | TERM, OFFSET # 6045-1 AMP              | 3                    |
| 10       | 1204722            | SWITCH DIST 7590K9 C..                 | 1                    |
| 11       | 9007071-1          | SCR PHL PAN ID #6-32 x 3/8 LG SST      | 10                   |
| 12       | 9006526            | NUT KEPS #6-32 SST                     | 20                   |
| 13       | 1202153            | CAPACITOR (BATI) 2 x .1 MFD 1000V D.C. | 3                    |
| 14       | 120545F            | LAMP, #1020C55 DEV. INC                | 1                    |
| 15       | 1201216-CC         | CKT BKR, 20 AMP 2 PL 4 CURVE           | 1                    |
| 16       | 9006527            | SCR PHL PAN ID #6-32 x 1/4 LG SST      | 4                    |
| 17       | 9006527            | WASHER INT TOOTH #6                    | 4                    |
| 18       | 1205769            | RELAY EM4 115V                         | 1                    |
| 19       | 1202199            | RELAY #10-0-0-53 ADAMS WESTLAKE        | 1                    |
| 20       | 1201303            | RELAY #10-0-0-53 ADAMS WESTLAKE        | 1                    |
| 21       | 9006881            | SPACER EX #10-22 3/4 AF X 3 LG         | 1                    |

TITLE: B-F POWER CONTROL  
 ASSY NO. D-UA-853 F-0-0  
 SIZE CODE: A PL  
 NUMBER: 853F-0-0  
 REV. ECO NO. B 90002  
 SHEET 1 OF 2

**DIGITAL EQUIPMENT CORPORATION**  
MAYNARD, MASSACHUSETTS  
**PARTS LIST**

MADE BY ROBERT MUTNAK  
DATE 1/13/69  
CHECKED R. CARVELLI  
DATE 12/16/68  
SECTION  
ENG W.W. GERELDS  
DATE 1/2/69  
PROD L. PRENTICE  
DATE 1/3/69  
ISSUED SECT.

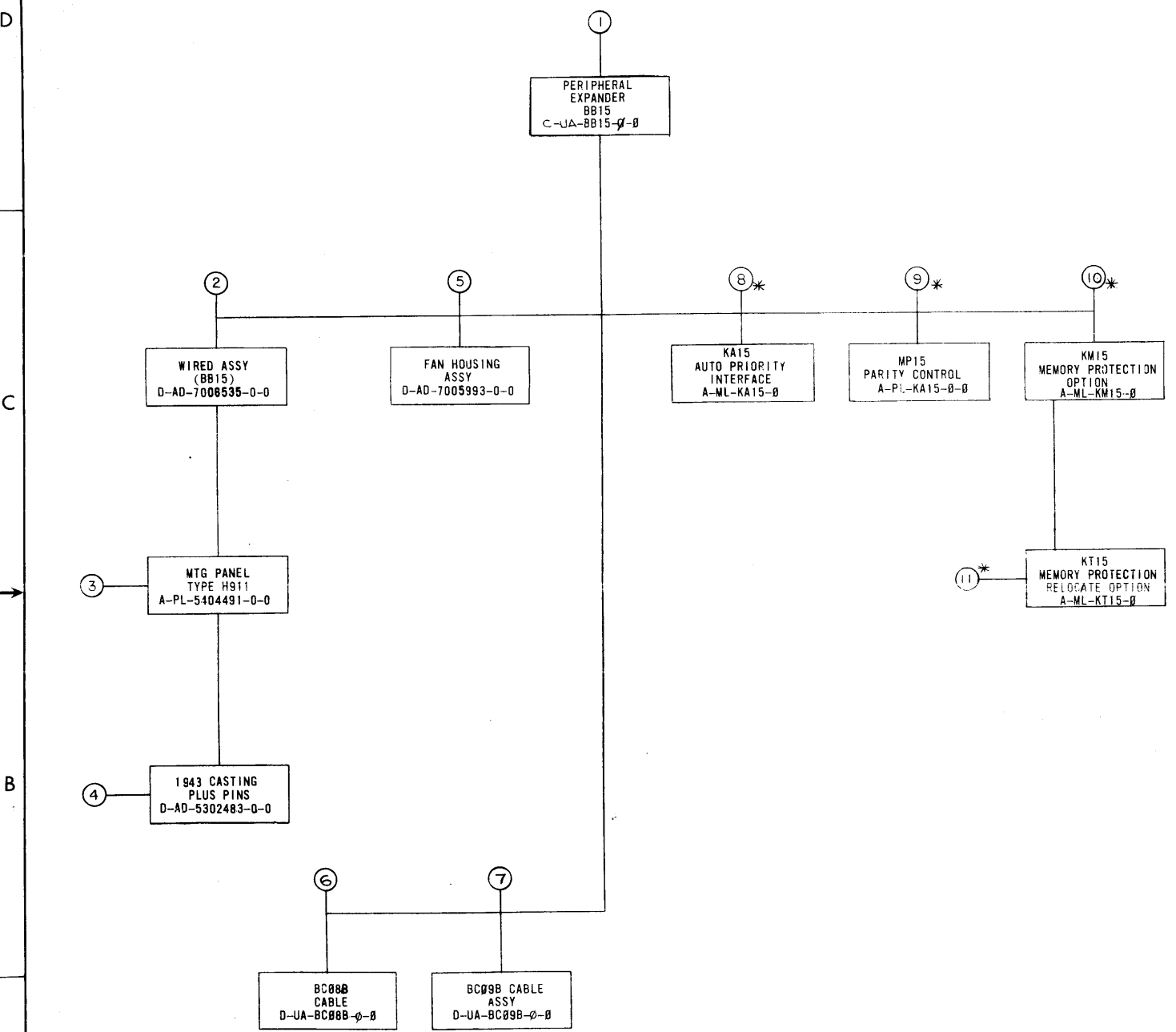
| ITEM NO. | DWG NO. / PART NO. | DESCRIPTION                       | QUANTITY / VARIATION |
|----------|--------------------|-----------------------------------|----------------------|
| 1        | 9006526            | SCR SLLD #10-32 x 7/16 LG SST     | 4                    |
| 2        | C-MD-5308193-0-0   | SHIELD                            | 1                    |
| 3        | 9006810            | LUG, #41237 AMP                   | 1                    |
| 4        | 9007596            | ADAPTER #3000M446 ARKLES          | 1                    |
| 5        | 9007919            | CONN #50906-7 ARKLES              | 12                   |
| 6        | 9006527            | SCR PHL PAN ID #6-32 x 3/4 LG SST | 4                    |
| 7        | 9006904            | TERM STRIP #6-541 CINCO JONES     | 1                    |
| 8        | 9007589            | JUMPER 541-J CINCO JONES          | 1                    |
| 9        | 9007253            | AMP JUG 45                        | 6                    |
| 10       | 9007194            | TERM ADATOR #3000S5-1 ARKLES      | 1                    |
| 11       | 9007155            | WIRE, #10 AWG STRD TEF INS GRN    | A/R                  |
| 12       | 1200100            | RECTOR 6RS205P4B4 G.E. 115V       | 5                    |
| 13       | 9107370-66         | WIRE, #14 AWG STRD TEF INS BLU    | A/R                  |
| 14       | 9006529            | CONN., #342509 AMP                | 2                    |
| 15       | 9007199            | WIRE SPLICER 34071                | 2                    |
| 16       | 9007919            | CONN SLD #50906 ARKLES            | 24                   |
| 17       | 9107370-33         | WIRE, #14 AWG STRD TEF INS ORN    | A/R                  |
| 18       | 9006527            | CONN, #34142 AMP                  | 7                    |
| 19       | 9107370-22         | WIRE, #10 AWG STRD TEF INS RED    | A/R                  |
| 20       | 9007032            | TIE WRAV #SST-2-B                 | A/R                  |
| 21       | 9107370-99         | WIRE, #10 AWG STRD TEF INS WT     | A/R                  |
| 22       | 9107370-44         | WIRE, #14 AWG STRD TEF INS YEL    | A/R                  |

TITLE: B-F POWER CONTROL  
 ASSY NO. D-UA-853 F-0-0  
 SIZE CODE: A PL  
 NUMBER: 853F-0-0  
 REV. ECO NO. B 90002  
 SHEET 2 OF 2



This drawing and specifications, herein, are the property of Digital Equipment Corporation and shall not be reproduced or copied or used in whole or in part as the basis for the manufacture or sale of items without written permission.

NOTE  
1 ITEMS INDICATED WITH (ASTERISK) \* ARE OPTIONAL



| MECHANICAL |   |   |      | DEPT USAGE |   |   | ELECTRICAL |  |                                      |      | DEPT USAGE |   |   |
|------------|---|---|------|------------|---|---|------------|--|--------------------------------------|------|------------|---|---|
| FIND NO    | DESCRIPTION   | PART NO   | PROD | CUST       | F | C | FIND NO    | DESCRIPTION                                | PART NO                              | PROD | CUST       | F | C |
| 1          | PERIPHERAL EXPANDER<br>PERIPHERAL EXPANDER (PL)<br>RET BLOCKS<br>HARNESS (BB15)             | C-JA-BB15-0-0<br>A-PL-BB15-0-0<br>C-WD-7407127-0-0<br>E-TR-7006539-0                        |      |            |   |   | 1          | PERIPHERAL EXPANDER<br>SIGNAL WIRING       | A-ML-RP15-0<br>D-IC-BB15-0-0         |      |            |   |   |
| 2          | WIRED ASSY (BB15)<br>WIRED ASSY (BB15)(PL)<br>LOGIC FRAME DECALS                            | D-AD-7006535-0-0<br>A-PL-7006535-0-0<br>A-DC-7406371-0-0                                    |      |            |   |   | 2          | WIRED ASSY (BB15)<br>WIRED ASSY (BB15)(PL) | D-AD-7006535-0-0<br>A-PL-7006535-0-0 |      |            |   |   |
| 3          | MTG PANEL TYPE H911<br>MTG PANEL TYPE H911 (PL)<br>288 PIN CONN BLOCK TYPE #H805            | D-AD-5404491-0-0<br>A-PL-5404491-0-0<br>E-SC-1205348-0-0                                    |      |            |   |   | 5          | FAN HOUSING ASSY<br>FAN HOUSING ASSY (PL)  | D-AD-7005993-0-0<br>A-PL-7005993-0-0 |      |            |   |   |
| 4          | 1943 CASTING PLUS PINS<br>1943 CASTING PLUS PINS (PL)<br>1943 FRAME CASTING                 | D-AD-5302483-0-0<br>A-PL-5302483-0-0<br>E-MD-1202885-0-0                                    |      |            |   |   | 8*         | KA15 AUTO PRIORITY INTERFACE               | A-ML-KA15-0                          |      |            |   |   |
| 5          | FAN HOUSING ASSY<br>FAN HOUSING ASSY (PL)<br>FAN HOUSING<br>DECAL FAN HOUSING               | D-AD-7005993-0-0<br>A-PL-7005993-0-0<br>D-IA-7406892-0-0<br>A-DC-7407311-0-0                |      |            |   |   | 9*         | MP15 PARITY CONTROL                        | A-ML-KA15-0                          |      |            |   |   |
| 6          | BC08B CABLE<br>BC08B CABLE (PL)<br>CLAMP CABLE  | D-UA-BC08B-0-0<br>A-PL-BC08B-0-0<br>B-MD-5508088-0-0  |      |            |   |   | 10*        | KM15 MEMORY PROTECTION OPTION              | A-ML-KM15-0                          |      |            |   |   |
| 7          | BC09B CABLE ASSY<br>BC09B CABLE ASSY (PL)<br>SCR MODULE RET<br>CABLE CLAMP<br>MODULE HOLDER | D-UA-BC09B-0-0<br>A-F-BC09B-0-0<br>C-WD-7405642-0-0<br>C-MD-7405639-0-0<br>D-SC-1209377-1-0 |      |            |   |   | 11*        | KT15 MEMORY PROTECTION RELOCATE OPTION     | A-ML-KT15-0                          |      |            |   |   |
| 8*         | KA15 AUTO PRIORITY INTERFACE<br>CABLE DUAL MYLAR M922-M922                                  | A-PL-KA15-0-0<br>C-IA-7006437-0-0   |      |            |   |   | *          | EQUIPMENT LAYOUT PDP 15                    | D-AR-PDP15-0-2                       |      |            |   |   |
| 9*         | MP15 PARITY CONTROL   | A-PL-MP15-0-0   |      |            |   |   |            |  |                                      |      |            |   |   |
| 10*        | KM15 MEMORY PROTECTION OPTION   | A-PL-KM15-0-0   |      |            |   |   |            |  |                                      |      |            |   |   |
| 11*        | KT15 MEMORY PROTECTION RELOCATE OPTION  | A-PL-KT15-0   |      |            |   |   |            |  |                                      |      |            |   |   |

FOR UNIT ASSY TO A-PL-BB15-0-0

| REV | CHANGE NO | CHK     |
|-----|-----------|---------|
| A   | 00001     | SWANSON |
|     |           | 1/3/73  |

FIRST USED ON OPTION / MODEL  
4963-E

| DO NOT SCALE DRAWING | UNLESS OTHERWISE SPECIFIED DIMENSION IN INCHES | TOLERANCES | DECIMALS | FRACTIONS | ANGLES  | FINAL SURFACE QUALITY | REMOVE BURRS AND BREAK SHARP CORNERS |
|----------------------|--|------------|----------|-----------|---------|-----------------------|--------------------------------------|
|                      |  | ± .005     | ± .005   | ± .005    | ± 0°30' |                       |                                      |

| QTY. | DESCRIPTION | PART NO. | ITEM NO. |
|------|-------------|----------|----------|
|      |             |          |          |

| DRN. | DATE | CHK'D. | DATE | ENG. | DATE | PROJ. ENG. | DATE | PROD. | DATE |
|------|------|--------|------|------|------|------------|------|-------|------|
|      |      |        |      |      |      |            |      |       |      |

| SCALE | SHEET | OF | DIST. |
|-------|-------|----|-------|
|       |       |    |       |

**digital** EQUIPMENT CORPORATION  
MAYNARD, MASSACHUSETTS

TITLE  
DRAWING INDEX LIST  
(BB15)

SIZE CODE: DDI  
NUMBER: BB15-0-1  
REV: A

This drawing and specifications, herein, are the property of Digital Equipment Corporation and shall not be reproduced or copied or used in whole or in part as the basis for the manufacture or sale of items without written permission.

|        | 1                | 2                | 3                | 4                | 5                | 6                | 7                | 8                | 9                | 10               | 11               | 12               | 13               | 14               | 15               | 16               | 17               | 18               | 19               | 20                 | 21               | 22               |                  |
|--------|------------------|------------------|------------------|------------------|------------------|------------------|------------------|------------------|------------------|------------------|------------------|------------------|------------------|------------------|------------------|------------------|------------------|------------------|------------------|--------------------|------------------|------------------|------------------|
| D<br>A | GB21<br>MP       | M984<br>MP       | M984<br>MP       | M922<br>KA       | M966<br>MP       | C728<br>MP       | M206<br>MP       | M622<br>KT       | M622<br>KT       | M622<br>KT       | M518<br>MP       | M518<br>MP       | M182<br>MP       | M133<br>MP       | M311<br>MP       | M121<br>MP       | M112<br>MP       | SPARE            | M714<br>MP       | M611<br>MP         | M285<br>MP       | M285<br>MP       |                  |
|        | FROM MAIN TO MEM | FROM MAIN TO MEM | FROM MAIN TO MEM | FROM MAIN TO MEM | FROM MAIN TO MEM | FROM MAIN TO MEM | FROM MAIN TO MEM | FROM MAIN TO MEM | FROM MAIN TO MEM | FROM MAIN TO MEM | FROM MAIN TO MEM | FROM MAIN TO MEM | FROM MAIN TO MEM | FROM MAIN TO MEM | FROM MAIN TO MEM | FROM MAIN TO MEM | FROM MAIN TO MEM | FROM MAIN TO MEM | FROM MAIN TO MEM | FROM MAIN TO MEM   | FROM MAIN TO MEM | FROM MAIN TO MEM | FROM MAIN TO MEM |
| C<br>B | M984<br>MP       | M984<br>MP       | M922<br>KA       | M984<br>MP       | M622<br>KT       | M622<br>KT       | M622<br>KT       | M518<br>MP       | M518<br>MP       | M182<br>MP       | M182<br>MP       | M182<br>MP       | M182<br>MP       | M182<br>MP       | M182<br>MP       | M182<br>MP       | M182<br>MP       | M285<br>MP       | M682<br>MP       | M285<br>MP         | M611<br>MP       | M214<br>MP       | M214<br>MP       |
|        | TO CPU           | MEM DATA LINES   | FROM BB15 TO CPU | FROM BB15 TO CPU | FROM BB15 TO CPU | FROM BB15 TO CPU | FROM BB15 TO CPU | FROM BB15 TO CPU | FROM BB15 TO CPU | FROM BB15 TO CPU | FROM BB15 TO CPU | FROM BB15 TO CPU | FROM BB15 TO CPU | FROM BB15 TO CPU | FROM BB15 TO CPU | FROM BB15 TO CPU | FROM BB15 TO CPU | FROM BB15 TO CPU | FROM BB15 TO CPU | FROM BB15 TO CPU   | FROM BB15 TO CPU | FROM BB15 TO CPU | FROM BB15 TO CPU |
| A<br>B | M285<br>KM       | M112<br>KM       | M119<br>KM       | M112<br>KM       | M611<br>KM       | M311<br>KM       | M386<br>KM       | M214<br>KT       | M214<br>KT       | G775 *<br>MP     |                  |                  |                  |                  |                  |                  |                  |                  |                  |                    |                  |                  |                  |
|        | PRE              | PV               | C1               | F2               | J2               | C1               | F2               | B1               | F2               | H1               | J2               |                  |                  |                  |                  |                  |                  |                  |                  |                    |                  |                  |                  |
| B<br>B | M121<br>KM       | M133<br>KM       | M627<br>KM       | M627<br>KM       | M183<br>KM       | M183<br>KM       | M311<br>KM       | M285<br>KT       | M285<br>KT       | G775 *<br>KM/KT  |                  |                  |                  |                  |                  |                  |                  |                  |                  |                    |                  |                  |                  |
|        | E1               | J2               | F1               | F2               | E1               | J2               | E1               | J2               | 10T 1781         | K1               | 10T 1741         | K1               | H1               | J2               | RR81             | RR83             | RR86             | RR88             | P                | PROTECT & RELOCATE |                  |                  |                  |

| REV | CHANGE NO. | REVISIONS  |
|-----|------------|------------|
| A   | 00007      | BB15-00007 |
| B   | 00010      | BB15-00010 |
| C   | 00012      | BB15-00012 |
| D   | 00014      | BB15-00014 |
| E   | 00015      | BB15-00015 |
| F   | 00016      | BB15-00016 |
| G   | 00017      | BB15-00017 |
| H   | 00018      | BB15-00018 |
| I   | 00019      | BB15-00019 |
| J   | 00020      | BB15-00020 |
| K   | 00021      | BB15-00021 |

|   |  |  |   |
|---|--|--|---|
| FIRST USED ON OPTION/MODEL<br>PDP15   | DO NOT SCALE DRAWING<br>UNLESS OTHERWISE SPECIFIED<br>DIMENSION IN INCHES<br>TOLERANCES<br>DECIMALS FRACTIONS ANGLES<br>±.005 ±.1/64 ±.030°<br>FINAL SURFACE QUALITY<br>REMOVE BURRS AND BREAK SHARP CORNERS | DRN: M. MCDON<br>CHKD: M. MCDON<br>ENG: G. Labrel<br>PROG. G. Labrel<br>DATE: 3/23/70<br>DATE: 3/23/70<br>DATE: 3/23/70<br>DATE: 3/23/70 | digital EQUIPMENT CORPORATION<br>MAYNARD, MASSACHUSETTS     |
| * WHEN THIS OPTION IS INSTALLED A JUMPER WIRE MUST BE PLACED ON THE REAR OF THE G775 MODULE. ON G775B THIS INVOLVES SOLDERING THE JUMPER ACROSS THE CUT ETCH ON BOTH SIDES OF THE BOARD. ON G775C AND LATER THE JUMPER IS PLACED AND SOLDERED IN THE HOLES PROVIDED.<br>▲M285 IS NECESSARY FOR MP15 AND/OR KM15 |  | MATERIAL: 1-1-1<br>FINISH: 1-1-1   | TITLE: MODULE UTILIZATION<br>SCALE: 1 OF 2<br>SHEET: 1 OF 2 |
|   |  | NEXT HIGHER ASSY<br>A-WL-BB15-0  | SIZE CODE: DIMU<br>NUMBER: BB15-0-4<br>REV: K               |

REV. K  
DIMU BB15-0-4

This drawing and specifications herein are the property of Digital Equipment Corporation and shall not be reproduced or copied or used in whole or in part as the basis for the manufacture or sale of items without written permission.

|   |            |   |               |   |               |   |               |   |                                   |  |               |  |               |  |               |  |               |  |               |  |               |  |               |  |               |  |               |  |               |  |               |  |               |  |               |  |               |  |               |  |               |  |               |  |
|---|------------|---|---------------|---|---------------|---|---------------|---|-----------------------------------|--|---------------|--|---------------|--|---------------|--|---------------|--|---------------|--|---------------|--|---------------|--|---------------|--|---------------|--|---------------|--|---------------|--|---------------|--|---------------|--|---------------|--|---------------|--|---------------|--|---------------|--|
|   | 8          | 7 | 6             | 5 | 4             | 3 | 2             | 1 | SIZE CODE NUMBER<br>DIMU BB15-0-4 |  |               |  |               |  |               |  |               |  |               |  |               |  |               |  |               |  |               |  |               |  |               |  |               |  |               |  |               |  |               |  |               |  |               |  |
|   | 1          |   | 2             |   | 3             |   | 4             |   | 5                                 |  | 6             |  | 7             |  | 8             |  | 9             |  | 10            |  | 11            |  | 12            |  | 13            |  | 14            |  | 15            |  | 16            |  | 17            |  | 18            |  | 19            |  | 20            |  | 21            |  | 22            |  |
|   | M912       |   | M912          |   | M912          |   | M912          |   | M912                              |  | M621          |  | M621          |  | M621          |  | M149          |  | M510          |  | M510          |  | M111          |  | M121          |  | M113          |  | M113          |  | M112          |  | M112          |  | M216          |  | M216          |  | M111          |  | M113          |  |               |  |
|   | 2          |   | 2             |   | 2             |   | 2             |   | 2                                 |  | 2             |  | 2             |  | 2             |  | 2             |  | 2             |  | 2             |  | 2             |  | 2             |  | 2             |  | 2             |  | 2             |  | 2             |  | 2             |  | 2             |  | 2             |  | 2             |  | 2             |  |
|   | BB         |   | BB            |   | BB            |   | BB            |   | BB                                |  | BB            |  | BB            |  | BB            |  | BB            |  | BB            |  | BB            |  | BB            |  | BB            |  | BB            |  | BB            |  | BB            |  | BB            |  | BB            |  | BB            |  | BB            |  | BB            |  | BB            |  |
| D | +5V REGULA |   | I/O BUS CABLE |   | I/O BUS CABLE |   | I/O BUS CABLE |   | I/O BUS CABLE                     |  | I/O BUS CABLE |  | I/O BUS CABLE |  | I/O BUS CABLE |  | I/O BUS CABLE |  | I/O BUS CABLE |  | I/O BUS CABLE |  | I/O BUS CABLE |  | I/O BUS CABLE |  | I/O BUS CABLE |  | I/O BUS CABLE |  | I/O BUS CABLE |  | I/O BUS CABLE |  | I/O BUS CABLE |  | I/O BUS CABLE |  | I/O BUS CABLE |  | I/O BUS CABLE |  | I/O BUS CABLE |  |
| C | TOR        |   | FROM C P      |   | FROM C P      |   | FROM C P      |   | FROM C P                          |  | FROM C P      |  | FROM C P      |  | FROM C P      |  | FROM C P      |  | FROM C P      |  | FROM C P      |  | FROM C P      |  | FROM C P      |  | FROM C P      |  | FROM C P      |  | FROM C P      |  | FROM C P      |  | FROM C P      |  | FROM C P      |  | FROM C P      |  | FROM C P      |  | FROM C P      |  |
| B | D1         |   | H2            |   | C1            |   | F2            |   | C1                                |  | F2            |  | B1            |  | F2            |  | E1            |  | J2            |  | E1            |  | J2            |  | E1            |  | J2            |  | E1            |  | J2            |  | E1            |  | J2            |  | E1            |  | J2            |  | E1            |  | J2            |  |
| A | TRQ BB     |   | TRQ B1        |   | PF API RG A   |   | PF API RG B   |   | B1 C1 E1 H1                       |  |               |  |               |  |               |  |               |  |               |  |               |  |               |  |               |  |               |  |               |  |               |  |               |  |               |  |               |  |               |  |               |  |               |  |
|   | TRQ B2     |   | TRQ B3        |   | RTC API RG A  |   | RTC API RG B  |   |                                   |  |               |  |               |  |               |  |               |  |               |  |               |  |               |  |               |  |               |  |               |  |               |  |               |  |               |  |               |  |               |  |               |  |               |  |
|   | DIS BRK    |   |               |   |               |   |               |   |                                   |  |               |  |               |  |               |  |               |  |               |  |               |  |               |  |               |  |               |  |               |  |               |  |               |  |               |  |               |  |               |  |               |  |               |  |
|   | M216       |   | M216          |   | M912          |   | M111          |   | M621                              |  | M113          |  | M113          |  | M112          |  | M112          |  | M216          |  | M216          |  | M112          |  | M112          |  | M216          |  | M216          |  | M112          |  | M112          |  | M112          |  | M112          |  | M112          |  |               |  |               |  |
|   | KA         |   | KA            |   | KA            |   | KA            |   | KA                                |  | KA            |  | KA            |  | KA            |  | KA            |  | KA            |  | KA            |  | KA            |  | KA            |  | KA            |  | KA            |  | KA            |  | KA            |  | KA            |  | KA            |  | KA            |  | KA            |  |               |  |
|   | TRQ        |   | TRQ           |   | PF API RG A   |   | PF API RG B   |   | B1 C1 E1 H1                       |  |               |  |               |  |               |  |               |  |               |  |               |  |               |  |               |  |               |  |               |  |               |  |               |  |               |  |               |  |               |  |               |  |               |  |
|   | DIS BRK    |   |               |   |               |   |               |   |                                   |  |               |  |               |  |               |  |               |  |               |  |               |  |               |  |               |  |               |  |               |  |               |  |               |  |               |  |               |  |               |  |               |  |               |  |
|   | M216       |   | M216          |   | M912          |   | M111          |   | M621                              |  | M113          |  | M113          |  | M112          |  | M112          |  | M216          |  | M216          |  | M112          |  | M112          |  | M216          |  | M216          |  | M112          |  | M112          |  | M112          |  | M112          |  | M112          |  |               |  |               |  |
|   | KA         |   | KA            |   | KA            |   | KA            |   | KA                                |  | KA            |  | KA            |  | KA            |  | KA            |  | KA            |  | KA            |  | KA            |  | KA            |  | KA            |  | KA            |  | KA            |  | KA            |  | KA            |  | KA            |  | KA            |  | KA            |  |               |  |
|   | TRQ        |   | TRQ           |   | PF API RG A   |   | PF API RG B   |   | B1 C1 E1 H1                       |  |               |  |               |  |               |  |               |  |               |  |               |  |               |  |               |  |               |  |               |  |               |  |               |  |               |  |               |  |               |  |               |  |               |  |
|   | DIS BRK    |   |               |   |               |   |               |   |                                   |  |               |  |               |  |               |  |               |  |               |  |               |  |               |  |               |  |               |  |               |  |               |  |               |  |               |  |               |  |               |  |               |  |               |  |
|   | M216       |   | M216          |   | M912          |   | M111          |   | M621                              |  | M113          |  | M113          |  | M112          |  | M112          |  | M216          |  | M216          |  | M112          |  | M112          |  | M216          |  | M216          |  | M112          |  | M112          |  | M112          |  | M112          |  | M112          |  |               |  |               |  |
|   | KA         |   | KA            |   | KA            |   | KA            |   | KA                                |  | KA            |  | KA            |  | KA            |  | KA            |  | KA            |  | KA            |  | KA            |  | KA            |  | KA            |  | KA            |  | KA            |  | KA            |  | KA            |  | KA            |  | KA            |  | KA            |  |               |  |
|   | TRQ        |   | TRQ           |   | PF API RG A   |   | PF API RG B   |   | B1 C1 E1 H1                       |  |               |  |               |  |               |  |               |  |               |  |               |  |               |  |               |  |               |  |               |  |               |  |               |  |               |  |               |  |               |  |               |  |               |  |
|   | DIS BRK    |   |               |   |               |   |               |   |                                   |  |               |  |               |  |               |  |               |  |               |  |               |  |               |  |               |  |               |  |               |  |               |  |               |  |               |  |               |  |               |  |               |  |               |  |

USED ON OPTION/MODEL  
PDP15

DO NOT SCALE DRAWING

UNLESS OTHERWISE SPECIFIED  
DIMENSION IN INCHES

TOLERANCES  
DECIMALS FRACTIONS ANGLES  
= .005 = 1/64 = 0.30

FINAL SURFACE QUALITY  
REMOVE BURRS AND BREAK SHARP CORNERS

MATERIAL  
FINISH

DRN: *MARSH* DATE: 3/23/70  
CHK: *[Signature]* DATE: 3/23/70  
ENG: *[Signature]* DATE: 3/26/70  
PROD: *[Signature]* DATE: 3/26/70

NEXT HIGHER ASSY  
A-ML-RB15-0

SCALE  
SHEET 2 OF 2

TITLE  
MODULE UTILIZATION

SIZE CODE  
DIMU

NUMBER  
BB15-0-4

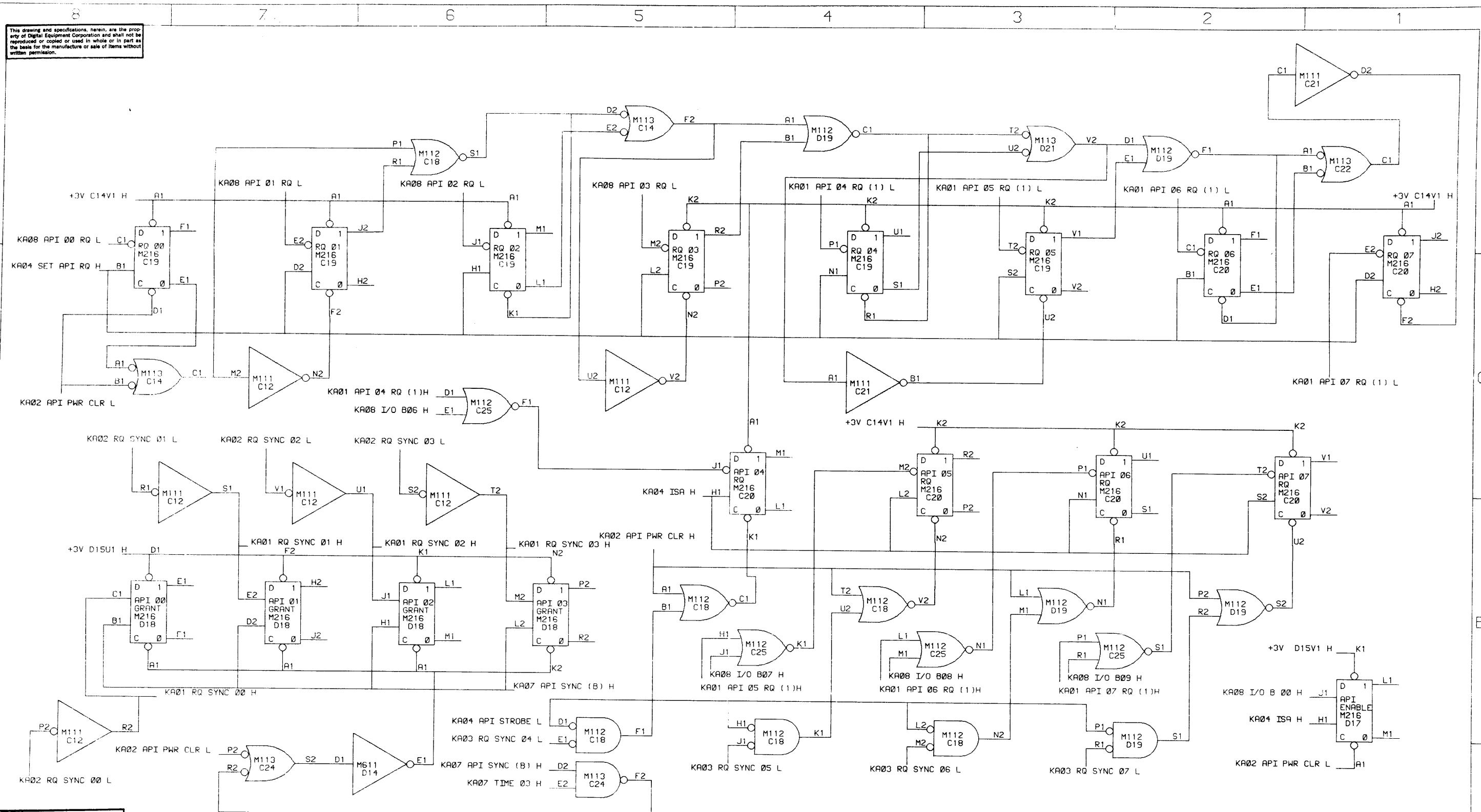
REV. *K*

REV. CHANGE NO.

DEC FORM NO. DRG 112



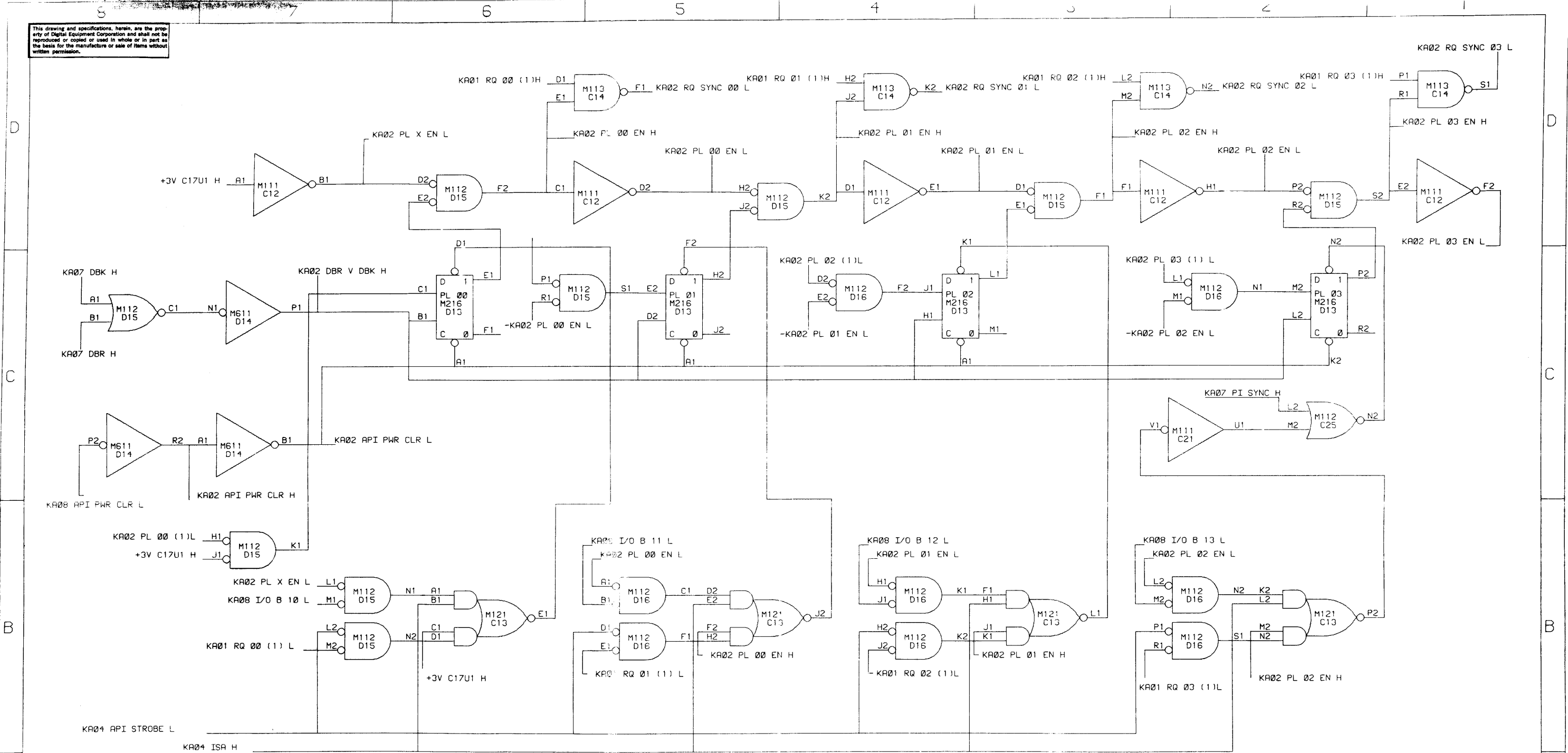
This drawing and specifications, herein, are the property of Digital Equipment Corporation and shall not be reproduced or copied or used in whole or in part as the basis for the manufacture or sale of items without written permission.



| REVISIONS |            |      |
|-----------|------------|------|
| CHK       | CHANGE NO. | REV. |
|           | BB15-00004 | A    |
|           |            |      |
|           |            |      |
|           |            |      |
|           |            |      |
|           |            |      |
|           |            |      |
|           |            |      |
|           |            |      |

|                       |                   |  |
|-----------------------|-------------------|--|
| DRN<br>K COTE         | DATE<br>3/20/77   | <b>digital</b> EQUIPMENT CORPORATION<br>MAYNARD, MASSACHUSETTS |
| CHK'D<br>P DIGNEAULT  | DATE<br>3/20/77   |  |
| ENG<br>J ELSBREE      | DATE<br>3/25/77   | TITLE<br>REQUESTS  |
| PROJ. ENG<br>F ALMANN | DATE<br>3/25/77   |  |
| PROD.<br>F LASKEY     | DATE<br>3/27/77   |  |
| FIRST USED ON<br>KA15 |                   |  |
| SCALE                 | SIZE CODE<br>D BS | NUMBER<br>KA15-0-01  |
| SHEET 1 OF 1          | DIST              | REV.<br>A  |

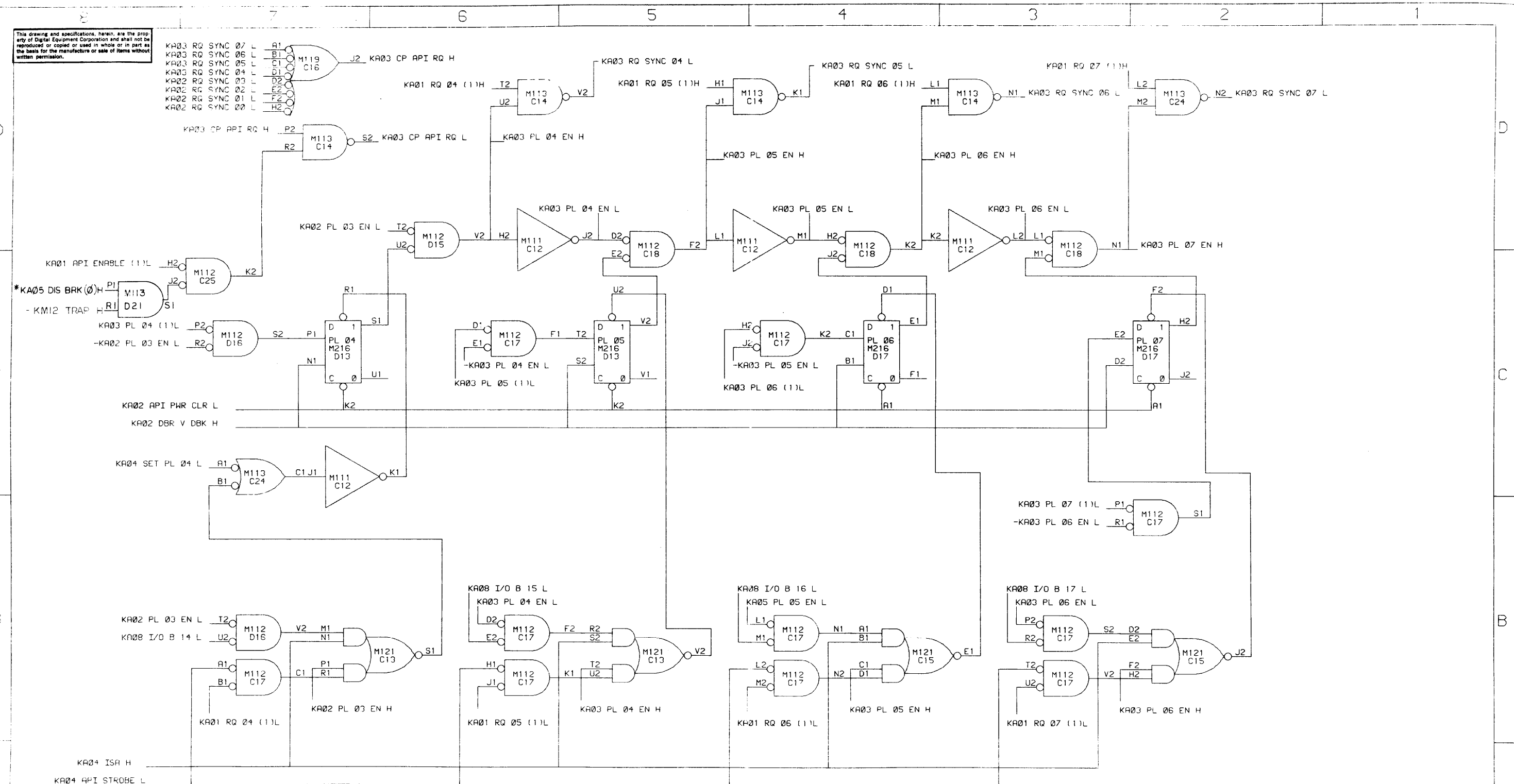
This drawing and specifications, herein, are the property of Digital Equipment Corporation and shall not be reproduced or copied in whole or in part as the basis for the manufacture or sale of items without written permission.



| REVISIONS |            |      |
|-----------|------------|------|
| CHK       | CHANGE NO. | REV. |
|           |            |      |

|                           |                      |   |
|---------------------------|----------------------|---|
| DRAWN<br>A. Galt          | DATE<br>3-12-70      | <br>digital EQUIPMENT CORPORATION<br>MAYNARD, MASSACHUSETTS |
| CHECKED<br>C. W. Gault    | DATE<br>3-13-70      |   |
| ENG.<br>P. Labrec         | DATE<br>3/25/70      | TITLE<br>PRIORITY LEVELS 0-3                                |
| PROD. ENG.<br>P. G. Gault | DATE<br>3/25/70      |   |
| PROD.<br>P. G. Gault      | DATE<br>3/25/70      |   |
| FIRST USED ON<br>KA15     |                      |   |
| SCALE<br>D BS             | NUMBRER<br>KA15-0-02 | REV.<br>1   |
| SHEET 1 OF 1              | DIST.                |   |

This drawing and specifications herein are the property of Digital Equipment Corporation and shall not be reproduced or copied or used in whole or in part as the basis for the manufacture or sale of items without written permission.

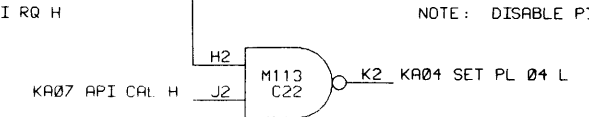
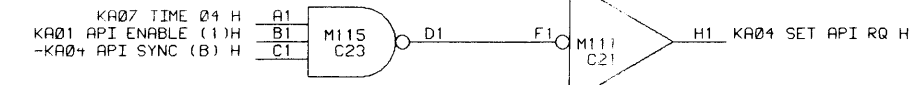
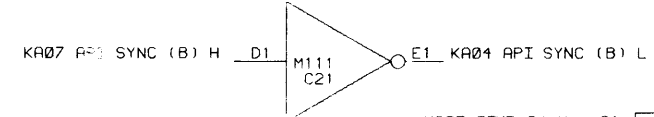
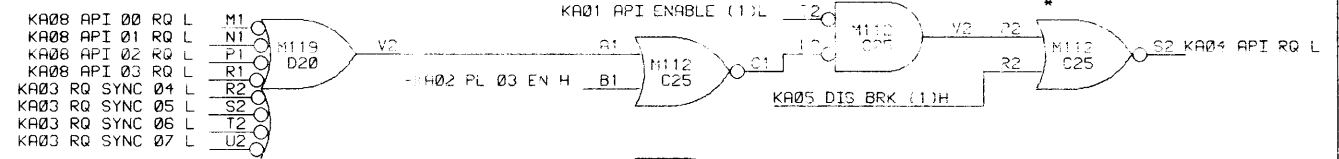
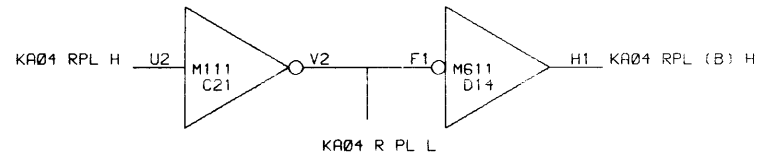
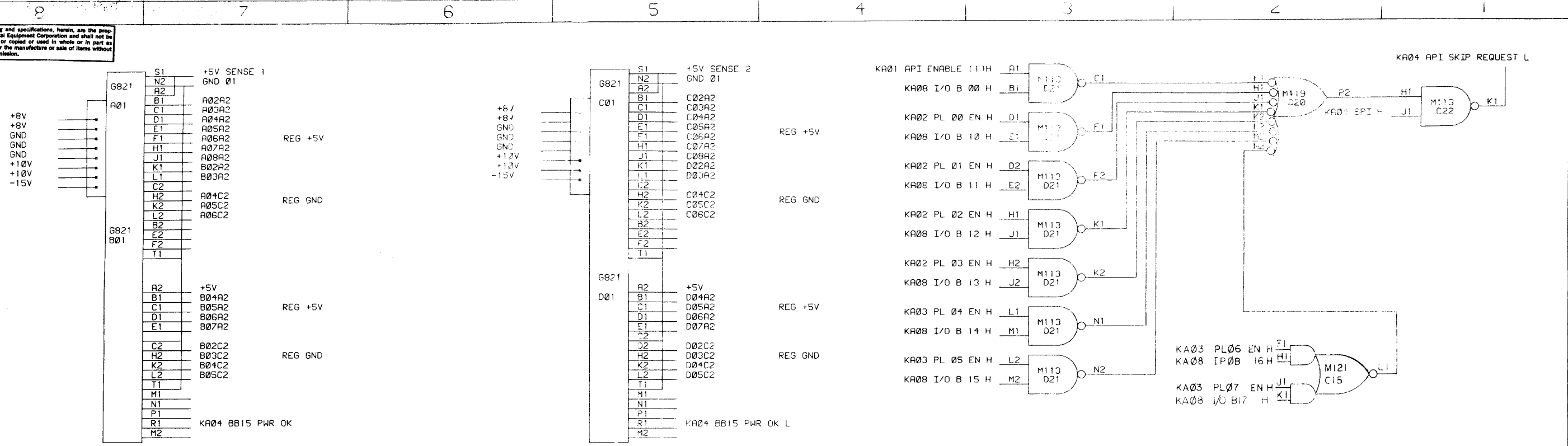


\* IF BB15 ECO#12 IS NOT INSTALLED, THIS POINT IS -37 02101

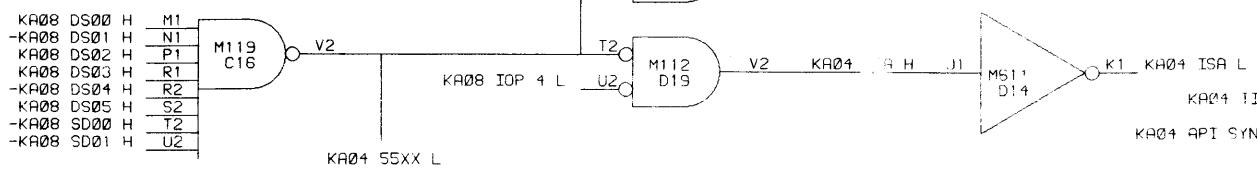
| REVISIONS |            |      |
|-----------|------------|------|
| CHK       | CHANGE NO. | REV. |
| WJL       | BB15-00012 | A    |
|           |            |      |
|           |            |      |

|                         |                   |                                |
|-------------------------|-------------------|--------------------------------|
| DRN<br>K. COTE          | DATE<br>3/13/70   | <br>MAYNARD, MASSACHUSETTS     |
| CHK'D<br>F. DRIGNEAULT  | DATE<br>3/13/70   |                                |
| ENG<br>J. ELSBREE       | DATE<br>3/25/70   | TITLE<br>PRIORITY LEVELS 04-07 |
| PROJ. ENG.<br>F. RUMANN | DATE<br>3/25/70   |                                |
| PROD.<br>F. LASKEY      | DATE<br>3/27/70   |                                |
| FIRST USED ON<br>KH15   | SIZE/CODE<br>D BS | NUMBER<br>KA15-0-03            |
| SCALE                   |                   | REV.<br>3                      |
| SHEET 1 OF 1            | DIST.             |                                |

This drawing and specifications, herein, are the property of Digital Equipment Corporation and shall not be reproduced or copied or used in whole or in part as the basis for the manufacture or sale of items without written permission.



NOTE: DISABLE PI



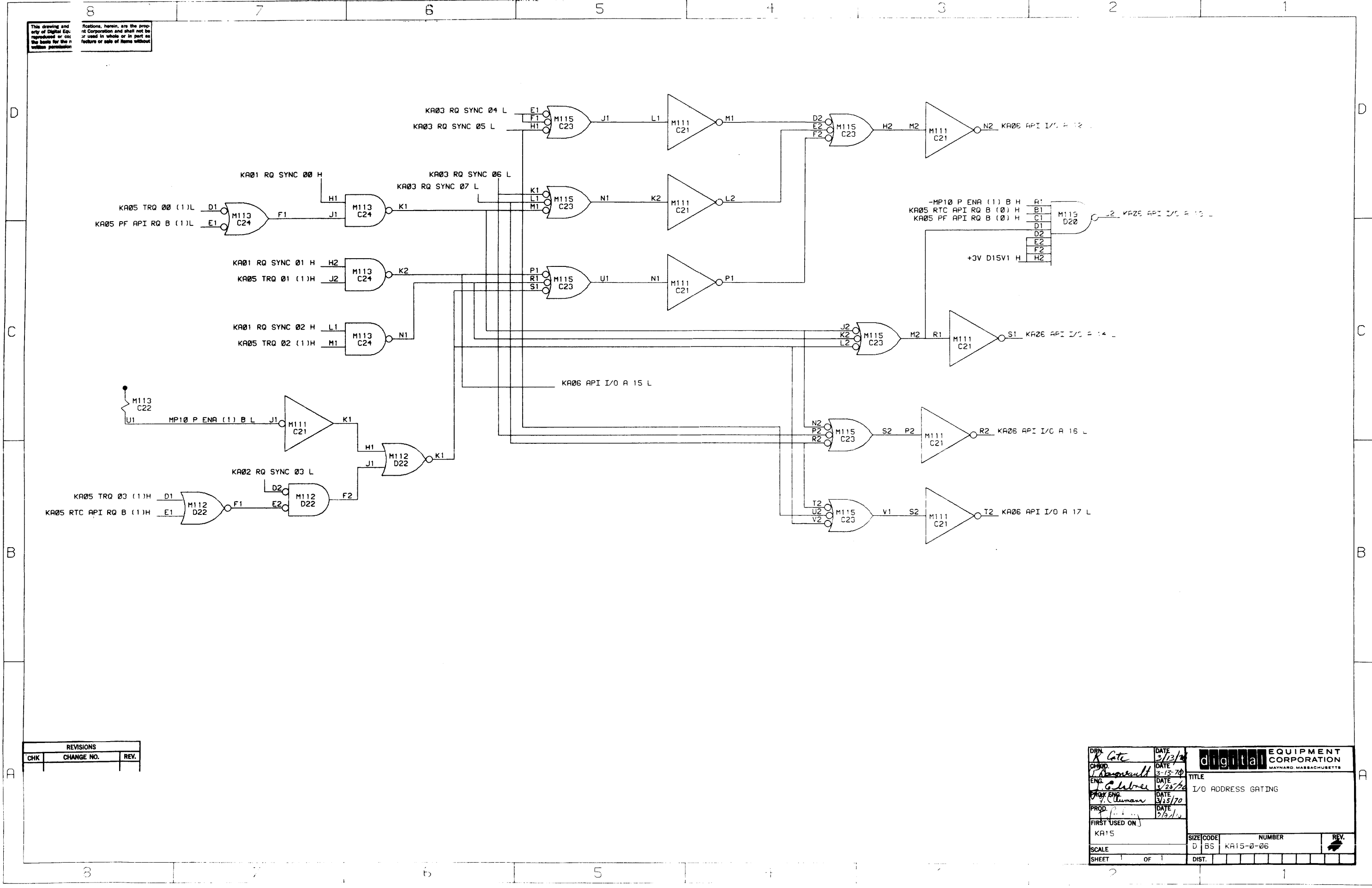
ADDED BY OPTIONAL BB15 ECO#12

| REVISIONS |                    |      | REVISIONS            |            |      |
|-----------|--------------------|------|----------------------|------------|------|
| CHK       | CHANGE NO.         | REV. | CHK                  | CHANGE NO. | REV. |
| AC        | BB15-00004         | A    | q.m                  | BB15-00020 | E    |
|           | D. SOUTHER 4-23-70 |      | B. P. Knight 4-23-70 |            |      |
|           | J. ELSBREE 5-4-70  |      | F. DOL               |            |      |
|           | BB15-00007         | B    |                      |            |      |
|           | I. PETERS 7-6-72   |      |                      |            |      |
|           | J. ELSBREE         |      |                      |            |      |
|           | BB15-00009         | C    |                      |            |      |
|           | I. PETERS 7-8-72   |      |                      |            |      |
|           | J. ELSBREE 7-9-72  |      |                      |            |      |
|           | BB15-00010         | D    |                      |            |      |

|                          |                 |  |
|--------------------------|-----------------|--|
| DRN.<br>K COTE           | DATE<br>3/13/70 | <b>digital</b> EQUIPMENT CORPORATION<br>MAYNARD, MASSACHUSETTS |
| CHK'D.<br>P. BRIDENBULT  | DATE<br>3/13/70 |  |
| ENG.<br>J. ELSBREE       | DATE<br>3/25/70 | TITLE<br>API CONTROL   |
| PROJ. ENG.<br>F. RUMPHIN | DATE<br>3/25/70 |  |
| PROD.<br>F. LUCKEY       | DATE<br>3/26/70 |  |
| FIRST USED ON            |                 |  |
| SCALE                    | SIZE/CODE       | NUMBER   |
| SHEET 1 OF 1             | D. BS           | KA15-0-04  |
|                          | DIST.           | REV. E   |



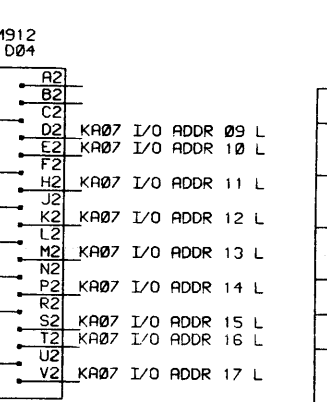
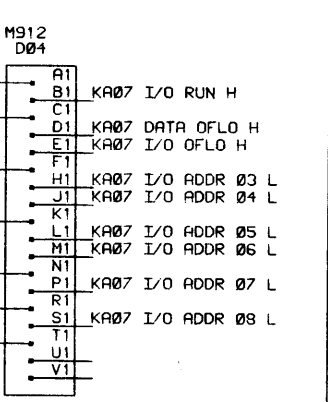
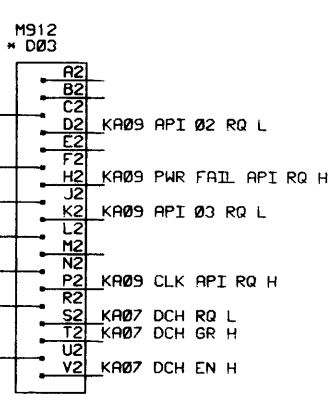
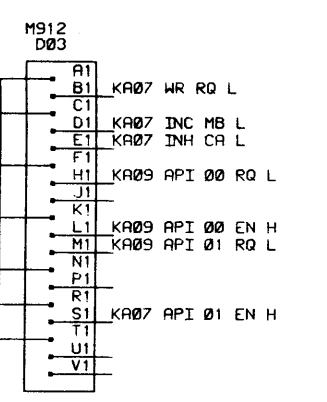
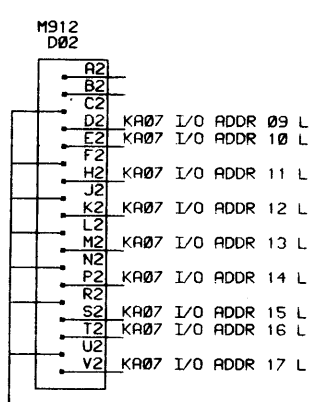
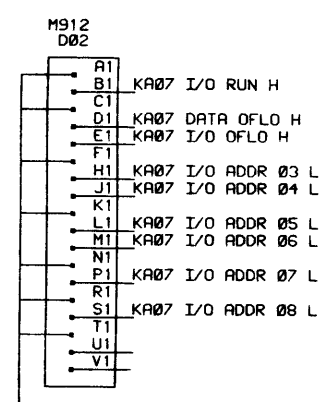
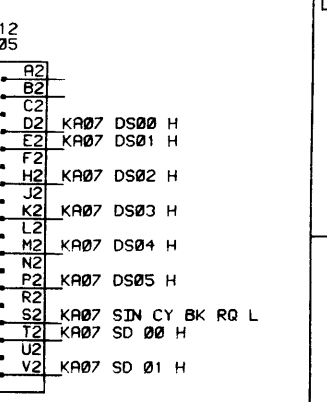
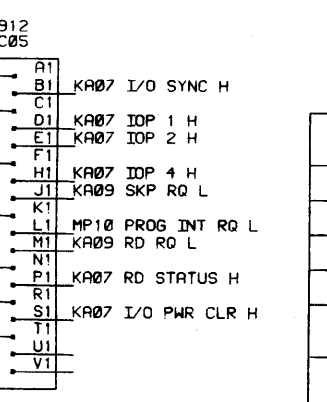
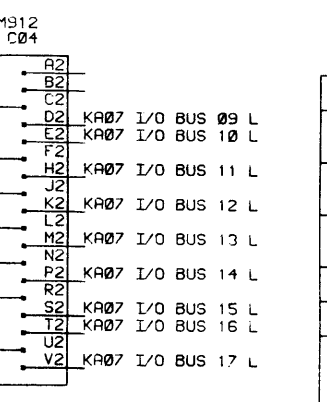
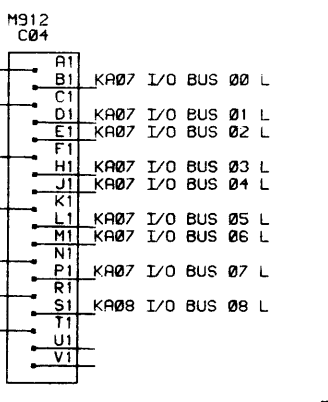
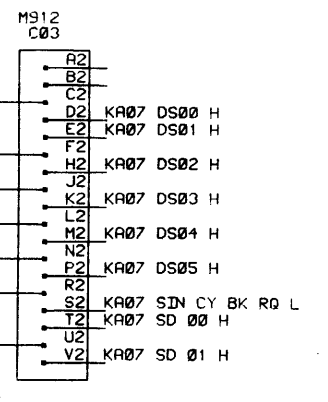
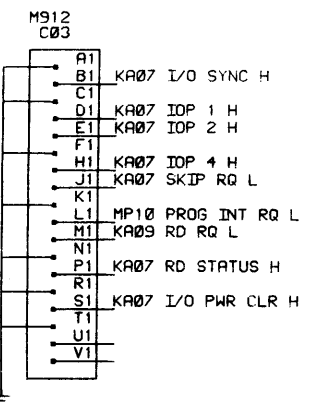
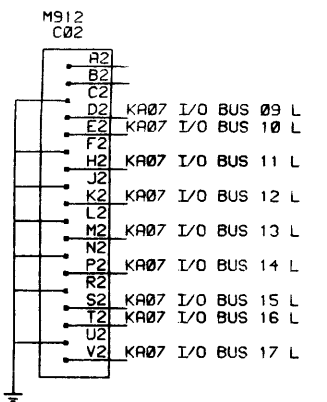
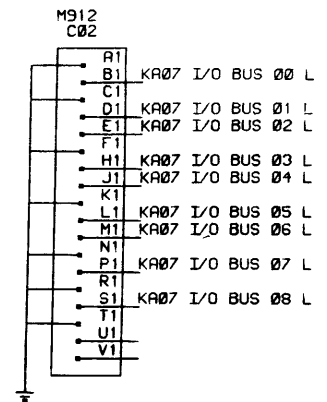
This drawing and any of Digital Equipment Corporation and shall not be reproduced or used in whole or in part as a basis for the manufacture of items without the written permission of Digital Equipment Corporation.



| REVISIONS |            |      |
|-----------|------------|------|
| CHK       | CHANGE NO. | REV. |
|           |            |      |

|                                  |                   |  |
|----------------------------------|-------------------|--|
| DRN<br><i>R. Gite</i>            | DATE<br>3/13/70   | <b>digital EQUIPMENT CORPORATION</b><br><small>MAYNARD, MASSACHUSETTS</small><br>TITLE<br>I/O ADDRESS GATING |
| CHK'D<br><i>J. Bonaventura</i>   | DATE<br>3-13-70   |  |
| ENG.<br><i>J. Calver</i>         | DATE<br>1/25/70   |  |
| PROG. ENGR.<br><i>J. Ullmann</i> | DATE<br>3/25/70   |  |
| PROD.<br><i>[Signature]</i>      | DATE<br>2/2/70    |  |
| FIRST USED ON<br>KA15            | SIZE CODE<br>D BS | NUMBER<br>KA15-0-06  |
| SCALE                            | DIST.             | REV.<br>1  |
| SHEET 1                          | OF 1              |  |

This drawing and specifications, herein, are the property of Digital Equipment Corporation and shall not be reproduced or copied or used in whole or in part as the basis for the manufacture or sale of items without written permission.



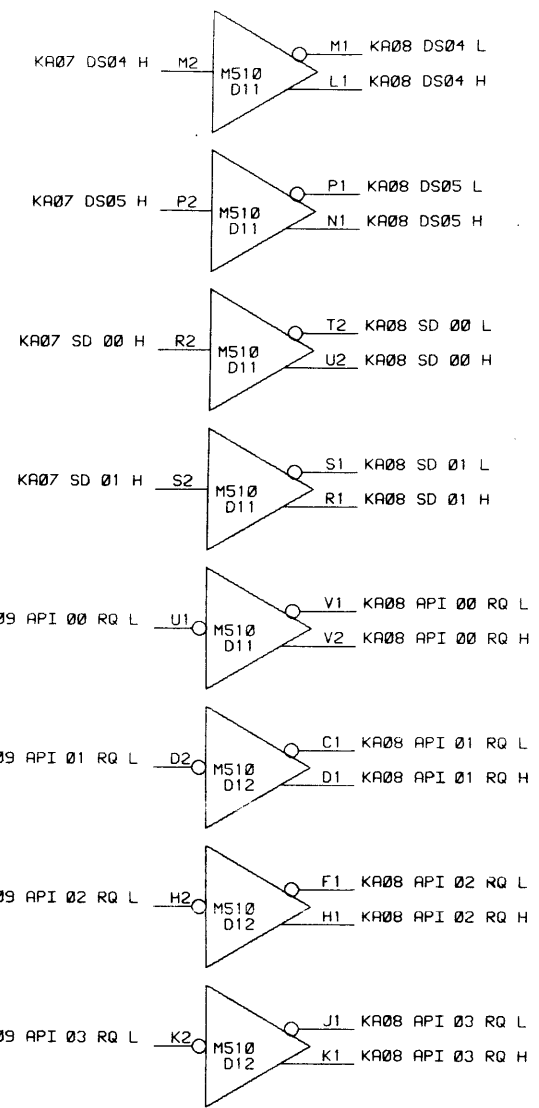
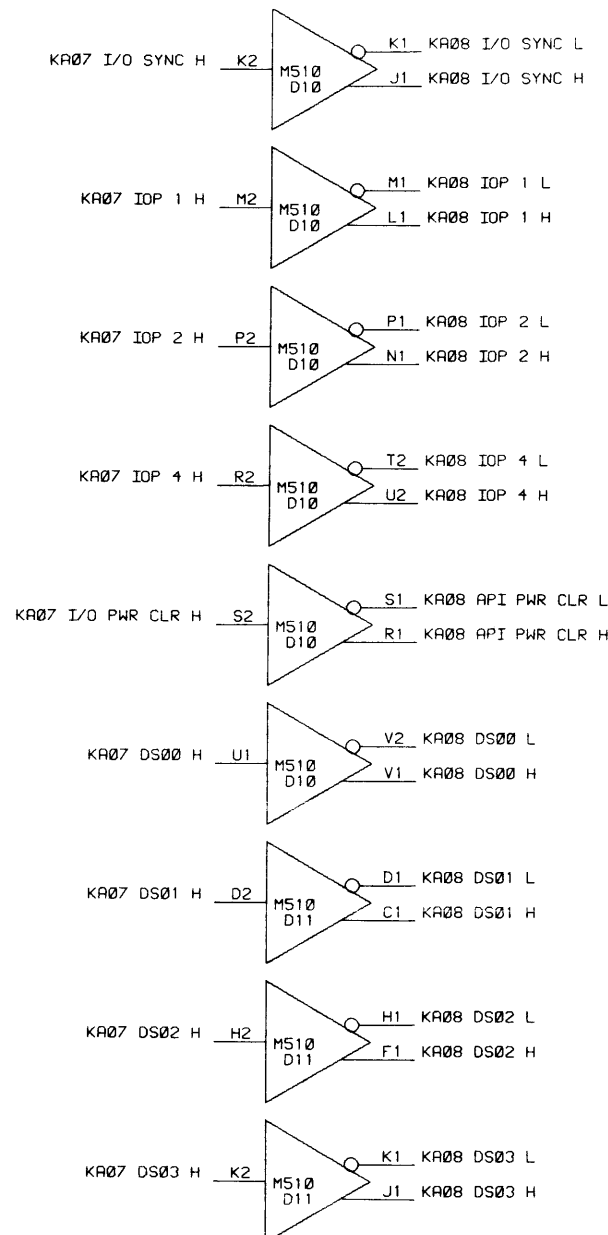
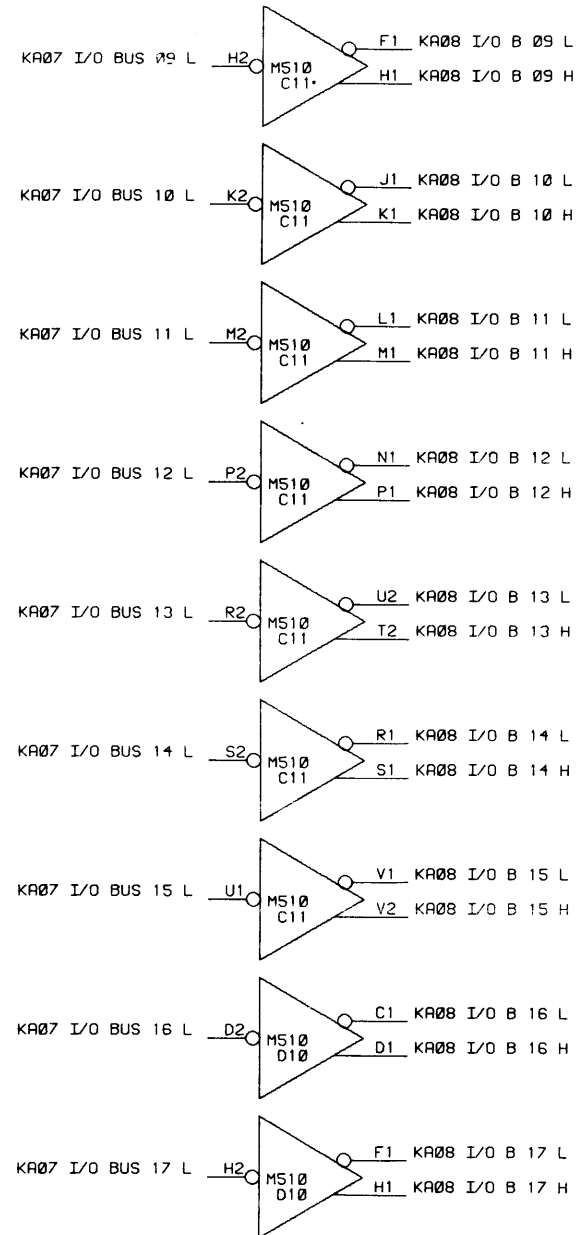
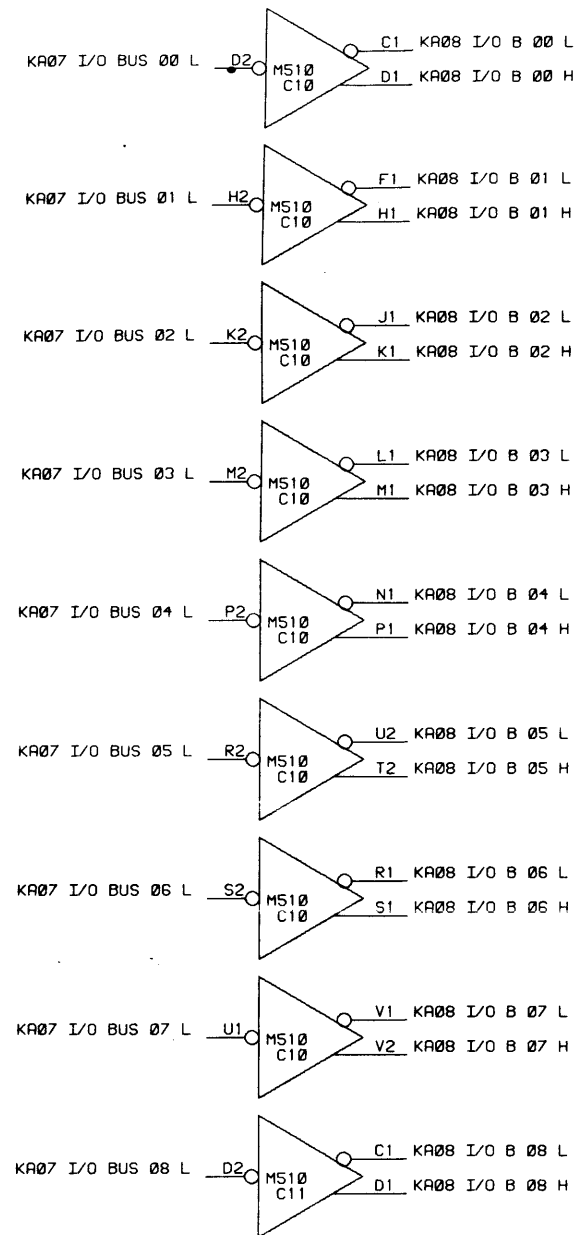
\*NOTE: IF 8B15 IS INSTALLED WITHOUT API (KA15) ADD THE FOLLOWING WIRES:  
 D03H2 - D05H2  
 D03P2 - D05P2

API INDICATOR CABLE

| REVISIONS |            |      |
|-----------|------------|------|
| CHK       | CHANGE NO. | REV. |
| AK        | 8815-00011 | A    |
|           |            |      |
|           |            |      |
|           |            |      |
|           |            |      |
|           |            |      |
|           |            |      |
|           |            |      |
|           |            |      |
|           |            |      |

|                         |                   |   |
|-------------------------|-------------------|---|
| DRN<br>K COTE           | DATE<br>1/13/77   | <br>digital EQUIPMENT CORPORATION<br>MAYNARD, MASSACHUSETTS |
| CHKD<br>P ORIGNEAULT    | DATE<br>3/13/77   |   |
| ENG<br>J ELSBREE        | DATE<br>3/25/77   | TITLE<br>API CABLES   |
| PROJ. ENG.<br>P ALTMANN | DATE<br>3/25/77   |   |
| PROD.<br>F LASKY        | DATE<br>3/27/77   |   |
| FIRST USED ON<br>KA15   | SIZE/CODE<br>D BS | NUMBER<br>KA15-0-07   |
| SCALE                   | OF 1              | REV.<br>A   |
| SHEET 1                 | DIST.             |   |

This drawing and specifications, herein, are the property of Digital Equipment Corporation and shall not be reproduced or copied or used in whole or in part as the basis for the manufacture or sale of items without written permission.

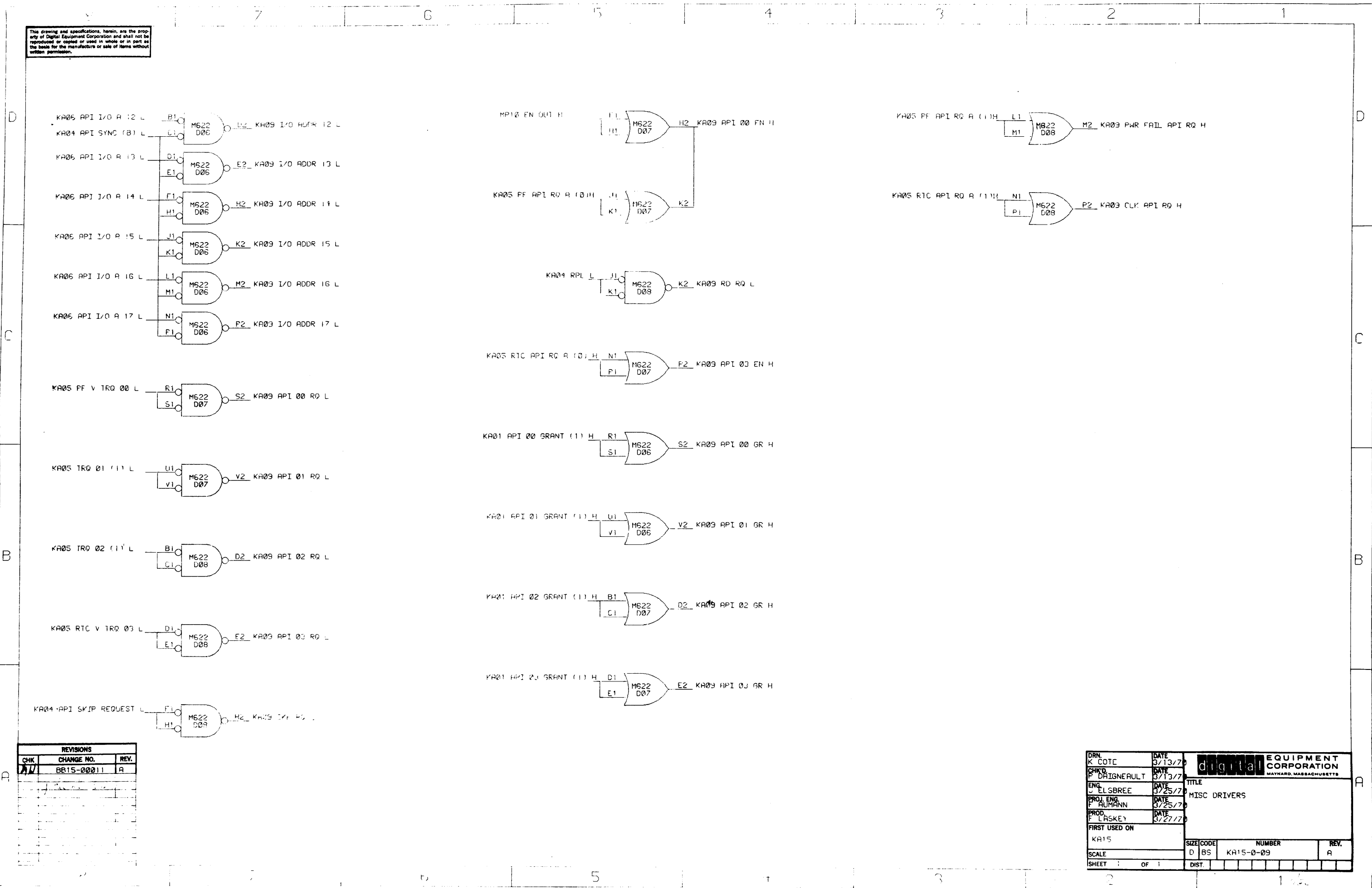


| REVISIONS |            |      |
|-----------|------------|------|
| CHK       | CHANGE NO. | REV. |
|           |            |      |

|                        |                     |   |                            |
|------------------------|---------------------|---|----------------------------|
| DRN<br>A. Cate         | DATE<br>2-12-70     | <br>digital EQUIPMENT CORPORATION<br>MAYNARD, MASSACHUSETTS | TITLE<br>I/O BUS RECEIVERS |
| CHKD BY<br>W. Brownell | DATE<br>3-13-70     |   |                            |
| ENG.<br>J. Palmer      | DATE<br>3/15/70     |   |                            |
| APP'D BY<br>J. Quinlan | DATE<br>3/15/70     |   |                            |
| PROD.<br>S. P. S.      | DATE<br>3/15/70     |   |                            |
| FIRST USED ON          |                     |   |                            |
| KA15                   | SIZE CODE<br>D   BS | NUMBER<br>KA15-0-08   | REV.<br>                   |
| SCALE                  | SHEET 1 OF 1        | DIST.   |                            |



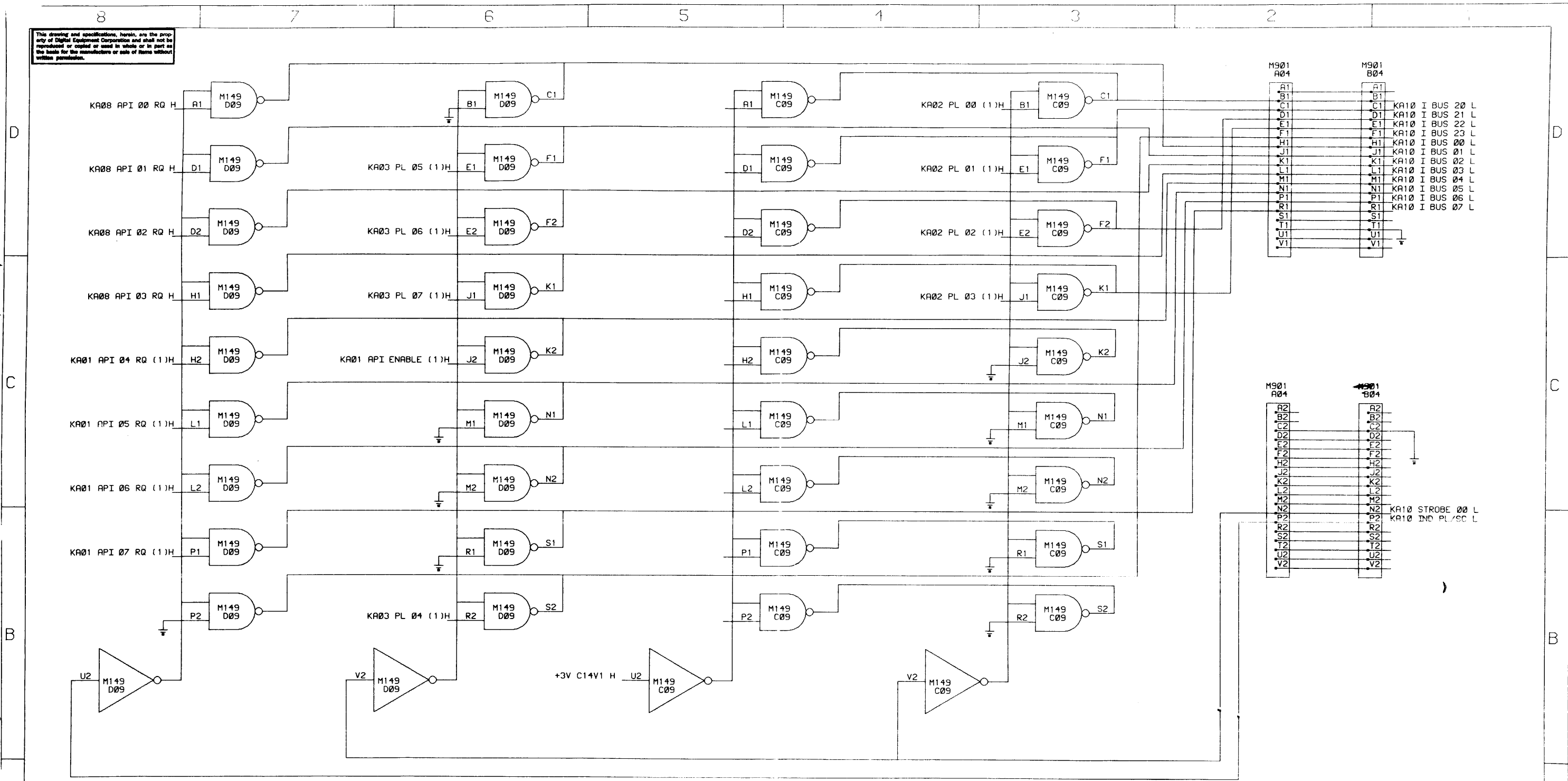
This drawing and specifications, herein, are the property of Digital Equipment Corporation and shall not be reproduced or copied or used in whole or in part as the basis for the manufacture or sale of items without written permission.



| REVISIONS |            |      |
|-----------|------------|------|
| CHK       | CHANGE NO. | REV. |
| AW        | BR15-00011 | A    |

|                         |                       |  |
|-------------------------|-----------------------|--|
| DRN<br>K COTE           | DATE<br>3/13/70       | <b>DIGITAL EQUIPMENT CORPORATION</b><br>MAYNARD, MASSACHUSETTS |
| CHK'D<br>P DRIGNERULT   | DATE<br>3/13/70       |  |
| ENG<br>J EL SBREE       | DATE<br>3/25/70       |  |
| PROJ. ENG.<br>F ALUMANN | DATE<br>3/25/70       |  |
| PROD.<br>F LASKEY       | DATE<br>3/27/70       |  |
| FIRST USED ON<br>KA15   | TITLE<br>MISC DRIVERS |  |
| SCALE                   | SIZE CODE<br>D BS     | NUMBER<br>KA15-0-09  |
| SHEET                   | OF                    | REV.<br>A  |

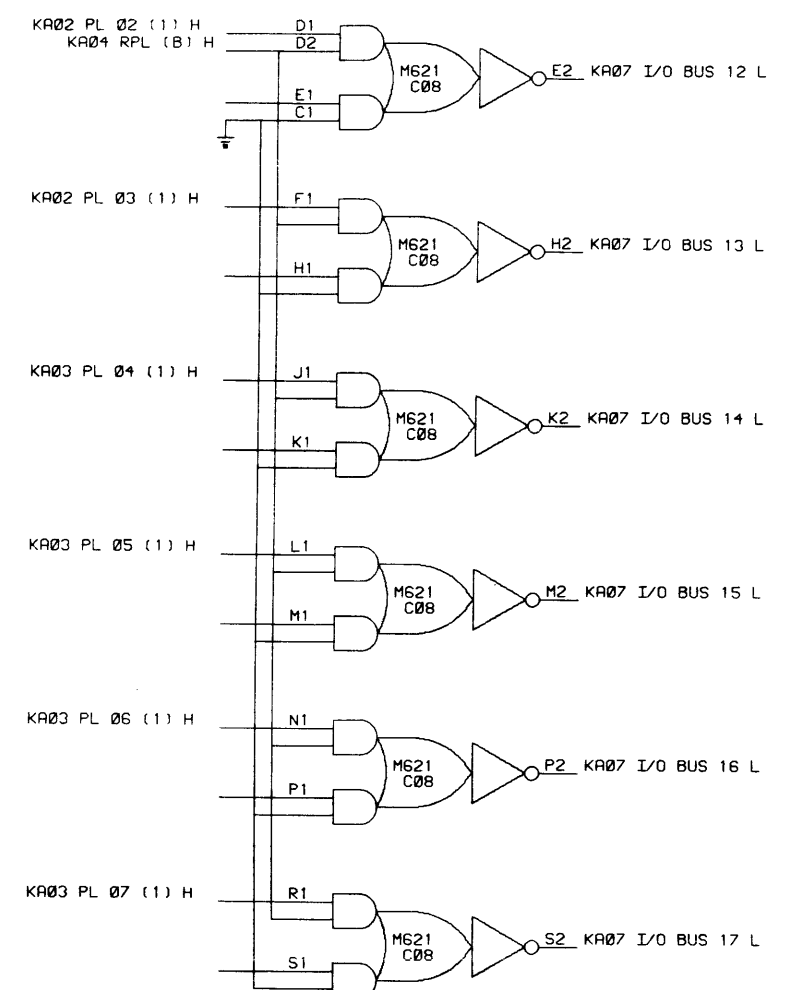
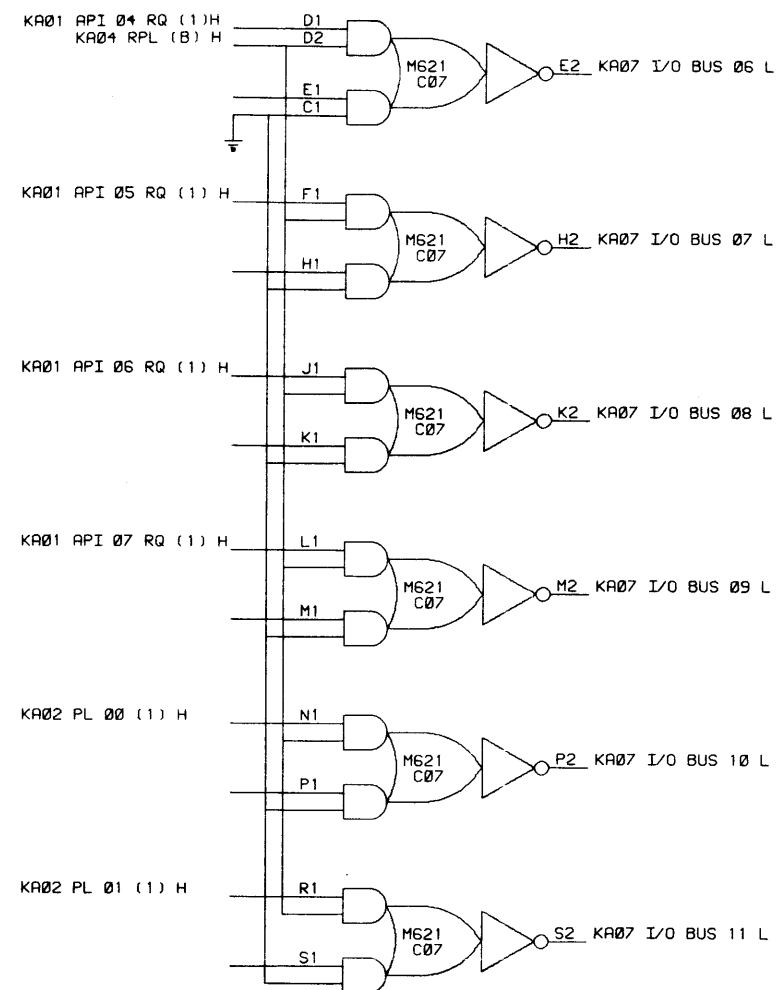
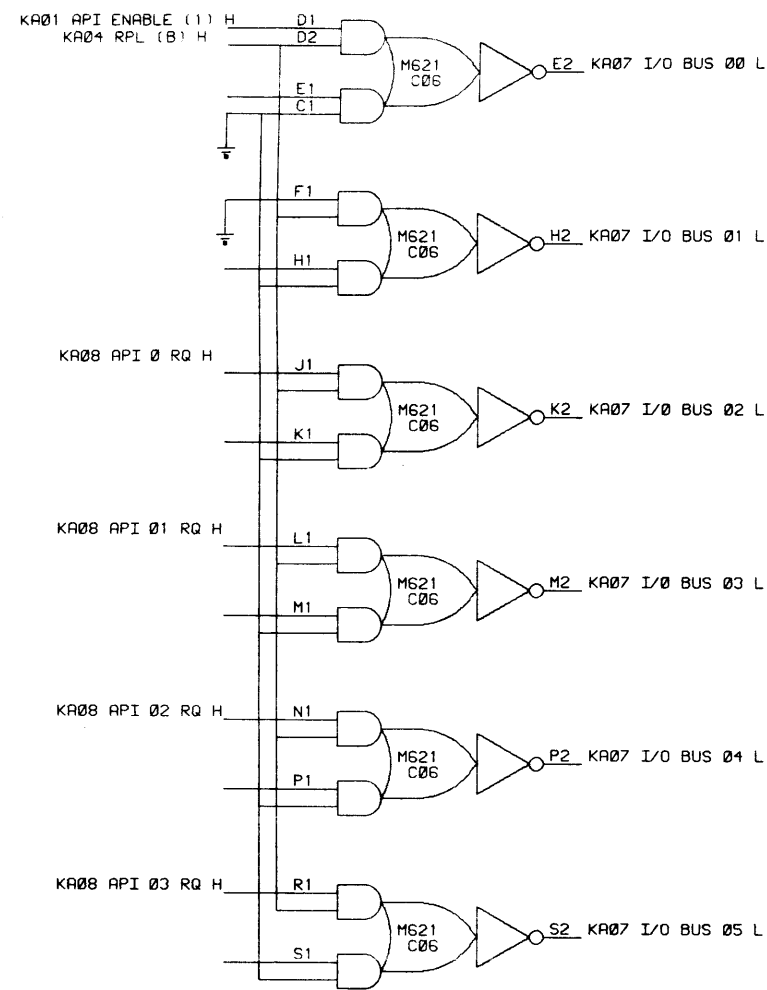
This drawing and specifications, herein, are the property of Digital Equipment Corporation and shall not be reproduced or copied or used in whole or in part as the basis for the manufacture or sale of items without written permission.



| REVISIONS |            |      |
|-----------|------------|------|
| CHK       | CHANGE NO. | REV. |
| ABC       | 15-00004   | A    |
|           |            |      |
|           |            |      |
|           |            |      |
|           |            |      |
|           |            |      |
|           |            |      |
|           |            |      |
|           |            |      |
|           |            |      |

|               |            |       |         |           |                               |
|---------------|------------|-------|---------|-----------|-------------------------------|
| DRN           | K COTE     | DATE  | 3/20/70 |           | <b>TITLE</b><br>I BUS DRIVERS |
| CHKD          | ORAGNEAULT | DATE  | 3/20/70 |           |                               |
| ENG           | ELSBREE    | DATE  | 3/25/70 |           |                               |
| PROJ. ENG.    | HUMANN     | DATE  | 3/25/70 |           |                               |
| PROD.         | F. LASKEY  | DATE  | 3/27/70 |           |                               |
| FIRST USED ON |            |       |         |           |                               |
| KAT5          |            | SIZE  | CODE    | NUMBER    | REV.                          |
|               |            | 1155  |         | KAT5-0-10 | H                             |
| SCALE         |            | SHEET | OF      | DIST      |                               |

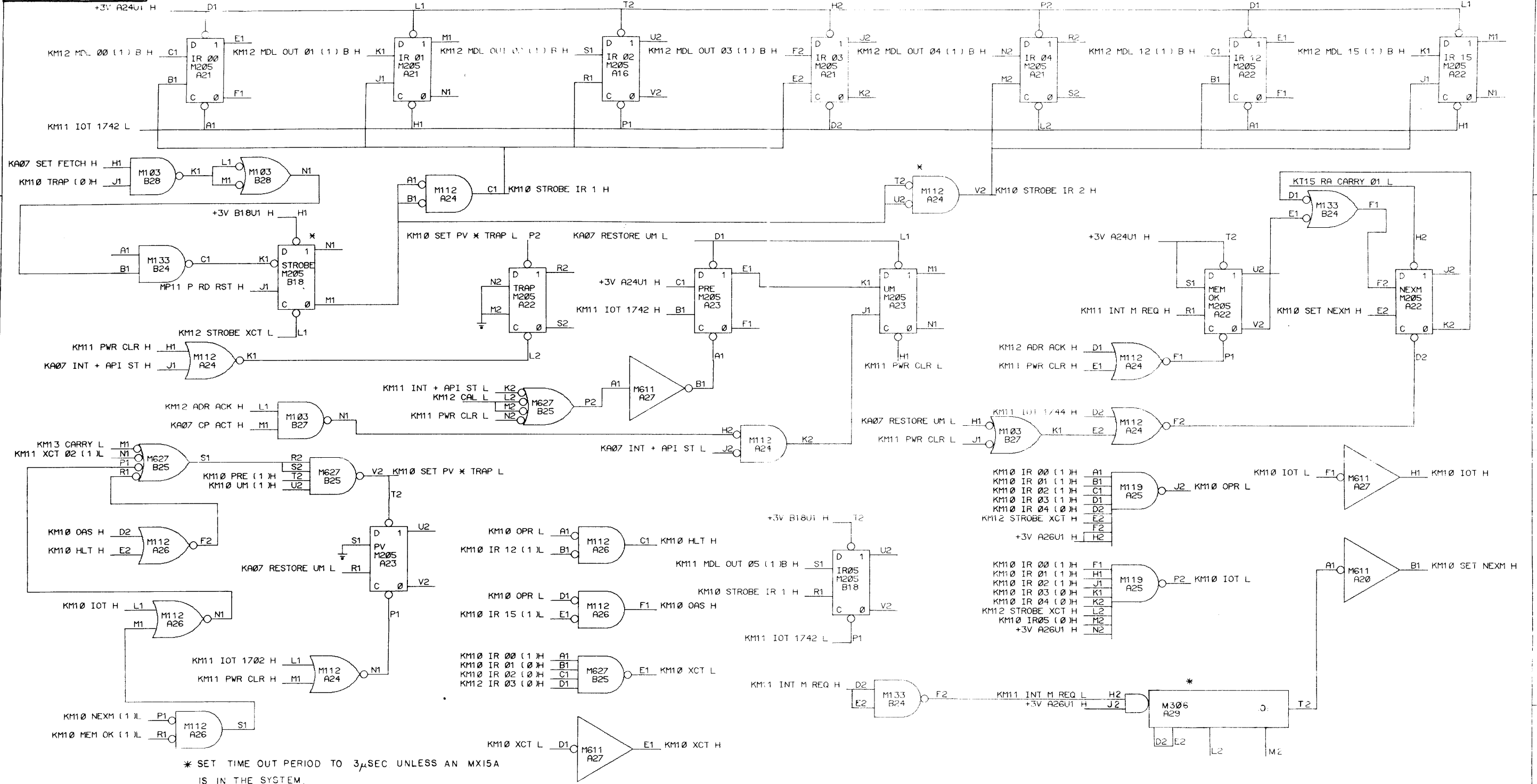
This drawing and specifications, herein, are the property of Digital Equipment Corporation and shall not be reproduced or copied in whole or in part as the basis for the manufacture or sale of items without written permission.



| REVISIONS |            |      |
|-----------|------------|------|
| CHK       | CHANGE NO. | REV. |
|           |            |      |

|  |  |  |
|--|--|--|
| DSN<br><i>K. Cote</i><br>CHK'D<br><i>C. Gagnon</i><br>ENG<br><i>C. Gagnon</i><br>PROD.<br><i>C. Gagnon</i> | DATE<br>3-13-74<br>DATE<br>3-13-74<br>DATE<br>3/25/74<br>DATE<br>3/25/74 | <b>digital EQUIPMENT CORPORATION</b><br>MAYNARD, MASSACHUSETTS<br>TITLE<br>I/O BUS DRIVERS |
| FIRST USED ON<br>KA15  | SIZE CODE<br>D BS  | NUMBER<br>KA15-0-11  |
| SCALE  | SHEET 1 OF 1   | DIST.  |

This drawing and specifications, herein, are the property of Digital Equipment Corporation and shall not be reproduced or copied or used in whole or in part as the basis for the manufacture or sale of items without written permission.

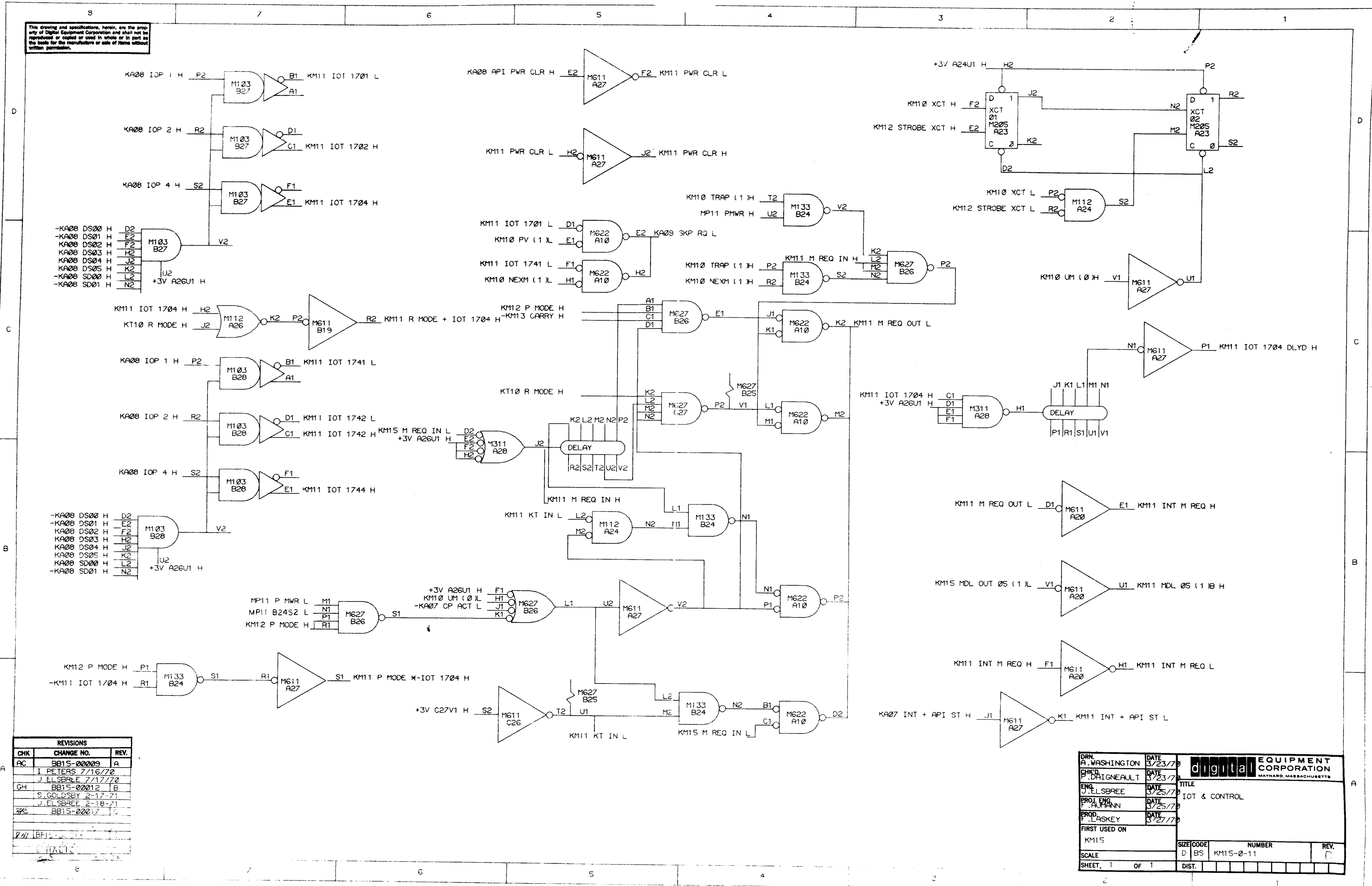


\* SET TIME OUT PERIOD TO 3μSEC UNLESS AN MX15A IS IN THE SYSTEM.  
 SET TIME OUT PERIOD TO 40μSEC IF MX15A IS IN THE SYSTEM AND THE MX IS JUMPED FOR EQUAL PRIORITY.  
 SET TIMEOUT PERIOD TO A VALUE GREATER THAN THE TIME THE PROCESSOR CAN BE HELD OFF IF THE MX IS JUMPED FOR ABSOLUTE PRIORITY.

| REVISIONS |                     |      |
|-----------|---------------------|------|
| CHK       | CHANGE NO.          | REV. |
| GH        | BB15-00012          | A    |
|           | S. GOLDSBY 2-17-71  |      |
|           | J. EL SBREE 2-18-71 |      |
| GH        | BB15-00015          | B    |
|           | G. WYATT 6-13-71    |      |
|           | J. EL SBREE 6-15-71 |      |
|           | BB15-00017          |      |
|           | BB15-00019          |      |
|           | J. EL SBREE         |      |

|                       |                   |  |
|-----------------------|-------------------|--|
| DRN<br>A WASHINGTON   | DATE<br>3/23/70   | <b>digital</b> EQUIPMENT CORPORATION<br>MAYNARD, MASSACHUSETTS |
| CHK'D<br>P LAIGNEAULT | DATE<br>2/23/70   |  |
| ENG<br>J EL SBREE     | DATE<br>3/25/70   | TITLE<br>CONTROL   |
| PROL ENG<br>P HUMANN  | DATE<br>3/25/70   |  |
| PROD<br>PASKEY        | DATE<br>3/27/70   |  |
| FIRST USED ON<br>KM15 | SIZE/CODE<br>D BS | NUMBER<br>KM15-0-10  |
| SCALE                 | DIST.             | REV.<br>J  |

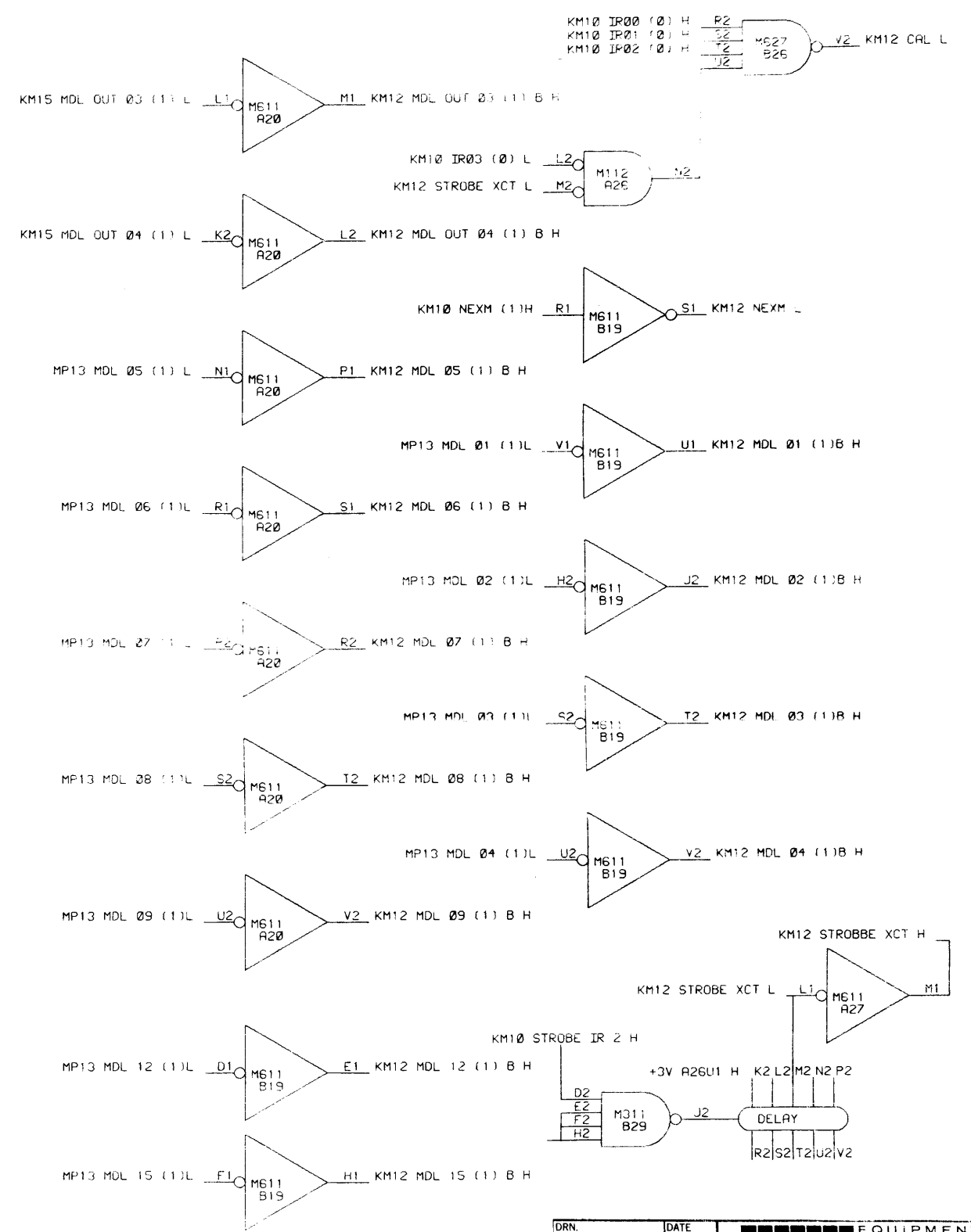
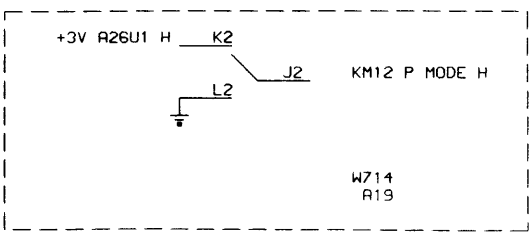
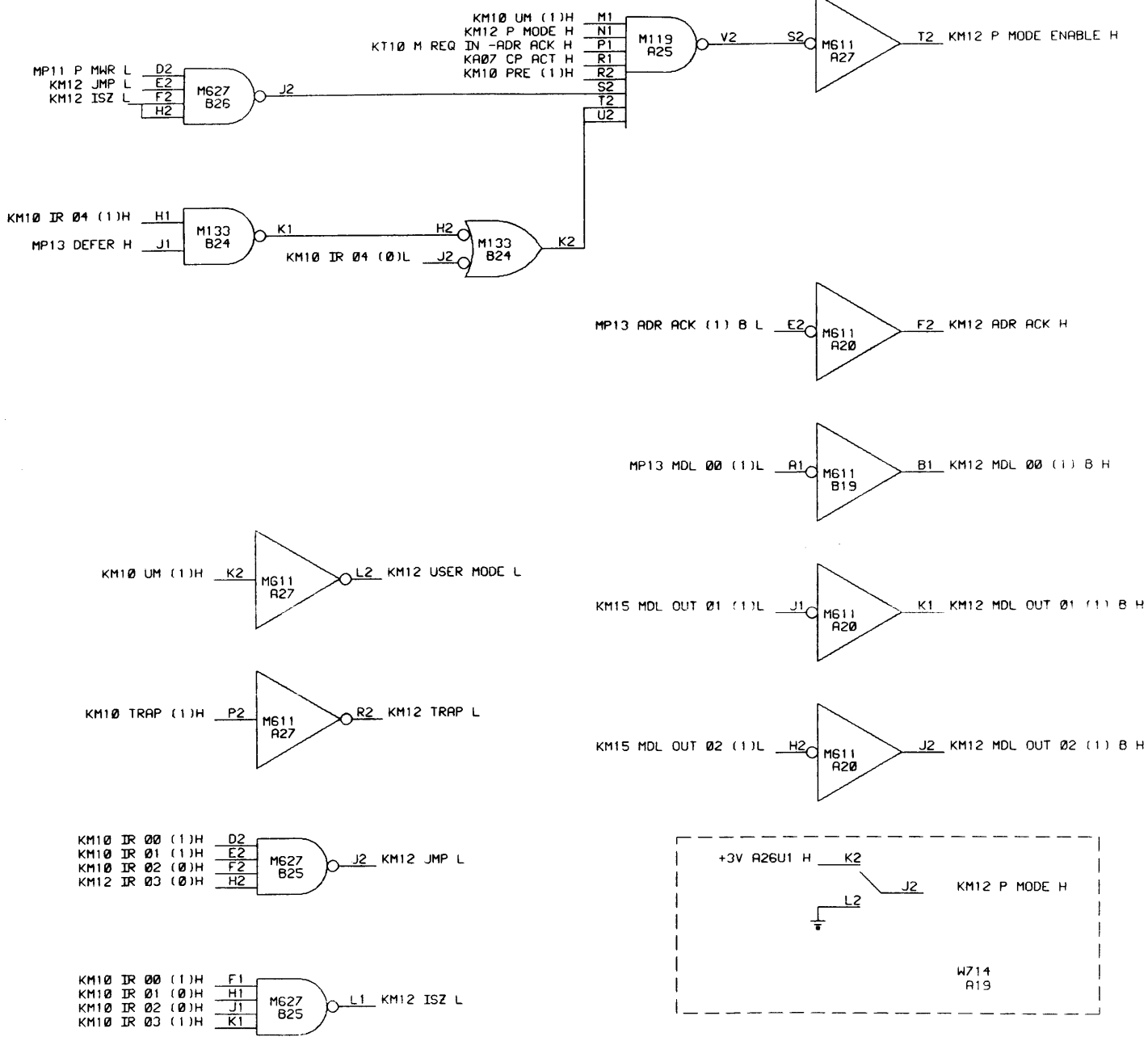
This drawing and specifications, herein, are the property of Digital Equipment Corporation and shall not be reproduced or copied or used in whole or in part as the basis for the manufacture or sale of items without written permission.



| REVISIONS |                 |      |
|-----------|-----------------|------|
| CHK       | CHANGE NO.      | REV. |
| AC        | BB15-00009      | A    |
| I         | PETERS 7/16/70  |      |
| J         | ELSBREE 7/17/70 |      |
| GH        | BB15-00012      | B    |
| S         | GOLDSBY 2-17-71 |      |
| J         | ELSBREE 2-18-71 |      |
| BE        | BB15-00017      | C    |

|                          |                   |   |
|--------------------------|-------------------|---|
| DRN.<br>A. WASHINGTON    | DATE<br>3/23/70   | <br>digital EQUIPMENT CORPORATION<br>MAYNARD, MASSACHUSETTS |
| CHK'D.<br>P. DRAIGNEAULT | DATE<br>3/23/70   |   |
| ENG.<br>J. EL SBREE      | DATE<br>3/25/70   | TITLE<br>IOT & CONTROL                                      |
| PROJ. ENG.<br>P. AUMANN  | DATE<br>3/25/70   |   |
| PRD.<br>L. LASKEY        | DATE<br>3/27/70   |   |
| FIRST USED ON<br>KM15    | SIZE CODE<br>D BS | NUMBER<br>KM15-0-11   |
| SCALE                    | DIST.             | REV.<br>C   |
| SHEET, 1 OF 1            |                   |   |

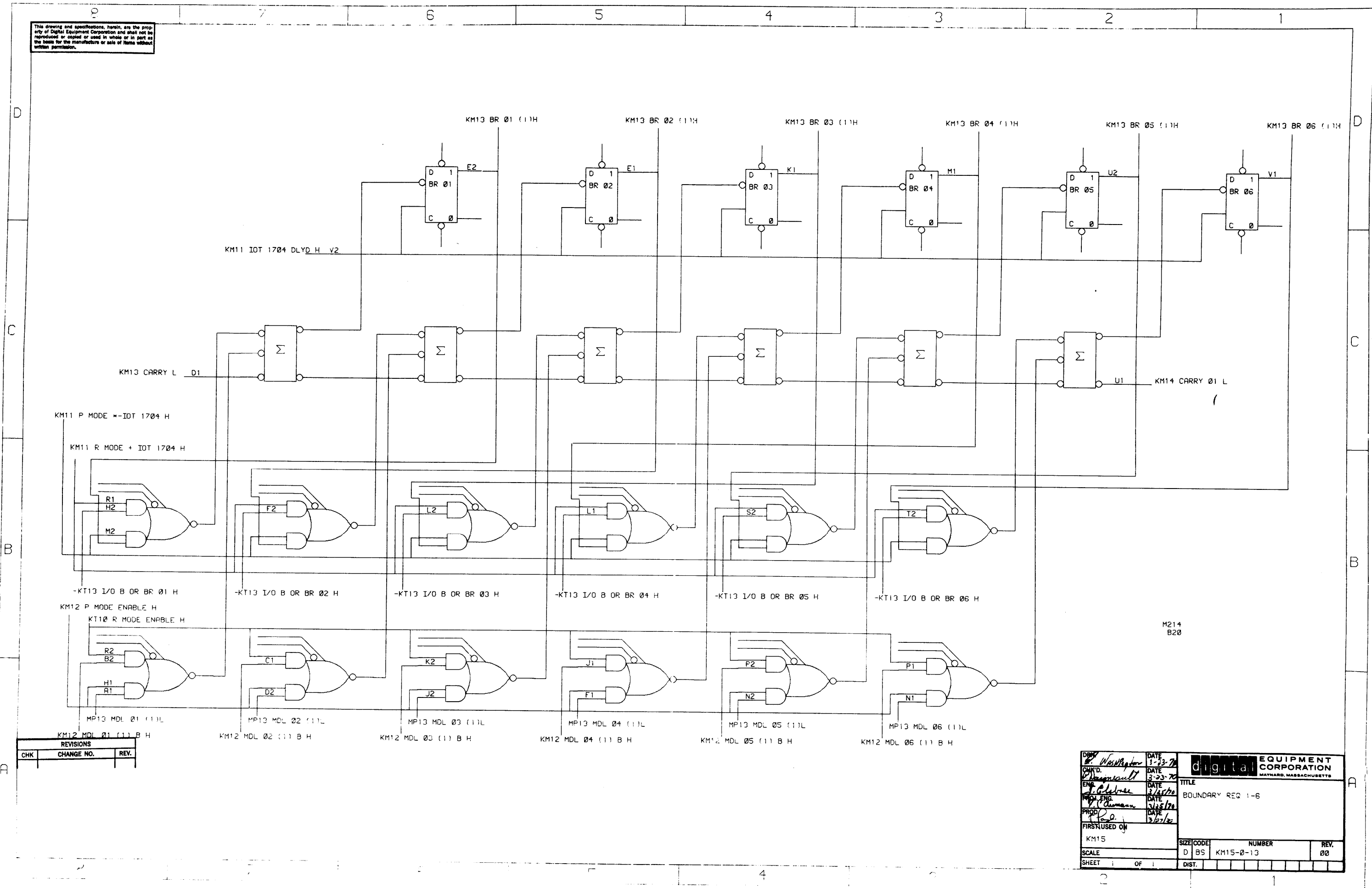
This drawing and specifications, herein, are the property of Digital Equipment Corporation and shall not be reproduced or copied or used in whole or in part as the basis for the manufacture or sale of items without written permission.



| REVISIONS |            |      |
|-----------|------------|------|
| CHK       | CHANGE NO. | REV. |
| WJH       | BB15-00012 | A    |
|           |            |      |
|           |            |      |
|           |            |      |
|           |            |      |

|               |               |           |         |   |
|---------------|---------------|-----------|---------|---|
| DRN           | A WASHINGTON  | DATE      | 3/23/70 | <b>digital</b> EQUIPMENT CORPORATION<br><small>MAYNARD, MASSACHUSETTS</small> |
| CHK'D         | P. D'IGNERULT | DATE      | 3/23/70 |   |
| ENG.          | J. ELSBREE    | DATE      | 3/25/70 |   |
| PROJ. ENG.    | F. ALMANN     | DATE      | 3/25/70 |   |
| PROD.         | F. LASKEY     | DATE      | 3/27/70 |   |
| FIRST USED ON |               |           |         |   |
| SIZE          | CODE          | NUMBER    | REV.    |   |
| D 05          |               | KM15-0-12 | A       |   |
| SHEET 1       | OF 1          | DIST      |         |   |

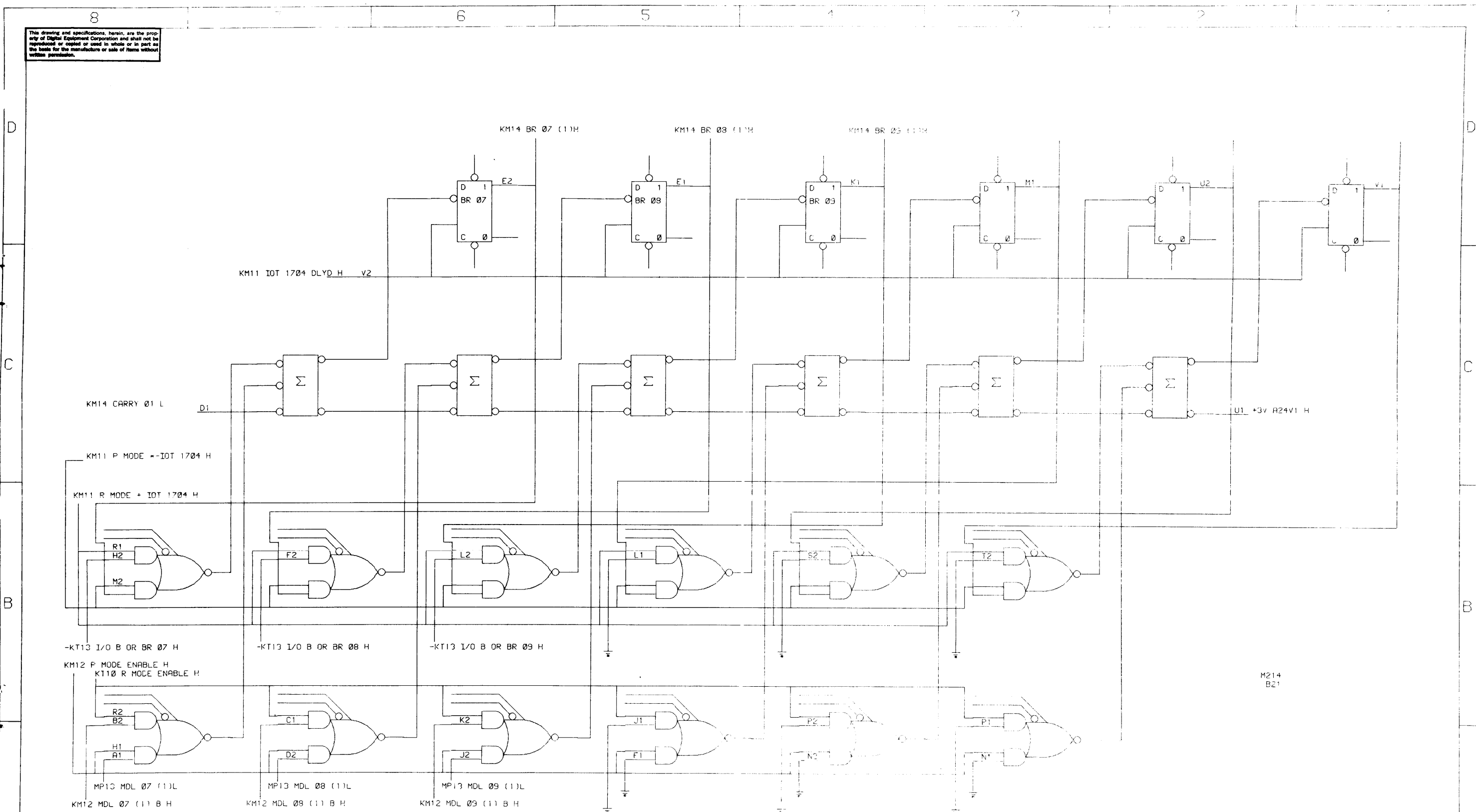
This drawing and specifications, herein, are the property of Digital Equipment Corporation and shall not be reproduced or copied or used in whole or in part as the basis for the manufacture or sale of items without written permission.



| REVISIONS |            |      |
|-----------|------------|------|
| CHK       | CHANGE NO. | REV. |
|           |            |      |

|                            |                   |   |
|----------------------------|-------------------|---|
| DRW<br>W. Washington       | DATE<br>3-23-70   | digital EQUIPMENT CORPORATION<br>MAYNARD, MASSACHUSETTS |
| CHKD.<br>R. Bagnault       | DATE<br>3-23-70   |   |
| ENG.<br>J. P. Adams        | DATE<br>3/15/70   | TITLE<br>BOUNDARY REQ 1-6                               |
| APP. ENG.<br>J. O. Oermann | DATE<br>3/15/70   |   |
| PROD.<br>R. P.             | DATE<br>3/27/70   | FIRST USED ON   |
|                            |                   |   |
| KM15                       | SIZE CODE<br>D BS | NUMBER<br>KM15-0-13                                     |
| SCALE                      | DIST.             | REV.<br>00  |
| SHEET 1                    | OF 1              |   |

This drawing and specifications herein are the property of Digital Equipment Corporation and shall not be reproduced or copied or used in whole or in part as the basis for the manufacture or sale of items without written permission.



| REVISIONS |            |      |
|-----------|------------|------|
| CHK       | CHANGE NO. | REV. |
|           |            |      |

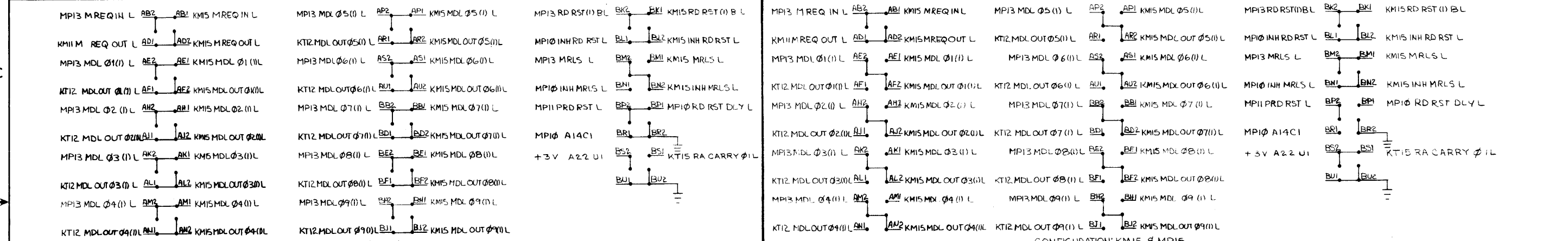
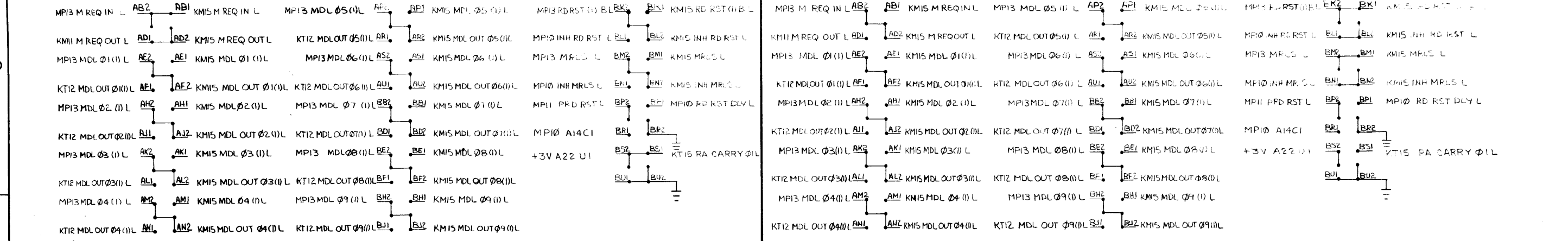
|               |           |   |
|---------------|-----------|---|
| DRN           | DATE      | digital EQUIPMENT CORPORATION<br>MAYNARD, MASSACHUSETTS |
| CHK'D         | DATE      |   |
| ENG           | DATE      | TITLE   |
| PBOJ. ENG.    | DATE      |   |
| PROD.         | DATE      |   |
| FIRST USED ON |           |   |
|               |           |   |
| SCALE         | SIZE CODE | NUMBER  |
|               | D 00      | 00  |
| SHEET         | OF        | DIST.   |
|               |           |   |



This drawing and specifications, herein, are the property of Digital Equipment Corporation and shall not be reproduced or copied or used in whole or in part as the basis for the manufacture or sale of items without written permission.

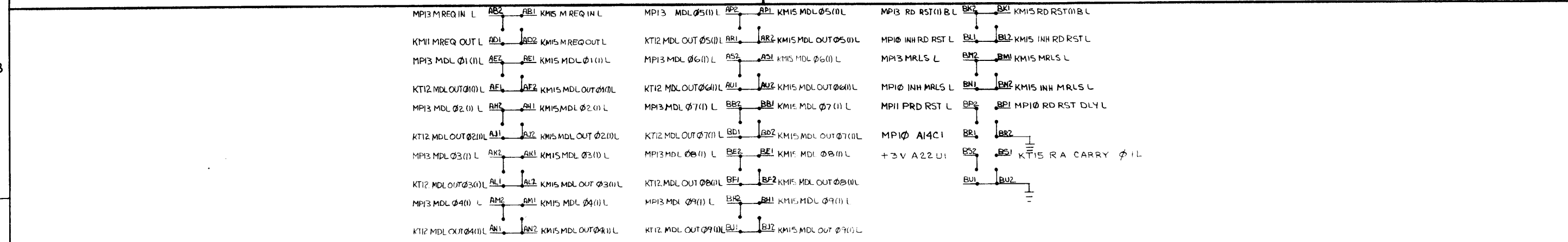
CONFIGURATION: KM15  
G728 A-B06

CONFIGURATION: MP15  
G728 A-B06



CONFIGURATION: KT15  
G728 A-B06

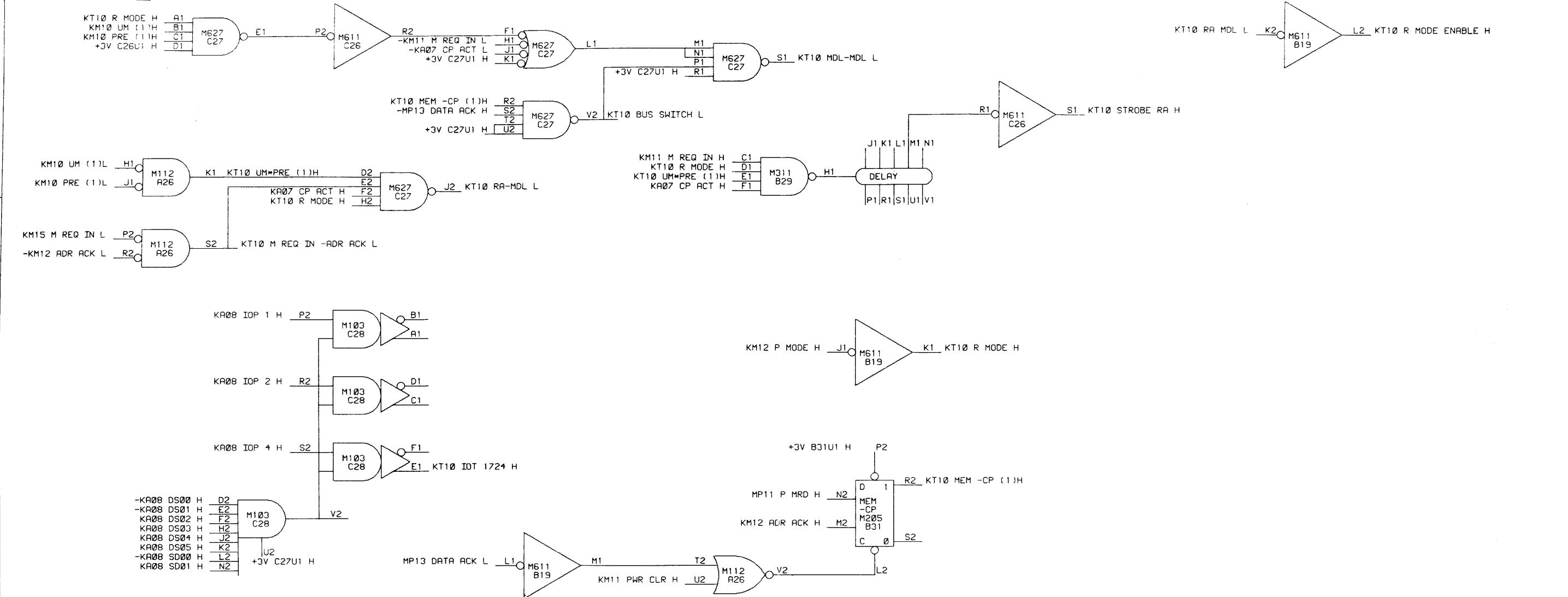
CONFIGURATION: KM15 & MP15  
G728 A-B06



| REV | CHG  | NO | BY | DATE |
|-----|------|----|----|------|
| A   | 0004 |    |    |      |
| B   | 0012 |    |    |      |
| C   | 0019 |    |    |      |

| FIRST USED ON OPTION / MODEL         | QTY. | DESCRIPTION | PART NO.               | ITEM NO.  |
|--------------------------------------|------|-------------|------------------------|-----------|
| PDP15                                |      |             |                        |           |
| PARTS LIST                           |      |             |                        |           |
| UNLESS OTHERWISE SPECIFIED           | DRM  | DATE        | EQUIPMENT CORPORATION  |           |
| UNLESS OTHERWISE SPECIFIED           | CHKD | DATE        | MAYNARD, MASSACHUSETTS |           |
| DIMENSION IN INCHES                  | ENG  | DATE        | TITLE                  |           |
| TOLERANCES                           | PROF | DATE        | BB15 JUMPER CARD       |           |
| DECIMALS FRACTIONS ANGLES            | PROD | DATE        | CONFIGURATION          |           |
| = .005 ± .004 = 0°30'                |      |             | MATERIAL               |           |
| FINAL SURFACE QUALITY                |      |             | NEXT HIGHER ASSEMBLY   |           |
| REMOVE BURRS AND BREAK SHARP CORNERS |      |             | A-ML-BB15-0            |           |
|                                      |      |             | SCALE                  | SIZE/CODE |
|                                      |      |             | 1 OF 1                 | DBS       |
|                                      |      |             |                        | NUMBER    |
|                                      |      |             |                        | KM15-0-15 |
|                                      |      |             |                        | REV       |
|                                      |      |             |                        | C         |

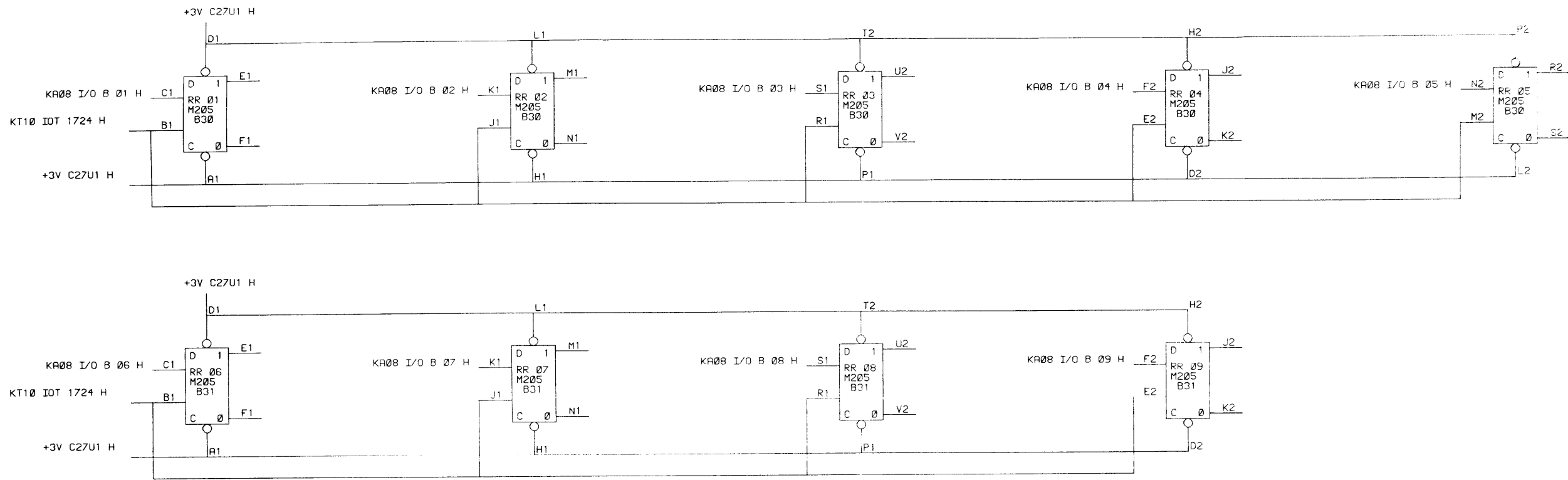
This drawing and specifications, herein, are the property of Digital Equipment Corporation and shall not be reproduced or copied or used in whole or in part as the basis for the manufacture or sale of items without written permission.



| REVISIONS |            |      |
|-----------|------------|------|
| CHK       | CHANGE NO. | REV. |
|           |            |      |

|                                  |                 |   |
|----------------------------------|-----------------|---|
| DRW<br><i>H. Washington</i>      | DATE<br>3-23-70 | <br>digital EQUIPMENT CORPORATION<br>MAYNARD, MASSACHUSETTS   |
| CHRD.<br><i>V. Donnell</i>       | DATE<br>3-23-70 |   |
| ENG.<br><i>J. Calver</i>         | DATE<br>3/25/70 |   |
| PROJ. ENG.<br><i>J. Cleemann</i> | DATE<br>3/15/70 |   |
| PROD.<br><i>J. Cleemann</i>      | DATE<br>3/15/70 |   |
| FIRST USED ON<br>KT15            |                 |   |
| SCALE                            | SHEET 1 OF 1    | TITLE<br>MDL CONTROL<br>SIZE CODE<br>D BS<br>NUMBER<br>KT15-0-10<br>REV.<br><input checked="" type="checkbox"/> |

This drawing and specifications, herein, are the property of Digital Equipment Corporation and shall not be reproduced or copied or used in whole or in part as the basis for the manufacture or sale of items without written permission.

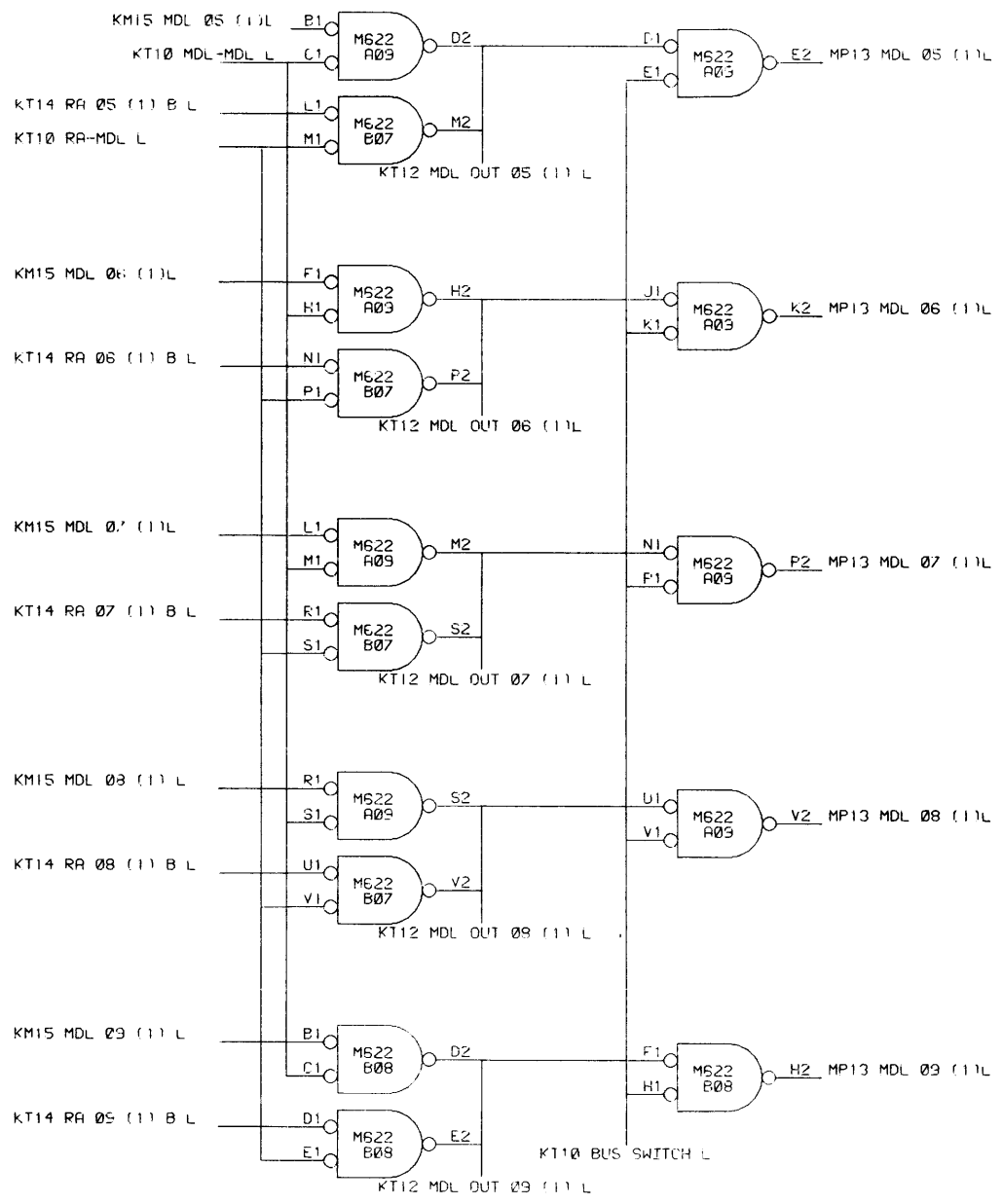
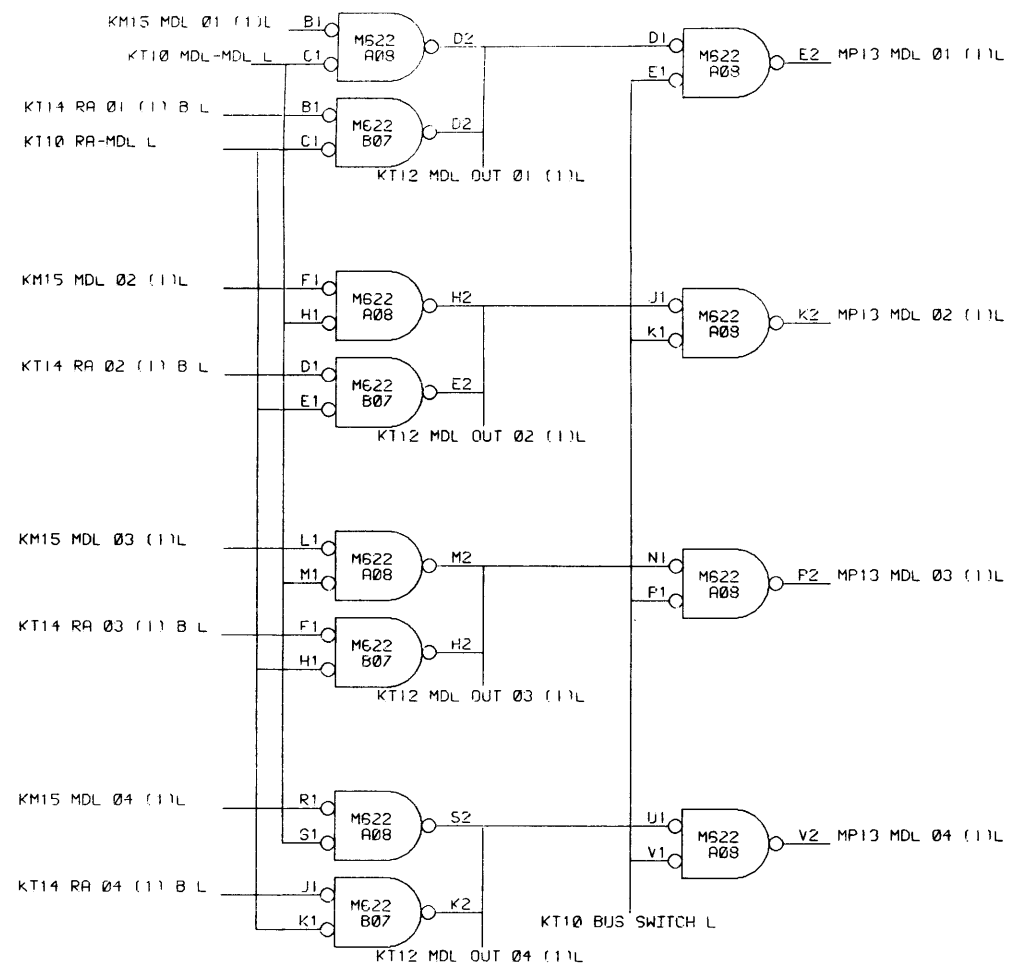


| REVISIONS |            |      |
|-----------|------------|------|
| CHK       | CHANGE NO. | REV. |
|           |            |      |

|                            |                   |   |
|----------------------------|-------------------|---|
| DRN<br><i>W. Wright</i>    | DATE<br>1-23-70   | <b>digital</b> EQUIPMENT CORPORATION<br>MADE IN MASSACHUSETTS |
| CHKD<br><i>P. Gagnault</i> | DATE<br>3-23-70   |   |
| ENG<br><i>A. Blawie</i>    | DATE<br>3/25/70   | TITLE<br>RELOCATION REGISTER                                  |
| PRG<br><i>M. Gorman</i>    | DATE<br>3/25/70   |   |
| PRD<br><i>A. G.</i>        | DATE<br>3/25/70   |   |
| FIRST USED ON<br>KT15      |                   |   |
| SCALE                      | SIZE CODE<br>U BS | NUMBER<br>K115-0-11   |
| SHEET 1 OF 1               | DIST.             | REV.<br>00  |

This drawing and specifications, herein, are the property of Digital Equipment Corporation and shall not be reproduced or copied in whole or in part as the basis for the manufacture or sale of items without written permission.

8 7 6 5 4 3 2 1



| REVISIONS |            |      |
|-----------|------------|------|
| CHK       | CHANGE NO. | REV. |
|           |            |      |

|                                    |                 |   |
|------------------------------------|-----------------|---|
| DRN<br><i>L. Washington</i>        | DATE<br>3-23-70 | digital EQUIPMENT CORPORATION<br>MAYNARD, MASSACHUSETTS |
| CHK'D<br><i>P. Bergquist</i>       | DATE<br>3-23-70 |   |
| ENG.<br><i>J. Cleve</i>            | DATE<br>3/25/70 | TITLE<br>RELOCATE MDL'S                                 |
| PROJ. ENG.<br><i>J. C. Oermann</i> | DATE<br>3/15/70 |   |
| PROD.<br><i>R. P.</i>              | DATE<br>3/15/70 |   |
| FIRST USED ON<br>KT15              |                 |   |
| SCALE                              |                 |   |
| SHEET 1 OF 1                       | DIST.           |   |

8 7 6 5 4 3 2 1

This drawing and specifications, herein, are the property of Digital Equipment Corporation and shall not be reproduced or copied or used in whole or in part as the basis for the manufacture or sale of items without written permission.

8

7

6

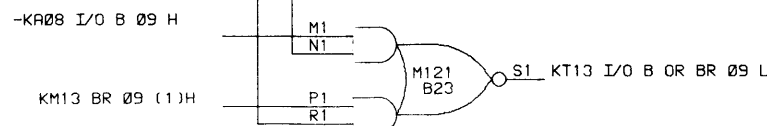
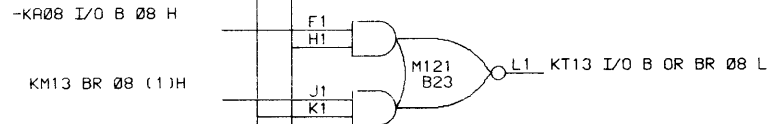
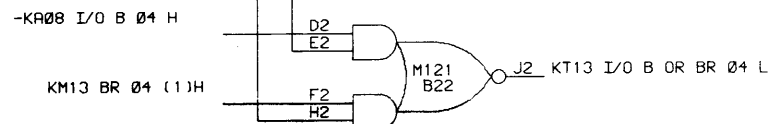
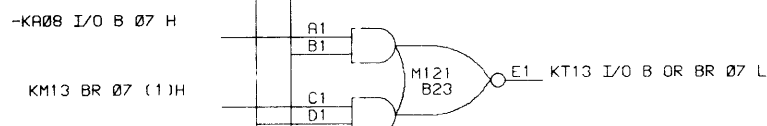
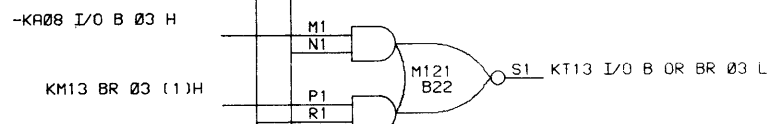
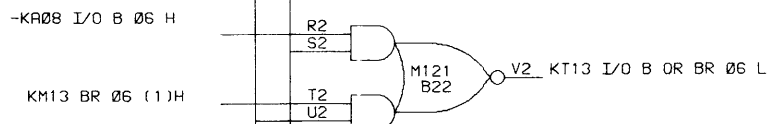
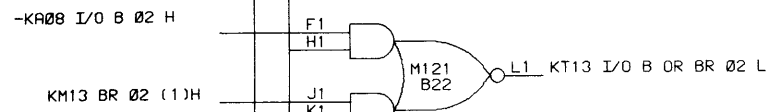
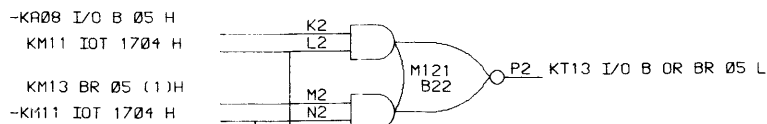
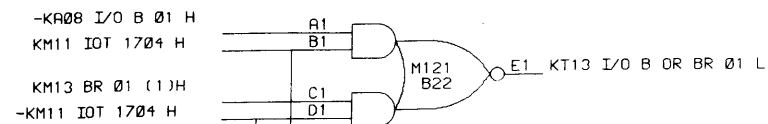
5

4

3

2

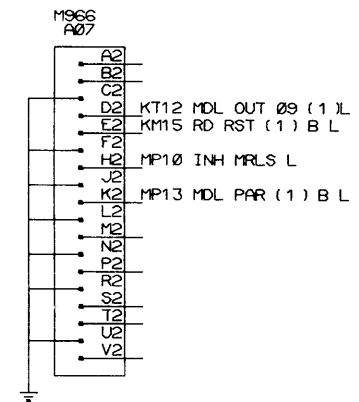
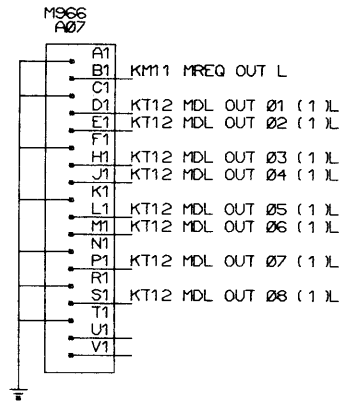
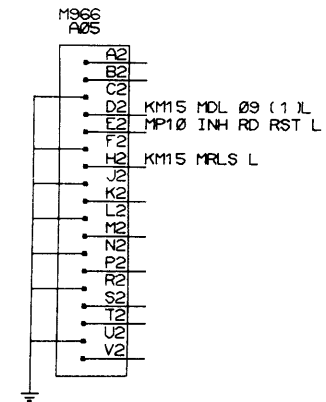
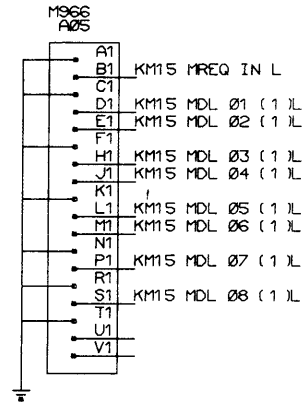
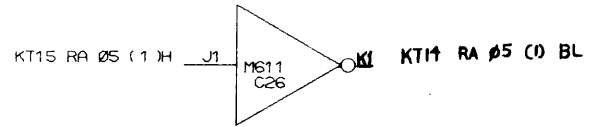
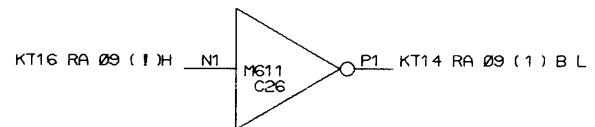
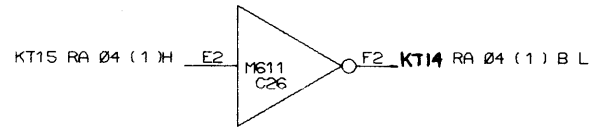
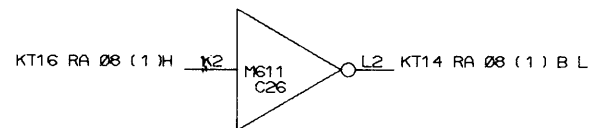
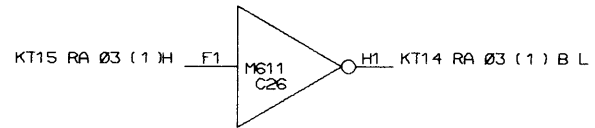
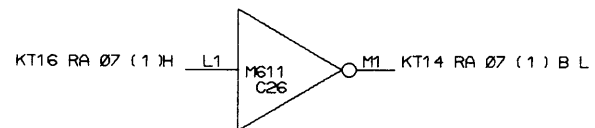
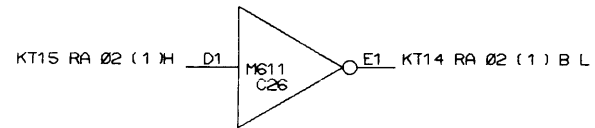
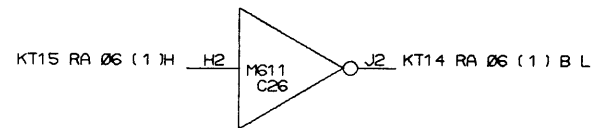
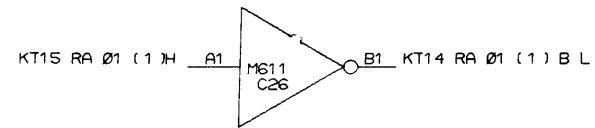
1



| REVISIONS |            |      |
|-----------|------------|------|
| CHK       | CHANGE NO. | REV. |
|           |            |      |

|                                    |                   |   |
|------------------------------------|-------------------|---|
| DRG<br><i>H. Washington</i>        | DATE<br>3-23-70   | <br>digital EQUIPMENT CORPORATION<br>MAYNARD, MASSACHUSETTS |
| CHKD<br><i>P. Desjardins</i>       | DATE<br>3-23-70   |   |
| ENG<br><i>J. Gilbreath</i>         | DATE<br>3/25/70   | TITLE<br>I/O BUS OR BR                                      |
| PROD. ENG.<br><i>J. C. Oermann</i> | DATE<br>3/25/70   |   |
| PROD. L.S.<br><i>A. P. ...</i>     | DATE<br>3/25/70   |   |
| FIRST USED ON<br>KT15              | SIZE CODE<br>D BS | NUMBER<br>KT15-0-13   |
| SCALE                              | DIST              | REV.<br>00  |
| SHEET 1 OF 1                       |                   |   |

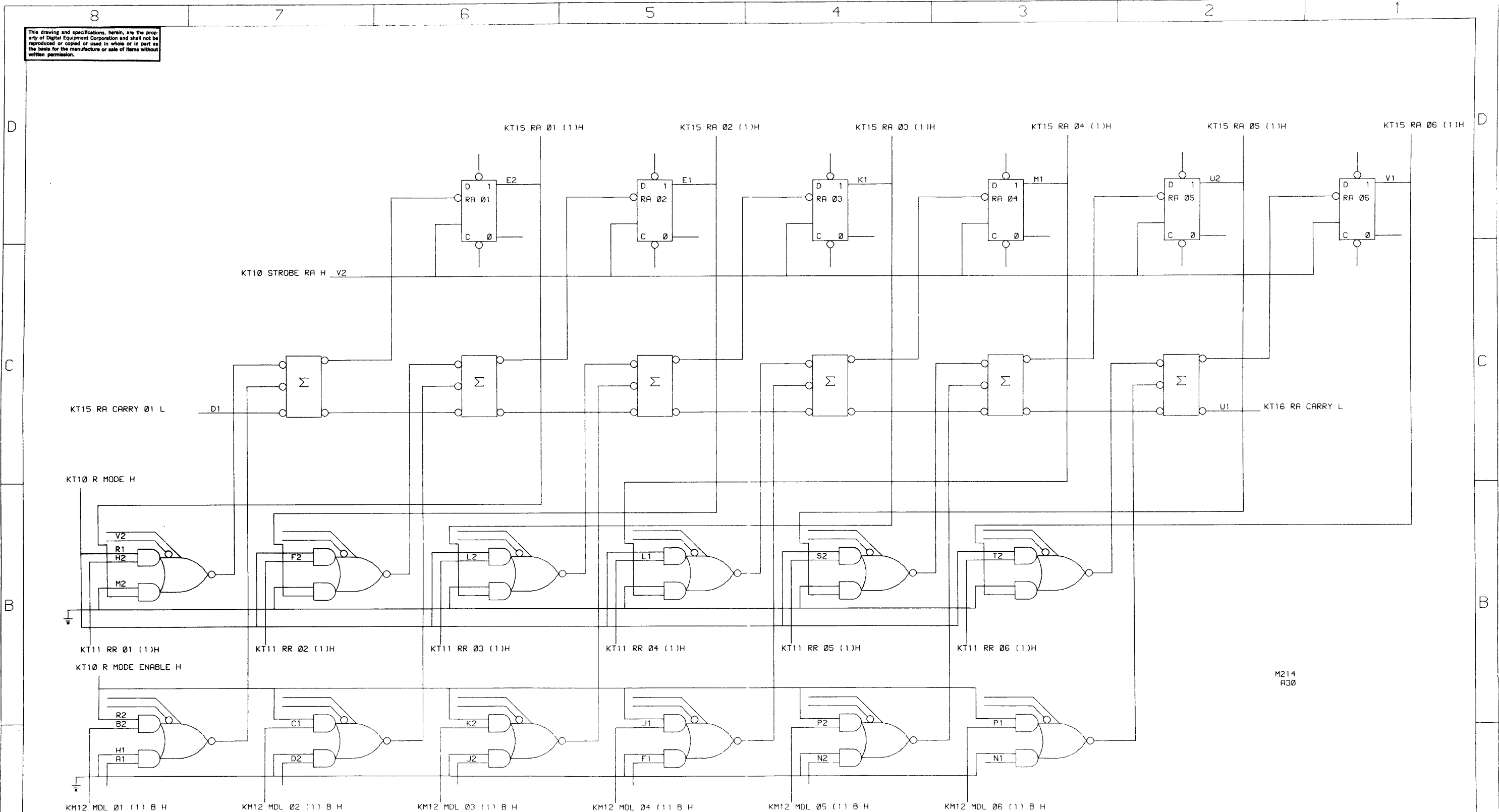
This drawing and specifications, herein, are the property of Digital Equipment Corporation and shall not be reproduced or copied or used in whole or in part as the basis for the manufacture or sale of items without written permission.



| REVISIONS |                    |      |
|-----------|--------------------|------|
| CHK       | CHANGE NO.         | REV. |
| GH        | BB15-00014         | A    |
|           | S. GOLDSBY 4-10-71 |      |
|           | J. ELSBREE 4-10-71 |      |
|           | BB15-00016         | B    |
|           |                    |      |
|           |                    |      |
|           |                    |      |
|           |                    |      |
|           |                    |      |
|           |                    |      |
|           |                    |      |

|                      |                |  |
|----------------------|----------------|--|
| DRN. A WASHINGTON    | DATE 3/23/70   | <b>digital</b> CORPORATION<br>MAYNARD, MASSACHUSETTS |
| CHKD. P. DAIGNEAULT  | DATE 3/23/70   |  |
| ENG. J. ELSBREE      | DATE 3/25/70   | TITLE  |
| PROJ. ENG. F. ALMANN | DATE 3/25/70   | RA BUFFERS AND MDL TERMINATORS                       |
| PROD. F. LASKEY      | DATE 3/27/70   |  |
| FIRST USED ON        |                |  |
| KT15                 | SIZE CODE D BS | NUMBER KT15-0-14                                     |
| SCALE                |                | REV. B   |
| SHEET 1 OF 1         | DIST.          |  |

This drawing and specifications, herein, are the property of Digital Equipment Corporation and shall not be reproduced or copied or used in whole or in part as the basis for the manufacture or sale of items without written permission.

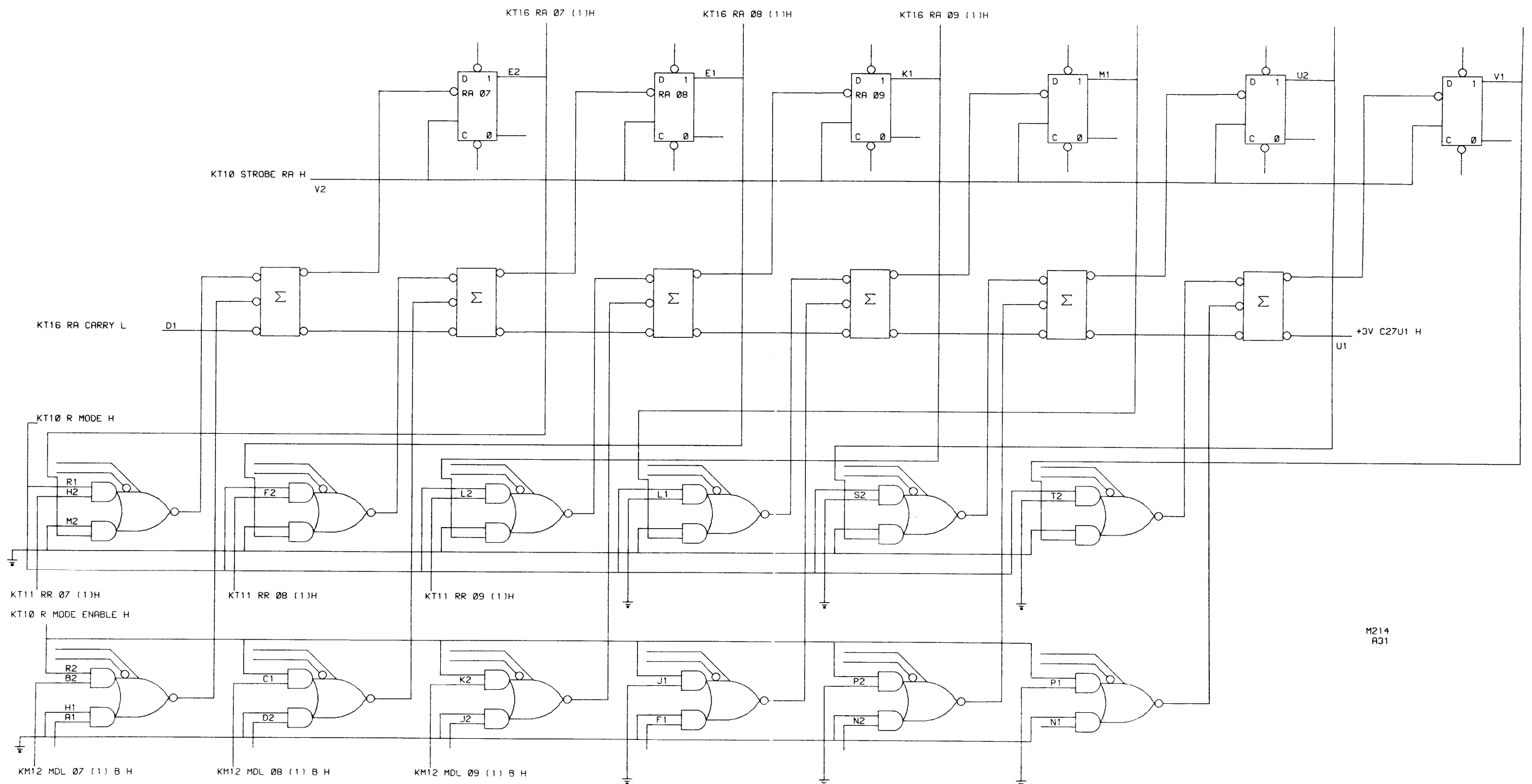


M214  
A30

| REVISIONS |            |      |
|-----------|------------|------|
| CHK       | CHANGE NO. | REV. |
|           |            |      |

|                         |                   |   |                         |
|-------------------------|-------------------|---|-------------------------|
| DRN<br><i>A. M. ...</i> | DATE<br>3-23-70   | <br>digital EQUIPMENT CORPORATION<br>MAYNARD, MASSACHUSETTS | TITLE                   |
| CHK<br><i>D. ...</i>    | DATE<br>3-23-70   |   | RELOCATION ADDR REG 1-6 |
| ENG<br><i>J. ...</i>    | DATE<br>3/25/70   |   |                         |
| PROV<br><i>J. ...</i>   | DATE<br>3/25/70   |   |                         |
| PROD<br><i>J. ...</i>   | DATE<br>6/22/70   |   |                         |
| FIRST USED ON<br>KT15   |                   |   |                         |
| SCALE                   | SIZE CODE<br>D BS | NUMBER<br>KT15-0-15   | REV.<br>●               |
| SHEET 1 OF 1            | DIST.             |   |                         |

This drawing and specifications, herein, are the property of Digital Equipment Corporation and shall not be reproduced or copied or used in whole or in part as the basis for the manufacture or sale of items without written permission.



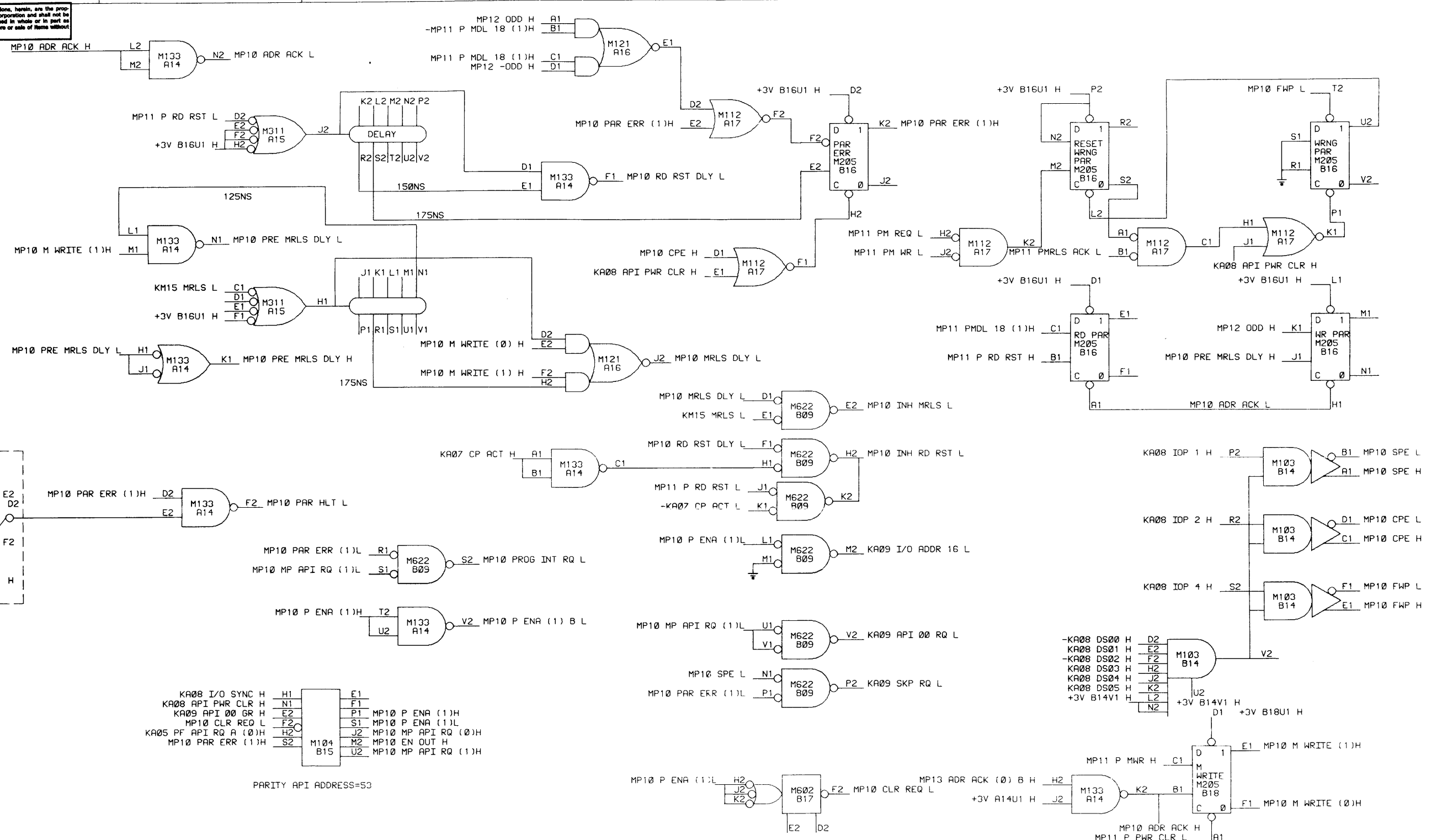
M214  
R31

| REVISIONS |            |      |
|-----------|------------|------|
| CHK       | CHANGE NO. | REV. |
|           |            |      |

|                             |                   |   |
|-----------------------------|-------------------|---|
| DRG<br>P. Waisinger         | DATE<br>3/23/70   | digital EQUIPMENT CORPORATION<br>MAYNARD, MASSACHUSETTS |
| CHK'D.<br>A. Neumann        | DATE<br>3/23/70   |   |
| ENG.<br>J. G. Miles         | DATE<br>3/25/70   | TITLE<br>RELOCATION ADDR REG 7-9                        |
| PROJ. ENG.<br>W. C. Neumann | DATE<br>3/25/70   |   |
| PRD. ENG.<br>P. L. ...      | DATE<br>3/25/70   |   |
| FIRST USED ON<br>KT15       |                   |   |
| SCALE                       | SIZE CODE<br>D BS | NUMBER<br>KT15-0-16                                     |
| SHEET 1 OF 1                | DIST.             | REV.<br>●   |



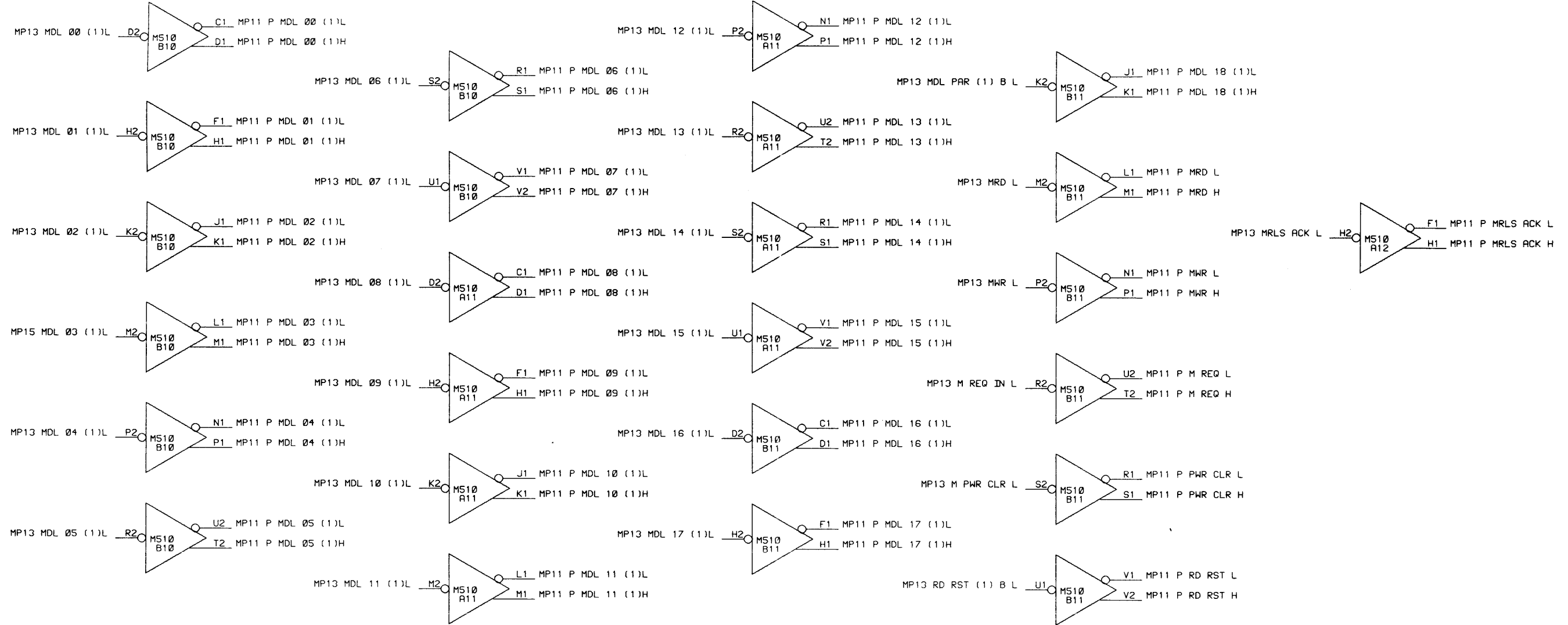
This drawing and specifications, herein, are the property of Digital Equipment Corporation and shall not be reproduced or copied or used in whole or in part as the basis for the manufacture or sale of items without written permission.



| REVISIONS |                       |      |
|-----------|-----------------------|------|
| CHK       | CHANGE NO.            | REV. |
|           | KA15-00003            | A    |
|           | 1. DATA SHEET 4-22-70 |      |
|           | 1. DATA SHEET 4-22-70 |      |

|                         |                     |  |
|-------------------------|---------------------|--|
| DRN.<br>D. SOUTHER      | DATE<br>3/26/70     | <b>digital</b> EQUIPMENT CORPORATION<br>MAYNARD, MASSACHUSETTS |
| CHK'D.<br>P. LAIGNEAULT | DATE<br>3/26/70     |  |
| ENG.<br>J. ELSBREE      | DATE<br>3/27/70     | TITLE<br>PARITY CONTROL  |
| PROJ. ENG.<br>E. ALMANN | DATE<br>3/27/70     |  |
| PROD.<br>E. LASKEY      | DATE<br>3/27/70     |  |
| FIRST USED ON<br>MP15   |                     |  |
| SCALE<br>SHEET 1 OF 1   | SIZE CODE<br>D   BS | NUMBER<br>MP15-0-10  |
|                         | DIST.               | REV.<br>A  |

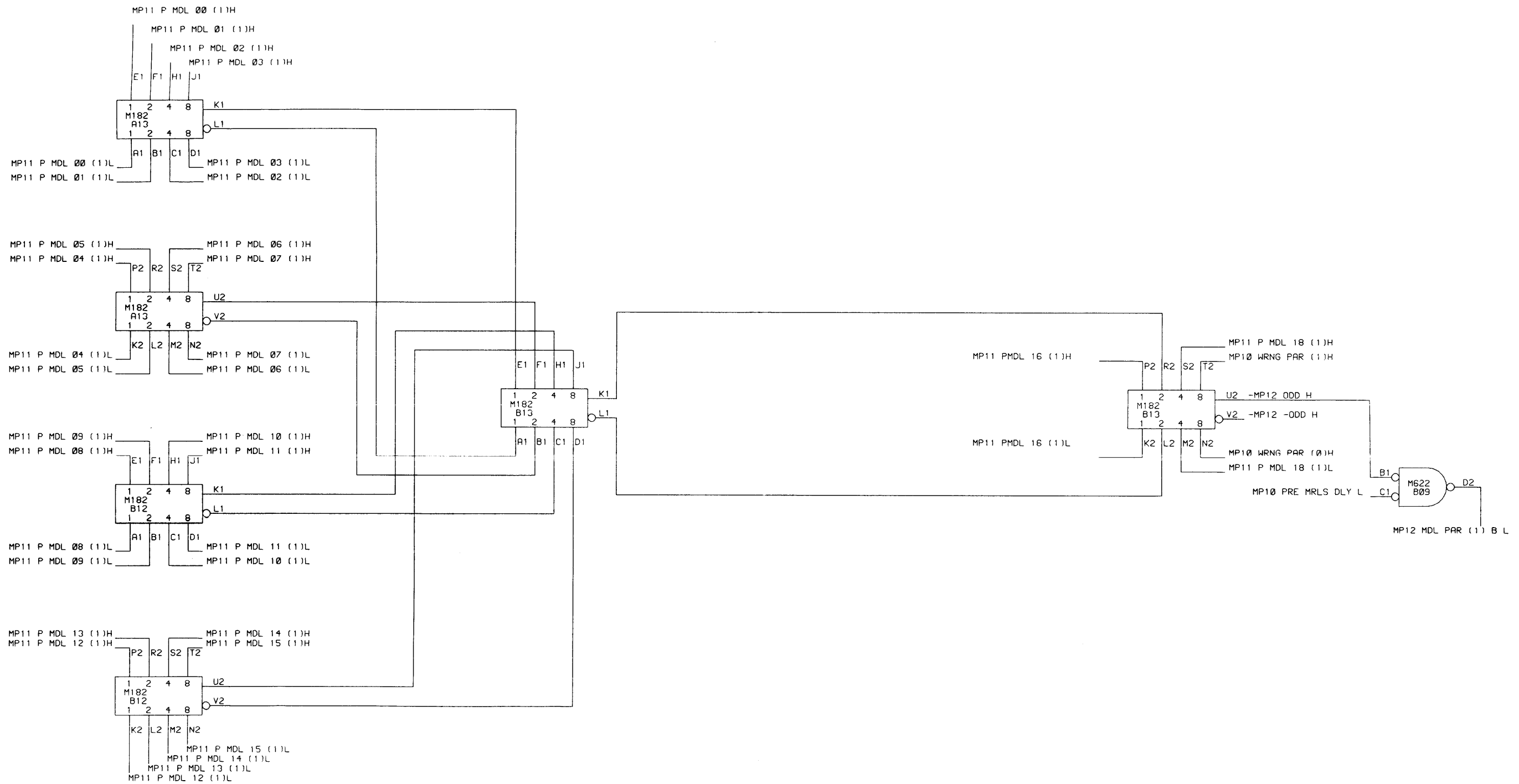
This drawing and specifications, herein, are the property of Digital Equipment Corporation and shall not be reproduced or copied or used in whole or in part as the basis for the manufacture or sale of items without written permission.



| REVISIONS |            |      |
|-----------|------------|------|
| CHK       | CHANGE NO. | REV. |
| ✓A        | KR15-00003 | A    |
|           |            |      |
|           |            |      |
|           |            |      |
|           |            |      |

|                         |                     |   |
|-------------------------|---------------------|---|
| DRN.<br>D. SOUTHER      | DATE<br>3/23/70     | <br><b>digital EQUIPMENT CORPORATION</b><br><small>MAYNARD, MASSACHUSETTS</small> |
| CHK'D.<br>E. DAIGNEAULT | DATE<br>3/23/70     |   |
| ENG.<br>J. L. SBREE     | DATE<br>3/25/70     | TITLE<br>PARITY INPUT INTERFACE   |
| PROJ. ENG.<br>F. AUMANN | DATE<br>3/25/70     |   |
| PROD.<br>E. LASKEY      | DATE<br>3/27/70     |   |
| FIRST USED ON<br>MP15   |                     |   |
| SCALE<br>D BS           | NUMBER<br>MP15-0-11 | REV.<br>A   |
| SHEET 1 OF 1            | DIST.               |   |

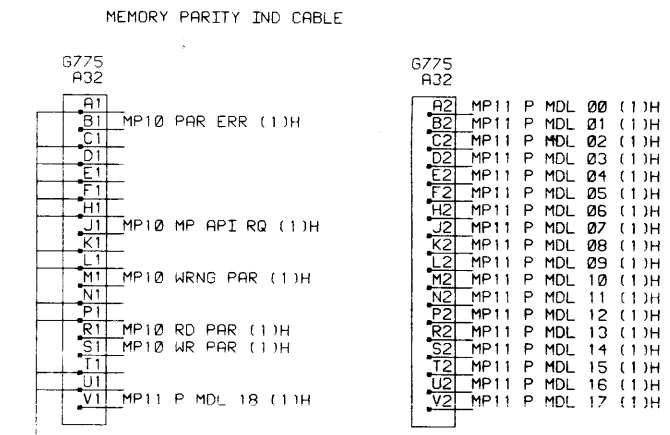
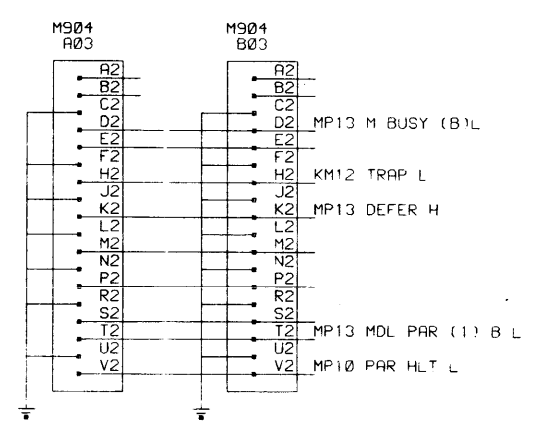
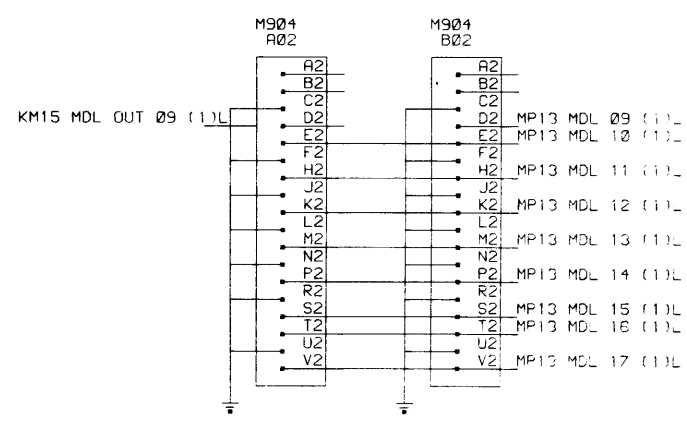
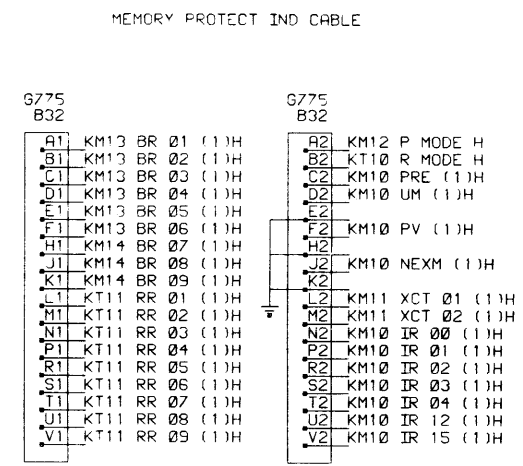
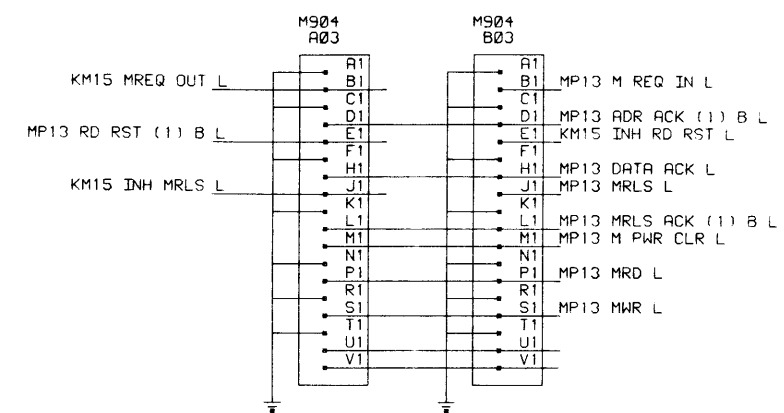
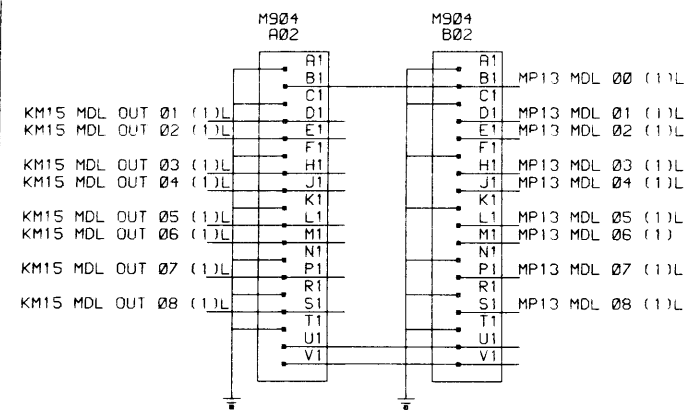
This drawing and specifications, herein, are the property of Digital Equipment Corporation and shall not be reproduced or copied or used in whole or in part as the basis for the manufacture or sale of items without written permission.



| REVISIONS |            |      |
|-----------|------------|------|
| CHK       | CHANGE NO. | REV. |
|           |            |      |

|                       |                 |   |
|-----------------------|-----------------|---|
| DRN. <i>W. J. ...</i> | DATE 3-23-70    | <br>digital EQUIPMENT CORPORATION<br>MAYNARD, MASSACHUSETTS |
| CHKD. <i>C. ...</i>   | DATE 3-23-70    |   |
| ENG. <i>A. ...</i>    | DATE 3/15/70    | TITLE   |
| PROD. <i>A. ...</i>   | DATE 3/25/70    | PARITY DECODER & PARITY GEN                                 |
| FIRST USED ON         | DATE 2/6/70     |   |
| MP15                  | SIZE CODE: D BS | NUMBER: MP15-0-12   |
| SCALE                 | SHEET 1 OF 1    | DIST.   |

This drawing and specifications, herein, are the property of Digital Equipment Corporation and shall not be reproduced or copied or used in whole or in part as the basis for the manufacture or sale of items without written permission.



| REVISIONS |            |      |
|-----------|------------|------|
| CHK       | CHANGE NO. | REV. |
| AW        | BB15-00012 | A    |
|           | BB15-00019 | F    |

|                       |                 |              |  |
|-----------------------|-----------------|--------------|--|
| DRN<br>D SOUTHER      | DATE<br>3/23/70 |              | <b>TITLE</b><br>PARITY-MEM BUS CONNECTIONS |
| CHK'D<br>D HAIGNEAULT | DATE<br>3/23/70 |              |  |
| ENG<br>J ELSBREE      | DATE<br>3/25/70 |              |  |
| PROJ ENG<br>F ALUMANN | DATE<br>3/25/70 |              |  |
| PROD<br>F LASKEY      | DATE<br>3/27/70 |              |  |
| FIRST USED ON<br>MP15 |                 | SIZE<br>C IC | NUMBER<br>MP15-0-13                        |
| SCALE                 |                 |              | REV.<br>B                                  |
| SHEET 1               | OF 1            | DIST.        |  |

This drawing and specifications, herein, are the property of Digital Equipment Corporation and shall not be reproduced or copied or used in whole or in part as the basis for the manufacture or sale of items without written permission.

|   |   |  |   |   |   |  |  |  |  |   |   |   |   |   |   |   |   |   |   |   |   |   |   |
|---|---|--|---|---|---|--|--|--|--|---|---|---|---|---|---|---|---|---|---|---|---|---|---|
|   | 8   | 7  | 6   | 5   | 4   | 3  | 2  | 1  |  |   |   |   |   |   |   |   |   |   |   |   |   |   |   |
|   | 1   | 2  | 3   | 4   | 5   | 6  | 7  | 8  | 9  | 10  | 11  | 12  | 13  | 14  | 15  | 16  | 17  | 18  | 19  | 20  | 21  | 22  |   |
|   | G829  | M912   | M912  | M912  | M912  | M622   | M622   | M510   | M510   | M149  | M149  | M117  | M882  | M882  | M111  | M104  | M103  | M103  | A687  | A687  | M717  | M776  |   |
| D | USAGE 1<br>BA 21<br>+5V<br>REGULATOR  | USAGE 1<br>BA 21<br>1/0 BUS 08<br>THRU<br>1/0 BUS 17   | USAGE 1<br>BA 21<br>1/0 SYNC IOP 1, 2, 4<br>SKIP RQ<br>PROG INT RQ<br>RD RQ<br>RD STATUS<br>PWP CLR | USAGE 1<br>BA 21<br>1/0 SYNC IOP 1, 2, 4<br>SKIP RQ<br>PROG INT RQ<br>RD RQ<br>RD STATUS<br>PWP CLR | USAGE 1<br>BA 21<br>1/0 SYNC IOP 1, 2, 4<br>SKIP RQ<br>PROG INT RQ<br>RD RQ<br>RD STATUS<br>PWP CLR | USAGE 1<br>BA 21<br>1/0 BUS 08<br>THRU<br>1/0 BUS 07                                 | USAGE 1<br>BA 21<br>PROG INT RQ EN<br>API 2<br>SKIP RQ GR<br>API 3<br>EN OUT EN<br>API 3<br>PQ GR<br>RD RQ<br>1/0 BUS 08<br>1/0 BUS 09   | USAGE 1<br>BA 21<br>RD STATUS IOP 1<br>IOP 2<br>IOP 4<br>I/O BUS 08<br>I/O BUS 09    | USAGE 1<br>BA 21<br>RD STATUS IOP 1<br>IOP 2<br>IOP 4<br>I/O BUS 08<br>I/O BUS 09    | USAGE 1<br>BA 21<br>BA BIT 00<br>BA BIT 01<br>BA BIT 02<br>BA BIT 03<br>BA BIT 04<br>BA BIT 05<br>BA BIT 06<br>BA BIT 07<br>BA BIT 08<br>BA BIT 09<br>PUN NO TAPE | USAGE 1<br>BA 21<br>BA BIT 00<br>BA BIT 01<br>BA BIT 02<br>BA BIT 03<br>BA BIT 04<br>BA BIT 05<br>BA BIT 06<br>BA BIT 07<br>BA BIT 08<br>BA BIT 09<br>PUN NO TAPE | USAGE 1<br>BA 21<br>BA BIT 00<br>BA BIT 01<br>BA BIT 02<br>BA BIT 03<br>BA BIT 04<br>BA BIT 05<br>BA BIT 06<br>BA BIT 07<br>BA BIT 08<br>BA BIT 09<br>PUN NO TAPE | USAGE 1<br>BA 21<br>BA BIT 00<br>BA BIT 01<br>BA BIT 02<br>BA BIT 03<br>BA BIT 04<br>BA BIT 05<br>BA BIT 06<br>BA BIT 07<br>BA BIT 08<br>BA BIT 09<br>PUN NO TAPE | USAGE 1<br>BA 21<br>BA BIT 00<br>BA BIT 01<br>BA BIT 02<br>BA BIT 03<br>BA BIT 04<br>BA BIT 05<br>BA BIT 06<br>BA BIT 07<br>BA BIT 08<br>BA BIT 09<br>PUN NO TAPE | USAGE 1<br>BA 21<br>BA BIT 00<br>BA BIT 01<br>BA BIT 02<br>BA BIT 03<br>BA BIT 04<br>BA BIT 05<br>BA BIT 06<br>BA BIT 07<br>BA BIT 08<br>BA BIT 09<br>PUN NO TAPE | USAGE 1<br>BA 21<br>BA BIT 00<br>BA BIT 01<br>BA BIT 02<br>BA BIT 03<br>BA BIT 04<br>BA BIT 05<br>BA BIT 06<br>BA BIT 07<br>BA BIT 08<br>BA BIT 09<br>PUN NO TAPE | USAGE 1<br>BA 21<br>BA BIT 00<br>BA BIT 01<br>BA BIT 02<br>BA BIT 03<br>BA BIT 04<br>BA BIT 05<br>BA BIT 06<br>BA BIT 07<br>BA BIT 08<br>BA BIT 09<br>PUN NO TAPE | USAGE 1<br>BA 21<br>BA BIT 00<br>BA BIT 01<br>BA BIT 02<br>BA BIT 03<br>BA BIT 04<br>BA BIT 05<br>BA BIT 06<br>BA BIT 07<br>BA BIT 08<br>BA BIT 09<br>PUN NO TAPE | USAGE 1<br>BA 21<br>BA BIT 00<br>BA BIT 01<br>BA BIT 02<br>BA BIT 03<br>BA BIT 04<br>BA BIT 05<br>BA BIT 06<br>BA BIT 07<br>BA BIT 08<br>BA BIT 09<br>PUN NO TAPE | USAGE 1<br>BA 21<br>BA BIT 00<br>BA BIT 01<br>BA BIT 02<br>BA BIT 03<br>BA BIT 04<br>BA BIT 05<br>BA BIT 06<br>BA BIT 07<br>BA BIT 08<br>BA BIT 09<br>PUN NO TAPE | USAGE 1<br>BA 21<br>BA BIT 00<br>BA BIT 01<br>BA BIT 02<br>BA BIT 03<br>BA BIT 04<br>BA BIT 05<br>BA BIT 06<br>BA BIT 07<br>BA BIT 08<br>BA BIT 09<br>PUN NO TAPE | USAGE 1<br>BA 21<br>BA BIT 00<br>BA BIT 01<br>BA BIT 02<br>BA BIT 03<br>BA BIT 04<br>BA BIT 05<br>BA BIT 06<br>BA BIT 07<br>BA BIT 08<br>BA BIT 09<br>PUN NO TAPE | USAGE 1<br>BA 21<br>BA BIT 00<br>BA BIT 01<br>BA BIT 02<br>BA BIT 03<br>BA BIT 04<br>BA BIT 05<br>BA BIT 06<br>BA BIT 07<br>BA BIT 08<br>BA BIT 09<br>PUN NO TAPE |
|   | G829  | M912   | M912  | M912  | M912  | M622   | M510   | M622   | M104   | M113  | M103  | M983  | M686  | M103  | G919  | M103  | A687  | A687  | M717  | M776  |   |   |   |
| C | USAGE 1<br>BA 21<br>1/0 RUN DATA OFLO<br>1/0 OFLO<br>1/0 AD 03<br>THRU<br>1/0 AD 08 | USAGE 1<br>BA 21<br>1/0 AD 09<br>WRITE RQ INC<br>MB<br>+1- CA<br>INH<br>API 0<br>RQ<br>API 0<br>GR<br>API 0<br>EN<br>API 1<br>RO<br>API 1<br>GR<br>API 1<br>EN | USAGE 1<br>BA 21<br>1/0 RUN DATA OFLO<br>1/0 OFLO<br>1/0 AD 03<br>THRU<br>1/0 AD 08                 | USAGE 1<br>BA 21<br>1/0 RUN DATA OFLO<br>1/0 OFLO<br>1/0 AD 03<br>THRU<br>1/0 AD 08                 | USAGE 1<br>BA 21<br>1/0 RUN DATA OFLO<br>1/0 OFLO<br>1/0 AD 03<br>THRU<br>1/0 AD 08                 | USAGE 1<br>BA 21<br>1/0 BUS 10<br>DS 01<br>DS 02<br>DS 03<br>DS 04<br>SD 00<br>SD 01 | USAGE 1<br>BA 21<br>1/0 BUS 10<br>DS 01<br>DS 02<br>DS 03<br>DS 04<br>SD 00<br>SD 01   | USAGE 1<br>BA 21<br>1/0 BUS 10<br>DS 01<br>DS 02<br>DS 03<br>DS 04<br>SD 00<br>SD 01 | USAGE 1<br>BA 21<br>1/0 BUS 10<br>DS 01<br>DS 02<br>DS 03<br>DS 04<br>SD 00<br>SD 01 | USAGE 1<br>BA 21<br>1/0 BUS 10<br>DS 01<br>DS 02<br>DS 03<br>DS 04<br>SD 00<br>SD 01  | USAGE 1<br>BA 21<br>1/0 BUS 10<br>DS 01<br>DS 02<br>DS 03<br>DS 04<br>SD 00<br>SD 01  | USAGE 1<br>BA 21<br>1/0 BUS 10<br>DS 01<br>DS 02<br>DS 03<br>DS 04<br>SD 00<br>SD 01  | USAGE 1<br>BA 21<br>1/0 BUS 10<br>DS 01<br>DS 02<br>DS 03<br>DS 04<br>SD 00<br>SD 01  | USAGE 1<br>BA 21<br>1/0 BUS 10<br>DS 01<br>DS 02<br>DS 03<br>DS 04<br>SD 00<br>SD 01  | USAGE 1<br>BA 21<br>1/0 BUS 10<br>DS 01<br>DS 02<br>DS 03<br>DS 04<br>SD 00<br>SD 01  | USAGE 1<br>BA 21<br>1/0 BUS 10<br>DS 01<br>DS 02<br>DS 03<br>DS 04<br>SD 00<br>SD 01  | USAGE 1<br>BA 21<br>1/0 BUS 10<br>DS 01<br>DS 02<br>DS 03<br>DS 04<br>SD 00<br>SD 01  | USAGE 1<br>BA 21<br>1/0 BUS 10<br>DS 01<br>DS 02<br>DS 03<br>DS 04<br>SD 00<br>SD 01  | USAGE 1<br>BA 21<br>1/0 BUS 10<br>DS 01<br>DS 02<br>DS 03<br>DS 04<br>SD 00<br>SD 01  | USAGE 1<br>BA 21<br>1/0 BUS 10<br>DS 01<br>DS 02<br>DS 03<br>DS 04<br>SD 00<br>SD 01  | USAGE 1<br>BA 21<br>1/0 BUS 10<br>DS 01<br>DS 02<br>DS 03<br>DS 04<br>SD 00<br>SD 01  | USAGE 1<br>BA 21<br>1/0 BUS 10<br>DS 01<br>DS 02<br>DS 03<br>DS 04<br>SD 00<br>SD 01  | USAGE 1<br>BA 21<br>1/0 BUS 10<br>DS 01<br>DS 02<br>DS 03<br>DS 04<br>SD 00<br>SD 01  |
|   | M184  | M103   | M706  | M707  | M452  | M311   | M981   | M229   | M229   |   |   |   |   |   |   |   |   |   |   |   |   |   |   |
| B | USAGE 1<br>LT 21<br>TRANSMITTER<br>API<br>CONTROL<br>API LEVEL 3                    | USAGE 1<br>LT 21<br>10T 4881<br>4882<br>4884   | USAGE 1<br>LT 21<br>TELETYPE RECEIVER   | USAGE 1<br>LT 21<br>TELETYPE TRANSMITTER  | USAGE 1<br>LT 21<br>TELETYPE CLOCK  | USAGE 1<br>LT 21<br>THRU   | USAGE 1<br>LT 21<br>PROG INT RQ<br>SKIP RQ<br>RDR API<br>VPOAPI<br>KBD API<br>TTY API<br>RDR INT<br>PUN FLG<br>VPI5<br>INT RQ<br>KBD FLG<br>TTY FLG<br>1/0 AD 12-14<br>1/0 AD 13<br>1/0 AD 12-14<br>1/0 AD 12-14<br>1/0 AD 12-14<br>1/0 AD 12-14 | USAGE 1<br>LT 21<br>DIS PLAYS<br>0-4   | USAGE 1<br>LT 21<br>DIS PLAYS<br>5-7   | USAGE 1<br>LT 21<br>DIS PLAYS<br>0-4  | USAGE 1<br>LT 21<br>DIS PLAYS<br>5-7  | USAGE 1<br>LT 21<br>DIS PLAYS<br>0-4  | USAGE 1<br>LT 21<br>DIS PLAYS<br>5-7  | USAGE 1<br>LT 21<br>DIS PLAYS<br>0-4  | USAGE 1<br>LT 21<br>DIS PLAYS<br>5-7  | USAGE 1<br>LT 21<br>DIS PLAYS<br>0-4  | USAGE 1<br>LT 21<br>DIS PLAYS<br>5-7  | USAGE 1<br>LT 21<br>DIS PLAYS<br>0-4  | USAGE 1<br>LT 21<br>DIS PLAYS<br>5-7  | USAGE 1<br>LT 21<br>DIS PLAYS<br>0-4  | USAGE 1<br>LT 21<br>DIS PLAYS<br>5-7  | USAGE 1<br>LT 21<br>DIS PLAYS<br>0-4  | USAGE 1<br>LT 21<br>DIS PLAYS<br>5-7  |
|   | M184  | M103   | M706  | M707  | M452  | M311   | M981   | M229   | M229   |   |   |   |   |   |   |   |   |   |   |   |   |   |   |
| B | USAGE 1<br>LT 21<br>RECEIVER<br>API<br>CONTROL<br>API LEVEL 3                       | USAGE 1<br>LT 21<br>10T 4181<br>4182<br>4184   | USAGE 1<br>LT 21<br>TELETYPE RECEIVER   | USAGE 1<br>LT 21<br>TELETYPE TRANSMITTER  | USAGE 1<br>LT 21<br>TELETYPE CLOCK  | USAGE 1<br>LT 21<br>THRU   | USAGE 1<br>LT 21<br>PROG INT RQ<br>SKIP RQ<br>RDR API<br>VPOAPI<br>KBD API<br>TTY API<br>RDR INT<br>PUN FLG<br>VPI5<br>INT RQ<br>KBD FLG<br>TTY FLG<br>1/0 AD 12-14<br>1/0 AD 13<br>1/0 AD 12-14<br>1/0 AD 12-14<br>1/0 AD 12-14<br>1/0 AD 12-14 | USAGE 1<br>LT 21<br>DIS PLAYS<br>0-4   | USAGE 1<br>LT 21<br>DIS PLAYS<br>5-7   | USAGE 1<br>LT 21<br>DIS PLAYS<br>0-4  | USAGE 1<br>LT 21<br>DIS PLAYS<br>5-7  | USAGE 1<br>LT 21<br>DIS PLAYS<br>0-4  | USAGE 1<br>LT 21<br>DIS PLAYS<br>5-7  | USAGE 1<br>LT 21<br>DIS PLAYS<br>0-4  | USAGE 1<br>LT 21<br>DIS PLAYS<br>5-7  | USAGE 1<br>LT 21<br>DIS PLAYS<br>0-4  | USAGE 1<br>LT 21<br>DIS PLAYS<br>5-7  | USAGE 1<br>LT 21<br>DIS PLAYS<br>0-4  | USAGE 1<br>LT 21<br>DIS PLAYS<br>5-7  | USAGE 1<br>LT 21<br>DIS PLAYS<br>0-4  | USAGE 1<br>LT 21<br>DIS PLAYS<br>5-7  | USAGE 1<br>LT 21<br>DIS PLAYS<br>0-4  | USAGE 1<br>LT 21<br>DIS PLAYS<br>5-7  |
|   | M184  | M103   | M706  | M707  | M452  | M311   | M981   | M229   | M229   |   |   |   |   |   |   |   |   |   |   |   |   |   |   |
| A | USAGE 1<br>LT 21<br>RECEIVER<br>API<br>CONTROL<br>API LEVEL 3                       | USAGE 1<br>LT 21<br>10T 4181<br>4182<br>4184   | USAGE 1<br>LT 21<br>TELETYPE RECEIVER   | USAGE 1<br>LT 21<br>TELETYPE TRANSMITTER  | USAGE 1<br>LT 21<br>TELETYPE CLOCK  | USAGE 1<br>LT 21<br>THRU   | USAGE 1<br>LT 21<br>PROG INT RQ<br>SKIP RQ<br>RDR API<br>VPOAPI<br>KBD API<br>TTY API<br>RDR INT<br>PUN FLG<br>VPI5<br>INT RQ<br>KBD FLG<br>TTY FLG<br>1/0 AD 12-14<br>1/0 AD 13<br>1/0 AD 12-14<br>1/0 AD 12-14<br>1/0 AD 12-14<br>1/0 AD 12-14 | USAGE 1<br>LT 21<br>DIS PLAYS<br>0-4   | USAGE 1<br>LT 21<br>DIS PLAYS<br>5-7   | USAGE 1<br>LT 21<br>DIS PLAYS<br>0-4  | USAGE 1<br>LT 21<br>DIS PLAYS<br>5-7  | USAGE 1<br>LT 21<br>DIS PLAYS<br>0-4  | USAGE 1<br>LT 21<br>DIS PLAYS<br>5-7  | USAGE 1<br>LT 21<br>DIS PLAYS<br>0-4  | USAGE 1<br>LT 21<br>DIS PLAYS<br>5-7  | USAGE 1<br>LT 21<br>DIS PLAYS<br>0-4  | USAGE 1<br>LT 21<br>DIS PLAYS<br>5-7  | USAGE 1<br>LT 21<br>DIS PLAYS<br>0-4  | USAGE 1<br>LT 21<br>DIS PLAYS<br>5-7  | USAGE 1<br>LT 21<br>DIS PLAYS<br>0-4  | USAGE 1<br>LT 21<br>DIS PLAYS<br>5-7  | USAGE 1<br>LT 21<br>DIS PLAYS<br>0-4  | USAGE 1<br>LT 21<br>DIS PLAYS<br>5-7  |

| CHK | REVISIONS | CHANGE NO. | REV. |
|-----|-----------|------------|------|
|     | 1         | BA15-0000  | B    |
|     | 2         | BA15-0001  | C    |
|     | 3         | BA15-0002  | D    |
|     | 4         | BA15-0003  | E    |
|     | 5         | BA15-0004  | F    |
|     | 6         | BA15-0005  | G    |
|     | 7         | BA15-0006  | H    |
|     | 8         | BA15-0007  | I    |

|                                    |   |  |                                      |                                      |
|------------------------------------|---|--|--------------------------------------|--------------------------------------|
| FIRST USED ON OPTION/MODEL<br>BA15 | DO NOT SCALE DRAWING<br>UNLESS OTHERWISE SPECIFIED<br>DIMENSION IN INCHES<br>TOLERANCES<br>DECIMALS FRACTIONS ANGLES<br>= .005 = 1/64 = 0°30'<br>FINAL SURFACE QUALITY<br>REMOVE BURRS AND BREAK SHARP<br>CORNERS | DRN<br>CHK'D.<br>ENG.<br>PROJ. ENG.<br>PROD.<br>NEXT HIGHER ASSY | DATE<br>DATE<br>DATE<br>DATE<br>DATE | DATE<br>DATE<br>DATE<br>DATE<br>DATE |
|------------------------------------|---|--|--------------------------------------|--------------------------------------|

|  |                     |
|--|---------------------|
| <b>digital EQUIPMENT CORPORATION</b><br>WATNARD, MASSACHUSETTS |                     |
| <b>MODULE UTILIZATION</b>                                      |                     |
| SIZE CODE<br><b>DMU</b>  | NUMBER<br>BA15-0-07 |
| REV.<br>F  | DIST.               |

REV. F  
DMU BA15-0-07

This drawing and specifications, herein, are the property of Digital Equipment Corporation and shall not be reproduced or copied or used in whole or in part as the basis for the manufacture or sale of items without written permission.

PERIPHERAL EXPANDER (BA15)  
C-UA-BA15-0-0

2 WIPE ASSY BA15  
D-AD-7006378-0-0

3 H911 MTG PANEL  
D-AD-5404491-0-0

4 CASTING ASSY 1943  
D-AD-5302483-0-0

5 BC09B CABLE ASSY  
D-UA-BC09B-0-0

\* 6 PC15-B HIGH SPEED READER  
A-PL-PC15-0-0

\* 7 LT15-A ONE TTY INTERFACE  
A-PL-LT15-A-0

\* 8 VP15-A POINT DISPLAY  
A-PL-VP15-0-0

\* 9 VP15-B POINT DISPLAY  
A-PL-VP15-0-0

\* 10 VP15-C POINT DISPLAY  
A-PL-VP15-0-0

11 VP-15-BL POINT DISPLAY  
A-PL-VP15-0-0

\* DENOTES OPTIONAL ITEMS

| MECHANICAL |   |  |      | DEPT USAGE |     |          | ELECTRICAL  |  |      |      | DEPT USAGE |  |  |
|------------|---|--|------|------------|-----|----------|---|--|------|------|------------|--|--|
| FIND NO.   | DESCRIPTION   | PART NO.   | PROD | CUST       | F/C | FIND NO. | DESCRIPTION   | PART NO.   | PROD | CUST | F/C        |  |  |
| 1          | PERIPHERAL EXPANDER BA15<br>PERIPHERAL EXPANDER BA15 (PL)<br>RETAINER BLOCK | C-UA-BA15-0-0<br>A-PL-BA15-0-0<br>C-MD-7407127-0-0       |      |            |     | 1        | PERIPHERAL EXPANDER (BA15)<br>WIPE LIST (BA15)<br>I/O BUS INTERFACE<br>BA15 LINE RECEIVERS<br>LINE DRIVERS<br>I/O MIXER<br>I/O MULTIPLEXER<br>MODULE UTILIZATION<br>MODULE UTILIZATION (PL)<br>INDICATOR CABLE<br>BA15... | A-WL-BA15-0<br>K-WL-BA15-0-09<br>D-BS-BA15-0-1<br>D-BS-BA15-0-2<br>D-BS-BA15-0-3<br>D-BS-BA15-0-4<br>D-BS-BA15-0-5<br>D-MU-BA15-0-07<br>A-PL-BA15-0-07 |      |      |            |  |  |
| 2          | WIRED ASSY BA15<br>WIRED ASSY BA15 (PL)<br>LOGIC FRAME DECALS               | D-AD-7006378-0-0<br>A-PL-7006378-0-0<br>A-DC-7406371-0-0 |      |            |     |          |   |  |      |      |            |  |  |
| 3          | MTG PANEL TYPE H911<br>MTG PANEL TYPE H911 (PL)<br>288 PIN CONN BLOCK       | D-AD-5404491-0-0<br>A-PL-5404491-0-0<br>E-SC-1205348-0-0 |      |            |     | 2        | WIRED ASSY (BA15)<br>WIRED ASSY (BA15) (PL)   | D-AD-7006378-0-0<br>A-PL-7006378-0-0   |      |      |            |  |  |
| 4          | CASTING ASSY (1943)<br>CASTING ASSY (1943) (PL)<br>1943 FRAME CASTING       | D-AD-5302483-0-0<br>A-PL-5302483-0-0<br>E-MD-1202885-0-0 |      |            |     | 6        | HIGH SPEED READER (PC15-B)  | A-PL-PC15-0  |      |      |            |  |  |
| 5          | BC09B CABLE ASSY  | D-UA-BC09B-0-0   |      |            |     | 7        | ONE TTY INTERFACE (LT15-A)  | A-PL-LT15-A  |      |      |            |  |  |
| 6*         | HIGH SPEED READER PC15  | A-PL-PC15-0-0  |      |            |     | 8        | POINT DISPLAY (VP15-A)  | A-PL-VP15-A  |      |      |            |  |  |
| 7*         | ONE TTY INTERFACE LT15-A  | A-PL-LT15-A-0  |      |            |     | 9        | POINT DISPLAY (VP15-B)  | A-PL-VP15-B  |      |      |            |  |  |
| 8*         | POINT DISPLAY VP15-A  | A-PL-VP15-0-0  |      |            |     | 10       | POINT DISPLAY (VP15-C)  | A-PL-VP15-C  |      |      |            |  |  |
| 9*         | POINT DISPLAY VP15-B  | A-PL-VP15-0-0  |      |            |     | 11       | POINT DISPLAY (VP15-BL)   | A-PL-VP15-BL   |      |      |            |  |  |
| 10*        | POINT DISPLAY VP15-C  | A-PL-VP15-0-0  |      |            |     |          |   |  |      |      |            |  |  |
| 11         | POINT DISPLAY VP15-BL   | A-PL-VP15-0-0  |      |            |     |          |   |  |      |      |            |  |  |

| REV | DATE    | BY     | DESCRIPTION |
|-----|---------|--------|-------------|
| 1   | 7-13-70 | AUMANN | REVISIONS   |
| 2   | 8-11-70 | AUMANN | REVISIONS   |
| 3   | 9-17-71 | AUMANN | REVISIONS   |
| 4   | 9-17-71 | AUMANN | REVISIONS   |

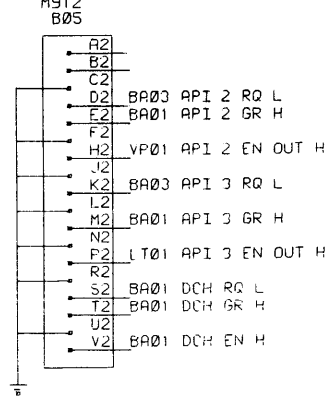
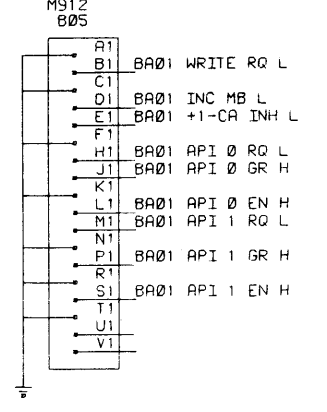
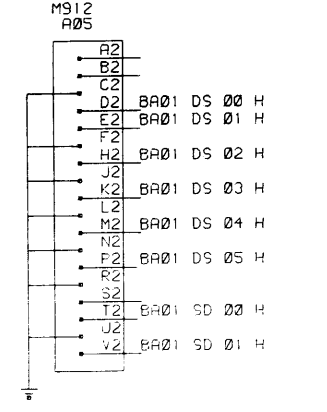
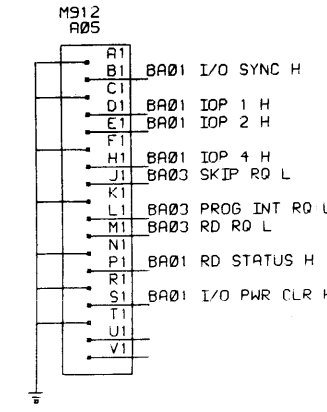
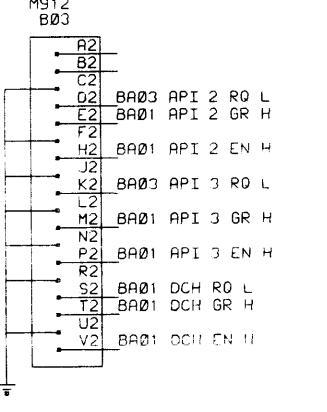
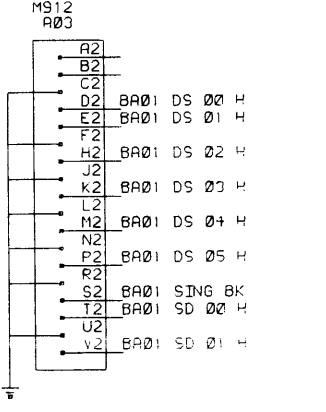
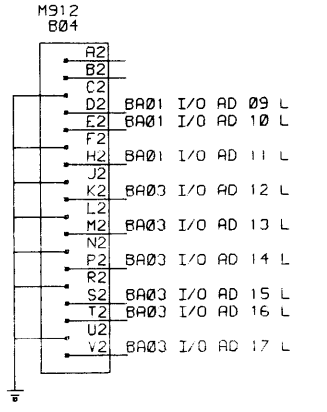
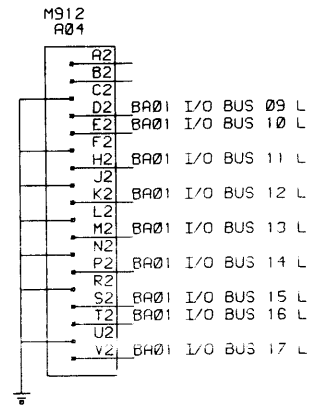
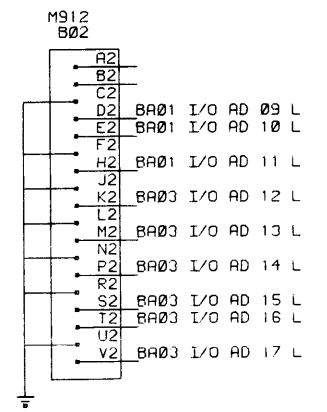
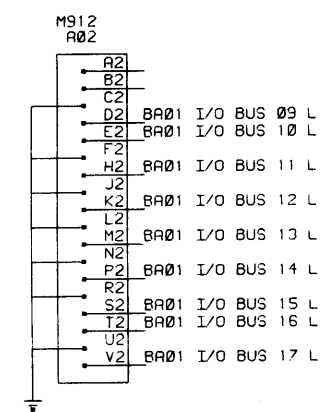
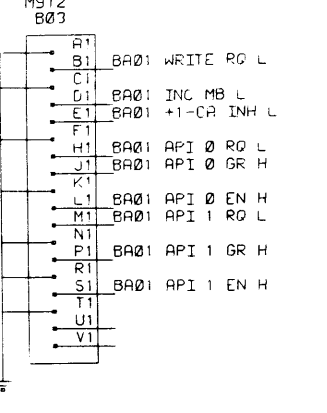
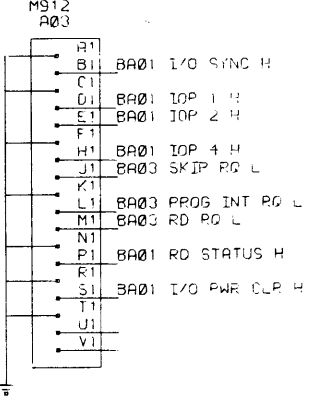
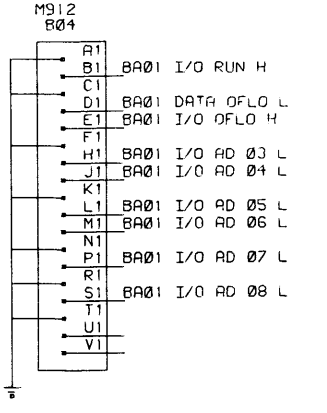
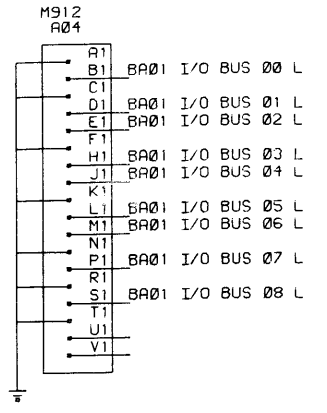
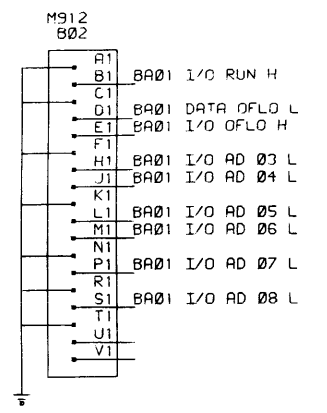
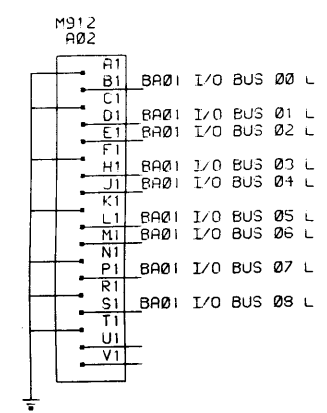
FIRST USED ON OPTION/MODEL  
BA15

|                                      |                            |
|--------------------------------------|----------------------------|
| DO NOT SCALE DRAWING                 | UNLESS OTHERWISE SPECIFIED |
| DIMENSION IN INCHES                  | TOLERANCES                 |
| DECIMALS ± .005                      | FRACTIONS ± 1/64           |
| ANGLES ± 0°30'                       | FINAL SURFACE QUALITY      |
| REMOVE BURRS AND BREAK SHARP CORNERS |                            |
| MATERIAL                             |                            |
| FINISH                               |                            |

| QTY.                              | DESCRIPTION | PART NO.  | ITEM NO. |
|-----------------------------------|-------------|-----------|----------|
|                                   |             |           |          |
| PARTS LIST                        |             |           |          |
| DRN                               | H. THELLEN  | DATE      | 7/15/67  |
| CHK'D                             | COOK        | DATE      | 8-13-67  |
| ENG.                              | AUMANN      | DATE      | 7-2-68   |
| PROJ. ENG.                        | AUMANN      | DATE      | 7-2-68   |
| PROD.                             | ASPEI       | DATE      | 7-2-68   |
| NEXT HIGHER ASSY<br>C-UA-BA15-0-0 |             |           |          |
| SCALE                             |             |           |          |
| SHEET                             | 1 OF 1      |           |          |
| TITLE                             |             | SIZE CODE | NUMBER   |
| DRAWING INDEX LIST BA15           |             | D DI      | BA15-0-8 |
|                                   |             |           | REV. F   |

This drawing and specifications hereby certify that the quality of Digital Equipment Corporation and shall not be reproduced or copied in whole or in part without the written permission of Digital Equipment Corporation.

8 7 6 5 4 3 2 1



NOTE: PINS A1, C1, F1, K1, N1, AND R1 ARE GROUNDED

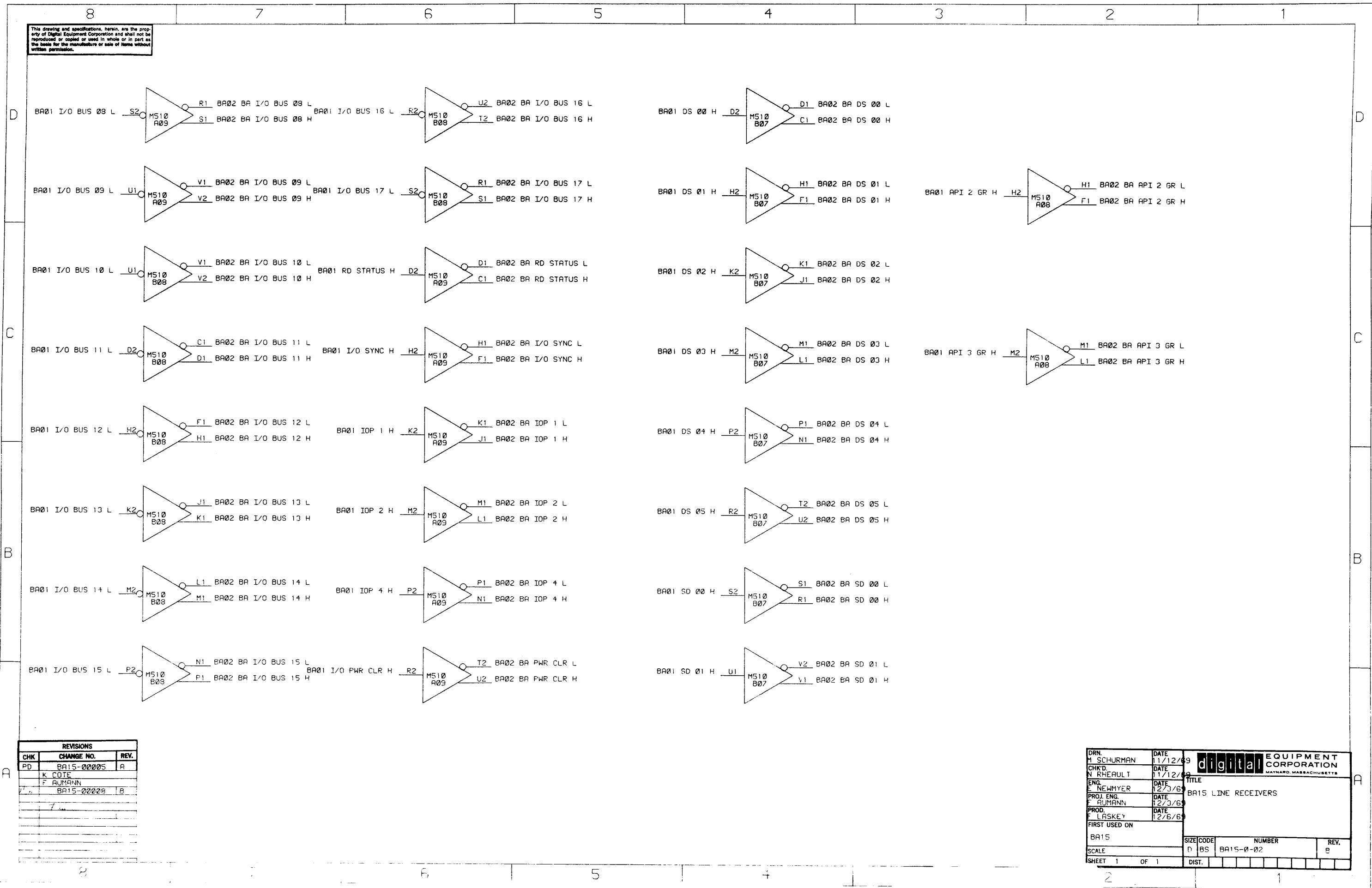
NOTE: PINS F2, J2, L2, N2, P2, AND U2 ARE BUSSED TO GROUND

| REVISIONS |                  |      |
|-----------|------------------|------|
| CHK       | CHANGE NO.       | REV. |
| NR        | BA15-00001       | A    |
|           | K COTE 2/17/70   |      |
|           | F RUMANN 2/20/70 |      |
|           | BA15-00008       | B    |

|                       |                  |  |
|-----------------------|------------------|--|
| DRN<br>M SCHURMAN     | DATE<br>11/12/69 | <b>digital</b> EQUIPMENT CORPORATION<br>MAYNARD, MASSACHUSETTS |
| CHK'D<br>N RHEAULT    | DATE<br>11/12/69 |  |
| ENG<br>E NEWMYER      | DATE<br>12/3/69  | TITLE<br>I/O BUS INTERFACE                                     |
| PROJ. ENG<br>F RUMANN | DATE<br>12/3/69  |  |
| PROD<br>F LASKEY      | DATE<br>12/6/69  |  |
| FIRST USED ON         |                  |  |
| BA15                  | SIZE/CODE        | NUMBER   |
|                       | D 15             | BA15-0-01  |
| SCALE                 |                  | REV.<br>6  |
| SHEET 1 OF 1          | DIST.            |  |

8 7 6 5 4 3 2 1

This drawing and specifications, herein, are the property of Digital Equipment Corporation and shall not be reproduced or copied or used in whole or in part as the basis for the manufacture or sale of items without written permission.

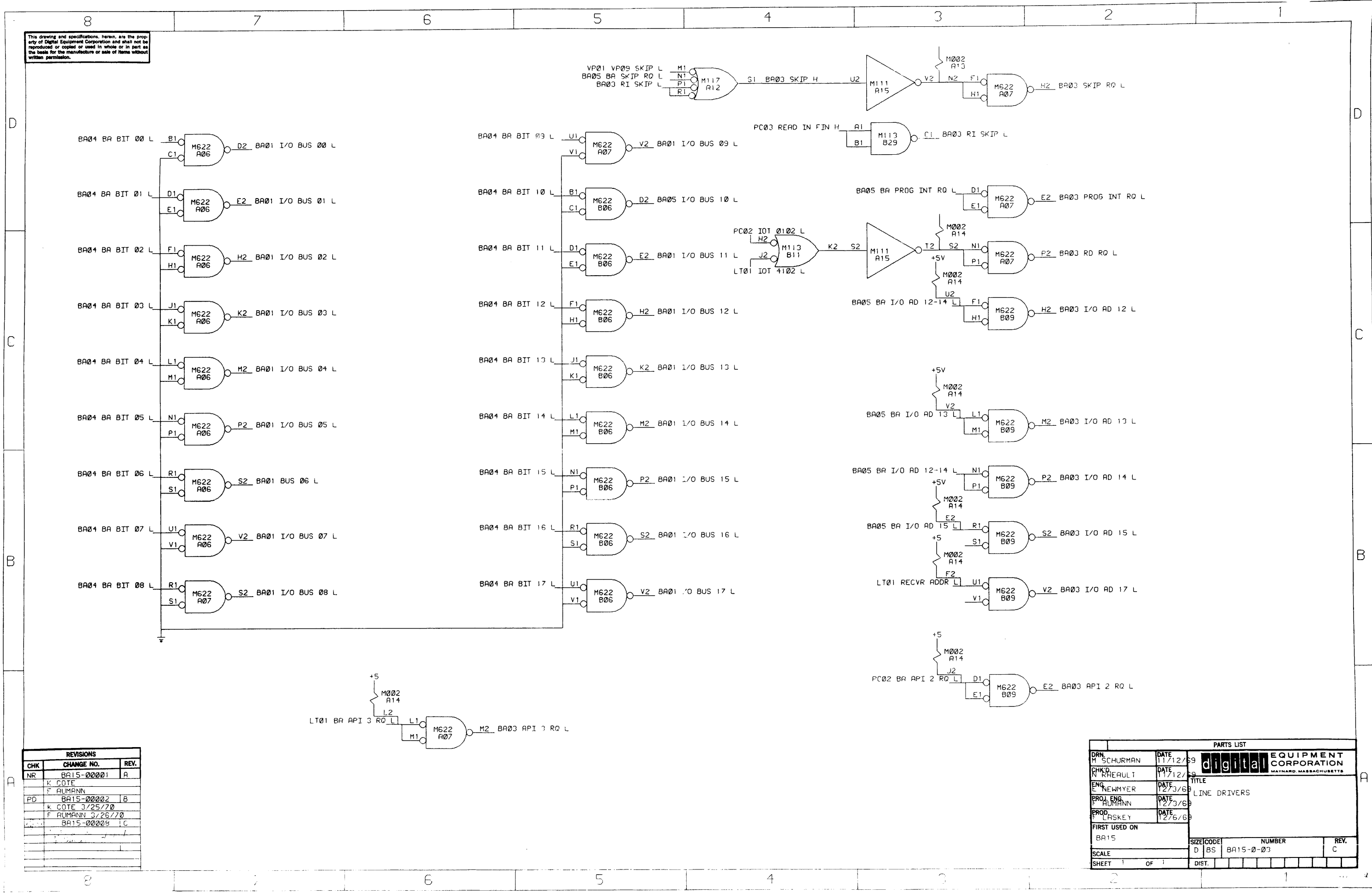


| REVISIONS |            |      |
|-----------|------------|------|
| CHK       | CHANGE NO. | REV. |
| PD        | BA15-00005 | A    |
|           | K. COTE    |      |
|           | F. RUMANN  |      |
|           | BA15-00008 | B    |
|           |            |      |
|           |            |      |
|           |            |      |
|           |            |      |
|           |            |      |

|                      |                |  |
|----------------------|----------------|--|
| DRN. M. SCHURMAN     | DATE 11/12/69  | <b>digital</b> EQUIPMENT CORPORATION<br>MAYNARD, MASSACHUSETTS |
| CHK'D. N. RHEAULT    | DATE 11/12/69  |  |
| ENG. E. NEWMYER      | DATE 12/3/69   | TITLE  |
| PROJ. ENG. F. RUMANN | DATE 12/3/69   | BA15 LINE RECEIVERS  |
| PROD. F. LASKEY      | DATE 12/6/69   |  |
| FIRST USED ON        |                |  |
| BA15                 | SIZE CODE D BS | NUMBER BA15-0-02   |
| SCALE                |                | REV. B   |
| SHEET 1 OF 1         | DIST.          |  |



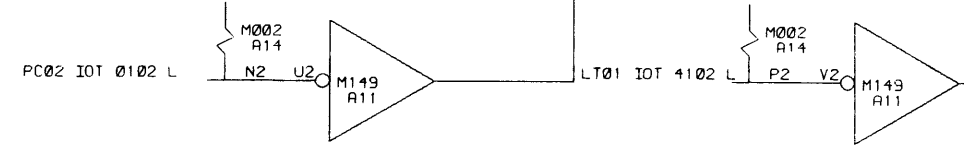
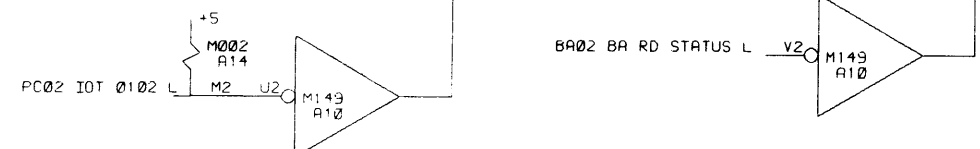
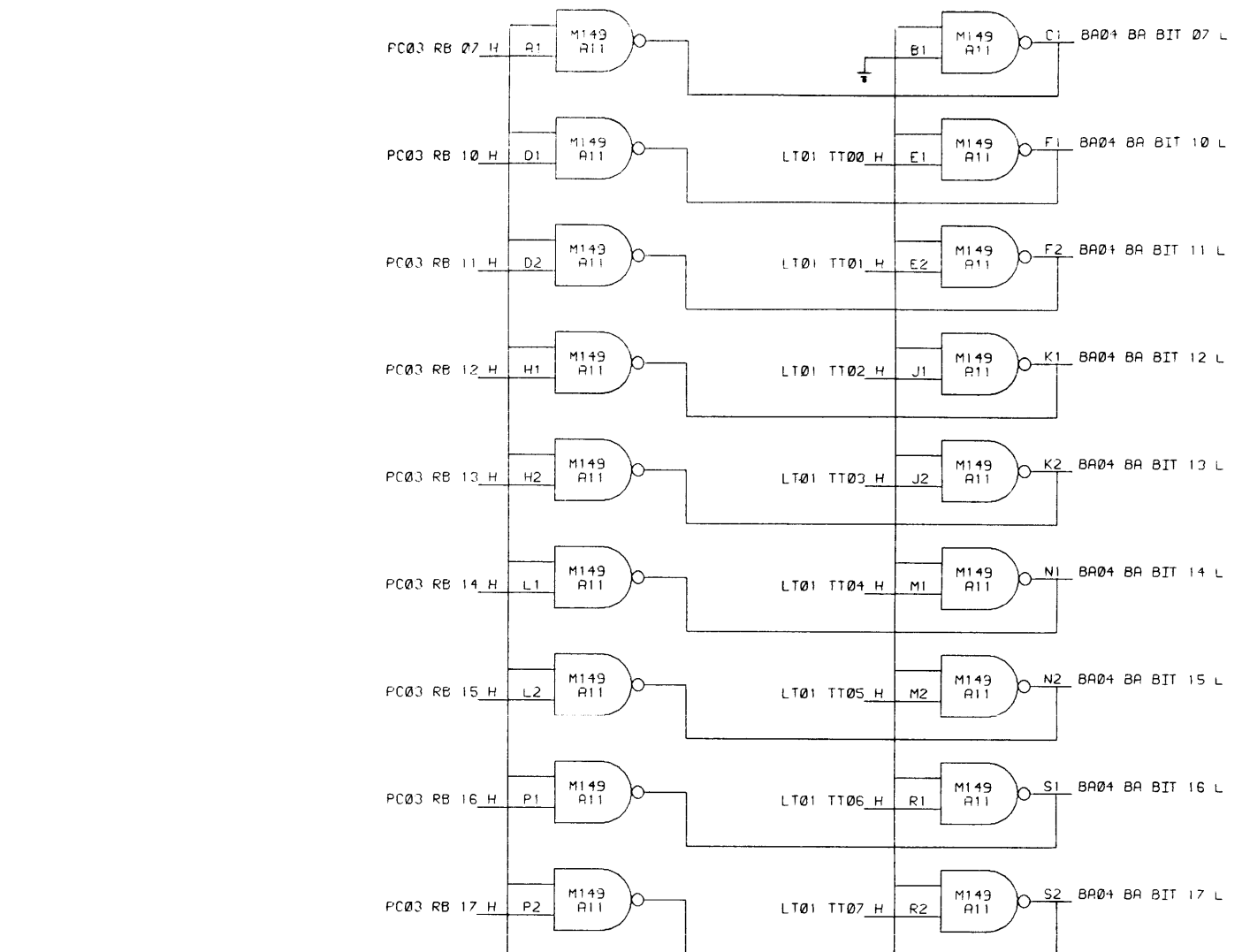
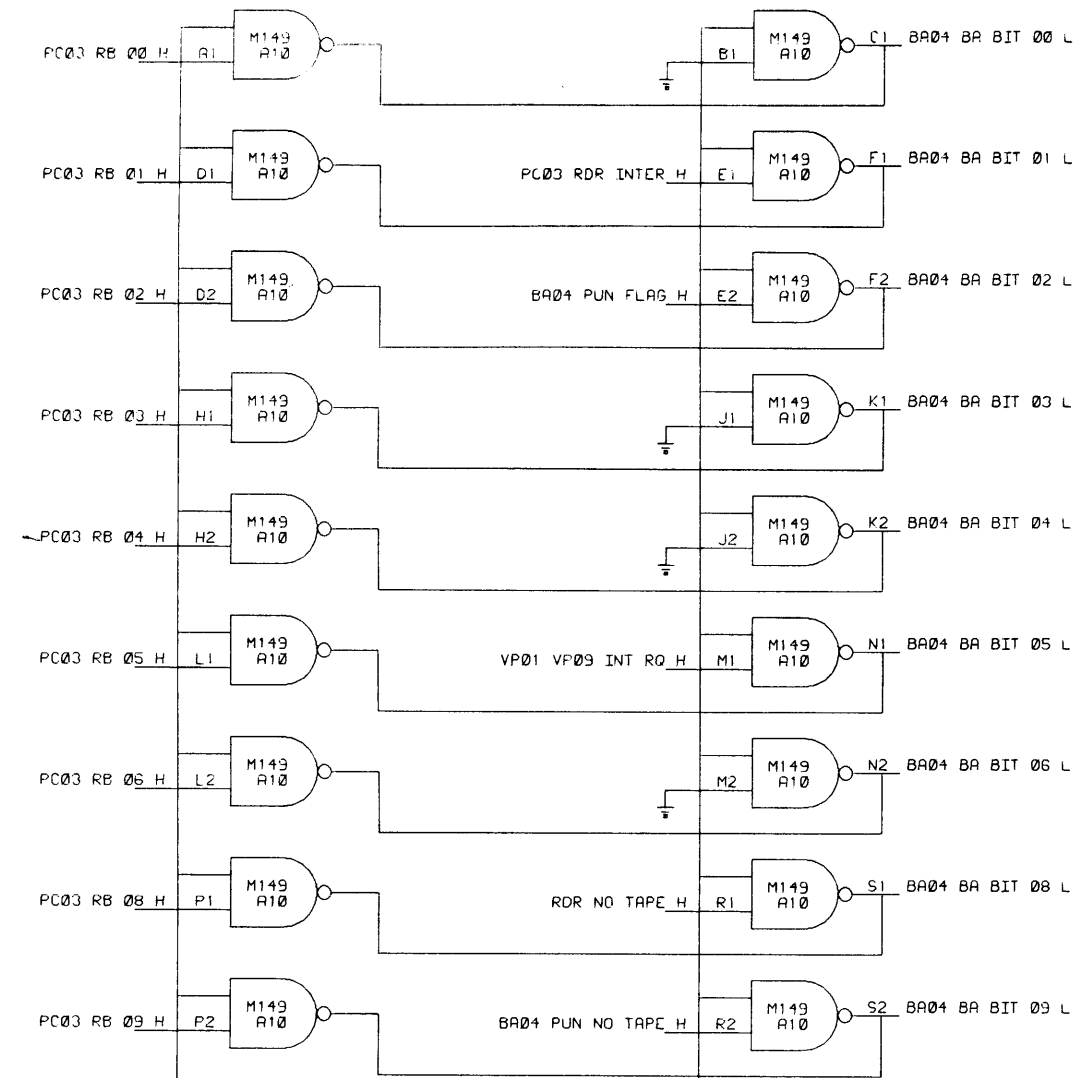
This drawing and specifications, herein, are the property of Digital Equipment Corporation and shall not be reproduced or copied or used in whole or in part as the basis for the manufacture or sale of items without written permission.



| REVISIONS |                  |      |
|-----------|------------------|------|
| CHK       | CHANGE NO.       | REV. |
| NR        | BA15-00001       | A    |
|           | K COTE           |      |
|           | F RUMANN         |      |
| PD        | BA15-00002       | B    |
|           | K COTE 3/25/70   |      |
|           | F RUMANN 3/26/70 |      |
|           | BA15-00003       | C    |

| PARTS LIST    |            |        |           |
|---------------|------------|--------|-----------|
| DRN           | M SCHURMAN | DATE   | 11/12/69  |
| CHKD          | N RHEULT   | DATE   | 11/12/69  |
| ENG           | E NEWMYER  | DATE   | 12/3/69   |
| PROJ ENG      | F RUMANN   | DATE   | 12/3/69   |
| PROD          | F LASKEY   | DATE   | 12/6/69   |
| TITLE         |            |        |           |
| LINE DRIVERS  |            |        |           |
| FIRST USED ON |            |        |           |
| BA15          |            |        |           |
| SCALE         | D BS       | NUMBER | BA15-0-03 |
| SHEET 1       | OF 1       | DIST.  |           |

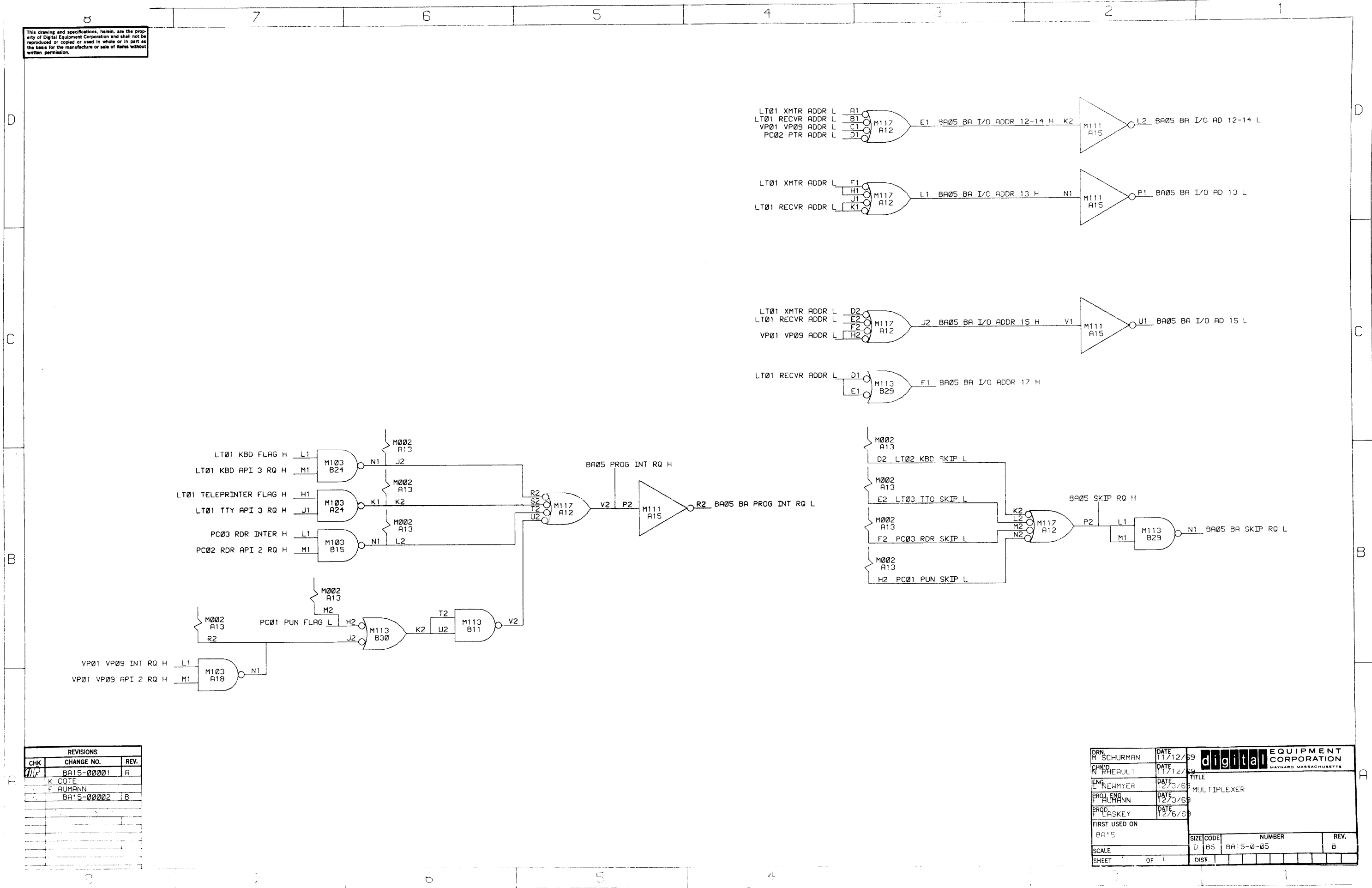
This drawing and specifications herein, are the property of Digital Equipment Corporation and shall not be reproduced or copied or used in whole or in part as the basis for the manufacture or sale of items without written permission.



| REVISIONS |                  |      |
|-----------|------------------|------|
| CHK       | CHANGE NO.       | REV. |
| NR        | BA15-00001       | A    |
|           | K GOTE           |      |
|           | F ALMANN         |      |
| PU        | BA15-00002       | B    |
|           | K GOTE 3/25/70   |      |
|           | F ALMANN 3/26/70 |      |
|           | BA15-00003       |      |

|                       |                  |  |
|-----------------------|------------------|--|
| DRAWN<br>M SCHURMAN   | DATE<br>11/12/69 | <b>digital</b> EQUIPMENT CORPORATION<br>MAYNARD, MASSACHUSETTS |
| CHK'D<br>N RHEAULT    | DATE<br>11/12/69 |  |
| ENG<br>E NEWMYER      | DATE<br>12/3/69  | TITLE<br>I/O MIXER   |
| PROJ. ENG<br>F ALMANN | DATE<br>12/3/69  |  |
| PROD.<br>F LASKEY     | DATE<br>12/6/69  |  |
| FIRST USED ON<br>BA15 | SCALE<br>D AS    | NUMBER<br>BA15-0-04  |
| SHEET 1 OF 1          | DIST.            | REV.<br>C  |

This drawing and specifications, herein, are the property of Digital Equipment Corporation and shall not be reproduced or copied or used in whole or in part as the basis for the manufacture or sale of items without written permission.



| REVISIONS |            |      |
|-----------|------------|------|
| CHK       | CHANGE NO. | REV. |
| 01        | BA15-00001 | A    |
|           | K COTE     |      |
|           | F RUMANN   |      |
|           | BA15-00002 | B    |
|           |            |      |
|           |            |      |
|           |            |      |
|           |            |      |
|           |            |      |
|           |            |      |

|                     |               |   |
|---------------------|---------------|---|
| DRN. M SCHURMAN     | DATE 11/12/69 | <b>digital</b> EQUIPMENT CORPORATION<br>MAYNARD MASSACHUSETTS |
| CHK'D N RHEAULT     | DATE 11/12/69 |   |
| ENG. E NEWMYER      | DATE 12/3/69  | TITLE   |
| PROJ. ENG. F RUMANN | DATE 12/3/69  | MULTIPLEXER   |
| PROD. F LASKEY      | DATE 12/6/69  |   |
| FIRST USED ON       |               |   |
| BA15                | SIZE CODE     | NUMBER  |
|                     | D BS          | BA15-0-05   |
| SCALE               |               | REV. B  |
| SHEET 1 OF 1        | DIST.         |   |

This drawing and specifications, herein, are the property of Digital Equipment Corporation and shall not be reproduced or copied or used in whole or in part as the basis for the manufacture or sale of items without written permission.

M901  
A29

|    |      |             |       |      |         |
|----|------|-------------|-------|------|---------|
| A2 | BA05 | PROG        | INT   | RQ   | H       |
| B2 | BA05 | SKIP        |       |      | H       |
| C2 | PC02 | IND         | RDR   | API  | 2 H     |
| D2 | PC02 | IND         | VP09  | API  | 2 H     |
| E2 | LT01 | IND         | KBD   | API  | 3 H     |
| F2 | LT01 | IND         | TTY   | API  | 3 H     |
| H2 | PC03 | RDR         | INTER |      | H       |
| J2 | BA04 | PUN         | FLG   |      | H       |
| K2 | VP01 | VP09        | INT   | RQ   | H       |
| L2 | LT01 | KBD         | FLG   |      | H       |
| M2 | LT01 | TELEPRINTER | FLG   |      | H       |
| N2 |      |             |       |      |         |
| P2 | BA05 | BA          | I/O   | ADDR | 12-14 H |
| R2 | BA05 | BA          | I/O   | ADDR | 13 H    |
| S2 | BA05 | BA          | I/O   | ADDR | 12-14 H |
| T2 | BA05 | BA          | I/O   | ADDR | 15 H    |
| U2 |      |             |       |      |         |
| V2 | BA05 | BA          | I/O   | ADDR | 17 H    |

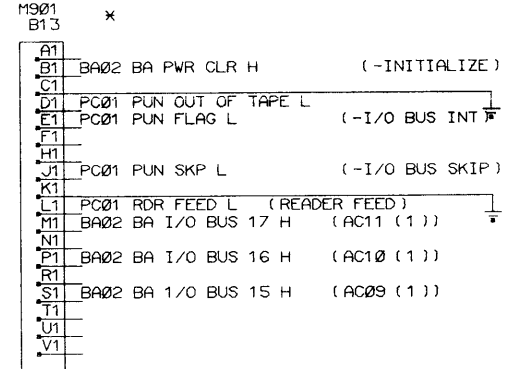
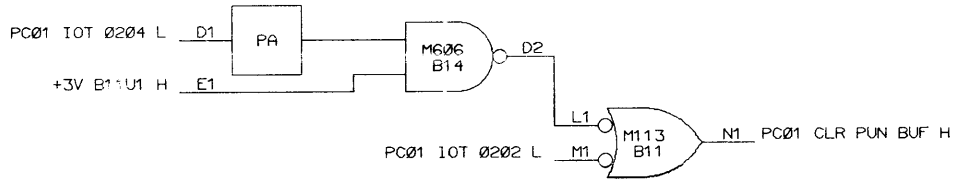
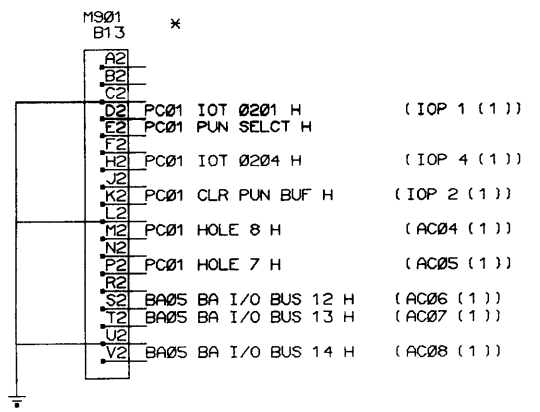
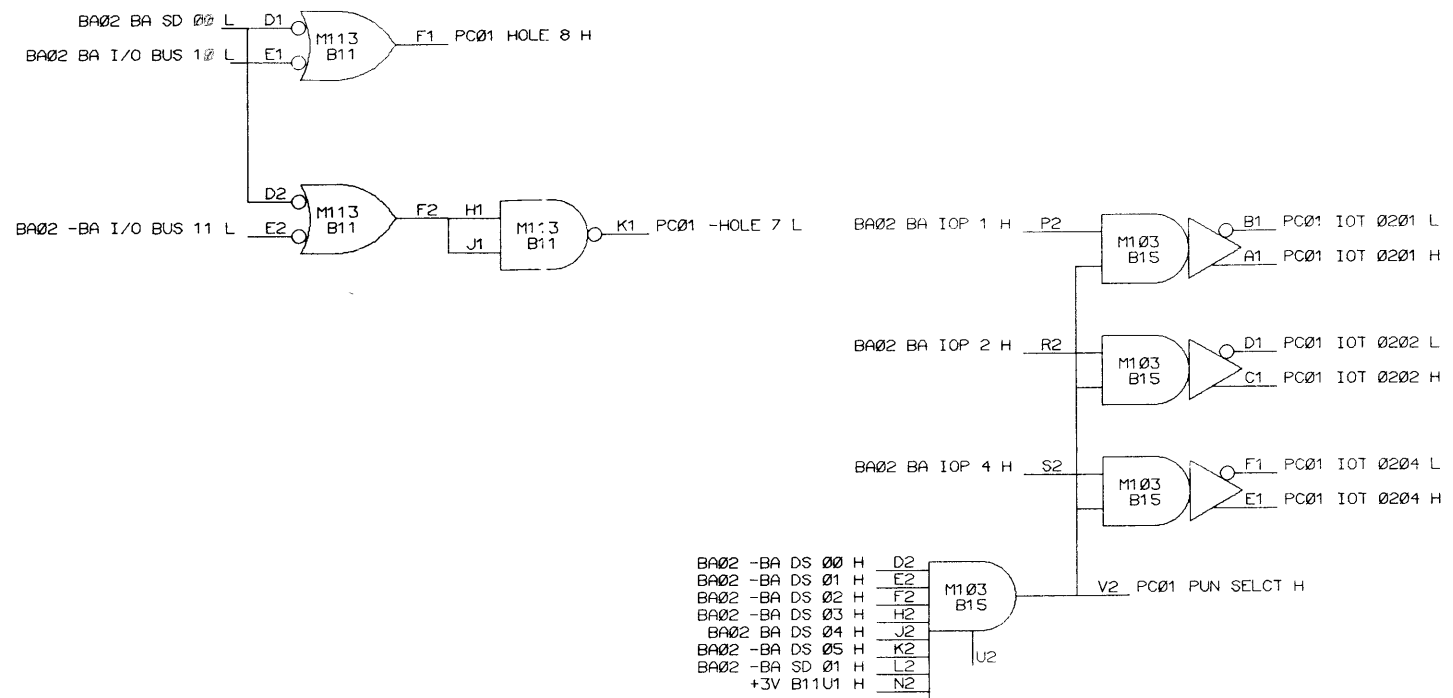
M901  
A29

|    |      |    |    |   |
|----|------|----|----|---|
| A1 | PC03 | RB | 00 | H |
| B1 | PC03 | RB | 01 | H |
| C1 | PC03 | RB | 02 | H |
| D1 | PC03 | RB | 03 | H |
| E1 | PC03 | RB | 04 | H |
| F1 | PC03 | RB | 05 | H |
| H1 | PC03 | RB | 06 | H |
| J1 | PC03 | RB | 07 | H |
| K1 | PC03 | RB | 08 | H |
| L1 | PC03 | RB | 09 | H |
| M1 | PC03 | RB | 10 | H |
| N1 | PC03 | RB | 11 | H |
| P1 | PC03 | RB | 12 | H |
| R1 | PC03 | RB | 13 | H |
| S1 | PC03 | RB | 14 | H |
| T1 | PC03 | RB | 15 | H |
| U1 | PC03 | RB | 16 | H |
| V1 | PC03 | RB | 17 | H |

| REVISIONS |                  |      |
|-----------|------------------|------|
| CHK       | CHANGE NO.       | REV. |
| OK        | BA15-00001       | A    |
|           | K COTE           |      |
|           | F RUMANN         |      |
|           | BA15-00002       | B    |
|           | F. Rumann 4/2/77 |      |

|               |           |           |         |  |
|---------------|-----------|-----------|---------|--|
| DRN           | SCHURMAN  | DATE      | 1/12/69 | <b>digital</b> EQUIPMENT CORPORATION<br>MAYNARD, MASSACHUSETTS |
| CHKD          | REHAULT   | DATE      | 1/12/69 |  |
| ENG           | NEWMYER   | DATE      | 2/3/69  | TITLE  |
| PROJ ENG      | RUMANN    | DATE      | 2/3/69  | INDICATOR CABLE  |
| PROD          | LASKEY    | DATE      | 2/6/69  |  |
| FIRST USED ON |           |           |         |  |
| BA15          | SIZE CODE | NUMBER    | REV.    |  |
| SCALE         | D IC      | BA15-0-06 | B       |  |
| SHEET 1       | OF 1      | DIST.     |         |  |

This drawing and specifications, herein, are the property of Digital Equipment Corporation and shall not be reproduced or copied or used in whole or in part as the basis for the manufacture or sale of items without written permission.

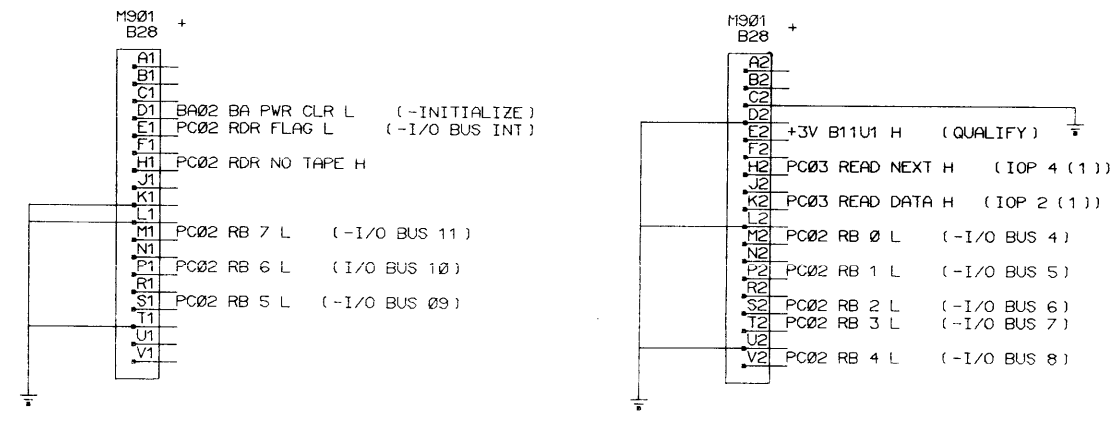
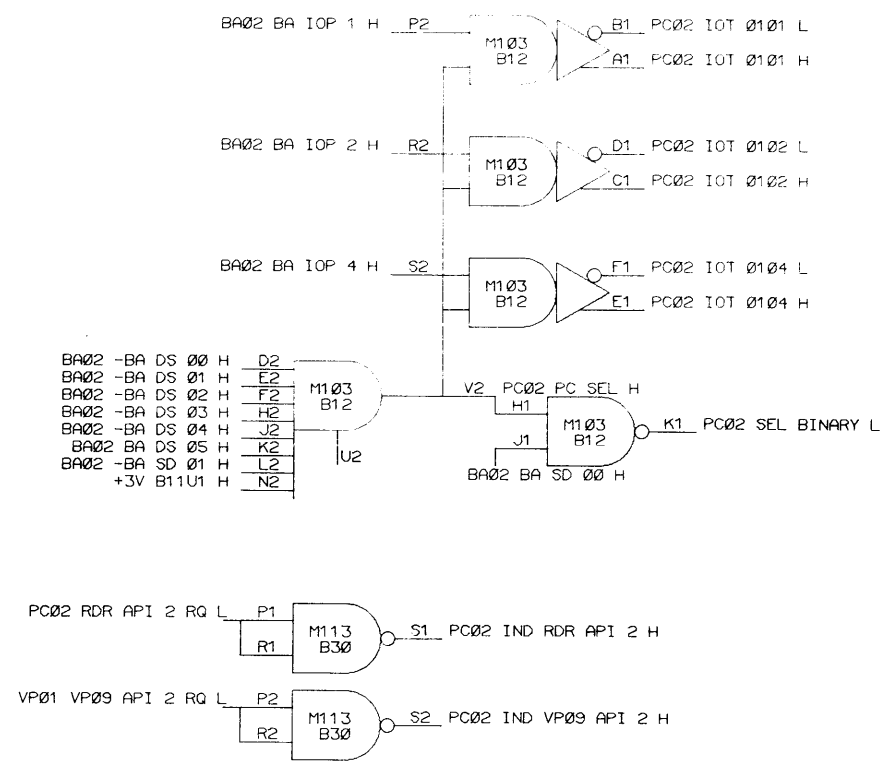
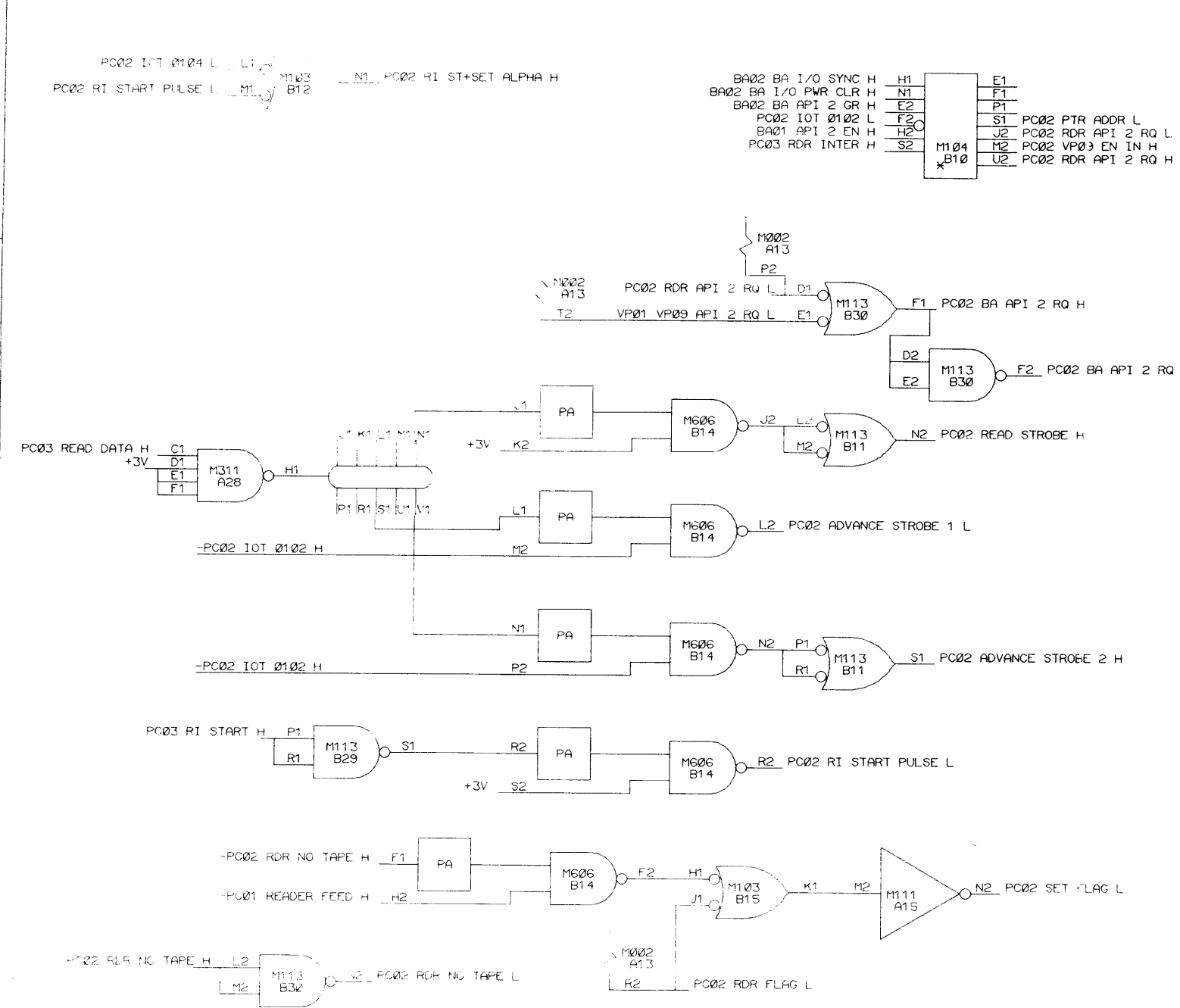


\* PC05 SIGNAL NAMES INDICATED IN PARENTHESES IF DIFFERENT

| REVISIONS |                   |      | REVISIONS |                   |      |
|-----------|-------------------|------|-----------|-------------------|------|
| CHK       | CHANGE NO.        | REV. | CHK       | CHANGE NO.        | REV. |
| NR        | BA15-00001        | A    | WM        | BA15-00014        | E    |
|           | K. COTE           |      |           | K. WALSH 3/30/71  |      |
|           | F. AUMANN         |      |           | F. AUMANN 3/31/71 |      |
| PD        | BA15-00002        | B    |           | BA15-00020        | F    |
|           | K. COTE           |      |           |                   |      |
|           | F. AUMANN         |      |           |                   |      |
| PC        | BA15-00003        | C    |           |                   |      |
|           | K. COTE 4/9/70    |      |           |                   |      |
|           | F. AUMANN 4/13/70 |      |           |                   |      |
| GH        | BA15-00012        | D    |           |                   |      |
|           | R. SUFKA 2-17-71  |      |           |                   |      |
|           | F. AUMANN 2-22-71 |      |           |                   |      |

|               |             |           |          |   |           |      |   |
|---------------|-------------|-----------|----------|---|-----------|------|---|
| DRN           | M. SCHURMAN | DATE      | 11/12/69 | digital EQUIPMENT CORPORATION<br>MAYNARD, MASSACHUSETTS |           |      |   |
| CHK'D         | N. RHEAULT  | DATE      | 11/12/69 |   |           |      |   |
| ENG           | E. NEWMYER  | DATE      | 12/3/69  | TITLE<br>HIGH SPEED PUNCH CONTROL                       |           |      |   |
| PROJ. ENG.    | F. AUMANN   | DATE      | 12/3/69  |   |           |      |   |
| PROD.         | F. LASKEY   | DATE      | 12/6/69  |   |           |      |   |
| FIRST USED ON | BA15        | SIZE CODE | D BS     | NUMBER  | PC15-0-01 | REV. | F |
| SCALE         |             |           |          |   |           |      |   |
| SHEET         | 1           | OF        | 1        | DIST.   |           |      |   |

This drawing and specifications, herein, are the property of Digital Equipment Corporation and shall not be reproduced or used in whole or in part as the basis for the manufacture or sale of items without written permission.



DELETE B10H2 TO B10M2 WHEN INSTALLING PC15

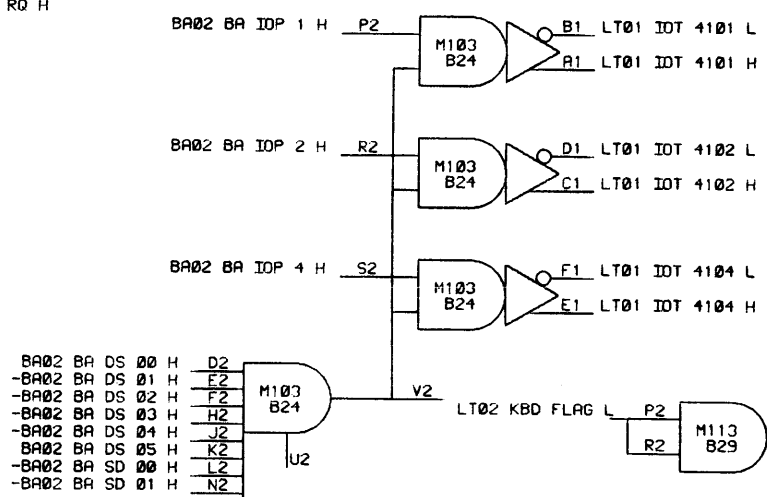
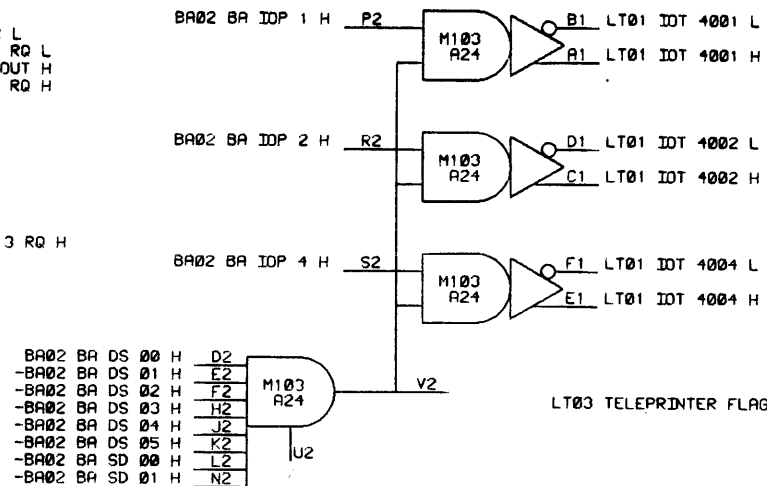
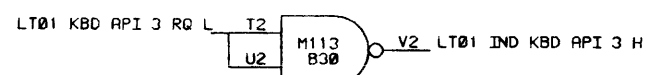
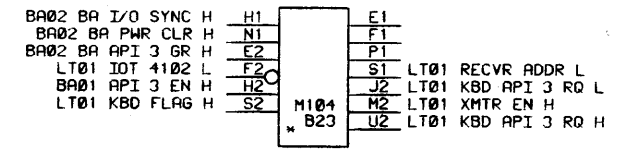
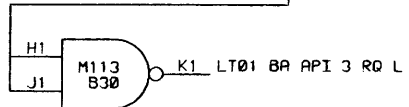
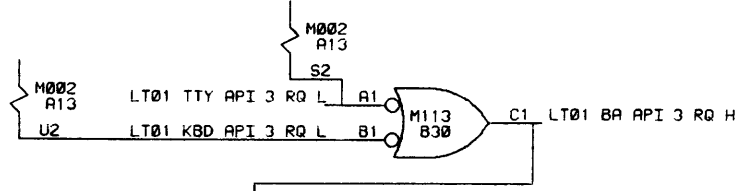
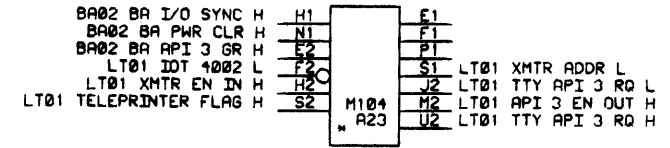
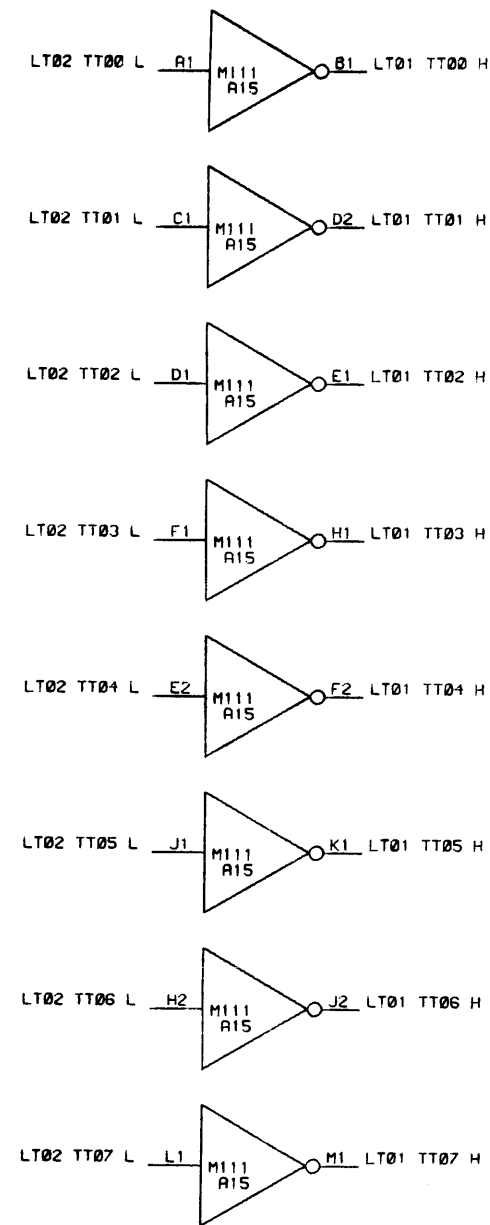
+ PC05 SIGNAL NAMES INDICATED IN PARENTHESES IF DIFFERENT

| REVISIONS |            |      | REVISIONS |                    |      |
|-----------|------------|------|-----------|--------------------|------|
| CHK       | CHANGE NO. | REV. | CHK       | CHANGE NO.         | REV. |
| NR        | BA15-00001 | A    | GH        | BA15-00008         | E    |
|           |            |      |           | K. KRYSIAK 7/7/70  |      |
|           |            |      |           | F. ALMANN 7/9/70   |      |
| PD        | BA15-00002 | B    |           | BA15-00010         | F    |
|           |            |      |           | K. KRYSIAK 8/10/70 |      |
|           |            |      |           | F. ALMANN 8/24/70  |      |
| PD        | BA15-00004 | C    |           | BA15-00014         | G    |
|           |            |      |           | K. KRYSIAK 4/3/72  |      |
|           |            |      |           | F. ALMANN 4/13/72  |      |
|           |            |      |           | BA15-00017         |      |
|           |            |      |           | R. SUTKA           |      |
|           |            |      |           | F. ALMANN          |      |

|               |             |        |           |   |
|---------------|-------------|--------|-----------|---|
| DRN           | M. SCHURMAN | DATE   | 11/12/69  | digital EQUIPMENT CORPORATION<br>MAYNARD, MASSACHUSETTS |
| CHKD          | N. RHEAULT  | DATE   | 11/12/69  |   |
| ENG           | F. NEWMYER  | DATE   | 12/3/69   | TITLE   |
| PROJ ENG      | F. ALMANN   | DATE   | 12/3/69   | HIGH SPEED READER CONTROL                               |
| PROD.         | F. LASKEY   | DATE   | 12/6/69   |   |
| FIRST USED ON | BA15        |        |           |   |
| SCALE         | D BS        | NUMBER | PC15-0-02 | REV.  |
| SHEET 1 OF 1  | DIST.       |        |           | J   |



This drawing and specifications, herein, are the property of Digital Equipment Corporation and shall not be reproduced or copied or used in whole or in part as the basis for the manufacture or sale of items without written permission.



\*DELETE A23M2 TO B23H2 WHEN INSTALLING LT15

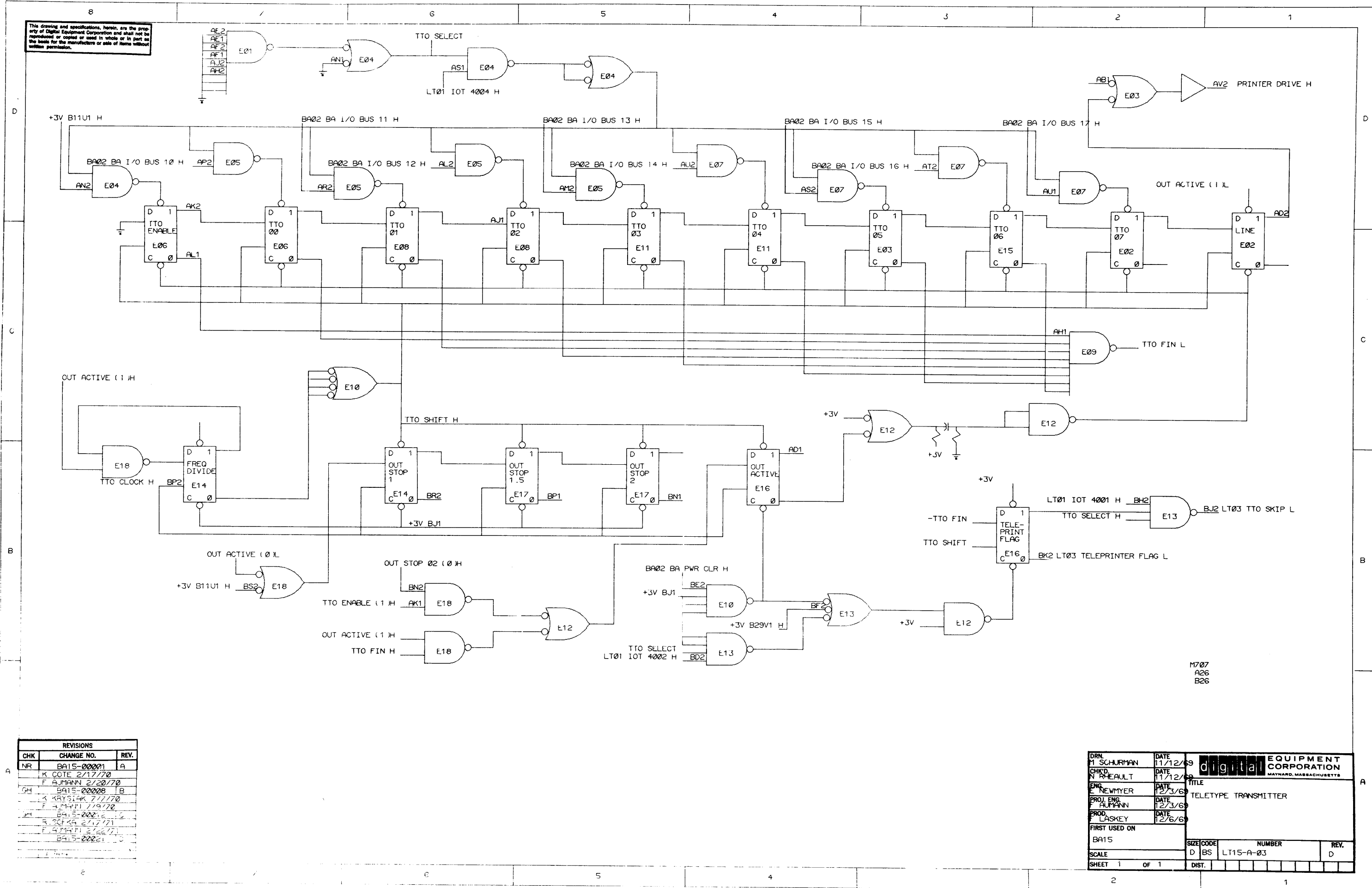
| REVISIONS |                   |      |
|-----------|-------------------|------|
| CHK       | CHANGE NO.        | REV. |
| NR        | BA15-00001        | A    |
|           | K COTE            |      |
|           | F ALMANN          |      |
| PD        | BA15-00002        | B    |
|           | K COTE 3/25/70    |      |
|           | F ALMANN          |      |
| GH        | BA15-00003        | C    |
|           | K KRYSIAK 7/7/70  |      |
|           | F ALMANN 7/9/70   |      |
| DN        | BA15-00012        | D    |
|           | R. S. L. 11/11/71 |      |

|               |             |           |          |   |
|---------------|-------------|-----------|----------|---|
| DRN.          | M. SCHURMAN | DATE      | 11/12/69 | digital EQUIPMENT CORPORATION<br>MAYNARD, MASSACHUSETTS |
| CHKD.         | N. RHEAULT  | DATE      | 11/12/69 |   |
| ENG.          | F. NEWMYER  | DATE      | 12/3/69  | TITLE   |
| PROJ. ENG.    | F. ALMANN   | DATE      | 12/3/69  | TELETYPE CONTROL  |
| PROD.         | F. LASKEY   | DATE      | 12/6/69  |   |
| FIRST USED ON |             |           |          |   |
| BA15          |             | SIZE CODE | D BS     | NUMBER  |
| SCALE         |             |           |          | LT15-A-01   |
| SHEET         | 1 OF 1      | DIST.     |          | REV. D  |





This drawing and specifications, herein, are the property of Digital Equipment Corporation and shall not be reproduced or copied or used in whole or in part as the basis for the manufacture or sale of items without written permission.

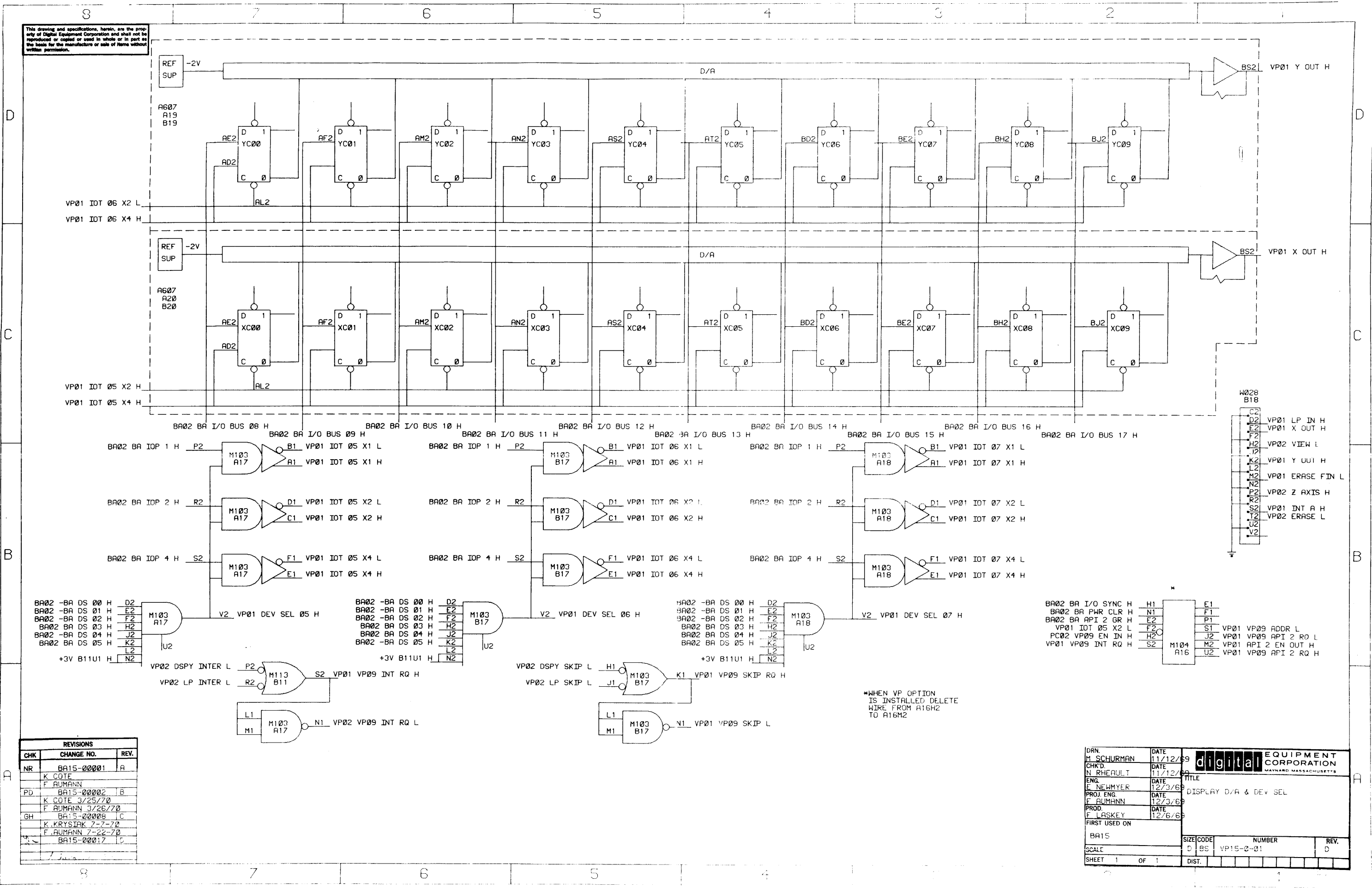


M707  
A26  
B26

| REVISIONS |                |      |
|-----------|----------------|------|
| CHK       | CHANGE NO.     | REV. |
| NR        | BA15-00001     | A    |
| K         | COTE 2/17/70   |      |
| F         | ALMANN 2/20/70 |      |
| GH        | BA15-00008     | B    |
| K         | KRYSHAK 7/7/70 |      |
| F         | ALMANN 7/9/70  |      |
| GH        | BA15-00016     | C    |
| R         | SCHKA 2/17/71  |      |
| F         | ALMANN 2/22/71 |      |
|           | BA15-00021     | D    |

|                        |                   |   |
|------------------------|-------------------|---|
| DRN<br>M SCHURMAN      | DATE<br>11/12/69  | digital EQUIPMENT CORPORATION<br>MAYNARD, MASSACHUSETTS |
| CHK'D<br>N RHEAULT     | DATE<br>11/12/69  |   |
| ENG<br>E NEWMYER       | DATE<br>12/3/69   | TITLE<br>TELETYPE TRANSMITTER                           |
| PROJ. ENG.<br>F ALMANN | DATE<br>12/3/69   |   |
| PROD.<br>F LASKEY      | DATE<br>12/6/69   |   |
| FIRST USED ON<br>BA15  |                   |   |
| SCALE<br>SHEET 1 OF 1  | SIZE CODE<br>D BS | NUMBER<br>LT15-A-03                                     |
|                        | DIST.             | REV.<br>D   |

This drawing and specifications, herein, are the property of Digital Equipment Corporation and shall not be reproduced or copied or used in whole or in part as the basis for the manufacture or sale of items without written permission.

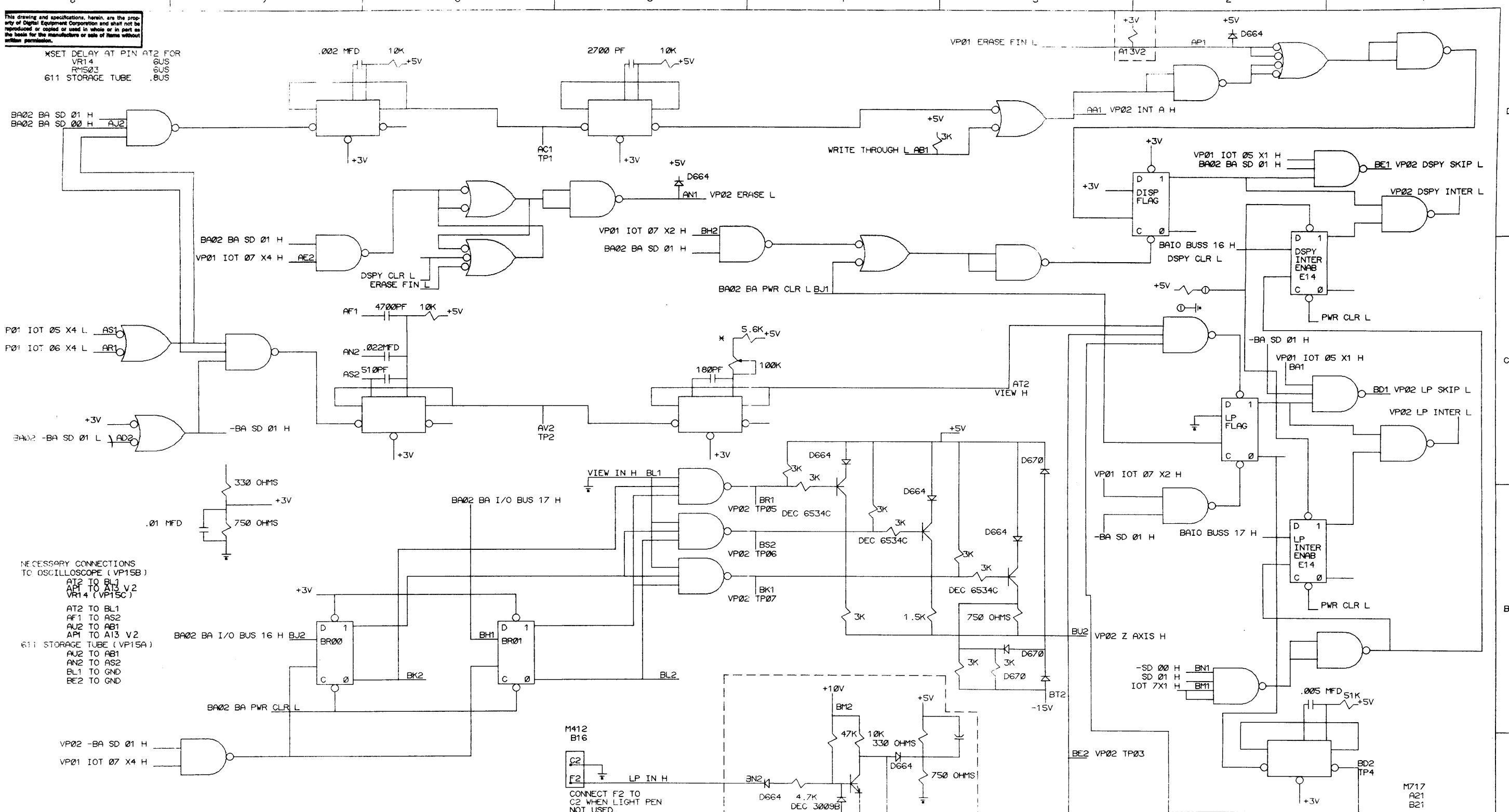


| REVISIONS |                   |      |
|-----------|-------------------|------|
| CHK       | CHANGE NO.        | REV. |
| NR        | BA15-00001        | A    |
|           | K. COTE           |      |
| PD        | BA15-00002        | B    |
|           | K. COTE 3/25/70   |      |
|           | F. RUMANN 3/26/70 |      |
| GH        | BA15-00008        | C    |
|           | K. KRYSIAK 7-7-70 |      |
|           | F. RUMANN 7-22-70 |      |
|           | BA15-00017        | D    |

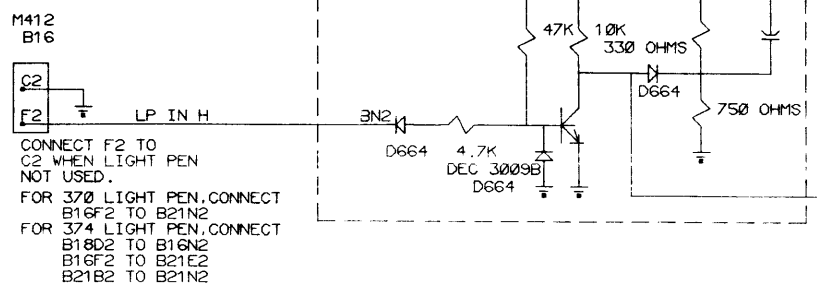
|               |             |        |           |      |
|---------------|-------------|--------|-----------|------|
| DRN.          | M. SCHURMAN | DATE   | 11/12/69  |      |
| CHKD.         | N. RHEAULT  | DATE   | 11/12/69  |      |
| ENG.          | E. NEWMYER  | DATE   | 12/3/69   |      |
| PROJ. ENG.    | F. RUMANN   | DATE   | 12/3/69   |      |
| PROD.         | F. LASKEY   | DATE   | 12/6/69   |      |
| FIRST USED ON |             |        |           |      |
| BA15          |             |        |           |      |
| SCALE         | D BS        | NUMBER | VP15-0-01 | REV. |
| SHEET 1 OF 1  | DIST.       |        |           | D    |

This drawing and specifications, herein, are the property of Digital Equipment Corporation and shall not be reproduced or copied in whole or in part as the basis for the manufacture or sale of items without written permission.

XSET DELAY AT PIN AT2 FOR  
 VR14 BUS  
 RMS03 BUS  
 611 STORAGE TUBE .BUS



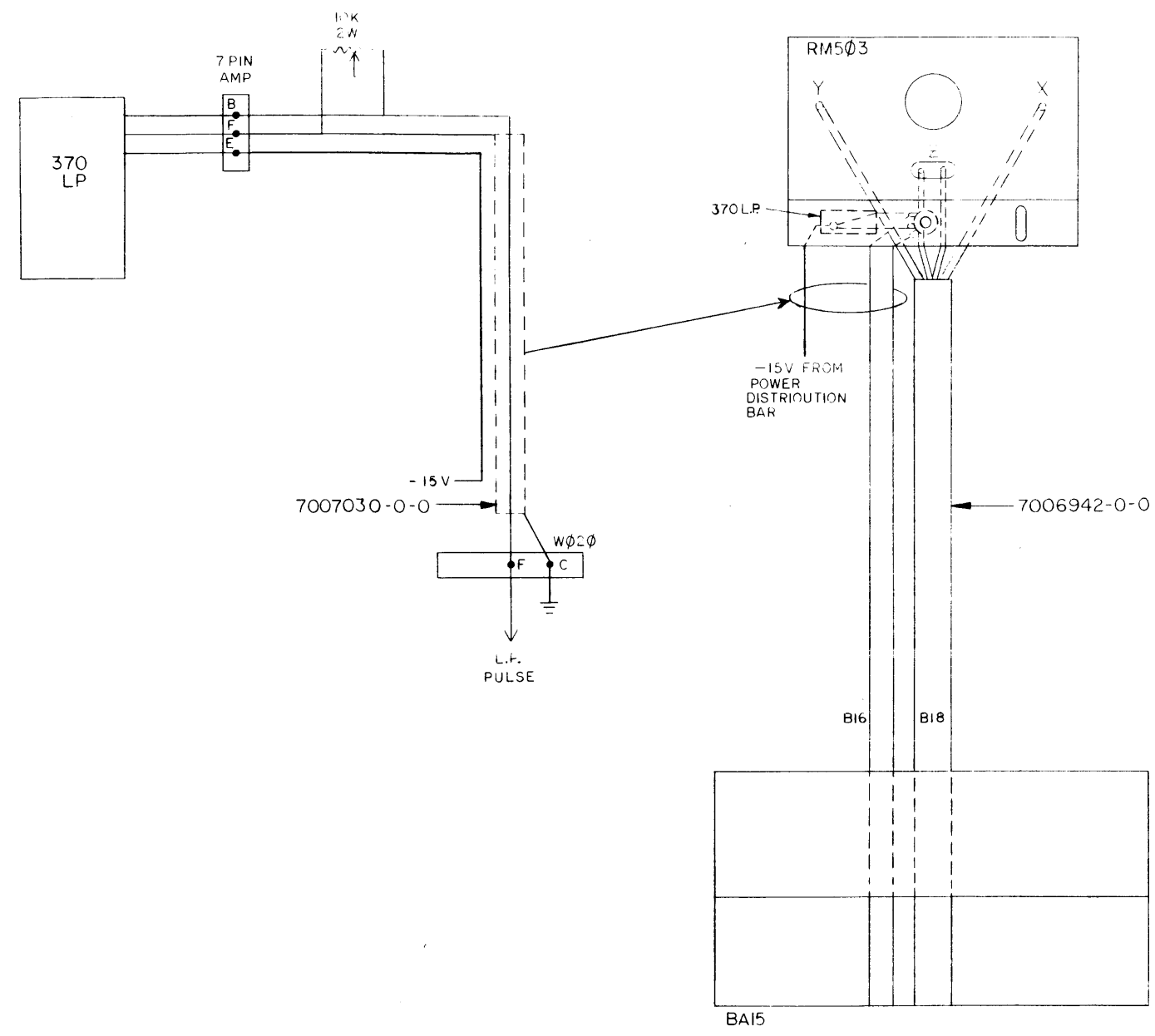
NECESSARY CONNECTIONS TO OSCILLOSCOPE (VP15B)  
 AT2 TO BL1  
 AF1 TO AS2  
 AU2 TO AB1  
 AP1 TO A13 V2  
 611 STORAGE TUBE (VP15A)  
 AU2 TO AB1  
 AN2 TO AS2  
 BL1 TO GND  
 BE2 TO GND



| REVISIONS |                   |      | REVISIONS |            |      |
|-----------|-------------------|------|-----------|------------|------|
| CHK       | CHANGE NO.        | REV. | CHK       | CHANGE NO. | REV. |
|           | BA15-00011        | A    |           | BA15-00022 | E    |
|           | K. KRYSIAK 7-9-70 |      |           | E. NEUMYER |      |
|           | F. AUMANN 7-22-70 |      |           |            |      |
|           | BA15-00017        | B    |           |            |      |
|           | R. SOFKA 6/7/71   |      |           |            |      |
|           | F. AUMANN 6/8/71  |      |           |            |      |
|           | BA15-00019        | C    |           |            |      |
|           | R. SOFKA 6/18/71  |      |           |            |      |
|           | F. AUMANN 6/28/71 |      |           |            |      |
|           | BA15-00021        | D    |           |            |      |

|                      |                |   |
|----------------------|----------------|---|
| DRN. M. SCHURMAN     | DATE 11/12/69  | digital EQUIPMENT CORPORATION<br>MAYNARD, MASSACHUSETTS |
| CHKD. N. REAULT      | DATE 11/12/69  |   |
| ENG. E. NEUMYER      | DATE 12/3/69   | TITLE   |
| PROJ. ENG. F. AUMANN | DATE 12/3/69   | DISPLAY CONTROL BA15                                    |
| PROD. F. LASKEY      | DATE 12/6/69   |   |
| FIRST USED ON        |                |   |
| BA15                 | SIZE CODE D BS | NUMBER VP15-0-02  |
| SCALE                |                | REV. E  |
| SHEET 1 OF 1         | DIST.          |   |

This drawing and specifications herein are the property of Digital Equipment Corporation and shall not be reproduced or copied or used in whole or in part as the basis for the manufacture or sale of items without written permission.



| REV. | CHANGE NO.  | DESCRIPTION |
|------|-------------|-------------|
| 1    | BA15-0001   | ORIGINATED  |
| 2    | BA15-0001.3 | A           |
| 3    | BA15-0001.3 | A           |
| 4    | BA15-0001.3 | A           |
| 5    | BA15-0001.3 | A           |
| 6    | BA15-0001.3 | A           |
| 7    | BA15-0001.3 | A           |
| 8    | BA15-0001.3 | A           |

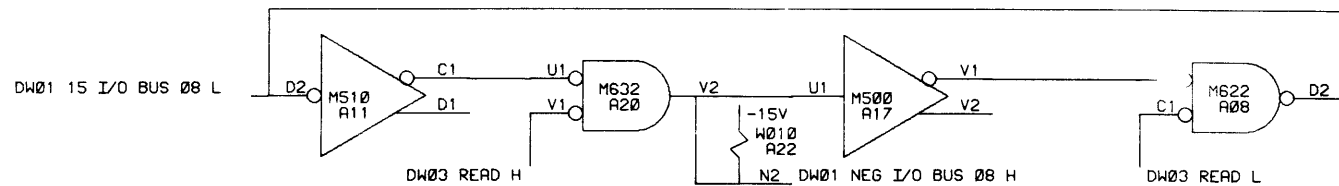
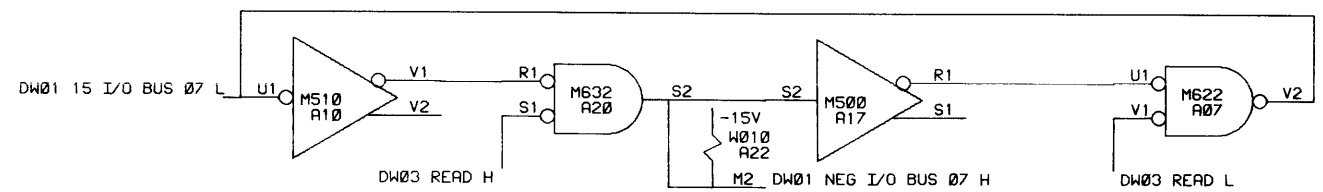
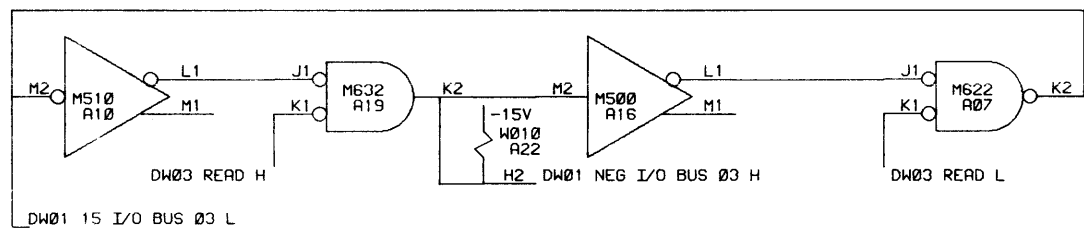
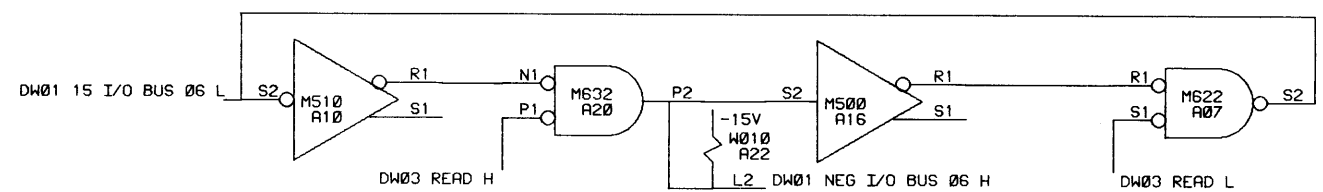
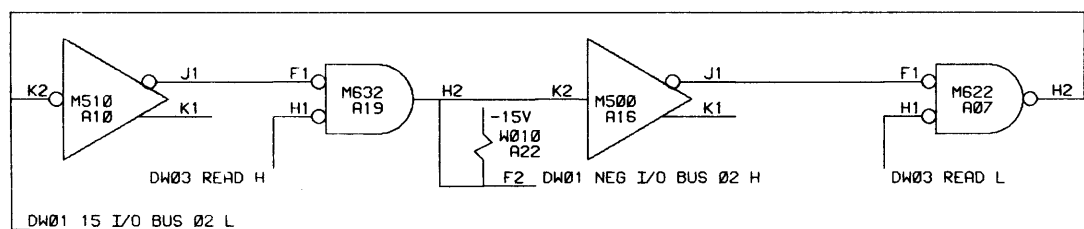
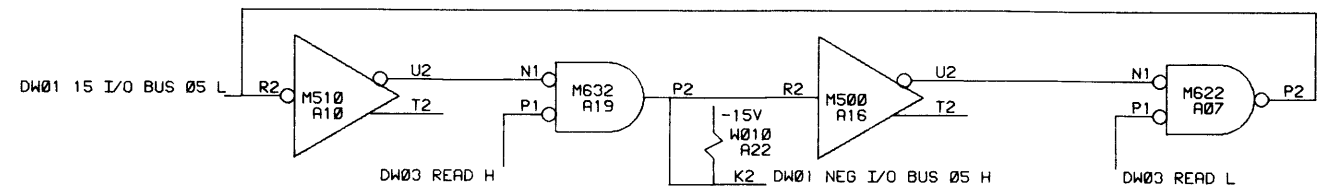
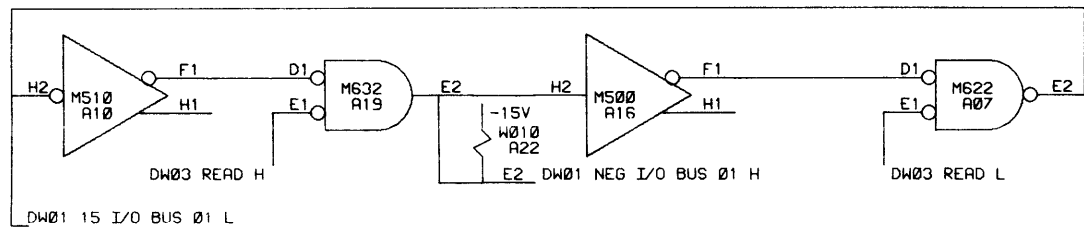
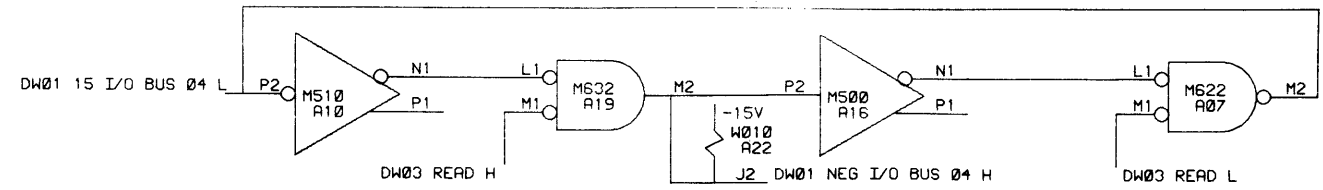
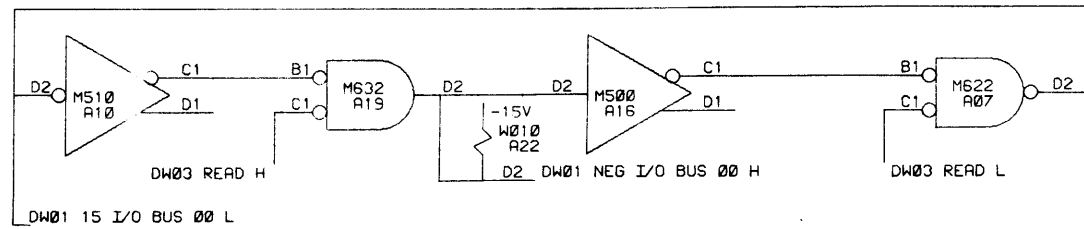
DEC FORM NO. 100

| QTY.                                    | DESCRIPTION      | PART NO.             | ITEM NO.  |
|---|------------------|----------------------|-----------|
| PARTS LIST                              |                  |                      |           |
| FIRST USED ON OPTION / MODEL<br>VPI5-BL |                  | DO NOT SCALE DRAWING |           |
| UNLESS OTHERWISE SPECIFIED              | DRN              | DATE                 | DATE      |
| DIMENSION IN INCHES                     | CHK'D            | DATE                 | DATE      |
| TOLERANCES                              | ENG              | DATE                 | DATE      |
| DECIMALS FRACTIONS ANGLES               | PROJ/ENG         | DATE                 | DATE      |
| ± .005 ± 1/64 ± 0°30'                   | PROD.            | DATE                 | DATE      |
| FINAL SURFACE QUALITY                   | NEXT HIGHER ASSY |                      |           |
| REMOVE BURRS AND BREAK SHARP CORNERS    | A-ML-VPI5-BL-I   |                      |           |
| MATERIAL                                | SCALE            | SIZE CODE            | NUMBER    |
| FINISH                                  | SHEET 1 OF 1     | DIC                  | VPI5-BL-I |
|   |                  | DIST.                | REV. A    |

REV. A  
NUMBER VPI5-BL-I  
SIZE CODE DIC

This drawing and its contents, herein, are the property of Digital Equipment Corporation and shall not be reproduced or copied in whole or in part for any use or sale of items without the written permission.

3 7 6 5 4 3 2 1

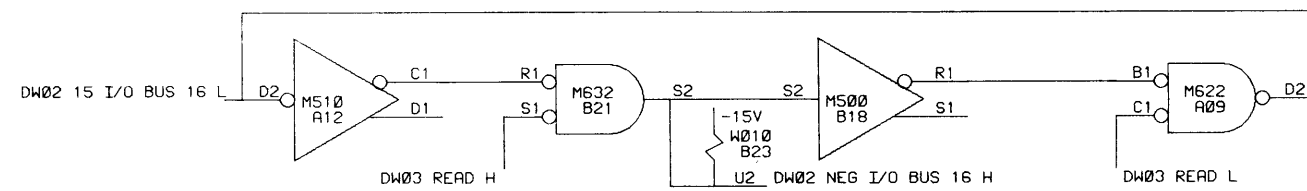
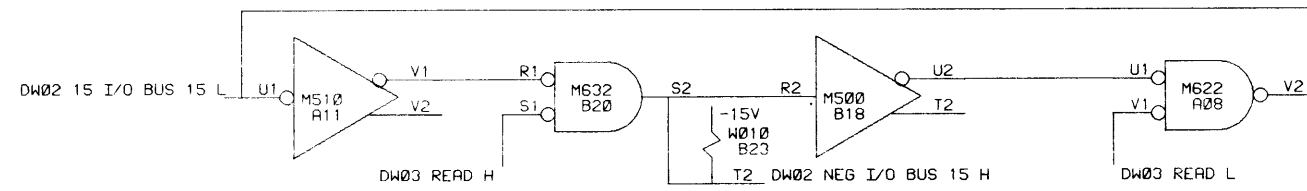
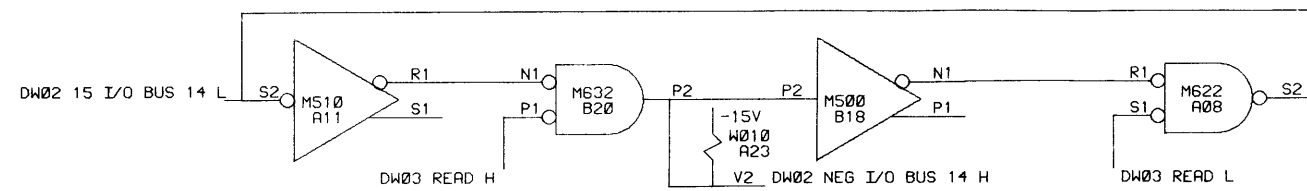
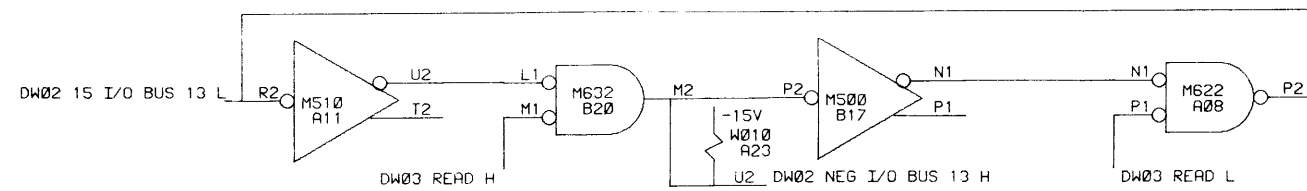
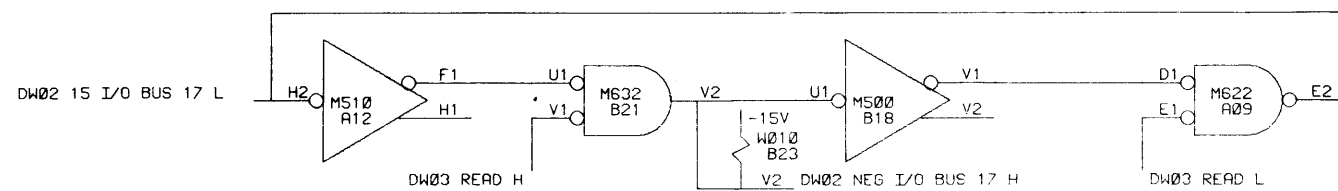
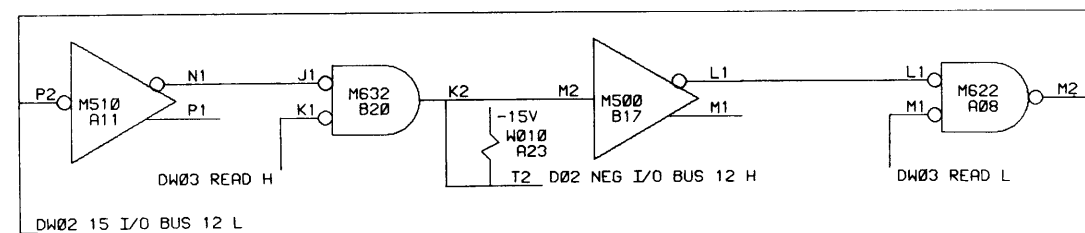
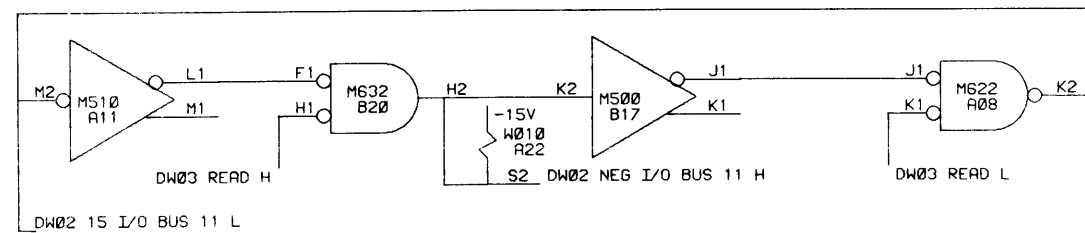
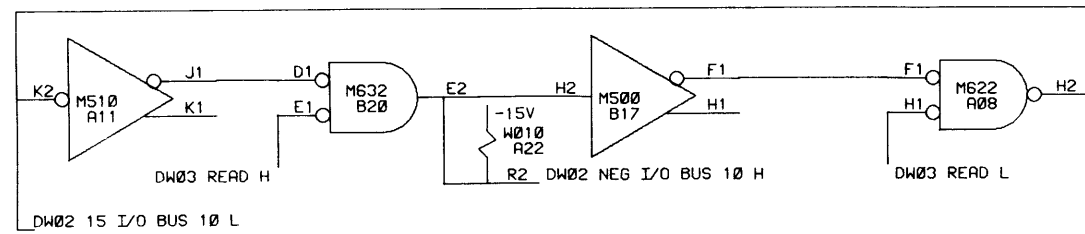
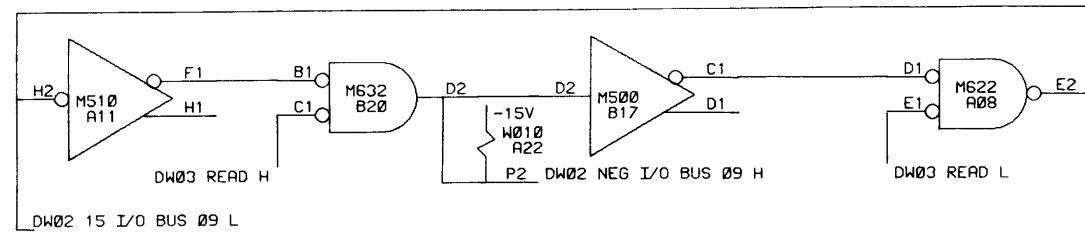


| REVISIONS |            |      |
|-----------|------------|------|
| CHK       | CHANGE NO. | REV. |
|           |            |      |

|                                |                   |  |
|--------------------------------|-------------------|--|
| DRN<br><b>K ROGGS</b>          | DATE<br>7-3-69    | <br><b>digital EQUIPMENT CORPORATION</b><br>MAYNARD, MASSACHUSETTS |
| CHK'D<br><b>N RHEAULT</b>      | DATE<br>7-2-69    |  |
| ENG.<br><b>J PRATT</b>         | DATE<br>7-3-69    |  |
| PROJ. ENG.<br><b>J PRATT</b>   | DATE<br>7-3-69    |  |
| PROD.<br><b>F LASKEY</b>       | DATE<br>7-2-69    |  |
| FIRST USED ON<br>DW15          |                   |  |
| TITLE<br>BI DIRECT I/O BUS 0-8 |                   | REV.<br>00   |
| SCALE                          | SIZE CODE<br>D BS | NUMBER<br>DW15-A-01  |
| SHEET                          | OF                | DIST.  |

8 7 6 5 4 3 2 1

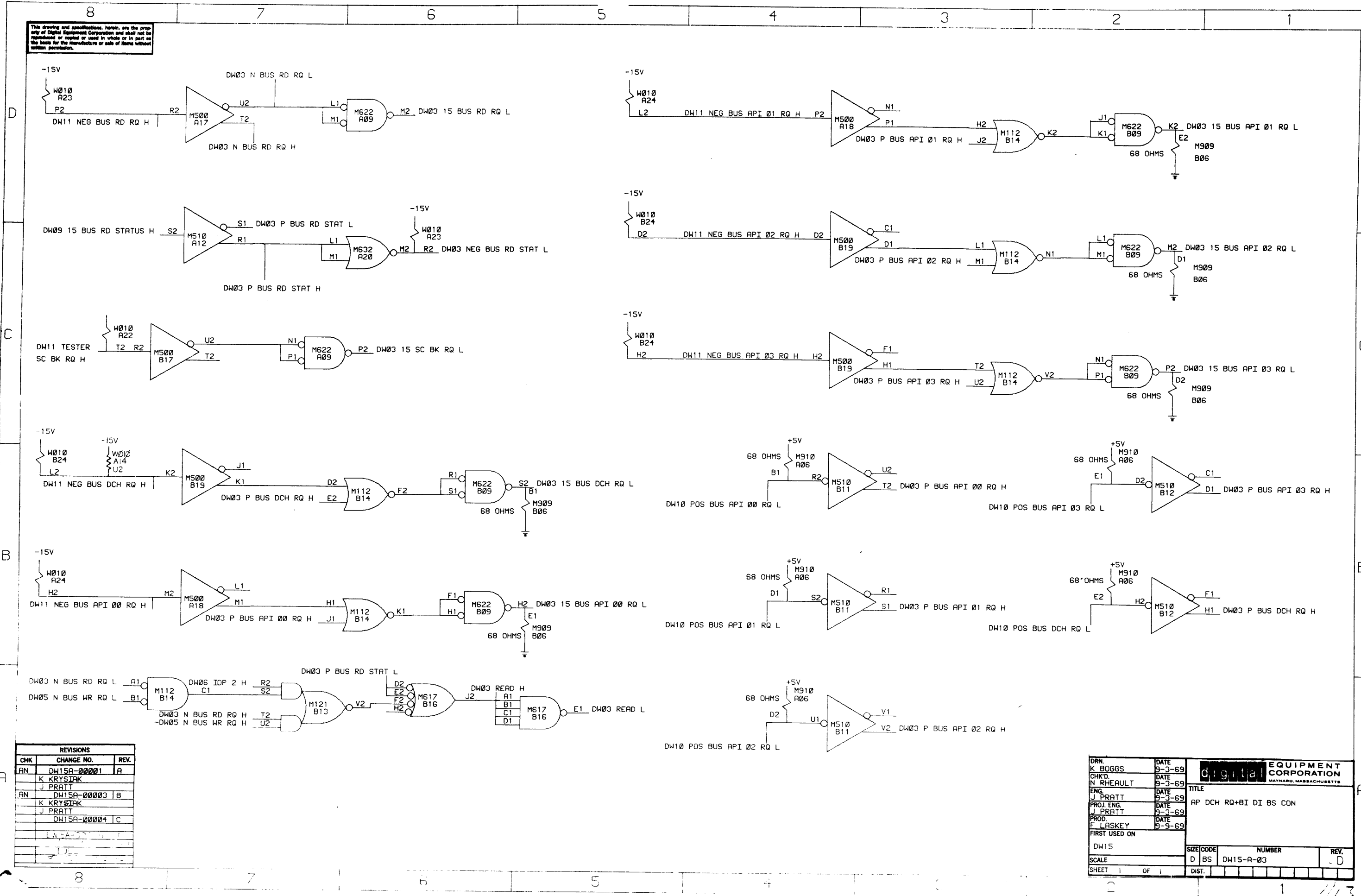
This drawing and specifications, herein, are the property of Digital Equipment Corporation and shall not be reproduced or copied in whole or in part as the basis for the manufacture or sale of items without written permission.



| REVISIONS |            |      |
|-----------|------------|------|
| CHK       | CHANGE NO. | REV. |
|           |            |      |

|                             |                |                                 |
|-----------------------------|----------------|---------------------------------|
| DRN<br><b>K ROGGS</b>       | DATE<br>9-3-67 | <b>digital</b> CORPORATION      |
| CHK'D<br><b>N RHEAULT</b>   | DATT<br>9-3-67 |                                 |
| ENG<br><b>J PRATT</b>       | DATE<br>9-3-67 | TITLE<br>R1 DIRECT I/O BUS 9-17 |
| PROJ. ENG<br><b>J PRATT</b> | DATE<br>9-3-67 |                                 |
| PROD.<br><b>F LASKY</b>     | DATE<br>9-9-67 |                                 |
| FIRST USED ON               |                |                                 |
| DW15                        | SIZE CODE      | NUMBER                          |
| SCALE                       | D BS           | DW15-H-02                       |
| SHEET 1 OF 1                | DIST           | REV<br>00                       |

This drawing and specifications, herein, are the property of Digital Equipment Corporation and shall not be reproduced or copied or used in whole or in part as the basis for the manufacture or sale of items without written permission.



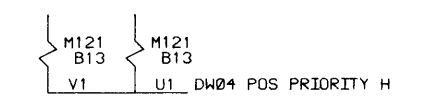
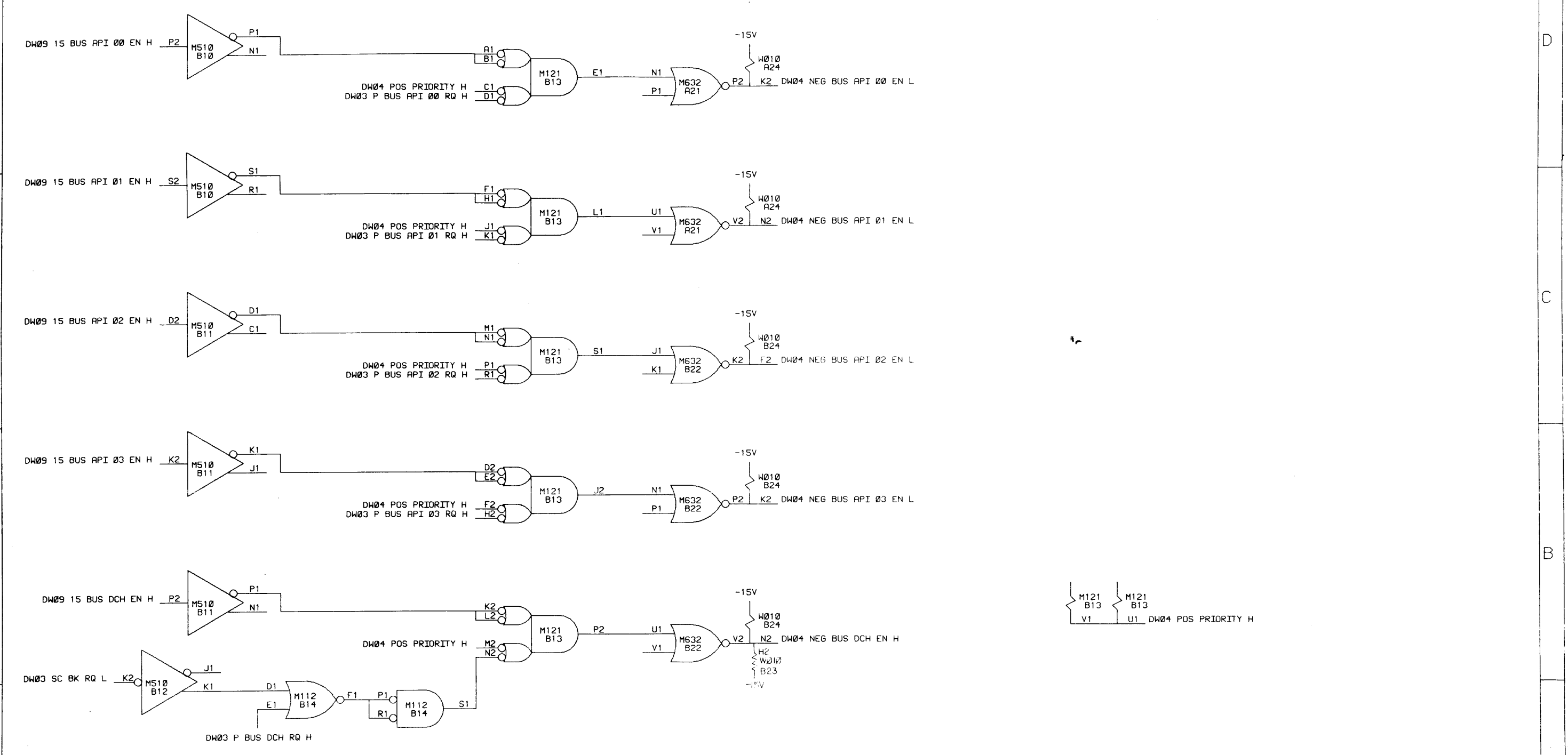
| REVISIONS |             |      |
|-----------|-------------|------|
| CHK       | CHANGE NO.  | REV. |
| AN        | DW15A-00001 | A    |
|           | K KRYSIAK   |      |
|           | J PRATT     |      |
| AN        | DW15A-00003 | B    |
|           | K KRYSIAK   |      |
|           | J PRATT     |      |
|           | DW15A-00004 | C    |
|           | LWFA-22     |      |

|                       |                   |   |
|-----------------------|-------------------|---|
| DRN<br>K BOGGS        | DATE<br>9-3-69    | <br><b>DIGITAL EQUIPMENT CORPORATION</b><br><small>MAYNARD, MASSACHUSETTS</small> |
| CHK'D<br>N RHEAULT    | DATE<br>9-3-69    |   |
| ENG<br>J PRATT        | DATE<br>9-3-69    | TITLE<br>AP DCH RQ+BI DI BS CON   |
| PROJ. ENG.<br>J PRATT | DATE<br>9-3-69    |   |
| PROD.<br>F LASKEY     | DATE<br>9-9-69    |   |
| FIRST USED ON<br>DW15 |                   |   |
| SCALE<br>D BS         | SIZE CODE<br>D BS | NUMBER<br>DW15-A-03   |
| SHEET<br>1            | OF<br>1           | REV.<br>D   |

11/3



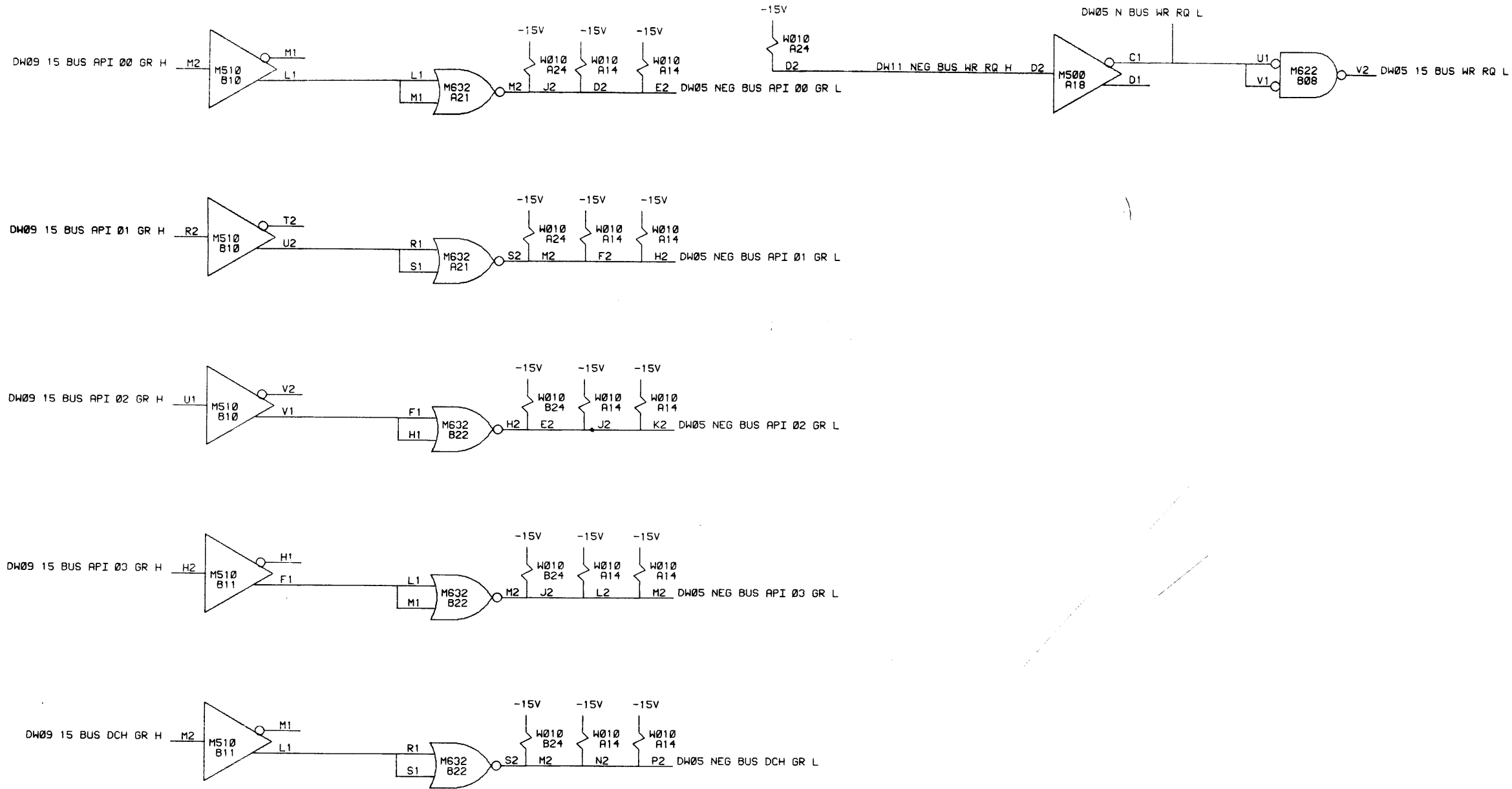
This drawing and specifications, herein, are the property of Digital Equipment Corporation and shall not be reproduced or copied or used in whole or in part as the basis for the manufacture or sale of items without written permission.



| REVISIONS |             |      |
|-----------|-------------|------|
| CHK       | CHANGE NO.  | REV. |
|           | DW15A-00004 | A    |
|           |             |      |
|           |             |      |
|           |             |      |
|           |             |      |
|           |             |      |
|           |             |      |
|           |             |      |
|           |             |      |

|                     |             |   |
|---------------------|-------------|---|
| DRN. K. BOGGS       | DATE 9/3/69 | digital EQUIPMENT CORPORATION<br>MAYNARD, MASSACHUSETTS |
| CHKD. N. RHEAULT    | DATE 9/3/69 |   |
| ENG. J. PRATT       | DATE 9/3/69 | TITLE   |
| PROJ. ENG. J. PRATT | DATE 9/3/69 | API + DCH ENABLES                                       |
| PROD. F. LASKEY     | DATE 9/9/69 |   |
| FIRST USED ON       |             |   |
| DW15                | SIZE CODE   | NUMBER  |
| SCALE               | D 6S        | DW15-A-04   |
| SHEET 1 OF 1        | DIST.       | REV. 6  |

This drawing and specifications herein are the property of Digital Equipment Corporation and shall not be reproduced or copied or used in whole or in part as the basis for the manufacture or sale of items without written permission.

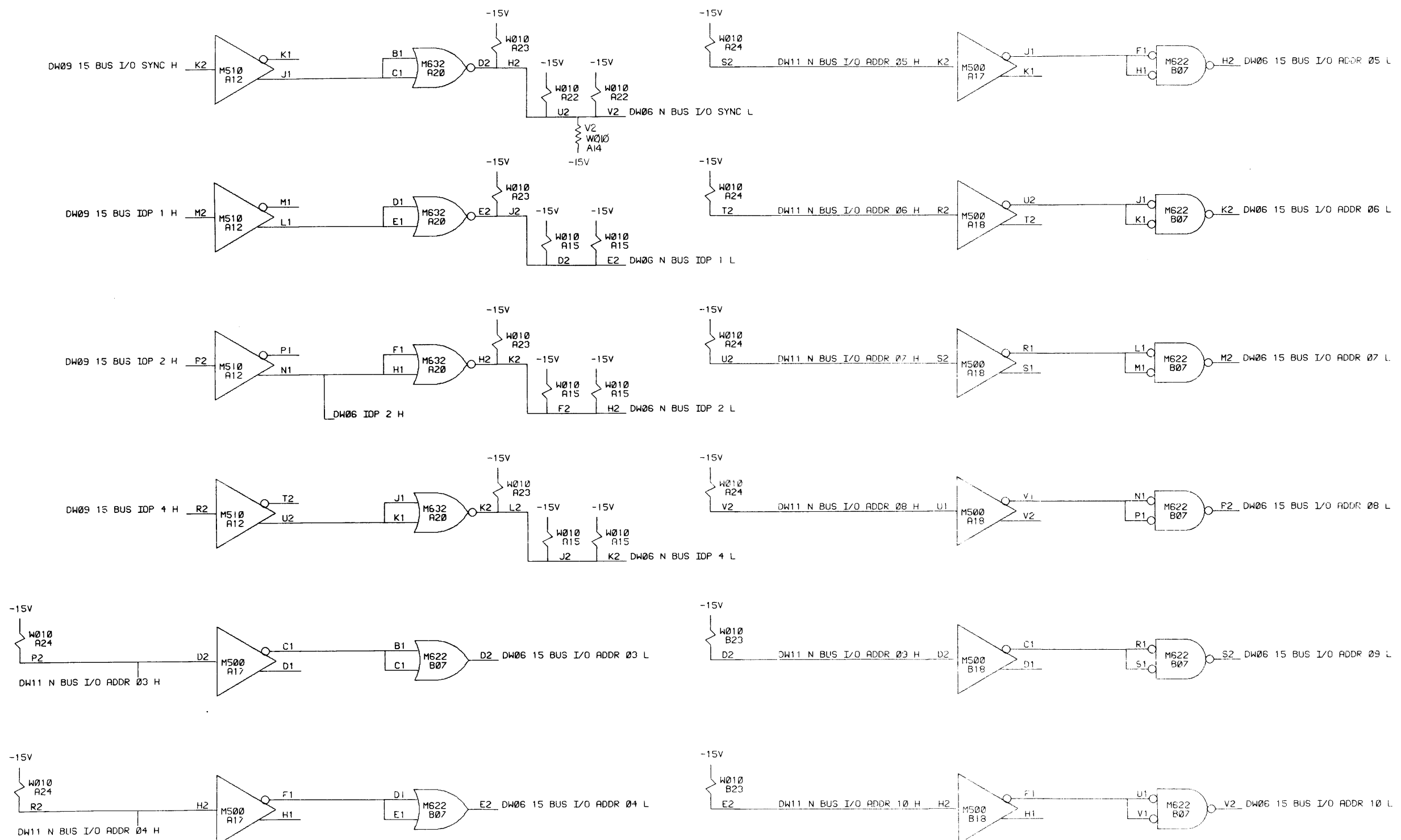


| REVISIONS |            |      |
|-----------|------------|------|
| CHK       | CHANGE NO. | REV. |
|           |            |      |

|                             |                   |  |
|-----------------------------|-------------------|--|
| DRN<br><b>K BOGGS</b>       | DATE<br>9-3-69    | <br><b>digital EQUIPMENT CORPORATION</b><br>WATNARD, MASSACHUSETTS |
| CHK'D<br><b>N RHEAULT</b>   | DATE<br>9-3-69    |  |
| ENG<br><b>J PRATT</b>       | DATE<br>9-3-69    |  |
| PROJ. ENG<br><b>J PRATT</b> | DATE<br>9-3-69    |  |
| PROD.<br><b>F LASKY</b>     | DATE<br>9-2-69    |  |
| FIRST USED ON<br>DW15       |                   |  |
| TITLE<br>API + DCH GRANTS   |                   | REV.<br>00   |
| SCALE<br>D BS               | SIZE CODE<br>D BS | NUMBER<br>DW15-A-05  |
| SHEET 1 OF 1                | DIST.             |  |

1113

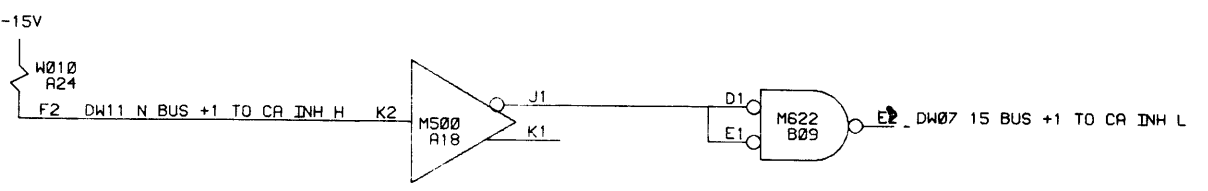
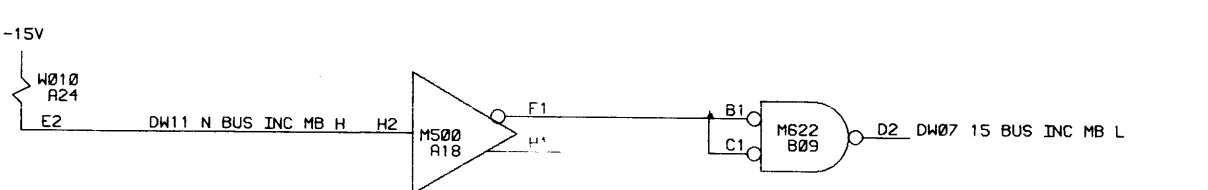
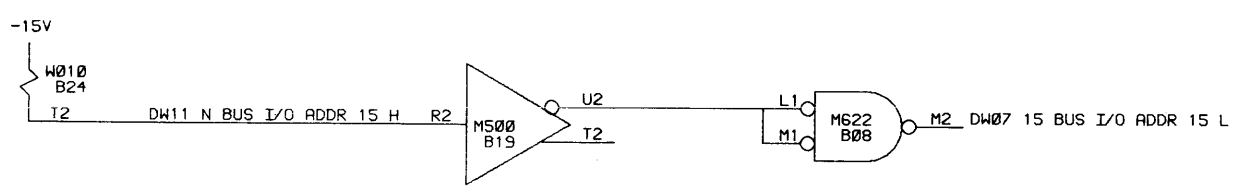
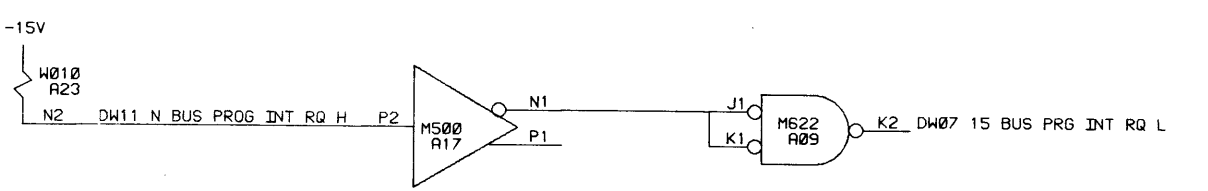
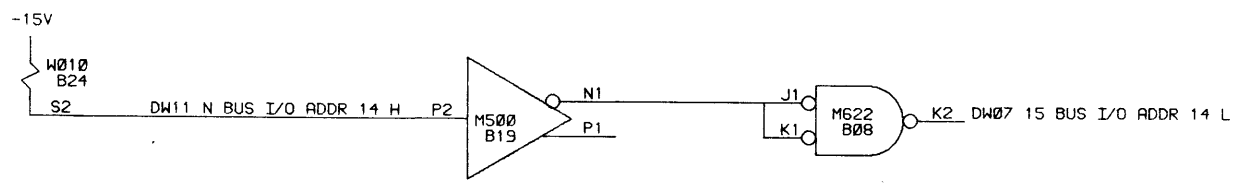
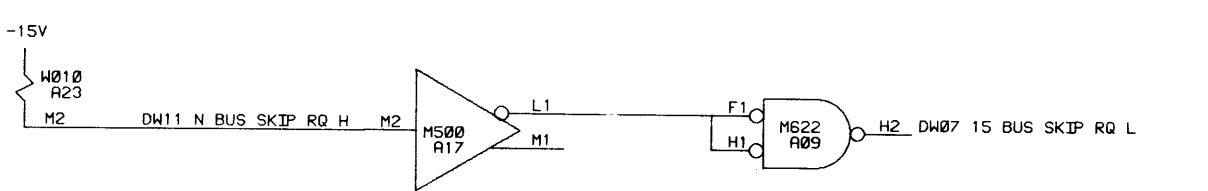
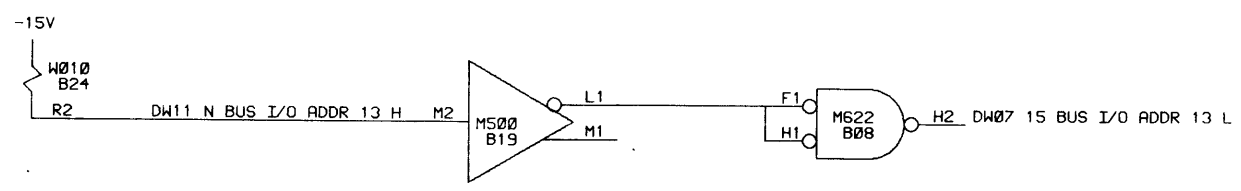
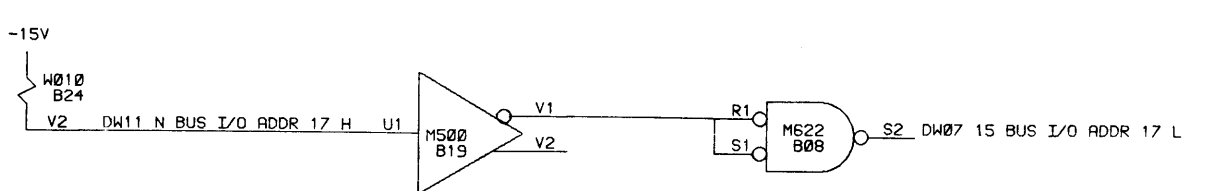
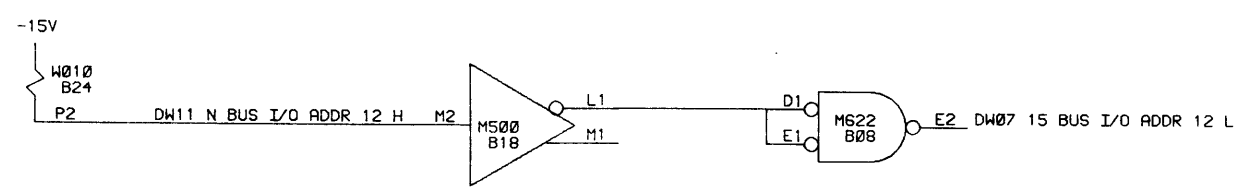
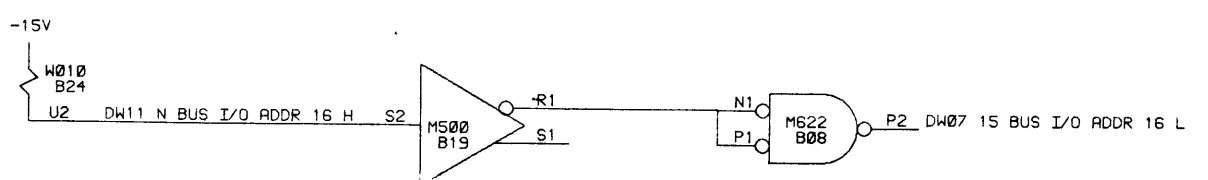
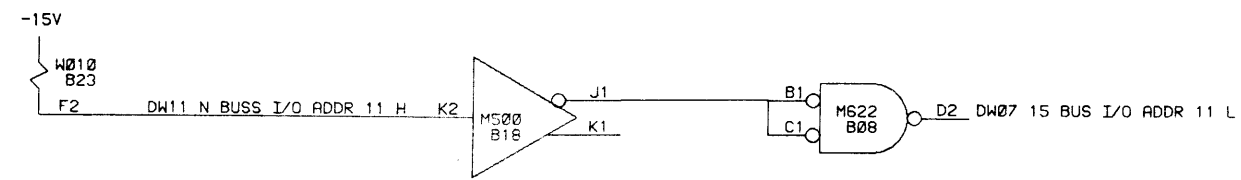
This drawing and specifications, herein, are the property of Digital Equipment Corporation and shall not be reproduced or copied or used in whole or in part as the basis for the manufacture or sale of items without written permission.



| REVISIONS |            |      |
|-----------|------------|------|
| CHK       | CHANGE NO. | REV. |
| WISA      | 00006      | A    |

|                        |                   |                                      |
|------------------------|-------------------|--------------------------------------|
| DRN.<br>K. BOGGS       | DATE<br>9-2-69    | <b>digital</b> EQUIPMENT CORPORATION |
| CHK'D<br>N. HEAL       | DATE<br>9-3-69    |                                      |
| ENG.<br>J. PRATT       | DATE<br>9-3-69    | TITLE<br>I/O ADDRESS 3-10            |
| PROJ. ENG.<br>J. PRATT | DATE<br>9-3-69    |                                      |
| PROD.<br>E. LASKEY     | DATE<br>9-9-69    |                                      |
| FIRST USED ON          |                   |                                      |
| DW15                   | SIZE CODE<br>D BS | NUMBER<br>DW15-A-06                  |
| SCALE                  |                   | REV.<br>A                            |
| SHEET 1 OF 1           | DIST.             |                                      |

This drawing and specifications, herein, are the property of Digital Equipment Corporation and shall not be reproduced or copied or used in whole or in part as the basis for the manufacture or sale of items without written permission.

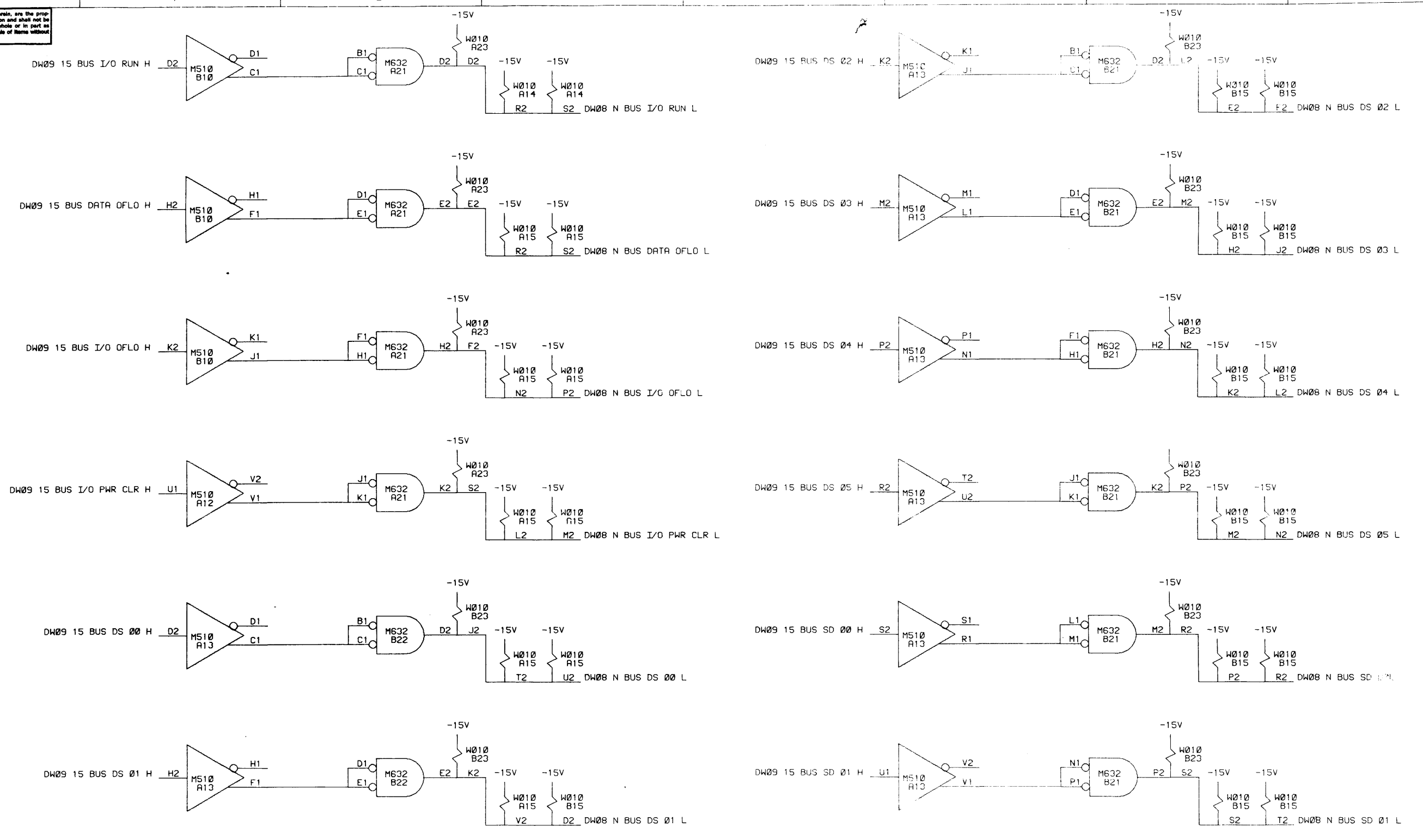


| REVISIONS |            |      |
|-----------|------------|------|
| CHK       | CHANGE NO. | REV. |
|           |            |      |

|                              |                |  |                            |                     |
|------------------------------|----------------|--|----------------------------|---------------------|
| DRN.<br><i>K BOGGS</i>       | DATE<br>9-3-69 |  | TITLE<br>I/O ADDRESS 11-17 |                     |
| CHKD.<br><i>V RHEAULT</i>    | DATE<br>9-3-69 |  | SIZE CODE<br>D BS          | NUMBER<br>DW15-A-07 |
| ENG.<br><i>J PRATT</i>       | DATE<br>9-3-69 |  | SCALE                      | REV.<br>00          |
| PROJ. ENG.<br><i>J PRATT</i> | DATE<br>9-3-69 |  | SHEET 1 OF 1               | DIST.               |
| PROD.<br><i>F LASKEY</i>     | DATE<br>9-9-69 |  |                            |                     |
| FIRST USED ON<br>DW15        |                |  |                            |                     |

1/13

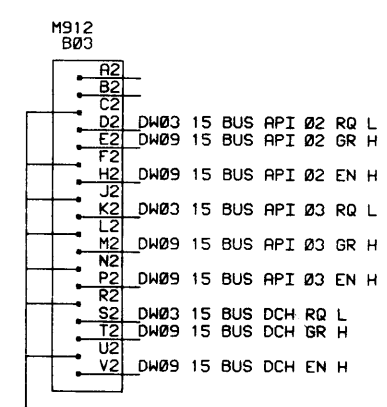
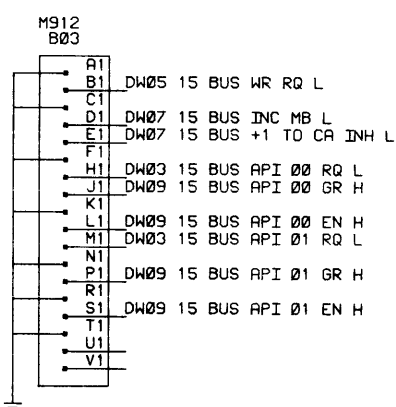
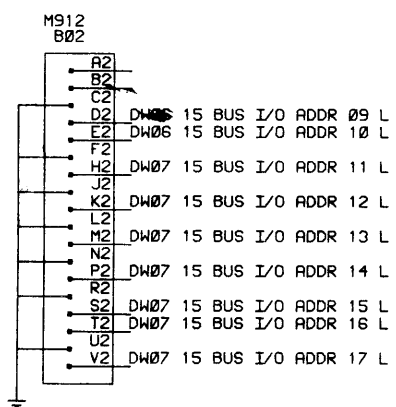
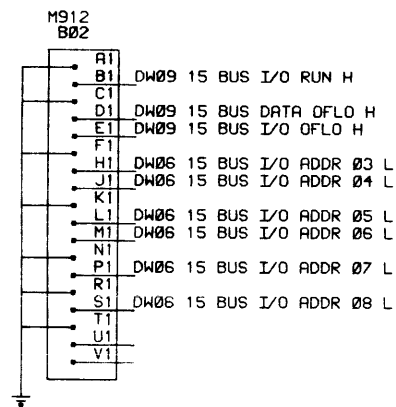
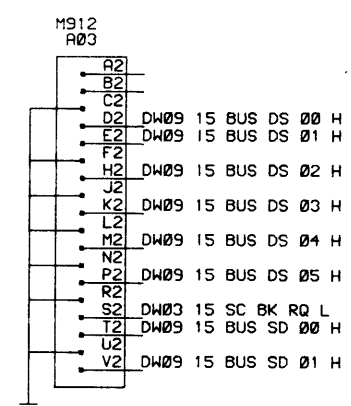
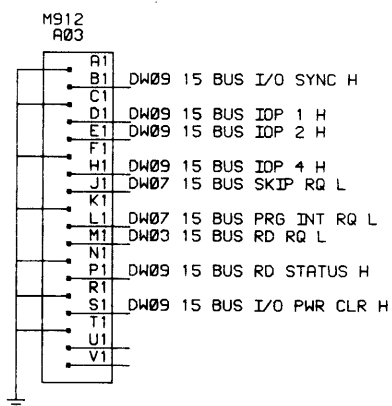
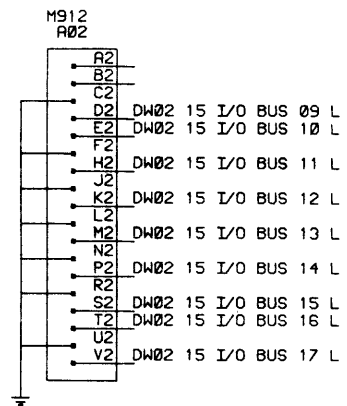
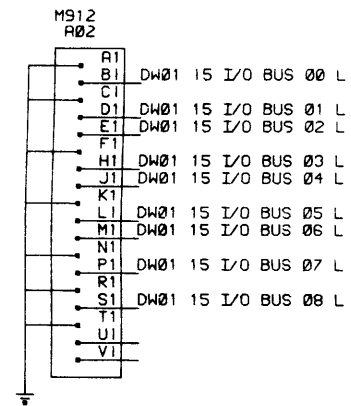
This drawing and specifications, herein, are the property of Digital Equipment Corporation and shall not be reproduced or copied or used in whole or in part as a basis for the manufacture or sale of items without written permission.



| REVISIONS |            |      |
|-----------|------------|------|
| CHK       | CHANGE NO. | REV. |
|           |            |      |

|                       |                |   |                     |
|-----------------------|----------------|---|---------------------|
| DRN.<br>K ROGGS       | DATE<br>7-3-69 | <br><b>digital</b> EQUIPMENT CORPORATION<br><small>MAYNARD, MASSACHUSETTS</small> | TITLE               |
| CHK'D<br>R HEAULT     | DATE<br>7-3-69 |   | ONE WAY SIGNALS     |
| ENG<br>T PRATT        | DATE<br>7-3-69 |   |                     |
| PROJ. ENG<br>T PRATT  | DATE<br>7-3-69 |   |                     |
| PROD<br>F LAJKEY      | DATE<br>7-3-69 |   |                     |
| FIRST USED ON<br>DW15 |                |   |                     |
| SCALE<br>SHEET 1 OF 1 | DIST.          | SIZE CODE<br>D BS   | NUMBER<br>DW15-A-08 |
|                       |                |   | REV.<br>00          |

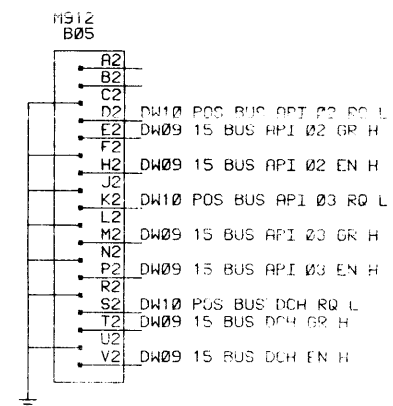
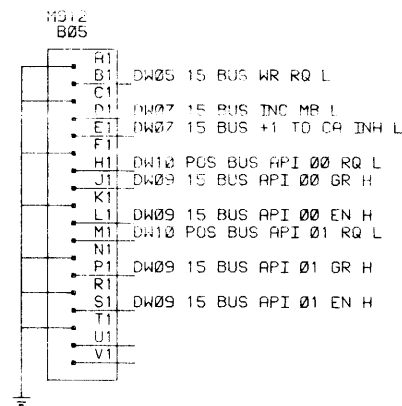
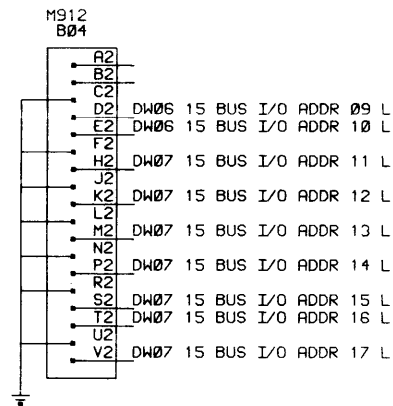
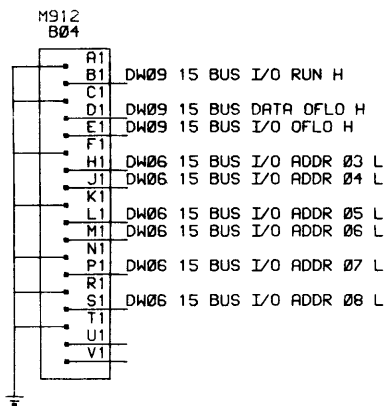
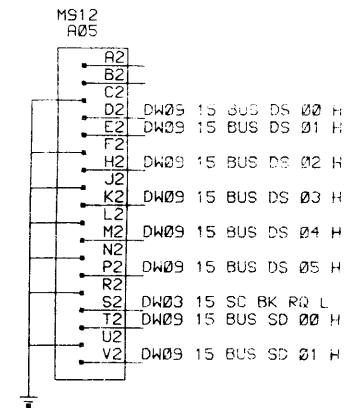
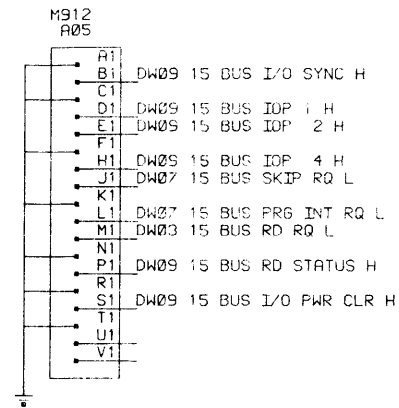
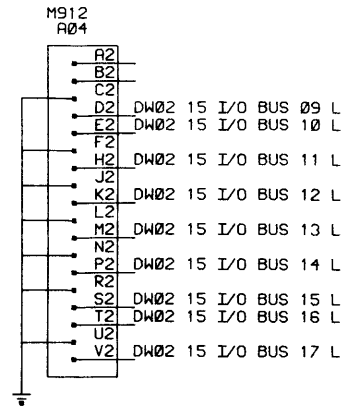
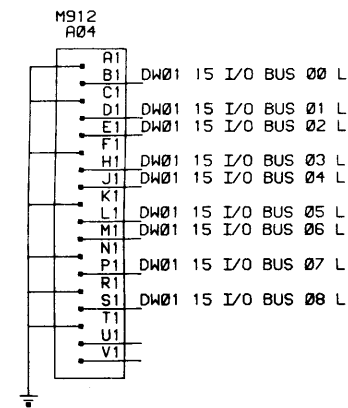
This drawing and specifications, herein, are the property of Digital Equipment Corporation and shall not be reproduced or copied or used in whole or in part as the basis for the manufacture or sale of items without written permission.



| REVISIONS |            |      |
|-----------|------------|------|
| CHK       | CHANGE NO. | REV. |
|           |            |      |

|                       |                   |   |
|-----------------------|-------------------|---|
| DRN.<br>K ROGGS       | DATE<br>2-3-69    | digital EQUIPMENT CORPORATION<br>MAYNARD, MASSACHUSETTS |
| CHK'D.<br>N RHEAULT   | DATE<br>2-3-69    |   |
| ENG.<br>T PRATT       | DATE<br>2-3-69    | TITLE<br>POSITIVE INPUT CABLES                          |
| PROJ. ENG.<br>T PRATT | DATE<br>2-3-69    |   |
| PROD.<br>E LASKEY     | DATE<br>2-9-69    |   |
| FIRST USED ON<br>DW15 |                   |   |
| SCALE                 | SIZE CODE<br>D BS | NUMBER<br>DW15-A-09                                     |
| SHEET                 | OF                | REV.<br>02  |

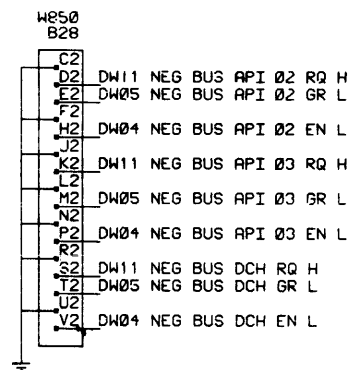
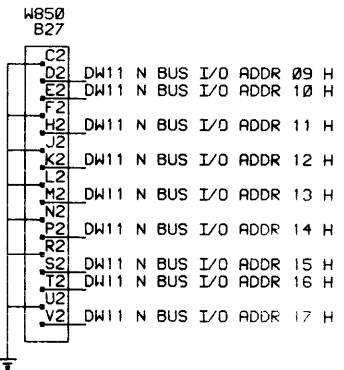
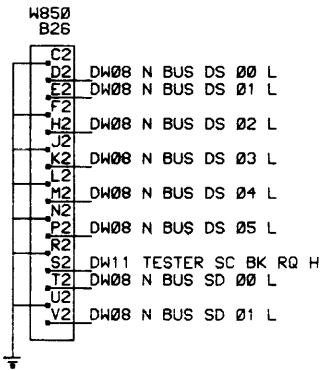
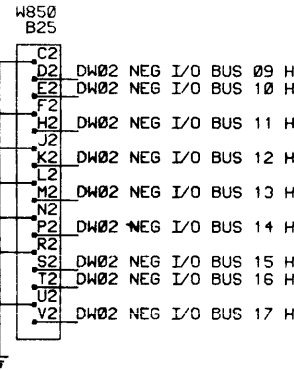
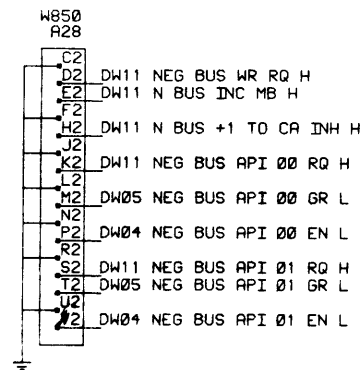
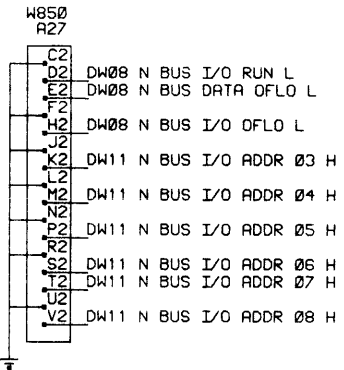
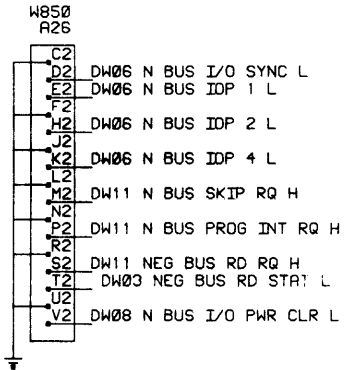
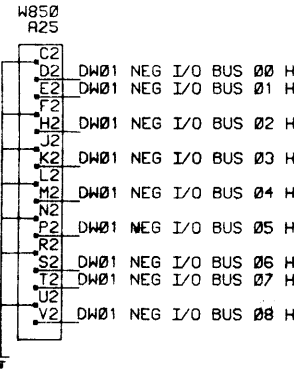
This drawing and specifications, herein, are the property of Digital Equipment Corporation and shall not be reproduced or copied or used in whole or in part as the basis for the manufacture or sale of items without written permission.



| REVISIONS |            |      |
|-----------|------------|------|
| CHK       | CHANGE NO. | REV. |
|           |            |      |

|                     |                |                   |                     |
|---------------------|----------------|-------------------|---------------------|
| DRN.<br>K 20665     | DATE<br>9-3-69 |                   | TITLE               |
| CHK'D<br>N RICHMOND | DATE<br>9-3-69 |                   | POSITIVE BUS CABLES |
| ENG<br>J PRATT      | DATE<br>9-3-69 |                   |                     |
| PROJ ENG<br>J PRATT | DATE<br>9-3-69 |                   |                     |
| PROD<br>E LASKER    | DATE<br>9-3-69 |                   |                     |
| FIRST USED ON       |                |                   |                     |
| DW15                | SCALE          | SIZE CODE<br>D BS | NUMBER<br>DW15-A-10 |
|                     | SHEET 1 OF 1   |                   | REV.<br>00          |

This drawing and specifications, herein, are the property of Digital Equipment Corporation and shall not be reproduced or copied or used in whole or in part as the basis for the manufacture or sale of items without written permission.



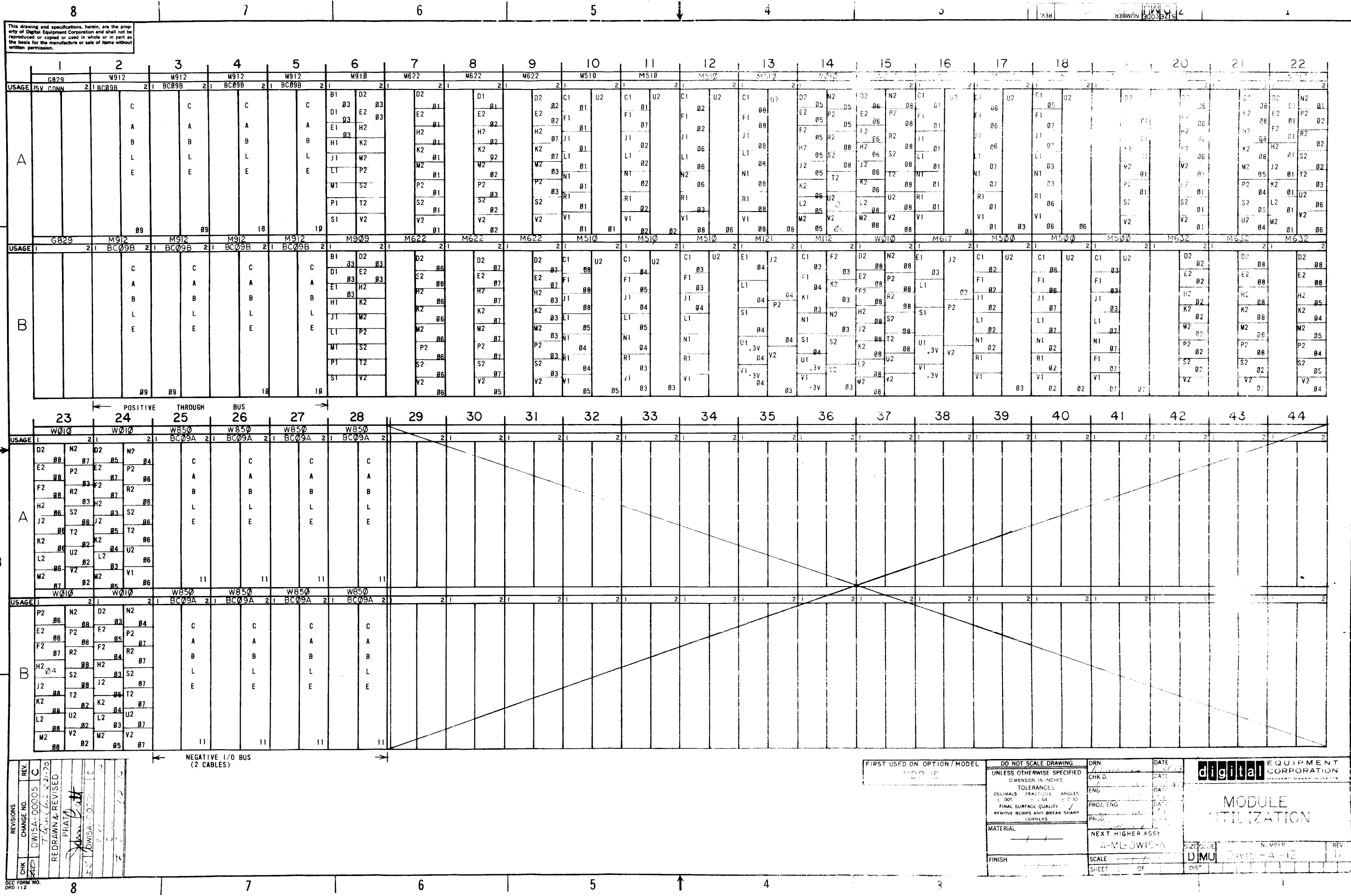
| REVISIONS |            |      |
|-----------|------------|------|
| CHK       | CHANGE NO. | REV. |
|           |            |      |

|                               |                   |                            |
|-------------------------------|-------------------|----------------------------|
| DRN.<br><i>K. ROGGS</i>       | DATE<br>9-3-69    | <br>MAYNARD, MASSACHUSETTS |
| CHK'D.<br><i>N. RHEAULT</i>   | DATE<br>9-3-69    |                            |
| ENG.<br><i>J. PRATT</i>       | DATE<br>9-3-69    |                            |
| PROJ. ENG.<br><i>J. PRATT</i> | DATE<br>9-3-69    |                            |
| PROD.<br><i>E. LASKY</i>      | DATE<br>9-9-69    |                            |
| FIRST USED ON<br>DW15         |                   |                            |
| TITLE<br>NEGATIVE BUS CABLES  |                   |                            |
| SCALE<br>SHEET 1 OF 1         | SIZE CODE<br>D BS | NUMBER<br>DW15-A-11        |
|                               |                   | REV.<br>00                 |

11/3



This drawing and specifications, herein, are the property of Digital Equipment Corporation and shall not be reproduced or copied or used in whole or in part as the basis for the manufacture or sale of items without written permission.



| REV. | CHG. | NO.  | DATE     | BY   | DESCRIPTION       |
|------|------|------|----------|------|-------------------|
| 1    | C    | 0005 | 12-21-70 | PRAT | REDRAWN & REVISED |
| 2    |      |      |          |      |                   |
| 3    |      |      |          |      |                   |

NEGATIVE I/O BUS (2 CABLES)

FIRST USED ON OPTION / MODEL  
00015

| DO NOT SCALE DRAWING                 | DRN              | DATE |
|--------------------------------------|------------------|------|
| UNLESS OTHERWISE SPECIFIED           | CHK D.           | DATE |
| DIMENSION IN INCHES                  | ENG              | DATE |
| TOLERANCES                           | PROJ. ENG        | DATE |
| DECIMALS FRACTIONS ANGLES            | PRD.             | DATE |
| .005 .01 .04 .030                    |                  |      |
| FINAL SURFACE QUALITY                |                  |      |
| REMOVE BURRS AND BREAK SHARP CORNERS |                  |      |
| MATERIAL                             | NEXT HIGHER ASSY |      |
| FINISH                               | A-MLEJW15-A      |      |
|                                      | SCALE            |      |
|                                      | SHEET OF         |      |

**digital** EQUIPMENT CORPORATION

MODULE UTILIZATION

SIZE CODE NUMBER  
D MU DW15-A-12

REV. 1