

REV	DESCRIPTION	DRFTG	APP BY	DATE
03	ECO G732	Sim	SD	5-4-77
04	ECO E573	2/2 WA	DR	1-16-78
05	PER ECO 11168C	VW/PL	RW	1-24-78
06	PER ECO 11798A	VM	RB	5-16-78
07	PER ECO 13073A	VM	KIS	3-19-78

001001523-08
 107000985-03
 003000985-11

THIS DRAWING AND SPECIFICATION, HEREIN, ARE THE PROPERTY OF DATA GENERAL CORPORATION AND SHALL NOT BE REPRODUCED OR TRANSMITTED IN ANY FORM OR BY ANY MEANS, ELECTRONIC OR MECHANICAL, INCLUDING PHOTOCOPYING, RECORDING, OR BY ANY INFORMATION STORAGE AND RETRIEVAL SYSTEM, WITHOUT WRITTEN PERMISSION FROM DATA GENERAL CORPORATION.

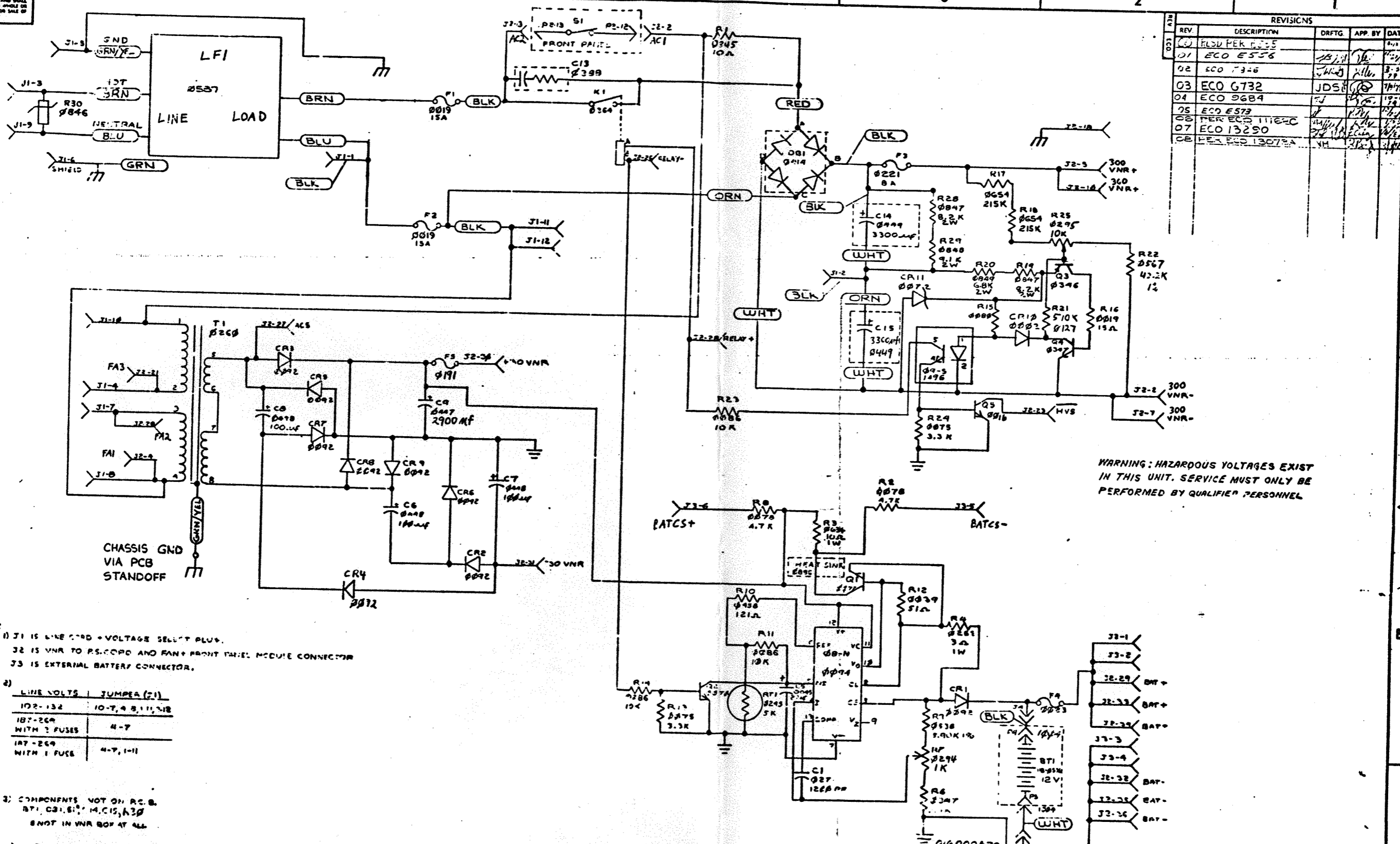
DRAWN	<i>James Adams</i>	5-4-77
CHECKED		
ENGINEER		
APPROVED	<i>J. Adams</i>	5-4-77
FIRST USED ON	005012397-U	
SCALE	As Shown	
CODE IDENT		

DATA GENERAL CORPORATION
 WESTBORO, MASS. 01581

TITLE
IPL
VNR SUPPLY.

SIZE	CODE	DRAWING NUMBER	REV
C 016		000670	07

THIS DRAWING AND SPECIFICATIONS HEREIN ARE THE PROPERTY OF DATA GENERAL CORPORATION AND SHALL NOT BE REPRODUCED OR COPIED OR USED IN WHOLE OR IN PART AS THE BASIS FOR MANUFACTURE OR SALE OF ITEMS WITHOUT WRITTEN PERMISSION



REVISIONS				
REV	DESCRIPTION	DRFTG	APP BY	DATE
01	ECO E556			
02	ECO 7346			
03	ECO G732	JDSH		
04	ECO 9684			
05	ECO E573			
06	PER ECO 11122C			
07	ECO 13290			
08	PER ECO 13078A			

WARNING: HAZARDOUS VOLTAGES EXIST IN THIS UNIT. SERVICE MUST ONLY BE PERFORMED BY QUALIFIED PERSONNEL

- NOTES:
- J1 IS LINE CORD + VOLTAGE SELECT PLUG.
J2 IS VNR TO P.S. CORD AND FAN + FRONT PANEL MODULE CONNECTOR
J3 IS EXTERNAL BATTERY CONNECTOR.
 - | LINE VOLTS | JUMPER (J1) |
|----------------------|--------------------|
| 102-132 | 10-T, 4, 8, 11, 12 |
| 107-269 WITH 2 FUSES | 4-7 |
| 107-269 WITH 1 FUSE | 4-7, 1-11 |
 - COMPONENTS NOT ON R.C.B.
BT1, CR1, CR2, CR4, C15, K30
NOT IN VNR BOX AT ALL
 - K7 SETS BATTERY CHARGER OUTPUT VOLTAGE TO 14.1 VOLTS.
R25 SETS LEVEL OF +300VNR THAT CAUSES HV5 TO GO HIGH (WHEN +300VNR DROPS FROM 300 VOLTS TO 235 VOLTS).

ARTWORK VS SCHEMATIC		ITEM QTY		DESCRIPTION		PART NO.	
REV	SCHEMATIC REVISION	DO NOT SCALE DRAWING UNLESS OTHERWISE SPECIFIED	USE D.C.C. SPECIFICATION 100-000000 FOR TOLERANCES AND WORKMANSHIP REQUIREMENTS	DRAWN	3/1/72	DATA GENERAL CORPORATION WESTBORO, MASS. 01581	
01	00, 01, 02, 03, 04			CHECKED		TITLE	
03	05, 06, 07, 08			ENGINEER	9/1/72	DGC MACHINE	
				APPROVED	VATE	VNR SECTION	
				FIRST USED ON	005012371	DRAWING NUMBER	
				SCALE	34984	REV	
				SIZE	D	001001523	
				CODE		08	