

# Facit N4000

- o Punch(0)
- o Punch(1)
- o Punch(2)
- o Punch(3)
- o Punch(4)
- o Punch(5)
- o Punch(6)
- o Punch(7)
- o Punch(F)
- o PunchMotor(0)
- o PunchMotor(1)
- o PunchMotor(2)
- o ErrSw
- o LowSw
- o Fan

- (Chassis)
- o 20VACa
  - o 20VACb
  - o Gnd
  - +24V o +24V
  - Gnd o Gnd
  - clamp o Clamp
  - Gnd o Gnd

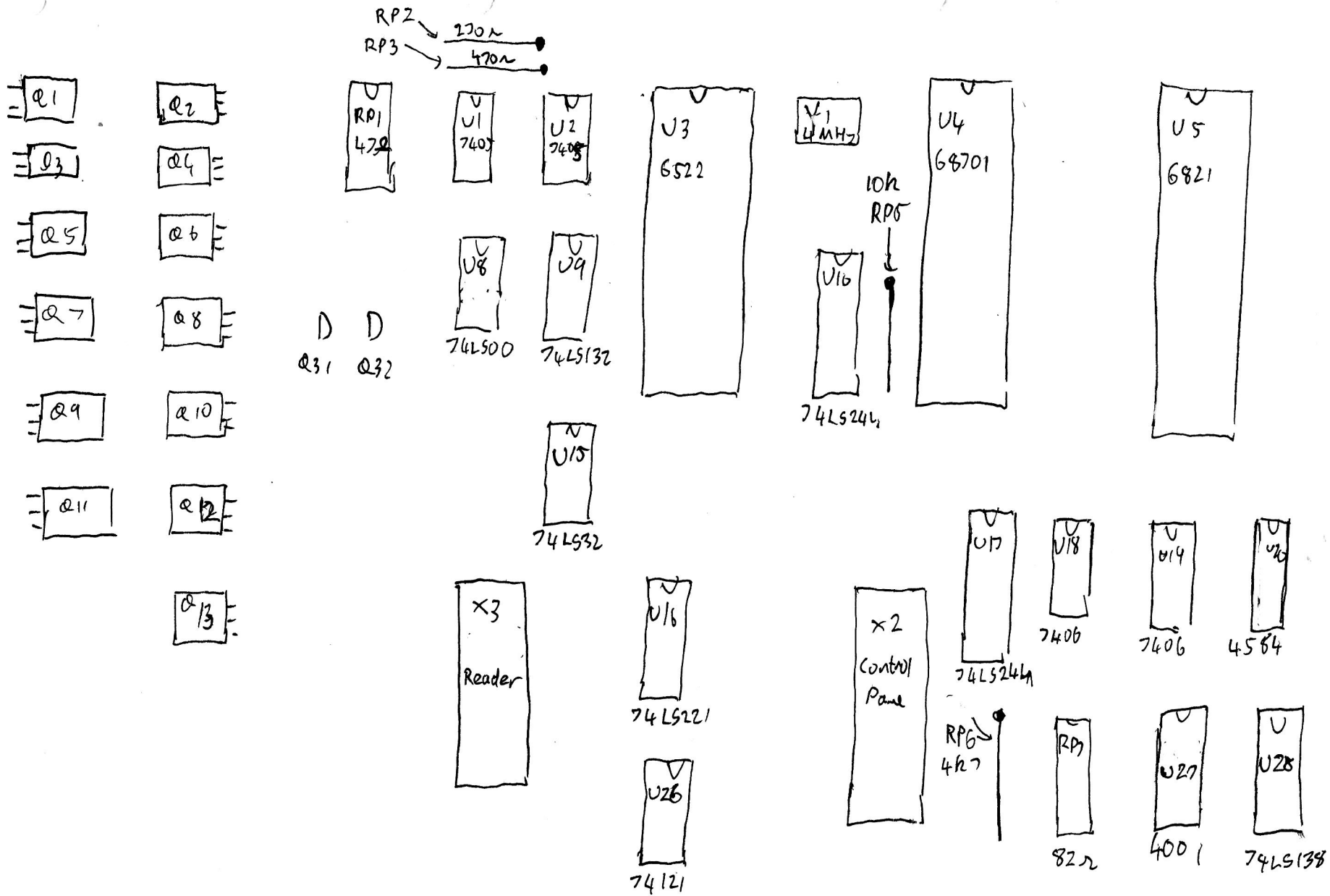
Control PCB  
- Chassis

- KeyCol(0) o KeyRow(0)
- KeyCol(1) o Digit(0)
- Gnd o
- Segment(e) o Digit(1)
- Segment(d) o Segment(4)
- KeyRow(1) o Digit(2)
- KeyCol(2) o KeyRow(2)
- KeyCol(3) o Digit(3)
- Segment(b) o Segment(a)
- Segment(f) o Segment(c)

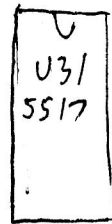
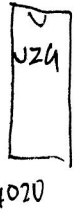
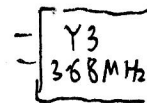
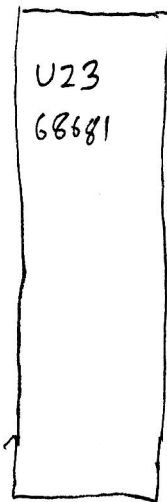
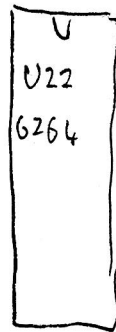
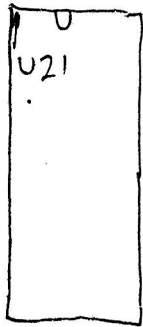
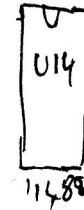
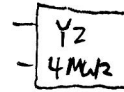
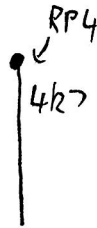
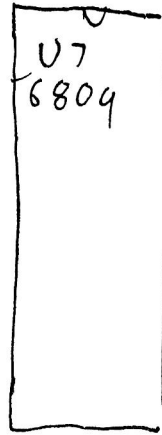
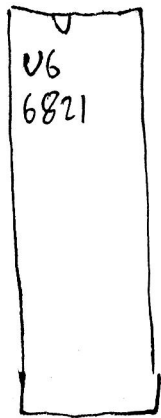
Control  
Panel

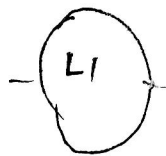
- +24V o +24V
- Gnd o Gnd
- +5V o +5V
- o MotorRun
- RdDir o RdStep
- RdData(0) o RdData(1)
- RdData(2) o RdStb
- RdData(3) o RdData(4)
- RdData(5) o RdData(6)
- RdData(7) o TapeSense

Reader

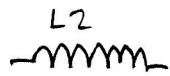


Facit N4000 control PCB Layout sheet ①





Q28  
D



Q14  
D

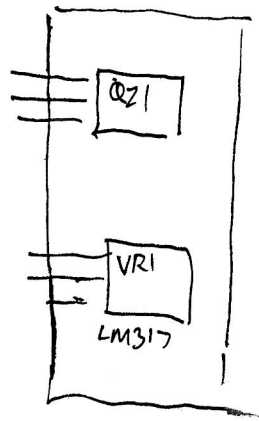
Q15  
D

Q16  
D

Q17  
D

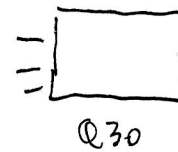
Q18  
D

Q19  
D



Q23  
D

Q24  
D



Q25  
D

Q26  
D

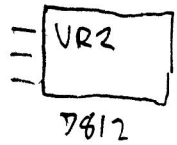
Q29  
D

Q20  
D

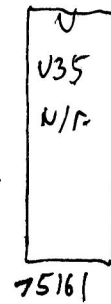
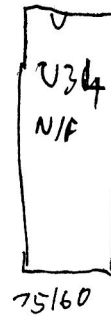
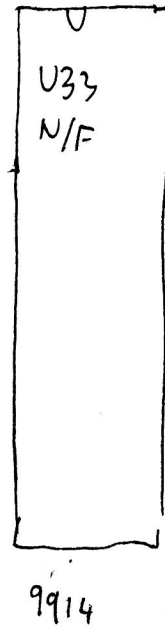
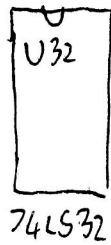
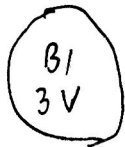
Q22  
D

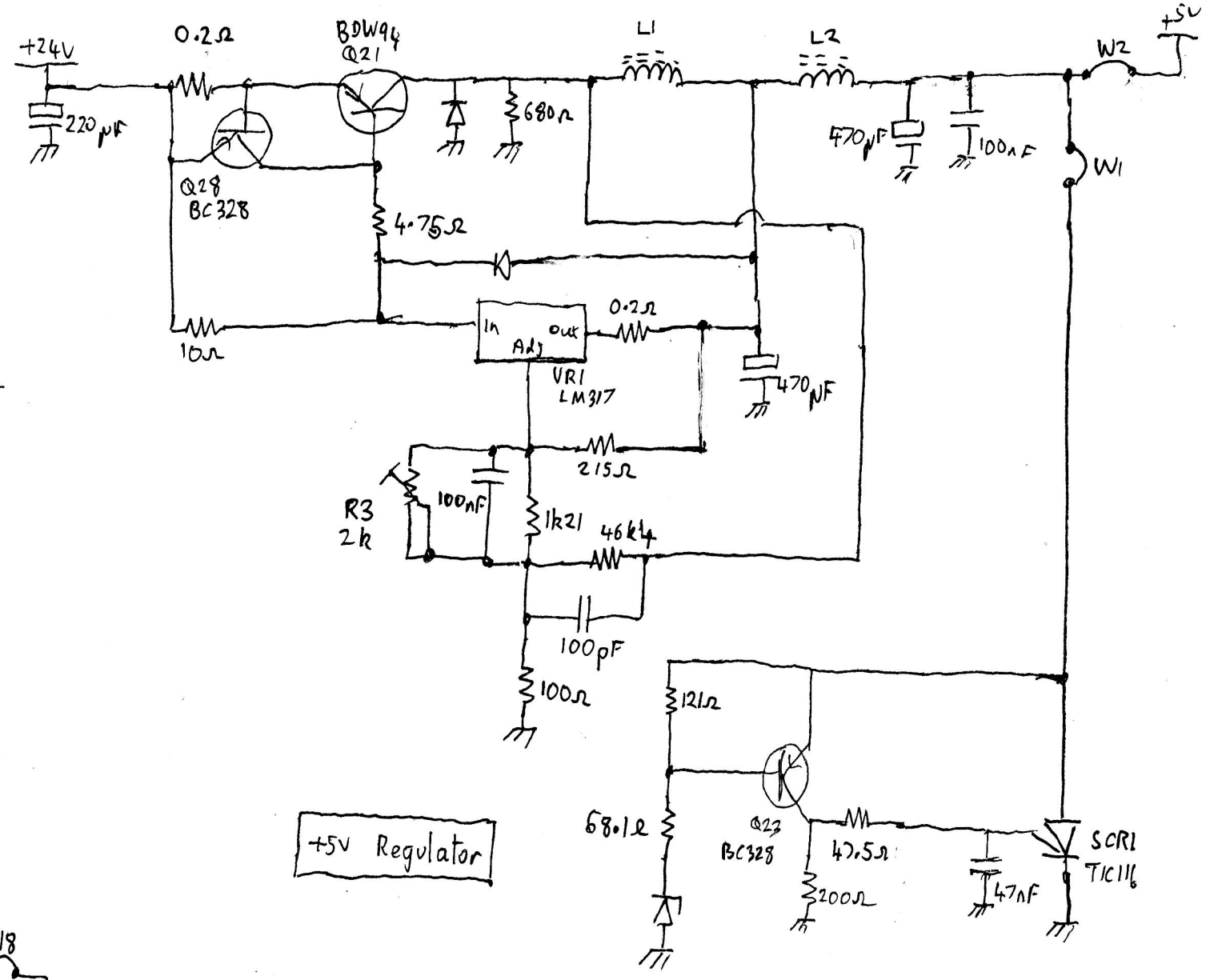
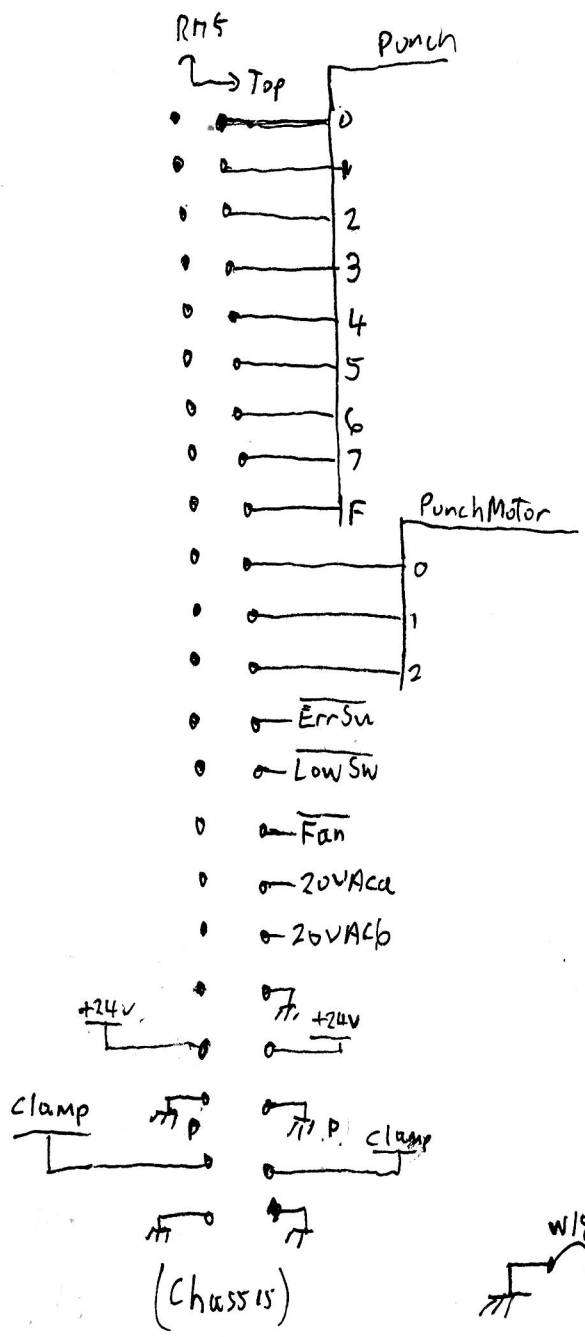
Facit N4000 control PCB Layout sheet(3)



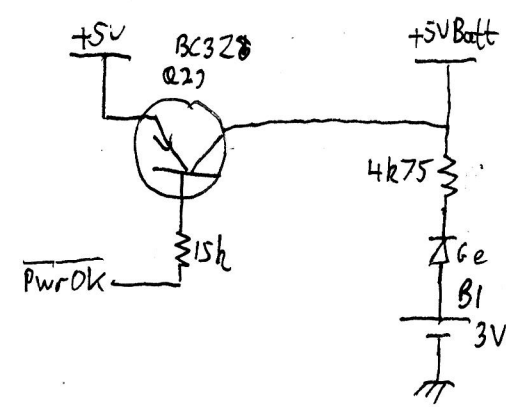
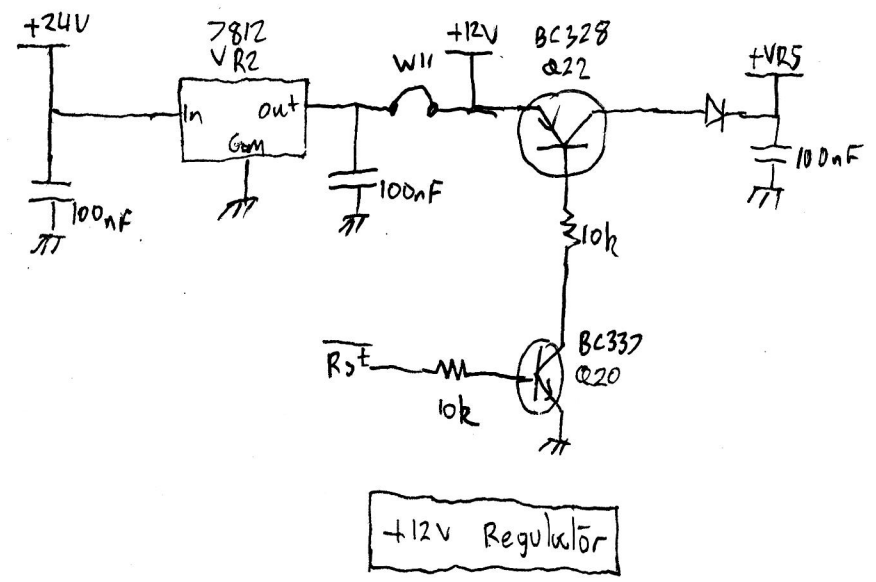
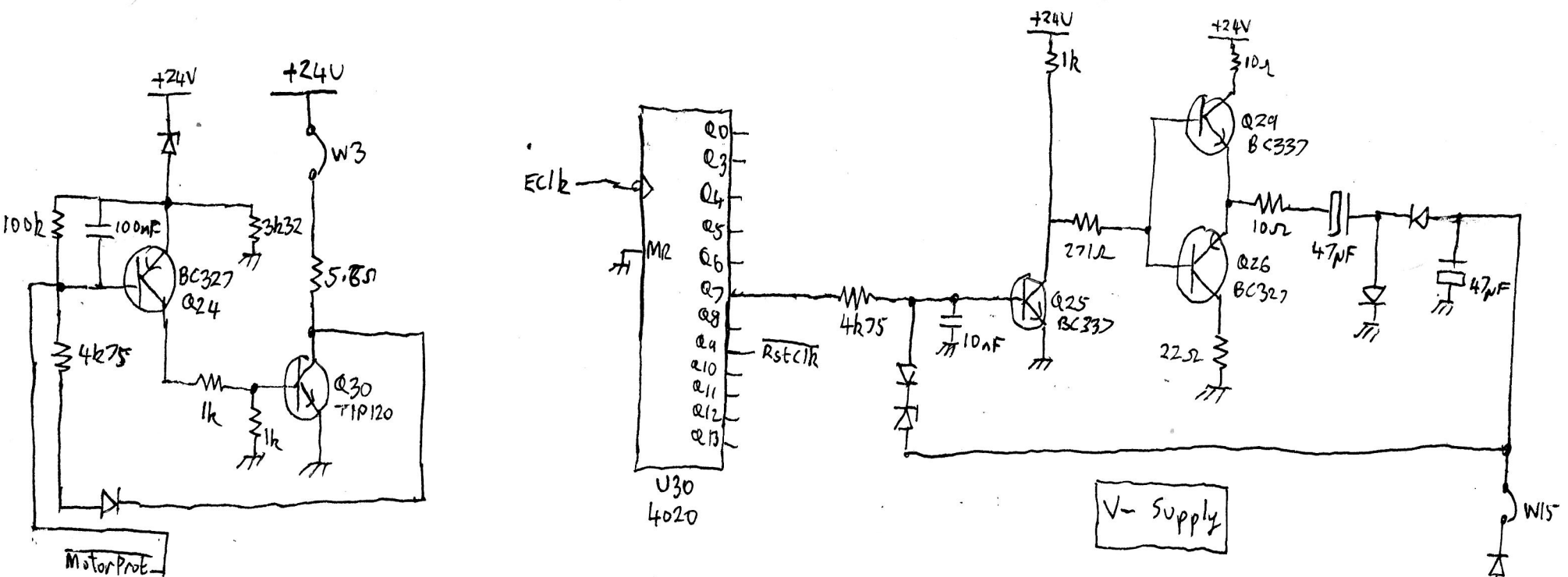


Q27  
D

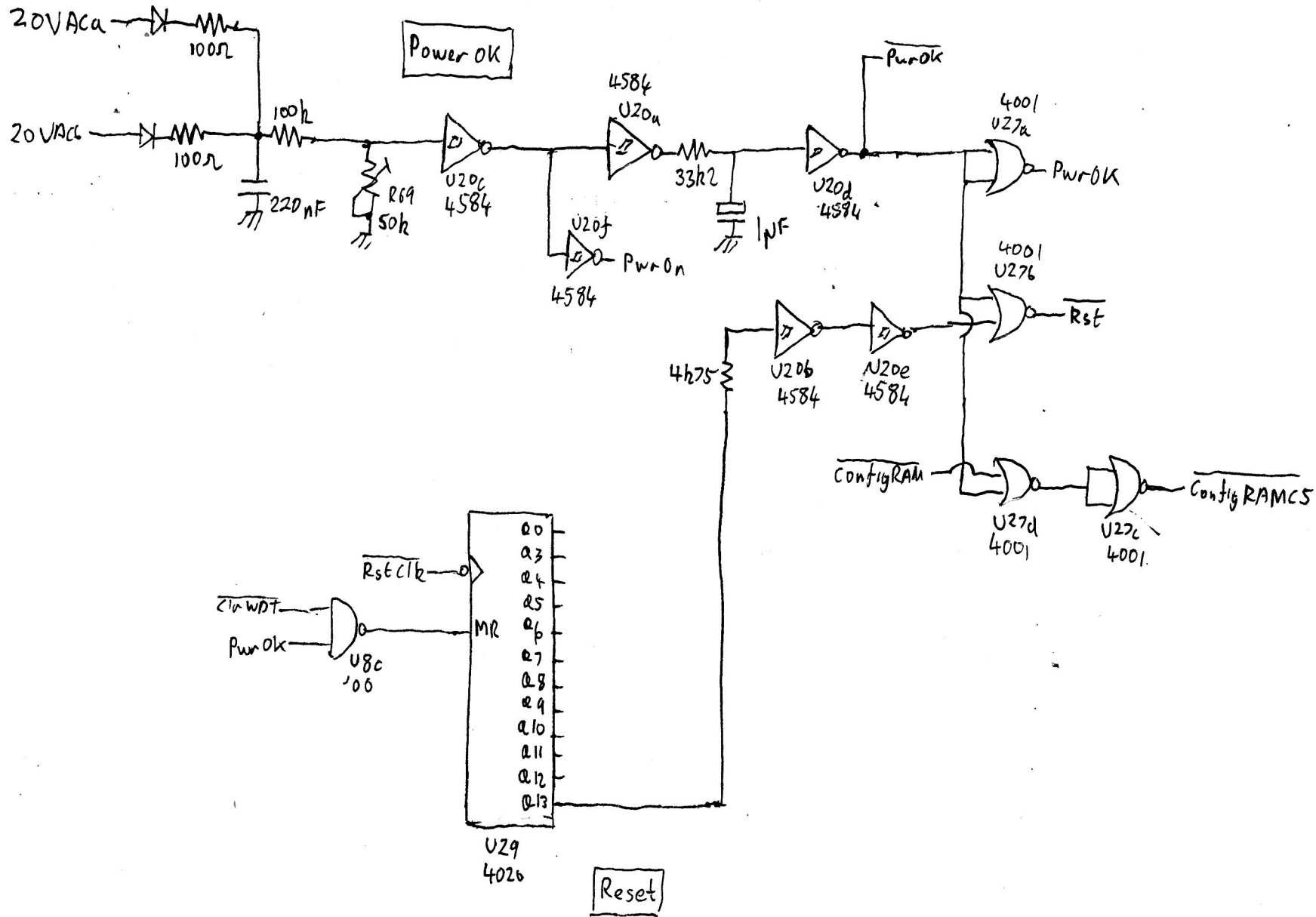


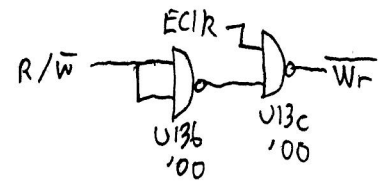
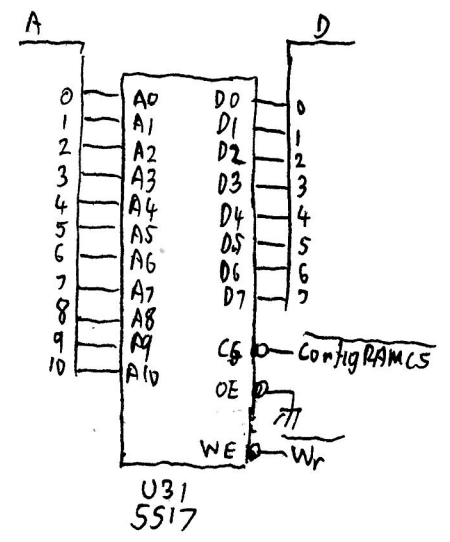
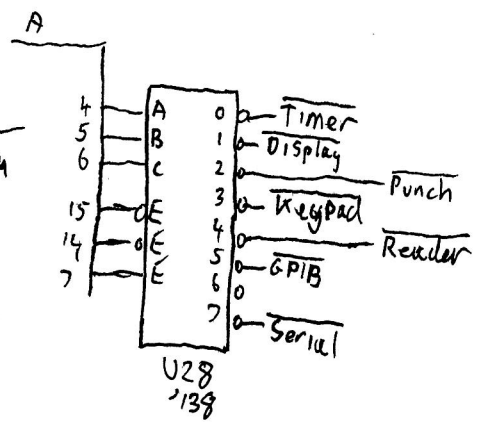
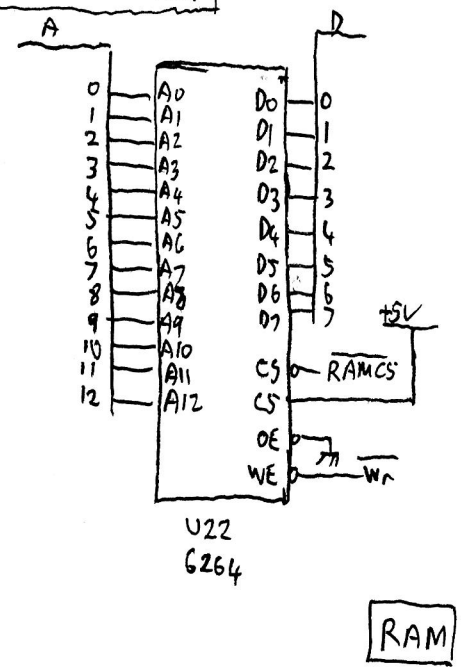
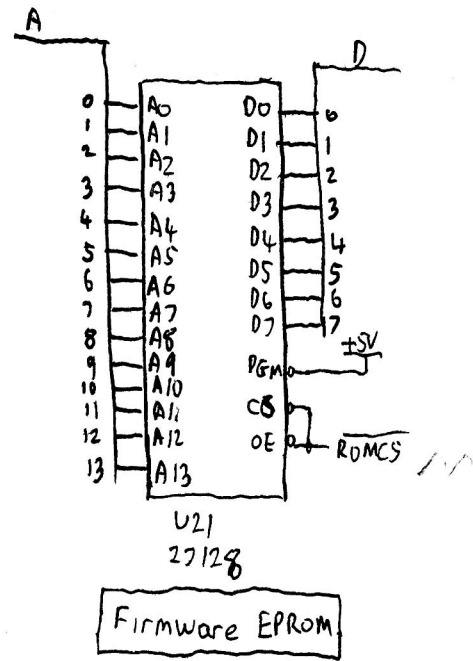
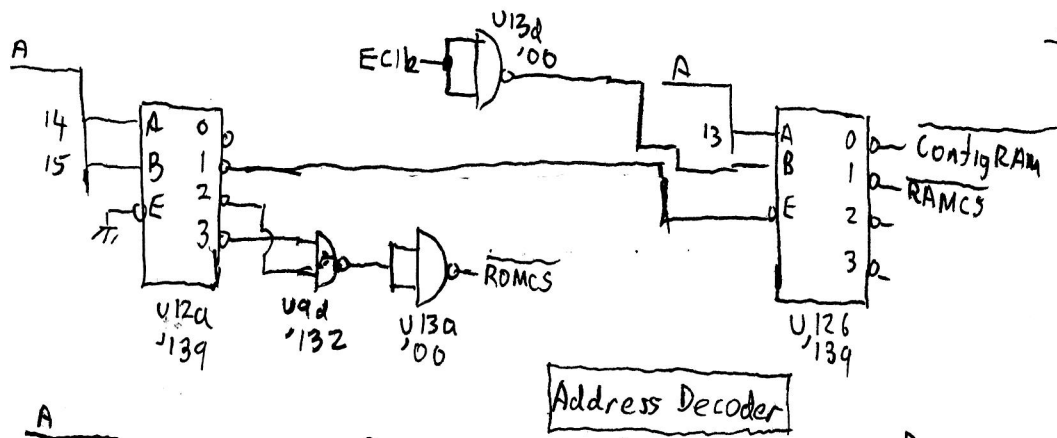
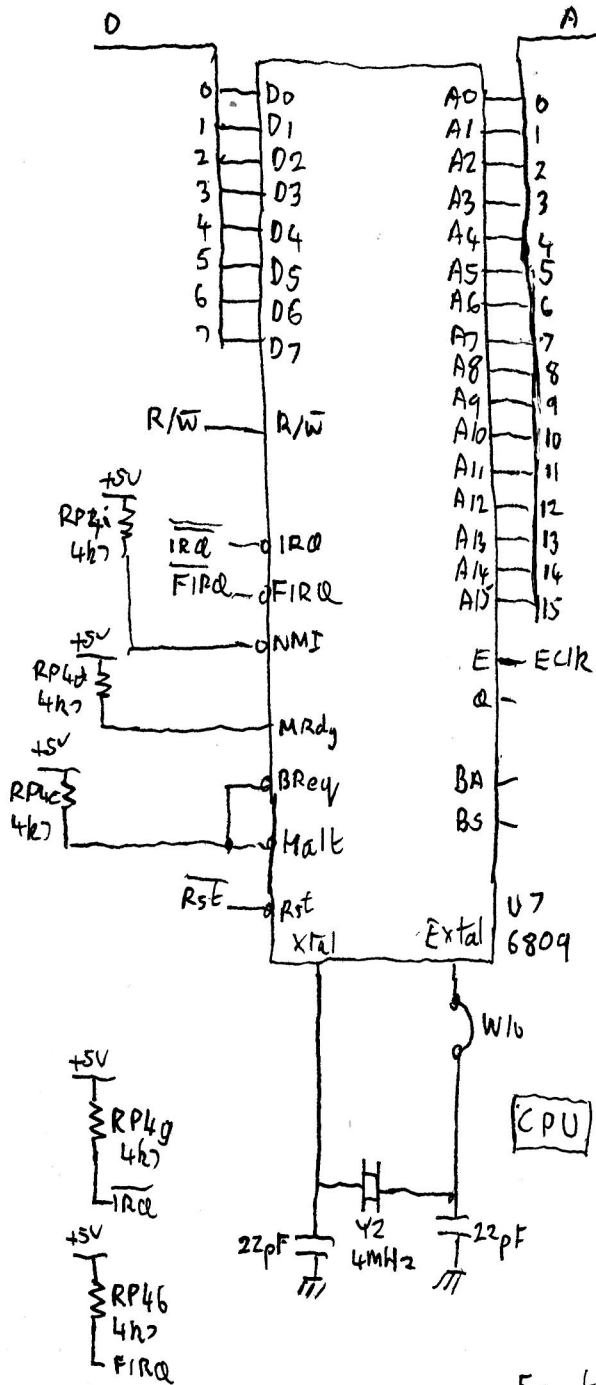


Facit N4000 Control PCB Sheet ①

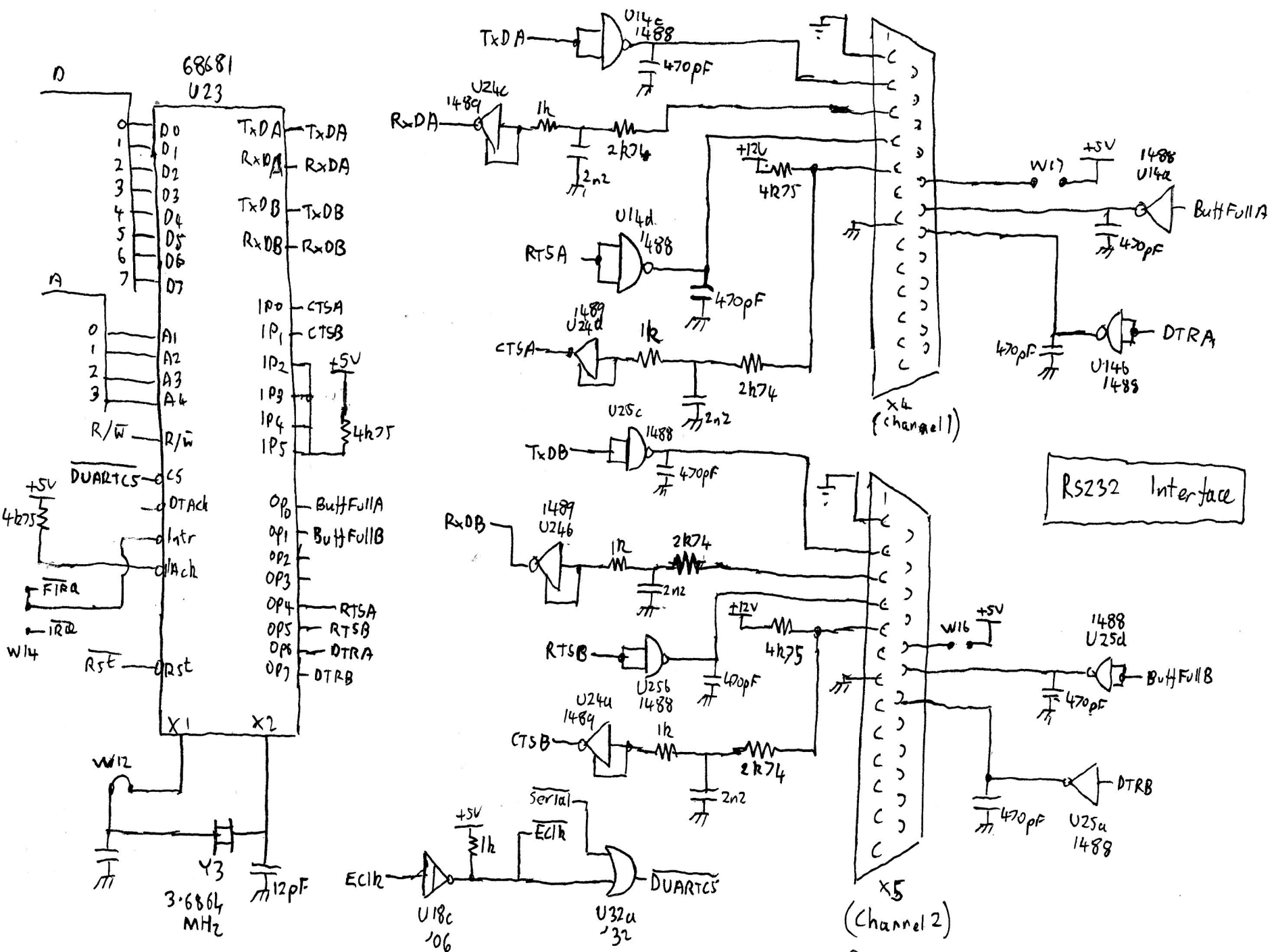


Facit N4000 control PCB Sheet (2)



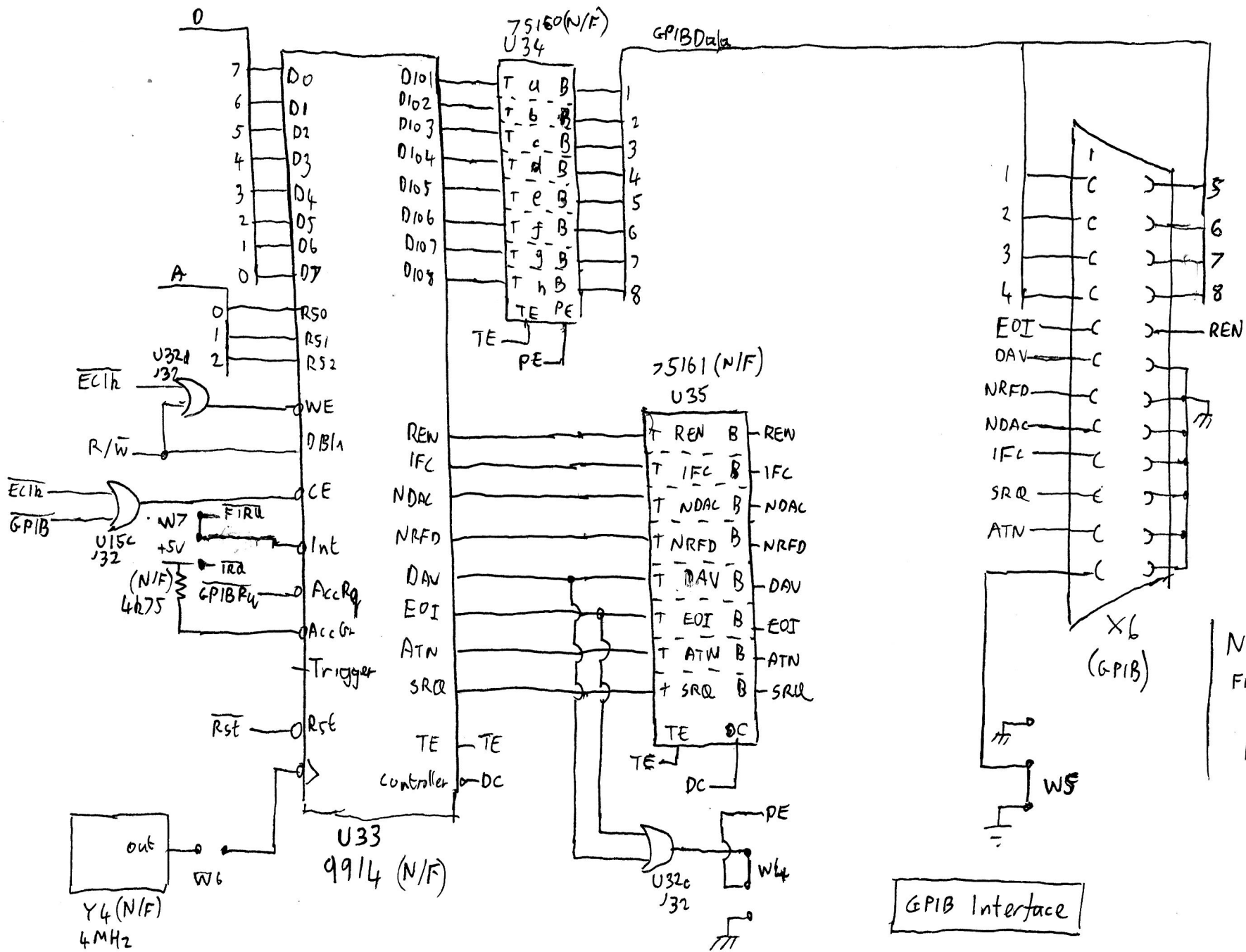


Facit N4000 Control PCB sheet (4)



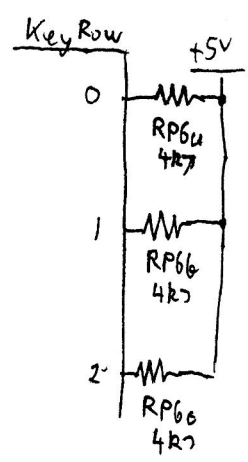
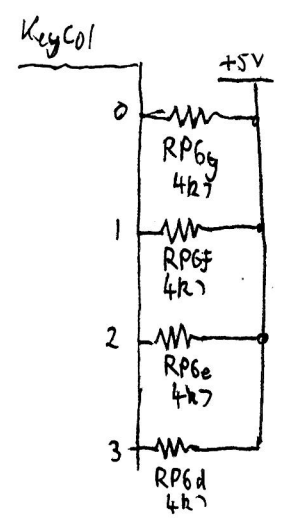
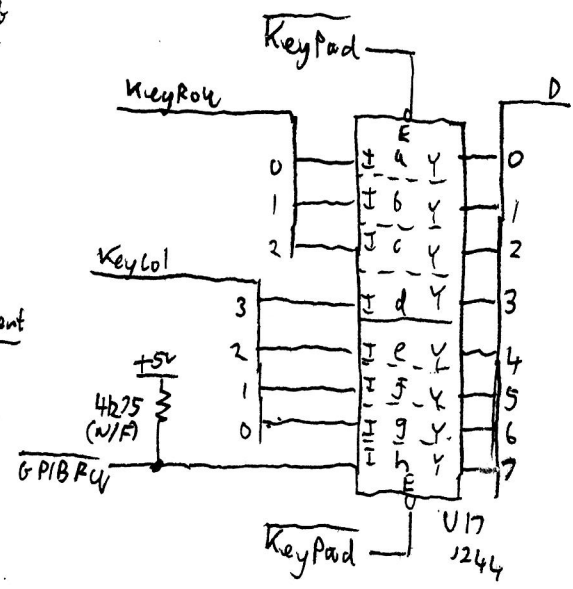
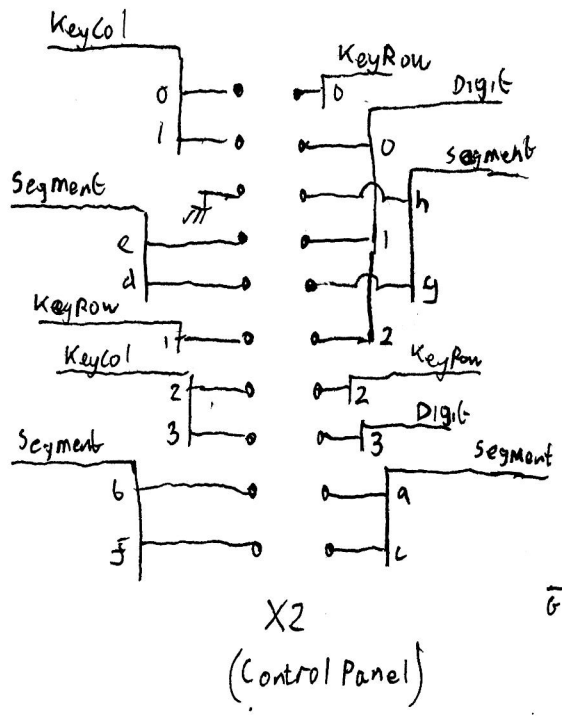
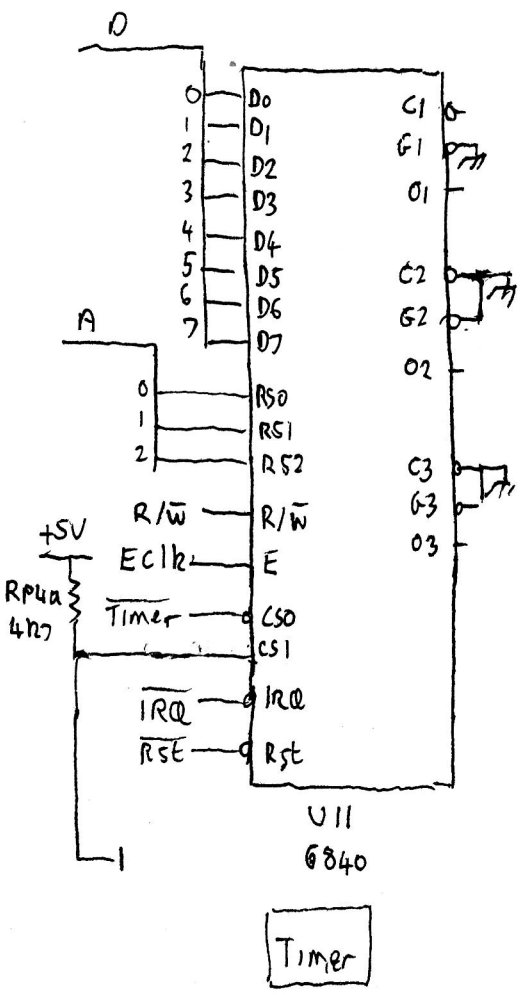
RS232 Interface

Facit N4000 control PCB sheet (5)

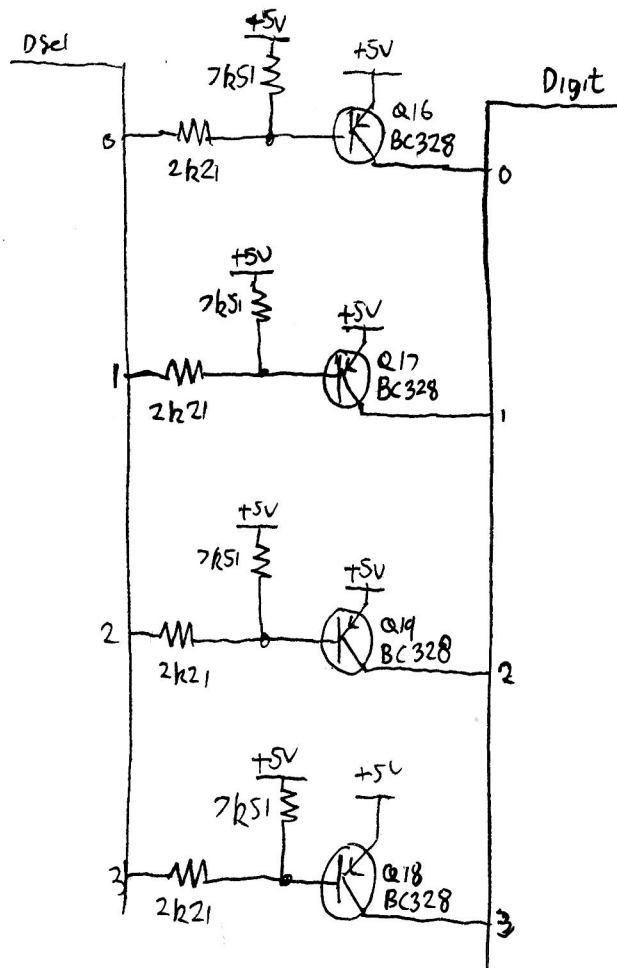
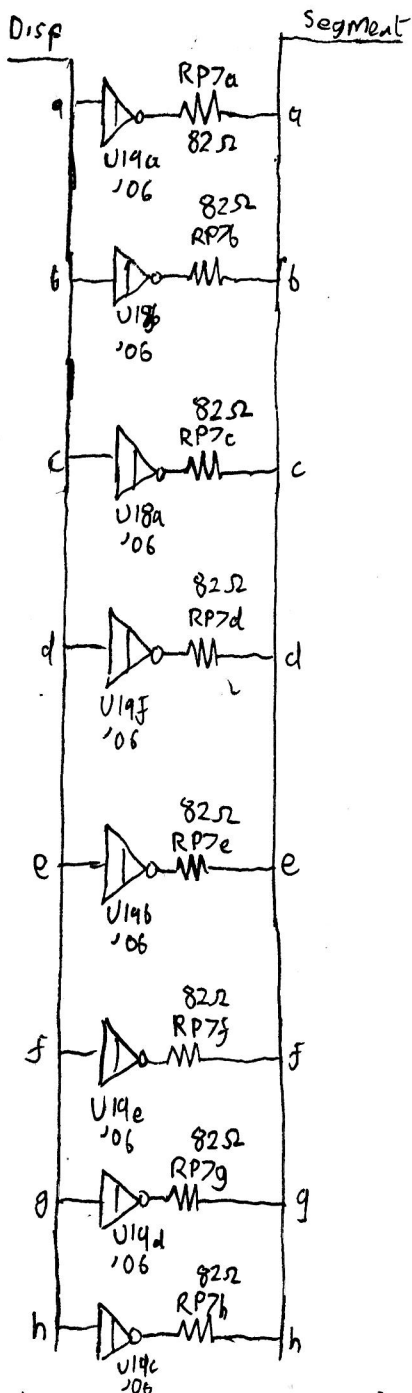
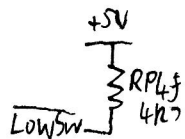
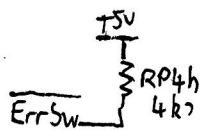
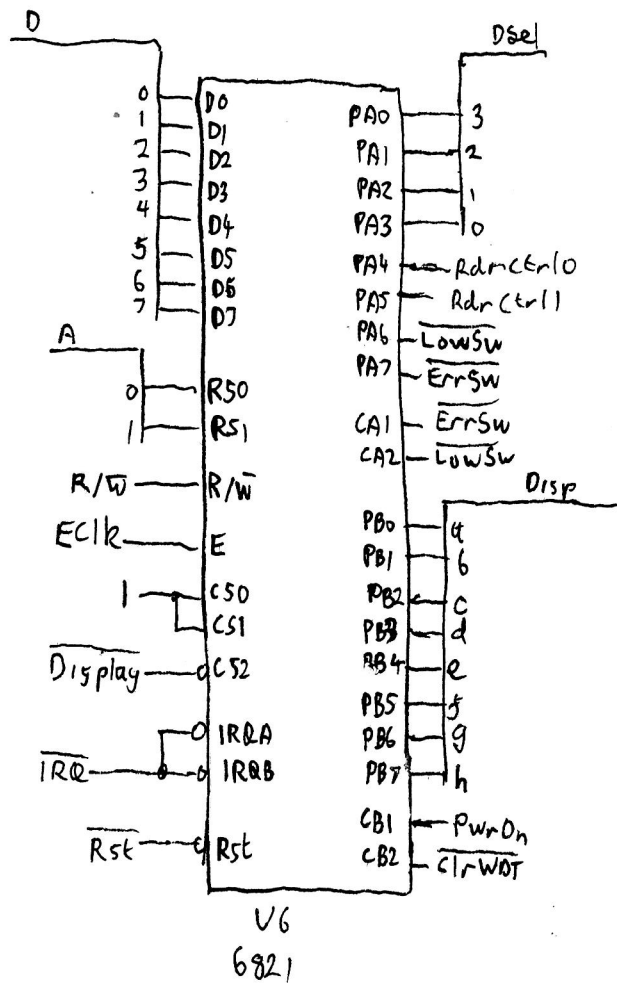


Not Fitted, suspect  
Firmware (in v21)  
is different between  
RS232 and GPIB  
versions

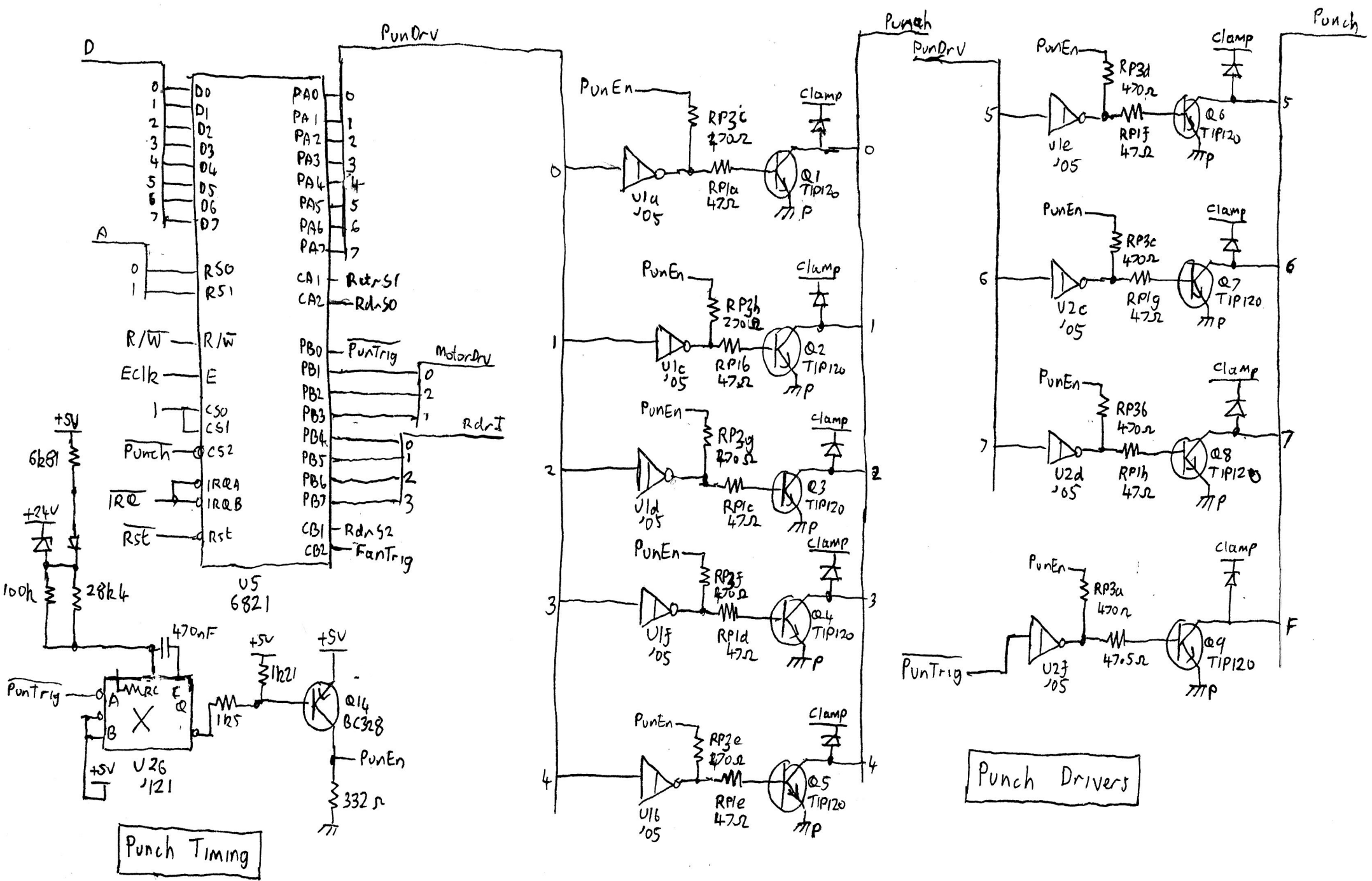
Facit N4000 control PCB sheet (6)

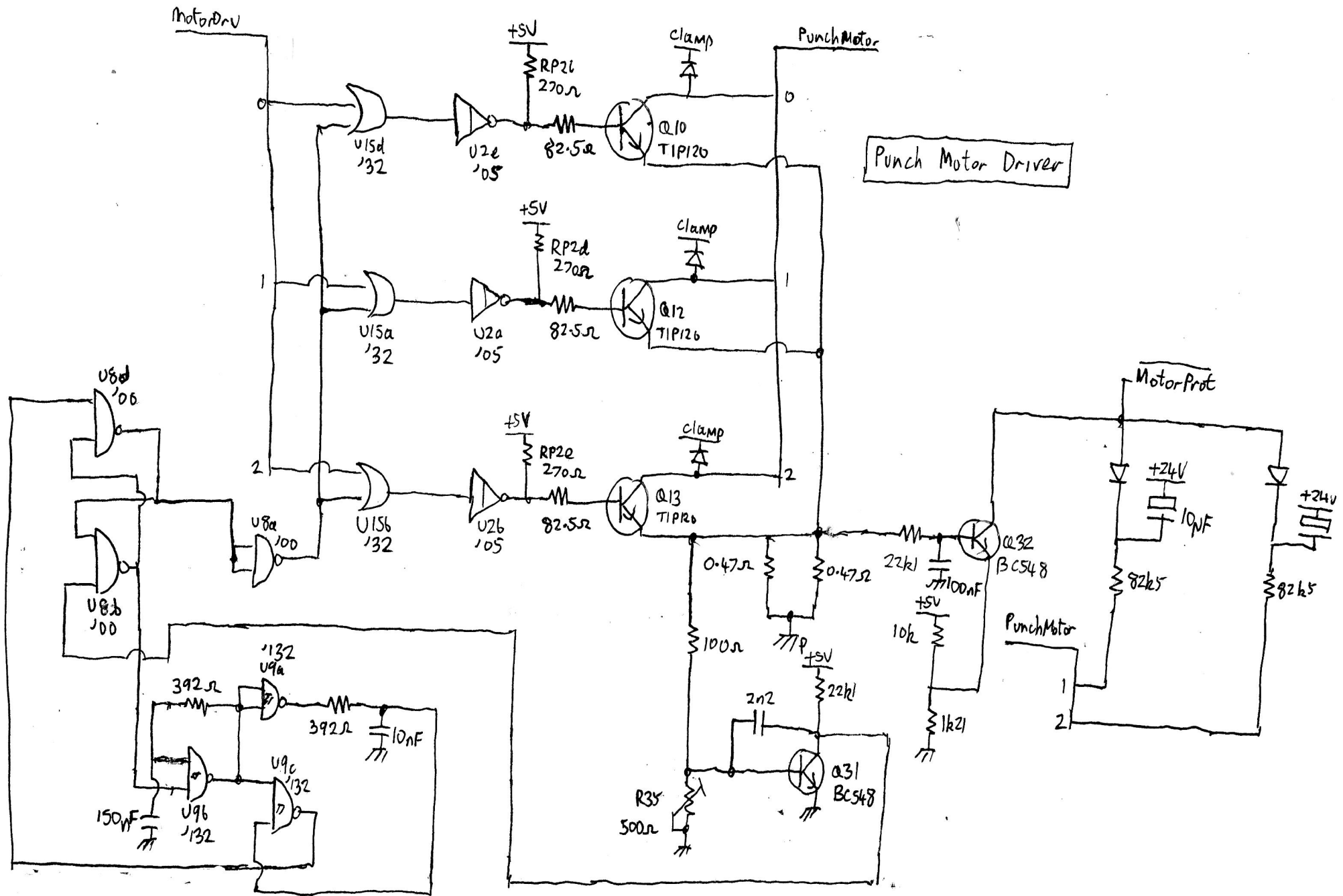


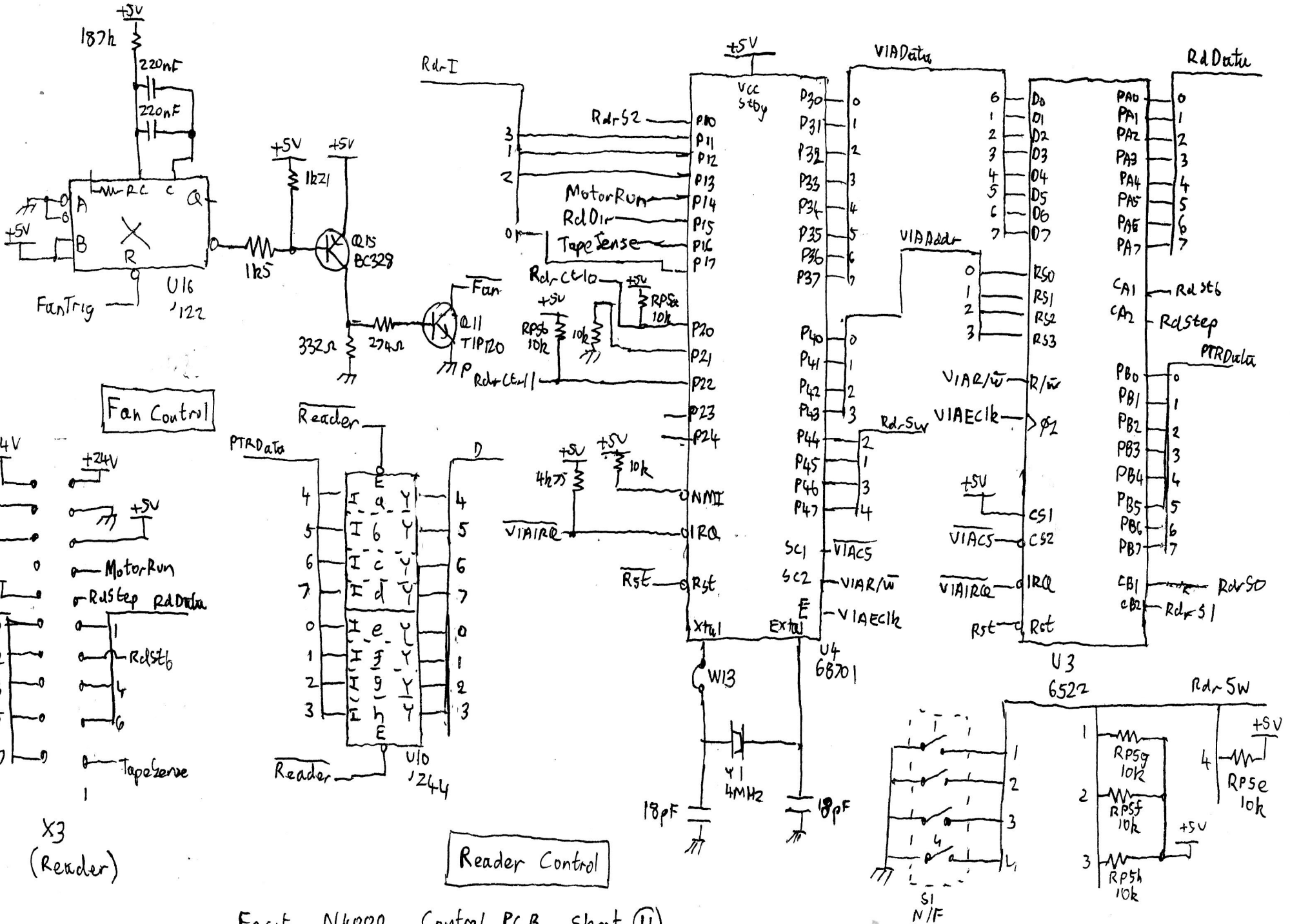




Display Driver



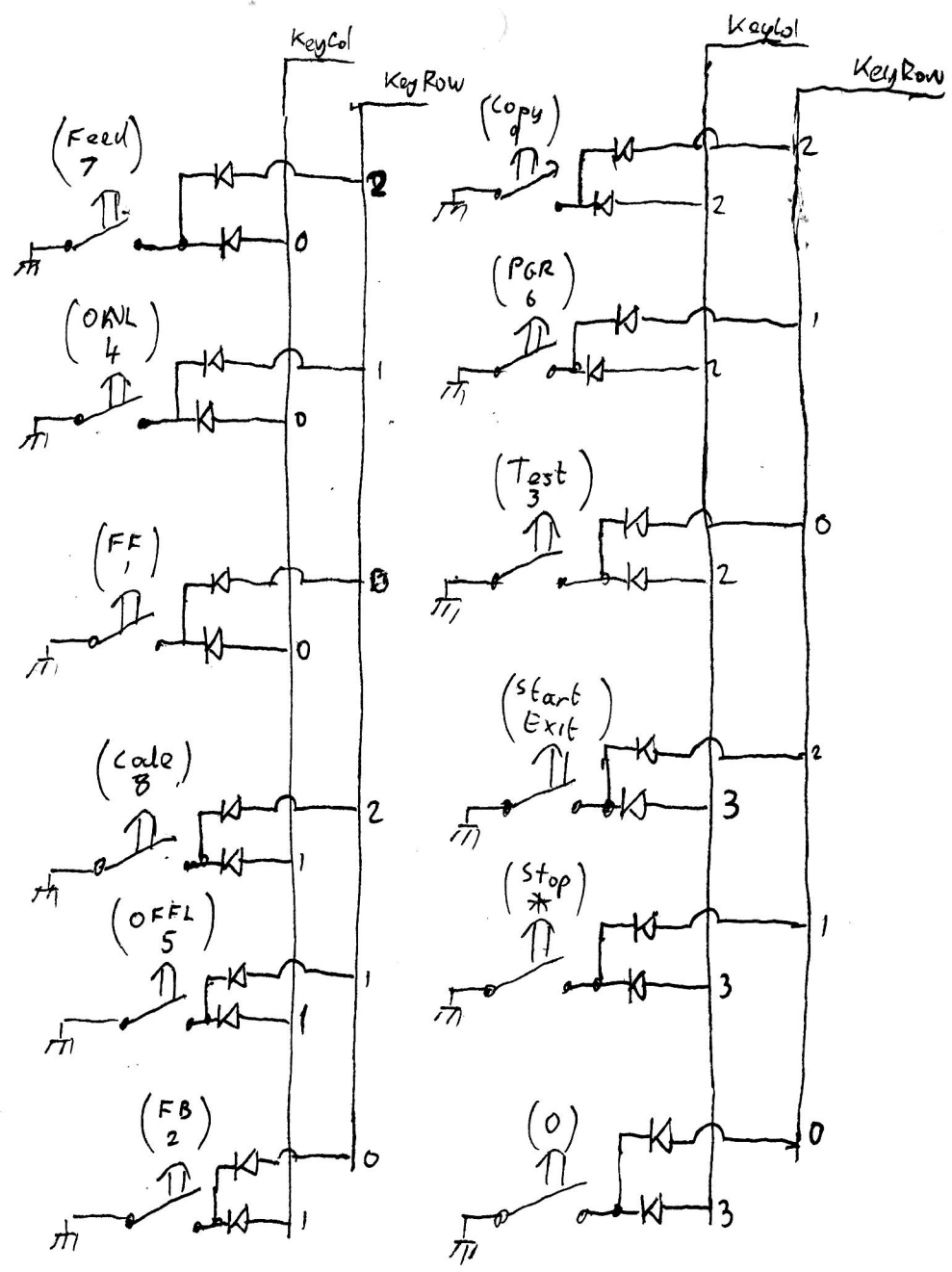
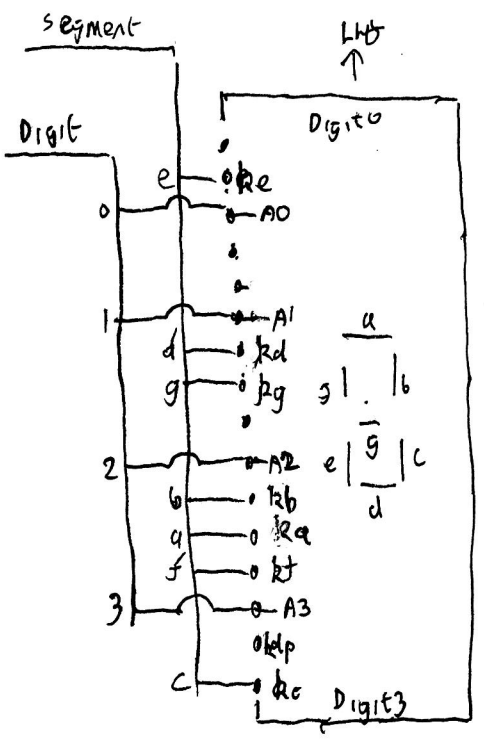
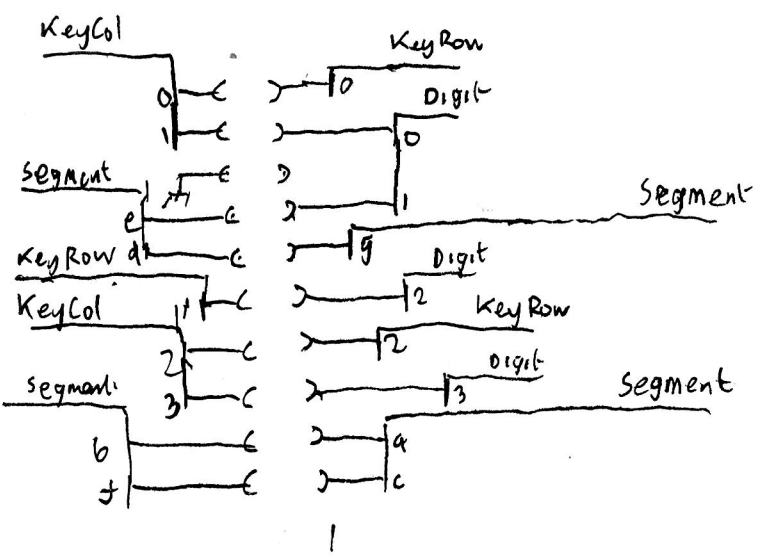




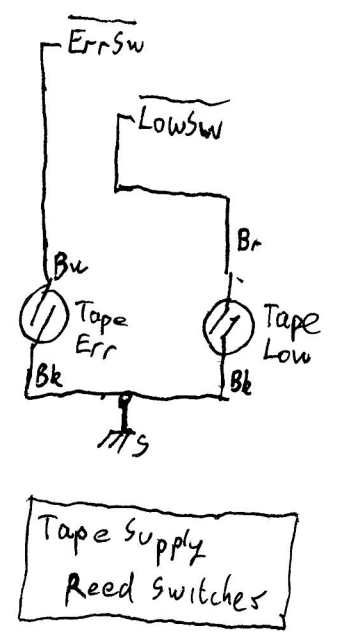
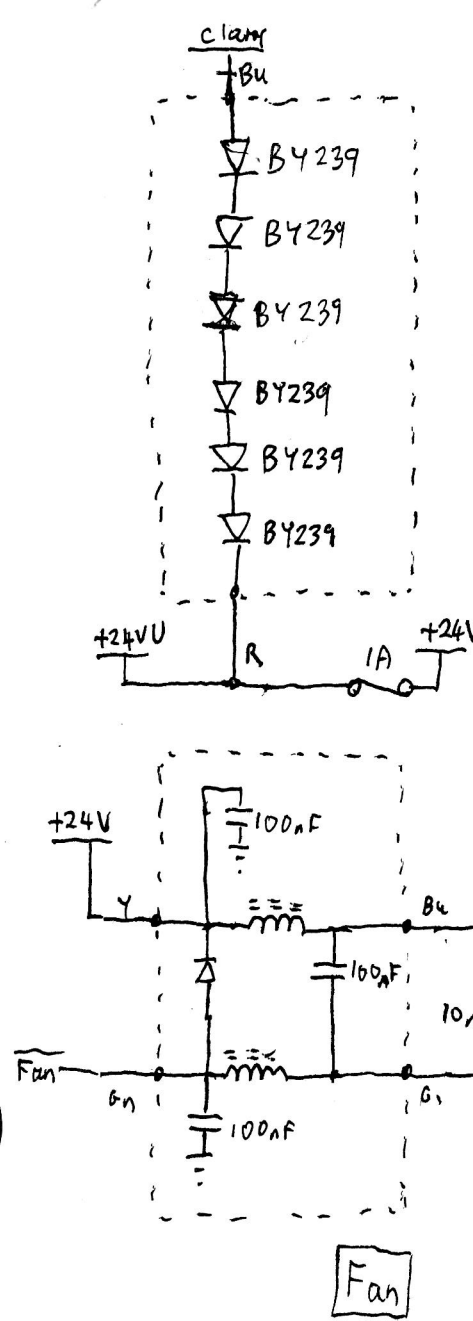
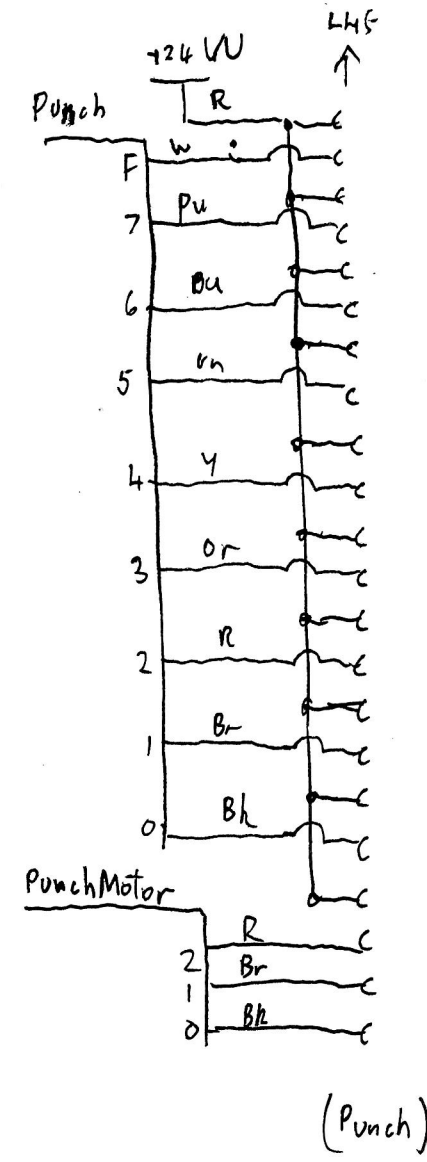
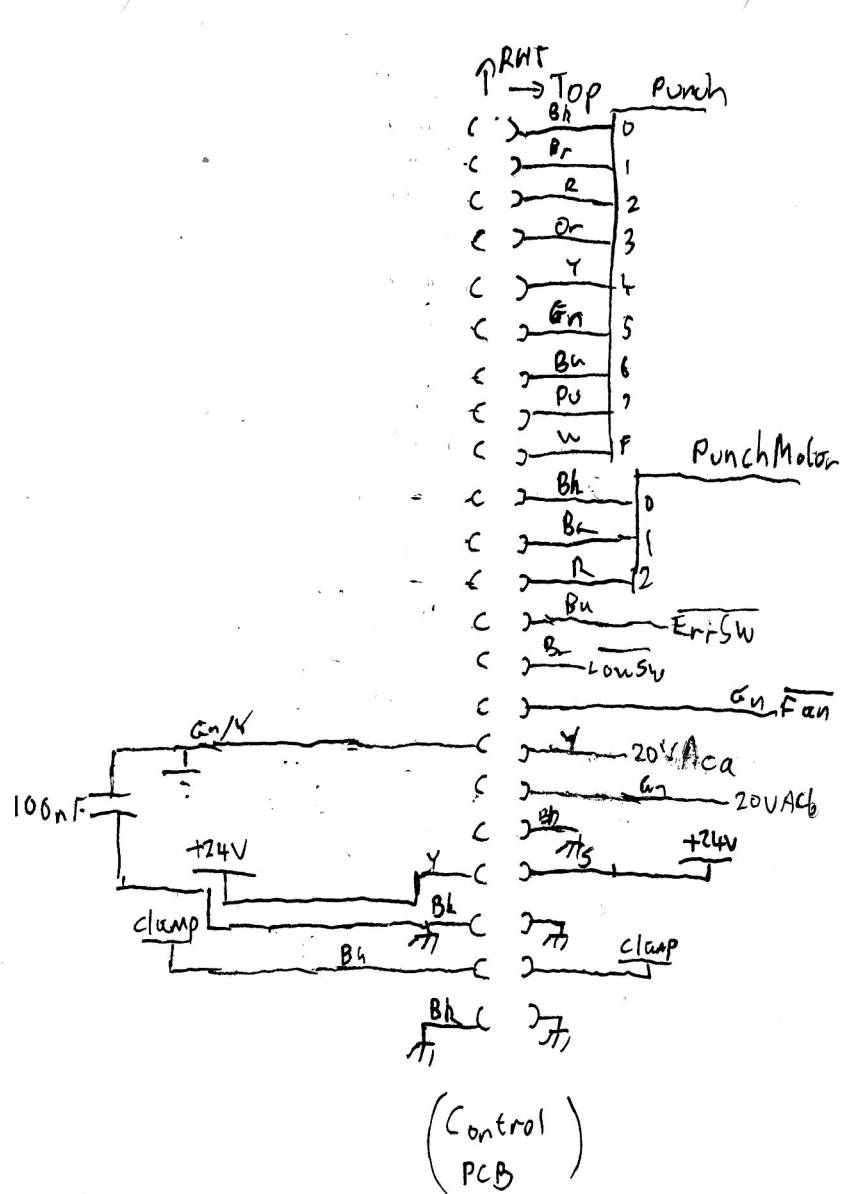
Fan Control

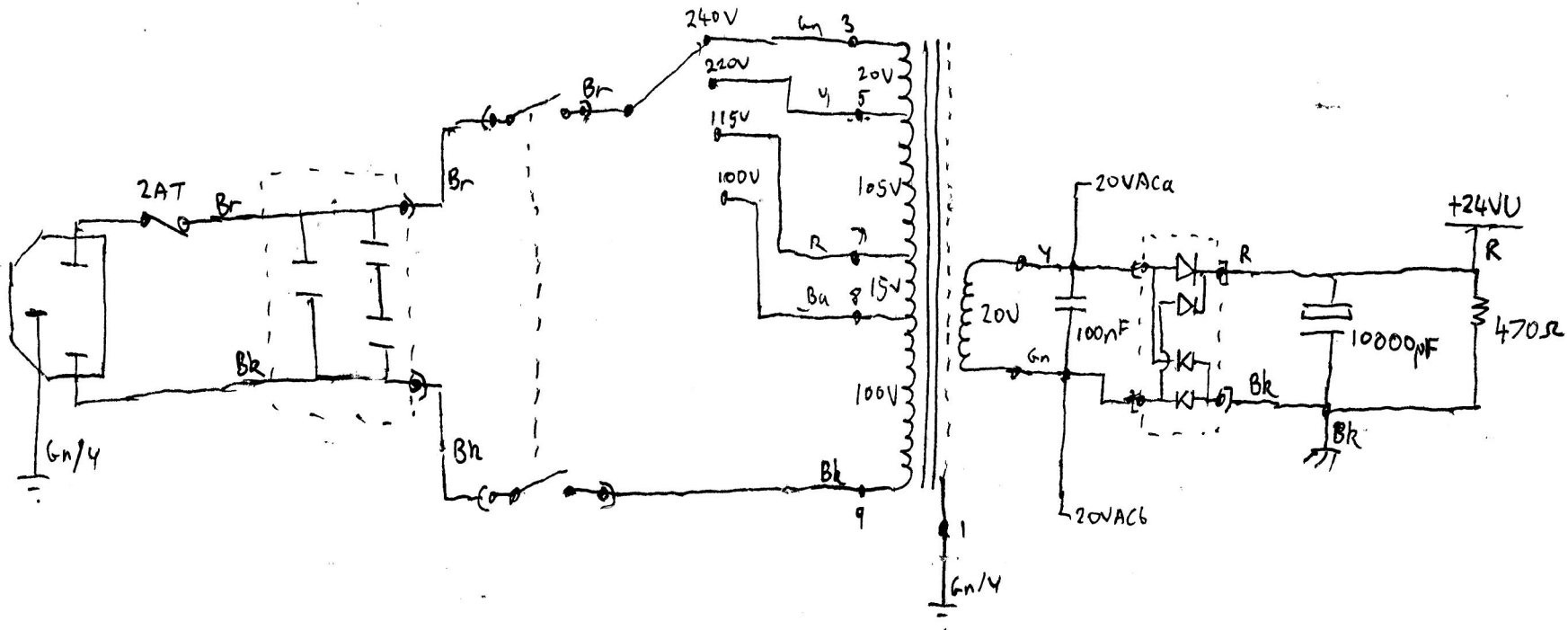
Reader Control

X3  
(Reader)



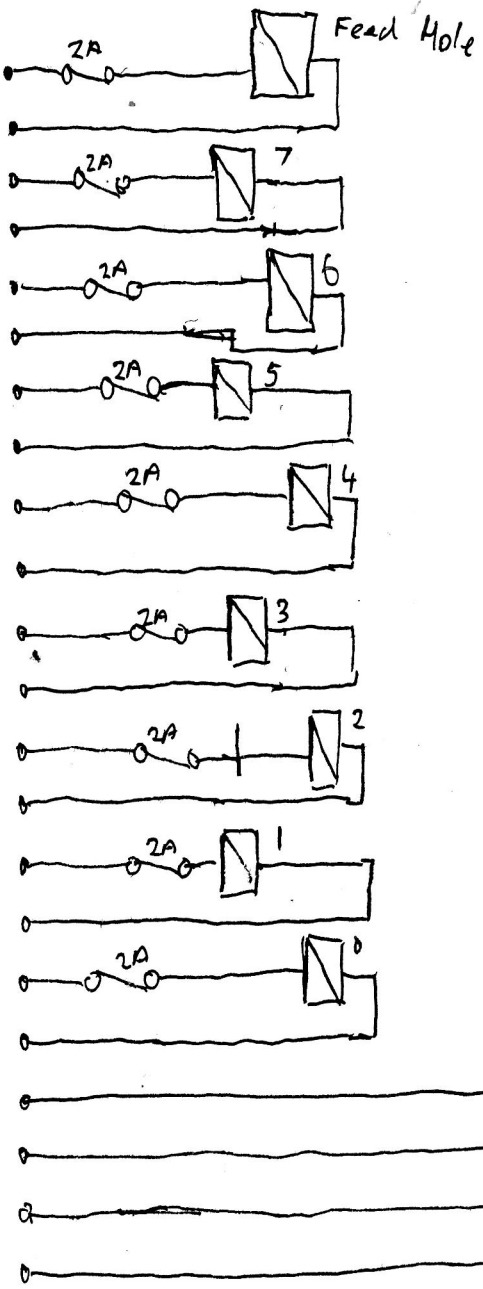
Facit N4000 Control Panel



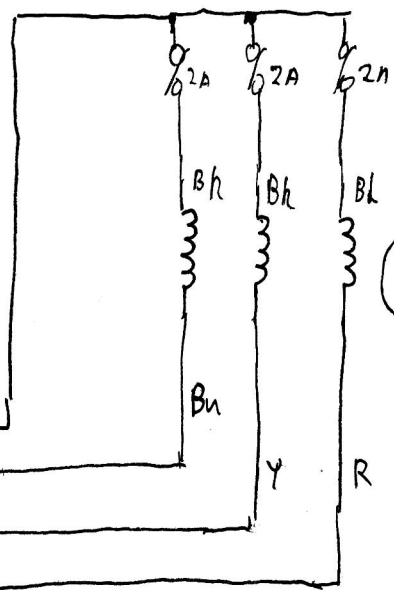


PSU

LHS  
↑



Punch Solenoids  
DC Resistance  $\sim 4\Omega$



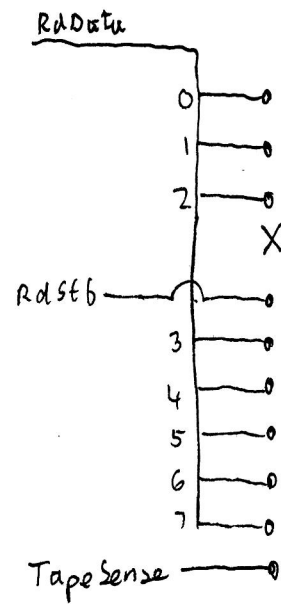
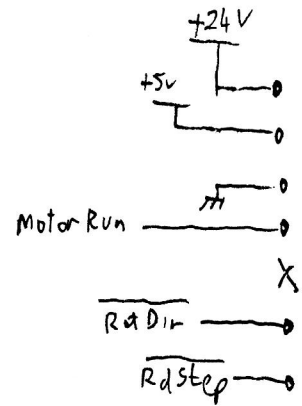
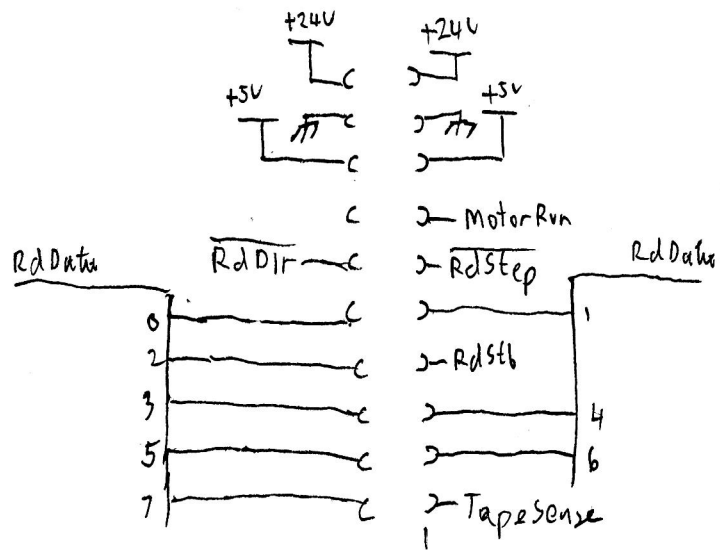
M

Tape Feed  
Stepper Motor  
(DC Resistance  $\sim 4\Omega$ )

Punch mechanism similar to  
Facit 4070. Presumably aligned the  
same way

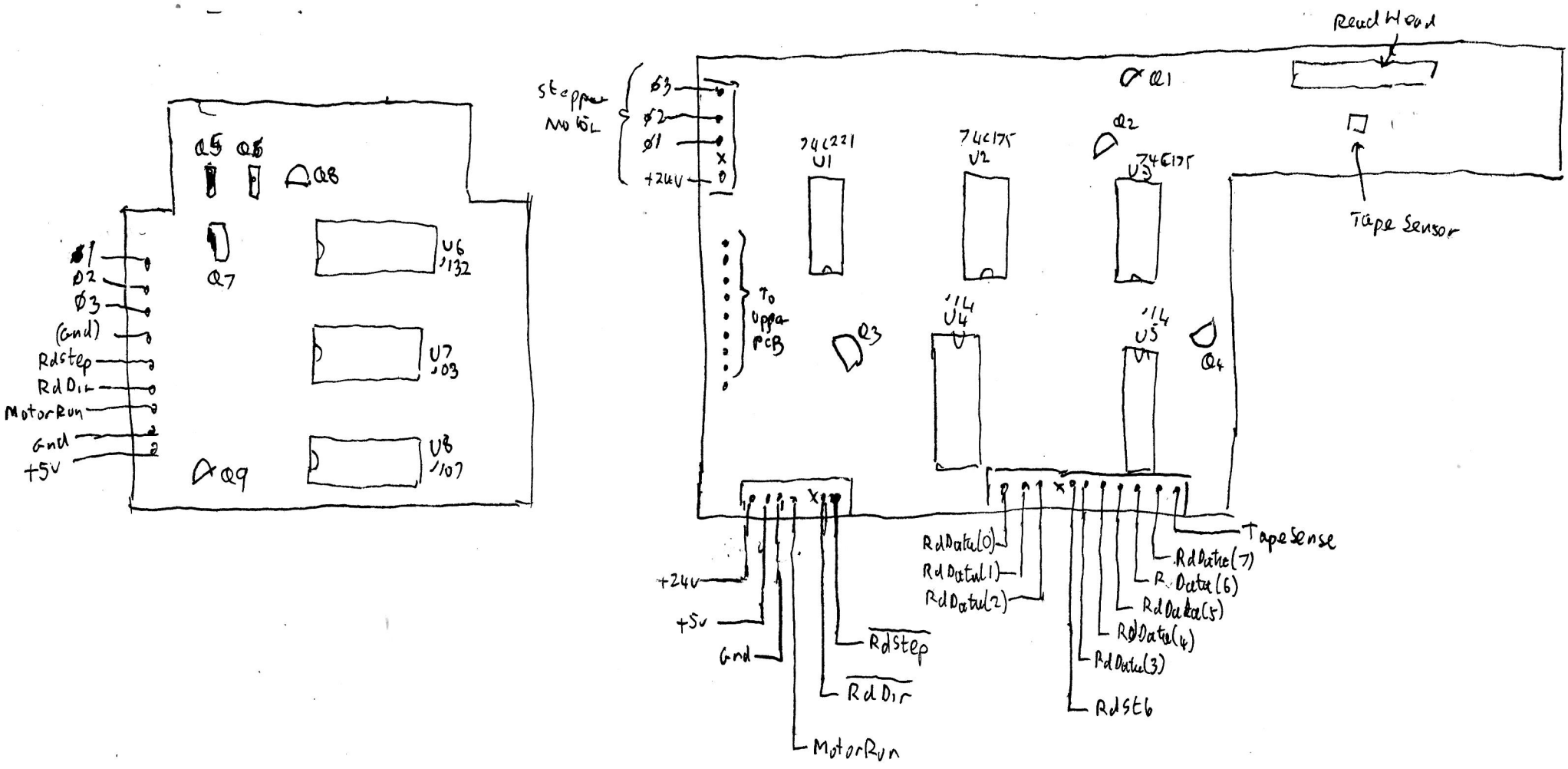
Facit N4000 Punch Wiring



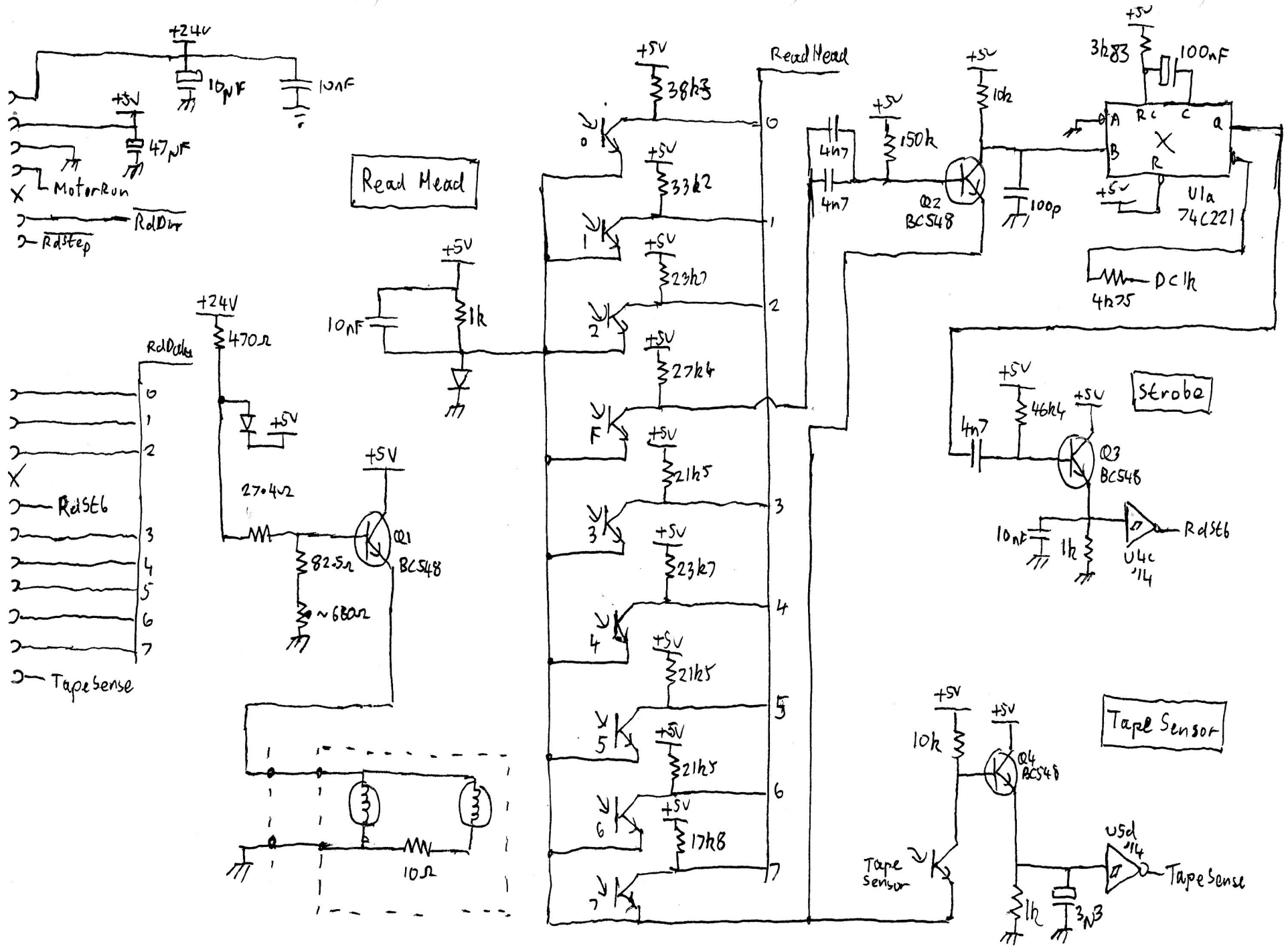


Facit N4000

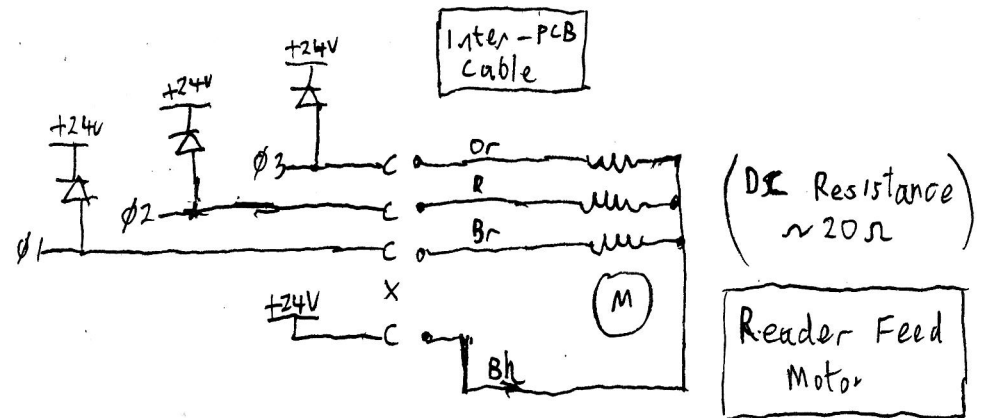
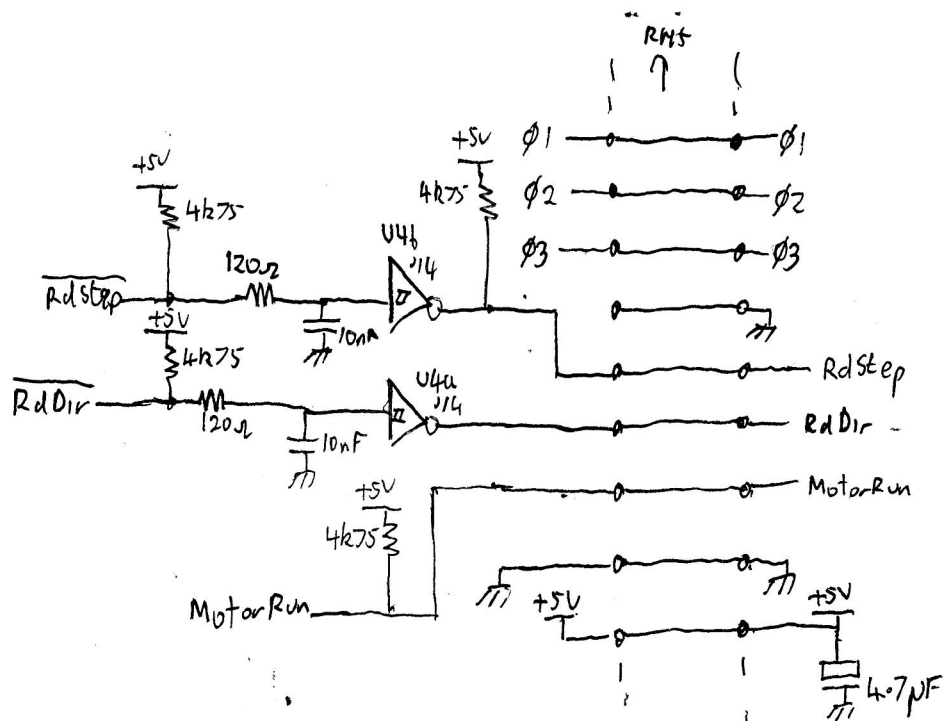
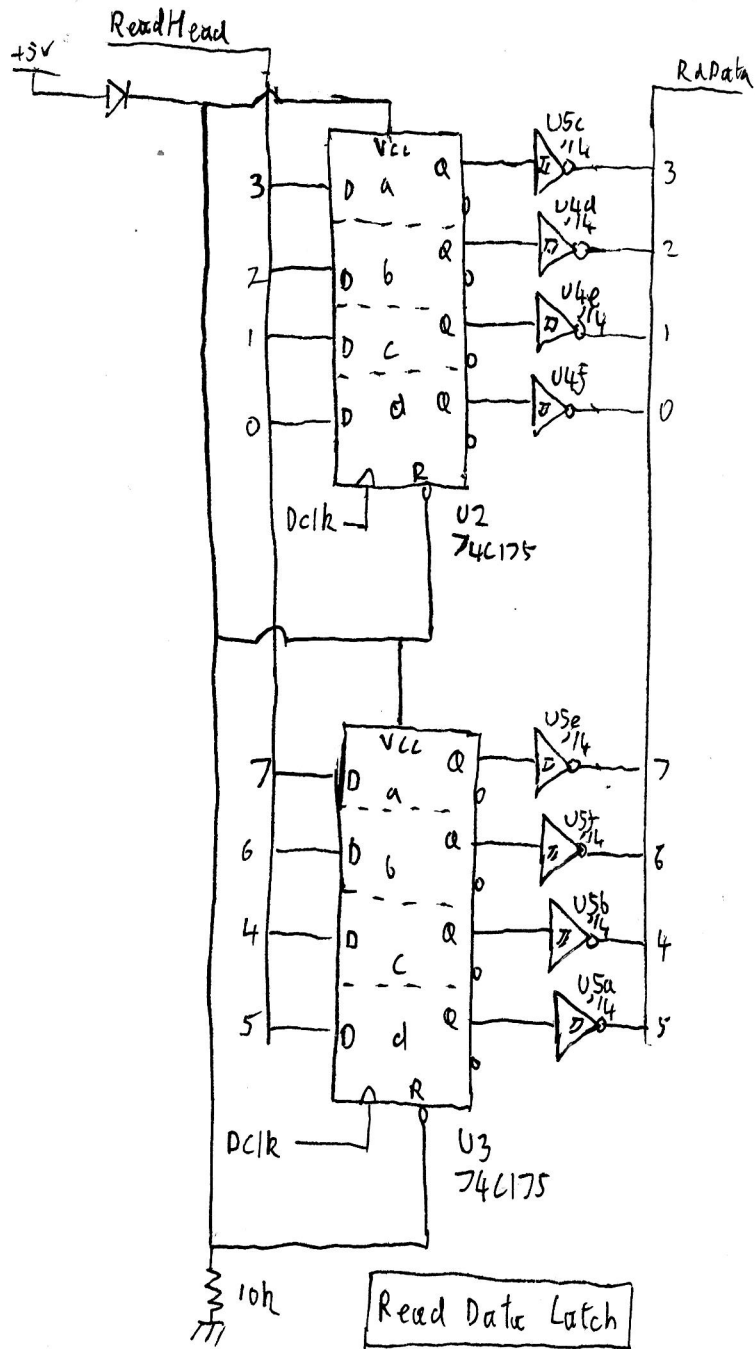
Reader Cable

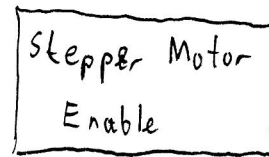
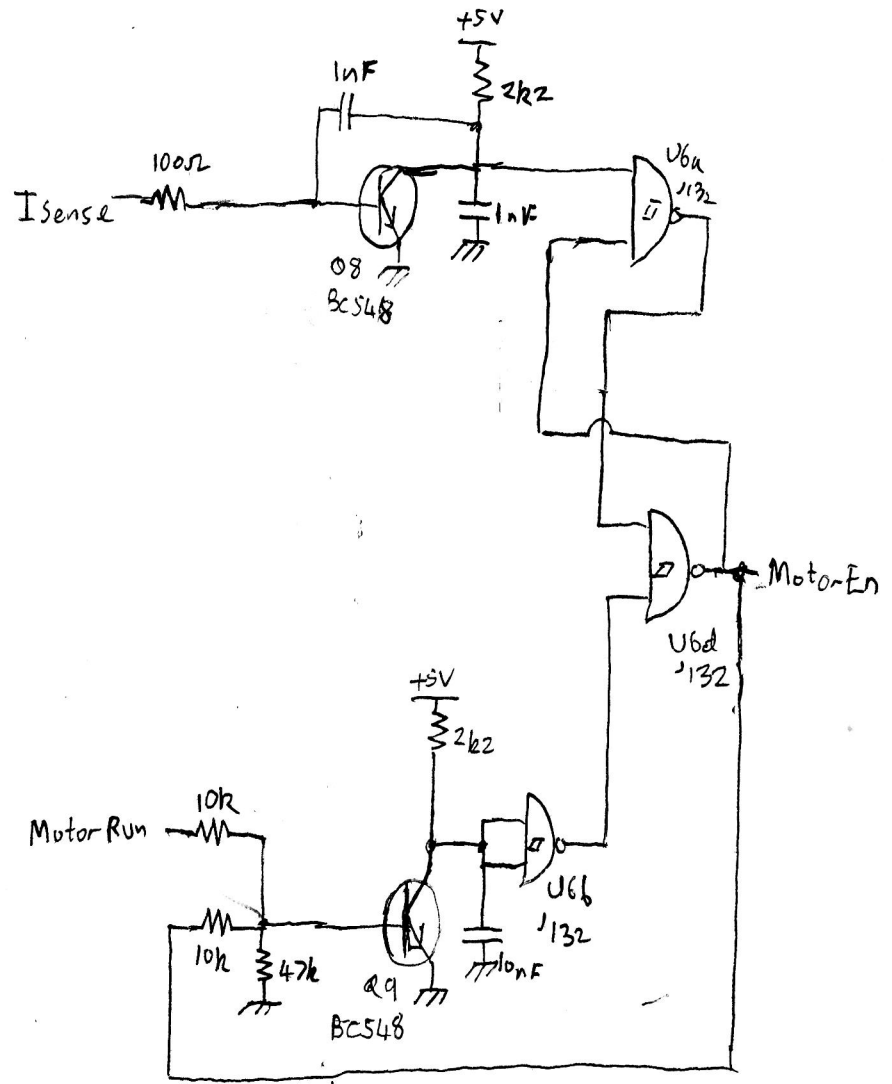
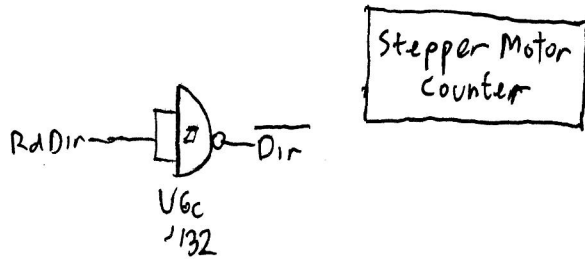
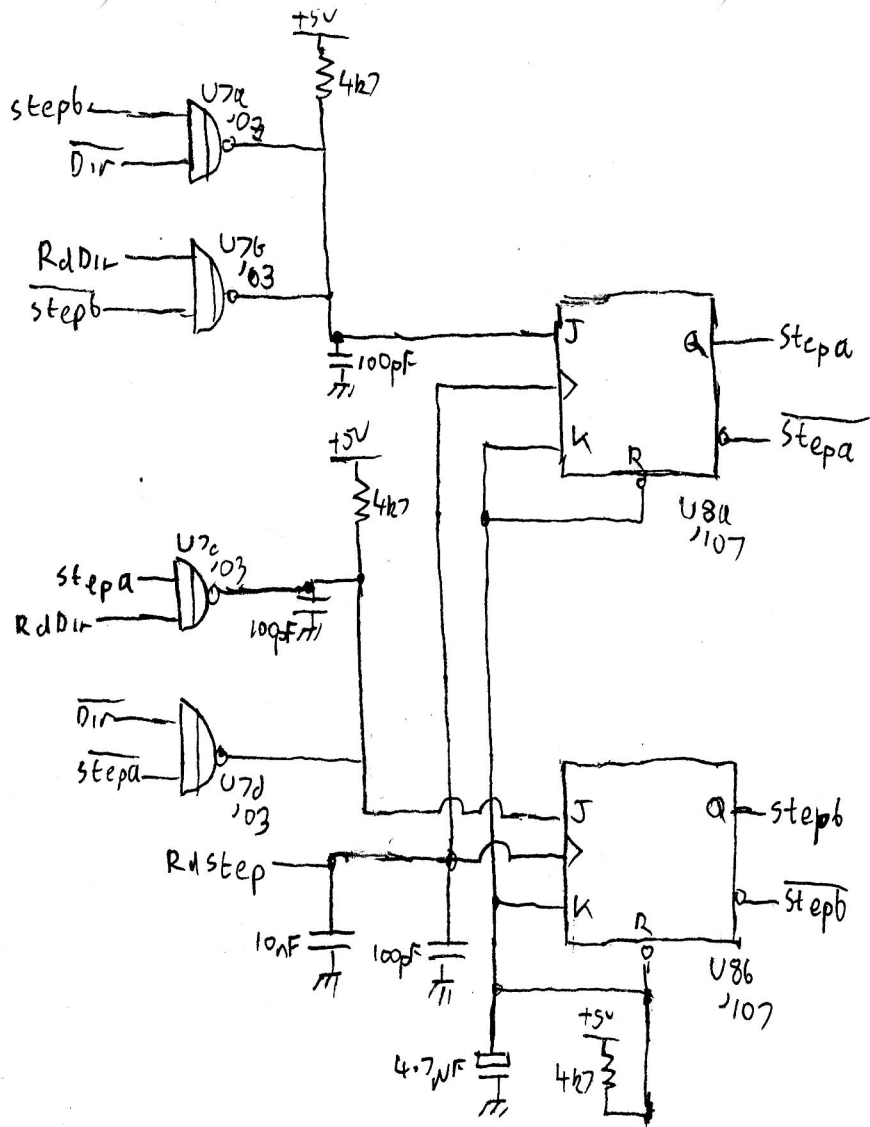


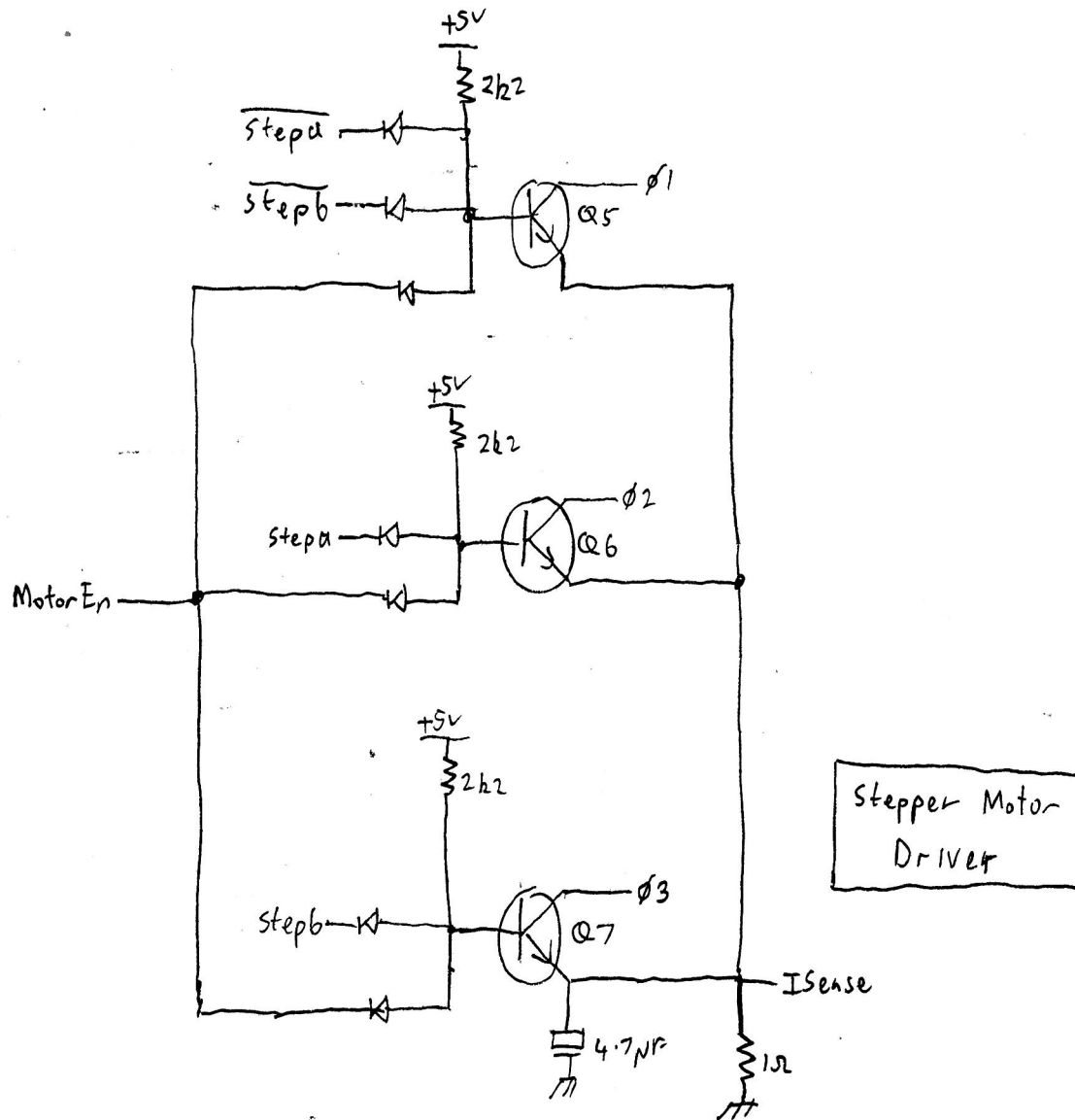
Facit N4000 Reader Layout



Facit N4000 Reader sheet (1)







Facit N4000 Reader Sheet (4)