

INTERRUPT REQUEST — KU211A4
 CPU STOP LATCH — KU201BB4
 DELAY — KA111BH4

WAIT NOT STRG LOAD DISPL — KU211AK4

SINGLE STORAGE CYCLE — KT321AB4

T7 COUNT 0 — KG221AD4
 SINGLE INSTRUCTION — KT321AK4

T 7 — KC111AV6

DC RESET 1 — KA111AN2

ADVANCE — KA111BB2
 SINGLE STEP — KA111AH4

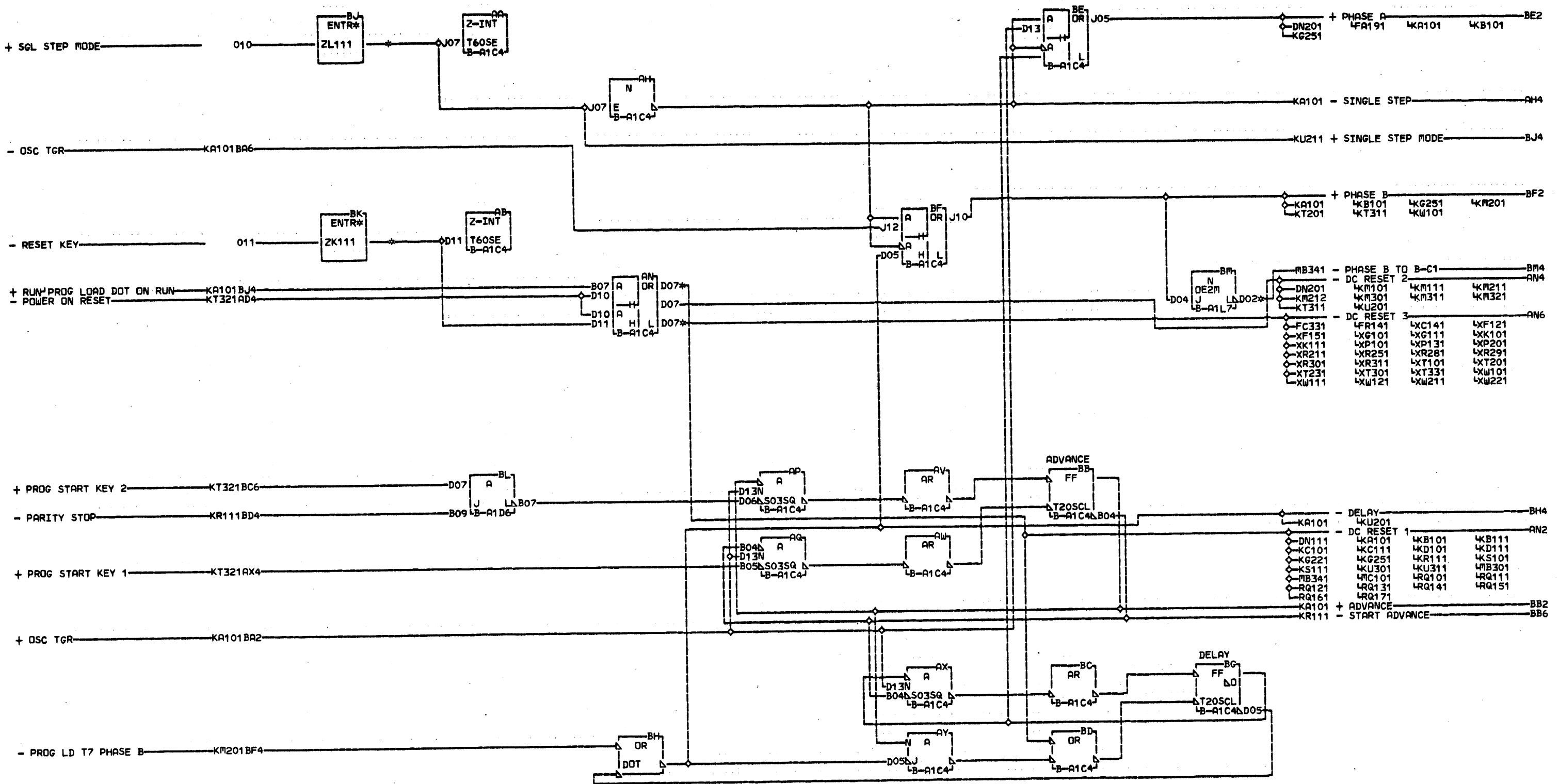
SET INTERRUPT SP — KT331AN2
 CPU STOP LATCH — KU201AE4
 PHASE A — KA111BE2

T 7 — KC111AV2
 CS LEVELS — KM211BA4
 SHIFT CTRL — KT121AY6
 ARITH CTRL B — KT121BD4
 BRANCH 1 — KB101AY6
 BRANCH 2 — KB101AZ6

BE6 B-A1F8A06
 01B-B1F8A06
 BG2 B-A1N3D03
 01B-B1A3D03

LDC TYPE
 B-A1C4 6213
 B-A1E5 OSC

OSCILLATOR	PHASE A	SPD	RUN	
T CLOCK ADVANCE				
E-C-HISTORY	MACH	1131-B		K
419631				A
419644	FRAME	01		0
419644A				1
419664	IBM CORP		GPD	1000
DATE	LAST EC			
111-17-67	419668		IP#	2231092



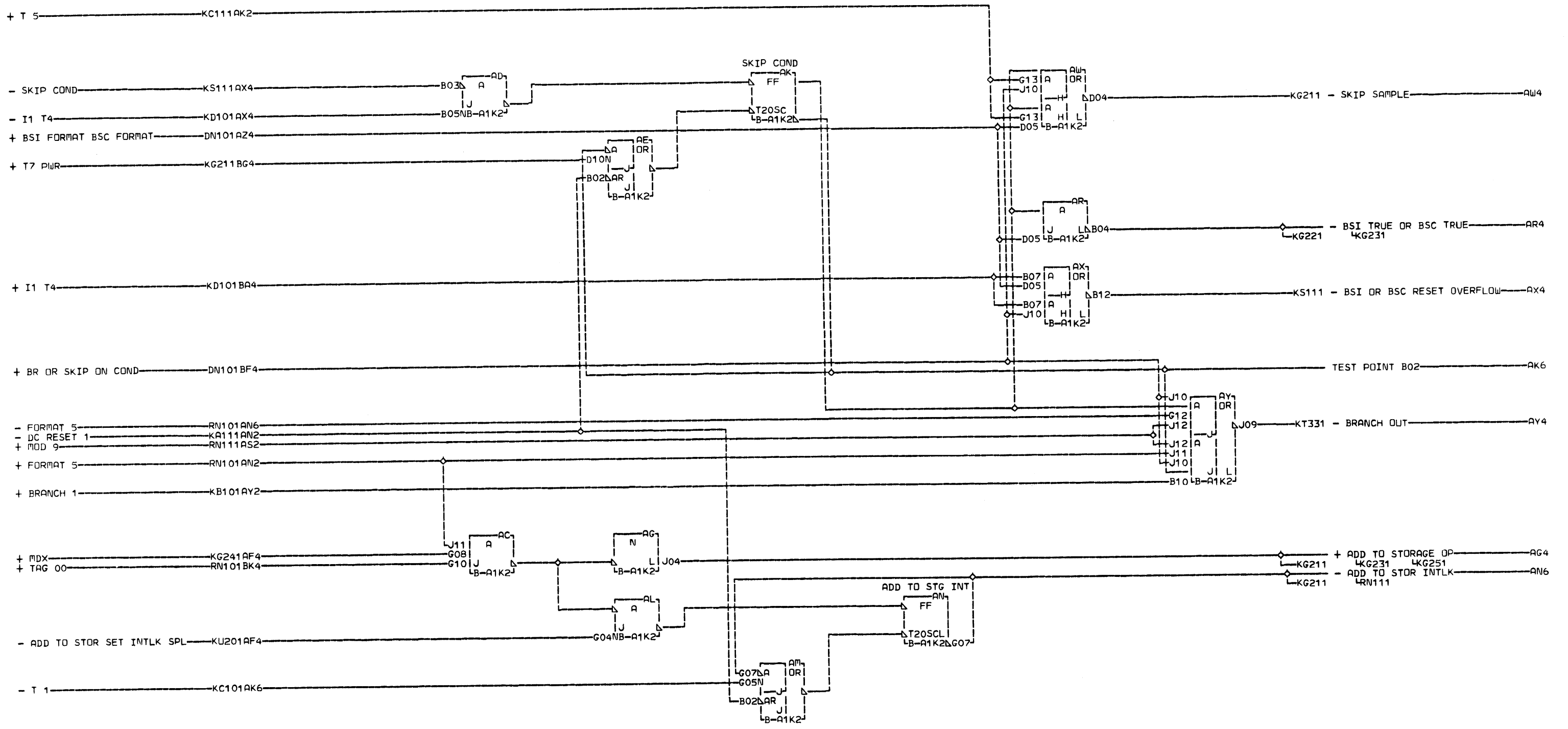
K
A
1
1
1

012
SIM TO PN 2231093 EC 419689

- AN2 B-A1N4B07 01A-A1N5B10
- 01B-B1A4B07 01A-A1N6D13
- 01B-A1C1B11 01C-A1N6D13
- 01B-C1F1B11 BJ4 B-A1A5D13
- AN6 B-A1A6B10 BK4 B-A1A5D10
- 01A-C1N4B10 BR4 B-A1M1C11
- 01A-C1A7B10 01B-C1A5B10
- 01A-B1N7B10
- 01A-B1A5B10

LOC. TYPE
 B-A1C4 6213
 B-A1D6 0000
 B-A1L7 3421

PHASE A AND B RESET DELAY START ADVANCE			
E.C. HISTORY		MACH. 1131-B	
5800001	419648	FRAME	01
419631	419664	IBM CORP. GPD	012
419626	419676		
419644	419668		
DATE	LAST EC		
01-26-68	419689	PaNo. 2231490	

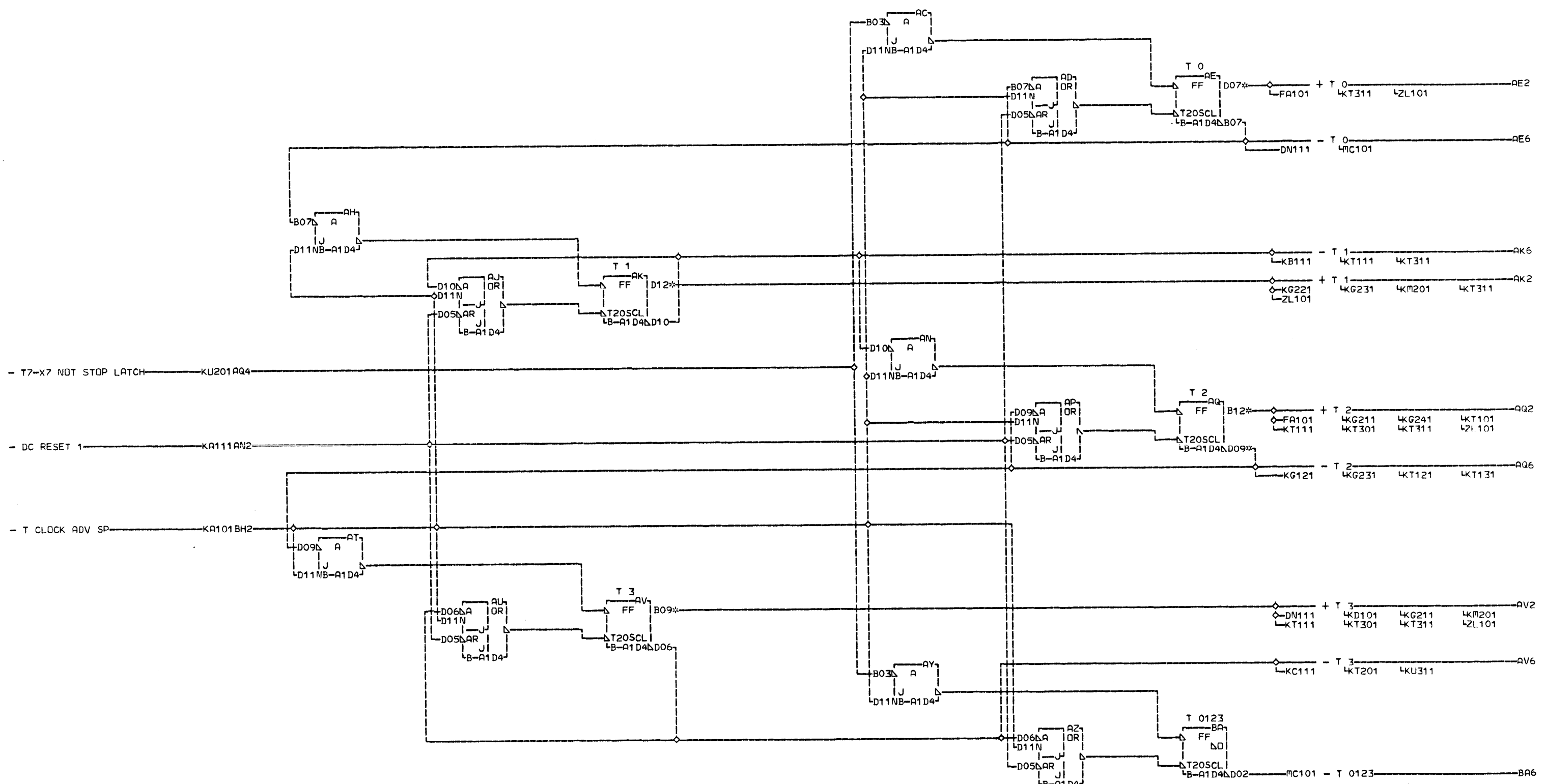


K
B
1
1
1

000

LOC. TYPE
B-A1K2 7312

SKIP SAMPLE	BRANCH OUT			
ADD TO STOR INTLK				
E.C. HISTORY	MACH. 1131-B			K
419631				B
	FRAME	01		1
	IBM CORP. GPD			1
DATE	LAST EC			000
11-11-66	419644			
	P.N. 2231359			

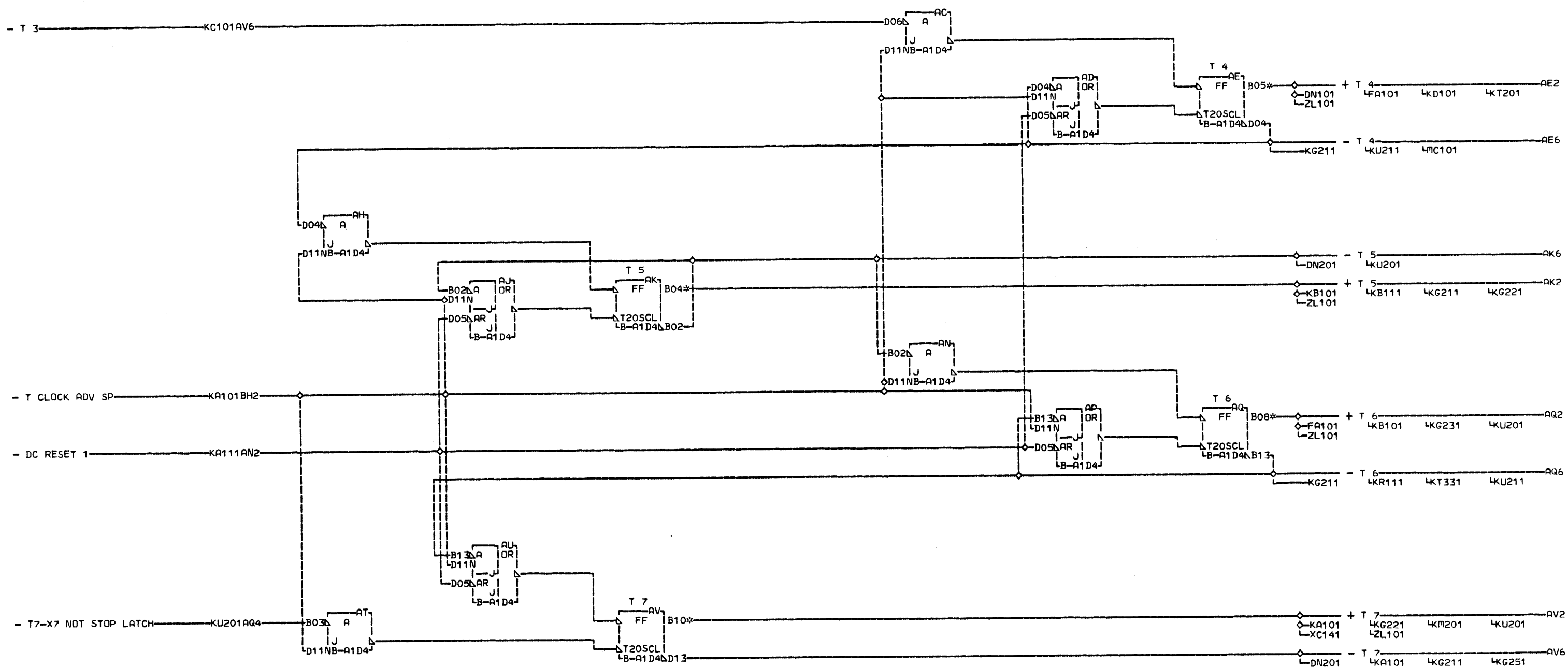


AE2 B-A1A3B08
 AK2 B-A1A3D09
 AQ2 B-A1A3B09
 AQ6 B-A1F8D04
 01B-B1F8D04
 01B-A1A6B02
 AV2 B-A1A3D10

LCC TYPE
 B-A1D4 3481

T CLOCK		MACH. 1131-B	
T 0	T 1	T 2	T 3
419631			
419644		FRAME	01
419648		IBM CORP.	GPD
DATE LAST EC		IP.N. 2231096	
106-23-67 419664			

K
 C
 1
 0
 1
 000

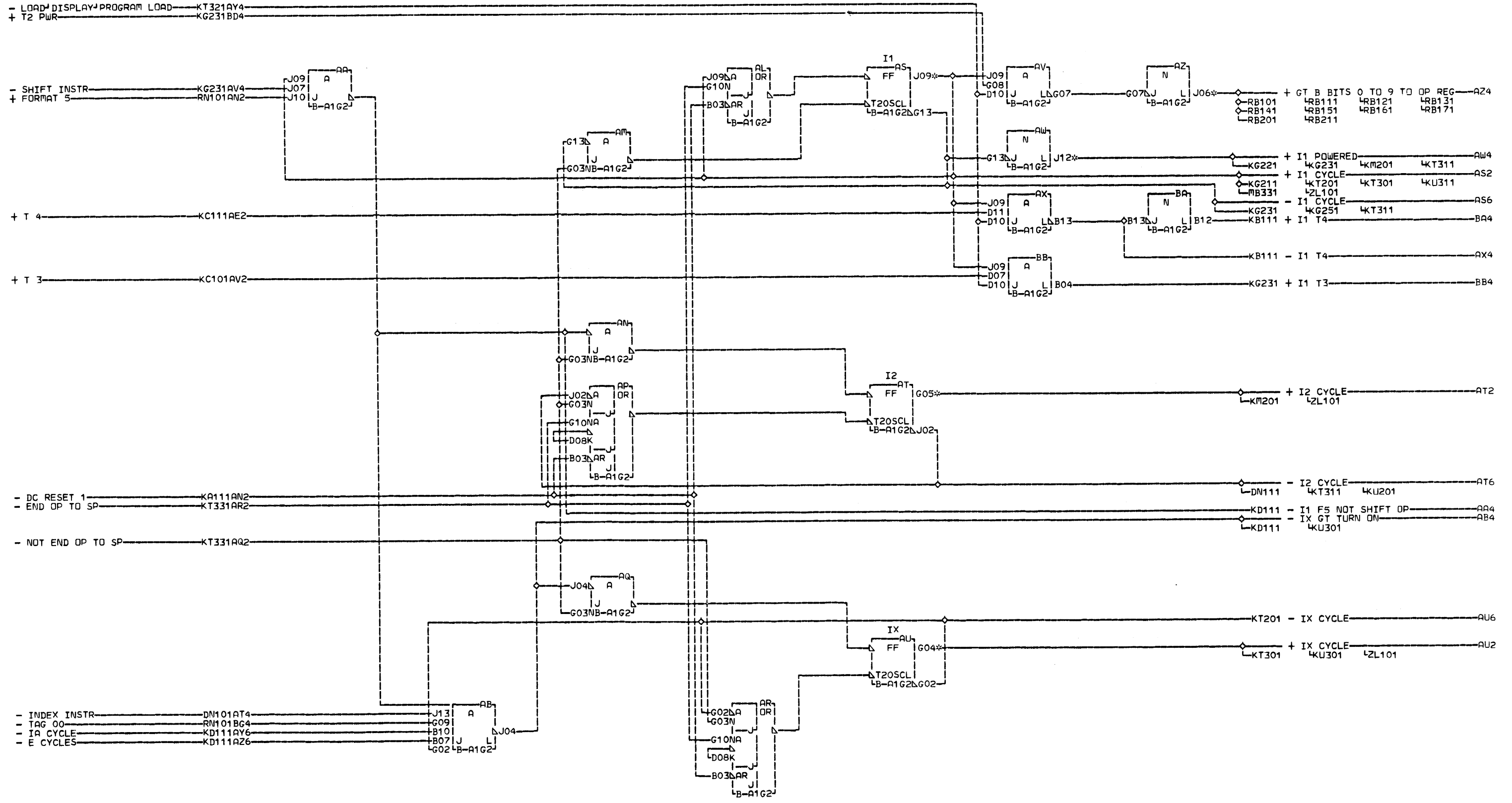


K
C
1
1
1
000

AE2 B-A1A3B10
AK2 B-A1A3D11
AQ2 B-A1A3B12
AV2 B-A1A3D12

LOC. TYPE
B-A1D4 3481

T CLOCK		T 4 T 5 T 6 T 7		K C 1 1 1 000
E-C-HISTORY		MACH.1131-B		
DATE		FRAME		01
LAST EC		IBM CORP. GPD		1
109-02-66 419631		P.N. 2231097		000

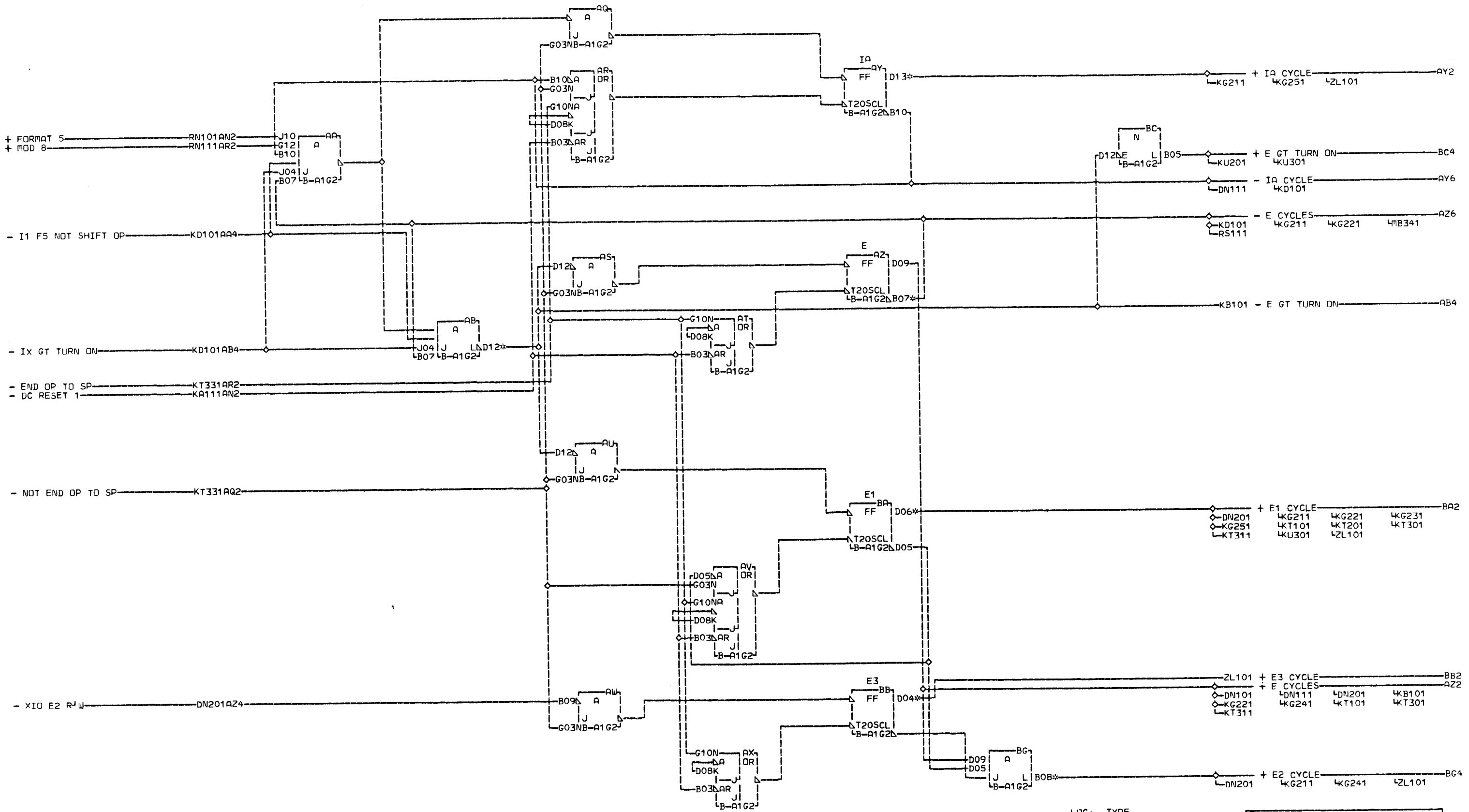


K
D
1
0
1
000

AS2 B-A1A3B02 AZ4 B-A1N3B10
 01B-A1B1B11 01B-B1A3B10
 01B-C1E1B11
 AT2 B-A1A3B03
 01B-A1L8B04
 01B-B1L8B04
 AU2 B-A1A3B05
 AU4 B-A1K8E04
 01B-B1K8E04

LOC. TYPE
B-A1G2 4672

CYCLE TIMER			
I1 I2 IX		MACH. 1131-B	
-E.C.-HISTORY		FRAME	01 0
419631		IBM CORP. GPD	000
419644			
DATE	LAST EC	P.No.	2231098
03-10-67	419648		

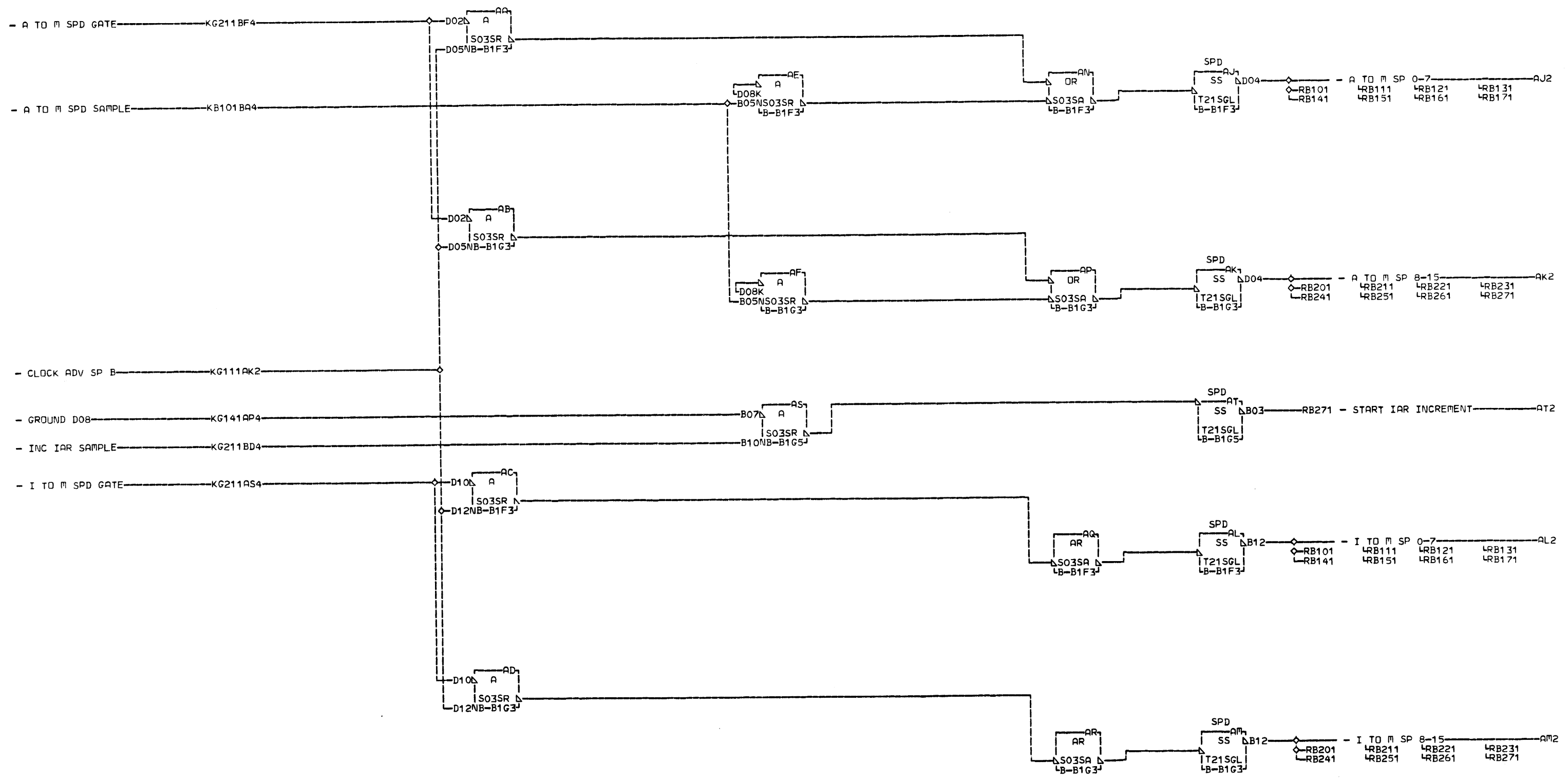


K
D
1
1
1
000

AB4 RESISTOR
B-A1G2D12
AY2 B-A1A3B04
AZ6 B-A1M1A11
01B-C1A5B08
BA2 B-A1A3D02
BB2 B-A1A3D05
BG4 B-A1A3D04

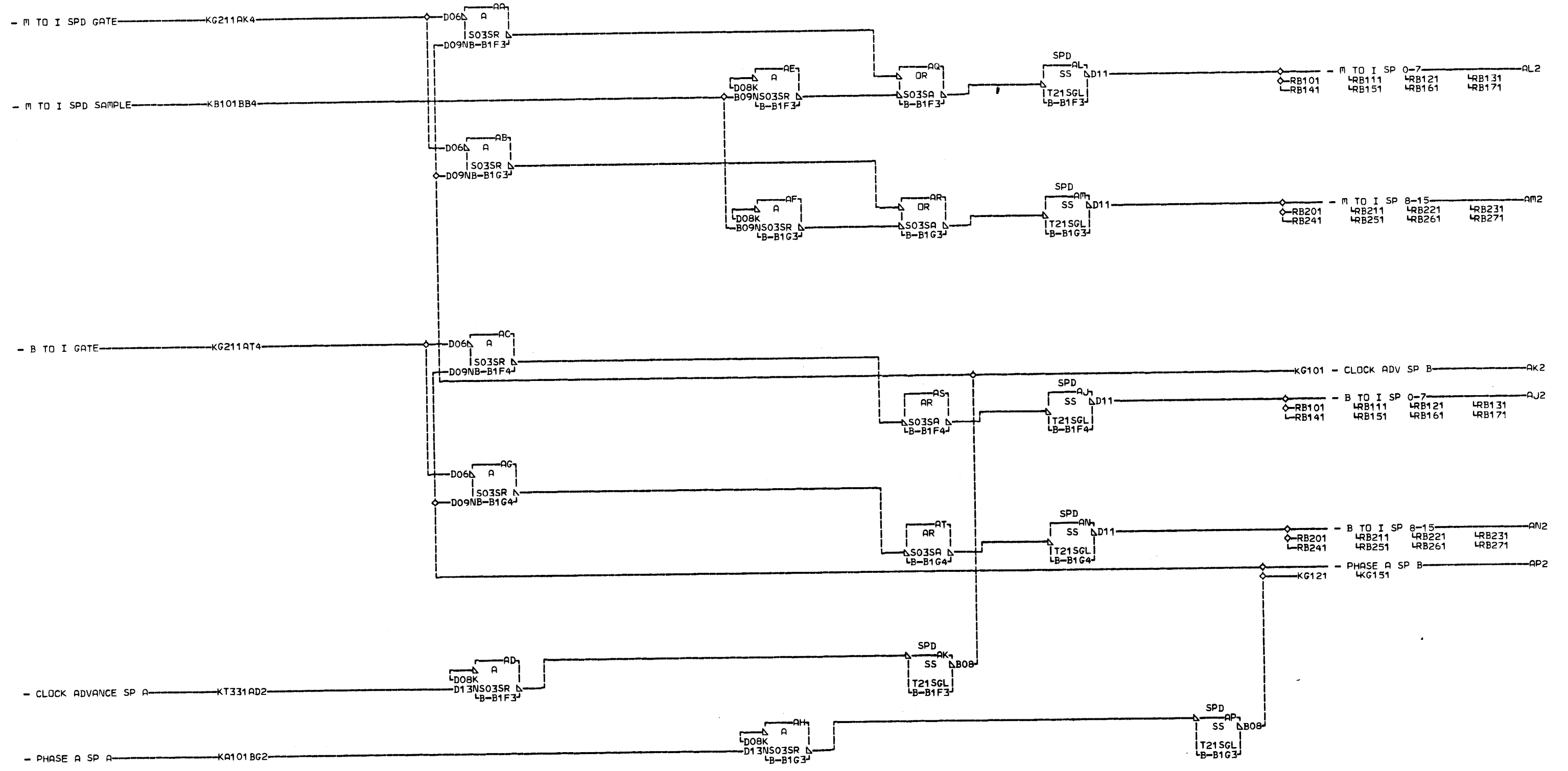
LUC TYPE
B-A1G2 4672

CYCLE TIMER		K
IA	E1	D
E3	E	1
-E.C.-HISTORY-		MACH.1131-B
419631		01
	FRAME	1
	IBM CORP. GPD	1
DATE	LAST EC	1000
01-26-68	419689	P.N. 2231360



LOC. TYPE
 B-B1F3 3757
 B-B1G3 3757
 B-B1G5 3757

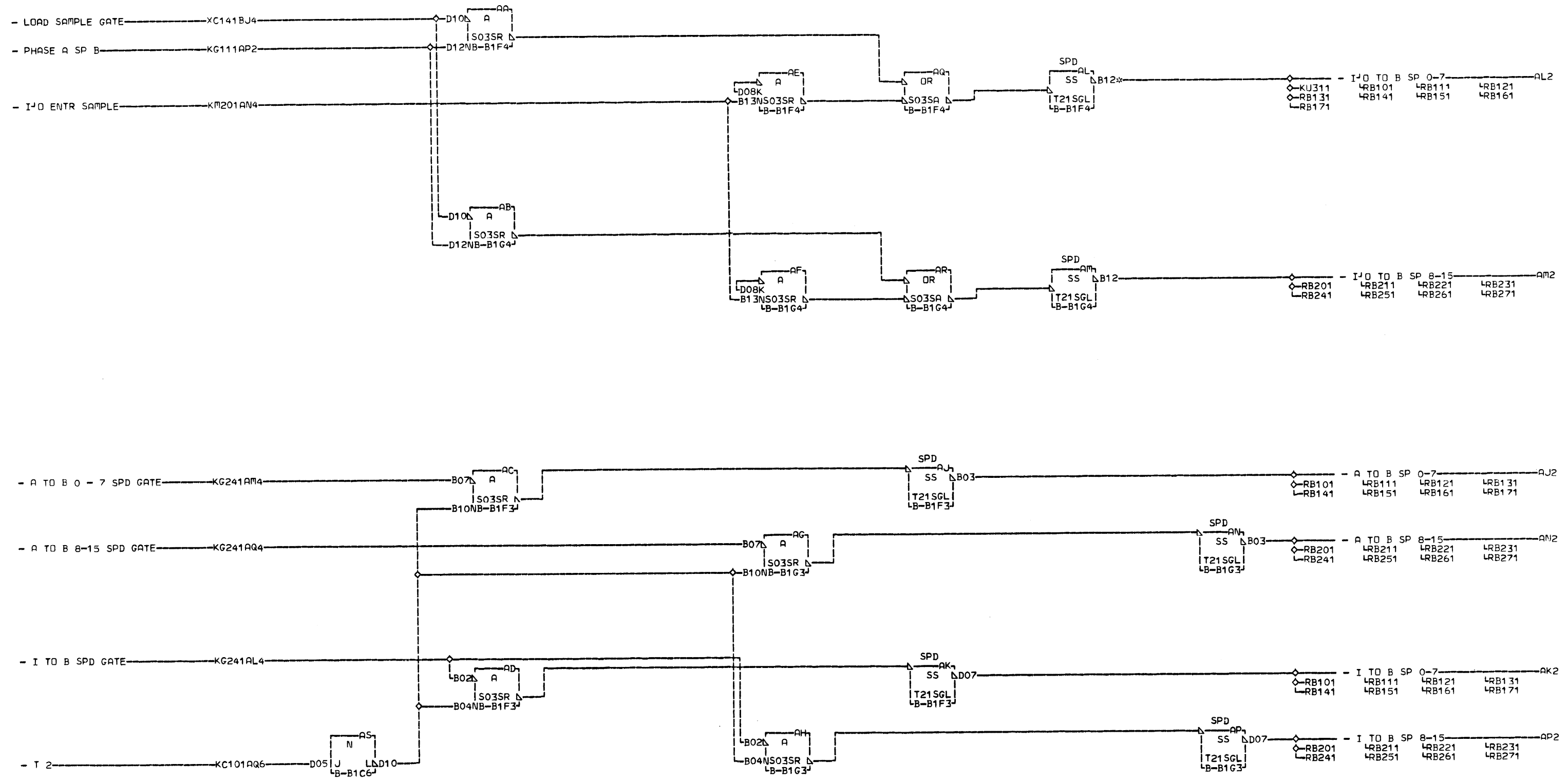
A TO M AND I TO M SAMPLE PULSE DRIVERS		K
E.C. HISTORY	MACH. 1131-B	G
	FRAME 01	0
	IBM CORP. GPD	1
DATE 09-02-66	LAST EC 419631	000
	P.N. 2231361	



K
G
1
1
1
000

LOC. TYPE
B-B1F3 3757
B-B1F4 3757
B-B1G3 3757
B-B1G4 3757

CLK ADV	M TO I	B TO I	PH A	
SAMPLE PULSE DRIVERS				
E.Co-HISTORY				MACH.1131-B
				FRAME 01
				IBM CORP. GPD
DATE	LAST EC	P.No.		000
09-02-66	419631	2231362		

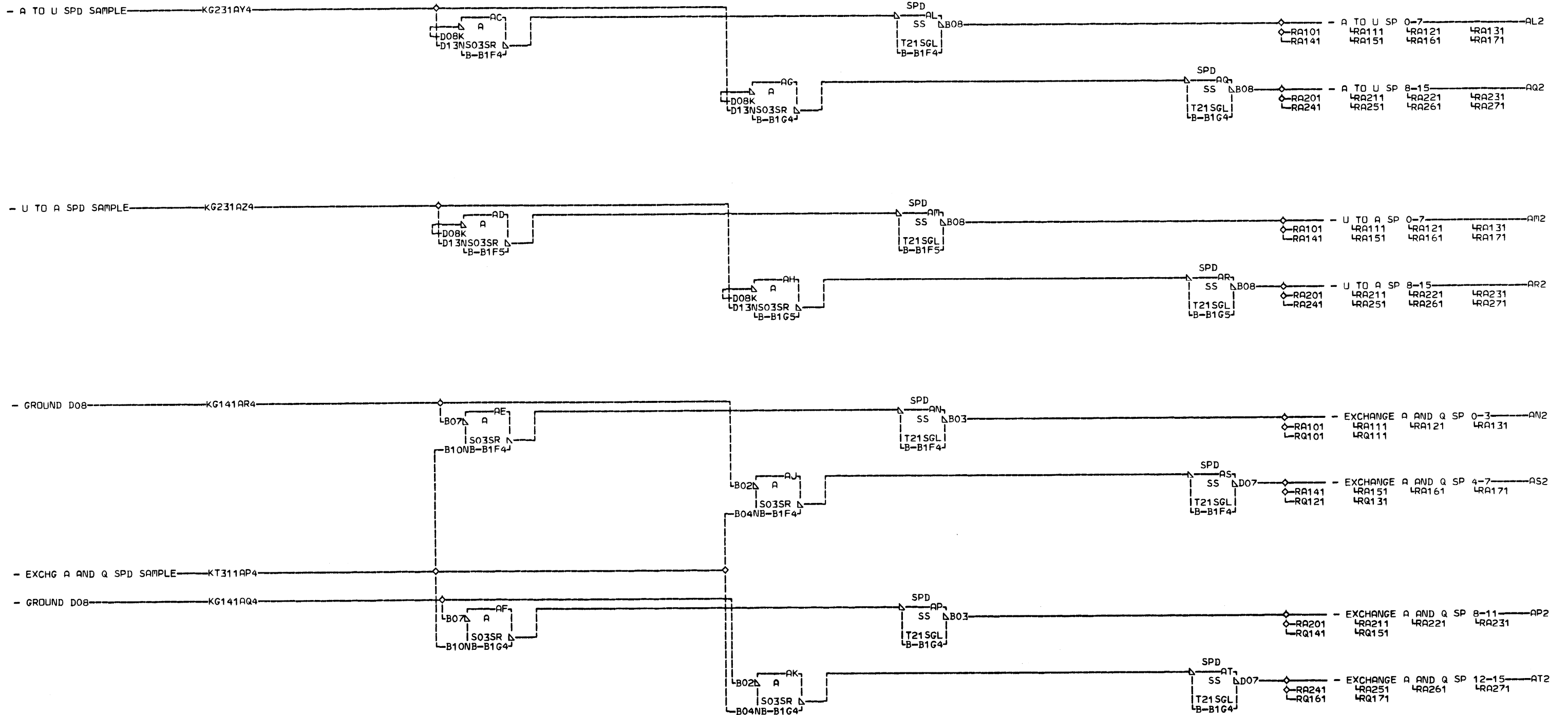


AL2 B-B1A4B09
01B-A1N4B09

LOC. TYPE
B-B1C6 3686
B-B1F3 3757
B-B1F4 3757
B-B1G3 3757
B-B1G4 3757

I/O TO B	A TO B	I TO B	K
SAMPLE PULSE DRIVERS			
E.C. HISTORY MACH. 1131-B			G
419631			1
419644	FRAME	01	2
	IBM CORP. GPD		1
DATE	LAST EC		000
106-23-67	419664	IP.N. 2231363	

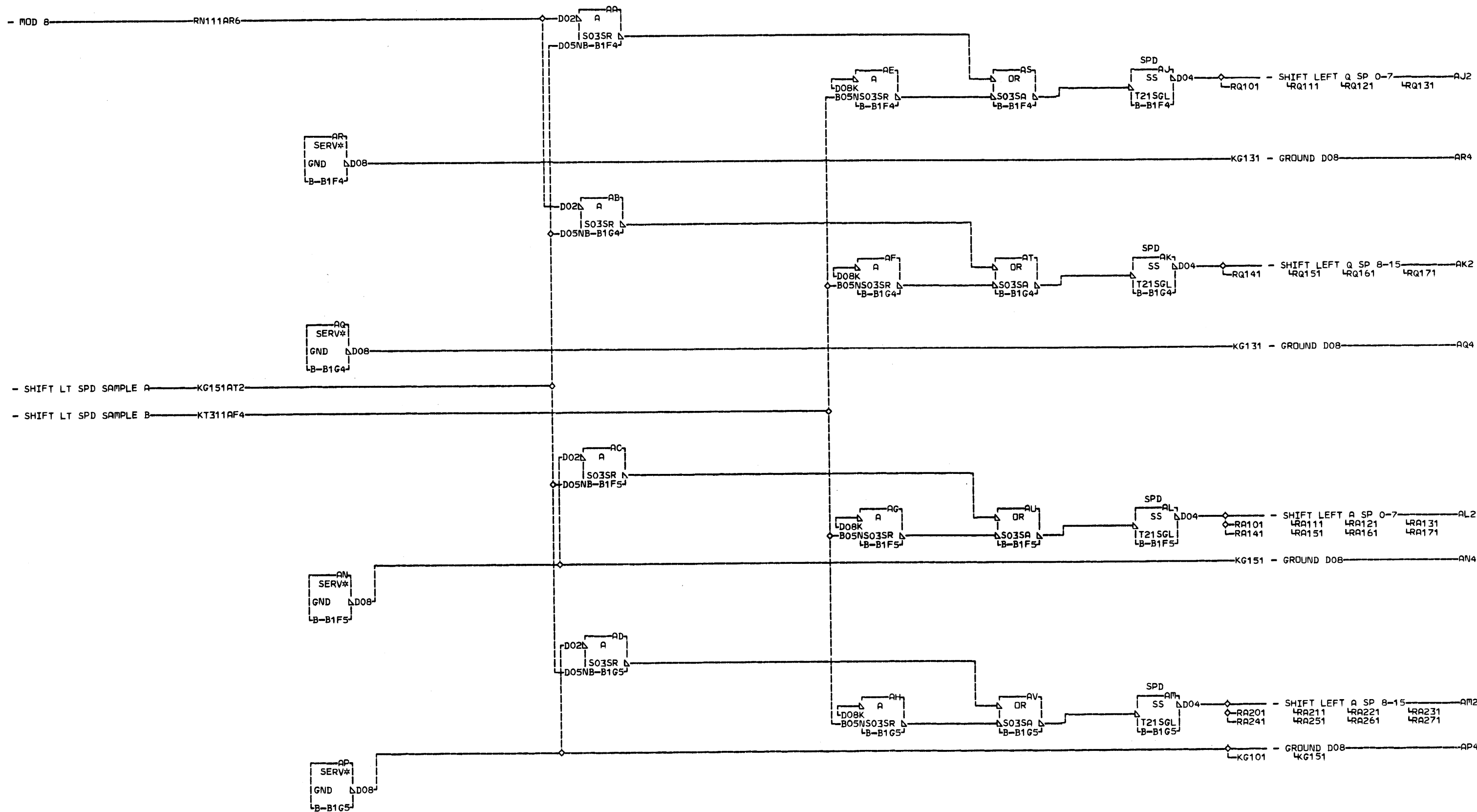
K
G
1
2
1
000



KG131

LOC. TYPE
 B-B1F4 3757
 B-B1F5 3757
 B-B1G4 3757
 B-B1G5 3757

A TO U	U TO A	XCHG A AND Q	
SAMPLE	PULSE	DRIVERS	
E.C.-HISTORY		MACH.1131-B	K
	FRAME	01	3
	IBM CORP. GPD		1
DATE	LAST EC		000
09-02-66	419631	P.N. 2231364	



AR
SERV*
GND D08
B-B1F4

AQ
SERV*
GND D08
B-B1G4

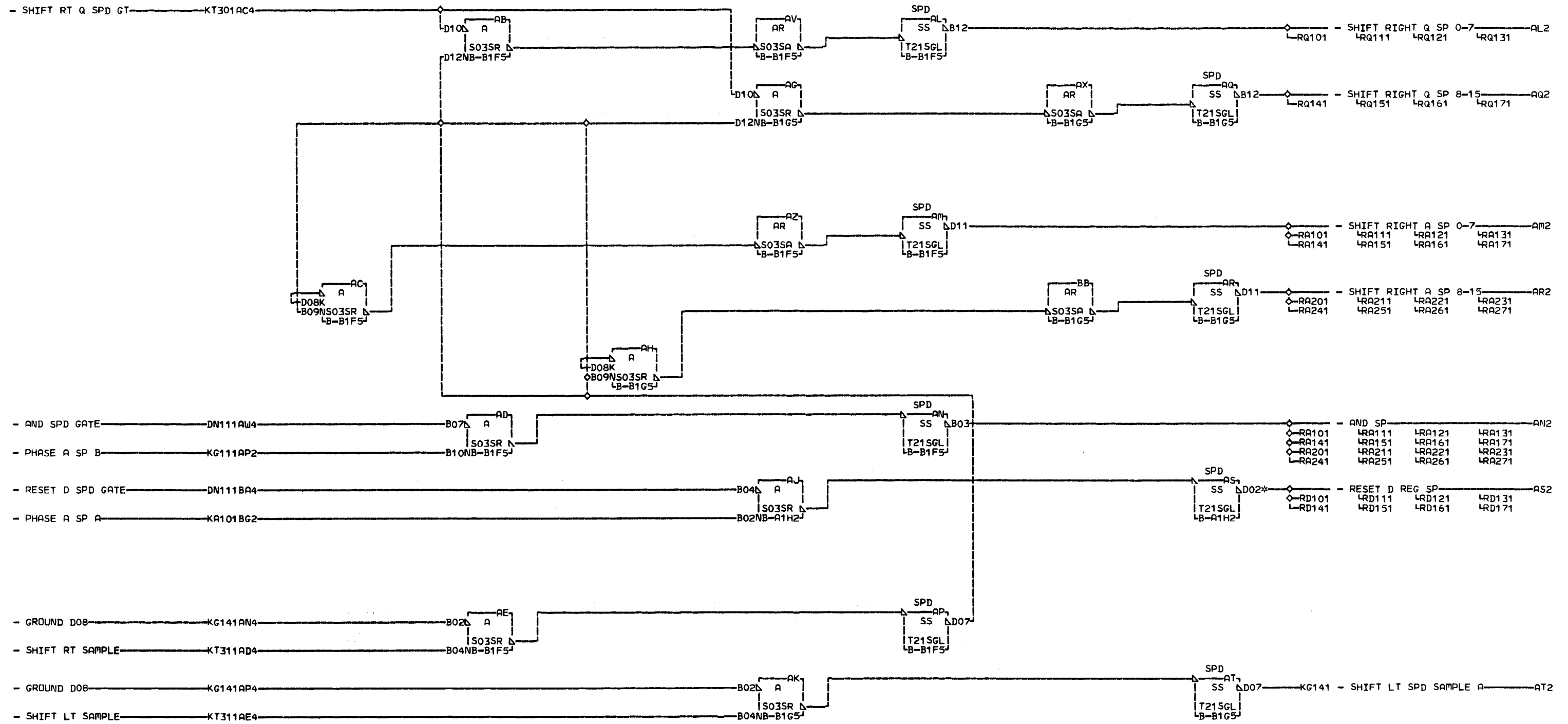
AN
SERV*
GND D08
B-B1F5

AP
SERV*
GND D08
B-B1G5

LOC. TYPE
B-B1F4 3757
B-B1F5 3757
B-B1G4 3757
B-B1G5 3757

SHIFT LEFT A-Q		K
SAMPLE PULSE DRIVERS		G
-E.C.-HISTORY	MACH. 1131-B	1
	FRAME 01	4
	IBM CORP. GPD	1
DATE 09-02-66	LAST EC 419631	000
	P.N. 2231365	

K
G
1
4
1
000



AS2 B-B1A3D04
01B-A1N3D04

LOC. TYPE
B-A1H2 6207
B-B1F5 3757
B-B1G5 3757

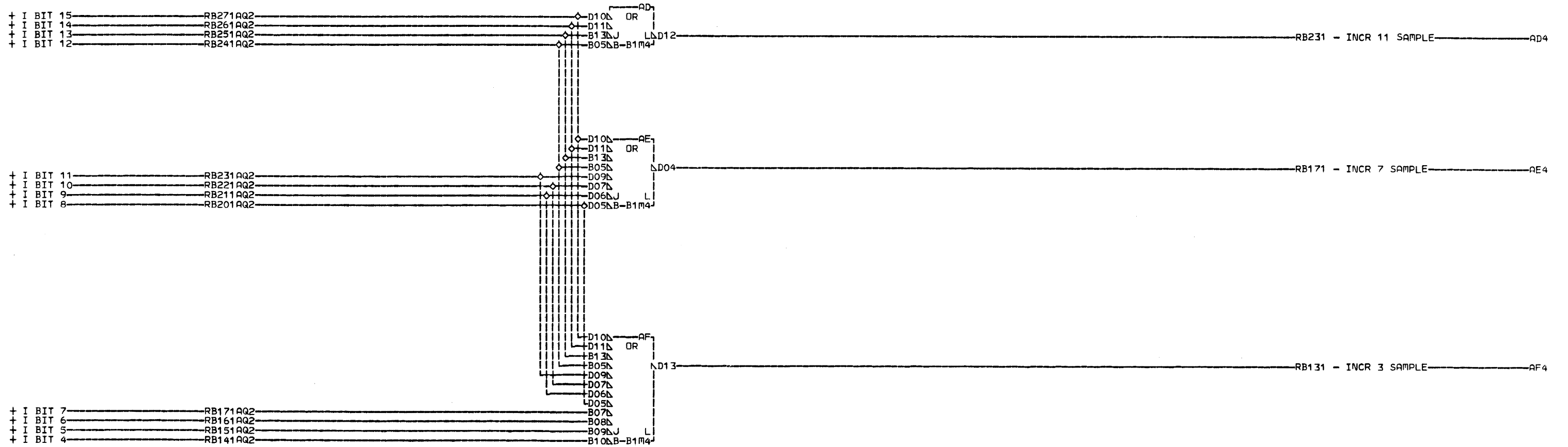
SHIFT RIGHT A Q	RESET D AND	
SAMPLE PULSE DRIVERS		
E.C. HISTORY	MACH. 1131-B	
419631	FRAME	01
	IBN CORP. GPD	
DATE	LAST EC	
06-23-67	419664	
	P.N.	2231366

K
G
1
5
1

000

K
G
1
5
1

000

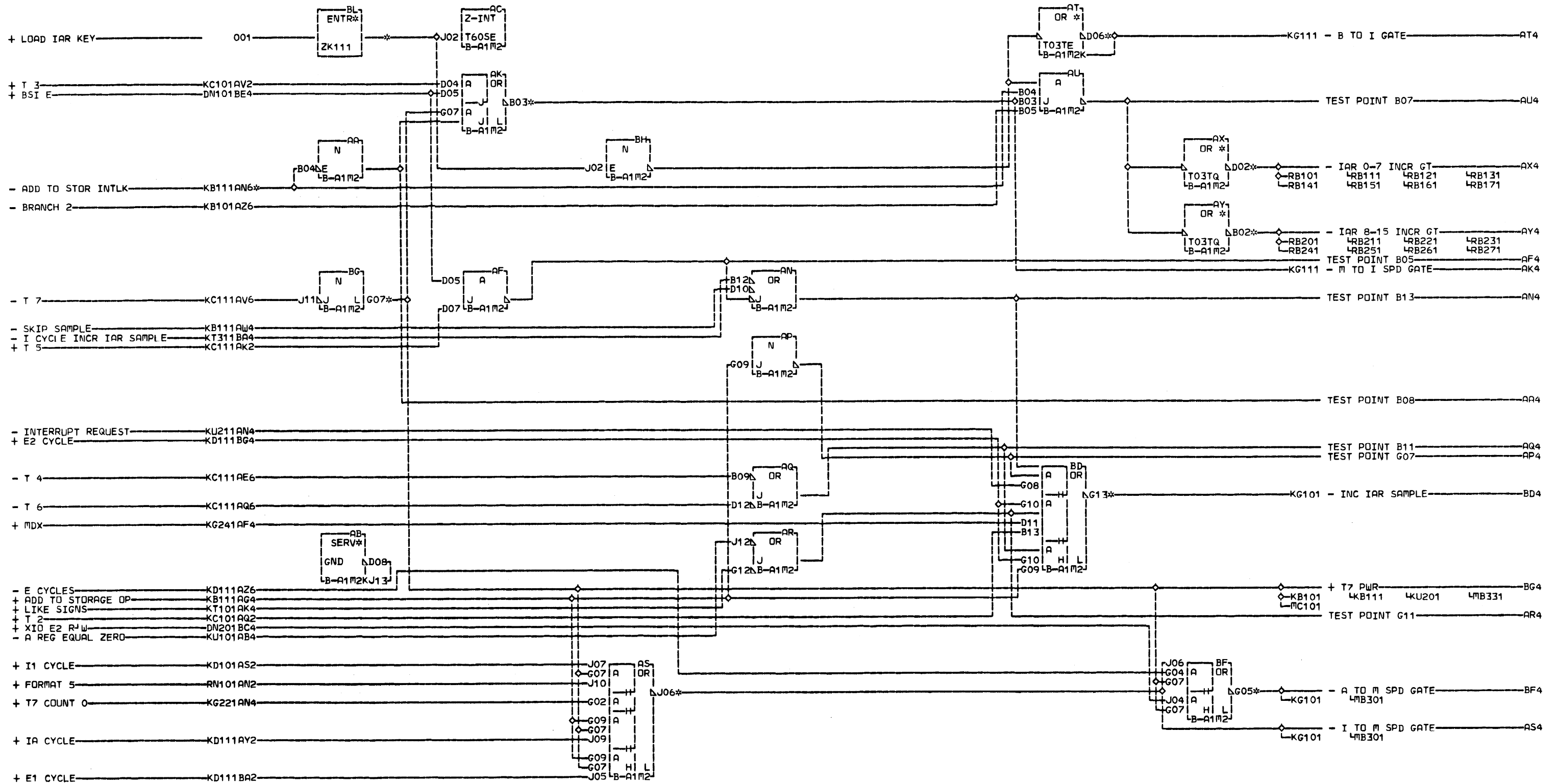


KG201
000

LOC. TYPE
B-B1M4 3807

I INCREMENTER	
E.C. HISTORY	MACH. 1131-B
	FRAME 01
	IBM CORP. GPD
DATE 109-02-66	LAST EC 419631
	P.N. 2231367

KG201
000



KB111AN6	RESISTOR	01B-B1A2D07	BG4	B-A1B1E09
RESISTOR	B-A1M2J06	RESISTOR	01B-C1E1E09	
B-A1M2B04	AT4	B-A1M2G13	BL4	B-A1A5D02
AK4	B-A1N2D02	01B-B1A2D06	BF4	B-A1N3D02
01B-B1A2D02	AX4	B-A1N2B03	01B-B1A3D02	
AS4	B-A1N3D09	01B-B1A2B03	01B-A1A1E09	
01B-B1A3D09	AY4	B-A1N2D03	01B-C1D1E09	
01B-A1B1C09	01B-B1A2D03	RESISTOR		
01B-C1E1C09	BD4	B-A1N2D07	B-A1M2G05	

LQC. TYPE
B-A1M2 4610

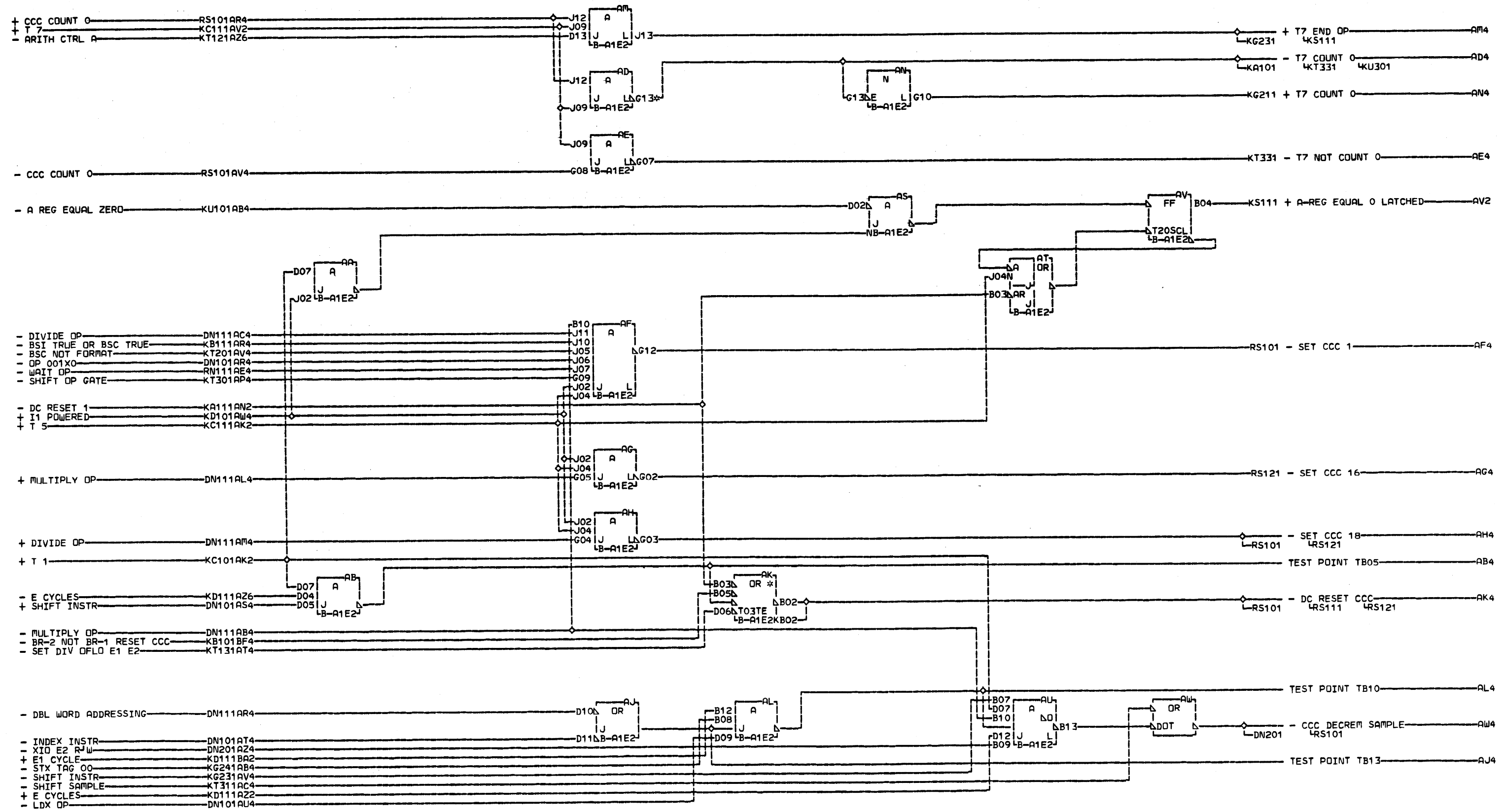
B TO I	J	M TO I AND I INC GATE	
I TO M AND A TO M GATE			
E-C-HISTORY	MACH	1131-B	
419631			
	FRAME	01	
	IBM CORP.	GPD	
DATE	LAST EC		
11-11-66	419644	IP.N.	2231368

K
G
2
1
1

000

K
G
2
1
1

000

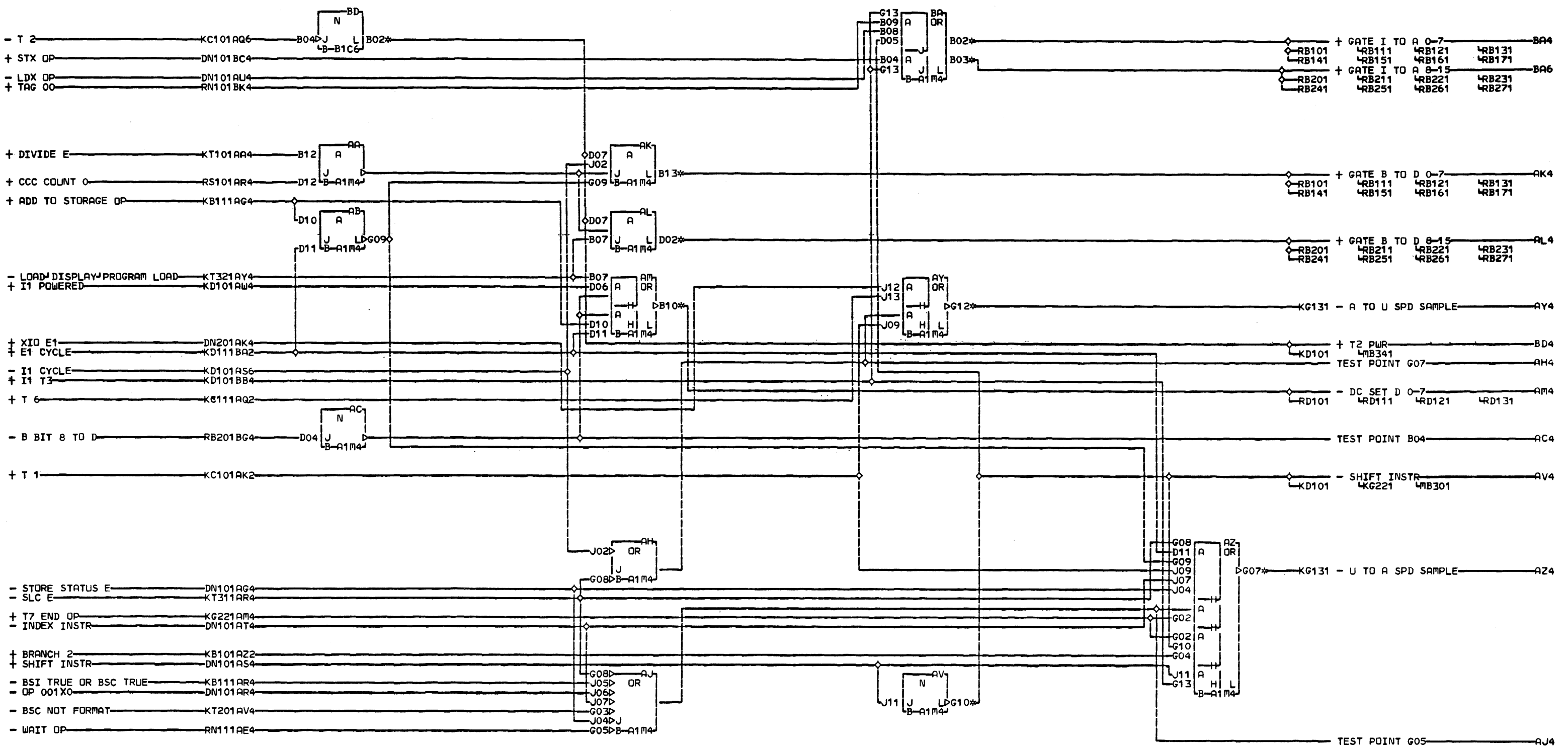


AD4 RESISTOR
B-A1E2G13

LDC TYPE
B-A1E2 4625

T7 END OP T7 COUNT 0		MACH. 1131-B	K G 2 2 1
E.C. HISTORY			
419631	FRAME	01	000
DATE LAST EC	IBM CORP. GPD		
06-23-67 419664	P.N. 2231369		

K
G
2
2
1



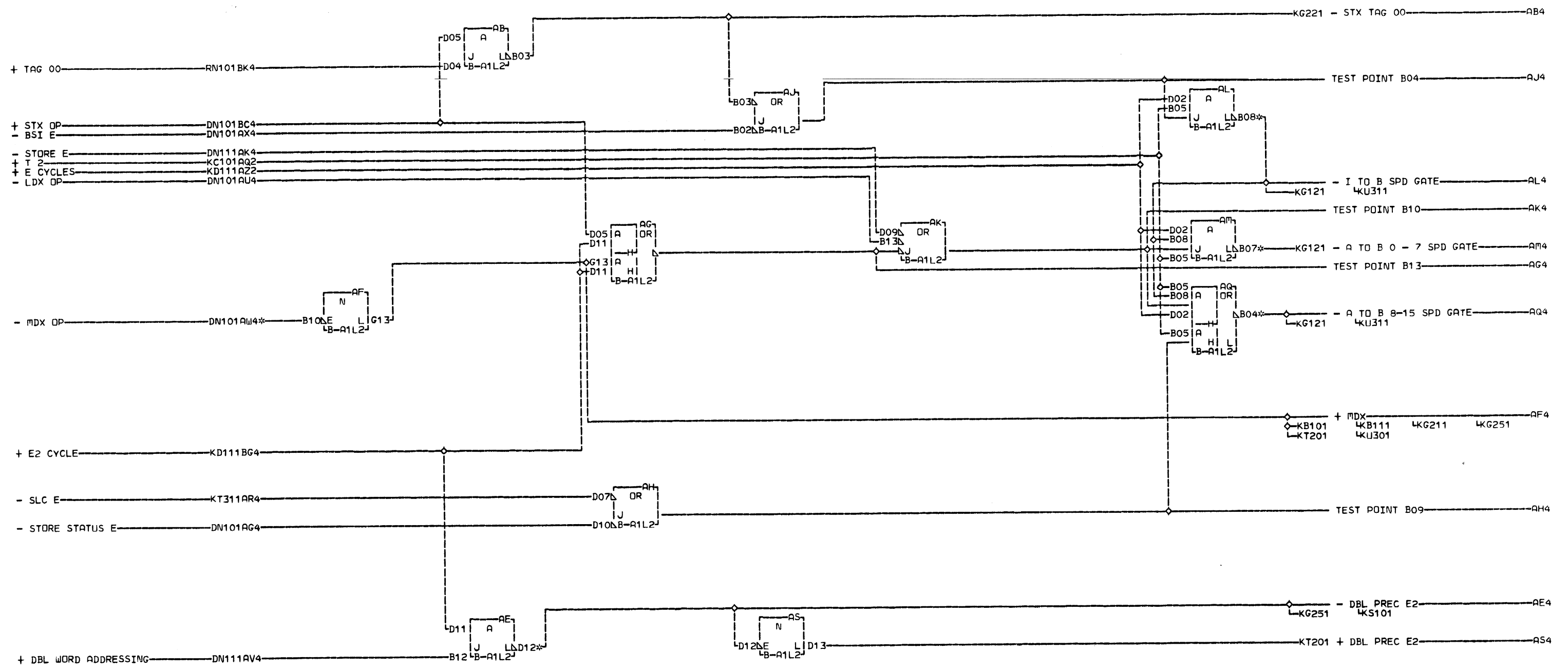
- AK4 B-A1N3B05 01B-B1A3D02 01B-A1M1B11
- 01B-B1A3B05 A24 B-A1N5B07 01B-C1A5B09
- AL4 B-A1N3D05 01B-B1A5B07
- 01B-B1A3D05 BA4 B-A1N2B04
- AM4 B-A1N4D07 01B-B1A2B04
- 01B-B1A4D07 BA6 B-A1N2D04
- AV4 B-A1C1B09 01B-B1A2D04
- 01B-C1F1B09 BD4 B-A1F8C04
- AY4 B-A1N5D02 01B-B1F8C04

LOC. TYPE
B-A1M4 4621
B-B1C6 3686

I TO A AND B TO D GATE		MACH. 1131-B	
A TO U AND U TO A SAMPLE		FRAME 01	
E.C. HISTORY		IBM CORP. GPD	
419631			
419644			
DATE	LAST EC	P.No.	2231109
01-26-68	419689		

K G 231

K G 231

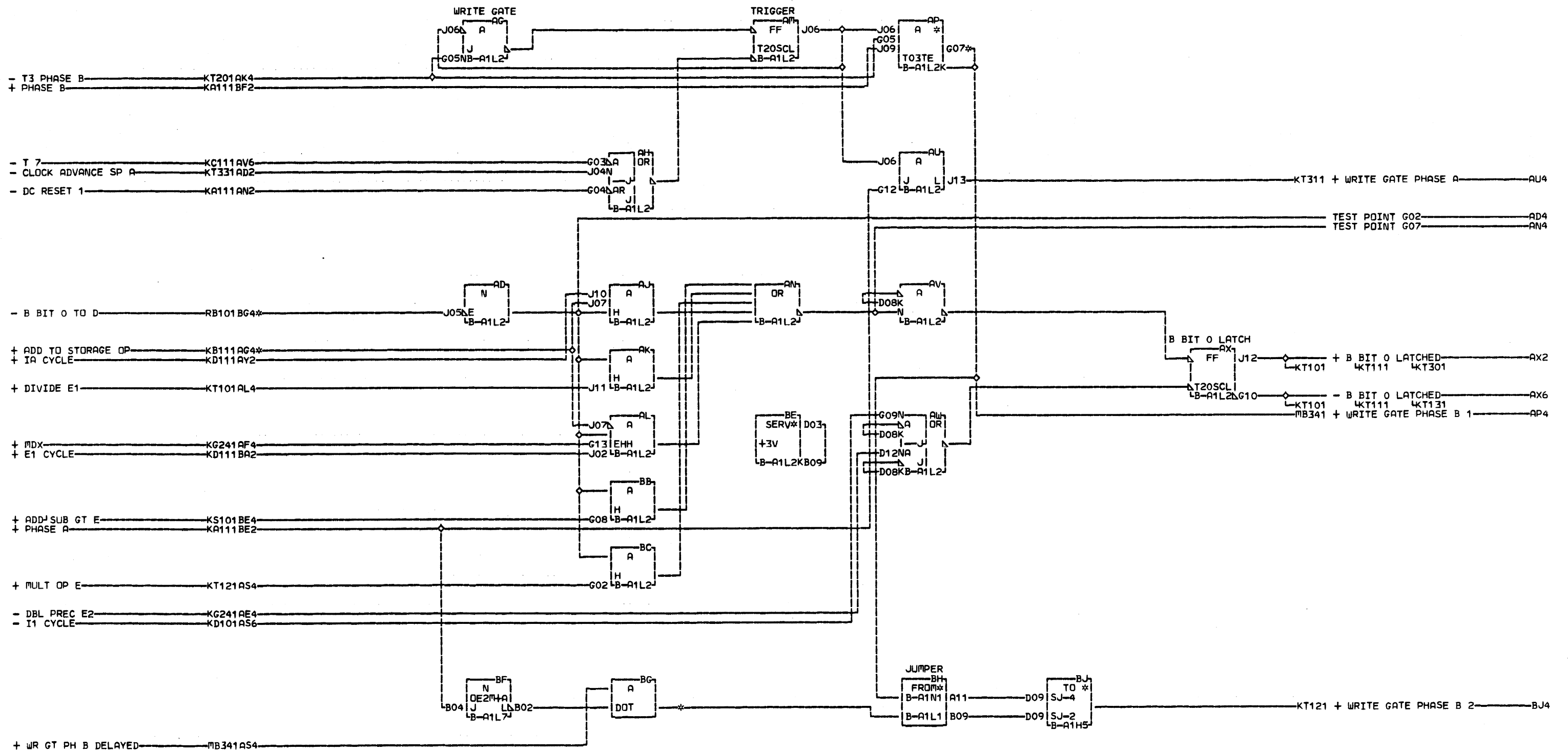


KG241

DM101AW4 RESISTOR B-A1L2B10
 AE4 RESISTOR B-A1L2D12
 AL4 B-A1N2B06 01B-B1A2B06
 AM4 B-A1N2B05 01B-B1A2B05

LOC. TYPE
 B-A1L2 4624

I TO B AND A TO B GATE	K
STX T 00 MDX DBL PREC E2	G
E.C.-HISTORY	2
MACH.1131-B	4
FRAME	01
	1
IBM CORP. GPD	1000
DATE LAST EC	
09-02-66 419631	
P.N. 2231370	



000
1
5
2
K

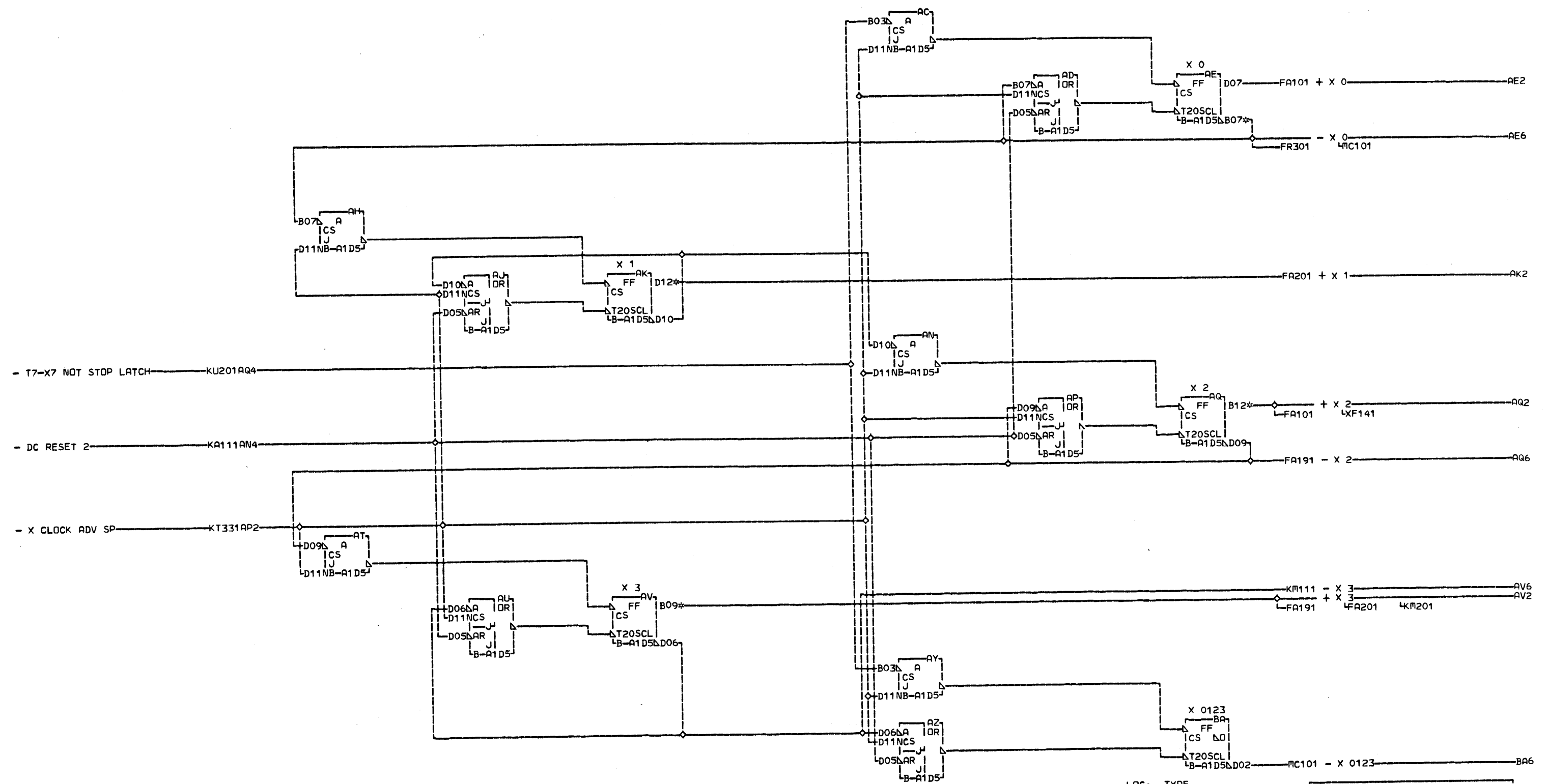
KB111AG4
RESISTOR
B-A1L2J07
RB101BG4
RESISTOR
B-A1L2J05
AP4 B-A1N1A11
O1B-C1A5B13
BG4 B-A1L1B09

O1B-C1A5D04

LOC. TYPE
B-A1L2 4624
B-A1L7 3421

WRITE GATE PHASE A AND B B BIT 0 LATCHED	
E-C-HISTORY 419631	MACH# 1131-B
DATE 01-26-68	LAST EC 419689
FRAME 01	IBM CORP. GPD
P.N. 2231371	

000
1
5
2
K



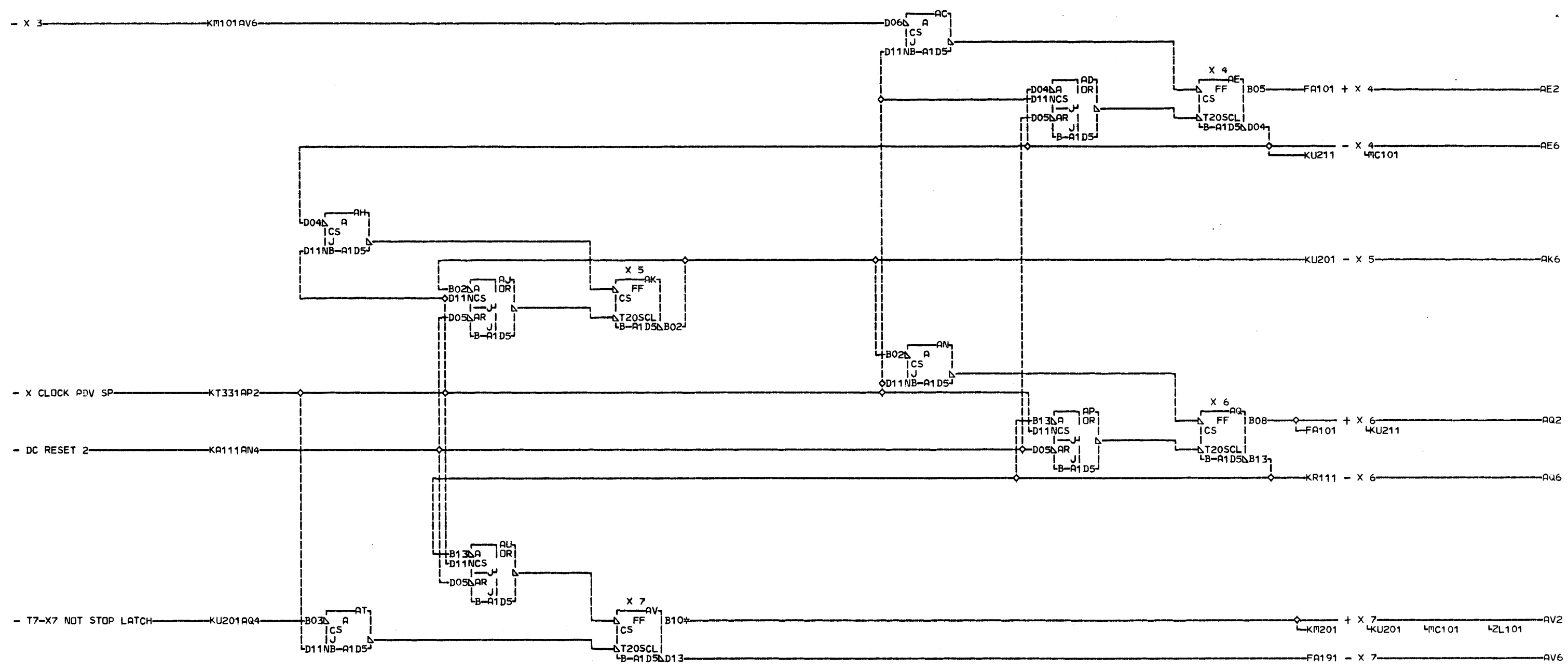
K
M
1
0
1

012 SIM TO PN 2231112 EC 419689

- AE6 B-A1G8E04
- 01A-C1G8E04
- 01A-C1D8E04
- 01A-A1D8E04
- AK2 B-A1H8A06
- 01A-C1H8A06
- AQ2 B-A1A7B07
- 01A-C1N6B07
- AV2 B-A1N8A04
- 01B-B1N8A04
- 01B-A1J8A06
- 01A-C1J8A06

LDC TYPE
B-A1D5 3481

X CLOCK		MACH#1131-B		K
X 0	X 1	X 2	X 3	X 0123
5800004	5800000			1
5800005	419631	FRAME		01
5800009	419626			1
419610	419648	IBM CORP. GPD		012
DATE LAST EC		P.N. 2231491		
01-26-68	419689			

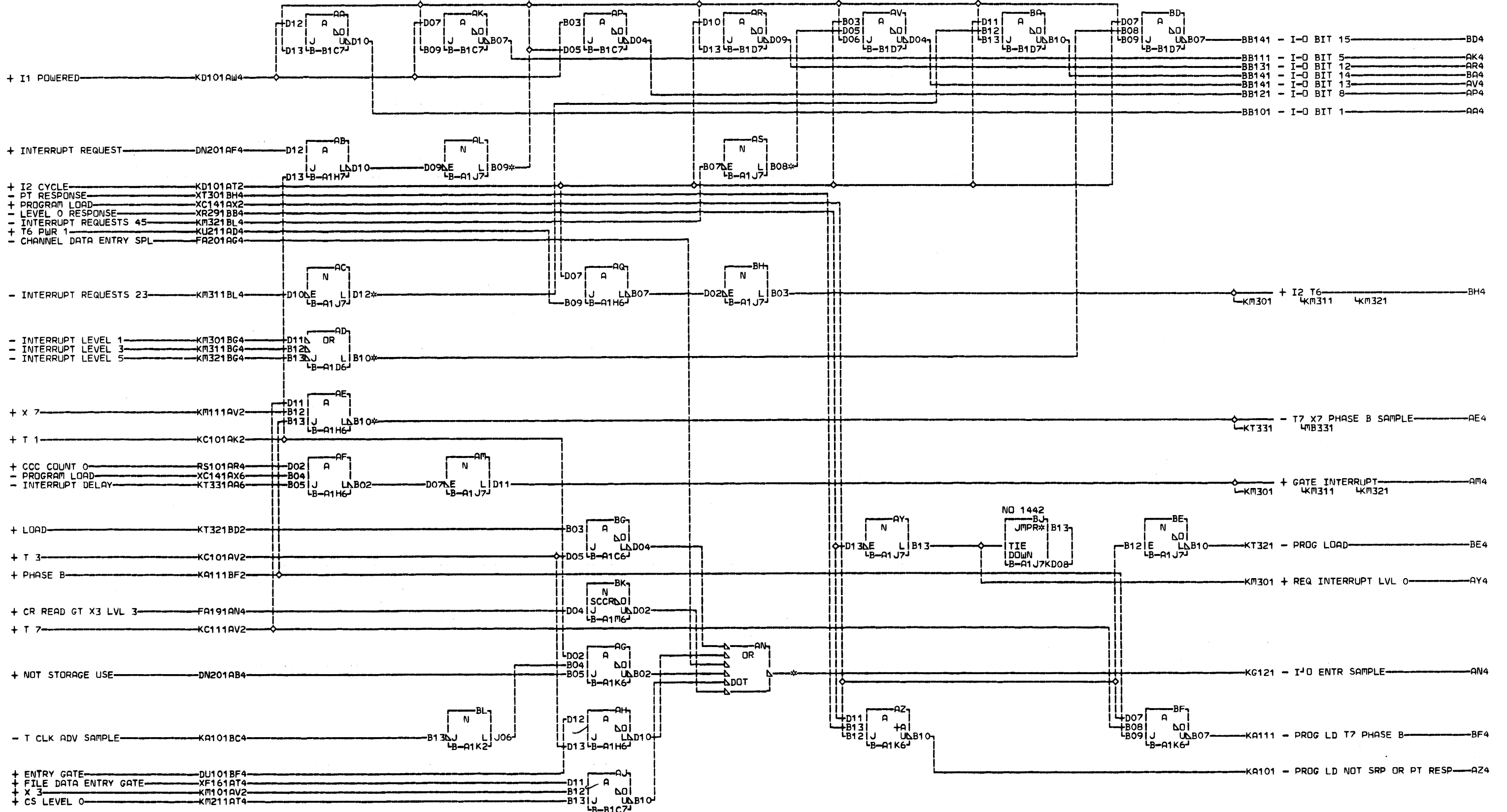


AV2 B-A1A4D07

LOC. TYPE
B-A1D5 3481

	X 4	X CLOCK		
E.C.	X 5	X 6	X 7	K
419631	HISTORY	MACH.	1131-B	1
419648		FRAME	01	1
419664		IBM CORP.	GPD	1
DATE	LAST EC	P.N.	2231113	000
01-24-69	419695			

K
111
1
000

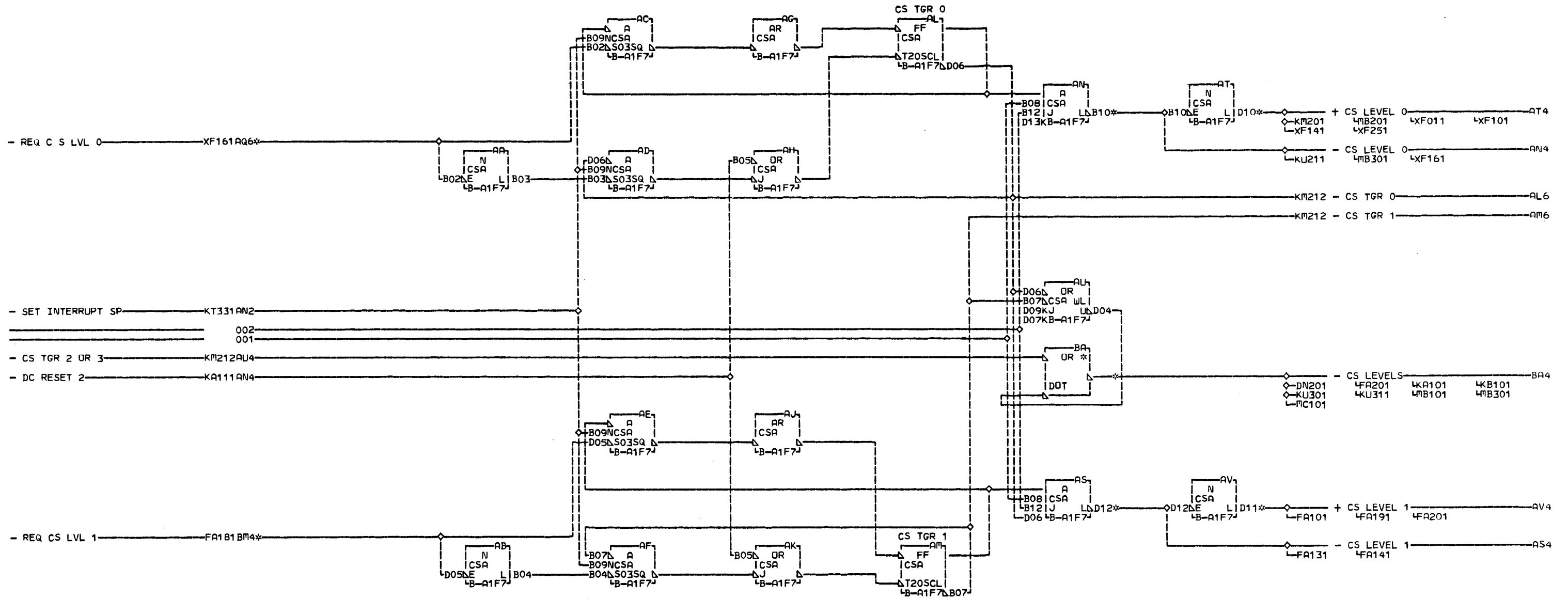


K
2
0
1
000

AC4 B-A1N8A06 01B-B1M8A06
 01B-B1N8A06 AS4 B-A1M8E06
 AD4 B-A1D8E04 01B-B1M8E06
 01B-B1D8E04
 AE4 B-A1C1A11
 01B-C1F1A11
 AL4 B-A1M8C06
 01B-B1M8C06
 AN4 B-A1M8A06

LOC.	TYPE	LOC.	TYPE
B-A1C6	0000	B-B1D7	0238
B-A1D6	0000		
B-A1H6	0000		
B-A1H7	0000		
B-A1J7	0509		
B-A1K2	7312		
B-A1K6	0238		
B-A1M6	3447		
B-B1C7	0236		

INTERRUPT ENTRY		K
-E-C-	HISTORY	MACH#1131-B
419631		01
419644	FRAME	01
419648		1
DATE	LAST EC	000
06-23-67	419664	
	P.No.	2231114

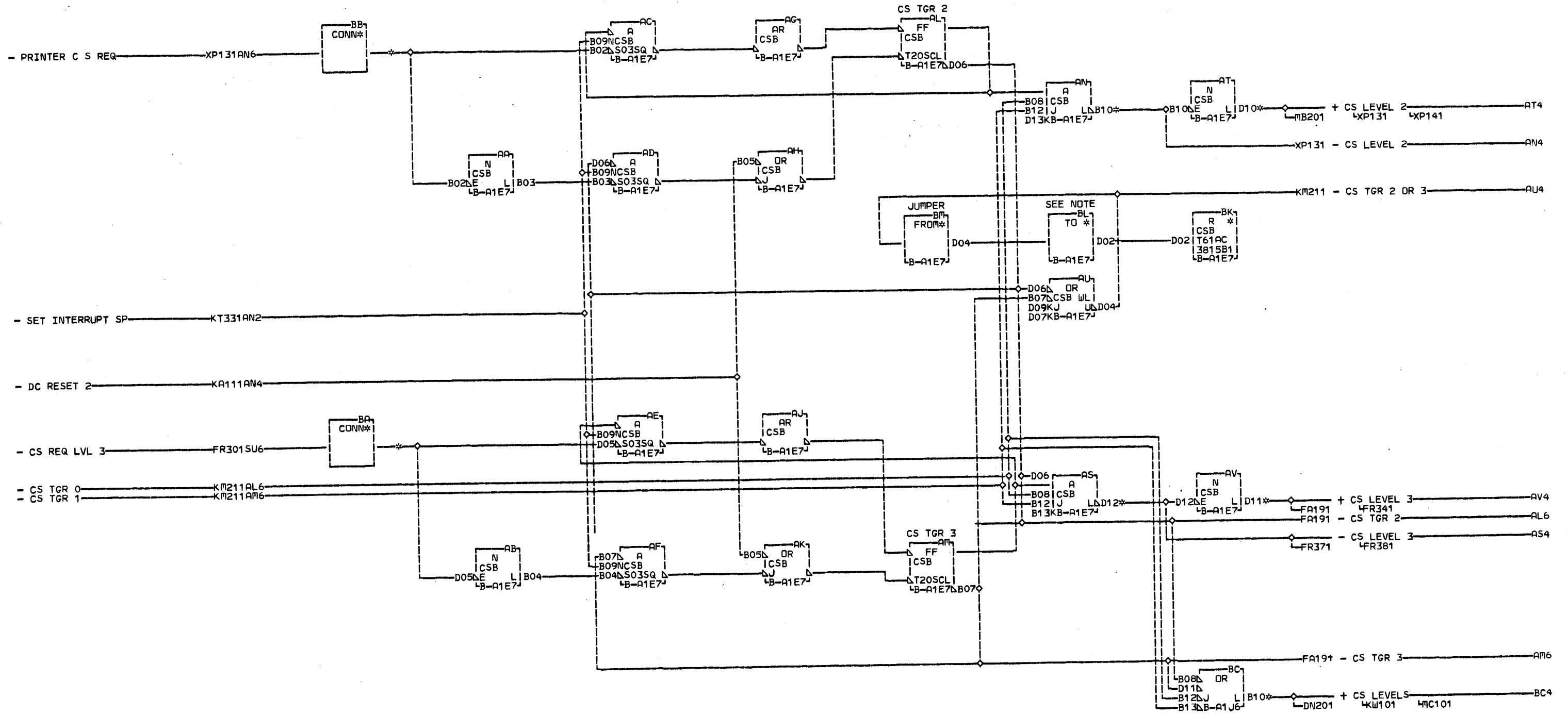


K
M
2
1
1

FA181BM4	01B-C1E1B09	01A-C1B6D13
RESISTOR	AS4 B-A1E8B06	01B-B1N6D13
B-A1F7D05	01B-B1E8B06	BA4 B-A1L8A06
XF161AQ6	AT4 B-A1M8E04	01B-B1L8A06
RESISTOR	01B-B1M8E04	01B-A1B1D09
B-A1F7B02	01B-B1D8A04	01B-C1E1D09
AN4 B-A1A7B02	01A-C1N3D13	RESISTOR
01A-C1N6B02	AV4 B-A1H8E04	B-A1F7D02
01B-A1B1B09	01A-C1H8E04	

LDC TYPE
B-A1F7 3815

CYCLE STEAL HISTORY			MACH. 1131-B	
419631	419689	FRAME	01	2
419644				1
419648				1
419664		IBM CORP. GPD		
DATE	LAST EC			
101-24-69	419695	IP.N. 2231115		000



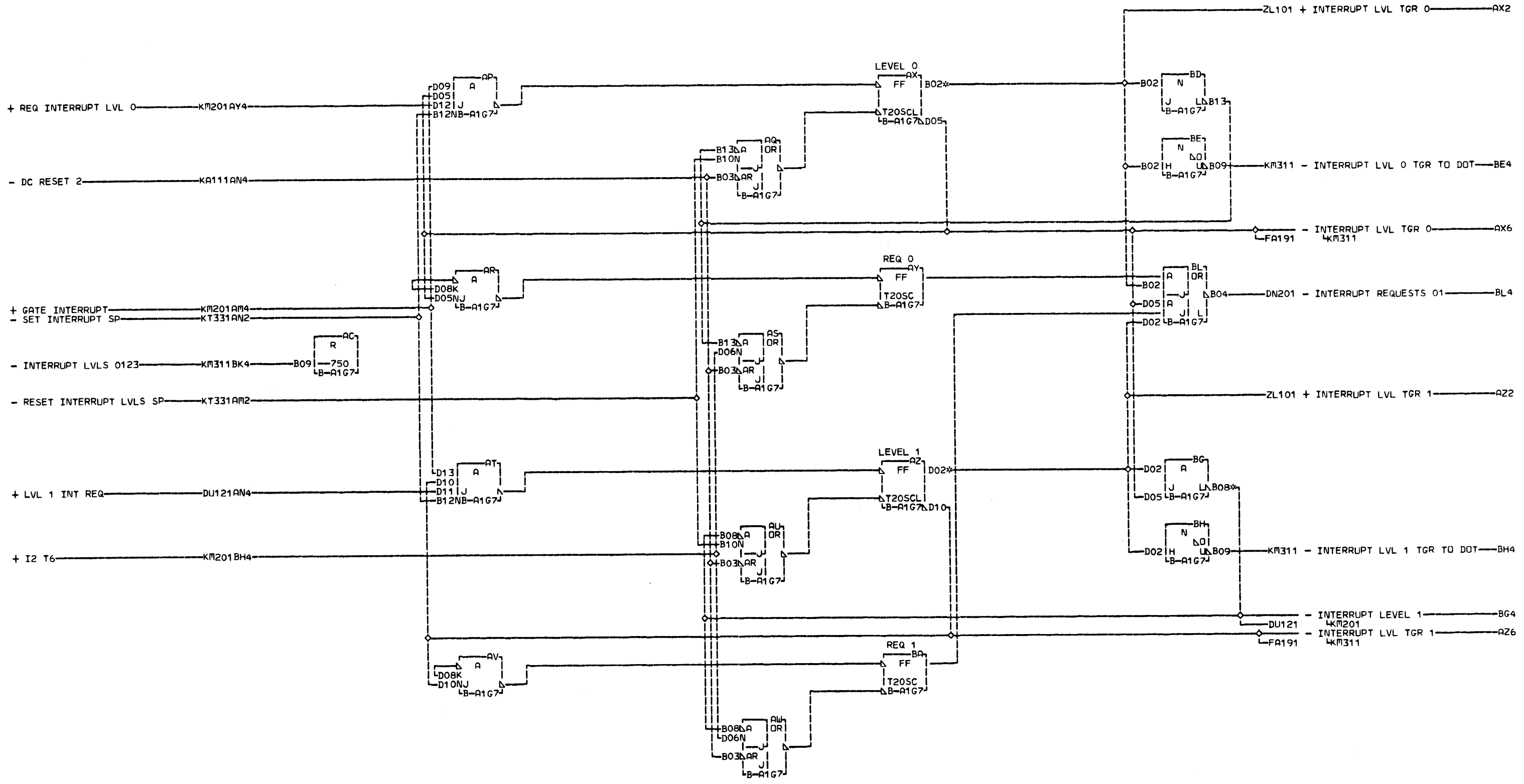
NOTE JUMPER IS REQUIRED
IF MACHINE HAS 1132 OR 2501
AND DOES NOT HAVE
DISK OR SAC.

AN4 B-A1E8C06	01B-B1L8E04	01A-C1F8E04	01B-B1E8E06
01B-B1E8C06	01B-B1J8A06	RESISTOR	
01B-B1H8C06	01A-A1N4B08	B-A1E7D05	
01A-A1N4B05	AV4 B-A1K8A06	BB4 B-A1L8D04	
AS4 B-A1J8E06	01A-C1K8A06	01B-B1L8D04	
01A-C1J8E06	01A-A1G8A06	01B-B1H8E06	
01A-A1F8E06	01A-C1G8A06	RESISTOR	
01A-C1F8E06	BA4 B-A1J8E04	B-A1E7B02	
AT4 B-A1L8E04	01A-C1J8E04	BC4 B-A1E8E06	

LDC. TYPE
B-A1E7 3815
B-A1J6 0069

CYCLE STEAL LEVELS 2 AND 3		K
E.C. HISTORY	MACH. 1131-B	M
419626	FRAME	01 2
419648		1
419664	IBM CORP. GPD	012
419668		
DATE	LAST EC	
02-11-69	419695	
P.No. 2231492		

012 SIM TO PN 2231116 EC 419695

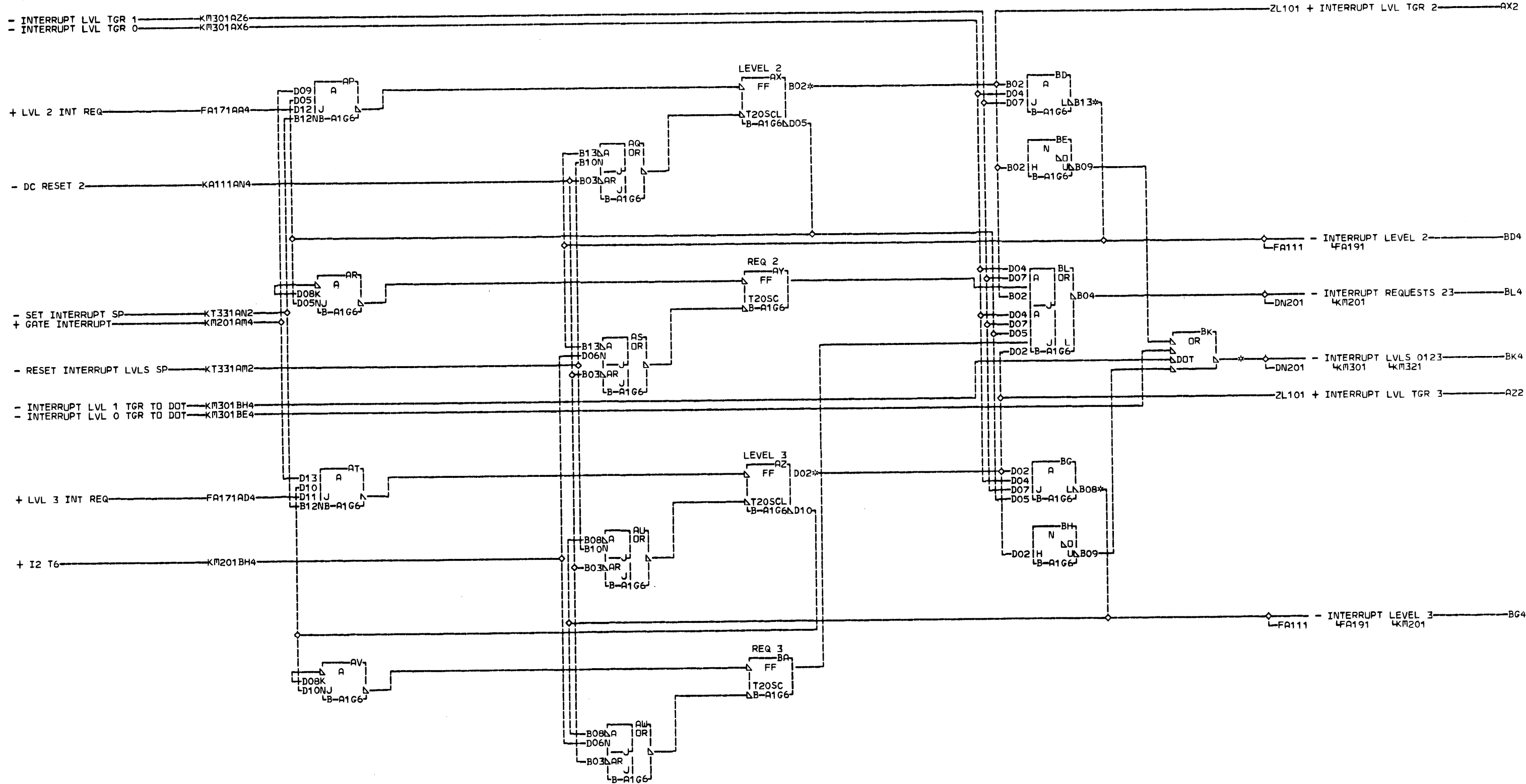


K
E
3
0
1
000

AX2 B-A1A4B08
RESISTOR
B-A1G7B02
AZ2 B-A1A4D09
RESISTOR
B-A1G7D02
BG4 B-A1A7B10
01A-C1N6B10

LCC TYPE
B-A1G7 3761

INTERRUPT LEVELS 0 AND 1			
E.C. HISTORY	MACH. 1131-B		K
419631	FRAME	01	M
	IBM CORP. GPD		3
DATE	LAST EC		0
103-10-67	419648		1
	P.N. 2231117		000

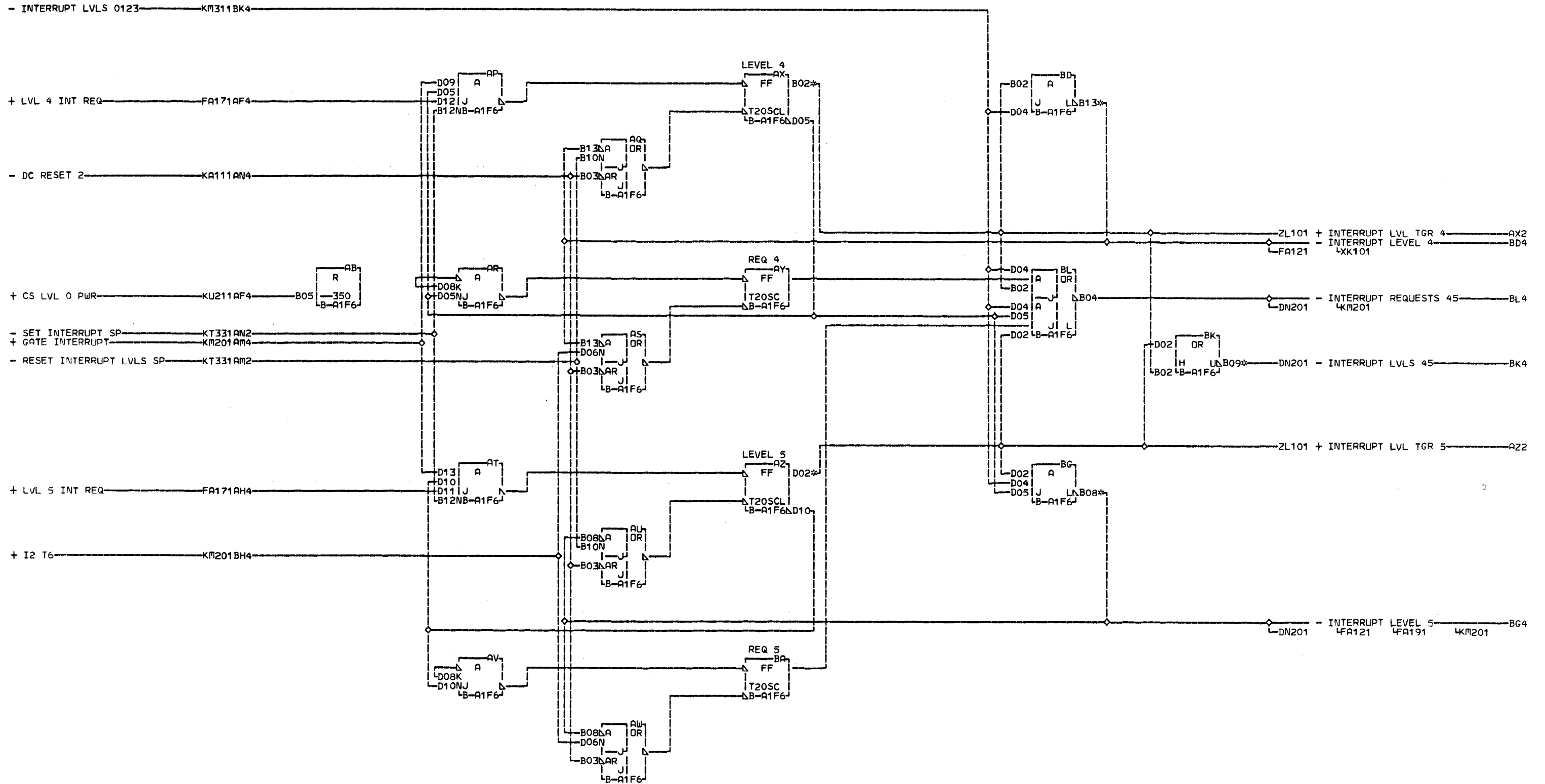


K
M
3
1
1
000

AX2 B-A1A4B09 01A-C1N6D13
RESISTOR BK4 RESISTOR
B-A1G6B02 B-A1G6B09
AZ2 B-A1A4D10
RESISTOR
B-A1G6D02
BD4 B-A1A7B13
01A-C1N6B13
BG4 B-A1A7D13

LOC. TYPE
B-A1G6 3761

INTERRUPT LEVELS 2 AND 3	
E.C.-HISTORY	MACH.1131-B
DATE LAST EC	FRAME 01
09-02-66 419631	IBM CORP. GPD
	P.N. 2231118



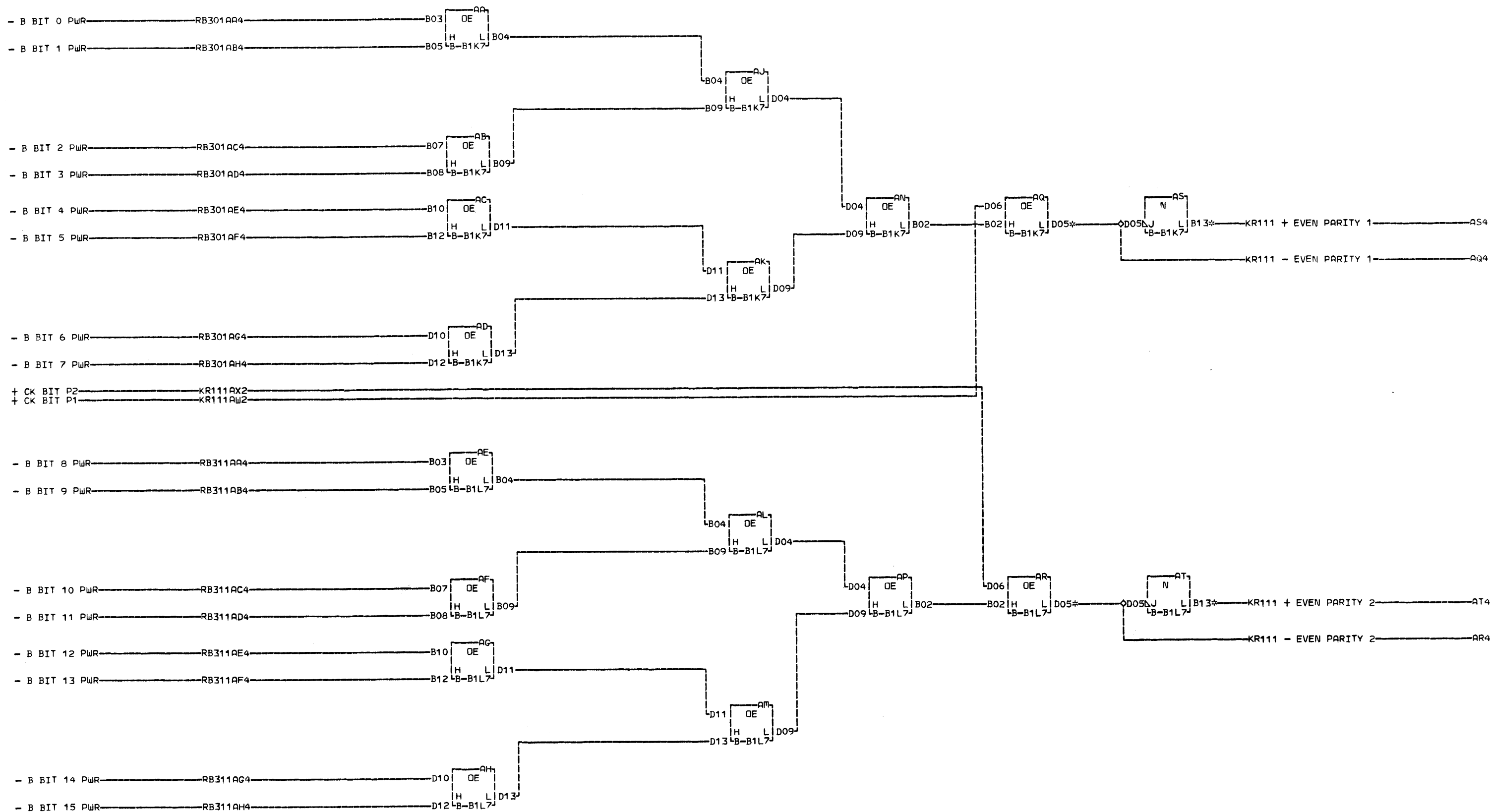
AX2 B-A1A4B10 BG4 B-A1L8C04
 RESISTOR 01B-B1L8C04
 B-A1F6B02 01B-B1N5B13
 AZ2 B-A1A4D11 01A-C1N2B13
 RESISTOR BK4 RESISTOR
 B-A1F6D02 B-A1F6B09
 BD4 B-A1A7B09
 01A-C1N6B09
 01A-C1E8E04

LOC. TYPE
 B-A1F6 3761

INTERRUPT LEVELS 4 AND 5	
E-C-HISTORY	MACH.1131-B
DATE	LAST EC
09-02-66	419631
FRAME	01
IBM CORP. GPD	
P.N.	2231119

K
E
N
1

000



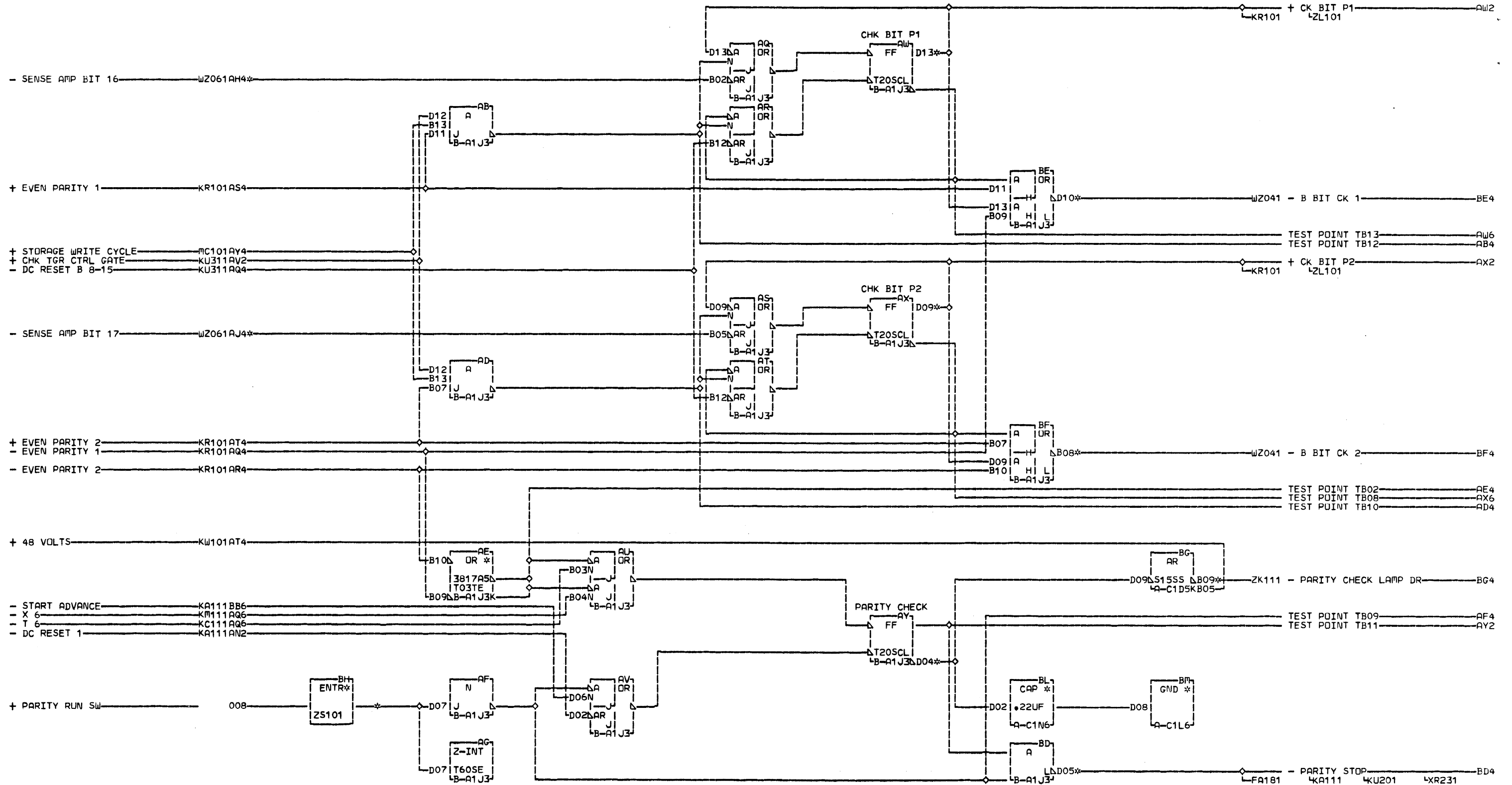
NOTE: THE OUTPUT OF EACH OE BLOCK WILL BE MINUS WHENEVER THE INPUTS HAVE THE SAME POLARITY

0
1

AQ4 B-B1A4B05
01B-A1N4B05
AR4 B-B1A4B06
01B-A1N4B06
AS4 B-B1A4D05
01B-A1N4D05
AT4 B-B1A4D06
01B-A1N4D06

LOC. TYPE
B-B1K7 3022
B-B1L7 3022

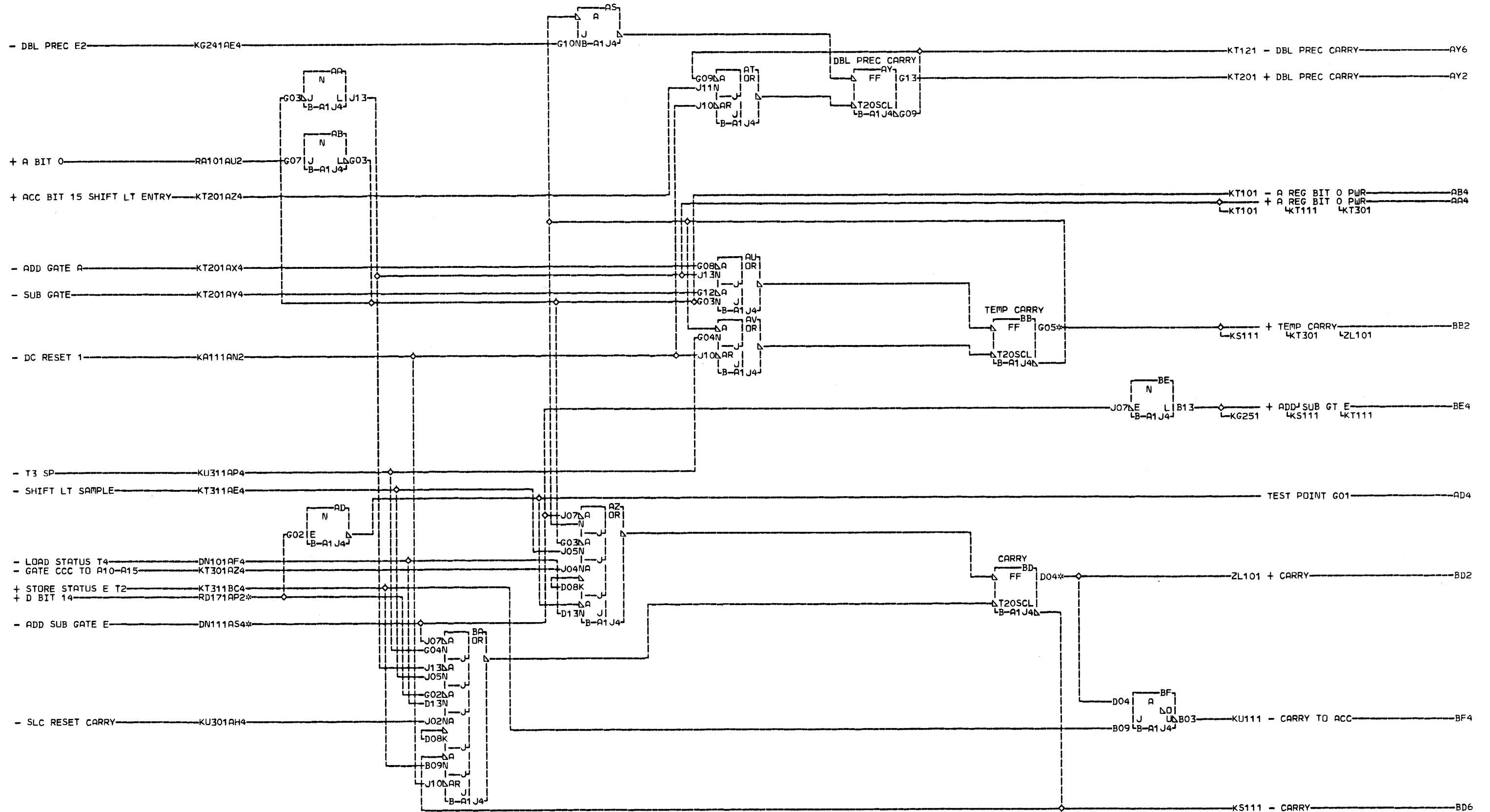
PARITY CHECK		K
E-C-HISTORY	MACH#1131-B	R
	FRAME 01	1
	IBM CORP. GPD	0
DATE 09-02-66	LAST EC 419631	1
	P.N. 2231372	000



WZ061AH4	AX2 B-A1A3D07	BE4 B-A1F1C09	BF4 B-A1F1D09	BG4 A-C1A5D12
RESISTOR	01B-A1NSD12	01B-B1F1C09	01B-B1F1D09	BH4 B-A1A5D04
B-A1J3B02	01B-B1A5D12	01B-B1M1C09	01B-B1M1D09	
WZ061AJ4	AY6 B-A1A7D02	01B-C1M1C09	01B-C1M1D09	
RESISTOR	01A-C1N6D02	01B-C1A4D10	01B-C1A4D11	
B-A1J3B05	BD4 B-A1A7D11	01D-B1M1C09	01D-B1M1D09	
AW2 B-A1A3B07	01A-C1N6D11	01D-A1M1C09	01D-A1M1D09	
01B-A1NSB12	01A-C1A7D11	01E-B1M1C09	01E-B1M1D09	
01B-B1A5B12	01A-B1N7D11	01E-A1M1C09	01E-A1M1D09	

LOC. TYPE
A-C1D5 3819
B-A1J3 3817

PARITY BIT TRIGGERS		K
E.C.-HISTORY	PARITY STOP	R
419631	MACH.1131-B	1
419644	FRAME	01 1
	IBM CORP. GPD	1
DATE	LAST EC	000
01-24-69	419695	
	P.No. 2231121	

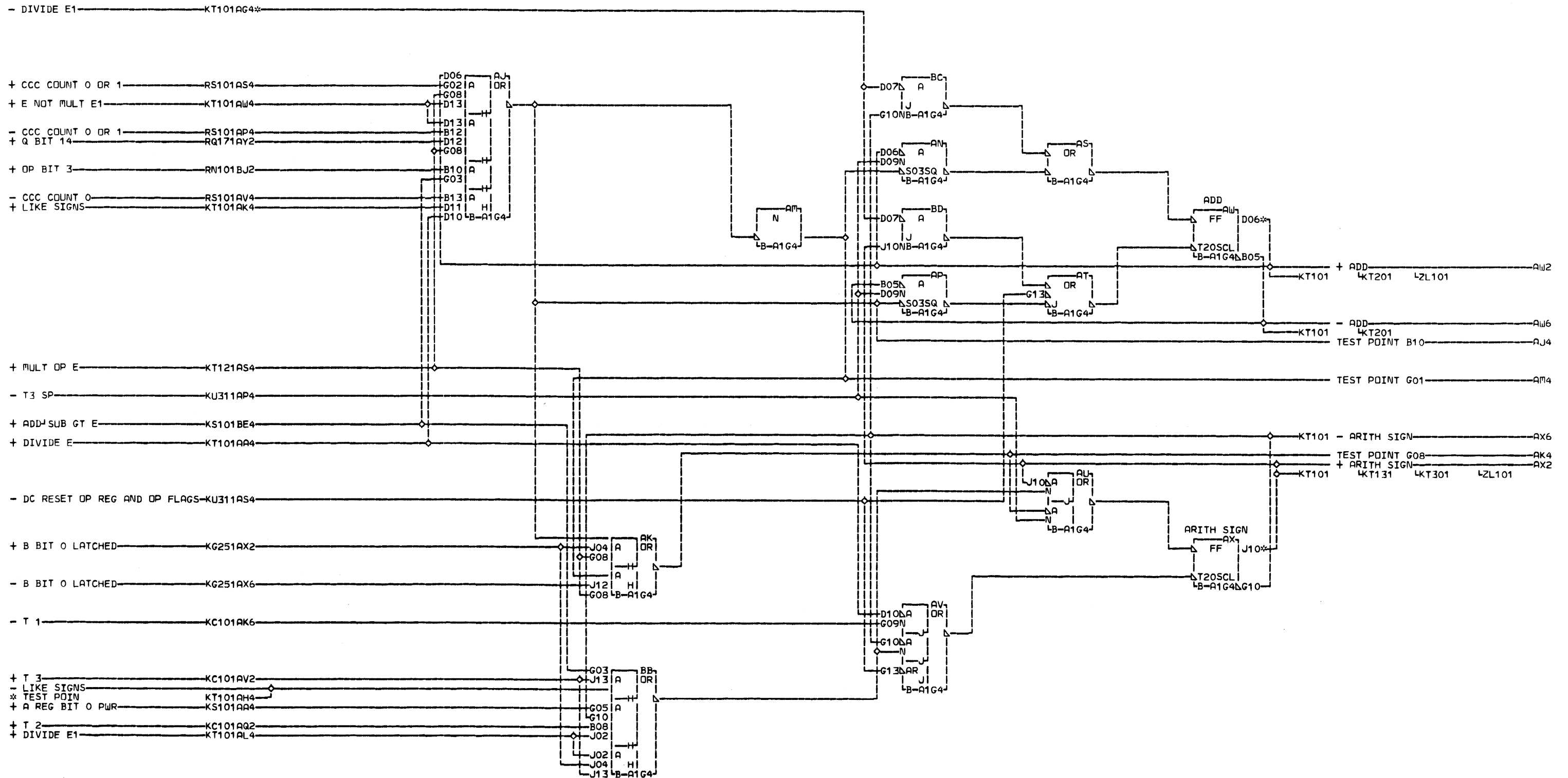


K
S
1
0
1
000

DN111AS4
RESISTOR
B-A1J4J07
RD171AP2
RESISTOR
B-A1J4G02
BB2 B-A1A4D04
BD2 B-A1A4B05

LOC. TYPE
B-A1J4 4680

CARRY	TEMP CARRY	DBL PR CARRY	
-E.C.-HISTORY	MACH.1131-B		K
	FRAME	01	S
	IBM CORP. GPD		1
DATE	LAST EC		000
109-02-66	419631	P.N. 2231373	



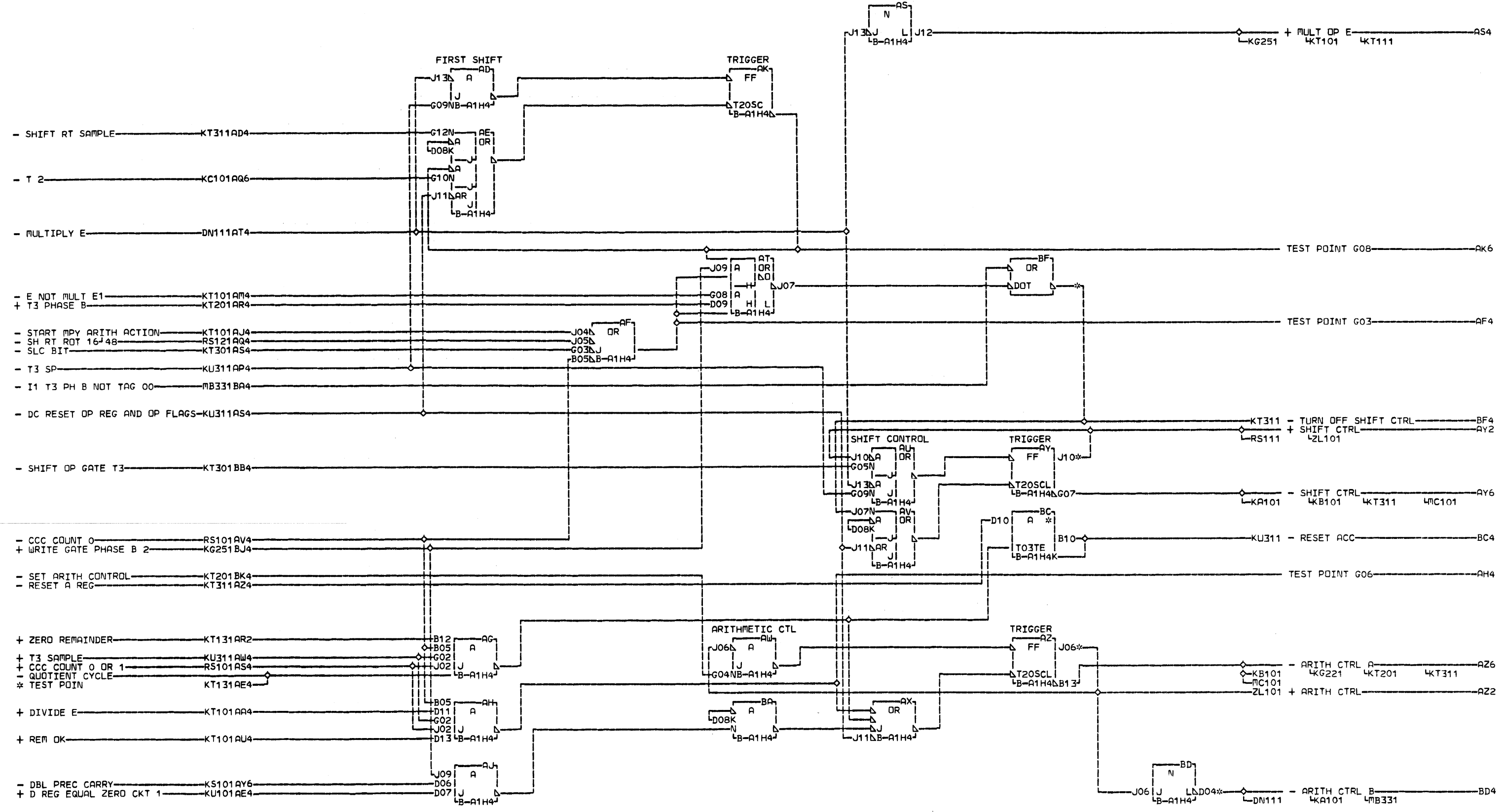
K
T
1
1
1
000

KT101AG4
RESISTOR
B-A1G4D07
AW2 B-A1A4B02
AX2 B-A1A4D02

LOC. TYPE
B-A1G4 4616

ARITHMETIC SIGN AND ADD	
E.C.-HISTORY	MACH.1131-B
	FRAME 01
	IBM CORP. GPD
DATE LAST EC	IP.No. 2231376
09-02-66 419631	

K
T
1
1
1
000



- SHIFT RT SAMPLE ——— KT311AD4
- T 2 ——— KC101AQ6
- MULTIPLY E ——— DN111AT4
- E NOT MULT E1 ——— KT101AM4
- + T3 PHASE B ——— KT201AR4
- START MPY ARITH ACTION ——— KT101AJ4
- SH RT ROT 16/48 ——— RS121AQ4
- SLC BIT ——— KT301AS4
- T3 SP ——— KU311AP4
- I1 T3 PH B NOT TAG 00 ——— MB331BA4
- DC RESET OP REG AND OP FLAGS ——— KU311AS4
- SHIFT OP GATE T3 ——— KT301BB4
- CCC COUNT 0 ——— RS101AV4
- + WRITE GATE PHASE B 2 ——— KG251BJ4
- SET ARITH CONTROL ——— KT201BK4
- RESET A REG ——— KT311AZ4
- + ZERO REMAINDER ——— KT131AR2
- + T3 SAMPLE ——— KU311AW4
- + CCC COUNT 0 OR 1 ——— RS101AS4
- * QUOTIENT CYCLE ——— KT131AE4
- * TEST POIN
- + DIVIDE E ——— KT101AR4
- + REM OK ——— KT101AU4
- DBL PREC CARRY ——— KS101AY6
- + D REG EQUAL ZERO CKT 1 ——— KU101AE4

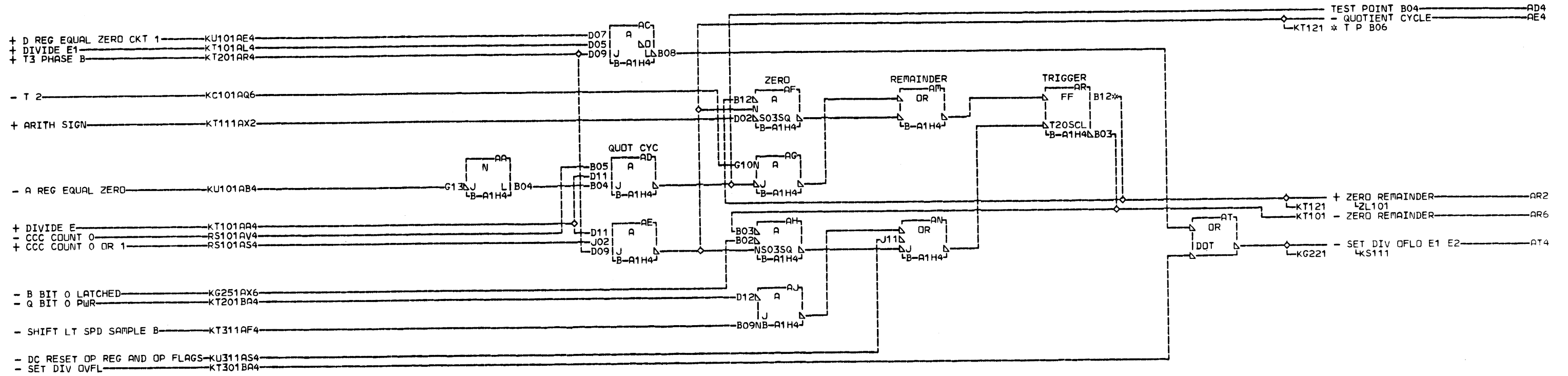
- + MULT OP E ——— AS4
- KT101
- KT111
- AK6
- AF4
- BF4
- AY2
- AY6
- BC4
- AH4
- AZ6
- AZ2
- BD4

K
T
1
2
1
000

AY2 B-A1A4B04
AZ2 B-A1A4B03
BD4 B-A1C1C09
01B-C1F1C09
BF4 B-A1B1C11
01B-C1E1C11

LOC. TYPE
B-A1H4 4607

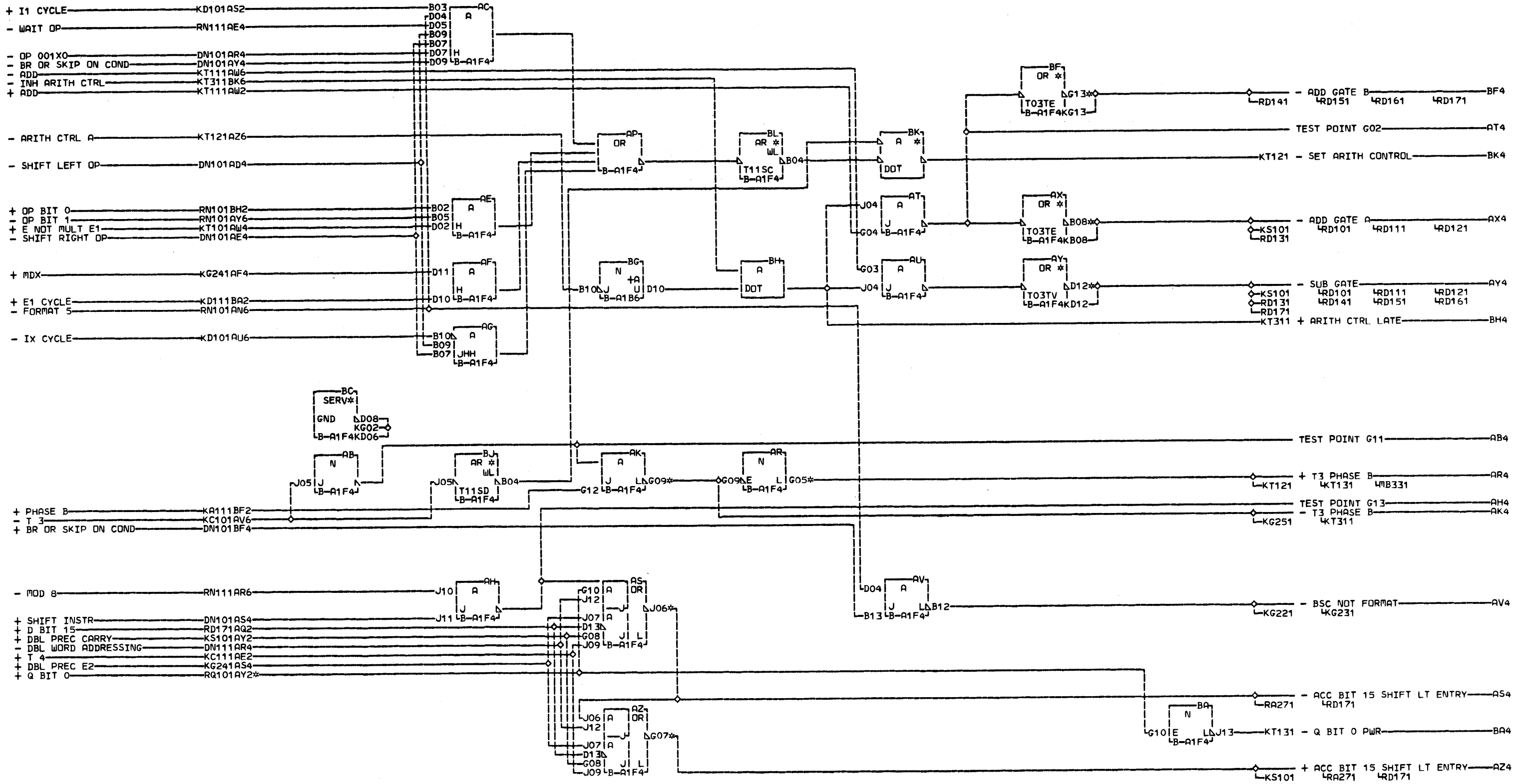
MPY E SHIFT CTRL		K	
ARITH CTRL		T	
-E.C.-HISTORY	MACH.1131-B	1	1
419631		1	1
419644	FRAME	01	2
	IBM CORP. GPD		1
DATE	LAST EC		000
101-26-68	419689	IP.No. 2231377	



AR2 B-A1A4D05

LOC. TYPE
B-A1H4 4607

ZERO REMAINDER		K T 1 3 1
SET DIV OFLO E1 E2		
-E.C.-HISTORY	MACH.1131-B	000
	FRAME 01	
	IBM CORP. GPD	
DATE	LAST EC	000
09-02-66	419631	
	P.N. 2231378	

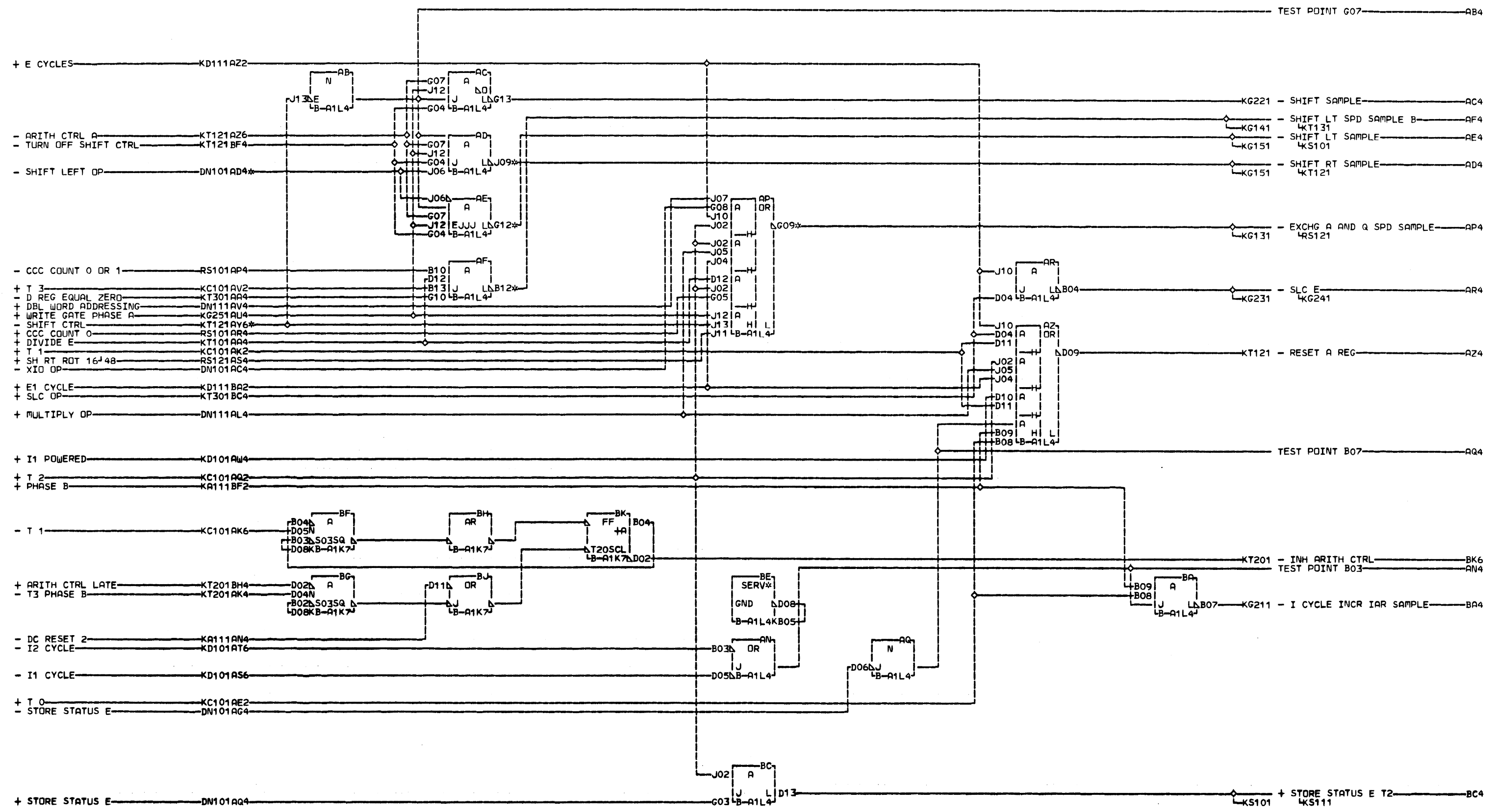


K
T
2
0
1
000

RQ101AY2 AX4 B-A1N4B11
RESISTOR 01B-B1A4B11
B-A1F4G10 AY4 B-A1N4D11
AK4 RESISTOR 01B-B1A4D11
B-A1F4G09 AZ4 B-A1N4B13
AR4 B-A1C1D09 01B-B1A4B13
01B-C1F1D09 BF4 B-A1N5D06
AS4 B-A1N4D13 01B-B1A5D06
01B-B1A4D13

LOC. TYPE
B-A1B6 3024
B-A1F4 6251

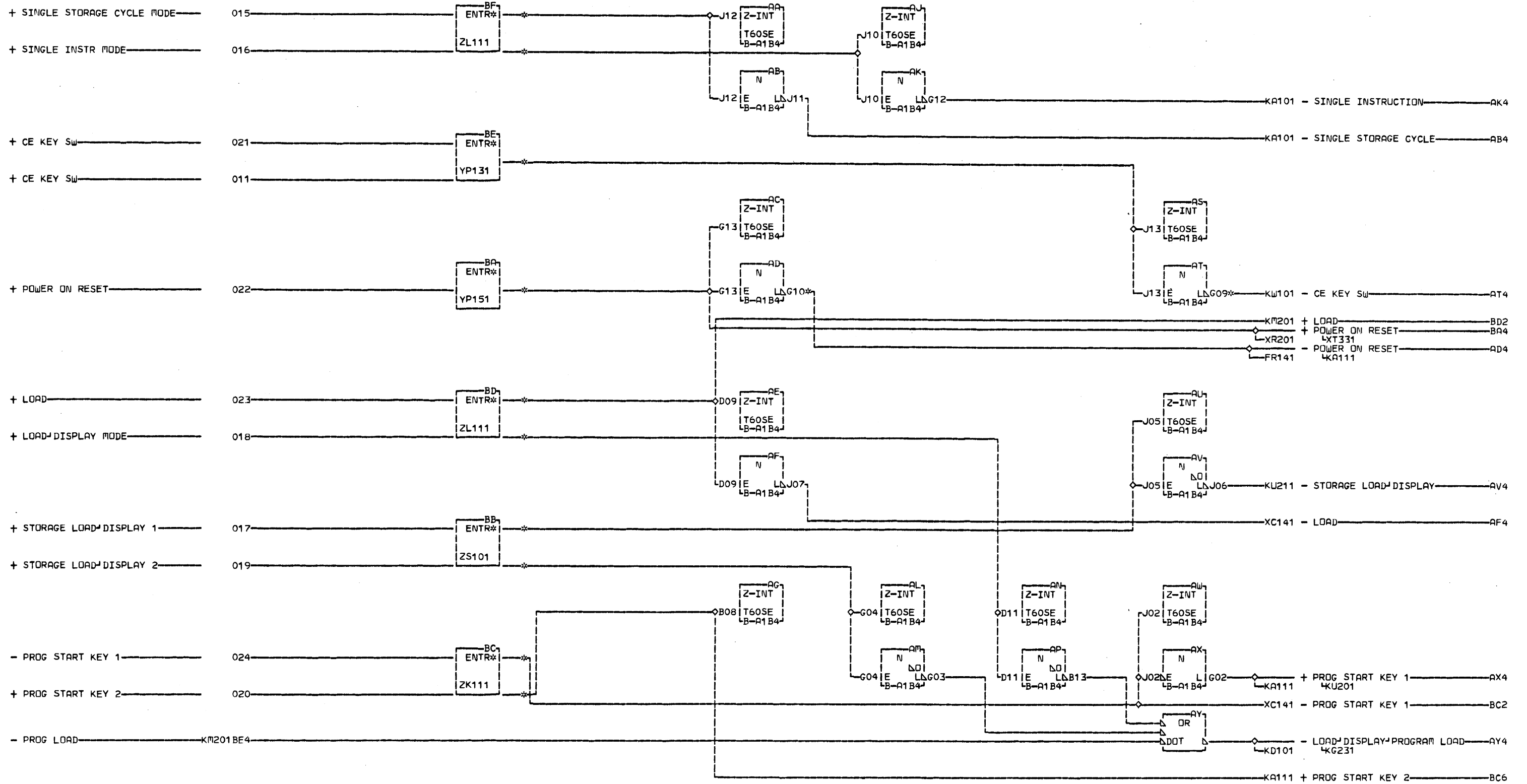
ADD	SUB	GT	A 15	SHIFT	LT	ENTR		
SET	ARITH	CTRL	T3	PHASE	B			
E.C.	HISTORY	MACH.	1131	B				
419631								
419644		FRAME	01					
419648								
419664		IBM CORP.	GPD					
DATE	LAST EC							
101-26-68	419689	P.N.	2231379					



K	DN101AD4	01B-B1A3B07
T	RESISTOR	RESISTOR
3	B-A1L4J06	B-A1K2J05
1	KT121AY6	AF4 B-A1N3B06
1	RESISTOR	01B-B1A3B06
000	B-A1L4J13	RESISTOR
	AD4 B-A1N3D07	B-A1K2G09
	01B-B1A3D07 AP4	B-A1N3B08
	AE4 B-A1N3B07	01B-B1A3B08

LOC.	TYPE
B-A1K2	7312
B-A1K7	3794
B-A1L4	4614

SHIFT RT/LT SAMPLE	SLC E	K
RESET ACC I CYCLE IAR INCR		T
E.C. HISTORY	MACH.1131-B	3
419631		1
	FRAME	01
		1
	IBM CORP. GPD	
DATE LAST EC		000
11-11-66 419644	P.N. 2231381	

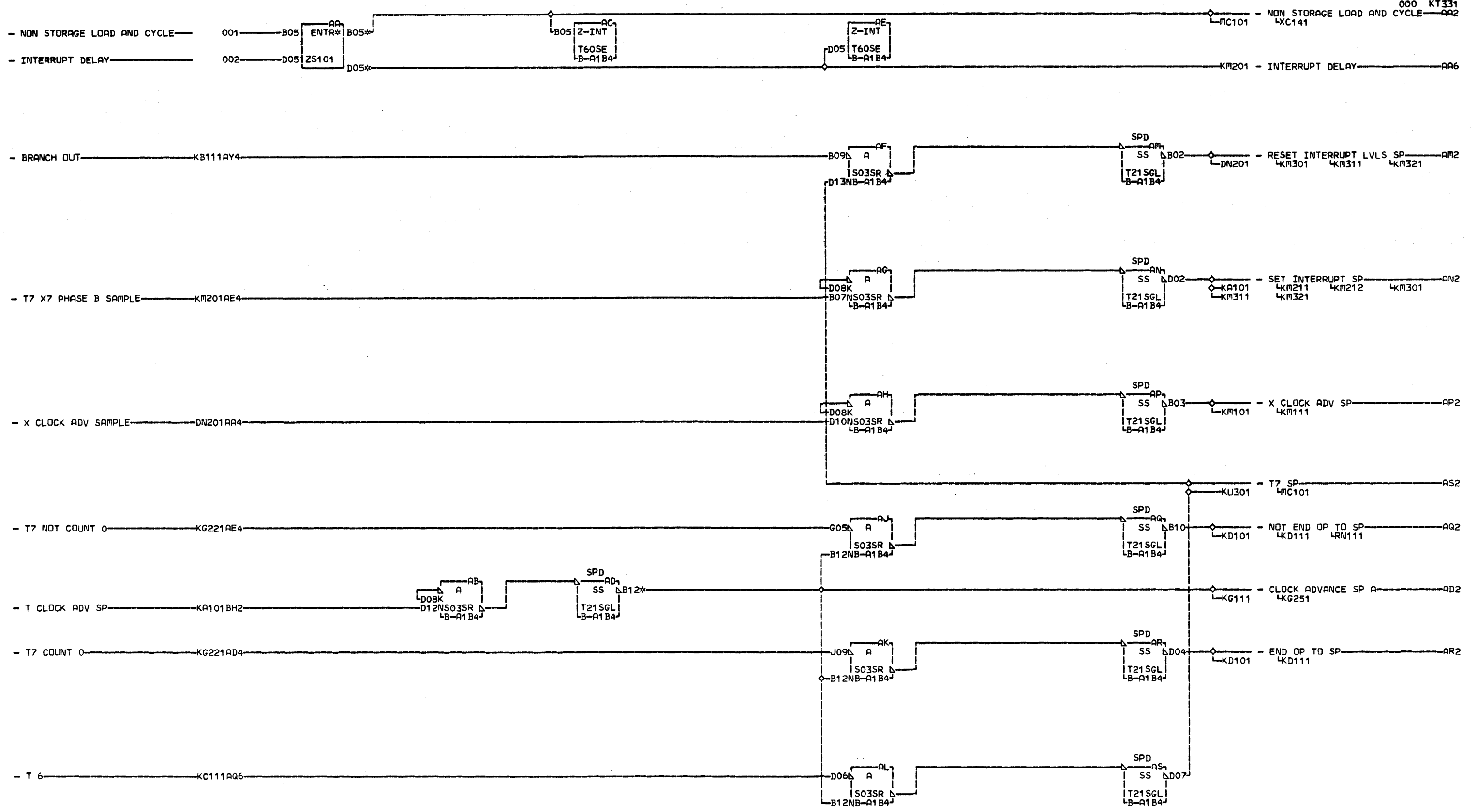


K
T
3
2
1
012
SIM TO PN 2231131 EC 419695

AD4 B-A1H8A04	01A-C1N6D10	01A-C1N6B04
01B-A1G8E06	BA4 B-A1A6D05	BC6 B-A1A5D07
01A-C1H8A04	01A-C1N4D05	BD2 B-A1A5B03
01A-C1G8E06	01A-C1A7B09	BD6 B-A1A5B02
01A-A1E8A04	01A-B1N7B09	BE4 B-A1A5B12
01A-C1E8A04	BB2 B-A1A5B04	BF2 B-A1A5D12
01A-A1D8E06	BB6 B-A1A5B05	BF6 B-A1A5D11
01A-C1D8E06	BC2 B-A1A5D06	
AT4 B-A1A7D10	01B-A1A7B04	

LDC TYPE
B-A1B4 6212

CONSOLE SIGNAL INTEGRATORS			
-E.C.-HISTORY-		MACH.1131-B	
5800005	419610		K
5800009	5800000	FRAME	T
419610	419631		01
419607	419626	IBM CORP. GPD	2
DATE	LAST EC		1
01-24-69	419695	P.N. 2231493	012

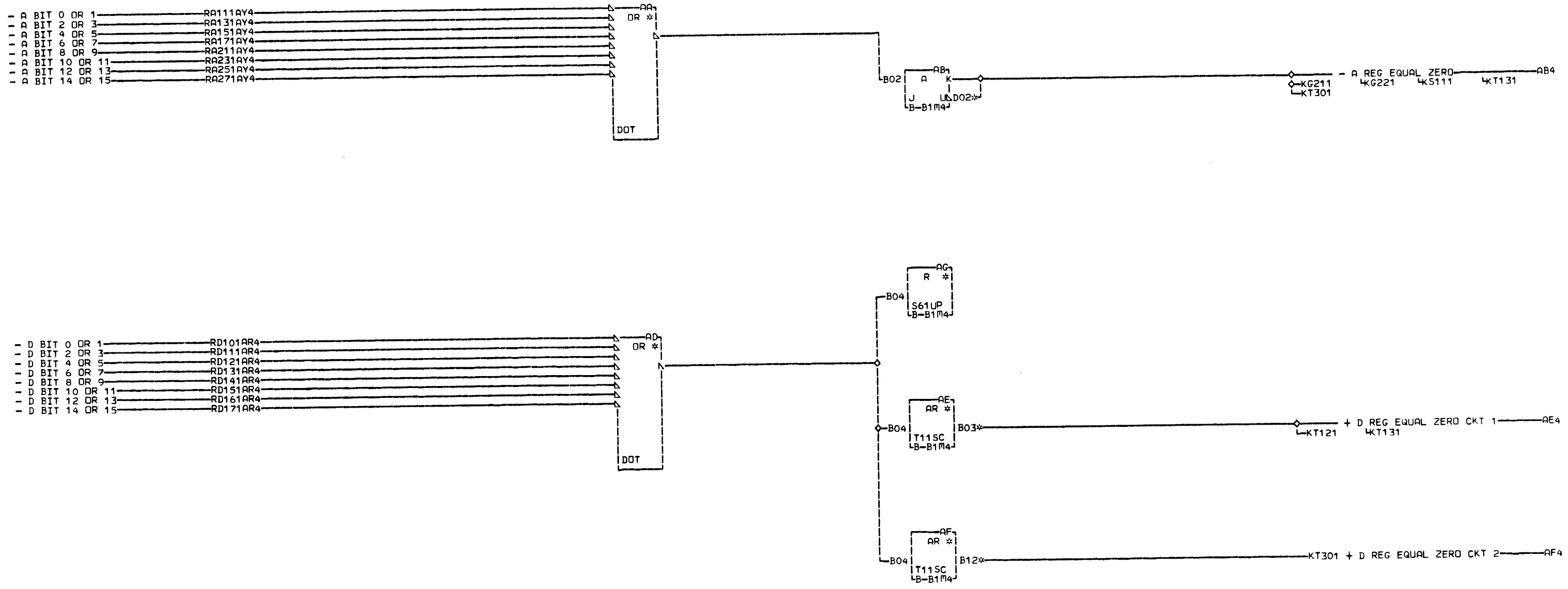


AA2 B-A1A5D05
 AA6 B-A1A5B13
 AD2 B-A1N3B03
 01B-B1A3B03

LOC. TYPE
 B-A1B4 6212

INT LVL SET-RESET	SPD	T7 SPD	K
CLOCK ADV SP	END OP TO SPD		T
E.C. HISTORY	MACH. 1131-B		3
419631			3
419644	FRAME	01	3
419648			1
DATE	LAST EC	IBM CORP. GPD	000
06-23-67	419664	P.N. 2231132	

K
 T
 3
 3
 1

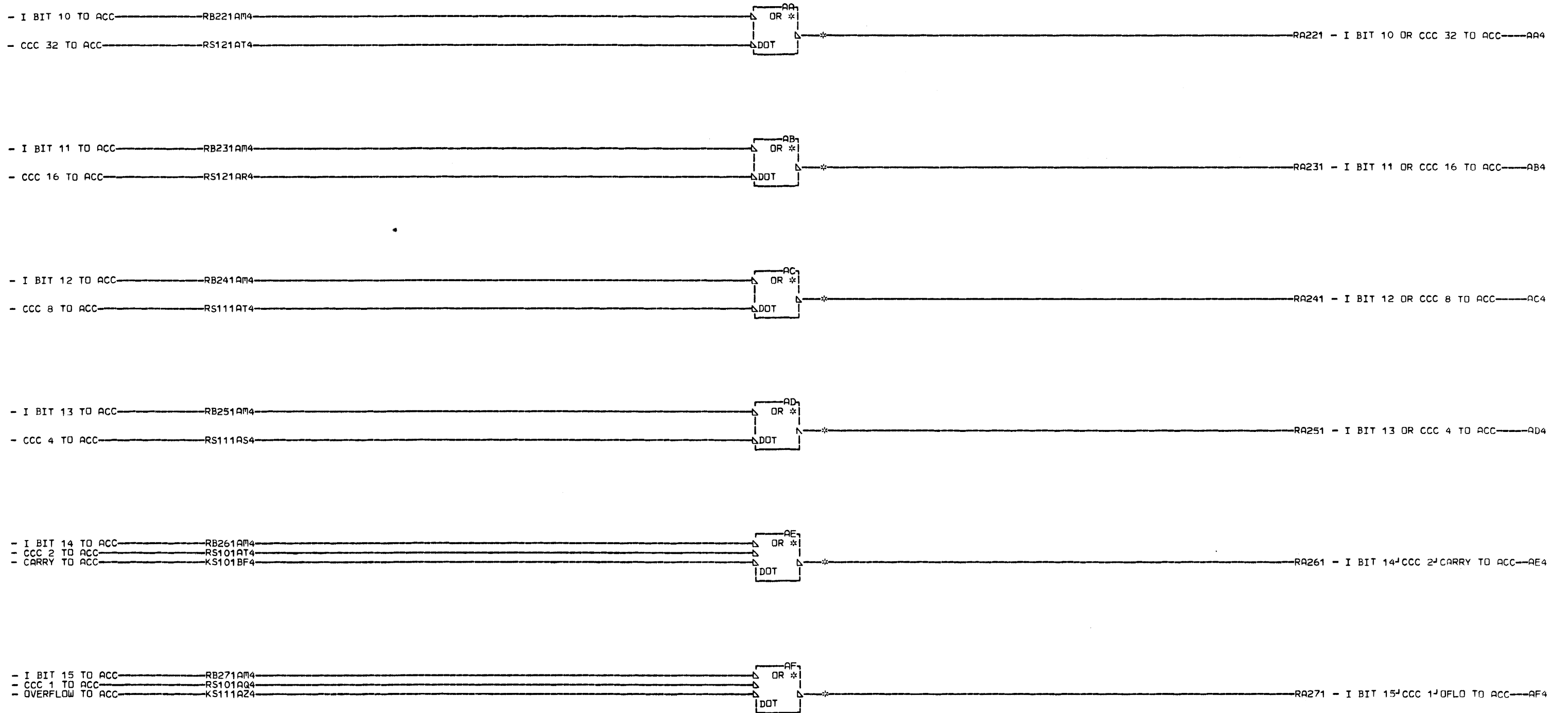


K
U
1
0
1
000

AB4 B-B1A4D04
01B-A1N4D04
AE4 B-B1A4B04
01B-A1N4B04
AF4 B-B1F1A11
01B-A1F1A11

LOC. TYPE
B-B1M4 3807

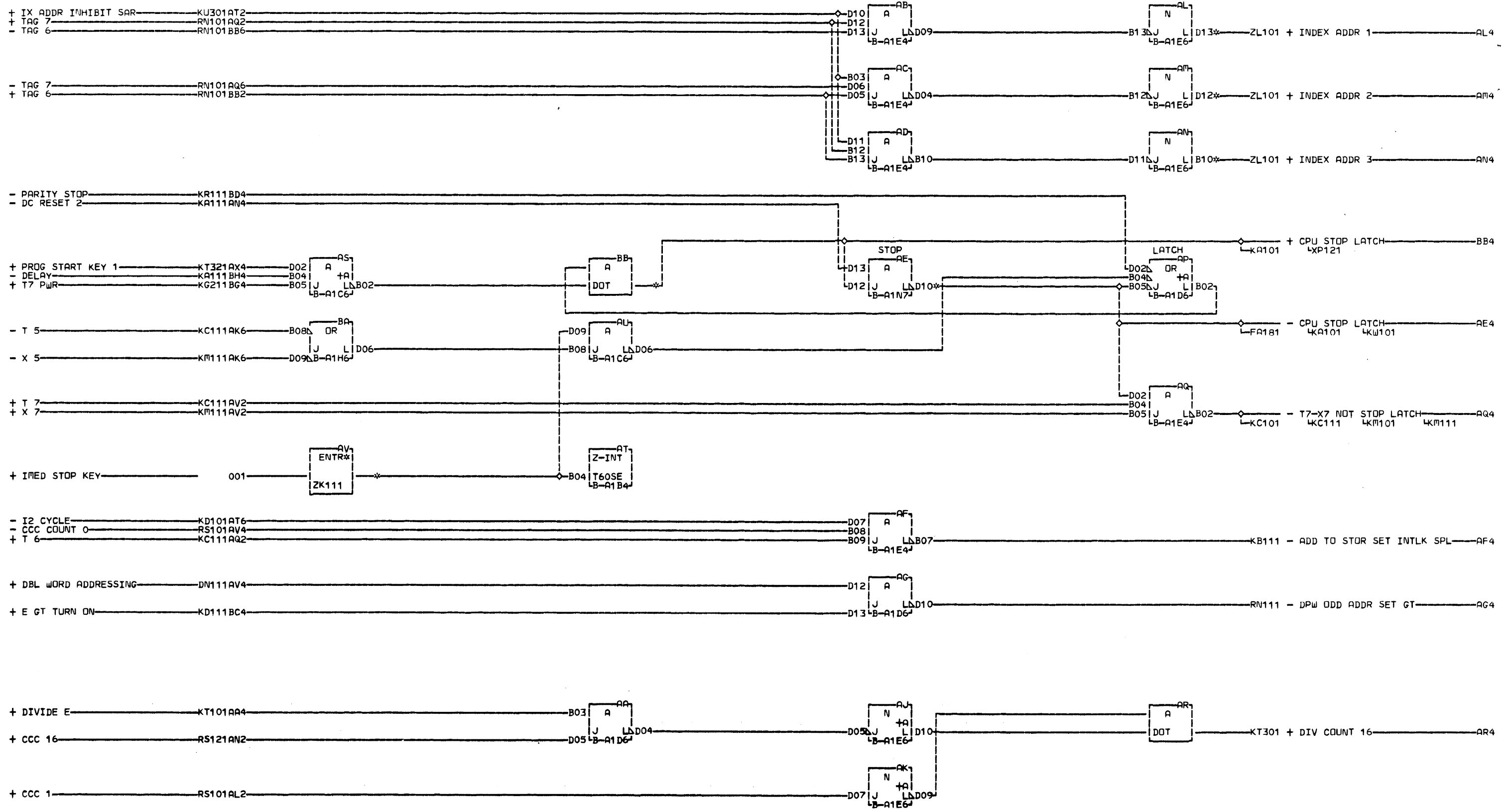
ACCUMULATOR-A REG EQUAL ZERO	K
ARITH FACTOR-D REG EQUAL ZERO	U
E.C.-HISTORY	1
FRAME	01
IBM CORP. GPD	1
DATE LAST EC	000
09-02-66 419631	
IP.N. 2231382	



K
U
1
1
1
000

AA4 B-A1N3B11 01B-B1A3B13
 01B-B1A3B11 AF4 B-A1N3D13
 AB4 B-A1N3D11 01B-B1A3D13
 01B-B1A3D11
 AC4 B-A1N3B12
 01B-B1A3B12
 AD4 B-A1N3D12
 01B-B1A3D12
 AE4 B-A1N3B13

ACC INPUT BUSS - I BITS 10-15		K
CCC 32-1	CARRY OVERFLOW	U
E.C.-HISTORY	MACH.1131-B	1
	FRAME	01 1
	IBM CORP. GPD	1
DATE	LAST EC	000
09-02-66	419631	P.N. 2231383

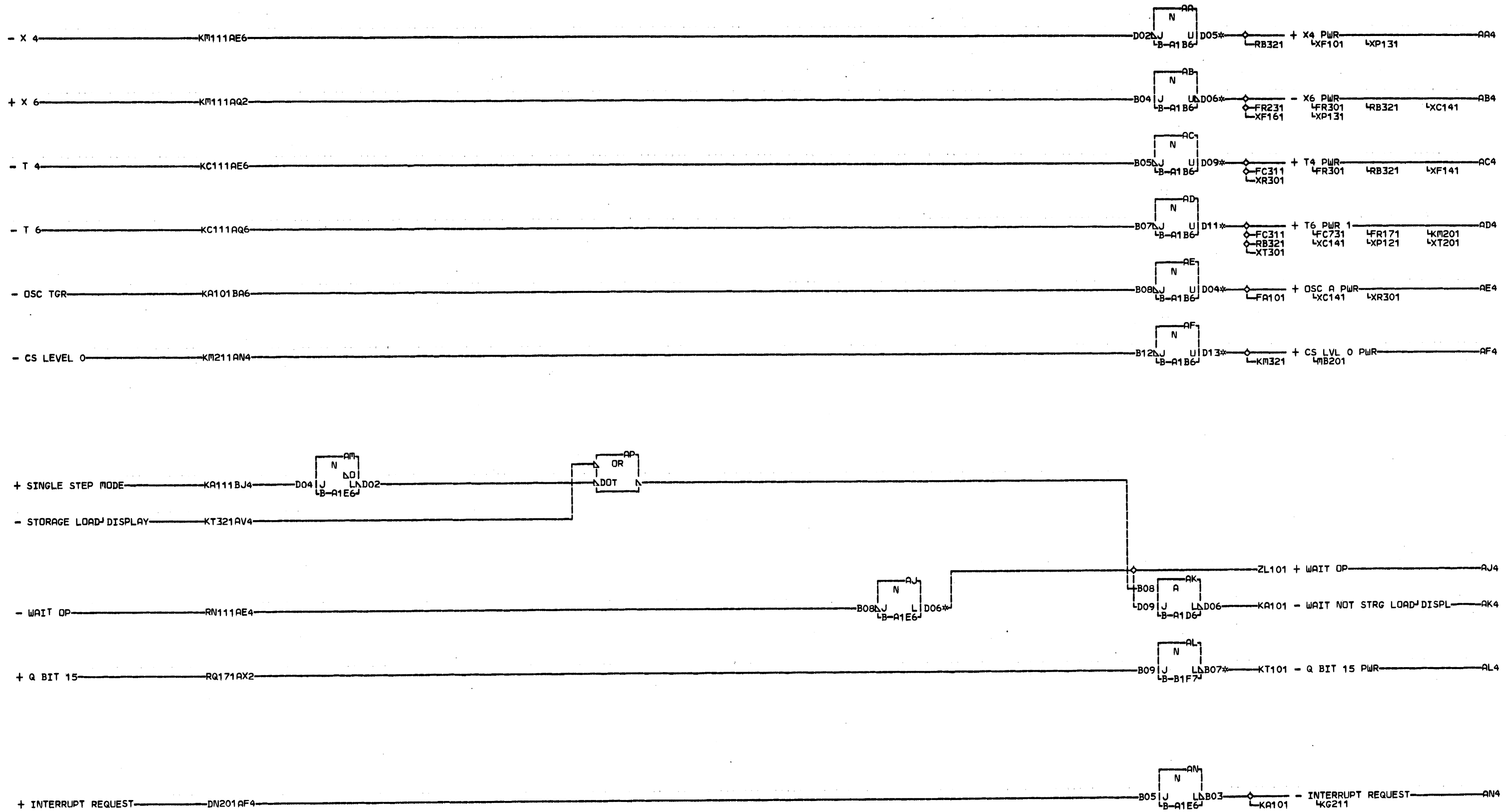


K
U
2
0
1
000

AE4	B-A1F8B06	01A-B1N7D09
01	B-B1F8B06	01A-B1A5D09
AL4	B-A1A2B12	01A-A1N5D09
AM4	B-A1A2B13	
AN4	B-A1A2D13	
AV4	B-A1A5D09	
BB4	B-A1A7D09	
	01A-C1N6D09	
	01A-C1A7D09	

LOC. TYPE
 B-A1B4 6212
 B-A1C6 0000
 B-A1D6 0000
 B-A1E4 0002
 B-A1E6 3421
 B-A1H6 0000
 B-A1N7 0000

INDEX ADDR 1	2	3	STOP LATCH	
DIV COUNT 16				
E.C. HISTORY				MACH.1131-B
419631				K
419648			FRAME	01
419664				2
419668			IBM CORP. GPD	1
DATE	LAST EC			000
01-24-69	419695		P.No. 2231135	



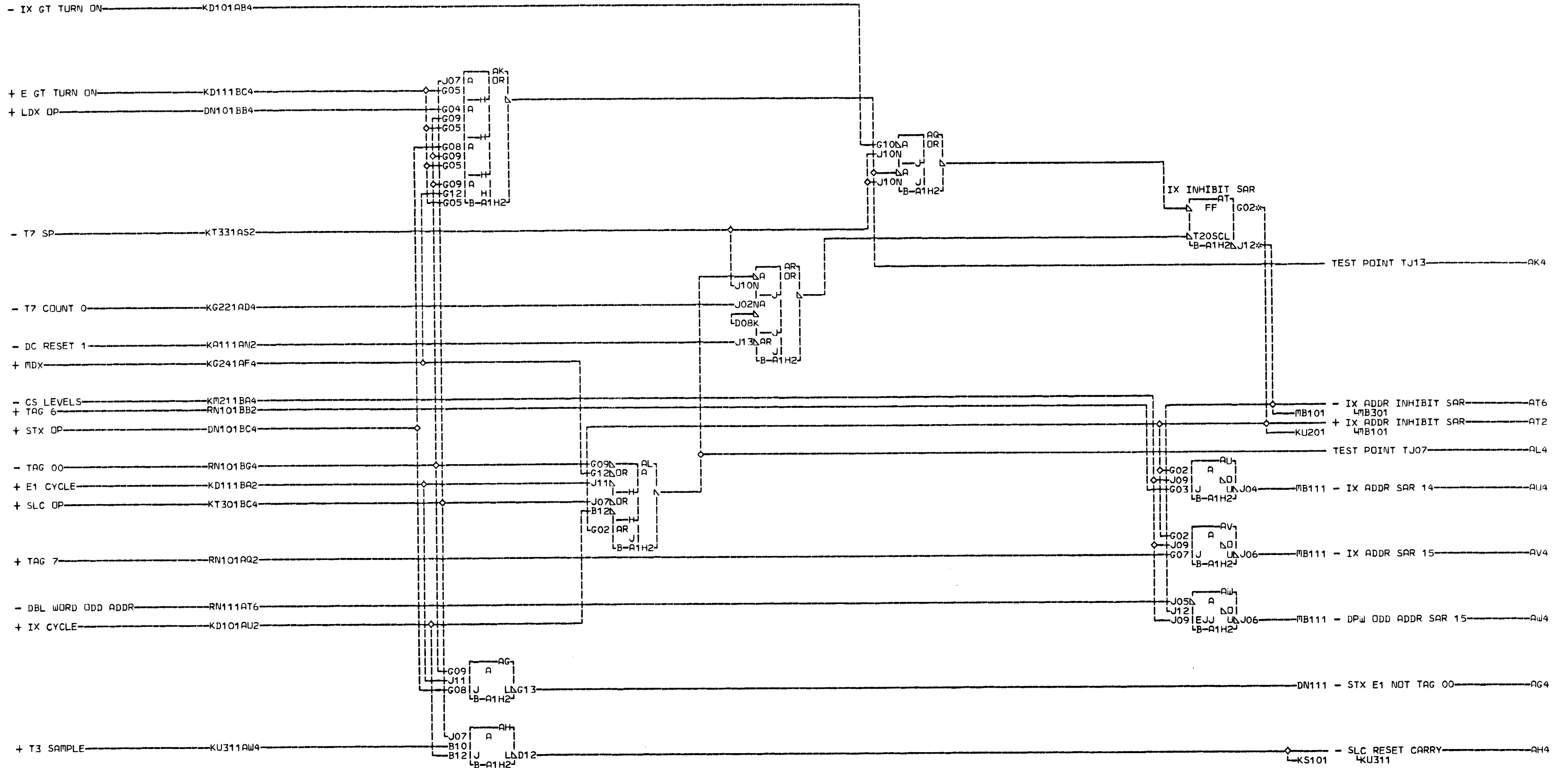
K
U
2
1
1

AA4 B-A1A6D12	01A-B1N6D13	01A-A1N6B13	01C-A1N6B12	01B-A1F8C06
01A-C1N4D12	01A-B1N6D13	01C-A1N6B13	AE4 B-A1A6D10	
01A-C1A6D12	01A-A1N3D13	AD4 B-A1A6B12	01A-C1N4D10	
01A-B1N6D12	AC4 B-A1A6B13	01A-C1N4B12	01A-C1A6B11	
01A-B1M6D12	01A-C1N4B13	01A-C1A6B12	01A-B1N6B11	
01A-A1N3D12	01A-C1A6B13	01A-B1N6B12	AF4 B-A1M8D04	
AB4 B-A1A6D13	01A-B1N6B13	01A-B1M6B12	01B-B1M8D04	
01A-C1N4D13	01A-B1M6B13	01A-A1N3B12	AJ4 B-A1A2D12	
01A-C1A6D13	01A-A1N3B13	01A-A1N6B12	AL4 B-B1F8C06	

012 SIM TO PN 2231136 EC 419689

LOC.	TYPE
B-A1B6	3024
B-A1D6	0000
B-A1E6	3421
B-B1F7	0000

T AND X CLK	OSC A	PROG LD	PWR	K
WAIT NOT STOR	LOAD DISP			U
-E-C-HISTORY				MACH#1131-B
419610	419631			2
419611	419626	FRAME	01	1
419612	419644			1
5800000	419668	IBM CORP.	GPD	
DATE	LAST EC			012
01-26-68	419689	PoNo	2231494	

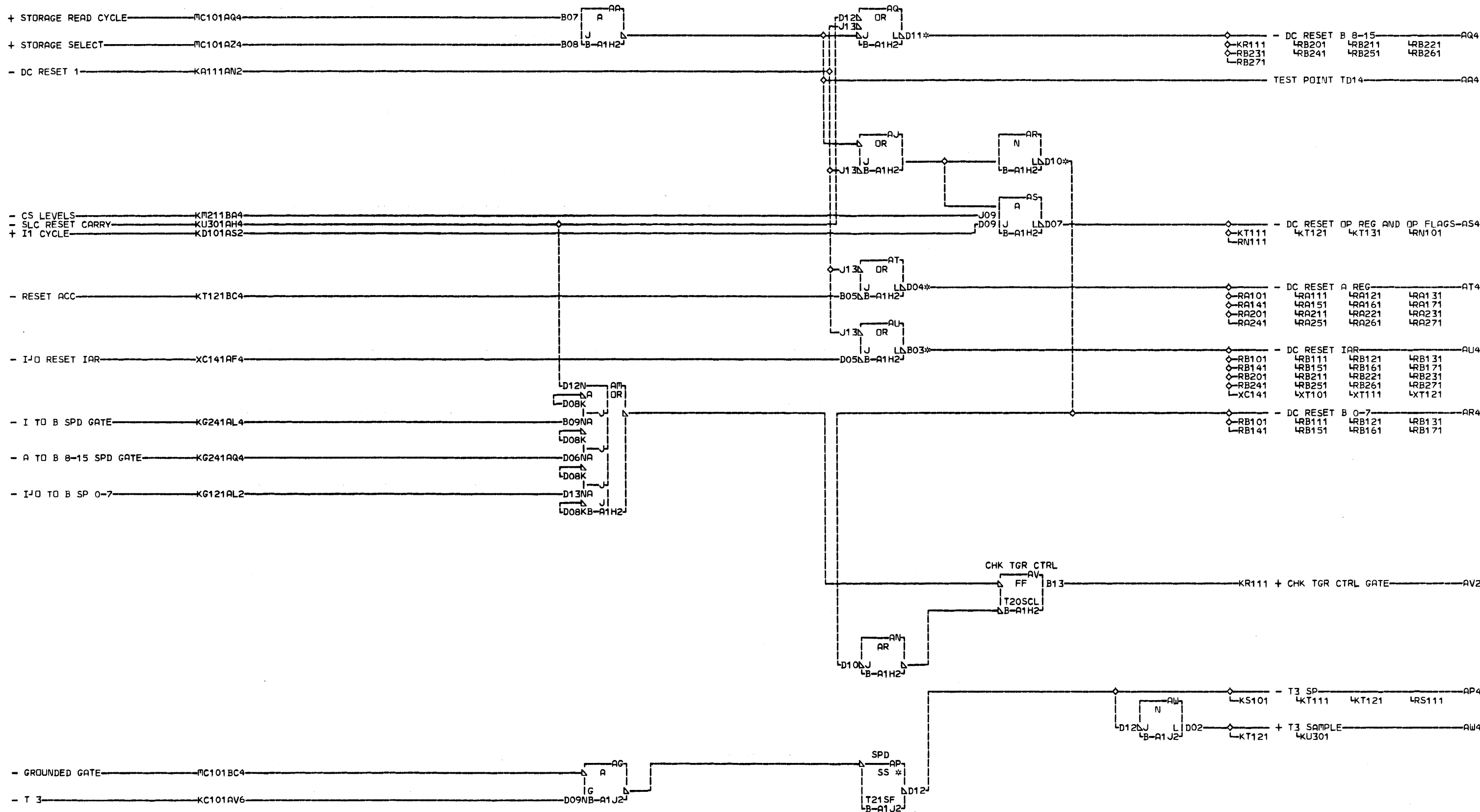


K
U
3
0
1

AT2 B-A1F1E09
 01B-B1F1E09
 AT6 B-A1F1E11
 01B-B1F1E11
 01B-A1B1E11
 01B-C1E1E11

LOC. TYPE
 B-A1H2 6207

IX ADDR INHIBIT SAR	STX E1	K
NOT TAG 00	SLC RESET CARRY	U
E.C. HISTORY	MACH.1131-B	3
419631		0
419644	FRAME	01
	IBM CORP. GPD	1
DATE	LAST EC	000
06-23-67	419664	P.N. 2231137

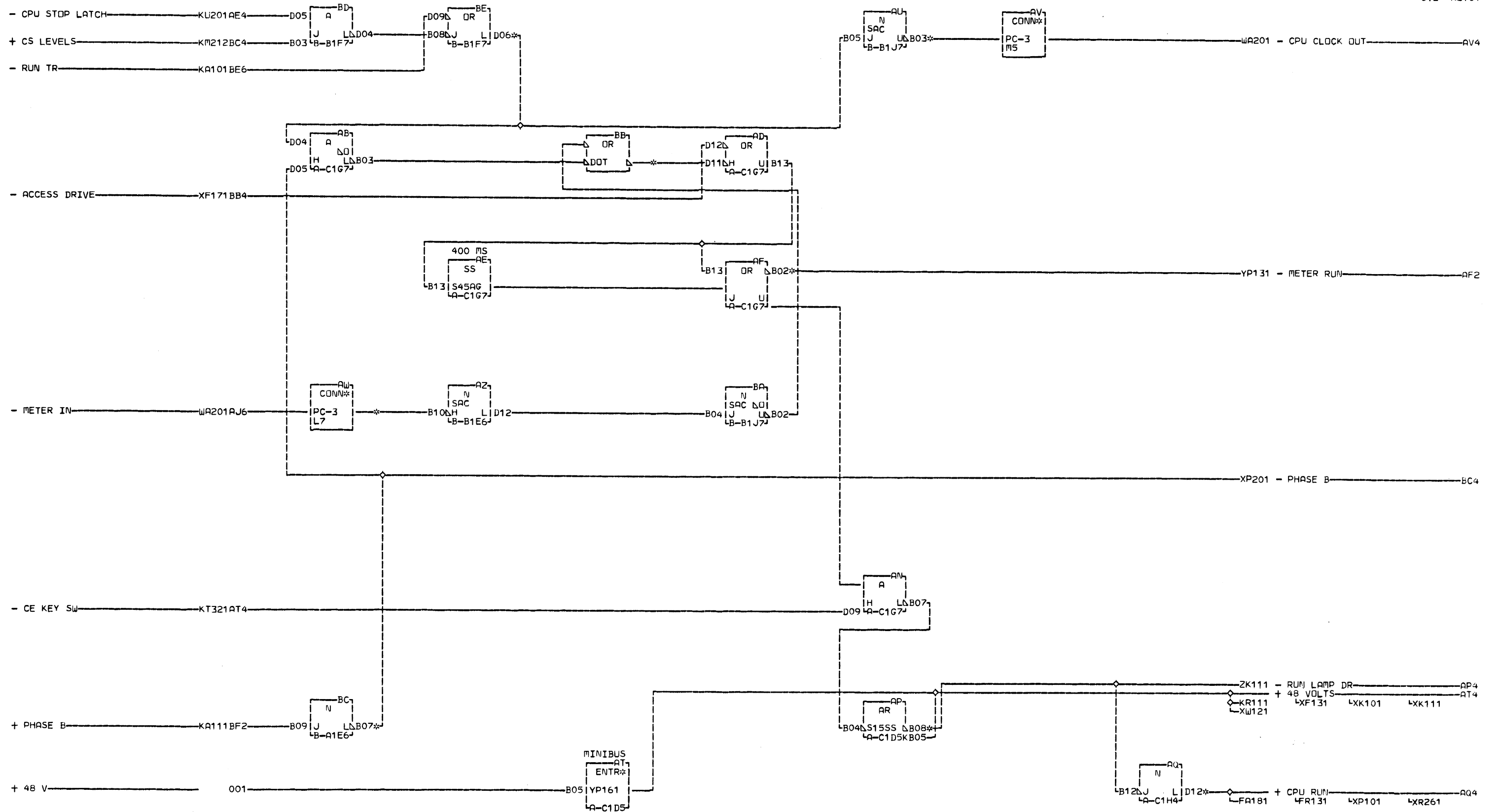


K
U
3
1
1
000

AQ4 B-A1N2D12 01A-C1N6D04
 01B-B1A2D12 01A-C1A7D03
 AR4 B-A1N4D02 01A-B1N7D03
 01B-B1A4D02
 AT4 B-A1N4B08
 01B-B1A4B08
 AU4 B-B1A2D13
 01B-A1N2D13
 01B-A1A7D04

LOC. TYPE
 B-A1H2 6207
 B-A1J2 7347

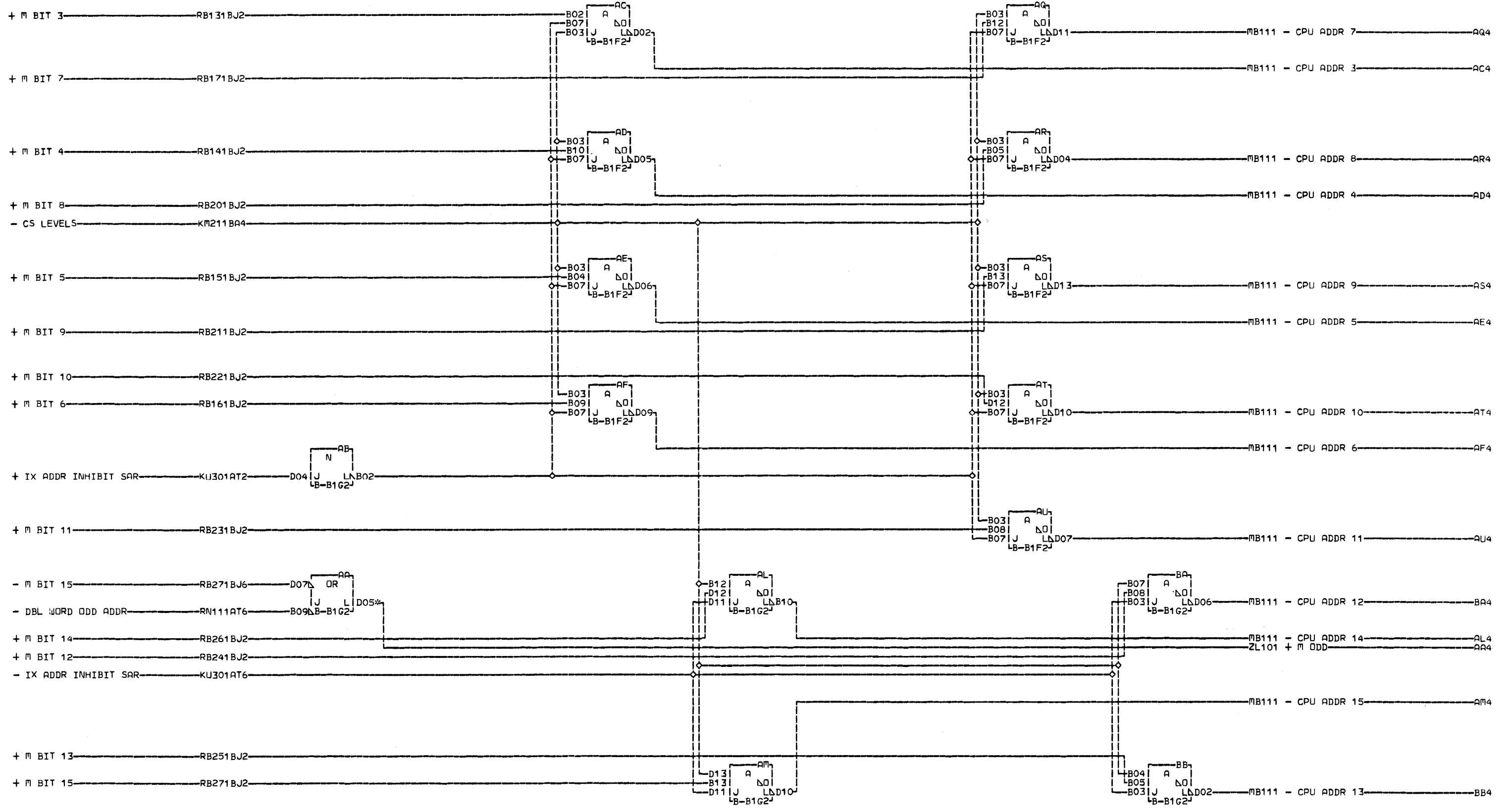
REGISTER RESET		K
PARITY CHECK CONTROL GATE		U
E.C. HISTORY	MACH. 1131-B	3
419631	FRAME	1
	IBM CORP. GPD	1
DATE	LAST EC	000
11-11-66	419644	
P.N.	2231138	



K AF2 A-C1A5B13 AW4 B-B1A6B12 01A-C1A7D12
 W AP4 A-C1A5D09 RESISTOR 01A-B1N7D12
 1 AQ4 A-C1A7D07 B-B1E6B10 01A-B1A5D12
 0 01A-B1N7D07 BB4 A-C1N6D07 BE4 B-B1N6B12
 1 01A-B1A5D07 01B-A1A7D07 01A-C1B6B12
 01A-A1N5D07 01B-A1E8D04
 01A-C1N6D12 01B-B1E8D04
 01B-A1A7D12 BC4 B-A1A7D06
 012 AU4 B-B1A6B13 01A-C1N6D06
 SIM TO PN 2231139 EC 419695

LOC. TYPE
 A-C1D5 3819
 A-C1G7 3356
 A-C1H4 3421
 B-A1E6 3421
 B-B1E6 7196
 B-B1F7 0000
 B-B1J7 3447

PROCESSOR USAGE METERS CONTROL			
-E.C.-HISTORY		MACH.1131-B	
419610	419644	FRAME	01
5800000	419668	IBM CORP.	GPD
419631	419668	DATE	LAST EC
419626	419689	P.N.	2231479
01-24-69	419695		

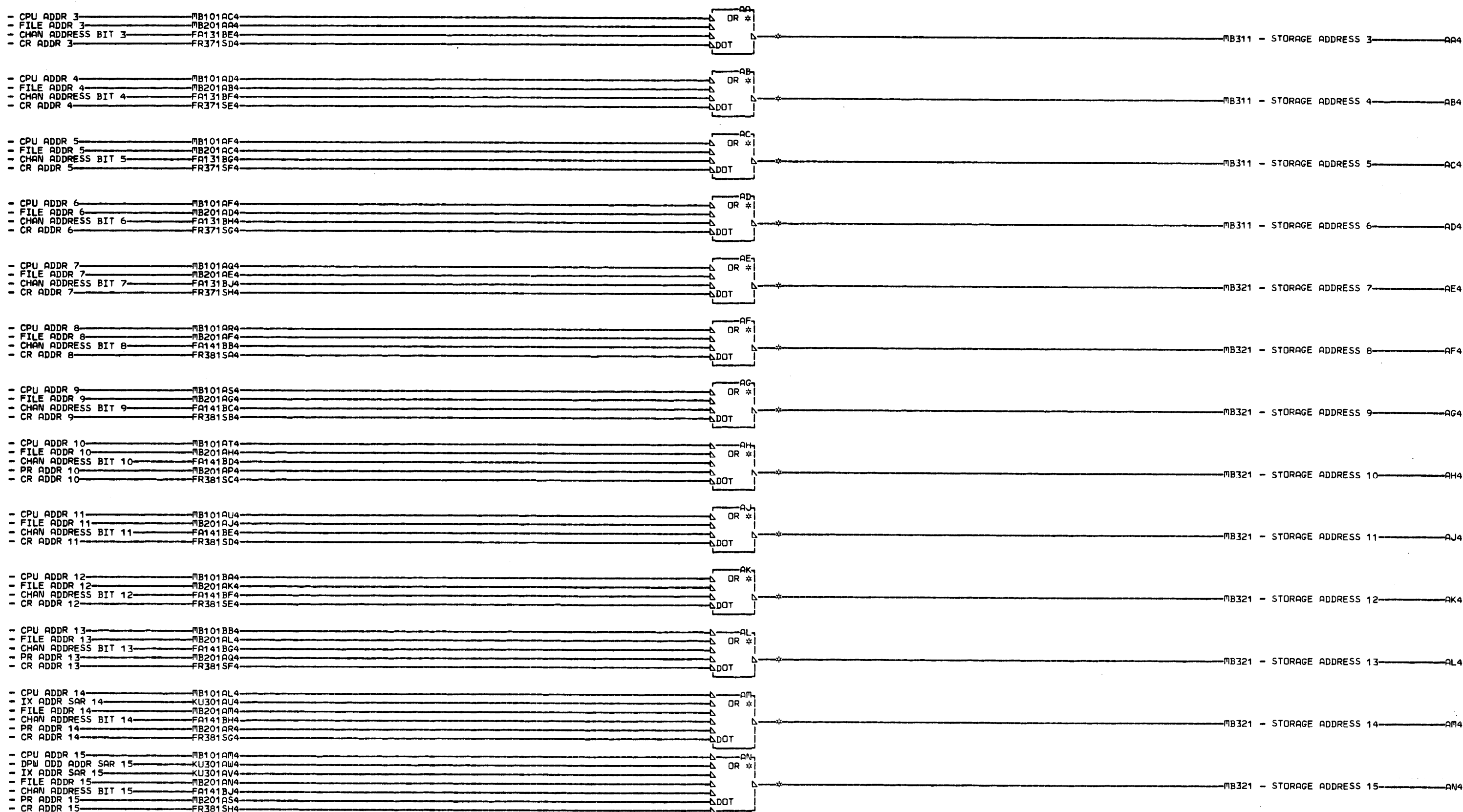


AA4 B-B1M2D10

LOC. TYPE
 B-B1F2 3016
 B-B1G2 0533

STORAGE ADDR BUS		M
E-C-HISTORY	MACH-1131-B	B
419631	FRAME 01	1
	IBM CORP. GPD	1
DATE LAST EC	P.N. 2231140	000
11-11-66 419644		

M
 B
 1
 0
 1
 000



M	AA4	B-B1H1A09	01B-B1N7D05	01B-B1N7B07	01A-A1J8B04	01B-B1G1A11
B		01B-B1G1E09	AD4 B-B1H1C11	AG4 B-B1J1C09	01B-B1N7D09	01B-B1K1A11
1		01A-A1H8B04	01A-A1H8C06	01A-A1H8E04	AK4 B-B1J1E11	01A-A1J8C06
1		01B-B1N7D04	01B-B1N7B05	01B-B1N7D07	01A-A1J8B06	01B-B1N7B10
1		AB4 B-B1H1B11	AE4 B-B1H1C09	AH4 B-B1J1D11	01B-B1N7B09	AN4 B-A1G1A09
		01A-A1H8B06	01A-A1H8D04	01B-B1J1A11	AL4 B-B1J1E09	01B-B1G1A09
		01B-B1N7B04	01B-B1N7D06	01A-A1J8A06	01A-A1J8C04	01B-B1K1A09
012		AC4 B-B1H1B09	AF4 B-B1J1C11	01B-B1N7B08	01B-B1N7D10	01A-A1J8D04
		01A-A1H8C04	01A-A1H8E06	AJ4 B-B1J1D09	AM4 B-A1G1A11	01B-B1N7D11

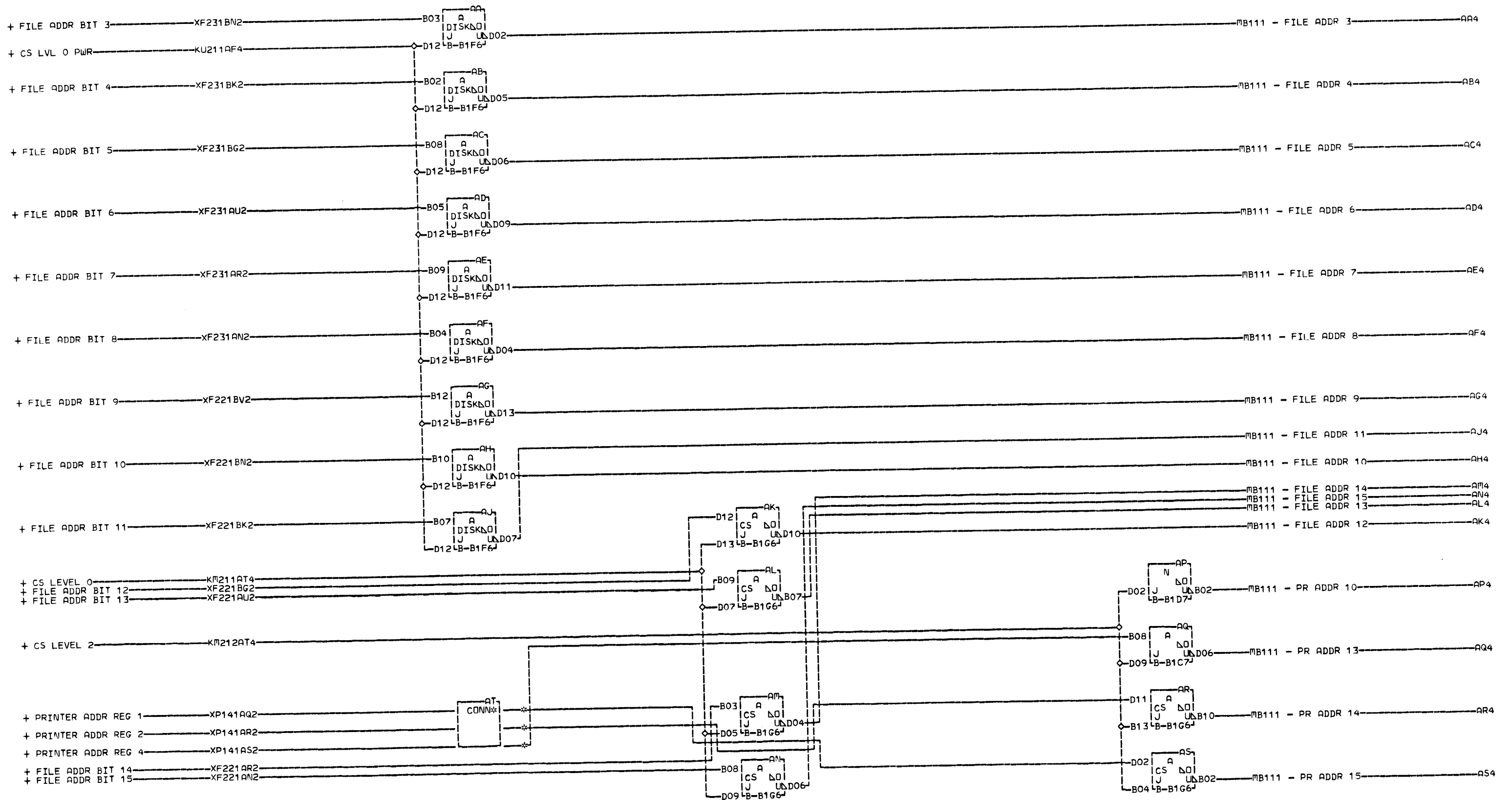
STORAGE ADDRESS ASSEMBLY

—E.C.—HISTORY— MACH#1131-B

419626
419644
419644A
419652

FRAME 01 1
IBM CORP. GPD
DATE LAST EC
06-23-67 419664 P.No 2231495

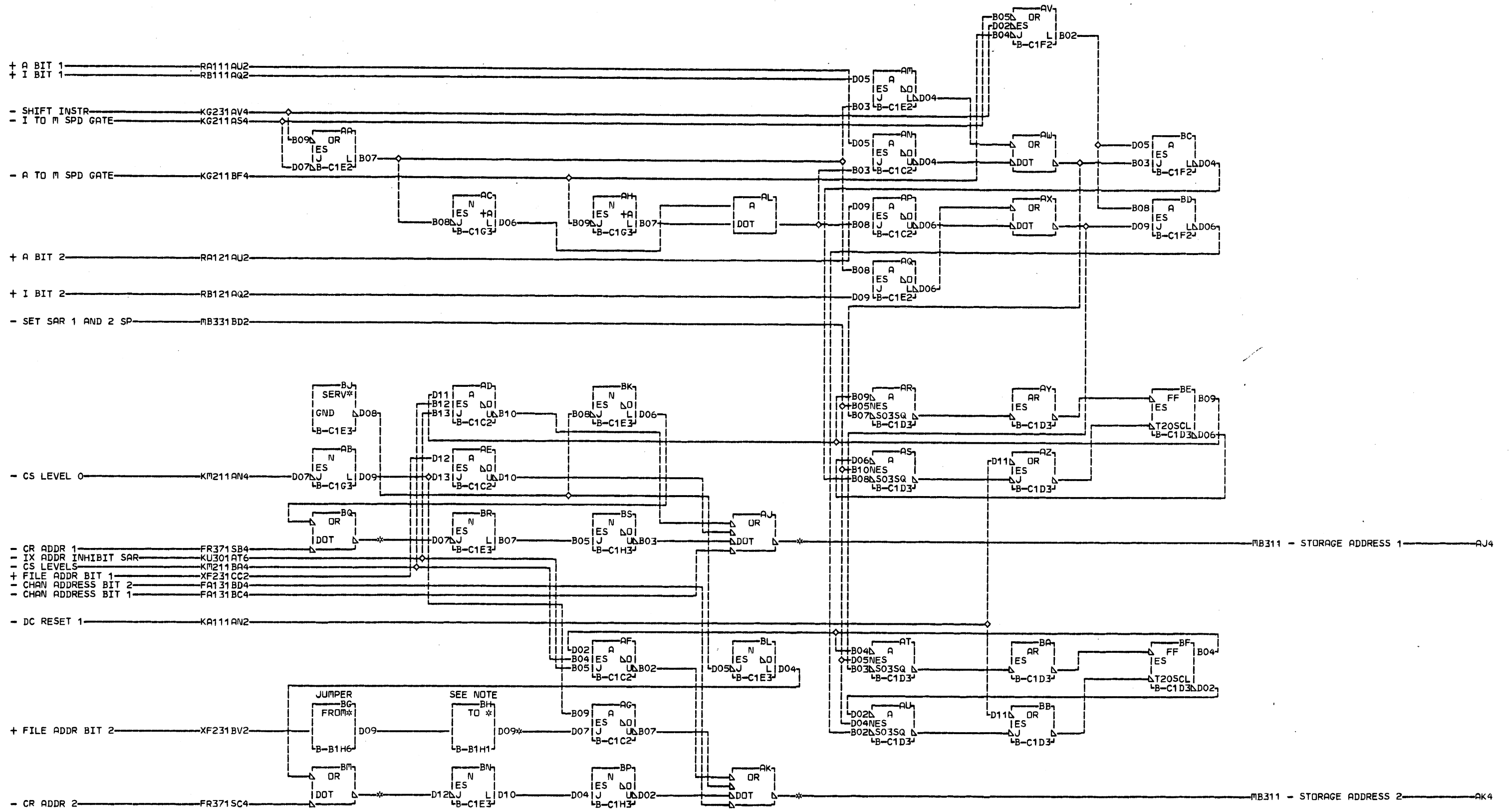
M B 1 1 1 012



AT2 B-B1G8E06
 01B-B1H8A04
 AT4 B-B1H8A06
 AT6 B-B1H8B06

LOC. TYPE
 B-B1C7 0236
 B-B1D7 0238
 B-B1F6 3028
 B-B1G6 0236

FILE/PRINTER ADDR BUS		M
-E-C-HISTORY-	MACH.1131-B	B
	FRAME 01	0
	IBM CORP. GPD	1
DATE LAST EC	IP.N. 2231142	000
109-02-66 419631		



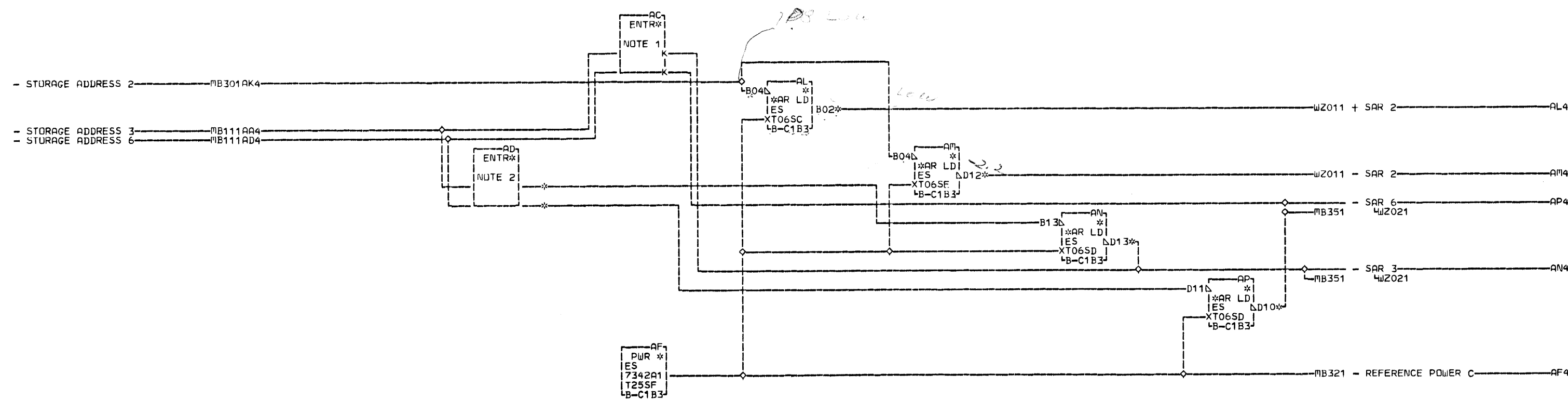
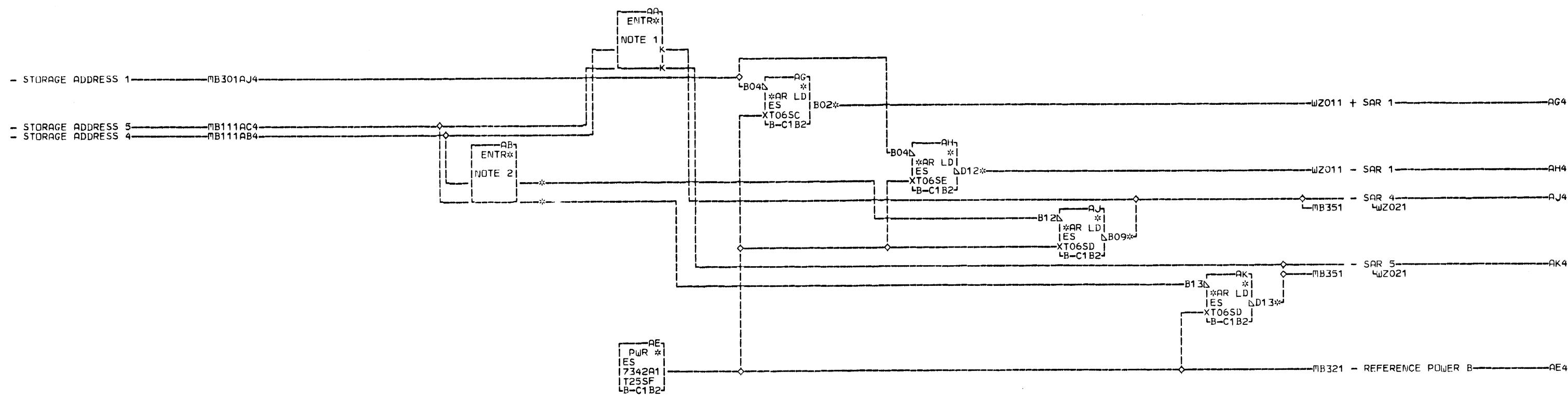
NOTE THIS JUMPER IS REQUIRED IF STORAGE IS IN D GATE. CARD CIRCUITS SHOWN ON THIS PAGE ARE PRESENT ONLY IN MACHINES WITH EXPANDED STORAGE.

012 SIM TO PN 2231510 EC 419695

AJ4	B-C1H1E09	01B-B1K8A06
01B-B1H1E09	01A-A1N4B13	
AK4	B-C1J1B09	BQ4 B-C1F1E09
01B-B1J1B09	01B-A1C1E09	
BH4	B-C1H1D09	01B-A1F8E04
BM4	B-C1G1A09	01B-B1F8E04
01B-A1D1A09	01B-B1J8E06	
01B-A1F8E06	01A-A1N4B12	
01B-B1F8E06		

LOC.	TYPE
B-C1C2	0236
B-C1D3	3794
B-C1E2	0000
B-C1E3	0000
B-C1F2	0000
B-C1G3	3421
B-C1H3	3447

STORAGE ADDRESS BITS 1 AND 2		
E.C.-HISTORY	MACH.1131-B	M B 3 0 1
419644	FRAME	01
419648	IBN CORP. SDD	1
419664	DATE	
03-14-69	LAST EC	
419695	PoN. 2231967	012

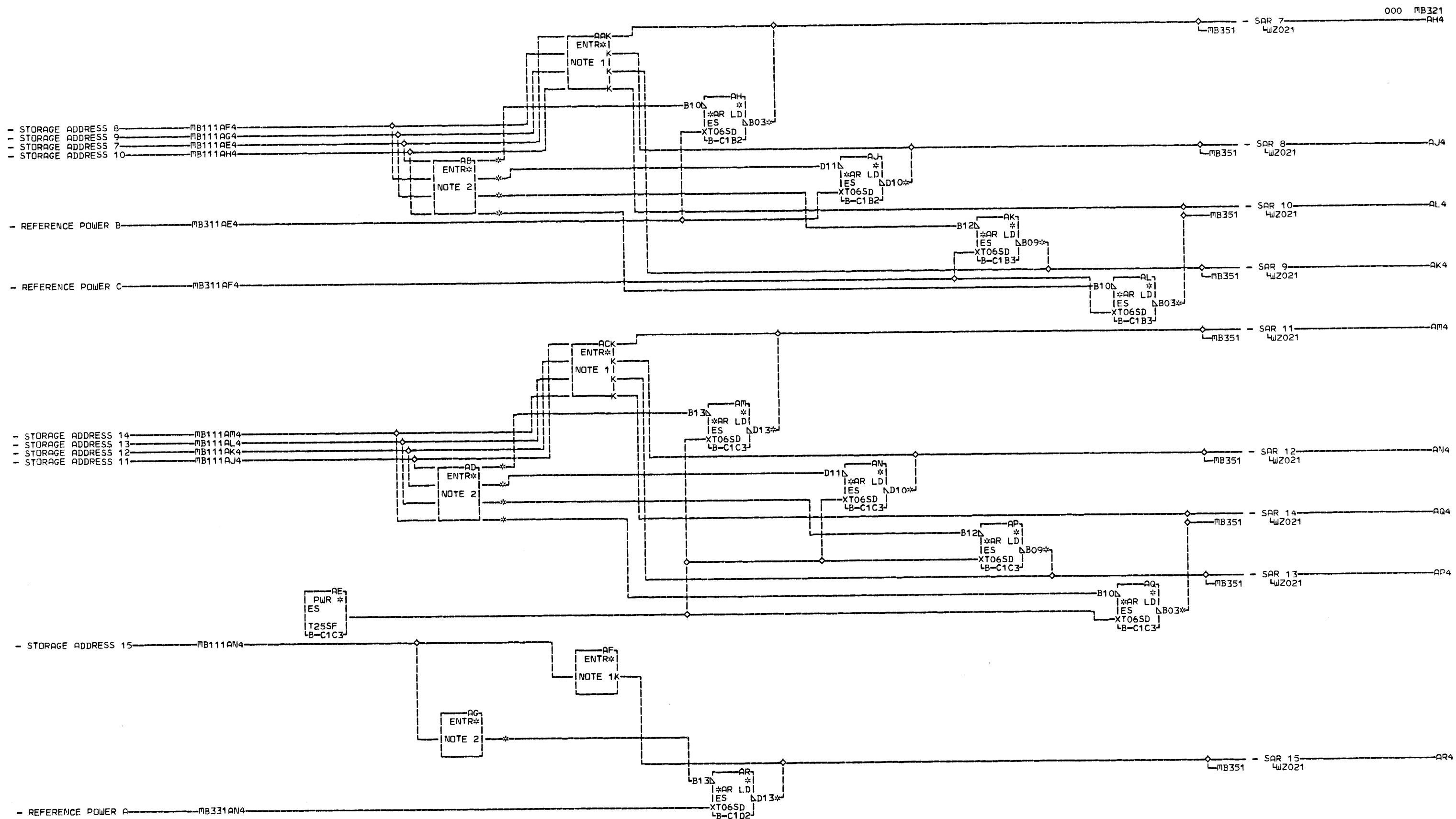


NOTE 1 USE THIS BLOCK IF MEMORY IS IN B GATE.
 NOTE 2 USE THIS BLOCK IF MEMORY IS IN D GATE.
 3 CARD CIRCUITS SHOWN ON THIS PAGE ARE PRESENT ONLY IN MACHINES WITH EXPANDED STORAGE.

AB5 B-C1H1B11	01E-A1N1A11	01D-A1E1B11	01D-A1E1B09	01E-B1M1E11	01D-B1D1E09	01E-B1E1A09	01D-B1H1C11
AB7 B-C1H1B09	AH4 B-C1A4D13	01D-A1H1B11	01D-A1H1B09	01E-A1M1E11	01D-B1E1A09	01E-B1G1E09	01D-A1E1C11
AD5 B-C1G1E09	01D-B1N1A09	01E-B1E1B11	01E-B1E1B09	AM4 B-C1A4D12	01D-B1G1E09	01E-B1H1A09	01D-A1H1C11
01B-C1H1A09	01D-A1N1A09	01E-B1H1B11	01E-B1H1B09	01D-B1M1E09	01D-B1H1A09	01E-A1D1E09	01E-B1E1C11
AD7 B-C1H1C11	01E-B1N1A09	01E-A1E1B11	01E-A1E1B09	01D-A1M1E09	01D-A1D1E09	01E-A1E1A09	01E-B1H1C11
AG4 B-C1A4B13	01E-A1N1A09	01E-A1H1B11	01E-A1H1B09	01E-B1M1E09	01D-A1E1A09	01E-A1G1E09	01E-A1E1C11
01D-B1N1A11	AJ4 B-C1A3B04	AK4 B-C1A3D04	AL4 B-C1A4B12	01E-A1M1E09	01D-A1G1E09	01E-A1H1A09	01E-A1H1C11
01D-A1N1A11	01D-B1E1B11	01D-B1E1B09	01D-B1M1E11	AN4 B-C1A3D02	01D-A1H1A09	AP4 B-C1A3B05	
01E-B1N1A11	01D-B1H1B11	01D-B1H1B09	01D-A1M1E11	01B-C1A3D03	01E-B1D1E09	01D-B1E1C11	

LOC. TYPE
 B-C1B2 7342
 B-C1B3 7342

SAR BITS 1-6 POWERING		
E.C. HISTORY	MACH. 1131-B	M
419644		B
419644A	FRAME	3
419664		1
419689	IBM CORP. SDD	1
DATE	LAST EC	000
02-04-69	419695	
	P.N. 2231511	



NOTE 1 USE THIS BLOCK IF MEMORY IS IN B GATE.
 NOTE 2 USE THIS BLOCK IF MEMORY IS IN D GATE.
 3 CARD CIRCUITS SHOWN ON THIS PAGE ARE PRESENT ONLY IN MACHINES WITH EXPANDED STORAGE.

AB1	B-C1H1C09	AH4	B-C1A3D05	01D-B1F1C11	01D-B1J1C09	01D-B1F1D11	01E-A1J1A11	AN4	B-C1A3B12	01D-B1F1E09	01D-B1K1A11	01D-A1G1A09	LOC.	TYPE
AB3	B-C1J1C11	01D-B1E1C09	01D-B1J1C11	01D-A1F1C09	01D-B1J1A11	AM4	B-C1A3D11	01D-B1F1E11	01D-B1J1E09	01D-A1G1A11	01D-A1K1A09	B-C1B2	7342	
AB5	B-C1J1C09	01D-B1H1C09	01D-A1F1C11	01D-A1J1C09	01D-A1F1A11	01D-B1F1D09	01D-B1F1E11	01D-A1F1E09	01D-A1G1A11	01E-B1G1A09	01E-B1K1A09	B-C1B3	7342	
AB7	B-C1J1A11	01D-A1E1C09	01D-A1J1C11	01E-B1F1C09	01D-A1F1D11	01D-B1J1D09	01D-A1F1E11	01D-A1J1E09	01E-B1G1A11	01E-B1K1A11	01E-A1G1A09	B-C1C3	7342	
	01B-C1J1D11	01D-A1H1C09	01E-B1F1C11	01D-A1J1A11	01D-A1F1D09	01D-A1J1E11	01E-B1F1E11	01E-B1J1E09	01E-A1K1A11	01E-A1G1A11	01E-A1K1A09	B-C1D2	7342	
AD1	B-C1J1D09	01E-B1E1C09	01E-B1J1C11	01E-A1F1C09	01E-B1F1A11	01D-A1J1D09	01E-B1F1E11	01E-B1J1E09	AR4	B-C1A3D13				
AD3	B-C1J1E11	01E-B1H1C09	01E-A1F1C11	01E-B1J1D11	01E-A1F1D11	01E-B1F1D09	01E-B1J1E11	01E-A1F1E09	01E-A1K1A11					
AD5	B-C1J1E09	01E-A1E1C09	01E-A1J1C11	AL4	B-C1A3B08	01E-B1J1A11	01E-A1F1E11	01E-A1J1E09						
AD7	B-C1K1A11	01E-A1H1C09	AK4	B-C1A3D10	01B-C1A3B10	01E-A1F1A11	01E-A1J1E11	01E-A1F1D09	AQ4	B-C1A3B13	01D-B1G1A09			
AG4	B-C1K1A09	AJ4	B-C1A3B10	01D-B1F1C09	01D-B1F1A11	01E-A1J1D09	01E-A1J1E11	AP4	B-C1A3D12	01D-B1G1A11	01D-B1K1A09			

SAR BITS 7-15 POWERING			
E.C.	HISTORY	MACH.	1131-B
419644		FRAME	01
419644A		IBM CORP.	SDD
419664		P.N.	2231512
DATE	LAST EC		
101-26-68	419689		

000 MB321 AH4

MB351 SAR 8 WZ021 AJ4

MB351 SAR 10 WZ021 AL4

MB351 SAR 9 WZ021 AK4

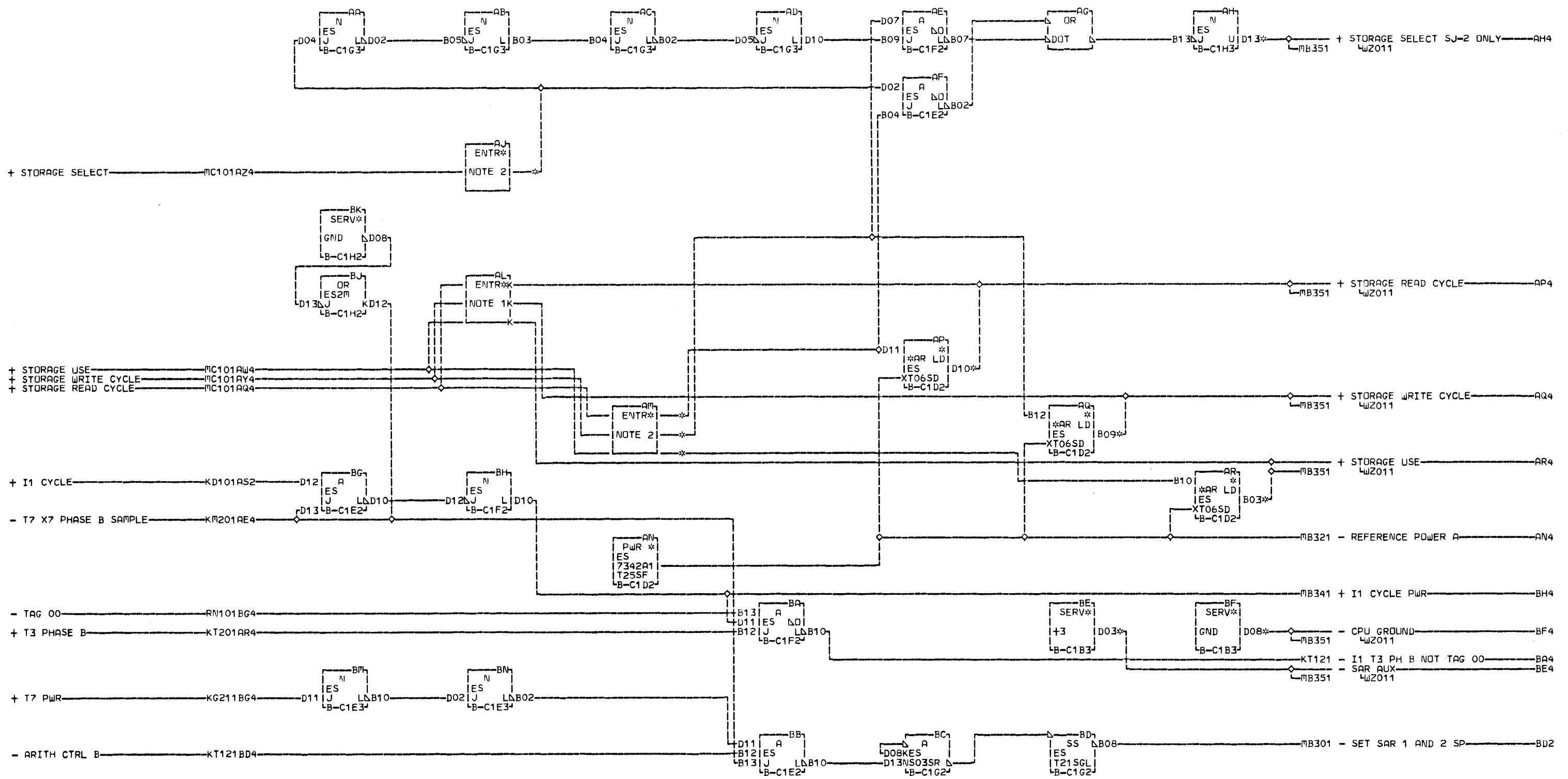
MB351 SAR 11 WZ021 AM4

MB351 SAR 12 WZ021 AN4

MB351 SAR 14 WZ021 AQ4

MB351 SAR 13 WZ021 AP4

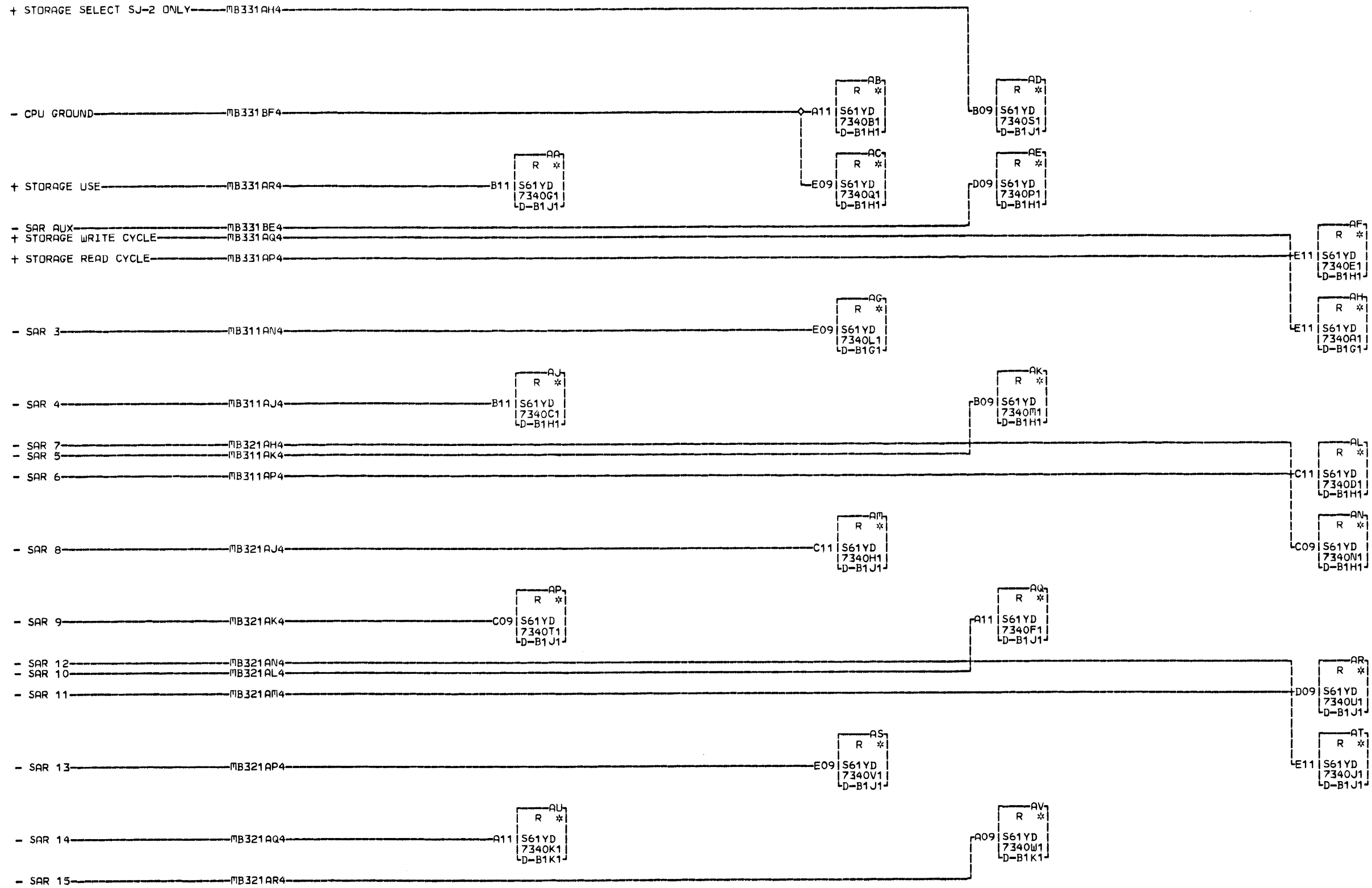
MB351 SAR 15 WZ021 AR4



NOTE 1 USE THIS BLOCK IF MEMORY IS IN B GATE.
 M NOTE 2 USE THIS BLOCK IF MEMORY IS IN D GATE.
 B CARD CIRCUITS SHOWN ON THIS PAGE ARE PRESENT ONLY IN MACHINES WITH EXPANDED STORAGE.

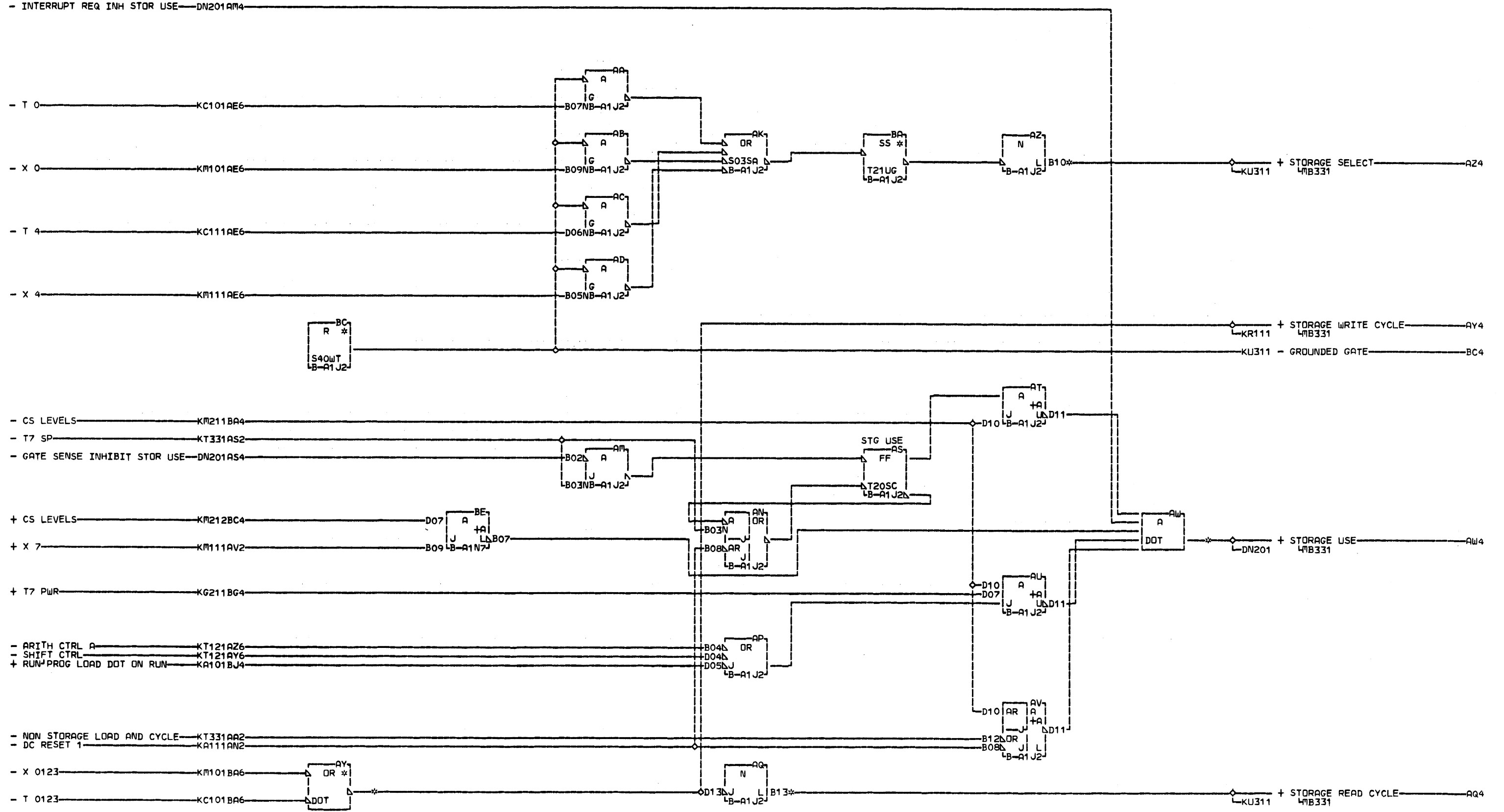
AH4 B-C1A3D09	AJ4 B-C1F1C11	01D-A1H1E11	01D-B1G1E11	01E-B1H1D11	01D-A1J1B11	01D-A1H1D09	01D-B1E1E09	01E-B1H1E09	LOC. TYPE
01D-B1F1B09	AM2 B-C1H1E11	01E-B1E1E11	01D-B1H1D11	01E-A1D1E11	01E-B1F1B11	01E-B1E1D09	01D-B1H1E09	01E-A1E1A11	B-C1D2 7342
01D-B1J1B09	AM4 B-C1G1E11	01E-B1H1E11	01D-A1D1E11	01E-A1E1D11	01E-B1J1B11	01E-B1H1D09	01D-A1E1A11	01E-A1H1A11	B-C1E2 0000
01D-A1F1B09	01B-C1H1D11	01E-A1E1E11	01D-A1E1D11	01E-A1G1E11	01E-A1F1B11	01E-A1E1D09	01D-A1H1A11	01E-A1E1E09	B-C1E3 0000
01D-A1J1B09	AM6 B-C1J1B11	01E-A1H1E11	01D-A1G1E11	01E-A1H1D11	01E-A1J1B11	01E-A1H1D09	01D-A1E1E09	01E-A1H1E09	B-C1F2 0000
01E-B1F1B09	AP4 B-C1A3B07	AQ4 B-C1A3B06	01D-A1H1D11	AR4 B-C1A3B09	BE4 B-C1A3D06	BF4 B-C1A3B03	01D-A1H1E09		B-C1G3 3421
01E-B1J1B09	01D-B1E1E11	01B-C1A3B06	01E-B1D1E11	01D-B1F1B11	01D-B1E1D09	01B-C1A3D07	01E-B1E1A11		B-C1H2 0247
01E-A1F1B09	01D-B1H1E11	01D-B1D1E11	01E-B1E1D11	01D-B1J1B11	01D-B1H1D09	01D-B1E1A11	01E-B1H1A11		B-C1H3 3447
01E-A1J1B09	01D-A1E1E11	01D-B1E1D11	01E-B1G1E11	01D-A1F1B11	01D-A1E1D09	01D-B1H1A11	01E-B1E1E09		

STORAGE CONTROL LINES		M
E.C. HISTORY	MACH 1131-B	3
419644	FRAME	01 3
419644A		1
419664	IBM CORP. SDD	000
419689		
DATE	LAST EC	
02-04-69	419695	
	P.No. 2231513	



NOTE 1.
 THE ABOVE CARD IS INSTALLED IN
 M THE T3 CONNECTOR POSITION
 B IT IS INSTALLED AS FOLLOWS.
 3 1. IN 01D-B1 ON 8K SYSTEMS
 5 2. IN 01D-A1 ON 16K SYSTEMS
 1 3. IN 01E-A1 ON 32K SYSTEMS

STORAGE CONTROL LINE			
TERMINATORS			
-E.C.-HISTORY	419644	MACH#1131-B	M
		FRAME	01
		IBM CORP. SDD	5
		P.# 2231514	1
DATE	LAST EC		
01-24-69	419695		000

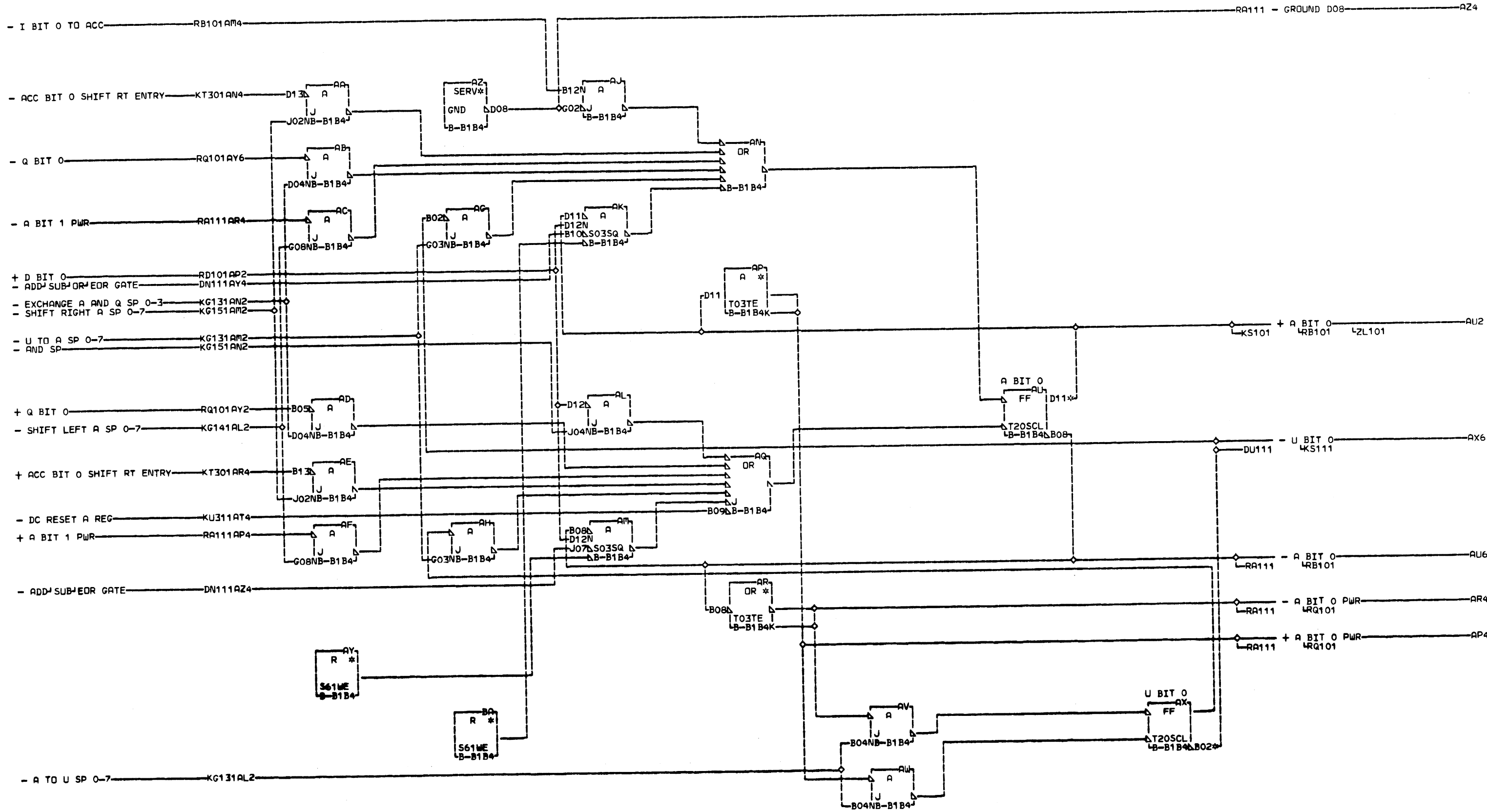


M
C
1
0
1
000

AQ4 B-A1E1E11 01B-B1D1E11
 01B-B1E1E11 01B-B1H1D11
 01B-B1H1E11 01B-B1G1E11
 AW4 B-A1F1B11 AZ4 B-A1C1C11
 01B-B1F1B11 RESISTOR
 01B-B1J1B11 B-A1J2B10
 AY4 B-A1D1E11
 01B-A1E1D11
 01B-B1E1D11

LOC. TYPE
 B-A1J2 7347
 B-A1N7 0000

STORAGE READ/WRITE CYCLES STORAGE SELECT AND USE			
E.C. HISTORY	MACH. 1131-B	M	C
419631		1	1
419644	FRAME	01	0
419644A			1
419648	IBM CORP. GPD		
DATE	LAST EC		000
06-23-67	419664	P.No.	2231143



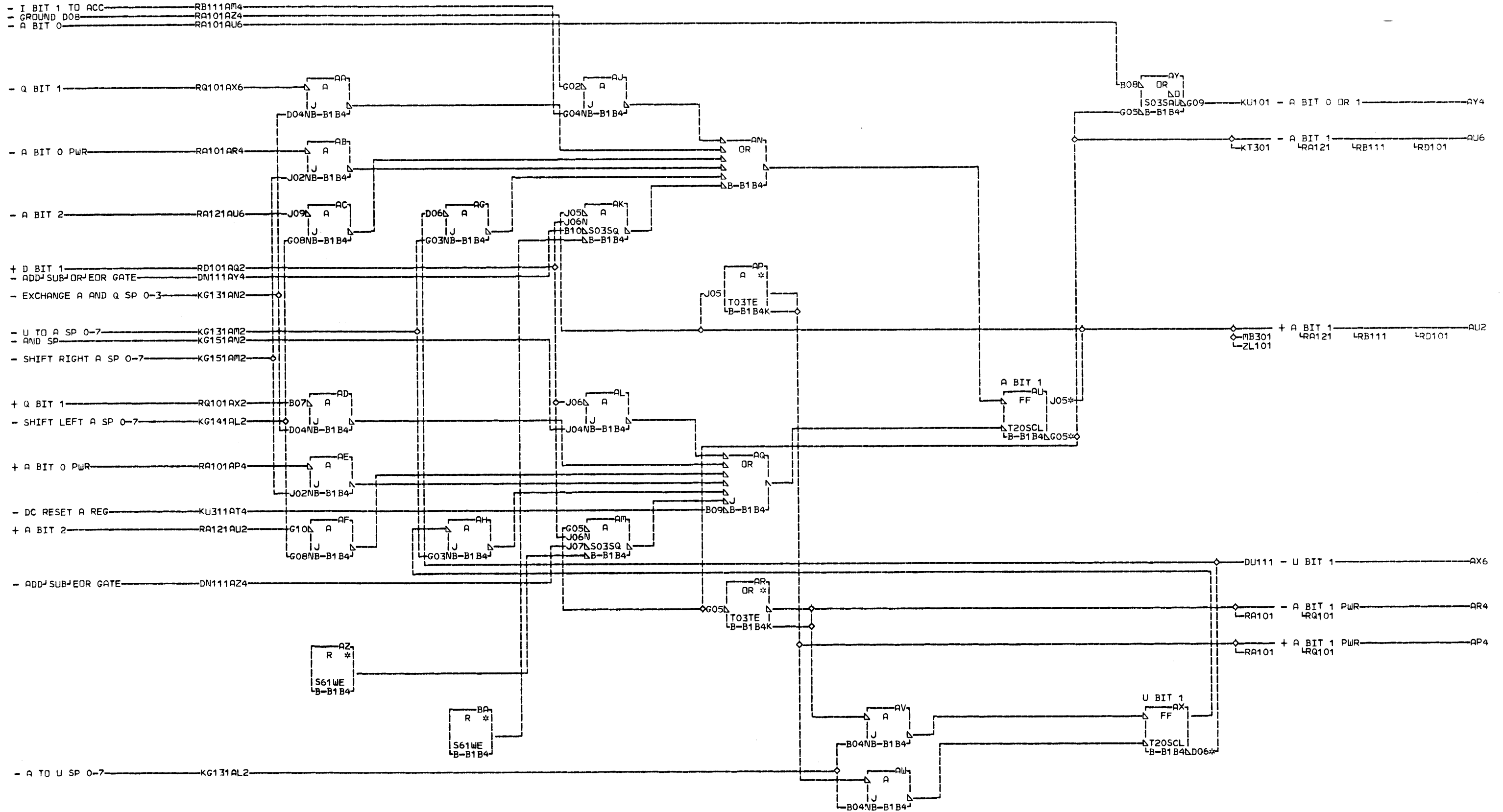
RA101

AU2 B-B1M2B10
 01B-B1A5B06
 01B-A1N5B06
 AX6 B-A1N5B10
 01B-B1A5B10
 01A-C1N3B02
 01B-B1B8A04
 01B-B1A8E06
 01A-C1N3D03

LOC. TYPE
B-B1B4 6255

A AND U REGISTERS		BIT 0
E.C. HISTORY	MACH. 1131-B	
419631	FRAME	01
	IBM CORP. GPD	000
DATE LAST EC	P.No. 2231144	
11-11-66 419644		

RA101

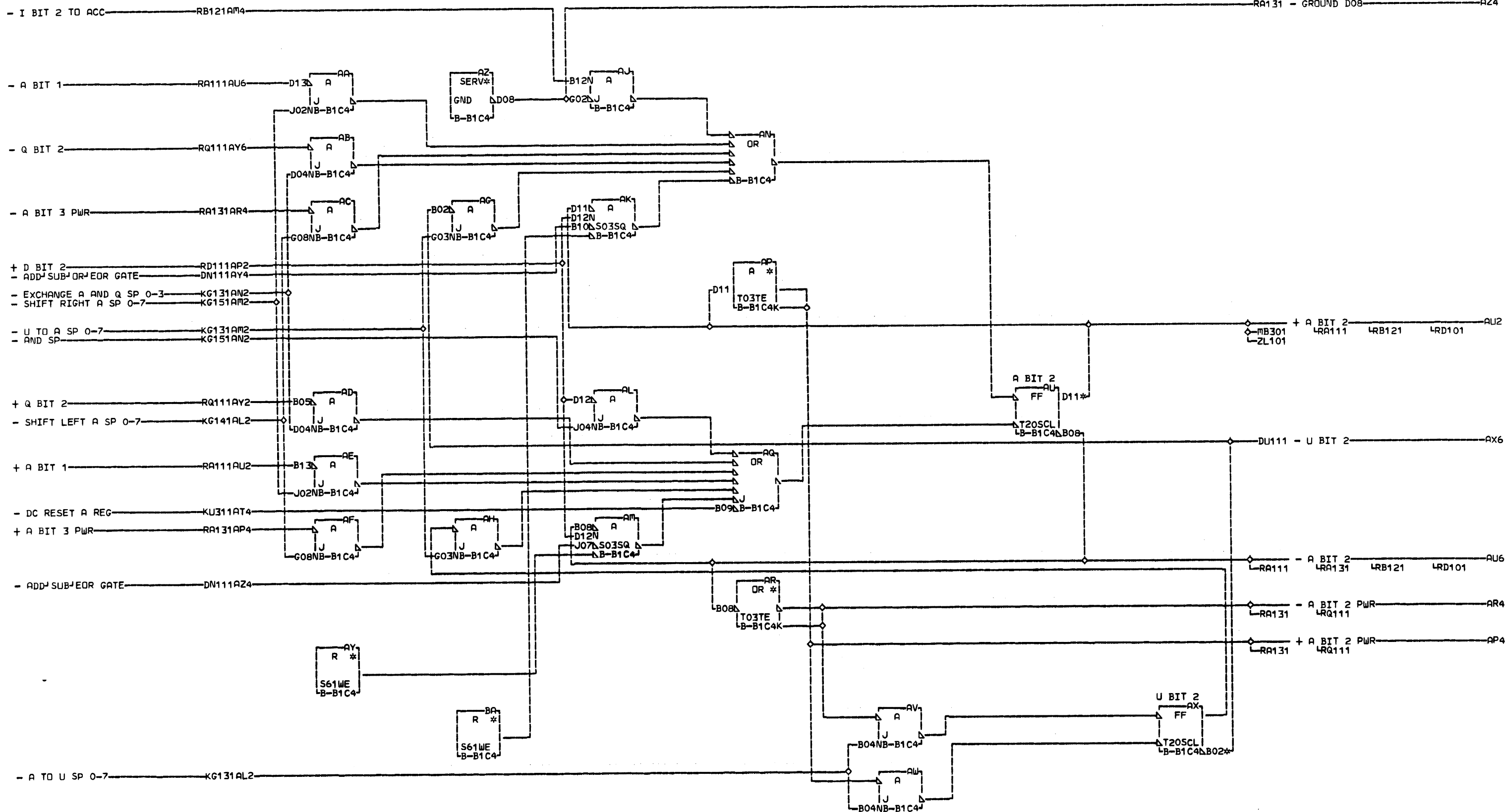


R
A
1
1
1
000

AU2 B-B1M2D11
 01B-B1N1A11
 01B-C1N1A11
 AU6 B-B1A5D07
 01B-A1N5D07
 AX6 B-B1A8E04
 01A-C1N3D02

LOC. TYPE
 B-B1B4 6255

A AND U REGISTER		BIT 1	
-E.C.-HISTORY	419631	MACH.1131-B	01
DATE	11-11-66	FRAME	01
LAST EC	419644	IBN CORP. GPD	1000
		P.N.	2231145



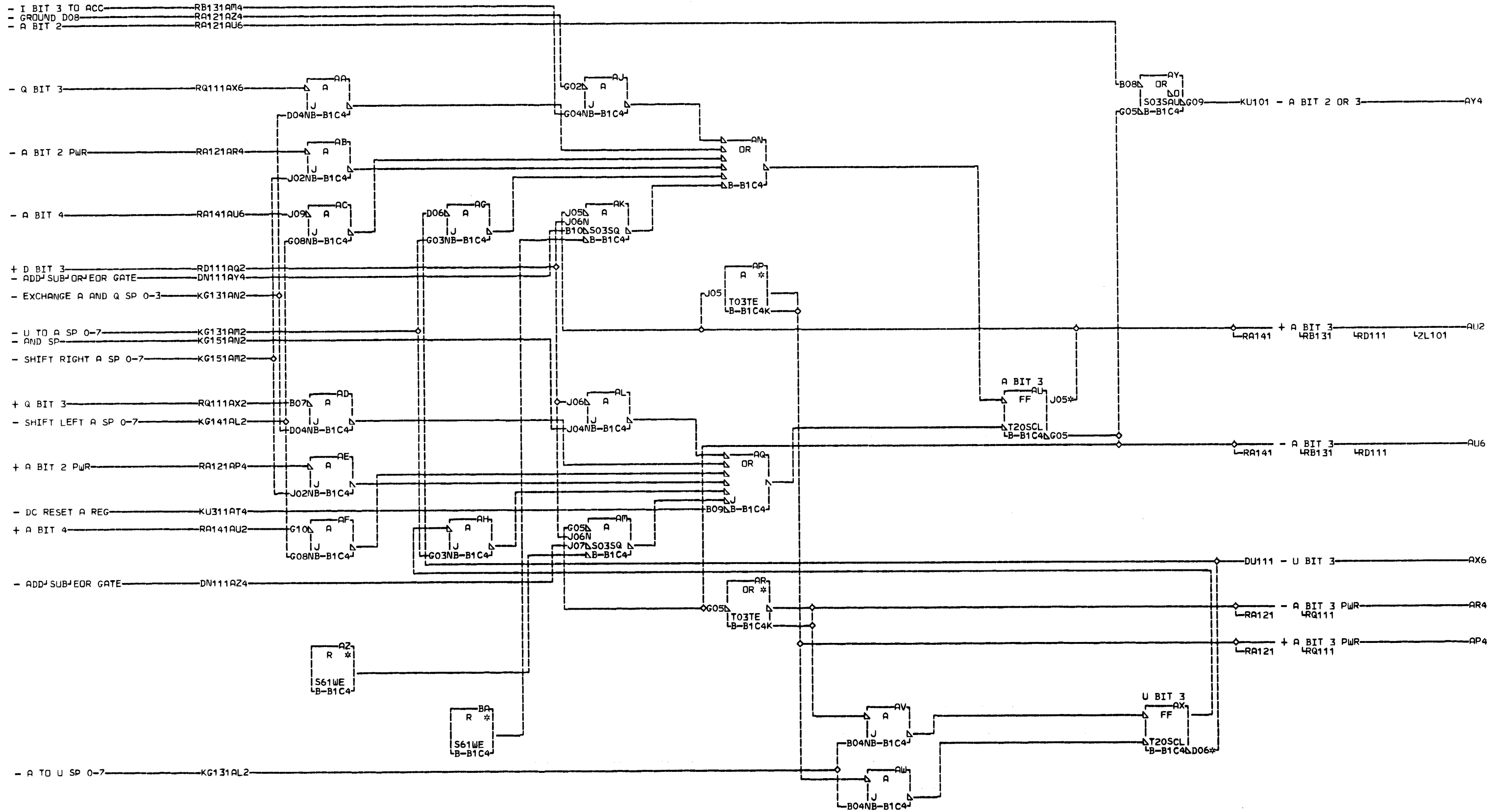
R
A
1
2
1
000

AU2 B-B1M2B12
01B-B1M1E11
01B-C1M1E11
AX6 B-B1B8A06
01A-C1N3B03

LOC. TYPE
B-B1C4 6255

A AND U REGISTERS		BIT 2	
-E.C.-HISTORY	MACH-1131-B	FRAME	01
419631		IBM CORP. GPD	
DATE	LAST EC	PoN	2231146
11-11-66	419644		

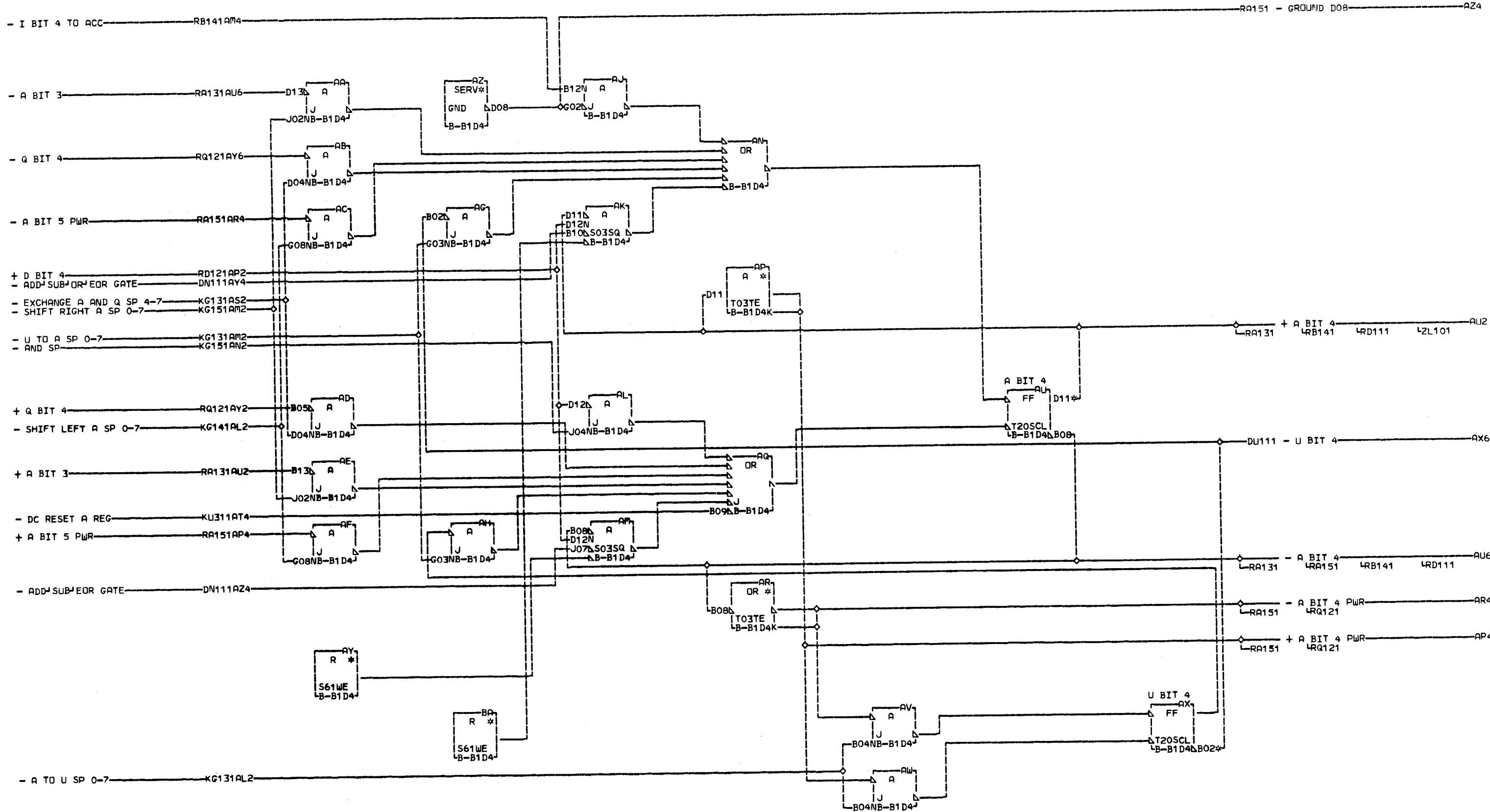
R
A
1
2
1
000



AU2 B-B1M2D12
 AX6 B-B1B8B04
 O1A-C1N3D04

LOC. TYPE
 B-B1C4 6255

A AND U REGISTER BIT 3	
E.C. HISTORY 419631	MACH. 1131-B
DATE LAST EC 11-11-66 419644	FRAME 01 IBM CORP. GPD PoN. 2231147



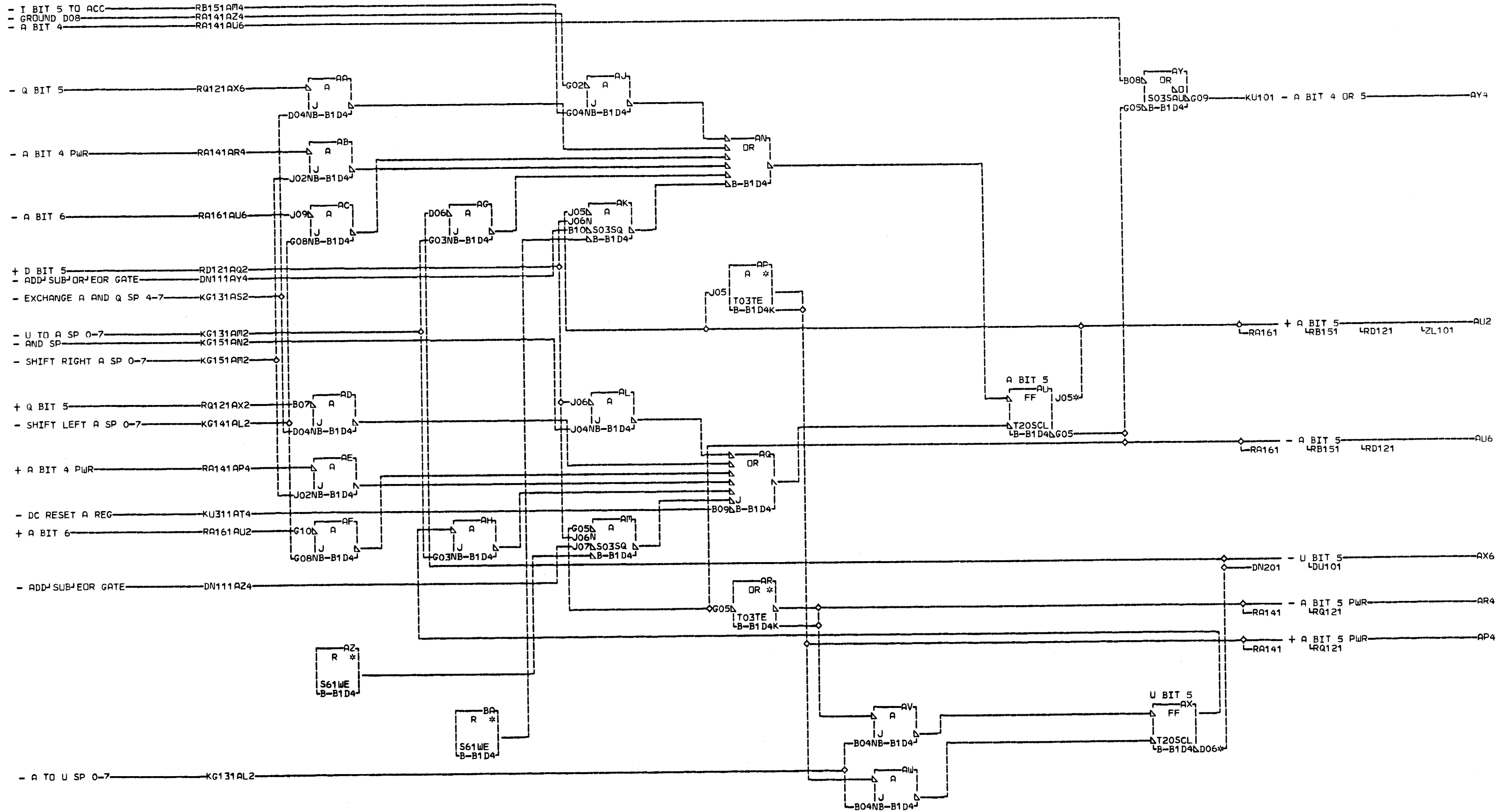
LOC. TYPE
B-B1D4 6255

AU2 B-B1N2B10
AX6 B-B1B8B06
01A-C1N3B04

A AND U REGISTERS	
BIT 4	
E-C-HISTORY 419631	MACH-1131-B FRAME 01
DATE LAST EC 11-11-66 419644	IBM CORP. GPD P.No 2231148

RA141
000

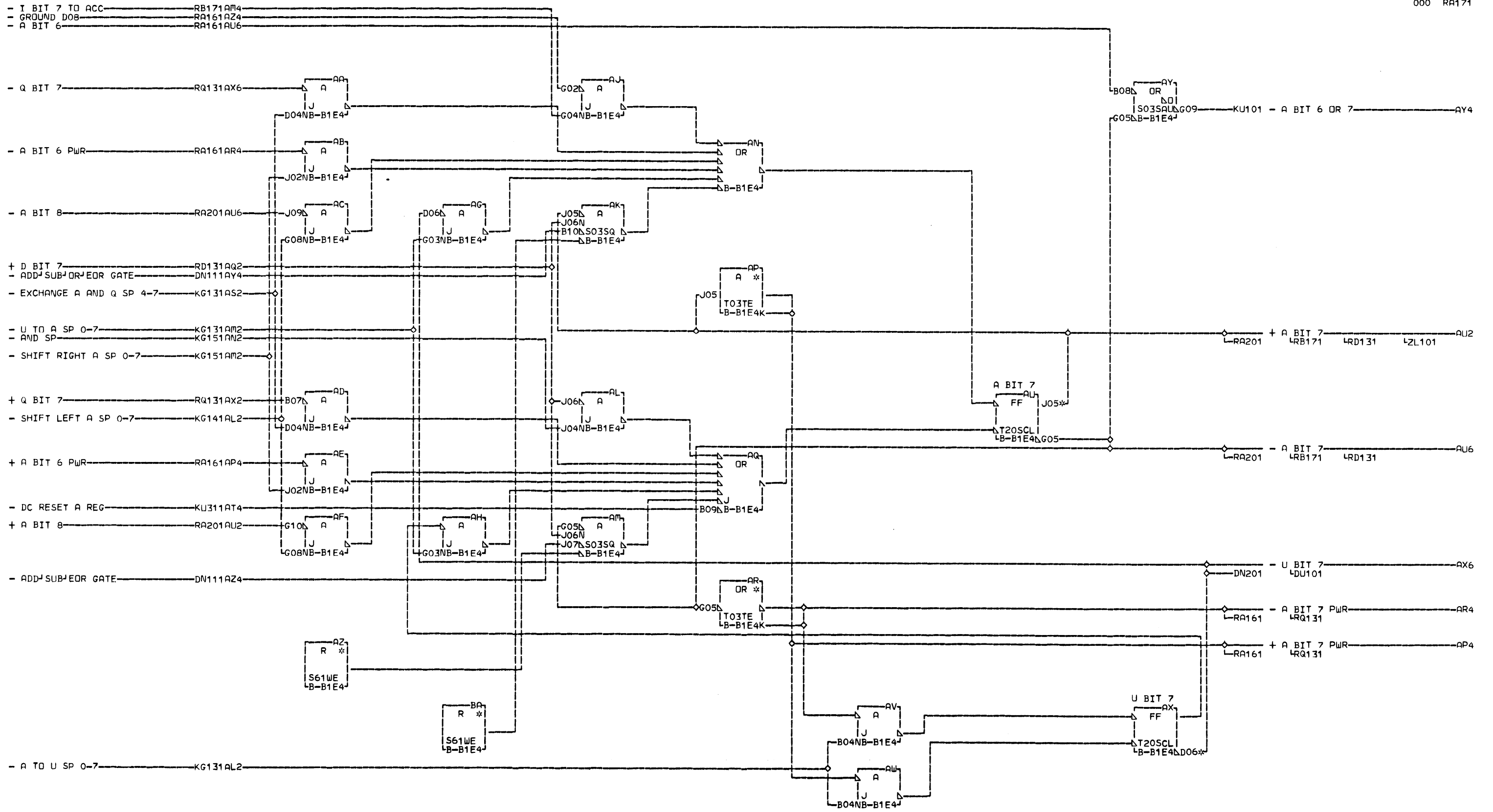
RA141
000



AU2 B-B1N2D11
 AX6 B-A1N5B13
 01B-B1A5B13
 01B-B1B8C04
 01A-C1N3D05

LOC. TYPE
 B-B1D4 6255

A AND U REGISTER BIT 5		R
E.C. HISTORY	MACH. 1131-B	1
419631	FRAME	01
	IBM CORP. GPD	1
DATE LAST EC	IP. No. 2231149	000
11-11-66 419644		



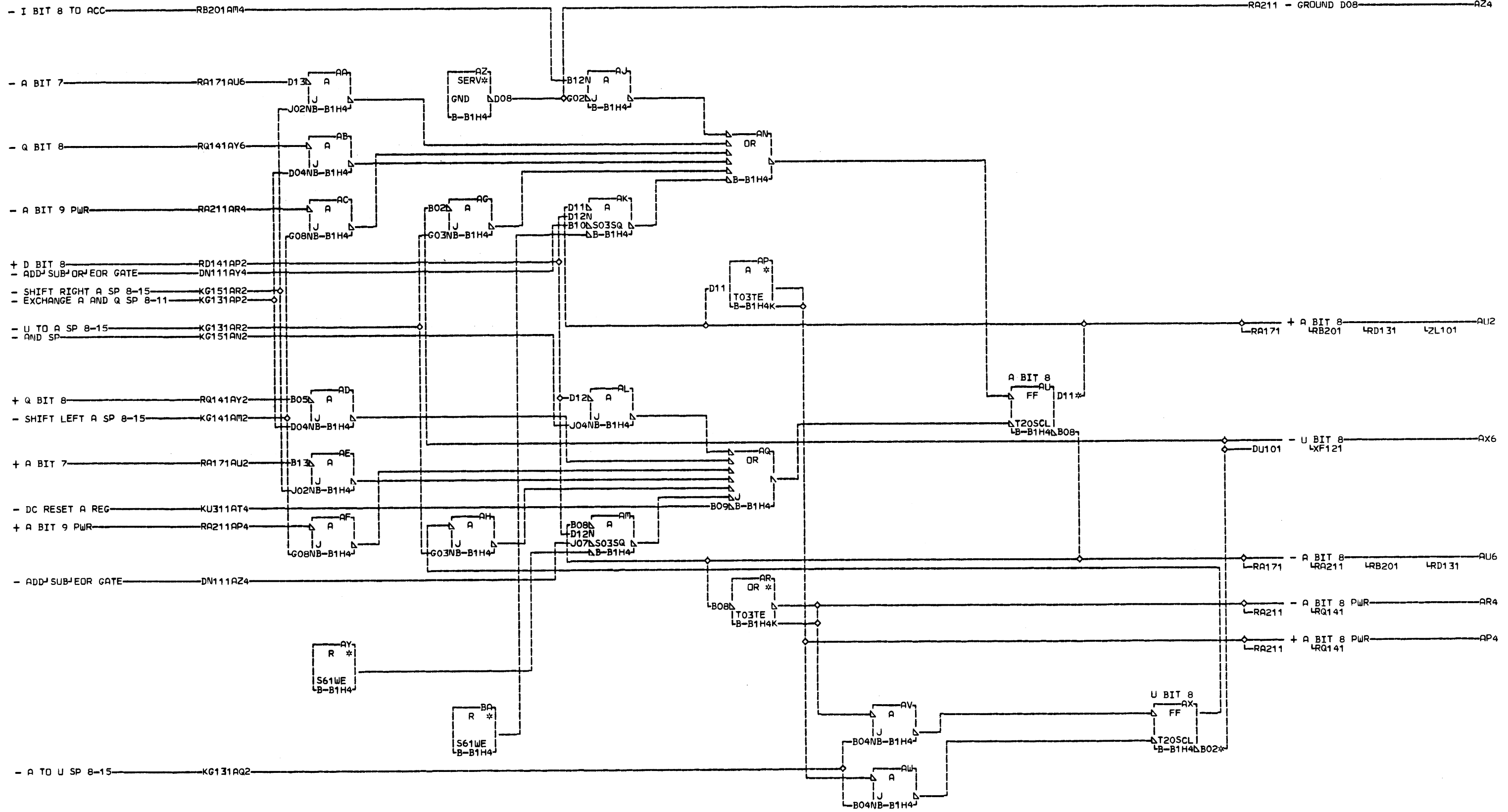
R
A
1
7
1

000

AU2 B-B1N2D12
 AX6 B-A1N5D13
 01B-B1A5D13
 01B-B1B8D04
 01A-C1N3D06

LOC. TYPE
 B-B1E4 6255

A AND U REGISTER BIT 7		R
E.C. HISTORY	MACH. 1131-B	A
419631	FRAME	01
	IBM CORP. GPD	1
DATE LAST EC	P.N. 2231151	000
11-11-66 419644		



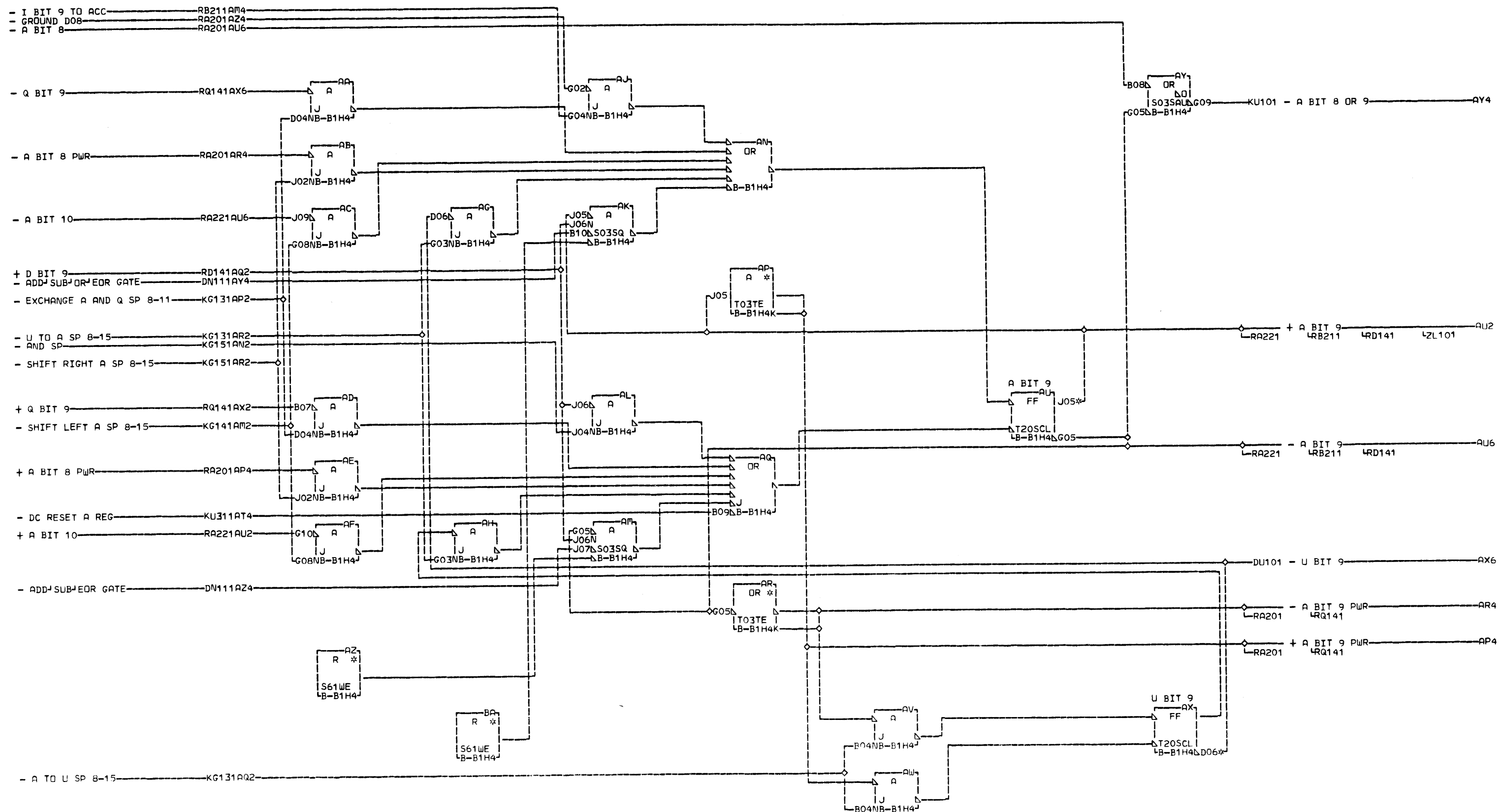
AU2 B-B1M3B12
 AX6 B-B1B8E06
 01A-C1N3B07

LOC. TYPE
 B-B1H4 6255

A AND U REGISTERS	
BIT 8	
E.C. HISTORY	MACH. 1131-B
419631	FRAME 01
DATE	IBM CORP. GPD
11-11-66 419644	P.N. 2231152

R
A
2
0
1
000

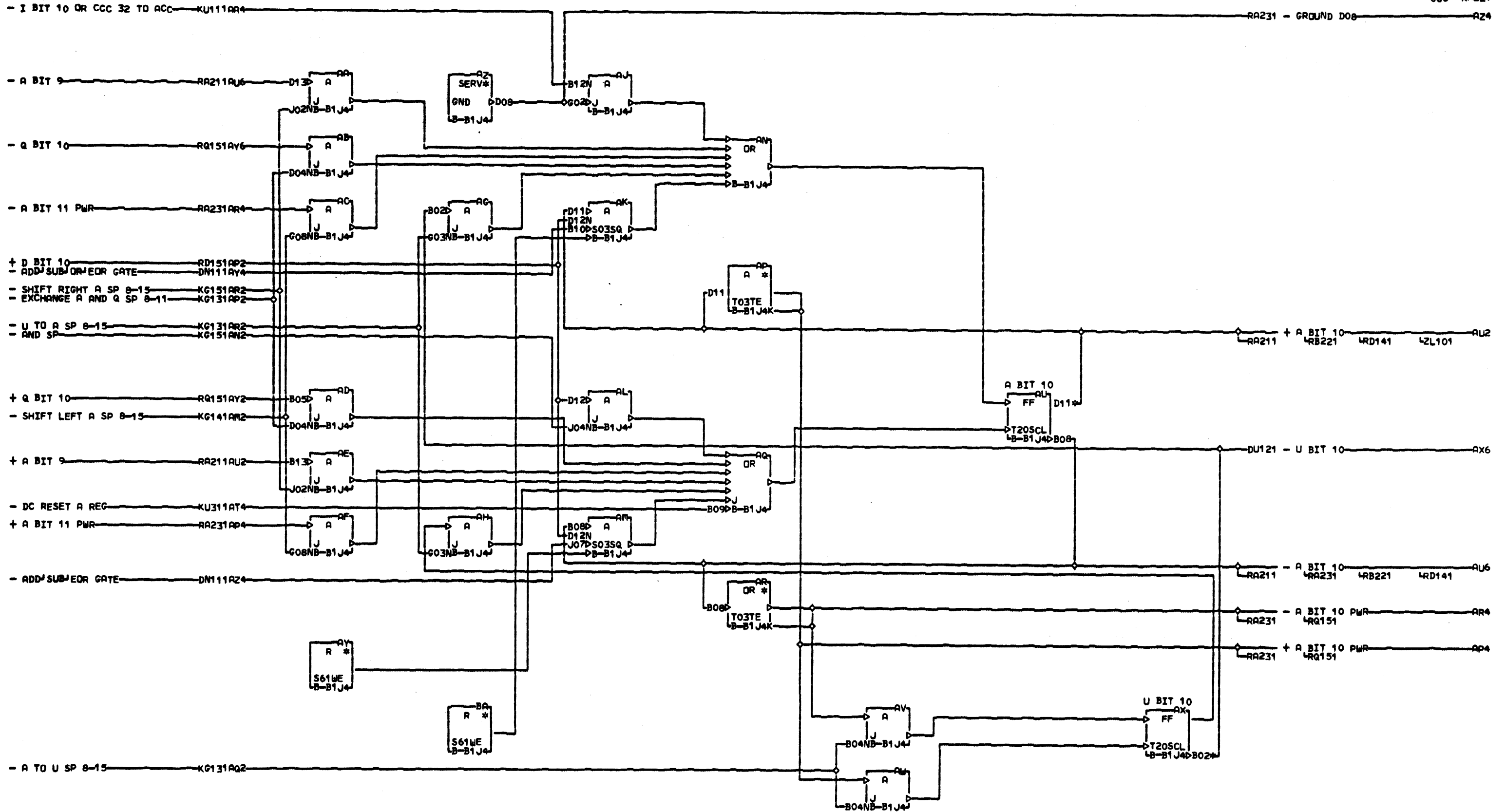
R
A
2
0
1
000



AU2 B-B1M3D12
 AX6 B-B1BBE04
 01A-C1N3D07

LOC. TYPE
 E-B1H4 6255

A AND U REGISTER BIT 9		R
E.C.-HISTORY	MACH.1131-B	2
419631	FRAME	1
	IBM CORP. GPD	1
DATE	LAST EC	000
11-11-66	419644	
	P.N. 2231153	



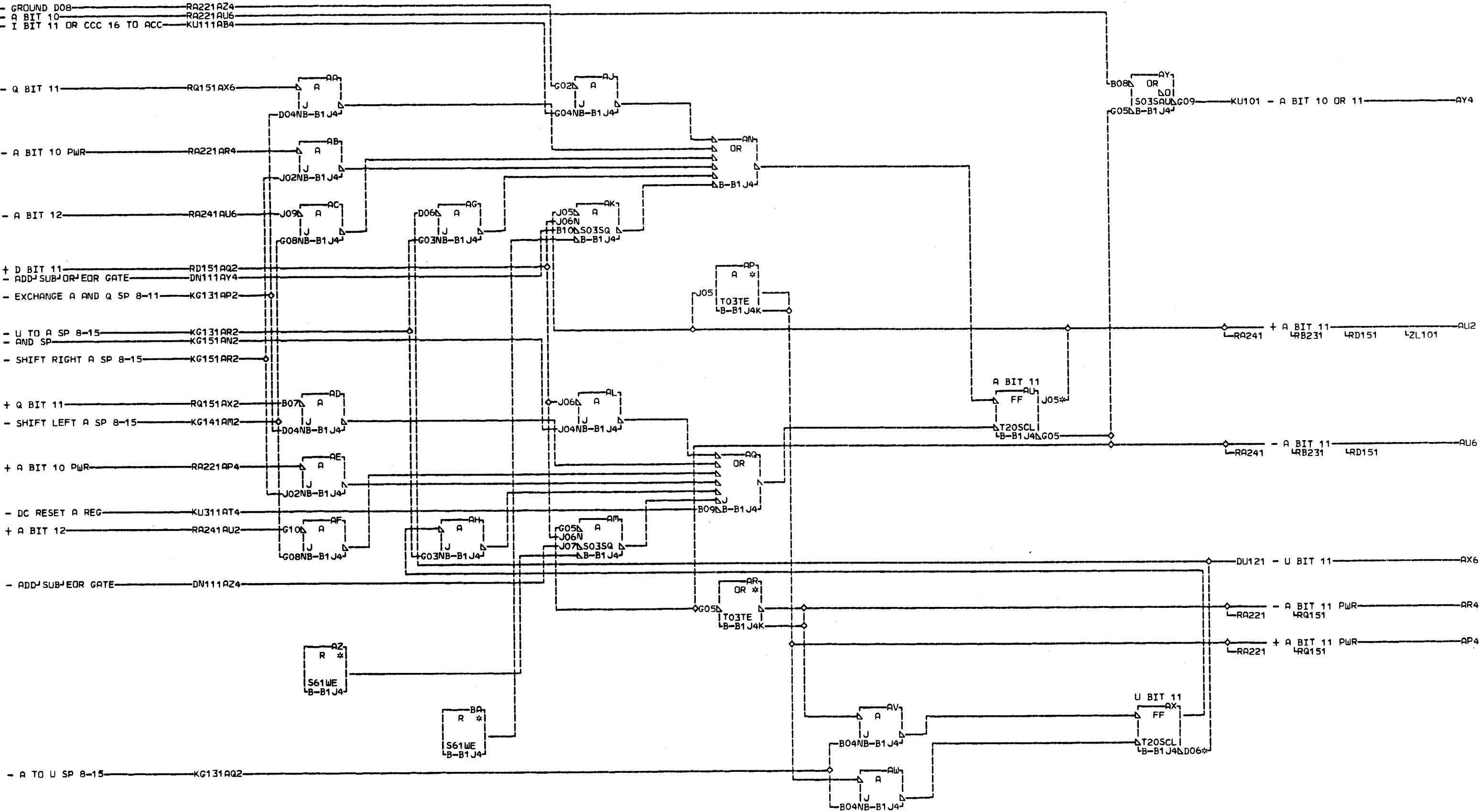
000

AU2 B-B1M3B13
AX6 B-B1CBA06
O1A-C1N3B08

LOC. TYPE
B-B1J4 6255

A AND U REGISTERS	
BIT 10	
E.C. HISTORY	MACH. 1131-B
419631	FRAME 01
DATE	LAST EC
11-11-66	419644
IBM CORP. GPD	
P.O. No. 2231154	

000



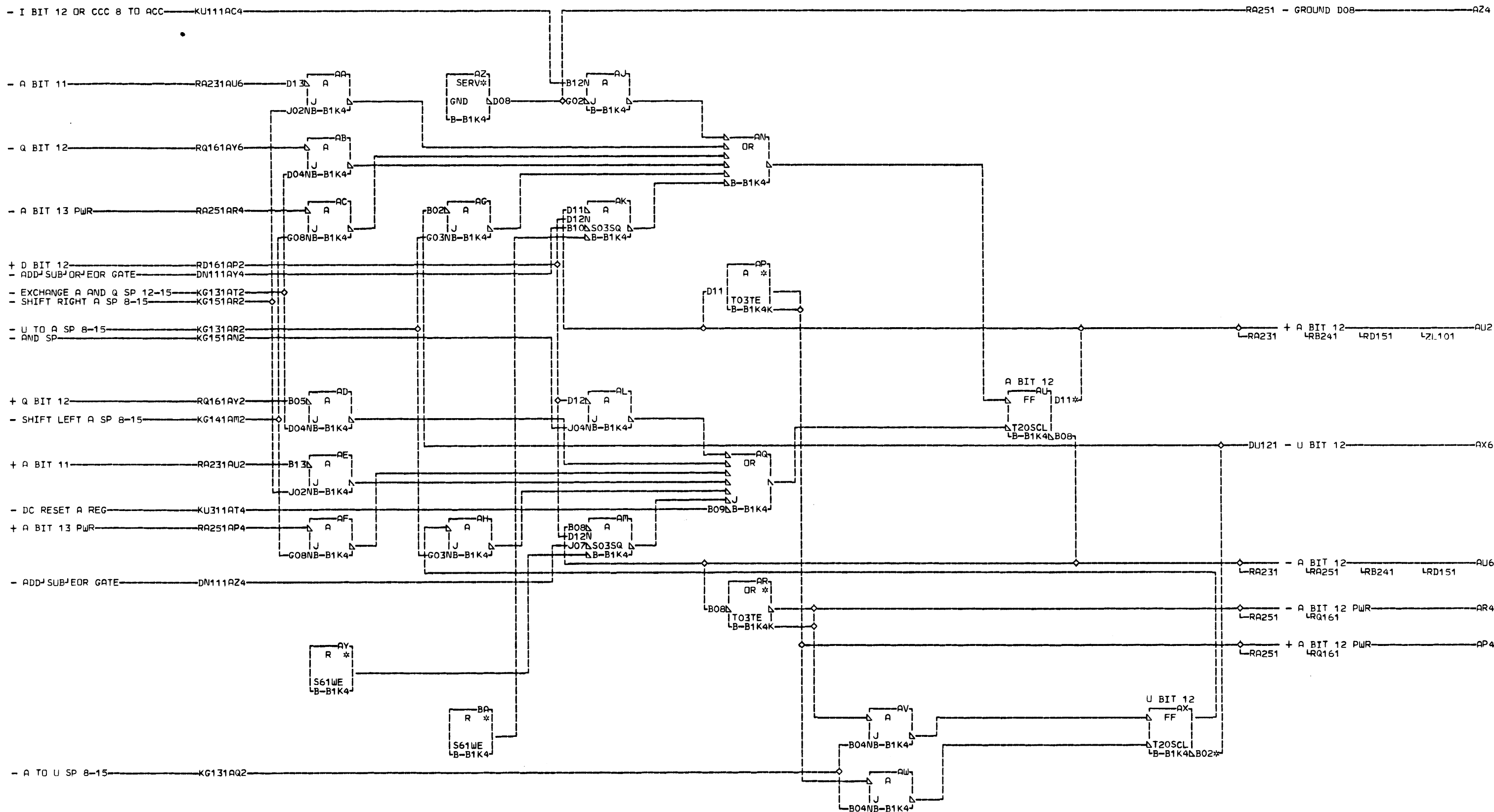
R
UN
1

AU2 B-B1M3D13
AX6 B-B1C8B04
01A-C1N3D09

LOC. TYPE
B-B1J4 6255

A AND U REGISTER	
BIT 11	
E.C. HISTORY 419631	MACH.1131-B FRAME 01
DATE 11-11-66	IBM CORP. GPD P.N. 2231155
LAST EC 419644	

R
UN
1

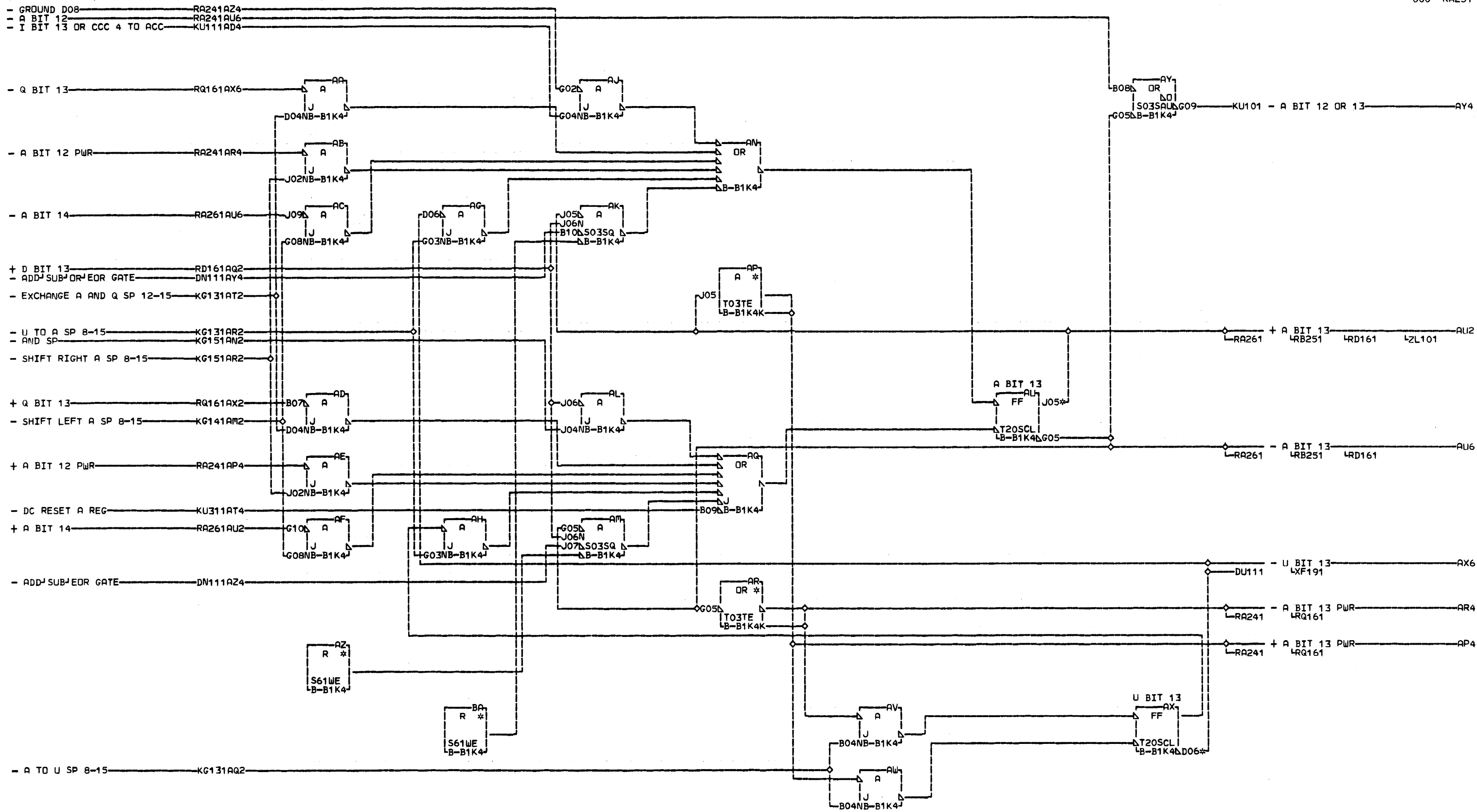


AU2 B-B1N3B12
 AX6 B-B1C8B06
 O1A-C1N3B09

LOC. TYPE
 B-B1K4 6255

A AND U REGISTERS BIT 12	
-E.C.-HISTORY 419631	MACH#1131-B FRAME 01
DATE LAST EC 11-11-66 419644	IBM CORP. GPD P.N. 2231156

RA241
000



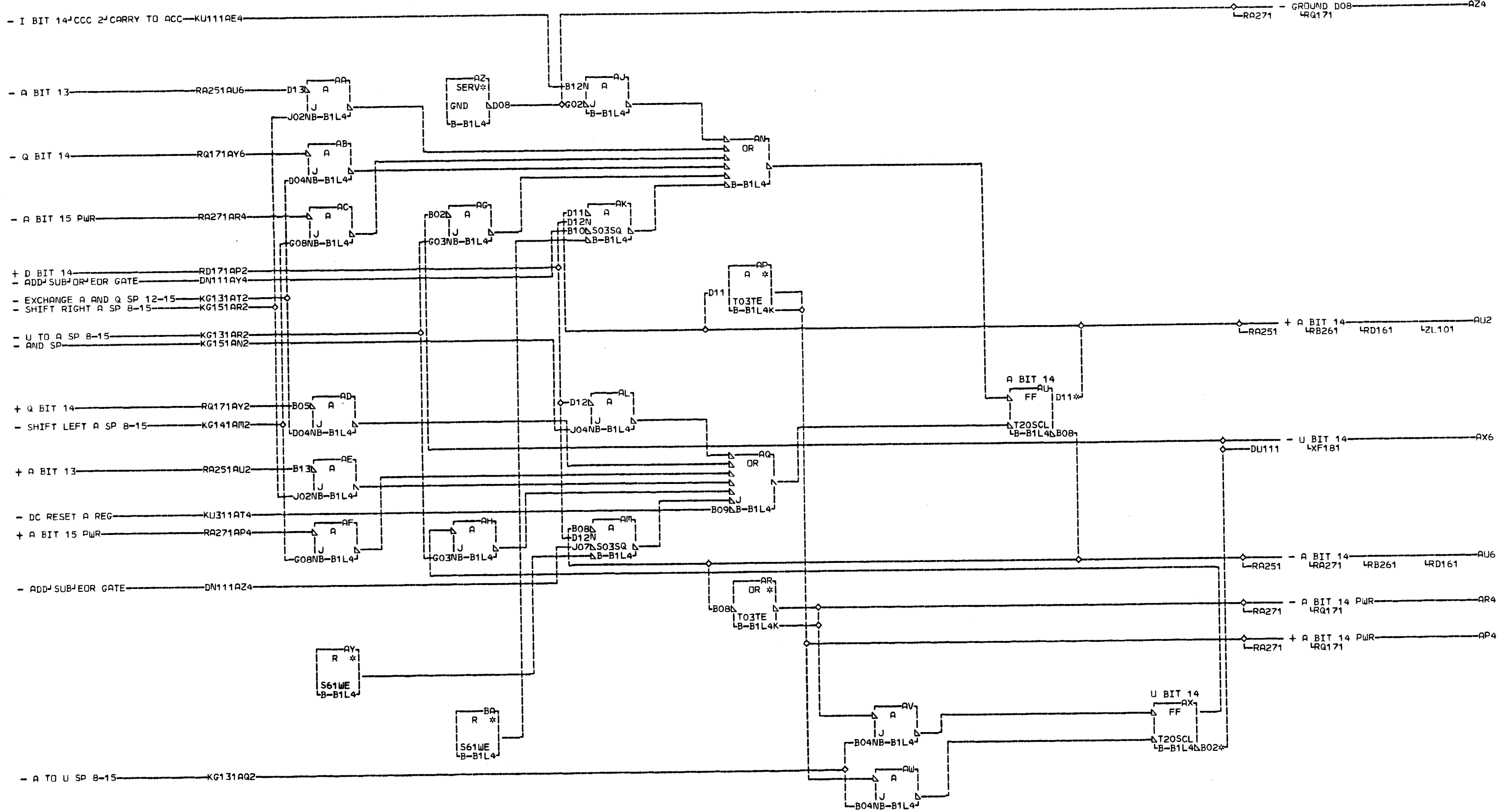
AU2 B-B1N3D12
 AX6 B-B1C8C04
 O1A-C1N3D10

LOC. TYPE
 B-B1K4 6255

A AND U REGISTER BIT 13	
E-C-HISTORY	MACH. 1131-B
419631	FRAME 01
DATE LAST EC	IBM CORP. GPD
11-11-66 419644	P.N. 2231157

RA251

RA251



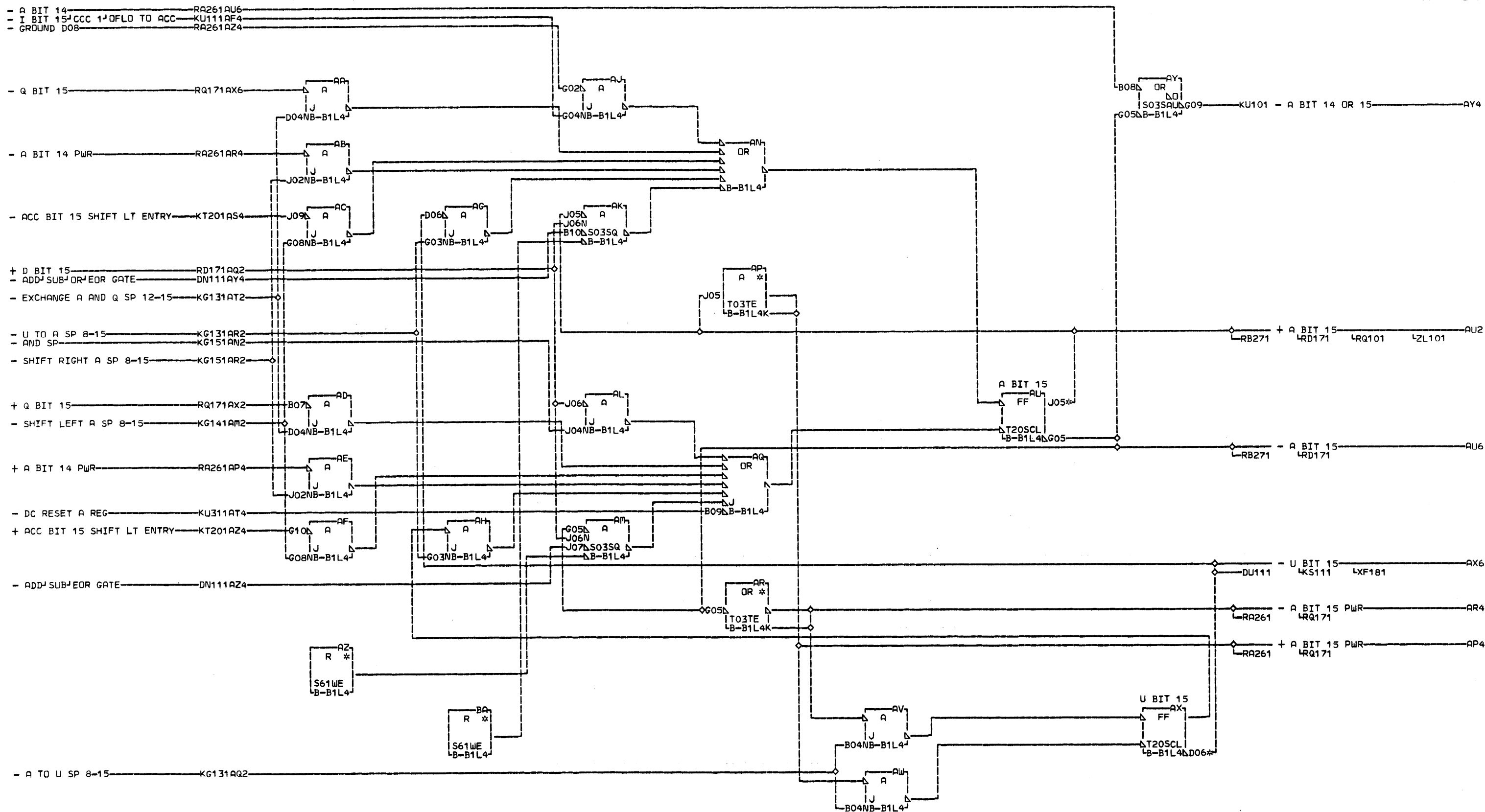
- I BIT 14 CCC 2^d CARRY TO ACC—KU111AE4
 - A BIT 13—RA251AU6
 - Q BIT 14—RQ171AY6
 - A BIT 15 PWR—RA271AR4
 + D BIT 14
 - ADD SUB OR GATE—DN111AY4
 - EXCHANGE A AND Q SP 12-15—KG131AT2
 - SHIFT RIGHT A SP 8-15—KG151AR2
 - U TO A SP 8-15—KG131AR2
 - AND SP—KG151AN2
 + Q BIT 14—RQ171AY2
 - SHIFT LEFT A SP 8-15—KG141AM2
 + A BIT 13—RA251AU2
 - DC RESET A REG—KU311AT4
 + A BIT 15 PWR—RA271AP4
 - ADD SUB OR GATE—DN111AZ4
 - A TO U SP 8-15—KG131AQ2

AU2 B-B1N3B13
 AX6 B-B1C8C06
 01A-C1N3B10

LOC. TYPE
B-B1L4 6255

A AND U REGISTERS		BIT 14	
E.C.—HISTORY	MACH•1131-B	RA	2
419631	FRAME	01	6
DATE	LAST EC	IBM CORP. GPD	1
11-11-66	419644	P.N. 2231158	1000

R
 A
 2
 6
 1
 000



AU2 B-B1N3D13
 AX6 B-A1N5D10
 01B-B1A5D10
 01B-B1C8D04
 01A-C1N3D11

LDC. TYPE
 B-B1L4 6255

A AND U REGISTER	
BIT 15	
E.C. HISTORY	MACH. 1131-B
419631	FRAME 01
DATE LAST EC	IBM CORP. GPD
11-11-66 419644	Pa. No. 2231159

RA271