

PAGE NO. SH TITLE PART NO EC NO. FEATURE B/M OR B/MS

** LOGIC TYPE DIAGNOSTIC PROGRAMS 8

03B0#	FUNCT TEST PROGRAM	2243965	420403	.W.	5889397
03B4*	PROG DECK	5889432	571152	.W.	5889397
0300#	DIAG MONITOR PROGRAM	2191201	571053	.W.	5889397
0304#	CONSOLE PRINTER PROGRAM	2191241	420317	.W.	5889397
0308#	2315 DISK INITIALIZATION PROGRAM	2191217	420403	.W.	5889454
0308# 1	2315 DISK PROGRAM	2191217	420403A	.W.	5889397
0309# 1	DISK STORAGE FUNCTION PROGRAM	2191213	571036C	.W.	2190930
032C*	PROG DECK	5889423	571154	.W.	5889397
032D*	PROG DECK	5889426	571154	.W.	5889397
**03A1	CPU FUNCTION PROGRAM	2191205	420403A	.W.	5889397
*03AA#	1442 LOADER TEST DECK	2191282	419643	.W.	5889397
*03AC#	RELOCATING LOADER PAPER TAPE	2191287	571021	.W.	5889454
*030B#	FUNCTION TEST PROGRAM	2191233	419643	.W.	5889454
*030F# 1	FUNCTION TEST DECK	2191225	419643	.W.	5889397
*032F#	TIMING TEST DECK	2191229	419643	.W.	5889397
**03A3#	DIAG LOADER	2191253	415490C	.W.	5889397
**03A5#	DT CARD PROGRAM	2191261	415490	.W.	5889397
**03B1#	FUNCT TEST PROGRAM	2243968	420403	.W.	5889397
***03A6#	STORAGE ADJ PROGRAM	2191245	420403	.W.	5889397
***03A8#	INTERR PROGRAM	2191269	420403	.W.	5889397
***030A#	DISK ADJ PROGRAM	2243958	571005	.W.	5889397
****03A0#	SCOPE LOOP PROGRAM	2243963	571053	.W.	5889397
****0302*	1130 DIMAL PROGRAM	2243960	420403A	.W.	5889454
****0302#	DIMAL PROGRAM	2243960	420403A	.W.	5889397

PAGE NO. SH TITLE PART NO EC NO. FEATURE B/M OR B/MS

** LOGIC TYPE SYSTEM DIAGRAMS 0

AC003	SOCKET LISTING	2 PAGES	5889391	571150	.W.	5889400
AC004	SOCKET LISTING	2 PAGES	5889392	571154	.W.	5889400
AC005	SOCKET LISTING	2 PAGES	5889393	571150	.W.	5889400
AD000	TIE DNS ADJMENTS AND GENERAL INFO		5889418	571156	.W.	5889400
AE000 1	SIGNAL CABLING		5889419	571155	.W.	5889400
BA101	CE CARD		5889189	571150	.W.	5889400
BB101	I/O BUS BITS 0-1-2		5889455	571155	.W.	5889454
BB111	I/O BUS BITS 3-4-5		5889456	571155	.W.	5889454
BB121	I/O BUS BITS 6-7-8		5889457	571155	.W.	5889454
BB131	I/O BUS BITS 9-10-11-12		5889458	571155	.W.	5889454
BB141	I/O BUS BITS 13-14-15		5889459	571155	.W.	5889454
DN101	OP DECODE NO. 1		5889195	571150	.W.	5889400
DN111	OP DECODE NO. 2		5889196	571150	.W.	5889400
DN201	XIO GATES X CLOCK ADV PRG TRACE		5889197	571150	.W.	5889400
DU101	FUNC DECODE & ENT GT		5889460	571155	.W.	5889454
DU111	AREA DECD & SENSE REST		5889461	571155	.W.	5889454
DU121	U REGISTER POWERING		5889200	571150	.W.	5889400
FA171	CHAN INTRPT ENT		5889462	571156	.W.	5889454
FA191	CHANNEL ILSW ASSEMBLY		5889202	571150	.W.	5889400
KA101	OSC PHASE A SPD RUN T CLOCK ADV		5889203	571154	.W.	5889400
KA111	PHASE A&B RESET		5889463	571155	.W.	5889454
KB101	BR1-BR2 A-M SAMPLE M-I SAMPLE		5889205	571150	.W.	5889400
KB111	SKIP SAMP BR OUT ADD STDR INTLK		5889206	571150	.W.	5889400
KC101	T CLOCK T 0 T1 T2 T3 T 0123		5889207	571150	.W.	5889400
KC111	T CLOCK T4 T5 T6 T7		5889208	571154	.W.	5889400
KD101	CYCLE TIMER I1 I2 IX		5889209	571150	.W.	5889400
KD111	CYCLE TIMER IA E E1 E3		5889210	571150	.W.	5889400
KG101	A-M AND I-M SAMPLE PULSE DRIVERS		5889211	571150	.W.	5889400
KG111	CLK ADV M-I B-I PH A SAMP PUL DR		5889212	571150	.W.	5889400
KG121	I/O-B A-B I-B SAMPLE PULSE DRIVER		5889213	571150	.W.	5889400
KG131	A-U U-A XCHG A+Q SAMPLE PU DRIVER		5889214	571150	.W.	5889400
KG141	SHIFT LEFT A/Q SAMPLE PULSE DRIVR		5889215	571150	.W.	5889400
KG151	RESET D AND SAMPLE PULSE DRIVERS		5889216	571150	.W.	5889400
KG201	I INCREMENTER		5889217	571150	.W.	5889400
KG211	B-I M-I ANDI INC GATE I-M/A-M GT		5889218	571154	.W.	5889400
KG221	T 7 C C C CONTROLS		5889219	571150	.W.	5889400
KG231	I-A / B-D GATE A-U / U-A SAMPLE		5889220	571150	.W.	5889400
KG241	STX T 00 MDX DBL PREC E2		5889221	571150	.W.	5889400
KG251	B BIT 0 LATCHED		5889222	571150	.W.	5889400
KM101	X CLOCK		5889223	571150	.W.	5889400
KM111	X CLOCK		5889224	571150	.W.	5889400
KM201	INTRPT ENT		5889464	571155	.W.	5889454
KM211	CYCLE STEAL LEVELS 0 AND 1		5889226	571150	.W.	5889400
KM212	T 7 EXTEND		5889227	571150	.W.	5889400
KM301	INTERRUPT LEVELS 0 AND 1		5889228	571150	.W.	5889400
KM311	INTERRUPT LEVELS 2 AND 3		5889229	571150	.W.	5889400
KM321	INTERRUPT LEVELS 4 AND 5		5889230	571150	.W.	5889400
KR101	PARITY CHECK		5889231	571150	.W.	5889400
KR111	PARITY BIT TRIGRS		5889465	571155	.W.	5889454
KS101	CARRY TEMP CARRY DBL PR CARRY		5889233	571150	.W.	5889400
KS111	OVERFLOW SKIP COND		5889234	571150	.W.	5889400
KT101	LIKE SIGNS REM OK		5889235	571150	.W.	5889400
KT111	ARITHMETIC SIGN AND ADD		5889236	571150	.W.	5889400
KT121	MPY E SHIFT CTRL ARITH CTRL		5889237	571150	.W.	5889400
KT131	ZERO REMAINDER SET DIV OFLO		5889238	571150	.W.	5889400
KT201	SHIFT LT ENTR SET ARITH CTRL		5889239	571150	.W.	5889400
KT301	SHIFT OP GATE SET DIV OFLO		5889240	571150	.W.	5889400
KT311	RESET ACC I CYCLE IAR INCR		5889241	571150	.W.	5889400
KT321	CONSIG INTERGTS		5889466	571155	.W.	5889454
KT331	CLOCK ADV SPD END OP TO SPD		5889243	571150	.W.	5889400
KU101	ACCUM-A REG = 0 ARITH FAC D = 0		5889244	571150	.W.	5889400
KU111	ACC INPUT BUSS CARRY OVERFLOW		5889245	571150	.W.	5889400
KU201	INDEX ADDR STOP LATCH DIV COUNT		5889246	571150	.W.	5889400
KU211	T&X CLK A PROG LD PWR		5889467	571155	.W.	5889454
KU301	NOT TAG 00 SLC RESET CARRY		5889248	571150	.W.	5889400
KU311	REG RST PARITY CHK CONT GA		5889468	571155	.W.	5889454
KW101	PROC USAGE METERS CNTRL		5889469	571155	.W.	5889454
MB101	STORAGE ADDR BUS		5889251	571150	.W.	5889400
MB111	STORAGE ADDRESS ASSEMBLY		5889252	571150	.W.	5889400
MB201	FILE PRINTER ADDR BUS		5889253	571150	.W.	5889400
MC101	STORAGE SELECT AND USE		5889254	571150	.W.	5889400

PAGE NO. SH TITLE PART NO EC NO. FEATURE B/M DR B/MS

** LOGIC TYPE SYSTEM DIAGRAMS 0

RA101	A AND U	REGISTERS	BIT 0	5889255	571150	.W.	5889400
RA111	A AND U	REGISTERS	BIT 1	5889256	571150	.W.	5889400
RA121	A AND U	REGISTERS	BIT 2	5889257	571150	.W.	5889400
RA131	A AND U	REGISTERS	BIT 3	5889258	571150	.W.	5889400
RA141	A AND U	REGISTERS	BIT 4	5889259	571150	.W.	5889400
RA151	A AND U	REGISTERS	BIT 5	5889260	571150	.W.	5889400
RA161	A AND U	REGISTERS	BIT 6	5889261	571150	.W.	5889400
RA171	A AND U	REGISTERS	BIT 7	5889262	571150	.W.	5889400
RA201	A AND U	REGISTERS	BIT 8	5889263	571150	.W.	5889400
RA211	A AND U	REGISTERS	BIT 9	5889264	571150	.W.	5889400
RA221	A AND U	REGISTERS	BIT 10	5889265	571150	.W.	5889400
RA231	A AND U	REGISTERS	BIT 11	5889266	571150	.W.	5889400
RA241	A AND U	REGISTERS	BIT 12	5889267	571150	.W.	5889400
RA251	A AND U	REGISTERS	BIT 13	5889268	571150	.W.	5889400
RA261	A AND U	REGISTERS	BIT 14	5889269	571150	.W.	5889400
RA271	A AND U	REGISTERS	BIT 15	5889270	571150	.W.	5889400
RB101	I B AND M	REGISTERS	BIT 0	5889271	571150	.W.	5889400
RB111	I B AND M	REGISTERS	BIT 1	5889272	571150	.W.	5889400
RB121	I B AND M	REGISTERS	BIT 2	5889273	571150	.W.	5889400
RB131	I B AND M	REGISTERS	BIT 3	5889274	571150	.W.	5889400
RB141	I B AND M	REGISTERS	BIT 4	5889275	571150	.W.	5889400
RB151	I B AND M	REGISTERS	BIT 5	5889276	571150	.W.	5889400
RB161	I B AND M	REGISTERS	BIT 6	5889277	571150	.W.	5889400
RB171	I B AND M	REGISTERS	BIT 7	5889278	571150	.W.	5889400
RB201	I B AND M	REGISTERS	BIT 8	5889279	571150	.W.	5889400
RB211	I B AND M	REGISTERS	BIT 9	5889280	571150	.W.	5889400
RB221	I B AND M	REGISTERS	BIT 10	5889281	571150	.W.	5889400
RB231	I B AND M	REGISTERS	BIT	5889282	571150	.W.	5889400
RB241	I B AND M	REGISTERS	BIT 12	5889283	571150	.W.	5889400
RB251	I B AND M	REGISTERS	BIT 13	5889284	571150	.W.	5889400
RB261	I B AND M	REGISTERS	BIT 14	5889285	571150	.W.	5889400
RB271	I B AND M	REGISTERS	BIT 15	5889286	571150	.W.	5889400
RB301	B REG PWRG	BITS 0-7		5889470	571155	.W.	5889454
RB311	B REG PWRG	BITS 8-15		5889471	571155	.W.	5889454
RB321	B	POWER TERMINATORS		5889289	571150	.W.	5889400
RD101	D	REGISTER	BITS 0 AND 1	5889290	571150	.W.	5889400
RD111	D	REGISTER	BITS 2 AND 3	5889291	571150	.W.	5889400
RD121	D	REGISTER	BITS 4 AND 5	5889292	571150	.W.	5889400
RD131	D	REGISTER	BITS 6 AND 7	5889293	571150	.W.	5889400
RD141	D	REGISTER	BITS 8 AND 9	5889294	571150	.W.	5889400
RD151	D	REGISTER	BITS 10 AND 11	5889295	571150	.W.	5889400
RD161	D	REGISTER	BITS 12 AND 13	5889296	571150	.W.	5889400
RD171	D	REGISTER	BITS 14 AND 15	5889297	571150	.W.	5889400
RN101	OP	FORMAT TAG REGISTER		5889298	571150	.W.	5889400
RN111	MOD 8 MOD 9	WAIT OP DBL WORD ADDR		5889299	571150	.W.	5889400
RQ101	Q	REGISTER	BITS 0 AND 1	5889300	571150	.W.	5889400
RQ111	Q	REGISTER	BITS 2 AND 3	5889301	571150	.W.	5889400
RQ121	Q	REGISTER	BITS 4 AND 5	5889302	571150	.W.	5889400
RQ131	Q	REGISTER	BITS 6 AND 7	5889303	571150	.W.	5889400
RQ141	Q	REGISTER	BITS 8 AND 9	5889304	571150	.W.	5889400
RQ151	Q	REGISTER	BITS 10 AND 11	5889305	571150	.W.	5889400
RQ161	Q	REGISTER	BITS 12 AND 13	5889306	571150	.W.	5889400
RQ171	Q	REGISTER	BITS 14 AND 15	5889307	571150	.W.	5889400
RS101	CYCLE CONTROL	COUNTER	1 - 2	5889308	571150	.W.	5889400
RS111	CYCLE CONTROL	COUNTER	4 8	5889309	571150	.W.	5889400
RS121	CYCLE CONTROL	COUNTER	16 32	5889310	571150	.W.	5889400
WF391	FILE -	PROCESSOR INTERFACE		5889311	571150	.W.	5889400
WZ011	SJ - 4	STORAGE INTERFACE		5889312	571150	.W.	5889400
WZ021	SJ - 4	STORAGE INTERFACE		5889313	571150	.W.	5889400
WZ031	SJ - 4	STORAGE INTERFACE		5889314	571150	.W.	5889400
WZ041	SJ - 4	STORAGE INTERFACE		5889315	571150	.W.	5889400
WZ051	SJ - 4	STORAGE INTERFACE		5889316	571150	.W.	5889400
WZ061	SJ - 4	STORAGE INTERFACE		5889317	571150	.W.	5889400
03AC	RELOCATING RELOADER	PT DESCRIPT		2191288	571005	.W.	5889397
*03AC-	RELOCATING RELOADER	PT LISTING		2191286	571021	.W.	5889397
030B	1134/1055	FUNCTION DESCRIPTION		2191234	420317	.W.	5889397
*030B-	1134/1055	FUNCTION LISTING		2191232	419643	.W.	5889397

PAGE NO.	SH	TITLE	PART NO	EC NO.	FEATURE B/M OR B/MS
**		LOGIC TYPE SYSTEM DIAGRAMS		0	
AC002		SOCKET LISTING	5889485	571156	.W. 5889454
XC101		CONSOLE DSW/ DATA BIT 0 2 4 6	5889318	571150	.W. 5889400
XC111		CONSOLE DSW/ DATA BIT 8 10 12 14	5889319	571150	.W. 5889400
XC121		CONSOLE DSW/ DATA BIT 1 3 5 7	5889320	571150	.W. 5889400
XC131		CONSOLE DSW/ DATA BIT 9 11 13 15	5889321	571150	.W. 5889400
XC141		PROG LD RST	5889472	571155	.W. 5889454
XF011		CE INDICATORS DISK STATUS	5889323	571150	.W. 5889400
XF021		CE INDICATORS DISK W/O BIT 7-15	5889324	571150	.W. 5889400
XF101		FILE SHIFT-COUNTER-LOAD WD-FILE	5889325	571150	.W. 5889400
XF111		B REGISTER INVERTERS	5889326	571150	.W. 5889400
XF121		FILE R/W SEL R/W REQ	5889327	571150	.W. 5889400
XF131		FILE R/W COND WR SYNC CTR GATE	5889328	571150	.W. 5889400
XF141		FILE SHIFT GATE REG INPUT TGR	5889329	571150	.W. 5889400
XF151		FILE ERROR FILE RESET	5889330	571150	.W. 5889400
XF161		FILE WRITE DATA - COUNTER GATE	5889331	571150	.W. 5889400
XF171		FILE ACCESS GO SETTLE S S	5889332	571150	.W. 5889400
XF181		FILE SECTOR COUNTER	5889333	571150	.W. 5889400
XF191		FILE HEAD SELECT ACCESS DIRECT	5889334	571150	.W. 5889400
XF201		FILE WORD COUNT REGISTER MODE	5889335	571150	.W. 5889400
XF211		FILE WORD COUNT REGISTER	5889336	571150	.W. 5889400
XF221		FILE CORE ADDR REGISTER BIT9-15	5889337	571150	.W. 5889400
XF231		FILE CORE ADDR REGISTER 1-8	5889338	571150	.W. 5889400
XF241		FILE BIT COUNTER	5889339	571150	.W. 5889400
XF251		FILE CHECK COUNTER	5889340	571150	.W. 5889400
XF261		FILE INPUT ASM BITS 0 - 7	5889341	571150	.W. 5889400
XF271		FILE INPUT ASM BITS 8 - 15	5889342	571150	.W. 5889400
XF301		FILE DATA REGISTER BIT 0-3	5889343	571150	.W. 5889400
XF311		FILE DATA REGISTER BIT 4-7	5889344	571150	.W. 5889400
XF321		FILE DATA REGISTER BIT 8-11	5889345	571150	.W. 5889400
XF331		FILE DATA REGISTER BIT 12-15	5889346	571150	.W. 5889400
XG101		PLOTTER DRUM-CARR DRIVE 1-2	5889347	571150	.W. 5889400
XG111	1	PLOTTER PEN DRIVE RESPONSE 3-4	5889348	571150	.W. 5889400
XK101		KBD SELECT GATE SS1 SS2 INT LVL 4	5889349	571150	.W. 5889400
XK111		KBD RESTORE TGR MANUAL INTERRUPT	5889350	571150	.W. 5889400
XP101		PRINTER CARR CONTROLS METER SEL	5889351	571150	.W. 5889400
XP111		CARRIAGE CHANNEL LATCH	5889352	571150	.W. 5889400
XP121		PRINTER RUN - READY CONTROLS	5889353	571153	.W. 5889400
XP131		PRINTER DISC CLOCK SS-C S CONTROL	5889354	571153	.W. 5889400
XP141		PRINTER ADDR REG - GROUP DECODE	5889355	571150	.W. 5889400
XP201		PRINTER INTERRUPT - ERROR	5889356	571153	.W. 5889400
XP211		PRINTER BUFFER REGISTER BIT 0-7	5889357	571150	.W. 5889400
XP221		PRINTER BUFFER REGISTER BIT 8-15	5889358	571150	.W. 5889400
XP301		PRINTER INPUT BLS BITS 0-3	5889359	571150	.W. 5889400
XP311		PRINTER INPUT BLS BITS 4-7	5889360	571150	.W. 5889400
XP321		PRINTER INPUT BLS BITS 8-15	5889361	571150	.W. 5889400
XP331		PRINTER ENTRY	5889362	571150	.W. 5889400
XP341		PRINTER EXIT	5889363	571153	.W. 5889400
XT101		P T PROG LD	5889474	571155	.W. 5889454
XT111		P T PROG LD BF BITS 0-3	5889475	571155	.W. 5889454
XT121		P T PROG LD BF BITS 8-11	5889476	571155	.W. 5889454
XT201		PAP TPE PU	5889477	571155	.W. 5889454
XT211		PAP TPE PU DR 1-A-B-8	5889478	571155	.W. 5889454
XT221		P T PUN BF DR 2-4-8-C	5889479	571155	.W. 5889454
XT231		P T PUN CNTRL	5889480	571155	.W. 5889454
XT301		P T RD2 CLU DR READY BUSY RESP	5889481	571156	.W. 5889454
XT311		P T RD CTS 1-2-4-8	5889482	571155	.W. 5889454
XT321		P T RD CTS A-B-C-8	5889483	571155	.W. 5889454
XT331		P T RD DSC&CNTRL	5889484	571155	.W. 5889454
XW101		TWR BUFFER LOAD TWR INTLK	5889385	571150	.W. 5889400
XW111		TWR RESET RESPONSE CASE	5889386	571150	.W. 5889400
XW121		CRLFT INTLK INTERLOCK LATCH	5889387	571150	.W. 5889400
XW211		TWR DRIVE SEL	5889388	571150	.W. 5889400
XW221		DRIVE SEL RIB SHIFT PRINT INTLK	5889389	571150	.W. 5889400

PAGE NO.	SH	TITLE	PART NO	EC NO.	FEATURE B/M OR B/MS
** LOGIC TYPE SYSTEM DIAGRAMS			0		
AA101		SYSTEM DATA FLOW	2201356	419675	.W. 5889400
AA201		1131 DATA FLOW SWITCH LOGIC	2201360	419675	.W. 5889400
AA211		1131 DATA FLOW ADDR & STOR CTRL	2201361	419675	.W. 5889400
AA221		1131 DATA FLOW ARITH & BR CONTROL	2201362	415480D	.W. 5889400
AA231		1131 DATA FLOW I/O INT CS	2201363	419675	.W. 5889400
AA601		EFFECTIVE ADDRESS CYCLE SEQ 8 PGS	2201425	419675	.W. 5889400
AA611		INTERRUPT FORCED BRANCH 2 PAGES	2201432	415483A	.W. 5889400
AA621		OP CODE 0001 EXECUTE I/O	2201435	415483A	.W. 5889400
AA631		OP CODE 0010 SHIFT LEFT 2 PAGES	2201437	415483A	.W. 5889400
AA632		OP CODE 0011 SHIFT RIGHT	2201438	415480D	.W. 5889400
AA641		OP CODE 00100 LOAD STATUS	2201440	415480D	.W. 5889400
AA642		OP CODE 00101 STORE STATUS	2201441	415480D	.W. 5889400
AA651		BRANCH & STORE INSTRUCTION CTRL	2201443	415480D	.W. 5889400
AA652		BR OR SKIP ON CONDITION	2201444	415480D	.W. 5889400
AA661		LOAD INDEX	2201446	415480D	.W. 5889400
AA662		STORE INDEX	2201447	415480D	.W. 5889400
AA663		OP CODE 01110 MODIFY INDEX 4 PGS	2201448	419675	.W. 5889400
AA671		ADD OR SUBTRACT	2201450	419675	.W. 5889400
AA672		OP CODE 10001 DBL PRECISION ADD	2201451	419675	.W. 5889400
AA673		OP CODE 10100 MULTIPLY 2 PAGES	2201452	419675	.W. 5889400
AA674		OP CODE 10101 DIVIDE 3 PAGES	2201453	419675	.W. 5889400
AA681		LOAD ACCUMULATOR	2201455	415480D	.W. 5889400
AA682		DOUBLE LOAD	2201456	415483A	.W. 5889400
AA683		STORE ACCUMULATOR	2201457	415480D	.W. 5889400
AA684		DOUBLE STORE	2201458	415483A	.W. 5889400
AA691		LOGICAL AND OR EXCLUSIVE	2201460	415483A	.W. 5889400
AA701		TIMING CHART 11 CYCLE	2201299	419675	.W. 5889400
AA711		TIMING CHART MDX	2201338	419675	.W. 5889400
AA721		TIMING CHART XIO	2201297	419675	.W. 5889400
AA731		TIMING CHART BSC	2201340	419675	.W. 5889400
AA741		TIMING CHART SLA	2201341	419675	.W. 5889400
AA751		TIMING CHART SLCA	2201339	419675	.W. 5889400
XF401		DISK FILE/UNIT DATA CONTROL	2201241	415480E	.W. 5889400
XF501		DISK FILE/UNIT OPERATION	2201242	419675	.W. 5889400
XF511		DISK FILE/READ OPERATION	2201243	419675	.W. 5889400
XF521		DISK FILE/CONTROL OP ACCESS	2201244	419675	.W. 5889400
XF701		MODIFY INDEX & SKIP FORMAT-O	2201245	419675	.W. 5889400
XF711		DISK FILE READ TIMING	2201246	419675	.W. 5889400
XF721		DISK FILE ACCESS TIMING	2201247	419675	.W. 5889400
XG501		PLOTTER WRITE OP	2201248	419675	.W. 5889400
XG701		TIMING CHART 11 CYCLE	2201249	415480E	.W. 5889400
XK501		KEYBOARD READ PLUS CONTROL OPS	2201250	419675	.W. 5889400
XK701		KEYBOARD READ & CONTROL TIMING	2201251	415483A	.W. 5889400
XP401		PRT UNIT DATA & CONTROL DIAGR	2201253	419675	.W. 5889400
XP501		PRINTER WRITE OP-EMITTER PRINTER	5889420	571153	.W. 5889400
XP511		PRINTER CONTROL OP	2201255	419675	.W. 5889400
XP701		PRINTER WRITE TIMING	5889421	571153	.W. 5889400
XP706		TIMING CHART	5889448	571153	.W. 5889400
XP711		PRINTER CONTROL TIMING-START-STOP	5889434	571153	.W. 5889400
XR401		CARD READ/PUNCH UNIT DATA CONTROL	2201258	415480E	.W. 5889400
XR501		CARD READ/PUNCH WRITE OP	2201259	419675	.W. 5889400
XR511		CARD READ/PUNCH READ OP	2201260	419675	.W. 5889400
XR521		CARD READ/PUNCH PROGRAM LOAD OP	2201261	415480E	.W. 5889400
XR531		CARD READ/PUNCH CONTROL OP	2201262	419613	.W. 5889400
XR541		CARD READ/PUNCH CONTROL OP	2201263	415480E	.W. 5889400
XR701		CARD READ/PUNCH WRITE TIMING	2201264	419675	.W. 5889400
XR711		CARD READ/PUNCH READ/PROGRAM LOAD	2201265	419675	.W. 5889400
XR721		CARD READ/PUNCH CONTROL TIMING	2201266	415480E	.W. 5889400
XW401		CONSOLE PRINTER UNIT DATA	2201273	419675	.W. 5889400
XW501		CONSOLE PRINTER WRITE AND CONTROL	2201274	419675	.W. 5889400
XW701		CONSOLE PRINTER WRITE AND CONTROL	2201275	415480E	.W. 5889400
YP001	2	POWER SUPPLY LAYOUT 50 AND 60HZ	2201315	415777H	.W. 2190560
YP002	1	PHYSICAL LAYOUT SEQ BX 50&60 HZ	2201316	419610B	.W. 2190560
YP003	1	3V 8A & 3V 16A PWR SUP 50&60 HZ	2201328	419610B	.W. 2190560
YP004	1	6V 12A POWER SUPPLY 50 & 60 CYCLE	2201317	419610A	.W. 2190560
YP005	1	3V & 6 AMPLIFIER CARDS 50&60 CYLE	2201318	415480E	.W. 2190560
YP006		12V POWER SUPPLY 50&60 CYCLE	2201319	420313	.W. 2197254
YP007	1	48V POWER SUPPLY 50 & 60 HERTZ	2201320	419610B	.W. 2190560
YP008	1	LOGIC VOLTAGE SENSE 50/60 CYCLE	2201000	420414	.W. 2190560
YP101		115VOLT.AC DIST - MPS 60HZ	2201321	420364	.W. 2190560
YP111	1	AC VOLT DISTR SEQ BOX&BLWRS 60 HZ	2201322	420319	.W. 2190560
YP121	1	PWR SUP +6 +3 & -3V DC 50/60 HZ	2201323	419610B	.W. 2190560
YP131	4	PWR SUP.48V & 12V 50 & 60 HZ	2201324	420364	.W. 2190560
YP141	7	D.C.VOLTAGE DISTRIBUTION	2201325	420327	.W. 2190560
YP151	1	B GATE DC VOLT DISTR MPS	2201326	420442	.W. 2190560
YP161		A GATE DC VOLTAGE DISTR	5889438	571155	.W. 5889400
ZA101		I/O SIGNAL FEED THROUGH	2201309	420325	.W. 5889400
ZB101	1	I/O POWER DISTRIBUTION	2201312	420364	.W. 2190560
ZK101		KEYBOARD LOGIC	2201300	420364	.W. 5889400
ZK111	1	KEYBOARD SW & LIGHT PANEL	2201301	420364	.W. 2190560
ZK121		KEYBOARD CONT DECODE DOMESTIC KBD	2201302	415709G	.W. 2191439
ZL101		LIGHT PANEL COLLECTOR LISTING	2231565	571037	.W. 5889400

PAGE NO.	SH	TITLE	PART NO	EC NO.	FEATURE B/M OR B/MS
** LOGIC TYPE		SYSTEM DIAGRAMS			0
ZL111		LIGHT PANEL	2201304	571003	.W. 5889400
ZS101	1	BIT SWITCH AND LIGHT LOGIC	2201305	420364	.W. 2190560
ZW101		CONSOLE PRINTER	2201308	571003	.W. 5889400

PAGE NO.	SH	TITLE	PART NO	EC NO.	FEATURE B/M OR B/MS
** LOGIC TYPE		SHIPPING GROUP	3		
0009092	01	WASHER	0000003	571150	.W. 5889397
0026299	01	SCREW	0000003	571150	.W. 5889397
0130987	01	LOCKWASHER LEVELER	0000010	571150	.W. 5889397
0159494	15	KICKSTRIP SCREWS	0000010	571150	.W. 5889397
0205331	01	JUMPER	0000003	571150	.W. 5889397
0222836	02	BINDER	0000003	571150	.W. 5889397
0332620	01	SCREW	0000003	571150	.W. 5889397
0452655	10	JUMPER 4IN	0000003	571150	.W. 5889397
0737927	01	HOOD ACCDUSTIC	0000205	415481	.W. 5161507
0737942	01	GUIDE PAPER	0000206	415481	.W. 5161507
0842612	01	COVERPLATE	0000003	571150	.W. 5889397
1136023	01	RIBBON CTDG.	0000207	415481	.W. 5161507
2108474	01	PADDLES	0000032	571150	.W. 2190930
2108860	01	CE TOOL	0000003	571150	.W. 5889397
2162567	01	BOX OF KIMWIPES	0000033	571150	.W. 2190930
2162666	03	PAD	0000003	571150	.W. 5889397
2182907	01	CABLE ASM	0000003	571150	.W. 5889397
2190552	01	KICKSTRIP DWG	0000003	571150	.W. 5889397
2190618	01	KICKSTRIP TAPE ON	0000003	571150	.W. 5889397
2190619	01	KICKSTRIP	0000003	571150	.W. 5889397
2190620	01	KICKSTRIP TAPE ON	0000003	571150	.W. 5889397
2190979	01	KICKSTRIP	0000003	571150	.W. 5889397
2191786	01	BOLT	0000003	571150	.W. 5889397
2197864	06	JUMPER ASM	0000003	571150	.W. 5889397
2200007	01	FEELER GUAGE	0000034	571150	.W. 2190930
2200052	01	SCOPE ADAPTOR	0000035	571150	.W. 2190930
2200057	01	FEELER GUAGE	0000036	571150	.W. 2190930
2200079	06	JUMPER ASM	0000003	571150	.W. 5889397
2200200	01	ALCOHOL	0000037	571150	.W. 2190930
2207726	01	BORON NITRIDE	0000908	571084	.W. 2190930
2243123	01	SPACER	0000003	571150	.W. 5889397
2243320	01	KICKSTRIP	0000003	571150	.W. 5889397
2243650	01	FORMS RACH	0000003	571150	.W. 5889397
7374507	01	FLAMMABLE LABEL - ON CARTON	0000010	415481	.W. 2190930
A26-5914	01	R.L.	0000009	571150	.W. 5889397
X26-3566	01	REFERENCE MANUAL	0000009	571150	.W. 5889397
Y26-0910	01	PARTS CATALOG	0000031	571150	.W. 2190930
Y26-3668	01	FEMM MANUAL	0000029	571150	.W. 2190930
Y26-3669	01	FETO MANUAL	0000030	571150	.W. 2190930
Y26-3670	01	FETO	0000009	571150	.W. 5889397
Y26-5977	01	FEMM MANUAL	0000003	571150	.W. 5889397
Y26-5978	01	FETO	0000009	571150	.W. 5889397
120-1999	50	IR DECK	0000003	571150	.W. 5889397
120-2003	01	LOG BOOK	0000003	571150	.W. 5889397
124-0070	01	MANUAL	0000202	415481	.W. 5161507
127-0808	01	PARTS CATALOG	0000009	571150	.W. 5889397
225-3207	01	MANUAL	0000203	415481	.W. 5161507
225-3353	01	MANUAL	0000204	415481	.W. 5161507
229-5030	01	CONSOLE CHECK SHEET	0000003	571150	.W. 5889397
588-9409	01	INSTALLATION INST. MANUAL	0000003	571150	.W. 5889397
5229-0036	01	FOLDER BLUE	0000003	571150	.W. 5889397
5229-5032	01	CODE GUIDE	0000003	571150	.W. 5889397

PAGE NO. SH TITLE PART NO EC NO. FEATURE B/M OR B/MS

** LOGIC TYPE DIAG AND OLTS MANUALS 7

0380-	FUNCTION TEST LISTING	2243964	420403	.W.	5889397
0305*	PLO FUNCTION DESCRIP	2191238	571063	.W.	5889397
0305-	PLO FUNCTION LISTING	2191236	571063	.W.	5889397
0380	FUNCTION TEST PIDS	2243966	420403	.W.	5889397
0398-0	MONITOR CONTROL I/O TEST	5889437	571156	.W.	5889397
0399*0	MAINT DIAG 1130 CPU INDEX	5889436	571156	.W.	5889397
**03A1*	CPU FUNCTION DESCRIP	2191206	420317	.W.	5889397
**03A1-	CPU FUNCTION TEST LISTING	2191204	420403A	.W.	5889397
**03A3*	DT LOADER DESCRIP	2191254	415490C	.W.	5889397
**03A3-	DT LOADER LISTING	2191252	415490C	.W.	5889397
**03A5*	DT CARD PROGRAM DESCRIP	2191262	571053	.W.	5889397
**03A5-	DT CARD PROGRAM	2191260	415490B	.W.	5889397
**03B1-	FUNCTION TEST LISTING	2243967	420403	.W.	5889397
03A1-0A	MAINT DIAG 1130 TABLE CNTS	5889435	571155	.W.	5889397

PAGE NO.	SH	TITLE	PART NO	EC NO.	FEATURE B/M OR B/MS
----------	----	-------	---------	--------	---------------------

** LOGIC TYPE DIAG AND DLTS MANUALS 7

0304*		CONSOLE DESCRIP	2191242	420317	.W. 5889397
0304-		CONSOLE LISTING	2191240	420317	.W. 5889397
03AA		RELOADER DESCRIP	2191283	419643	.W. 5889397
*03AA-		1442 RELOADER LISTING	2191281	419643	.W. 5889397
03B4-*		DESCRIP DIAG	5889433	571156	.W. 5889397
03B4-0		METER TEST 1130 DIAGNOSTIC	5889431	571152	.W. 5889397
***03A6*		STORAGE ADJ DESCRIP	2191246	420403	.W. 5889397
***03A6-		STORAGE ADJ LISTING	2191244	420403	.W. 5889397
***03A8*		INTERR TEST DESCRIP	2191270	420317	.W. 5889397
***03A8-		INTERR TEST LISTING	2191268	420403	.W. 5889397
***030A*		DISK ADJ DESCRIP & LISTING	2243957	571005	.W. 5889397
****03A0-		SCOPE LOOP LISTING	2243962	571053	.W. 5889397
****0302*		DIMAL DESCRIP	2243961	420403A	.W. 5889397

PAGE NO.	SH	TITLE	PART NO	EC NO.	FEATURE B/M OR B/MS
----------	----	-------	---------	--------	---------------------

** LOGIC TYPE DIAG AND OLTS MANUALS 7

0300*		DIAG MONITOR DESCRIPTION	2191202	571036	.W. 5889397
0300-		DIAG MONITOR LISTING	2191200	571053	.W. 5889397
0308*		2315 DISK DESCRIP	2191218	420403	.W. 5889397
0308-		2315 DISK LISTING	2191216	420403	.W. 5889397
030F		1442 FUNCTION DESCRIP	2191226	571036B	.W. 5889397
*030F-		1442 FUNCTION LIST	2191224	419643	.W. 5889397
032F		1442 TIMING TEST DESCRIP	2191230	571005	.W. 5889397
*032F-		1442 TIMING TEST LIST	2191228	419643	.W. 5889397
032C-*		1132/1130 DIAGNOSTIC	5889424	571152	.W. 5889397
032C-0		LISTING DIAG	5889422	571154	.W. 5889397
032D-*		2310/1130 DIAGNOSTIC	5889427	571152	.W. 5889397
032D-0		2310/1130 DIAGNOSTIC	5889425	571154	.W. 5889397

A1	CONNECTOR E09 BB101AB4 E11 BB111AA4
A2	CONNECTOR B02 XC101BN4 B03 XC101BP4 B04 XC101BQ4 B05 XC101BR4 B07 XC111BF4 B08 XC111BG4 B09 XC111BH4 B10 XC111BJ4 D02 XC121BS4 D04 XC121BT4 D05 XC121BU4 D06 XC121BV4 D07 XC131BE4 D09 XC131BF4 D10 XC131BG4 D11 XC131BH4
A3	CONNECTOR B02 XC111BB7 B03 XC111BB5 B04 XC111BB3 B05 XC111BB1 B07 XC111AY4 B08 XC111RD4 B09 XC111AE4 B10 XC111AF4 B12 XC111AV4 D02 XC131BB7 D04 XC131BB5 D05 XC131BB3 D06 XC131BB1 D07 XC131AY4 D09 XC131BD4 D10 XC131AE4 D11 XC131AF4 D12 XK111AU4 D13 XK111AT4
A4	CONNECTOR B02 XW211BF4 B03 XW211BM4 B04 XW221BH4 B05 XW221BL4 B07 XW211BJ4 B08 XW121AP4 B09 XW111AH4 B10 XW211BL4 B12 XW221BJ4 B13 XW121AX4 D02 XW211BH4 D04 XW211BK4 D05 XW221BF4 D06 XW221BK4 D07 XW211BG4 D09 XW121AU4 D10 XW101AD4 D11 XW211BN4 D12 XW121AA4 D13 XW221BG4
A5	CONNECTOR P13 KW101AF2 D02 XC121BR4 D05 XC141BN6 D06 XC141BN2 D07 DN201BF4 D09 KW101AP4 D10 XK101AS4 D11 XF131BF4 D12 KR111BG4 D13 XW121AB4
A6	CONNECTOR B03 RB301AA4 B04 RB301AC4 B05 RB301AE4 B06 RB301AG4 B07 RB311AA4 B08 RB311AC4 B09 RB311AE4 B10 RB311AG4 B11 KU211AF4 B12 KU211AD4 B13 KU211AC4 D02 RB301AB4 D03 RB301AD4 D04 RB301AF4 D05 RB301AH4 D06 RB311AB4 D07 RB311AD4 D09 RB311AF4 D10 RB311AH4 D12 KU211AA4 D13 KU211AB4

A7	CONNECTOR B03 XK101AV4 B09 KT321BA4 B10 KA111AN6 D03 KU311AU4 D06 XC141AF4 D07 KW101AQ4 D09 KU201BB4 D11 KR111BD4 D12 KW101BC4
B1	CONNECTOR A09 BB111AA4 A11 BB101AA4 B09 BB111AC4 B11 BB101AC4 C09 BB121AB4 C11 BB111AB4 D09 BB131AA4 D11 BB121AA4 E09 BB131AC4 E11 BB121AC4
B2	DOUBLE CARD 5804615 4615
B3	XC101 01 02 03 04 05 06 07 08 09 10 11 12 13 14 15 16 17 18 19 20 21 22 23 24 25 26 27 28 29 30 31 32 XC111 33 34 35 36 37 38 39 40 41 42 43 44 45 46 47 48 49 50 51 52 53 54
B4	SINGLE CARD 5803819 3819
B5	SINGLE CARD 5803819 3819
B6	CONNECTOR B02 RB301AA4 B03 RB301AC4 B04 RB301AE4 B05 RB301AG4 B07 RB311AA4 B08 RB311AC4 B09 RB311AE4 B10 RB311AG4 B12 KW101BE4 D02 RB301AB4 D04 RB301AD4 D05 RB301AF4 D06 RB301AH4 D07 RB311AB4 D09 RB311AD4 D10 RB311AF4 D11 RB311AH4 D12 XF141AZ4
C1	CONNECTOR A11 BB131AB4 B09 BB141AA4 B11 BB131AD4 C09 BB141AC4 C11 BB141AB4 D09 XR201BA4 E09 XR281A24 E11 BB121AA4
C2	DOUBLE CARD 5804615 4615
C3	XC121 01 02 03 04 05 06 07 08 09 10 11 12 13 14 15 16 17 18 19 20 21 22 23 24 25 26 27 28 29 30 31 32 XC131 33 34 35 36 37 38 39 40 41 42 43 44 45 46 47 48 49 50 51 52 53 54

C4	DOUBLE CARD 5806208 6208
C5	XW211 01 02 03 04 05 06 07 08 09 10 11 12 13 14 15 16 17 18 19 20 XW221 21 22 23 24 25 26 27 28 29 30 31 32 33 34 35 XW101 36 37 38 39 40 XW221 41 42 43 44 XW211 45 46 47 48 49 50 51 52 XW221 53 54 55 56 57 58 59 XW101 B1 XW111 C1
D1	CONNECTOR A09 XR291BB4 E09 XC141AX6 E11 DU101BD4
D2	SINGLE CARD 5800000 0000
D3	SINGLE CARD 5800509 0509
D4	SINGLE CARD 5803404 3404
D5	SINGLE CARD 5803819 3819
D6	SINGLE CARD DISK 5803016 3016
E1	CONNECTOR A11 DU111AJ4 B09 DU101BE4 B11 DU101RB4 D09 DU101AY4 D11 DU101RD4 E09 DU101BA4 E11 DU111AY4
E2	SINGLE CARD 5803794 3794
E3	SINGLE CARD 5803816 3816
E4	SINGLE CARD 5800000 0000

E5	SINGLE CARD 5800000 0000
E6	SINGLE CARD 5800000 0000
E7	SINGLE CARD DISK 5800000 0000
F1	CONNECTOR A11 DU111A24 R09 DU101AA4 B11 DU111AM4 C09 DU101AB4 C11 XR281AT6 D09 DU111AC4 D11 XR281AT6 E09 DU111AB4 E11 DU111BC4
F2	SINGLE CARD 5800533 0533
F3	SINGLE CARD 5804008 4008
F4	SINGLE CARD 5803794 3794
F5	SINGLE CARD 5803816 3816
F6	SINGLE CARD 5800453 0453
F7	SINGLE CARD 5800000 0000
G1	CONNECTOR A09 DU111AA4 A11 XP201BE4
G3	SINGLE CARD 5804008 4008
G4	SINGLE CARD 5800236 0236

G4	DU101 A1 B1 C1 XW111 D1 XK101 E1
G5	SINGLE CARD 5803421 3421
G6	SINGLE CARD DISK 5803793 3793
G7	SINGLE CARD 5803356 3356
H3	SINGLE CARD 5803016 3016
H4	SINGLE CARD 5803421 3421
H5	SINGLE CARD 5803794 3794
H6	SINGLE CARD DISK 5803757 3757
H7	SINGLE CARD 5800000 0000
H8	CONNECTOR D04 FA171AQ4
J4	DOUBLE CARD DISK 5804628 4628
J5	CONNECTOR A09 DU111AA4 A11 XP201BE4
G3	SINGLE CARD 5804008 4008
G4	SINGLE CARD 5800236 0236

J6	DOUBLE CARD DISK 5806217 6217
J7	DOUBLE CARD DISK 5806219 6219
J8	CONNECTOR E04 FA171AJ4 C06 FA171AD4
K3	SINGLE CARD 5803421 3421
K4	SINGLE CARD DISK 5803028 3028
K5	SINGLE CARD DISK 5803028 3028
K6	DOUBLE CARD DISK 5806218 6218
L2	SINGLE CARD DISK 5807509 7509
L3	SINGLE CARD 5800238 0238
L4	SINGLE CARD DISK 5800000 0000
L5	SINGLE CARD DISK 5803028 3028

L6	DOUBLE CARD DISK 5806219 6219
L7	DOUBLE CARD DISK 5806219 6219
M4	DOUBLE CARD PL 5806223 6223
M5	DOUBLE CARD PL 5806223 6223
M6	DOUBLE CARD DISK 5806220 6220
M7	DOUBLE CARD DISK 5806220 6220
N2	CONNECTOR B02 BB101AA4 E03 BB101AC4 E04 BB111AB4 B05 BB121AA4 B07 BB121AC4 B08 BB131AB4 B09 BB131AD4 B10 BB141AB4 F12 KF251AQ4 F13 KM321BG4 D02 BB101AB4 D04 BB111AA4 D05 BB111AC4 D06 BB121AB4 D07 BB131AA4 D09 BB131AC4 D10 BB141AA4 D11 BB141AC4 D12 XF141AW4 D13 XF141BC4
N3	CONNECTOR B02 RA101AX6 B03 RA121AX6 B04 RA141AX6 B05 RA161AX6 F07 RA201AX6 B10 RA261AX6 B12 XF161AS4 D02 RA111AX6 D03 RA101AX6 D04 RA131AX6 D05 RA151AX6

SOCKET LISTING
DATE 03-09-71 MACH. 1131-C
LOG 1202 BOARD 01A-C1
PREV. ENGR. - -
PRES. ENGR. 03-09-71 571150
P.No. 5889391
IBM CORP. GSD BLK.

ACCO

ACCO

N3	D06	RA171AX6
	D07	RA211AX6
	D10	RA251AX6
	D11	RA271AX6
	D12	XC141AA4
	D13	KM211AT4
N4	CONNECTOR	
	B04	DN201BE4
	B05	DU101BF4
	B07	XF161AQ6
	B08	XC141AF4
	B09	XC141BH4
	B10	KA111AN6
	B12	KU211AD4
	B13	KU211AC4
	D02	DN201BA6
	D04	FA171AF4
	D05	KT321BA4
	D06	XC141AX2
	D09	XR291BB4
	D10	KU211AE4
	D11	DU121AA4
	D12	KU211AA4
	D13	KU211AB4
N5	CONNECTOR	
	B02	XG101AW4
	B03	XG101BA4
	B04	XG111AT4
	B10	XG111BD4
	D02	XG101AX4
	D04	XG101BB4
	D05	XG111AW4
N6	CONNECTOR	
	B02	KM211AN4
	B03	XC141AX6
	R04	KT321BC2
	R05	DN201BF4
	B07	KM101AQ2
	B09	KM321BD4
	B10	KM301BG4
	B13	KM311BD4
	D02	KR111AY6
	D04	KU311AU4
	D06	KW101BC4
	D09	KU201BB4
	D10	KT321AT4
	D11	KR111BD4
	D13	KM311BG4
N7	CONNECTOR	
	B02	WF391AE2
	B03	WF391AB2
	B04	XF191AS4
	B05	WF391AA6
	B07	WF391AC2
	B08	WF391AE6
	B09	XF141BF4
	B10	XF201AG2
	B12	WF391AD2
	B13	XF161AR4
	D02	WF391AB6
	D04	XF171BB4
	D05	WF391AA2
	D06	WF391AC6
	D07	XF191AQ4
	D09	XF191AL2
	D10	XF201BH4
	D11	XF201BH4
	D12	WF391AE4
	D13	WF391AD6

PLUG LIST						
PART NO	ACC	TYPE	SOCKETS	TOTAL		
5800000	0000	D2	E4 E5 E6	06		
		F7	H7			
5800000	DISK	0000	E7 L4	02		
5800236		0236	G4	01		
5800238		0238	L3	01		
5800453		0453	F6	01		
5800509		0509	D3	01		
5800533		0533	F2	01		
5803016		3016	H3	01		
5803016	DISK	3016	D6	01		
5803028	DISK	3028	K4 K5 L5	03		
5803356		3356	G7	01		
5803404		3404	D4	01		
5803421		3421	G5 H4 K3	03		
5803757	DISK	3757	H6	01		
5803793	DISK	3793	G6	01		
5803794		3794	E2 F4 H5	03		
5803816		3816	E3 F5	02		
5803819		3819	B4 E5 D5	03		
5804008		4008	F3 G3	02		
5804615		4615	B2 C2	02		
5804628	DISK	4628	J4	01		
5806208		6208	C4	01		
5806217	DISK	6217	J6	01		
5806218	DISK	6218	K6	01		
5806219	DISK	6219	L6	01		
5806220	DISK	6220	M6	01		
5806223	PL	6223	M4	01		
5807509	DISK	7509	L2	01		
	CONN	A1	A2 A3 A4	22		
		A5	A6 A7 B1			
		B6	C1 D1 E1			
		F1	G1 H8 J8			
		N2	N3 N4 N5			
		N6	N7			

A
3000

SOCKET LISTING
 DATE 03-09-71 MACH. 1131-C
 LOG 1202 BOARD 01A-C1
 PREV. ENGR. - -
 PRES. ENGR. 03-09-71 571150
 P.N. 5889391
 IBM CORP. GSD BLK.

A
C
0
0
3
000

A2 CONNECTOR	
B02	RN101BH2
B03	RN101AY2
B04	RN101AL2
B05	RN101BJ2
B07	RN101BP2
B08	RS101AL2
B09	RS101AM2
B10	RS111AQ2
B12	KU201AL4
B13	KU201AM4
D02	RN101AN2
D04	RN101BB2
D05	RN101AB2
D06	RN111AR2
D07	RN111AS2
D09	RS111AR2
D10	RS121AM2
D11	RS121AP2
D12	KL211AJ4
D13	KL201AN4

A3 CONNECTOR	
B02	KD101AS2
B03	KD101AT2
B04	KE111AY2
B05	KD101AU2
B07	KR111AW2
B08	KC101AE2
B09	KC101AG2
B10	KC111AE2
B12	KC111AG2
B13	KD111BG4
C02	KD111BA2
D04	KD111BG4
D05	KD111BB2
D07	KS111AX2
D09	KC101AK2
D10	KC101AV2
D11	KC111AK2
D12	KC111AV2

A4 CONNECTOR	
B02	KT111AW2
B03	KT121AZ2
B04	KT121AY2
B05	KS101BD2
B08	KM301AX2
B09	KM311AX2
B10	KM321AX2
D02	KT111AX2
D04	KS101BB2
D05	KT131AR2
D06	KS111AY2
D07	KM111AV2
D09	KM301AZ2
D10	KM311AZ2
D11	KM321AZ2

A5 CONNECTOR	
B02	KT321BD2
B03	KT321BB2
B04	KT321BB2
B05	KT321BB6
B12	KT321BE4
B13	KT331AA6
D02	KG211BL4
D04	KR111BH4
D05	KT331AA2
D06	KT321BC2
D07	KT321BC6
D09	KL201AV4
D10	KR111BK4
D11	KT321BF6
D12	KT321BF2
D13	KR111BJ4

A6 CONNECTOR	
B02	KC101AG6
B04	DN201BF4
B05	DU101BF4
B07	XF161AR6
B08	XC141AF4
B09	XC141BH4
B10	KR111AG6
B12	KU211AD4
B13	KU211AC4
D02	DA201BA6
D04	FA171AF4
D05	KT321BA4
D06	XC141AX2
D09	XR291BE4
D10	KU211AE4
D11	DU121AA4
D12	KU211AA4
D13	KU211AB4

A7 CONNECTOR	
B02	KM211AN4
B03	XC141AX6
B04	KT321BC2

A7	
B05	DN201BF4
B07	KF101AQ2
B09	KM321BD4
B10	KM301BG4
B13	KM311BD4
D02	KR111AY6
D04	KU311AL4
D06	KW101RC4
D09	KU201BB4
D10	KT321AT4
D11	KR111BD4
D13	KR311BG4

B2	DOUBLE CARD
B3	5804664 4664

A7	
RN101	01 02 03 04 05 06 07 08 09 10 11 12 13 14 15 16 17 18 19 20 21 22 23
RN111	24 25 26
RN101	27 28 29 30 31 32
RN111	33 34 35 36
RN101	37 38 39
RN111	40 41 42 43 44 45
RN101	46
RN111	47 48
RN101	49
RN111	50 51 52

A4	
B4	DOUBLE CARD
B5	5806212 6212

KT321	A1 A2 B1 B2 D1 D2 E1 E2 F1 F2 G1 G2 H1 J1 J2 K1 K2 L1 L2
KT331	M1 N1
KU201	P1
KT331	Q1 Q2 Q3 Q4 Q5 Q6 Q7 Q8 S1 S2 T1 T2 T3 T4

A4	
B6	SINGLE CARD
	5803024 3024

KU211	A1 A2 A3 A4 B1 B2
KT201	B3

A7	
B7	SINGLE CARD
	5800247 0247

KM212	B1

A7	
B7	SINGLE CARD
	5803794 3794

KM212	A1 A2 A3 A4 A5 B1 B2 B3 B4 B5 B6 B7 B8 B9 BA

A7	
B7	SINGLE CARD
	5800247 0247

KM212	B1

A7	
B7	SINGLE CARD
	5800247 0247

KM212	B1

A7	
B7	SINGLE CARD
	5800247 0247

KM212	B1

A7	
B7	SINGLE CARD
	5800247 0247

KM212	B1

A7	
B7	SINGLE CARD
	5800247 0247

KM212	B1

A7	
B7	SINGLE CARD
	5800247 0247

KM212	B1

A7	
B7	SINGLE CARD
	5800247 0247

KM212	B1

DN111	
A1	A2 A3 A4 A5 A6
A7	AB AC AD AE AF AG AH AJ
AK	AL AM AN AP AQ
AS	AT AU AV AW AX
AY	AZ

D4	
SINGLE CARD	
	5803481 3481

KC101	01 02 03 04 05 06 07 08 09 10 11 12 13 14 15 16 17
KC111	18 19 20 21
KC101	22 23
KC111	24 25 26 27
KC101	28
KC111	29 30 31 32 33 34
KC101	35 36
KC111	37 38 39 40
KC101	41 42
KC111	43 44
KC101	45

D4	
SINGLE CARD	
	5803481 3481

KC101	01 02 03 04 05 06 07 08 09 10 11 12 13 14 15 16 17
KC111	18 19 20 21
KC101	22 23
KC111	24 25 26 27
KC101	28
KC111	29 30 31 32 33 34
KC101	35 36
KC111	37 38 39 40
KC101	41 42
KC111	43 44
KC101	45

D5	
SINGLE CARD	
	5803481 3481

KM101	01 02 03 04 05 06 07 08 09 10 11 12 13 14 15 16 17
KM111	18 19 20 21
KM101	22 23
KM111	24 25 26 27
KM101	28
KM111	29 30 31 32 33 34
KM101	35 36
KM111	37 38 39 40
KM101	41 42
KM111	43 44
KM101	45

D5	
SINGLE CARD	
	5803481 3481

KM101	01 02 03 04 05 06 07 08 09 10 11 12 13 14 15 16 17
KM111	18 19 20 21
KM101	22 23
KM111	24 25 26 27
KM101	28
KM111	29 30 31 32 33 34
KM101	35 36
KM111	37 38 39 40
KM101	41 42
KM111	43 44
KM101	45

D5	
SINGLE CARD	
	5803481 3481

KM101	01 02 03 04 05 06 07 08 09 10 11 12 13 14 15 16 17
KM111	18 19 20 21
KM101	22 23
KM111	24 25 26 27
KM101	28
KM111	29 30 31 32 33 34
KM101	35 36
KM111	37 38 39 40
KM101	41 42
KM111	43 44
KM101	45

D6	
SINGLE CARD	
	5800000 0000

KL201	A1
KA111	B1
KU201	C1
KU211	D1
KM201	E1
KU201	F1

D7	
SINGLE CARD	
	5803794 3794

KM212	A1 A2 A3 A4 A5 B1 B2 B3 B4 B5 B6 B7 B8 B9 BA

D8	
CONNECTOR	
E04	KT201AD4

CONNECTOR	
A11	RB201BF4
B09	RE241BF4
B11	RE211BF4
C09	RE251BF4
C11	FC171AS4
D09	RE261BF4
D11	PC101AY4
E09	RE271BF4
E11	PC101AQ4

E1	
CONNECTOR	
A11	RE201BF4
B09	RE241BF4
B11	RE211BF4
C09	RE251BF4
C11	FC171AS4
D09	RE261BF4
D11	PC101AY4
E09	RE271BF4
E11	PC101AQ4

E2	
DOUBLE CARD	
	5804625 4625

KG221	A1 A2 A3 A4 A5 A6 B1 B2 B3 B4 B5 B6 B7 B8 B9 BA BE BC BD BE

E4	
SINGLE CARD	
	5800002 0002

KU201	A1 B1 C1 D1 E1

E5	
SINGLE CARD	
	5803765 3765

KA101	A1

E6	
SINGLE CARD	
	5803421 3421

KL201	A1 B1 C1 D1 E1
KL211	F1
KL101	G1
KL211	H1 J1
DR201	K1

E8	
CONNECTOR	

E8	
CONNECTOR	
E06	KM211AS4
E06	KM212BC4

CONNECTOR	
A11	KL101AF4
B11	MC101AW4
C09	KR111BE4
C11	WZ061AH4
D09	KR111BF4
E09	KU301AT2
E11	KU301AT6

F1	
CONNECTOR	
A11	KL101AF4
B11	MC101AW4
C09	KR111BE4
C11	WZ061AH4
D09	KR111BF4
E09	KU301AT2
E11	KU301AT6

F2	
DOUBLE CARD	
	5806257 6257

RS121	01 02
RS111	04 05
RS121	06 07 08 09 10 11
RS111	12 13
RS121	14 15 16 17
RS111	18
RS121	19 20
RS111	21
RS121	22 23 24 25
RS111	26 27
RS101	28 29 30 31 32 33
RS111	34 35 36
RS101	37 38 39 40
RS111	41 42
RS101	43 44
RS111	45
RS101	46 47 48 49
RS111	50
RS101	51 52
RS111	53 54 55
RS121	56 59

F4	
DOUBLE CARD	
	5806251 6251

KT201	01 02 03 05 06 07 09 10 11 12 13 14 15 16 17 18 19 20 21 22 23 24 25 27 28 29

F4	
DOUBLE CARD	
	5806251 6251

KT201	01 02 03 05 06 07 09 10 11 12 13 14 15 16 17 18 19 20 21 22 23 24 25 27 28 29

F4	
DOUBLE CARD	
	5806251 6251

KT201	01 02 03 05 06 07 09 10 11 12 13 14 15 16 17 18 19 20 21 22 23 24 25 27 28 29

F4	
DOUBLE CARD	
	5806251 6251

KT201	01 02 03 05 06 07 09 10 11 12 13 14 15 16 17 18 19 20 21 22 23 24 25 27 28 29

F6	
SINGLE CARD	
	5803761 3761

KM321	01 02 03 04 05 06 07 08 09 10 11 12 13 14 15 16 17 18 19 20 21 22 23 24 25 26 27 28 29 30 32 B1

F7	
SINGLE CARD	
	5803815 3815

KM211	AA AB AC AD AE AF AG AH AJ AK AL AM AN AP AQ AS AT AU AV AW B1

F8	
CONNECTOR	
A06	KA101BE6
B06	KL201AE4
C04	KG231BD4
C06	KU211AL4
D04	KC101AG6

G1	
CONNECTOR	
A09	RB111AN4
A11	RB111AM4

G2	
DOUBLE CARD	
	5804672 4672

KD101	01 02
KD111	03 04
KD101	05 06 07 08 09 10 11 12 13 14 15 16 17 18 19 20 21 22 23 24 25 26 27 28 29 30 31 32 33 34
KD111	35 36 37 38 39 40 41 42 43 44 45 46 47 48 49 50 52 54 55 56

G4	
DOUBLE CARD	
	5804616 4616

KT101	02 03 04 05 06
KT111	07 08 09 10
KT101	11 12

N4
 B06 KR101AR4
 B07 KA111AN2
 B08 KU311AT4
 B09 KG211AL2
 B10 DN111AY4
 B11 KT201AX4
 B12 KT301AR4
 B13 KT201AZ4
 D02 KU311AR4
 D03 RB201BG4
 D04 KU101AB4
 D05 KR101AS4
 D06 KR101AT4
 D07 KG231AM4
 D09 KT101AT4
 D10 DN111AZ4
 D11 KT201AY4
 D12 KT301AN4
 D13 KT201AS4

N5 CONNECTOR
 B03 RD151AP2
 B04 RD161AP2
 B05 RD171AP2
 B06 RA101AU2
 B07 KG231AZ4
 B08 RQ101AY2
 B09 RQ171AY2
 B10 RA101AX6
 B11 RB161BH2
 B12 KR111AU2
 B13 RA151AX6
 D02 KG231AY4
 D03 RD151AQ2
 D04 RD161AQ2
 D05 RD171AQ2
 D06 KT201BF4
 D07 RA111AU6
 D09 RQ171AX2
 D10 RA271AX6
 D11 RB171BH2
 D12 KR111AX2
 D13 RA171AX6

N7 SINGLE CARD
 5800000 0000
 KU201 A1
 KC101 B1
 KG211 C1
 RA171 D1

UNUSED PORTIONS

E F

N8 CONNECTOR
 A04 KM101AV2
 A06 KM201AC4

PLUG LIST						
PART NO	ACC	TYPE	SOCKETS	TOTAL		
5800000	0000	C6	D6 H6 H7			C6
		M7	N7			
5800002	0002	E4				01
5800069	0069	J6				01
5800238	0238	K6				01
5800247	0247	B7				01
5800509	0509	J7				01
5801024	3024	B6				01
5801421	3421	E6				01
5803481	3481	F4				01
5803481	CS	CS				01
5803761	3761	F6	G6 G7			03
5803765	3765	E5				01
5803794	3794	D7	K7			02
5803815	3815	F7				01
5803817	CSA	J3				01
5804607	4607	H4				01
5804610	4610	F2				01
5804614	4614	L4				01
5804616	4616	G4				01
5804621	4621	M4				01
5804624	4624	L2				01
5804625	4625	E2				01
5804664	4664	B2				01
5804672	4672	G2				01
5804675	4675	D2				01
5804676	4676	C2				01
5804680	4680	J4				01
5804685	4685	K4				01
5806207	6207	H2				01
5806212	6212	B4				01
5806213	6213	C4				01
5806251	6251	F4				01
5806257	6257	F2				01
5807312	7312	K2				01
5807347	7347	K2				01
	CONN	A2	A3 A4 A5			23
		A6	A7 D1 I8			
		E1	E8 F1 F8			
		G1	H8 J8 K8			
		L8	M8 N2 N3			
		N4	N5 N8			

SOCKET LISTING
 DATE 12-01-71 P.C.P. 1131-C
 L.L.G. 5960 B.C.P.P. 01B-01
 PREV. ENGR. - -
 PRES. ENGR. - - 571154
 P.N. 5889392
 IBM CLP. GSD PLK.

A1 CONNECTOR
E09 RB101BH6
E11 WZ051AD4

A2 CONNECTOR
B03 KG211AX4
B04 KG231BA4
B05 KG241AM4
B06 KG241AL4
B07 KB101BB4
B08 KB101BA4
B09 RB101BF4
B10 RB111BF4
B11 RB121BF4
B12 RB131BF4
B13 RB141BF4
D02 KG211AK4
D03 KG211AY4
D04 KG231BA6
D05 KG241AQ4
D06 KG211AT4
D07 KG211BD4
D09 RB151BF4
D10 RB161BF4
D11 RB171BF4
D12 KU311AQ4
D13 KU311AU4

A3 CONNECTOR
B03 KT331AD2
B04 DN111AW4
B05 KG231AK4
B06 KT311AF4
B07 KT311AE4
B08 KT311AP4
B09 RN111AR6
B10 KD101AZ4
B11 KU111AA4
B12 KU111AC4
B13 KU111AE4
D02 KG211BF4
D03 KA101BG2
D04 KG151AS2
D05 KG231AL4
D06 KT301AC4
D07 KT311AD4
D09 KG211AS4
D10 KT301BE4
D11 KU111AB4
D12 KU111AD4
D13 KU111AF4

A4 CONNECTOR
B03 RB101BG4
B04 KU101AE4
B05 KR101AQ4
B06 KR101AR4
B07 KA111AN2
B08 KU311AT4
B09 KG121AL2
B10 DN111AY4
B11 KT201AX4
B12 KT301AR4
B13 KT201AZ4
D02 KU311AR4
D03 RB201BG4
D04 KU101AB4
D05 KR101AS4
D06 KR101AT4
D07 KG231AM4
D09 KT101AT4
D10 DN111AZ4
D11 KT201AY4
D12 KT301AN4
D13 KT201AS4

A5 CONNECTOR
B03 RD151AP2
B04 RD161AP2
B05 RD171AP2
B06 RA101AU2
B07 KG231AZ4
B08 RQ101AY2
B09 RQ171AY2
B10 RA101AX6
B11 RB161BH2
B12 KR111AW2
B13 RA151AX6
D02 KG231AY4
D03 RD151AQ2
D04 RD161AQ2
D05 RD171AQ2
D06 KT201BF4
D07 RA111AU6
D09 RQ171AX2
D10 RA271AX6
D11 RB171BH2
D12 KR111AX2
D13 RA171AX6

AB CONNECTOR
E04 RA111AX6
E06 RA101AX6

B1 CONNECTOR
A09 RB101BH6
A11 WZ051AA4
B09 RB111BH6
B11 WZ051AB4
C09 RB121BH6
C11 WZ051AC4
D09 RB131BH6
D11 WZ051AD4
E09 RB141BH6
E11 WZ051AE4

B2 DOUBLE CARD
B3 5804619 4619

RB101 01 02 03 04 05 06
07 08 09 10 11 12
14
RB111 15
RB101 16
RB111 17 18 19 20 21 22
23 24 25 27 28 29
RB101 30
RB111 31 32 33
RB101 34 35 36 37 38 39
40 41 42 43
RB111 44 45 46 47 48 49
50 51
RB101 52
RB111 53 54
RB101 55 56 57 58
RB111 59 60 61 62
RB101 63 64
RB111 65 66
RB101 67
RB111 68
RB101 69
RB111 70

B4 DOUBLE CARD
B5 5806255 6255

RD101 01 02 03 04 05 06
07 08 09 10 11 12
13 14
RA101 15 16 17 18 19 20
21 22 23 24 25 26
27 28 29 30 31 32
33 34 35 36
RA111 37 38 39 40 41 42
43 44 45 46 47 48
49 50 51 52 53 54
55 56 57 58
RQ101 59 60 61 62 64 65
66 67 68 69 70 71
72 73 74 75 80 81
82 83 84 85
RD101 86
RA111 87 88
RA101 89 90
RA111 91

B8 CONNECTOR
A04 RA101AX6
A06 RA121AX6
B04 RA131AX6
B06 RA141AX6
C04 RA151AX6
C06 RA161AX6
D04 RA171AX6
E04 RA211AX6
E06 RA201AX6

C1 CONNECTOR
A11 WZ051AH4
B09 RB151BH6
B11 WZ051AF4
C09 RB161RH6
C11 WZ051AG4
D09 RB171BH6
D11 WZ051AH4
E09 RB201BH6
E11 WZ051AJ4

C2 DOUBLE CARD
C3 5804619 4619

RB121 01 02 03 04 05 06
07 08 09 10 12 13
14
RB131 15
RB121 16
RB131 17 18 19 20 21 22
23 24 25 27 28 29
RB121 30
RB131 31 32 33
RB121 34 35 36 37 38 39
40 41 42 43
RB151 44 45 46 47 48 49
50 51
RB141 52
RB151 53 54
RB141 55 56 57 58
RB151 59 60 61 62
RB141 63 64
RB151 65 66
RB141 67
RB151 68
RB141 69
RB151 70

RB121 34 35 36 37 38 39
40 41 42 43
RB131 44 45 46 47 48 49
50 51
RB121 52
RB131 53 54
RB121 55 56 57 58
RB131 59 60 61 62
RB121 63 64
RB131 65 66
RB121 67
RB131 68
RB121 69
RB131 70

C4 DOUBLE CARD
C5 5806255 6255

RD111 01 02 03 04 05 06
07 08 09 10 11 12
13 14
RA121 15 16 17 18 19 20
21 22 23 24 25 26
27 28 29 30 31 32
33 34 35 36
RA131 37 38 39 40 41 42
43 44 45 46 47 48
49 50 51 52 53 54
55 56 57 58
RQ111 59 60 61 62 64 65
66 67 68 69 70 71
72 73 74 75 80 81
82 83 84 85
RD111 86
RA131 87 88
RA121 89 90
RA131 91

C6 SINGLE CARD
5803686 3686

XF171 A1 B1
KG231 C1
KG121 D1
XF171 E1 F1
XF161 G1
XF251 H1
XF141 K1

UNUSED PORTIONS
J

C7 SINGLE CARD
5800236 0236

KM201 A1 B1 C1
MB201 D1
KM201 E1
DN201 F1

C8 CONNECTOR
C04 RA251AX6
C06 RA261AX6
D04 RA271AX6
E04 XC141AA4
E06 XF161AS4

D1 CONNECTOR
A09 RB211BH6
A11 WZ061AA4
E09 RB221BF4
E11 MC101AY4

D2 DOUBLE CARD
D3 5804619 4619

RB141 01 02 03 04 05 06
07 08 09 10 12 13
14
RB151 15
RB141 16
RB151 17 18 19 20 21 22
23 24 25 27 28 29
RB141 30
RB151 31 32 33
RB141 34 35 36 37 38 39
40 41 42 43
RB151 44 45 46 47 48 49
50 51
RB141 52
RB151 53 54
RB141 55 56 57 58
RB151 59 60 61 62
RB141 63 64
RB151 65 66
RB141 67
RB151 68
RB141 69
RB151 70

D4 DOUBLE CARD
D5 5806255 6255

RD121 01 02 03 04 05 06
07 08 09 10 11 12
13 14
RA141 15 16 17 18 19 20
21 22 23 24 25 26
27 28 29 30 31 32
33 34 35 36
RA151 37 38 39 40 41 42
43 44 45 46 47 48
49 50 51 52 53 54
55 56 57 58
RQ121 59 60 61 62 64 65
66 67 68 69 70 71
72 73 74 75 80 81
82 83 84 85
RD121 86
RA151 87 88
RA141 89 90
RA151 91

D7 SINGLE CARD
5800238 0238

KM201 A1 B1 C1 D1
MB201 E1

D8 CONNECTOR
A04 KM211AT4
E04 KM201AD4

E1 CONNECTOR
A11 RB201BF4
B09 RB241BF4
B11 RB211BF4
C09 RB251BF4
C11 RD171AS4
D09 RB261BF4
D11 MC101AY4
E09 RB271BF4
E11 MC101AQ4

E2 DOUBLE CARD
E3 5804619 4619

RB161 01 02 03 04 05 06
07 08 09 10 12 13
14
RB171 15
RB161 16
RB171 17 18 19 20 21 22
23 24 25 27 28 29
RB161 30
RB171 31 32 33
RB161 34 35 36 37 38 39
40 41 42 43
RB171 44 45 46 47 48 49
50 51
RB161 52
RB171 53 54
RB161 55 56 57 58
RB171 59 60 61 62
RB161 63 64
RB171 65 66
RB161 67
RB171 68
RB161 69
RB171 70

E4 DOUBLE CARD
E5 5806255 6255

RD131 01 02 03 04 05 06
07 08 09 10 11 12
13 14
RA161 15 16 17 18 19 20
21 22 23 24 25 26
27 28 29 30 31 32
33 34 35 36
RA171 37 38 39 40 41 42
43 44 45 46 47 48
49 50 51 52 53 54
55 56 57 58
RQ131 59 60 61 62 64 65
66 67 68 69 70 71
72 73 74 75 80 81
82 83 84 85
RD131 86
RA171 87 88
RA161 89 90
RA171 91

E8 CONNECTOR
C06 KM211AS4
E06 KM212BC4

F1 CONNECTOR

F1 A11 KU101AF4
B11 MC101AW4
C09 KR111BE4
C11 WZ061AH4
D09 KR111BF4
E09 KU301AT2
E11 KU301AT6

F2 SINGLE CARD
5803016 3016

MB101 A1 A2 A3 A4 A5 A6
A7 A8 A9

F3 SINGLE CARD
5803757 3757

KG101 A1
KG111 A3 A4
KG101 A5 A6
KG111 A7
KG101 A8
KG111 A9
KG101 AA AC
KG111 AD
KG101 AE
KG111 AF
KG121 B1 B2 C1 C2

F4 SINGLE CARD
5803757 3757

KG121 A1 A2
KG111 A3
KG141 A5 A6
KG131 A7
KG121 A8
KG111 A9
KG101 AA AC
KG111 AD
KG101 AE
KG111 AF
KG121 B1 B2 C1 C2

F5 SINGLE CARD
5803757 3757

KG151 A1 A4
KG141 A5 A6
KG131 A7
KG151 A8 A9
KG141 AA
KG121 AC
KG111 AD
KG141 AE
KG131 AF
KG151 B1 B2 C1 C2

F6 SINGLE CARD DISK
5803028 3028

MB201 A1 A2 A3 A4 A5 A6
A7 A8 A9

F7 SINGLE CARD
5800000 0000

KU211 B1
KW101 C1 D1

UNUSED PORTIONS
A E F

F8 CONNECTOR
A06 KA101BE6
B06 KU201AE4
C04 KG231BD4
C06 KU211AL4
D04 KC101AQ6

G1 CONNECTOR
A09 MB111AN4
A11 MB111AM4
E09 MB111AA4
E11 MC101AY4

G2 SINGLE CARD
5800533 0533

MB101 A1 A2 B1 B2 C1 D1

G3 SINGLE CARD
5803757 3757

KG101 A1
KG111 A3 A4
KG101 A5 A6
KG111 A7
KG101 A8

G3 KG111 A9
KG101 AA AC
KG111 AD
KG101 AE
KG111 AF
KG121 B1 B2 C1 C2

G4 SINGLE CARD
5803757 3757

KG121 A1 A2
KG111 A3
KG141 A5 A6
KG131 A7
KG121 A8
KG111 A9
KG141 AA
KG121 AC
KG111 AD
KG141 AE
KG131 AF
B1 B2 C1 C2

G5 SINGLE CARD
5803757 3757

KG151 A1 A4
KG141 A5 A6
KG131 A7
KG151 A8 A9
KG141 AA
KG151 AC AD
KG141 AE
KG131 AF
KG101 E1 B2
KG151 C1 C2

G6 SINGLE CARD CS
5800236 0236

MB201 A1 B1 C1 D1 E1 F1

G8 CONNECTOR
E06 MB201AT2

H1 CONNECTOR
A09 MB111AA4
B09 MB111AC4
B11 MB111AB4
C09 MB111AE4
C11 MB111AD4
D11 MC101AY4
E11 MC101AQ4

H2 DOUBLE CARD
H3 5804619 4619

RB201 01 02 03 04 05 06
07 08 09 10 12 13
14
RB211 15
RB201 16
RB211 17 18 19 20 21 22
23 24 25 27 28 29
RB201 30
RB211 31 32 33
RB201 34 35 36 37 38 39
40 41 42 43
RB211 44 45 46 47 48 49
50 51
RB201 52
RB211 53 54
RB201 55 56 57 58
RB211 59 60 61 62
RB201 63 64
RB211 65 66
RB201 67
RB211 68
RB201 69
RB211 70

H4 DOUBLE CARD
H5 5806255 6255

RD141 01 02 03 04 05 06
07 08 09 10 11 12
13 14
RA201 15 16 17 18 19 20
21 22 23 24 25 26
27 28 29 30 31 32
33 34 35 36
RA211 37 38 39 40 41 42
43 44 45 46 47 48
49 50 51 52 53 54
55 56 57 58
RQ141 59 60 61 62 64 65
66 67 68 69 70 71
72 73 74 75 80 81
82 83 84 85
RD141 86

RA211 87 88
RA201 89 90
RA211 91

H6 SINGLE CARD DISK
5803796 3796

XF231 01 02 03 04 05 06
07 08 09 10 11 12
13 14 15 16 17 18
19 20 21 22 23 24
25 26 27 28 29 30
31 32 33 34 35 36
37 38 39 40 41 42
43 44 45 46 47 48

H8 CONNECTOR
A04 MB201AT2
A06 MB201AT4
B06 MB201AT6
C06 KM211AS4
E06 KM211BC4

J1 CONNECTOR
A11 MB111AH4
B11 MC101AW4
C09 MB111AG4
C11 MB111AF4
D09 MB111AJ4
D11 MB111AH4
E09 MB111AL4
E11 MB111AK4

J2 DOUBLE CARD
J3 5804619 4619

RB221 01 02 03 04 05 06
07 08 09 10 12 13
14
RB231 15
RB221 16
RB231 17 18 19 20 21 22
23 24 25 27 28 29
RB221 30
RB231 31 32 33
RB221 34 35 36 37 38 39
40 41 42 43
RB231 44 45 46 47 48 49
50 51
RB221 52
RB231 53 54
RB221 55 56 57 58
RB231 59 60 61 62
RB221 63 64
RB231 65 66
RB221 67
RB231 68
RB221 69
RB231 70

J4 DOUBLE CARD
J5 5806255 6255

RD151 01 02 03 04 05 06
07 08 09 10 11 12
13 14
RA221 15 16 17 18 19 20
21 22 23 24 25 26
27 28 29 30 31 32
33 34 35 36
RA231 37 38 39 40 41 42
43 44 45 46 47 48
49 50 51 52 53 54
55 56 57 58
RQ151 59 60 61 62 64 65
66 67 68 69 70 71
72 73 74 75 80 81
82 83 84 85
RD151 86
RA231 87 88
RA221 89 90
RA231 91

J6 SINGLE CARD DISK
5803793 3793

XF221 01 02 03 04 05 06

SOCKET LISTING
DATE 03-09-71 MACH. 1131-C
LOG 1202 BOARD 01B-B1
PREV. ENGR. - -
PRES. ENGR. 03-09-71 571150
P.N. 5889393

IBM CORP. GSD BLK.

COO 5

A
C
O
5
000

J6		07 08 09 10 11 12 13 14 15 16 17 18 19 20 21 22 23 24 25 26 27 28 29 30 31 32 33 34 35 36 37 38 39 40 41 42
J8	CONNECTOR A06 KM211AV4	
K1	CONNECTOR A09 MB111AN4 A11 MB111AM4 E09 RB221BH6 E11 WZ061AE4	
K2	DOUBLE CARD 5804619 4619	
K3		RB241 01 02 03 04 05 06 07 08 09 10 12 13 14 RB251 15 RB241 16 RB251 17 18 19 20 21 22 23 24 25 27 28 29 RB241 30 RB251 31 32 33 RB241 34 35 36 37 38 39 40 41 42 43 RB251 44 45 46 47 48 49 50 51 RB241 52 RB251 53 54 RB241 55 56 57 58 RB251 59 60 61 62 RB241 63 64 RB251 65 66 RB241 67 RB251 68 RB241 69 RB251 70
K4	DOUBLE CARD 5806255 6255	
K5		RD161 01 02 03 04 05 06 07 08 09 10 11 12 13 14 RA241 15 16 17 18 19 20 21 22 23 24 25 26 27 28 29 30 31 32 33 34 35 36 RA251 37 38 39 40 41 42 43 44 45 46 47 48 49 50 51 52 53 54 55 56 57 58 RQ161 59 60 61 62 64 65 66 67 68 69 70 71 72 73 74 75 80 81 82 83 84 85 RD161 86 RA251 87 88 RA241 89 90 RA251 91
K6	SINGLE CARD 5803024 3024	
K7	SINGLE CARD 5803022 3022	
K8	CONNECTOR E04 KD101AW4 E06 WZ061AJ4	
L1	CONNECTOR A09 RB221BH6 A11 WZ061AB4 B09 RB231BH6 B11 WZ061AC4 C09 RB241BH6 C11 WZ061AD4 D09 RB251BH6 D11 WZ061AE4 E09 RB261BH6 E11 WZ061AF4	
OL2	DOUBLE CARD 5804619 4619	
OL3		RB261 01 02 03 04 05 06 07 08 09 10 12 13

		14 RB271 15 RB261 16 RB271 17 18 19 20 21 22 23 24 25 27 28 29 RB261 30 RB271 31 32 33 RB261 34 35 36 37 38 39 40 41 42 43 RB271 44 45 46 47 48 49 50 51 RB261 52 RB271 53 54 RB261 55 56 57 58 RB271 59 60 61 62 RB261 63 64 RB271 65 66 RB261 67 RB271 68 RB261 69 RB271 70
L4	DOUBLE CARD 5806255 6255	
L5		RD171 01 02 03 04 05 06 07 08 09 10 11 12 13 14 RA261 15 16 17 18 19 20 21 22 23 24 25 26 27 28 29 30 31 32 33 34 35 36 RA271 37 38 39 40 41 42 43 44 45 46 47 48 49 50 51 52 53 54 55 56 57 58 RQ171 59 60 61 62 63 64 65 66 67 68 69 70 71 72 73 74 75 80 81 82 83 84 85 RD171 86 RA271 87 88 RA261 89 90 RA271 91
L6	SINGLE CARD 5803024 3024	
L7	SINGLE CARD 5803022 3022	
L8	CONNECTOR A04 WZ061AJ4 A06 KM211AU4 B04 KD101AT2 B06 XC141BJ4 C04 KM321BG4 C06 DN201AL4 D04 KM211BC4 E04 KM211AV4 E06 DN201AZ4	
M1	CONNECTOR A11 WZ061AJ4 B09 RB271BH6 B11 WZ061AG4 C09 KR111BE4 C11 WZ061AH4 D09 KR111BF4 D11 WZ061AJ4	
M2	CONNECTOR B02 RB121BJ2 B03 RB141BJ2 B04 RB161BJ2 B05 RB201BJ2 B07 RB221BJ2 B08 RB241BJ2 B09 RB261BJ2 B10 RA101AU2 B12 RA121AU2 D02 RB131BJ2 D04 RB151BJ2 D05 RB171BJ2 D06 RB211BJ2 D07 RB231BJ2 D09 RB251BJ2 D10 MB101AA4 D11 RA111AU2 D12 RA131AU2	
M3	CONNECTOR B02 RB101BH2 B03 RB121BH2	

M3		B04 RB141BH2 B05 RB161BH2 B07 RB201BH2 B08 RB221BH2 B09 RB241BH2 B10 RB261BH2 B12 RA201AU2 B13 RA221AU2 D02 RB111BH2 D04 RB131BH2 D05 RB151BH2 D06 RB171BH2 D07 RB211BH2 D09 RB231BH2 D10 RB251BH2 D11 RB271BH2 D12 RA211AU2 D13 RA231AU2
M4	SINGLE CARD 5803807 3807	
M5	SINGLE CARD 5803291 3291	
M8	CONNECTOR A06 KM201AN4 B06 RN111AT6 C04 RB231BF4 C06 KM201AL4 D04 KU211AF4 E04 KM211AT4 E06 KM201AS4	
N2	CONNECTOR B02 RB121AQ2 B03 RB141AQ2 B04 RB161AQ2 B05 RB201AQ2 B07 RB221AQ2 B08 RB241AQ2 B09 RB261AQ2 B10 RA141AU2 B12 RA161AU2 D02 RB131AQ2 D04 RB151AQ2 D05 RB171AQ2 D06 RB211AQ2 D07 RB231AQ2 D09 RB251AQ2 D10 RB271AQ2 D11 RA151AU2 D12 RA171AU2	
N3	CONNECTOR B02 RQ101AY2 B03 RQ111AY2 B04 RQ121AY2 B05 RQ131AY2 B07 RQ141AY2 B08 RQ151AY2 B09 RQ161AY2 B10 RQ171AY2 B12 RA241AU2 B13 RA261AU2 D02 RQ101AX2 D04 RQ111AX2 D05 RQ121AX2 D06 RQ131AX2 D07 RQ141AX2 D09 RQ151AX2 D10 RQ161AX2 D11 RQ171AX2 D12 RA251AU2 D13 RA271AU2	
N4	CONNECTOR B02 RD101AP2 B03 RD111AP2 B04 RD121AP2 B05 RD131AP2 B07 RD141AP2	

N4		B08 RD151AP2 B09 RD161AP2 B10 RD171AP2 B13 RB111BJ2 D02 RD101AQ2 D04 RD111AQ2 D05 RD121AQ2 D06 RD131AQ2 D07 RD141AQ2 D09 RD151AQ2 D10 RD161AQ2 D11 RD171AQ2 D13 RB111AQ2
N5	CONNECTOR B02 BB101AA4 B03 BB101AC4 B04 BB111AB4 B05 BB121AA4 B07 BB121AC4 B08 BB131AB4 B09 BB131AD4 B10 BB141AB4 B12 XF251AQ4 B13 KM321BG4 D02 BB101AB4 D04 BB111AA4 D05 BB111AC4 D06 BB121AB4 D07 BB131AA4 D09 BB131AC4 D10 BB141AA4 D11 BB141AC4 D12 XF141AW4 D13 XF141BC4	
N6	CONNECTOR B02 RB301AA4 B03 RB301AC4 B04 RB301AE4 E05 RB301AG4 B07 RB311AA4 B08 RB311AC4 B09 RB311AE4 B10 RB311AG4 B12 KW101BE4 D02 RB301AB4 D04 RB301AD4 D05 RB301AF4 D06 RB301AH4 D07 RB311AB4 D09 RB311AD4 D10 RB311AF4 D11 RB311AH4 D12 XF141AZ4	
N8	CONNECTOR A04 KM101AV2 A06 KM201AC4	

PLUG LIST							
PART NO	ACC	TYPE	SOCKETS	TOTAL			
5800000		0000	F7				01
5800236		0236	C7				01
5800236	CS	0236	G6				01
5800238		0238	D7				01
5800533		0533	G2				01
5803016		3016	F2				01
5803022		3022	K7 L7				02
5803024		3024	K6 L6				02
5803028	DISK	3028	F6				01
5803291		3291	M5				01
5803686		3686	C6				01
5803757		3757	F3 F4 F5 G3 G4 G5				06
5803793	DISK	3793	J6				01
5803796	DISK	3796	H6				01
5803807		3807	M4				01
5804619		4619	B2 C2 D2 E2 H2 J2 K2 L2				08
5806255		6255	B4 C4 D4 E4 H4 J4 K4 L4				08
		CONN	A1 A2 A3 A4 A5 A8 B1 B8 C1 C8 D1 D8 E1 E8 F1 F8 G1 G8 H1 H8 J1 J8 K1 K8 L1 L8 M1 M2 M3 M8 N2 N3 N4 N5 N6 N8				36

SOCKET LISTING
 DATE 03-09-71 MACH. 1131-C
 LOG 1202 BOARD 01B-B1
 PREV. ENGR. - -
 PRES. ENGR. 03-09-71 571150
 P.N. 5889393
 IBM CORP. GSD BLK.

A
C
O
5
000

JUMPERS AND TIE DOWNS

SINGLE SHOT TIMING

A0000

CONFIGURATION	FUNCTION	NET NO.	FROM-TO	NAME	PAGE	ADJUSTABLE			NAME	PAGE	FIXED		
						LOCATION	TIME	TOL			LOCATION	TIME	TOL
NO. 1132	+ REQ INT LVL 1	DUI21BB4	A-CIK3B13-K3D08	TWR SS-1	XWIOI	A-CIF5B03	TOP	25ms ± 3ms	CB SS	XPI3I	B-AIJ6D11	4ms ± .5ms	
NO. 1132	+ CS LVL 1	KM211AV4	B-AIF7D11-F7D08	TWR SS-2	XWIOI	A-CIF5B07	BOT	25ms ± 3ms	READ INT SS	XPI3I	B-AIJ7D11	4ms ± .5ms	
1627 MOD I	BUSY SS-1	XGIOIAY4	A-CIM4G07-M4J11	KBD SS-1	XKIOI	A-CIE3B03	TOP	25ms ± 3ms	USE METER SS	KWIOI	A-CIG7B02	400ms ± 100ms	
1627 MOD I	BUSY SS-2	XGIOIAZ4	A-CIM4G09-M4B13	KBD SS-2	XKIOI	A-CIE3B07	BOT	25ms ± 3ms	DISK SS	XF17I	A-CIM6J06	28ms ± 5ms	
1627 MOD II	BUSY SS-1	XGIOIAY4	A-CIM4G07-M4G13	READ CHK SS	XR30I	A-BIK3B03	TOP	100us ± 12us	SS-1 (1627-I)	XGIOI	A-CIM4J07	1.9ms ± .3ms	
1627 MOD II	BUSY SS-2	XGIOIAZ4	A-CIM4G09-M4B12	PUNCH GT SS	XR30I	A-BIK3B07	BOT	350us ± 42us	SS-1 (1627-II)	XGIOI	A-CIM4J07	2.9ms ± .4ms	
NO 1442	+ REQ INT LVL 0	XM20IAY4	B-AIJ7B13-J7D08	DISK R/W SS	XF18I	A-CIM6J13		250us ± 28us	SS-2 (1627-I)	XGIOI	A-CIM4G04	1.9ms ± .3ms	
1134 OR 1055	- PT RESPONSE	XT30IBH4	A-CIA7B04-E6B12	SETTLE SS	XF18I	A-CIL2D13		22.5ms ± 2ms	SS-2 (1627-II)	XGIOI	A-CIM4G04	2.9ms ± .4ms	
1055 AND NO 1134	+ PT STATUS BUSY	XT10IBP4	A-BIM4B10-M4D08	PT RDR SS	XT30I	A-BIG3B07	BOT	500us ± 60us	1627 SS-3	XGIII	A-CIM4J09	50ms ± 8ms	
1134 OR 1055	- PT RESPONSE	FAI71TA4	A-CIA7D05-N6D05						1627 SS-4	XGIII	A-CIM4G10	50ms ± 8ms	
1134 OR 1055	- PT RESPONSE	FAI71TC4	B-AIA7D05-K6B13										

CE INDICATOR CARD LAYOUT

DISK FILE
WORD COUNT REGISTER A-CIT5 XFO2I

BIT 10	BIT 11	BIT 12	BIT 13	BIT 14	BIT 15
BIT 7	BIT 8	BIT 9	SPARE 7	SPARE 8	SPARE 9

DISK FILE A-CIT8 XFO1I

NOT READY	CYCLE STEAL LVL 0	WRITE SELECT	READ SELECT	RD/WR CONDI-TION	ACCESS HOME
SPARE 1	SPARE 2	SPARE 3	SPARE 4	SPARE 5	SPARE 6

MACHINES WITH 4K CORE STORAGE WILL HAVE THE FOLLOWING DELETIONS TO DISABLE UPPER 4K:
DELETE B-BIF2D02-CARD SIDE AND B-BIF6D02-CARD SIDE
MACHINES BEING CONVERTED FROM 4K TO 8K STORAGE WILL REQUIRE THE FOLLOWING WIRE ADDITIONS:
ADD B-BIF2D02 TO F6D02 AND B-BIF2D02 TO HIA09 AND B-BIF6D02 TO G1E09

BACK-PANEL CAPACITOR
.22UF P/N 842607
A-CIN6D02-L6D08
SEE KR111 AND YPI6I

ADDITIVE CARD CODES

BLANK BASIC
CS CYCLE STEAL
CSA DISK OR 1132
C67 1442-6 OR 7
C567 1442-6 OR 7
DISK DISK STOR
PR 1132-2
PL 1627
PTPL 1134
PTR 1134
PTRP 1134/1055
PTP 1055

OSCILLATOR ADJUSTMENTS

CPU OSCILLATOR-LOCATION: B-AIE5 FIXED FREQUENCY

SJ-4 (2.25 MHZ): + PH A (KAIII, B-AIC4J05) AND + PH B (KAIII, B-AIC4J10) ARE TO BE EQUAL WIDTH WITHIN ± 10% WHEN MEASURED AT THE 1 VOLT LEVEL.

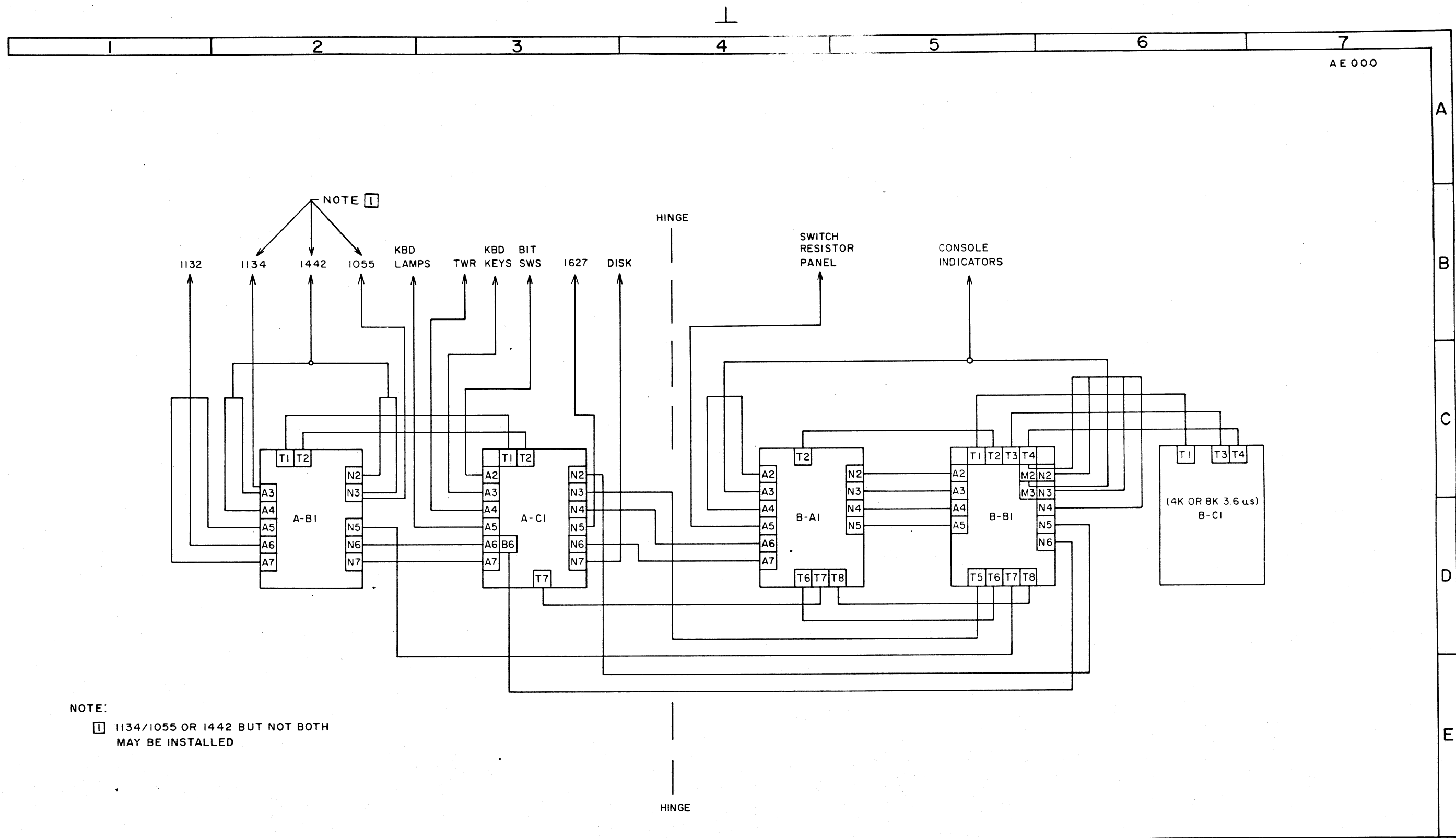
PAPER TAPE OSCILLATOR-LOCATION A-BIK3

FREQUENCY: THE PERIOD OF THE WAVEFORM (XT331, A-BIH4B09) MUST BE 8.35MS ± 25MS (TOP POT).

SYMMETRY: + OSCILLATOR TRIGGER (XT331, A-BIH4B09) MUST BE 4.5MS ± .5MS IN DURATION (BOTTOM POT)

A
D
O
O
O

EC HISTORY		DRAWING TITLE	
10FEB71	571150	TIE DOWNS-ADJUSTMENTS AND	
3JUN71	571152	MACH 1131-C	GENERAL INFO
29DEC71	571154	PART NO 5889418	
10APR72	571155	CLASSIFICATION	
6JUN72	571156		IBM CORP

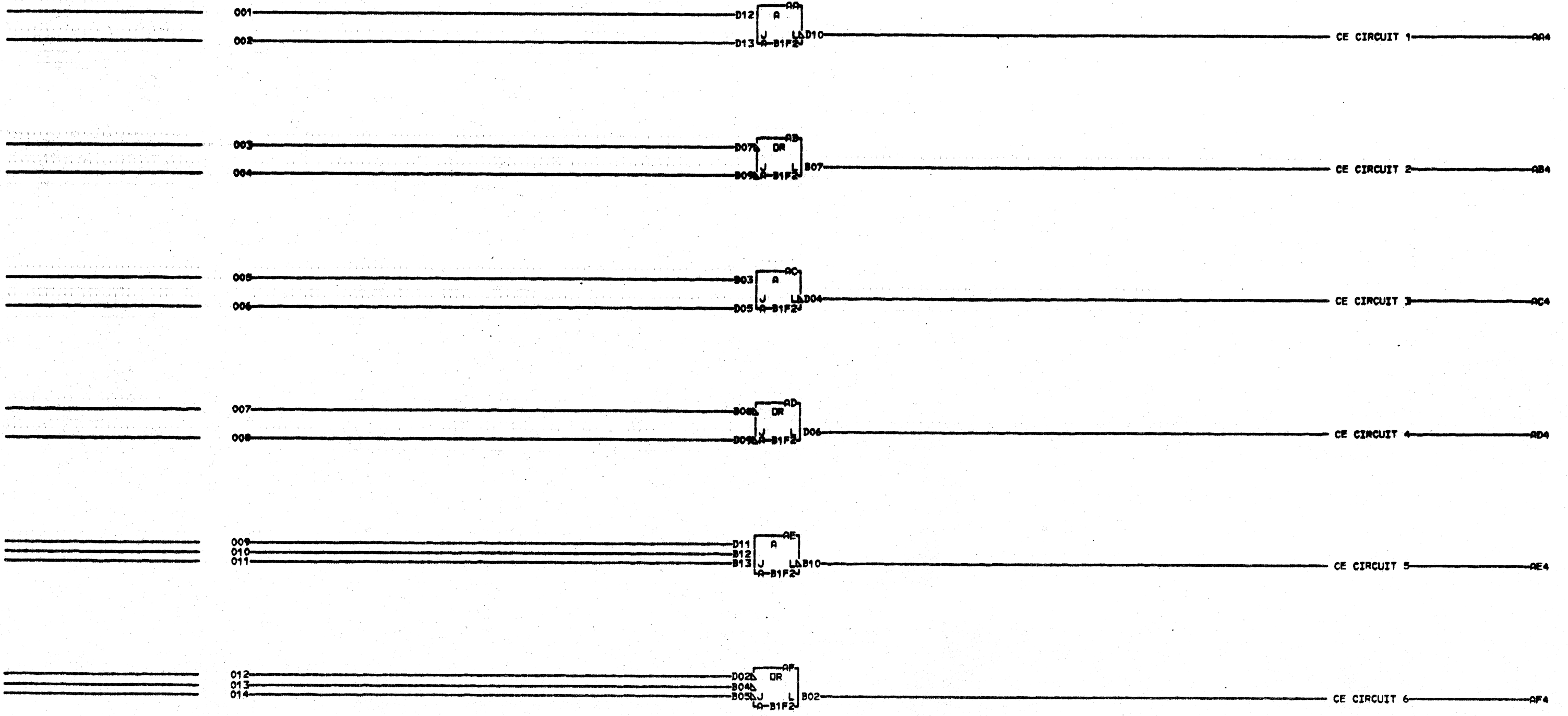


NOTE:
 1 1134/1055 OR 1442 BUT NOT BOTH
 MAY BE INSTALLED

A
E
0
0
0

EC HISTORY		DRAWING TITLE	
10FEB71	571150	SIGNAL CABLING	
10APR72	571155	MACH 1131-C	
		PART NO 5889419	
		CLASSIFICATION	IBM CORP

A
E
0
0
0

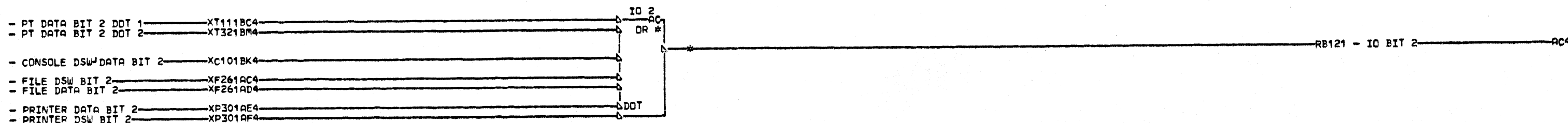
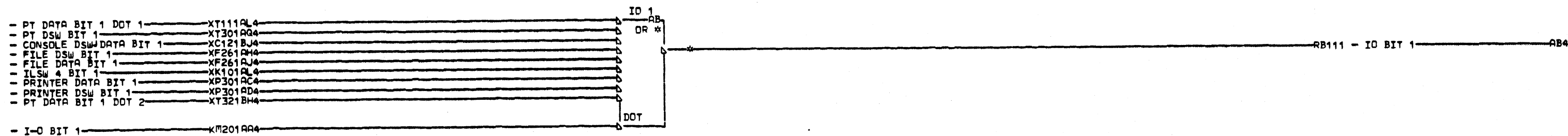
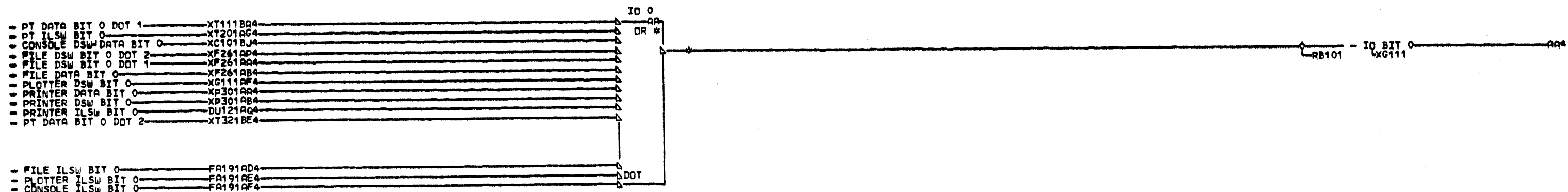


101B
000

LOC. TYPE
A-81F2 0000

CE CARD	
E.C.-HISTORY	MACH-1131-C
	FRAME 01
	IBM CORP. GPD
DATE LAST EC	P.No. 5889189
02-09-71 571150	

101B
000



B
B
1
0
1

004 SIM TO PN 5889190 EC 571150

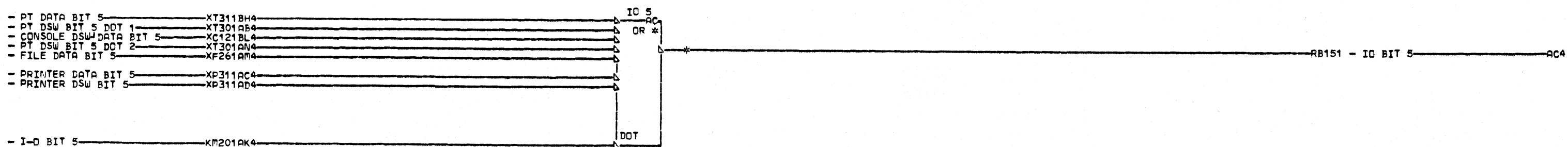
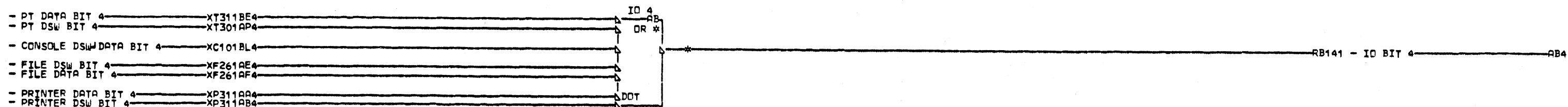
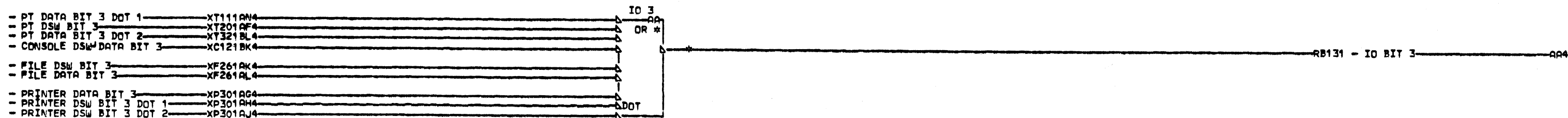
AA4 B-B1N5B02	01A-B1A1E09
01A-C1N2B02	RESISTOR
01A-C1B1A11	B-B1M5D02
01A-B1B1A11	AC4 B-B1N5B03
RESISTOR	01A-C1N2B03
B-B1M5B02	01A-C1B1B11
AB4 B-B1N5D02	01A-B1B1B11
01A-C1N2D02	RESISTOR
01A-C1A1E09	B-B1M5B03

LOC. TYPE
B-B1M5 3291

INPUT-OUTPUT BUS	
BITS 0 1 2	
-E.C.-HISTORY-	MACH.1131-C
FRAME	01
IBM CORP. GSD	
DATE LAST EC	P.N. 5889455
03-14-72 571155	

B
B
1
0
1

004



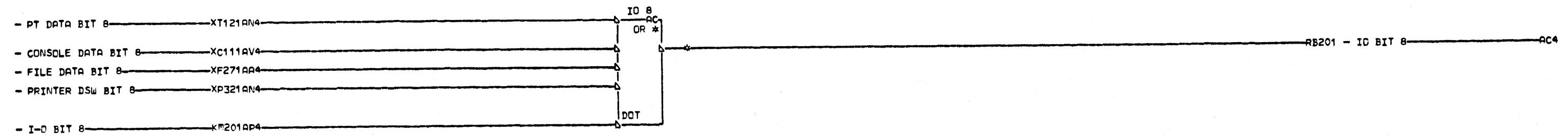
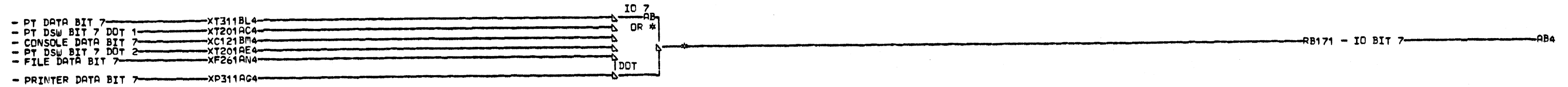
B
B
1
1
1
004

AA4	B-B1N5D04	01A-C1N2B04	RESISTOR
	01A-C1N2D04	01A-C1B1C11	B-B1M5D05
	01A-C1B1A09	01A-B1B1C11	
	01A-B1B1A09	RESISTOR	
	01A-C1A1E11	B-B1M5B04	
	01A-B1A1E11	ACA B-B1N5D05	
	RESISTOR	01A-C1N2D05	
	B-B1M5D04	01A-C1B1B09	
	ABA B-B1N5B04	01A-B1B1B09	

SIM TO PN 5889191 EC 571150

LDC TYPE
B-B1M5 3291

INPUT-OUTPUT BUS		B
BITS 3 4 5		B
-E.C.-HISTORY	MACH.1131-C	1
	FRAME 01	1
	IBM CORP. GSD	1
DATE LAST EC	P.N. 5889456	004
03-14-72 571155		



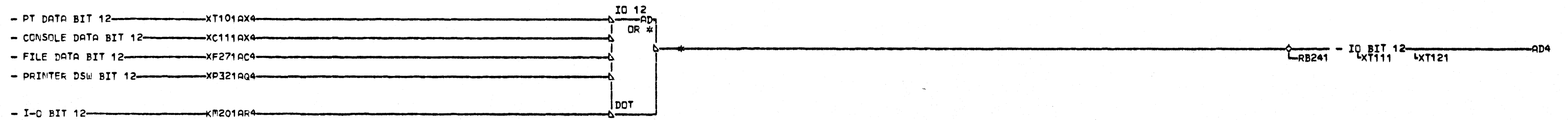
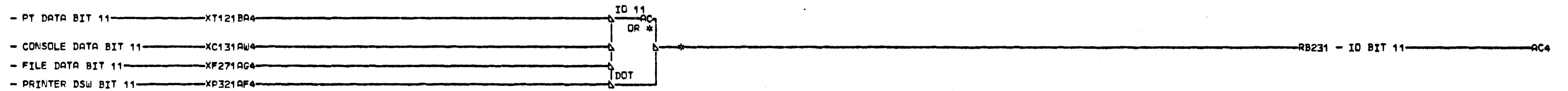
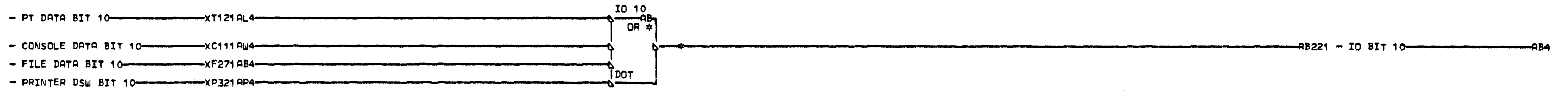
B
B
1
2
1
004

AA4	B-B1N5B05	01A-C1N2D06	RESISTOR
	01A-C1N2B05	01A-C1B1C09	B-B1M5B07
	01A-C1C1E11	01A-B1B1C09	
	01A-B1C1E11	RESISTOR	
	01A-C1B1D11	B-B1M5D06	
	01A-B1B1D11	AC4 B-B1N5B07	
	RESISTOR	01A-C1N2B07	
	B-B1M5B05	01A-C1B1E11	
AB4	B-B1N5D06	01A-B1B1E11	

SIM TO PN 5889192 EC 571150

LQC. TYPE
B-B1M5 3291

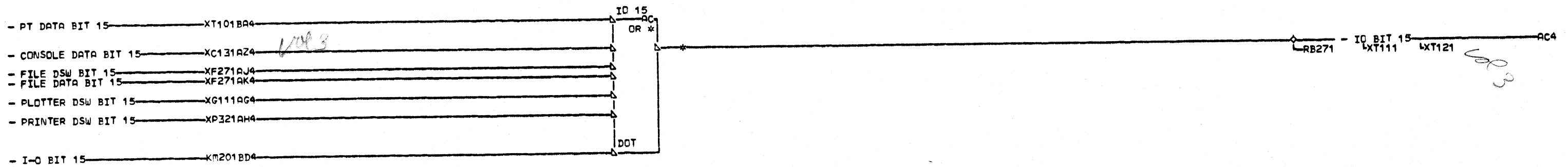
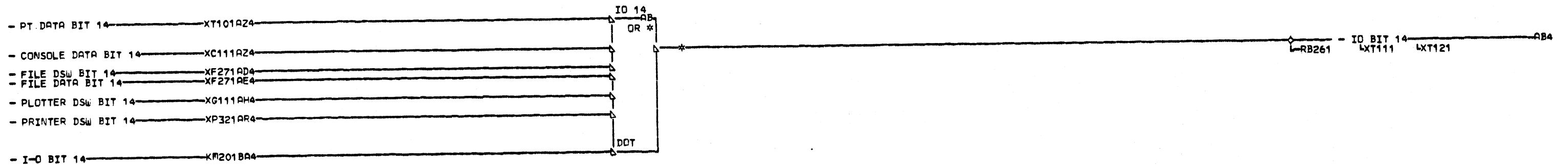
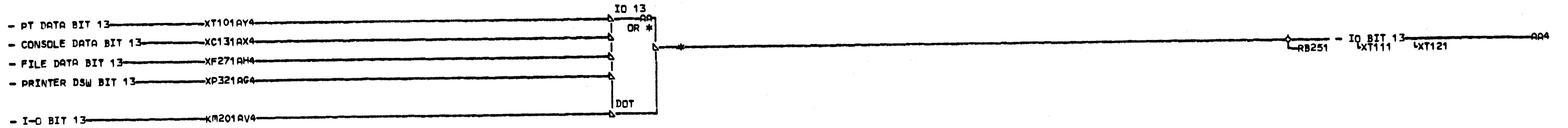
INPUT-OUTPUT BUS BITS 6 7 8		B
E.C.-HISTORY	MACH.1131-C	B
	FRAME 01	1
	IBM CORP. GSD	2
DATE	LAST EC	1
03-14-72	571155	004
	Pa.N. 5889457	



B	AA4 B-B1N5D07	01A-B1C1A11	AD4 B-B1N5B09
B	01A-C1N2D07	RESISTOR	01A-C1N2B09
1	01A-C1B1D09	B-B1M5B08	01A-C1C1B11
3	01A-B1B1D09	AC4 B-B1N5D09	01A-B1C1B11
1	RESISTOR	01A-C1N2D09	RESISTOR
	B-B1M5D07	01A-C1B1E09	B-B1M5B09
	AE4 B-B1N5B08	01A-B1B1E09	
	01A-C1N2B08	RESISTOR	
	01A-C1C1A11	B-B1M5D09	

LOC. TYPE
B-B1M5 3291

INPUT-OUTPUT BUS		B
BITS 9 10 11 12		B
E.C.-HISTORY	MACH.1131-C	1
FRAME	01	3
IBM CORP. GSD		1
DATE LAST EC		004
03-14-72 571155	P.No. 5889458	



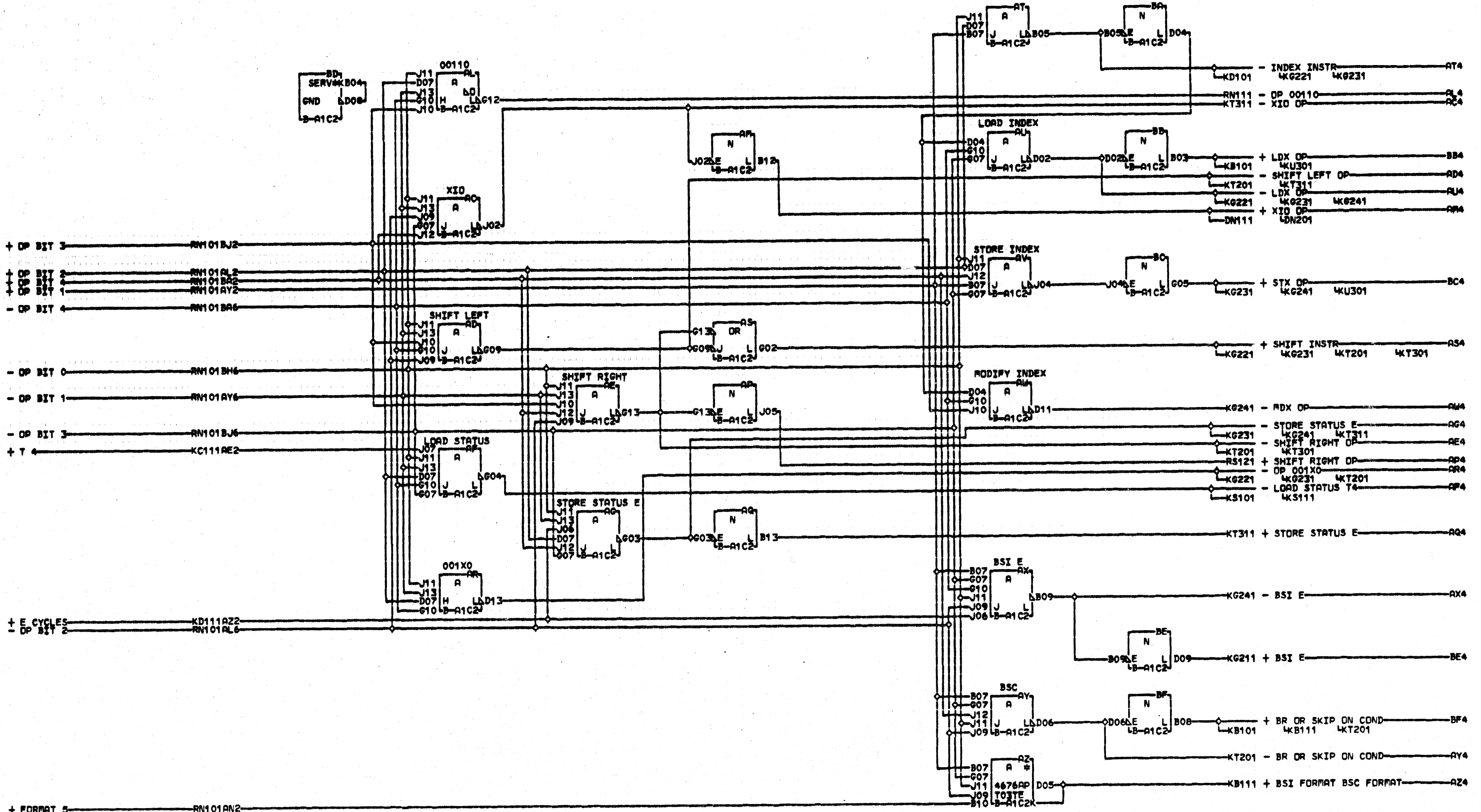
B
B
1
4
1
004

SIM TO PN 5889194 EC 571150

AA4	B-B1N5D10	01A-B1C1C11
	01A-C1N2D10	RESISTOR
	01A-C1C1B09	B-B1M5B10
	01A-B1C1B09	AC4 B-B1N5D11
	RESISTOR	01A-C1N2D11
	B-B1M5D10	01A-C1C1C09
AB4	B-B1N5B10	01A-B1C1C09
	01A-C1N2B10	RESISTOR
	01A-C1C1C11	B-B1M5D11

LDC. TYPE
B-B1M5 3291

INPUT-OUTPUT BUS		B
BITS 13 14 15		B
E.C.-HISTORY	MACH.1131-C	1
	FRAME	01
	IBM CORP. GSD	1
DATE	LAST EC	004
03-14-72	571155	
	P.No. 5889459	

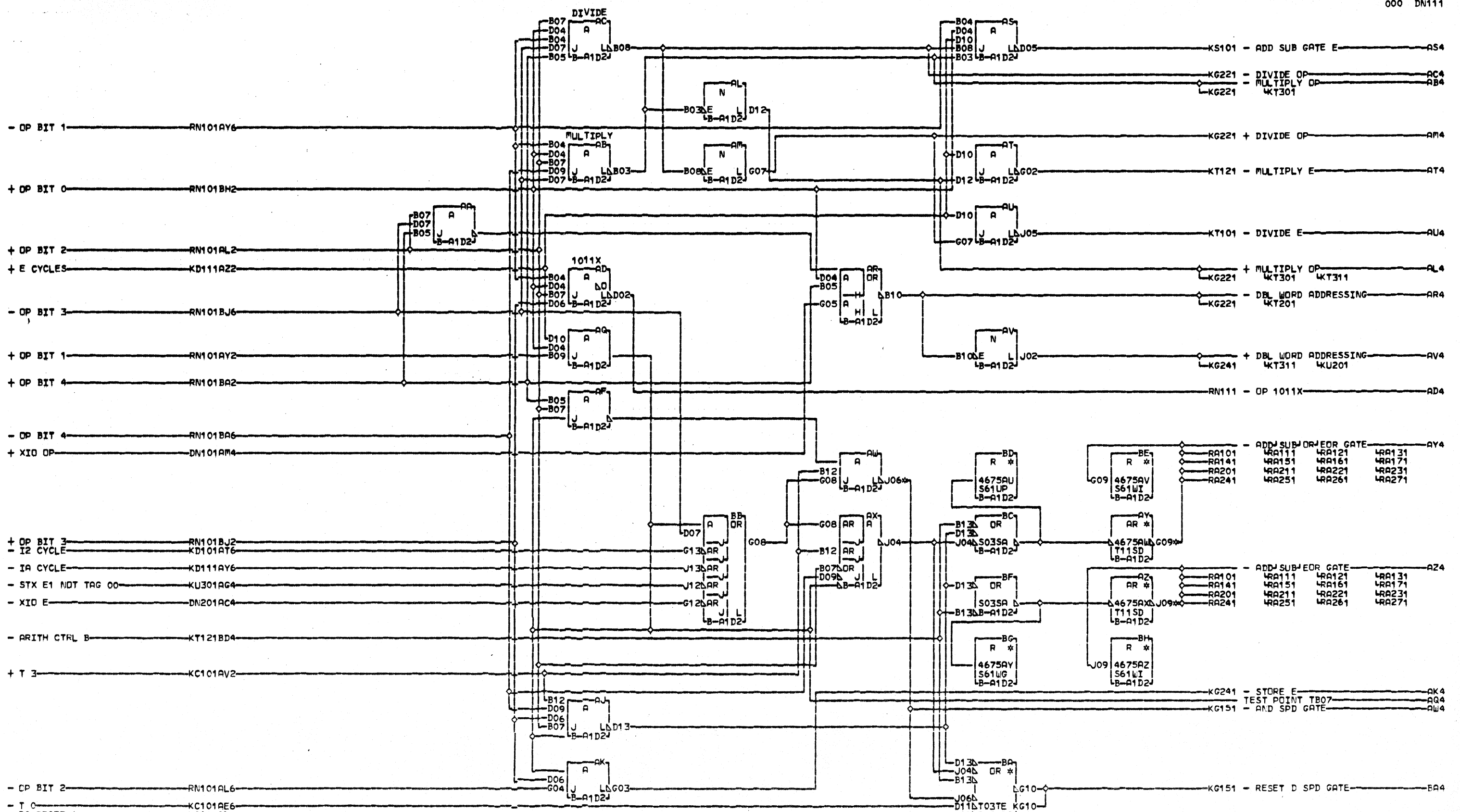


LOC. TYPE
B-A1C2 4676

OP DECODE NO. 1	
E.C.—HISTORY	MACH.1131-C
DATE	FRAME 01
LAST EC	IBM CORP. GPD
02-09-71	P.N. 5889195

D
N
1
0
1
000

D
N
1
0
1
000



D
N
1
1
1
1

AL4 B-A1N3B04
O1B-B1A3B04
AY4 B-A1N4B10
O1B-B1A4B10
AZ4 B-A1N4D10
O1B-B1A4D10

LCC. TYPE
B-A1D2 4675

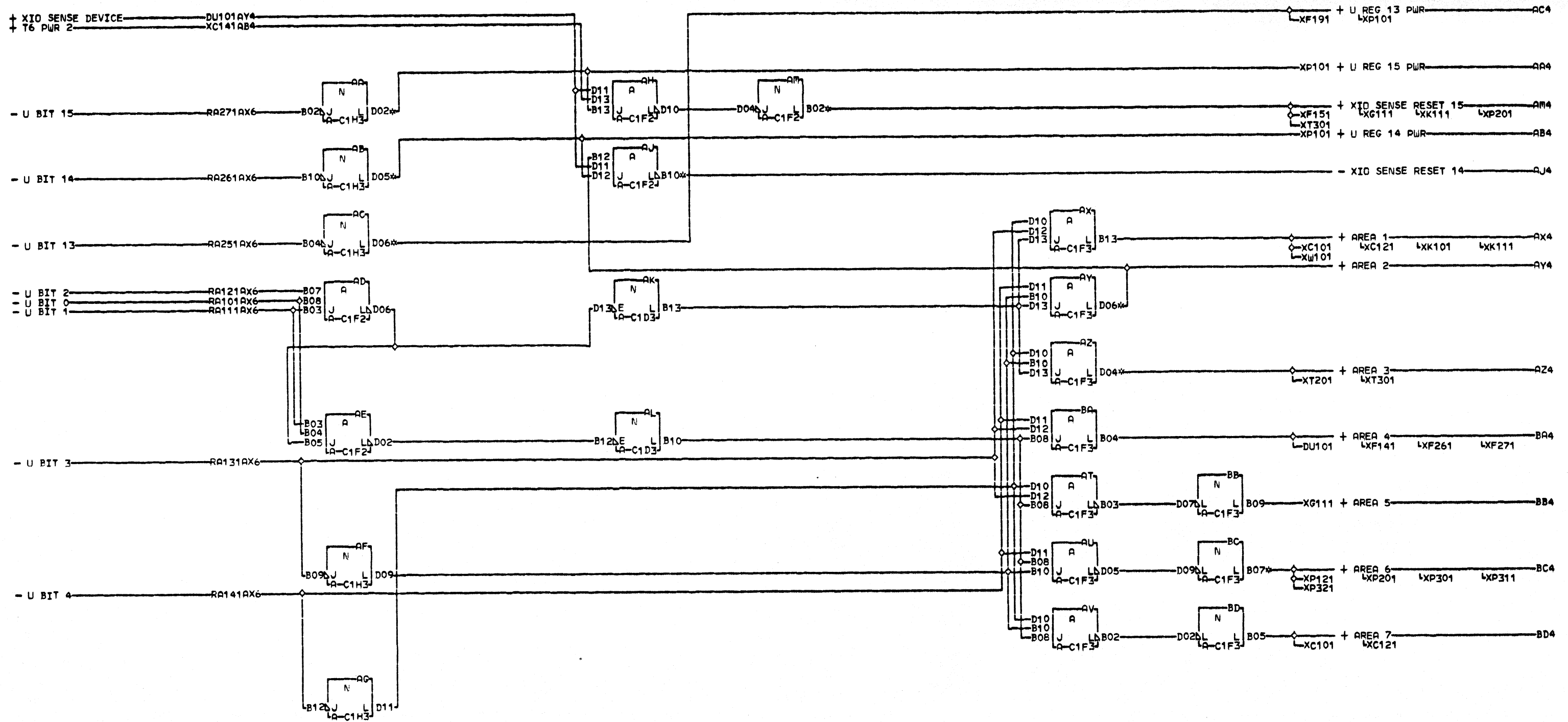
CP DECODE NO. 2

E.C. HISTORY PACH.1131-C

DATE LAST EC FRAME 01

02-09-71 571150 IBM CORP. GPD

P.N. 5889196



D
U
1
1
1

004 SIM TO PN 5889199 EC 571150

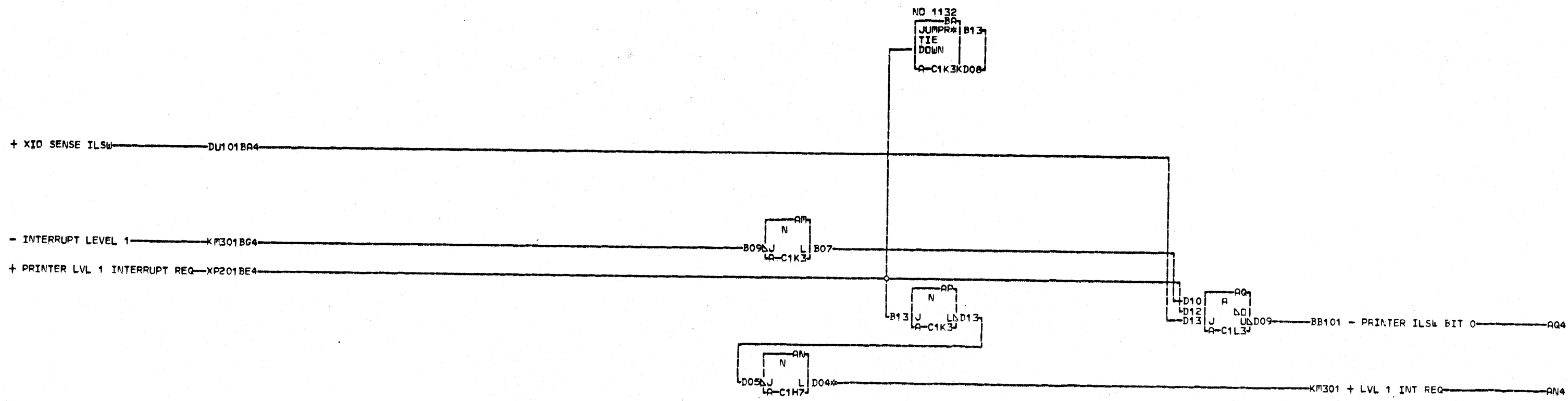
AA4	P-C1G1A09	01P-B1F1B11
01P	B1G1A09	AY4 P-C1E1E11
AB4	P-C1F1E09	01P-B1E1E11
01P	B1F1E09	AZ4 P-C1F1A11
AC4	P-C1F1D09	01P-B1F1A11
01P	B1F1D09	BC4 P-C1F1E11
AJ4	P-C1E1A11	01P-B1F1E11
01P	B1E1A11	
AM4	P-C1F1B11	

LOC	TYPE
P-C1D3	0509
P-C1F2	0533
P-C1F3	4008
P-C1H3	3016

AREA DECODE AND SENSE RESET	
-E-C-HISTORY-	MACH-1131-C
	FRAME 01
	IBM CORP. GSD
DATE LAST EC	P.No. 5889461
03-14-72 571155	

D
U
1
1
1

004



AN4 A-C1NAD11
01B-A1A6D11

LDC. TYPE
A-C1H7 0000
A-C1K3 3421
A-C1L3 0238

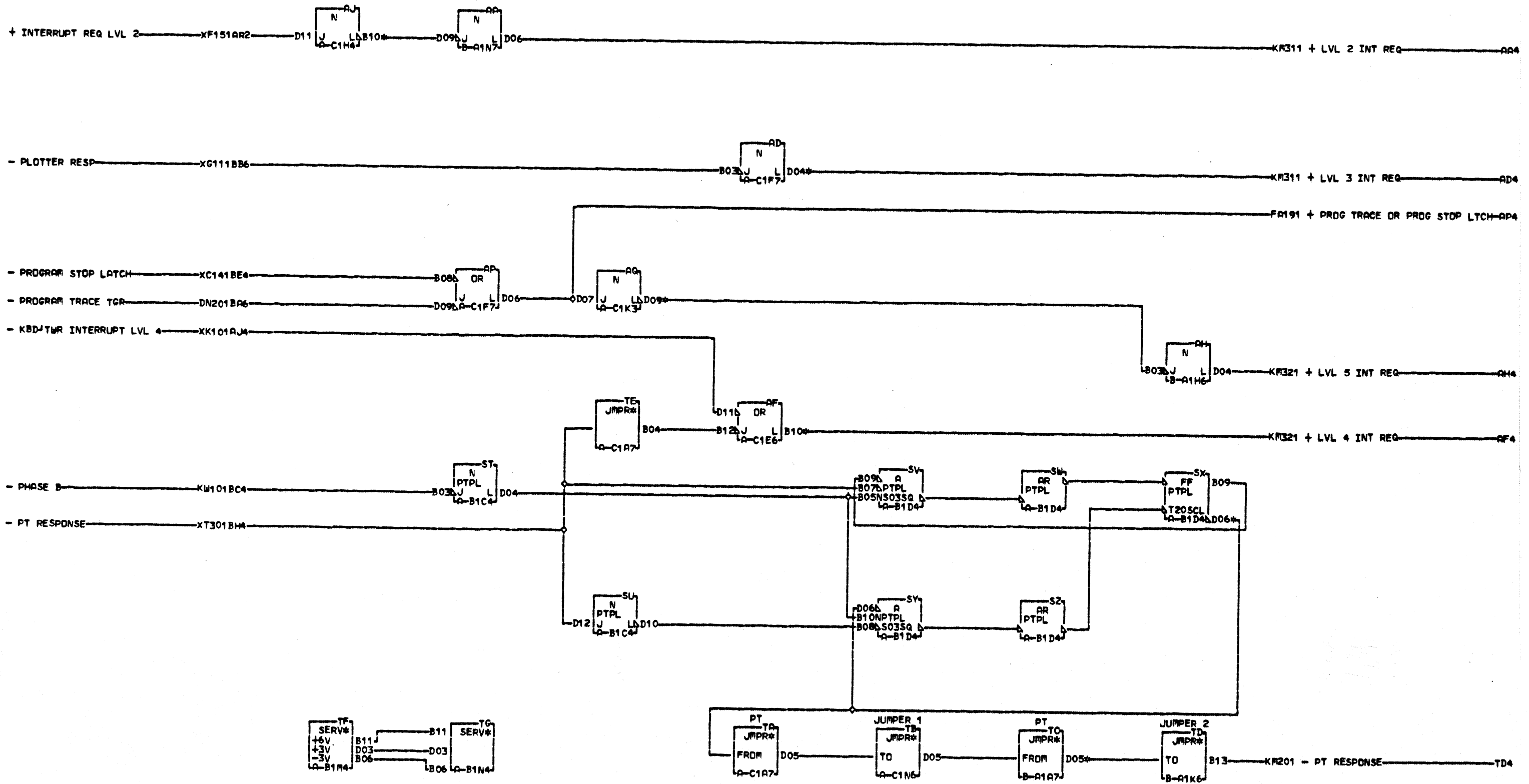
U REGISTER POWERING	
E.C.-HISTORY	MACH-1131-C
DATE	LAST EC
02-09-71	571150
FRAME	01
IBM CORP. GSD	
P.N.	5889200

D
U
1
2
1

000

D
U
1
2
1

000



AD4 A-C1J8C06
 01B-A1J8C06
 AF4 A-C1N4D04
 01B-A1A6D04
 AJ4 A-C1J8B04
 01B-A1J8B04
 AQ4 B-A1H8D04
 01A-C1H8D04
 SX6 A-B1N7D05

01A-C1A7D05
 TC4 A-C1A7D05
 01B-A1A7D05

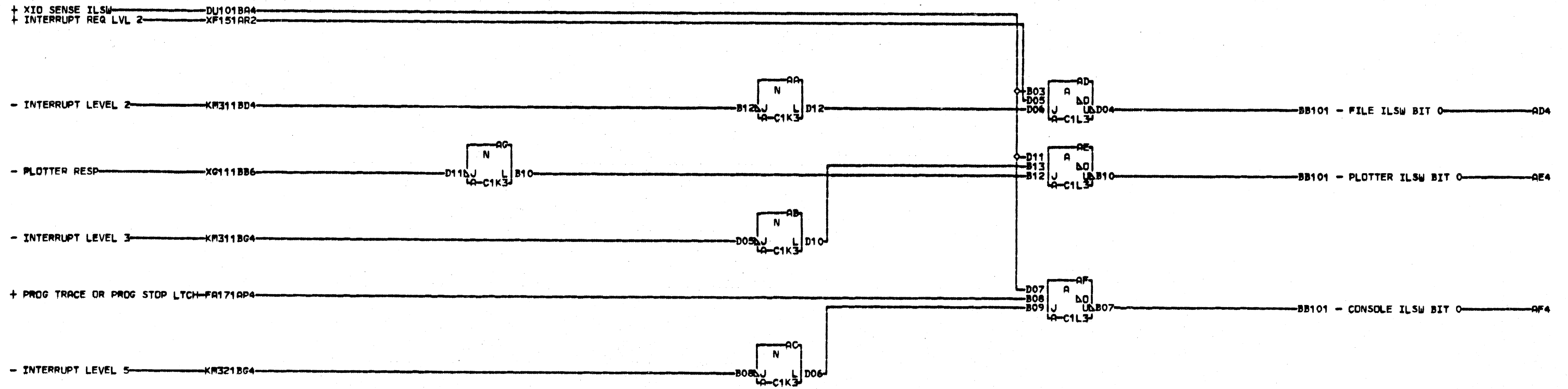
LOC. TYPE
 A-B1C4 0000
 A-B1D4 3794
 A-C1E6 0000
 A-C1F7 0000
 A-C1H4 3421
 A-C1K3 3421
 B-A1H6 0000
 B-A1N7 0000

CHANNEL INTERRUPT ENTRY	
E.C.-HISTORY	MACH-1131-C
571155	FRAME 01
DATE	IBM CORP. GSD
05-24-72	PoN. 5889462
LAST EC	
571156	

FA171

004 SIM TO PN 5889201 EC 571150

FA171

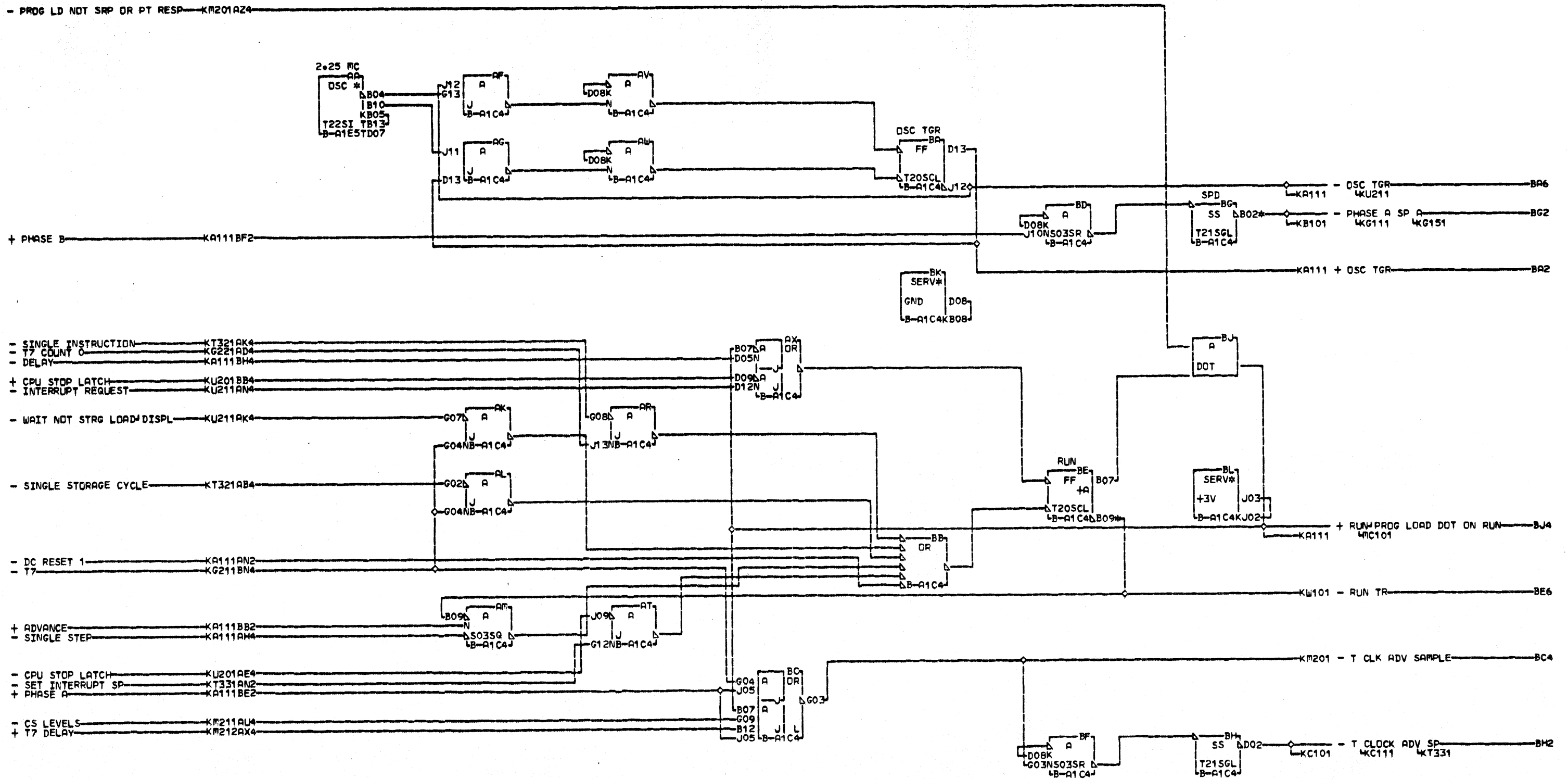


000

LOC. TYPE
A-C1K3 3421
A-C1L3 0238

CHANNEL ILSW ASSEMBLY	
-EoC-HISTORY-	MACH.1131-C
	FRAME 01
	IBM CORP. GSD
DATE LAST EC	PoN. 5889202
02-09-71 571150	

FA191

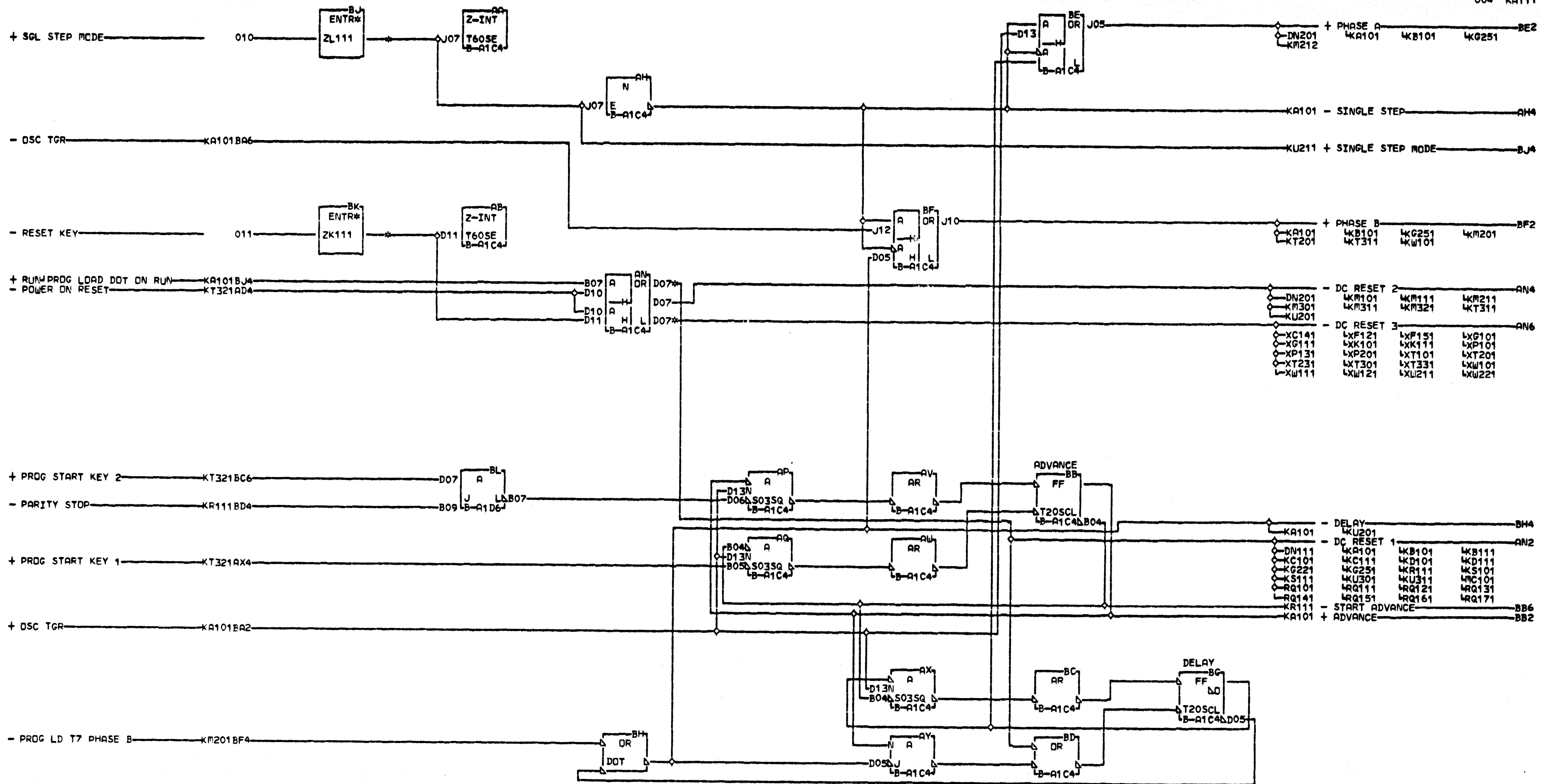


K
1
0
1
000

BE6 B-A1F8A06
 01B-B1F8A06
 BG2 B-A1N3D03
 01B-B1A3D03

LOC. TYPE
 B-A1C4 6213
 B-A1E5 3765

OSCILLATOR	PHASE A	SPD	RUN
T CLOCK ADVANCE			
E-C-HISTORY	MACH-1131-C		
571150			
DATE	LAST EC	FRAME	01
11-22-71	571154	IBM CORP. GSD	000
		P.No. 5869203	



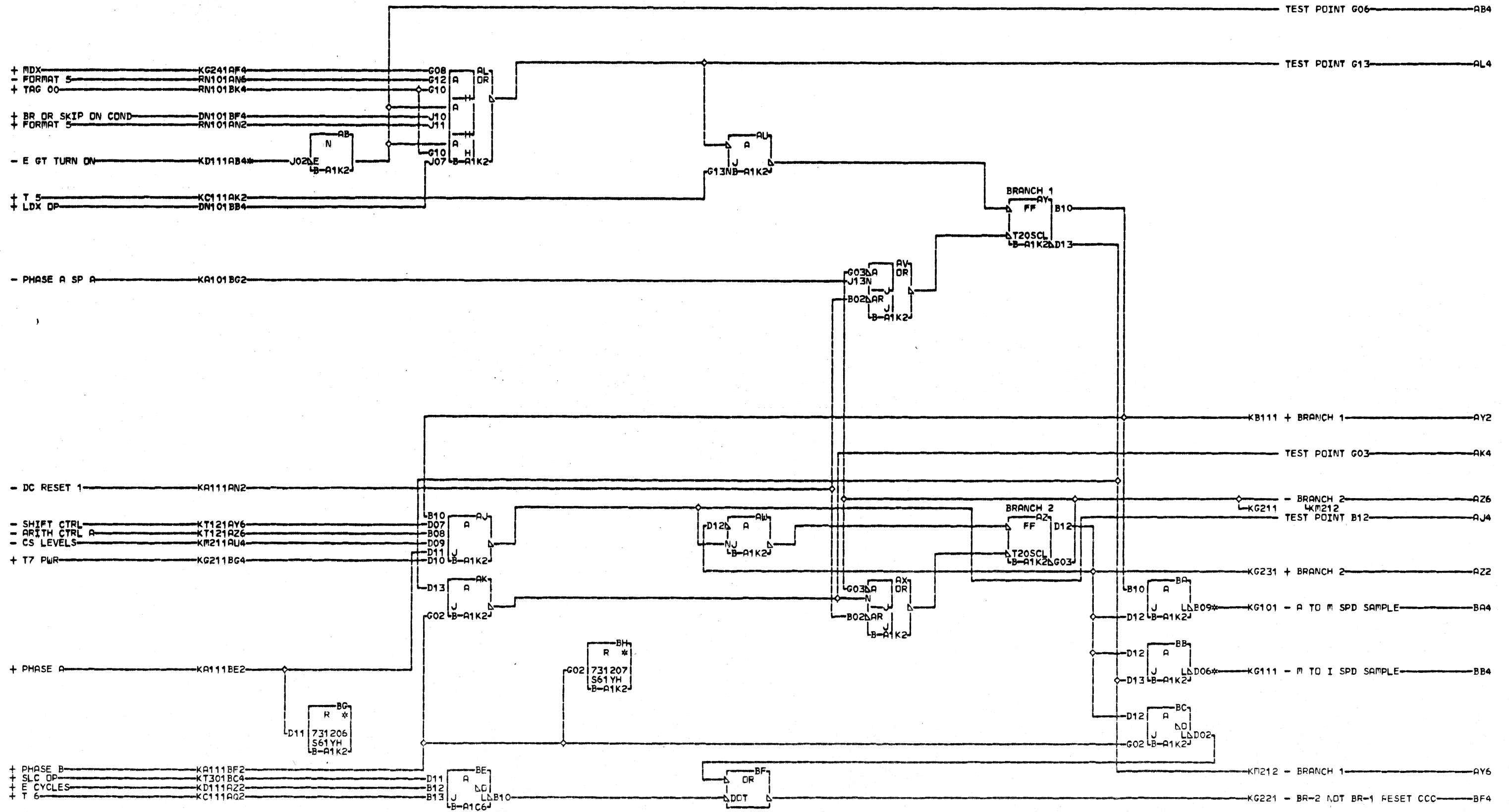
K
1
1
1
1
004
SIM TO PM 5889204 EC 571150

- AN2 B-A1N4B07
- 01B-B1A4B07
- AN6 B-A1A6B10
- 01A-C1N4B10
- 01A-C1A7B10
- 01A-B1N7B10
- BJ4 B-A1A5D13
- BK4 B-A1A5D10

LOC. TYPE
B-A1C4 6213
B-A1D6 0000

PHASE A AND B RESET DELAY START ADVANCE	
—E.C.—HISTORY	MACH#1131-C
	FRAME 01
	IBM CORP. GSD
DATE LAST EC	P.No. 5889463
03-14-72 571155	

K
A
1
1
1
004

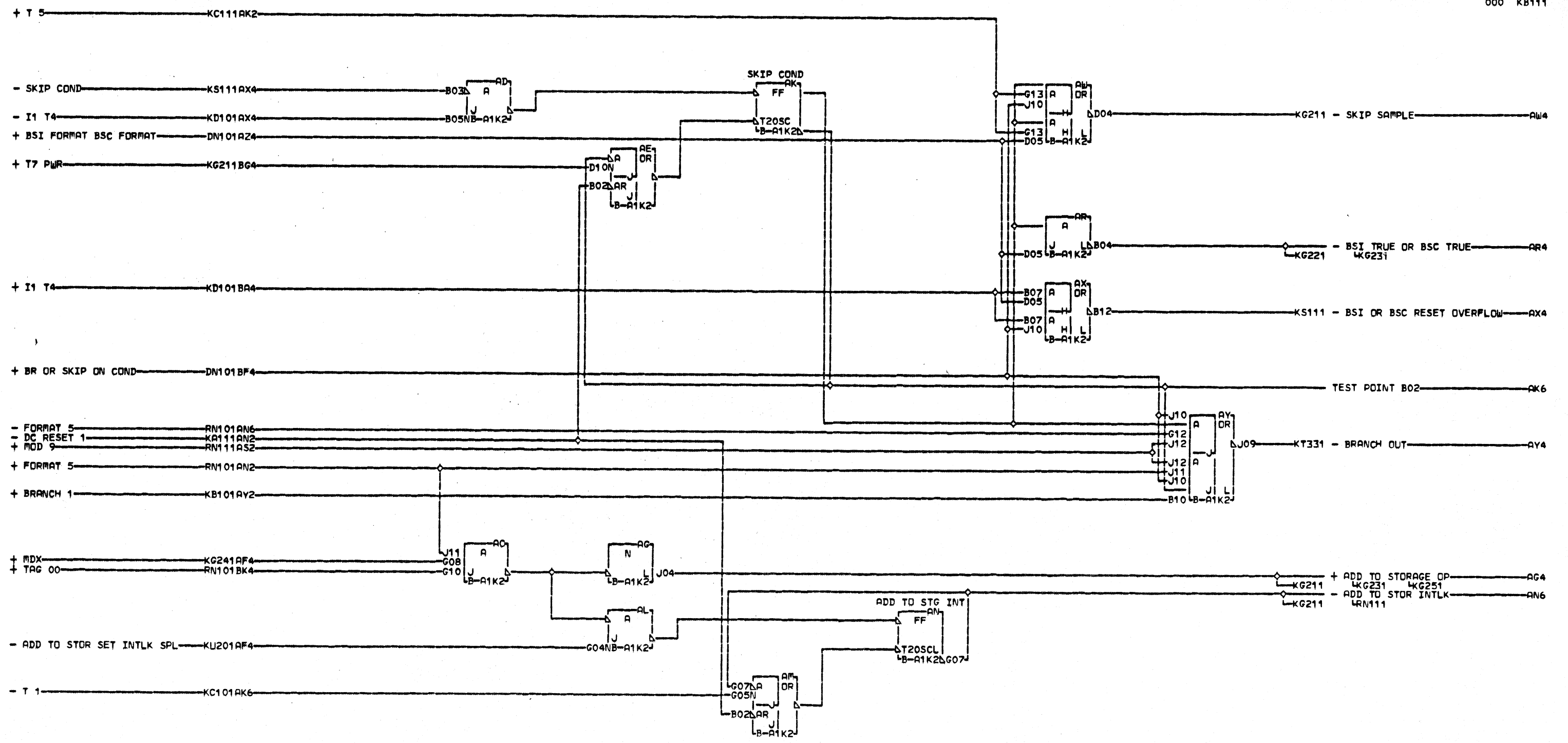


K
B
1
0
1
000

KD111AB4
RESISTOR
B-A1K2J02
BA4 B-A1N2B08
O1B-B1A2B08
BE4 B-A1N2B07
O1B-B1A2B07

LDC. TYPE
B-A1C6 0000
B-A1K2 7312

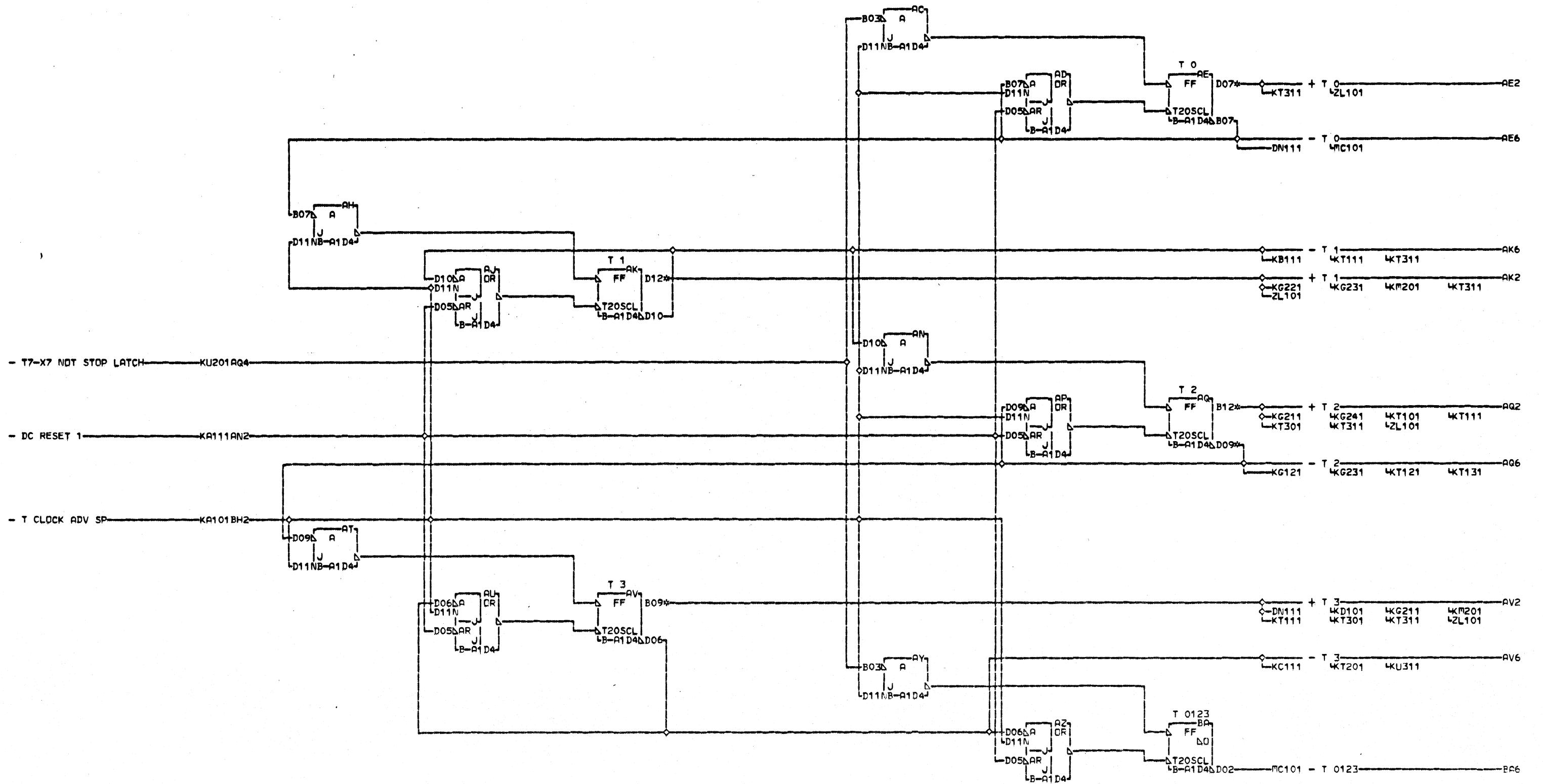
BR-1	BR-2	A TO M SAMPLE	MACH.1131-C
E.C.-HISTORY		FRAME 01	
DATE LAST EC		IBM CORP. GSD	000
02-10-71 571150		P.N. 5889205	



K
B
1
1
1
000

LOC. TYPE
B-A1K2 7312

SKIP SAMPLE	BRANCH OUT	MACH.1131-C	01
ADD TO STOR INTLK	ADD TO STOR INTLK		
-E.C.-HISTORY		IBM CORP. GPD	000
DATE	LAST EC	P.N. 5889206	
02-09-71	571150		

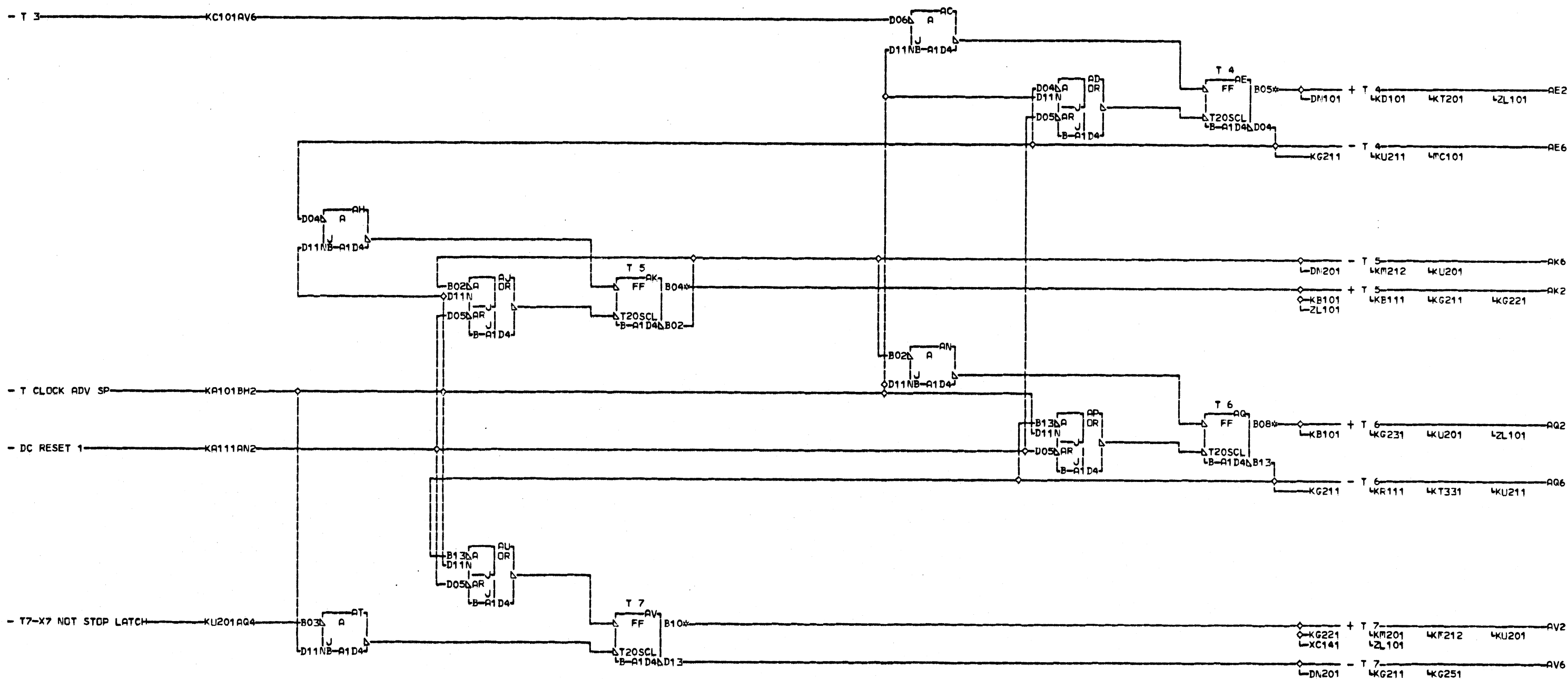


- AE2 B-A1A3B08
- AK2 B-A1A3D09
- AQ2 B-A1A3B09
- AQ6 B-A1F8D04
- O1B-B1F8D04
- O1B-A1A6B02
- AV2 B-A1A3D10

LCC TYPE
B-A1D4 3481

T 0 T 1 T 2 T 3 T 0123		E.C.-HISTORY	FRAME 01	IBM CORP. GSD	P.No. 5889207
T CLOCK					
DATE LAST EC		02-09-71 571150			

K
C
1
0
1



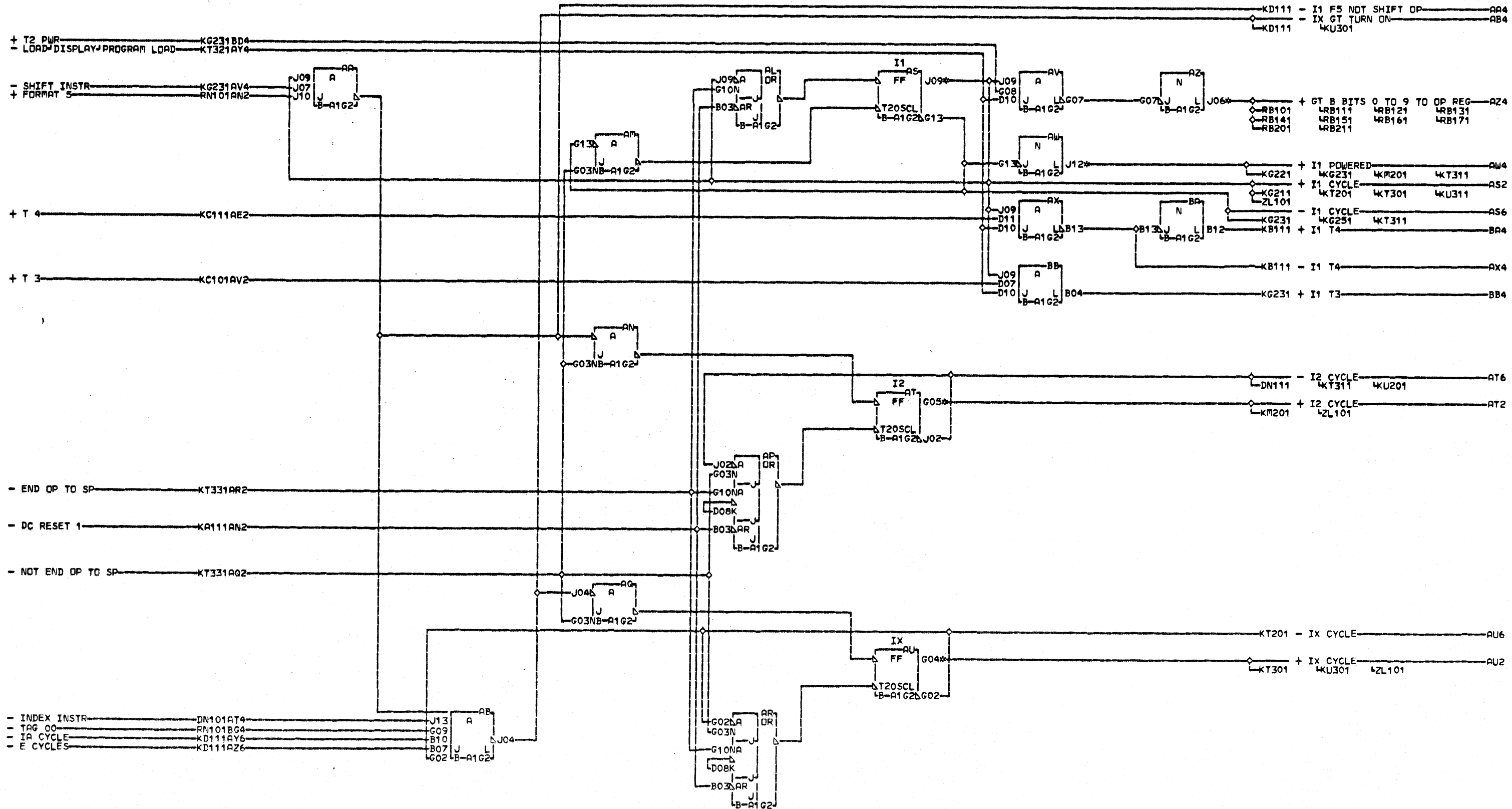
AE2 B-A1A3B10
 AK2 B-A1A3D11
 AQ2 B-A1A3B12
 AV2 B-A1A3D12

LDC. TYPE
 B-A1D4 34B1

T CLOCK		
T 4	T 5	T 6
E.C. HISTORY		MACH. 1131-C
571150		FRAME 01
DATE	LAST EC	IBM CORP. GSD
11-22-71	571154	P.N. 5889208

K
 C
 1
 1
 1
 000

K
 C
 1
 1
 1
 000

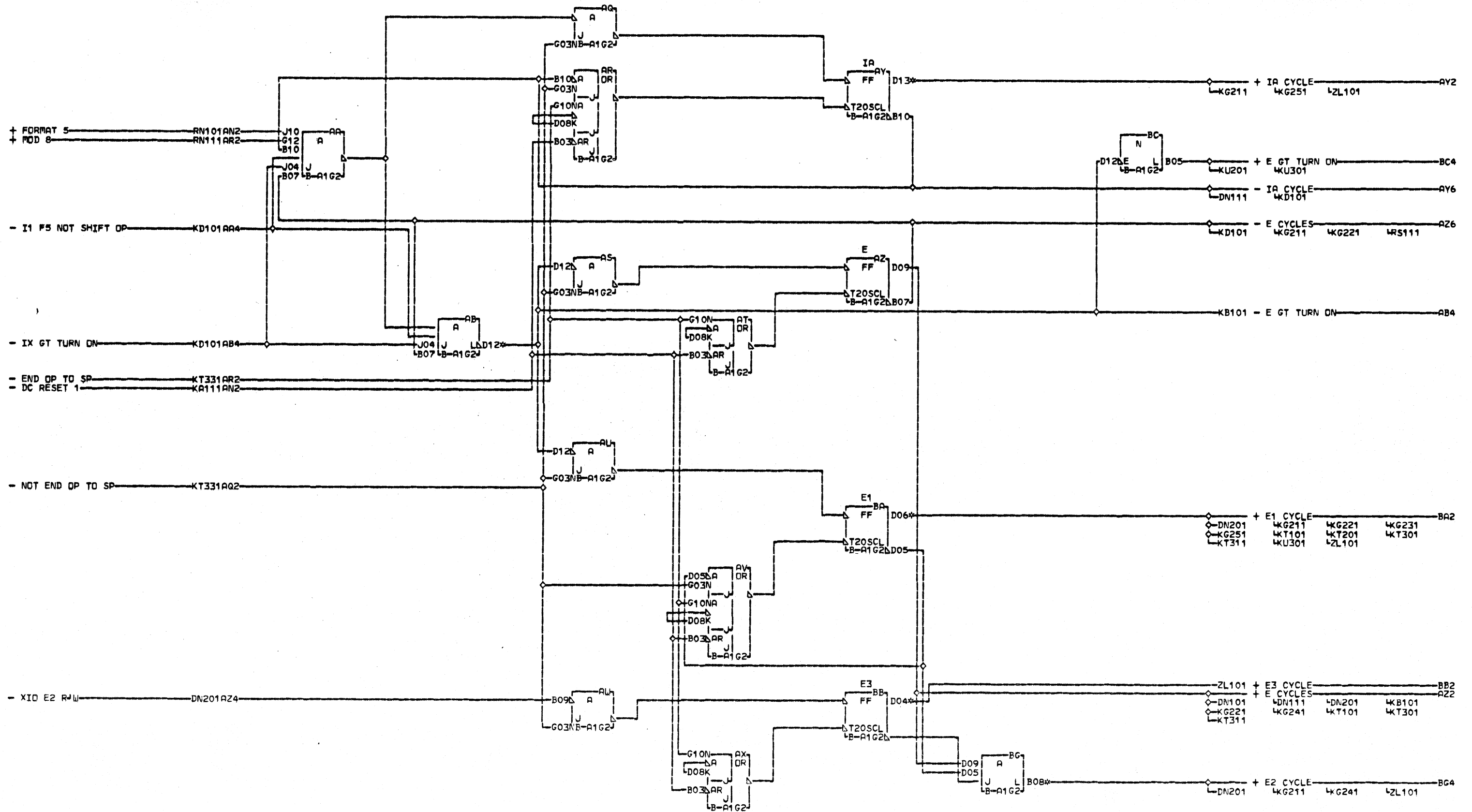


K
D
1
0
1
000

AS2 B-A1A3B02
 AT2 B-A1A3B03
 01B-B1L8B04
 01B-B1L8B04
 AU2 B-A1A3B05
 AW4 B-A1K8E04
 01B-B1K8E04
 AZ4 B-A1N3B10
 01B-B1A3B10

LOC. TYPE
 B-A1G2 4672

CYCLE TIMER		K D 1 0 1 000
I1 I2 IX	FRACH#1131-C	
-E.C.-HISTRY	FRAME 01	DATE LAST EC 02-09-71 571150
	IBM CORP. GSD	
	P.N. 5889209	

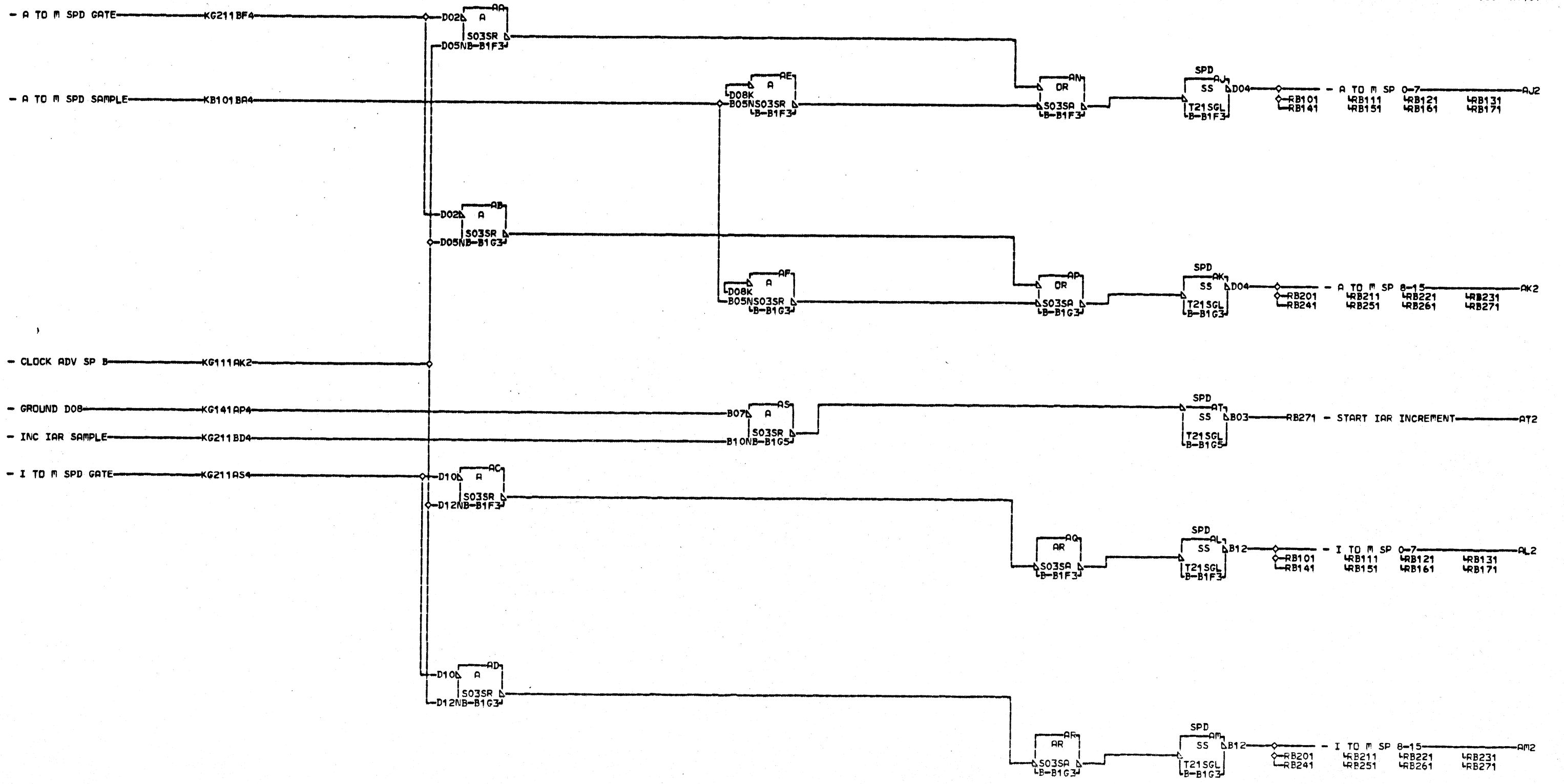


K
D
1
1
1
1
000

AB4 RESISTOR
 B-A1G2D12
 AY2 E-A1A3B04
 BA2 E-A1A3D02
 BE2 E-A1A3D05
 BG4 E-A1A3D04

LOC. TYPE
 B-A1G2 4672

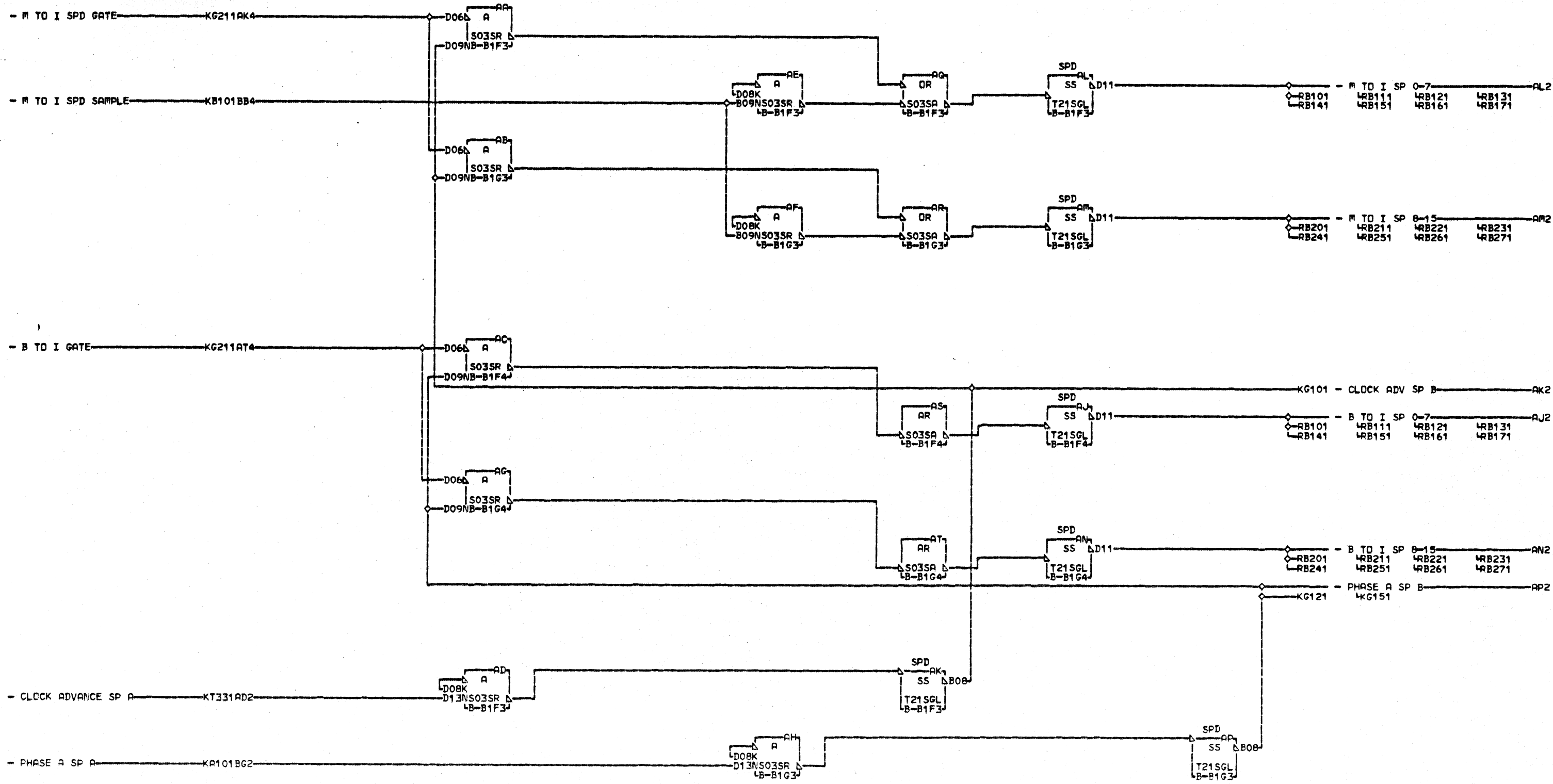
CYCLE TIMER		MACH. 1131-C	K D 1 1 1 000
E.C.-HISTORY			
DATE	LAST EC	FRAME	01
02-09-71	571150	IBM CORP. GSD	
		P.N.	5889210



LOC. TYPE
 B-B1F3 3757
 B-B1G3 3757
 B-B1G5 3757

A TO M AND I TO M		K 1 0 1
SAMPLE PULSE DRIVERS		
E.C. HISTORY	FACH.1131-C	01 1
FRAME	IBM CORP. GPD	
DATE	LAST EC	000
02-09-71	571150	
P.No. 5889211		

KG
101
1
000

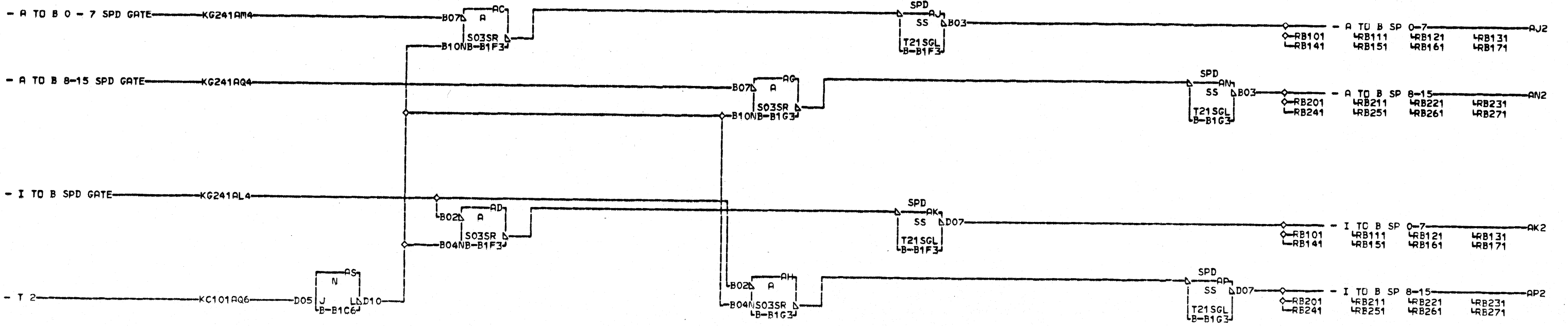
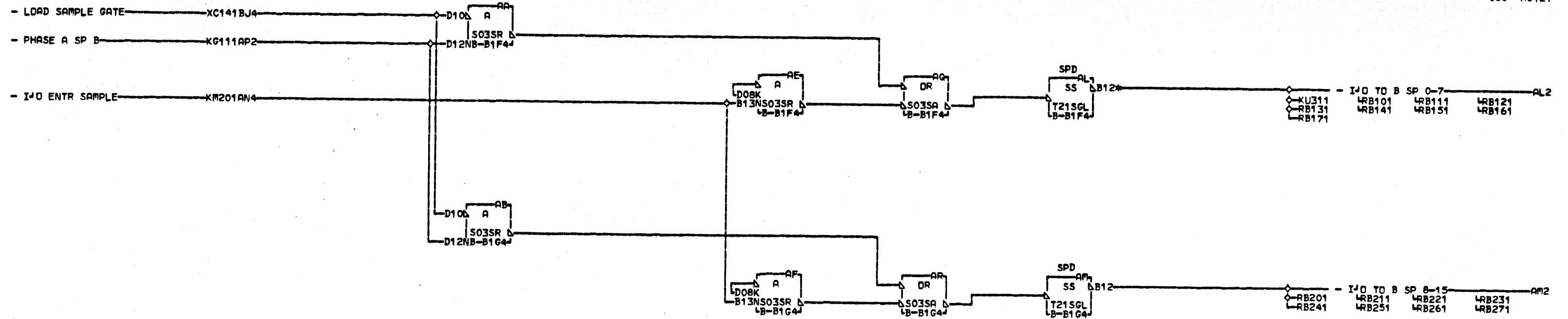


LOC.	TYPE
B-B1F3	3757
B-B1F4	3757
B-B1G3	3757
B-B1G4	3757

CLK ADV	M TO I	B TO I	PH A
SAMPLE PULSE DRIVERS			
E.C. HISTORY	FRACH.1131-C		
DATE	LAST EC	FRAME	01
02-09-71	571150	IBM CORP.	GPD
		P.N.	5889212

K
G
1
1
1
000

K
G
1
1
1
000



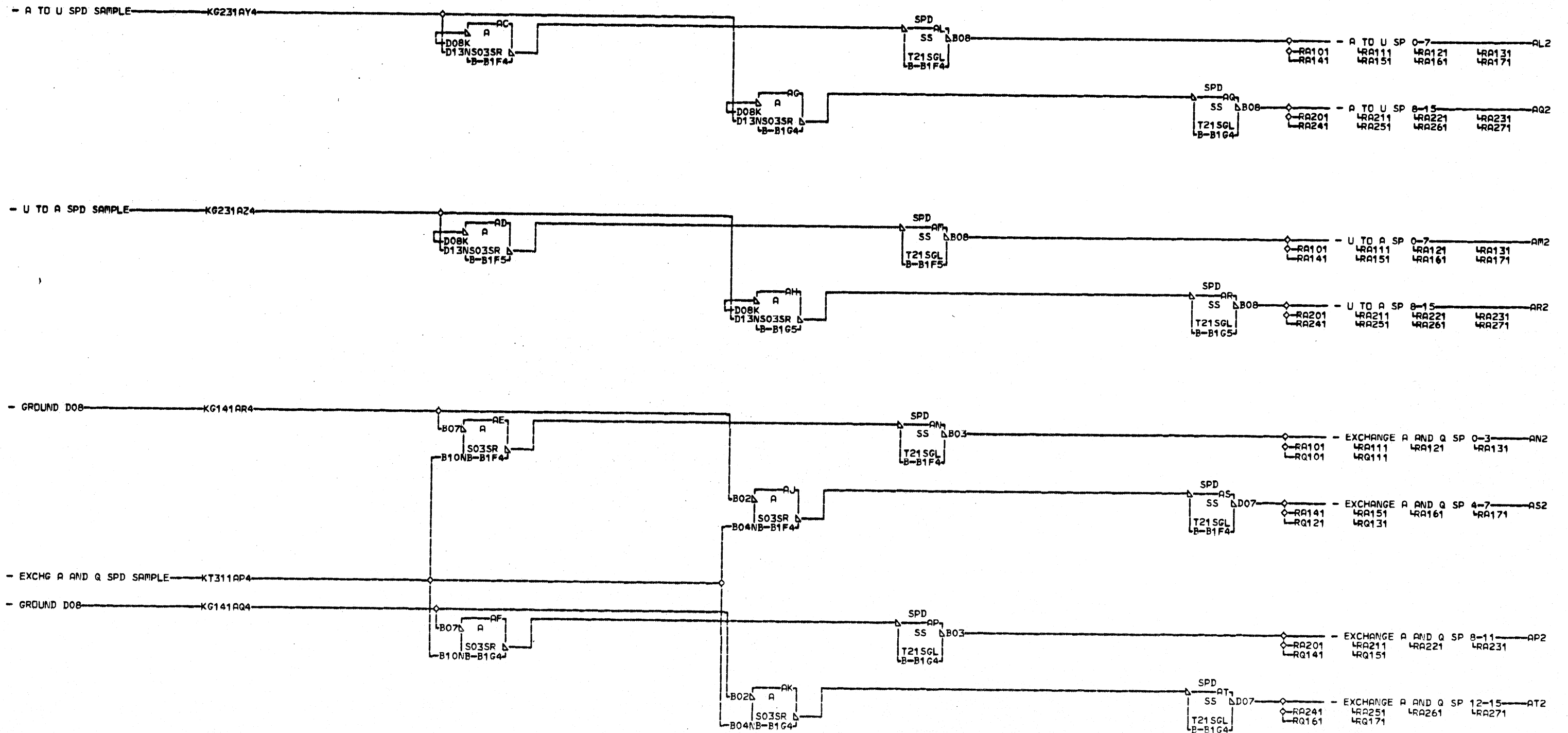
KG
1
2
1
000

AL2 E-B1A4B09
01B-A1N4B09

LOC. TYPE
B-B1C6 3686
B-B1F3 3757
B-B1F4 3757
B-B1G3 3757
B-B1G4 3757

I/O TO B	A TO B	I TO B
SAMPLE PULSE DRIVERS		
-E.C.-HISTORY		MACH-1131-C
DATE	LAST EC	FRAME 01
02-09-71	571150	IBM CORP. GPD
		P.No. 5869213

KG
1
2
1
000

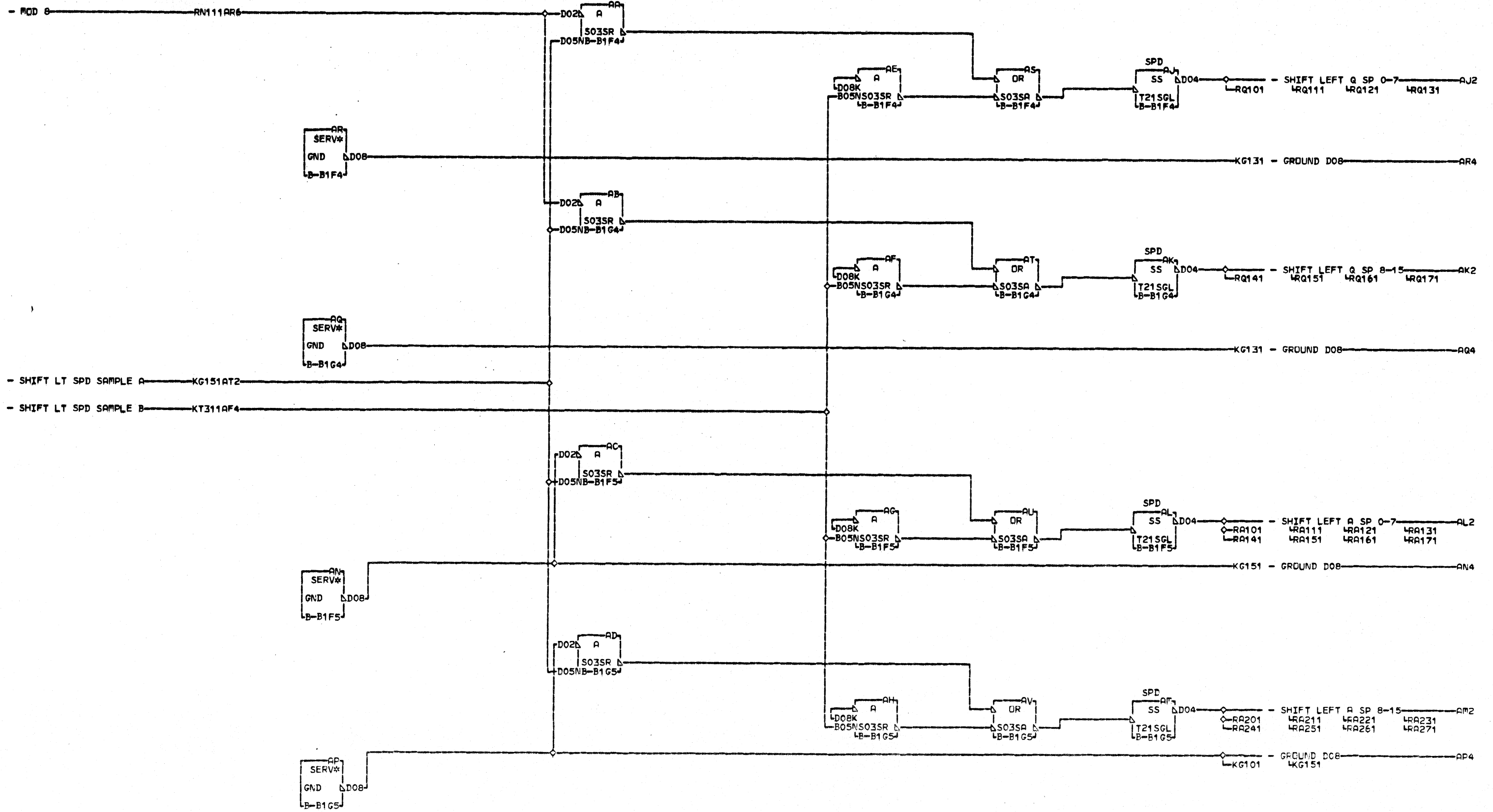


K
G
1
1
000

LOC. TYPE
 B-B1F4 3757
 B-B1F5 3757
 B-B1G4 3757
 B-B1G5 3757

A TO U	U TO A	XCHG A AND Q
SAMPLE PULSE DRIVERS		
-E.C.-HISTORY-		FRACH.1131-C
DATE LAST EC		FRAME 01
02-09-71 571150		IBM CORP. GPD
		P.N. 5889214

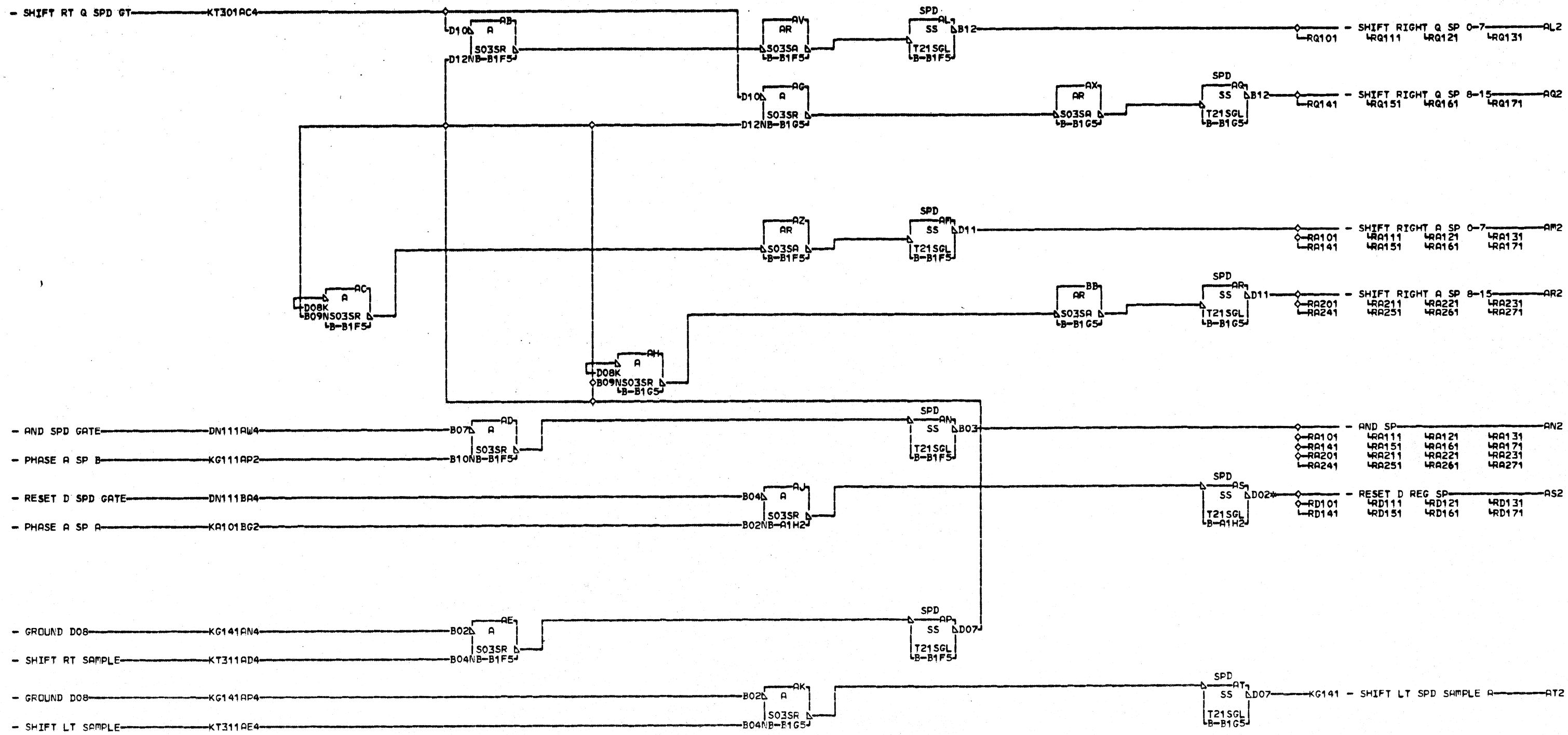
K
G
1
3
1
000



KG141
000

LDC TYPE
 B-B1F4 3757
 B-B1F5 3757
 B-B1G4 3757
 B-B1G5 3757

SHIFT LEFT A+Q		K
SAMPLE PULSE DRIVERS		
-E.C.-HISTORY		1
MACH.1131-C		4
FRAME		01
IBM CORP. GPD		1
DATE	LAST EC	000
02-09-71	571150	
P.N. 5889215		



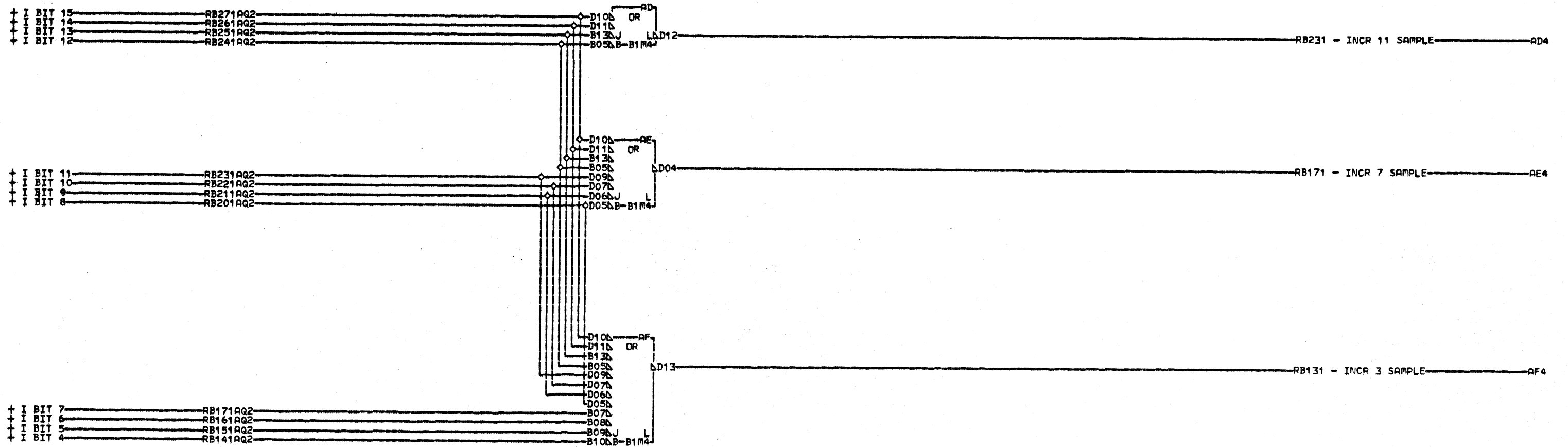
AS2 B-B1A3D04
01B-A1N3D04

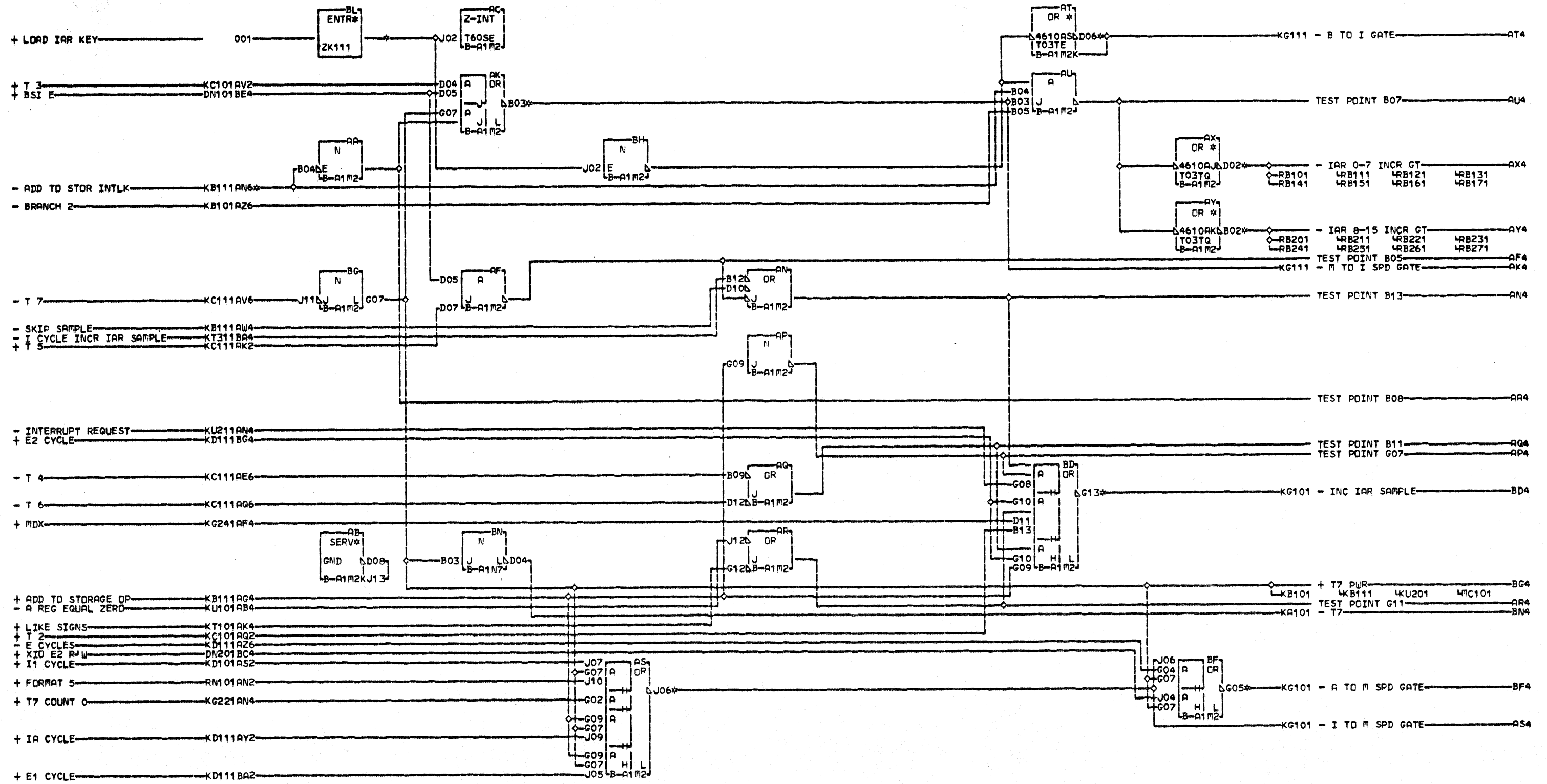
LOC. TYPE
B-A1H2 6207
B-B1F5 3757
B-B1G5 3757

SHIFT RIGHT A+Q E.C. HISTORY	RESET D AND SAMPLE PULSE DRIVERS MACH. 1131-C
FRAME	01
DATE LAST EC	02-09-71 571150
IBM CORP. GPD	P.N. 5889216

K
G
1
5
1
000

1-5-6X



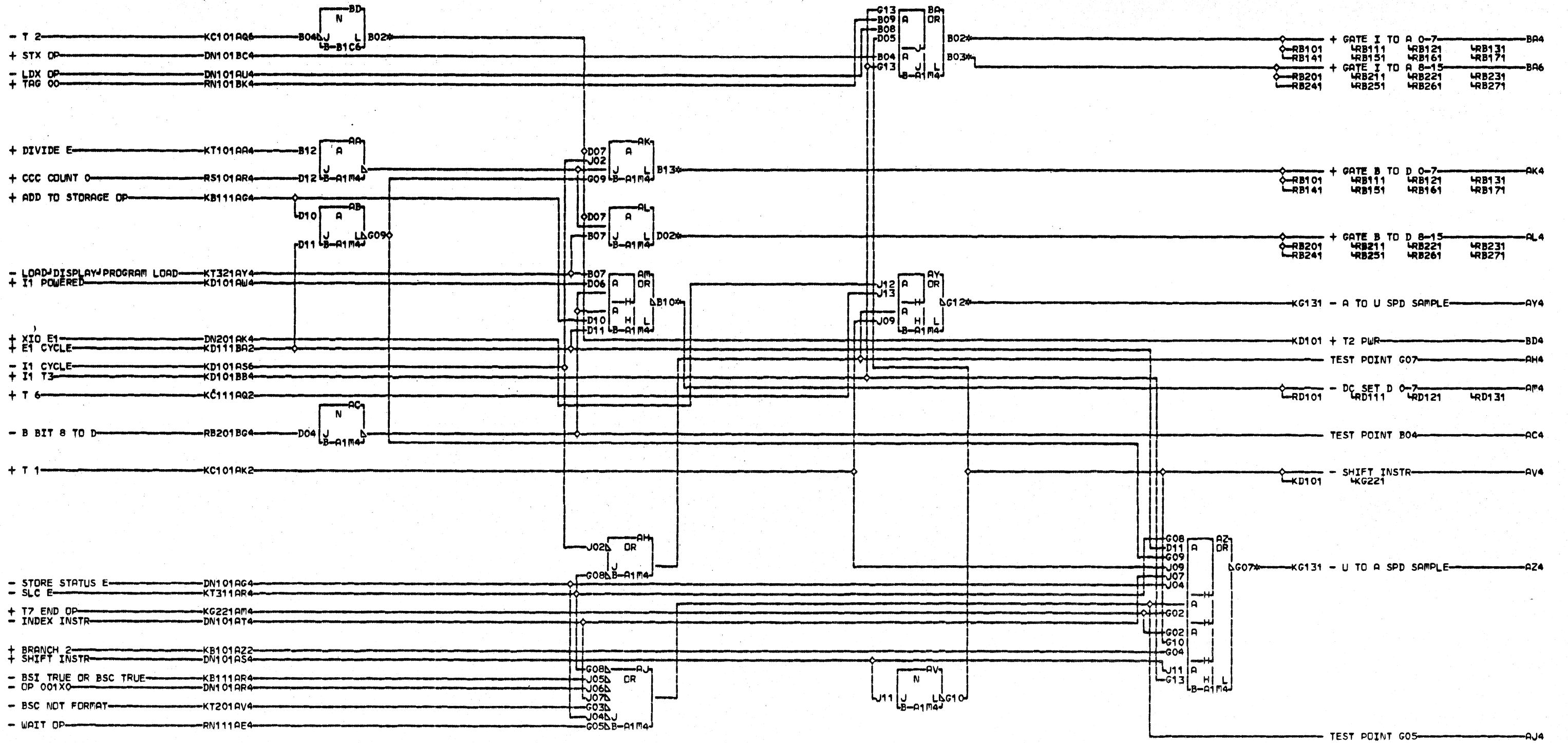


K
G
2
1
1
000

KB111AN6	AT4 B-A1N2D06	B-A1M2G13
RESISTOR	01B-B1A2D06	BF4 B-A1N3D02
B-A1M2B04	AX4 B-A1N2B03	01B-B1A3D02
AK4 B-A1N2D02	01B-B1A2B03	RESISTOR
01B-B1A2D02	AY4 B-A1N2D03	B-A1M2G05
AS4 B-A1N3D09	01B-B1A2D03	BL4 B-A1A5D02
01B-B1A3D09	BD4 B-A1N2D07	
RESISTOR	01B-B1A2D07	
B-A1M2J06	RESISTOR	

LOC. TYPE
B-A1M2 4610
B-A1N7 0000

B TO I M TO I AND I INC GATE	K
I TO M AND A TO M GATE	G
EAC-HISTORY	2
571150	1
FRAME	01
IBM CORP. GSD	1
DATE LAST EC	000
11-22-71 571154	
P.N. 5889218	

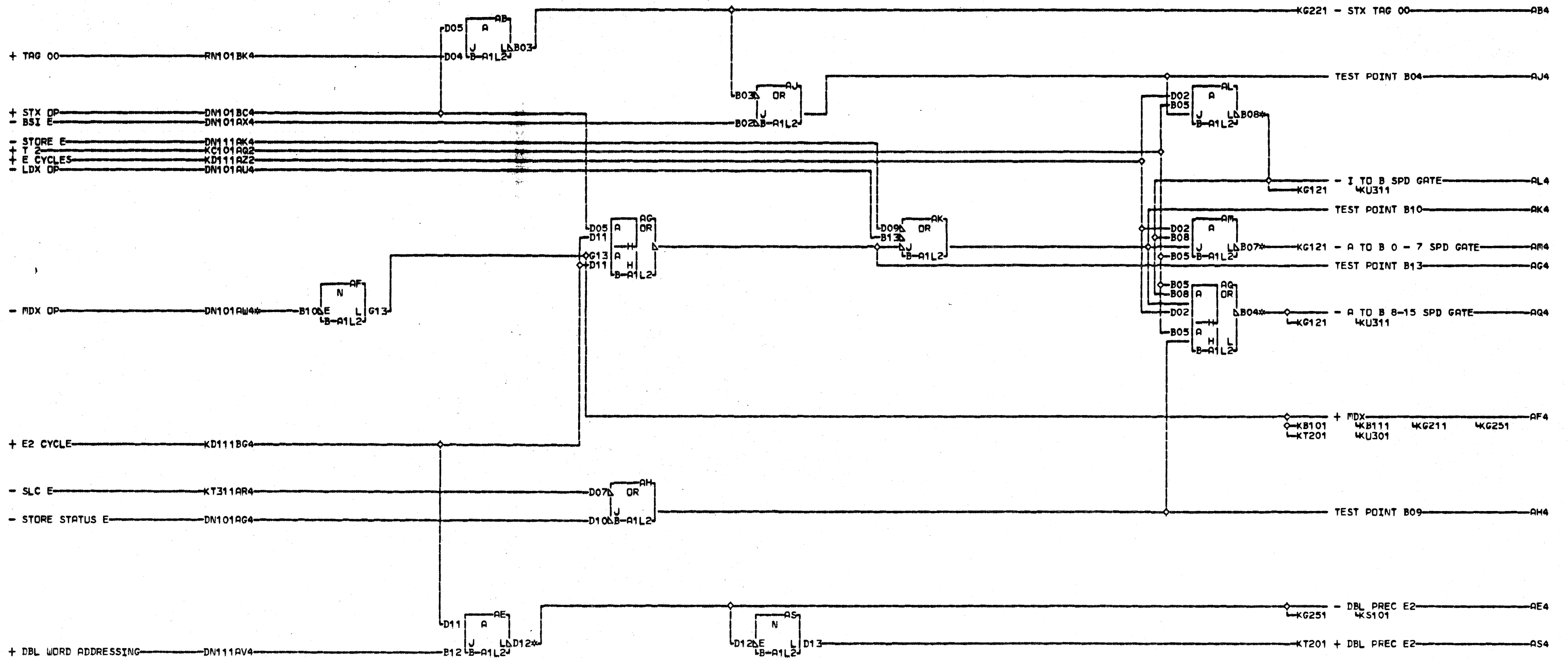


000
1
KANG

AK4 B-A1N3B05 01B-B1A5B07
 01B-B1A3B05 BA4 B-A1N2B04
 AL4 B-A1N3D05 01B-B1A2B04
 01B-B1A3D05 BA6 B-A1N2D04
 AM4 B-A1N4D07 01B-B1A2D04
 01B-B1A4D07 BA4 B-A1F8C04
 AY4 B-A1N5D02 01B-B1F8C04
 01B-B1A5D02
 AZ4 B-A1N5B07

LOC. TYPE
 B-A1M4 4621
 B-B1C6 3686

I TC A AND B TO D GATE		K G 2 3 1
A TO U AND U TO A SAMPLE		
-E.C.-HISTORY- MACH. 1131-C		000
FRAME 01		
DATE LAST EC		IBM CORP. GSD
02-09-71 571150		
P.N. 5889220		



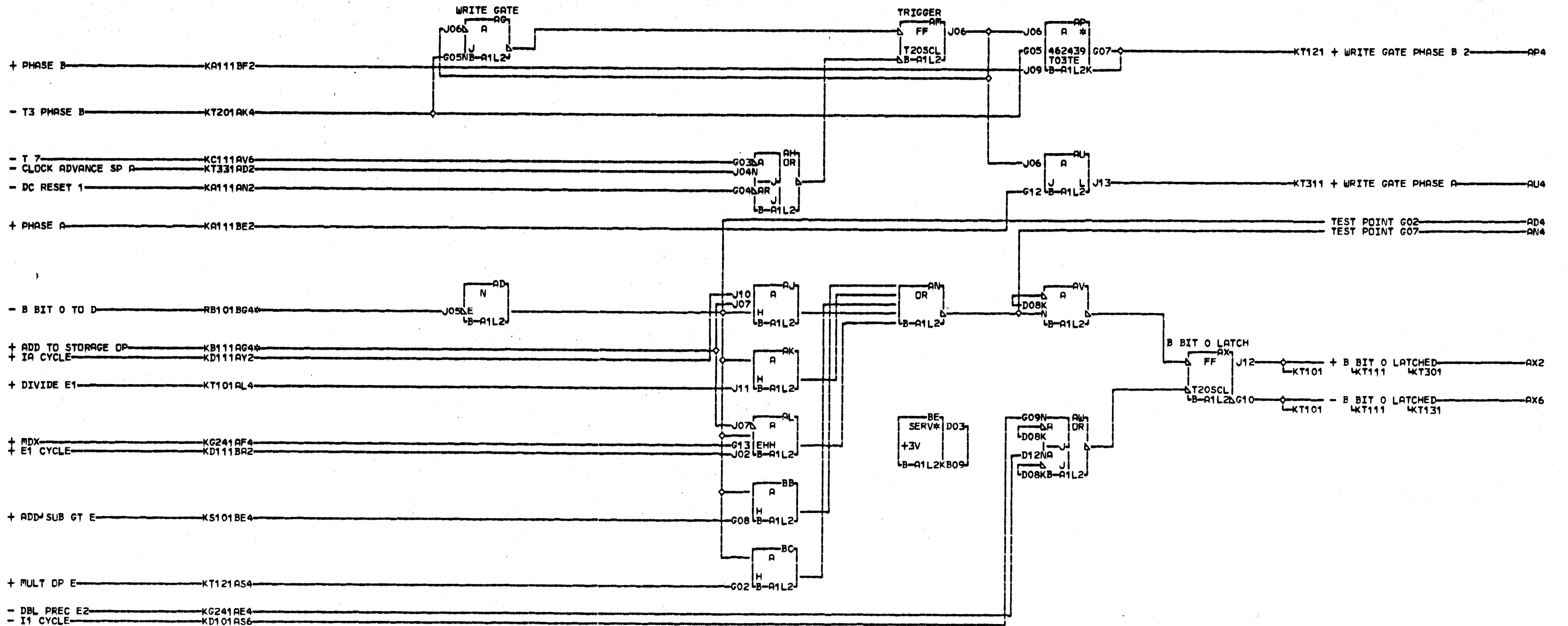
KG241

DN101AW4 RESISTOR B-A1L2B10
 AE4 RESISTOR B-A1L2D12
 AL4 B-A1N2B06
 O1B-B1A2B06
 AM4 B-A1N2B05
 O1B-B1A2B05

AQ4 B-A1N2D05
 O1B-B1A2D05

LOC. TYPE
 B-A1L2 4624

I TO B AND A TO B GATE		K G 2 4 1
STX T 00 MDX DBL PREC E2		
-E-C-HISTORY-		000
MACH. 1131-C		
FRAME 01		
IBM CORP. GPD		
DATE	LAST EC	P.No. 5889221
02-09-71	571150	



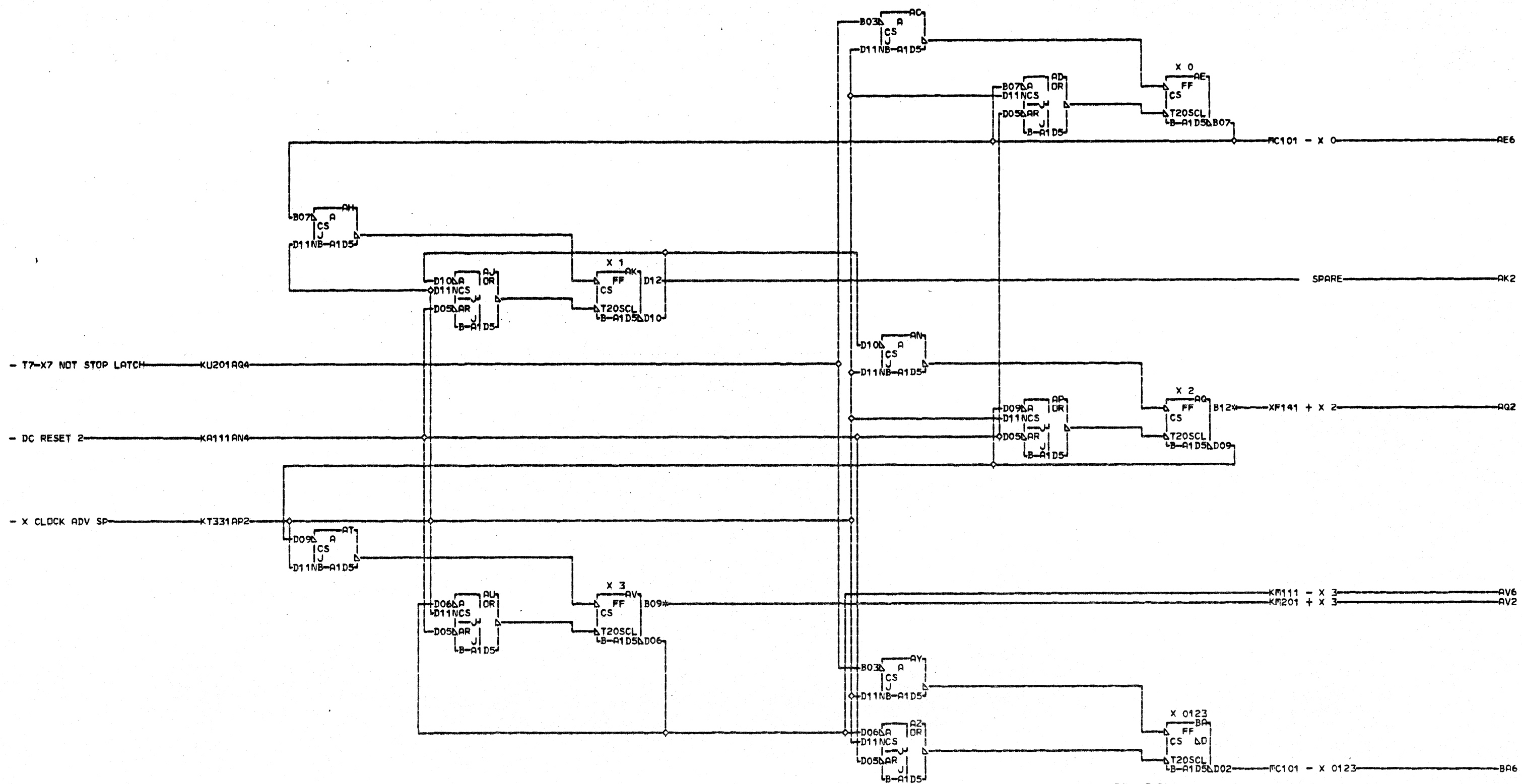
K
S
1
000

KB111AG4
RESISTOR
B-A1L2J07
RB101BG4
RESISTOR
B-A1L2J05

LOC. TYPE
B-A1L2 4624

WRITE GATE PHASE A AND B	
B BIT 0 LATCHED	
E.C.-HISTORY	FRACH.1131-C
DATE	LAST EC
02-17-71	571150
FRAME	01
IBM CORP. GSD	
P.N.	5889222

K
G
2
5
1
000

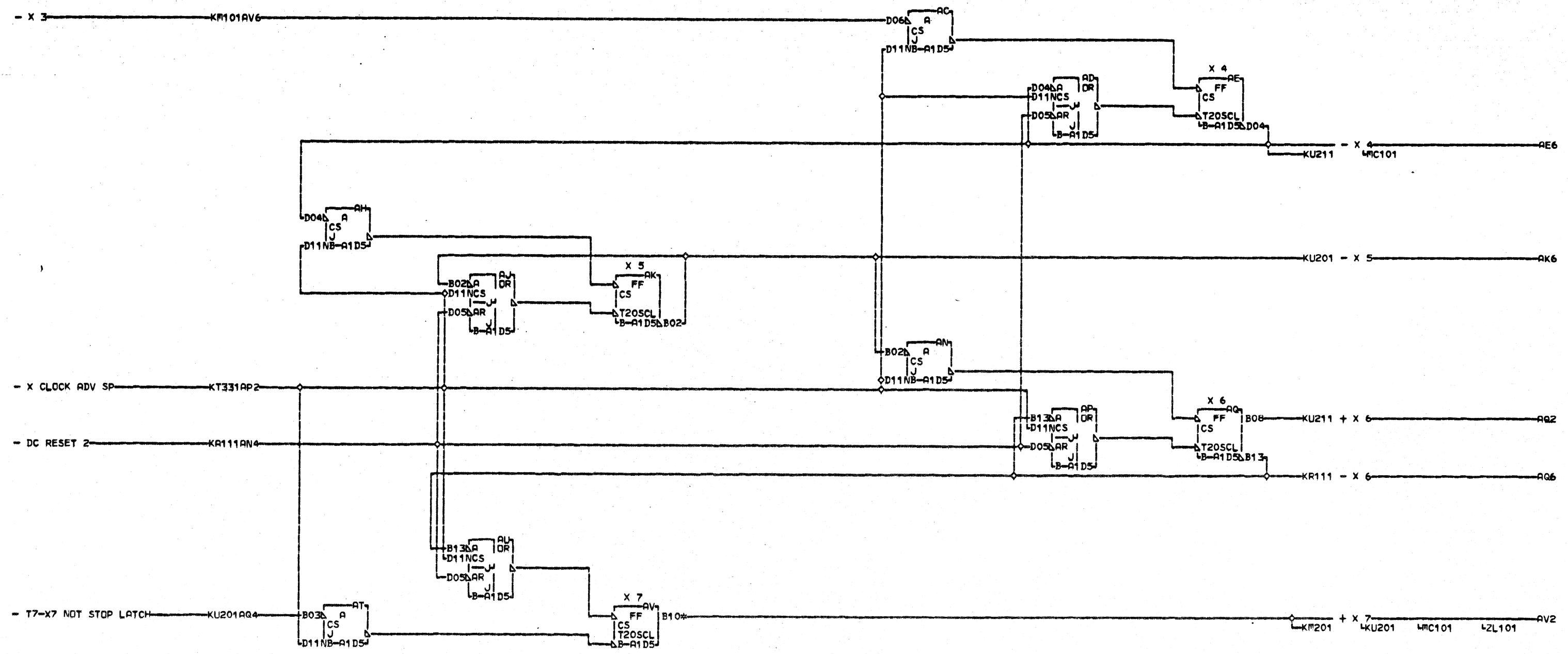


AQ2 B-A1A7B07
 01A-C1N6B07
 AV2 B-A1N8A04
 01B-B1N8A04

LOC. TYPE
 B-A1D5 3481

X CLOCK		K M 1 0 1
X 0 X 1 X 2 X 3 X 0123	MACH.1131-C	
E.C.-HISTORY		000
DATE	LAST EC	
02-26-71	571150	IBM CORP. GSD
		P.No. 5889223

KEL101

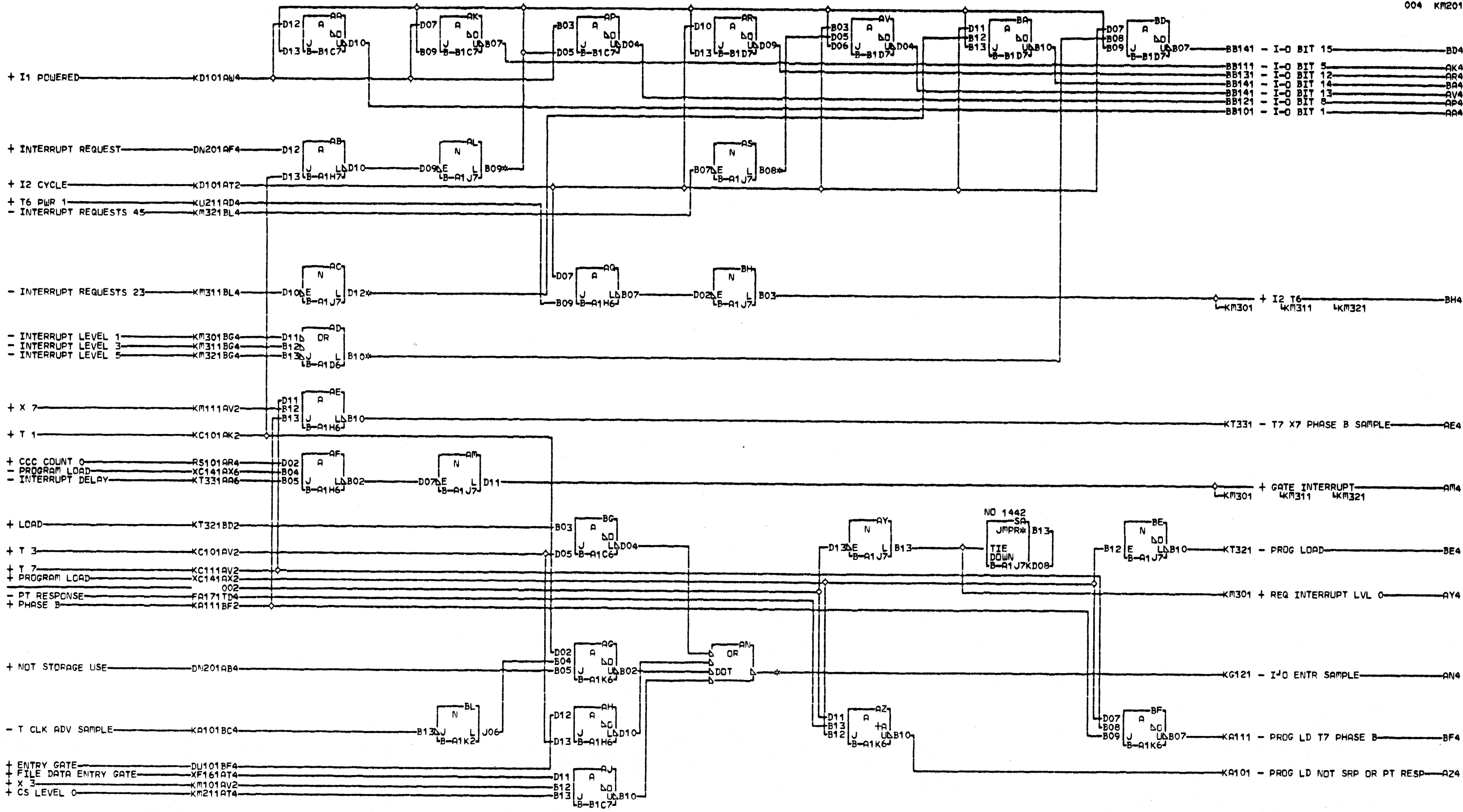


AV2 B-A1A4D07

LCC. TYPE
B-A1D5 3481

X CLOCK		K
X 4	X 5	
E.C. HISTORY		M
MACH. 1131-C		
FRAME		01
DATE		02-09-71
LAST EC		571150
IBM CORP. GSD		000
P.N. 5889224		

000

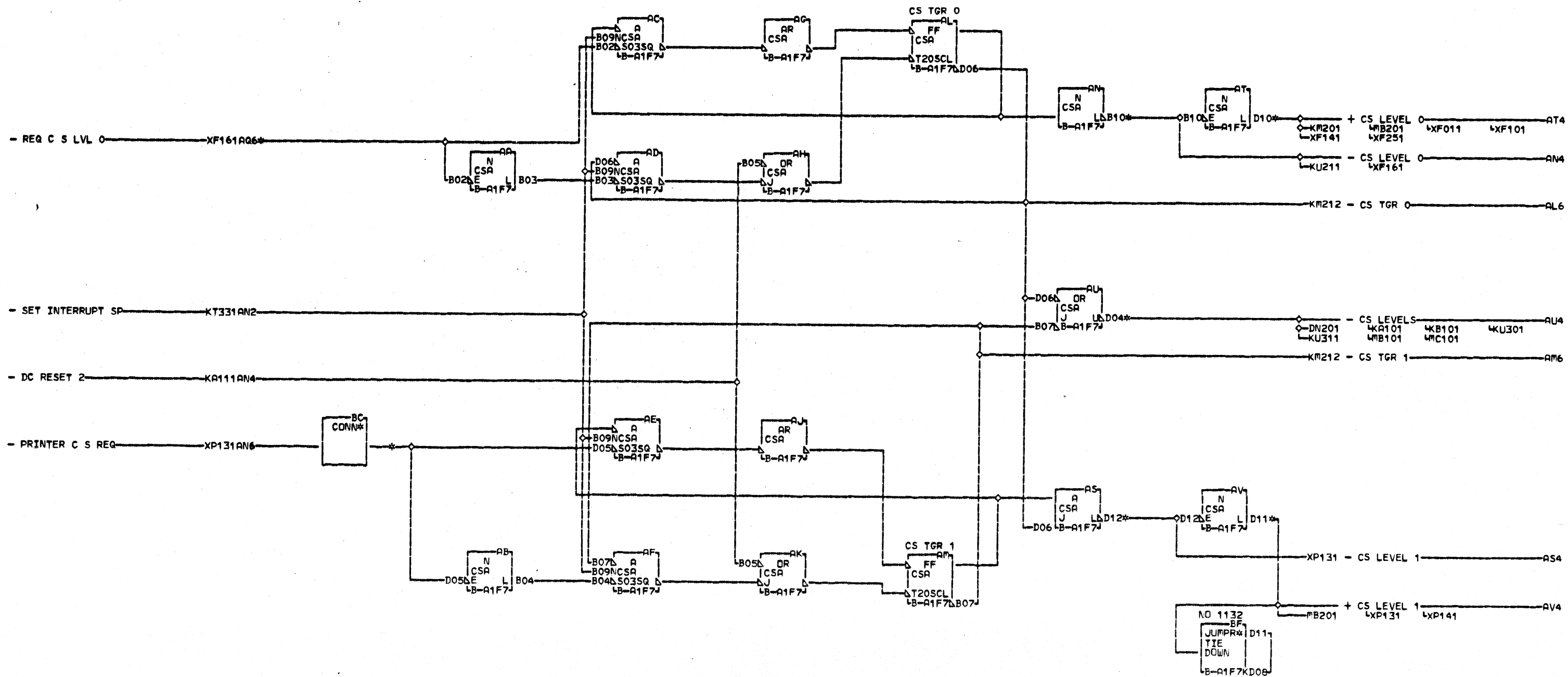


K
E
2
0
1
004
SIM TO PN 5889225 EC 571150

AC4	B-A1N8A06	01B-B1M8E06
01B	B1N8A06	
AD4	B-A1D8E04	
01B	B1D8E04	
AL4	B-A1M8C06	
01B	B1M8C06	
AN4	B-A1M8A06	
01B	B1M8A06	
AS4	B-A1M8E06	

LOC.	TYPE
B-A1C6	0000
B-A1D6	0000
B-A1H6	0000
B-A1H7	0000
B-A1J7	0509
B-A1K2	7312
B-A1K6	0238
B-B1C7	0236
B-B1D7	0238

INTERRUPT ENTRY		K M 2 0 1 004
-E.C.-HISTORY	MACH.1131-C	
	FRAME 01	
	IBM CORP. GSD	
DATE LAST EC	P.N. 5889464	
103-14-72 571155		

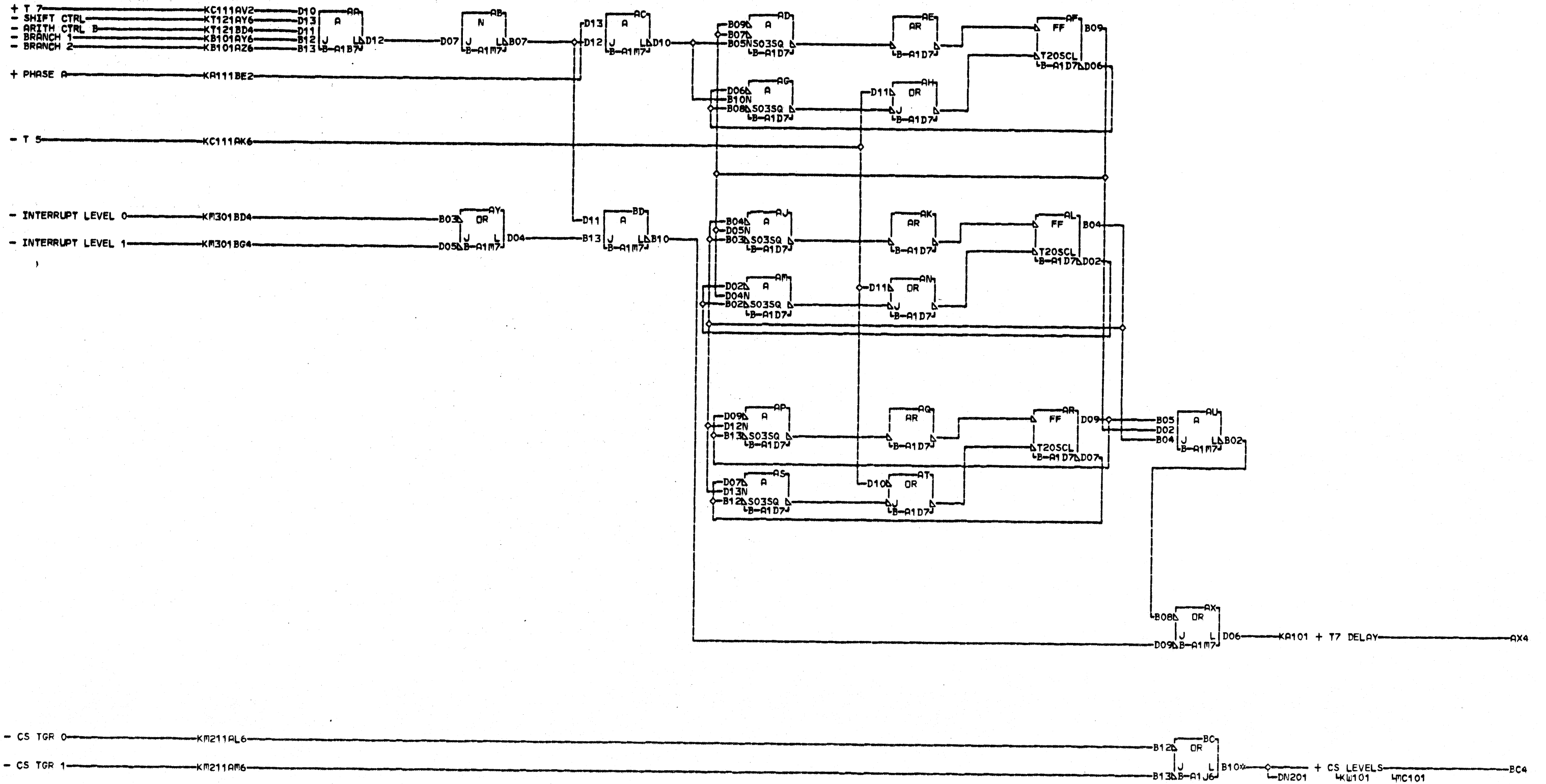


K
M
2
1
1
000

XF161AQ6	AT4 B-A1M8E04	01B-B1L8EC4
RESISTOR	01B-B1M8E04	01B-B1J8A06
B-A1F7B02	01B-B1D8A04	01A-B1N5B08
AN4 B-A1A7B02	01A-C1N3D13	BC4 B-A1L8D04
01A-C1N6B02	AL4 B-A1L8A06	01B-B1L8D04
AS4 B-A1E8C06	01B-B1L8A06	01B-B1H8E06
01B-B1E8C06	RESISTOR	RESISTOR
01B-B1H8C06	B-A1F7D02	B-A1F7D05
01A-B1N5B05	AV4 B-A1L8E04	

LOC. TYPE
B-A1F7 3815

CYCLE STEAL		MACH. 1131-C	K M 2 1 1
-E.C.-HISTORY-			
DATE	LAST EC	FRAME	01
02-26-71	571150	IBM CORP. GSD	000
		P.No. 5889226	



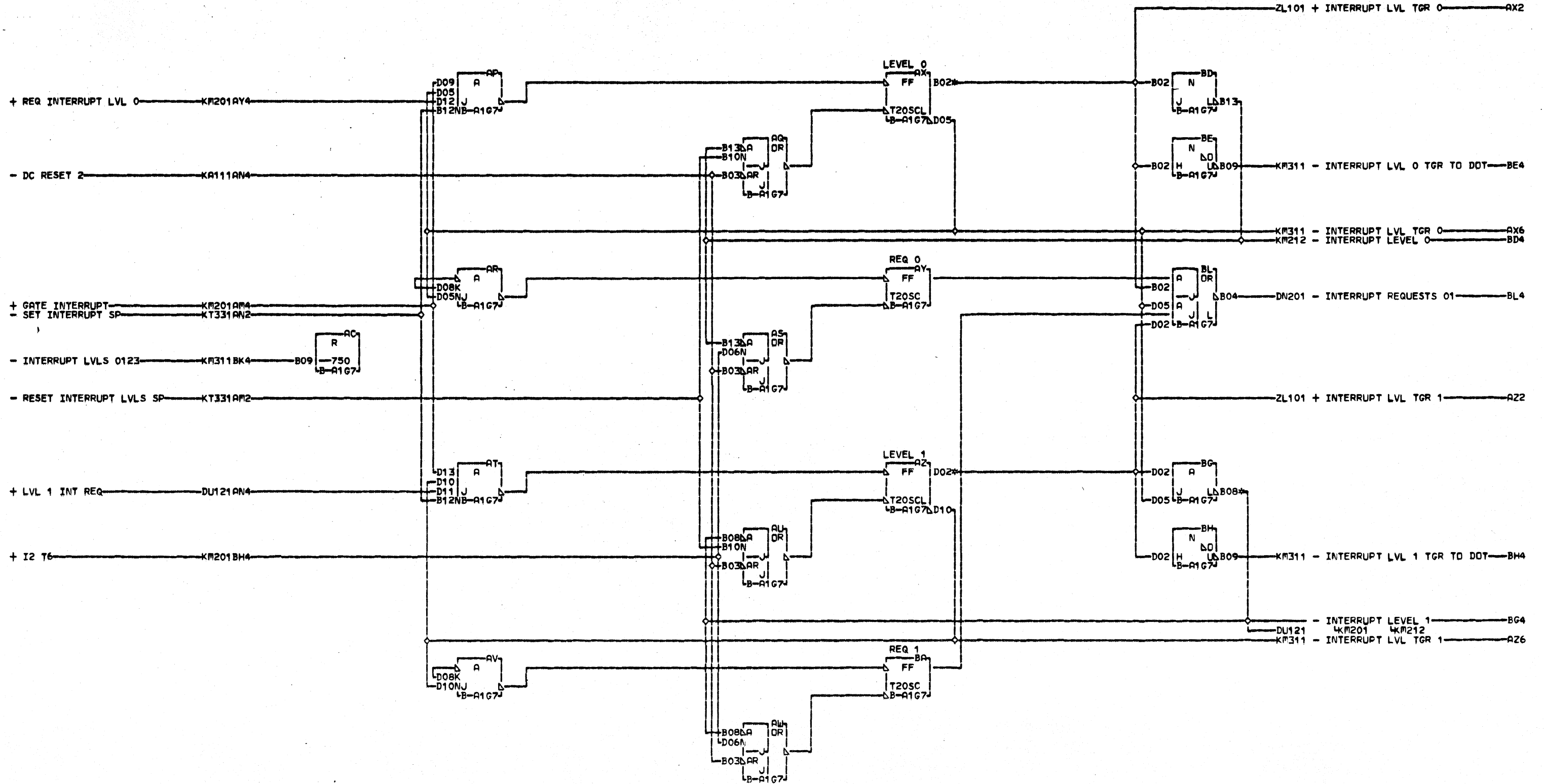
BC4 B-A1E8E06
 01B-B1E8E06

LOC. TYPE
 B-A1B7 0247
 B-A1D7 3794
 B-A1J6 0069
 B-A1M7 0000

T7 EXTEND	
E.C. HISTORY	MACH. 1131-C
DATE	FRAME 01
LAST EC	IBM CORP. GSD
02-26-71	571150
	PeNo 5889227

K
 E
 N
 N
 000

K
 M
 2
 1
 2
 000



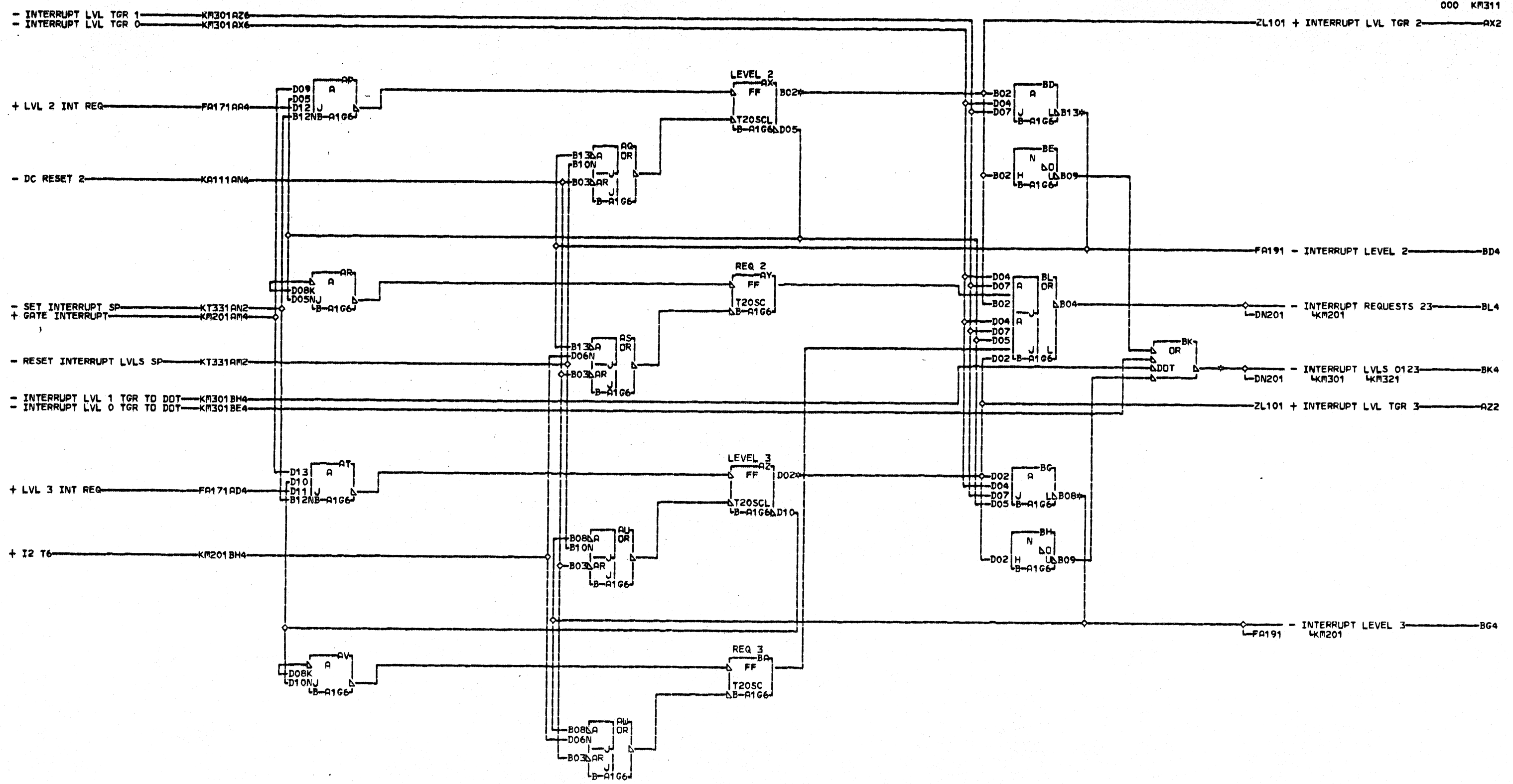
MEMO
000

AX2 B-A1A4B08
RESISTOR
B-A1G7B02
A22 B-A1A4D09
RESISTOR
B-A1G7D02
B-A1A7B10
01A-C1N6B10

LOC. TYPE
B-A1G7 3761

INTERRUPT LEVELS 0 AND 1	
E-C-HISTORY	MACH.1131-C
	FRAME 01
	IBM CORP. GSD
DATE LAST EC	P.N. 5889228
02-26-71 571150	

MEMO
000



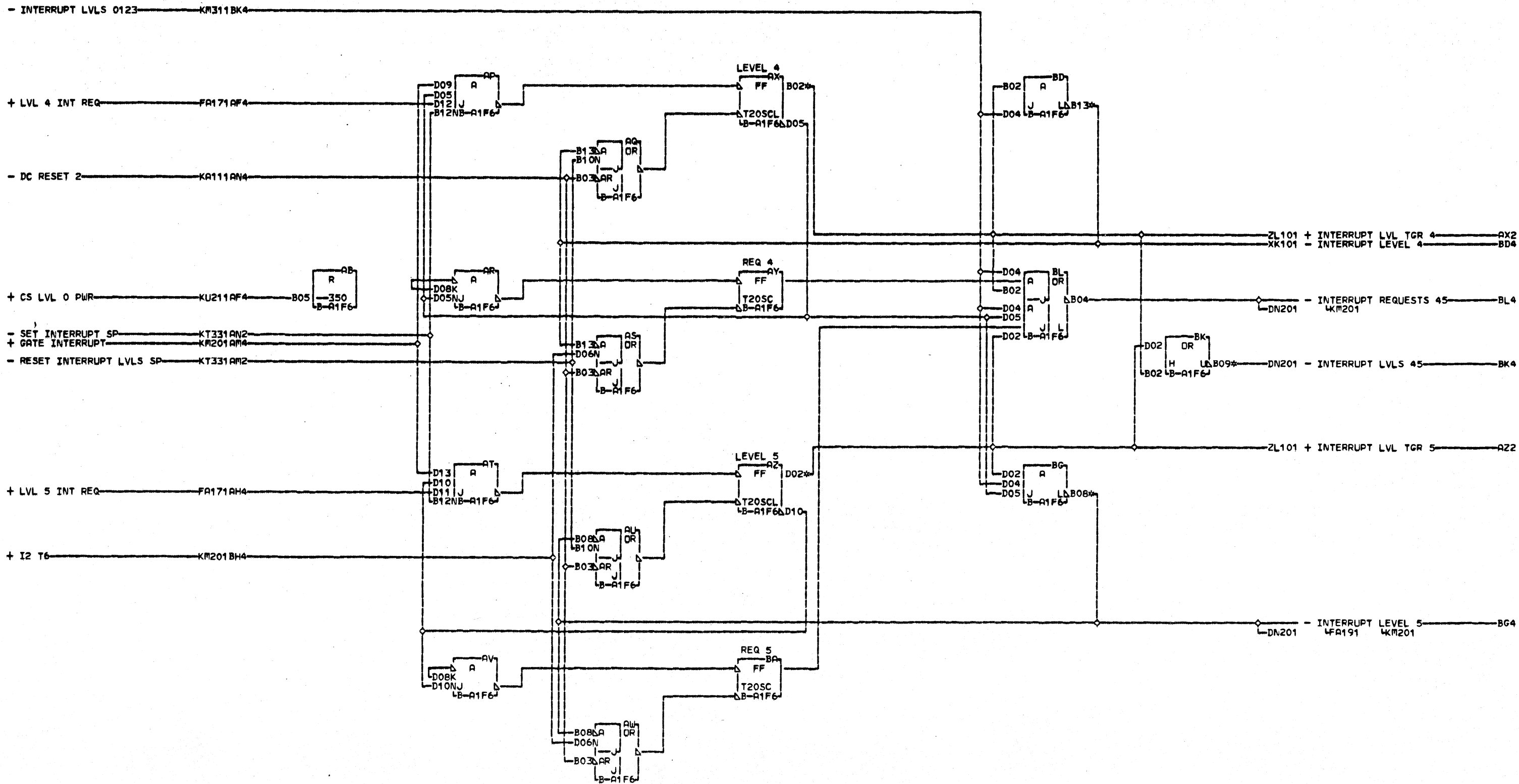
K
M
3
1
1
000

AX2 B-A1A4B09 01A-C1N6D13
RESISTOR BK4 RESISTOR
B-A1G6B02 B-A1G6B09
AZ2 B-A1A4D10
RESISTOR
B-A1G6D02
BD4 B-A1A7B13
01A-C1N6B13
BG4 B-A1A7D13

LOC. TYPE
B-A1G6 3761

INTERRUPT LEVELS 2 AND 3	
E.C.-HISTORY	MACH.1131-C
	FRAME 01
	IBM CORP. GSD
DATE LAST EC	P.N. 5889229
02-09-71 571150	

K
M
3
1
1
000



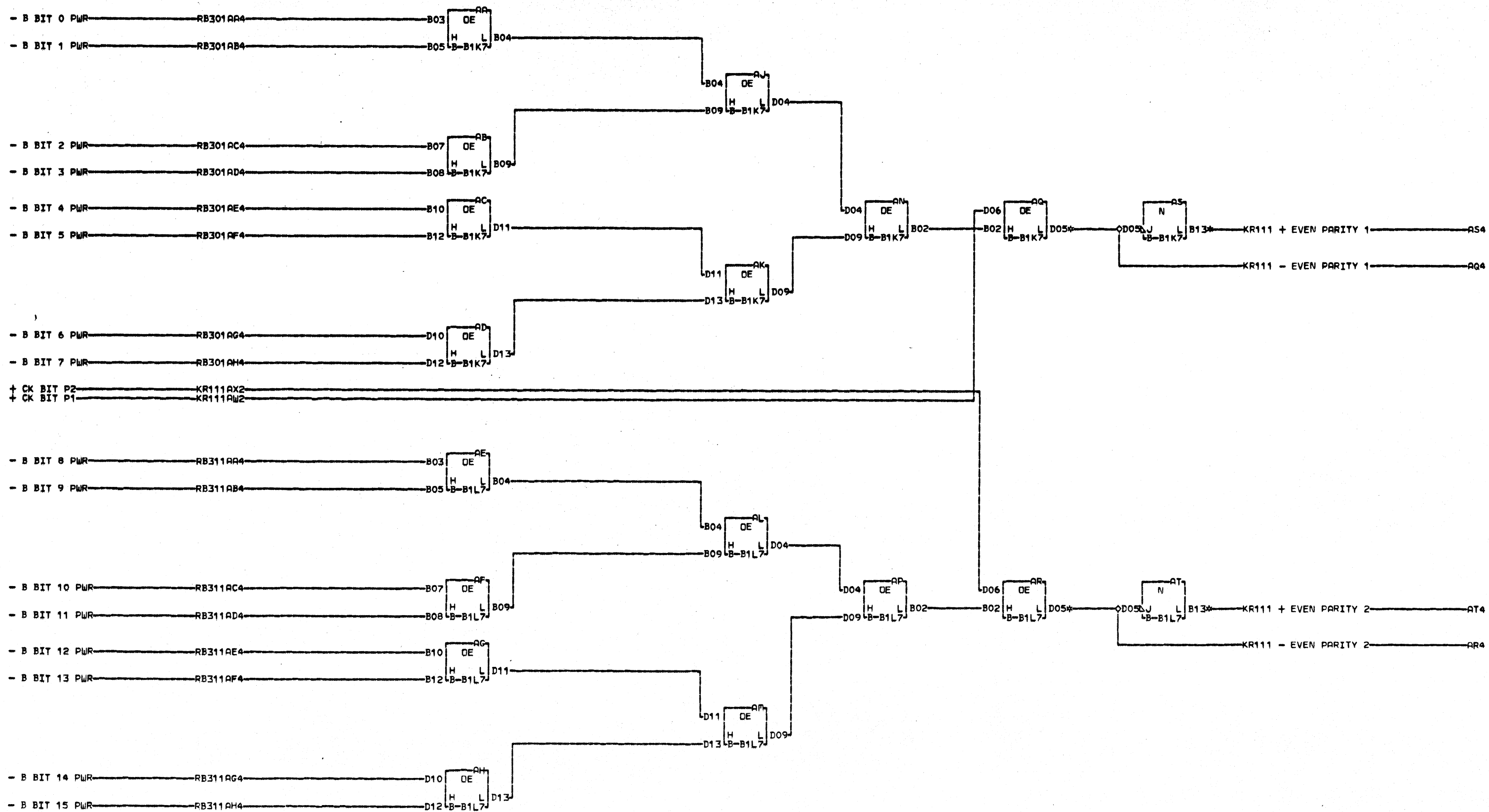
AX2 B-A1A4B10 01B-B1L8C04
 RESISTOR 01B-B1N5B13
 B-A1F6B02 01A-C1N2B13
 AZ2 B-A1A4D11 BK4 RESISTOR
 RESISTOR B-A1F6B09
 B-A1F6D02
 BD4 B-A1A7B09
 01A-C1N6B09
 BG4 B-A1L8C04

LOC. TYPE
B-A1F6 3761

INTERRUPT LEVELS 4 AND 5	
E.C. HISTORY	MACH. 1131-C
DATE	LAST EC
02-26-71	571150
FRAME	01
IBM CORP. GSD	
P.No.	5889230

KERN 1

KERN 1



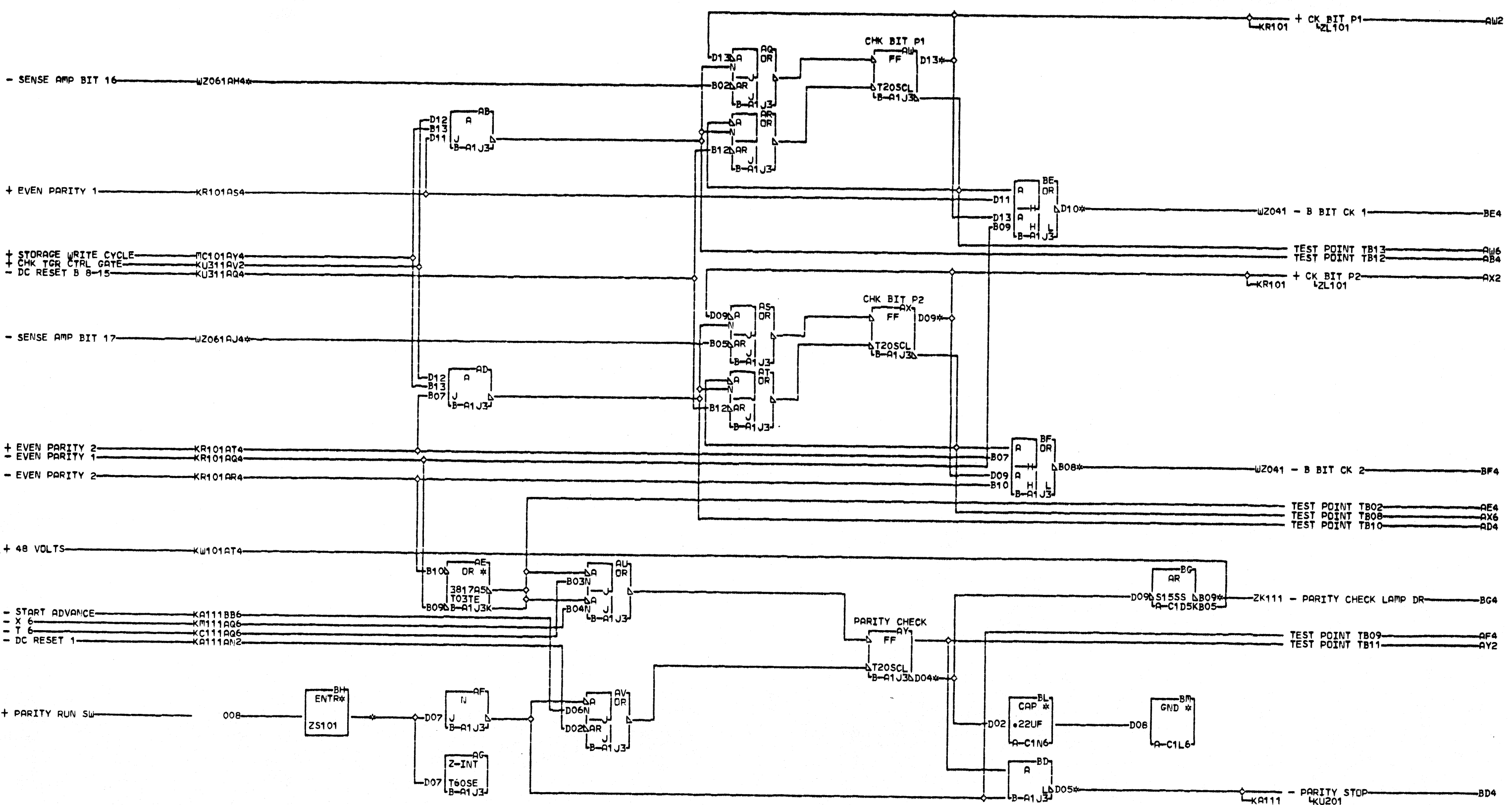
NOTE: THE OUTPUT OF EACH OE BLOCK WILL BE MINUS WHENEVER THE INPUTS HAVE THE SAME POLARITY

- AQ4 B-B1A4B05
- 01B-A1N4B05
- AR4 B-B1A4B06
- 01B-A1N4B06
- AS4 B-B1A4D05
- 01B-A1N4D05
- AT4 B-B1A4D06
- 01B-A1N4D06

LOC. TYPE
B-B1K7 3022
B-B1L7 3022

PARITY CHECK	
E.C.-HISTORY	MACH.1131-C
DATE	FRAME 01
LAST EC	IBM CORP. GPD
02-09-71	P.N. 5889231

KR101



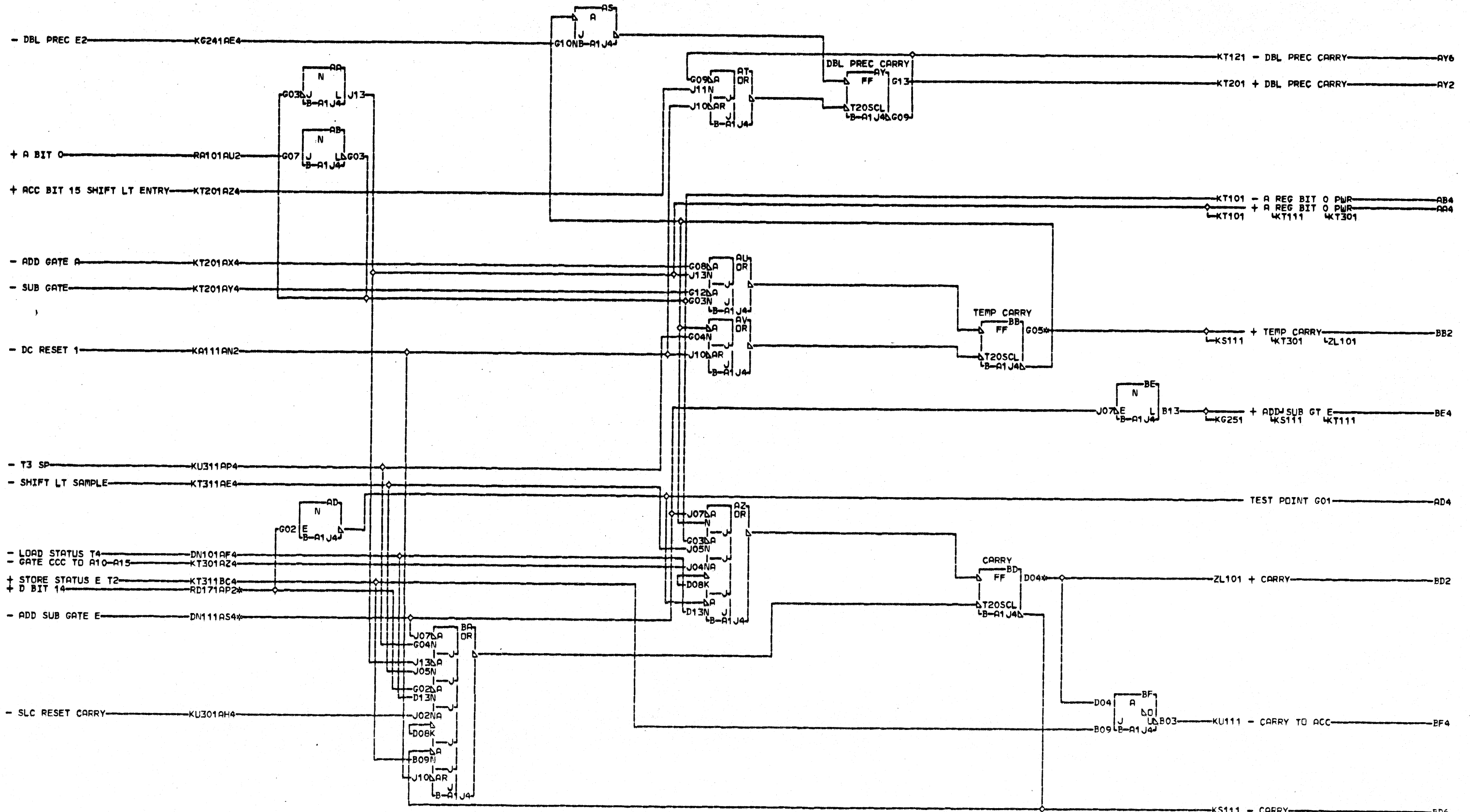
K
R
1
1
1
004

WZ061A4	AX2 B-A1A3D07	BE4 B-A1F1C09	BH4 B-A1A5D04
RESISTOR	01B-A1N5D12	01B-B1F1C09	
B-A1J3B02	01B-B1A5D12	01B-B1M1C09	
WZ061A4	AY6 B-A1A7D02	01B-C1M1C09	
RESISTOR	01A-C1N6D02	BF4 B-A1F1D09	
B-A1J3B05	BD4 B-A1A7D11	01B-B1F1D09	
AW2 B-A1A3B07	01A-C1N6D11	01B-B1M1D09	
01B-A1N5B12	01A-C1A7D11	01B-C1M1D09	
01B-B1A5B12	01A-B1N7D11	BG4 A-C1A5D12	

LOC. TYPE
A-C1D5 3819
B-A1J3 3817

PARITY BIT TRIGGERS	
E-C-HISTORY	MACH-1131-C
DATE	LAST EC
03-14-72	571155
FRAME	01
IBM CORP. GSD	
P.No. 5889465	

K
R
1
1
1
004



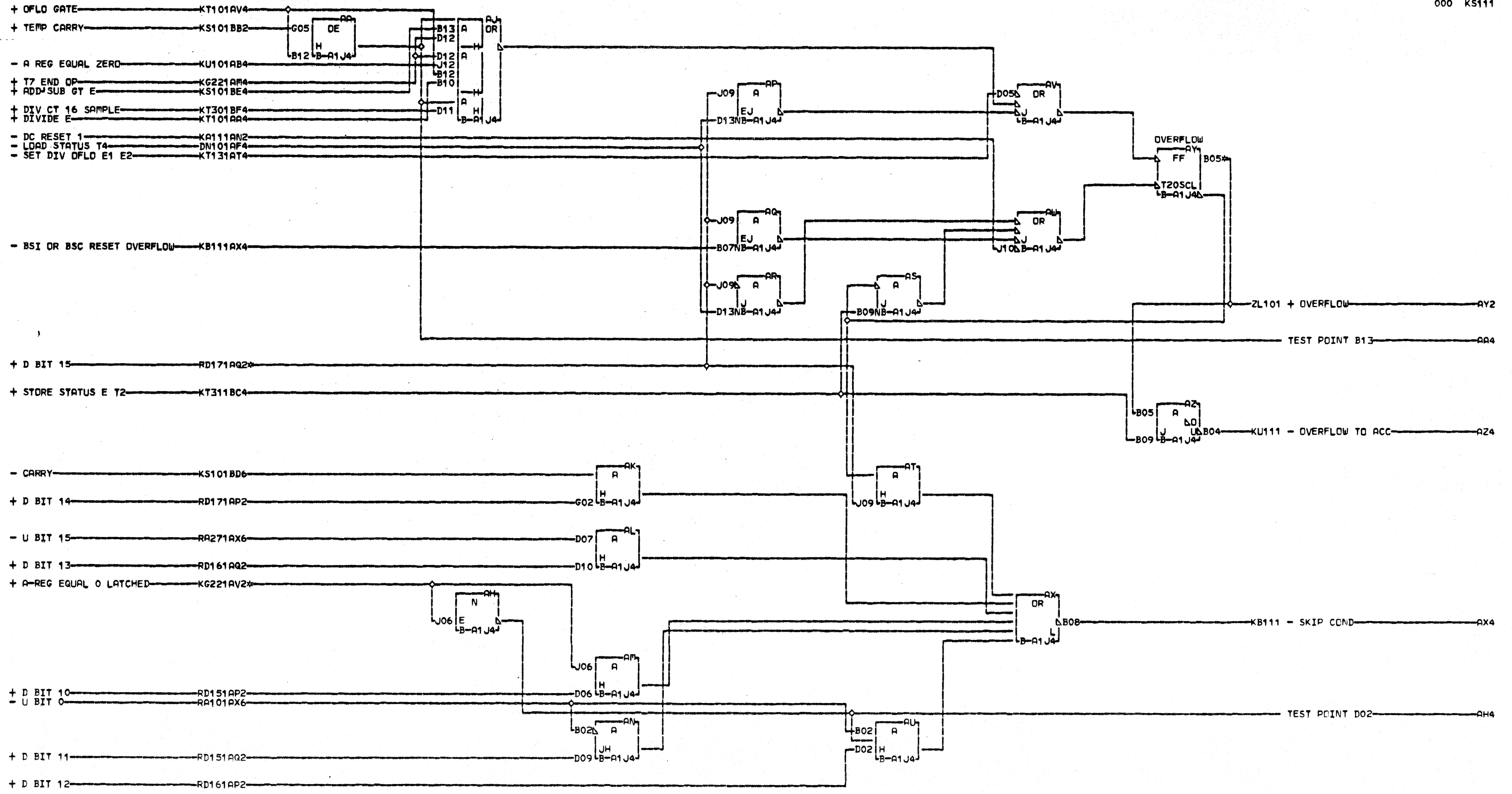
K
S
1
0
1

DN111AS4
RESISTOR
B-A1J4J07
RD171AP2
RESISTOR
B-A1J4G02
BE2 B-A1A4D04
BD2 B-A1A4B05

LOC. TYPE
B-A1J4 4680

CARRY	TEMP CARRY	DBL PR CARRY
E.C.-HISTORY		MACH#1131-C
		FRAME 01
		IBM CORP. GPD
DATE	LAST EC	P.N. 5889233
02-09-71	571150	

K
S
1
0
1



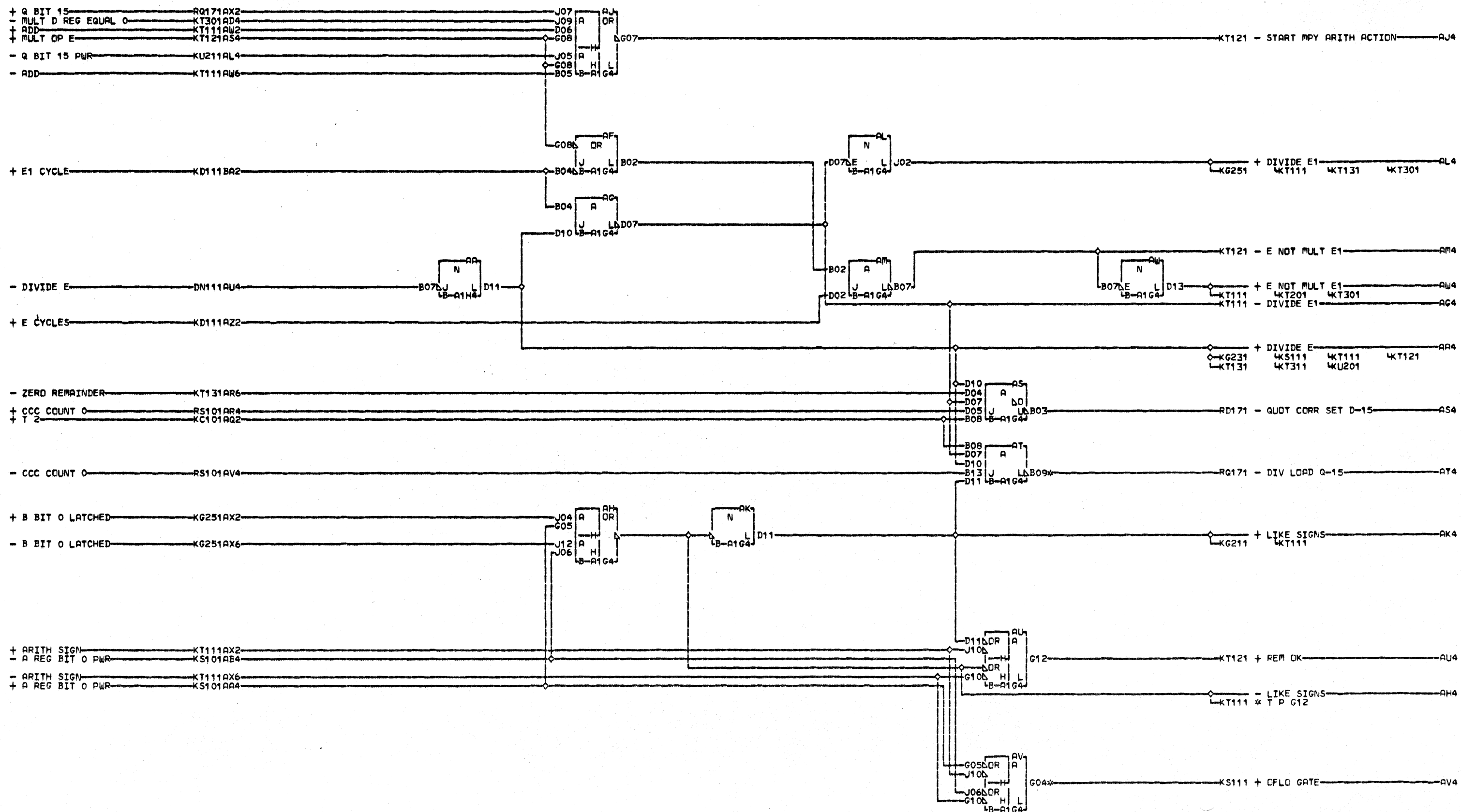
KG221AV2
RESISTOR
B-A1J4J06
RD171AQ2
RESISTOR
B-A1J4J09
AY2 B-A1A4D06

LDC. TYPE
B-A1J4 4680

OVERFLOW - SKIP COND	
-E-C-HISTORY-	MACH. 1131-C
	FRAME 01
	IBM CORP. GPD
DATE LAST EC	P.N. 5889234
02-09-71 571150	

K
S
1
1
1
000

K
S
1
1
1
000

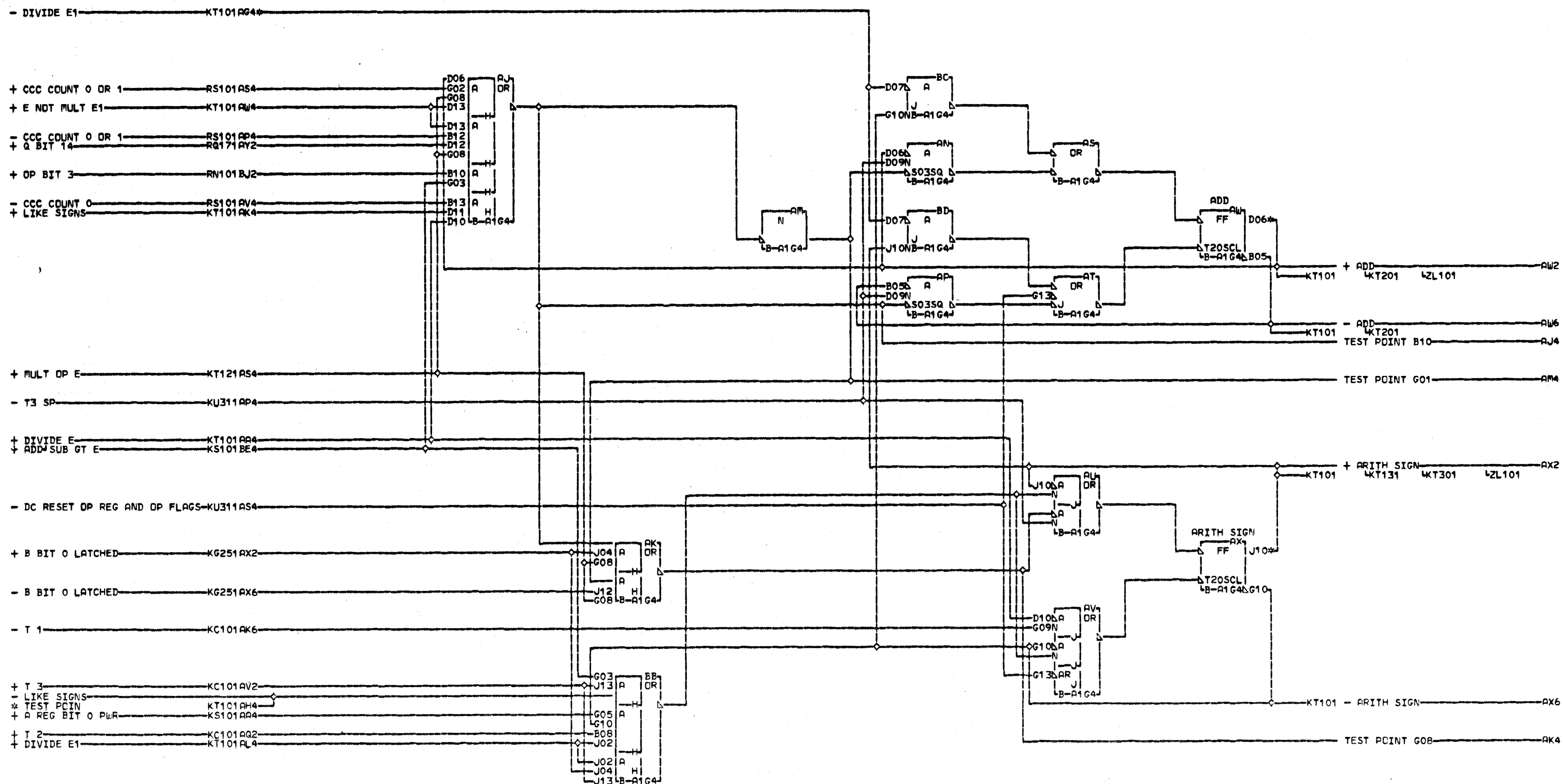


AT4 B-A1N4D09
 O1B-B1A4D09
 AV4 RESISTOR
 B-A1G4G04

LDC TYPE
 B-A1G4 4616
 B-A1H4 4607

MPY ARITH ACTION	E NOT MPY E1	K T 1 0 1
DIV E/E1 LIKE SIGNS	REM CK	
E.C. HISTORY	MACH.1131-C	1
	FRAME	01
	IBM CORP. GPD	1
DATE	LAST EC	000
02-09-71	571150	P.N. 5889235

K
T
1
0
1



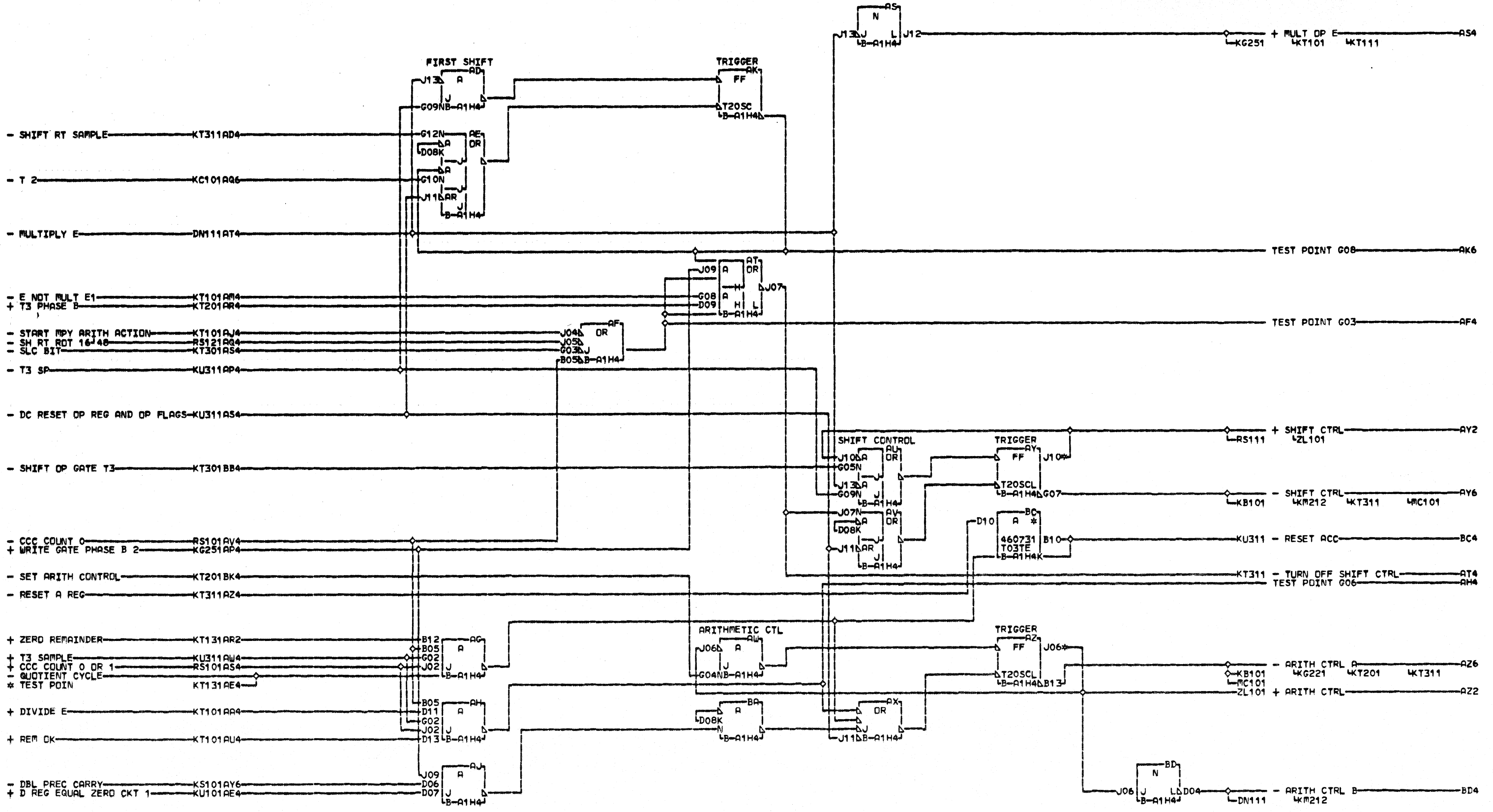
KT101AG4
RESISTOR
B-A1G4D07
AW2 B-A1A4B02
AX2 B-A1A4D02

LOC. TYPE
B-A1G4 4616

ARITHMETIC SIGN AND ADD	
-E.C.-HISTORY	MACH.1131-C
	FRAME 01
	IBM CORP. GPD
DATE LAST EC	P.N. 5889236
02-09-71 571150	

K
T
1
1
1
000

K
T
1
1
1
000



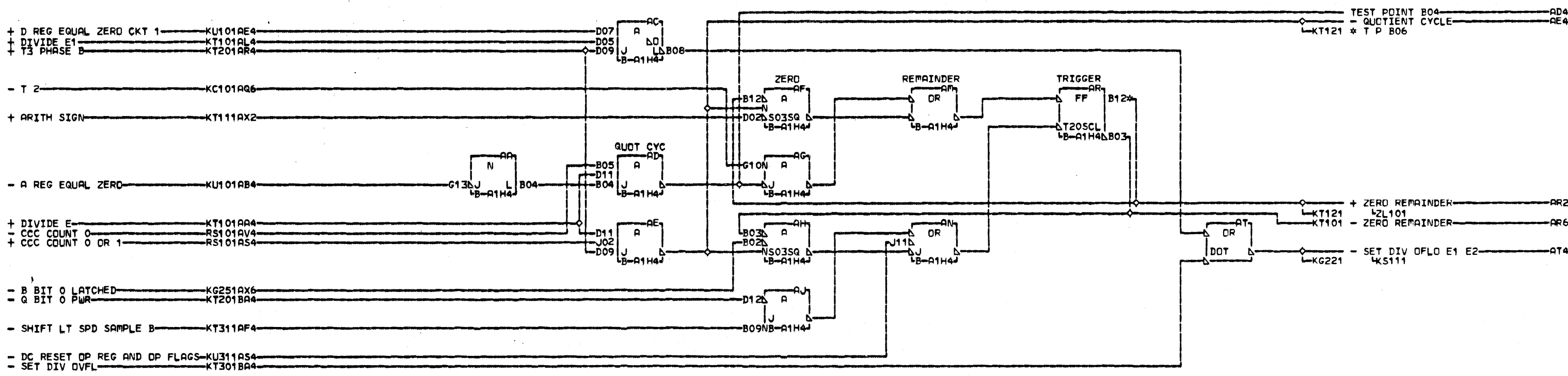
AY2 B-A1A4B04
 A22 B-A1A4B03

LDC. TYPE
 B-A1H4 4607

MPY E SHIFT CTRL	PACH.1131-C
ARITH CTRL	FRAME 01
E.C.-HISTRY	IBM CORP. GSD
DATE LAST EC	P.N. 5889237
02-17-71 571150	

K
 T
 1
 2
 1

K
 T
 1
 2
 1



AR2 B-A1A4D05

LOC. TYPE
E-A1H4 4607

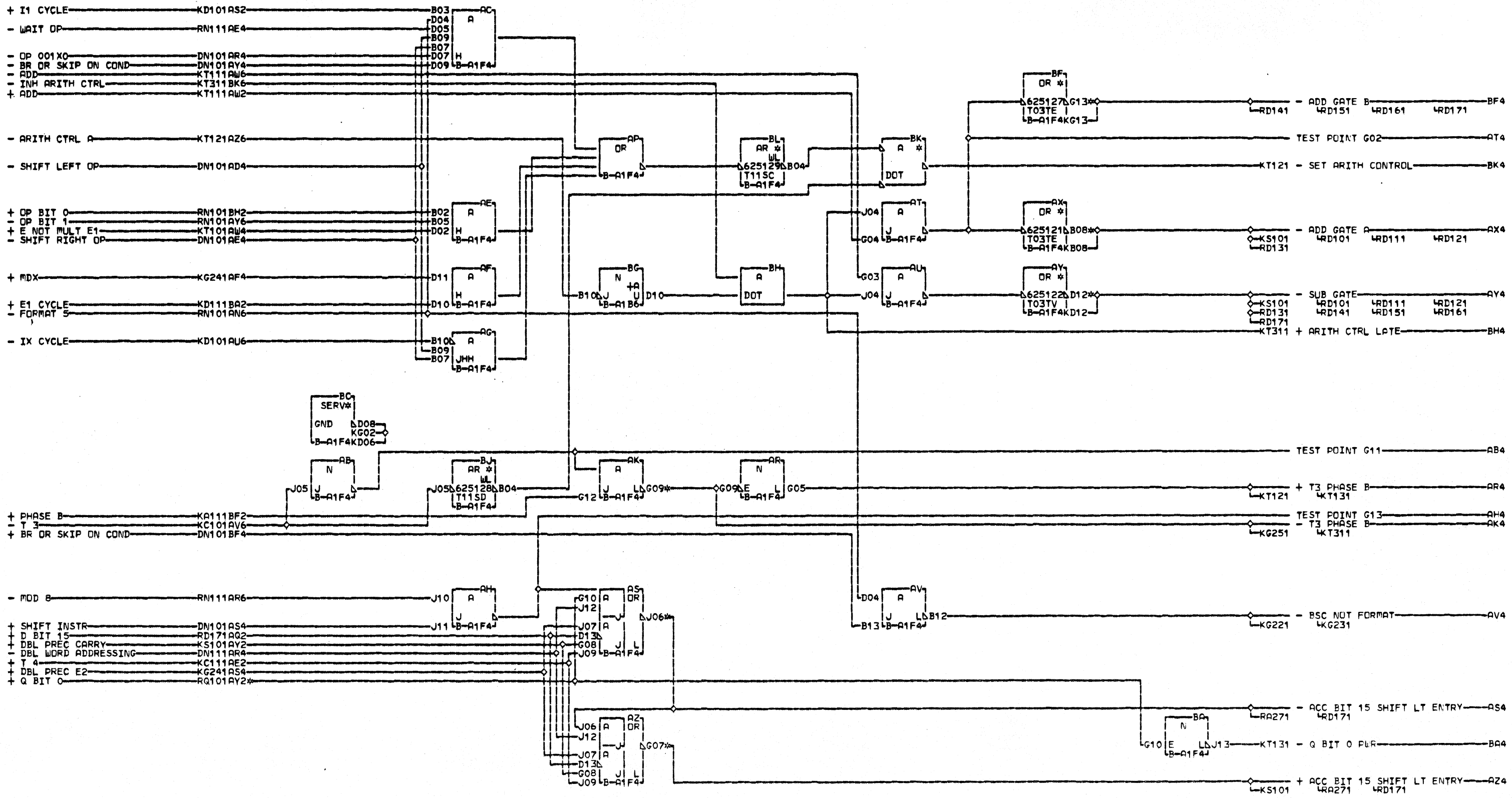
ZERO REMAINDER		K T 1 3 1
SET DIV OFLO E1 E2		
E.C.-HISTORY		MACH-1131-C
FRAME		
DATE		IBM CORP. GPD
LAST EC		
02-09-71 571150		P.N. 5889238

K
T
1
3
1

000

K
T
1
3
1

000



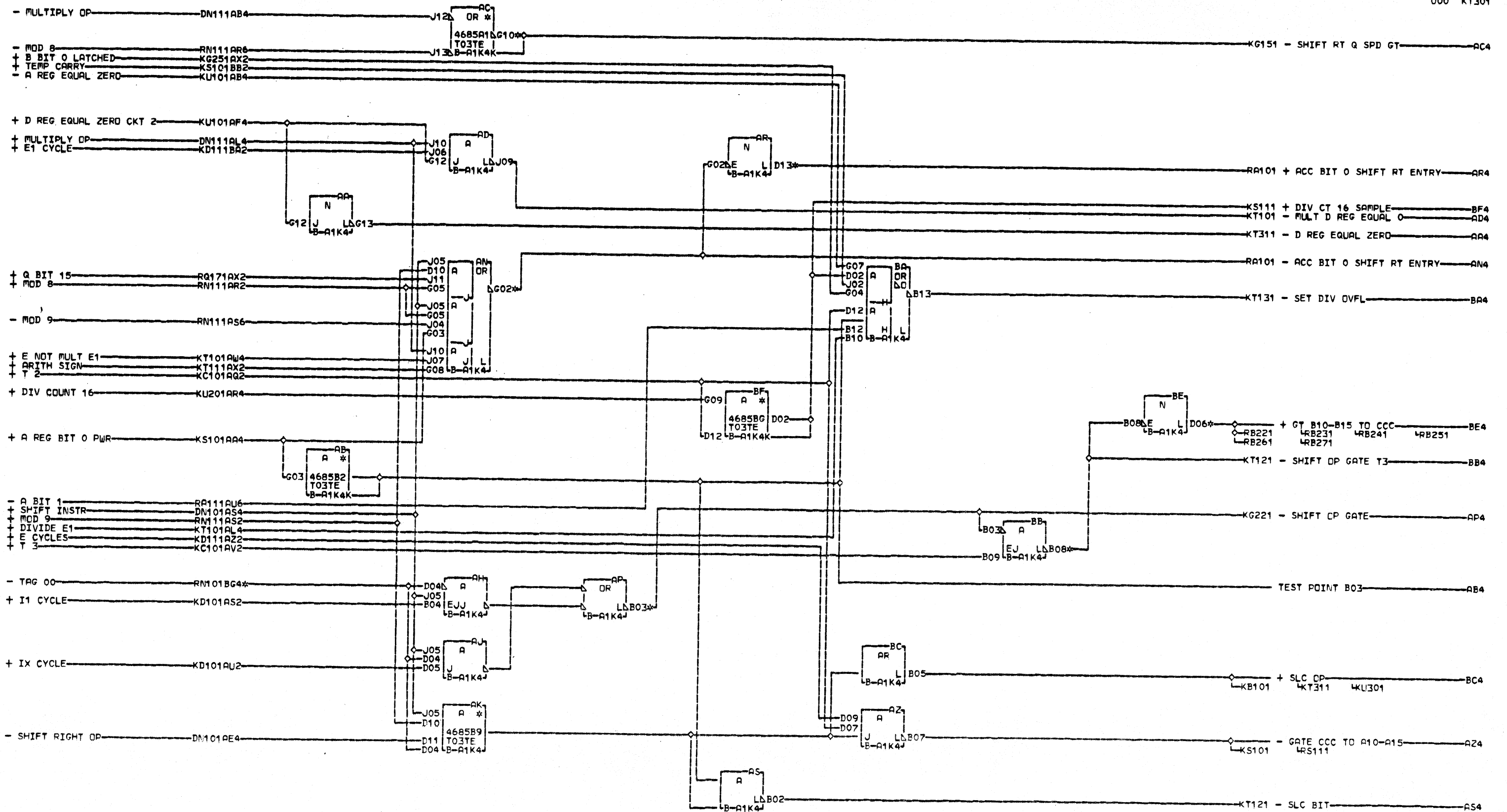
K
T
2
0
1
000

RQ101AY2 AY4 B-A1N4D11
 RESISTOR 01B-B1A4D11
 B-A1F4G10 AZ4 B-A1N4B13
 AK4 RESISTOR 01B-B1A4B13
 B-A1F4G09 BF4 B-A1N5D06
 AS4 B-A1N4D13 01B-B1A5D06
 01B-B1A4D13
 AX4 B-A1N4B11
 01B-B1A4B11

LOC. TYPE
 B-A1B6 3024
 B-A1F4 6251

ADD	SUB	GT	A 15 SHIFT LT ENTR
			SET ARITH CTRL T3 PHASE B
			E.C.-HISTORY MACH-1131-C
			FRAME 01
			IBM CORP. GSD
DATE	LAST EC		
02-09-71	571150		P.No. 5889239

K
T
2
0
1
000



RN101BG4 AP4 RESISTOR
 RESISTOR B-A1K4B03
 B-A1K4D04 AR4 B-A1N4B12
 AC4 B-A1N3D06 01B-B1A4B12
 01B-B1A3D06 BB4 RESISTOR
 AN4 B-A1N4D12 B-A1K4B08
 01B-B1A4D12 BE4 B-A1N3D10
 RESISTOR 01B-B1A3D10
 B-A1K4G02

LOC. TYPE
 B-A1K4 4685

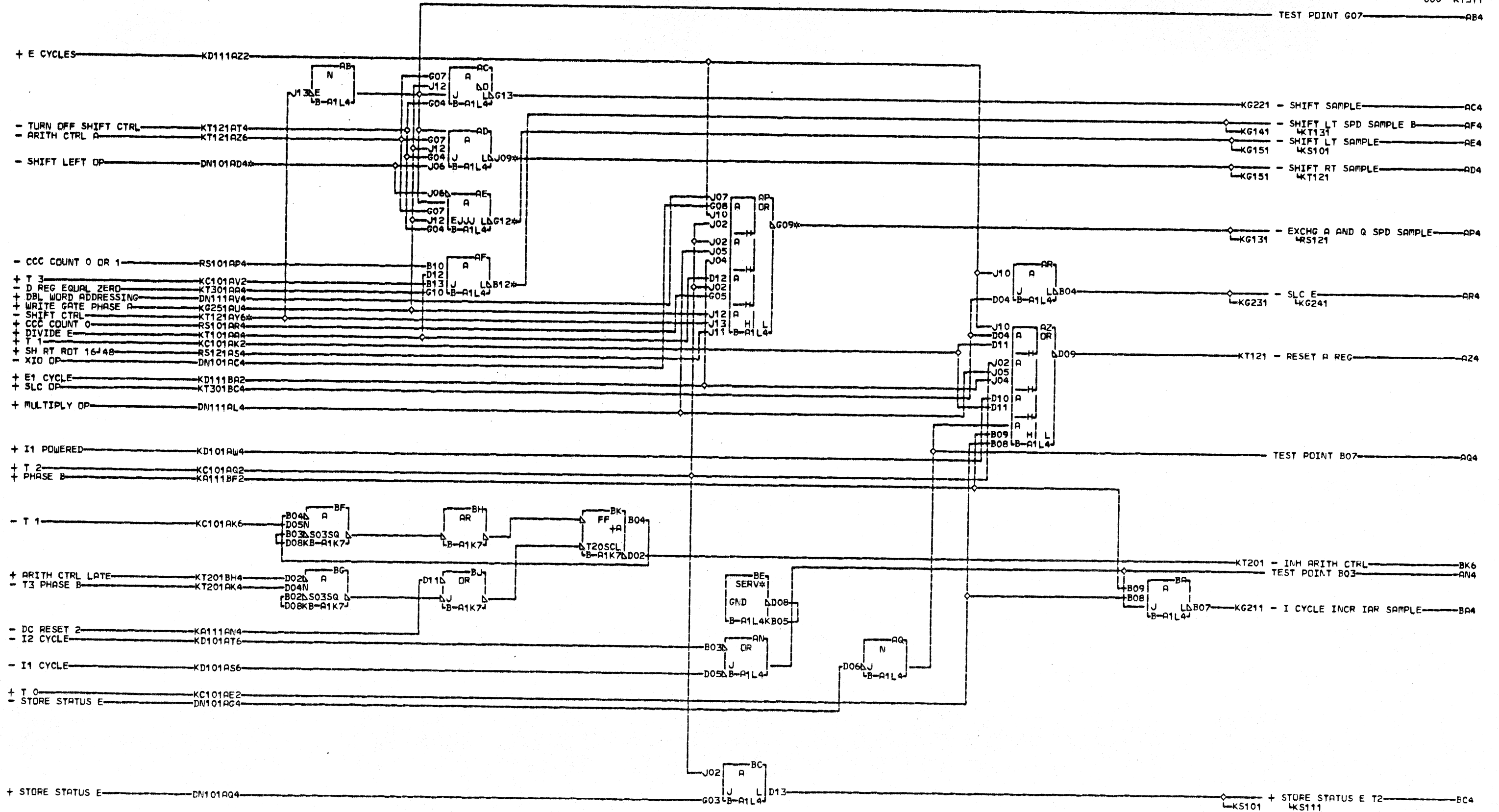
A BIT 0 SHIFT RT ENTR	SLC
SHIFT CP GATE	SET DIV DFLO
E.C.-HISTORY	MACH.1131-C
DATE	LAST EC
02-09-71	571150
FRAME	01
IBP CORP. GSD	
P.N.	5889240

K
 T
 3
 0
 1

000

K
 T
 3
 0
 1

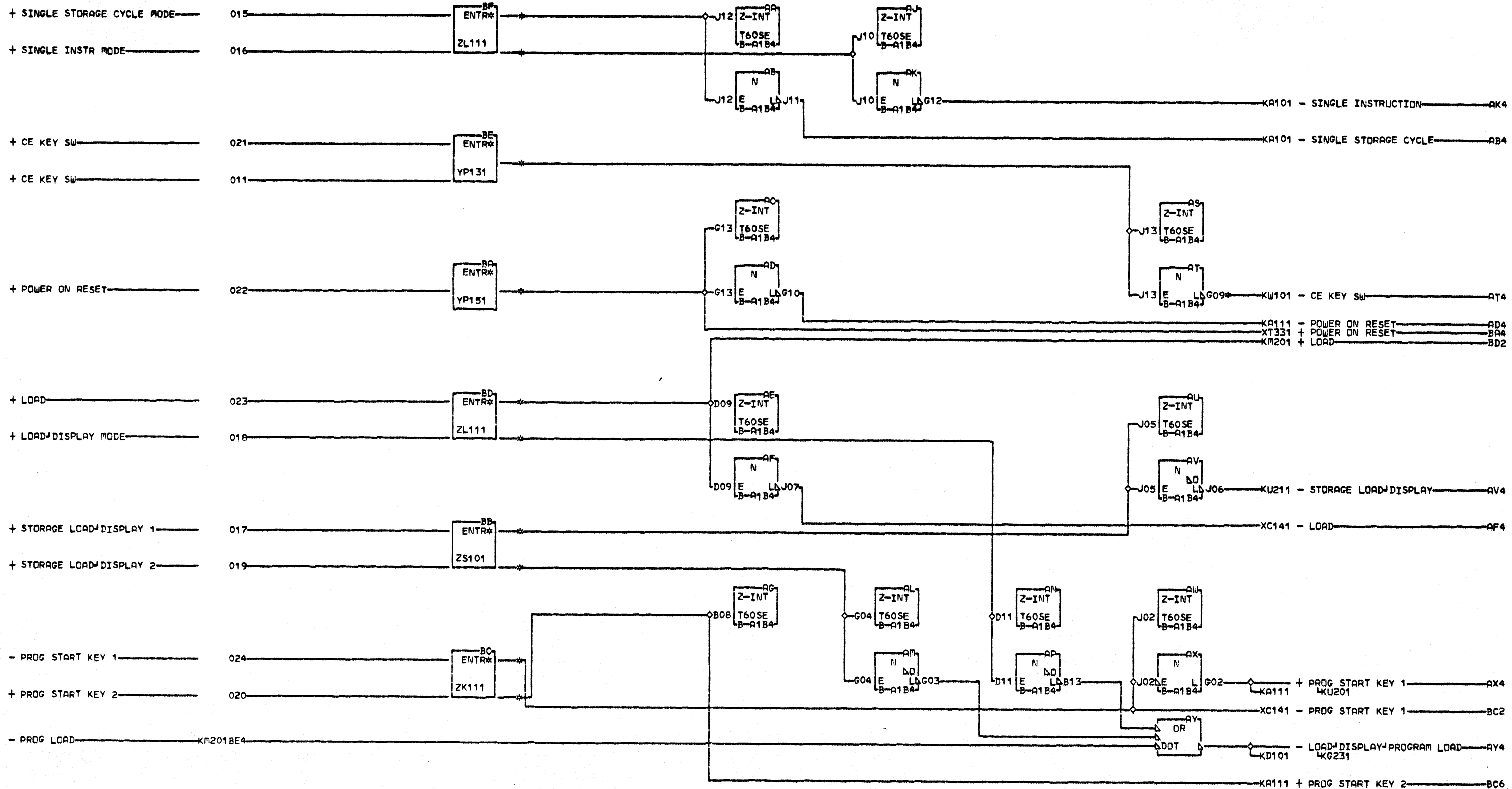
000



K	DN101AD4	01B-B1A3B07
T	RESISTOR	RESISTOR
3	B-A1L4J06	B-A1K2J05
1	KT121AY6	AF4 B-A1N3B06
1	RESISTOR	01B-B1A3B06
1	B-A1L4J13	RESISTOR
	AD4 B-A1N3D07	B-A1K2G09
	01B-B1A3D07	AP4 B-A1N3B08
	AE4 B-A1N3B07	01B-B1A3B08

LOC. TYPE
 B-A1K2 7312
 B-A1K7 3794
 B-A1L4 4614

SHIFT RT/LT SAMPLE	SLC E	
RESET ACC I CYCLE IAR INCR		
E.C.-HISTORY	MACH. 1131-C	
	FRAME	01
	IBM CORP. GSD	
DATE	LAST EC	
02-09-71	571150	
	P.No.	5889241



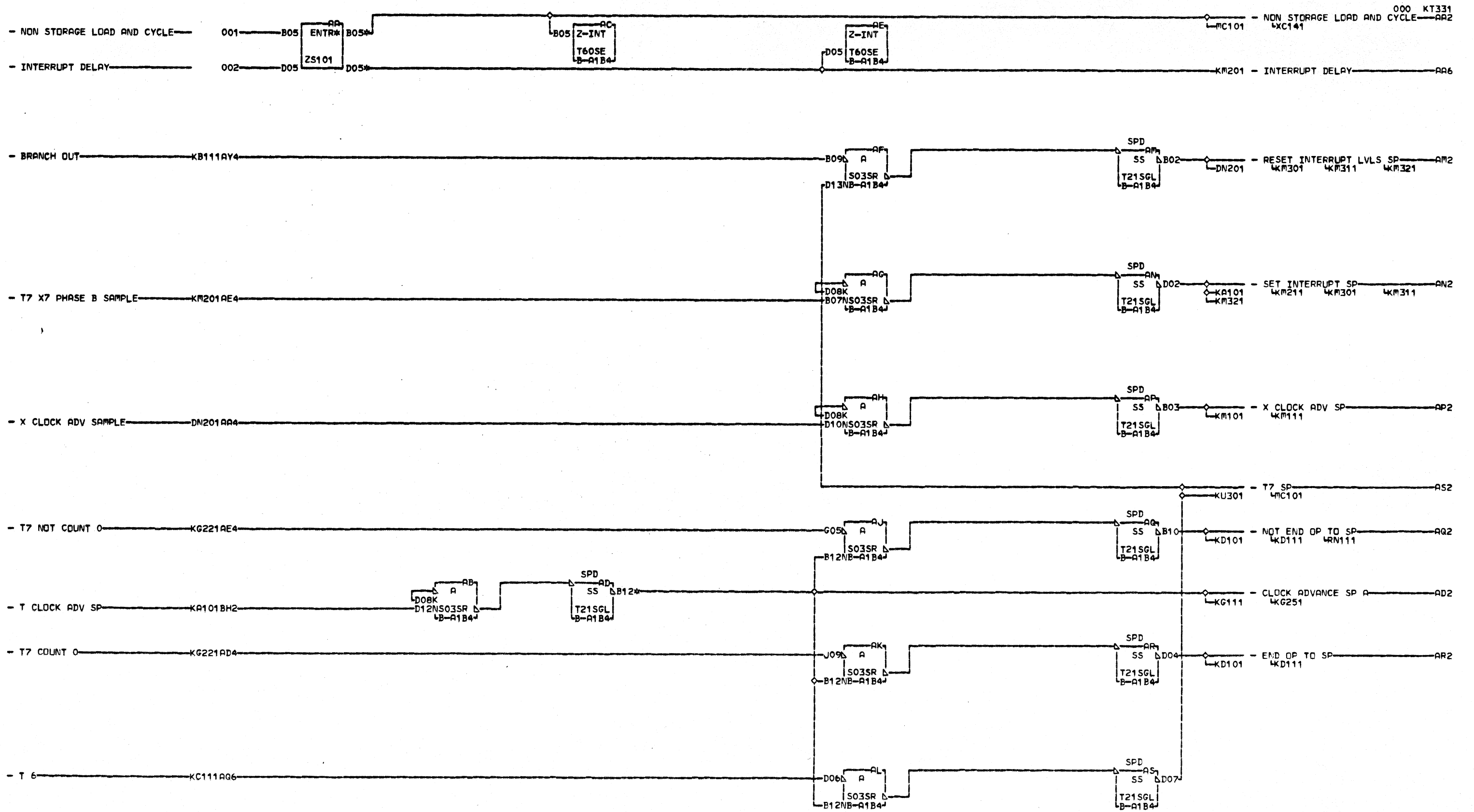
K
T
3
2
1
004
SIM TO PN 5889242 EC 571150

AT4	B-A1A7D10	01B-A1A7B04
01A	C1N6D10	01A-C1N6B04
BA4	B-A1A6D05	BC6 B-A1A5D07
01A	C1N4D05	BD2 B-A1A5B03
01A	C1A7B09	BD6 B-A1A5B02
01A	B1N7B09	BE4 B-A1A5B12
BB2	B-A1A5B04	BF2 B-A1A5D12
BB6	B-A1A5B05	BF6 B-A1A5D11
BC2	B-A1A5D06	

LOC. TYPE
B-A1B4 6212

CONSOLE SIGNAL INTEGRATORS	
E.C.-HISTORY	MACH.1131-C
DATE	FRAME 01
LAST EC	IBM CORP. GSD
03-14-72 571155	P.N. 5889466

K
T
3
2
1
004



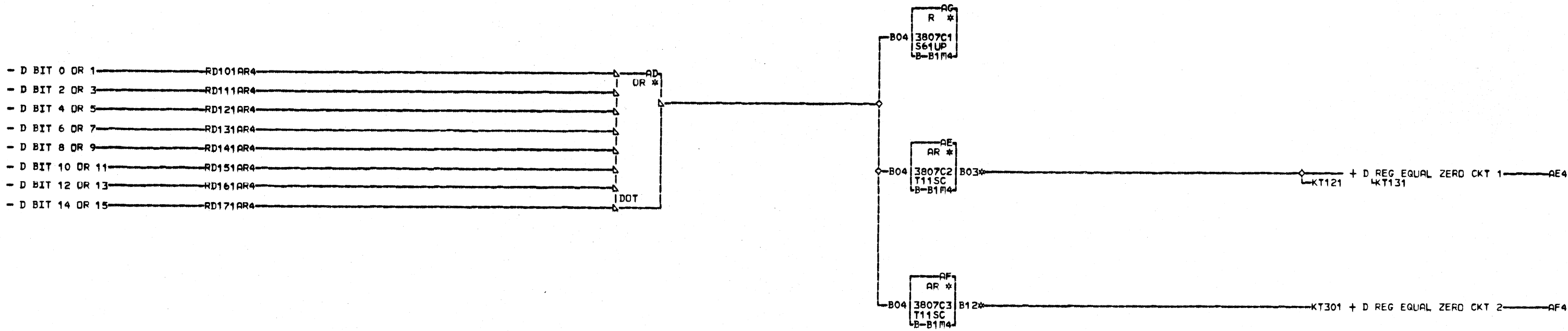
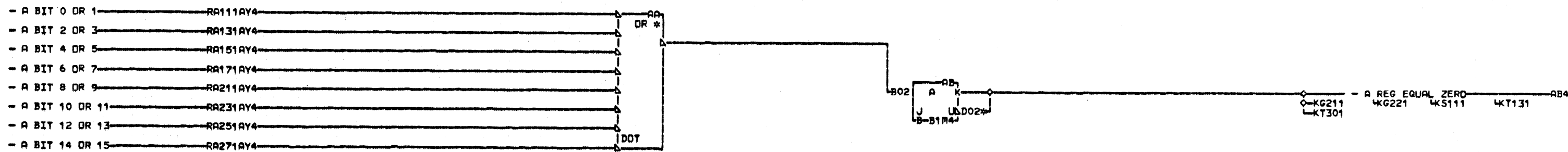
AA2 B-A1A5D05
 AA6 B-A1A5B13
 AD2 B-A1N3B03
 01B-B1A3B03

LCC TYPE
 B-A1B4 6212

INT LVL SET/RESET	SPD	T7 SPD
CLOCK ADV SPD	END OP TO SPD	
E.C.-HISTORY	MACH. 1131-C	
FRAME		01
IBM CORP. GPD		
DATE	LAST EC	
02-09-71	571150	
P.O. No.		5889243

K
 T
 3
 3
 1
 000

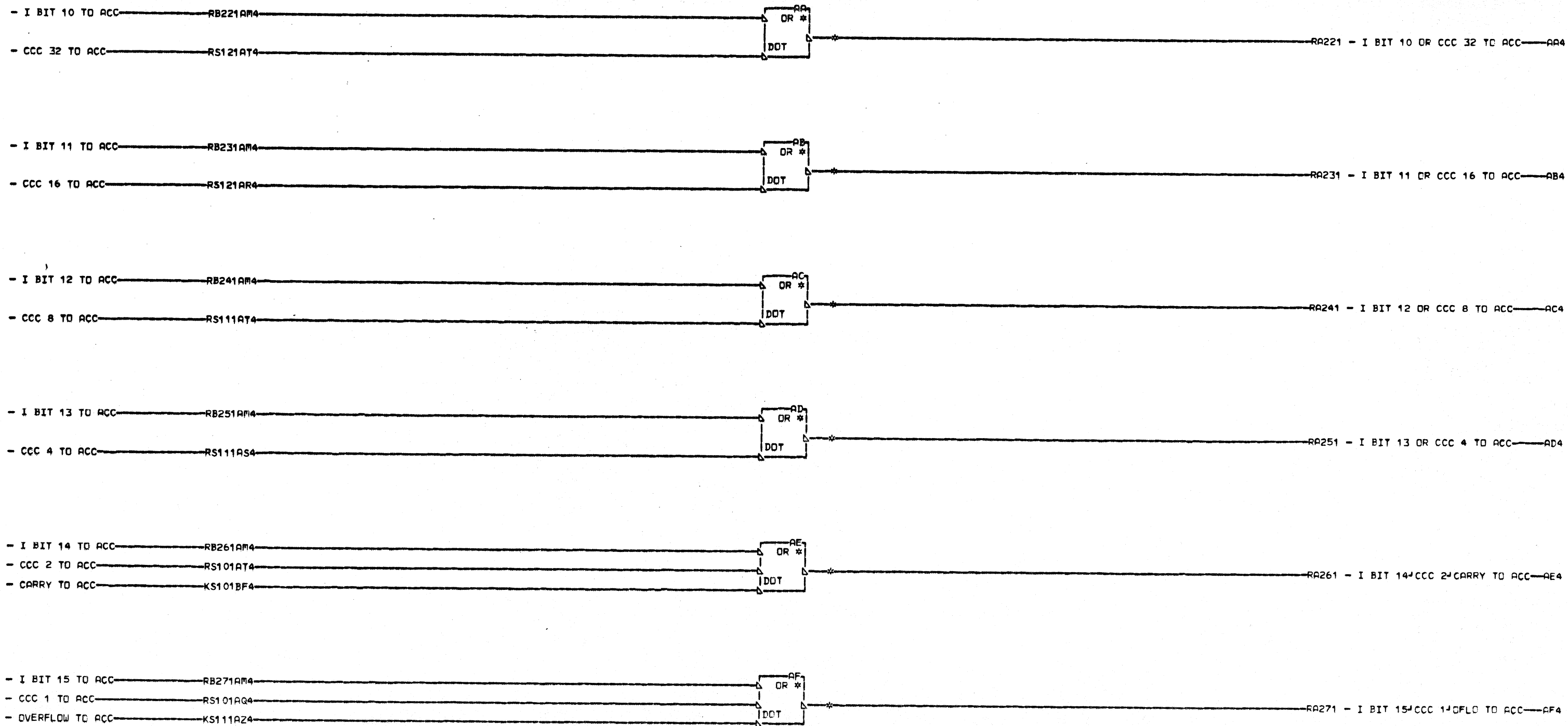
K
 T
 3
 3
 1
 000



AB4 B-B1A4D04
 01B-A1N4D04
 AE4 B-B1A4B04
 01B-A1N4B04
 AF4 B-B1F1A11
 01B-A1F1A11

LOC. TYPE
 B-B1M4 3807

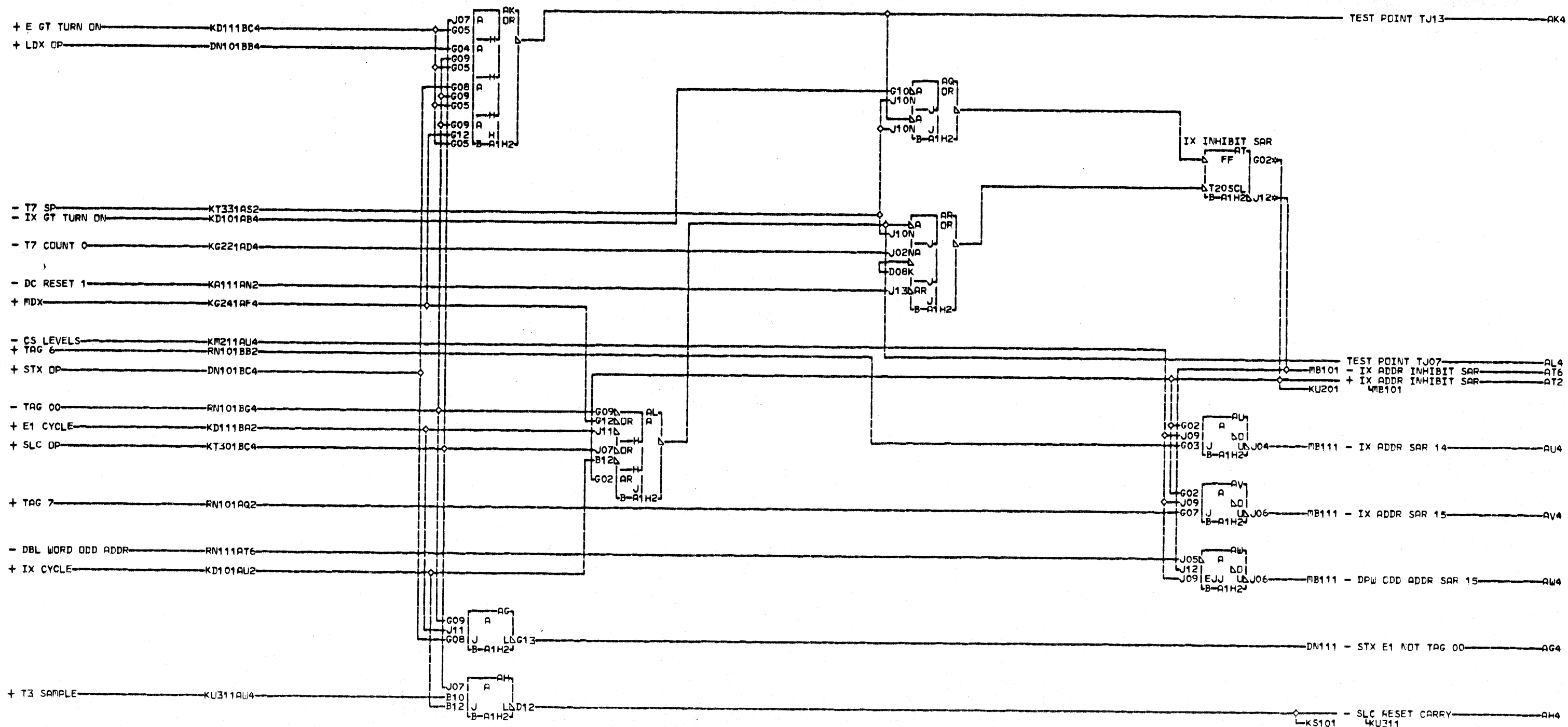
ACCUMULATOR-A REG EQUAL ZERO	MACH.1131-C	01	K
ARITH FACTOR-D REG EQUAL ZERO			
E.C.-HISTORY	FRAME	01	U
	IBM CORP. GPD		1
DATE LAST EC	P.No. 5889244		000
02-09-71 571150			



K
U
1
1
1
000

AA4 B-A1N3B11 01B-B1A3B13
 01B-B1A3B11 AF4 B-A1N3D13
 AB4 B-A1N3D11 01B-B1A3D13
 01B-B1A3D11
 AC4 B-A1N3B12
 01B-B1A3B12
 AD4 B-A1N3D12
 01B-B1A3D12
 AE4 B-A1N3B13

ACC INPUT BUSS - I BITS 10-15		K
CCC 32-1 CARRY OVERFLOW		U
E.C. HISTORY	MACH. 1131-C	1
FRAME	01	1
IBM CORP. GPD		1
DATE LAST EC		000
02-09-71 571150	P.N. 5889245	



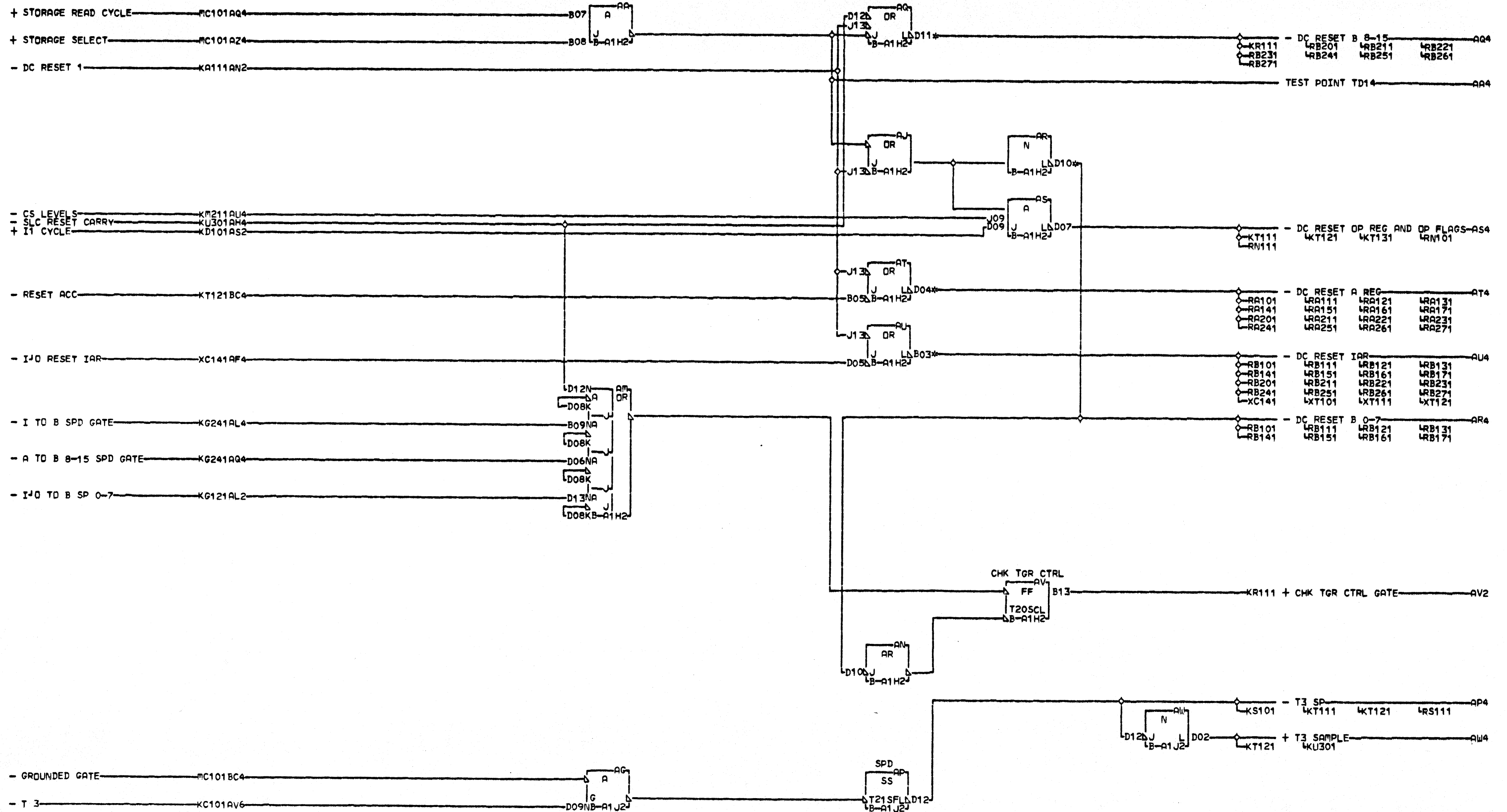
AT2 B-A1F1E09
 01B-B1F1E09
 AT6 B-A1F1E11
 01B-B1F1E11

LOC. TYPE
 B-A1H2 6207

IX ADDR INHIBIT SAR	STX E1
NOT TAG 00	SLC RESET CARRY
E.C.-HISTORY	
MACH.1131-C	
FRAME	01
IBM CORP. GSD	
DATE LAST EC	02-09-71 571150
P.N.	5889248

K
 U
 3
 0
 1
 000

K
 U
 3
 0
 1
 000



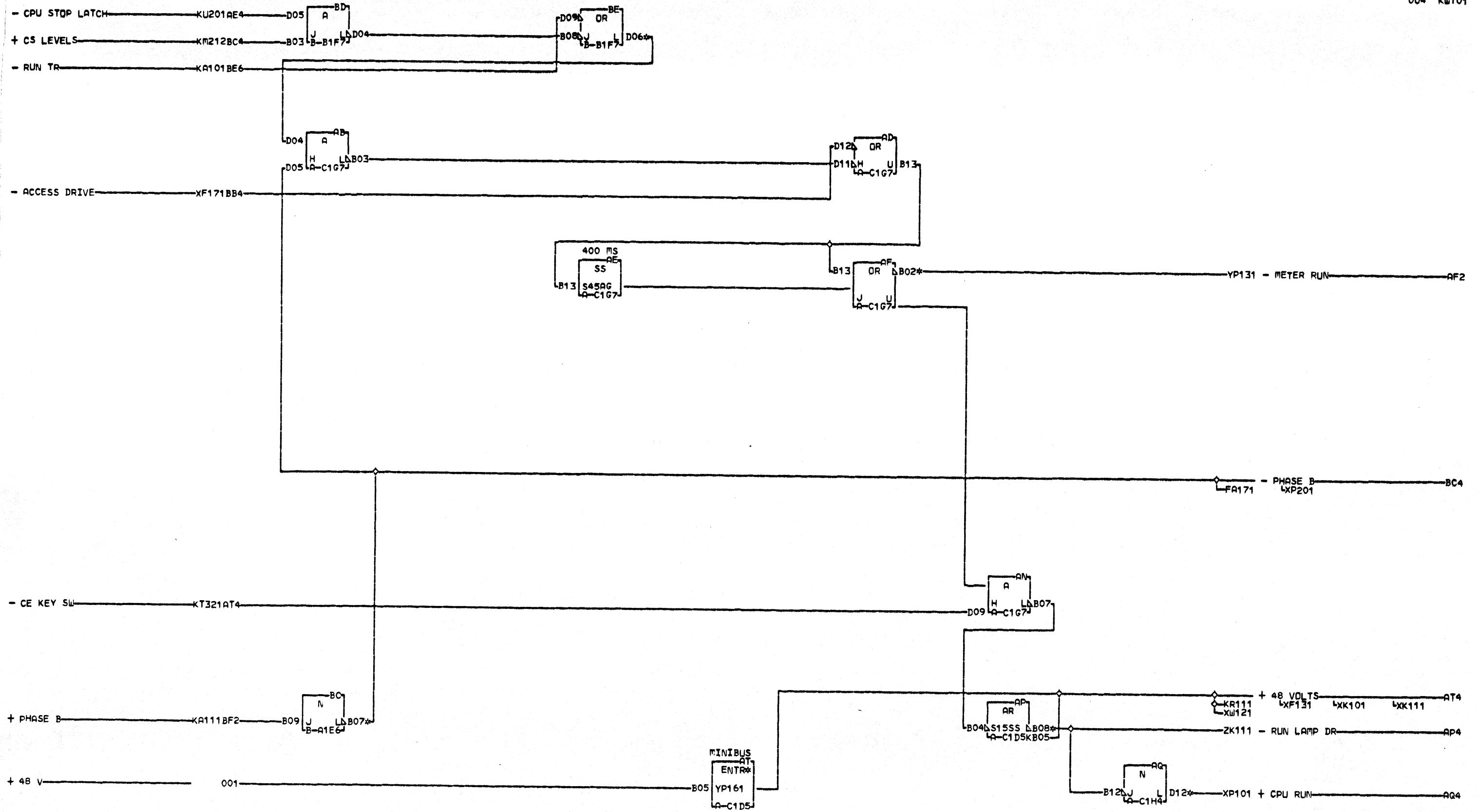
K
U
3
1
1
004
SIM TO PN 5889249 EC 571150

AQ4	B-A1N2D12	01A-C1N6D04
01B	B1A2D12	01A-C1A7D03
AR4	B-A1N4D02	01A-B1N7D03
01B	B1A4D02	
AT4	B-A1N4B08	
01B	B1A4B08	
AU4	B-B1A2D13	
01B	A1N2D13	
01B	A1A7D04	

LDC TYPE
B-A1H2 6207
B-A1J2 7347

REGISTER RESET	
PARITY CHECK CONTROL GATE	
E.C.-HISTORY MACH-1131-C	
FRAME	01
IBM CORP. GSD	
DATE	LAST EC
03-14-72	571155
P.N. 5889468	

K
U
3
1
1
004



K
W
1
0
1

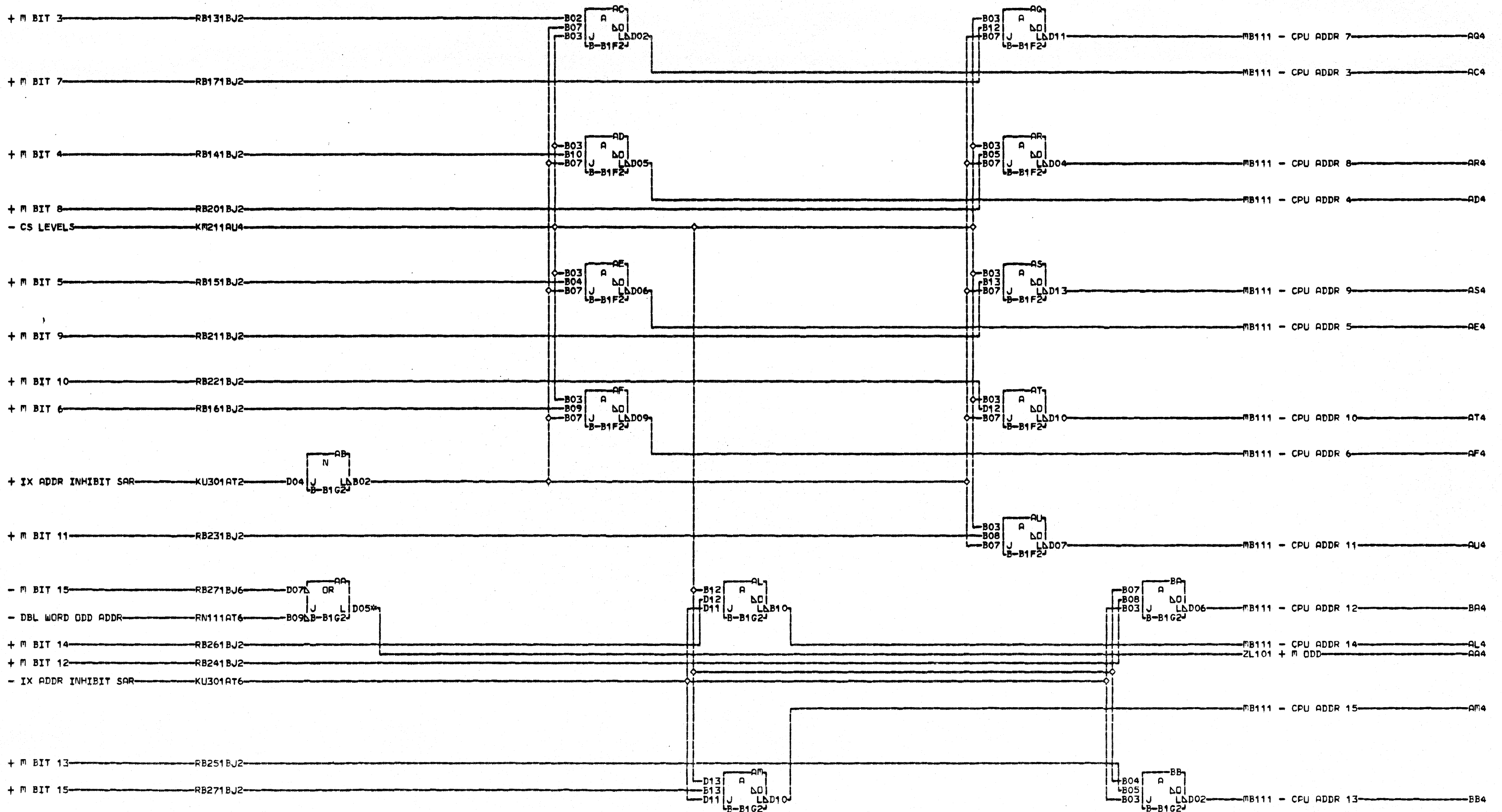
- AF2 A-C1A5B13
- AP4 A-C1A5D09
- AQ4 A-C1A7D07
- 01A-B1N7D07
- BC4 B-A1A7D06
- 01A-C1N6D06
- 01A-C1A7D12
- 01A-B1N7D12
- BE4 B-B1N6B12
- 01A-C1B6B12

004 SIM TO PN 5889250 EC 571150

- LOC. TYPE
- A-C1D5 3819
 - A-C1G7 3356
 - A-C1H4 3421
 - B-A1E6 3421
 - B-B1F7 0000

PROCESSOR USAGE METERS	
E.C.-HISTORY	
MACH.1131-C	
DATE	FRAME 01
LAST EC	IBM CORP. GSD
03-14-72 571155	P.No. 5889469

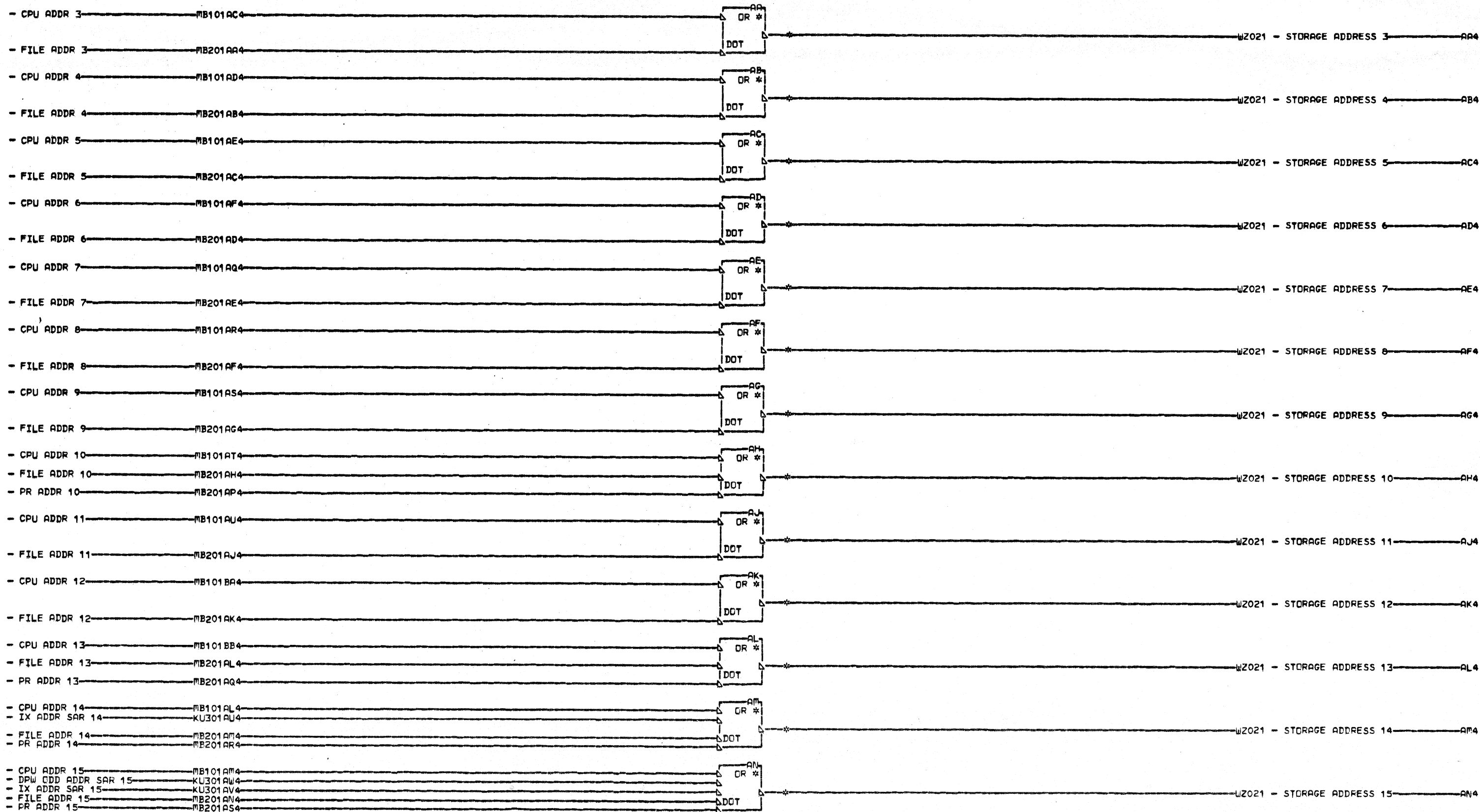
K
W
1
0
1
004



AA4 B-B1M2D10

LDC. TYPE
B-B1F2 3016
B-B1G2 0533

STORAGE ADDR BUS		M
E.C.-HISTORY	FRACH.1131-C	B
	FRAME 01	1
	IBM CORP. GSD	0
DATE LAST EC	P.No. 5889251	1
02-09-71 571150		000



MB
1
1
1
000

AA4	B-B1H1A09	01B-C1H1C11	01B-C1J1D11	01B-B1G1A11
01B-B1G1E09	AE4	B-B1H1C09	01B-C1J1A11	01B-B1K1A11
01B-C1H1A09	01B-C1H1C09	AJ4	B-B1J1D09	01B-C1K1A11
01B-C1G1E09	AF4	B-B1J1C11	01B-C1J1D09	AM4
AB4	B-B1H1B11	01B-C1J1C11	AK4	B-B1G1A09
01B-C1H1B11	AG4	B-B1J1C09	01B-C1J1E11	01B-B1G1A09
AC4	B-B1H1B09	01B-C1J1C09	AL4	B-B1J1E09
01B-C1H1B09	AH4	B-B1J1D11	01B-C1J1E09	01B-C1K1A09
AD4	B-B1H1C11	01B-B1J1A11	AM4	B-A1G1A11

STORAGE ADDRESS ASSEMBLY	
E.C. HISTORY	MACH. 1131-C
DATE	LAST EC
02-09-71	571150
FRAME	01
IBM CORP. GSD	
P.N.	5889252

MB
1
1
1
000

