

SOLAR CELL COMMON CONNECTIONS
ON PAGE PR111

AA4	A-A1N2B02	AK4	A-A1N4B12
AB4	A-A1N2B04	AL4	A-A1N2B03
AC4	A-A1N2B07	AM4	A-A1N2B05
AD4	A-A1N2B09	AN4	A-A1N2B08
AE4	A-A1N2B12	AP4	A-A1N2B10
AF4	A-A1N4B04	AQ4	A-A1N4B03
AG4	A-A1N4B04	AR4	A-A1N4B05
AH4	A-A1N4B07	AS4	A-A1N4B08
AJ4	A-A1N4B09	AT4	A-A1N4B10

02-17-65 415480
04-13-65 415480C

PRINT DISC SOLAR CELLS AND AMPLIFIERS		
DATE	05-18-65	MACH. 1132
LOG	112C FRAME	03
	PN. 2201160	000
IBM CORP.	GPD BLK.	AU

PR101
000

PR101
000

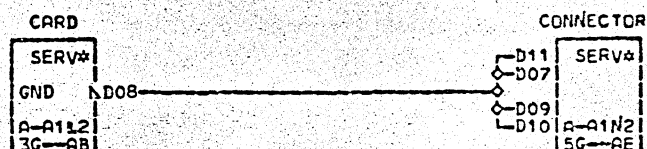
DUMMY
 5401
 A-A1A3
 2B-AG
 DUMMY
 5400
 A-A1C5
 2C-AM

DUMMY
 5401
 A-A1B4
 3B-AH
 DUMMY
 5400
 A-A1C6
 3C-AN

DUMMY
 5401
 A-A1C7
 4B-AJ
 DUMMY
 5400
 A-A1D7
 4C-AP

DUMMY
 5401
 A-A1M7
 5E-AK
 DUMMY
 5400
 A-A1K3
 5C-AQ

DUMMY
 5400
 A-A1B3
 6B-AL
 DUMMY
 5400
 A-A1L3
 6C-AR



DUMMY
 5400
 A-A1L4
 2L-AS
 DUMMY
 5400
 A-A1M6
 2M-AX

DUMMY
 5400
 A-A1L7
 3L-AT
 DUMMY
 5400
 A-A1N3
 3M-AY

DUMMY
 5400
 A-A1M3
 4L-AU
 DUMMY
 5400
 A-A1N6
 4M-AZ

DUMMY
 5400
 A-A1M4
 5L-AV
 DUMMY
 5400
 A-A1N7
 5M-BA

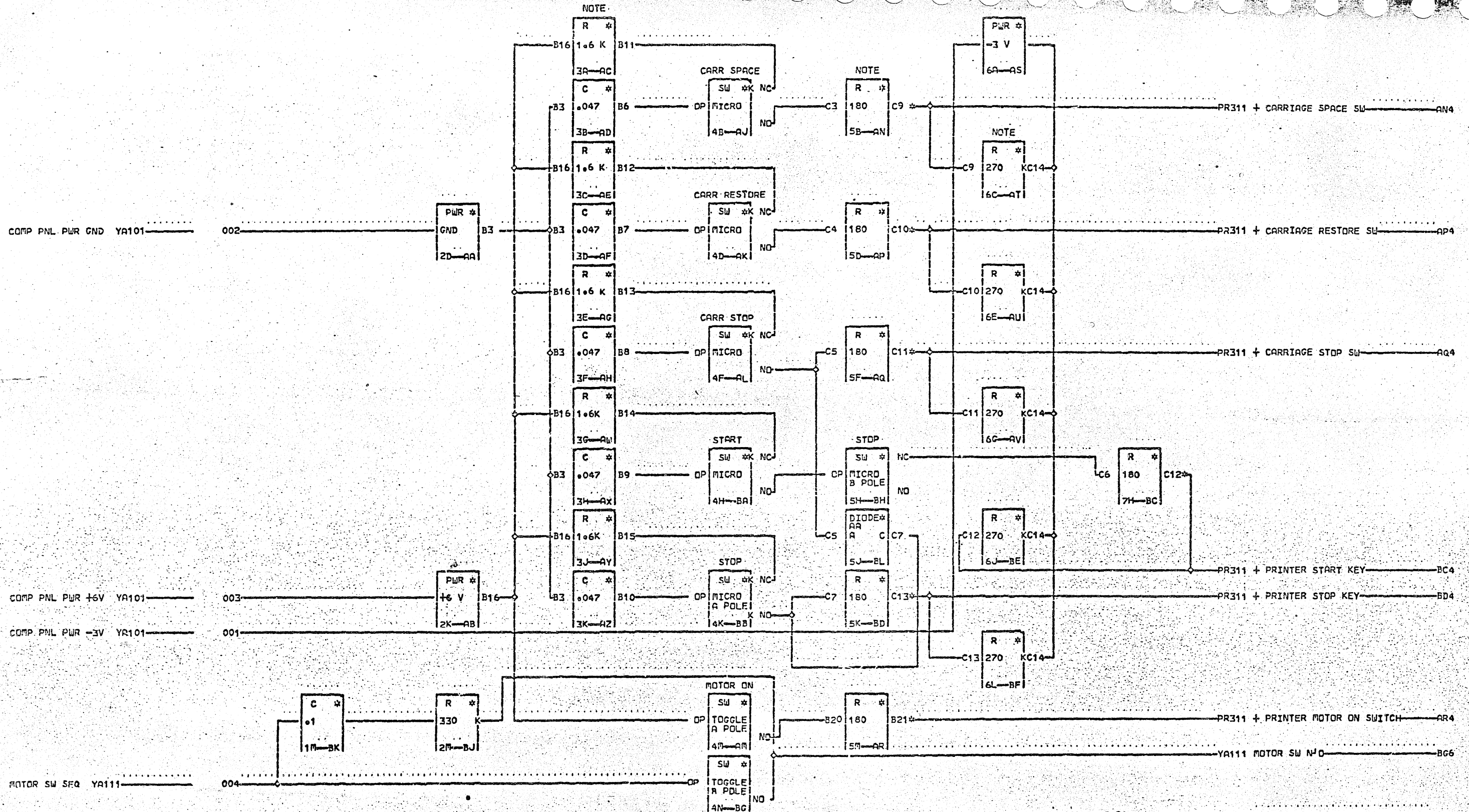
DUMMY
 5400
 A-A1M5
 6L-AW

02-17-65 415480
 04-13-65 415480C
 09-17-65 415486

SOLAR CELL COMMON CONNECTIONS
 DUMMY CARDS
 DATE 09-21-65 MACH. 1132
 LOG 264C FRAME 03
 P.No. 2201161
 IBM CORP. GPD BLK. BB

P R I 1 1

N



NOTE

NOTE

NOTE

COMP PNL PWR GND YA101

COMP PNL PWR +6V YA101

COMP PNL PWR -3V YA101

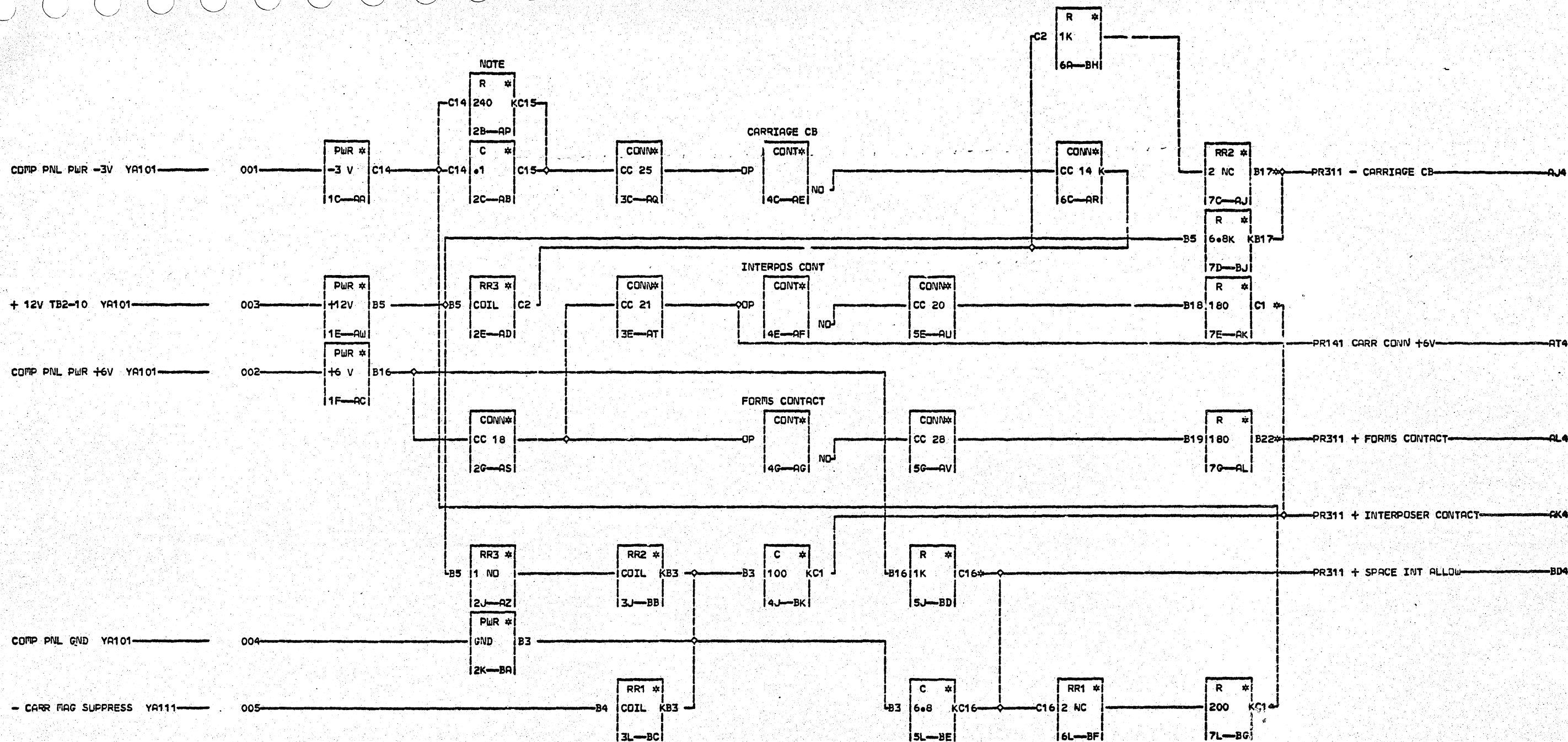
MOTOR SW SEQ YA111

NOTE SEE PAGE YA141 FOR CKT DIAGRAM AND PAGE YA192 FOR TIMING CHART

- AN4 A-A1A2D05
- AP4 A-A1A2D06
- AQ4 A-A1A2D07
- AR4 A-A1A2D09
- RC4 A-A1A2D02
- 03A-A1B2D02
- BD4 A-A1A2B03
- 03A-A1B2B03

02-17-65 415480
 04-13-65 415480C
 07-20-65 415482
 10-21-65 415492
 03-08-66 415754B
 08-10-66 419621
 11-18-66 419621B

PRINTER OPERATOR'S SWITCHES		
DATE	11-10-66	MACH. 1132
LOG	314M FRAME	03
		1
		000
IBM CORR.	GPD B.L.K.	RM



NOTE SEE PAGE YA141
FOR CKT DIAGRAM AND
PAGE YA142 FOR TIMING CHART

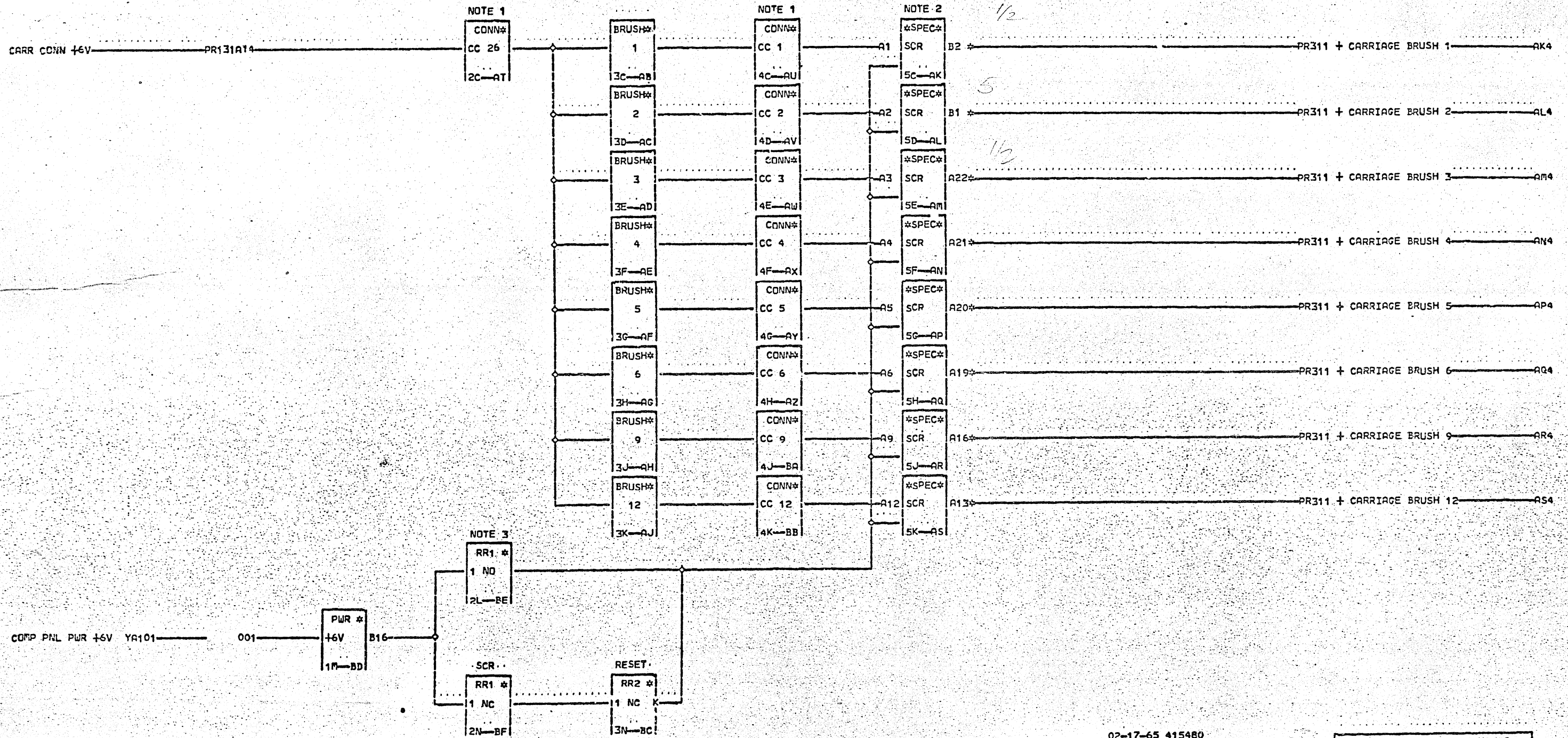
AJ4 A-A1A2D10
03A-A1B2D10
AK4 A-A1A2D11
03A-A1B2D11
AL4 A-A1A2D12
03A-A1B2D12
BD4 A-A1A2D13
03A-A1B2D13

02-17-65 415480
04-13-65 415480C
07-20-65 415482
10-21-65 415492
01-17-66 415768
08-10-66 419621
10-03-66 419621A
11-18-66 419621B
12-15-66 419634
09-07-67 131261

PRINTER CARRIAGE CONTACTS		
DATE	09-14-67	MACH# 1132
LDG	1186	FRAME 03
		PoNo 2201163
IBM CORP.	APD BLK	BL

000

PR131

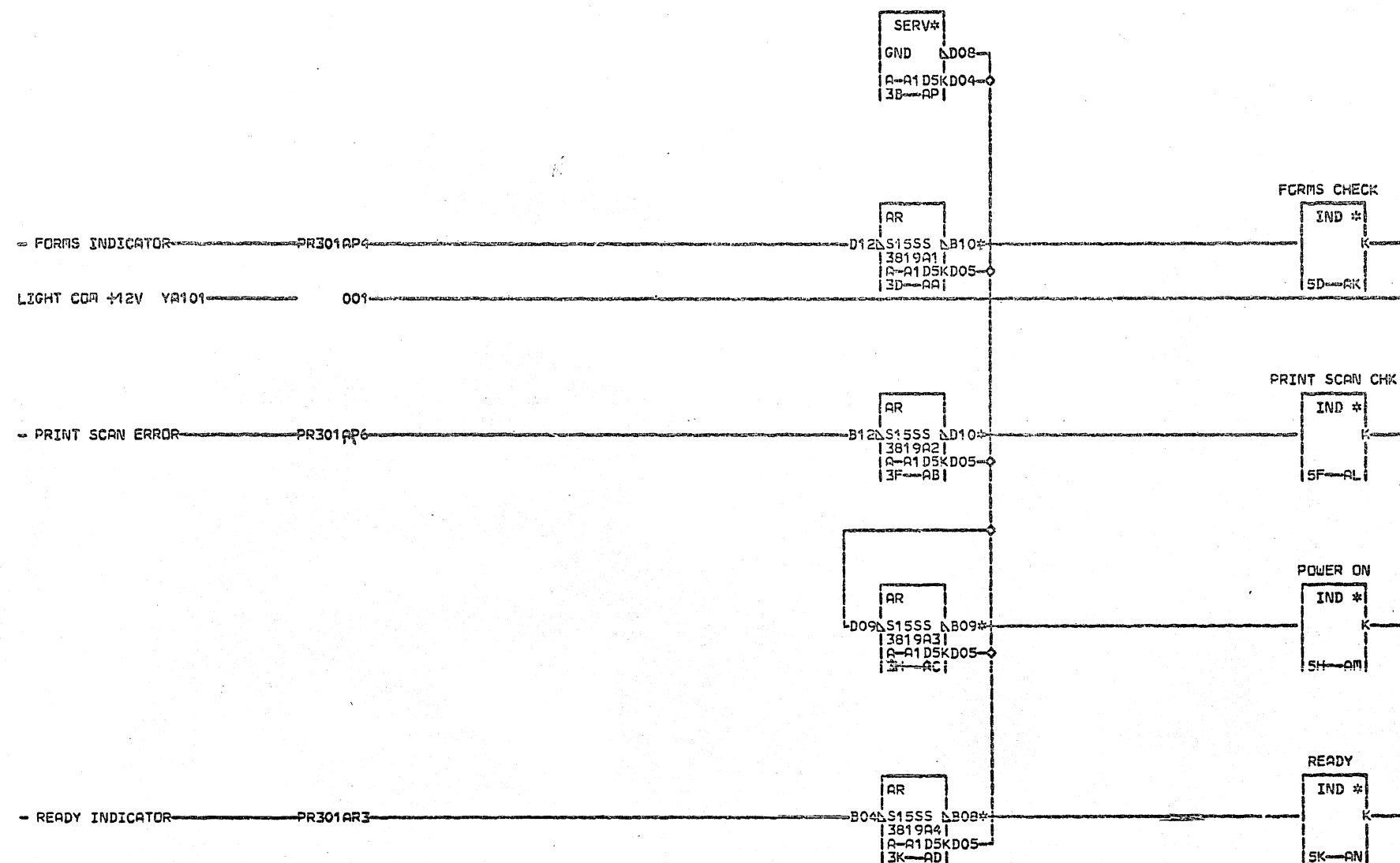


NOTE 1 SEE PAGE YA141
 FOR PICTURE OF CONN
 P NOTE 2 SEE PAGE YA141
 R FOR CKT DIAGRAM AND
 1 PAGE YA142 FOR TIMING CHART
 4 NOTE 3 USED TO RESET
 1 SCR LATCHES

AK4 A-A1A2B04	03A-A1B2B09
03A-A1B2B04	AQ4 A-A1A2B10
AL4 A-A1A2B05	03A-A1A2B10
03A-A1B2B05	AR4 A-A1A2B12
AM4 A-A1A2B07	03A-A1B2B12
03A-A1B2B07	AS4 A-A1A2B13
AN4 A-A1A2B08	03A-A1B2B13
03A-A1B2B08	
AP4 A-A1A2B09	

02-17-65 415480
 04-13-65 415480C
 07-20-65 415482
 10-21-65 415492
 08-10-66 419621
 11-18-66 419621B

PRINTER CARRIAGE BRUSHES		
DATE	11-10-66	MACH. 1132
LOG	314M FRAME	C3
	PaNo	2201164
IBM CORP.	GPD BLK.	RG1



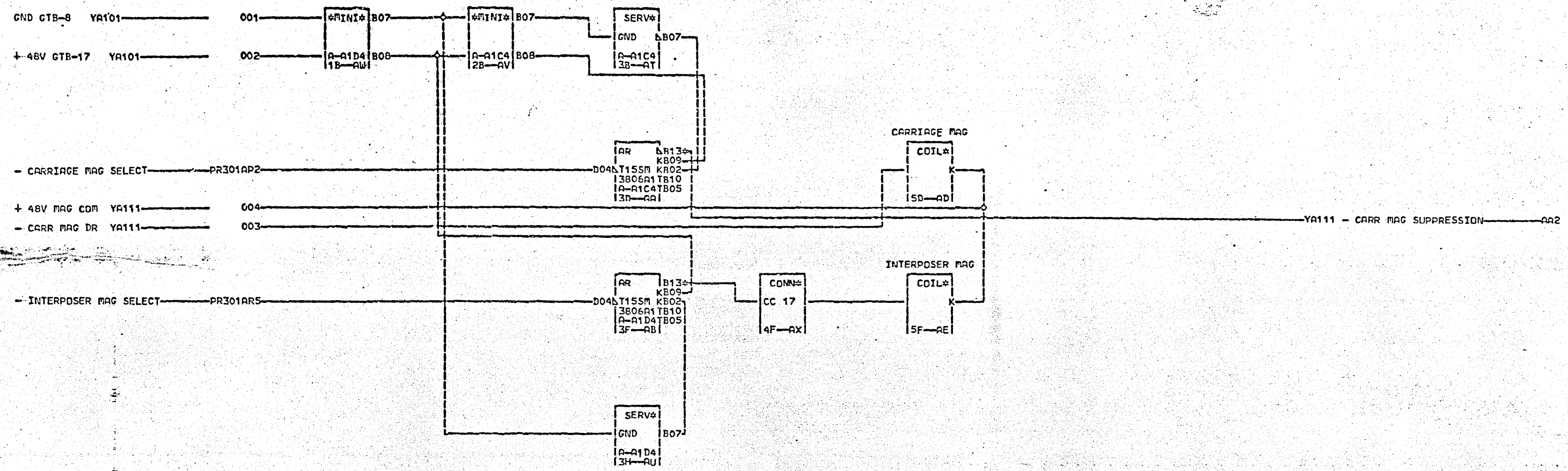
AA4 P-21A4B02
 AB4 P-21A4B03
 AC4 P-21A4B04
 AD4 P-21A4B05

02-17-65 415480
 03-04-65 415480A
 04-13-65 415480C
 07-20-65 415482
 08-24-68 131289

PRINTER INDICATORS AND
 DRIVERS
 DATE 08-21-68 MACH# 1132
 LOG 1271 FRAME 03
 P#N# 2201165
 IBM CORP. GPD BLK# AQ

PR151

31



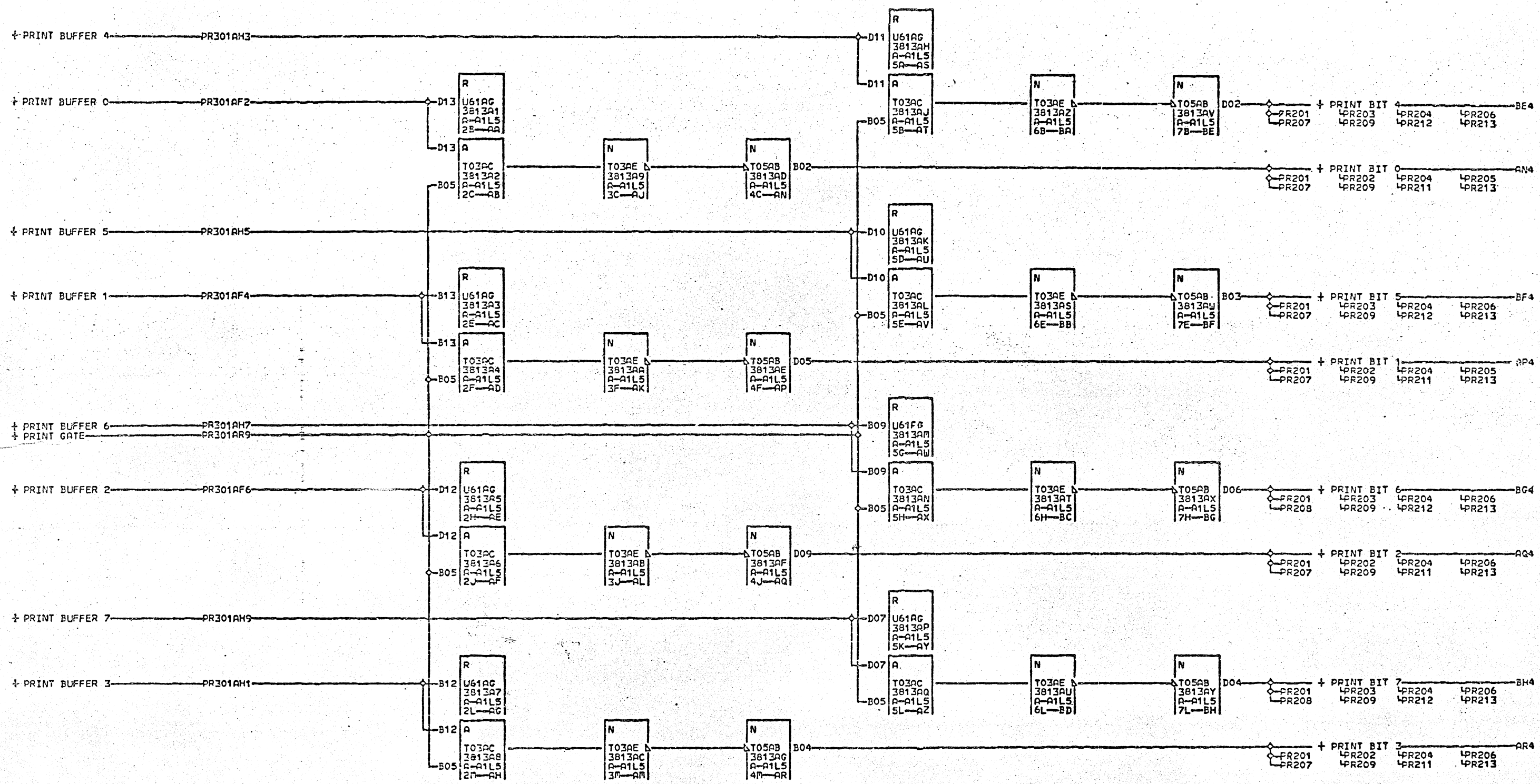
PR
1
6
1
000

AA2 A-1A4B12
AB2 A-1A4B13

C2-17-65 415480
03-04-65 415480A
04-13-65 415480C
07-20-65 415482
10-21-65 415492

PRINTER CARRIAGE MAGNETS AND DRIVERS		
DATE	10-21-65	MACH. 1132
LDC	294J FRAMF	03
P.N. 2201166		000
IBM CORP.	GPD PLK.	AY1

PR
1
6
1
000

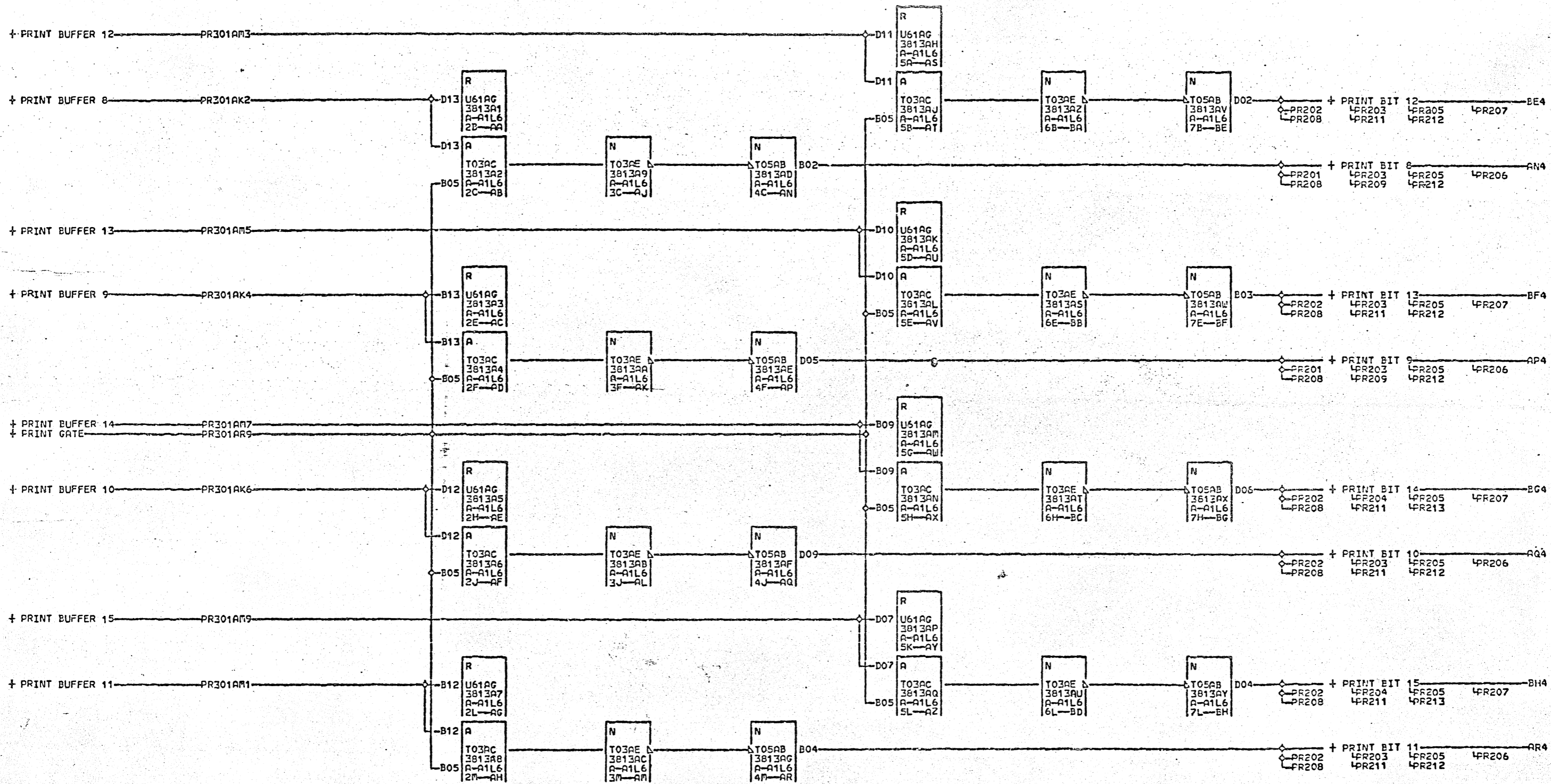


PR171

02-17-65 415480
 04-13-65 415480C
 07-20-65 415482

PRINTER DATA POWERING		
BITS 0 - 7		
DATE	07-20-65	RACH. 1132
LOG	201F FRAME	03
P.N. 2201167		
IBM CORP.	GPD BLK.	BJ

PR171



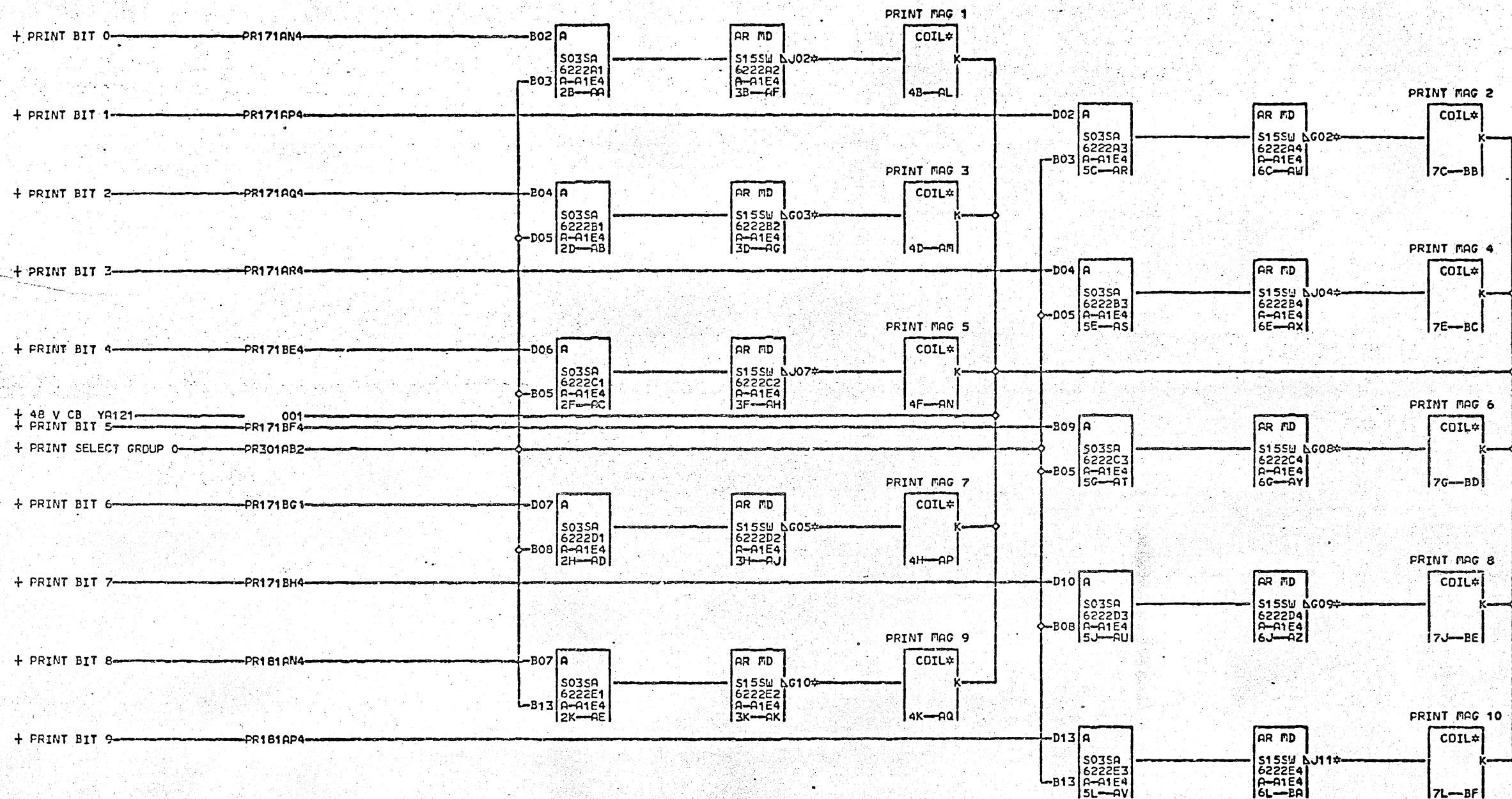
PR181

02-17-65 415480
04-13-65 415480C
07-20-65 415482

PRINTER DATA POWERING		
BITS 8 - 15		
DATE	07-20-65	PACH. 1132
LOG	201F FRAME	03
P.No. 2201168		
IBM CORP.	GRD BLK.	BJ

PR181

25



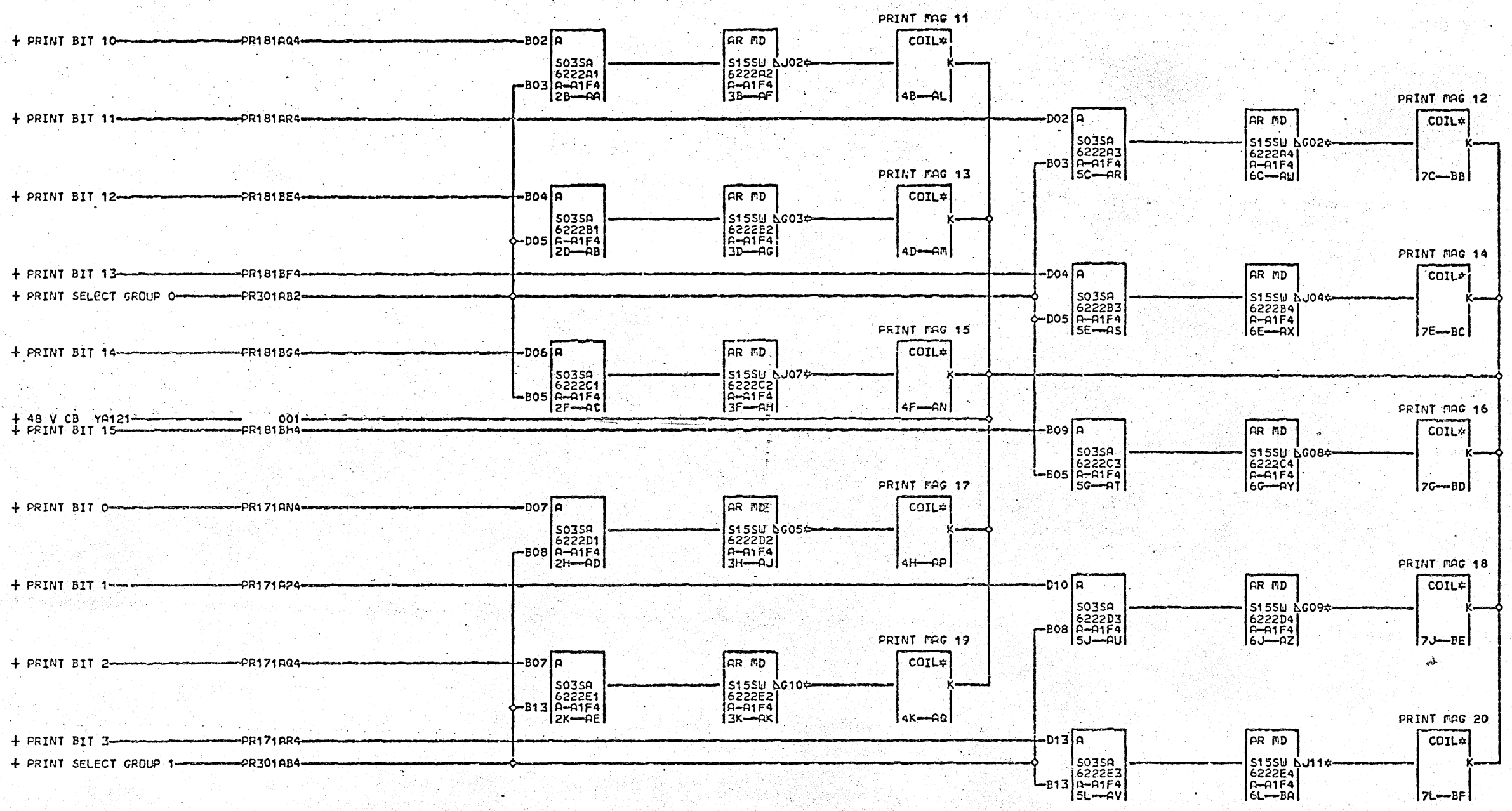
AF4 A-A1A5B02 BA4 A-A1A5B13
 AG4 A-A1A5B04
 AH4 A-A1A5B07
 AJ4 A-A1A5B09
 AK4 A-A1A5B12
 AL4 A-A1A5B03
 AX4 A-A1A5B05
 AY4 A-A1A5B08
 AZ4 A-A1A5B10

02-17-65 415480
 04-13-65 415480C
 07-20-65 415482

PRINT MAGNETS AND DRIVERS
 1-10
 DATE 07-20-65 MACH. 1132
 LOG 201F FRAME 03
 P.No. 2201169
 IBM CORP. GPD BLK. BG

PR201
 000

PR201
 000



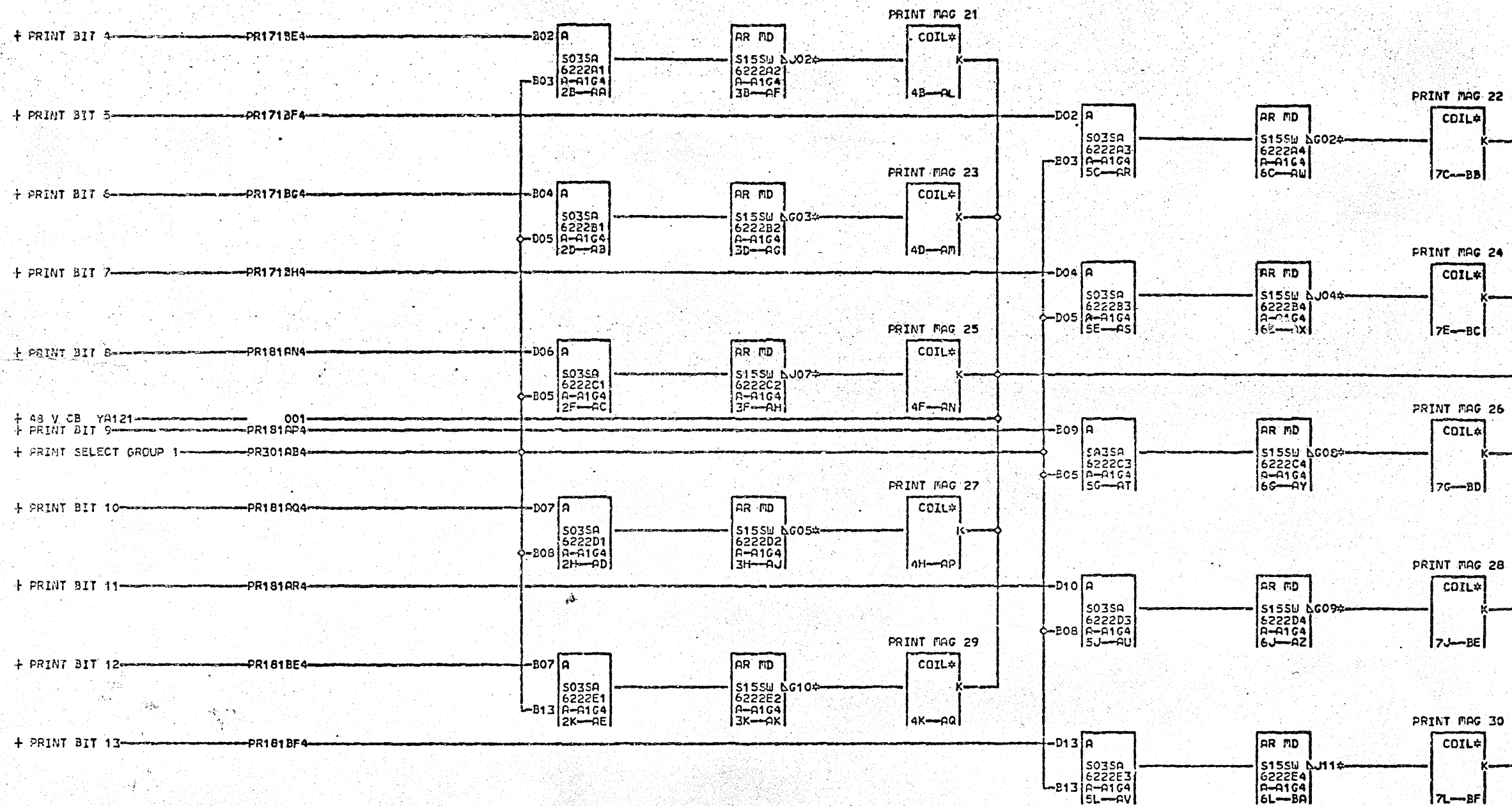
NONO
000

AF4 A-D1A5D02 BA4 A-A1A5D13
 AG4 A-D1A5D05
 AH4 A-D1A5D07
 AJ4 A-D1A5D10
 AK4 A-D1A5D12
 AL4 A-D1A5D04
 AM4 A-D1A5D06
 AN4 A-D1A5D09
 AP4 A-D1A5D11

02-17-65 415480
 04-13-65 415480C
 07-20-65 415482

PRINT MAGNETS AND DRIVERS
 11-20
 DATE 07-20-65 MACH. 1132
 LOG 201F FRAME 03
 P.No. 2201170
 IBM CORP. GPD BLK. BC

25
ARNOO



PR203

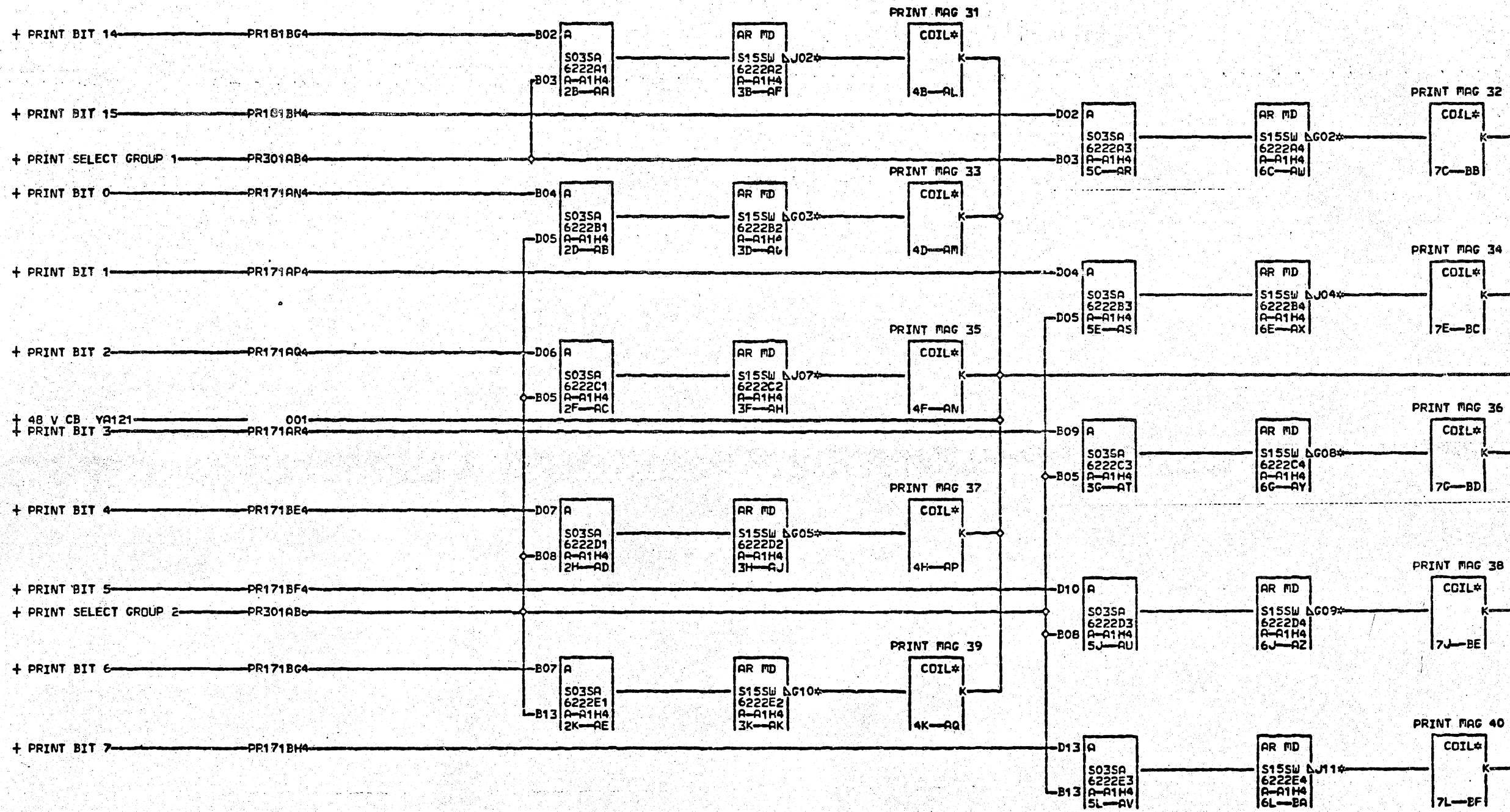
AF4 A-1B5E02 BA4 A-1B5B13
 AG4 A-1B5B04
 AH4 A-1B5B07
 AJ4 A-1B5B09
 AK4 A-1B5B12
 AL4 A-1B5B03
 AX4 A-1B5B05
 AY4 A-1B5B08
 AZ4 A-1B5B10

02-17-65 415480
 04-13-65 415480C
 07-20-65 415482

PRINT MAGNETS AND DRIVERS
 21-30
 DATE 07-20-65 MACH. 1132
 LOG 201F FRAME 03
 P.N. 2201171
 IBM CORP. GPD BLK. BG

FORM 3

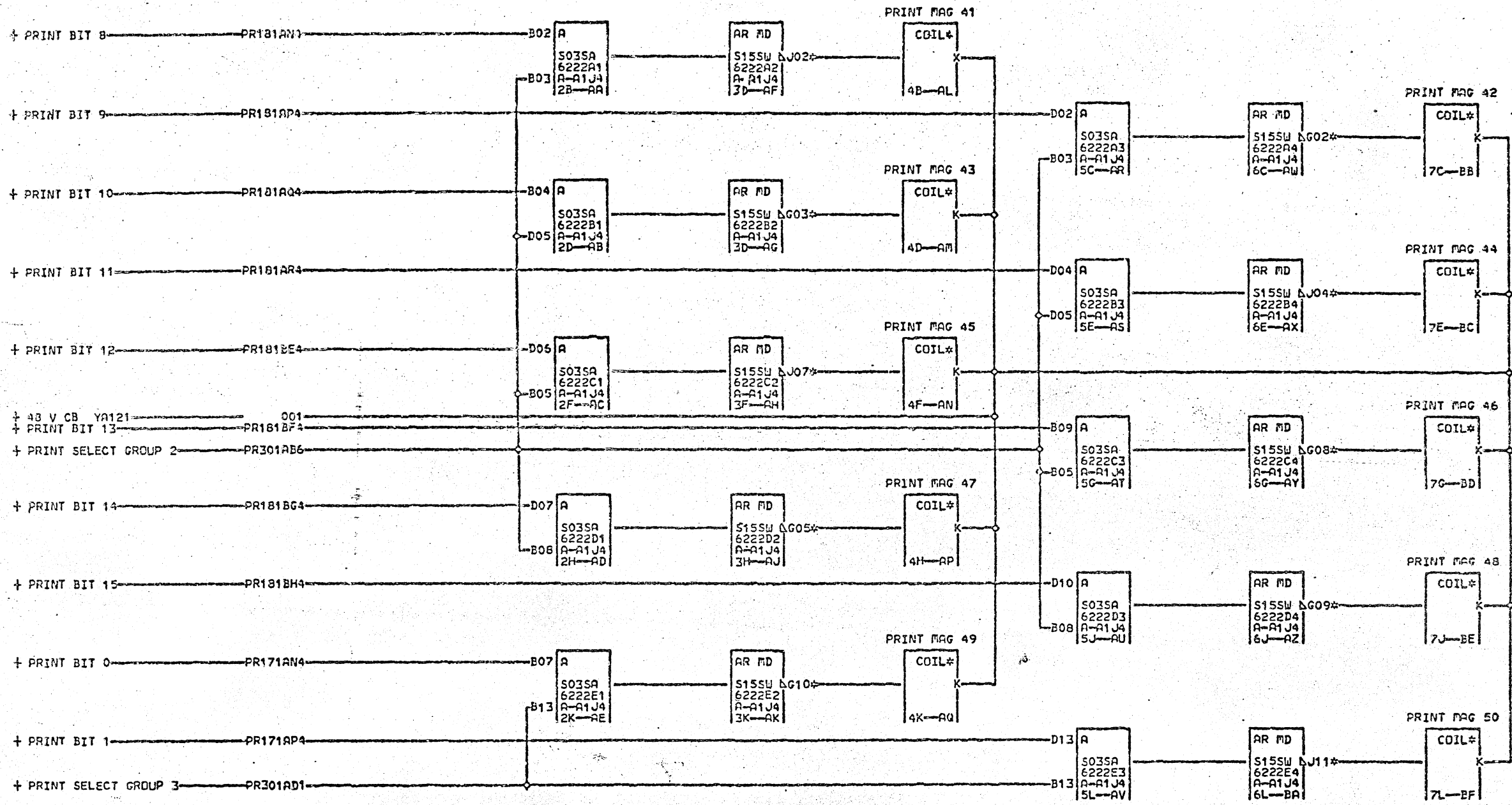
26



AF4 P 1B5D02 BA4 A-1B5D13
 AG4 P 1B5D05
 AH4 P 1B5D07
 AJ4 P 1B5D10
 AK4 P 1B5D12
 AU4 P 1B5D04
 AX4 P 1B5D06
 AY4 P 1B5D09
 AZ4 P 1B5D11

02-17-65 415480
 04-13-65 415480C
 07-20-65 415482

PRINT MAGNETS AND DRIVERS
 31-40
 DATE 07-20-65 MACH. 1132
 LOG 201F FRAME 03
 PaNo 2201172
 IBM CORP. GPD BLK. BG



000

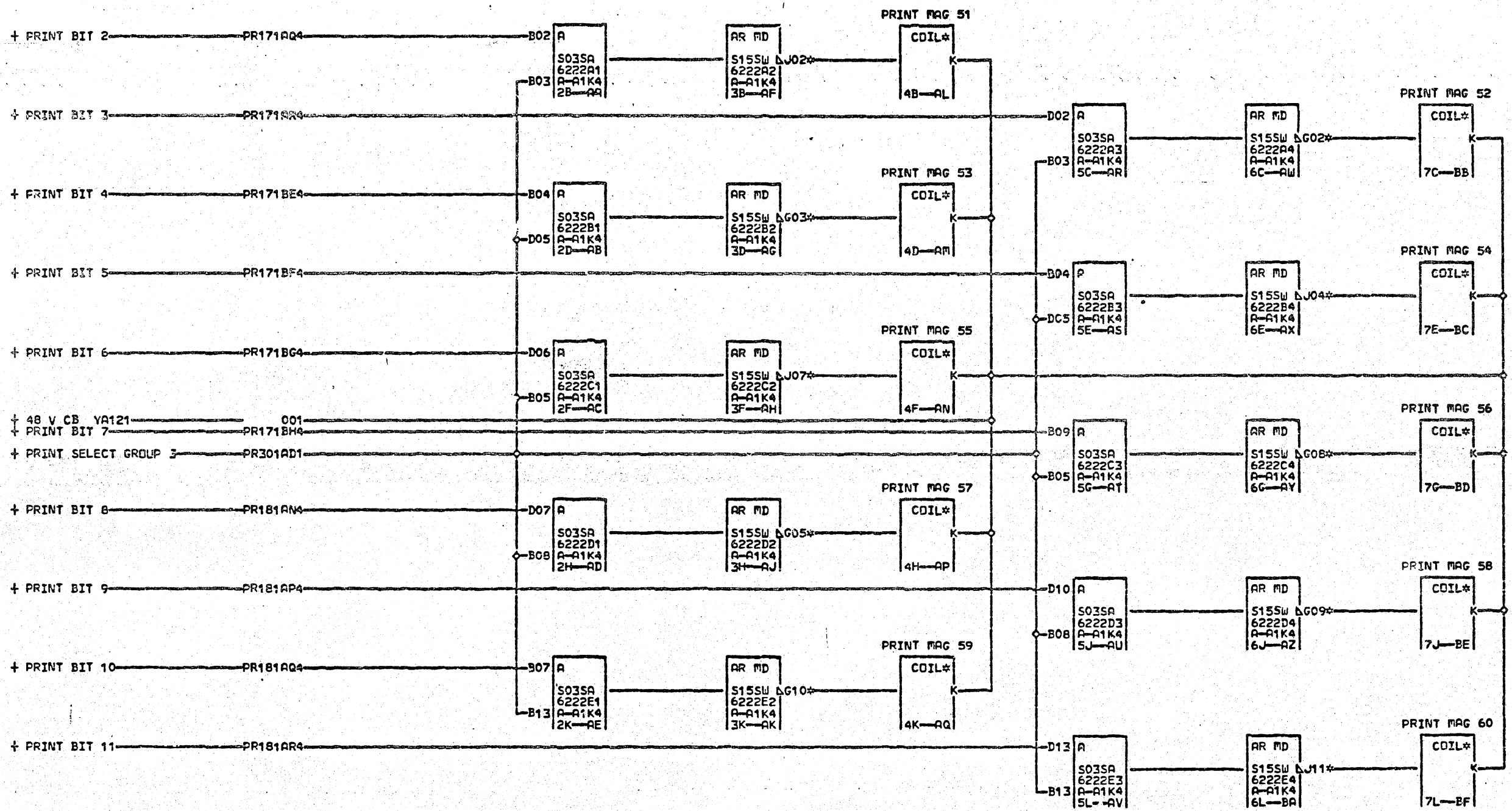
AF4 A-A1A6B02 BA4 A-A1A6B13
 AG4 A-A1A6B04
 AH4 A-A1A6B07
 AJ4 A-A1A6B09
 AK4 A-A1A6B12
 AL4 A-A1A6B03
 AM4 A-A1A6B05
 AN4 A-A1A6B08
 AP4 A-A1A6B10

02-17-65 415480
 04-13-65 415480C
 07-20-65 415482

PRINT MAGNETS AND DRIVERS
 41-50
 DATE 07-20-65 MACH. 1132
 LOG 201F FRAME 03
 P.N. 2201173
 IBM CORP. GPD BLK. BG

25

000



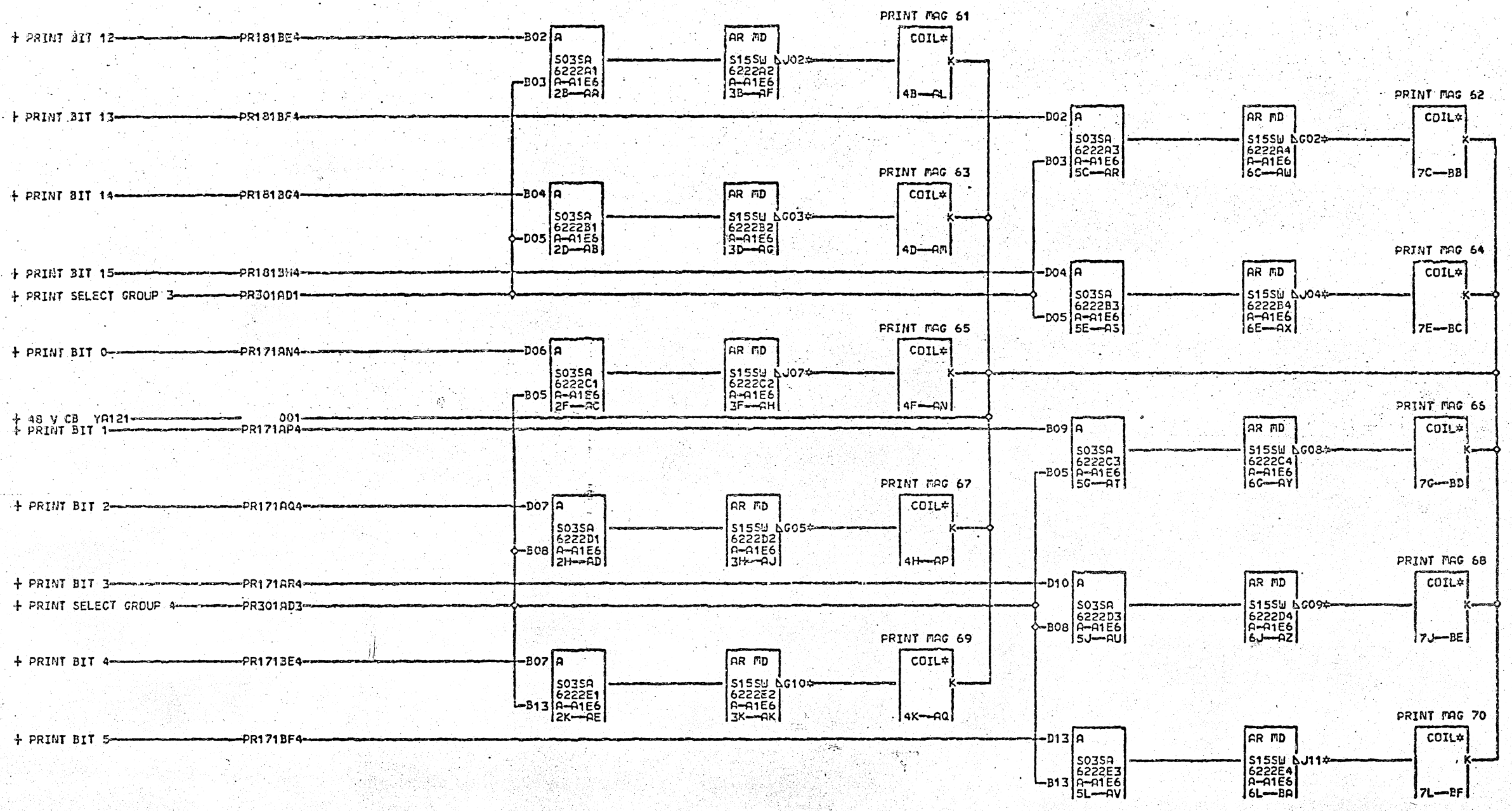
AF4 A-1A6D02 BA4 A-1A6D13
 AG4 A-1A6D05
 AH4 A-1A6D07
 AJ4 A-1A6D10
 AK4 A-1A6D12
 AL4 A-1A6D04
 AM4 A-1A6D06
 AN4 A-1A6D09
 AO4 A-1A6D11

02-17-65 415480
 04-13-65 415480C
 07-20-65 415482

PRINT MAGNETS AND DRIVERS
 51-60
 DATE 07-20-65 MACH. 1132
 LOG 201F FRAME 03
 Poff. 2201174
 IBM CLRP. GPD BLK. EG

PR
 206

PRINT
 206



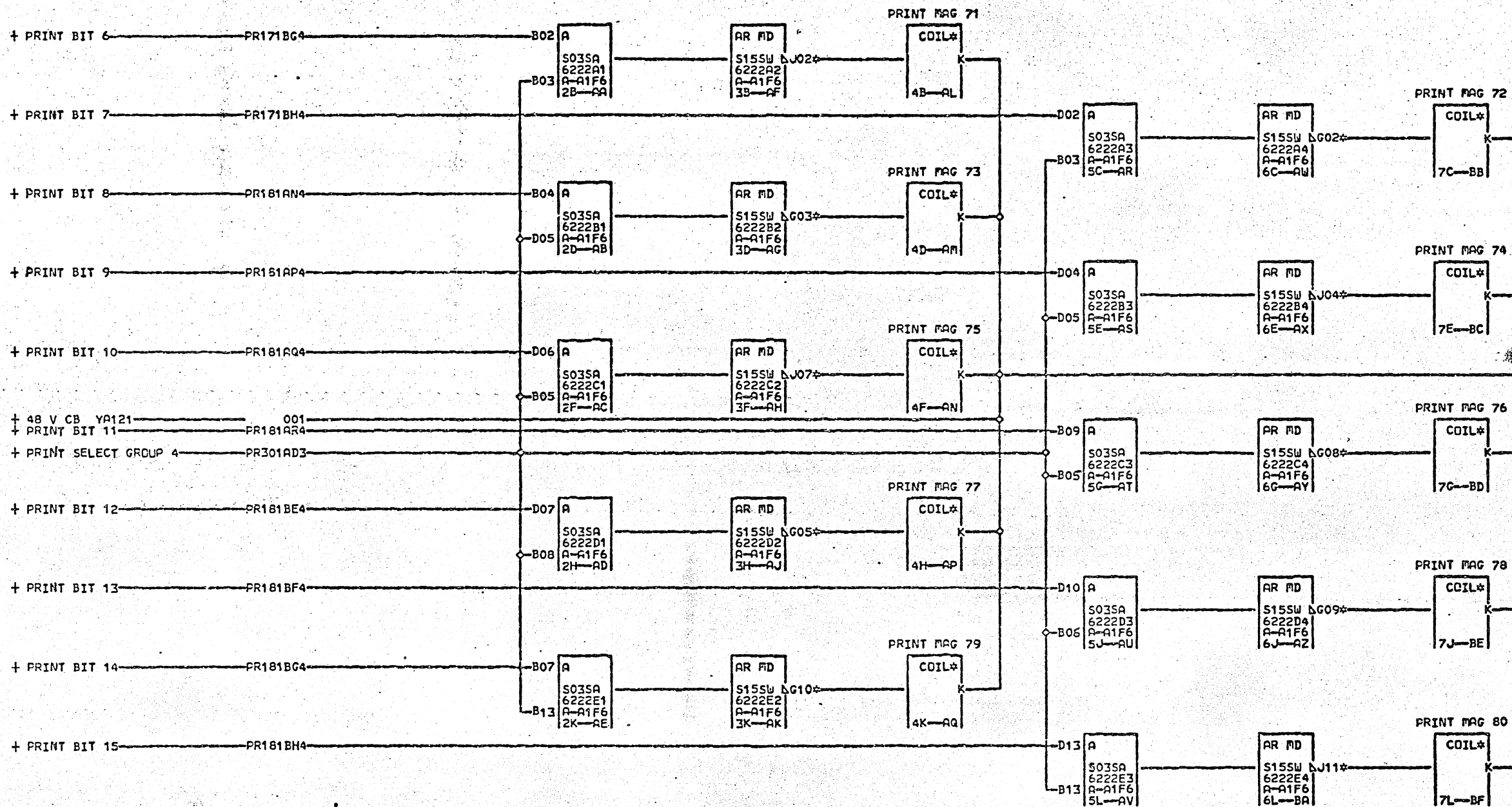
AF4 A-A1B6B02 BA4 A-A1B6B13
 AG4 A-A1B6B04
 AH4 A-A1B6B07
 AJ4 A-A1B6B09
 AK4 A-A1B6B12
 AL4 A-A1B6B03
 AX4 A-A1B6B05
 AY4 A-A1B6B08
 AZ4 A-A1B6B10

02-17-65 415480
 04-13-65 415480C
 07-20-65 415482

PRINT MAGNETS AND DRIVERS
 61-70
 DATE 07-20-65 PACH. 1132
 LOG 201F FRAME 03
 P.No. 2201175
 IBM CDRP. GPD BLK. BC

PR207
 000

23
 P R O N O V



P
R
O
B

000

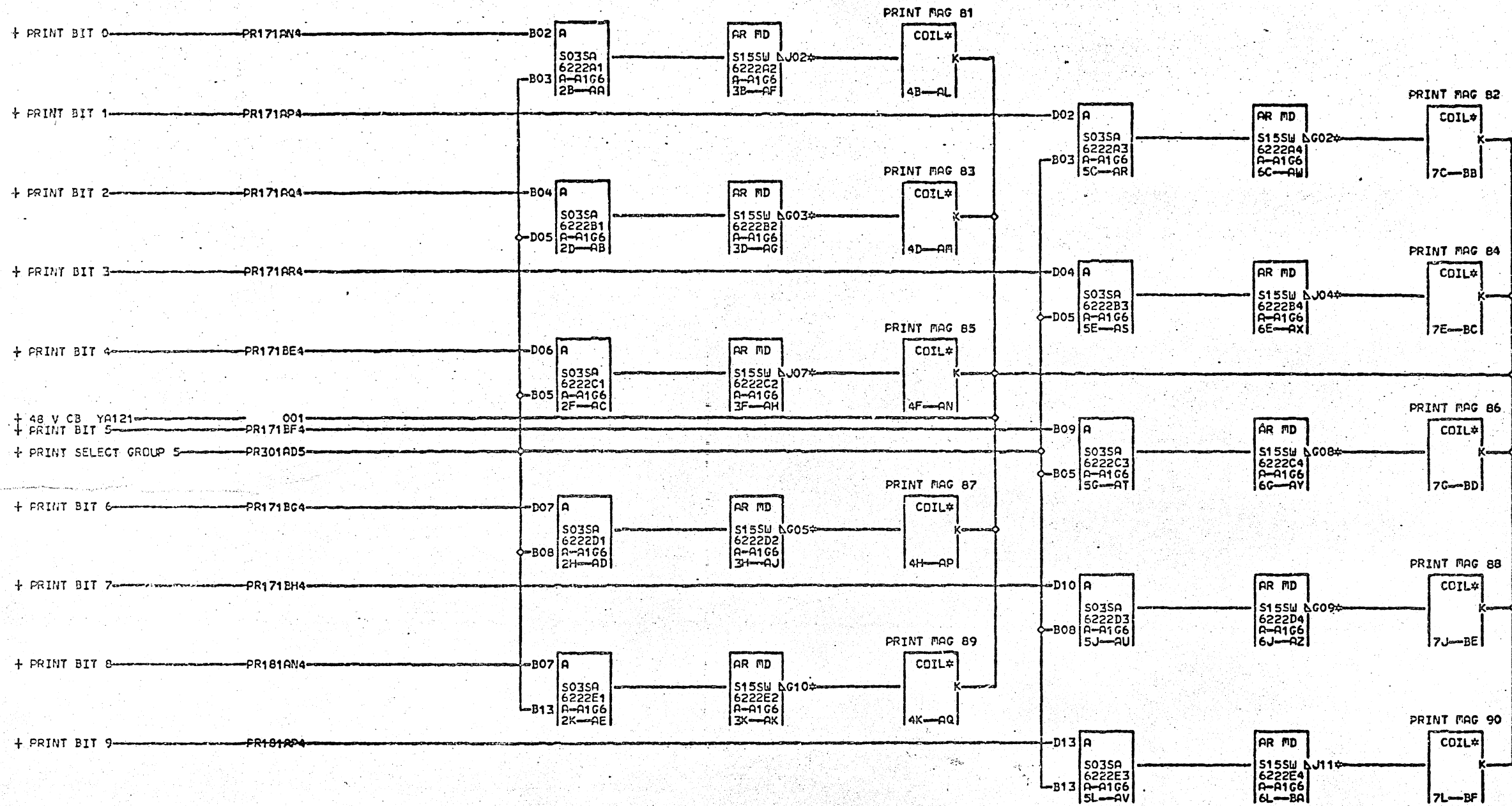
AF4 A-A1B6D02 BA4 A-A1B6D13
 AG4 A-A1B6D05
 AH4 A-A1B6D02
 AJ4 A-A1B6D10
 AK4 A-A1B6D12
 AL4 A-A1B6D04
 AM4 A-A1B6D06
 AN4 A-A1B6D09
 AP4 A-A1B6D11

02-17-65 415480
 04-13-65 415480C
 07-20-65 415482

PRINT MAGNETS AND DRIVERS
 71-80
 DATE 07-20-65 PACH. 1132
 LOG 201F FRAME 03
 P.No. 2201176
 IBM CORP. GPD BLK. BG

P
R
O
B

000



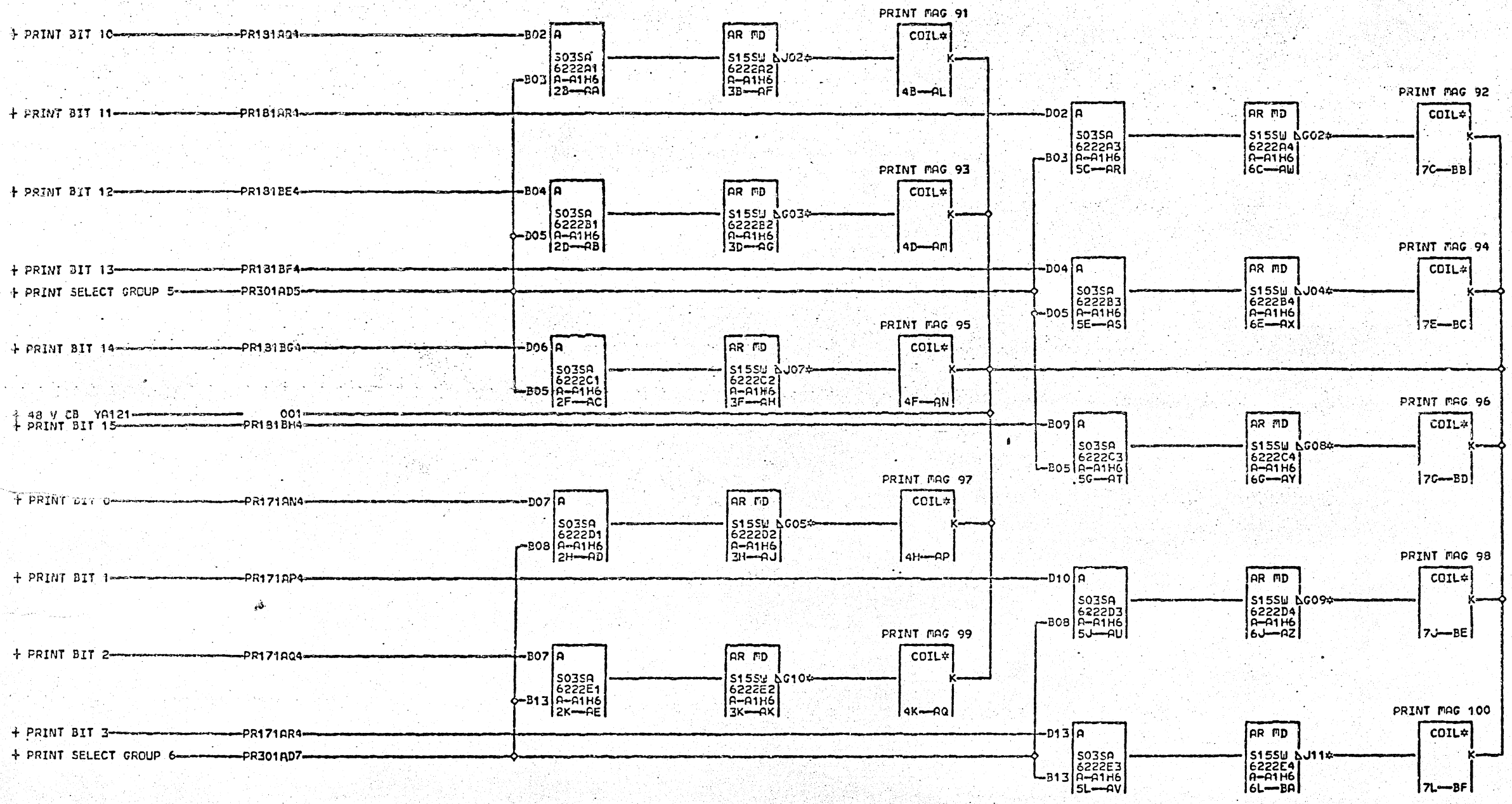
PR209
000

AF4 A-A1A7B02 BA4 A-A1A7B13
 AG4 A-A1A7B04
 AH4 A-A1A7B07
 AJ4 A-A1A7B09
 AK4 A-A1A7B12
 AL4 A-A1A7B03
 AM4 A-A1A7B05
 AN4 A-A1A7B08
 AP4 A-A1A7B10

02-17-65 415480
 04-13-65 415480C
 07-20-65 415482

PRINT MAGNETS AND DRIVERS
 81-90
 DATE 07-20-65 MACH. 1132
 LOG 201F FRAME 03
 P.N. 2201177
 IBM CORP. GPD BLK. BG

25
9000



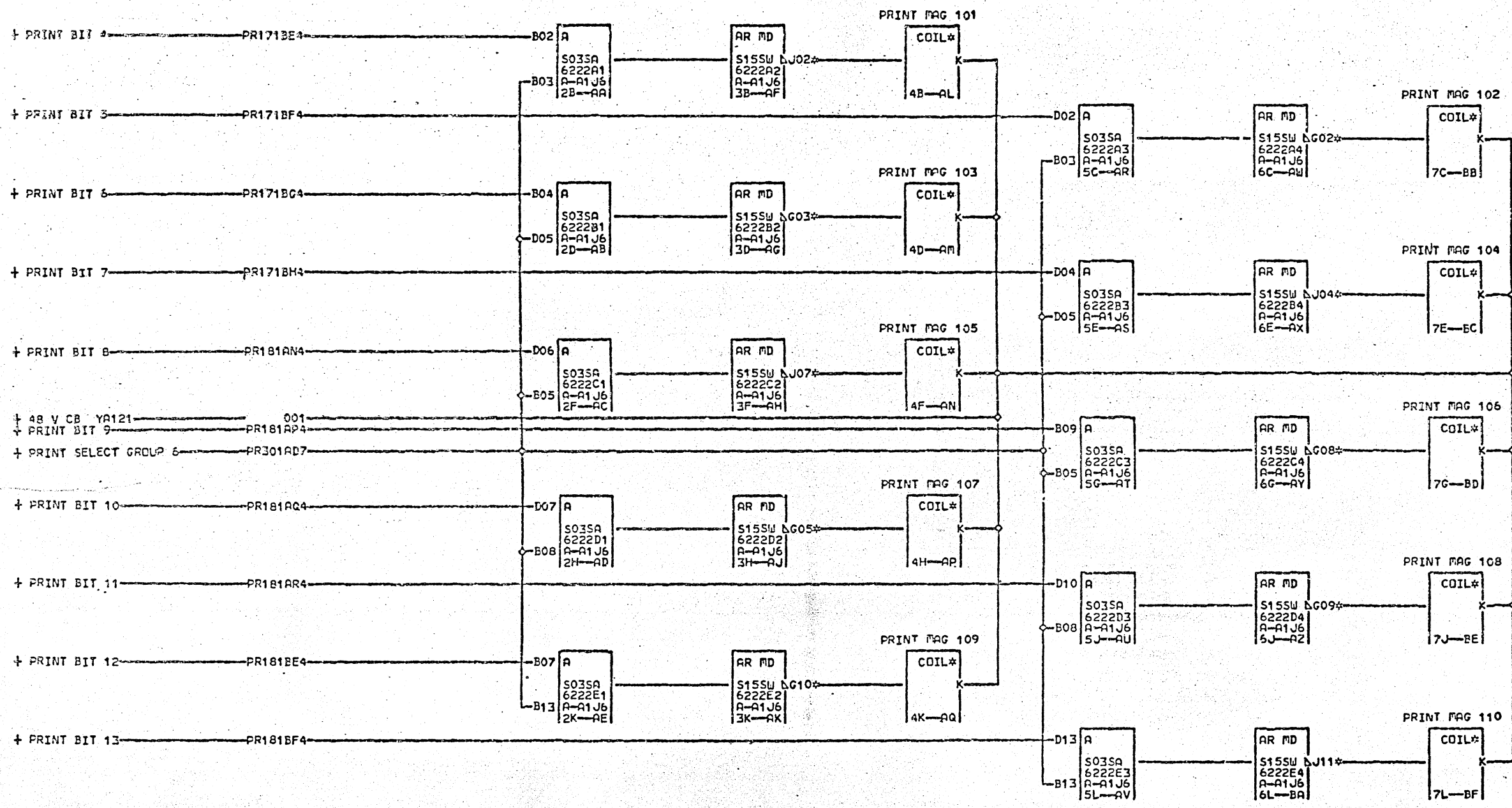
PR211

AF4 A-A1A7D02 BA4 A-A1A7D13
 AG4 A-A1A7D05
 AH4 A-A1A7D07
 AJ4 A-A1A7D10
 AK4 A-A1A7D12
 AL4 A-A1A7D04
 AX4 A-A1A7D06
 AY4 A-A1A7D09
 AZ4 A-A1A7D11

02-17-65 415480
 04-13-65 415480C
 07-20-65 415482

PRINT MAGNETS AND DRIVERS
 91-100
 DATE 07-20-65 PACH. 1132
 LOG 201F FRAME 03
 P.N. 2201178
 IBM CORP. GPD BLK. 5G

PR211



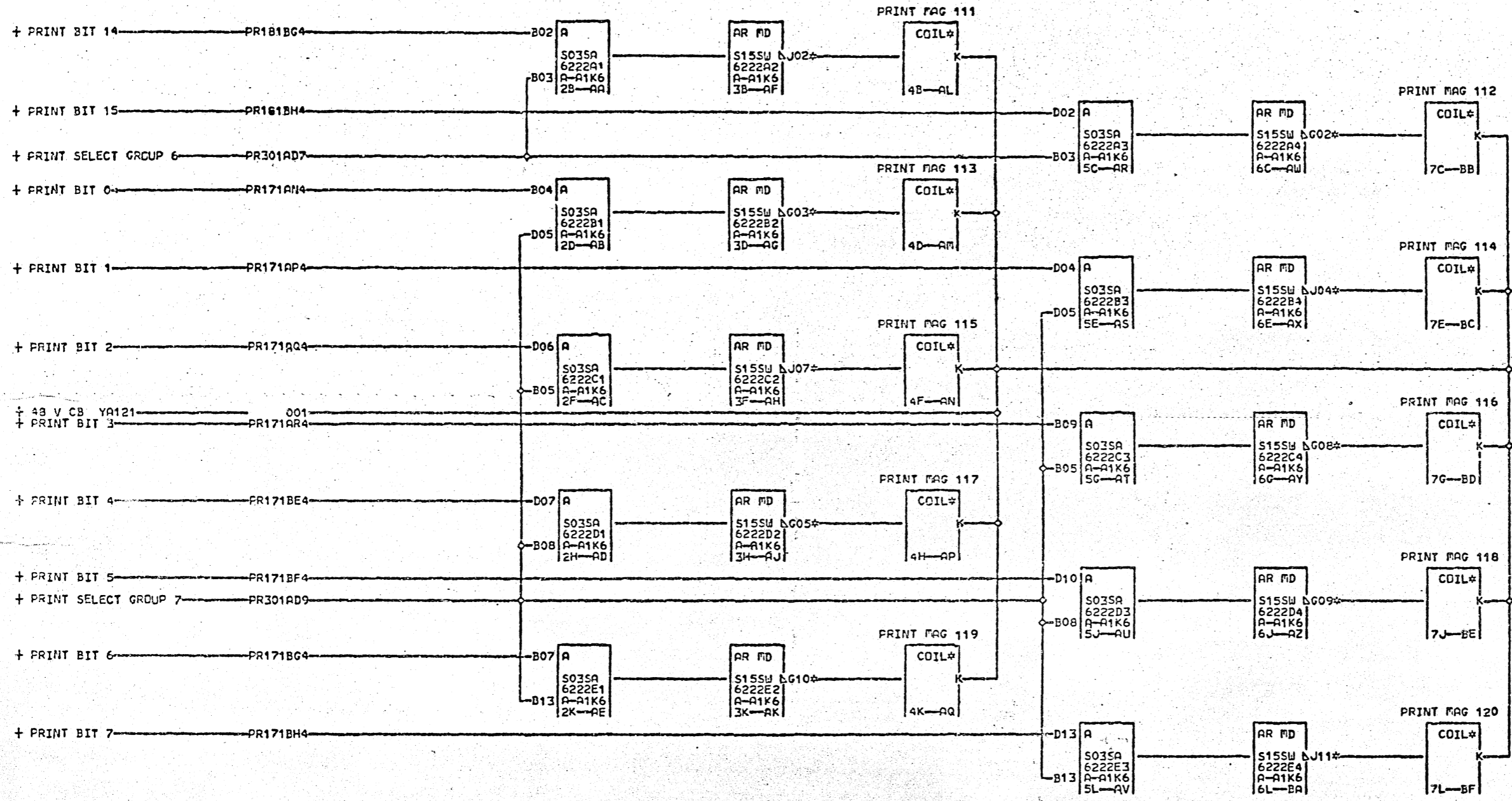
P
2
1
2
000

AF4 A-A1B7B02 BA4 A-A1B7B13
 AG4 A-A1B7E04
 AH4 A-A1B7E07
 AJ4 A-A1B7E09
 AK4 A-A1B7B12
 AL4 A-A1B7E03
 AX4 A-A1B7E05
 AY4 A-A1B7B08
 AZ4 A-A1B7B10

02-17-65 415480
 04-13-65 415480C
 07-20-65 415482

PRINT MAGNETS AND DRIVERS
 101-110
 DATE 07-20-65 FRCH. 1132
 LOG 201F FRAME 03
 P.N. 2201179
 IBM CORP. GPD BLK. BG

P
2
1
2
000



PR213

AF4 A-A1B7D02 BA4 A-A1B7D13
 AG4 A-A1B7D05
 AH4 A-A1B7D07
 AJ4 A-A1B7D10
 AK4 A-A1B7D12
 AL4 A-A1B7D04
 AM4 A-A1B7D06
 AN4 A-A1B7D09
 AO4 A-A1B7D11

02-17-65 415480
 04-13-65 415480C
 07-20-65 415482

PRINT MAGNETS AND DRIVERS
 111-120
 DATE 07-20-65 PACH. 1132
 LOG 201F FRAME 03
 P.No 2201180
 IBM CORP. GPD ELK. BC

PR213

+ PRINT SELECT GROUP 0	XP341AB2	*ENTR*	FROM	PR201	+ PRINT SELECT GROUP 0	AB2
+ PRINT SELECT GROUP 1	XP341AB4	FROM	1131	PR202	+ PRINT SELECT GROUP 1	AB4
+ PRINT SELECT GROUP 2	XP341AB6	TO	1132	PR204	+ PRINT SELECT GROUP 2	AB6
+ PRINT SELECT GROUP 3	XP341AD1	5A-AB		PR205	+ PRINT SELECT GROUP 3	AD1
+ PRINT SELECT GROUP 4	XP341AD3	*ENTR*	FROM	PR206	+ PRINT SELECT GROUP 4	AD3
+ PRINT SELECT GROUP 5	XP341AD5	FROM	1131	PR207	+ PRINT SELECT GROUP 5	AD5
+ PRINT SELECT GROUP 6	XP341AD7	TO	1132	PR209	+ PRINT SELECT GROUP 6	AD7
+ PRINT SELECT GROUP 7	XP341AD9	5D-AD		PR211	+ PRINT SELECT GROUP 7	AD9

+ PRINT BUFFER 0	XP341AF2	*ENTR*	FROM	PR171	+ PRINT BUFFER 0	AF2
+ PRINT BUFFER 1	XP341AF4	FROM	1131	PR171	+ PRINT BUFFER 1	AF4
+ PRINT BUFFER 2	XP341AF6	TO	1132	PR171	+ PRINT BUFFER 2	AF6
+ PRINT BUFFER 3	XP341AH1	5D-AF		PR171	+ PRINT BUFFER 3	AH1
+ PRINT BUFFER 4	XP341AH3	*ENTR*	FROM	PR171	+ PRINT BUFFER 4	AH3
+ PRINT BUFFER 5	XP341AH5	FROM	1131	PR171	+ PRINT BUFFER 5	AH5
+ PRINT BUFFER 6	XP341AH7	TO	1132	PR171	+ PRINT BUFFER 6	AH7
+ PRINT BUFFER 7	XP341AH9	5E-AH		PR171	+ PRINT BUFFER 7	AH9

+ PRINT BUFFER 8	XP341AK2	*ENTR*	FROM	PR181	+ PRINT BUFFER 8	AK2
+ PRINT BUFFER 9	XP341AK4	FROM	1131	PR181	+ PRINT BUFFER 9	AK4
+ PRINT BUFFER 10	XP341AK6	TO	1132	PR181	+ PRINT BUFFER 10	AK6
+ PRINT BUFFER 11	XP341AM1	5G-AK		PR181	+ PRINT BUFFER 11	AM1
+ PRINT BUFFER 12	XP341AM3	*ENTR*	FROM	PR181	+ PRINT BUFFER 12	AM3
+ PRINT BUFFER 13	XP341AM5	FROM	1131	PR181	+ PRINT BUFFER 13	AM5
+ PRINT BUFFER 14	XP341AM7	TO	1132	PR181	+ PRINT BUFFER 14	AM7
+ PRINT BUFFER 15	XP341AM9	5H-AM		PR181	+ PRINT BUFFER 15	AM9

- CARRIAGE MAG SELECT	XP341AP2	*ENTR*	FROM	PR161	- CARRIAGE MAG SELECT	AP2
- FORMS INDICATOR	XP341AP4	FROM	1131	PR151	- FORMS INDICATOR	AP4
- PRINT SCAN ERROR	XP341AP6	TO	1132	PR151	- PRINT SCAN ERROR	AP6
		5K-AP				
- READY INDICATOR	XP341AR3	*ENTR*	FROM	PR151	- READY INDICATOR	AR3
- INTERPOSER MAG SELECT	XP341AR5	FROM	1131	PR161	- INTERPOSER MAG SELECT	AR5
- USE METER SELECT	XP341AR7	TO	1132	YA111	- USE METER SELECT	AR7
+ PRINT GATE	XP341AR9	5L-AR		PR171	+ PRINT GATE	AR9

AB2 A-A1N4D10 AF4 A-A1N5D02 AK6 P-A1N5B08 AR3 A-A1N4D06
 AB4 A-A1N4D11 AF6 A-A1N5B03 AM1 P-A1N5D09 AR5 A-A1N4D09
 AB6 A-A1N4D12 AH1 A-A1N5D04 AM3 P-A1N5B09 AR7 A-A1A2D04
 AD1 A-A1N4D13 AH3 A-A1N5B04 AM5 P-A1N5D10 03A-A1B2D04
 AD3 A-A1N5B12 AH5 A-A1N5D05 AM7 P-A1N5B10 AR9 A-A1N4B13
 AD5 A-A1N5B13 AH7 A-A1N5B05 AM9 P-A1N5D11
 AD7 A-A1N5D12 AH9 A-A1N5D06 AP2 P-A1N4D07
 AD9 A-A1N5D13 AK2 A-A1N5B07 AP4 P-A1N4D02
 AF2 A-A1N5B02 AK4 A-A1N5D07 AP6 A-A1N4D04

04-13-65 415480C
 10-21-65 415492
 08-24-68 131289

PRINTER ENTRY			
DATE	03-21-68	MACH#	1132
LOG	1271	FRAME	03
		PoNo	2201223
IBM CORP.	GPD	BLK#	AS

+ PRINT DISC BIT 0	PR101A04	*EXIT*	XP331 + PRINT DISC BIT 0	AB2
+ PRINT DISC BIT 1	PR101A04	FROM	XP331 + PRINT DISC BIT 1	AB4
+ PRINT DISC BIT 2	PR101A04	1132	XP331 + PRINT DISC BIT 2	AB6
+ PRINT DISC BIT 3	PR101A04	TO	XP331 + PRINT DISC BIT 3	AD1
+ PRINT DISC BIT 4	PR101A04	1131	XP331 + PRINT DISC BIT 4	AD3
+ PRINT DISC BIT 5	PR101A04	3B-AB	XP331 + PRINT DISC BIT 5	AD5
+ PRINT DISC BIT 6	PR101A04	*EXIT*	XP331 + PRINT DISC BIT 6	AD7
+ PRINT DISC BIT 7	PR101A04	FROM	XP331 + PRINT DISC BIT 7	AD9
		1132		
		TO		
		1131		
		3C-AD		

+ CARRIAGE BRUSH 1	PR141AK4	*EXIT*	XP331 + CARRIAGE BRUSH 1	AF2
+ CARRIAGE BRUSH 2	PR141AL4	FROM	XP331 + CARRIAGE BRUSH 2	AF4
+ CARRIAGE BRUSH 3	PR141AM4	1132	XP331 + CARRIAGE BRUSH 3	AF6
+ CARRIAGE BRUSH 4	PR141AN4	TO	XP331 + CARRIAGE BRUSH 4	AH1
+ CARRIAGE BRUSH 5	PR141AP4	1131	XP331 + CARRIAGE BRUSH 5	AH3
+ CARRIAGE BRUSH 6	PR141AQ4	3E-AF	XP331 + CARRIAGE BRUSH 6	AH5
+ CARRIAGE BRUSH 9	PR141AR4	*EXIT*	XP331 + CARRIAGE BRUSH 9	AH7
+ CARRIAGE BRUSH 12	PR141AS4	FROM	XP331 + CARRIAGE BRUSH 12	AH9
		1132		
		TO		
		1131		
		3F-AH		

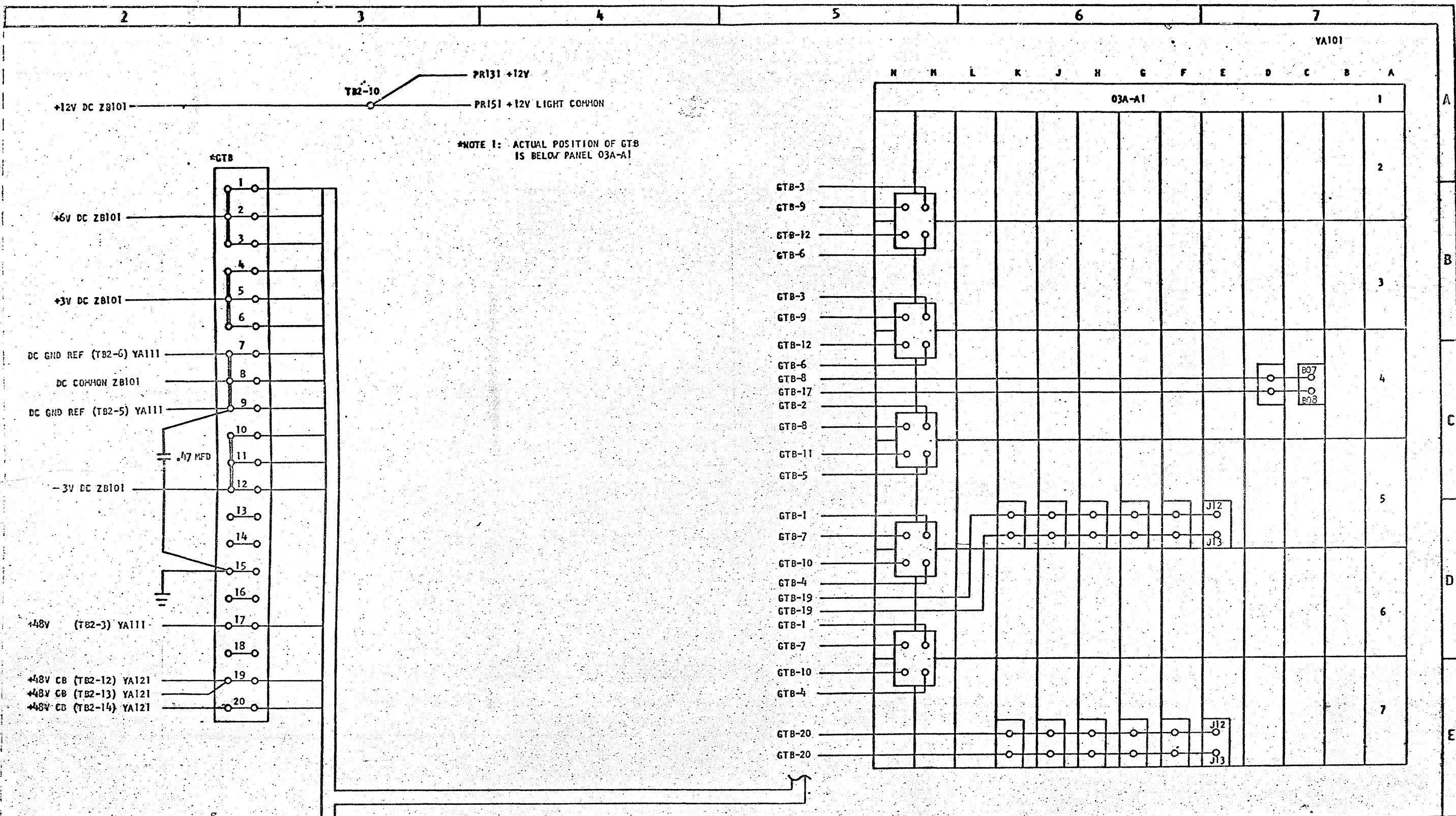
+ PRINTER START KEY	PR121BC4	*EXIT*	XP331 + START KEY	AK2
+ PRINTER STOP KEY	PR121BD4	FROM	XP331 + STOP KEY	AK4
+ FORMS CONTACT	PR131AL4	1132	XP331 + FORMS CONTACT	AK6
+ INTERPOSER CONTACT	PR131AK4	TO	XP331 + INTERPOSER CONTACT	AM1
+ CB CLOCK YA121	001*	1131	XP331 + CB CLOCK	AM3
+ PRINTER MOTOR ON SWITCH	PR121AR4	3H-AK	XP331 + MOTOR ON SW	AM5
+ CARRIAGE STOP SW	PR121AQ4	*EXIT*	XP331 + CARRIAGE STOP SW	AM7
+ CARRIAGE RESTORE SW	PR121AP4	FROM	XP331 + CARRIAGE RESTORE SW	AM9
		1132		
		TO		
		1131		
		3J-AM		

- CARRIAGE CB	PR131AJ4	*EXIT*	XP331 - CARRIAGE CB	AP2
+ CARRIAGE SPACE SW	PR121AN4	FROM	XP331 + CARRIAGE SPACE SW	AP4
+ SPACE INT ALLOW	PR131BD4	1132	XP331 + SPACE INT ALLOW	AP6
		TO		
		1131		
		3L-AP		

001
03A-A1A2B02
03A-A1N4B02

04-13-65 415480C
10-21-65 415492
08-10-66 413621

PRINTER EXIT		
DATE	08-22-66	FRAM# 1132
LOG	2345	FRAME 03
	PeN#	2201224
IBM CORP.	GPD BLK.	AA



*NOTE 1: ACTUAL POSITION OF GTB IS BELOW PANEL 03A-A1

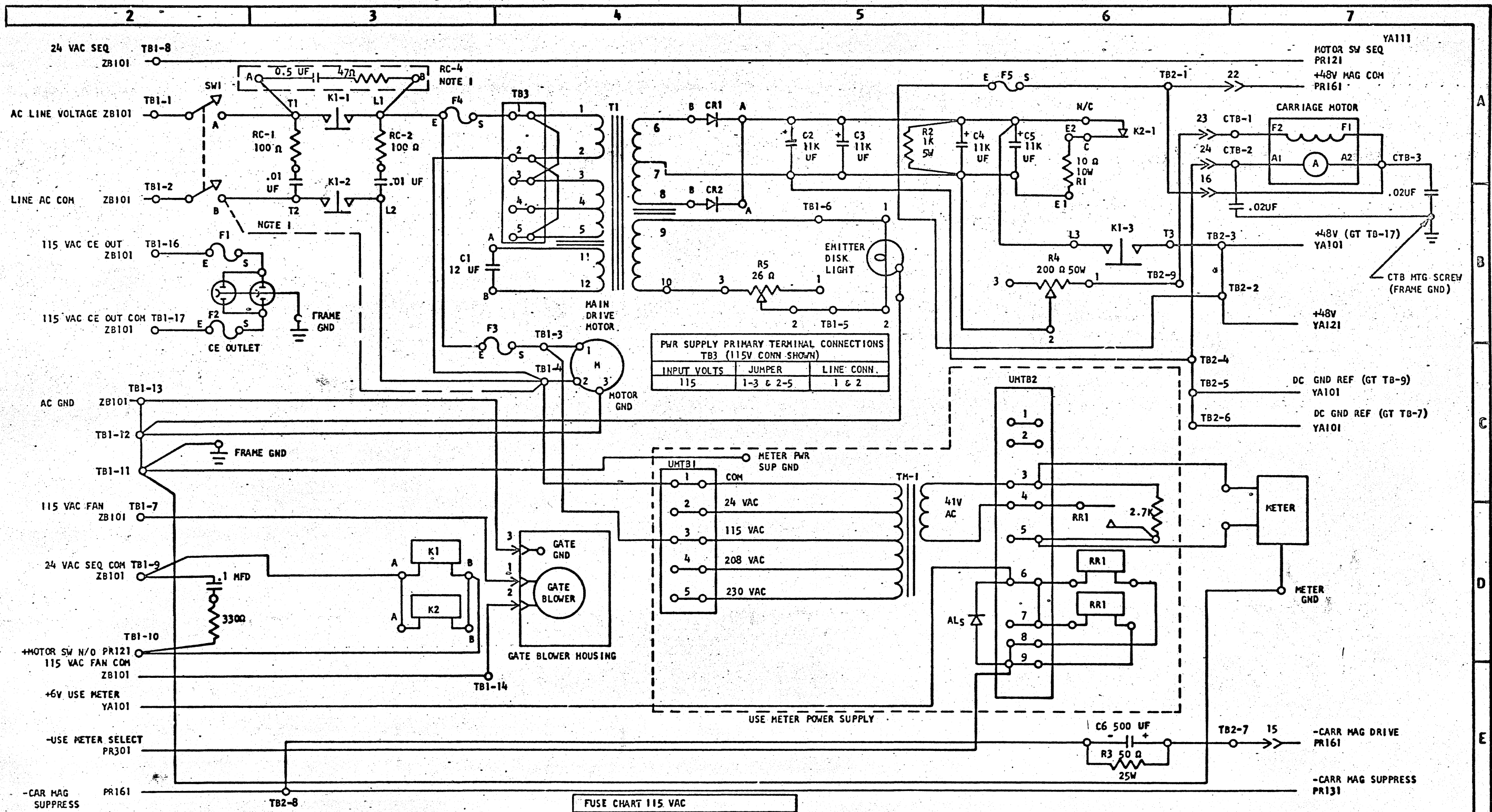
GTB-1	PR121,131	+6V PRINTED CKT PWR (B16)
GTB-3	YA111	+6V USE METER
GTB-3	YA121	+6V LOGIC DIST (TB2-17)
GTB-7	YA121	GND LOGIC DIST (TB2-18)
GTB-3	PR121	GND PRINTED CKT PWR (B3)
GTB-10	PR121,131	-3V PRINTED CKT PWR (C14)
GTB-12	YA121	-3V LOGIC DIST (TB2-16)

DATE	EC NUMBER	DATE	EC NUMBER	DC POWER DISTRIBUTION	
5-7-65	415480C			DATE	5-7-65
SEP65	415482			P/N	2201330
DEC 65	415768			TYPE	1132
AUG66	419619			IBM	YA101
DEC66	419634				

YA101

YA101

25



PWR SUPPLY PRIMARY TERMINAL CONNECTIONS
TB3 (115V CONN. SHOWN)

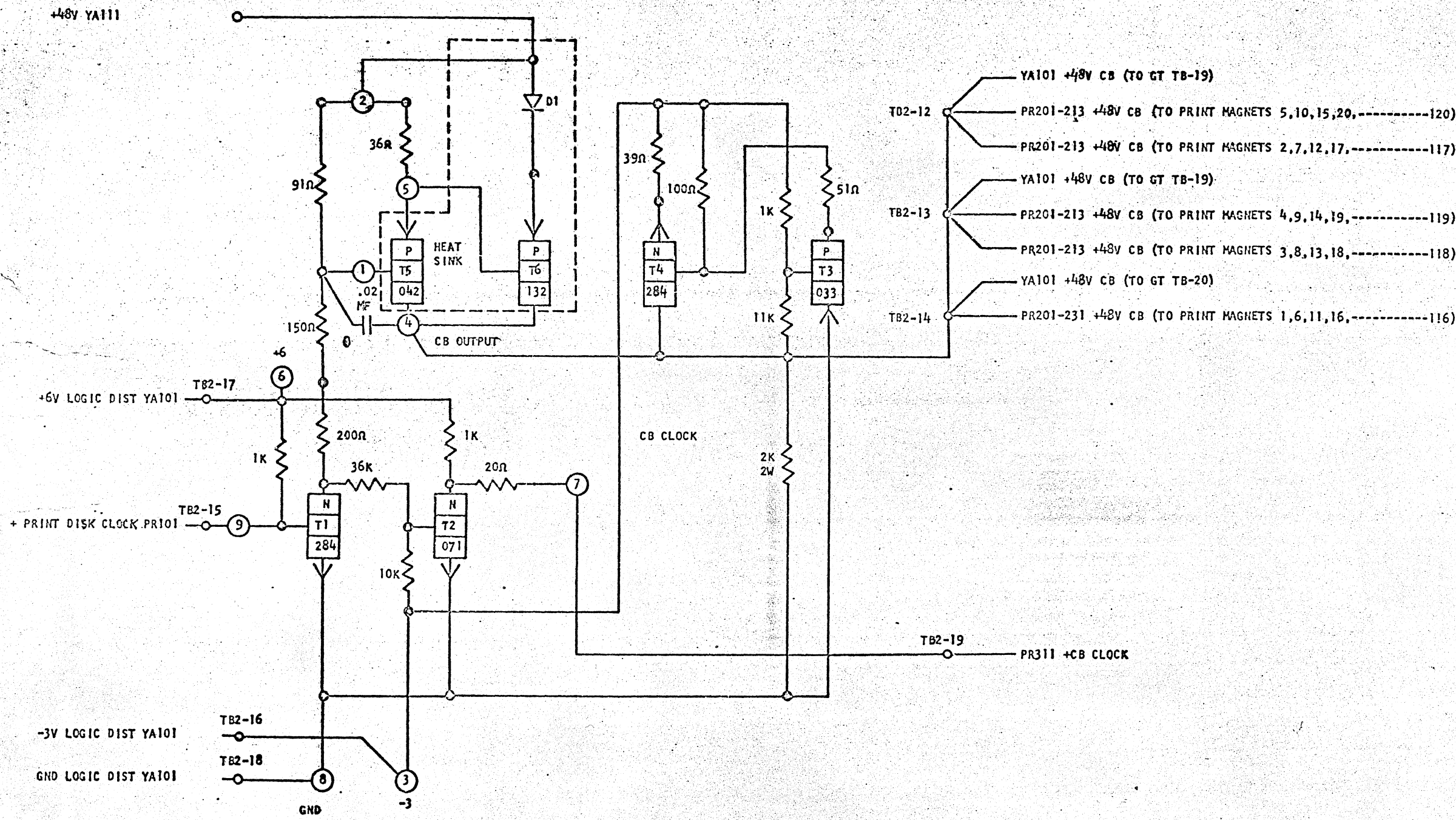
INPUT VOLTS	JUMPER	LINE CONN.
115	1-3 & 2-5	1 & 2

FUSE CHART 115 VAC

FUSE	DESC	P/N
F1	6.25A LL	107667
F2	6.25A LL	107667
F3	6.25A LL	107667
F4	3.2A LL	107664
F5	2.0A LL	92734

NOTE 1
LATER PRODUCTION MACHINES WILL HAVE RC-4 IN PLACE OF RC-1 AND RC-2. WHEN RC-4 IS INSTALLED, K1-2 POINT IS NOT USED, AND WIRING IS FROM SW1-B N/O TO TB1-4 PER BROKEN LINE.

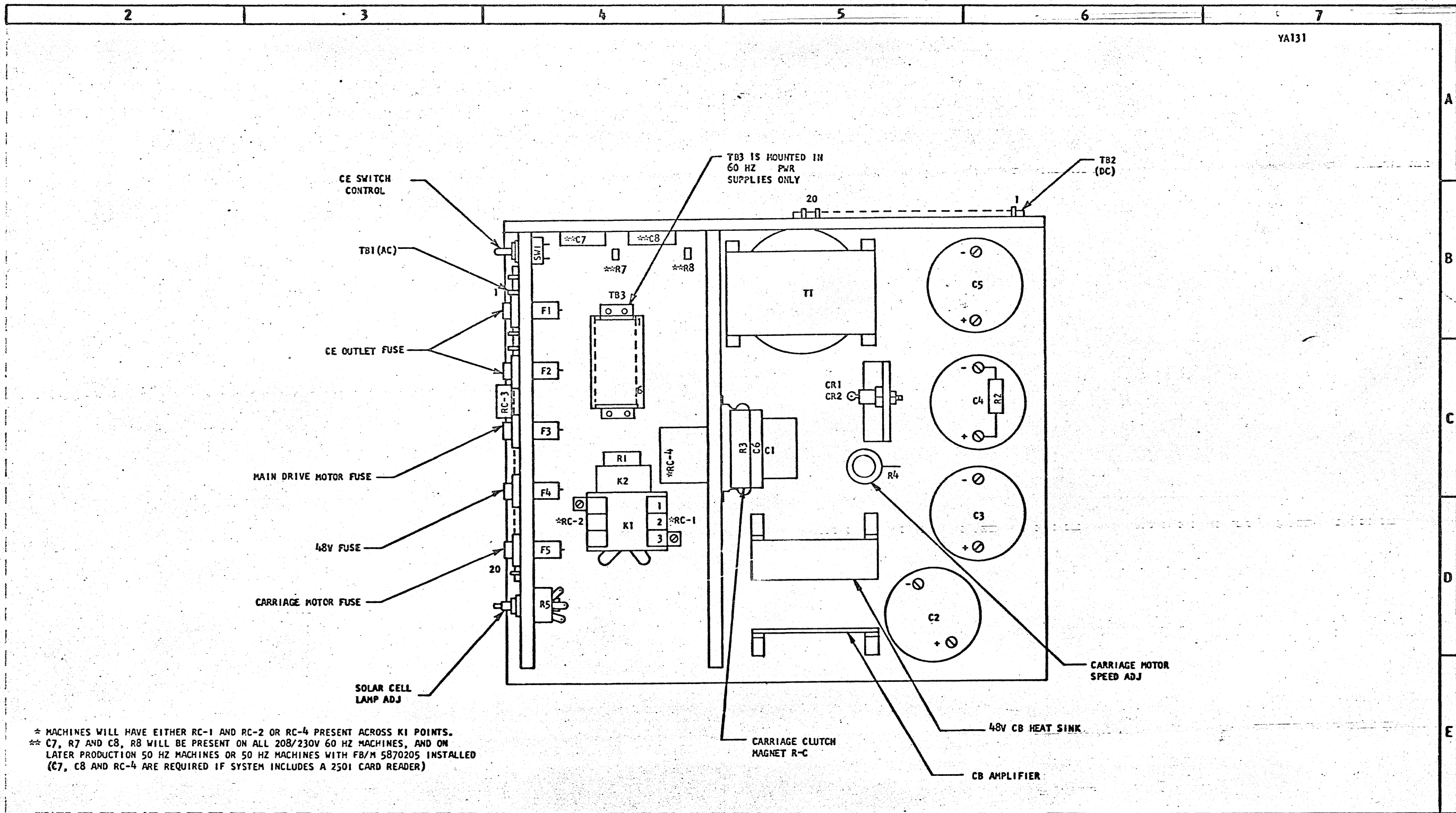
DATE	EC NUMBER	DATE	EC NUMBER	POWER SUPPLY & DIST. 60 HZ		
5-5-65	415430C	DEC 66	419634	115V		
SEP 65	415482	23MAR67	131254	DATE	5-5-65	P/N 2201331
NOV 65	415492	18JUL67	131254C	TYPE		
DEC 65	415768	24JUL67	131258			
SEP 66	419621	14NOV67	131273	IBM YA111		



- YA101 +48V CB (TO GT TB-19)
- T02-12 PR201-213 +48V CB (TO PRINT MAGNETS 5,10,15,20,-----120)
- PR201-213 +48V CB (TO PRINT MAGNETS 2,7,12,17,-----117)
- YA101 +48V CB (TO GT TB-19)
- TB2-13 PR201-213 +48V CB (TO PRINT MAGNETS 4,9,14,19,-----119)
- PR201-213 +48V CB (TO PRINT MAGNETS 3,8,13,18,-----118)
- YA101 +48V CB (TO GT TB-20)
- TB2-14 PR201-231 +48V CB (TO PRINT MAGNETS 1,6,11,16,-----116)

YA121

DATE	EC NUMBER	DATE	EC NUMBER	+48V PRINT			
5-5-65	415480-C			MAGNET CB			
NOV 65	415492			DATE	5-5-65	P/N	2201332
						TYPE	1132
				YA121			



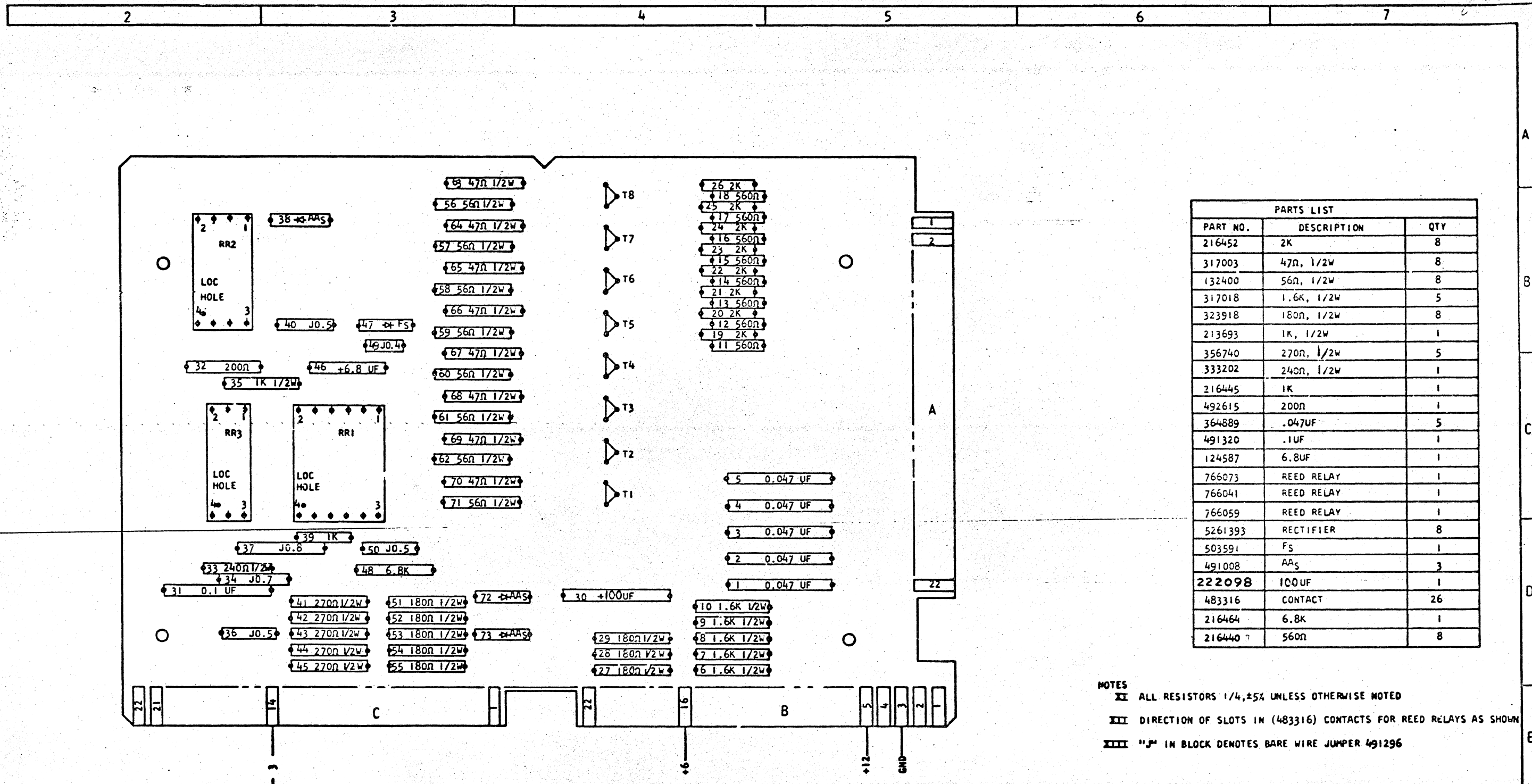
DATE	EC NUMBER	DATE	EC NUMBER	48V DC POWER SUPPLY		
5-5-65	415480C			50 & 60 HZ		
	415482			DATE	P/N	2201333
DEC.66	419634				TYPE	1132
23 MAR67	131254			IBM		YAI31
19 JUN67	131258					

YAI31

YAI31

22

2, 930, 1066
10/2



PARTS LIST		
PART NO.	DESCRIPTION	QTY
216452	2K	8
317003	47n, 1/2W	8
132400	56n, 1/2W	8
317018	1.6K, 1/2W	5
323918	180n, 1/2W	8
213693	1K, 1/2W	1
356740	270n, 1/2W	5
333202	240n, 1/2W	1
216445	1K	1
492615	200n	1
364689	.047UF	5
491320	.1UF	1
124587	6.8UF	1
766073	REED RELAY	1
766041	REED RELAY	1
766059	REED RELAY	1
5261393	RECTIFIER	8
503591	FS	1
491008	AA5	3
222098	100UF	1
483316	CONTACT	26
216464	6.8K	1
216440	560n	8

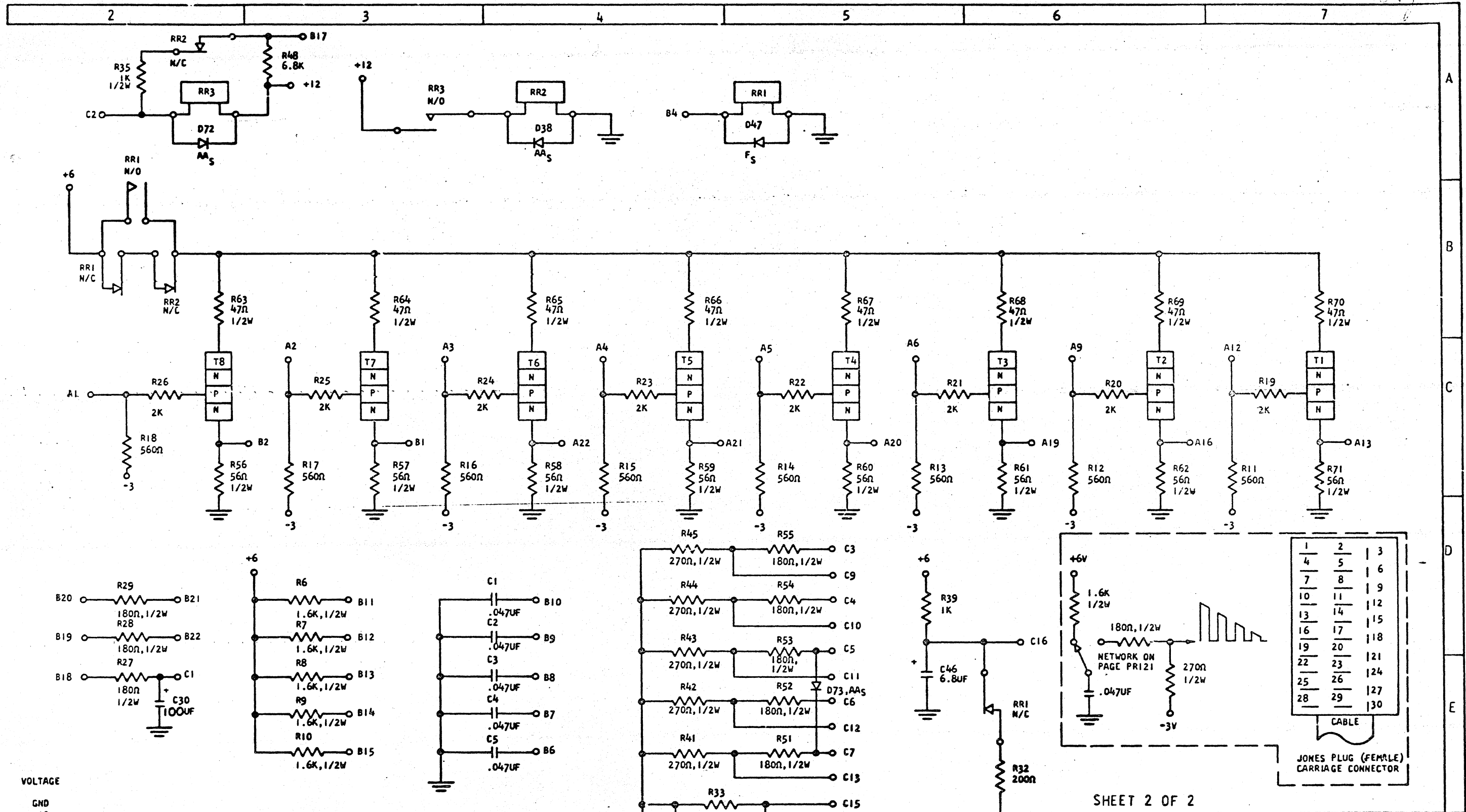
NOTES
 I ALL RESISTORS 1/4, ±5% UNLESS OTHERWISE NOTED
 II DIRECTION OF SLOTS IN (483316) CONTACTS FOR REED RELAYS AS SHOWN
 III "J" IN BLOCK DENOTES BARE WIRE JUMPER 491296

SHEET 1 OF 2

DATE	EC NUMBER	DATE	EC NUMBER	SCR READ BRUSH LATCH CARD AND JONES PLUG LAYOUT			
4/SEP/67	131261			DATE	JUL67	P/M	2532466
						TYPE	1132
				ICM		YA141	

22

2, 532, 466
2 of 2



PIN	VOLTAGE
B3	GND
B5	+12
B16	+6
C14	-3

SHEET 2 OF 2

DATE	EC NUMBER	DATE	EC NUMBER	SCR READ BRUSH LATCH CARD AND
14 SEP 67	131261			JONES PLUG LAYOUT
		DATE	JULY 67	P/W
				2532466
				TYPE
				1132
		IBM		YA141

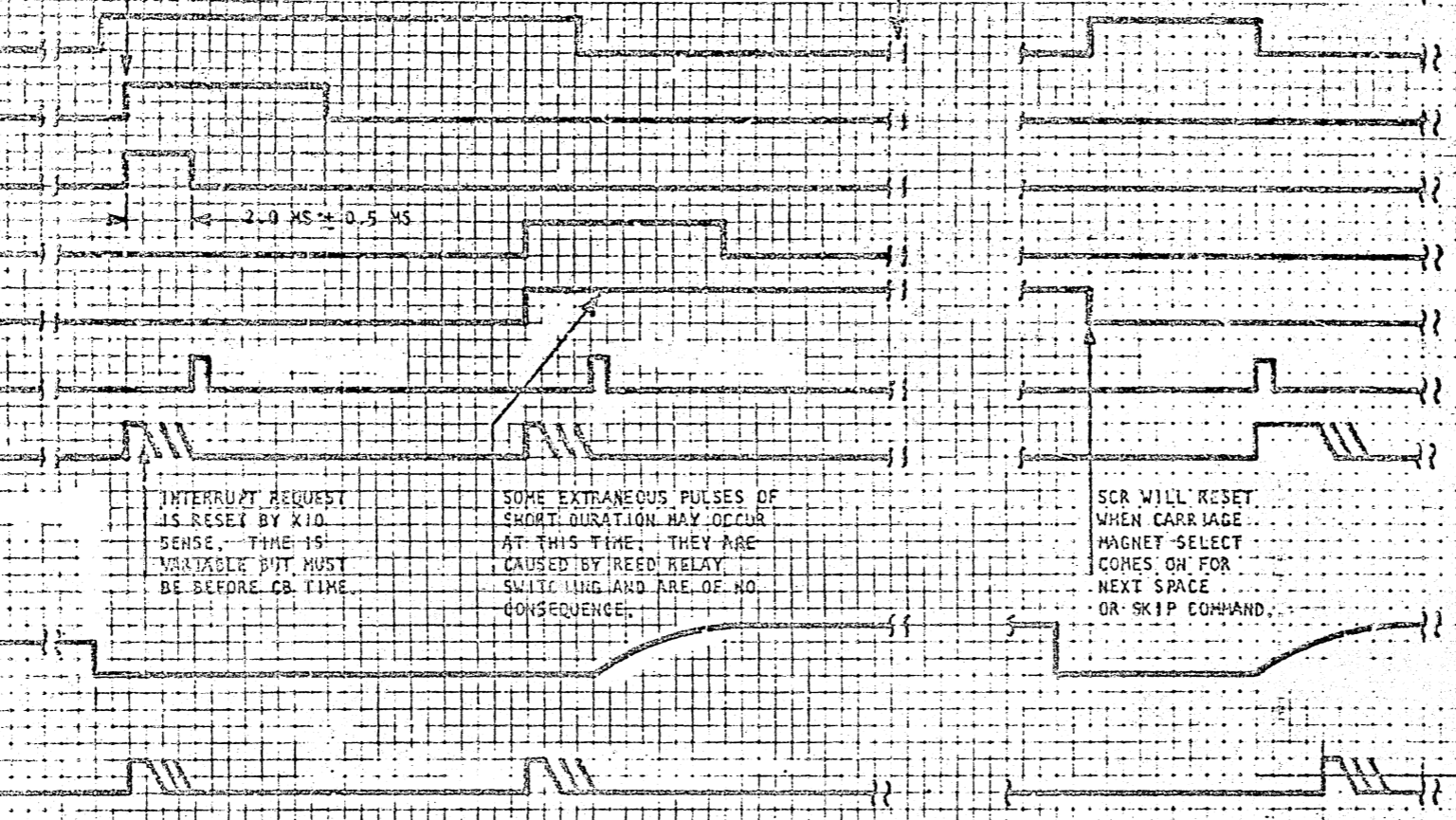
← SKIP TO CHANNEL 1 OPERATION → ← SPACE OPERATION →

BRUSH SHOULD MAKE IMMEDIATELY AFTER CARRIAGE MOTION BEGINS

MECHANICAL CARRIAGE STOP

MECHANICAL CARRIAGE STOP

NO	SIGNAL NAME	LOGIC PAGE	TEST POINT	LVL
	CARRIAGE MAGNET SELECT			
	ANY OTHER CARRIAGE BRUSH			
	OTHER BRUSH SCR LATCH			
	CHANNEL 1 BRUSH			
	CHANNEL 1 SCR LATCH			
	CARRIAGE CB			
	INTERRUPT REQUEST			
	SPACE INT ALLOW			
	INT LVL 1			



INTERRUPT REQUEST IS RESET BY X10 SENSE. TIME IS VARIABLE BUT MUST BE BEFORE CB TIME.

SOME EXTRANEUS PULSES OF SHORT DURATION MAY OCCUR AT THIS TIME. THEY ARE CAUSED BY REED RELAY SWITCHING AND ARE OF NO CONSEQUENCE.

SCR WILL RESET WHEN CARRIAGE MAGNET SELECT COMES ON FOR NEXT SPACE OR SKIP COMMAND.

NOTES:

1. TYPICAL CARRIAGE BRUSH LATCH OPERATION. MAY BE APPLIED TO ANY BRUSH

DATE	EC NUMBER	DATE	EC NUMBER	CARRIAGE BRUSH LATCH		
SEP 66	419621			TIMING CHART		
NOV 66	419621B			DATE	JUL 66	P/N
						2231323
						TYPE
						YA142

2

3

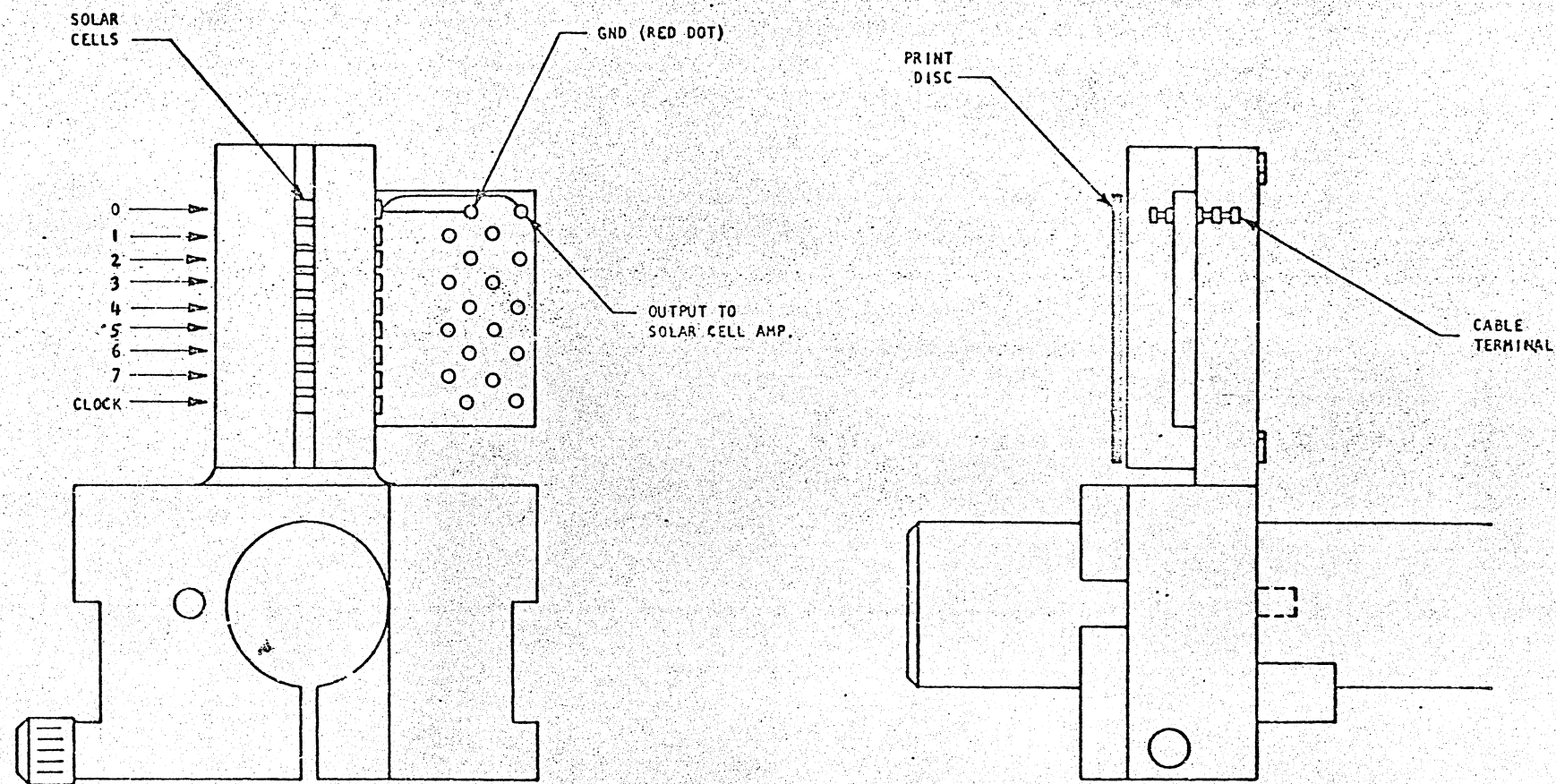
4

5

6

7

YA151



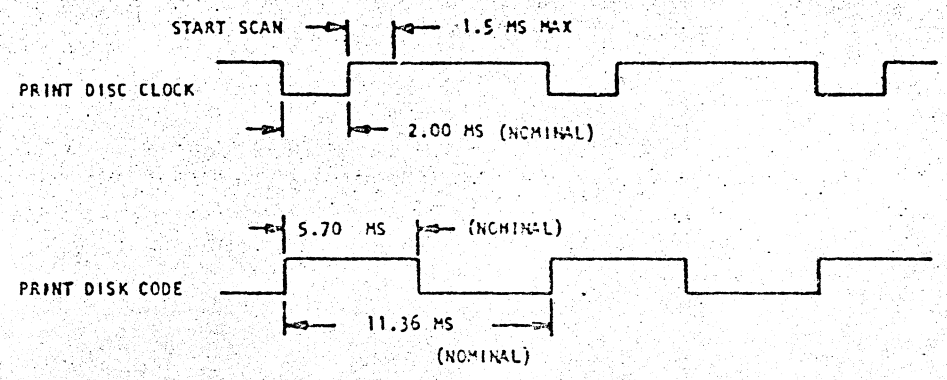
DATE	EC NUMBER	DATE	EC NUMBER	SOLAR CELL PICTORIAL		
5-5-65	415480C			DATE	P N	2201335
					TYPE	1132
				ICM	YA151	

YA151

A
B
C
D
E

M
YA151

YA161



DISC SPEED - 108 RPM

A
B
C
D
E

DATE	EC NUMBER	DATE	EC NUMBER	TIMING CHART - PRINT DISC			
5-5-65	415480C			DATE	9-3-64	P N	2201336
						TYPE	1132
				EEM		YA161	

YA161

25-
YA161