

0034- MACH LIST FOR-1132 MOD-001 SER- 12914 PLT- REOSTR- REAL TIME **11 FEB 69
 CTRY CUST-8860400- 963TINSLE SER RR-391 SYS# - -51410 TYP-1130
 SHIPPED- 18APR69 SHP-SEQ-A0015 FCT-SEQ-B0008 W/D SUF MACH-STA-

| SEQ # | EC # | STATUS | FLD B/M | FCSI # | TIME | ECA # | DATE |
|-------|---------|---------------------|---------|--------|------|-------|------|
| A0015 | 131289 | PRES LVL | | | | | |
| B0008 | 419621C | FACT LVL INQUIRY | | | | | |

| FEAT B/M | QTY | FEATURE NAME | STATUS | DATE | ACC | SHP-LVL | FCT |
|--------------------------------------|---------|--------------------------|--------|---------|-----|---------|-------|
| 0180528 | 001 | | INT | 18JAN69 | | D0001 | E0000 |
| FEATURE ON HISTORY BUT NOT IN MASTER | | | | | | | |
| 0738125 | 001 | SHIPPING GROUP | INT | 18JAN69 | | D0001 | E0000 |
| D0001 | 415480C | PRES LVL | | | | | |
| 0738136 | 001 | BLUE COVER SELECTION GRP | INT | 18JAN69 | | D0001 | E0000 |
| D0001 | 415480C | PRES LVL | | | | | |
| 0738200 | 000 | PRINTER FINAL ASM | INT | 18JAN69 | | D0001 | E0002 |
| D0001 | 415763A | PRES LVL | | | | | |
| E0002 | 419621B | FACT LVL | | | | | |
| 0738205 | 001 | DOMESTIC COVER GP | INT | 18JAN69 | | D0001 | E0000 |
| D0001 | 415480C | PRES LVL | | | | | |
| 0738430 | 001 | LANG GP ENG | INT | 18JAN69 | | D0001 | E0000 |
| D0001 | 415480C | PRES LVL | | | | | |
| 0738500 | 001 | COMPLETION GP 60 CY | INT | 18JAN69 | | D0004 | E0001 |
| D0004 | 131258 | PRES LVL | | | | | |
| E0001 | 131254C | FACT LVL | | | | | |
| 0738594 | 001 | | INT | 18JAN69 | | D0001 | E0000 |
| FEATURE ON HISTORY BUT NOT IN MASTER | | | | | | | |
| 0738632 | 001 | 115 VOLT 60 CY SGL PH | INT | 18JAN69 | | D0004 | E0003 |
| D0004 | 131273 | PRES LVL | | | | | |
| E0003 | 131258A | FACT LVL | | | | | |
| 0911601 | 001 | | INT | 18JAN69 | | D0001 | E0000 |
| FEATURE ON HISTORY BUT NOT IN MASTER | | | | | | | |

| TABLE OF CONTENTS VOL# | FOR 1132 | 001 | -12914 | MODE | POST BY | FACTORY MLC BE DATE 11/30/00 |
|------------------------|---------------------------|-----|----------|--------|---------------------|------------------------------|
| PAGE NO. SH | TITLE | | PART NO. | FC NO. | FEATURE B/M OR B/MS | |
| ** LOGIC TYPE | SLT BOARDS | 6 | | | | |
| 03A-A1 | CUSTOMIZED BOARD ASSEMBLY | | 0738390 | 131289 | | |

| | | | | | |
|-------|---|-----------------------------------|---------|---------|-------------|
| PR001 | 1 | SLDA CHART | 2201222 | 131289 | |
| PR001 | 2 | SOCKET LISTING | 2201222 | 131289 | |
| PR101 | | PRINT SOLAR CELLS AND AMP | 2201160 | 415480C | |
| PR111 | | SOLAR CELL COMMON CONN | 2201161 | 415486 | |
| PR121 | | PRINTER OPERATIONS SWITCHES | 2201162 | 419621B | |
| PR131 | | PRINTER CARRIAGE CONTACTS | 2201163 | 131261 | |
| PR141 | | PRINTER CARRIAGE BRUSHES | 2201164 | 419621B | |
| PR151 | | PRINTER INDICATORS AND DRIVERS | 2201165 | 131289 | |
| PR161 | | PRINTER CARRIAGE MAGNETS AND DRIV | 2201166 | 415492 | |
| PR171 | | PRINTER DATA POWERING BITS 0-7 | 2201167 | 415482 | |
| PR181 | | PRINTER DATA POWERING BITS 8-15 | 2201168 | 415482 | |
| PR201 | | PRINT MAGNETS AND DRIVERS 0-9 | 2201169 | 415482 | |
| PR202 | | PRINT MAGNETS AND DRIVERS 10-19 | 2201170 | 415482 | |
| PR203 | | PRINT MAGNETS AND DRIVERS 20-29 | 2201171 | 415482 | |
| PR204 | | PRINT MAGNETS AND DRIVERS 30-39 | 2201172 | 415482 | |
| PR205 | | PRINT MAGNETS AND DRIVERS 40-49 | 2201173 | 415482 | |
| PR206 | | PRINT MAGNETS AND DRIVERS 50-59 | 2201174 | 415482 | |
| PR207 | | PRINT MAGNETS AND DRIVERS 60-69 | 2201175 | 415482 | |
| PR208 | | PRINT MAGNETS AND DRIVERS 70-79 | 2201176 | 415482 | |
| PR209 | | PRINT MAGNETS AND DRIVERS 80-89 | 2201177 | 415482 | |
| PR211 | | PRINT MAGNETS AND DRIVERS 90-99 | 2201178 | 415482 | |
| PR212 | | PRINT MAGNETS AND DRIVERS 100-109 | 2201179 | 415482 | |
| PR213 | | PRINT MAGNETS AND DRIVERS 110-119 | 2201180 | 415482 | |
| PR301 | | PRINTER ENTRY | 2201223 | 131289 | |
| PR311 | | PRINTER EXIT | 2201224 | 419621 | |
| YA101 | | D C POWER DISTRIBUTION | 2201330 | 419634 | |
| YA111 | | PS & DIST 60C 115 VOLTS | 2201331 | 131273 | .W. 0738632 |
| YA121 | | 848V PRINT MAGNET CB | 2201332 | 415492 | |
| YA131 | | 48V DC POWER 50 & 60 CYCLE | 2201333 | 131258 | .W. 0738632 |
| YA141 | | COMPONENT PANEL ASM | 2532466 | 131261 | |
| YA142 | | CARRIAGE BRUSH LATCH & TIME CHART | 2231323 | 419621B | |
| YA151 | | SOLAR CELL PICTORIAL | 2201335 | 415480C | |
| YA161 | | TIMING CHART-PRINT DISC | 2201336 | 415480C | |

| | |
|--------------|--------------|
| A2 | CONNECTOR |
| | B02 PR311001 |
| | B03 PR121BD4 |
| | B04 PR141AK4 |
| | B05 PR141AL4 |
| | B07 PR141AR4 |
| | B08 PR141AN4 |
| | B09 PR141AP4 |
| | B10 PR141AQ4 |
| | B12 PR141AR4 |
| | B13 PR141AS4 |
| | D02 PR121BC4 |
| | D04 PR301AR7 |
| D05 PR121AN4 | |
| D06 PR121AP4 | |
| D07 PR121AQ4 | |
| D09 PR121AR4 | |
| D10 PR131AJ4 | |
| D11 PR131AK4 | |
| D12 PR131AL4 | |
| D13 PR131BD4 | |
| A3 | SINGLE CARD |
| | 5401 |
| A4 | PR111 |
| | CONNECTOR |
| B02 PR151AA4 | |
| B03 PR151AB4 | |
| B04 PR151AC4 | |
| B05 PR151AD4 | |
| B12 PR161AA2 | |
| B13 PR161AB2 | |
| D04 PR101AF4 | |
| A5 | CONNECTOR |
| | B02 PR201AF4 |
| | B03 PR201AW4 |
| | B04 PR201AG4 |
| | B05 PR201AX4 |
| | B07 PR201AH4 |
| | B08 PR201AY4 |
| | B09 PR201AJ4 |
| | B10 PR201AZ4 |
| | B12 PR201AK4 |
| | B13 PR201BA4 |
| | D02 PR202AF4 |
| | D04 PR202AW4 |
| D05 PR202AG4 | |
| D06 PR202AX4 | |
| D07 PR202AH4 | |
| D09 PR202AY4 | |
| D10 PR202AJ4 | |
| D11 PR202AZ4 | |
| D12 PR202AK4 | |
| D13 PR202BA4 | |
| A6 | CONNECTOR |
| | B02 PR205AF4 |
| | B03 PR205AW4 |
| | B04 PR205AG4 |
| | B05 PR205AX4 |
| | B07 PR205AH4 |
| | B08 PR205AY4 |
| | B09 PR205AJ4 |
| | B10 PR205AZ4 |
| | B12 PR205AK4 |
| | B13 PR205BA4 |
| | D02 PR206AF4 |
| | D04 PR206AW4 |
| D05 PR206AG4 | |
| D06 PR206AX4 | |
| D07 PR206AH4 | |
| D09 PR206AY4 | |
| D10 PR206AJ4 | |
| D11 PR206AZ4 | |
| D12 PR206AK4 | |
| D13 PR206BA4 | |
| A7 | CONNECTOR |
| | B02 PR209AF4 |
| | B03 PR209AW4 |
| | B04 PR209AG4 |
| | B05 PR209AX4 |
| | B07 PR209AH4 |
| | B08 PR209AY4 |
| | B09 PR209AJ4 |
| | B10 PR209AZ4 |
| | B12 PR209AK4 |
| | B13 PR209BA4 |
| | D02 PR211AF4 |
| | D04 PR211AW4 |
| D05 PR211AG4 | |
| D06 PR211AX4 | |
| D07 PR211AH4 | |
| D09 PR211AY4 | |
| D10 PR211AJ4 | |
| D11 PR211AZ4 | |
| D12 PR211AK4 | |

| | |
|--------------|--------------|
| A7 | D13 PR211BA4 |
| | CONNECTOR |
| | B03 PR121BD4 |
| | B04 PR141AK4 |
| | B05 PR141AL4 |
| | B07 PR141AR4 |
| | B08 PR141AN4 |
| | B09 PR141AP4 |
| | B10 PR141AQ4 |
| | B12 PR141AR4 |
| | B13 PR141AS4 |
| | D02 PR121BC4 |
| | D04 PR301AR7 |
| D05 PR121AN4 | |
| D06 PR121AP4 | |
| D07 PR121AQ4 | |
| D09 PR121AR4 | |
| D10 PR131AJ4 | |
| D11 PR131AK4 | |
| D12 PR131AL4 | |
| D13 PR131BD4 | |
| B3 | SINGLE CARD |
| | 5400 |
| B4 | PR111 |
| | SINGLE CARD |
| 5401 | |
| B5 | CONNECTOR |
| | B02 PR203AF4 |
| | B03 PR203AW4 |
| | B04 PR203AG4 |
| | B05 PR203AX4 |
| | B07 PR203AH4 |
| | B08 PR203AY4 |
| | B09 PR203AJ4 |
| | B10 PR203AZ4 |
| | B12 PR203AK4 |
| | B13 PR203BA4 |
| | D02 PR204AF4 |
| | D04 PR204AW4 |
| D05 PR204AG4 | |
| D06 PR204AX4 | |
| D07 PR204AH4 | |
| D09 PR204AY4 | |
| D10 PR204AJ4 | |
| D11 PR204AZ4 | |
| D12 PR204AK4 | |
| D13 PR204BA4 | |
| B6 | CONNECTOR |
| | B02 PR207AF4 |
| | B03 PR207AW4 |
| | B04 PR207AG4 |
| | B05 PR207AX4 |
| | B07 PR207AH4 |
| | B08 PR207AY4 |
| | B09 PR207AJ4 |
| | B10 PR207AZ4 |
| | B12 PR207AK4 |
| | B13 PR207BA4 |
| | D02 PR208AF4 |
| | D04 PR208AW4 |
| D05 PR208AG4 | |
| D06 PR208AX4 | |
| D07 PR208AH4 | |
| D09 PR208AY4 | |
| D10 PR208AJ4 | |
| D11 PR208AZ4 | |
| D12 PR208AK4 | |
| D13 PR208BA4 | |
| B7 | CONNECTOR |
| | B02 PR212AF4 |
| | B03 PR212AW4 |
| | B04 PR212AG4 |
| | B05 PR212AX4 |
| | B07 PR212AH4 |
| | B08 PR212AY4 |
| | B09 PR212AJ4 |
| | B10 PR212AZ4 |
| | B12 PR212AK4 |
| | B13 PR212BA4 |
| | D02 PR213AF4 |
| | D04 PR213AW4 |
| D05 PR213AG4 | |
| D06 PR213AX4 | |
| D07 PR213AH4 | |
| D09 PR213AY4 | |
| D10 PR213AJ4 | |
| D11 PR213AZ4 | |
| D12 PR213AK4 | |
| D13 PR213BA4 | |
| C4 | SINGLE CARD |
| | 5400 |

| | |
|----|--------------|
| C4 | 5803806 3806 |
| | PR161 A1 |
| C5 | SINGLE CARD |
| | 5400 |
| C6 | SINGLE CARD |
| | 5400 |
| C7 | SINGLE CARD |
| | 5401 |
| D4 | SINGLE CARD |
| | 5803806 3806 |
| D5 | SINGLE CARD |
| | 5803819 3819 |
| D7 | SINGLE CARD |
| | 5400 |
| E4 | DOUBLE CARD |
| | 5806222 6222 |
| E6 | DOUBLE CARD |
| | 5806222 6222 |
| F4 | DOUBLE CARD |
| | 5806222 6222 |
| F6 | DOUBLE CARD |
| | 5806222 6222 |
| G4 | DOUBLE CARD |
| | 5806222 6222 |
| H4 | DOUBLE CARD |
| | 5806222 6222 |
| H6 | DOUBLE CARD |
| | 5806222 6222 |
| J4 | DOUBLE CARD |
| | 5806222 6222 |

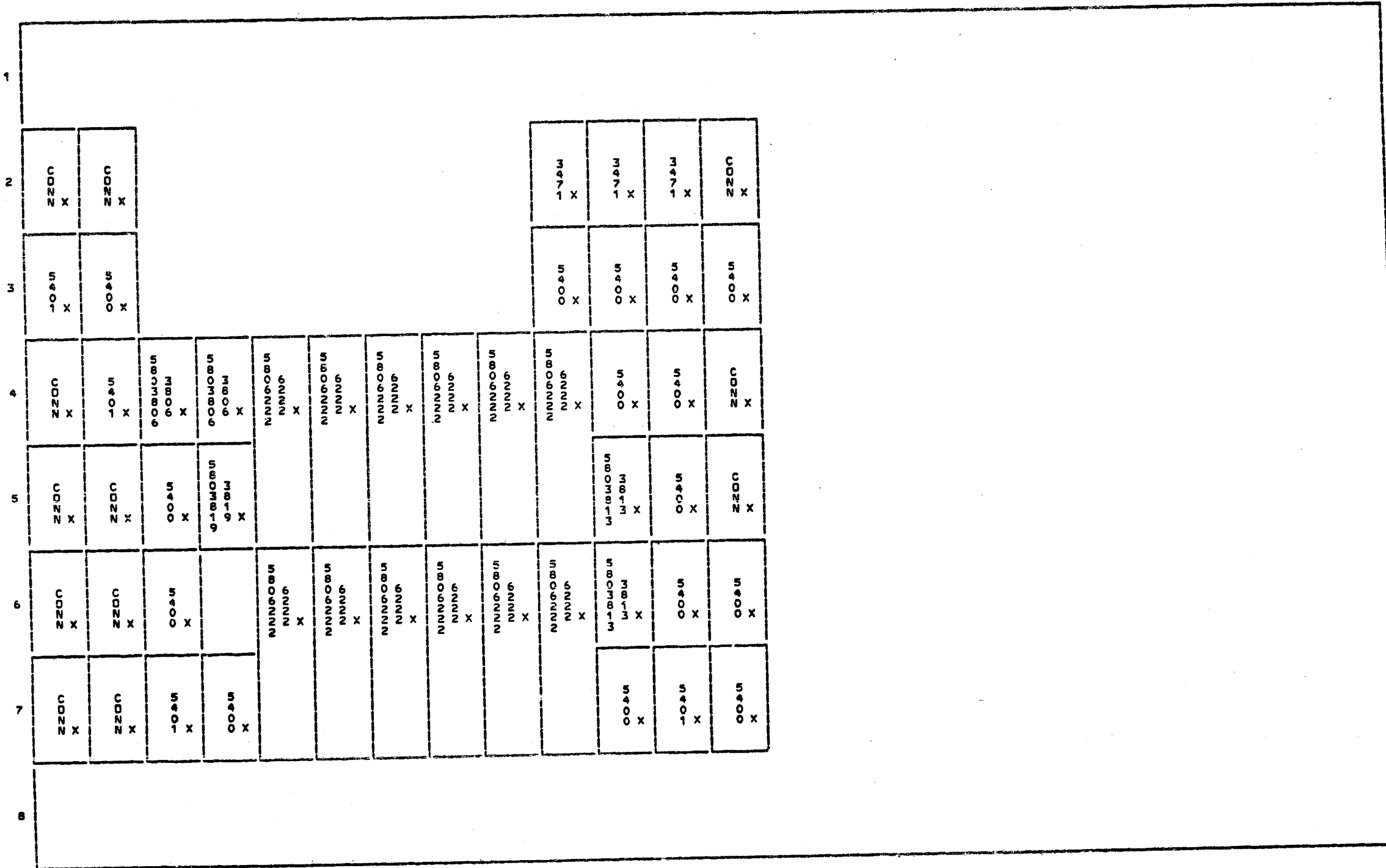
| | |
|-------|-------------------|
| PR205 | A1 A2 A3 A4 B1 B2 |
| | B3 B4 C1 C2 C3 C4 |
| J6 | DOUBLE CARD |
| | 5806222 6222 |
| PR212 | A1 A2 A3 A4 B1 B2 |
| | B3 B4 C1 C2 C3 C4 |
| K2 | SINGLE CARD |
| | 3471 |
| K3 | SINGLE CARD |
| | 5400 |
| K4 | DOUBLE CARD |
| | 5806222 6222 |
| K6 | DOUBLE CARD |
| | 5806222 6222 |
| L2 | SINGLE CARD |
| | 3471 |
| L3 | SINGLE CARD |
| | 5400 |
| L4 | SINGLE CARD |
| | 5400 |
| L5 | SINGLE CARD |
| | 5803813 3813 |
| L6 | SINGLE CARD |
| | 5803813 3813 |
| L7 | SINGLE CARD |
| | 5400 |
| M2 | SINGLE CARD |
| | 3471 |
| M3 | SINGLE CARD |
| | 5400 |
| M4 | SINGLE CARD |
| | 5400 |
| M5 | SINGLE CARD |
| | 5400 |

| | |
|--------------|--------------|
| R6 | SINGLE CARD |
| | 5400 |
| R7 | SINGLE CARD |
| | 5401 |
| N2 | CONNECTOR |
| | B02 PR101AA4 |
| B03 PR101AL4 | |
| B04 PR101AB4 | |
| B05 PR101AF4 | |
| B07 PR101AC4 | |
| B08 PR101AN4 | |
| B09 PR101AD4 | |
| B10 PR101AP4 | |
| B12 PR101AE4 | |
| N3 | SINGLE CARD |
| | 5400 |
| N4 | CONNECTOR |
| | B02 PR311001 |
| B03 PR101AQ4 | |
| B04 PR101AG4 | |
| B05 PR101AR4 | |
| B07 PR101AH4 | |
| B08 PR101AS4 | |
| B09 PR101AJ4 | |
| B10 PR101AT4 | |
| B12 PR101AK4 | |
| B13 PR301AR9 | |
| D02 PR301AP4 | |
| D04 PR301AP6 | |
| D06 PR301AR3 | |
| D07 PR301AP2 | |
| D09 PR301AR5 | |
| D10 PR301AB2 | |
| D11 PR301AB4 | |
| D12 PR301AB6 | |
| D13 PR301AD1 | |
| N5 | CONNECTOR |
| | B02 PR301AF2 |
| | B03 PR301AF6 |
| | B04 PR301AH3 |
| | B05 PR301AH7 |
| | B07 PR301AK2 |
| | B08 PR301AK6 |
| | B09 PR301AM3 |
| | B10 PR301AM7 |
| | B12 PR301AD3 |
| | B13 PR301AD5 |
| | D02 PR301AF4 |
| | D04 PR301AH1 |
| D05 PR301AH5 | |
| D06 PR301AH9 | |
| D07 PR301AK4 | |
| D09 PR301AM1 | |
| D10 PR301AM5 | |
| D11 PR301AM9 | |
| D12 PR301AD7 | |
| D13 PR301AD9 | |
| N6 | SINGLE CARD |
| | 5400 |
| N7 | SINGLE CARD |
| | 5400 |

| PLUG LIST | | | | |
|-----------|-------------|-------------|---------|-------|
| PART NO | ACC | TYPE | SOCKETS | TOTAL |
| 5803806 | 3606 | C4 D4 | | 02 |
| 5803813 | 3813 | L5 L6 | | 02 |
| 5803819 | 3819 | D5 | | 01 |
| 5806222 | 6222 | E4 E6 F4 F6 | | 12 |
| | | G4 G6 H4 H6 | | |
| | | J4 J6 K4 K6 | | |
| | 3471 | K2 L2 M2 | | 03 |
| | 5400 | B3 C5 C6 D7 | | 15 |
| | | M3 M4 M5 M6 | | |
| | | N3 N6 N7 | | |
| | 5401 | A3 B4 C7 M7 | | 04 |
| CONN | A2 A4 A5 A6 | | | 12 |
| | | B7 B2 B5 B6 | | |
| | | B7 N2 N4 N5 | | |

SOCKET LISTING
 DATE 08-21-68 RACH# 1132
 LOG 1271 BOARD 03A-A1
 PREV. ENGR. - -
 PRES. ENGR. 08-20-68 131289
 P#N# 2201222
 IBM CORP. SDD BLK.

A B C D E F G H J K L M N P Q R S T U V W X Y Z



-0000-

SYMBOLS
X NO RULE SOCKET
CONFLICT
PORTIONS LEFT

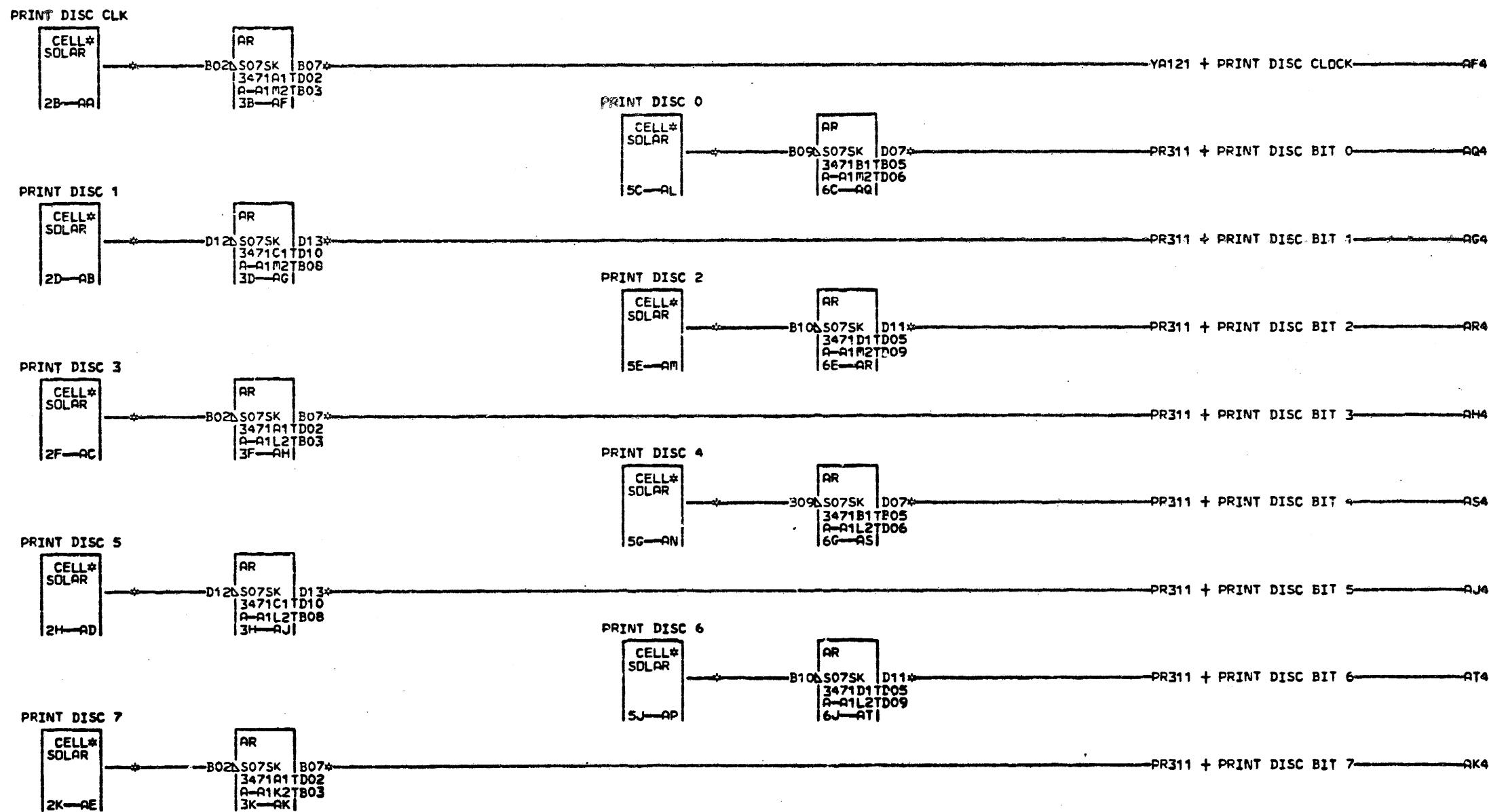
SLDA CHART
DATE 09-09-68 RACH. 1132
LOG 1350 BOARD 03A-A1
PREV. ENGR. 03-03-67 419621C
PRES. ENGR. 08-20-68 131289
P.N. 2201222
IBM CORP. SDD BLK.

P
R
R
0
0
1
000

2-5

21

AD1



SOLAR CELL COMMON CONNECTIONS
ON PAGE PR111

| | | | |
|-----|-----------|-----|-----------|
| AA4 | A-A1N2B02 | AK4 | A-A1N4B12 |
| AB4 | A-A1N2B04 | AL4 | A-A1N2B03 |
| AC4 | A-A1N2B07 | AM4 | A-A1N2B05 |
| AD4 | A-A1N2B09 | AN4 | A-A1N2B08 |
| AE4 | A-A1N2B12 | AP4 | A-A1N2B10 |
| AF4 | A-A1N4D04 | AQ4 | A-A1N4BC3 |
| AG4 | A-A1N4B04 | AR4 | A-A1N4B05 |
| AH4 | A-A1N4B07 | AS4 | A-A1N4B08 |
| AJ4 | A-A1N4B09 | AT4 | A-A1N4B10 |

02-17-65 415480
04-12-65 415480C

| | | |
|---------------------------------------|------------|------------|
| PRINT DISC SOLAR CELLS AND AMPLIFIERS | | |
| DATE | 05-18-65 | MACH. 1132 |
| LDG | 112C FRAME | 03 |
| P.No. 2201160 | | |
| IBM CORP. | GPD BLK. | AU |

PR101
000

22

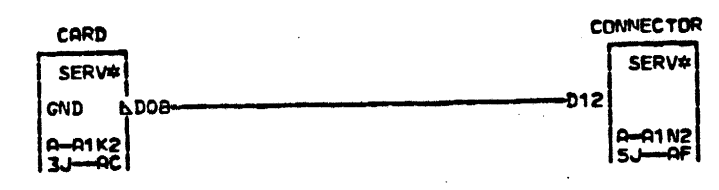
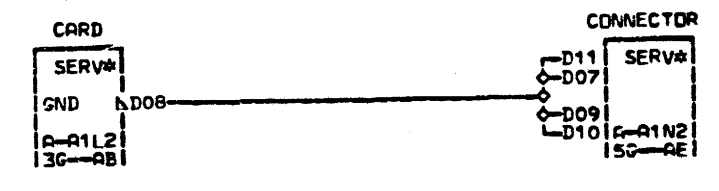
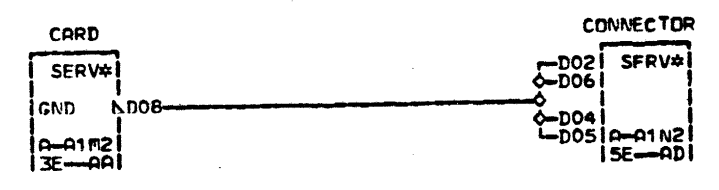
DUMMY
 5401
 A-A1A3
 2B-AG
 DUMMY
 5400
 A-A1C5
 2C-AM

DUMMY
 5401
 A-A1B4
 3B-AH
 DUMMY
 5400
 A-A1C6
 3C-AN

DUMMY
 5401
 A-A1C7
 4B-AJ
 DUMMY
 5400
 A-A1D7
 4C-AP

DUMMY
 5401
 A-A1M7
 5B-AK
 DUMMY
 5400
 A-A1K3
 5C-AQ

DUMMY
 5400
 A-A1B3
 6B-AL
 DUMMY
 5400
 A-A1L3
 6C-AR



DUMMY
 5400
 A-A1L4
 2L-AS
 DUMMY
 5400
 A-A1M6
 2M-AX

DUMMY
 5400
 A-A1L7
 3L-AT
 DUMMY
 5400
 A-A1N3
 3M-AY

DUMMY
 5400
 A-A1M3
 4L-AU
 DUMMY
 5400
 A-A1N6
 4M-AZ

DUMMY
 5400
 A-A1M4
 5L-AV
 DUMMY
 5400
 A-A1N7
 5M-BA

DUMMY
 5400
 A-A1M5
 6L-AW

02-17-65 415480
 04-13-65 415480C
 09-17-65 415486

SOLAR CELL COMMON CONNECTIONS
 DUMMY CARDS
 DATE 09-21-65 MACH. 1132
 LOG 264C FRAME 03
 P.No. 2201161
 IBM CORP. GPD BLK. BB

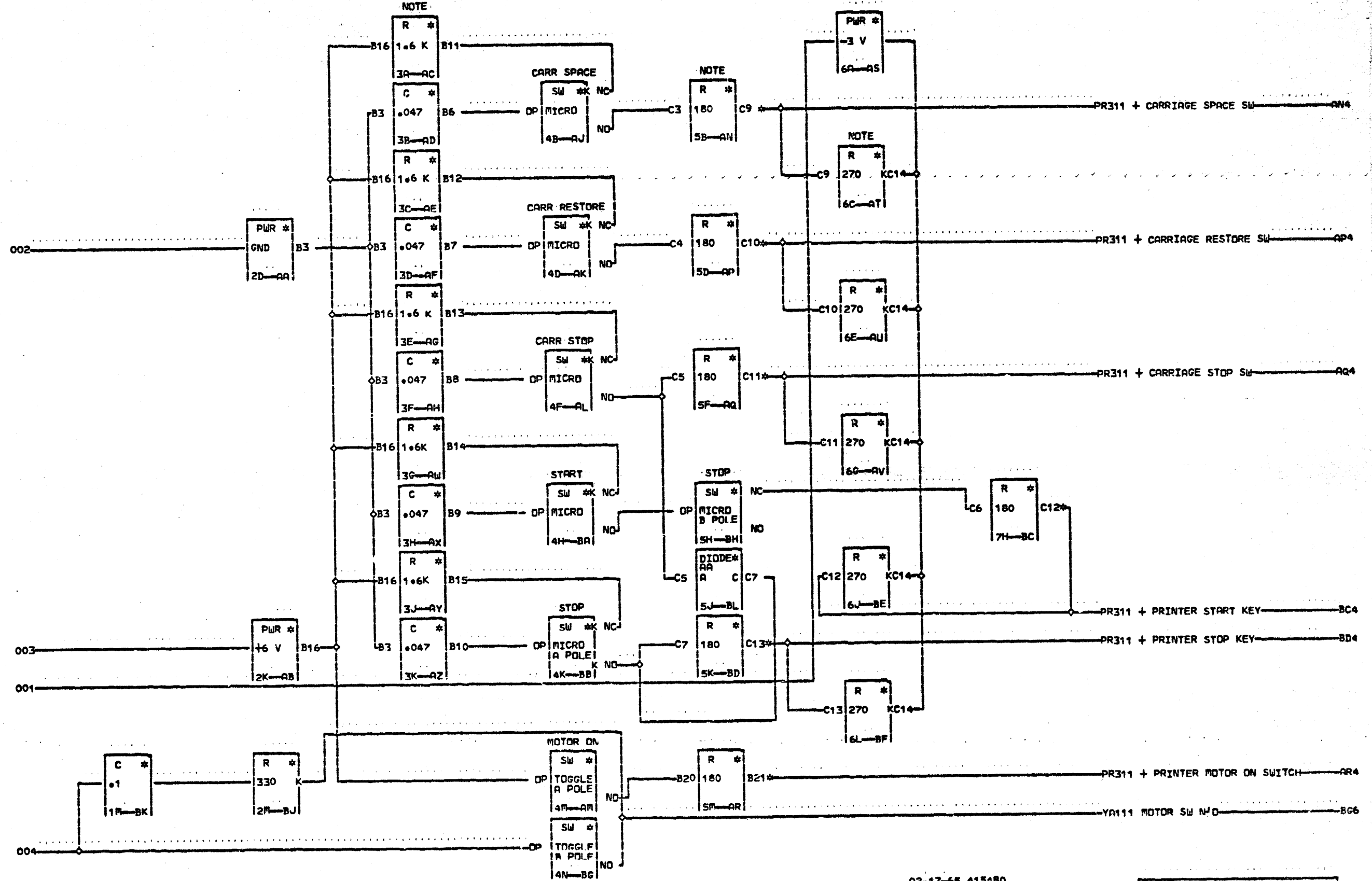
PR111
 000

COMP PNL PWR GND YA101

COMP PNL PWR +6V YA101

COMP PNL PWR -3V YA101

MOTOR SW SFG YA111

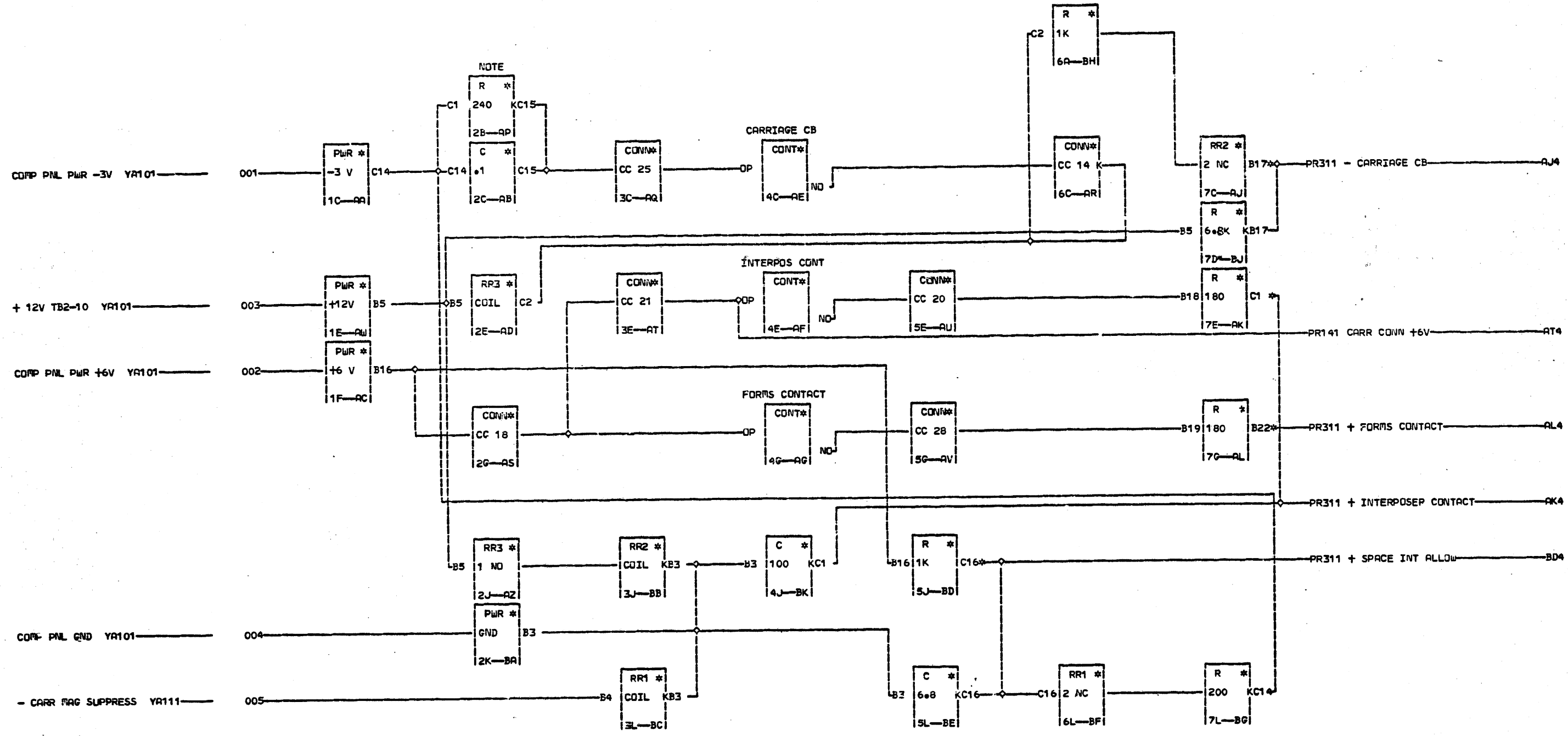


NOTE SEE PAGE YA141 FOR CKT DIAGRAM AND PAGE YA142 FOR TIMING CHART

- AN4 A-A1A2D05
- AP4 A-A1A2D06
- AQ4 A-A1A2D07
- AR4 A-A1A2D09
- AC4 A-A1A2D02
- 03A-A1B2D02
- BD4 A-A1A2B03
- 03A-A1B2B03

- 02-17-65 415480
- 04-13-65 415480C
- 07-20-65 415482
- 10-21-65 415492
- 03-08-66 415754B
- 08-10-66 419621
- 11-18-66 419621B

| | | | |
|-----------------------------|----------|------------|---------|
| PRINTER OPERATOR'S SWITCHES | | | |
| DATE | 11-10-66 | MACH. 1132 | |
| LDC | 314M | FRAME | 03121 |
| | | Part No. | 2201162 |
| IBM CORP. | GPD | RLK. | RM |



NOTE SEE PAGE YA141
FOR CKT DIAGRAM AND
PAGE YA142 FOR TIMING CHART

P
R
1
3
1

000

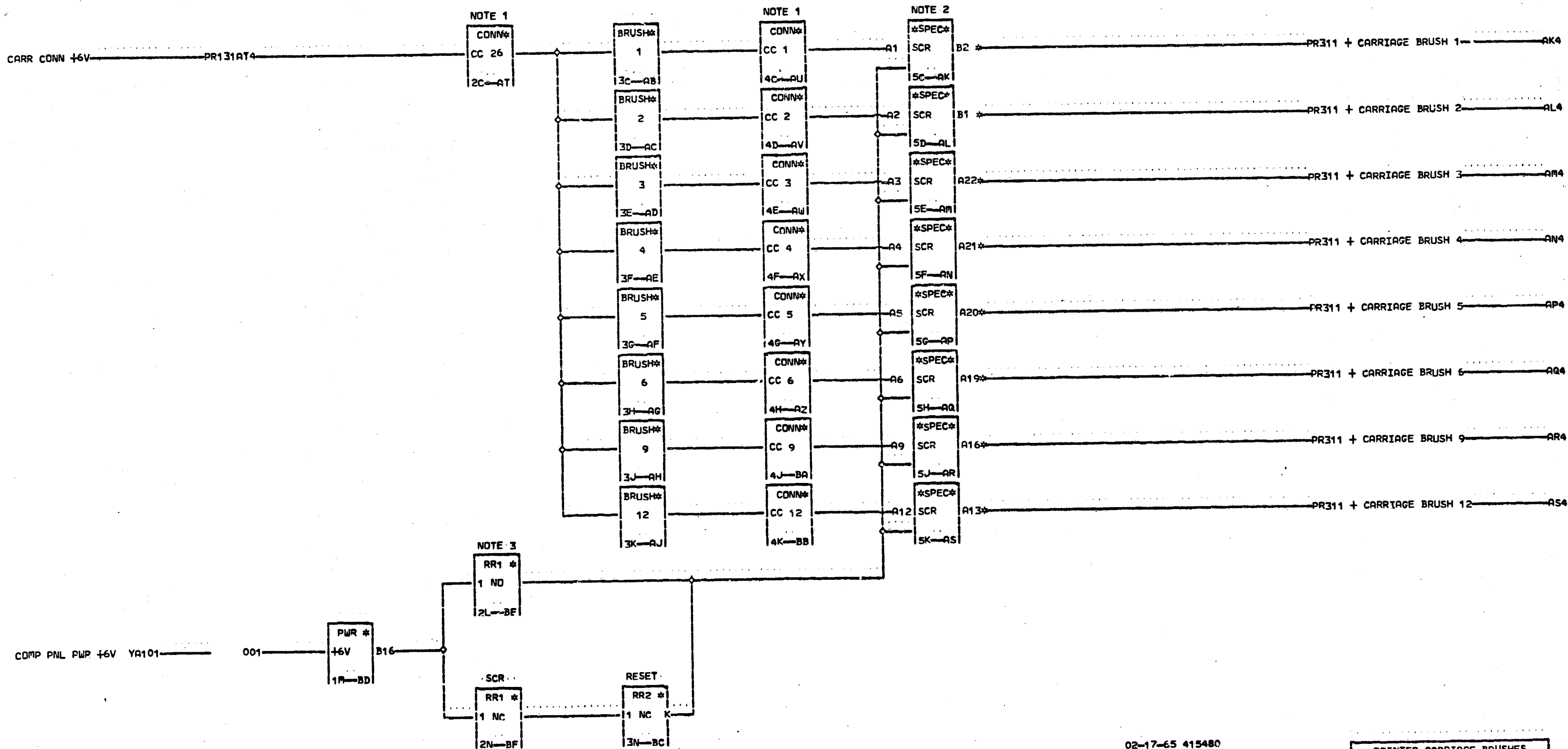
AJ4 A-A1A2D10
AK4 A-A1A2D11
AL4 A-A1A2D12
BD4 A-A1A2D13

02-17-65 415480
04-13-65 415480C
07-20-65 415482
10-21-65 415492
01-17-66 415768
08-10-66 419621
10-03-66 419621A
11-18-66 419621B
12-15-66 419634
09-07-67 131261

| PRINTER CARRIAGE CONTENTS | | | |
|---------------------------|----------|-------|---------|
| DATE | 09-14-67 | MACH. | 1132 |
| LOG | 1186 | FRAME | 03 |
| | | P.N. | 2201163 |
| IBM CORP. | GPD | BLK. | BL |

P
R
1
3
1

000

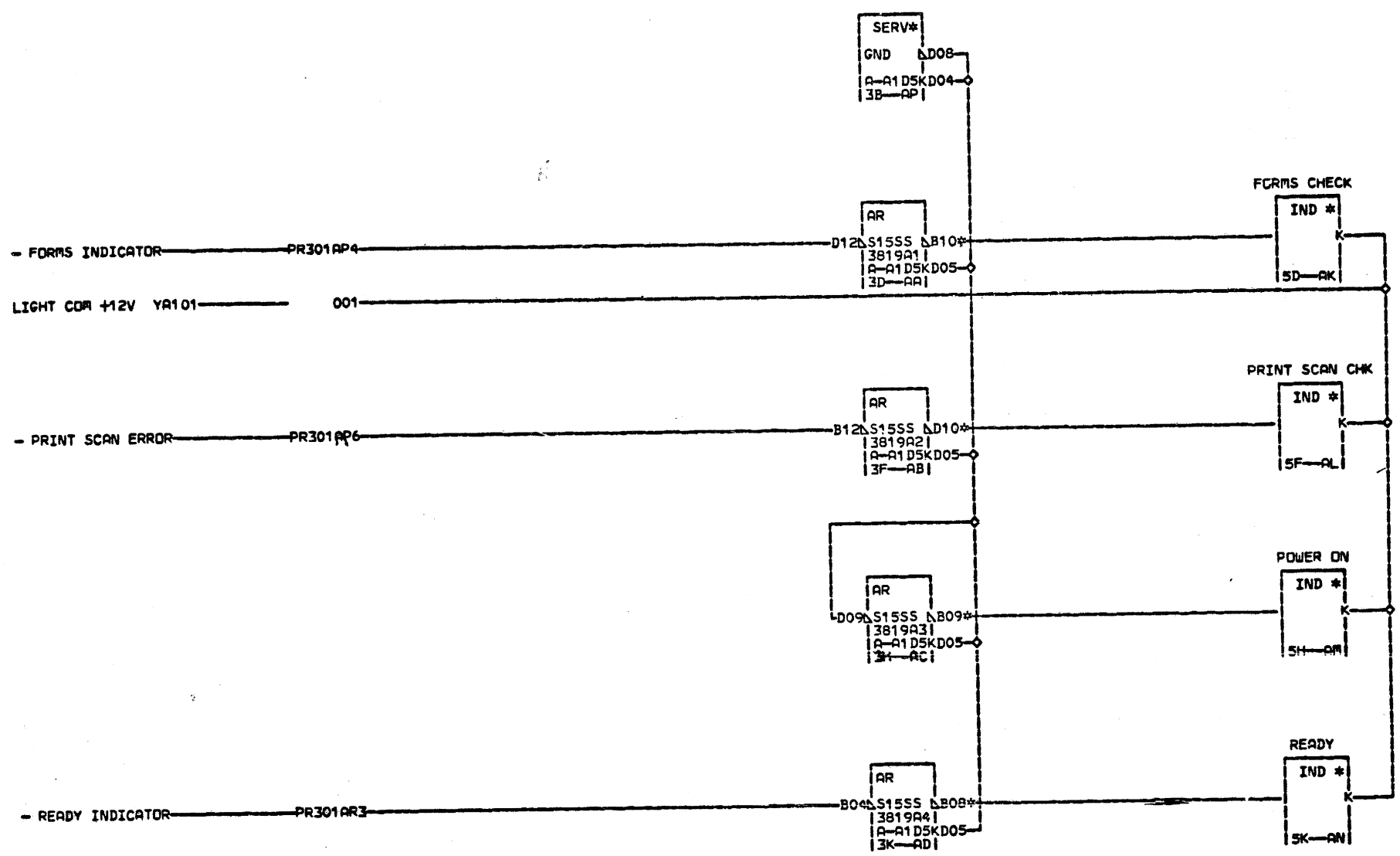


NOTE 1 SEE PAGE YA141
 FOR PICTURE OF CONN
 P NOTE 2 SEE PAGE YA141
 R FOR CKY DIAGRAM AND
 1 PAGE YA142 FOR TIMING CHART
 4 NOTE 3 USED TO RESET
 1 SCR LATCHES

AK4 A-A1A2B04 03A-A1B2B09
 AL4 A-A1A2B05 03A-A1B2B10
 AM4 A-A1A2B07 03A-A1B2B12
 AN4 A-A1A2B08 03A-A1B2B13
 AP4 A-A1A2B09 03A-A1B2B08

02-17-65 415480
 04-13-65 415480C
 07-20-65 415482
 10-21-65 415492
 08-10-66 419621
 11-18-66 419621B

| PRINTER CARRIAGE BRUSHES | | | |
|--------------------------|----------|-------|---------|
| DATE | 11-10-66 | MACH# | 1132 |
| LOG | 314M | FRAME | 03 |
| | | P.No | 2201164 |
| IBM CORP. | GPD | BLK. | BG |

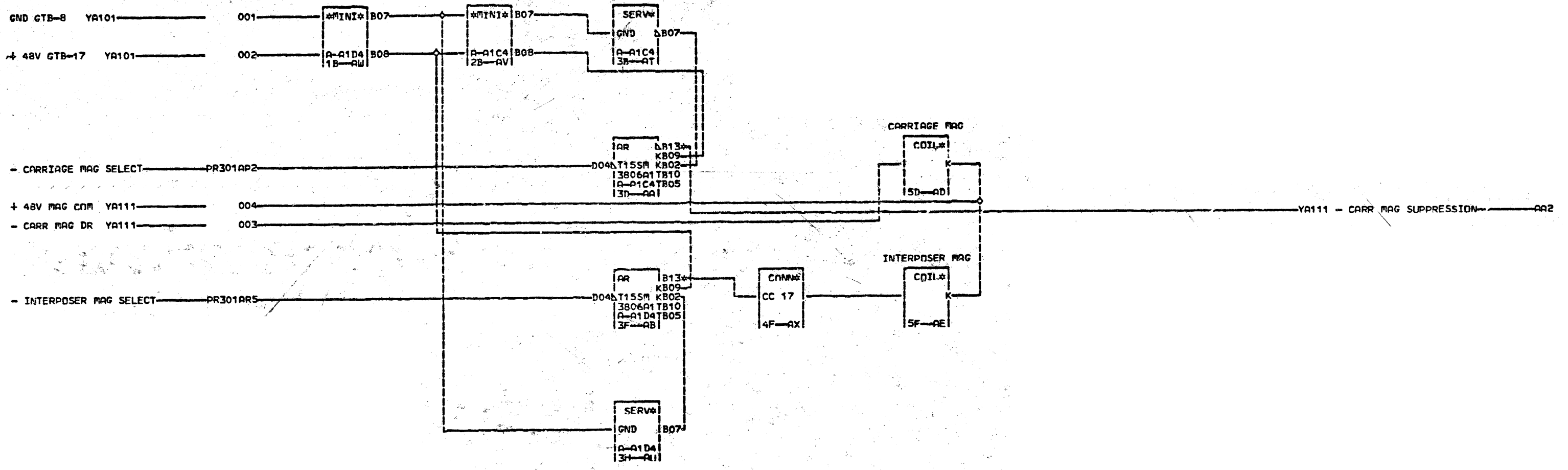


AA4 P-A1A4B02
 AB4 P-A1A4B03
 AC4 P-A1A4B04
 AD4 P-A1A4B05

02-17-65 415480
 03-04-65 415480A
 04-13-65 415480C
 07-20-65 415482
 08-24-68 131289

PRINTER INDICATORS AND DRIVERS
 DATE 08-21-68 MACH. 1132
 LOG 1271 FRAME 03
 P.No. 2201165
 IBM CORP. GPD BLK. AQ

PR151
 000



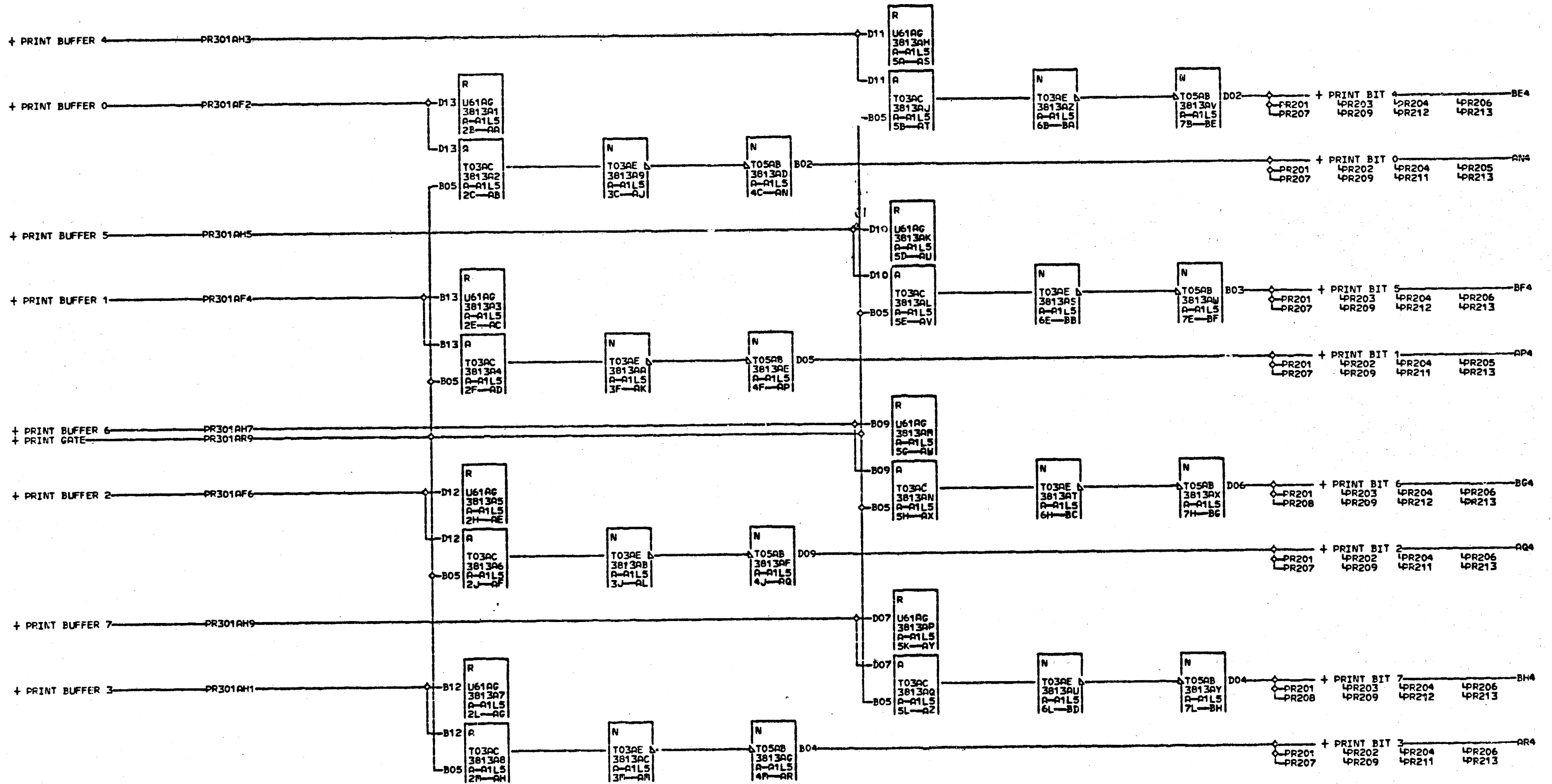
AA2 A-A1A4B12
 AB2 A-A1A4B13

02-17-65 415480
 03-04-65 415480A
 04-13-65 415480C
 07-20-65 415482
 10-21-65 415492

| | | | |
|--------------------------------------|----------|-------|---------|
| PRINTER CARRIAGE MAGNETS AND DRIVERS | | | |
| DATE | 10-21-65 | MACH. | 1132 |
| LDG | 294J | FRAMF | 03 |
| | | P.No. | 2201166 |
| IBM CORP. | GPD | RLK. | AY |

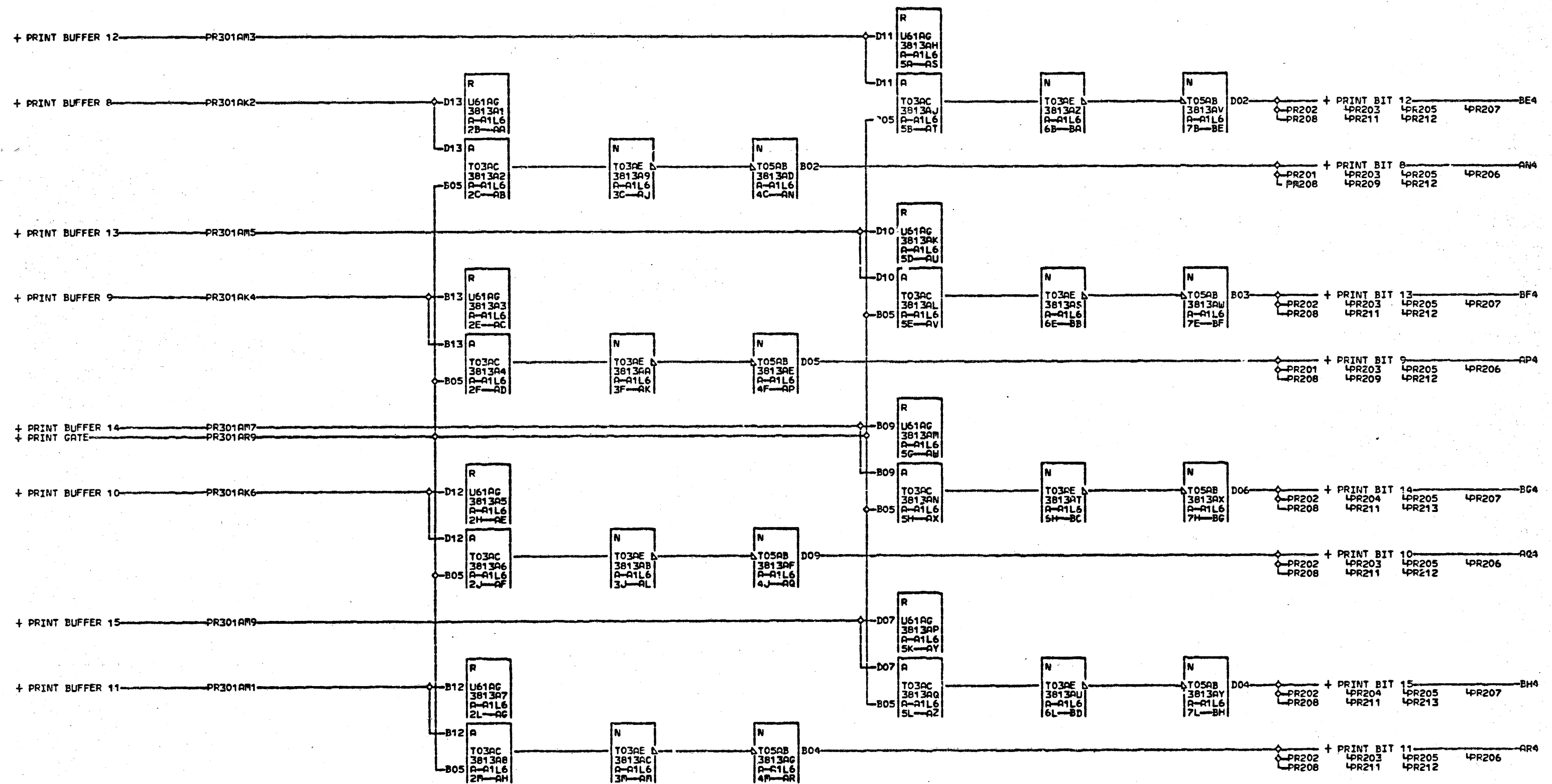
PR
 1
 6
 1
 000

PR
 1
 6
 1
 000



02-17-65 415480
 04-13-65 415480C
 07-20-65 415482

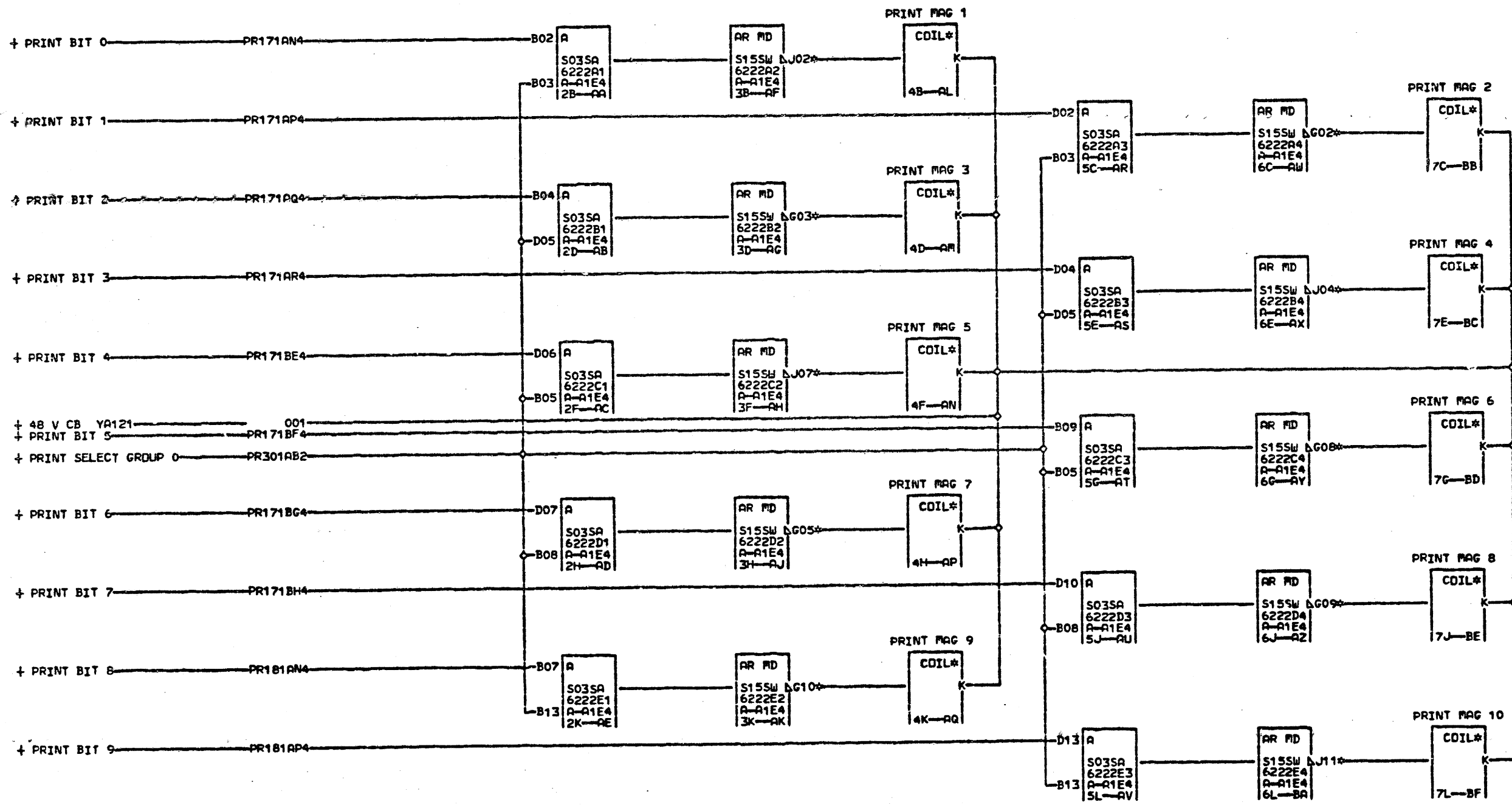
| | | |
|-----------------------|------------|------------|
| PRINTER DATA POWERING | | |
| BITS C - 7 | | |
| DATE | 07-20-65 | NACH. 1132 |
| LOG | 201F FRAME | 03 |
| P.No. 2201167 | | |
| IBM COPP. | GPD BLK. | BJ |



02-17-65 415480
 04-13-65 415480C
 07-20-65 415482

| | | |
|-----------------------|----------|------------|
| PRINTER DATA POWERING | | |
| BITS 8 - 15 | | |
| DATE | 07-20-65 | MACH. 1132 |
| LDC | 201F | FRAME 03 |
| P.No. 2201168 | | |
| IBM CORP. | GPD BLK. | BJ |

2



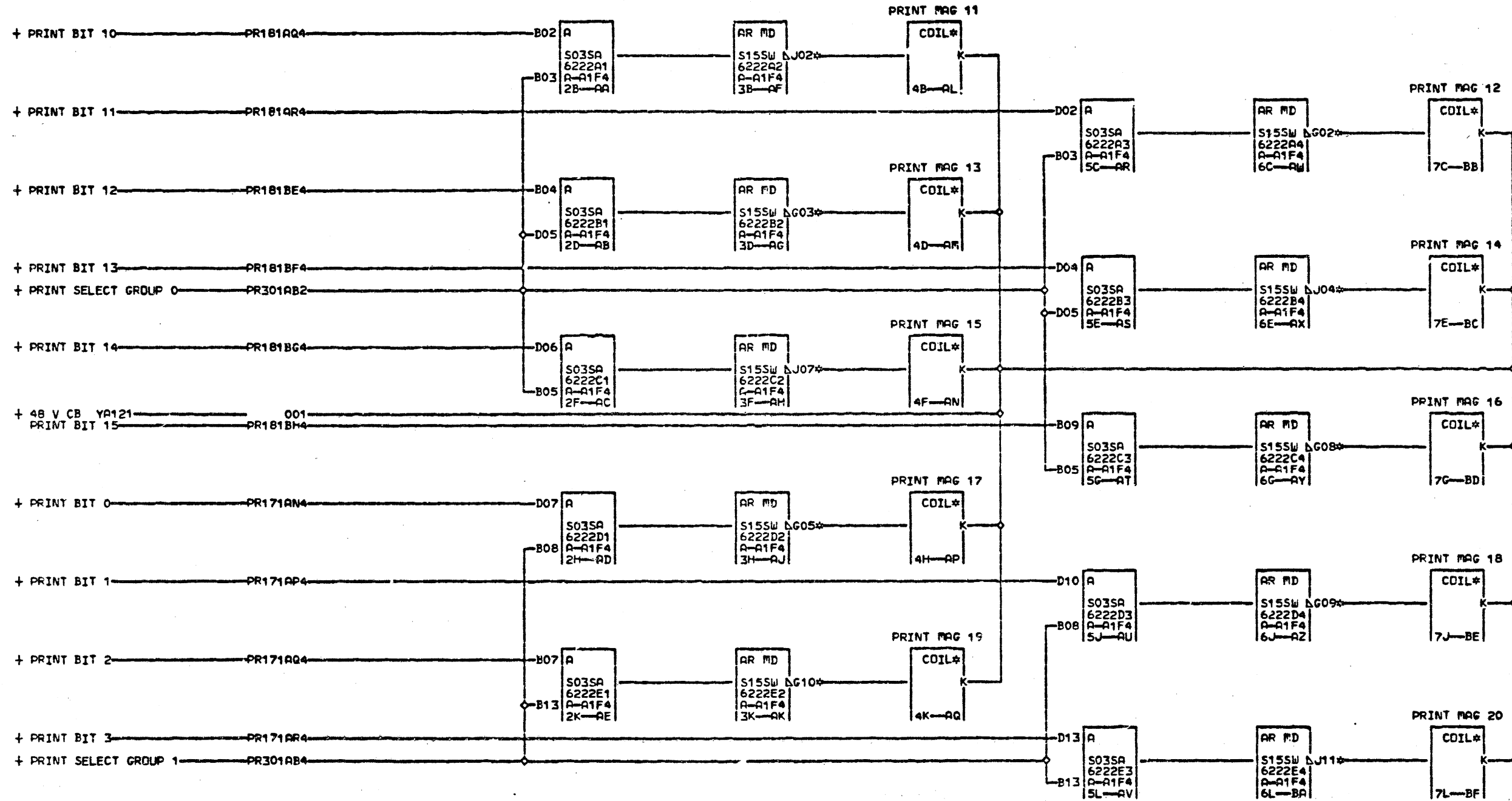
AF4 A-A1A5B02 BA4 A-A1A5B13
 AG4 A-A1A5B04
 AH4 A-A1A5B07
 AJ4 A-A1A5B09
 AK4 A-A1A5B12
 AL4 A-A1A5B03
 AM4 A-A1A5B05
 AN4 A-A1A5B08
 AP4 A-A1A5B10

02-17-65 415480
 04-13-65 415490C
 07-20-65 415482

PRINT MAGNETS AND DRIVERS
 1-10
 DATE 07-20-65 PACH# 1132
 LOG 201F FRAME 03
 P.No. 2201169
 IBM CORP. CPD BLK. BG

P
R
I
N
T
E
R
0
0
0

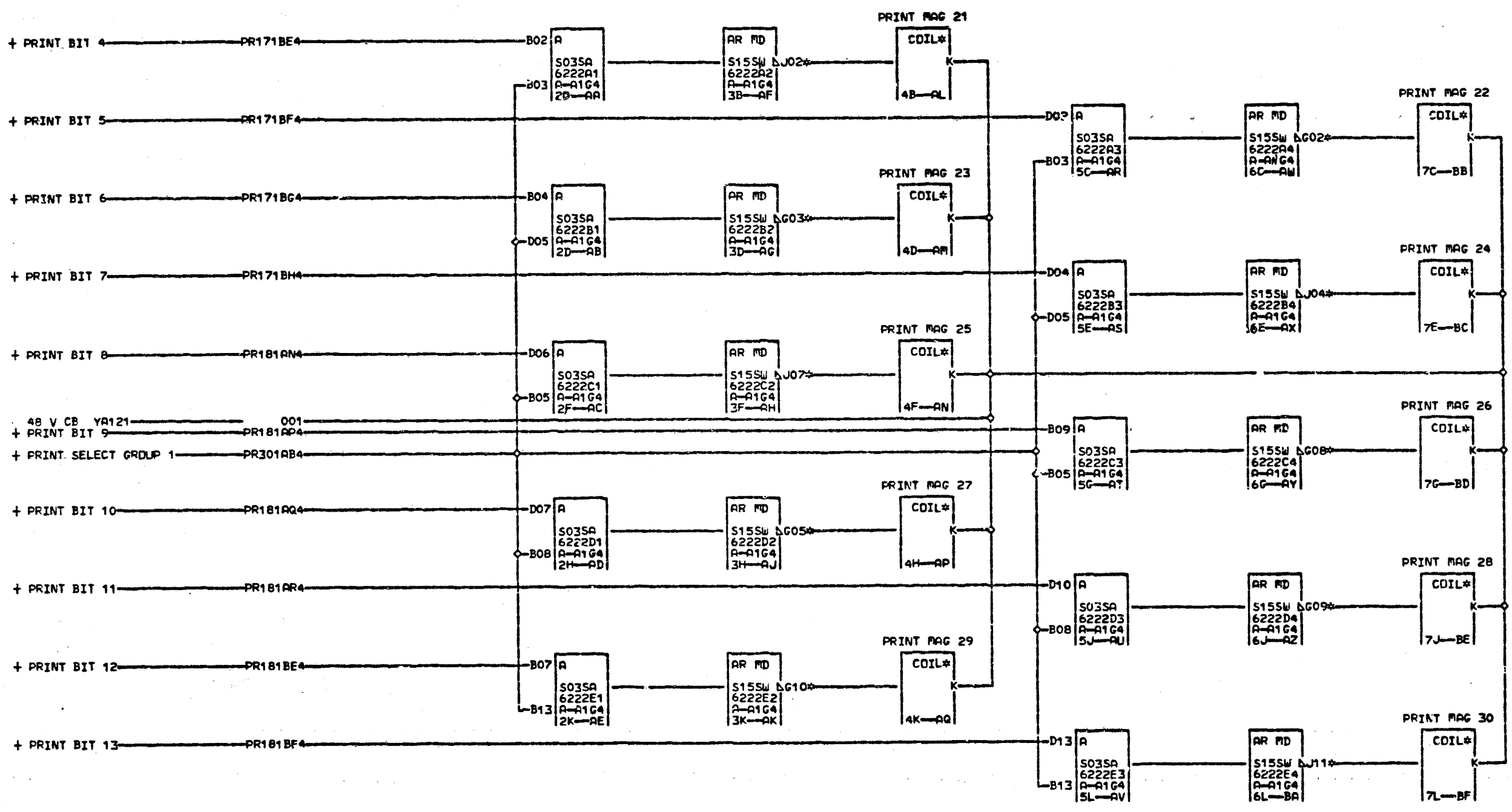
P
R
I
N
T
E
R
0
0
0



AF4 A-A1A5D02 B04 A-A1A5D13
 AG4 A-A1A5D05
 AH4 A-A1A5D07
 AJ4 A-A1A5D10
 AK4 A-A1A5D12
 AL4 A-A1A5D04
 AM4 A-A1A5D06
 AN4 A-A1A5D09
 AO4 A-A1A5D11

02-17-65 415480
 04-13-65 415480C
 07-20-65 415482

PRINT MAGNETS AND DRIVERS
 11-20
 DATE 07-20-65 MACH. 1132
 LOG 201F FRAME 03
 P.N. 2201170
 IBM CORP. GPD BLK. BG



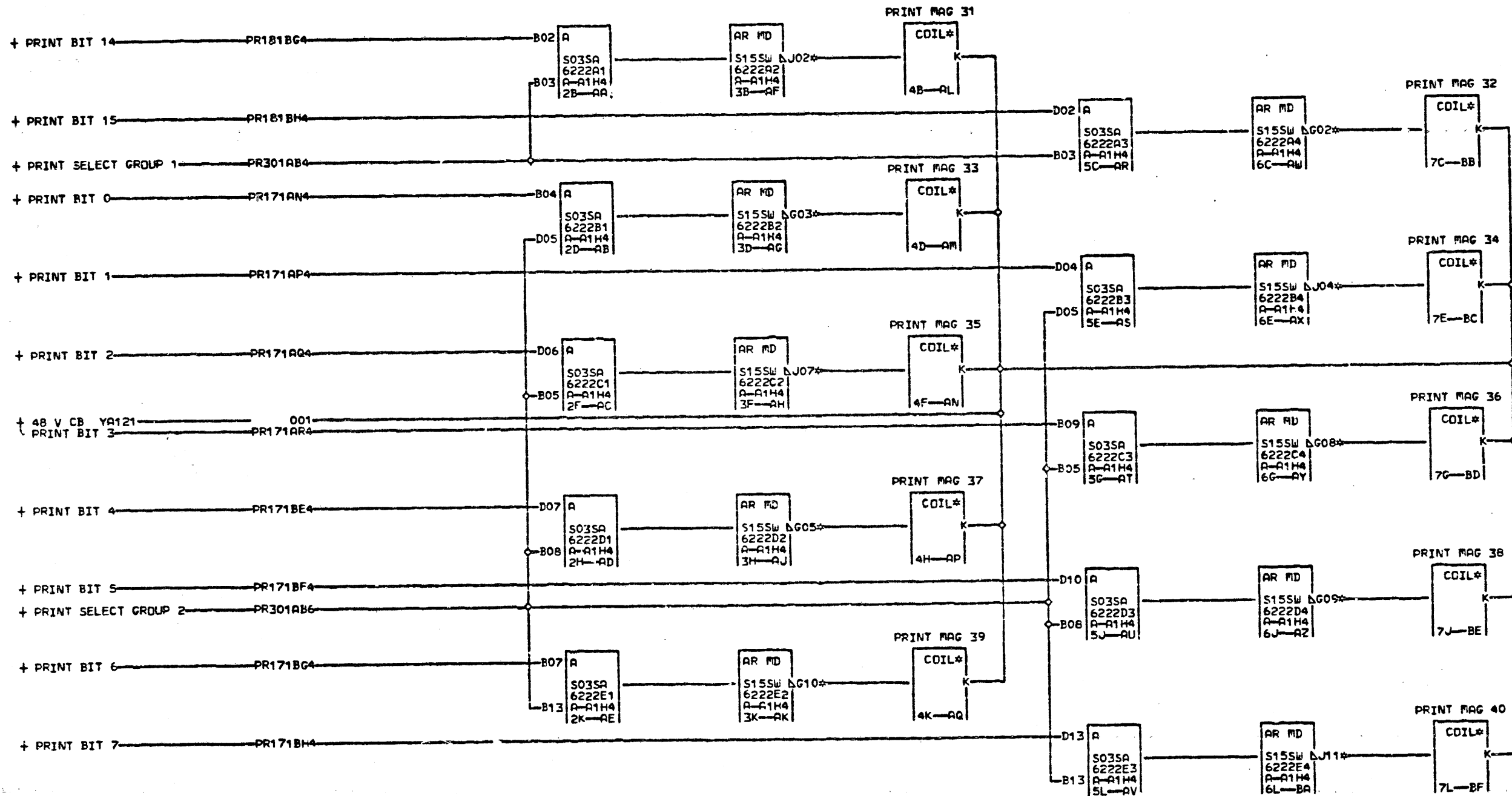
P
R
2
0
3
000

AF4 A-A1B5B02 BA4 A-A1B5B13
 AG4 A-A1B5B04
 AH4 A-A1B5B07
 AJ4 A-A1B5B09
 AK4 A-A1B5B12
 AL4 A-A1B5B03
 AM4 A-A1B5B05
 AN4 A-A1B5B08
 AP4 A-A1B5B10

02-17-65 415480
 04-13-65 415480C
 07-20-65 415482

PRINT MAGNETS AND DRIVERS
 21-30
 DATE 07-20-65 PACH. 1132
 LOG 201F FRAME 03
 P.No. 2201171
 IBM CORP. GPD BLK. BG

P
R
2
0
3
000



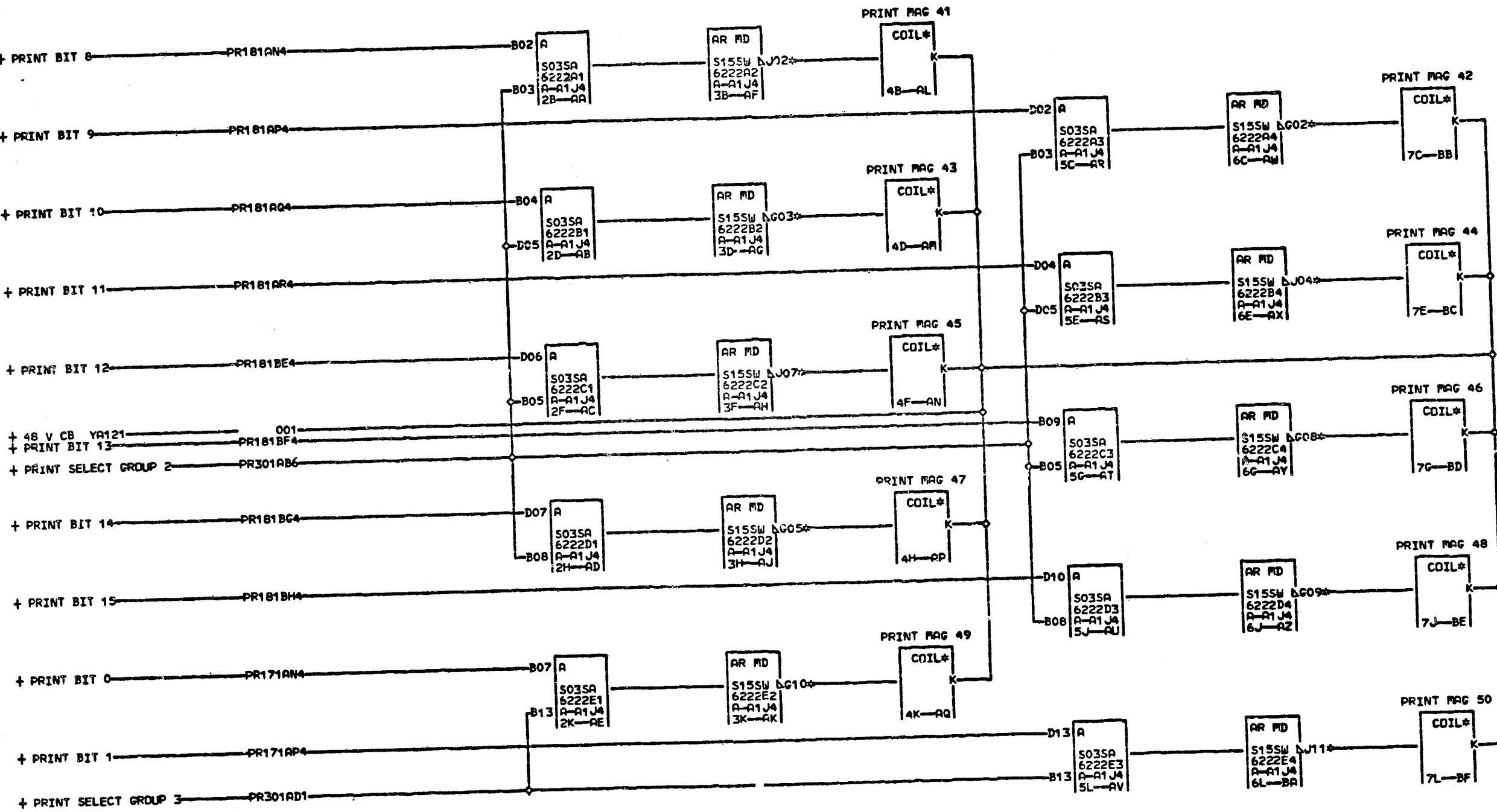
AF4 A-A1B5D02 BA4 A-A1B5D13
 AG4 A-A1B5D05
 AH4 A-A1B5D07
 AJ4 A-A1B5D10
 AK4 A-A1B5D12
 AL4 A-A1B5D04
 AX4 A-A1B5D06
 AY4 A-A1B5D09
 AZ4 A-A1B5D11

02-17-65 415480
 04-13-65 415480C
 07-20-65 415482

PRINT MAGNETS AND DRIVERS
 31-40
 DATE 07-20-65 MACH. 1132
 LOG 201F FRAME 03
 P.No. 2201172
 IBM CORP. GPD ELK. BG

27
 000
 PRR204

40NDP
 000

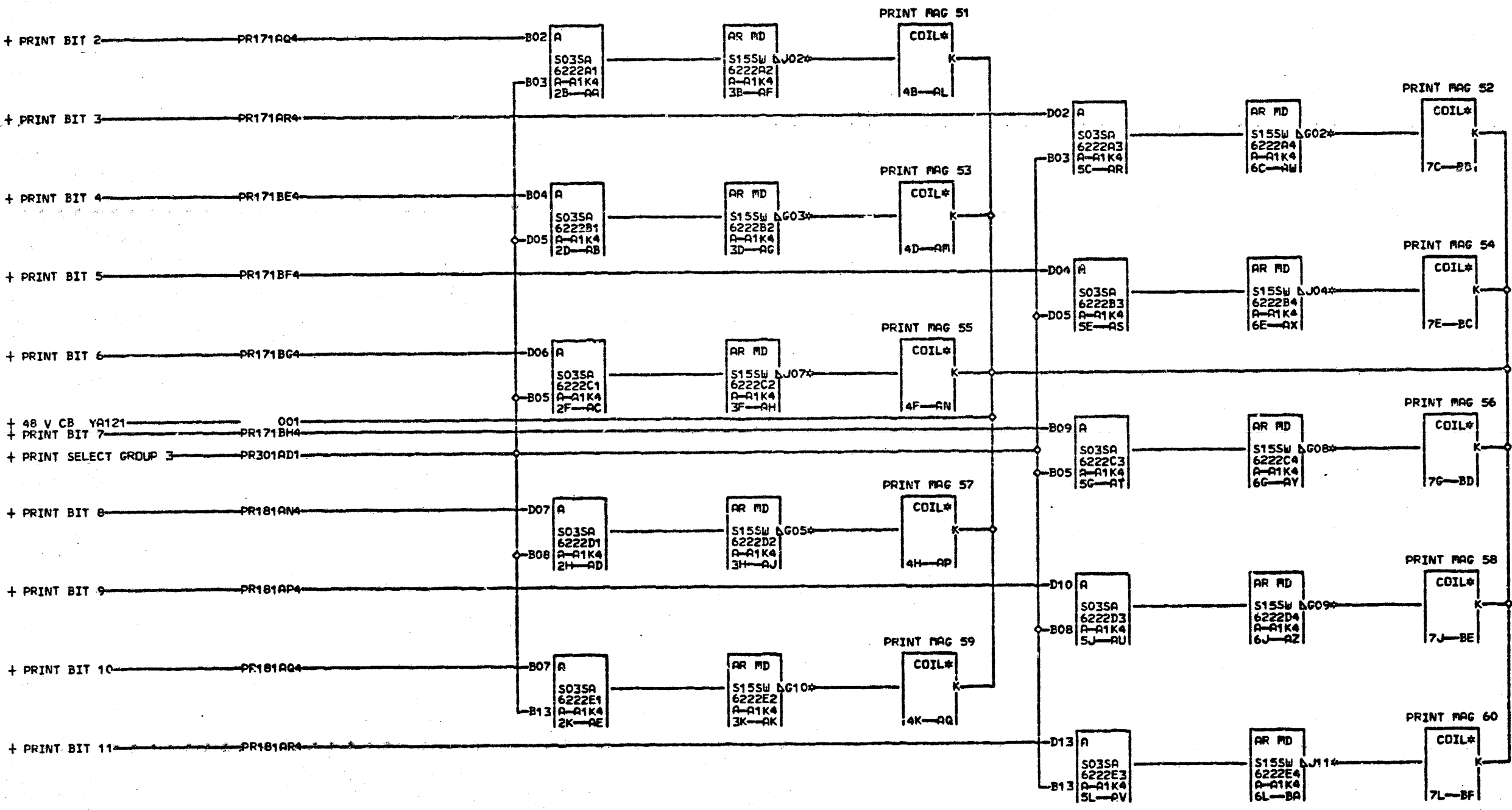


AF4 A-A1A6B02 BA4 A-A1A6B13
 AG4 A-A1A6B04
 AH4 A-A1A6B07
 AJ4 A-A1A6B09
 AK4 A-A1A6B12
 AL4 A-A1A6B03
 AM4 A-A1A6B05
 AN4 A-A1A6B08
 AP4 A-A1A6B10

02-17-65 415480
 04-13-65 415480C
 07-20-65 415482

PRINT MAGNETS AND DRIVERS
 41-50
 DATE 07-20-65 PACH. 1132
 LDC 201F FRAME 03
 P.No. 2201173
 IBM CORP. GPD BLK. BG

22
 000



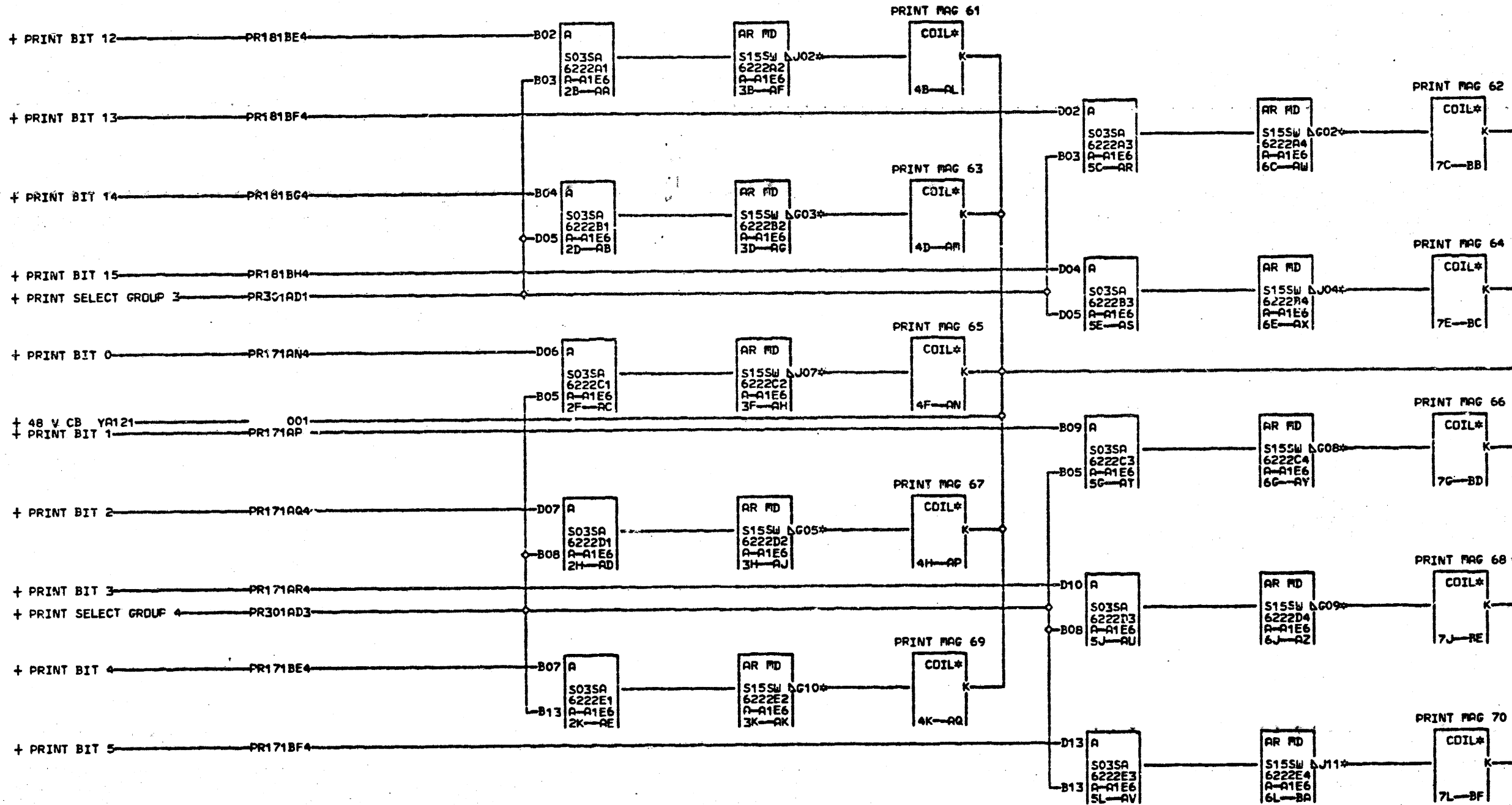
P
R
I
N
T
M
A
G
N
E
T
S
0
0
0

AF4 P 01A6D02 BA4 A-1A6D13
 AG4 P 01A6D05
 AH4 P 01A6D07
 AJ4 P 01A6D10
 AK4 P 01A6D12
 AL4 P 01A6D04
 AM4 P 01A6D06
 AN4 P 01A6D09
 AP4 P 01A6D11

02-17-65 415480
 04-13-65 415480C
 07-20-65 415482

| | | |
|---------------------------|------------|------------|
| PRINT MAGNETS AND DRIVERS | | |
| 51-60 | | |
| DATE | 07-20-65 | PACH. 1132 |
| LOG | 201F FRAME | 03 |
| | P.No. | 2201174 |
| IBM CORP. | GPD BLK. | 8C |

P
R
I
N
T
M
A
G
N
E
T
S
0
0
0



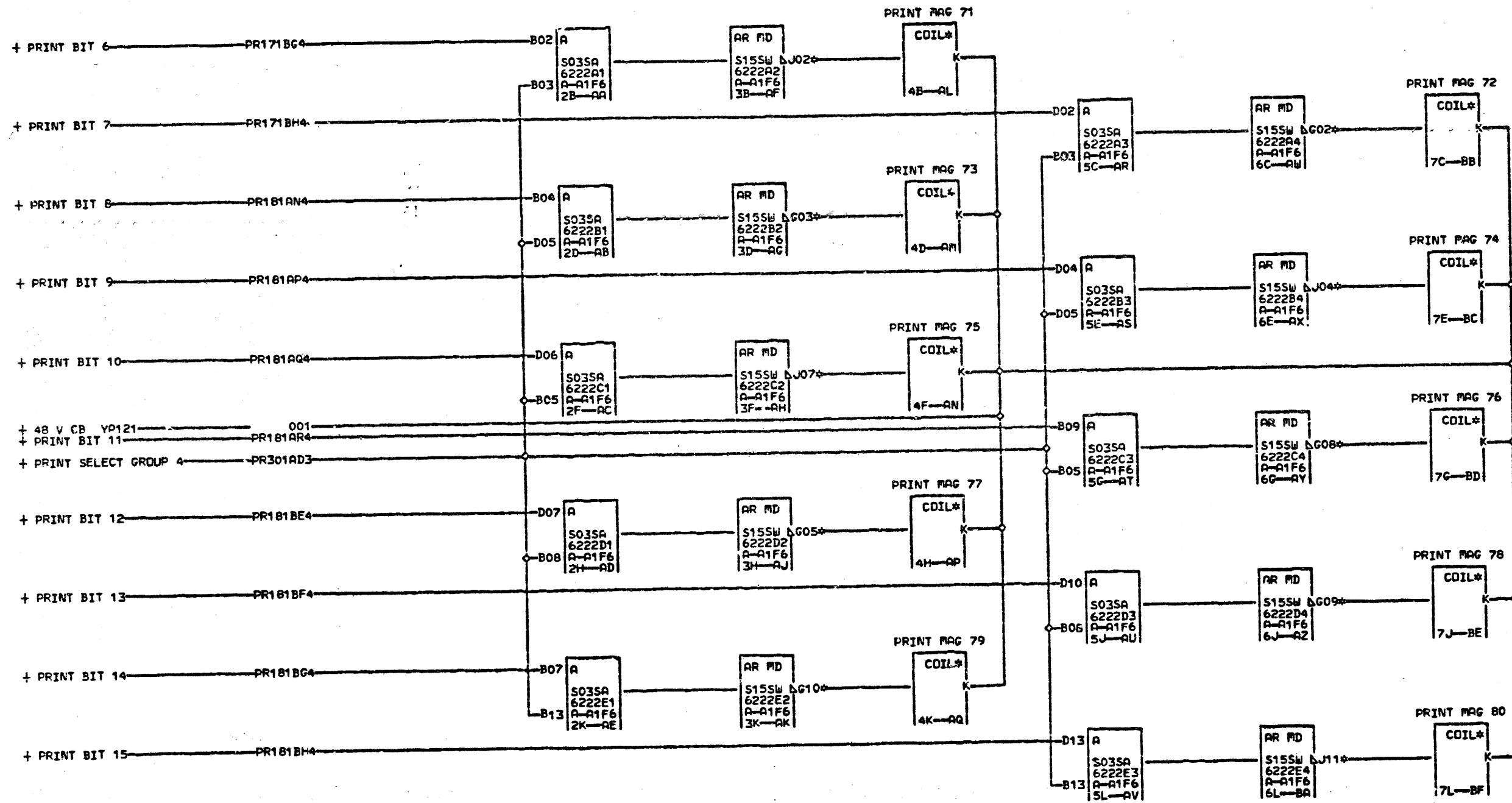
AF4 A-A1B6B02 BA4 A-A1B6B13
 AG4 A-A1B6B04
 AH4 A-A1B6B07
 AJ4 A-A1B6B09
 AK4 A-A1B6B12
 AL4 A-A1B6B03
 AX4 A-A1B6B05
 AY4 A-A1B6B08
 AZ4 A-A1B6B10

02-17-65 415480
 04-13-65 415480C
 07-20-65 415482

PRINT MAGNETS AND DRIVERS
 61-70
 DATE 07-20-65 MACH. 1132
 LOG 201F FRAME 03
 P.No 2201175
 IBM CORP. GPD BLK. 86

000
 000

000



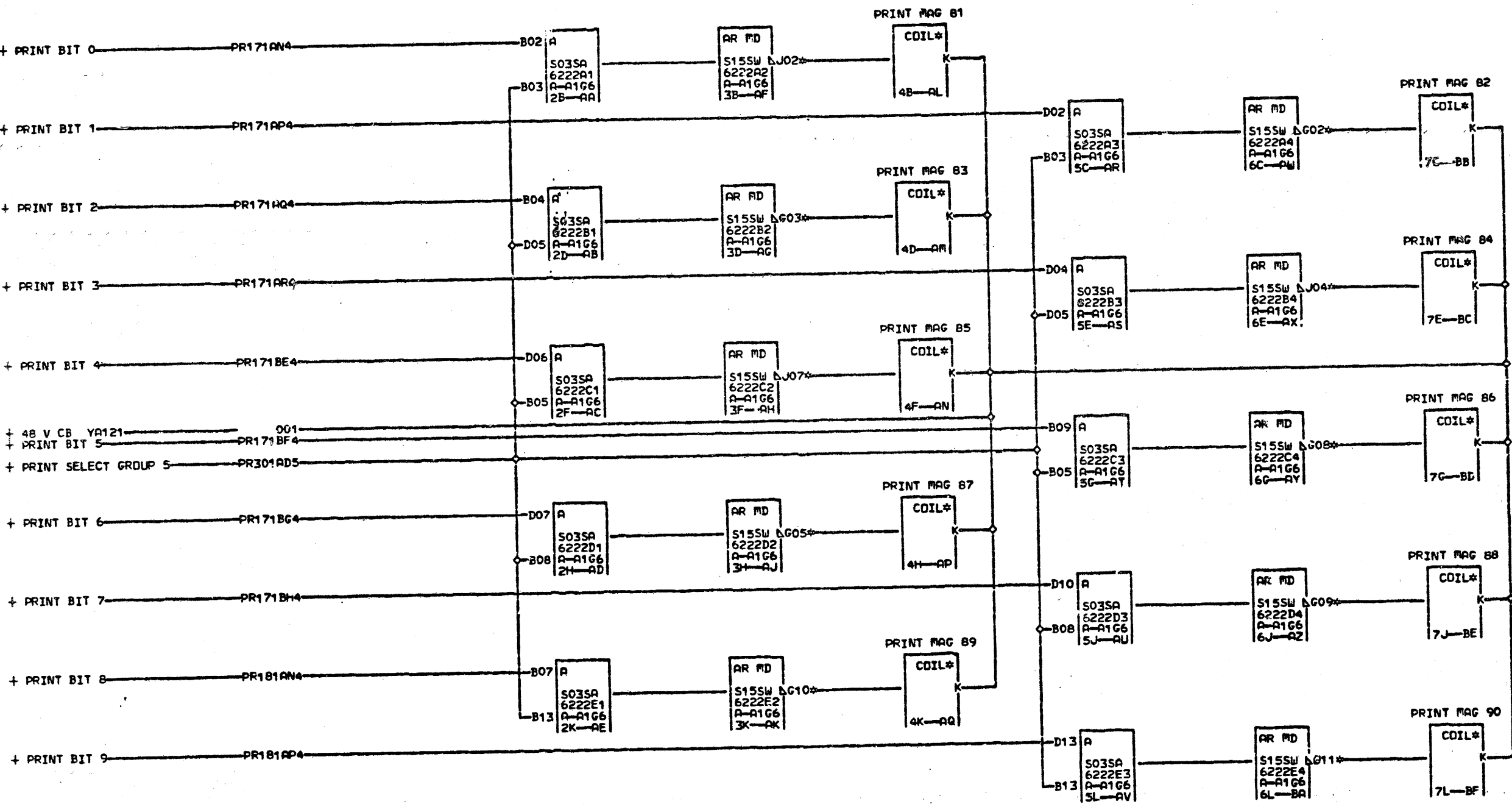
P
R
2
0
8
00C

AF4 A-A1B6D02 BA4 A-A1B6D13
 AG4 A-A1B6D05
 AH4 A-A1B6D07
 AJ4 A-A1B6D10
 AK4 A-A1B6D12
 AL4 A-A1B6D04
 AM4 A-A1B6D06
 AN4 A-A1B6D09
 AO4 A-A1B6D11

02-17-65 415480
 04-13-65 415480C
 07-20-65 415482

| | |
|---------------------------|---------------------|
| PRINT MAGNETS AND DRIVERS | |
| 71-80 | |
| DATE | 07-20-65 MACH. 1132 |
| LOG | 201F FRAME 03 |
| | P.N. 2201176 |
| IBM CORP. | GPD BLK. BG |

P
R
2
0
8
000



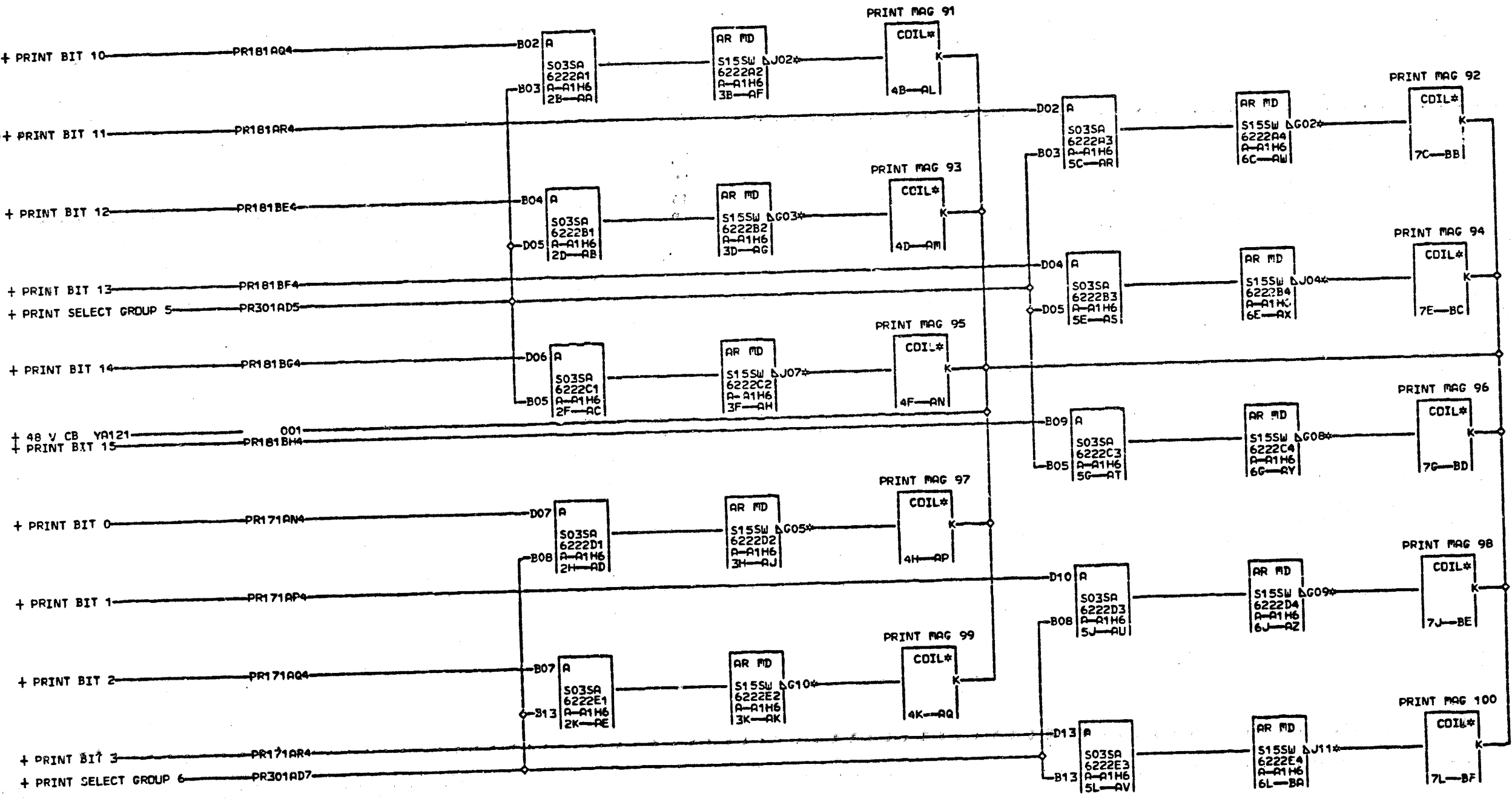
AF4 A-A1A7B02 BA4 A-A1A7B13
 AG4 A-A1A7B04
 AH4 A-A1A7B07
 AJ4 A-A1A7B09
 AK4 A-A1A7B12
 AL4 A-A1A7B03
 AM4 A-A1A7B05
 AN4 A-A1A7B08
 AP4 A-A1A7B10

02-17-65 415480
 04-13-65 415480C
 07-20-65 415482

PRINT MAGNETS AND DRIVERS
 B1-90
 DATE 07-20-65 PACH# 1132
 LOG 201F FRAME 03
 P# 2201177
 IBM CORP. GPD BLK. EG

9
 2
 0
 0
 0

2
 2
 9
 0
 0
 0



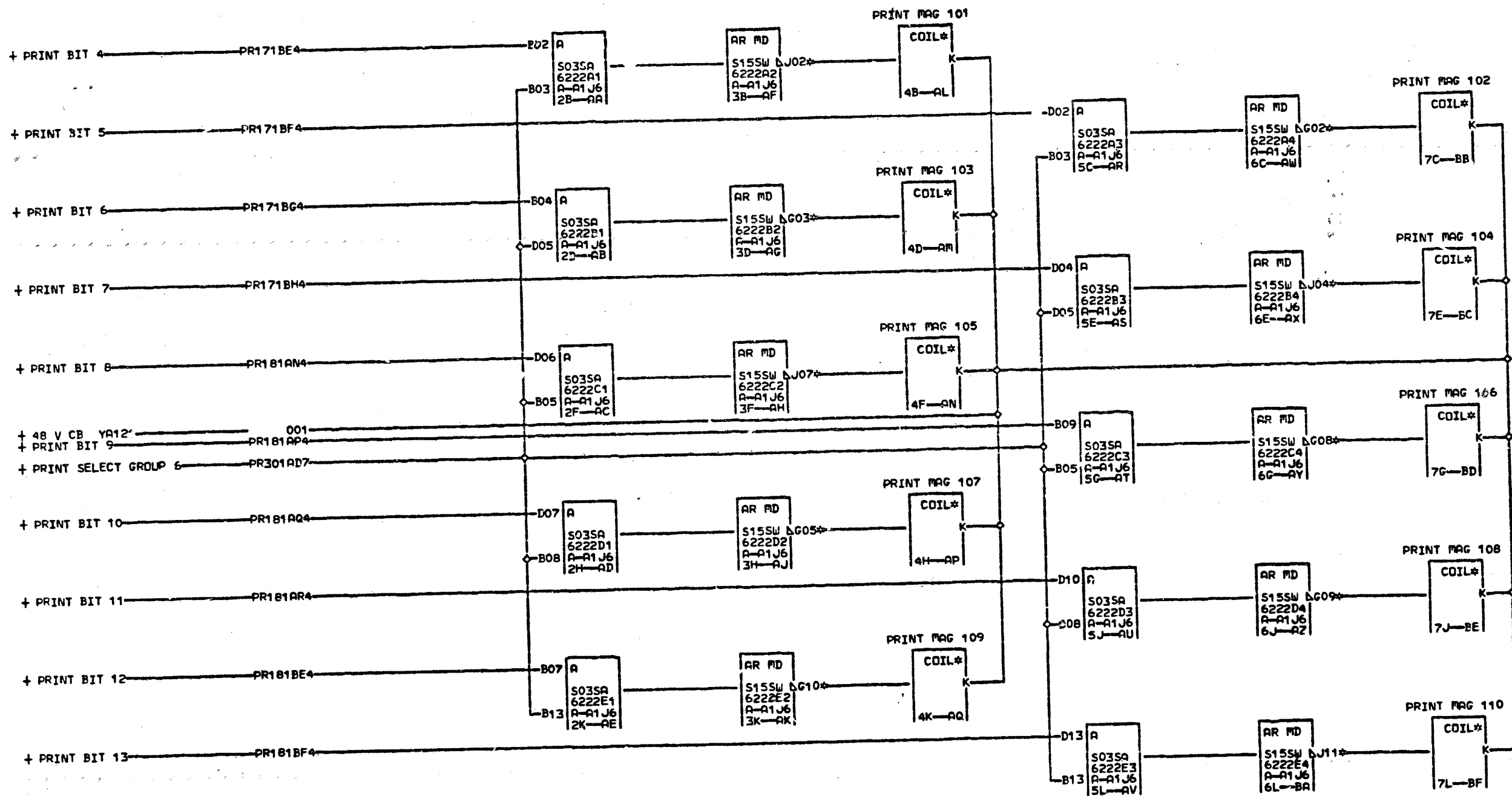
AF4 A-A1A7D02 BA4 A-A1A7D13
 AG4 A-A1A7D05
 AH4 A-A1A7D07
 AJ4 A-A1A7D10
 AK4 A-A1A7D12
 AL4 A-A1A7D04
 AX4 A-A1A7D06
 AY4 A-A1A7D09
 AZ4 A-A1A7D11

02-17-65 415480
 04-13-65 415480C
 07-20-65 415482

PRINT MAGNETS AND DRIVERS
 91-100
 DATE 07-20-65 PACH. 1132
 LOG 201F FRAME 03
 P.No. 2201178
 IBM CORP. GPD BLK. BG

P
 R
 2
 1
 1
 000

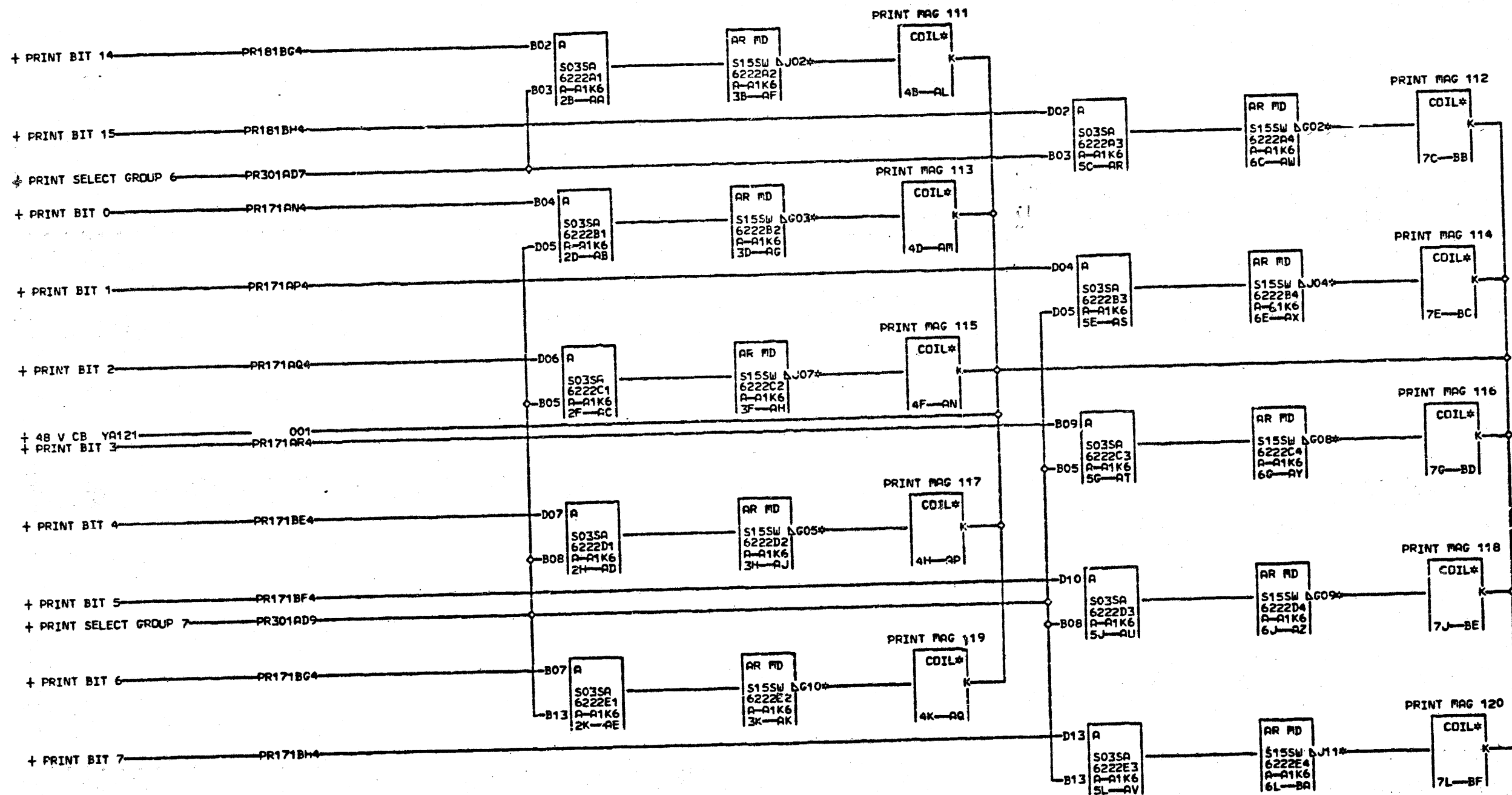
P
 R
 2
 1
 1
 000



AF4 A-1B7B02 BA4 A-1B7B13
 AG4 A-1B7B04
 AH4 A-1B7B07
 AJ4 A-1B7B09
 AK4 A-1B7B12
 AL4 A-1B7B03
 AM4 A-1B7B05
 AN4 A-1B7B08
 AO4 A-1B7B10

02-17-65 415480
 04-13-65 415480C
 07-20-65 415482

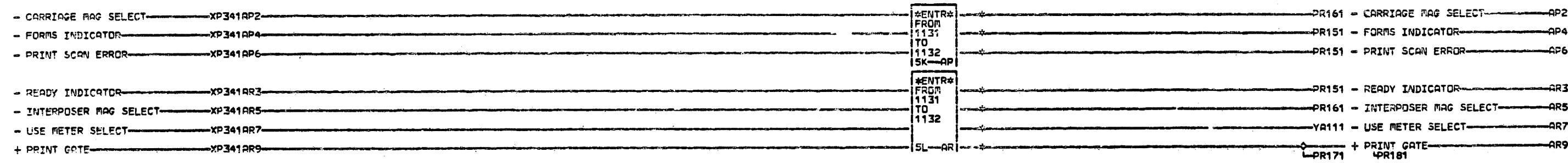
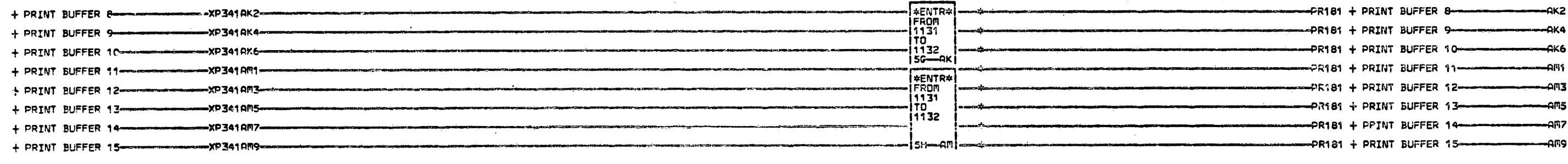
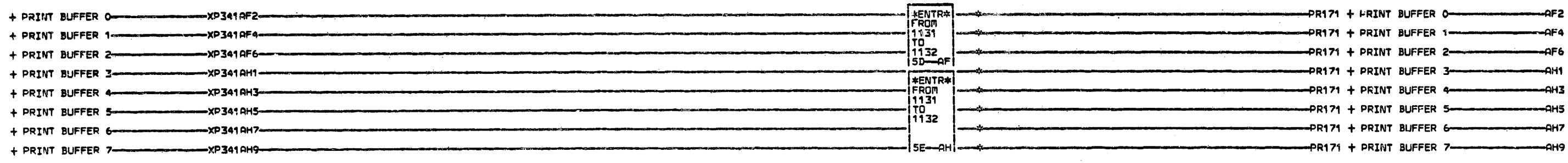
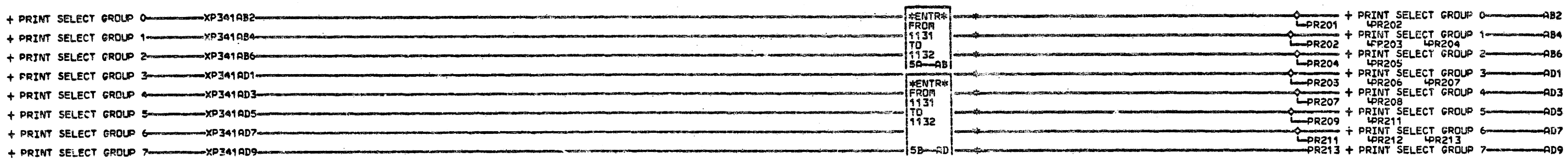
PRINT MAGNETS AND DRIVERS
 101-110
 DATE 07-20-65 MACH. 1132
 LOG 201F FRAME 03
 P.No 2201179
 IBM CORP. GPD BLK. 8C



AF4 A-A1B7D02 BA4 A-A1B7D13
 AG4 A-A1B7D05
 AH4 A-A1B7D07
 AJ4 A-A1B7D10
 AK4 A-A1B7D12
 AL4 A-A1B7D04
 AX4 A-A1B7D06
 AY4 A-A1B7D09
 AZ4 A-A1B7D11

02-17-65 415480
 04-13-65 415480C
 07-20-65 415482

PRINT MAGNETS AND DRIVERS
 111-120
 DATE 07-20-65 MACH. 1132
 LOG 2MF FRAME 03
 PaNo 2201180
 IBM CORP. GPD BLK. BC



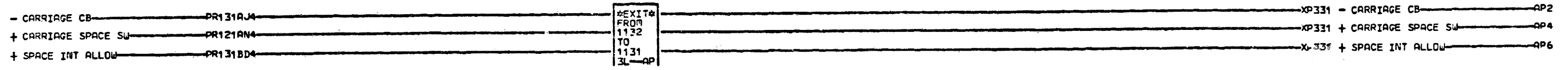
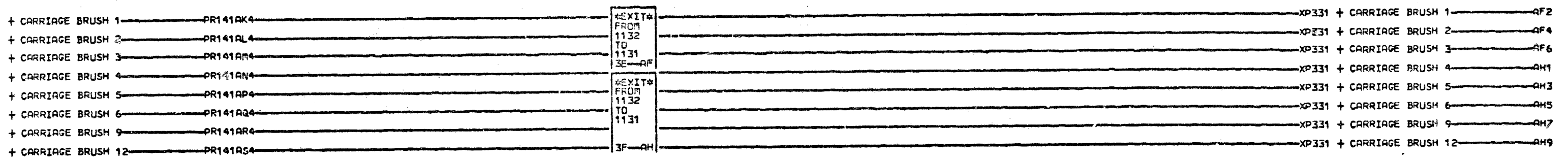
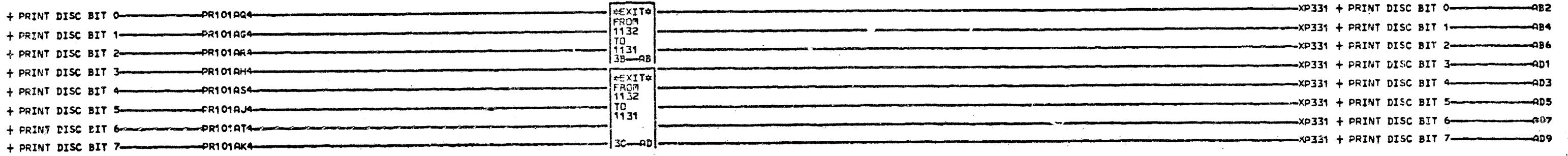
AB2 A-A1N4D10 AF4 A-A1N5D02 AK6 A-A1N5B08 AR3 A-A1N4D06
 AB4 A-A1N4D11 AF6 A-A1N5B03 AM1 A-A1N5D09 AR5 A-A1N4D09
 AB6 A-A1N4D12 AH1 A-A1N5D04 AM3 A-A1N5B09 AR7 A-A1A2D04
 AD1 A-A1N4D13 AH3 A-A1N5B04 AM5 A-A1N5D10 O3A-A1B2D04
 AD3 A-A1N5B12 AH5 A-A1N5D05 AM7 A-A1N5B10 AR9 A-A1N4B13
 AD5 A-A1N5B13 AH7 A-A1N5B05 AM9 A-A1N5D11
 AD7 A-A1N5B12 AH9 A-A1N5D06 AP2 A-A1N4D07
 AD9 A-A1N5D13 AK2 A-A1N5B07 AP4 A-A1N4D02
 AF2 A-A1N5B02 AK4 A-A1N5D07 AP6 A-A1N4D04

04-13-65 415480C
 10-21-65 415492
 08-24-68 131289

| | |
|---------------|------------|
| PRINTER ENTRY | |
| DATE | 08-21-68 |
| MACH. | 1132 |
| LOG | 1271 FRAME |
| | 03 |
| | 01 |
| PaNo | 2201223 |
| IBM CORP. | GPD BLK. |
| | AS |

000

P
R
3
0
1



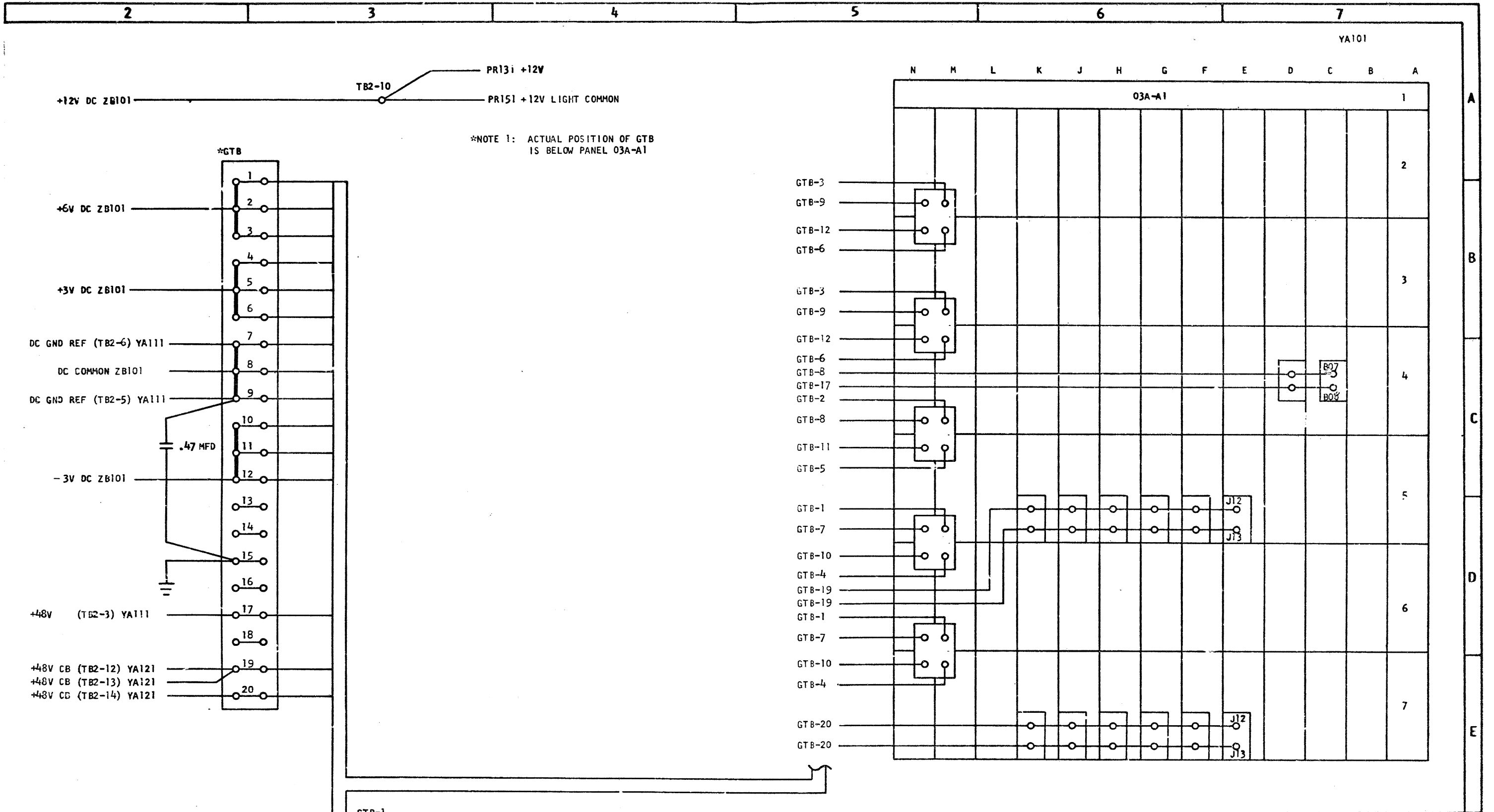
P
R
3
1
1
000

001
03A-A1A2B02
03A-A1N4B02

04-13-65 415480C
10-21-65 415492
08-10-66 419621

| | | | |
|--------------|----------|-------|---------|
| PRINTER EXIT | | | |
| DATE | 08-22-66 | MACH. | 1132 |
| LOG | 2345 | FRAME | 03 |
| | | P.No | 2201224 |
| IBM CORP. | GPD | BLK. | AQ |

P
R
3
1
1
000



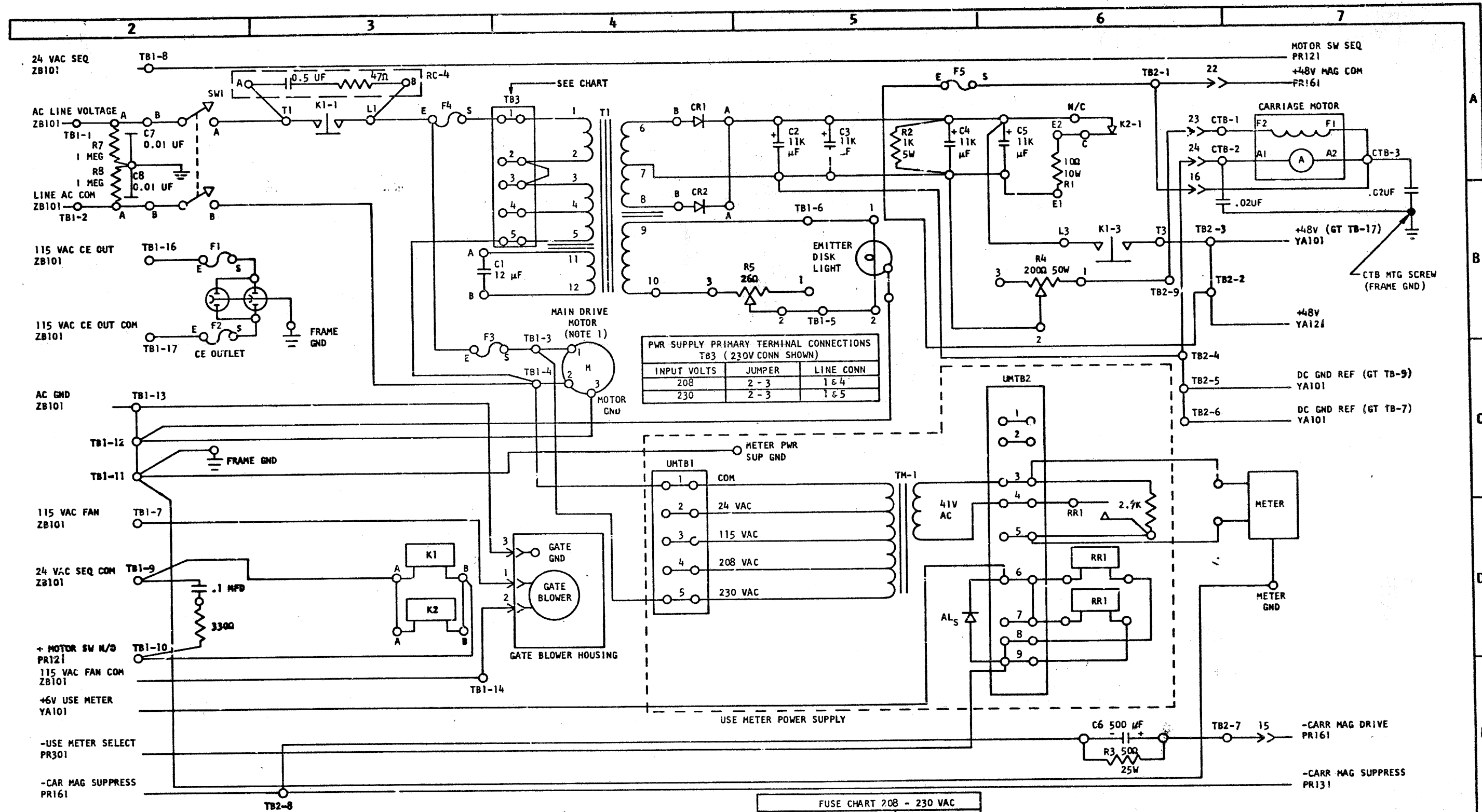
*NOTE 1: ACTUAL POSITION OF GTB IS BELOW PANEL 03A-A1

| | | |
|--------|-----------|---------------------------|
| GTB-1 | PR121,131 | +6V PRINTED CKT PWR (B16) |
| GTB-3 | YA111 | +6V USE METER |
| GTB-7 | YA121 | +6V LOGIC DIST (TB2-17) |
| GTB-8 | YA121 | GND LOGIC DIST (TB2-18) |
| GTB-10 | PR121 | GND PRINTED CKT PWR (B3) |
| GTB-10 | PR121,131 | -3V PRINTED CKT PWR (C14) |
| GTB-12 | YA121 | -3V LOGIC DIST (TB2-16) |

| DATE | EC NUMBER | DATE | EC NUMBER | DC POWER DISTRIBUTION | | | |
|--------|-----------|------|-----------|-----------------------|--------|--------------|---------|
| 5-7-65 | 415480C | | | | | | |
| SEP65 | 415482 | | | DATE | 5-7-65 | P/N | 2201330 |
| DEC 65 | 415768 | | | | | TYPE | 1132 |
| AUG66 | 419619 | | | IBM | | YAI01 | |
| DEC66 | 419634 | | | | | | |

Y
A
I
0
1

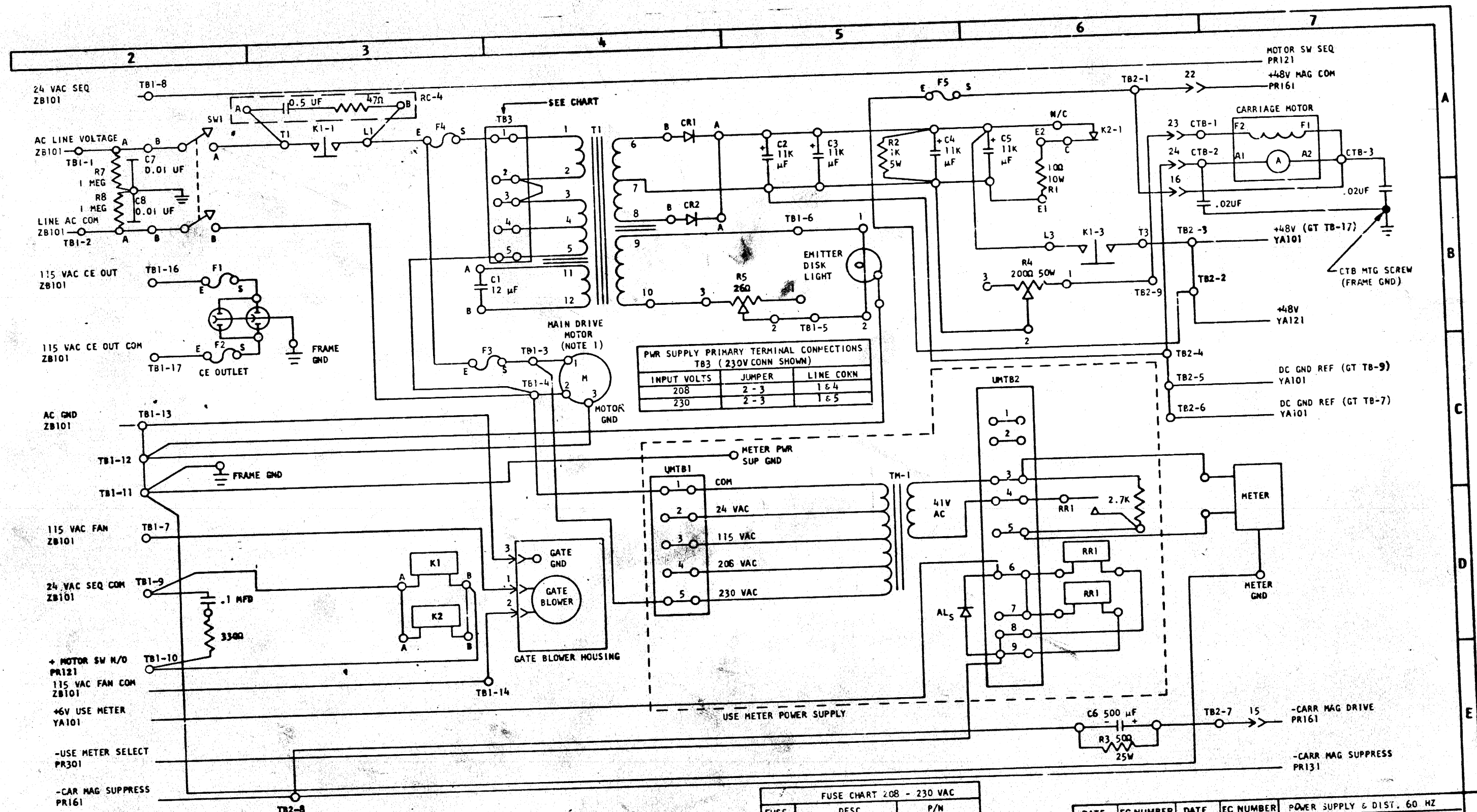
Y
A
I
0
1



NOTES:
1. SEE DIAGRAM ON INSIDE OF MOTOR TERMINAL COVER FOR ACTUAL ELECTRICAL CONNECTIONS.

| FUSE | DESC | P/N |
|------|----------|--------|
| F1 | 6.25A LL | 107667 |
| F2 | 6.25A LL | 107637 |
| F3 | 3.2A LL | 107664 |
| F4 | 1.6A LL | 228391 |
| F5 | 2.0A LL | 92734 |

| DATE | EC NUMBER | DATE | EC NUMBER | POWER SUPPLY & DIST. 60 HZ |
|---------|-----------|---------|-----------|----------------------------|
| OCT 66 | 415781 | 14NOV67 | 131273 | 208/230V |
| DEC 66 | 419634 | | | DATE OCT 66 P/N 2231572 |
| 23MAR67 | 131254 | | | TYPE |
| 18JUL67 | 131254C | | | IBM YA.111 |
| 24JUL67 | 131258 | | | |



PWR SUPPLY PRIMARY TERMINAL CONNECTIONS
TB3 (230V CONN SHOWN)

| INPUT VOLTS | JUMPER | LINE CONN |
|-------------|--------|-----------|
| 208 | 2-3 | 1 & 4 |
| 230 | 2-3 | 1 & 5 |

FUSE CHART 208 - 230 VAC

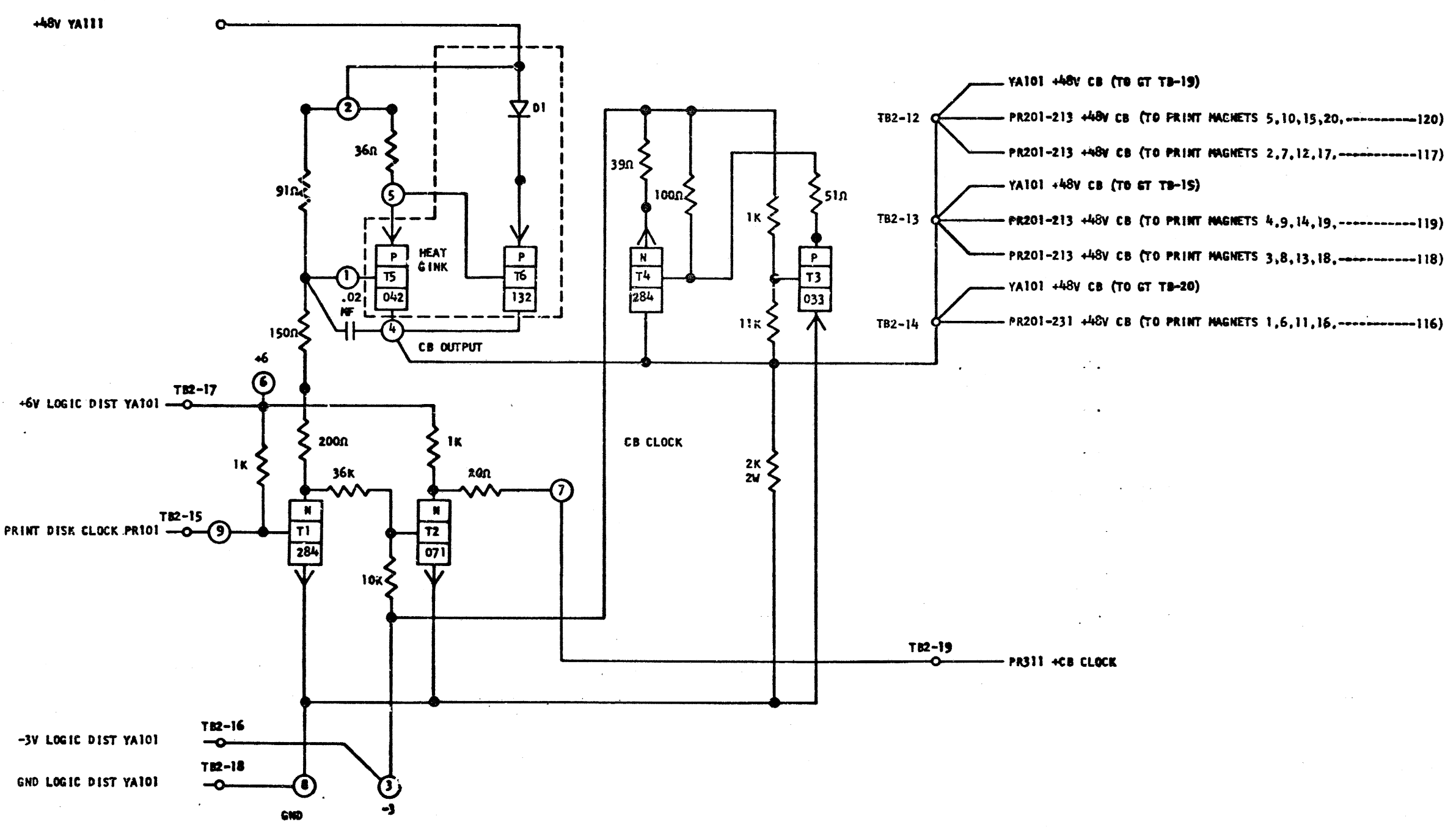
| FUSE | DESC | P/N |
|------|----------|--------|
| F1 | 6.25A LL | 107667 |
| F2 | 6.25A LL | 107667 |
| F3 | 3.2A LL | 107664 |
| F4 | 1.6A LL | 228391 |
| F5 | 2.0A LL | 92734 |

POWER SUPPLY & DIST. 60 HZ

| DATE | EC NUMBER | DATE | EC NUMBER | DATE | GCT 66 | P/N | 2231572 |
|---------|-----------|---------|-----------|------|--------|-----|---------|
| OCT 66 | 415781 | 14NOV67 | 131273 | | | | |
| DEC 66 | 419634 | | | | | | |
| 23MAR67 | 131254 | | | | | | |
| 18JUL67 | 131254C | | | | | | |
| 24JUL67 | 131258 | | | | | | |

IBM YA111

NOTES:
1. SEE DIAGRAM ON INSIDE OF MOTOR TERMINAL COVER FOR ACTUAL ELECTRICAL CONNECTIONS.

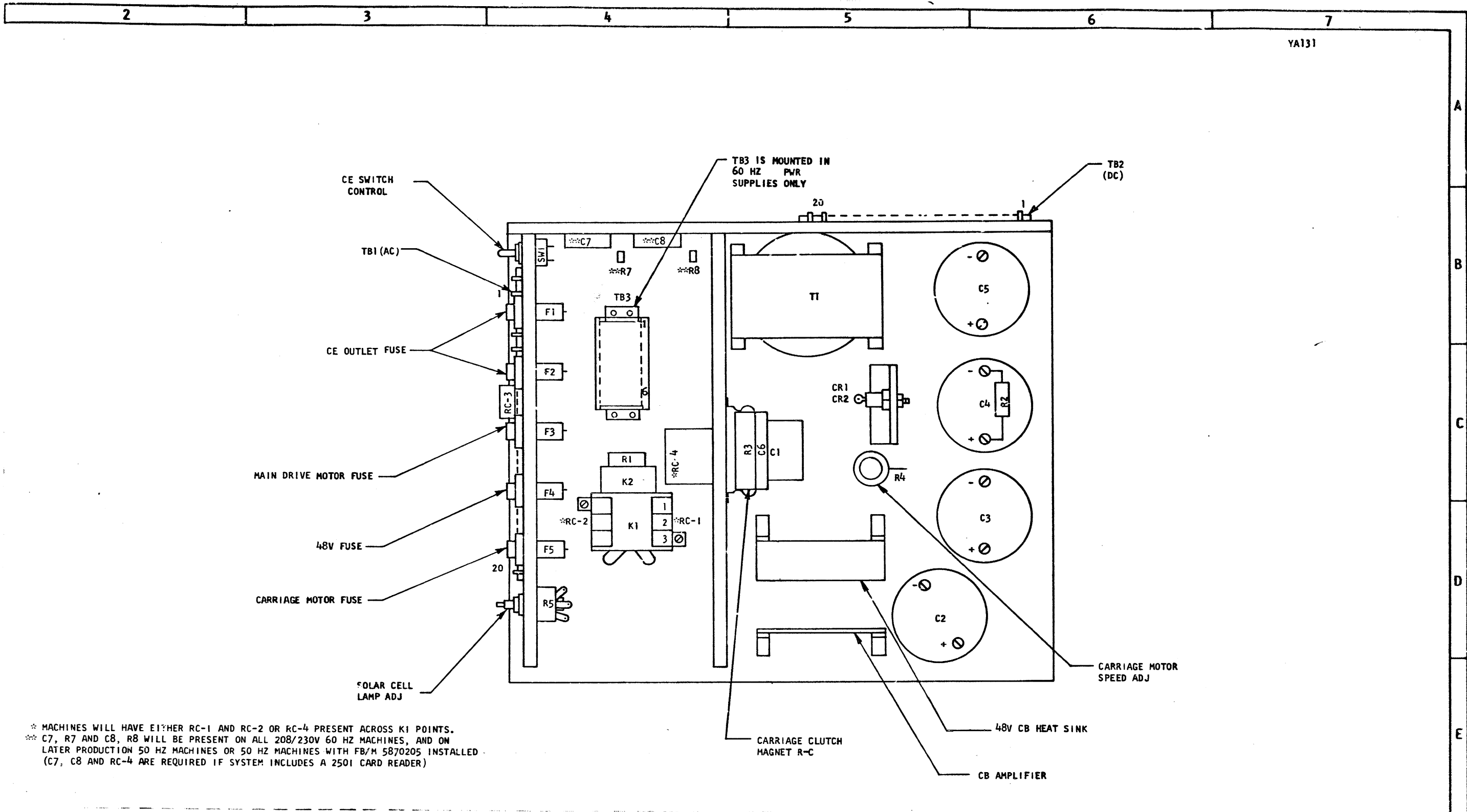


- YA101 +48V CB (TO GT TB-19)
- PR201-213 +48V CB (TO PRINT MAGNETS 5,10,15,20,-----120)
- PR201-213 +48V CB (TO PRINT MAGNETS 2,7,12,17,-----117)
- YA101 +48V CB (TO GT TB-15)
- PR201-213 +48V CB (TO PRINT MAGNETS 4,9,14,19,-----119)
- PR201-213 +48V CB (TO PRINT MAGNETS 3,8,13,18,-----118)
- YA101 +48V CB (TO GT TB-20)
- PR201-231 +48V CB (TO PRINT MAGNETS 1,6,11,16,-----116)

Y
A
1
2
1

Y
A
1
2
1

| DATE | EC NUMBER | DATE | EC NUMBER | +48V PRINT | | | |
|--------|-----------|------|-----------|------------|--------|-------|---------|
| 5-5-65 | 415490-C | | | MAGNET CB | | | |
| NOV 65 | 415492 | | | DATE | 5-5-65 | P/N | 2201332 |
| | | | | | | TYPE | 1132 |
| | | | | IBM | | YA121 | |



* MACHINES WILL HAVE EITHER RC-1 AND RC-2 OR RC-4 PRESENT ACROSS K1 POINTS.
 ** C7, R7 AND C8, R8 WILL BE PRESENT ON ALL 208/230V 60 HZ MACHINES, AND ON LATER PRODUCTION 50 HZ MACHINES OR 50 HZ MACHINES WITH FB/M 5870205 INSTALLED (C7, C8 AND RC-4 ARE REQUIRED IF SYSTEM INCLUDES A 2501 CARD READER)

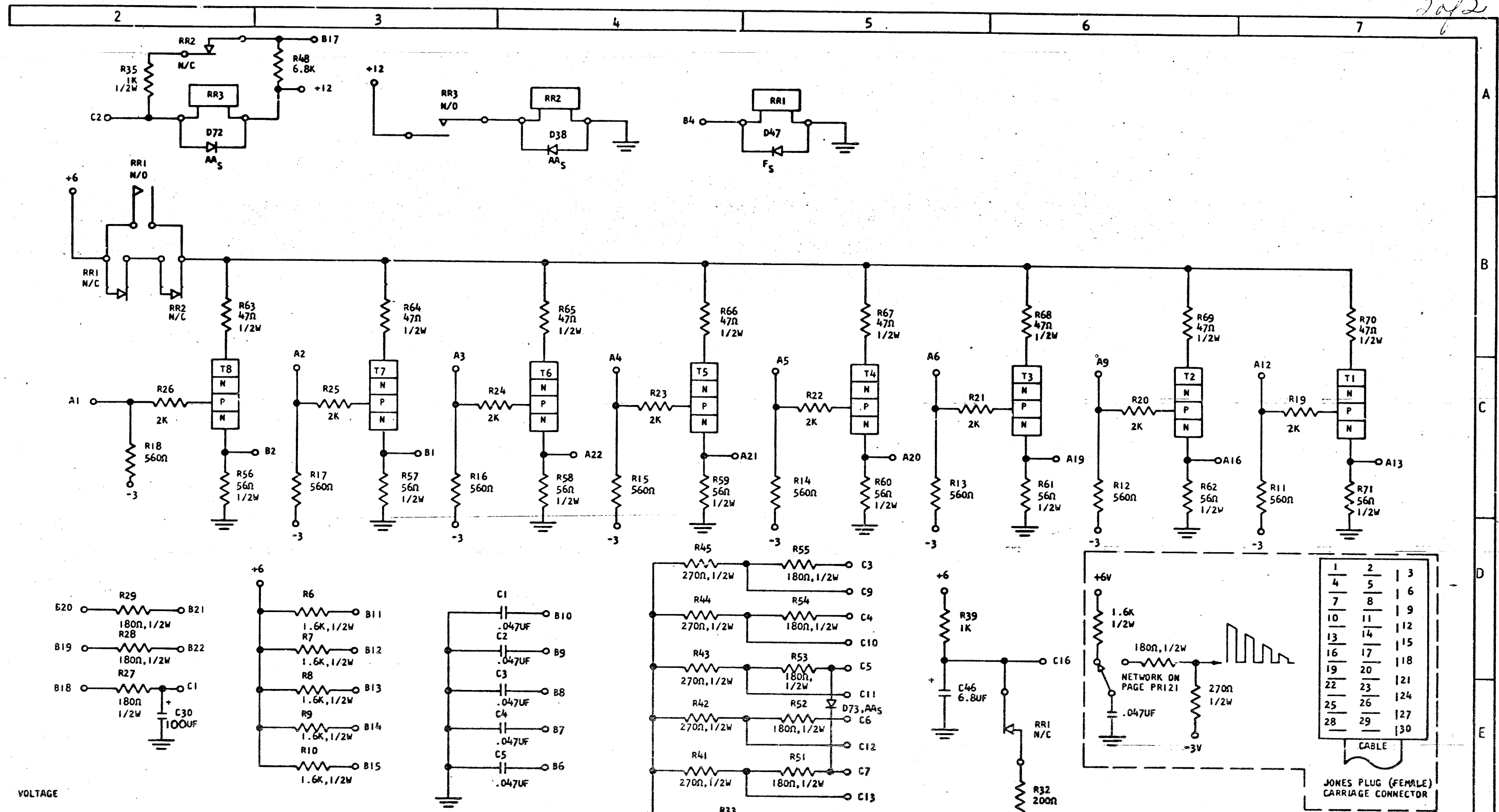
| DATE | EC NUMBER | DATE | EC NUMBER | 48V DC POWER SUPPLY | | |
|-----------|-----------|------|-----------|---------------------|------|---------|
| 5-5-65 | 415480C | | | 50 & 60 HZ | | |
| | 415482 | | | DATE | P/N | 2201333 |
| DEC.66 | 419634 | | | | TYPE | 1132 |
| 23 MAR 67 | 131254 | | | IBM YA131 | | |
| 19 JUN 67 | 131258 | | | | | |

YA131

YA131

22

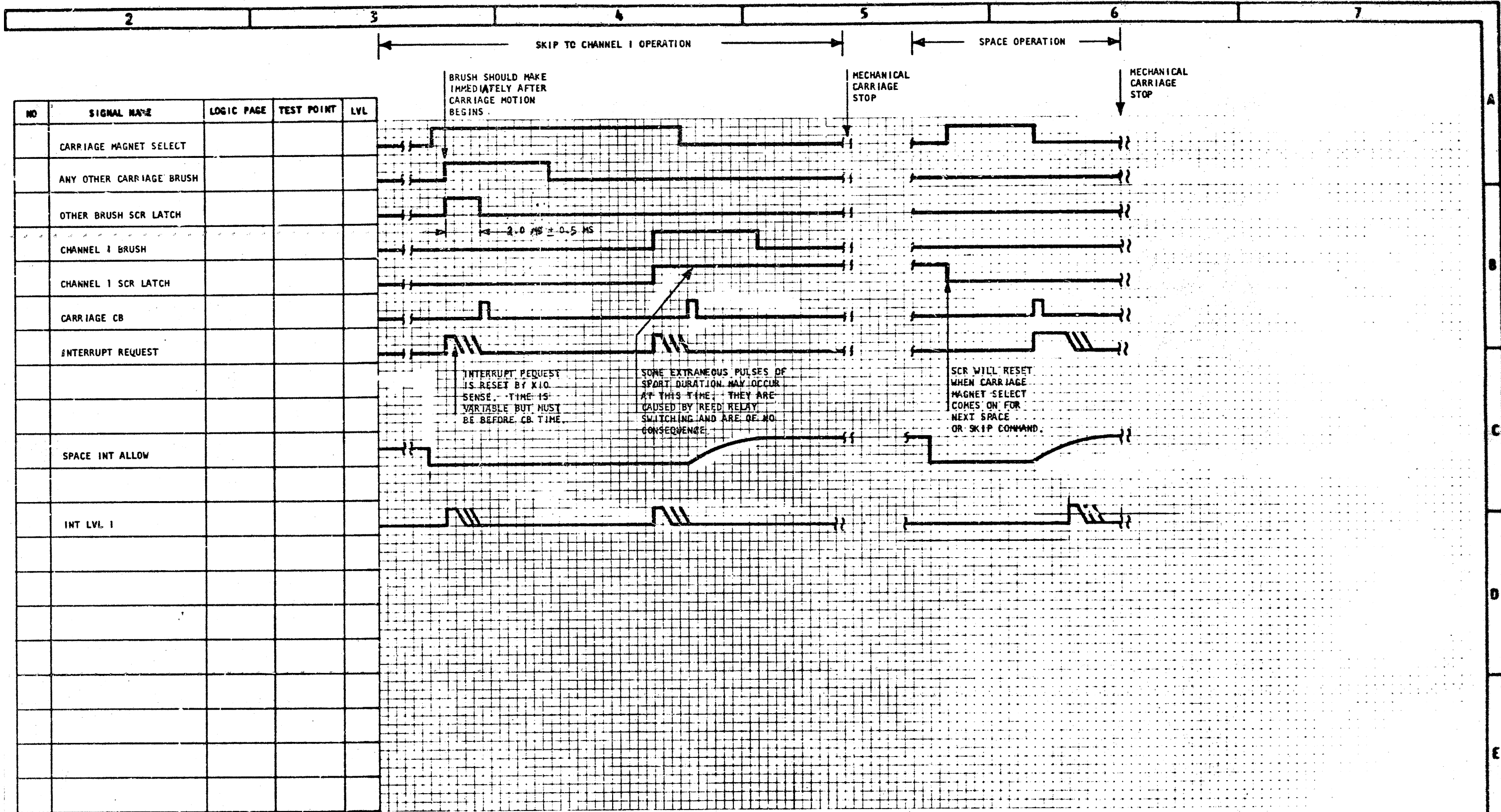
2,532,466
2022



| PIN | VOLTAGE |
|-----|---------|
| B3 | GND |
| B5 | +12 |
| B16 | +6 |
| C14 | -3 |

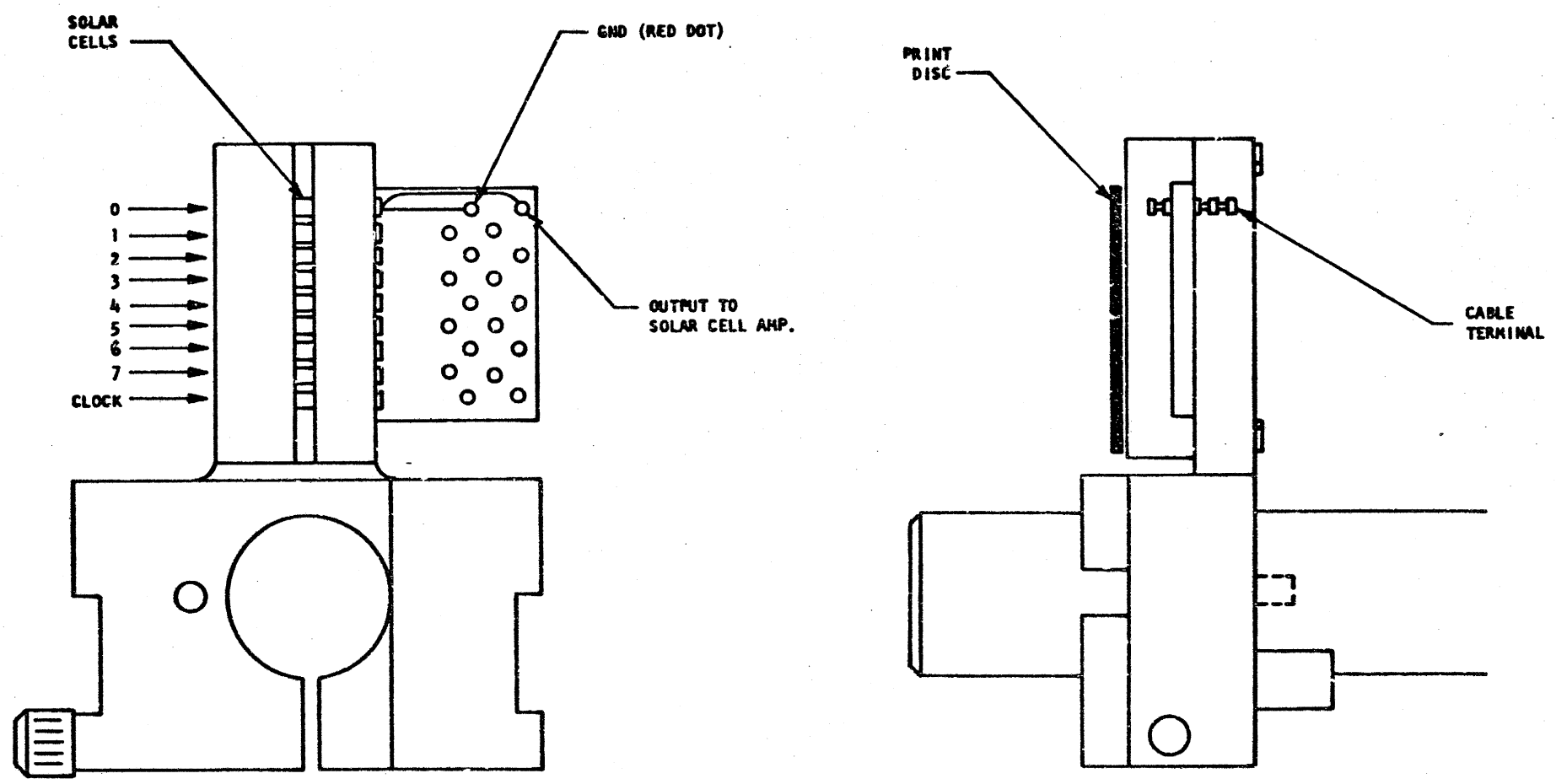
SHEET 2 OF 2

| DATE | EC NUMBER | DATE | EC NUMBER | SCR READ BRUSH LATCH CARD AND JONES PLUG LAYOUT | |
|-----------|-----------|------|-----------|---|---------|
| 14 SEP 67 | 131261 | | | DATE | JULY 67 |
| | | | | P/N | 2532466 |
| | | | | TYPE | 1132 |
| | | | | IBM | YA141 |



NOTES:
 1. TYPICAL CARRIAGE BRUSH LATCH OPERATION. MAY BE APPLIED TO ANY BRUSH

| DATE | EC NUMBER | DATE | EC NUMBER | CARRIAGE BRUSH LATCH | | |
|--------|-----------|------|-----------|----------------------|--------|-------------|
| SEP 66 | 419621 | | | TIMING CHART | | |
| NOV 66 | 419621B | | | DATE | JUL 66 | P/N 2231323 |
| | | | | | TYPE | |
| | | | | IBM | | YA142 |

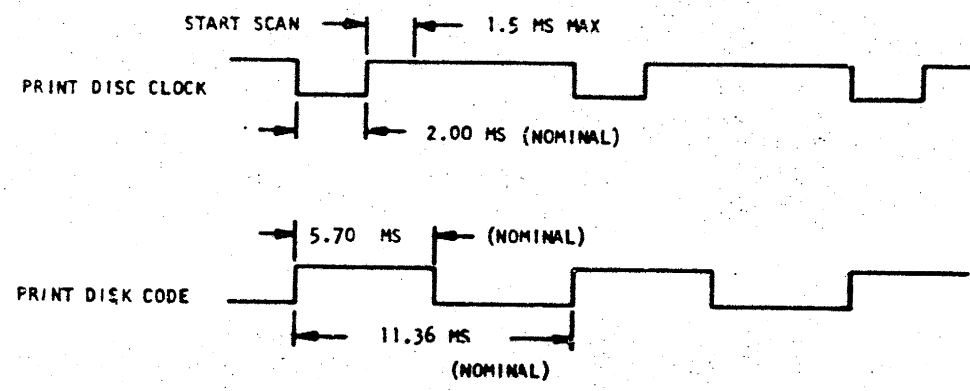


| DATE | SC NUMBER | DATE | EC NUMBER | SOLAR CELL PICTORIAL | |
|--------|-----------|------|-----------|----------------------|-------------|
| 5-5-65 | 415480C | | | DATE | P/N 2201335 |
| | | | | TYPE | 1132 |
| | | | | IBM YA151 | |

YA151

22

YA161



DISC SPEED - 108 RPM

| DATE | EC NUMBER | DATE | EC NUMBER | TIMING CHART - PRINT DISC | | | |
|--------|-----------|------|-----------|---------------------------|--------|-------|---------|
| 5-5-65 | 415480C | | | DATE | 9-3-64 | P N | 2201336 |
| | | | | | | TYPE | 1132 |
| | | | | IBM | | YA161 | |

A
B
C
D
E

22