

1134 Paper Tape Reader Models 1 and 2

PREFACE

This Illustrated Parts Catalog (IPC) contains listings and illustrations of all replaceable assemblies, subassemblies and detail parts released to Production Control on or before June 16, 1966 for the 1134 Paper Tape Reader Models 1 and 2.

Requests for copies of IBM publications should be made to your IBM representative or to the IBM branch office serving your locality.

This manual has been prepared by the IBM Systems Development Division, Product Publications, Dept. B97 - Parts Catalog Center, P.O. Box 390, Poughkeepsie, New York 12602

A form is provided at the back of this publication for reader's comments.
If the form has been removed, comments may be sent to the above address.

GLOSSARY I
 VISUAL INDEX. II
 GROUP ASSEMBLY PARTS LIST 1 through 12
 NUMERICAL INDEX 1 through 2

GLOSSARY

AR

As Required (AR) in the units per assembly column denotes that the quantity is used as required.

*ASTERISK

An asterisk in the left margin of the list indicates a part changed in the latest revision of the catalog.

DELETED

Indicates part removed on latest revision of catalog.

INDENTURE

The relationship of a part to its next higher assembly is indicated by indenture. For example:

- | | | | |
|------|-------------------------------------|---------------|--------------------------------------|
| 1 | 2 | 3 | 4 |
| Unit | | | |
| . | Assemblies and Detail Parts of Unit | | |
| . | . | Subassemblies | |
| . | . | . | Detail Parts for Subassemblies, etc. |

□ LOZENGE

The lozenge in the description column indicates parts not recommended for field replacement.

NP

The entry NP in the Units Per ASM column denotes the part is non-procurable and that the next higher assembly should be ordered.

NO NO.

When this indication appears in the part number column, it denotes a group of parts which must be removed as an assembly. There is no part number assigned.

REF

This entry in the units per assembly column denotes an assembly which is completely assembled on a preceding illustration. Quantities for such items are found in its next higher assembly.

SIMILAR ASSEMBLIES

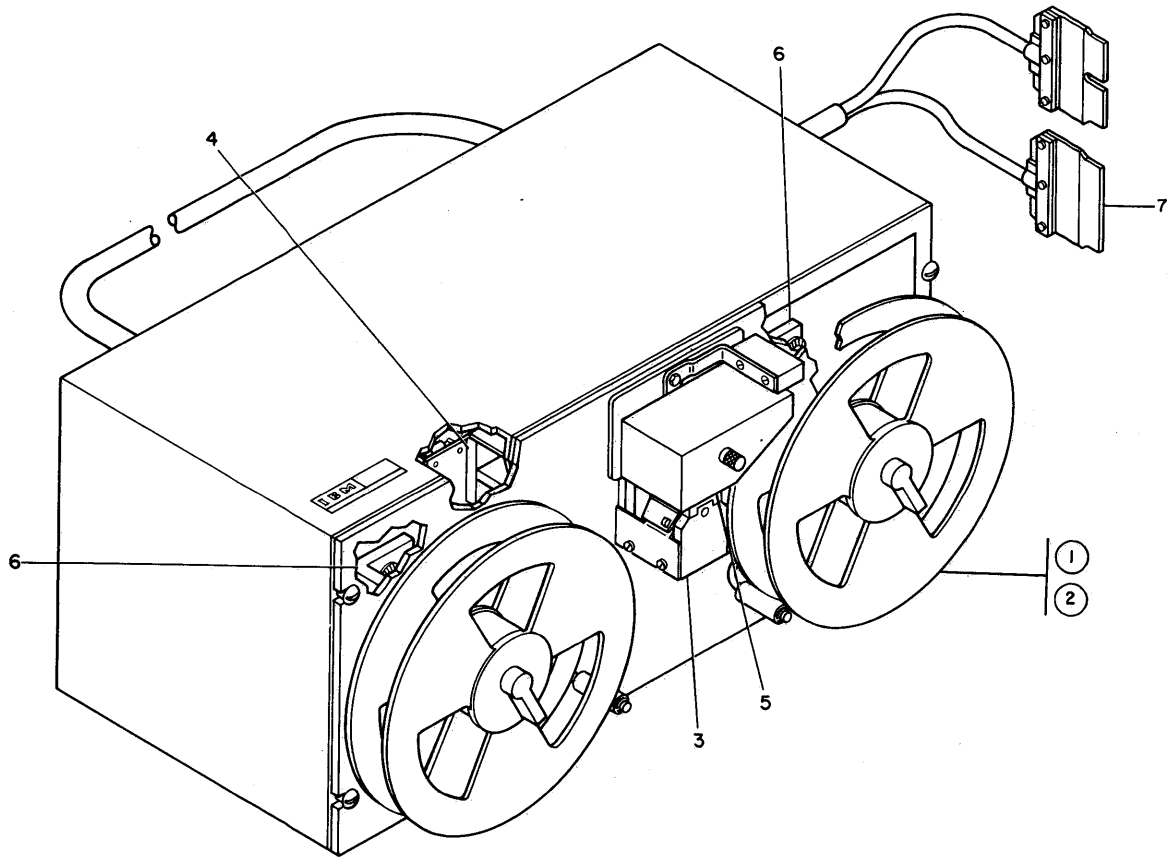
If two assemblies contain a majority of identical parts, they are broken down on the same list. Common parts are shown by one index number. Parts peculiar to one or the other of the assemblies are listed separately and identified by Usable On Code.

USABLE ON CODE

Part application and interchangeability is indicated by the usable on code. If this column is blank, the parts pertain to all equipment(s) covered. Two types of codes are used. The alphabetic code denotes similar assemblies; the numeric code denotes level. Refer to the beginning of each list for the explanation of the code(s).

VISUAL INDEX

This index is a pictorial index to catalog figures. The visual index directs the user to the proper figure, assisting him in locating the part number.



INDEX NO.	1 2 3 4				DESCRIPTION	REFER TO	PAGE
	1	2	3	4			
1					50 and 60 Cycle Paper Tape Reader Model 1 and 2	Figure 1	2
2					. 50 and 60 Cycle Reader Assembly Model 1 and 2	Figure 2	4
3					. . Outboard Bearing Block Assembly	Figure 3	6
4					. . Capstan Drive Mechanism	Figure 4	7
5					. . Read Head Assembly	Figure 5	8
6					. . LH and RH Reeling Mechanism	Figure 6	10
7					Cable and Jumper Assembly Component Parts	Figure 7	12

GROUP ASSEMBLY PARTS LIST

LIST AND INDEX NO.	PART NO.	DESCRIPTION				UNITS PER ASM.	USABLE ON CODE
		1	2	3	4		
		50 AND 60 CYCLE PAPER TAPE READER MODEL 1 AND 2					
0 -		1134 PAPER TAPE READER- 50-60 CY MOD 1-2 NOT ILLUSTRATED					
- 1	2191127	. FINAL ASSEMBLY- 60 CYCLE MODEL 2 SEE LIST 1 FOR DETAIL BREAKDOWN					
- 1	2191128	. FINAL ASSEMBLY- 50 CYCLE MODEL 2 SEE LIST 1 FOR DETAIL BREAKDOWN					
- 1	2191426	. FINAL ASSEMBLY- 60 CYCLE MODEL 1 SEE LIST 1 FOR DETAIL BREAKDOWN					
- 1	2191427	. FINAL ASSEMBLY- 50 CYCLE MODEL 1 SEE LIST 1 FOR DETAIL BREAKDOWN					
- 1	2191116	. SHIPPING GROUP- 1134 PAPER TAPE READER SEE LIST 1-37 FOR DETAIL BREAKDOWN					
- 1	2197150	. ENGLISH LANGUAGE GROUP					
- 1	2197151	. FRENCH LANGUAGE GROUP					
- 1	2197152	. GERMAN LANGUAGE GROUP SEE LIST 1-40 FOR DETAIL BREAKDOWN					
		50 AND 60 CYCLE FINAL ASSEMBLY MODEL 1 AND 2					
1 -		CODE A USED ON MODEL 2- 60 CYCLE CODE B USED ON MODEL 2- 50 CYCLE CODE C USED ON MODEL 1- 60 CYCLE CODE D USED ON MODEL 1- 50 CYCLE CODE 1 USED ON ASM PRIOR TO C6 SUFFIX CODE 2 USED ON ASM C6 TO CURRENT					
	2191127	FINAL ASSEMBLY- 60 CYCLE MODEL 2 SEE LIST 0-1 FOR NEXT HIGHER ASSEMBLY AND FIGURE 1 FOR ILLUSTRATION				REF	A
	2191128	FINAL ASSEMBLY- 50 CYCLE MODEL 2 SEE LIST 0-1 FOR NEXT HIGHER ASSEMBLY AND FIGURE 1 FOR ILLUSTRATION				REF	B
	2191426	FINAL ASSEMBLY- 60 CYCLE MODEL 1 SEE LIST 0-1 FOR NEXT HIGHER ASSEMBLY AND FIGURE 1 FOR ILLUSTRATION				REF	C
	2191427	FINAL ASSEMBLY- 50 CYCLE MODEL 1 SEE LIST 0-1 FOR NEXT HIGHER ASSEMBLY AND FIGURE 1 FOR ILLUSTRATION				REF	D
- 1	2191157	. READER ASSEMBLY-PAPER TAPE 60 CY MODEL 2				1	A
- 1	2191158	. READER ASSEMBLY-PAPER TAPE 50 CY MODEL 2				1	B
- 1	2191424	. READER ASSEMBLY-PAPER TAPE 60 CY MODEL 1				1	C
- 1	2191425	. READER ASSEMBLY-PAPER TAPE 50 CY MODEL 1				1	D
- 2	232	. . SCREW,MACH-FIL H 10-32 X 1/2 LG USED ON ASM 2191424 AND 2191425 ONLY				4	
- 3	6364	. . WASHER,LOCK-SPLIT NO. 6 X 1/4 OD				4	
- 4	32042	. . SCREW,MACH-BIND HD 10-32 X 3/8 LG USED ON ASM 2191157 AND 2191158 ONLY				1	
- 5	38368	. . SCREW,MACH-FIL H 8-32 X 7/16 LG				1	
- 6	55901	. . WASHER,LOCK-EXT TEETH,NO. 8				2	A
- 7	56722	. . WASHER,LOCK-EXT TEETH NO. 6 X 5/16 OD				4	
- 8	78916	. . CUSHION USED ON ASM 2191424 AND 2191425 ONLY				2	
- 9	81693	. . SCREW,MACH-BIND HD 6-32 X 3/8 LG				2	

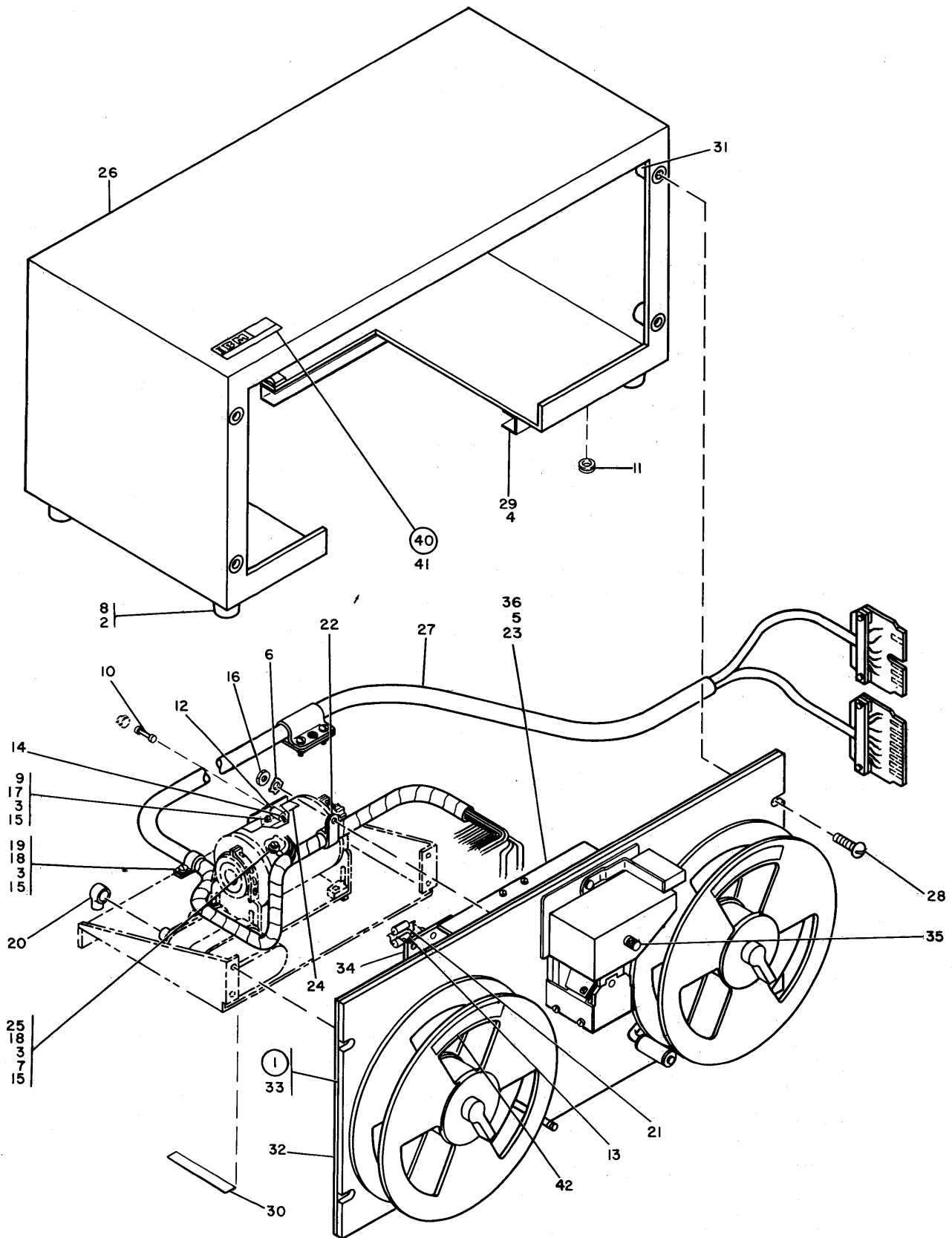


FIGURE 1. 50 AND 60 CYCLE PAPER TAPE READER. SEE LIST 1.

LIST AND INDEX NO.	PART NO.	DESCRIPTION	UNITS PER ASM.	USABLE ON CODE
			1 2 3 4	
50 AND 60 CYCLE FINAL ASSEMBLY MODEL 1 AND 2 -CONT				
* 1 - 10	111263	. . FUSE, 250 VOLT 0.6 AMP USED ON ASM 2191157 AND 2191424 ONLY	1	
* - 10	111262	. . FUSE,CARTRIDGE- 3 AMP 250V USED ON ASM 2191158 AND 2191425 ONLY		
* - 11	123070	. . GROMMET,RUB-FOR 7/16 HOLE X 1/16 PNL USED ON ASM 2191157 AND 2191158 ONLY	4	
* - 12	127749	. . WASHER,LOCK-INT TEETH 1/2 ID X 0.883 OD	1	
* - 13	207338	. . RESISTOR	2	
* - 14	257080	. . INSULATOR	1	
* - 15	257187	. . NUT CABLE CLAMP MTG	4	
* - 16	257189	. . NUT,PLAIN-HEX 8-32 X 0.343 W	1	
* - 17	257986	. . WASHER,FL-NO. 6 X 5/8 OD X 0.035 THK	2	
* - 18	322550	. . SCREW,MACH-BIND HD 6-32 X 1/2 LG	2	
* - 19	343673	. . CLAMP	1	A
* - 20	526378	. . CAP	2	
* - 21	526498	. . CAPACITOR	2	
* - 22	534768	. . CLAMP	1	
* - 23	1090873	. . WASHER,LOCK	1	
* - 24	1141554	. . LABEL-WARNING USED ON ASM 2191158 AND 2191425 ONLY	1	
* - 25	2152919	. . JUMPER	1	
* - 26	2191111	. . COVER	1	
* - 27	2191118	. . CABLE SEE LIST 7-1 THRU 7 FOR COMPONENT PARTS	1	
* - 28	2191129	. . SCREW	4	
* - 29	2191138	. . BASE-READER USED ON ASM 2191157 AND 2191158 ONLY	1	
* - 30	2191152	. . PLATE-VOLTAGE	1	
* - 31	2191155	. . MOUNT	4	
* - 32	2191170	. . SEAL	5	
* - 33	2191114	. . READER ASSEMBLY- 60 CYCLE MODEL 2 USED ON ASM 2191157 ONLY	1	1
* - 33	2191126	. . READER ASSEMBLY- 50 CYCLE MODEL 2 USED ON ASM 2191158 ONLY	1	1
* - 33	2191186	. . READER ASSEMBLY- 60 CYCLE MODEL 2 USED ON ASM 2191157 ONLY	1	2
* - 33	2191187	. . READER ASSEMBLY- 50 CYCLE MODEL 2 USED ON ASM 2191158 ONLY	1	2
* - 33	2191422	. . READER ASSEMBLY- 60 CYCLE MODEL 1 USED ON ASM 2191424 ONLY	1	
* - 33	2191423	. . READER ASSEMBLY- 50 CYCLE MODEL 1 USED ON ASM 2191425 ONLY SEE LIST 2 FOR DETAIL BREAKDOWN	1	
* - 34	2191418	. . CIRCUIT BOARD	1	
* - 35	2191419	. . SCREW, KNURLED	1	
* - 36	2191420	. . COVER	1	
* - 37	2191116	SHIPPING GROUP- 1134 PAPER TAPE READER SEE LIST 0-1 FOR NEXT HIGHER ASSEMBLY NOT ILLUSTRATED	REF	
* - 38	460258	. SCREWDRIVER KIT NOT ILLUSTRATED	1	
* - 39	2191421	. TOOL-CONTACT ADJ NOT ILLUSTRATED	1	
* - 40	2197150	ENGLISH LANGUAGE GROUP SEE LIST 0-1 FOR NEXT HIGHER ASSEMBLY	REF	
* - 40	2197151	FRENCH LANGUAGE GROUP SEE LIST 0-1 FOR NEXT HIGHER ASSEMBLY	REF	
* - 40	2197152	GERMAN LANGUAGE GROUP SEE LIST 0-1 FOR NEXT HIGHER ASSEMBLY	REF	
* - 41	2191115	. NAMEPLATE-ENGLISH LANGUAGE GROUP USED ON ASM 2197150 ONLY	1	
* - 41	2191121	. NAMEPLATE-FRENCH LANGUAGE GROUP USED ON ASM 2197151 ONLY	1	
* - 41	2191119	. NAMEPLATE-GERMAN LANGUAGE GROUP USED ON ASM 2197152 ONLY	1	
* - 42	2197141	. LABEL-REEL FRENCH USED ON ASM 2197151 ONLY	2	
* - 42	2197142	. LABEL-REEL GERMAN USED ON ASM 2197152 ONLY	2	

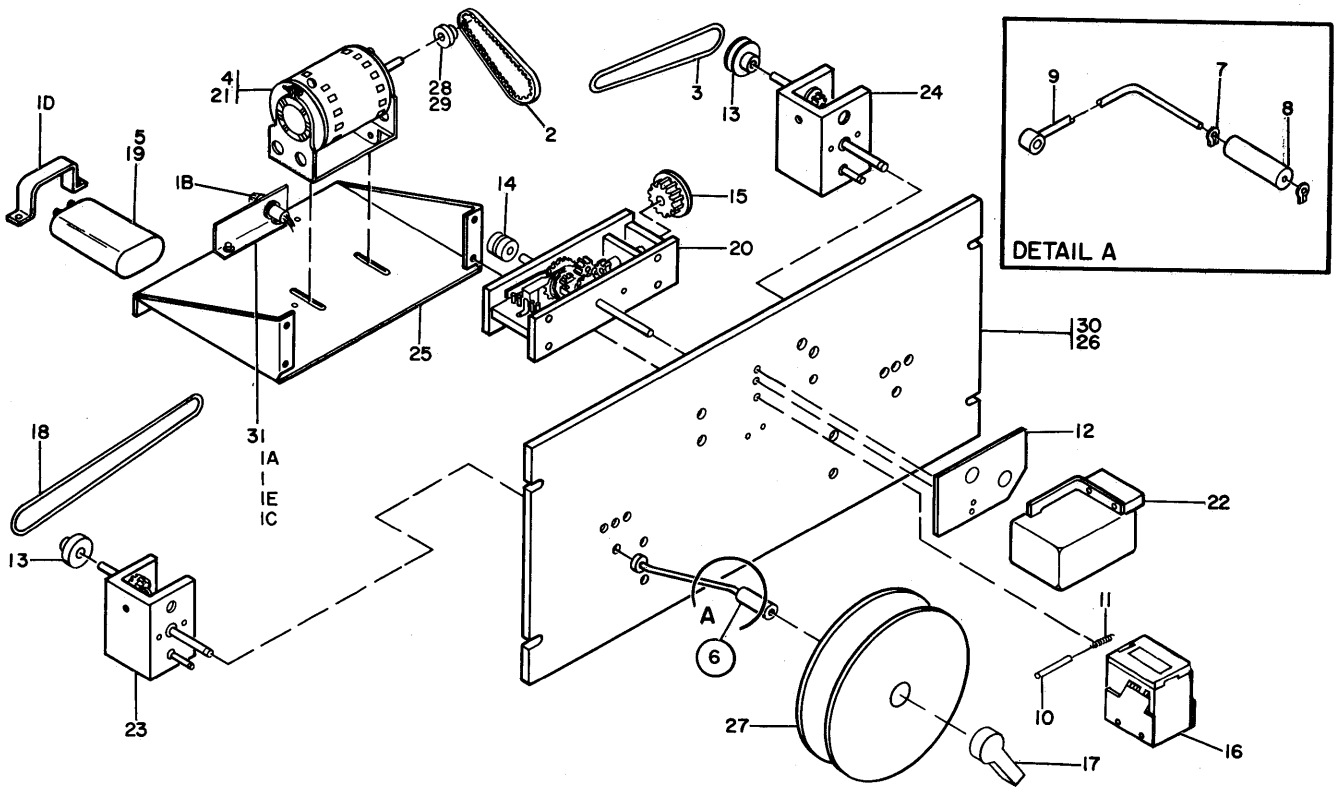


FIGURE 2. 50 AND 60 CYCLE READER ASSEMBLY. SEE LIST 2.

LIST AND INDEX NO.	PART NO.	DESCRIPTION	UNITS PER ASM.	USABLE ON CODE
1 2 3 4				
50 AND 60 CYCLE READER ASSEMBLY MODEL 1 AND 2 -CONT				
2 - 22	2197122	<ul style="list-style-type: none"> • READ HEAD ASM SEE LIST 5 FOR DETAIL BREAKDOWN 	1	
* - 23	2197126	<ul style="list-style-type: none"> • MECHANISM ASM-REELING L.H. SEE LIST 6 FOR DETAIL BREAKDOWN 	1	G
*				

LIST AND INDEX NO.	PART NO.	DESCRIPTION	UNITS PER ASM.	USABLE ON CODE
		50 AND 60 CYCLE READER ASSEMBLY MODEL 1 AND 2 -CONT		
* 2 - 24	2197127	. MECHANISM ASM, REELING, R.H. SEE LIST 6 FOR DETAIL BREAKDOWN	1	G
* - 25	2197129	. CHASSIS, MOTOR	1	
- 26	2197130	. PANEL	1	A
- 26	2197130	. PANEL	1	B
* - 26	2197153	. PANEL- 8 1/2 IN REEL NO SILKSCREEN MOD 2	1	E
* - 26	2197153	. PANEL- 8 1/2 IN REEL NO SILKSCREEN MOD 2	1	F
- 27	2197133	. REEL, TAKE-UP, 7-1/2 IN PLASTIC	1	A
- 27	2197133	. REEL, TAKE-UP, 7-1/2 IN PLASTIC	1	B
* - 27	2197154	. REEL-TAKE UP 8-1/2 IN PLASTIC	1	E
* - 27	2197154	. REEL-TAKE UP 8-1/2 IN PLASTIC	1	F
- 28	2197135	. PULLY, 8 TOOTH	1	A
- 28	2197135	. PULLY, 8 TOOTH	1	C
* - 28	2197135	. PULLY, 8 TOOTH	1	E
- 29	2197136	. PULLY, 10 TOOTH	1	B
- 29	2197136	. PULLY, 10 TOOTH	1	D
* - 29	2197136	. PULLY, 10 TOOTH	1	F
- 30	2197137	. PANEL	1	C
- 30	2197137	. PANEL	1	D
* - 31	2197148	. BRACKET-FUSE	1	
		OUTBOARD BEARING BLOCK ASSEMBLY		
3 -	2197076	BLOCK ASM, OUTBOARD BEARING SEE LIST 2-16 FOR NEXT HIGHER ASSEMBLY AND FIGURE 3 FOR ILLUSTRATION	REF	
- 1	2133098	. SWITCH	2	
- 2	2191179	. ACTUATOR, SWITCH	2	
- 3	2197028	. BLOCK, SWITCH	2	
- 4	2197037	. CAPSTAN	1	
- 5	2197059	. GUIDE, TAPE PRESSURE, L.H.	1	
- 6	2197060	. GUIDE, TAPE PRESSURE, R.H.	1	
- 7	2197061	. PLATE, STRIPPER, L.H.	1	
- 8	2197062	. PLATE, STRIPPER, R. H.	1	
- 9	2197065	. GUARD, TAPE	1	
- 10	2197124	. BLOCK, OUTBOARD BEARING	1	
		CAPSTAN DRIVE MECHANISM		
4 -	2197117	MECHANISM ASM, CAPSTAN DRIVE, 24V 50 OHM SEE LIST 2-20 FOR NEXT HIGHER ASSEMBLY AND FIGURE 3 FOR ILLUSTRATION	REF	
- 1	119	. SCREW, MACH-FL CSK HD 8-32 X 1/2 LG	12	
- 2	3550	. WASHER, FL- 1/4 X 9/16 OD X 0.050 THK	1	
- 3	186923	. SCREW, CAP, SOC HD- 4-40 X 1/4 LG	1	
- 4	225371	. SHIM, 3/16 ID X .003	1	
- 5	225372	. SHIM, 3/16 ID X .005	1	
- 6	225373	. SHIM, 3/16 ID X .010	1	
- 7	250627	. SCREW, ALLEN CAP 6-32 X 3/8 LG	1	
- 8	257979	. SCREW, SET, 6-32 X 5/8 IN NYLOCK CUP PT	1	
- 9	2191417	. ESCAPEMENT ASM, 24V 50 OHM COIL	2	
- 10	2191400	. . SPRING, ESCAPEMENT	1	
- 11	2191407	. . SHIM	1	
- 12	2197043	. . ARMATURE, ESCAPEMENT	1	
- 13	2197058	. . COIL, 24V 50 OHM	1	
- 14	2197066	. . FRAME, COIL ASM	1	

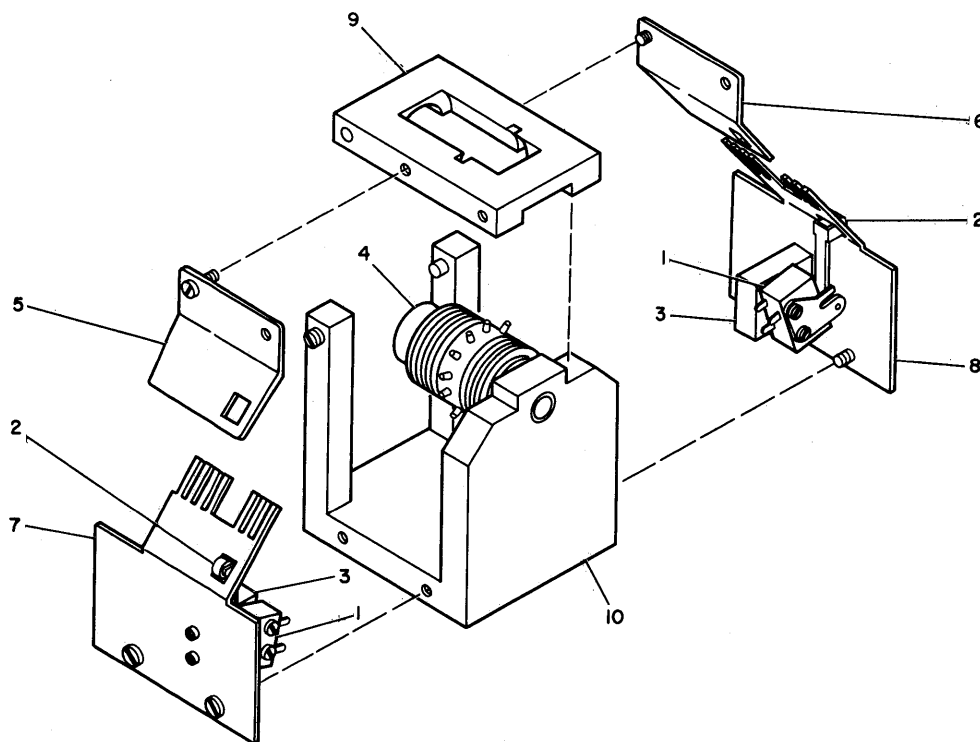


FIGURE 3. OUTBOARD BEARING BLOCK ASSEMBLY. SEE LIST 3.

LIST AND INDEX NO.	PART NO.	DESCRIPTION				UNITS PER ASM.	USABLE ON CODE
		1	2	3	4		
CAPSTAN DRIVE MECHANISM -CONT							
4 - 15	2197067					1	
- 16	2197115					1	
- 17	2191402					2	
- 18	2191406					1	
- 19	2191408					1	
- 20	2191411					2	
- 21	2197002					1	
- 22	2197003					1	
- 23	2197004					1	
- 23A	2197005					1	
- 23B	2197006					1	
- 24	2197012					1	
- 25	2197018					1	
- 26	2197027					1	
- 27	2197032					1	
- 28	2197052					1	
- 29	2197053					1	
- 30	2197063					1	
- 31	2197064					1	

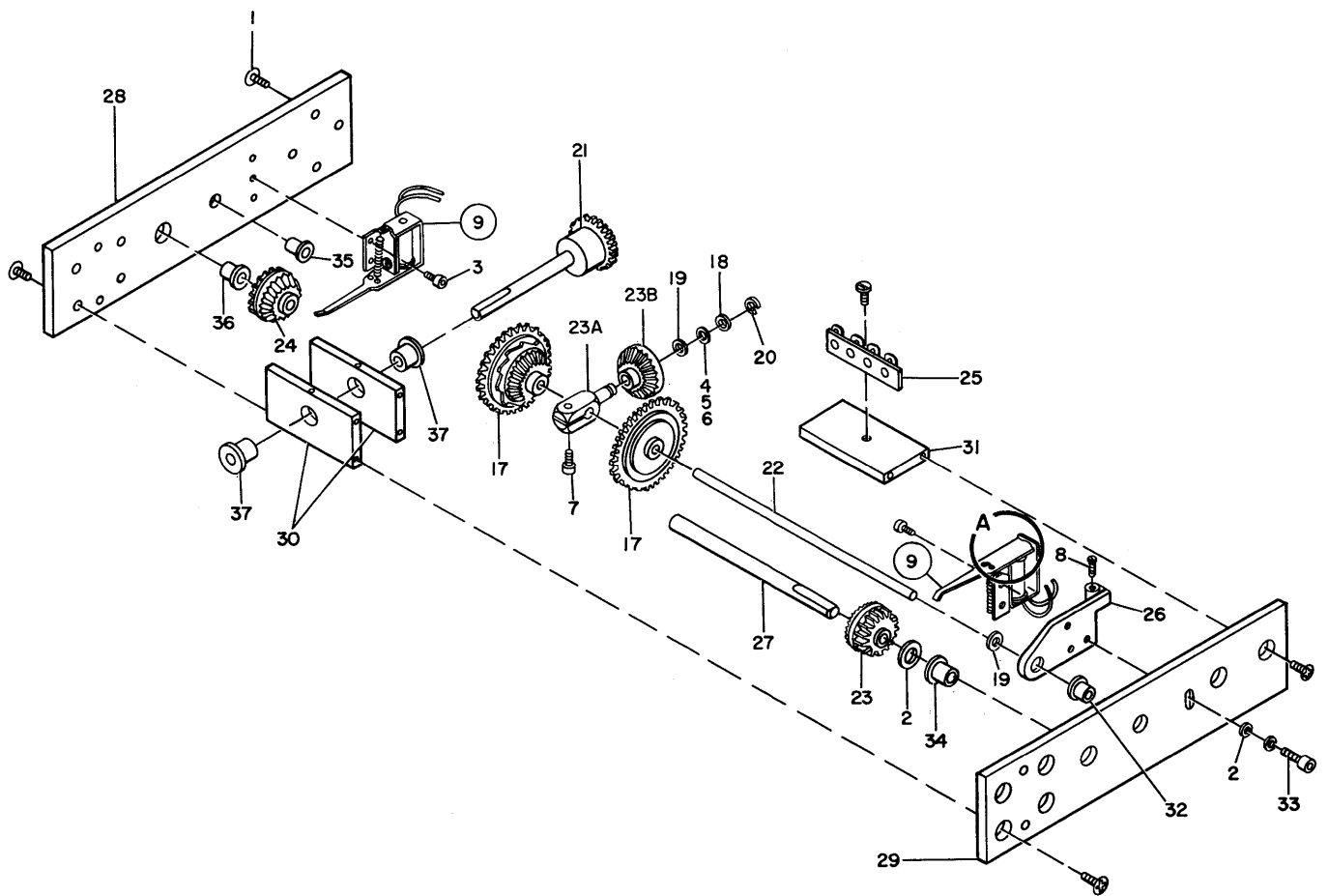
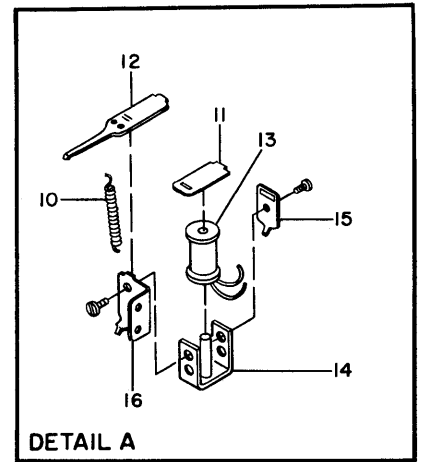


FIGURE 4. CAPSTAN DRIVE MECHANISM. SEE LIST 4.

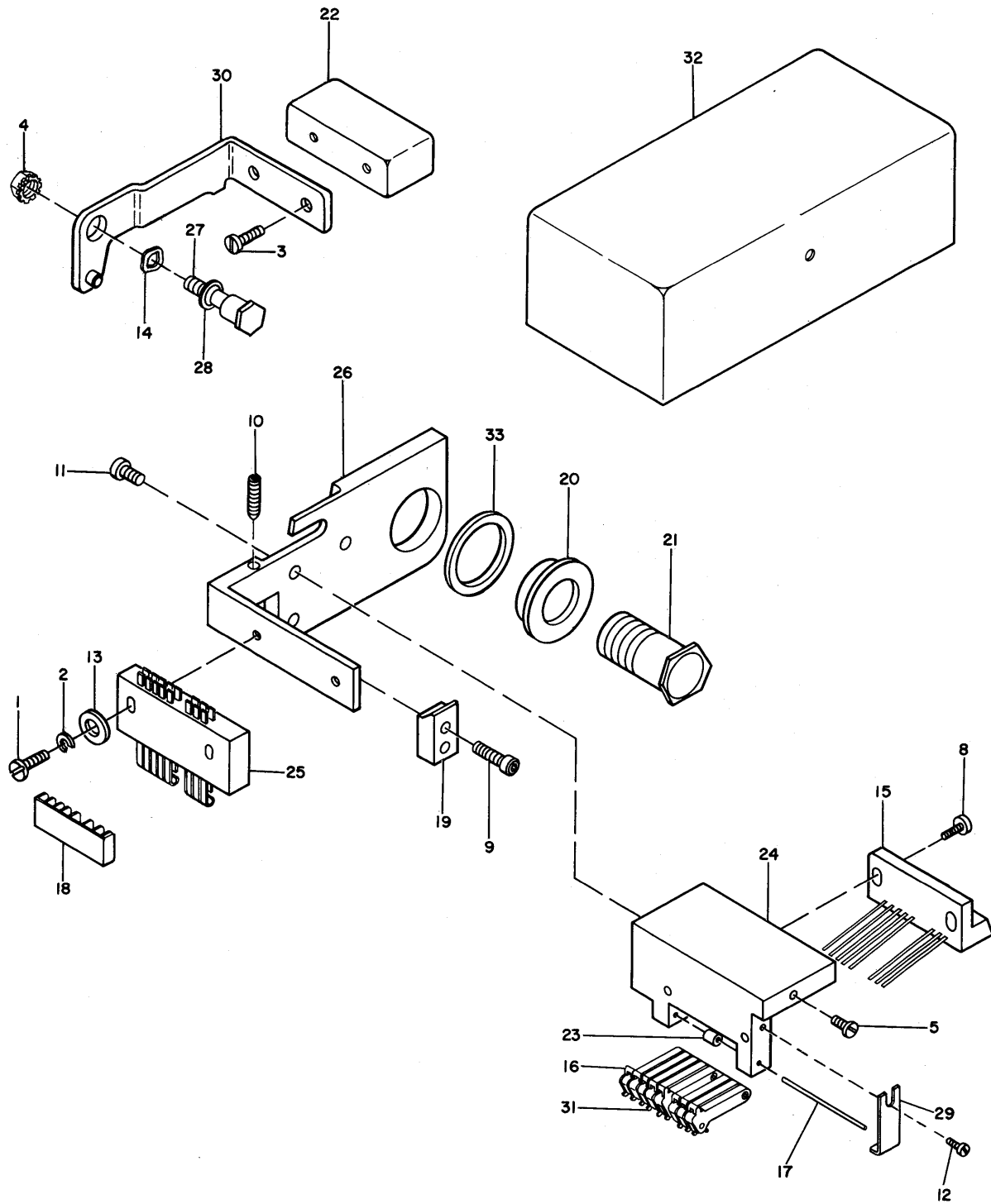


FIGURE 5. READ HEAD ASSEMBLY. SEE LIST 5.

LIST AND INDEX NO.	PART NO.	DESCRIPTION	UNITS	USABLE
			PER ASM.	ON CODE
		CAPSTAN DRIVE MECHANISM -CONT		
4 - 32	2197084	• BUSHING, CAPSTAN SHAFT	1	
- 33	2197091	• SCREW, ALLEN CAP, 6-32 X 1/2 IN	1	
- 34	2197092	• BUSHING-FLANGE	1	
- 35	2197093	• BUSHING-FLANGE	1	
- 36	2197094	• BUSHING-FLANGE	1	
- 37	2197095	• BUSHING-FLANGE	2	
		READ HEAD ASSEMBLY		
5 -	2197122	READ HEAD ASM SEE LIST 2-22 FOR NEXT HIGHER ASSEMBLY AND FIGURE 5 FOR ILLUSTRATION	REF	
- 1	5644	• SCREW, MACH-FIL H 6-32 X 5/8 LG	2	
- 2	6364	• WASHER, LOCK-SPLIT NO. 6 X 1/4 OD	1	
- 3	10170	• SCREW, MACH-BIND HD 6-32 X 1/4 LG	2	
- 4	11598	• NUT PLAIN HEX 10/32	1	
- 5	38350	• SCREW, MACH-FIL H 6-32 X 1/4 LG	1	
- 6	56079	• WASHER, LOCK-EXT TEETH NO. 10 X 0.410 OD NOT ILLUSTRATED	1	
- 7	56722	• WASHER, LOCK-EXT TEETH NO. 6 X 5/16 OD NOT ILLUSTRATED	1	
- 8	81693	• SCREW, MACH-BIND HD 6-32 X 3/8 LG	2	
- 9	104613	• SCREW, ALLEN CAP, 8-32 X 1/2 LG	2	
- 10	146730	• SCREW ADJUSTING 10-32 X 3/8 LG	1	
- 11	250627	• SCREW, ALLEN CAP 6-32 X 3/8 LG	3	
- 12	251970	• SCREW, PAN HEAD, 4-40 X 1/4 LG	1	
- 13	257986	• WASHER, SWITCH MTG	1	
- 14	2101819	• SPRING, PRELOAD	1	
- 15	2191415	• CONTACT ASM, MOVABLE	1	
- 16	2197001	• LEVER, STAR WHEEL	8	
- 17	2197007	• PIN, LEVER PIVOT	1	
- 18	2197008	• INSULATOR	1	
- 19	2197009	• BLOCK, LATCH	1	
- 20	2197010	• BUSHING	1	
- 21	2197011	• BUSHING	1	
- 22	2197013	• HANDLE, LIFT LEVER	1	
- 23	2197035	• SPACER, STAR WHEEL LEVER	1	
- 24	2197038	• BRACKET, STAR WHEEL	1	
- 25	2197039	• CONTACT ASM, FIXED	1	
- 26	2197045	• PLATE	1	
- 27	2197070	• ECCENTRIC, LIFT LEVER	1	
- 28	2197072	• SHIM	1	
- 29	2197074	• RETAINER, PIVOT PIN	1	
- 30	2197075	• LEVER-LOCK	1	
- 31	2197079	• STAR WHEEL	8	
- 32	2197123	• COVER, REAR HEAD	1	
- 33	2197134	• WASHER, SHIM	1	

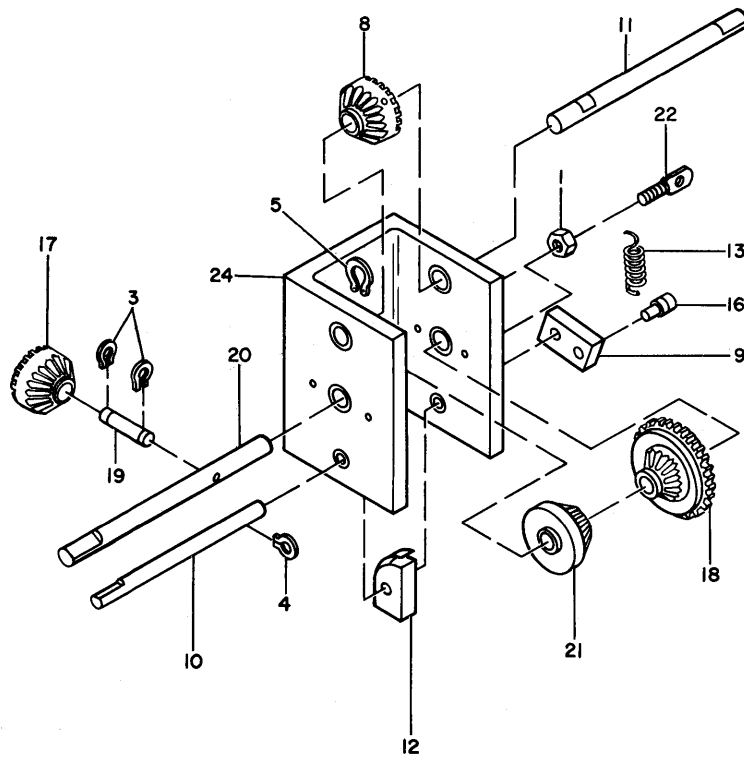
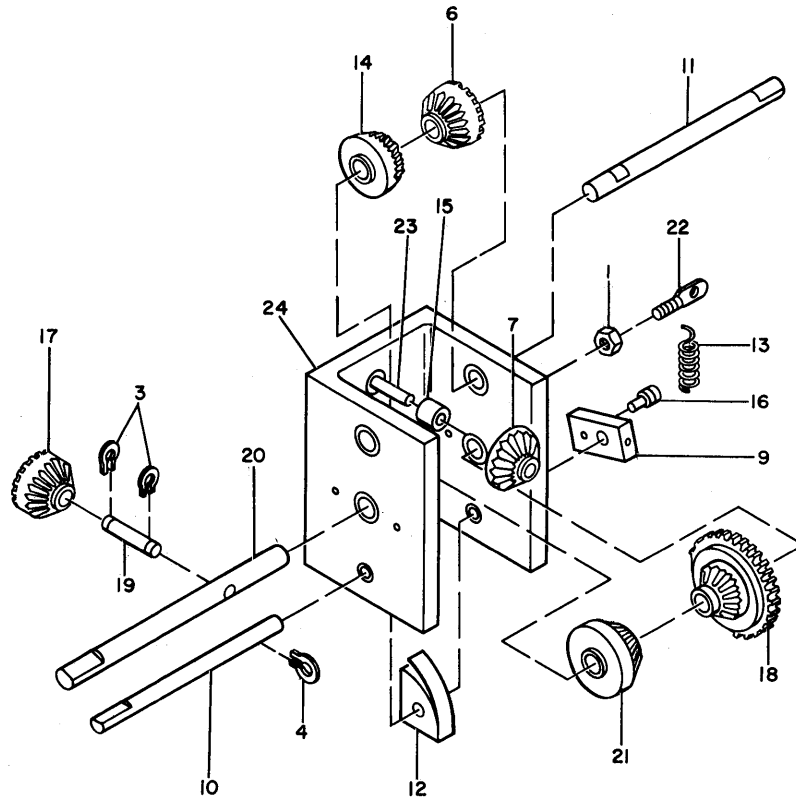


FIGURE 6. LH AND RH REELING MECHANISM. SEE LIST 6.

LIST AND INDEX NO.	PART NO.	DESCRIPTION				UNITS PER ASM.	USABLE ON CODE
		1	2	3	4		
LH AND RH REELING MECHANISM							
6 -		CODE A USED ON ASM 2197126 CODE B USED ON ASM 2197127					
	2197126	MECHANISM, REELING L.H. SEE LIST 2-23 FOR NEXT HIGHER ASSEMBLY AND FIGURE 6 FOR ILLUSTRATION				REF	A
	2197127	MECHANISM ASM, REELING, R.H. SEE LIST 2-24 FOR NEXT HIGHER ASSEMBLY AND FIGURE 6 FOR ILLUSTRATION				REF	B
- 1	257189	. NUT, PLAIN-HEX 8-32 X 0.343 W				1	
- 2	559015	. NUT, SELF-LOCKING 8/32 NOT ILLUSTRATED				1	
- 3	2191175	. RING				2	
- 4	2191177	. RING, GRIP				1	
- 5	2191178	. RING, GRIP				1	B
- 6	2197004	. GEAR, BEVEL				1	A
- 7	2197006	. GEAR, SPIDER BEVEL				1	A
- 8	2197012	. GEAR, BEVEL				1	B
- 9	2197019	. LINK, TENSION				1	
- 10	2197020	. SHAFT, TENSION				1	
- 11	2197021	. SHAFT, DRIVE				1	
- 12	2197024	. BRAKE, REEL MECHANISM				1	
- 13	2197025	. SPRING, BRAKE				1	
- 14	2197029	. GEAR, BEVEL				1	A
- 15	2197030	. SPACER				1	A
- 16	2197031	. POST-SPRING				1	
- 17	2197078	. GEAR, SPIDER BEVEL				1	
- 18	2197080	. GEAR				1	
- 19	2197081	. PIN, DIFFERENTIAL				1	
- 20	2197082	. SHAFT, REELING				1	
- 21	2197083	. GEAR, BRAKE DRUM				1	
- 22	2197107	. BOLT, SPADE				1	
- 23	2197108	. PIN, DOWEL 3/16 X 7/8 LG				1	A
- 24	2197128	. FRAME, REELING MECHANISM				1	
CABLE AND JUMPER ASSEMBLY COMPONENT PARTS							
* 7 -	NO NO.	CABLE AND JUMPER COMPONENT ASSEMBLY SEE FIGURE 7 FOR ILLUSTRATION				REF	
* - 1	92784	. TERMINAL, LUG-INS 18-20AWG NO.8 MTG HOLE				AR	
* - 2	216208	. CLAMP-CABLE CONNECTOR				AR	
* - 3	216209	. SUPPORT-CABLE CONNECTOR CARD				AR	
* - 4	216210	. SPACER-CABLE CONNECTOR				AR	
* - 5	491349	. PRINTED CIRCUIT BOARD				AR	
* - 6	747369	. CONNECTOR				AR	
* - 7	2162457	. CLAMP, CABLE				AR	

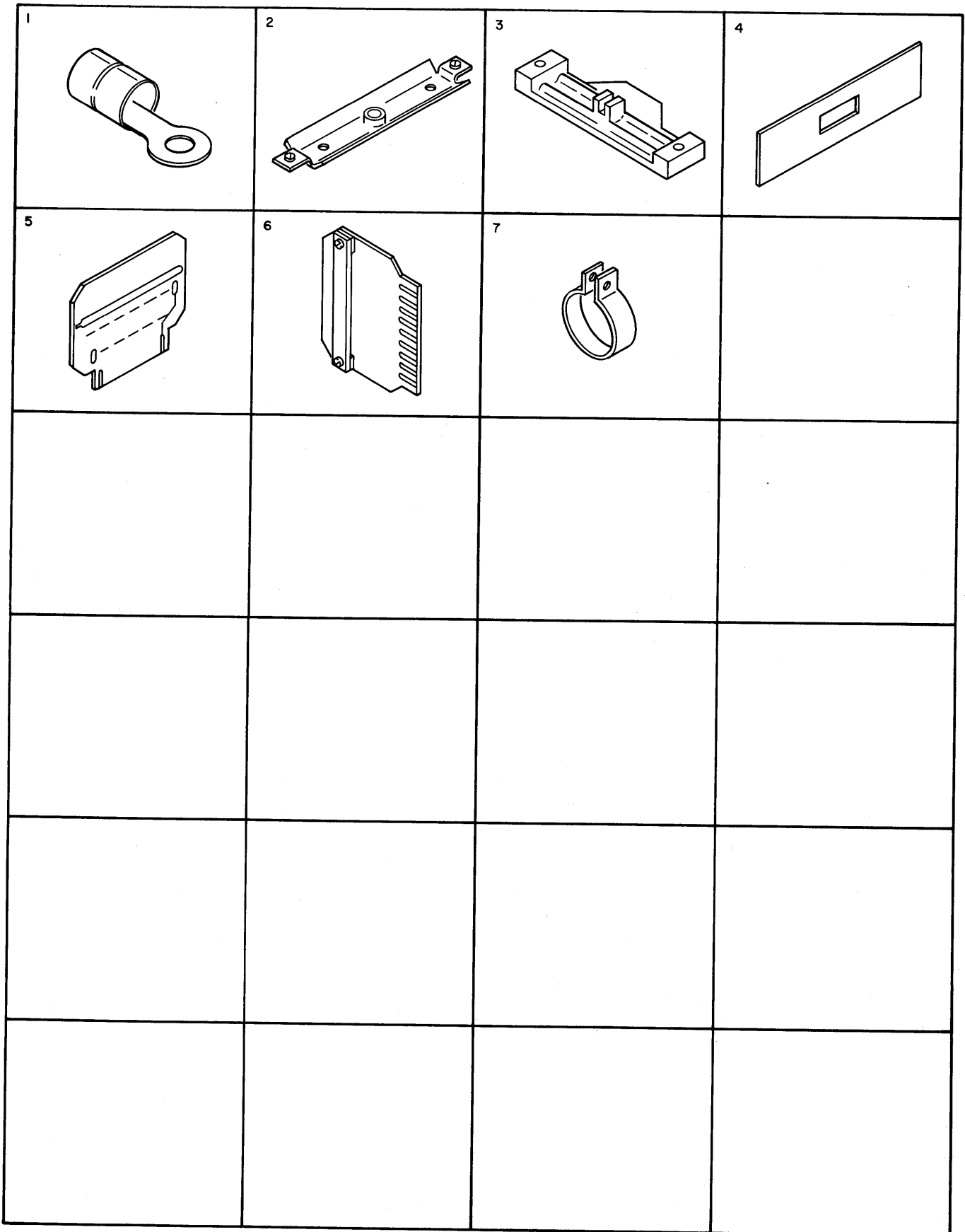


FIGURE 7. CABLE AND JUMPER ASSEMBLY COMPONENT PARTS. SEE LIST 7.

NUMERICAL INDEX

PART NO.	SECTION, LIST AND INDEX NO.
119	1- 4 - 1
232	1- 1 - 2
3550	1- 4 - 2
5644	1- 5 - 1
6364	1- 1 - 3
	1- 5 - 2
10170	1- 5 - 3
11598	1- 5 - 4
22478	1- 2 - 1
32042	1- 1 - 4
34512	1- 2 - 1A
38350	1- 5 - 5
38368	1- 1 - 5
55901	1- 1 - 6
56079	1- 5 - 6
56722	1- 1 - 7
	1- 5 - 7
78916	1- 1 - 8
81693	1- 1 - 9
	1- 5 - 8
92784	1- 7 - 1
104613	1- 5 - 9
111262	1- 1 - 10
111263	1- 1 - 10
123070	1- 1 - 11
127749	1- 1 - 12
146730	1- 5 - 10
179946	1- 2 - 18
186923	1- 4 - 3
207338	1- 1 - 13
216208	1- 7 - 2
216209	1- 7 - 3
216210	1- 7 - 4
225371	1- 4 - 4
225372	1- 4 - 5
225373	1- 4 - 6
250627	1- 4 - 7
	1- 5 - 11
251970	1- 5 - 12
257080	1- 1 - 14
257187	1- 1 - 15
257189	1- 1 - 16
	1- 2 - 1C
	1- 6 - 1
257979	1- 4 - 8
257986	1- 1 - 17
	1- 5 - 13
322550	1- 1 - 18
343673	1- 1 - 19
460258	1- 1 - 38
475124	1- 2 - 1D
491349	1- 7 - 5
526378	1- 1 - 20
526498	1- 1 - 21
534768	1- 1 - 22
559015	1- 6 - 2
747369	1- 7 - 6
1090873	1- 1 - 23
	1- 2 - 1E
1141554	1- 1 - 24

PART NO.	SECTION, LIST AND INDEX NO.
2101819	1- 5 - 14
2133098	1- 3 - 1
2152919	1- 1 - 25
2162457	1- 7 - 7
2191111	1- 1 - 26
2191114	1- 1 - 33
	1- 2 - REF
2191115	1- 1 - 41
2191116	1- 0 - 1
	1- 1 - 37
2191118	1- 1 - 27
2191119	1- 1 - 41
2191121	1- 1 - 41
2191126	1- 1 - 33
	1- 2 - REF
2191127	1- 0 - 1
	1- 1 - REF
2191128	1- 0 - 1
	1- 1 - REF
2191129	1- 1 - 28
2191138	1- 1 - 29
2191152	1- 1 - 30
2191155	1- 1 - 31
2191157	1- 1 - 1
2191158	1- 1 - 1
2191170	1- 1 - 32
2191175	1- 6 - 3
2191176	1- 2 - 7
2191177	1- 6 - 4
2191178	1- 6 - 5
2191179	1- 3 - 2
2191186	1- 1 - 33
	1- 2 - REF
2191187	1- 1 - 33
	1- 2 - REF
2191400	1- 4 - 10
2191402	1- 4 - 17
2191406	1- 4 - 18
2191407	1- 4 - 11
2191408	1- 4 - 19
2191409	1- 2 - 2
2191410	1- 2 - 3
2191411	1- 4 - 20
2191412	1- 2 - 4
	1- 2 - 4
	1- 2 - 4
2191413	1- 2 - 5
	1- 2 - 5
	1- 2 - 5
2191414	1- 2 - 6
	1- 2 - 6
2191415	1- 5 - 15
2191417	1- 4 - 9
2191418	1- 1 - 34
2191419	1- 1 - 35
2191420	1- 1 - 36
2191421	1- 1 - 39
2191422	1- 1 - 33
	1- 2 - REF
2191423	1- 1 - 33

PART NO.	SECTION, LIST AND INDEX NO.
2191423-CONT	1- 2 - REF
2191424	1- 1 - 1
2191425	1- 1 - 1
2191426	1- - 1
	1- 1 - REF
2191427	1- - 1
	1- 1 - REF
2197001	1- 5 - 16
2197002	1- 4 - 21
2197003	1- 4 - 22
2197004	1- 4 - 23
	1- 6 - 6
2197005	1- 4 - 23A
2197006	1- 4 - 23B
	1- 6 - 7
2197007	1- 5 - 17
2197008	1- 5 - 18
2197009	1- 5 - 19
2197010	1- 5 - 20
2197011	1- 5 - 21
2197012	1- 4 - 24
	1- 6 - 8
2197013	1- 5 - 22
2197014	1- 2 - 10
2197015	1- 2 - 11
2197016	1- 2 - 8
2197017	1- 2 - 12
2197018	1- 4 - 25
2197019	1- 6 - 9
2197020	1- 6 - 10
2197021	1- 6 - 11
2197022	1- 2 - 13
2197023	1- 2 - 14
2197024	1- 6 - 12
2197025	1- 6 - 13
2197027	1- 4 - 26
2197028	1- 3 - 3
2197029	1- 6 - 14
2197030	1- 6 - 15
2197031	1- 6 - 16
2197032	1- 4 - 27
2197035	1- 5 - 23
2197037	1- 3 - 4
2197038	1- 5 - 24
2197039	1- 5 - 25
2197043	1- 4 - 12
2197045	1- 5 - 26
2197047	1- 2 - 9
2197052	1- 4 - 28
2197053	1- 4 - 29
2197056	1- 2 - 15
2197058	1- 4 - 13
2197059	1- 3 - 5
2197060	1- 3 - 6
2197061	1- 3 - 7
2197062	1- 3 - 8
2197063	1- 4 - 30
2197064	1- 4 - 31
2197065	1- 3 - 9
2197066	1- 4 - 14

PART NO.	SECTION, LIST AND INDEX NO.
2197067	1- 4 - 15
2197070	1- 5 - 27
2197072	1- 5 - 28
2197074	1- 5 - 29
2197075	1- 5 - 30
2197076	1- 2 - 16
	1- 3 -REF
2197078	1- 6 - 17
2197079	1- 5 - 31
2197080	1- 6 - 18
2197081	1- 6 - 19
2197082	1- 6 - 20
2197083	1- 6 - 21
2197084	1- 4 - 32
2197085	1- 2 - 17
2197091	1- 4 - 33
2197092	1- 4 - 34
2197093	1- 4 - 35
2197094	1- 4 - 36
2197095	1- 4 - 37
2197101	1- 2 - 18
2197105	1- 2 - 19
	1- 2 - 19

PART NO.	SECTION, LIST AND INDEX NO.
2197107	1- 6 - 22
2197108	1- 6 - 23
2197115	1- 4 - 16
2197117	1- 2 - 20
	1- 4 -REF
2197120	1- 2 - 21
	1- 2 - 21
	1- 2 - 21
2197122	1- 2 - 22
	1- 5 -REF
2197123	1- 5 - 32
2197124	1- 3 - 10
2197126	1- 2 - 23
	1- 6 -REF
2197127	1- 2 - 24
	1- 6 -REF
2197128	1- 6 - 24
2197129	1- 2 - 25
2197130	1- 2 - 26
	1- 2 - 26
2197133	1- 2 - 27
	1- 2 - 27
2197134	1- 5 - 33
2197135	1- 2 - 28

PART NO.	SECTION, LIST AND INDEX NO.
2197135-CONT	1- 2 - 28
	1- 2 - 28
2197136	1- 2 - 29
	1- 2 - 29
	1- 2 - 29
2197137	1- 2 - 30
	1- 2 - 30
2197141	1- 1 - 42
2197142	1- 1 - 42
2197148	1- 2 - 31
2197150	1- - 1
	1- 1 - 40
2197151	1- - 1
	1- 1 - 40
2197152	1- - 1
	1- 1 - 40
2197153	1- 2 - 26
	1- 2 - 26
2197154	1- 2 - 26
	1- 2 - 27
2197155	1- 2 - 27
	1- 2 - 6
	1- 2 - 6

COMMENT FORM

ILLUSTRATED PARTS CATALOG

Description 1134 Paper Tape Reader - Models 1 and 2

Order No. S123-0452-2

This Parts Catalog contains information for use in identifying, requisitioning, and issuing replacement parts. To make this catalog as useful as possible for machine maintenance we would like your comments in regards to ease of locating parts.

CUT ALONG LINE

How do you rate this publication: Excellent _____ Good _____ Fair _____ Poor _____

FROM :

NAME _____ OFFICE / DEPT _____
CITY / STATE _____ DATE _____

NO POSTAGE NECESSARY IF MAILED IN U. S. A.

FOLD ON TWO LINES (LOCATED ON REVERSE SIDE), STAPLE AND MAIL

fold

fold

FIRST CLASS
PERMIT NO. 419
POUGHKEEPSIE, N.Y.

BUSINESS REPLY MAIL
NO POSTAGE NECESSARY IF MAILED IN THE UNITED STATES

POSTAGE WILL BE PAID BY . . .

IBM CORPORATION
P.O. BOX 390
POUGHKEEPSIE, N.Y. 12602



ATTENTION: Dept. B97 - Parts Catalog Center

fold

fold

1134 M1 M2

1134 M1 M2

TAB INSERT FOR FRONT COVER

S123-0452-2

IBM 1134 Printed in U.S.A. S123-0452-2



International Business Machines Corporation
Field Engineering Division
112 East Post Road, White Plains, N.Y. 10601