

1622 Card Read Punch

1622

**ILLUSTRATED PARTS
CATALOG**

**Card Read Punch
1622**

AUG. 16 , 1962

**DATA PROCESSING DIVISION
INTERNATIONAL BUSINESS MACHINES CORPORATION
112 EAST POST ROAD, WHITE PLAINS, N.Y.**

CONTENTS**PART 1 INTRODUCTION**

1.1	Scope _____	viii
1.2	Group Assembly Parts List, Part 2 _____	viii
1.2.1	Scope _____	viii
1.2.2	List and Index Number Column _____	viii
1.2.3	Part Number Column _____	viii
1.2.4	Description Column _____	viii
1.2.5	Units Per Assembly Column _____	viii
1.2.6	Useable On Code Column _____	viii
1.2.7	Parts Not Recommended _____	viii
1.3	Numerical Index, Part 3 _____	viii
1.3.1	Scope _____	viii
1.3.2	Part Number Column _____	viii
1.3.3	List and Index Number Column _____	viii

PART 2 GROUP ASSEMBLY PARTS LIST**Section 1**

List 1	1622 Card Read Punch _____	1
List 2	Switch and Light Panel Assembly _____	11
List 3	Mechanical Base Assembly _____	13
List 4	Transport Assembly _____	20
List 5	Retractable Brush Unit Assembly Read Feed _____	23
List 6	Read Feed Assembly _____	23
List 7	Clutch Circuit Breaker Assembly _____	32
List 8	Circuit Breaker Assembly Read Feed _____	34
List 9	Upper Card Guide Assembly Read Feed _____	36
List 10	Picker Knife Shaft Assembly Read Feed _____	37
List 11	Cam Shaft Assembly Read Feed _____	38
List 12	1st, 3rd, and 4th Lower Feed Roll Assemblies Read Feed _____	39
List 13	2nd Lower, 3rd, and 4th Upper Feed Roll Assemblies Read Feed _____	40
List 14	1st Upper Feed Roll Assembly Read Feed _____	41
List 15	2nd Upper Feed Roll Assembly Read Feed _____	42
List 16	1st Contact Roll Assembly Read Feed _____	43
List 17	2nd Contact Roll Assembly Read Feed _____	44
List 18	Clutch Drive Support Assembly Read Feed _____	45
List 19	Dynamic Timer Assembly Punch Feed _____	47
List 20	High Speed Circuit Breaker Assembly Punch Feed _____	49

List 21	CR Circuit Breaker Assembly Punch Feed _____	51
List 22	Punch Unit Assembly _____	53
List 23	Punch Drive Assembly _____	60
List 24	Punch Unit Assembly (Redesigned) _____	62
List 25	Punch Drive Assembly (Redesigned) _____	70
List 26	Retractable Brush Unit Assembly Punch Feed _____	72
List 27	Punch Feed Assembly _____	74
List 28	Hopper Assembly Punch Feed _____	92
List 29	Picker Knife Shaft Assembly Punch Feed _____	95
List 30	Geneva Assembly _____	96
List 31	Drive Pulley Assembly Punch Feed _____	98
List 32	Clutch Shaft Assembly Punch Feed _____	99
List 33	Clutch Assembly Punch Feed _____	100
List 34	Circuit Breaker Assembly Punch Feed _____	102
List 35	1st Lower Feed Roll Assembly Punch Feed _____	104
List 36	Card Guide Assembly Punch Feed _____	105
List 37	Contact Roll Shaft Assembly Punch Feed _____	106
List 38	Card Gate Assembly _____	107
List 39	CE Panel Assembly _____	110
List 40	Electrical Base Assembly _____	110
List 41	CE Aid Panel Assembly _____	117
List 42	Marginal Check Assembly _____	119
List 43	Regulator Assembly 1250 Watt _____	121
List 44	Capacitor Assembly 1250 Watt _____	122
List 45	Power Supply Assembly 3 VDC 5 AMP (Redesigned) _____	123
List 46	Power Supply Assembly 3 VDC 5 AMP _____	125
List 47	Fuse Panel Assembly _____	125
List 48	Power Sequence Assembly _____	127
List 49	Relay Gate Assembly _____	130
List 50	Power Supply Bracket Assembly _____	132
List 51	Resistor Integrator Assembly _____	134
List 52	Power Supply Assembly 20 VDC 15 AMP (Redesigned) _____	136
List 53	Power Supply Assembly 20 VDC 15 AMP _____	139
List 54	Power Supply Assembly 12 VDC 16 AMP (Redesigned) _____	141
List 55	Power Supply Assembly 12 VDC 16 AMP _____	143
List 56	Power Supply Assembly 12 VDC 8 AMP (Redesigned) _____	145

List 57	Power Supply Assembly 12 VDC 8 AMP	149
List 58	Blower Assembly	150
List 59	Frame Assembly	151
List 60	Cable Components	152

PART 2 GROUP ASSEMBLY PARTS LIST FEATURES

Section 2 Selective and Optional Features

List 61	Additional SMS Card Capacity	153
List 62	Card Gate B1 Assembly	153
List 63	Card Gate A Assembly	156
List 64	Power Supply Bracket Assembly	159
List 65	Marginal Check Assembly	159
List 66	Switch and Light Panel Assembly	161
List 67	Punch Feed Read and Increased Punch Speed	164
List 68	Additional Electrical Parts	166

PART 3 NUMERICAL INDEX

LIST OF ILLUSTRATIONS

Section 1

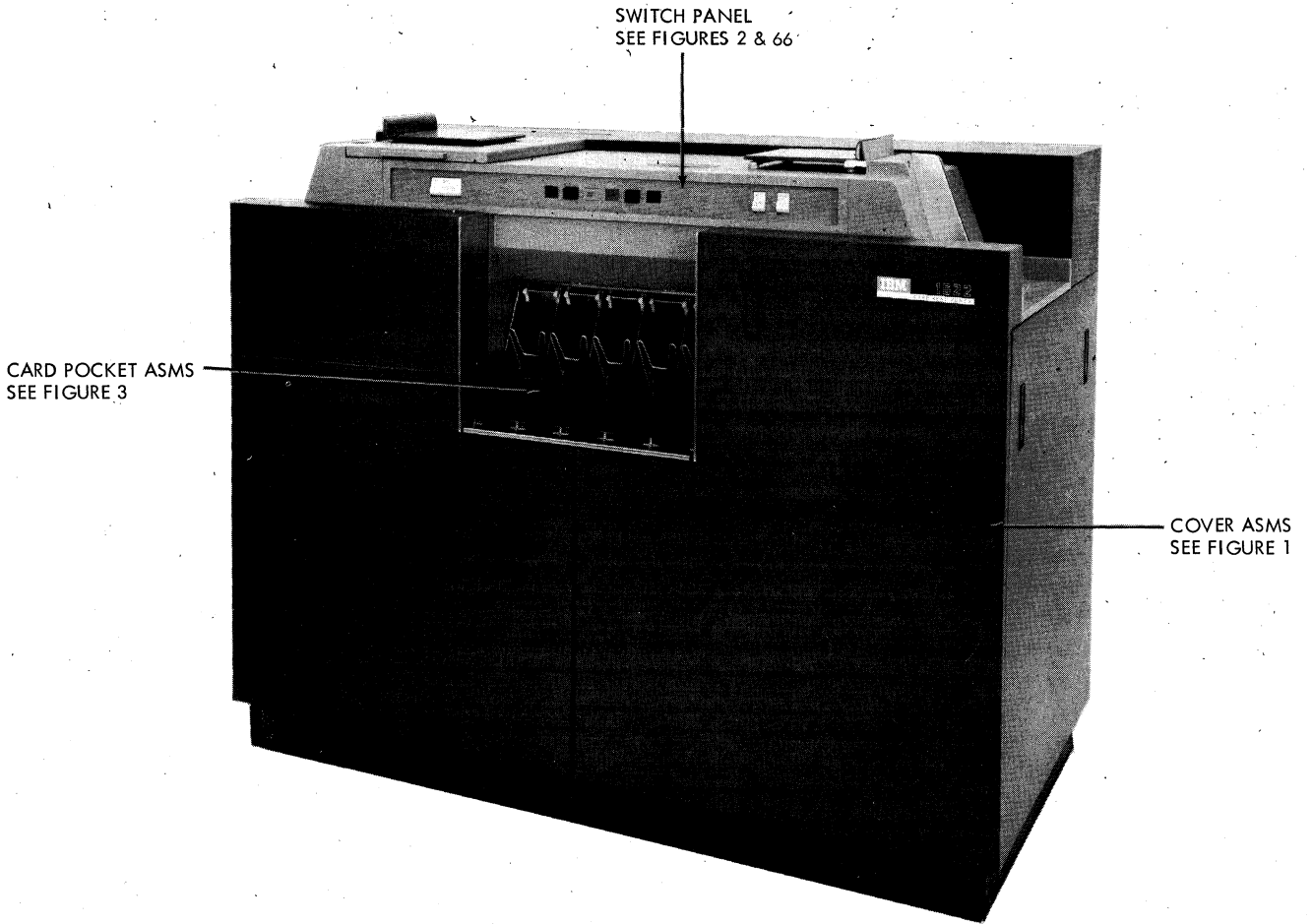
1	1622 Card Read Punch (Sheet 1 of 5, Index Nos 1-135)(See List 1)	2
	1622 Card Read Punch (Sheet 2 of 5, Index Nos. 136-187)(See List 1)	5
	1622 Card Read Punch (Sheet 3 of 5, Index Nos 188-252)(See List 1)	6
	1622 Card Read Punch (Sheet 4 of 5, Index Nos 253-282)(See List 1)	8
	1622 Card Read Punch (Sheet 5 of 5, Index Nos 283-340)(See List 1)	10
2	Switch and Light Panel Assembly (See List 2)	12
3	Mechanical Base Assembly (Sheet 1 of 3, Index Nos 1-123)(See List 3)	14
	Mechanical Base Assembly (Sheet 2 of 3, Index Nos 125-202)(See List 3)	16
	Mechanical Base Assembly (Sheet 3 of 3, Index Nos 203-335)(See List 3)	19
4	Transport Assembly (See List 4)	22
5	Retractable Brush Unit Assembly Read Feed (See List 5)	24
6	Read Feed Assembly (Sheet 1 of 3, Index Nos 1-137)(See List 6)	26
	Read Feed Assembly (Sheet 2 of 3, Index Nos 138-231)(See List 6)	28
	Read Feed Assembly (Sheet 3 of 3, Index Nos 232-355)(See List 6)	31
7	Clutch Circuit Breaker Assembly (See List 7)	33
8	Circuit Breaker Assembly Read Feed (See List 8)	35
9	Upper Card Guide Assembly Read Feed (See List 9)	36
10	Picker Knife Shaft Assembly Read Feed (See List 10)	37
11	Cam Shaft Assembly Read Feed (See List 11)	38
12	1st, 3rd, and 4th Lower Feed Roll Assemblies Read Feed (See List 12)	39
13	2nd Lower, 3rd and 4th Upper Feed Roll Assemblies Read Feed (See List 13)	40
14	1st Upper Feed Roll Assembly Read Feed (See List 14)	41
15	2nd Upper Feed Roll Assembly Read Feed (See List 15)	42
16	1st Contact Roll Assembly Read Feed (See List 16)	43
17	2nd Contact Roll Assembly Read Feed (See List 17)	44
18	Clutch Drive Support Assembly Read Feed (See List 18)	46
19	Dynamic Timer Assembly Punch Feed (See List 19)	48
20	High Speed Circuit Breaker Assembly Punch Feed (See List 20)	50
21	CR Circuit Breaker Assembly Punch Feed (See List 21)	52
22	Punch Unit Assembly (Sheet 1 of 4, Index Nos 1-95)(See List 22)	54
	Punch Unit Assembly (Sheet 2 of 4, Index Nos 96-136)(See List 22)	56
	Punch Unit Assembly (Sheet 3 of 4, Index Nos 137-180)(See List 22)	57
	Punch Unit Assembly (Sheet 4 of 4, Index Nos 181-238)(See List 22)	59
23	Punch Drive Assembly (See List 23)	61
24	Punch Unit Assembly (Redesigned)(Sheet 1 of 4, Index Nos 1-95)(See List 24)	63
	Punch Unit Assembly (Redesigned)(Sheet 2 of 4, Index Nos 96-167)(See List 24)	65

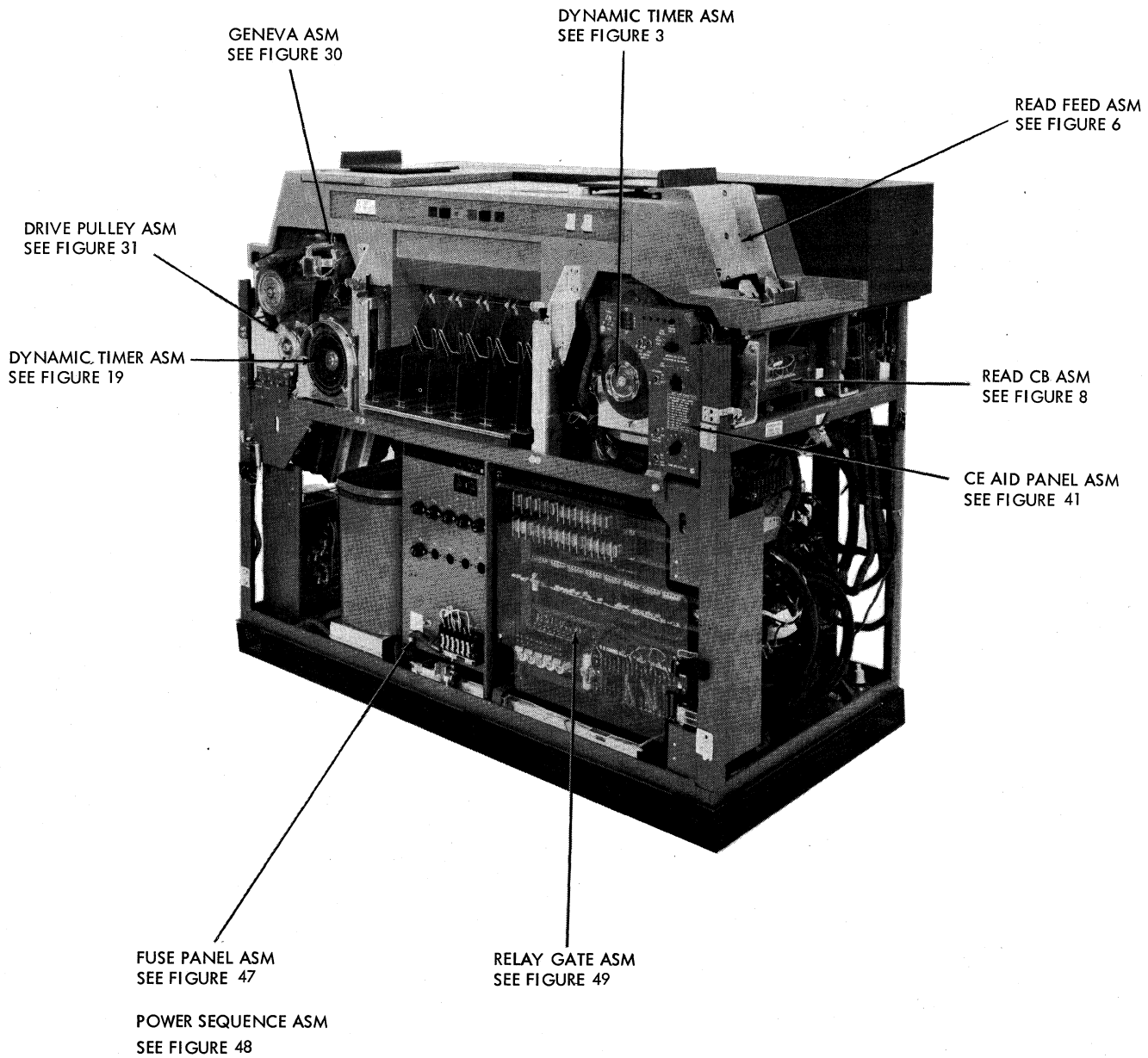
24	Punch Unit Assembly (Redesigned)(Sheet 3 of 4, Index Nos 168-211)(See List 24)	67
	Punch Unit Assembly (Redesigned)(Sheet 4 of 4, Index Nos 212-291)(See List 24)	69
25	Punch Drive Assembly (Redesigned)(See List 25)	71
26	Retractable Brush Unit Assembly Punch Feed (See List 26)	73
27	Punch Feed Assembly (Sheet 1 of 9, Index Nos 1-40)(See List 27)	75
	Punch Feed Assembly (Sheet 2 of 9, Index Nos 41-105)(See List 27)	76
	Punch Feed Assembly (Sheet 3 of 9, Index Nos 106-188)(See List 27)	78
	Punch Feed Assembly (Sheet 4 of 9, Index Nos 190-261)(See List 27)	80
	Punch Feed Assembly (Sheet 5 of 9, Index Nos 262-393)(See List 27)	82
	Punch Feed Assembly (Sheet 6 of 9, Index Nos 395-441)(See List 27)	84
	Punch Feed Assembly (Sheet 7 of 9, Index Nos 442-537)(See List 27)	86
	Punch Feed Assembly (Sheet 8 of 9, Index Nos 538-601)(See List 27)	88
	Punch Feed Assembly (Sheet 9 of 9, Index Nos 602-720)(See List 27)	91
28	Hopper Assembly Punch Feed (See List 28)	93
29	Picker Knife Shaft Assembly Punch Feed (See List 29)	95
30	Geneva Assembly (See List 30)	97
31	Drive Pulley Assembly Punch Feed (See List 31)	98
32	Clutch Shaft Assembly Punch Feed (See List 32)	99
33	Clutch Assembly Punch Feed (See List 33)	101
34	Circuit Breaker Assembly Punch Feed (See List 34)	103
35	1st Lower Feed Roll Assembly Punch Feed (See List 35)	104
36	Card Guide Assembly Punch Feed (See List 36)	105
37	Contact Roll Shaft Assembly Punch Feed (See List 37)	106
38	Card Gate Assembly (See List 38)	108
39	CE Panel Assembly (See List 39)	111
40	Electrical Base Assembly (Sheet 1 of 2, Index Nos 1-131)(See List 40)	113
	Electrical Base Assembly (Sheet 2 of 2, Index Nos 132-285)(See List 40)	116
41	CE Aid Panel Assembly (See List 41)	118
42	Marginal Check Assembly (See List 42)	120
43	Regulator Assembly, 1250 Watt (See List 43)	121
44	Capacitor Assembly, 1250 Watt (See List 44)	122
45	Power Supply Assembly 3 VDC 5 AMP (Redesigned)(See List 45)	124
46	Power Supply Assembly 3 VDC 5 AMP (See List 46)	126
47	Fuse Panel Assembly (See List 47)	128
48	Power Sequence Assembly (See List 48)	129
49	Relay Gate Assembly (See List 49)	131

50	Power Supply Bracket Assembly (See List 50)	133
51	Resistor Integrator Gate Assembly (See List 51)	135
52	Power Supply Assembly 20 V DC 15 AMP (Redesigned)(See List 52)	137
53	Power Supply Assembly 20 V DC 15 AMP (See List 53)	140
54	Power Supply Assembly 12 V DC 16 AMP (Redesigned)(See List 54)	142
55	Power Supply Assembly 12 V DC 16 AMP (See List 55)	144
56	Power Supply Assembly 12 V DC 8 AMP (Redesigned)(See List 56)	146
57	Power Supply Assembly 12 V DC 8 AMP (See List 57)	148
58	Blower Assembly (See List 58)	150
59	Frame Assembly (See List 59)	151
60	Cable Components (See List 60)	152

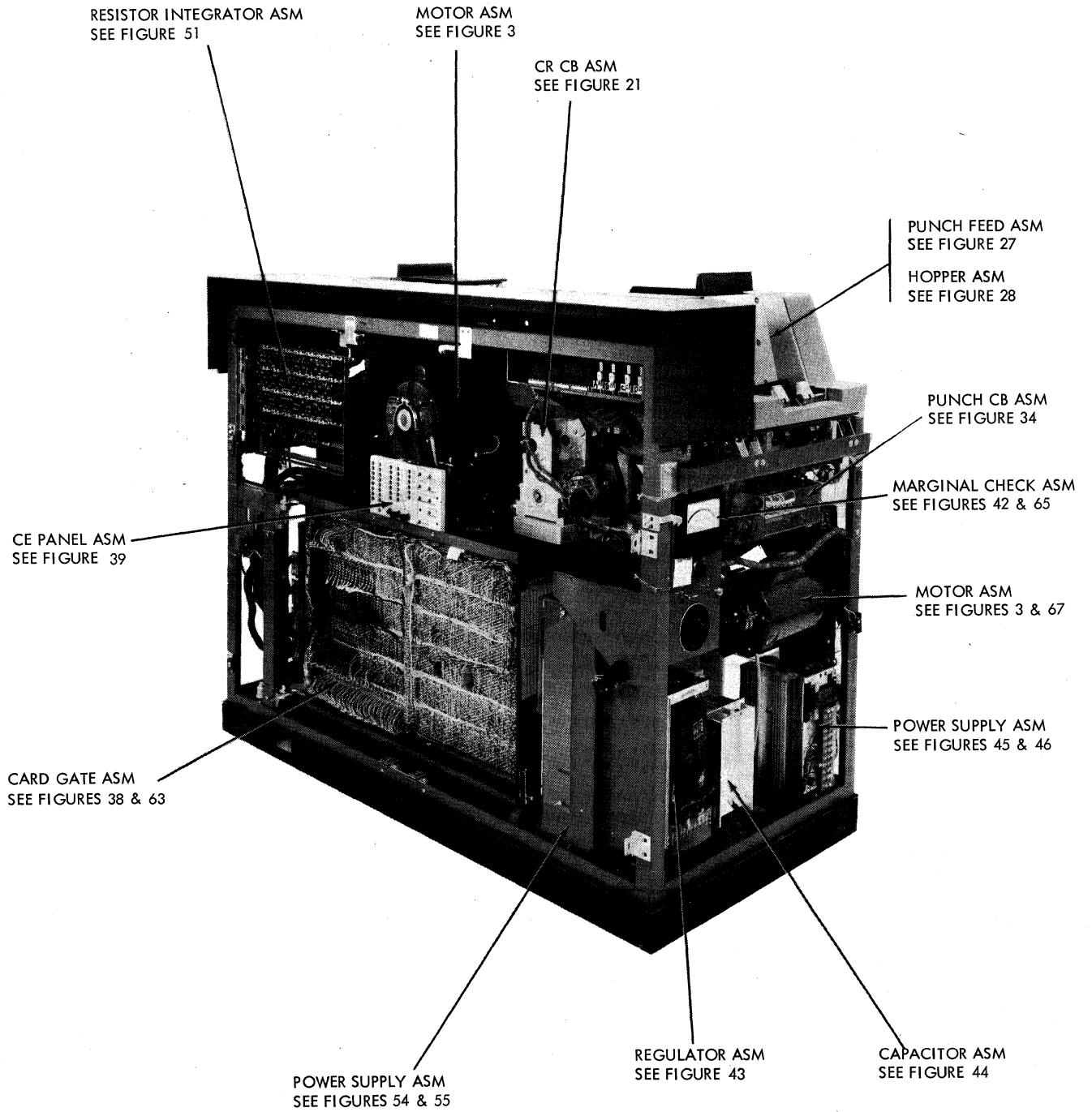
Section 2 Selective and Optional Features

61	Additional SMS Card Capacity (See List 61)	154
62	Card Gate B1 Assembly (See List 62)	155
63	Card Gate A Assembly (See List 63)	157
64	Power Supply Bracket Assembly (See List 64)	160
65	Marginal Check Assembly (See List 65)	162
66	Switch and Light Panel Assembly (See List 66)	163
67	Punch Feed Read and Increased Punch Speed (See List 67)	165
68	Additional Electrical Parts (See List 68)	167





1622 CARD READ PUNCH (Sheet 2 of 3)



USABLE ON CODE

Code	Description
A	Steel Picker Knife Blocks
B	Plastic Picker Knife Blocks
C	To insure the correct ordering of the proper power supply, check part number that is stamped on each power supply
D	To insure the correct ordering of the proper power supply, check part number that is stamped on each power supply
E	With Retractable Brush Unit Assembly, Part Number 607258, use Adjusting Screw, Part Number 602228, and Nut, Part Number 6503
F	With Retractable Brush Unit Assembly, Part Number 610181, use Adjusting Set Screw, Part Number 609747
G	Punch Unit Assembly, Part Number 609072, was used on machines prior to July 1961, and is no longer available for Field Replacement
H	Redesigned Punch Unit Assembly, Part Number 610180, has been incorporated in production machines since July 1961
J	Used on machines prior to Serial Number 10378
K	Used on machines after Serial Number 10378
L	Used on machines prior to Serial Number 10315
M	Used on machines after Serial Number 10316
N	Assemblies, Part Numbers 610664 and 607259, are obsoleted (See Code O)
O	Assembly, Part Number 610272, replaces Assemblies, Part Numbers 610664 and 607259 (See Code N)
P	Used on prior to "J" Suffix machines
Q	Used on "J" Suffix and later machines
R	Used on machines with a moveable left side aligner
S	Used on machines with a moveable right side aligner and stationary left side aligner

PART 1

INTRODUCTION

1.1 SCOPE

This Illustrated Parts Catalog (IPC) manual contains listings and illustrations of all replaceable assemblies, subassemblies and detail parts. The unit is manufactured by International Business Machines Corp., Rochester, Minn.

This IPC supplements the information contained in the associated manuals and should be used only for identifying, requisitioning, and issuing replacement parts. Refer to page xii and xiii How To Use This Illustrated Parts Catalog, for a pictorial presentation of the steps required to use this manual. Maintenance, overhaul, and/or repair should be performed only by authorized personnel using the applicable manual.

1.2 GROUP ASSEMBLY PARTS LIST, PART 2

1.2.1 Scope

This part contains the listings and illustrations of the replaceable items.

Parts are listed in disassembly sequence, where applicable. The relationship of an article to its next higher assembly is indicated by indenture; that is, an item appearing in indenture 3 is part of the first preceding assembly listed in indenture 2. For example:

DESCRIPTION

1	2	3	4
Unit			
.	Assemblies and Detail Parts of Unit		
.	Attaching Parts for Assemblies and Detail Parts		
.	Subassemblies		
.	Attaching Parts for Subassemblies		
.	Detail Parts for Subassemblies, etc.		

When an assembly is not broken down immediately after being listed, a reference is made to the listing where the breakdown is made. In such cases, however, the assembly reverts to indenture 1 in the breakdown list. Each listing is referenced to its associated illustration in the description of the first entry. Each illustration in turn references the list to which it pertains.

If a right and left, top and bottom, front and rear, or other similar assemblies contain a majority of identical parts, the assemblies are combined and broken down in one listing. Both assemblies are listed first, followed by the detail parts. Articles peculiar to each of the assemblies have only one index number assigned; reference is made to the particular assembly number of which they form a part. Articles common to both of the assemblies have a single-line entry with no reference. The entry for common parts in the Units Per Assembly column indicates the quantity required for one assembly only.

1.2.2 List and Index Number Column

The number before the hyphen is the list number. The number after the hyphen is the index number assigned to the part in the listing. This index number identifies the part on the associated illustration. Subassemblies are identified on the illustration by an index number enclosed in a circle.

1.2.3 Part Number Column

All numbers shown are IBM part numbers. When, because of disassembly procedure, a group of parts must be removed as an assembly and no assembly number has been assigned, the group of parts will be listed as "NO NO." (no number) assembly.

1.2.4 Description Column

The Description column contains the standard item names with main noun modifiers. "ATT PT" indicates attaching parts. Such parts are listed immediately following the part or parts they attach.

1.2.5 Units Per Assembly Column

The quantities specified in this column are the number of parts used per one next-higher assembly and are not necessarily the total number of parts used in the overall unit. The entry "Ref" in this column refers to an assembly which is completely assembled on a preceding illustration and is now disassembled on the illustration on which it is referenced. The quantities for such items are found in the preceding listing where the assembly is shown completely assembled and indexed. The entry "AR" in the Units Per Assy column denotes that the quantity is used as required. The entry "NP" denotes that the assembly is nonprocureable.

1.2.6 Usable On Code Column

Part application and interchangeability by the equipment serial number, model number or by Engineering Change Notice level of subsequent assemblies of the equipment is presented by usable on coding. The Usable On Code column is left blank when an article applies to all equipment or assemblies covered.

1.2.7 Parts Not Recommended

The lozenge (◻) is used for parts not recommended for normal field replacement.

1.3 NUMERICAL INDEX, PART 3

1.3.1 Scope

The Numerical Index contains all part numbers that appear in the part number column of the group assembly parts list.

1.3.2 Part Number Column

Part Number column contains all numbers appearing in the Part Number column of the group assembly parts list. The numbers are listed in numerical sequence.

1.3.3 List and Index Number Column

List and Index Number column contains the list and index number occurrence(s) of all parts in the group assembly parts list.

HOW TO USE THIS ILLUSTRATED PARTS CATALOG

SEE 1.2 GROUP ASSEMBLY PART LIST PAGE xi

LIST AND INDEX NO.	PART NO.	DESCRIPTION				UNITS PER ASSY.	USABLE ON CODE	
		1	2	3	4			
		HEAD MOUNTING ASSEMBLY						
5 -	556574	HEAD ASSY, MOUNTING PLATE SEE LIST 1-13 FOR NEXT HIGHER ASSY AND FIG. 6 FOR ILLUSTRATION						
5 - 1	556558	• COVER				1		
5 - 2	38548	• SCREW, MACH-BIND HD 4-40 X 3/16 LG				2	ATT PT	
5 - 3	NO NO.	• SHIELD ASSY				1		
5 - 4	556555	• SCREW, MACH				2	ATT PT	
5 - 5	556744	• PLATE, SHIELD				2		
5 - 6	556671	• SHIELD ASSY				1		
5 - 7	528369	• SHIM, HEAD MOUNTING				AR		
5 - 8	528379	• SHIM, HEAD MOUNTING				AR		
5 - 9	528389	• SHIM, HEAD MOUNTING				AR		
5 - 10	556554	• SPRING, HEAD SHIELD				1		
5 - 11	556553	• BRACKET				1		
5 - 12	438555	• SCREW, MACHINE BINDING HEAD				2	ATT PT	
5 - 13	556551	• HOLDER ASSY, PHOTOCELL				1		
5 - 14	338238	• SCREW, MACH-BIND HD NO. 4-40 X 5116				2	ATT PT	
5 - 15	599616	• SEMICONDUCTOR, PHOTOCONDUCTIVE				2		
5 - 16	599606	• CONTACT, SPRING				2		
5 - 17	38346	• SCREW, MACH				2	ATT PT	
5 - 18	516189	• LAMP ASSY-PHOTOCELL				1		
5 - 19	516188	• LAMP, INCANDESCENT-MINAT BAYONET BASE 6V				2		
5 - 20	516187	• JUMPER				1		
5 - 21	599605	• POST, BINDING				3		

SEE 1.3 NUMERICAL INDEX PAGE xi

PART NO.	SPARE PART	LIST AND INDEX NO.	PART NO.	SPARE PART	LIST AND INDEX NO.	PART NO.	SPARE PART	LIST AND INDEX NO.
595932		9 - 39	598170		2 - 165	598789		2 - 69
596482		6 - 9	598171		2 - 154			2 - 73
597534		2 - 71			2 - 168	598793		2 - 72
597539		2 - 193	598194		2 - 157	598795		2 - 68
597543		2 - 185	598195		2 - 163	598796		2 - 67
597544		2 - 171	598274		9 - 1	598797		2 - 10
597546		2 - 188						

HOW TO USE THIS ILLUSTRATED PARTS BREAKDOWN

Encircled Index Numbers

25

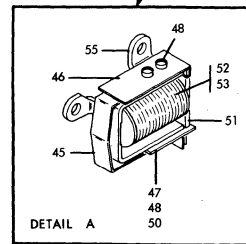
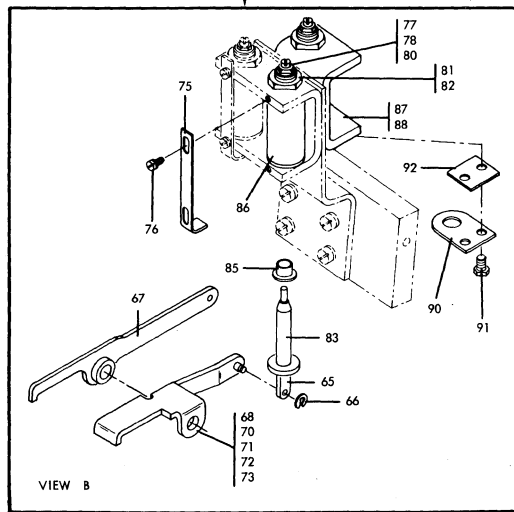
identify assemblies on the illustration. NOTE: Index numbers listed directly above or below the circled number identify components not necessarily included with the encircled assembly. Identify by means of the illustration index list.

Auxiliary Views

are used to show parts that are difficult to see on the main illustration; for example, parts that are mounted on the back side of an assembly.

Auxiliary Detail Views

are used to show components of main illustration which can be seen but are exploded for additional clarity.



HOW TO USE THIS ILLUSTRATED PARTS BREAKDOWN

TO FIND PART NUMBER IF SECTION OR SYSTEM IS KNOWN

TO FIND ILLUSTRATION OF PART IF PART NUMBER IS KNOWN

1 FIND THE REFERENCE TO THE KNOWN ASSEMBLY IN LIST OF ILLUSTRATION

1 LOCATE THE PART NUMBER IN THE PART NUMBER COLUMN OF THE NUMERICAL INDEX.

LIST OF ILLUSTRATIONS

Figure	Title	Page
1	LATCH ASSEMBLY	11
2	729 Magnetic Tape Drive (Sheet 2 of 3), Index No. 58-1983 (See List 3)	3
3	729 Magnetic Tape Drive (Sheet 3 of 3), Index No. 100-1511 (See List 3)	4
4	729 Magnetic Tape Drive (Sheet 4 of 3), Index No. 152-1871 (See List 3)	5
5	729 Magnetic Tape Drive (Sheet 5 of 3), Index No. 248-2421 (See List 3)	6
6	729 Magnetic Tape Drive (Sheet 6 of 3), Index No. 248-2421 (See List 3)	7
7	729 Magnetic Tape Drive (Sheet 6 of 3), Index No. 248-2421 (See List 3)	8
8	729 Magnetic Tape Drive (Sheet 6 of 3), Index No. 248-2421 (See List 3)	9
9	729 Magnetic Tape Drive (Sheet 6 of 3), Index No. 248-2421 (See List 3)	10
10	729 Magnetic Tape Drive (Sheet 6 of 3), Index No. 248-2421 (See List 3)	11
11	729 Magnetic Tape Drive (Sheet 6 of 3), Index No. 248-2421 (See List 3)	12
12	729 Magnetic Tape Drive (Sheet 6 of 3), Index No. 248-2421 (See List 3)	13
13	729 Magnetic Tape Drive (Sheet 6 of 3), Index No. 248-2421 (See List 3)	14
14	729 Magnetic Tape Drive (Sheet 6 of 3), Index No. 248-2421 (See List 3)	15

2 REFER TO THE ILLUSTRATION REFERENCED AND LOCATE THE PART AND INDEX NUMBER.

2 REFER TO THE FIRST LIST AND INDEX NUMBER ADJACENT TO THE PART NUMBER.

PART NO.	LIST NO.	INDEX NO.	SECTION	DESCRIPTION	REF.
3096867	190-3				
3096869	190-3				
3096870	190-3				
3096871	190-3				
3096872	190-3				
3096873	190-3				
3096874	190-3				
3096875	190-3				
3096876	190-3				
3096877	190-3				
3096878	190-3				
3096879	190-3				
3096880	190-3				
3096881	190-3				
3096882	190-3				
3096883	190-3				
3096884	190-3				
3096885	190-3				
3096886	190-3				
3096887	190-3				
3096888	190-3				
3096889	190-3				
3096890	190-3				
3096891	190-3				
3096892	190-3				
3096893	190-3				
3096894	190-3				
3096895	190-3				
3096896	190-3				
3096897	190-3				
3096898	190-3				
3096899	190-3				
3096900	190-3				

3 USING THE LIST AND INDEX NUMBER, REFER TO THE GROUP ASSEMBLY PARTS LIST. THE REFERENCED ILLUSTRATION WILL CONTAIN THE ILLUSTRATED PART

3 REFER TO THE FIGURE CAPTION FOR APPLICABLE LIST.

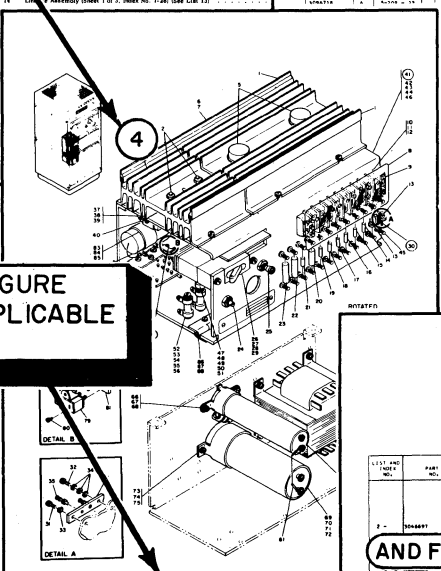


FIGURE 26. 12V AT 6AMP POWER SUPPLY ASSEMBLY, SEE LIST 25.

GROUP ASSEMBLY PARTS LIST

LIST AND INDEX NO.	PART NO.	DESCRIPTION	REF.
2 - 3096867	3096867	CONSOLE CONTROL UNIT	REF
1 - 3096869	3096869	CONSOLE CONTROL UNIT	REF
1 - 3096870	3096870	CONSOLE CONTROL UNIT	REF
1 - 3096871	3096871	CONSOLE CONTROL UNIT	REF
1 - 3096872	3096872	CONSOLE CONTROL UNIT	REF
1 - 3096873	3096873	CONSOLE CONTROL UNIT	REF
1 - 3096874	3096874	CONSOLE CONTROL UNIT	REF
1 - 3096875	3096875	CONSOLE CONTROL UNIT	REF
1 - 3096876	3096876	CONSOLE CONTROL UNIT	REF
1 - 3096877	3096877	CONSOLE CONTROL UNIT	REF
1 - 3096878	3096878	CONSOLE CONTROL UNIT	REF
1 - 3096879	3096879	CONSOLE CONTROL UNIT	REF
1 - 3096880	3096880	CONSOLE CONTROL UNIT	REF
1 - 3096881	3096881	CONSOLE CONTROL UNIT	REF
1 - 3096882	3096882	CONSOLE CONTROL UNIT	REF
1 - 3096883	3096883	CONSOLE CONTROL UNIT	REF
1 - 3096884	3096884	CONSOLE CONTROL UNIT	REF
1 - 3096885	3096885	CONSOLE CONTROL UNIT	REF
1 - 3096886	3096886	CONSOLE CONTROL UNIT	REF
1 - 3096887	3096887	CONSOLE CONTROL UNIT	REF
1 - 3096888	3096888	CONSOLE CONTROL UNIT	REF
1 - 3096889	3096889	CONSOLE CONTROL UNIT	REF
1 - 3096890	3096890	CONSOLE CONTROL UNIT	REF
1 - 3096891	3096891	CONSOLE CONTROL UNIT	REF
1 - 3096892	3096892	CONSOLE CONTROL UNIT	REF
1 - 3096893	3096893	CONSOLE CONTROL UNIT	REF
1 - 3096894	3096894	CONSOLE CONTROL UNIT	REF
1 - 3096895	3096895	CONSOLE CONTROL UNIT	REF
1 - 3096896	3096896	CONSOLE CONTROL UNIT	REF
1 - 3096897	3096897	CONSOLE CONTROL UNIT	REF
1 - 3096898	3096898	CONSOLE CONTROL UNIT	REF
1 - 3096899	3096899	CONSOLE CONTROL UNIT	REF
1 - 3096900	3096900	CONSOLE CONTROL UNIT	REF

AND FIG. 3-2 FOR ILLUSTRATION

4 LOCATE INDEX NUMBER ON LIST FOR PART NUMBER.

4 IF PART IS IN AN ASSEMBLY OTHER THAN THAT DESIRED, REFER TO SUBSEQUENT LIST AND INDEX NUMBERS.

PART 2 GROUP ASSEMBLY PARTS LIST

SECTION 1

LIST AND INDEX NO.	PART NO.	DESCRIPTION	UNITS PER ASSY	USABLE ON CODE
		1622 CARD READ PUNCH		
1-	615000	1622 CARD READ PUNCH SEE FIG 1 FOR ILLUSTRATION		
1- 1	615054	• NAME PLATE	1	
1- 2	609675	• CAP R FRONT COVER	1	
1- 3	609676	• CAP L FRONT COVER	1	
1- 5	257189	• NUT CAP MTG	3	
1- 6	55901	• LWASHER CAP MTG	3	
1- 7	120789	• WASHER CAP MTG	3	
1- 8	615446	• PLATE STRIKER	2	
1- 10	615445	• SCREW AND LWSHR STKR PL	4	
1- 11	615341	• FILLER LEFT REAR	1	
1- 12	615342	• FILLER RIGHT REAR	1	
1- 13	615343	• CLIP COVER FILLER	6	
		ORDER COVERS BY MES FROM ROCHESTER MINNESOTA. INDICATE PART NUMBER DESCRIPTION, FINISH DESIRED, GROUP CODE OR SERVICE CODE MACHINE TYPE, AND SERIAL NUMBER.		
1- 15	615430	• COVERS LIGHT GRAY & SMS BLUE	1	
	615432	• COVERS LIGHT GRAY AND FLAME RED	1	
	615434	• COVERS LIGHT GRAY AND SUN YELLOW	1	
	615401	• COVERS LIGHT GRAY AND DP CHARCOAL	1	
1- 16	609751	• • CVR GROUP ASM-LT GRAY AND SMS BLU	1	
	696182	• • CVR GROUP ASM - LT GRAY AND FLAME	1	
	609753	• • CVR GROUP ASM - LT GRAY AND SUN YW	1	
	609800	• • CVR GROUP ASM-LT GRAY AND DP CHAR	1	
1- 17	609644	• • • COVER ASM LEFT REAR	1	
1- 18	609645	• • • COVER ASM RIGHT REAR	1	
1- 20	609639	• • • COVER ASM LEFT FRONT	1	
1- 21	609641	• • • COVER ASM RIGHT FRONT	1	
1- 22	609671	• • • WING SCREW	8	ATT PT
1- 23	609661	• • • CABLE LATCH PULL USED ON ASM 609639 AND 609641 ONLY	1	
1- 25	609662	• • • CABLE LATCH PULL USED ON ASSY 609644 ONLY	1	
1- 26	609659	• • • CABLE LATCH PULL USED ON ASSY 609645 ONLY	1	
1- 27	609494	• • • • TURNBUCKLE PULL TIGHTNER	1	
1- 28	609663	• • • • FASTENER CABLE	1	
1- 30	607610	• • • • SCREW PULL TO BAIL	1	ATT PT
1- 31	257187	• • • • NUT PULL TO BAIL	1	ATT PT
1- 32	721940	• • • • SPRING LATCH	2	
1- 33	609668	• • • • BAIL LATCH	2	
1- 35	609685	• • • • PIN BAIL MTG	2	ATT PT
1- 36	609728	• • • • SCREW	1	ATT PT
1- 37	257187	• • • • NUT PULL TO BAIL	1	ATT PT
1- 38	609492	• • • • PULLEY LATCH PULL	2	
1- 40	125930	• • • • NUT PULLEY MTG	2	ATT PT
1- 41	1940	• • • • WASHER PULLEY MTG	4	ATT PT
1- 42	721936	• • • • DOG LATCH OPERATING	2	
1- 43	721941	• • • • PULL LATCH OPERATING	1	
1- 45	251970	• • • • SCREW LATCH DOG RET	1	ATT PT
1- 46	221651	• • • • WASHER LATCH DOG RET	1	ATT PT
1- 47	721935	• • • • SPRING LATCH	1	
1- 48	721933	• • • • HANDLE LATCH	1	
1- 50	2100265	• • • • PIN LATCH	1	ATT PT
1- 51	79204	• • • • BUMPER LATCH HANDLE	1	
1- 52	721934	• • • • HOUSING LATCH	1	
1- 53	609664	• • • • BRACKET FRONT DOOR HINGE	2	
1- 55	11598	• • • • NUT BRKT MTG	4	ATT PT
1- 56	9092	• • • • L WASHER BRKT MTG	4	ATT PT
1- 57	1940	• • • • WASHER BRKT MTG	8	ATT PT
1- 58	120211	• • • • SCREW BRKT MTG	4	ATT PT

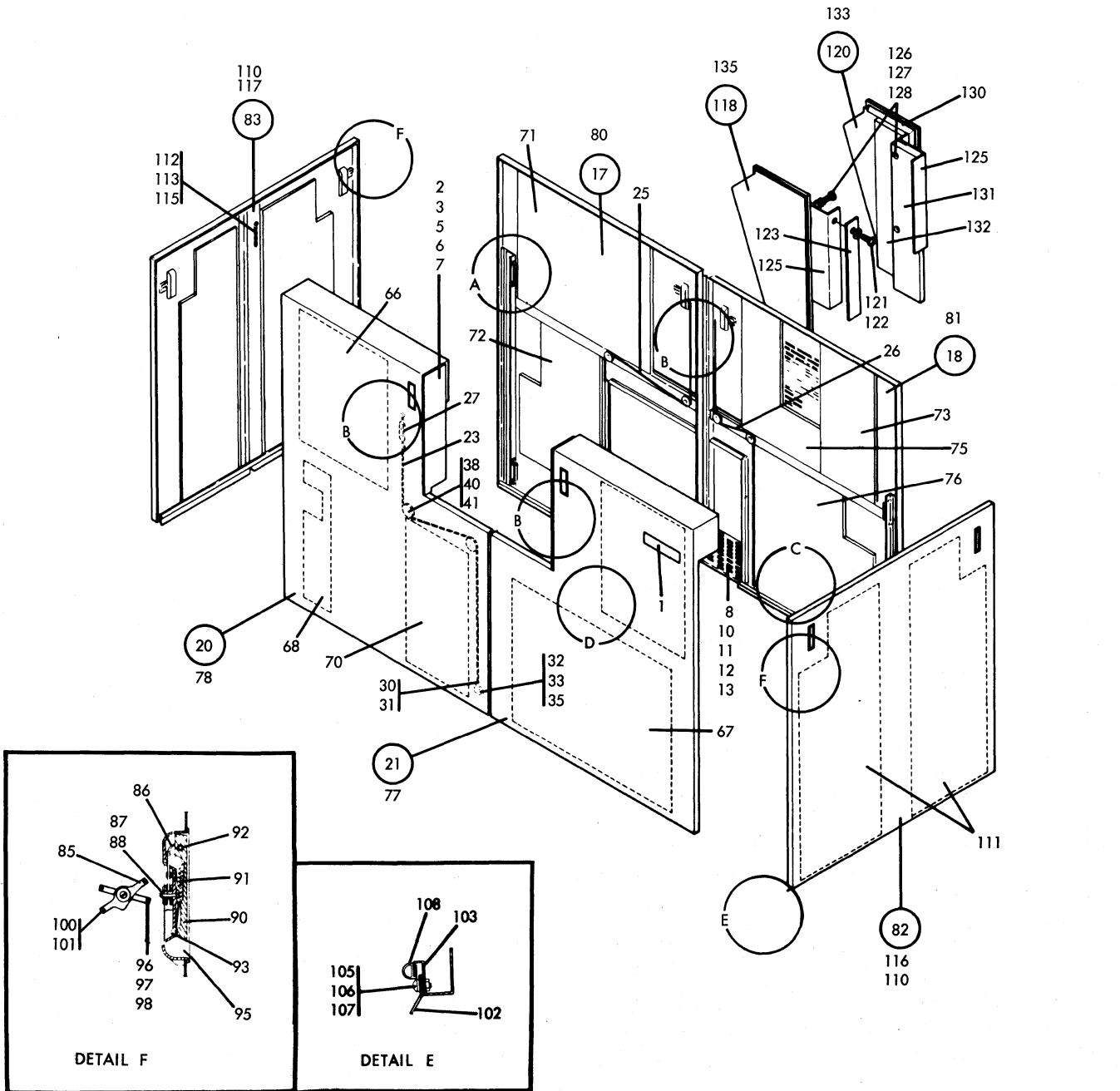
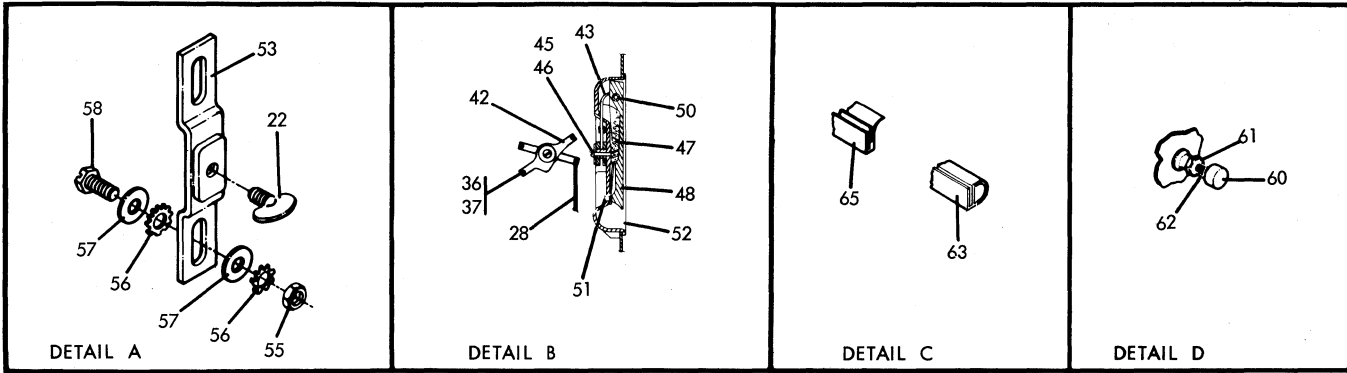


FIGURE 1. 1622 CARD READ PUNCH. SHEET 1 OF 5, INDEX NOS. 1-135 SEE LIST 1.

LIST AND INDEX NO.	PART NO.	DESCRIPTION				UNITS PER ASSY	USABLE ON CODE
		1	2	3	4		
		1622 CARD READ PUNCH					
		CONT					
1- 60	78916	• • • •	BUMPER CVR			1	
1- 61	11598	• • • •	NUT BUMPER	ATT PT		2	
1- 62	438602	• • • •	STUD BUMPER	ATT PT		1	
1- 63	444806	• • • •	SEAL DUST			AR	
1- 65	609669	• • • •	SEAL DUST			AR	
1- 66	609647	• • • •	DAMPER			1	
1- 67	609651	• • • •	DAMPER			1	
1- 68	609648	• • • •	DAMPER			1	
1- 70	609649	• • • •	DAMPER			1	
1- 71	609655	• • • •	DAMPER			1	
1- 72	609656	• • • •	DAMPER			1	
1- 73	609654	• • • •	DAMPER			1	
1- 75	609657	• • • •	DAMPER			1	
1- 76	609658	• • • •	DAMPER			1	
1- 77	609633	• • • •	COVER RIGHT FRONT			1	
1- 78	609632	• • • •	COVER LEFT FRONT			1	
1- 80	609636	• • • •	COVER LEFT REAR			1	
1- 81	609637	• • • •	COVER RIGHT REAR			1	
1- 82	609643	• • • •	COVER ASM RIGHT END			1	
1- 83	609642	• • • •	COVER ASM LEFT END			1	
1- 85	721936	• • • •	DOG LATCH OPERATING			4	
1- 86	721941	• • • •	PULL LATCH OPERATING			2	
1- 87	251970	• • • •	SCREW LATCH MTG	ATT PT		2	
1- 88	221651	• • • •	WASHER LATCH MTG	ATT PT		2	
1- 90	721933	• • • •	HANDLE LATCH			2	
1- 91	721935	• • • •	SPRING LATCH			2	
1- 92	2100265	• • • •	PIN LATCH	ATT PT		2	
1- 93	79204	• • • •	BUMPER LATCH HANDLE			2	
1- 95	721934	• • • •	HOUSING LATCH			2	
1- 96	721940	• • • •	SPRING BAIL MTG			2	
1- 97	609668	• • • •	BAIL LATCH			2	
1- 98	609685	• • • •	PIN BAIL MTG	ATT PT		2	
1-100	609728	• • • •	SCREW BAIL MTG	ATT PT		2	
1-101	257187	• • • •	NUT BAIL MTG	ATT PT		2	
1-102	602583	• • • •	STRIP COVER MOUNTING			1	
1-103	602802	• • • •	STRIP COVER MOUNTING			1	
1-105	32042	• • • •	SCREW STRIP COVER MTG	ATT PT		4	
1-106	9092	• • • •	L WASHER STRIP COVER MTG	ATT PT		4	
1-107	1940	• • • •	WASHER STRIP COVER MTG	ATT PT		4	
1-108	444806	• • • •	SEAL DUST			AR	
1-110	609669	• • • •	SEAL DUST			1	
1-111	609677	• • • •	DAMPER			2	
1-112	609731	• • • •	CHAIN COVER RESTRICTING			1	
1-113	244049	• • • •	SCREW CHAIN MTG	ATT PT		1	
1-115	257985	• • • •	WASHER CHAIN MTG	ATT PT		1	
1-116	609635	• • • •	COVER RIGHT END			1	
1-117	609634	• • • •	COVER LEFT END			1	
1-118	609667	• • • •	FILLER ASM RIGHT			1	

LIST AND INDEX NO.	PART NO.	DESCRIPTION				UNITS PER ASSY	USABLE ON CODE
		1	2	3	4		
		1622 CARD READ PUNCH					
		CONT					
1-120	609666	• • •	FILLER ASM LEFT			1	
1-121	55711	• • •	SCREW FILLER MTG	ATT PT		4	
1-122	56079	• • •	L WASHER FILLER MTG	ATT PT		4	
1-123	609268	• • •	PLATE FILLER MTG			2	
1-125	609297	• • •	BRACKET FILLER			1	
1-126	130434	• • • •	SCREW FILLER MTG	ATT PT		2	
1-127	56079	• • • •	LWASHER FILLER MTG	ATT PT		2	
1-128	1940	• • •	WASHER FILLER MTG	ATT PT		2	
1-130	220478	• • •	DUST SEAL			AR	
1-131	609461	• • •	ACOUSTICAL FELT			1	
		USED ON ASSY 609666 ONLY					
1-132	609462	• • •	FELT FILLER				
		USED ON ASSY 609666 ONLY					
1-133	609627	• • •	FILLER			1	
		USED ON ASSY 609666 ONLY					
1-135	609628	• • •	FILLER RIGHT			1	
		USED ON ASSY 609667 ONLY					
1-136	609646	• • •	COVER ASM TOP			1	
1-137	3960	• • •	NUT TOP CVR MTG	ATT PT		4	
1-138	76574	• • •	L WASHER TOP CVR MTG	ATT PT		4	
1-140	3550	• • •	WASHER TOP CVR MTG	ATT PT		4	
1-141	312573	• • •	GROMMET HINGE CVR MTG			2	
1-142	333482	• • •	CAM LOCK HINGE CVR MTG			2	
1-143	312575	• • •	SNAP RING HINGE CVR MTG	ATT PT		2	
1-145	11598	• • •	NUT TOP CVR ADJ			1	
1-146	184792	• • •	SCREW TOP CVR ADJ			1	
1-147	11598	• • •	NUT TOP CVR			1	
1-148	45690	• • •	WASHER TOP CVR			2	
1-150	228899	• • •	SCREW TOP CVR			1	
1-151	444806	• • •	DUST SEAL			AR	
1-152	802678	• • •	DUST SEAL TOP COVER			AR	
1-153	609638	• • •	COVER TOP			1	
1-155	609507	• • •	HINGE FILLER ASM			1	
1-156	219617	• • •	JOGGLE PLATE			1	
1-157	601185	• • •	SCREW - JOGGLE PLATE MTG	ATT PT		4	
1-158	609320	• • •	CATCH - RUBBER ROLLER			1	
1-160	130434	• • •	SCREW - CATCH MTG	ATT PT		2	
1-161	9092	• • •	L WASHER CATCH MTG	ATT PT		2	
1-162	45690	• • •	WASHER - CATCH MTG	ATT PT		2	
1-163	609603	• • •	SHAFT SPRING MTG			1	
1-165	257189	• • •	NUT SHAFT MTG	ATT PT		1	
1-166	1090873	• • •	L WASHER SHAFT MTG	ATT PT		1	
1-167	609782	• • •	SCREW SHOULDER	ATT PT		1	
1-168	609607	• • •	COLLAR SHAFT			1	
1-170	123780	• • •	SCREW SET	ATT PT		2	
1-171	609606	• • •	SPRING COMPRESSION			1	
1-172	609683	• • •	BRACKET HINGE CVR			1	
1-173	609322	• • •	TAP STRIP-DOOR & FILLER			1	
1-175	609605	• • •	BRACKET SHAFT MTG			1	
1-176	130434	• • •	SCREW BRACKET MTG	ATT PT		4	
1-177	55711	• • •	SCREW TAP STRIP MTG	ATT PT		4	
1-178	1940	• • •	WASHER - TAP STRIP MTG	ATT PT		8	
1-180	9092	• • •	L WASHER TAP STRIP MTG	ATT PT		8	
1-181	609684	• • •	STUD LOCATING			2	
1-182	444806	• • •	DUST SEAL			AR	
1-183	609669	• • •	SEAL DUST			AR	
1-185	609214	• • •	DAMPER - CVR			1	
1-186	609630	• • •	FILLER - TOP CVR			I	
1-187	609620	• • •	COVER - TOP HINGE			1	
1-188	609508	• • •	SLIDING COVER ASM			1	
1-190	3960	• • •	NUT SLIDING CVR MTG	ATT PT		4	
1-191	3550	• • •	WASHER SLIDING CVR MTG	ATT PT		8	
1-192	609549	• • •	CATCH-TOP CVR			2	
1-193	38350	• • •	SCREW-CATCH MTG	ATT PT		4	
1-195	6364	• • •	L WASHER CATCH MTG	ATT PT		4	
1-196	602596	• • •	SLIDE-TOP COVER			2	
1-197	345815	• • •	SCREW SLIDE MTG	ATT PT		4	

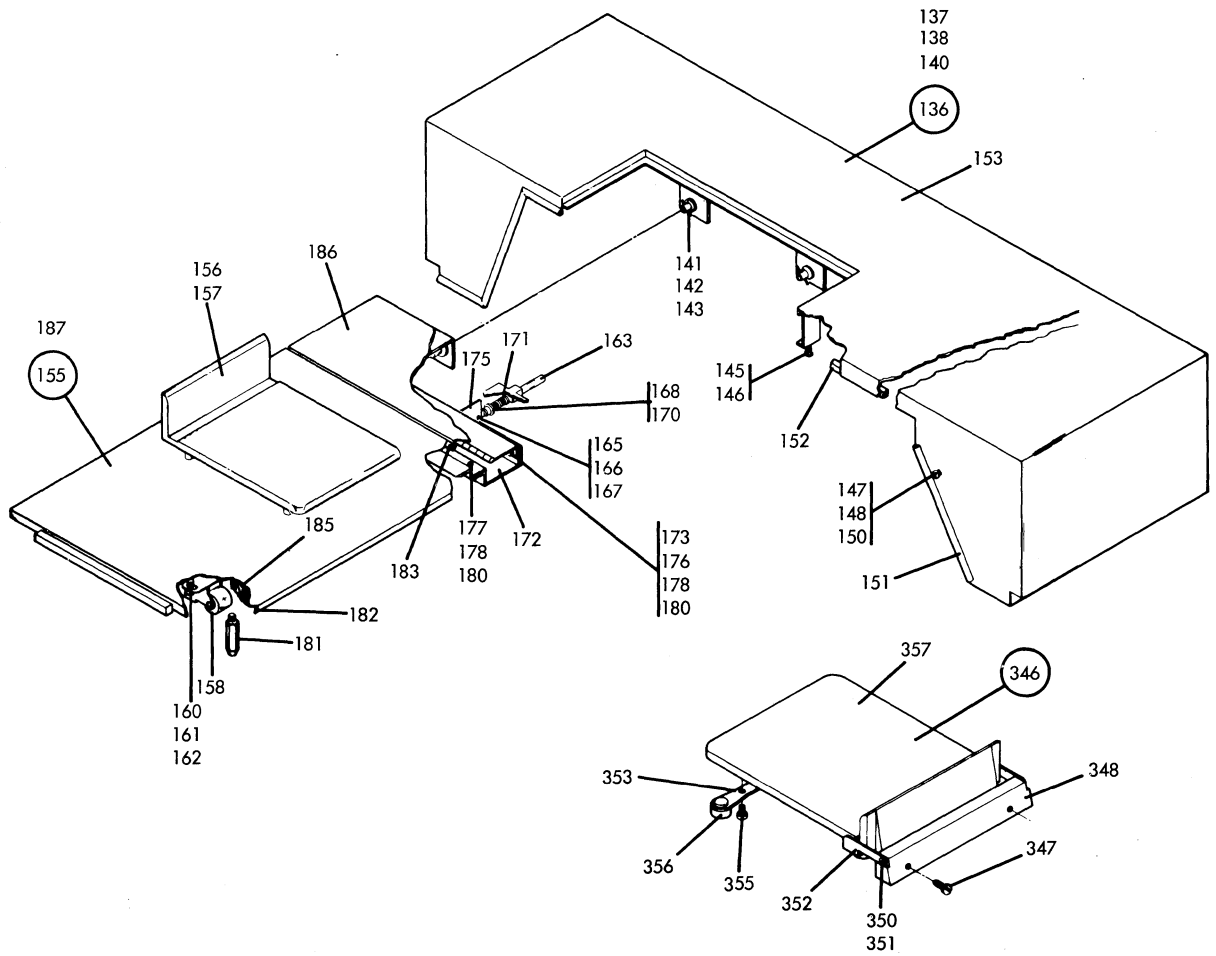


FIGURE 1. 1622 CARD READ PUNCH. SHEET 2 OF 5, INDEX NOS. 136-187 SEE LIST 1.

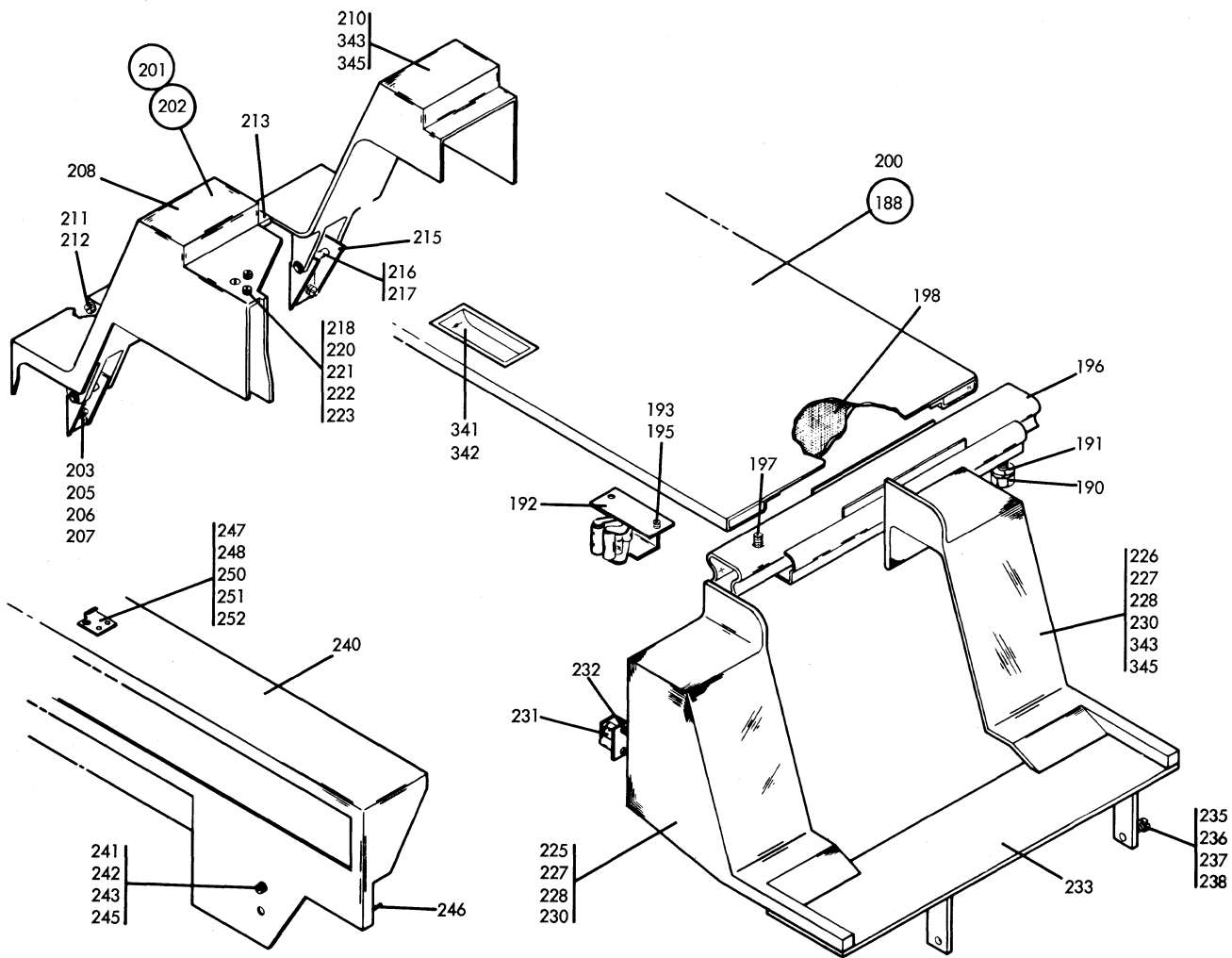


FIGURE 1. 1622 CARD READ PUNCH. SHEET 3 OF 5, INDEX NOS. 188-252 SEE LIST 1.

LIST AND INDEX NO.	PART NO.	DESCRIPTION				UNITS PER ASSY	USABLE ON CODE
		1	2	3	4		
		1622 CARD READ PUNCH					
		CONT					
1-198	609609	DAMPER-TOP SLIDING COVER			1	
1-200	609650	COVER SLIDING			1	
1-201	615352	CASTING GROUP ASM			1	
1-202	609631	COVER ASM HOPPER			1	
1-203	11598	NUT HOPPER MTG			4	
1-205	56079	L WASHER HOPPER CVR MTG	ATT PT		4	
1-206	1940	WASHER HOPPER CVR MTG	ATT PT		4	
1-207	438601	SCREW HOPPER CVR MTG	ATT PT		4	
1-208	609625	CASTING LEFT SIDE			1	
1-210	609626	CASTING RT SIDE			1	
1-211	101706	SCREW	ATT PT		2	
1-212	56079	LOCKWASHER	ATT PT		2	
1-213	609629	CASTING CENTER			1	
1-215	609220	BRKT CVR MTG			2	
1-216	609456	PIN HOPPER CVR	ATT PT		2	
1-217	332747	CLIP HOPPER CVR	ATT PT		4	
1-218	609204	LOCATOR LEFT FEED CVR			1	
1-220	11598	NUT LOCATOR MTG	ATT PT		2	
1-221	9092	L WASHER LOCATOR MTG	ATT PT		2	
1-222	1940	WASHER LOCATOR MTG	ATT PT		4	
1-223	101706	SCREW LOCATOR MTG	ATT PT		2	
1-225	615051	COVER RIGHT FD FRONT			1	
1-226	615052	COVER RIGHT FD REAR			1	
1-227	36112	SCREW - 1.5 LONG	ATT PT		2	
1-228	59647	SCREW - 1.0 LONG	ATT PT		2	
1-230	3550	WASHER	ATT PT		4	
1-231	609549	CATCH BRKT			1	
1-232	38350	SCREW CATCH MTG	ATT PT		2	
1-233	609690	FLOOR RIGHT FEED			1	
1-235	11598	NUT FLOOR MTG	ATT PT		4	
1-236	56079	L WASHER FLOOR MTG	ATT PT		4	
1-237	1940	WASHER FLOOR MTG	ATT PT		8	
1-238	204616	SCREW FLOOR MTG	ATT PT		4	
1-240	609520	CASTING LIGHT & SW			1	
1-241	101706	SCREW CSTG MTG	ATT PT		4	
1-242	1940	WASHER CSTG MTG	ATT PT		8	
1-243	56079	L WASHER CSTG MTG	ATT PT		4	
1-245	11598	NUT CSTG MTG	ATT PT		4	
1-246	609551	STUD BRKT			3	
1-247	609281	STRIKE COVER			1	
1-248	101706	SCREW STRIKE MTG	ATT PT		2	
1-250	1940	WASHER STRIKE MTG	ATT PT		4	
1-251	56079	L WASHER STRIKE MTG	ATT PT		2	
1-252	11598	NUT STRIKE MTG	ATT PT		2	
1-253	610660	CARD WEIGHT ASM			2	
1-255	336249	SPRING			1	
1-256	55726	SCREW	ATT PT		2	
1-257	336688	SCREW	ATT PT		1	
1-258	336673	CARD WEIGHT			1	
1-260	615429	SWITCH PANEL ASM - CHARCOAL			1	
	615024	SWITCH PANEL ASM - BLUE			1	
		SEE LIST 2 FOR DETAIL BREAKDOWN				
1-261	81693	SCREW BRKT MTG	ATT PT		4	
1-262	615015	ELECTRICAL BASE ASM			1	
		SEE LIST 41 FOR DETAIL BREAKDOWN				
1-263	615009	MECHANICAL BASE ASM			1	
		SEE LIST 3 FOR DETAIL BREAKDOWN				
1-265	615011	CARD GATE ASM			1	
		SEE LIST 39 FOR DETAIL BREAKDOWN				
1-266	615373	COVER CARD GATE			1	
1-267	615385	BRACKET			1	
1-268	2031	SCREW BKT MTG	ATT PT		2	
1-270	1090873	L WASHER BKT MTG	ATT PT		2	
1-271	22478	WASHER BKT MTG	ATT PT		2	
1-272	257189	NUT BKT MTG	ATT PT		2	
1-273	2106617	MAGNETIC LATCH			2	
1-275	38348	SCREW LATCH MTG	ATT PT		4	

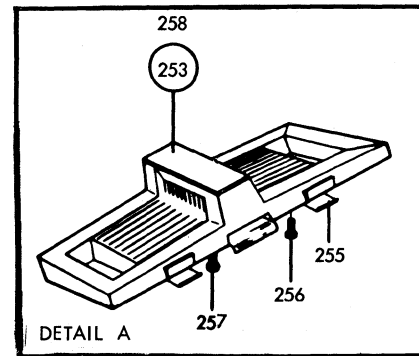
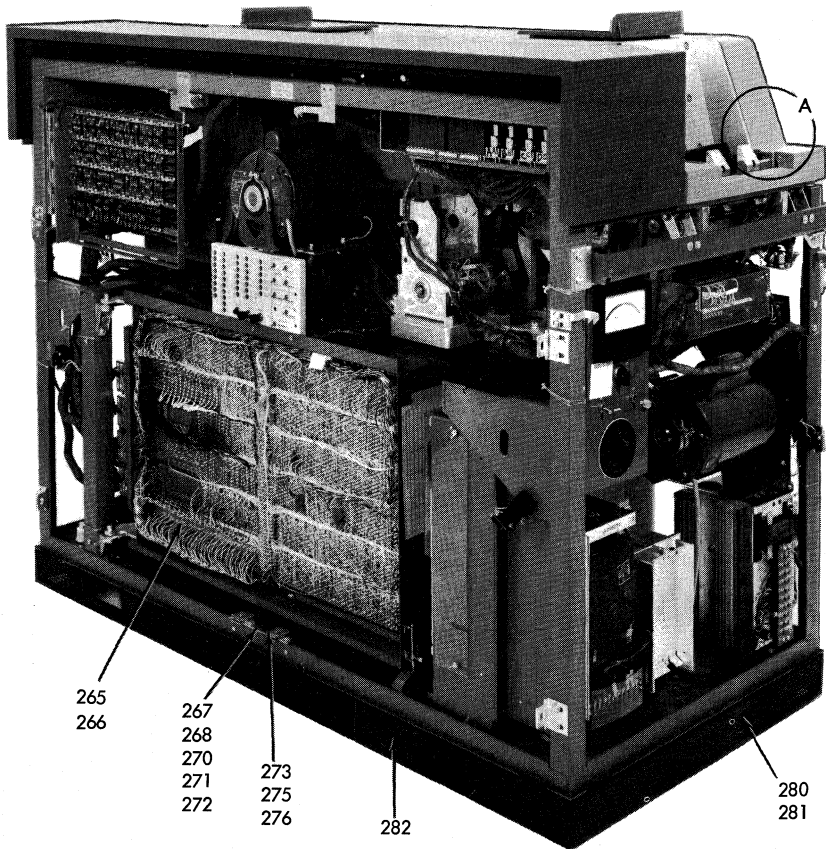
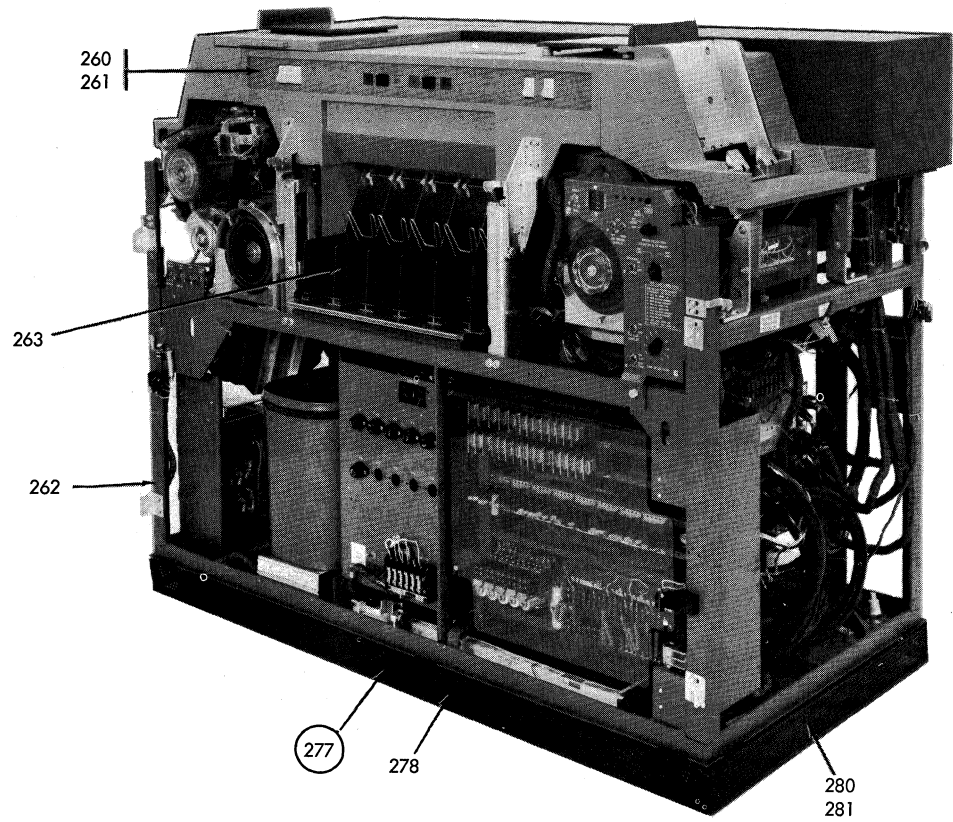


FIGURE 1. 1622 CARD READ PUNCH. SHEET 4 OF 5, INDEX NOS. 253-282 SEE LIST 1.

LIST AND INDEX NO.	PART NO.	DESCRIPTION				UNITS PER ASSY	USABLE ON CODE
		1	2	3	4		
		1622 CARD READ PUNCH					
		CONT					
1-276	257986	•	WASHER LATCH MTG		ATT PT	4	
1-277	615444	•	KICKSTRIP GROUP			1	
1-278	602536	• •	KICKSTRIP FRONT			1	
1-280	609325	• •	KICKSTRIP LT AND RT END			2	
1-281	509772	• •	SCREW KICKSTRIPS		ATT PT	4	
1-282	615443	• •	KICKSTRIP REAR			1	
1-283	141835	•	HOOK CHAIN MTG			1	
1-285	369207	•	DECAL			1	
1-286	609672	•	BRACKET CVR CASTINGS			1	
1-287	609673	•	BRACKET CVR CASTINGS			1	
1-288	609674	•	BRACKET TOP CVR MTG			2	
1-290	59647	•	SCREW		ATT PT	8	
1-291	3550	•	WASHER		ATT PT	16	
1-292	6935	•	L WASHER		ATT PT	8	
1-293	3960	•	NUT		ATT PT	10	
1-295	609665	•	SUPPORT - COVER MTG			8	
1-296	55711	•	SCREW SUPPORT MTG		ATT PT	16	
1-297	56079	•	L WASHER SUPPORT MTG		ATT PT	16	
1-298	1940	•	WASHER SUPPORT MTG		ATT PT	16	
1-300	609277	•	BRACKET CENTER STR			1	
1-301	609282	•	BRACKET REAR STRIKE			1	
1-302	609283	•	STRIKE - RIGHT HAND			4	
1-303	609284	•	STRIKE - LEFT HAND			4	
1-305	609318	•	STRIKE CVR			1	
1-306	609319	•	STRIKE CVRS			1	
1-307	120211	•	SCREW		ATT PT	24	
1-308	56079	•	L WASHER		ATT PT	24	
1-310	45690	•	WASHER		ATT PT	24	
1-311	609313	•	BRACKET CSTG MTG			1	
1-312	609314	•	BRACKET CSTG MTG			1	
1-313	38686	•	SCREW - LIGHT & SW MTG		ATT PT	2	
1-315	528002	•	SCREW - LIGHT & SW MTG		ATT PT	2	
1-316	609305	•	PIVOT BRKT LEFT			1	
1-317	609306	•	PIVOT BRKT RIGHT			1	
1-318	38686	•	SCREW PIVOT BRKT MTG		ATT PT	6	
1-320	3550	•	WASHER PIVOT BRKT MTG		ATT PT	6	
1-321	609273	•	BRKT POCKET LINER LEFT			1	
1-322	609274	•	BRKT POCKET LINER RIGHT			1	
1-323	36844	•	SCREW SUPPORT MTG		ATT PT	4	
1-325	6935	•	LOCKWASHER SUPPORT MTG		ATT PT	4	
1-326	3550	•	WASHER SUPPORT MTG		ATT PT	4	
1-327	609291	•	SUPPORT LEFT FEED			1	
1-328	609303	•	BRACKET FD CVR SUPP			1	
1-330	101706	•	SCREW		ATT PT	6	
1-331	56079	•	L WASHER		ATT PT	6	
1-332	1940	•	WASHER		ATT PT	6	
1-333	609194	•	BRACKET HOPPER COVER SUP			1	
1-335	120211	•	SCREW BRKT MTG		ATT PT	2	
1-336	56079	•	LWASHER BRKT MTG		ATT PT	2	
1-337	1940	•	WASHER BRKT MTG		ATT PT	2	
1-338	615060	•	CHIP GUIDE			1	
1-340	38235	•	SCREW CHIP DEFLECTOR		ATT PT	2	
1-341	609602	•	HAND PULL SLIDING CVR			1	
1-342	437904	•	SET SCREW HAND PULL		ATT PT	2	
1-343	609756	•	STUD CASTING STOP			2	
1-345	257982	•	CLIP CASTING STOP			2	
1-346	615423	•	JOGGLE PLATE ASM			1	
1-347	225859	•	SCREW - JOGGLE PLATE ASM MTG		ATT PT	2	
1-348	615053	• •	FILLER READ FEED			1	
1-350	470374	•	STUD		ATT PT	2	
1-351	22478	•	WASHER		ATT PT	2	
1-352	615422	•	PIVOT ARM JOGGLE PLATE			1	
1-353	602985	•	MOUNT JOGGLE PLT BUMPER			1	
1-355	601185	•	SCREW		ATT PT	4	
1-356	219616	•	GROMMET			4	
1-357	219617	•	JOGGLE PLATE			1	

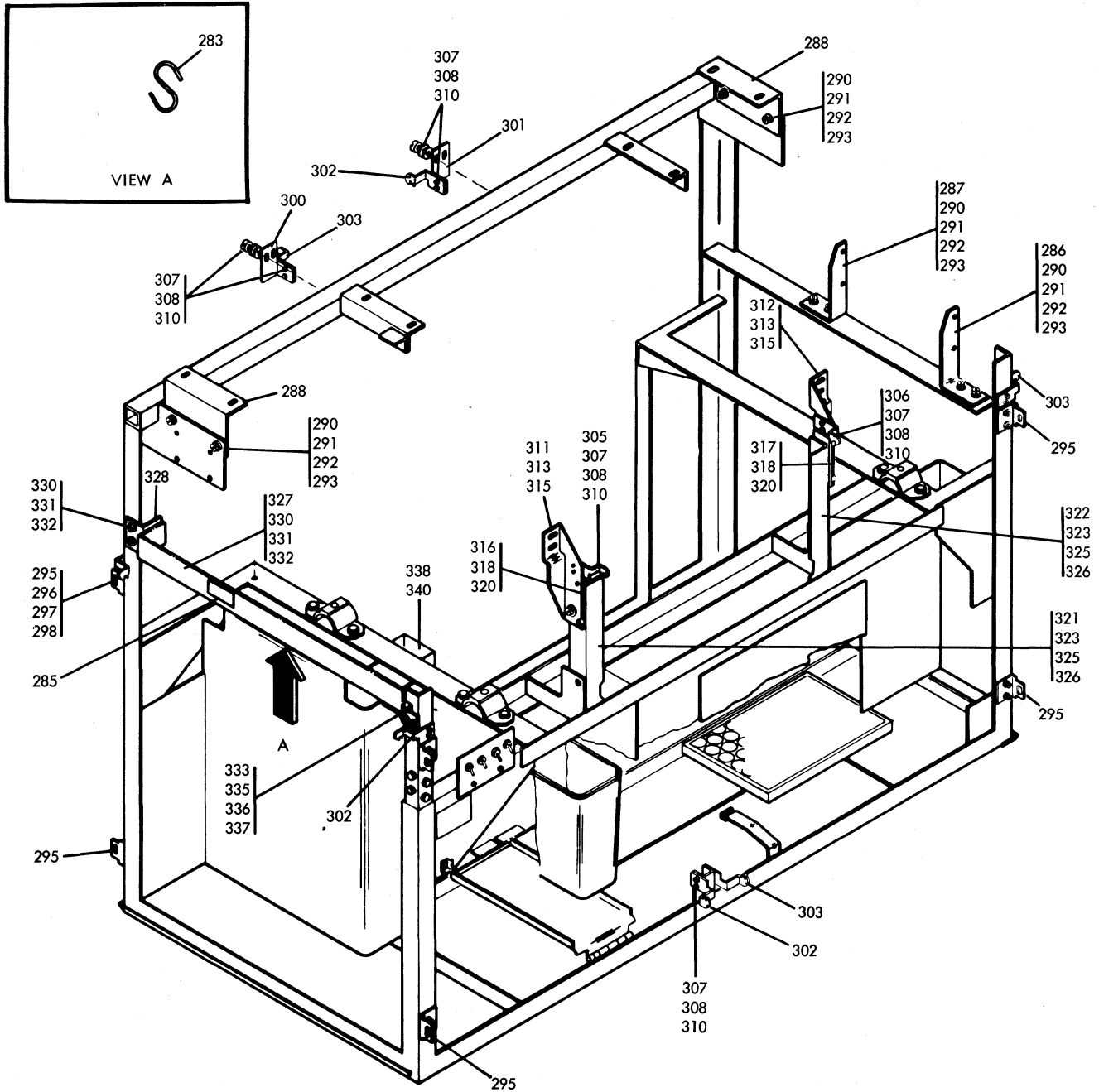


FIGURE 1. 1622 CARD READ PUNCH. SHEET 5 OF 5. INDEX NOS. 283-340 SEE LIST 1.

LIST AND INDEX NO.	PART NO.	DESCRIPTION				UNITS PER ASSY	USABLE ON CODE
		1	2	3	4		
		SWITCH PANEL ASM - CHARCOAL					
2-	615429	SWITCH PANEL ASM - CHARCOAL				1	
2-	615024	SWITCH PANEL ASM - BLUE SEE LIST 1-260 FOR NEXT HIGHER ASSEMBLY AND FIG. 2 FOR ILLUSTRATION				1	
2- 1	609566	• GUARD SW BRACKET				1	
2- 2	81693	• SCREW GUARD MTG				3	
2- 3	609564	• STUD GUARD MTG				3	
2- 5	1091508	• WASHER SHIELD STUD				3	
2- 6	609185	• SWITCH INTERLOCK				2	
2- 7	55726	• SCREW SW MTG				2	
2- 8	38235	• SCREW BRKT MTG				2	
2- 10	336628	• NUT SW MTG				2	
2- 11	609545	• BRACKET HINGE CVR INTER				1	
2- 12	80651	• SCREW SW MTG				2	
2- 13	609547	• BRACKET LIGHT BLK				4	
2- 15	609548	• BRACKET INTER SW				1	
2- 16	609553	• BRACKET SW MTG				5	
2- 17	609695	• SCREW SW MTG				20	
2- 18	609457	• SWITCH				4	
2- 20	609458	• SWITCH				1	
2- 21	538677	• SPRING SWITCH				2	
2- 22	609190	• BUTTON PUNCH ON				1	
2- 23	615004	• BUTTON SEL & STOP				1	
2- 25	609191	• BUTTON NON PROCESS				2	
2- 26	609189	• BUTTON READER ON				1	
2- 27	538674	• SCREW				10	
2- 28	479309	• SWITCH PUSH BUTTON				6	
2- 30	609678	• ACTUATOR SW				6	
2- 31	614028	• BUTTON ASM PUN START				1	
2- 32	614029	• BUTTON ASM PUN STOP				1	
2- 33	473615	• BUTTON ASM CHECK RESET				1	
2- 35	609201	• BUTTON LOAD				1	
2- 36	614031	• BUTTON ASM RD STOP				1	
2- 37	614032	• BUTTON ASM RD START				1	
2- 38	444164	• TERMINAL BLOCK ASM				2	
2- 40	236550	• SCREW BLK MTG				2	
2- 41	302131	• INSULATION TERM BLK				2	
2- 42	205330	• JUMPER				3	
2- 43	165010	• SOCKET ASM LIGHT				11	
2- 45	719293	• BULBLIGHT				11	
2- 46	185197	• BLOCK LIGHT				2	
2- 47	601093	• SCREW BLOCK MTG				4	
2- 48	609546	• BRACKET LIGHT & SW				1	
2- 50	52570	• SCREW PANEL MTG				10	
2- 51	79086	• NUT PANEL MTG				10	
2- 52	615001	• PANEL BLUE USED ON ASSY 615024 ONLY				1	
	615429	• PANEL CHARCOAL USED ON ASSY 615429 ONLY				1	

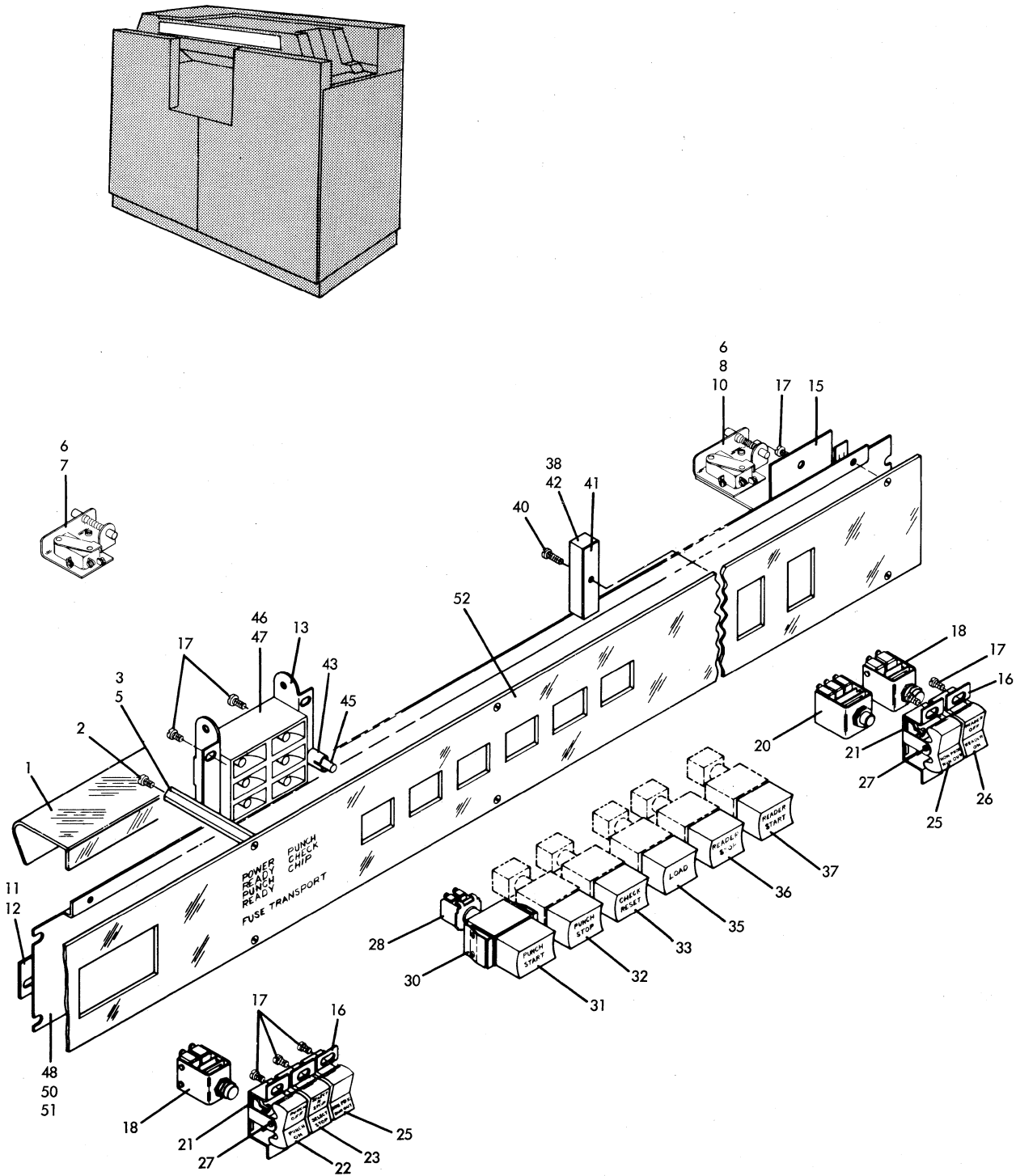


FIGURE 2. SWITCH AND LIGHT PANEL ASM. SEE LIST 2.

SEE FIGURE 66 FOR SPECIAL FEATURE SWITCH AND LIGHT PANEL ASM.

LIST AND INDEX NO.	PART NO.	DESCRIPTION	UNITS				USABLE ON CODE
			1	2	3	4	
		MECHANICAL BASE ASM					
3-	615009	MECHANICAL BASE ASM SEE LIST 1-263 FOR NEXT HIGHER ASSEMBLY AND FIG. 3 FOR ILLUSTRATION					1
3- 1	256213	• CRANK - PUNCH FEED					1
3- 2	620230	• LABEL - CAUTION					1
3- 3	615066	• SHIELD - RD DRIVE					1
3- 5	32042	• SCREW 10 - 32 X 3/8 LG.			ATT PT		2
3- 6	55918	• SCREW 10 - 32 X 5/8 LG.			ATT PT		1
3- 7	609459	• SHIELD - CONT RL RD					1
3- 8	32042	• SCREW - CONT RL SHIELD			ATT PT		2
3- 10	609476	• SHIELD - TRANS DR					1
3- 11	609480	• SHIELD - PUNCH TIM BELT					1
3- 12	34512	• SCREW SHIELD MTG			ATT PT		4
3- 13	615380	• SHIELD - GENEVA DR					1
3- 15	32042	• SCREW - SHIELD GENEVA DR			ATT PT		3
3- 16	607672	• STUD - GENEVA DR BELT			ATT PT		1
3- 17	607971	• BELT COVER - PUN CLU C B					1
3- 18	34512	• SCREW - BELT COVER			ATT PT		3
3- 20	609608	• COVER - CR CB					1
3- 21	32042	• SCREW - HI SPD CB CVR			ATT PT		2
3- 22	602821	• COVER - CD LVR					1
3- 23	257985	• WASHER - CD LVR DUST CVR			ATT PT		1
3- 25	609483	• DUST COVER - CD LVR PUN					1
3- 26	257985	• WASHER - CD LVR CVR PUN			ATT PT		1
3- 27	609108	• CARD LEVER ASM					1
3- 28	38350	• SCREW CARD LEVER MTG			ATT PT		2
3- 30	62031	• LWASHER CARD LEVER MTG			ATT PT		2
3- 31	602235	• • CARD LEVER					1
3- 32	1073418	• • RING-CD LVR PIVOT			ATT PT		4
3- 33	602233	• • STUD-PIVOT CD LVR			ATT PT		1
3- 35	609107	• • CONTACT ASM-CARD					1
3- 36	38266	• • SCREW-CVR MTG			ATT PT		1
3- 37	38262	• • SCREW-CD LVR			ATT PT		1
3- 38	6364	• • LWASHER-CARD LEVER			ATT PT		2
3- 40	257186	• • NUT CARD LEVER			ATT PT		3
3- 41	11900	• • • INS BLOCK-CONTACT ASM					3
3- 42	21866	• • • TERMINAL-CONTACT ASM					1
3- 43	138709	• • • SUPPORT-CONTACT ASM					1
3- 45	610315	• • • CONTACT SPRG ASM MOVABLE					1
3- 46	610316	• • • CONTACT SPRG ASM FIXED					1
3- 47	100229	• • • INSULATION-CONTACT ASM					2
3- 48	173204	• • • SCREW-CONTACT ASM			ATT PT		2
3- 50	133202	• • • SUPPORT-CONTACT ASM					1
3- 51	609109	• • BRACKET-CARD LEVER					1
3- 52	609038	• MAGNET ASM-SELECTOR PUNCH					1
	609041	• MAGNET ASM - SELECTOR READ					1
3- 53	337	• SCREW SEL MAG			ATT PT		4
3- 55	1090873	• LWASHER SEL MAG			ATT PT		4
3- 56	602401	• • ARMATURE STOP-SEL MAG					1
3- 57	602393	• • SPRING-SEL MAG					1
3- 58	602396	• • DEFLECTOR-SEL MAG					1
	602395	• • DEFLECTOR - SEL MAG USED ON ASSY 609041 ONLY					1
		• • DEFLECTOR - SEL MAG USED ON ASSY 609038 ONLY					1
3- 60	48594	• • SCREW					5
3- 61	602384	• • ARMATURE-SEL MAG USED ON ASSY 609641 ONLY					1
	602390	• • ARMATURE - SEL MAG USED ON ASSY 609038 ONLY					1
3- 62	602415	• • PIN-SEL MAG			ATT PT		1
3- 63	609037	• • COIL ASM-SEL MAG					1
3- 65	602340	• • YOKE ASM-SEL MAG USED ON ASSY 609641 ONLY					1
	602329	• • YOKE ASM - SEL MAG USED ON ASSY 609038 ONLY					1
3- 66	615005	• TRANSPORT ASM STKR					1
		SEE LIST 4 FOR DETAIL BREAKDOWN					
3- 67	358	• SCREW TRANS TO PUNCH			ATT PT		2

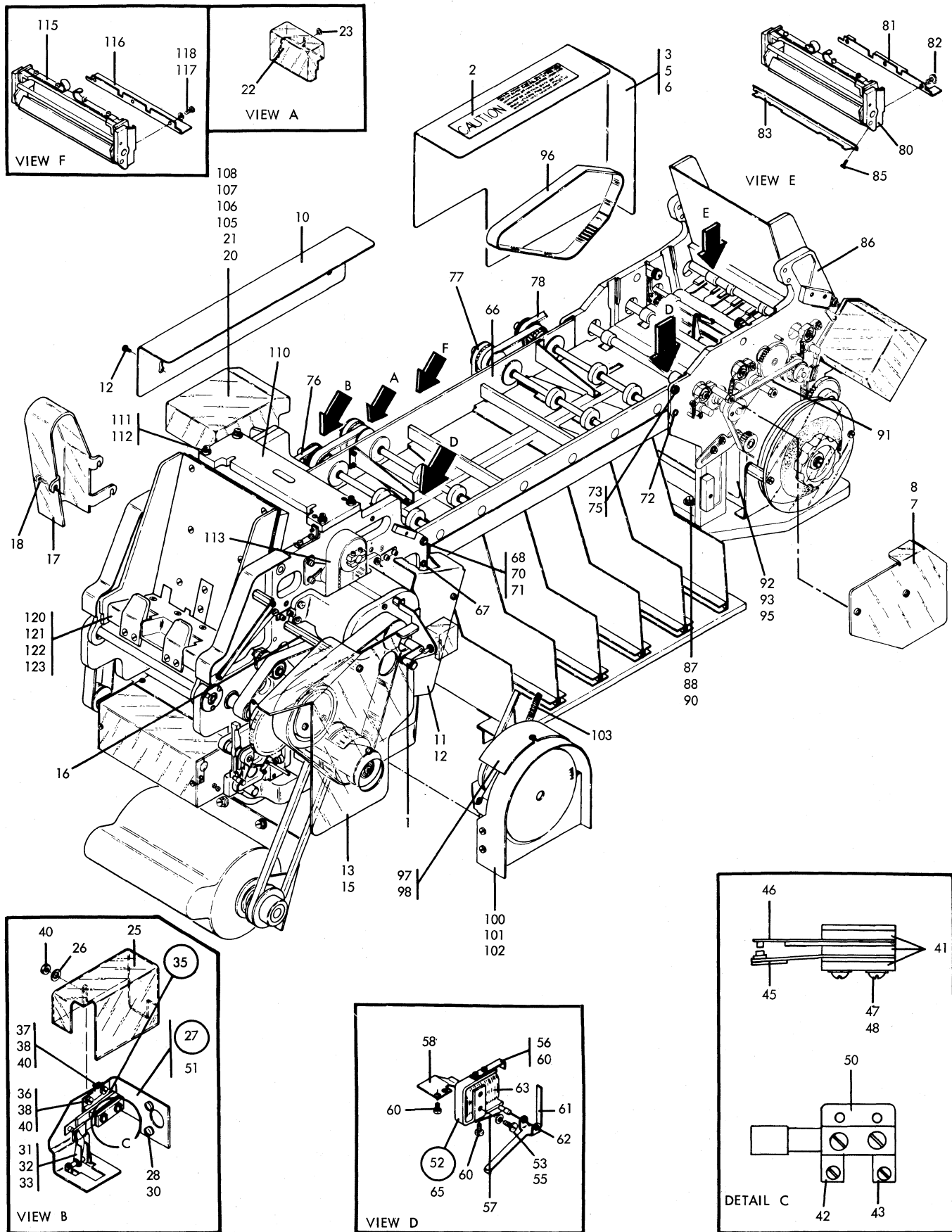


FIGURE 3. MECHANICAL BASE ASM. SHEET 1 OF 3, INDEX NOS. 1-123 SEE LIST 3.

LIST AND INDEX NO.	PART NO.	DESCRIPTION				UNITS PER ASSY	USABLE ON CODE
		1	2	3	4		
		MECHANICAL BASE ASM		CONT			
3- 68	13086	•	SCREW TRANS TO PUNCH	ATT	PT	2	
3- 70	11598	•	NUT TRANS TO PUNCH MTG	ATT	PT	2	
3- 71	609162	•	SPACER TRANS TO PUNCH	ATT	PT	2	
3- 72	232	•	SCREW READER TO TRANS	ATT	PT	2	
3- 73	336284	•	SCREW TRANS TO READER	ATT	PT	2	
3- 75	11598	•	NUT TRANS TO READER	ATT	PT	2	
3- 76	364156	•	BELT TRANSPORT DRIVE			1	
3- 77	602643	•	BELT - STKR DRIVE			2	
3- 78	613653	•	BELT TRANS DR			1	
3- 80	610665	•	BRUSH HOLDER ASM			2	
			SEE LIST 5 FOR DETAIL BREAKDOWN				
3- 81	602195	•	GUIDE BRUSH UNIT CARD			1	
3- 82	38235	•	SCREW BRUSH UNIT GUIDE	ATT	PT	3	
3- 83	609428	•	CARD GUIDE			1	
3- 85	38565	•	SCREW CARD GUIDE	ATT	PT	2	
3- 86	615006	•	READ FEED ASM			1	
			SEE LIST 6 FOR DETAIL BREAKDOWN				
3- 87	38693	•	SCREW - TRANS MTG	ATT	PT	4	
3- 88	10309	•	L WASHER - TRANS MTG	ATT	PT	4	
3- 90	453	•	WASHER - TRANS MTG	ATT	PT	4	
3- 91	602324	•	BELT CONTACT RL			1	
3- 92	615358	•	SUPPORT ASM CLU DR			1	
			SEE LIST 18 FOR DETAIL BREAKDOWN				
3- 93	10303	•	SCREW CLU MTG	ATT	PT	4	
3- 95	161351	•	WASHER CLU MTG	ATT	PT	4	
3- 96	609124	•	BELT CLUTCH			1	
3- 97	609565	•	SHIELD DYN TIMER PUN			1	
3- 98	221790	•	SCREW SHIELD MTG	ATT	PT	2	
3-100	609042	•	DYNAMIC TIMER ASM PUNCH			1	
			SEE LIST 19 FOR DETAIL BREAKDOWN				
3-101	129654	•	SCREW TIMER MTG	ATT	PT	3	
3-102	9092	•	LWASHER TIMER MTG	ATT	PT	3	
3-103	609058	•	BELT TIMER DRIVE			1	
3-105	615017	•	CB ASM HIGH SPEED			1	
			SEE LIST 20 FOR DETAIL BREAKDOWN				
3-106	186935	•	SCREW CB MTG	ATT	PT	3	
3-107	6935	•	LWASHER CB MTG	ATT	PT	3	
3-108	528251	•	WASHER CB MTG	ATT	PT	3	
3-110	* 609072	•	PUNCH UNIT ASM			1	G
			SEE LIST 24 FOR DETAIL BREAKDOWN				
	* 610180	•	PUNCH UNIT ASM REDESIGNED			1	H
			SEE LIST 24 FOR DETAIL BREAKDOWN				
3-111	186934	•	SCREW PUNCH UNIT MTG CAP	ATT	PT	4	
3-112	130435	•	WASHER PCH UNIT MTG	ATT	PT	4	
3-113	607578	•	BELT PCH DRIVE			1	
3-115	* 607258	•	RETRACTABLE BRUSH ASM			1	E
	* 610181	•	RETRACTABLE BRUSH ASM			1	F
			SEE LIST 26 FOR DETAIL BREAKDOWN				
3-116	607418	•	CARD GUIDE BRUSH			1	
3-117	38353	•	SCREW CD GDE MTG	ATT	PT	3	
3-118	6364	•	LWASHER CD GDE MTG	ATT	PT	3	
3-120	615021	•	PUNCH TRANSPORT ASM			1	
			SEE LIST 27 FOR DETAIL BREAKDOWN				
3-121	38693	•	SCREW - PUNCH TRANSPORT MTG	ATT	PT	4	
3-122	10309	•	L WASHER - PUNCH TRANSPORT MTG	ATT	PT	4	
3-123	453	•	WASHER - PUNCH TRANSPORT MTG	ATT	PT	4	
3-125	603796	•	SLIDE ASM STACKER			5	
3-126	602406	•	SPRING CD SLIDE RET	ATT	PT	5	
3-127	602642	•	• PLATE CD SUP CLAMP			1	
3-128	1115735	•	• SCREW MTG PLATE	ATT	PT	2	
3-130	603799	•	• SLIDE ASM BUMPER AND			1	
3-131	603795	•	• • INSERT SLIDE			4	
3-132	363023	•	• • SLIDE CD DECK SUP			1	
3-133	602372	•	• SUPPORT CD DECK			1	
3-135	603074	•	RETAINER GUIDE ASM			1	
3-136	58207	•	SCREW - RETAINER	ATT	PT	4	
3-137	602978	•	• BUMPER PLUG			5	

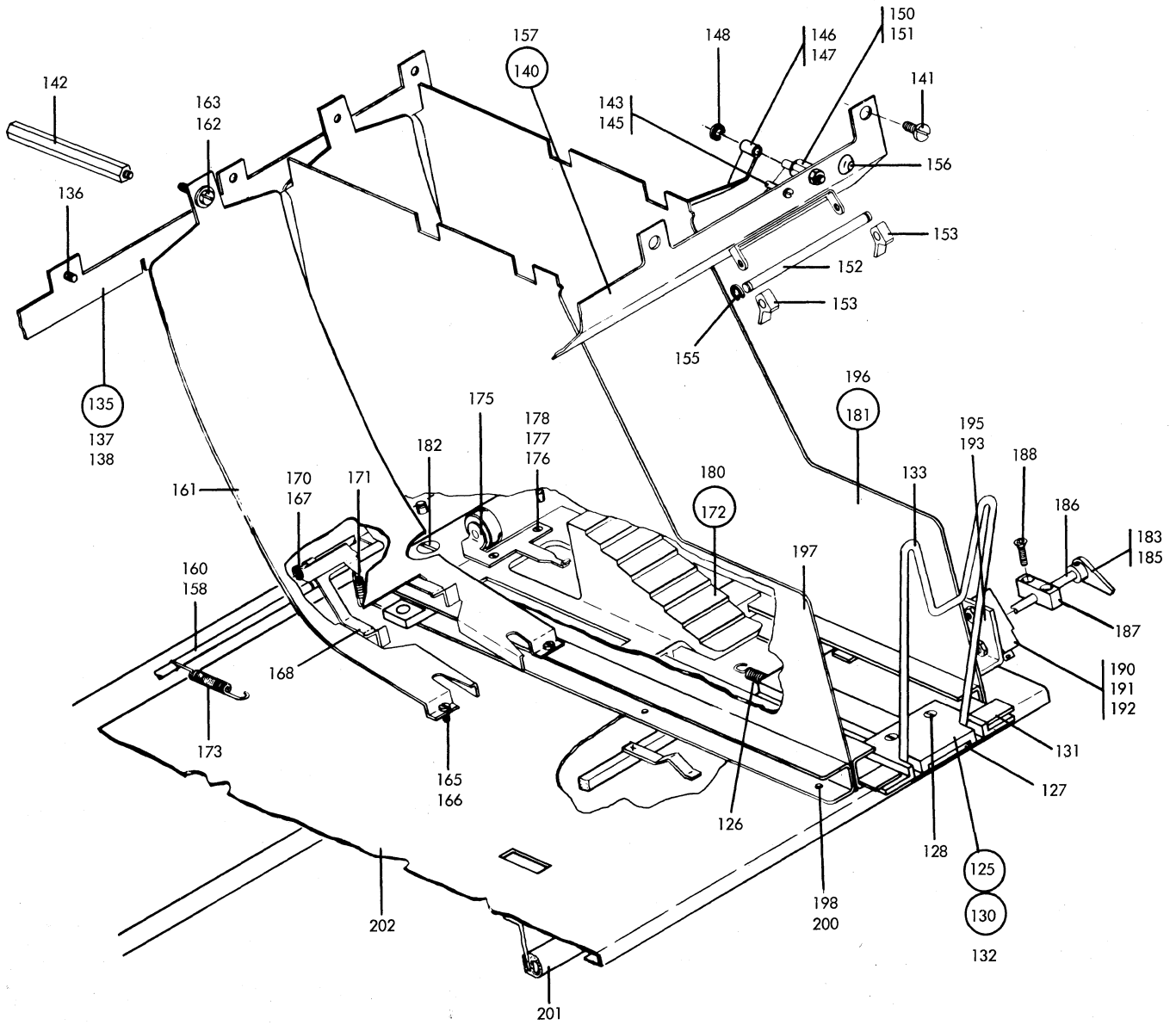


FIGURE 3. MECHANICAL BASE ASM. SHEET 2 OF 3, INDEX NOS. 125-202 SEE LIST 3.

LIST AND INDEX NO.	PART NO.	DESCRIPTION				UNITS PER ASSY	USABLE ON CODE
		1	2	3	4		
		MECHANICAL BASE ASM					
		CONT					
3-138	602367	• •	RETAINER - POCKET SEP			1	
3-140	615439	•	PIVOT & LEVER ASM CARD			1	
3-141	58207	•	SCREW PIVOT & LEVER	ATT PT		5	
3-142	610327	•	STUD	ATT PT		1	
3-143	219664	• •	TUBING CARD LEVER STOP				
3-145	5644	• •	SCREW CARD LEVER STOP	ATT PT		4	
3-146	602447	• •	LEVER CARD RETAINING LH			2	
3-147	602594	• •	LEVER CARD RETAINING RH			2	
3-148	1073418	• •	CLIP PIVOT STUD	ATT PT		4	
3-150	602593	• •	STUD LEVER PIVOT			4	
3-151	257187	• •	NUT CARD RETAINER	ATT PT		4	
3-152	602488	• •	SHAFT CARD RETAINER			5	
3-153	602489	• •	LEVER CARD RETAINING			10	
3-155	1073418	• •	CLIP RETAINING SHAFT	ATT PT		10	
3-156	602978	• •	BUMPER			6	
3-157	615438	• •	CARD PIVOT ASM			1	
3-158	602629	•	SPRING ANCHOR			1	
3-160	264641	•	RING RETAINING	ATT PT		2	
3-161	602476	•	GUIDE ASM CARD			5	
3-162	130562	•	SCREW - GDE ASM	ATT PT		5	
3-163	60646	•	L WASHER - GDE ASM	ATT PT		5	
3-165	38562	•	SCREW SHAFT ASM MTG	ATT PT		10	
3-166	150209	•	LWASHER GDE ASM	ATT PT		10	
3-167	209063	•	SHAFT CARD LEVER			5	
3-168	209220	•	LEVER CARD ALIGNER			5	
3-170	1073418	•	CLIP RETAINING	ATT PT		10	
3-171	209217	•	SPRING CARD ALIGNER			5	
3-172	609160	•	SLIDE ASM STKR READ END			1	
3-172	602338	•	SLIDE ASM STKR PUNCH END			3	
3-173	150603	•	SPRING SLIDE	ATT PT		5	
3-175	609159	• •	BRKT ASM - CAM FOLLOWER USED ON ASSY 602338 ONLY			1	
	602470	• •	BRKT ASM - CAM FOLLOWER USED ON ASSY 609160 ONLY			1	
3-176	35739	• •	SCR CAM FOLLOWER MTG	ATT PT		2	
3-177	257986	• •	WASHER BRKT MTG	ATT PT		2	
3-178	344015	• •	NUT BRKT MTG	ATT PT		2	
3-180	602373	• •	SLIDE CARD PUSHER			1	
3-181	609563	•	POCKET ASM			1	
3-182	438573	•	SCREW STACKER MTG	ATT PT		6	
3-183	602347	• •	ARM ASM-POCKET STOP			1	
3-185	251350	• •	SETSCREW-POCKET STOP	ATT PT		1	
3-186	602355	• •	SHAFT ASM-POCKET STOP			1	
3-187	602364	• •	PIVOT-POCKET STOP			2	
3-188	38452	• •	SCREW-PIVET MTG	ATT PT		4	
3-190	228093	• •	SWITCH-POCKET STOP			1	
3-191	170176	• •	SCREW & LWASHR SW MTG	ATT PT		2	
3-192	257985	• •	WASHER-SW MTG	ATT PT		2	
3-193	602413	• •	BRACKET-STOP SHAFT			1	
3-195	38451	• •	SCREW-BRACKET MTG	ATT PT		2	
3-196	603068	• •	POCKET CHANNEL ASM			1	
	603070	• •	POCKET CHANNEL ASM			1	
3-197	603069	• •	POCKET CHANNEL ASM			4	
3-198	38261	• •	SCREW-BRACKET MTG	ATT PT		18	
3-200	150209	• •	LWASHER-BRKT MTG	ATT PT		18	
3-201	444806	• •	SEAL DUST				
3-202	609622	• •	BASE PLATE STKR			1	
3-203	615018	•	CB ASM CR PUNCH			1	
		SEE LIST 21 FOR DETAIL BREAKDOWN					
3-205	232	•	SCREW CB MTG	ATT PT		1	
3-206	438601	•	SCREW CB MTG	ATT PT		2	
3-207	609100	•	BELT CR			1	
3-208	602400	•	CRANK ASM DYN TIMER			1	
3-210	332620	•	SCREW CRANK MTG	ATT PT		1	
3-211	120789	•	WASHER CRANK MTG	ATT PT		1	
3-212	602398	•	COVER TIMER			1	
3-213	442822	•	SPRING TIMER			1	

LIST AND INDEX NO.	PART NO.	DESCRIPTION				UNITS PER ASSY	USABLE ON CODE
		1	2	3	4		
		MECHANICAL BASE ASM		CONT			
3-215	255939	• BUMPER ASM DIAL				1	
3-216	3960	• NUT BUMPER MTG		ATT PT		2	
3-217	3550	• WASHER BUMPER MTG		ATT PT		1	
3-218	609554	• DIAL DYN TIMER				1	
3-220	257189	• NUT DIAL MTG		ATT PT		3	
3-221	60646	• LWASHER DIAL MTG		ATT PT		3	
3-222	113204	• SPACER DIAL MTG		ATT PT		3	
3-223	186759	• SCREW DIAL MTG		ATT PT		3	
3-225	602422	• DISC ASM TIMER				1	
3-226	257213	• • NUT-DISC RETAINING		ATT PT		1	
3-227	205086	• • WASHER - DISC RETAINING		ATT PT		2	
3-228	205097	• • DISC ASM				1	
3-230	205876	• • SHIELD-TIMER LIGHT BULB				1	
3-231	205094	• • HLDR-LIGHT				1	
3-232	38271	• SCREW LIGHT TERMINAL		ATT PT		2	
3-233	610188	• • NEON LAMP ASM				2	
3-235	75983	• • SCREW LIGHT TERMINAL		ATT PT		4	
3-236	602363	• HUB-TIMER				1	
3-237	129654	• • SCR-TIMER HUB CLAMP		ATT PT		2	
3-238	609688	• BRUSH HOLDER ASM				1	
3-240	2031	• SCREW BRUSH HLDR		ATT PT		2	
3-241	55901	• LWASHER BRUSH HLDR		ATT PT		2	
3-242	4473	• • SCREW HEX HD				4	
3-243	609689	• • CABLE ASM				1	
3-245	206430	• • BRUSH HOLDER ASM				1	
3-246	205773	• BRUSH DYN TIMER				4	
3-247	609052	• MOUNTING BRKT DYN TIMER				1	
3-248	332620	• SCREW TIMER MTG		ATT PT		2	
3-250	609147	• CHIP GUIDE PUNCH				1	
3-251	602967	• GASKET VIBRATION DAMPEN				1	
3-252	615450	• PULLEY ASM - PUNCH MTR				1	
3-253	26380	• • SET SCREW 1/4-20 X .312 LG		ATT PT		1	
3-255	615449	• • COLLAR PULLEY				1	
3-256	615448	• • STEM PULLEY				1	
3-257	317384	• • SET SCREW 1/4-20 X .187 LG.		ATT PT		1	
3-258	615355	• MOTOR PUNCH FEED 60 CY				1	
3-260	38686	• SCREW - MOTOR MTG		ATT PT		4	
3-261	6935	• L WASHER - MOTOR MTG		ATT PT		4	
3-262	3550	• WASHER - MOTOR MTG		ATT PT		4	
3-263	601925	• MOTOR CORD ASM				1	
3-265	10390	• • CONNECTOR				1	
3-266	615081	• ADAPTER PLATE - PCH MTR				1	
3-267	25895	• SCREW - ADAPTER PLATE		ATT PT		4	
3-268	609032	• CASTING - MOTOR MOUNT				1	
3-270	129147	• SCREW - CSTG MTG		ATT PT		4	
3-271	6935	• L WASHER - CSTG MTG		ATT PT		4	
3-272	615450	• PULLEY ASM READ DR				1	
3-273	26380	• • SET SCREW 1/4-20 X .312 LG.		ATT PT		1	
3-275	615449	• • COLLAR PULLEY				1	
3-276	615448	• • STEM PULLEY				1	
3-277	317384	• • SET SCREW 1/4-20 X .187 LG.		ATT PT		1	
3-278	615360	• BELT RD DR				1	
3-280	615362	• MOTOR - READ FEED 60 CY				1	
3-281	38686	• SCREW MOTOR MTG		ATT PT		4	
3-282	6935	• LWASHER MOTOR MTG		ATT PT		4	
3-283	3550	• WASHER MOTOR MTG		ATT PT		4	
3-285	601927	• CORD RD MOTOR				1	
3-286	10390	• • CONNECTOR				1	
3-287	615361	• BASE MOTOR MTG				1	
3-288	38688	• SCREW BASE MTG		ATT PT		3	
3-290	6935	• LWASHER BASE MTG		ATT PT		3	
3-291	3550	• WASHER BASE MTG		ATT PT		3	
3-292	78916	• BUMPER RUBBER CD GATE				1	
3-293	55918	• SCREW BUMPER MTG		ATT PT		1	
3-295	615406	• STUD CD GATE STOP				1	

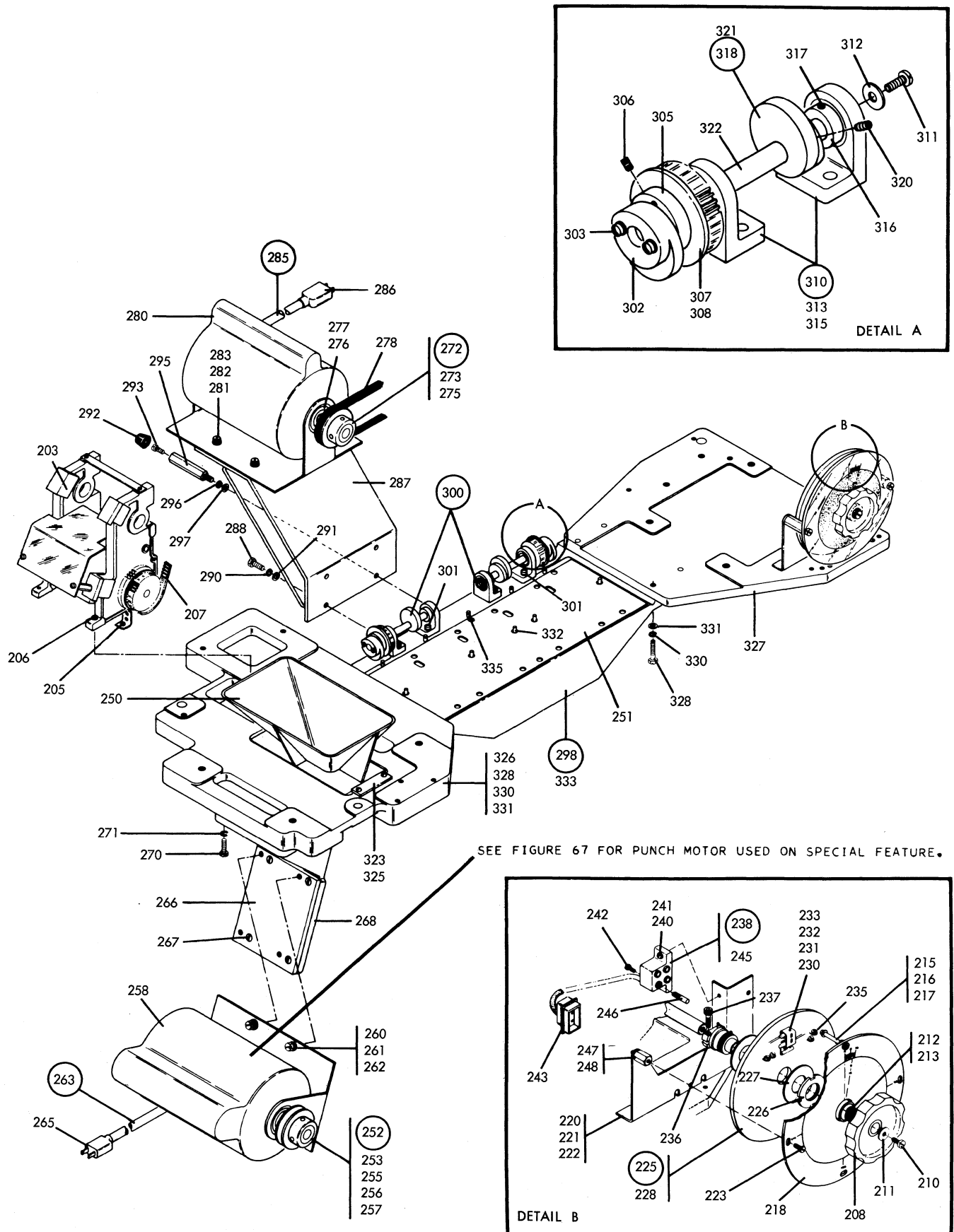


FIGURE 3. MECHANICAL BASE ASM. SHEET 3 OF 3, INDEX NOS. 203-335 SEE LIST 3.

LIST AND INDEX NO.	PART NO.	DESCRIPTION				UNITS PER ASSY	USABLE ON CODE
		1	2	3	4		
		MECHANICAL BASE ASM		CONT			
3-296	6935	•	LWASHER STUD MTG	ATT	PT	1	
3-297	3550	•	WASHER STUD MTG	ATT	PT	1	
3-298	615059	•	BASE ASM			1	
3-300	615057	•	• SHAFT ASM STACKER DR			2	
3-301	234333	•	• SCREW JOGGLER MTG	ATT	PT	8	
3-302	603546	•	• • CAM STACKER			1	
3-303	170241	•	• • SCREW CAM MTG	ATT	PT	2	
3-305	602644	•	• • HUB CAM MTG			1	
3-306	257975	•	• • SET SCREW COLLAR MTG	ATT	PT	2	
3-307	602296	•	• • PULLEY STKR DRIVE			1	
3-308	170241	•	• • SCREW PULLEY MTG	ATT	PT	2	
3-310	602472	•	• • BRACKET ASM STKR			2	
3-311	34512	•	• • SCREW BRG RET	ATT	PT	1	
3-312	2903	•	• • WASHER BRG RET	ATT	PT	1	
3-313	156364	•	• • • BRG-STACKER SHAFT			1	
3-315	602473	•	• • • BRKT-STACKER SH MTG			1	
3-316	236621	•	• • COLLAR SHAFT RET			1	
3-317	195	•	• • SET SCREW COLLAR MTG	ATT	PT	2	
3-318	603525	•	• • CAM ASM STACKER			1	
3-320	257975	•	• • • SET SCREW CAM MTG	ATT	PT	2	
3-321	603546	•	• • • CAM ASM MOLDED			1	
3-322	615056	•	• • • SHAFT STKR			1	
3-323	609146	•	• • RETAINER CHIP GUIDE			1	
3-325	10170	•	• • SCREW CHIP GUIDE RET	ATT	PT	2	
3-326	609035	•	• • FEED BASE PUNCH			1	
3-327	602307	•	• • FEED BASE READER			1	
3-328	19852	•	• • SCREW TIE PLATE MTG	ATT	PT	8	
3-330	6935	•	• • LWASHER TIE PLATE MTG	ATT	PT	8	
3-331	3550	•	• • WASHER TIE PLATE MTG	ATT	PT	8	
3-332	602809	•	• • STUD STOP			5	
3-333	609033	•	• • TIE PLATE BASE			1	
3-335	602808	•	• • STUD SPRING			5	
		TRANSPORT ASM					
4-	615005	TRANSPORT ASM SEE LIST 3-66 FOR NEXT HIGHER ASSEMBLY AND FIG. 4 FOR ILLUSTRATION				1	
4- 1	602374	•	CHUTE BLADE SHORT			1	
4- 2	602375	•	CHUTE BLADE LONG			1	
4- 3	602450	•	CHUTE BLADE LONG			1	
4- 5	602456	•	CHUTE BLADE SHORT			1	
4- 6	257186	•	NUT CARD DEFLECT PLATE	ATT	PT	2	
4- 7	1091061	•	WASHER CARD DEFLECT PLATE	ATT	PT	2	
4- 8	438548	•	SCREW PLATE MTG	ATT	PT	2	
4- 10	602458	•	JAM BAR ASM			1	
4- 11	38348	•	SCREW JAM BAR MTG	ATT	PT	4	
4- 12	6364	•	LWASHER JAM BAR	ATT	PT	4	
4- 13	602462	•	• TAPE-JAM BAR			1	
4- 15	48594	•	• SCR-JAM BAR TIP MTG	ATT	PT	2	
4- 16	602464	•	• TIP-JAM BAR			1	
4- 17	52570	•	• SCR CHNL MTG	ATT	PT	2	
4- 18	602459	•	• LEVER-JAM BAR			1	
4- 20	147297	•	• CLIP-JAM BAR LEV PIV	ATT	PT	2	
4- 21	336132	•	• STUD-JAM BAR LEV PIV	ATT	PT	1	
4- 22	27083	•	• SPRING-JAM BAR LEVER			1	
4- 23	336131	•	• SCR-JAM BAR LEV ADJ			1	
4- 25	257187	•	• NUT-JAM BAR LEV ADJ			1	
4- 26	65266	•	• SWITCH - JAM BAR			1	
4- 27	52618	•	• SCREW-JAM BAR SW MTG	ATT	PT	4	
4- 28	45624	•	• WASHER-JAM BAR SW MTG	ATT	PT	2	
4- 30	336592	•	• BRKT -JAM BAR SW MTG			1	
4- 31	602465	•	• MOUNT-JAM BAR SW			1	

LIST AND INDEX NO.	PART NO.	DESCRIPTION				UNITS PER ASSY	USABLE ON CODE
		1	2	3	4		
		TRANSPORT ASM			CONT		
4- 32	38348	• • SCREW-JAM BAR SW BRKT			ATT PT	2	
4- 33	602460	• • CHANNEL ASM-JAM BAR				1	
4- 35	602468	• BRACKET JAM BAR MTG				2	
4- 36	38350	• SCREW JAM BAR			ATT PT	2	
4- 37	6364	• LWASHER JAM BAR			ATT PT	2	
4- 38	602463	• BRACKET JAM BAR MTG				1	
4- 40	609932	• BRACKET JAM BAR MTG				1	
4- 41	2300	• SCREW JAM BAR MTG			ATT PT	4	
4- 42	1090873	• LWASHER JAM BAR MTG			ATT PT	4	
4- 43	336808	• FLIPPER ASM CARD				4	
4- 45	288	• SCREW FLIPPER ASM MTG			ATT PT	8	
4- 46	336651	• BRACKET BRG RET				4	
4- 47	37913	• NUT CHUTE BLADE MTG			ATT PT	8	
4- 48	38434	• SCREW INS MTG			ATT PT	8	
4- 50	602495	• INSULATOR FD RL				4	
4- 51	602493	• PLATE FD RL CLAMP				4	
4- 52	155749	• BEARING LWR FD RL				4	
4- 53	602490	• SPACER TRANS RL				8	
4- 55	602469	• SHAFT FD RL				2	
4- 56	603014	• DEFLECTOR ASM SEC				2	
4- 57	603015	• DEFLECTOR ASM PRI				2	
4- 58	38235	• SCREW CHUTE BLADE MTG			ATT PT	12	
4- 60	336254	• COLLAR - PULLEY RET				1	
4- 61	257972	• SET SCREW - COLLAR RET			ATT PT	2	
4- 62	615046	• PULLEY TRANS RL				1	
4- 63	615047	• FLANGE TRANS PULLEY				1	
4- 65	322551	• SCREW PULLEY			ATT PT	2	
4- 66	336254	• COLLAR - PULLEY RET				1	
4- 67	257972	• SET SCREW - COLLAR RET			ATT PT	2	
4- 68	602486	• PULLEY TIMING BELT				1	
4- 70	38354	• SCREW - TRANS PULLEY			ATT PT	2	
4- 71	287013	• SPACER UPR TRANS RL				1	
4- 72	148368	• BELT UPR RL TIMING				2	
4- 73	336254	• COLLAR - PULLEY RET				1	
4- 75	257972	• SET SCREW - COLLAR RET			ATT PT	2	
4- 76	336145	• PULLEY UPR TRANS RL				1	
4- 77	38354	• SCREW - PULLEY RET			ATT PT	2	
4- 78	336254	• COLLAR - PULLEY RET				1	
4- 80	257972	• SET SCREW - COLLAR RET			ATT PT	2	
4- 81	602230	• PULLEY TRANS RL				1	
4- 82	38354	• SCREW - PULLEY RET			ATT PT	2	
4- 83	336310	• COLLAR SHAFT RET				1	
4- 85	257968	• SET SCREW COLLAR RET			ATT PT	2	
4- 86	336254	• COLLAR - PULLEY RET				1	
4- 87	257972	• SET SCREW - COLLAR RET			ATT PT	2	
4- 88	336145	• PULLEY STKR DR				1	
4- 90	38354	• SCREW - TRANS PULLEY			ATT PT	2	
4- 91	336254	• COLLAR - PULLEY RET				1	
4- 92	257972	• SET SCREW - COLLAR RET			ATT PT	2	
4- 93	602230	• PULLEY TRANS RL				1	
4- 95	38354	• SCREW - TRANS PULLEY			ATT PT	2	
4- 96	336310	• COLLAR SHAFT RET				1	
4- 97	257968	• SET SCREW COLLAR RET			ATT PT	2	
4- 98	336254	• COLLAR - PULLEY RET				1	
4-100	257972	• SET SCREW - COLLAR RET			ATT PT	2	
4-101	364153	• FLANGE PULLEY				1	
4-102	615048	• PULLEY TRANS RL				1	
4-103	322551	• SCREW PULL FLANGE			ATT PT	2	
4-105	336254	• COLLAR - PULLEY RET				1	
4-106	257972	• SET SCREW - COLLAR RET			ATT PT	2	
4-107	602486	• PULLEY TRANS RL				1	
4-108	38354	• SCREW - TRANS PULLEY			ATT PT	2	
4-110	287013	• SPACER ROLL PULLEY				1	
4-111	609718	• SHAFT ASM FD RL				4	
4-112	38263	• SCREW BRG RET			ATT PT	12	
4-113	163899	• LWASHER BRG RET			ATT PT	12	
4-115	336345	• RETAINER BEARING			ATT PT	4	

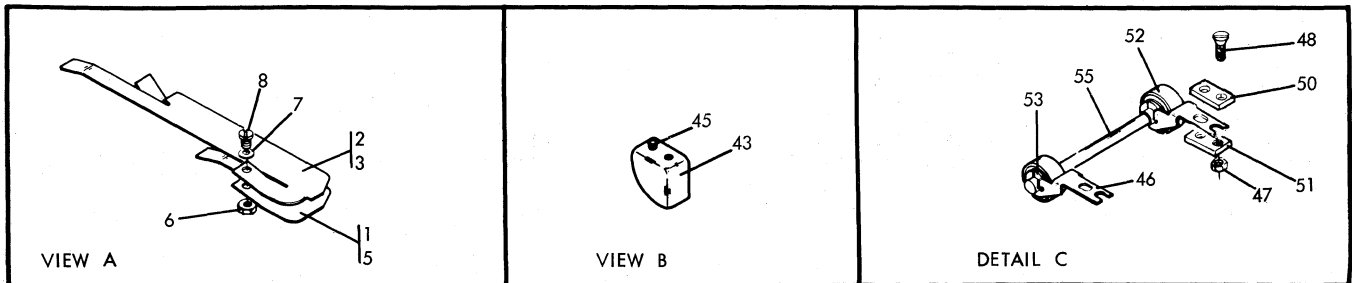
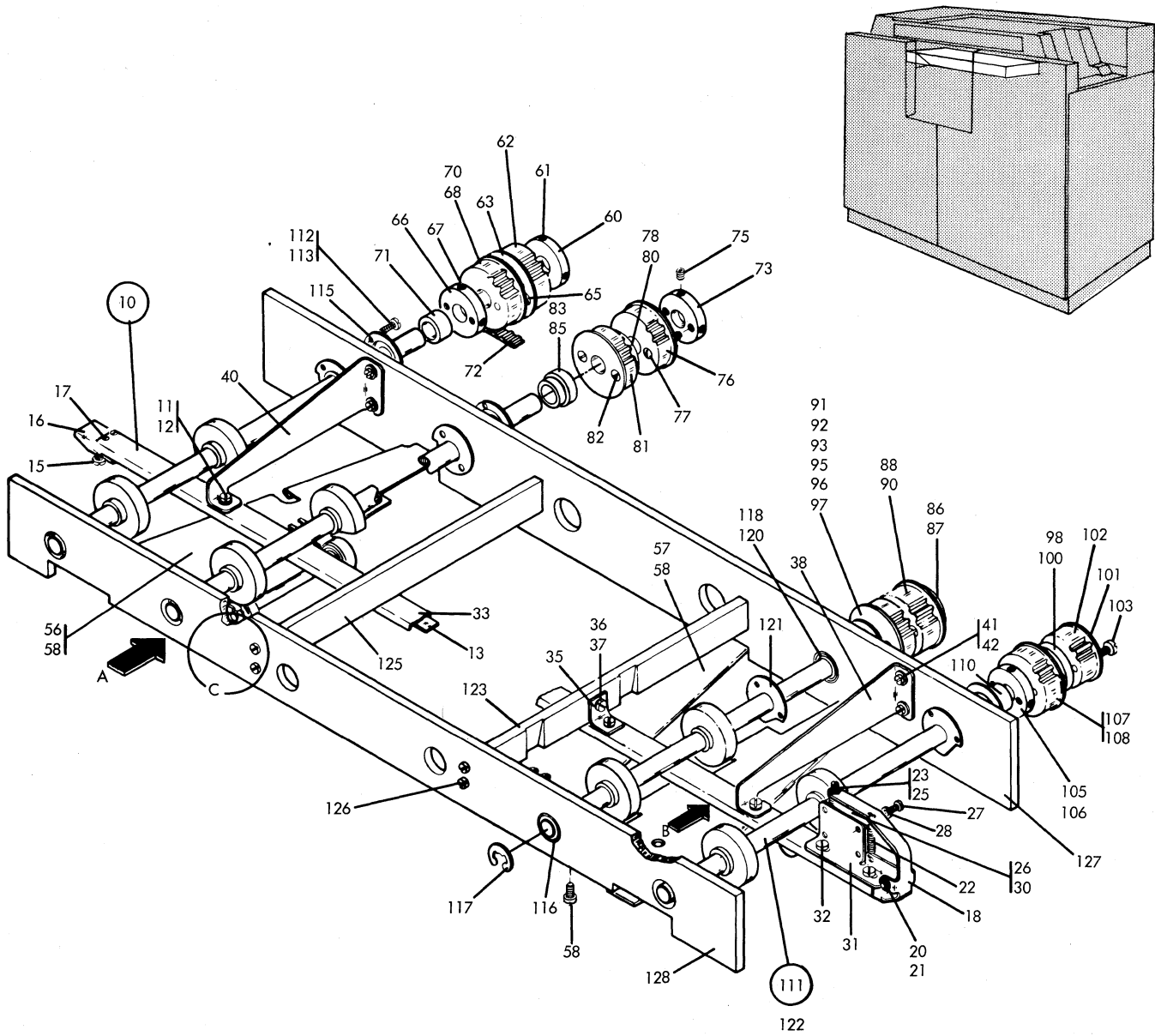


FIGURE 4. TRANSPORT ASM. SEE LIST 4.

LIST AND INDEX NO.	PART NO.	DESCRIPTION	UNITS PER ASSY	USABLE ON CODE
		TRANSPORT ASM		
		CONT		
4-116	110129	• • BEARING	1	
4-117	332747	• • CLIP BEARING RETAINING	1	
4-118	156364	• • BEARING	1	
4-120	336534	• • SPACER	1	
4-121	602557	• • RETAINER SHAFT	1	
4-122	609713	• • SHFT ASM UPPER TRANS RL	1	
4-123	602382	• MOUNTING JAM BAR	1	
4-125	602411	• MOUNTING JAM BAR	1	
4-126	38354	• SCREW TIE BAR MTG	8	
4-127	602310	• SIDE RAIL REAR	1	
4-128	602311	• SIDE RAIL FRONT	1	
		RETRACTABLE BRUSH UNIT ASM R F		
5-	610665	RETRACTABLE BRUSH UNIT ASM R F SEE LIST 3-80 FOR NEXT HIGHER ASSEMBLY AND FIG. 5 FOR ILLUSTRATION	2	
5- 1	607267	• RELEASE BR HOLDER LH	1	
5- 2	607269	• RELEASE BR HOLDER RH	1	
5- 3	607473	• SCREW RELEASE ASM MTG	4	
5- 5	610151	• BAR BR GD SUPPORT	1	
5- 6	38443	• SCREW BR GD SUPP BAR MTG	4	
5- 7	610150	• GUIDE BRUSH	1	
5- 8	38235	• SCREW BR GD MTG	4	
5- 10	108779	• SPRING	2	
5- 11	477037	• SETSCREW	2	
5- 12	607262	• BAR BR HOLDER TIE	1	
5- 13	38351	• SCREW BAR MTG	2	
5- 15	608448	• FRAME BR HOLDER RT	1	
5- 16	608453	• FRAME BR HOLDER LFT	1	
5- 17	608211	• BRKT SUPPORT BRUSH LCKG	1	
5- 18	38350	• SCREW BRKT SUPPORT MTG	2	
5- 20	6364	• LWASHER BRKT SUPPORT MTG	2	
5- 21	8519	• SPRING	1	
5- 22	608215	• STUD BR UNIT LOCKING	2	
5- 23	607272	• BAR BR HLDR REL MTG	1	
5- 25	38351	• SCREW TIE BAR MTG	4	
5- 26	6364	• LWASHER BAR MTG	4	
5- 27	608297	• SHIM BRUSH RELEASE BAR	6	
5- 28	196698	• SCREW	2	
5- 30	608234	• FRAME ASM BRUSH UNIT LFT	1	
5- 31	608235	• FRAME ASM BRUSH UNIT RT	1	
5- 32	* 610664	• BRUSH HOLDER ASM	1	
5- 33	* 610272	• BRUSH HOLDER ASM	1	
5- 35	* 602189	• • BRUSH USED ON ASSEMBLY 610664 ONLY	80	N O N
5- 36	* 610271	• • BRUSH USED ON ASSEMBLY 610272 ONLY	80	O
5- 37	154404	• • NUT - BRUSH CLAMP	80	
5- 38	257261	• • BOLT - BRUSH CLAMP	80	
5- 40	249348	• • BLOCK - BRUSH HOLDER	1	
		READ FEED ASM		
6-	615006	READ FEED ASM SEE LIST 3-86 FOR NEXT HIGHER ASSEMBLY AND FIG. 6 FOR ILLUSTRATION	1	
6- 1	196833	• DECAL BED PLATE	1	
6- 2	336144	• BLOCK HOPPER	2	
6- 3	232	• SCREW BLOCK MTG	4	
6- 5	609581	• PULLEY ASM CAM SFT	1	
6- 6	129654	• • SET SCREWS CAM SFT	2	
6- 7	602496	• • PULLEY ASM CAM SFT	1	

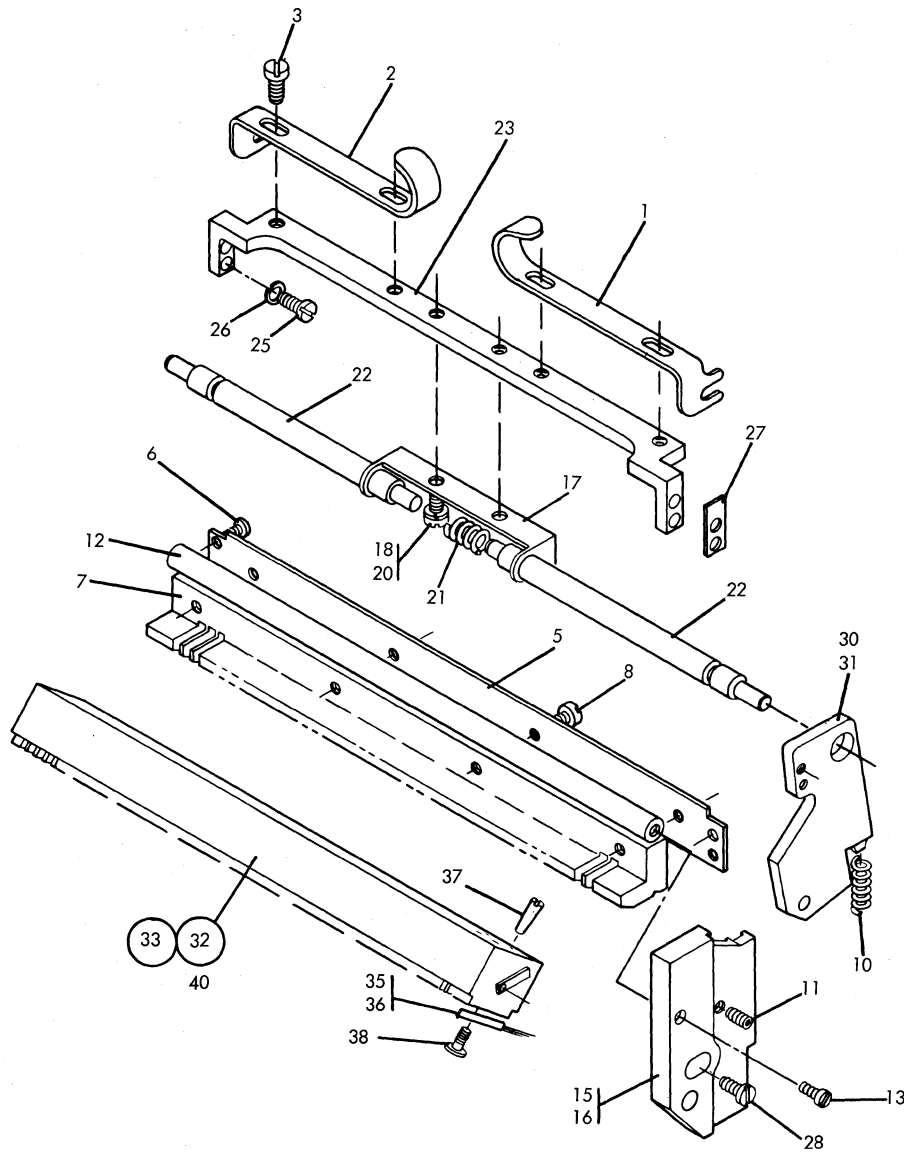


FIGURE 5. RETRACTABLE BRUSH UNIT ASM. R F SEE LIST 5.

LIST AND INDEX NO.	PART NO.	DESCRIPTION				UNITS PER ASSY	USABLE ON CODE
		1	2	3	4		
		READ FEED ASM			CONT		
6- 8	609591	• BUSHING ASM				4	
6- 10	215150	• • NUT			ATT PT	1	
6- 11	138296	• • BUSHING				1	
6- 12	420	• SCREW SIDE PLATE ADJ				4	
6- 13	22066	• WASHER SIDE PLATE ADJ				4	
6- 15	336165	• SIDE PLATE HOPPER				1	
6- 16	336166	• SIDE PLATE HOPPER				1	
6- 17	5528	• SCREW TIE BAR			ATT PT	2	
6- 18	257986	• WASHER TIE BAR			ATT PT	2	
6- 20	602240	• PLATE BACK HOPPER				1	
6- 21	225859	• SCREW PLATE BACK HOPPER			ATT PT	6	
6- 22	602137	• BED PLATE ASM				1	
6- 23	2179	• SCREW BED PLATE MTG			ATT PT	4	
6- 25	336305	• • SPRING CD DECK SUPP				2	
6- 26	52522	• • SCR CD DECK SUPP SPG			ATT PT	2	
6- 27	22066	• • WSHR CD DECK SUPP SPG			ATT PT	2	
6- 28	257186	• • NUT CD DECK SUPP SPG			ATT PT	2	
6- 30	602218	• • BED PLATE HOPPER				1	
6- 31	615040	• IDLER ASM				1	
6- 32	22349	• NUT IDLER MTG			ATT PT	1	
6- 33	10309	• LOCKWASHER IDLER MTG			ATT PT	1	
6- 35	453	• WASHER IDLER MTG			ATT PT	1	
6- 36	233355	• • BEARING PULLEY				1	
6- 37	72828	• • NUT BRG RET			ATT PT	1	
6- 38	24511	• • WASHER BRG RET			ATT PT	1	
6- 40	615041	• • PULLEY IDLER DRIVE				1	
6- 41	615042	• • FLANGE PULLEY				1	
6- 42	615090	• • SPACER PULLEY				1	
6- 43	52359	• • SCREW PULLEY MTG			ATT PT	3	
6- 45	257984	• • LWASHER PULLEY MTG			ATT PT	3	
6- 46	264054	• • RETAINER BRG				1	
6- 47	□ 156364	• • BEARING GEAR				1	
6- 48	191980	• • SPACER IDLER				1	
6- 50	□ 191978	• • GEAR DOUBLE				1	
6- 51	191981	• • STUD IDLER				1	
6- 52	609592	• IDLER ASM				1	
6- 53	38688	• SCREW IDLER ASM			ATT PT	2	
6- 55	6935	• LOCKWASHER IDLER ASM			ATT PT	2	
6- 56	□ 155749	• • BEARING-PULLEY MTG				1	
6- 57	194612	• • RETAINER-BEARING				1	
6- 58	□ 364045	• • PULLEY-IDLER				1	
6- 60	72828	• • NUT-PULLEY MTG			ATT PT	1	
6- 61	42688	• • SPACER-PULLEY MTG			ATT PT	1	
6- 62	609141	• • BRACKET ASM-IDLER				1	
6- 63	609025	• PULLEY ASM IDLER				1	
6- 65	38688	• SCREW IDLER ASM			ATT PT	2	
6- 66	6935	• LOCKWASHER IDLER ASM			ATT PT	2	
6- 67	□ 110129	• • BEARING-IDLER				2	
6- 68	□ 602290	• • PULLEY-IDLER				1	
6- 70	□ 602291	• • SPACER-IDLER PULL				1	
6- 71	72828	• • NUT-IDLER			ATT PT	1	
6- 72	22478	• • WASHER-IDLER			ATT PT	1	
6- 73	609024	• • BRACKET ASM-IDLER				1	
6- 75	602452	• PULLEY LWR FD ROLL				2	
6- 76	845	• SCREW			ATT PT	2	
6- 77	110029	• WASHER			ATT PT	2	
6- 78	1090873	• LOCKWASHER			ATT PT	2	
6- 80	602314	• KEY				2	
6- 81	602670	• SPACER LWR FD RL PULL				1	
6- 82	602278	• SPACER FD ROLL LWR				1	
6- 83	609582	• GEAR ASM CONT RL				1	
6- 85	257972	• • SET SCREW			ATT PT	2	
6- 86	364155	• • COLLAR				1	
6- 87	512508	• • SCREW			ATT PT	3	
6- 88	364164	• • GEAR				1	
6- 90	609583	• GEAR ASM FD RL				1	
6- 91	257970	• • SET SCREW			ATT PT	2	

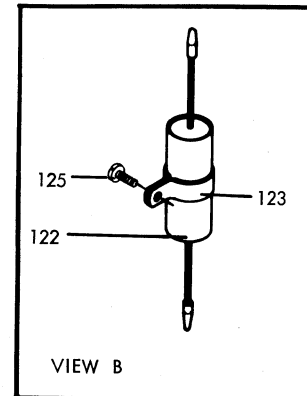
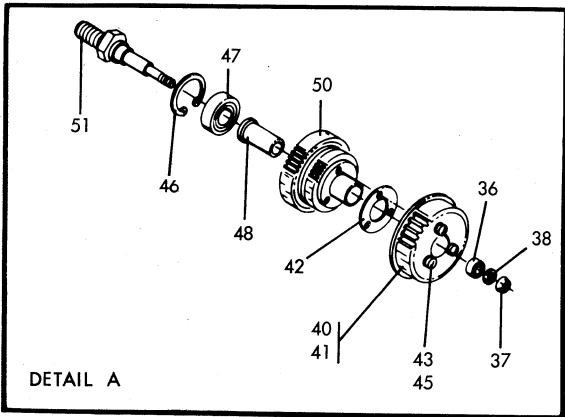
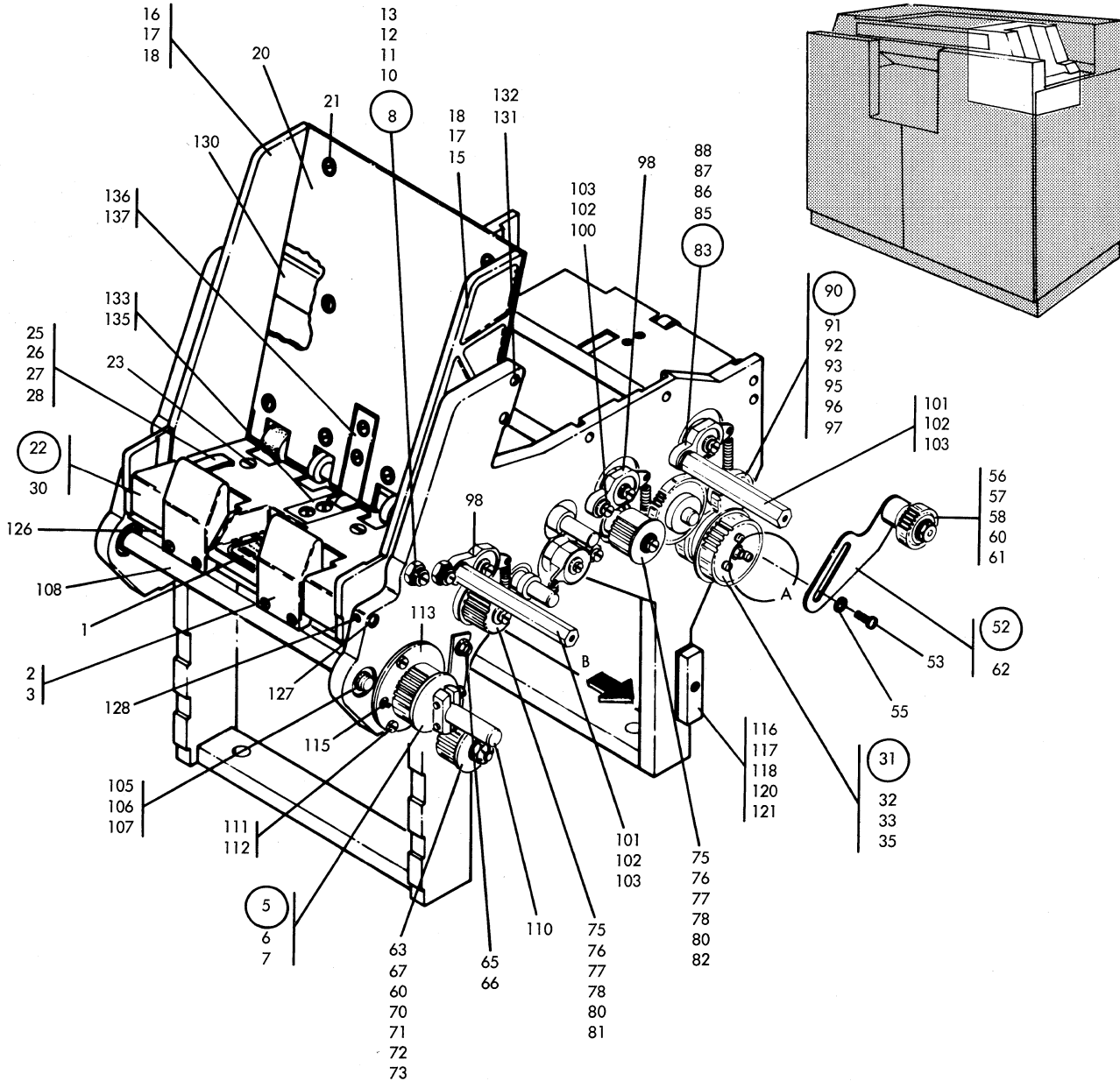


FIGURE 6. READ FEED ASM. SHEET 1 OF 3. INDEX NOS. 1-137 SEE LIST 6.

LIST AND INDEX NO.	PART NO.	DESCRIPTION				UNITS PER ASSY	USABLE ON CODE
		1	2	3	4		
		READ FEED ASM					
		CONT					
6- 92	364022	• • HUB-GEAR				1	
6- 93	35739	• • SCREW GEAR MTG		ATT PT		3	
6- 95	364154	• • GEAR				1	
6- 96	364196	• COLLAR BRG RET				1	
6- 97	257968	• SET SCREW SHAFT		ATT PT		1	
6- 98	336146	• HANGER - FD RL BRG				4	
6-100	19944	• SCREW 2ND LWR AND 3RD UPPER		ATT PT		2	
6-101	615365	• STUD - 1ST AND 4TH UPP FD RL		ATT PT		2	
6-102	336323	• WASHER BRG RET		ATT PT		4	
6-103	336152	• SLEEVE BRG				4	
6-105	156364	• BEARING PK KNFE SFT				1	
6-106	38235	• SCREW BRG RET		ATT PT		2	
6-107	237245	• CLIP PK SHAFT BRG RET		ATT PT		1	
6-108	615409	• SHAFT ASM PICKER KNIFE				1	
		SEE LIST 10 FOR DETAIL BREAKDOWN					
6-110	602880	• SHAFT ASM CAM				1	
		SEE LIST 11 FOR DETAIL BREAKDOWN					
6-111	25627	• SCREW BRG RET MTG		ATT PT		3	
6-112	60646	• WASHER BEARING RET		ATT PT		3	
6-113	602647	• WASHER BEARING		ATT PT		1	
6-115	216837	• PIN PK KNIFE SFT MTG		ATT PT		1	
6-116	302090	• TERMINAL BLOCK ASM				1	
6-117	5644	• SCREW TERMINAL BLK		ATT PT		1	
6-118	302131	• INSULATOR TERMINAL BLK				1	
6-120	316029	• RESISTOR ASM				1	
6-121	609414	• DIODE ASM				1	
6-122	609490	• CAPACITOR ASM				1	
6-123	2102368	• CLAMP CAP MTG				1	
6-125	38235	• SCREW CLAMP MTG		ATT PT		1	
6-126	602203	• BAR HOPPER BLOCK				1	
6-127	22795	• SCREW JOGGLER		ATT PT		4	
6-128	328816	• SET SCREW JOGGLER		ATT PT		2	
6-130	602971	• TIE BAR HOPPER				1	
6-131	2031	• SCREW TIE BAR		ATT PT		4	
6-132	1090873	• LWASHER HOPPER MTG		ATT PT		4	
6-133	336232	• BLOCK ASM THROAT ROLLER				1	
6-135	55918	• SCREW THROAT ROLLER BLK MTG		ATT PT		2	
6-136	336151	• BLOCK ASM THROAT KNIFE				1	
6-137	225859	• SCREW THROAT KNIFE PLATE		ATT PT		2	
6-138	609127	• CARD GUIDE ASM UPPER				1	
		SEE LIST 9 FOR DETAIL BREAKDOWN					
6-140	602353	• COVER CLU CB				1	
6-141	156364	• BEARING CLU CB				1	
6-142	34512	• SCREW BRG RET		ATT PT		1	
6-143	150566	• WASHER BRG RET		ATT PT		1	
6-145	609326	• CAM ASM CB POS 1				1	
	602128	• CAM ASM CB POS 2				1	
	602113	• CAM ASM CB POS 3				1	
	608607	• CAM ASM CB POS 4				1	
	602121	• CAM ASM CB POS 5				1	
6-146	1073462	• SET SCREW - MTG		ATT PT		10	
6-147	615023	• CB ASM CLU				1	
		SEE LIST 7 FOR DETAIL BREAKDOWN					
6-148	186932	• SCREW SOCKET HEAD		ATT PT		1	
6-150	184792	• SCREW SLOTTED HEX HEAD		ATT PT		1	
6-151	9092	• LOCKWASHER CAM ASM MTG		ATT PT		1	
6-152	602140	• CB COVER ASM				1	
6-153	602484	• • GROMMET CLU CB COVER				1	
6-155	602354	• • SUPPORT CLU CB COVER				1	
6-156	609584	• PULLY & GEAR ASM CONT RL				1	
6-157	609113	• • GEAR				1	
6-158	602230	• • PULLEY				1	
6-160	38359	• • SCREW		ATT PT		2	
6-161	336254	• • COLLAR				1	
6-162	336359	• • SET SCREW		ATT PT		2	
6-163	609585	• PULLEY ASM CONT RL				1	
6-165	602230	• • PULLEY				1	

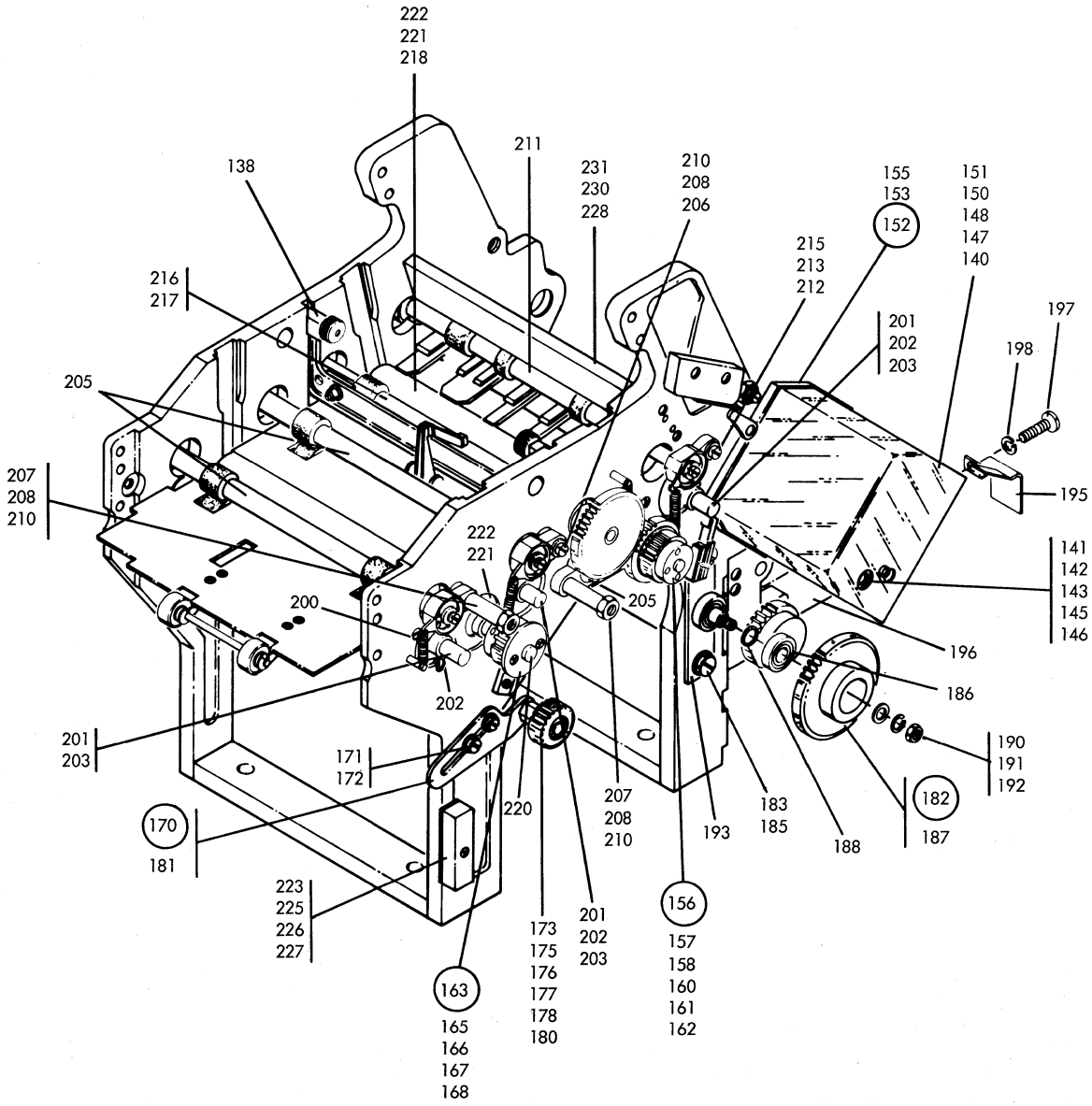


FIGURE 6. READ FEED ASM. SHEET 2 OF 3, INDEX NOS. 138-231 SEE LIST 6.

LIST AND INDEX NO.	PART NO.	DESCRIPTION				UNITS PER ASSY	USABLE ON CODE
		1	2	3	4		
		READ FEED ASM					
		CONT					
6-166	336324	• •	SCREW	ATT	PT	2	
6-167	336254	• •	COLLAR			1	
6-168	336359	• •	SET SCREW	ATT	PT	2	
6-170	603835	•	IDLER ASM			1	
6-171	234340	•	SCREW IDLER ASM	ATT	PT	2	
6-172	3550	•	WASHER IDLER MTG	ATT	PT	2	
6-173	□ 607536	• •	PULLEY BELT TIGHTNER			1	
6-175	□ 110129	• •	BEARING PULLEY IDLER			2	
6-176	□ 607537	• •	SPACER BEARING			1	
6-177	603836	• •	CLIP PULLEY RETAINING	ATT	PT	1	
6-178	603837	• •	STUD PULLEY MTG			1	
6-180	117281	• •	NUT STUD RETAINING	ATT	PT	1	
6-181	609142	• •	BRACKET BELT TIGHTNER			1	
6-182	602650	•	IDLER ASM CB			1	
6-183	38688	•	SCREW IDLER PULLEY	ATT	PT	2	
6-185	6935	•	LOCKWASHER IDLER PULLEY	ATT	PT	2	
6-186	□ 156364	• •	BRG CB IDLER GEAR			2	
6-187	□ 602386	• •	GEAR ASM-CB DR IDLER			1	
6-188	□ 602780	• •	SPACER CB ID GR BRG			1	
6-190	11598	• •	NUT BRG RET	ATT	PT	1	
6-191	56121	• •	L WASHER BRG RET	ATT	PT	1	
6-192	20017	• •	WASHER BRG RET	ATT	PT	1	
6-193	602807	• •	MTG PLATE CB IDLER			1	
6-195	602804	•	GUARD READER CB & CLUTCH			1	
6-196	615019	•	CIRCUIT BREAKER READ			1	
6-197	81142	SEE LIST 8 FOR DETAIL BREAKDOWN					
6-198	9092	•	SCREW CB GUARD	ATT	PT	4	
6-200	610224	•	LOCKWASHER CB GUARD	ATT	PT	4	
6-201	610331	•	SPRING EXTENSION			8	
6-202	38235	•	FEED ROLL ASM - 1ST, 3RD & 4TH LWR			3	
6-203	603116	SEE LIST 12 FOR DETAIL BREAKDOWN					
6-205	602884	•	SCREW - BRG RET	ATT	PT	9	
6-206	19944	•	RETAINER - BRG	ATT	PT	3	
6-207	609460	•	FD RL ASM - 2ND LWR, 3RD & 4TH UPP			3	
6-208	336323	SEE LIST 13 FOR DETAIL BREAKDOWN					
6-210	336152	•	SCREW BRG SLEEVE	ATT	PT	1	
6-211	602883	•	STUD - 2ND LWR AND 4TH UPP	ATT	PT	2	
6-212	19944	•	WASHER - BRG RET	ATT	PT	3	
6-213	336323	•	SLEEVE - BRG	ATT	PT	3	
6-215	336152	•	FEED ROLL 1ST UPPER			1	
6-216	610332	SEE LIST 14 FOR DETAIL BREAKDOWN					
6-217	38235	•	SCREW	ATT	PT	1	
6-218	609498	•	WASHER - BRG RET	ATT	PT	1	
6-220	602885	•	SLEEVE - BRG			1	
6-221	38235	•	FEED ROLL ASM 2ND UPPER			1	
6-222	602217	SEE LIST 15 FOR DETAIL BREAKDOWN					
6-223	302090	•	SCREW BRG RET	ATT	PT	2	
6-225	5644	•	CONT ROLL ASM - 1ST BRONZE			1	
6-226	302131	•	SCREW BRG RET	ATT	PT	4	
6-227	609414	•	PLATE BRG RET	ATT	PT	2	
6-228	602446	•	TERMINAL BLK ASM			1	
6-230	641	•	SCREW TERMINAL BLK MTG	ATT	PT	1	
6-231	127735	•	INSULATING TERMINAL BLK			1	
6-232	602162	•	DIODE ASM			1	
6-233	52522	•	TIE BAR HOPPER			1	
6-235	38263	•	SCREW GUIDE BLK MTG	ATT	PT	4	
6-236	257984	•	TAPER PIN	ATT	PT	4	
6-237	602247	•	GUIDE ASM CARD			1	
		•	SCREW CARD DECK SUPPORT	ATT	PT	2	
		•	SCREW CARD GUIDE	ATT	PT	4	
		•	L WASHER CARD GUIDE	ATT	PT	4	
		• •	CARD GUIDE-CONT ROLL			2	

LIST AND INDEX NO.	PART NO.	DESCRIPTION				UNITS PER ASSY	USABLE ON CODE
		1	2	3	4		
		READ FEED ASM		CONT			
6-238	52522	•	•	SCREW	ATT PT	6	
6-240	602229	•	•	LOCKING NUT-CD GDE	ATT PT	6	
6-241	155749	•	•	BRG LOWER FD ROLL		2	
6-242	336651	•	•	BRKT LOWER		2	
6-243	602469	•	•	SHAFT LWR FD ROLL		1	
6-245	602490	•	•	SPACER LOWER FD RL		4	
6-246	602493	•	•	PLATE LWR FD RL CLAMP		2	
6-247	602495	•	•	INSUL LWR FD ROLL		2	
6-248	37913	•	•	NUT LOWER FD ROLL	ATT PT	4	
6-250	438558	•	•	SCR LWR FD RL MTG	ATT PT	4	
6-251	602366	•	•	CARD GUIDE-PRI		1	
6-252	609128	•	•	CARD GUIDE ASM CTR LOWER		1	
6-253	38262	•	•	SCREW CD GDE MTG	ATT PT	4	
6-255	257984	•	•	LWASHER CD GDE MTG	ATT PT	4	
6-256	609126	•	•	CARD GUIDE-CONT RL		2	
6-257	472729	•	•	SCREW-CD GDE	ATT PT	6	
6-258	602229	•	•	NUT CD GUIDE	ATT PT	6	
6-260	609125	•	•	CARD GUIDE-CENT LWR		1	
6-261	602135	•	•	CARD LEVER ASM		1	
6-262	602185	•	•	LEVER ASM CARD		1	
6-263	257958	•	•	SET SCREW	ATT PT	1	
6-265	602181	•	•	SHAFT 1ST CARD LEVER		1	
6-266	609586	•	•	CARD LEVER ASM		1	
6-267	257956	•	•	SET SCREW	ATT PT	1	
6-268	602180	•	•	CARD LEVER ASM		1	
6-270	602184	•	•	BRACKET ASM LVR SHAFT		1	
6-271	337	•	•	SCREW BKT ASM LEVER SHAF	ATT PT	2	
6-272	602136	•	•	CARD LEVER ASM		1	
6-273	602185	•	•	LEVER ASM CARD		1	
6-275	257958	•	•	SET SCREW	ATT PT	1	
6-276	602196	•	•	SHAFT HOPPER CONTACT		1	
6-277	609587	•	•	CARD LEVER ASM		1	
6-278	257956	•	•	SET SCREW	ATT PT	2	
6-280	602238	•	•	CARD LEVER		1	
6-281	602980	•	•	SWITCH HOPPER		1	
6-282	38269	•	•	SCREW HOPPER SW MTG	ATT PT	2	
6-283	338169	•	•	LWASHER HOPPER SW MTG	ATT PT	2	
6-285	602227	•	•	BRUSH ASM NO 2 COMMON		1	
6-286	602231	•	•	BRUSH ASM NO 1 COMMON		1	
6-287	38263	•	•	SCR BRU ASM NO 2 COM MTG	ATT PT	2	
6-288	337	•	•	SCR BRU ASM NO 1 COM MTG	ATT PT	2	
6-290	1769	•	•	BRUSH-COMMON ASM		1	
6-291	109339	•	•	BRUSH-COMMON ASM		1	
6-292	602376	•	•	TUBING-COM BR ASM INSUL		1	
6-293	602226	•	•	HOLDER-COMMON BR		1	
6-295	257189	•	•	NUT-COMMON BR ASM	ATT PT	2	
6-296	1090873	•	•	L WASHER CAM BR ASM	ATT PT	1	
6-297	22478	•	•	WASHER COM BR ASM	ATT PT	1	
6-298	438549	•	•	SCR-BRUSH MTG	ATT PT	1	
6-300	602381	•	•	WASHER BRUSH HOLDER	ATT PT	2	
6-301	602394	•	•	BLOCK - COM BRUSH MTG USED ON ASSY 602227 ONLY		1	
6-302	602201	•	•	BLOCK-COMMON BR #1 USED ON ASSY 602231 ONLY		1	
6-303	602197	•	•	CONTACT ASM CARD LEVER		1	
6-305	38263	•	•	SCREW CONTACT ASM MTG	ATT PT	2	
6-306	257985	•	•	WASHER CONTACT ASM MTG	ATT PT	2	
6-307	11900	•	•	INSULATOR-CONT ASM		3	
6-308	24957	•	•	STRAP ASM-TERM		1	
6-310	106988	•	•	SPRING ASM-CONTACT		1	
6-311	107070	•	•	SPRING ASM-CONTACT		1	
6-312	118418	•	•	SCREW-CONTACT TERM		1	
6-313	239236	•	•	SPRING STIFFENER		1	
6-315	607612	•	•	STRAP-TERM		1	
6-316	173204	•	•	SCREW-CONT ASM	ATT PT	2	
6-317	100229	•	•	TUBING-CONT ASM INSUL	ATT PT	2	
6-318	602182	•	•	MTG BRKT-CD LEV CONT		1	

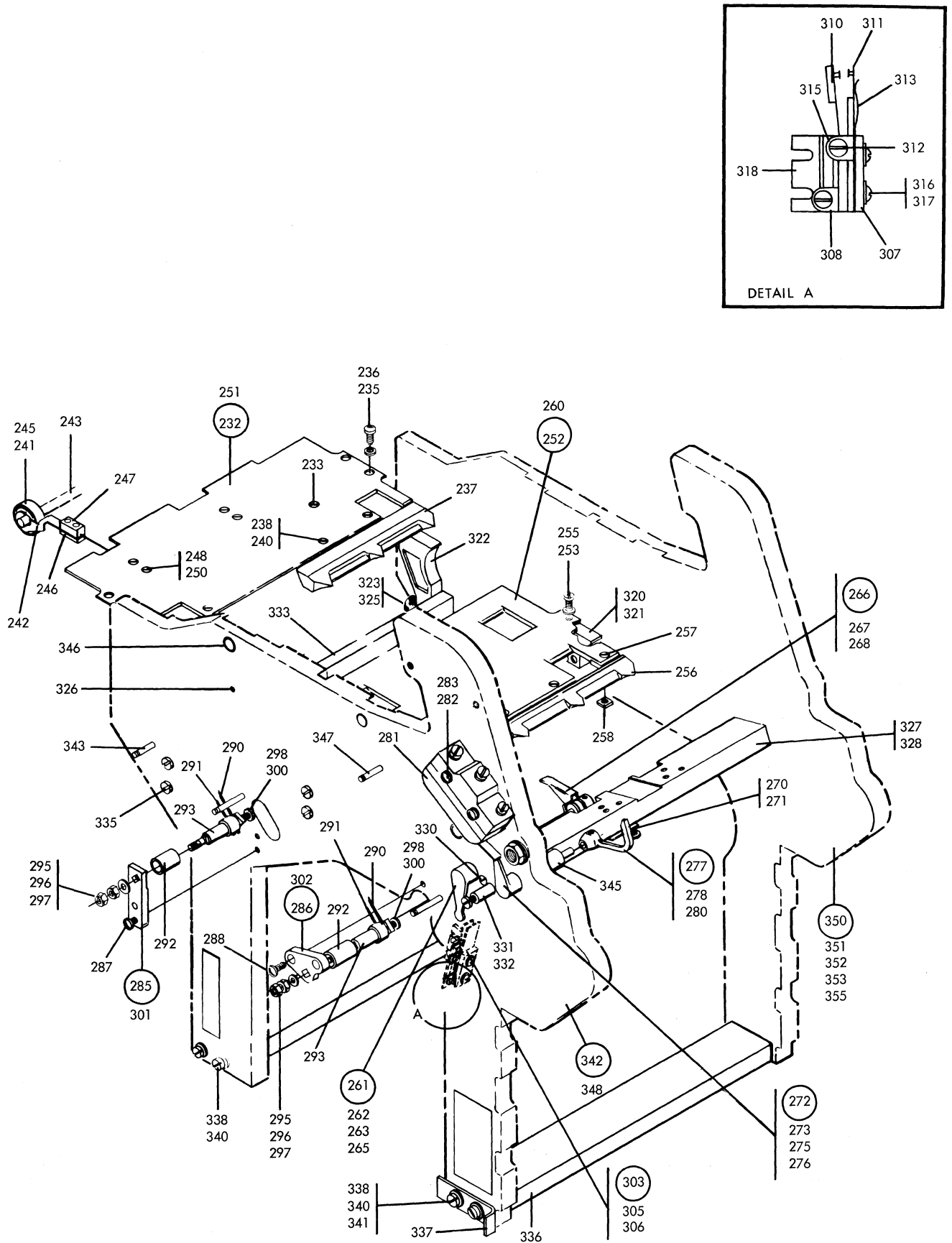


FIGURE 6. READ FEED ASM. SHEET 3 OF 3, INDEX NOS. 232-355 SEE LIST 6.

LIST AND INDEX NO.	PART NO.	DESCRIPTION				UNITS PER ASSY	USABLE ON CODE
		1	2	3	4		
		READ FEED ASM					
		CONT					
6-320	602199	• BLOCK LOWER CARD GUIDE E				2	
6-321	641	• SCREW GDE BLK MTG				4	
6-322	602660	• SUPPORT CARD GUIDE				3	
6-323	129654	• SCREW CARD GUIDE SUP MTG				3	
6-325	9092	• LWASHER CD GDE MTG				3	
6-326	609747	• SCREW BRUSH LOCATING				4	
6-327	602202	• BAR HOPPER SUPPORT				1	
6-328	641	• SCREW REAR 8-32 X 3/4 LG.				1	
6-330	38370	• SCREW FRONT 8-32 X 5/8 LG.				1	
6-331	2384	• SCREW THROAT BLK SUPP				2	
6-332	336300	• SPACER THROAT BLK SUPPOR				2	
6-333	602222	• BAR FEED FRAME TIE				1	
6-335	641	• SCREW GDE BLK MTG				4	
6-336	602187	• TIE BAR				2	
6-337	602271	• STOP ADJUSTABLE				2	
6-338	266	• SCREW SIDE FR TIE BAR				8	
6-340	9092	• LWASHER TIE BAR				8	
6-341	45690	• WASHER TIE BAR				4	
6-342	□ 609130	• FRAME ASM FRONT				1	
6-343	336301	• • STUD-BRG HLDR				2	
6-345	602173	• • BEARING-HOPPER CD LVR				1	
6-346	602210	• • INSERT-BR ASM LKG PIN				2	
6-347	602646	• • STUD-BRG HGR SPG				2	
6-348	□ 609133	• • FRAME-FRONT				1	
6-350	□ 609131	• FRAME ASM REAR				1	
6-351	336325	• • STUD-FRAME ASM				3	
6-352	602210	• • INSERT-BR ASM LKG PIN				2	
6-353	609123	• • STUD-BRG HGR SPRING				1	
6-355	□ 609132	• • FRAME-REAR				1	
		CLUTCH CIRCUIT BREAKER ASM					
7-	615023	CLUTCH CIRCUIT BREAKER ASM SEE LIST 6-147 FOR NEXT HIGHER ASSEMBLY AND FIG. 7 FOR ILLUSTRATION				1	
7- 1	257974	• SET SCREW CB MTG				5	
7- 2	38051	• NUT CB ADJ				5	
7- 3	615411	• CB ASM				5	
7- 5	2031	• SCREW CB MTG				5	
7- 6	24511	• WASHER CB MTG				5	
7- 7	1090873	• LWASHER CB MTG				5	
7- 8	230736	• • STRIP CB ASM INSUL				1	
7- 10	602087	• • BLOCK CONT TERM UPPER				1	
7- 11	602084	• • CONNECTING STRIP				1	
7- 12	228147	• • INSULATOR BLOCK CONT				1	
7- 13	602086	• • BLOCK CONT TERM MTG				1	
7- 15	38348	• • SCR CONT TERM BLOCK				2	
7- 16	228478	• • CONT DAMPENER UPPER				1	
7- 17	228107	• • STRAP ASM UP CONT SPR				1	
7- 18	228477	• • CONT STIFFENER UPPER				1	
7- 20	205743	• • INSULATOR BLOCK CON				2	
7- 21	205747	• • SHIM .003 THICK				AR	
7- 22	205783	• • SHIM .012 THICK				AR	
7- 23	205742	• • STRAP ASM CONTACT				1	
7- 25	100759	• • SLEEVE CB ASM INSUL				2	
7- 26	173211	• • SCREW CB ASM				2	
7- 27	228475	• • BREAKER ARM PIVOT				1	
7- 28	228476	• • PLUNGER CB				1	
7- 30	435700	• • ARM AND BRG ASM				1	
7- 31	602085	• • BLOCK CONT MTG				1	
7- 32	35739	• SCREW				1	
7- 33	602710	• JUMPER BRASS				4	
7- 35	602103	• NUMBERING STRIP				1	
7- 36	602352	• SUPPORT CB				1	

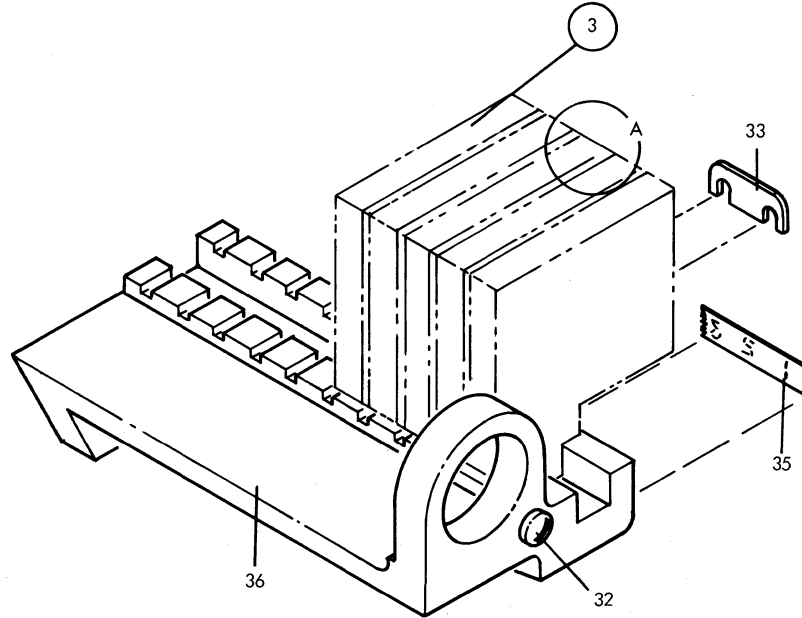
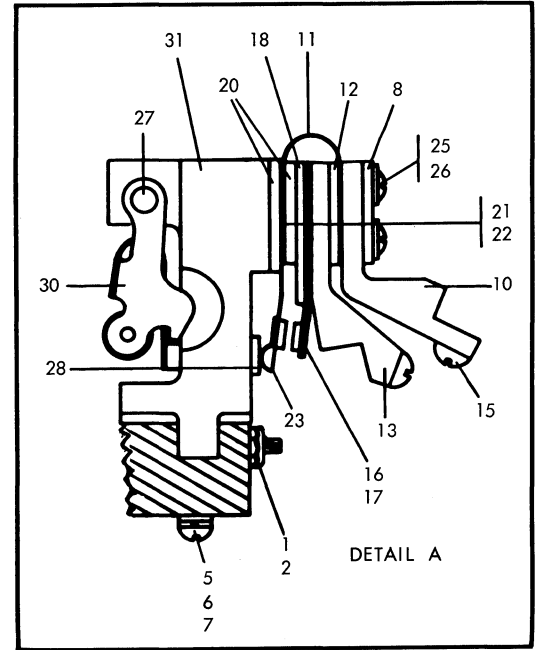
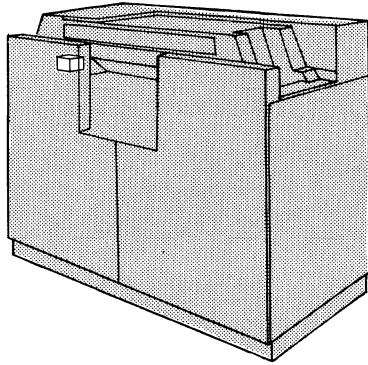


FIGURE 7. CLUTCH CIRCUIT BREAKER ASM. SEE LIST 7.

LIST AND INDEX NO.	PART NO.	DESCRIPTION				UNITS PER ASSY	USABLE ON CODE
		1	2	3	4		
		CIRCUIT BREAKER ASM R F					
8-	615019	CIRCUIT BREAKER ASM R F SEE LIST 6-196 FOR NEXT HIGHER ASSEMBLY AND FIG. 8 FOR ILLUSTRATION				1	
8- 1	602090	• FRONT COVER CB UNIT				1	
8- 2	35739	• SCREW				2	
8- 3	603004	• WASHER				2	
8- 5	602953	• SPACER				2	
8- 6	602091	• BACK COVER CB UNIT				1	
8- 7	10170	• SCREW CB CVR				6	
8- 8	602104	• NUMBER STRIP CB BAR 1-20				1	
8- 10	602096	• GROMMET RETAINER				2	
8- 11	38350	• SCREW GROMMET RET				4	
8- 12	602107	• GROMMET SPLIT				1	
8- 13	602088	• GEAR CF CB INPUT				1	
8- 15	251990	• SCREW SET				2	
8- 16	615411	• CB ASM				15	
8- 17	2031	• SCREW CB MTG				15	
8- 18	1090873	• LWASHER CB MTG				15	
8- 20	24511	• WASHER CB MTG				15	
8- 21	602087	• • BLOCK CONT TERM UPPER				1	
8- 22	230736	• • STRIP CB ASM INSUL				1	
8- 23	602084	• • CONNECTING STRIP				1	
8- 25	228147	• • INSULATOR BLOCK CONT				1	
8- 26	602086	• • BLOCK CONT TERM MTG				1	
8- 27	38348	• • SCR CONT TERM BLOCK				2	
8- 28	228478	• • CONT DAMPENR UPPER				1	
8- 30	228107	• • STRAP ASM UP CONT SPR				1	
8- 31	228477	• • CONT STIFFENER UPPER				1	
8- 32	205743	• • INSULATOR BLOCK CON				2	
8- 33	205747	• • SHIM .003 THICK				AR	
8- 35	205783	• • SHIM .012 THICK				AR	
8- 36	205742	• • STRAP ASM CONTACT				1	
8- 37	173211	• • SCREW CB ASM				2	
8- 38	100759	• • SLEEVE CB ASM INSUL				2	
8- 40	228475	• • BREAKER ARM PIVOT				1	
8- 41	228476	• • PLUNGER CB				1	
8- 42	435700	• • ARM AND BRG ASM				1	
8- 43	602085	• • BLOCK CONT MTG				1	
8- 45	257974	• SET SCREW CB MTG BAR ADJ				15	
8- 46	38051	• NUT CB MTG BAR ADJ				15	
8- 47	602089	• BAR CB MTG				1	
8- 48	25627	• SCREW CB MTG BAR				4	
8- 50	104696	• PIN STRAIGHT				2	
8- 51	602810	• SHAFT CB UNIT				1	
8- 52	602148	• BEARING - CB CAM SHAFT				2	
8- 53	121521	• SCREW SET				2	
8- 55	10170	• SCREW BRG RET				4	
8- 56	23056	• WASHER BRG RET				2	
8- 57	602110	• CAM ASM - CB POS 7				1	
	602113	• CAM ASM - CB POS 3 AND 5				2	
	602114	• CAM ASM - CB POS 6				1	
	602121	• CAM ASM - CB POS 1				1	
	602128	• CAM ASM - CB POS 2 AND 4				2	
	602132	• CAM ASM - CB POS 8 THRU 15				8	
8- 58	1073462	• SET SCREW				30	
8- 60	602094	• CROSS BAR CB UNIT				1	
8- 61	2384	• SCREW CB BAR MTG				4	
8- 62	602710	• JUMPER BRASS				4	
8- 63	167323	• PLUG EXPANSION				2	
8- 65	602803	• PLUG SNAP				1	
8- 66	602092	• SIDE PLATE CB FR				1	
8- 67	602093	• SIDE PLATE CB REAR				1	

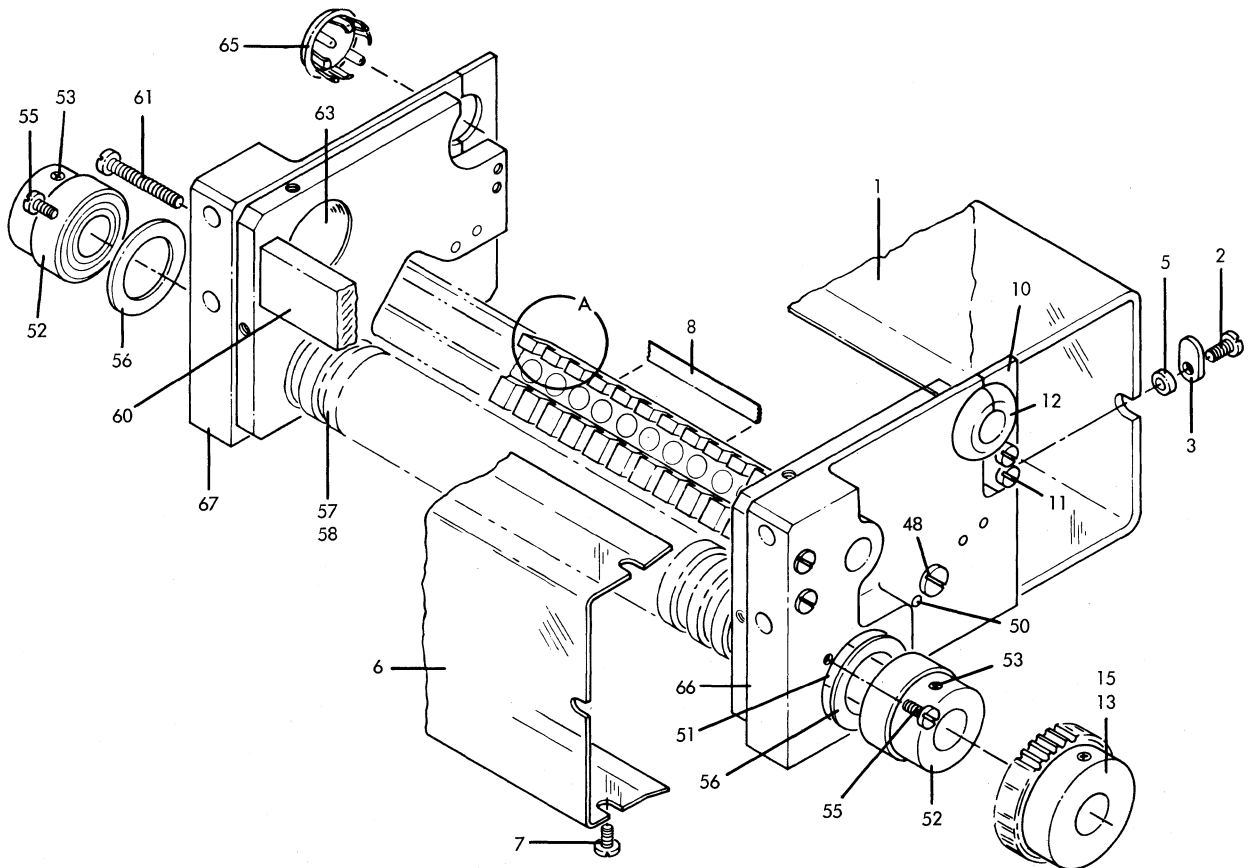
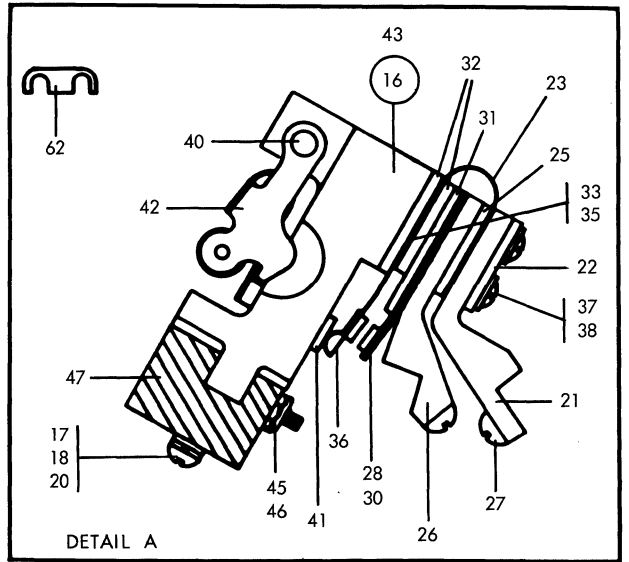
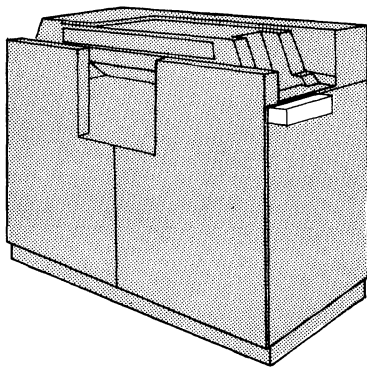


FIGURE 8. CIRCUIT BREAKER ASM. R F SEE LIST 8.

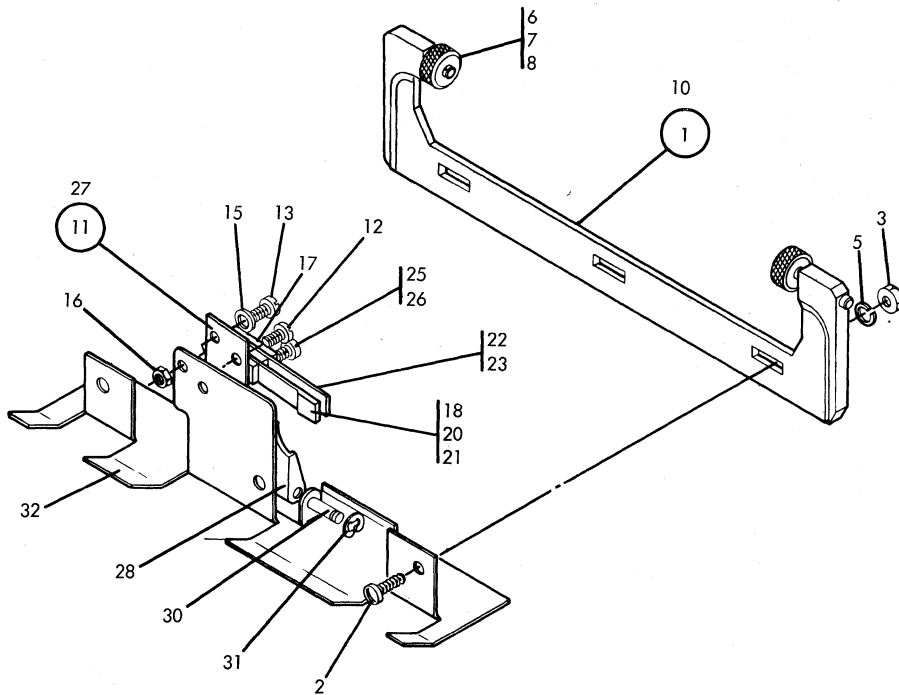


FIGURE 9. UPPER CARD GUIDE ASM. R F SEE LIST 9.

LIST AND INDEX NO.	PART NO.	DESCRIPTION	UNITS PER ASSY				USABLE ON CODE
			1	2	3	4	
		UPPER CARD GUIDE ASM R F					
9-	609127	UPPER CARD GUIDE ASM R F SEE LIST 6-138 FOR NEXT HIGHER ASSEMBLY AND FIG. 9 FOR ILLUSTRATION					1
9- 1	602668	• CARD GD SLIDE SUPP ASM					1
9- 2	443	• SCREW-CARD GDE SUPP					3
9- 3	11598	• NUT-CD GDE SUPP					3
9- 5	45690	• WASHER-CD GDE SUPP					3
9- 6	12947	• CARD SLIDE LOCK PLUNGER					2
9- 7	12953	• COMPRESSION SPRING					2
9- 8	255883	• STOP NUT ELASTIC PLUN KN					2
9- 10	602606	• CARD GUIDE SLIDE SUPPORT					1
9- 11	609783	• CONTACT ASM-CARD					1
9- 12	38266	• SCREW-CVR MTG					1
9- 13	38262	• SCREW-CONT MTG					1
9- 15	6364	• LWASHER-CONT MTG					2
9- 16	257186	• NUT CONT MTG					3
9- 17	11900	• INSULATOR CONT ASM					3
9- 18	141964	• CONTACT TERM ASM					1
9- 20	118418	• SCREW - TERMINAL					2
9- 21	610315	• SPRING ASM CONTACT					1
9- 22	152794	• CONTACT TERM ASM					1
9- 23	602436	• SPRING ASM CARD CONT					1
9- 25	173204	• SCREW CONT ASM					2
9- 26	100229	• TUBING CONT ASM INSUL					2
9- 27	133202	• BRACKET CONT ASM MTG					1
9- 28	602235	• CARD LEVER-CD GDE					1
9- 30	602233	• STUD-PIVOT CD LVR					1
9- 31	1073418	• RING-CD LVR PIVOT					4
9- 32	609129	• PLATE-CARD GUIDE					1

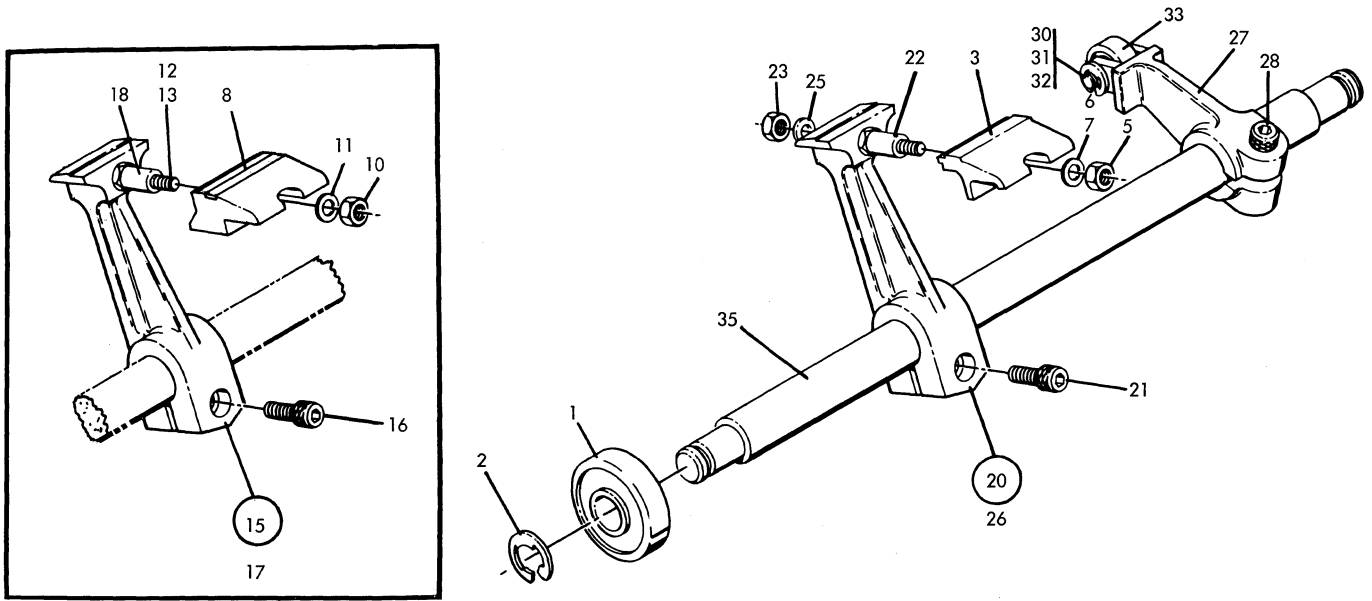


FIGURE 10 PICKER KNIFE SHAFT ASM. R F SEE LIST 10.

LIST AND INDEX NO.	PART NO.	DESCRIPTION	UNITS PER ASSY				USABLE ON CODE
			1	2	3	4	
		PICKER KNIFE SHAFT ASM R F					
10-	* 602886	PICKER KNIFE SHAFT ASM R F					1 A
10-	* 615409	PICKER KNIFE SHAFT ASM R F SEE LIST 6-108 FOR NEXT HIGHER ASSEMBLY AND FIG. 10 FOR ILLUSTRATION					1 B
10- 1	156364	• BEARING					1
10- 2	237245	• CLIP BRG RETAIN				ATT PT	1
10- 3	* 223082	• BLOCK - PICKER KNIFE USED ON ASM 602886 ONLY					2 A
10- 5	* 6503	• NUT USED ON ASM 602886 ONLY				ATT PT	2 A
10- 6	* 336282	• WASHER USED ON ASM 602886 ONLY				ATT PT	2 A
10- 7	*1091044	• SHIM USED ON ASM 602886 ONLY				ATT PT	AR A
10- 8	* 615441	• BLOCK - PICKER KNIFE USED ON ASM 615409 ONLY					2 B
10- 10	* 37913	• NUT USED ON ASM 615409 ONLY				ATT PT	2 B
10- 11	* 150209	• LOCKWASHER USED ON ASM 615409 ONLY				ATT PT	2 B
10- 12	* 603703	• WASHER USED ON ASM 615409 ONLY				ATT PT	2 B
10- 13	* 333182	• SCREW USED ON ASM 615409 ONLY				ATT PT	2 B
10- 15	* 603857	• ARM ASM - PICKER KNIFE USED ON ASM 615409 ONLY					2 B
10- 16	* 129654	• • SCREW				ATT PT	1 B
10- 17	□ 602249	• • ARM					1 B
10- 18	* 603846	• • STUD					1 B
10- 20	* 602255	• ARM ASM - PICKER KNIFE USED ON ASM 602886 ONLY					1 A
10- 21	* 129654	• • SCREW				ATT PT	1 A
10- 22	* 336903	• • STUD					1 A
10- 23	* 6503	• • NUT				ATT PT	1 A
10- 25	*1090873	• • WASHER				ATT PT	1 A
10- 26	* 602249	• • ARM					1 A
10- 27	336141	• ARM FOLLOWER					2
10- 28	437763	• SCREW FOLLOWER ARM				ATT PT	2
10- 30	336263	• PIN CAM FOLLOWER					2
10- 31	60489	• CLIP RETAINING				ATT PT	4
10- 32	12552	• WASHER					4
10- 33	336321	• BEARING CAM FOLLOWER					2
10- 35	602186	• SHAFT					1

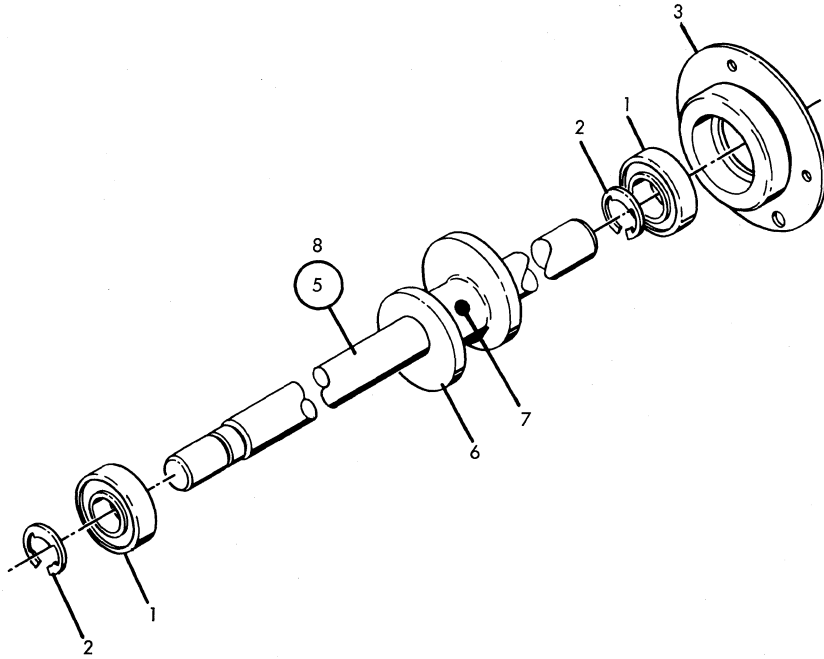


FIGURE 11. CAM SHAFT ASM. R F SEE LIST 11.

LIST AND INDEX NO.	PART NO.	DESCRIPTION				UNITS PER ASSY	USABLE ON CODE
		1	2	3	4		
		CAM SHAFT ASM R F					
11-	602880	CAM SHAFT ASM R F SEE LIST 6-110 FOR NEXT HIGHER ASSEMBLY AND FIG. 11 FOR ILLUSTRATION				1	
11- 1	156231	• BEARING				2	
11- 2	219743	• CLIP				3	
11- 3	602648	• RETAINER				1	
11- 5	602254	• SHAFT ASM				1	
11- 6	▣ 602253	• • CAM ASM-PICKER KNIFE				1	
11- 7	255597	• • TAPER PIN-PKR KNIFE CAM				1	
11- 8	▣ 602250	• • SHAFT-CAM				1	
		ATT PT					
		ATT PT					

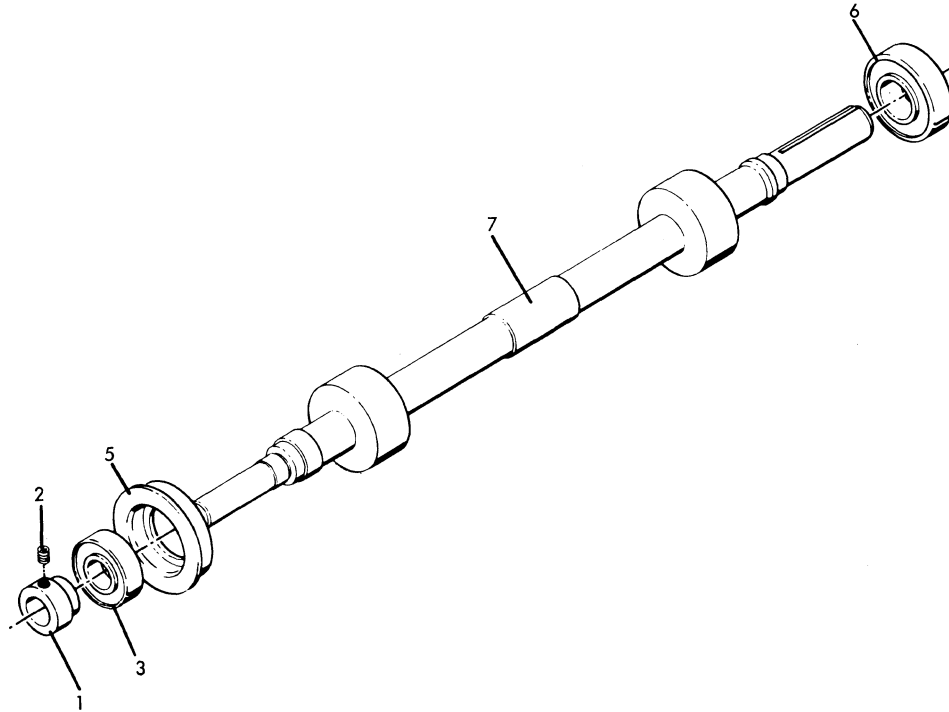


FIGURE 12. 1ST, 3RD AND 4TH LOWER FEED ROLL ASMS. R F SEE LIST 12.

LIST AND INDEX NO.	PART NO.	DESCRIPTION				UNITS PER ASSY	USABLE ON CODE
		1	2	3	4		
		1ST, 3RD AND 4TH LOWER FD ROLL ASM R					
12-	610331	1ST, 3RD AND 4TH LOWER FD ROLL ASM R F SEE LIST 6-201 FOR NEXT HIGHER ASSEMBLY AND FIG. 12 FOR ILLUSTRATION				3	
12- 1	336310	• COLLAR FEED ROLL				1	
12- 2	257968	• SET SCREW FEED ROLL				2	
12- 3	156364	• BEARING FEED ROLL				1	
12- 5	336270	• HOUSING FEED ROLL BRG				1	
12- 6	156231	• BEARING FEED ROLL				1	
12- 7	610329	• SHAFT ASM FEED ROLL				1	

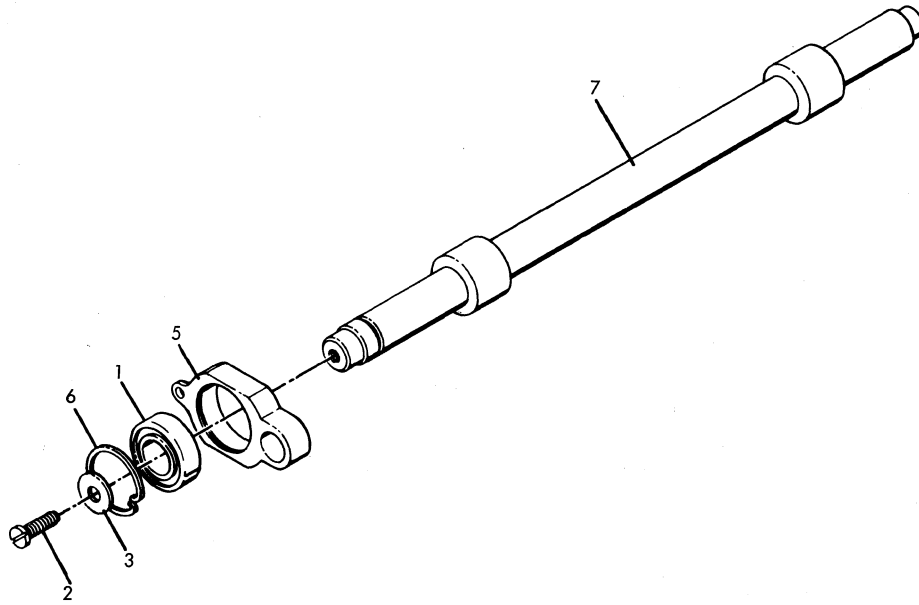


FIGURE 13. 2ND LOWER, 3RD AND 4TH UPPER FEED ROLL ASMS. R F SEE LIST 13.

LIST AND INDEX NO.	PART NO.	DESCRIPTION				UNITS PER ASSY	USABLE ON CODE
		1	2	3	4		
		2ND LWR, 3RD AND 4TH UPP FD RL ASMS R					
13-	602884	2ND LWR, 3RD AND 4TH UPP FD RL ASMS R F SEE LIST 6-205 FOR NEXT HIGHER ASSEMBLY AND FIG. 13 FOR ILLUSTRATION				3	
13- 1	156364	• BEARING				2	
13- 2	234321	• SCREW				2	ATT PT
13- 3	1090448	• WASHER				2	ATT PT
13- 5	336153	• HANGER				1	
13- 6	336320	• CLIP				1	ATT PT
13- 7	602209	• SHAFT				1	

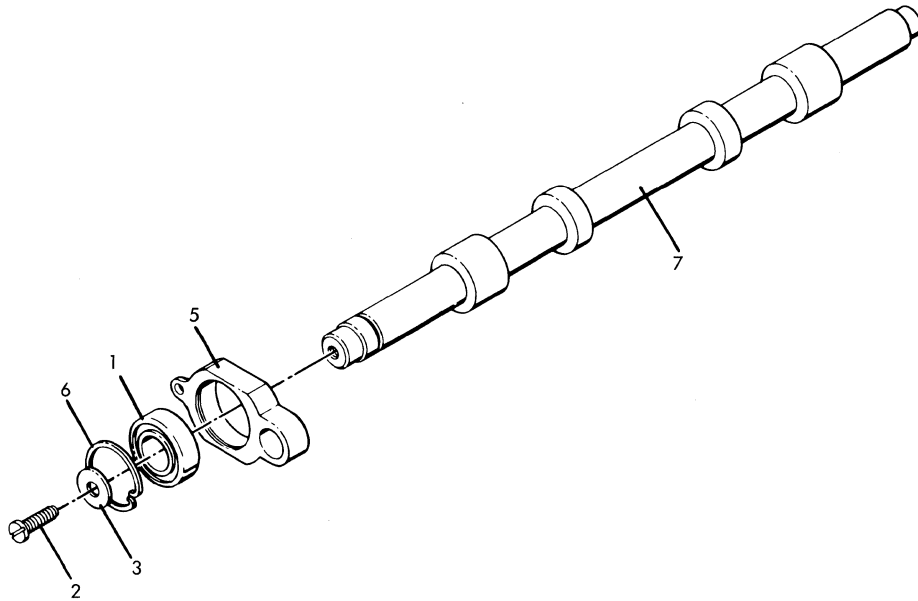


FIGURE 14. 1ST UPPER FEED ROLL ASM. R F SEE LIST 14.

LIST AND INDEX NO.	PART NO.	DESCRIPTION				UNITS PER ASSY	USABLE ON CODE
		1	2	3	4		
		1ST UPPER FEED ROLL ASM					
14-	602883	1ST UPPER FEED ROLL ASM SEE LIST 6-211 FOR NEXT HIGHER ASSEMBLY AND FIG. 14 FOR ILLUSTRATION				1	
14- 1	156364	• BEARING				2	
14- 2	234321	• SCREW				2	
14- 3	1090448	• WASHER				2	
14- 5	336153	• HANGER				1	
14- 6	336320	• CLIP				1	
14- 7	602215	• SHAFT				1	
		ATT PT					
		ATT PT					
		ATT PT					

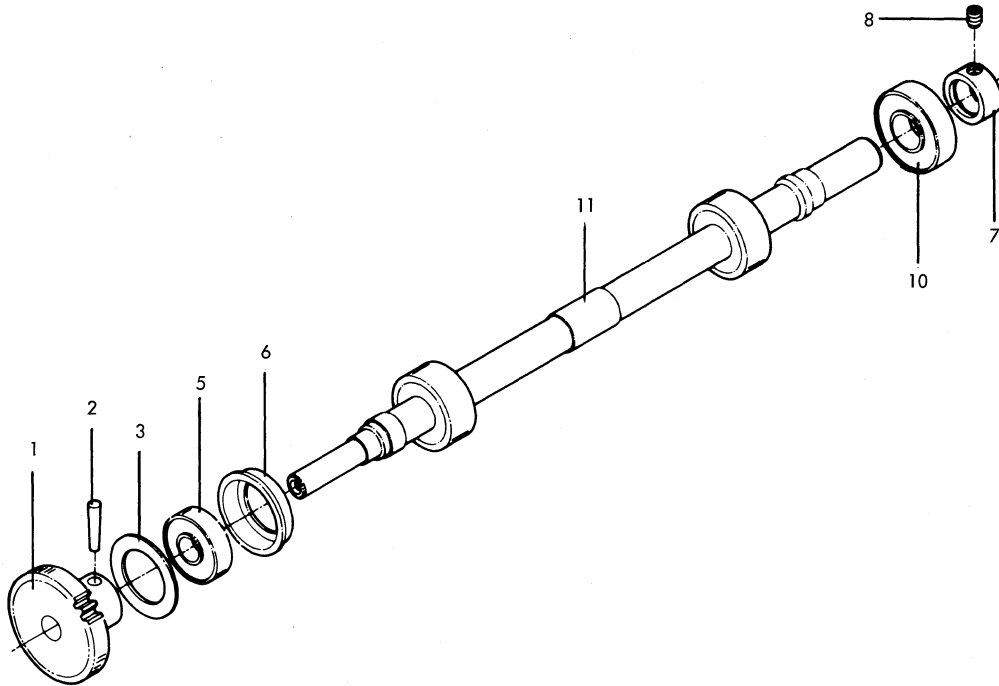


FIGURE 15. 2ND UPPER FEED ROLL ASM. R F SEE LIST 15.

LIST AND INDEX NO.	PART NO.	DESCRIPTION				UNITS PER ASSY	USABLE ON CODE
		1	2	3	4		
		2ND UPPER FEED ROLL ASM R F					
15-	610332	2ND UPPER FEED ROLL ASM R F SEE LIST 6-216 FOR NEXT HIGHER ASSEMBLY AND FIG. 15 FOR ILLUSTRATION				1	
15- 1	609114	• GEAR FEED ROLL DRV				1	
15- 2	29980	• TAPER PIN FEED ROLL				1	
15- 3	609121	• RETAINER FEED ROLL BRG				1	
15- 5	156364	• BEARING FEED ROLL				1	
15- 6	609120	• HOUSING FEED ROLL BRG				1	
15- 7	364196	• COLLAR FEED ROLL				1	
15- 8	257968	• SET SCREW FEED ROLL				1	
15- 10	156231	• BEARING FEED ROLL				1	
15- 11	610330	• SHAFT ASM FEED ROLL				1	

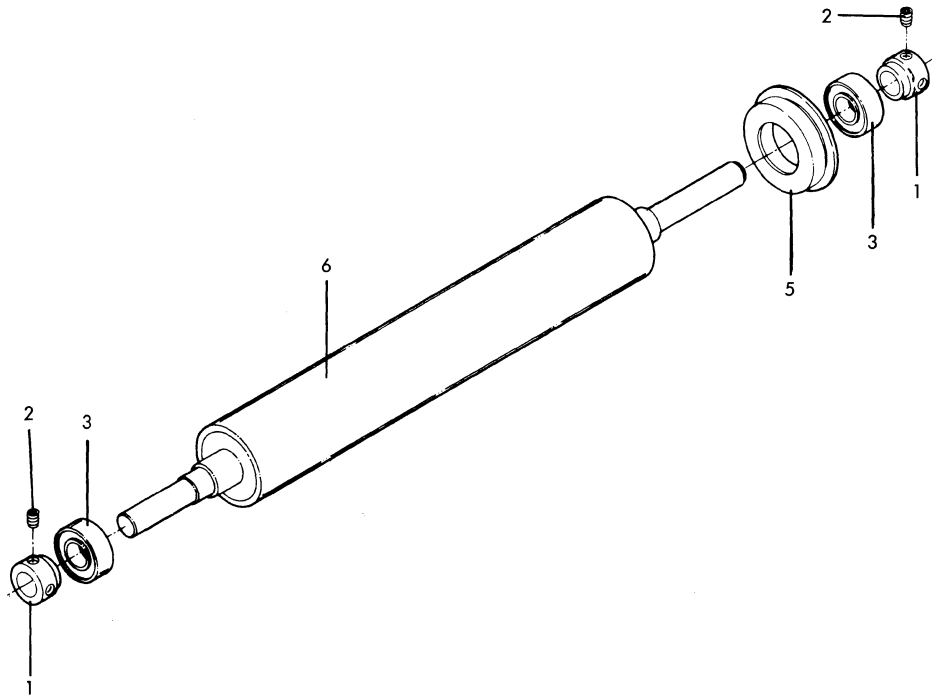


FIGURE 16. 1ST CONTACT ROLL ASM. R F SEE LIST 16.

LIST AND INDEX NO.	PART NO.	DESCRIPTION				UNITS PER ASSY	USABLE ON CODE
		1	2	3	4		
		1ST CONT RL ASM					
16-	609498	CONT ROLL ASM-1ST BRONZE SEE LIST 6-218 FOR NEXT HIGHER ASSEMBLY AND FIG. 16 FOR ILLUSTRATION				1 1	
16- 1	609122	• COLLAR-BRG RET				2	
16- 2	257968	• SET SCREW-COLLAR				4	ATT PT
16- 3	156364	• BEARING-CONTACT ROLL				2	
16- 5	602216	• HUB-CONT RLL BRG				1	
16- 6	602155	• ROLL ASM-CONTACT				1	

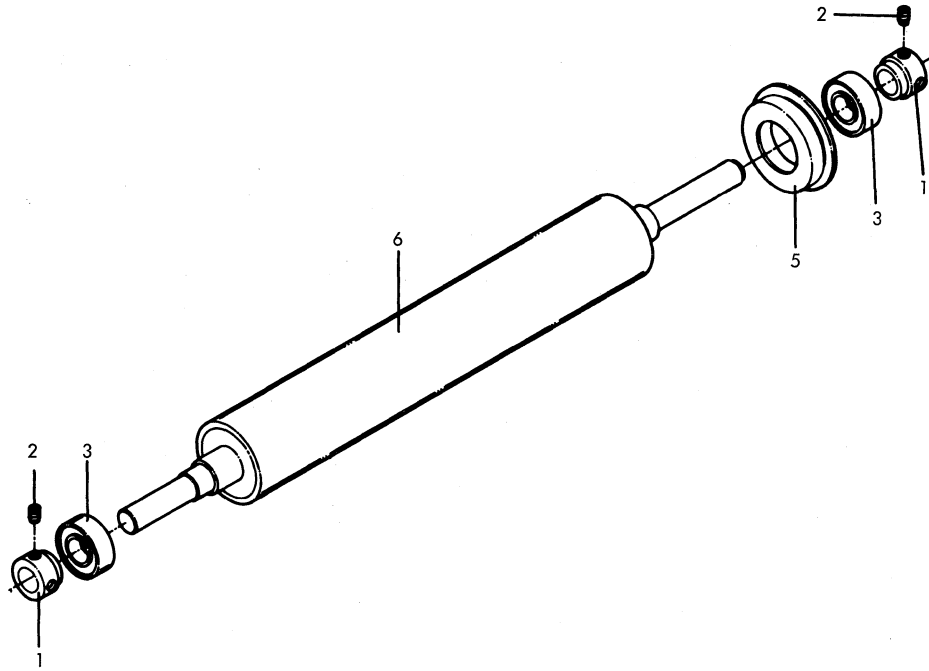
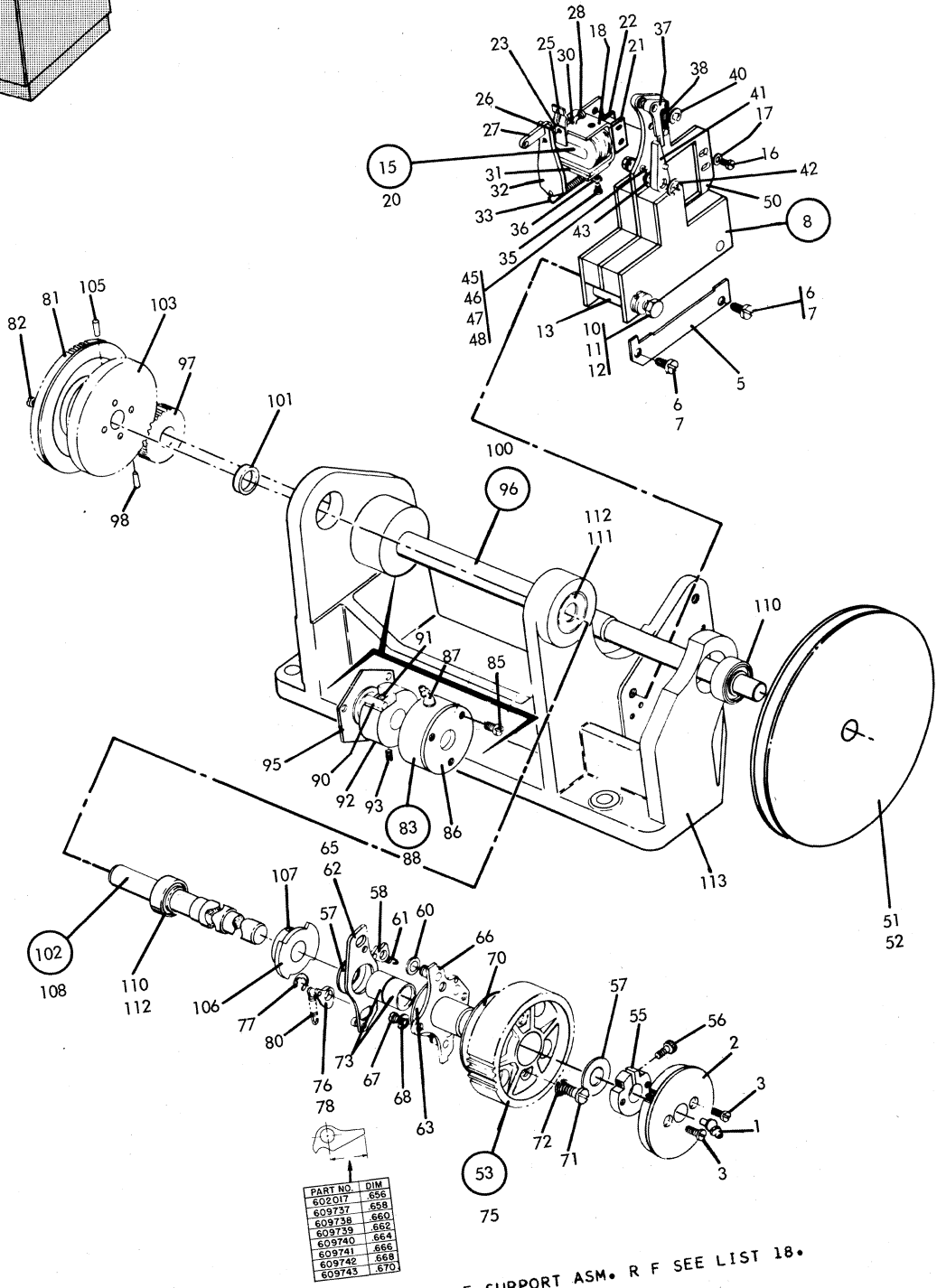
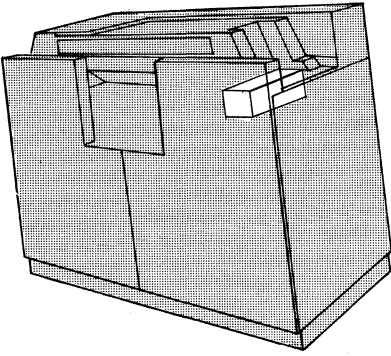


FIGURE 17. 2ND CONTACT ROLL ASM. R F SEE LIST 17.

LIST AND INDEX NO.	PART NO.	DESCRIPTION	UNITS PER ASSY	USABLE ON CODE
		1 2 3 4		
		2ND CONT RL ASM		
17-	602885	CONT ROLL ASM - 2ND BRONZE SEE LIST 6-220 FOR NEXT HIGHER ASSEMBLY AND FIG. 17 FOR ILLUSTRATION	1 1	
17- 1	336310	• COLLAR	2	
17- 2	257968	• SET SCREW	4	
17- 3	156364	• BEARING	2	
17- 5	602216	• HUB	1	
17- 6	602155	• ROLL ASM - CONTACT	1	

LIST AND INDEX NO.	PART NO.	DESCRIPTION	UNITS PER ASSY	USABLE ON CODE
		CLUTCH DRIVE SUPPORT ASM R F		
18-	615358	CLUTCH DRIVE SUPPORT ASM R F SEE LIST 3-92 FOR NEXT HIGHER ASSEMBLY AND FIG. 18 FOR ILLUSTRATION	1	
18- 1	610347	• FITTING GREASE	1	
18- 2	609169	• PULLEY FILE FD DRIVE	1	
18- 3	5644	• SCREW FILE FD DR MTG	2	
18- 5	603673	• BLOCK LATCH ASM LOC	1	
18- 6	25627	• SCREW	1	
18- 7	55901	• L WASHER	2	
18- 8	609004	• LATCH ASM MTG UNIT	1	
18- 10	59648	• SCREW LATCH ASM MTG	2	
18- 11	6935	• LWASHER LATCH ASM MTG	2	
18- 12	3550	• WASHER LATCH ASM MTG	2	
18- 13	602047	• SPACER LATCH ASM PLATE	2	
18- 15	610725	• • YOKE AND COIL ASM	1	
18- 16	25627	• • SCREW-YOKE	2	
18- 17	55901	• • L WASHER-YOKE	2	
18- 18	602060	• • • YOKE CLUTCH	1	
18- 20	609005	• • • COIL CLUTCH	1	
18- 21	602063	• • SHIM-YOKE	1	
18- 22	609137	• • SPACER-CLUTCH	1	
18- 23	602065	• • RESIDUAL-CONTACT	1	
18- 25	602066	• • SPRING-LINK	1	
18- 26	602067	• • STUD-ARMATURE	1	
18- 27	602068	• • LINK-LATCH	1	
18- 28	438548	• • SCREW-RESIDUAL	1	
18- 30	150209	• • L WASHER-RESIDUAL	1	
18- 31	602062	• • PLATE-ARMATURE	1	
18- 32	602075	• • ARMATURE-LATCH	1	
18- 33	131191	• • SPRING-ARMATURE	1	
18- 35	438548	• • SCREW-PLATE	2	
18- 36	338169	• • LWASHER-PLATE	2	
18- 37	602073	• • KEEPER-LATCH	1	
18- 38	58854	• • SPRING-LATCH	1	
18- 40	264641	• • CLIP-PIVOT	1	
18- 41	609136	• • LATCH - CLUTCH	1	
18- 42	257982	• • CLIP-LATCH	1	
18- 43	602074	• • SPACER-LATCH	1	
18- 45	602069	• • STUD-LATCH	1	
18- 46	257187	• • NUT-LATCH ASM	1	
18- 47	6364	• • L WASHER-LATCH ASM	1	
18- 48	257986	• • WASHER-LATCH ASM	1	
18- 50	602053	• • CENTER PLATE ASM	1	
18- 51	615359	• PULLEY READER DRIVE	1	
18- 52	59560	• SET SCREW - PULLEY MTG	1	
18- 53	609744	• CLUTCH ASM	1	
18- 55	364017	• COLLAR - CLU SH CLAMP	1	
18- 56	101807	• SCREW COLLAR PULL MTG	1	
18- 57	602050	• THRUST BRG POS CL	4	
18- 58	602014	• • DRIVE DOG ASM POS CL	1	
18- 60	602034	• • SPACER TH BRG POS CL	2	
18- 61	125898	• • SPRING CLUTCH DR DOG	1	
18- 62	602030	• • INT ARM ASM POS CL	1	
18- 63	602033	• • THRUST BRG POS CL	2	
18- 65	257982	• • CLIP CLU DRIVE ARM STUD	1	
18- 66	602024	• • DR ARM ASM POS CL	1	
18- 67	602035	• • SHOULDER SCREW POS CL	2	
18- 68	9092	• • LWASHER POS CLUTCH SCR	2	
18- 70	603750	• • SHOCK MOUNT ASM POS CL	1	
18- 71	602029	• • SCREW POS CL PULLEY	2	
18- 72	6935	• • L WASHER POS CL PULLEY	2	
18- 73	602457	• • BEARING CL DR ARM	2	
18- 75	602023	• • PULLEY POS CL	1	
18- 76	602017	• DETENT ASM - NO. 0 DIM. .656	1	
	609737	• DETENT ASM - NO.1 DIM..658	1	
	609738	• DETENT ASM - NO.2 DIM..660	1	
	609739	• DETENT ASM - NO.3 DIM..662	1	
	609740	• DETENT ASM - NO.4 DIM..664	1	
	609741	• DETENT ASM - NO.5 DIM..666	1	
	609742	• DETENT ASM - NO.6 DIM..668	1	
	609743	• DETENT ASM - NO.7 DIM..670	1	



PART NO.	DIM
602017	.656
609737	.658
609738	.660
609739	.662
609740	.664
609741	.666
609742	.668
609743	.670

FIGURE 18. CLUTCH DRIVE SUPPORT ASM. R F SEE LIST 18.

LIST AND INDEX NO.	PART NO.	DESCRIPTION	UNITS PER ASSY	USABLE ON CODE
		CLUTCH DRIVE SUPPORT ASM R F CONT		
18- 77	257982	• CLIP CLU DETENT	ATT PT	1
18- 78	602034	• SPACER DETENT		2
18- 80	125898	• SPRING CLUTCH DETENT		1
18- 81	602043	• PULLEY CONT ROLL INPUT		1
18- 82	170241	• SCREW AND L WASHER	ATT PT	4
18- 83	603797	• HOUSING ASM REV LOCK		1
18- 85	170351	• SCREW AND L WASHER	ATT PT	3
18- 86	602558	• PLATE CLU	ATT PT	1
18- 87	120620	• • FITTING GREASE		1
18- 88	602454	• • HOUSING REV LOCK		1
18- 90	104699	• ROLLER REV LOCK		1
18- 91	8499	• SPRING REV LOCK ROLLER		1
18- 92	602045	• CAM REV LOCK		1
18- 93	186635	• SET SCREW REV LOCK ROTOR	ATT PT	2
18- 95	602046	• INSERT BEARING		1
18- 96	609002	• SHAFT ASM CLUTCH DRIVE		1
18- 97	602946	• • GEAR-CLUTCH DRIVE		1
18- 98	28441	• • TAPER PIN-CLUTCH DRIVE	ATT PT	1
18-100	609003	• • INPUT SHAFT-CLUTCH DRIVE		1
18-101	144040	• SPACER INPUT SHAFT		2
18-102	602947	• SHAFT ASM CL		1
18-103	602945	• • SPUR GEAR-PRI CLU		1
18-105	151230	• • TAPER PIN-PRI CLU GEAR	ATT PT	1
18-106	602037	• • DR WHEEL-POS CLU		1
18-107	4159	• • TAPER PIN-DRIVE WHEEL	ATT PT	1
18-108	602039	• • CLUTCH-SHAFT		1
18-110	156231	• BEARING CLU & INPUT SH		3
18-111	204433	• BEARING CLU SH ASM		1
18-112	38235	• SCREW CLU DR ASM BRG	ATT PT	6
18-113	602012	• SUPPORT CLU DRIVE		1
		DYNAMIC TIMER ASM - PUNCH		
19-	609042	DYNAMIC TIMER ASM - PUNCH SEE LIST 3-100 FOR NEXT HIGHER ASSEMBLY AND FIG. 19 FOR ILLUSTRATION		1
19- 1	609050	• DIAL-DYN TIMER		1
19- 2	251970	• SCREW DIAL MTG	ATT PT	4
19- 3	256221	• BRACKET-DIAL MTG	ATT PT	4
19- 5	607105	• DISC ASM		1
19- 6	257213	• NUT-DISC MTG	ATT PT	1
19- 7	205086	• WASHER-DISC MTG	ATT PT	2
19- 8	205876	• • SHIELD TIMER LIGHT BULB		1
19- 10	205094	• • LIGHT HLDR		1
19- 11	38271	• • SCREW	ATT PT	2
19- 12	610188	• • NEON LAMP TYP 2U 1/4WATT		2
19- 13	113819	• • TUBING SPAGHETTI		1
19- 15	75983	• • SCREW 5/40	ATT PT	4
19- 16	205097	• • DISC ASM		1
19- 17	156231	• BEARING-TIMER		1
19- 18	38235	• SCREW-BRG RET	ATT PT	3
19- 20	609047	• SHAFT-ASM TIMER DRIVE		1
19- 21	256220	• • HUB-DISC MTG		1
19- 22	29930	• • TAPER PIN-HUB MTG	ATT PT	1
19- 23	225599	• • SPACER-DYN TIMER SFT		1
19- 25	156231	• • BEARING-DYN TIMER SFT		1
19- 26	609027	• • PULLEY ASM-DYN TIMER SFT		1
19- 27	34	• • TAPER PIN-DYN TIMER SFT	ATT PT	1
19- 28	609048	• • SHAFT-DYN TIMER		1
19- 30	609688	• HOLDER AND CABLE ASM		1
19- 31	2994	• SCREW-BRUSH HLDR	ATT PT	2
19- 32	4473	• • SCREW HEX HD		4
19- 33	206430	• • BRUSH HOLDER ASM		1

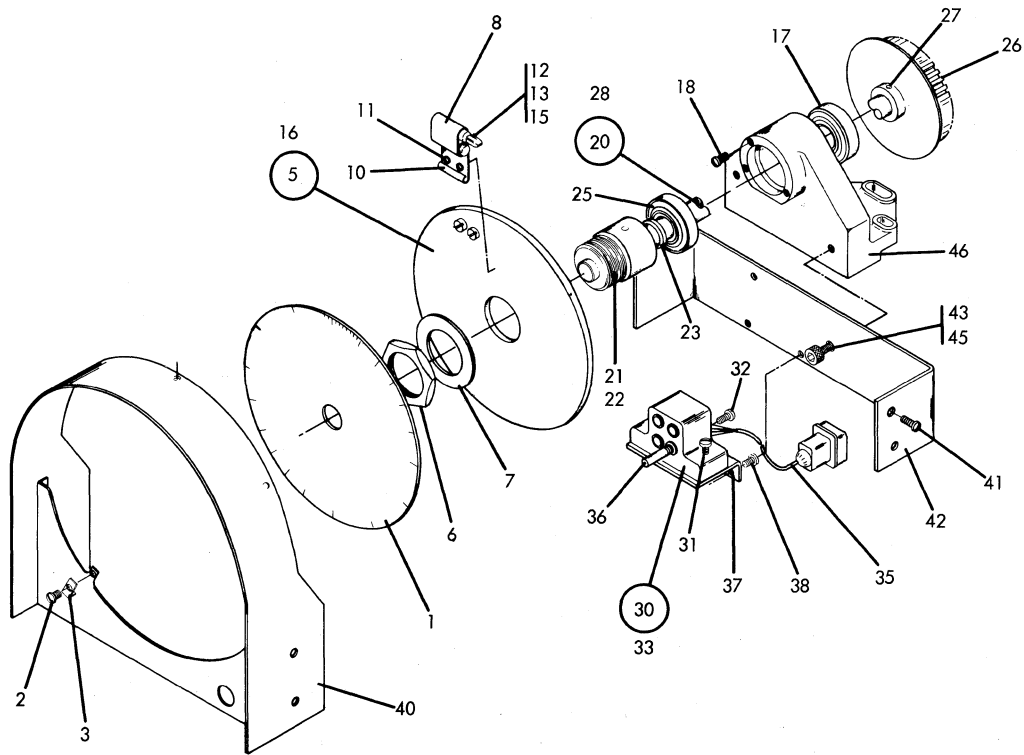
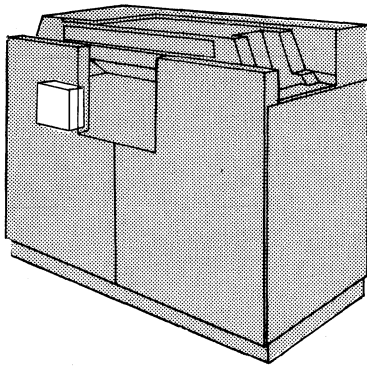


FIGURE 19. DYNAMIC TIMER ASM. P F SEE LIST 19.

LIST AND INDEX NO.	PART NO.	DESCRIPTION	UNITS	USABLE
			PER ASSEMBLY	ON CODE
		DYNAMIC TIMER ASM - PUNCH		
		CONT		
19- 35	609689	• • CABLE ASM	1	
19- 36	205773	• BRUSH-TIMER	4	
19- 37	609046	• BRACKET-BRUSH HLDR	1	
19- 38	2300	• SCREW-BRKT BRUSH HLDR	2	
19- 40	607548	• HOUSING-TIMER	1	
19- 41	345815	• SCREW TIMER	4	
19- 42	609045	• BRACKET-DYN TIMER	1	
19- 43	104763	• SCREW-TIMER	2	
19- 45	45690	• WASHER - TIMER	2	
19- 46	609044	• SUPPORT CASTING-DYN TIM	1	
		HIGH SPEED CB ASM - PUNCH		
20-	615017	HIGH SPEED CB ASM - PUNCH SEE LIST 3-105 FOR NEXT HIGHER ASSEMBLY AND FIG. 20 FOR ILLUSTRATION	1	
20- 1	252706	• NUMBERING STRIP CB	1	
20- 2	615419	• DUST COVER C B	2	
20- 3	234319	• SEM SCRWB CB DUST COVER	4	
20- 5	609748	• SPACER CB DUST COVER	4	
20- 6	223528	• GASKET	AR	
20- 7	615412	• CB ASM	8	
20- 8	5528	• SCREW CB MTG	8	
20- 10	230736	• • STRIP CB ASM INSUL	1	
20- 11	228481	• • BLK CONT TERM MTG UPPER	1	
20- 12	118418	• • SCREW CB ASM	2	
20- 13	228478	• • CONT DAMPENER UPPER	1	
20- 15	228107	• • STRAP ASM UPPER CONT	1	
20- 16	228477	• • CONT STIFFENER UPPER	1	
20- 17	205743	• • INSULATOR BLOCK CONT	2	
20- 18	205747	• • SHIM .003 THICK	AR	
20- 20	205783	• • SHIM .012 THICK	AR	
20- 21	205742	• • STRAP ASM CONTACT	1	
20- 22	228480	• • BLOCK CONT TERM MTG	1	
20- 23	173209	• • SCREW CB ASM	2	
20- 25	100226	• • SLEEVE CB ASM INSUL	2	
20- 26	228475	• • BREAKER ARM PIVOT	1	
20- 27	101017	• • SET SCREW	1	
20- 28	435700	• • ARM AND BRG ASM	1	
20- 30	228476	• • PLUNGER CB	1	
20- 31	228472	• • BLOCK CONT MTG	1	
20- 32	607574	• GEAR ASM CB DRIVE	1	
20- 33	845	• SCREW PULLEY MTG	1	
20- 35	60646	• LOCKWASHER PULLEY MTG	1	
20- 36	120789	• WASHER PULLEY MTG	1	
20- 37	12015	• KEY PULLEY DR	1	
20- 38	607579	• BELT HI SPEED CB	1	
20- 40	156231	• BEARING CB DRIVE	1	
20- 41	186759	• SCREW HOUSING MTG	3	
20- 42	156364	• BEARING CB SHAFT	1	
20- 43	607051	• O RING	1	
20- 45	130434	• SCREW CB SHAFT	1	
20- 46	45690	• WASHER CB SHAFT	1	
20- 47	438153	• COLLAR ASM CB SHAFT	1	
20- 48	160942	• SET SCREW COLLAR	2	
20- 50	607571	• SHAFT ASM CB	1	
20- 51	437896	• • COLLAR	2	
20- 52	44285	• • TAPER PIN COLLAR	2	
20- 53	607572	• • SHAFT CR CB	1	
20- 55	607592	• CAM ASM CB POS 1 AND 2	2	
20- 56	609029	• CAM ASM CB POS 3 THRU 8	6	
20- 57	1073462	• SET SCREW	16	
20- 58	437880	• BAR CB MTG	2	

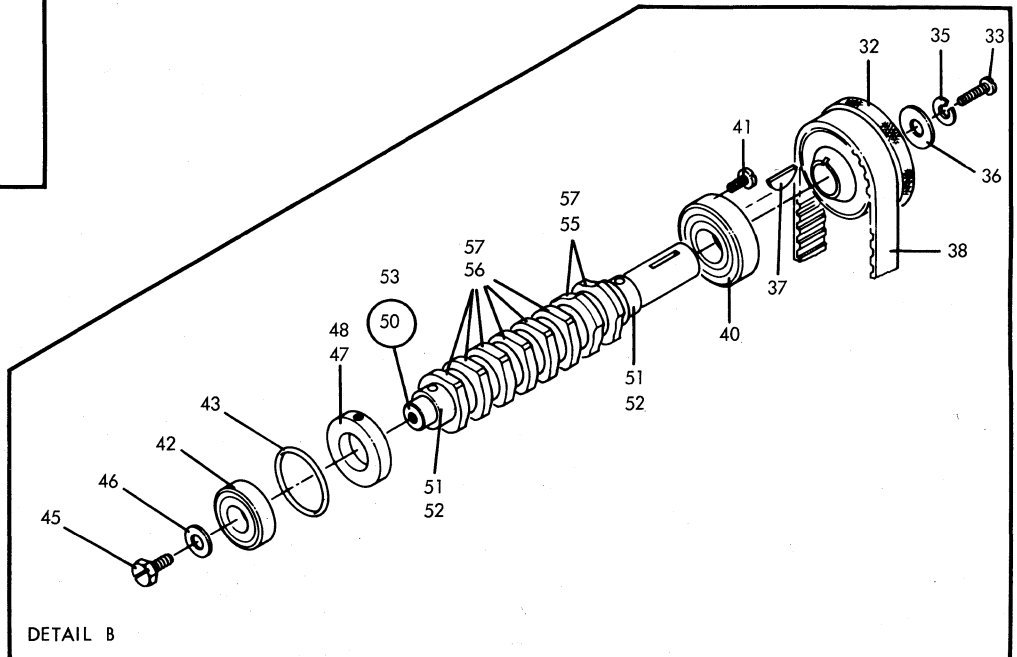
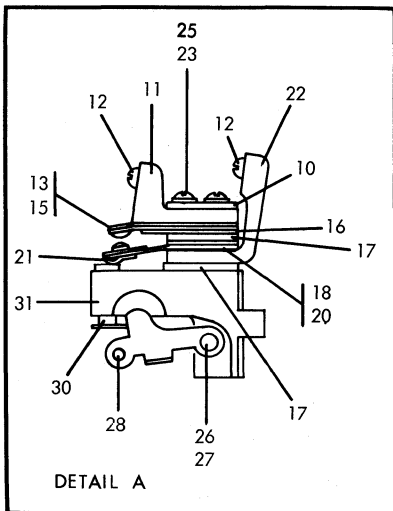
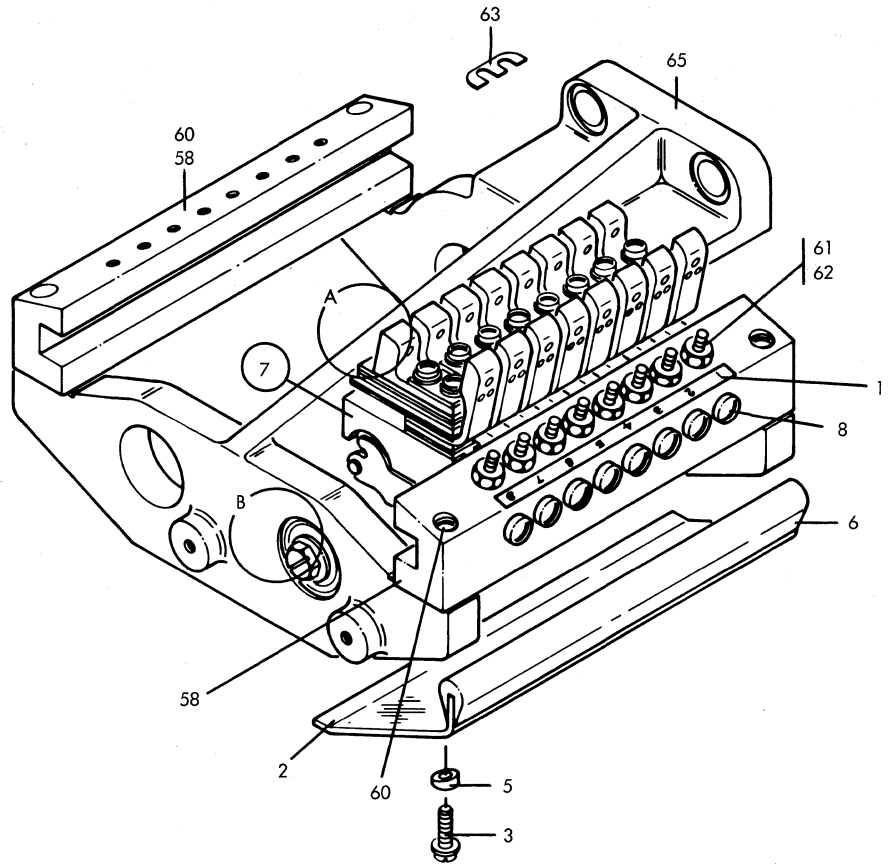
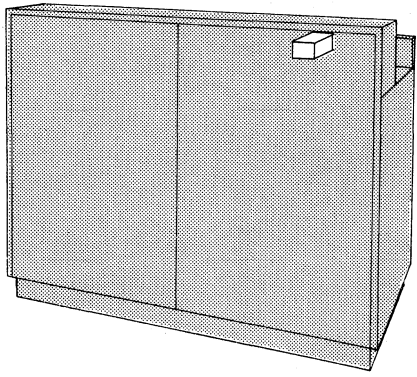


FIGURE 20. HIGH SPEED CIRCUIT BREAKER ASM. P F SEE LIST 20.

LIST AND INDEX NO.	PART NO.	DESCRIPTION				UNITS PER ASSY	USABLE ON CODE
		1	2	3	4		
		HIGH SPEED CB ASM - PUNCH					
		CONT					
20- 60	2384	•	SCREW CB BAR MTG	ATT	PT	4	
20- 61	38051	•	NUT - CB ADJ			8	
20- 62	336793	•	SET SCREW - CB ADJ			8	
20- 63	228609	•	JUMPER			9	
20- 65	437802	•	HOUSING CB			1	
		CR CB ASM - PUNCH					
21-	615018	CR CB ASM - PUNCH				1	
		SEE LIST 3-203 FOR NEXT HIGHER ASSEMBLY AND FIG. 21 FOR ILLUSTRATION					
21- 1	609164	•	COVER CB PUNCH			1	
21- 2	32042	•	SCREW CVR MTG	ATT	PT	2	
21- 3	438104	•	STUD CVR MTG	ATT	PT	2	
21- 5	252706	•	NUMBERING STRIP			1	
21- 6	255970	•	CB ASM			6	
21- 7	641	•	SCREW LAT PL MTG	ATT	PT	6	
21- 8	255967	•	POINT CONTACT			1	
21- 10	6503	•	NUT CONTACT POINT	ATT	PT	1	
21- 11	255968	•	SPRING EXTENSION			1	
21- 12	366	•	SCREW CONNECTOR			1	
21- 13	168076	•	SCREW TERMINAL			2	
21- 15	22668	•	BEARING CB			2	
21- 16	196299	•	SCREW BRG RET	ATT	PT	4	
21- 17	609016	•	SHAFT ASM CB LW CAM			1	
21- 18	609027	•	PULLEY-CB LWR			1	
21- 20	34	•	TAPER PIN CB LWR	ATT	PT	1	
21- 21	238031	•	GEAR-CB LWR			1	
21- 22	28441	•	TAPER PIN-CB LWR	ATT	PT	1	
21- 23	238061	•	COLLAR-CB LWR			1	
21- 25	34	•	TAPER PIN CB LWR	ATT	PT	1	
21- 26	120955	•	SHAFT-CB			1	
21- 27	255425	•	CAM ASM CB POS 1			1	
	255472	•	CAM ASM CB POS 2			1	
	255430	•	CAM ASM CB POS 3 AND 5			2	
	255030	•	CAM ASM CB POS 4			1	
	255440	•	CAM ASM CB POS 6			1	
21- 28	312055	•	SET SCREW	ATT	PT	12	
21- 30	609014	•	BRACKET CB UNIT			1	
21- 31	24752	•	SCREW BRKT MTG	ATT	PT	2	
21- 32	609011	•	TIE BAR CB UNIT			1	
21- 33	2994	•	SCREW BAR MTG	ATT	PT	4	
21- 35	289055	•	TIE BAR			1	
21- 36	38454	•	SCREW CVR MTG	ATT	PT	2	
21- 37	609017	•	BAR CB MTG			1	
21- 38	2032	•	SCREW CB MTG	ATT	PT	4	
21- 40	252756	•	SUPPORT CB UNIT			1	
21- 41	252762	•	SUPPORT CB UNIT			1	
21- 42	127735	•	TAPER PIN LATCH PLATE	ATT	PT	2	
21- 43	2994	•	SCREW SUPPORT MTG	ATT	PT	2	
21- 45	602710	•	JUMPER CB			1	
21- 46	252075	•	FRAME CB CR PUNCH			1	
21- 47	252076	•	FRAME CB CR PUN			1	

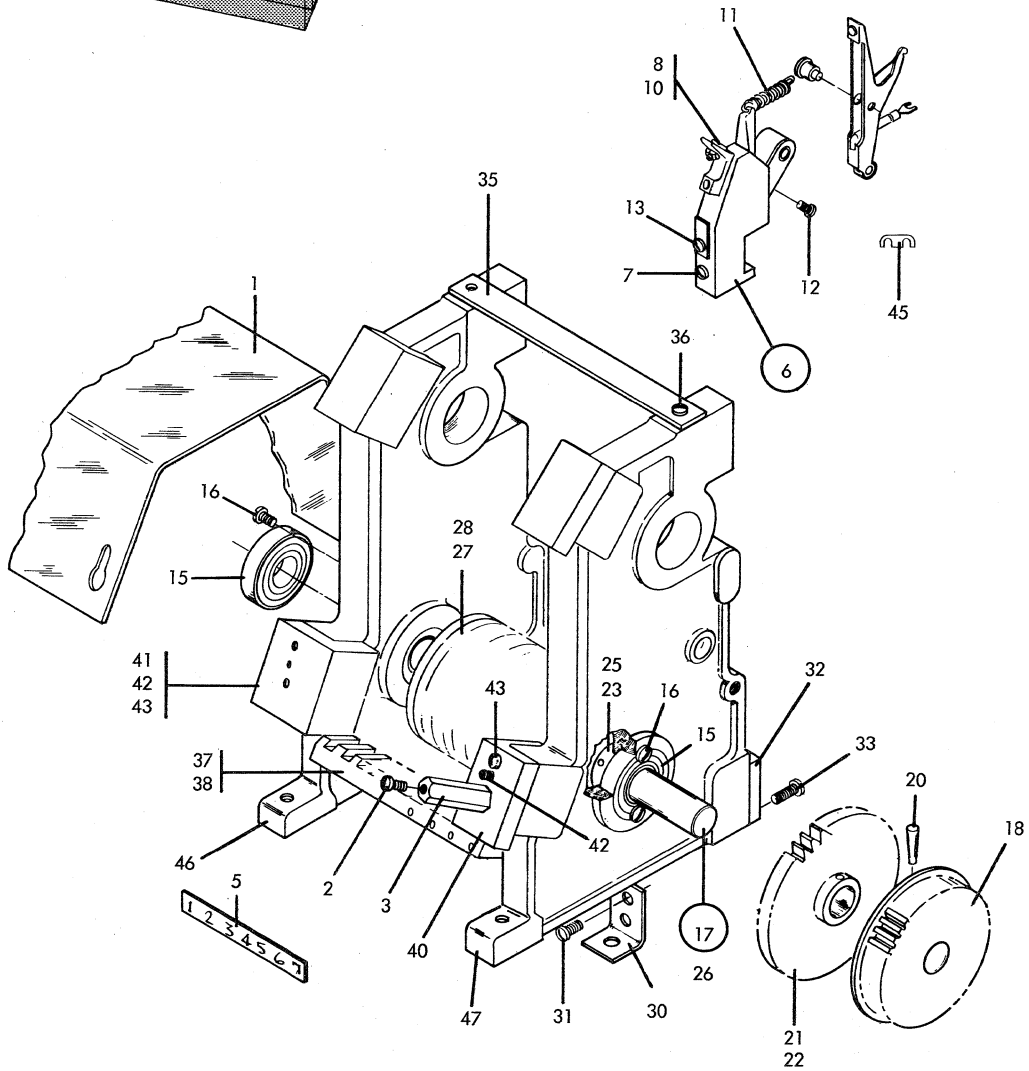
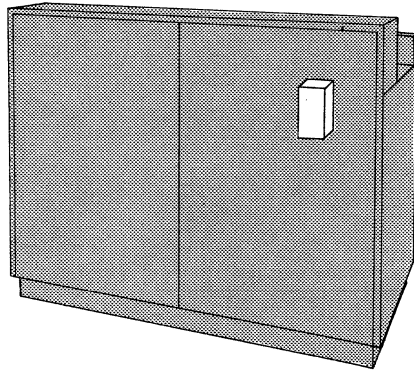


FIGURE 21. CR CIRCUIT BREAKER ASM P F SEE LIST 21.

LIST AND INDEX NO.	PART NO.	DESCRIPTION				UNITS PER ASSY	USABLE ON CODE
		1	2	3	4		
		PUNCH UNIT ASM					
22-	* 609072	PUNCH UNIT ASM SEE LIST 3-110 FOR NEXT HIGHER ASSEMBLY AND FIG. 22 FOR ILLUSTRATION				1	G
22- 1	610062	• GUARD PUNCH MAGNETS				1	
22- 2	437590	• CLAMP-CABLE				2	
22- 3	2629	• SCREW-CABLE CLAMP ATT PT				2	
22- 5	609068	• MAGNET ASM - ROW 1				1	
	609069	• MAGNET ASM - ROW 2				1	
	609070	• MAGNET ASM - ROW 3				1	
	609071	• MAGNET ASM - ROW 4				1	
22- 6	337	• SCREW MAG ASM MTG ATT PT				16	
22- 7	601401	• • RETAINER - ARM PIVOT				1	
22- 8	437615	• • ROD - ARM PIVOT				1	
22- 10	441767	• • PIVOT - ARMATURE				1	
22- 11	441768	• • GUIDE - ARMATURE				1	
22- 12	92	• • SCREW - ARM PIVOT ATT PT				4	
22- 13	163899	• • L WASHER - MAGNET ATT PT				4	
22- 15	437619	• • MOULDING ASM				2	
22- 16	2629	• • SCREW - CONT MOULDING ATT PT				4	
22- 17	442124	• • WSHR - CONT MOULDING ATT PT				4	
22- 18	257240	• • CLIP - CONN LOCKING				1	
22- 20	257242	• • SUPPORT - CONN CLAMP				1	
22- 21	92524	• • CLIP - CONN STUD ATT PT				4	
22- 22	441661	• • STUD - CONNECTOR ATT PT				2	
22- 23	257237	• • CABLE CLAMP- CONN CABLE				2	
22- 25	221790	• • SCREW - CONN CABLE ATT PT				2	
22- 26	437725	• • GUIDE - ARMATURE				4	
22- 27	441751	• • GUIDE - ARMATURE USED ON ASM 609068 ONLY				1	
22- 28	23787	• • SCREW - ARM GDE MTG ATT PT				8	
22- 30	609067	• • COIL ASM - PUNCH MAG				20	
22- 31	437678	• • ARMATURE ASM				20	
22- 32	607005	• • CABLE ASM - PUNCH MAG				1	
	607006	• • CABLE ASM - PUNCH MAG USED ON ASM 609070 AND 609071 ONLY				1	
22- 33	257244	• • • CONNECTOR MINIATURE				2	
22- 35	473610	• • YOKE AND CORE ASM USED ON ASSY 609068 ONLY				1	
	437611	• • YOKE AND CORE ASM USED ON ASSY 609069 ONLY				1	
	437612	• • YOKE AND CORE ASM USED ON ASSY 609070 ONLY				1	
	437613	• • YOKE AND CORE ASM USED ON ASSY 609071 ONLY				1	
22- 36	437604	• INTERPOSER AND LATCH ASM				1	
22- 37	641	• SCREW-INT AND LATCH MTG ATT PT				4	
22- 38	1090873	• LWSHR-INT AND LATCH MTG ATT PT				4	
22- 40	24511	• WSHR-INT AND LATCH MTG ATT PT				4	
22- 41	437627	• • PLATE UPPER LATCH SPRING				1	
22- 42	92	• • SCREW SPRING PL UPPER ATT PT				3	
22- 43	26513	• • SPRING LATCH				82	
22- 45	437636	• • PLATE LATCH GUIDE				1	
22- 46	92	• • SCREW LATCH GUIDE ATT PT				4	
22- 47	437628	• • PLATE LOWER LATCH SPRING				1	
22- 48	2300	• • SCREW INT SPG ANCHOR MTG ATT PT				2	
22- 50	437739	• • RETAINER INTPSR LINK				1	
22- 51	38364	• • SCR INTPSR LINK RET MTG ATT PT				3	
22- 52	437711	• • CLAMP OIL WICK				1	
22- 53	437712	• • WICK OIL				1	
22- 55	92	• • SCREW LATCH WICK MTG ATT PT				5	
22- 56	437631	• • LATCH ROW NO 1				20	
22- 57	437632	• • LATCH ROW NO 2				20	
22- 58	437633	• • LATCH ROW NO 3				20	
22- 60	437634	• • LATCH ROW NO 4				20	
22- 61	437692	• • LATCH RETAINER REAR				1	
22- 62	437693	• • LATCH RETAINER FRONT				1	

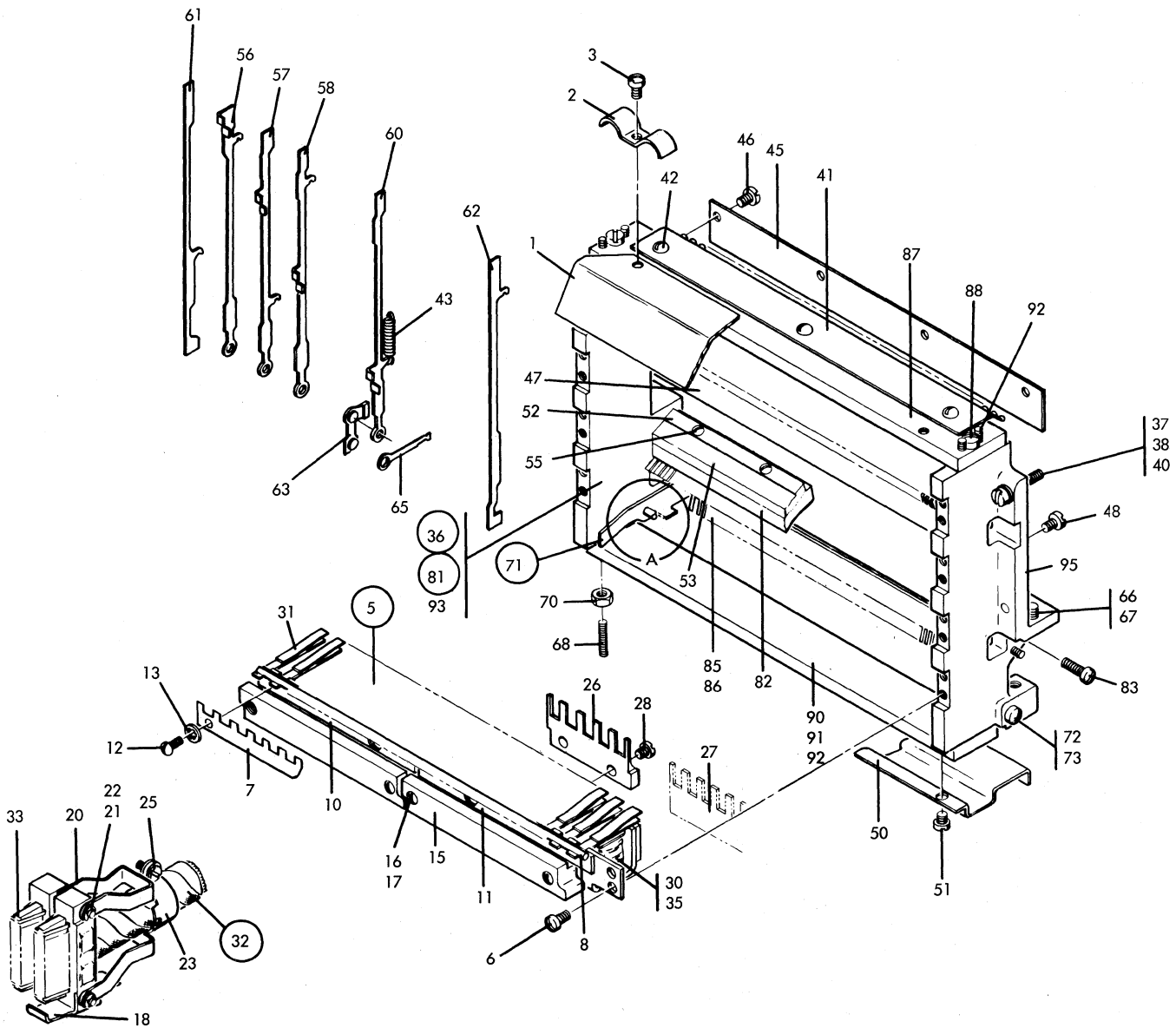
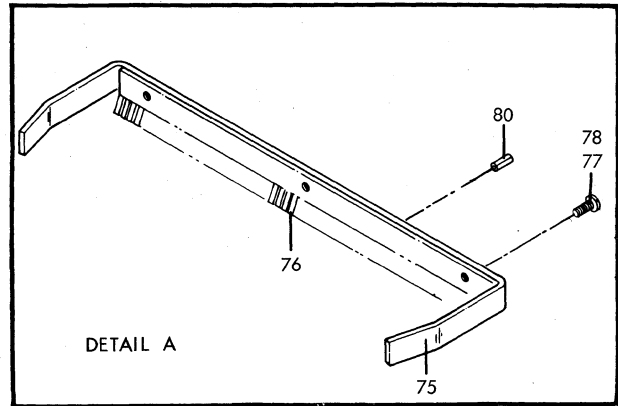
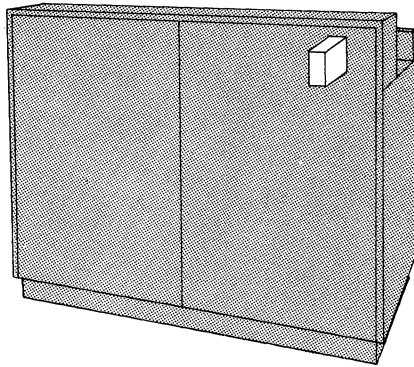


FIGURE 22. PUNCH UNIT ASM. SHEET 1 OF 4, INDEX NOS. 1-95 SEE LIST 22.

LIST AND INDEX NO.	PART NO.	DESCRIPTION				UNITS PER ASSY	USABLE ON CODE
		1	2	3	4		
		PUNCH UNIT ASM					
		CONT					
22- 63	437722	• •	LINK INTERPOSER			80	
22- 65	441739	• •	INTERPOSER			80	
22- 66	6503	• •	LOCK NUT ADJ SCREW			2	
22- 67	128172	• •	SCREW ADJUSTING			2	
22- 68	16076	• •	SCR LINK GUIDE ADJ			2	
22- 70	27073	• •	LOCKNUT LINK GUIDE ADJ			2	
22- 71	441515	• •	COMB ASM			1	
22- 72	437761	• •	STUD INTERPOSER GUIDE	ATT PT		2	
22- 73	9092	• •	LWSHR INTERPOSER GUIDE	ATT PT		2	
22- 75	437622	• • •	GUIDE INTERPOSER			1	
22- 76	437637	• • •	COMB INTERPOSER GUIDE			1	
22- 77	10170	• • •	SCREW-INTRPSR GDE MTG	ATT PT		3	
22- 78	257986	• • •	WASHER-INTPSR GDE SCR	ATT PT		3	
22- 80	22111	• • •	TAPER PIN INTPSR GDE			2	
22- 81	610010	• • •	FRAME ASM LATCH AND INTPSR			1	
22- 82	437625	• • •	GUIDE LATCH			1	
22- 83	845	• • •	SCREW LATCH GUIDE MTG	ATT PT		2	
22- 85	437626	• • •	COMB LOWER LATCH GUIDE			1	
22- 86	92	• • •	SCREW LATCH COMB MTG	ATT PT		3	
22- 87	437695	• • •	COMB LATCH GUIDE			1	
22- 88	845	• • •	SCREW GUIDE BAR MTG UPR	ATT PT		2	
22- 90	441743	• • •	LINK GUIDE			1	
22- 91	845	• • •	SCREW GUIDE BAR MTG LWR	ATT PT		2	
22- 92	216537	• • •	TAPER PIN LAT GD MTG			4	
22- 93	437674	• • •	FRAME FRT MAG ASM SIDE			1	
22- 95	437675	• • •	FRAME REAR MAG ASM SIDE			1	
22- 96	437601	•	STRIPPER ASM			1	
22- 97	133742	•	SCREW PUNCH UNIT	ATT PT		4	
22- 98	112611	•	COVER ASM RACK			1	
22-100	133686	•	PLATE DIE ADJ ANGLE			2	
22-101	2384	•	SCREW BLOCK DIE REINF	ATT PT		8	
22-102	6318	•	LWASHER DIE PLATE REINF	ATT PT		8	
22-103	602174	•	SPRING INTERPOSER			1	
22-105	112542	•	ANCHOR SPRING			1	
22-106	139450	•	WASHER DIE ADJ ANGLE			1	
22-107	175169	•	INTERPOSER ASM			1	
22-108	112537	•	RACK ASM FRONT			1	
22-110	112538	•	RACK ASM REAR			1	
22-111	151911	•	PINION RACK			1	
22-112	112613	•	BLOCK DIE PLATE REINF			1	
22-113	151914	•	PIN RELEASE			2	
22-115	141492	•	SPRING RELEASE PIN			2	
22-116	437683	•	STOP PUNCH			1	
22-117	42026	•	SCREW PUNCH STOP SPRING	ATT PT		5	
22-118	1090873	•	WASHER PUNCH STOP SPRING	ATT PT		5	
22-120	610171	•	GREASE RETAINER			1	
22-121	610168	•	GREASE RETAINER			1	
22-122	251990	•	SCREW GREASE RETAINING	ATT PT		1	
22-123	151908	•	STUD DIE GUIDE			2	
22-125	441738	•	PUNCH OVERSIZE			80	
22-126	600963	•	PUNCH STANDARD			80	
22-127	437696	•	STRIPPER ASM GUIDE			1	
22-128	437684	•	SPACER PUNCH STOP			1	
22-130	25625	•	SCREW PUNCH SPRING STOP	ATT PT		4	
22-131	437698	•	STIFFENER PUNCH GUIDE			1	
22-132	441745	•	STIFFENER GUIDE PLATE			1	
22-133	186758	•	SCREW - STIFFENER MTG	ATT PT		5	
22-135	60646	•	LWSHR STIFFENER MTG	ATT PT		5	
22-136	151907	•	BUSHING DIE GUIDE			2	
22-137	607042	•	CAMS AND BAIL ASM PCH UNIT			1	
22-138	6503	•	NUT-PCH UNIT ADJ	ATT PT		2	
22-140	128543	•	SET SCREW-PUN UNIT ADJ	ATT PT		2	
22-141	437964	•	SHIM	ATT PT		8	
22-142	610166	•	POINTER TIMER			1	
22-143	38261	•	SCREW - POINTER MTG	ATT PT		2	
22-145	607151	•	PULLEY ASM HS CB DRIVE			1	
22-146	607159	•	PULLEY ASM PCH SHFT DRIVE			1	

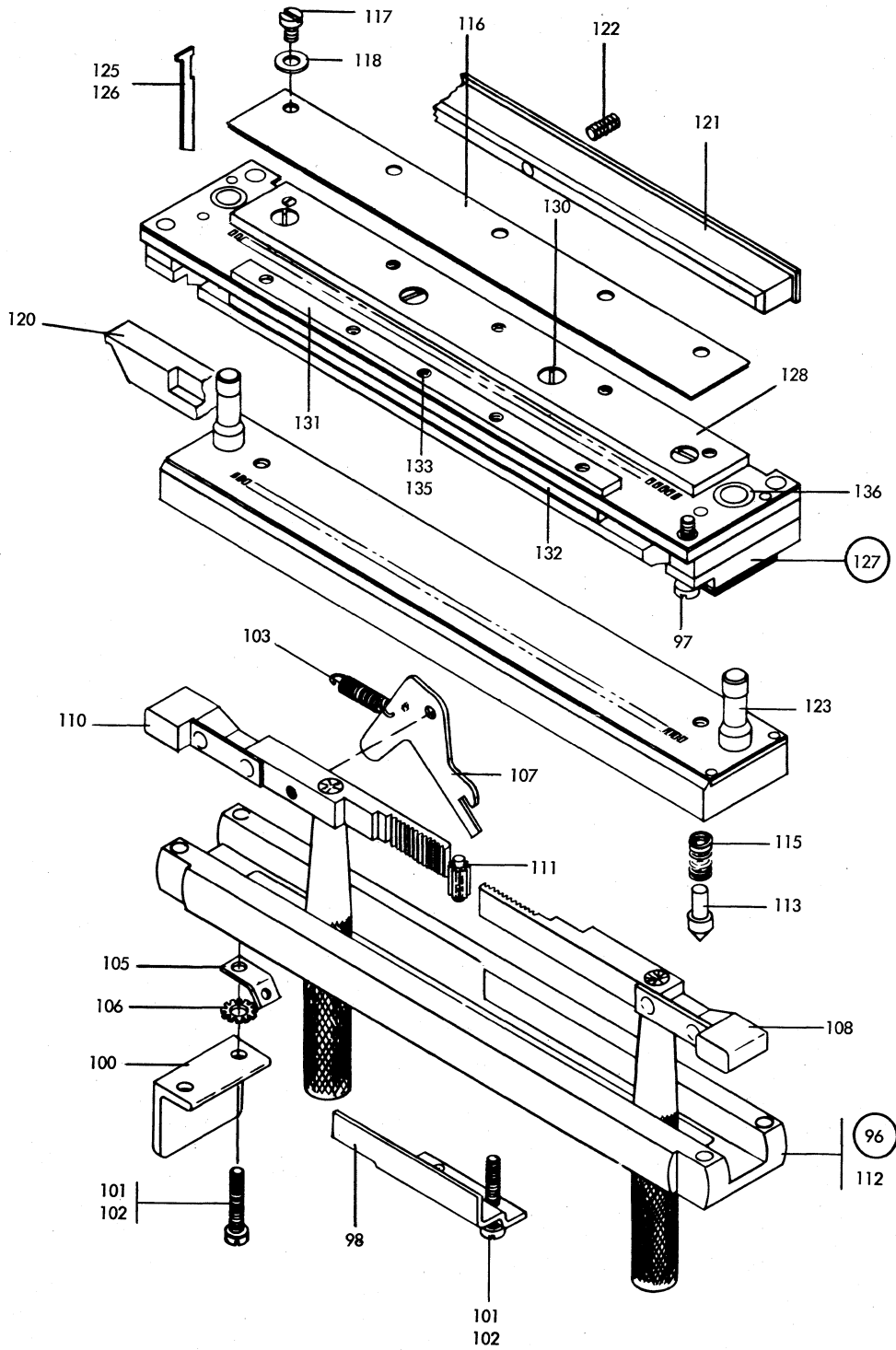


FIGURE 22. PUNCH UNIT ASM. SHEET 2 OF 4, INDEX NOS. 96-136 SEE LIST 22.

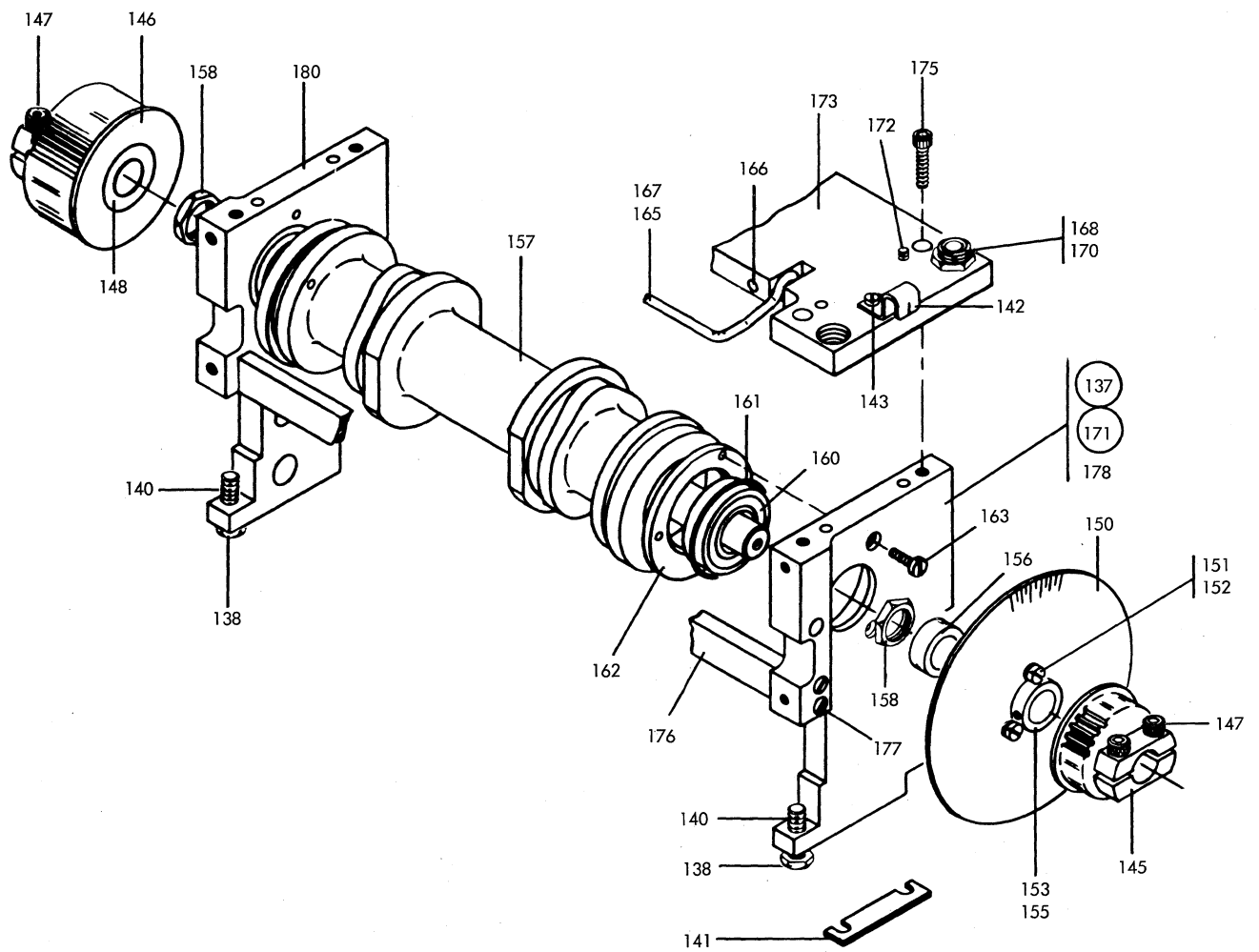


FIGURE 22. PUNCH UNIT ASM. SHEET 3 OF 4, INDEX NOS. 137-180 SEE LIST 22.

LIST AND INDEX NO.	PART NO.	DESCRIPTION				UNITS PER ASSY	USABLE ON CODE
		1	2	3	4		
		PUNCH UNIT ASM					
		CONT					
22-147	129654	• •	SCREW - PULLEY MTG	ATT PT	4		
22-148	437531	• •	SPACER PUNCH DR PULLEY		1		
22-150	610165	• •	DIAL INDEX		1		
22-151	38261	• •	SCREW - DIAL MTG	ATT PT	3		
22-152	257985	• •	WASHER INDEX DIAL	ATT PT	3		
22-153	610164	• •	HUB INDEX DIAL		1		
22-155	257969	• •	SCREW INDEX DIAL SET	ATT PT	2		
22-156	470241	• •	SPACER INDEX DIAL HUB		1		
22-157	607045	• •	CAM SHFT PUNCH		1		
22-158	608029	• •	NUT CAM SHAFT BRG	ATT PT	4		
22-160	204326	• •	BEARING CAM SHAFT		2		
22-161	600576	• •	O RING BEARING RET		1		
22-162	437682	• •	RETAINER BEARING		1		
22-163	52607	• •	SCREW BRG RETAINER	ATT PT	3		
22-165	607474	• •	HANDLE PUNCH UNIT		1		
22-166	257974	• •	SCREW HANDLE SET	ATT PT	2		
22-167	11587	• •	PIN PUNCH UN HANDLE	ATT PT	2		
22-168	70950	• •	NUT BUSHING ADJ		4		
22-170	607770	• •	BUSHING PUNCH UNIT ADJ		4		
22-171	607157	• •	SIDE FRAME ASM PUNCH UNIT		1		
22-172	122856	• • •	TAPER PIN TOP PLATE MTG	ATT PT	4		
22-173	607158	• •	PLATE TOP MTG		1		
22-175	104763	• •	SCREW TOP PLATE MTG	ATT PT	4		
22-176	437716	• •	TIE BAR SIDE FRAME		1		
22-177	1500	• •	SCREW SPACER BAR MTG	ATT PT	4		
22-178	437623	• •	FRAME FRONT SIDE		1		
22-180	437624	• •	FRAME REAR SIDE		1		
22-181	437746	• •	BRG ASM PIVOT SHAFT		1		
22-182	2994	• •	SCR PIV SFT BRG ASM MTG	ATT PT	4		
22-183	607904	• •	PIN TAPER SFT BRG ASM	ATT PT	2		
22-185	601368	• •	SHAFT ASM CAM FOLLOWER		1		
22-186	23857	• •	SET SCR PIV SHFT	ATT PT	2		
22-187	171059	• •	FITTING-GREASE		2		
22-188	437713	• •	SHAFT-CAM FOLLOWER		1		
22-190	203524	• •	COLLAR CAM FOLLOWER SHAFT		4		
22-191	23857	• •	SET SCREW	ATT PT	8		
22-192	122772	• •	WSHR CAM FOLLOWER SHAFT		2		
22-193	441683	• •	SPACER CAM FOLLOWER SHFT		2		
22-195	441504	• •	FOLLOWER ASM FRONT		1		
22-196	441505	• •	FOLLOWER ASM		1		
22-197	438152	• •	BEARING CAM FOLL		1		
22-198	160017	• •	NUT ECC CAM FOLL SFT	ATT PT	1		
22-200	6935	• •	LWSHR ECC CAM FOLL SFT	ATT PT	1		
22-201	438491	• •	SHAFT SETUP CAM FOLL ECC		1		
22-202	610668	• •	BEARING		1		
22-203	11598	• •	NUT SETUP CAM FOLL SFT	ATT PT	1		
22-205	9092	• •	L WASHER SETUP CAM FOLL SHT	ATT PT	1		
22-206	610058	• •	SHAFT SETUP CAM FOLL		1		
22-207	256463	• •	SPACER BALL BEARING		1		
22-208	441712	• •	LINK ASM BRG FT		1		
22-210	441713	• •	USED ON ASSY 441504 ONLY		1		
22-211	601395	• •	LINK ASM BRG REAR		1		
22-212	601396	• •	USED ON ASSY 441505 ONLY		1		
22-213	441509	• •	ARM AND BRG ASM - FRONT		1		
22-215	441510	• •	USED ON ASSY 441505 ONLY		1		
22-216	11598	• •	ARM AND BRG ASM - FRONT		1		
22-217	9092	• •	USED ON ASSY 441504 ONLY		1		
22-218	23857	• •	STUD LINK PIVOT REAR		1		
22-220	441566	• •	STUD LINK PIVOT FRONT		1		
22-221	151720	• •	NUT LINK PIVOT STUD	ATT PT	1		
22-222	441567	• •	LWSHR LINK PIVOT STUD	ATT PT	2		
22-223	203524	• •	SET SCREW	ATT PT	2		
22-225	23857	• •	BAIL ASM SET UP		1		
		• •	SET SCREW SETUP BAIL	ATT PT	4		
		• •	SHAFT BAIL GUIDE PIVOT		1		
		• •	COLLAR BAIL PIVOT SHAFT		2		
		• •	SET SCREW	ATT PT	4		

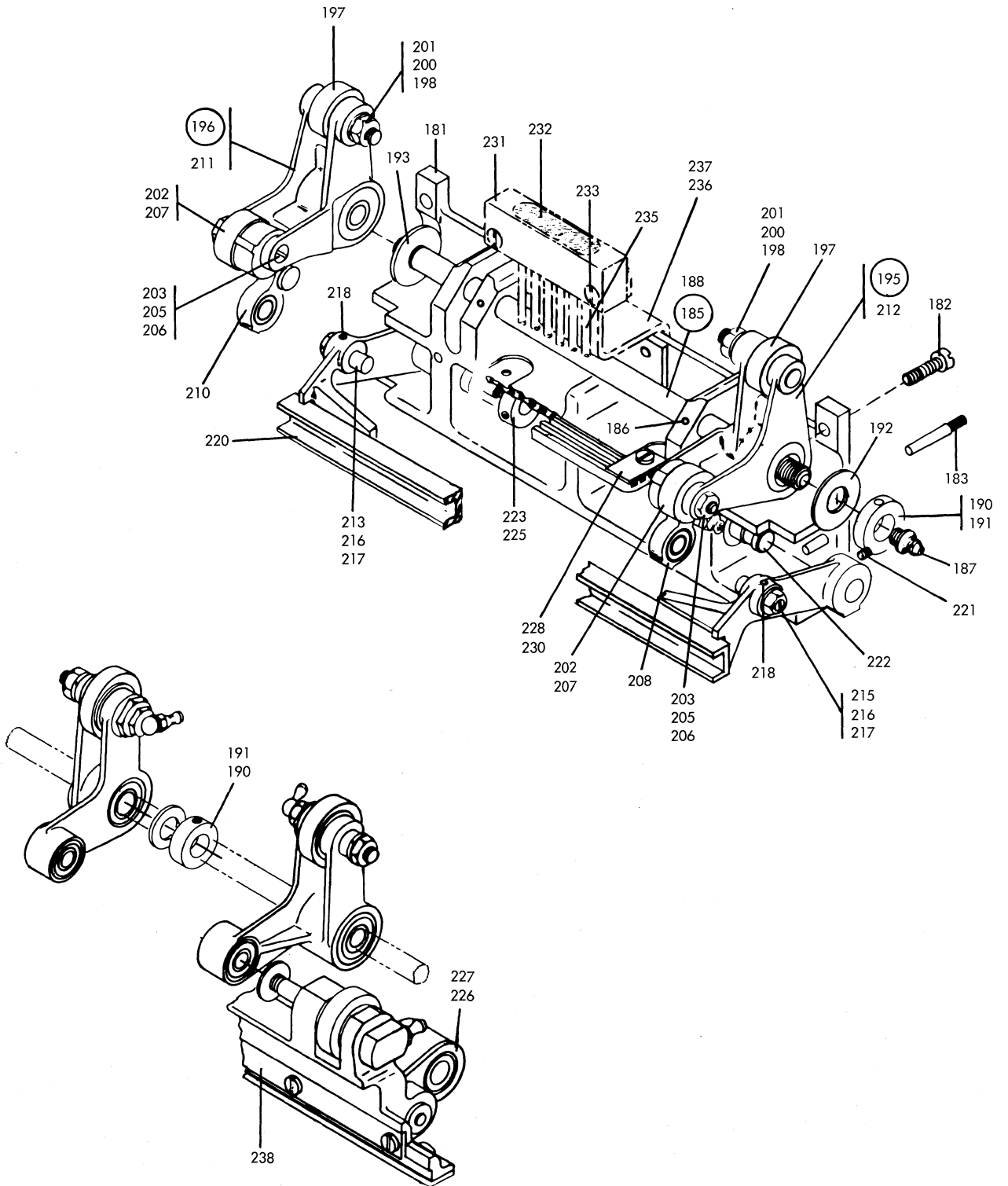


FIGURE 22. PUNCH UNIT ASM. SHEET 4 OF 4, INDEX NOS. 181-238 SEE LIST 22.

LIST AND INDEX NO.	PART NO.	DESCRIPTION				UNITS PER ASSY	USABLE ON CODE
		1	2	3	4		
		PUNCH UNIT ASM					
		CONT					
22-226	437667	• •	GUIDE ASM PUNCH BAIL			1	
22-227	438447	• •	GUIDE ASM PUNCH BAIL			1	
22-228	109105	• •	CLIP OIL TUBE RETAINER			2	
22-230	186759	• •	SCREW OIL TUBE RET CLIP	ATT PT		2	
22-231	121025	• •	OIL RESERVOIR BLOCK			1	
22-232	121098	• •	WICK PUNCH UNIT OIL			1	
22-233	38383	• •	SCREW OIL RESERVOIR	ATT PT		2	
22-235	438484	• •	TUBE			6	
			CUT LENGTH TO SUIT				
22-236	438482	• •	BRACKET PUNCH UNIT OILER			1	
22-237	28413	• •	SCR PUNCH UNIT OIL BRKT	ATT PT		2	
22-238	* 610008	• •	PUNCH DRIVE ASM			1	G
			SEE LIST 23 FOR DETAIL BREAKDOWN				
		PUNCH DRIVE ASM					
23-	* 610008	PUNCH DRIVE ASM				1	G
		SEE LIST 22-245 FOR NEXT HIGHER ASSEMBLY AND FIG. 23 FOR ILLUSTRATION					
23- 1	437719	•	BAIL PUNCH RESTORING			1	
23- 2	437686	•	BAIL PUNCH DRIVE			1	
23- 3	23087	•	SCREW	ATT PT		9	
23- 5	437500	•	FOLLWR ASM PCH BAIL REAR			1	
23- 6	437574	•	FOLLWR ASM PCH BAIL FRT			1	
23- 7	160017	•	NUT PUNCH BAIL SHAFT	ATT PT		2	
23- 8	6935	•	LWSHR PUNCH BAIL SHAFT	ATT PT		2	
23- 10	65880	•	WSHR PUNCH BAIL SHAFT	ATT PT		2	
23- 11	601236	• •	SHAFT ASM - ECC			1	
			USED ON ASSY 437574 ONLY				
23- 12	601237	• •	SHAFT ASM - ECC			1	
			USED ON ASSY 437500 ONLY				
23- 13	160017	• •	NUT CAM FOLLOWER	ATT PT		1	
23- 15	6935	• •	LWASHER CAM FOLL SHAFT	ATT PT		1	
23- 16	437690	• •	BRG ASM PCH BAIL CAM FOL			1	
23- 17	438114	• •	SPACER CAM FOLLOWER			1	
23- 18	438115	• •	SPACER CAM FOLLOWER			1	
23- 20	601394	• •	ARM AND BRG ASM - FT			1	
			USED ON ASSY 437574 ONLY				
			USED ON ASSY 437500 ONLY				
23- 22	437576	•	SPACER PUNCH CAM ARM	ATT PT		2	
23- 23	438114	•	SPACER CAM FOLLOWER			4	
23- 25	437690	•	BEARING ASM CAM FOLLOWER			2	
23- 26	601367	•	SHAFT ASM PUNCH BAIL			2	
23- 27	437641	• •	PLUG-OIL-PUN BAIL SFT			1	
23- 28	438145	• •	GREASE FITTING			1	
23- 30	441804	• •	SHAFT PUNCH BAIL			1	
23- 31	437747	•	CASTING ASM PUNCH BAIL			1	

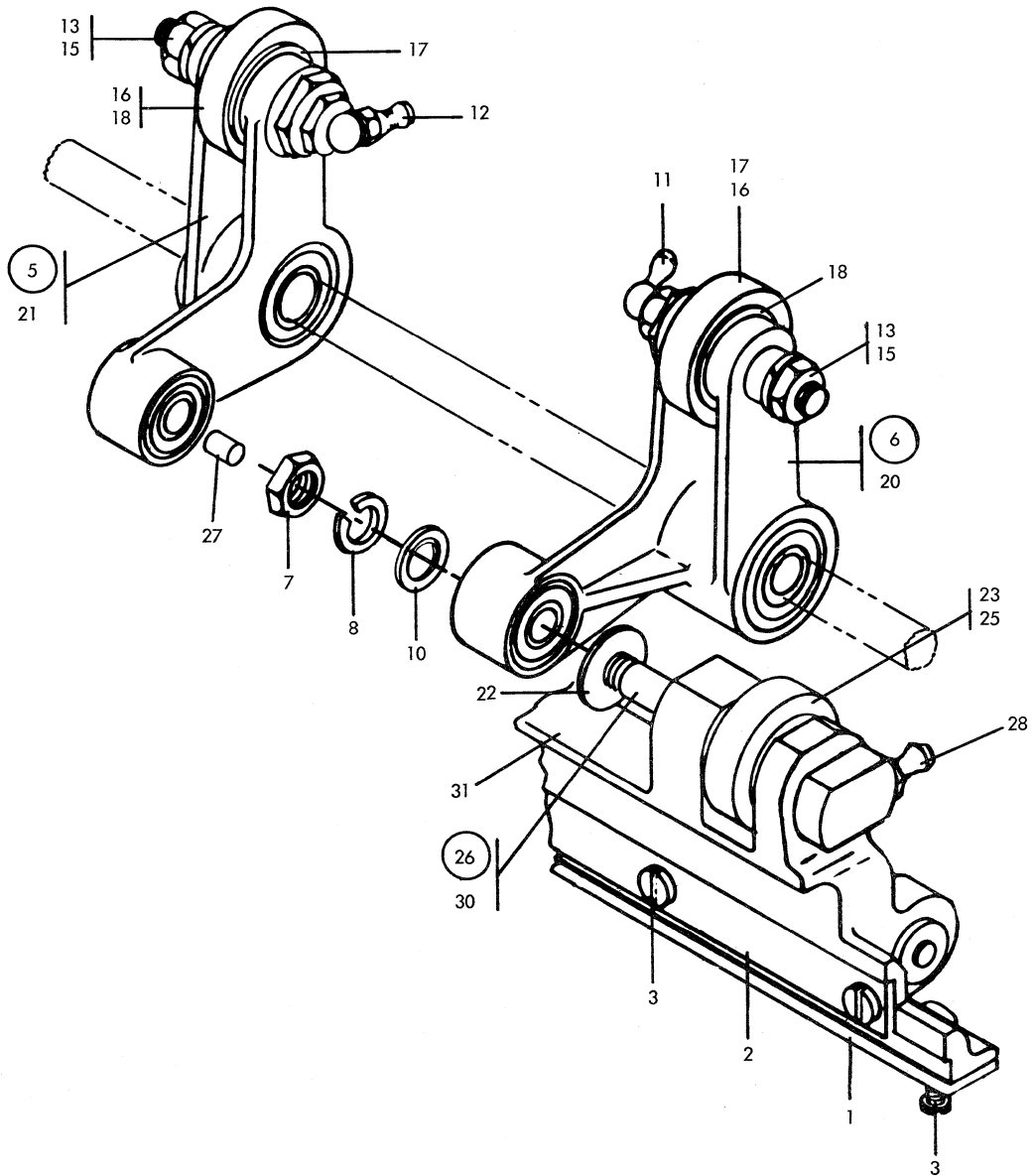


FIGURE 23. PUNCH DRIVE ASM. SEE LIST 23.

LIST AND INDEX NO.	PART NO.	DESCRIPTION				UNITS PER ASSY	USABLE ON CODE
		1	2	3	4		
		PUNCH UNIT ASM REDESIGNED					
24-	* 610180	PUNCH UNIT ASM REDESIGNED SEE LIST 3-110 FOR NEXT HIGHER ASSEMBLY AND FIG. 24 FOR ILLUSTRATION				1	H
24- 1	610062	• GUARD PUNCH MAGNETS				1	
24- 2	437590	• CLAMP CABLE				2	
24- 3	2629	• SCREW CABLE CLAMP MTG				2	
24- 5	609068	• MAGNET ASM ROW 1				1	
	609069	• MAGNET ASM - ROW 2				1	
	609070	• MAGNET ASM - ROW 3				1	
	609071	• MAGNET ASM - ROW 4				1	
24- 6	337	• SCREW MAGNET ASM ATTACH				16	
24- 7	601401	• • RETAINER-ARM PIVOT				1	
24- 8	437615	• • ROD - ARM PIVOT				1	
24- 10	441767	• • PIVOT-ARMATURE				1	
24- 11	441768	• • GUIDE-ARMATURE				1	
24- 12	92	• • SCREW-ARM PIVOT				4	
24- 13	163899	• • L WASHER-MAGNET				4	
24- 15	437619	• • MOULDING ASM				2	
24- 16	2629	• • SCREW-CONT MOULDING				4	
24- 17	442124	• • WASHER - CONT MOULDING				4	
24- 18	257240	• • CLIP-CONN LOCKING				1	
24- 20	257242	• • SUPPORT-CONN CLAMP				1	
24- 21	92524	• • CLIP-CONN STUD				4	
24- 22	441661	• • STUD-CONNECTOR				2	
24- 23	257237	• • CABLE CLAMP-CONN CABLE				2	
24- 25	221790	• • SCREW-CONN CABLE				2	
24- 26	437725	• • GUIDE-ARMATURE				4	
24- 27	441751	• • GUIDE - ARMATURE USED ON ASSY 609068 ONLY				1	
24- 28	23787	• • SCREW-ARM GDE MTG				8	
24- 30	609067	• • COIL ASM-PUNCH MAG				20	
24- 31	437678	• • ARMATURE ASM				20	
24- 32	607005	• • CABLE ASM-PUNCH MAG USED ON ASM 609070 AND 6C9071 ONLY				1	
	607006	• • CABLE ASM - PUNCH MAG USED ON ASM 609068 & 609069 ONLY				1	
24- 33	257244	• • • CONNECTOR MINIATURE				2	
24- 35	437610	• • YOKE AND CORE ASM USED ON ASSY 609068 ONLY				1	
	437611	• • YOKE AND CORE ASM USED ON ASSY 609069 ONLY				1	
	437612	• • YOKE AND CORE ASM USED ON ASSY 609070 ONLY				1	
	437613	• • YOKE AND CORE ASM USED ON ASSY 609071 ONLY				1	
24- 36	610163	• LATCH & INTERPOSER ASM				1	
24- 37	641	• SCREW LAT & INT ATTACH				4	
24- 38	1090873	• LWASHER				4	
24- 40	24511	• WASHER LAT & INTPR MTG				4	
24- 41	437627	• • PLATE UPPER LATCH SPRING				1	
24- 42	92	• • SCREW LATCH GUIDE				3	
24- 43	26513	• • SPRING LATCH				82	
24- 45	437636	• • PLATE LATCH GUIDE				1	
24- 46	92	• • SCREW LATCH GUIDE				3	
24- 47	437628	• • PLATE LOWER LATCH SPRING				1	
24- 48	2300	• • SCREW INT SPG ANCHOR MTG				2	
24- 50	437739	• • RETAINER INTPSR LINK				1	
24- 51	38364	• • SCR INTPSR LINK RET MTG				3	
24- 52	437711	• • CLAMP OIL WICK				1	
24- 53	437712	• • WICK OIL				1	
24- 55	92	• • SCREW LATCH GUIDE				4	
24- 56	437631	• • LATCH ROW NO 1				20	
24- 57	437632	• • LATCH ROW NO 2				20	
24- 58	437633	• • LATCH ROW NO 3				20	
24- 60	437634	• • LATCH ROW NO 4				20	
24- 61	437692	• • LATCH RETAINER REAR				1	
24- 62	437693	• • LATCH RETAINER FRONT				1	
24- 63	437722	• • LINK INTERPOSER				80	

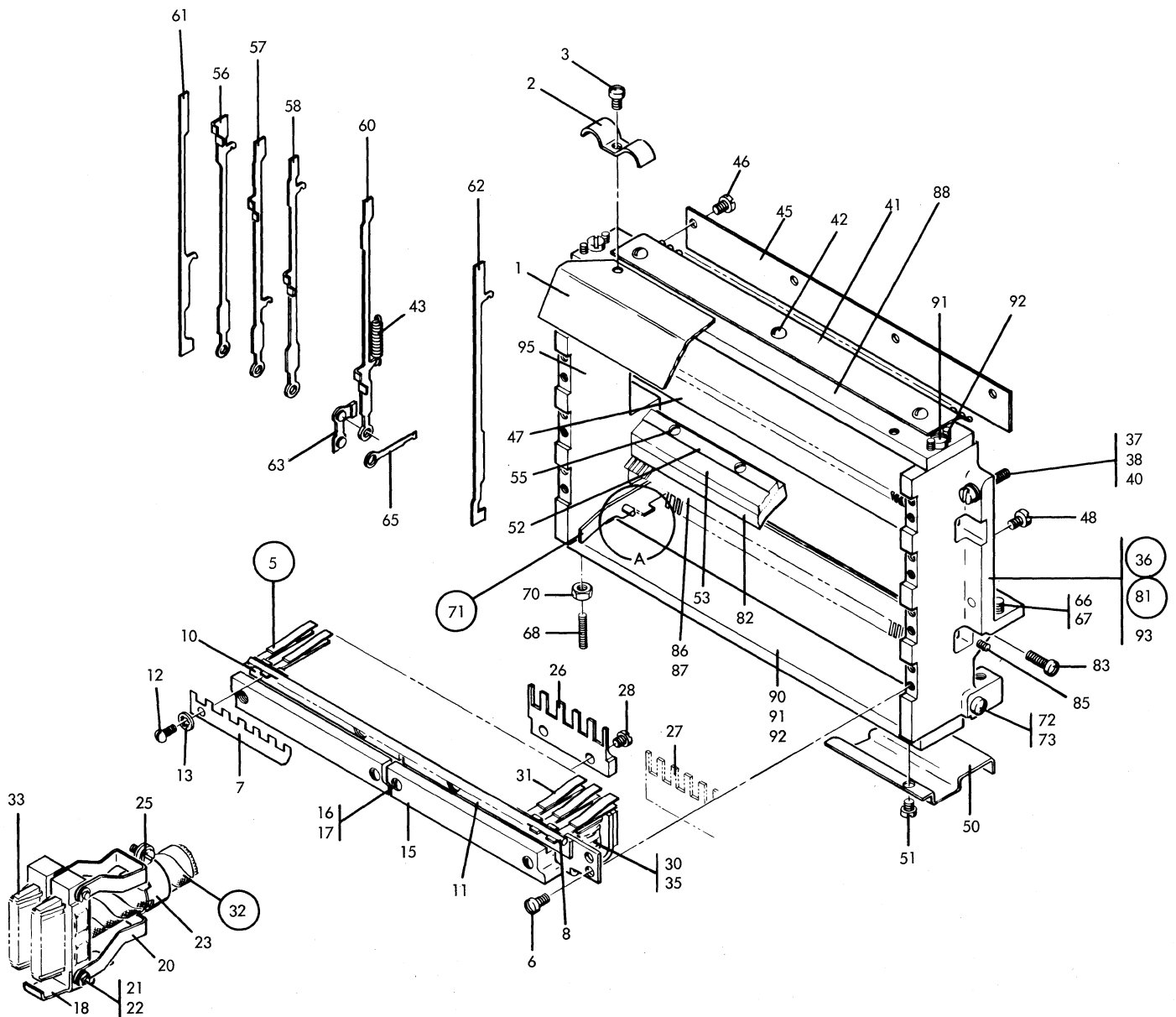
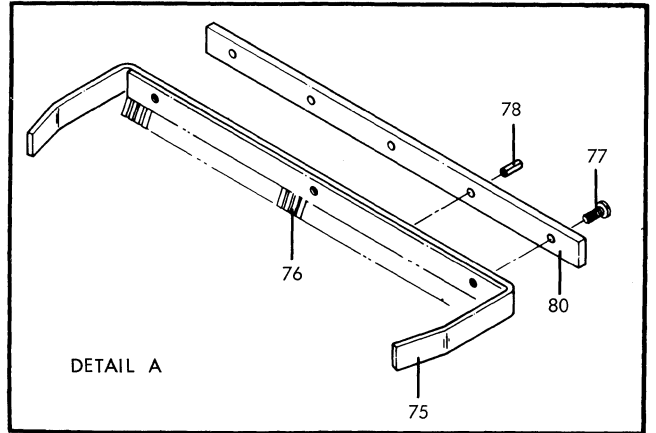
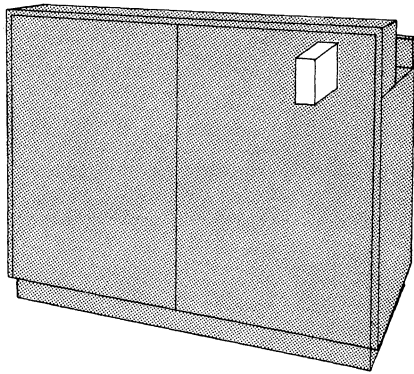


FIGURE 24. PUNCH UNIT ASM. REDESIGNED SHEET 1 OF 4, INDEX NOS. 1-95 SEE LIST 24

LIST AND INDEX NO.	PART NO.	DESCRIPTION	UNITS PER ASSY				USABLE ON CODE
			1	2	3	4	
		PUNCH UNIT ASM REDESIGNED					
		CONT					
24- 65	441739	• • INTERPOSER					80
24- 66	6503	• • LOCK NUT ADJ SCREW					2
24- 67	128172	• • SCREW ADJUSTING					2
24- 68	16076	• • SCREW LINK GD ADJ					2
24- 70	27073	• • LOCKNUT LINK GUIDE ADJ					2
24- 71	610162	• • INTERPOSER GUIDE ASM					1
24- 72	437761	• • STUD INTERPOSER GUIDE			ATT PT		2
24- 73	9092	• • L WASHER INTERPOSER GUIDE			ATT PT		2
24- 75	610158	• • • GUIDE INTERPOSER					1
24- 76	437637	• • • INTERPOSER GUIDE COMB					1
24- 77	38235	• • • SCREW			ATT PT		3
24- 78	234977	• • • ROLL PIN					2
24- 80	610161	• • • BAR INTERPOSER GUIDE					1
24- 81	610010	• • FRAME ASM LATCH & INTPSR					1
24- 82	437625	• • • GUIDE LATCH					1
24- 83	845	• • • SCREW LATCH GUIDE MTG			ATT PT		2
24- 85	216537	• • • TAPER PIN LINK GUIDE					4
24- 86	437626	• • • COMB LOWER LATCH GUIDE					1
24- 87	92	• • • SCREW LATCH COMB MTG			ATT PT		3
24- 88	437695	• • • COMB LATCH GUIDE					1
24- 90	441743	• • • LINK GUIDE			ATT PT		1
24- 91	845	• • • SCREW GUIDE BAR MTG LWR			ATT PT		2
24- 92	216537	• • • TAPER PIN LAT GD MTG					4
24- 93	□ 437674	• • • FRAME FRT MAG ASM SIDE					1
24- 95	□ 437675	• • • FRAME REAR MAG ASM SIDE					1
24- 96	601981	• DIE & STRIPPER ASM					1
24- 97	133742	• SCREW STRIPPER ASM MTG			ATT PT		4
24- 98	601933	• • TIE BAR					2
24-100	601946	• • SCREW TIE BAR			ATT PT		8
24-101	6364	• • LWASHER TIE BAR			ATT PT		8
24-102	601953	• • HANDLE ASSEMBLY					1
24-103	186758	• • SCREW HANDLE MTG			ATT PT		2
24-105	521185	• • • ROLL PIN					1
24-106	601955	• • • HANDLE					1
24-107	601954	• • CAM AND SLEEVE ASSEMBLY					1
24-108	601940	• • SCREW SHOULDER			ATT PT		1
24-110	601935	• • WASHER THRUST			ATT PT		1
24-111	601934	• • SHIM DIE LOCK			ATT PT		7
24-112	601986	• • COLUMN AND POST ASM					1
24-113	251820	• • SCREW HANDLE			ATT PT		4
24-115	6364	• • LWASHER HANDLE			ATT PT		4
24-116	601936	• • • PIN					1
24-117	601945	• • • CHIP SHIELD					1
24-118	601956	• • • CENTER POST					1
24-120	601957	• • • SUPPORT COLUMN					1
24-121	601971	• • DIE SUPPORT FRONT					1
24-122	186928	• • SCREW SUPPORT MTG			ATT PT		4
24-123	6364	• • LWASHER SUPPORT			ATT PT		4
24-125	601987	• • LUG AND PIVOT LINK ASM					1
24-126	257956	• • SET SCREW PIVOT MTG			ATT PT		1
24-127	601932	• • PIN PIVOT LINK			ATT PT		1
24-128	257312	• • • ROLL PIN					2
24-130	437289	• • • ROLL PIN					2
24-131	601968	• • • LUG					2
24-132	601931	• • • PIVOT LINK					1
24-133	601949	• • PLUNGER DIE INTERLOCK					1
24-135	601978	• • DEFLECTOR CHIP LEFT					1
24-136	601979	• • DEFLECTOR CHIP RIGHT					1
24-137	53042	• • SCREW DEFLECTOR MTG			ATT PT		6
24-138	134996	• • SPRING					1
24-140	239281	• • STUD SPRING MTG			ATT PT		1
24-141	601965	• • DIE STRIPPER PUNCH ASM					1
24-142	601942	• • • CARD GUIDE STRIPPER					1
24-143	251970	• • • SCREW CARD GUIDE			ATT PT		5
24-145	437683	• • • PLATE					1
24-146	42026	• • • SCREW			ATT PT		5
24-147	1090873	• • • LWASHER			ATT PT		5

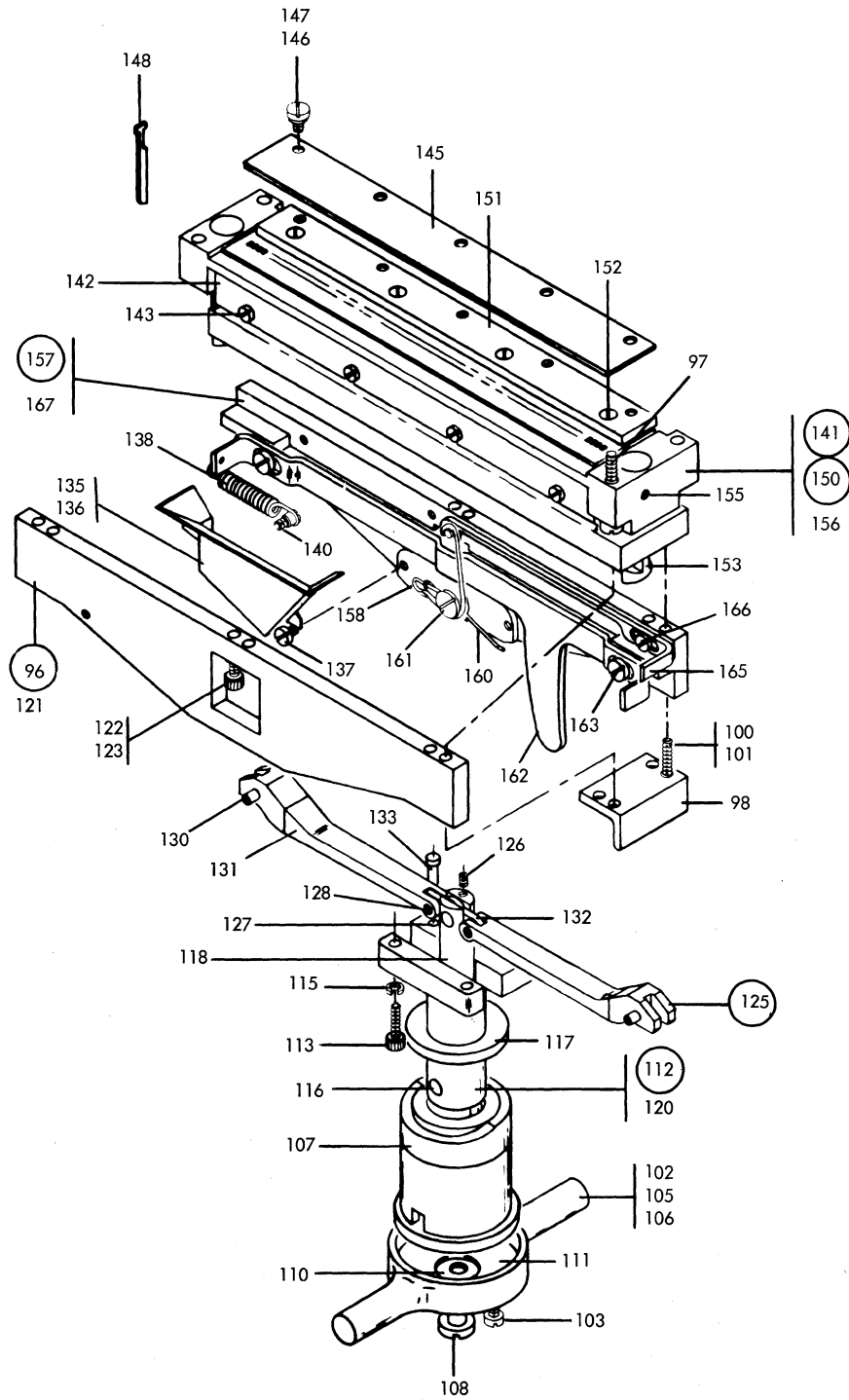


FIGURE 24. PUNCH UNIT ASM REDESIGNED SHEET 2 OF 4, INDEX NOS. 96-167 SEE LIST 24.

LIST AND INDEX NO.	PART NO.	DESCRIPTION				UNITS PER ASSY	USABLE ON CODE
		1	2	3	4		
		PUNCH UNIT ASM REDESIGNED					
		CONT					
24-148	600963	• • •	PUNCH			80	
24-150	601960	• • •	DIE AND STRIP PLATES ASM			1	
24-151	□ 601952	• • • •	SPACER PUNCH SPRING STOP			1	
24-152	25625	• • • •	SCREW SPACER MOUNTING	ATT PT		4	
24-153	□ 601958	• • • •	PIN SUPPORT			2	
24-155	601264	• • • •	ROLL PIN			2	
24-156	□ 601961	• • • •	BLOCK ASM			1	
24-157	601966	• • •	EJECTOR & INT LOCK ASM			1	
24-158	601937	• • •	INTERLOCK PIVOT			1	
24-160	601947	• • •	SPRING INTERLOCK RETURN			1	
24-161	601939	• • •	SCREW INTERLOCK PIVOT	ATT PT		1	
24-162	601972	• • •	EJECTOR			1	
24-163	601938	• • •	SCREW SHOULDER EJECTOR	ATT PT		2	
24-165	601973	• • •	INTERLOCK PLUNGER			1	
24-166	601948	• • •	SCREW INTERLOCK GUIDE	ATT PT		1	
24-167	601970	• • •	DIE SUPPORT REAR			1	
24-168	610166	•	POINTER PCH UNIT TIMING			1	
24-170	38261	•	SCREW - POINTER MTG	ATT PT		2	
24-171	607151	•	PULLEY ASM			1	
24-172	129654	•	SCREW PULLEY	ATT PT		2	
24-173	610165	•	INDEX PCH UNIT TIMING			1	
24-175	38261	•	SCREW	ATT PT		3	
24-176	257985	•	WASHER	ATT PT		3	
24-177	610164	•	HUB PCH UNIT INDEX			1	
24-178	257969	•	SCREW DIAL HUB	ATT PT		2	
24-180	101487	•	SPACER			1	
24-181	6503	•	NUT ADJ SCR LOCK			2	
24-182	128543	•	SET SCR PCH UNIT ADJ			2	
24-183	437964	•	SHIM DIE UNIT			1	
24-185	610093	•	BUSHING PUNCH UNIT MTG			4	
24-186	610160	•	CAM & BAIL ASM PCH UNIT			1	
24-187	607159	• •	PULLEY ASM DRIVE			1	
24-188	129654	• •	SCREW PULLEY LOCKING	ATT PT		2	
24-190	437531	• •	SPACER			1	
24-191	610110	• •	CAM SHAFT			1	
24-192	608029	• •	NUT CAM SHAFT BRG	ATT PT		4	
24-193	204326	• •	BEARING CAM SHAFT			2	
24-195	600576	• •	O RING BEARING RET			1	
24-196	437682	• •	RETAINER BEARING			1	
24-197	52607	• •	SCREW BRG RETAINER	ATT PT		3	
24-198	607474	• •	HANDLE PUNCH UNIT			1	
24-200	257974	• •	SCREW HANDLE SET	ATT PT		2	
24-201	11587	• •	PIN PUNCH UN HANDLE	ATT PT		2	
24-202	607157	• •	SIDE FRAME ASM PCH UNIT			1	
24-203	122856	• • •	TAPER PIN TOP PLATE MTG	ATT PT		4	
24-205	607158	• • •	PLATE TOP MTG			1	
24-206	104763	• • •	SCREW TOP PLATE MTG	ATT PT		4	
24-207	437716	• • •	TIE BAR SIDE FRAME			1	
24-208	1500	• • •	SCREW SPACER BAR MTG	ATT PT		4	
24-210	437623	• • •	FRAME FRONT SIDE			1	
24-211	437624	• • •	FRAME REAR SIDE			1	
24-212	437746	• • •	CASTING BEARING PIVOT			1	
24-213	2994	• • •	SCR PIV SFT BRG ASM MTG	ATT PT		4	
24-215	607904	• • •	PIN TAPER SFT BRG ASM	ATT PT		2	
24-216	203524	• • •	COLLAR CAM FOLL SHAFT			4	
24-217	23857	• • •	SET SCREW-SHAFT COLLAR MTG	ATT PT		8	
24-218	122772	• • •	WASHER CAM FOLL SHAFT			2	
24-220	601368	• • •	SHAFT ASM CAM FOLL			1	
24-221	23857	• • •	SET SCR PIV SHFT	ATT PT		2	
24-222	171059	• • •	FITTING-GREASE			2	
24-223	437713	• • •	SHAFT-CAM FOLLOWER			1	
24-225	441683	• • •	SPACER CAM FOLL SHAFT			2	
24-226	610156	• • •	CAM FOLL ASM SETUP FRT			1	
24-227	610157	• • •	CAM FOLL ASM SETUP REAR			1	
24-228	610131	• • •	BEARING BAIL CAM FOL			1	
24-230	160017	• • •	NUT ECC CAM FOLL SFT	ATT PT		1	
24-231	6935	• • •	L WASHER ECC CAM FOLL SFT	ATT PT		1	

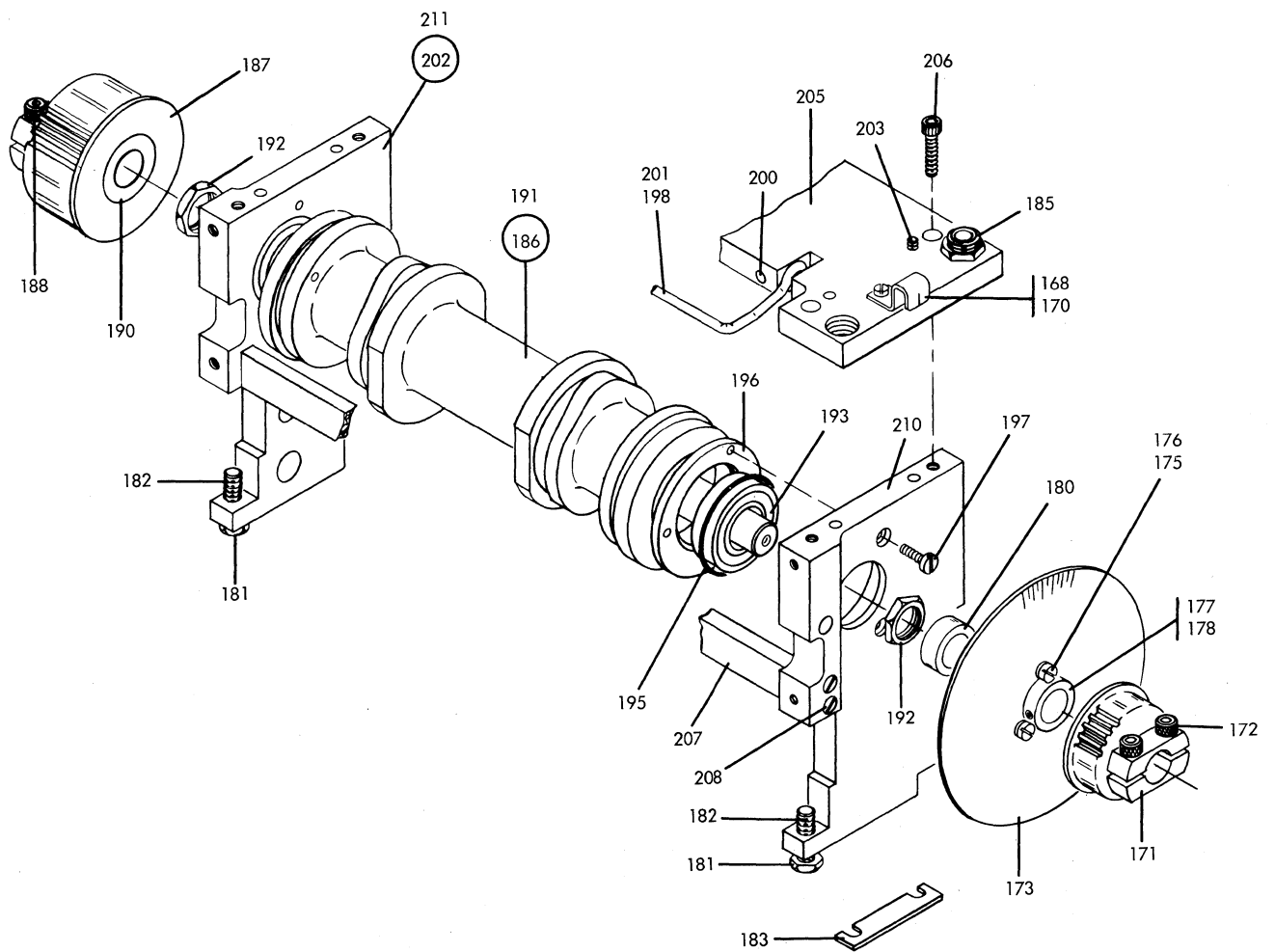


FIGURE 24. PUNCH UNIT ASM. REDESIGNED SHEET 3 OF 4, INDEX NOS. 168-211 SEE LIST 24.

LIST AND INDEX NO.	PART NO.	DESCRIPTION				UNITS PER ASSY	USABLE ON CODE
		1	2	3	4		
		PUNCH UNIT ASM REDESIGNED					
		CONT					
24-232	610130	• • •	STUD SETUP BAIL CAM FOL	ATT PT	1		
24-233	610131	• • •	BEARING BAIL CAM FOL		1		
24-235	11598	• • •	NUT SETUP CAM FOLL SFT	ATT PT	1		
24-236	9092	• • •	L WASHER SETUP CAM FOLL SFT	ATT PT	1		
24-237	610127	• • •	STUD SET UP BAIL CAM FOL	ATT PT	1		
24-238	150698	• • •	SPACER		1		
24-240	610128	• • •	SLEEVE BAIL CAM FOLL		1		
24-241	441712	• • •	LINK ASM BRG FT		1		
			USED ON ASSY 610156 ONLY				
24-242	441713	• • •	LINK ASM BRG REAR		1		
			USED ON ASSY 610157				
24-243	438145	• • • •	GREASE FITTING		1		
24-245	441687	• • • •	BRG SETUP BAIL LINK		2		
24-246	441709	• • • •	LINK SETUP BAIL REAR		1		
			USED ON ASSY 441713 ONLY				
24-247	441710	• • • •	LINK SETUP BAIL FT		2		
			USED ON ASSY 441712 ONLY				
24-248	601395	• • •	ARM & BRG ASM FRONT		1		
			USED ON ASSY 610157 ONLY				
24-250	601396	• • •	ARM AND BRG ASM FRONT		1		
			USED ON ASSY 610156 ONLY				
24-251	437737	• • • •	BEARING-CAM FOLL		1		
24-252	441592	• • • •	ARM-SETUP CAM FOLL-FT		1		
			USED ON ASSY 601396 ONLY				
24-253	441593	• • • •	ARM - SETUP CAM FOLL REAR		1		
			USED ON ASSY 601395 ONLY				
24-255	441509	• • •	STUD LINK PIVOT REAR		1		
24-256	441510	• • •	STUD LINK PIVOT FRONT		1		
24-257	11598	• • •	NUT LINK PIVOT STUD	ATT PT	2		
24-258	9092	• • •	LWSHR LINK PIVOT STUD	ATT PT	2		
24-260	23857	• • •	SET SCR LINK PIV STUD	ATT PT	2		
24-261	441566	• • •	BAIL ASM SET UP		1		
24-262	151720	• • •	SET SCREW SETUP BAIL	ATT PT	4		
24-263	□ 437679	• • •	BAIL SET UP		1		
24-265	196298	- - -	SCREW BAIL MTG	ATT PT	4		
24-266	□ 234704	• • •	DOWEL SET UP BAIL		4		
24-267	□ 610203	• • •	ARM SET UP BAIL		1		
24-268	□ 610204	• • •	ARM SET UP BAIL		1		
24-270	441567	• • •	SHAFT BAIL GUIDE PIVOT		1		
24-271	203524	• • •	COLLAR CAM FOLL SHAFT		2		
24-272	23857	• • •	SET SCR BAIL PIV SHAFT CL	ATT PT	4		
24-273	437667	• • •	GUIDE ASM PUNCH BAIL LEFT		1		
24-275	438447	• • •	GUIDE ASM PUNCH BAIL RIGHT		1		
24-276	109105	• • •	CLIP OIL TUBE RETAINER		2		
24-277	186759	• • •	SCREW OIL TUBE RET CLIP	ATT PT	2		
24-278	121025	• • •	OIL RESERVOIR BLOCK		1		
24-280	121098	• • •	WICK PUNCH UNIT OIL		1		
24-281	38383	• • •	SCREW OIL RESERVOIR	ATT PT	2		
24-282	438488	• • •	OIL TUBE		6		
			CUT LENGTH TO SUIT				
24-283	438482	• • •	BRACKET OIL TUBE		1		
24-285	28413	• • •	SCREW PCH UNIT OIL BRKT	ATT PT	2		
24-286	610167	• • •	PUNCH DRIVE ASM		1		
			SEE LIST 25 FOR DETAIL BREAKDOWN				
	NO NO.		SHIPPING GROUP		1		
24-288	219300	• • •	ROD CAMS ALIGN		1		
24-290	600914	• • •	GAGE SET UP BAIL		1		
24-291	610094	• • •	GAGE- DIE CARDGUIDE		1		

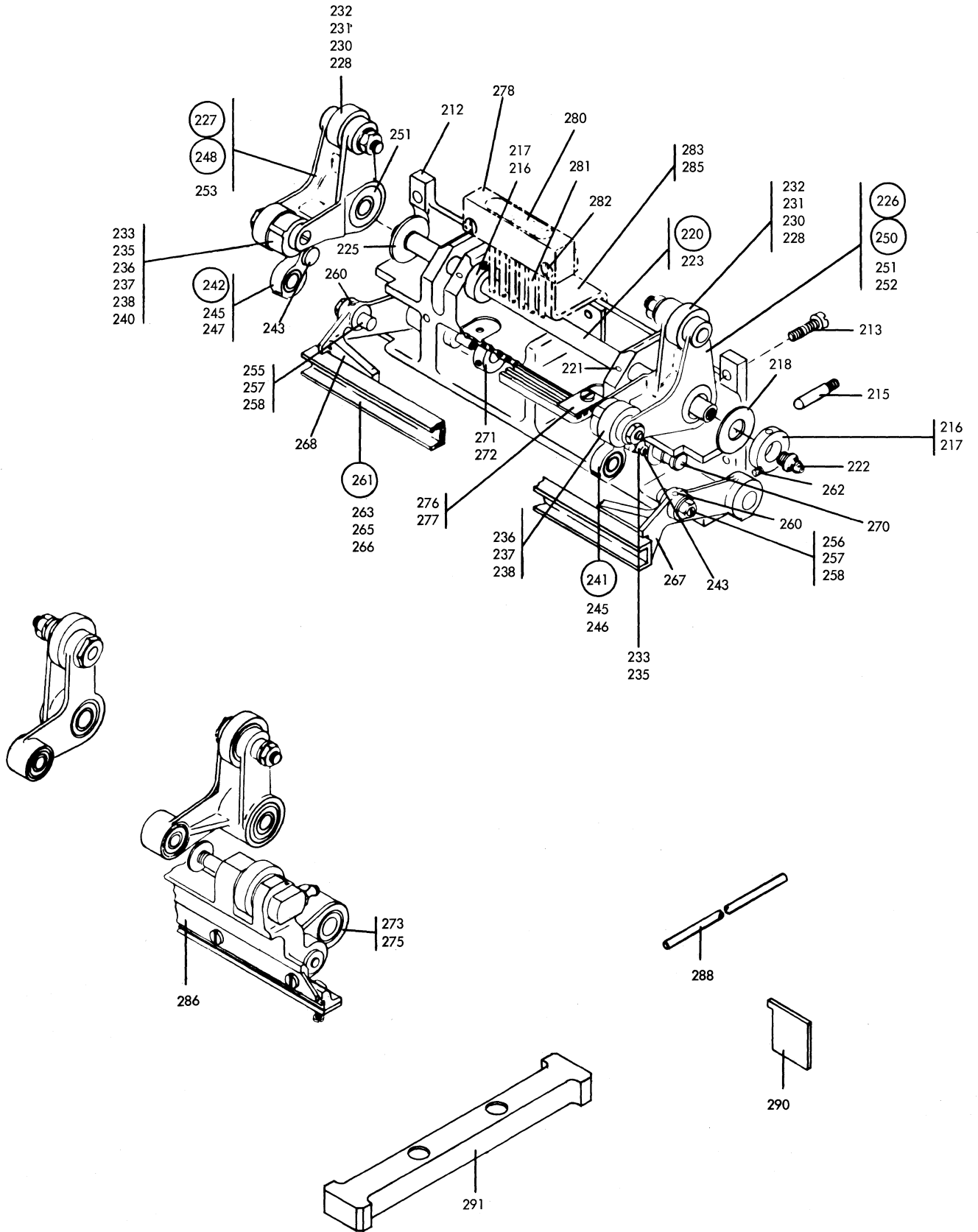


FIGURE 24. PUNCH UNIT ASM REDESIGNED SHEET 4 OF 4, INDEX NOS. 212-291 SEE LIST 24.

LIST AND INDEX NO.	PART NO.	DESCRIPTION 1 2 3 4	UNITS PER ASSY	USABLE ON CODE
		PUNCH DRIVE ASM		
25-	* 610167	PUNCH DRIVE ASM SEE LIST 24-295 FOR NEXT HIGHER ASSEMBLY AND FIG. 25 FOR ILLUSTRATION	1	H
25- 1	437719	• BAIL PUNCH RESTORING	1	
25- 2	610124	• BAIL PUNCH DRIVE	1	
25- 3	23087	• SCREW	9	
25- 5	610122	• CAM FOL ASM REAR	1	
25- 6	610123	• CAM FOLL ASM FRONT	1	
25- 7	610116	• • SHAFT PUNCH BAIL COMP	1	
25- 8	610117	• • BRG PUNCH BAIL CAM FOLL	1	
25- 10	610118	• • SPACER CAM FOLLOWER	1	
25- 11	610120	• • SPACER CAM FOLLOWER	1	
25- 12	160017	• • NUT CAM FOLLOWER	1	
25- 13	6935	• • LWASHER CAM FOLL SHAFT	1	
25- 15	610114	• • ARM AND BRG ASM REAR USED ON ASSY 610122 ONLY	1	
25- 16	610115	• • ARM & BRG ASM FRONT USED ON ASSY 610123 ONLY	1	
25- 17	160017	• NUT PUNCH BAIL SHAFT	2	
25- 18	6935	• LWASHR PUNCH BAIL SHAFT	2	
25- 20	65880	• WASHER PCH BAIL SHAFT	2	
25- 21	437576	• SPACER PUNCH CAM ARM	2	
25- 22	437723	• • • BEARING CAM FOLL	1	
25- 23	437737	• • • BEARING CAM FOLL	1	
25- 25	610111	• • • ARM PCH CAM FOLL FRT USED ON ASSY 610115 ONLY	1	
25- 26	610112	• • • ARM PCH CAM FOLL REAR USED ON ASSY 610114 ONLY	1	
25- 27	610126	• SHAFT ASM PUNCH BAIL	2	
25- 28	□ 437641	• • PLUG OIL PUN BAIL SFT	1	
25- 30	□ 438145	• • FITTING GREASE	1	
25- 31	□ 610125	• • SHAFT PUNCH BAIL ACTIVE	1	
25- 32	610117	• BRG PCH BAIL CAM FOLL	2	
25- 33	610118	• SPACER CAM FOLLOWER	2	
25- 36	601238	• WICK PUNCH BAIL OIL	2	
25- 37	610212	• BAIL ASM PUNCH	1	

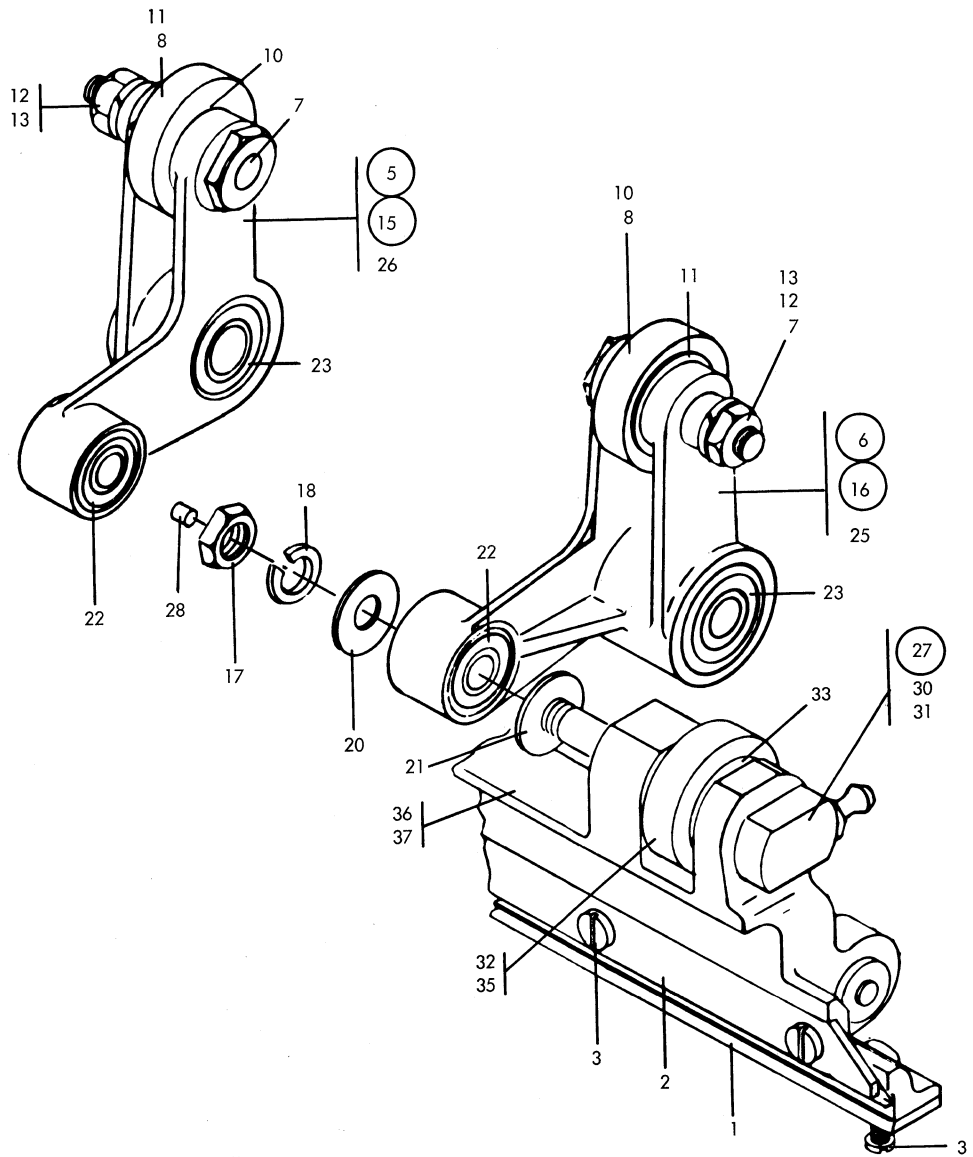


FIGURE 25. PUNCH DRIVE ASM. REDESIGNED SEE LIST 25.

LIST AND INDEX NO.	PART NO.	DESCRIPTION				UNITS PER ASSY	USABLE ON CODE
		1	2	3	4		
		RETRACTABLE BRUSH ASM P F					
26-	* 607258	RETRACTABLE BRUSH ASM P F				1	E
26-	* 610181	RETRACTABLE BRUSH ASM P F SEE LIST 3-115 FOR NEXT HIGHER ASSEMBLY AND FIG. 26 FOR ILLUSTRATION				1	F
26- 1	607267	• RELEASE BR HOLDER LH				1	
26- 2	607269	• RELEASE BR HOLDER RH				1	
26- 3	607473	• SCREW RELEASE ASM MTG				4	
26- 5	610151	• BAR BR GD SUPPORT				1	
26- 6	38443	• SCREW BR GD SUPP BAR MTG				4	
26- 7	610150	• GUIDE BRUSH				1	
26- 8	38235	• SCREW BR GD MTG				4	
26- 10	108779	• SPRING				2	
26- 11	477037	• SET SCREW				2	
26- 12	607262	• BAR BR HOLDER TIE				1	
26- 13	38351	• SCREW TIE BAR MTG				2	
26- 15	608448	• FRAME BRUSH HOLDER RT USED ON ASSY 610181 ONLY				1	
26- 15	607263	• HOLDER - BRUSH FRAME RIGHT USED ON ASSY 607258 ONLY				1	
26- 16	608453	• FRAME BRUSH HOLDER LT USED ON ASSY 610181 ONLY				1	
26- 16	607264	• HOLDER - BRUSH FRAME LEFT USED ON ASSY 607258 ONLY				1	
26- 17	608211	• BRKT SUPPORT BRUSH LCKG				1	
26- 18	38350	• SCREW BRKT SUPPORT MTG				2	
26- 20	6364	• LWASHER BRKT SUPPORT MTG				2	
26- 21	8519	• SPRING				1	
26- 22	608215	• STUD BR UNIT LOCKING				2	
26- 23	607272	• BAR BR HLDR REL MTG				1	
26- 25	38351	• SCREW BAR MTG				4	
26- 26	6364	• LWASHER BAR MTG				4	
26- 27	608297	• SHIM - BRUSH RELEASE BAR				AR	
26- 28	196698	• SCREW				2	
26- 30	608234	• FRAME ASM BR UNIT LT				1	
26- 31	608235	• FRAME ASM BR UNIT RT				1	
26- 32	* 607259	• HOLDER ASM BRUSH				1	N
26- 33	* 610272	• BRUSH HOLDER ASM				1	O
26- 35	* 472965	• BRUSH USED ON ASSEMBLY 607259 ONLY				80	N
26- 36	* 610271	• BRUSH USED ON ASSEMBLY 610272 ONLY				80	O
26- 37	154404	• NUT - BRUSH CLAMP				80	
26- 38	257261	• BOLT - BRUSH CLAMP				80	
26- 40	249348	• BLOCK - BRUSH HOLDER				1	

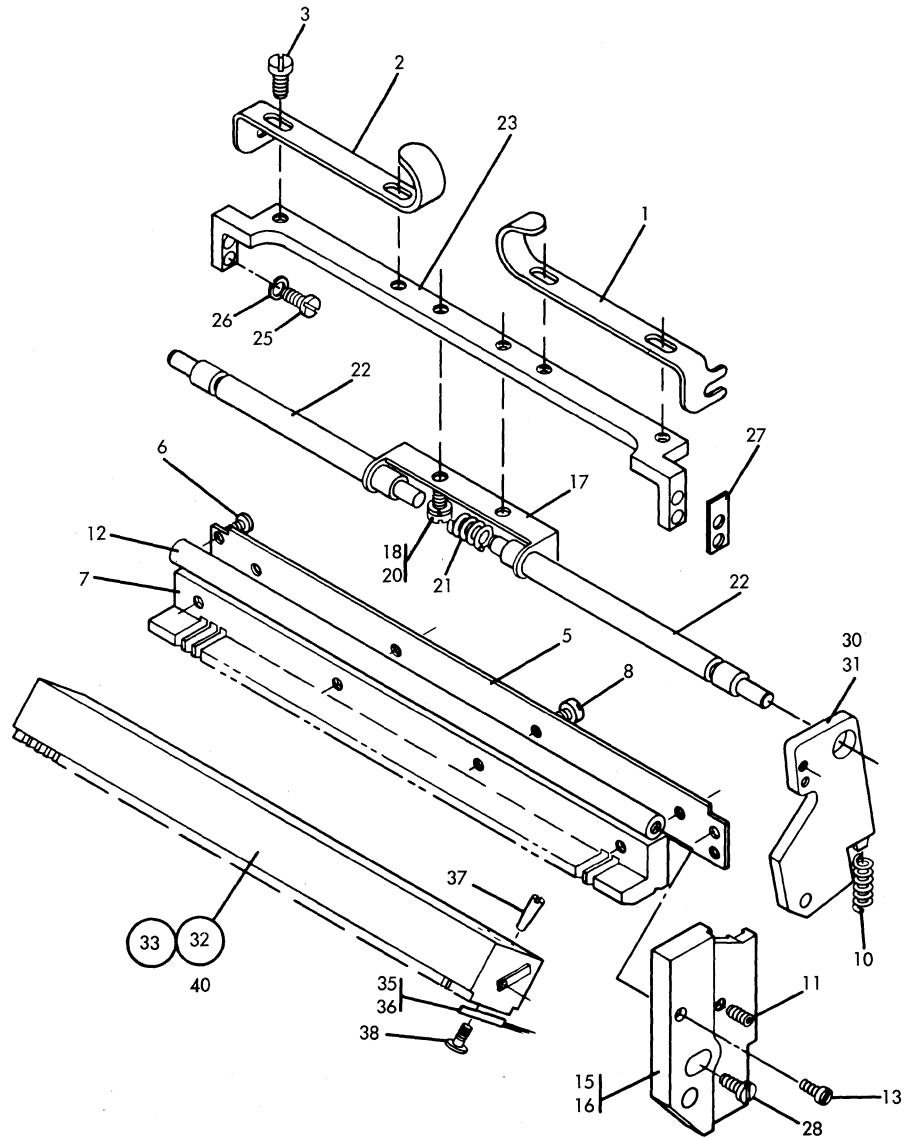


FIGURE 26. RETRACTABLE BRUSH UNIT ASM. P F SEE LIST 26.

LIST AND INDEX NO.	PART NO.	DESCRIPTION	UNITS PER ASSY	USABLE ON CODE
		PUNCH FEED ASM		
27-	615021	PUNCH FEED ASM SEE LIST 3-120 FOR NEXT HIGHER ASSEMBLY AND FIG. 27 FOR ILLUSTRATION	1	
27- 1	607651	• CARD GUIDE ASM UPR	1	
27- 2	607652	• • CARD GUIDE 1ST UPPER	1	
27- 3	2629	• • SCREW - CARD GUIDE MTG	2	ATT PT
27- 5	101545	• • RELEASE LEFT	1	
27- 6	101546	• • RELEASE RIGHT	1	
27- 7	28616	• • SCR - BRUSH HOLDER REL LEV	4	ATT PT
27- 8	438444	• • LOCK STUD BRUSH HOLDER	2	
27- 10	8519	• • SPRING BRUSH HLDR RELEAS	1	
27- 11	438443	• • LOCK BAR BRUSH HOLDER	1	
27- 12	236550	• • SCREW LOCK BAR MTG	4	ATT PT
27- 13	437543	• • TIE BAR BRUSH HOLDER	1	
27- 15	38264	• • SCREW TIE BAR MTG	4	ATT PT
27- 16	607653	• • SIDE PLATE LFT CD GD	1	
27- 17	607654	• • SIDE PLATE RH CD GD	1	
27- 18	609176	• COVER HOPPER PIVOT R	1	
27- 20	609177	• COVER HOPPER PIVOT L	1	
27- 21	58207	• SCREW - CVR MTG	4	ATT PT
27- 22	610145	• LINKAGE ASM	1	
27- 23	126065	• SCREW LINK	1	ATT PT
27- 25	117281	• NUT LINK	1	ATT PT
27- 26	607464	• STUD MAIN FRAME	1	ATT PT
27- 27	3550	• WASHER	1	ATT PT
27- 28	317138	• • GROMMET	1	
27- 30	607462	• • LINK ASM HOPPER	1	
27- 31	257700	• • CLIP LINK	2	ATT PT
27- 32	340031	• • WASHER LINK	4	ATT PT
27- 33	607465	• • LINK HOPPER	1	
27- 35	609437	• • LINK ASM HOPPER	1	
27- 36	125930	• • NUT LINK	1	ATT PT
27- 37	140777	• • WASHER LINK	1	ATT PT
27- 38	608125	• • SCREW LINK	1	ATT PT
27- 40	607077	• HOPPER ASM	1	
		SEE LIST 28 FOR DETAIL BREAKDOWN		
27- 41	607352	• RETAINER CAP PKR SHAFT	1	
27- 42	25627	• SCREW BEARING RETAINER	6	ATT PT
27- 43	156364	• BEARING PICKER KNIFE SHAFT	2	
27- 45	845	• SCREW PKR KNIFE SH	2	ATT PT
27- 46	55901	• LWASHER PKR KNIFE SH	2	ATT PT
27- 47	2903	• WASHER PKR KNIFE SH	2	ATT PT
27- 48	607870	• RETAINER BEARING	2	
27- 50	615425	• KNIFE & SHAFT ASM	1	
		SEE LIST 29 FOR DETAIL BREAKDOWN		
27- 51	607268	• COVER SWITCH	1	
27- 52	121756	• SWITCH CRANK INT	1	
27- 53	159373	• LWASHER SWITCH MTG	1	ATT PT
27- 55	609427	• BRACKET CRANK INT SW	1	
27- 56	38352	• SCREW BRKT MTG	3	ATT PT
27- 57	6364	• LWASHER BRKT MTG	3	ATT PT
27- 58	256443	• DECAL ROTATION	1	
27- 60	609426	• STUD CRANK	1	
27- 61	607656	• BELT TIMING	1	
27- 62	607050	• GENEVA ASM	1	
		SEE LIST 30 FOR DETAIL BREAKDOWN		
27- 63	169733	• SCREW GENEVA MTG	4	ATT PT
27- 65	609083	• TIMING BELT CR IDLER	1	
27- 66	607382	• PULLEY ASM DRIVE	1	
		SEE LIST 31 FOR DETAIL BREAKDOWN		
27- 67	59647	• SCREW DRIVE PULLEY MTG	4	ATT PT
27- 68	6935	• LOCKWASHER DRIVE PULLEY MTG	4	ATT PT
27- 70	140777	• WASHER DRIVE PULLEY MTG	4	ATT PT
27- 71	206567	• BELT PUN DRIVE	1	
27- 72	607508	• PULLEY ASM CLUTCH	1	
27- 73	24107	• NUT PULLEY MTG	1	ATT PT
27- 75	453	• WASHER PULLEY MTG	1	ATT PT

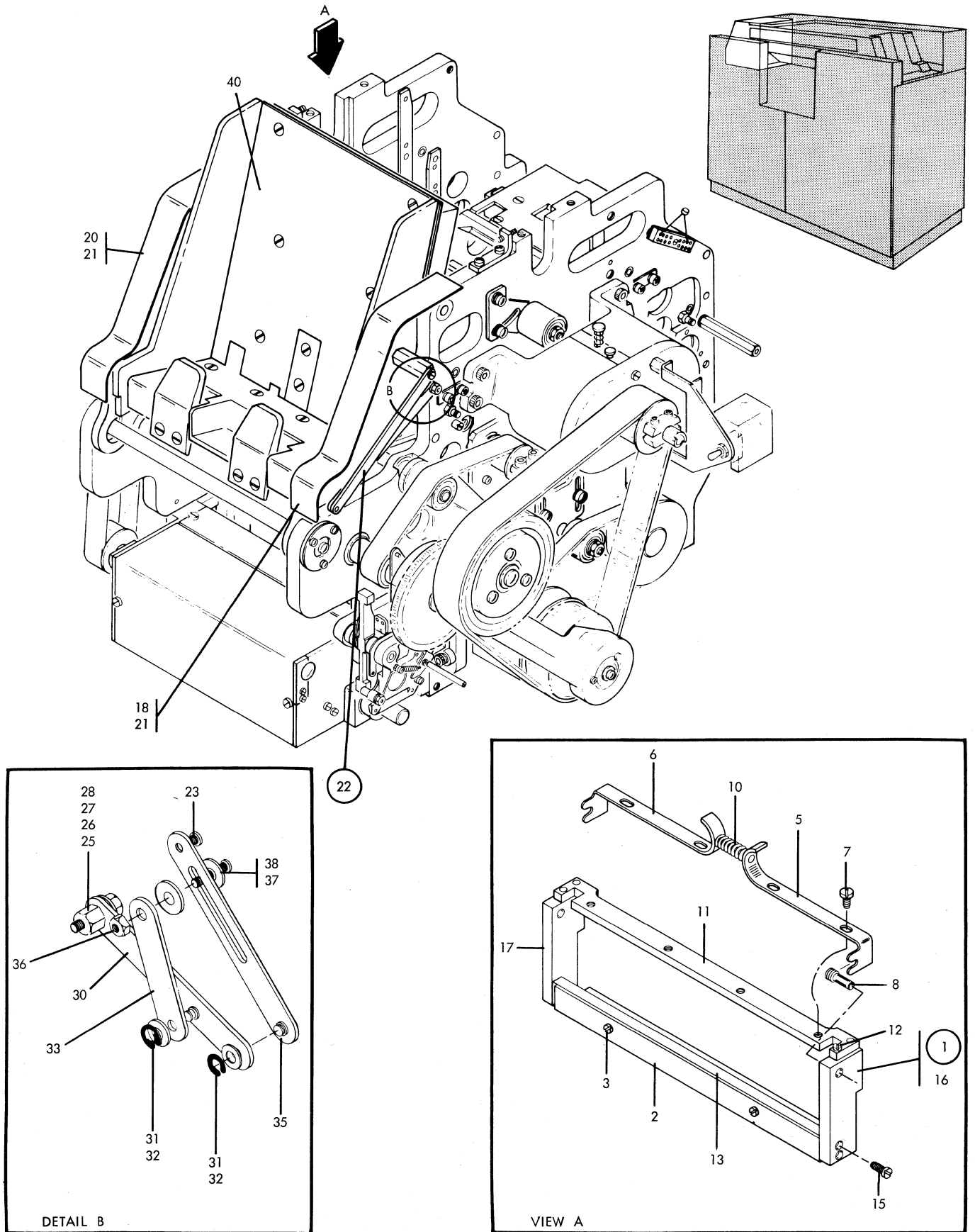


FIGURE 27. PUNCH FEED ASM. SHEET 1 OF 9, INDEX NOS. 1-40 SEE LIST 27.

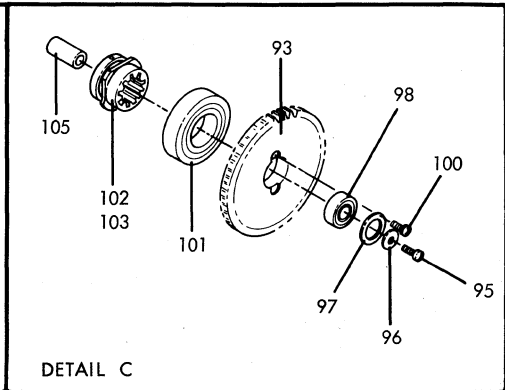
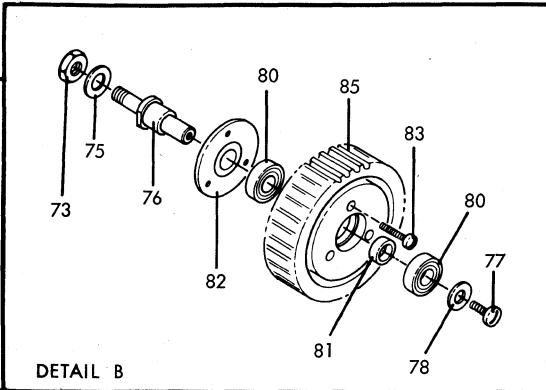
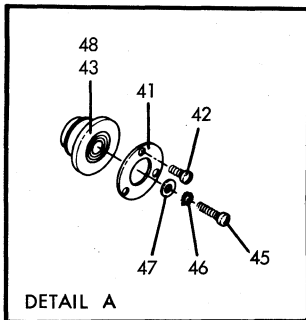
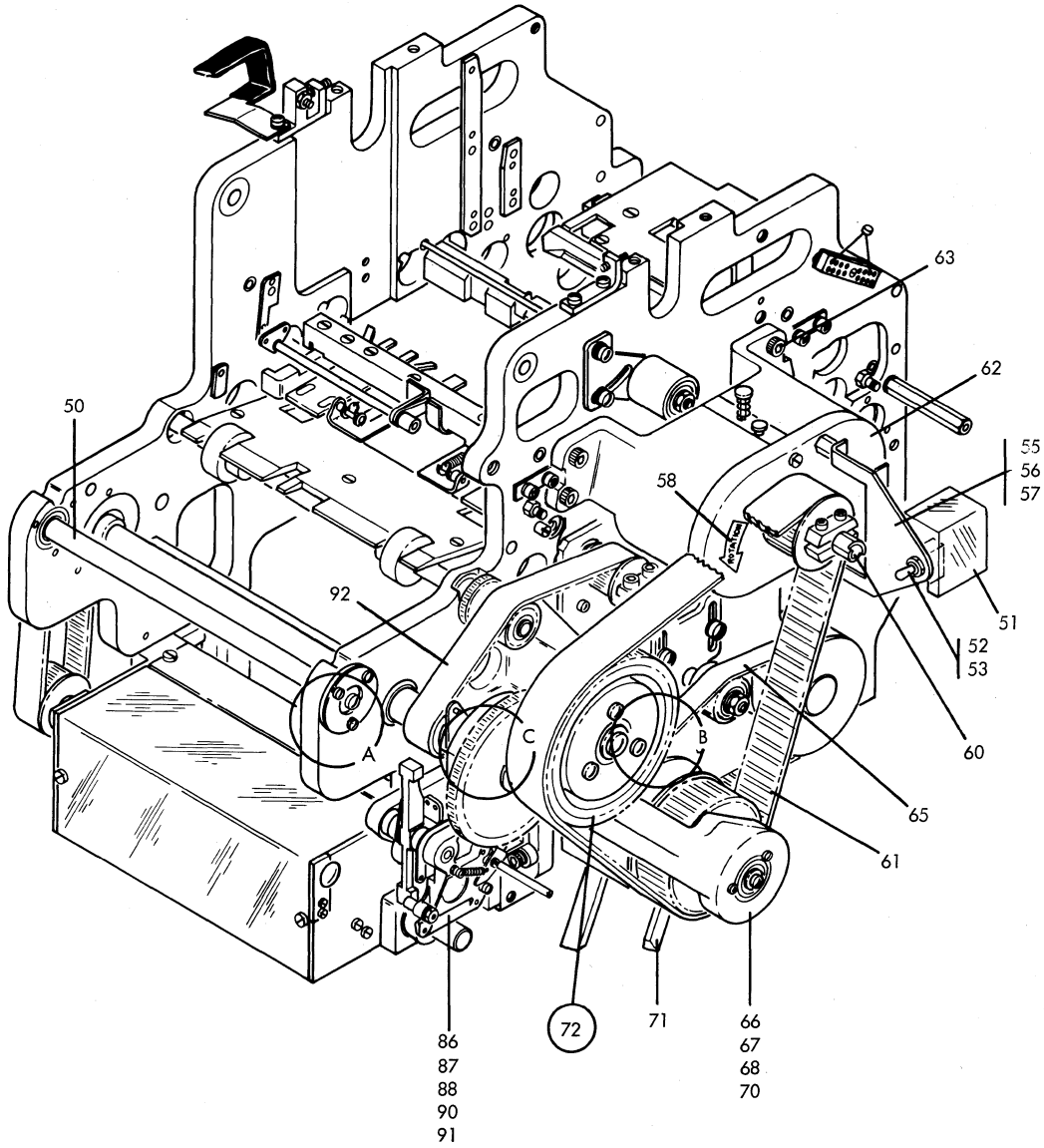


FIGURE 27. PUNCH FEED ASM. SHEET 2 OF 9, INDEX NOS. 41-105 SEE LIST 27.

LIST AND INDEX NO.	PART NO.	DESCRIPTION				UNITS PER ASSY	USABLE ON CODE
		1	2	3	4		
		PUNCH FEED ASM					
		CONT					
27- 76	607374	• •	STUD INPUT PULLEY MTG			1	
27- 77	32042	• •	SCREW PULLEY MTG	ATT PT		1	
27- 78	237032	• •	WASHER BRG RETAINER	ATT PT		1	
27- 80	156231	• •	BEARING			2	
27- 81	607376	• •	SPACER INPUT PULLEY BRG			1	
27- 82	607375	• •	PINION CLUTCH INPUT			1	
27- 83	358	• •	SCREW GEAR MTG	ATT PT		3	
27- 85	607628	• •	PULLEY CLUTCH DRIVE INPUT			1	
27- 86	609079	•	FEED CLUTCH ASM PUNCH			1	
		SEE LIST 33 FOR DETAIL BREAKDOWN					
27- 87	216837	•	PIN LOCATING	ATT PT		2	
27- 88	186935	•	SCREW CLU	ATT PT		2	
27- 90	6935	•	LWASHER CLUTCH	ATT PT		2	
27- 91	225741	•	WASHER CLUTCH MTG	ATT PT		2	
27- 92	607522	•	BELT DRIVE			1	
27- 93	608175	•	GEAR CLU INPUT			1	
27- 95	34512	•	SCREW BRG RET	ATT PT		1	
27- 96	150566	•	WASHER BRG RET	ATT PT		1	
27- 97	607529	•	RETAINER BEARING			1	
27- 98	156364	•	BEARING CLUTCH			2	
27-100	438566	•	SCREW BRG RET	ATT PT		2	
27-101	607846	•	BEARING CLU CAM			1	
27-102	608172	•	CAM CLUTCH			1	
27-103	608214	•	SET SCREW CAM MTG	ATT PT		3	
27-105	607528	•	SPACER CLU SHAFT			1	
27-106	608174	•	BRACKET PULLEY SUP			1	
27-107	186935	•	SCREW PULLEY MTG	ATT PT		3	
27-108	234966	•	SPRING CLUTCH DOG			1	
27-110	58853	•	SPRING CLU DETENT			1	
27-111	607569	•	TIMING BELT CLU CB			1	
27-112	607677	•	SHAFT ASM CLUTCH			1	
		SEE LIST 32 FOR DETAIL BREAKDOWN					
27-113	25627	•	SCREW RETAINER	ATT PT		3	
27-115	615016	•	INBOARD CB ASM			1	
		SEE LIST 34 FOR DETAIL BREAKDOWN					
27-116	81142	•	SCREW CB	ATT PT		4	
27-117	9092	•	LWASHER CB	ATT PT		4	
27-118	607557	•	BRACKET CB MTG			2	
27-120	358	•	SCREW - CB BRKT MTG	ATT PT		4	
27-121	9092	•	WASHER - CB BRKT MTG	ATT PT		4	
27-122	607655	•	CARD GUIDE LWR			1	
27-123	38352	•	SCREW CARD GUIDE	ATT PT		3	
27-125	156364	•	BEARING 1ST LWR			2	
27-126	38235	•	SCREW BEARING RET	ATT PT		2	
27-127	845	•	SCREW BEARING RET	ATT PT		1	
27-128	55901	•	LWASHER BEARING RET	ATT PT		1	
27-130	2903	•	WASHER BEARING RET	ATT PT		1	
27-131	607106	•	FEED ROLL ASM 1ST LWR			1	
		SEE LIST 35 FOR DETAIL BREAKDOWN					
27-132	238359	•	ARM ASM CARD LEVER			1	
27-133	607434	•	ALIGNER CARD LEVER			1	
27-135	344210	•	SET SCREW	ATT PT		4	
27-136	607436	•	BRACKET ASM CARD LEVER			1	
27-137	38350	•	SCREW CARD LEVER MTG	ATT PT		2	
27-138	607953	•	BRACKET ASM CD LVR			1	
27-140	38350	•	SCREW CD LVR BRG MTG	ATT PT		2	
27-141	6364	•	LWASHER CD LVR BRG MTG	ATT PT		2	
27-142	470102	•	SHAFT CARD LEVER			1	
27-143	607422	•	TIE BAR CARD GDE SUPP			1	
27-145	641	•	SCREW CARD GDE	ATT PT		4	
27-146	607369	•	BLOCK ALIGN LEFT			1	
27-147	5644	•	SCREW SIDE ALIGN LEFT	ATT PT		1	
27-148	607421	•	GUIDE UPR CARD			2	
27-150	610142	•	SHOE & GUIDE ASM			1	
27-151	610173	•	SHOE & GUIDE ASM			1	
27-152	607694	•	SCREW			6	
27-153	607428	• •	SHOE			1	

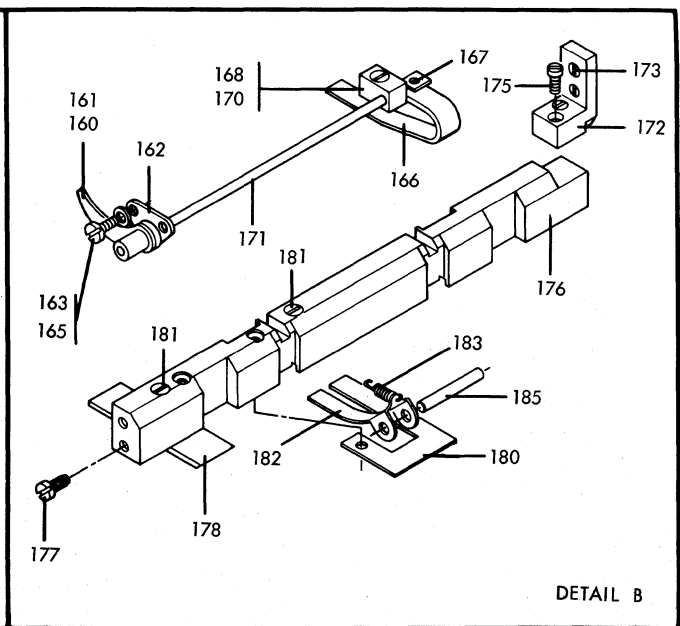
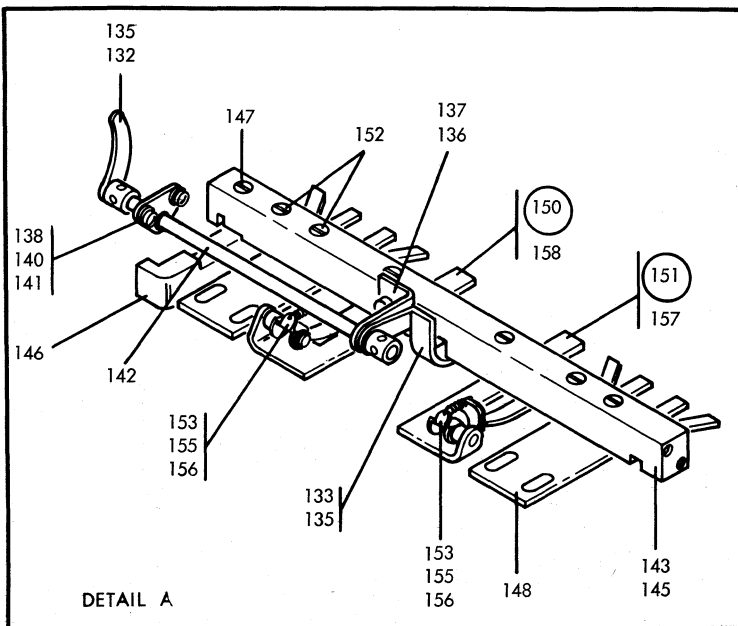
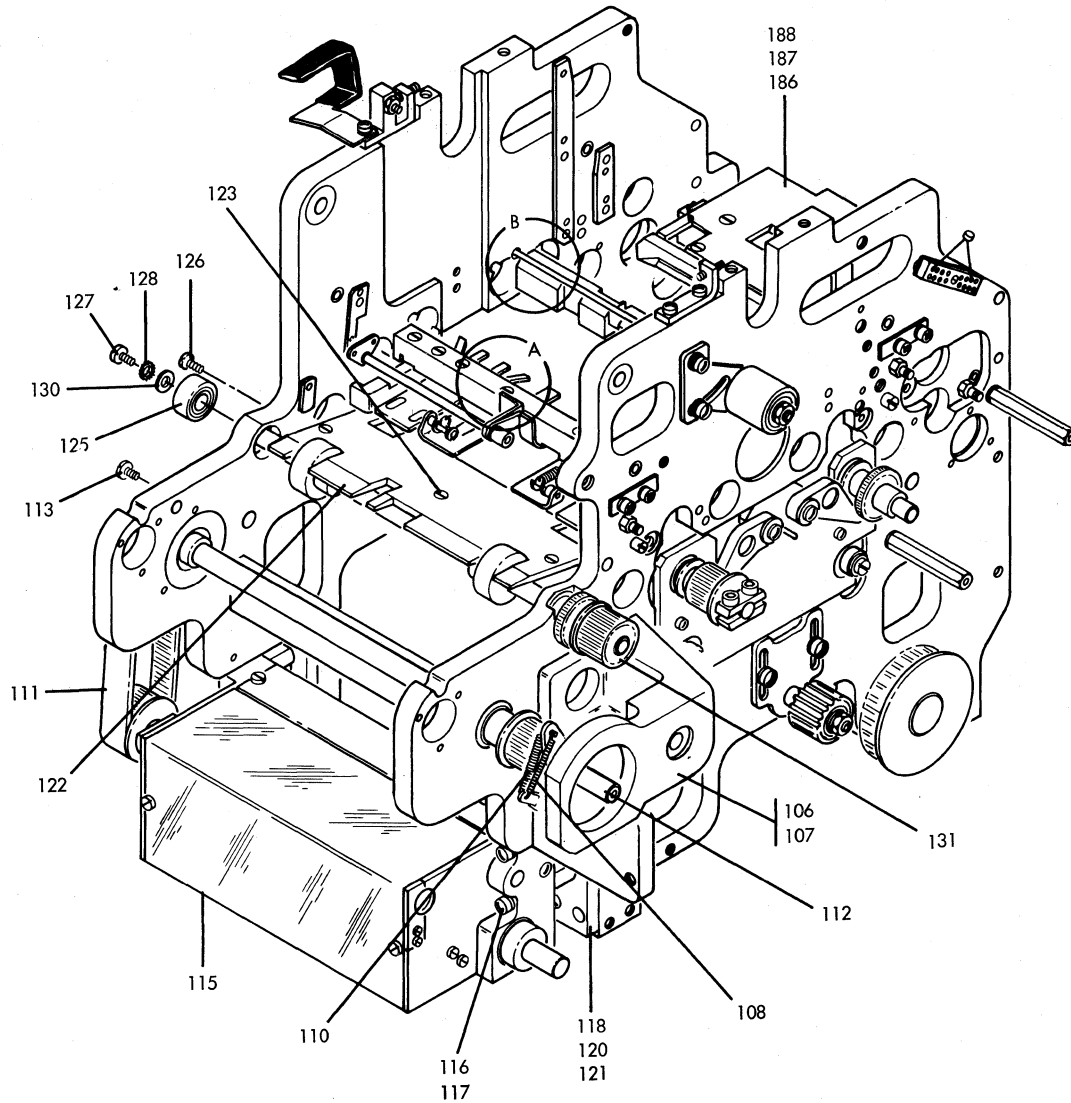


FIGURE 27. PUNCH FEED ASM. SHEET 3 OF 9, INDEX NOS. 106-188 SEE LIST 27.

LIST AND INDEX NO.	PART NO.	DESCRIPTION				UNITS PER ASSY	USABLE ON CODE
		1	2	3	4		
		PUNCH FEED ASM					
		CONT					
27-155	147297	• • CLIP SHOE MTG			ATT PT	1	
27-156	167790	• • SPRING				1	
27-157	607426	• • BRACKET				1	
27-158	607423	• • BRACKET USED ON ASSY 610173 ONLY				1	
27-160	238360	• ARM CARD LEVER				1	
27-161	344210	• SET SCREW CD LVR ARM MTG			ATT PT	2	
27-162	607953	• BRACKET CD LVR				1	
27-163	10170	• SCREW			ATT PT	2	
27-165	6364	• LOCKWASHER			ATT PT	2	
27-166	608243	• LEVER ASM CARD				1	
27-167	38433	• SCREW CD LVR MTG			ATT PT	1	
27-168	607469	• BLOCK BEARING				1	
27-170	38352	• SCREW CD LVR MTG			ATT PT	1	
27-171	607551	• SHAFT CARD LEVER				1	
27-172	608202	• BRACKET TIE BAR MTG				1	
27-173	34512	• SCREW TIE BAR BRACK MTG			ATT PT	2	
27-175	38352	• SCREW TIE BAR MTG			ATT PT	2	
27-176	608021	• BAR ASM CD GDE SUPP				1	
27-177	510379	• SCREW CD LVR TIE BAR			ATT PT	2	
27-178	607430	• GUIDE CARD				2	
27-180	607431	• GUIDE PIVOT CLAMP				2	
27-181	607695	• SCREW			ATT PT	8	
27-182	607433	• SHOE PRESSURE				2	
27-183	167790	• SPRING CD LEVER				2	
27-185	177741	• SHAFT PRESSER				2	
27-186	609065	• CD GUIDE ASM				1	
27-187	510379	SEE LIST 36 FOR DETAIL BREAKDOWN					
27-188	6364	• SCREW CD GD MTG			ATT PT	4	
27-190	607673	• LWASHER CARD GD MTG			ATT PT	4	
27-191	32617	• SHIELD - LWR FRAME				1	
27-192	49814	• SCREW - STEP ROLL SHIELD			ATT PT	1	
27-193	609099	• SCREW - STEP ROLL SHIELD			ATT PT	1	
27-195	610035	• BELT TIMING PUN ID SH DR				1	
27-196	338238	• CONTACT ASM CD LEVER				1	
27-197	118418	• SCREW CONTACT MTG			ATT PT	2	
27-198	11899	• • SCREW				2	
27-200	1882	• • INSULATOR CONTACT SPG				1	
27-201	106988	• • INSULATION CONT SPG ASM				1	
27-202	11900	• • CONTACT ASM CARD LEVER				1	
27-203	152711	• • INSULATION CONTACT SPG				2	
27-205	107070	• • TERMINAL ASM CONTACT				1	
27-206	173204	• • CONTACT SPG ASM CARD LEV				1	
27-207	100359	• • SCREW CONTACT MTG			ATT PT	2	
27-208	610034	• • TUBE INSULATION			ATT PT	2	
27-210	607567	• • BRKT SWITCH MTG				1	
27-211	338238	• CONTACT ASM CARD LEVER				1	
27-212	118418	• SCREW CONTACT MTG			ATT PT	2	
27-213	11899	• • SCREW				2	
27-215	138709	• • INSULATOR CONTACT SPG				1	
27-216	106988	• • INSULATION CONTACT SPG				1	
27-217	11900	• • CONTACT ASM CARD LEVER				1	
27-218	21866	• • INSULATION CONTACT SPG				2	
27-220	107070	• • TERMINAL ASM CONTACT				1	
27-221	239236	• • CONTACT SPG ASM CARD LEV				1	
27-222	173204	• • SPRING BACK UP				1	
27-223	100359	• • SCREW CONTACT MTG			ATT PT	2	
27-225	607568	• • TUBE INSULATION			ATT PT	2	
27-226	607139	• • BRKT CONTACT LEVER				1	
27-227	38352	• FEED ROLL ASM INTERMED				2	
27-228	6364	• SCREW INTERMEDIATE RL			ATT PT	2	
27-230	1091508	• LWASHER INTERMEDIATE RL			ATT PT	2	
27-231	607140	• WASHER INTERMEDIATE RL			ATT PT	2	
27-232	8427	• GEAR INTER SFT DR				1	
27-233	607141	• TAPER PIN GEAR MTG			ATT PT	1	
		• • SPACER				1	

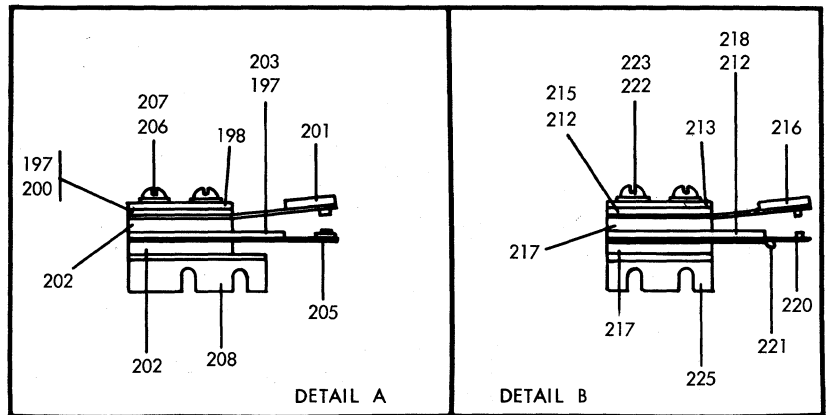
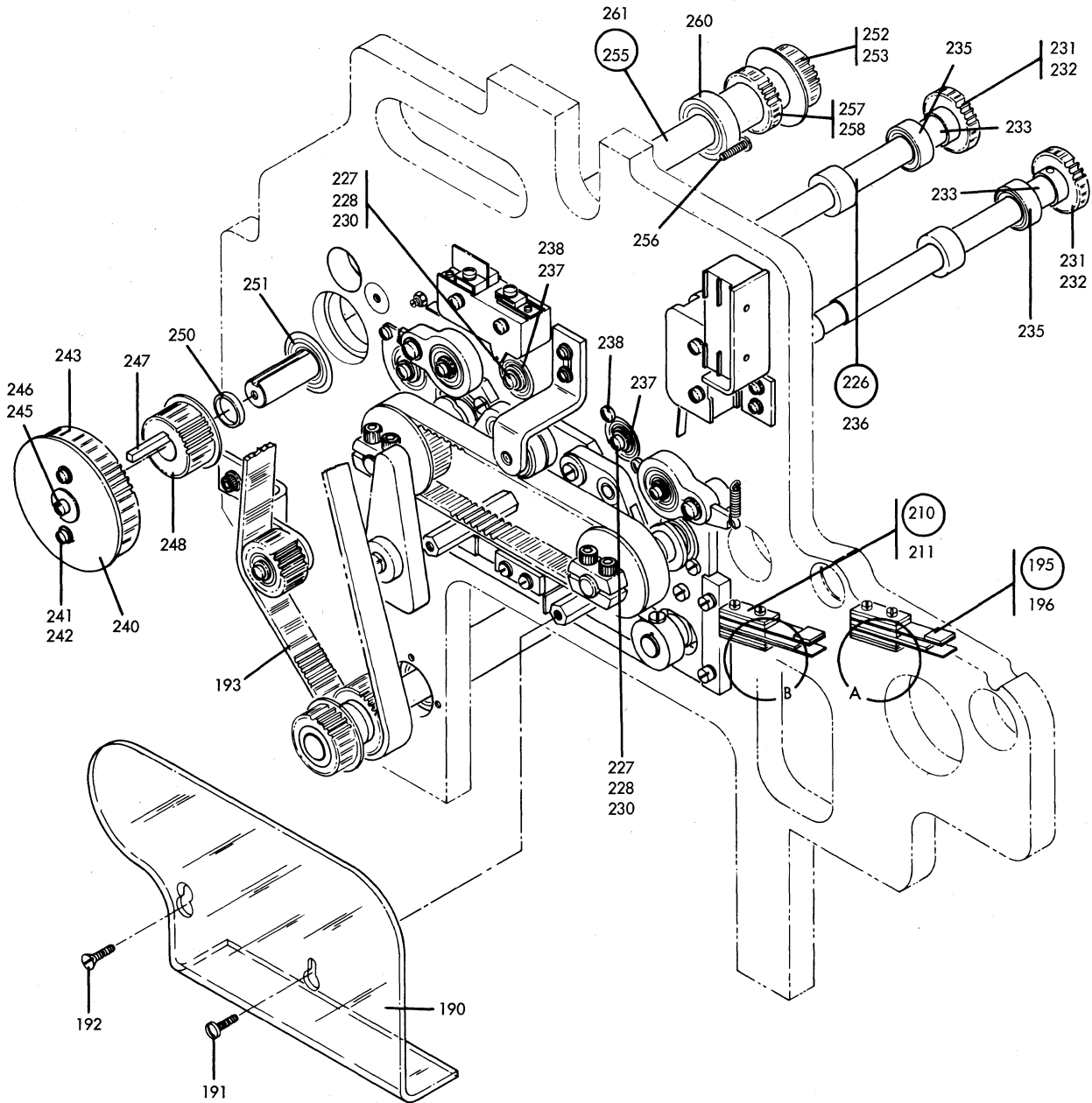


FIGURE 27. PUNCH FEED ASM. SHEET 4 OF 9, INDEX NOS. 190-261 SEE LIST 27.

LIST AND INDEX NO.	PART NO.	DESCRIPTION	UNITS				USABLE ON CODE
			1	2	3	4	
		PUNCH FEED ASM					
		CONT					
27-235	156364	• • BEARING					1
27-236	□ 607142	• • FEED ROLL					1
27-237	156364	• BEARING					2
27-238	38235	• SCREW BEARING RET			ATT PT		7
27-240	615045	• FLANGE PULLEY					1
27-241	38352	• SCREW FLANGE MTG			ATT PT		2
27-242	6364	• LWASHER FLANGE MTG			ATT PT		2
27-243	615044	• PULLEY TIMING BELT					1
27-245	337	• SCREW PULLEY MTG			ATT PT		1
27-246	110029	• WASHER PULLEY MTG			ATT PT		1
27-247	14102	• KEY PULLEY MTG					1
27-248	609091	• PULLEY IDLER SHAFT					1
27-250	144040	• SPACER PULLEY MTG					1
27-251	156231	• BEARING IDLER SHAFT					1
27-252	609094	• PULLEY TRANSPORT DRIVE					1
27-253	123639	• SET SCREW PULLEY			ATT PT		2
27-255	609089	• IDLER SHAFT ASM PUNCH					1
27-256	38235	• SCREW BEARING RET			ATT PT		3
27-257	□ 609085	• • GEAR-IDLER					1
27-258	310113	• • PIN-GEAR			ATT PT		1
27-260	156231	• • BEARING-IDLER SHAFT					1
27-261	□ 609090	• • SHAFT-IDLER					1
27-262	□ 607360	• TIGHTENER BELT					1
27-263	24752	• SCREW TIGHTNER MTG			ATT PT		2
27-265	22478	• WASHER TIGHTNER MTG			ATT PT		2
27-266	156364	• • BRG BELT TIGHTENER					2
27-267	38235	• • SCREW BRG RETAINER			ATT PT		1
27-268	1091508	• • WASHER BRG RETAINER			ATT PT		1
27-270	607361	• • BRKT ASM 5TH LWR RL,BLT					1
27-271	607520	• BELT TIMING					1
27-272	105197	• SWITCH HOPPER INTERLOCK					1
27-273	438014	• SWITCH MICRO					1
27-275	238364	• SWITCH					1
27-276	438553	• SCREW SWITCH MTG			ATT PT		6
27-277	257985	• WASHER SWITCH MTG			ATT PT		4
27-278	607083	• BRACKET HOPPER INTERLOCK					1
27-280	38353	• SCREW BRKT MTG			ATT PT		2
27-281	257986	• WASHER BRKT MTG			ATT PT		2
27-282	204363	• CLAMP CABLE					1
27-283	2031	• SCREW - CABLE CLAMP MTG			ATT PT		1
27-285	1090873	• LWASHER - CABLE CLAMP MTG			ATT PT		1
27-286	609106	• BELT TIGHTNER ASM					1
27-287	437763	• SCREW IDLER MTG			ATT PT		2
27-288	45690	• WASHER IDLER MTG			ATT PT		2
27-290	□ 609105	• • PULLEY-BELT TIGHTENER					1
27-291	□ 58732	• • SPACER-BELT TIGHTNER					1
27-292	□ 110129	• • BEARING					2
27-293	10170	• • SCREW-BELT TIGHTNER			ATT PT		1
27-295	257986	• • WASHER-BELT TIGHTNER			ATT PT		1
27-296	609103	• • BRACKET ASM-BELT TIGHT					1
27-297	607188	• SPRING FEED ROLL HANGER					6
27-298	610140	• CONTACT ROLL AND SHAFT ASM SEE LIST 37 FOR DETAIL BREAKDOWN					1
27-300	38351	• SCREW BEARING RET			ATT PT		2
27-301	156364	• BEARING FEED ROLL					2
27-302	38352	• SCREW BEARING MTG			ATT PT		4
27-303	6364	• LOCKWASHER BEARING MTG			ATT PT		4
27-305	1091508	• WASHER BEARING MTG			ATT PT		4
27-306	607358	• HANGER FEED ROLL					2
27-307	607357	• HANGER ASM					2
27-308	321483	• SCREW HANGER MTG			ATT PT		4
27-310	336323	• WASHER HANGER MTG			ATT PT		4
27-311	607475	• SLEEVE HANGER MTG			ATT PT		4
27-312	□ 156364	• • BEARING FEED RL SHAFT					1
27-313	□ 607358	• • HANGER UPPER FEED ROLL					1

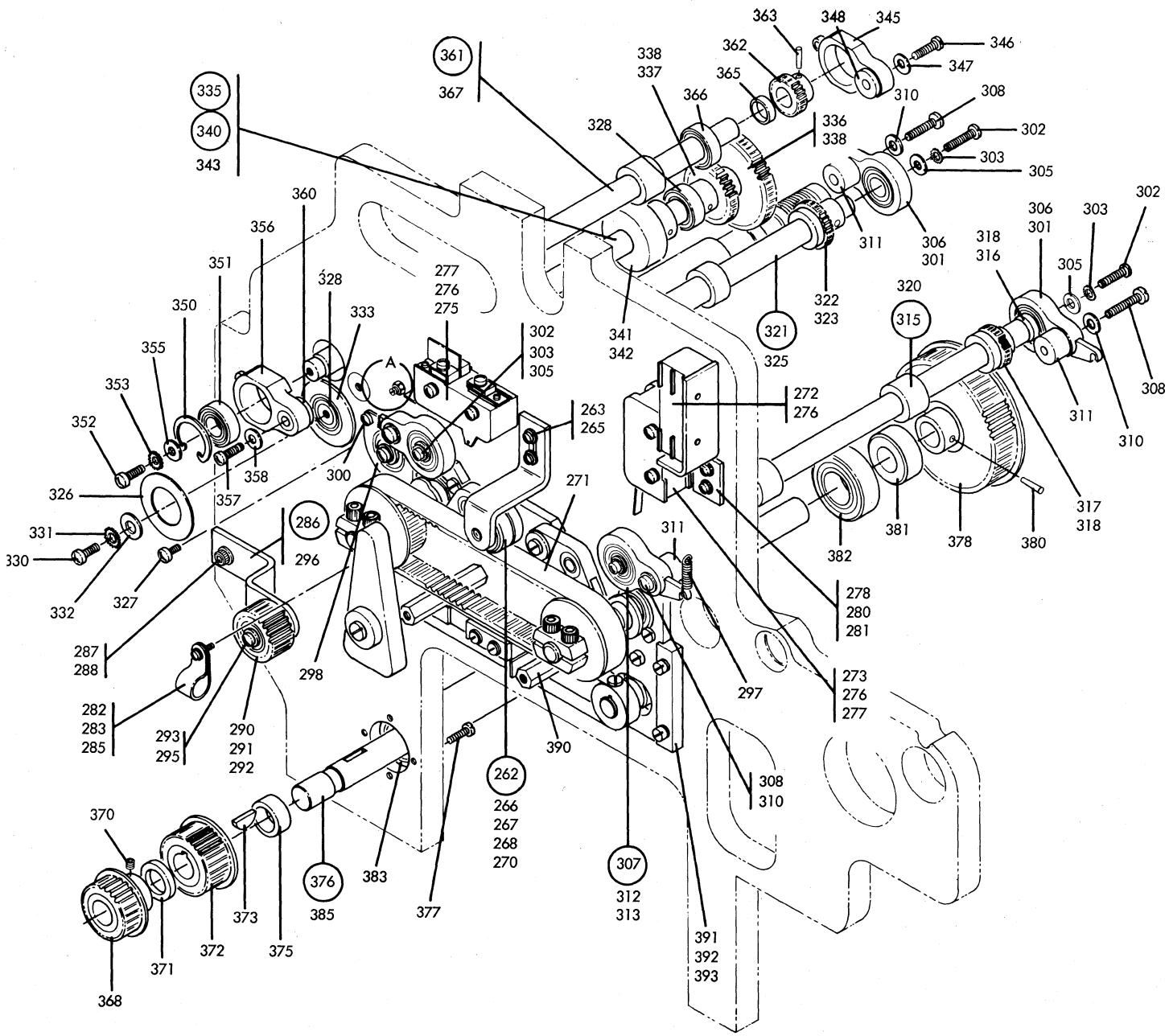
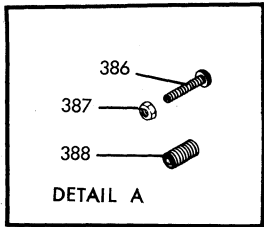


FIGURE 27. PUNCH FEED ASM. SHEET 5 OF 9, INDEX NOS. 262-393 SEE LIST 27.

LIST AND INDEX NO.	PART NO.	DESCRIPTION				UNITS PER ASSY	USABLE ON CODE
		1	2	3	4		
		PUNCH FEED ASM		CONT			
27-315	607691	•	FEED ROLL ASM SECOND UPPER			1	
27-316	□ 607121	•	• COLLAR			1	
27-317	□ 607686	•	• GEAR SECOND UPPER ROLL			1	
27-318	4327	•	• TAPER PIN	ATT PT		2	
27-320	□ 607690	•	• ROLL SECOND UPPER FEED			1	
27-321	607689	•	• FEED ROLL ASM 5TH UPPER			1	
27-322	□ 607687	•	• GEAR			1	
27-323	435943	•	• TAPER PIN GEAR MTG	ATT PT		1	
27-325	□ 607688	•	• ROLL FIFTH UPPER FEED			1	
27-326	603116	•	• WASHER BEG RET			1	
27-327	10170	•	• SCREW BEARING RETAINER	ATT PT		2	
27-328	156364	•	• BEARING 6TH LWR FD RL			2	
27-330	337	•	• SCREW BRG RET	ATT PT		1	
27-331	1090873	•	• LWASHER BRG RET	ATT PT		1	
27-332	150566	•	• WASHER BRG RET	ATT PT		1	
27-333	336270	•	• RETAINER BEARING			1	
27-335	609087	•	• SHAFT & GEAR ASM 6TH LWR			1	
27-336	□ 607115	•	• GEAR-6TH LWR ROLL DRIVE			1	
27-337	□ 609086	•	• GEAR-6TH LWR ROLL DRIVE			1	
27-338	19167	•	• PIN-6TH LWR ROLL DRIVE	ATT PT		2	
27-340	□ 609088	•	• SHAFT ASM-6TH LWR DRIVE			1	
27-341	□ 607109	•	• FEED ROLL-6TH LWR			2	
27-342	34	•	• TAPER PIN/6TH LWR FD RL	ATT PT		2	
27-343	□ 607165	•	• SHAFT-6TH LWR FD RL			1	
27-345	336146	•	• HANGER FD RL			1	
27-346	19944	•	• SCREW HANGER MTG	ATT PT		4	
27-347	336323	•	• WASHER HANGER MTG	ATT PT		4	
27-348	336152	•	• SLEEVE HANGER MTG			1	
27-350	336320	•	• CLIP FD RL HANGER			1	
27-351	156364	•	• BEARING FD RL			1	
27-352	845	•	• SCREW BEARING RET	ATT PT		1	
27-353	55901	•	• LWASHER BEARING RET	ATT PT		1	
27-355	150566	•	• WASHER BRG RET	ATT PT		1	
27-356	336153	•	• HANGER FD RL			1	
27-357	19944	•	• SCREW HANGER MTG	ATT PT		1	
27-358	336323	•	• WASHER HANGER MTG	ATT PT		1	
27-360	336152	•	• SLEEVE - FD RL HANGER			1	
27-361	607148	•	• FEED ROLL ASM 6TH UPR			1	
27-362	□ 607212	•	• GEAR			1	
27-363	435943	•	• TAPER PIN GEAR MTG	ATT PT		1	
27-365	58114	•	• SPACER			1	
27-366	156364	•	• BEARING			1	
27-367	607150	•	• FEED ROLL 6TH UPPER			1	
27-368	609094	•	• PULLEY TRANSPORT DRIVE			1	
27-370	123639	•	• SET SCREW PULLEY	ATT PT		2	
27-371	167216	•	• SPACER			1	
27-372	609091	•	• PULLEY IDLER DRIVE			1	
27-373	160989	•	• KEY PULLEY			1	
27-375	226110	•	• COLLAR CR SHAFT			1	
27-376	609097	•	• CR SHAFT ASM PUNCH			1	
27-377	38235	•	• SCREW CR SHAFT RET	ATT PT		4	
27-378	□ 609084	•	• PULLEY ASM-CR SHAFT			1	
27-380	34	•	• TAPER PIN-CR SHAFT	ATT PT		1	
27-381	131562	•	• COLLAR-CR SHAFT			1	
27-382	204623	•	• BEARING-CR SHAFT			1	
27-383	156231	•	• BEARING-CR SHAFT			1	
27-385	□ 609096	•	• SHAFT-CR PUNCH			1	
27-386	* 608022	•	• SCREW ADJUSTING 8-32 X 13/16 LG.			1	E
27-387	* 6503	•	• NUT ADJUSTING			1	E
27-388	* 609747	•	• SCREW ADJUSTING 1/4-20 X 1/2 LG.			2	F
27-390	607674	•	• STUD LWR FR COVER MTG			2	
27-391	607199	•	• GUIDE LOWERING FRAME			2	
27-392	38354	•	• SCREW LWR FRAME GDE	ATT PT		4	
27-393	6364	•	• LWASHER LOCK PLATE	ATT PT		4	
27-395	608183	•	• GAGE ASM - CARD HOPPER			1	
27-396	608181	•	• GAGE-INT ROLL LEFT			1	
27-397	608182	•	• GAGE-INT ROLL RIGHT			1	

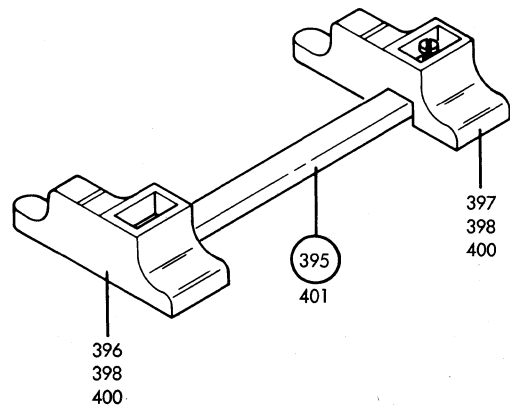
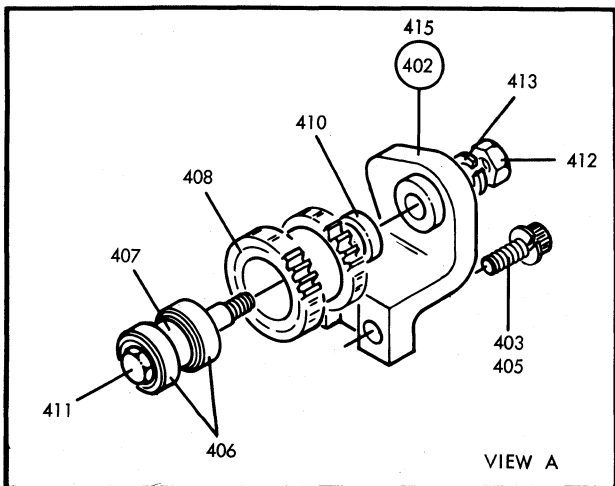
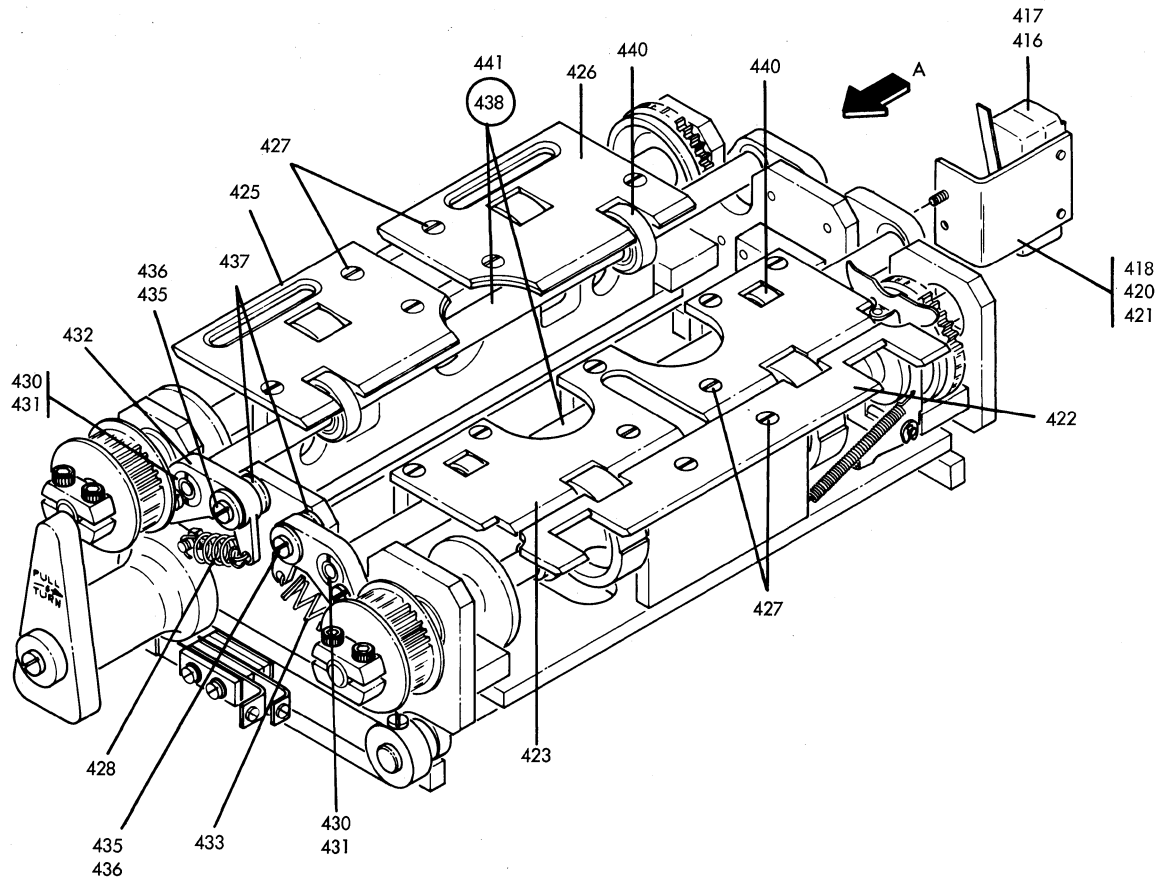


FIGURE 27. PUNCH FEED ASM. SHEET 6 OF 9, INDEX NOS. 395-441 SEE LIST 27.

LIST AND INDEX NO.	PART NO.	DESCRIPTION	UNITS PER ASSY	USABLE ON CODE
		PUNCH FEED ASM		
		CONT		
27-398	38354	• • SCREW	ATT PT	2
27-400	56722	• • LWASHER	ATT PT	2
27-401	608184	• • BAR-INT ROLL GAGE		1
27-402	609059	• IDLER GEAR ASM		1
27-403	104763	• SCREW IDLER MTG	ATT PT	2
27-405	9092	• LWASHER IDLER MTG	ATT PT	2
27-406	□ 110129	• • BEARING-IDLER GEAR		2
27-407	□ 609061	• • SPACER		1
27-408	□ 609064	• • GEAR-IDLER		1
27-410	310781	• • SPACER		1
27-411	609063	• • STUD-IDLER		1
27-412	11598	• • NUT-IDLER	ATT PT	1
27-413	9092	• • LWASHER IDLER	ATT PT	1
27-415	609060	• • SUPPORT CASTING-IDLER		1
27-416	438014	• SWITCH MICRO		1
27-417	52359	• SCREW CONT BLK MTG		2
27-418	608284	• BRACKET SWITCH		1
27-420	38263	• SCREW CONT MTG	ATT PT	2
27-421	257985	• WASHER BRKT MTG	ATT PT	2
27-422	607233	• CARD GUIDE LWR FRONT		1
27-423	607234	• CARD GUIDE LWR REAR		1
27-425	607235	• CARD GUIDE 3RD LWR		1
27-426	608278	• CARD GUIDE 3RD LWR		1
27-427	316807	• SCREW CD GDE MTG	ATT PT	15
27-428	607209	• SPRING ROLL HANGER		4
27-430	607878	• BUSHING ECCENTRIC		4
27-431	10170	• SCREW ECC LOCKING	ATT PT	4
27-432	607622	• HANGER ASM 4TH LWR FD RL		2
27-433	607633	• HANGER ASM 3RD LWR FD RL		2
27-435	19944	• SCREW - HANGER MTG	ATT PT	4
27-436	336323	• WASHER - HANGER MTG	ATT PT	4
27-437	607189	• SLEEVE		4
27-438	607137	• FEED ROLL ASM INTER LWR		2
27-440	156364	• • BEARING FD RL		2
27-441	607138	• • SHAFT INTER FD RL LWR		1
27-442	607240	• KNOB LOWERING FRAME		1
27-443	186758	• SCREW LOWERING KNOB	ATT PT	1
27-445	607244	• STOP LOWERING KNOB	ATT PT	1
27-446	220856	• SPRING LOWERING KNOB		1
27-447	302812	• KEY LWRG SHAFT		1
27-448	607241	• TAPE LOWERING CAM DR		1
27-450	10170	• SCREW TAPE MTG	ATT PT	2
27-451	607239	• COLLAR LWR SHAFT		2
27-452	257970	• SET SCREW L WRG SHAFT	ATT PT	2
27-453	607316	• PULLEY ASM 2ND LWR FD RL		1
27-455	607370	• PULLEY ASM STOPPED RL DR		2
27-456	437763	• SCREW PULLEY CLAMP	ATT PT	6
27-457	607516	• SPACER STEP ROLL PULLEY		2
27-458	607238	• COLLAR LWR SHAFT		2
27-460	337	• SCREW LWR SHAFT	ATT PT	2
27-461	2903	• WASHER LWR SHAFT	ATT PT	2
27-462	302812	• KEY LWR SHAFT		4
27-463	607237	• SHAFT LWR FRAME		1
27-465	607246	• SHAFT LOWERING FRAME		1
27-466	609425	• FEED ROLL ASM 5TH LWR		1
27-467	81693	• SCREW - BRG RET	ATT PT	2
27-468	□ 607115	• • GEAR		1
27-470	19167	• • PIN-TAPER	ATT PT	1
27-471	□ 607371	• • FEED ROLL ASM		1
27-472	□ 607406	• • • CAM RL OPEN NO TWO		2
27-473	29949	• • • TAPER PIN CAM MTG	ATT PT	2
27-475	156364	• • • BEARING		2
27-476	608063	• • • WASHER BEARING RETAINING		1
27-477	□ 607405	• • • FD RL & DISC ASM 5TH LWR		1
27-478	□ 607958	• • • • DISC STEPPED RL SEP		1
27-480	□ 607959	• • • • DISC&GEAR STEPPED RL SEP		1
27-481	19167	• • • • PIN TAPER	ATT PT	2
27-482	□ 607957	• • • • SHAFT ASM 5TH LWR FD RL		1

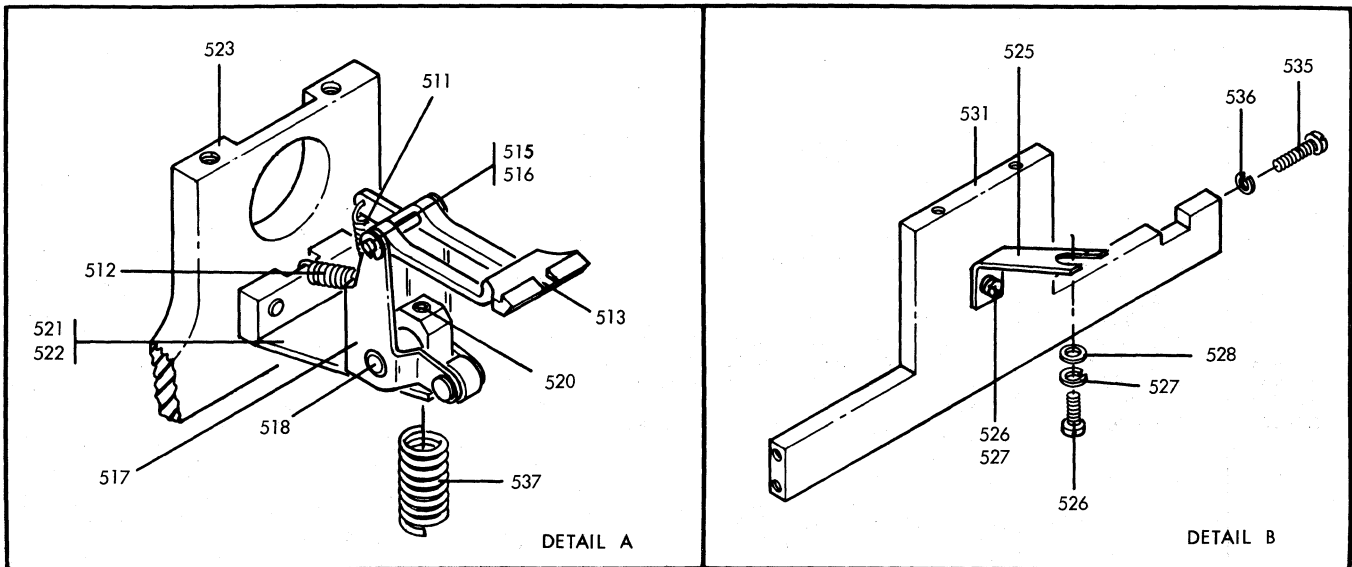
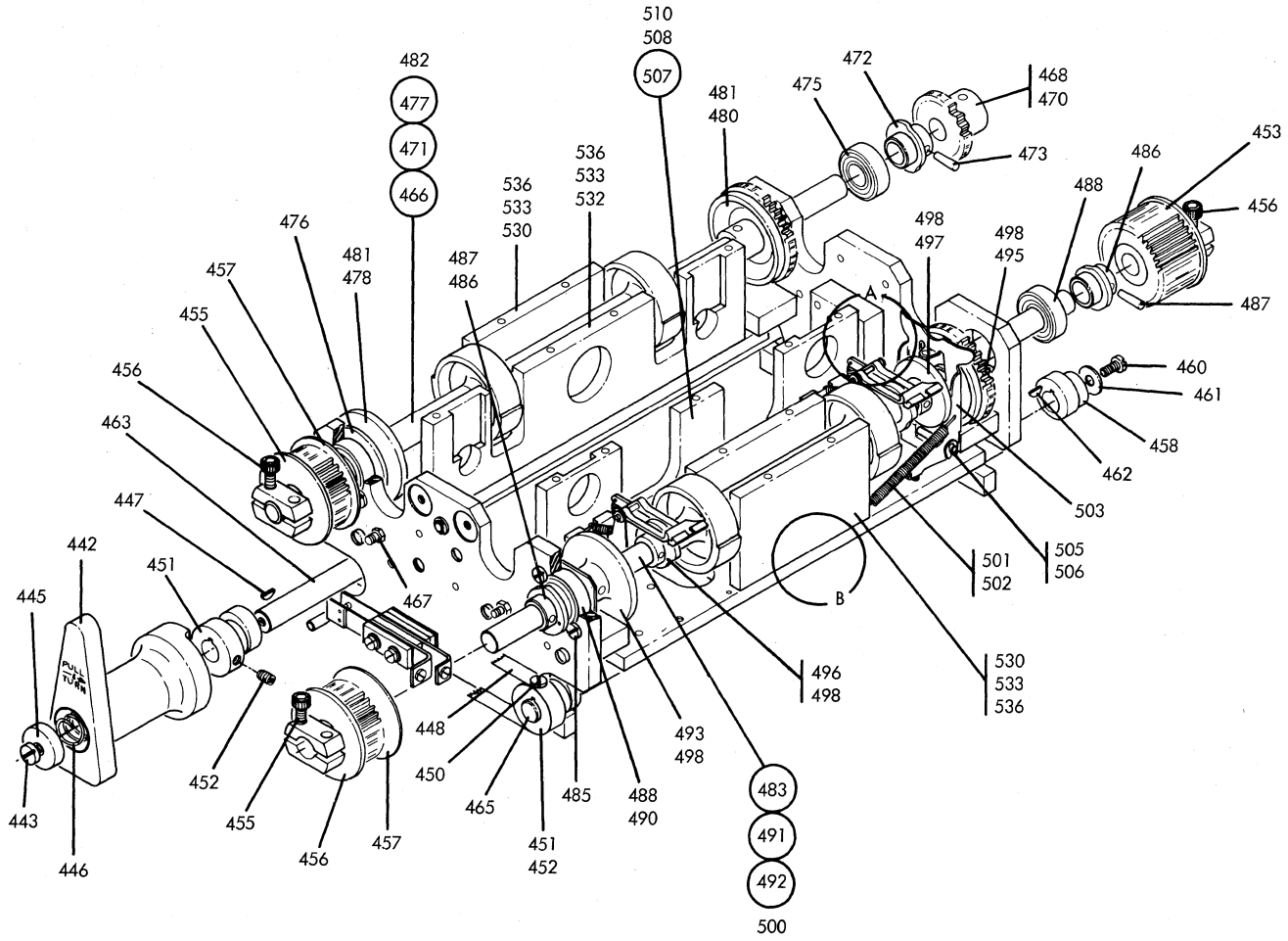


FIGURE 27. PUNCH FEED ASM. SHEET 7 OF 9, INDEX NOS. 442-537 SEE LIST 27.

LIST AND INDEX NO.	PART NO.	DESCRIPTION				UNITS PER ASSY	USABLE ON CODE
		1	2	3	4		
		PUNCH FEED ASM		CONT			
27-483	* 607242	• FEED ROLL ASM 2ND LOWER				1	J
27-483	* 610096	• FEED ROLL ASM 2ND LOWER				1	K
27-485	81693	• SCREW - BRG RET				2	
27-486	□ 607248	• • CAM RL OPEN, NO ONE				2	
27-487	29949	• • TAPER PIN CAM MTG				2	
27-488	156364	• • BEARING				2	
27-490	608063	• • WASHER BEARING RETAINING				1	
27-491	□ 607252	• • STEP RL ASM SECOND LOWER				1	
27-492	□ 610095	• • STEP RL ASM SECOND LOWER USED ON ASM 607242 ONLY				1	
27-493	□ 607257	• • • DISC RL SEP LT				1	
27-495	□ 607284	• • • DISC RL SEP RT				1	
27-496	□ 607286	• • • CAM FORWARD ALIGNER				2	
27-497	□ 607310	• • • CAM SIDE ALIGNER				2	
27-498	8427	• • • TAPER PIN				6	
27-500	□ 607291	• • • SHAFT ASM SEL LWR FD RL				1	
27-501	* 607365	• SPRING - RIGHT SIDE				1	S
	* 607364	• SPRING - LEFT SIDE				1	R
27-502	71	• PIN SPRING ANCHOR				1	
27-503	* 607387	• ALIGNER - RIGHT SIDE				1	S
	* 607390	• ALIGNER - LEFT SIDE				1	R
27-505	147297	• CLIP SIDE ALIGN				2	
27-506	607678	• PIN SIDE ALIGNER				1	
27-507	610137	• ALIGNER & SUPP ASM				1	
27-508	38354	• SCREW				3	
27-510	6364	• L WASHER				3	
27-511	167790	• • SPRING FINGER ALGNR				2	
27-512	131551	• • SPRING CAM FOLLOWER				2	
27-513	607393	• • FINGER ALIGNER				2	
27-515	251989	• • CLIP PIV FWD ALGNR				4	
27-516	607394	• • PIVOT FWD ALIGNER				2	
27-517	607560	• • FOLLOWER ASM				2	
27-518	22232	• • PIN FWD ALIGNER				2	
27-520	1100523	• • SET SCR BRKT ALGNR				2	
27-521	607392	• • BRACKET ALIGNER ADJ				2	
27-522	38351	• • SCREW BRKT ALGNR ADJ				4	
27-523	607635	• • SUPPORT 2ND LWR CD GD				1	
27-525	* 609771	• BRACE GUIDE SUPPORT				1	M
27-526	* 38351	• SCREW				2	M
27-527	* 6364	• LOCKWASHER				2	M
27-528	* 257986	• WASHER				1	M
27-530	* 607230	• SUPPORT CD GDE				3	L
27-530	* 607230	• SUPPORT CD GDE				2	M
27-531	* 609768	• SUPPORT 2ND LWR FRONT				1	M
27-532	607232	• SUPPORT CD GDE				1	
27-533	* 38354	• SCREW CD GD BASE				10	L
27-533	* 38354	• SCREW CE GDE BASE				8	M
27-535	* 5644	• SCREW				4	M
27-536	* 6364	• LWASHER CD GD BASE				10	L
27-536	* 6364	• LWASHER CD GD BASE				12	M
27-537	607685	• SPRING				2	
27-538	160817	• STUD FD RL HANGER SPRING				2	
27-540	607191	• PIN DIE CONTACT				1	
27-541	147297	• CLIP CONTACT ASM				1	
27-542	607229	• BASE CD GDE				1	
27-543	610134	• TIE BAR ASM				1	
27-545	2031	• SCREW CD GD MTG				8	
27-546	1090873	• LWASHER BASE CD GDE				8	
27-547	8427	• TAPER PIN CD GD BASE				2	
27-548	607396	• • PIVOT BLOCK SIDE ALIGNER				1	
27-550	38353	• • SCREW MTG PIV BLK				2	
27-551	6364	• • LWASHR PIV BLK SCR				2	
27-552	607395	• • LOCK PLATE ADJUSTMENT				2	
27-553	38352	• • SCREW LCK PLATE				4	
27-555	6364	• • LWASHR LCK PL SCR				4	
27-556	355369	• • SCREW ALIGNER ADJ				2	
27-557	* 607228	• • BASE CD GUIDE 2ND LOWER				1	L
	* 609773	• • BASE CD GUIDE 2ND LOWER				1	M

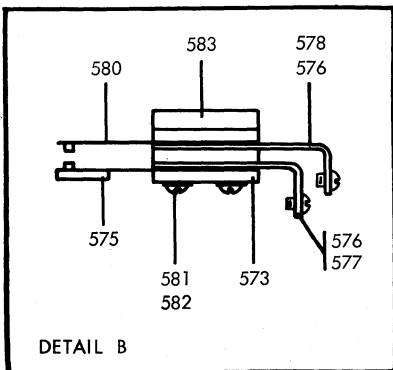
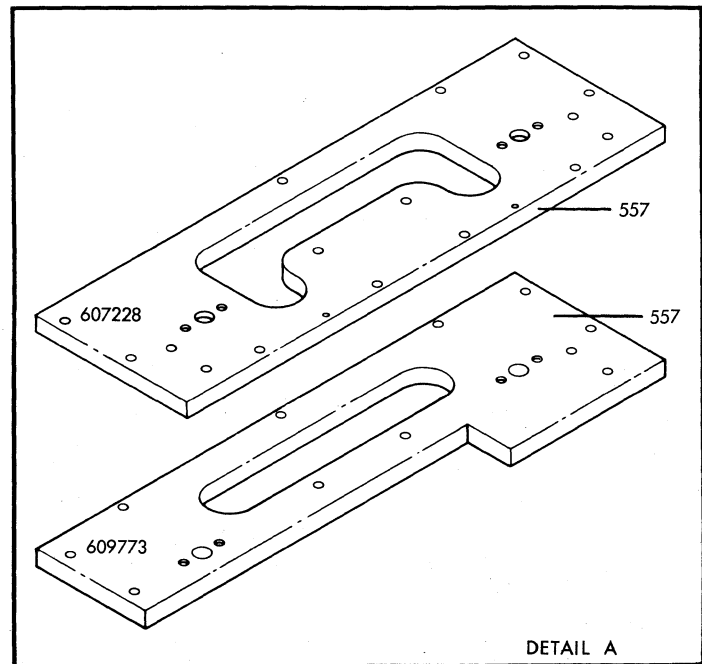
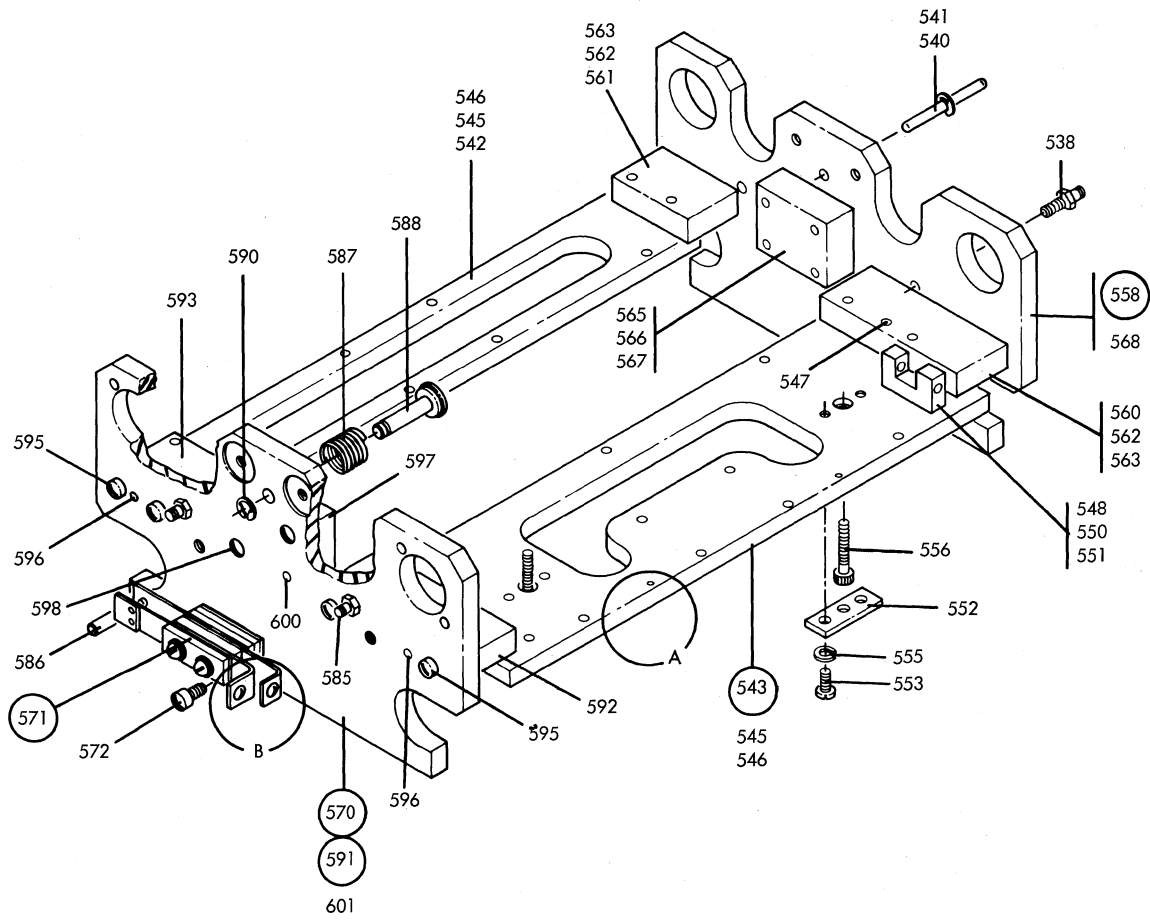


FIGURE 27. PUNCH FEED ASM. SHEET 8 OF 9, INDEX NOS. 538-601 SEE LIST 27.

LIST AND INDEX NO.	PART NO.	DESCRIPTION	UNITS PER ASSY	USABLE ON CODE
		PUNCH FEED ASM		
		CONT		
27-558	607634	• FRAME ASM R LWRING	1	
27-560	607197	• • SUPPORT 2ND LWR CD GD	1	
27-561	607198	• • SUPPORT 3RD LWR CD GD	1	
27-562	2031	• • SCREW BLOCK MTG	4	ATT PT
27-563	216537	• • TAPER PIN BLOCK LOC	4	
27-565	607190	• • BLOCK DIE SUPPORT	1	
27-566	337	• • SCREW DIE SUPP MTG	2	ATT PT
27-567	173700	• • TAPER PIN DIE SUPP LOC	2	
27-568	607636	• • FRAME RT LOWERING	1	
27-570	610133	• LWRG FRAME & INTLK ASM	1	
27-571	607196	• • CONT ASM LWRG CAM SHAFT	1	
27-572	38265	• • SCREW DIE CONTACT MTG	2	ATT PT
27-573	11900	• • • INSULATION CONTACT SPG	3	
27-575	106988	• • • CONT ASM CD LEVER	1	
27-576	118418	• • • SCREW - CONTACT TERM	2	
27-577	141964	• • • TERM ASM CONTACT	1	
27-578	141966	• • • TERM ASM CONTACT	1	
27-580	107070	• • • CONT SPG ASM CD LEVER	1	
27-581	194835	• • • SCREW	2	ATT PT
27-582	100229	• • • INSULATION SCREW	2	ATT PT
27-583	610185	• • • PLATE CONTACT MOUNTING	1	
27-585	160817	• • STUD SPG FD RL HGR	2	
27-586	607243	• • STUD LWRG KNOB LOCK	1	
27-587	94388	• • SPRING DIE VISUAL AID	1	
27-588	607085	• • PIN DIE VISUAL AID	1	
27-591	607514	• • FRAME ASM LEFT LOWERING	1	
27-592	607197	• • • SUPPORT CD GD 2ND LWR	1	
27-593	607198	• • • SUPPORT CD GD 3RD LWR	1	
27-595	2031	• • • SCREW BLOCK MTG	4	ATT PT
27-596	216537	• • • TAPER PIN CD GD SUPP LOC	4	
27-597	607190	• • • BLOCK DIE SUPPORT	1	
27-598	337	• • • SCREW DIE SUPPORT MTG	2	ATT PT
27-600	173700	• • • TAPER PIN DIE SUPP LOC	2	
27-601	607559	• • • FRAME-LEFT LOWERING	1	
27-602	610191	• BRUSH & BRKT ASM COMMON	1	
27-603	510379	• SCREW BRUSH SUPPORT	2	ATT PT
27-605	6364	• LWASHER BRUSH MTG	2	ATT PT
27-606	607048	• • BRUSH ASM ROL COMM	1	
27-607	845	• • SCREW COM BR MTG	2	ATT PT
27-608	1090873	• • LWASHER COMM BR MTG	2	ATT PT
27-610	1769	• • • BRUSH COMMON ASM	1	
27-611	109339	• • • BRUSH COMMON ASM	1	
27-612	52359	• • • SCREW BRUSH MTG	1	ATT PT
27-613	257186	• • • NUT BRUSH MTG	2	ATT PT
27-615	257985	• • • WASHER BRUSH MTG	1	ATT PT
27-616	607049	• • • BLOCK COMMON BRUSH MTG#2	1	
27-617	608201	• • BRACKET COMM BR MTG	1	
27-618	160827	• POST SPRING HANGER	5	
27-620	608074	• POST SPRING HANGER	1	
27-621	150604	• PIN - FD RL HANGER	4	
27-622	607642	• TIGHTENER ASM	1	
27-623	2994	• SCREW TIGHTENER	2	ATT PT
27-625	45690	• WASHER TIGHTENER	2	ATT PT
27-626	□ 607644	• • PULLEY TIGHTENER	1	
27-627	□ 110129	• • BEARING	2	
27-628	□ 608492	• • SPACER	1	
27-630	72828	• • NUT	1	ATT PT
27-631	22478	• • WASHER	1	ATT PT
27-632	607492	• • BRACKET	1	
27-633	607645	• TIGHTENER ASM BELT	1	
27-635	2994	• SCREW BELT TIGHTENER	2	ATT PT
27-636	45690	• WASHER BELT TIGHTENER	2	ATT PT
27-637	□ 607496	• • PULLEY FEED ROLL	1	
27-638	□ 110129	• • BEARING	2	
27-640	□ 608492	• • SPACER	1	
27-641	72828	• • NUT	1	ATT PT

LIST AND INDEX NO.	PART NO.	DESCRIPTION	UNITS PER ASSY				USABLE ON CODE
			1	2	3	4	
		PUNCH FEED ASM					
		CONT					
27-642	22478	• • WASHER					1
27-643	□ 607646	• • BRACKET					1
27-645	607478	• IDLER ASM PUNCH DRIVE					1
27-646	232	• SCREW IDLER MTG					2
27-647	9092	• LWASHER IDLER MTG					2
27-648	45690	• WASHER IDLER MTG					2
27-650	□ 156364	• • BEARING					2
27-651	□ 610184	• • SPACER					1
27-652	□ 610183	• • ROLLER					1
27-653	610033	• NUT STOP					1
27-655	250785	• • WASHER PULLEY MTG					1
27-656	□ 607479	• • BRACKET					1
27-657	607867	• BUSHING ISOLATION					2
27-658	608203	• BLOCK GENEVA POS					2
27-660	251820	• SCREW GENEVA BL MTG					4
27-661	62031	• LWASHER GENEVA BL MTG					4
27-662	510809	• WASHER GENEVA BLK MTG					4
27-663	250714	• STUD - PUN TIM BELT SHIELD					2
27-665	4569	• WASHER					2
27-666	609414	• DIODE ASM					1
27-667	302090	• TERMINAL BLK ASM					1
27-668	5644	• SCREW TERM BLK MTG					1
27-670	302131	• INSULATION TERM BLK					1
27-671	253570	• TUBING					AR
27-672	609104	• BRACKET CABLE					1
27-673	845	• SCREW SUPPORT MTG					1
27-675	1090873	• LWASHR SUPPORT MTG					1
27-676	11598	• NUT ADJ LOCKING					3
27-677	25967	• SCREW ADJUSTING					3
27-678	607581	• SUPPORT PUNCH UNIT ADJ					1
27-680	337	• SCREW SUPPORT MTG					1
27-681	607582	• SUPPORT PUNCH UNIT ADJ					1
27-682	337	• SCREW SUPPORT MTG					2
27-683	608001	• GUIDE DIE INSERTION					2
27-685	232	• SCREW DIE INSERTION GDE					4
27-686	607476	• TIE BAR MAIN FRAME					1
27-687	266	• SCREW 10-32 X 1.00 LG.					2
27-688	358	• SCREW 10-32 X .75 LG.					1
27-690	607397	• TIE BAR CD GDE SUPP					1
27-691	641	• SCREW TIE BAR					4
27-692	133273	• TIE BAR MAIN FRAME					2
27-693	2994	• SCREW - TIE BAR					8
27-695	609076	• FRAME ASM LEFT					1
27-696	609074	• FRAME ASM RIGHT					1
27-697	607443	• • GUIDE-1ST BRUSH					1
27-698	2103526	• • SCREW-FRAME ASM					2
27-700	607446	• • GUIDE-BRUSH HLDR					1
27-701	607448	• • GUIDE-BRUSH 2ND					1
27-702	38354	• • SCREW FRAME					5
27-703	326264	• • ROLL PIN FRAME					6
27-705	609056	• • BRACKET-CLU MTG USED ON ASSY 609074 ONLY					1
27-706	149908	• • SCREW-CLU BRKT MTG					3
27-707	6935	• • L WASHER - CLU BRKT MTG					3
27-708	10481	• • PIN-CLU BRKT					2
27-710	602210	• • INSERT					2
27-711	607444	• • BUSHING-LOC 1ST BRUSH USED ON ASSY 609074 ONLY					1
27-712	610016	• • BUTTON 1ST BR LOCATING USED ON ASSY 609076 ONLY					1
27-713	38350	• • SCREW FRAME L					1
27-715	6364	• • L WASHER FRAME L					1
27-716	257986	• • WASHER FRAME L					1
27-717	326264	• • ROLL PIN FRAME L					1
27-718	□ 609077	• • FRAME - LEFT USED ON ASSY 609076 ONLY					1
27-720	□ 609075	• • FRAME-RIGHT USED ON ASSY 609074 ONLY					1

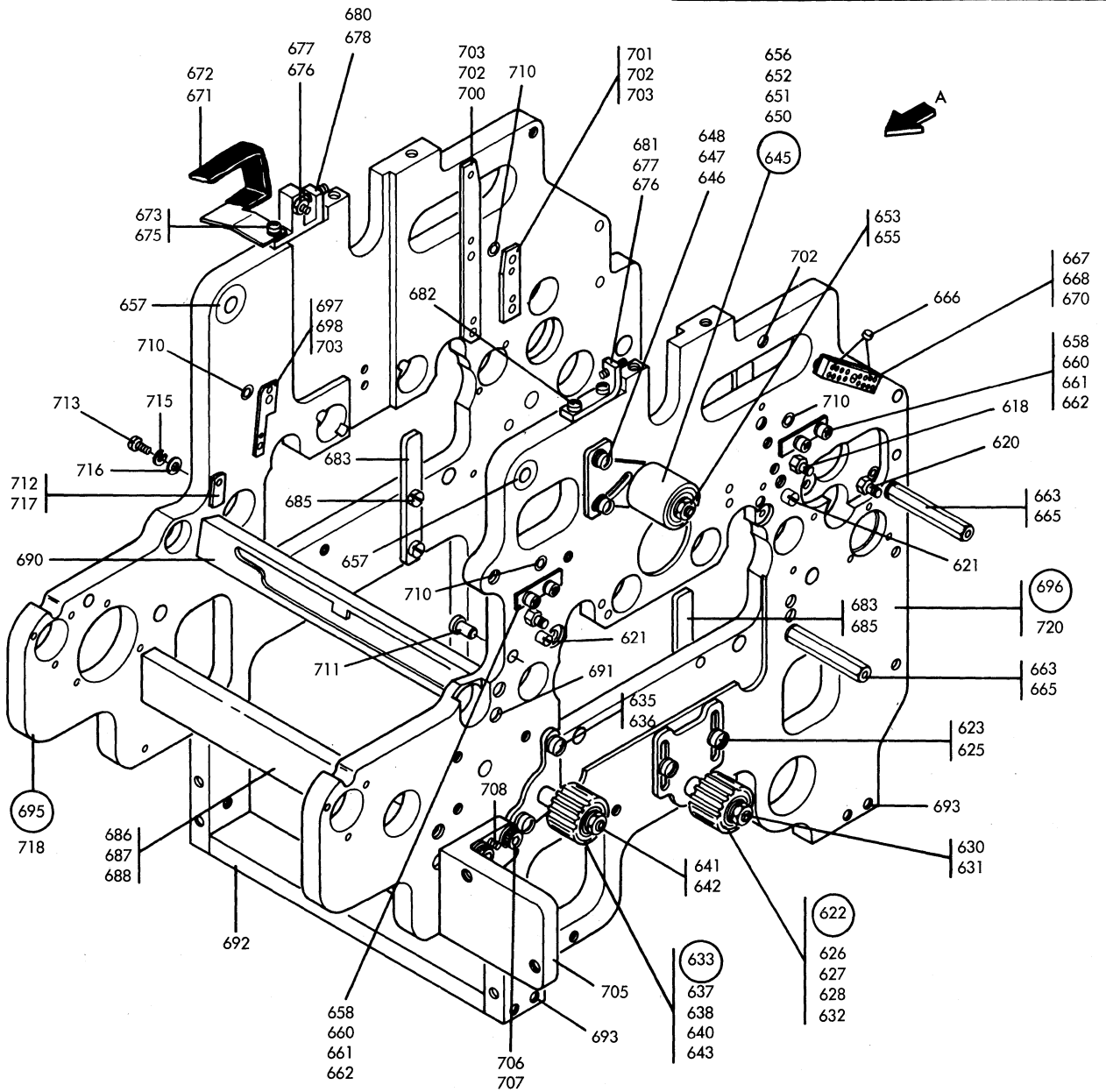
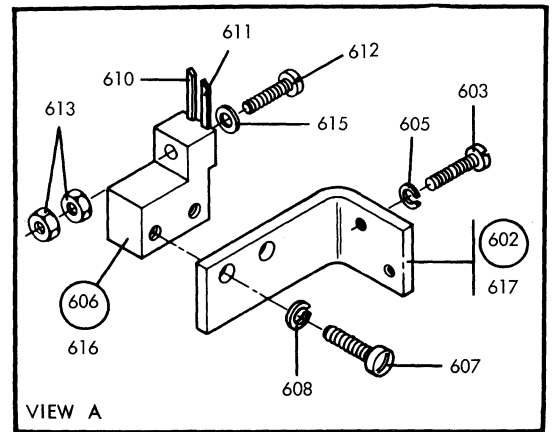


FIGURE 27. PUNCH FEED ASM. SHEET 9 OF 9, INDEX NOS. 602-720 SEE LIST 27.

LIST AND INDEX NO.	PART NO.	DESCRIPTION				UNITS PER ASSY	USABLE ON CODE
		1	2	3	4		
		HOPPER ASM P F					
28-	607077	HOPPER ASM P F SEE LIST 27-40 FOR NEXT HIGHER ASSEMBLY AND FIG. 28 FOR ILLUSTRATION				1	
28- 1	196832	• DECAL BED PLATE				1	
28- 2	607209	• SPRING FIRST FD RL				2	
28- 3	336144	• POST HOPPER CARD				2	
28- 5	232	• SCREW CARD POST MTG ATT PT				4	
28- 6	336165	• PLATE HOPPER SIDE RT				1	
28- 7	336166	• PLATE HOPPER SIDE L				1	
28- 8	38354	• SCREW HOPPER SD PL MTG ATT PT				2	
28- 10	420	• SCREW SIDE FRAME MTG ATT PT				4	
28- 11	22066	• WASHER SIDE FRAME ADJ ATT PT				4	
28- 12	610687	• BUSHING SIDE FRAME ADJ				4	
28- 13	8163	• NUT SIDE FR ADJ ATT PT				4	
28- 15	608064	• PLATE-HOPPER FACE				1	
28- 16	336151	• BLOCK ASM THROAT KN				1	
28- 17	336232	• BLOCK ASM THROAT ROLLER				1	
28- 18	225859	• SCREW ATT PT				10	
28- 20	□ 22547	• • SPACER				2	
28- 21	□ 233355	• • BEARING				2	
28- 22	□ 336214	• • STUD - THROAT ROLLER BLOCK				1	
28- 23	□ 336142	• • BLOCK - THROAT ROLLER				1	
28- 25	336305	• SPRING CD DECK SUPP				2	
28- 26	52522	• SCREW CD SUPP SPRING ATT PT				2	
28- 27	22066	• WASHER CD SUPP SPG ATT PT				2	
28- 28	257186	• NUT CD SUPP SPG MTG ATT PT				2	
28- 30	607206	• PLATE HOPPER BED				1	
28- 31	119	• SCREW BED PLATE MTG ATT PT				4	
28- 32	206532	• LEVER ASM CARD				2	
28- 33	165556	• SET SCREW CONTACT LEVER ATT PT				4	
28- 35	602238	• CD LV HOPPER CONTACT				1	
28- 36	257957	• SET SCREW CD LEVER ATT PT				2	
28- 37	607099	• SHAFT HOP CD LEV				1	
28- 38	607466	• BUSHING ASM CD LV MTG				1	
28- 40	10170	• SCREW CD LV BUSHING ATT PT				2	
28- 41	602180	• CD LV ASM NO 1				1	
28- 42	257957	• SET SCREW CE LEVER ATT PT				1	
28- 43	196163	• SHAFT CARD LEVER				1	
28- 45	608065	• BRACKET ASM-LEVER SHAFT				1	
28- 46	2300	• SCREW CD LV SUPP ATT PT				2	
28- 47	1090873	• L,WASHER CD LEV BRKT ATT PT				2	
28- 48	607081	• BLOCK HOP LCK ROD RET				2	
28- 50	234321	• SCREW LOCK MTG ATT PT				4	
28- 51	610078	• LEVER ASM HOP LCKG				1	
28- 52	257982	• CLIP LK LEV MTG ATT PT				1	
28- 53	608185	• CLIP LOCK PIN FRICTION				2	
28- 55	607082	• SHAFT HOP LCKG				2	
28- 56	607080	• STUD HOPPER LCKG SFT ATT PT				2	
28- 57	607079	• LINK HOPPER LCK				2	
28- 58	1092125	• CLIP LK LINK RET ATT PT				2	
28- 60	607216	• HANGER ASM BEARING				1	
28- 61	2031	• SCREW FD RL HANGER MTG ATT PT				2	
28- 62	336323	• WASHER ATT PT				3	
28- 63	38368	• SCREW FD RL HANGER ATT PT				1	
28- 65	1090873	• L,WASHR FD RL HANGER ATT PT				1	
28- 66	□ 156364	• • BEARING				1	
28- 67	□ 607096	• • HANGER FIRST FD RL				1	
28- 68	607096	• HANGER FIRST FD RL				1	

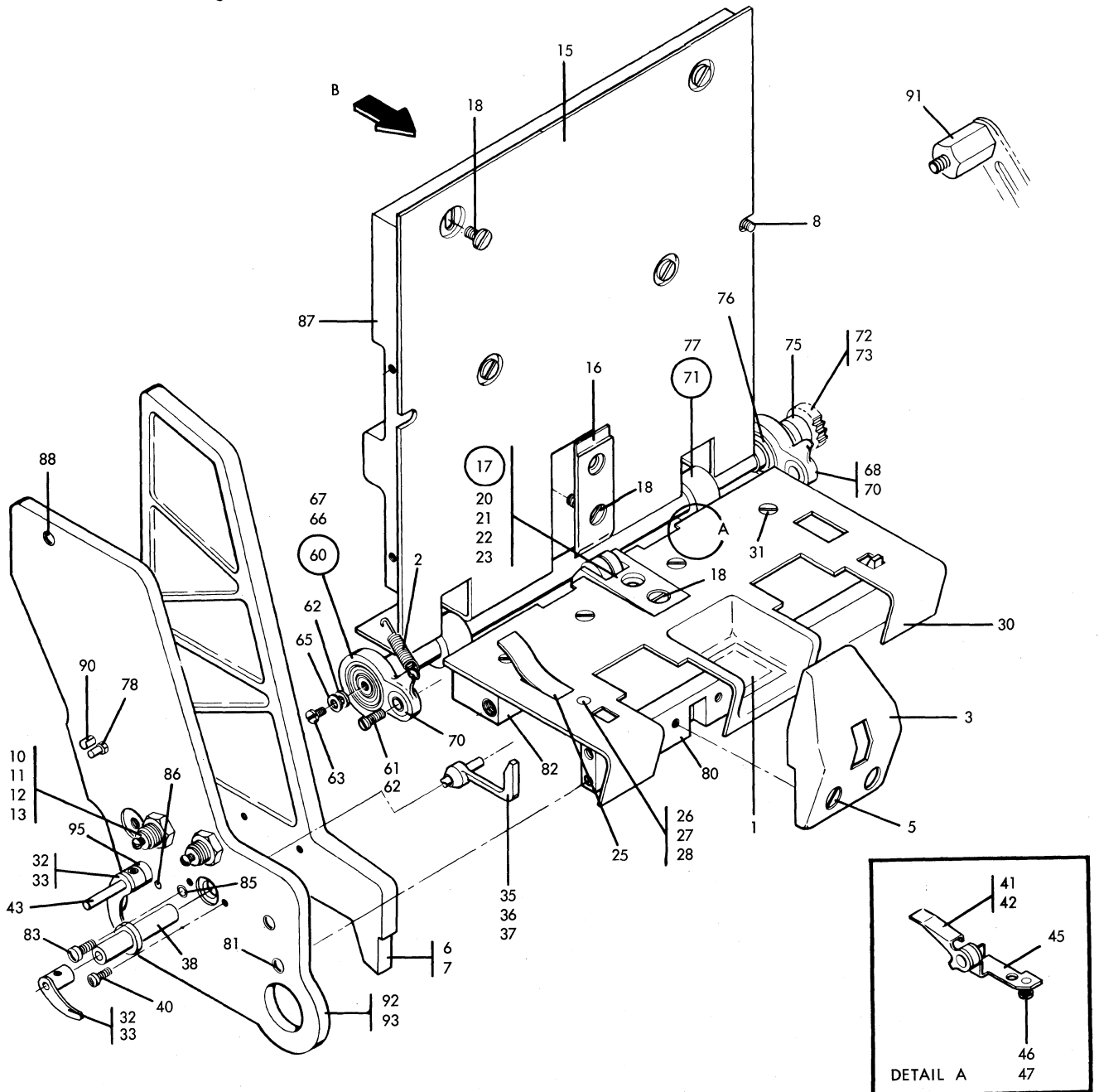
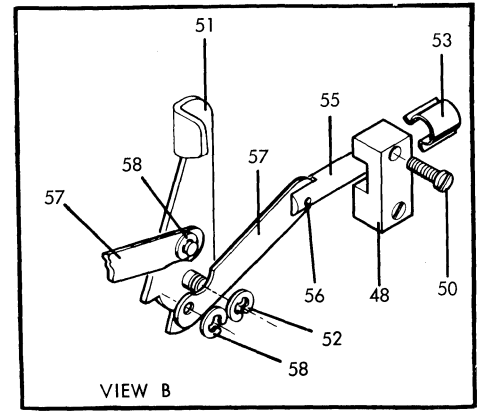
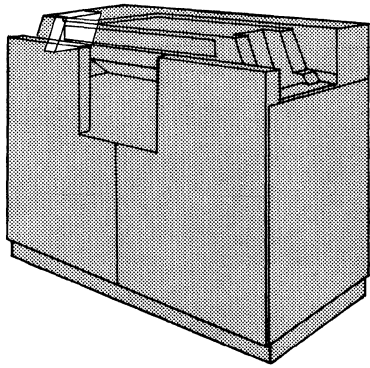


FIGURE 28. HOPPER ASM. P F SEE LIST 28.

LIST AND INDEX NO.	PART NO.	DESCRIPTION				UNITS PER ASSY	USABLE ON CODE
		1	2	3	4		
		HOPPER ASM P F		CONT			
28- 70	607215	•	SLEEVE BRG HANGER			2	
28- 71	607210	•	FEED ROLL FIRST UPPER			1	
28- 72	□ 607212	• •	GEAR UPPER FD RL DRIVE			1	
28- 73	435943	• •	TAPER PIN GEAR	ATT PT		1	
28- 75	607213	• •	SPACER 1ST UPPER FEED RL			1	
28- 76	156364	• •	BEARING UPPER FEED ROLL			1	
28- 77	□ 607211	• •	FEED ROLL 1ST UPPER			1	
28- 78	131546	•	STUD FD ROLL SPG			2	
28- 80	607207	•	BAR CD POST SUPP			1	
28- 81	24752	•	SCREW TIE BAR MTG	ATT PT		4	
28- 82	607200	•	BAR THROAT RL SUPP			1	
28- 83	641	•	SCREW TIE BAR MTG	ATT PT		2	
28- 85	607214	•	DOWEL THROAT RL BL BAR	ATT PT		2	
28- 86	219679	•	ROLL PIN	ATT PT		2	
28- 87	607556	•	PLATE ASM-HOPPER BACK			1	
28- 88	38368	•	SCREW BACK PLATE MTG	ATT PT		4	
28- 90	219679	•	ROLL PIN	ATT PT		4	
28- 91	607078	•	STUD FRK LINK			1	
28- 92	607092	•	FRAME HOPPER SUB RT			1	
28- 93	608067	•	FRAME ASM HPR SUB LT			1	
28- 95	□ 607098	• •	BEARING-1ST RL CD LVR			1	

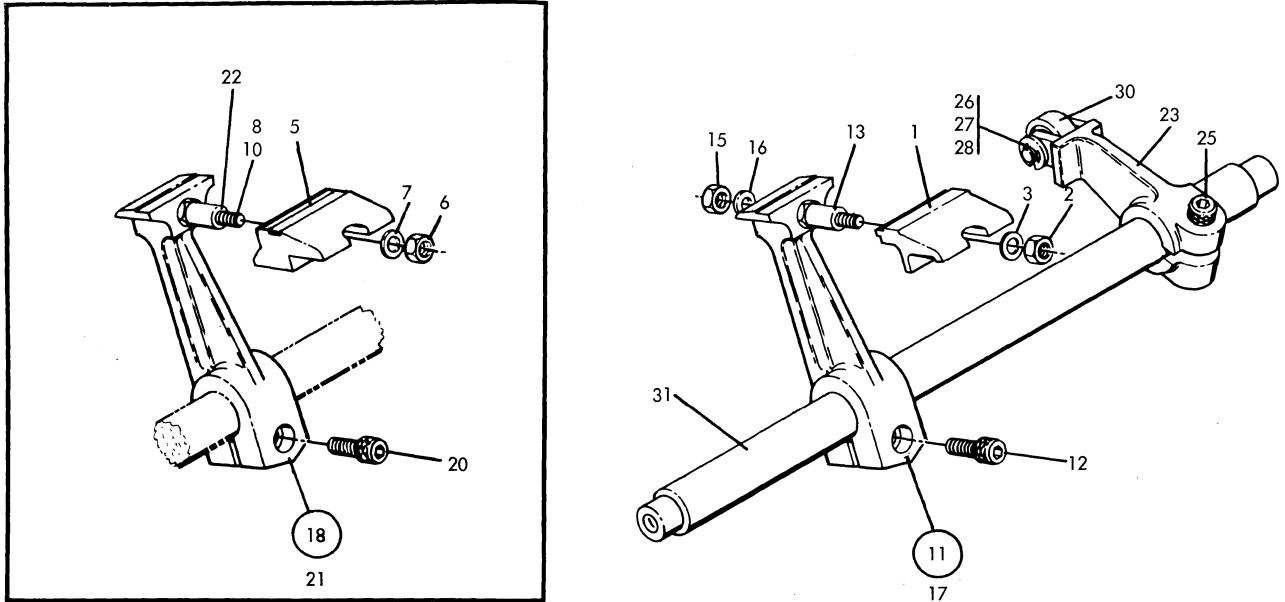


FIGURE 29. PICKER KNIFE SHAFT ASM. P F SEE LIST 29.

LIST AND INDEX NO.	PART NO.	DESCRIPTION				UNITS PER ASSY	USABLE ON CODE
		1	2	3	4		
		PICKER KNIFE SHAFT ASM P F					
29-	*NO NO.	PICKER KNIFE SHAFT ASM P F				1	A
29-	* 615425	PICKER KNIFE SHAFT ASM P F SEE LIST 27-50 FOR NEXT HIGHER ASSEMBLY AND FIG. 29 FOR ILLUSTRATION				1	B
29- 1	* 223082	• BLOCK - PICKER KNIFE USED ON ASM NO. NO. ONLY				2	A
29- 2	* 6503	• NUT USED ON ASM NO. NO. ONLY				2	A
29- 3	* 336282	• WASHER USED ON ASM NO. NO. ONLY				2	A
29- 5	* 615441	• BLOCK - PICKER KNIFE USED ON ASM 615425 ONLY				2	B
29- 6	* 37913	• NUT USED ON ASM 615425 ONLY				2	B
29- 7	* 150209	• LOCKWASHER USED ON ASM 615425 ONLY				2	B
29- 8	* 603703	• WASHER USED ON ASM 615425 ONLY				2	B
29- 10	* 333182	• SCREW				2	B
29- 11	* 602255	• ARM ASM - PICKER KNIFE USED ON ASM NO. NO. ONLY				2	A
29- 12	* 129654	• • SCREW				1	A
29- 13	* 336903	• • STUD				1	A
29- 15	* 6503	• • NUT				1	A
29- 16	*1090873	• • WASHER				1	A
29- 17	* 602249	• • ARM				2	A
29- 18	* 603857	• ARM ASM - PICKER KNIFE USED ON ASM 615425 ONLY				2	B
29- 20	* 129654	• • SCREW				1	B
29- 21	□ 602249	• • ARM				1	B
29- 22	□ 603846	• • STUD				1	B
29- 23	336141	• ARM CAM FOLLOWER				2	
29- 25	437763	• SCREW CAM FOLLOWER				2	
29- 26	336263	• PIN CAM FOLLOWER				2	
29- 27	60489	• CLIP SPRING				4	
29- 28	12552	• WASHER CAM FOLLOWER				4	
29- 30	336321	• BEARING CAM FOLLOWER				2	
29- 31	607353	• SHAFT PICKER KNIFE				1	

LIST AND INDEX NO.	PART NO.	DESCRIPTION				UNITS PER ASSY	USABLE ON CODE
		1	2	3	4		
		GENEVA ASM					
30-	607050	GENEVA ASM SEE LIST 27-62 FOR NEXT HIGHER ASSEMBLY AND FIG. 30 FOR ILLUSTRATION				1	
30- 1	□ 607066	• LENS OIL LEVEL				1	
30- 2	610717	• PLUG DRAIN				1	
30- 3	607901	• STUD-CRANK SW BRKT MTG				3	
30- 5	607174	• OIL CUP GENEVA HOUSING				1	
30- 6	□ 607075	• TIMING PIN GENEVA				1	
30- 7	151405	• SPRING TIMING PIN				1	
30- 8	264641	• CLIP SPRING				1	
30- 10	607063	• PULLEY ASM TIMING BELT				1	
30- 11	129654	• SCREW PULLEY MTG				2	
30- 12	□ 607053	• HSG & COV ASM GENEVA DR				1	
30- 13	□ 607055	• • COVER GENEVA				1	
30- 15	170241	• • SCREW COVER MTG				6	
30- 16	257986	• • WSHR COVER MTG				6	
30- 17	□ 607056	• • HOUSING GENEVA DRIVE				1	
30- 18	607057	• SHAFT ASM GENEVA DRIVE				1	
30- 20	607074	• LOCKNUT BEARING				2	
30- 21	□ 607809	• • PULLEY ASM GEN TIM INBD				1	
30- 22	255597	• • TAPER PIN PULLEY MTG				1	
30- 23	□ 607062	• • PIN-GENEVA DRIVE				2	
30- 25	□ 607059	• • DISC ASM GENEVA DRIVE				1	
30- 26	□ 607061	• • • DISC INTERMITTENT DR				1	
30- 27	257005	• • • TAPER PIN WHEEL MTG				1	
30- 28	□ 607060	• • • SHAFT GENEVA DRIVE				1	
30- 30	□ 607067	• BRG GENEVA DR SFT				2	
30- 31	□ 607052	• O RING GENEVA DR SFT				2	
30- 32	□ 610066	• HOUSING ASM OIL SLINGER				1	
30- 33	234317	• SCREW BRG RETAINING				2	
30- 35	□ 610076	• SLINGER GEN SHFT FRONT				1	
30- 36	□ 610075	• SLINGER GEN DR SHFT OIL				1	
30- 37	607068	• SHAFT ASM GENEVA WHEEL				2	
30- 38	10170	• SCREW BRG RETAINING				4	
30- 40	□ 607069	• • GEAR GENEVA SFT				1	
30- 41	4327	• • TAPER PIN GEAR MTG				1	
30- 42	□ 607070	• • BEARING				2	
30- 43	□ 610028	• • SPACER GENEVA SFT				1	
30- 45	□ 607071	• • SHAFT GENEVA				1	
30- 46	257702	• TAPER PIN COVER MTG				2	
30- 47	□ 607054	• GASKET				1	
30- 48	□ 607051	• O RING GENEVA SFT				2	
30- 50	610027	• SEAL				2	

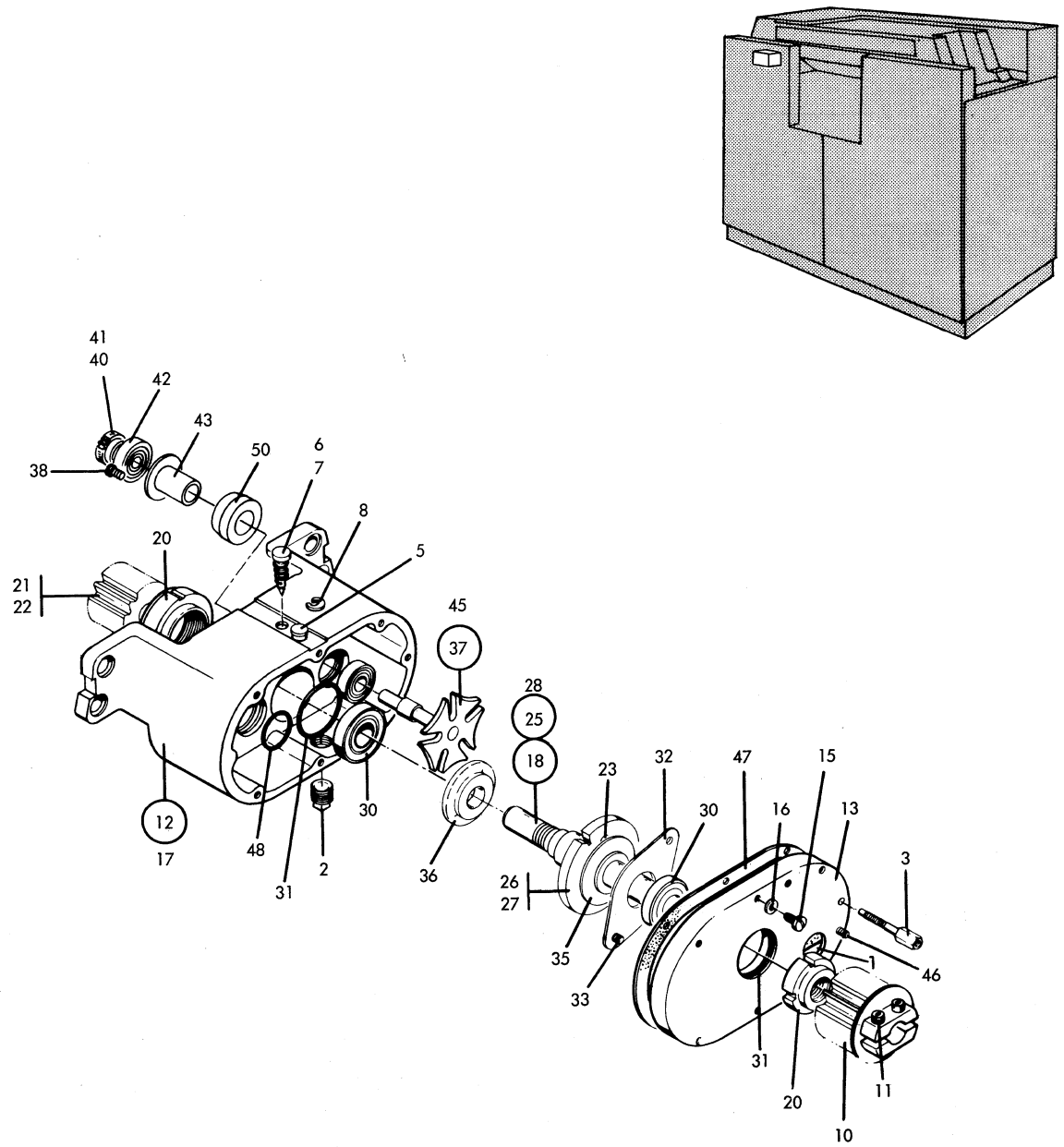


FIGURE 30. GENEVA ASM. SEE LIST 30.

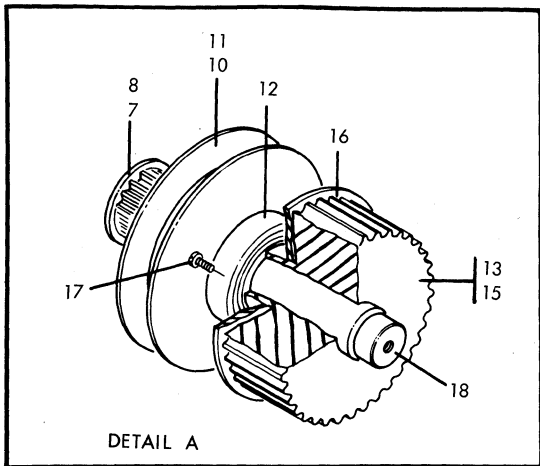
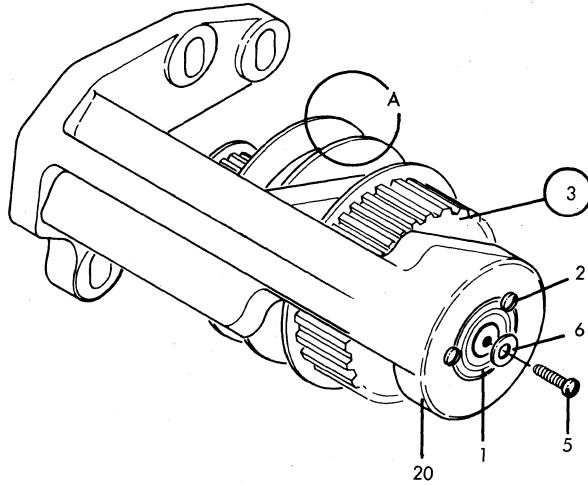
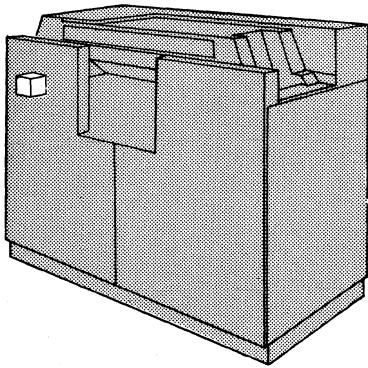


FIGURE 31. DRIVE PULLEY ASM. P F SEE LIST 31.

LIST AND INDEX NO.	PART NO.	DESCRIPTION				UNITS PER ASSY	USABLE ON CODE
		1	2	3	4		
		DRIVE PULLEY ASM P F					
31-	607382	DRIVE PULLEY ASM P F SEE LIST 27-66 FOR NEXT HIGHER ASSEMBLY AND FIG. 31 FOR ILLUSTRATION				1	
31- 1	204623	• BEARING				1	
31- 2	38235	• SCREW BRG RET				3	
31- 3	607408	• SFT ASM DR PULLEY				1	
31- 5	32042	• SCREW SHAFT RET				1	
31- 6	237032	• WASHER SHAFT RET				1	
31- 7	□ 607416	• • PULLEY ASM CB DRIVE				1	
31- 8	22867	• TAPER PIN PULLEY MTG				1	
31- 10	□ 607226	• • PULLEY				1	
31- 11	31	• TAPER PIN - PULLEY MTG				1	
31- 12	203788	• • BEARING				1	
31- 13	□ 607225	• • PULLEY TIMING BELT				1	
31- 15	31	• TAPER PIN - PULLEY MTG				1	
31- 16	607223	• • FLANGE TIMING BELT PULLY				1	
31- 17	38352	• • SCREW FLANGE MTG				3	
31- 18	□ 607224	• • SHAFT				1	
31- 20	607227	• BRKT DR PULLEY MTG				1	

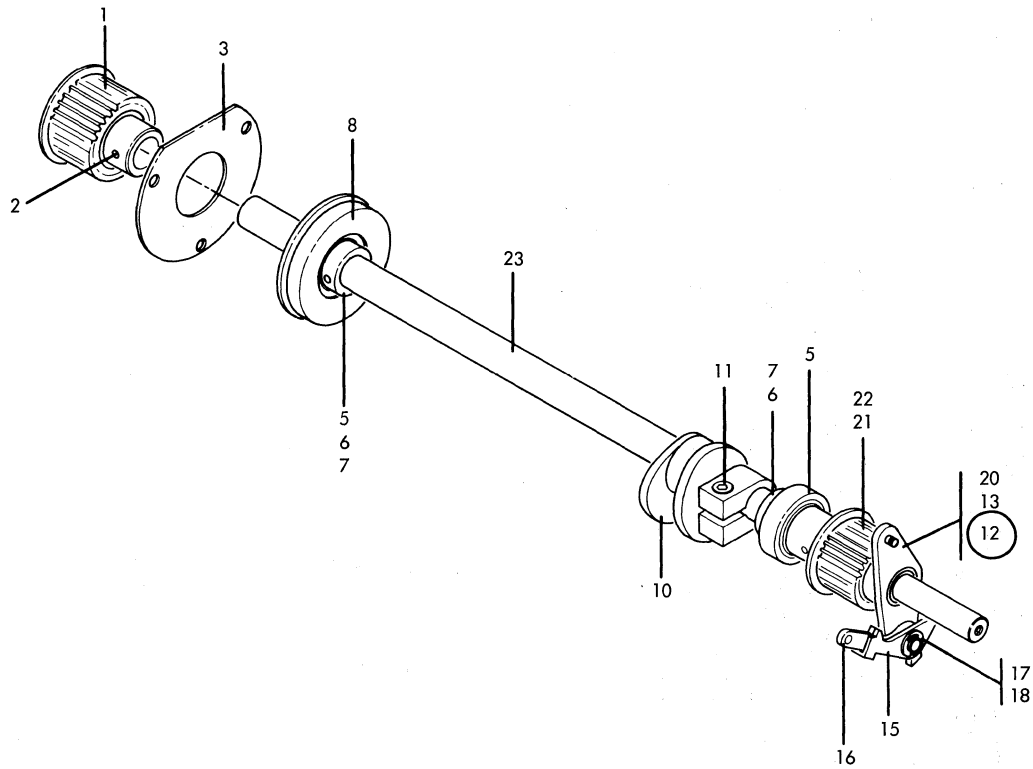


FIGURE 32. CLUTCH SHAFT ASM. P F SEE LIST 32.

LIST AND INDEX NO.	PART NO.	DESCRIPTION				UNITS PER ASSY	USABLE ON CODE
		1	2	3	4		
		CLUTCH SHAFT ASM P F					
32-	607677	CLUTCH SHAFT ASM P F SEE LIST 27-112 FOR NEXT HIGHER ASSEMBLY AND FIG. 32 FOR ILLUSTRATION				1	
32- 1	□ 607515	• PULLEY ASM - CB DRIVE				1	
32- 2	34	• TAPER PIN - PULLEY MTG				1	ATT PT
32- 3	607519	• RETAINER BEARING				1	
32- 5	156231	• BEARING				2	
32- 6	□ 22433	• COLLAR				2	
32- 7	34	• TAPER PIN - COLLAR MTG				2	ATT PT
32- 8	336276	• HOUSING-BEARING				1	
32- 10	607532	• CAM CLUTCH PICKER				1	
32- 11	104763	• SCREW CAM HUB CLAMP				1	ATT PT
32- 12	□ 257637	• ARM ASM - CLUTCH				1	
32- 13	28441	• TAPER PIN-ARM ASM MTG				1	ATT PT
32- 15	257634	• • DETENT CLUTCH BACKLASH				1	
32- 16	257635	• • DOG CLUTCH				1	
32- 17	257701	• • CLIP				1	ATT PT
32- 18	24090	• • WASHER				1	ATT PT
32- 20	□ 234829	• • LEVER ASM CLUTCH				1	
32- 21	□ 607505	• PULLEY ASM CLUTCH CAM SHAFT				1	
32- 22	34	• TAPER PIN - PULLEY MTG				1	ATT PT
32- 23	□ 607511	• SHAFT CLUTCH CAM				1	

LIST AND INDEX NO.	PART NO.	DESCRIPTION				UNITS PER ASSY	USABLE ON CODE
		1	2	3	4		
		PUNCH FEED CLUTCH ASM					
33-	609079	PUNCH FEED CLUTCH ASM SEE LIST 27-86 FOR NEXT HIGHER ASSEMBLY AND FIG. 33 FOR ILLUSTRATION				1	
33- 1	23108	• SPRING				2	
33- 2	183864	• SPRING-KEEPER				1	
33- 3	25602	• BLOCK-INSULATOR				1	
33- 5	25597	• SCREW-FD CLU				2	ATT PT
33- 6	609397	• DIODE ASM				1	
33- 7	7341	• NUT-CONTACT				4	
33- 8	22066	• WASHER-FD CLU				2	
33- 10	105047	• WASHER-FD CLU				2	
33- 11	□ 4170	• SCREW				2	
33- 12	123439	• KNOCKOFF-ARMATURE				1	
33- 13	123206	• CLIP-ARMATURE PIVOT				1	ATT PT
33- 15	222190	• SCREW-KNOCK OFF				1	ATT PT
33- 16	8506	• NUT-KNOCKOFF				1	ATT PT
33- 17	609078	• COIL CORE TERMINAL ASM				1	
33- 18	196299	• SCREW-COIL MTG				2	ATT PT
33- 20	123536	• YOKE-CLU-FD				1	
33- 21	4236	• SCREW-YOKE MTG				2	ATT PT
33- 22	56722	• WASHER-YOKE MTG				2	ATT PT
33- 23	128172	• SCREW-FD CLU				1	
33- 25	6503	• NUT-FD CLU				1	
33- 26	159960	• PLATE-CLU ASM				1	
33- 27	109315	• SCREW LATCH MTG				2	ATT PT
33- 28	203371	• LATCH ASM-CLUTCH				1	
33- 30	□ 159963	• • LATCH				1	
33- 31	5771	• • TAPER PIN				1	
33- 32	□ 159966	• • SHAFT				1	
33- 33	NO NO.	• IF MACHINE IS EQUIPPED WITH THIS PART, REPLACE WITH REF NOS. 35,36, 637				1	
33- 35	610042	• LEVER ASM CLU NON REV				1	
33- 36	610023	• SPACER NON REV LEVER				1	
33- 37	328815	• SCREW				1	ATT PT
33- 38	607779	• LATCH ASM CLU				1	
33- 40	159969	• SPRING-CLU				1	
33- 41	123434	• ARMATURE ASM				1	
33- 42	123206	• CLIP-KNOCKOFF				1	ATT PT
33- 43	123441	• SUPPORT-ARMATURE				1	
33- 45	72	• SCREW-FD CLU				2	ATT PT
33- 46	56722	• WASHER-FD CLU				2	ATT PT
33- 47	141162	• SPRING				1	
33- 48	673	• SCREW-SPRING STUD				1	
33- 50	7341	• NUT-SPRING STUD				1	
33- 51	607021	• MANUAL TRIP ASM				1	
33- 52	236849	• SCREW MANUAL TRIP MTG				1	ATT PT
33- 53	45690	• WASHER-MANUAL TRIP MTG				1	ATT PT
33- 55	607024	• • HANDLE				1	
33- 56	56722	• • LOCK WASHER				1	
33- 57	257187	• • NUT				1	
33- 58	□ 607590	• • LEVER ASM				2	
33- 60	326265	• • PIN DETENT				2	ATT PT
33- 61	607023	• • SHAFT				1	
33- 62	203370	• MAGNET BRACKET ASM				1	
33- 63	104606	• • STUD FD CLU ARM KNOCKOFF				1	
33- 65	23931	• • NUT				1	ATT PT
33- 66	6318	• • LOCKWASHER				1	ATT PT
33- 67	□ 128817	• • BEARING IDLER GEAR				2	
33- 68	159953	• • BRACKET FEED CLUTCH				1	

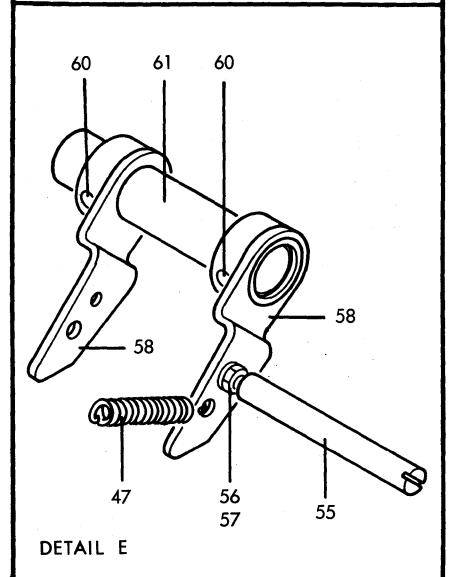
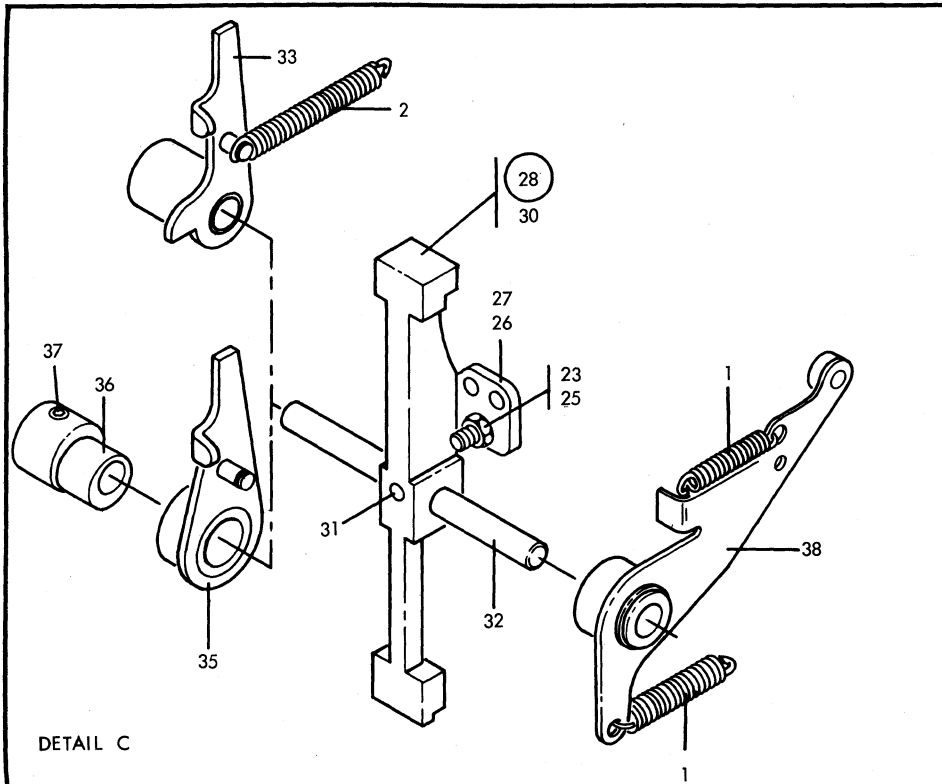
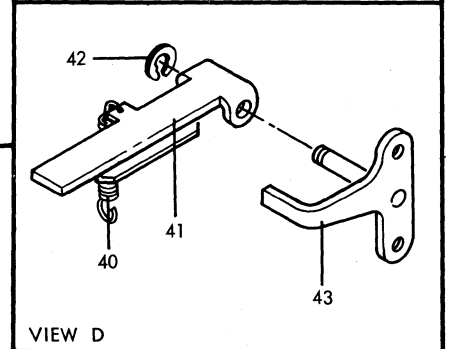
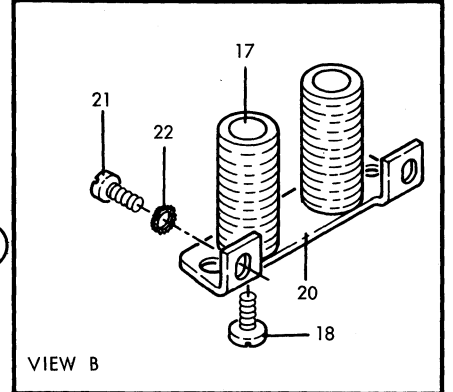
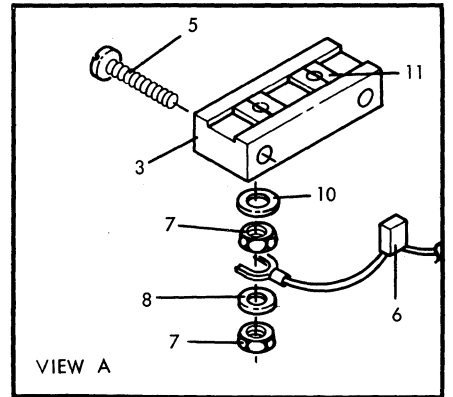
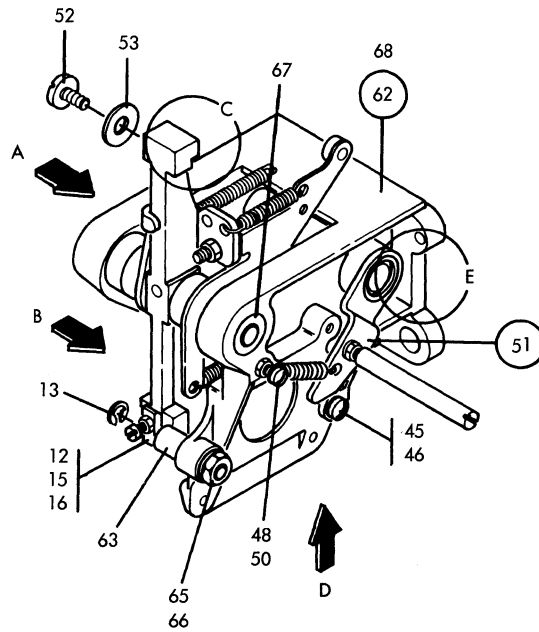
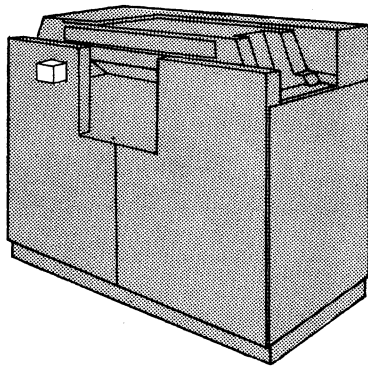


FIGURE 33. CLUTCH ASM P F SEE LIST 33.

LIST AND INDEX NO.	PART NO.	DESCRIPTION				UNITS PER ASSY	USABLE ON CODE
		1	2	3	4		
		CIRCUIT BREAKER ASM P F					
34-	615016	CIRCUIT BREAKER ASM P F SEE LIST 27-115 FOR NEXT HIGHER ASSEMBLY AND FIG. 34 FOR ILLUSTRATION				1	
34- 1	602090	• FRONT COVER CB UNIT				1	
34- 2	35739	• SCREW				2	
34- 3	603004	• WASHER				2	
34- 5	602953	• SPACER				2	
34- 6	602091	• BACK COVER CB UNIT				1	
34- 7	10170	• SCREW CB CVR				6	
34- 8	602104	• NUMBER STRIP 1-20				1	
34- 10	602096	• RETAINER GROMMET				2	
34- 11	38350	• SCREW GROM RET MTG				4	
34- 12	602107	• GROMMET SPLIT				1	
34- 13	615411	• CB ASM				11	
34- 15	2031	• SCREW CB MTG				11	
34- 16	1090873	• LWASHER CB MTG				11	
34- 17	24511	• WASHER CB MTG				11	
34- 18	602087	• • BLOCK CONT TERM UPPER				1	
34- 20	230736	• • STRIP CB ASM INSUL				1	
34- 21	602084	• • CONNECTING STRIP				1	
34- 22	228147	• • INSULATOR BLOCK CONT				1	
34- 23	602086	• • BLOCK CONT TERM MTG				1	
34- 25	38348	• • SCR CONT TERM BLOCK				2	
34- 26	228478	• • CONT DAMPENER UPPER				1	
34- 27	228107	• • STRAP ASM UP CONT SPR				1	
34- 28	228477	• • CONT STIFFENER UPPER				1	
34- 30	205743	• • INSULATOR BLOCK CON				2	
34- 31	205747	• • SHIM .003 THICK				AR	
34- 32	205783	• • SHIM .012 THICK				AR	
34- 33	205742	• • STRAP ASM CONTACT				1	
34- 35	100759	• • SLEEVE CB ASM INSUL				1	
34- 36	173211	• • SCREW CB ASM				2	
34- 37	228475	• • BREAKER ARM PIVOT				1	
34- 38	228476	• • PLUNGER CB				1	
34- 40	435700	• • ARM AND BRG ASM				1	
34- 41	602085	• • BLOCK CONT MTG				1	
34- 42	607451	• PULLEY ASM CB DRIVE				1	
34- 43	437763	• CAP SCREW PULLEY MTG				2	
34- 45	602148	• BEARING CB CAM SHAFT				2	
34- 46	10170	• SCREW BRG RET				4	
34- 47	121521	• SET SCREW CB INPUT GR				2	
34- 48	23056	• WASHER BRG RET				2	
34- 50	609026	• SHAFT CB UNIT INBOARD				1	
34- 51	607114	• CAM ASM CB POS 1,3,6, AND 8				4	
	602129	• CAM ASM CB POS 2, 4, AND 11				3	
	602128	• CAM ASM CB POS 5				1	
	607730	• CAM ASM CB POS 7				1	
	608607	• CAM ASM CB POS 9 AND 10				2	
34- 52	1073462	• SET SCREW - CAM MTG				22	
34- 53	38051	• NUT CB MTG BAR ADJ				11	
34- 55	257974	• SET SCREW CB MTG				11	
34- 56	602089	• BAR CB MTG				1	
34- 57	25627	• SCREW CB MTG BAR				4	
34- 58	104696	• PIN CB				2	
34- 60	602094	• CROSS BAR CB UNIT				1	
34- 61	2384	• SCREW CB BAR MTG				4	
34- 62	167323	• PLUG EXPANSION				2	
34- 63	602710	• JUMPER BRASS				7	
34- 65	602803	• PLUG SNAP				1	
34- 66	602092	• SIDE PLATE CB FR				1	
34- 67	602093	• SIDE PLATE CB REAR				1	

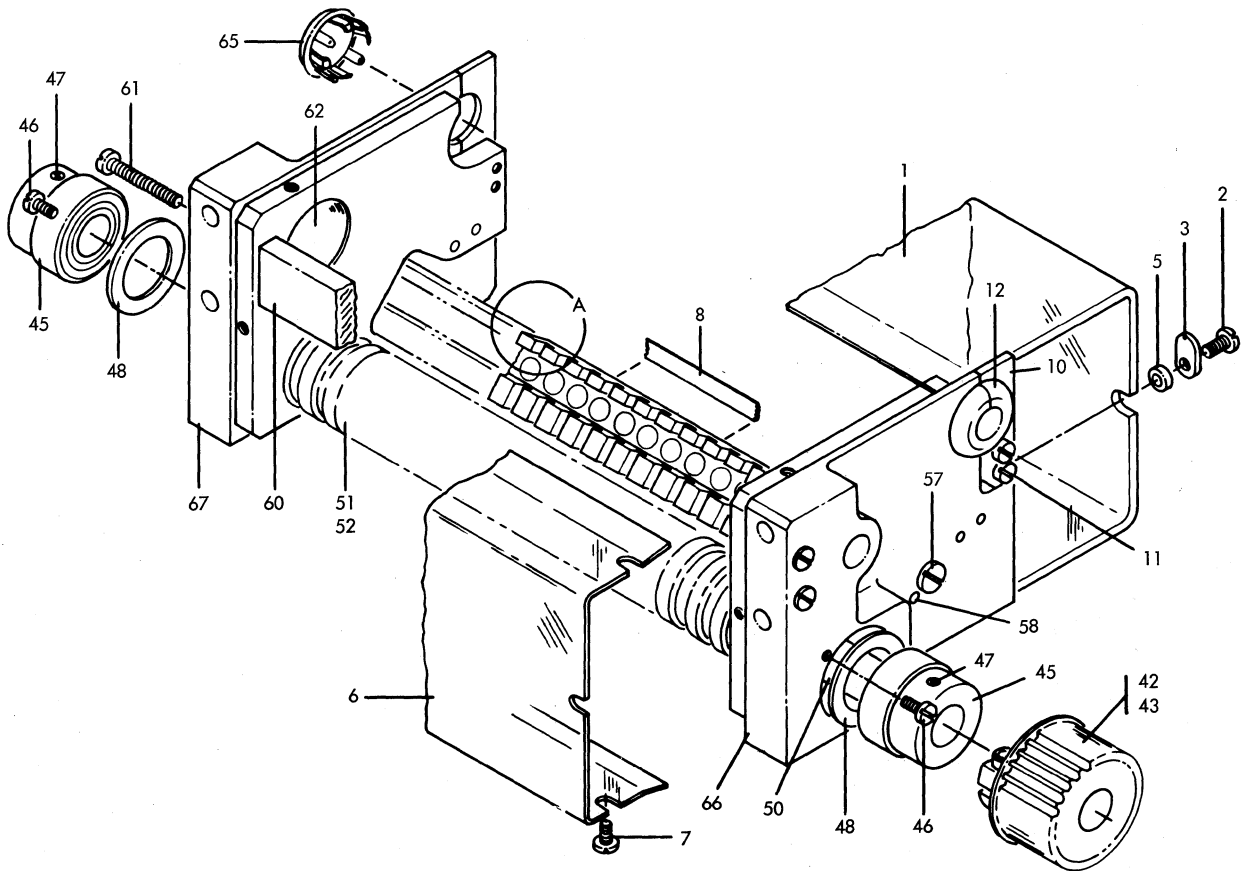
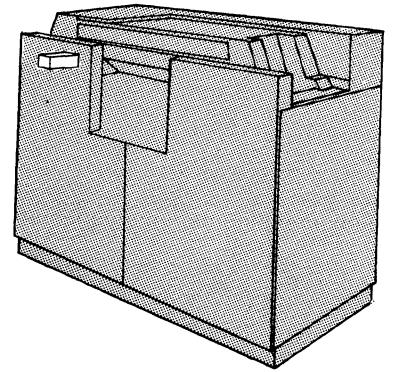
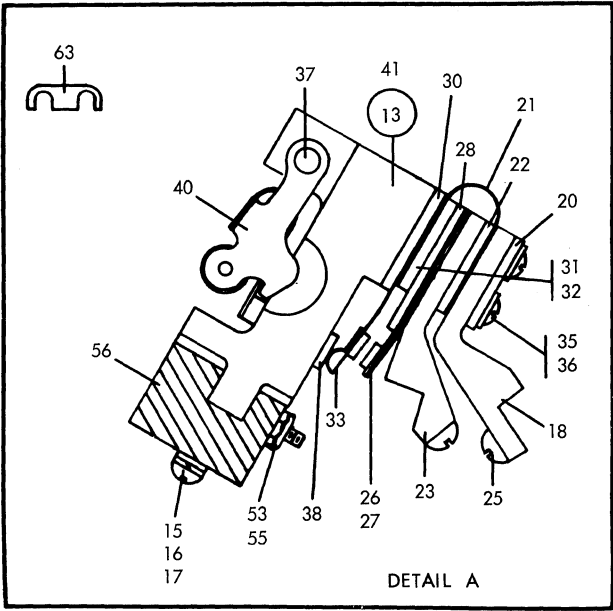


FIGURE 34. CIRCUIT BREAKER ASM. P F SEE LIST 34.

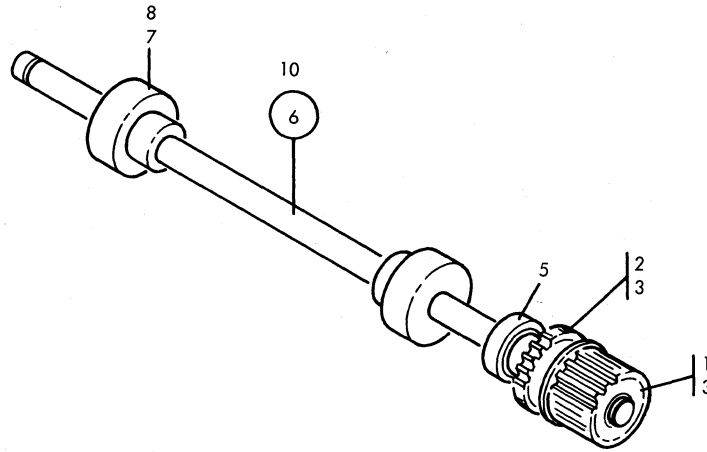


FIGURE 35. 1ST LOWER FEED ROLL ASM • P F SEE LIST 35.

LIST AND INDEX NO.	PART NO.	DESCRIPTION				UNITS PER ASSY	USABLE ON CODE
		1	2	3	4		
		1ST LWR FEED ROLL ASM P F					
35-	607106	1ST LWR FEED ROLL ASM P F SEE LIST 27-131 FOR NEXT HIGHER ASSEMBLY AND FIG. 35 FOR ILLUSTRATION				1	
35- 1	▣ 607110	• PULLEY 1ST LWR FD ROLL				1	
35- 2	▣ 607115	• GEAR LOWER FEED ROLL				1	
35- 3	19167	• TAPER PIN				2	ATT PT
35- 5	156364	• BEARING - LOWER FEED ROLL				1	
35- 6	▣ 607107	• FEED ROLL ASM 1ST LOWER				1	
35- 7	▣ 607109	• FEED ROLL 1ST LOWER				2	
35- 8	10307	• TAPER PIN FEED ROLL				2	ATT PT
35- 10	▣ 607108	• SHAFT FEED ROLL, FIRST LW				1	

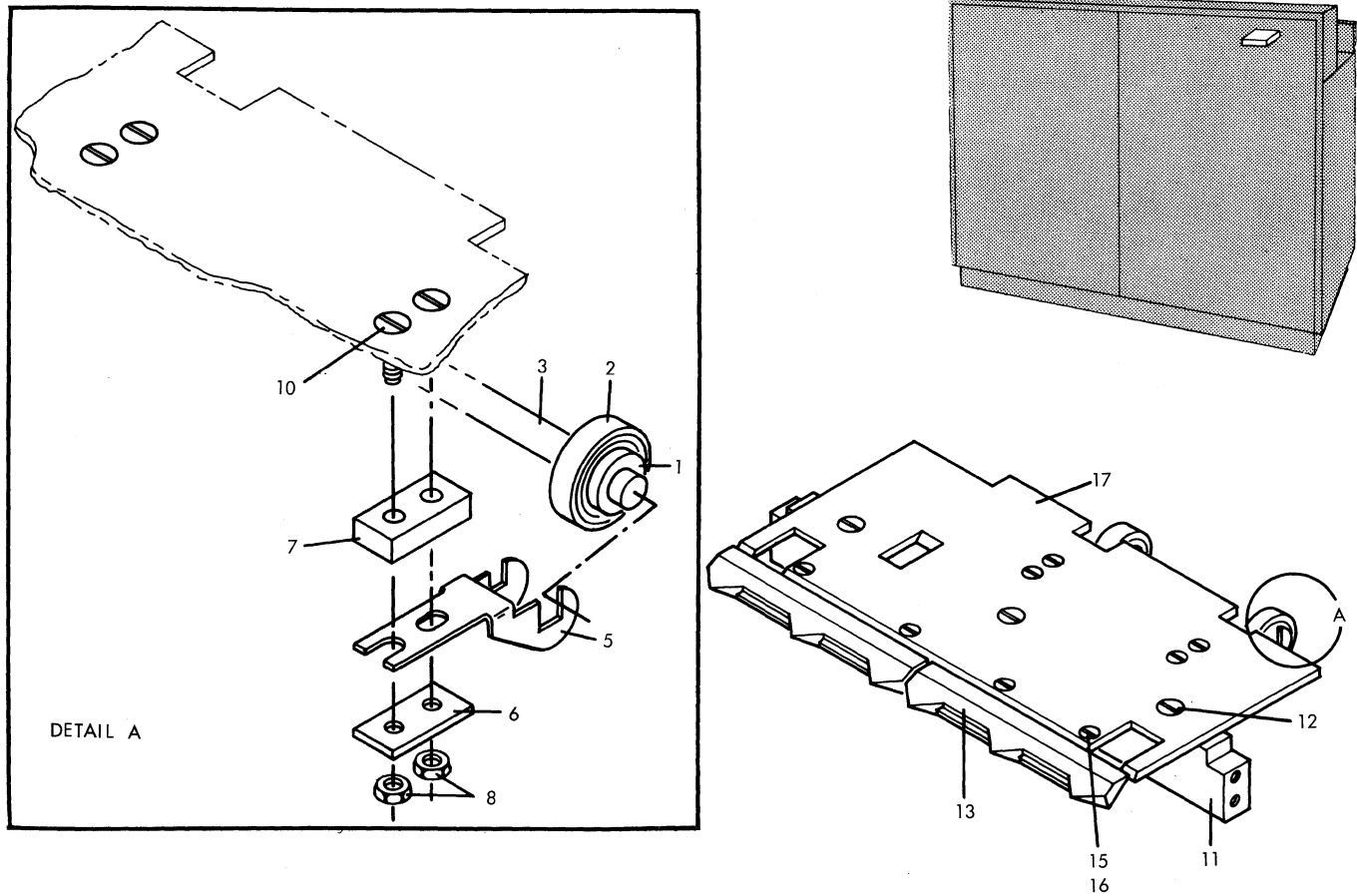


FIGURE 36. CARD GUIDE ASM. P F SEE LIST 36.

LIST AND INDEX NO.	PART NO.	DESCRIPTION	UNITS PER ASSY	USABLE ON CODE
		1 2 3 4		
		CARD GUIDE ASM P F		
36-	609065	CARD GUIDE ASM P F SEE LIST 27-186 FOR NEXT HIGHER ASSEMBLY AND FIG. 36 FOR ILLUSTRATION	1	
36- 1	602490	• SPACER-CD GDE	4	
36- 2	155749	• BEARING-CD GDE	2	
36- 3	602469	• SHAFT-CD GDE	1	
36- 5	336651	• BRACKET-CARD GUIDE	2	
36- 6	602493	• PLATE-FD ROLL	2	
36- 7	602495	• INSULATOR-CD GDE	2	
36- 8	37913	• NUT-CD GDE	4	
36- 10	38434	• SCREW-CD GDE	4	
36- 11	609717	• TIE BAR CD GUIDE MTG	1	
36- 12	438573	• SCREW CD GDE	3	
36- 13	609057	• CARD GUIDE-CONTACT ROLL	2	
36- 15	52522	• SCREW-CARD GUIDE	4	
36- 16	602229	• LOCKING NUT CD GDE	4	
36- 17	609082	• CARD GUIDE PUNCH TRANS	1	

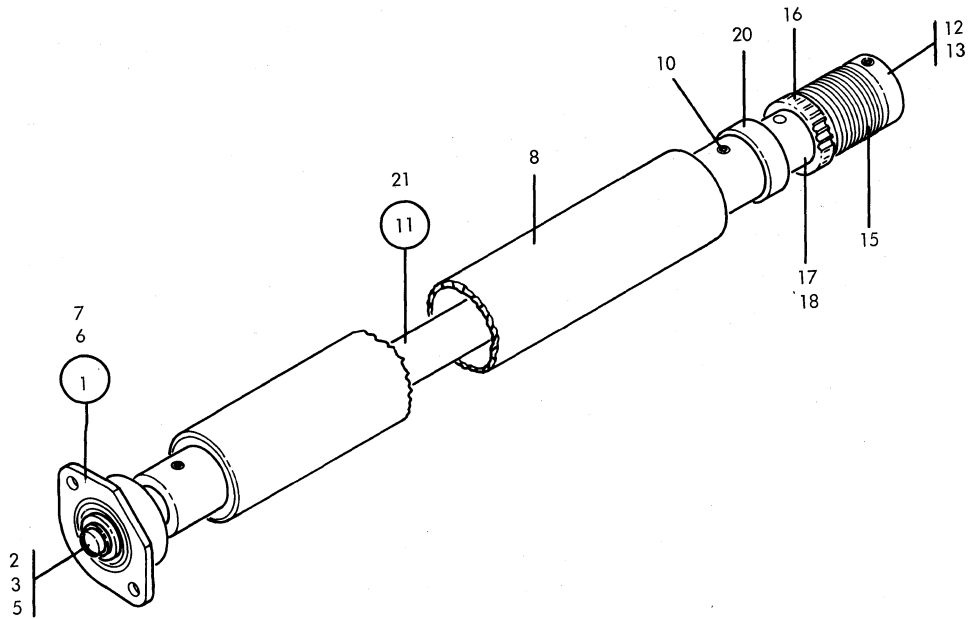


FIGURE 37. CONTACT ROLL SHAFT ASM. P F SEE LIST 37.

LIST AND INDEX NO.	PART NO.	DESCRIPTION				UNITS PER ASSY	USABLE ON CODE
		1	2	3	4		
		CONT ROLL SHAFT ASM P F					
37-	610140	CONT ROLL SHAFT ASM P F SEE LIST 27-298 FOR NEXT HIGHER ASSEMBLY AND FIG. 37 FOR ILLUSTRATION				1	
37- 1	607355	• BEARING AND HOUSING ASM				1	
37- 2	845	• SCREW BRG RACE RETG				1	ATT PT
37- 3	55901	• LWHR BRG RACE RETG				1	ATT PT
37- 5	2903	• WASHER BRG RACE RETG				1	ATT PT
37- 6	□ 156364	• • BEARING				1	
37- 7	□ 607356	• • HOUSING				1	
37- 8	607175	• CONT ROLL ASM				1	
37- 10	257969	• SET SCREW CONTACT ROLL				4	ATT PT
37- 11	607168	• SHAFT ASM CONTACT ROLL				1	
37- 12	442823	• • COLLAR SPRING RETAINING				1	
37- 13	151720	• • SET SCREW COLLAR MTG				2	ATT PT
37- 15	607172	• • SPRING CONT RL CLUTCH				1	
37- 16	607170	• • GEAR CONT RL				1	
37- 17	□ 607171	• • SPACER CONTACT ROLL				1	
37- 18	19167	• • TAPER PIN				1	ATT PT
37- 20	156364	• • BEARING				1	
37- 21	□ 607169	• • SHAFT CONTACT ROLL				1	

LIST AND INDEX NO.	PART NO.	DESCRIPTION	UNITS PER ASSY	USABLE ON CODE
		CARD GATE ASM		
38-	615011	CARD GATE ASM	1	Q
38-	605451	SEE LIST 1-265 FOR NEXT HIGHER ASSEMBLY AND FIG. 38 FOR ILLUSTRATION		P
38- 1	369207	• DECAL	1	
38- 2	615348	• DECAL	1	
38- 3	603030	• CAM LOC	3	
38- 5	223528	• GASKET		
38- 6	223803	• GROMMET	1	
38- 7	615075	• CE PANEL ASM	1	
		SEE LIST 39 FOR DETAIL BREAKDOWN		
38- 8	32042	• SCREW CE PANEL MTG	3	
38- 10	9092	• LWSHR CE PANEL MTG	3	
38- 11	11598	• NUT CE PANEL MTG	3	
38- 12	528011	• BRACKET LOCK	1	
38- 13	10170	• SCREW LOCK MTG	2	
38- 15	6364	• LWSHR LOCK MTG	2	
38- 16	257986	• WASHER	2	
38- 17	528013	• STUD LOCK	1	
38- 18	528014	• PIN LOCK	1	
38- 20	528012	• SPRING LOCK	1	
38- 21	615084	• BRACKET FILTER	1	
38- 22	470834	• SCREW BKT MTG	2	
38- 23	615088	• FILTER	1	
38- 25	615067	• ARM	2	
38- 26	38688	• SCREW LOCK MTG	6	
38- 27	6935	• LWSHR ARM MTG	6	
38- 28	36109	• NUT ARM MTG	6	
38- 30	523022	• GROUND STRAP	1	
38- 31	76574	• LWASHER GROUND STRAP	1	
38- 32	210987	• COVER TERM BLK	1	
38- 33	210984	• SCREW COVER LOCKING	1	
38- 35	80351	• TERMINAL BLOCK	1	
38- 36	210985	• STUD TERM BLK	1	
38- 37	210986	• STUD TERM BLK	3	
38- 38	322280	• INSULATOR TERM BLOCK	1	
38- 40	2116648	• SHIELD FUSE BLK	1	
38- 41	58207	• SCREW SHIELD MTG	2	
38- 42	157370	• STUD SHIELD MTG	2	
38- 43	206554	• FUSE BLOCK	1	
38- 45	38368	• SCREW FUSE BLK MTG	3	
38- 46	6325	• FUSE	7	
38- 47	2128588	• GUARD FAN	2	
38- 48	322551	• SCREW FAN SHIELD MTG	8	
38- 50	257187	• NUT FAN SHIELD MTG	8	
38- 51	125071	• SPACER FAN	8	
38- 52	597300	• FAN MUFFIN	2	
38- 53	81693	• SCREW FAN MTG	8	
38- 55	615336	• BRACKET CONN MTG	6	
38- 56	601093	• SCREW BRK MTG	12	
38- 57	546013	• CONNECTOR	2	
38- 58	615301	• CARD GATE PANEL ASM A 1	1	
38- 60	615300	• CARD GATE PANEL ASM A 2	1	
38- 61	32042	• SCREW - PANEL ASM MTG	12	
38- 62	2128570	• • STRIP ID	7	
38- 63	216215	• • BUS		
38- 65	216295	• • T CONNECTOR	5	
38- 66	38262	• • SCREW	15	
38- 67	615346	• • BRACKET T CONN MTG	1	
38- 68	32042	• • SCREW BRKT MTG	2	
38- 70	216094	• • T BAR SHORT	6	
38- 71	216204	• • T BAR & ADAPTER ASM	1	
38- 72	10170	• • SCREW T BAR MTG	7	
38- 73	216297	• • AIR SEAL		
38- 75	596194	• • BUS ASM	1	
		USED ON ASSY 615300 ONLY		
38- 76	596195	• • BUS ASM	1	
		USED ON ASSY 615301 ONLY		

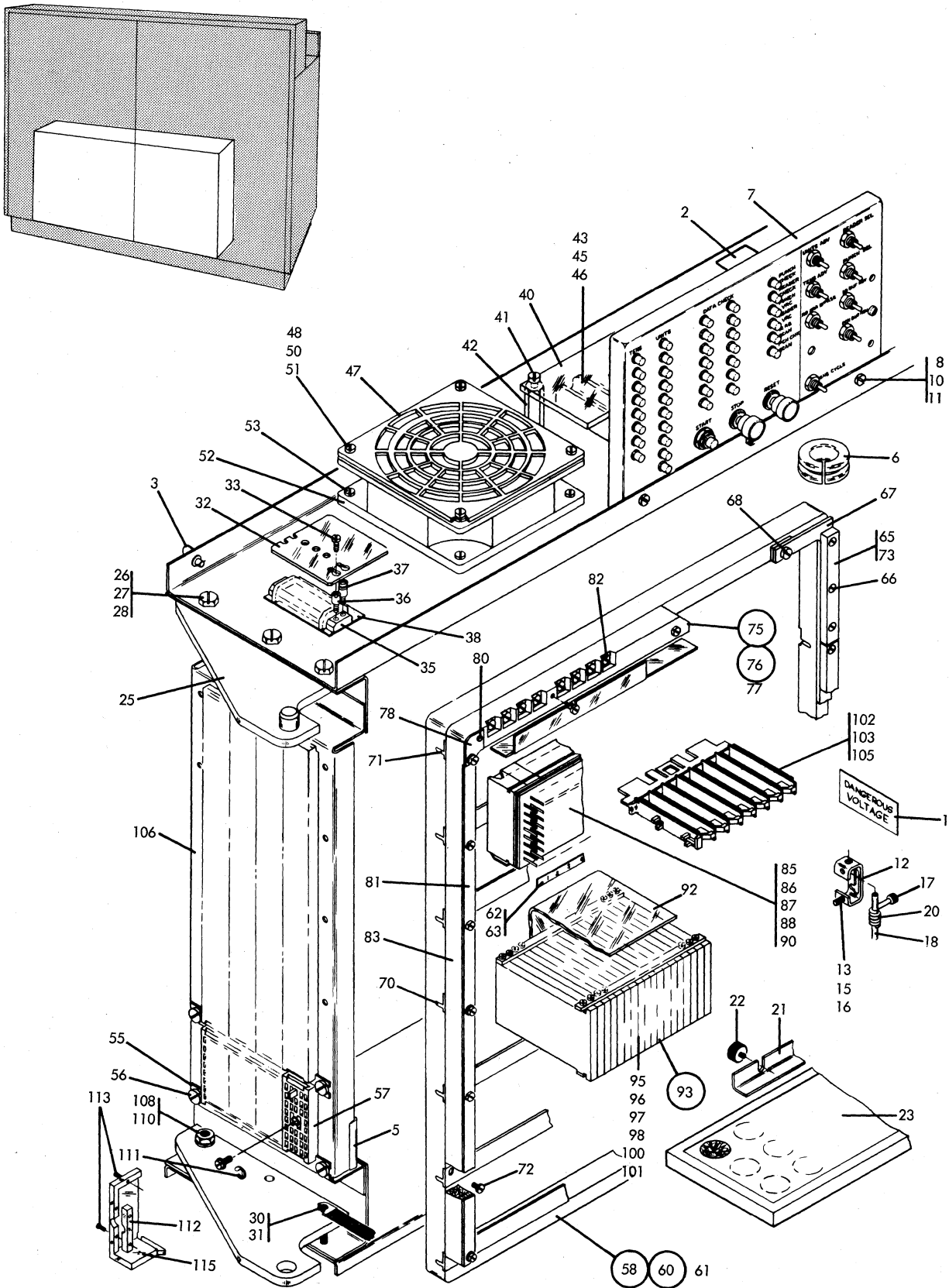


FIGURE 38. CARD GATE ASM. SEE LIST 38.

SEE FIGURE 63 FOR SPECIAL FEATURE CARD GATE A ASM.

LIST AND INDEX NO.	PART NO.	DESCRIPTION				UNITS PER ASSY	USABLE ON CODE
		1	2	3	4		
		CARD GATE ASM		CONT			
38- 77	438567	. .	SCREW	ATT PT	8		
38- 78	596182	. . .	SHIELD		1		
38- 80	5644	. . .	SCREW	ATT PT	1		
38- 81	596192	. . .	MOULDING		3		
38- 82	55726	. . .	SCREW		8		
38- 83	596186	. . .	BRACKET		1		
38- 85	615096	. .	RECEPTACLE ASM USED ON ASM 615300 ONLY		6		
38- 86	615097	. .	RECEPTACLE ASM USED ON ASSY 615301 ONLY		1		
38- 87	615098	. .	RECEPTACLE ASM USED ON ASSY 615301 ONLY		1		
38- 88	615099	. .	RECEPTACLE ASM USED ON ASSY 615301 ONLY		1		
38- 90	615345	. .	RECEPTACLE ASM USED ON ASSY 615301 ONLY		1		
38- 91	216084	. .	CHASSIS FRAME		1		
38- 92	615087	. .	SHIELD CORE MEM		1		
38- 93	615303	. .	CORE MEM ASM		1		
38- 95	615372	. .	MOUNTING BRACKET		1		
38- 96	15887	. .	SCREW	ATT PT	18		
38- 97	615357	. .	MOUNTING BRACKET		1		
38- 98	615085	. .	CLIP MTG		2		
38-100	186399	. .	SCREW BRKT MTG	ATT PT	54		
38-101	2123635	. .	SHIELD		2		
38-102	216085	. .	SMS CARD GD 8 POS		39		
38-103	216206	. .	SMS CARD GD 1 POS		36		
38-105	370082	. .	SMS CARD TYPE DAR		1		
	370083	. .	SMS CARD TYPE DAW		1		
	370084	. .	SMS CARD TYPE DAX		4		
	370169	. .	SMS CARD TYPE ACY		2		
	370171	. .	SMS CARD TYPE TBD		9		
	370172	. .	SMS CARD TYPE DAT		1		
	370224	. .	SMS CARD TYPE DFA		4		
	370321	. .	SMS CARD TYPE YAR		4		
	370335	. .	SMS CARD TYPE TCZ		39		
	370336	. .	SMS CARD TYPE AHS		1		
	370337	. .	SMS CARD TYPE AHT		27		
	371029	. .	SMS CARD TYPE CD		8		
	371032	. .	SMS CARD TYPE CE		1		
	371453	. .	SMS CARD TYPE FP		3		
	371487	. .	SMS CARD TYPE MH		1		
	371661	. .	SMS CARD TYPE MX		23		
	371678	. .	SMS CARD TYPE NN		14		
	371699	. .	SMS CARD TYPE RE		4		
	371750	. .	SMS CARD TYPE PF		2		
	371867	. .	SMS CARD TYPE VJ		1		
	371868	. .	SMS CARD TYPE VG		1		
	371869	. .	SMS CARD TYPE VE		48		
	371870	. .	SMS CARD TYPE VF		31		
	371871	. .	SMS CARD TYPE VM		11		
	371881	. .	SMS CARD TYPE WJ		9		
	371943	. .	SMS CARD TYPE AFR		7		
	371948	. .	SMS CARD TYPE AFB		1		
	371987	. .	SMS CARD TYPE DED		4		
	371988	. .	SMS CARD TYPE DEE		4		
38-106	615069	. .	GATE		1		
38-107	NO NO.	CABLE COMPONENTS				1	
38-108	45690	. .	WASHER		18		
38-110	587393	. .	SCREW		18		
38-111	5200363	. .	CLIP		22		
38-112	5200364	. .	STRAIN RELIEF		24		
38-113	203	. .	SCREW	ATT PT	96		
38-115	5200365	. .	SHIELD		24		

LIST AND INDEX NO.	PART NO.	DESCRIPTION	UNITS	USABLE
			PER ASSY	ON CODE
		1 2 3 4		
		CE PANEL ASM		
39-	615075	CE PANEL ASM SEE LIST 38-7 FOR NEXT HIGHER ASSEMBLY AND FIG. 39 FOR ILLUSTRATION	1	
39- 1	63079	• JUMPER	13	
39- 2	302108	• JUMPER ASM	2	
39- 3	317924	• JUMPER ASM	2	
39- 5	335466	• JUMPER ASM	1	
39- 6	349722	• JUMPER ASM	1	
39- 7	615092	• JUMPER ASM	1	
39- 8	620014	• JUMPER ASM	2	
39- 10	2103102	• CAPACITOR IMFD 200 VDC	1	
39- 11	2114246	• RESISTOR 390 OHM 1 WATT	1	
39- 12	315970	• RESISTOR 1K OHM 1 WATT	3	
39- 13	444164	• TERM BLOCK ASM	1	
39- 15	438551	• SCREW TERM BL MTG	1	
39- 16	37913	• NUT TERM BL MTG	1	ATT PT
39- 17	302131	• INSULATOR TERM BL	1	
39- 18	302089	• SPRING TERMINAL BLOCK	8	
39- 20	550511	• LAMP	38	
39- 21	368168	• CLIP LAMP	38	ATT PT
39- 22	609457	• SWITCH	1	
39- 23	189138	• KNOB	2	
39- 25	189136	• SWITCH	2	
39- 26	365048	• SWITCH	8	
39- 27	615070	• CHASSIS	1	
		ELECTRICAL BASE ASM		
40-	615015	ELECTRICAL BASE ASM SEE LIST 1-262 FOR NEXT HIGHER ASSEMBLY AND FIG. 40 FOR ILLUSTRATION	1	
40- 1	615394	• DECAL IDENTIFICATION	1	
40- 2	300787	• AIR FILTER	1	
40- 3	615330	• CE AID PANEL ASM SEE LIST 41 FOR DETAIL BREAKDOWN	1	
40- 5	251970	• SCREW CE AID PNL MTG	3	ATT PT
40- 6	338169	• LWASHER PANEL MTG	3	ATT PT
40- 7	607268	• COVER - CE AID PANEL	1	
40- 8	609379	• TOGGLE SWITCH AND BRKT ASM	1	
40- 10	38235	• SCREW BRKT MTG	2	
40- 11	56722	• LWASHER BRKT MTG	2	ATT PT
40- 12	340517	• SWITCH TOGGLE	1	
40- 13	608279	• SWITCH TOGGLE	3	
40- 15	159373	• L WASHER-SW MTG	4	ATT PT
40- 16	609377	• BRACKET-SW MTG	1	
40- 17	255639	• CLIP CRANK RETAINING	1	
40- 18	2031	• SCREW CLIP MTG	1	ATT PT
40- 20	615338	• STANDOFF MARG CHK	1	
40- 21	38381	• SCREW STANDOFF	1	ATT PT
40- 22	9092	• LWASHER STANDOFF	1	ATT PT
40- 23	609010	• SHOCK MOUNT BASE MTG	2	
40- 25	609031	• SHOCK MOUNT PUNCH BASE	1	
40- 26	609596	• SHOCK MOUNT PUNCH BASE	1	
40- 27	4553	• SCREW - SHOCK MNT MTG	8	ATT PT
40- 28	10309	• LWASHER - SHOCK MNT MTG	8	ATT PT
40- 30	453	• WASHER - SHOCK MNT MTG	8	ATT PT
40- 31	615320	• MARGINAL CHECK ASM SEE LIST 42 FOR DETAIL BREAKDOWN	1	
40- 32	443	• SCREW MARCK PANEL	2	ATT PT
40- 33	56079	• LWASHER MARCK PNL	2	ATT PT
40- 35	615389	• SHIELD - MARG CHK	1	
40- 36	257187	• NUT - MARG CHK SHIELD	4	ATT PT
40- 37	615427	• DIODE & CONN ASM	1	

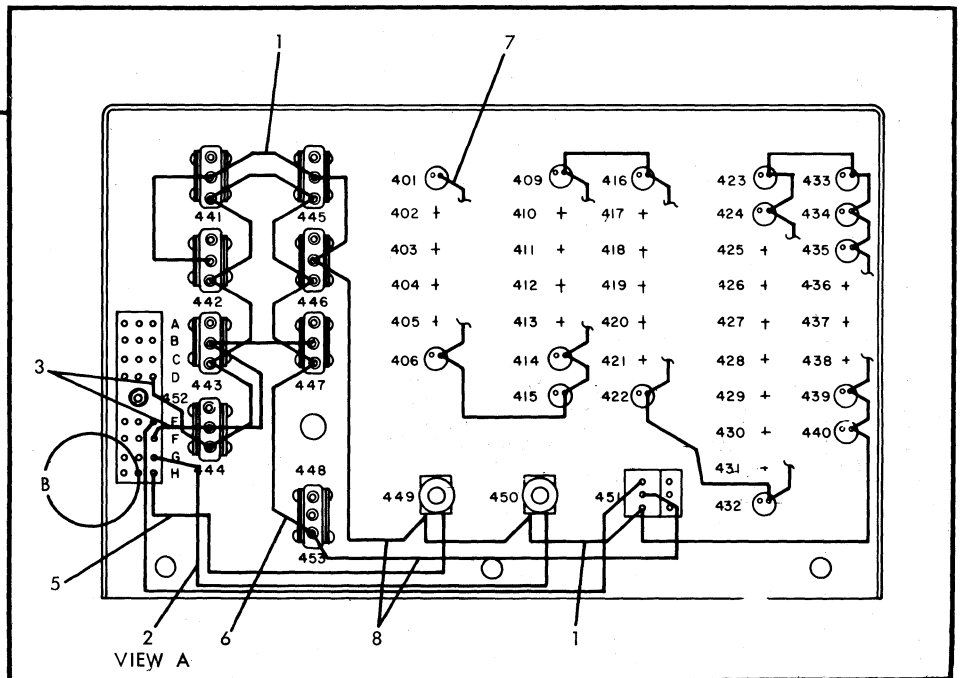
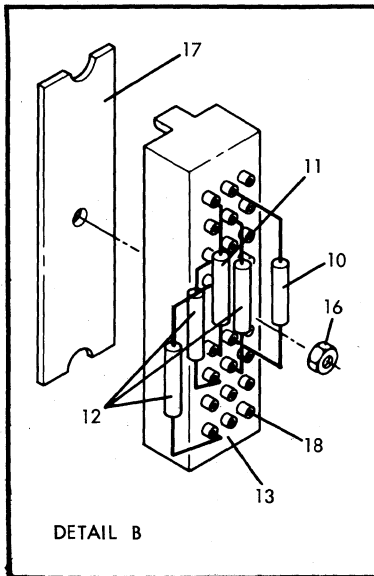
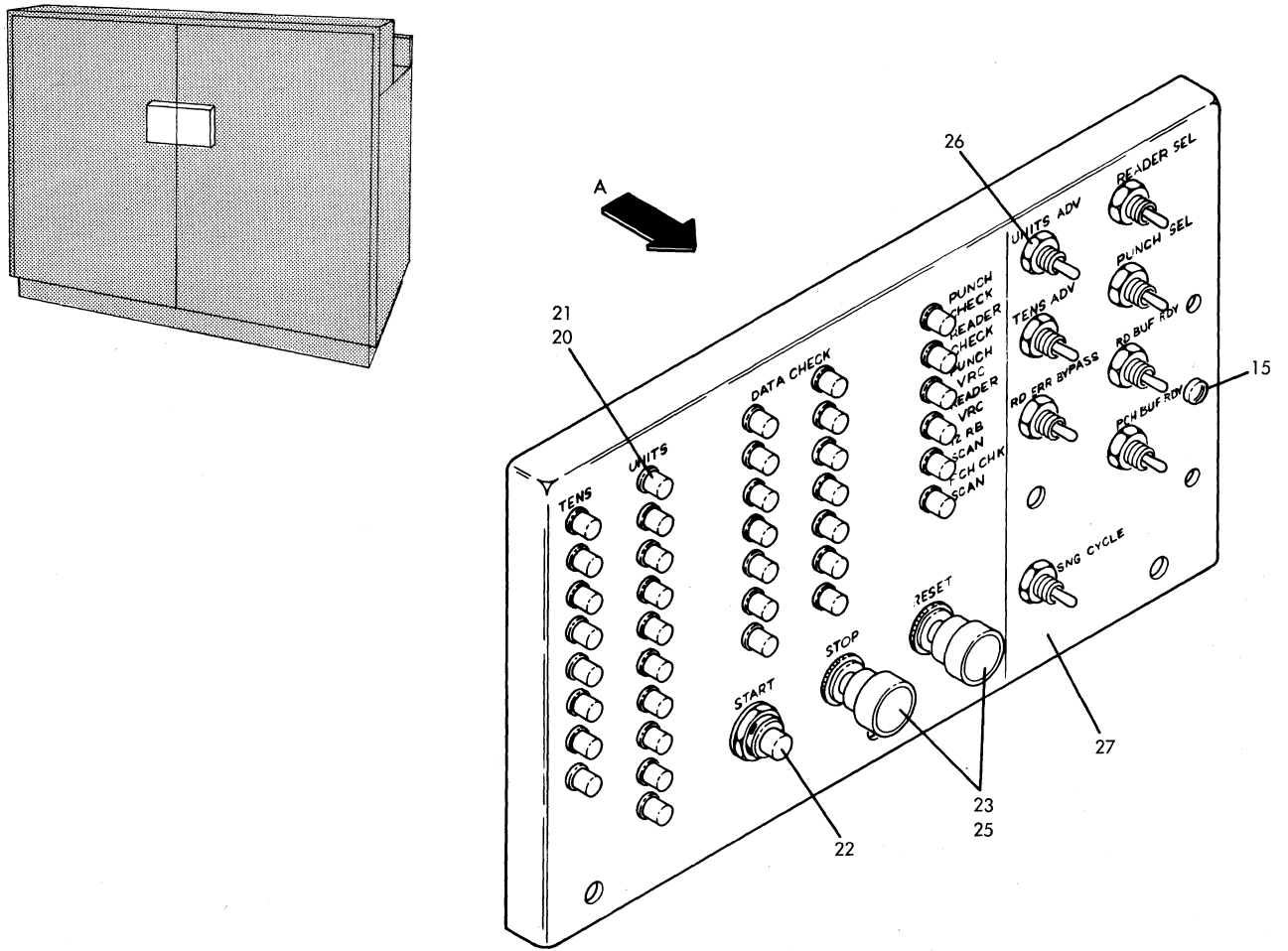


FIGURE 39. C E PANEL ASM. SEE LIST 39.

LIST AND INDEX NO.	PART NO.	DESCRIPTION				UNITS PER ASSY	USABLE ON CODE
		1	2	3	4		
		ELECTRICAL BASE ASM		CONT			
40- 38	38261	•	SCREW CAMLOC MTG	ATT	PT	4	
40- 40	312571	•	CAMLOC CONN ASM	ATT	PT	2	
40- 41	338169	•	LWSHR CAMLOC MTG	ATT	PT	4	
40- 42	257243	•	CONNECTOR FEMALE BASE			8	
40- 43	198363	•	SCREW	ATT	PT	16	
40- 45	441662	•	CLIP MTG	ATT	PT	8	
40- 46	222355	•	SELENIUM VALVE UNIT			20	
40- 47	198363	•	SCREW	ATT	PT	40	
40- 48	284424	•	CLIP MTG	ATT	PT	8	
40- 50	328214	•	FASTENER CAMLOC			2	
40- 51	312573	•	GROMMET CAMLOC			2	
40- 52	312575	•	SNAP RING CAMLOC	ATT	PT	2	
40- 53	608624	•	RAIL ASM CONN MTG			1	
40- 55	615426	•	BRACKET CONN ASM			2	
40- 56	38383	•	SCREW BRKT MTG	ATT	PT	4	
40- 57	9092	•	LWSHR CONN ASM	ATT	PT	4	
40- 58	615376	•	SHIELD			1	
40- 60	38381	•	SCREW SHIELD MTG	ATT	PT	2	
40- 61	45690	•	WASHER SHIELD MTG	ATT	PT	2	
40- 62	208274	•	REGULATOR ASM - 1250 WATT			1	
			SEE LIST 43 FOR DETAIL BREAKDOWN				
40- 63	208205	•	CAPACITOR ASM - 1250 WATT			1	
			SEE LIST 44 FOR DETAIL BREAKDOWN				
40- 65	* 477270	•	POWER SUPPLY ASM 3V DC 5 AMP REDESIED			1	D
			SEE LIST 45 FOR DETAIL BREAKDOWN				
40- 66	* 208182	•	POWER SUPPLY ASM 3 VDC 5 AMP			1	C
			SEE LIST 46 FOR DETAIL BREAKDOWN				
40- 67	207382	•	RAIL	ATT	PT	6	
40- 68	55918	•	SCREW	ATT	PT	12	
40- 70	56079	•	LOCKWASHER	ATT	PT	12	
40- 71	310808	•	SCREW	ATT	PT	6	
40- 72	207293	•	LATCH BLOCK	ATT	PT	6	
40- 73	112288	•	JUMPER ASM			1	
40- 75	615082	•	PLATFORM CHIP BOX			1	
40- 76	325626	•	SCREW PLATFORM MTG	ATT	PT	2	
40- 77	6935	•	LWASHER PLATFORM MTG	ATT	PT	2	
40- 78	238364	•	SWITCH CHIP PLATFORM			1	
40- 80	609181	•	SWITCH CHIP PLATFORM			1	
40- 81	438553	•	SCREW SW MTG	ATT	PT	4	
40- 82	804211	•	INSULATOR SWITCH MTG			2	
40- 83	615002	•	FUSE PANEL ASM			1	
			SEE LIST 47 FOR DETAIL BREAKDOWN				
40- 85	38235	•	SCREW FUSE PNL	ATT	PT	4	
40- 86	6364	•	LWASHER FUSE PNL MTG	ATT	PT	4	
40- 87	257187	•	NUT FUSE PNL MTG	ATT	PT	4	
40- 88	615003	•	POWER SEQUENCE ASM			1	
			SEE LIST 48 FOR DETAIL BREAKDOWN				
40- 90	257189	•	NUT POW SEQ	ATT	PT	4	
40- 91	1090873	•	LWASHER POW SEQ	ATT	PT	4	
40- 92	82353	•	TERM BLOCK			1	
40- 93	845	•	SCREW TERM BLK	ATT	PT	4	
40- 95	98139	•	INSUL STRIP			1	
40- 96	609381	•	COVER RELAY GATE			1	
40- 97	32042	•	SCREW RELAY GT CVR	ATT	PT	2	
40- 98	615008	•	RELAY GATE ASM			1	
			SEE LIST 49 FOR DETAIL BREAKDOWN				
40-100	225532	•	HINGE ASM REL GT			2	
40-101	36844	•	SCREW HINGE MTG	ATT	PT	4	
40-102	6935	•	LWSHR HINGE MTG	ATT	PT	4	
40-103	2125620	•	RECTIFIER ASM			1	
40-105	38381	•	SCREW RECT MTG	ATT	PT	2	
40-106	9092	•	LWASHER RECT MTG	ATT	PT	2	
40-107	45690	•	WASHER RECT MTG	ATT	PT	2	

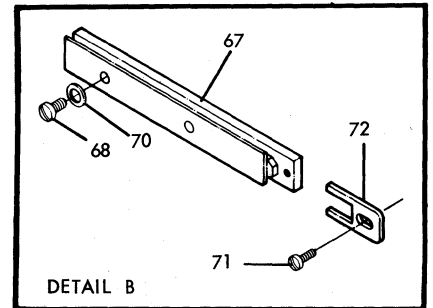
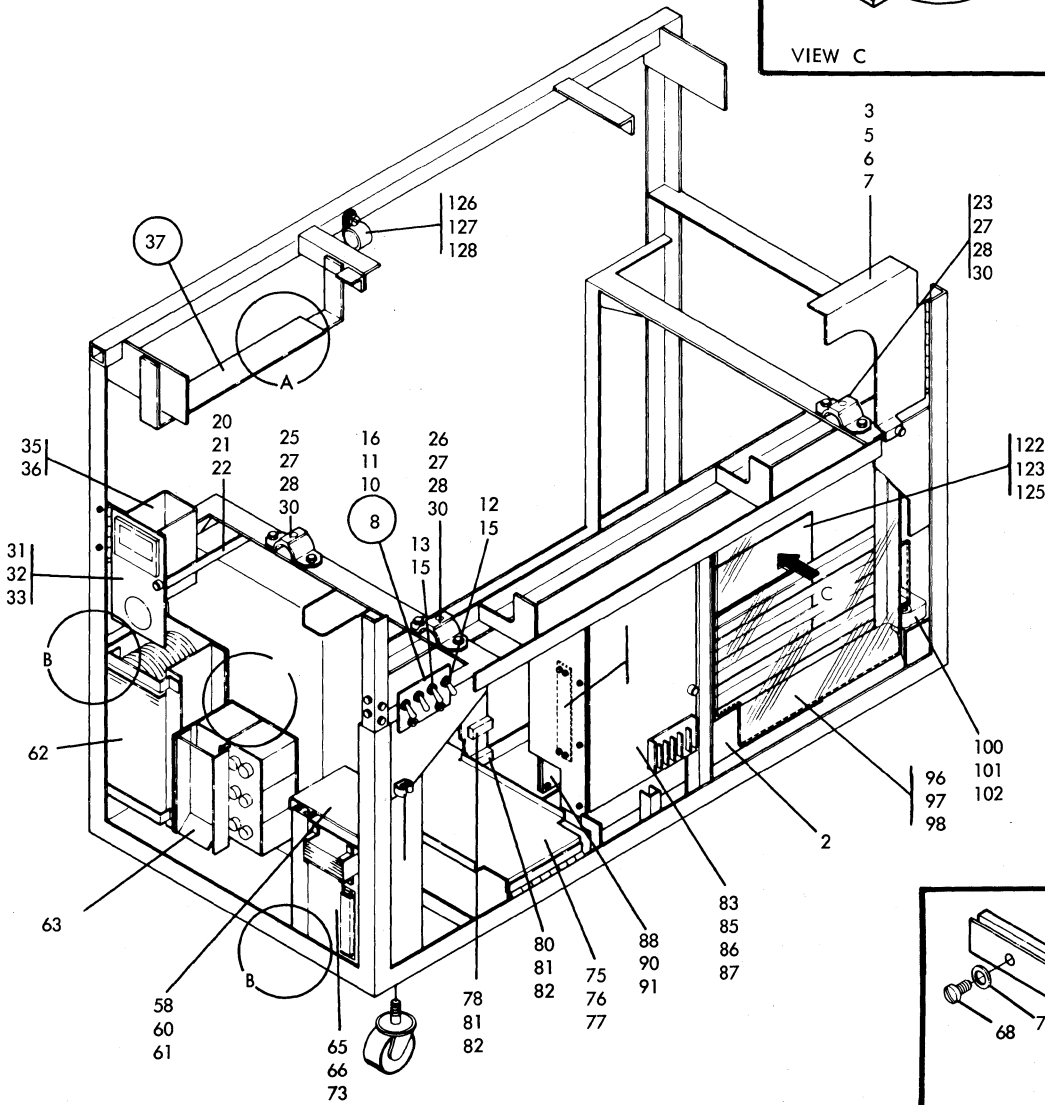
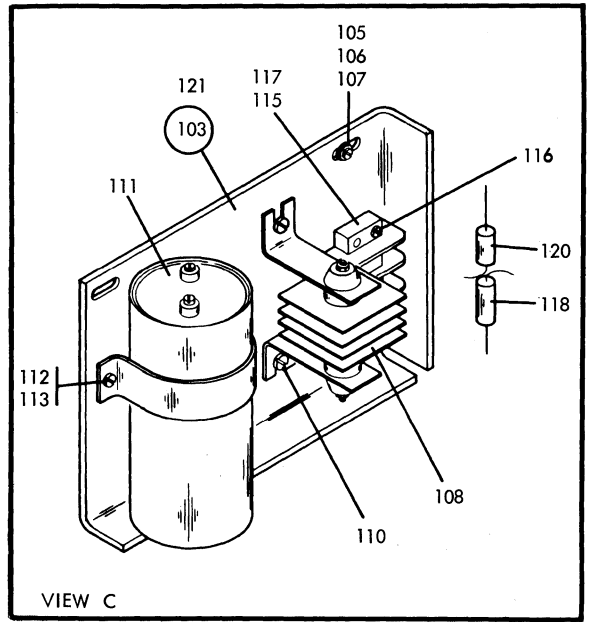
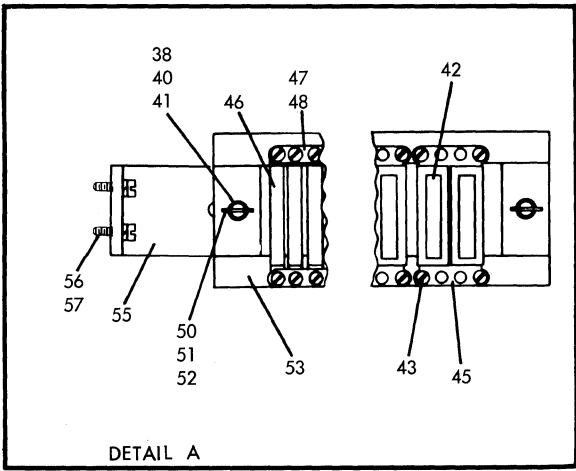


FIGURE 40. ELECTRICAL BASE ASM □ SHEET 1 OF 2, INDEX NOS 1-131 SEE LIST 40.

LIST AND INDEX NO.	PART NO.	DESCRIPTION				UNITS PER ASSY	USABLE ON CODE
		1	2	3	4		
		ELECTRICAL BASE ASM		CONT			
40-108	472567	• •	RECTIFIER			1	
40-110	108114	• •	SCREW - RECTIFIER MTG	ATT PT		2	
40-111	2123510	• •	CONDENSER			1	
40-112	221790	• •	SCREW	ATT PT		2	
40-113	2125621	• •	CLAMP	ATT PT		1	
40-115	303454	• •	TERMINAL BLOCK			1	
40-116	35739	• •	SCREW	ATT PT		2	
40-117	515620	• •	INSULATOR			1	
40-118	2102155	• •	RESISTOR - 500 OHM 5W			1	
40-120	2129348	• •	CAPACITOR			1	
40-121	2125622	• •	CHASSIS			1	
40-122	609382	•	DOOR ACCESS			1	
40-123	236849	•	SCREW ACCESS DOOR	ATT PT		3	
40-125	56079	•	LWASHER ACCESS DOOR	ATT PT		3	
40-126	101923	•	CLAMP			1	
40-127	32042	•	SCREW CLAMP MTG	ATT PT		1	
40-128	56079	•	LWASHER CLAMP MTG	ATT PT		1	
40-130	124943	•	DECAL - DANGEROUS VOLTAGE			6	
40-131	369207	•	DECAL			1	
40-132	223528	•	GASKET			AR	
40-133	255522	•	INSULATOR STUD COVER			3	
40-135	607399	•	GAGE CONTAINER			1	
40-136	322065	•	SCREW GAGE CONTAINER MTG	ATT PT		1	
40-137	615071	•	GROUND BAR			2	
40-138	615078	•	INSUL GRD BAR			2	
40-140	333586	•	INSUL GRD BAR			4	
40-141	55918	•	SCREW	ATT PT		4	
40-142	45690	•	WSHR GRD BAR	ATT PT		4	
40-143	609372	•	CHIP BOX			1	
40-145	802555	•	EYE SCREW PLATFORM	ATT PT		1	
40-146	257189	•	NUT EYE SCREW	ATT PT		2	
40-147	609450	•	SPRING CHIP BOX			1	
40-148	609451	•	STUD SPRING RETAINING			1	
40-150	6935	•	LWASHER STUD	ATT PT		1	
40-151	615404	•	BRKT CHIP BOX			1	
40-152	438622	•	SCREW CHIP BOX BRKT MTG	ATT PT		2	
40-153	609484	•	COVER PWR PACK			1	
40-155	34512	•	SCREW COVER MTG	ATT PT		2	
40-156	615353	•	POWER SUPPLY BRACKET ASM			1	
			SEE LIST 50 FOR DETAIL BREAKDOWN				
40-157	845	•	SCREW BRKT MTG	ATT PT		1	
40-158	2031	•	SCREW BRKT MTG	ATT PT		1	
40-160	22478	•	WASHER SHIELD MTG	ATT PT		2	
40-161	1090873	•	LWASHER PANEL MTG	ATT PT		2	
40-162	55901	•	LWASHER GRD JUMPER MTG	ATT PT		1	
40-163	257189	•	NUT GRD JUMPER MTG	ATT PT		1	
40-165	101925	•	CLAMP			2	
40-166	443	•	SCREW CLAMP MTG	ATT PT		2	
40-167	56079	•	LWASHER CLAMP MTG	ATT PT		2	
40-168	615381	•	BRACKET			1	
40-170	32042	•	SCREW BRKT MTG	ATT PT		1	
40-171	9092	•	LOCK WASHER BRKT MTG	ATT PT		1	
40-172	128455	•	SWITCH REMOTE START			1	
40-173	471640	•	HANDLE			1	
40-175	232855	•	INSULATION			1	
40-176	609621	•	DECAL			1	
40-177	615022	•	RESISTOR INTEGRATOR GATE ASM			1	
			SEE LIST 51 FOR DETAIL BREAKDOWN				
40-178	232	•	SCREW RES GATE	ATT PT		3	
40-180	9092	•	LWASHER RES GATE	ATT PT		3	
40-181	45690	•	WASHER RES GATE	ATT PT		3	
40-182	615073	•	STRIKER			1	
40-183	120211	•	SCREW STRIKE MTG	ATT PT		2	
40-185	56079	•	LWASHER STR MTG	ATT PT		2	
40-186	45690	•	WASHER STR MTG	ATT PT		2	
40-187	596708	•	CHANNEL RUBBER			1	
40-188	614047	•	COVER PWR SUPPLY			1	

LIST AND INDEX NO.	PART NO.	DESCRIPTION				UNITS PER ASSY	USABLE ON CODE
		1	2	3	4		
		ELECTRICAL BASE ASM		CONT			
40-190	10170	•	SCREW CVR MTG	ATT	PT	4	
40-191	56722	•	LWASHER COVER MTG	ATT	PT	4	
40-192	539054	•	FAN PWR SUPPLY			1	
40-193	38235	•	SCREW FAN MTG	ATT	PT	4	
40-195	6364	•	LWASHER FAN MTG	ATT	PT	4	
40-196	440265	•	STAND OFF FAN MTG	ATT	PT	4	
40-197	518495	•	TUBING PWR SUP FAN-20V			2	
40-198	2128588	•	GUARD FAN			1	
40-200	609387	•	PLATE PWR SUPP FAN MTG			1	
40-201	38686	•	SCREW PLATE MTG	ATT	PT	2	
40-202	6935	•	LWASHER PLATE MTG	ATT	PT	2	
40-203	2129496	•	BRACKET			3	
40-205	232	•	SCREW BRKT MTG	ATT	PT	3	
40-206	1940	•	WASHER BRKT MTG	ATT	PT	3	
40-207	9092	•	LWASHER BRKT MTG	ATT	PT	3	
40-208	191918	•	CLAMP PWR CABLE			1	
40-210	166668	•	CLAMP INTERMACH CABLE			2	
40-211	25627	•	SCREW CLAMP MTG	ATT	PT	3	
40-212	55901	•	LWASHER CLAMP MTG	ATT	PT	3	
40-213	225532	•	HINGE ASM			2	
40-215	36844	•	SCREW HINGE MTG	ATT	PT	4	
40-216	6935	•	LWASHER HINGE MTG	ATT	PT	4	
40-217	615321	•	SHIELD PWR SUP			2	
40-218	184522	•	WING NUT SHIELD	ATT	PT	4	
40-220	615393	•	SHIELD POWER SUPPLY			1	
40-221	2994	•	SCREW SHIELD MTG	ATT	PT	1	
40-222	38383	•	SCREW SHIELD MTG	ATT	PT	1	
40-223	45690	•	WASHER SHIELD MTG	ATT	PT	2	
40-225	2129496	•	BRACKET SHIELD MTG			2	
40-226	34512	•	SCREW SHIELD MTG	ATT	PT	2	
40-227	9092	•	LWASHER SHIELD MTG	ATT	PT	2	
40-228	2903	•	WASHER BRKT MTG	ATT	PT	2	
40-230	257189	•	NUT JUMPER MTG			1	
40-231	55901	•	LWASHER JUMPER MTG			1	
40-232	* 473430	•	PWR SUPPLY ASM 20V DC 15 AMP REDESIED SEE LIST 52 FOR DETAIL BREAKDOWN			1	D
40-233	* 207240	•	POWER SUPPLY ASM 20VDC 15AMP SEE LIST 53 FOR DETAIL BREAKDOWN			1	C
40-235	* 473510	•	PWR SUPPLY ASM 12V DC 16 AMP REDESIED SEE LIST 54 FOR DETAIL BREAKDOWN			1	D
40-236	* 207234	•	POWER SUPPLY ASM 12VDC 16AMP SEE LIST 55 FOR DETAIL BREAKDOWN			1	C
40-237	207382	•	RAIL	ATT	PT	6	
40-238	55918	•	SCREW	ATT	PT	8	
40-240	56079	•	LOCKWASHER	ATT	PT	12	
40-241	207293	•	LATCH BLOCK	ATT	PT	6	
40-242	310803	•	SCREW	ATT	PT	6	
40-243	* 473390	•	POWER SUPPLY ASM 12VDC 8AMP REDESIGD SEE LIST 56 FOR DETAIL BREAKDOWN			1	D
40-245	* 207225	•	POWER SUPPLY ASM 12VDC 8AMP SEE LIST 57 FOR DETAIL BREAKDOWN			1	C
40-246	207382	•	RAIL			2	
40-247	507796	•	SCREW PWR SUPPLY	ATT	PT	4	
40-248	56079	•	LWASHER RAIL	ATT	PT	4	
40-250	11891	•	NUT PWR SUP	ATT	PT	4	
40-251	207293	•	LATCH BLK			2	
40-252	310808	•	SCREW KEEPER	ATT	PT	2	
40-253	* 370610	•	SMS CARD ASM-FOR REDESIGNED POWER S			2	D
40-255	* 370611	•	SMS CARD ASM-FOR REDESIGN PWR SUP A			1	D
40-256	* 371656	•	SMS CARD ASM			3	C
40-257	* 350760	•	OVERVOLTAGE ASM%REDESIGN PWR SUP AS			2	D
40-258	* 208960	•	OVERVOLTAGE ASM			2	C
40-260	38442	•	SCREW	ATT	PT	8	
40-261	2128511	•	BLOWER ASM SEE LIST 58 FOR DETAIL BREAKDOWN			1	
40-262	28413	•	SCREW BLOWER	ATT	PT	2	
40-263	56079	•	LOCKWASHER BLOWER MTG	ATT	PT	2	

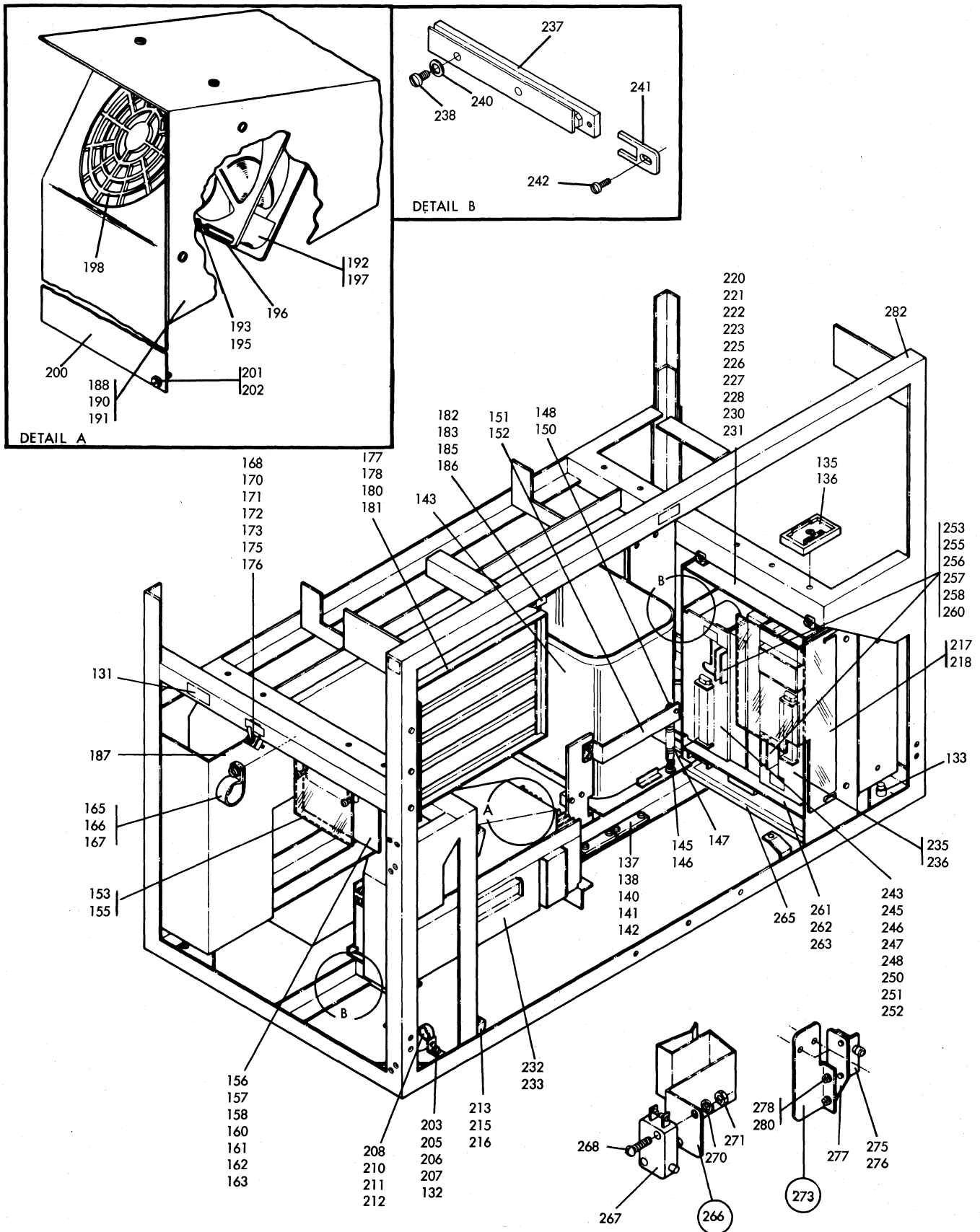


FIGURE 40. ELECTRICAL BASE ASM SHEET 2 OF 2, INDEX NOS 132-285. SEE LIST 40.

LIST AND INDEX NO.	PART NO.	DESCRIPTION				UNITS PER ASSY	USABLE ON CODE
		1	2	3	4		
		ELECTRICAL BASE ASM					
		CONT					
40-265	615379	• FILTER				1	
40-266	609158	• SWITCH ASM INTERLOCK				6	
40-267	228093	• • SWITCH COVER INTERLOCK				1	
40-268	438551	• • SCREW SWITCH MTG				2	
40-270	257984	• • LWSHR SWITCH MTG				2	
40-271	37913	• • NUT SWITCH MTG				2	
40-272	609157	• • BRACKET INTRLCK MTG				1	
40-273	609681	• INTERLOCK SWITCH ASM				6	
40-275	609185	• • SWITCH - INTERLOCK				1	
40-276	38235	• • SCREW - SWITCH MTG				2	
40-277	609187	• • BRACKET - SWITCH MTG				1	
40-278	38235	• • SCREW - BRKT MTG				2	
40-280	56722	• • LWASHER				2	
40-281	609199	• • BRACKET - MTG				1	
40-282	615010	• FRAME ASM				1	
		SEE LIST 59 FOR DETAIL BREAKDOWN					
		C.E. AID PANEL ASM					
41-	615330	C.E. AID PANEL ASM SEE LIST 40-3 FOR NEXT HIGHER ASSEMBLY AND FIG. 41 FOR ILLUSTRATION				1	
41- 1	78916	• BUMPER CE AID PNL				1	
41- 2	2994	• SCREW BUMPER				1	
41- 3	609491	• STUD STOP				1	
41- 5	609140	• INSUL STUD				1	
41- 6	236849	• SCREW STOP MTG				1	
41- 7	45690	• WASHER STOP MTG				1	
41- 8	128455	• SWITCH CE AID				1	
41- 10	159373	• LWSHR SW MTG				1	
41- 11	237322	• TERMINAL BLOCK ASM				1	
41- 12	322552	• SCREW TERM BLK				2	
41- 13	62031	• LWASHER SHIELD				2	
41- 15	257187	• NUT TERM BLK MTG				2	
41- 16	608717	• SHIELD				1	
41- 17	1074145	• SPACER SHIELD				2	
41- 18	331690	• SWITCH CE AID				2	
41- 20	159373	• LWSHR SW MTG				2	
41- 21	334728	• SWITCH CE AID				1	
41- 22	317173	• KNOB SWITCH				1	
41- 23	460287	• SWITCH CE AID				1	
41- 25	317173	• KNOB SWITCH				1	
41- 26	309749	• SWITCH CE AID				1	
41- 27	159373	• LWSHR SW MTG				1	
41- 28	608279	• SWITCH CF AID				1	
41- 30	159373	• LWASHER SW MTG				1	
41- 31	340517	• SWITCH CE AID				1	
41- 32	159373	• LWASHER SW MTG				1	
41- 33	602654	• SWITCH CE AID				1	
41- 35	317173	• KNOB SWITCH				1	
41- 36	602923	• SCREW PANEL FASTEN				1	
41- 37	45690	• WASHER PNL MTG SCR				1	
41- 38	1092125	• CLIP SCREW				1	
41- 40	597216	• GRD JUMPER				1	
41- 41	28413	• SCR GRD JUMPER				1	
41- 42	56079	• LWSHR GRD JUMPER				1	
41- 43	11598	• NUT GRD JUMPER				1	
41- 45	602628	• CONNECTOR CE AID				1	
41- 46	615334	• PANEL CE AID				1	

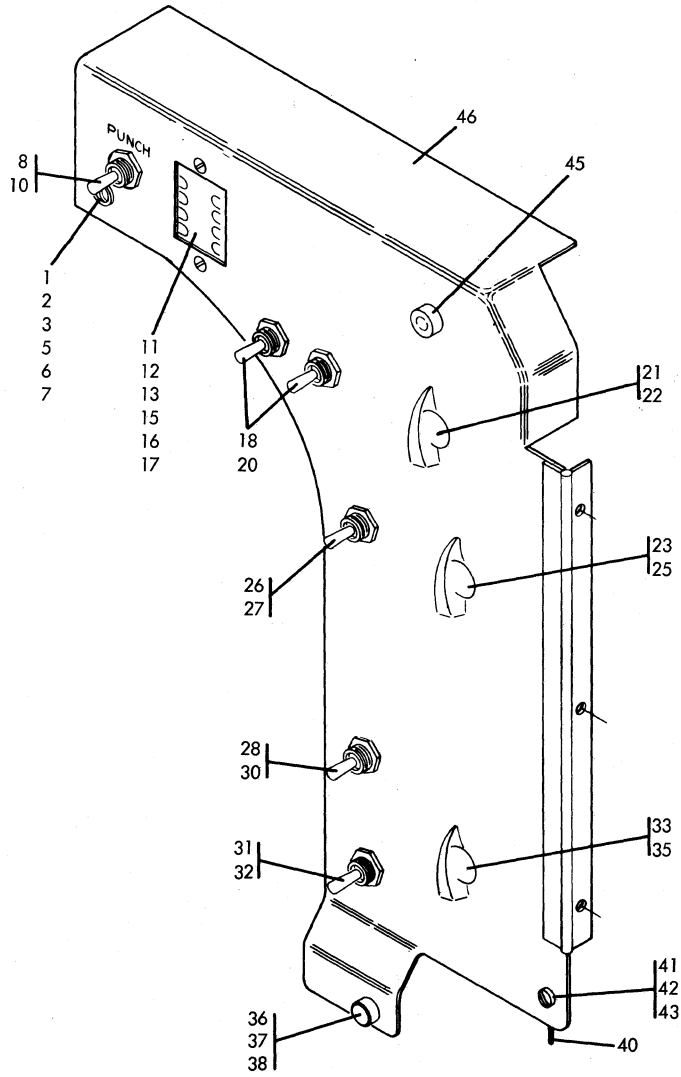
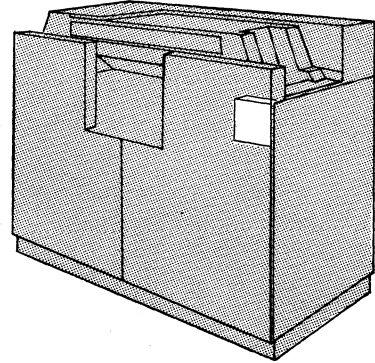


FIGURE 41. C E AID PANEL ASM. SEE LIST 41.

LIST AND INDEX NO.	PART NO.	DESCRIPTION				UNITS PER ASSY	USABLE ON CODE
		1	2	3	4		
		MARGINAL CHECK ASM					
42-	615320	MARGINAL CHECK ASM SEE LIST 40-31 FOR NEXT HIGHER ASSEMBLY AND FIG. 42 FOR ILLUSTRATION				1	
42- 1	615399	• LABEL				1	
42- 2	2128751	• METER				1	
42- 3	56722	• LWSHR METER ASM				5	
42- 5	615337	• SWITCH ASM WAFER				1	
42- 6	317173	• KNOB WAFER SW				1	
42- 7	2128693	• SWITCH SPDT				2	
42- 8	159373	• LWSHR SWITCH				2	
42- 10	602923	• THUMB SCREW				1	
42- 11	45690	• WSHR THUMB SCR				1	
42- 12	1092125	• CLIP THUMB SCR				1	
42- 13	615447	• SHIELD POWERSTAT				1	
42- 15	257985	• WSHR SHIELD MTG				1	
42- 16	220815	• RHEOSTAT ASM				1	
42- 17	38451	• SCREW RHEOST				4	
42- 18	207376	• • RHEOSTAT				1	
42- 20	208993	• • POWERSTAT				1	
42- 21	322572	• • LOCKWASHER				2	
42- 22	132240	• • DIAL				1	
42- 23	220905	• • CAM				1	
42- 25	219978	• • COUPLING				1	
42- 26	257969	• • SCREW				4	
42- 27	228093	• • SWITCH				1	
42- 28	438551	• • SCREW				2	
42- 30	257984	• • LOCKWASHER				2	
42- 31	37913	• • NUT				2	
42- 32	333183	• • ACTUATOR				1	
42- 33	219966	• • BRACKET - SWITCH MTG				1	
42- 35	38451	• • SCREW				2	
42- 36	150209	• • L WASHER				2	
42- 37	219948	• • BRACKET				1	
42- 38	237291	• WASHER				1	
42- 40	597215	• GRD JUMPER				1	
42- 41	615318	• PANEL				1	

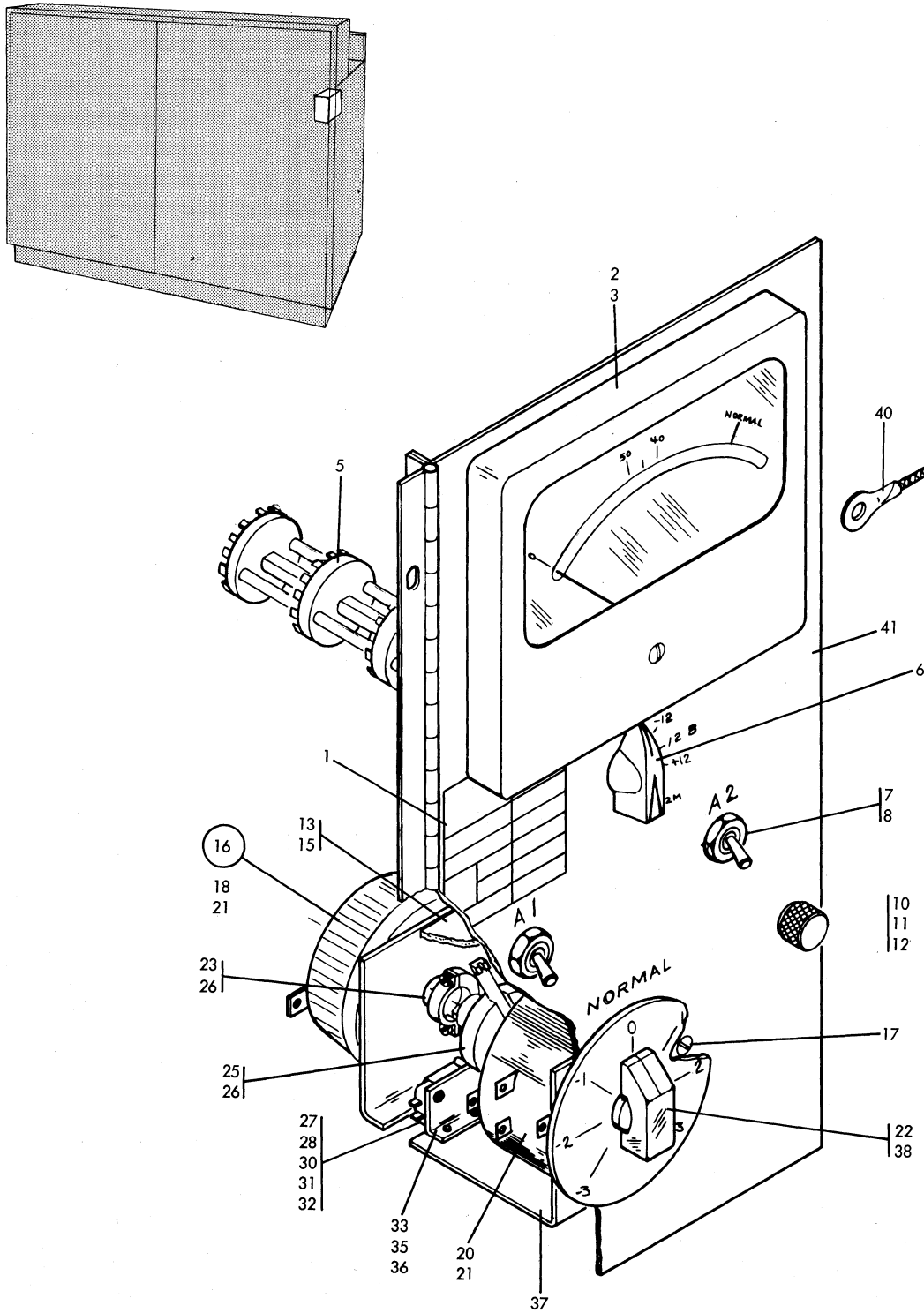


FIGURE 42. MARGINAL CHECK ASM. SEE LIST 42.

SEE FIGURE 65 FOR SPECIAL FEATURE MARGINAL CHECK ASM.

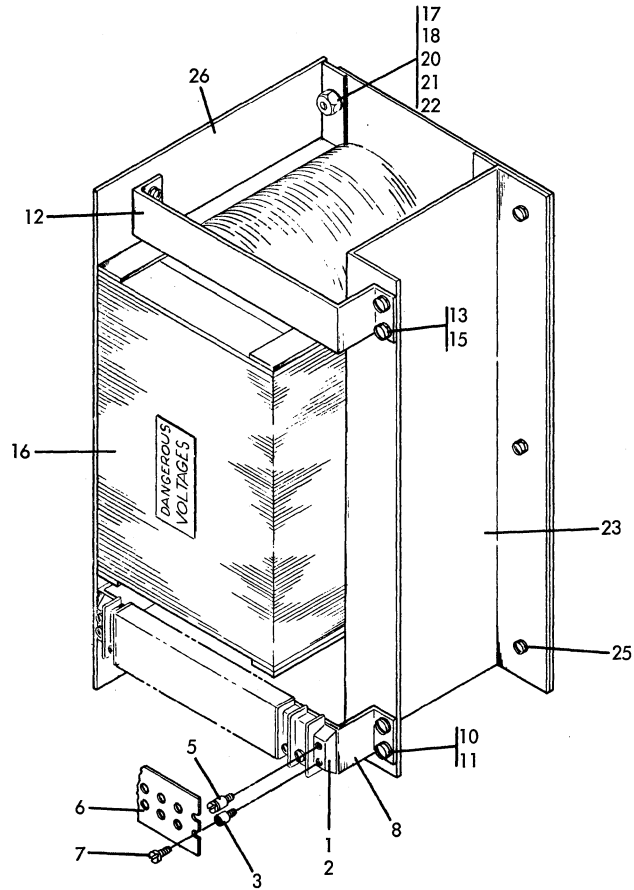


FIGURE 43. 1250 WATT REGULATOR ASM. SEE LIST 43.

LIST AND INDEX NO.	PART NO.	DESCRIPTION				UNITS PER ASSY	USABLE ON CODE
		1	2	3	4		
		REGULATOR ASM - 1250 WATT					
43-	208274	REGULATOR ASM - 1250 WATT SEE LIST 40-62 FOR NEXT HIGHER ASSEMBLY AND FIG. 43 FOR ILLUSTRATION				1	
43- 1	511592	• TERMINAL BOARD				1	
43- 2	207242	• INSULATOR TERMINAL BOARD				1	
43- 3	209483	• STUD				1	ATT PT
43- 5	209484	• STUD SLOTTED				3	ATT PT
43- 6	186943	• SHIELD				1	
43- 7	210984	• SCREW				1	ATT PT
43- 8	207212	• BRKT CHANNEL MTG				1	
43- 10	24752	• SCREW BRKT MTG				4	ATT PT
43- 11	60646	• LWASHER BRKT MTG				4	ATT PT
43- 12	207215	• BRKT CHANNEL MTG				1	
43- 13	24752	• SCREW BRKT MTG				4	ATT PT
43- 15	60646	• LWASHER BRKT MTG				4	ATT PT
43- 16	220910	• TRANSFORMER				1	
43- 17	25895	• SCREW TFMR MTG				4	ATT PT
43- 18	6935	• LWASHER TFMR MTG				4	ATT PT
43- 20	76574	• LWASHER TFMR MTG				1	ATT PT
43- 21	3550	• WASHER TFMR MTG				4	ATT PT
43- 22	36109	• NUT TFMR MTG				4	ATT PT
43- 23	207346	• CHANNEL				1	
43- 25	58207	• SCREW				3	ATT PT
43- 26	207345	• MAINPLATE				1	

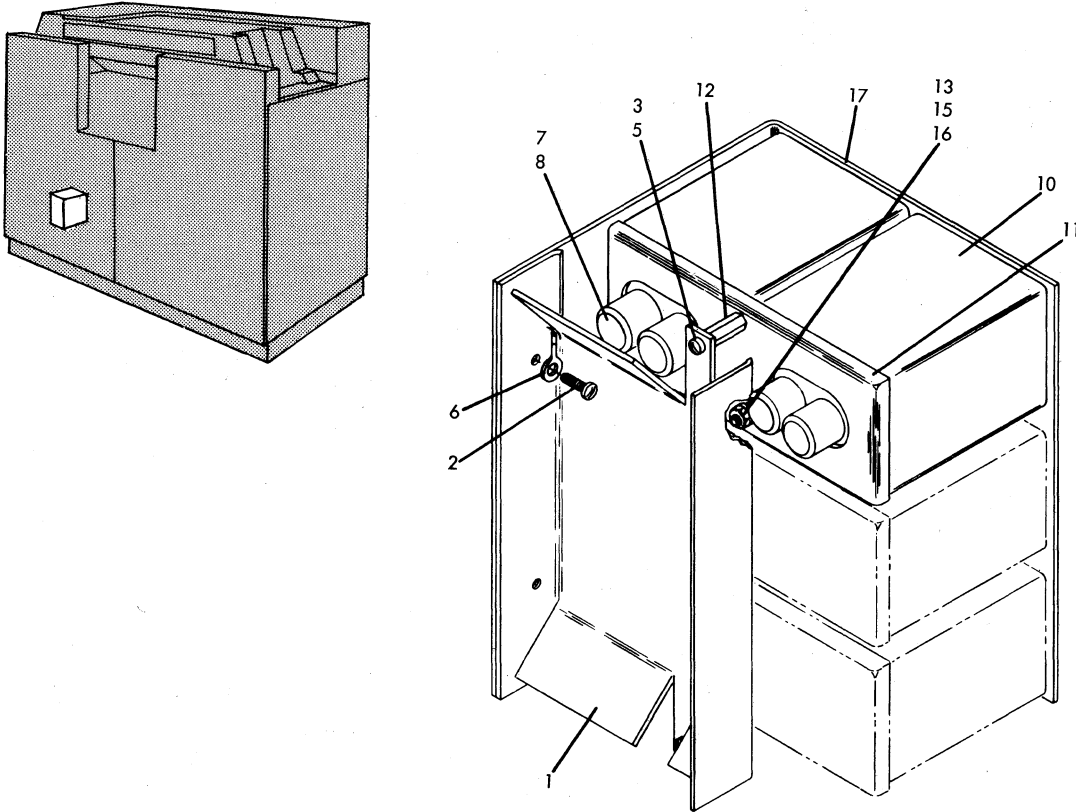


FIGURE 44. 1250 WATT CAPACITOR ASM. SEE LIST 44.

LIST AND INDEX NO.	PART NO.	DESCRIPTION				UNITS PER ASSY	USABLE ON CODE
		1	2	3	4		
		CAPACITOR ASM - 1250 WATT					
44-	208205	CAPACITOR ASM - 1250 WATT SEE LIST 40-63 FOR NEXT HIGHER ASSEMBLY AND FIG. 44 FOR ILLUSTRATION				1	
44- 1	208199	• CHANNEL				1	
44- 2	58207	• SCREW CHANNEL MTG				2	
44- 3	273	• SCREW CAP MTG				2	
44- 5	56121	• LWASHER				2	
44- 6	597216	• JUMPER ASM				1	
44- 7	526378	• COVER CAP SAFETY				12	
44- 8	517913	• TERMINAL FLAG				2	
44- 10	477202	• CAPACITOR 15 UF 6% 330V				6	
44- 11	207206	• BRKT CAP MTG				3	
44- 12	191483	• SPACER				2	
44- 13	11598	• NUT				4	
44- 15	56121	• LWASHER				4	
44- 16	207209	• STUD CAP MTG				4	
44- 17	208200	• MAIN PLATE CAP MTG				6	
						1	

LIST AND INDEX NO.	PART NO.	DESCRIPTION	UNITS PER ASSY	USABLE ON CODE
		PWR SUPPLY ASM 3V DC 5 AMP REDESIGNED		
45-	* 477270	PWR SUPPLY ASM 3V DC 5 AMP REDESIGNED SEE LIST 40-65 FOR NEXT HIGHER ASSEMBLY AND FIG. 45 FOR ILLUSTRATION	1	D
45- 1	477275	• HEAT SINK ASM	1	
45- 2	28413	• SCREW BND HD ATT PT	8	
45- 3	56121	• L WASHER ATT PT	8	
45- 5	477278	• • HEAT SINK	1	
45- 6	79779	• • SCREW BND HD SELF TAP ATT PT	4	
45- 7	473536	• • AIR SEAL	AR	
45- 8	533534	• • TERMINAL	2	
45- 10	10170	• • SCREW ATT PT	2	
45- 11	62031	• • LOCKWASHER ATT PT	2	
45- 12	216197	• • RECTIFIER	2	
45- 13	316996	• • TERMINAL	1	
45- 15	473377	• • BRACKET UPPER SUPPORT	1	
45- 16	473379	• • BRACKET LOWER SUPPORT	1	
45- 17	473544	• • SCREW BND HD SELF TAP ATT PT	4	
45- 18	473531	• • INSULATOR HEAT SINK	4	
45- 20	477273	• • CABLE ASM SEE LIST 60 FOR COMPONENT PARTS	1	
45- 21	473533	• • GROMMET	AR	
45- 22	477279	• • COVER AIR SEAL	1	
45- 23	477274	• COMPONENT PLATE ASM	1	
45- 25	188697	• • SHIELD	1	
45- 26	210984	• • SCREW R HD ATT PT	1	
45- 27	320451	• • TERMINAL BLOCK	1	
45- 28	209483	• • STUD ATT PT	1	
45- 30	209484	• • STUD ATT PT	3	
45- 31	510186	• • INSULATOR	1	
45- 32	219993	• • FILTER CHOKE ASM	1	
45- 33	438601	• • SCREW ATT PT	4	
45- 35	597575	• • WASHER ATT PT	4	
45- 36	43538	• • SPACER TFMR MTG ATT PT	4	
45- 37	56121	• • L WASHER ATT PT	4	
45- 38	11598	• • NUT ATT PT	4	
45- 40	220596	• • TRANSFORMER	1	
45- 41	32617	• • SCREW BND HD ATT PT	4	
45- 42	597575	• • WASHER ATT PT	4	
45- 43	56121	• • L WASHER ATT PT	4	
45- 45	11598	• • NUT ATT PT	4	
45- 46	334932	• • TERMINAL	2	
45- 47	179946	• • FUSE HOLDER	1	
45- 48	78952	• • FUSE 0.8 AMP	1	
45- 50	219994	• • TRANSFORMER AUTO	1	
45- 51	186758	• • SCREW BND HD ATT PT	2	
45- 52	510810	• • WASHER ATT PT	2	
45- 53	60646	• • L WASHER ATT PT	2	
45- 55	257189	• • NUT ATT PT	2	
45- 56	208257	• • RELAY	1	
45- 57	58207	• • SCREW BND HD ATT PT	2	
45- 58	60646	• • L WASHER ATT PT	2	
45- 60	598343	• • CAP 25000 MFD 6 VDC	3	
45- 61	38051	• • NUT ATT PT	6	
45- 62	62031	• • L WASHER ATT PT	6	
45- 63	473543	• • CLAMP ATT PT	6	
45- 65	208989	• • JUMPER ASM	2	
45- 66	473534	• • JUMPER ASM	1	
45- 67	512663	• • GROMMET	1	
45- 68	477277	• • PLATE COMPO MTG	1	

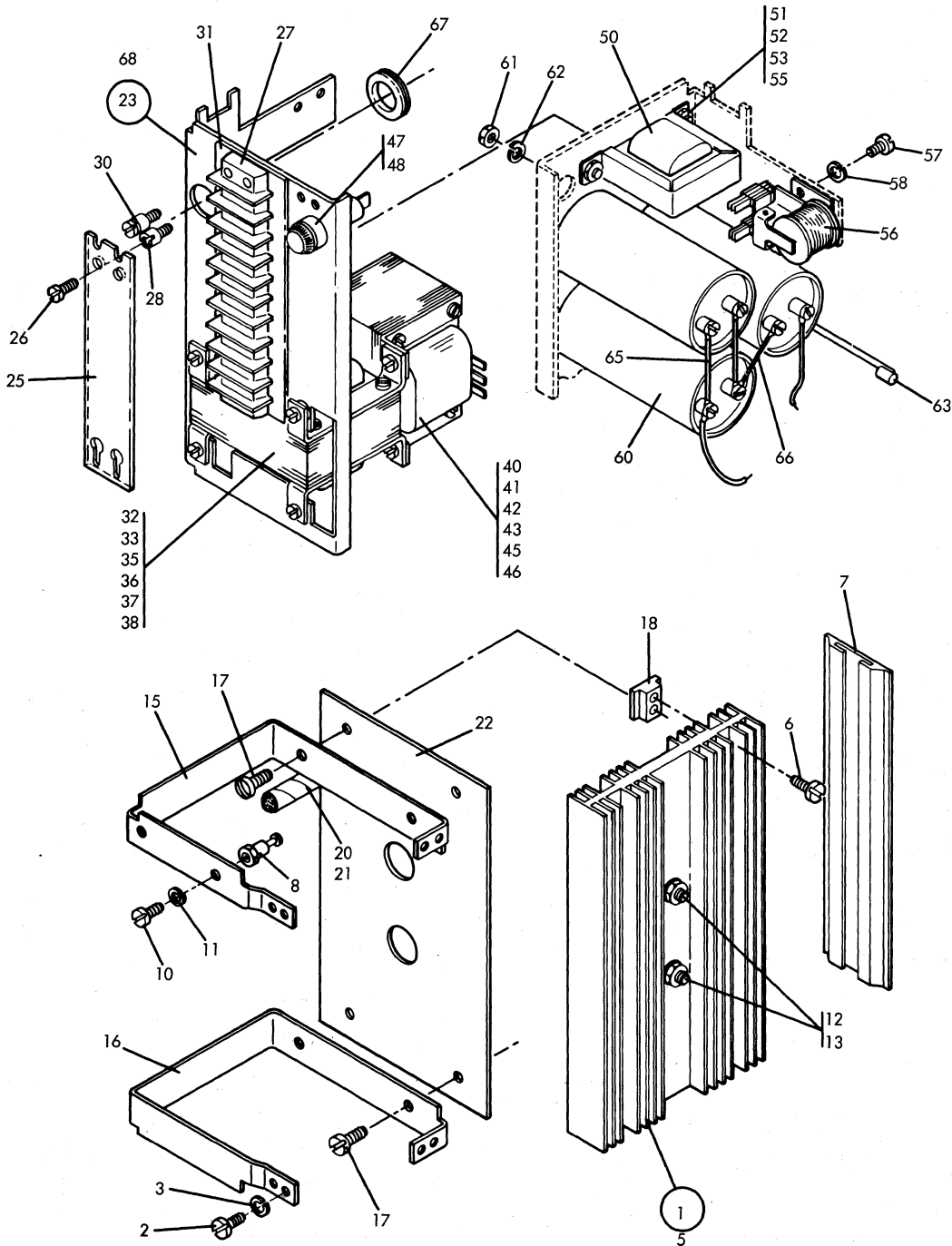
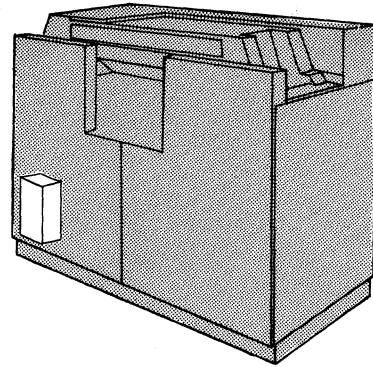


FIGURE 45. 3VDC 5AMP POWER SUPPLY ASM. REDESIGNED. SEE LIST 45.

LIST AND INDEX NO.	PART NO.	DESCRIPTION	UNITS PER ASSY	USABLE ON CODE
		POWER SUPPLY ASM 3VDC 5AMP		
46-	208182	POWER SUPPLY ASM 3VDC 5AMP SEE LIST 40-66 FOR NEXT HIGHER ASSEMBLY AND FIG. 46 FOR ILLUSTRATION	1	C
46- 1	219993	• CHOKE	1	
46- 2	28413SC	• REW	4	
46- 3	56079	• LOCKWASHER	5	
46- 5	45690	• WASHER	4	
46- 6	220596	• TRANSFORMER	1	
46- 7	332620	• SCREW	4	
46- 8	45690	• WASHER	4	
46- 10	11598	• NUT	4	
46- 11	56079	• LOCKWASHER	5	
46- 12	207388	• SHIELD	1	
46- 13	81693	• SCREW	2	
46- 15	56722	• LOCKWASHER	2	
46- 16	440570	• SPACER	2	
46- 17	511592	• BLOCK TERMINAL	1	
46- 18	322550	• SCREW	4	
46- 20	56722	• LOCKWASHER	4	
46- 21	440752	• SHIELD	1	
46- 22	441042	• CLIP	2	
46- 23	179946	• HOLDER FUSE	1	
46- 25	78952	• FUSE 8 AMP	1	
46- 26	220787	• SINK HEAT	1	
46- 27	186759	• SCREW	6	
46- 28	208386	• DIODE	2	
46- 30	209005	• AIR SEAL	AR	
46- 31	220845	• PANEL MOUNTING	1	
46- 32	186759	• SCREW	2	
46- 33	220908	• HINGE	1	
46- 35	55726	• SCREW	6	
46- 36	56722	• LOCKWASHER	6	
46- 37	219994	• TRANSFORMER	1	
46- 38	55726	• SCREW	2	
46- 40	56722	• LOCKWASHER	3	
46- 41	208257	• RELAY	1	
46- 42	38450	• SCREW	2	
46- 43	598343	• CAPACITOR 25,000 MFD 6 V DC	3	
46- 45	36109	• NUT	1	
46- 46	76574	• LOCKWASHER	1	
46- 47	323543	• CLAMP	1	
46- 48	337898	• BOLT	1	
46- 50	529088	• PLATE	1	
46- 51	10170	• SCREW	2	
46- 52	56722	• LOCKWASHER	2	
46- 53	359695	• TERMINAL LUG	2	
46- 55	220909	• CHASSIS	1	
		FUSE PANEL ASM		
47-	615002	FUSE PANEL ASM SEE LIST 40-83 FOR NEXT HIGHER ASSEMBLY AND FIG. 47 FOR ILLUSTRATION	1	
47- 1	615405	• LABEL	1	
47- 2	167338	• CLAMP	1	
47- 3	2114108	• CLAMP	1	
47- 5	38380	• SCREW CLAMP MTG	2	
47- 6	206554	• TERMINAL BLK FUSE PNL	1	
47- 7	38368	• SCREW TERM BLK	3	
47- 8	128455	• SWITCH	1	
47- 10	159373	• LWASHER SW MTG	1	
47- 11	609080	• SCREW	1	
47- 12	1092125	• CLIP	1	
47- 13	104615	• FUSE HOLDER	6	

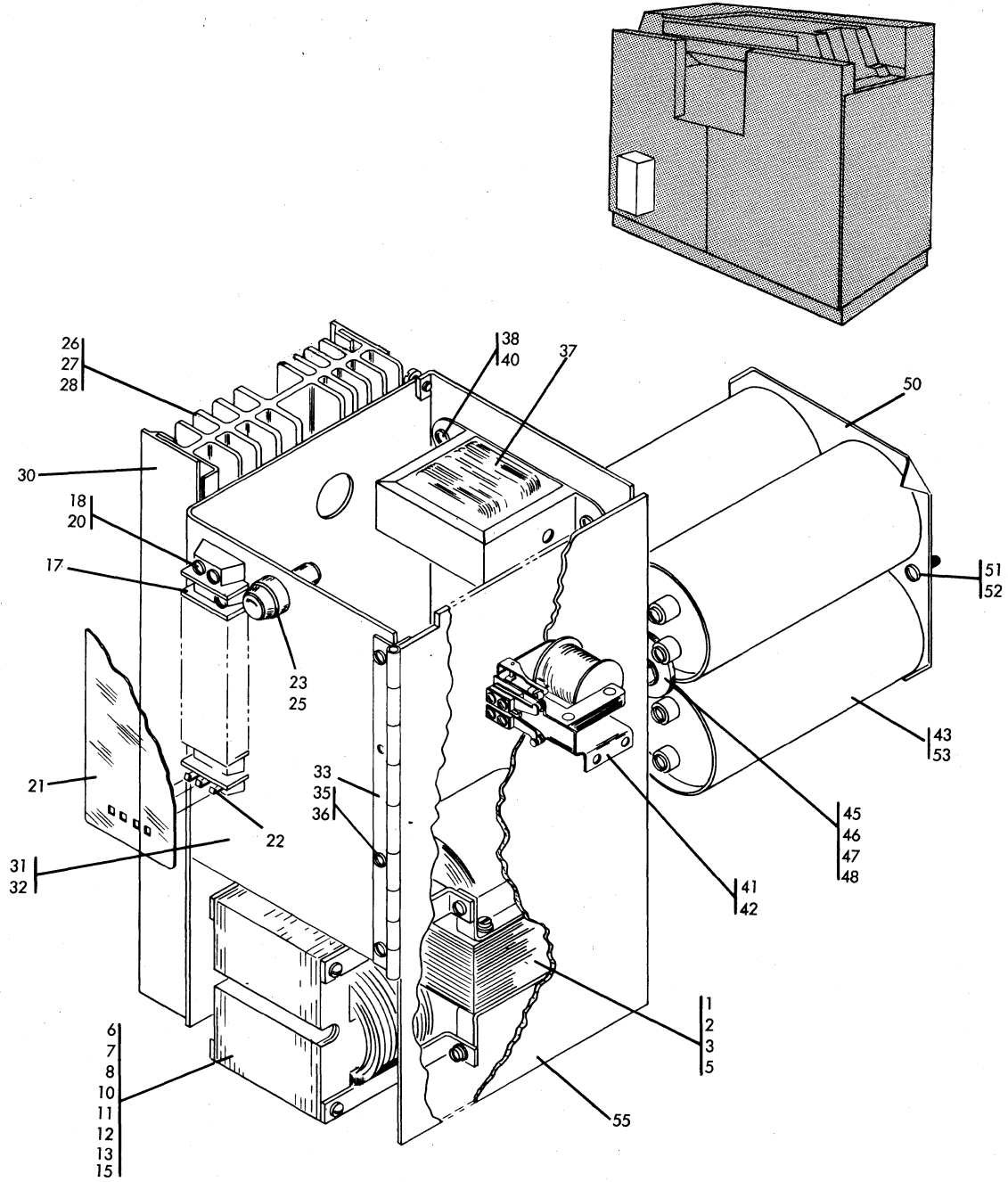


FIGURE 46. 3VDC 5AMP POWER SUPPLY ASM. SEE LIST 46.

LIST AND INDEX NO.	PART NO.	DESCRIPTION				UNITS PER ASSY	USABLE ON CODE
		1	2	3	4		
		FUSE PANEL ASM		CONT			
47- 15	24752	• SCREW FUSE HOLDER		ATT PT		12	
47- 16	609332	• FUSE PANEL				1	
47- 17	NO NO.	ELECTRICAL GROUP				1	
47- 18	610060	• COVER OUTLET				1	
47- 20	357995	• OUTLET CONVENIENCE				1	
47- 21	322550	• SCREW CONV OUTLET MTG		ATT PT		2	
47- 22	56722	• LOCKWASHER CONV OUTLET		ATT PT		1	
47- 23	138754	• DECAL				1	
47- 25	138755	• DECAL				1	
47- 26	257079	• INSULATION FUSE HOLDER				9	
47- 27	257080	• INSULATION FUSE HOLDER				9	
47- 28	104909	• FUSE 5 AMP				6	
47- 30	107669	• FUSE 10 AMP				2	
47- 31	107799	• FUSE 1 AMP				1	
		POWER SEQUENCE ASM					
48-	615003	POWER SEQUENCE ASM SEE LIST 40-88 FOR NEXT HIGHER ASSEMBLY AND FIG. 48 FOR ILLUSTRATION					1
48- 1	2128748	• CONNECTOR MAGNETIC				1	
48- 2	221790	• SCREW		ATT PT		2	
48- 3	2128689	• RELAY 24VDC				3	
48- 5	2128696	• RELAY				1	
48- 6	257187	• NUT RELAY MTG		ATT PT		4	
48- 7	6364	• L WASHER RELAY MTG		ATT PT		4	
48- 8	609154	• RELAY ASM HEAVY DUTY				2	
48- 10	24752	• SCREW RELAY MTG		ATT PT		8	
48- 11	60646	• LWASHER RELAY MTG		ATT PT		8	
48- 12	76659	• CONTACT ASM-HD RELAY				2	
48- 13	23815	• NUT-HD RELAY		ATT PT		8	
48- 15	45644	• WASHER - CONNECTOR		ATT PT		4	
48- 16	45642	• WASHER-CONNECTOR		ATT PT		2	
48- 17	76666	• TERMINAL BLOCK ASM				1	
48- 18	1431	• SCREW-TERM BLK MTG		ATT PT		1	
48- 20	60646	• L WASHER-TERM BLK MTG		ATT PT		1	
48- 21	22478	• WASHER-TERM BLK MTG		ATT PT		1	
48- 22	83687	• SPRING-CONT ADJ				1	
48- 23	147297	• CLIP-CONT ADJ		ATT PT		1	
48- 25	72965	• NUT-SCREW INSULATION		ATT PT		1	
48- 26	76655	• INSULATOR-CONT GAP				1	
48- 27	73431	• POINT ASM-CONTACT				1	
48- 28	76845	• SPRING-CONTACT GAP				1	
48- 30	76661	• ARM STOP-CONTACT GAP				1	
48- 31	42026	• SCREW-ARM STOP MTG		ATT PT		1	
48- 32	76729	• ARMATURE ASM - CONTACT				1	
48- 33	609153	• COIL & CLIP ASM-HD RELAY				1	
48- 35	124138	• YOKE-COIL MTG				1	
48- 36	4636	• SCREW-COIL MTG		ATT PT		1	
48- 37	609397	• DIODE ASM				2	
48- 38	302090	• TERMINAL BLK ASM				4	
48- 40	236550	• SCREW TERM BLK		ATT PT		4	
48- 41	302131	• INSUL TERM BLK				4	
48- 42	* 328451	• RESISTOR ASM				1	
48- 43	443793	• RESISTOR ASM				1	Q

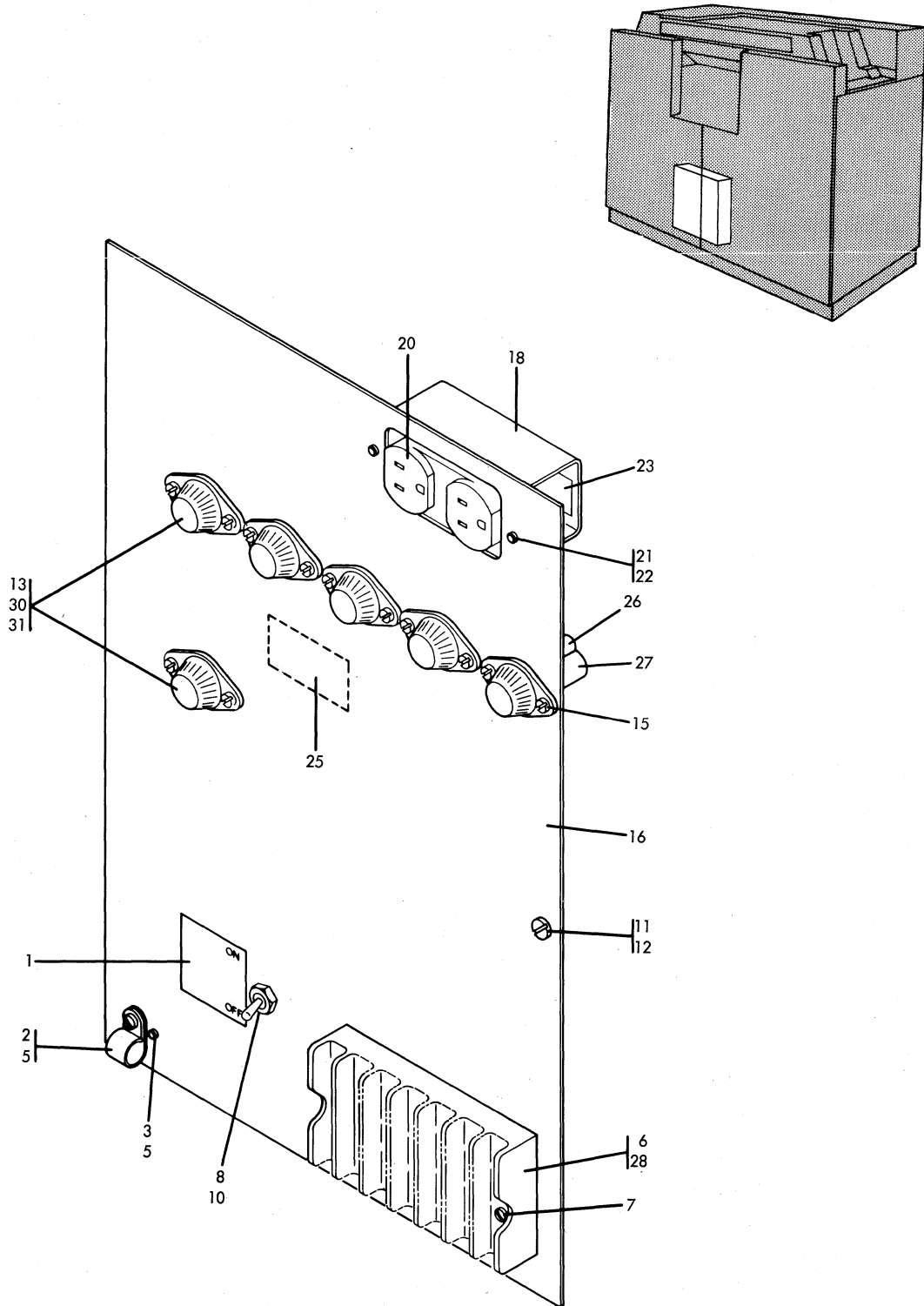


FIGURE 47. FUSE PANEL ASM. SEE LIST 47.

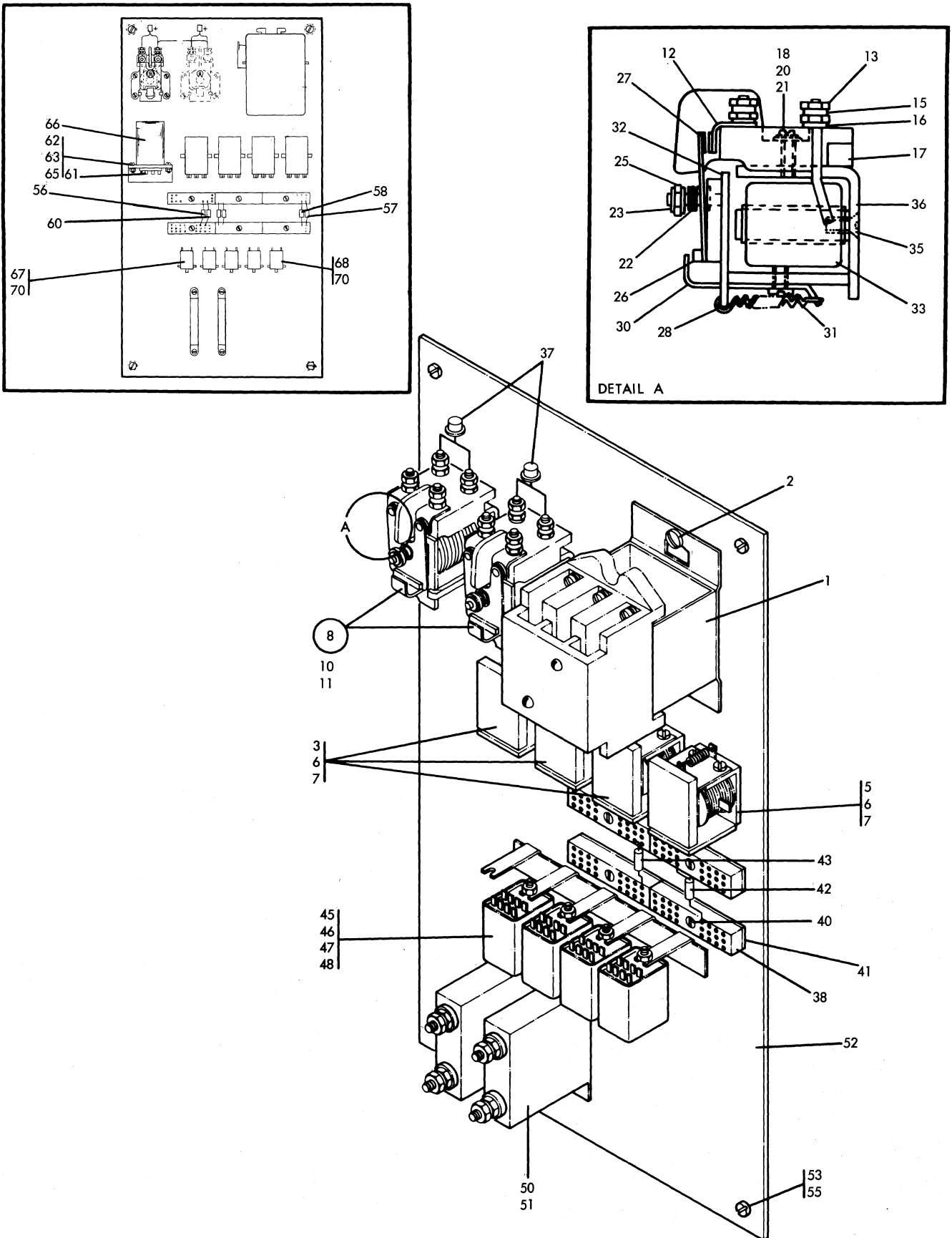


FIGURE 48. POWER SEQUENCE ASM. SEE LIST 48.

LIST AND INDEX NO.	PART NO.	DESCRIPTION	UNITS PER ASSY	USABLE ON CODE
		POWER SEQUENCE ASM		
		CONT		
48- 45	* 615421	• RELAY	4	Q
48- 46	* 8506	• NUT RELAY MTG	4	Q
48- 47	* 37066	• LWSHR RELAY MTG	4	Q
48- 48	* 72318	• WASHER RELAY MTG	4	Q
48- 50	173706	• RES CAP	2	
48- 51	10170	• SCREW RFS CAP MTG	4	
48- 52	615076	• PANEL POW SEQ	1	
48- 53	845	• SCREW PANEL MTG	4	
48- 55	257189	• NUT PANEL MTG	4	
48- 56	* 443793	• RESISTOR	AR	P
48- 57	*2129302	• CAPACITOR	AR	P
48- 58	*2129357	• RESISTOR	AR	P
48- 60	*2129360	• RESISTOR	AR	P
48- 61	* 301795	• SOCKET - RELAY	1	P
48- 62	* 251970	• SCREW	2	P
48- 63	* 257186	• NUT	2	P
48- 65	* 257984	• LOCKWASHER	2	P
48- 66	*2128695	• RELAY	1	P
48- 67	*2128691	• RELAY	AR	P
48- 68	*2128691	• RELAY	AR	P
48- 70	* 438540	• SCREW	AR	P
		RELAY GATE ASM		
49-	615008	RELAY GATE ASM SEE LIST 40-98 FOR NEXT HIGHER ASSEMBLY AND FIG. 49 FOR ILLUSTRATION	1	
49- 1	615351	• NUMBERING STRIP	1	
49- 2	609380	• STUD - RELAY CVR MTG	2	
49- 3	615331	• PANEL TRANSISTOR	1	
49- 5	2031	• SCREW TRANS PANEL	4	
49- 6	56932	• SPACER TRANS PANEL	4	
49- 7	615416	• NUMBERING STRIP	1	
49- 8	526898	• TRANSISTOR	4	
49- 10	11598	• NUT TRANSISTOR MTG	4	
49- 11	45690	• WASHER TRANSISTOR MTG	4	
49- 12	609704	• CAPACITOR ASM	1	
49- 13	2102368	• CLAMP CAPACITOR MTG	1	
49- 15	5528	• SCREW CAPACITOR MTG	1	
49- 16	22478	• WASHER CAPACITOR MTG	1	
49- 17	257189	• NUT CAPACITOR MTG	1	
49- 18	513654	• TERMINAL BLOCK	2	
49- 20	641	• SCREW TERM BLK MTG	8	
49- 21	22478	• WASHER TERM BLK MTG	8	
49- 22	257189	• NUT TERM BLK MTG	8	
49- 23	599917	• DIODE ASM AM	1	
49- 25	603212	• RESISTOR ASM	1	
49- 26	609393	• RESISTOR ASM	3	
49- 27	609423	• RESISTOR ASM	3	
49- 28	609522	• RESISTOR ASM	1	
49- 30	615414	• RESISTOR ASM	1	
49- 31	615420	• RESISTOR ASM	1	
49- 32	2102626	• RESISTOR ASM	3	
49- 33	615410	• PANEL TRANSISTOR	1	
49- 35	609149	• RELAY ASM HD	5	
49- 36	2300	• SCREW HD RELAY MTG	10	
49- 37	120942	• INSULATOR-RELAY	1	
49- 38	105835	• STRAP-TERMINAL ASM	2	
49- 40	156909	• SPACER-RELAY	2	
49- 41	120926	• INSULATOR-RELAY	1	
49- 42	121839	• SPRING ASM-RELAY	2	
49- 43	141967	• TERMINAL-RELAY	2	
49- 45	120926	• INSULATOR-RELAY	1	
49- 46	141981	• SPRING-RELAY	2	
49- 47	141969	• TERMINAL-RELAY	2	
49- 48	125872	• SPRING-RELAY	2	
49- 50	120924	• INSULATOR-RELAY	1	
49- 51	141971	• TERMINAL-RELAY	2	
49- 52	120837	• SPRING ASM-RELAY	2	

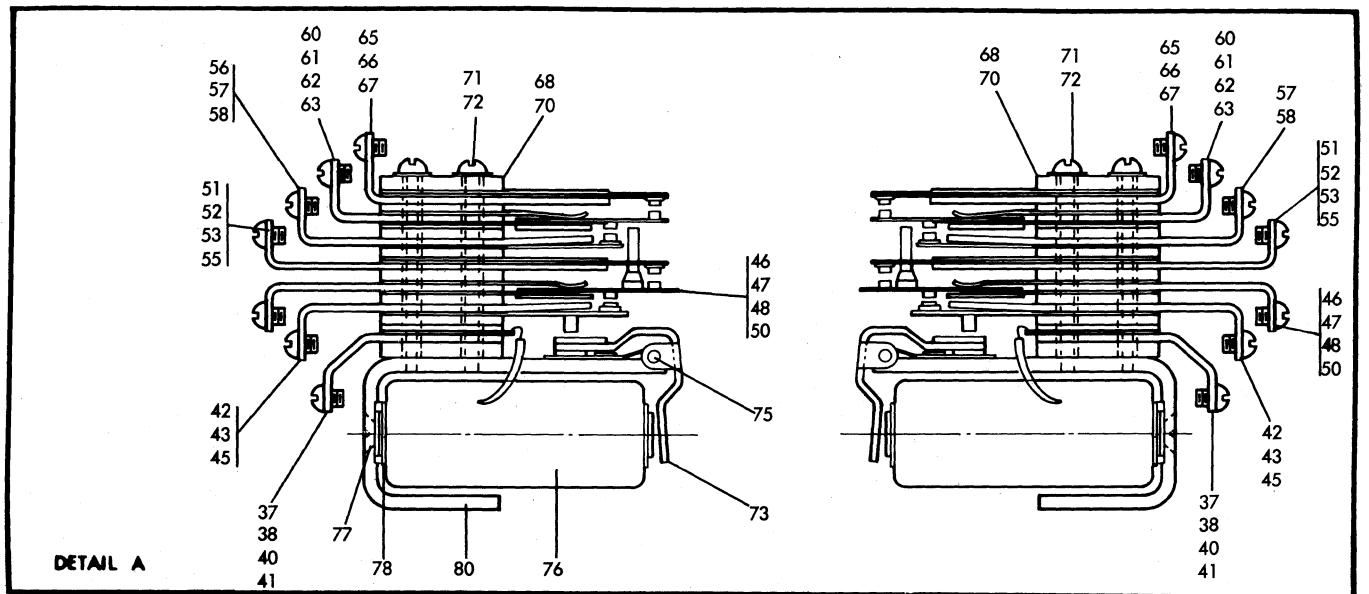
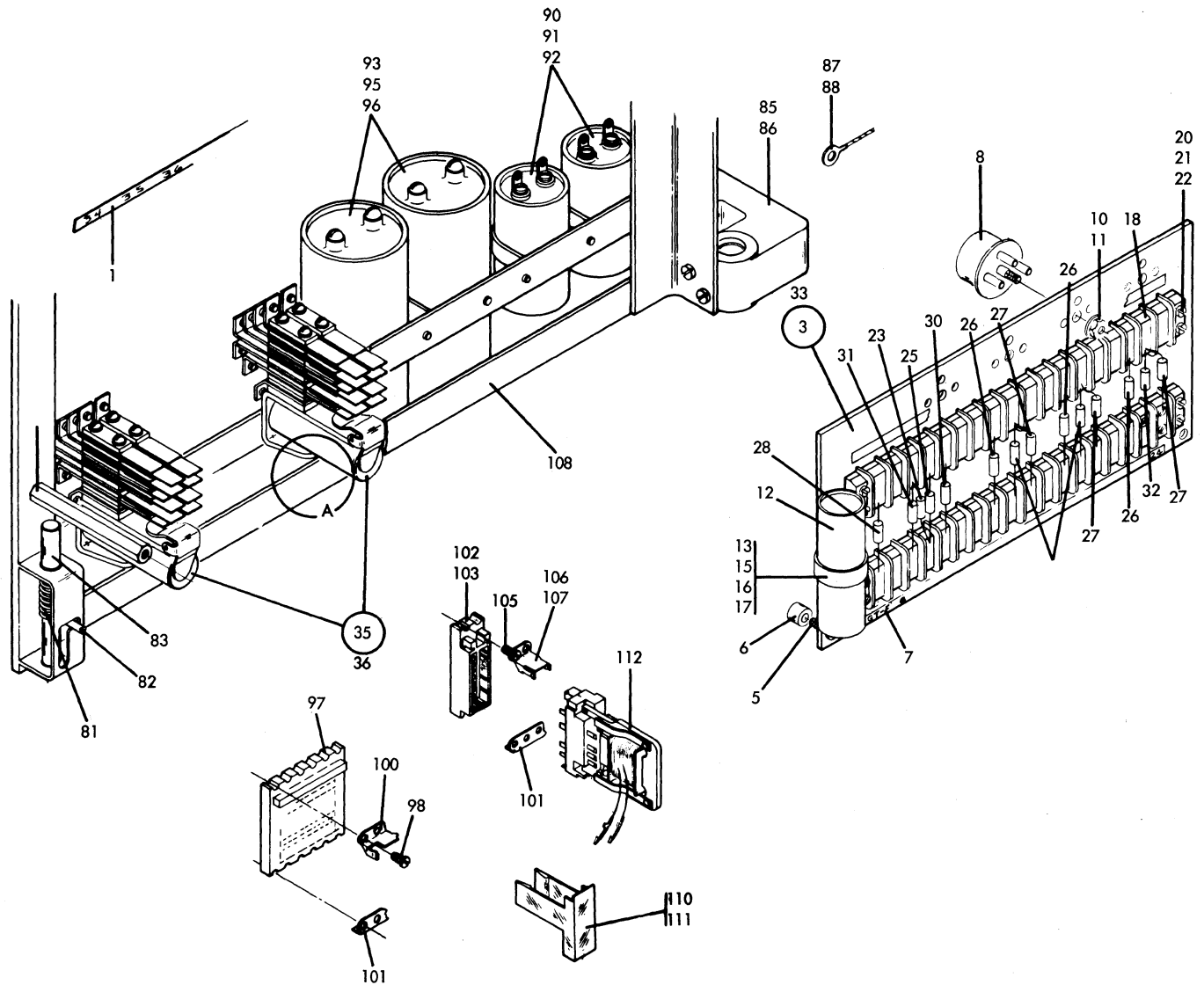


FIGURE 49. RELAY GATE ASM. SEE LIST 49.

LIST AND INDEX NO.	PART NO.	DESCRIPTION				UNITS PER ASSY	USABLE ON CODE
		1	2	3	4		
		RELAY GATE ASM		CONT			
49- 53	125872	• •	SPRING - RELAY			2	
49- 55	120924	• •	INSULATOR-RELAY			1	
49- 56	125877	• •	SPRING ASM-RELAY			2	
49- 57	141967	• •	TERMINAL - RELAY			2	
49- 58	120925	• •	INSULATOR-RELAY			1	
49- 60	141977	• •	SPRING ASM			2	
49- 61	141964	• •	TERMINAL ASM-RELAY			2	
49- 62	125872	• •	SPRING - RELAY			2	
49- 63	120924	• •	INSULATOR-RELAY			1	
49- 65	189844	• •	TERMINAL ASM-RELAY			2	
49- 66	105832	• •	SPRING ASM-UPPER CON			2	
49- 67	105826	• •	SPRING-STIFFENER			2	
49- 68	120942	• •	INSULATOR-RELAY			1	
49- 70	121011	• •	PLATE-TOP			2	
49- 71	122311	• •	INSULATOR-RELAY			2	
49- 72	173218	• •	SCREW-RELAY	ATT PT		2	
49- 73	107177	• •	ARMATURE ASM-RELAY			1	
49- 75	165594	• •	PIVOT-RELAY			1	
49- 76	609151	• •	COIL,CORE & CLIP ASM-20V			1	
49- 77	19587	• •	SCREW-RELAY	ATT PT		1	
49- 78	115552	• •	RESIDUAL-MAGNET			1	
49- 80	165595	• •	YOKE ASM-MAGNET			1	
49- 81	220856	•	SPRING			1	
49- 82	610052	•	STUD			1	
49- 83	204499	•	PIN	ATT PT		1	
49- 85	124815	•	HINGE REL GATE			2	
49- 86	38417	•	SCREW HINGE MTG	ATT PT		4	
49- 87	2129743	•	JUMPER ASM GND			1	
49- 88	76574	•	LWSHR HINGE MTG GND	ATT PT		1	
49- 90	609395	•	CAPACITOR REL GATE			2	
49- 91	25627	•	SCREW CAP MTG	ATT PT		2	
49- 92	2102369	•	CLAMP CAP MTG	ATT PT		2	
49- 93	134954	•	CAPACITOR			2	
49- 95	25627	•	SCREW CAP MTG	ATT PT		2	
49- 96	2102370	•	CLAMP CAP MTG	ATT PT		2	
49- 97	324999	•	MOULDING - 12 POS			8	
49- 98	198363	•	SCREW MOULDING	ATT PT		49	
49-100	159946	•	CLIP - MOULDING 12 POS	ATT PT		8	
49-101	284424	•	CLIP MOULDING	ATT PT		14	
49-102	344599	•	MOULDING - 4 POS			23	
49-103	344603	•	MOULDING - 6 POS			6	
49-105	198363	•	SCREW MOULDING	ATT PT		58	
49-106	159944	•	CLIP - MOULDING - 4 POS	ATT PT		23	
49-107	159945	•	CLIP - MOULDING	ATT PT		6	
49-108	609327	•	RELAY GATE ASM			1	
49-110	NO NO.	•	ELECTRICAL GROUP			1	
49-111	602955	•	COVER RELAY			25	
49-112	719000	•	RELAY ASM 4 POS H.S.			11	
	719005	•	RELAY ASM 4 POS STD			12	
	719007	•	RELAY ASM 6 POS STD			6	
		POWER SUPPLY BRACKET ASM					
50-	615353	POWER SUPPLY BRACKET ASM SEE LIST 40-156 FOR NEXT HIGHER ASSEMBLY AND FIG. 50 FOR ILLUSTRATION				1	
50- 1	609568	•	DECAL			1	
50- 2	315956	•	TERMINAL BLOCK			1	
50- 3	2031	•	SCREW TERM BLK MTG	ATT PT		2	
50- 5	334237	•	STUD SAFTY CVR	ATT PT		2	
50- 6	322272	•	INSULATOR TERM BLOCK			1	
50- 7	511696	•	JUMPER ASM			4	
50- 8	597215	•	JUMPER ASM GRND			1	

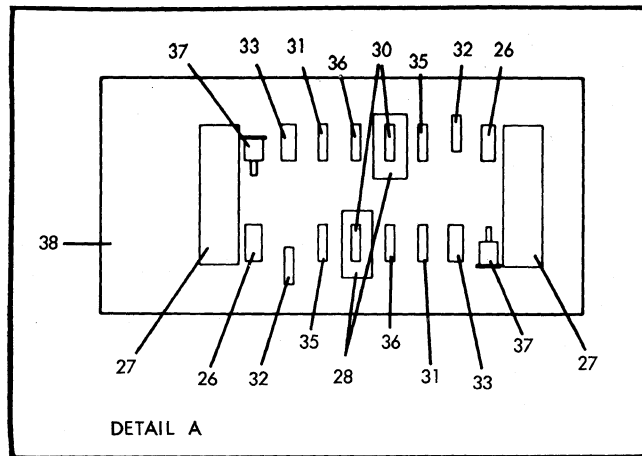
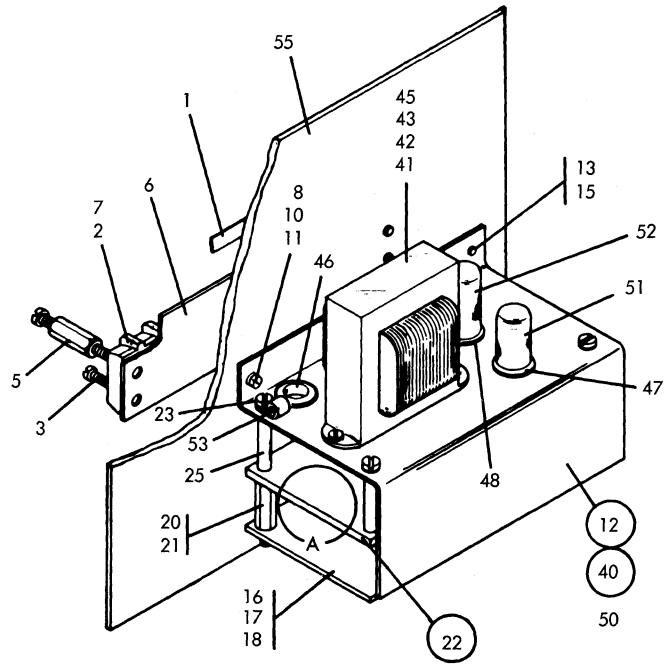
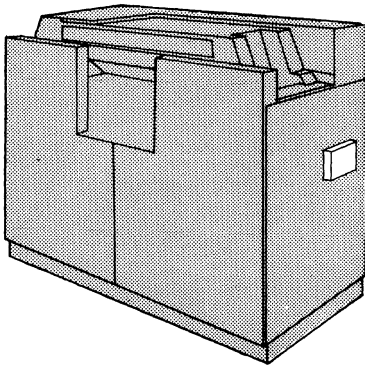


FIGURE 50. POWER SUPPLY BRACKET ASM. SEE LIST 50.
SEE FIGURE 65. FOR SPECIAL FEATURE POWER SUPPL BRACKET ASM.

LIST AND INDEX NO.	PART NO.	DESCRIPTION				UNITS PER ASSY	USABLE ON CODE	
		1	2	3	4			
		POWER SUPPLY BRACKET ASM		CONT				
50- 10	186759	•	SCREW POWER SUPPLY MTG	ATT PT		1		
50- 11	55901	•	LWASHER POWER SUPPLY MTG	ATT PT		2		
50- 12	607016	•	POWER SUPPLY ASM DYN TIM			1		
50- 13	58207	•	SCREW POWER SUPPLY MTG	ATT PT		1		
50- 15	55901	•	LWASHER POWER SUPPLY MTG	ATT PT		1		
50- 16	607881	•	COVER			1		
50- 17	257189	•	NUT COVER MTG	ATT PT		4		
50- 18	22478	•	WASHER COVER MTG	ATT PT		4		
50- 20	253264	•	STUD COVER MTG			2		
50- 21	55901	•	LOCKWASHER STUD MTG	ATT PT		2		
50- 22	602707	•	COMPONENT ASM			1		
50- 23	438589	•	SCREW BOARD MTG	ATT PT		4		
50- 25	602164	•	SPACER	ATT PT		4		
50- 26	180846	•	RESISTOR DYN TIMER 47K			2		
50- 27	206592	•	CAP DYN TIMER 4 MFD			2		
50- 28	206595	•	CAP DYN TIMER 500 MMF			2		
50- 30	213539	•	RESISTOR DYN TIMER 150 K			2		
50- 31	213714	•	RESISTOR DYN TIMER 1.8K			2		
50- 32	300734	•	RESISTOR DYN TIMER 510 K			2		
50- 33	301804	•	RESISTOR DYN TIMER4700HM			2		
50- 35	301818	•	RESISTOR DYN TIMER 6.8K			2		
50- 36	317037	•	RESISTOR DYN TIMER 220K			2		
50- 37	333264	•	DIODE DYN TIMER			2		
50- 38	602167	•	TERMINAL BD COMP ASM			1		
50- 40	602706	•	CHASSIS DYN TIM POW SUP			1		
50- 41	149893	•	TRANS DYN TIMER			1		
50- 42	186759	•	SCR DYN TIMER	ATT PT		2		
50- 43	257189	•	NUT DYN TIMER	ATT PT		2		
50- 45	55901	•	LWSHR TRANS GRD	ATT PT		1		
50- 46	204362	•	GROMMET DYN TIMER			2		
50- 47	317517	•	SOCKET DYN TIMER			1		
50- 48	317520	•	SOCKET DYN TIMER ASM			1		
50- 50	602168	•	CHASSIS DYN TIMER			1		
50- 51	317785	•	TUBE 6AL5			1		
50- 52	323932	•	TUBE 12 AX 7			1		
50- 53	2102364	•	CLAMP CABLE			1		
50- 55	609384	•	BRACKET TERM BLOCK			1		
		RESISTOR GATE ASM						
51-	615022	RESISTOR GATE ASM SEE LIST 40-177 FOR NEXT HIGHER ASSEMBLY AND FIG. 51 FOR ILLUSTRATION					1	
51- 1	615038	•	STRIP			1		
51- 2	597215	•	JUMPER ASM			1		
51- 3	25627	•	SCREW HINGE MTG GND	ATT PT		1		
51- 5	55901	•	LWSHR HINGE MTG GND	ATT PT		2		
51- 6	257189	•	NUT HINGE MTG GND	ATT PT		1		
51- 7	615402	•	BRACKET CABLE			1		
51- 8	186759	•	SCREW BRKT MTG	ATT PT		2		
51- 10	223528	•	GASKET			AR		
51- 11	615403	•	HINGE RES GATE			1		
51- 12	186759	•	SCREW HINGE MTG	ATT PT		2		
51- 13	1090873	•	LWSHR HINGE MTG	ATT PT		3		
51- 15	22478	•	WSHR HINGE MTG	ATT PT		3		
51- 16	528014	•	PIN			1		
51- 17	528012	•	SPRING			1		
51- 18	528013	•	STUD	ATT PT		1		
51- 20	528011	•	BRACKET			1		
51- 21	10170	•	SCREW	ATT PT		2		
51- 22	56722	•	LWSHR	ATT PT		2		
51- 23	324999	•	TERMINAL ASM BLOCK			27		
51- 25	159946	•	CLIP TB MTG	ATT PT		27		

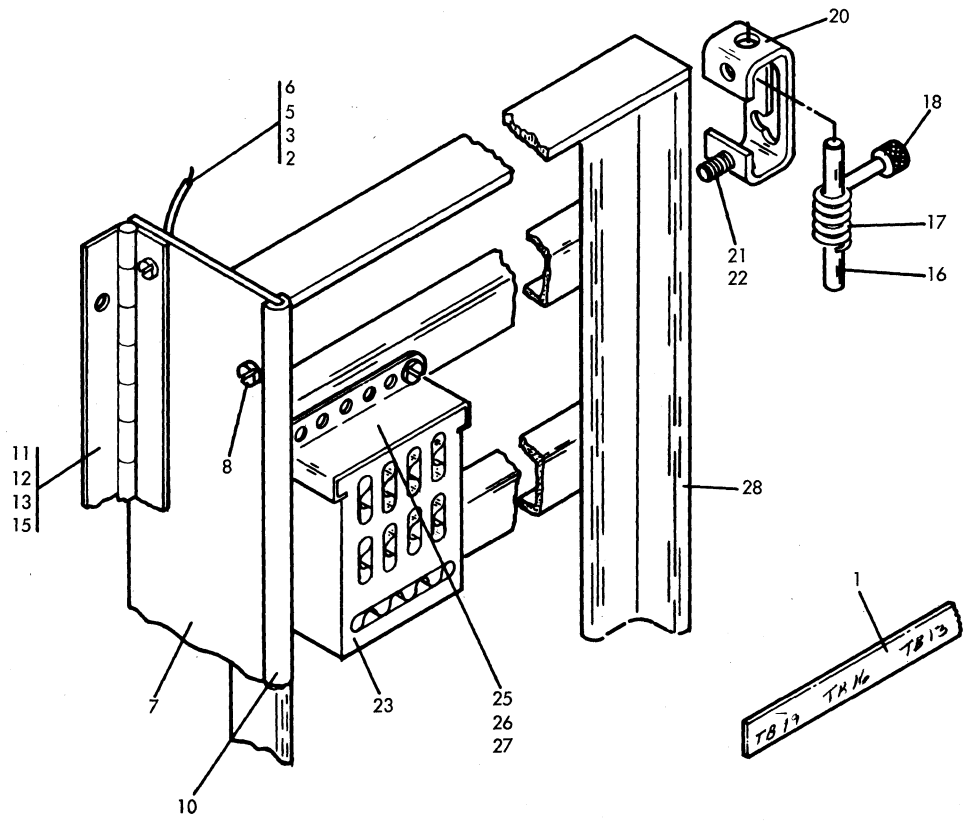
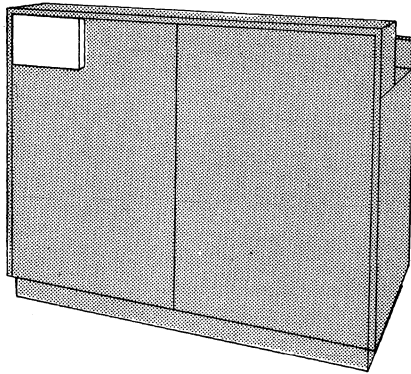


FIGURE 51. RESISTOR INTEGRATOR GATE ASM. SEE LIST 51.

LIST AND INDEX NO.	PART NO.	DESCRIPTION				UNITS PER ASSY	USABLE ON CODE
		1	2	3	4		
		RESISTOR GATE ASM					
		CONT					
51- 26	284424	• CLIP TB MTG		ATT PT		7	
51- 27	198363	• SCREW - TB MTG		ATT PT		51	
	198363	• SCREW - TB MTG		ATT PT		51	
51- 28	615074	• GATE RESISTOR				1	
		PWR SUPPLY ASM 20V DC 15 AMP REDESIGN					
52-	* 473430	PWR SUPPLY ASM 20V DC 15 AMP REDESIGNED SEE LIST 40-232 FOR NEXT HIGHER ASSEMBLY AND FIG. 52 FOR ILLUSTRATION				1	D
52- 1	473435	• HEAT SINK ASM				1	
52- 2	28413	• SCREW BND HD		ATT PT		10	
52- 3	56121	• LOCKWASHER		ATT PT		10	
52- 5	473438	• • HEAT SINK				1	
52- 6	79779	• • SCREW BND HD SFLF TAP		ATT PT		6	
52- 7	473536	• • AIR SEAL				AR	
52- 8	533534	• • TERMINAL				1	
52- 10	10170	• • SCREW		ATT PT		1	
52- 11	62031	• • L WASHER		ATT PT		1	
52- 12	208229	• • CAP 700 MFD 15 VDC				1	
52- 13	55726	• • SCREW		ATT PT		1	
52- 15	62031	• • L WASHER		ATT PT		2	
52- 16	473377	• • BRKT UPPER SUPPORT				1	
52- 17	473378	• • BRKT CENTER SUPPORT				1	
52- 18	473379	• • BRKT LOWER SUPPORT				1	
52- 20	473544	• • SCREW BND HD SELF TAP		ATT PT		6	
52- 21	473531	• • INSULATOR HEAT SINK				6	
52- 22	473530	• • BRKT PLUG SUPPORT				1	
52- 23	38235	• • SCREW BND HD		ATT PT		2	
52- 25	62031	• • L WASHER		ATT PT		2	
52- 26	257986	• • WASHER		ATT PT		2	
52- 27	38051	• • NUT		ATT PT		2	
52- 28	473547	• • SPACER CARD RECP				1	
52- 30	216206	• • GUIDE CARD				2	
52- 31	369214	• • TRANSISTOR TYPE 108				4	
52- 32	11598	• • NUT		ATT PT		4	
52- 33	45690	• • L WASHER		ATT PT		4	
52- 35	316996	• • TERMINAL				1	
52- 36	533534	• • TERMINAL				6	
52- 37	55726	• • SCREW		ATT PT		6	
52- 38	62031	• • LWASHER		ATT PT		6	
52- 40	132237	• • TERMINAL				2	
52- 41	207324	• • RESISTOR 0.1 OHM 5 W				4	
52- 42	216198	• • RECTIFIER				4	
52- 43	322765	• • TERMINAL				4	
52- 45	473592	• • INSULATOR				4	
52- 46	473433	• • CABLE ASM				1	
		SEE LIST 60 FOR COMPONENTS PARTS					
52- 47	473442	• • GROMMET				1	
52- 48	473533	• • GROMMET				1	
52- 50	473439	• • COVER AIR SEAL				1	
52- 51	473434	• MTG PLATE ASM				1	
52- 52	188696	• • SHIELD				1	
52- 53	210984	• • SCREW		ATT PT		1	
52- 55	315956	• • TERMINAL BLOCK				1	
52- 56	209483	• • STUD		ATT PT		1	
52- 57	209484	• • STUD		ATT PT		3	
52- 58	263727	• • INSULATOR				1	
52- 60	473402	• • STUD				2	
52- 61	11891	• • NUT		ATT PT		4	
52- 62	257354	• • WASHER		ATT PT		2	
52- 63	45697	• • WASHER NON METALLIC		ATT PT		4	
52- 65	473382	• • INSULATOR				1	

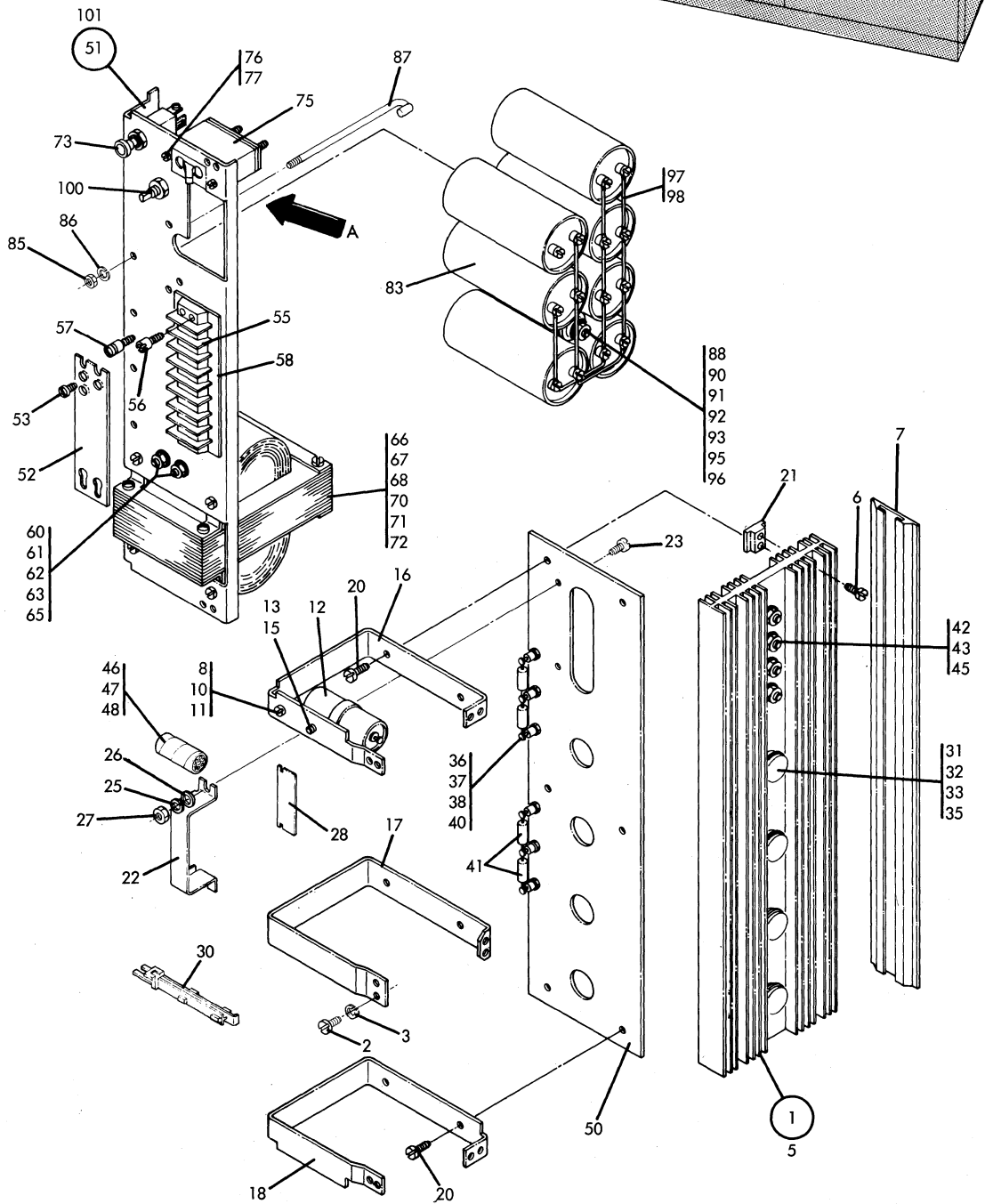
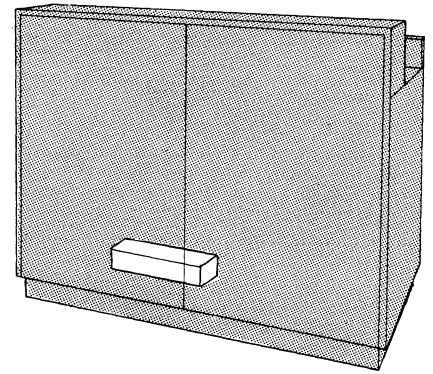
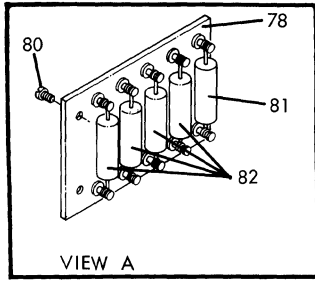


FIGURE 52 20VDC 15AMP POWER SUPPLY ASM REDESIGNED. SEE LIST 52.

LIST AND INDEX NO.	PART NO.	DESCRIPTION	UNITS PER ASSY	USABLE ON CODE
		PWR SUPPLY ASM 20V DC 15 AMP REDESIGCONT		
52- 66	473416	• • TRANSFORMER	1	
52- 67	438601	• • SCREW BND HD	4	
52- 68	56121	• • L WASHER	4	
52- 70	237032	• • WASHER NON METALLIC	4	
52- 71	11598	• • NUT	4	
52- 72	473396	• • SPACER TRANSFORMER MTG	4	
52- 73	220918	• • CIRCUIT BREAKER	1	
52- 75	207350	• • CIRCUIT BREAKER	1	
52- 76	38235	• • SCREW	2	
52- 77	62031	• • L WASHER	2	
52- 78	473436	• • TERMINAL BOARD ASM	1	
52- 80	10170	• • SCREW SELF TAP BND HD	2	
52- 81	207336	• • RESISTOR	1	
52- 82	207365	• • RESISTOR 200 OHM 5 W	4	
52- 83	208238	• • CAP 10000 MFD 33 VDC	7	
52- 85	38051	• • NUT	14	
52- 86	62031	• • L WASHER	14	
52- 87	473543	• • CLAMP	14	
52- 88	208825	• • RESISTOR	1	
52- 90	515718	• • SCREW FIL H	1	
52- 91	22478	• • WASHER	1	
52- 92	521695	• • MICA WASHER	2	
52- 93	507144	• • WASHER	2	
52- 95	60646	• • L WASHER	2	
52- 96	257189	• • NUT	1	
52- 97	518130	• • JUMPER ASM	2	
52- 98	208989	• • JUMPER ASM	11	
52-100	504297	• • SWITCH	1	
52-101	473437	• • PLATE COMPONENT MTG	1	
		PWR SUPPLY ASM 20V DC 15 AMP		
53-	* 207240	PWR SUPPLY ASM 20V DC 15 AMP SEE LIST 40-233 FOR NEXT HIGHER ASSEMBLY AND FIG. 53 FOR ILLUSTRATION	1	C
53- 1	208283	• HEAT SINK TSTR	1	
53- 2	208291	• HEAT SINK RECT	3	
53- 3	208895	• HEAT SK RECT	1	
53- 5	58207	• SCREW - HEAT SINK MTG	16	
53- 6	208386	• DIODE	4	
53- 7	526898	• TSTR TYPE 022	7	
53- 8	219423	• TUBING TSTR	14	
53- 10	598043	• SEAL AIR	AR	
53- 11	220918	• CIRCUIT BREAKER	1	
53- 12	208198	• CIRCUIT BREAKER	1	
53- 13	81693	• SCREW CB MTG	2	
53- 15	62031	• LCKW CB MTG	2	
53- 16	257986	• WSHR CB MTG	2	
53- 17	208900	• HINGE	1	
53- 18	10170	• SCREW HINGE MTG	10	
53- 20	56722	• LCKW HINGE MTG	10	
53- 21	208897	• TAP LINK	1	
53- 22	122	• SCREW TAP LINK MTG	10	
53- 23	45651	• WSHR TAP LINK MTG	40	
53- 25	55901	• LCKW TAP LINK MTG	10	
53- 26	257188	• NUT TAP LINK MTG	20	
53- 27	207365	• RESISTOR 200 OHM 5 W	4	
53- 28	92784	• CLIP TERMINAL	8	
53- 30	208896	• BAR BUS	2	
53- 31	122	• SCREW BUS BAR MTG	10	
53- 32	45651	• WSHR BUS BAR MTG	40	
53- 33	55901	• LCKW BUS BAR MTG	10	
53- 35	257188	• NUT BUS BAR MTG	20	

LIST AND INDEX NO.	PART NO.	DESCRIPTION				UNITS PER ASSY	USABLE ON CODE
		1	2	3	4		
		PWR SUPPLY ASM 20V DC 15 AMP					
		CONT					
53- 36	208286	•				1	
53- 37	186759	•				3	
53- 38	55901	•			ATT PT	3	
53- 40	208985	•			ATT PT	7	
53- 41	334598	•				7	
53- 42	257986	•			ATT PT	7	
53- 43	331150	•			ATT PT	21	
53- 45	56722	•			ATT PT	7	
53- 46	317145	•				1	
53- 47	322550	•			ATT PT	4	
53- 48	56722	•			ATT PT	4	
53- 50	440882	•				1	
53- 51	441042	•			ATT PT	2	
53- 52	208175	•				1	
53- 53	32042	•			ATT PT	4	
53- 55	56079	•			ATT PT	5	
53- 56	45690	•			ATT PT	4	
53- 57	208739	•				1	
53- 58	58207	•			ATT PT	2	
53- 60	317019	•				1	
53- 61	207316	•				2	
53- 62	208938	•				1	
53- 63	207381	•				1	
53- 65	317019	•				1	
53- 66	207336	•				1	
53- 67	317024	•				1	
53- 68	213693	•				1	
53- 70	300721	•				2	
53- 71	213693	•				1	
53- 72	216075	•				1	
53- 73	38262	•			ATT PT	4	
53- 75	338169	•			ATT PT	4	
53- 76	208385	•			ATT PT	1	
53- 77	208229	•				1	
53- 78	314047	•				1	
53- 80	38235	•			ATT PT	1	
53- 81	56722	•			ATT PT	1	
53- 82	208982	•				1	
53- 83	38442	•			ATT PT	2	
53- 85	208981	•				1	
53- 86	438548	•			ATT PT	2	
53- 87	300761	•				1	
53- 88	208825	•				1	
53- 90	304479	•			ATT PT	1	
53- 91	323597	•			ATT PT	2	
53- 92	521695	•			ATT PT	2	
53- 93	55901	•			ATT PT	1	
53- 95	208238	•				7	
53- 96	36109	•			ATT PT	2	
53- 97	76574	•			ATT PT	2	
53- 98	323543	•			ATT PT	2	
53-100	511096	•			ATT PT	2	
53-101	511097	•				1	
53-102	529088	•				1	
53-103	58207	•			ATT PT	4	
53-105	55901	•			ATT PT	4	
53-106	208737	•				1	

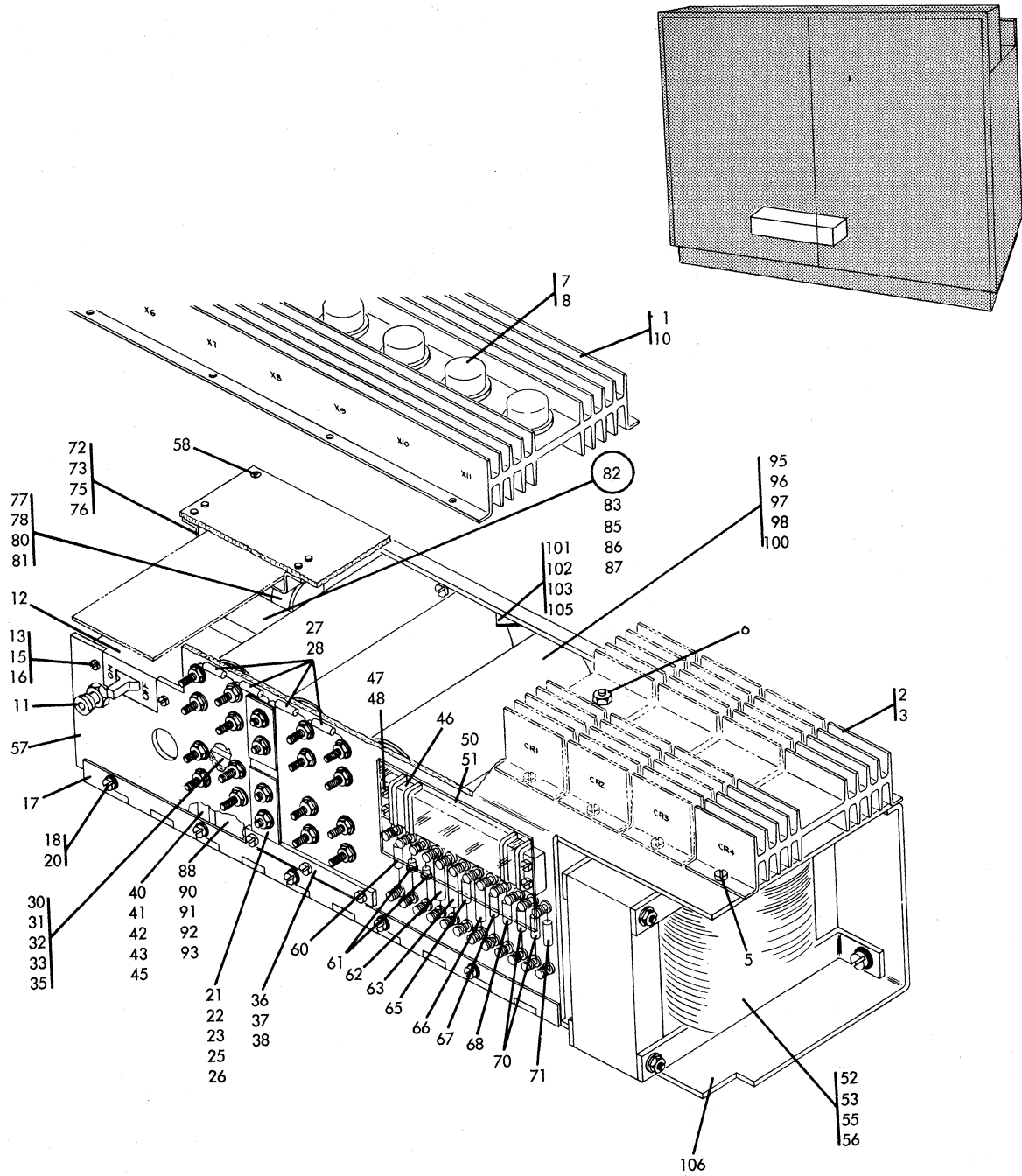


FIGURE 53. 20VDC 15AMP POWER SUPPLY ASM. SEE LIST 53.

LIST AND INDEX NO.	PART NO.	DESCRIPTION	UNITS PER ASSY	USABLE ON CODE
		PWR SUPPLY ASM 12V DC 16 AMP REDESIGN		
54-	* 473510	PWR SUPPLY ASM 12V DC 16 AMP REDESIGNED SEE LIST 40-235 FOR NEXT HIGHER ASSEMBLY AND FIG. 54 FOR ILLUSTRATION	1	D
54- 1	473515	• HEAT SINK ASM	1	
54- 2	28413	• SCREW BND HD ATT PT	12	
54- 3	56121	• L WASHER ATT PT	12	
54- 5	473518	• • HEAT SINK	1	
54- 6	79779	• • SCREW BND HD SELF TAP ATT PT	6	
54- 7	473536	• • AIR SEAL	AR	
54- 8	533534	• • TERMINAL	1	
54- 10	10170	• • SCREW ATT PT	1	
54- 11	62031	• • L WASHER ATT PT	1	
54- 12	208229	• • CAP 700 MFD 15 VDC	1	
54- 13	55726	• • SCREW ATT PT	1	
54- 15	62031	• • L WASHER ATT PT	1	
54- 16	473377	• • BRKT UPPER SUPPORT	1	
54- 17	473378	• • BRKT CENTER SUPPORT	1	
54- 18	473379	• • BRKT LOWER SUPPORT	1	
54- 20	473544	• • SCREW BND HD SFLF TAP ATT PT	6	
54- 21	473531	• • INSULATOR HEAT SINK	6	
54- 22	473530	• • BRKT PLUG SUPPORT	1	
54- 23	38235	• • SCREW ATT PT	2	
54- 25	62031	• • L WASHER ATT PT	2	
54- 26	257986	• • WASHER ATT PT	2	
54- 27	38051	• • NUT ATT PT	2	
54- 28	473547	• • SPACER CARD RECP	1	
54- 30	216206	• • GUIDE CARD	2	
54- 31	369214	• • TRANSISTOR TYPE 108	5	
54- 32	11598	• • NUT ATT PT	5	
54- 33	56121	• • L WASHER ATT PT	5	
54- 35	316996	• • TERMINAL	1	
54- 36	533534	• • TERMINAL	12	
54- 37	55726	• • SCREW ATT PT	12	
54- 38	62031	• • L WASHER ATT PT	12	
54- 40	132237	• • TERMINAL	1	
54- 41	207324	• • RESISTOR 0.1 OHM 5 W	5	
54- 42	335138	• • RESISTOR 200 OHM 2 W	1	
54- 43	216198	• • RECTIFIER	2	
54- 45	322765	• • TERMINAL	2	
54- 46	473592	• • INSULATOR	2	
54- 47	473513	• • CABLE ASM	1	
54- 48	473442	• • GROMMET	AR	
54- 50	473533	• • GROMMET	AR	
54- 51	473519	• • COVER AIR SEAL	1	
54- 52	473514	• MTG PLATE ASM	1	
54- 53	473545	• • SHIELD	1	
54- 55	210984	• • SCREW ATT PT	1	
54- 56	323844	• • TERMINAL BLOCK	1	
54- 57	209483	• • STUD ATT PT	1	
54- 58	209484	• • STUD ATT PT	3	
54- 60	512583	• • INSULATOR	1	
54- 61	473402	• • STUD	2	
54- 62	11891	• • NUT ATT PT	4	
54- 63	257354	• • WASHER NON METALLIC ATT PT	2	
54- 65	45697	• • WASHER NON METALLIC ATT PT	4	
54- 66	473382	• • INSULATOR	1	
54- 67	473596	• • TRANSFORMER	1	
54- 68	438601	• • SCREW BND HD ATT PT	4	
54- 70	56121	• • L WASHER ATT PT	4	
54- 71	237032	• • WASHER ATT PT	4	
54- 72	11598	• • NUT ATT PT	4	
54- 73	473396	• • SPACER TFMR MTG ATT PT	4	
54- 75	220917	• • CIRCUIT BREAKER	1	
54- 76	207340	• • POT 250 OHM 1/2 W	1	
54- 77	207350	• • CIRCUIT BREAKER	1	
54- 78	38235	• • SCREW ATT PT	2	
54- 80	62031	• • L WASHER ATT PT	2	

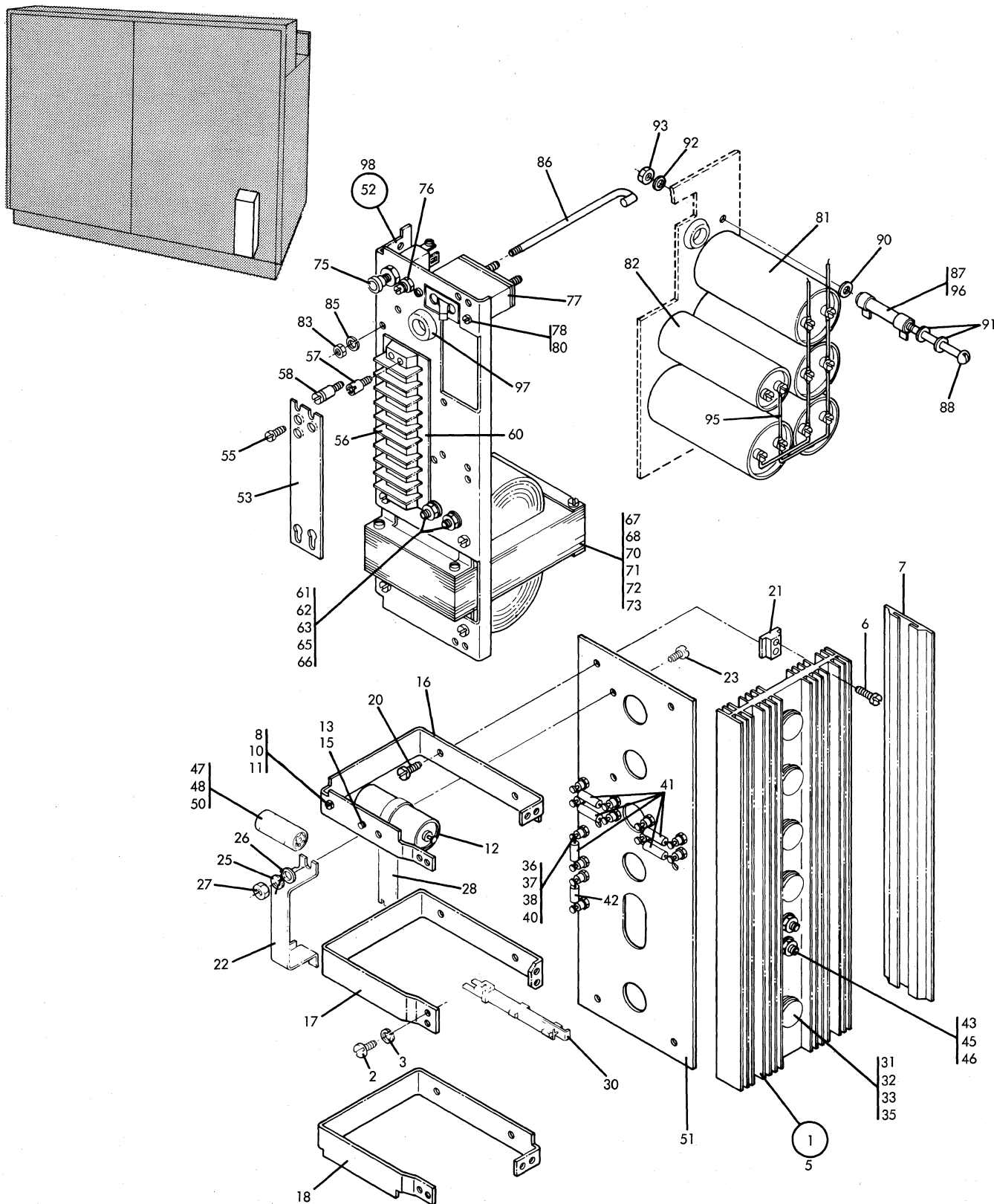


FIGURE 54. 12VDC 16AMP POWER SUPPLY ASM REDESIGNED. SEE LIST 54.

LIST AND INDEX NO.	PART NO.	DESCRIPTION	UNITS PER ASSY	USABLE ON CODE
		PWR SUPPLY ASM 12V DC 16 AMP REDESIGCONT		
54- 81	208221	• • CAP 11000 MFD 19 VDC	4	
54- 82	208228	• • CAP 5000 MFD 19 VDC	1	
54- 83	38051	• • NUT	10	
54- 85	62031	• • L WASHER	10	
54- 86	473543	• • CLAMP	10	
54- 87	221517	• • RESISTOR 75 OHM 10 W	1	
54- 88	438582	• • SCREW FIL H	1	
54- 90	22478	• • WASHER	1	
54- 91	442959	• • WASHER NON METALLIC	2	
54- 92	60646	• • L WASHER	2	
54- 93	257189	• • NUT	1	
54- 95	208989	• • JUMPER	7	
54- 96	518130	• • JUMPER	2	
54- 97	512663	• • GROMMET	1	
54- 98	473517	• • PLATE COMPO MTG	1	
		POWER SUPPLY ASM 12VDC 16AMP		
55-	* 207234	POWER SUPPLY ASM 12VDC 16AMP SEE LIST 40-236 FOR NEXT HIGHER ASSEMBLY AND FIG. 55 FOR ILLUSTRATION	1	C
55- 1	207364	• BLOCK - TERMINAL	1	
55- 2	322550	• SCREW	4	
55- 3	56722	• LOCKWASHER	4	
55- 5	440550	• SHIELD	1	
55- 6	441042	• CLIP	2	
55- 7	208376	• BUS BAR	1	
55- 8	103898	• SCREW	2	
55- 10	186759	• SCREW	2	
55- 11	55901	• LOCKWASHER	2	
55- 12	45651	• WASHER	4	
55- 13	207350	• CIRCUIT BREAKER	1	
55- 15	81693	• SCREW	2	
55- 16	62031	• LOCKWASHER	2	
55- 17	257986	• WASHER	2	
55- 18	221657	• HEAT SINK	1	
55- 20	221658	• HEAT SINK	1	
55- 21	186759	• SCREW	10	
55- 22	209005	• AIR SEAL	AR	
55- 23	209001	• TRANSISTOR	8	
55- 25	127324	• DIODE	2	
55- 26	221839	• HINGE	1	
55- 27	55726	• SCREW	8	
55- 28	55722	• LOCKWASHER	8	
55- 30	207357	• POTENTIOMETER	1	
55- 31	220917	• CIRCUIT BREAKER	1	
55- 32	317019	• RESISTOR 2K 0.5 W	1	
55- 33	207316	• DIODE	2	
55- 35	317529	• RESISTOR 8.2K 0.5W	1	
55- 36	300721	• RESISTOR 10K 0.5W	1	
55- 37	317012	• RESISTOR 510OHM 0.5W	1	
55- 38	317276	• RESISTOR 1.2K 0.5W	1	
55- 40	335138	• RESISTOR 200OHM 2W	1	
55- 41	213693	• RESISTOR 1K 0.5W	1	
55- 42	317005	• RESISTOR 160OHM 0.5W	2	
55- 43	208986	• RESISTOR 325OHM 5W	1	
55- 45	207381	• RESISTOR 2K 5W	1	
55- 46	221833	• PANEL	1	
55- 47	186759	• SCREW	2	
55- 48	208385	• BRACKET	1	
55- 50	38262	• SCREW	4	
55- 51	338169	• LOCKWASHER	4	
55- 52	216075	• SOCKET	1	
55- 53	221517	• RESISTOR	1	
55- 55	322554	• SCREW	1	

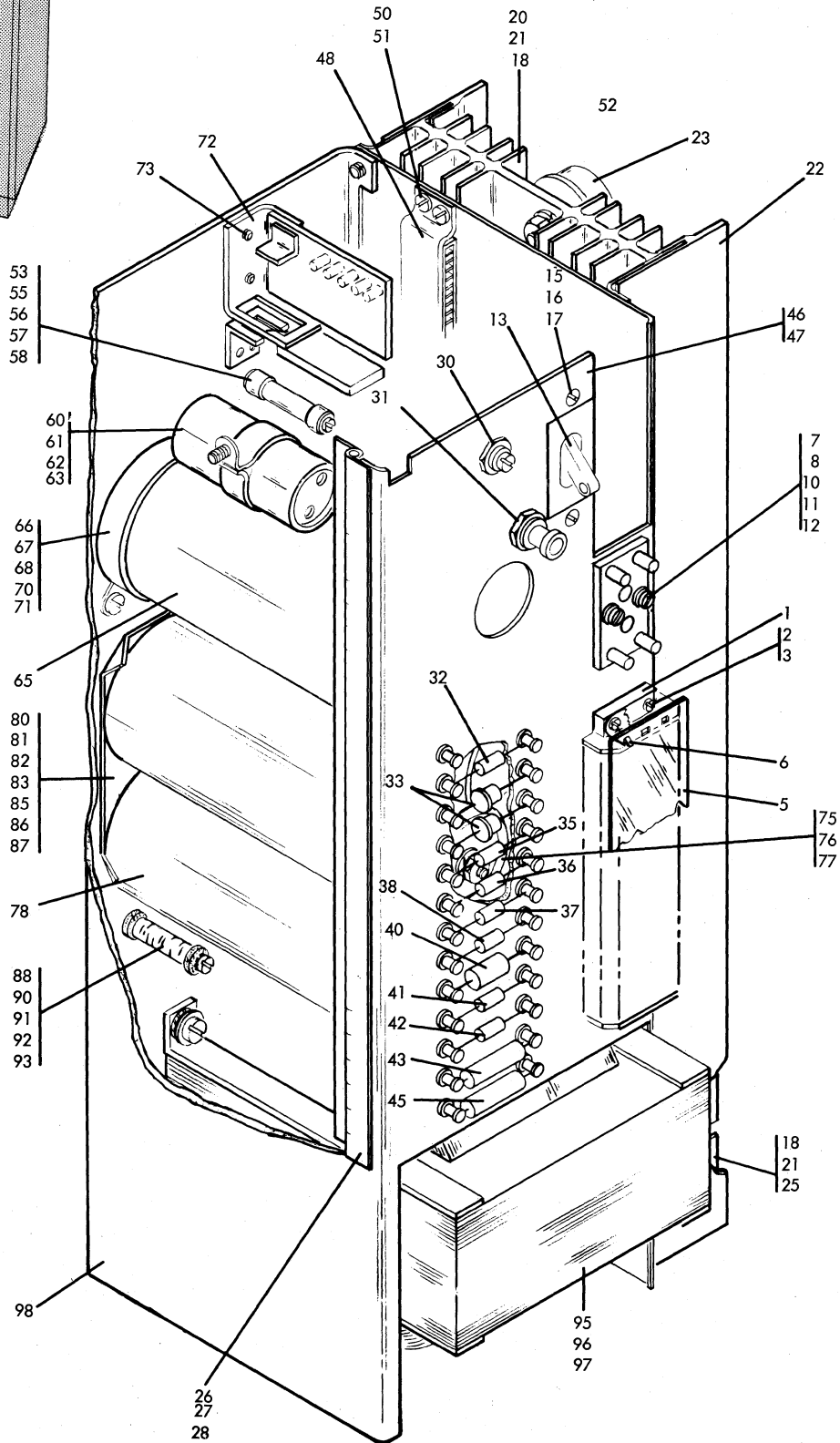
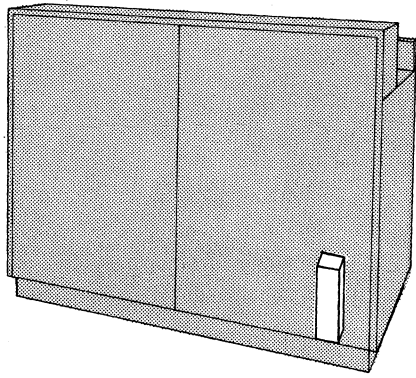


FIGURE 55. 12VDC 16AMP POWER SUPPLY ASM. SEE LIST 55.

LIST AND INDEX NO.	PART NO.	DESCRIPTION	UNITS PER ASSY	USABLE ON CODE
		POWER SUPPLY ASM 12VDC 16AMP CONT		
55- 56	442959	• INSULATOR	ATT PT	3
55- 57	257986	• WASHER	ATT PT	1
55- 58	56722	• LOCKWASHER	ATT PT	1
55- 60	208229	• CAPACITOR 700MFD 15VDC		1
55- 61	314047	• TIE STRIP		1
55- 62	38235	• SCREW	ATT PT	1
55- 63	56722	• LOCKWASHER	ATT PT	1
55- 65	208228	• CAPACITOR 55000MFD 19VDC		1
55- 66	322550	• SCREW	ATT PT	1
55- 67	257187	• NUT	ATT PT	1
55- 68	301768	• BRACKET	ATT PT	1
55- 70	10170	• SCREW	ATT PT	2
55- 71	56722	• LOCKWASHER	ATT PT	3
55- 72	208982	• OVERVOLTAGE RECEPTACLE		1
55- 73	38442	• SCREW	ATT PT	2
55- 75	521849	• BUS BAR		2
55- 76	103899	• SCREW	ATT PT	6
55- 77	55901	• LOCKWASHER	ATT PT	6
55- 78	208221	• CAPACITOR 11,000MFD 19VDC		4
55- 80	36109	• NUT	ATT PT	1
55- 81	76574	• LOCKWASHER	ATT PT	1
55- 82	323543	• CLAMP	ATT PT	1
55- 83	511097	• PLATE	ATT PT	1
55- 85	58207	• SCREW	ATT PT	2
55- 86	55901	• LOCKWASHER	ATT PT	2
55- 87	337898	• BOLT	ATT PT	1
55- 88	208985	• RESISTOR 0.10HM 5W		8
55- 90	334598	• SCREW	ATT PT	4
55- 91	56722	• LOCKWASHER	ATT PT	8
55- 92	442959	• WASHER	ATT PT	24
55- 93	257986	• WASHER	ATT PT	8
55- 95	208177	• TRANSFORMER		1
55- 96	28413	• SCREW	ATT PT	4
55- 97	56079	• LOCKWASHER	ATT PT	5
55- 98	221723	• CHASSIS		1
		PWR SUPPLY ASM 12V DC 8 AMP REDESIGNE		
56-	* 473390	PWR SUPPLY ASM 12V DC 8 AMP REDESIGNED SEE LIST 40-243 FOR NEXT HIGHER ASSEMBLY AND FIG. 56 FOR ILLUSTRATION		1 D
56- 1	473395	• HEAT SINK ASM		1
56- 2	28413	• SCREW BND HD		8
56- 3	56121	• LOCKWASHER	ATT PT	8
56- 5	473398	• • HEAT SINK		1
56- 6	79779	• • SCREW BND HD SELF TAP	ATT PT	6
56- 7	473536	• • AIR SEAL		AR
56- 8	533534	• • TERMINAL		2
56- 10	10170	• • SCREW	ATT PT	2
56- 11	62031	• • L WASHER	ATT PT	2
56- 12	207310	• • CAP 100 MFD 25 VDC		1
56- 13	473377	• • BRACKET UPPER SUPPORT		1
56- 15	473379	• • BRACKET LOWER SUPPORT		1
56- 16	473544	• • SCREW BND HD SELF TAP	ATT PT	4
56- 17	473531	• • INSULATOR HEAT SINK		6
56- 18	473530	• • BRACKET PLUG SUPPORT		1
56- 20	38235	• • SCREW BND HD	ATT PT	2
56- 21	62031	• • L WASHER	ATT PT	2
56- 22	257986	• • WASHER	ATT PT	2
56- 23	38051	• • NUT	ATT PT	2
56- 25	473547	• • SPACER CARD RECP		1

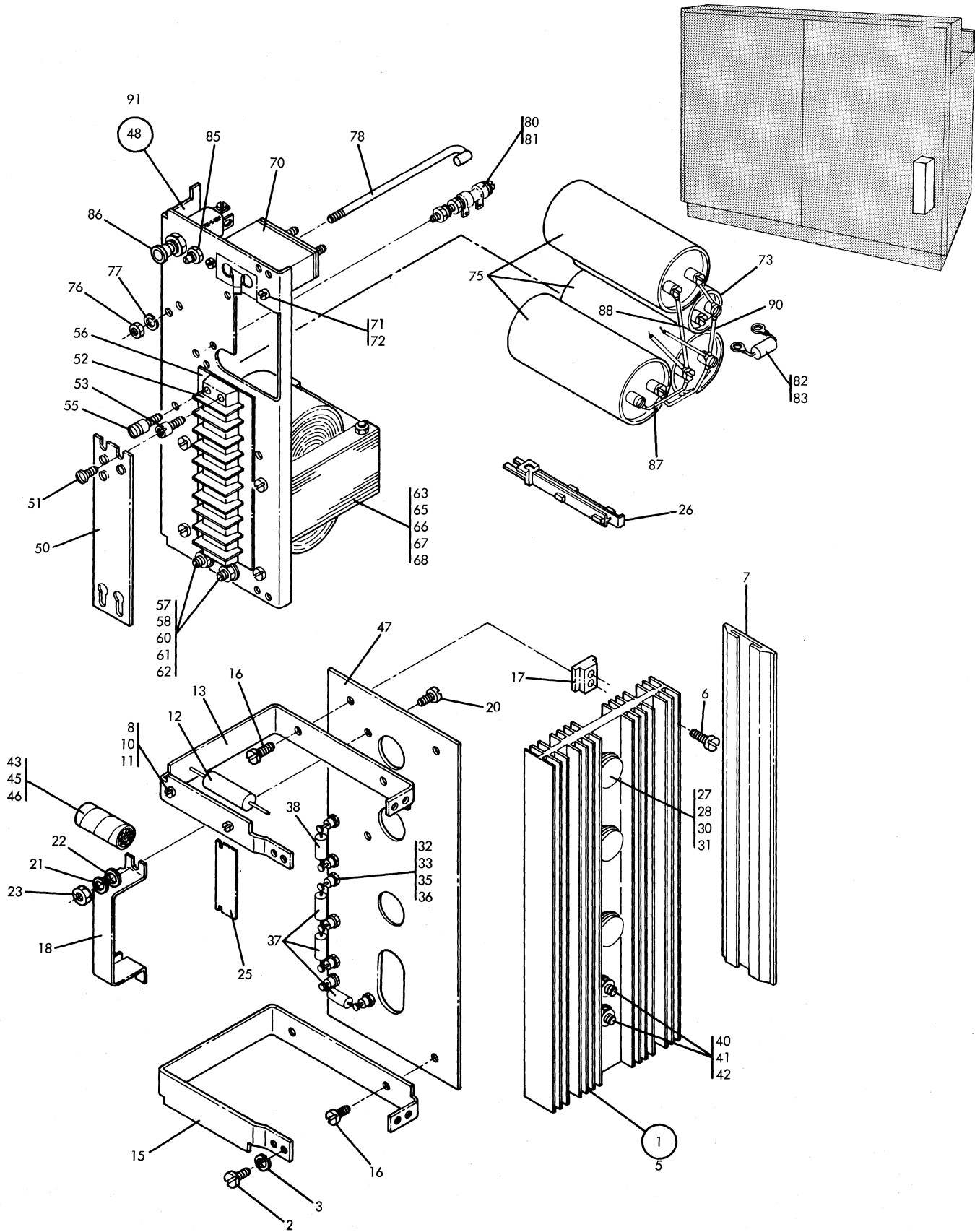


FIGURE 56. 12VDC 8AMP POWER SUPPLY ASM REDESIGNED. SEE LIST 56.

LIST AND INDEX NO.	PART NO.	DESCRIPTION	UNITS PER ASSY	USABLE ON CODE
		PWR SUPPLY ASM 12V DC 8 AMP REDESIGNCONT		
56- 26	216206	. . GUIDE CARD	2	
56- 27	369214	. . TRANSISTOR TYPE 108	3	
56- 28	11598	. . NUT	3	
56- 30	56121	. . L WASHER	3	
56- 31	316996	. . TERMINAL	1	
56- 32	533534	. . TERMINAL	7	
56- 33	55726	. . SCREW BND HD	7	
56- 35	62031	. . L WASHER	7	
56- 36	132237	. . TERMINAL	1	
56- 37	207324	. . RES 0.1 OHM 5 W	3	
56- 38	395138	. . RESISTOR	1	
56- 40	216197	. . RECTIFIER	2	
56- 41	316996	. . TERMINAL	2	
56- 42	473582	. . INSULATOR	2	
56- 43	473393	. . CABLE ASM	1	
56- 45	473442	. . GROMMET	1	
56- 46	473533	. . GROMMET	1	
56- 47	473399	. . COVER AIR SEAL	1	
56- 48	473394	. MTG PLATE ASM	1	
56- 50	473545	. . SHIELD	1	
56- 51	210984	. . SCREW	1	
56- 52	323844	. . TERMINAL BOARD	1	
56- 53	209483	. . STUD	1	
56- 55	209484	. . STUD	3	
56- 56	512583	. . INSULATOR	1	
56- 57	473402	. . STUD	2	
56- 58	11891	. . NUT	4	
56- 60	257354	. . WASHER	2	
56- 61	45697	. . WASHER	4	
56- 62	473392	. . INSULATOR	1	
56- 63	473466	. . TRANSFORMER	1	
56- 65	332620	. . SCREW	4	
56- 66	56121	. . L WASHER	4	
56- 67	597575	. . WASHER	4	
56- 68	11598	. . NUT	4	
56- 71	38235	. . SCREW	2	
56- 72	62031	. . L WASHER	2	
56- 73	208230	. . CAPACITOR	1	
56- 75	501544	. . CAPACITOR	3	
56- 76	38051	. . NUT	8	
56- 77	62031	. . L WASHER	8	
56- 78	473543	. . CLAMP	8	
56- 80	528139	. . RESISTOR	1	
56- 81	60646	. . L WASHER	2	
56- 82	334932	. . TERMINAL	2	
56- 83	321200	. . RESISTOR	1	
56- 85	207340	. . POT 250 OHM 1/2 W	1	
56- 86	220915	. . CIRCUIT BREAKER	1	
56- 87	208989	. . JUMPER	2	
56- 88	512589	. . JUMPER	1	
56- 90	473534	. . JUMPER	2	
56- 91	473397	. . PLATE COMPO MTG	1	

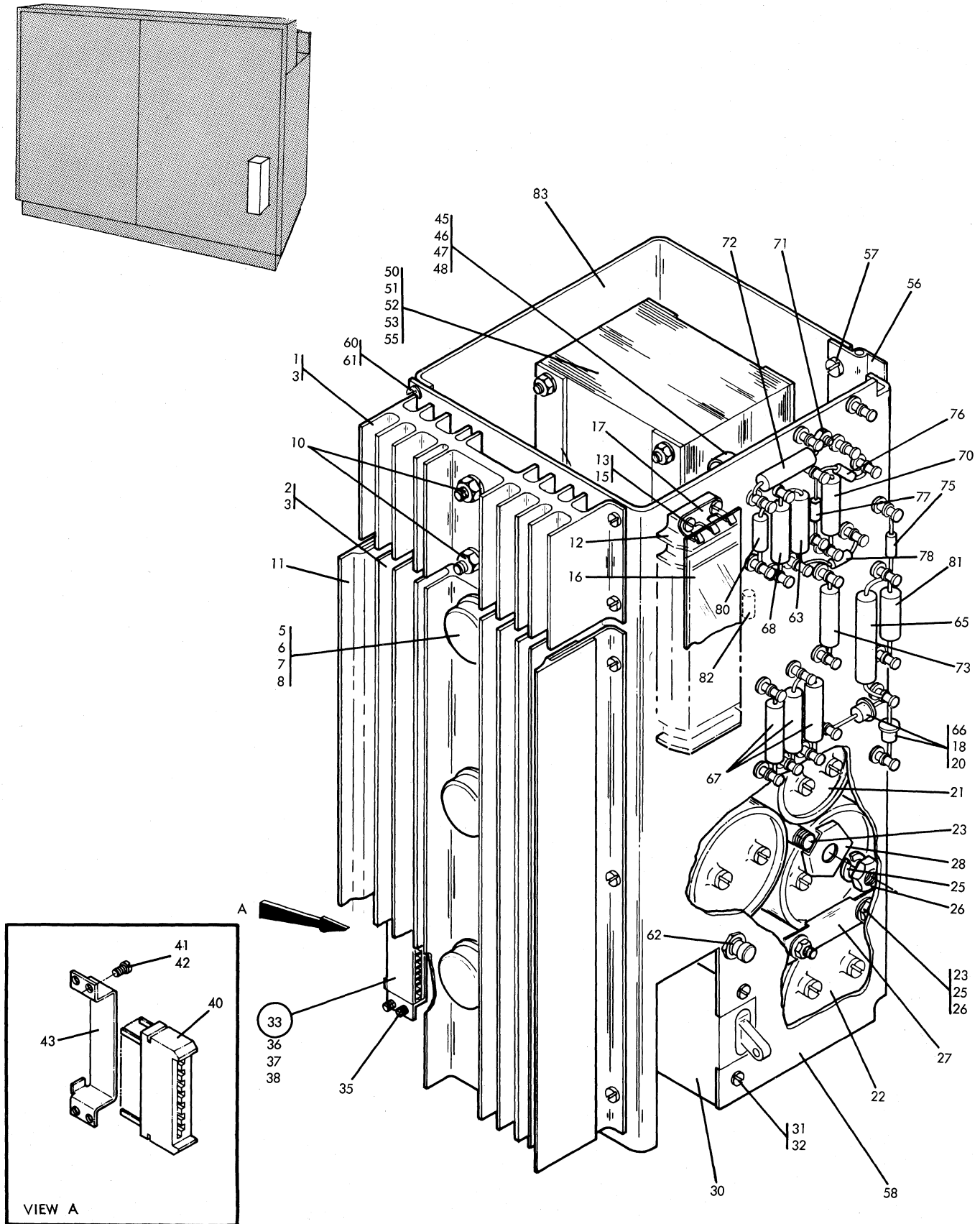


FIGURE 57. 12VDC 8AMP POWER SUPPLY ASM. SEE LIST 57.

LIST AND INDEX NO.	PART NO.	DESCRIPTION	UNITS PER ASSY	USABLE ON CODE
		PWR SUPPLY ASM 12V DC 8 AMP		
57-	* 207225	PWR SUPPLY ASM 12V DC 8 AMP SEE LIST 40-245 FOR NEXT HIGHER ASSEMBLY AND FIG. 57 FOR ILLUSTRATION	1	C
57- 1	218959	• HEAT SINK	1	
57- 2	218963	• HEAT SINK	1	
57- 3	10170	• SCREW HEAT SINK MTG	9	
57- 5	209001	• TRANSISTOR	3	
57- 6	11891	• NUT TSTR MTG	3	
57- 7	56121	• LWASHER	3	
57- 8	219423	• TUBING	6	
57- 10	598479	• DIODE	2	
57- 11	209005	• AIR SEAL	AR	
57- 12	334596	• BLOCK TERMINAL	1	
57- 13	322550	• SCREW TB MTG	4	
57- 15	62031	• LWASHER TERM STRIP MTG	4	
57- 16	440550	• SHIELD SAFETY	1	
57- 17	441042	• CLIP SHIELD MTG	2	
57- 18	186455	• CLIP	2	
57- 20	438548	• SCREW CLIP MTG	2	
57- 21	208230	• CAP 7000 MFD 13 VDC	1	
57- 22	501544	• CAP 10000 MFD 25 VDC	3	
57- 23	207356	• SCREW CAP MTG	3	
57- 25	55901	• L WASHER CAP MTG	3	
57- 26	257189	• NUT CAP MTG	3	
57- 27	219097	• CLAMP CAPACITOR MTG	2	
57- 28	219098	• CLAMP CAPACITOR MTG	2	
57- 30	208204	• CIRCUIT BREAKER	1	
57- 31	10170	• SCREW CB MTG	2	
57- 32	62031	• LWASHER CB MTG	2	
57- 33	208982	• RECEPTACLE ASM	1	
57- 35	38442	• SCREW OV MTG	2	
57- 36	208981	• BRACKET SOCKET MTG	1	
57- 37	438548	• SCREW SOCKET MTG	2	
57- 38	300761	• SOCKET JONES TYPE 303	1	
57- 40	217176	• SOCKET CARD	1	
57- 41	251970	• SCREW CARD BRKT MTG	4	
57- 42	150209	• LWASHER CARD BRKT MTG	4	
57- 43	208385	• BRACKET CARD SOCKET MTG	1	
57- 45	265869	• CLAMP	1	
57- 46	38235	• SCREW CLAMP MTG	1	
57- 47	62031	• LWASHER CLAMP MTG	1	
57- 48	257986	• WASHER CLAMP MTG	1	
57- 50	207303	• TRANSFORMER T-40661	1	
57- 51	25891	• SCREW TFMR MTG	4	
57- 52	45690	• WASHER TFMR MTG	4	
57- 53	56121	• LWASHER TFMR MTG	4	
57- 55	11598	• NUT TFMR MTG	4	
57- 56	218141	• HINGE	1	
57- 57	221790	• SCREW HINGE MTG	8	
57- 58	219894	• COMPONENT PLATE ASM	1	
57- 60	186759	• SCREW COMPO PL MTG	3	
57- 61	60646	• LWASHER COMPO PL MTG	3	
57- 62	220915	• CIRCUIT BREAKER	1	
57- 63	207292	• RESISTOR 160 OHM 5W	1	
57- 65	207310	• CAP 100 MFD 25 VDC	1	
57- 66	207316	• DIODE	2	
57- 67	207324	• RESISTOR 0.1 OHM 5W	3	
57- 68	207333	• RESISTOR 650 OHM 5W	1	
57- 70	207338	• RESISTOR 100 OHM 5 W	1	
57- 71	207340	• POT 250 OHM 1/2 W	1	
57- 72	208254	• RESISTOR 260 OHM 5 W	1	
57- 73	208255	• RESISTOR 1.8K 5W	1	
57- 75	213549	• RESISTOR 4.7K 1/2W	1	
57- 76	317011	• RESISTOR 470 OHM 1/2 W	1	
57- 77	317017	• RESISTOR 1.5 K 1/2 W	1	
57- 78	317019	• RESISTOR	1	
57- 80	317079	• RESISTOR 150 OHM 2W	1	
57- 81	317095	• RESISTOR 9.1 K 2 W	1	
57- 82	321200	• RESISTOR 330 OHM 1 W	1	
57- 83	219840	• CHASSIS	1	

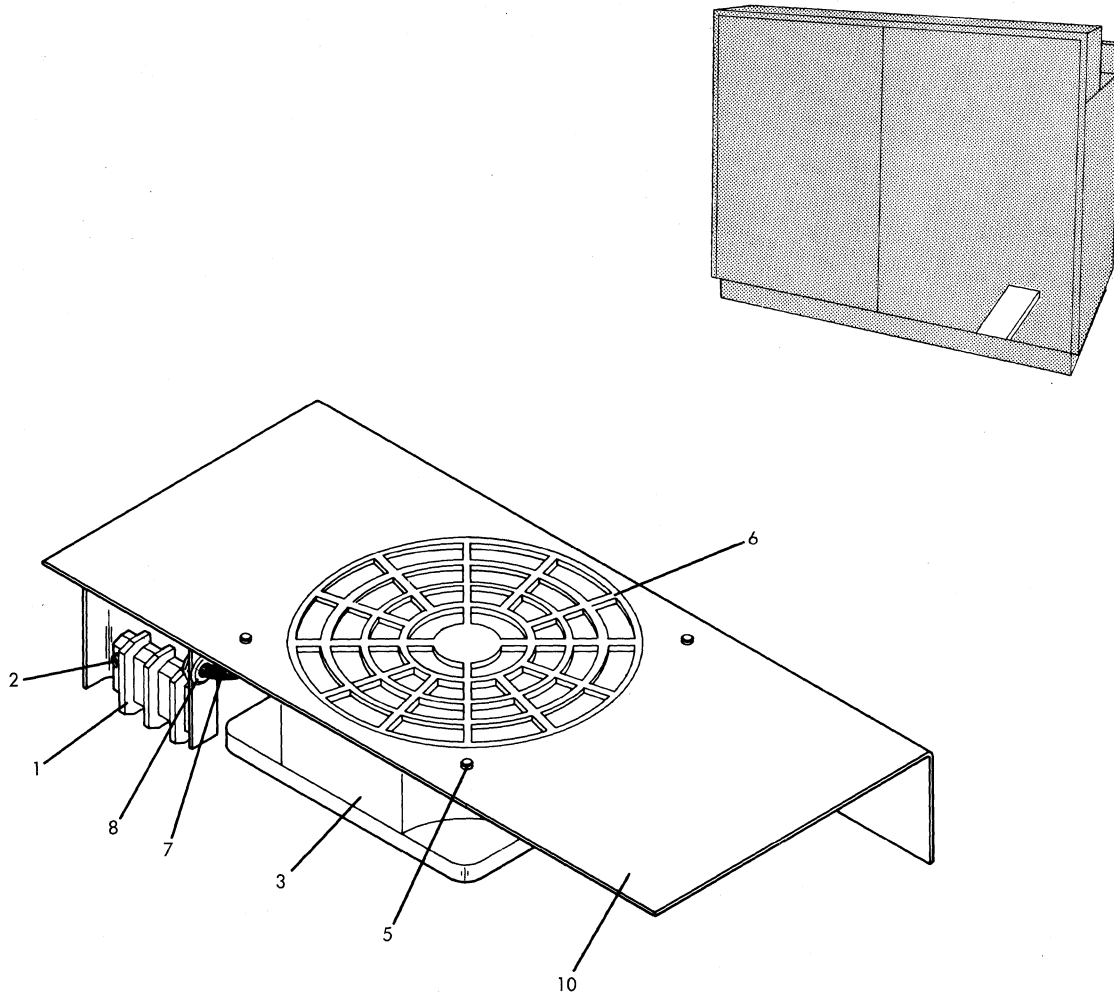


FIGURE 58. BLOWER ASM. SEE LIST 58.

LIST AND INDEX NO.	PART NO.	DESCRIPTION				UNITS PER ASSY	USABLE ON CODE
		1	2	3	4		
		BLOWER ASM - POWER SUPPLY					
58-	2128511	BLOWER ASM - POWER SUPPLY SEE LIST 40-261 FOR NEXT HIGHER ASSEMBLY AND FIG. 58 FOR ILLUSTRATION				1	
58- 1	80817	• TERMINAL BLOCK				1	
58- 2	81693	• SCREW - TERMINAL BLOCK				2	
58- 3	597300	• BLOWER				1	
58- 5	438550	• SCREW - BLOWER MTG				4	
58- 6	2128588	• GUARD - BLOWER				1	
58- 7	2128617	• JUMPER				2	
58- 8	1077722	• GROMMET				1	
58- 10	2128512	• PANEL - BLOWER MTG				1	

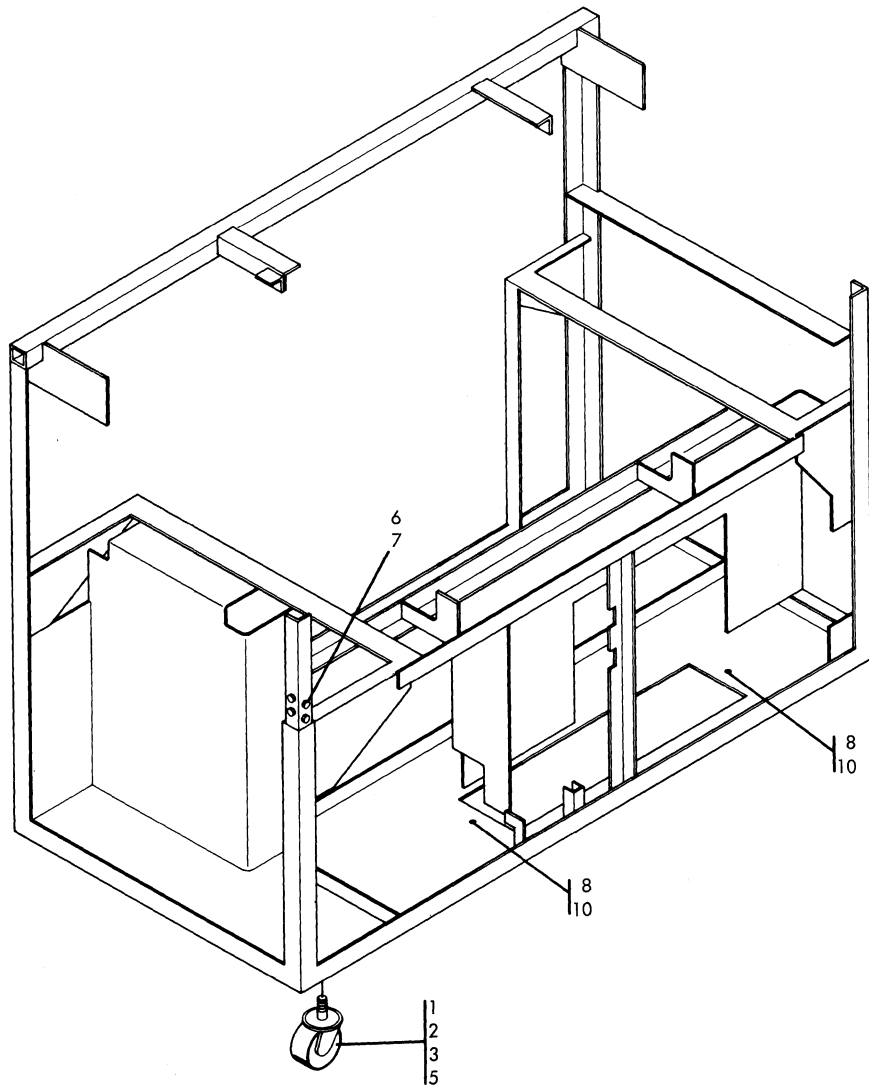


FIGURE 59. FRAME ASM. SEE LIST 59.

LIST AND INDEX NO.	PART NO.	DESCRIPTION				UNITS PER ASSY	USABLE ON CODE
		1	2	3	4		
		FRAME ASM					
59-	615010	FRAME ASM SEE LIST 40-282 FOR NEXT HIGHER ASSEMBLY AND FIG. 59 FOR ILLUSTRATION				1	
59- 1	436926	• CASTER				4	
59- 2	76846	• NUT CASTER MTG				4	ATT PT
59- 3	130987	• LWASHER CASTER MTG				4	ATT PT
59- 5	130985	• WASHER CASTER MTG				4	ATT PT
59- 6	38688	• SCREW BRKT MTG				4	
59- 7	76574	• WASHER BRKT MTG				4	
59- 8	28413	• SCREW				2	
59- 10	45690	• WASHER				2	

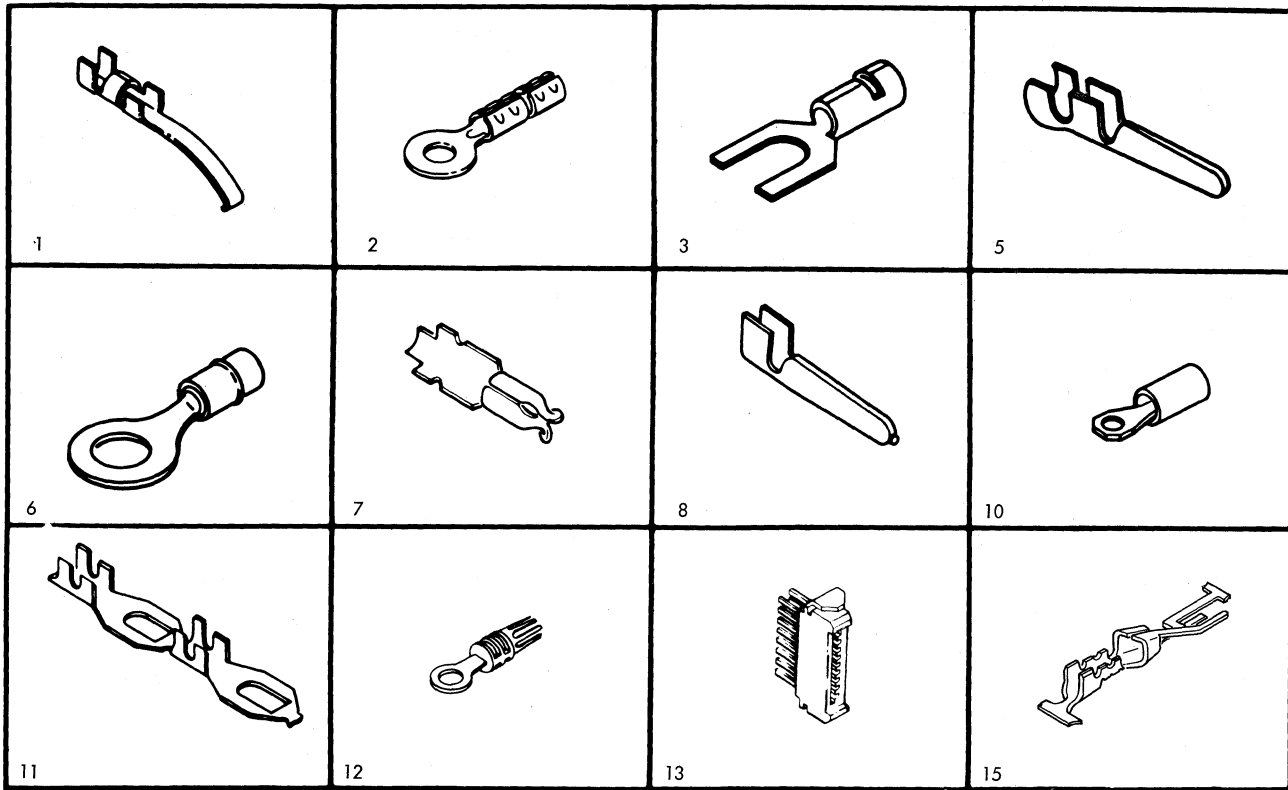


FIGURE 60. CABLE COMPONENTS. SEE LIST 60.

LIST AND INDEX NO.	PART NO.	DESCRIPTION				UNITS PER ASSY	USABLE ON CODE
		1	2	3	4		
		CABLE AND JUMPER COMPONENT PARTS					
60-	NO NO.	CABLE AND JUMPER COMPONENT PARTS SEE FIGURE 60 FOR ILLUSTRATION				1	
60- 1	122610	• TERMINAL WIRE SIZES 18 THRU 22				AR	
60- 2	186960	• TERMINAL WIRE SIZES 14 THRU 18				AR	
60- 2	257284	• TERMINAL WIRE SIZES 16 AND 18				AR	
60- 3	255994	• TERMINAL WIRE SIZES 16 THRU 20				AR	
60- 5	187243	• TERMINAL				AR	
60- 6	186968	• TERMINAL WIRE SIZES 10 THRU 12				AR	
	334932	• TERM WIRE SIZES 16 THRU 22 X 53/64 .				AR	
	334921	• TERM WIRE SIZES 16 THRU 22 X 21/32 .				AR	
60- 7	368169	• CONNECTOR				AR	
60- 8	320167	• TERMINAL WIRE SIZE 20				AR	
60- 10	218809	• TERMINAL WIRE SIZES 14 THRU 16				AR	
60- 11	115186	• TERMINAL WIRE SIZE 20				AR	
60- 12	359695	• TERMINAL WIRE SIZES 14 THRU 16				AR	
60- 13	217176	• RECEPTACLE				AR	
60- 15	598041	• CONTACT				AR	

PART 3 GROUP ASSEMBLY PARTS LIST

SECTION 2 SELECTIVE AND OPTIONAL FEATURES

LIST AND INDEX NO.	PART NO.	DESCRIPTION	UNITS PER ASSY	USABLE ON CODE
		ADDITIONAL SMS CARD CAPACITY		
61-	698283	ADDITIONAL SMS CARD CAPACITY	1	
		SEE FIGURE 61 FOR ILLUSTRATION		
61- 1	696619	• COVER ASM - GATE B1	1	
61- 2	696552	• • COVER GATE B1	1	
61- 3	223528	• • CHANNEL RUBBER	AR	
61- 5	234329	• SCREW	1	
61- 6	56079	• LOCKWASHER	1	
61- 7	696546	• CARD GATE ASM - B1	1	
		SEE LIST 62 FOR DETAIL BREAKDOWN		
61- 8	225532	• HINGE	2	
61- 10	129147	• SCREW	4	
61- 11	6935	• LOCKWASHER	4	
61- 12	601127	• SPACER	1	
61- 13	696618	• SPACER	1	
61- 15	696573	• LATCH	1	
61- 16	127702	• SCREW	2	
61- 17	6935	• LOCKWASHER	2	
61- 18	696550	• CARD GATE ASM - A	1	
		SEE LIST 63 FOR DETAIL BREAKDOWN		
61- 20	696571	• BRACKET SHROUD	1	
61- 21	58207	• SCREW	1	
61- 22	60646	• LOCKWASHER	1	
61- 23	696564	• BRACKET ASM - POWER SUPPLY	1	
		SEE LIST 64 FOR DETAIL BREAKDOWN		
61- 25	10598	• SCREW	2	
61- 26	9092	• LOCKWASHER	2	
61- 27	696566	• MARGINAL CHECK ASM	1	
		SEE LIST 65 FOR DETAIL BREAKDOWN		
61- 28	443	• SCREW	2	
61- 30	56079	• LOCKWASHER	2	
		CARD GATE ASM - B1		
62-	696546	CARD GATE ASM - B1	1	
		SEE LIST 61-7 FOR NEXT HIGHER ASSEMBLY AND FIG. 62 FOR ILLUSTRATION		
62- 1	369207	• DECAL	1	
62- 2	603030	• CAMLOCK COVER	2	
62- 3	210987	• COVER	1	
62- 5	210984	• SCREW	1	
62- 6	80351	• TERM BLOCK	1	
62- 7	210985	• STUD	1	
62- 8	210986	• STUD	3	
62- 10	322280	• INSULATOR TERM BLK	1	
62- 11	2128588	• GUARD FAN	1	
62- 12	322551	• SCREW FAN GUARD	4	
62- 13	257187	• NUT FAN GUARD	1	
62- 15	125071	• SPACER FAN GUARD	4	
62- 16	597300	• FAN	1	
62- 17	81693	• SCREW FAN MTG	4	
62- 18	615379	• FILTER	1	
62- 20	470834	• SCREW FILTER	2	
62- 21	696582	• BRACKET FILTER GATE B1	1	
62- 22	528013	• STUD LATCH	1	
62- 23	528014	• PIN LATCH	1	
62- 25	528012	• SPRING LATCH	1	
62- 26	528011	• BRACKET LATCH	1	
62- 27	55726	• SCREW LATCH MTG	2	
62- 28	257986	• WASHER LATCH MTG	2	

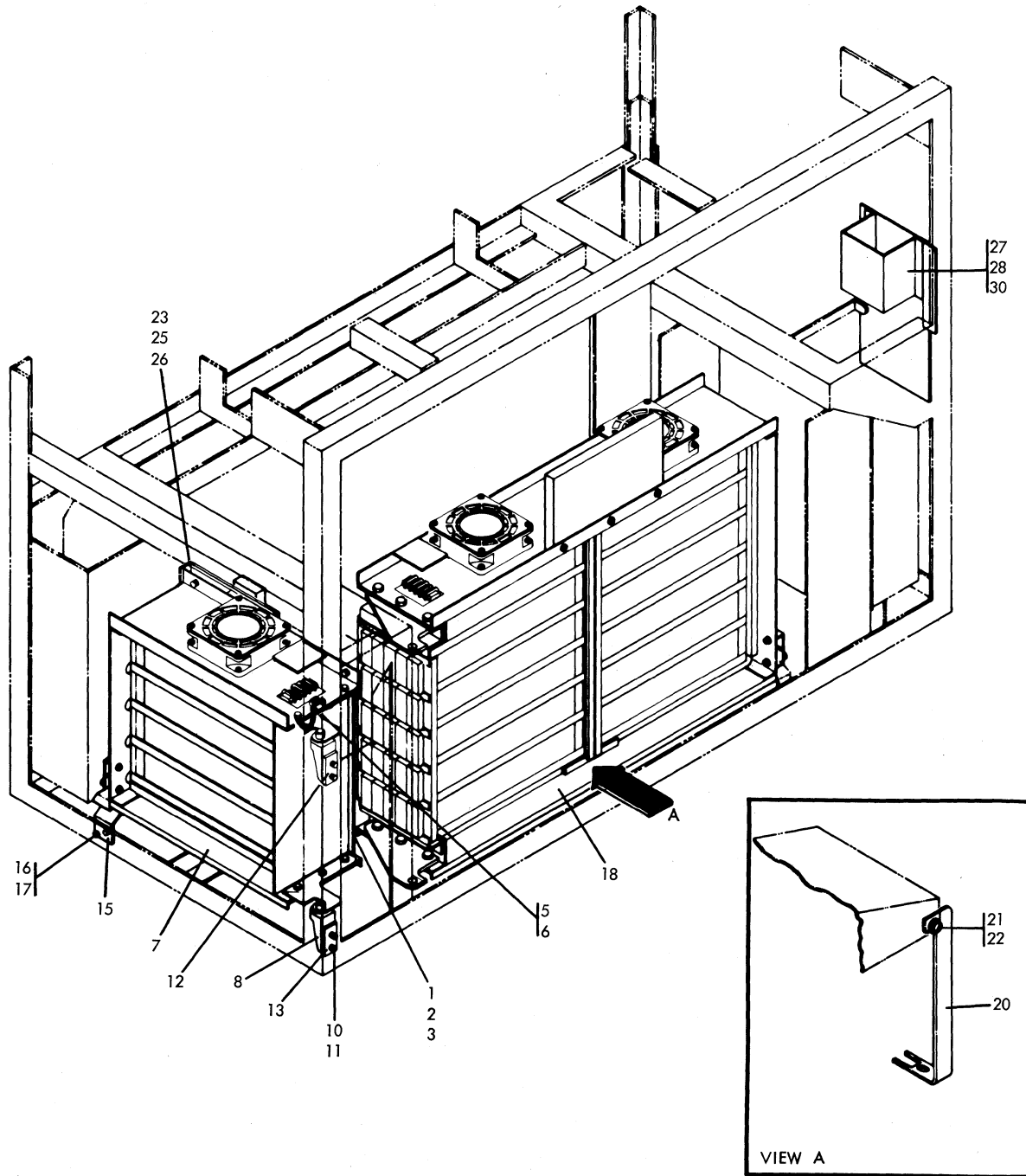


FIGURE 61. ADDITIONAL SMS CARD CAPACITY FEATURE. SEE LIST 61.

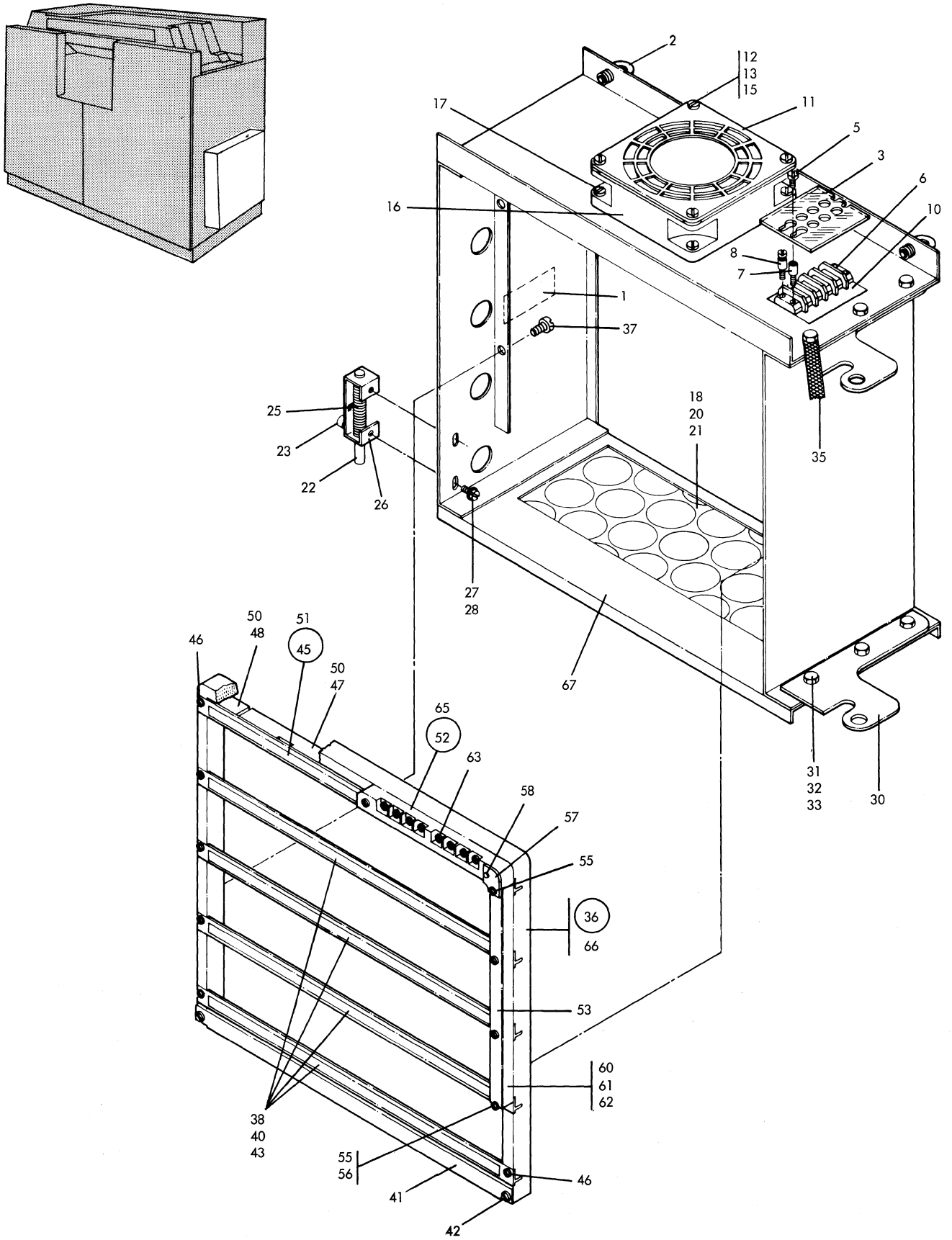


FIGURE 62. CARD GATE B1 ASM. FEATURE. SEE LIST 62.

LIST AND INDEX NO.	PART NO.	DESCRIPTION	UNITS PER ASSY	USABLE ON CODE
		CARD GATE ASM - B1		
		CONT		
62- 30	696572	• ARM CARD GATE B 1	2	
62- 31	38688	• SCREW ARM MTG	6	
62- 32	6935	• L WASHER ARM MTG	6	
62- 33	36109	• NUT ARM MTG	6	
62- 35	523022	• GROUND STRAP	1	
62- 36	696554	• PANEL B1 ASM	1	
62- 37	32042	• SCREW PANEL	4	
62- 38	216297	• • AIR SEAL	AR	
62- 40	2128570	• • STRIP ID	5	
62- 41	696547	• • TIE BAR CHASSIS	1	
62- 42	83606	• • SCREW TIE BAR MTG	2	
62- 43	216094	• • T BAR SHORT	4	
62- 45	216204	• • T BAR AND ADAPTER ASM	1	
62- 46	10170	• • SCREW T BAR MTG	5	
62- 47	216091	• • • ADAPTER CARD GUIDE 8 POS	3	
62- 48	216212	• • • ADAPTER CARD GUIDE 1 POS	1	
62- 50	38264	• • • SCREW	ATT PT	
62- 51	216095	• • • T-BAR	8	
62- 52	696553	• • VOLTAGE DIST ASM	1	
62- 53	596192	• • • MOULDING	1	
62- 55	38359	• • • SCREW	2	
62- 56	22066	• • • WASHER	ATT PT	
62- 57	596182	• • • BRACKET	ATT PT	
62- 58	5644	• • • SCREW	1	
62- 60	696615	• • • CONDUCTOR-LONG	ATT PT	
62- 61	696617	• • • CONDUCTOR-SHORT	1	
62- 62	696569	• • • CHANNEL	1	
62- 63	55726	• • • SCREW	8	
62- 65	596184	• • • BLOCK INPUT	1	
62- 66	696548	• CHASSIS FRAME	1	
62- 67	696545	• GATE B1 CARD	1	
		CARD GATE ASM - A		
63-	696550	CARD GATE ASM - A SEE LIST 61-18 FOR NEXT HIGHER ASSEMBLY AND FIG. 63 FOR ILLUSTRATION	1	
63- 1	369207	• DECAL	1	
63- 2	615348	• DECAL	1	
63- 3	603030	• CAM LOCK	3	
63- 5	223528	• GASKET	AR	
63- 6	223803	• GROMMET	1	
63- 7	615075	• PANEL CE	1	
		SEE LIST 39 FOR DETAIL BREAKDOWN		
63- 8	32042	• SCREW CE PANEL MTG	ATT PT	
63- 10	9092	• LW SHR CE PANEL MTG	ATT PT	
63- 11	11598	• NUT CE PANEL MTG	ATT PT	
63- 12	528011	• BRACKET LOCK	3	
63- 13	10170	• SCREW LOCK MTG	1	
63- 15	6364	• LW SHR LOCK MTG	ATT PT	
63- 16	257986	• WASHER	ATT PT	
63- 17	528013	• STUD LOCK	2	
63- 18	528014	• PIN LOCK	1	
63- 20	528012	• SPRING LOCK	1	
63- 21	615084	• BRACKET FILTER	1	
63- 22	470834	• SCREW BKT MTG	ATT PT	
63- 25	615067	• ARM	2	
63- 26	38688	• SCREW LOCK MTG	ATT PT	
63- 27	6935	• LW SHR ARM MTG	ATT PT	
63- 28	36109	• NUT ARM MTG	ATT PT	
63- 30	523022	• GROUND STRAP	6	
63- 31	76574	• LWASHER GROUND STRAP	ATT PT	

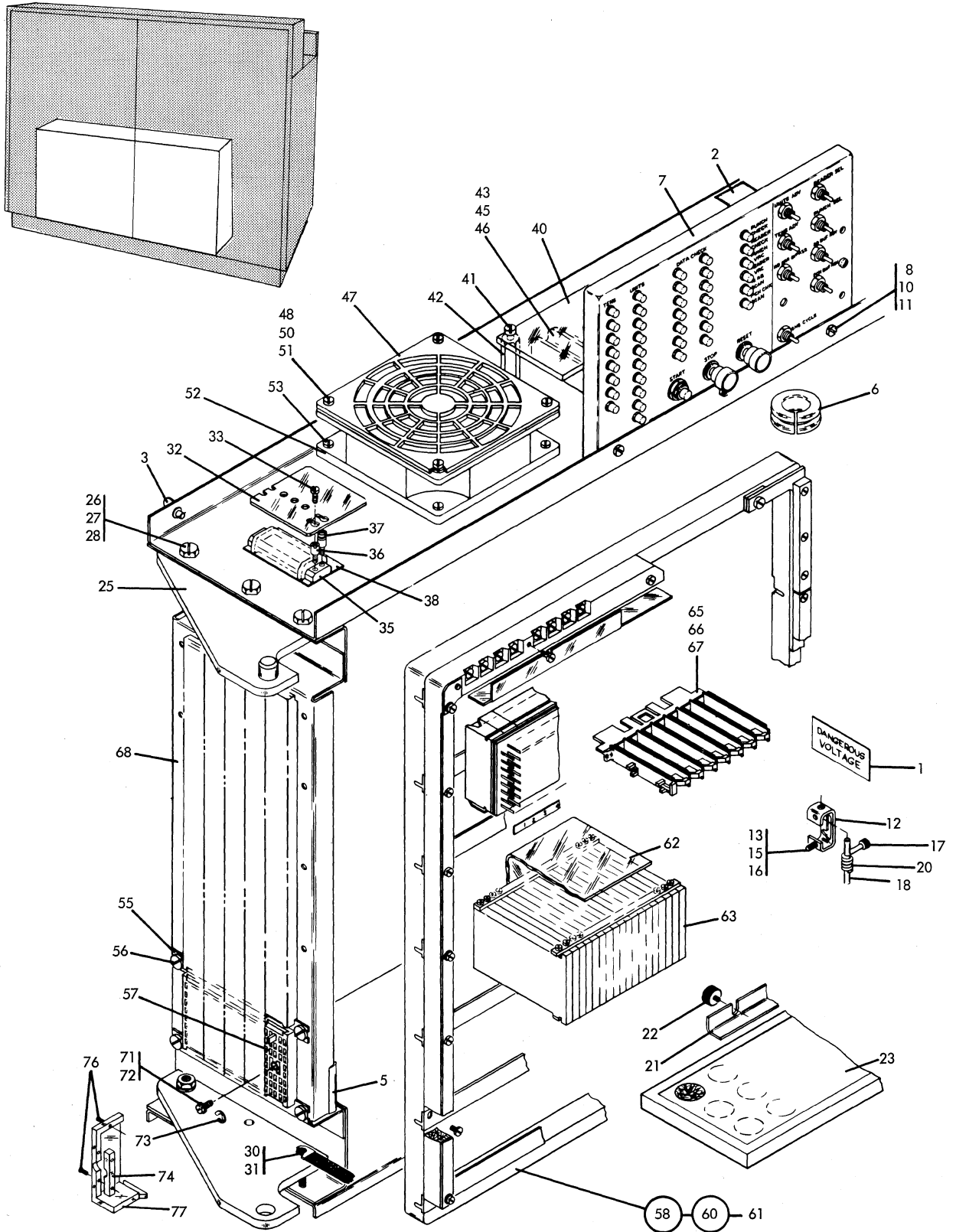


FIGURE 63. CARD GATE A ASM FEATURE. SEE LIST 63.

SEE FIGURE 38 FOR STANDARD CARD GATE A ASM.

LIST AND INDEX NO.	PART NO.	DESCRIPTION				UNITS PER ASSY	USABLE ON CODE
		1	2	3	4		
		CARD GATE ASM - A					
		CONT					
63- 32	210987	• COVER TERM BLK				1	
63- 33	210984	• SCREW COVER LOCKING		ATT PT		1	
63- 35	80351	• TERMINAL BLOCK				1	
63- 36	210985	• STUD TERM BLK		ATT PT		1	
63- 37	210986	• STUD TERM BLK		ATT PT		3	
63- 38	322280	• INSULATOR TERM BLOCK				1	
63- 40	2116648	• SHIELD FUSE BLK				1	
63- 41	58207	• SCREW SHIELD MTG		ATT PT		2	
63- 42	157370	• STUD		ATT PT		2	
63- 43	206554	• FUSE BLOCK				1	
63- 45	38368	• SCREW FUSE BLK MTG		ATT PT		3	
63- 46	6325	• FUSE				7	
63- 47	2128588	• GUARD FAN				2	
63- 48	322551	• SCREW FAN SHIELD MTG		ATT PT		8	
63- 50	257187	• NUT FAN SHIELD MTG		ATT PT		8	
63- 51	125071	• SPACER		ATT PT		8	
63- 52	597300	• FAN MUFFIN				2	
63- 53	81693	• SCREW FAN MTG		ATT PT		8	
63- 55	696570	• BRACKET CONN MTG				6	
63- 56	601093	• SCREW BRK MTG		ATT PT		12	
63- 57	546013	• CONNECTOR POS AW AND AX				2	
63- 58	615300	• PANEL A 2				1	
63- 60	615301	• PANEL A 1				1	
		SEE LIST 38 REF NOS. 58 AND 60 FOR DETAIL BREAKDOWN					
63- 61	32042	• SCREW		ATT PT		12	
63- 62	615087	• SHIELD CORE MEM				1	
63- 63	615303	• CORE MEM ASM				1	
		SEE LIST 38 REF NUMBER 93 FOR DETAIL BREAKDOWN					
63- 65	216085	• SMS CARD GD 8 POS				39	
63- 66	216206	• SMS CARD GD 1 POS				36	
63- 67	370082	• SMS CARD TYPE DAR				3	
	370083	• SMS CARD TYPE DAW				1	
	370084	• SMS CARD TYPE DAX				4	
	370169	• SMS CARD TYPE ACY				2	
	370171	• SMS CARD TYPE TBD				9	
	370172	• SMS CARD TYPE DAT				1	
	370224	• SMS CARD TYPE DFA				3	
	370321	• SMS CARD TYPE YAR				4	
	370335	• SMS CARD TYPE TCZ				46	
	370336	• SMS CARD TYPE AHS				1	
	370337	• SMS CARD TYPE AHT				27	
	371029	• SMS CARD TYPE CD				7	
	371032	• SMS CARD TYPE CE				1	
	371453	• SMS CARD TYPE FP				3	
	371487	• SMS CARD TYPE MH				1	
	371661	• SMS CARD TYPE MX				10	
	371678	• SMS CARD TYPE NN				14	
	371699	• SMS CARD TYPE 122				4	
	371750	• SMS CARD TYPE RYD				1	
	371867	• SMS CARD TYPE VJ				1	
	371868	• SMS CARD TYPE VG				1	
	371869	• SMS CARD TYPE VE				66	
	371870	• SMS CARD TYPE VF				36	
	371871	• SMS CARD TYPE VM				12	
	371881	• SMS CARD TYPE WJ				9	
	371943	• SMS CARD TYPE AFR				7	
	371948	• SMS CARD TYPE AFB				1	
	371987	• SMS CARD TYPE DED				4	
	371988	• SMS CARD TYPE DEE				4	
63- 68	696549	• GATE A CARD				1	
63- 70	NO. NO.	CABLE COMPONENTS				1	
63- 71	587393	• SCREW				23	
63- 72	45690	• WASHER				23	
63- 73	5200363	• CLIP				23	
63- 75	5200364	• STRAIN RELIEF				28	
63- 76	203	• SCREW		ATT PT		96	
	203	• SCREW				16	
63- 77	5200365	• SHIELD				28	

LIST AND INDEX NO.	PART NO.	DESCRIPTION	UNITS PER ASSY	USABLE ON CODE
		POWER SUPPLY BRACKET ASM		
64-	696564	POWER SUPPLY BRACKET ASM SEE LIST 61-23 FOR NEXT HIGHER ASSEMBLY AND FIG. 64 FOR ILLUSTRATION	1	
64- 1	609568	• DECAL	1	
64- 2	315956	• TERMINAL BLOCK	1	
64- 3	2031	• SCREW TERM BLK MTG	2	ATT PT
64- 5	334237	• STUD SAFETY CVR	2	ATT PT
64- 6	322272	• INSULATOR TERM BLOCK	1	
64- 7	607016	• POWER SUPPLY ASM DYN TIM	1	
64- 8	58207	• SCREW POWER SUPPLY MTG	1	ATT PT
64- 10	186759	• SCREW POWER SUPPLY MTG	1	ATT PT
64- 11	55901	• L WASHER POWER SUPPLY MTG	3	ATT PT
64- 12	597215	• JUMPER	1	
64- 13	607881	• COVER	1	
64- 15	257189	• NUT COVER MTG	4	ATT PT
64- 16	22478	• WASHER COVER MTG	4	ATT PT
64- 17	253264	• STUD COVER MTG	2	
64- 18	55901	• LOCKWASHER STUD MTG	2	ATT PT
64- 20	602707	• ASM COMPONENT	1	
64- 21	438589	• SCREW BOARD MTG	4	ATT PT
64- 22	602164	• SPACER	4	ATT PT
64- 23	180846	• RESISTOR DYN TIMER 47K	2	
64- 25	206592	• CAP DYN TIMER 4 MFD	2	
64- 26	206595	• CAP DYN TIMER 500 MMF	2	
64- 27	213539	• RESISTOR DYN TIMER 150 K	2	
64- 28	213714	• RESISTOR DYN TIMER 1.8K	2	
64- 30	300734	• RESISTOR DYN TIMER 510 K	2	
64- 31	301804	• RESISTOR DYN TIMER 4700HM	2	
64- 32	301818	• RESISTOR DYN TIMER 6.8K	2	
64- 33	317037	• RESISTOR DYN TIMER 220K	2	
64- 35	333264	• DIODE DYN TIMER	2	
64- 36	602167	• TERMINAL BD COMP ASM	1	
64- 37	602706	• CHASSIS DYN TIM POW SUP	1	
64- 38	149893	• TRANS DYN TIMER	1	
64- 40	186759	• SCR DYN TIMER	2	ATT PT
64- 41	257189	• NUT DYN TIMER	2	ATT PT
64- 42	55901	• LWSHR TRANS GRD	1	ATT PT
64- 43	204362	• GROMMET DYN TIMER	2	
64- 45	317517	• SOCKET DYN TIMER	1	
64- 46	317520	• SOCKET DYN TIMER ASM	1	
64- 47	602168	• CHASSIS DYN TIMER	1	
64- 48	317785	• TUBE 6AL5	1	
64- 50	323932	• TUBE 12 AX 7	1	
64- 51	2102364	• CLAMP CABLE	1	
64- 52	696565	• BRACKET TERM BLOCK	1	
		MARGINAL CHECK ASM		
65-	696566	MARGINAL CHECK ASM SEE LIST 61-27 FOR NEXT HIGHER ASSEMBLY AND FIG. 65 FOR ILLUSTRATION	1	
65- 1	615399	• LABEL	1	
65- 2	696568	• LABEL TOGGLE SW	1	
65- 3	2128751	• METER	1	
65- 5	56722	• LWSHR METER ASM	5	ATT PT
65- 6	615337	• SWITCH ASM WAFER	1	
65- 7	317173	• KNOB WAFER SW	1	
65- 8	2128693	• SWITCH SPDT	3	
65- 10	159373	• LWSHR SWITCH	3	ATT PT
65- 11	602923	• THUMB SCREW	1	
65- 12	45690	• WSHR THUMB SCR	1	
65- 13	1092125	• CLIP THUMB SCR	1	ATT PT
65- 15	615447	• SHIELD	1	

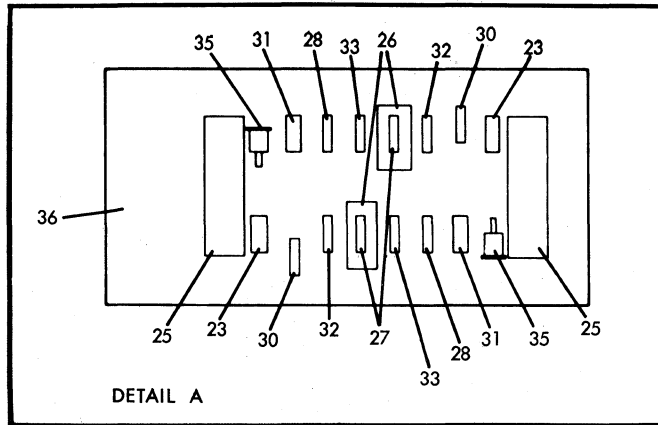
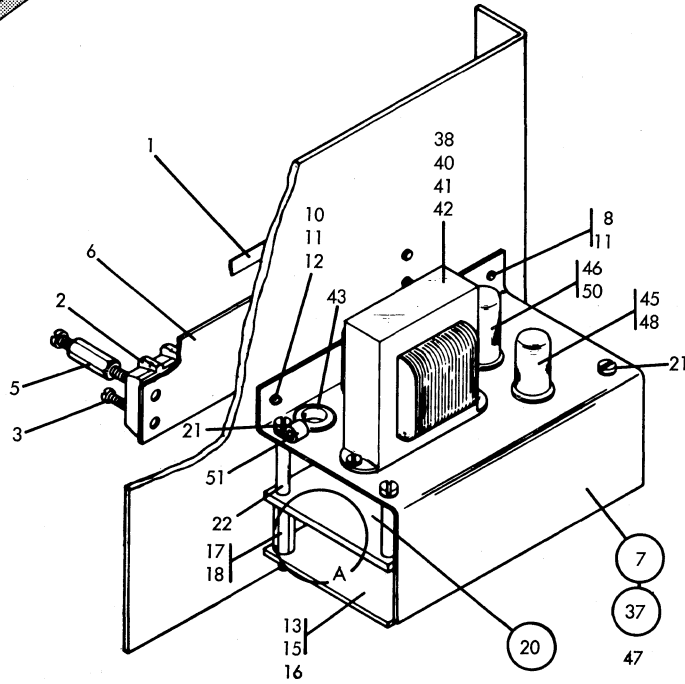
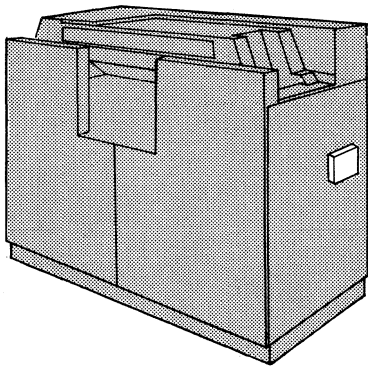


FIGURE 64. POWER SUPPLY BRACKET ASM FEATURE. SEE LIST 64.

SEE FIGURE 50 FOR STANDARD POWER SUPPLY BRACKET ASM.

LIST AND INDEX NO.	PART NO.	DESCRIPTION	UNITS PER ASSY	USABLE ON CODE
		MARGINAL CHECK ASM		
		CONT		
65- 16	257985	• WSHR SHIELD MTG	ATT PT	1
65- 17	220815	• RHEOSTAT ASM		1
65- 18	38451	• SCREW RHEOST	ATT PT	4
65- 20	207376	• • RHEOSTAT		1
65- 21	208993	• • POWERSTAT		1
65- 22	322572	• • LOCKWASHER	ATT PT	2
65- 23	132240	• • DIAL		1
65- 25	220905	• • CAM		1
65- 26	219978	• • COUPLING		1
65- 27	257969	• • SCREW	ATT PT	4
65- 28	228093	• • SWITCH		1
65- 30	438551	• • SCREW	ATT PT	2
65- 31	257984	• • LOCKWASHER	ATT PT	2
65- 32	37913	• • NUT	ATT PT	2
65- 33	333183	• • ACTUATOR		1
65- 35	219966	• • BRACKET - SWITCH MTG		1
65- 36	38451	• • SCREW	ATT PT	2
65- 37	150209	• • L WASHER	ATT PT	2
65- 38	219948	• • BRACKET		1
65- 40	237291	• WASH RHEOSTAT KNOB	ATT PT	1
65- 41	597215	• GRD JUMPER		1
65- 42	696567	• PANEL MARG CHECK		1
65- 43	615318	• • PANEL MARG CHECK		1
		SWITCH PANEL BLUE PFR		
66-	698301	SWITCH PANEL BLUE PFR		1
		WITH 698274 OR 698299		
66- 1	696585	• SWITCH AND LIGHT PANEL ASM		1
		SEE FIGURE 66 FOR ILLUSTRATION		
66- 2	609566	• • GUARD SW BRACKET		1
66- 3	81693	• • SCREW GUARD MTG	ATT PT	3
66- 5	609564	• • STUD GUARD MTG	ATT PT	3
66- 6	1091508	• • WASHER SHIELD STUD	ATT PT	3
66- 7	609185	• • SWITCH ASM INTERLOCK		2
66- 8	55726	• • SCREW SW MTG	ATT PT	2
66- 10	38235	• • SCREW BRKT MTG	ATT PT	2
66- 11	336628	• • NUT SW MTG	ATT PT	2
66- 12	609545	• • BRACKET HINGE CVR INTER		1
66- 13	80651	• • SCREW BRKT MTG	ATT PT	2
66- 15	609547	• • BRACKET LIGHT BLK		4
66- 16	609548	• • BRACKET INTER SW		1
66- 17	609553	• • BRACKET SW MTG		6
66- 18	609695	• • SCREW SW MTG	ATT PT	22
66- 20	609457	• • SWITCH		4
66- 21	609458	• • SWITCH		2
66- 22	538677	• • SPRING SWITCH		4
66- 23	609190	• • BUTTOM PUNCH ON		1
66- 25	615004	• • BUTTOM SEL AND STOP		1
66- 26	609191	• • BUTTOM NON PROCESS		2
66- 27	696631	• • BUTTOM PF SW PFR		1
66- 28	609189	• • BUTTOM READER ON		1
66- 30	538674	• • SCREW BRKT MTG	ATT PT	12
66- 31	479309	• • SWITCH PUSH BUTTOM		6
66- 32	609678	• • ACTUATOR SW		6
66- 33	614028	• • BUTTOM PUNCH START		1
66- 35	614029	• • BUTTOM ASM PUNCH STOP		1
66- 36	473615	• • BUTTOM ASM CHECK RESET		1
66- 37	609201	• • BUTTOM ASM LOAD		1
66- 38	614031	• • BUTTOM ASM RD STOP		1
66- 40	614032	• • BUTTOM RD START		1
66- 41	444164	• • TERMINAL BLOCK ASM		2
66- 42	438549	• • SCREW	ATT PT	2

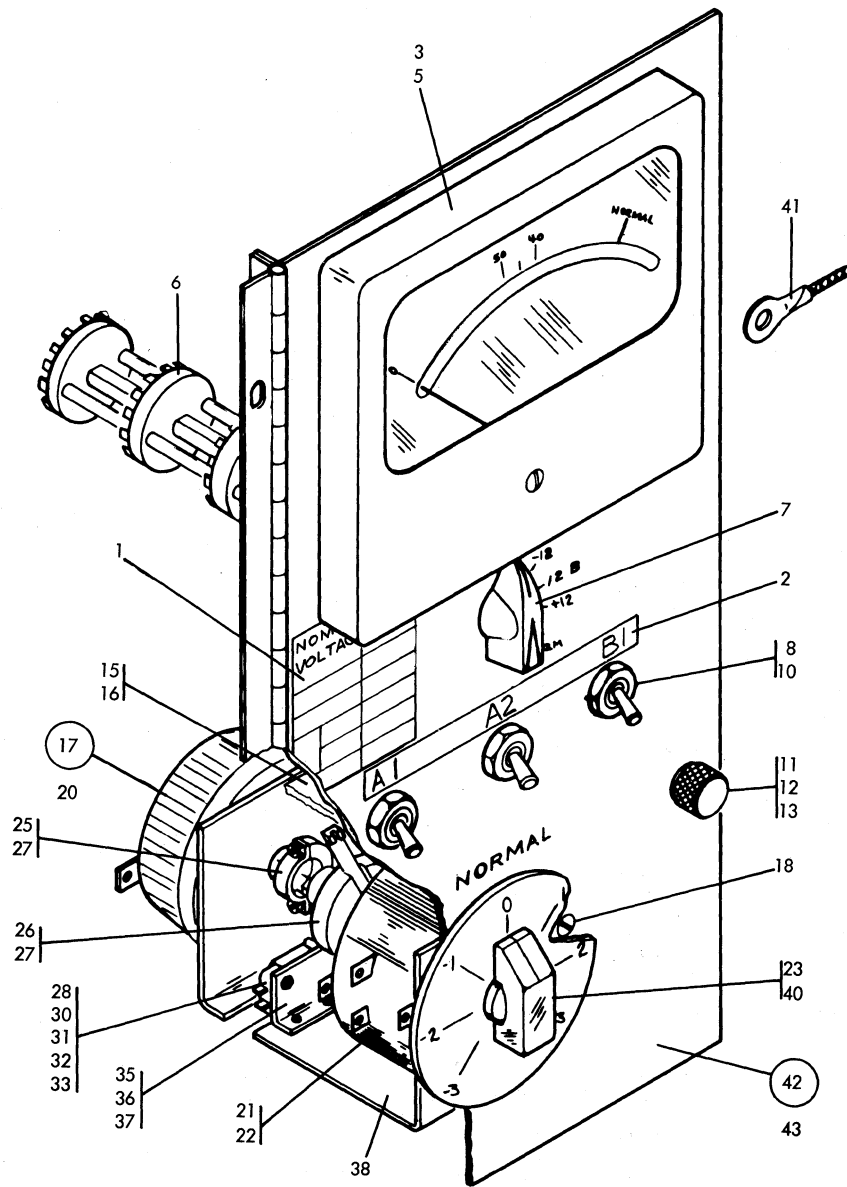


FIGURE 65. MARGINAL CHECK ASM FEATURE. SEE LIST 65.

SEE FIGURE 41 FOR STANDARD MARGINAL CHECK ASM.

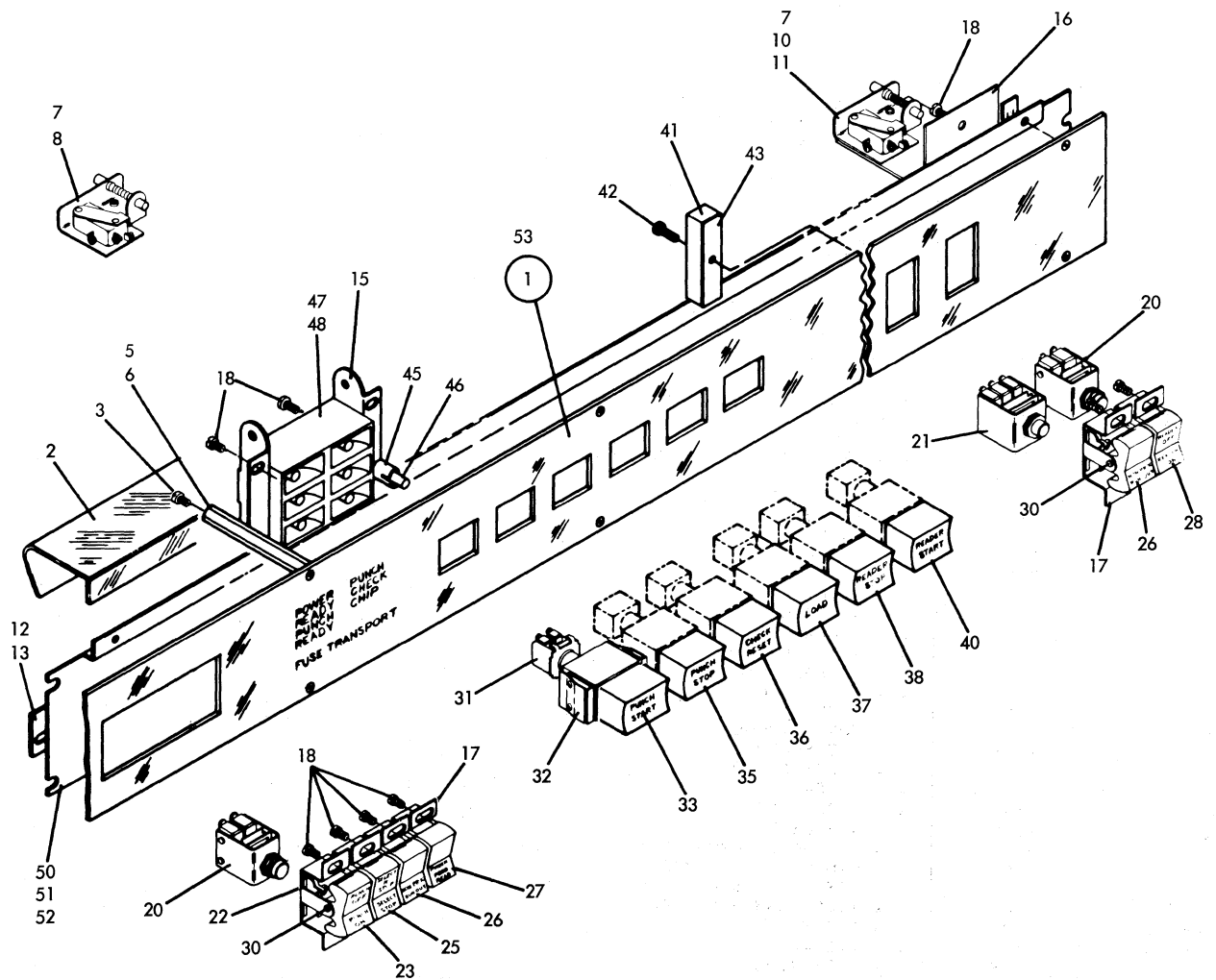
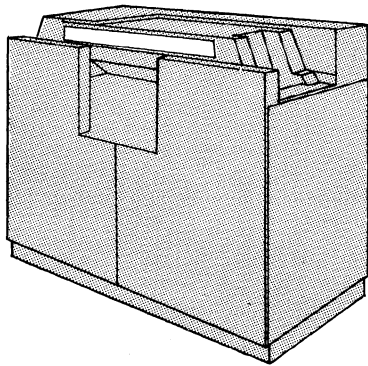


FIGURE 66. SWITCH AND LIGHT PANEL ASM FEATURE. SEE LIST 66.

SEE FIGURE 2 FOR STANDARD SWITCH AND LIGHT PANEL ASM.

LIST AND INDEX NO.	PART NO.	DESCRIPTION				UNITS PER ASSY	USABLE ON CODE
		1	2	3	4		
		SWITCH PANEL BLUE PFR					
		CONT					
66- 43	302131	• •	INSULATION TERM BLK			2	
66- 45	165010	• •	SOCKET ASM LIGHT			11	
66- 46	719293	• •	BULBLIGHT			11	
66- 47	185197	• •	BLOCK LIGHT			2	
66- 48	601093	• •	SCREW BLOCK MTG	ATT PT		4	
66- 50	696584	• •	BRACKET SW PNL			1	
66- 51	52570	• •	SCREW PANEL MTG	ATT PT		10	
66- 52	79086	• •	NUT PANEL MTG	ATT PT		10	
66- 53	696583	• •	PANEL SW BLUE			1	
		PUNCH FEED READ AND INCREASED					
67-	698314	PUNCH FEED READ AND INCREASED				1	
		PUNCH SPEED FEATURE					
		SEE FIGURE 67 FOR ILLUSTRATION					
67- 1	NO NO.	•	ADDITIONAL ELECTRICAL PARTS			1	
		SEE LIST 68 FOR DETAIL BREAKDOWN					
67- 2	697115	•	INCREASE PUNCH SPEED ASM			1	
67- 3	609432	• •	PULLEY TRANSPORT DRIVE			1	
67- 5	337	• •	SCREW	ATT PT		1	
67- 6	110029	• •	WASHER	ATT PT		1	
67- 7	609156	• •	PULLEY TRANSPORT			1	
67- 8	38354	• •	SCREW	ATT PT		2	
67- 10	609144	• •	BELT - DRIVE			1	
67- 11	601930	• •	MOTOR - PUNCH FEED 1725 RPM			1	
67- 12	38686	• •	SCREW	ATT PT		4	
67- 13	6935	• •	LOCKWASHER	ATT PT		4	
67- 15	3550	• •	WASHER	ATT PT		4	
67- 16	697135	•	PUNCH READ FEED ASM			1	
67- 17	607398	• •	LWR CARD GUIDE			1	
67- 18	38352	• •	SCREW	ATT PT		3	
67- 20	609770	• •	CARD GUIDE - SECOND LOWER			1	
67- 21	81693	• •	SCREW	ATT PT		2	
67- 22	607168	• •	SHAFT ASM - CONTACT ROLL			1	
67- 23	845	• •	SCREW	ATT PT		1	
67- 25	55901	• •	LOCKWASHER	ATT PT		1	
67- 26	2903	• •	WASHER	ATT PT		1	
67- 27	442823	• •	COLLAR			1	
67- 28	151720	• •	SET SCREW	ATT PT		2	
67- 30	607172	• •	SPRING			1	
67- 31	□ 607170	• •	GEAR			1	
67- 32	□ 607171	• •	SPACER			1	
67- 33	19167	• •	TAPER PIN	ATT PT		1	
67- 35	156364	• •	BEARING			1	
67- 36	□ 607169	• •	SHAFT			1	
67- 37	607175	• •	CONTACT ROLL ASM			1	
67- 38	257969	• •	SET SCREW	ATT PT		4	
67- 40	607355	• •	HOUSING ASM			1	
67- 41	38351	• •	SCREW	ATT PT		2	
67- 42	□ 156364	• •	BEARING			1	
67- 43	□ 607356	• •	HOUSING			1	
67- 45	609742	• •	SET SCREW-BRUSH UNIT LOCATION			2	
67- 46	610181	• •	BRUSH ASM - RETRACTABLE			1	
		SEE LIST 26 FOR DETAIL BREAKDOWN					
67- 47	607485	• •	IDLER ASM - CONTACT ROLL			1	
67- 48	81693	• •	SCREW	ATT PT		2	
67- 50	□ 607490	• •	GEAR			1	
67- 51	□ 110129	• •	BEARING			1	
67- 52	72828	• •	NUT	ATT PT		1	
67- 53	22478	• •	WASHER	ATT PT		1	
67- 55	607486	• •	STUD ASM - IDLER PLATE AND			1	
67- 56	607048	• •	COMMON BRUSH ASM			1	
67- 57	845	• •	SCREW	ATT PT		2	
67- 58	1090873	• •	LOCKWASHER	ATT PT		2	

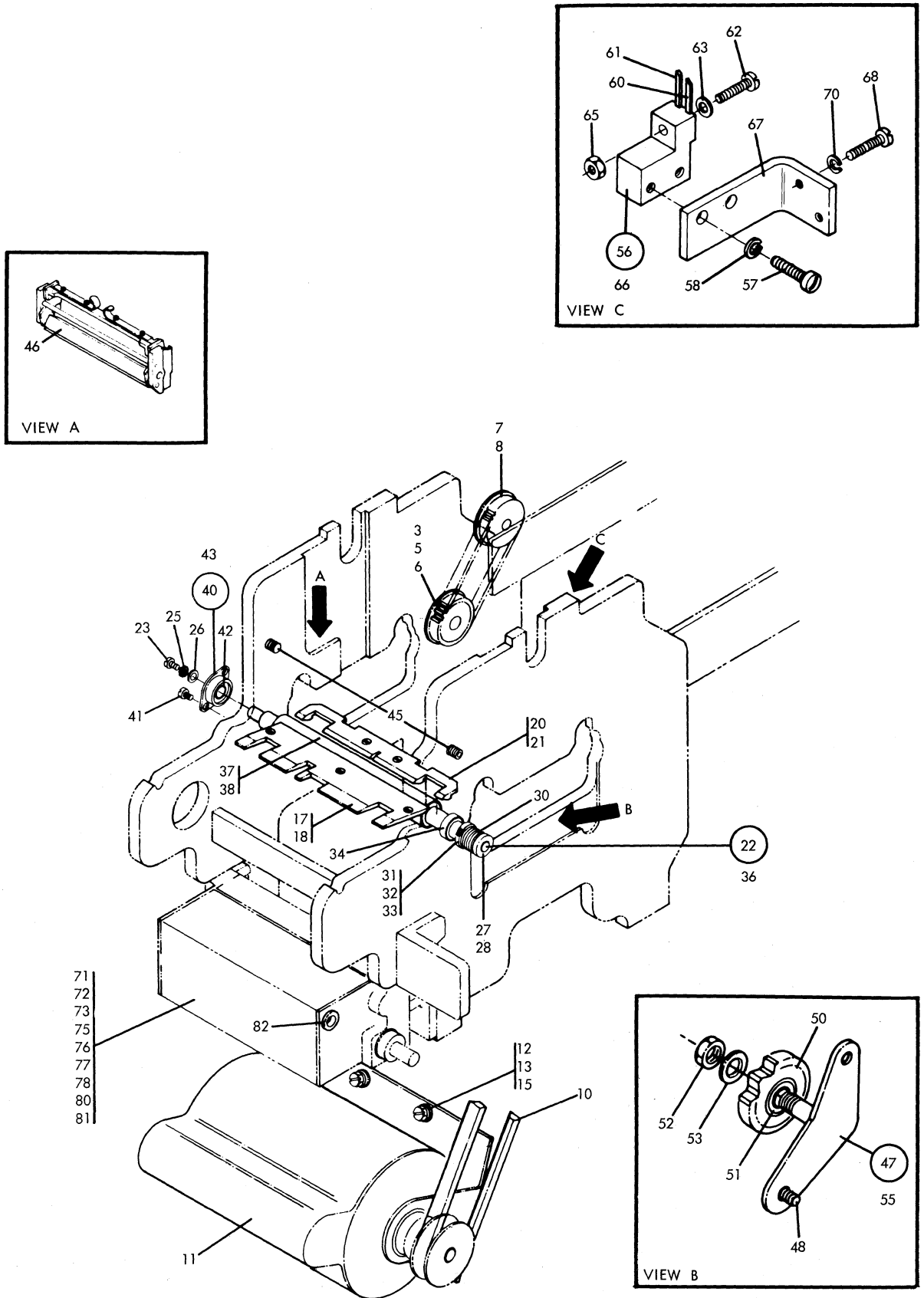


FIGURE 67. PUNCH FEED READ AND INCREASED PUNCH SPEED FEATURE. SEE LIST 67.

LIST AND INDEX NO.	PART NO.	DESCRIPTION				UNITS PER ASSY	USABLE ON CODE
		1	2	3	4		
		PUNCH FEED READ AND INCREASED CONT					
67- 60	1769	• • •	BRUSH COMMON			1	
67- 61	109339	• • •	BRUSH COMMON			1	
67- 62	52359	• • •	SCREW	ATT PT		1	
67- 63	257985	• • •	WASHER	ATT PT		1	
67- 65	257186	• • •	NUT	ATT PT		1	
67- 66	607049	• • •	BLOCK COMMON BRUSH			1	
67- 67	608201	• • •	BRACKET			1	
67- 68	510379	• • •	SCREW	ATT PT		2	
67- 70	6364	• • •	LOCKWASHER	ATT PT		2	
67- 71	38051	• • •	NUT-CB ADJ			3	
67- 72	257974	• • •	SET SCREW - CB ADJ			3	
67- 73	615411	• • •	CIRCUIT BREAKER ASM			3	
			SEE LIST 34-13 FOR DETAIL BRKDOWN				
67- 75	2031	• • •	SCREW	ATT PT		3	
67- 76	1090873	• • •	LOCKWASHER	ATT PT		3	
67- 77	24511	• • •	WASHER	ATT PT		3	
67- 78	607114	• • •	CAM ASM - POS PLS 1 AND 2			2	
67- 80	602128	• • •	CAM ASM - POS PLS 3			1	
67- 81	1073462	• • •	SET SCREW	ATT PT		6	
67- 82	602107	• • •	GROMMET			1	
		ADDITIONAL ELECTRICAL PARTS					
68-	NO NO.	ADDITIONAL ELECTRICAL PARTS SEE LIST 67-1 FOR NEXT HIGHER ASSEMBLY AND FIG. 68 FOR ILLUSTRATION					1
68- 1	212822	•	BUS CHAIN VOLTAGE			AR	
68- 2	216076	•	RECEPTACLE 1 POS			8	
68- 3	216083	•	RECEPTACLE 8 POS			4	
68- 5	364372	•	SMS RECEPTICAL 8 POS DUM			7	
68- 6	216085	•	SMS CARD GUIDE 8 POS			7	
68- 7	216206	•	SMS CARD GUIDE 1 POS			7	
68- 8	223072	•	CARD BACK PANEL 24 POS			1	
68- 10	370082	•	SMS CARD TYPE DAR			1	
	370172	•	SMS CARD TYPE DAT			1	
	370335	•	SMS CARD TYPE TCZ			2	
	371699	•	SMS CARD TYPE 122			2	
	371869	•	SMS CARD TYPE VE			26	
	371870	•	SMS CARD TYPE VF			5	
	371871	•	SMS CARD TYPE VM			1	
68- 11	615395	•	CARD BACK PANEL 15 POS			1	
68- 12	615396	•	INSULATOR 15 POS			1	
68- 13	696574	•	INSULATOR 24 POS			1	
68- 15	2128570	•	NUMBER STRIP			1	
68- 16	216215	•	BUSS GROUND PLANE			AR	
68- 17	159944	•	CLIP 4 POS			9	
68- 17	159945	•	CLIP 6 POS			17	
68- 17	159946	•	CLIP 12 POS			1	
68- 18	198363	•	SCREW	ATT PT		95	
68- 20	719003	•	RELAY ASM 4 POS HS			6	
	719005	•	RELAY ASM 4 POS STD			3	
	719007	•	RELAY ASM 6 POS STD			17	
	602955	•	DUST COVER			26	
68- 22	176407	•	FILTER 0.5 MFD 10 OHM			1	
68- 23	10170	•	SCREW	ATT PT		2	

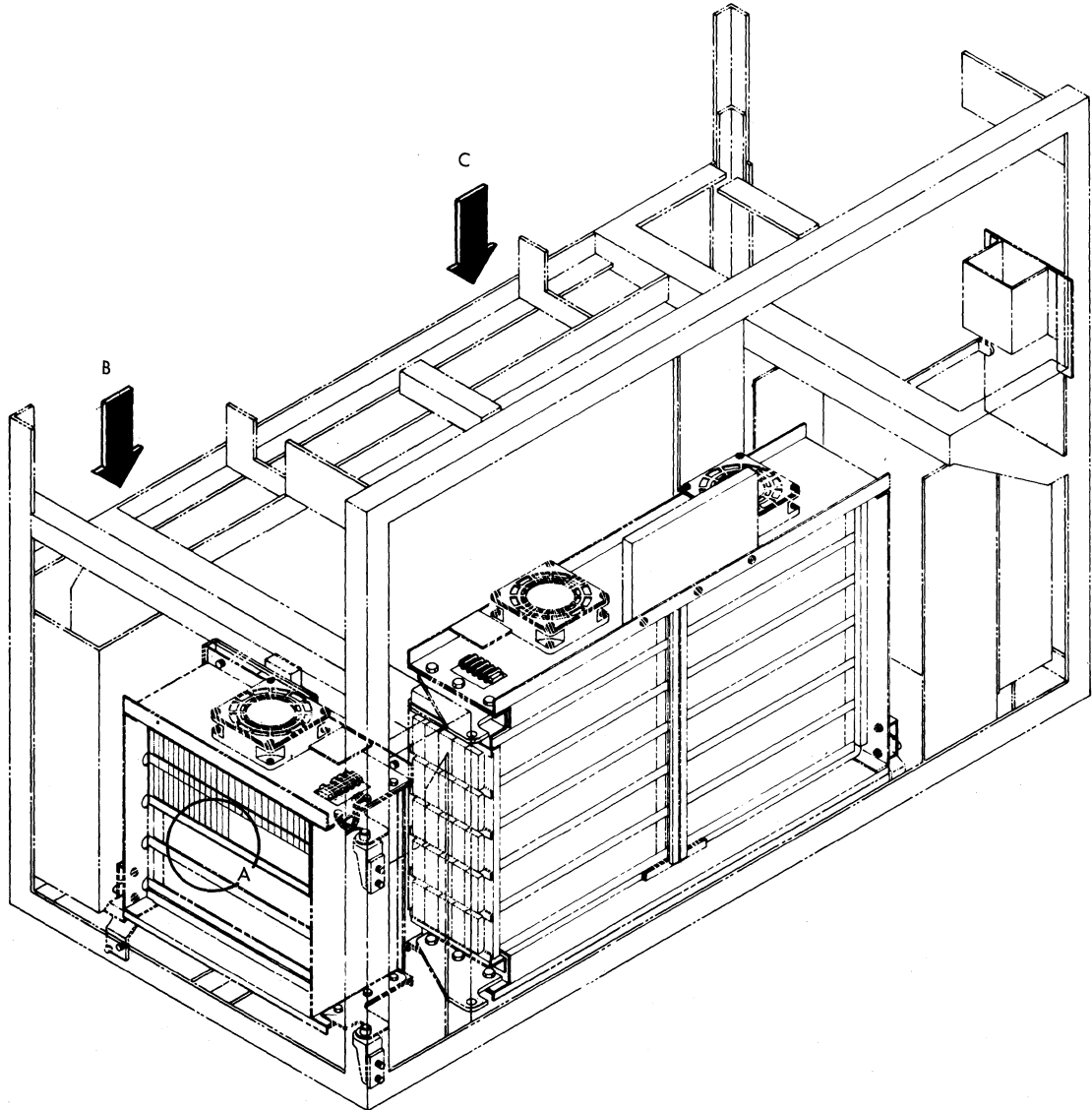
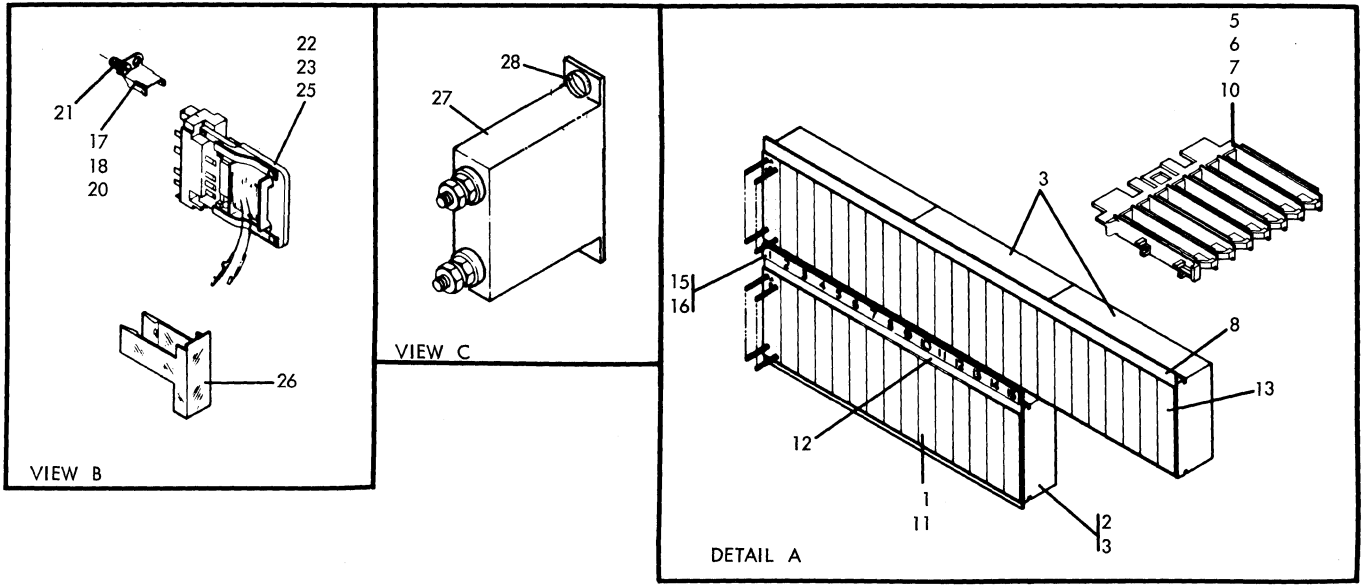


FIGURE 68. ADDITIONAL ELECTRICAL PARTS FEATURE. SEE LIST 68.

PART 3 NUMERICAL INDEX

PART NO.	SPARE PART	LIST AND INDEX NO.
31		31- 11
31		31- 15
34		19- 27
34		21- 20
34		21- 25
34		27-342
34		27-380
34		32- 2
34		32- 7
34		32- 22
71		27-502
72		33- 45
92		22- 12
92		22- 42
92		22- 46
92		22- 55
92		22- 86
92		24- 12
92		24- 42
92		24- 46
92		24- 55
92		24- 87
119		28- 31
122		53- 22
122		53- 31
195		3-317
203		38-113
203		63- 76
203		63- 77
232		3- 72
232		3-205
232		27-646
232		27-685
232		28- 5
232		40-178
232		40-205
232		6- 3
266		6-340
266		27-687
273		44- 3
288		4- 45
337		3- 53
337		6-272
337		6-290
337		22- 6
337		24- 6
337		27-245
337		27-330
337		27-460
337		27-566
337		27-598
337		27-680
337		27-682
337		67- 5
358		3- 67
358		27- 83
358		27-120
358		27-688
366		21- 12
420		6- 12

PART NO.	SPARE PART	LIST AND INDEX NO.
420		28- 10
443		9- 2
443		40- 32
443		40-166
443		61- 28
453		3- 90
453		3-123
453		6- 35
453		27- 75
453		40- 30
641		6-231
641		6-322
641		6-330
641		6-336
641		21- 7
641		22- 37
641		24- 37
641		27-145
641		27-691
641		28- 83
641		49- 20
673		33- 48
845		27-352
845		27-607
845		27-673
845		37- 2
845		40- 93
845		40-157
845		48- 53
845		67- 23
845		67- 57
845		6- 76
845		20- 33
845		22- 83
845		22- 88
845		22- 91
845		24- 83
845		24- 91
845		27- 45
845		27-127
1431		48- 18
1500		22-177
1500		24-208
1769		6-291
1769		27-610
1769		67- 60
1882		27-200
1940		1- 41
1940		1- 57
1940		1-107
1940		1-128
1940		1-178
1940		1-206
1940		1-222
1940		1-237
1940		1-242
1940		1-250
1940		1-298
1940		1-332
1940		1-337

PART NO.	SPARE PART	LIST AND INDEX NO.
1940		40-206
2031		1-268
2031		3-240
2031		6-132
2031		7- 5
2031		8- 17
2031		27-283
2031		27-545
2031		27-562
2031		27-595
2031		28- 61
2031		34- 15
2031		40- 18
2031		40-158
2031		49- 5
2031		50- 3
2031		64- 3
2031		67- 75
2032		21- 38
2300		4- 41
2300		19- 38
2300		22- 48
2300		24- 48
2300		28- 46
2300		49- 36
2384		6-332
2384		8- 61
2384		20- 60
2384		22-101
2384		34- 61
2629		22- 3
2629		22- 16
2629		24- 3
2629		24- 16
2629		27- 3
2903		3-312
2903		27- 47
2903		27-130
2903		27-461
2903		37- 5
2903		40-228
2903		67- 26
2994		19- 31
2994		21- 33
2994		21- 43
2994		22-182
2994		24-213
2994		27-623
2994		27-635
2994		27-693
2994		40-221
2994		41- 2
3550		1-140
3550		1-191
3550		1-230
3550		1-291
3550		1-320
3550		1-326
3550		3-217
3550		3-262

PART NO.	SPARE PART	LIST AND INDEX NO.
3550		3-283
3550		3-291
3550		3-297
3550		3-331
3550		6-173
3550		18- 12
3550		27- 27
3550		43- 21
3550		67- 15
3960		1-137
3960		1-190
3960		1-293
3960		3-216
4159		18-107
4170		33- 11
4236		33- 21
4327		27-318
4327		30- 41
4473		3-242
4473		19- 32
4553		40- 27
4569		27-665
4636		48- 36
5528		6- 17
5528		20- 8
5528		49- 15
5644		3-145
5644		6-118
5644		6-226
5644		18- 3
5644		27-147
5644		27-535
5644		27-668
5644		38- 80
5644		62- 58
5771		33- 31
6318		22-102
6318		33- 66
6325		38- 46
6325		63- 46
6364		1-195
6364		3- 38
6364		3-118
6364		4- 12
6364		4- 37
6364		5- 20
6364		5- 26
6364		9- 15
6364		18- 47
6364		24-101
6364		24-115
6364		24-123
6364		26- 20
6364		26- 26
6364		27- 57
6364		27-141
6364		27-165
6364		27-188
6364		27-228
6364		27-242
6364		27-303
6364		27-393
6364		27-510
6364		27-527
6364		27-536
6364		27-551
6364		27-555
6364		27-605
6364		27-715
6364		38- 15

PART NO.	SPARE PART	LIST AND INDEX NO.
6364		40- 86
6364		40-195
6364		48- 7
6364		63- 15
6364		67- 70
6364		27-536
6503		10- 5
6503		10- 23
6503		21- 10
6503		22- 66
6503		22-138
6503		24- 66
6503		24-181
6503		27-387
6503		29- 2
6503		29- 15
6503		33- 25
6935		1-292
6935		1-325
6935		3-107
6935		3-261
6935		3-271
6935		3-282
6935		3-290
6935		3-296
6935		3-330
6935		6- 55
6935		6- 66
6935		6-186
6935		18- 11
6935		18- 72
6935		22-200
6935		23- 8
6935		23- 15
6935		24-231
6935		25- 13
6935		25- 18
6935		27- 68
6935		27- 90
6935		27-707
6935		38- 27
6935		40- 77
6935		40-102
6935		40-150
6935		40-202
6935		40-216
6935		43- 18
6935		61- 11
6935		61- 17
6935		62- 32
6935		63- 27
6935		67- 13
7341		33- 7
7341		33- 50
8163		28- 13
8427		27-232
8427		27-498
8427		27-547
8499		18- 91
8506		33- 16
8506		48- 46
8519		5- 21
8519		26- 21
8519		27- 10
9092		1- 56
9092		1-106
9092		1-161
9092		1-180
9092		1-221
9092		3-102

PART NO.	SPARE PART	LIST AND INDEX NO.
9092		6-152
9092		6-200
9092		6-326
9092		6-341
9092		18- 68
9092		22- 73
9092		22-205
9092		22-217
9092		24- 73
9092		24-236
9092		24-258
9092		27-117
9092		27-121
9092		27-405
9092		27-413
9092		27-647
9092		38- 10
9092		40- 22
9092		40- 57
9092		40-106
9092		40-171
9092		40-180
9092		40-207
9092		40-227
9092		61- 26
9092		63- 10
10170		3-325
10170		8- 7
10170		8- 55
10170		22- 77
10170		27-163
10170		27-293
10170		27-327
10170		27-431
10170		27-450
10170		28- 40
10170		30- 38
10170		34- 7
10170		34- 46
10170		38- 13
10170		38- 72
10170		40-190
10170		45- 10
10170		46- 51
10170		48- 51
10170		51- 21
10170		52- 10
10170		52- 80
10170		53- 18
10170		54- 10
10170		55- 70
10170		56- 10
10170		57- 3
10170		57- 31
10170		62- 46
10170		63- 13
10303		3- 93
10307		35- 8
10309		3- 88
10309		3-122
10309		6- 33
10309		40- 28
10390		3-265
10390		3-286
10481		27-708
10598		61- 25
11587		22-167
11587		24-201
11598		1- 55
11598		1- 61

PART NO.	SPARE PART	LIST AND INDEX NO.
11598		1-145
11598		1-147
11598		1-203
11598		1-220
11598		1-235
11598		1-245
11598		1-252
11598		3- 70
11598		3- 75
11598		6-191
11598		9- 3
11598		22-203
11598		22-216
11598		24-235
11598		24-257
11598		27-412
11598		27-676
11598		38- 11
11598		41- 43
11598		44- 13
11598		45- 38
11598		45- 45
11598		46- 10
11598		49- 10
11598		52- 32
11598		52- 71
11598		54- 32
11598		54- 72
11598		56- 28
11598		56- 68
11598		57- 55
11598		63- 11
11891		40-250
11891		52- 61
11891		54- 62
11891		56- 58
11891		57- 6
11899		27-198
11899		27-213
11900		3- 41
11900		6-308
11900		9- 17
11900		27-202
11900		27-217
11900		27-573
12015		20- 37
12552		10- 32
12552		29- 28
12947		9- 6
12953		9- 7
13086		3- 68
14102		27-247
15887		38- 96
16076		22- 68
16076		24- 68
19167		27-338
19167		27-470
19167		27-481
19167		35- 3
19167		37- 18
19167		67- 33
19587		49- 77
19852		3-328
19944		6-100
19944		6-207
19944		6-213
19944		27-346
19944		27-357
19944		27-435
20017		6-193

PART NO.	SPARE PART	LIST AND INDEX NO.
21866		3- 42
21866		27-218
22066		6- 13
22066		6- 27
22066		28- 11
22066		28- 27
22066		33- 8
22066		62- 56
22111		22- 80
22232		27-518
22349		6- 32
22433		32- 6
22478		1-271
22478		1-351
22478		6- 72
22478		6-298
22478		27-265
22478		27-631
22478		27-642
22478		40-160
22478		48- 21
22478		49- 16
22478		49- 21
22478		50- 18
22478		51- 15
22478		52- 91
22478		54- 90
22478		64- 16
22478		67- 53
22547		28- 20
22668		21- 15
22795		6-128
22867		31- 8
23056		8- 56
23056		34- 48
23087		23- 3
23087		25- 3
23108		33- 1
23787		22- 28
23787		24- 28
23815		48- 13
23857		22-186
23857		22-191
23857		22-218
23857		22-225
23857		24-217
23857		24-221
23857		24-260
23857		24-272
23931		33- 65
24090		32- 18
24107		27- 73
24511		6- 38
24511		7- 6
24511		8- 20
24511		22- 40
24511		24- 40
24511		34- 17
24511		67- 77
24752		21- 31
24752		27-263
24752		28- 81
24752		43- 10
24752		43- 13
24752		47- 15
24752		48- 10
24957		6-310
25282		27-590
25597		33- 5
25602		33- 3

PART NO.	SPARE PART	LIST AND INDEX NO.
25625		22-130
25625		24-152
25627		6-112
25627		8- 48
25627		18- 6
25627		18- 16
25627		27- 42
25627		27-113
25627		34- 57
25627		40-211
25627		49- 91
25627		49- 95
25627		51- 3
25891		57- 51
25895		3-267
25895		43- 17
25967		27-677
26380		3-253
26380		3-273
26513		22- 43
26513		24- 43
27073		22- 70
27073		24- 70
27083		4- 22
28413		22-237
28413		24-285
28413		40-262
28413		41- 41
28413		45- 2
28413		52- 2
28413		54- 2
28413		55- 96
28413		56- 2
28413		59- 8
28441		18- 98
28441		21- 22
28441		32- 13
28616		27- 7
29930		19- 22
29949		27-473
29949		27-487
29980		15- 2
32042		1-105
32042		3- 5
32042		3- 8
32042		3- 15
32042		3- 21
32042		21- 2
32042		27- 77
32042		31- 5
32042		38- 8
32042		38- 61
32042		38- 68
32042		40- 97
32042		40-127
32042		40-170
32042		53- 53
32042		62- 37
32042		63- 8
32042		63- 61
32617		27-191
32617		45- 41
34512		3- 12
34512		3- 18
34512		3-311
34512		6-143
34512		27- 95
34512		27-173
34512		40-155
34512		40-226

PART NO.	SPARE PART	LIST AND INDEX NO.	PART NO.	SPARE PART	LIST AND INDEX NO.	PART NO.	SPARE PART	LIST AND INDEX NO.
35739		3-176	38235		56- 20	38354		4- 90
35739		6- 93	38235		56- 71	38354		4- 95
35739		7- 32	38235		57- 46	38354		4-108
35739		8- 2	38235		66- 10	38354		4-126
35739		34- 2	38261		3-198	38354		27-392
35739		40-116	38261		22-143	38354		27-398
36109		38- 28	38261		22-151	38354		27-508
36109		43- 22	38261		24-170	38354		27-533
36109		46- 45	38261		24-175	38354		27-702
36109		53- 96	38261		40- 38	38354		28- 8
36109		55- 80	38262		3- 37	38354		67- 8
36109		62- 33	38262		6-255	38354		27-533
36109		63- 28	38262		9- 13	38359		6-161
36112		1-227	38262		38- 66	38359		62- 55
36844		1-323	38262		53- 73	38364		22- 51
36844		40-101	38262		55- 50	38364		24- 51
36844		40-215	38263		4-112	38368		28- 63
37066		48- 47	38263		6-236	38368		28- 88
37913		4- 47	38263		6-288	38368		38- 45
37913		6-250	38263		6-306	38368		47- 7
37913		10- 10	38263		27-420	38368		63- 45
37913		29- 6	38264		27- 15	38370		6-331
37913		36- 8	38264		62- 50	38380		47- 5
37913		39- 16	38265		27-572	38381		40- 21
37913		40-271	38266		3- 36	38381		40- 60
37913		42- 31	38266		9- 12	38381		40-105
37913		65- 32	38269		6-283	38383		22-233
38051		7- 2	38271		3-232	38383		24-281
38051		8- 46	38271		19- 11	38383		40- 56
38051		20- 61	38348		1-275	38383		40-222
38051		34- 53	38348		4- 11	38417		49- 86
38051		45- 61	38348		4- 32	38433		27-167
38051		52- 27	38348		7- 15	38434		4- 48
38051		52- 85	38348		8- 27	38434		36- 10
38051		54- 27	38348		34- 25	38442		40-260
38051		54- 83	38350		1-193	38442		53- 83
38051		56- 23	38350		1-232	38442		55- 73
38051		56- 76	38350		3- 28	38442		57- 35
38051		67- 71	38350		4- 36	38443		5- 6
38235		1-340	38350		5- 18	38443		26- 6
38235		2- 8	38350		8- 11	38450		46- 42
38235		3- 82	38350		26- 18	38451		3-195
38235		4- 58	38350		27-137	38451		42- 17
38235		5- 8	38350		27-140	38451		42- 35
38235		6-106	38350		27-713	38451		65- 18
38235		6-126	38350		34- 11	38451		65- 36
38235		6-203	38351		5- 13	38452		3-188
38235		6-218	38351		5- 25	38454		21- 36
38235		6-222	38351		26- 13	38562		3-165
38235		18-112	38351		26- 25	38565		3- 85
38235		19- 18	38351		27-300	38686		1-313
38235		24- 77	38351		27-522	38686		1-318
38235		26- 8	38351		27-526	38686		3-260
38235		27-126	38351		67- 41	38686		3-281
38235		27-238	38352		27- 56	38686		40-201
38235		27-256	38352		27-123	38686		67- 12
38235		27-267	38352		27-170	38688		3-288
38235		27-377	38352		27-175	38688		6- 53
38235		31- 2	38352		27-227	38688		6- 65
38235		40- 10	38352		27-241	38688		6-185
38235		40- 85	38352		27-302	38688		38- 26
38235		40-193	38352		27-553	38688		59- 6
38235		40-276	38352		31- 17	38688		62- 31
38235		40-278	38352		67- 18	38688		63- 26
38235		52- 23	38353		3-117	38693		3- 87
38235		52- 76	38353		27-280	38693		3-121
38235		53- 80	38353		27-550	42026		22-117
38235		54- 23	38354		4- 70	42026		24-146
38235		54- 78	38354		4- 77	42026		48- 31
38235		55- 62	38354		4- 82	42688		6- 61

PART NO.	SPARE PART	LIST AND INDEX NO.
43538		45- 36
44285		20- 52
45624		4- 28
45642		48- 16
45644		48- 15
45651		53- 23
45651		53- 32
45651		55- 12
45690		1-148
45690		1-162
45690		1-310
45690		6-342
45690		9- 5
45690		19- 45
45690		20- 46
45690		27-288
45690		27-625
45690		27-636
45690		27-648
45690		33- 53
45690		38-108
45690		40- 61
45690		40-107
45690		40-142
45690		40-181
45690		40-186
45690		40-223
45690		41- 7
45690		41- 37
45690		42- 11
45690		46- 5
45690		46- 8
45690		49- 11
45690		52- 33
45690		53- 56
45690		57- 52
45690		59- 10
45690		63- 72
45690		65- 12
45697		52- 63
45697		54- 65
45697		56- 61
48594		3- 60
48594		4- 15
49814		27-192
52359		6- 43
52359		27-417
52359		27-612
52359		67- 62
52522		6- 26
52522		6-235
52522		6-240
52522		28- 26
52522		36- 15
52570		2- 50
52570		4- 17
52570		66- 51
52607		22-163
52607		24-197
52618		4- 27
53042		24-137
55711		1-121
55711		1-177
55711		1-296
55722		55- 28
55726		1-256
55726		2- 7
55726		38- 82
55726		46- 35
55726		46- 38

PART NO.	SPARE PART	LIST AND INDEX NO.
55726		52- 13
55726		52- 37
55726		54- 13
55726		54- 37
55726		55- 27
55726		56- 33
55726		62- 27
55726		62- 63
55726		66- 8
55901		1- 6
55901		3-241
55901		18- 7
55901		18- 17
55901		27- 46
55901		27-128
55901		27-353
55901		37- 3
55901		40-162
55901		40-212
55901		40-231
55901		50- 11
55901		50- 15
55901		50- 21
55901		50- 45
55901		51- 5
55901		53- 25
55901		53- 33
55901		53- 38
55901		53- 93
55901		53-105
55901		55- 11
55901		55- 77
55901		55- 86
55901		57- 25
55901		64- 11
55901		64- 18
55901		64- 42
55901		67- 25
55918		3- 6
55918		3-293
55918		6-136
55918		40- 68
55918		40-141
55918		40-238
56079		1-122
56079		1-127
56079		1-205
56079		1-212
56079		1-236
56079		1-243
56079		1-251
56079		1-297
56079		1-308
56079		1-331
56079		1-336
56079		40- 33
56079		40- 70
56079		40-125
56079		40-128
56079		40-167
56079		40-185
56079		40-240
56079		40-248
56079		40-263
56079		41- 42
56079		46- 3
56079		46- 11
56079		53- 55
56079		55- 97
56079		61- 6

PART NO.	SPARE PART	LIST AND INDEX NO.
56079		61- 30
56121		6-192
56121		44- 5
56121		44- 15
56121		45- 3
56121		45- 37
56121		45- 43
56121		52- 3
56121		52- 68
56121		54- 3
56121		54- 33
56121		54- 70
56121		56- 3
56121		56- 30
56121		56- 66
56121		57- 7
56121		57- 53
56722		27-400
56722		33- 22
56722		33- 46
56722		33- 56
56722		40- 11
56722		40-191
56722		40-280
56722		42- 3
56722		46- 15
56722		46- 20
56722		46- 36
56722		46- 40
56722		46- 52
56722		47- 22
56722		51- 22
56722		53- 45
56722		53- 48
56722		53- 81
56722		55- 3
56722		55- 58
56722		55- 63
56722		55- 71
56722		55- 91
56722		65- 5
56932		49- 6
58114		27-365
58207		3-136
58207		3-141
58207		27- 21
58207		38- 41
58207		43- 25
58207		44- 2
58207		45- 57
58207		50- 13
58207		53- 5
58207		53- 58
58207		53-103
58207		55- 85
58207		61- 21
58207		63- 41
58207		64- 8
58732		27-291
58853		27-110
58854		18- 38
59560		18- 52
59647		1-228
59647		1-290
59647		27- 67
59648		18- 10
60489		10- 31
60489		29- 27
60646		3-163
60646		3-221

PART NO.	SPARE PART	LIST AND INDEX NO.	PART NO.	SPARE PART	LIST AND INDEX NO.	PART NO.	SPARE PART	LIST AND INDEX NO.
60646		6-113	76729		48- 32	104606		33- 63
60646		20- 35	76845		48- 28	104615		47- 13
60646		22-135	76846		59- 2	104696		8- 50
60646		43- 11	78916		1- 60	104696		34- 58
60646		43- 15	78916		3-292	104699		18- 90
60646		45- 53	78916		41- 1	104763		19- 43
60646		45- 58	78952		45- 48	104763		22-175
60646		48- 11	78952		46- 25	104763		24-206
60646		48- 20	79086		2- 51	104763		27-403
60646		52- 95	79086		66- 52	104763		32- 11
60646		54- 92	79204		1- 51	104909		47- 28
60646		56- 81	79204		1- 93	105047		33- 10
60646		57- 61	79779		45- 6	105197		27-272
60646		61- 22	79779		52- 6	105826		49- 67
62031		3- 30	79779		54- 6	105832		49- 66
62031		27-661	79779		56- 6	105835		49- 38
62031		41- 13	80351		38- 35	106988		6-311
62031		45- 11	80351		62- 6	106988		27-201
62031		45- 62	80351		63- 35	106988		27-216
62031		52- 11	80651		2- 12	106988		27-575
62031		52- 15	80651		66- 13	107070		6-312
62031		52- 25	80817		58- 1	107070		27-205
62031		52- 38	81142		6-198	107070		27-220
62031		52- 77	81142		27-116	107070		27-580
62031		52- 86	81693		1-261	107177		49- 73
62031		53- 15	81693		2- 2	107669		47- 30
62031		54- 11	81693		27-467	107799		47- 31
62031		54- 15	81693		27-485	108114		40-110
62031		54- 25	81693		38- 53	108779		5- 10
62031		54- 38	81693		46- 13	108779		26- 10
62031		54- 80	81693		53- 13	109105		22-228
62031		54- 85	81693		55- 15	109105		24-276
62031		55- 16	81693		58- 2	109315		33- 27
62031		56- 11	81693		62- 17	109339		6-292
62031		56- 21	81693		63- 53	109339		27-611
62031		56- 35	81693		66- 3	109339		67- 61
62031		56- 72	81693		67- 21	110029		6- 77
62031		56- 77	81693		67- 48	110029		27-246
62031		57- 15	82353		40- 92	110029		67- 6
62031		57- 32	83606		62- 42	110129		4-116
62031		57- 47	83687		48- 22	110129		6- 67
63079		39- 1	92524		22- 21	110129		6-176
65266		4- 26	92524		24- 21	110129		27-292
65880		23- 10	92784		53- 28	110129		27-406
65880		25- 20	94388		27-587	110129		27-627
70950		22-168	98139		40- 95	110129		27-638
72318		48- 48	100226		20- 25	110129		67- 51
72828		6- 37	100229		3- 47	112288		40- 73
72828		6- 60	100229		6-318	112537		22-108
72828		6- 71	100229		9- 26	112538		22-110
72828		27-630	100229		27-582	112542		22-105
72828		27-641	100359		27-207	112611		22- 98
72828		67- 52	100359		27-223	112613		22-112
72965		48- 25	100759		7- 25	113204		3-222
73431		48- 27	100759		8- 38	113819		19- 13
75983		3-235	100759		34- 35	115186		60- 11
75983		19- 15	101017		20- 27	115552		49- 78
76574		1-138	101487		24-180	117281		6-181
76574		38- 31	101545		27- 5	117281		27- 25
76574		43- 20	101546		27- 6	118418		6-313
76574		46- 46	101706		1-211	118418		9- 20
76574		49- 88	101706		1-223	118418		20- 12
76574		53- 97	101706		1-241	118418		27-197
76574		55- 81	101706		1-248	118418		27-212
76574		59- 7	101706		1-330	118418		27-576
76574		63- 31	101807		18- 56	120211		1- 58
76655		48- 26	101923		40-126	120211		1-307
76659		48- 12	101925		40-165	120211		1-335
76661		48- 30	103898		55- 8	120211		40-183
76666		48- 17	103899		55- 76	120620		18- 87

PART NO.	SPARE PART	LIST AND INDEX NO.
120789		1- 7
120789		3-211
120789		20- 36
120837		49- 52
120924		49- 55
120924		49- 63
120924		49- 50
120925		49- 58
120926		49- 41
120926		49- 45
120942		49- 37
120942		49- 68
120955		21- 26
121011		49- 70
121025		22-231
121025		24-278
121098		22-232
121098		24-280
121521		8- 53
121521		34- 47
121756		27- 52
121839		49- 42
122311		49- 71
122610		60- 1
122772		22-192
122772		24-218
122856		22-172
122856		24-203
123206		33- 13
123206		33- 42
123434		33- 41
123439		33- 12
123441		33- 43
123536		33- 20
123639		27-253
123639		27-370
123780		1-170
124138		48- 35
124815		49- 85
124943		40-130
125071		38- 51
125071		62- 15
125071		63- 51
125872		49- 53
125872		49- 62
125872		49- 48
125877		49- 56
125898		18- 61
125898		18- 80
125930		1- 40
125930		27- 36
126065		27- 23
127324		55- 25
127702		61- 16
127735		6-232
127735		21- 42
128172		22- 67
128172		24- 67
128172		33- 23
128455		40-172
128455		41- 8
128455		47- 8
128543		22-140
128543		24-182
128817		33- 67
129147		3-270
129147		61- 10
129654		3-101
129654		3-237
129654		6-325

PART NO.	SPARE PART	LIST AND INDEX NO.
129654		10- 16
129654		10- 21
129654		22-147
129654		24-172
129654		24-188
129654		29- 12
129654		29- 20
129654		30- 11
129654		6- 6
130434		1-126
130434		1-160
130434		1-176
130434		20- 45
130435		3-112
130562		3-162
130985		59- 5
130987		59- 3
131191		18- 33
131546		28- 78
131551		27-512
131562		27-381
132237		52- 40
132237		54- 40
132237		56- 36
132240		42- 22
132240		65- 23
133202		3- 50
133202		9- 27
133273		27-692
133686		22-100
133742		22- 97
133742		24- 97
134954		49- 93
134996		24-138
138296		6- 11
138709		3- 43
138709		27-215
138754		47- 23
138755		47- 25
139450		22-106
140777		27- 37
140777		27- 70
141162		33- 47
141492		22-115
141835		1-283
141964		9- 18
141964		27-577
141964		49- 61
141966		27-578
141967		49- 43
141967		49- 57
141969		49- 47
141971		49- 51
141977		49- 60
141981		49- 46
144040		18-101
144040		27-250
147297		4- 20
147297		27-155
147297		27-505
147297		27-541
147297		48- 23
148368		4- 72
149893		50- 41
149893		64- 38
149908		27-706
150209		3-166
150209		3-200
150209		10- 11
150209		18- 30

PART NO.	SPARE PART	LIST AND INDEX NO.
150209		29- 7
150209		42- 36
150209		57- 42
150209		65- 37
150566		6-145
150566		27- 96
150566		27-332
150566		27-355
150603		3-173
150604		27-621
150698		24-238
151230		18-105
151405		30- 7
151720		22-221
151720		24-262
151720		37- 13
151720		67- 28
151907		22-136
151908		22-123
151911		22-112
151914		22-113
152711		27-203
152794		9- 22
154404		5- 37
154404		26- 37
155749		4- 52
155749		6- 56
155749		6-242
155749		36- 2
156231		11- 1
156231		12- 97
156231		15- 10
156231		18-110
156231		19- 17
156231		19- 25
156231		20- 40
156231		27- 80
156231		27-251
156231		27-260
156231		27-383
156231		32- 5
156364		3-313
156364		4-118
156364		6- 47
156364		6-105
156364		6-142
156364		6-187
156364		10- 1
156364		12- 3
156364		13- 1
156364		14- 1
156364		15- 5
156364		16- 3
156364		17- 3
156364		20- 42
156364		27- 43
156364		27- 98
156364		27-125
156364		27-235
156364		27-237
156364		27-266
156364		27-301
156364		27-312
156364		27-328
156364		27-351
156364		27-366
156364		27-440
156364		27-475
156364		27-488
156364		27-650

PART NO.	SPARE PART	LIST AND INDEX NO.
156364		28- 66
156364		28- 76
156364		35- 5
156364		37- 6
156364		37- 20
156364		67- 35
156364		67- 42
156909		49- 40
157370		38- 42
157370		63- 42
159373		27- 53
159373		40- 15
159373		41- 10
159373		41- 20
159373		41- 27
159373		41- 30
159373		41- 32
159373		42- 8
159373		47- 10
159373		65- 10
159944		49-106
159944		68- 17
159945		49-107
159945		68- 17
159946		49-100
159946		51- 25
159946		68- 17
159953		33- 68
159960		33- 26
159963		33- 30
159966		33- 32
159969		33- 40
160017		22-198
160017		23- 7
160017		23- 13
160017		24-230
160017		25- 12
160017		25- 17
160817		27-538
160817		27-585
160827		27-618
160942		20- 48
160989		27-373
161351		3- 95
163899		4-113
163899		22- 13
163899		24- 13
165010		2- 43
165010		66- 45
165556		28- 33
165594		49- 75
165595		49- 80
166668		40-210
167216		27-371
167323		8- 63
167323		34- 62
167338		47- 2
167790		27-156
167790		27-183
167790		27-511
168076		21- 13
169733		27- 63
170176		3-191
170241		3-303
170241		3-308
170241		18- 82
170241		30- 15
170351		18- 85
171059		22-187
171059		24-222

PART NO.	SPARE PART	LIST AND INDEX NO.
173204		3- 48
173204		6-317
173204		9- 25
173204		27-206
173204		27-222
173209		20- 23
173211		7- 26
173211		8- 37
173211		34- 36
173218		49- 72
173700		27-567
173700		27-600
173706		48- 50
175169		22-107
176407		68- 22
177741		27-185
179946		45- 47
179946		46- 23
180846		50- 26
180846		64- 23
183864		33- 2
184522		40-218
184792		1-146
184792		6-151
185197		2- 46
185197		66- 47
186399		38-100
186455		57- 18
186635		18- 93
186758		22-133
186758		24-103
186758		27-443
186758		45- 51
186759		3-223
186759		20- 41
186759		22-230
186759		24-277
186759		46- 27
186759		46- 32
186759		50- 10
186759		50- 42
186759		51- 8
186759		51- 12
186759		53- 37
186759		55- 10
186759		55- 21
186759		55- 47
186759		57- 60
186759		64- 10
186759		64- 40
186928		24-122
186932		6-150
186934		3-111
186935		3-106
186935		27- 88
186935		27-107
186943		43- 6
186960		60- 2
186968		60- 6
187243		60- 5
188696		52- 52
188697		45- 25
189136		39- 25
189138		39- 23
189844		49- 65
191483		44- 12
191918		40-208
191978		6- 50
191980		6- 48
191981		6- 51

PART NO.	SPARE PART	LIST AND INDEX NO.
194612		6- 57
194835		27-581
196163		28- 43
196298		24-265
196299		21- 16
196299		33- 18
196698		5- 28
196698		26- 28
196832		28- 1
196833		6- 1
198363		40- 43
198363		40- 47
198363		49- 98
198363		49-105
198363		51- 27
198363		68- 18
198363		51- 27
203370		33- 62
203371		33- 28
203524		22-190
203524		22-223
203524		24-216
203524		24-271
203788		31- 12
204326		22-160
204326		24-193
204362		50- 46
204362		64- 43
204363		27-282
204433		18-111
204499		49- 83
204616		1-238
204623		27-382
204623		31- 1
205086		3-227
205086		19- 7
205094		3-231
205094		19- 10
205097		3-228
205097		19- 16
205330		2- 42
205742		7- 23
205742		8- 36
205742		20- 21
205742		34- 33
205743		7- 20
205743		8- 32
205743		20- 17
205743		34- 30
205747		7- 21
205747		8- 33
205747		20- 18
205747		34- 31
205773		3-246
205773		19- 36
205783		7- 22
205783		8- 35
205783		20- 20
205783		34- 32
205876		3-230
205876		19- 8
206430		3-245
206430		19- 33
206532		28- 32
206554		38- 43
206554		47- 6
206554		63- 43
206567		27- 71
206592		50- 27
206592		64- 25

PART NO.	SPARE PART	LIST AND INDEX NO.	PART NO.	SPARE PART	LIST AND INDEX NO.	PART NO.	SPARE PART	LIST AND INDEX NO.
206595		50- 28	208230		56- 73	210985		62- 7
206595		64- 26	208230		57- 21	210985		63- 36
207206		44- 11	208238		52- 83	210986		38- 37
207209		44- 16	208238		53- 95	210986		62- 8
207212		43- 8	208254		57- 72	210986		63- 37
207215		43- 12	208255		57- 73	210987		38- 32
207225		40-245	208257		45- 56	210987		62- 3
207225		57- 57	208257		46- 41	210987		63- 32
207234		40-236	208274		40- 62	212822		68- 1
207234		55- 55	208274		43- 43	213539		50- 30
207240		40-233	208283		53- 1	213539		64- 27
207240		53- 53	208286		53- 36	213549		57- 75
207242		43- 2	208291		53- 2	213693		53- 68
207292		57- 63	208376		55- 7	213693		53- 71
207293		40- 72	208385		53- 76	213693		55- 41
207293		40-241	208385		55- 48	213714		50- 31
207293		40-251	208385		57- 43	213714		64- 28
207303		57- 50	208386		46- 28	215150		6- 10
207310		56- 12	208386		53- 6	216075		53- 72
207310		57- 65	208737		53-106	216075		55- 52
207316		53- 61	208739		53- 57	216076		68- 2
207316		55- 33	208825		52- 88	216083		68- 3
207316		57- 66	208825		53- 88	216084		38- 91
207324		52- 41	208895		53- 3	216085		38-102
207324		54- 41	208896		53- 30	216085		63- 65
207324		56- 37	208897		53- 21	216085		68- 6
207324		57- 67	208900		53- 17	216091		62- 47
207333		57- 68	208938		53- 62	216094		38- 70
207336		52- 81	208960		40-258	216094		62- 43
207336		53- 66	208981		53- 85	216095		62- 51
207338		57- 70	208981		57- 36	216197		45- 12
207340		54- 76	208982		53- 82	216197		56- 40
207340		56- 85	208982		55- 72	216198		52- 42
207340		57- 71	208982		57- 33	216198		54- 43
207345		43- 26	208985		53- 40	216204		38- 71
207346		43- 23	208985		55- 88	216204		62- 45
207350		52- 75	208986		55- 43	216206		38-103
207350		54- 77	208989		45- 65	216206		52- 30
207350		55- 13	208989		52- 98	216206		54- 30
207356		57- 23	208989		54- 95	216206		56- 26
207357		55- 30	208989		56- 87	216206		63- 66
207364		55- 1	208993		42- 20	216206		68- 7
207365		52- 82	208993		65- 21	216212		62- 48
207365		53- 27	209001		55- 23	216215		38- 63
207376		42- 18	209001		57- 5	216215		68- 16
207376		65- 20	209005		46- 30	216295		38- 65
207381		53- 63	209005		55- 22	216297		38- 73
207381		55- 45	209005		57- 11	216297		62- 38
207382		40- 67	209063		3-167	216537		22- 92
207382		40-237	209217		3-171	216537		24- 85
207382		40-246	209220		3-168	216537		24- 92
207388		46- 12	209483		43- 3	216537		27-563
208175		53- 52	209483		45- 28	216537		27-596
208177		55- 95	209483		52- 56	216837		6-116
208182		40- 66	209483		54- 57	216837		27- 87
208182		46- 46	209483		56- 53	217176		57- 40
208198		53- 12	209484		43- 5	217176		60- 13
208199		44- 1	209484		45- 30	218141		57- 56
208200		44- 17	209484		52- 57	218809		60- 10
208204		57- 30	209484		54- 58	218959		57- 1
208205		40- 63	209484		56- 55	218963		57- 2
208205		44- 44	210984		38- 33	219097		57- 27
208221		54- 81	210984		43- 7	219098		57- 28
208221		55- 78	210984		45- 26	219300		24-288
208228		54- 82	210984		52- 53	219423		53- 8
208228		55- 65	210984		54- 55	219423		57- 8
208229		52- 12	210984		56- 51	219616		1-356
208229		53- 77	210984		62- 5	219617		1-156
208229		54- 12	210984		63- 33	219617		1-357
208229		55- 60	210985		38- 36	219664		3-143

PART NO.	SPARE PART	LIST AND INDEX NO.
219679		28- 86
219679		28- 90
219743		11- 2
219840		57- 83
219894		57- 58
219948		42- 37
219948		65- 38
219966		42- 33
219966		65- 35
219978		42- 25
219978		65- 26
219993		45- 32
219993		46- 1
219994		45- 50
219994		46- 37
220478		1-130
220596		45- 40
220596		46- 6
220787		46- 26
220815		42- 16
220815		65- 17
220845		46- 31
220856		27-446
220856		49- 81
220905		42- 23
220905		65- 25
220908		46- 33
220909		46- 55
220910		43- 16
220915		56- 86
220915		57- 62
220917		54- 75
220917		55- 31
220918		52- 73
220918		53- 11
221517		54- 87
221517		55- 53
221651		1- 46
221651		1- 88
221657		55- 18
221658		55- 20
221723		55- 98
221790		3- 98
221790		22- 25
221790		24- 25
221790		40-112
221790		48- 2
221790		57- 57
221833		55- 46
221839		55- 26
222190		33- 15
222355		40- 46
223072		68- 8
223082		10- 3
223082		29- 1
223528		20- 6
223528		38- 5
223528		40-132
223528		51- 10
223528		61- 3
223528		63- 5
223803		38- 6
223803		63- 6
225532		40-100
225532		40-213
225532		61- 8
225599		19- 23
225741		27- 91
225859		1-347
225859		6-138

PART NO.	SPARE PART	LIST AND INDEX NO.
225859		28- 18
226110		27-375
228093		3-190
228093		40-267
228093		42- 27
228093		65- 28
228107		7- 17
228107		8- 30
228107		20- 15
228107		34- 27
228147		7- 12
228147		8- 25
228147		34- 22
228472		20- 31
228475		7- 27
228475		8- 40
228475		20- 26
228475		34- 37
228476		7- 28
228476		8- 41
228476		20- 30
228476		34- 38
228477		7- 18
228477		8- 31
228477		20- 16
228477		34- 28
228478		7- 16
228478		8- 28
228478		20- 13
228478		34- 26
228480		20- 22
228481		20- 11
228609		20- 63
228899		1-150
230736		7- 8
230736		8- 22
230736		20- 10
230736		34- 20
232855		40-175
233355		6- 36
233355		28- 21
234317		30- 33
234319		20- 3
234321		13- 2
234321		14- 2
234321		28- 50
234329		61- 5
234333		3-301
234340		6-172
234704		24-266
234829		32- 20
234966		27-108
234977		24- 78
236550		27- 12
236550		48- 40
236621		3-316
236849		33- 52
236849		40-123
236849		41- 6
237032		27- 78
237032		31- 6
237032		52- 70
237032		54- 71
237245		6-107
237245		10- 2
237291		42- 38
237291		65- 40
237322		41- 11
238031		21- 21
238061		21- 23

PART NO.	SPARE PART	LIST AND INDEX NO.
238359		27-132
238360		27-160
238364		27-275
238364		40- 78
239236		6-315
239236		27-221
239281		24-140
244049		1-113
249348		5- 40
249348		26- 40
250714		27-663
250785		27-655
251350		3-185
251820		24-113
251820		27-660
251970		1- 45
251970		1- 87
251970		19- 2
251970		24-143
251970		40- 5
251970		48- 62
251970		57- 41
251989		27-515
251990		8- 15
251990		22-122
252075		21- 46
252076		21- 47
252706		20- 1
252706		21- 5
252756		21- 40
252762		21- 41
253264		50- 20
253264		64- 17
253570		27-671
255030		21- 27
255425		21- 27
255430		21- 27
255440		21- 27
255472		21- 27
255522		40-133
255597		11- 7
255597		30- 22
255639		40- 17
255883		9- 8
255939		3-215
255967		21- 8
255968		21- 11
255970		21- 6
255994		60- 3
256213		3- 1
256220		19- 21
256221		19- 3
256443		27- 58
256463		22-207
257005		30- 27
257079		47- 26
257080		47- 27
257186		3- 40
257186		4- 6
257186		6- 28
257186		9- 16
257186		27-613
257186		28- 28
257186		48- 63
257186		67- 65
257187		1- 31
257187		1- 37
257187		1-101
257187		3-151
257187		4- 25

PART NO.	SPARE PART	LIST AND INDEX NO.
257187		18- 46
257187		33- 57
257187		38- 50
257187		40- 36
257187		40- 87
257187		41- 15
257187		48- 6
257187		55- 67
257187		62- 13
257187		63- 50
257188		53- 26
257188		53- 35
257189		1- 5
257189		1-165
257189		1-272
257189		3-220
257189		6-296
257189		40- 90
257189		40-146
257189		40-163
257189		40-230
257189		45- 55
257189		48- 55
257189		49- 17
257189		49- 22
257189		50- 17
257189		50- 43
257189		51- 6
257189		52- 96
257189		54- 93
257189		57- 26
257189		64- 15
257189		64- 41
257213		3-226
257213		19- 6
257237		22- 23
257237		24- 23
257240		22- 18
257240		24- 18
257242		22- 20
257242		24- 20
257243		40- 42
257244		22- 33
257244		24- 33
257261		5- 38
257261		26- 38
257284		60- 2
257312		24-128
257354		52- 62
257354		54- 63
257354		56- 60
257634		32- 15
257635		32- 16
257637		32- 12
257700		27- 31
257701		32- 17
257702		30- 46
257956		6-268
257956		6-280
257956		24-126
257957		28- 36
257957		28- 42
257958		6-265
257958		6-276
257968		4- 85
257968		4- 97
257968		6- 97
257968		12- 2
257968		15- 8
257968		16- 2

PART NO.	SPARE PART	LIST AND INDEX NO.
257968		17- 2
257969		22-155
257969		24-178
257969		37- 10
257969		42- 26
257969		65- 27
257969		67- 38
257970		6- 91
257970		27-452
257972		4- 61
257972		4- 67
257972		4- 75
257972		4- 80
257972		4- 87
257972		4- 92
257972		4-100
257972		4-106
257972		6- 85
257974		7- 1
257974		8- 45
257974		22-166
257974		24-200
257974		34- 55
257974		67- 72
257975		3-306
257975		3-320
257982		1-345
257982		18- 42
257982		18- 65
257982		18- 77
257982		28- 52
257984		6- 45
257984		6-237
257984		6-256
257984		40-270
257984		42- 30
257984		48- 65
257984		65- 31
257985		1-115
257985		3- 23
257985		3- 26
257985		3-192
257985		6-307
257985		22-152
257985		24-176
257985		27-277
257985		27-421
257985		27-615
257985		42- 15
257985		65- 16
257985		67- 63
257986		1-276
257986		3-177
257986		18- 48
257986		22- 78
257986		27-281
257986		27-295
257986		27-528
257986		27-716
257986		30- 16
257986		38- 16
257986		52- 26
257986		53- 16
257986		53- 42
257986		54- 26
257986		55- 17
257986		55- 57
257986		55- 93
257986		56- 22
257986		57- 48

PART NO.	SPARE PART	LIST AND INDEX NO.
257986		62- 28
257986		63- 16
263727		52- 58
264054		6- 46
264641		3-160
264641		18- 40
264641		30- 8
265869		57- 45
284424		40- 48
284424		49-101
284424		51- 26
287013		4- 71
287013		4-110
289055		21- 35
300721		53- 70
300721		55- 36
300734		50- 32
300734		64- 30
300761		53- 87
300761		57- 38
300787		40- 2
301768		55- 68
301795		48- 61
301804		50- 33
301804		64- 31
301818		50- 35
301818		64- 32
302089		39- 18
302090		6-117
302090		6-225
302090		27-667
302090		48- 38
302108		39- 2
302131		2- 41
302131		6-120
302131		6-227
302131		27-670
302131		39- 17
302131		66- 43
302131		48- 41
302812		27-447
302812		27-462
303454		40-115
304479		53- 90
309749		41- 26
310113		27-258
310781		27-410
310803		40-242
310808		40- 71
310808		40-252
312055		21- 28
312571		40- 40
312573		1-141
312573		40- 51
312575		1-143
312575		40- 52
314047		53- 78
314047		55- 61
315956		50- 2
315956		52- 55
315956		64- 2
315970		39- 12
316029		6-121
316807		27-427
316996		45- 13
316996		52- 35
316996		54- 35
316996		56- 31
316996		56- 41
317005		55- 42

PART NO.	SPARE PART	LIST AND INDEX NO.	PART NO.	SPARE PART	LIST AND INDEX NO.	PART NO.	SPARE PART	LIST AND INDEX NO.
317011		57- 76	326264		27-717	336254		4- 91
317012		55- 37	326265		33- 60	336254		4- 98
317017		57- 77	328214		40- 50	336254		4-105
317019		53- 60	328451		48- 42	336254		6-162
317019		53- 65	328815		33- 37	336254		6-168
317019		55- 32	328816		6-130	336263		10- 30
317019		57- 78	331150		53- 43	336263		29- 26
317024		53- 67	331690		41- 18	336270		12- 5
317037		50- 36	332620		3-210	336270		27-333
317037		64- 33	332620		3-248	336276		32- 8
317079		57- 80	332620		46- 7	336282		10- 6
317095		57- 81	332620		56- 65	336282		29- 3
317138		27- 28	332747		1-217	336284		3- 73
317145		53- 46	332747		4-117	336300		6-333
317173		41- 22	333182		10- 13	336301		6-345
317173		41- 25	333182		29- 10	336305		6- 25
317173		41- 35	333183		42- 32	336305		28- 25
317173		42- 6	333183		65- 33	336310		4- 83
317173		65- 7	333264		50- 37	336310		4- 96
317276		55- 38	333264		64- 35	336310		12- 1
317384		3-257	333482		1-142	336310		17- 1
317384		3-277	333586		40-140	336320		13- 6
317517		50- 47	334237		50- 5	336320		14- 6
317517		64- 45	334237		64- 5	336320		27-350
317520		50- 48	334596		57- 12	336321		10- 33
317520		64- 46	334598		53- 41	336321		29- 30
317529		55- 35	334598		55- 90	336323		6-102
317785		50- 51	334728		41- 21	336323		6-210
317785		64- 48	334921		60- 6	336323		6-215
317924		39- 3	334932		45- 46	336323		27-310
320167		60- 8	334932		56- 82	336323		27-347
320451		45- 27	334932		60- 6	336323		27-358
321200		56- 83	335138		54- 42	336323		27-436
321200		57- 82	335138		55- 40	336323		28- 62
321483		27-308	335138		56- 38	336324		6-167
322065		40-136	335466		39- 5	336325		6-352
322272		50- 6	336131		4- 23	336345		4-115
322272		64- 6	336132		4- 21	336359		6-163
322280		38- 38	336141		10- 27	336359		6-170
322280		62- 10	336141		29- 23	336534		4-120
322280		63- 38	336142		28- 23	336592		4- 30
322550		46- 18	336144		28- 3	336628		2- 10
322550		47- 21	336144		6- 2	336628		66- 11
322550		53- 47	336145		4- 76	336651		4- 46
322550		55- 2	336145		4- 88	336651		6-243
322550		55- 66	336146		6- 98	336651		36- 5
322550		57- 13	336146		27-345	336673		1-258
322551		4- 65	336151		6-137	336688		1-257
322551		4-103	336151		28- 16	336793		20- 62
322551		38- 48	336152		6-103	336808		4- 43
322551		62- 12	336152		6-211	336903		10- 22
322551		63- 48	336152		6-216	336903		29- 13
322552		41- 12	336152		27-348	337898		46- 48
322554		55- 55	336152		27-360	337898		55- 87
322572		42- 21	336153		13- 5	338169		6-285
322572		65- 22	336153		14- 5	338169		18- 36
322765		52- 43	336153		27-356	338169		40- 6
322765		54- 45	336165		6- 15	338169		40- 41
323543		46- 47	336165		28- 6	338169		53- 75
323543		53- 98	336166		6- 16	338169		55- 51
323543		55- 82	336166		28- 7	338238		27-196
323597		53- 91	336214		28- 22	338238		27-211
323844		54- 56	336232		6-135	340031		27- 32
323844		56- 52	336232		28- 17	340517		40- 12
323932		50- 52	336249		1-255	340517		41- 31
323932		64- 50	336254		4- 60	344015		3-178
324999		49- 97	336254		4- 66	344210		27-135
324999		51- 23	336254		4- 73	344210		27-161
325626		40- 76	336254		4- 78	344599		49-102
326264		27-703	336254		4- 86	344603		49-103

PART NO.	SPARE PART	LIST AND INDEX NO.
345815		1-197
345815		19- 41
349722		39- 6
350760		40-257
355369		27-556
357995		47- 20
359695		46- 53
359695		60- 12
363023		3-132
364017		18- 55
364022		6- 92
364045		6- 58
364153		4-101
364154		6- 95
364155		6- 86
364156		3- 76
364164		6- 88
364196		6- 96
364196		15- 7
364372		68- 5
365048		39- 26
368168		39- 21
368169		60- 7
369207		1-285
369207		38- 1
369207		40-131
369207		62- 1
369207		63- 1
369214		52- 31
369214		54- 31
369214		56- 27
370082		38-105
370082		68- 10
370083		38-105
370083		63- 67
370084		38-105
370084		63- 67
370169		38-105
370169		63- 67
370171		38-105
370171		63- 67
370172		38-105
370172		63- 67
370172		68- 10
370224		38-105
370224		63- 67
370321		38-105
370321		63- 67
370335		38-105
370335		63- 67
370335		68- 10
370336		38-105
370336		63- 67
370337		38-105
370337		63- 67
370610		40-253
370611		40-255
371029		38-105
371029		63- 67
371032		38-105
371032		63- 67
371453		38-105
371453		63- 67
371487		38-105
371487		63- 67
371656		40-256
371661		38-105
371661		63- 67
371678		38-105
371678		63- 67

PART NO.	SPARE PART	LIST AND INDEX NO.
371699		38-105
371699		63- 67
371699		68- 10
371750		38-105
371750		63- 67
371867		38-105
371867		63- 67
371868		38-105
371868		63- 67
371869		38-105
371869		63- 67
371869		68- 10
371870		38-105
371870		63- 67
371870		68- 10
371871		38-105
371871		63- 67
371871		68- 10
371881		38-105
371881		63- 67
371943		38-105
371943		63- 67
371943		38-105
371948		63- 67
371948		38-105
371987		63- 67
371988		38-105
371988		63- 67
435700		7- 30
435700		8- 42
435700		20- 28
435700		34- 40
435943		27-323
435943		27-363
435943		28- 73
436926		59- 1
437289		24-130
437500		23- 5
437531		22-148
437531		24-190
437543		27- 13
437574		23- 6
437576		23- 22
437576		25- 21
437590		22- 2
437590		24- 2
437601		22- 96
437604		22- 36
437610		24- 35
437611		22- 35
437611		24- 35
437612		22- 35
437612		24- 35
437613		22- 35
437613		24- 35
437615		22- 8
437615		24- 8
437619		22- 15
437619		24- 15
437622		22- 75
437623		22-178
437623		24-210
437624		22-180
437624		24-211
437625		22- 82
437625		24- 82
437626		22- 85
437626		24- 86
437627		22- 41
437627		24- 41

PART NO.	SPARE PART	LIST AND INDEX NO.
437628		22- 47
437628		24- 47
437631		22- 56
437631		24- 56
437632		22- 57
437632		24- 57
437633		22- 58
437633		24- 58
437634		22- 60
437634		24- 60
437636		22- 45
437636		24- 45
437637		22- 76
437637		24- 76
437641		23- 27
437641		25- 28
437667		22-226
437667		24-273
437674		22- 93
437674		24- 93
437675		22- 95
437675		24- 95
437678		22- 31
437678		24- 31
437679		24-263
437682		22-162
437682		24-196
437683		22-116
437683		24-145
437684		22-128
437686		23- 2
437690		23- 16
437690		23- 25
437692		22- 61
437692		24- 61
437693		22- 62
437693		24- 62
437695		22- 87
437695		24- 88
437696		22-127
437698		22-131
437711		22- 52
437711		24- 52
437712		22- 53
437712		24- 53
437713		22-188
437713		24-223
437716		22-176
437716		24-207
437719		23- 1
437719		25- 1
437722		22- 63
437722		24- 63
437723		25- 22
437725		22- 26
437725		24- 26
437737		24-251
437739		22- 50
437739		24- 50
437746		22-181
437746		24-212
437747		23- 31
437761		22- 72
437761		24- 72
437763		10- 28
437763		27-287
437763		27-456
437763		29- 25
437763		34- 43
437802		20- 65

PART NO.	SPARE PART	LIST AND INDEX NO.
437880		20- 58
437896		20- 51
437904		1-342
437964		22-141
437964		24-183
438014		27-273
438014		27-416
438104		21- 3
438114		23- 17
438114		23- 23
438115		23- 18
438145		23- 28
438145		24-243
438145		25- 30
438152		22-197
438153		20- 47
438443		27- 11
438444		27- 8
438447		22-227
438447		24-275
438482		22-236
438482		24-283
438484		22-235
438488		24-282
438491		22-201
438540		48- 70
438548		4- 8
438548		18- 28
438548		18- 35
438548		53- 86
438548		57- 20
438548		57- 37
438549		2- 40
438549		6-300
438549		66- 42
438550		58- 5
438551		39- 15
438551		40-268
438551		42- 28
438551		65- 30
438553		27-276
438553		40- 81
438558		6-251
438566		27-100
438567		38- 77
438573		3-182
438573		36- 12
438582		54- 88
438589		50- 23
438589		64- 21
438601		1-207
438601		3-206
438601		45- 33
438601		52- 67
438601		54- 68
438602		1- 62
438622		40-152
440265		40-196
440550		55- 5
440550		57- 16
440570		46- 16
440752		46- 21
440882		53- 50
441042		46- 22
441042		53- 51
441042		55- 6
441042		57- 17
441504		22-195
441505		22-196
441509		22-213

PART NO.	SPARE PART	LIST AND INDEX NO.
441509		24-255
441510		22-215
441510		24-256
441515		22- 71
441566		22-220
441566		24-261
441567		22-222
441567		24-270
441592		24-252
441593		24-253
441661		22- 22
441661		24- 22
441662		40- 45
441683		22-193
441683		24-225
441687		24-245
441709		24-246
441710		24-247
441712		22-208
441712		24-241
441713		22-210
441713		24-242
441738		22-125
441739		22- 65
441739		24- 65
441743		22- 90
441743		24- 90
441745		22-132
441751		22- 27
441751		24- 27
441767		22- 10
441767		24- 10
441768		22- 11
441768		24- 11
441804		23- 30
442124		22- 17
442124		24- 17
442822		3-213
442823		37- 12
442823		67- 27
442959		54- 91
442959		55- 56
442959		55- 92
443793		48- 56
443793		48- 43
444164		2- 38
444164		39- 13
444164		66- 41
444806		1- 63
444806		1-108
444806		1-151
444806		1-182
444806		3-201
460287		41- 23
470102		27-142
470241		22-156
470374		1-350
470834		38- 22
470834		62- 20
470834		63- 22
471640		40-173
472567		40-108
472729		6-258
472965		26- 35
473377		45- 15
473377		52- 16
473377		54- 16
473377		56- 13
473378		52- 17
473378		54- 17

PART NO.	SPARE PART	LIST AND INDEX NO.
473379		45- 16
473379		52- 18
473379		54- 18
473379		56- 15
473382		52- 65
473382		54- 66
473390		40-243
473390		56-
473392		56- 62
473393		56- 43
473394		56- 48
473395		56- 1
473396		52- 72
473396		54- 73
473397		56- 91
473398		56- 5
473399		56- 47
473402		52- 60
473402		54- 61
473402		56- 57
473416		52- 66
473430		40-232
473430		52-
473433		52- 46
473434		52- 51
473435		52- 1
473436		52- 78
473437		52-101
473438		52- 5
473439		52- 50
473442		52- 47
473442		54- 48
473442		56- 45
473466		56- 63
473510		40-235
473510		54-
473513		54- 47
473514		54- 52
473515		54- 1
473517		54- 98
473518		54- 5
473519		54- 51
473530		52- 22
473530		54- 22
473530		56- 18
473531		45- 18
473531		52- 21
473531		54- 21
473531		56- 17
473533		45- 21
473533		52- 48
473533		54- 50
473533		56- 46
473534		45- 66
473534		56- 90
473536		45- 7
473536		52- 7
473536		54- 7
473536		56- 7
473543		45- 63
473543		52- 87
473543		54- 86
473543		56- 78
473544		45- 17
473544		52- 20
473544		54- 20
473544		56- 16
473545		54- 53
473545		56- 50
473547		52- 28

PART NO.	SPARE PART	LIST AND INDEX NO.
473547		54- 28
473547		56- 25
473582		56- 42
473592		52- 45
473592		54- 46
473596		54- 67
473610		22- 35
473615		2- 33
473615		66- 36
477037		5- 11
477037		26- 11
477202		44- 10
477270		40- 65
477270		45- 10
477273		45- 20
477274		45- 23
477275		45- 1
477277		45- 68
477278		45- 5
477279		45- 22
479309		2- 28
479309		66- 31
501544		56- 75
501544		57- 22
504297		52-100
507144		52- 93
507796		40-247
509772		1-281
510186		45- 31
510379		27-177
510379		27-187
510379		27-603
510379		67- 68
510809		27-662
510810		45- 52
511096		53-100
511097		53-101
511097		55- 83
511592		43- 1
511592		46- 17
511696		50- 7
512508		6- 87
512583		54- 60
512583		56- 56
512589		56- 88
512663		45- 67
512663		54- 97
513654		49- 18
515620		40-117
515718		52- 90
517913		44- 8
518130		52- 97
518130		54- 96
518495		40-197
521185		24-105
521695		52- 92
521695		53- 92
521849		55- 75
523022		38- 30
523022		62- 35
523022		63- 30
526378		44- 7
526898		49- 8
526898		53- 7
528002		1-315
528011		38- 12
528011		51- 20
528011		62- 26
528011		63- 12
528012		38- 20

PART NO.	SPARE PART	LIST AND INDEX NO.
528012		51- 17
528012		62- 25
528012		63- 20
528013		38- 17
528013		51- 18
528013		62- 22
528013		63- 17
528014		38- 18
528014		51- 16
528014		62- 23
528014		63- 18
528139		56- 80
528251		3-108
529088		46- 50
529088		53-102
533534		45- 8
533534		52- 8
533534		52- 36
533534		54- 8
533534		54- 36
533534		56- 8
533534		56- 32
538674		2- 27
538674		66- 30
538677		2- 21
538677		66- 22
539054		40-192
546013		38- 57
546013		63- 57
550511		39- 20
587393		38-110
587393		63- 71
596182		38- 78
596182		62- 57
596184		62- 65
596186		38- 83
596192		38- 81
596192		62- 53
596194		38- 75
596195		38- 76
596708		40-187
597215		42- 40
597215		50- 8
597215		51- 2
597215		64- 12
597215		65- 41
597216		41- 40
597216		44- 6
597300		38- 52
597300		58- 3
597300		62- 16
597300		63- 52
597575		45- 35
597575		45- 42
597575		56- 67
598041		60- 15
598043		53- 10
598343		45- 60
598343		46- 43
598479		57- 10
599917		49- 23
600576		22-161
600576		24-195
600914		24-290
600963		22-126
600963		24-148
601093		2- 47
601093		38- 56
601093		63- 56
601093		66- 48

PART NO.	SPARE PART	LIST AND INDEX NO.
601127		61- 12
601185		1-157
601185		1-355
601236		23- 11
601237		23- 12
601238		25- 36
601264		24-155
601367		23- 26
601368		22-185
601368		24-220
601393		23- 21
601394		23- 20
601395		22-211
601395		24-248
601396		22-212
601396		24-250
601401		22- 7
601401		24- 7
601925		3-263
601927		3-285
601930		67- 11
601931		24-132
601932		24-127
601933		24- 98
601934		24-111
601935		24-110
601936		24-116
601937		24-158
601938		24-163
601939		24-161
601940		24-108
601942		24-142
601945		24-117
601946		24-100
601947		24-160
601948		24-166
601949		24-133
601952		24-151
601953		24-102
601954		24-107
601955		24-106
601956		24-118
601957		24-120
601958		24-153
601960		24-150
601961		24-156
601965		24-141
601966		24-157
601968		24-131
601970		24-167
601971		24-121
601972		24-162
601973		24-165
601978		24-135
601979		24-136
601981		24- 96
601986		24-112
601987		24-125
602012		18-113
602014		18- 58
602017		18- 76
602023		18- 75
602024		18- 66
602029		18- 71
602030		18- 62
602033		18- 63
602034		18- 60
602034		18- 78
602035		18- 67
602037		18-106

PART NO.	SPARE PART	LIST AND INDEX NO.
602039		18-108
602043		18- 81
602045		18- 92
602046		18- 95
602047		18- 13
602050		18- 57
602053		18- 50
602060		18- 18
602062		18- 31
602063		18- 21
602065		18- 23
602066		18- 25
602067		18- 26
602068		18- 27
602069		18- 45
602073		18- 37
602074		18- 43
602075		18- 32
602084		7- 11
602084		8- 23
602084		34- 21
602085		7- 31
602085		8- 43
602085		34- 41
602086		7- 13
602086		8- 26
602086		34- 23
602087		7- 10
602087		8- 21
602087		34- 18
602088		8- 13
602089		8- 47
602089		34- 56
602090		8- 1
602090		34- 1
602091		8- 6
602091		34- 6
602092		8- 66
602092		34- 66
602093		8- 67
602093		34- 67
602094		8- 60
602094		34- 60
602096		8- 10
602096		34- 10
602103		7- 35
602104		8- 8
602104		34- 8
602107		8- 12
602107		34- 12
602107		67- 82
602110		8- 57
602113		6-146
602113		8- 57
602114		8- 57
602121		6-146
602121		8- 57
602128		67- 80
602128		6-146
602128		8- 57
602128		34- 51
602129		34- 51
602132		8- 57
602135		6-262
602136		6-273
602140		6-153
602148		8- 52
602148		34- 45
602155		16- 6
602155		17- 6

PART NO.	SPARE PART	LIST AND INDEX NO.
602162		6-233
602164		50- 25
602164		64- 22
602167		50- 38
602167		64- 36
602168		50- 50
602168		64- 47
602173		6-346
602174		22-103
602180		6-270
602180		28- 41
602181		6-266
602182		6-320
602184		6-271
602185		6-263
602185		6-275
602186		10- 35
602187		6-337
602189		5- 35
602195		3- 81
602196		6-277
602197		6-305
602199		6-321
602201		6-303
602202		6-328
602203		6-127
602209		13- 7
602210		6-347
602210		6-353
602210		27-710
602215		14- 7
602216		16- 5
602216		17- 5
602217		6-223
602218		6- 30
602222		6-335
602226		6-295
602227		6-286
602229		6-241
602229		6-260
602229		36- 16
602230		4- 81
602230		4- 93
602230		6-160
602230		6-166
602231		6-287
602233		3- 33
602233		9- 30
602235		3- 31
602235		9- 28
602238		6-281
602238		28- 35
602240		6- 20
602247		6-238
602249		10- 17
602249		10- 26
602249		29- 17
602249		29- 21
602250		11- 8
602253		11- 6
602254		11- 5
602255		10- 20
602255		29- 11
602271		6-338
602278		6- 82
602290		6- 68
602291		6- 70
602296		3-307
602307		3-327
602310		4-127

PART NO.	SPARE PART	LIST AND INDEX NO.
602311		4-128
602314		6- 80
602324		3- 91
602329		3- 65
602338		3-172
602340		3- 65
602347		3-183
602352		7- 36
602353		6-141
602354		6-156
602355		3-186
602363		3-236
602364		3-187
602366		6-252
602367		3-138
602372		3-133
602373		3-180
602374		4- 1
602375		4- 2
602376		6-293
602381		6-301
602382		4-123
602384		3- 61
602386		6-188
602390		3- 61
602393		3- 57
602394		6-302
602395		3- 58
602396		3- 58
602398		3-212
602400		3-208
602401		3- 56
602406		3-126
602411		4-125
602413		3-193
602415		3- 62
602422		3-225
602436		9- 23
602446		6-230
602447		3-146
602450		4- 3
602452		6- 75
602454		18- 88
602456		4- 5
602457		18- 73
602458		4- 10
602459		4- 18
602460		4- 33
602462		4- 13
602463		4- 38
602464		4- 16
602465		4- 31
602468		4- 35
602469		4- 55
602469		6-245
602469		36- 3
602470		3-175
602472		3-310
602473		3-315
602476		3-161
602484		6-155
602486		4- 68
602486		4-107
602488		3-152
602489		3-153
602490		4- 53
602490		6-246
602490		36- 1
602493		4- 51
602493		6-247

PART NO.	SPARE PART	LIST AND INDEX NO.
602493		36- 6
602495		4- 50
602495		6-248
602495		36- 7
602496		6- 7
602536		1-278
602557		4-121
602558		18- 86
602583		1-102
602593		3-150
602594		3-147
602596		1-196
602606		9- 10
602628		41- 45
602629		3-158
602642		3-127
602643		3- 77
602644		3-305
602646		6-348
602647		6-115
602648		11- 3
602650		6-183
602654		41- 33
602660		6-323
602668		9- 1
602670		6- 81
602706		50- 40
602706		64- 37
602707		50- 22
602707		64- 20
602710		7- 33
602710		8- 62
602710		21- 45
602710		34- 63
602780		6-190
602802		1-103
602803		8- 65
602803		34- 65
602804		6-196
602807		6-195
602808		3-335
602809		3-332
602810		8- 51
602821		3- 22
602880		6-111
602880		11-
602883		6-212
602883		14-
602884		6-206
602884		13-
602885		6-221
602885		17-
602886		6-108
602886		10-
602923		41- 36
602923		42- 10
602923		65- 11
602945		18-103
602946		18- 97
602947		18-102
602953		8- 5
602953		34- 5
602955		49-111
602955		68- 21
602967		3-251
602971		6-131
602978		3-137
602978		3-156
602980		6-282
602985		1-353

PART NO.	SPARE PART	LIST AND INDEX NO.
603004		8- 3
603004		34- 3
603014		4- 56
603015		4- 57
603030		38- 3
603030		62- 2
603030		63- 3
603068		3-196
603069		3-197
603070		3-196
603074		3-135
603116		6-205
603116		27-326
603212		49- 25
603525		3-318
603546		3-302
603546		3-321
603673		18- 5
603703		10- 12
603703		29- 8
603750		18- 70
603795		3-131
603796		3-125
603797		18- 83
603799		3-130
603835		6-171
603836		6-178
603837		6-180
603846		10- 18
603846		29- 22
603857		10- 15
603857		29- 18
607005		22- 32
607005		24- 32
607006		22- 32
607006		24- 32
607016		50- 12
607016		64- 7
607021		33- 51
607023		33- 61
607024		33- 55
607042		22-137
607045		22-157
607048		27-606
607048		67- 56
607049		27-616
607049		67- 66
607050		27- 62
607050		30-
607051		20- 43
607051		30- 48
607052		30- 31
607053		30- 12
607054		30- 47
607055		30- 13
607056		30- 17
607057		30- 18
607059		30- 25
607060		30- 28
607061		30- 26
607062		30- 23
607063		30- 10
607066		30- 1
607067		30- 30
607068		30- 37
607069		30- 40
607070		30- 42
607071		30- 45
607074		30- 20
607075		30- 6

PART NO.	SPARE PART	LIST AND INDEX NO.
607077		27- 40
607077		28-
607078		28- 91
607079		28- 57
607080		28- 56
607081		28- 48
607082		28- 55
607083		27-278
607085		27-588
607092		28- 92
607096		28- 67
607096		28- 68
607098		28- 95
607099		28- 37
607105		19- 5
607106		27-131
607106		35-
607107		35- 6
607108		35- 10
607109		27-341
607109		35- 70
607110		35- 1
607114		34- 51
607114		67- 78
607115		27-336
607115		27-468
607115		35- 2
607121		27-316
607137		27-438
607138		27-441
607139		27-226
607140		27-231
607141		27-233
607142		27-236
607148		27-361
607150		27-367
607151		22-145
607151		24-171
607157		22-171
607157		24-202
607158		22-173
607158		24-205
607159		22-146
607159		24-187
607165		27-343
607168		37- 11
607168		67- 22
607169		37- 21
607169		67- 36
607170		37- 16
607170		67- 31
607171		37- 17
607171		67- 32
607172		37- 15
607172		67- 30
607174		30- 5
607175		37- 8
607175		67- 37
607188		27-297
607189		27-437
607190		27-565
607190		27-597
607191		27-540
607196		27-571
607197		27-560
607197		27-592
607198		27-561
607198		27-593
607199		27-391
607200		28- 82

PART NO.	SPARE PART	LIST AND INDEX NO.
607206		28- 30
607207		28- 80
607209		27-428
607209		28- 2
607210		28- 71
607211		28- 77
607212		27-362
607212		28- 72
607213		28- 75
607214		28- 85
607215		28- 70
607216		28- 60
607223		31- 16
607224		31- 18
607225		31- 13
607226		31- 10
607227		31- 20
607228		27-557
607229		27-542
607230		27-530
607230		27-530
607232		27-532
607233		27-422
607234		27-423
607235		27-425
607237		27-463
607238		27-458
607239		27-451
607240		27-442
607241		27-448
607242		27-483
607243		27-586
607244		27-445
607246		27-465
607248		27-486
607252		27-491
607257		27-493
607258		3-115
607258		26-
607259		26- 32
607262		5- 12
607262		26- 12
607263		26- 15
607264		26- 16
607267		5- 1
607267		26- 1
607268		27- 51
607268		40- 7
607269		5- 2
607269		26- 2
607272		5- 23
607272		26- 23
607284		27-495
607286		27-496
607291		27-500
607310		27-497
607316		27-453
607352		27- 41
607353		29- 31
607355		37- 1
607355		67- 40
607356		37- 7
607356		67- 43
607357		27-307
607358		27-306
607358		27-313
607360		27-262
607361		27-270
607364		27-501
607365		27-501

PART NO.	SPARE PART	LIST AND INDEX NO.
607369		27-146
607370		27-455
607371		27-471
607374		27- 76
607375		27- 82
607376		27- 81
607382		27- 66
607382		31-
607387		27-503
607390		27-503
607392		27-521
607393		27-513
607394		27-516
607395		27-552
607396		27-548
607397		27-690
607398		67- 17
607399		40-135
607405		27-477
607406		27-472
607408		31- 3
607416		31- 7
607418		3-116
607421		27-148
607422		27-143
607423		27-158
607426		27-157
607428		27-153
607430		27-178
607431		27-180
607433		27-182
607434		27-133
607436		27-136
607443		27-697
607444		27-711
607446		27-700
607448		27-701
607451		34- 42
607462		27- 30
607464		27- 26
607465		27- 33
607466		28- 38
607469		27-168
607473		5- 3
607473		26- 3
607474		22-165
607474		24-198
607475		27-311
607476		27-686
607478		27-645
607479		27-656
607485		67- 47
607486		67- 55
607490		67- 50
607492		27-632
607496		27-637
607505		32- 21
607508		27- 72
607511		32- 23
607514		27-591
607515		32- 1
607516		27-457
607519		32- 3
607520		27-271
607522		27- 92
607528		27-105
607529		27- 97
607532		32- 10
607536		6-175
607537		6-177

PART NO.	SPARE PART	LIST AND INDEX NO.
607548		19- 40
607551		27-171
607556		28- 87
607557		27-118
607559		27-601
607560		27-517
607567		27-210
607568		27-225
607569		27-111
607571		20- 50
607572		20- 53
607574		20- 32
607578		3-113
607579		20- 38
607581		27-678
607582		27-681
607590		33- 58
607592		20- 55
607610		1- 30
607612		6-316
607622		27-432
607628		27- 85
607633		27-433
607634		27-558
607635		27-523
607642		27-622
607644		27-626
607645		27-633
607646		27-643
607651		27- 1
607652		27- 2
607653		27- 16
607654		27- 17
607655		27-122
607656		27- 61
607672		3- 16
607673		27-190
607674		27-390
607677		27-112
607677		32-
607678		27-506
607685		27-537
607686		27-317
607687		27-322
607688		27-325
607689		27-321
607690		27-320
607691		27-315
607694		27-152
607695		27-181
607730		34- 51
607770		22-170
607779		33- 38
607809		30- 21
607846		27-101
607867		27-657
607870		27- 48
607878		27-430
607881		50- 16
607881		64- 13
607901		30- 3
607904		22-183
607904		24-215
607953		27-138
607953		27-162
607957		27-482
607958		27-478
607959		27-480
607971		3- 17
608001		27-683

PART NO.	SPARE PART	LIST AND INDEX NO.
608021		27-176
608022		27-386
608029		22-158
608029		24-192
608063		27-476
608063		27-490
608064		28- 15
608065		28- 45
608067		28- 93
608074		27-620
608125		27- 38
608172		27-102
608174		27-106
608175		27- 93
608181		27-396
608182		27-397
608183		27-395
608184		27-401
608185		28- 53
608201		27-617
608201		67- 67
608202		27-172
608203		27-658
608211		5- 17
608211		26- 17
608214		27-103
608215		5- 22
608215		26- 22
608234		5- 30
608234		26- 30
608235		5- 31
608235		26- 31
608243		27-166
608273		27-426
608279		40- 13
608279		41- 28
608284		27-418
608297		5- 27
608297		26- 27
608448		5- 15
608448		26- 15
608453		5- 16
608453		26- 16
608492		27-628
608492		27-640
608607		6-146
608607		34- 51
608624		40- 53
608717		41- 16
609002		18- 96
609003		18-100
609004		18- 8
609005		18- 20
609010		40- 23
609011		21- 32
609014		21- 30
609016		21- 17
609017		21- 37
609024		6- 73
609025		6- 63
609026		34- 50
609027		19- 26
609027		21- 18
609029		20- 56
609031		40- 25
609032		3-268
609033		3-333
609035		3-326
609037		3- 63
609038		3- 52

PART NO.	SPARE PART	LIST AND INDEX NO.
609041		3- 52
609042		3-100
609042		19-
609044		19- 46
609045		19- 42
609046		19- 37
609047		19- 20
609048		19- 28
609050		19- 1
609052		3-247
609056		27-705
609057		36- 13
609058		3-103
609059		27-402
609060		27-415
609061		27-407
609063		27-411
609064		27-408
609065		27-186
609065		36-
609067		22- 30
609067		24- 30
609068		22- 5
609068		24- 5
609069		22- 5
609069		24- 5
609070		22- 5
609070		24- 5
609071		22- 5
609071		24- 5
609072		3-110
609072		22-
609074		27-696
609075		27-720
609076		27-695
609077		27-718
609078		33- 17
609079		27- 86
609079		33-
609080		47- 11
609082		36- 17
609083		27- 65
609084		27-378
609085		27-257
609086		27-337
609087		27-335
609088		27-340
609089		27-255
609090		27-261
609091		27-248
609091		27-372
609094		27-252
609094		27-368
609096		27-385
609097		27-376
609099		27-193
609100		3-207
609103		27-296
609104		27-672
609105		27-290
609106		27-286
609107		3- 35
609108		3- 27
609109		3- 51
609113		6-158
609114		15- 1
609120		15- 6
609121		15- 3
609122		16- 1
609123		6-355

PART NO.	SPARE PART	LIST AND INDEX NO.
609124		3- 96
609125		6-261
609126		6-257
609127		6-140
609127		9-
609128		6-253
609129		9- 32
609130		6-343
609131		6-351
609132		6-356
609133		6-350
609136		18- 41
609137		18- 22
609140		41- 5
609141		6- 62
609142		6-182
609144		67- 10
609146		3-323
609147		3-250
609149		49- 35
609151		49- 76
609153		48- 33
609154		48- 8
609156		67- 7
609157		40-272
609158		40-266
609159		3-175
609160		3-172
609162		3- 71
609164		21- 1
609169		18- 2
609176		27- 18
609177		27- 20
609181		40- 80
609185		2- 6
609185		40-275
609185		66- 7
609187		40-277
609189		2- 26
609189		66- 28
609190		2- 22
609190		66- 23
609191		2- 25
609191		66- 26
609194		1-333
609199		40-281
609201		2- 35
609201		66- 37
609204		1-218
609214		1-185
609220		1-215
609268		1-123
609273		1-321
609274		1-322
609277		1-300
609281		1-247
609282		1-301
609283		1-302
609284		1-303
609291		1-327
609297		1-125
609303		1-328
609305		1-316
609306		1-317
609313		1-311
609314		1-312
609318		1-305
609319		1-306
609320		1-158
609322		1-173

PART NO.	SPARE PART	LIST AND INDEX NO.
609325		1-280
609326		6-146
609327		49-108
609332		47- 16
609372		40-143
609377		40- 16
609379		40- 8
609380		49- 2
609381		40- 96
609382		40-122
609384		50- 55
609387		40-200
609393		49- 26
609395		49- 90
609397		33- 6
609397		48- 37
609414		6-122
609414		6-228
609414		27-666
609423		49- 27
609425		27-466
609426		27- 60
609427		27- 55
609428		3- 83
609432		67- 3
609437		27- 35
609450		40-147
609451		40-148
609456		1-216
609457		2- 18
609457		39- 22
609457		66- 20
609458		2- 20
609458		66- 21
609459		3- 7
609460		6-208
609461		1-131
609462		1-132
609476		3- 10
609480		3- 11
609483		3- 25
609484		40-153
609490		6-123
609491		41- 3
609492		1- 38
609494		1- 27
609498		6-220
609498		16-
609507		1-155
609508		1-188
609520		1-240
609522		49- 28
609545		2- 11
609545		66- 12
609546		2- 48
609547		2- 13
609547		66- 15
609548		2- 15
609548		66- 16
609549		1-192
609549		1-231
609551		1-246
609553		2- 16
609553		66- 17
609554		3-218
609563		3-181
609564		2- 3
609564		66- 5
609565		3- 97
609566		2- 1

PART NO.	SPARE PART	LIST AND INDEX NO.
609566		66- 2
609568		50- 1
609568		64- 1
609581		6- 5
609582		6- 83
609583		6- 90
609584		6-157
609585		6-165
609586		6-267
609587		6-278
609591		6- 8
609592		6- 52
609596		40- 26
609602		1-341
609603		1-163
609605		1-175
609606		1-171
609607		1-168
609608		3- 20
609609		1-198
609620		1-187
609621		40-176
609622		3-202
609625		1-208
609626		1-210
609627		1-133
609628		1-135
609629		1-213
609630		1-186
609631		1-202
609632		1- 78
609633		1- 77
609634		1-117
609635		1-116
609636		1- 80
609637		1- 81
609638		1-153
609639		1- 20
609641		1- 21
609642		1- 83
609643		1- 82
609644		1- 17
609645		1- 18
609646		1-136
609647		1- 66
609648		1- 68
609649		1- 70
609650		1-200
609651		1- 67
609654		1- 73
609655		1- 71
609656		1- 72
609657		1- 75
609658		1- 76
609659		1- 26
609661		1- 23
609662		1- 25
609663		1- 28
609664		1- 53
609665		1-295
609666		1-120
609667		1-118
609668		1- 33
609668		1- 97
609669		1- 65
609669		1-110
609669		1-183
609671		1- 22
609672		1-286
609673		1-287

PART NO.	SPARE PART	LIST AND INDEX NO.
609674		1-288
609675		1- 2
609676		1- 3
609677		1-111
609678		2- 30
609678		66- 32
609681		40-273
609683		1-172
609684		1-181
609685		1- 35
609685		1- 98
609688		3-238
609688		19- 30
609689		3-243
609689		19- 35
609690		1-233
609695		2- 17
609695		66- 18
609704		49- 12
609713		4-122
609717		36- 11
609718		4-111
609728		1- 36
609728		1-100
609731		1-112
609737		18- 76
609738		18- 76
609739		18- 76
609740		18- 76
609741		18- 76
609742		67- 45
609742		18- 76
609743		18- 76
609744		18- 53
609747		6-327
609747		27-388
609748		20- 5
609751		1- 16
609753		1- 16
609756		1-343
609768		27-531
609770		67- 20
609771		27-525
609773		27-557
609782		1-167
609783		9- 11
609800		1- 16
609932		4- 40
610008		23-
610010		22- 81
610010		24- 81
610016		27-712
610023		33- 36
610027		30- 50
610028		30- 43
610033		27-653
610034		27-208
610035		27-195
610042		33- 35
610052		49- 82
610058		22-206
610060		47- 18
610062		22- 1
610062		24- 1
610066		30- 32
610075		30- 36
610076		30- 35
610078		28- 51
610093		24-185
610094		24-291

PART NO.	SPARE PART	LIST AND INDEX NO.
610095		27-492
610096		27-483
610110		24-191
610111		25- 25
610112		25- 26
610114		25- 15
610115		25- 16
610116		25- 7
610117		25- 8
610117		25- 32
610118		25- 10
610118		25- 33
610120		25- 11
610121		25- 35
610122		25- 5
610123		25- 6
610124		25- 2
610125		25- 31
610126		25- 27
610127		24-237
610128		24-240
610130		24-232
610131		24-228
610131		24-233
610133		27-570
610134		27-543
610137		27-507
610140		27-298
610140		37-
610142		27-150
610145		27- 22
610150		5- 7
610150		26- 7
610151		5- 5
610151		26- 5
610156		24-226
610157		24-227
610158		24- 75
610160		24-186
610161		24- 80
610162		24- 71
610163		24- 36
610164		22-153
610164		24-177
610165		22-150
610165		24-173
610166		22-142
610166		24-168
610167		24-286
610167		25-
610168		22-121
610171		22-120
610173		27-151
610180		24-
610180		3-110
610181		67- 46
610181		3-115
610181		26-
610183		27-652
610184		27-651
610185		27-583
610188		3-233
610188		19- 12
610191		27-602
610203		24-267
610204		24-268
610212		25- 37
610224		6-201
610271		5- 36
610271		26- 36

PART NO.	SPARE PART	LIST AND INDEX NO.
610272		5- 33
610272		26- 33
610315		3- 45
610315		9- 21
610316		3- 46
610327		3-142
610329		12- 7
610330		15- 11
610331		6-202
610331		12-
610332		6-217
610332		15-
610347		18- 1
610660		1-253
610664		5- 32
610665		3- 80
610665		5-
610668		22-202
610687		28- 12
610717		30- 2
610725		18- 15
613653		3- 78
614028		2- 31
614028		66- 33
614029		2- 32
614029		66- 35
614031		2- 36
614031		66- 38
614032		2- 37
614032		66- 40
614047		40-188
615000		1-
615001		2- 52
615002		40- 83
615002		47-
615003		40- 88
615003		48-
615004		2- 23
615004		66- 25
615005		3- 66
615005		4-
615006		3- 86
615006		6-
615008		40- 98
615008		49-
615009		1-263
615009		3-
615010		40-282
615010		59-
615011		1-265
615011		38-
615015		1-262
615015		40-
615016		27-115
615016		34-
615017		3-105
615017		20-
615018		3-203
615018		21-
615019		6-197
615019		8-
615021		3-120
615021		27-
615022		40-177
615022		51-
615023		6-148
615023		7-
615024		1-260
615024		2-
615038		51- 1

PART NO.	SPARE PART	LIST AND INDEX NO.
615040		6- 31
615041		6- 40
615042		6- 41
615044		27-243
615045		27-240
615046		4- 62
615047		4- 63
615048		4-102
615051		1-225
615052		1-226
615053		1-348
615054		1- 1
615056		3-322
615057		3-300
615059		3-298
615060		1-338
615066		3- 3
615067		38- 25
615067		63- 25
615069		38-106
615070		39- 27
615071		40-137
615073		40-182
615074		51- 28
615075		38- 7
615075		39-
615075		63- 7
615076		48- 52
615078		40-138
615081		3-266
615082		40- 75
615084		38- 21
615084		63- 21
615085		38- 98
615087		38- 92
615087		63- 62
615088		38- 23
615090		6- 42
615092		39- 7
615096		38- 85
615097		38- 86
615098		38- 87
615099		38- 88
615300		38- 60
615300		63- 58
615301		38- 58
615301		63- 60
615303		38- 93
615303		63- 63
615318		42- 41
615318		65- 43
615320		40- 31
615320		42-
615321		40-217
615330		40- 3
615330		41-
615331		49- 3
615334		41- 46
615336		38- 55
615337		42- 5
615337		65- 6
615338		40- 20
615341		1- 11
615342		1- 12
615343		1- 13
615345		38- 90
615346		38- 67
615348		38- 2
615348		63- 2
615351		49- 1

PART NO.	SPARE PART	LIST AND INDEX NO.	PART NO.	SPARE PART	LIST AND INDEX NO.	PART NO.	SPARE PART	LIST AND INDEX NO.
615352		1-201	615449		3-255	1073418		3-155
615353		40-156	615449		3-275	1073418		3-170
615353		50-	615450		3-252	1073418		9- 31
615355		3-258	615450		3-272	1073462		6-147
615357		38- 97	620014		39- 8	1073462		8- 58
615358		3- 92	620230		3- 2	1073462		20- 57
615358		18-	696182		1- 16	1073462		34- 52
615359		18- 51	696545		62- 67	1073462		67- 81
615360		3-278	696546		61- 7	1074145		41- 17
615361		3-287	696546		62-	1077722		58- 8
615362		3-280	696547		62- 41	1090448		13- 3
615365		6-101	696548		62- 66	1090448		14- 3
615372		38- 95	696549		63- 68	1090873		29- 16
615373		1-266	696550		61- 18	1090873		34- 16
615376		40- 58	696550		63-	1090873		40- 91
615379		40-265	696552		61- 2	1090873		40-161
615379		62- 18	696553		62- 52	1090873		51- 13
615380		3- 13	696554		62- 36	1090873		67- 76
615381		40-168	696564		61- 23	1090873		67- 58
615385		1-267	696564		64-	1090873		1-166
615389		40- 35	696565		64- 52	1090873		1-270
615393		40-220	696566		61- 27	1090873		3- 55
615394		40- 1	696566		65-	1090873		4- 42
615395		68- 11	696567		65- 42	1090873		6- 78
615396		68- 12	696568		65- 2	1090873		6-133
615399		42- 1	696569		62- 62	1090873		6-297
615399		65- 1	696570		63- 55	1090873		7- 7
615401		1- 15	696571		61- 20	1090873		8- 18
615402		51- 7	696572		62- 30	1090873		10- 25
615403		51- 11	696573		61- 15	1090873		22- 38
615404		40-151	696574		68- 13	1090873		22-118
615405		47- 1	696582		62- 21	1090873		24- 38
615406		3-295	696583		66- 53	1090873		24-147
615409		6-110	696584		66- 50	1090873		27-285
615409		10-	696585		66- 1	1090873		27-331
615410		49- 33	696615		62- 60	1090873		27-546
615411		7- 3	696617		62- 61	1090873		27-608
615411		8- 16	696618		61- 13	1090873		27-675
615411		34- 13	696619		61- 1	1090873		28- 47
615411		67- 73	696631		66- 27	1090873		28- 65
615412		20- 7	697115		67- 2	1091044		10- 7
615414		49- 30	697135		67- 16	1091061		4- 7
615416		49- 7	698283		61-	1091508		2- 5
615419		20- 2	698301		66-	1091508		27-230
615420		49- 31	698314		67-	1091508		27-268
615421		48- 45	719000		49-112	1091508		27-305
615422		1-352	719003		68- 20	1091508		66- 6
615423		1-346	719005		49-112	1092125		28- 58
615425		27- 50	719005		68- 20	1092125		41- 38
615425		29-	719007		49-112	1092125		42- 12
615426		40- 55	719007		68- 20	1092125		47- 12
615427		40- 37	719293		2- 45	1092125		65- 13
615429		1-260	719293		66- 46	1100523		27-520
615429		2-	721933		1- 48	1115735		3-128
615429		2- 52	721933		1- 90	2100265		1- 50
615430		1- 15	721934		1- 52	2100265		1- 92
615432		1- 15	721934		1- 95	2102155		40-118
615434		1- 15	721935		1- 47	2102364		50- 53
615438		3-157	721935		1- 91	2102364		64- 51
615439		3-140	721936		1- 42	2102368		6-125
615441		10- 8	721936		1- 85	2102368		49- 13
615441		29- 5	721940		1- 32	2102369		49- 92
615443		1-282	721940		1- 96	2102370		49- 96
615444		1-277	721941		1- 43	2102626		49- 32
615445		1- 10	721941		1- 86	2103102		39- 10
615446		1- 8	802555		40-145	2103526		27-698
615447		42- 13	802678		1-152	2106617		1-273
615447		65- 15	804211		40- 82	2114108		47- 3
615448		3-256	1073418		3- 32	2114246		39- 11
615448		3-276	1073418		3-148	2116648		38- 40

PART NO.	SPARE PART	LIST AND INDEX NO.
2116648		63- 40
2123510		40-111
2123635		38-101
2125620		40-103
2125621		40-113
2125622		40-121
2128511		40-261
2128511		58-
2128512		58- 10
2128570		38- 62
2128570		62- 40
2128570		68- 15
2128588		38- 47
2128588		40-198
2128588		58- 6
2128588		62- 11
2128588		63- 47
2128617		58- 7
2128689		48- 3
2128691		48- 67
2128691		48- 68
2128693		42- 7
2128693		65- 8
2128695		48- 66
2128696		48- 5
2128748		48- 1
2128751		42- 2
2128751		65- 3
2129302		48- 57
2129348		40-120
2129357		48- 58
2129360		48- 60
2129496		40-203
2129496		40-225
2129743		49- 87
5200363		38-111
5200363		63- 73
5200364		38-112
5200364		63- 75
5200365		38-115
5200365		63- 78

PART NO.	SPARE PART	LIST AND INDEX NO.
----------	------------	--------------------

PART NO.	SPARE PART	LIST AND INDEX NO.
----------	------------	--------------------