

CH	MOD	SUF	SERIAL	CPU	MOD	SUF	SERIAL	SYSTEM	CUST #	BROFF	SHIP	INSTR	ST	FACTRY #	NAME
	1620	001	00F	011093					0	14547	18000	H2		03	AETNA IN

MACH	MOD	SUF	BILL #	EC #	CEM#	QT	DESCRIPTION	DATE	STATUS	ORD #
1620	001	00F	002115290	404728		1	BIT NOISE RED	103	FCTINS	
			002115294	404729		1	INPUT BIT	103	FCTINS	
			002115297	404758		1	TRANSP SELECT	103	FCTINS	
			002115297	404760		1	REL 24V RES	103	FCTINS	
			002115301	404851		1	COMP LOGIC PG		NO ACT	
			002115426	FACTORY		1	F SUFFIX CORR		NO ACT	
			002115496	404783		1	IMP CKT PWR		NO ACT	
			002115499	404675	-SA-15	01	REVISED INDEX	064	FLDINS	294511
			002115521	404880		1	12V CKT BRKR	123	FLDINS	199007
			002115651	404818		1	LOGIC		NO ACT	
			002115687	404847		1	LATCH TIMING	103	FLDINS	285557
			002115688	404800E		1	FAN REPLACE		NO ACT	
			002115776	404853		1	MARS READ LOG	093	TOINST	286556
			002107284	FACTORY		1	1621 ATTACH		NO ACT	
			002107389	FACTORY		1	DIVISION	103	FCTINS	
			002107350	FACTORY		1	INDIRECT ADD	103	FCTINS	
			002133848	FACTORY		1	PLOTTER ATT		NO ACT	
			002107391	FACTORY		1	1623 MOD 1		NO ACT	
			002107392	FACTORY		1	1623 MOD 2		NO ACT	
			002107403	FACTORY		1	1622 ATTACH	103	FCTINS	
			002107395	FACTORY		1	SPECIAL INST	103	FCTINS	
			002133610	FACTORY		1	SLASH ZERO		NO ACT	
			002133620	FACTORY		1	R & S METER		NO ACT	
			002133841	FACTORY		1	1710 ATTACH		NO ACT	
			002133842	FACTORY		1	INTERRUPT ATT		NO ACT	
			002133843	FACTORY		1	SIOC ADAPTER		NO ACT	
			002133753	FACTORY		01	FLT POINT		NO ACT	
			002133754	FACTORY		01	1311 ATTACH		NO ACT	
			002133850	FACTORY		01	1443 ATTACH		NO ACT	
			002133611	FACTORY		1	1443 COMPLETE		NO ACT	
			002134111	404933		01	1311 ATTACH		NO ACT	
			002134188	404877		1	1311 ON 1710		NO ACT	
			002134106	404877		1	1710 ATTACH		NO ACT	
			002134120	404877		1	INTERRUPT ATT		NO ACT	
			002134122	404877		1	ATTACH CONVER		NO ACT	
			002134123	404877		1	INTERR CONVER		NO ACT	
			002112477	490315		1	CASTERS		NO ACT	
			002112576	404850L		1	1623 ATTACH		NO ACT	
			002112590	490360A		1	COMP TERM BLK		NO ACT	
			002112648	404913		1	1622 ATTACH		NO ACT	
			002112747	404890C		1	1621/PLOTTER		NO ACT	
			002112810	490395		1	POWER CABLE		NO ACT	
			002112520	404850L		1	DIVISION		NO ACT	
			002134119	404877		1	DATA CONV AD		NO ACT	
			002134110	404850L		01	FLT POINT		NO ACT	
			002112809	490341A		1	CARR GUARD		NO ACT	
			002112217	404850L		1	INDIRECT ADD		NO ACT	
			002134107	404877		1	INTERRUPT ATT		NO ACT	
			002112707	404850L		1	SPECIAL INST		NO ACT	
			002134104	404682A		1	SLASH ZERO		NO ACT	
			002134121	404877		1	SIOC ADAPTER		NO ACT	
			002134189	404844		1	INACT SIOC		NO ACT	
			002112136	490333M		1	ADDTL LEN CAR		NO ACT	
			002134243	404865		1	TYPE METER		NO ACT	

AETNA LIFE INS  
 1620-1 11093

MACH	MOD	SUF	SERIAL	CPU	MOD	SUF	SERIAL	SYSTEM	CUST #	BROFF	SHIP	INST	ST	FACTRY #	NAME
1620	001	00F	011093				0	14547		18000	H2		03		AETNA IN

MACH	MOD	SUF	BILL #	EC #	CEM#	QT	DESCRIPTION	DATE	STATUS	ORD #
1620	001	00F	002134118	404874		1	INACT 1710 AT		NO ACT	
			002134244	404874		1	INACT INTERR		NO ACT	
			002134257	404894		1	INACT 1711 AT		NO ACT	
			002134114	404851		1	INACT 1623 AT		NO ACT	
			002134124	404841		1	INACT FLOA PT		NO ACT	
			002134117	404874		1	INACT INT		NO ACT	
			002134105	404695		1	REM 1622 ATT		NO ACT	
			002112307	404815		1	REM DIVISION		NO ACT	
			002112808	404815		1	REM DIVISION		NO ACT	
			002108393	406058		1	REM METER		NO ACT	
			002134108	404701		1	REM 1621 ATT		NO ACT	
			002112871	404688		1	REM SPEC INST		NO ACT	
			002134116	404802		1	REM SLASH ZER		NO ACT	
			002115424	FACTORY		1	FP ARITH IMP	103	FCTINS	
			002115464	FACTORY		1	CORR FP DIV	103	FCTINS	
			002115500	404675A	-SA-15	01	REV CU01 DFT	064	FLDINS	294511
			002115501	404675A	-SA-15	01	REV CU01 DFT		TOINST	
			002115503	404675A	-SA-15	01	REV CU02 DFT		TOINST	
			002115504	404675A	-SA-15	0J	REV CU03 DFT	064	FLDINS	294511
			002115502	404675A	-SA-15	01	REV CU02 DFT	064	FLDINS	294511
			002115505	404675A	-SA-15	0J	REV CU03 DFT	064	FLDINS	294511
			002115506	404675A	-SA-15	0J	REV CU04 DFT		TOINST	
			002115506	404675A	-SA-15	01	REV CU04 DFT		NO ACT	
			002115507	404675A	-SA-15	0J	REV CU04 DFT		TOINST	
			002115507	404675A	-SA-15	01	REV CU04 DFT		NO ACT	
			002115508	404675A	-SA-15	0J	REV CU05 DFT	064	FLDINS	294511
			002115509	404675A	-SA-15	0J	REV CU05 DFT	064	FLDINS	294511
			002115510	404675A	-SA-15	01	REV I002 DFT	064	FLDINS	294511
			002115511	404675A	-SA-15	01	REV I003 DFT	064	FLDINS	294511
			002115691	404849		1	INC SIOC DATA		NO ACT	
			002115826	404860A		1	DT 0020-21-22		NO ACT	
			002115832	404875		1	MAR CK CORR		NO ACT	
			002115838	404887		1	FILTER BOX		NO ACT	
			002115295	404796		1	INST I/A IMPR	103	FLDINS	284551
			002115463	404757A		1	SAVE MARG TIM	103	FLDINS	285338
			002115495	404896		1	IMP CKT PWR	103	FLDINS	285338
			002115529	404806		1	EXPONENT CK	103	FLDINS	285557
			002133750	FACTORY		1	1710 ATTACH		NO ACT	
			002133751	FACTORY		1	INTERRUPT ATT		NO ACT	
			002115303	407494		01	TRGR REDESIGN		NO ACT	
			002115492	404775		1	1620-1710 COM		NO ACT	
			002115654	404828		1	CE BLK INTER		NO ACT	
			002115305	404856	000192	01	LINE TER 1710		TOINST	
			002115305	404856		1	LINE TER 1710		NO ACT	
			002149165	404877		1	BLK ERR ON		NO ACT	
			00404675A	404675A		01	REVISED DFT	044	NO ACT	
			002134183	404799		01	SPECIAL METER		NO ACT	
			002165077	404926E		01	METER CIRCUIT	014	FLDINS	280637
			002165152	404926E		01	PROC METER	014	FLDINS	282506
			002165074	404927	0198	01	FIL BOX ASM		TOINST	
			002165052	404908	000193	01	REPL DT0022		TOINST	
			002165233	404959	0211	01	FIL BOX CORD		TOINST	
			002165089	404966		01	AWAIT INTERRU		TOINST	

No 1623 1623 Te

No 1623 PT 16

For Mach with 1710

For Mach with 1311  
1311 Dia  
1311  
No interru

MACH	MOD	SUF	SERIAL	CPU	MOD	SUF	SERIAL	SYSTEM	CUST #	BRDFF	SHIP	INSL	ST	FACTRY #	NAME
1620	001	00F	011093				0	14547		18000	H2		03		AETNA IN

MACH	MOD	SUF	BILL #	EC #	CEM#	QT	DESCRIPTION	DATE	STATUS	ORD #
------	-----	-----	--------	------	------	----	-------------	------	--------	-------

1620	001	00F	002115306	404910	000196	01	BLOWER MODIF	084	FLDINS	293986
			002165156	404951	0206	01	READ OP 3 TIM	054	TOINST	
			002113359	490598	RPQ	01	INS IR 1		NO ACT	
			002115504	404675A	-SA-15	01	REV CU03 DFT		NO ACT	
			002115505	404675A	-SA-15	01	REV CU03 DFT		NO ACT	
			002115508	404675A	-SA-15	01	REV CU05 DFT		NO ACT	
			002115509	404675A	-SA-15	01	REV CU05 DFT		NO ACT	
			002165241	404916A	0208	01	OP-58 LINE	054	NO ACT	
			002134251	404867H		01	1443 ATTACH		NO ACT	
			002134252	404867H		01	1443 ATTACH		NO ACT	
			002165300	404980	0209	01	DT 09 MTR VER	084	FLDINS	281691
			002165071	404929		01	INS IR 4		TOINST	
			002113317	490642	RPQ	01	REM I/O CYCLE		NO ACT	
			002113316	490642	RPQ	01	REM I/O ATT		NO ACT	
			002113314	490642	RPQ	01	REM SW TABLE		NO ACT	
			002165071	404929		01	INS IR4 F SUF		NO ACT	
			002165289	404980		01	IMP DT		TOINST	
			002165287	404980		01	IMP DT W/1622		NO ACT	
			002165285	404980		01	IMP DT W/1622		NO ACT	
			002165292	404980		01	IMP DIAG TEST		TOINST	
			002165286	404980		01	IMP DT W/1622		NO ACT	
			002165290	404980		0J	IMP DIAG TEST		TOINST	
			002165288	404980		01	IMP DIAG TEST		NO ACT	
			002112636	490341	RPQ	01	TYPWTR MOD		NO ACT	
			002112719	490360F	RPQ	01	EDGE CONN ADD		NO ACT	
			002112893	490360G	RPQ	01	I/O ATT F SUF		NO ACT	
			002112815	490333N	RPQ	01	EDGE CONN ADD		NO ACT	
			002112907	490500	RPQ	01	I/O CYC CHGE		NO ACT	
			002112843	490360C	RPQ	01	I/O ATTACH		NO ACT	
			002113002	490500A	RPQ	01	I/O CYC CHGE		NO ACT	
			002112526	490319A	RPQ	01	MOD 1620-1920		NO ACT	
			002113009	490360J	RPQ	01	COMP SIO-IDA		NO ACT	
			002112911	490360C	RPQ	01	EXP SEL CODES		NO ACT	
			002112875	490333V	RPQ	01	CABLE MOD		NO ACT	
			002115830	404877		0J	BLOCK ERROR		TOINST	
			002112878	490333Y	RPQ	01	NON-IBM DEV		NO ACT	
			002112545	490333V	RPQ	01	TYPWR STAND		NO ACT	
			002112575	490341	RPQ	01	SPEC TYPE MOD		NO ACT	
			005250292	FACTORY	RPQ	01	SEEK FILE COM		NO ACT	
			002112591	490399A	RPQ	01	ATT ADDL 7339		NO ACT	
			005250306	FACTORY	RPQ	01	AUTO MASK BT		NO ACT	
			002112988	490366B	RPQ	01	BR ON BIT F		NO ACT	
			002112730	FACTORY	RPQ	01	1620-1940 MOD		NO ACT	
			002112968	490479	RPQ	01	ATT 1620-1009		NO ACT	
			002112865	490333V	RPQ	01	TABLE PROT SW		NO ACT	
			002113059	490479	RPQ	01	ADDL XX IND		NO ACT	
			002107465	490360G	RPQ	01	REMOTE INCLOS		NO ACT	
			002112926	490402A	RPQ	01	READ ALPHA		NO ACT	
			002112942	490395	RPQ	01	PWR CABLE 5FT		NO ACT	
			002113201	490602	RPQ	01	METER COMPAT		NO ACT	
			002112948	490470	RPQ	01	MOD 1620-1920		NO ACT	
			002149584	470086		01	DISC OUTPUT F		NO ACT	
			002112887	490335C	RPQ	01	ADDL PROG SW		NO ACT	
			002112744	490387	RPQ	01	STACKER SEL		NO ACT	

No 1311 inst.

281691  
Can't find B/M

MACH	MOD	SUF	SERIAL	CPU	MOD	SUF	SERIAL	SYSTEM	CUST #	BROFF	SHIP	INSL	ST	FACTRY #	NAME
1620	001	00F	011093				0	14547		18000	H2		03		AETNA IN

MACH	MOD	SUF	BILL #	EC #	CEM#	QT	DESCRIPTION	DATE	STATUS	ORD #
1620	001	00F	002112845	490400E	RPQ	01	TCU H DENSITY		NO ACT	
			002115830	404877		01	BLOCK ERROR		NO ACT	
			002165291	404980		01	IMP DFT		TOINST	
			002165298	412506		0J	IMP TIM TR-8		TOINST	} not rec.
			002165305	404990		01	SPACE SUPP		TOINST	
			002165281	404867K		01	IMP CKT PWR		NO ACT	
			002165298	412506		01	IMP TIM TR-8		NO ACT	
			002165284	404990		01	IMP SIGNL PWR		TOINST	
			002149220	470117		01	SYSTEM UPDATE		NO ACT	
			002165307	412516		01	DATA CONV ADP		NO ACT	
			002149975	470105A		01	AWAIT INTERR		NO ACT	
			002113020	490490	RPQ	01	1902 ATTACH		NO ACT	
			002112836	404747		01	TYPWTR R/S OP		NO ACT	
			002113205	490602	RPQ	01	METER COMPAT		NO ACT	
			002113115		RPQ	01	COMPAT B/M		NO ACT	
			002134134	490594	RPQ	01	FLAG REC MARK		NO ACT	
			002112881	490426	RPQ	01	TRANS REC SPC		NO ACT	
			002113145	490377E	RPQ	01	1311 COMPAT		NO ACT	
			002113161	490602	RPQ	01	METER COMPAT		NO ACT	
			002165236	404852		01	CLOCK DRIVE		NO ACT	
			002165294	412503		01	LATCH RESET		TOINST	> not rec
			002113141	490598	RPQ	01	STORE IR 1		NO ACT	
			002134258	404937		01	INACT 1311 AT		NO ACT	
			002115689	404800J		01	FAN REPL GATE		NO ACT	
			005250392	FACTORY	RPQ	01	PERMIT AD CHL		NO ACT	
			002112876	490423	RPQ	01	2ND PAPER PCH		NO ACT	
			002133505	FACTORY		01	PT W/O 1621		NO ACT	
			002112940	490516	RPQ	01	ATT 1980 001		NO ACT	
			002113031	490529	RPQ	01	COLOR CONTROL		NO ACT	
			002134145	490377E	RPQ	01	COMPT 1311 SW		NO ACT	
			002113219	490335C	RPQ	01	METER COMPAT		NO ACT	
			002112890	490448	RPQ	01	DISK STR CONT		NO ACT	
			002107437	490368B	RPQ	01	DISK STR CONT		NO ACT	
			002133844	FACTORY		01	1311 ATT COMP		NO ACT	
			002133845	FACTORY		01	1311 ATT COMP		NO ACT	
			* 002165308	412514		01	DIAG TEST		TOINST	not rec.
			002165295	404999		01	LOG CORR 1311		NO ACT	
			002165290	404980		01	IMP DIAG TEST		NO ACT	
			002113221	490557	RPQ	01	METER COMPAT		NO ACT	
			002112997	490512	RPQ	01	PT PCH 5/8 C		NO ACT	
			002112883	490391A	RPQ	01	PT CODE PCH		NO ACT	
			002113225	490629	RPQ	01	REM RPQ EX LC		NO ACT	
			002112993	490396A	RPQ	01	CORE STR ADDL		NO ACT	
			002113146	490387	RPQ	01	1311 COMPAT		NO ACT	
			002113333	490648	RPQ	01	QUICK DISCON		NO ACT	
			002113129	490663		01	COMP DISK STR		NO ACT	
			002134269	404986		01	1311 W/1443		NO ACT	
			002112844	490463	RPQ	01	READ 63 CHAR		NO ACT	
			002113193	490600	RPQ	01	METER COMPAT		NO ACT	
			002113210	490600	RPQ	01	METER COMPAT		NO ACT	
			002113313	490642	RPQ	01	ADDL INST BR		NO ACT	
			002113318	490642	RPQ	01	CRIPPLE RPQ		NO ACT	
			002113382	491649	RPQ	01	COMPAT 1443		NO ACT	

MACH MOD SUF SERIAL CPU MOD SUF SERIAL SYSTM CUST # BROFF SHIP INSTL ST FACTRY # NAME

1620 001 00F 011093 0 14547 18000 H2 03 AETNA IN

MACH MOD SUF BILL # EC # CEM# QT DESCRIPTION DATE STATUS CRD #

MACH	MOD	SUF	BILL #	EC #	CEM#	QT	DESCRIPTION	DATE	STATUS	CRD #
1620	001	00F	002107473	490396A	RPQ	01	CHG TO 2ND 23		NO ACT	
			002107438	490400E	RPQ	01	FIRST 7330		NO ACT	
			002107400	490400E	RPQ	01	T C U		NO ACT	
			002113134	490594	RPQ	01	ITC FLAG REC		NO ACT	
			002113026	490470	RPQ	01	FLG INSERT AD		NO ACT	
			002112983	490495	RPQ	01	NUMERIC BLKS		NO ACT	
			002112939	490434	RPQ	01	RD CHK BYPASS		NO ACT	
			002112951	490472	RPQ	01	PT READ SINGL		NO ACT	
			002165276	404961A		01	LOG DR SLIDE		NO ACT	
			002147176	470105B	RPQ	01	OP 58 LINE		NO ACT	
			002165315	412530		01	IMP DT W/1621		TOINST	} paper tape dia
			002165317	412530		01	IMP DT W/1621		TOINST	
			002134273	404992		01	REM 1626 PLTR		NO ACT	
			002113444	490473	RPQ	01	INS PTP 8 CHL		NO ACT	
			002113069	490471A	RPQ	01	INS PTR 8 CHL		NO ACT	
			002165311	412519		01	INS DSP IMP		TOINST	} not rec.
			002165316	412530		01	IMP DT W01621		TOINST	
			002165312	412524		0J	PRINT CHK COR		TOINST	
			002165312	412524		01	PRINT CHK COR		NO ACT	

NO ACTION\*TO INSTAL\*TO REMOVE\*NOT HAVE \* FACTORY \* FIELD \*OPTION IN\*INACTIVE \*CANCELLED\*IN PROCES\*

177

27

10

19

162000100H011940

7

LOGIC PAGE TITLE OR FUNCTION	PAGE NO.	PART NO.	D/A NO.	E/C NO.
AC POWER DISTRIBUTION	01.90.10.1	2129206	0E05000	404650C
AC REGULATORS & DC SUPPLIERS	01.90.20.1	2129207	0E05000	404650C
ADD SUB COMP	01.60.22.1	2129119	0F01000	404750C
ADD SUB COMP FM 1/2 TRS	01.63.30.1	2129155	0F01000	404750C
ADD SUB COMP SET/CLR FLAG	01.60.20.1	2129118	0E05000	404650C
ADD SUB COMP TR NO 11	01.60.11.1	2129114	0F00000	404750C
ADD SUB COMP TR NO 12	01.60.12.1	2129115	0F00000	404750C
ADD SUB COMP TR NO 14	01.60.14.1	2129117	0F01000	404750C
AM TIMING PULSE TRANSMISSION	01.41.03.1	2125870	0F00000	404750C
ARRAY DRIVE HALF SELECT	01.30.06.1	2125549	0F01000	404750C
BIPASS CARRY SW TO MAR UNITS	01.60.38.1	2129127	0F01000	404750C
BIPASS INCREMENT SWITCH POINT	01.55.02.1	2129049	0F01000	404750C
BIT CORRECTOR FROM MDR	01.45.50.1	2129040	0F01000	404750C
BRANCH BACK CONTROLS	01.60.50.1	2129132	0F00000	404750C
BRANCH TGR GATES	01.25.40.1	2128995	0E05000	404650C
BRANCH TRIGGER	01.25.35.1	2128994	0F01000	404750C
BSA BRANCH TR NO 18	01.60.48.1	2129130	0E05000	404650C
BUS & 48V GATE C	01.00.33.1	2128924	0F01000	404750C
BYPASS MARS INC FP	01.55.02.2	2153106	0F01000	404750C
C BIT CORRECTORS MBR ODD EVEN BUS	01.40.50.1	2129032	0E11000	404673
C E PANEL-WIRING SIDE	01.05.50.1	2129235	0F01000	404750C
CABLE CONNECTIONS	01.00.25.1	2128920	0F01000	404750C
CAM CHART	01.00.36.1	2128926	0E05000	404650C
CARD SCHEMATIC	01.90.22.1	2125934		404683B
CARD SCHEMATIC	01.90.23.1	2125935		404683B
CARD SCHEMATIC	01.90.24.1	2125936		404683B
CARD SCHEMATIC	01.90.25.1	2125937		404683B
CARD SCHEMATIC	01.90.26.1	2125938		404683B
CARRY	01.60.36.1	2129126	0F01000	404750C
CARRY IN/OUT TGRS	01.63.40.1	2129156	0F00000	404750C
CE BOX DISPLAY LAMPS	01.05.60.1	2132490	0F01000	404750C
CE SWITCH TRANSMISSION	01.41.01.1	2125869	0E05000	404650C
CHANGE MODE	01.68.00.1	2153155	0F00000	404750C
CIRCUIT BREAKER TIMING CHART-GATE C	01.00.36.1	2128926	0E05000	404650C
CLOCK C1C2	01.10.06.1	2128952	0F00000	404750C
CLOCK C3C4	01.10.07.1	2128953	0F00000	404750C
CLOCK C5C6	01.10.08.1	2128954	0E05000	404650C
CLOCK C7C8	01.10.09.1	2128955	0F00000	404750C
CLOCK C9C10	01.10.10.1	2128956	0F00000	404750C
CLOCK OSC & CONTROL	01.10.05.1	2128951	0F01000	404750C
CON CNTRL INS EXEC INS 1-2/CTRL	01.06.20.1	2128946	0F00000	404750C
CONDITION SEL AND GATE CTRL	01.80.10.1	2129166	0E05000	404650C
CONDITIONAL BR TEST	01.25.25.1	2128992	0F01000	404750C
CONNECTOR REF SHEET GATE D	01.00.24.1	2129221	0F01000	404750C
CONNECTOR REFERENCE SHEET GATE A	01.00.21.1	2128917	0F01000	404750C
CONNECTOR REFERENCE SHEET GATE B	01.00.22.1	2128918	0F01000	404750C
CONNECTOR REFERENCE SHEET GATE D	01.00.24.1	2128221	0E05000	404650C
CONS CNTRL SAVE	01.06.15.1	2128945	0F01000	404750C
CONS CNTRL STP EXEC STP 1/2 TGRS	01.06.10.1	2128943	0F00000	404750C
CONS CNTRL STRT EXEC STRT/CTRL TGR	01.06.05.1	2128942	0E14000	404707-
CONSOLE CONTROL LAMPS	01.05.10.1	2128935	0E05000	404650C
CONSOLE CONTROL LAMPS	01.00.91.1	2129287	0E05000	404650C
CONSOLE CONTROL MANUAL RESET	01.06.01.1	2128939	0F01000	404750C
CONSOLE CONTROL MANUAL RESET	01.06.02.1	2128940	0F00000	404750C
CONSOLE CONTROL MANUAL RESET	01.06.03.1	2128941	0F00000	404750C
CONSOLE CTRL STP EXEC STP 1/2 TGRS	01.06.11.1	2129248	0F01000	404750C
CONSOLE LAYOUT	01.00.90.1	2129219	0F01000	404750C
CONSOLE SWITCHES	01.05.01.1	2128931	0F01000	404750C
CONSOLE SWITCHES	01.05.02.1	2128932	0E05000	404650C
CONSOLE SWITCHES	01.05.03.1	2128933	0E05000	404650C
CONSOLE SWITCHES	01.05.05.1	2128934	0F01000	404750C
CONSOLE SWITCHES	01.00.91.1	2129287	0E05000	404650C
CONTROL TRIGGERS	01.16.10.1	2127772	0E05000	404650C
CYC MULT TR 39 RD OUT ACC DIGIT	01.62.39.1	2129146	0F00000	404750C
DATA CHECK TEST	01.25.30.1	2128993	0F00000	404750C
DATAFLOW SCHEMATIC	00.00.05.1	2129243	0E05000	404650C
DATAFLOW SCHEMATIC	00.00.10.1	2129244	0E05000	404650C
DATAFLOW SCHEMATIC	00.00.11.1	2129245	0E05000	404650C
DATAFLOW SCHEMATIC	00.00.12.1	2129246	0E05000	404650C
DATAFLOW SCHEMATIC	00.00.13.1	2129247	0E05000	404650C
DC DISTRIBUTION	01.90.30.1	2129209	0F01000	404750C
DC SUPPLIERS	01.90.21.1	2129208	0E05000	404650C
DC SUPPLIERS & AC REGULATORS	01.90.20.1	2129207	0E05000	404650C
DEC REG TENS 1-4 NO OP CTRL SEL	01.20.14.1	2128980	0F01000	404750C
DECODER REG UNITS	01.20.13.1	2128979	0F00000	404750C
DECREMENT 2 SWITCH UNITS	01.16.05.1	2127771	0F00000	404750C
DIG REG UNITS TENS GT PNT TO MARS	01.55.01.1	2129048	0F00000	404750C
DIGIT 1 RECORD MARK TGR	01.63.50.1	2129157	0F01000	404750C
DIGIT/BRANCH REG SET/RESET CONTROL	01.50.05.1	2129043	0F01000	404750C
DIGIT/BRANCH REG TENS C.8.4 BITS	01.50.17.1	2129046	0F01000	404750C
DIGIT/BRANCH REG TENS 2.1. BITS	01.50.19.1	2129047	0E05000	404650C
DIGIT/BRANCH REG UNITS C.8.4 BITS	01.50.07.1	2129044	0F01000	404750C
DIGIT/BRANCH REG UNITS 2.1. BITS	01.50.09.1	2129045	0F01000	404750C
DIODE T B & RC UNITS GATE C	01.00.35.1	2128925	0F01000	404750C
DISCONNECT CONTROL	01.80.20.1	2129167	0E08000	404698
DISPLAY ADDRESS	01.06.30.1	2128948	0F01000	404750C
DIVIDE FLAG CONTROL	01.65.06.1	2129230	0F01000	404750C
DIVIDE MODE	01.67.40.1	2153152	0F01000	404750C
DIVIDE OPTION OP DECODE	01.20.18.1	2129225	0F01000	404750C
DIV-ADD	01.65.04.1	2129233	0F00000	404750C
DUMMY TGR NO 19	01.60.49.1	2129131	0F01000	404750C
DUMMY TRIG NO 21	01.60.31.1	2129123	0F01000	404750C
EDGE CONNECTORS GATES A & B	01.00.20.1	2128916	0F01000	404750C
EQUAL/ZERO TGR	01.60.41.1	2129272	0F01000	404750C
EXEC CYL	01.60.08.1	2129113	0F01000	404750C
EXECUTE TRIGGERS 24 25	01.68.24.1	2153157	0F01000	404750C
EXPONENT CHECK INDICATOR LATCH	01.68.90.1	2153162	0F01000	404750C
EXPONENT MODIFY REQUIRED	01.68.44.1	2153160	0F01000	404750C
EXPONENT UNDERFLOW LATCH	01.68.85.1	2153161	0F01000	404750C
FALSE TRANSMIT MODE	01.67.20.1	2153147	0F01000	404750C
FALSE XMIT CONTROLS	01.67.21.1	2153148	0F01000	404750C
FIRST DIV CYC LAST DIV CYC	01.65.02.1	2129228	0E05000	404650C
FLOATING POINT EXIT	01.67.90.1	2153154	0F01000	404750C
FM TRIG DIVIDE CTRL	01.63.31.1	2129226	0F01000	404750C
FP MAR ZERO DECODE	01.57.40.1	2153112	0F01000	404750C

## 2128900 SYSTEM DIAGRAMS INDEX - 1620 F SUFFIX - E/C 404750C

LOGIC PAGE TITLE OR FUNCTION	PAGE NO.	PART NO.	D/A NO.	E/C NO.
FP MARS READ WRITE DRIVERS	01.56.36.1	2153111	OF00000	404750C
FP RESET	01.69.90.1	2153163	OF00000	404750C
FP TIMING PULSE GENERATION	01.10.35.1	2153100	OF01000	404750C
FP TIMING PULSE POWERING	01.10.36.1	2153101	OF00000	404750C
FRACTION COMPARE	01.67.10.1	2153146	OF01000	404750C
FUSE PANEL LO & PWR SPLY SEQUENCE	01.00.80.1	2128929	OE05000	404650C
FUSE RELAY&EDGE CONNECTOR CHART PS	01.00.81.1	2128930	OE05000	404650C
GATE C	01.00.23.1	2128919	OE05000	404650C
GATE C 648V BUS	01.00.33.1	2128924	OF01000	404750C
GATE C RELAY CHART	01.00.31.1	2128921	OE05000	404650C
GATE C RELAY CHART	01.00.31.2	2128922	OE05000	404650C
GATE C TB DIODE & RC UNITS	01.00.35.1	2128925	OF01000	404750C
GROUND RETURNS	01.90.35.1	2129210	OE05000	404650C
HI ORDER ZERO CONTROL	01.68.40.1	2153158	OF01000	404750C
I CYCLE 6 TR NO 5	01.15.16.1	2128972	OE05000	404650C
I CYCLE TR NO 4	01.15.14.1	2128970	OF00000	404750C
I CYCLE TR NO 7	01.15.17.1	2128973	OE05000	404650C
I CYCLE TR NO 8	01.15.18.1	2128974	OF01000	404750C
I CYCLE TRIG	01.15.10.1	2128966	OF01000	404750C
I CYCLE TRIG NO 2	01.15.12.1	2128968	OF00000	404750C
I CYCLE TRIG NO 3	01.15.13.1	2128969	OF00000	404750C
I CYCLE TRIG S NO 1	01.15.11.1	2128967	OE06000	404650G
I TIMER TR NO 5	01.15.15.1	2128971	OE05000	404650C
IA DIGIT REG CONTROL	01.16.13.1	2127775	OF05000	404650C
IA MARS CONTROL	01.16.12.1	2127774	OF00000	404750C
IA TRIGGER CONTROL	01.16.11.1	2127773	OE05000	404650C
INCREMENT DECREMENT TRIGGER	01.60.05.1	2129112	OF01000	404750C
INDIRECT ADDRESS EXECUTE TRIGS	01.16.20.1	2127776	OF00000	404750C
INDIRECT ADDRESS EXECUTE TRGS	01.16.21.1	2127777	OE05000	404650C
INDIRECT ADDRESS EXECUTE TRGS	01.16.22.1	2127778	OE05000	404650C
INHIBIT CONTROL EVEN PLANES	01.30.65.1	2129017	OF00000	404750C
INHIBIT CONTROL ODD PLANES	01.30.60.1	2129016	OE05000	404650C
INHIBIT DRIVERS	01.30.80.1	2129020	OE05000	404650C
INPUT TRANSLATOR	01.81.40.1	2129178	OE05000	404650C
INPUT TRANSLATOR C 8 F BIT	01.81.30.1	2129175	OF01000	404750C
INPUT TRANSLATOR ZONES	01.81.41.1	2129175	OE05000	404650C
INSTRUCTION CYCLE ENTRY POINT	01.15.05.1	2128965	OF00000	404750C
INTEGRATING CIRCUITS LAYOUT	01.00.40.1	2128927	OF01000	404750C
INTERCHANGEABLE SMS CARDS	01.00.05.1	2129259	OF01000	404750C
IR NO 1 READ WRITE DR GATE POINT	01.56.10.1	2129074	OE05000	404650C
IR NO 2 READ WRIT DR GATE POINT	01.56.12.1	2129075	OE05000	404650C
I/O CONTROL	01.64.12.1	2129160	OF00000	404750C
I/O CONTROL R/W CALL 19999 STOP TGRS	01.64.14.1	2129162	OF00000	404750C
I/O CONTROL SYNC/10 EXIT TGRS	01.64.13.1	2129161	OF01000	404750C
I/O CONTROL TGR 31	01.64.11.1	2129159	OE05000	404650C
I/O CONTROL TGR 30	01.64.10.1	2129158	OF00000	404750C
I/O READ CODE CHECK	01.81.20.1	2129173	OE05000	404650C
I/O WR CODE CHECK	01.82.30.1	2129189	OF00000	404750C
KEYBOARD CONTROL	01.81.10.1	2129170	OF00000	404750C
LAMPS 137-202	01.05.17.1	2128938	OF01000	404750C
LAMPS 1-68	01.05.15.1	2128936	OF01000	404750C
LAMPS 69-136	01.05.16.1	2128937	OF01000	404750C
LAMPS-CONSOLE CONTROL	01.05.10.1	2128935	OE05000	404650C
LAMPS-CONSOLE CONTROL	01.00.91.1	2129287	OE05000	404650C
LOAD DIVIDEND AND DIV ENTRY CONTROLS	01.67.32.1	2153151	OF01000	404750C
LOAD DIVIDEND CONTROL	01.65.01.1	2129227	OE05000	404650C
LOAD DIVIDEND ENTRY CONTROLS	01.67.31.1	2153150	OF01000	404750C
LOAD DIVIDEND MODE	01.67.30.1	2153149	OF01000	404750C
MAR ADDR DATA ENTRY INCREMENT 2 SW	01.55.03.1	2129050	OF00000	404750C
MAR DATA TRANSMISSION	01.41.04.1	2125871	OF00000	404750C
MAR FIXED ADDRESS SET CONTROL	01.59.10.1	2129109	OF01000	404750C
MAR FIXED ADDRESS SET CONTROL	01.59.15.1	2129110	OF01000	404750C
MAR TENS TO DB REG UNITS GATE PT	01.53.12.1	2153105	OF00000	404750C
MAR UNITS TO DB REG UNITS GATE PT	01.53.10.1	2153104	OF00000	404750C
MAR VRC UNITS TENS HUND THOU	01.58.05.1	2129104	OE05000	404650C
MARS	01.56.40.1	2129086	OF01000	404750C
MARS ADDR ENTRY TENS 12 BIT	01.55.19.1	2129056	OE05000	404650C
MARS ADDRESS ENTRY 10 THOU POS	01.55.45.1	2129063	OF01000	404750C
MARS ADDRESS ENTRY 10 THOU 24 BIT	01.55.49.1	2125876	OE05000	404650C
MARS ADDRESS ENTRY HUND C BIT	01.55.25.1	2129057	OF00000	404750C
MARS ADDRESS ENTRY HUND 48 BIT	01.55.26.1	2129058	OE05000	404650C
MARS ADDRESS ENTRY HUND 12 BIT	01.55.29.1	2129059	OE05000	404650C
MARS ADDRESS ENTRY TENS C BIT 50 TG	01.55.15.1	2129054	OF00000	404750C
MARS ADDRESS ENTRY TENS 48 BITS	01.55.16.1	2129055	OE05000	404650C
MARS ADDRESS ENTRY THOU C BIT	01.55.35.1	2129060	OF01000	404750C
MARS ADDRESS ENTRY THOU 48 BIT	01.55.36.1	2129061	OE05000	404650C
MARS ADDRESS ENTRY THOU 12 BIT	01.55.39.1	2129062	OE05000	404650C
MARS ADDRESS ENTRY UNITS C	01.55.05.1	2129051	OF00000	404750C
MARS ADDRESS ENTRY UNITS 48 BIT	01.55.06.1	2129052	OF00000	404750C
MARS ADDRESS ENTRY UNITS 12 BIT	01.55.09.1	2129053	OF00000	404750C
MARS BIT DRIVERS HUNDREDS POS	01.55.57.1	2129066	OE05000	404650C
MARS BIT DRIVERS TENS POS	01.55.56.1	2129065	OF00000	404750C
MARS BIT DRIVERS TEN THOU POS	01.55.59.1	2129068	OE05000	404650C
MARS BIT DRIVERS THOUSANDS POS	01.55.58.1	2129067	OE05000	404650C
MARS BIT DRIVERS UNIT AND C BIT POS	01.55.55.1	2129064	OF00000	404750C
MARS READ DRIVERS	01.56.30.1	2129082	OE05000	404650C
MARS SENSE AMP 1 TGH POS	01.57.01.1	2129090	OE05000	404650C
MARS SENSE AMP H TH TTHUDS POS	01.57.03.1	2129091	OE05000	404650C
MARS WRITE DRIVER	01.56.35.1	2129084	OF00000	404750C
MARS-BIT DR & SENSE WINDING PINS	01.55.60.1	2129070	OE05000	404650C
MARS-BIT DR & SENSE WINDING PINS	01.55.61.1	2129071	OE05000	404650C
MARS-RD & WR DRIVE WINDING PINS	01.56.41.1	2129087	OF01000	404750C
MATRIX SW A UNITS TENS OUTPUTS	01.30.01.1	2125543	OE05000	404650C
MATRIX SW D HUN THOU OUTPUTS	01.30.03.1	2125545	OE05000	404650C
MATRIX SW D HUN THOU INPUTS	01.30.04.1	2125546	OE05000	404650C
MATRIX SWITCH A UNITS-TENS INPUTS	01.30.02.1	2125544	OE05000	404650C
MBR RESET CONTROL TRANS	01.41.05.1	2125872	OE05000	404650C
MBR VRC EVEN	01.40.20.1	2129031	OE05000	404650C
MBR VRC ODD	01.40.10.1	2129027	OE05000	404650C
MBR VRC TTH AND VRC TRIGGER	01.58.09.1	2129108	OE05000	404650C
MBR WRITE SAMPLE CONTROL	01.40.05.1	2129023	OF00000	404750C
MDR MBR 10 INPUT DATA SET CONTROL	01.47.10.1	2129042	OF01000	404750C

2128900 SYSTEM DIAGRAMS INDEX - 1620 F SUFFIX - E/C 404750C

LOGIC PAGE TITLE OR FUNCTION	PAGE NO.	PART NO.	D/A NO.	E/C NO.
MDR TO MBR TRANSMISSION	01.41.15.1	2125873	0E06000	404650G
MDR TRANSFER TO MBR CONTROL	01.46.10.1	2129041	0F01000	404750C
MEMORO MAT SWITCH 1 DRIVERS	01.30.10.1	2129003	0E18000	404753
MEMORY ADDRESS REG 10 THOU C 21 BIT	01.57.30.1	2129103	0F00000	404750C
MEMORY ADDRESS REG HUND C 8 BIT	01.57.20.1	2129098	0F01000	404750C
MEMORY ADDRESS REG HUND 42 BIT	01.57.22.1	2129099	0E05000	404650C
MEMORY ADDRESS REG TENS 84 BIT	01.57.16.1	2129096	0F00000	404750C
MEMORY ADDRESS REG TEN 21 BIT	01.57.18.1	2129097	0F00000	404750C
MEMORY ADDRESS REG THOU 84 BIT	01.57.26.1	2129101	0E05000	404650C
MEMORY ADDRESS REG THOU 21 BIT	01.57.28.1	2129102	0E05000	404650C
MEMORY ADDRESS REG UNITS 42 BITS	01.57.07.1	2129094	0F01000	404750C
MEMORY ADDRESS REG UNIT 1 TEN C BIT	01.57.09.1	2129095	0F00000	404750C
MEMORY ADDRESS UNITS C 8 BIT	01.57.05.1	2129093	0F01000	404750C
MEMORY ARRAY INHIBIT WINDING	01.30.07.1	2129002	0E05000	404650C
MEMORY ARRAY SENSE WINDING OP	01.30.08.1	2129220	0E05000	404650C
MEMORY ARRAY-SIDE A UN TEN-10 THOU PL	01.30.05.1	2125547	0E05000	404650C
MEMORY ARRAY-SIDE D HUN THOU PL	01.30.05.2	2125548	0E05000	404650C
MEMORY BUFFER REG EVEN C F BITS	01.40.17.1	2129028	0E05000	404650C
MEMORY BUFFER REG EVEN 84 BITS	01.40.18.1	2129029	0F01000	404750C
MEMORY BUFFER REG EVEN 21 BITS	01.40.19.1	2129030	0F01000	404750C
MEMORY BUFFER REG ODD C F BITS	01.40.07.1	2129024	0F01000	404750C
MEMORY BUFFER REG ODD 84 BITS	01.40.08.1	2129025	0E05000	404650C
MEMORY BUFFER REG ODD 21 BITS	01.40.09.1	2129026	0E05000	404650C
MEMORY DATA REG C F 8 BITS	01.45.05.1	2129034	0F01000	404750C
MEMORY DATA REG DISTRIBUTION CF BIT	01.45.15.1	2129036	0F00000	404750C
MEMORY DATA REG DISTRIBUTION 84 BIT	01.45.16.1	2129037	0E05000	404650C
MEMORY DATA REG DISTRIBUTION 21 BIT	01.45.17.1	2129038	0E05000	404650C
MEMORY DECODE SWITCH UNITS	01.30.16.1	2129005	0F00000	404750C
MEMORY DECODE SWITCH TENS	01.30.21.1	2129007	0F00000	404750C
MEMORY DECODE SWITCH HUND	01.30.26.1	2129009	0F00000	404750C
MEMORY DECODE SWITCH THOU	01.30.31.1	2129011	0F00000	404750C
MEMORY MARS CLOCK SAMPLES	01.10.30.1	2128964	0F00000	404750C
MEMORY SENSE AMP EV 1248CF1	01.30.50.1	2129015	0F01000	404750C
MEMORY SENSE AMP GATES	01.30.40.1	2129013	0E06000	404650G
MEMORY SENSE AMP ODD 1248C11	01.30.45.1	2129014	0F01000	404750C
MEMORY SENSE AMPLIFIER CONTROL	01.30.35.1	2129012	0F01000	404750C
MEMROY ADDRESS REG HUND 1 THOU C BIT	01.57.24.1	2129100	0F01000	404750C
MEMROY ADDRESS REG TEN THOU 4 BIT	01.57.32.1	2125877	0E05000	404650C
MEMROY DATA REG 421 BIT	01.45.07.1	2129035	0F00000	404750C
MI I/O TO MBR TRANSMISSION	01.41.16.1	2125874	0F00000	404750C
MI MEMORY BUFFER REGISTER TRANS	01.41.07.1	2125879	0F01000	404750C
MI MEMROY BUFFER REGISTER TRANS	01.41.17.1	2125875	0F01000	404750C
MINUS 12V DC AT 20 AMP	01.90.23.1	2125935		404683B
MODULO 3 COUNTER	01.68.10.1	2153156	0F01000	404750C
MOVE FLAG EXECUTION CONTROLS	01.60.62.1	2125903	0E05000	404650C
M/Q TO MDR GATES	01.65.08.1	2129231	0F01000	404750C
MULTIPLY CLEAR ACCUM TR 32	01.62.30.1	2129137	0F00000	404750C
MULT READ MULTIPLICAND DIG TGR 34	01.62.34.1	2129141	0E05000	404650C
MULTIPLE CYCLE CONTROL TR	01.62.31.1	2129138	0E05000	404650C
MULTIPLIER DOUBLER HUNDREDS	01.62.60.1	2129152	0F01000	404750C
MULTIPLIER DOUBLER UNITS	01.62.55.1	2129151	0F01000	404750C
MULTIPLIER READ MPR DIGIT TR 33	01.62.33.1	2129140	0E05000	404650C
MULTIPLIER/QUOTIENT REG C 84 BITS	01.62.50.1	2129149	0E05000	404650C
MULTIPLIER/QUOTIENT REGISTER 21 BIT	01.62.52.1	2129150	0F00000	404750C
NOISE CANCELLATION INDUCTORS	01.30.06.1	2125549	0F01000	404750C
NORMALIZING SHIFT RIGHT	01.68.42.1	2153159	0F01000	404750C
ODD EVEN ADDRESS DATA CONTROL	01.43.10.1	2129033	0F00000	404750C
OP DECODE OPS 01 02 03 09	01.20.16.1	2153102	0F01000	404750C
OP DECODE OPS 05 06 07 08	01.20.17.1	2153103	0F00000	404750C
OP DECODER CODES 42-49	01.20.42.1	2128985	0F00000	404750C
OP DECODER CODES 71-79	01.20.72.1	2125901	0E05000	404650C
OP REG UNITS 4 8 C BIT	01.20.07.1	2128975	0F00000	404750C
OP REGISTER UNITS 1 2 BIT	01.20.09.1	2128976	0F00000	404750C
OPERATION DECODER CODES 31-34	01.20.31.1	2128983	0E05000	404650C
OPERATION DECODER CODES 35-39	01.20.35.1	2128984	0E14000	404707-
OR 1 WRIT DRIVER GATE POINT	01.56.15.1	2129077	0F01000	404750C
OR 2 READ DRIVER GATE POINT	01.56.16.1	2129078	0F01000	404750C
OR 2 WRIT DRIVER GATE POINT	01.56.17.1	2129079	0F01000	404750C
OR 3 PR NOS 1 2 3 READ DRIVER GATE P	01.56.18.1	2129080	0F01000	404750C
OR 3 PR NOS 1 2 3 WRIT DRV GT POINT	01.56.19.1	2129081	0F01000	404750C
OR 4 OR 5 CR 1 READ DRVR	01.56.20.1	2153109	0F01000	404750C
OR 4 OR 5 CR 1 WR DRVR GT POINT	01.56.21.1	2153110	0F01000	404750C
ORDECODER CODES 11 TO 29	01.20.19.1	2128981	0F01000	404750C
ORMIXED OP CODES	01.20.20.1	2128982	0F01000	404750C
OUTPUT TRANSLATOR 84 21 BIT	01.82.20.3	2125909	0F00000	404750C
OUTPUT TRANSLATOR C BIT	01.82.20.1	2129186	0E05000	404650C
OUTPUT TRANSLATOR X 0 BIT	01.82.20.2	2125908	0F01000	404750C
OVERFLOW HIGH PLUS EQUAL ZERO TGRS	01.60.40.1	2129128	0F01000	404750C
PAPER TAPE READER CONTROL	01.83.10.1	2129202	0E05000	404650C
PLUS 12V DC AT 16 AMP	01.90.24.1	2125936		404683B
PLUS 30V DC AT 4 AMP	01.90.25.1	2125937		404683B
PLUS 48V DC AT 6 AMP	01.90.26.1	2125938		404683B
PLUS MINUS 36V DC AT 2 AMP	01.90.22.1	2125934		404683B
PLUS MINUS 3V DC 5 AMP MC SUPPLY	01.90.26.1	2125938		404683B
POWER SUPPLY SEQUENCING	01.90.40.1	2129211	0F01000	404750C
POWER SUPPLY SEQUENCING	01.90.42.1	2129222	0E05000	404650C
PR 1 PR 2 READ DRIVER GATE PT	01.56.18.2	2153107	0F01000	404750C
PROG TIMER ADD SUB COMP TR NO 13	01.60.13.1	2129116	0F00000	404750C
PROG TIMER ADD SUB COMP RECOMP/OP	01.60.24.1	2129120	0F01000	404750C
PROG TIMER ADD SUB COMP T/C TGR	01.63.20.1	2129154	0F01000	404750C
PROGRAM TIMER BT E CYCLE TR NO 15 16	01.60.45.1	2129129	0F01000	404750C
PUNCH CONTROL	01.84.10.1	2129204	0F00000	404750C
PUNCH DATA GATE	01.84.20.1	2129205	0E05000	404650C
PWR SPLY SEQUENCE & FUSE PANEL LO	01.00.80.1	2128929	0E05000	404650C
QUOTIENT COUNTER	01.65.07.1	2129242	0E05000	404650C
RC UNITS & T B DIODE GATE C	01.00.35.1	2128925	0F01000	404750C
READ BUS 21	01.81.15.3	2125931	0E05000	404650C
READ BUS 84	01.81.15.2	2125930	0E05000	404650C
READ BUS CXO	01.81.15.1	2129171	0F01000	404750C
READ CHECK AND WRITE CHECK	01.81.45.1	2129179	0F00000	404750C
READER DATA GATE	01.83.20.1	2129203	0E05000	404650C



## 2128900 SYSTEM DIAGRAMS INDEX - 1620 F SUFFIX - E/C 404750C

LOGIC PAGE TITLE OR FUNCTION	PAGE NO.	PART NO.	D/A NO.	E/C NO.
RECOMPLEMENT	01.60.28.1	2129122	OF01000	404750C
RECOMPLEMENT TGR 23	01.60.32.1	2129124	OF01000	404750C
REG 48 C BIT L TENS	01.20.10.1	2128977	OE05000	404650C
REG TENS 1 2 BIT	01.20.12.1	2128978	OF00000	404750C
RELAY CHART GATE C	01.00.31.1	2128921	OE05000	404650C
RELAY GATE GROUND BUS	01.00.32.1	2128923	OE05000	404650C
RESET AUX TRIGGERS	01.63.30.2	2153113	OF01000	404750C
RESET CONTROL MBR MDR	01.40.03.1	2129022	OF01000	404750C
RESPONSE & DISCONNECT	01.80.25.1	2129168	OE15000	404712
RESPONSE CONTROL	01.80.30.1	2129169	OF00000	404750C
SA&MBR GATES MI TRANSMISSION	01.41.06.1	2125878	OE06000	404650G
SELECT	01.80.05.1	2129163	OF00000	404750C
SENSE & BRANCH ERROR	01.06.12.1	2128944	OE05000	404650C
SENSE AND BRANCH DECODER	01.25.15.1	2128990	OF01000	404750C
SENSE BRANCH REG CONTROL	01.25.05.1	2128986	OF01000	404750C
SENSE SWITCH TEST	01.25.20.1	2128991	OE05000	404650C
SHIFT OPS ENTRY MODE	01.67.50.1	2153153	OF01000	404750C
SHOE CONNECTOR REFERENCE CHART	00.00.20.1	2129240	OE05000	404650C
SHOE CONNECTOR REFERENCE CHART	00.00.20.2	2125882	OE05000	404650C
SWITCHES-CONSOLE	01.05.03.1	2128933	OE05000	404650C
SWITCHES-CONSOLE	01.00.91.1	2129287	OE05000	404650C
SYSTEM DISTRIBUTION	01.90.32.1	2125881	OF01000	404750C
T B DIODE & RC UNITS GATE C	01.00.35.1	2128925	OF01000	404750C
T DIGIT FORCE CONTROLS	01.66.91.1	2153142	OF01000	404750C
T DIGIT FORCE DIGIT CONTROL	01.66.92.1	2153143	OF00000	404750C
T DIGIT FORCE MODE	01.66.90.1	2153141	OF01000	404750C
T EXP ADD MODE MARS CONTROL	01.66.12.1	2153116	OF01000	404750C
T EXPONENT ADD CONTROLS	01.66.11.1	2153115	OF00000	404750C
T EXPONENT ADD EXIT	01.66.19.1	2153117	OF01000	404750C
T EXPONENT ADD MODE	01.66.10.1	2153114	OF01000	404750C
T EXPONENT MODIFY CONTROLS	01.66.85.1	2153138	OF01000	404750C
T EXPONENT MODIFY ENTRY CONTRLS	01.66.82.1	2153136	OF00000	404750C
T EXPONENT MODIFY EXIT	01.66.81.1	2153135	OF01000	404750C
T EXPONENT MODIFY EXIT CONTROLS	01.66.87.1	2153139	OF01000	404750C
T EXPONENT MODIFY EXIT CONTROLS	01.66.88.1	2153140	OF01000	404750C
T EXPONENT MODIFY MODE	01.66.80.1	2153134	OF01000	404750C
T EXPONENT TRANSMIT CONTROLS	01.66.31.1	2153125	OF00000	404750C
T EXPONENT XMIT MODE	01.66.30.1	2153124	OF01000	404750C
T FP MULTIPLY MODE	01.67.00.1	2153144	OF01000	404750C
T FRACTION ADD EXIT	01.66.79.1	2153133	OF01000	404750C
T FRACTION ADD MODE	01.66.70.1	2153131	OF01000	404750C
T FRACTION ADD SIGN & WORD MARK CONT	01.66.71.1	2153132	OF01000	404750C
T HI PLUS AUXILIARY	01.66.83.1	2153137	OF01000	404750C
T MULTIPLY MODE CONTROLS	01.67.01.1	2153145	OF00000	404750C
T RESULT TRANSMIT MODE	01.66.40.1	2153126	OF01000	404750C
T SCAN MODE	01.66.20.1	2153118	OF01000	404750C
T SCAN MODE CONTROLS	01.66.21.1	2153119	OF00000	404750C
T SCAN MODE CONTROLS	01.66.22.1	2153120	OF01000	404750C
T SCAN MODE CONTROLS	01.66.23.1	2153121	OF01000	404750C
T SCAN MODE CONTROLS	01.66.24.1	2153122	OF01000	404750C
T SCAN MODE INC/DEC CONTROL	01.66.25.1	2153123	OF01000	404750C
T SHIFT AND ZERO FILL CONTROLS	01.66.51.1	2153128	OF01000	404750C
T SHIFT MODE	01.66.50.1	2153127	OF01000	404750C
T ZERO FILL CONTROLS	01.66.61.1	2153130	OF01000	404750C
T ZERO FILL MODE	01.66.60.1	2153129	OF01000	404750C
TI SF CF BNR BD NO CPTR NO 28	01.60.58.1	2129135	OF00000	404750C
TIM MULT TR NO 38 WR SUM DIGIT ACC	01.62.38.1	2129145	OF00000	404750C
TIME MULT RD OUT ACC DIG TGR 36	01.62.36.1	2129143	OF00000	404750C
TIME MULT RD OUT PR FR MULT TB TG 35	01.62.35.1	2129142	OE05000	404650C
TIMER ADD SUB COMP 1ST CYC TGR	01.63.10.1	2129153	OF00000	404750C
TIMER MULTIPLY READ OUT ADD TABLE	01.62.37.1	2129144	OE05000	404650C
TIMER SF CF BNF BNR BD TGR 29	01.60.59.1	2129136	OF01000	404750C
TIMER TR 26 27 28 29 CONTROL	01.60.56.1	2129133	OF01000	404750C
TIMER TRANSMIT OPERATIONS TR 26 27	01.60.57.1	2129134	OF00000	404750C
TIMING CHART	01.10.00.2	2128950	OE05000	404650C
TIMING CHART-TRIGGER OUTPUTS-CLOCK	01.10.00.1	2128949	OF01000	404750C
TIMING SAMPLE GENERATION A/B TGR	01.10.12.1	2128957	OF00000	404750C
TIMING SAMPLE GENERATION	01.10.15.1	2128958	OF01000	404750C
TIMING SAMPLE GENERATION	01.10.22.1	2128961	OF00000	404750C
TIMING SAMPLE GENERATION	01.10.25.1	2128962	OF01000	404750C
TIMING SAMPLE GENERATION	01.10.26.1	2128963	OF01000	404750C
TIMR MULT TR 40 RDOU ADD TABLE	01.62.40.1	2129147	OE05000	404650C
TIMR MULT WR SUM DIG INTO ACC T41	01.62.41.1	2129148	OE05000	404650C
TNS TNF CONTROLS	01.60.54.1	212902	OF01000	404750C
TRIG 42 44 CTRL	01.65.09.1	2129232	OF00000	404750C
TRIGGERS 42 AND 43	01.65.05.1	2129234	OF00000	404750C
TRIGGERS 44&45	01.65.03.1	2129229	OF01000	404750C
TRUE COMP SW DIGIT 1 DIGIT	01.60.34.1	2129125	OF01000	404750C
TYPEWRITER BIT RELAYS	01.82.75.1	2129197	OF01000	404750C
TYPEWRITER CAM CONTACTS&CODING	01.81.60.1	2129182	OF01000	404750C
TYPEWRITER CAM CONTACTS&CODING	01.81.62.1	2129183	OF01000	404750C
TYPEWRITER CAM CONTACTS&CODING	01.81.64.1	2129184	OF01000	404750C
TYPEWRITER CONTROLS	01.82.70.1	2129195	OF01000	404750C
TYPEWRITER CONTROLS	01.82.72.1	2129196	OF01000	404750C
TYPEWRITER KEY MAGNETS	01.82.80.1	2129198	OF01000	404750C
TYPEWRITER KEY MAGNETS	01.82.82.1	2129199	OE05000	404650C
TYPEWRITER KEY MAGNETS	01.82.84.1	2129200	OE05000	404650C
TYPEWRITER KEY MAGNETS	01.82.86.1	2129201	OE05000	404650C
TYPEWRITER OPERATIONAL CONTROL	01.82.60.1	2129193	OF01000	404750C
TYPEWRITER OPERATIONAL CONTROL	01.82.62.1	2129194	OE05000	404650C
TYPEWRITER OUPUT & CHECK	01.81.55.1	2129181	OF01000	404750C
TYPEWRITER OUTPUT SIGNALS	01.81.50.1	2129180	OF01000	404750C
TYPEWRITER THYRATHRONS	01.82.52.1	2129192	OE05000	404650C
UNIT PLUGGING CHART A1	01.00.10.1	2128901	OF01000	404750C
UNIT PLUGGING CHART A2	01.00.11.1	2128903	OF01000	404750C
UNIT PLUGGING CHART B1	01.00.12.1	2128905	OF01000	404750C

2128900 SYSTEM DIAGRAMS INDEX - 1620 F SUFFIX - E/C 404750C

LOGIC PAGE TITLE OR FUNCTION	PAGE NO.	PART NO.	D/A NO.	E/C NO.
UNIT PLUGGING CHART B2	01.00.13.1	2128907	OF01000	404750C
UNIT PLUGGING CHART D1	01.00.14.1	2128909	OF01000	404750C
VOLTAGE DISTRIBUTION PANEL A1	01.00.15.1	2128911	OF01000	404750C
VOLTAGE DISTRIBUTION PANEL A2	01.00.16.1	2128912	OF01000	404750C
VOLTAGE DISTRIBUTION PANEL B1	01.00.17.1	2128913	OF01000	404750C
VOLTAGE DISTRIBUTION PANEL B2	01.00.18.1	2128914	OF01000	404750C
VOLTAGE DISTRIBUTION PANEL D	01.00.19.1	2128915	OF01000	404750C
VOLTAGE SENSE RELAYS & METERING	01.90.45.1	2129212	OF01000	404750C
VRC CNTRL TRIG FOR MBR MDR MAR	01.45.30.1	2129039	OE05000	404650C
3R NO 1 READ DRIVER GATE POINT	01.56.14.1	2129076	OF01000	404750C

2128900 SYSTEM DIAGRAMS INDEX - 1620 F SUFFIX - E/C 404750C  
CARD ASM SCHEMATICS

CARD & CAP CODE - FUNCTION	PAGE NO.	PART NO.	E/C NO.
12 VOLT DIFF AMPLIFIER	C.00.75.1	2125695	404683
30 VOLT DIFF AMPLIFIER	C.00.77.1	2125696	404683
CARD SCHEMATIC	C.00.77.1	2125696	404683
CARD SCHEMATIC	C.00.71.1	2125693	404683
CARD SCHEMATIC	C.00.75.1	2125695	404683
OVERVOLTAGE PROTECTION 12 VOLT	C.00.71.1	2125693	404683
OVERVOLTAGE PROTECTION 36 VOLT	C.00.71.1	2125693	404683
ACY ALLOY-CURRENT SOURCE	C.00.03.1	2125945	404659
AFB ALLOY RESISTOR CARD, 3 WATT	C.00.05.1	2129271	404702
AFR CTRL LIGHT DRIVER N TYPE	C.00.05.1	2129271	404702
AHK- CTRL-INVERTER N 2 WAY EXTDR	C.00.04.1	2125960	404659
AHS ALLOY CLUTCH MAGNET DRVR	C.00.07.1	2125946	404659
AHT ALLOY PUNCH MAGNET DRVR	C.00.07.1	2125946	404659
AHU CTRL PNP EXCLUSIVE OR	C.00.08.1	2125947	404659
ALY ALLOY CURRENT SOURCE	C.00.30.1	2129277	404659
CAB CTRL-INVERTERS N TYPE UNLD COL	C.00.10.1	2129273	404659
CAU- CTRL MUP-15	C.00.12.1	2125897	404659
CBW CTRL-EMITTER FOLLOWERS, LOW CUR	C.00.42.1	2129286	404659
CD CTRL-INVERTERS N TYPE	C.00.10.1	2129273	404659
CE CTRL-EMITTER FOLLOWER PNP	C.00.15.1	2129274	404659
DAR SDTRL-DRVR, LOW PWR-10 MA NON-IN	C.00.15.1	2129274	404659
DAT SDTRL-INVERTING, HEAVY PWR DRVR	C.00.17.1	2125948	404659
DAW SDTRL-INVERTER, 3 WAY, UNLD COL	C.00.20.1	2129275	404659
DAX SDTRL-INVERTER, 2 WAY UNLD COL	C.00.20.1	2129275	404659
DBU DRIFT LOGIC DRIVEN DL	C.00.22.1	2125949	404659
DED SDTRL-STANDARD CABLE DRIVER	C.00.23.1	2125950	404659
DEE SDTRL STANDARD CABLE TER GATED	C.00.23.1	2125950	404659
DFA SDTRL MUP NUMBER 12	C.00.24.1	2125951	404659
DFD SDTRL MUP NUMBER 15	C.00.24.1	2125951	404659
FL ALLOY-SWITCH, DECODER	C.00.25.1	2129276	404659
FM ALLOY-DRIVER, CURRENT	C.00.25.1	2129276	404659
FP ALLOY-LOAD RESISTOR	C.00.30.1	2129277	404659
FS ALLOY-CURRENT SOURCE	C.00.30.1	2129277	404659
MH CTRL-INVERTER, POWER-PNP	C.00.35.1	2129278	404659
MX CTRL-INVERTER N 2 WAY	C.00.35.1	2129278	404659
NN CTDL-SENSE AMPLIFIER, BUFFER	C.00.40.1	2129279	404659
NP CTRL-DRIVER, RELAY THYRATRON V.M	C.00.40.1	2129279	404659
PF CTRL-DRIVERS, VM, LIGHT OR RELAY	C.00.41.1	2125952	404659
PG CONTROL-SELECTOR, BRAKE OR CL	C.00.42.1	2129286	404659
PH CTRL-EMITTER FOLLOWERS, LOW CUR	C.00.42.1	2129286	404659
PJ CONTROL-DRIVERS, BRAKE AND CL	C.00.43.1	2129285	404659
PK CONTROL-LOCK CIRCUIT-PHOTOSENSE	C.00.43.1	2129285	404659
RE ALLOY-TERMOSWITCH N/C 122F	C.00.45.1	2129280	404659
TAB- SDTRL 93 OHM COAX LINE DRVR-DL	C.00.46.1	2125961	404659
TAF SDTRL-OSCILLATOR, ONE MC	C.00.50.1	2129281	404659
TAG SDTRL-2 WAY INVERTER	C.00.45.1	2129280	404659
TAH SDTRL-3 WAY INVERTER	C.00.50.1	2129281	404659
TAJ SDTRL-TRIGGER, BINARY	C.00.55.1	2129282	404659
TAK SDTRL-INVERTER, POWER-PNP	C.00.60.1	2129284	404659
TAL SDTRL-GENERATOR, SAMPLE PULSE	C.00.55.1	2129282	404659
TBD SDTRL-ALLOY SWITCH	C.00.48.1	2125953	404659
TCK- SDTRL-END OF LINE TERMINATORS	C.00.46.1	2125961	404659
TCZ SDTRL-MODIFIED MUP NUMBER 12	C.00.48.1	2125953	404659
TDA- SDTRL-DISTRIBUTED LINE TERM	C.00.47.1	2125962	404659
TFC SDTRL-INVERTER, POWER-PNP	C.00.60.1	2129284	404659
VE SDTRL-2 WAY INVERTER	C.00.45.1	2129280	404659
VF SDTRL-3 WAY INVERTER	C.00.50.1	2129281	404659
VG SDTRL-OSCILLATOR, ONE MC	C.00.50.1	2129281	404659
VJ SDTRL-TRIGGER, BINARY	C.00.55.1	2129282	404659
VL SDTRL-GENERATOR, SAMPLE PULSE	C.00.55.1	2129282	404659
VM SDTRL-INVERTER, POWER-PNP	C.00.60.1	2129284	404659
WJ ALLOY-DRIVER, 12V	C.00.65.1	2129283	404659
WM ALLOY-SENSE AMPLIFIERS, SINGLE	C.00.60.1	2129284	404659
WY ALLOY-AMPLIFIER, PRE SENSE NO 2	C.00.65.1	2129283	404659
YAR CF DIODE CARD	C.00.69.1	2125954	404659
YJA ALLOY RESISTOR CARD, 3 WATT	C.00.05.1	2129271	404702
YJB ALLOY RESISTOR CARD, 3 WATT	C.00.05.1	2129271	404702

1621 (60 CYCLE) LOGICS INDEX-"D" SUFFIX

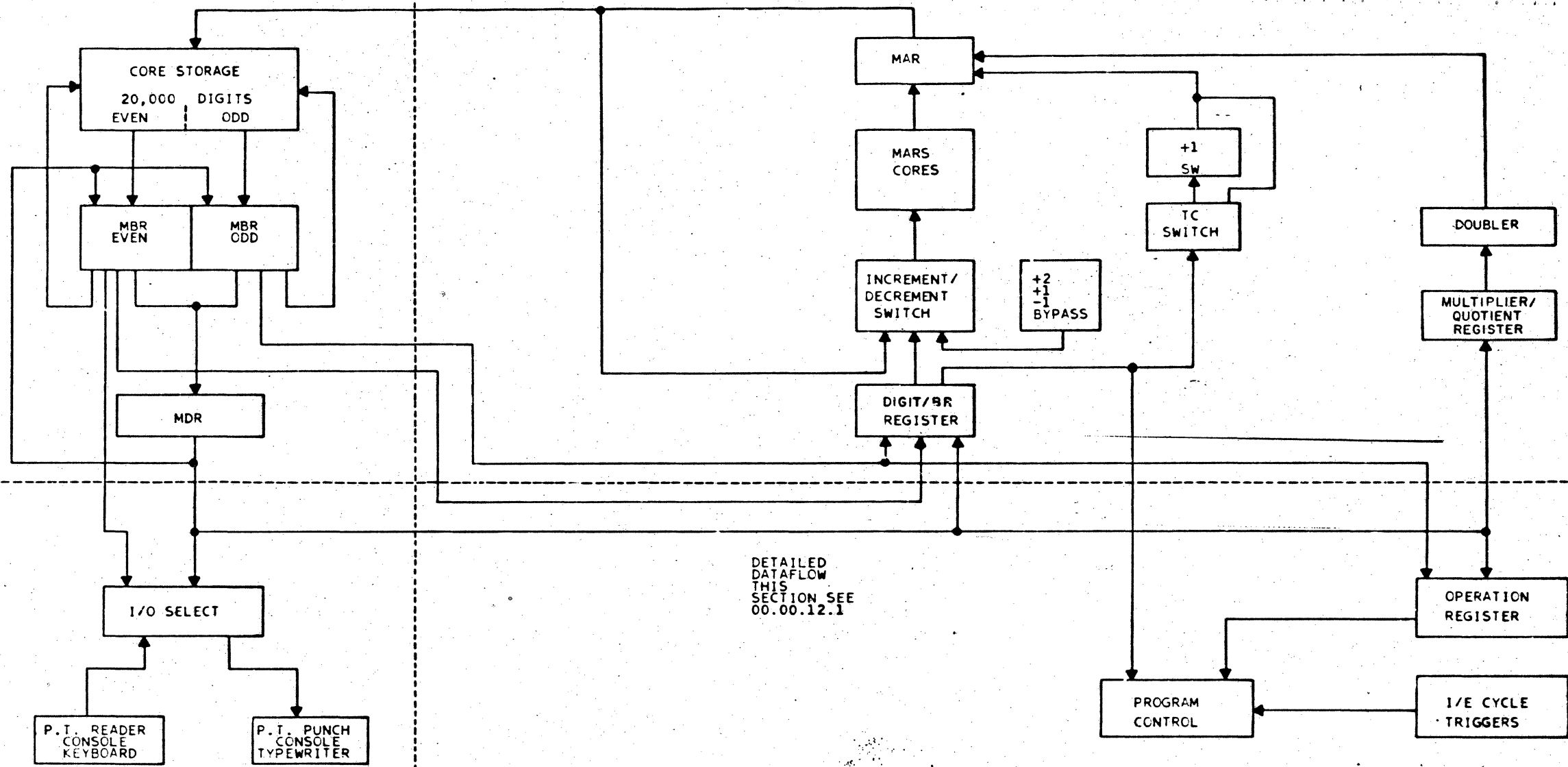
DESCRIPTION	PAGE NO	PART NO	E/C LEVEL
CIRCUIT BREAKER TIMING CHART	02.00.20.1	2129237	404526
FUSE PUNCH CONN & SW CHART	02.00.10.1	2129236	404610C
HIGH SPEED PAPER TAPE READER	02.83.00.1	2129213	404501
HIGH SPEED PAPER TAPE READER	02.83.50.1	2129214	404540
HIGH SPEED PAPER TAPE READER	02.83.60.1	2129215	404540
HIGH SPEED PAPER TAPE READER	02.83.70.1	2129216	404526
INTEGRATING CIRCUITS	02.00.30.1	2129238	404501
POWER DISTRIBUTION	02.70.10.1	2129239	404610C
PUNCH MAGNETS & CHECK CONTACTS	02.84.50.1	2129217	404610C

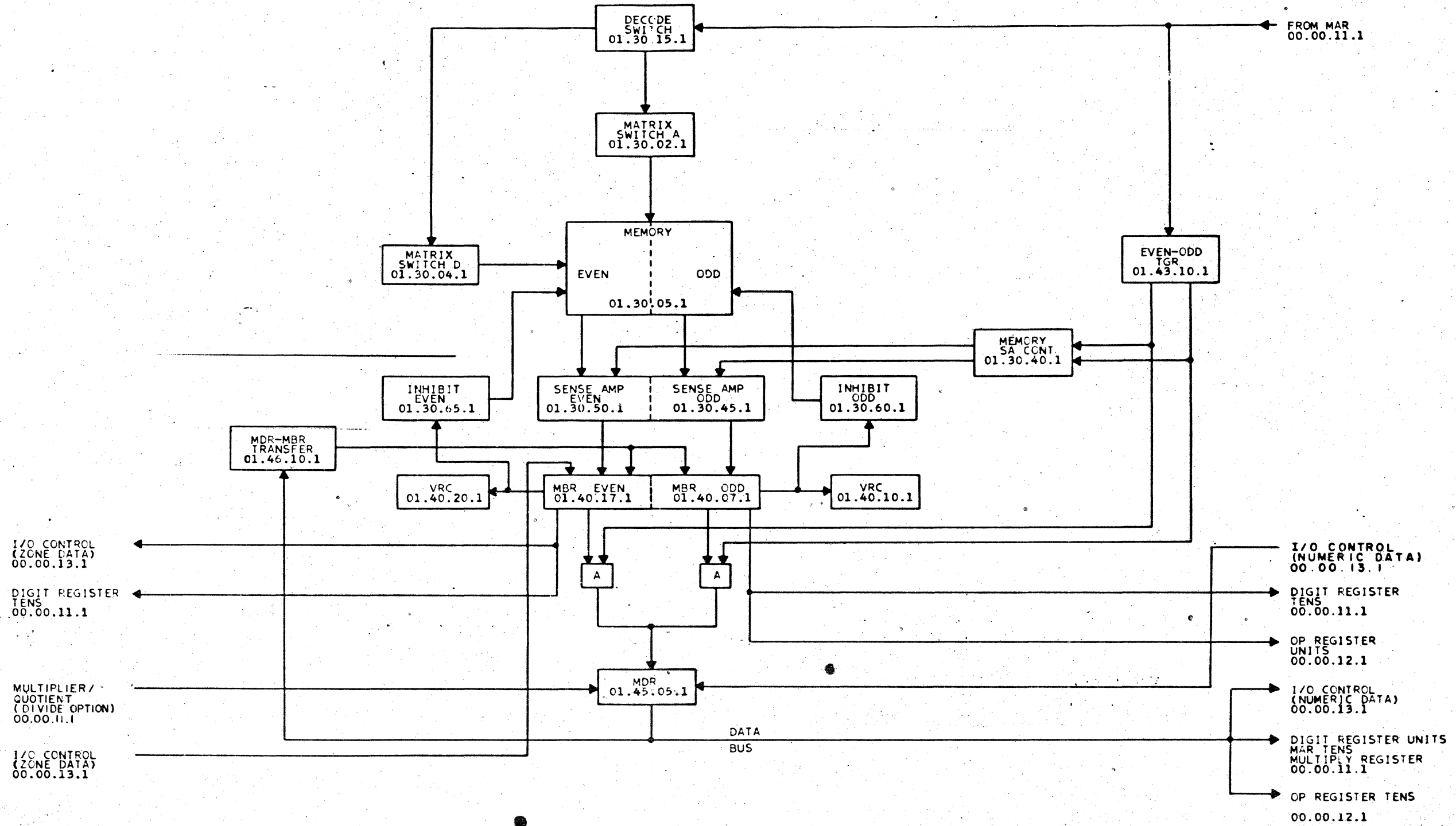
DETAILED DATAFLOW THIS SECTION SEE 00.00.10.1

DETAILED DATAFLOW THIS SECTION SEE 00.00.11.1

DETAILED DATAFLOW THIS SECTION SEE 00.00.13.1

DETAILED DATAFLOW THIS SECTION SEE 00.00.12.1





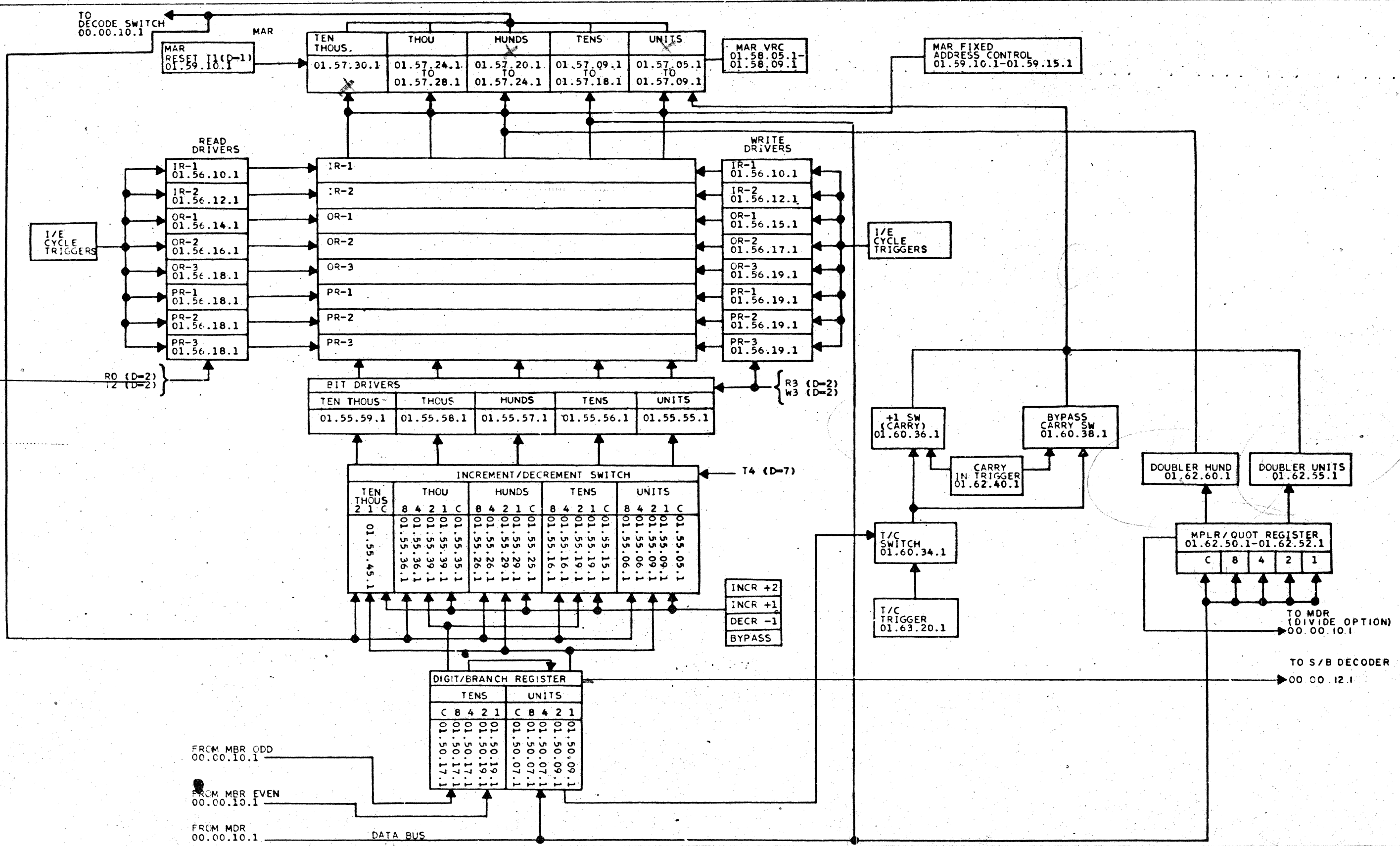
2129245 EC 404650C 9-1-61

DA 0E05000

DATAFLOW SCHEMATIC

1620

00:00:11.1



FROM MBR ODD  
00.00.10.1

FROM MDR  
00.00.10.1

FROM D/B  
REGISTER  
00.00.11.1

BRANCH  
CONTROL  
SELECT  
00.00.13.1

RUN TRIGGER  
01.06.10.1  
HOLD TRIGGER  
01.64.12.1

S/B DECODER  
01.25.15.1  
01.25.20.1

S/B TEST  
01.25.25.1

OP REGISTER	
TENS	UNITS
01.20.10.1	01.20.07.1
01.20.12.1	01.20.09.1

OP REG DEC  
TENS  
01.20.14.1

OP REG DECODER  
UNITS  
01.20.13.1

OP DECODER  
01.20.19.1-01.20.31.1

PROGRAM CONTROL	
I CYCLE TRS 01.15.05.1-01.15.18.1	
E CYCLE TRS 01.60.03.1-01.64.14.1	

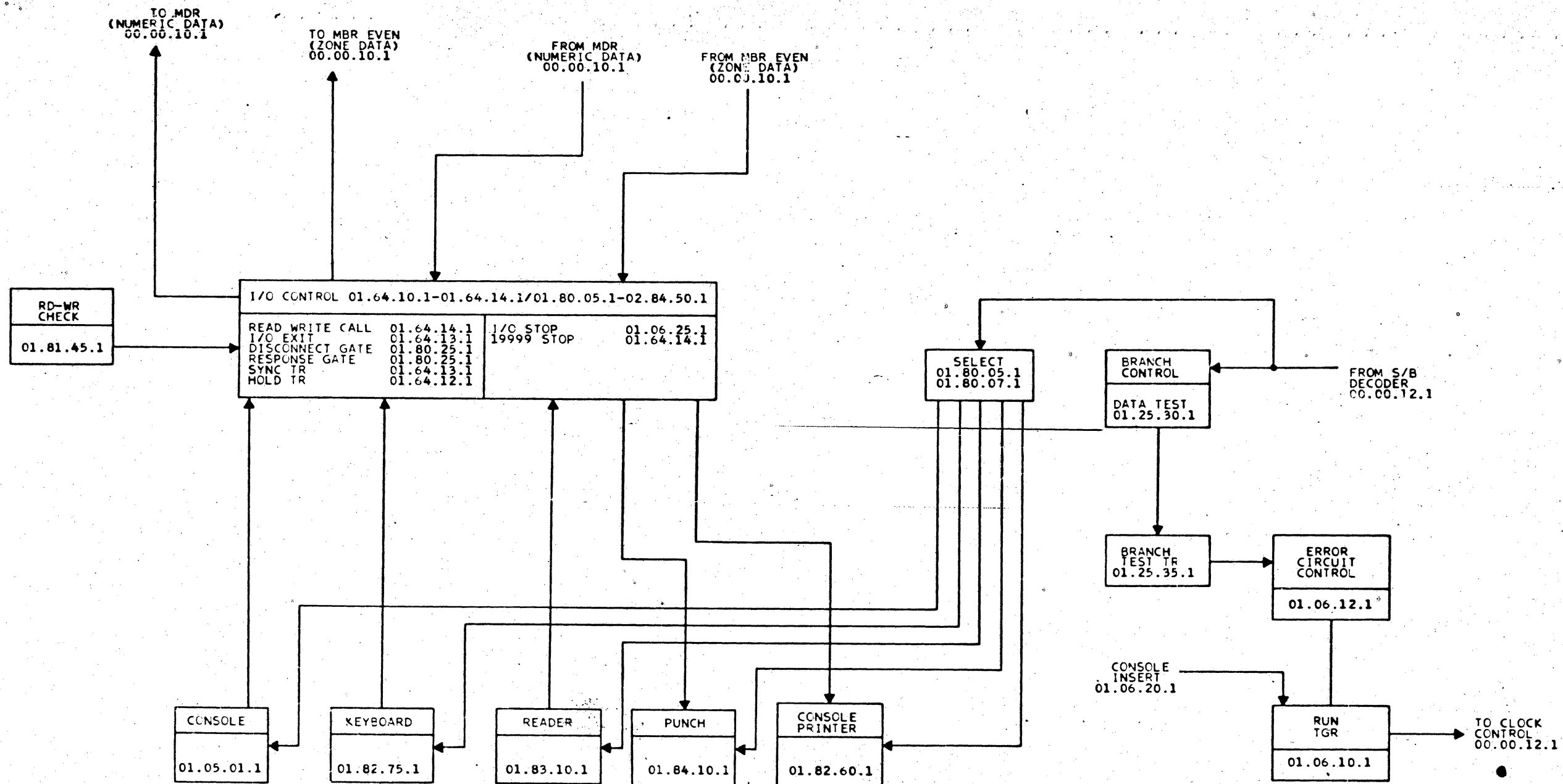
I MC  
OSC  
01.10.05.1

CLOCK  
CONTROL  
01.10.05.1

CLOCK TGRS  
01.10.06.1 TO  
01.10.10.1

TIMING  
PULSES  
01.10.12.1 TO  
01.10.30.1





SHOE CONNECTOR A

*From to gate D1 DXF*

SC	LINE TITLE		
1	PUNCH EL	01.84.20.1	02.84.50.1
2	PUNCH C BIT	↑	↑
3	PUNCH X BIT	↑	↑
4	PUNCH O BIT	↑	↑
5	PUNCH 8 BIT	↑	↑
6	PUNCH 4 BIT	↑	↑
7	PUNCH 2 BIT	↑	↑
8	PUNCH 1 BIT	01.84.20.1	
9	PUNCH FEED	01.84.10.1	
10	PUNCH NO FEED P	01.84.10.1	02.84.50.1
11	+S TAPE LEVEL 1	02.83.50.1	01.83.20.1
12	+S TAPE LEVEL 2	↑	↑
13	-S TAPE LEVEL 3		
14	+S TAPE LEVEL 4		
15	+S TAPE LEVEL 5		
16	+S TAPE LEVEL 6		
17	+S TAPE LEVEL 7		
18	+S TAPE LEVEL 8	↓	01.83.20.1
19	+S TAPE SYNC EXIT	02.83.50.1	01.80.30.1
20	+S NON PROCESS RUN OUT	01.83.10.1	02.83.60.1
21	+S CLUTCH DRIVE	01.83.10.1	02.83.60.1
22	+S READER RDY	02.83.60.1	01.83.10.1
23	+S TAPE TENSION	02.84.50.1	01.84.10.1
24	+S P 3 RESPONSE	02.84.50.1	01.80.30.1
25	+S PUNCH CHECK	02.84.50.1	01.81.45.1
26			
27	+S TAPE FEED	02.84.50.1	01.84.10.1
28	+S PCB 1	02.84.50.1	01.80.25.1
29			
30			
31			
32	+S CPU METER ON	01.80.10.1	02.70.20.1
33	+48V PLUS	02.70.10.1	01.90.32.1
34			
35			
36			
37			
38			
39			
40			

*Paper tape interface*

SHOE CONNECTOR B

*to 1622*

SC			
1	TW 1620 C BIT	01.82.20.2	04.83.05.1
2	-S 1620 C BIT	↑	↑
3	TW 1620 O BIT	↓	
4	-S 1620 O BIT	01.82.20.2	
5	TW 1620 X BIT	01.82.20.1	
6	-C 1620 X BIT	01.82.20.1	
7	TW 1620 8 BIT	01.82.20.3	
8	-C 1620 8 BIT	01.82.20.3	
9	TW 1620 4 BIT	01.82.52.1	
10	-C 1620 4 BIT	↑	
11	TW 1620 2 BIT	↑	
12	-C 1620 2 BIT	↓	
13	TW 1620 1 BIT	↓	
14	-C 1620 1 BIT	01.82.52.1	04.83.05.1
15	TW CD PCH DISCONNECT	04.83.04.1	01.80.20.1
16	-C CD PCH DISCONNECT	↑	↑
17	TW CD PCH SYNC	↑	↑
18	-C CD PCH SYNC	↓	↓
19	TW CD PCH BUFFER READY	↓	↓
20	-C CD PCH BUFFER READY	04.83.04.1	01.80.20.1
21	TW CD PCH DATA GATE	01.80.20.1	04.83.06.1
22	-C CD PCH DATA GATE	↑	↑
23	TW SET I/O SAM MDR	↑	↑
24	-C SET I/O SAM MDR	01.80.20.1	
25	TW I/O EXIT TR	01.81.15.1	
26	-C I/O EXIT TR	01.81.15.1	
27	TW WR CHK TR OFF	01.81.45.1	
28	-C WR CHK TR OFF	01.81.45.1	
29	TW MANUAL RESET	01.80.05.1	
30	-C MANUAL RESET	01.80.05.1	04.83.06.1
31	TW 1622 C 1	04.83.04.1	01.80.10.1
32	-C 1622 C 1	04.83.04.1	01.80.10.1
33	32 POS AVAILABLE ONLY		
34			
35			
36			
37			
38			
39			
40			



THE FOLLOWING SMS CARDS ARE INTERCHANGEABLE ON THE 1620 SYSTEM.  
ALL FIELD REPLACEMENT MUST BE WITH CARDS LISTED IN THE RIGHT-HAND COLUMN.

CARD CODE	P/N		CARD CODE	P/N
VE	371869		TAG	370366
VF	371870		TAH	370367
VG	371868		TAF	370365
VJ	371867		TAJ	370364
VL	371874		TAL	370370
VM	371871		TFC	370646
FL	371396		WF	371789
FM	371397		WG	371790
FQ	371454		ALY	370552

SEE NOTE I &amp; II

## NOTES:

- I. THE FM & WG SMS CARDS ARE NOT INTERCHANGEABLE - THE 1620 MAY HAVE 4 FM OR 4 WG OR 2 FM & 2 WG CARDS. FIELD REPLACEMENT MUST BE WITH THE CARD TYPE ORIGINALLY SUPPLIED WITH THE SYSTEM.
- II. THE WG IS FULLY INTERCHANGEABLE IN THE 1620 SYSTEM WITH THE DKA PN 370443.

## SMS CARD FEATURE CODES

MFI CODE	DESCRIPTION		
DV	DIVIDE	NMI	NCT MI
IA OR IF	INDIRECT ADDRESSING		
DI	DV OR IA OR BOTH		
CRP	CARD I/O	FNMI	RAM NOT MI
TN	SPECIAL INSTRUCTIONS	PT	PAPER TAPE
M1	ADDITIONAL MEMORY (20K OR 40K)		
M2	ADDITIONAL MEMORY (40K ONLY)		
MIN2	ADDITIONAL MEMORY (20K ONLY)		
FP	FLOATING POINT		
RAM	RAMPAC		
CF	CRP AND RAM		
C/F	CRP OR RAM OR BOTH		
FP/F	FP OR RAM OR BOTH		
M1/F	M1 OR RAM OR BOTH		
M2/F	M2 OR RAM OR BOTH		

Rows →

AI UNIT PLUGGING CHART

Columns ↓

	A	B	C	D	E	F	G	H	J	K
	CD-- FP	TFC--	AFR--	MX-- FP	TFC-- FP	AHK-- FP	AFR--		WJ-- FP	WJ-- FP
1	371029 03 01.56.21.1 01.56.21.1 01.57.40.1	0370646 04 01.60.05.1 01.60.05.1 01.60.05.1	371943 06 01.55.02.1 01.68.10.1 01.58.09.1 01.60.05.1 01.60.05.1 01.55.15.1	371661 04 01.06.30.1 01.15.10.1 01.06.30.1 01.06.30.1	0370646 04 01.10.22.1 01.66.79.1 01.66.87.1 01.66.60.1	370322 04 01.10.25.1 01.30.35.1 01.45.05.1 01.15.18.1	371943 06 01.55.03.1 01.10.05.1 01.66.23.1 01.66.24.1 01.66.25.1 01.68.10.1		371881 02 01.56.36.1 01.56.36.1	371881 02 01.55.36.1 01.56.36.1
2	DAX-- IF 370084 04 01.55.05.1 01.55.05.1 03.04	CAB-- FP 371931 03 01.60.05.1 01.60.05.1 01.60.05.1	CEYB 0371032 04 01.60.05.1 01.60.05.1 02.04	AHK-- FP 370322 04 01.56.19.1 01.56.19.1 01.60.05.1 01.60.59.1	TFC-- FP 0370646 04 01.10.30.1 01.10.30.1 01.10.30.1 01.10.30.1	AHK-- FP 370322 04 01.56.20.1 01.56.20.1 01.56.20.1 01.56.21.1	AHK-- FP 370322 04 01.56.21.1 01.56.21.1 01.57.40.1 01.66.80.1	CAB-- FP 371931 03 01.63.20.1 01.66.23.1 01.60.05.1	WJ-- FP 371881 02 01.56.36.1 01.56.36.1	TAG-- FP 370366 04 01.56.36.1 01.55.36.1 01.55.36.1 01.56.36.1
3	MX-- 371661 04 01.55.05.1 01.55.15.1 01.55.05.1 01.55.05.1	AHK-- IF 370322 04 01.55.05.1 01.55.05.1 04	AHK-- IF 370322 04 01.55.09.1 01.55.09.1 01.55.06.1 01.55.06.1	RE-- I22 0371699 01 01.90.42.1	TFC-- 0370646 04 01.10.30.1 01.66.82.1 01.10.30.1 01.10.30.1	TAH-- FP 370367 04 01.66.79.1 01.66.82.1 01.67.21.1 04	DAW-- FP 370083 04 01.56.18.2 01.56.19.1 01.56.19.1	CEYB 0371032 04 01.57.05.1 01.63.30.1 01.57.30.1 01.57.09.1	CAB-- FP 371931 03 01.55.02.2 01.56.18.2 01.56.18.2	TAG-- FP 370366 04 01.55.02.2 01.56.18.2 01.56.36.1 01.56.36.1
4	CD-- 371029 03 01.55.05.1 01.55.05.1 01.55.05.1	AHK-- 370322 04 01.55.05.1 01.55.05.1 01.55.05.1	CD-- 371029 03 01.55.06.1 01.55.06.1 01.55.06.1	MX-- 371661 04 01.55.06.1 01.55.06.1 01.55.06.1 01.55.06.1	MX-- FP 371661 04 01.66.22.1 01.66.23.1 01.66.23.1 01.66.23.1	AFR-- 371943 06 01.57.16.1 01.57.16.1 01.57.18.1 01.57.18.1 01.57.30.1 01.57.30.1	CD-- FP 371029 03 01.66.79.1 01.63.30.1 01.66.79.1	AFR-- 371943 06 01.57.05.1 01.57.05.1 01.57.07.1 01.57.07.1 01.57.09.1 01.57.09.1	CAB-- FP 371931 03 01.55.02.2 01.55.02.2 01.55.02.2	AHK-- FP 370322 04 01.55.02.1 01.56.18.2 01.56.19.1
5	CD-- 371029 03 01.55.05.1 01.55.05.1 01.55.05.1 04	TAH-- 370367 04 01.55.05.1 01.55.05.1 01.55.05.1	CD-- 371029 03 01.55.06.1 01.55.06.1 01.55.06.1	CD-- 371029 03 01.55.06.1 01.55.06.1 01.55.06.1	TAG-- 370366 04 01.55.55.1 01.55.55.1 01.55.55.1	CAB-- FP 371931 03 01.63.30.1 01.66.23.1 01.66.22.1	AHK-- FP 370322 04 01.56.19.1 01.55.35.1 01.56.18.1 01.56.18.1	CD-- FP 371029 03 01.66.22.1 01.68.10.1 01.66.24.1	YJA-- FP 0370788 03 01.56.36.1 01.56.36.1 01.56.36.1	CD-- FP 371029 03 01.68.40.1 01.56.19.1 01.66.25.1
6	MX-- 371661 04 01.55.09.1 01.55.09.1 01.55.09.1 01.55.16.1	CD-- 371029 03 01.55.09.1 01.58.09.1 01.55.09.1	CD-- 371029 03 01.55.06.1 01.55.06.1 01.55.06.1	MX-- 371661 04 01.55.06.1 01.55.06.1 01.55.06.1 01.55.06.1	TAG-- 370366 04 01.55.56.1 01.55.56.1 01.55.56.1 01.55.56.1	AHK-- FP 370322 04 01.66.10.1 01.66.22.1 01.56.18.2 01.66.22.1	AHK-- FP 370322 04 01.56.19.1 01.60.41.1 01.60.49.1 01.63.30.2	MX-- 371661 04 01.58.05.1 01.58.05.1 01.58.05.1	MX-- FP 371661 04 01.56.18.1 01.57.24.1 01.66.19.1 01.66.19.1	CD-- FP 371029 03 01.68.44.1 01.57.40.1 01.68.44.1
7	MX-- 371661 04 01.55.09.1 01.55.09.1 01.55.09.1 01.55.09.1	CD-- 371029 03 01.55.09.1 01.55.09.1 01.55.09.1	MX-- 371661 04 01.55.15.1 01.55.15.1 01.55.15.1	CAB-- 371931 03 01.55.05.1 01.55.05.1 01.55.06.1	TAG-- 370366 04 01.55.59.1 01.55.59.1 01.55.59.1	AHU-- 370386 03 01.58.05.1 01.58.05.1 01.58.05.1	CEYB FP 0371032 04 01.66.61.1 01.66.31.1 01.66.20.1 01.66.10.1	AHU-- 370386 03 01.58.05.1 01.58.05.1 01.58.05.1	TAG-- FP 04 01.56.18.1 01.66.82.1 01.56.18.1 01.66.82.1	AHK-- FP 370322 04 01.67.90.1 01.67.90.1 01.68.85.1 01.55.02.1
8	CD-- 371029 03 01.55.09.1 01.55.09.1 01.55.15.1 04	TAG-- 370366 04 01.55.09.1 01.55.02.1 01.57.18.1	CD-- 371029 03 01.55.15.1 01.55.15.1 01.55.15.1	CD-- 371029 03 01.55.15.1 01.55.15.1 01.55.15.1	CAB-- FP 371931 03 01.56.16.1 01.56.16.1 01.56.19.1	TFC-- 0370646 04 01.57.16.1 01.57.18.1 01.57.18.1 01.60.05.1	DFD-- 370204 02 01.55.15.1 01.58.09.1	AHU-- 370386 03 01.58.05.1 01.58.05.1 01.58.09.1	TAG-- 370366 04 01.56.30.1 01.56.30.1 01.56.30.1 01.56.30.1	MX-- FP 371661 04 01.66.31.1 01.66.23.1 01.66.31.1 01.66.23.1
9	AHK-- 370322 04 01.55.09.1 01.55.09.1 01.55.09.1 01.55.09.1	TAG-- 370366 04 01.55.15.1 01.55.15.1 01.55.15.1	TAH-- 370367 04 01.55.15.1 01.55.15.1 01.55.15.1 04	AHK-- 370322 04 01.55.06.1 01.55.06.1 01.55.16.1 01.55.16.1	WJ-- 371881 02 01.55.55.1 01.55.55.1	TFC-- 0370646 04 01.57.07.1 01.57.07.1 01.57.07.1 01.60.05.1	TFC-- 0370646 04 01.59.10.1 01.59.10.1 01.59.10.1 01.55.15.1	TCZ-- 370335 02 01.57.09.1 01.57.09.1	TAG-- 370366 04 01.56.30.1 01.56.30.1 01.56.30.1	CD-- FP 371029 03 01.66.31.1 01.66.51.1 01.67.90.1
10	CD-- 371029 03 01.55.16.1 01.55.16.1 01.55.16.1	MX-- 371661 04 01.55.19.1 01.55.19.1 01.55.19.1	CD-- 371029 03 01.55.16.1 01.55.16.1 01.55.16.1	TFC-- 0370646 04 01.55.05.1 01.55.05.1 01.55.15.1 01.55.25.1	YJA-- 0370788 03 01.55.55.1 01.55.56.1 01.55.55.1	TCZ-- 370335 02 01.57.18.1 01.57.18.1	TAG-- 370366 04 01.57.16.1 01.57.16.1 01.57.18.1	TCZ-- 370335 02 01.57.07.1 01.57.07.1	TCZ-- 0370646 04 01.66.82.1 01.66.82.1 01.66.82.1 01.66.82.1	MX-- FP 370367 04 01.67.31.1 01.67.31.1 01.67.31.1 04
11	CD-- 371029 03 01.55.16.1 01.55.25.1 01.55.16.1	CD-- 371029 03 01.55.16.1 01.55.16.1 01.55.16.1	CD-- 371029 03 01.55.16.1 01.55.16.1 01.55.16.1	CAB-- 371931 03 01.55.26.1 01.55.26.1 01.55.15.1	WJ-- 371881 02 01.55.56.1 01.55.56.1	TCZ-- 370335 02 01.57.16.1 01.57.16.1	TAG-- 370366 04 01.59.10.1 01.59.10.1 01.57.09.1 01.55.15.1	TCZ-- 370335 02 01.57.05.1 01.57.05.1	WJ-- 371881 02 01.56.30.1 01.56.30.1	MX-- FP 371661 04 01.67.31.1 01.67.50.1 01.67.50.1 01.57.40.1
12	MX-- 371661 04 01.55.16.1 01.55.16.1 01.55.16.1 01.55.16.1	CD-- 371029 03 01.55.19.1 01.55.19.1 01.55.19.1	CD-- 371029 03 01.55.19.1 01.55.19.1 01.55.25.1	CEYB 0371032 04 01.55.15.1 01.55.25.1 01.55.45.1 01.55.02.1	WJ-- 371881 02 01.55.55.1 01.55.55.1	NN-- 371678 01 01.57.01.1	TCZ-- 370335 02 01.57.30.1 01.57.30.1	NN-- 371678 01 01.57.01.1	YJA-- 0370788 03 01.56.30.1 01.56.30.1 01.56.30.1	CEYB FP 0371032 04 01.67.50.1 01.68.40.1 01.68.40.1 01.68.44.1
13	AHK-- 370322 04 01.55.19.1 01.55.19.1 01.55.19.1 01.55.19.1	CD-- 371029 03 01.55.19.1 01.55.19.1 01.55.19.1	MX-- 371661 04 01.55.25.1 01.55.25.1 01.55.25.1	CD-- 371029 03 01.55.25.1 01.55.25.1 01.55.25.1	WJ-- 371881 02 01.55.56.1 01.55.56.1	NN-- 371678 01 01.57.01.1	NN-- 371678 01 01.57.03.1	NN-- 371678 01 01.57.01.1	WJ-- 371881 02 01.56.30.1 01.56.30.1	CD-- FP 371029 03 01.67.50.1 01.67.50.1 01.67.50.1
14	CD-- 371029 03 01.55.26.1 01.55.26.1 01.55.26.1	CD-- 371029 03 01.55.26.1 01.55.26.1 01.55.26.1	CD-- 371029 03 01.55.25.1 01.55.25.1 01.55.25.1	CD-- 371029 03 01.55.29.1 01.55.29.1 01.55.29.1	WJ-- 371881 02 01.55.59.1 01.55.59.1	NN-- 371678 01 01.57.01.1	NN-- 371678 01 01.57.03.1	NN-- 371678 01 01.57.01.1	WJ-- 371881 02 01.56.30.1 01.56.30.1	CD-- FP 371029 03 01.66.19.1 01.66.22.1 01.66.22.1

AI  
UNIT PLUGGING CHART

	A	B	C	D	E	F	G	H	J	K
15	CD-- 371029 03 01.55.26.1 01.55.26.1 01.55.26.1	CD-- 371029 03 01.55.26.1 01.55.26.1 01.55.26.1	TAH-- 370376 04 01.55.25.1 01.55.25.1 01.55.25.1 04	AHK-- 370322 04 01.55.26.1 01.55.29.1 01.55.26.1 01.55.25.1	YJA-- 0370788 03 01.55.59.1 01.55.56.1 01.55.59.1	NN-- 371678 01 01.57.01.1		NN-- 371678 01 01.57.01.1	WJ-- 371881 02 01.56.30.1 01.56.30.1	
	MX--	CD--	MX--	CD--	WJ--	NN--		NN--	WJ--	
16	MX-- 371661 04 01.55.26.1 01.55.26.1 01.55.26.1 01.55.26.1	CD-- 371029 03 01.55.29.1 01.55.29.1 01.55.35.1	MX-- 371661 04 01.55.29.1 01.55.29.1 01.55.29.1 01.55.29.1	CD-- 371029 03 01.55.29.1 01.55.29.1 01.55.29.1	WJ-- 371881 02 01.55.59.1 01.55.59.1	NN-- 371678 01 01.57.03.1		NN-- 371678 01 01.57.01.1	WJ-- 371881 02 01.56.35.1 01.56.35.1	
	MX--	MX--	CD--	TAG--	WJ--	NN--		NN--	YJA--	
17	MX-- 371661 04 01.55.35.1 01.55.35.1 01.55.35.1 01.55.35.1	MX-- 371661 04 01.55.26.1 01.55.29.1 01.55.29.1 01.55.29.1	CD-- 371029 03 01.55.35.1 01.55.35.1 01.55.35.1	TAG-- 370366 04 01.55.25.1 01.55.45.1 01.55.45.1 01.55.35.1	WJ-- 371881 02 01.55.57.1 01.55.57.1	NN-- 371678 01 01.57.03.1		NN-- 371678 01 01.57.01.1	YJA-- 0370788 03 01.56.35.1 01.56.30.1 01.56.35.1	
	CD--	CD--	MX--	CD--	YJA--	NN--	NN-- M2'F	NN--	WJ--	
18	CD-- 371029 03 01.55.35.1 01.55.35.1 01.55.35.1	CD-- 371029 03 01.55.36.1 01.55.36.1 01.55.36.1	MX-- 371661 04 01.55.36.1 01.55.36.1 01.55.36.1 01.55.36.1	CD-- 371029 03 01.55.36.1 01.55.36.1 01.55.36.1	YJA-- 0370788 03 01.55.57.1 01.55.58.1 01.55.57.1	NN-- 371678 01 01.57.03.1	NN-- M2'F 371678 01 01.57.03.1	NN-- 371678 01 01.57.03.1	WJ-- 371881 02 01.56.35.1 01.56.35.1	
	TAH--	CD--	CAH--	CD--	WJ--	NN--	NN--	NN--	WJ--	
19	TAH-- 370367 04 01.55.35.1 01.58.09.1 01.55.35.1 04	CD-- 371029 03 01.55.36.1 01.55.36.1 01.55.36.1	CAH-- 371931 03 01.55.36.1 01.55.36.1 01.55.35.1	CD-- 371029 03 01.55.36.1 01.55.36.1 01.55.36.1	WJ-- 371881 02 01.55.57.1 01.55.57.1	NN-- 371678 01 01.57.01.1	NN-- 371678 01 01.57.03.1	NN-- 371678 01 01.57.03.1	WJ-- 371881 02 01.56.35.1 01.56.35.1	
	CD--	MX--	AHK--	CAB-- FP	WJ--	NN--	TCZ--	NN--	YJA--	
20	CD-- 371029 03 01.55.39.1 01.55.39.1 01.55.39.1	MX-- 371661 04 01.55.36.1 01.55.36.1 01.55.36.1 01.55.03.1	AHK-- 370322 04 01.55.39.1 01.55.39.1 01.55.39.1	CAB-- FP 371931 03 01.46.10.1 01.40.03.1 01.30.35.1	WJ-- 371881 02 01.55.58.1 01.55.58.1	NN-- 371678 01 01.57.01.1	TCZ-- 370335 02 01.57.30.1 01.57.32.1	NN-- 371678 01 01.57.03.1	YJA-- 0370788 03 01.56.35.1 01.56.35.1 02	
	CD--	MX--	CD--	MH--	WJ--	NN--	AHK-- FP	NN--	WJ--	
21	CD-- 371029 03 01.55.39.1 01.55.39.1 01.55.39.1	MX-- 371661 04 01.55.39.1 01.55.39.1 01.55.39.1 01.55.39.1	CD-- 371029 03 01.55.39.1 01.55.49.1 01.55.39.1	MH-- 371487 04 01.55.45.1 01.55.09.1 03,04	WJ-- 371881 02 01.55.55.1 01.55.55.1	NN-- 371678 01 01.57.03.1	AHK-- FP 370322 04 01.45.05.1 01.45.07.1 01.46.10.1 01.55.25.1	NN-- 371678 01 01.57.03.1	WJ-- 371881 02 01.56.35.1 01.56.35.1	
	CD--	MX--	CD-- MI	MX--	WJ--	TCZ--	CAB-- FP	TCZ--	TAG--	
22	CD-- 371029 03 01.55.45.1 01.55.45.1 01.55.45.1	MX-- 371661 04 01.55.45.1 01.58.09.1 01.55.45.1 01.55.45.1	CD-- MI 371029 03 01.55.45.1 01.55.45.1 01.55.45.1	MX-- 371661 04 01.55.35.1 01.55.03.1 01.55.03.1 01	WJ-- 371881 02 01.55.58.1 01.55.58.1	TCZ-- 370335 02 01.57.20.1 01.57.20.1	CAB-- FP 371931 03 01.46.10.1 01.68.40.1 01.56.15.1	TCZ-- 370335 02 01.57.26.1 01.57.26.1	TAG-- 370366 04 01.56.35.1 01.56.35.1 01.56.35.1	
	CD--	CD-- M2	CD-- MI	TAG--	YJA--	TCZ--	CEVB FP	TCZ--	TAG--	
23	CD-- 371029 03 01.55.45.1 01.55.45.1 01.55.45.1 03	CD-- M2 371029 03 01.55.49.1 01.55.49.1 01.55.49.1	CD-- MI 371029 03 01.55.49.1 01.55.49.1 01.55.49.1	TAG-- 370366 04 01.55.57.1 01.55.57.1 01.55.57.1 01.55.57.1	YJA-- 0370788 03 01.55.55.1 01.55.58.1 01.55.55.1	TCZ-- 370335 02 01.57.22.1 01.57.22.1	CEVB FP 0371032 04 01.63.10.1 01.63.10.1 01.68.44.1 01.66.24.1	TCZ-- 370335 02 01.57.28.1 01.57.28.1	TAG-- 370366 04 01.56.35.1 01.56.35.1 01.56.35.1	
	CD-- M2	CD-- M2	CD-- MI'F	TAG--	WJ--	TCZ--	AFR--	AHK--	TAG-- FP	
24	CD-- 371029 03 01.55.45.1 01.55.45.1 01.55.49.1	MX-- M2 371029 03 01.55.49.1 01.58.09.1 01.55.49.1	CD-- MI'F 371029 03 01.55.45.1 01.55.49.1 01.55.49.1	TAG-- 370366 04 01.55.55.1 01.55.58.1 01.55.58.1 01.55.58.1	WJ-- 371881 02 01.55.55.1 01.55.55.1	TCZ-- 370335 02 01.57.24.1 01.57.24.1	AFR-- 371943 06 01.57.20.1 01.57.20.1 01.57.22.1 01.57.22.1 01.57.22.1 01.57.24.1	AHK-- 370322 04 01.57.20.1 01.59.10.1 01.57.22.1 01.58.09.1	TAG-- FP 370366 04 01.66.87.1 01.66.87.1 01.67.31.1 01.68.42.1	
	CD-- MIN2	MX-- M2	AHK-- MI	TAG--	AHK-- FP	MX-- FP	AFR--	MX--	TAG-- FP	
25	CD-- 371029 03 01.55.45.1 01.55.49.1 02	MX-- M2 371661 04 01.55.49.1 01.55.49.1 03,04	AHK-- MI 370322 04 01.55.49.1 01.55.49.1 01.55.45.1 01.55.45.1	TAG-- 370366 04 01.55.55.1 01.55.58.1 01.55.55.1 01.55.55.1	AHK-- FP 370322 04 01.66.23.1 01.66.24.1 01.65.24.1 01.66.50.1	MX-- FP 371661 04 01.66.22.1 01.63.31.1 01.66.25.1 01.66.22.1	AFR-- 371943 06 01.57.25.1 01.57.26.1 01.57.28.1 01.57.28.1 01.57.30.1 01.57.32.1	MX-- 371661 04 01.58.05.1 01.58.05.1 01.58.05.1	TAG-- FP 370366 04 01.63.30.2 01.68.24.1 01.68.24.1 01.66.22.1	
	CD--	CD--	RE-- 122	CD-- FP	MX-- FP	AHU--	CEVB FP	AHU--	MX-- FP	AHU-- RM
26	CD-- 371029 03 01.55.03.1 01.55.03.1 01.55.03.1	CD-- 371029 03 01.55.03.1 01.55.03.1 01.55.03.1	RE-- 122 0371699 01 01.90.42.1	CD-- FP 371029 03 01.66.25.1 01.66.61.1 01.66.61.1	MX-- FP 371661 04 01.66.24.1 01.66.22.1 01.66.25.1 01.66.25.1	AHU-- 370386 03 01.58.05.1 01.58.05.1 01.58.05.1	CEVB FP 0371032 04 01.66.24.1 01.66.79.1 01.68.24.1 01.67.21.1	AHU-- 370386 03 01.58.05.1 01.58.05.1 01.58.05.1	MX-- FP 371661 04 01.67.20.1 01.60.40.1 01.66.79.1 01.66.79.1 03	AHU-- RM 370386 03 01.58.09.1 01.58.09.1
	AHK-- FP	CEVB FP	CD-- MI	CAU-- FP	CEVB FP	MX--	MX-- FP	AHU--	MX-- FP	
27	AHK-- FP 370322 04 01.60.14.1 01.63.30.1 01.63.30.1 01.63.30.1	CEVB FP 0371032 04 01.68.10.1 01.68.10.1 01.69.90.1 01.66.22.1	CD-- MI 371029 03 01.55.45.1 01.55.45.1 01.58.09.1	CAU-- FP 370353 02 01.68.10.1 01.68.10.1	CEVB FP 0371032 04 01.66.79.1 01.66.81.1 01.10.35.1 01.67.01.1	MX-- 371661 04 01.58.09.1 01.58.09.1 01.03	MX-- FP 371661 04 01.66.51.1 01.66.61.1 01.66.51.1 01.66.61.1	AHU-- 370386 03 01.58.05.1 01.58.05.1 01.58.09.1	MX-- FP 371661 04 01.66.61.1 01.66.79.1 01.66.61.1 01.66.61.1	
	CD-- FP	MX-- FP	CAB-- FP	CD-- M2'F	CAB-- FP	AHK-- FP	CD-- FP	AHK-- FP	CAB-- FP	MX-- FP
28	CD-- FP 371029 03 01.56.20.1 01.56.20.1 01.56.21.1	MX-- FP 371661 04 01.68.44.1 01.56.18.1 01.68.10.1 01.68.40.1	CAB-- FP 371931 03 01.60.22.1 01.60.22.1 01.56.18.1	CD-- M2'F 371029 03 01.55.49.1 01.55.49.1 01.55.49.1	CAB-- FP 371931 03 01.56.14.1 01.66.70.1 01.67.01.1	AHK-- FP 370322 04 01.66.25.1 01.66.79.1 01.66.79.1 01.67.32.1	CD-- FP 371029 03 01.68.10.1 01.68.10.1 01.56.20.1	AHK-- FP 370322 04 01.63.10.1 01.60.40.1 01.56.17.1 01.55.45.1	CAB-- FP 371931 03 01.56.17.1 01.56.18.1 01.63.10.1 01.68.10.1 01.68.10.1 01.68.42.1	MX-- FP 371661 04 01.68.10.1 01.68.10.1 01.68.10.1 01.68.42.1

A2  
UNIT PLUGGING CHART

	A	B	C	D	E	F	G	H	J	K
					WJ--	CD-- FP	DBU-- MI			ANK-- FP
1					371881 02 01.30.80.1 01.30.80.1	371029 03 01.63.30.2 01.66.20.1 01.66.20.1	0370384 05 01.41.03.1 01.41.03.1 01.41.03.1 01.41.03.1 01.41.03.1			370322 04 01.66.10.1 01.66.10.1 01.66.80.1 01.66.60.1
2					371881 02 01.30.80.1 01.30.80.1	RE-- 122	CAU-- FP	ALY--	ALY--	WG--
					371881 02 01.30.80.1 01.30.80.1	0371699 01 01.90.42.1	370353 02 01.66.10.1 01.66.30.1	0370552 01 01.30.10.1	0370552 01 01.30.10.1	0371790 01 01.30.10.1  SEE NOTE 1
3					YJR--	TAH-- MI	TCZ--	WG--	DBU-- MI'F	DBU-- MI'F
					0370789 03 01.30.80.1 01.30.80.1 01.30.80.1	370367 04 01.41.06.1 01.41.06.1 02,04	370335 02 01.40.07.1 01.40.07.1	2371790 01 01.30.10.1  SEE NOTE 1	0370384 05 01.41.04.1 01.41.04.1 01.41.04.1 01.41.04.1 01.41.04.1	0370384 05 01.41.04.1 01.41.04.1 01.41.04.1 01.41.04.1 01.41.04.1
4					WJ--	TAH--	TAG--	ARW--	ARW--	TFC--
					371881 02 01.30.80.1 01.30.80.1	370367 04 01.40.05.1 01.40.05.1 01.30.10.1 04	370366 04 01.40.07.1 01.40.07.1 01.40.08.1 01.40.08.1	0372122 02 01.30.26.1 01.30.26.1	0372122 02 01.30.31.1 01.30.31.1	0370646 04 01.30.26.1 01.30.26.1 01.30.26.1 01.30.26.1
5					WJ--	AFR-- FP	TCZ--	ARW--	ARW--	TFC--
					371881 02 01.30.80.1 01.30.80.1	371943 06 01.66.10.1 01.66.20.1 01.66.21.1 01.66.24.1 01.66.30.1 01.66.40.1	370335 02 01.40.08.1 01.40.08.1	0372122 02 01.30.26.1 01.30.26.1	0372122 02 01.30.31.1 01.30.31.1	0370646 04 01.30.26.1 01.30.26.1 01.30.26.1 01.30.26.1
6					YJB--	DBU-- MI	TAG--	ARW--	ARW--	TFC--
					0370789 03 01.30.80.1 01.30.80.1 01.30.80.1	0370384 05 01.41.05.1 01.41.05.1 01.41.06.1 01.40.06.1 01	370366 04 01.40.05.1 01.40.17.1 01.40.17.1 04	0372122 02 01.30.26.1 01.30.26.1	0372122 02 01.30.31.1 01.30.31.1	0370646 04 01.30.31.1 01.30.31.1 01.30.31.1 01.30.31.1
7					WJ--	DAX-- MI'F	TCZ--	ARW--	ARW--	TFC--
					371881 02 01.30.80.1 01.30.80.1	0370084 04 01.40.07.1 01.40.18.1 01.40.19.1 01.40.19.1	370335 02 01.40.09.1 01.40.09.1	0372122 02 01.30.26.1 01.30.26.1	0372122 02 01.30.31.1 01.30.31.1	0370646 04 01.30.31.1 01.30.31.1 01.30.31.1 01.30.31.1
8					WJ--	TAH--	TAG--	ARW--	ARW--	DBU-- MI
					371881 02 01.30.80.1 01.30.80.1	370367 04 01.30.60.1 01.30.60.1 01.30.60.1 04	370366 04 01.40.09.1 01.40.09.1 01.40.17.1 01.40.17.1	0372122 02 01.30.26.1 01.30.26.1	0372122 02 01.30.31.1 01.30.31.1	0370384 05 01.41.06.1 01.41.06.1 01.41.06.1 01.41.06.1 01.41.15.1
9					MX-- FP	TAH--	TCZ--	TFC--	DBU-- MI	DBU-- MI
					371661 04 01.66.12.1 01.66.50.1 01.66.12.1 01.66.21.1	370367 04 01.30.60.1 01.30.60.1 01.30.60.1 04	370335 02 01.40.17.1 01.40.17.1	0370646 04 01.40.05.1 01.40.05.1 01.40.05.1 01.40.03.1	0370384 05 01.41.15.1 01.41.15.1 01.41.15.1 01.41.15.1	0370384 05 01.41.16.1 01.41.16.1 01.41.16.1 01
10					CEYB FP	TAH--	TAG--	DBU-- MI'F	AFR--	AFR--
					0371032 04 01.66.12.1 01.66.30.1 01.66.50.1 01.66.50.1	370367 04 01.30.65.1 01.30.65.1 01.30.65.1 04	370366 04 01.40.18.1 01.40.18.1 01.40.18.1 02	0370384 05 01.41.03.1 01.41.04.1 01.41.04.1 01.41.04.1 01.41.04.1	371943 06 01.40.17.1 01.40.18.1 01.40.19.1 01.40.17.1 01.40.18.1 01.40.19.1	371943 06 01.40.07.1 01.40.08.1 01.40.09.1 01.40.07.1 01.40.08.1 01.40.09.1
11					CAU-- FP	TAH--	TCZ--	TFC-- FP	AFR-- FP	MX--
					370353 02 01.66.20.1 01.66.24.1	370367 04 01.30.65.1 01.30.65.1 01.30.65.1 04	370335 02 01.40.18.1 01.40.18.1	0370646 04 01.66.30.1 01.68.24.1 01.68.24.1 01.68.24.1	371943 06 01.67.30.1 01.67.30.1 01.67.50.1 01.67.90.1 01.68.24.1 01.68.24.1	371661 04 01.30.65.1 01.30.65.1 01.30.65.1 01.30.65.1
12					CAU-- FP	TDA-- MI'F	TAG--	CEYB FP	MX--	MX--
					370353 02 01.66.20.1 01.66.50.1	05 01.41.07.1 01.41.07.1 01.41.07.1 01.41.07.1 05	370366 04 01.40.19.1 01.40.19.1 01.40.19.1 01.40.19.1	0371032 04 01.67.30.1 01.67.30.1 01.67.20.1 01.67.50.1	371661 04 01.30.60.1 01.30.60.1 01.30.60.1 01.30.60.1	371661 04 01.30.60.1 01.30.60.1 01.30.60.1 01.30.60.1
13					CEYB FP	TDA-- MI'F	TCZ--	MX-- FP	MX--	MX--
					0371032 04 01.66.20.1 01.66.20.1 01.66.40.1 01.66.10.1	05 01.41.07.1 01.41.07.1 01.41.17.1 01.41.17.1 05	370335 02 01.40.19.1 01.40.19.1	371661 04 01.67.30.1 01.67.10.1 01.67.32.1 01.67.40.1	371661 04 01.30.65.1 01.30.65.1 01.30.65.1 01.30.65.1	371661 04 01.30.65.1 01.30.65.1 01.30.65.1 01.30.65.1
14					CD-- FP	TDA-- MI'F	MX-- FP	TCK-- MI'F	MX--	CD-- FP
					371029 03 01.66.21.1 01.66.81.1 01.66.23.1	05 01.41.17.1 01.41.17.1 01.41.17.1 01.41.17.1 05	371661 04 01.66.21.1 01.66.21.1 01.66.21.1 01.66.21.1	370334 06 01.41.07.1 01.41.07.1 01.41.07.1 01.41.07.1 01.41.07.1 01.41.07.1	371661 04 01.30.60.1 01.30.60.1 01.30.60.1 01.30.60.1	371029 03 01.66.23.1 01.66.50.1 01.67.10.1

EC 404852 NOTES: 1 FM-- OR WG-- MAY BE FACTORY INSTALLED IN THIS LOCATION. FM-- AND WG-- NOT INTERCHANGEABLE. SN1620000 FIELD REPLACEMENT MUST BE MADE WITH CARD TYPE ORIGINALLY SUPPLIED WITH SYSTEM.

A2  
UNIT PLUGGING CHART

	A	B	C	D	E	F	G	H	J	K
15					CEYB FP 0371032 04 01.69.90.1 01.69.90.1 01.66.70.1 01.66.87.1	WY-- 371900 01 01.30.50.1	MX-- FP 371661 04 01.66.12.1 01.66.30.1 01.66.40.1 01.66.40.1	TAH-- 370367 04 01.30.40.1 01.30.40.1 01.30.40.1 04	TCK- M1'F 370334 06 01.41.17.1 01.41.17.1 01.41.17.1 01.41.17.1 01.41.17.1	DBU- M1'F 0370384 05 01.41.03.1 01.41.04.1 01.41.03.1 01.41.03.1 01.41.04.1
					AFR- FP 371943 06 01.68.40.1 01.68.42.1 01.68.44.1 01.68.85.1 01.68.90.1 01.67.40.1	WY-- 371900 01 01.30.50.1	CAU- FP 370353 02 01.66.30.1 01.66.80.1	TAH-- 370367 04 01.30.10.1 01.40.05.1 01.30.40.1 04	TCZ- FP 370335 02 01.68.24.1 01.68.24.1	CD-- FP 371029 03 01.67.20.1 01.67.40.1 01.67.40.1
16					WY-- 371900 01 01.30.45.1	WY-- 371900 01 01.30.45.1	CAU- FP 370353 02 01.66.40.1 01.66.70.1	DBU- M1 0370384 05 01.41.01.1 01.41.01.1 01.41.01.1 05	CAU- FP 370353 02 01.66.70.1 01.66.80.1	CAU- FP 370353 02 01.66.90.1 01.66.90.1
					WY-- 371900 01 01.30.50.1	WY-- 371900 01 01.30.50.1	AFR- FP 371943 06 01.66.50.1 01.66.60.1 01.66.70.1 01.66.80.1 01.66.80.1 01.66.81.1	TAG- FP 370366 04 01.66.61.1 01.68.24.1 01.68.24.1 01.68.24.1	CEYB FP 0371032 04 01.66.80.1 01.66.80.1 01.66.80.1 01.66.80.1	CEYB FP 0371032 04 01.66.90.1 01.66.90.1 01.67.20.1 04
17					WY-- 371900 01 01.30.45.1	WY-- 371900 01 01.30.45.1	MX-- FP 371661 04 01.66.60.1 01.66.70.1 01.66.61.1 01.66.61.1	CEYB FP 0371032 04 01.66.60.1 01.67.10.1 01.67.10.1 01	AFR- FP 371943 06 01.66.83.1 01.66.90.1 01.67.00.1 01.67.10.1 01.67.10.1 01.67.20.1 01.67.40.1	AHK- FP 370322 04 01.67.00.1 01.67.50.1 01.67.10.1 01.67.00.1
					WY-- 371900 01 01.30.50.1	WY-- 371900 01 01.30.50.1	MX-- FP 371661 04 01.66.50.1 01.66.60.1 01.66.50.1 01.66.60.1	MX-- FP 371661 04 01.66.85.1 01.68.24.1 01.67.21.1 01.68.85.1	DFD- FP 370204 02 01.67.00.1 01.67.00.1	MX-- FP 371661 04 01.67.10.1 01.67.20.1 01.67.20.1
18					WY-- 371900 01 01.30.45.1	WY-- 371900 01 01.30.45.1	WM-- 371882 02 01.30.45.1 01.30.50.1	ARW-- 0372122 02 01.30.16.1 01.30.16.1	ARW-- 0372122 02 01.30.21.1 01.30.21.1	CAU- FP 370353 02 01.67.50.1 01.67.10.1
					WY-- 371900 01 01.30.50.1	WY-- 371900 01 01.30.50.1	WM-- 371882 02 01.30.45.1 01.30.50.1	ARW-- 0372122 02 01.30.16.1 01.30.16.1	ARW-- 0372122 02 01.30.21.1 01.30.21.1	TFC-- 0370646 04 01.30.21.1 01.30.21.1 01.30.21.1 01.30.21.1
19					WY-- 371900 01 01.30.45.1	WY-- 371900 01 01.30.45.1	WM-- 371882 02 01.30.45.1 01.30.50.1	ARW-- 0372122 02 01.30.16.1 01.30.16.1	ARW-- 0372122 02 01.30.21.1 01.30.21.1	TFC-- 0370646 04 01.30.21.1 01.30.21.1 01.30.21.1 01.30.21.1
					WY-- 371900 01 01.30.50.1	WY-- 371900 01 01.30.50.1	WM-- 371882 02 01.30.45.1 01.30.50.1	ARW-- 0372122 02 01.30.16.1 01.30.16.1	ARW-- 0372122 02 01.30.21.1 01.30.21.1	TFC-- 0370646 04 01.30.16.1 01.30.16.1 01.30.16.1 01.30.16.1
20					WY-- 371900 01 01.30.45.1	WY-- 371900 01 01.30.45.1	WM-- 371882 02 01.30.45.1 01.30.50.1	ARW-- 0372122 02 01.30.16.1 01.30.16.1	ARW-- 0372122 02 01.30.21.1 01.30.21.1	TFC-- 0370646 04 01.30.16.1 01.30.16.1 01.30.16.1 01.30.16.1
					WY-- 371900 01 01.30.50.1	WY-- 371900 01 01.30.50.1	WM-- 371882 02 01.30.45.1 01.30.50.1	ARW-- 0372122 02 01.30.16.1 01.30.16.1	ARW-- 0372122 02 01.30.21.1 01.30.21.1	TFC-- 0370646 04 01.30.16.1 01.30.16.1 01.30.16.1 01.30.16.1
21					WY-- 371900 01 01.30.45.1	WY-- 371900 01 01.30.45.1	WM-- 371882 02 01.30.45.1 01.30.50.1	ARW-- 0372122 02 01.30.16.1 01.30.16.1	ARW-- 0372122 02 01.30.21.1 01.30.21.1	TFC-- 0370646 04 01.30.16.1 01.30.16.1 01.30.16.1 01.30.16.1
					WY-- 371900 01 01.30.50.1	WY-- 371900 01 01.30.50.1	WM-- 371882 02 01.30.45.1 01.30.50.1	ARW-- 0372122 02 01.30.16.1 01.30.16.1	ARW-- 0372122 02 01.30.21.1 01.30.21.1	TFC-- 0370646 04 01.30.16.1 01.30.16.1 01.30.16.1 01.30.16.1
22					WY-- 371900 01 01.30.45.1	WY-- 371900 01 01.30.45.1	WM-- 371882 02 01.30.45.1 01.30.50.1	ARW-- 0372122 02 01.30.16.1 01.30.16.1	ARW-- 0372122 02 01.30.21.1 01.30.21.1	TFC-- 0370646 04 01.30.16.1 01.30.16.1 01.30.16.1 01.30.16.1
					WY-- 371900 01 01.30.50.1	WY-- 371900 01 01.30.50.1	WM-- 371882 02 01.30.45.1 01.30.50.1	ARW-- 0372122 02 01.30.16.1 01.30.16.1	ARW-- 0372122 02 01.30.21.1 01.30.21.1	TFC-- 0370646 04 01.30.16.1 01.30.16.1 01.30.16.1 01.30.16.1
23					WY-- 371900 01 01.30.45.1	WY-- 371900 01 01.30.45.1	WM-- 371882 02 01.30.45.1 01.30.50.1	ARW-- 0372122 02 01.30.16.1 01.30.16.1	ARW-- 0372122 02 01.30.21.1 01.30.21.1	TFC-- 0370646 04 01.30.16.1 01.30.16.1 01.30.16.1 01.30.16.1
					WY-- 371900 01 01.30.50.1	WY-- 371900 01 01.30.50.1	WM-- 371882 02 01.30.45.1 01.30.50.1	ARW-- 0372122 02 01.30.16.1 01.30.16.1	ARW-- 0372122 02 01.30.21.1 01.30.21.1	TFC-- 0370646 04 01.30.16.1 01.30.16.1 01.30.16.1 01.30.16.1
24					WY-- 371900 01 01.30.45.1	WY-- 371900 01 01.30.45.1	WM-- 371882 02 01.30.45.1 01.30.50.1	ARW-- 0372122 02 01.30.16.1 01.30.16.1	ARW-- 0372122 02 01.30.21.1 01.30.21.1	TFC-- 0370646 04 01.30.16.1 01.30.16.1 01.30.16.1 01.30.16.1
					WY-- 371900 01 01.30.50.1	WY-- 371900 01 01.30.50.1	WM-- 371882 02 01.30.45.1 01.30.50.1	ARW-- 0372122 02 01.30.16.1 01.30.16.1	ARW-- 0372122 02 01.30.21.1 01.30.21.1	TFC-- 0370646 04 01.30.16.1 01.30.16.1 01.30.16.1 01.30.16.1
25					WY-- 371900 01 01.30.45.1	WY-- 371900 01 01.30.45.1	WM-- 371882 02 01.30.45.1 01.30.50.1	ARW-- 0372122 02 01.30.16.1 01.30.16.1	ARW-- 0372122 02 01.30.21.1 01.30.21.1	TFC-- 0370646 04 01.30.16.1 01.30.16.1 01.30.16.1 01.30.16.1
					WY-- 371900 01 01.30.50.1	WY-- 371900 01 01.30.50.1	WM-- 371882 02 01.30.45.1 01.30.50.1	ARW-- 0372122 02 01.30.16.1 01.30.16.1	ARW-- 0372122 02 01.30.21.1 01.30.21.1	TFC-- 0370646 04 01.30.16.1 01.30.16.1 01.30.16.1 01.30.16.1
26					WY-- 371900 01 01.30.45.1	WY-- 371900 01 01.30.45.1	WM-- 371882 02 01.30.45.1 01.30.50.1	MX-- FP 371661 04 01.66.71.1 01.66.85.1 01.66.80.1 01.66.80.1	CAU- FP 370353 02 01.67.40.1 01.67.30.1	CAU- FP 370353 02 01.67.40.1 01.67.30.1
					CEYB FP 0371032 04 01.67.40.1 01.67.40.1 01.67.40.1 01.67.50.1	CD-- FP 371029 03 01.68.00.1 01.68.00.1 01.68.24.1	CAB- FP 371931 03 01.68.24.1 01.68.24.1 01.66.60.1			WG-- 0371790 01 01.30.10.1 SEE NOTE 1 ON PAGE 01.00.06.3
27					WY-- 371900 01 01.30.45.1	WY-- 371900 01 01.30.45.1	RE-- 122 0371699 01 01.90.42.1	ALY- 0370552 01 01.30.10.1	ALY- 0370552 01 01.30.10.1	WG-- 0371790 01 01.30.10.1 SEE NOTE 1 ON PAGE 01.00.06.3
					WY-- 371900 01 01.30.50.1	WY-- 371900 01 01.30.50.1	RE-- 122 0371699 01 01.90.42.1	ALY- 0370552 01 01.30.10.1	ALY- 0370552 01 01.30.10.1	WG-- 0371790 01 01.30.10.1 SEE NOTE 1 ON PAGE 01.00.06.3
28					WY-- 371900 01 01.30.45.1	WY-- 371900 01 01.30.45.1	RE-- 122 0371699 01 01.90.42.1	ALY- 0370552 01 01.30.10.1	ALY- 0370552 01 01.30.10.1	WG-- 0371790 01 01.30.10.1 SEE NOTE 1 ON PAGE 01.00.06.3
					WY-- 371900 01 01.30.50.1	WY-- 371900 01 01.30.50.1	RE-- 122 0371699 01 01.90.42.1	ALY- 0370552 01 01.30.10.1	ALY- 0370552 01 01.30.10.1	WG-- 0371790 01 01.30.10.1 SEE NOTE 1 ON PAGE 01.00.06.3



B1  
UNIT PLUGGING CHART

	A	B	C	D	E	F	G	H	J	K
	AHK-- IA	MX-- IF	MX--	TFC--	CEYB	MX-- FP	CAB--	CD--	TAH--	MH--
1	370322 04 01.60.05.1 01.60.05.1 01.60.05.1 01.60.08.1	371661 04 01.16.05.1 01.16.05.1 01.16.05.1	371661 04 01.60.40.1 01.60.34.1 01.60.34.1	0370646 04 01.45.15.1 01.10.25.1 01.10.25.1	0371032 04 01.60.34.1 01.60.34.1 01.60.34.1	371661 04 01.66.88.1 01.66.88.1 01.66.88.1	371931 03 01.57.07.1 01.57.07.1 01.67.05.1	371029 03 01.62.60.1 01.67.05.1 01.62.60.1	370367 04 01.25.30.1 01.06.11.1	371487 04 01.25.22.1 01.60.34.1
2	MX-- FP 371661 04 01.53.12.1 01.66.85.1 01.66.85.1 01.66.85.1	CD-- IF 371029 03 01.16.05.1 01.16.05.1 01.16.05.1	CD-- FP 371029 03 01.66.88.1 01.66.85.1 01.66.85.1	MX-- 371661 04 01.60.34.1 01.60.34.1 01.06.01.1 03	MX-- 371661 04 01.60.36.1 01.60.36.1 01.60.36.1 01.60.38.1	TFC-- FP 0370646 04 01.66.85.1 01.66.91.1 01.10.36.1 04	CAB-- 371931 03 01.25.35.1 01.60.34.1 01.57.05.1	AHK-- 370322 04 01.62.55.1 01.62.55.1 01.62.60.1 01.57.24.1	TAG-- FP 370366 04 01.66.85.1 01.66.85.1 01.67.21.1 01.68.00.1	TAG-- 370366 04 01.45.07.1 01.45.07.1 01.45.07.1 01.45.07.1
3	AHK-- FP 370322 04 01.66.85.1 01.53.12.1 01.66.88.1 01.67.90.1	CD-- IF 371029 03 01.16.05.1 01.16.10.1 01.16.10.1	RE-- 122 0371699 01 01.90.42.1	CD-- 371029 03 01.60.34.1 01.60.34.1 01.60.34.1	MX-- 371661 04 01.60.36.1 01.60.36.1 01.60.38.1 01.60.38.1	MX-- PR 371661 04 01.64.13.1 01.64.12.1 01.64.12.1 00.64.12.1	AHK-- PR 370322 04 01.64.13.1 01.64.13.1 01.64.13.1	MX-- 371661 04 01.62.55.1 01.62.55.1 01.62.60.1 01.58.09.1	TAH-- FP 370367 04 01.66.85.1 01.67.32.1 01.60.13.1 04	CD-- 371029 03 01.45.07.1 01.45.07.1 01.45.07.1
4	TAG-- 370366 04 01.10.30.1 01.10.30.1 01.10.30.1 01.10.30.1	CEYB 0371032 04 01.10.30.1 01.10.30.1 01.60.34.1 01.60.34.1	CD-- FP 371029 03 01.66.83.1 01.66.88.1 01.66.88.1	MX-- 371661 04 01.60.34.1 01.60.34.1 01.60.34.1	MX-- 371661 04 01.60.36.1 01.60.36.1 01.60.38.1 01.60.38.1	CEYB PR 0371032 04 01.50.17.1 01.63.50.1 01.50.19.1 01.20.31.1	TAG-- PR 370366 04 01.64.13.1 01.64.13.1 01.64.13.1 01.64.12.1	CD-- 371029 03 01.62.55.1 01.62.55.1 01.62.55.1	AHU-- 370386 03 01.40.10.1 01.40.10.1 01.40.10.1	TAG-- 370366 04 01.45.05.1 01.45.05.1 01.45.07.1 01.45.07.1
5	TAG-- 370366 04 01.10.30.1 01.10.30.1 01.10.30.1 01.10.30.1	DAW-- CRP 370083 03 01.64.10.1 01.40.03.1 01.59.10.1	CD-- 371029 03 01.25.40.1 01.25.40.1 01.25.40.1	MX-- 371661 04 01.60.34.1 01.60.34.1 01.60.34.1 01.60.34.1	CD-- 371029 03 01.60.36.1 01.60.36.1 01.60.36.1	DA-- PR 0370084 04 01.10.26.1 01.25.35.1 01.10.26.1 01.10.26.1	AHK-- 370322 04 01.62.55.1 01.62.55.1 01.62.55.1 01.62.55.1	TAH-- 370366 04 01.40.10.1 01.06.12.1 01.40.10.1 01.40.10.1	TAG-- RM 370366 04 01.10.05.1 01.15.18.1 01.64.12.1 02	
6	TAG-- 370366 04 01.10.26.1 01.10.30.1 01.10.30.1 01.10.30.1	TFC-- 0370646 04 01.10.22.1 01.10.30.1 01.10.22.1 01.10.25.1	CEYB 0371032 04 01.10.26.1 01.10.26.1 01.50.09.1 01.50.09.1	CD-- 371029 03 01.60.34.1 01.60.34.1 01.60.34.1	CD-- 371029 03 01.60.36.1 01.60.36.1 01.60.36.1	AHK-- PR 370322 04 01.25.25.1 01.25.25.1 01.25.25.1 01.25.30.1	DAX-- PR 0370084 04 01.25.20.1 01.25.35.1 01.25.20.1 01.10.26.1	MX-- 371661 04 01.62.55.1 01.62.55.1 01.62.55.1 01.62.55.1	AHK-- 370322 04 01.40.10.1 01.63.50.1 01.40.20.1 01.40.20.1	TAH-- 370367 04 01.40.10.1 01.64.12.1 01.10.30.1 04
7	TAG-- 370366 04 01.10.22.1 01.10.25.1 01.10.25.1 01.10.22.1	CEYB 0371032 04 01.10.22.1 01.10.22.1 01.10.25.1 01.63.50.1	CD-- 371661 04 01.06.10.1 01.25.30.1 01.15.18.1 01.25.30.1	CD-- FP 371029 03 01.25.25.1 01.66.61.1 01.65.06.1	AFR-- 371943 06 01.50.17.1 01.50.17.1 01.50.17.1 01.50.19.1 01.50.19.1 01.25.35.1	AFR-- 371943 06 01.50.07.1 01.50.07.1 01.50.07.1 01.50.09.1 01.50.09.1 01.15.13.1	CD-- 371029 03 01.25.30.1 01.45.07.1 01.10.05.1	MX-- 371661 04 01.40.10.1 01.40.10.1 01.40.20.1 01.60.54.1	MX-- 371661 04 01.45.05.1 01.45.05.1 01.06.20.1 01.06.20.1	
8	TAG-- 370366 04 01.10.15.1 01.10.30.1 01.10.30.1 01.15.10.1	CEYB 0371032 04 01.10.25.1 01.10.25.1 01.10.26.1 01.10.26.1	CD-- 371029 03 01.25.30.1 01.25.30.1 01.25.40.1	AHK-- FP 370322 04 01.50.07.1 01.50.07.1 01.06.11.1 01.25.35.1	CEYB 0371032 04 01.15.14.1 01.43.10.1 01.43.10.1 01.25.35.1	CEYB 0371032 04 01.50.09.1 01.50.09.1 01.50.19.1 01.50.19.1	AFR-- 371943 06 01.62.50.1 01.62.50.1 01.62.50.1 01.62.52.1 01.62.52.1 01.25.30.1	CEYB FP 0371032 04 01.67.32.1 01.10.35.1 01.66.85.1 01	TAH-- 370367 04 01.40.20.1 01.40.10.1 01.40.20.1 04	CAB-- 371931 03 01.45.05.1 01.45.07.1 01.45.07.1
9	CEYB 0371032 04 01.10.15.1 01.10.15.1 01.10.15.1 01.10.15.1	TFC-- 0370646 04 01.10.15.1 01.10.30.1 01.10.25.1 01.10.30.1	CD-- 371029 03 01.25.30.1 01.25.30.1 01.25.30.1	CD-- 371029 03 01.25.25.1 01.25.25.1 01.25.25.1	CAU-- 370353 02 01.50.19.1 01.50.19.1	CAU-- 370353 02 01.50.09.1 01.50.09.1	CEYB 0371032 04 01.62.52.1 01.62.52.1 01.62.52.1 01.62.52.1	MX-- 371661 04 01.62.52.1 01.50.07.1 01.62.52.1 01.25.25.1	TAG-- 370366 04 01.40.20.1 01.45.05.1 01.40.20.1 01.40.20.1	AHK-- FP 370322 04 01.50.09.1 01.55.01.1 01.55.01.1 01.60.31.1
10	TCZ-- 370335 02 01.10.06.1 01.10.06.1	TAG-- 370366 04 01.10.06.1 01.10.06.1 01.10.06.1 01.10.06.1	MX-- FP 371661 04 01.66.88.1 01.60.41.1 01.66.91.1 01.66.91.1	CD-- 371029 03 01.25.20.1 01.25.25.1 01.25.35.1	CAB-- 371931 03 01.25.35.1 01.25.35.1 01.25.35.1	MX-- 371661 04 01.50.09.1 01.50.09.1 01.50.09.1	CAU-- 370353 02 01.62.52.1 01.62.52.1 01.62.52.1	CD-- FP 371029 03 01.67.21.1 01.67.32.1 02	AHU-- 370386 03 01.40.20.1 01.40.20.1 01.40.20.1	DFD-- 370204 02 01.64.12.1 01.45.05.1
11	TCZ-- 370335 02 01.10.07.1 01.10.07.1	TAG-- 370366 04 01.10.07.1 01.10.07.1 01.10.07.1 01.10.07.1	MX-- 371661 04 01.25.25.1 01.25.25.1 01.25.30.1 01.25.30.1	CD-- 371029 03 01.25.20.1 01.25.20.1 01.25.20.1	CAU-- 370353 02 01.50.07.1 01.50.17.1	MX-- 371661 04 01.50.07.1 01.50.07.1 01.50.19.1 01.50.19.1	CAU-- 370353 02 01.62.50.1 01.25.35.1	CD-- FP 371029 03 01.46.10.1 02, 03	CD-- FP 371029 03 01.15.18.1 01.40.50.1 01.10.30.1 01.40.50.1	TCZ-- 370335 02 01.45.05.1 01.45.07.1
12	TCZ-- 370335 02 01.10.08.1 01.10.08.1	TAG-- 370366 04 01.10.08.1 01.10.08.1 01.10.08.1	CD-- 371029 03 01.25.15.1 01.25.15.1 01.25.15.1	MX-- CRP 371661 04 01.25.15.1 01.20.20.1 01.64.10.1 01.64.10.1	CEYB 0371032 04 01.50.07.1 01.50.07.1 01.50.17.1 01.25.35.1	CEYB 0371032 04 01.50.07.1 01.50.07.1 01.50.07.1	CEYB 0371032 04 01.62.52.1 01.62.52.1 01.62.50.1 01.62.50.1	CD-- FP 371029 03 01.63.50.1 01.63.50.1 01.15.16.1	CD-- FP 371029 03 01.45.50.1 01.45.50.1 01.45.50.1	TCZ-- 370335 02 01.45.07.1 01.45.07.1
13	TCZ-- 370335 02 01.10.09.1 01.10.09.1	TAG-- 370366 04 01.10.09.1 01.10.09.1 01.10.09.1 01.10.09.1	MX-- 371661 04 01.25.15.1 01.25.15.1 03, 04	CD-- 371029 03 01.25.15.1 01.25.15.1 01.25.15.1	MX-- 371661 04 01.50.17.1 01.50.17.1 01.50.17.1 01.25.30.1	MX-- 371661 04 01.50.07.1 01.50.07.1 01.50.07.1	CEYB 0371032 04 01.62.50.1 01.62.50.1 01.62.50.1 01.62.50.1	MX-- 371661 04 01.63.50.1 01.63.50.1 01.63.50.1 01.63.50.1	AHK-- FP 370322 04 01.45.50.1 01.45.50.1 01.46.10.1	TFC-- 0370646 04 01.45.16.1 01.45.16.1 01.45.17.1 01.60.08.1
14	TCZ-- 370335 02 01.10.10.1 01.10.10.1	TAG-- 370366 04 01.10.10.1 01.10.10.1 01.10.10.1	MX-- 371661 04 01.25.15.1 01.25.15.1 01.25.15.1 03	CD-- 371029 03 01.25.15.1 01.25.15.1 01.25.15.1	CAU-- 370353 02 01.50.17.1 01.50.17.1	CAU-- 370353 02 01.50.07.1 01.50.07.1	CAU-- 370353 02 01.62.50.1 01.62.50.1	CD-- FP 371029 03 01.66.83.1 01.66.85.1 01.20.17.1	CEYB 0371032 04 01.06.20.1 01.15.18.1 01.25.15.1 01.64.10.1	AFR-- 371943 06 01.45.50.1 01.45.15.1 01.45.16.1 01.45.17.1 01.45.17.1

SUSPENDED FAILURE CARDS

2172315

1620 F SUFFIX AND FEATURES

1620

01.00.06.6

B1  
UNIT PLUGGING CHART

	A	B	C	D	E	F	G	H	J	K	
15	TAF- OSC 370365 01 01.10.05.1	TFC- 0370646 04 01.10.05.1 01.55.03.1 01.06.20.1 01.10.05.1	TFC- RM 01.10.12.1  01, 03, 04	CAU- 370353 02 01.64.13.1 01.06.30.1	TAH- PR 370367 04 01.64.12.1 01.64.12.1	CEYB 0371032 04 01.06.30.1 01.64.13.1 01.06.01.1 01.25.15.1	AHK- RAM 370322 04 01.64.12.1 01.64.12.1	MX-- FP 371661 04 01.67.21.1 01.67.32.1 01.67.32.1	CEYB 0371032 04 01.25.05.1 01.25.05.1 01.06.11.1 01.63.10.1	TAG- 370366 04 01.40.50.1 01.06.12.1 01.40.50.1 01.45.50.1	TAG- 370366 04 01.40.50.1 01.06.12.1 01.45.50.1 01.45.50.1
	TAJ- 370364 02 01.10.05.1 01.10.05.1	TAH- 370367 04 01.10.05.1 01.15.10.1 01.40.50.1 04	CEYB 0371032 04 01.06.02.1 01.06.03.1 01.06.01.1 01.63.50.1	MH-- 371487 04 01.40.03.1 01.06.30.1 01.25.15.1 01.06.01.1	TCZ- 370335 02 01.45.05.1 01.43.10.1	TAH- 370367 04 01.40.03.1 01.43.10.1 01.43.10.1	MX-- 371661 04 01.06.01.1 01.06.10.1 01.15.05.1 01.06.05.1	MX-- 371661 04 01.06.12.1 01.64.14.1 01.06.12.1 01.06.12.1	TAG- 370366 04 01.45.50.1 01.45.50.1 01.45.50.1 01.45.05.1	TAG- 370366 04 01.40.50.1 01.15.18.1 01.40.50.1 01.45.05.1	TAG- 370366 04 01.40.50.1 01.15.18.1 01.40.50.1 01.45.05.1
16	CEYB 0371032 04 01.50.07.1 01.64.14.1 01.15.18.1 01.25.15.1	TAG- 370366 04 01.10.05.1 01.10.05.1 01.10.05.1 01.15.10.1	AFR- 371943 06 01.06.10.1 01.06.11.1 01.06.15.1 01.06.20.1 01.60.08.1 01.61.42.1	CD-- 371029 03 01.06.15.1 01.06.20.1 01.25.05.1	MX-- 371661 04 01.06.20.1 01.25.15.1 01.06.10.1 01.60.05.1	TFC- 0370646 04 01.40.03.1 01.40.03.1 01.10.25.1 01.40.03.1	MX-- FP 371661 04 01.53.10.1 01.53.10.1 01.53.10.1 01.53.10.1	AHK- FP 370322 04 01.60.28.1 01.66.83.1 01.68.44.1 01.66.83.1	MH-- 371487 04 01.06.01.1 01.06.01.1 01.25.05.1 01.64.13.1	TAH- 370367 04 01.40.50.1 01.10.30.1 01.40.50.1 04	TAH- 370367 04 01.40.50.1 01.10.30.1 01.40.50.1 04
	TAL- 370370 01 01.10.12.1	TFC- 0370646 04 01.10.12.1 01.10.12.1 01.10.12.1 01.10.12.1	AFR- 371943 06 01.15.16.1 01.15.17.1 01.15.18.1 01.40.10.1 01.40.20.1 01.06.05.1	MX-- 371661 04 01.06.15.1 01.06.20.1 01.15.15.1 01.06.20.1	CEYB 0371032 04 01.06.15.1 01.06.20.1 01.06.20.1 01.15.13.1	TAG- 370366 04 01.06.20.1 01.65.05.1 01.53.12.1 01.06.15.1	MX-- FP 371661 04 01.53.10.1 01.53.12.1 01.53.12.1	CD-- 371029 03 01.06.20.1 01.64.14.1 01.64.14.1	AHK- DV 370322 04 01.62.50.1 01.15.15.1 01.62.52.1	CEYB FP 0371032 04 01.66.51.1 01.66.88.1 01.66.91.1 01.20.14.1	CEYB FP 0371032 04 01.66.51.1 01.66.88.1 01.66.91.1 01.20.14.1
17	TAJ- 370364 02 01.10.12.1 01.10.12.1	CEYB 0371032 04 01.10.12.1 01.10.12.1 01.10.12.1 01.10.12.1	AFR- 371943 06 01.15.10.1 01.15.11.1 01.15.12.1 01.65.05.1 01.15.14.1 01.15.15.1	CAU- 370353 02 01.06.15.1 01.06.11.1	CEYB 0371032 04 01.06.15.1 01.06.15.1 01.06.15.1 01.06.15.1	TAH- 370367 04 01.40.03.1 01.60.05.1 01.60.05.1	CEYB 0371032 04 01.45.30.1 01.64.13.1 01.64.13.1	370322 04 01.60.05.1 01.65.09.1 01.65.09.1 01.15.15.1	371029 03 01.65.07.1 01.65.07.1 01.65.04.1	371029 03 01.65.07.1 01.65.07.1 01.65.07.1	371029 03 01.65.07.1 01.65.07.1 01.65.07.1
	CAB- 371931 03 01.55.02.1 01.45.30.1 01.15.10.1	TAH- 370367 04 01.10.12.1 01.10.12.1 01.10.25.1	CEYB 0371032 04 01.06.03.1 01.15.10.1 01.15.10.1 01.55.01.1	CD-- CRP 371029 03 01.06.20.1 01.64.14.1 01.25.30.1	AFR- 371943 06 01.64.10.1 01.43.10.1 01.06.30.1 01.10.12.1 01.63.50.1 01.65.06.1	AFR- 371943 06 01.64.14.1 01.64.14.1 01.64.13.1 01.64.13.1 01.64.12.1 01.64.11.1	CAU- 370353 02 01.06.20.1 01.64.14.1	CAU- DV 370353 02 01.65.07.1 01.65.07.1	CEYB DV 0371032 04 01.65.07.1 01.65.07.1 01.65.07.1	MX-- DV 371661 04 01.65.07.1 01.65.07.1 01.65.07.1	MX-- DV 371661 04 01.65.07.1 01.65.07.1 01.65.07.1
18	CEYB 0371032 04 01.15.14.1 01.45.17.1 01.15.13.1 01.15.18.1	AHK- 370322 04 01.55.03.1 01.64.11.1 01.45.05.1 01.55.03.1	CAB- 371931 03 01.06.11.1 01.64.13.1 01.50.07.1	CD-- 371029 03 01.06.10.1 01.06.15.1 01.06.20.1	CD-- CRP 371029 03 01.25.30.1 01.40.03.1 01.25.30.1	MX-- 371661 04 01.64.14.1 01.64.14.1 01.64.14.1	MX-- 371661 04 01.64.12.1 01.64.13.1 01.25.15.1 01.25.15.1	MH- X DV 371487 04 01.65.04.1 01.15.10.1 01.65.06.1 01.66.51.1	CAU- DV 370353 02 01.65.06.1 01.65.07.1	MX-- DV 371661 04 01.65.07.1 01.65.04.1 01.65.07.1	MX-- DV 371661 04 01.65.07.1 01.65.04.1 01.65.07.1
	CEYB 0371032 04 01.15.11.1 01.15.11.1 01.15.12.1 01.64.12.1	MH-- 371487 04 01.06.30.1 01.06.20.1 01.10.12.1 01.15.10.1	TAH- 370367 04 01.15.10.1 01.15.14.1 01.06.12.1	TAH- 370367 04 01.06.10.1 01.06.10.1 01.40.03.1	TFC- 0370646 04 01.06.10.1 01.45.15.1 01.06.10.1 01.45.15.1	MX-- 371661 04 01.64.14.1 01.64.14.1 01.10.12.1 01.64.14.1	CEYB 0371032 04 01.64.12.1 01.64.12.1 01.64.11.1 01.15.18.1	AFR- X DV 371943 06 01.65.02.1 01.65.02.1 01.65.03.1 01.65.03.1 01.65.04.1 01.65.05.1	CEYB DV 0371032 04 01.65.06.1 01.65.07.1 01.65.08.1	AHK- DV 370322 04 01.65.06.1 01.65.06.1 01.65.07.1 01.65.07.1	AHK- DV 370322 04 01.65.06.1 01.65.06.1 01.65.07.1 01.65.07.1
19	DFD- 370204 02 01.15.12.1 01.15.11.1	AHK- 370322 04 01.15.11.1 01.15.12.1 01.15.13.1 01.15.14.1	CD-- 371029 03 01.15.14.1 01.15.17.1 01.15.18.1	DFD- 370204 02 01.06.10.1 01.06.20.1	CD-- 371029 03 01.55.03.1 01.06.20.1 01.55.03.1	MX-- FP 371661 04 01.66.61.1 01.66.61.1 01.66.61.1 01.67.32.1	DFD- 370204 02 01.15.14.1 01.10.05.1	MX-- FP 371661 04 01.66.51.1 01.66.51.1 01.66.51.1	MX- X DV 371661 04 01.65.08.1 01.65.08.1 01.65.08.1 01.65.08.1	MX- X DV 371661 04 01.65.06.1 01.65.06.1 01.65.06.1 01.65.06.1	MX- X DV 371661 04 01.65.06.1 01.65.06.1 01.65.06.1 01.65.06.1
	DFD- 370204 02 01.15.13.1 01.15.18.1	MX-- 371661 04 01.15.12.1 01.06.05.1 01.15.13.1 01.15.14.1	TAH- 370367 04 01.60.08.1 01.06.12.1 01.06.05.1	CD-- 371029 03 01.60.08.1 01.25.25.1 01.15.15.1	MX- X DV 371661 04 01.15.15.1 01.15.15.1 01.15.18.1 01.15.18.1	MX-- FP 371661 04 01.66.51.1 01.66.51.1 01.66.51.1	AHK- 370322 04 01.64.11.1 01.06.10.1 01.25.35.1 01.64.12.1	TAH- DV 370367 04 01.65.05.1 01.65.09.1 01.65.05.1	MX- X DV 371661 04 01.65.02.1 01.65.08.1 01.65.02.1 01.65.04.1	CD- X DV 371029 03 01.65.06.1 01.65.06.1 01.65.06.1	CD- X DV 371029 03 01.65.06.1 01.65.06.1 01.65.06.1
20	DFD- 370204 02 01.15.16.1 01.15.15.1	AHK- 370322 04 01.15.15.1 01.15.16.1 01.15.17.1 01.15.18.1	MX-- 371661 04 01.06.10.1 01.06.10.1 01.06.10.1	CEYB 0371032 04 01.06.05.1 01.06.05.1 01.64.14.1 01.06.05.1	MX-- 371661 04 01.40.03.1 01.45.30.1 01.06.30.1	MX-- 371661 04 01.64.11.1 01.64.10.1 01.64.11.1 01.15.14.1	CAB- X DV 371931 03 01.62.50.1 01.50.09.1 01.62.50.1	TAG- X DV 370366 04 01.65.03.1 01.65.05.1 01.65.05.1	CD- X DV 371029 03 01.65.02.1 01.65.02.1 01.65.08.1	MX-- CRP 371661 04 01.64.11.1 01.25.35.1 01.15.18.1	MX-- CRP 371661 04 01.64.11.1 01.25.35.1 01.15.18.1
	DFD- 370204 02 01.15.17.1 01.15.18.1	CAU- FP 370353 02 01.66.81.1 01.66.51.1	RE-- 122 0371699 01 01.90.42.1	AHK- 370322 04 01.06.05.1 01.06.05.1 01.06.05.1 01.06.05.1	MX-- 371661 04 01.60.08.1 01.60.08.1 01.64.10.1 01.15.18.1	CD-- 371029 03 01.55.01.1 01.55.01.1 01.64.14.1	CLYB 0371032 04 01.64.10.1 01.64.10.1 01.64.10.1	AHK- DV 370322 04 01.65.03.1 01.65.03.1 01.65.02.1 01.65.04.1	AHK- FP 370322 04 01.63.30.1 01.66.51.1 01.66.23.1 01.65.05.1	MX- X DV 371661 04 01.65.05.1 01.65.02.1 01.65.05.1	MX- X DV 371661 04 01.65.05.1 01.65.02.1 01.65.05.1
21	CEYB 0371032 04 01.15.11.1 01.15.16.1 01.15.17.1 01.15.17.1	CEYB 0371032 04 01.15.15.1 01.15.18.1 01.15.18.1 01.15.12.1	CD-- 371029 03 01.06.05.1 01.06.05.1	CAU- 370353 02 01.06.05.1 01.06.05.1	MX-- 371661 04 01.64.10.1 01.06.05.1 01.64.10.1 01.64.10.1	CEYB 0371032 04 01.55.01.1 01.55.01.1 01.55.01.1	DFD- 370204 02 01.64.11.1 01.64.10.1	CEYB DV 0371032 04 01.65.03.1 01.65.03.1 01.65.03.1	CEYB X DV 0371032 04 01.65.04.1 01.65.08.1 01.65.08.1	CEYB X DV 0371032 04 01.65.05.1 01.65.05.1 01.65.05.1	CEYB X DV 0371032 04 01.65.05.1 01.65.05.1 01.65.05.1
	TAG- FP 370366 04 01.10.35.1 01.10.35.1 01.10.35.1 01.10.36.1	MX-- FP 371661 04 01.66.83.1 01.66.51.1 01.66.83.1 01.66.51.1	MX-- 371661 04 01.64.13.1 01.06.11.1 01.06.05.1	TAG- 370366 04 01.15.05.1 01.15.11.1 01.64.10.1	TFC- FP 0370646 04 01.10.35.1 01.10.35.1 01.10.36.1 01.10.36.1	CD-- 371029 03 01.55.01.1 01.55.01.1 01.55.01.1	MX-- 371661 04 01.15.18.1 01.15.05.1 01.15.05.1	DFD- X DV 370204 02 01.65.03.1 01.65.03.1	CAU- X DV 370353 02 01.65.02.1 01.65.04.1	CD-- FP 371029 03 01.66.51.1 01.66.51.1 01.66.51.1	CD-- FP 371029 03 01.66.51.1 01.66.51.1 01.66.51.1
22	DFD- 370204 02 01.15.12.1 01.15.11.1	AHK- 370322 04 01.15.11.1 01.15.12.1 01.15.13.1 01.15.14.1	CD-- 371029 03 01.15.14.1 01.15.17.1 01.15.18.1	DFD- 370204 02 01.06.10.1 01.06.20.1	CD-- 371029 03 01.55.03.1 01.06.20.1 01.55.03.1	MX-- FP 371661 04 01.66.61.1 01.66.61.1 01.66.61.1 01.67.32.1	DFD- 370204 02 01.15.14.1 01.10.05.1	MX-- FP 371661 04 01.66.51.1 01.66.51.1 01.66.51.1	MX- X DV 371661 04 01.65.08.1 01.65.08.1 01.65.08.1	MX- X DV 371661 04 01.65.06.1 01.65.06.1 01.65.06.1	MX- X DV 371661 04 01.65.06.1 01.65.06.1 01.65.06.1
	DFD- 370204 02 01.15.13.1 01.15.18.1	MX-- 371661 04 01.15.12.1 01.06.05.1 01.15.13.1 01.15.14.1	TAH- 370367 04 01.60.08.1 01.06.12.1 01.06.05.1	CD-- 371029 03 01.60.08.1 01.25.25.1 01.15.15.1	MX- X DV 371661 04 01.15.15.1 01.15.15.1 01.15.18.1 01.15.18.1	MX-- FP 371661 04 01.66.51.1 01.66.51.1 01.66.51.1	AHK- 370322 04 01.64.11.1 01.06.10.1 01.25.35.1 01.64.12.1	TAH- DV 370367 04 01.65.05.1 01.65.09.1 01.65.05.1	MX- X DV 371661 04 01.65.02.1 01.65.08.1 01.65.02.1 01.65.04.1	CD- X DV 371029 03 01.65.06.1 01.65.06.1 01.65.06.1	CD- X DV 371029 03 01.65.06.1 01.65.06.1 01.65.06.1
23	DFD- 370204 02 01.15.16.1 01.15.15.1	AHK- 370322 04 01.15.15.1 01.15.16.1 01.15.17.1 01.15.18.1	MX-- 371661 04 01.06.10.1 01.06.10.1 01.06.10.1	CEYB 0371032 04 01.06.05.1 01.06.05.1 01.64.14.1 01.06.05.1	MX-- 371661 04 01.40.03.1 01.45.30.1 01.06.30.1	MX-- 371661 04 01.64.11.1 01.64.10.1 01.64.11.1 01.15.14.1	CAB- X DV 371931 03 01.62.50.1 01.50.09.1 01.62.50.1	TAG- X DV 370366 04 01.65.03.1 01.65.05.1 01.65.05.1	CD- X DV 371029 03 01.65.02.1 01.65.02.1 01.65.08.1	MX-- CRP 371661 04 01.64.11.1 01.25.35.1 01.15.18.1	MX-- CRP 371661 04 01.64.11.1 01.25.35.1 01.15.18.1
	DFD- 370204 02 01.15.17.1 01.15.18.1	CAU- FP 370353 02 01.66.81.1 01.66.51.1	RE-- 122 0371699 01 01.90.42.1	AHK- 370322 04 01.06.05.1 01.06.05.1 01.06.05.1 01.06.05.1	MX-- 371661 04 01.60.08.1 01.60.08.1 01.64.10.1 01.15.18.1	CD-- 371029 03 01.55.01.1 01.55.01.1 01.64.14.1	CLYB 0371032 04 01.64.10.1 01.64.10.1 01.64.10.1	AHK- DV 370322 04 01.65.03.1 01.65.03.1 01.65.02.1 01.65.04.1	AHK- FP 370322 04 01.63.30.1 01.66.51.1 01.66.23.1 01.65.05.1	MX- X DV 371661 04 01.65.05.1 01.65	

B2 UNIT PLUGGING CHART

	A	B	C	D	E	F	G	H	J	K	
	MX-- IA	MX-- FP	CD--	MX--	CD-- IN	MX--	MX--	CD-- FP	CD-- FP	CAU--	
1	371661 04 01.16.11.1 01.16.11.1 01.16.11.1 01.16.11.1	371661 04 01.66.11.1 01.20.14.1 01.66.19.1 01.66.19.1	371029 03 01.20.20.1 01.56.10.1 01.56.10.1	371661 04 01.06.30.1 01.56.10.1 01.56.12.1 01.60.49.1	371029 03 01.60.54.1 01.60.54.1 01.60.54.1	371661 04 01.60.30.1 01.56.14.1 01.06.30.1 01.06.30.1	371661 04 01.06.30.1 01.06.30.1 01.06.30.1	371029 03 01.66.11.1 01.66.12.1 01.66.11.1	371029 03 01.66.11.1 01.66.85.1 01.66.12.1	370353 02 01.20.07.1 01.20.07.1	
2	AHK-- IA 370322 04 01.16.12.1 01.16.11.1 01.16.21.1 01.16.20.1	MX-- IF 371661 04 01.16.10.1 01.56.19.1 01.16.20.1 01.16.11.1	CAB-- 371931 03 01.56.16.1 01.56.12.1 01.56.17.1	TAH-- 370367 04 01.56.14.1 01.56.14.1 01.59.10.1 04	MX-- TN 371661 04 01.60.54.1 01.60.54.1 01.60.54.1	DFD-- 370204 02 01.60.45.1 01.60.45.1	MX-- IN 371661 04 01.20.72.1 01.20.20.1 01.20.72.1	CEYB TN 0371032 04 01.20.72.1 01.20.20.1	CEYB FP 0371032 04 01.66.11.1 01.66.12.1 01.68.85.1	CAU-- 370353 02 01.20.09.1 01.20.09.1	
3	MX-- IA 371661 04 01.16.10.1 01.16.13.1 01.16.13.1 01.16.20.1	CD-- IF 371029 03 01.16.10.1 01.16.10.1 01.16.10.1	RE-- 122 0371699 01 01.90.42.1	CAB-- 371931 03 01.56.15.1 01.56.15.1 01.56.15.1	CD-- TN 371029 03 01.60.54.1 01.60.54.1 01.60.54.1	AHK-- 370322 04 01.60.45.1 01.60.45.1 01.60.48.1 01.60.49.1	MX-- TN 371661 04 01.20.72.1 01.46.10.1 01.20.72.1	CD-- FP 371029 03 01.66.19.1 01.66.40.1 01.66.24.1	CEYB 0371032 04 01.20.07.1 01.20.07.1 01.20.07.1 01.20.09.1	CAU-- 370353 02 01.20.07.1 01.20.10.1	
4	AHK-- FP 370322 04 01.59.10.1 01.68.85.1 01.68.85.1 01.56.15.1	MX-- IF 371661 04 01.16.10.1 01.16.10.1 01.16.10.1 01.16.10.1	CAB-- 371931 03 01.56.19.1 01.15.05.1 01.56.19.1	DAW-- 370083 03 01.56.18.2 01.56.18.1 01.56.16.1	MX-- TN 371661 04 01.60.54.1 01.60.54.1 01.60.54.1	CEYB 0371032 04 01.60.45.1 01.60.45.1 01.60.45.1 01.15.05.1	CEYB 0371032 04 01.60.11.1 01.45.05.1 01.45.05.1 01.60.24.1	CD-- 371029 03 01.20.20.1 01.10.25.1	CEYB 0371032 04 01.20.09.1 01.60.45.1 01.20.10.1 01.20.10.1	CAU-- 370353 02 01.60.41.1 01.20.10.1	
5	CD-- IF 371029 03 01.16.12.1 01.15.15.1 01.16.10.1	MX-- IF 371661 04 01.16.05.1 01.16.12.1 01.16.12.1 01.16.12.1	CAB-- 371931 03 01.15.05.1 01.15.05.1 01.15.05.1	CAB-- 371931 03 01.56.16.1 01.56.16.1 01.63.10.1	CD-- TN 371029 03 01.60.54.1 01.63.30.1 01.60.54.1	TAG-- 370366 04 01.60.45.1 01.60.45.1 01.60.45.1 01.60.57.1	CEYB 0371032 04 01.06.02.1 01.20.20.1 01.20.20.1 01.20.09.1	MX-- 371661 04 01.20.20.1 01.20.20.1 01.20.20.1	CEYB 0371032 04 01.20.12.1 01.20.12.1 01.20.12.1	CAU-- 370353 02 01.20.12.1 01.20.12.1	
6	CAU-- FP 370353 02 01.68.90.1 01.68.85.1	CD-- IF 371029 03 01.16.12.1 01.16.10.1 01.16.12.1	CAB-- DV 371931 03 01.56.18.1 01.56.16.1 01.56.19.1	AHK-- 370322 04 01.56.16.1 01.56.17.1 01.56.18.1 01.56.18.2	MX-- TN 371661 04 01.20.20.1 01.63.30.1 01.60.54.1 01.60.54.1	MX-- 371661 04 01.60.48.1 01.60.48.1 01.60.48.1 01.60.49.1	CD-- 371029 03 01.20.20.1 01.20.20.1	CD-- 371029 03 01.20.20.1 01.20.20.1	CEYB 0371032 04 01.20.10.1 01.20.19.1 01.20.19.1 01.20.31.1	AFR-- 371943 06 01.20.07.1 01.20.07.1 01.20.07.1 01.20.09.1 01.20.09.1 01.20.10.1	
7	CEYB MI 0371032 04 01.47.10.1 01.47.10.1	TAG-- IF 370366 04 01.16.12.1 01.15.10.1 01.16.12.1 01.16.13.1	CEYB FP 0371032 04 01.20.17.1 01.10.36.1 01.66.91.1 01.20.16.1	CAB-- 371931 03 01.56.17.1 01.56.17.1 01.56.17.1	DAX-- FP 0370084 04 01.60.40.1 01.20.20.1 01.63.20.1 01.68.85.1	DFD-- 370204 02 01.60.48.1 01.60.49.1	MH-- 371487 04 01.20.35.1 01.20.35.1 01.20.35.1 01.20.20.1	MX-- 371661 04 01.20.20.1 01.20.20.1 01.20.20.1 01.20.15.1	AHK-- FP 370322 04 01.15.14.1 01.25.25.1 01.46.10.1 01.46.10.1	AFR-- 371943 06 01.20.10.1 01.66.83.1 01.20.12.1 01.20.12.1 01.63.30.1 01.06.10.1	
8	AHK-- FPF 370322 04 01.50.05.1 01.50.05.1 01.50.05.1 01.50.05.1	MX-- FP 371661 04 01.68.85.1 01.68.85.1 01.68.85.1 01	MX-- FP 371661 04 01.68.85.1 01.68.85.1 01.20.16.1 01.20.16.1	MX-- 371661 04 01.56.18.2 01.59.10.1 01.59.10.1 01.56.18.1	TAG-- 370366 04 01.59.15.1 01.59.15.1 01.30.35.1 01.30.35.1	CEYB 0371032 04 01.60.49.1 01.60.49.1 01.60.41.1 01.60.48.1	MX-- 371661 04 01.20.42.1 01.20.42.1 01.20.42.1 01.60.49.1	MX-- 371661 04 01.20.42.1 01.20.42.1 01.20.42.1	MH-- 371487 04 01.20.13.1 01.20.13.1 01.20.13.1 01.20.14.1	CD-- 371029 03 01.20.13.1 01.20.13.1 01.20.13.1	
9	MX-- FP 371661 04 01.20.17.1 01.56.14.1 01.20.17.1 01.20.17.1	CEYB IF 0371032 04 01.10.22.1 01.16.10.1 01.16.10.1 04	AHK-- FP 370322 04 01.59.15.1 01.59.15.1 01.63.20.1 01.68.90.1	CD-- 371029 03 01.56.18.1 01.56.18.2 01.56.18.2	TAH-- 370367 04 01.59.10.1 01.59.10.1 01.59.10.1	DFD-- 370204 02 01.60.49.1 01.62.41.1 01.60.48.1	CEYB 0371032 04 01.20.42.1 01.20.42.1 01.20.42.1	MX-- 371661 04 01.20.42.1 01.20.42.1	MX-- 371661 04 01.20.42.1 01.20.42.1	TAG-- 370366 04 01.20.13.1 01.20.13.1 01.20.13.1	CD-- 371029 03 01.20.13.1 01.20.13.1 01.20.13.1
10	MX-- IF 371661 04 01.16.13.1 01.16.13.1 01.16.13.1 01.16.13.1	DFD-- IF 370204 02 01.16.22.1 01.16.20.1	CD-- 371029 03 01.50.05.1 01.50.05.1 01.50.05.1	CAB-- 371931 03 01.56.18.1 01.56.19.1 01.56.19.1	TAH-- 370367 04 01.59.10.1 01.59.10.1 01.59.10.1 04	DFD-- 370204 02 01.62.41.1 01.60.57.1	CEYB 0371032 04 01.20.35.1 01.20.35.1 01.20.35.1 01.60.50.1	MX-- 371661 04 01.20.35.1 01.20.35.1 01.20.35.1	CEYB 0371032 04 01.20.14.1 01.20.14.1 01.20.14.1 01.20.31.1	TAG-- 370366 04 01.20.42.1 01.20.13.1 01.20.13.1 02	
11	MX-- IF 371661 04 01.16.13.1 01.16.13.1 01.16.13.1 01.16.13.1	TFC-- IF 0370646 04 01.16.20.1 01.16.20.1 01.16.05.1 01.16.20.1	MX-- 371661 04 01.50.05.1 01.50.05.1 01.50.05.1	MX-- 371661 04 01.56.19.1 01.56.19.1 01.56.19.1	MX-- FP 371661 04 01.66.12.1 01.59.10.1 01.20.17.1 01.66.24.1	MX-- 371661 04 01.60.48.1 01.60.47.1 01.60.50.1 01.60.50.1	MX-- 371661 04 01.20.31.1 01.20.31.1 01.20.31.1	MX-- 371661 04 01.20.31.1 01.20.31.1	MX-- 371661 04 01.20.14.1 01.20.14.1 01.20.14.1 01.20.12.1	CD-- 371029 03 01.20.14.1 01.20.14.1 01.20.14.1	
12	MX-- FP 371661 04 01.66.88.1 01.66.85.1 01.67.01.1 01.67.01.1	MX-- IF 371661 04 01.16.20.1 01.16.20.1 01.16.05.1 01.16.21.1	MX-- 371661 04 01.50.05.1 01.50.05.1 01.50.05.1	CD-- FP 371029 03 01.43.10.1 01.20.19.1 01.43.10.1	CEYB 0371032 04 01.59.10.1 01.59.10.1 01.59.10.1 01.59.10.1	AFR-- 371943 06 01.60.45.1 01.60.45.1 01.60.48.1 01.60.49.1 01.60.59.1 01.68.85.1	MX-- 371661 04 01.20.19.1 01.20.19.1 01.20.19.1 01.16.10.1	MX-- 371661 04 01.20.19.1 01.20.19.1 01.20.19.1	MX-- 371661 04 01.20.19.1 01.20.19.1 01.20.19.1	CD-- 371029 03 01.20.14.1 01.20.14.1 01.20.14.1	
13	AHK-- IF 370322 04 01.16.22.1 01.50.05.1 01.50.05.1 01.56.15.1	DFD-- IF 370204 02 01.16.21.1 01.16.20.1	CD-- 371029 03 01.50.05.1 01.56.10.1 01.50.05.1	TAH-- 370367 04 01.59.10.1 01.59.10.1 01.59.10.1 04	TAG-- 370366 04 01.59.10.1 01.59.10.1 01.59.10.1	CEYB 0371032 04 01.60.57.1 01.60.58.1 01.60.59.1 01.60.59.1	TAH-- 370367 04 01.20.20.1 01.60.13.1 01.59.10.1	CD-- 371029 03 01.20.12.1 01.20.13.1 01.20.31.1	MX-- 371661 04 01.20.20.1 01.20.20.1 01.20.20.1 01.20.20.1	CD-- FP 371029 03 01.20.14.1 01.68.85.1 01.66.11.1	
14	AFR-- IF 371943 06 01.16.10.1 01.16.20.1 01.16.20.1 01.16.21.1 01.16.22.1 06	CEYB IF 0371032 04 01.16.21.1 01.16.21.1 01.16.22.1 01.16.22.1	MX-- 371661 04 01.50.05.1 01.50.05.1 01.60.50.1 01.62.39.1	MX-- 371661 04 01.64.10.1 01.60.41.1 01.64.10.1 01.60.41.1	TFC-- 0370646 04 01.59.10.1 01.59.10.1 01.59.10.1 01.20.19.1	CD-- 371029 03 01.60.59.1 01.60.59.1 01.63.50.1	CEYB DV 0371032 04 01.20.18.1 01.20.18.1 01.20.18.1 01.68.90.1	MH-- DV 371487 04 01.20.18.1 01.20.18.1 01.20.18.1 01.60.14.1	MX-- DV 371661 04 01.20.18.1 01.20.20.1 01.20.18.1 01.60.58.1	CEYB FP 0371032 04 01.63.30.1 01.20.14.1 01.20.16.1 01.68.42.1	

B2  
UNIT PLUGGING CHART

	A	B	C	D	E	F	G	H	J	K
15	AHK-- PR	MH--	CEYB	CEYB	TAG--	MX--	MH-- FP	TFC-- FP	CEYB FP	
	370322 04	371487 04	0371032 04	0371032 04	370366 04	371661 04	371487 04	0370646 04	0371032 04	
	01.15.05.1 01.20.20.1 01.40.03.1	01.50.05.1 01.50.05.1 01.50.05.1	01.62.38.1 01.62.39.1 01.62.39.1	01.60.57.1 01.60.57.1 01.60.57.1	01.60.58.1 01.60.58.1 01.60.59.1	01.60.59.1 01.60.59.1 01.60.59.1	01.20.18.1 01.66.19.1 01.20.14.1	01.66.11.1 01.69.90.1 01.69.90.1	01.20.19.1 01.20.19.1 01.20.19.1	01.66.11.1 01.66.11.1 01.66.11.1
03										
16	MX-- PR	CEYB	CEYB	DFD--	TAH--	AHK-- FP	MX-- FP	TAG--	MX--	CD--
	371661 04	0371032 04	0371032 04	370204 02	370367 04	370322 04	371661 04	370366 04	371661 04	371029 03
	01.20.31.1 01.20.31.1 01.20.20.1 01.15.05.1	01.50.05.1 01.50.05.1 01.06.03.1 01.15.10.1	01.50.05.1 01.50.05.1 01.50.05.1	01.62.39.1 01.62.40.1	01.55.02.1 01.60.57.1 01.60.58.1	01.63.20.1 01.66.83.1 01.66.92.1 01.69.90.1	01.66.92.1 01.66.12.1 01.66.92.1 01.66.92.1	01.60.22.1 01.60.12.1 01.60.12.1 01.62.34.1	01.60.11.1 01.60.11.1 01.60.11.1 01.60.14.1	01.60.12.1 01.60.14.1 01.59.15.1
04										
17	MX-- DV	AFR--	AFR--	AHK--	TAG--	TAJ--	CAB--	CEYB	DFD--	TCZ--
	371661 04	371943 06	371943 06	370322 04	370366 04	370364 02	371931 03	0371032 04	370204 02	370335 02
	01.65.01.1 01.60.14.1 01.65.01.1 01.65.01.1	01.60.11.1 01.60.12.1 01.60.13.1 01.60.14.1 01.60.24.1 01.60.31.1	01.62.30.1 01.62.31.1 01.62.33.1 01.62.34.1 01.62.35.1 01.62.36.1	01.62.37.1 01.62.38.1 01.62.39.1 01.62.40.1	01.60.56.1 01.60.57.1 01.62.38.1 01.60.58.1	01.63.20.1 01.63.20.1	01.60.41.1 01.60.22.1	01.60.11.1 01.60.41.1 01.06.02.1 01.20.13.1	01.60.11.1 01.60.14.1	01.60.12.1 01.60.13.1
01										
18	CAB-- DV	AFR--	AFR--	DFD--	CD--	TAL--	CAU-- FP	TFC--	TFC--	MX--
	371931 03	371943 06	371943 06	370204 02	371029 03	370370 01	370353 02	0370646 04	0370646 04	371661 04
	01.46.10.1 01.60.58.1 01.55.02.1	01.60.32.1 01.60.40.1 01.60.40.1 01.60.41.1 01.60.58.1	01.62.37.1 01.62.38.1 01.62.39.1 01.62.40.1 01.62.41.1 01.63.30.1	01.62.37.1 01.62.38.1	01.60.56.1 01.63.10.1 01.60.58.1	01.63.20.1	01.67.90.1 01.66.24.1	01.60.14.1 01.63.20.1 01.60.58.1 01.47.10.1	01.60.14.1 01.60.22.1 01.51.10.1	01.60.13.1 01.60.13.1 01.60.20.1 01.60.20.1
03										
19	CD-- PR	AFR--			CEYB FP	MX--	MX-- FP	CAB--	AHK-- FP	CD--
	371029 03	371943 06			0371032 04	371661 04	371661 04	371931 03	370322 04	371029 03
	01.20.31.1 01.25.22.1 01.25.22.1	01.60.57.1 01.60.57.1 01.63.20.1 01.63.40.1 01.63.40.1 01.63.10.1			01.66.40.1 01.67.90.1 01.20.16.1 01.20.17.1	01.63.20.1 01.63.20.1 01.63.31.1 01.63.31.1	01.66.24.1 01.66.80.1 01.66.40.1 01.66.40.1	01.60.24.1 01.60.24.1 01.60.24.1	01.60.24.1 01.63.10.1 01.66.40.1 01.66.71.1	01.60.13.1 01.60.13.1 01.60.20.1
20	CEYB PR	CAU-- PR	MX--	CEYB	MX--	TFC--	TAL--	TAG--	CD--	AHK--
	0371032 04	370353 02	371661 04	0371032 04	371661 04	0370646 04	370370 01	370366 04	371029 03	370322 04
	01.20.31.1 01.20.31.1 01.20.35.1 01.25.35.1	01.25.22.1 01.25.22.1	01.62.41.1 01.62.41.1 01.62.41.1 01.62.41.1	01.62.35.1 01.62.36.1 01.62.37.1 01.62.36.1	01.60.57.1 01.60.59.1 01.60.59.1 01.60.59.1	01.60.40.1 01.60.40.1 01.63.20.1 01.63.20.1	01.60.40.1	01.60.28.1 01.63.10.1 01.15.05.1 01.59.10.1	01.60.24.1 01.60.28.1 01.60.40.1	01.60.20.1 01.60.22.1 01.60.22.1
21	TAG-- PR	AHK-- RAH	MX--	MH--	TAH--	CD--	TAJ--	AHK--	TAH--	CAB--
	370366 05	370322 04	371661 04	371487 04	370367 04	371029 03	370364 02	370322 04	370367 04	371931 03
	01.20.31.1 01.64.12.1 01.20.31.1 01.25.22.1 01.25.22.1	01.47.10.1 01.20.42.1 01.20.42.1 01.59.10.1	01.62.36.1 01.20.13.1 01.62.39.1 01.62.41.1	01.62.30.1 01.62.30.1 01.20.14.1 01.06.01.1	01.60.56.1 01.62.33.1 01.60.56.1	01.63.40.1 01.63.40.1 01.63.40.1	01.60.40.1 01.60.40.1	01.60.28.1 01.60.40.1 01.60.40.1	01.60.28.1 01.60.31.1 01.60.31.1	01.60.20.1 01.60.20.1 01.60.20.1
04										
22	MX-- PR	AHK-- DV	TAH--	DFD--	CD--	CAB--	CAU--	TCZ--	MX--	TAG--
	371661 04	370322 05	370367 04	370204 02	371029 03	371931 03	370353 02	370335 02	371661 04	370366 04
	01.20.31.1 01.25.15.1 01.20.35.1 01.25.15.1	01.63.30.1 01.15.05.1 01.56.17.1 01.63.31.1 01.63.31.1	01.62.36.1 01.62.36.1 01.62.36.1	01.62.35.1 01.62.36.1	01.60.56.1 01.60.56.1 01.60.56.1	01.63.40.1 01.60.41.1 01.63.10.1	01.60.40.1 01.63.40.1	01.60.31.1 01.62.33.1	01.60.31.1 01.60.32.1 01.60.32.1 01.60.22.1	01.60.22.1 01.60.22.1 01.60.31.1 01.60.32.1
23	MX-- PR	AHK-- DV	CD--	AHK--	MX--	TAH--	DFD--	CEYB	TAH--	CEYB
	371661 04	370322 04	371029 03	370322 04	371661 04	370367 04	370204 02	0371032 04	370367 04	0371032 04
	01.25.22.1 01.25.22.1 01.25.22.1 01.25.22.1	01.56.19.1 01.62.31.1 01.60.13.1 01.60.20.1	01.62.34.1 01.62.38.1 01.62.41.1	01.62.34.1 01.63.10.1 01.62.35.1 01.62.36.1	01.60.56.1 01.60.56.1 01.60.56.1	01.63.10.1 01.63.20.1 01.63.20.1	01.63.10.1 01.63.40.1	01.60.24.1 01.63.40.1 01.60.11.1 01.20.13.1	01.60.32.1 01.60.40.1 01.60.40.1	01.60.31.1 01.60.32.1 01.60.32.1 01.62.30.1
04										
24	AHK-- PR	MX-- DV	MX-- FP	DFD--	MX-- FP	MX--	CEYB	CEYB	TAH--	CD--
	370322 04	371661 04	371661 04	370204 02	371661 04	371661 04	0371032 04	0371032 04	370367 04	371029 03
	01.25.22.1 01.25.22.1 01.25.22.1 01.25.22.1	01.60.11.1 01.46.10.1 01.63.31.1 01.63.31.1	01.60.32.1 01.60.56.1 01.66.12.1 01.66.12.1	01.62.30.1 01.62.34.1	01.66.40.1 01.66.71.1 01.66.40.1 01.66.40.1	01.63.40.1 01.63.40.1 01.63.20.1	01.63.10.1 01.63.10.1 01.63.40.1 01.20.42.1	01.60.50.1 01.60.24.1 01.63.40.1	01.15.05.1	01.62.38.1 01.46.10.1 01.63.30.1
02										
25	MX-- PR	AHK-- DV	TAH--	CEYB	CD-- FP	CD--	AHK--	MX--	CEYB	TAH-- FP
	371661 04	370322 04	370367 04	0371032 04	371029 03	371029 03	370322 04	371661 04	0371032 04	370367 04
	01.25.22.1 01.40.03.1 01.25.22.1 01.25.22.1	01.60.24.1 01.60.56.1 01.63.20.1 01.63.20.1	01.62.34.1 01.62.34.1 01.62.36.1	01.20.12.1 01.60.11.1 01.60.41.1 01.20.12.1	01.66.71.1 01.66.92.1 01.66.71.1	01.63.20.1 01.63.20.1 01.60.24.1	01.63.40.1 01.63.40.1 01.63.40.1 01.46.10.1	01.62.33.1 01.62.33.1 01.60.24.1 01.46.10.1	01.63.30.1 01.63.30.1 01.63.30.1	01.60.31.1 01.63.10.1 01.66.12.1
26	DAX-- PR	CD-- DV	RE-- 122	MX--	AHK--	MX-- FP	CAB--	TAG-- FP	CD--	CD-- FP
	0370084 04	371029 03	0371699 01	371661 04	370322 04	371661 04	371931 03	370366 04	371029 03	371029 03
	01.25.22.1 01.25.22.1 01.10.05.1	01.63.31.1 01.63.31.1 01.63.31.1	01.90.42.1	01.62.31.1 01.62.30.1 01.62.30.1 01.62.34.1	01.46.10.1 01.63.30.1 01.55.02.1 01.63.30.1	01.66.83.1 01.66.83.1 01.66.83.1 01.66.83.1	01.55.02.1 01.55.02.1 01.55.02.1	01.20.16.1 01.60.31.1 01.67.90.1 01.69.90.1	01.47.10.1 01.63.30.1 01.63.30.1	01.66.83.1 01.66.92.1 01.66.83.1
03										
27	MX-- PR	MX-- PR	CD--	CEYB	MX-- FP	TAG-- TN	CD-- FP	TAG-- FP	AHK--	CD-- FP
	371661 04	371661 05	371029 03	0371032 04	371661 04	370366 04	371029 03	370366 04	370322 04	371029 03
	01.25.22.1 01.25.22.1 01.25.22.1 01.25.22.1	01.25.22.1 01.25.22.1 01.25.22.1 01.25.22.1	01.30.35.1 01.30.35.1 01.63.31.1	01.62.31.1 01.62.31.1 01.62.34.1 01.62.30.1	01.20.16.1 01.60.31.1 01.67.90.1 01.20.16.1	01.60.62.1 01.63.20.1 01.60.62.1 01.60.62.1	01.20.16.1 01.20.16.1 01.20.16.1	01.69.90.1 01.20.16.1 01.68.90.1 01.20.16.1	01.63.30.1 01.63.30.1 01.63.30.1	01.66.92.1 01.67.01.1 01.67.01.1
28	CD-- PR		AHK--	CD--	CEYB	TAH-- TN	MX-- FP	CAB--	MX--	CEYB FP
	371029 03		370322 04	371029 03	0371032 04	370367 04	371661 04	371931 03	371661 04	0371032 04
	01.25.22.1 01.25.35.1 01.25.22.1		01.30.35.1 01.30.35.1 01.62.31.1 01.62.30.1	01.62.31.1 01.62.31.1 01.62.31.1	01.62.40.1 01.62.41.1 01.62.34.1 01.30.35.1	01.60.62.1	01.20.17.1 01.20.17.1 01.20.17.1 01.20.16.1	01.46.10.1 01.46.10.1 01.63.30.1	01.63.30.1 01.60.40.1 01.63.30.1 01.63.30.1	01.20.17.1 01.66.12.1 01.63.20.1 01.63.20.1

B/M 2134252

D1  
UNIT PLUGGING CHART

	A	B	C	D	E	F
	RE-- :22		MX--	MX-- PT	MX--	
1	0371699 01 01.90.42.1		371661 04 01.82.30.1 01.82.30.1 01.82.30.1 01.82.30.1	371661 04 01.83.10.1 01.80.25.1 01.84.10.1 01.84.10.1	371661 04 01.80.10.1 01.80.10.1 01.80.10.1 01.82.60.1	
	AHU-	AHU-		MX-- PT	MX-- PT	
2	370386 03 01.82.30.1 01.82.30.1 01.82.30.1	370386 03 01.82.30.1 01.82.30.1 01.82.30.1		371661 04 01.84.20.1 01.84.10.1 01.84.10.1 01.83.10.1	371661 04 01.84.10.1 01.82.30.1 01.80.30.1 01.83.20.1	
	MH-- PT	MX--		MX-- PT	ZKV-	
3	371487 04 01.83.10.1 01.84.20.1 01.84.20.1 01.80.05.1	371661 04 01.84.10.1 01.81.45.1 01.81.15.1 01.81.15.1		371661 04 01.84.10.1 01.81.15.2 01.83.10.1 01.81.10.1	0372687 01 01.80.10.1	
				CD-- PT	CEYB CRP	
4				371029 03 01.84.10.1 01.84.10.1 01.84.10.1	0371032 04 01.80.05.1 01.80.05.1 01.81.40.1 01.40.03.1	
		MX--	MX--	MH--		DAX-- PR
5		371661 04 01.81.10.1 01.81.10.1 01.81.15.1 01.81.10.1	371661 04 01.80.10.1 01.80.10.1	371487 04 01.81.15.2 01.80.05.1 01.64.14.1 01.64.14.1		0370084 04 01.64.12.1 01.06.10.1 01.80.05.1 01.82.20.1
		CD--	CD--	MX--	MH--	MH-- CRP
6		371029 03 01.81.10.1 01.82.60.1 01.81.20.1	371029 03 01.80.25.1 01.81.40.1 01.82.30.1	371661 04 01.82.20.2 01.81.40.1 01.82.60.1 01.82.62.1	371487 04 01.82.60.1 01.82.20.2 01.81.15.1 01.81.15.1	371487 04 01.80.05.1 01.80.05.1 01.80.05.1
		AHU-	CD--	CD--	MX--	MX--
7		370386 03 01.81.20.1 01.81.20.1 01.81.20.1	371029 03 01.81.40.1 01.81.40.1 01.81.40.1	371029 03 01.82.60.1 01.80.25.1 01.82.62.1	371661 04 01.82.60.1 01.81.30.1 01.82.60.1 01.82.60.1	371661 04 01.82.60.1 01.82.20.3 01.82.60.1 01.81.41.1
		AHU-	MX-- RAM	MX--	CD--	CD-- PT
8		370386 03 01.81.20.1 01.81.20.1 01.81.20.1	371661 04 01.25.25.1 01.63.50.1 01.64.14.1 01	371661 04 01.82.20.1 01.82.20.2 01.80.25.1 01.82.60.1 01.80.10.1	371029 03 01.81.30.1 01.06.10.1 01.81.30.1	371029 03 01.80.20.1 01.84.10.1 01.80.30.1
		MX--	CD--	CEYB PT	MH--	
9		371661 04 01.81.40.1 01.81.40.1 01.81.40.1 01.81.40.1	371029 03 01.81.41.1 01.81.41.1 01.81.41.1	0371032 04 01.80.05.1 01.84.10.1 01.84.10.1 01.83.20.1	371487 04 01.64.14.1 01.82.20.3 01.81.15.3 01.32.20.3	
	CAB-- RAM	MH--	AHK--	MX-- M1	CEYB	
10	371931 03 01.06.01.1 01.06.01.1 01.81.15.1	371487 04 01.81.15.2 01.81.15.3 01.81.41.1 01.81.40.1	370322 04 01.81.41.1 01.81.41.1 01.80.25.1 01.80.25.1	371661 04 01.81.30.1 01.81.41.1 01.81.41.1 01.81.41.1	0371032 04 01.06.03.1 01.81.15.1 01.81.40.1	
	CD-- CRP	AHK-- RAM	MX--	CD-- PT	CAU-- PT	
11	371029 03 01.81.40.1 01.82.20.3 01.82.20.3	370322 04 01.82.20.1 01.82.20.1	371661 04 01.81.45.1 01.81.45.1 01.83.10.1 01.80.10.1	371029 03 01.83.10.1 01.80.25.1 01.80.20.1	370353 02 01.84.10.1 01.83.10.1	
		MX--	AHK-- PT	MX-- PT	MX-- PT	MX--
12		371661 04 01.80.25.1 01.82.20.1 01.80.25.1 01.82.20.1	370322 04 01.80.30.1 01.83.10.1 01.81.45.1 01.80.20.1	371661 04 01.80.05.1 01.81.15.1 01.83.10.1 01.80.05.1	371661 04 01.80.25.1 01.80.25.1 01.84.10.1 01.83.10.1	371661 04 01.81.15.1
	MX--		AHU-	CD-- PT	MX-- CRP	02, 03, 04
13	371661 04 01.06.01.1 01.82.20.2 01.82.20.2 01.82.60.1		370386 03 01.81.30.1 01.81.30.1 01.81.30.1	371029 03 01.80.30.1 01.80.30.1 01.81.45.1	371661 04 01.84.10.1 01.80.30.1 01.83.10.1 01.80.20.1	

D1  
UNIT PLUGGING CHART

	A	B	C	D	E	F
	CD--	CD--	AMU--	CD--	CEYB PR	
14	371029 03 01.80.25.1 01.81.45.1 01.80.25.1	371029 03 01.81.30.1 01.81.30.1 01.81.30.1	370356 03 01.81.30.1 01.82.20.1 01.81.41.1	371029 03 01.80.10.1 01.81.45.1 01.80.20.1	0371032 04 01.80.05.1 01.80.05.1  03, 04	
	CD--	CD--	MX--	AHK-- PR	MX-- PT	
15	371029 03 01.82.20.1 01.82.20.1 01.82.20.1	371029 03 01.81.30.1 01.81.30.1 01.81.30.1	371661 04 01.80.20.1 01.81.30.1 01.81.30.1 01.81.45.1	370322 04 01.80.20.1 01.80.05.1 01.84.10.1 01.84.10.1	371661 04 01.80.05.1 01.81.15.3 01.81.45.1 01.83.10.1	
	CD--	CAU--	CD--	MX--	MX--	
16	371029 03 01.82.20.2 01.82.20.1 01.82.20.1	370353 02 01.81.45.1 01.81.45.1	371029 03 01.82.60.1 01.82.20.1 01.81.30.1	371661 04 01.81.45.1 01.81.45.1 01.80.25.1 01.80.25.1	371661 04 01.80.20.1 01.46.10.1 01.81.15.3 01.80.25.1	
	CEYB	MX-- PT	TFC-- PR	MX-- CRP	MH--	MX-- PR
17	0371032 04 01.82.20.1 01.82.20.1 01.82.20.2 01.82.20.2	371661 04 01.10.05.1 01.84.20.1 01.84.20.1 01.84.20.1	0370646 04 01.82.20.1 01.82.20.2 01.82.20.2 01.82.20.3	371661 04 01.60.30.1 01.80.20.1 01.80.05.1 01.80.05.1	371487 04 01.82.20.3 01.82.20.1 01.82.20.3 01.81.15.1	371661 04 01.25.22.1 01.80.18.1   03, 04
	MX--	MX-- PT	MX--	TAG-- PR	CD-- CRP	CD--
18	371661 04 01.82.20.2 01.82.20.2 01.82.20.2 01.82.20.2	371661 04 01.84.20.1 01.84.20.1 01.84.20.1 01.84.20.1	371661 04 01.82.20.3 01.81.30.1 01.81.45.1 01.82.20.3	370366 04 01.81.45.1 01.81.45.1 01.20.35.1 01.82.20.3	371029 03 01.80.20.1 01.80.30.1 01.80.30.1	371029 03 01.81.15.2 01.82.20.3 01.82.20.3
	CD--	AFR--	CD--	CD-- PR	CEYB RAM	MX-- PR
19	371029 03 01.82.20.2 01.82.20.2 01.82.20.2	371943 06 01.81.10.1 01.81.45.1 01.80.25.1 01.84.10.1 01.80.25.1 01.83.10.1	371029 03 01.82.20.2 01.82.30.1 01.80.05.1	371029 03 01.82.20.3 01.82.20.3 01.80.05.1	0371032 04 01.64.14.1 01.80.05.1  03, 04	371661 04 01.06.10.1 01.25.22.1 01.22.22.1 01
	TFC-- PR	NP--	CEYB	MX-- PT	MX-- CRP	CD--
20	0370646 04 01.82.20.3 01.82.20.3 01.82.20.3 01.82.20.3	371684 03 01.84.10.1 01.83.10.1 01.84.10.1	0371032 04 01.84.10.1 01.81.15.2 01.82.60.1 01.81.15.3	371661 04 01.83.20.1 01.83.20.1 01.83.20.1 01.83.20.1	371661 04 01.81.15.2 01.82.20.1 01.81.15.3 01.81.15.3	371029 03 01.81.15.1 01.81.15.1 01.81.15.3
	MX--	NP-- PT	MX--	MX-- PT	MX-- CRP	MX--
21	371661 04 01.81.15.2 01.82.20.2 01.82.20.3 01.82.20.3	371684 03 01.84.20.1 01.84.20.1 01.84.20.1	371661 04 01.80.05.1 01.05.10.1 01.80.05.1 01.82.20.2	371661 04 01.83.20.1 01.83.20.1 01.83.20.1 01.83.20.1	371661 04 01.80.05.1 01.80.30.1 01.82.20.3 01.81.45.1	371661 04 01.81.15.1 01.82.60.1 01.80.05.1 01
	MX-- TN	NP-- PT	AHK-- RAM	NP--	MH--	MX-- CRP
22	371661 04 01.60.54.1 01.60.54.1 01.60.54.1	371684 03 01.84.20.1 01.84.20.1 01.84.20.1	370322 04 01.06.10.1 01.84.10.1 01.63.50.1	371684 03 01.82.52.1 01.82.60.1 01.82.60.1	371487 04 01.82.20.2 01.82.20.2 01.82.20.3 01.82.20.3	371661 04 01.81.15.1 01.80.20.1 01.06.10.1 01.80.05.1
	AHK-- CF	NP-- PT	CEYB	NP--	DED-- CRP	DEE-- CRP
23	370322 04 01.82.20.2 01.82.20.2 01.82.20.2 01.82.20.2	371684 03 01.84.10.1 01.84.20.1 01.84.20.1	0371032 04 01.82.20.1 01.81.15.1 01.81.45.1 01.81.15.3	371684 03 01.82.60.1 01.82.60.1 01.82.60.1	0371987 04 01.82.20.3 01.82.52.1 01.82.52.1 01.82.52.1	0371988 04 01.80.05.1 01.80.10.1 01.80.30.1 01.80.10.1
	CD-- CRP	NP--	CEYB PT	NP--	DED-- CRP	DEE-- CRP
24	371029 03 01.82.20.3 01.82.20.1 01.81.15.1	371684 03 01.82.52.1 01.82.52.1 01.82.52.1	0371032 04 01.84.20.1 01.84.20.1 01.84.20.1 01.80.05.1	371684 03 01.82.60.1 01.82.62.1 01.82.62.1	0371987 04 01.80.20.1 01.80.20.1 01.80.05.1 01.80.10.1	0371988 04 01.80.20.1 01.80.20.1 01.80.20.1 01.80.20.1
	CEYB	NP--	MH--	NP--	DED-- CRP	DEE-- CRP
25	0371032 04 01.82.20.2 01.80.25.1 01.81.45.1 01.81.15.2	371684 03 01.82.52.1 01.82.52.1 01.82.52.1	371487 04 01.82.20.2 01.82.20.2 01.82.20.3 01.82.20.3	371684 03 01.82.62.1 01.82.62.1 01.64.13.1	0371987 04 01.82.20.2 01.82.20.2 01.82.20.1 01.80.30.1	0371988 04 01.81.15.2 01.81.15.2 01.81.15.3 01.81.15.3
	NP--	NP--	TAG-- CRP	MX-- CRP	DED-- CRP	DEE-- CRP
26	371684 03 01.06.05.1 01.64.13.1 01.06.15.1	371684 03 01.06.12.1 01.06.10.1 01.06.20.1	370366 04 01.80.20.1 01.46.10.1 01.80.20.1	371661 04 01.80.20.1 01.81.15.1 01.81.15.1 01.81.15.2	0371987 04 01.81.15.1 01.81.15.1 01.81.45.1 01.81.45.1	0371988 04 01.81.15.1 01.81.15.1 01.81.15.1 01.80.30.1



PADDLE CONN		A	B	C	D	E	F	G						
1	SEE 01AVK 1-16	SEE 01AVK 1-16	SEE 01AVK 17-32	AIK-		AIK-FNH1	TAG-							
				01.05.31.1 01.05.31.1 01.05.31.1 01.05.31.1		01.41.07.1 01.41.07.1 01.41.07.1 01.41.07.1	01.50.19.1 01.58.09.1							
2	SEE 01BVB 1-16	SEE 01AVJ 17-32	SEE 01AVJ 17-32	DBU-	DBU-	AIK-FNH1	MX--							
				01.05.31.1 01.05.31.1 01.05.31.1 01.05.32.1	01.05.32.1 01.05.32.1 01.05.32.1	01.41.17.1 01.41.17.1 01.41.17.1	01.50.19.1 01.15.15.1 01.50.19.1 01.58.09.1							
3 D2 PANEL	01.25.25.1	A	01.62.50.1	AIK-	DBU-	AIK-FNH1	TFC-							
	01.25.25.1	B	01.41.17.1											
	01.50.19.1	C	01.41.17.1											
	01.55.45.1	D	01.41.17.1											
	01.15.18.1	E	01.41.17.1											
	01.06.03.1	F	01.41.17.1											
	01.10.05.1	G	01.64.14.1											
	01.62.52.1	H	01.05.31.1											
	01.05.24.1	J	01.05.31.1											
	01.10.07.1	K	01.05.31.1											
	01.10.09.1	L	01.05.31.1											
	01.10.12.1	M	01.10.12.1											
		N	01.15.10.1											
	01.20.20.1	P	01.05.21.1											
	01.64.10.1	Q												
	01.50.17.1	R												
	4 FCU AXB	01.41.04.2	A						01.41.08.1	DBU-	DBU-	DBU-		
01.41.04.2		B	01.41.08.1											
01.41.04.2		C	01.41.08.1											
01.41.04.2		D	01.41.08.1											
01.41.04.2		E	01.41.08.1											
01.41.04.2		F	01.41.08.1											
01.41.04.2		G	01.41.08.1											
01.41.04.2		H	01.41.08.1											
01.41.04.2		J	01.41.08.1											
01.41.04.2		K	01.41.08.1											
01.41.04.2		L	01.41.08.1											
01.41.04.2		M	01.41.08.1											
01.41.04.2		N	01.41.08.1											
01.41.04.2		P	01.41.08.1											
01.41.04.2		Q	01.41.08.1											
5 FCU AXC		01.05.32.1	A	01.05.32.1	AIK-	CEYB	CD--							
		01.05.32.1	B	01.05.32.1										
	01.05.32.1	C	01.05.32.1											
	01.05.32.1	D	01.05.32.1											
	01.05.32.1	E	01.05.32.1											
	01.05.32.1	F	01.05.32.1											
	01.41.08.1	G	01.05.31.1											
	01.41.08.1	H	01.05.31.1											
	01.05.31.1	J	01.05.31.1											
	01.05.31.1	K	01.05.31.1											
	01.05.31.1	L	01.05.31.1											
	01.05.31.1	M	01.05.31.1											
	01.05.32.1	N	01.41.08.1											
	01.05.32.1	P	01.41.08.1											
	01.41.08.1	Q	01.41.08.1											
	01.41.08.1	R	01.41.08.1											

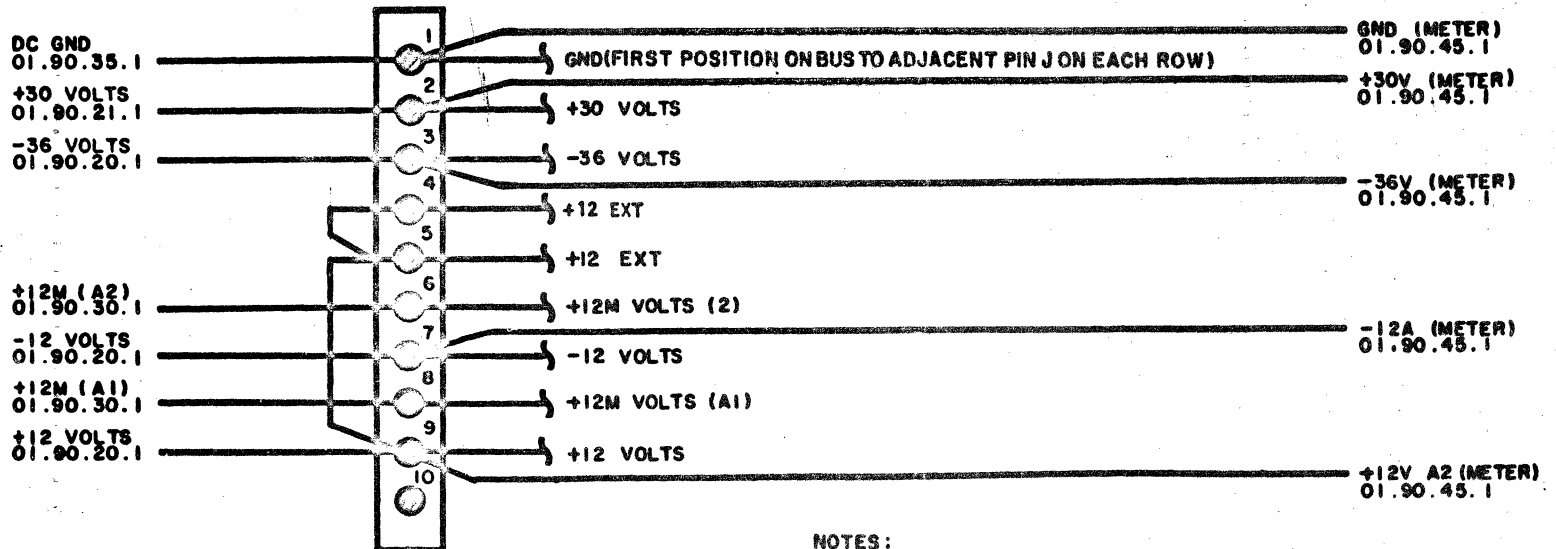
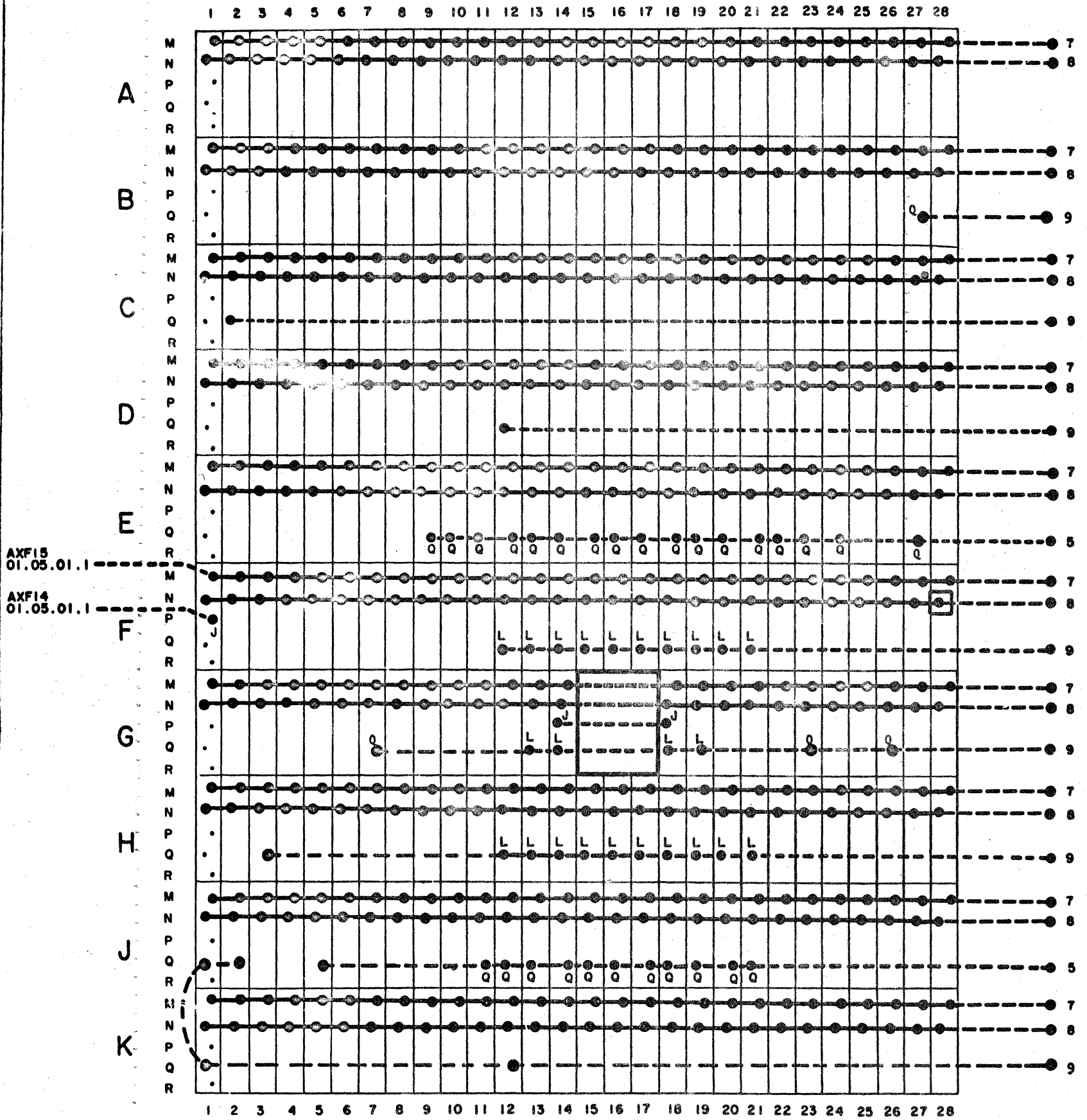


1620 VOLTAGE DISTRIBUTION  
PANEL A1

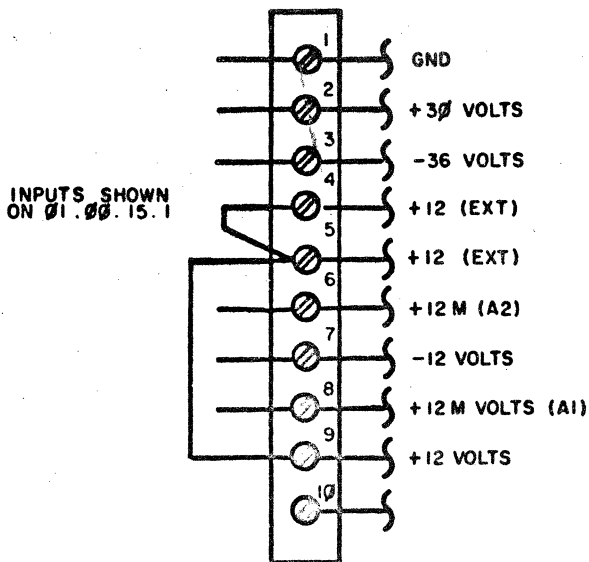
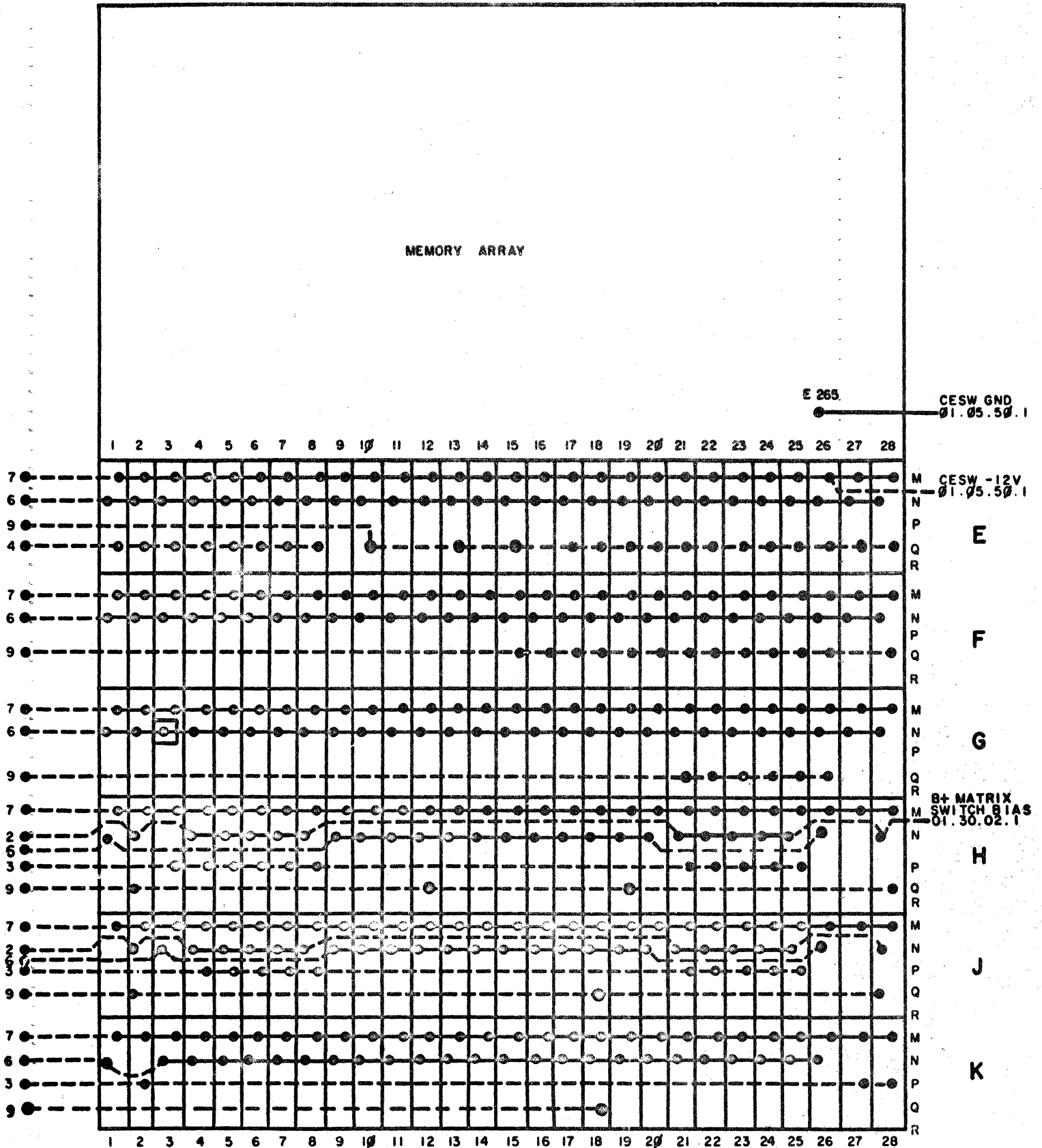
1620

01.00.15.1

WIRING SIDE




WIRING SIDE

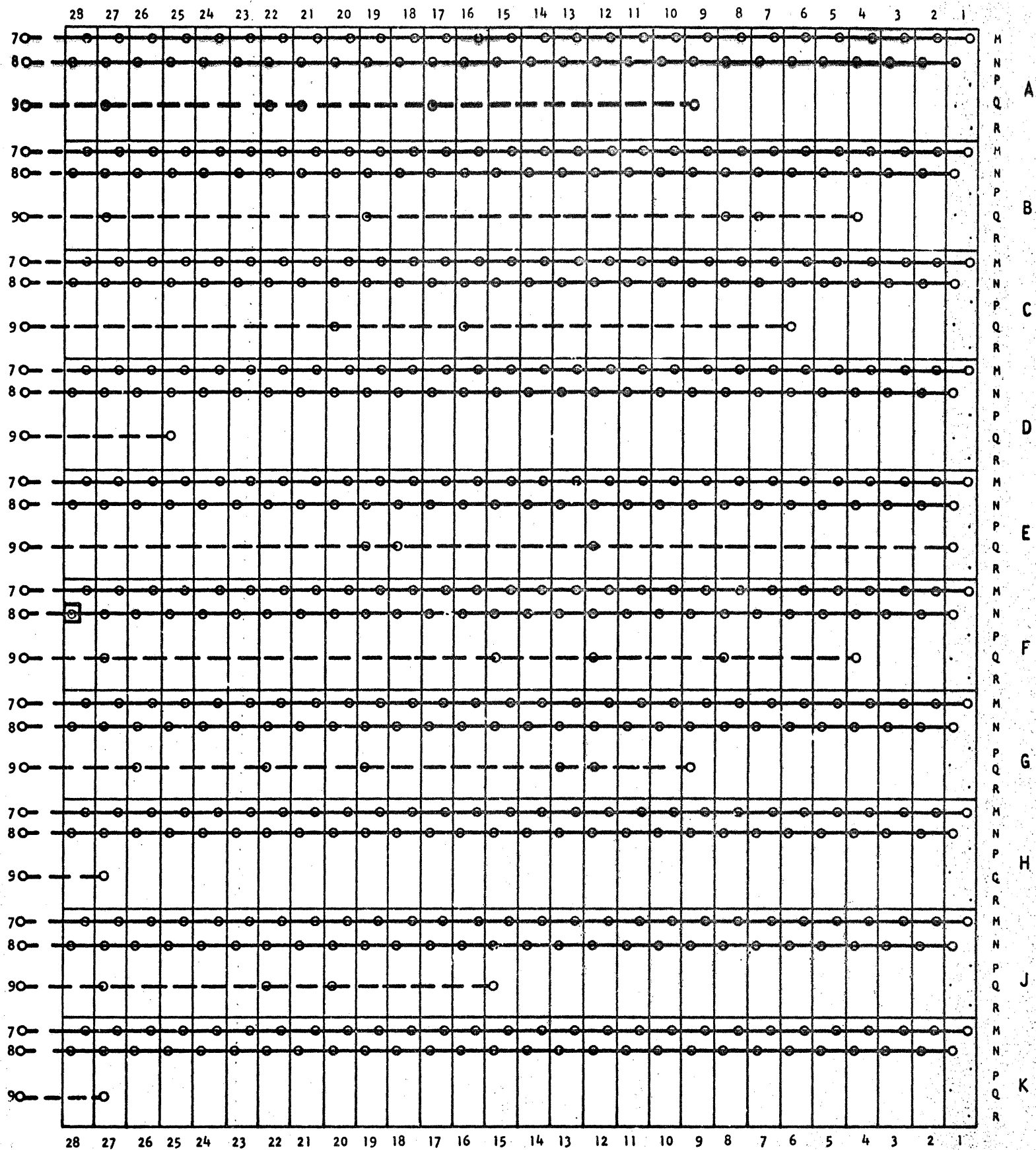


(FIRST POSITION ON BUS TO  
ADJACENT PIN J ON EACH ROW)

NOTES:

- X PIN J IS GROUND ON ALL SOCKETS.
- XI ——— INDICATES VOLTAGE CHAIN.
- XII - - - - INDICATES JUMPER WIRE.
- XIII  INDICATES A 10MFD CAPACITOR TO "J" PIN

WIRING SIDE

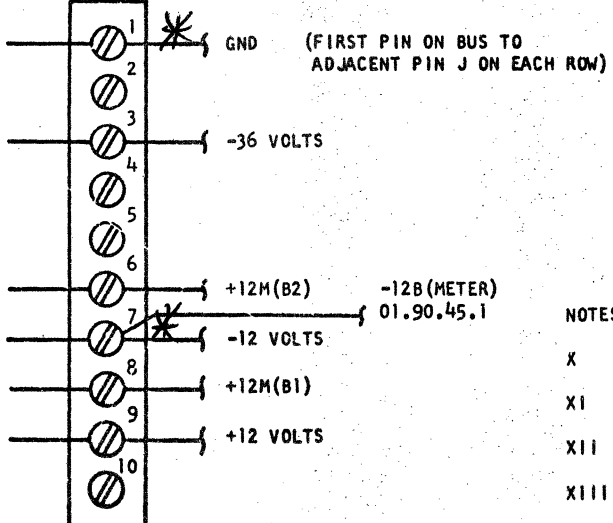


DC GND  
01.90.35.1

-36 VOLTS  
01.90.20.1

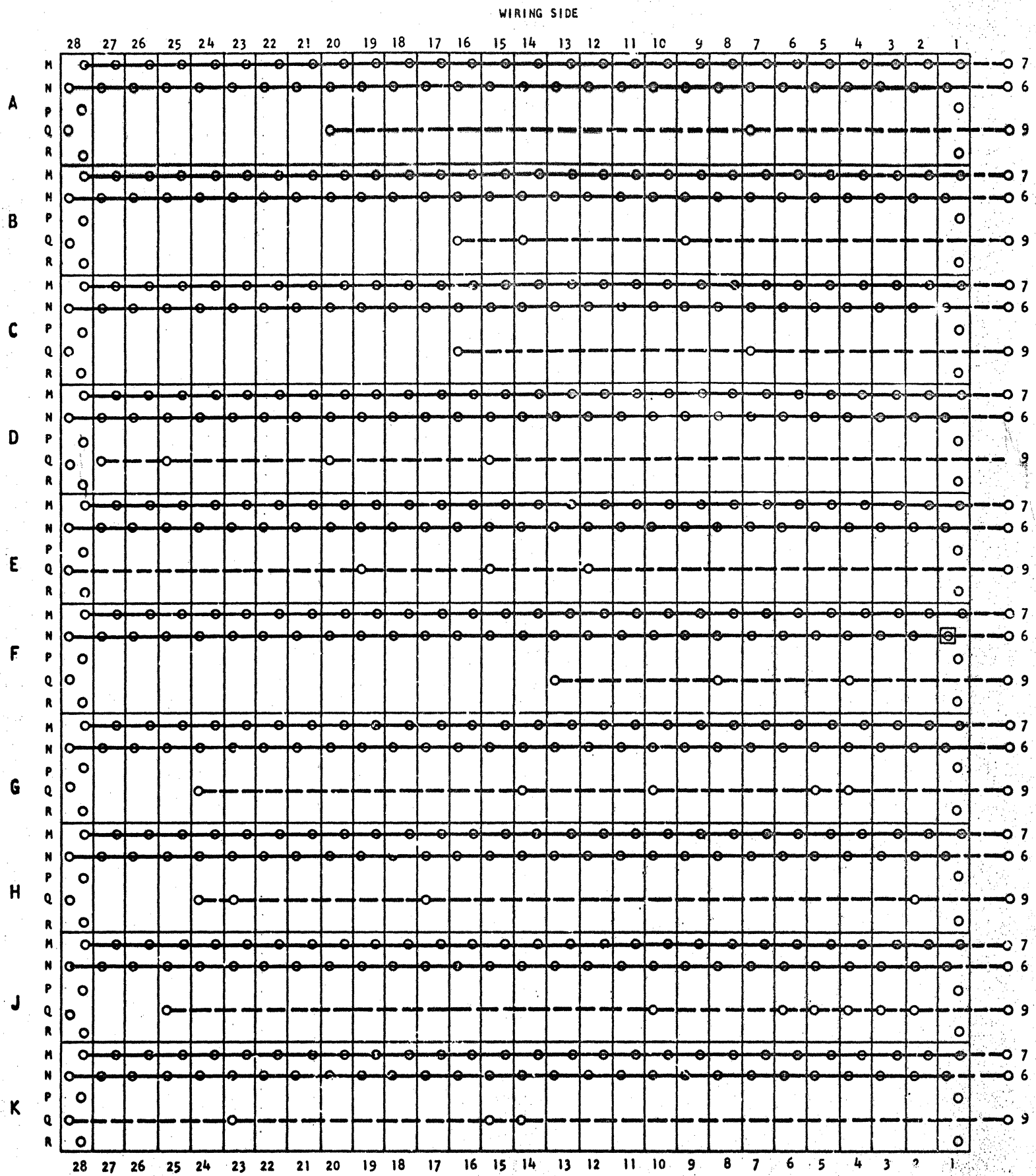
+12M B2  
01.90.30.1  
-12 VOLTS  
01.90.20.1

+12M B1  
01.90.30.1  
+12 VOLTS  
01.90.20.1

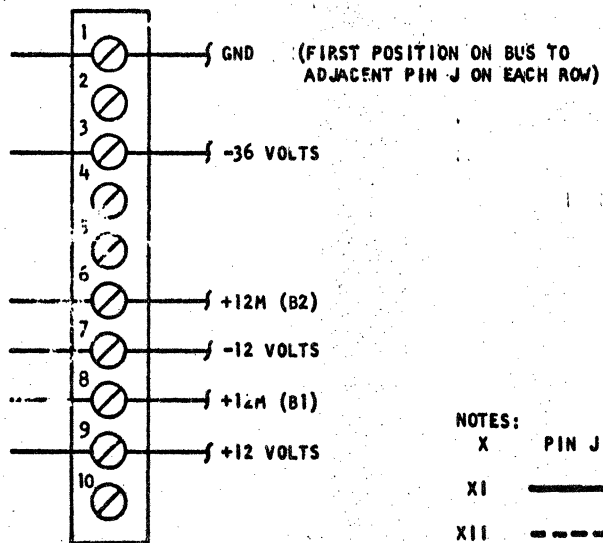


- NOTES:
- X PIN J IS GROUND ON ALL SOCKETS.
  - XI ——— INDICATES VOLTAGE CHAIN.
  - XII - - - INDICATES JUMPER WIRE.
  - XIII ◻ INDICATES A 10MFD CAPACITOR TO "J" PIN

\* THESE LINES HAVE BEEN  
PARALLELED BY #12 WIRE TO  
REDUCE LINE LOSSES.  
PER CEM 148 A 1/51.12-2-63



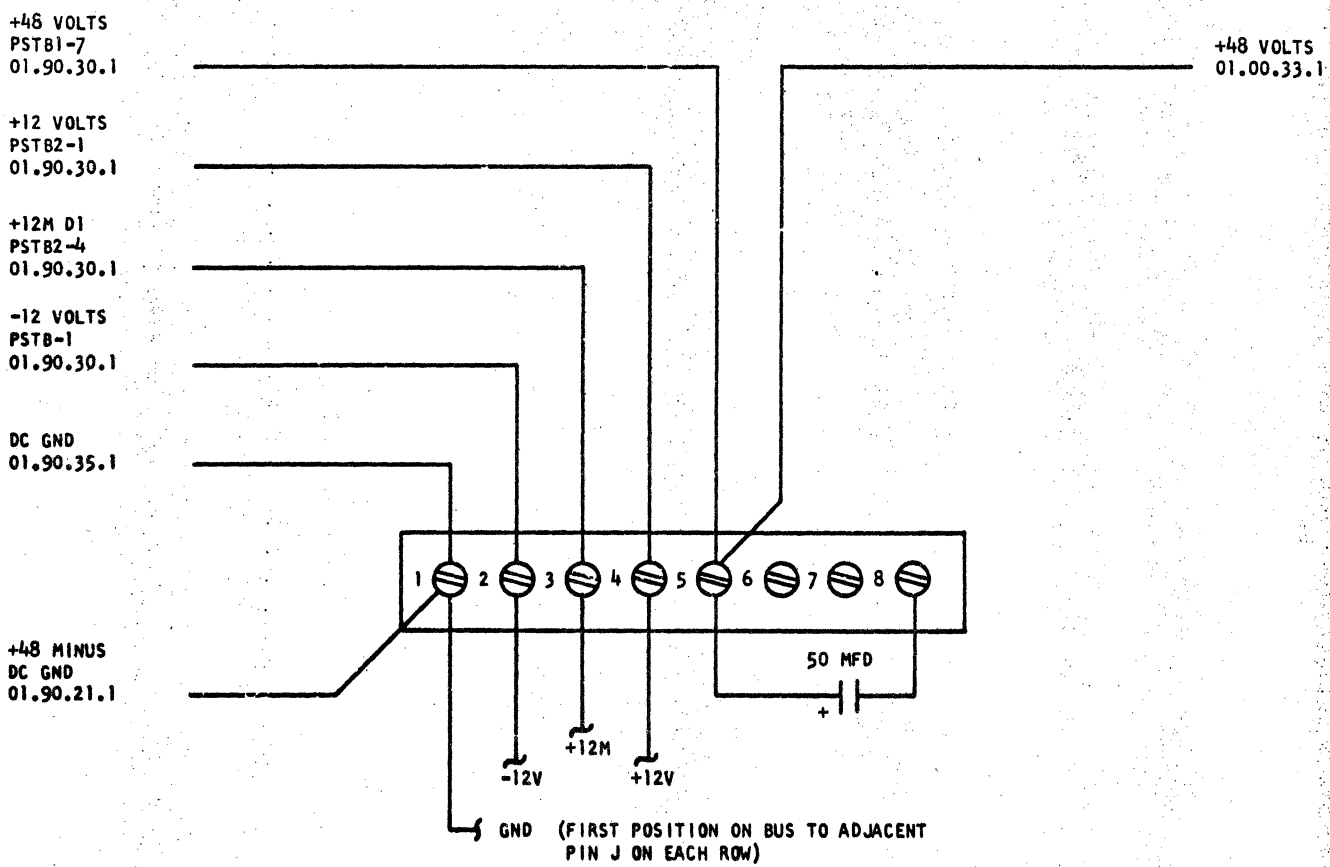
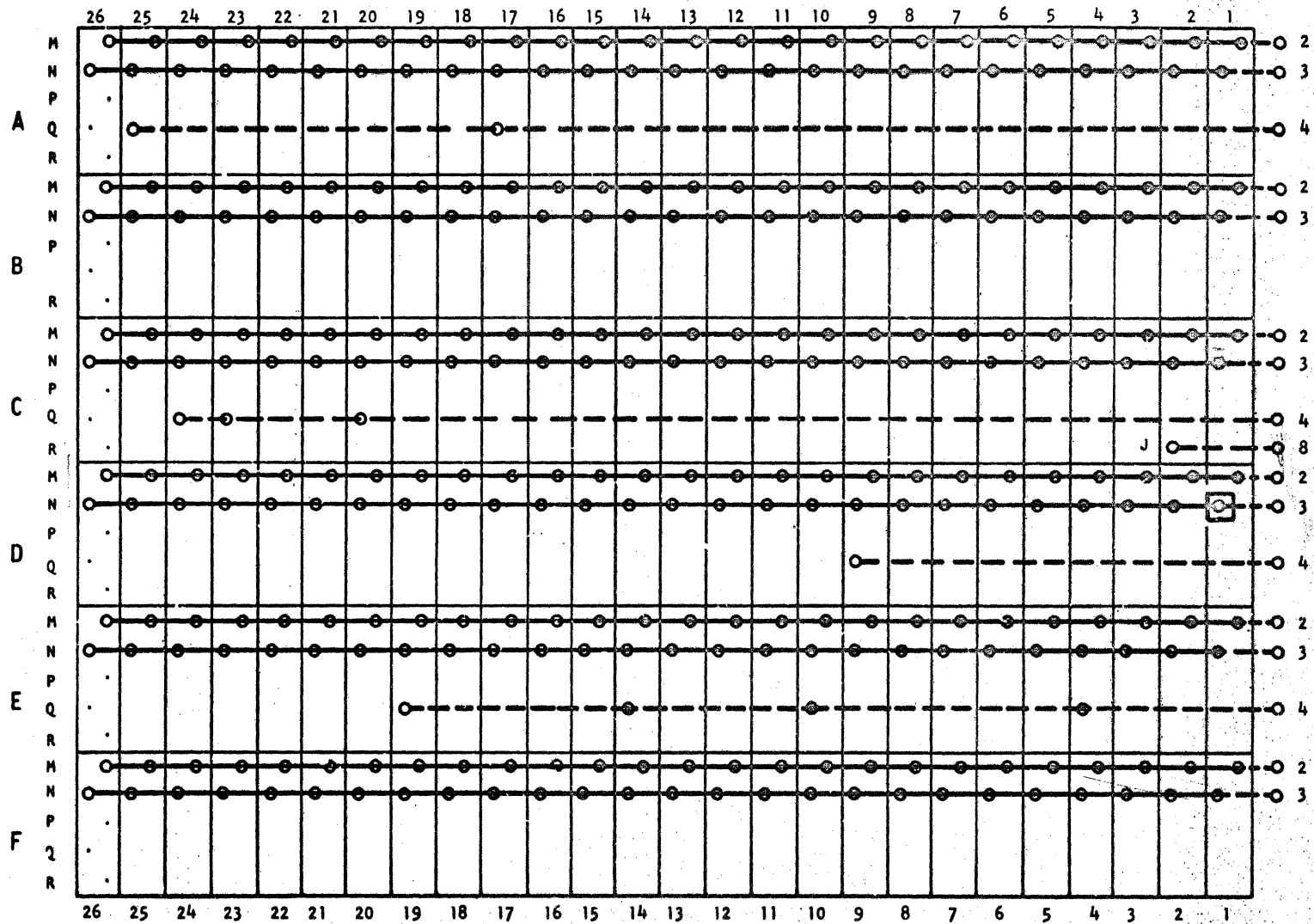
INPUTS SHOWN ON  
01.00.17.1



NOTES:

- X PIN J GROUND ON ALL SOCKETS
- XI ——— INDICATES VOLTAGE CHAIN
- XII - - - - INDICATES JUMPER WIRE
- XIII ○ INDICATES A 10 MFD CAPACITOR TO "J" PIN

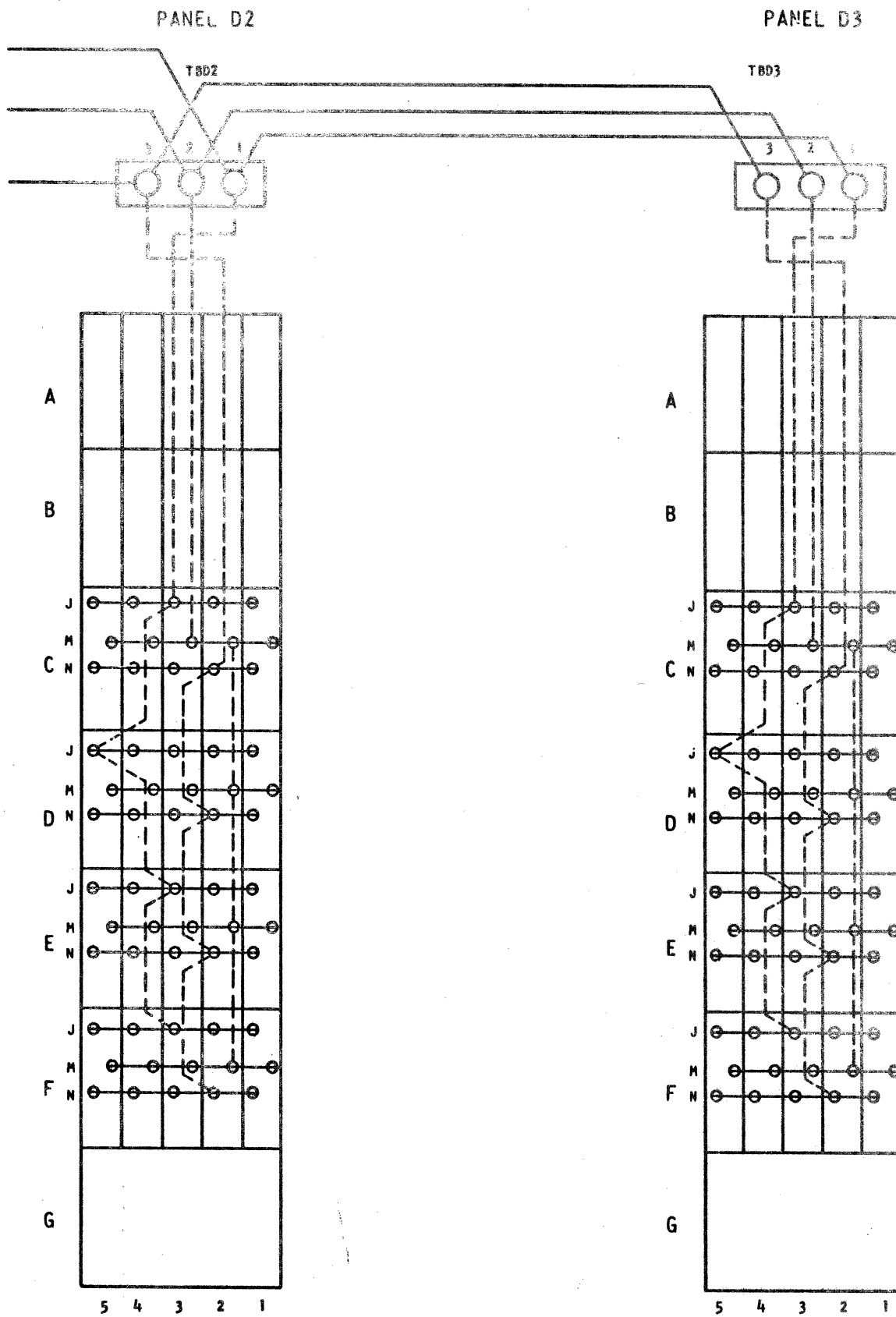
WIRING SIDE



NOTES:

- X PIN J IS GROUND ON ALL SOCKETS.
- XI ——— INDICATES VOLTAGE CHAIN.
- XII - - - - INDICATES JUMPER WIRE.
- XIII INDICATES A 10MFD CAPACITOR TO "J" PIN

DC GND  
01.90.35.1  
-12V MINUS  
-12A-7  
01.90.20.1  
+12M A2  
MC SW2-C  
01.90.30.1



NOTES:

- X ——— INDICATES VOLTAGE CHAIN
- XI - - - INDICATES JUMPER WIRE

### GATE A T CONNECTORS

OIAI(2)ZXXX

	A	B	C	D
1				
2				
3				
4				
5				
6			01.45.16.1	
7	01.43.17.1		01.45.16.1	
8	01.57.18.1	01.57.18.1	01.57.16.1	
9	01.45.17.1			
10	01.57.18.1	01.57.18.1	01.57.15.1	01.57.07.1
11	01.57.09.1	01.57.07.1	01.57.05.1	01.57.07.1
12	01.57.16.1	01.57.20.1	01.57.20.1	01.57.07.1
13	01.57.24.1			01.57.22.1
14		01.57.30.1		01.57.22.1

OIAI(2)ZXXX

	A	B	C	D
15	01.57.24.1	01.57.16.1		01.57.22.1
16	01.57.18.1	01.57.16.1		01.57.22.1
17	01.57.32.1	01.67.20.1	01.67.30.1	01.57.32.1
18	01.57.30.1			
19				
20				
21	01.57.26.1	01.57.26.1		
22	01.57.26.1	01.57.26.1	01.57.20.1	01.57.20.1
23	01.57.28.1	01.57.28.1	01.57.28.1	01.57.28.1
24	01.10.05.1			
25				01.57.22.1
26				
27				
28				

### MEMORY EDGE CONNECTORS

OIA2(4)LXXX

	A	B	C	D
1	01.30.10.1	01.30.10.1	01.30.26.1	01.30.26.1
2	01.30.26.1	01.30.26.1	01.30.26.1	01.30.26.1
3	01.30.26.1	01.30.26.1	01.30.26.1	01.30.26.1
4	01.30.31.1	01.30.31.1	01.30.31.1	01.30.31.1
5	01.30.31.1	01.30.31.1	01.30.31.1	01.30.31.1
6	01.30.31.1	01.30.31.1		01.30.10.1
7	01.30.80.1			01.30.80.1
8	01.30.80.1			01.30.80.1
9	01.30.80.1			01.30.80.1
10	01.30.80.1			01.30.80.1
11	01.30.80.1			01.30.80.1
12	01.30.80.1			01.30.80.1
13	01.30.90.1			01.30.80.1
14	01.30.80.1			01.30.80.1
15	01.30.80.1			01.30.80.1
16	01.38.80.1			01.30.80.1
17	01.30.80.1			01.30.80.1
18	01.30.80.1			01.30.80.1

OIA2(4)RXXX

	A	B	C	D
1	01.30.45.1	01.30.45.1	01.30.50.1	01.30.50.1
2	01.30.45.1	01.30.45.1	01.30.50.1	01.30.50.1
3	01.30.45.1	01.30.45.1	01.30.50.1	01.30.50.1
4	01.30.45.1	01.30.45.1	01.30.50.1	01.30.50.1
5	01.30.45.1	01.30.45.1	01.30.50.1	01.30.50.1
6	01.30.45.1	01.30.45.1	01.30.50.1	01.30.50.1
7	01.30.10.1	01.30.10.1	01.30.21.1	01.30.21.1
8	01.30.21.1	01.30.21.1	01.30.21.1	01.30.21.1
9	01.30.21.1	01.30.21.1	01.30.21.1	01.30.21.1
10	01.30.16.1	01.30.16.1	01.30.16.1	01.30.16.1
11	01.30.16.1	01.30.16.1	01.30.16.1	01.30.16.1
12	01.30.16.1	01.30.16.1		
13	01.30.45.1	01.30.45.1	01.30.50.1	01.30.50.1
14	01.30.45.1	01.30.45.1	01.30.50.1	01.30.50.1
15	01.30.45.1	01.30.45.1	01.30.50.1	01.30.50.1
16	01.30.45.1	01.30.45.1	01.30.50.1	01.30.50.1
17	01.30.45.1	01.30.45.1	01.30.50.1	01.30.50.1
18	01.30.45.1	01.30.45.1	01.30.50.1	01.30.50.1

### GATE B T CONNECTORS

OIBI(2)YXXX UPPER				OIBI(2)ZXXX LOWER					
A	B	C	D	A	B	C	D		
1	01.06.30.1	01.10.25.1		01.06.30.1	01.40.08.1			1	
2		01.25.25.1	01.25.40.1	01.60.54.1	01.40.08.1	01.40.09.1		2	
3	01.25.05.1	01.15.10.1	01.25.40.1	01.15.18.1	01.45.15.1	01.40.09.1		3	
4	01.10.25.1	01.60.08.1	01.60.54.1	01.60.54.1	01.16.12.1	01.45.16.1		4	
5	01.15.14.1	01.43.10.1	01.06.03.1		01.20.20.1			5	
6	01.16.05.1	01.10.15.1	01.43.10.1	01.63.20.1	01.60.54.1	01.57.07.1	01.64.10.1	01.20.42.1	6
7	01.15.15.1	01.10.22.1	01.25.40.1	01.10.22.1	01.20.31.1	01.20.20.1	01.62.31.1	01.60.36.1	7
8	01.59.10.1	01.10.15.1	01.25.40.1	01.10.25.1	01.20.35.1	01.20.35.1	01.60.57.1	01.20.42.1	8
9	01.15.16.1	01.10.25.1	01.10.26.1	01.10.09.1	01.45.17.1	01.60.54.1	01.64.13.1	01.20.42.1	9
10	01.15.17.1	01.10.12.1	01.10.26.1		01.45.17.1	01.20.20.1	01.60.40.1	01.20.20.1	10
11	01.15.14.1	01.10.12.1	01.15.18.1	01.10.08.1	01.60.41.1	01.45.15.1	01.20.20.1	01.20.20.1	11
12	01.15.14.1	01.10.12.1	01.15.18.1	01.15.05.1	01.47.10.1	01.63.50.1	01.20.19.1	01.20.20.1	12
13	01.15.14.1	01.10.12.1	01.15.18.1	01.10.09.1	01.60.41.1	01.60.08.1	01.20.12.1	01.57.07.1	13
14	01.15.13.1	01.10.22.1	01.15.18.1	01.16.10.1	01.63.50.1	01.65.06.1	01.20.18.1	01.57.18.1	14
15	01.10.15.1	01.50.05.1	01.15.18.1	01.06.30.1	01.60.40.1	01.65.06.1	01.20.18.1	01.64.11.1	15
16	01.15.10.1	01.50.05.1	01.15.18.1	01.06.15.1	01.06.01.1	01.65.06.1	01.20.18.1	01.60.11.1	16
17	01.16.20.1	01.50.05.1	01.15.18.1	01.60.50.1	01.46.10.1	01.46.10.1	01.20.18.1	01.40.50.1	17
18	01.16.20.1	01.50.05.1	01.06.20.1	01.15.10.1	01.60.14.1	01.65.06.1	01.20.18.1	01.64.12.1	18
19	01.06.15.1	01.50.05.1	01.06.20.1	01.15.12.1	01.60.40.1	01.65.06.1	01.20.14.1	01.59.10.1	19
20	01.15.15.1	01.50.05.1	01.06.20.1	01.15.17.1	01.65.03.1	01.65.03.1	01.20.14.1	01.59.10.1	20
21	01.15.15.1	01.16.10.1	01.06.20.1	01.15.11.1	01.65.03.1	01.65.03.1	01.64.12.1	01.59.10.1	21
22		01.16.13.1	01.06.20.1	01.65.01.1	01.65.04.1	01.65.04.1	01.65.03.1	01.60.12.1	22
23	01.15.15.1	01.16.13.1	01.06.15.1	01.63.20.1	01.65.05.1	01.65.05.1	01.62.30.1	01.60.13.1	23
24	01.55.02.1	01.16.13.1	01.90.42.1	01.60.58.1	01.65.05.1	01.65.06.1	01.60.49.1	01.60.40.1	24
25	01.65.08.1	01.16.13.1	01.06.15.1	01.15.11.1	01.65.06.1	01.65.06.1	01.60.22.1	01.62.33.1	25
26	01.64.10.1	01.16.13.1	01.15.17.1	01.63.31.1	01.62.33.1	01.15.05.1	01.60.31.1	01.20.42.1	26
27	01.60.08.1			01.15.12.1	01.65.02.1	01.63.50.1	01.60.13.1	01.63.40.1	27
28	01.30.35.1	01.15.11.1	01.15.16.1	01.15.13.1	01.63.30.1	01.63.50.1	01.63.10.1	01.63.40.1	28

### W CONNECTORS

	AW-B	AW-C	AW-D	AW-E	AW-F	AW-G	AW-H	AW-J	AW-K	AW-L
1	01.10.30.1		01.10.30.1	01.10.25.1	01.62.30.1	01.20.31.1	01.57.09.1	01.20.35.1	01.45.05.1	01.67.21.1
2	01.10.30.1	01.10.10.1	01.10.30.1	01.15.18.1	01.56.12.1	01.40.08.1	01.57.09.1	01.30.35.1	01.45.07.1	01.67.21.1
3	01.10.30.1	01.10.22.1	01.66.51.1	01.15.18.1	01.56.12.1	01.40.07.1	01.57.09.1	01.30.35.1	01.46.10.1	01.67.21.1
4	01.10.15.1	01.10.22.1	01.66.51.1	01.30.35.1	01.56.18.2	01.20.35.1	01.45.30.1	01.10.05.1	01.57.05.1	01.67.21.1
5	01.10.30.1	01.15.10.1	01.10.15.1	01.40.03.1	01.56.18.1	01.40.08.1	01.66.51.1	01.40.03.1	01.57.09.1	01.66.51.1
6	01.10.30.1	01.50.09.1	01.57.07.1	01.45.05.1	01.56.18.1	01.40.07.1	01.66.51.1	01.40.03.1	01.59.15.1	01.66.10.1
7	01.10.30.1	01.60.14.1	01.10.30.1	01.57.16.1	01.56.18.1	01.40.07.1	01.45.17.1	01.43.10.1	01.60.40.1	01.66.11.1
8	01.47.10.1	01.62.30.1	01.10.26.1	01.57.18.1	01.57.05.1	01.64.12.1	01.45.17.1	01.43.10.1	01.60.40.1	01.66.11.1
9	01.30.35.1	01.63.40.1	01.56.19.1	01.60.22.1	01.57.05.1	01.40.09.1	01.66.51.1	01.64.10.1	01.60.40.1	01.66.11.1
10	01.60.05.1	01.65.06.1	01.56.19.1	01.60.49.1	01.66.03.1	01.40.09.1	01.66.60.1	01.45.50.1	01.60.40.1	01.68.00.1
11	01.55.02.1	01.66.61.1	01.56.19.1	01.60.56.1	01.57.07.1	01.40.07.1	01.56.14.1	01.45.15.1	01.60.41.1	01.66.88.1
12	01.55.03.1	01.66.61.1	01.56.19.1	01.60.57.1	01.57.07.1	01.40.17.1	01.56.15.1	01.45.16.1	01.60.41.1	01.66.40.1
13	01.16.20.1	01.56.18.2	01.55.03.1	01.60.59.1	01.57.07.1	01.40.18.1	01.60.11.1	01.45.16.1	01.60.41.1	01.66.10.1
14	01.16.05.1	01.68.00.1	01.50.17.1	01.60.59.1	01.10.30.1	01.40.18.1	01.56.17.1		01.63.10.1	01.66.12.1
15		01.20.16.1	01.50.17.1	01.63.10.1	01.58.09.1	01.40.19.1	01.62.55.1	01.45.16.1	01.63.10.1	01.66.22.1
16	01.16.21.1	01.20.16.1	01.50.17.1	01.63.20.1	01.55.15.1	01.63.50.1	01.62.55.1	01.45.16.1	01.63.10.1	01.66.24.1
17	01.10.25.1	01.20.16.1	01.57.05.1	01.63.20.1	01.55.45.1	01.40.19.1	01.62.55.1	01.45.17.1	01.63.10.1	01.66.51.1
18	01.10.25.1	01.66.88.1	01.50.07.1	01.63.20.1	01.59.15.1	01.40.17.1	01.62.55.1	01.45.17.1	01.63.30.2	01.66.51.1
19		01.66.88.1	01.50.07.1	01.63.20.1	01.59.15.1	01.57.18.1	01.62.55.1	01.59.10.1	01.63.30.1	01.66.80.1
20	01.10.25.1	01.66.88.1	01.50.07.1	01.63.30.1	01.60.36.1	01.25.22.1	01.62.55.1	01.59.10.1	01.63.30.1	01.65.05.1
21	01.16.05.1	01.66.40.1	01.50.09.1	01.63.31.1	01.60.38.1	01.57.24.1	01.57.05.1	01.50.10.1	01.63.40.1	01.66.81.1
22	01.16.05.1	01.66.40.1	01.50.09.1	01.10.35.1	01.57.07.1	01.57.05.1	01.62.60.1	01.59.10.1	01.65.06.1	01.66.82.1
23	01.16.05.1	01.20.17.1	01.50.19.1	01.10.35.1	01.57.07.1	01.25.22.1	01.57.16.1	01.59.10.1	01.67.32.1	01.66.82.1
24	01.16.05.1	01.20.17.1	01.50.19.1	01.63.30.1		01.40.17.1	01.62.30.1	01.59.10.1	01.67.32.1	01.66.83.1
25	01.16.05.1	01.66.12.1	01.55.01.1	01.66.88.1	01.57.30.1	01.56.10.1	01.10.36.1	01.45.15.1	01.67.32.1	01.66.83.1
26	01.16.05.1	01.66.12.1	01.55.01.1	01.66.88.1	01.56.10.1	01.40.17.1	01.10.36.1	01.06.30.1	01.67.32.1	01.66.90.1
27	01.58.09.1	01.66.12.1	01.55.01.1	01.66.82.1	01.57.30.1	01.25.22.1	01.20.17.1	01.10.12.1	01.67.32.1	01.66.90.1
28	01.66.85.1	01.66.19.1	01.55.01.1	01.10.36.1	01.57.30.1	01.25.22.1	01.20.17.1	01.55.02.1	01.67.32.1	01.66.91.1
29		01.66.22.1	01.55.01.1	01.10.36.1	01.66.24.1	01.25.22.1	01.66.12.1		01.10.35.1	01.66.91.1
30	01.66.87.1	01.10.10.1	01.66.70.1	01.20.17.1	01.66.24.1	01.25.22.1	01.66.12.1		01.66.85.1	01.66.92.1
31	01.66.87.1	01.66.24.1		01.66.71.1	01.66.50.1	01.25.22.1	01.66.19.1	01.64.10.1	01.63.30.2	01.66.92.1
32	01.10.30.1	01.66.51.1		01.66.23.1	01.66.81.1	01.20.31.1	01.66.19.1		01.20.17.1	01.66.92.1
	BWB	BW-C	BWD	BW-E	BWF	BWG	BWH	BWJ	BWK	BWL

### X CONNECTORS

	AX-B	AX-C	AX-D	AX-E	AX-F	AX-G	AX-H	AX-J	AX-K	AX-L
1	01.66.10.1	01.82.20.2	01.41.04.1		01.40.07.1	01.41.04.1	01.41.03.1	01.41.07.1	01.67.00.1	01.66.85.1
2	01.66.20.1	01.10.05.1	01.41.04.1	01.06.10.1	01.40.07.1	01.41.04.1	01.41.03.1	01.41.07.1	01.67.00.1	01.56.16.1
3	01.66.30.1	01.64.14.1	01.41.04.1	01.55.02.1	01.40.08.1	01.41.04.1		01.41.07.1	01.67.01.1	01.50.09.1
4	01.66.50.1	01.81.45.1	01.41.04.1	01.55.03.1	01.40.08.1	01.41.04.1		01.41.07.1	01.67.01.1	
5	01.66.60.1	01.81.30.1	01.41.04.1	01.55.15.1	01.40.09.1	01.41.06.1	01.41.05.1	01.41.07.1	01.67.30.1	01.66.71.1
6	01.66.40.1	01.81.41.1	01.41.04.1	01.57.05.1	01.40.09.1	01.41.06.1	01.41.05.1	01.41.07.1	01.67.40.1	01.46.10.1
7	01.66.70.1	01.81.41.1	01.41.04.1	01.57.05.1	01.40.17.1	01.41.06.1	01.41.05.1	01.41.07.1	01.67.40.1	01.63.30.1
8	01.66.80.1	01.81.41.1	01.41.04.1	01.57.07.1	01.40.17.1	01.41.06.1	01.41.05.1	01.41.07.1	01.67.90.1	01.66.81.1
9	01.66.80.1	01.81.30.1	01.41.04.1	01.57.07.1	01.40.18.1	01.41.06.1	01.41.15.1	01.41.07.1	01.67.90.1	01.66.40.1
10	01.66.81.1	01.20.31.1	01.41.04.1	01.57.09.1	01.40.18.1	01.41.06.1	01.41.15.1	01.41.07.1	01.68.10.1	01.66.80.1
11	01.67.00.1	01.20.35.1	01.41.04.1	01.57.09.1	01.40.19.1	01.41.06.1	01.41.15.1	01.41.07.1	01.68.10.1	01.10.25.1
12	01.67.10.1	01.64.12.1	01.41.04.1	01.57.16.1	01.40.19.1	01.41.06.1	01.41.15.1	01.41.07.1	01.68.10.1	01.66.70.1
13	01.67.20.1	01.63.50.1	01.41.04.1	01.57.16.1	01.06.12.1	01.41.06.1	01.41.15.1	01.41.17.1	01.68.10.1	01.63.30.1
14	01.67.30.1	01.25.22.1	01.41.04.1	01.57.18.1	01.05.01.1	01.41.06.1	01.41.15.1	01.41.17.1	01.68.24.1	01.66.85.1
15	01.67.30.1	01.25.22.1	01.41.04.1	01.57.18.1	01.05.01.1	01.41.06.1	01.41.15.1	01.41.17.1	01.68.24.1	01.60.05.1
16	01.67.40.1	01.25.22.1	01.41.04.1	01.57.20.1		01.41.06.1	01.41.15.1	01.41.17.1	01.68.24.1	01.66.24.1
17	01.67.40.1	01.40.17.1	01.41.04.1	01.57.20.1		01.41.03.1	01.41.15.1	01.41.17.1	01.68.24.1	01.68.44.1
18	01.66.90.1	01.25.22.1	01.41.04.1	01.57.22.1	01.67.90.1	01.41.03.1	01.41.15.1	01.41.17.1	01.68.40.1	01.57.07.1
19	01.67.50.1	01.25.25.1	01.41.04.1	01.57.22.1	01.68.90.1	01.41.03.1	01.41.15.1	01.41.17.1	01.68.40.1	01.06.10.1
20	01.68.40.1	01.40.18.1	01.41.04.1		01.68.85.1	01.41.03.1	01.41.15.1	01.41.17.1	01.68.42.1	
21	01.68.42.1	01.40.18.1	01.41.04.1	01.57.24.1	01.68.24.1	01.41.03.1	01.41.16.1	01.41.17.1	01.68.42.1	
22	01.68.44.1	01.40.19.1	01.41.04.1	01.57.26.1	01.68.24.1	01.41.03.1	01.41.16.1	01.41.17.1	01.68.44.1	
23	01.66.25.1	01.40.19.1	01.41.04.1	01.57.26.1	01.06.30.1	01.41.03.1	01.41.16.1	01.41.17.1	01.68.85.1	
24	01.66.21.1	01.40.19.1	01.41.04.1	01.57.28.1	01.05.01.1	01.41.03.1	01.41.16.1	01.41.17.1	01.68.85.1	
25	01.66.23.1	01.40.19.1	01.41.04.1	01.57.28.1	01.05.02.1	01.41.03.1	01.41.16.1	01.41.01.1	01.66.80.1	
26	01.66.24.1	01.81.41.1	01.41.04.1	01.57.30.1	01.05.01.1	01.41.03.1	01.41.16.1	01.41.01.1	01.68.85.1	
27	01.68.10.1	01.81.41.1	01.41.04.1	01.57.30.1	01.05.02.1	01.41.03.1	01.41.16.1	01.41.01.1	01.68.90.1	
28	01.68.10.1	01.81.41.1	01.41.04.1	01.57.30.1	01.05.01.1	01.41.03.1	01.41.16.1	01.41.01.1	01.69.90.1	
29	01.66.83.1	01.25.22.1	01.41.04.1	01.57.32.1	01.05.01.1	01.41.03.1		01.41.01.1	01.69.90.1	01.10.05.1
30	01.66.24.1	01.25.22.1	01.41.04.1	01.60.05.1	01.05.50.1	01.41.03.1		01.41.01.1	01.67.10.1	
31	01.00.15.1	01.25.22.1	01.41.04.1	01.60.05.1	01.06.30.1	01.41.03.1		01.41.01.1	01.66.85.1	
32	01.90.35.1	01.20.31.1	01.41.04.1	01.58.09.1	01.06.30.1	01.41.03.1		01.41.01.1	01.68.85.1	
	CE-BOX	DXE	1623	LAMPS	LAMPS/CONS	1623	1623	1623	BX-K	BX-L





### GATE A V CONNECTORS

						AVJ	AVK
1						01.57.32.1	01.58.09.1
2						01.15.18.1	01.50.17.1
3						01.10.25.1	01.10.10.1
4						01.56.18.1	01.57.30.1
5						01.56.19.1	01.57.30.1
6						01.40.03.1	01.57.24.1
7						01.25.25.1	01.57.20.1
8						01.06.12.1	01.57.09.1
9						01.10.05.1	01.57.09.1
10						01.81.45.1	01.57.32.1
11						01.64.14.1	01.40.07.1
12						01.41.17.1	01.40.07.1
13						01.41.17.1	01.40.08.1
14						01.41.17.1	01.40.08.1
15						01.41.17.1	01.40.09.1
16						01.41.17.1	01.40.09.1
17						01.50.19.1	01.40.17.1
18						01.50.07.1	01.40.17.1
19						01.50.09.1	01.40.18.1
20							01.40.18.1
21							01.40.19.1
22							01.40.19.1
23							01.55.25.1
24							01.57.05.1
25							
26							01.41.07.1
27							01.41.07.1
28							01.41.07.1
29							01.41.07.1
30							01.41.07.1
31							01.41.07.1
32							01.41.17.1
						D2A02(1-16)	D3A01(1-16)
						D3B02(17-32)	D3B01(17-32)

See also  
connection to  
gate D2  
01.00.14.2

### GATE B V CONNECTORS

	BVB					BVJ	BVK
1	01.15.18.1					01.25.25.1	01.05.23.1
2	01.50.19.1					01.15.17.1	01.05.24.1
3	01.50.17.1					01.10.25.1	01.05.24.1
4	01.50.07.1					01.10.12.1	01.05.24.1
5	01.62.52.1						01.05.21.1
6	01.20.31.1					01.15.10.1	01.05.21.1
7	01.20.35.1					01.20.20.1	01.05.24.1
8	01.20.35.1					01.25.05.1	01.05.21.1
9	01.05.24.1					01.25.15.1	01.05.24.1
10	01.50.19.1					01.25.15.1	01.05.22.1
11	01.60.08.1					01.25.15.1	01.05.22.1
12	01.06.10.1					01.25.35.1	01.05.22.1
13	01.64.12.1					01.06.12.1	01.05.22.1
14						01.05.21.1	01.05.22.1
15						01.05.22.1	01.05.22.1
16	01.10.15.1					01.06.30.1	01.05.24.1
17	01.06.20.1					01.06.30.1	01.05.24.1
18	01.05.23.1					01.15.11.1	01.05.24.1
19	01.06.03.1					01.62.50.1	01.05.24.1
20	01.06.12.1					01.10.05.1	01.05.24.1
21	01.25.30.1					01.64.10.1	01.05.24.1
22	01.81.45.1					01.10.22.1	01.05.24.1
23	01.64.13.1					01.62.52.1	01.05.24.1
24	01.56.14.1						01.05.24.1
25						01.10.07.1	01.05.24.1
26						01.10.09.1	01.05.24.1
27	01.81.45.1					01.10.12.1	01.05.21.1
28						01.62.33.1	01.05.24.1
29						01.20.20.1	01.05.22.1
30						01.64.14.1	
31						01.25.15.1	
32						01.62.50.1	
	D3A02(1-16)					D2A01(1-16)	FCU
	D2B02(17-32)					D2B01(17-32)	

D3K  
to gate  
D2K

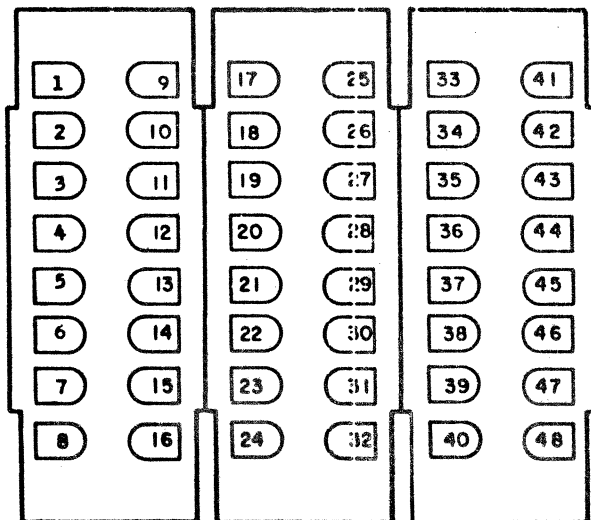
DA OE24PFO

### TYPEWRITER CONNECTORS

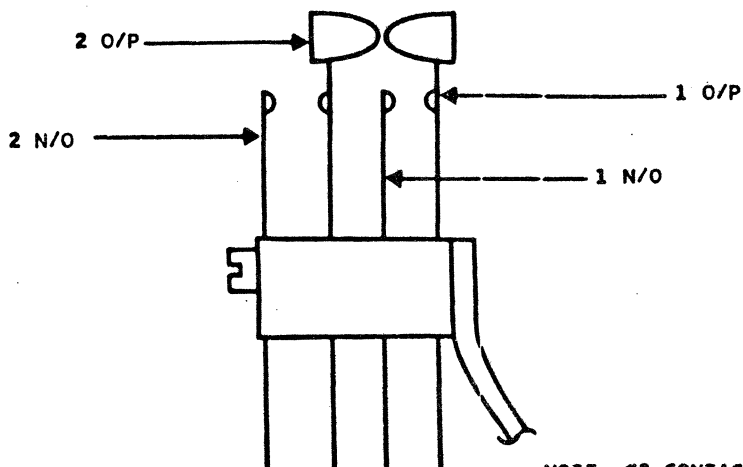
		CXA	
1	01.82.80.1	25	01.82.84.1
2	01.82.85.1	26	01.82.84.1
3	01.82.80.1	27	01.82.86.1
4	01.82.84.1	28	01.82.82.1
5	01.82.80.1	29	01.82.86.1
6	01.82.82.1	30	01.82.82.1
7	01.82.86.1	31	01.82.80.1
8	01.82.84.1	32	01.82.82.1
9	01.82.80.1	33	01.82.82.1
10	01.82.86.1	34	01.82.80.1
11	01.82.84.1	35	01.82.80.1
12	01.82.82.1	36	01.82.80.1
13	01.82.86.1	37	01.82.86.1
14	01.82.86.1	38	01.82.82.1
15	01.82.80.1	39	01.82.80.1
16	01.82.80.1	40	01.82.82.1
17	01.82.80.1	41	01.82.86.1
18	01.82.86.1	42	01.82.84.1
19	01.82.80.1	43	01.82.82.1
20	01.82.82.1	44	01.82.82.1
21	01.82.80.1	45	01.82.70.1
22	01.82.86.1	46	01.82.70.1
23	01.82.82.1	47	01.82.70.1
24	01.82.80.1	48	01.82.72.1

		CXB	
1	01.81.60.1	25	01.81.64.1
2		26	
3		27	
4		28	
5		29	
6	01.81.60.1	30	01.81.64.1
7	01.81.62.1	31	01.81.64.1
8	01.82.84.1	32	01.81.60.1
9	01.81.62.1	33	
10	01.81.62.1	34	01.81.64.1
11		35	01.81.60.1
12		36	01.00.33.1
13		37	01.81.50.1
14		38	01.81.50.1
15		39	01.82.70.1
16		40	01.82.70.1
17		41	01.82.70.1
18		42	01.82.72.1
19		43	01.81.60.1
20		44	01.90.35.1
21		45	
22	01.81.62.1	46	01.90.32.1
23	01.81.64.1	47	
24	01.81.64.1	48	01.90.32.1

### WIRING SIDE CXA & CXB (FEMALE)



### TYPEWRITER SELECTOR COMMON CONTACTS



NOTE: #2 CONTACTS MUST MAKE AFTER AND BREAK BEFORE #1 CONTACTS.

### W CONNECTORS

	DW-A		DW-B	DW-C	DW-D	DW-E	DW-F	
01A	01.64.30.1	1	01.06.15.1	01.64.13.1		01.82.20.2	01.81.15.1	
01B		2	01.06.15.1	01.64.13.1		01.82.20.2		
01C		3	01.06.20.1			01.82.20.1		
01D		4		01.80.25.1		01.82.20.1		
01E		5	01.06.05.1	01.80.25.1		01.82.20.2		
01F		6	01.06.05.1	01.82.60.1		01.82.20.2	01.81.15.1	
01G		7	01.06.10.1			01.82.20.3	01.81.15.2	
01H		8	01.06.10.1			01.82.20.3	01.81.15.2	
01J		9	01.06.12.1			01.82.52.1	01.81.15.2	
01K		10	01.06.12.1				01.81.15.2	
01L		11	01.84.10.1				01.81.15.3	
01M		12	01.84.10.1				01.81.15.3	
01N		13	01.83.10.1				01.81.15.3	
01P		14	01.83.10.1			01.82.52.1	01.81.15.3	
01Q		15				01.80.20.1	01.80.30.1	
01R		16						
02A		17						
02B		18						
02C		19						
02D		20					01.80.30.1	
02E		21					01.81.15.1	
02F		22					01.81.15.1	
02G		23					01.80.05.1	
02H		24				01.80.20.1	01.80.05.1	
02J		25				01.81.15.1	01.80.20.1	
02K		26				01.81.15.1	01.80.20.1	
02L		27				01.81.45.1	01.81.45.1	
02M		28				01.81.45.1	01.81.45.1	
02N		29				01.80.05.1	01.80.10.1	
02P		30				01.80.05.1	01.80.10.1	
02Q		31				01.80.10.1	01.80.10.1	
02R	01.84.30.1	32				01.80.10.1	01.80.10.1	
	1443		CONS	GATE C	BX-H	1622	1622	

### X CONNECTORS

	DX-A	DX-B	DX-C	DX-D	DX-E	DX-F	
1			01.82.60.1			01.84.20.1	
2			01.81.10.1	01.20.42.1			
3			01.82.60.1	01.63.50.1			
4			01.82.30.1	01.81.30.1			
5			01.82.62.1	01.80.05.1			
6			01.82.62.1				
7			01.82.62.1	01.06.05.1			
8			01.81.15.1			01.84.20.1	
9			01.81.15.1	01.81.45.1		01.84.10.1	
10			01.81.15.3	01.81.45.1		01.84.10.1	
11			01.81.15.3	01.80.05.1		01.83.20.1	
12			01.81.15.2	01.81.45.1			
13			01.81.15.2	01.81.30.1			
14			01.81.15.1				
15			01.81.45.1				
16			01.81.10.1	01.80.25.1			
17			01.82.62.1	01.30.25.1			
18			01.82.62.1	01.84.10.1		01.83.20.1	
19			01.82.60.1	01.81.10.1		01.80.30.1	
20			01.82.60.1	01.83.10.1		01.83.10.1	
21			01.82.50.1			01.83.10.1	
22			01.82.62.1	01.81.45.1		01.83.10.1	
23			01.82.60.1			01.84.10.1	
24			01.82.62.1			01.80.30.1	
25			01.82.60.1			01.81.45.1	
26			01.82.52.1				
27						01.84.10.1	
28						01.80.25.1	
29							
30							
31							
32			01.82.52.1			01.80.10.1	
TD	BX-J	BX-B	GATE C	BX-D/CONS	AX-C	SC-A (1621)	



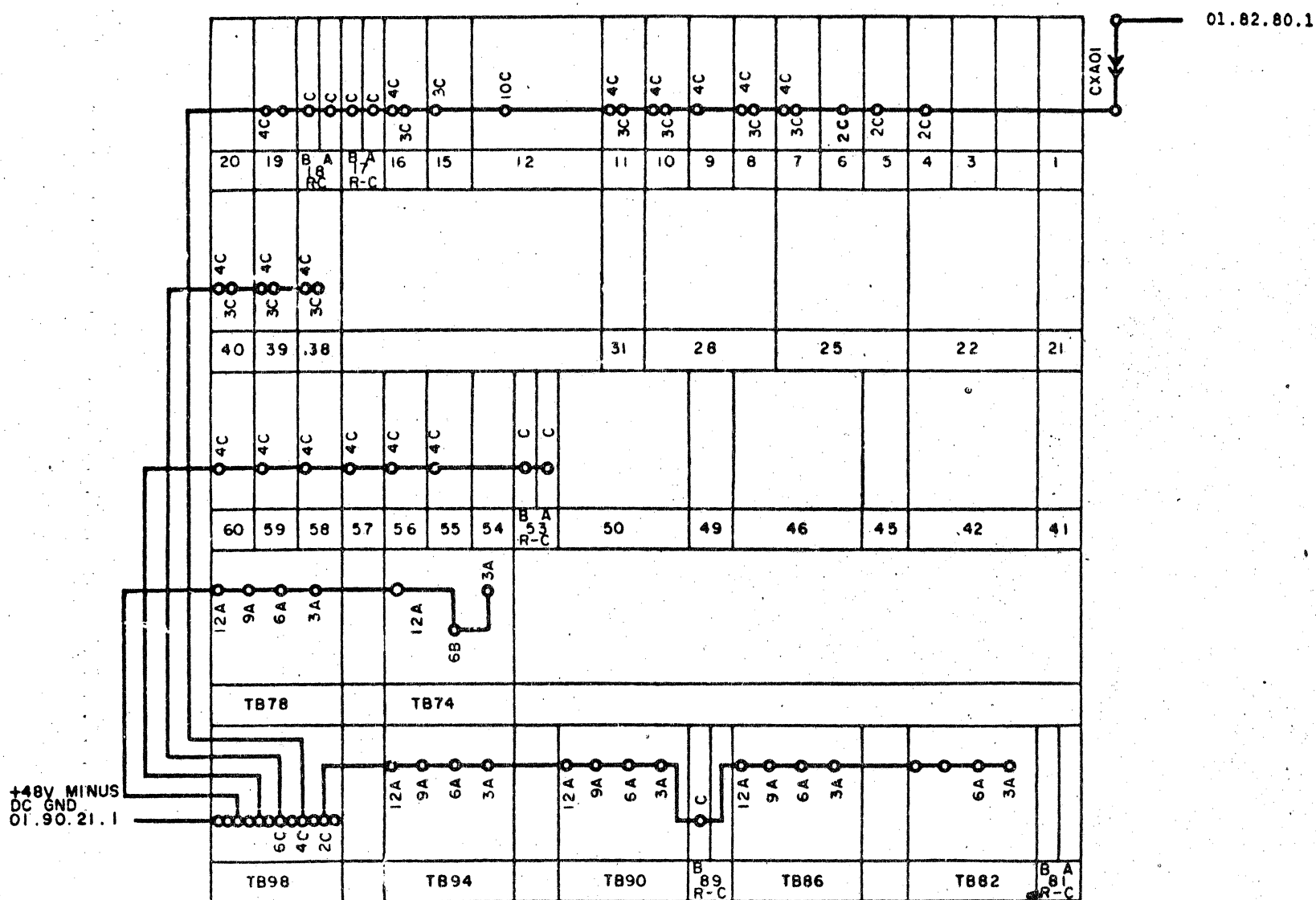
WIRE CONTACT RELAY CHART

RELAY NO.	NAME	P/N	COILS				POINTS				
			PICK	H/T	1/7	2/8	3/9	4/10	5/11	6/12	
1	WRITE STATUS	T	01.82.70.1	01.82.70.1	01.82.72.1	01.32.75.1	01.82.80.1	01.81.50.1			
2											
3	WRITE NUM.	T	01.82.70.1	01.82.70.1	01.82.70.1	01.32.72.1	01.81.50.1	01.82.72.1			
4	CONTROL TAB	C	01.82.70.1	01.82.70.1	01.82.70.1	01.32.70.1	01.81.50.1				
5	CONTROL CARR. RET.	C	01.82.70.1	01.82.70.1	01.82.70.1	01.32.70.1	01.81.50.1	01.82.72.1			
6	CONTROL SPACE	B	01.82.70.1	01.82.70.1	01.82.82.1	01.31.50.1	01.82.70.1	01.82.70.1			
7	FLAG INTL'K	T	01.82.72.1	01.82.75.1	01.82.75.1	01.32.80.1	01.81.50.1	01.82.70.1			
8	FLAG 1	B	01.82.75.1	01.82.75.1		01.82.75.1	01.82.75.1	01.82.82.1			
9	FLAG 2	A	01.82.75.1			01.81.55.1					
10	SHIFT	T	01.82.72.1	01.82.72.1	01.82.70.1						
11	SHIFT DELAY	B	01.82.72.1	01.82.72.1		01.82.80.1					
12	MAN SHIFT	W	01.82.72.1	01.82.72.1	01.81.60.1	01.81.60.1	01.81.62.1	01.81.62.1	01.81.62.1	01.81.62.1	01.81.62.1
					01.81.62.1	01.81.62.1	01.81.60.1	01.81.64.1	01.81.64.1	01.81.64.1	01.81.64.1
15	MAN SHIFT	B	01.82.72.1	01.82.72.1	01.82.72.1	01.82.70.1	01.81.60.1	01.81.64.1			
16	MAN SHIFT DELAY	B	01.82.72.1	01.82.72.1	01.82.72.1	01.82.72.1	01.82.72.1				
17	R C UNITS										
18	R C UNITS										
19		B	01.82.70.1	01.82.70.1	01.82.70.1	01.82.70.1	01.82.70.1	01.82.82.1			
20	WR TEST	T	01.82.72.1	01.82.72.1	01.82.80.1	01.82.72.1	01.82.72.1	01.82.75.1			
21	C BIT SET UP	A	01.82.75.1		01.82.84.1	01.81.55.1	01.81.55.1	01.82.84.1			
22	X BIT SET UP	F	01.82.75.1			01.82.80.1	01.82.82.1	01.82.82.1	01.82.82.1	01.82.82.1	01.82.82.1
					01.82.82.1	01.82.82.1	01.82.82.1	01.82.82.1	01.82.84.1	01.82.84.1	01.82.84.1
25	X BIT SET UP	F	01.82.75.1		01.82.84.1	01.32.84.1	01.82.84.1				
							01.81.55.1	01.82.72.1	01.82.72.1	01.82.72.1	01.82.72.1
28	O BIT SET UP	F	01.82.75.1		01.82.72.1	01.32.80.1	01.82.86.1	01.82.82.1	01.82.82.1	01.82.82.1	01.82.82.1
					01.82.82.1	01.32.84.1		01.82.84.1	01.81.55.1	01.81.55.1	01.81.55.1
31	2 BIT SET UP	A	01.82.75.1		01.82.84.1						
38	PARITY CHECK	B	01.81.55.1	01.81.55.1	01.81.55.1	01.82.72.1		01.82.80.1			
39	ERROR 1	T	01.81.55.1	01.82.72.1	01.82.72.1	01.82.75.1	01.82.70.1				
40	ERROR 2	T	01.82.72.1	01.82.72.1	01.82.72.1	01.81.55.1					
41	1 BIT SET UP	A	01.82.75.1		01.82.72.1	01.82.80.1	01.31.55.1	01.81.55.1			
42	2 BIT SET UP	F	01.82.75.1		01.82.72.1	01.82.80.1	01.82.80.1	01.82.80.1	01.82.80.1	01.82.80.1	01.82.80.1
					01.82.80.1	01.82.86.1	01.82.86.1	01.82.86.1	01.82.86.1	01.82.86.1	01.82.86.1
44											
45	2 BIT SET UP	A	01.82.75.1		01.82.86.1	01.82.82.1	01.81.55.1	01.81.55.1			
46	4 BIT SET UP	F	01.82.75.1		01.82.72.1	01.82.80.1	01.82.80.1	01.82.80.1	01.82.80.1	01.82.80.1	01.82.86.1
					01.82.86.1	01.82.86.1	01.82.86.1	01.82.82.1	01.82.84.1		
49	4 BIT SET UP	A	01.82.75.1		01.81.55.1	01.81.55.1					

			B	4	96207			
T	4LP	186685	C	4	96208			
			W	12	255725			
F	12	196186						
A	4	196206						



WIRING SIDE



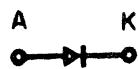




TERMINAL BLOCKS

TB NO	1			2			3			4			5			6			7			8			9			10			11			12			13		
	A	B	C	A	B	C	A	B	C	A	B	C	A	B	C	A	B	C	A	B	C	A	B	C	A	B	C	A	B	C	A	B	C	A	B	C			
078	01.82.70.1	01.82.70.1	01.82.70.1	01.81.50.1	01.81.50.1	01.81.50.1	01.81.50.1	01.81.50.1	01.81.50.1	01.81.50.1	01.81.50.1	01.81.50.1	01.81.50.1	01.81.50.1	01.81.50.1	01.81.50.1	01.81.50.1	01.81.50.1	01.81.50.1	01.81.50.1	01.81.50.1	01.81.50.1	01.81.50.1	01.81.50.1	01.81.50.1	01.81.50.1	01.81.50.1	01.81.50.1	01.81.50.1	01.81.50.1	01.81.50.1	01.81.50.1	01.81.50.1	01.81.50.1	01.81.50.1	01.81.50.1			
082	01.81.50.1	01.81.50.1	01.81.50.1	01.81.50.1	01.81.50.1	01.81.50.1	01.81.50.1	01.81.50.1	01.81.50.1	01.81.50.1	01.81.50.1	01.81.50.1	01.81.50.1	01.81.50.1	01.81.50.1	01.81.50.1	01.81.50.1	01.81.50.1	01.81.50.1	01.81.50.1	01.81.50.1	01.81.50.1	01.81.50.1	01.81.50.1	01.81.50.1	01.81.50.1	01.81.50.1	01.81.50.1	01.81.50.1	01.81.50.1	01.81.50.1	01.81.50.1	01.81.50.1	01.81.50.1	01.81.50.1	01.81.50.1			
086	01.81.50.1	01.81.50.1	01.81.50.1	01.81.50.1	01.81.50.1	01.81.50.1	01.81.50.1	01.81.50.1	01.81.50.1	01.81.50.1	01.81.50.1	01.81.50.1	01.81.50.1	01.81.50.1	01.81.50.1	01.81.50.1	01.81.50.1	01.81.50.1	01.81.50.1	01.81.50.1	01.81.50.1	01.81.50.1	01.81.50.1	01.81.50.1	01.81.50.1	01.81.50.1	01.81.50.1	01.81.50.1	01.81.50.1	01.81.50.1	01.81.50.1	01.81.50.1	01.81.50.1	01.81.50.1	01.81.50.1	01.81.50.1			
090	01.81.50.1	01.81.50.1	01.81.50.1	01.81.50.1	01.81.50.1	01.81.50.1	01.81.50.1	01.81.50.1	01.81.50.1	01.81.50.1	01.81.50.1	01.81.50.1	01.81.50.1	01.81.50.1	01.81.50.1	01.81.50.1	01.81.50.1	01.81.50.1	01.81.50.1	01.81.50.1	01.81.50.1	01.81.50.1	01.81.50.1	01.81.50.1	01.81.50.1	01.81.50.1	01.81.50.1	01.81.50.1	01.81.50.1	01.81.50.1	01.81.50.1	01.81.50.1	01.81.50.1	01.81.50.1	01.81.50.1	01.81.50.1			
094	01.81.55.1	01.81.55.1	01.81.55.1	01.81.55.1	01.81.55.1	01.81.55.1	01.81.55.1	01.81.55.1	01.81.55.1	01.81.55.1	01.81.55.1	01.81.55.1	01.81.55.1	01.81.55.1	01.81.55.1	01.81.55.1	01.81.55.1	01.81.55.1	01.81.55.1	01.81.55.1	01.81.55.1	01.81.55.1	01.81.55.1	01.81.55.1	01.81.55.1	01.81.55.1	01.81.55.1	01.81.55.1	01.81.55.1	01.81.55.1	01.81.55.1	01.81.55.1	01.81.55.1	01.81.55.1	01.81.55.1	01.81.55.1			
098	01.82.70.1	01.82.70.1	01.82.70.1	01.82.70.1	01.82.70.1	01.82.70.1	01.82.70.1	01.82.70.1	01.82.70.1	01.82.70.1	01.82.70.1	01.82.70.1	01.82.70.1	01.82.70.1	01.82.70.1	01.82.70.1	01.82.70.1	01.82.70.1	01.82.70.1	01.82.70.1	01.82.70.1	01.82.70.1	01.82.70.1	01.82.70.1	01.82.70.1	01.82.70.1	01.82.70.1	01.82.70.1	01.82.70.1	01.82.70.1	01.82.70.1	01.82.70.1	01.82.70.1	01.82.70.1	01.82.70.1	01.82.70.1			
074	01.81.62.1	01.81.62.1	01.81.62.1	01.81.62.1	01.81.62.1	01.81.62.1	01.81.62.1	01.81.62.1	01.81.62.1	01.81.62.1	01.81.62.1	01.81.62.1	01.81.62.1	01.81.62.1	01.81.62.1	01.81.62.1	01.81.62.1	01.81.62.1	01.81.62.1	01.81.62.1	01.81.62.1	01.81.62.1	01.81.62.1	01.81.62.1	01.81.62.1	01.81.62.1	01.81.62.1	01.81.62.1	01.81.62.1	01.81.62.1	01.81.62.1	01.81.62.1	01.81.62.1	01.81.62.1	01.81.62.1	01.81.62.1			

DIODE BOARDS



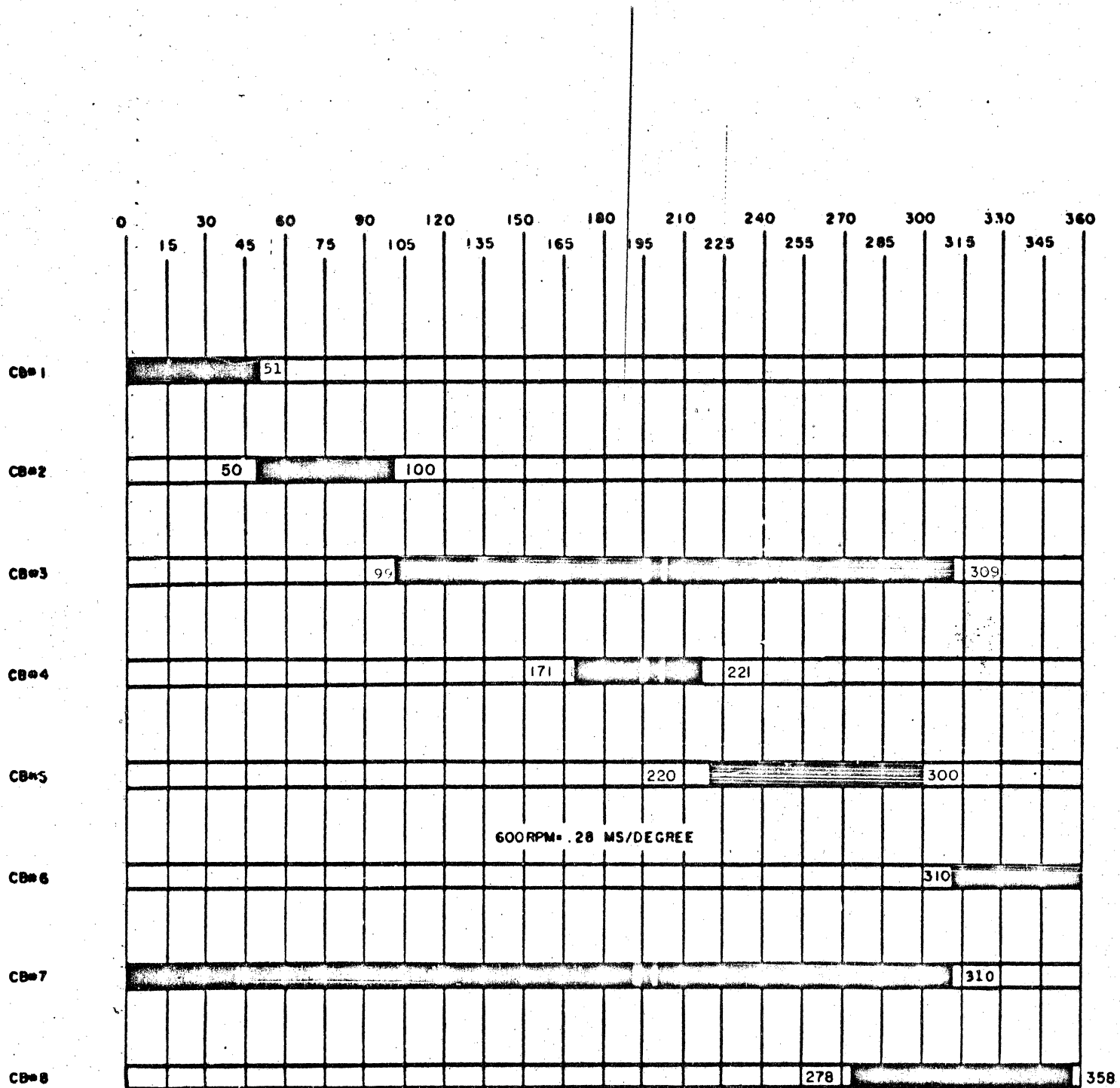
1	01.81.60.1
2	01.81.60.1
3	01.81.60.1
4	01.81.60.1
5	01.81.62.1
6	01.81.62.1
7	01.81.62.1
8	01.81.62.1
9	01.81.62.1
10	01.81.62.1
11	01.81.62.1

12	01.81.62.1
13	01.81.62.1
14	01.81.62.1
15	01.81.62.1
16	01.81.62.1
17	01.81.62.1
18	01.81.62.1
19	01.81.64.1
20	01.81.64.1
21	01.81.64.1
22	01.81.64.1

23	01.81.64.1
24	01.81.64.1
25	01.81.64.1
26	01.82.70.1
27	01.82.70.1
28	01.82.72.1
29	01.82.72.1
30	01.82.72.1
31	01.81.62.1
32	01.81.62.1
33	

RC UNITS

	1	2	3	4
17 A	01.82.70.1	01.82.70.1	01.82.70.1	01.82.75.1
17 B	01.82.72.1	01.82.72.1	01.82.80.1	01.82.72.1
18 A	01.82.70.1	01.82.70.1	01.82.75.1	01.82.75.1
18 B	01.82.72.1	01.82.72.1	01.82.70.1	01.82.72.1
32 A	01.82.70.1	01.82.70.1	01.82.75.1	01.82.72.1
32 B	01.82.80.1	01.82.70.1	01.05.10.1	
53 A	01.81.60.1	01.81.60.1	01.81.62.1	01.81.62.1
53 B	01.81.55.1	01.81.55.1	01.81.62.1	01.81.64.1
89 A				
89 B	01.82.72.1	01.82.72.1	01.81.55.1	01.82.72.1

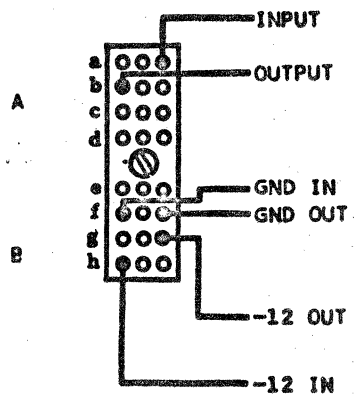
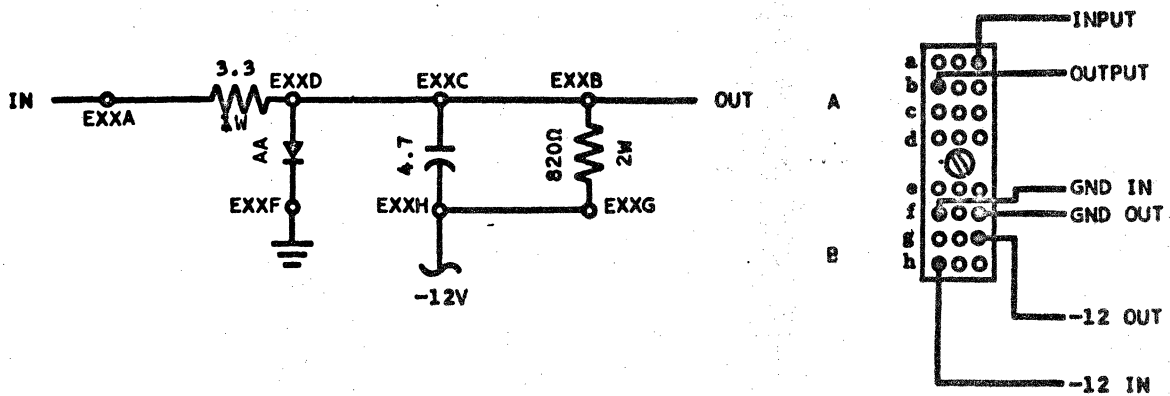
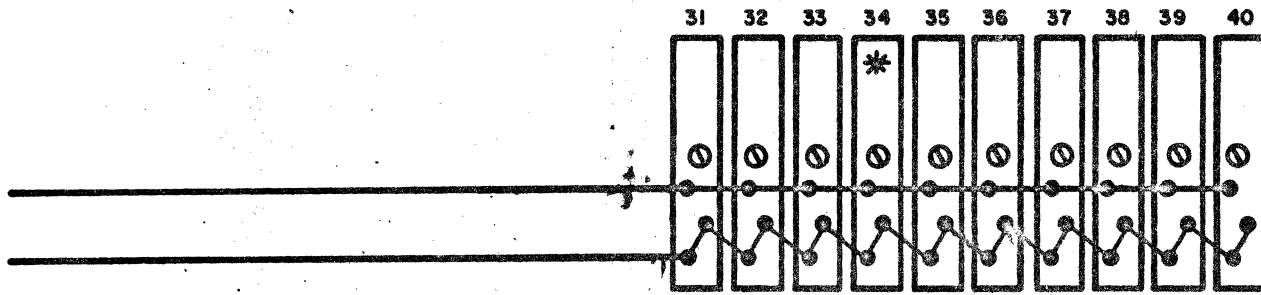


CAM CHART

CB#	LOCATION	MAKE	TOL	BREAK	TOL	CAM FUNCTION	PART NO
1	01.82.70.1	0	±5	51	+4 -0	LATCH TRIP FLAG & SHIFT INTLK.	227694
2	01.82.70.1	50	+0 -5	100	+4 -0	LATCH TRIP TYPE DELAY 1 & 2	227694
3	01.82.75.1	99	+0 -5	309	±5	PRINT DECODE SETUP	344181
4	01.82.72.1	171	±5	221	+4 -0	PICK DELAY RELAYS	227694
5	01.82.80.1	220	+0 -5	300	±5	TYPE CB & HOLD DECODE RELAYS	309629
6	01.82.70.1	310	±5	360	±5	FUNCTION RELAY PICK FLAG & SHIFT INTLK. HOLD	227594
7	01.05.10.1	0	+3 -0	310	±5	THYRATRON HOLD	310255
8	01.05.10.1	278	±5	358	+0 -3	THYRATRON HOLD	309629

NOTE: CB-2 MUST MAKE BEFORE CB-1 BREAKS  
 CB-3 MUST MAKE BEFORE CB-2 BREAKS  
 CB-5 MUST MAKE BEFORE CB-4 BREAKS  
 THE ANGLE BETWEEN CB-8 BREAK AND CB-7  
 MAKE MUST NOT BE LESS THAN 2° OR GREATER  
 THAN 5°

D. C. GND  
01.90.35.1  
-12 VOLTS  
PSTB-3  
01.90.30.1

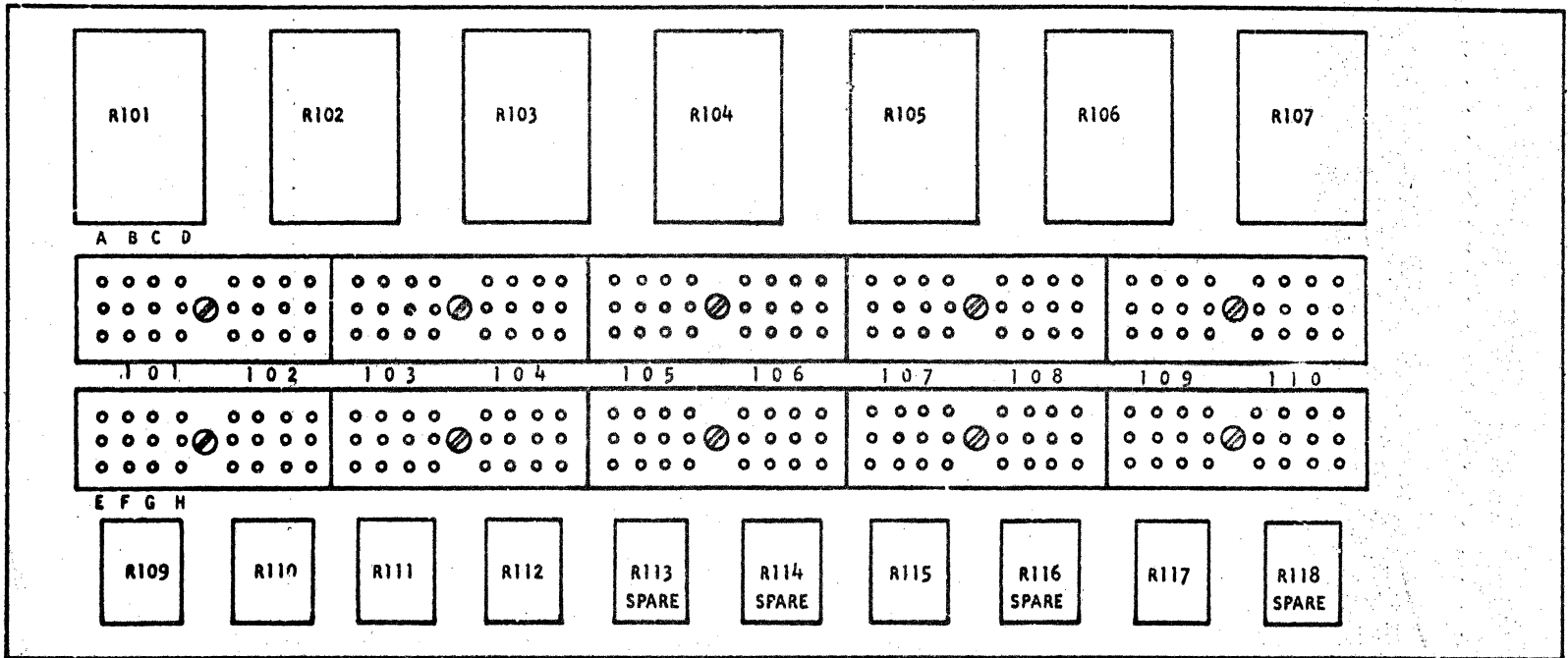


E-	PAGE
31	01.05.01.1
32	01.05.02.1
33	01.05.01.1
34	01.05.01.1
35	01.05.01.1
36	01.05.02.1
37	01.05.01.1
38	01.05.01.1
39	01.05.01.1
40	01.05.01.1

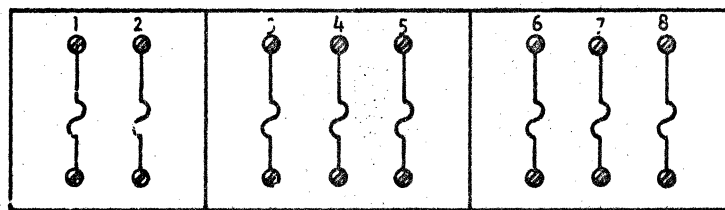
C. E. SWITCHES & LAMP		
1	01.05.50.1	CLOCK ON
2		
3	01.05.50.1	CF8 - T
4	01.05.50.1	CF8 - C
5	01.05.50.1	421 - T
6	01.05.50.1	421 - C
7	01.05.50.1	INC MAR
8	01.05.50.1	BYPASS INC
9	01.05.50.1	MAR STOP BYPASS
10	01.05.50.1	REPEAT CYC

C. E. REMOTE SWITCHES		
SWITCH	CONN	PAGE
INSTANT STOP	JP-8	01.05.01.1
START	JP-4	01.05.01.1
RELEASE	JP-6	01.05.01.1
INSERT	JP-3	01.05.01.1
RESET	JP-5	01.05.02.1
COMMON	JP-7	01.05.02.1

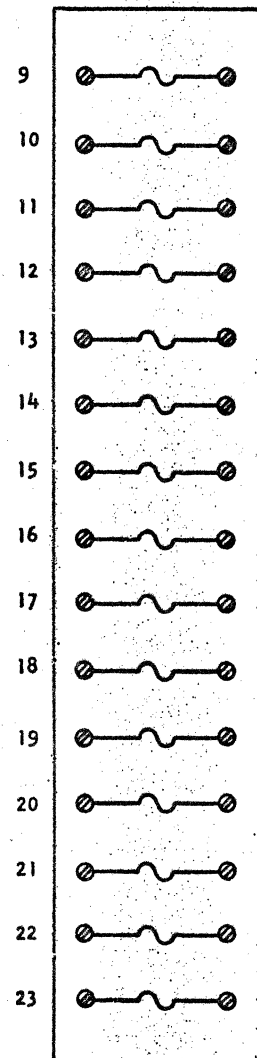
● REMOVE 4.7 MFD CAPACITOR BETWEEN C AND H PINS  
ON INTEGRATOR NO. 34



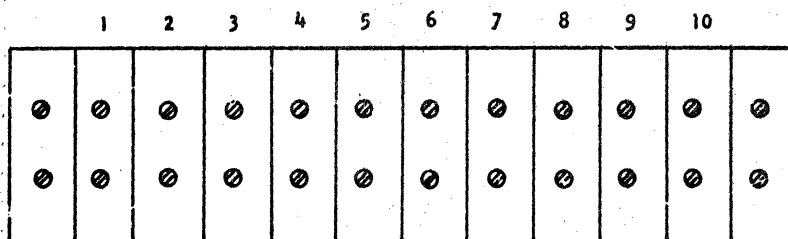
FUSES



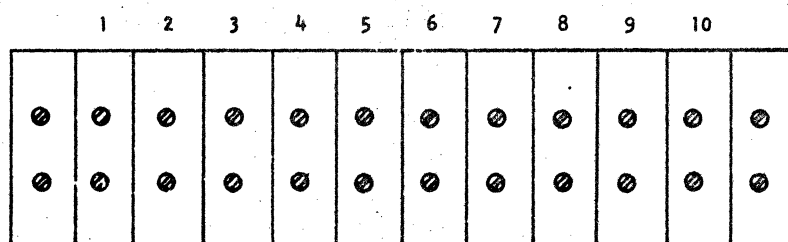
FUSES



PSTB 1



PSTB 2



POWER SUPPLY GO CY ONLY 1620  
FUSE, RELAY AND EDGE CONNECTORS CHART

## FUSE CHART

NO	TYPE	CIRCUIT	PAGE
1	FNM 6 1/4	T-2 PRIMARY	01.90.10.1
2	FNM 6 1/4	T-2 PRIMARY	01.90.10.1
3			
4	FNM 8	CONV. OUTLET	01.90.10.1
5	FNM 10	1623 PRIMARY	01.90.32.1
6	FNM 10	1623 PRIMARY	01.90.32.1
7	FNM 10	1621 A.C. PWR.	01.90.32.1
8	FNM 10	1621 A.C. PWR.	01.90.32.1
9	MDL 2	T-2 20 VOLT SEC.	01.90.10.1
10	AGC 1.5	MEMORY HEATER	01.90.10.1
11	MDX 3	FANS	01.90.10.1
12			
13	MDL 2	24V RE	01.90.32.1
14	MDL 2	1622 FANS	01.90.32.1
15	MDL 1/4	T-1 PRIMARY	01.90.10.1
16	MDL 1/4	T-1 PRIMARY	01.90.10.1
17	MDL.5	TYPEWRITER MOTOR	01.90.32.1
18	MDL.5	C.B. MOTOR	01.90.32.1
19		SPARE	01.90.32.1
20	AGC 3	24V DC	01.90.40.1
21	MDL.5	TYPEWRITER MOTOR	01.90.32.1
22	MDL.5	C.B. MOTOR	01.90.32.1
23		SPARE	01.90.32.1

## RELAY CHART

NO.	TYPE	NAME	COIL	1	2	3
101	KA14D-24DC	FANS	01.90.40.1	01.90.10.1	01.90.10.1	01.90.10.1
102	KA14D-24DC	MEMORY HEATER	01.90.40.1		01.90.40.1	01.90.10.1
103	KA14D-24DC	MEMORY VOLTAGE	01.90.40.1	01.90.45.1	01.90.21.1	01.90.21.1
104	KA14AY-24AC	THERMAL	01.90.42.1	01.90.40.1	01.90.40.1	01.90.10.1
105	KA14D-24DC	NORMAL	01.90.40.1	01.90.40.1	01.90.40.1	
106	KA14D-24DC	READY	01.90.40.1	01.90.40.1		01.90.40.1
107	KA14D-24DC	DISK/PRINTER	01.90.40.1	01.90.32.2	01.90.32.2	
108						
109	KM11D-24V	-36V U.V. SENSING	01.90.45.1		01.90.40.1	
110	KM11D-12V	-12A U.V. SENSING	01.90.45.1		01.90.40.1	
111	KM11D-12V	-12B U.V. SENSING	01.90.45.1		01.90.40.1	
112	KM11D-12V	+12V U.V. SENSING	01.90.45.1		01.90.40.1	
113						
114						
115	KM11D-24V	+30MEM. U.V. SENSING	01.90.45.1	01.90.45.1	01.90.40.1	
116		SPARE				
117	KM11D-6V	+30MEM. TRACE SENSING	01.90.45.1	01.90.40.1	01.90.45.1	
118		SPARE				
119						
120						
121						
122						
123						
124						
125						
126						
127						
128						

## EDGE CONNECTOR CHART

NO.	a	b	c	d	e	f	g	h
101	01.90.10.1	01.90.10.1	01.90.10.1	01.90.10.1	01.90.40.1	01.90.10.1	01.90.40.1	01.90.40.1
102		01.90.45.1				01.90.21.1	01.90.21.1	01.90.45.1
103	01.90.40.1	01.90.45.1	01.90.10.1	01.90.45.1		01.90.45.1		01.90.45.1
104	01.90.45.1	01.90.10.1	01.90.40.1	01.90.40.1	01.90.45.1	01.90.40.1	01.90.40.1	
105	01.90.40.1	01.90.40.1	01.90.45.1	01.90.40.1	01.90.40.1	01.90.40.1	01.90.45.1	01.90.40.1
106	01.90.40.1	01.90.40.1	01.90.40.1			01.90.40.1		
107	01.90.40.1	01.90.21.1	01.90.45.1	01.90.45.1	01.90.40.1	01.90.40.1	01.90.45.1	
108	01.90.45.1	01.90.21.1		01.90.40.1	01.90.45.1			01.90.40.1
109	01.90.40.1	01.90.40.1						
110	01.90.45.1				01.90.40.1			
111								
112								
301	01.90.32.1	01.90.32.1	01.90.32.1	01.90.32.1				
302	01.90.32.1	01.90.32.1	01.90.32.1	01.90.32.1				



## CONSOLE SWITCHES

DESCRIPTION	PAGE
EMERGENCY OFF	01.05.03.1
DISPLAY MAR	01.05.01.1
INSERT	01.05.01.1
INSTANT STOP - SCE	01.05.01.1
I/O CHECK	01.05.02.1
MAR DISPLAY SELECTOR	01.05.05.1
OVERFLOW CHECK	01.05.02.1
PARITY CHECK	01.05.02.1
POWER ON OFF	01.05.03.1
PROGRAM #1	01.05.02.1
PROGRAM #2	01.05.02.1
PROGRAM #3	01.05.02.1
PROGRAM #4	01.05.02.1
RELEASE	01.05.01.1
RESET	01.05.03.1
SAVE	01.05.01.1
START	01.05.01.1
STOP - SIE	01.05.01.1

## CONSOLE CONTROL LAMPS

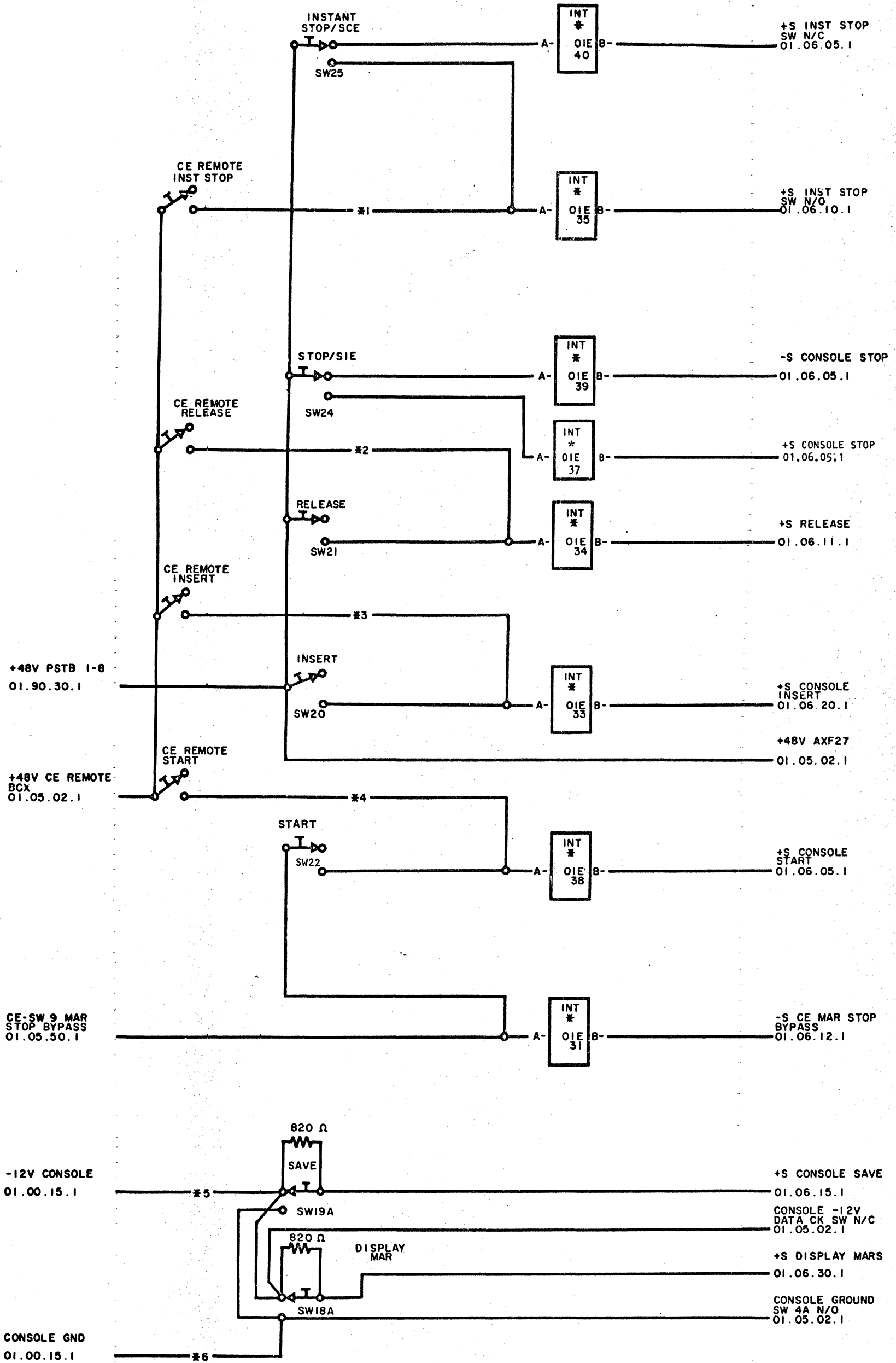
NO.	DESCRIPTION	PAGE
1	POWER ON	01.05.03.1
2	POWER READY	01.90.40.1
3	THERMAL	01.90.10.1
4	PUNCH NO FEED WRITE/DISK INTLK	01.84.10.1
5	READER NO FEED	01.83.10.1
6	SAVE	01.06.15.1
7	INSERT	01.06.20.1
8		
9	AUTOMATIC	01.06.05.1
10	MANUAL	01.06.10.1
11		
12	CHECK STOP	01.06.12.1



CONSOLE SWITCHES

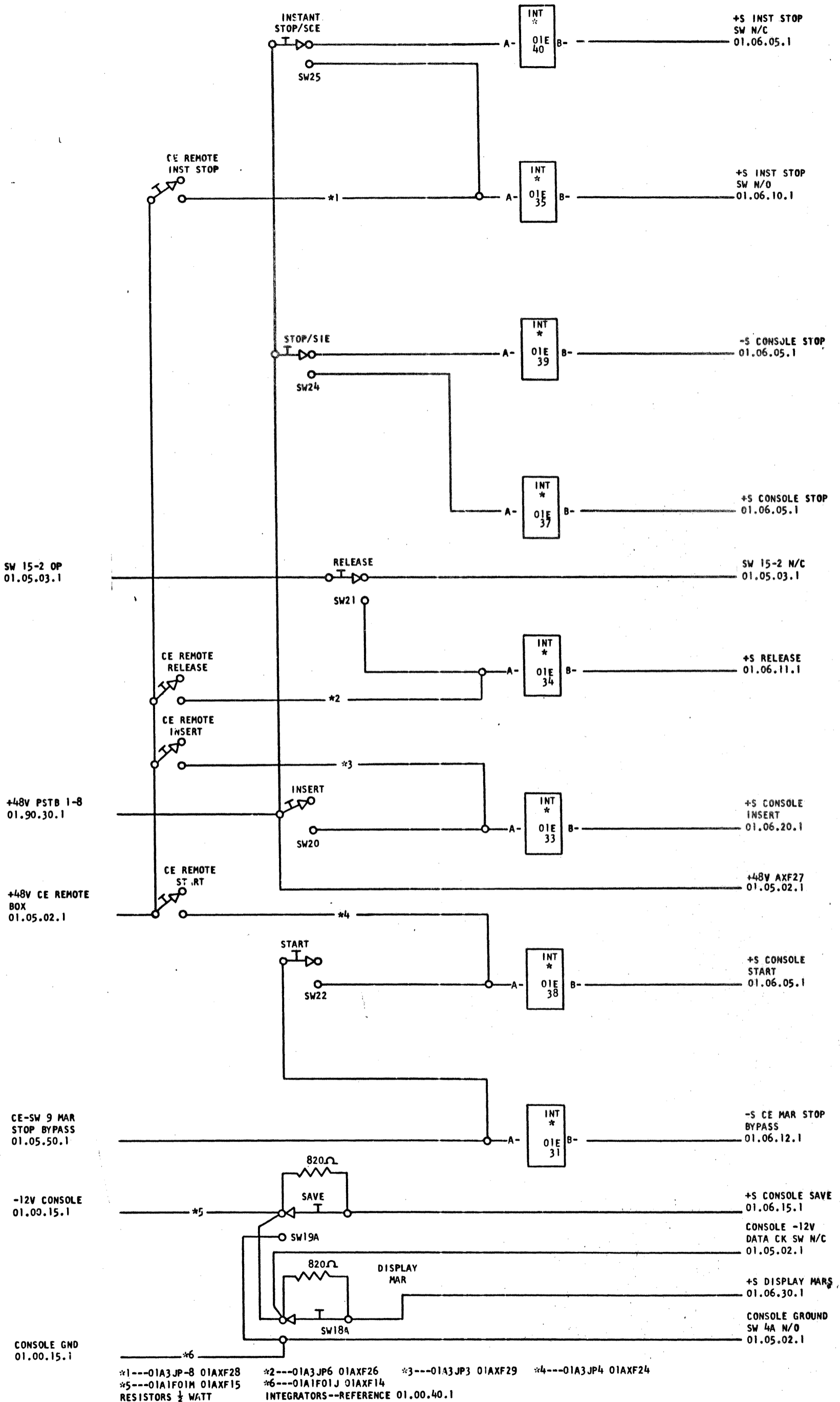
1620

01.05.01.1



\*1---01A3JP-8 01AXF28    \*2---01A3JP6 01AXF26    \*3---01A3JP3 01AXF29    \*4---01A3JP4 01AXF24  
 \*5---01A1FO1M 01AXF15    \*6---01A1FO1J 01AXF14  
 RESISTORS 1/2 WATT

INTEGRATORS--REFERENCE 01.00.40.1



2153665

CONSOLE SWITCHES

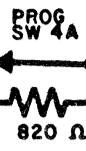
1620

01.05.02.1

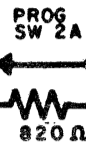
CONSOLE GND  
SW 18 N/O  
01.05.01.1

CONSOLE GND  
MARS SEL SW BC  
01.05.05.01

+S SENSE S 4  
01.25.20.1



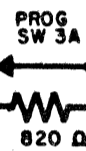
CONS -12 MARS  
SEL SW AI  
01.25.20.1



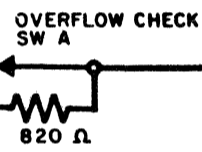
+S SENSE SW 2  
01.25.20.1



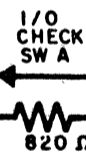
+S SENSE SW 1  
01.25.20.1



+S SENSE SW 3  
01.25.20.1

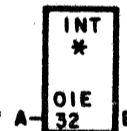


+S OVERFLOW CK  
AUTO  
01.60.40.1



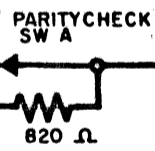
+S I/O CK AUTO  
01.06.12.1

PWR OFF RESET  
01.05.03.1

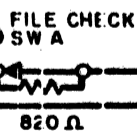


-S PWR OFF  
RESET  
01.06.01.1

CONSOLE -12V  
SW 18 N/C  
01.05.01.1



+S DATA CHECK  
SW AUTO  
01.06.12.1



+S FILE CHECK  
SW AUTO  
01.06.12.1

+48 SW 20 I OP  
01.05.01.1

CE SW +48V  
CE SW 9 N/C  
01.05.50.1

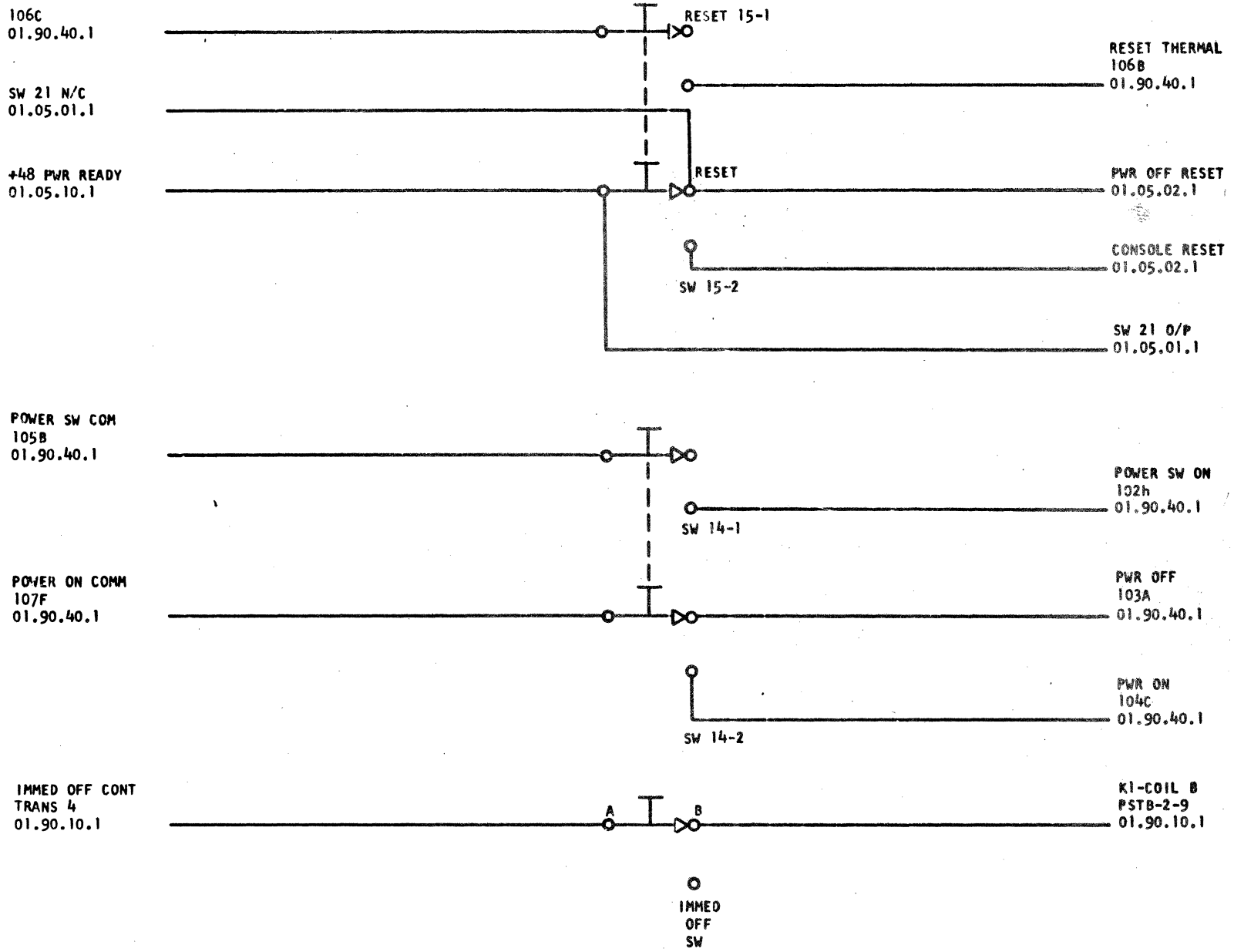


+S MANUAL RESET  
01.06.01.1

CONSOLE RESET  
SW 15-2 N/O  
01.05.03.1

+48 CE REMOTE  
BOX  
01.05.01.1

\*1---01A3JP7 \*2---01A3JP5---01AXF25 \*3---01AXF27  
INTEGRATORS---REFERENCE 01.00.40.1  
RESISTORS ARE 1/2 WATT



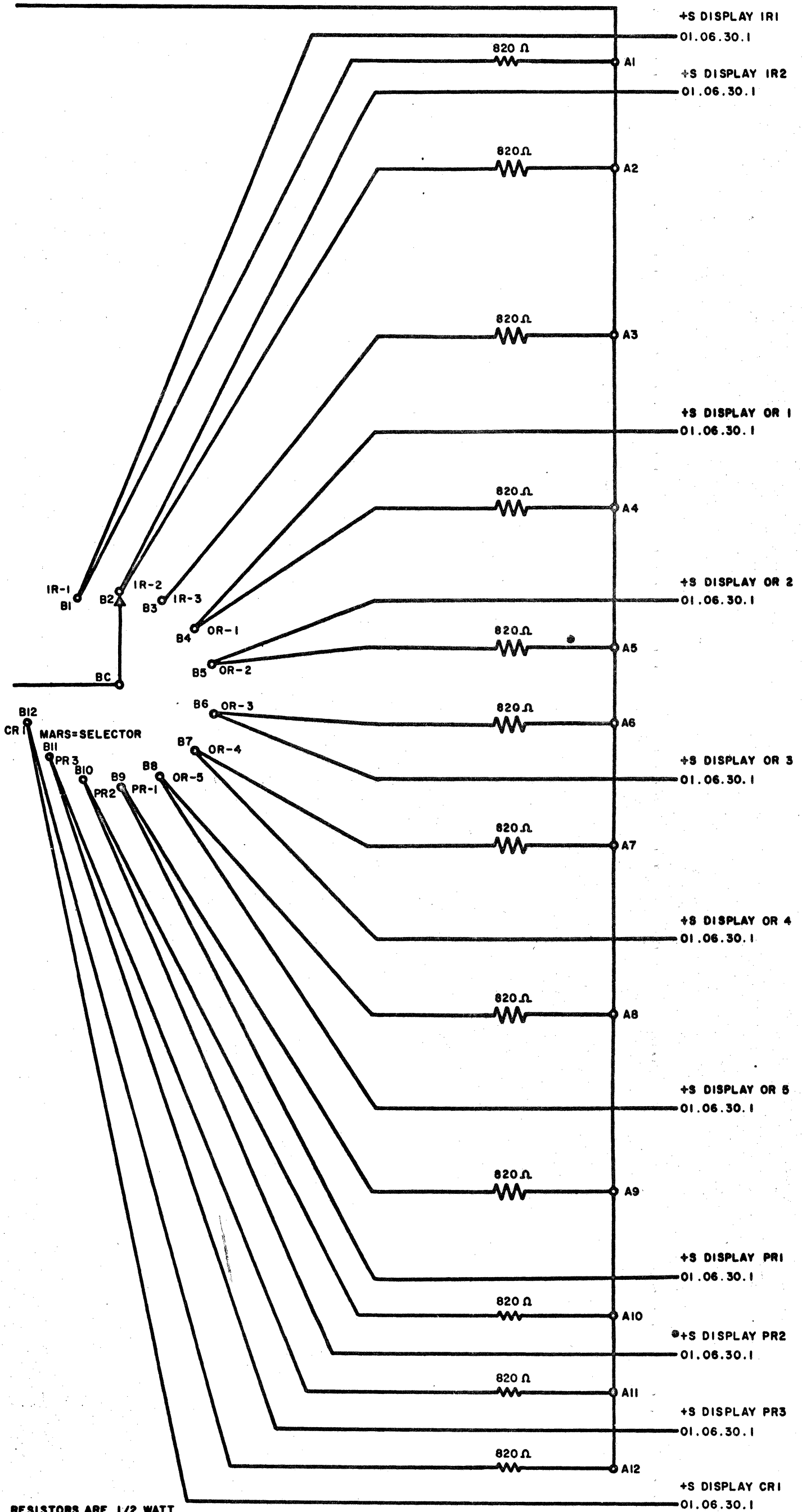
CONSOLE DISPLAY SWITCH

1620

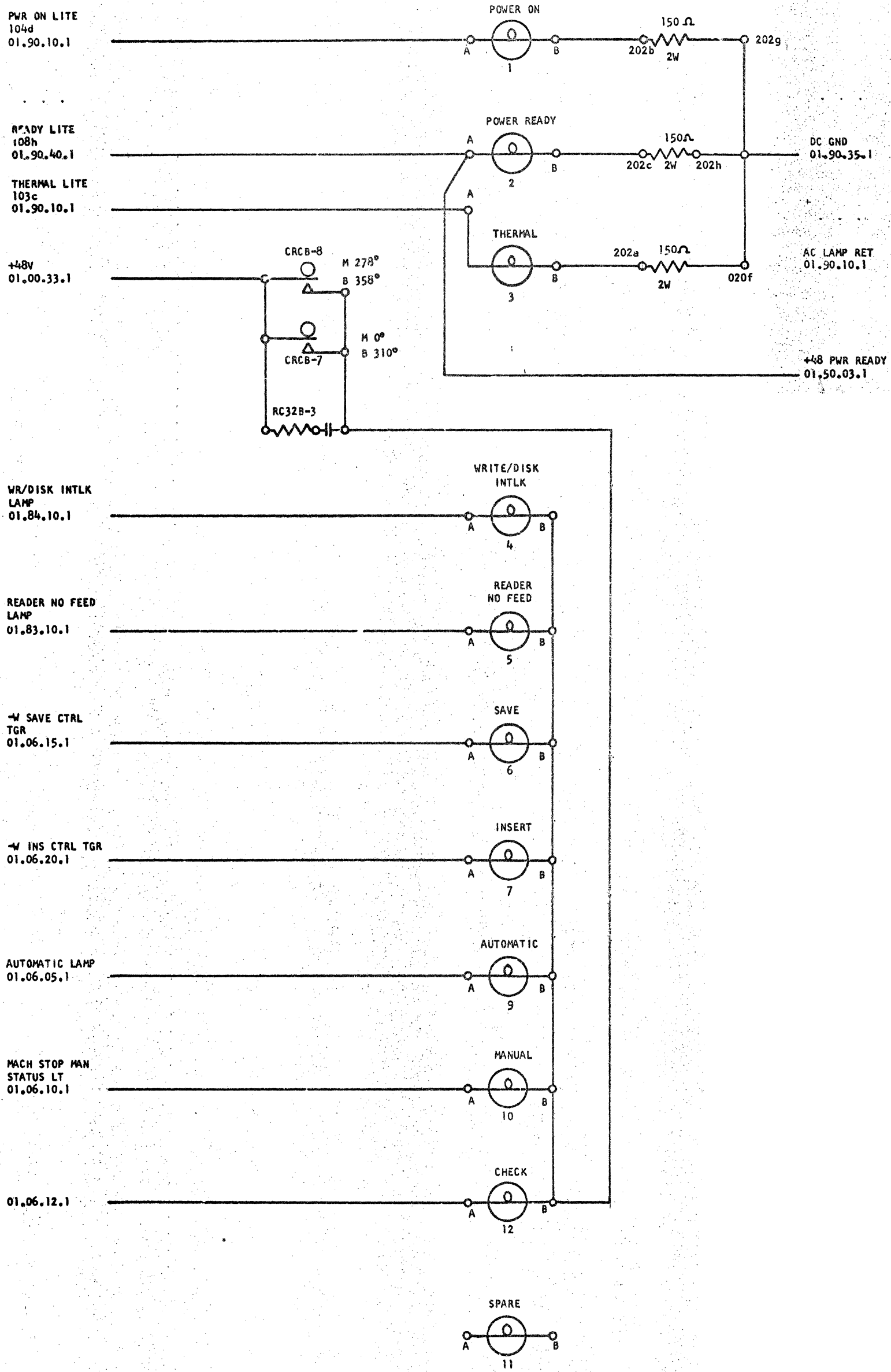
01.05.05.1

CONSOLE -12V  
SW 4A-N/C  
01.05.02.1

CONSOLE GND  
SW 4A N/O  
01.05.02.1

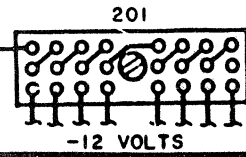


RESISTORS ARE 1/2 WATT



## CONSOLE DISPLAY LAMPS

-12 VOLTS  
PSTB-3  
01.90.30.1



LAMP  
PAGE

0

-12 VOLTS -12 VOLTS

NO.	DESCRIPTION	CONNECTOR	PAGE
1	I TR. NO. 1	BXE-10	01.15.11.1
2	I TR. NO. 6	BXE-15	01.15.16.1
3	E TR. NO. 11	BXC-06	01.60.11.1
4	E TR. NO. 16	BXG-13	01.60.45.1
5	E TR. NO. 21	BXC-1	01.60.31.1
6	E TR. NO. 26	BXC-17	01.60.57.1
7	E TR. NO. 31	BXF-18	01.64.11.1
8	E TR. NO. 36	BXG-22	01.62.36.1
9	E TR. NO. 41	BXG-27	01.62.41.1
10	E TR. NO. 46	BXC-02	01.16.20.1
11	FILE OP (E TR. #51)	D2A04B	01.25.25.1
12	RUN	BXE-02	01.06.10.1
13	DIV. FIRST CYCLE	BXF-24	01.65.02.1
14	RECOMP	BXC-12	01.60.32.1
15	RECOMP. CTRL TR	BXC-13	01.60.24.1
16	DIV. SIGN	BXF-31	01.65.06.1
17	FIRST CYCLE	BXF-32	01.63.10.1
18	A ADV	BXE-08	01.10.12.1
19	ODD-ADDRESS	BXE-21	01.43.10.1
20	MEM O'FLOW	BXF-23	01.64.14.1
21	DISCONNECT GATE	DXD-16	01.80.25.1
22			
23	OP REG TENS C BIT	BXG-07	01.20.10.1
24			
25	OP REG TENS 4 BIT	BXG-09	01.20.10.1
26	OP REG TENS 2 BIT	BXG-10	01.20.12.1
27	OP REG TENS 1 BIT	BXG-11	01.20.12.1
28	MBR EV C BIT	AXF-07	01.40.17.1
29	MBR EV F BIT	AXF-08	01.40.17.1
30	MBR EV 8 BIT	AXF-09	01.40.18.1
31	MBR EV 4 BIT	AXF-10	01.40.18.1
32	MBR EV 2 BIT	AXF-11	01.40.19.1
33	MBR EV 1 BIT	AXF-12	01.40.19.1
34	MAR C BIT TEN THOU	AXE-26	01.57.30.1
35	FILE MAR 8 BIT TTH	D2A04A	01.57.32.1
36	MAR 4 BIT TEN THOU	AXE-25	01.57.32.1
37	MAR 2 BIT TEN THOU	AXE-27	01.57.30.1
38	MAR 1 BIT TEN THOU	AXE-28	01.57.30.1
39	I TR. NO. 2	BXE-11	01.15.12.1
40	I TR. NO. 7	BXE-16	01.15.17.1
41	E TR. NO. 12	BXC-07	01.60.12.1
42			
43			
44	E TR. NO. 27	BXC-18	01.60.57.1
45	E TR. NO. 32	BXG-17	01.62.30.1
46	E TR. NO. 37	BXG-23	01.62.37.1
47	E TR. NO. 42	BXF-30	01.65.05.1
48	E TR. NO. 47	BXC-03	01.16.20.1
49	FILE OR-1 (E TR. #52)	D2A04F	01.05.24.1
50	START CONTROL	BXE-01	01.06.05.1
51	DIV ADD	BXF-28	01.65.04.1
52	CARRY IN	BXG-30	01.63.40.1
53	T/C TR. NO. 1	BXG-32	01.63.20.1
54	UNDERFLOW/EQ. ZERO	AXF 20	01.68.85.1
55	FIELD MK NO. 1	BXG-28	01.63.30.1
56	DECREMENT	AXE-30	01.60.05.1
57	I CYCLE TR.	BXE-09	01.15.10.1
58	STOP	BXE-04	01.06.11.1
59	RESPONSE GATE	DXD-17	01.80.25.1
60	PUNCH FEED	DXD-18	01.84.10.1
61	OP REG UNITS C BIT	BXG-02	01.20.07.1
62	OP REG UNITS 8 BIT	BXG-03	01.20.07.1
63	OP REG UNITS 4 BIT	BXG-04	01.20.07.1
64	OP REG UNITS 2 BIT	BXG-05	01.20.09.1
65	OP REG UNITS 1 BIT	BXG-06	01.20.09.1
66	MBR ODD C BIT	AXF-01	01.40.07.1
67	MBR ODD F BIT	AXF-02	01.40.07.1
68	MBR ODD 8 BIT	AXF-03	01.40.08.1

## CONSOLE DISPLAY LAMPS

LAMP  
PAGE

0

LAMP

-12 VOLTS  
01.05.15.1

NO.	DESCRIPTION	CONNECTOR	PAGE
69	MDR ODD 4 BIT	AXF-04	01.40.08.1
70	MDR ODD 2 BIT	AXF-05	01.40.09.1
71	MDR ODD 1 BIT	AXF-06	01.40.09.1
72	MAR C BIT THOU	AXE-21	01.57.24.1
73	MAR 8 BIT THOU	AXE-22	01.57.26.1
74	MAR 4 BIT THOU	AXE-23	01.57.26.1
75	MAR 2 BIT THOU	AXE-24	01.57.28.1
76	MAR 1 BIT THOU	AXE-25	01.57.28.1
77	I TR. NO. 3	BXE-12	01.15.13.1
78	I TR. NO. 8	BXE-17	01.15.18.1
79	E TR. NO. 13	BXC-08	01.60.13.1
80	E TR. NO. 18	BXG-14	01.60.48.1
81	E TR. NO. 23	BXC-13	01.60.32.1
82	E TR. NO. 28	BXE-31	01.60.58.1
83	E TR. NO. 33	BXG-19	01.62.33.1
84	E TR. NO. 38	BXG-24	01.62.38.1
85	E TR. NO. 43	BXF-29	01.65.05.1
86	E TR. NO. 48	BXC-04	01.16.21.1
87	FILE PR3 (E TR. 53)	D2A04G	01.05.24.1
88	INSERT 2	BXE-05	01.06.20.1
89	DIV. LAST CYCLE	BXF-25	01.65.02.1
90	CARRY OUT	BXG-31	01.63.40.1
91	IA	BXC-01	01.16.10.1
92	FP EXIT	AXF-18	01.67.90.1
93	FIELD MK NO. 2	BXG-29	01.63.30.1
94	INCREMENT	AXE-31	01.60.05.1
95	E TIME	BXE-28	01.60.08.1
96			
97	RD WR CALL	BXF-22	01.64.14.1
98	I/O FLAG	DXD-19	01.81.10.1
99	M/Q C BIT	BXF-13	01.62.50.1
100	M/Q 8 BIT	BXF-14	01.62.50.1
101	M/Q 4 BIT	BXF-15	01.62.50.1
102	M/Q 2 BIT	BXF-16	01.62.52.1
103	M/Q 1 BIT	BXF-17	01.62.52.1
104	MDR C BIT	BXF-02	01.45.50.1
105	MDR F BIT	BXF-03	01.45.15.1
106	MDR 8 BIT	BXF-04	01.45.16.1
107	MDR 4 BIT	BXF-05	01.45.16.1
108	MDR 2 BIT	BXF-06	01.45.17.1
109	MDR 1 BIT	BXF-07	01.45.17.1
110	MAR C BIT HUND	AXE-16	01.57.20.1
111	MAR 8 BIT HUND	AXE-17	01.57.20.1
112	MAR 4 BIT HUND	AXE-18	01.57.22.1
113	MAR 2 BIT HUND	AXE-19	01.57.22.1
114	MAR 1 BIT HUND	AXE-20	01.57.24.1
115	I TR. NO. 4	BXE-13	01.15.14.1
116	TEST LAMP NO.1	AXE-02	01.06.10.1
117	E TR. NO. 14	BXC-09	01.60.14.1
118	E TR. NO. 19	BXG-15	01.60.49.1
119	TR 24	AXF-21	01.68.24.1
120	E TR. NO. 29	BXE-32	01.60.59.1
121	E TR. NO. 34	BXG-20	01.62.34.1
122	E TR. NO. 39	BXG-25	01.62.39.1
123	E TR. NO. 44	BXF-26	01.65.03.1
124	E TR. NO. 49	BXC-05	01.16.22.1
125	FILE OR 2 (E TR. 54)	D2A04H	01.05.24.1
126	DISP ADR 3	BXE-06	01.06.30.1
127			
128	CYCLE CONTROL	BXG-18	01.62.31.1
129			
130	OFL0 OR UFLO	BXG-01	01.68.85.1
131	RECORD MARK	BXE-29	01.63.50.1
132	INCR PLUS 2	AXE-04	01.55.03.1
133	HIGH PLUS	BXC-15	01.60.40.1
134	LAST CARD	BXF-01	01.25.30.1
135	I/O EXIT	BXF-20	01.64.13.1
136	I/O SYNC	BXF-21	01.64.13.1

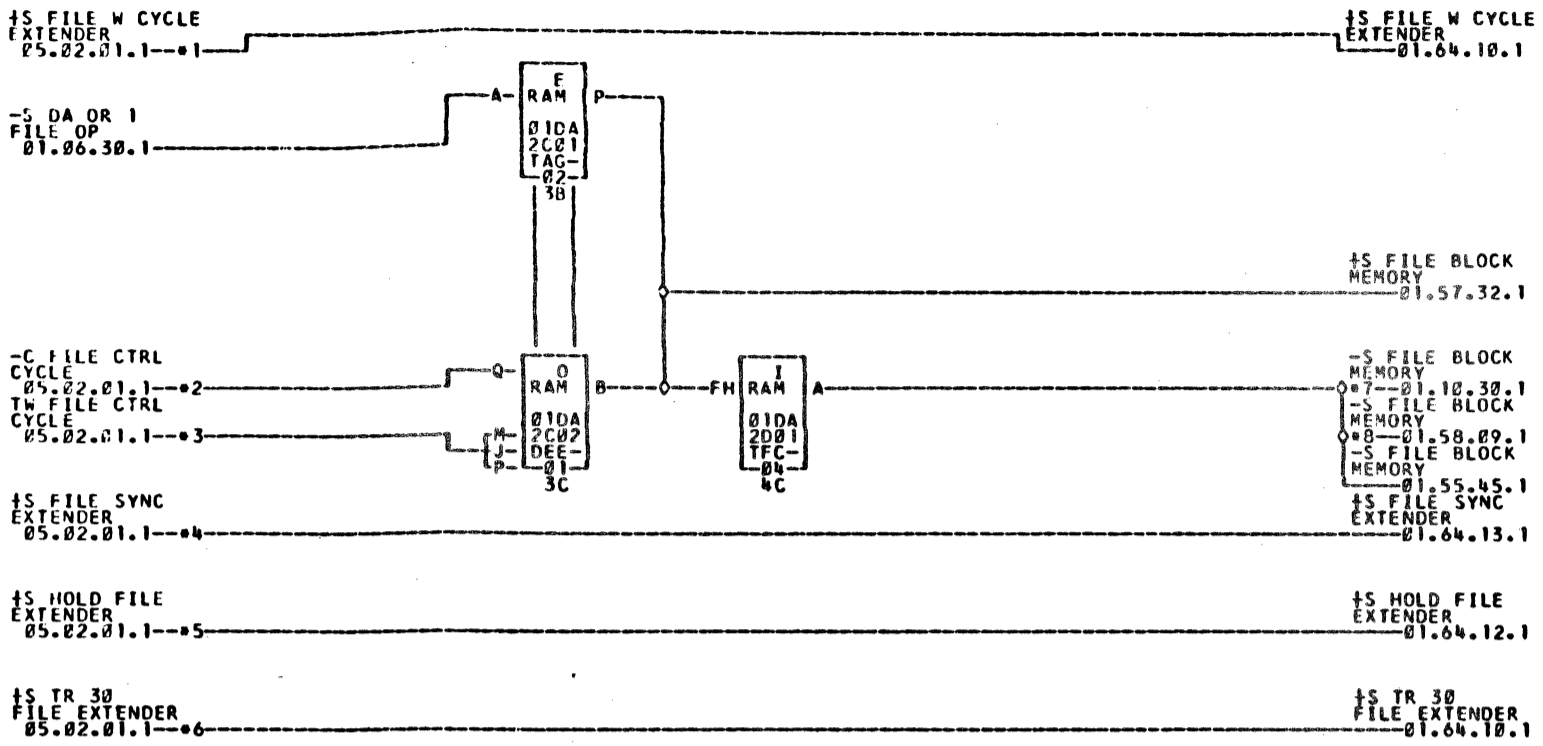


## CONSOLE DISPLAY LAMPS

LAMP  
PAGE-12 VOLTS  
01.05.15.1

NO.

NO	DESCRIPTION	CONNECTOR	PAGE
137	D/E TENS C BIT	BXE-23	01.50.17.1
138	D/E TENS 8 BIT	BXE-24	01.50.17.1
139	D/B TENS 4 BIT	BXE-25	01.50.17.1
140	D/E TENS 2 BIT	BXE-26	01.50.19.1
141	D/B TENS 1 BIT	BXE-27	01.50.19.1
142			
143			
144			
145			
146			
147			
148	MAR C BIT TENS	AXE-11	01.57.09.1
149	MAR 8 BIT TENS	AXE-12	01.57.16.1
150	MAR 4 BIT TENS	AXE-13	01.57.16.1
151	MAR 2 BIT TENS	AXE-14	01.57.16.1
152	MARS 1 BIT TENS	AXE-15	01.57.16.1
153	1 TR. NO. 5	BXE-14	01.15.15.1
154			
155	E TR. NO 15	BXG-12	01.60.45.1
156			
157	TR 25	AXF-22	01.66.24.1
158	E TR. NO. 30	BXE-30	01.64.10.1
159	E TR. NO. 35	BXG-21	01.62.35.1
160	E TR. NO. 40	BXG-26	01.62.40.1
161	E TR. NO. 45	BXF-27	01.65.03.1
162	FILE HUND	D2A04K	01.05.24.1
163	FILE UNITS	D2A04L	01.05.24.1
164	SAVE 2	BXE-04	01.06.15.1
165			
166	50-99	AXE-05	01.55.15.1
167			
168	OFLO CORRECT	BXC-30	01.66.83.1
169	BRANCH TRIG	BXE-18	01.25.35.1
170	INC BIPASS	AXE-03	01.55.02.1
171	EQUAL ZERO	BXC-16	01.60.41.1
172			
173	I/O HOLD	BXF-19	01.64.12.1
174	READER FEED	DXD-20	01.83.10.1
175	D/B UNITS C BIT	BXF-06	01.50.07.1
176	D/B UNITS 8 BIT	BXF-09	01.50.07.1
177	D/B UNITS 4 BIT	BXF-10	01.50.07.1
178	D/B UNITS 2 BIT	BXF-11	01.50.09.1
179	D/B UNITS 1 BIT	BXF-12	01.50.09.1
180			
181			
182			
183			
184			
185			
186	MAR C BIT UNITS	AXE-06	01.57.05.1
187	MAR 8 BIT UNITS	AXE-07	01.57.05.1
188	MAR 4 BIT UNITS	AXE-08	01.57.07.1
189	MAR 2 BIT UNITS	AXE-09	01.57.07.1
190	MAR 1 BIT UNITS	AXE-10	01.57.09.1
191			
192	ADDR CK IND	D2A04E	01.25.17.1
193	MAR CHECK	AXE-32	01.58.09.1
194	PR CHECK	BXE-07	01.25.22.1
195			
196			
197	WLR/RBC IND37	D2A04D	01.25.17.1
198	MIR EVEN CHECK	BXE-20	01.40.20.1
199	READ CHECK	BXD-14	01.81.45.1
200	EXP. CK. (01F10)	AXE-13	01.68.90.1
201			
202	CYL. OVF. (01F10)	D2A04C	01.25.17.1
203	MOR OVF. CHECK	BXD-19	01.40.10.1
204	WRITE CHECK	BXD-22	01.81.45.1
205	ARITH. UNDEF.	BXC-16	01.60.40.1

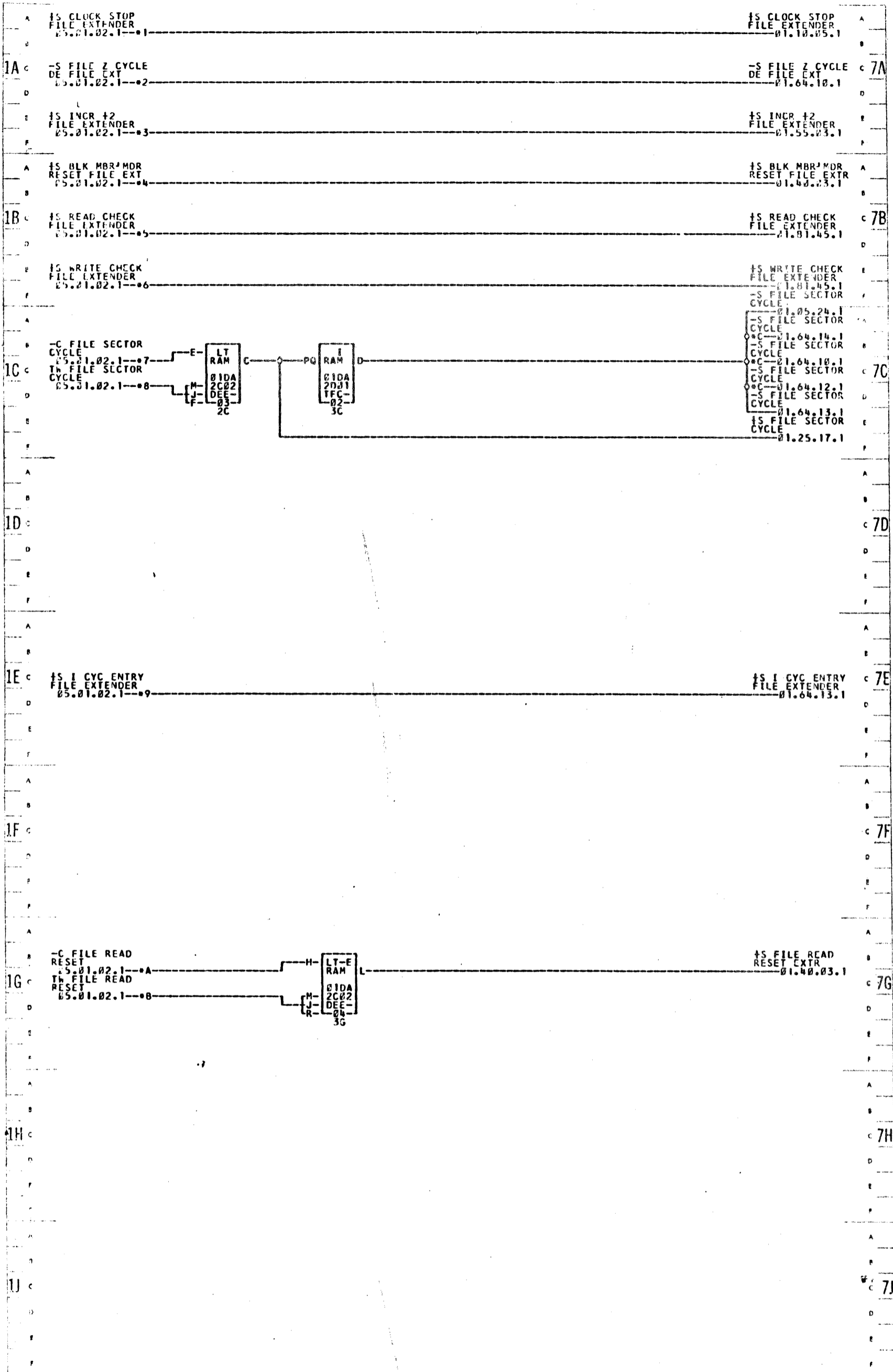


- 1--018VK05  
•7--01D2A01P
- 2--01D2A05R  
•1BVJ14
- 3--01D2A05Q  
•8--01D2A03P
- 4--018VK06  
•1D3B03P
- 5--018VK27
- 6--018VK08

E. C. 484875

COMMENTS

TAG DATE	D.A.NO.	TAG DATE	D.A.NO.	TAG DATE	D.A.NO.	TAG DATE	D.A.NO.
A 05-22-63	0E24RM3						



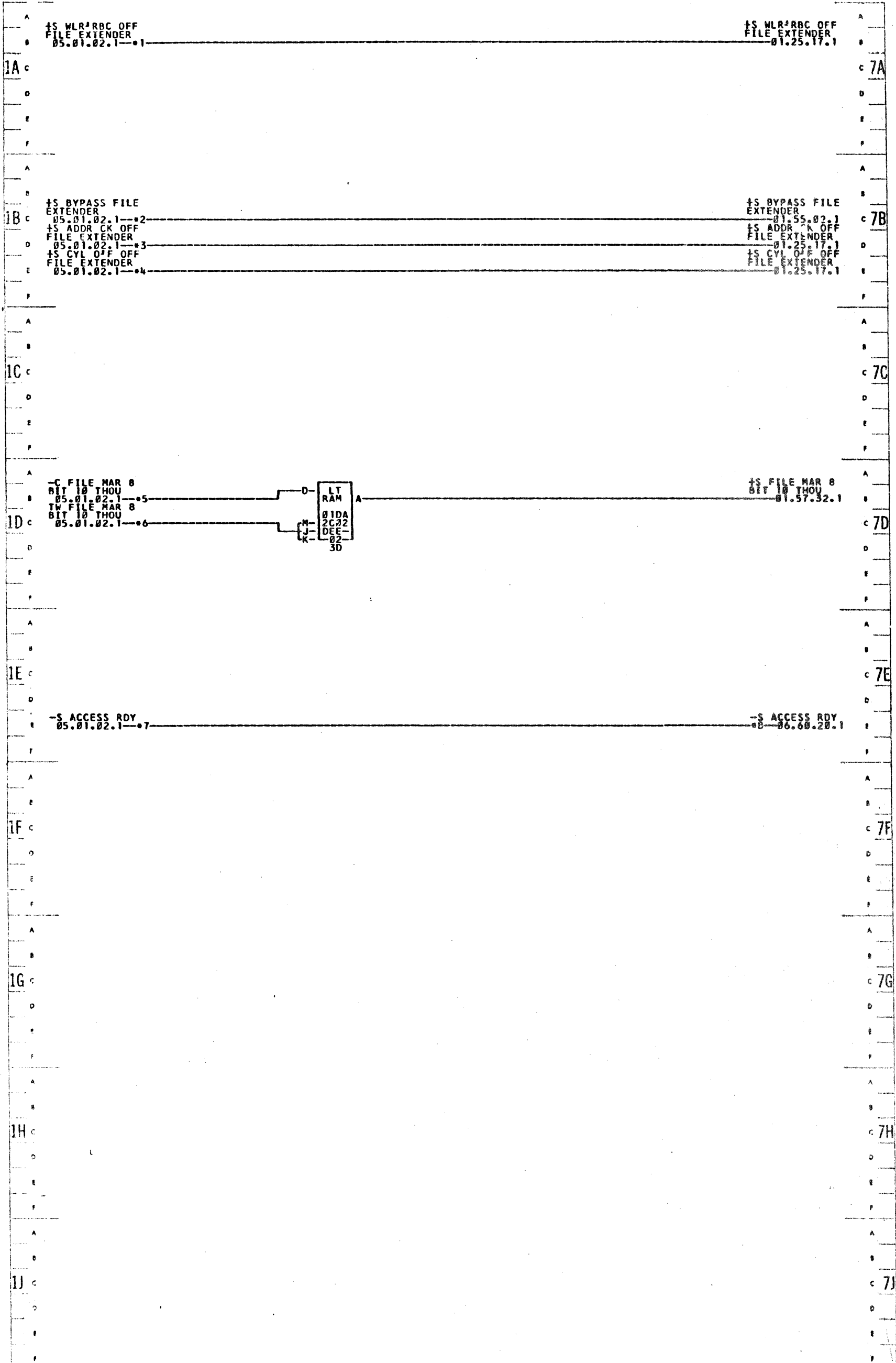
- 1--01BVK29
- 2--01BVK10
- 3--01BVK11
- 4--01BVK12
- 5--01BVK13
- 6--01BVK14
- 7--01D2B050
- 8--01D2B05C
- 9--01BVK15
- A--01D2B05F
- B--01D2B05E
- C--01D2A01Q
- 01BVK15

E.C. 4.4711

COMMENTS

AG	DATE	D.A.NO.	AG	DATE	D.A.NO.	AG	DATE	D.A.NO.	AG	DATE	D.A.NO.
A	11-19-62	PL24RM2									





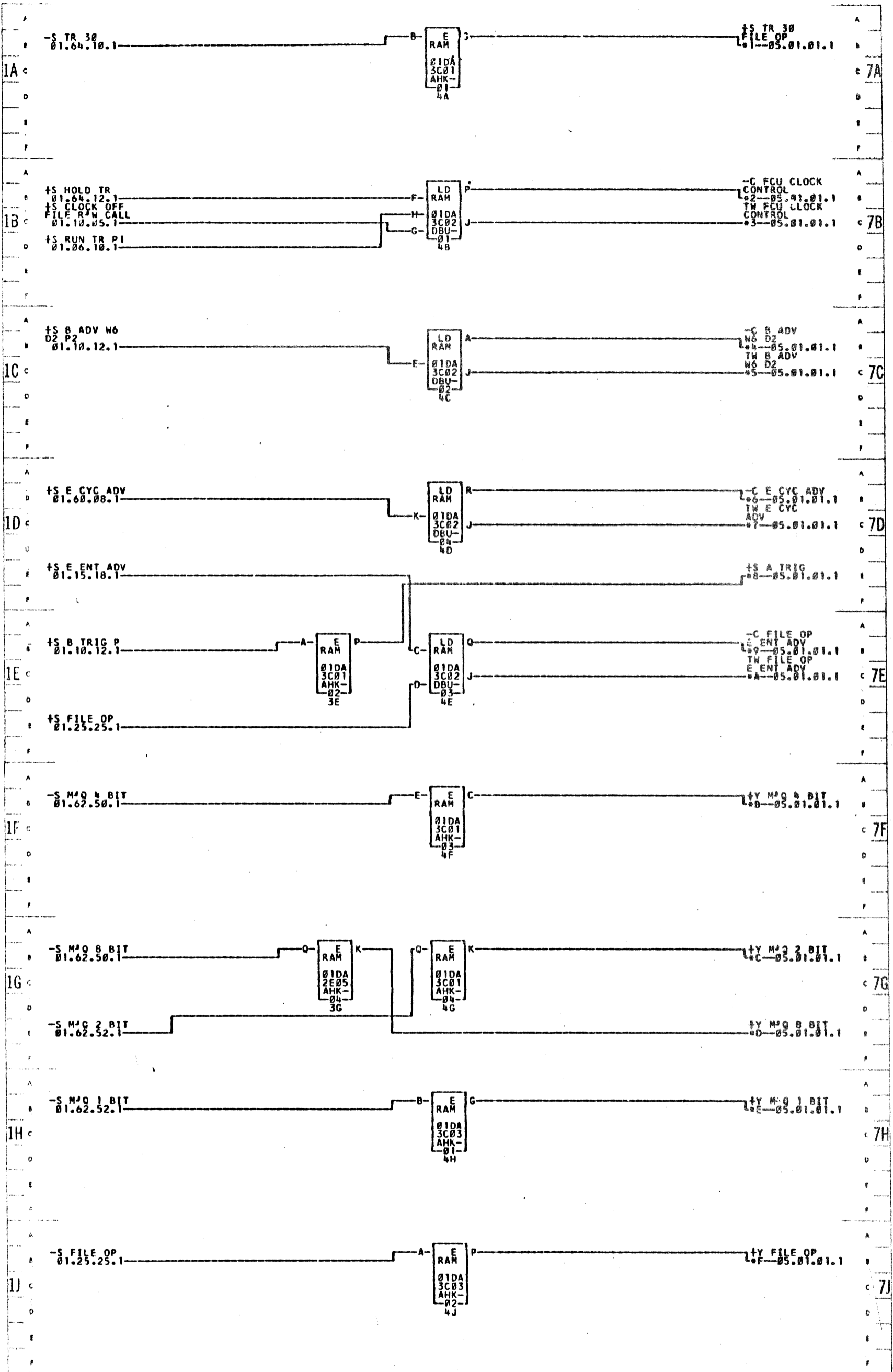
- \*1—01D2A05J      \*2—01BVK01      \*3—01D2A05K      \*4—01D2A05L      \*5—01D2B05B      \*6—01D2B05A
- \*7—01D2A05A      \*8—NOTE 1

E.C. 404711  
 NOTE 1 TO 1711 IF INSTALLED

COMMENTS

TAG	DATE	D.A.NO.	TAG	DATE	D.A.NO.	TAG	DATE	D.A.NO.	TAG	DATE	D.A.NO.
A	11-09-62	0E24RM2									

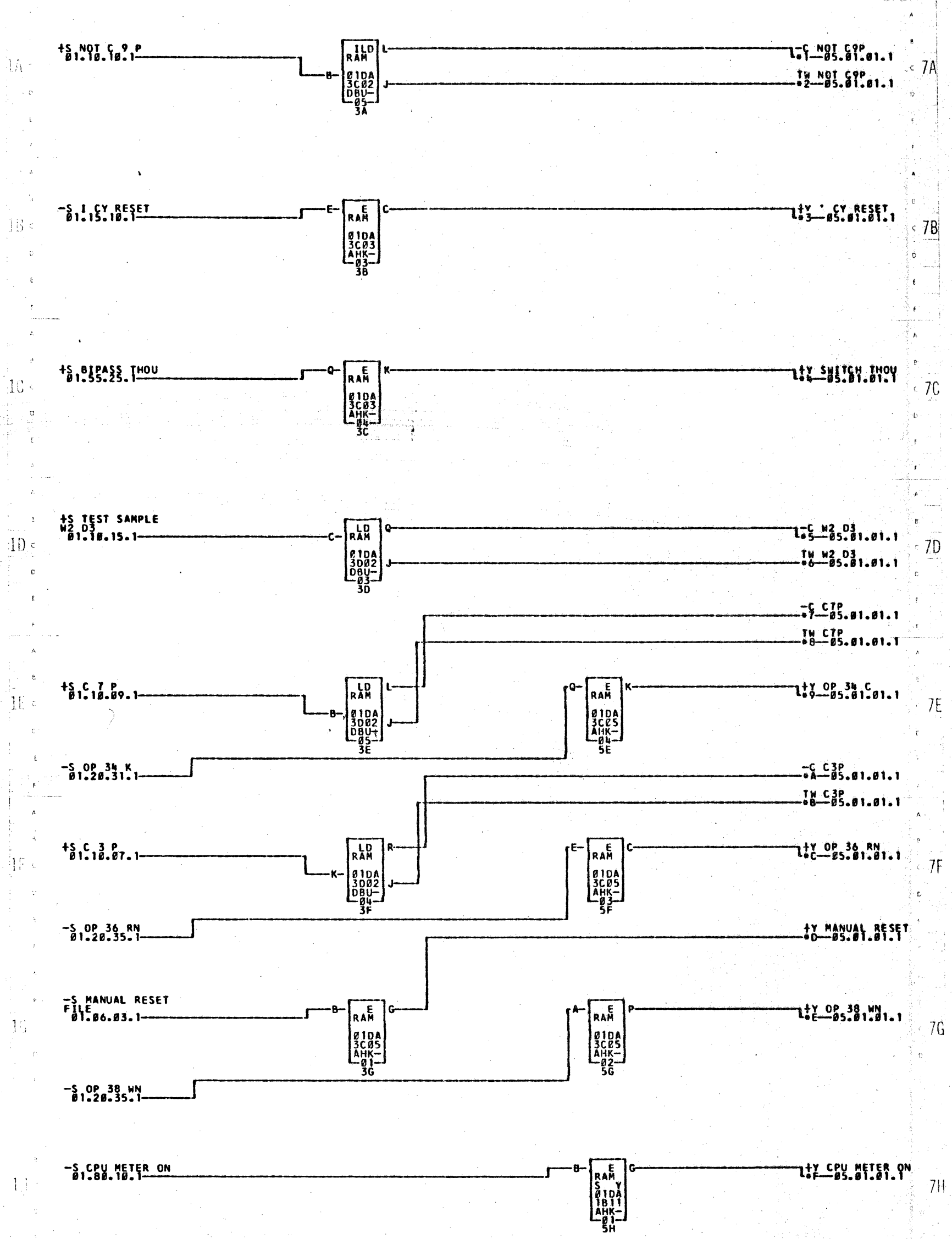




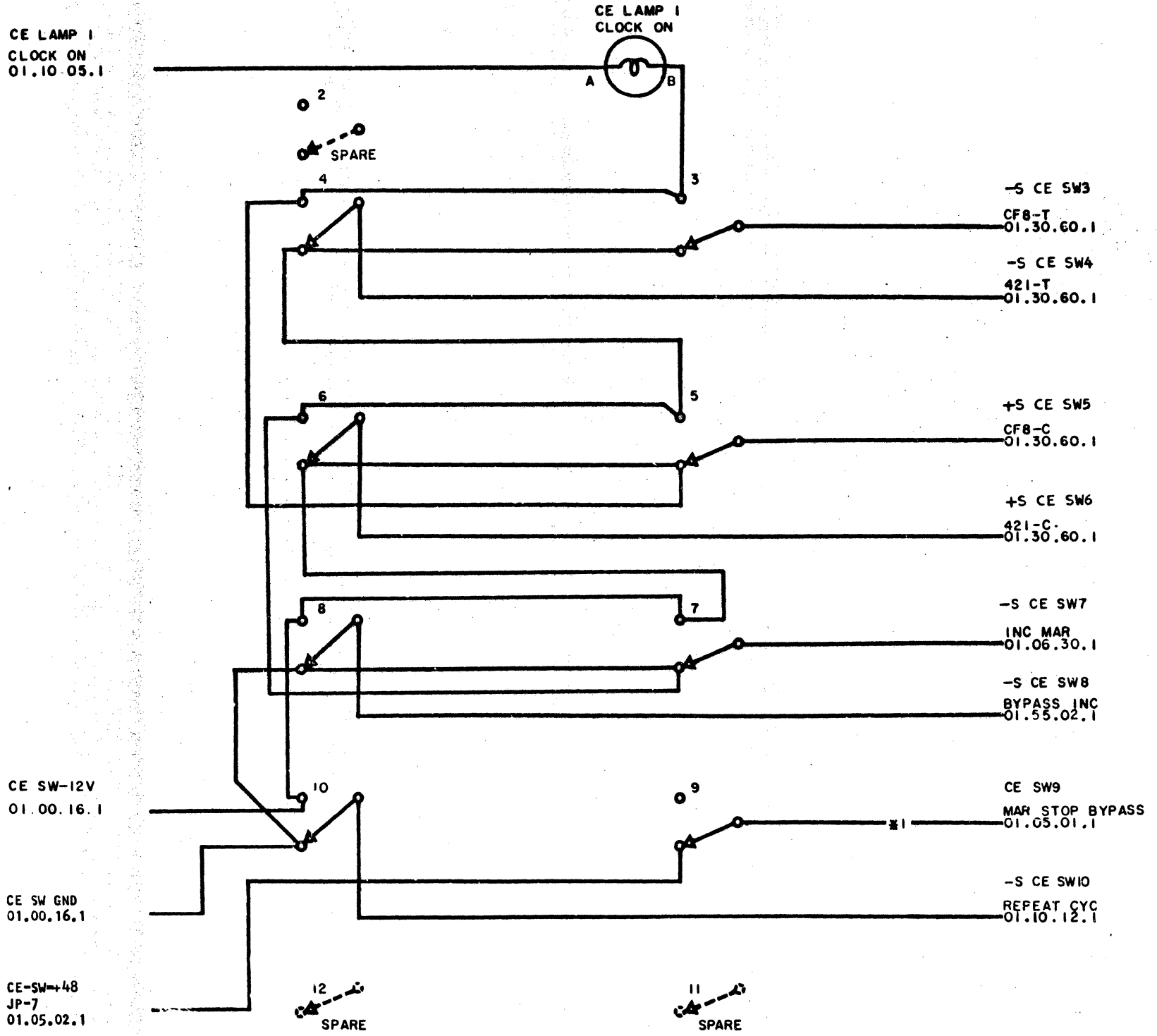
- 1—01D3A35J
- 2—01D3B05H
- 3—01D3B05G
- 4—01D3B05K
- 5—01D3B05J
- 6—01D3B05M
- 7—01D3B05L
- 8—01D3A05K
- 9—01D3A05M
- A—01D3A05L
- B—01D3B03L
- C—01D3B03H
- D—01D2A05E
- E—01D3B03J
- F—01D2B03H
- G—01D2B03K
- H—01D2A05F
- I—01D2A05H

E.C. 404711      COMMENTS      TAG DATE D.A.NO.      TAG DATE D.A.NO.      TAG DATE D.A.NO.      TAG DATE D.A.NO.

A 11-09-62 0E24RM2



- 1-01D3A05P
- 2-01D3A05N
- 3-01D3A05A
- 4-01D3A05B
- 5-01D3B05B
- 6-01D3B05A
- 7-01D3B05D
- 8-01D3B05C
- 9-01D3A05C
- A-01D3B05F
- B-01D3B05E
- C-01D3A05D
- D-01D3A05E
- E-01D3A05F
- F-01DWD26
- G-01BXH26
- H-01BVK30



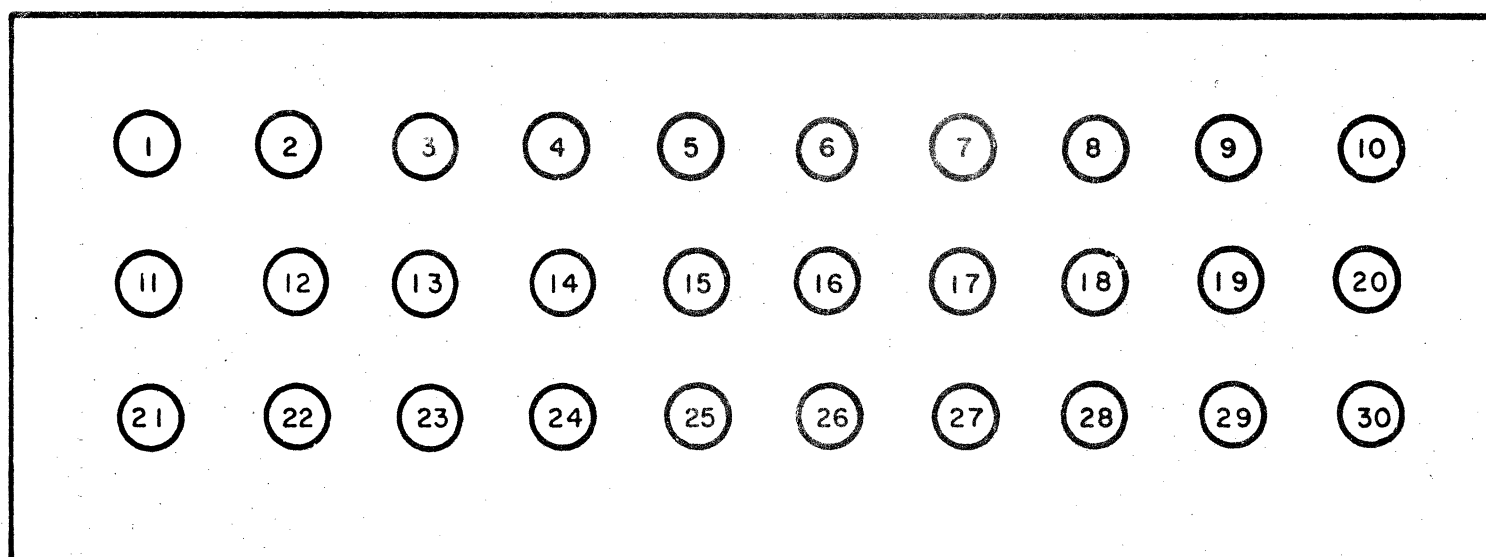
SWITCH		NORMAL OPN	ALL COMP	FORCE CFB	FORCE 124	FORCE ALL ZEROS	FORCE ALL ONES
CF8-T	SW3	N	T	N	T	T	N
421-T	SW4	N	T	T	N	T	N
CF8-C	SW5	N	T	T	N	N	T
421-C	SW6	N	T	N	T	N	T

\*1 AXF 30

NOTE: WHEN CE SW9 IS IN BYPASS POSITION,  
CE REMOTE START KEY MUST BE USED

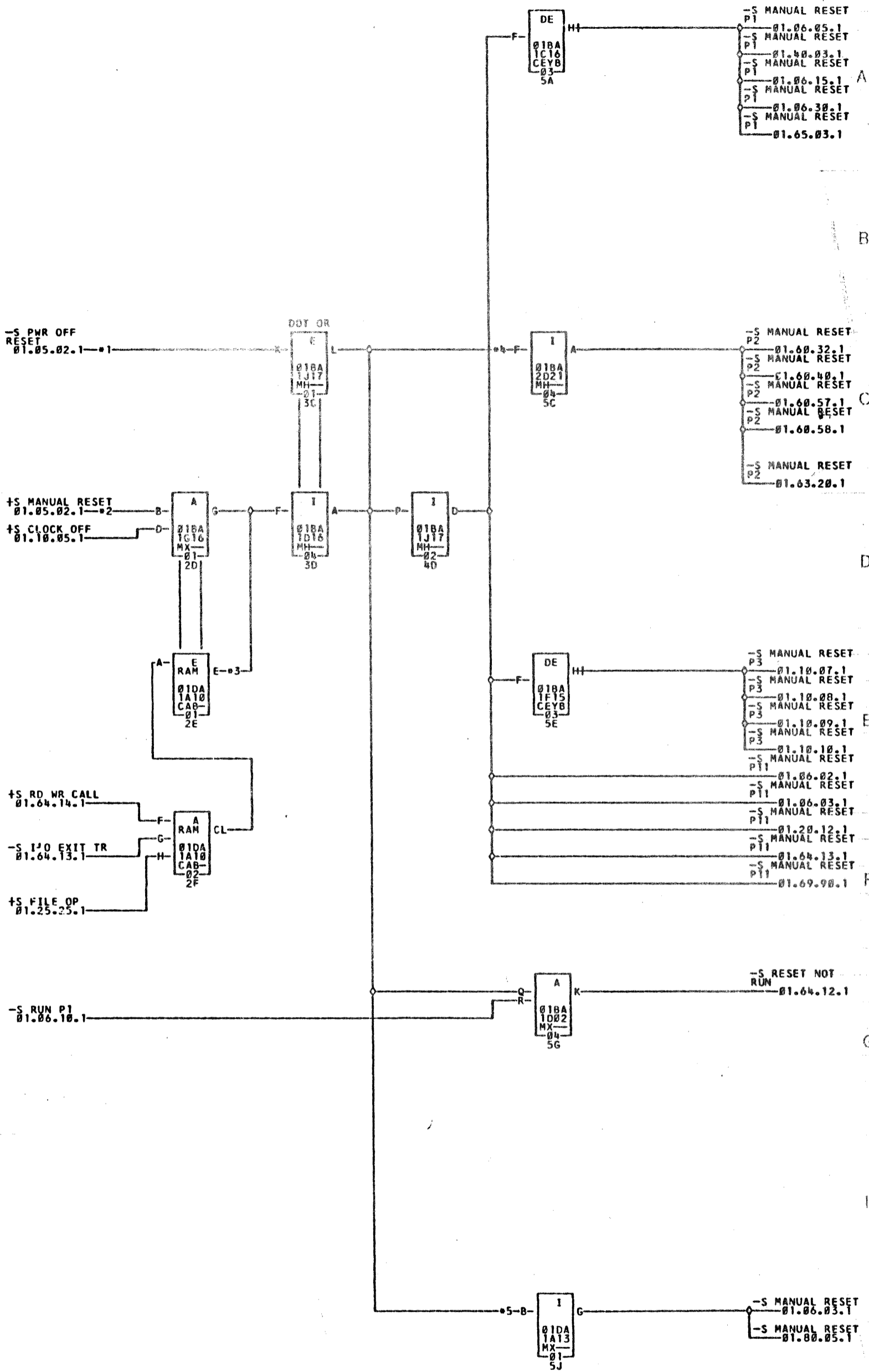


## CE BOX DISPLAY LAMPS



FRONT VIEW

NO.	DESCRIPTION	CONNECTOR	PAGE
CE 1	EXPONENT ADD	AXB-1	01.66.10.1
CE 2	SCAN	AXB-2	01.66.20.1
CE 3	EXPONENT TRANSMIT	AXB-3	01.66.30.1
CE 4	SHIFT	AXB-4	01.66.50.1
CE 5	ZERO FILL	AXB-5	01.66.60.1
CE 6	RESULT TRANSMIT	AXB-6	01.66.40.1
CE 7	FRACTIONAL ADD	AXB-7	01.66.70.1
CE 8	EXPONENT MODIFY ENTRY	AXB-8	01.66.80.1
CE 9	EXPONENT MODIFY MODE	AXB-9	01.66.80.1
CE 10	EXPONENT MODIFY EXIT	AXB-10	01.66.81.1
CE 11	MULTIPLY	AXB-11	01.67.00.1
CE 12	FRAC COMPARE	AXB-12	01.67.10.1
CE 13	FALSE XMIT	AXB-13	01.67.20.1
CE 14	LD ENTRY	AXB-14	01.67.30.1
CE 15	LOAD DIVIDEND	AXB-15	01.67.30.1
CE 16	DIV ENTRY	AXB-16	01.67.40.1
CE 17	DIV MODE	AXB-17	01.67.40.1
CE 18	DIGIT FORCE	AXB-18	01.67.90.1
CE 19	SHIFT OPS ENTRY	AXB-19	01.67.50.1
CE 20	HI ORDER ZERO CNTRL	AXB-20	01.68.40.1
CE 21	NORMAL SHIFT RIGHT	AXB-21	01.68.42.1
CE 22	EXPONENT MODIFY REQUIRED	AXB-22	01.68.44.1
CE 23	COUNTER COMPLEMENT	AXB-23	01.66.25.1
CE 24	SCAN Q	AXB-24	01.66.21.1
CE 25	SIGN DIGIT	AXB-25	01.66.23.1
CE 26	SCAN MINUS	AXB-26	01.66.24.1
CE 27	MODULE 3 CONTROL L1	AXB-27	01.68.10.1
CE 28	MODULE 3 CONTROL L2	AXB-28	01.68.10.1
CE 29	HI PLUS AUXILIARY	AXB-29	01.66.83.1
CE 30	SCAN Q EXIT	AXB-30	01.66.24.1
CE 31	-12 VOLTS	AXB-31	01.00.15.1
CE 32	GROUND	AXB-32	01.90.35.1



\*1-01BXD32  
\*4-01B1Z16A

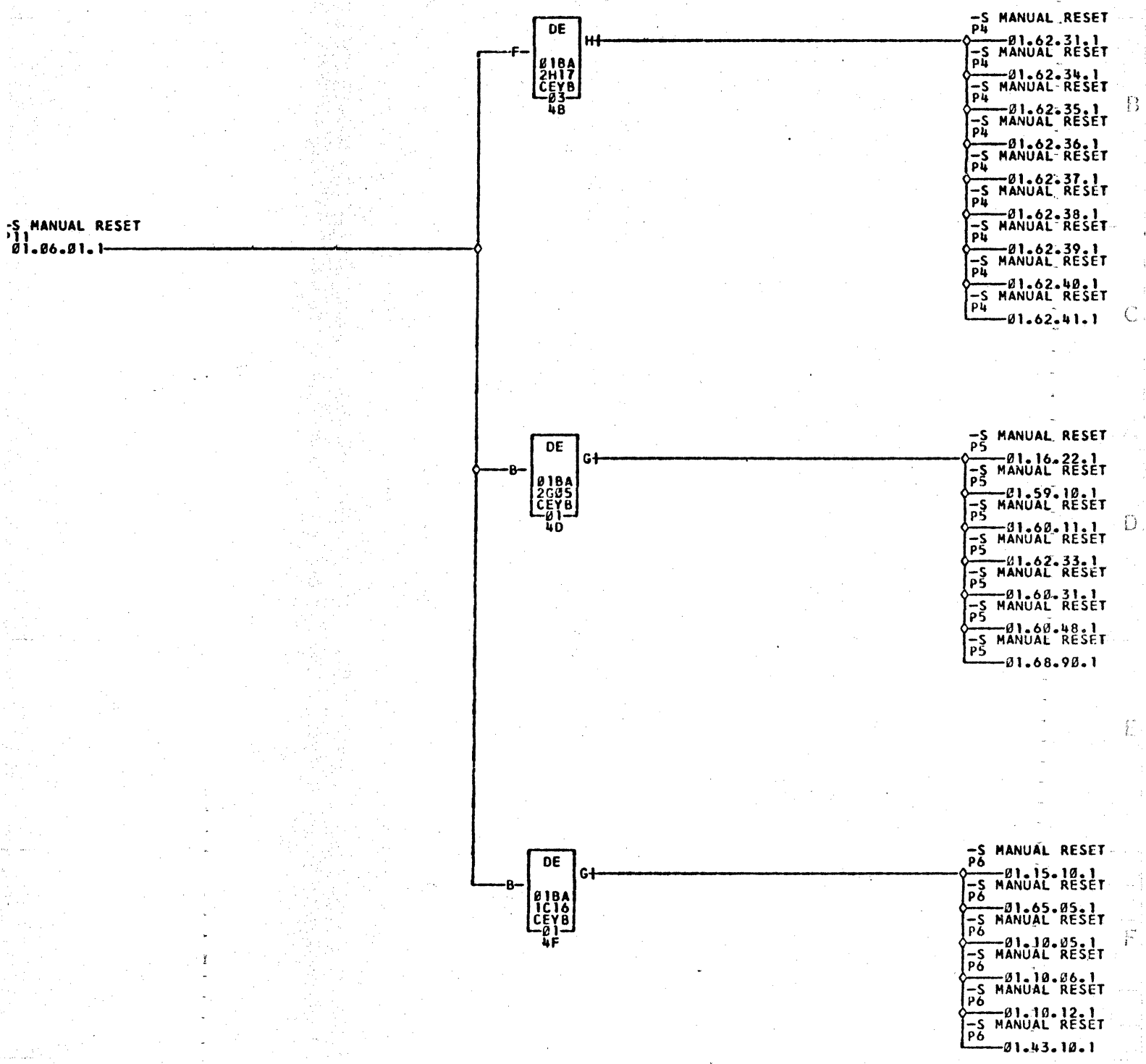
E32B  
01B2Z16A

\*2-01BXD31  
\*5-01BXH15

E36B  
01DWD15

\*3-01DXA26

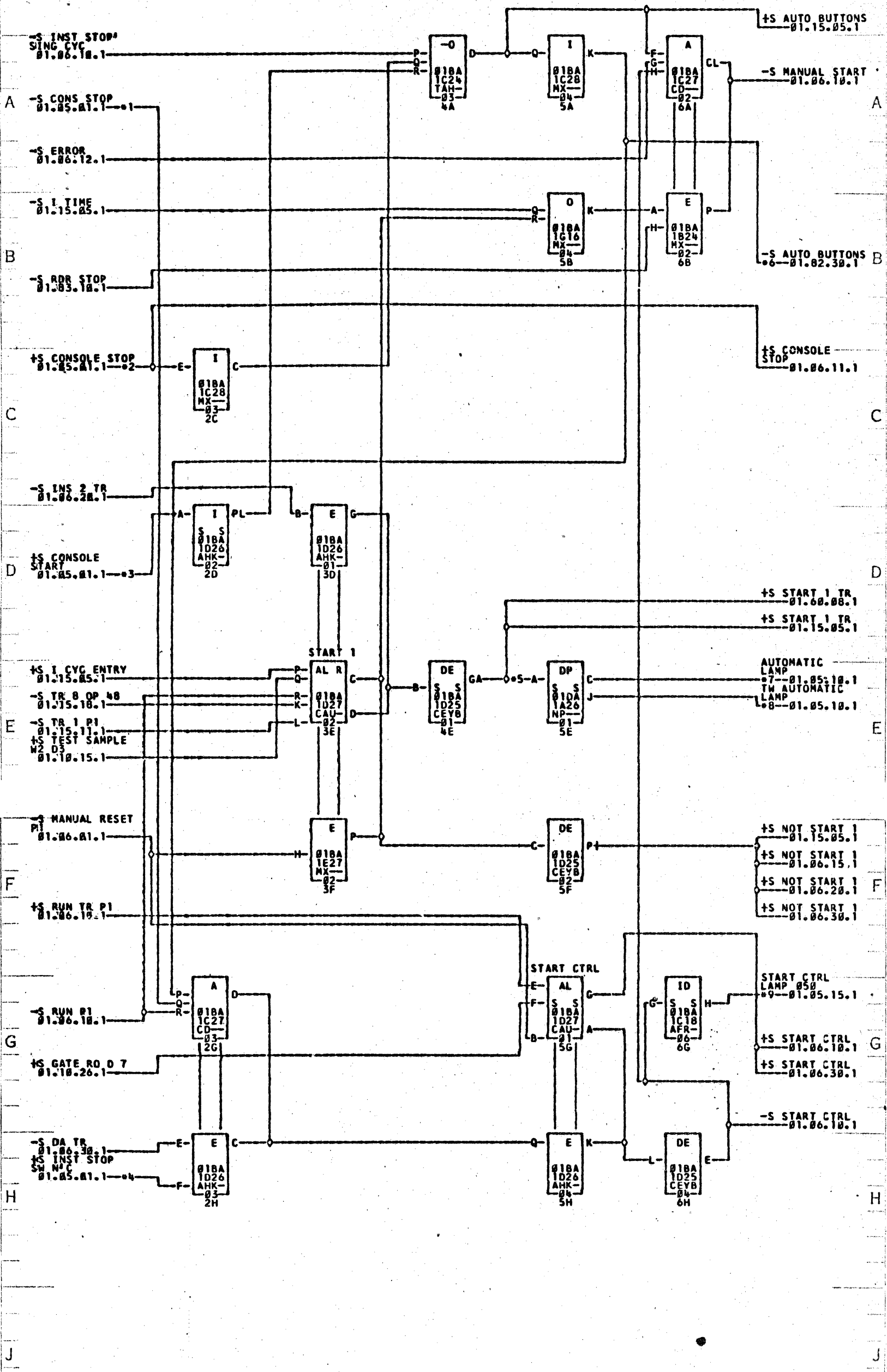
01BXJ26



COMMENTS

TAG	DATE	D.A.NO.	TAG	DATE	D.A.NO.	TAG	DATE	D.A.NO.	TAG	DATE	D.A.NO.
A	01-23-62	0F00000									





•1-01BXD16  
 •4-01BXD18  
 •7-01DW805

====E39B  
 ----E408  
 •8-01DW806

•2-01BXD07  
 •5-01BX827  
 •9-01BXE01

====E378  
 ----01DX827

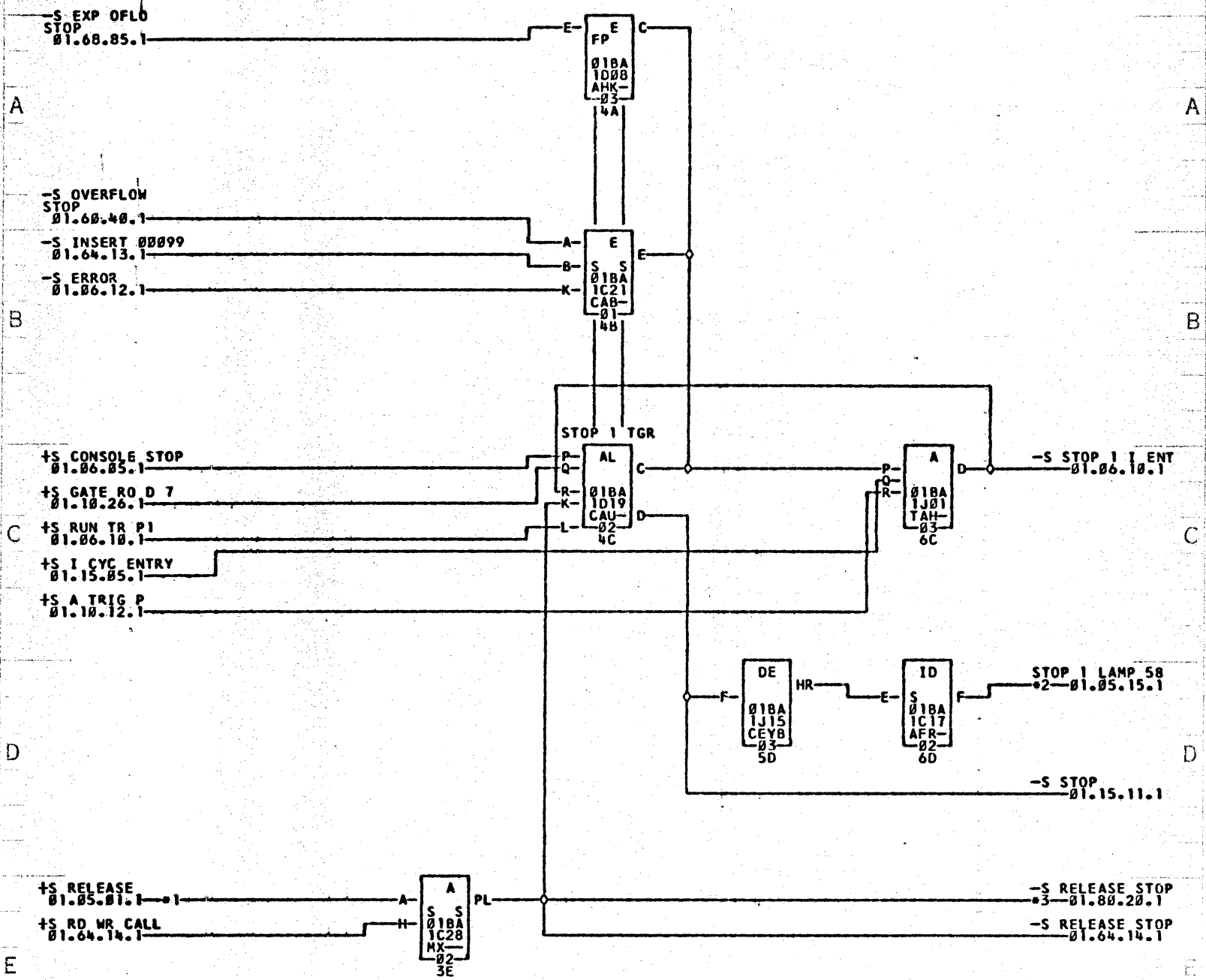
•3-01BXD17  
 •6-01BXH08

====E388  
 ----01DW808

COMMENTS

TAG DATE D.A.NO. TAG DATE D.A.NO. TAG DATE D.A.NO. TAG DATE D.A.NO.  
 A 12-13-61 BE14000





\*1-01BXD19

E348

\*2-01BXE03

\*3-01BxB23

01DXB23

COMMENTS

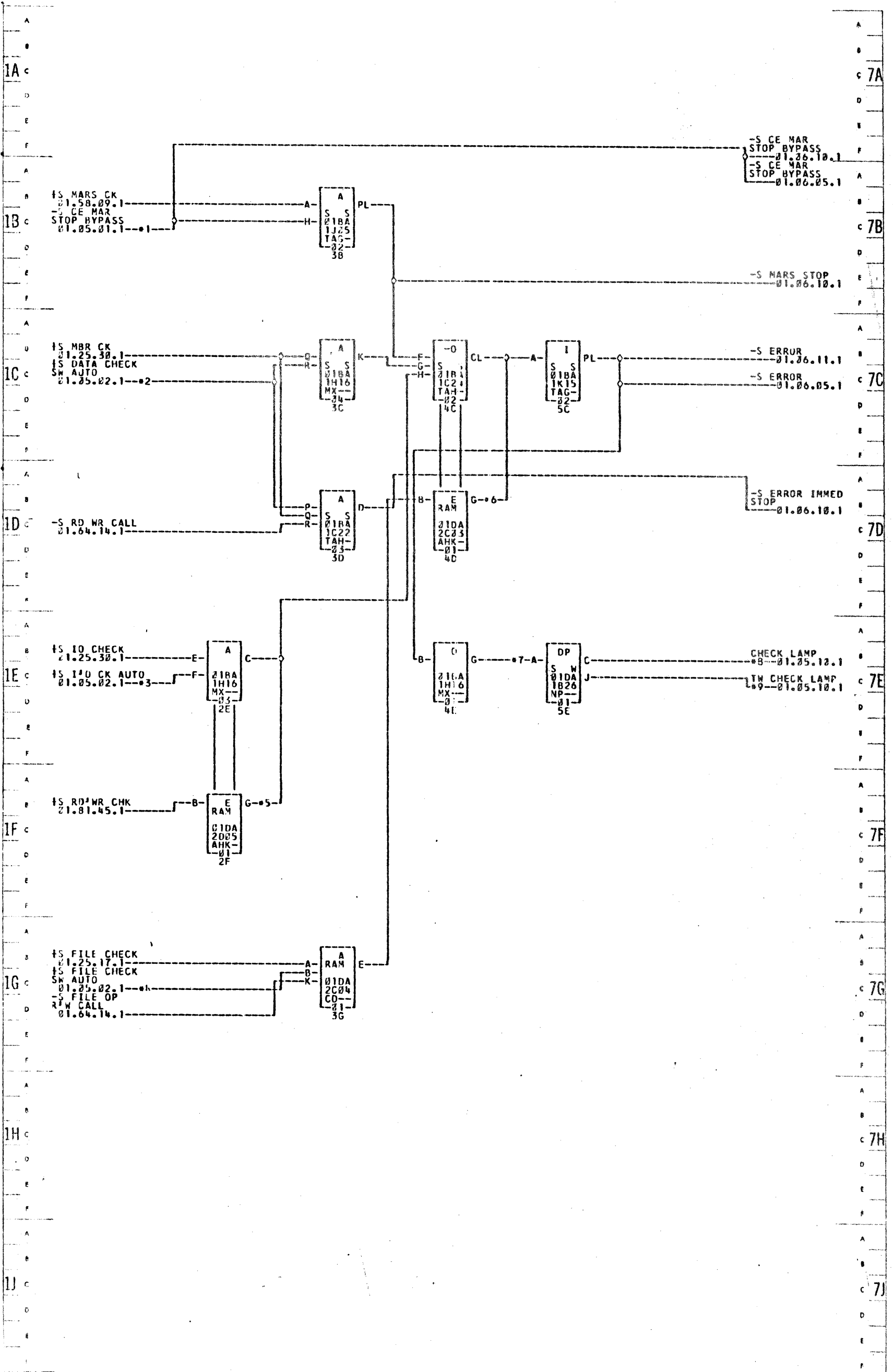
TAG DATE D.A.NO. A 03-07-62 0F04000

TAG DATE D.A.NO.

TAG DATE D.A.NO.

TAG DATE D.A.NO.

TAG DATE D.A.NO.



- \*1--01BXD21
- E31B
- SW C
- 01D2A02H
- 01DXB28
- \*2--01BXD29
- \*4--FILE CK
- 01BVB20
- \*9--01DWB10
- DATA CK
- S4 C
- \*6--01D2A01N
- SW A C
- 01AXF13
- 01BVJ13
- \*3--01BXD30
- \*8--01AVJ08
- \*7--01BXB28

E.C. 404711

COMMENTS

TAG	DATE	D.A.NO.	TAG	DATE	D.A.NO.	TAG	DATE	D.A.NO.	TAG	DATE	D.A.NO.
A	12-35-62	0E24RM2									



A

A

B

B

C

C

D

D

E

E

F

F

G

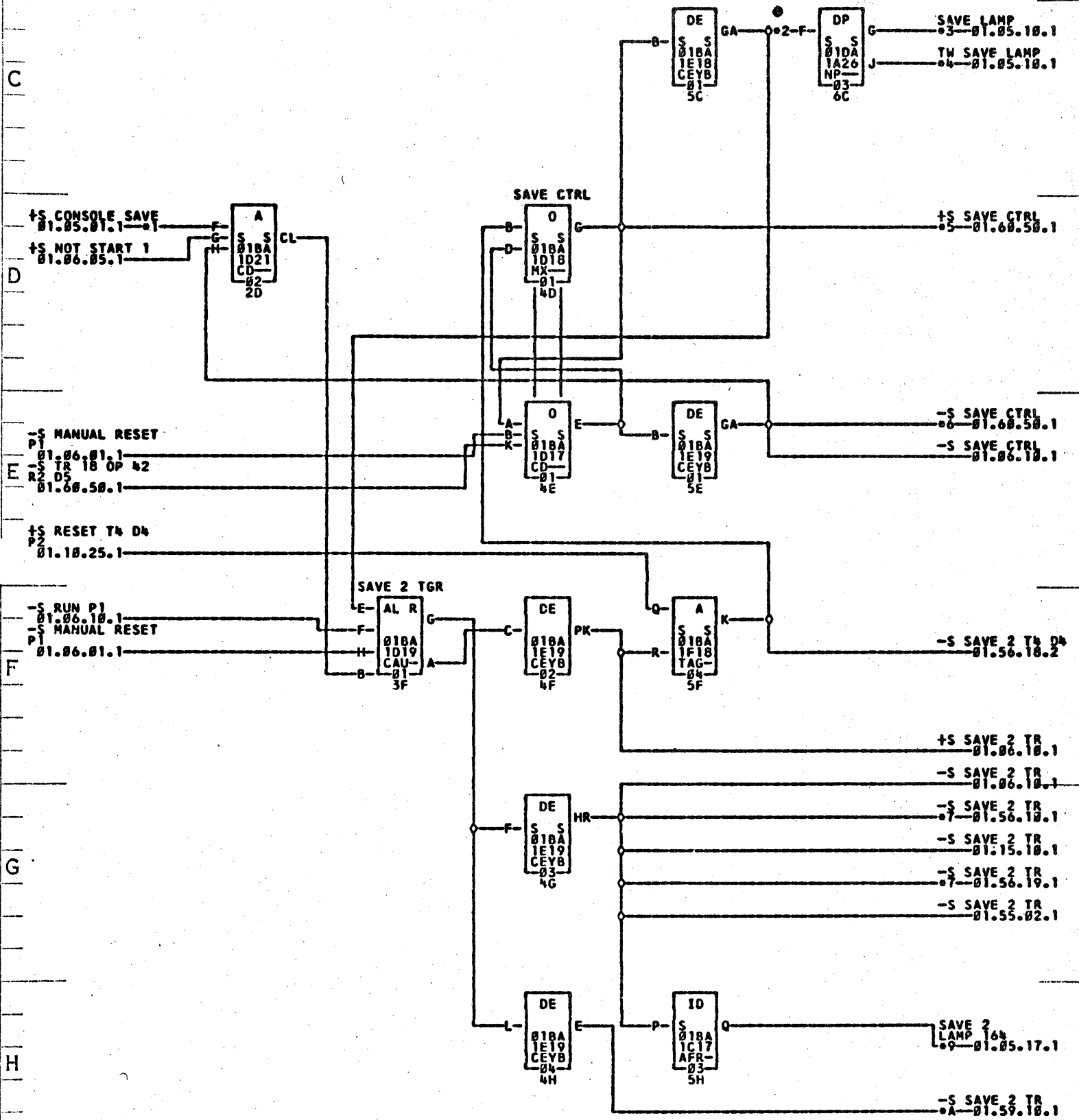
G

H

H

J

J



\*1-01BXD23  
 \*5-01B1Y25C  
 \*9-01BXE04

SW 19 C  
 \*A-01B2Y25C  
 \*A-01B1Y16D

\*2-01BX030  
 \*6-01B1Y23C  
 \*8-01B2Y16D

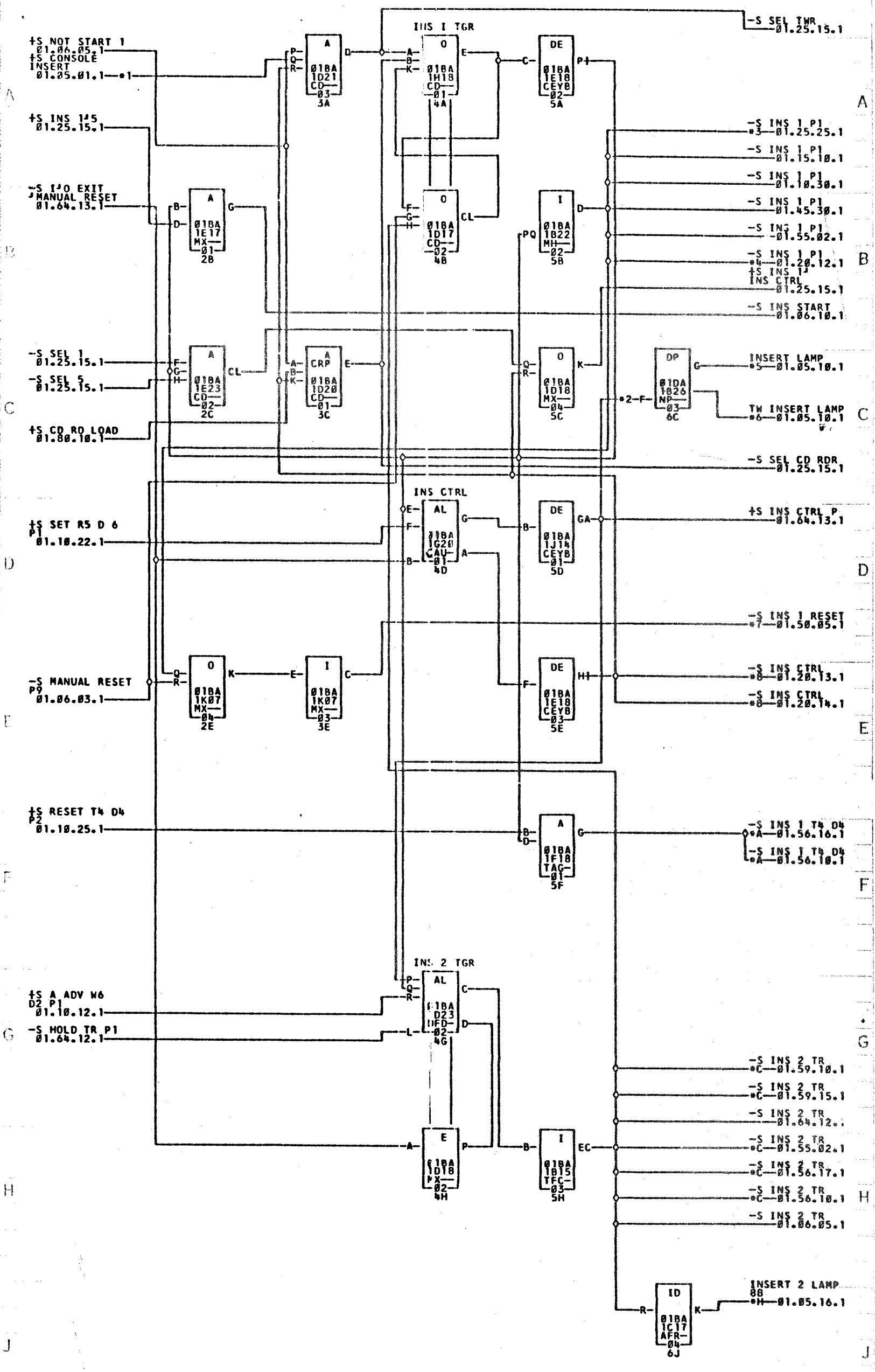
01DX030  
 01B2Y23C

\*3-01DWB01  
 \*7-01B1Y19A

\*4-01DWB02  
 \*8-01B2Y19A

COMMENTS

TAG	DATE	D.A.NO.	TAG	DATE	D.A.NO.	TAG	DATE	D.A.NO.	TAG	DATE	D.A.NO.
A	02-08-62	0F01000									

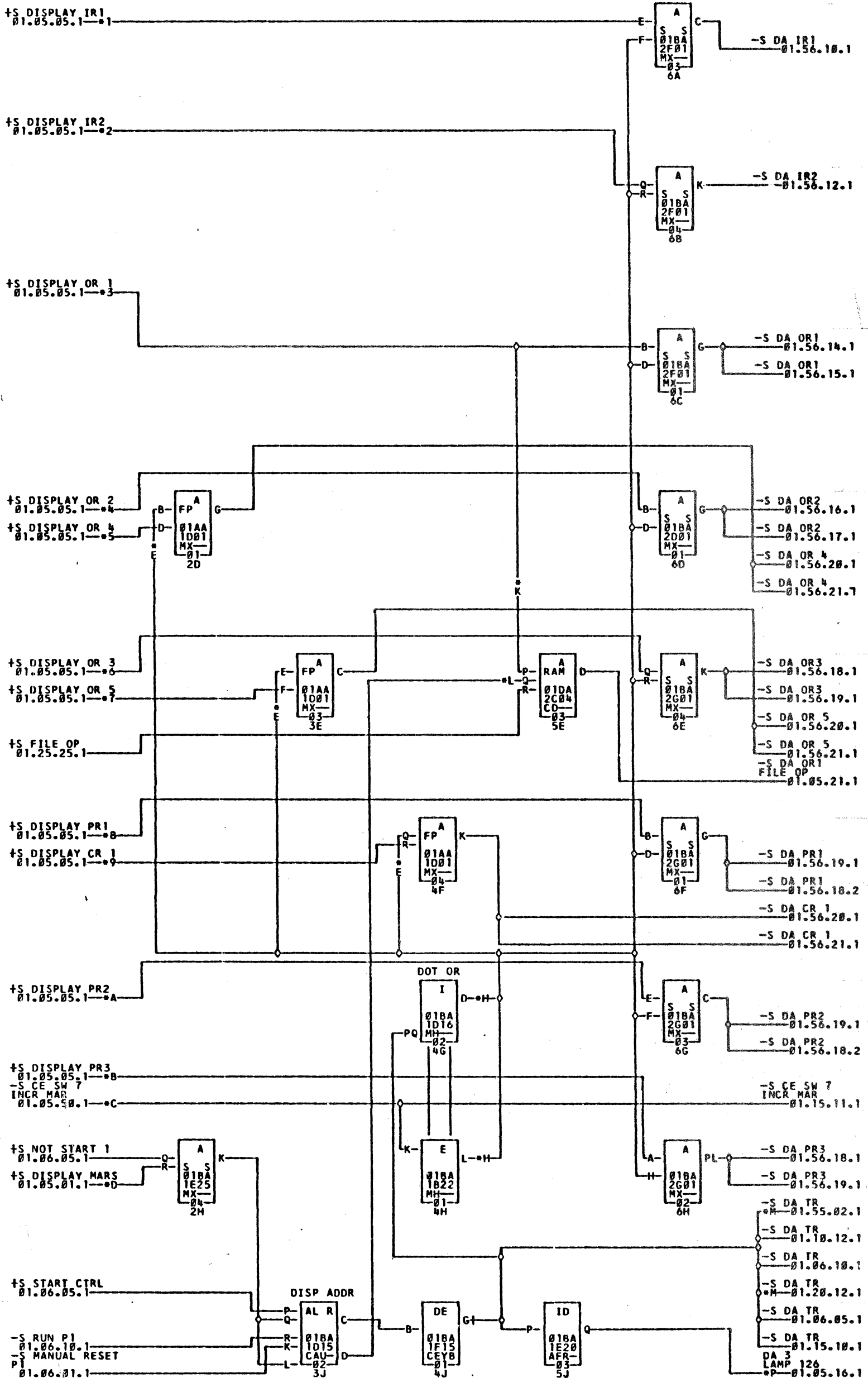


- \*1-018X022      E338      \*2-018XJ16      -11DXA16      \*3-018VB17      -01D2B02A
- \*4-018Y18C      -01B2Y18C      \*5-01DWB03      -11D1C26J      \*7-018Y19C      -01B2Y19C
- \*8-018Y20C      -01B2Y20C      \*A-018Y21C      -11B2Y21C      \*C-018Y22C      -01B2Y22C
- \*H-018XE05

E. C. 404711

COMMENTS

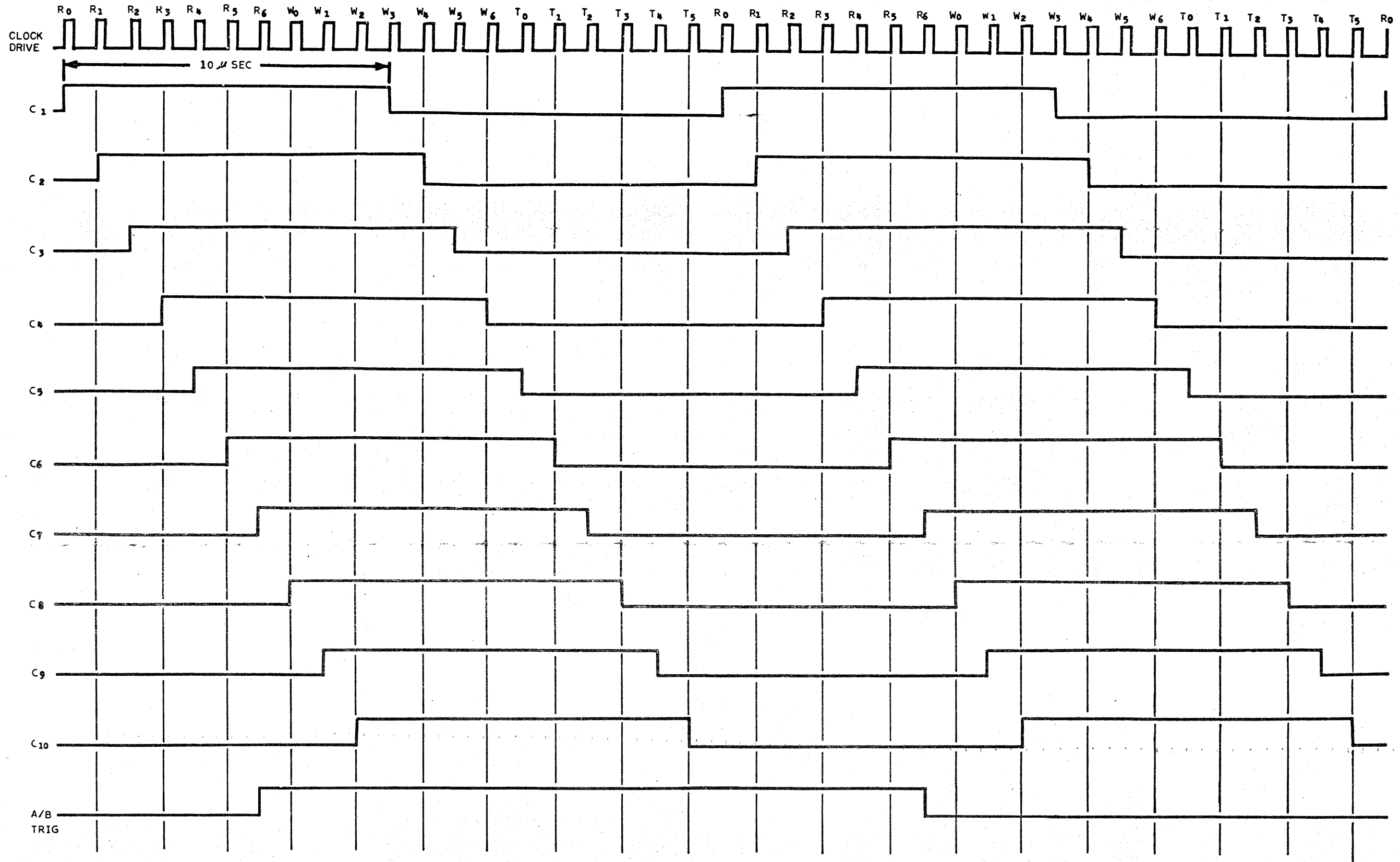
TAG DATE	D.A.NO.	TAG DATE	D.A.NO.	TAG DATE	D.A.NO.	TAG DATE	D.A.NO.
A 04-09-62	0F08RM2						

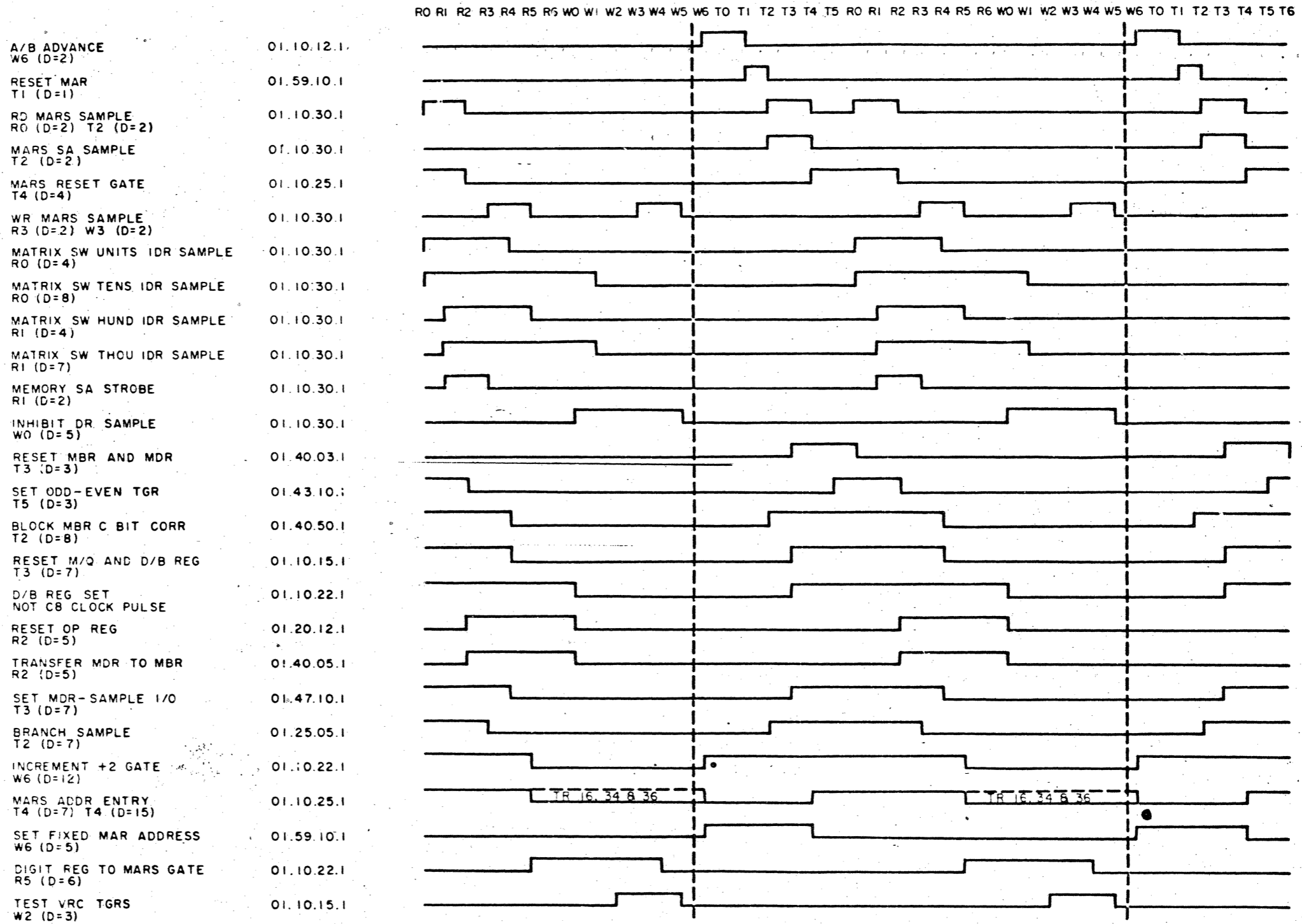


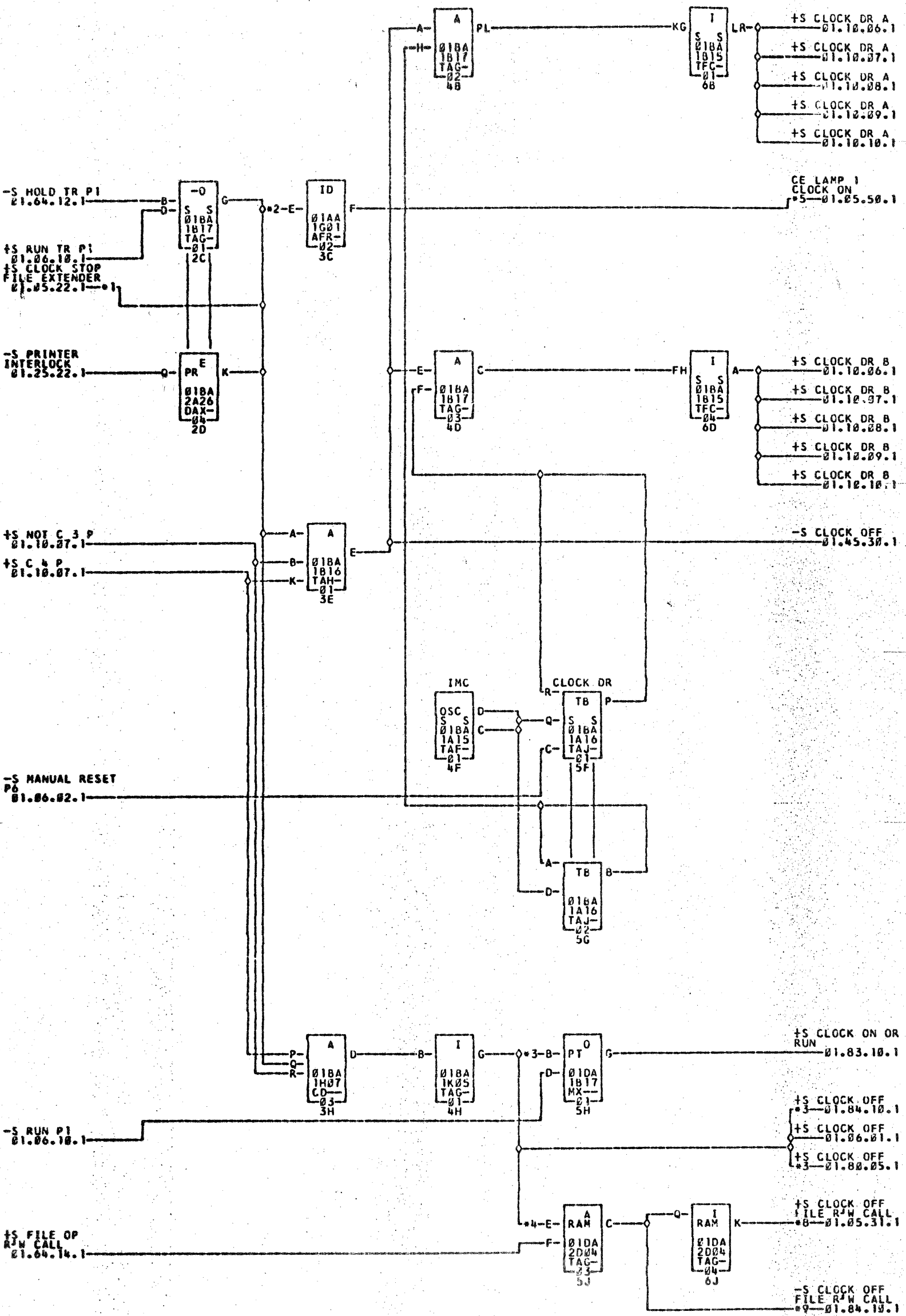
- 1-01BXC19      •2-01BXC20      •3-01BXC21      •4-01BXC22      •5-01AXF23      •6-01BXC23
- 7-01AXF31      •8-01BXC24      •9-01AXF32      •A-01BXC25      •B-01BXC26      •C-01AWJ26
- D-01BXC27      •E-01BWC01      •F-01BVC01      •G-01AWC01      •H-01BIZ01A      •I-01B2Z01A
- K-01BVJ17      •L-01D2B01A      •M-01BVJ16      •N-01D2A01R      •O-01B1Y15D      •P-01B2Y15D
- Q-01BXE06

E.C. 404711      COMMENTS      TAG DATE      D.A.NO.      TAG DATE      D.A.NO.      TAG DATE      D.A.NO.      TAG DATE      D.A.NO.

A 04-10-62 0F01RM2



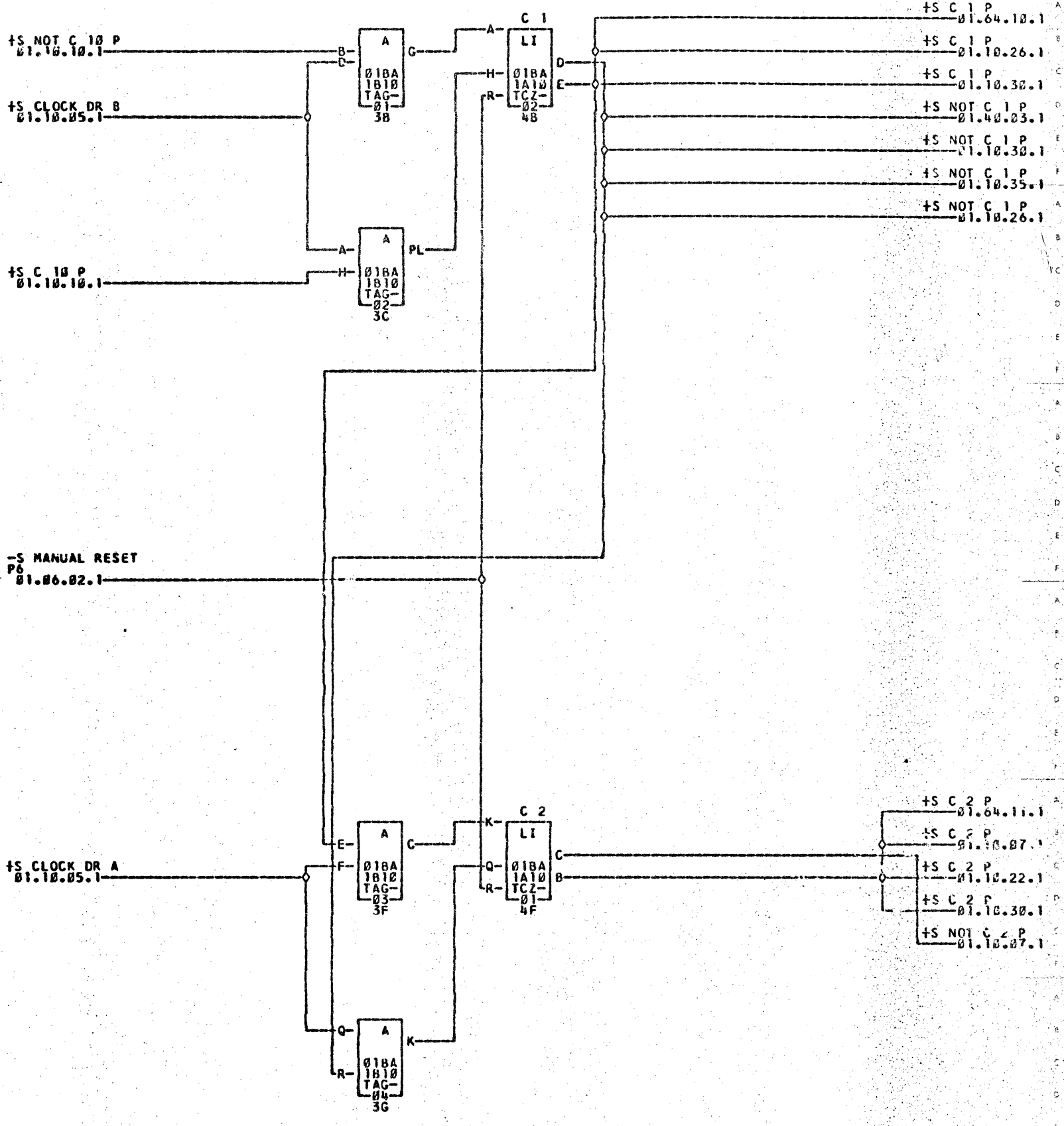


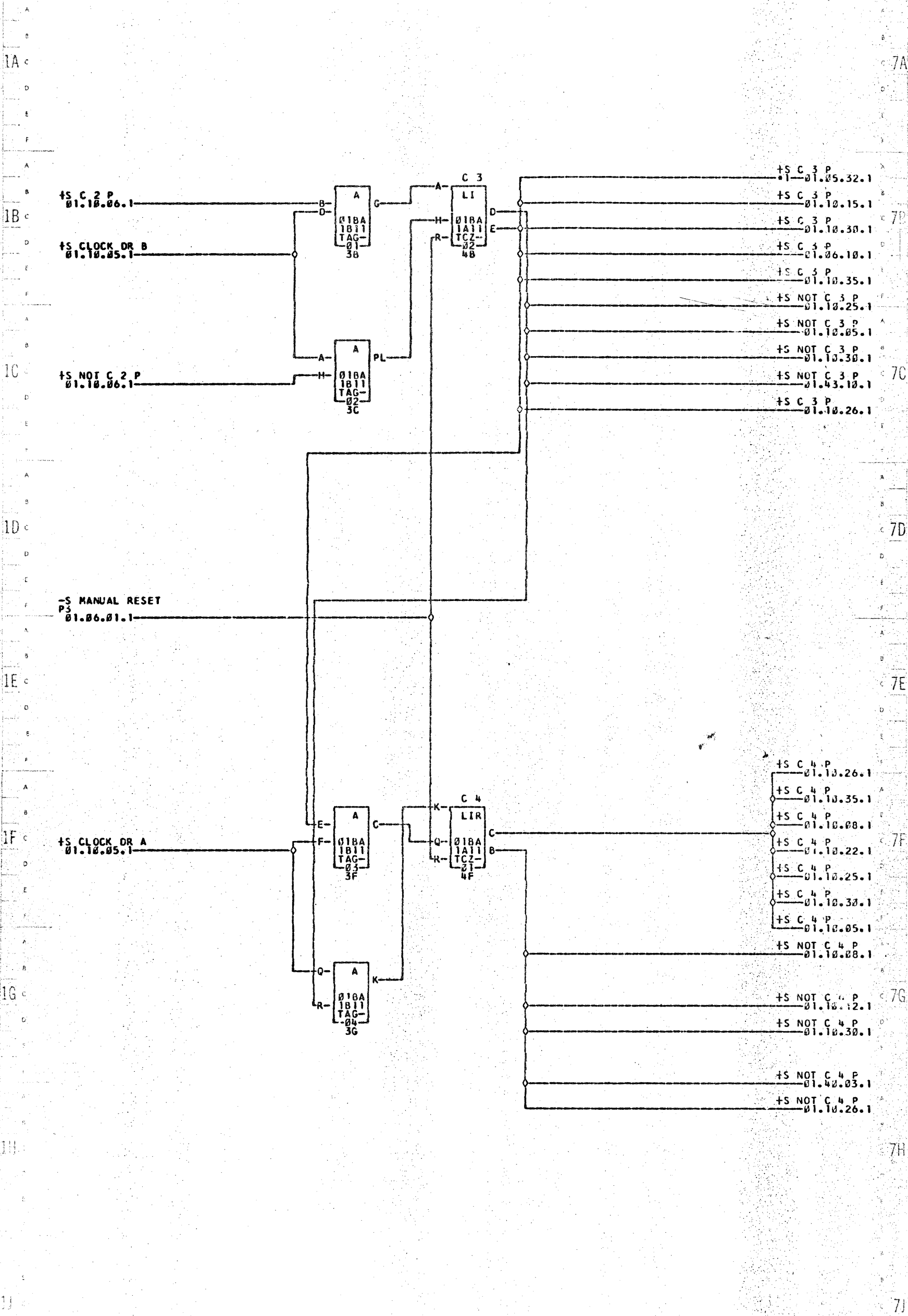


- 1---018XL29      ———— 01AXL29      ———— 01AVJ04      ———— 01AWJ06
- 3---01RXB10      ———— 01DXB10      ———— 01B28010      ———— 01AZZ24A
- 01A3AB1A      •8---01D2A03C      ———— 01D3A035      •9---01D2A02J      ———— 01AVJ09      ———— 01AXC02
- 010XE02

IA  
IB  
IC  
ID  
IE  
IF  
IG  
IH  
IJ

7A  
7B  
7C  
7D  
7E  
7F  
7G  
7H  
7J



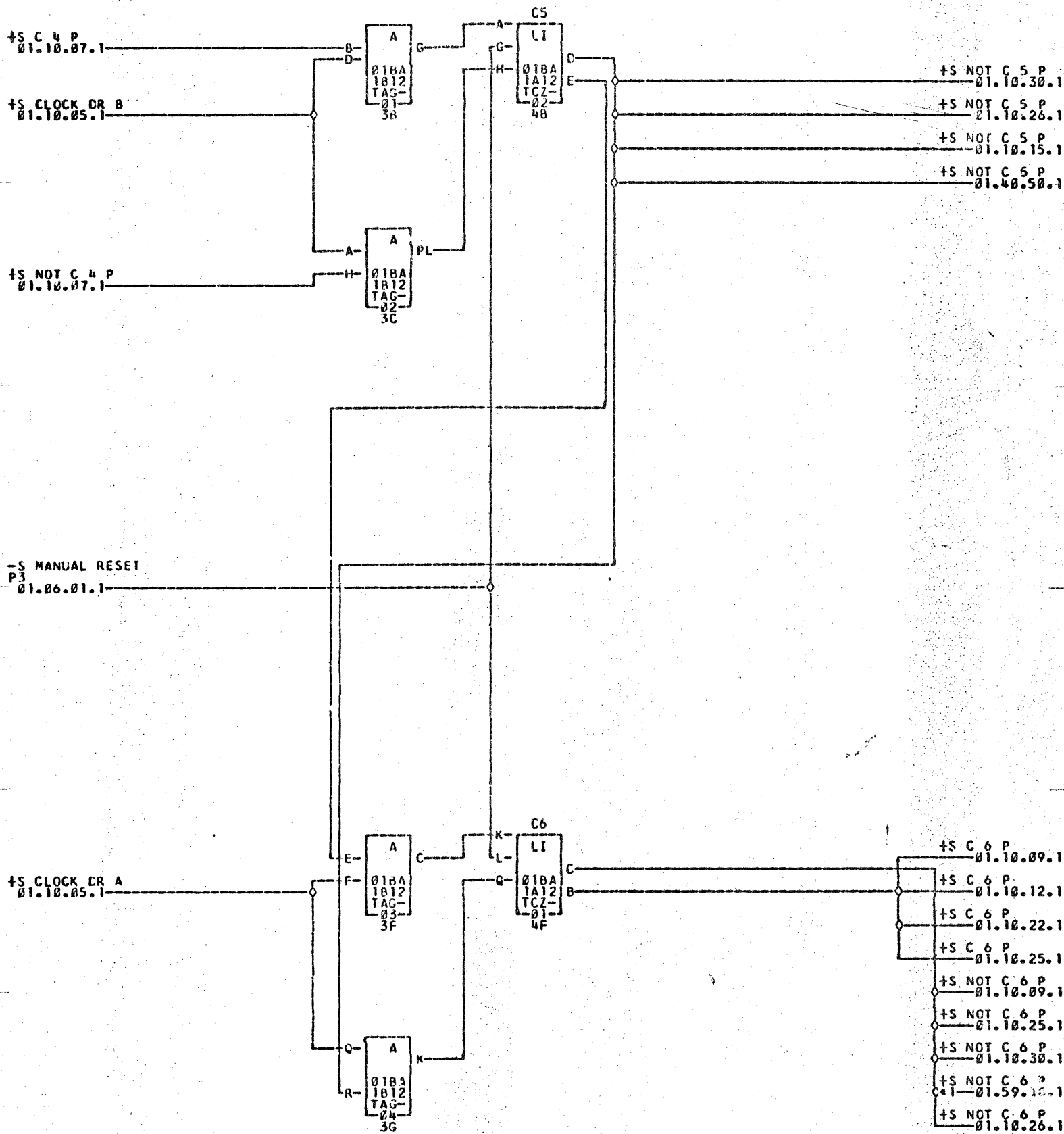


●1—01BVJ25      ————01D2801J      ————01D3A03K      ————01D3A03K

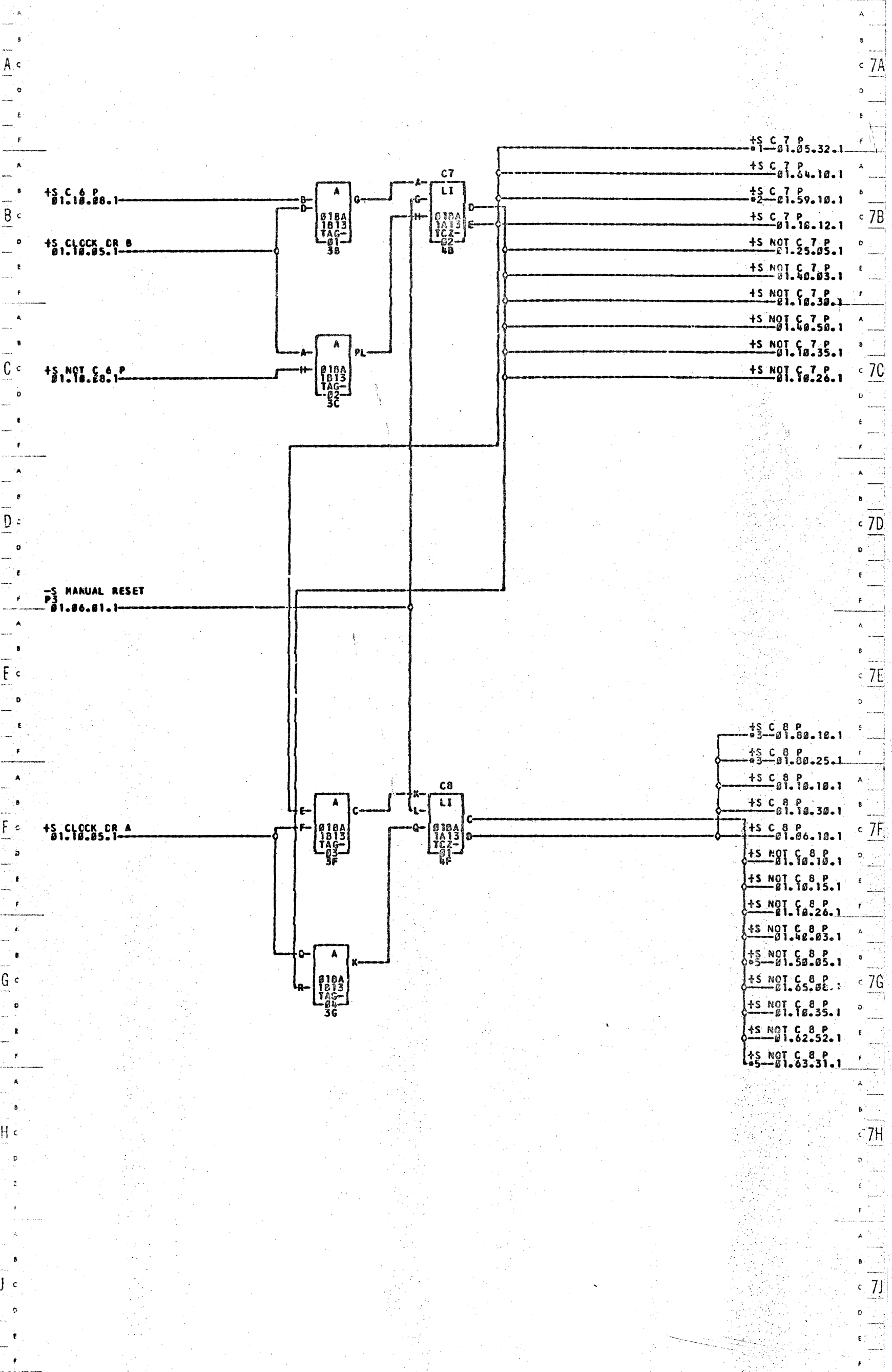


1A  
1B  
1C  
1D  
1E  
1F  
1G  
1H  
1I

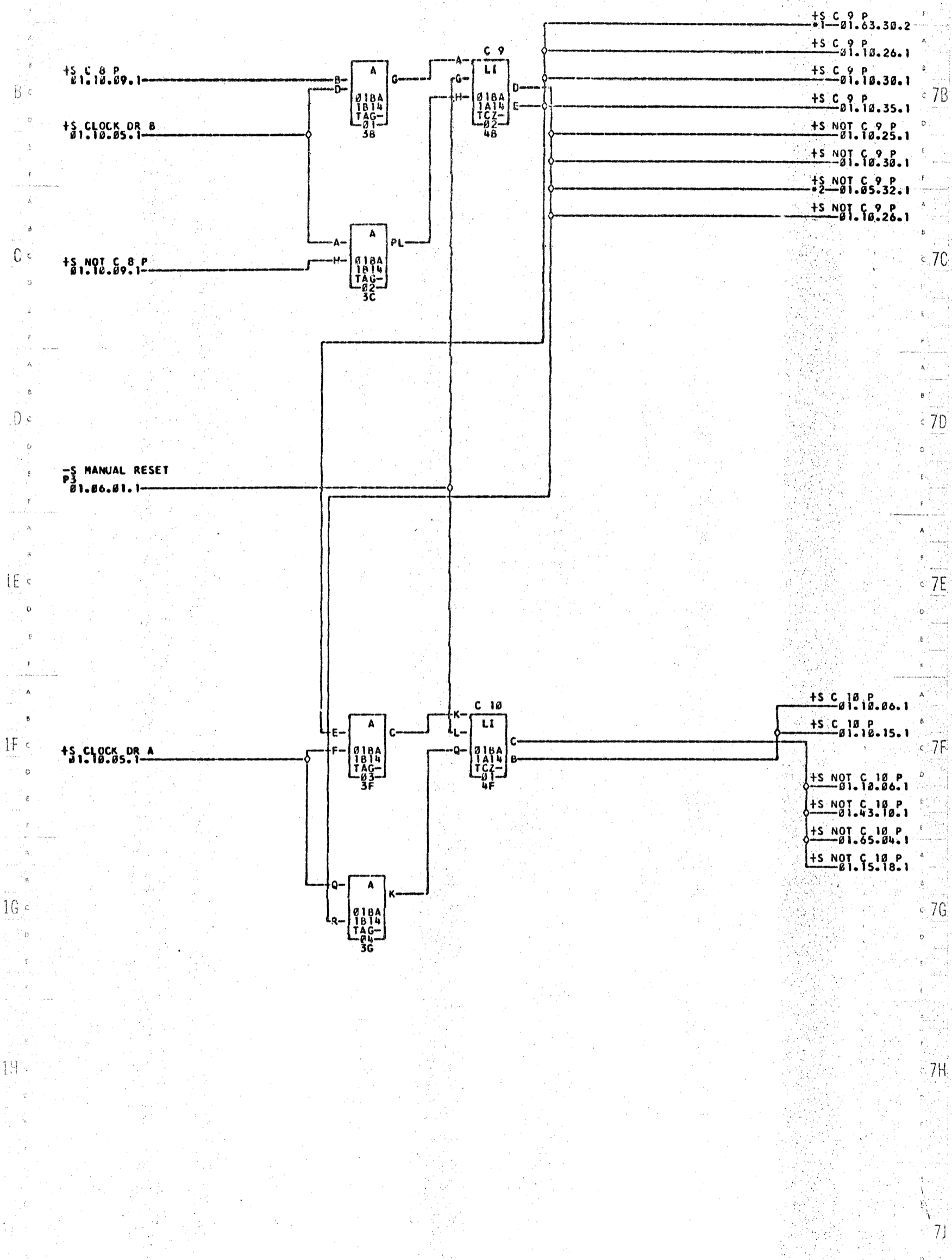
7A  
7B  
7C  
7D  
7E  
7F  
7G  
7H  
7J



●1-01B1Y11D      ——01B2Y11D

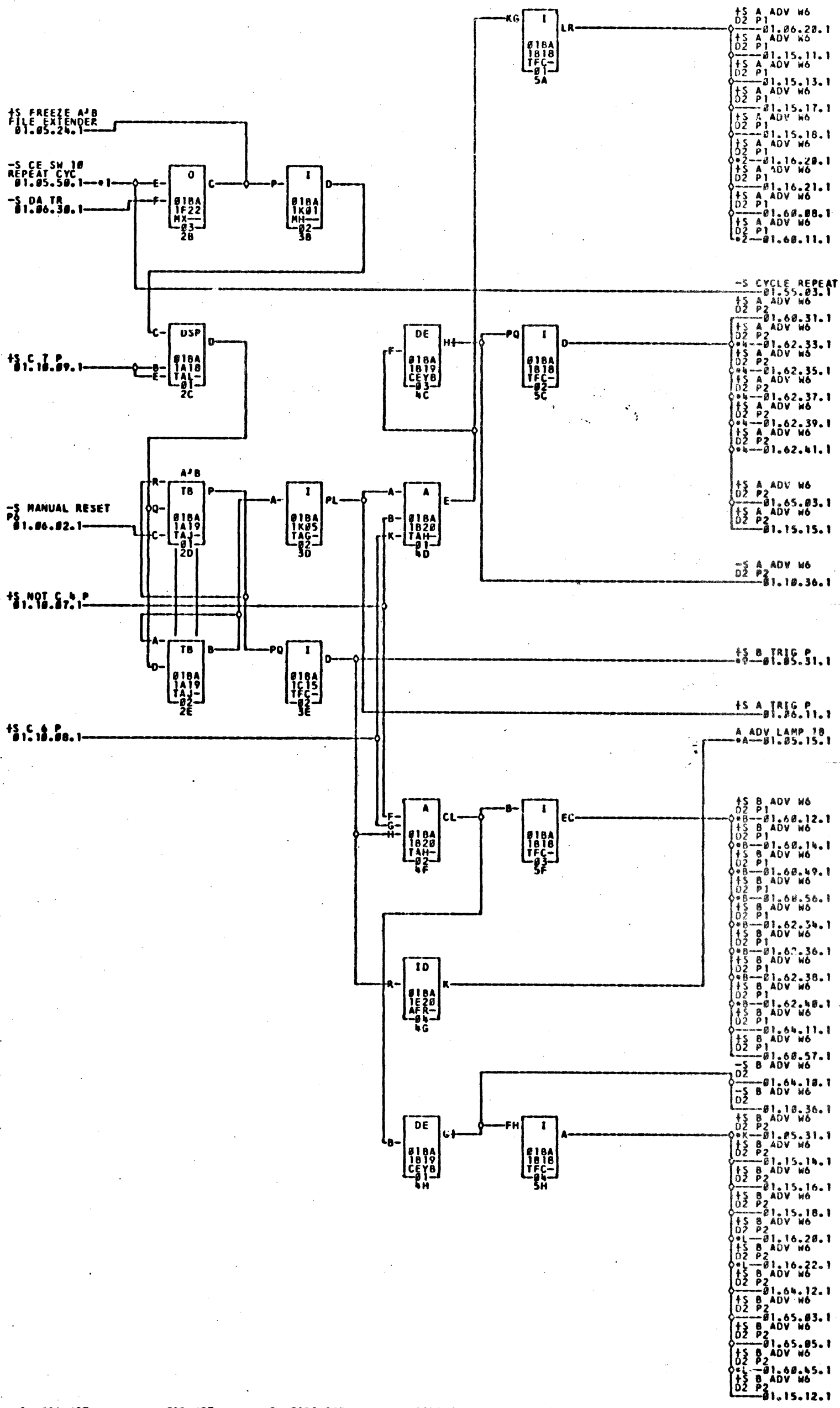


01-018VJ26      0102601K      0102403L      0103403L      02-0181V090      0182Y090  
 03-018X005      01DX005      05-0181V130      0182Y130

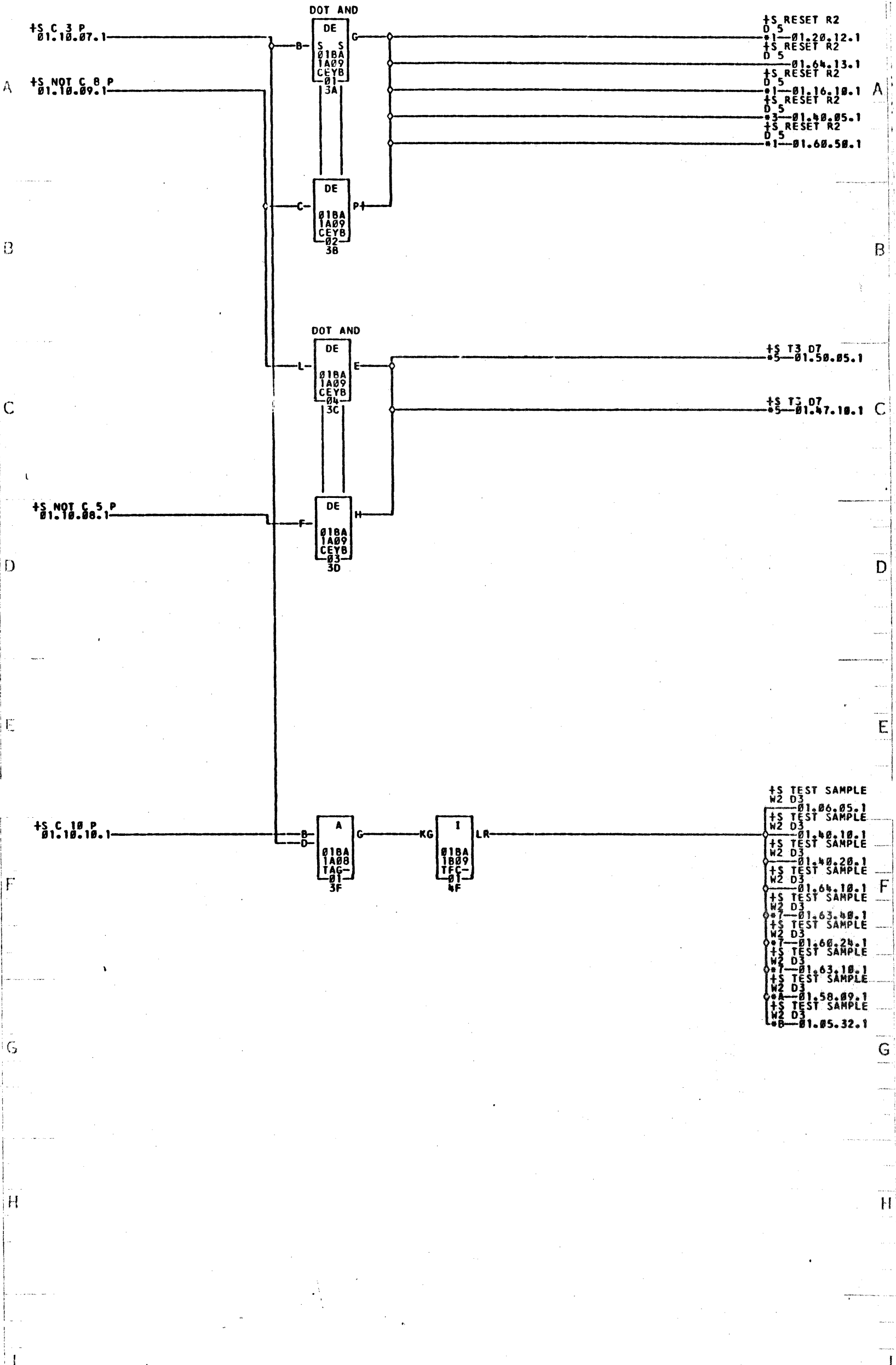


\*1-018WC02    -01ANC02    \*2-018WC03    -01ANC03    -01AVK03    -01D3A01C

1A  
1B  
1C  
1D  
1E  
1F  
1G  
1H  
1I



01-01AWJ27      02-01B1Y10B      03-01B2Y10B      04-01B1Y11B      05-01B2Y11B  
 09-01B1V10A      06-01D2003N      07-01D3003M      0A-01B1X00B      0B-01B1Y12B  
 01B2V12B      0R-01B1V27      01D2003N      01D3A03M      0L-01B1Y13B  
 01B2V13B

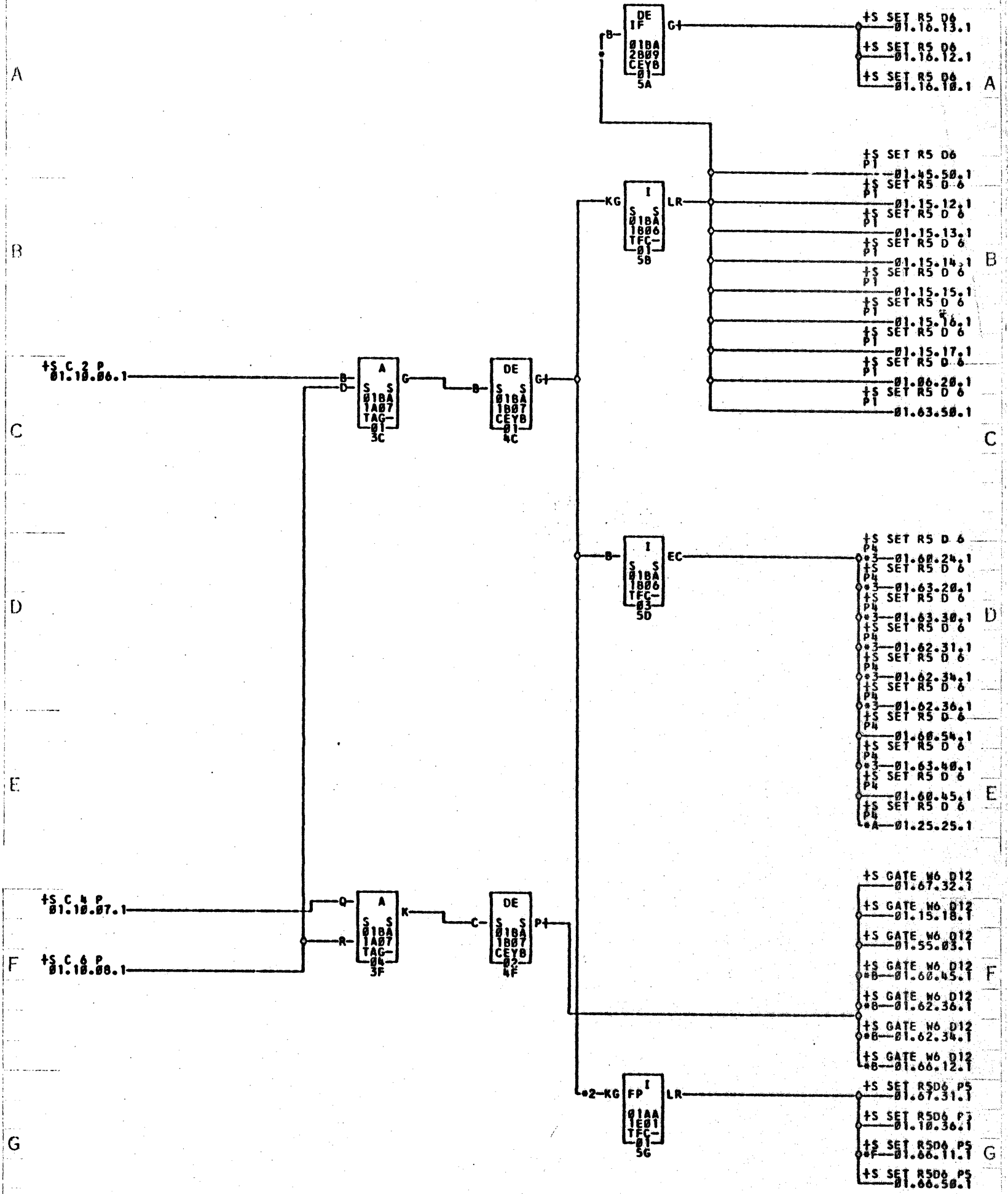


- \*1-01B1Y068
- \*7-01B1Y15A
- 01BVB16
- 01B2Y068
- 01B2Y15A
- 01D3A02R
- \*3-01BWD05
- \*A-01BWB04
- 01AWD05
- 01AWB04
- \*5-01B1Y088
- \*8-01B1Y15A
- 01B2Y088
- 01B2Y15A

E.C. 404711

COMMENTS

TAG	DATE	D.A.NO.	TAG	DATE	D.A.NO.	TAG	DATE	D.A.NO.	TAG	DATE	D.A.NO.
A	04-03-62	0F01RM2									



\*1-01B1Y07D      == 01B2Y07D      \*2-01BWC03      == 01AWC03      \*3-01B1Y10D      == 01B2Y10D  
 \*A-01BVJ22      == 01D2B01F      \*B-01B1Y07B      == 01B2Y07B      \*F-01AWC04      == 01BWC04

E.C. 404711      COMMENTS      TAG DATE      D.A.NO.      TAG DATE      D.A.NO.      TAG DATE      D.A.NO.      TAG DATE      D.A.NO.

A 04-03-62 DF03RM2

A

A

B

B

C

C

D

D

E

E

F

F

G

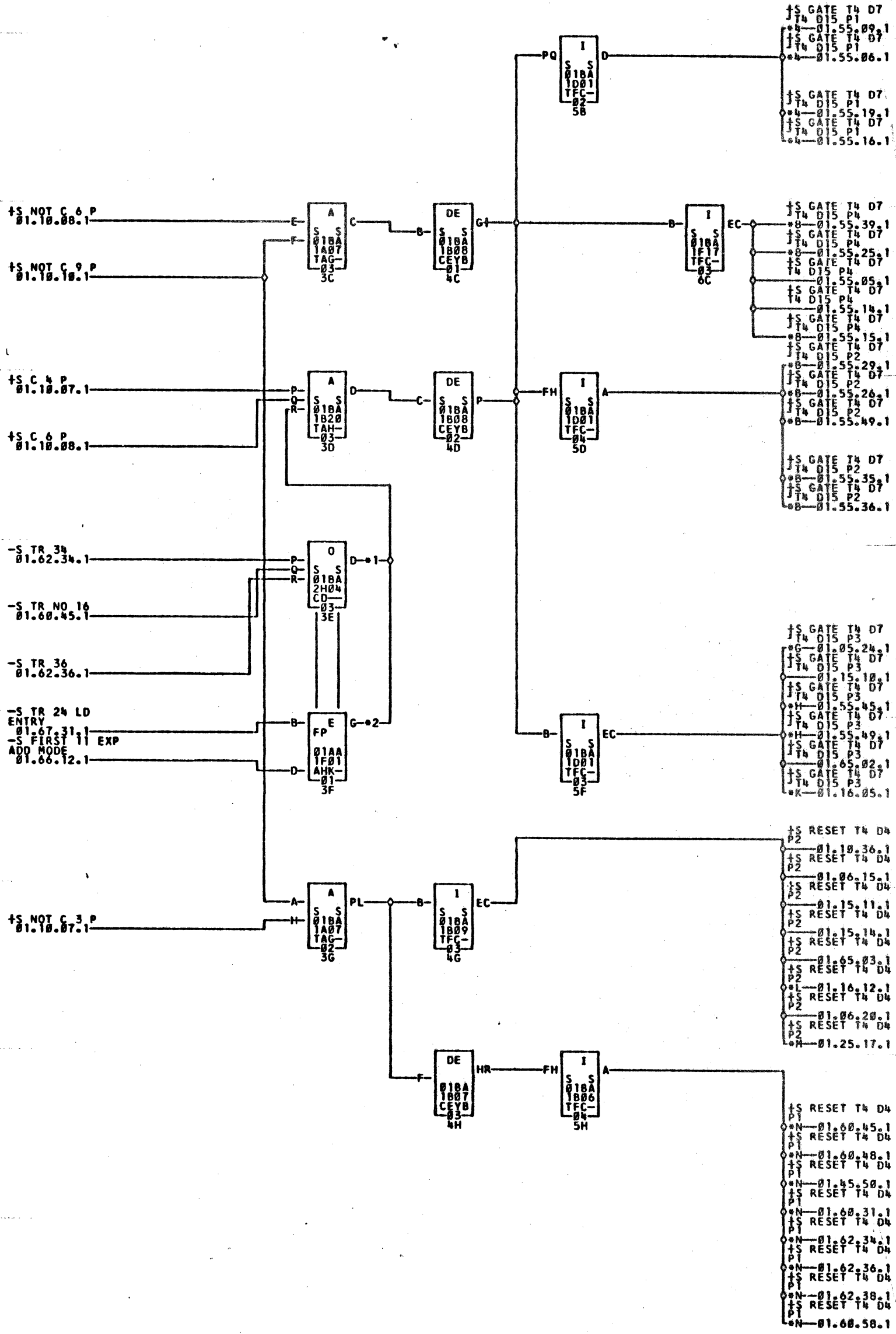
G

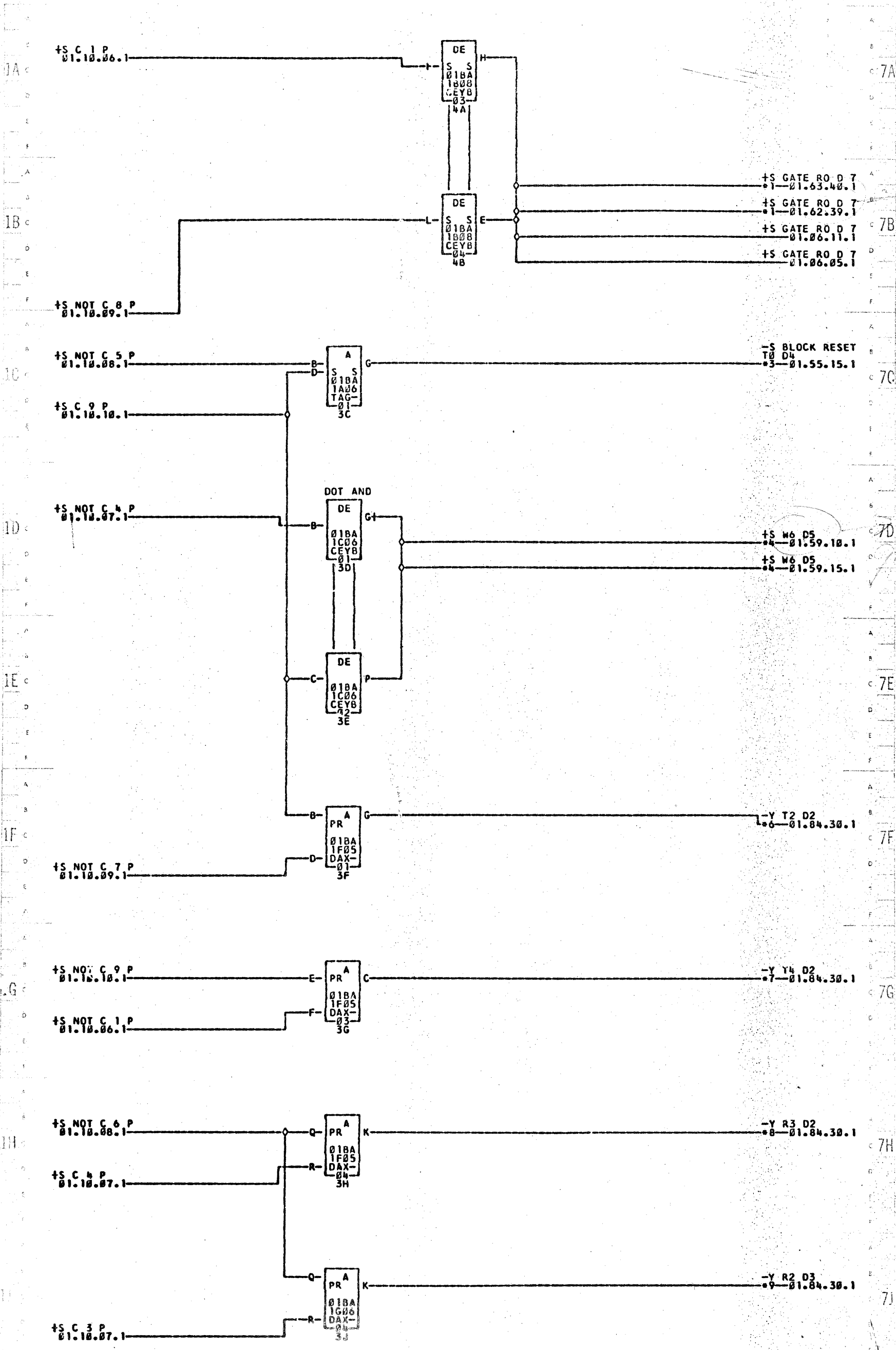
H

H

J

J





\*1-01B1Y09C  
 \*6-01B1X17  
 \*9-01B1X32

01B2Y09C  
 01DWD17  
 01DWD32

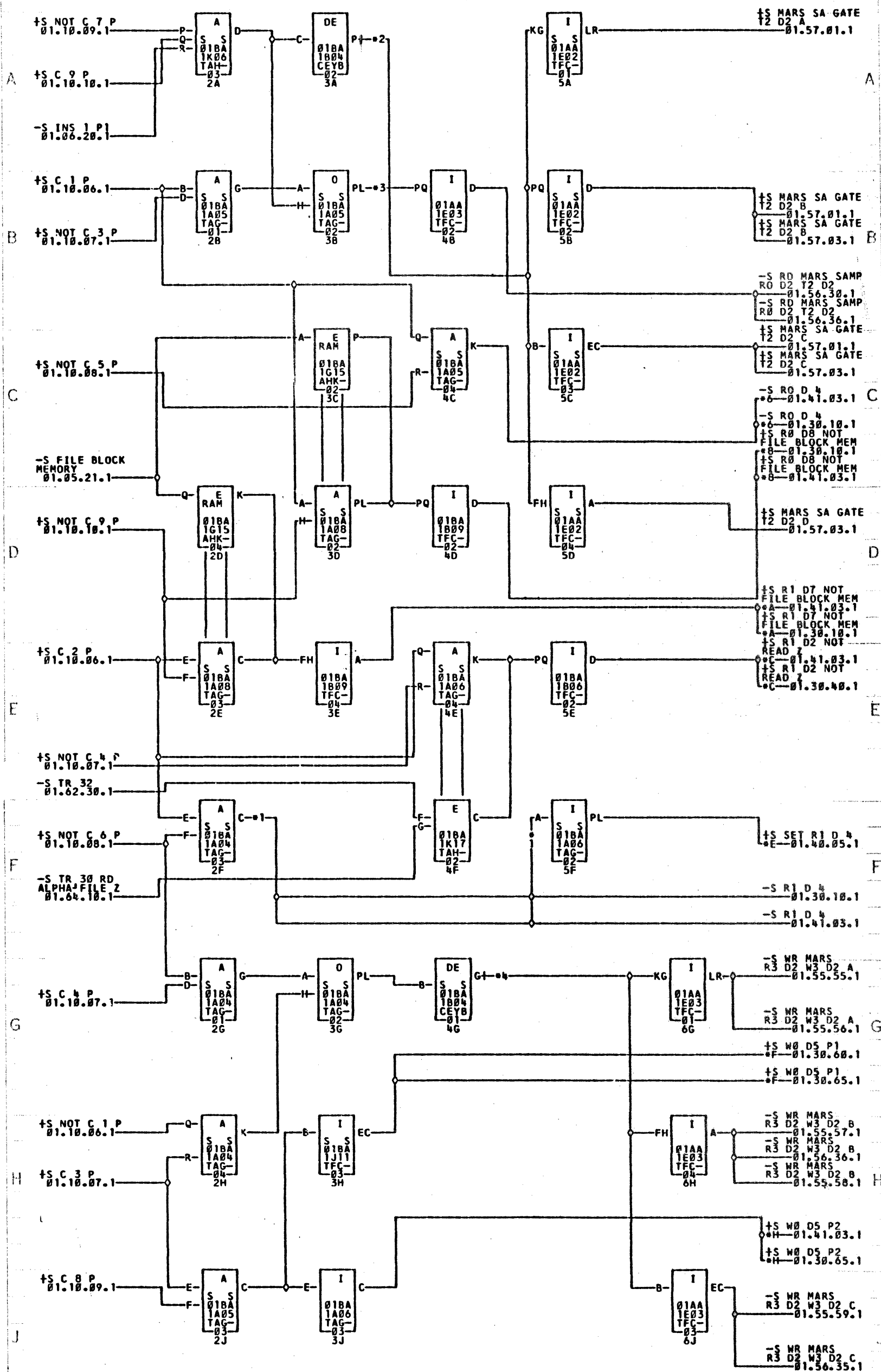
\*5-01B1W08  
 \*7-01B1X19

01A0D08  
 01A0D19

\*4-01B1Y10C  
 \*8-01B1X20

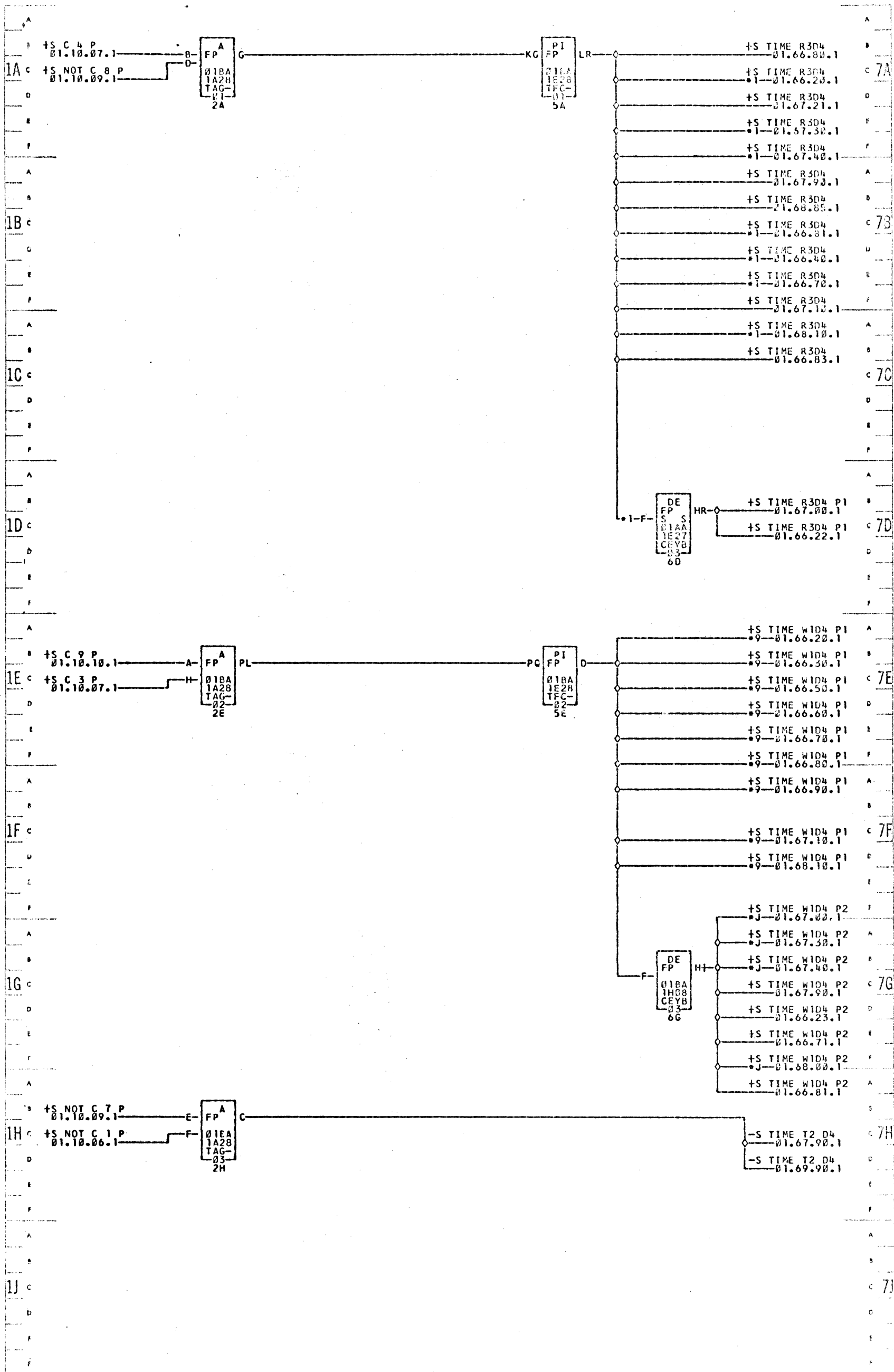
01B2Y10C  
 01DWD20





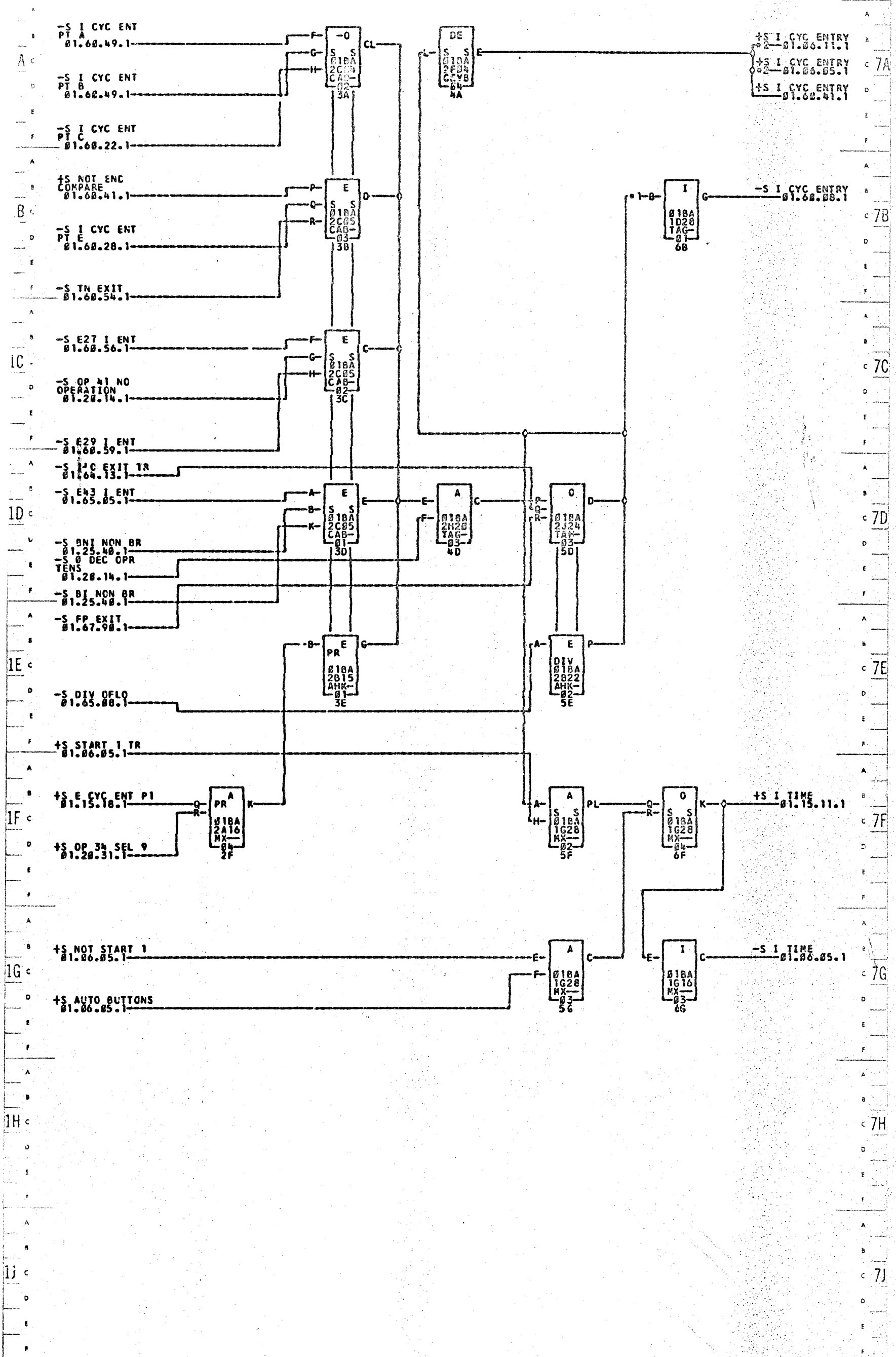
- \*1-01BWB02
- \*2-01BWB01
- \*3-01BWB02
- \*4-01BWB07
- \*C-01BWB32
- \*E-01BWB05
- \*A-01BWB06
- \*H-01BWB03
- \*0-01AWB01
- \*1-01AWB01
- \*2-01AWB02
- \*3-01AWB02
- \*4-01AWB07
- \*5-01AWB07
- \*6-01AWB07
- \*7-01AWB07
- \*8-01AWB07
- \*9-01AWB07
- \*10-01AWB07
- \*11-01AWB07
- \*12-01AWB07
- \*13-01AWB07
- \*14-01AWB07

E.C. 404711      COMMENTS      TAG DATE    D.A.NO.    TAG DATE    D.A.NO.    TAG DATE    D.A.NO.    TAG DATE    D.A.NO.



\*1--01BWE23    ——— 01AWE23    ..... 01BWE22    -.-.- 01AWE22    - - - - 01BWK29    - - - - - 01AWK29





\*1-01B22260      01B12268      \*2-01B2Y120      01B1Y128

7A

7B

7C

7D

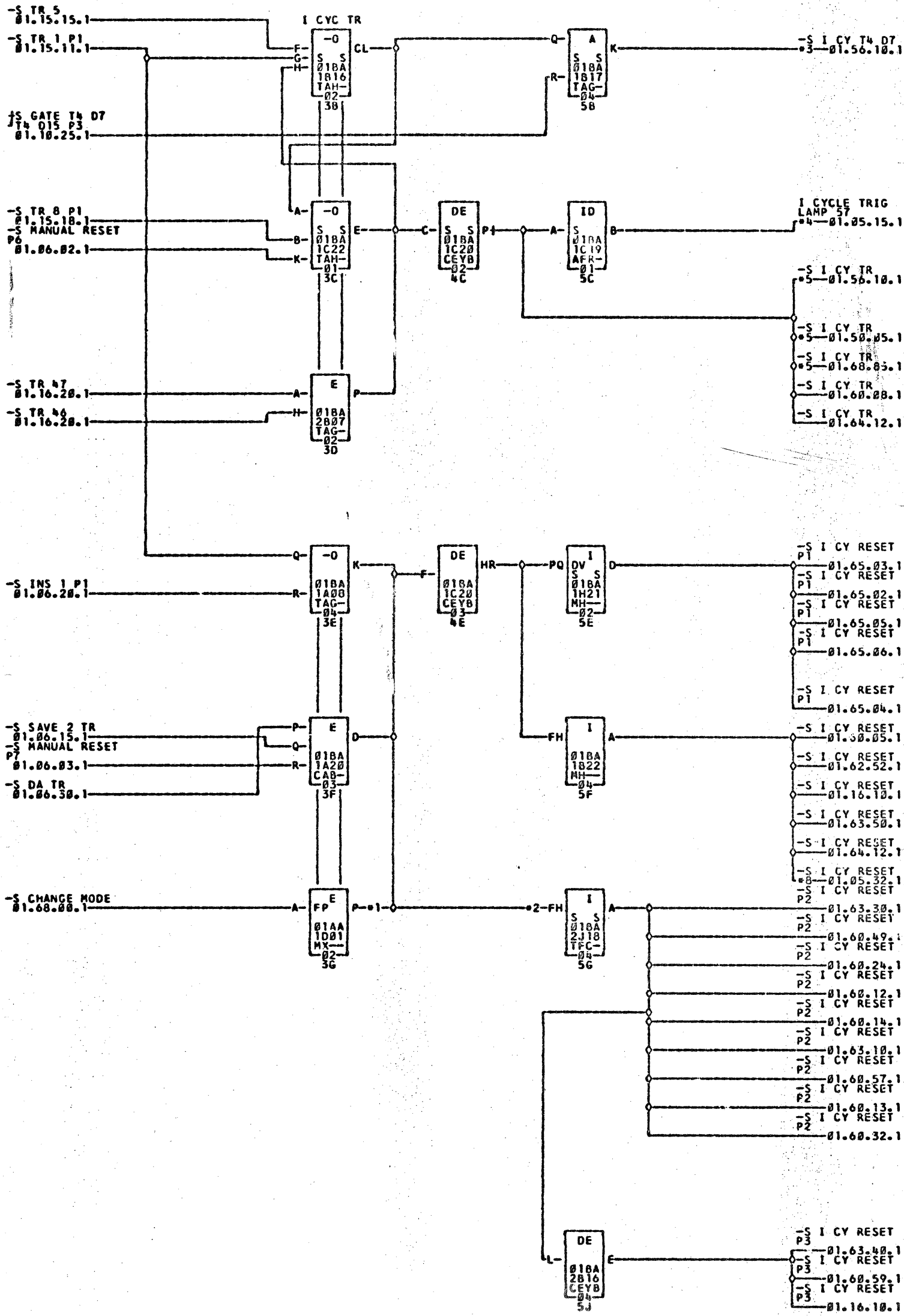
7E

7F

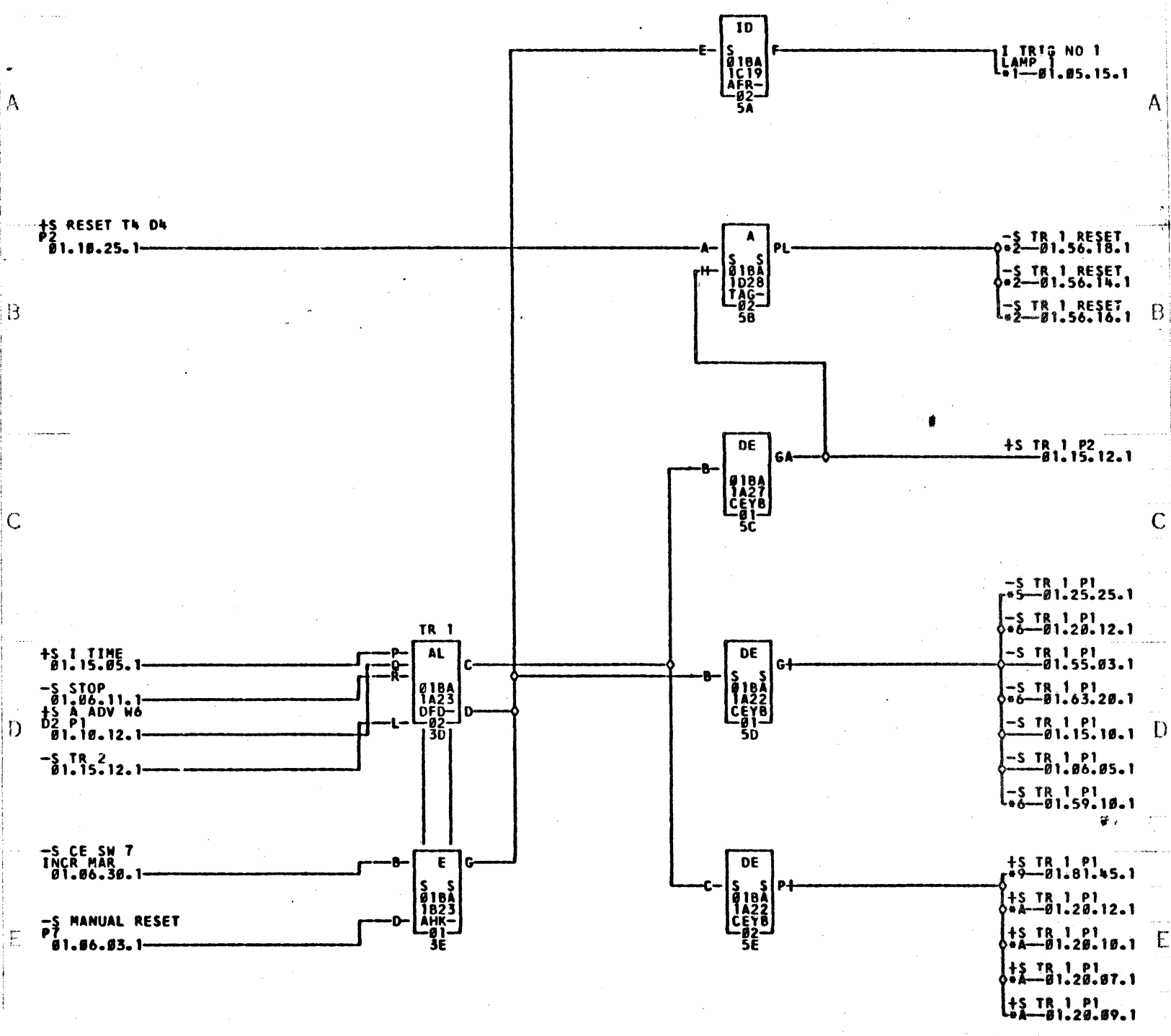
7G

7H

7J



\*1--01AHC05      \*5--01B1Y18D      \*2--01B1Y18D      \*3--01B1Y16A  
 \*4--01BXE09      \*6--01B2Y16A  
 \*7--01D3803N      \*8--01B2Y16A



\*1-018XE10      \*2-0181Y20B      ———0182Y20B      \*5-018YJ18      ———01820018      \*6-0181Y21D  
 ———0182Y21D      \*6-018XH05      ———018W005      \*A-0181Y25D      ———0182Y25D

A

A

B

B

C

C

D

D

E

E

F

F

G

G

H

H

J

J

+S SET R5 D 6  
01.10.22.1

+S TR 1 P2  
01.15.11.1  
+S B ADV W6  
02 P2  
01.10.12.1  
-S TR 3  
01.15.13.1

-S MANUAL RESET  
01.06.03.1

-S TR 2 SET  
01.50.19.1  
-S TR 2 SET  
01.50.17.1  
-S TR 2 SET  
01.55.01.1

+S TR 2  
01.15.13.1

-S TR 2  
01.15.11.1  
-S TR 2  
03-01.50.05.1  
-S TR 2  
01.55.03.1  
-S TR 2  
01.25.35.1

I TRIG NO 2  
LAMP 39  
04-01.05.15.1

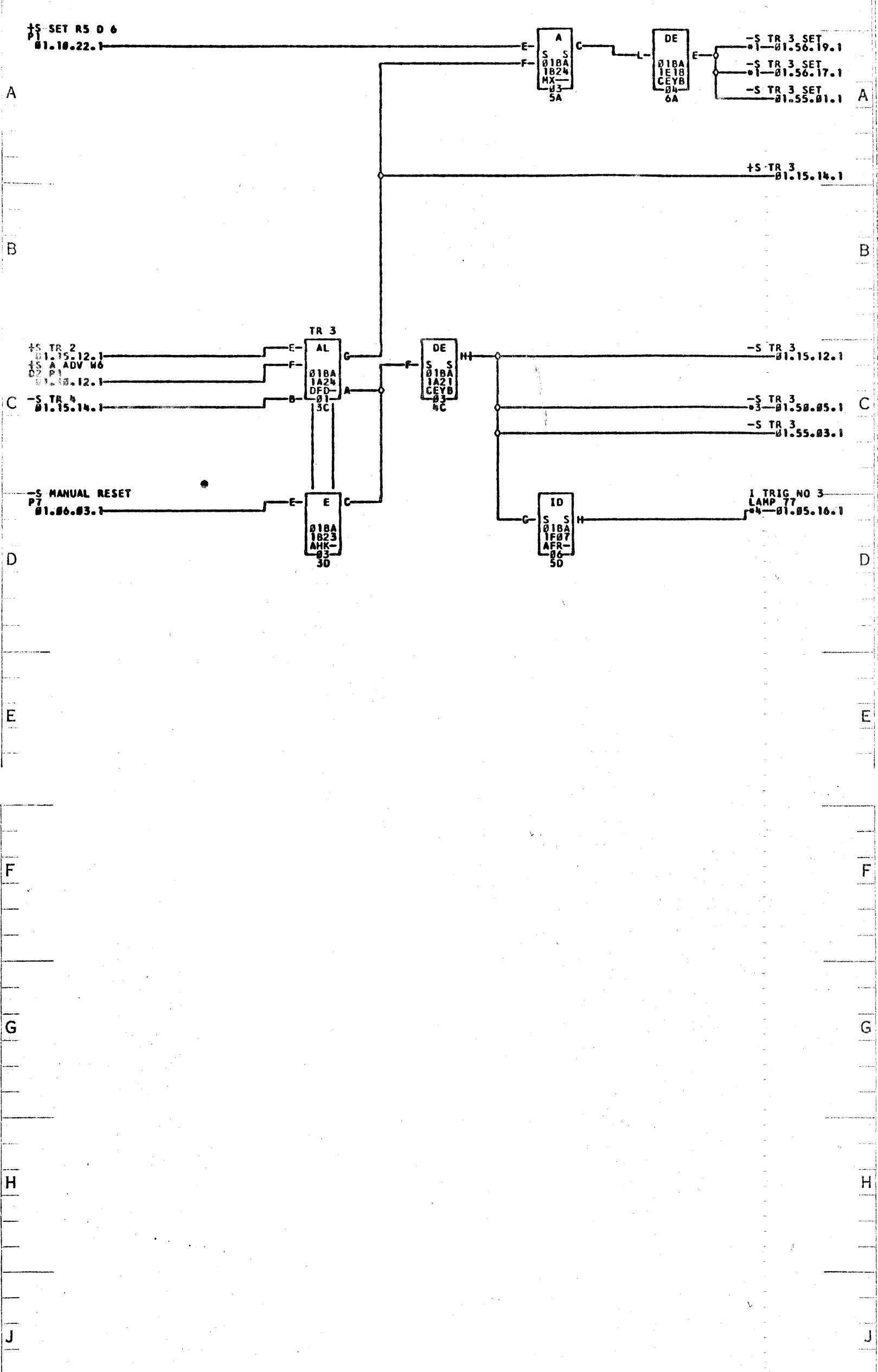


01-0101Y27D 0102Y27D 03-0101Y19D 0102Y19D 04-010XE11

COMMENTS

TAG DATE D.A.NO. TAG DATE D.A.NO. TAG DATE D.A.NO. TAG DATE D.A.NO.

A 01-23-62 0F00000

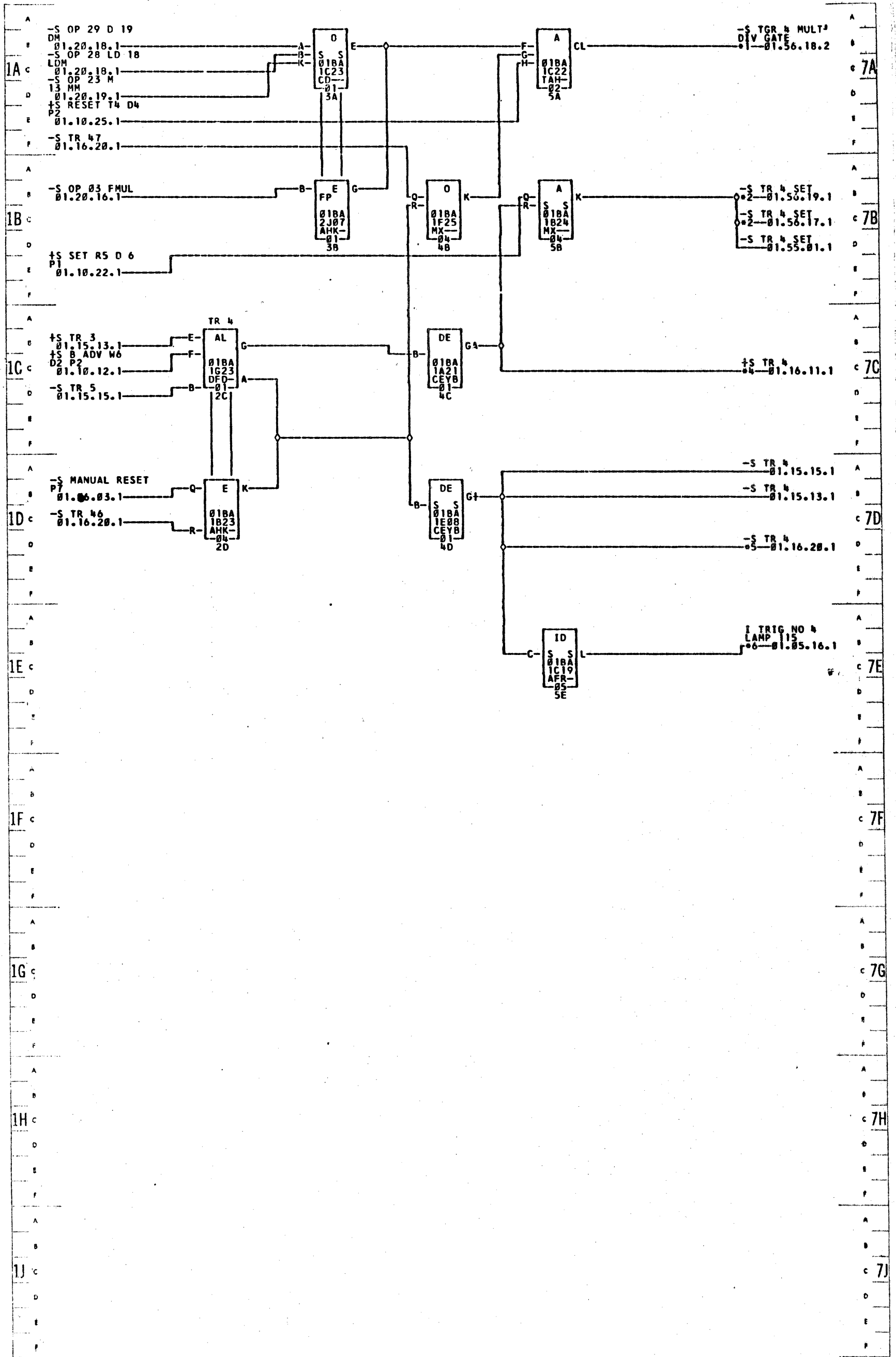


01-01B1Y28D    01B2Y28D    03-01B1Y14A    01B2Y14A    04-01B1XE12

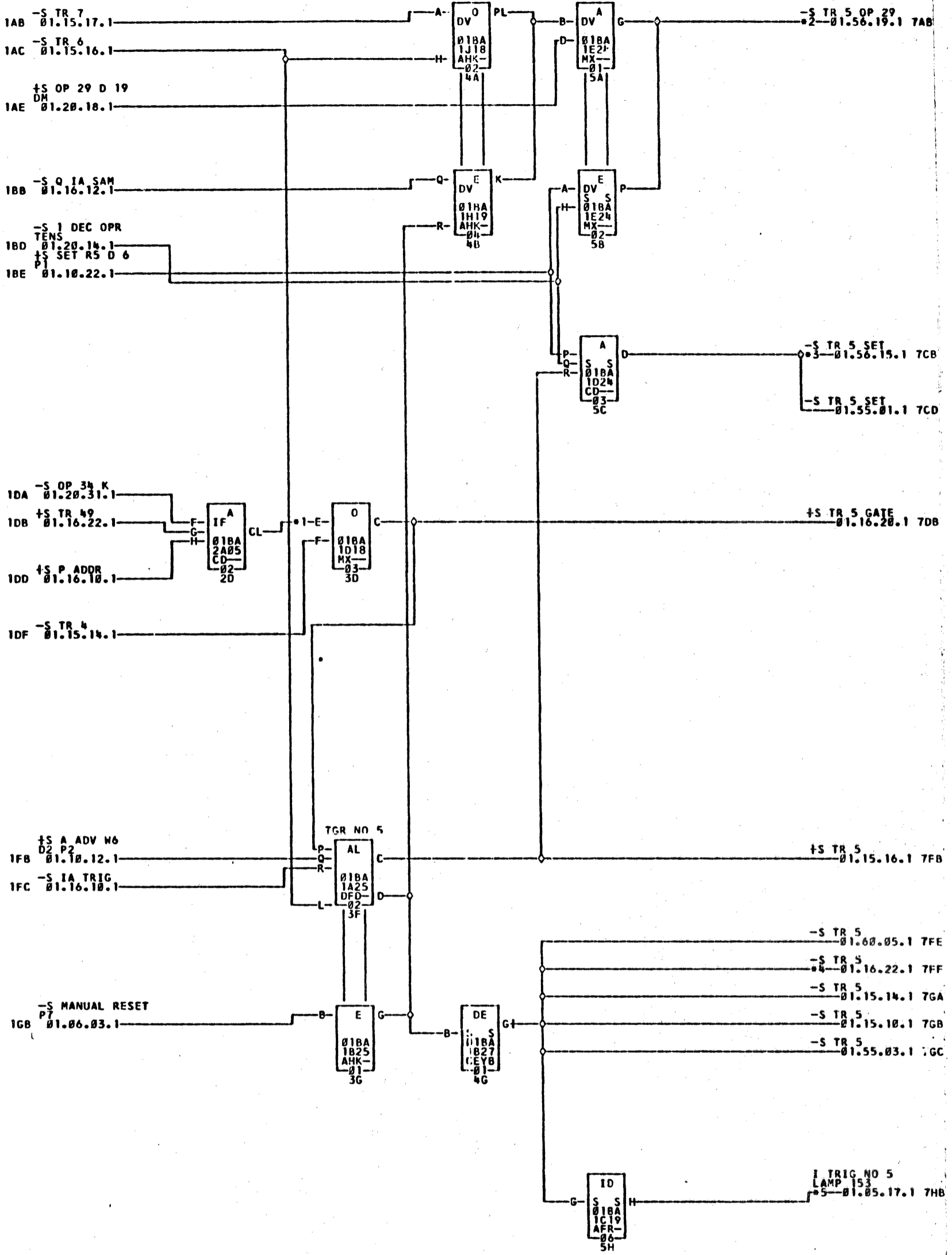
COMMENTS    TAG DATE    D.A.NO.    TAG DATE    D.A.NO.    TAG DATE    D.A.NO.    TAG DATE    D.A.NO.

A 01-23-62    BF00000





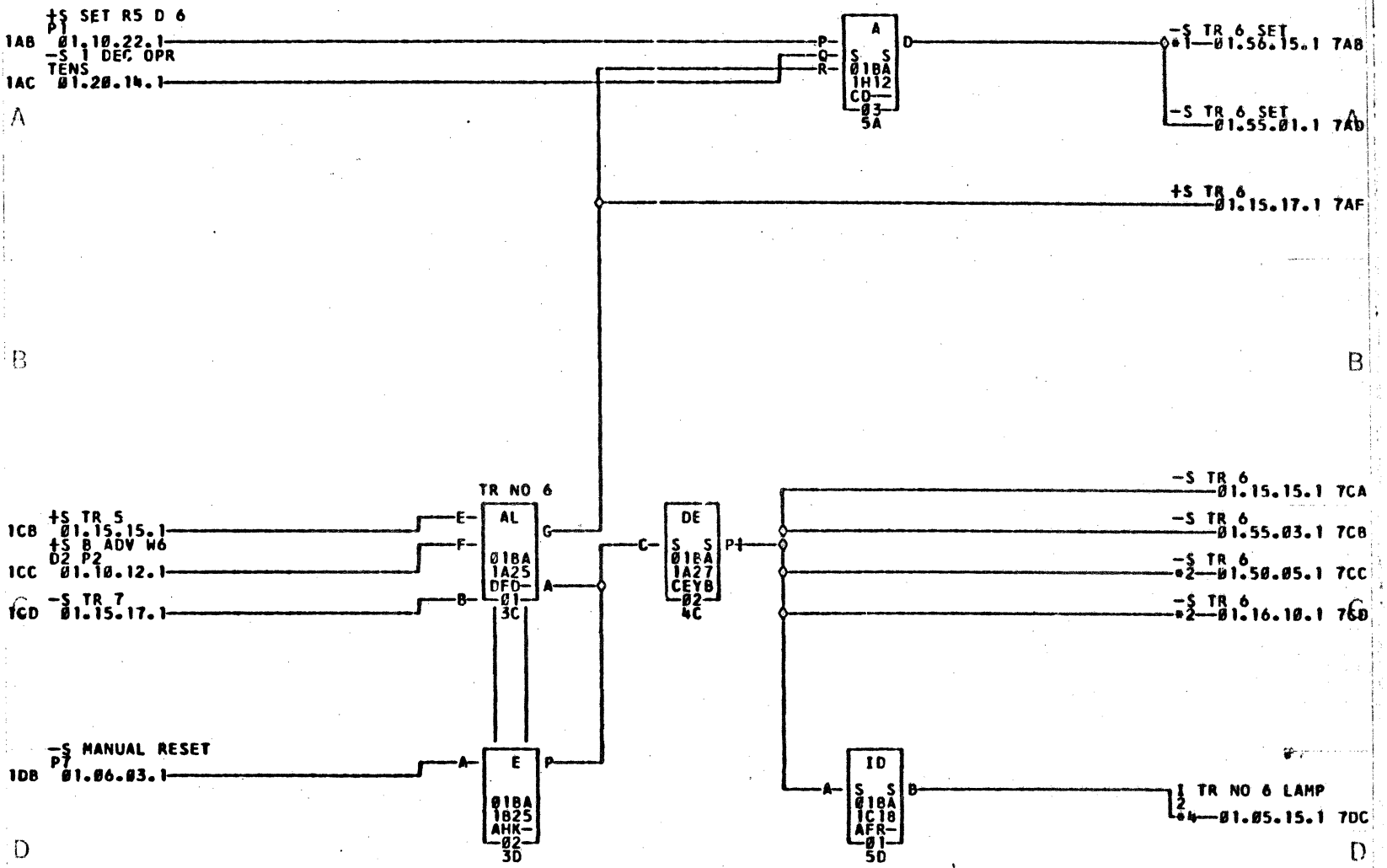
\*1--01B1Y05A      ———— 01B2Y05A      \*2--01B1Y11A      ———— 01B2Y11A      \*4--01B1Y12A      ———— 01B2Y12A  
 \*5--01B1Y13A      ———— 01B2Y13A      \*6--01B1X13      ————



\*1-0182Y07A    0181Y07A    \*2-0181Y23A    1182Y23A    \*3-0181Y20A    0182Y20A  
 \*4-0181Y21A    0182Y21A    \*5-0181X14

E. C. 484711    COMMENTS

TAG DATE	D.A.NO.	TAG DATE	D.A.NO.	TAG DATE	D.A.NO.	TAG DATE	D.A.NO.
A 05-18-62	0E05RH2						



A

B

D

E

F

G

H

J

B

D

E

F

G

H

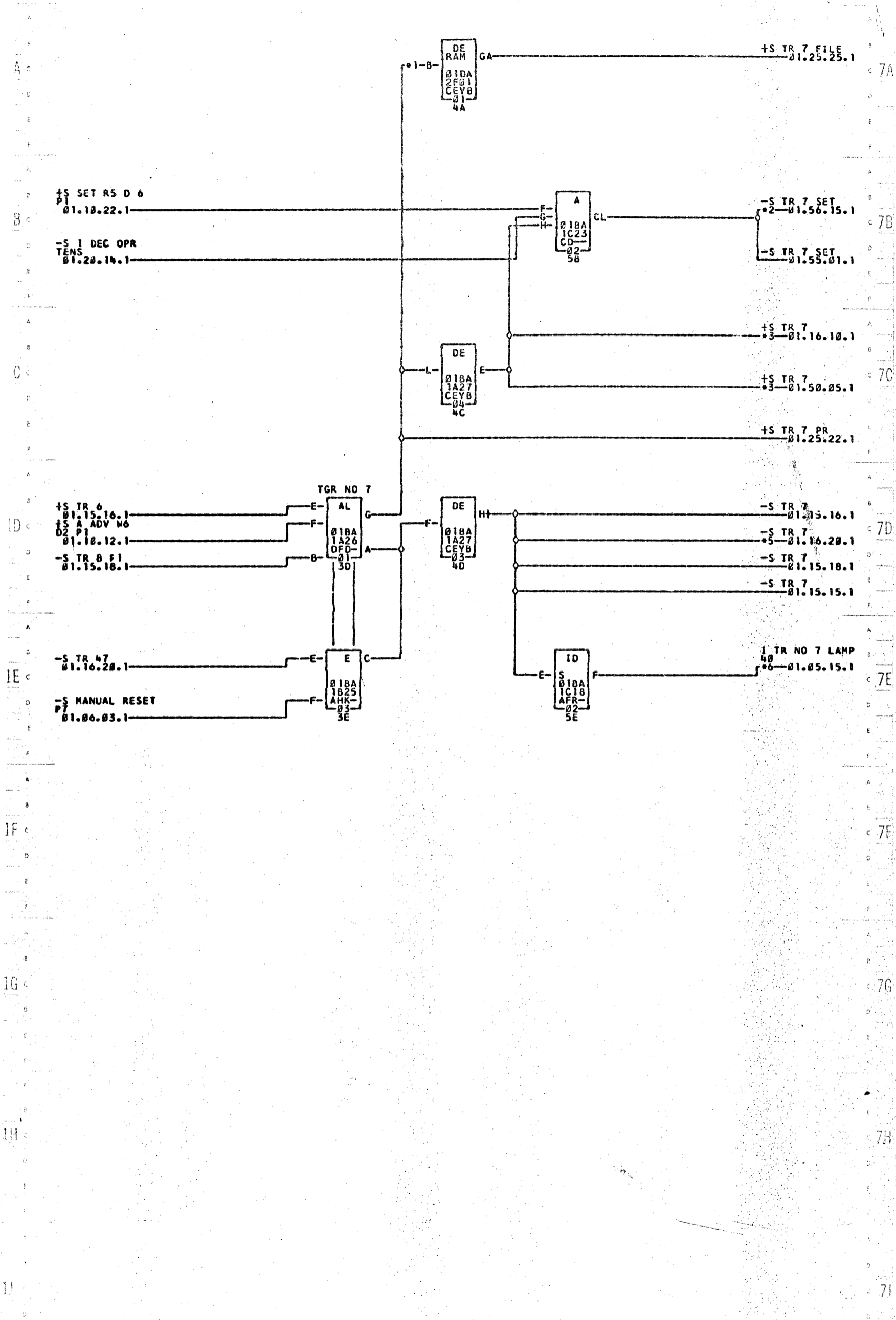
J

\*1—01B1Y28C    ———— 01B2Y28C    \*2—01B1Y09A    ———— 01B2Y09A    \*4—01BXE15

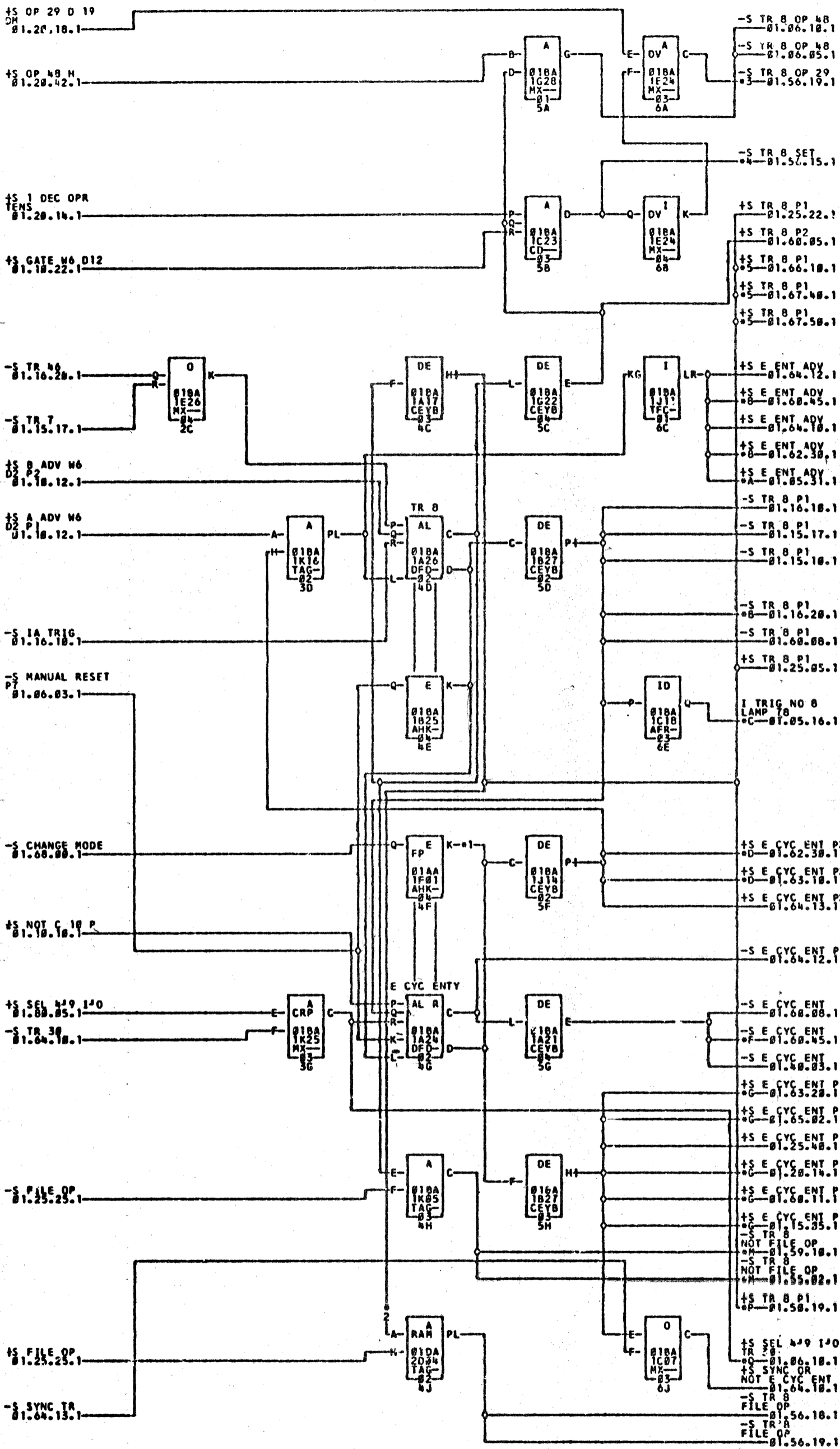
E. C. 404711

COMMENTS

TAG	DATE	D.A.NO.	TAG	DATE	D.A.NO.	TAG	DATE	D.A.NO.	TAG	DATE	D.A.NO.
A	05-17-62	BEE5RM2									



\*1--018VJ02      01D2A018      \*2--018VY10A      01S2Y10A      \*3--018VY26C      01B2Y26C  
 \*5--018VY20D      01B2Y20D      \*4--018XE16

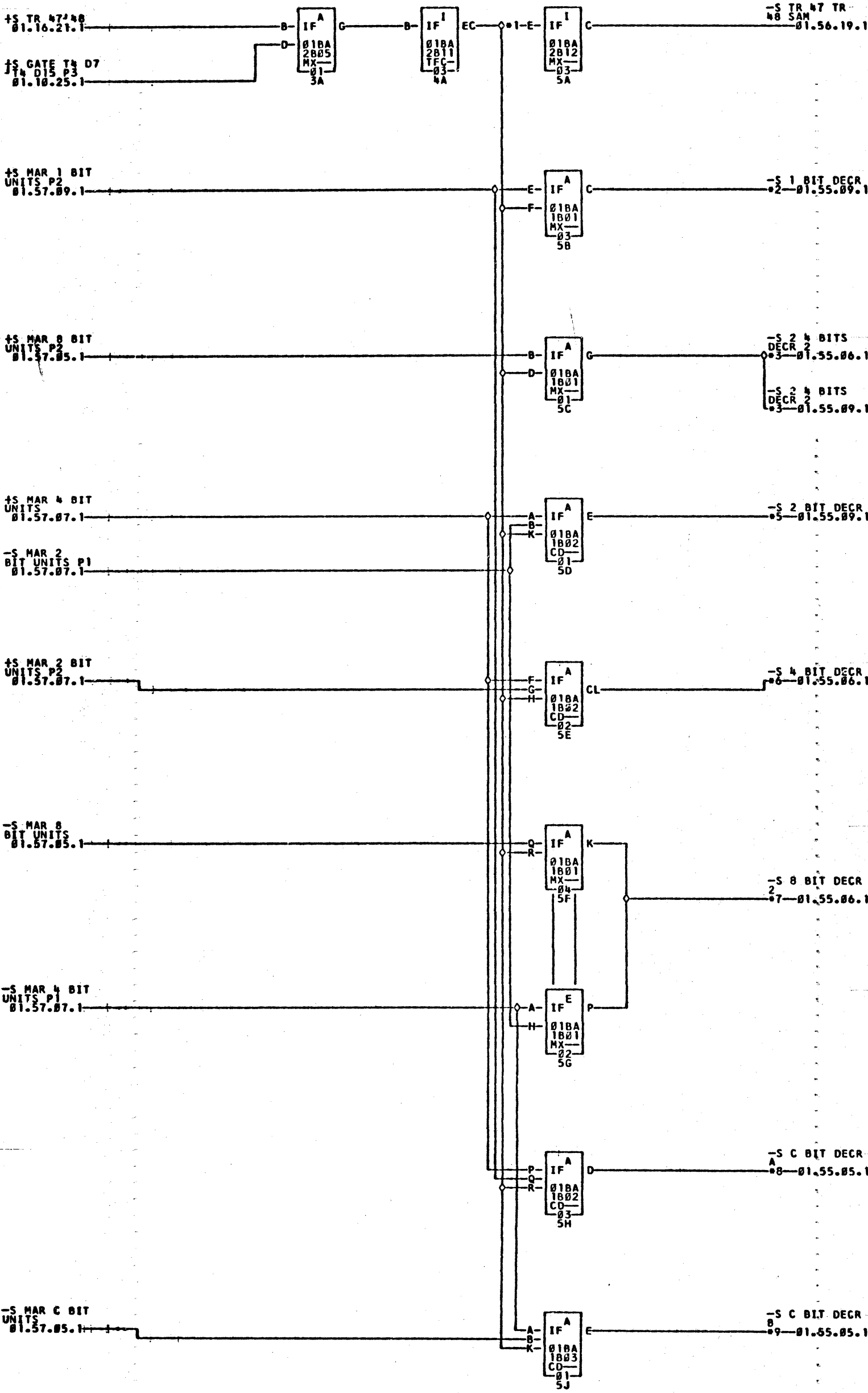


- |                |                |                |                |                |                |
|----------------|----------------|----------------|----------------|----------------|----------------|
| • 1 - 01BWE02  | • 1 - 01AWE02  | • 2 - 01BVE03  | • 1 - 01AWE03  | • 5 - 01AVJ02  | • 1 - 01D2A02B |
| • 3 - 01BY11C  | • 3 - 01B2Y11C | • 4 - 01BY12C  | • 2 - 01B2Y12C | • 6 - 01BWE03  | • 1 - 01AWE03  |
| • 6 - 01BY13C  | • 1 - 01B2Y13C | • A - 01BVB01  | • 1 - 01D3A02A | • 7 - 01BY14C  | • 1 - 01B2Y14C |
| • C - 01BXE17  | • D - 01B2Y17C | • 1 - 01B2Y17C | • F - 01BY16C  | • 8 - 01B2Y14C | • G - 01BY15C  |
| • 1 - 01B2Y15C | • M - 01BY103D | • 1 - 01B2Y03D | • P - 01BWE03  | • 9 - 01AWE03  | • 1 - 01AVJ02  |
| • 1 - 01D2A02B | • 1 - 01D2004A | • 1 - 01D2A03E | • 1 - 01D3A03E | • Q - 01BXJ08  | • 1 - 01DXA08  |

E. C. 412517

COMMENTS

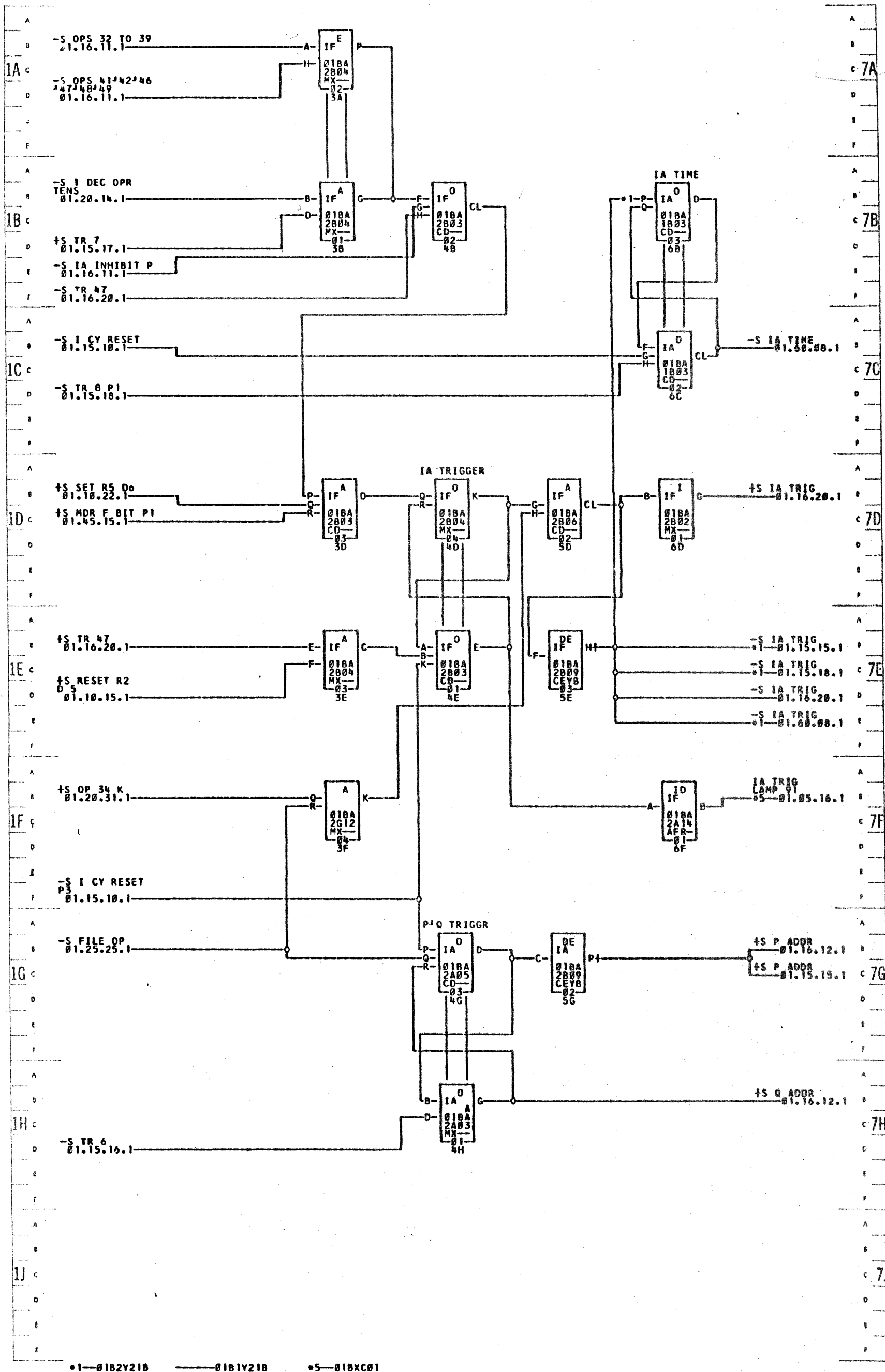
TAG DATE	D.A.NO.	TAG DATE	D.A.NO.	TAG DATE	D.A.NO.	TAG DATE	D.A.NO.
A 10-16-66	0F01PFO						



- 1-01B2Y06A      = 01B1Y06A      •2-01BWB14      = 01AWB14      •3-01BWB26      = 01AWB26
- 5-01BWB21      = 01AWB21      •6-01BWB22      = 01AWB22      •7-01BWB23      = 01AWB23
- 8-01BWB24      = 01AWB24      •9-01BWB25      = 01AWB25

COMMENTS      TAG DATE D.A.NO.      TAG DATE D.A.NO.      TAG DATE D.A.NO.      TAG DATE D.A.NO.

A 03-13-62 DF06000



A

A

B

B

C

C

D

D

E

E

F

F

G

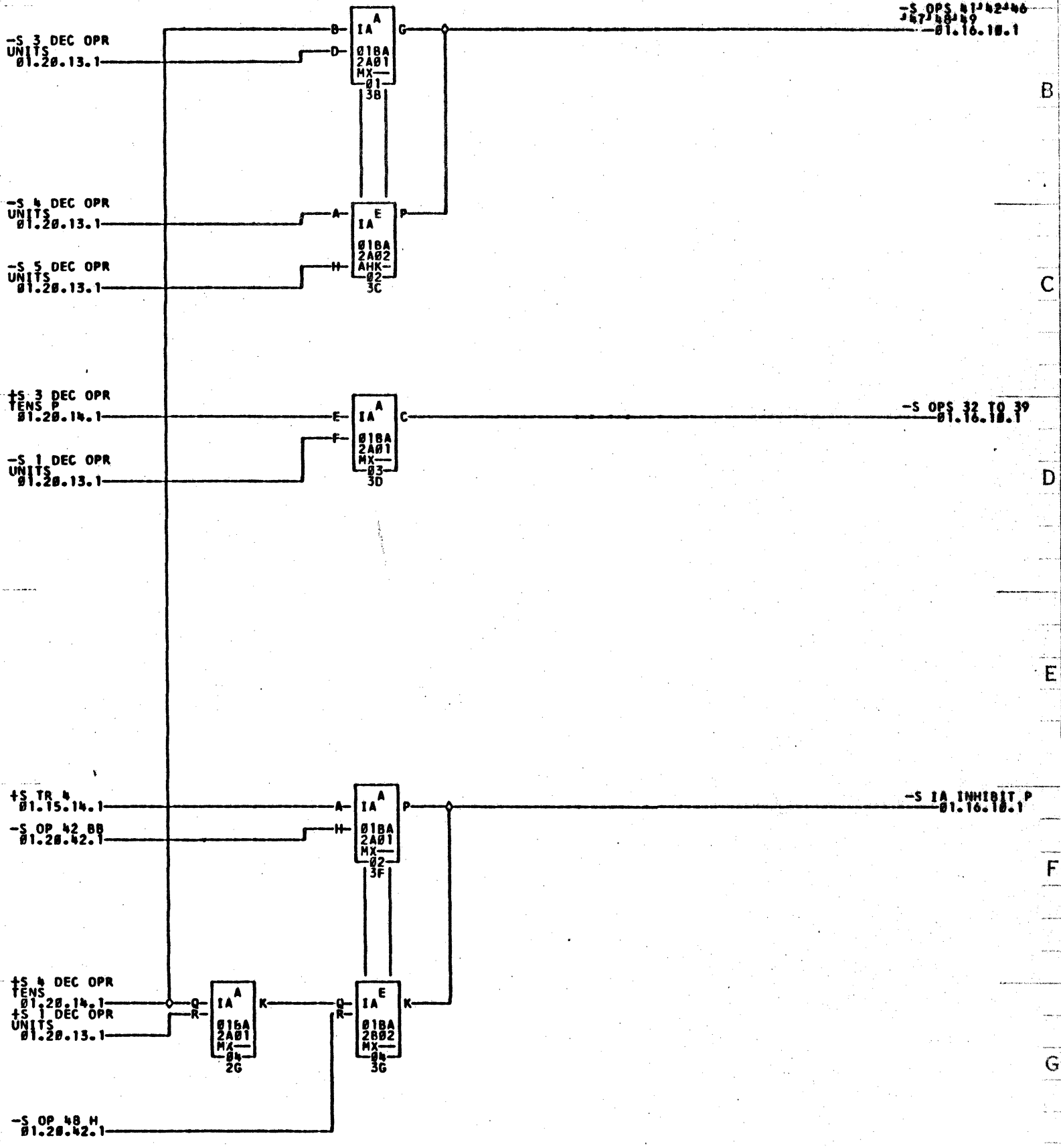
G

H

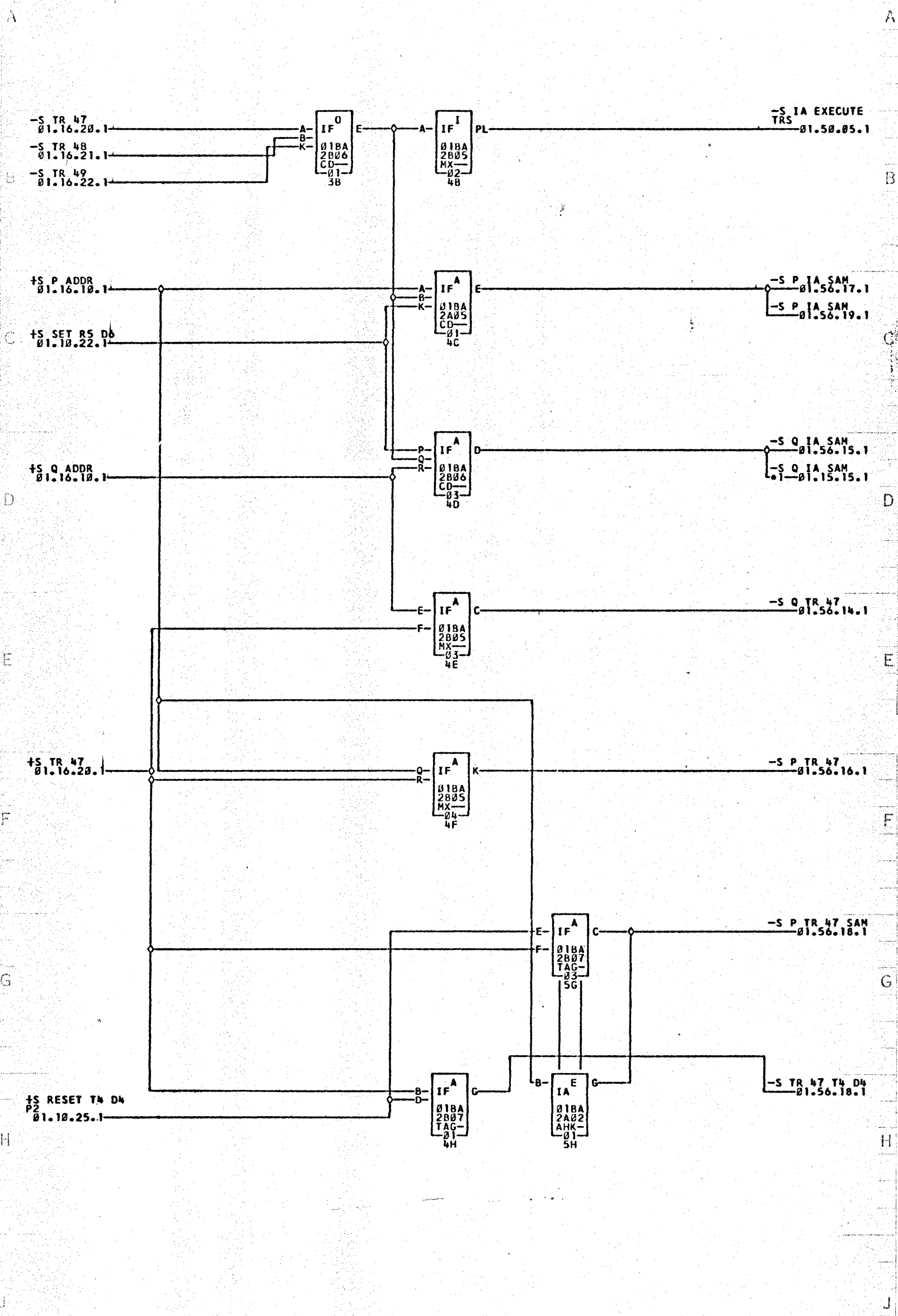
H

J

J







• 1—01B2Z04A      ——— 01B1Z04A

COMMENTS

TAG	DATE	D.A.NO.	TAG	DATE	D.A.NO.	TAG	DATE	D.A.NO.	TAG	DATE	D.A.NO.
A	03-07-62	0F04000									

A

A

B

B

C

C

D

D

E

E

F

F

G

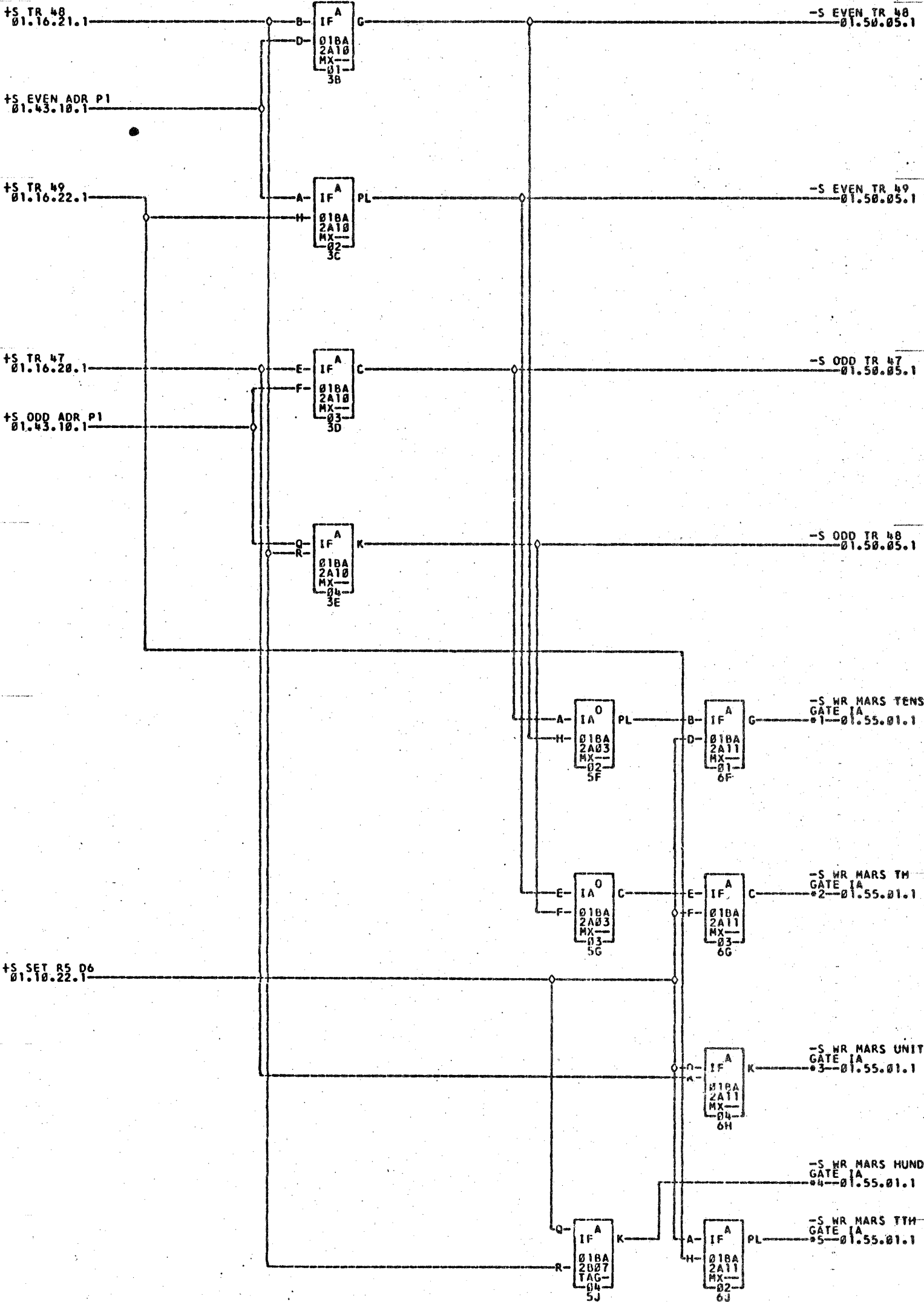
G

H

H

J

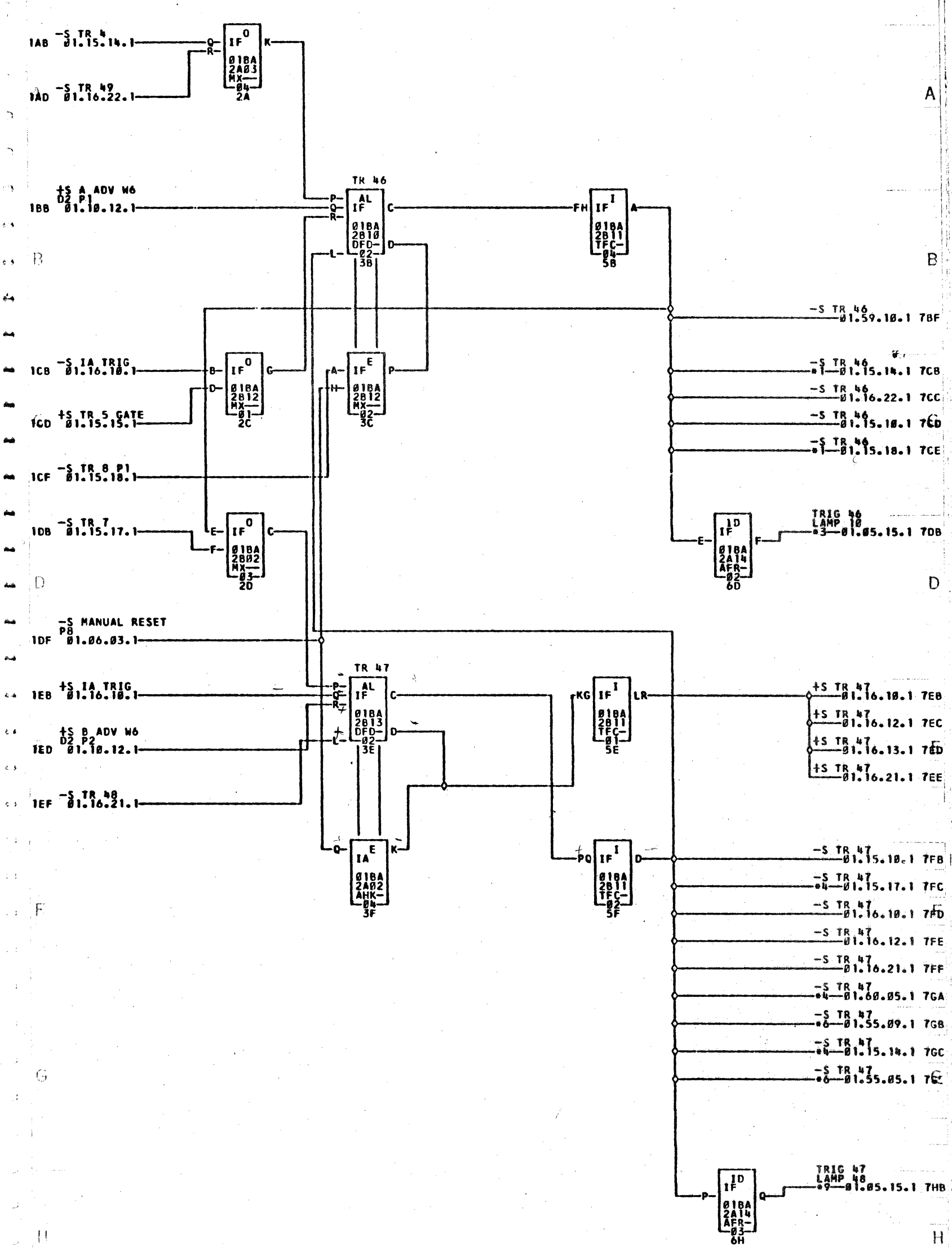
J



\*1---01B2Y22B    ---01B1Y22B    \*2---01B2Y23B    ---01B1Y23B    \*3---01B2Y24B    ---01B1Y24B  
 \*4---01B2Y25B    ---01B1Y25B    \*5---01B2Y26B    ---01B1Y26B

COMMENTS

TAG	DATE	D.A.NO.	TAG	DATE	D.A.NO.	TAG	DATE	D.A.NO.	TAG	DATE	D.A.NO.
A	08-30-61	0E05000									

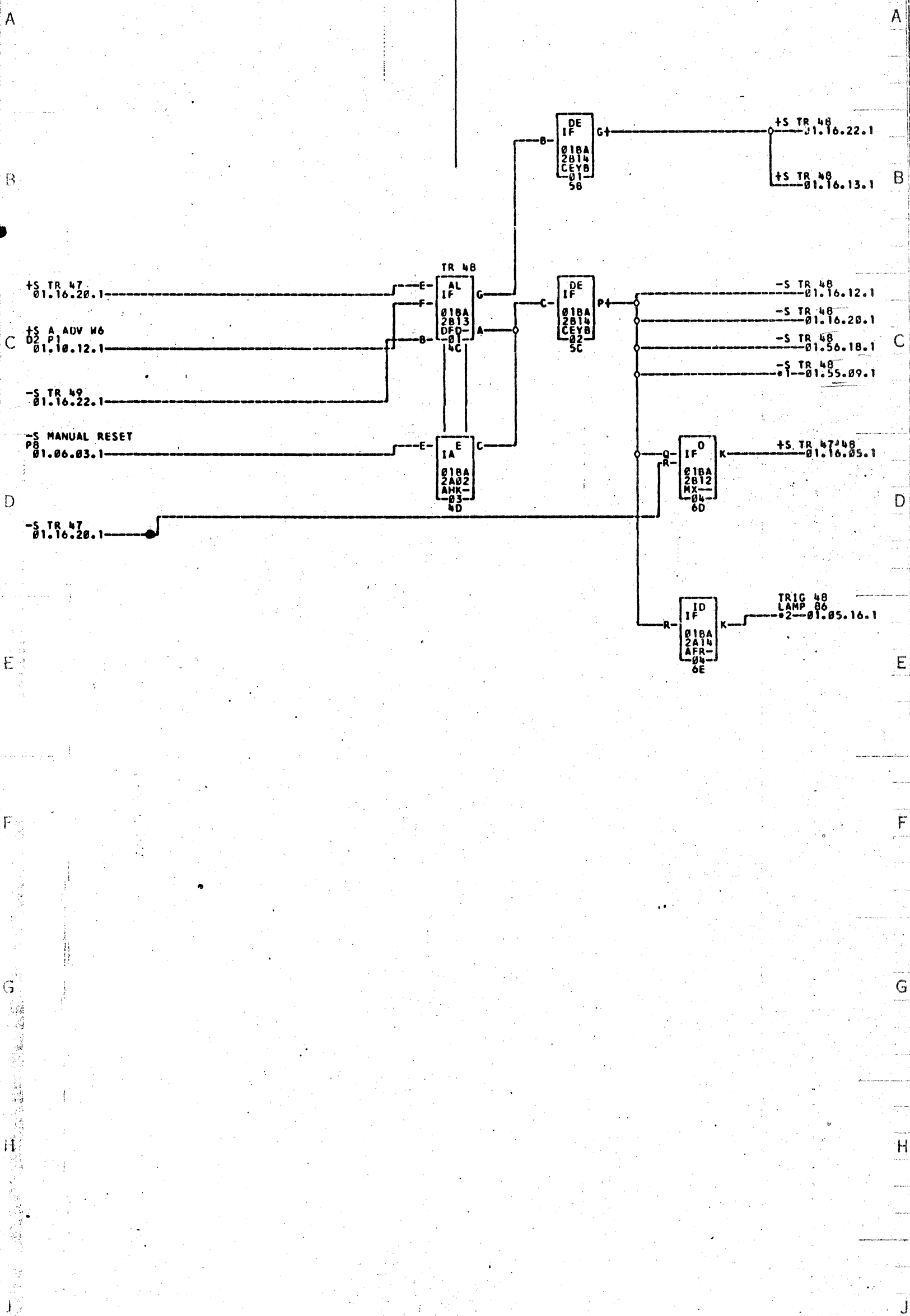


- \*1-01B2Y19A  
01A8B13
- \*9-01B1Y18A  
01BXC03
- \*3-01BXC02
- \*4-01B2Y17A
- 01B1Y17A
- \*6-01BWB13

E. C. 404711

COMMENTS

TAG DATE	D.A.NO.	TAG DATE	D.A.NO.	TAG DATE	D.A.NO.	TAG DATE	D.A.NO.
A 05-17-62	0F06RM2						



A

B

C

D

E

F

G

H

J

A

B

C

D

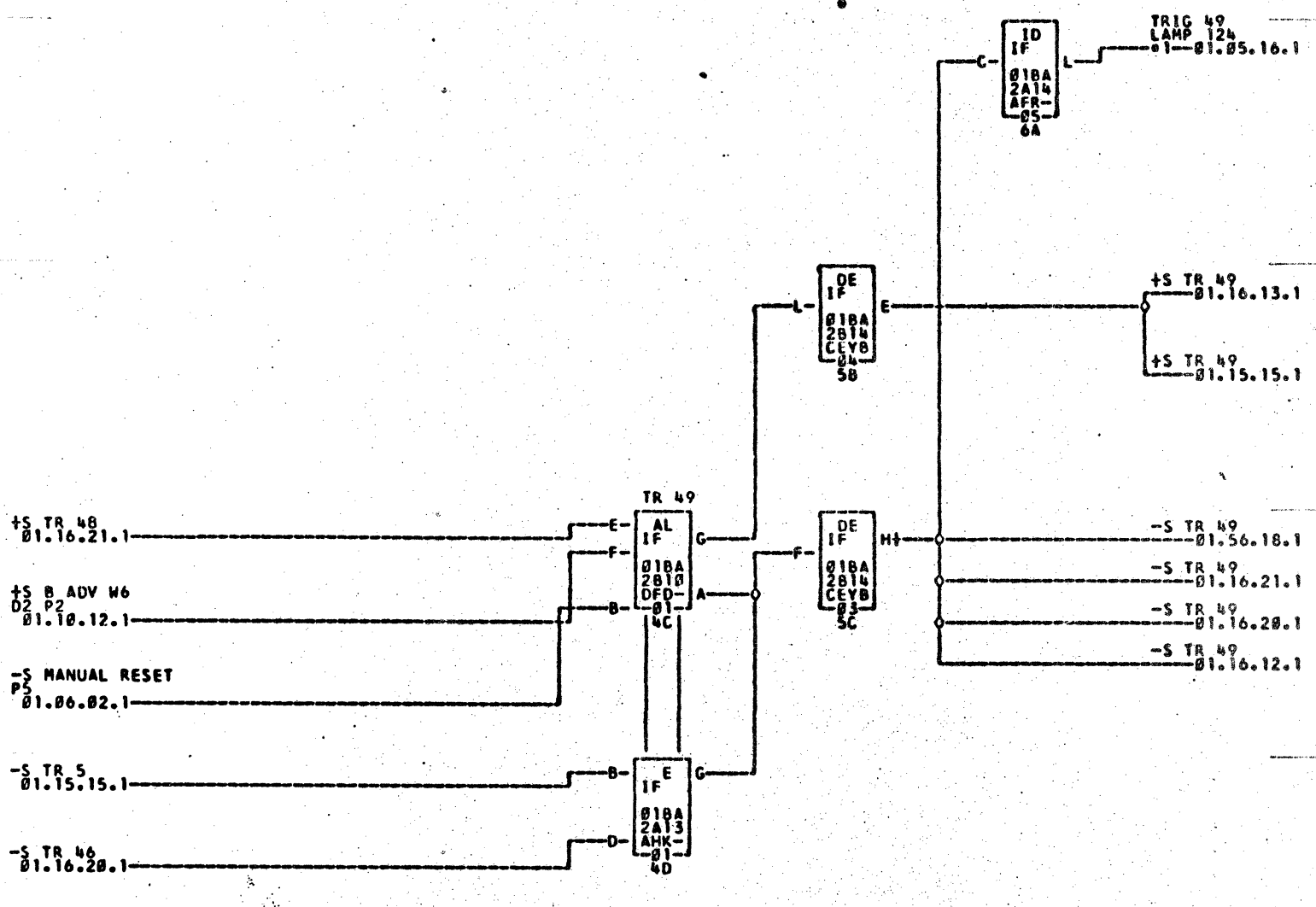
E

F

G

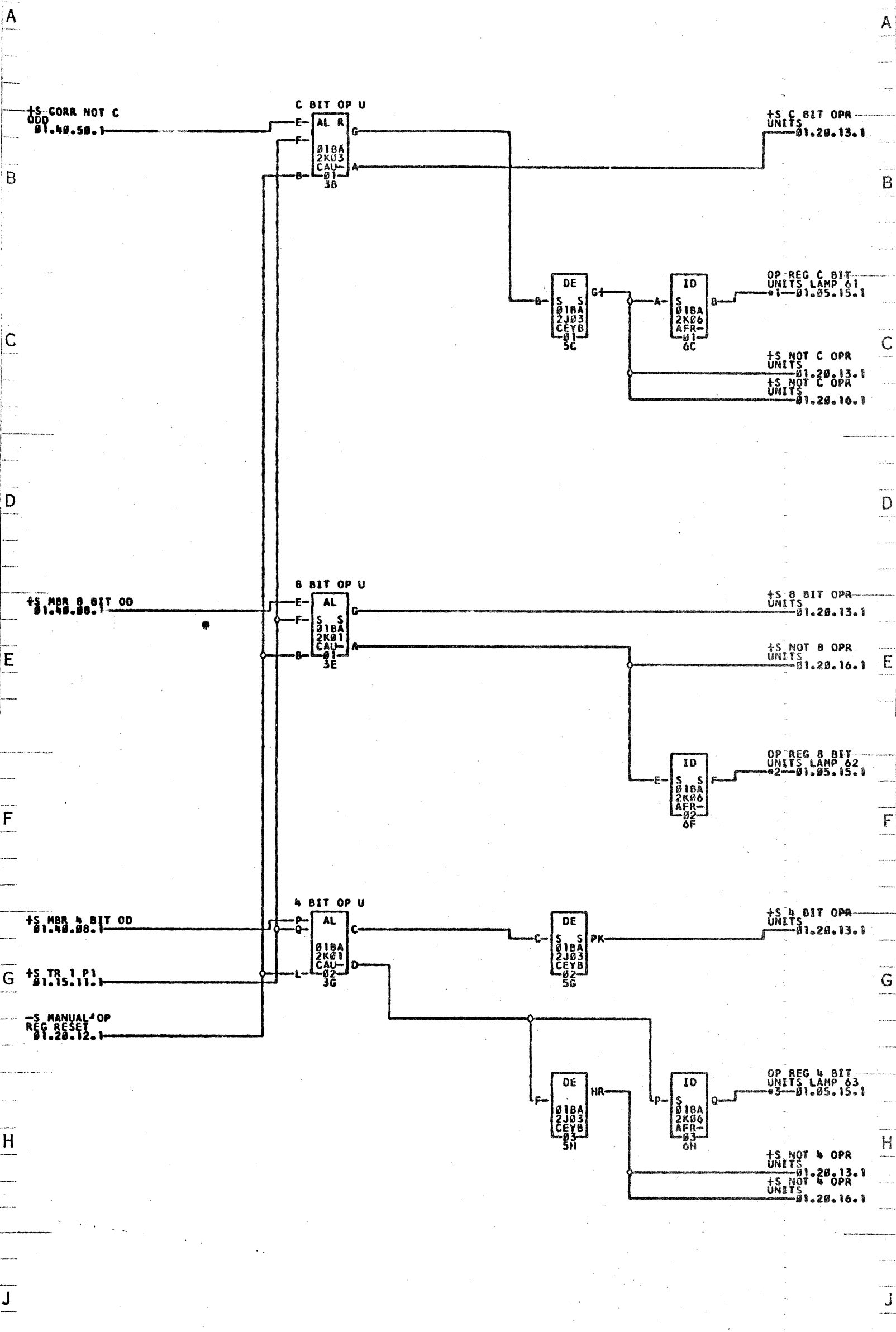
H

J



01-018XC05

COMMENTS	TAG DATE	D.A.NO.	TAG DATE	D.A.NO.	TAG DATE	D.A.NO.	TAG DATE	D.A.NO.
	A 08-30-61	8E05000						

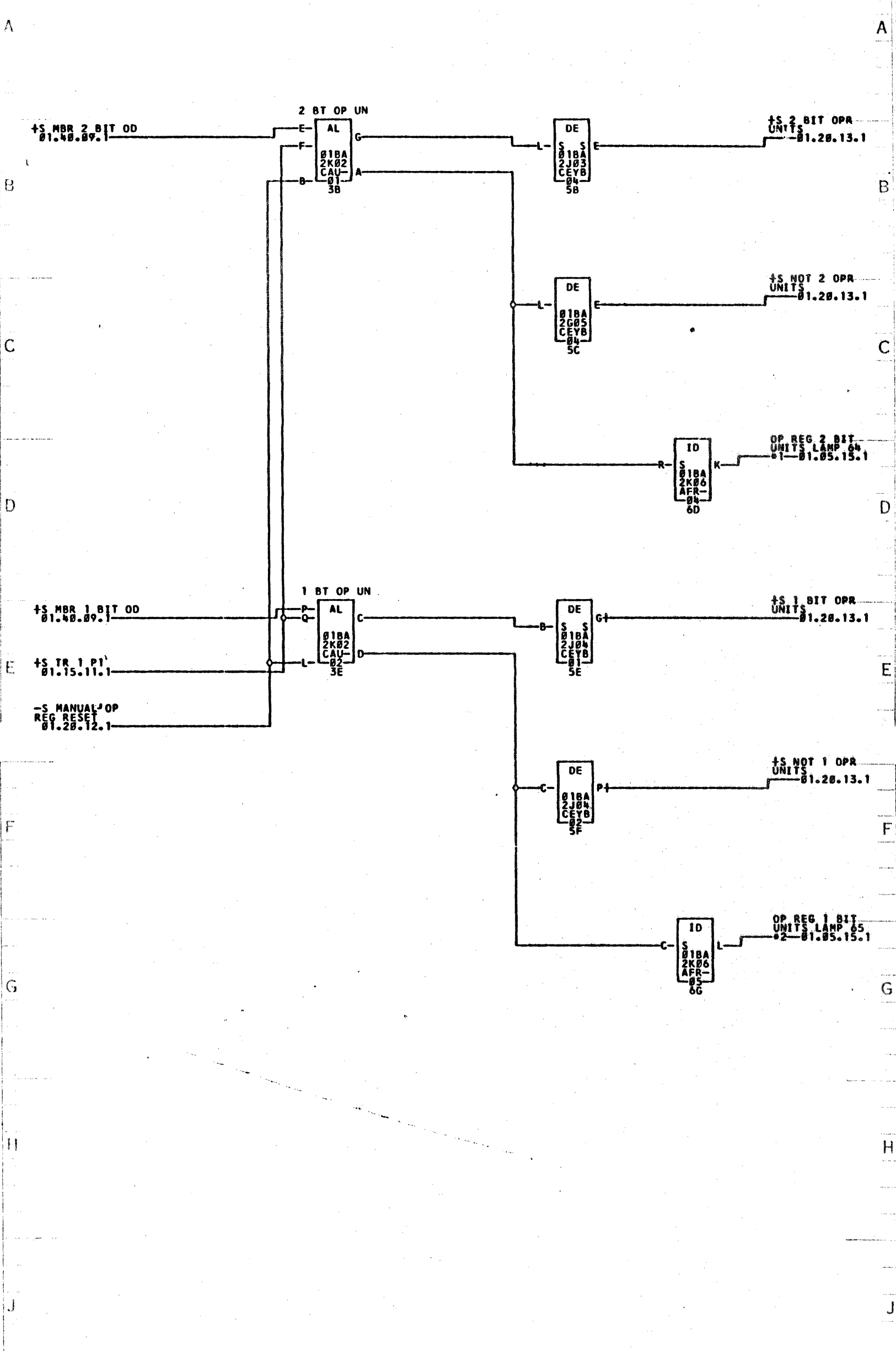


\*1-01BXG02      \*2-01BXG03      \*3-01BXG04

COMMENTS

TAG	DATE	D.A.NO.	TAG	DATE	D.A.NO.	TAG	DATE	D.A.NO.	TAG	DATE	D.A.NO.
A	01-23-62	0F00000									





+S MBR 2 BIT OD  
01.40.09.1

2 BT OP UN

+S 2 BIT OPR UNITS  
01.20.13.1

+S NOT 2 OPR UNITS  
01.20.13.1

OP REG 2 BIT UNITS LAMP 64  
01-01.05.15.1

+S MBR 1 BIT OD  
01.40.09.1

1 BT OP UN

+S 1 BIT OPR UNITS  
01.20.13.1

+S TR 1 P1  
01.15.11.1

-S MANUAL OP REG RESET  
01.20.12.1

+S NOT 1 OPR UNITS  
01.20.13.1

OP REG 1 BIT UNITS LAMP 65  
02-01.05.15.1

\*1--018XG05

\*2--018XG06

A

A

B

B

C

C

D

D

E

E

F

F

G

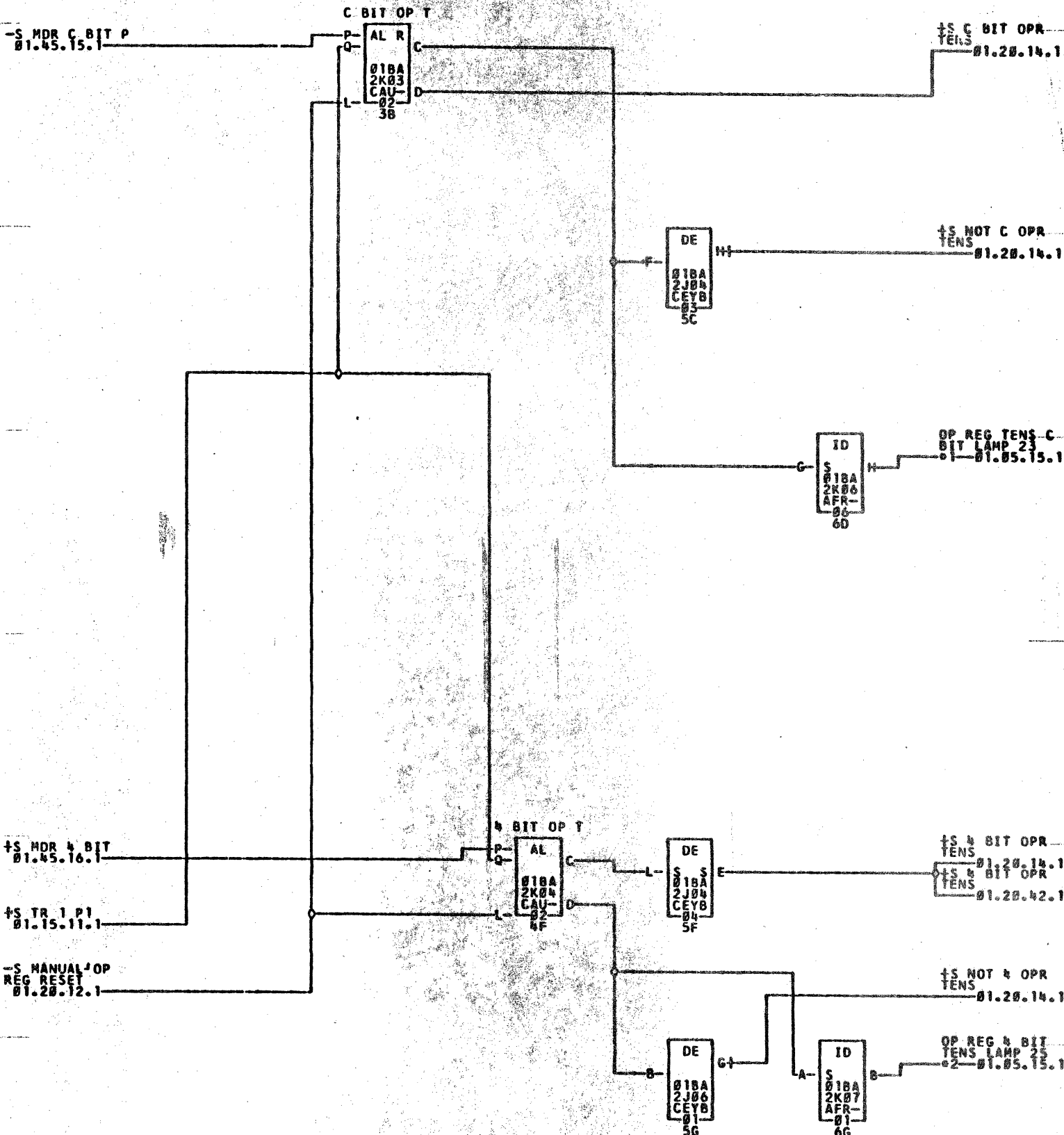
G

H

H

J

J



\*1--01BXG07 \*2--01BXG09



A

A

B

B

C

C

D

D

E

E

F

F

G

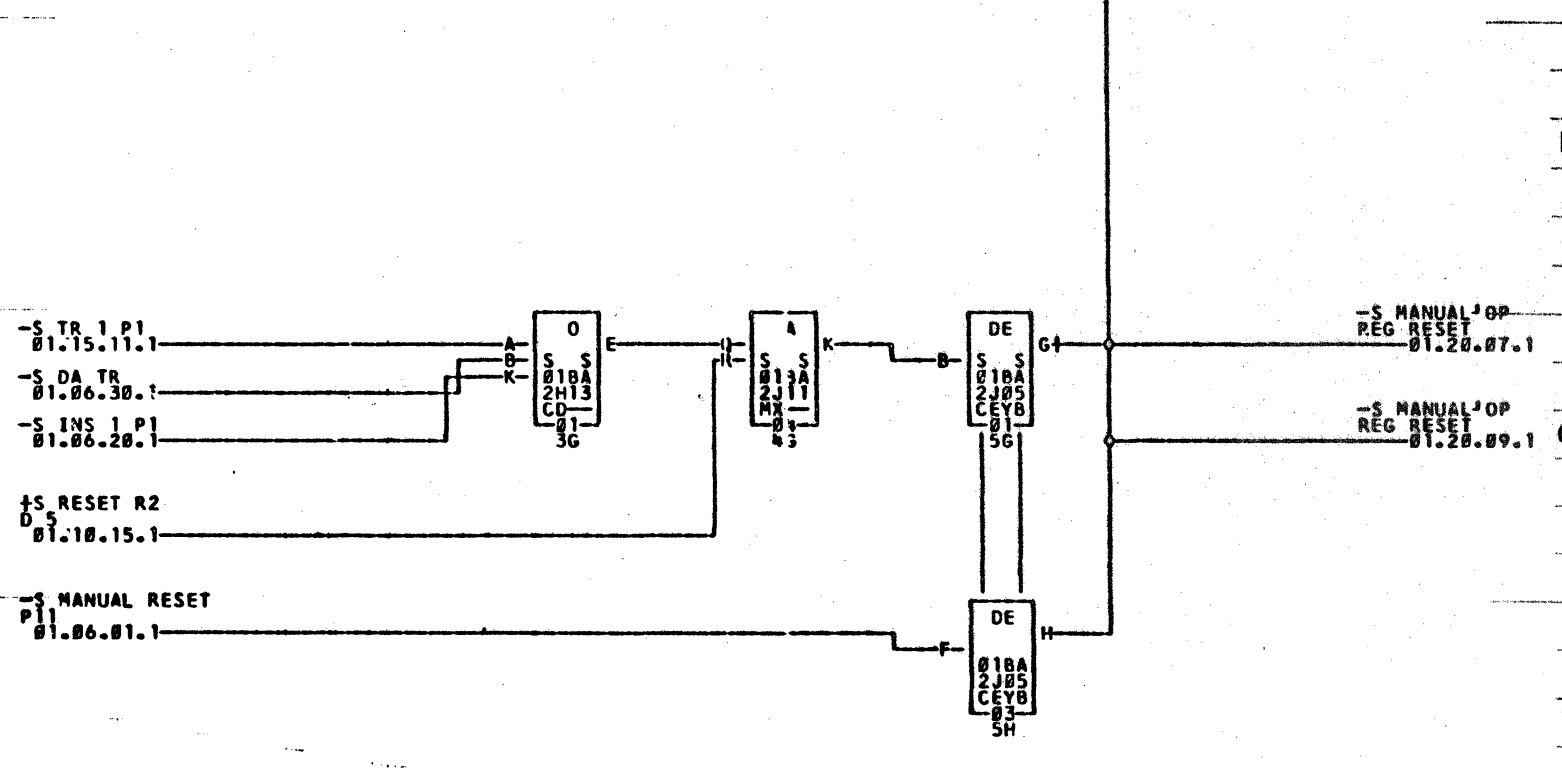
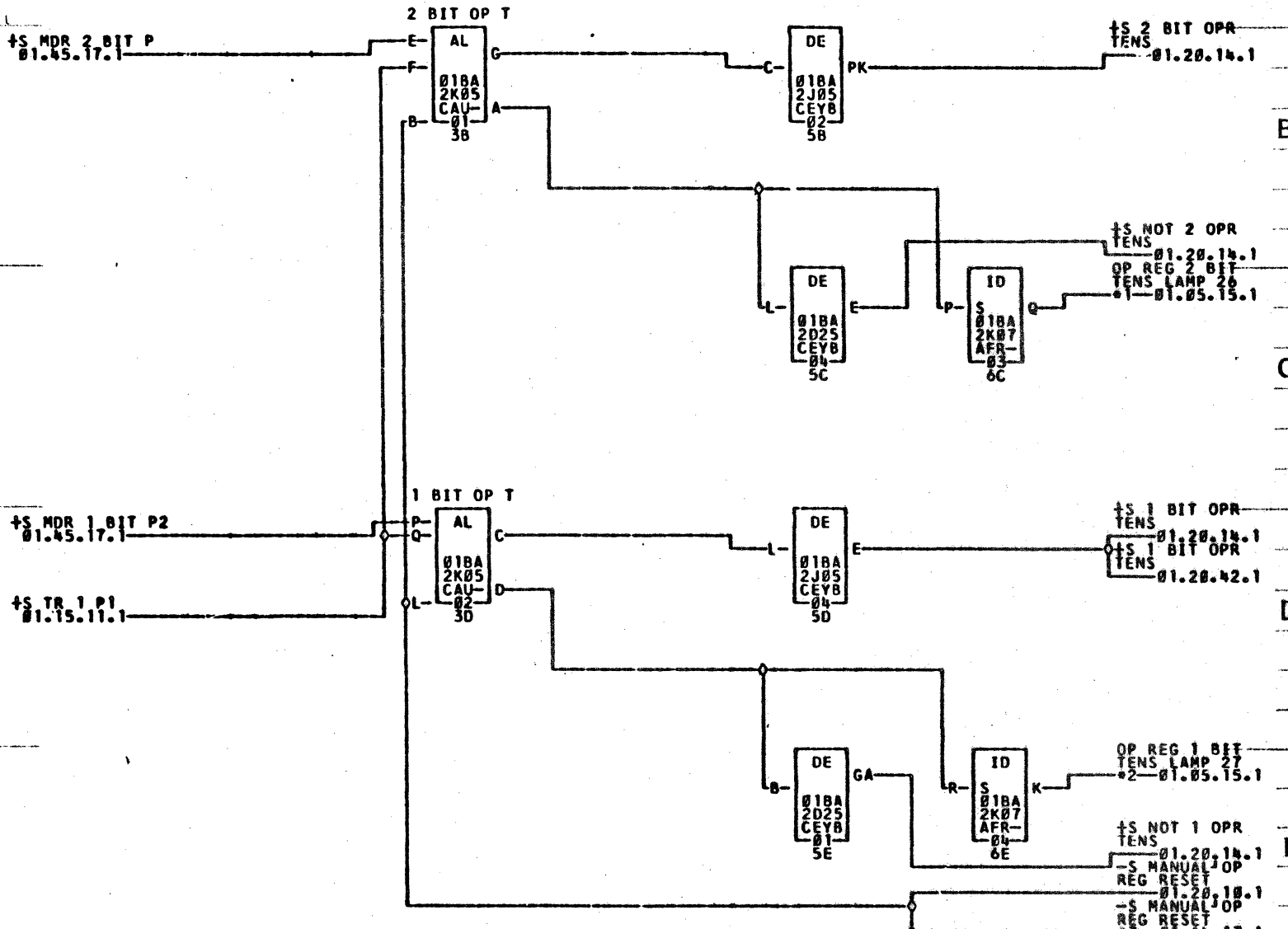
G

H

H

J

J



\*1--018XG10    \*2--018XG11    \*3--0182213C    ---0181213C

E. C. 404711

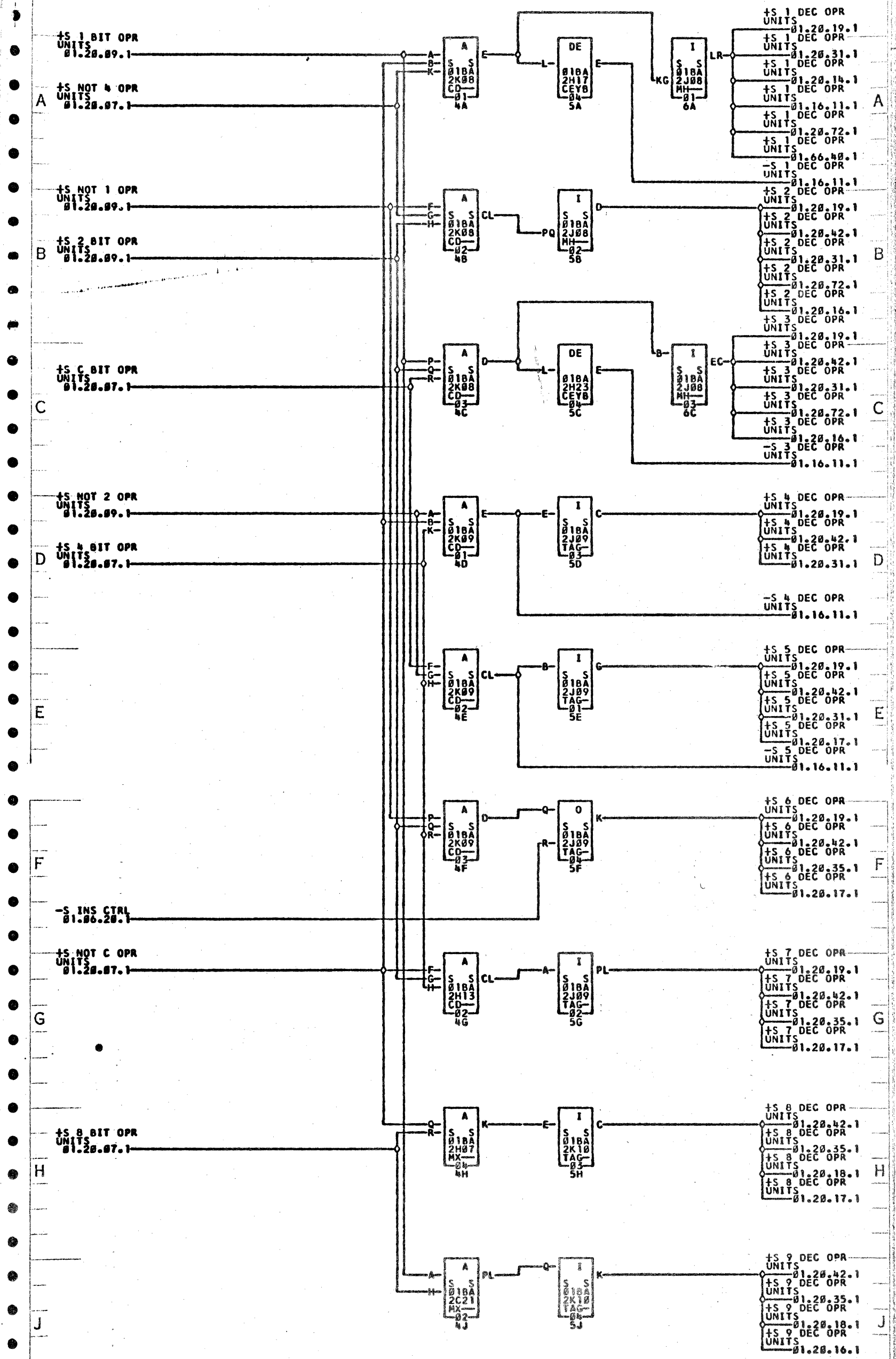
COMMENTS

TAG DATE D.A.NO. A 04-04-62 0F013RM2

TAG DATE D.A.NO.

TAG DATE D.A.NO.

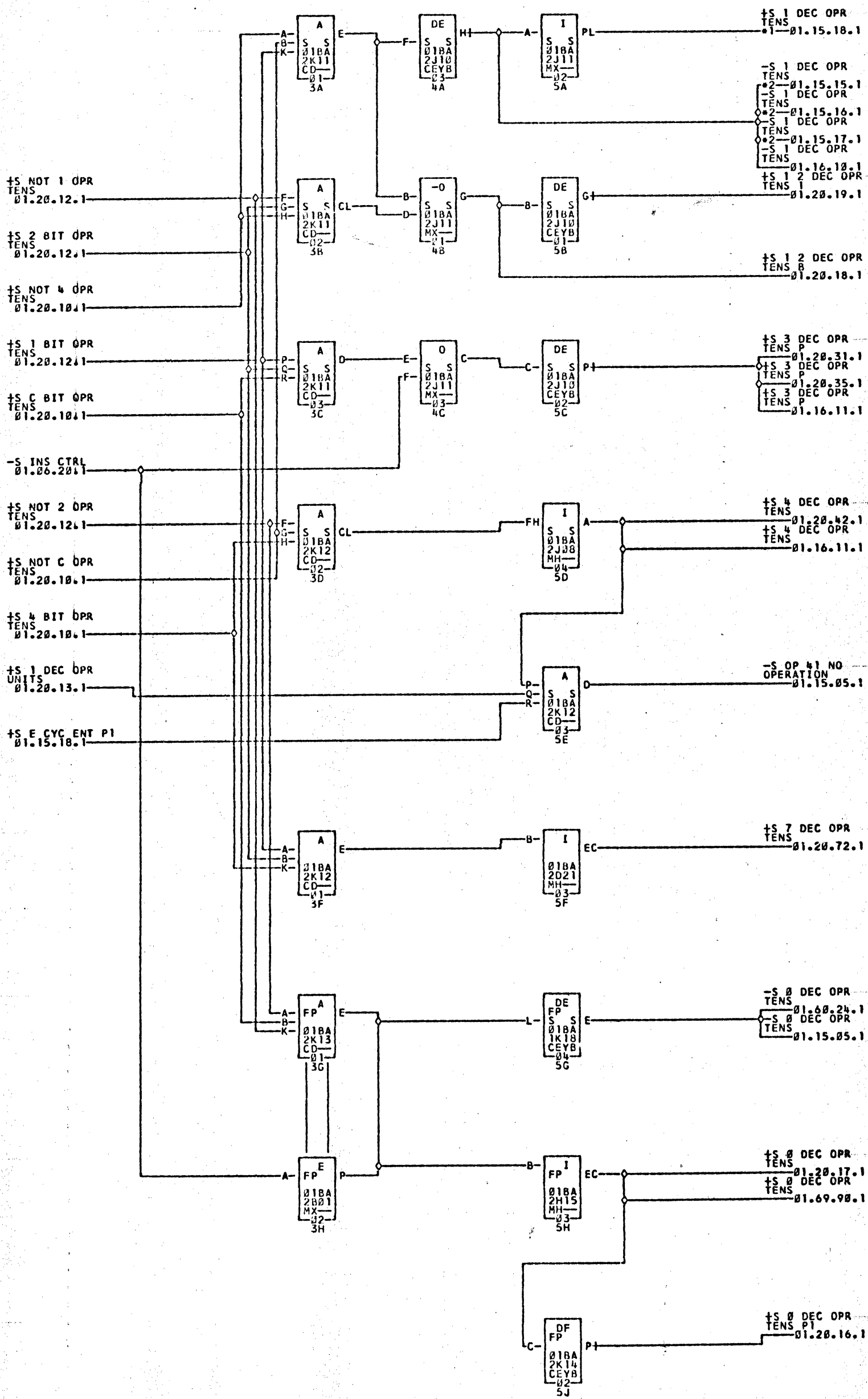
TAG DATE D.A.NO.



COMMENTS

TAG DATE D.A.NO. TAG DATE D.A.NO. TAG DATE D.A.NO. TAG DATE D.A.NO.

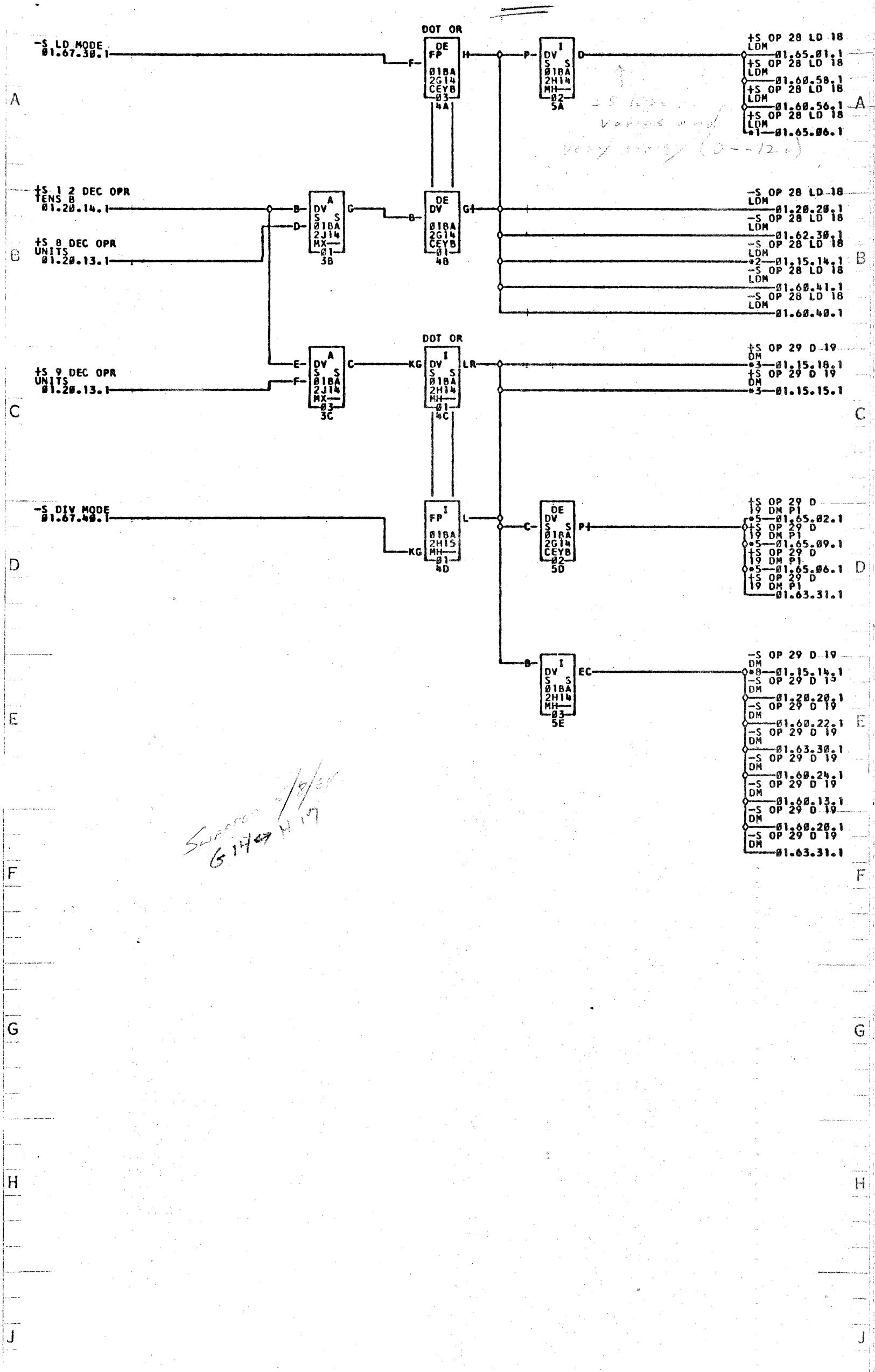
A 01-23-62 0F00000



\*1-01B2219C    01B1219C    \*2-01B2220C    01B1220C







*-S LD MODE  
various and  
very many (0-120)*

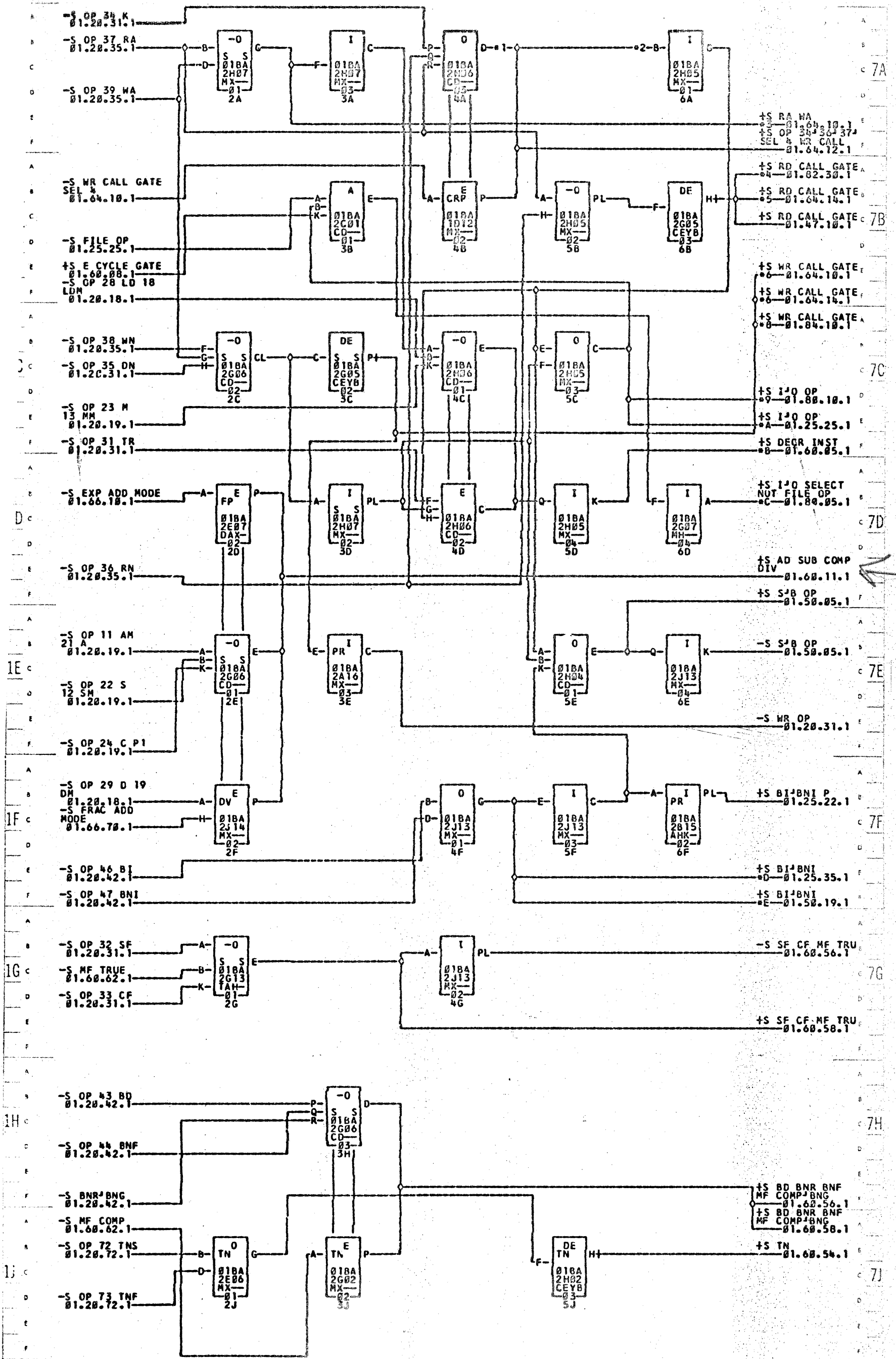
*Swapped 5/8/62  
G14 → H 17*

①-0182217C    ②-0182215C    ③-0182216C    ④-0182214C    ⑤-0182218C    ⑥-0182218C    ⑦-0182216C

COMMENTS

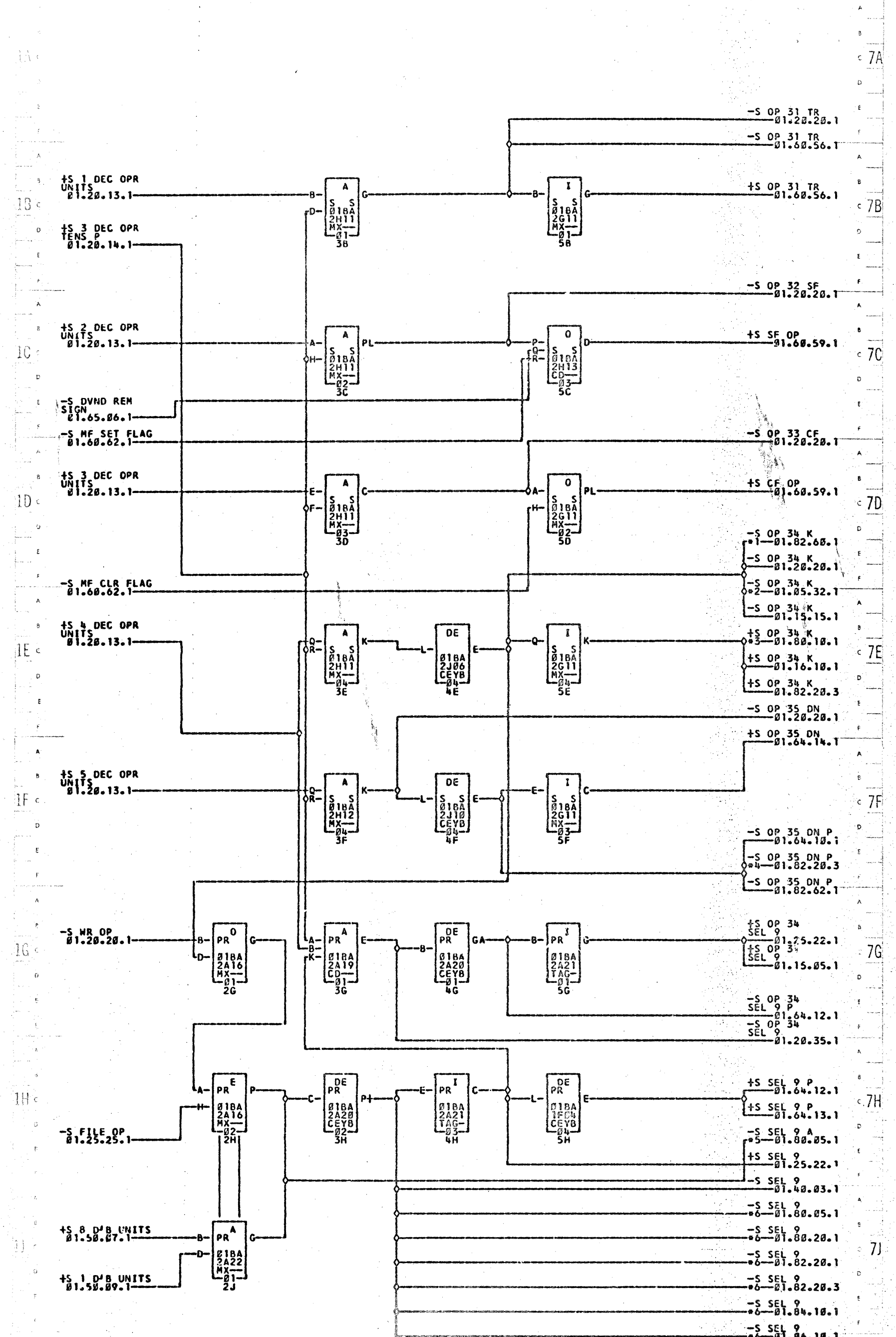
TAG	DATE	D.A.NO.	TAG	DATE	D.A.NO.	TAG	DATE	D.A.NO.	TAG	DATE	D.A.NO.
A	02-02-62	0FB1000									



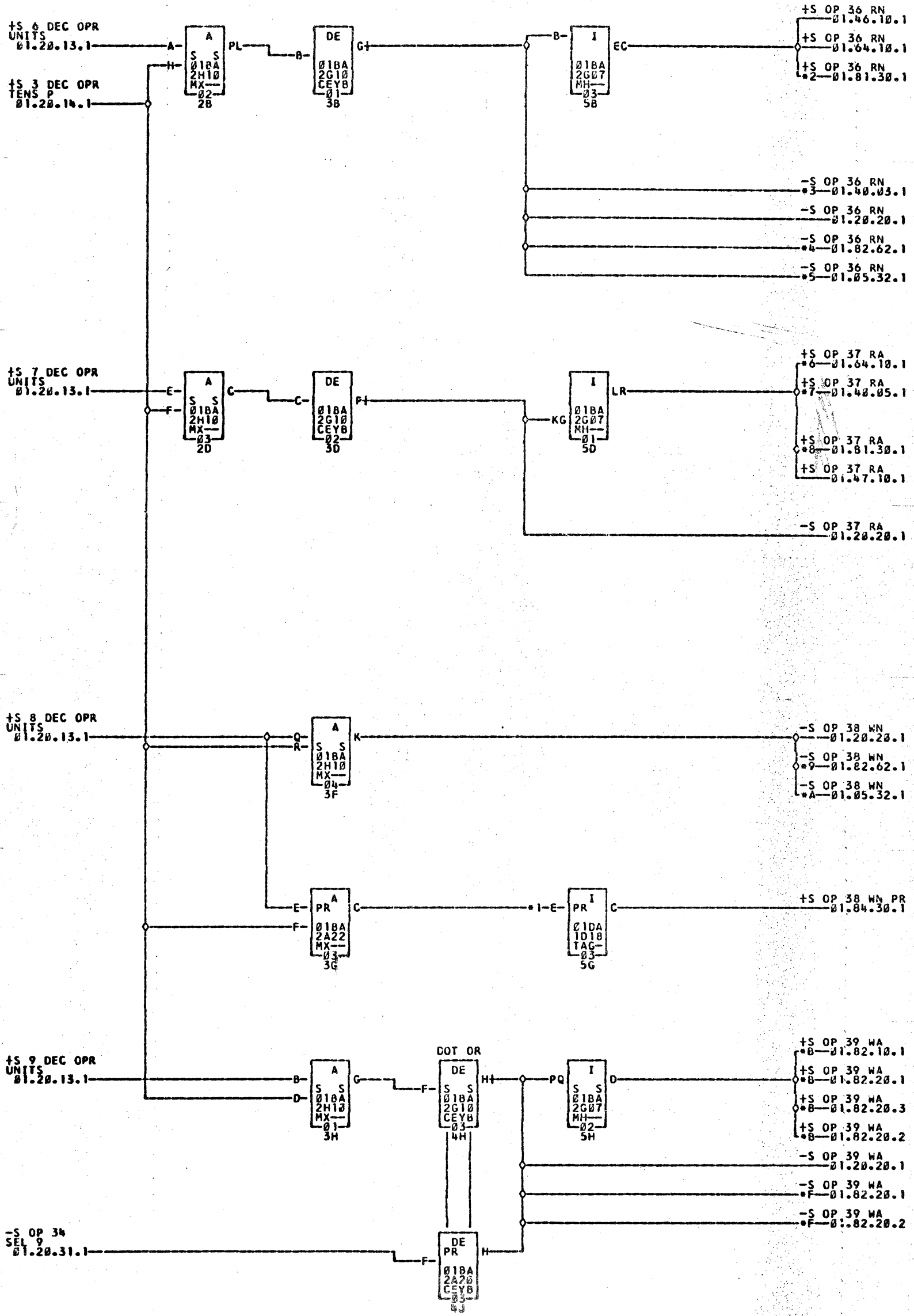


- \*1 - 01B1207B
- \*2 - 01B1207A
- \*3 - 01B2210B
- \*4 - 01B1210B
- \*5 - 01B22110
- \*6 - 01B2211C
- \*7 - 01B1211C
- \*8 - 01B1210A
- \*9 - 01B1210B
- \*A - 01B1210C
- \*B - 01B1210D
- \*C - 01B1210E
- \*D - 01B1210F
- \*E - 01B1210G
- \*F - 01B1210H
- \*G - 01B1210I
- \*H - 01B1210J
- \*I - 01B1210K
- \*J - 01B1210L
- \*K - 01B1210M
- \*L - 01B1210N
- \*M - 01B1210O
- \*N - 01B1210P
- \*O - 01B1210Q
- \*P - 01B1210R
- \*Q - 01B1210S
- \*R - 01B1210T
- \*S - 01B1210U
- \*T - 01B1210V
- \*U - 01B1210W
- \*V - 01B1210X
- \*W - 01B1210Y
- \*X - 01B1210Z
- \*Y - 01B1211A
- \*Z - 01B1211B
- \*AA - 01B1211C
- \*AB - 01B1211D
- \*AC - 01B1211E
- \*AD - 01B1211F
- \*AE - 01B1211G
- \*AF - 01B1211H
- \*AG - 01B1211I
- \*AH - 01B1211J
- \*AI - 01B1211K
- \*AJ - 01B1211L
- \*AK - 01B1211M
- \*AL - 01B1211N
- \*AM - 01B1211O
- \*AN - 01B1211P
- \*AO - 01B1211Q
- \*AP - 01B1211R
- \*AQ - 01B1211S
- \*AR - 01B1211T
- \*AS - 01B1211U
- \*AT - 01B1211V
- \*AU - 01B1211W
- \*AV - 01B1211X
- \*AW - 01B1211Y
- \*AX - 01B1211Z
- \*AY - 01B1212A
- \*AZ - 01B1212B
- \*BA - 01B1212C
- \*BB - 01B1212D
- \*BC - 01B1212E
- \*BD - 01B1212F
- \*BE - 01B1212G
- \*BF - 01B1212H
- \*BG - 01B1212I
- \*BH - 01B1212J
- \*BI - 01B1212K
- \*BJ - 01B1212L
- \*BK - 01B1212M
- \*BL - 01B1212N
- \*BM - 01B1212O
- \*BN - 01B1212P
- \*BO - 01B1212Q
- \*BP - 01B1212R
- \*BQ - 01B1212S
- \*BR - 01B1212T
- \*BS - 01B1212U
- \*BT - 01B1212V
- \*BU - 01B1212W
- \*BV - 01B1212X
- \*BW - 01B1212Y
- \*BX - 01B1212Z
- \*BY - 01B1213A
- \*BZ - 01B1213B
- \*CA - 01B1213C
- \*CB - 01B1213D
- \*CC - 01B1213E
- \*CD - 01B1213F
- \*CE - 01B1213G
- \*CF - 01B1213H
- \*CG - 01B1213I
- \*CH - 01B1213J
- \*CI - 01B1213K
- \*CJ - 01B1213L
- \*CK - 01B1213M
- \*CL - 01B1213N
- \*CM - 01B1213O
- \*CN - 01B1213P
- \*CO - 01B1213Q
- \*CP - 01B1213R
- \*CQ - 01B1213S
- \*CR - 01B1213T
- \*CS - 01B1213U
- \*CT - 01B1213V
- \*CU - 01B1213W
- \*CV - 01B1213X
- \*CW - 01B1213Y
- \*CX - 01B1213Z
- \*CY - 01B1214A
- \*CZ - 01B1214B
- \*DA - 01B1214C
- \*DB - 01B1214D
- \*DC - 01B1214E
- \*DD - 01B1214F
- \*DE - 01B1214G
- \*DE - 01B1214H
- \*DE - 01B1214I
- \*DE - 01B1214J
- \*DE - 01B1214K
- \*DE - 01B1214L
- \*DE - 01B1214M
- \*DE - 01B1214N
- \*DE - 01B1214O
- \*DE - 01B1214P
- \*DE - 01B1214Q
- \*DE - 01B1214R
- \*DE - 01B1214S
- \*DE - 01B1214T
- \*DE - 01B1214U
- \*DE - 01B1214V
- \*DE - 01B1214W
- \*DE - 01B1214X
- \*DE - 01B1214Y
- \*DE - 01B1214Z
- \*DE - 01B1215A
- \*DE - 01B1215B
- \*DE - 01B1215C
- \*DE - 01B1215D
- \*DE - 01B1215E
- \*DE - 01B1215F
- \*DE - 01B1215G
- \*DE - 01B1215H
- \*DE - 01B1215I
- \*DE - 01B1215J
- \*DE - 01B1215K
- \*DE - 01B1215L
- \*DE - 01B1215M
- \*DE - 01B1215N
- \*DE - 01B1215O
- \*DE - 01B1215P
- \*DE - 01B1215Q
- \*DE - 01B1215R
- \*DE - 01B1215S
- \*DE - 01B1215T
- \*DE - 01B1215U
- \*DE - 01B1215V
- \*DE - 01B1215W
- \*DE - 01B1215X
- \*DE - 01B1215Y
- \*DE - 01B1215Z
- \*DE - 01B1216A
- \*DE - 01B1216B
- \*DE - 01B1216C
- \*DE - 01B1216D
- \*DE - 01B1216E
- \*DE - 01B1216F
- \*DE - 01B1216G
- \*DE - 01B1216H
- \*DE - 01B1216I
- \*DE - 01B1216J
- \*DE - 01B1216K
- \*DE - 01B1216L
- \*DE - 01B1216M
- \*DE - 01B1216N
- \*DE - 01B1216O
- \*DE - 01B1216P
- \*DE - 01B1216Q
- \*DE - 01B1216R
- \*DE - 01B1216S
- \*DE - 01B1216T
- \*DE - 01B1216U
- \*DE - 01B1216V
- \*DE - 01B1216W
- \*DE - 01B1216X
- \*DE - 01B1216Y
- \*DE - 01B1216Z
- \*DE - 01B1217A
- \*DE - 01B1217B
- \*DE - 01B1217C
- \*DE - 01B1217D
- \*DE - 01B1217E
- \*DE - 01B1217F
- \*DE - 01B1217G
- \*DE - 01B1217H
- \*DE - 01B1217I
- \*DE - 01B1217J
- \*DE - 01B1217K
- \*DE - 01B1217L
- \*DE - 01B1217M
- \*DE - 01B1217N
- \*DE - 01B1217O
- \*DE - 01B1217P
- \*DE - 01B1217Q
- \*DE - 01B1217R
- \*DE - 01B1217S
- \*DE - 01B1217T
- \*DE - 01B1217U
- \*DE - 01B1217V
- \*DE - 01B1217W
- \*DE - 01B1217X
- \*DE - 01B1217Y
- \*DE - 01B1217Z
- \*DE - 01B1218A
- \*DE - 01B1218B
- \*DE - 01B1218C
- \*DE - 01B1218D
- \*DE - 01B1218E
- \*DE - 01B1218F
- \*DE - 01B1218G
- \*DE - 01B1218H
- \*DE - 01B1218I
- \*DE - 01B1218J
- \*DE - 01B1218K
- \*DE - 01B1218L
- \*DE - 01B1218M
- \*DE - 01B1218N
- \*DE - 01B1218O
- \*DE - 01B1218P
- \*DE - 01B1218Q
- \*DE - 01B1218R
- \*DE - 01B1218S
- \*DE - 01B1218T
- \*DE - 01B1218U
- \*DE - 01B1218V
- \*DE - 01B1218W
- \*DE - 01B1218X
- \*DE - 01B1218Y
- \*DE - 01B1218Z
- \*DE - 01B1219A
- \*DE - 01B1219B
- \*DE - 01B1219C
- \*DE - 01B1219D
- \*DE - 01B1219E
- \*DE - 01B1219F
- \*DE - 01B1219G
- \*DE - 01B1219H
- \*DE - 01B1219I
- \*DE - 01B1219J
- \*DE - 01B1219K
- \*DE - 01B1219L
- \*DE - 01B1219M
- \*DE - 01B1219N
- \*DE - 01B1219O
- \*DE - 01B1219P
- \*DE - 01B1219Q
- \*DE - 01B1219R
- \*DE - 01B1219S
- \*DE - 01B1219T
- \*DE - 01B1219U
- \*DE - 01B1219V
- \*DE - 01B1219W
- \*DE - 01B1219X
- \*DE - 01B1219Y
- \*DE - 01B1219Z



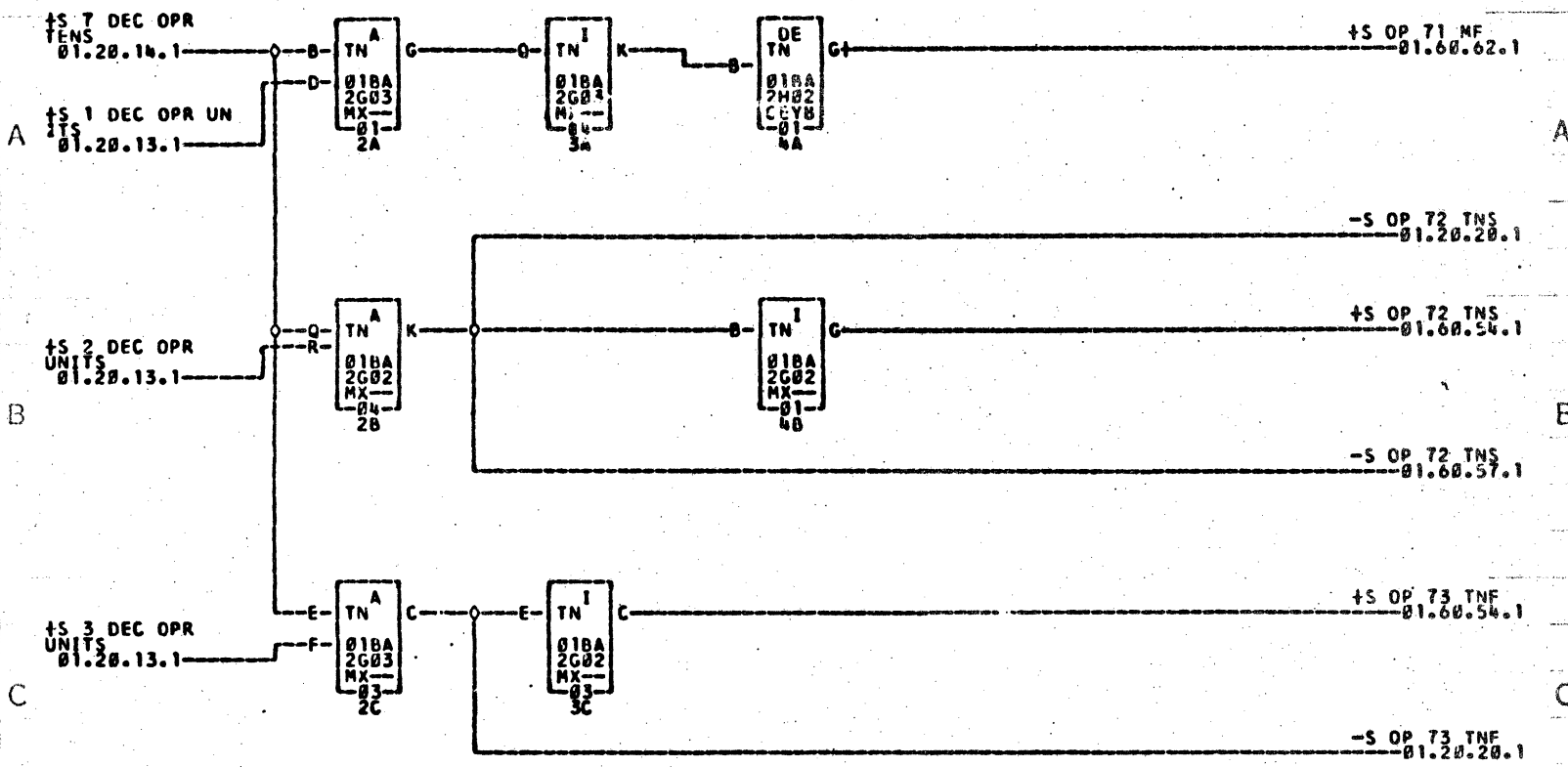


- \*1--01BXJ17      ———— 01DXA17      \*2--01BVB06      ———— 01D3A02F      \*3--01BXB13      ———— 01DXB13
- \*4--01BXC25      ———— 01DXB25      \*5--01BXC32      ———— 01AHC32      ———— 01DXE32
- \*6--01BWC01      ———— 01AWG01      ———— 01XC10      ———— 01CXE10



- |             |              |              |              |             |              |
|-------------|--------------|--------------|--------------|-------------|--------------|
| •1—018W034  | ———01AW004   | ———01AK011   | ———01AX015   | •2—018X009  | ———01DX009   |
| •3—018Z008A | ———01B1Z008A | ———01B2Z008B | ———01B3Z008B | •5—018Z008A | ———01B1Z008A |
| ———018V007  | ———01D3A02G  | •4—01A2A02G  | ———01B7Z008B | •7—018Z008B | ———01B1Z008B |
| ———018WJ01  | ———01AWJ01   | •0—01AX014   | ———01DX015   | •9—018X026  | ———01DX026   |
| •A—018V008  | ———01D3A02H  | •0—01AX014   | ———01DX015   | •F—018X031  | ———01DX031   |



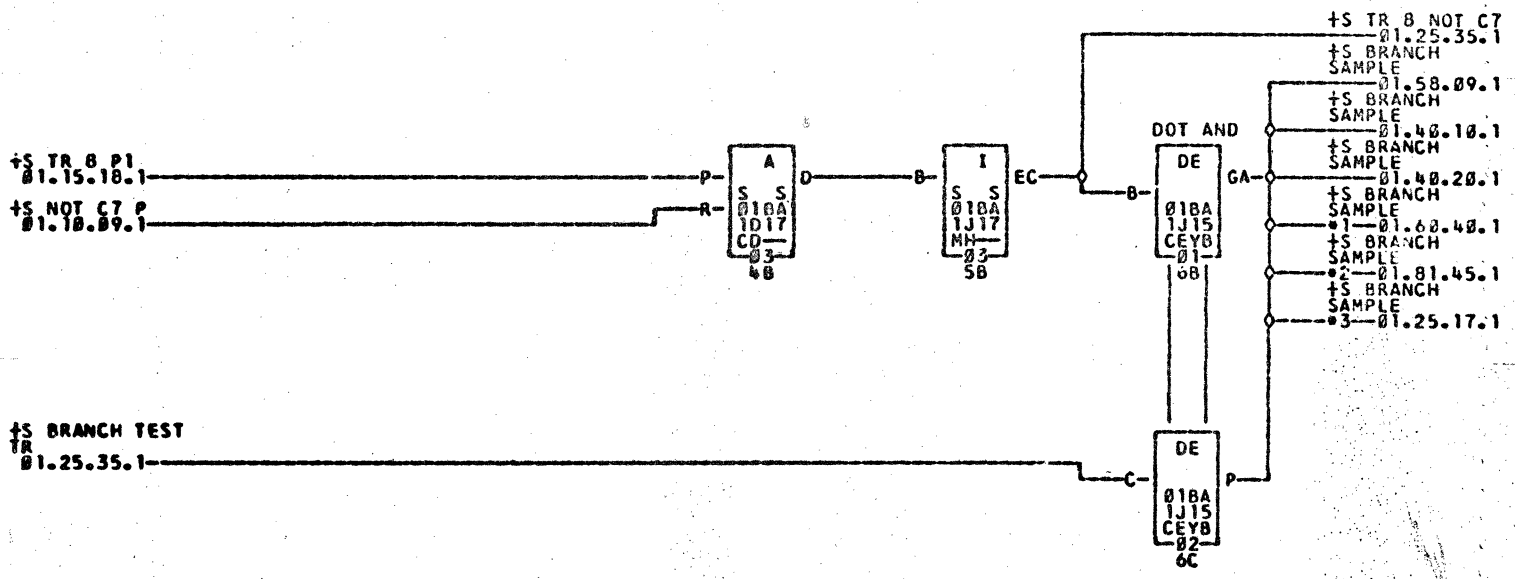


A  
B  
C  
D  
E  
F  
G  
H  
J

A  
B  
C  
D  
E  
F  
G  
H  
J

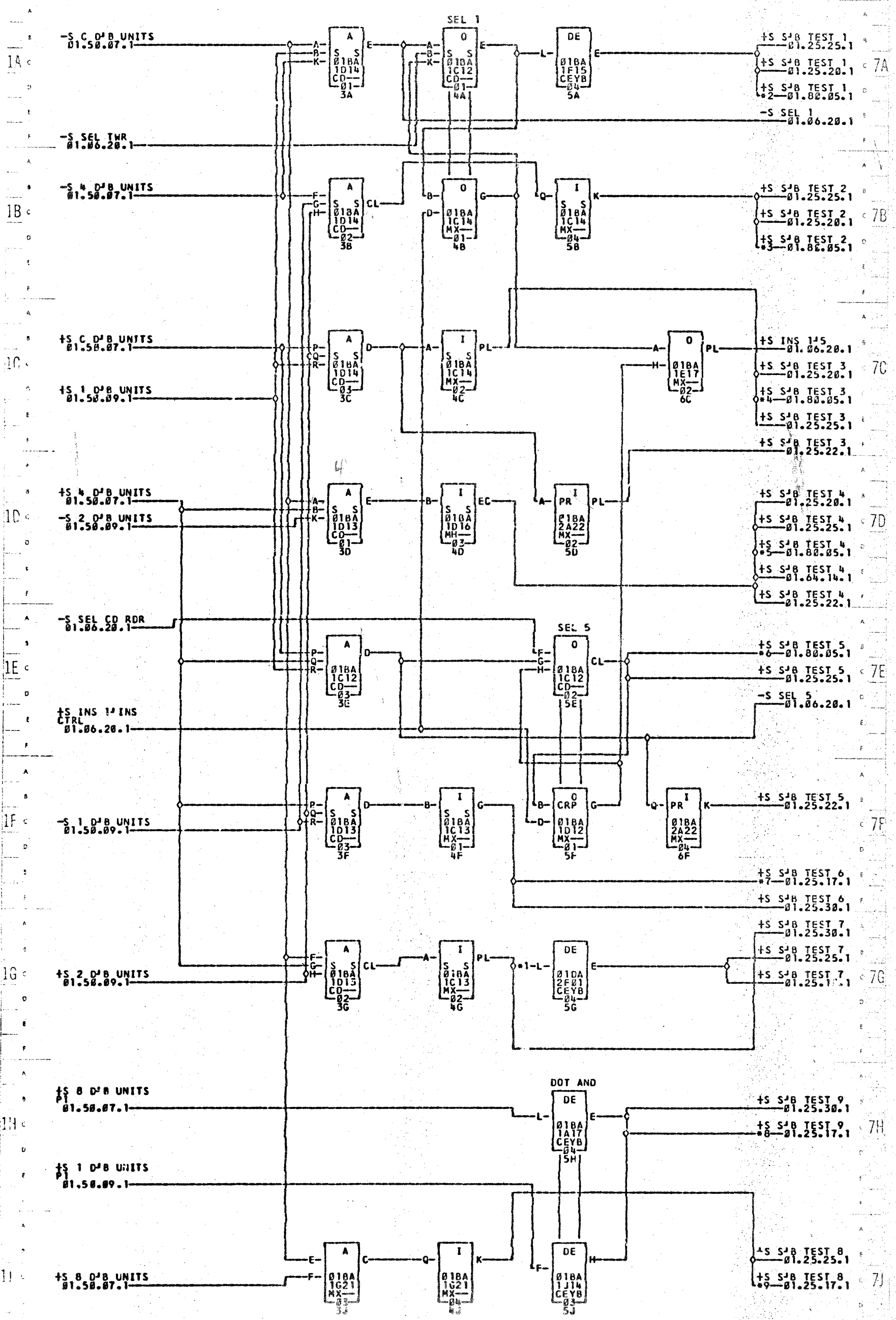
COMMENTS

TAG DATE	D.A.NO.	TAG DATE	D.A.NO.	TAG DATE	D.A.NO.	TAG DATE	D.A.NO.
A 08-30-61	0E05000						

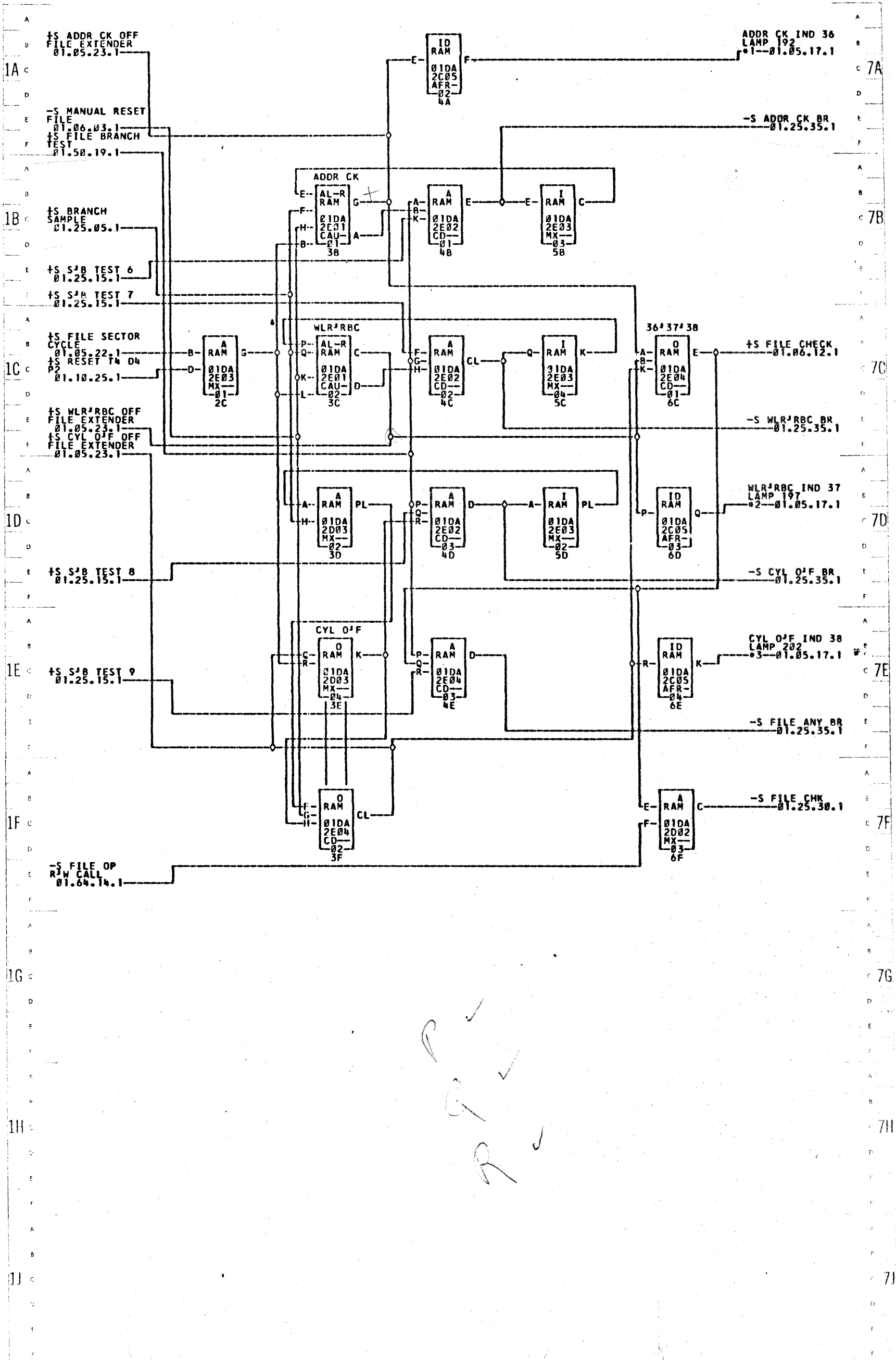


7A  
7B  
7C  
7D  
7E  
7F  
7G  
7H  
7J

\*1-018Y03A 018V08 0182Y03A 0182A01H \*2-018X017 018X017 \*3-018Y03A 0182Y03A



- \*1-01BVJ19      =01D2A01K      \*2-01BVJ10      =01D2A09      \*3-01BVJ10      =01D2A10
- \*4-01BVJ11      =01D2A11      \*5-01BVJ11      =01D2A15      \*6-01BVJ12      =01D2A12
- \*7-01BVJ09      =01D2A1J      \*8-01BVJ31      =01D2B01Q      \*9-01BVJ11      =01D2A01L



\*1--01D2A03E      \*2--01D2A04D      \*3--01D2A04C

+S C BIT DBT  
NOT FILE TEST  
01.50.17.1

+S SENSE SW 1  
01.05.02.1-1

+S S'B TEST 1  
01.25.15.1



-S SENSE SW 1  
BR 01.25.35.1

+S SENSE SW 2  
01.05.02.1-2

+S S'B TEST 2  
01.25.15.1



-S SENSE SW 2  
BR 01.25.35.1

-S 2 D'B TENS  
01.50.19.1



+S SENSE SW 3  
01.05.02.1-3

+S S'B TEST 3  
01.25.15.1



-S SENSE SW 3  
BR 01.25.35.1

+S SENSE SW 4  
01.05.02.1-4

+S S'B TEST 4  
01.25.15.1



-S SENSE SW 4  
BR 01.25.35.1

\*1-01BXD27  
PR SW3A

PR SW1A  
C

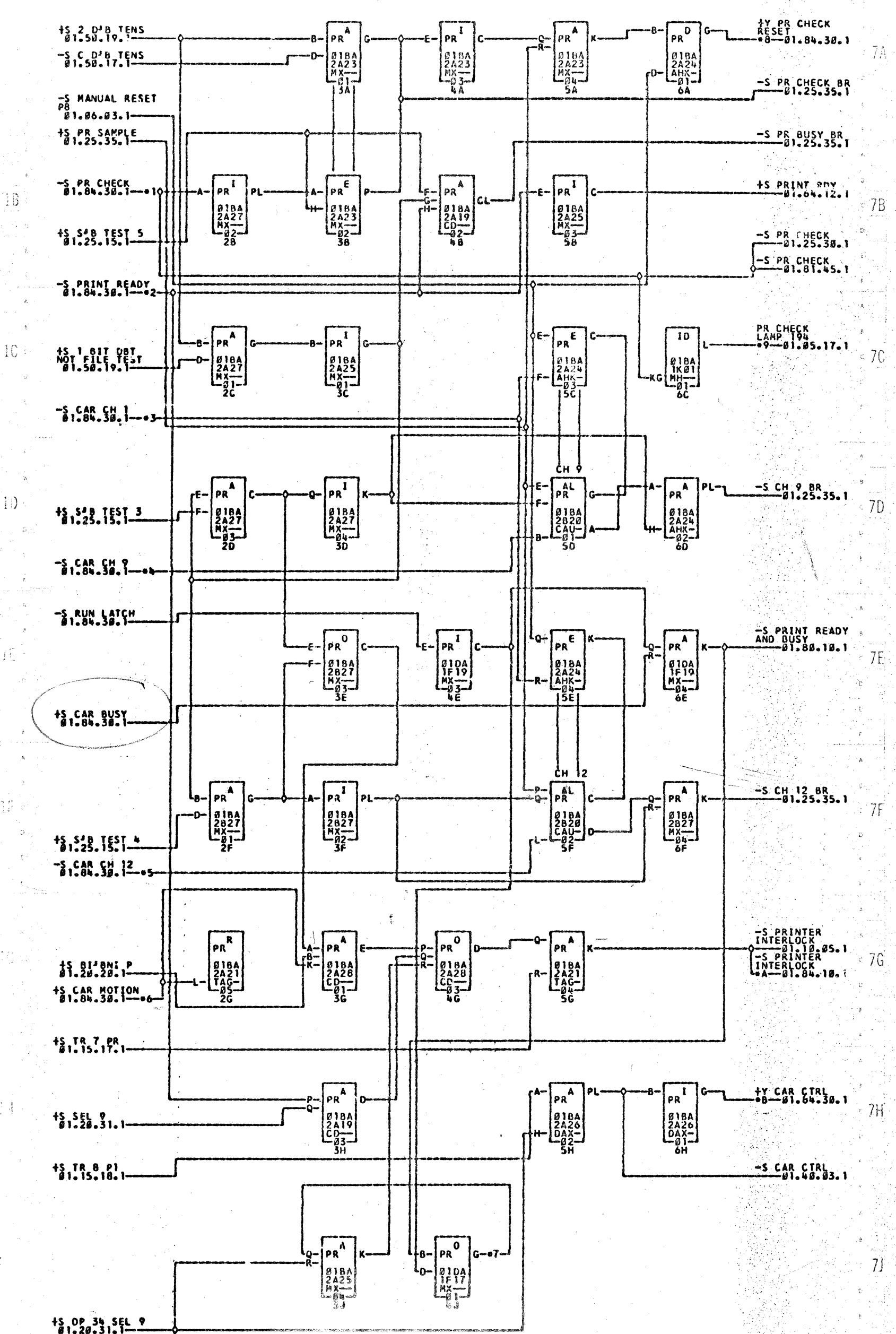
\*2-01BXD25  
PR SW2A

\*2-01BXD26  
PR SW4A

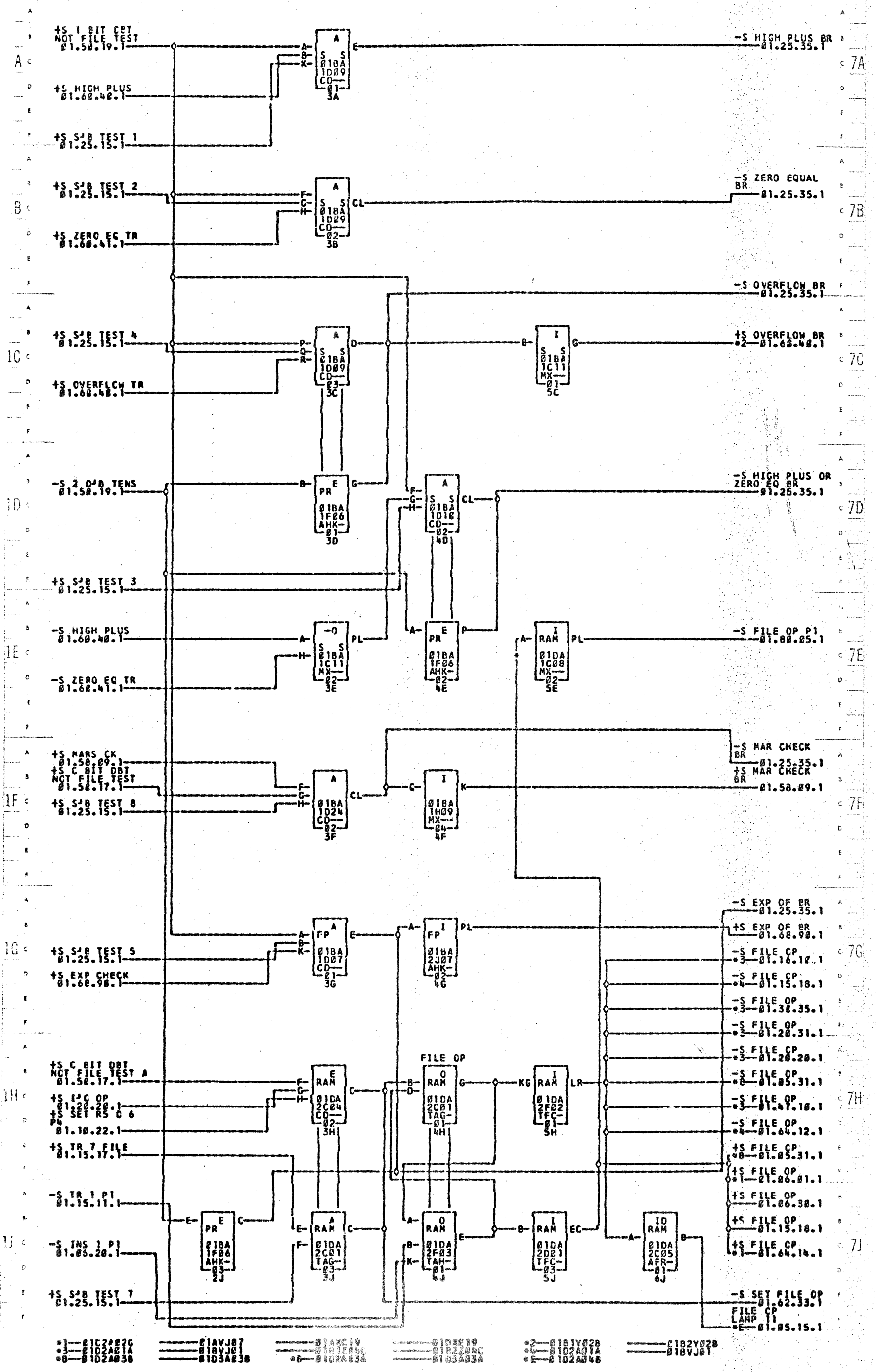
PR SW2AC  
C

\*3-01BXD28

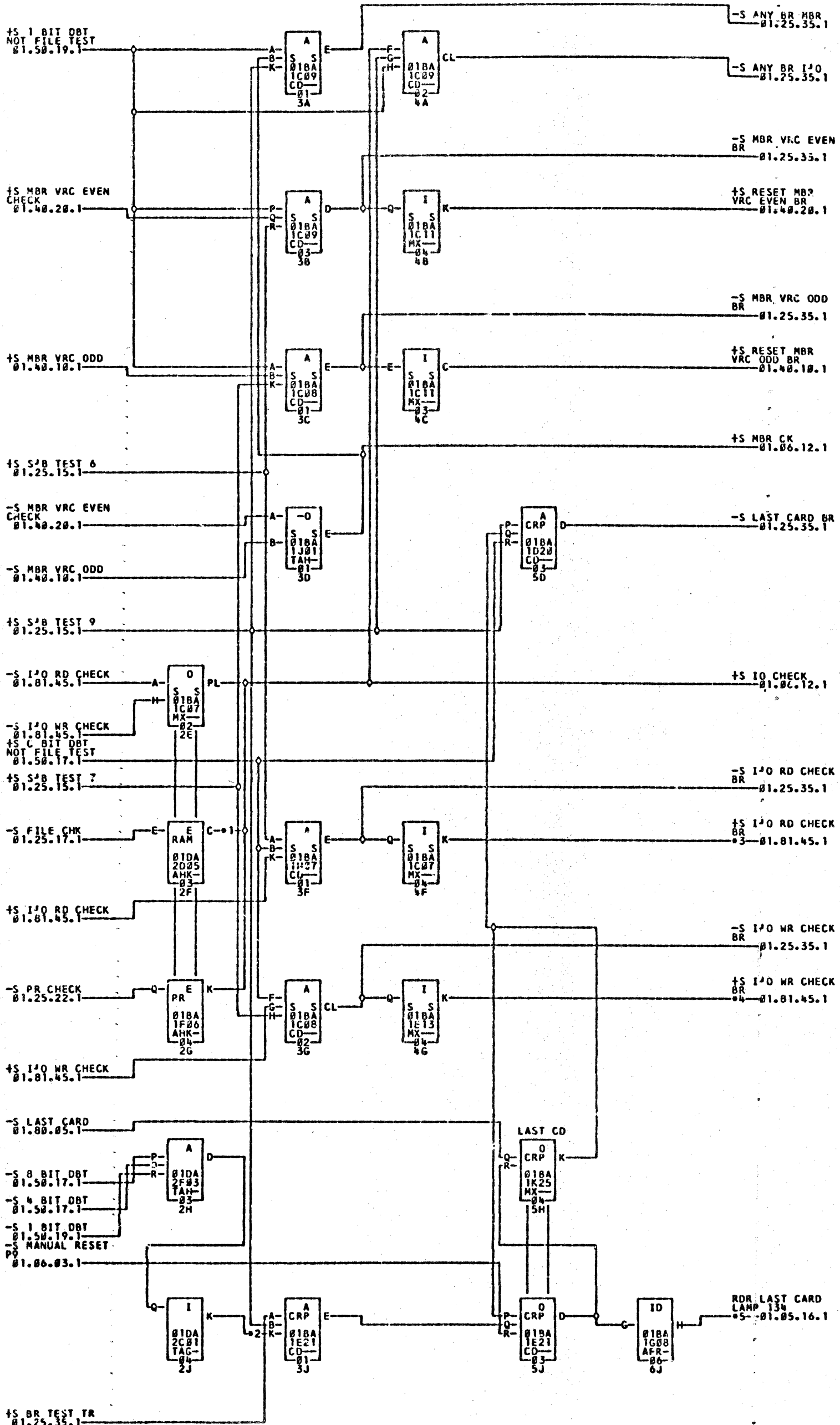




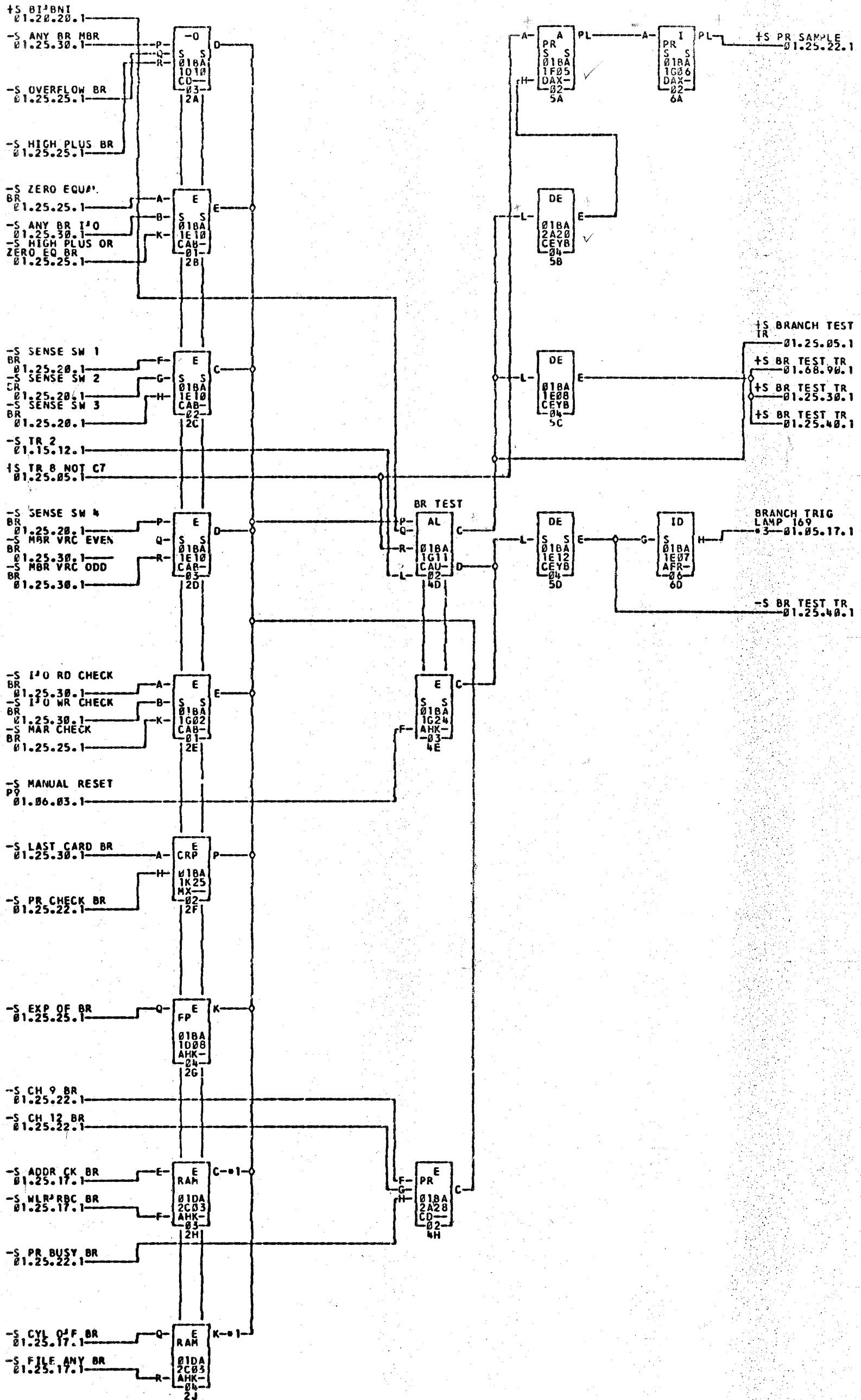
- 1--01DXE14      ————01AXC14      ————01AXC20      ————01AXC26      •2--01DXE15      ————01AXC15
- 3--01AXG23      ————01BWC23      ————01AXC21      ————01AXC27      ————01BWC27
- 4--01DXE18      ————01AXC18      ————01AXC22      ————01AXC28      ————01AXC28
- 5--01AXG29      ————01BWC29      ————01DXE30      ————01AXC30      ————01BWC30
- 6--01DXE31      ————01AXC31      ————01AXC31      ————01BWC31      ————01DXA27
- 7--01DXE31      ————01AXC31      ————01AXC32      ————01BWC32      ————01BXCJ27
- 8--01BXC27      ————01AXC27      ————01AXC32      ————01BWC32      ————01DXA32
- 9--01BXC27      ————01AXC27      ————LAMP 194



- \*1—01C2A22C
- \*2—01B1Y02B
- \*3—01D2A01A
- \*4—01D2A01A
- \*5—01D2A046
- \*6—01D2A038
- \*7—01AVJ07
- \*8—01B1Y02B
- \*9—01B1Y02B
- \*10—01B1Y02B
- \*11—01B1Y02B
- \*12—01B1Y02B
- \*13—01B1Y02B
- \*14—01B1Y02B
- \*15—01B1Y02B
- \*16—01B1Y02B
- \*17—01B1Y02B
- \*18—01B1Y02B
- \*19—01B1Y02B
- \*20—01B1Y02B
- \*21—01B1Y02B
- \*22—01B1Y02B
- \*23—01B1Y02B
- \*24—01B1Y02B
- \*25—01B1Y02B
- \*26—01B1Y02B
- \*27—01B1Y02B
- \*28—01B1Y02B
- \*29—01B1Y02B
- \*30—01B1Y02B
- \*31—01B1Y02B
- \*32—01B1Y02B
- \*33—01B1Y02B
- \*34—01B1Y02B
- \*35—01B1Y02B
- \*36—01B1Y02B
- \*37—01B1Y02B
- \*38—01B1Y02B
- \*39—01B1Y02B
- \*40—01B1Y02B
- \*41—01B1Y02B
- \*42—01B1Y02B
- \*43—01B1Y02B
- \*44—01B1Y02B
- \*45—01B1Y02B
- \*46—01B1Y02B
- \*47—01B1Y02B
- \*48—01B1Y02B
- \*49—01B1Y02B
- \*50—01B1Y02B
- \*51—01B1Y02B
- \*52—01B1Y02B
- \*53—01B1Y02B
- \*54—01B1Y02B
- \*55—01B1Y02B
- \*56—01B1Y02B
- \*57—01B1Y02B
- \*58—01B1Y02B
- \*59—01B1Y02B
- \*60—01B1Y02B
- \*61—01B1Y02B
- \*62—01B1Y02B
- \*63—01B1Y02B
- \*64—01B1Y02B
- \*65—01B1Y02B
- \*66—01B1Y02B
- \*67—01B1Y02B
- \*68—01B1Y02B
- \*69—01B1Y02B
- \*70—01B1Y02B
- \*71—01B1Y02B
- \*72—01B1Y02B
- \*73—01B1Y02B
- \*74—01B1Y02B
- \*75—01B1Y02B
- \*76—01B1Y02B
- \*77—01B1Y02B
- \*78—01B1Y02B
- \*79—01B1Y02B
- \*80—01B1Y02B
- \*81—01B1Y02B
- \*82—01B1Y02B
- \*83—01B1Y02B
- \*84—01B1Y02B
- \*85—01B1Y02B
- \*86—01B1Y02B
- \*87—01B1Y02B
- \*88—01B1Y02B
- \*89—01B1Y02B
- \*90—01B1Y02B
- \*91—01B1Y02B
- \*92—01B1Y02B
- \*93—01B1Y02B
- \*94—01B1Y02B
- \*95—01B1Y02B
- \*96—01B1Y02B
- \*97—01B1Y02B
- \*98—01B1Y02B
- \*99—01B1Y02B
- \*100—01B1Y02B

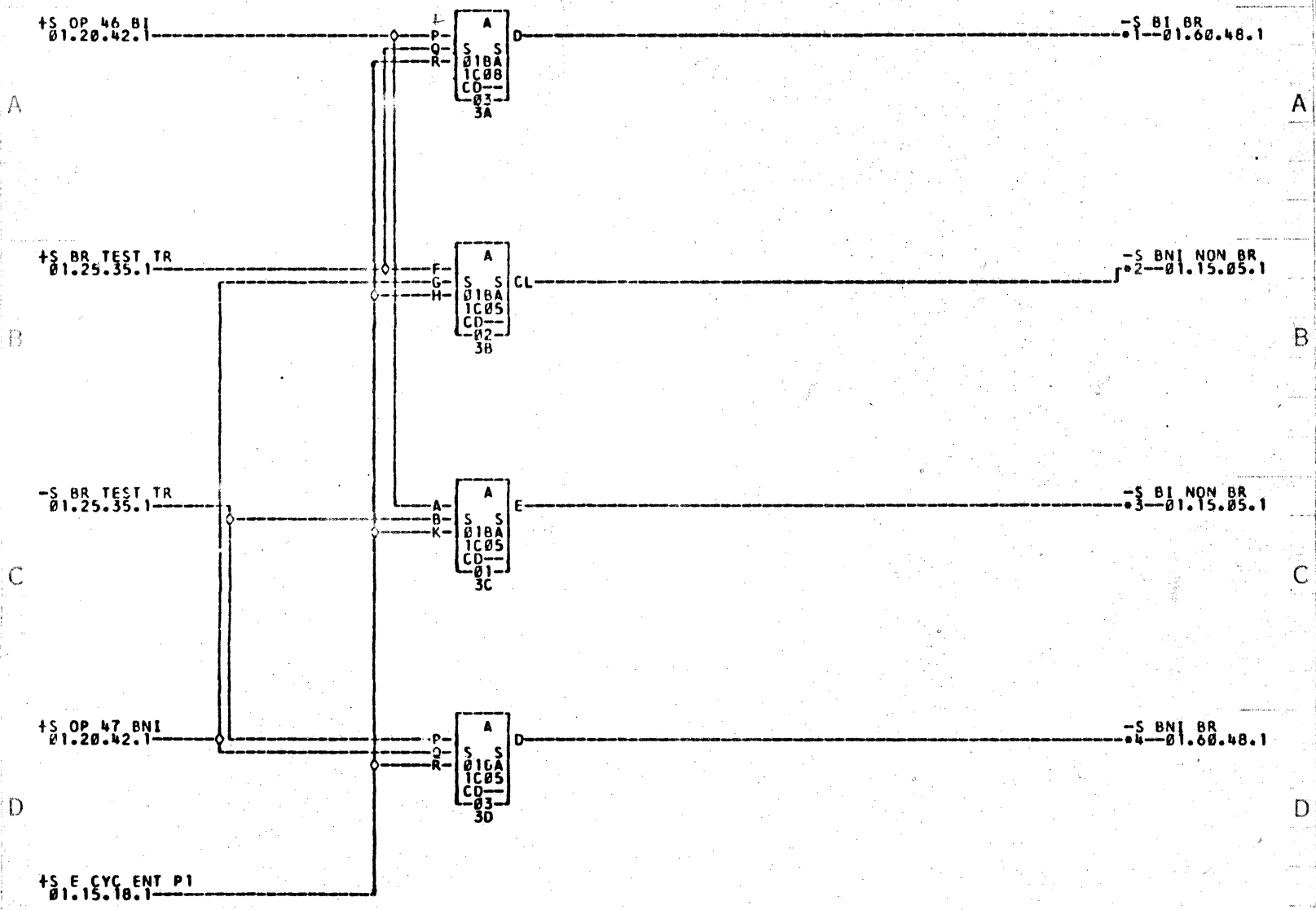


\*1--01D2B02E    \*2--01D2B02R    \*3--01BXJ19    \*4--01BXJ18    \*5--01BXJ18  
 \*6--01BXJ18    \*7--01BXJ18    \*8--01BXJ18    \*9--01BXJ18    \*10--01BXJ18



7A  
7B  
7C  
7D  
7E  
7F  
7G  
7H  
7I

\*1--01D2A01M      018VJ12      \*3--018NE10



E

F

G

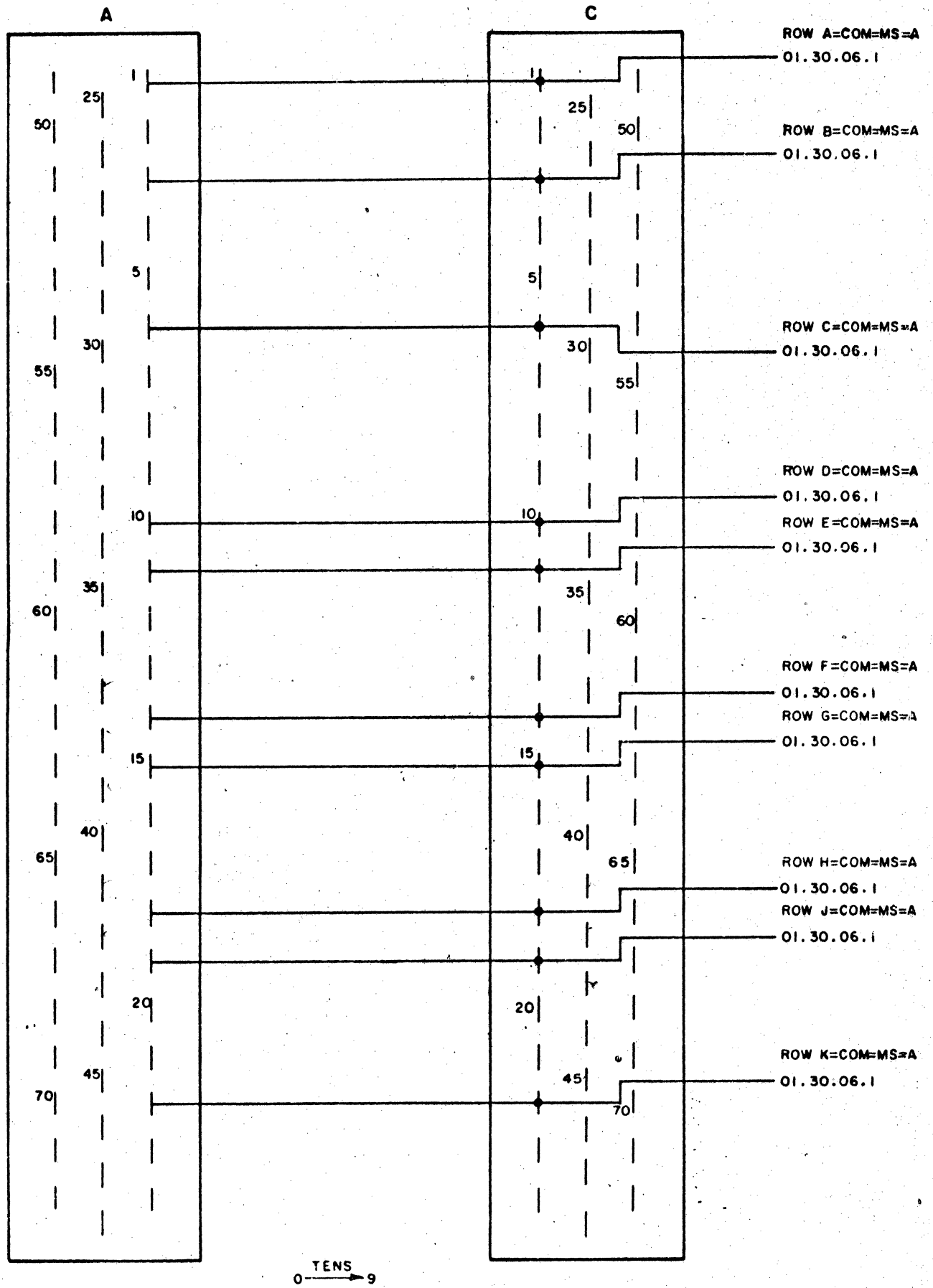
H

J

•1--01B1Y07C    ---01B2Y07C    •2--01B1Y02C    ---01B2Y02C    •3--01B1Y03C    ---01B2Y03C  
 •4--01B1Y08C    ---01B2Y08C

COMMENTS

TAG	DATE	D.A.NO.	TAG	DATE	D.A.NO.	TAG	DATE	D.A.NO.	TAG	DATE	D.A.NO.
A	08-30-61	0E05000									



NOTE  
SEE PAGE 01.30.05.1 FOR MATRIX SWITCH  
TO ARRAY CONNECTIONS

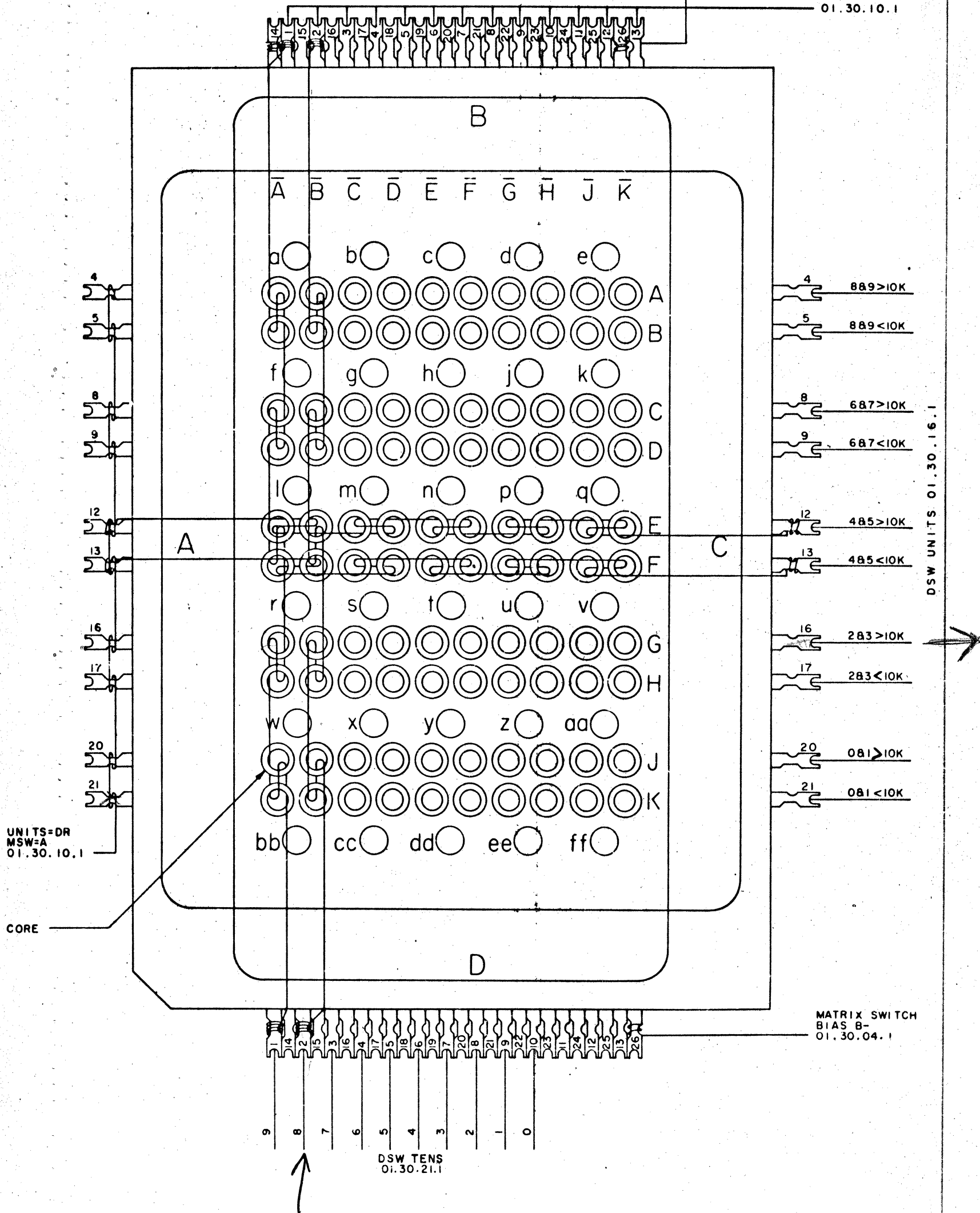
MATRIX SWITCH A  
UNITS-TENS INPUTS

1620

01.30.02.1

B+ MATRIX SW  
BIAS  
01.00.16.1

TENS=DR=MSW=A  
01.30.10.1

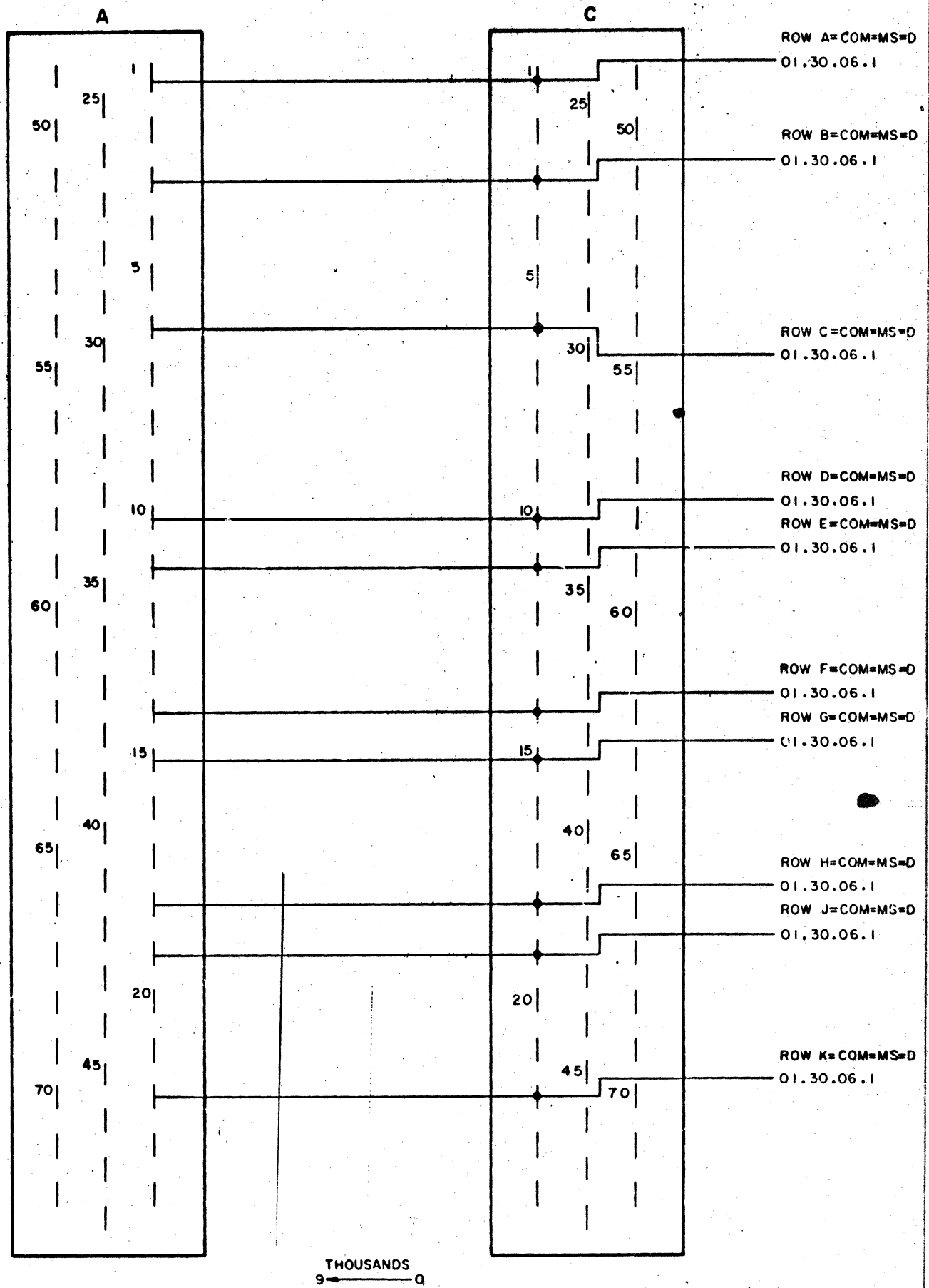


DSW UNITS 01.30.16.1

UNITS=DR  
MSW=A  
01.30.10.1

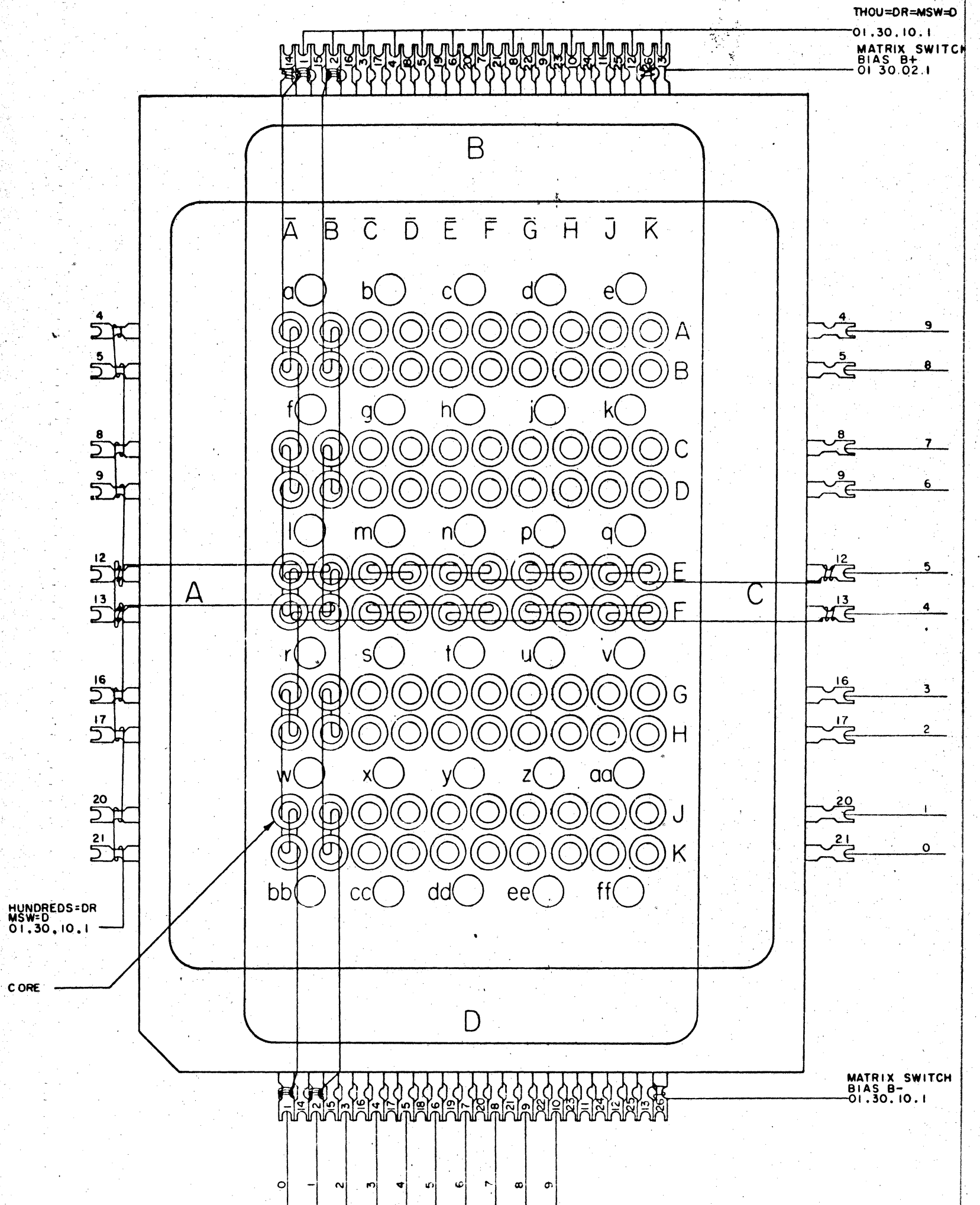
MATRIX SWITCH  
BIAS B-  
01.30.04.1

\*I---01A2R12D---01A4R12D



NOTE  
SEE PAGE 01.30.05.2 FOR MATRIX SWITCH  
TO ARRAY CONNECTIONS





MATRIX SWITCH A OUTPUTS

MEMORY ADDRESS (01.30.01.1)	MATRIX SWA OUTPUTS	ARRAY-SIDE A PLANE#	A PIN
OXX00	A-72	12	18
IXX00	A-71	1	19
OXX02	A-68	12	20
IXX02	A-66	1	21
OXX04	A-63	12	22
IXX04	A-61	1	23
OXX06	A-58	12	24
IXX06	A-56	1	25
OXX08	A-53	12	26
IXX08	A-51	1	27
OXX10	A-48	12	28
IXX10	A-70	1	29
OXX12	A-67	12	30
IXX12	A-65	1	31
OXX14	A-62	12	32
IXX14	A-60	1	33
OXX16	A-57	12	34
IXX16	A-55	1	35
OXX18	A-52	12	36
IXX18	A-50	1	37
OXX20	A-47	12	38
IXX20	A-69	1	39
OXX22	A-44	12	40
IXX22	A-64	1	41
OXX24	A-39	12	42
IXX24	A-59	1	43
OXX26	A-34	12	44
IXX26	A-54	1	45
OXX28	A-29	12	46
IXX28	A-49	1	47
OXX30	A-24	12	48
IXX30	A-46	1	49
OXX32	A-43	12	50
IXX32	A-41	1	51
OXX34	A-38	12	52
IXX34	A-36	1	53
OXX36	A-33	12	54
IXX36	A-31	1	55
OXX38	A-28	12	56
IXX38	A-26	1	57
OXX40	A-23	12	58
IXX40	A-45	1	59
OXX42	A-42	12	60
IXX42	A-40	1	61
OXX44	A-37	12	62
IXX44	A-35	1	63
OXX46	A-32	12	64
IXX46	A-30	1	65
OXX48	A-27	12	66
IXX48	A-25	1	67

MEMORY ADDRESS (01.30.01.1)	MATRIX SWA OUTPUTS	ARRAY-SIDE A PLANE#	A PIN
OXX50	C-72	12	72
IXX50	C-69	1	73
OXX52	C-67	12	74
IXX52	C-64	1	75
OXX54	C-62	12	76
IXX54	C-59	1	77
OXX56	C-57	12	78
IXX56	C-54	1	79
OXX58	C-52	12	80
IXX58	C-49	1	81
OXX60	C-47	12	82
IXX60	C-70	1	83
OXX62	C-68	12	84
IXX62	C-65	1	85
OXX64	C-63	12	86
IXX64	C-60	1	87
OXX66	C-58	12	88
IXX66	C-55	1	89
OXX68	C-53	12	90
IXX68	C-50	1	91
OXX70	C-48	12	92
IXX70	C-71	1	93
OXX72	C-42	12	94
IXX72	C-66	1	95
OXX74	C-37	12	96
IXX74	C-61	1	97
OXX76	C-32	12	98
IXX76	C-56	1	99
OXX78	C-27	12	100
IXX78	C-51	1	101
OXX80	C-23	12	102
IXX80	C-46	1	103
OXX82	C-43	12	104
IXX82	C-40	1	105
OXX84	C-38	12	106
IXX84	C-35	1	107
OXX86	C-33	12	108
IXX86	C-30	1	109
OXX88	C-28	12	110
IXX88	C-25	1	111
OXX90	C-24	12	112
IXX90	C-47	1	113
OXX92	C-44	12	114
IXX92	C-41	1	115
OXX94	C-39	12	116
IXX94	C-36	1	117
OXX96	C-34	12	118
IXX96	C-31	1	119
OXX98	C-29	12	120
IXX98	C-26	1	121

MEMORY RETURN LINE

LINE (01.30.06.1)	ARRAY-SIDE A PLANE#	A PIN
A1	12	21
A2	12	31
A3	12	41
A4	12	51
A5	12	61
A6	12	75
A7	12	85
A8	12	95
A9	12	105
A10	12	115

PLANE 12 15 PIN (WIRING) SIDE

MATRIX SWITCH D OUTPUTS

MEMORY ADDRESS	MATRIX SW D OUTPUTS (01.30.03.1)	ARRAY-SIDE D PLANE # PIN
X00XX	C-24	1 18
X01XX	C-47	12 19
X02XX	C-44	1 20
X03XX	C-41	12 21
X04XX	C-39	1 22
X05XX	C-36	12 23
X06XX	C-34	1 24
X07XX	C-31	12 25
X08XX	C-29	1 26
X09XX	C-26	12 27
X10XX	C-23	1 28
X11XX	C-46	12 29
X12XX	C-43	1 30
X13XX	C-40	12 31
X14XX	C-38	1 32
X15XX	C-35	12 33
X16XX	C-33	1 34
X17XX	C-30	12 35
X18XX	C-28	1 36
X19XX	C-25	12 37
X20XX	C-48	1 38
X21XX	C-71	12 39
X22XX	C-42	1 40
X23XX	C-66	12 41
X24XX	C-37	1 42
X25XX	C-61	12 43
X26XX	C-32	1 44
X27XX	C-56	12 45
X28XX	C-27	1 46
X29XX	C-51	12 47
X30XX	C-47	1 48
X31XX	C-70	12 49
X32XX	C-68	1 50
X33XX	C-65	12 51
X34XX	C-63	1 52
X35XX	C-60	12 53
X36XX	C-58	1 54
X37XX	C-55	12 55
X38XX	C-53	1 56
X39XX	C-50	12 57
X40XX	C-72	1 58
X41XX	C-69	12 59
X42XX	C-67	1 60
X43XX	C-64	12 61
X44XX	C-62	1 62
X45XX	C-59	12 63
X46XX	C-57	1 64
X47XX	C-54	12 65
X48XX	C-52	1 66
X49XX	C-49	12 67

MEMORY ADDRESS	MATRIX SW D OUTPUTS (01.30.03.1)	ARRAY-SIDE D PLANE # PIN
X50XX	A-23	1 72
X51XX	A-45	12 73
X52XX	A-42	1 74
X53XX	A-40	12 75
X54XX	A-37	1 76
X55XX	A-35	12 77
X56XX	A-32	1 78
X57XX	A-30	12 79
X58XX	A-27	1 80
X59XX	A-25	12 81
X60XX	A-24	1 82
X61XX	A-46	12 83
X62XX	A-43	1 84
X63XX	A-41	12 85
X64XX	A-38	1 86
X65XX	A-36	12 87
X66XX	A-33	1 88
X67XX	A-31	12 89
X68XX	A-28	1 90
X69XX	A-26	12 91
X70XX	A-47	1 92
X71XX	A-69	12 93
X72XX	A-44	1 94
X73XX	A-64	12 95
X74XX	A-39	1 96
X75XX	A-59	12 97
X76XX	A-34	1 98
X77XX	A-54	12 99
X78XX	A-29	1 100
X79XX	A-49	12 101
X80XX	A-48	1 102
X81XX	A-70	12 103
X82XX	A-67	1 104
X83XX	A-65	12 105
X84XX	A-62	1 106
X85XX	A-60	12 107
X86XX	A-57	1 108
X87XX	A-55	12 109
X88XX	A-52	1 110
X89XX	A-50	12 111
X90XX	A-72	1 112
X91XX	A-71	12 113
X92XX	A-68	1 114
X93XX	A-66	12 115
X94XX	A-63	1 116
X95XX	A-61	12 117
X96XX	A-58	1 118
X97XX	A-56	12 119
X98XX	A-53	1 120
X99XX	A-51	12 121

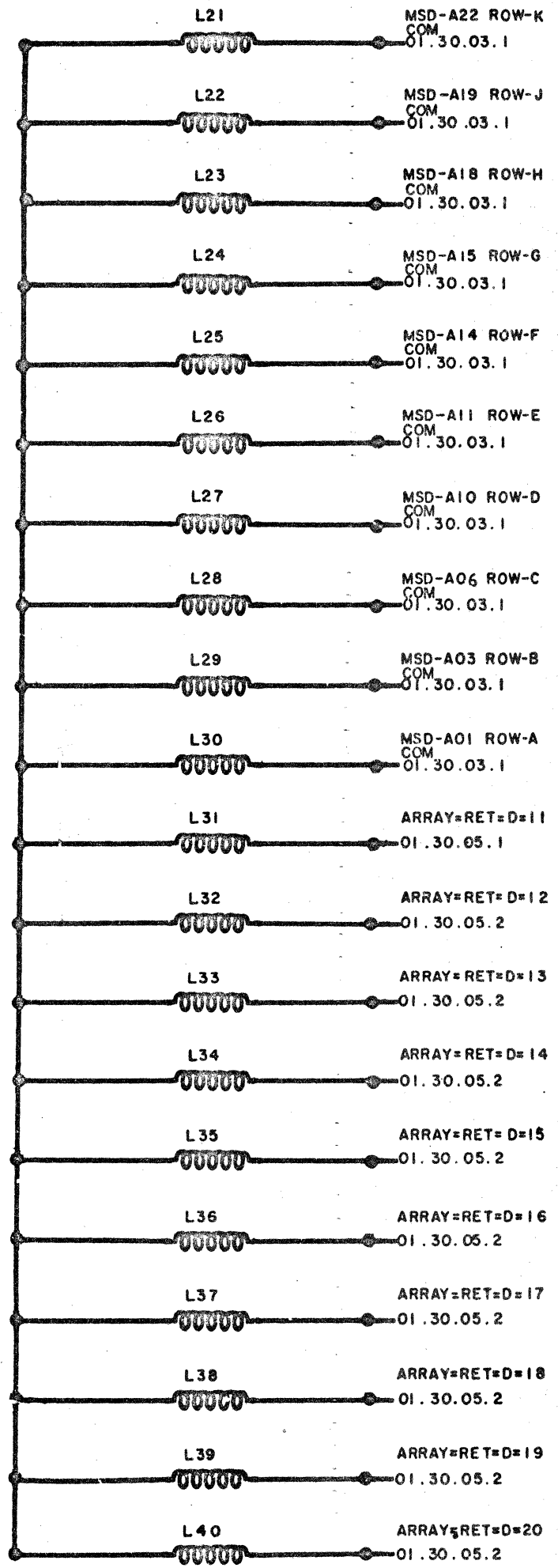
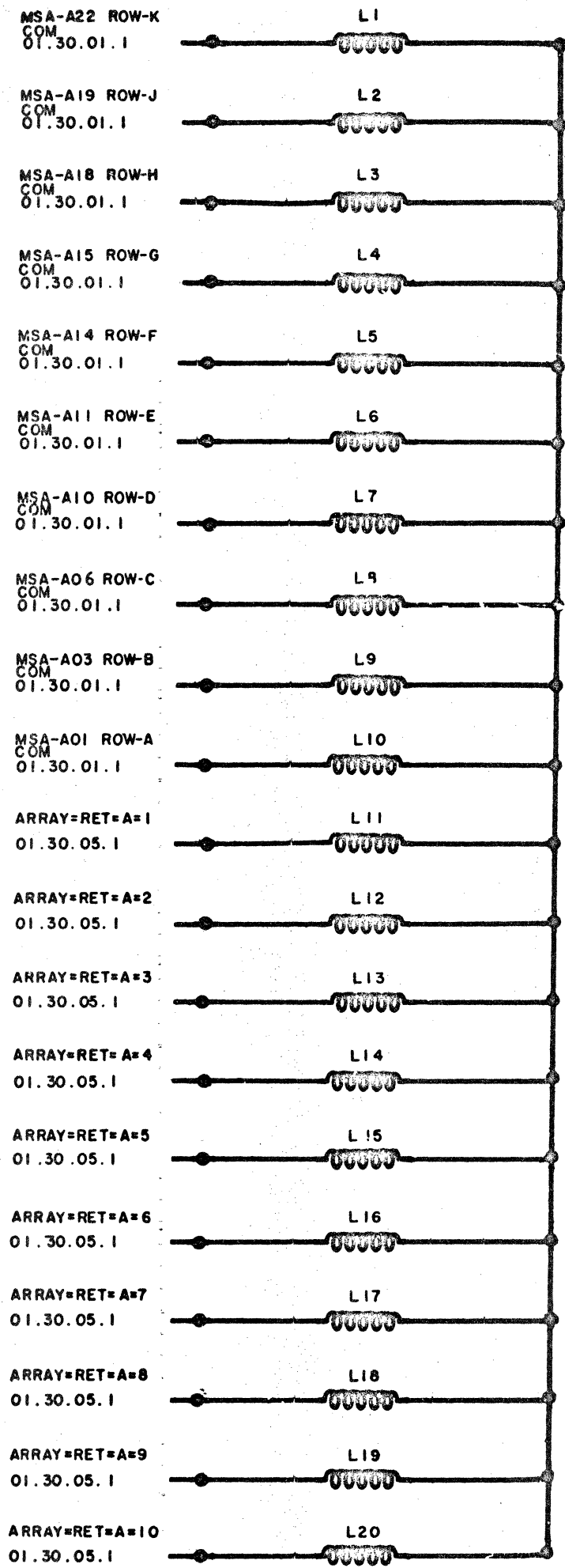
MEMORY RETURN LINES

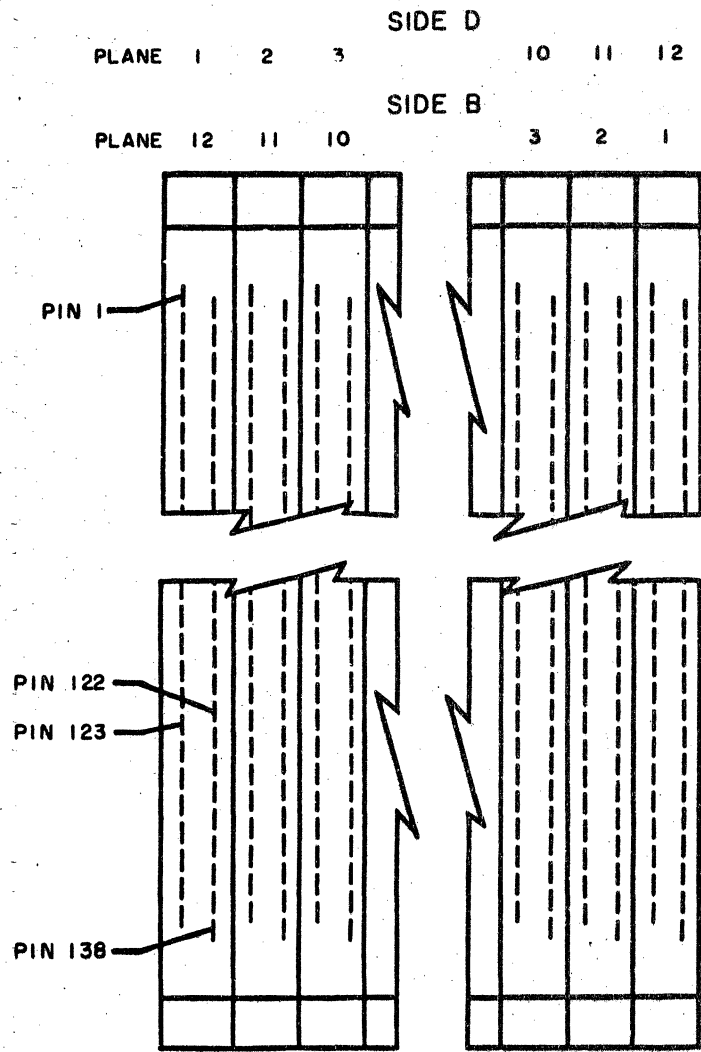
LINE (01.30.06.1)	ARRAY-SIDE D PLANE # PIN
D11	12 20
D12	12 30
D13	12 40
D14	12 50
D15	12 60
D16	12 74
D17	12 84
D18	12 94
D19	12 104
D20	12 114

\* PLANE 12 15 PIN (WIRING) SIDE

ARRAY DRIVE HALF SELECT 1620  
NOISE CANCELLATION INDUCTORS

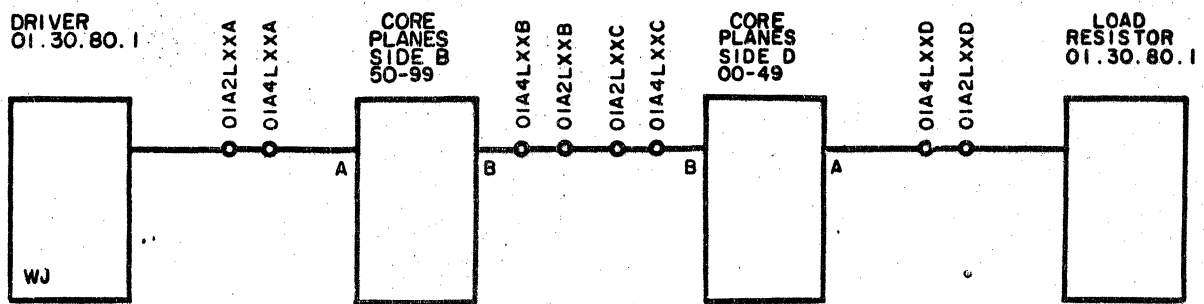
01.30.06.1





TITLE	PLANE	PIN	
		A	B
C=EV=Z	12	122	123
C=OD=Z	11	123	122
F=EV=Z	10	122	123
F=OD=Z	9	123	122
8=EV=Z	8	122	123
8=OD=Z	7	123	122
4=EV=Z	6	122	123
4=OD=Z	5	123	122
2=EV=Z	4	122	123
2=OD=Z	3	123	122
1=EV=Z	2	122	123
1=OD=Z	1	123	122

TYPICAL INHIBIT WINDING:

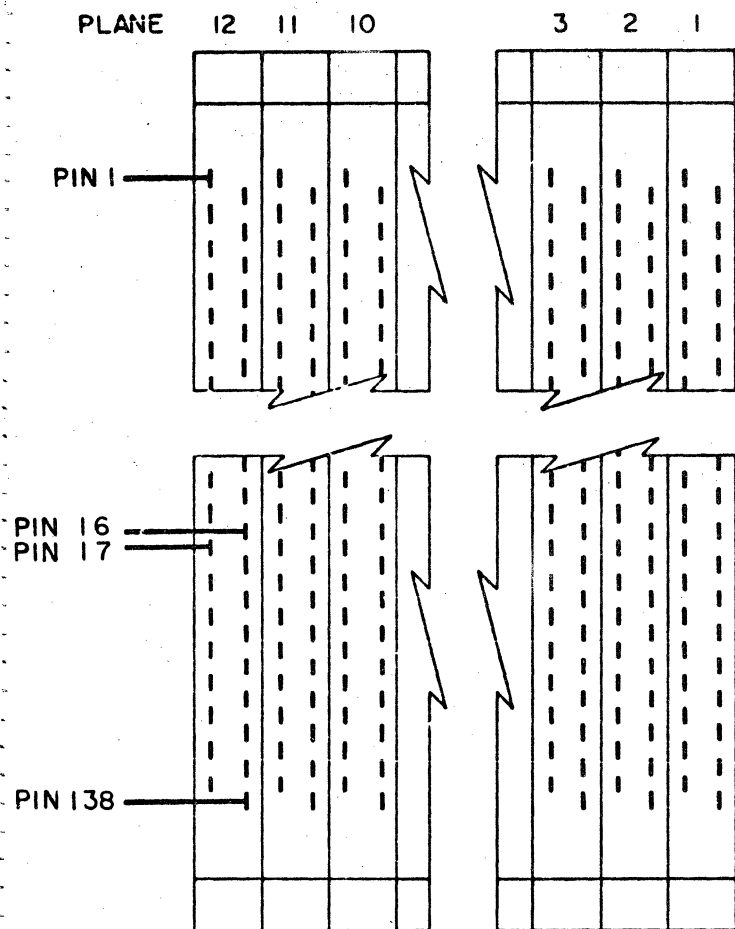


MEMORY ARRAY  
SENSE WINDING OUTPUT

1620

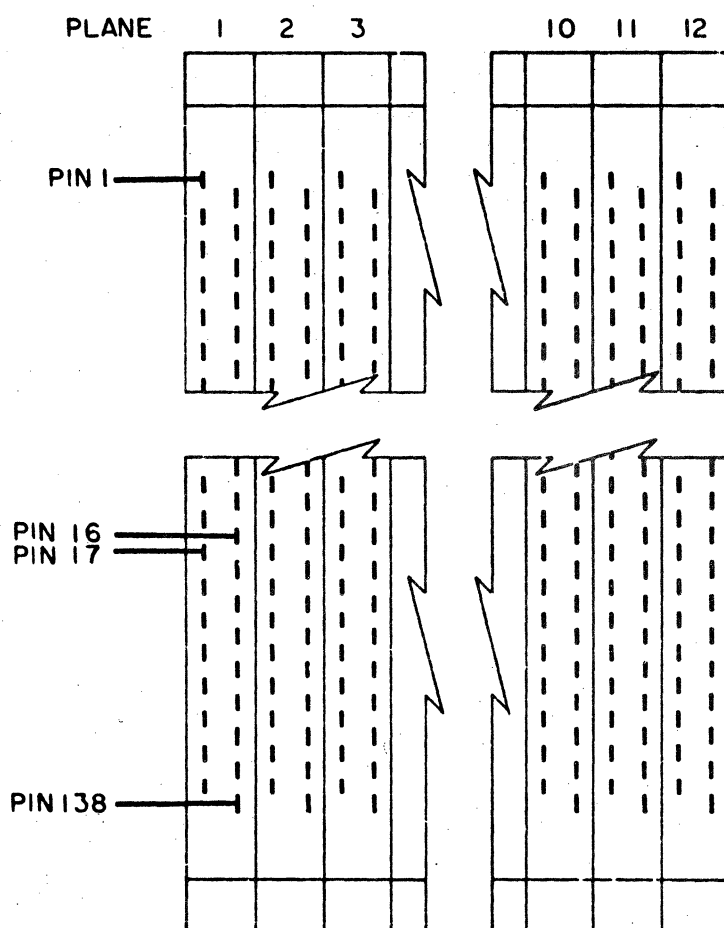
01.30.08.1

SIDE B

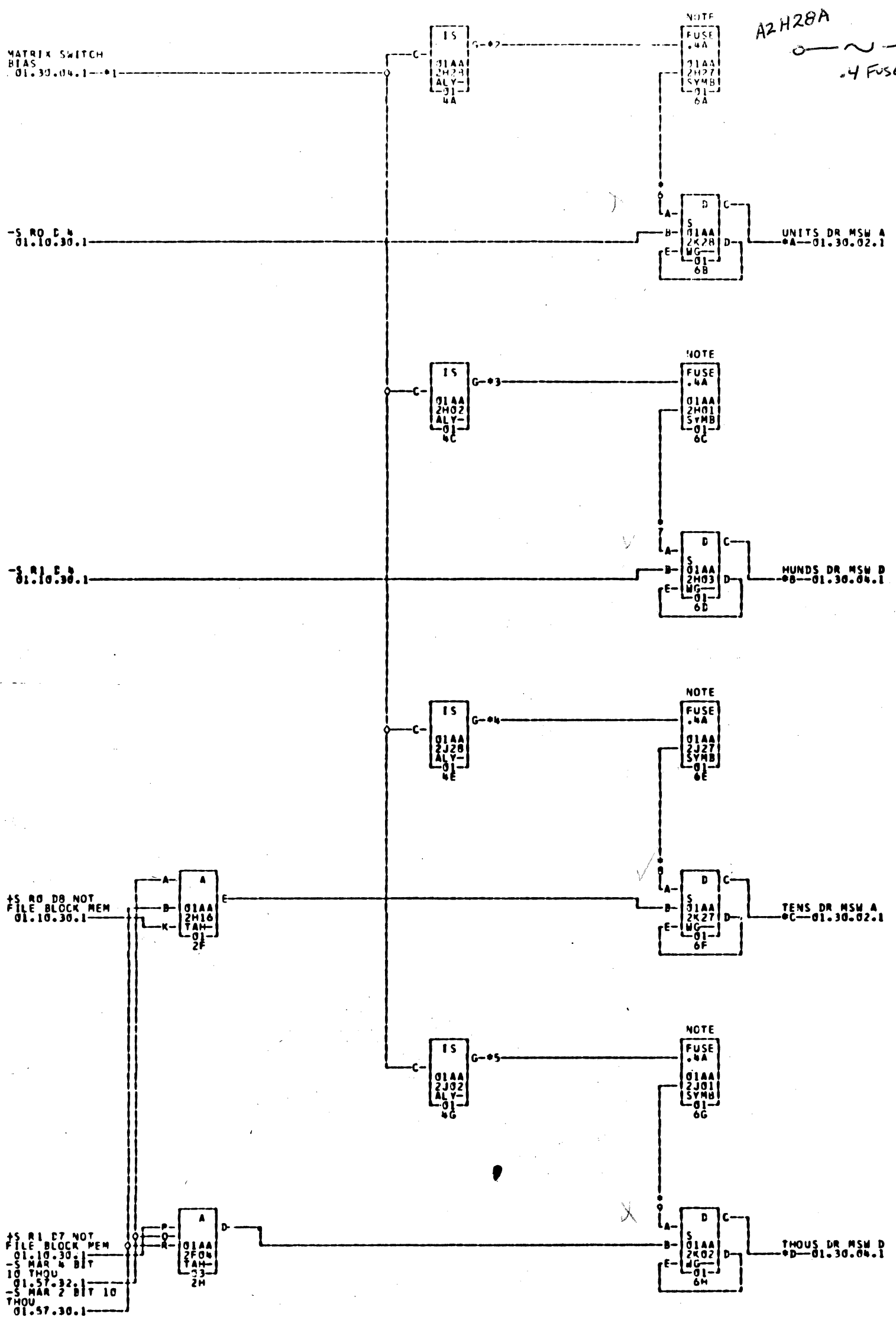


PLANE	PIN	NAME	LOGIC
12	16	SEN=WIND=C=EV>50	01.30.50.1
12	17	SEN=C=EV>50	01.30.50.1
11	16	SEN=WIND=C=OD>50	01.30.45.1
11	17	SEN=C=OD>50	01.30.45.1
10	16	SEN=WIND=F=EV>50	01.30.50.1
10	17	SEN=F=EV>50	01.30.50.1
9	16	SEN=WIND=F=OD>50	01.30.45.1
9	17	SEN=F=OD>50	01.30.45.1
8	16	SEN=WIND=8=EV>50	01.30.50.1
8	17	SEN=8=EV>50	01.30.50.1
7	16	SEN=WIND=8=OD>50	01.30.45.1
7	17	SEN=8=OD>50	01.30.45.1
6	16	SEN=WIND=4=EV>50	01.30.50.1
6	17	SEN=4=EV>50	01.30.50.1
5	16	SEN=WIND=4=OD>50	01.30.45.1
5	17	SEN=4=OD>50	01.30.45.1
4	16	SEN=WIND=2=EV>50	01.30.50.1
4	17	SEN=2=EV>50	01.30.50.1
3	16	SEN=WIND=2=OD>50	01.30.45.1
3	17	SEN=2=OD>50	01.30.45.1
2	16	SEN=WIND=1=EV>50	01.30.50.1
2	17	SEN=1=OD>50	01.30.50.1
1	16	SEN=WIND=1=OD>50	01.30.45.1
1	17	SEN=1=OD>50	01.30.45.1

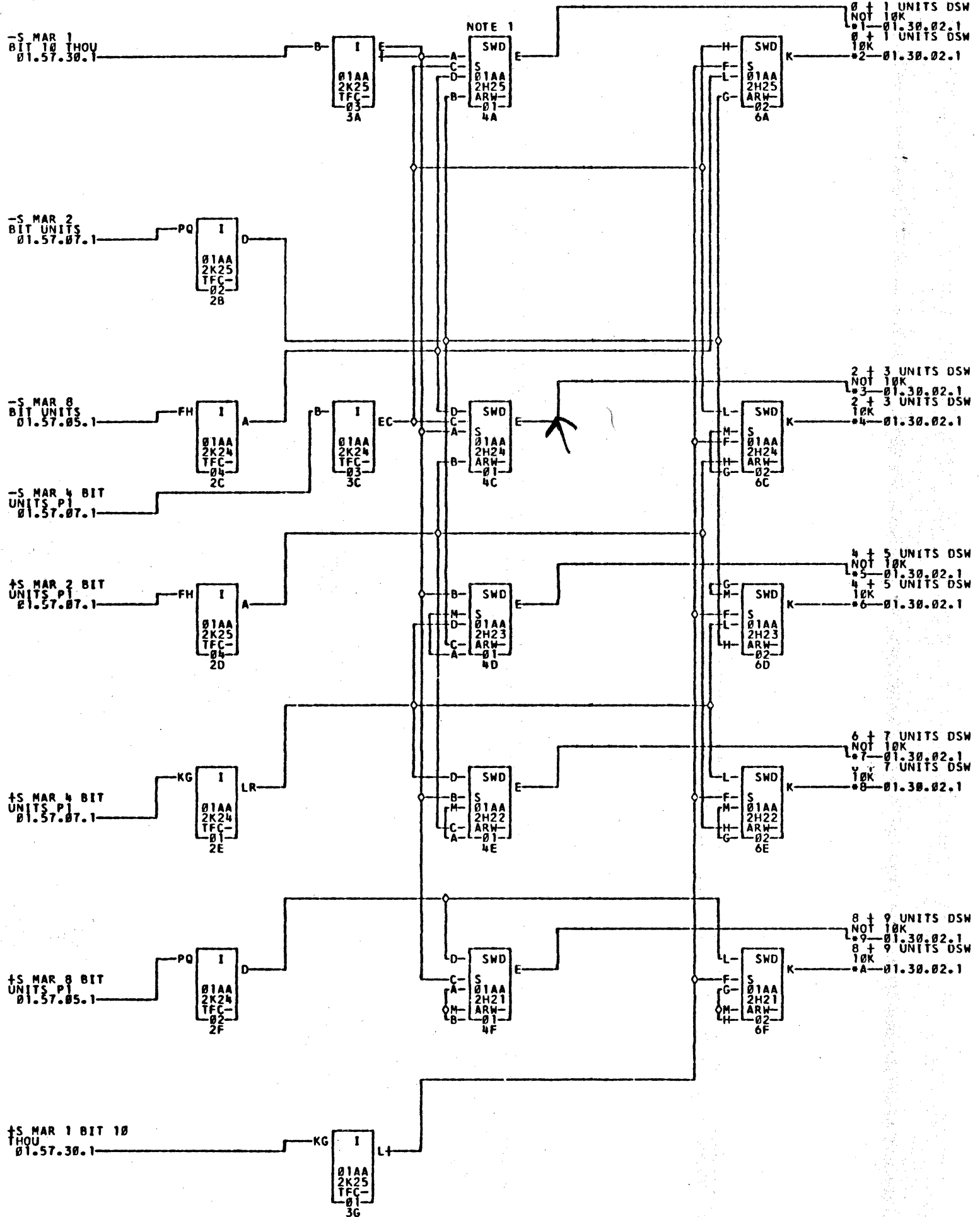
SIDE D



PLANE	PIN	NAME	LOGIC
12	16	SEN=WIND=C=EV<50	01.30.50.1
12	17	SEN=C=EV<50	01.30.50.1
11	16	SEN=WIND=C=OD<50	01.30.45.1
11	17	SEN=C=OD<50	01.30.45.1
10	16	SEN=WIND=F=EV<50	01.30.50.1
10	17	SEN=F=EV<50	01.30.50.1
9	16	SEN=WIND=F=OD<50	01.30.45.1
9	17	SEN=F=OD<50	01.30.45.1
8	16	SEN=WIND=8=EV<50	01.30.50.1
8	17	SEN=8=EV<50	01.30.50.1
7	16	SEN=WIND=8=OD<50	01.30.45.1
7	17	SEN=8=OD<50	01.30.45.1
6	16	SEN=WIND=4=EV<50	01.30.50.1
6	17	SEN=4=EV<50	01.30.50.1
5	16	SEN=WIND=4=OD<50	01.30.45.1
5	17	SEN=4=OD<50	01.30.45.1
4	16	SEN=WIND=2=EV<50	01.30.50.1
4	17	SEN=2=EV<50	01.30.50.1
3	16	SEN=WIND=2=OD<50	01.30.45.1
3	17	SEN=2=OD<50	01.30.45.1
2	16	SEN=WIND=1=EV<50	01.30.50.1
2	17	SEN=1=EV<50	01.30.50.1
1	16	SEN=WIND=1=OD<50	01.30.45.1
1	17	SEN=1=OD<50	01.30.45.1



- \*1-01A2L06D
- \*2-01A2M28A
- \*3-01A2M02A
- \*4-01A2J28A
- \*5-01A2J02A
- \*6-01A2H27A
- \*7-01A2M01A
- \*8-01A2J27A
- \*9-01A2J01A
- \*A-01A2H27A
- \*B-01A2L01A
- \*C-01A2R07B
- \*D-01A2L01B
- \*E-01A2L01B



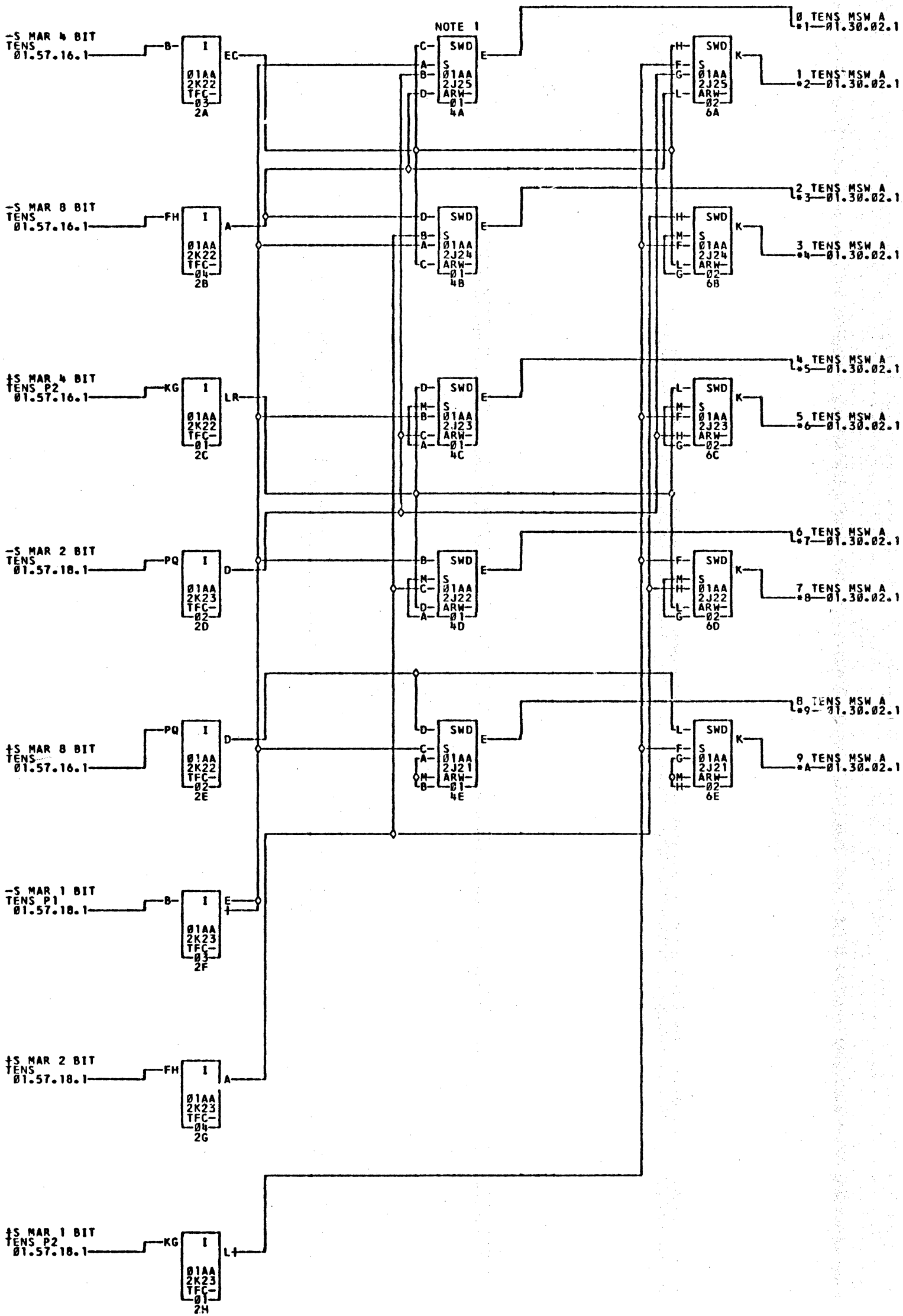
- \*1-01A2R12B      01A4R12B      \*2-01A2R12A      01A4R12A      \*3-01A2R11D      01A4R11D
- \*4-01A2R11C      01A4R11C      \*5-01A2R11B      01A4R11B      \*6-01A2R11A      01A4R11A
- \*7-01A2R10D      01A4R10D      \*8-01A2R10C      01A4R10C      \*9-01A2R10B      01A4R10B
- \*A-01A2R10A      01A4R10A

FL WF ARM CARDS INTERCHANGEABLE COMMENTS ARE

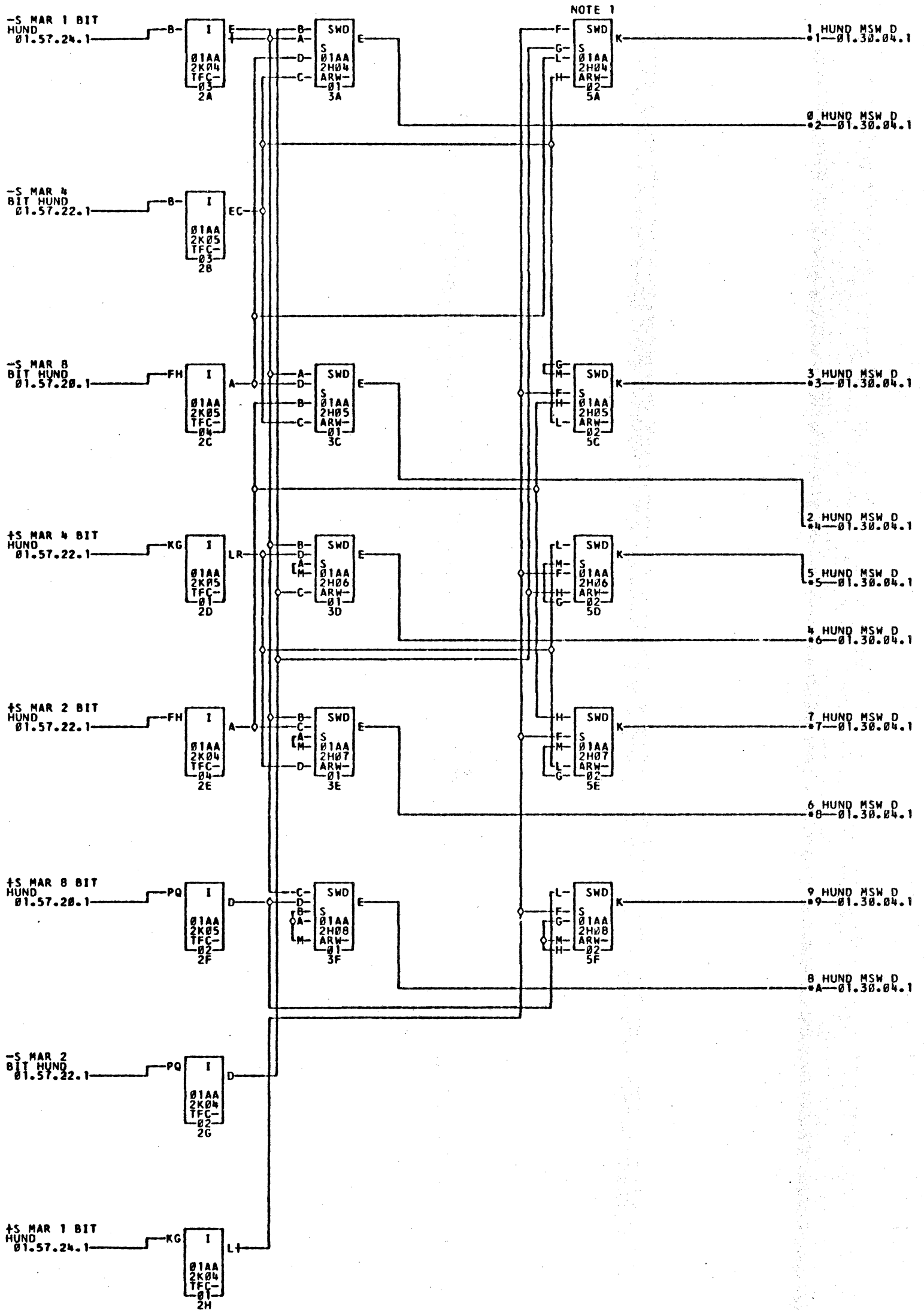
TAG DATE D.A.NO. TAG DATE D.A.NO. TAG DATE D.A.NO. TAG DATE D.A.NO.

A 03-23-62 BF07000





- \*1-01A2R09D
- \*2-01A2R09C
- \*3-01A2R09B
- \*4-01A2R09A
- \*5-01A2R08D
- \*6-01A2R08C
- \*7-01A2R08B
- \*8-01A2R08A
- \*9-01A2R07D
- \*10-01A2R07C
- \*11-01A2R07B
- \*12-01A2R07A



- \*1-01A2L03C      01A4L03C
- \*4-01A2L03B      01A4L03B
- \*7-01A2L02A      01A4L02A
- \*A-01A2L01D      01A4L01D

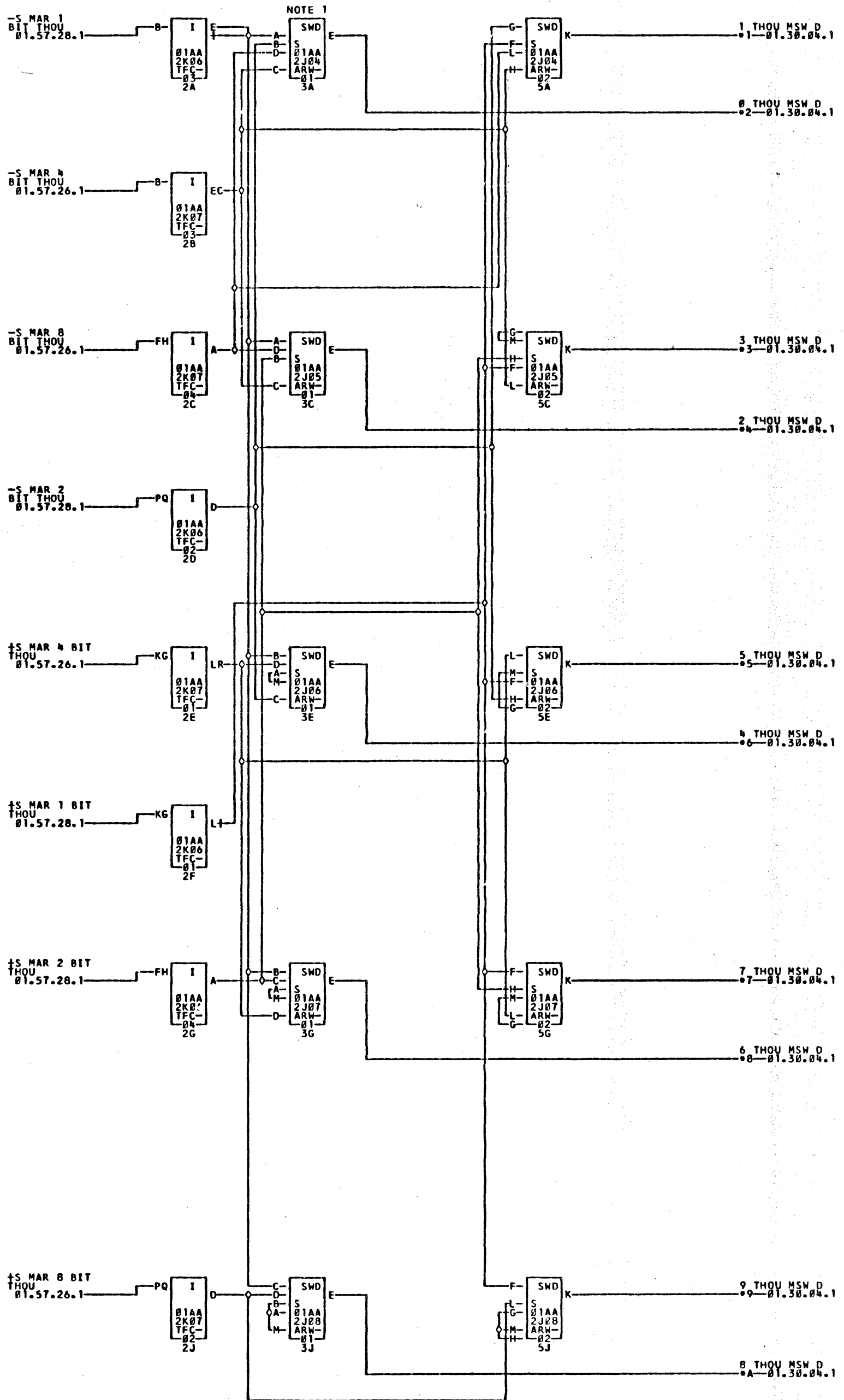
- \*2-01A2L03D      01A4L03D
- \*5-01A2L02C      01A4L02C
- \*8-01A2L02B      01A4L02B

- \*3-01A2L03A      01A4L03A
- \*6-01A2L02D      01A4L02D
- \*9-01A2L01C      01A4L01C

FL WF ARW CARDS ARE INTERCHANGEABLE  COMMENTS ARE

TAG DATE D.A.NO. TAG DATE D.A.NO. TAG DATE D.A.NO. TAG DATE D.A.NO.

A 03-23-62 0F07000



NOTE 1

- \*1-01A2L06A
- \*4-01A2L05D
- \*7-01A2L04C
- \*A-01A2L04B

- 01A4L06A
- 01A4L05D
- 01A4L04C
- 01A4L04B

- \*2-01A2L06B
- \*5-01A2L05A
- \*8-01A2L04D

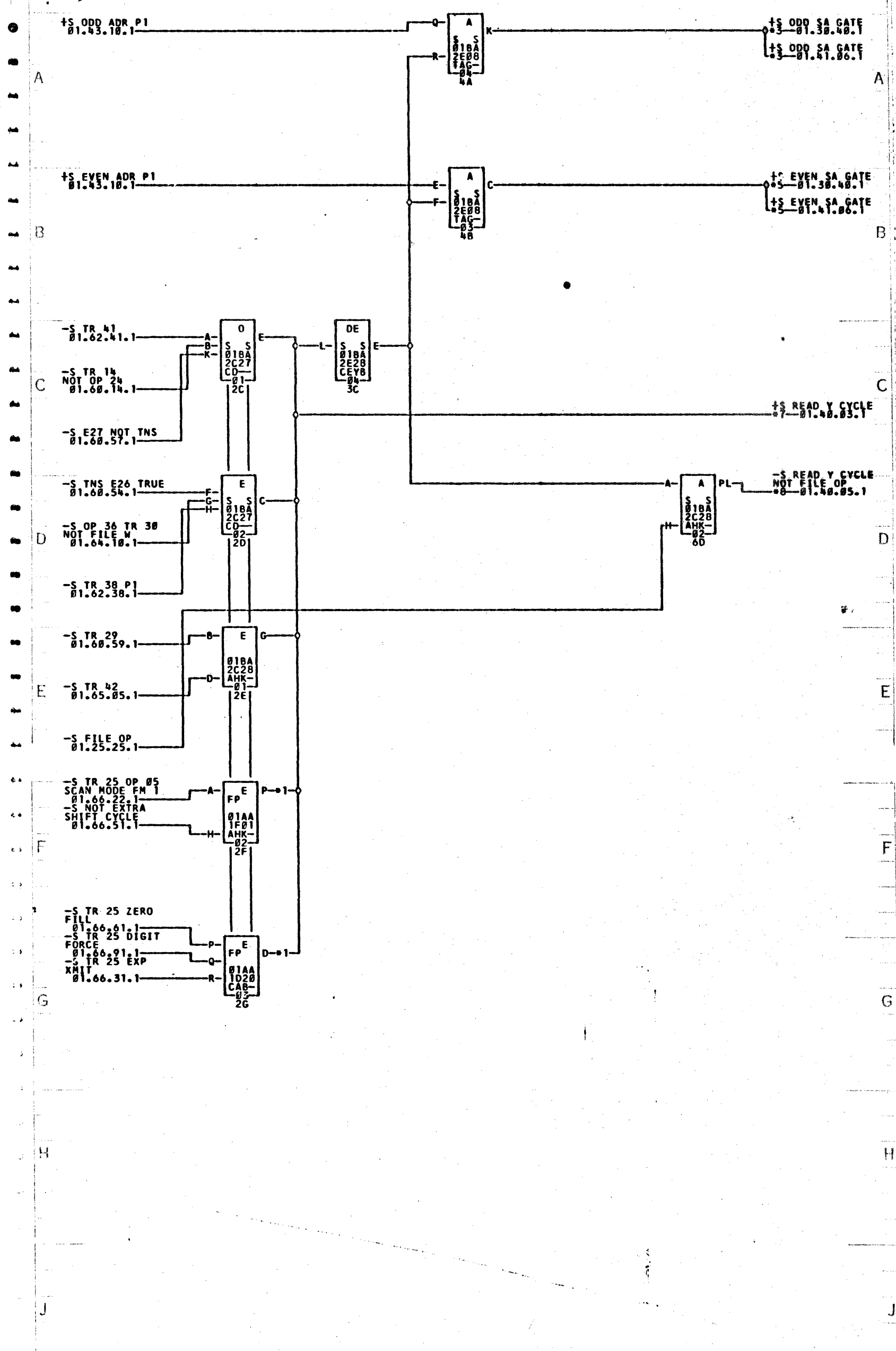
- 01A4L06B
- 01A4L05A
- 01A4L04D

- \*3-01A2L05C
- \*6-01A2L05B
- \*9-01A2L04A

- 01A4L05C
- 01A4L05B
- 01A4L04A

FL WF ARW CARDS ARE INTERCHANGEABLE COMMENTS ARE

TAG DATE	D.A.NO.	TAG DATE	D.A.NO.	TAG DATE	D.A.NO.	TAG DATE	D.A.NO.
A 03-23-62	0F07000						



\*1-01AWJ04    \*\*01BWE04    \*3-01BWJ02    \*\*01AWJ02    \*5-01BWJ03    \*\*01AWJ03  
 \*7-01BZY28A    \*\*01B1Y28A    \*6-01BWB09    \*\*01AWB09

E. C. 404711    COMMENTS    TAG DATE    D.A.NO.    TAG DATE    D.A.NO.    TAG DATE    D.A.NO.    TAG DATE    D.A.NO.

A

A

+S EVEN SA GATE  
01.30.35.1

-S MEM SA  
STROBE EV 50-99  
01.30.50.1

B

B

+S 50-99  
01.55.15.1

C

C

D

D

+S ODD SA GATE  
01.30.35.1

-S MEM SA  
STROBE OD 50-99  
01.30.45.1

F

F

+S 00-49  
01.55.15.1

G

G

+S R1 D2 NOT  
READ. 1  
01.10.30.1

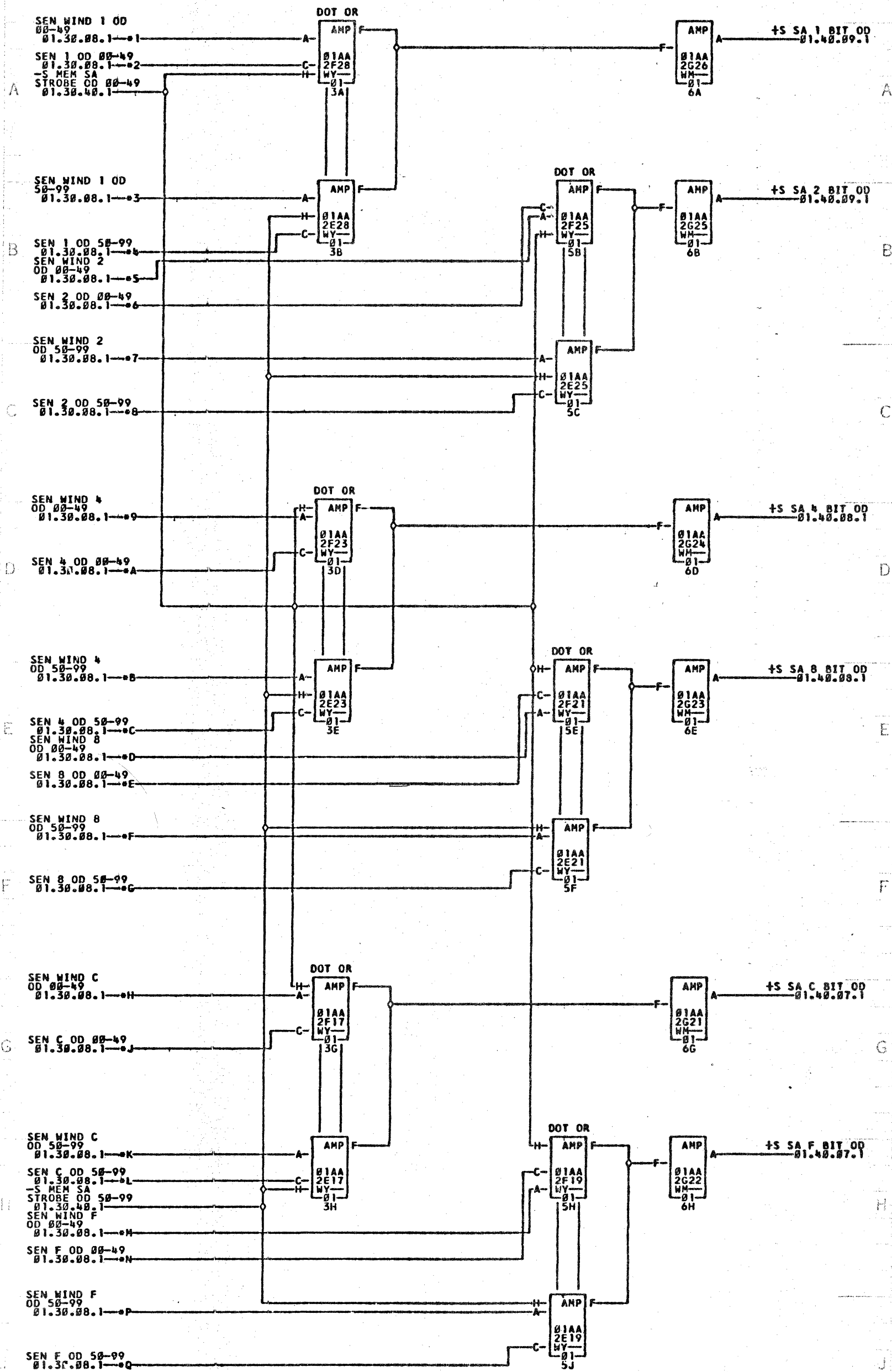
-S MEM SA  
STROBE OD 00-49  
01.30.45.1

H

H

J

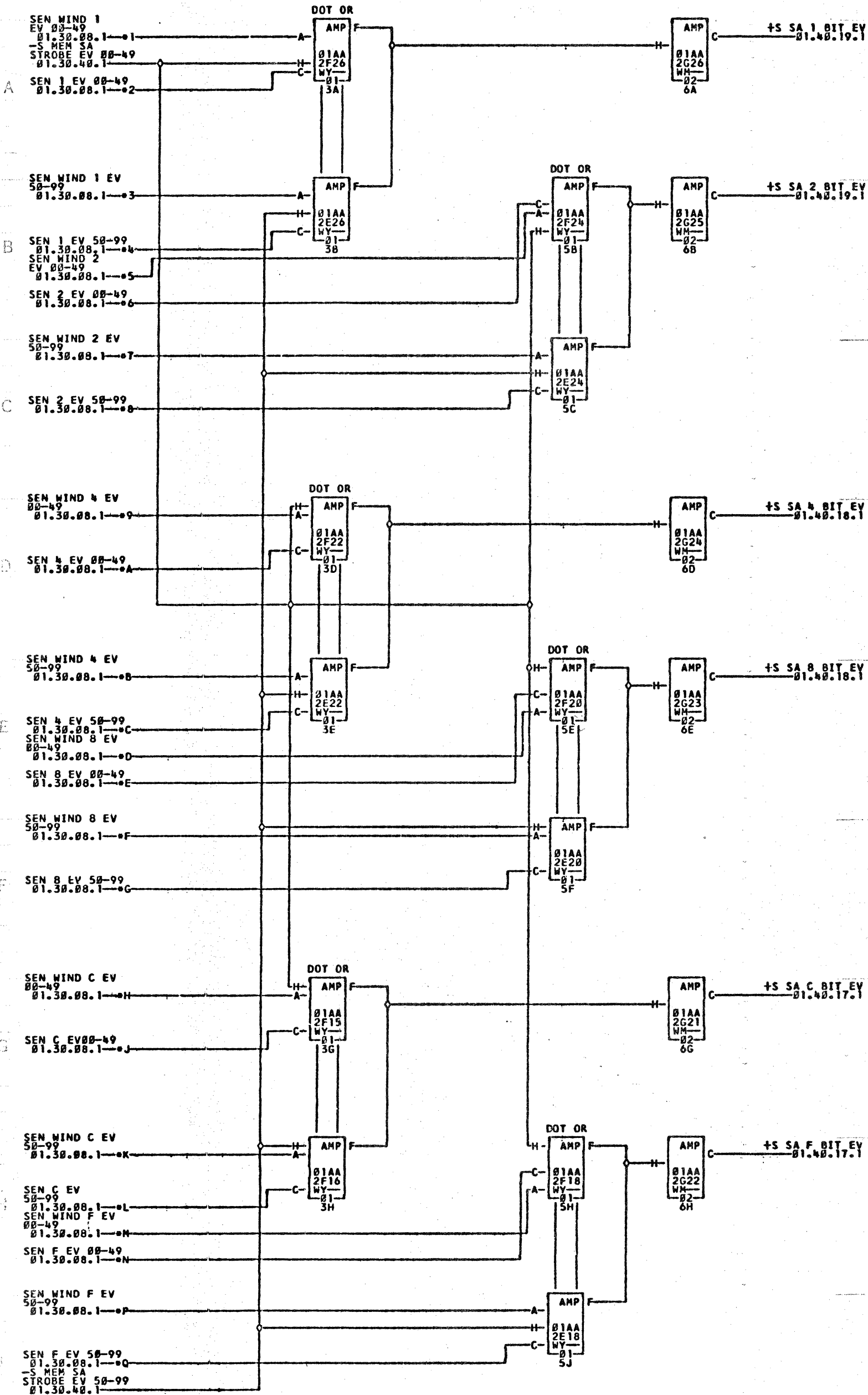
J



- |             |               |             |               |             |               |
|-------------|---------------|-------------|---------------|-------------|---------------|
| •1-01A2R01B | =====01A4R01B | •2-01A2R01A | =====01A4R01A | •3-01A2R13B | =====01A4R13B |
| •4-01A2R13A | =====01A4R13A | •5-01A2R02B | =====01A4R02B | •6-01A2R02A | =====01A4R02A |
| •7-01A2R14B | =====01A4R14B | •8-01A2R14A | =====01A4R14A | •9-01A2R03B | =====01A4R03B |
| •A-01A2R03A | =====01A4R03A | •B-01A2R15B | =====01A4R15B | •C-01A2R15A | =====01A4R15A |
| •D-01A2R04B | =====01A4R04B | •E-01A2R04A | =====01A4R04A | •F-01A2R16B | =====01A4R16B |
| •G-01A2R16A | =====01A4R16A | •H-01A2R06B | =====01A4R06B | •J-01A2R06A | =====01A4R06A |
| •K-01A2R18B | =====01A4R18B | •L-01A2R18A | =====01A4R18A | •M-01A2R05B | =====01A4R05B |
| •N-01A2R05A | =====01A4R05A | •P-01A2R17B | =====01A4R17B | •Q-01A2R17A | =====01A4R17A |

COMMENTS TAG DATE D.A.NO. TAG DATE D.A.NO. TAG DATE D.A.NO. TAG DATE D.A.NO.

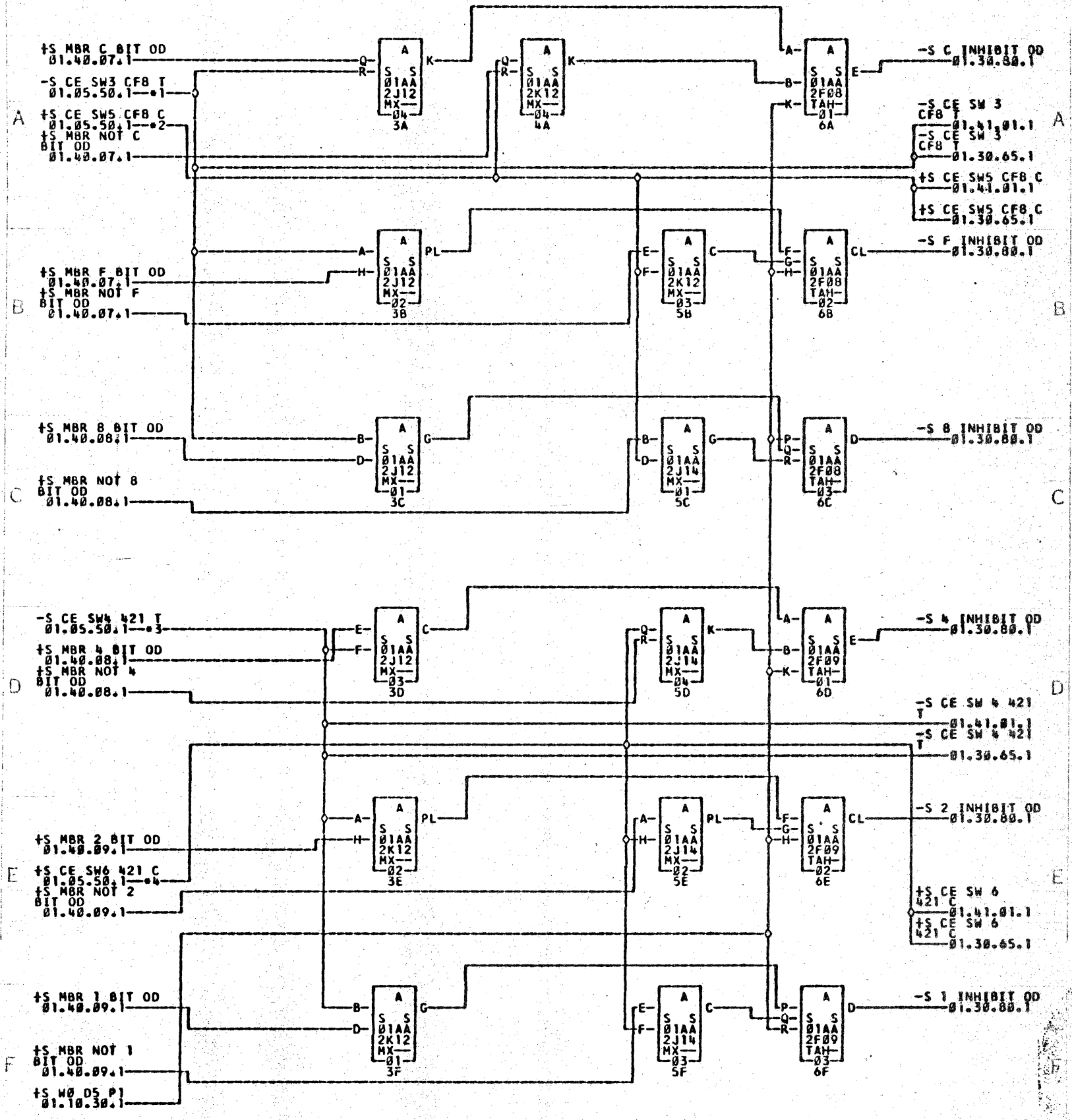
A 02-02-62 0F01000



- |             |          |             |          |             |          |
|-------------|----------|-------------|----------|-------------|----------|
| *1-01A2R01D | 01A4R01D | *2-01A2R01C | 01A4R01C | *3-01A2R13D | 01A4R13D |
| *4-01A2R13C | 01A4R13C | *5-01A2R02D | 01A4R02D | *6-01A2R02C | 01A4R02C |
| *7-01A2R14D | 01A4R14D | *8-01A2R14C | 01A4R14C | *9-01A2R03D | 01A4R03D |
| *A-01A2R03C | 01A4R03C | *B-01A2R15D | 01A4R15D | *C-01A2R15C | 01A4R15C |
| *D-01A2R04D | 01A4R04D | *E-01A2R04C | 01A4R04C | *F-01A2R16D | 01A4R16D |
| *G-01A2R16C | 01A4R16C | *H-01A2R06D | 01A4R06D | *J-01A2R06C | 01A4R06C |
| *K-01A2R18D | 01A4R18D | *L-01A2R18C | 01A4R18C | *M-01A2R05D | 01A4R05D |
| *N-01A2R05C | 01A4R05C | *P-01A2R17D | 01A4R17D | *Q-01A2R17C | 01A4R17C |

COMMENTS

TAG DATE	D.A.NO.	TAG DATE	D.A.NO.	TAG DATE	D.A.NO.	TAG DATE	D.A.NO.
A 02-02-62	0F01000						

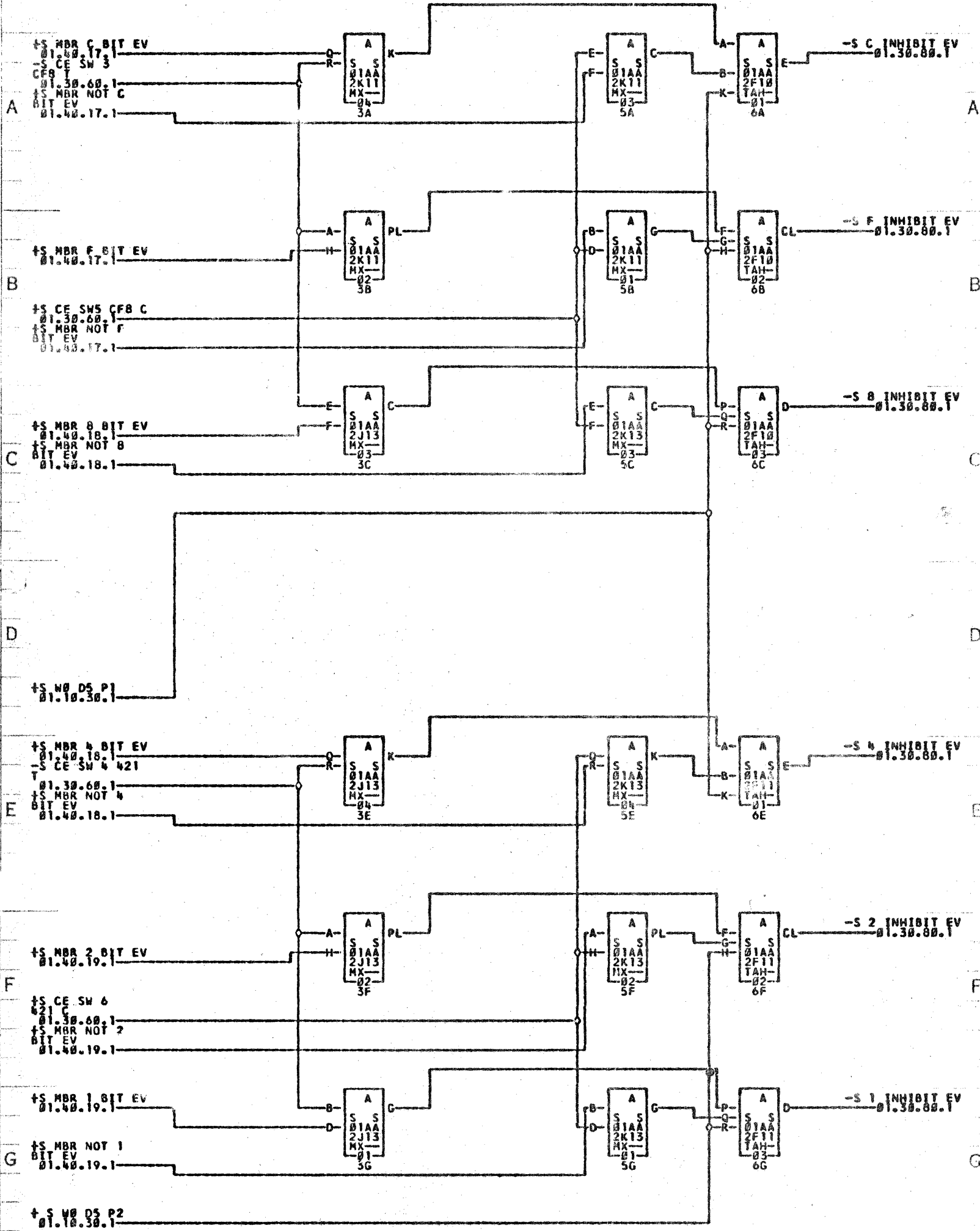


•1--01A3A03C    •2--01A3A05C    •3--01A3A04C    •4--01A3A06C

•1 CABLE WIRE-CONNECTS TO PIN J12R  
 •2 CABLE WIRE-CONNECTS TO PIN K14Q  
 •3 CABLE WIRE-CONNECTS TO PIN K12R  
 •4 CABLE WIRE-CONNECTS TO PIN K14Q

TAG DATE D.A.NO. TAG DATE D.A.NO. TAG DATE D.A.NO.  
 A 02-23-62 0F03000





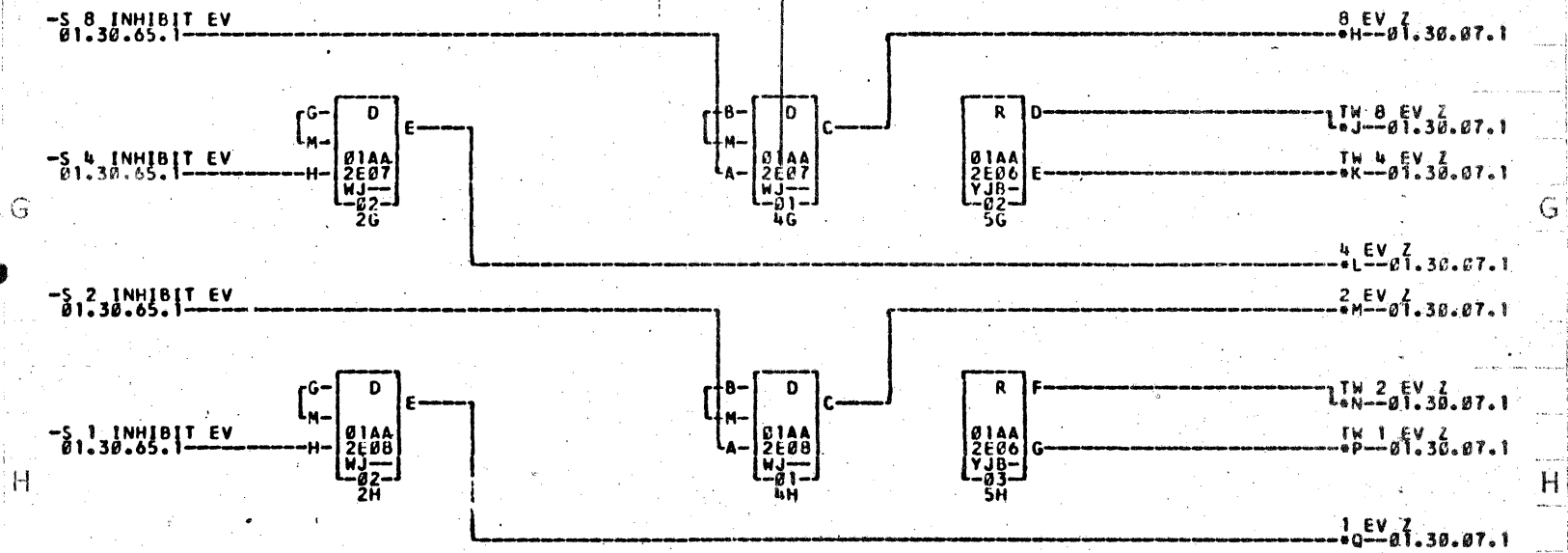
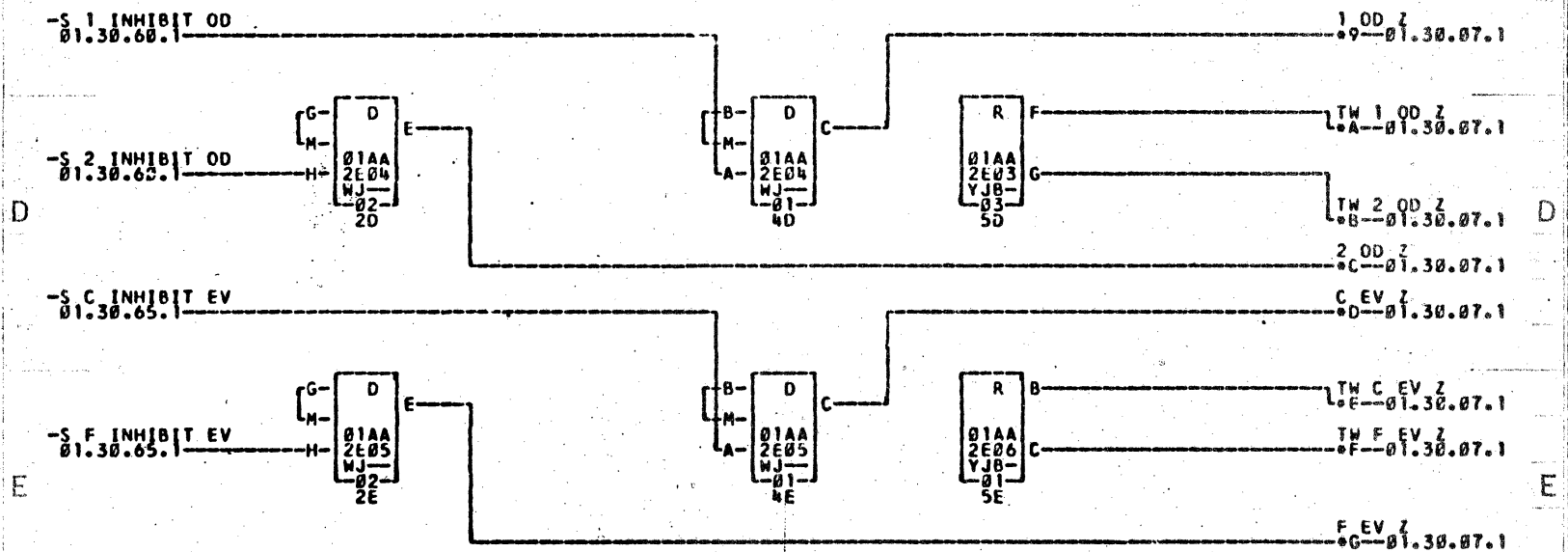
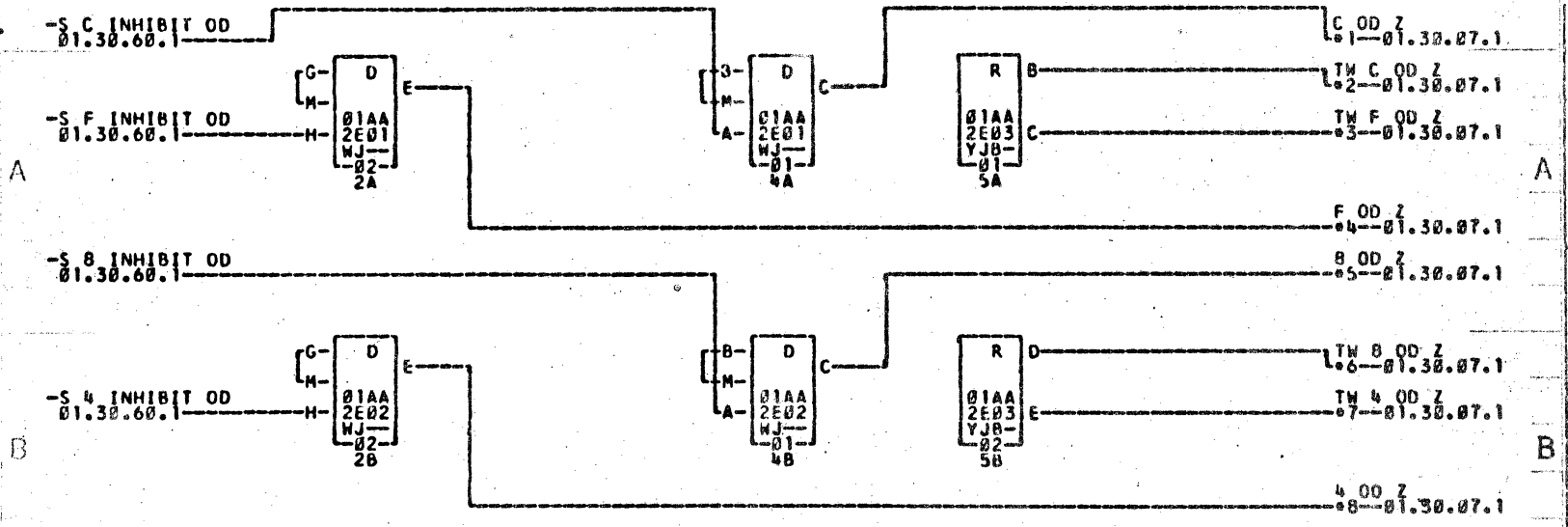
COMMENTS

TAG DATE D.A.NO.  
A 02-23-62 013000

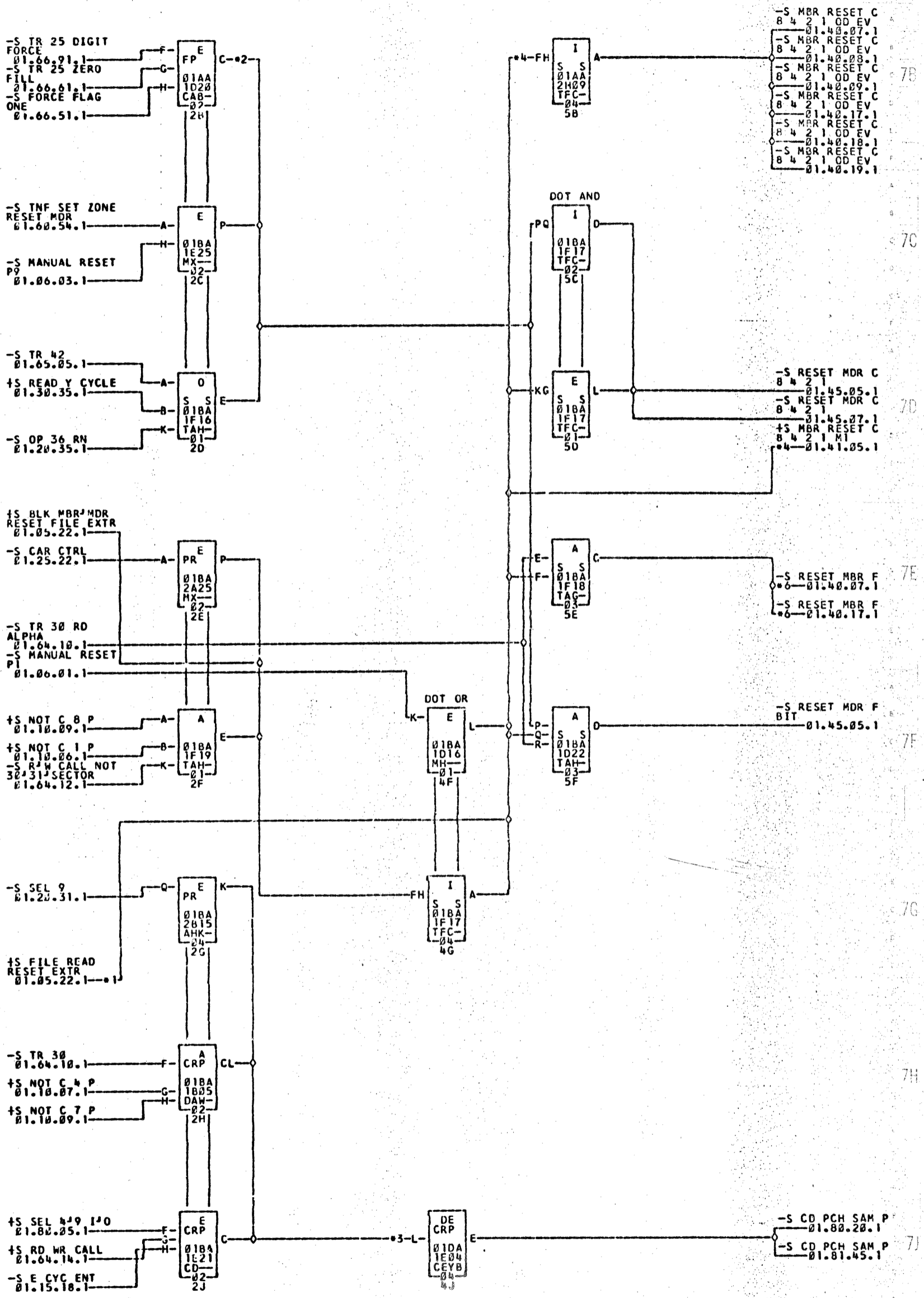
TAG DATE D.A.NO.

TAG DATE D.A.NO.

TAG DATE D.A.NO.

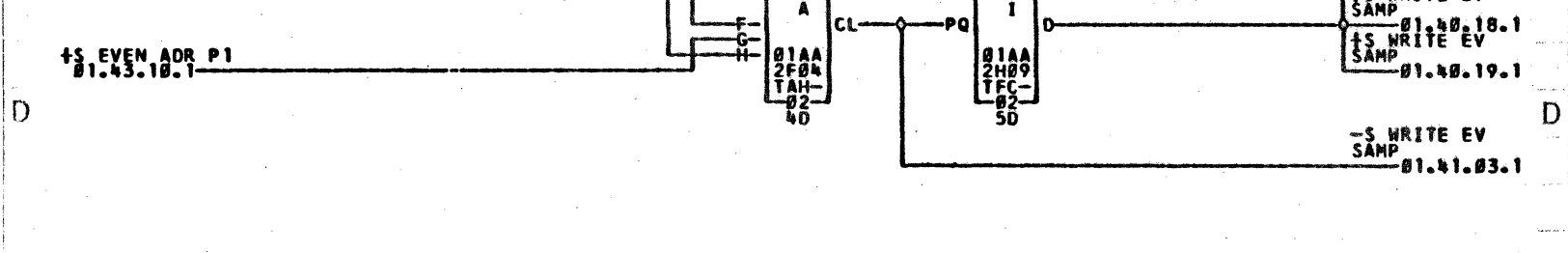
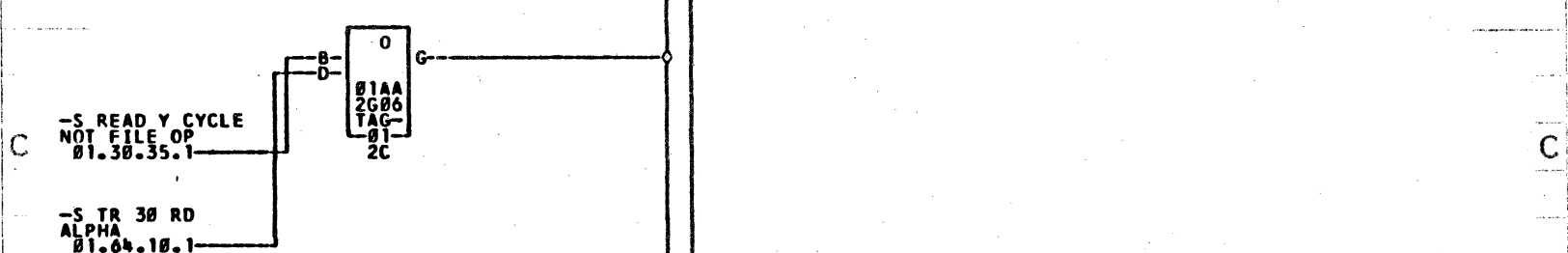
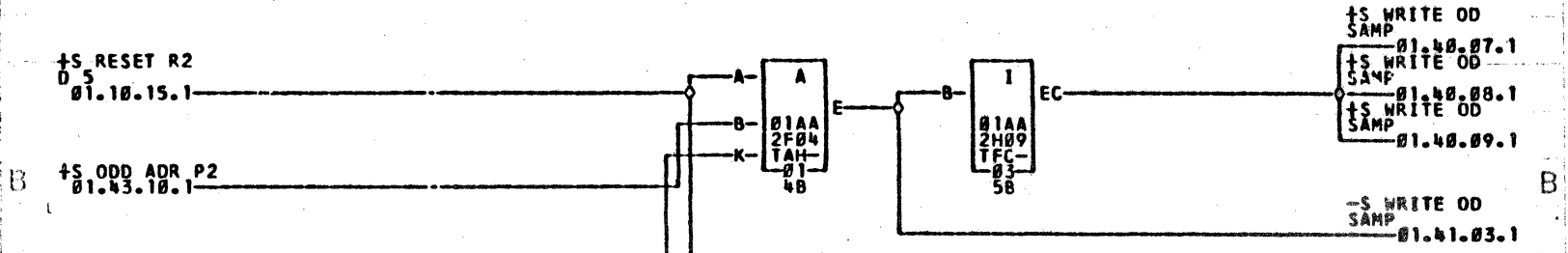


- |              |               |              |               |              |               |
|--------------|---------------|--------------|---------------|--------------|---------------|
| *1--01A2L08A | -----01A4L08A | *2--01A2L08D | -----01A4L08D | *3--01A2L10D | -----01A4L10D |
| *4--01A2L10A | -----01A4L10A | *5--01A2L12A | -----01A4L12A | *6--01A2L12D | -----01A4L12D |
| *7--01A2L14D | -----01A4L14D | *8--01A2L14A | -----01A4L14A | *9--01A2L16A | -----01A4L16A |
| *A--01A2L18D | -----01A4L18D | *B--01A2L16D | -----01A4L16D | *C--01A2L16A | -----01A4L16A |
| *D--01A2L07A | -----01A4L07A | *E--01A2L07D | -----01A4L07D | *F--01A2L09D | -----01A4L09D |
| *C--01A2L09A | -----01A4L09A | *H--01A2L11A | -----01A4L11A | *J--01A2L11D | -----01A4L11D |
| *K--01A2L13D | -----01A4L13D | *L--01A2L13A | -----01A4L13A | *M--01A2L15A | -----01A4L15A |
| *N--01A2L15D | -----01A4L15D | *P--01A2L17D | -----01A4L17D | *Q--01A2L17A | -----01A4L17A |

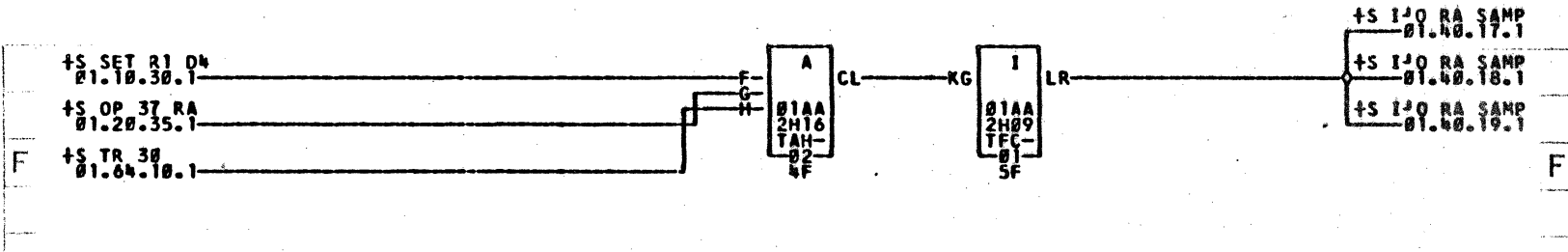


\*1--01D2A02F    01AVJ06    01ANJ05    01BNJ05    \*2--01AME05    01BWE05  
 \*3--01BXH21    01DWD21    01BNJ05    01ANJ05    \*6--01BWJ06    01LWJ06

A A



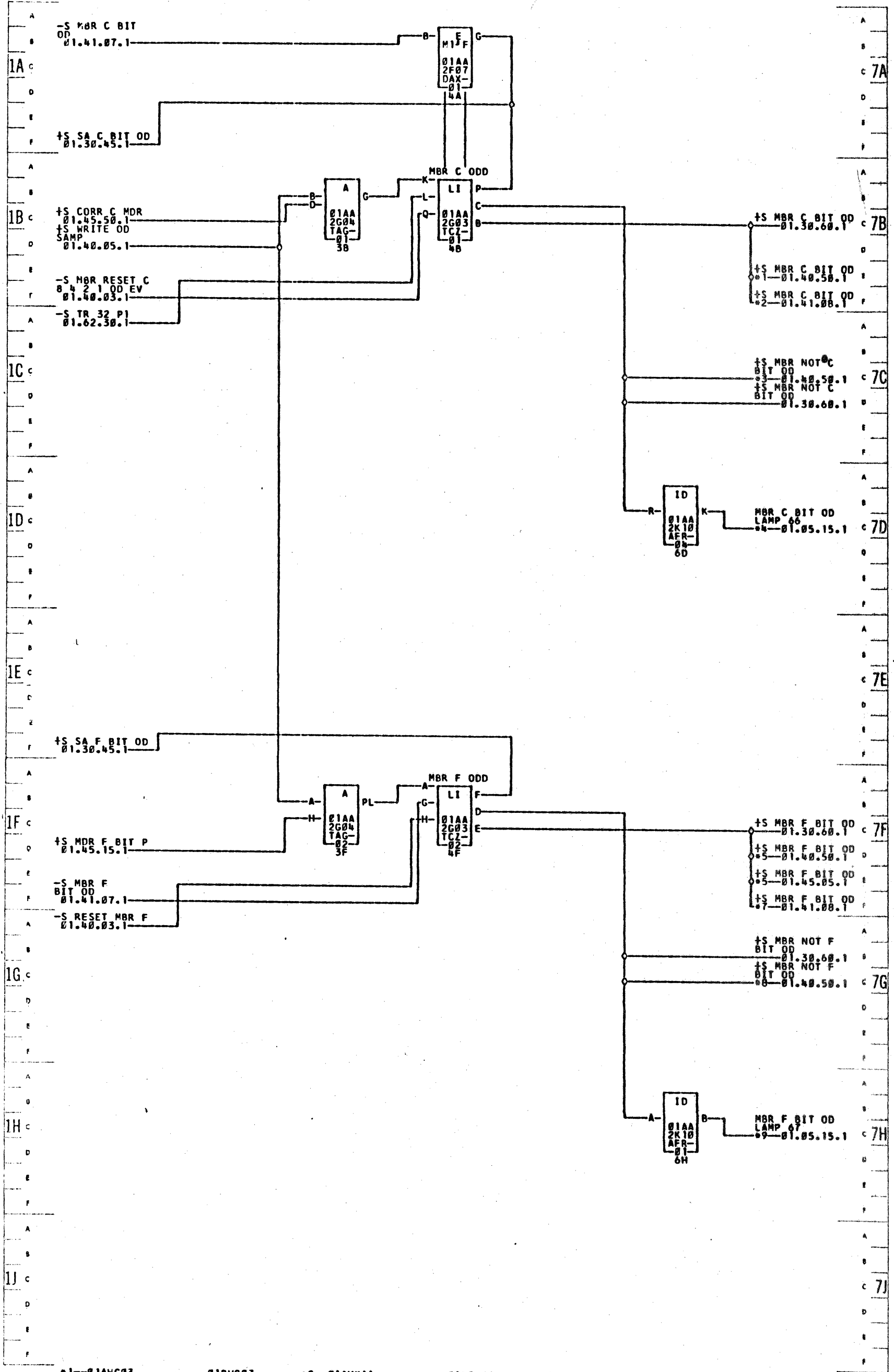
E E



G G

H H

J J



- \*1-01AWG03
- \*2-01AVK11
- \*3-01AWG06
- \*4-01AXF01
- \*5-01AWG07
- \*6-01D3A01L
- \*7-01AVK12
- \*8-01BWC06
- \*9-01AXF02
- \*10-01BWC07
- \*11-01D3A01M
- \*12-01BWC08
- \*13-01AXF03
- \*14-01BWC09
- \*15-01AXF04
- \*16-01BWC10
- \*17-01AXF05
- \*18-01BWC11
- \*19-01AXF06
- \*20-01BWC12

E. C. 404711

COMMENTS

TAG DATE D.A.NO. A 09-25-62 0F07RM2

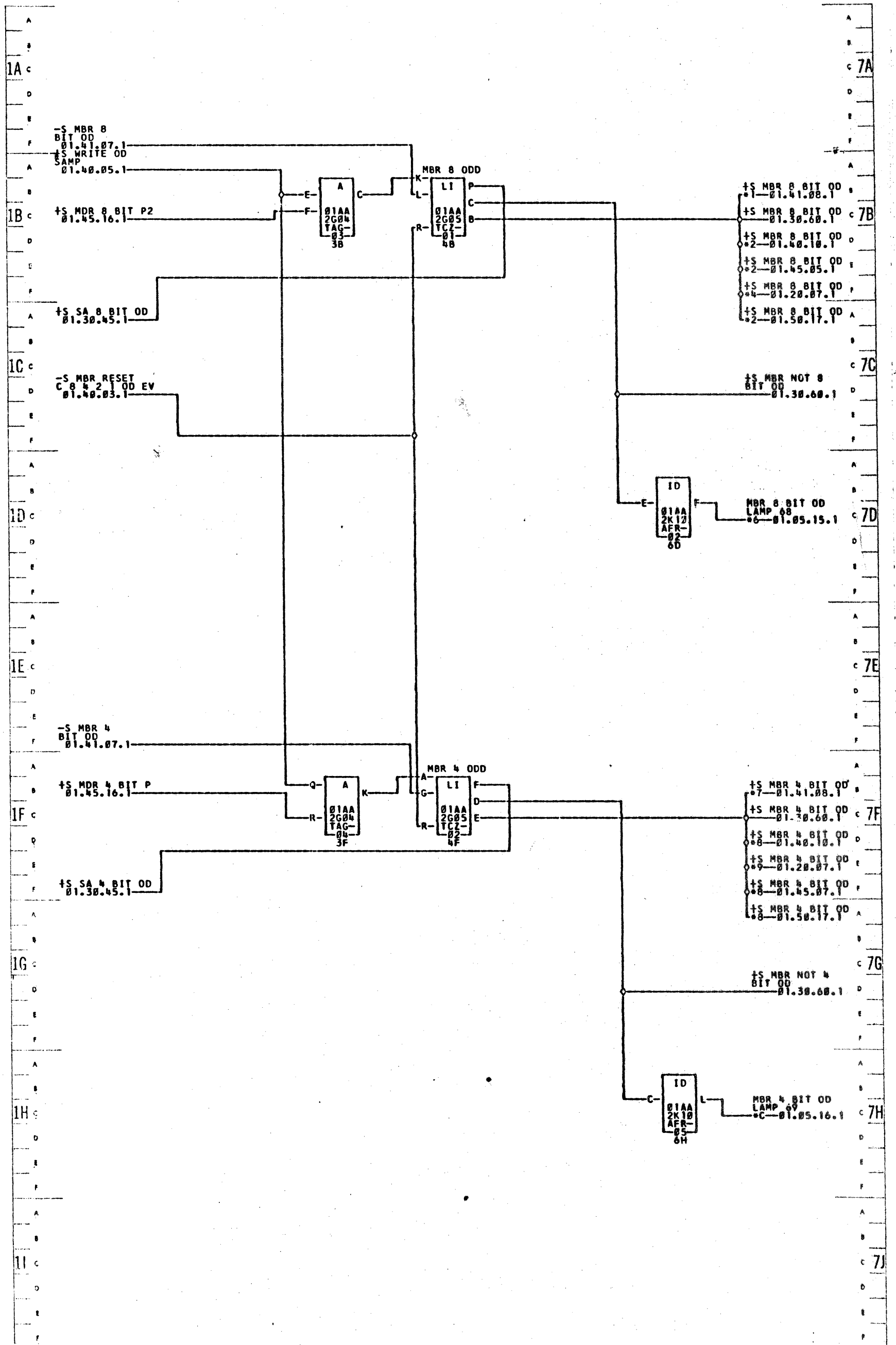
TAG DATE D.A.NO.

TAG DATE D.A.NO.

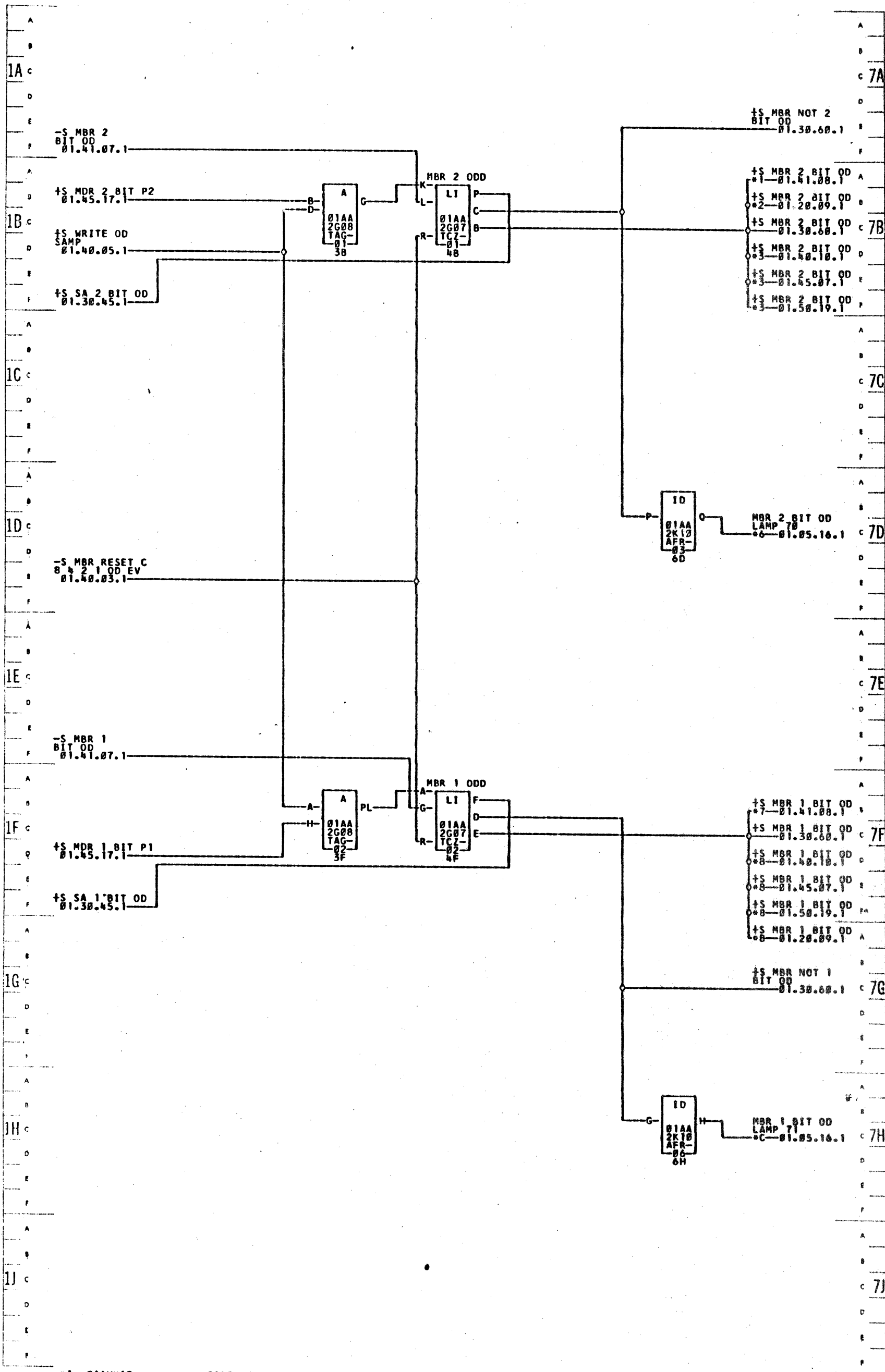
TAG DATE D.A.NO.

IBM

FORM 624-9015-2



- \*1-01AVK13
- \*2-01AWG02
- \*3-01AWG02
- \*4-01AWG02
- \*5-01AWG02
- \*6-01AXF03
- \*7-01AVK14
- \*8-01AWG02
- \*9-01AWG05
- \*10-01BZ01B
- \*11-01BZ01B
- \*12-01BZ01B
- \*13-01BZ01B
- \*14-01BZ01B
- \*15-01BZ01B



- \*1-01AVK15
- \*2-01AWG09
- \*3-01AWG09
- \*4-01AXF05
- \*5-01BWC10
- \*6-01D3A01Q
- \*7-01BWC09
- \*8-01BWC10
- \*9-01B2203B
- \*10-01D3A01R
- \*11-01B2202C
- \*12-01B2202C
- \*13-01B2203B
- \*14-01AWG10
- \*15-01AXF06

E. C. 404711

COMMENTS

TAG	DATE	D.A.NO.	TAG	DATE	D.A.NO.	TAG	DATE	D.A.NO.	TAG	DATE	D.A.NO.
A	09-25-62	DF07RM2									

A

A

B

B

C

C

D

D

E

E

F

F

G

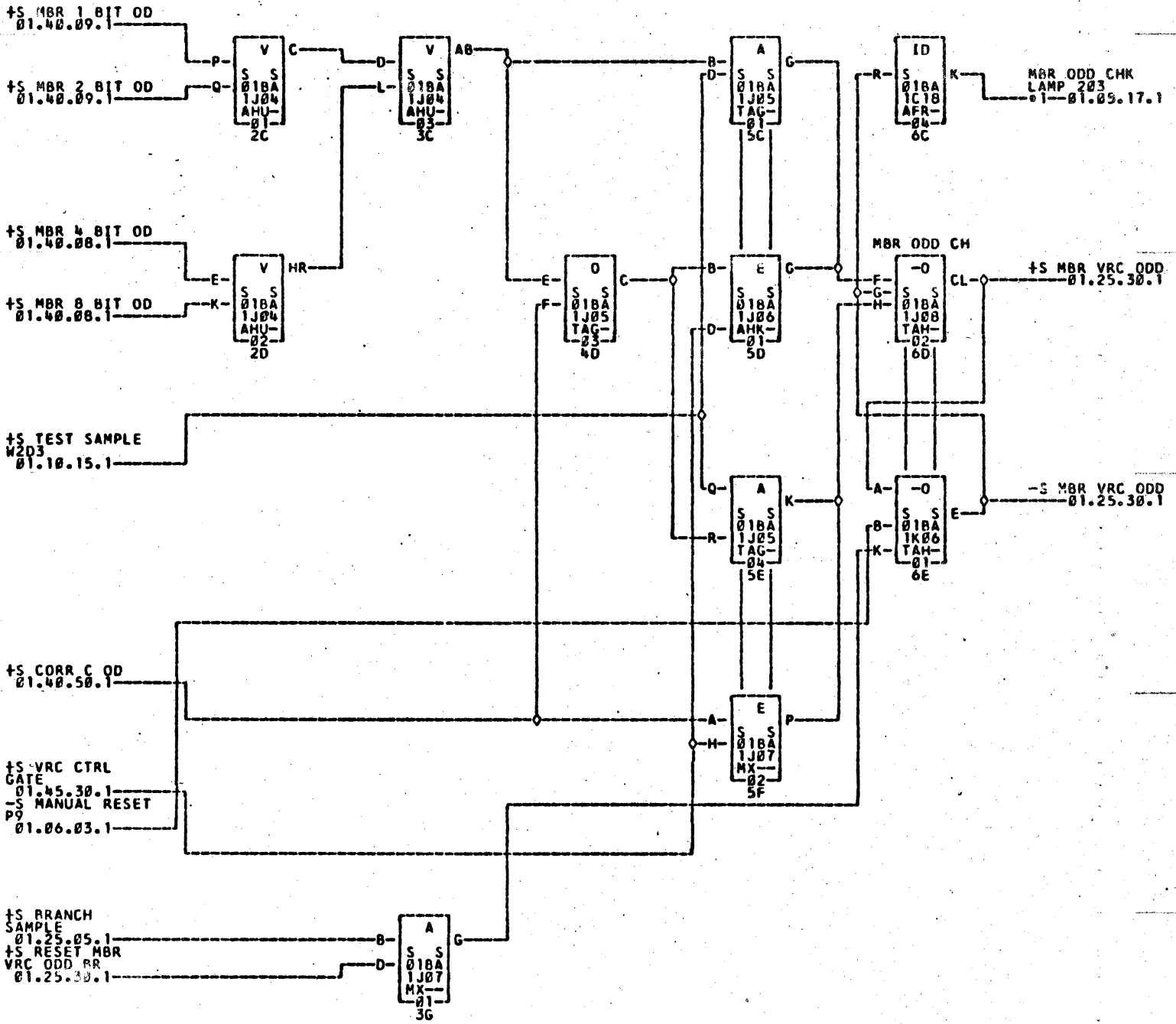
G

H

H

J

J

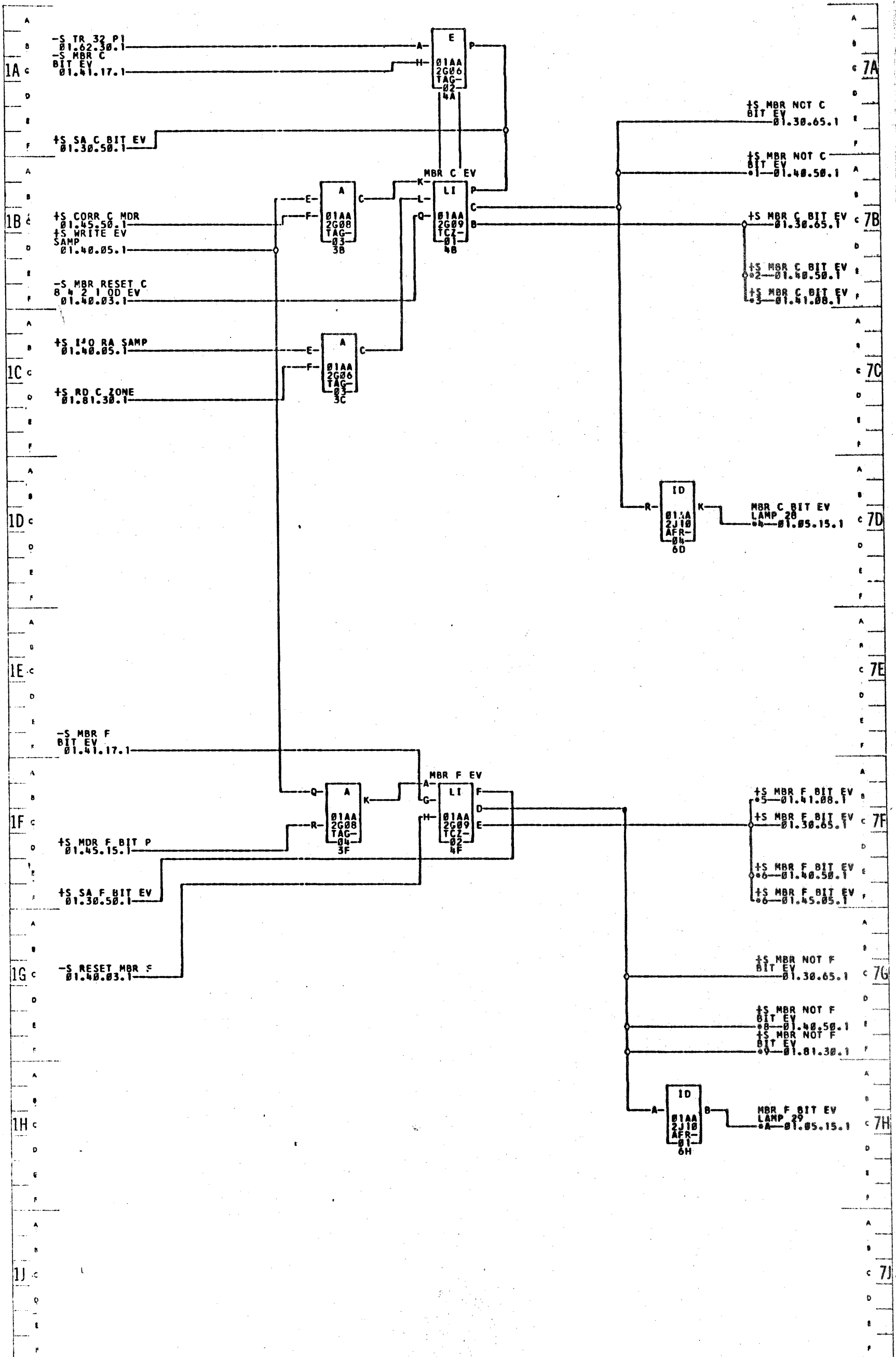


01-01BXE19

COMMENTS

TAG DATE	D.A.NO.	TAG DATE	D.A.NO.	TAG DATE	D.A.NO.	TAG DATE	D.A.NO.
A 08-30-61	0E05000						



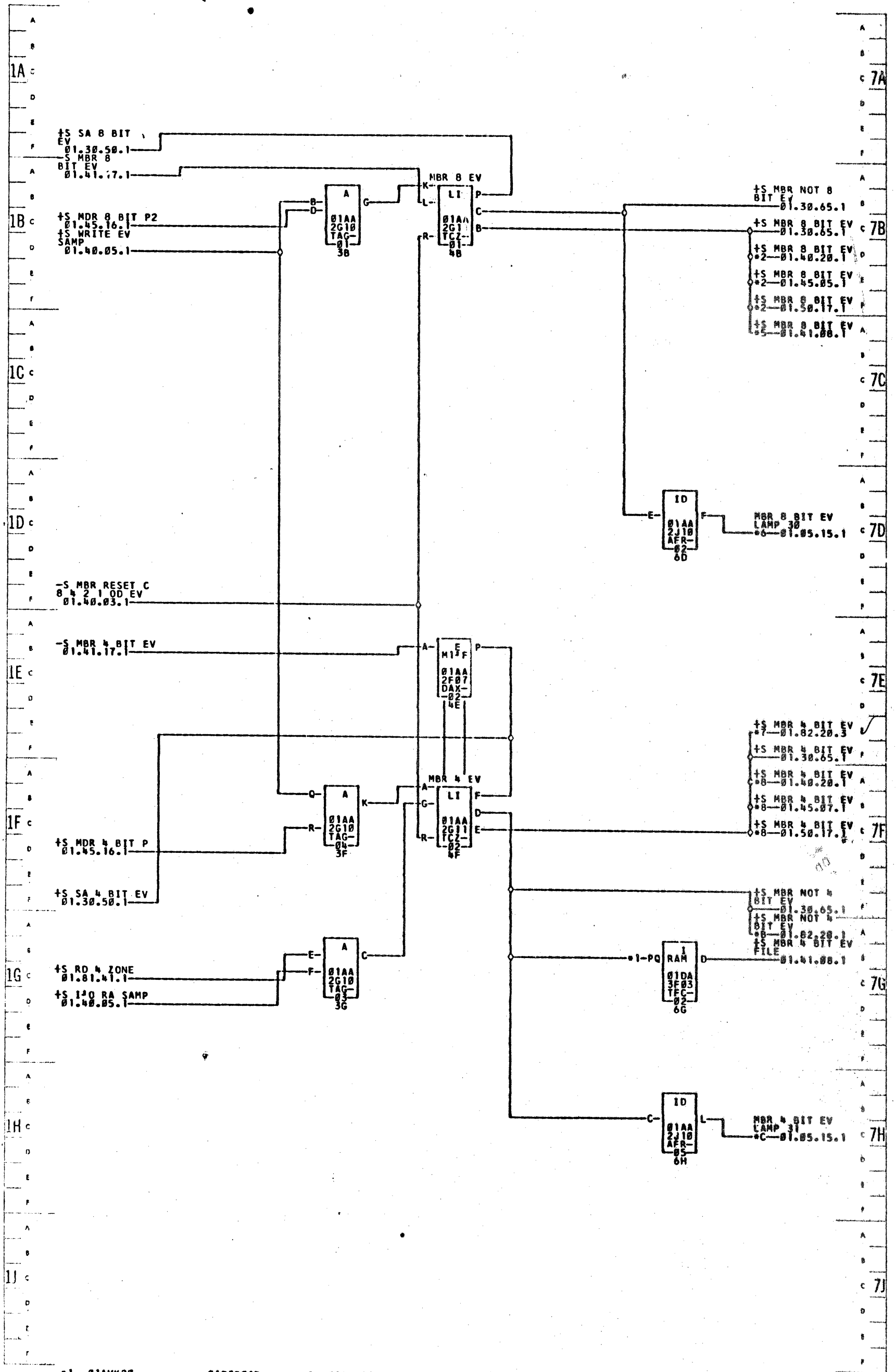


- \*1-01AWG12
- \*2-01AWG18
- \*3-01AVK17
- \*4-01AXF07
- \*5-01D3B01B
- \*6-01AWG24
- \*7-01D3B01A
- \*8-01AWG26
- \*9-01AXC17
- \*A-01AXF08
- \*B-01D3B01A

E. C. 404711

COMMENTS

TAG	DATE	D.A.NO.	TAG	DATE	D.A.NO.	TAG	DATE	D.A.NO.	TAG	DATE	D.A.NO.
A	09-25-62	0F07RM2									

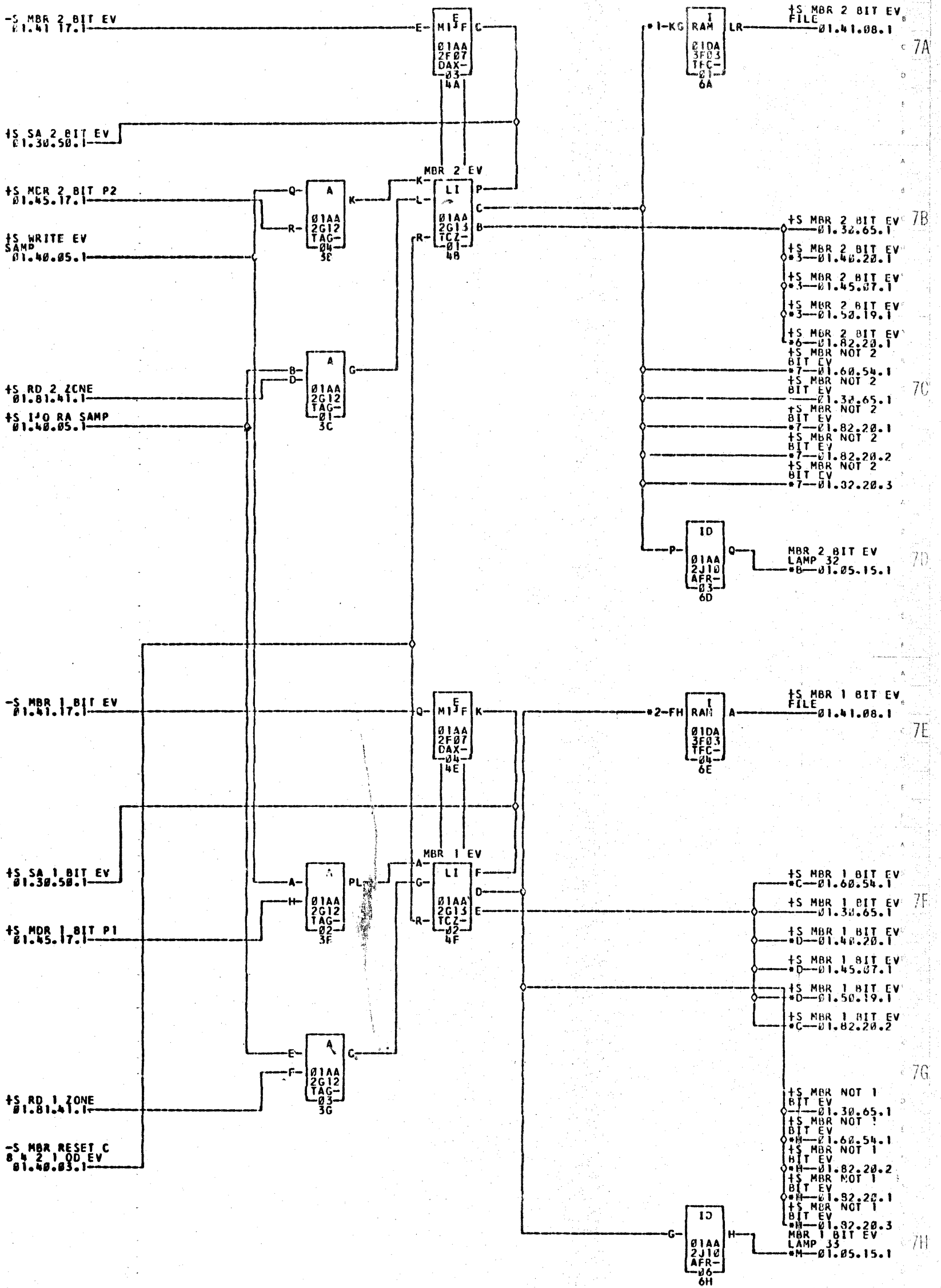


- \*1-01AVK20
- \*6-01AXF09
- \*1D3001D
- \*7-AXC20
- \*C-01AXF10
- \*2-01AWG13
- \*1D3001C
- \*8-01AWG14
- \*5-01AVK19
- \*B-01AXC21
- \*1BNG13
- \*1BNG14

E. C. 484711

COMMENTS

AG DATE	D.A.NO.	AG DATE	D.A.NO.	AG DATE	D.A.NO.	AG DATE	D.A.NO.
A 09-25-62	0F07RM2						



\*1--01AYK21  
\*6--01AXC22  
\*D--01DXE24

-----01D3B01E  
-----01DXE22  
\*D--01AWG17

\*2--01AVN22  
\*7--01AXE23  
\*H--01B0C17

-----01D3B01F  
-----01CXE23  
\*H--01AXC23

\*3--01AWG15  
\*8--01AXE11  
-----01DXE25

-----01BWC15  
\*C--01AXC24  
\*M--01AXF12

E. C. 404867

COMMENTS

TAG DATE D.A.NO. TAG DATE D.A.NO. TAG DATE D.A.NO. TAG DATE D.A.NO.  
A 06-13-63 0F01PF0

IDM FORM 97-100-1

A

A

B

B

C

C

D

D

E

E

F

F

G

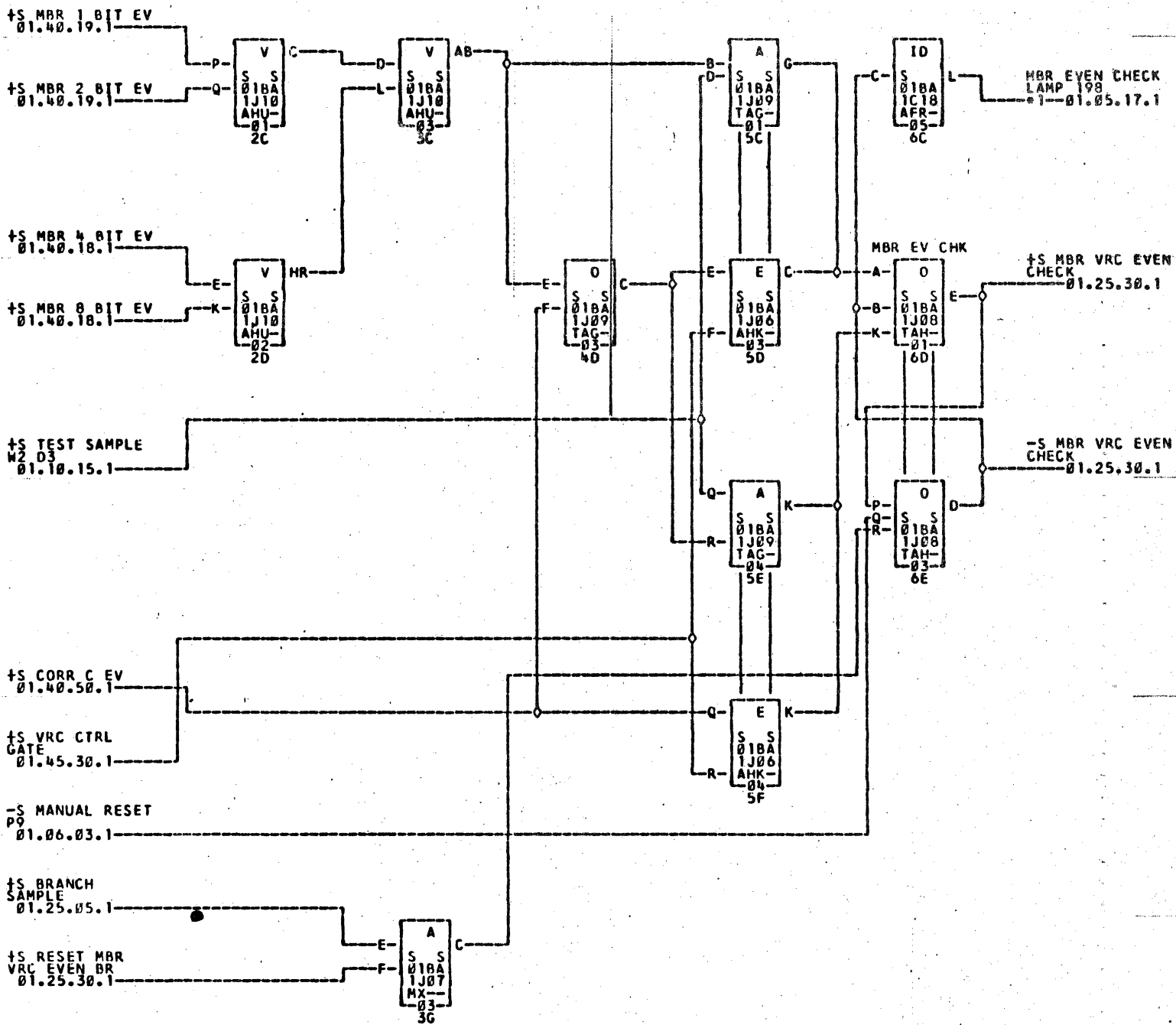
G

H

H

J

J

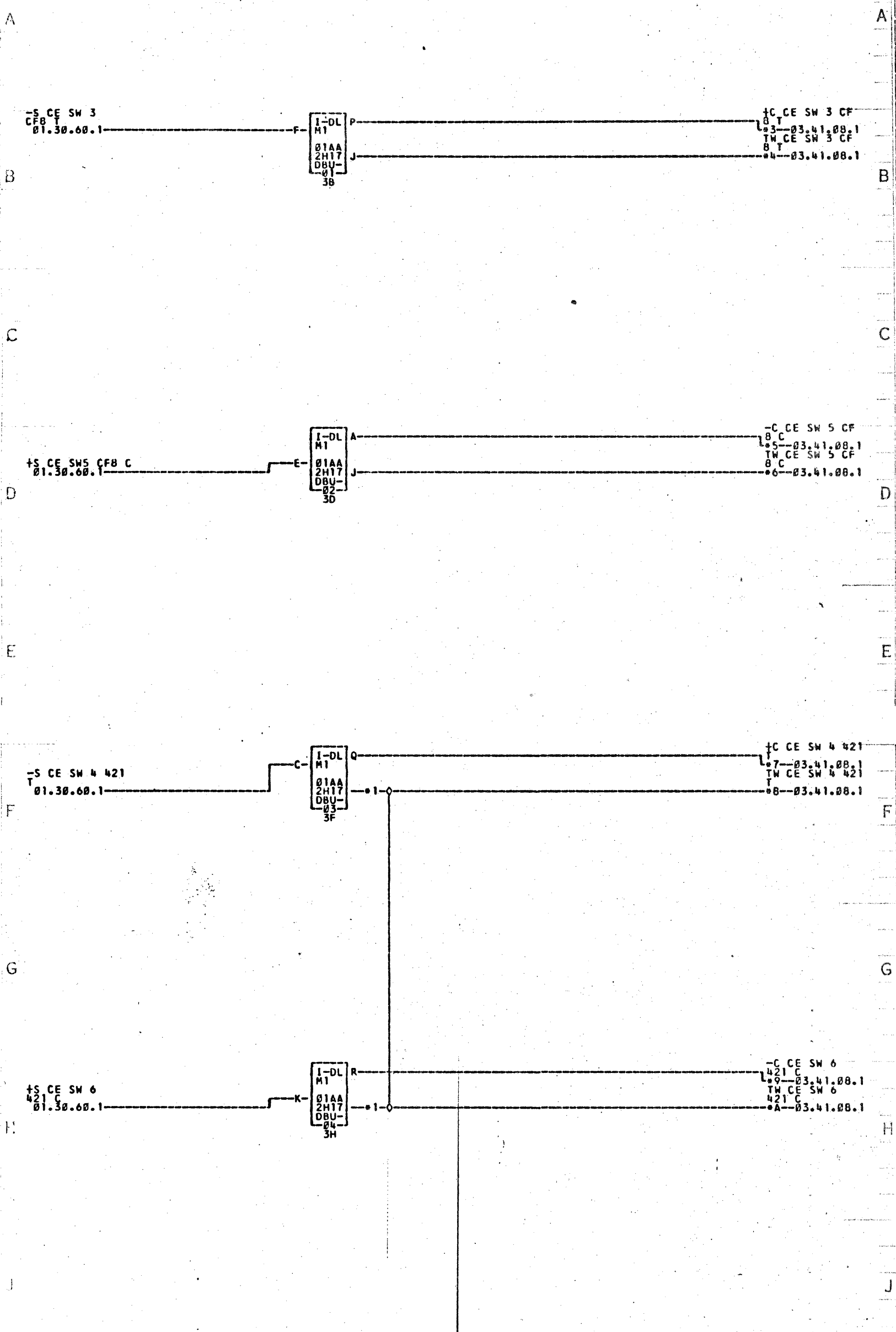


•1--010XE20

COMMENTS

TAG	DATE	D.A.NO.	TAG	DATE	D.A.NO.	TAG	DATE	D.A.NO.	TAG	DATE	D.A.NO.
A	08-30-61	0E05000									





•1--01A2H19J  
•8--01AXJ27

•3--01AXJ26  
•9--01AXJ32

•4--01AXJ25  
•A--01AXJ31

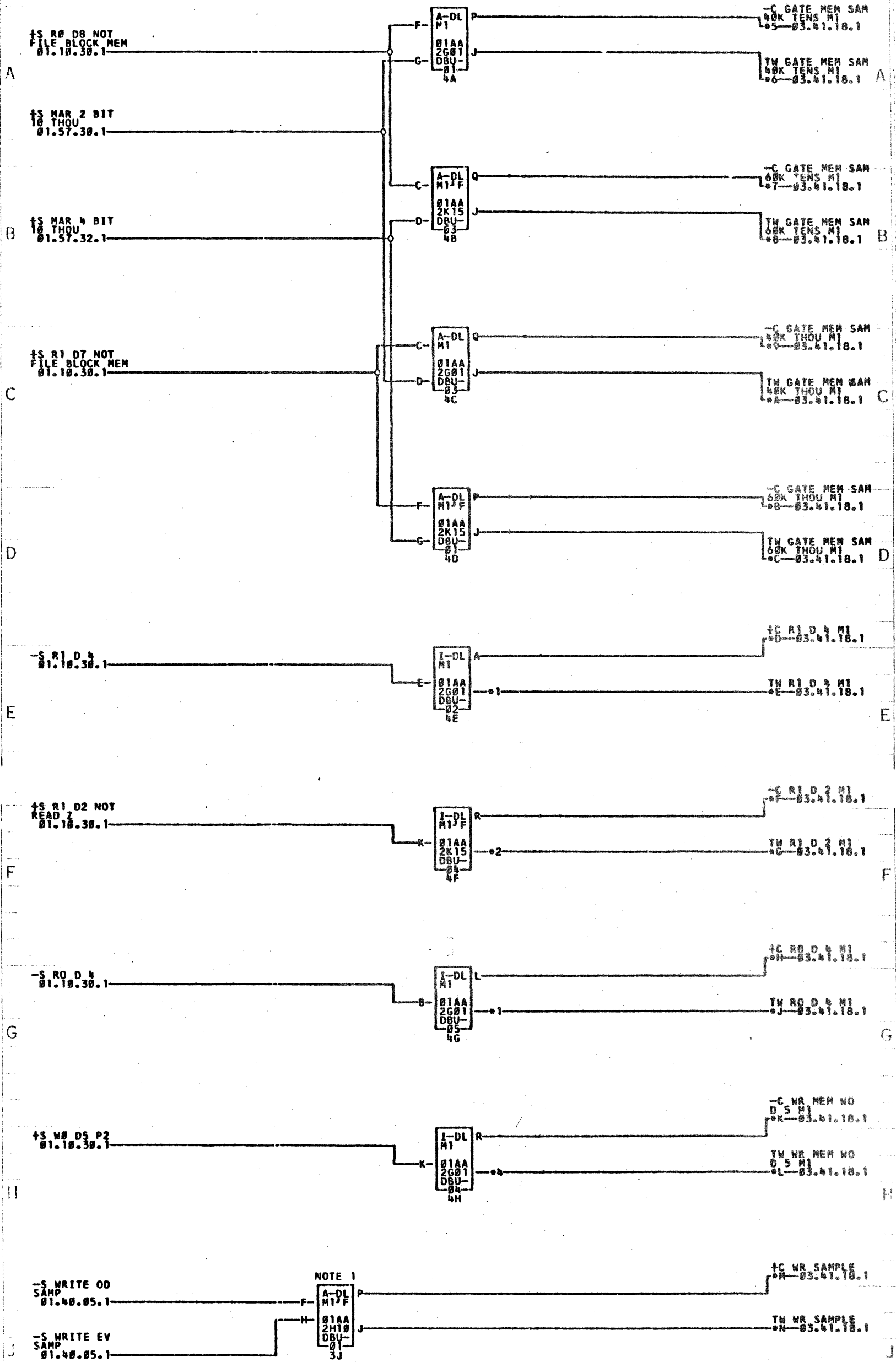
•5--01AXJ30

•6--01AXJ29

•7--01AXJ28

COMMENTS

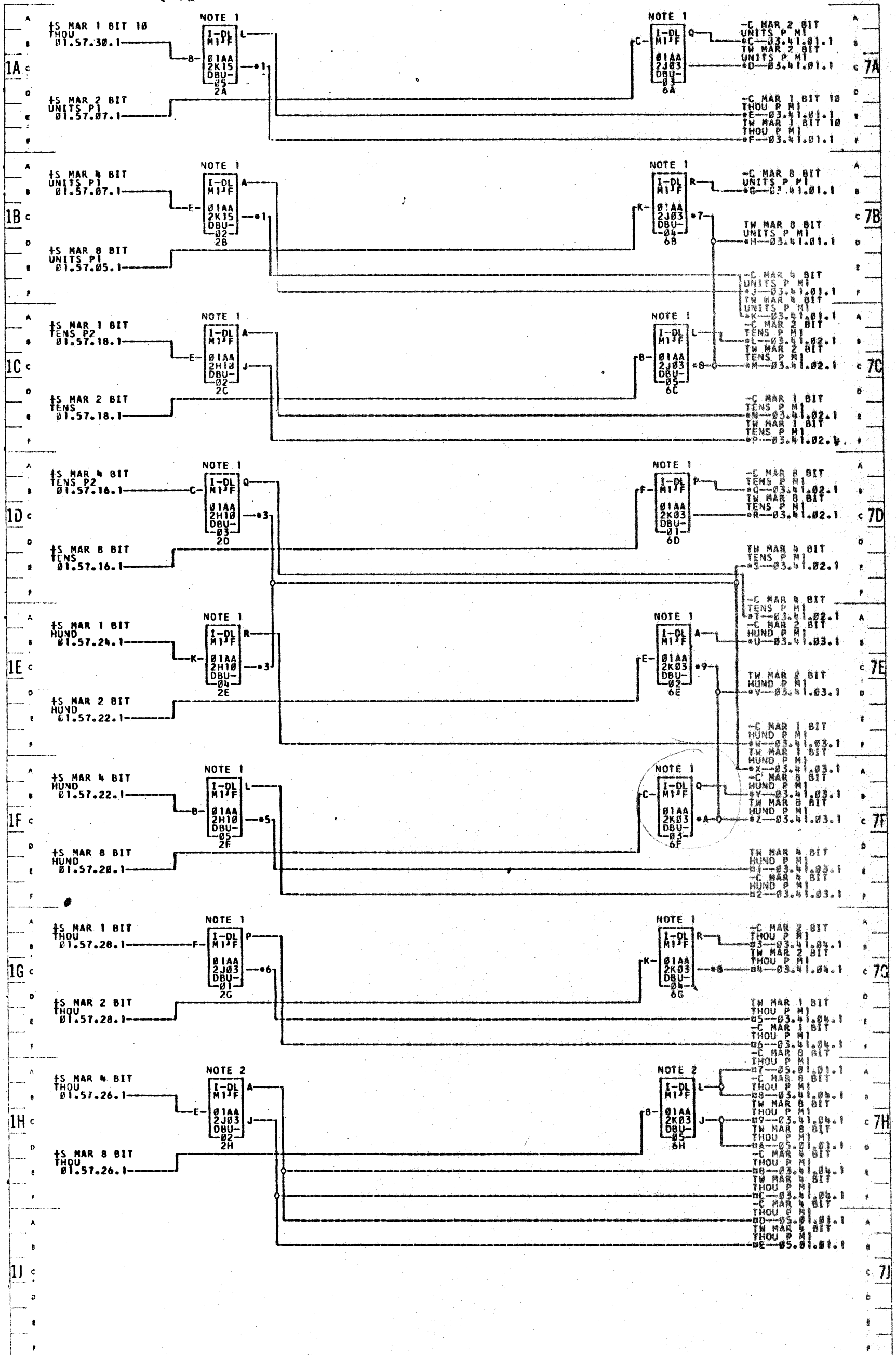
TAG	DATE	D.A.NO.	TAG	DATE	D.A.NO.	TAG	DATE	D.A.NO.	TAG	DATE	D.A.NO.
A	08-30-61	0E05000									



- 1-01A2G02J
- 2-01A2K16J
- 3-01A2G03J
- 4-01AXG18
- 5-01AXG17
- 6-01AXG20
- 7-01AXG28
- 8-01AXG19
- 9-01AXG22
- A-01AXG21
- B-01AXG24
- C-01AXG23
- D-01AXG26
- E-01AXG25
- F-01AXG28
- G-01AXG27
- H-01AXG30
- J-01AXG29
- K-01AXG32
- L-01AXG31
- M-01AXH02
- N-01AXH01

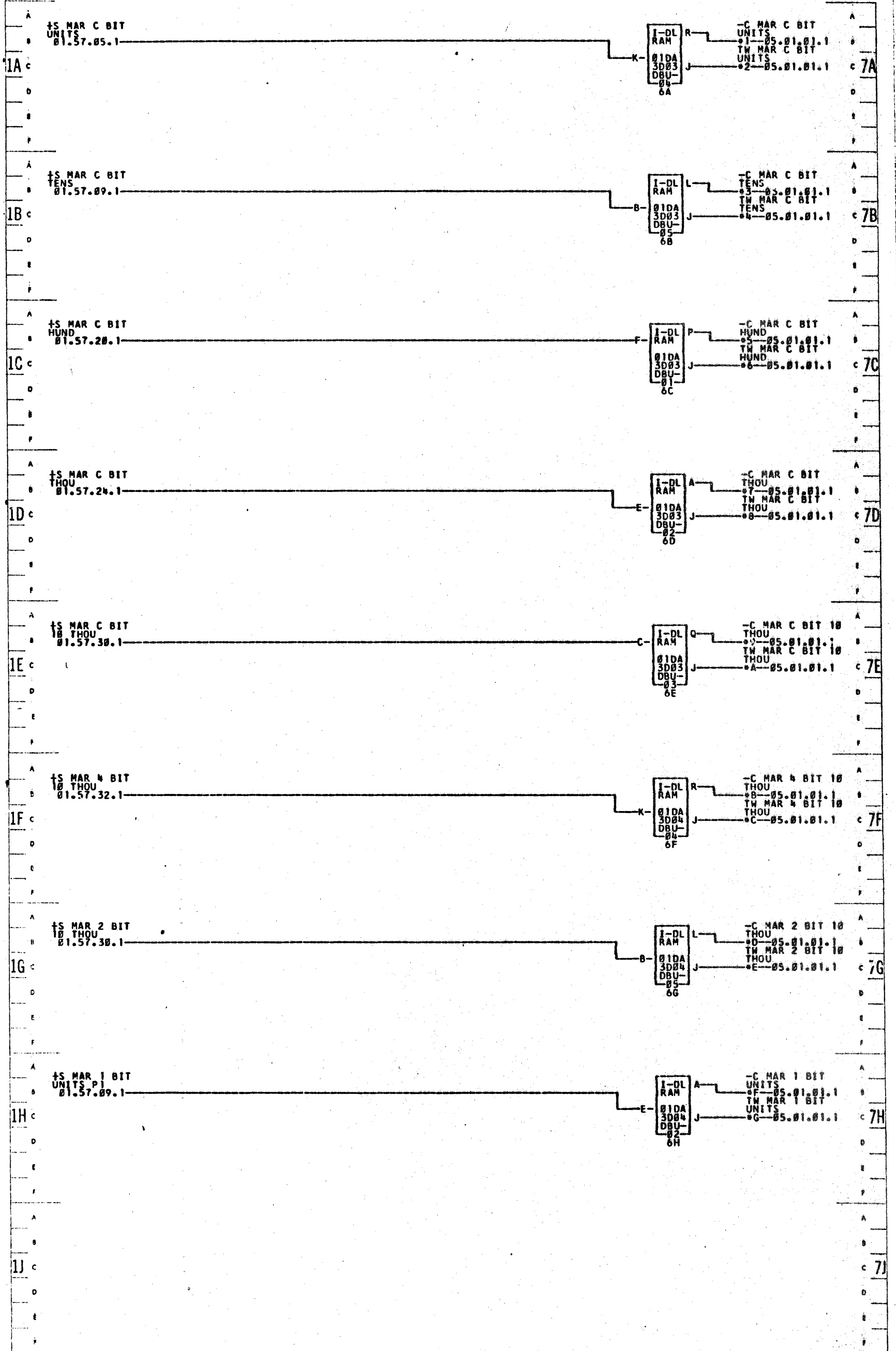
COMMENTS  
 E. C. 404711  
 WR SAMPLE SATISFIES SET R2 D1 ON  
 03.40.04.1

TAG DATE	D.A.NO.	TAG DATE	D.A.NO.	TAG DATE	D.A.NO.	TAG DATE	D.A.NO.
A 04-09-62	0F00RM2						



- \*1--01A2K17J      \*3--01A2H11J      \*5--01A2H09J      \*6--01A2J02J      \*7--01A2J04J      \*8--01A2J04J
- \*9--01A2K04J      \*A--01A2K04J      \*B--01A2K02J      \*C--01AXD06      \*D--01A2J02J      \*E--01AXD07
- \*L--01AXD06      \*M--01AXD05      \*N--01AXD12      \*P--01AXD11      \*Q--01AXD16      \*R--01AXD09
- \*E--01AXD16      \*M--01AXD15      \*N--01AXD14      \*H--01AXD13      \*J--01AXD18      \*K--01AXD20
- \*S--01AXD17      \*T--01AXD18      \*U--01AXD24      \*V--01AXD23      \*W--01AXD22      \*X--01AXD21
- \*X--01AXD21      \*Y--01AXD28      \*Z--01AXD25      \*2--01AXD26      \*3--01AXD32      \*4--01AXD31
- \*4--01AXD31      \*5--01AXD29      \*6--01AXD30      \*7--01AXD04      \*8--01AXG04      \*9--01AXG03
- \*A--01AXD03      \*B--01AXG02      \*C--01AXG01      \*D--01AXD02      \*E--01AXD01





- \*1-01D3A04B
- \*2-01D3A04A
- \*3-01D3A04D
- \*4-01D3A04C
- \*5-01D3A04F
- \*6-01D3A04E
- \*7-01D3A04H
- \*8-01D3A04G
- \*9-01D3A04K
- \*A-01D3A04J
- \*B-01D3A04M
- \*C-01D3A04L
- \*D-01D3A04P
- \*E-01D3A04N
- \*F-01D3A04R
- \*G-01D3A04Q

A

A

IS MBR RESET C  
04 21 M1  
01.40.03.1

B

B

-S TR 30 RD  
ALPHA  
01.64.10.1

C

C



-C MBR RESET C  
P M1  
L1--03.41.06.1

TW MBR RESET C  
P M1  
L2--03.41.06.1



-C MBR RESET F  
P M1  
L3--03.41.06.1

TW MBR CLEAR F  
P M1  
L4--03.41.06.1

E

E

F

F

G

G

H

H

J

J

•1--01AXH06

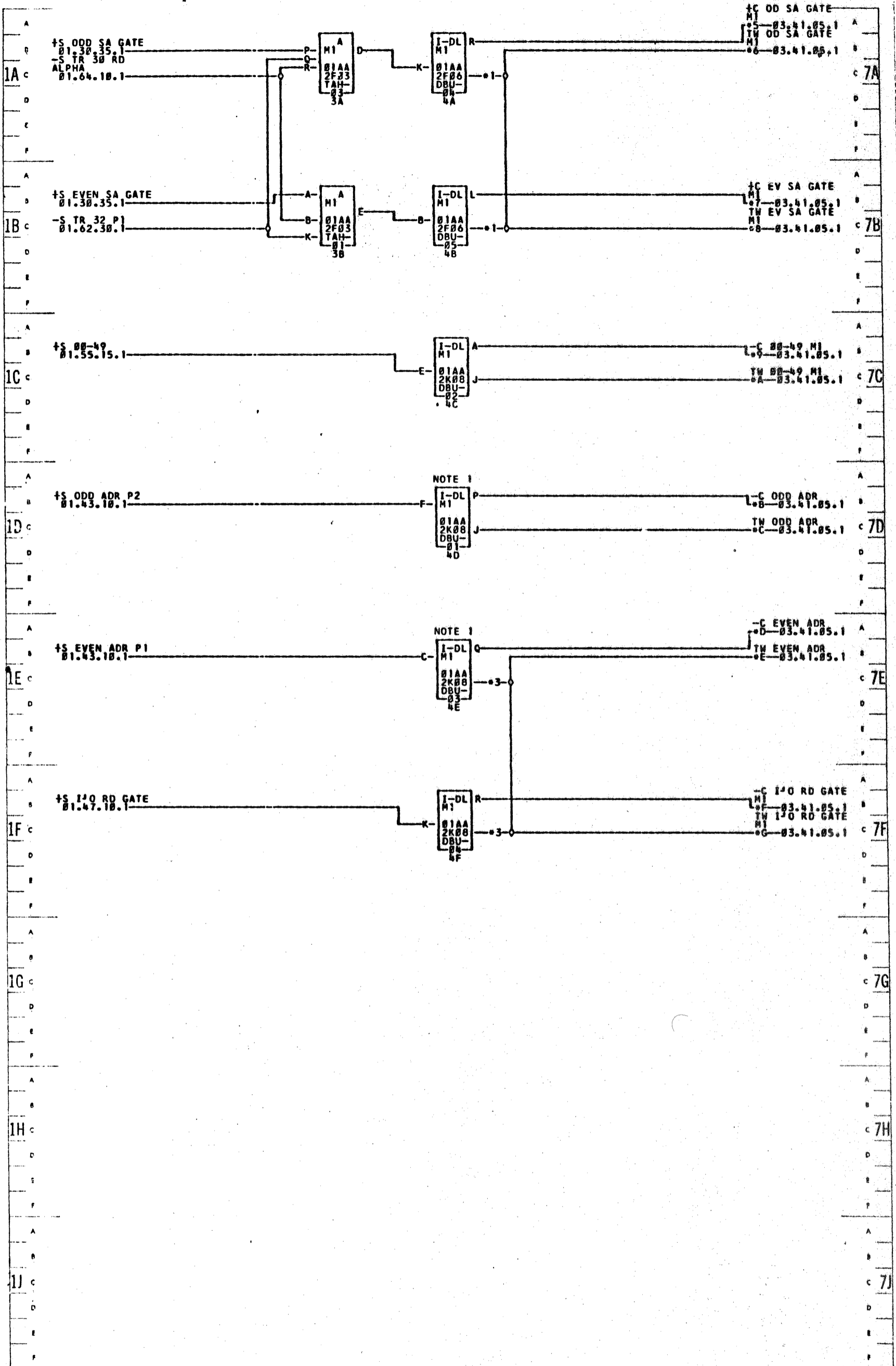
•2--01AXH05

•3--01AXH08

•4--01AXH07

COMMENTS

TAG DATE	D.A.NO.	TAG DATE	D.A.NO.	TAG DATE	D.A.NO.	TAG DATE	D.A.NO.
A 08-30-61	0E05000						



- 1—01A2F05J      •3—01A2K09J      •5—01AXG06      •6—01AXG05      •7—01AXG08      •8—01AXG07
- 2—01AXG10      •4—01AXG09      •R—01AXG12      •C—01AXG11      •D—01AXG14      •E—01AXG13
- F—01AXG16      •G—01AXG15

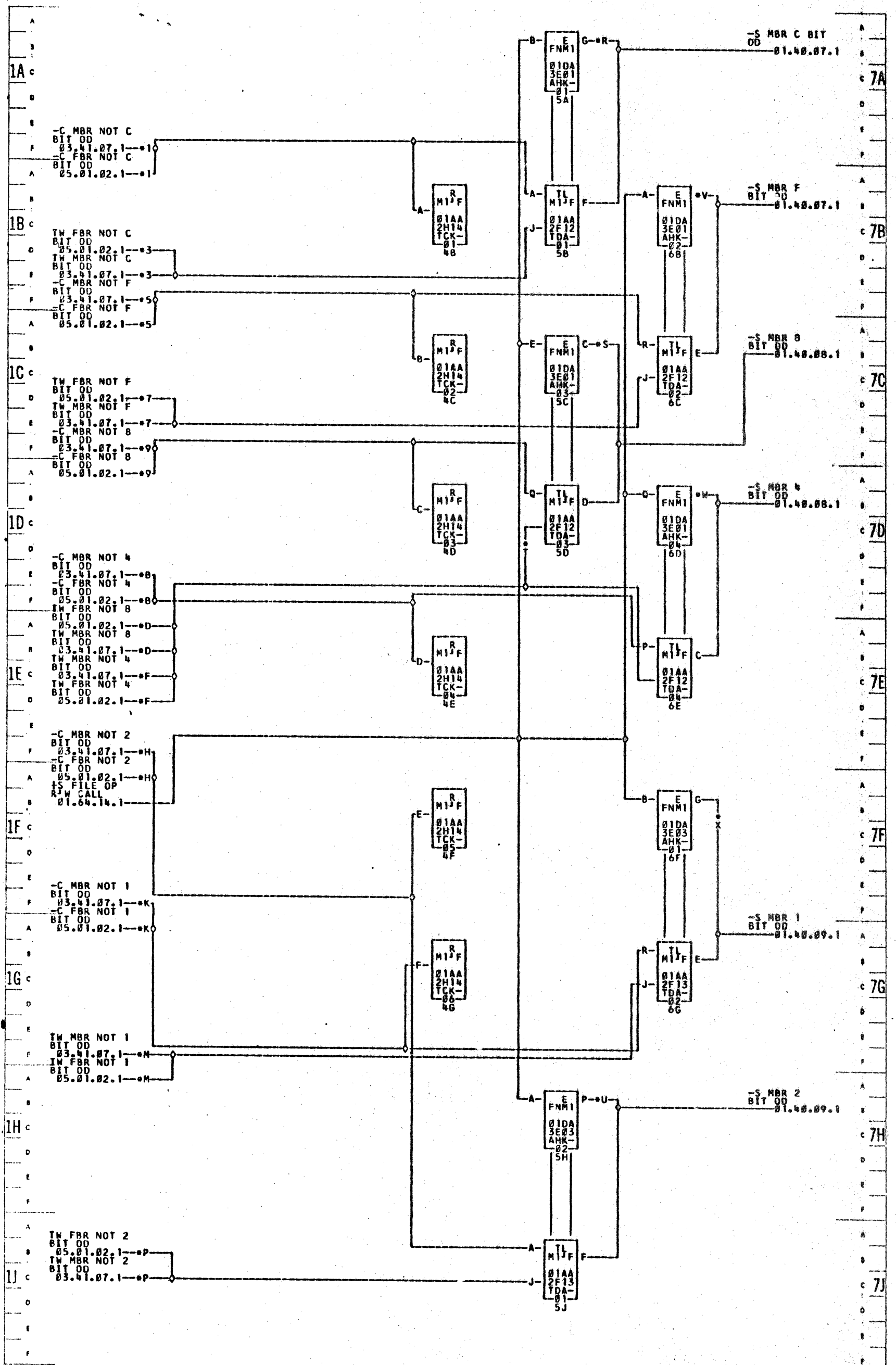
E. C. 404711  
 ODD/EVEN ADR SATISFY WRITE ODD/EVEN GATE  
 ON 03.30.44.1

TAG DATE D.A.NO.  
 A 09-25-62 0F07RM2

TAG DATE D.A.NO.

TAG DATE D.A.NO.

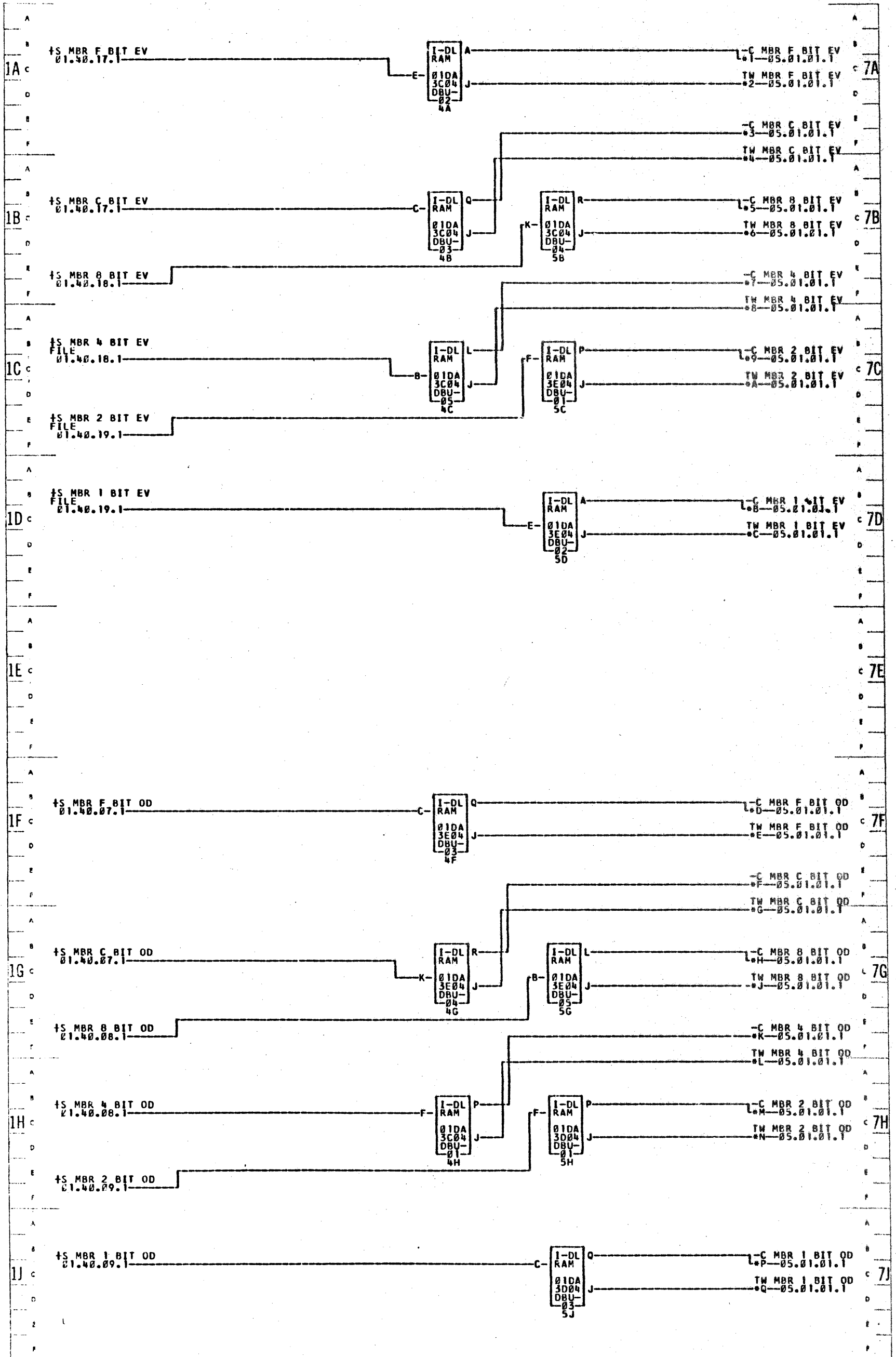
TAG DATE D.A.NO.



- \*1-01AXJ02      \*3-01AXJ01      \*5-01AXJ04      \*7-01AXJ03      \*9-01AXJ06      \*B-01AXJ08
- \*D-01AXJ05      \*F-01AXJ07      \*H-01AXJ10      \*K-01AXJ12      \*M-01AXJ11      \*P-01AXJ09
- \*R-01AVK26      \*S-01AVK28      \*T-01A2C12J      \*U-01AVK30      \*V-01AVK27      \*X-01AVK31
- \*01D3B01P      \*01D3B01K      \*01D3B01M      \*01D3B01N

COMMENTS  
 E. C. 404711  
 FILE MBR BITS FED THRU  
 1623 IF PRESENT

TAG DATE D.A.NO. TAG DATE D.A.NO. TAG DATE D.A.NO. TAG DATE D.A.NO.



- \*1--01D3B04B
- \*2--01D3B04A
- \*3--01D3B04D
- \*4--01D3B04C
- \*5--01D3B04F
- \*6--01D3B04E
- \*7--01D3B04H
- \*8--01D3B04G
- \*9--01D3B04K
- \*A--01D3B04J
- \*B--01D3B04M
- \*C--01D3B04L
- \*D--01D3B04P
- \*E--01D3B04N
- \*F--01D3B04R
- \*G--01D3B04Q
- \*H--01D3A05H
- \*I--01D3A05G
- \*J--01D3B05R
- \*K--01D3A05R
- \*L--01D3A05Q
- \*M--01D3B05P
- \*N--01D3B05N
- \*P--01D3B05R
- \*Q--01D3B05Q

E. C. 404711

COMMENTS

TAG DATE D.A.NO. TAG DATE D.A.NO. TAG DATE D.A.NO. TAG DATE D.A.NO.

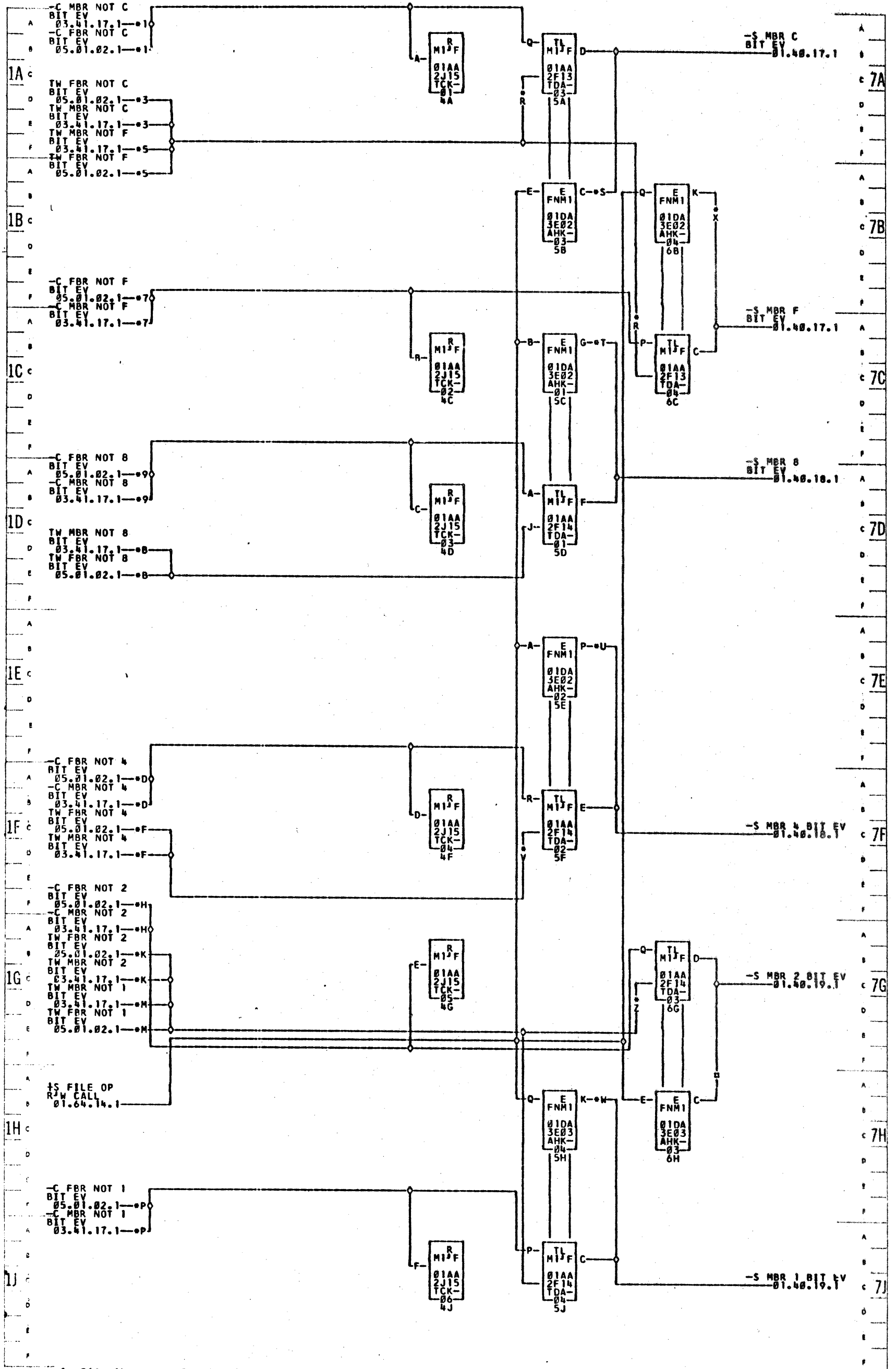
A 11-19-62 0E24RM2

IBM

FORM 624-9015-2





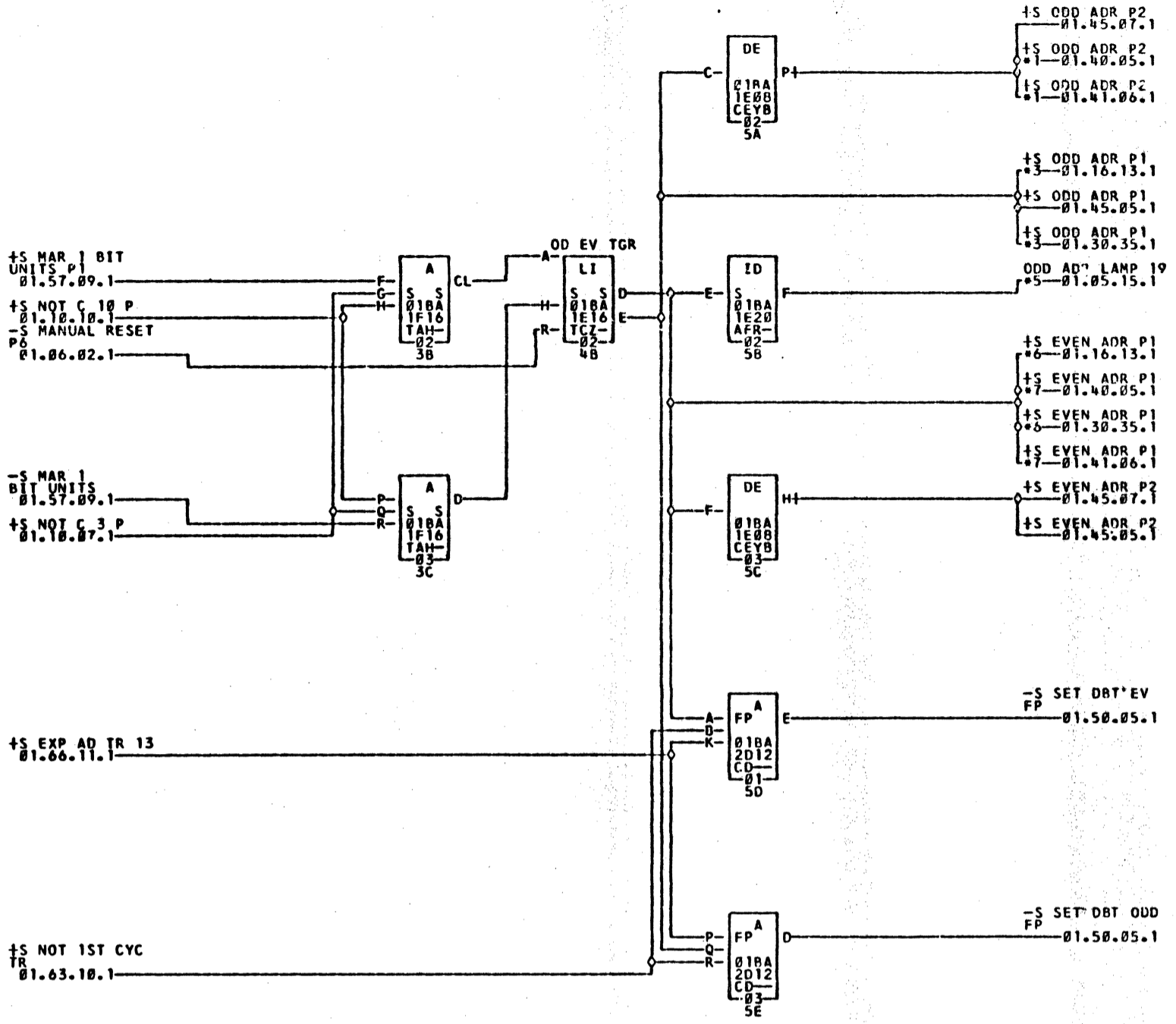


- 1-01AXJ14      •3-01AXJ13      •5-01AXJ15      •7-01AXJ16      •9-01AXJ18      •B-01AXJ17
- D-01AXJ20      •F-01AXJ19      •H-01AXJ22      •K-01AXJ21      •M-01AXJ23      •P-01AXJ24
- R-01A2E13J      •S-01AVK32      •U-01AVJ14      •T-01AVJ13      •X-01AVJ12      •V-01A2F14J
- W-01D3B03C      •U-01AVJ14      •Z-01A2G14J      •1-01AVJ15      •X-01AVJ12      •V-01A2F14J
- W-01D2B03B      •U-01D2A02R      •Z-01A2G14J      •1-01AVJ15      •X-01AVJ12      •V-01D2A02M
- W-01D3B03E      •U-01D3B03B      •Z-01A2G14J      •1-01AVJ15      •X-01AVJ12      •V-01D2B03E

COMMENTS  
 E. C. 404711  
 FILE MBR BITS FED THRU  
 1623 IF PRESENT

TAG DATE D.A.NO. TAG DATE D.A.NO. TAG DATE D.A.NO. TAG DATE D.A.NO.





\*1-018WJ07  
0182Y058

\*7-01ANJ07  
01ANJ08

\*3-0181Y06C  
018WJ08

0182Y06C

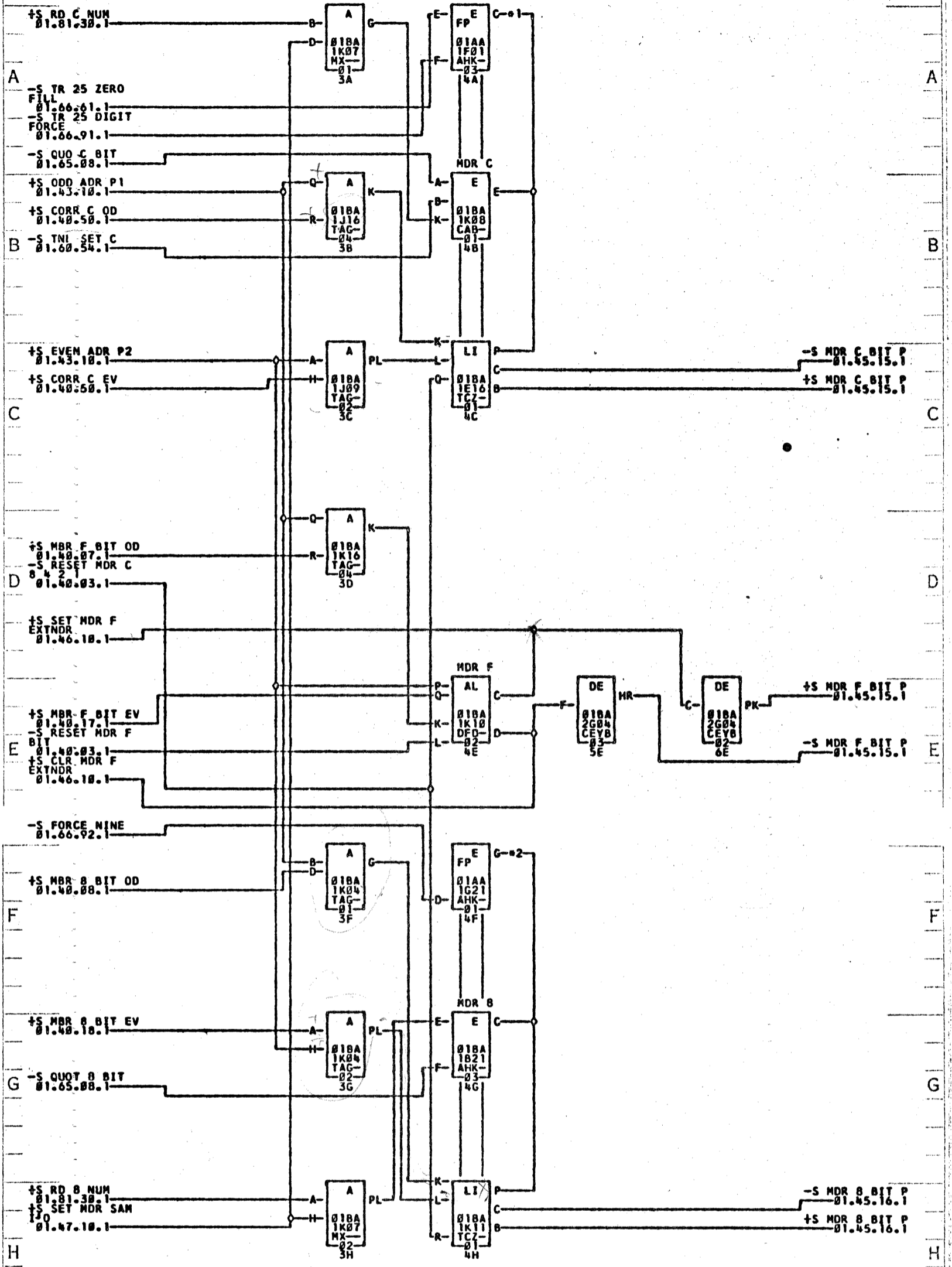
\*5-018XE21

\*6-0181Y05B

ENG. CHG. NO. 404752 COMMENTS

TAG DATE D.A.NO. TAG DATE D.A.NO. TAG DATE D.A.NO. TAG DATE D.A.NO.

A 03-20-62 0F07000



•1-01AWE06      — 01BWE06      •2-01AWK01      — 01BWK01

COMMENTS

TAG DATE D.A.NO. TAG DATE D.A.NO. TAG DATE D.A.NO. TAG DATE D.A.NO.

A 02-09-62 0F01880

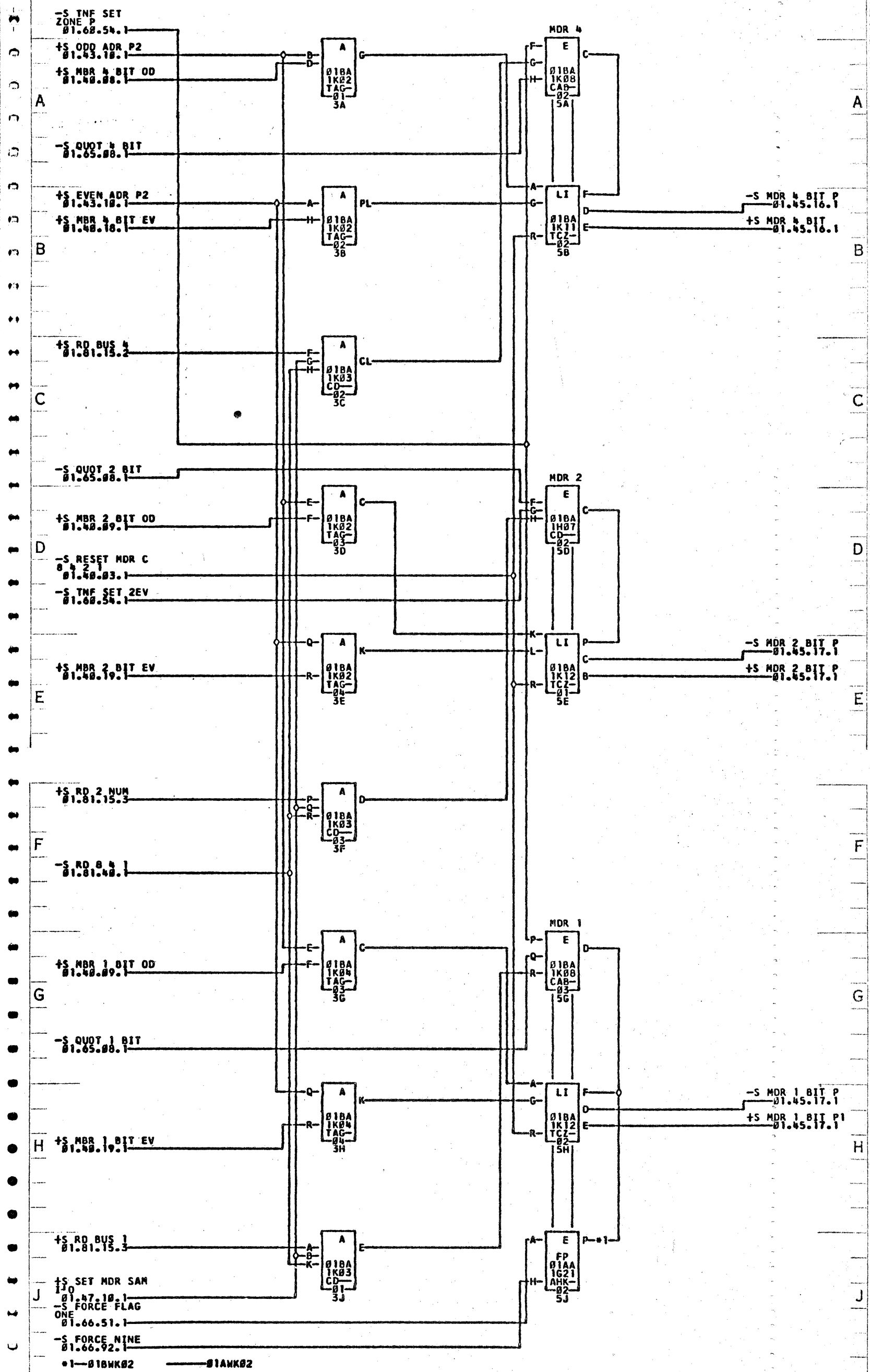
2129835

E.C.484758C

MEMORY DATA REG # 2 1 BIT

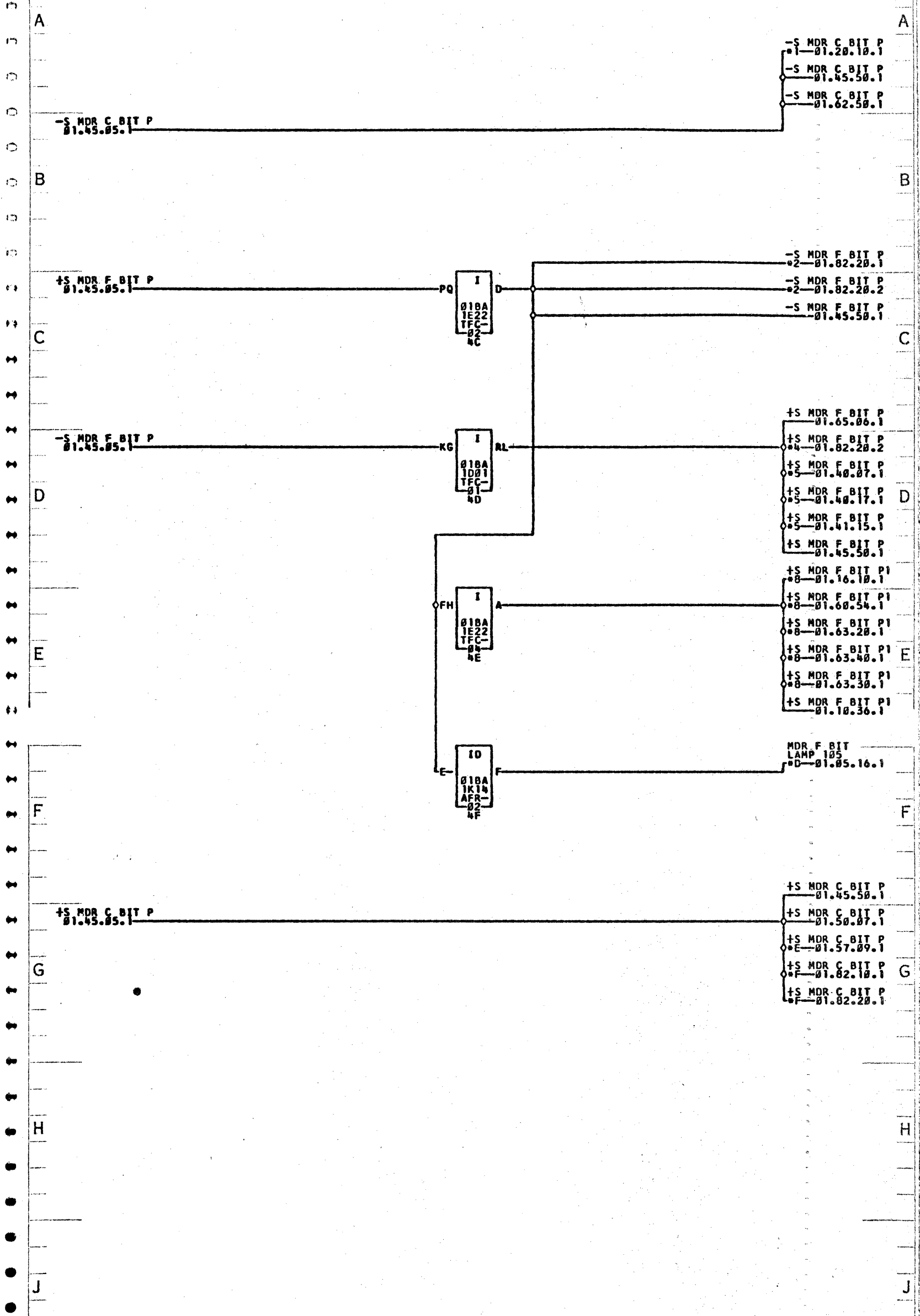
1628

01.45.07.1



COMMENTS

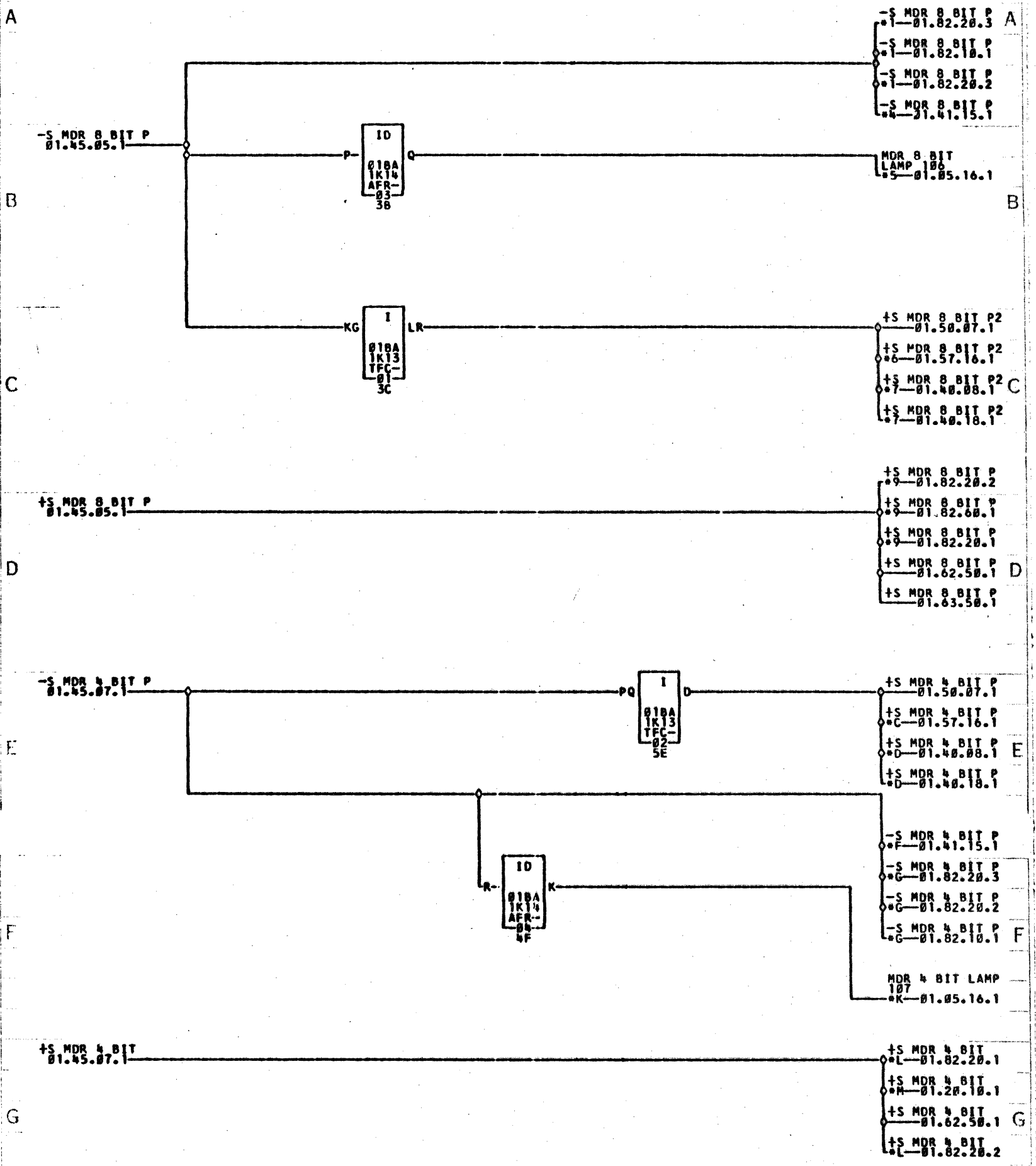
TAG	DATE	D.A.NO.	TAG	DATE	D.A.NO.	TAG	DATE	D.A.NO.	TAG	DATE	D.A.NO.
A	01-23-62	DF88888									



\*1-01B1Z03A      \*2-01B1XJ06      \*3-01DXA06      \*4-01B1XJ07      \*5-01DXA07  
 \*5-01B1WJ11      \*6-01B1Z11B      \*8-01B1Z11B      \*D-01B1XF03      \*E-01B1WJ25  
 \*F-01B1XJ13

COMMENTS

TAG	DATE	D.A.NO.	TAG	DATE	D.A.NO.	TAG	DATE	D.A.NO.	TAG	DATE	D.A.NO.
A	01-23-62	0F00000									

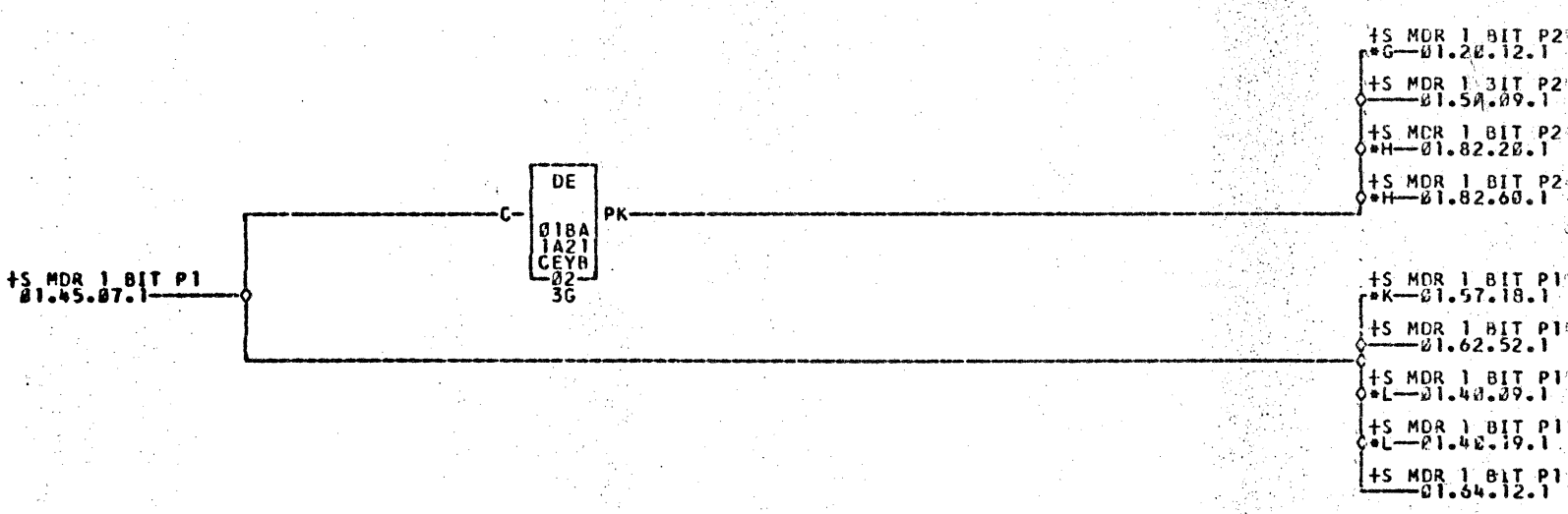
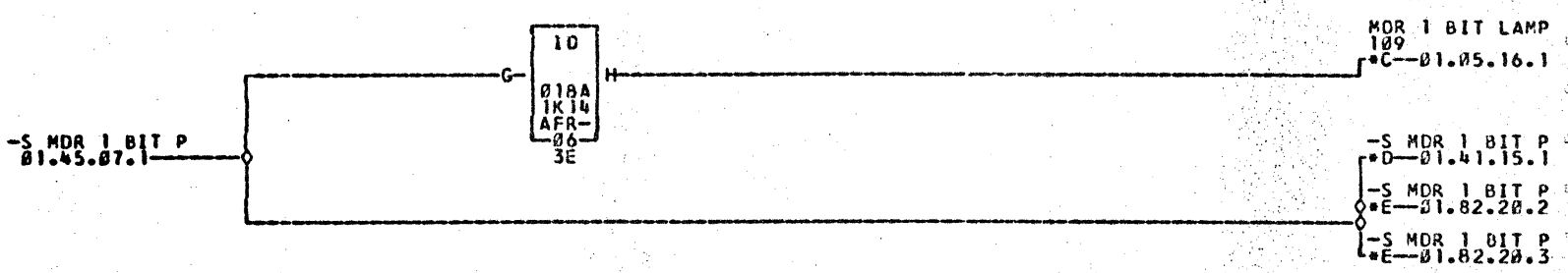
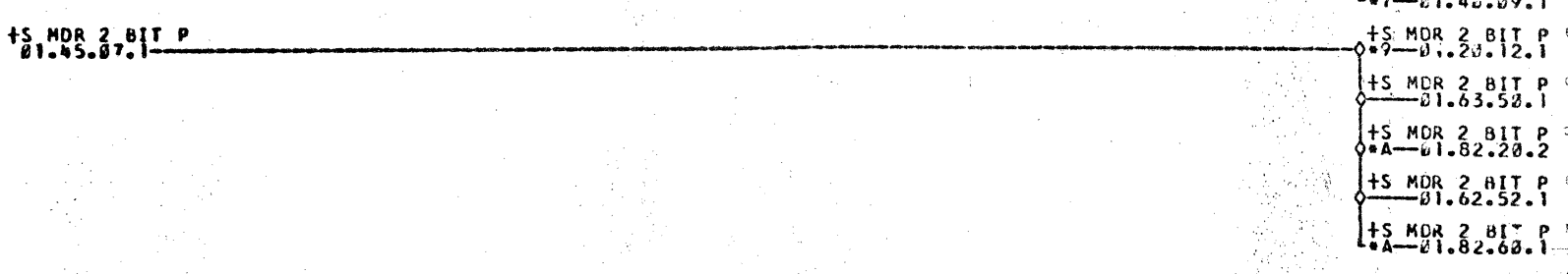
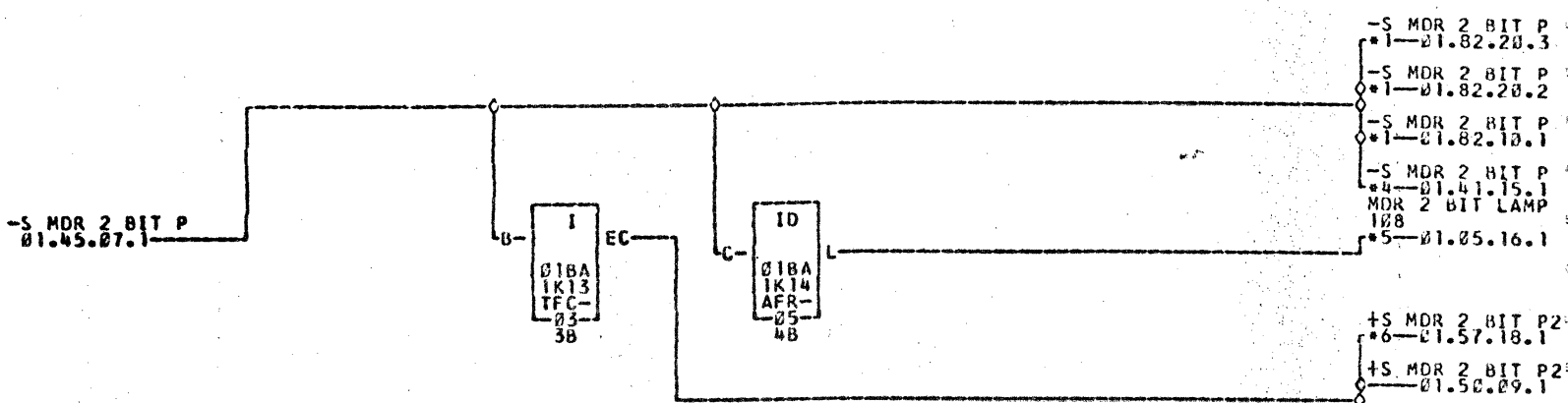


- 1-01BXJ01
- 2-01AWJ12
- 3-01DXA02
- 4-01AWJ13
- L-01BXJ04
- 01DXA01
- 01A1Z06C
- C-01BWJ13
- F-01BWJ16
- 01DXA04
- 4-01BWJ15
- 01A2Z04C
- 01AWJ13
- 01AWJ16
- M-01B1Z04B
- 7-01BWJ12
- 01A1Z07C
- G-01RXJ03
- 01B2Z04B
- 5-01BXF04
- 01AWJ12
- 01A2Z07C
- 01DXA03
- 6-01BWJ12
- 8-01BXJ02
- D-01BWJ13
- K-01BXF05

E. C. 484711      COMMENTS      TAG DATE D.A.NO. TAG DATE D.A.NO. TAG DATE D.A.NO. TAG DATE D.A.NO. TAG DATE D.A.NO.

A 04-03-62 BE051N2

10  
11  
12  
13  
14  
15  
16  
17  
18  
19  
20  
21  
22  
23  
24  
25  
26  
27  
28  
29  
30  
31  
32  
33  
34  
35  
36  
37  
38  
39  
40  
41  
42  
43  
44  
45  
46  
47  
48  
49  
50  
51  
52  
53  
54  
55  
56  
57  
58  
59  
60  
61  
62  
63  
64  
65  
66  
67  
68  
69  
70  
71  
72  
73  
74  
75  
76  
77  
78  
79  
80  
81  
82  
83  
84  
85  
86  
87  
88  
89  
90  
91  
92  
93  
94  
95  
96  
97  
98  
99  
100



- 1--01BXJ20
- 4--01BWJ17
- 5--01BXF06
- 6--01BWH07
- 7--01AWH07
- 8--01BWH07
- 9--01B1Z09A
- A--01BXJ21
- C--01B1Z10A
- D--01BWJ18
- E--01B1Z10A
- H--01BXJ25
- I--01AWH08
- K--01BWH08
- L--01BWH08
- M--01AWH08
- N--01B1Z09A
- O--01B1Z09A
- P--01B1Z09A
- Q--01B1Z09A
- R--01B1Z09A
- S--01B1Z09A
- T--01B1Z09A
- U--01B1Z09A
- V--01B1Z09A
- W--01B1Z09A
- X--01B1Z09A
- Y--01B1Z09A
- Z--01B1Z09A

A

A

B

B

C

C

D

D

E

E

F

F

G

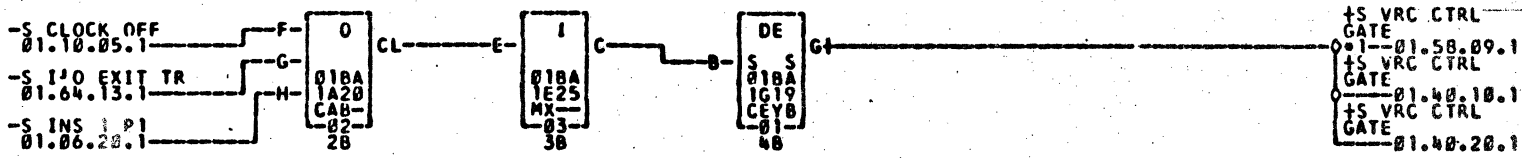
G

H

H

J

J



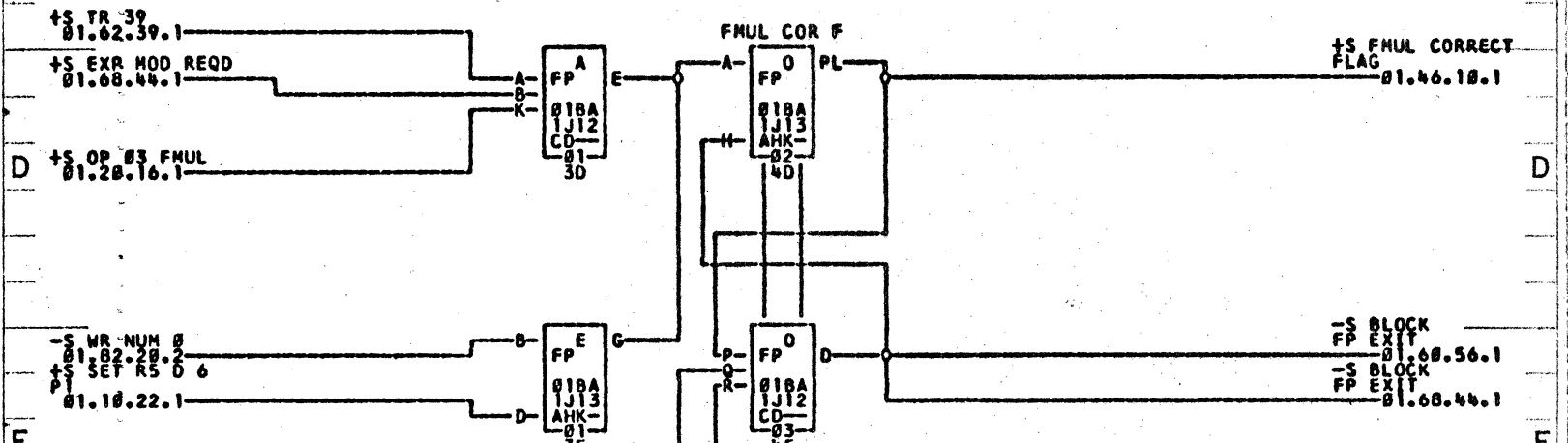
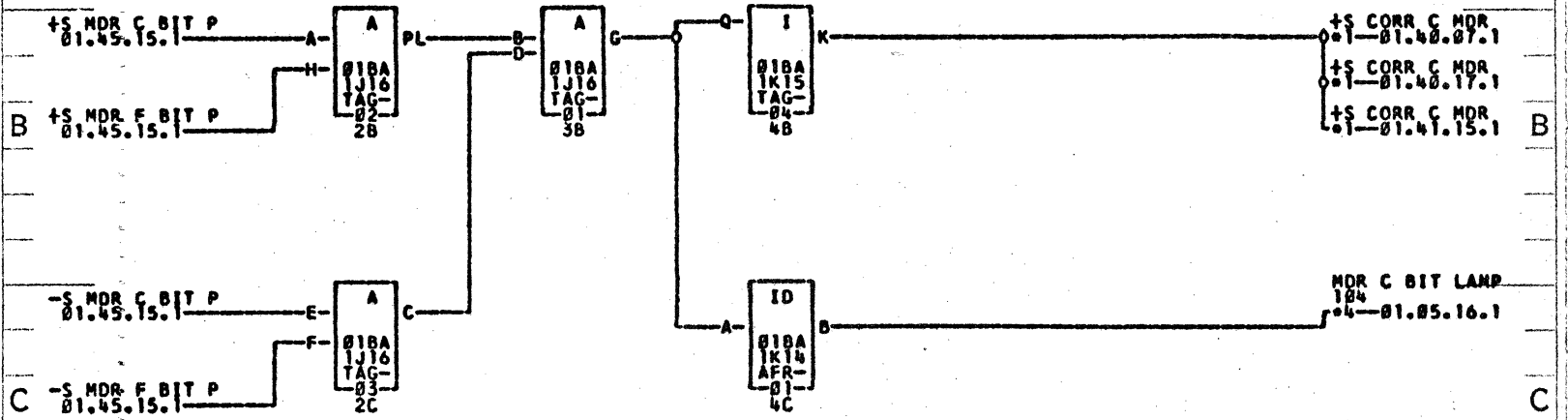
•1-018MH04      -----01AMH04

COMMENTS

TAG	DATE	D.A.NO.	TAG	DATE	D.A.NO.	TAG	DATE	D.A.NO.	TAG	DATE	D.A.NO.
A	98-30-61	0E05000									

A

A



G

G

H

H

J

J

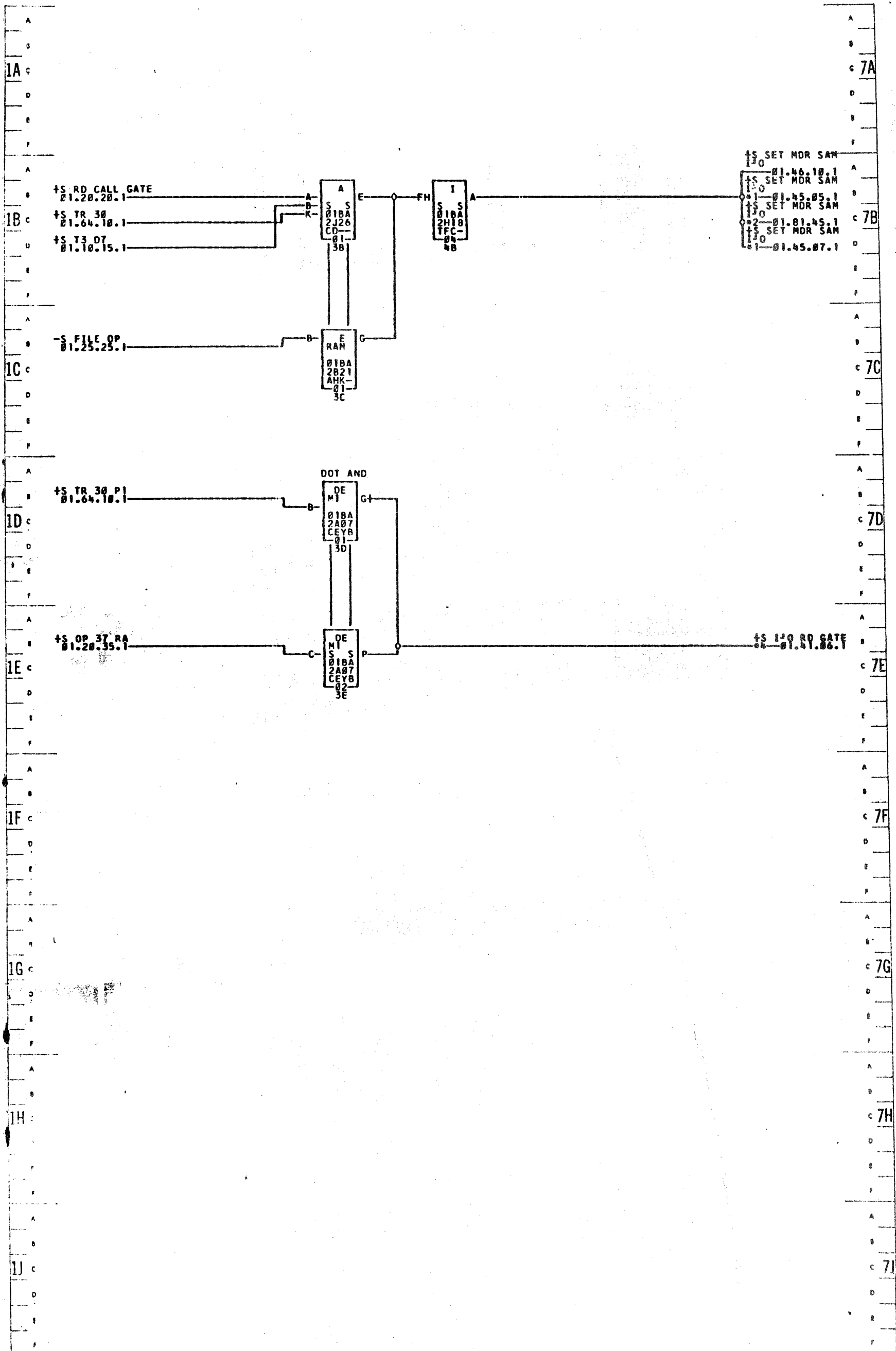
01-01BNJ10    01-01ANJ10    04-01BXF02

COMMENTS

TAG DATE	D.A.NO.	TAG DATE	D.A.NO.	TAG DATE	D.A.NO.	TAG DATE	D.A.NO.
A 02-27-62	0F03000						





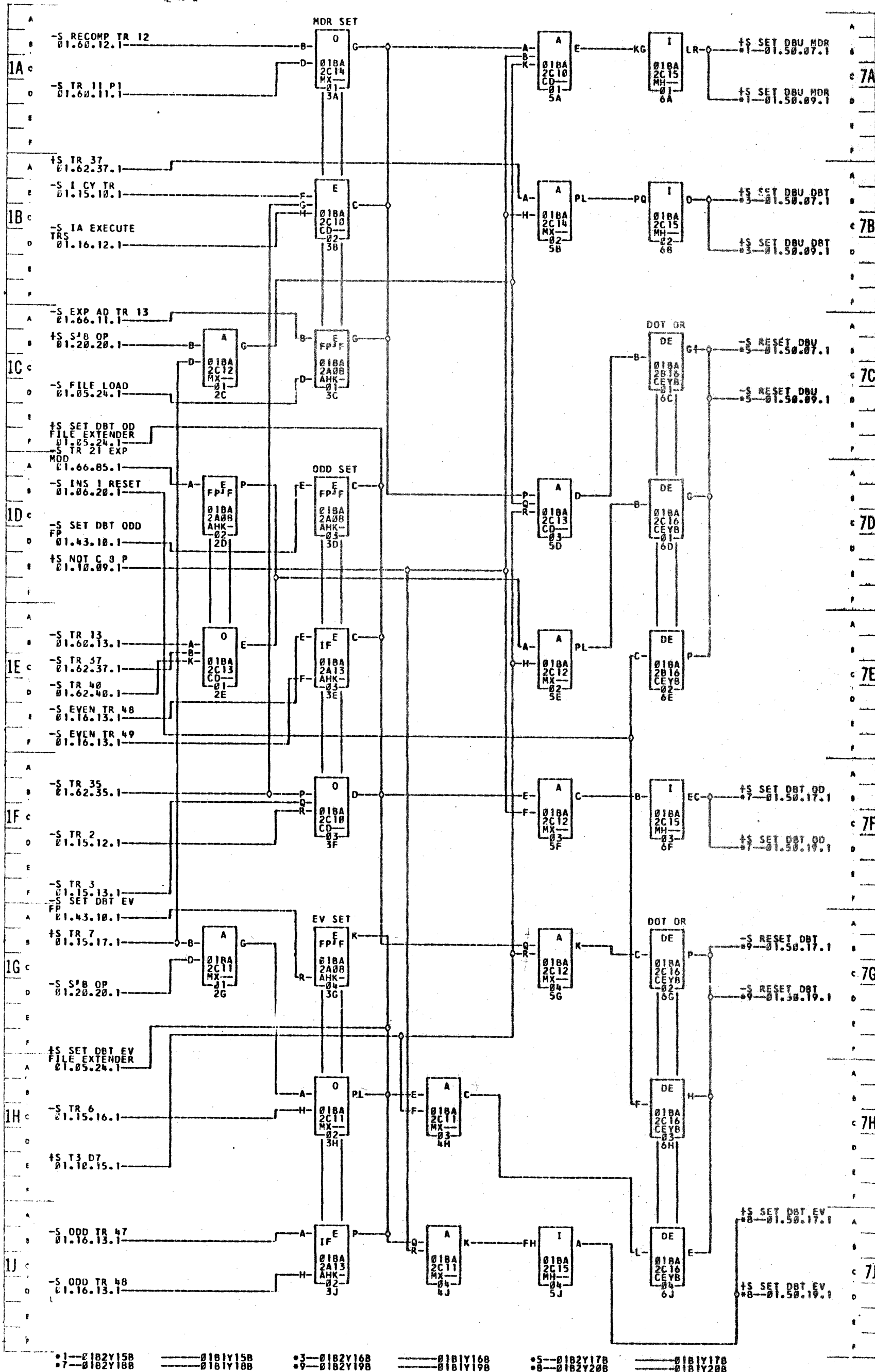


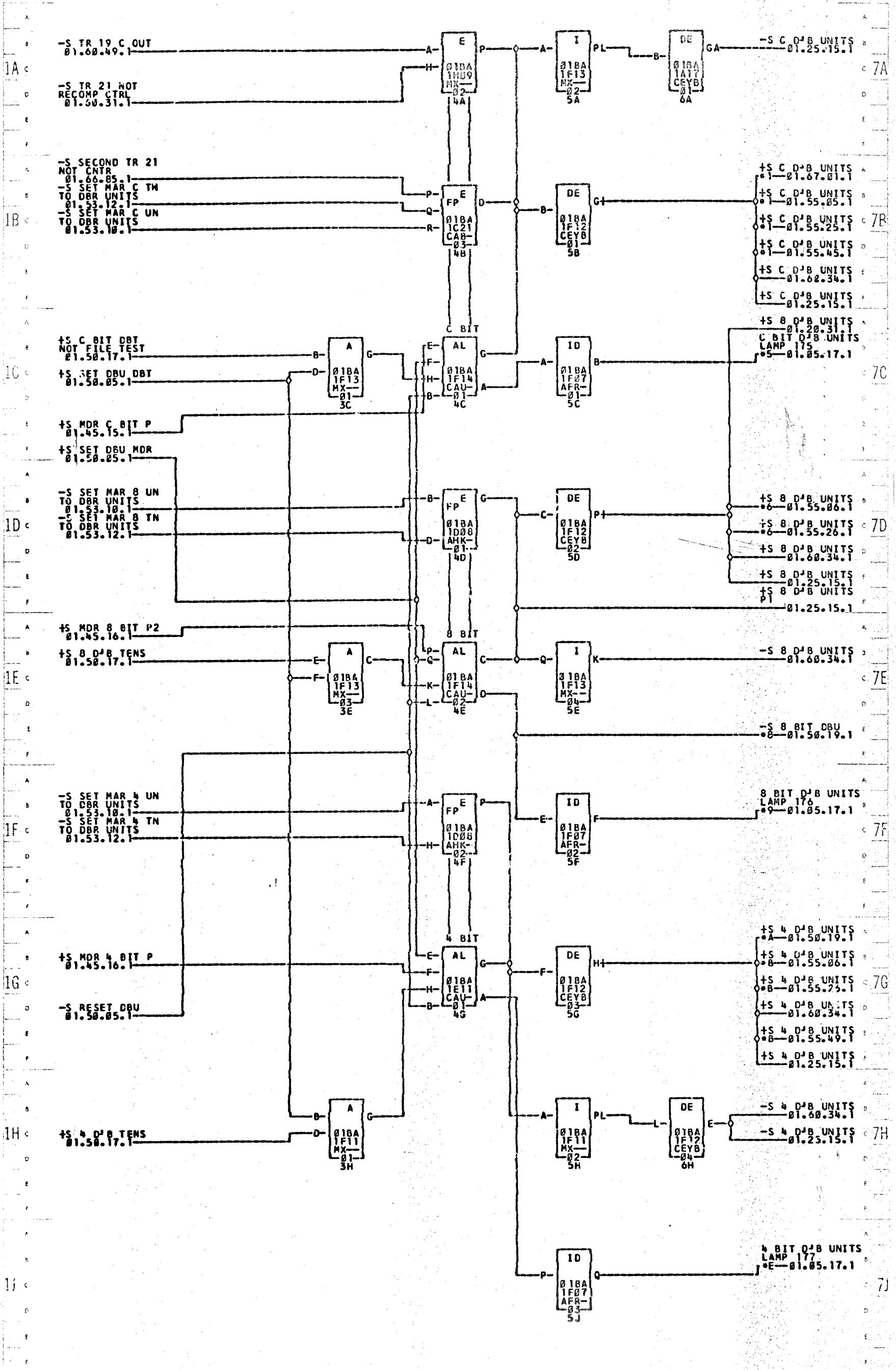
01-01B2212A      01B1212A      02-01BXM22      010WD22      04-01BWB08      01AWB08

E.C. 404711

COMMENTS

TAG DATE	D.A.NO.	TAG DATE	D.A.NO.	TAG DATE	D.A.NO.	TAG DATE	D.A.NO.
A 09-25-62	0F07RM2						





\*1-018ND18  
 \*2-0103A020  
 \*3-018NC20

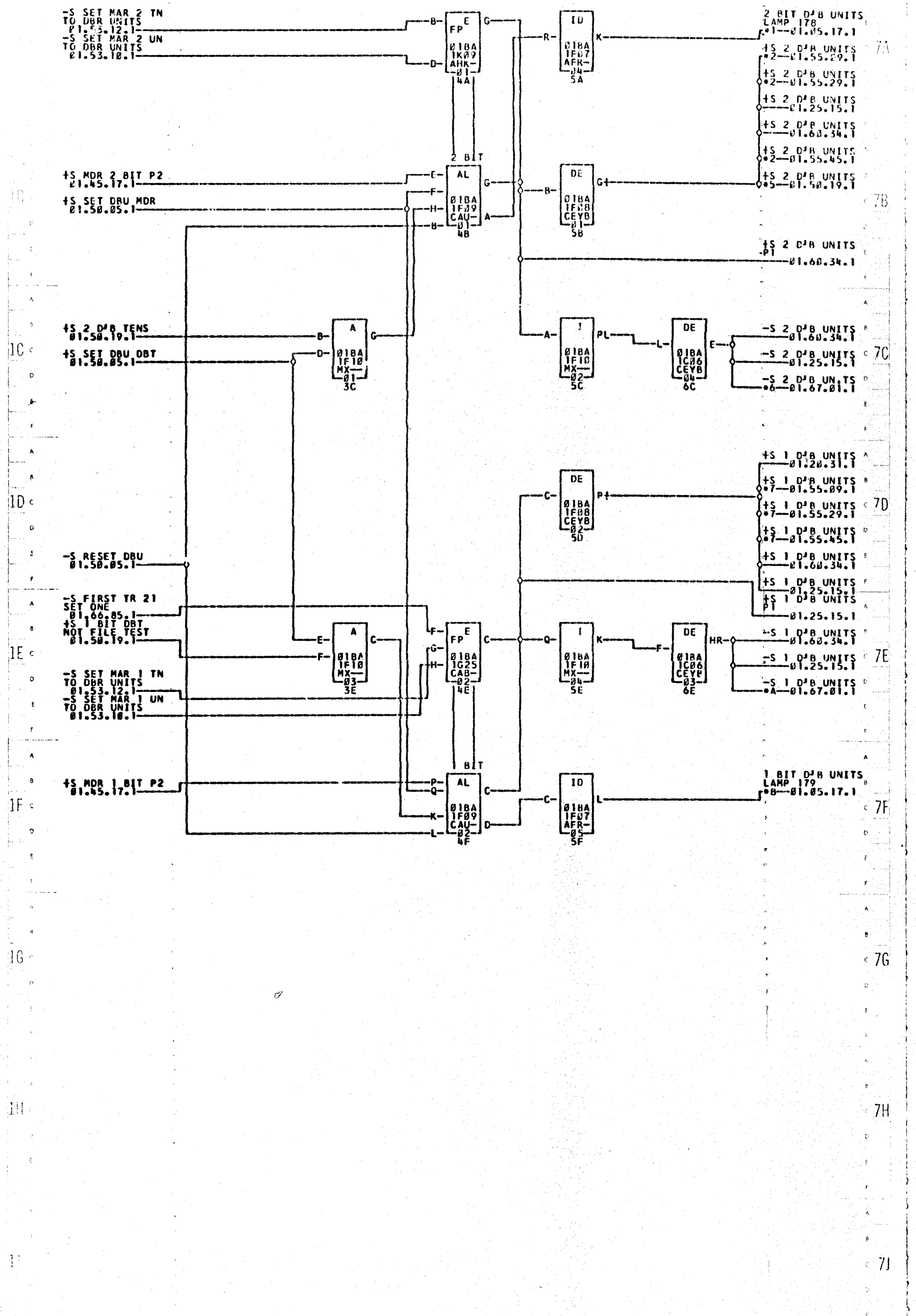
\*4-01AND18  
 \*5-018XF09  
 \*6-01AND28

\*7-018XC00  
 \*8-018NC20  
 \*9-018XF18

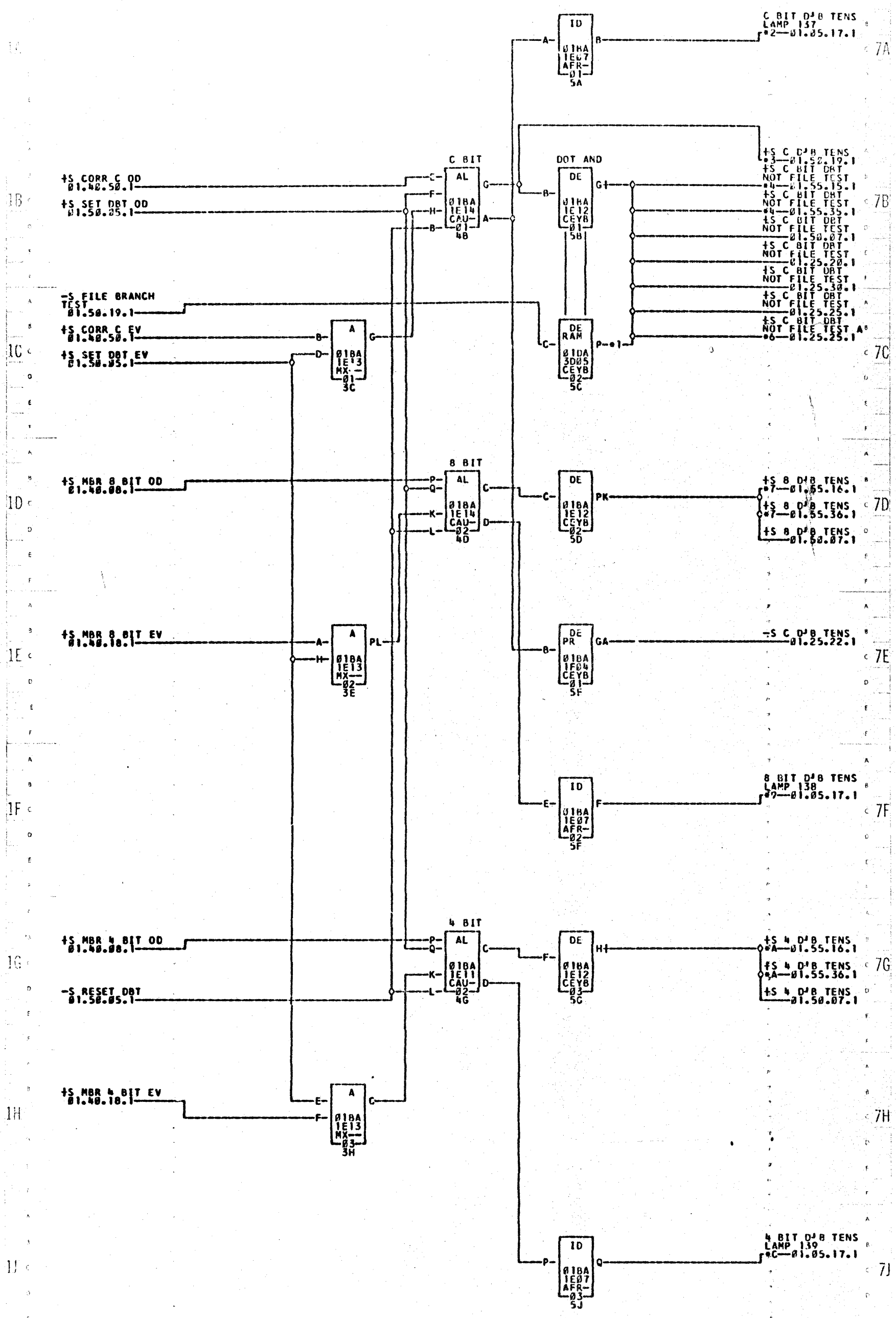
\*10-018ND19  
 \*11-01AND28

\*12-01AND19  
 \*13-01AVJ18

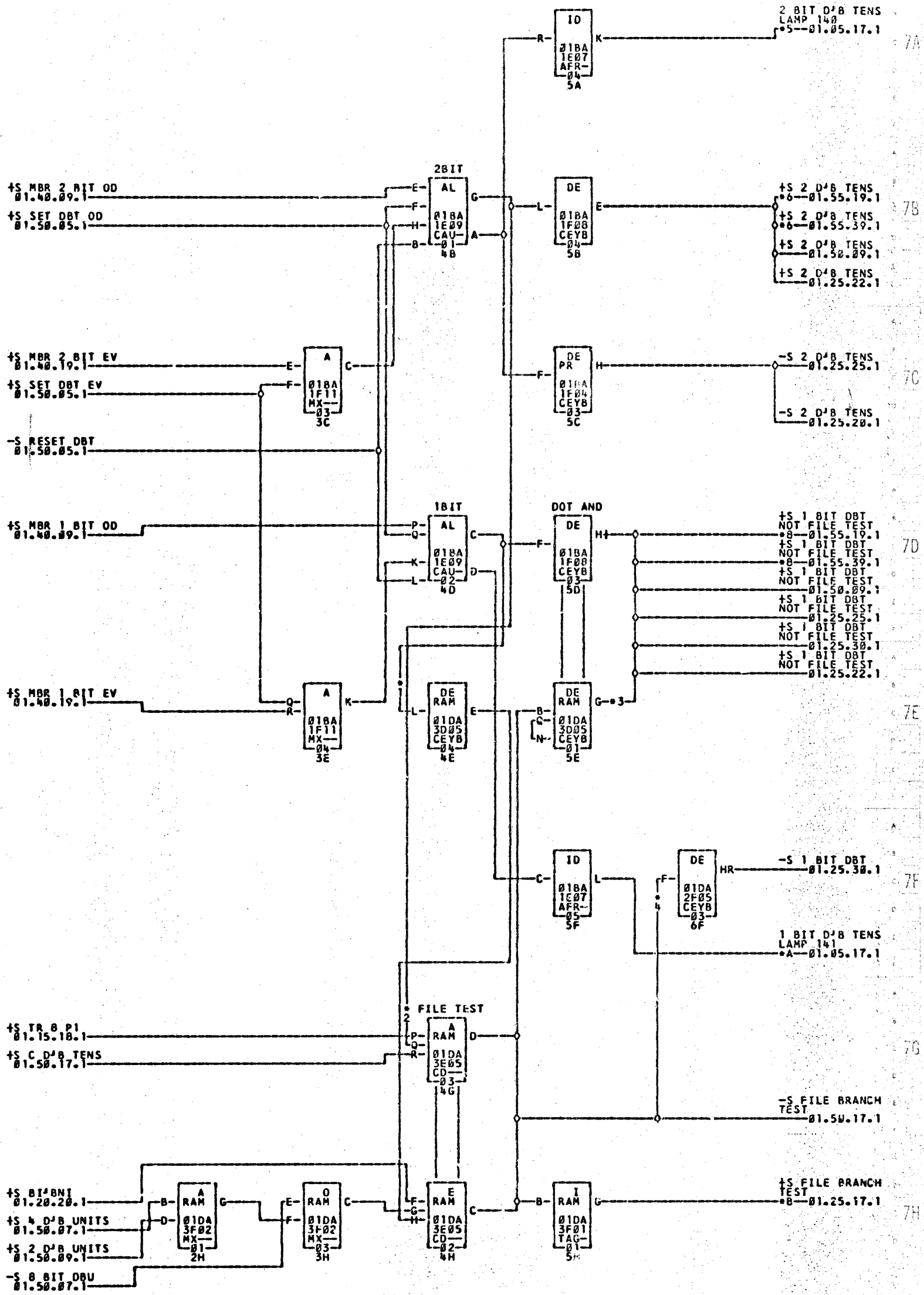
\*14-018VB04  
 \*15-01D38028



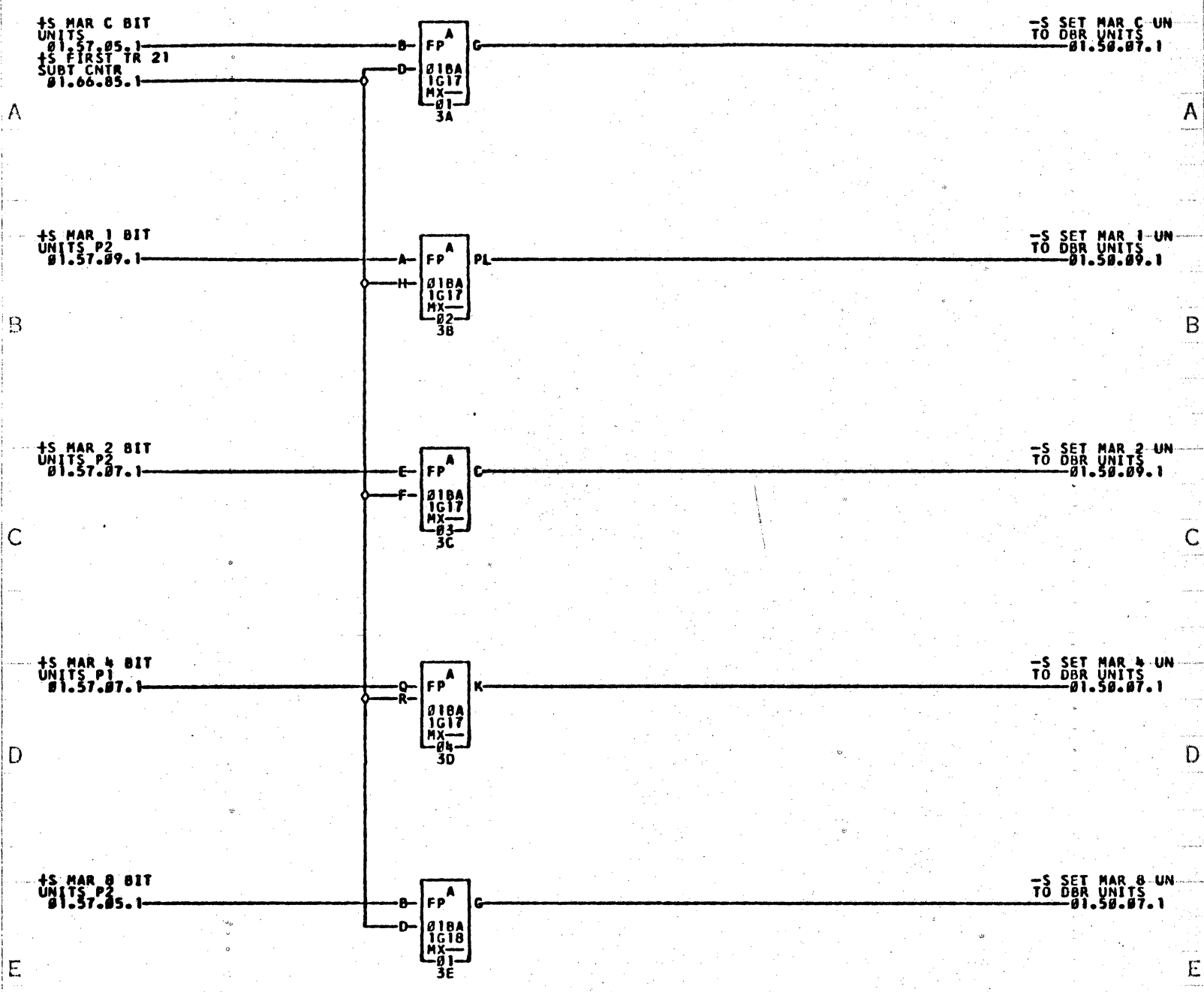
\*1--018XF11      \*2--018WD21      \*3--018XLD3      \*4--018ND21      \*5--018ND22      \*6--018VJ19  
 \*7--018ND22      \*8--018XLD3      \*9--018ND21      \*A--018NC06  
 \*10--018XLD3      \*11--018XLD3      \*12--018XLD3      \*13--018XLD3      \*14--018XLD3      \*15--018XLD3



- 1--01D3A01B
- 2--01BXE23
- 3--01BVB03
- 4--01BWD14
- 5--01AVK02
- 6--01BWD14
- 7--01BWD15
- 8--01BWD15
- 9--01BWD15
- 10--01D3A02C
- 11--01BWD14
- 12--01AVK02
- 13--01D3A01B
- 14--01D3A03R
- 15--01BWD15
- 16--01BWD15
- 17--01BWD15
- 18--01BWD15
- 19--01BWD15
- 20--01BWD16
- 21--01AWD16
- 22--01AWD16
- 23--01AWD16
- 24--01AWD16
- 25--01AWD16
- 26--01AWD16
- 27--01AWD16
- 28--01AWD16
- 29--01AWD16
- 30--01AWD16
- 31--01AWD16
- 32--01AWD16
- 33--01AWD16
- 34--01AWD16
- 35--01AWD16
- 36--01AWD16
- 37--01AWD16
- 38--01AWD16
- 39--01AWD16
- 40--01AWD16
- 41--01AWD16
- 42--01AWD16
- 43--01AWD16
- 44--01AWD16
- 45--01AWD16
- 46--01AWD16
- 47--01AWD16
- 48--01AWD16
- 49--01AWD16
- 50--01AWD16
- 51--01AWD16
- 52--01AWD16
- 53--01AWD16
- 54--01AWD16
- 55--01AWD16
- 56--01AWD16
- 57--01AWD16
- 58--01AWD16
- 59--01AWD16
- 60--01AWD16
- 61--01AWD16
- 62--01AWD16
- 63--01AWD16
- 64--01AWD16
- 65--01AWD16
- 66--01AWD16
- 67--01AWD16
- 68--01AWD16
- 69--01AWD16
- 70--01AWD16
- 71--01AWD16
- 72--01AWD16
- 73--01AWD16
- 74--01AWD16
- 75--01AWD16
- 76--01AWD16
- 77--01AWD16
- 78--01AWD16
- 79--01AWD16
- 80--01AWD16
- 81--01AWD16
- 82--01AWD16
- 83--01AWD16
- 84--01AWD16
- 85--01AWD16
- 86--01AWD16
- 87--01AWD16
- 88--01AWD16
- 89--01AWD16
- 90--01AWD16
- 91--01AWD16
- 92--01AWD16
- 93--01AWD16
- 94--01AWD16
- 95--01AWD16
- 96--01AWD16
- 97--01AWD16
- 98--01AWD16
- 99--01AWD16
- 100--01AWD16



- 1---018V802      -----01D3A02B      •2---018V810      -----01D3A02K      •3---01D3R02A      -----F1AVJ17
- 01AWD24      -----•8---018WD24      -----01AWD26      -----01D3A02G      •4---018XE26      -----•6---018WD23
- 01AWD23      -----01AWD28      -----01D3A02Z      -----01D3A03C      -----01D2403C



F

G

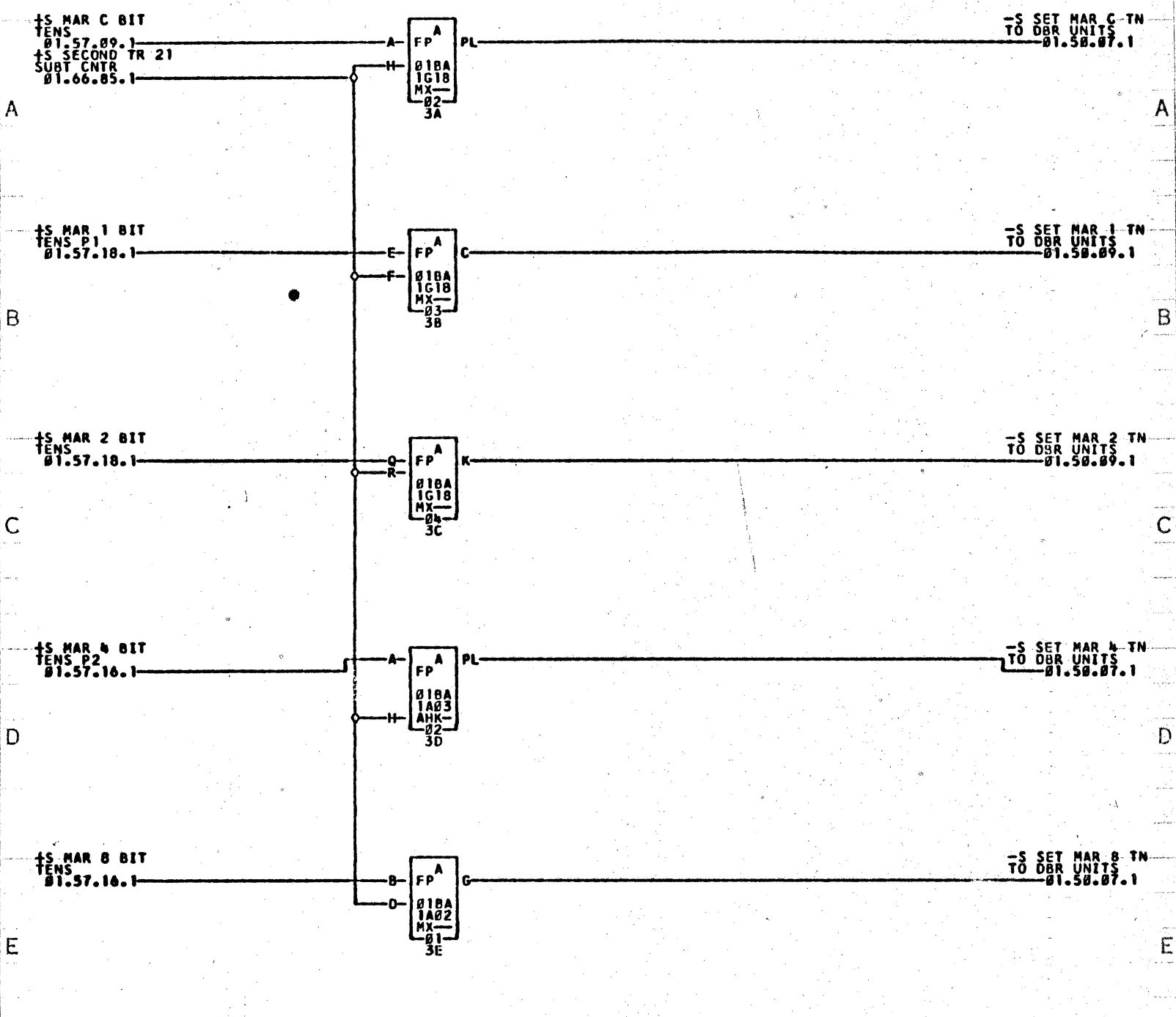
H

J

COMMENTS

TAG	DATE	D.A.NO.	TAG	DATE	D.A.NO.	TAG	DATE	D.A.NO.	TAG	DATE	D.A.NO.
A	01-23-62	0F00000									





F

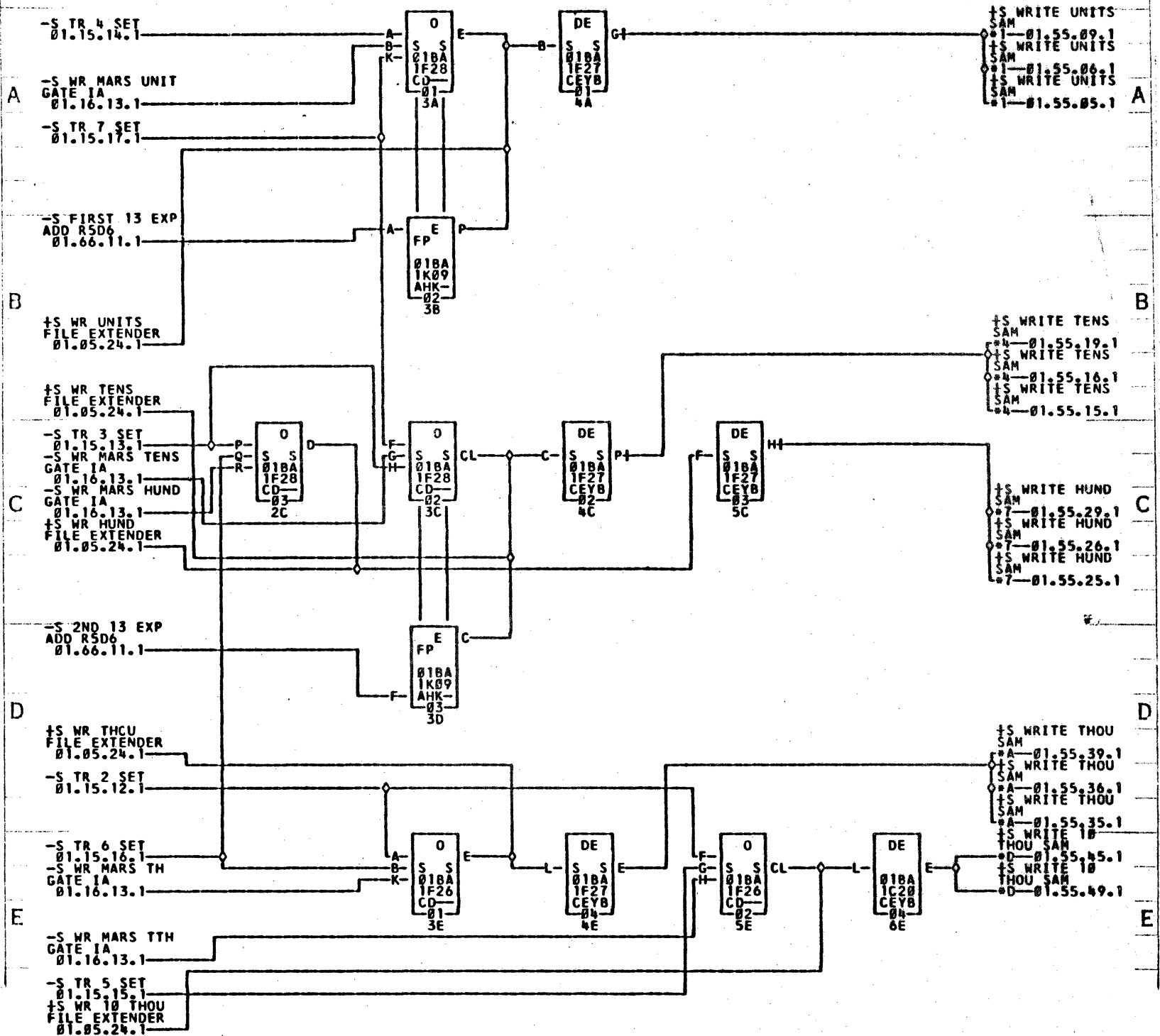
G

H

J

COMMENTS

TAG	DATE	D.A.NO.	TAG	DATE	D.A.NO.	TAG	DATE	D.A.NO.	TAG	DATE	D.A.NO.
A	01-23-62	0F0000									



\*1-018WD25  
\*A-018WD28

==01AWD25  
==01AWD28

\*4-018WD26  
\*D-018WD29

==01AWD26  
==01AWD29

\*7-018WD27

——01AWD27

E. C. 404711

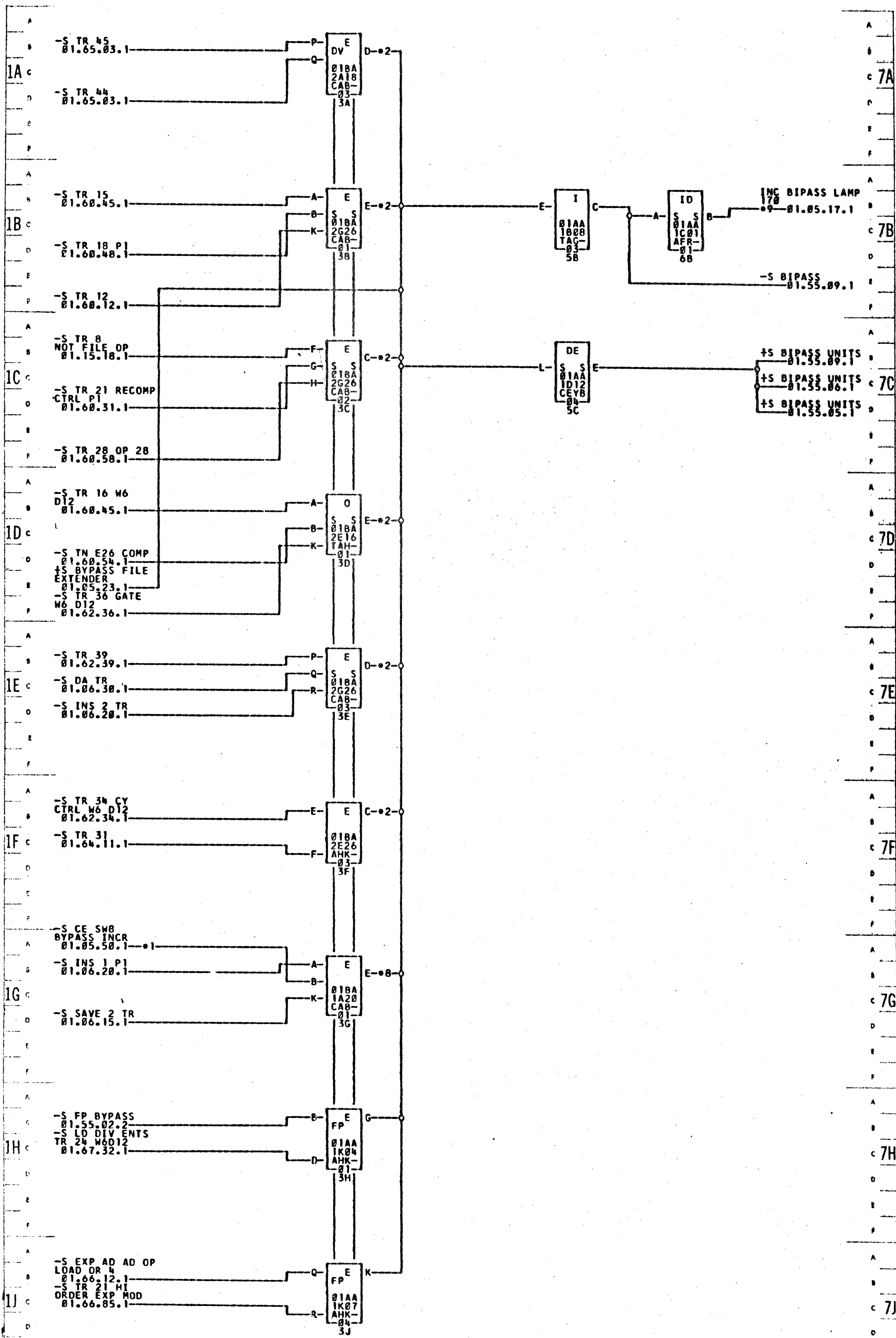
COMMENTS

TAG DATE D.A.NO.  
A 04-03-62 0F00RN2

TAG DATE D.A.NO.

TAG DATE D.A.NO.

TAG DATE D.A.NO.



\*1--01A3A08C      01AWJ28      01BWJ28      \*2--018WB11      01AWB11      \*8--01B1Y24A  
 01B2Y24A      01WB11      01AWB11      \*9--01AXE03

-S SFT OPS ENT  
01.67.50.1  
-S TR 24 LD ENT  
EXP MOD REQD  
01.67.31.1  
-S LD DIV ENTS  
TR 25  
01.67.32.1

E  
FP  
01AA  
1J04  
CAB-  
01  
2A1

I  
FP  
01AA  
1K03  
TAG-  
01  
5A

-S FP BYPASS  
01.55.02.1

-S TR 24 EXP  
MOD ENTRY  
01.66.82.1  
-S TR 24 DIGIT  
FORCE  
01.66.91.1  
-S TR 24 OP 05  
SCAN MODE  
01.66.22.1

O  
FP  
01AA  
1J04  
CAB-  
02  
2B1

-S EXTRA SHIFT  
CYCLE  
01.66.51.1  
-S TR 25 OP 05  
SCAN MODE FM 1  
01.66.22.1  
-S TR 24 ZERO  
FILL  
01.66.61.1

E  
FP  
01AA  
1J04  
CAB-  
03  
2C1

-S TR 24 EXP  
MOD EXIT  
01.66.87.1  
-S NORM SFT LT  
REQD  
01.66.79.1

E  
FP  
01AA  
1J03  
CAB-  
01  
2D1

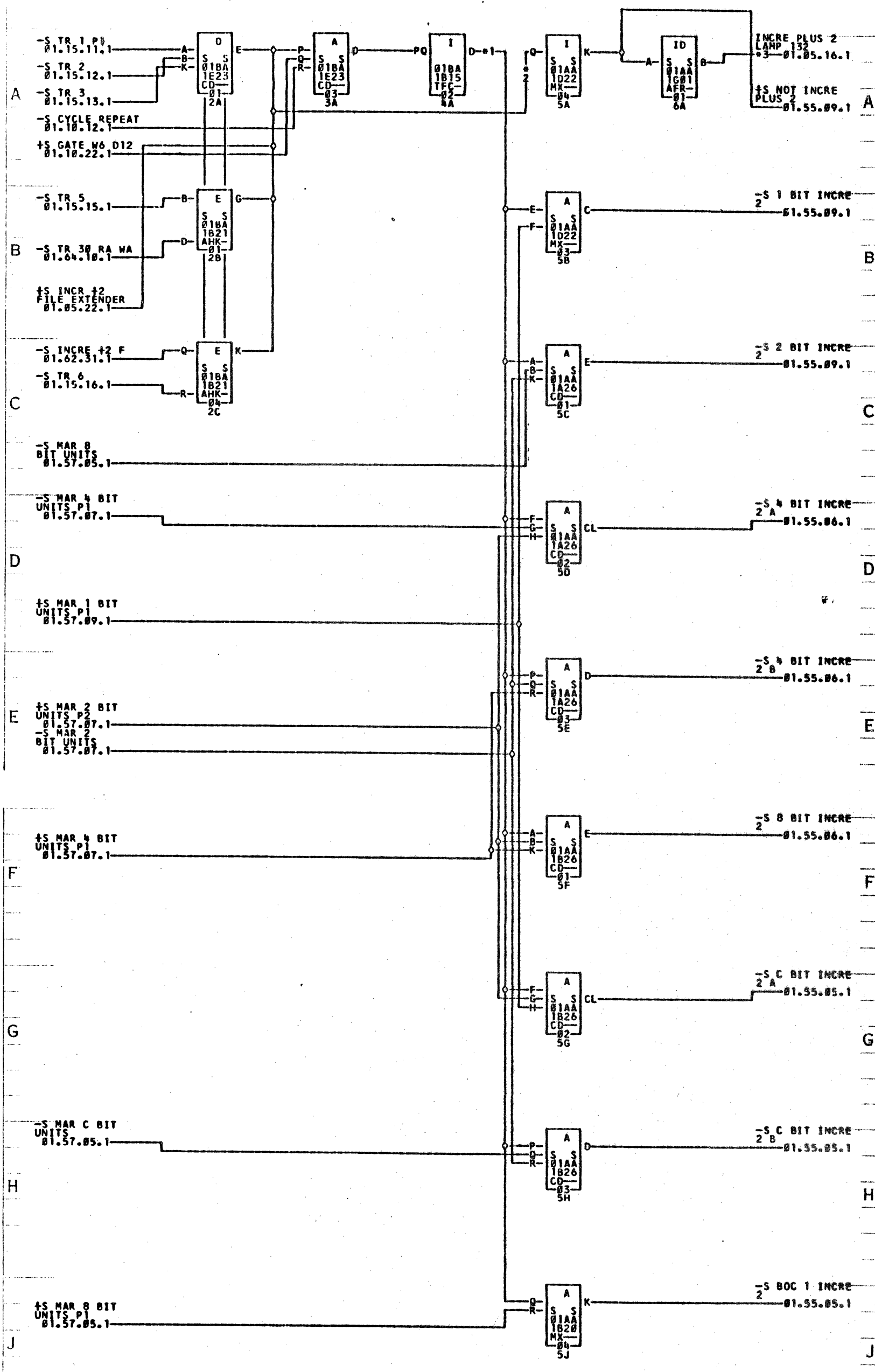
-S EM EX USE  
99  
01.66.88.1

A  
B  
C  
D  
E  
F  
G  
H  
J

A  
B  
C  
D  
E  
F  
G  
H  
J

COMMENTS

TAG	DATE	D.A.NO.	TAG	DATE	D.A.NO.	TAG	DATE	D.A.NO.	TAG	DATE	D.A.NO.
A	02-05-62	BF01000									

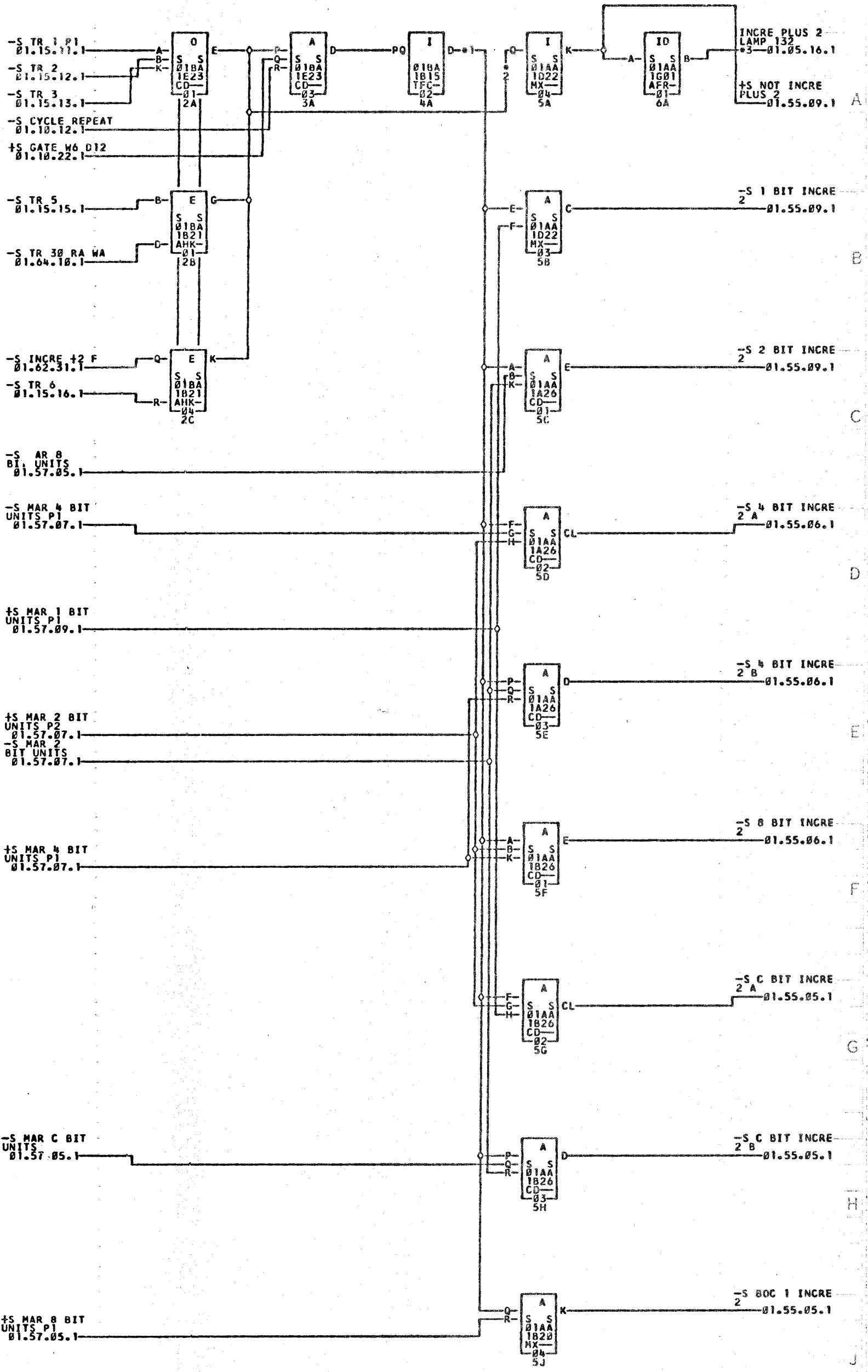


\*1—01BWB12      ——— 01AWB12      \*2—01BWD13      ——— 01AWD13      \*3—01AXE04

E. C. 404711

COMMENTS

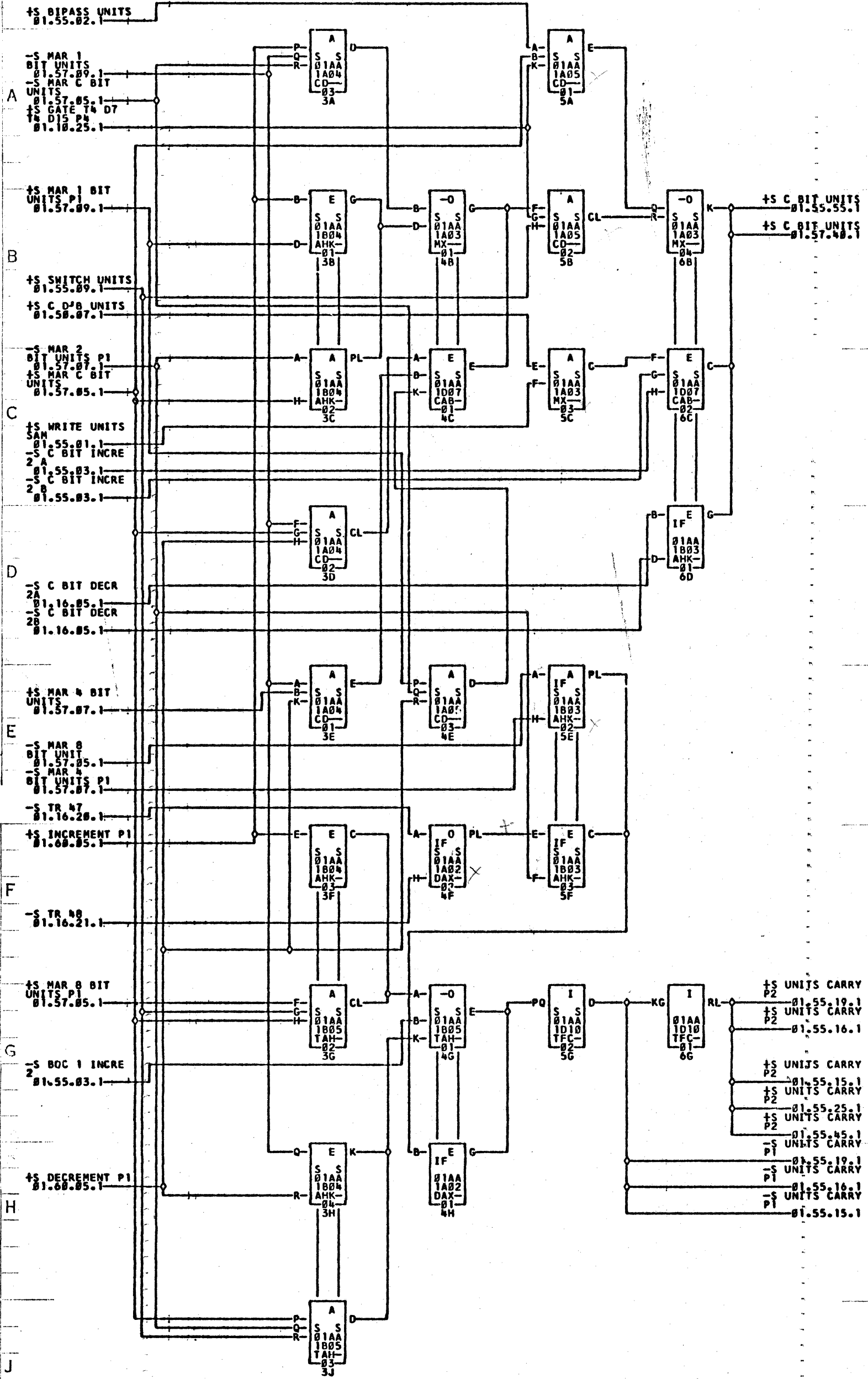
TAG DATE	D.A.NO.	TAG DATE	D.A.NO.	TAG DATE	D.A.NO.	TAG DATE	D.A.NO.
A 04-03-62	BF00RM2						



\*1-018W812    ———— 01AW812    \*2-018W013    ———— 01AWD13    \*3-01AXE04

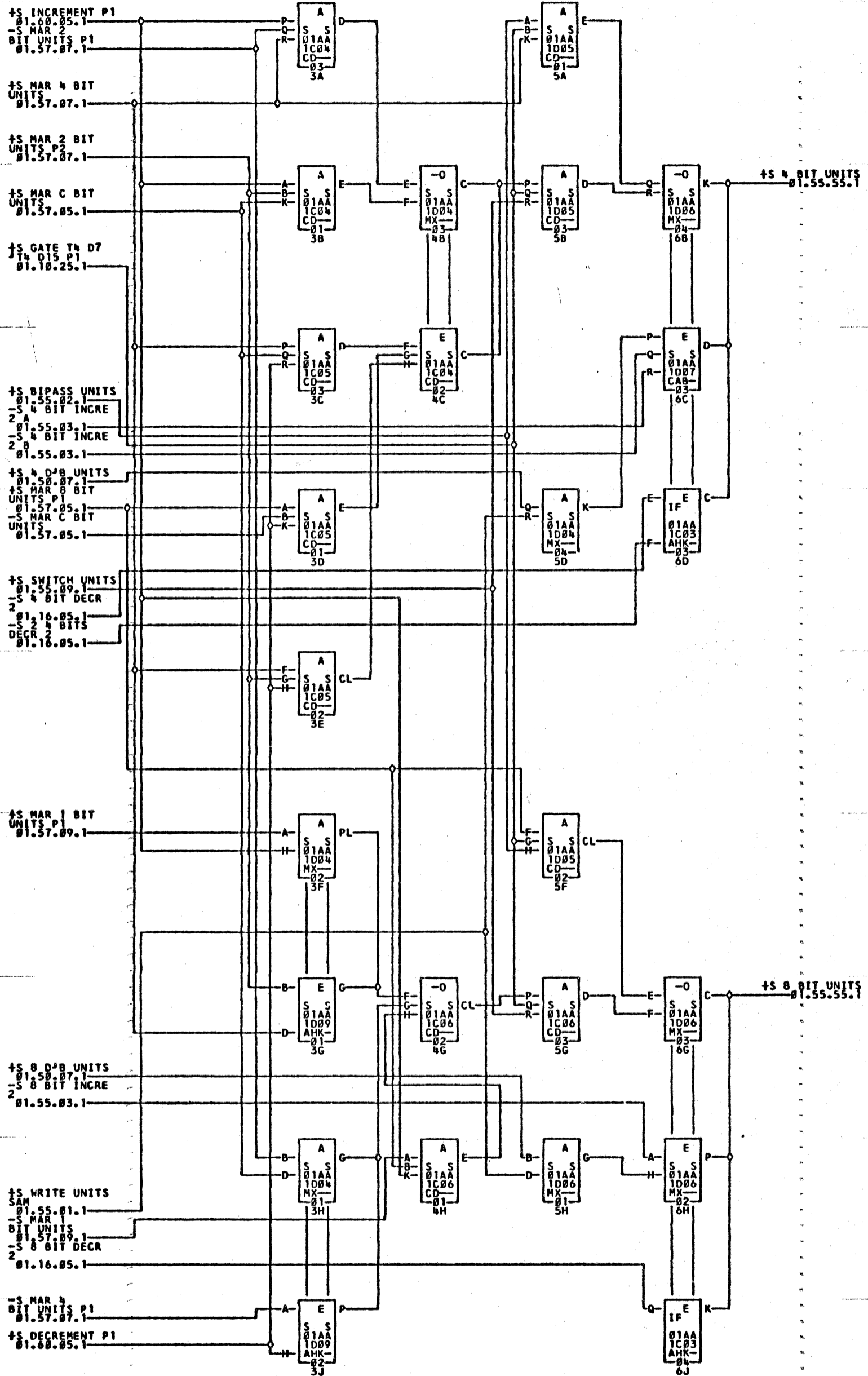
COMMENTS      TAG DATE    D.A.NO.    TAG DATE    D.A.NO.    TAG DATE    D.A.NO.    TAG DATE    D.A.NO.

A 01-23-62    0F00000



COMMENTS

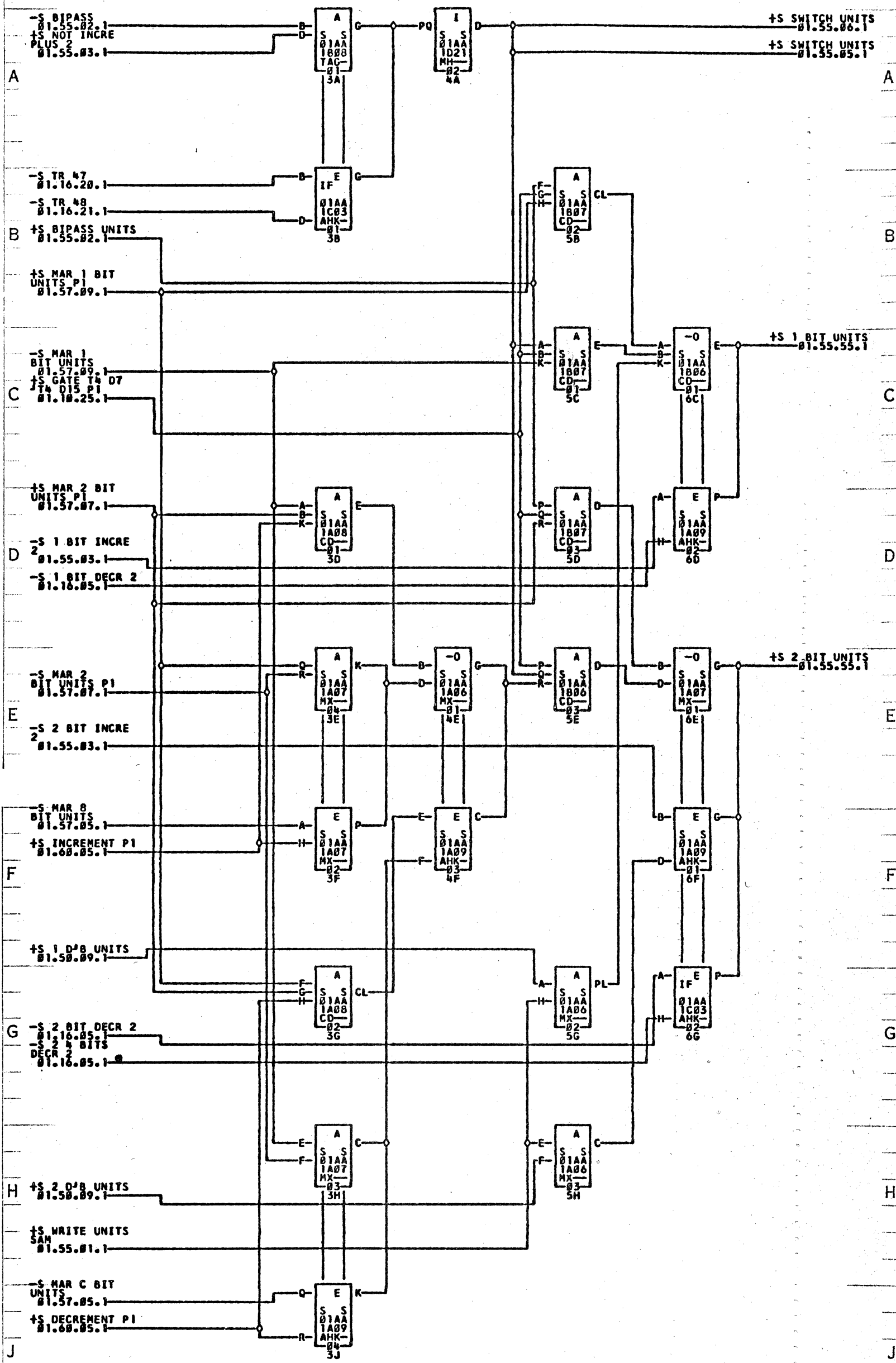
TAG	DATE	D.A.NO.	TAG	DATE	D.A.NO.	TAG	DATE	D.A.NO.	TAG	DATE	D.A.NO.
A	03-13-62	0F00000									



COMMENTS

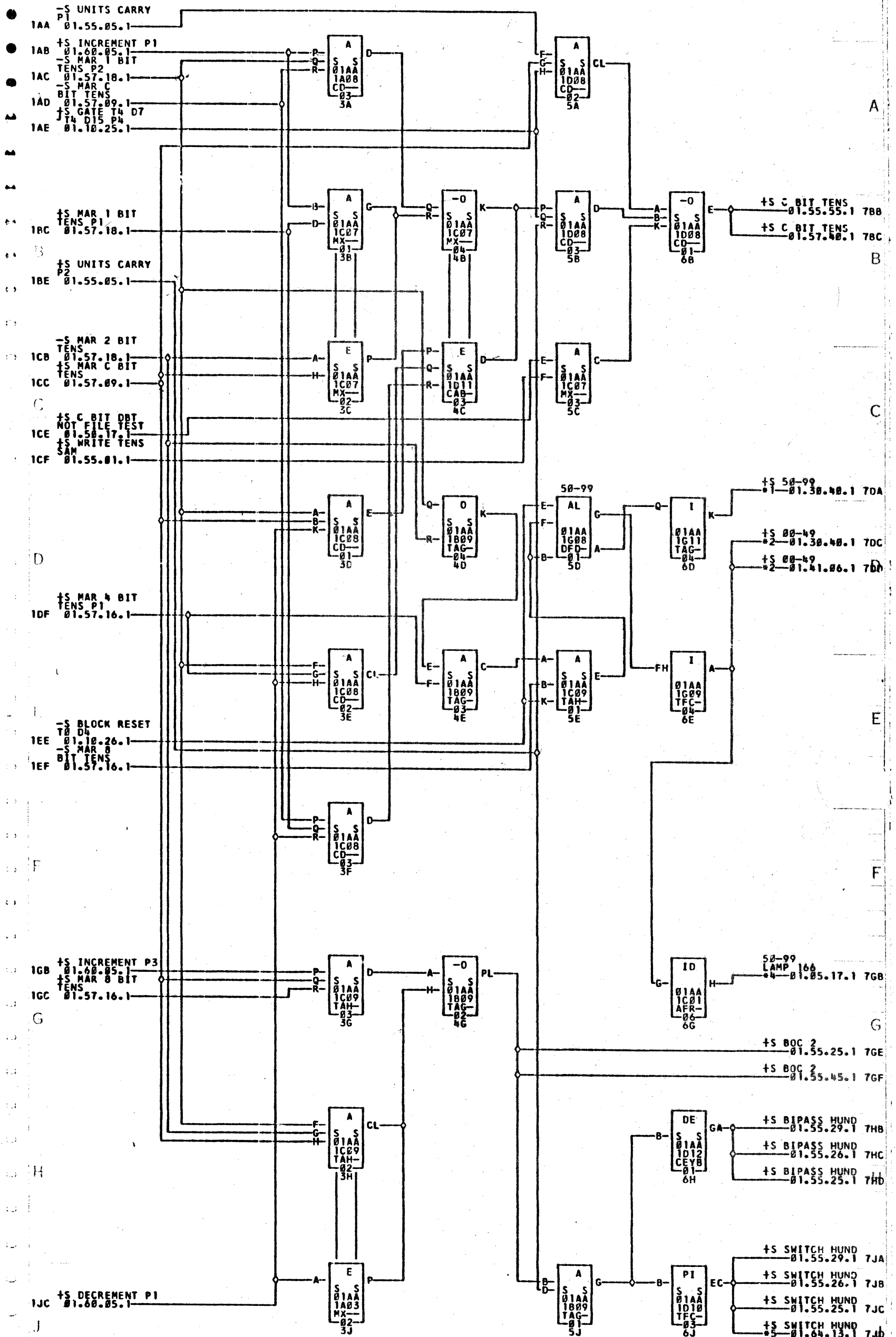
TAG	DATE	D.A.NO.	TAG	DATE	D.A.NO.	TAG	DATE	D.A.NO.	TAG	DATE	D.A.NO.
A	03-16-62	8FB0000									





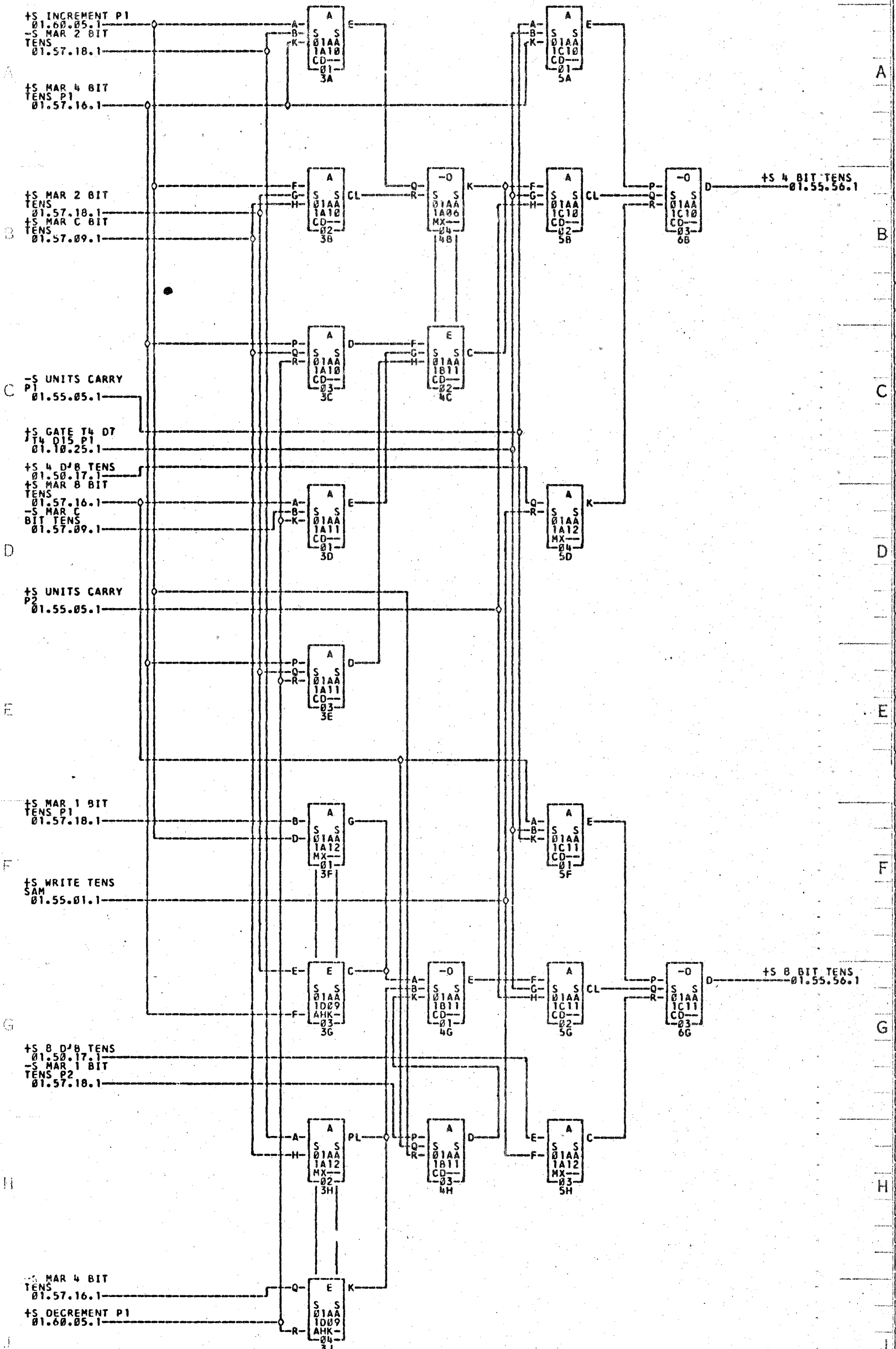
COMMENTS

TAG	DATE	D.A.NO.	TAG	DATE	D.A.NO.	TAG	DATE	D.A.NO.	TAG	DATE	D.A.NO.
A	01-23-62	DF00000									



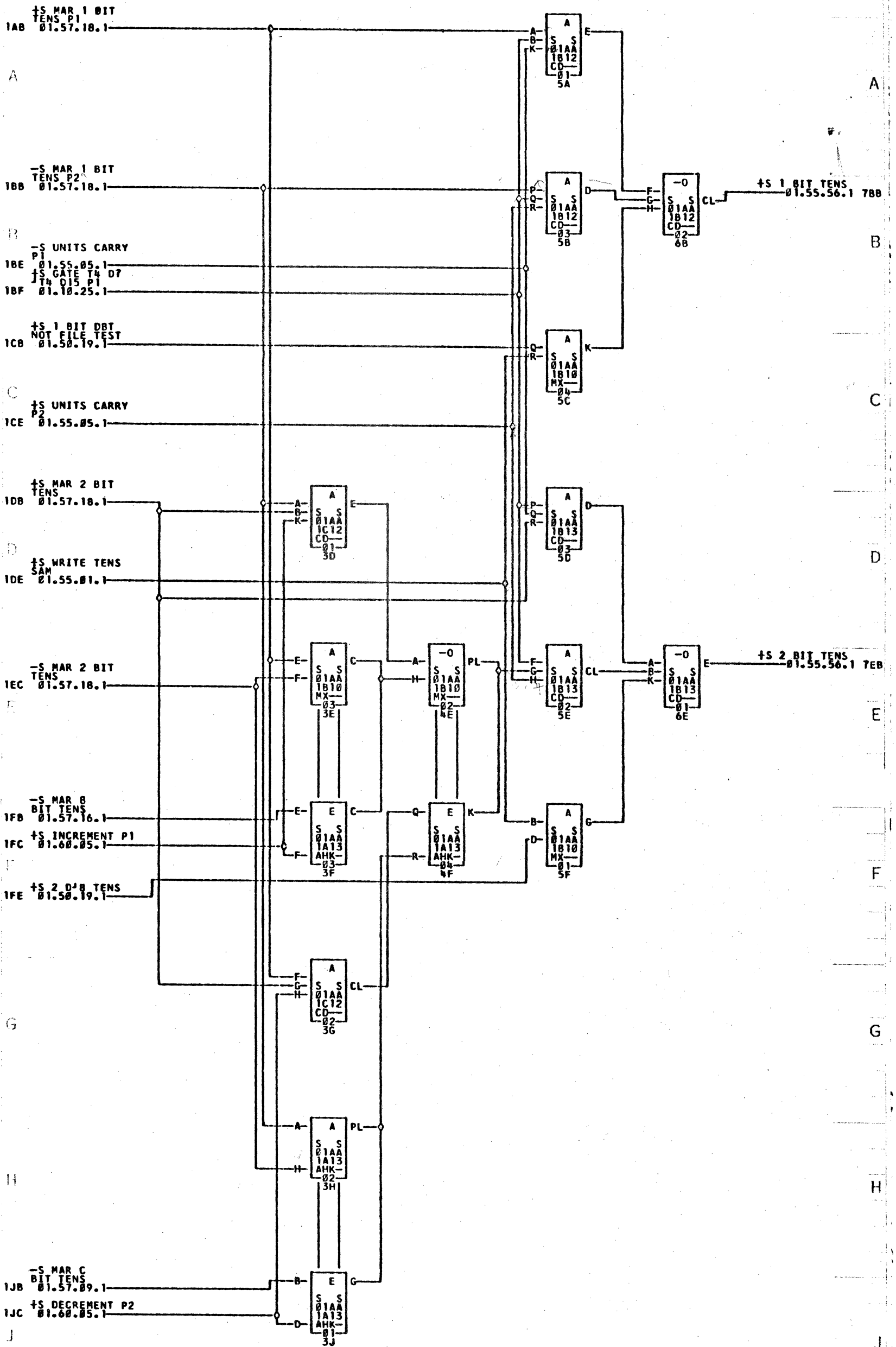
\*1-01A1Z10B 01BWF16    01A2Z10B    \*2-01A1Z10C    01A2Z10C    \*4-01AXE05    \*5-01AWF16

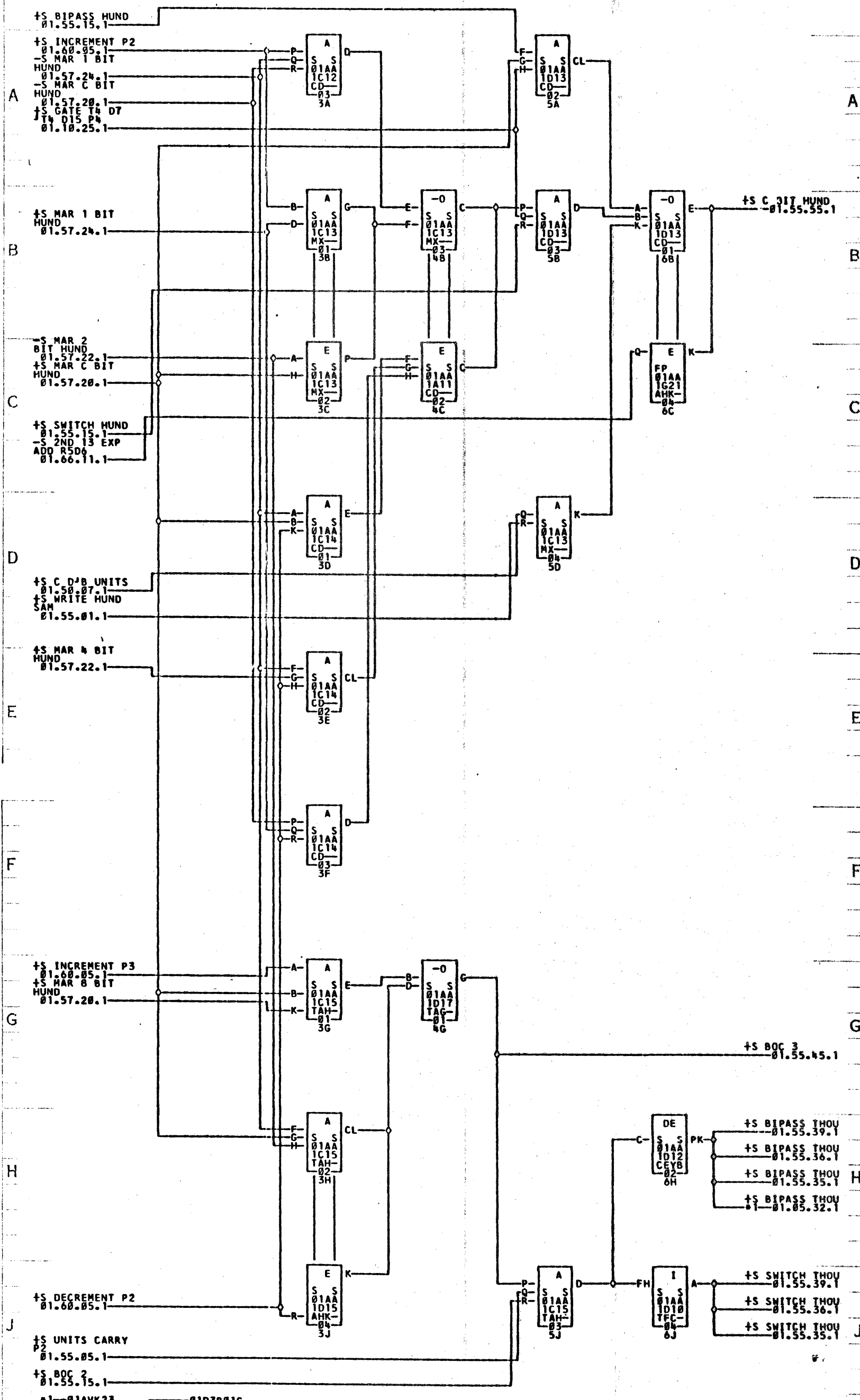
E.C. 404711    COMMENTS    TAG DATE D.A.NO. TAG DATE D.A.NO. TAG DATE D.A.NO. TAG DATE D.A.NO.

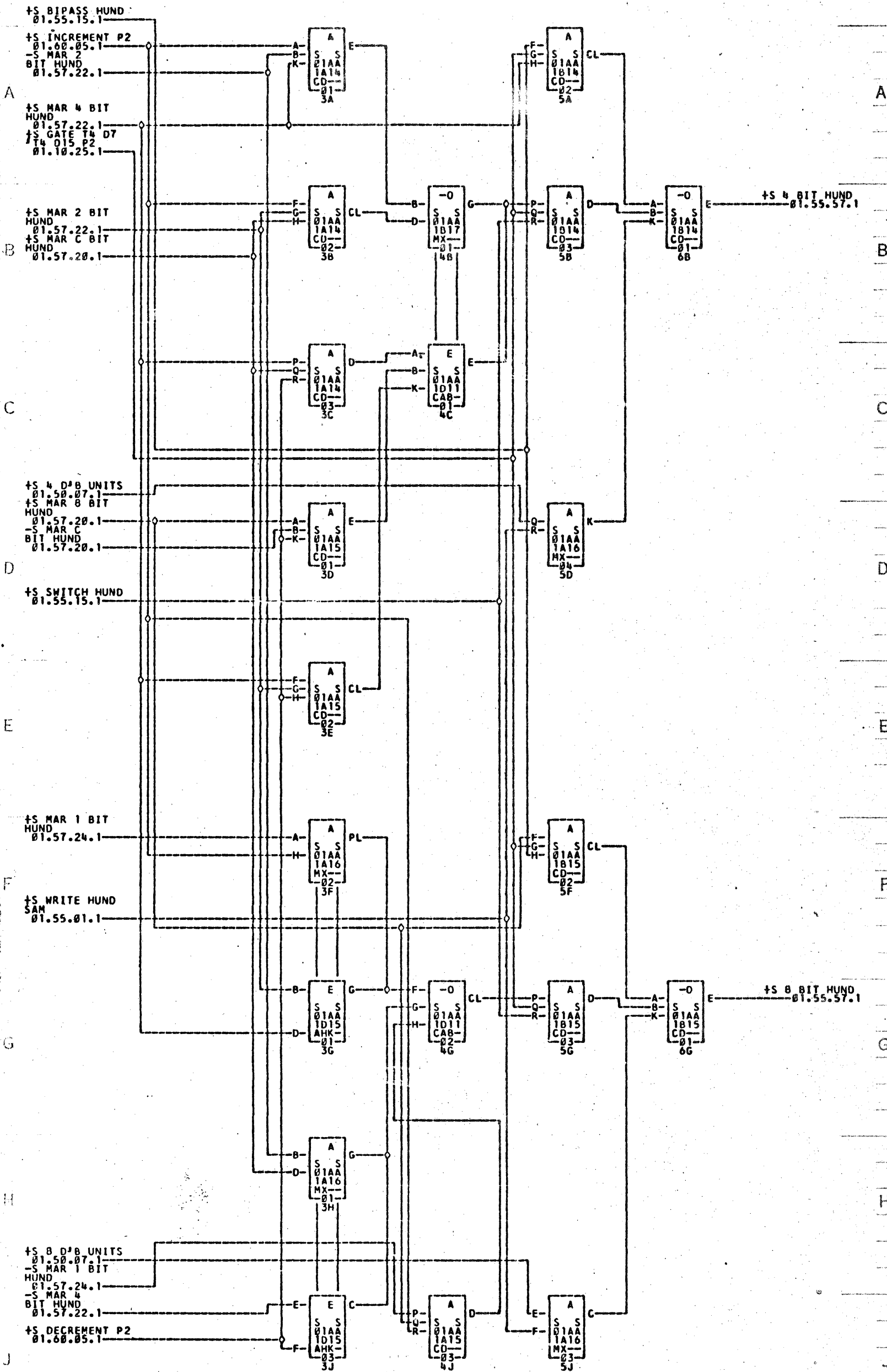


COMMENTS

TAG DATE	D.A.NO.	TAG DATE	D.A.NO.	TAG DATE	D.A.NO.	TAG DATE	D.A.NO.
A 08-30-61	0E05000						



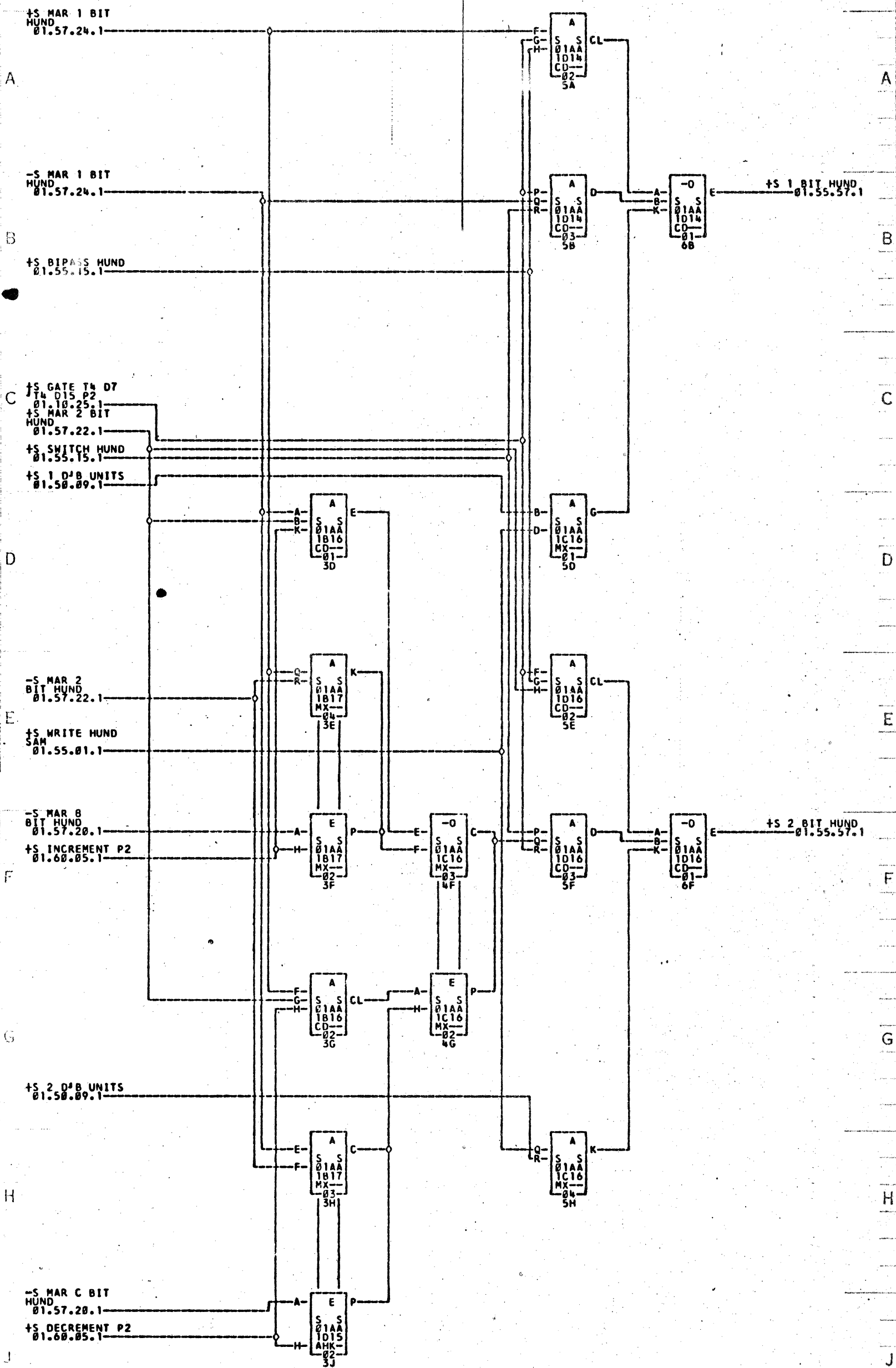




COMMENTS

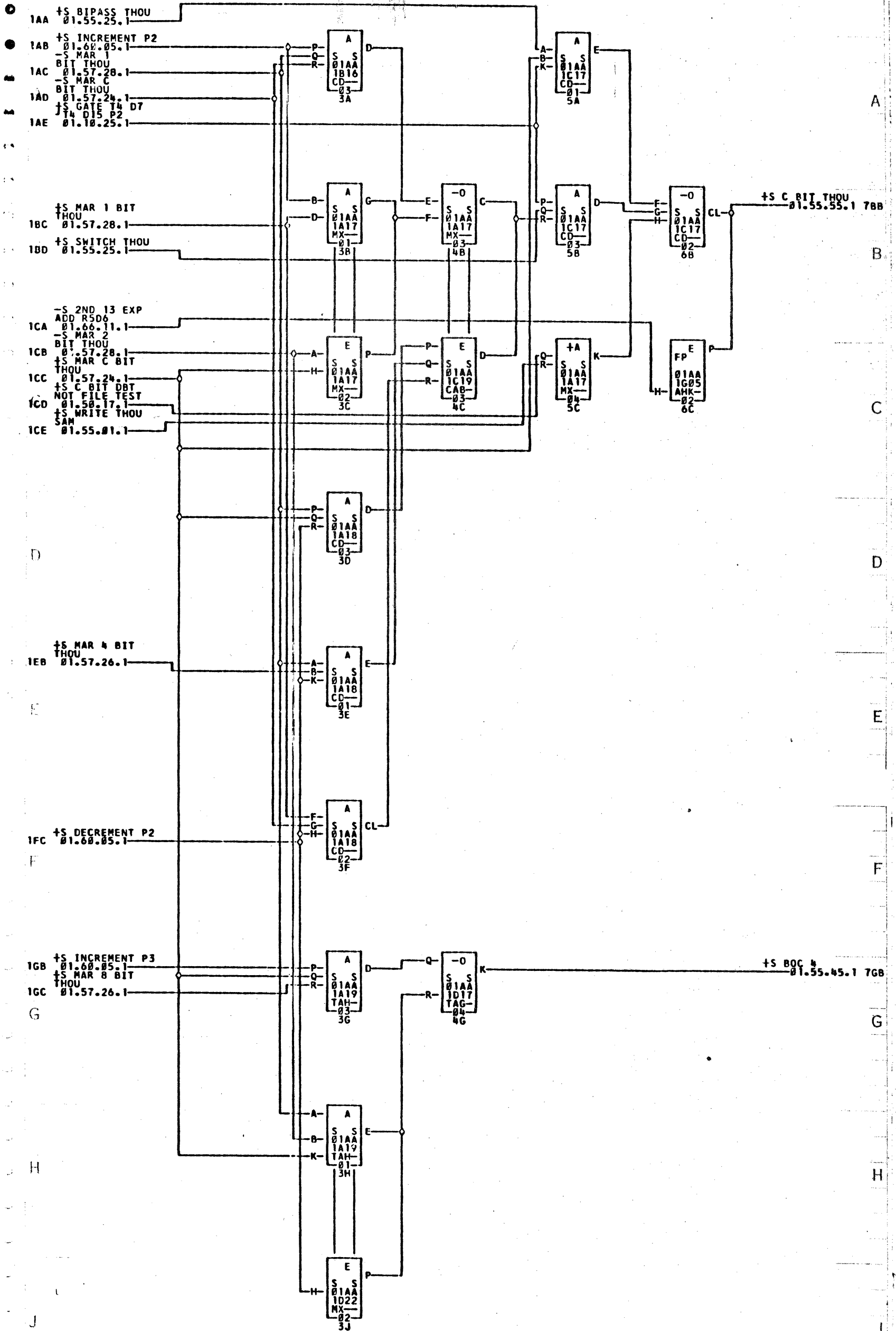
TAG DATE D.A.NO. TAG DATE D.A.NO. TAG DATE D.A.NO. TAG DATE D.A.NO.

A 00-39-61 BE05000

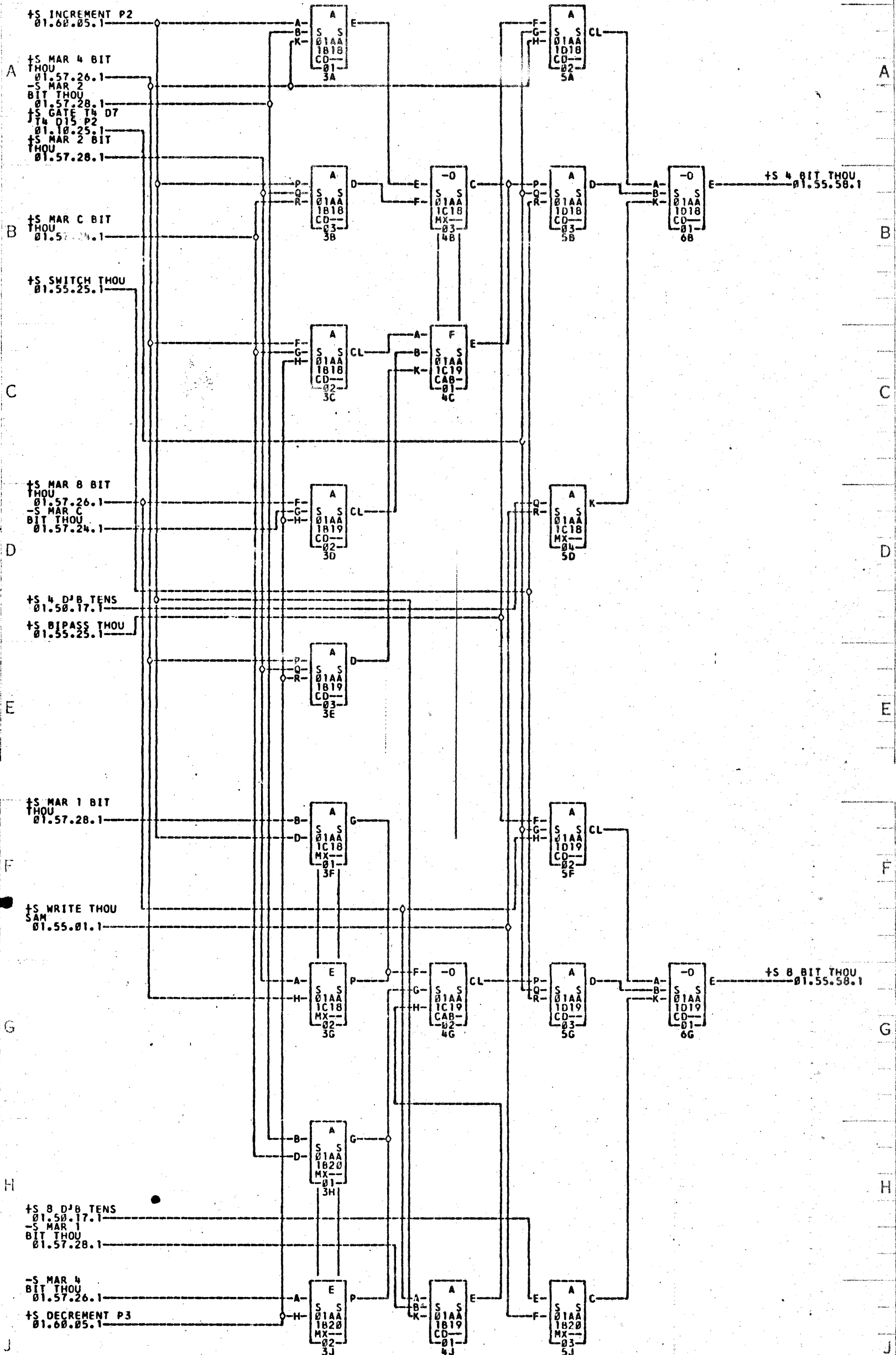


COMMENTS

TAG	DATE	D.A.NO.	TAG	DATE	D.A.NO.	TAG	DATE	D.A.NO.	TAG	DATE	D.A.NO.
A	08-30-61	0E05000									







COMMENTS

TAG	DATE	D.A.NO.	TAG	DATE	D.A.NO.	TAG	DATE	D.A.NO.	TAG	DATE	D.A.NO.
A	08-30-61	0E05000									

1AB +S MAR 1 BIT THOU 01.57.28.1

1AF +S BIPASS THOU 01.55.25.1

1BB -S MAR 1 BIT THOU 01.57.28.1

1BE +S SWITCH THOU 01.55.25.1

1BF +S GATE T4 D7 T4 D15 P4 01.10.25.1

1CE +S 1 BIT DBT NOT FILE TEST 01.50.19.1

1DB +S MAR 2 BIT THOU 01.57.28.1

1EC -S MAR 2 BIT THOU 01.57.28.1

1EE +S WRITE THOU SAM 01.57.01.1

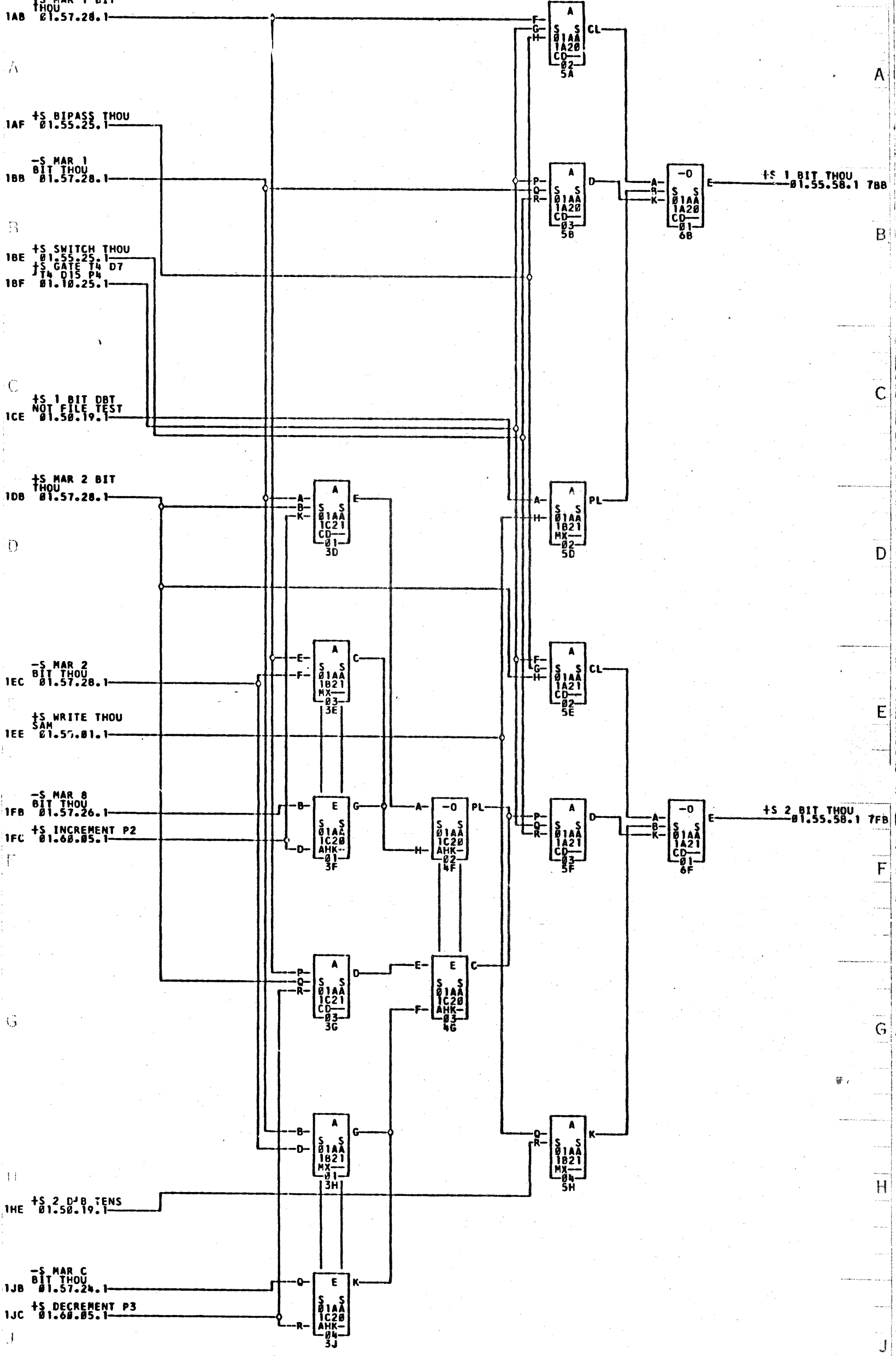
1FB -S MAR 8 BIT THOU 01.57.26.1

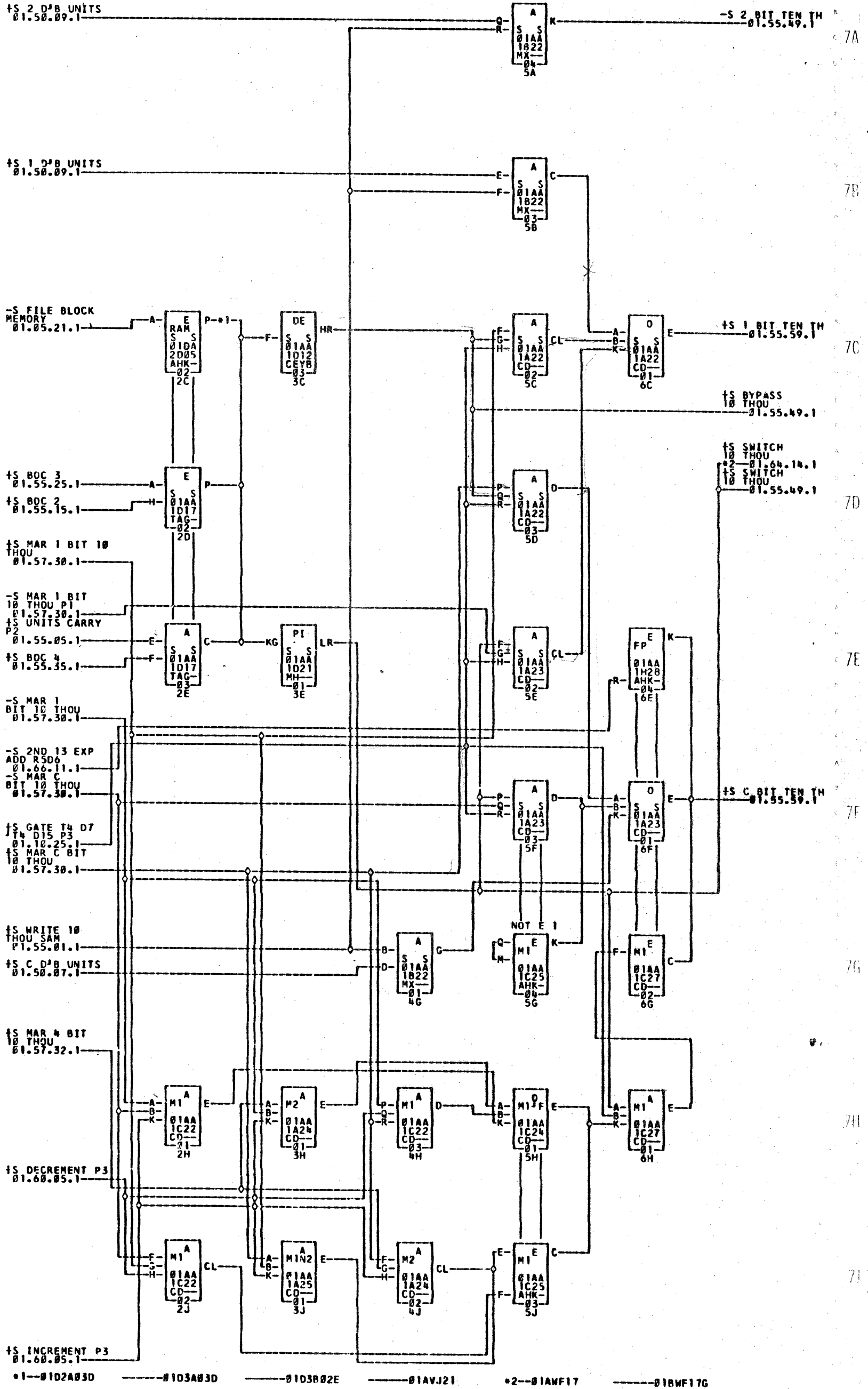
1FC +S INCREMENT P2 01.60.05.1

1HE +S 2 D'B TENS 01.50.19.1

1JB -S MAR C BIT THOU 01.57.24.1

1JC +S DECREMENT P3 01.60.05.1



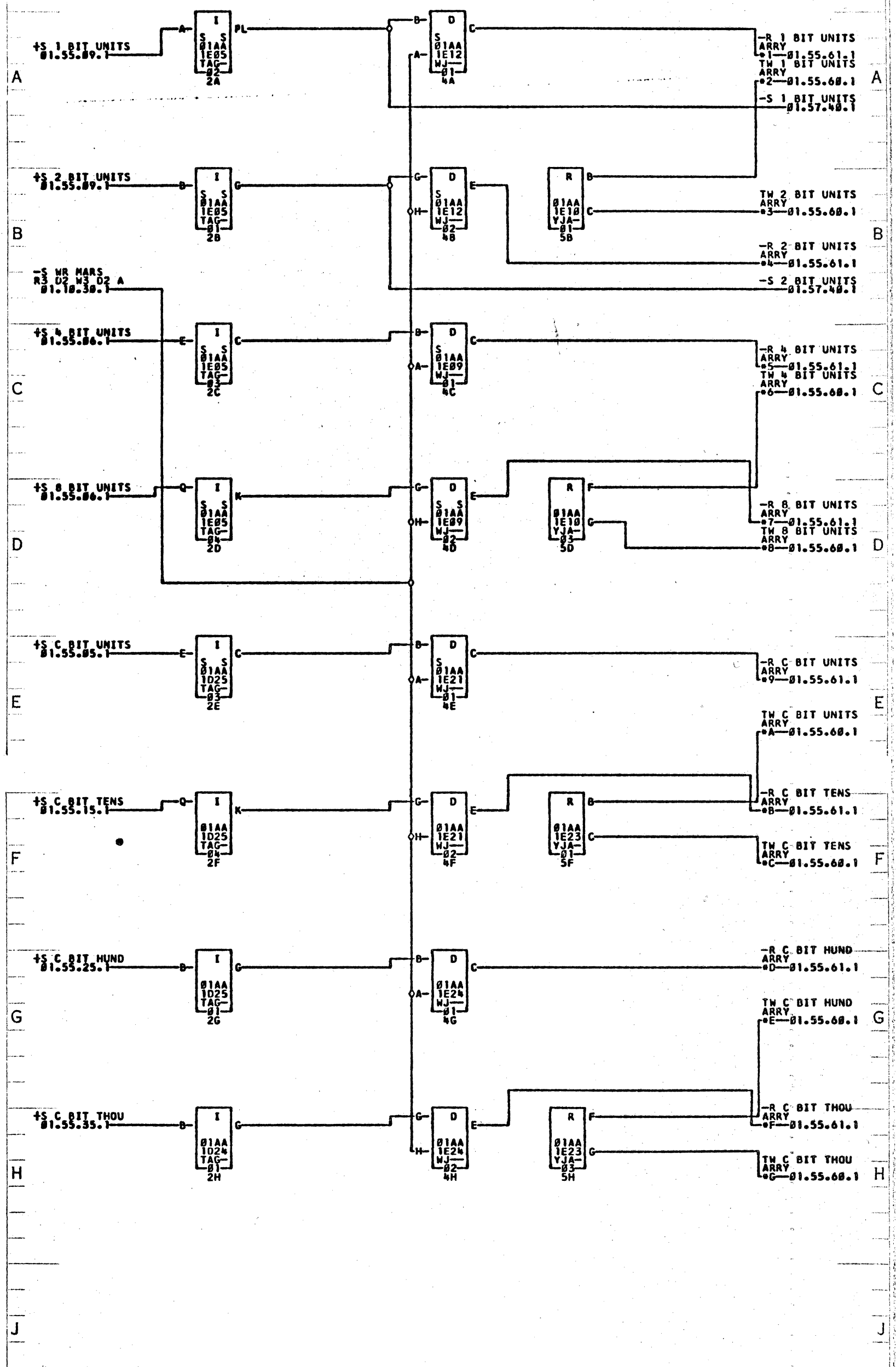


E. C. 404875 COMMENTS  
 1 BLOCKS THE EXTENDED AND  
 WHEN M1 IS INSTALLED

TAG DATE	D.A.NO.	TAG DATE	D.A.NO.	TAG DATE	D.A.NO.	TAG DATE	D.A.NO.
A 05-22-63	0F07RM3						

111111

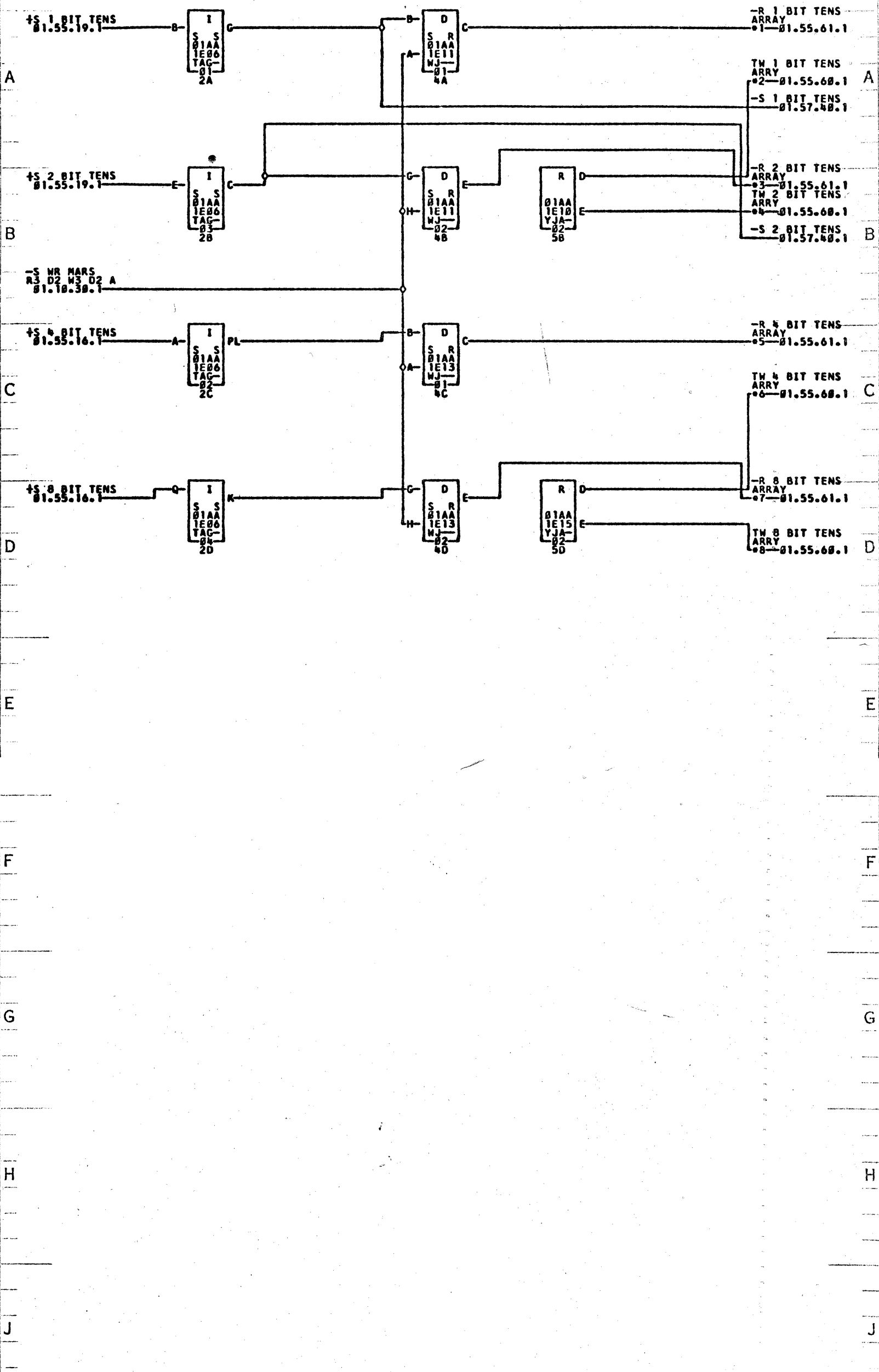




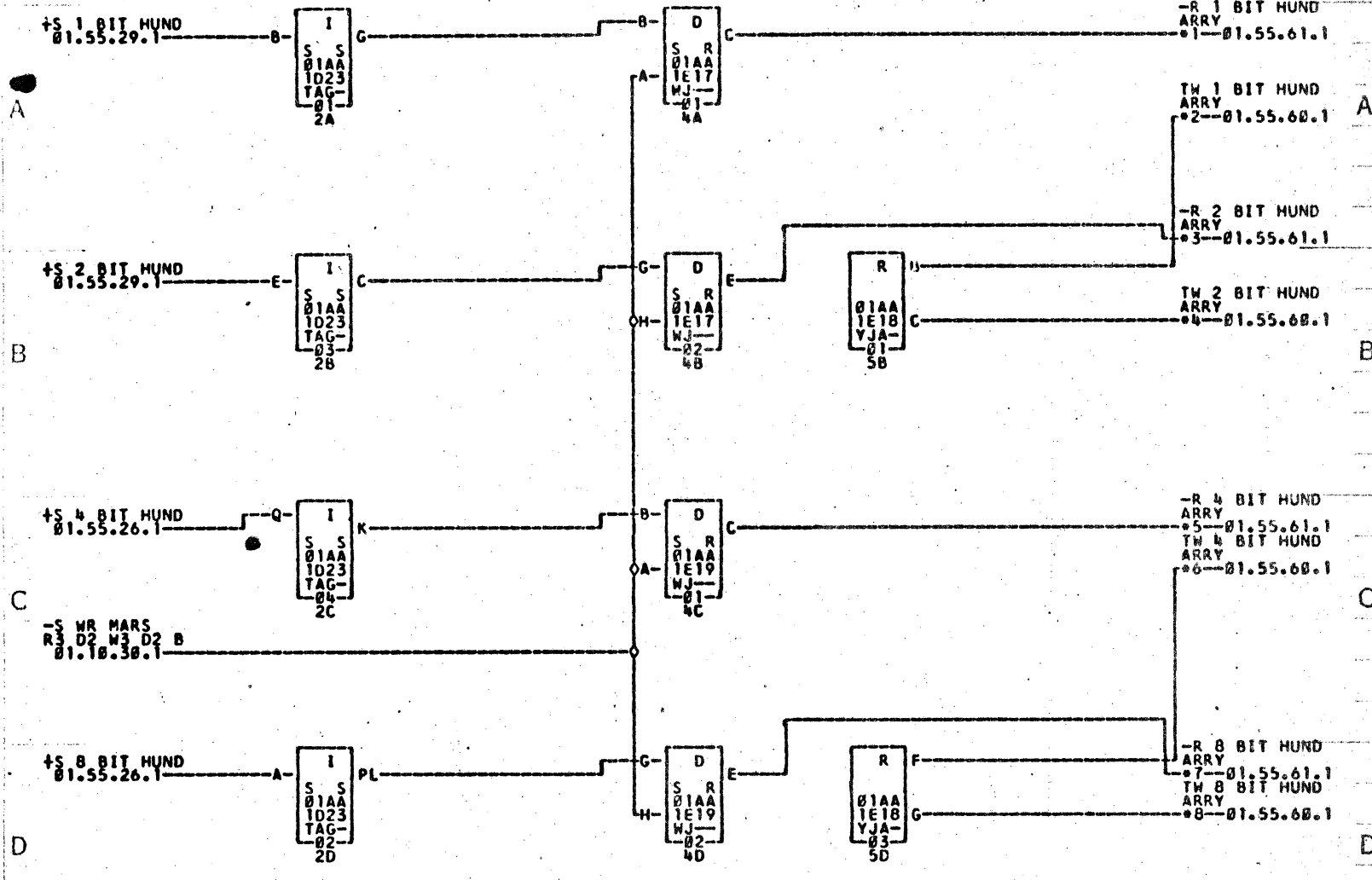
- 1- MARS C01
- 2- MARS A01
- 3- MARS A03
- 4- MARS C03
- 5- MARS C05
- 6- MARS A05
- 7- MARS C07
- 8- MARS A07
- 9- MARS C09
- A- MARS A09
- B- MARS C19
- C- MARS A19
- D- MARS C29
- E- MARS A29
- F- MARS C39
- G- MARS A39

COMMENTS

TAG	DATE	D.A.NO.	TAG	DATE	D.A.NO.	TAG	DATE	D.A.NO.	TAG	DATE	D.A.NO.
A	01-23-62	0F00000									



01-MARS C11    02-MARS A11    03-MARS C13    04-MARS A13    05-MARS C15    06-MARS A15



E

F

G

H

J

•1--MARS C21  
•7--MARS C27

•2--MARS A21  
•8--MARS A27

•3--MARS C23

•4--MARS A23

•5--MARS C25

•6--MARS A25

COMMENTS

TAG DATE D.A.NO.  
A 08-30-61 0E05000

TAG DATE D.A.NO.

TAG DATE D.A.NO.

TAG DATE D.A.NO.

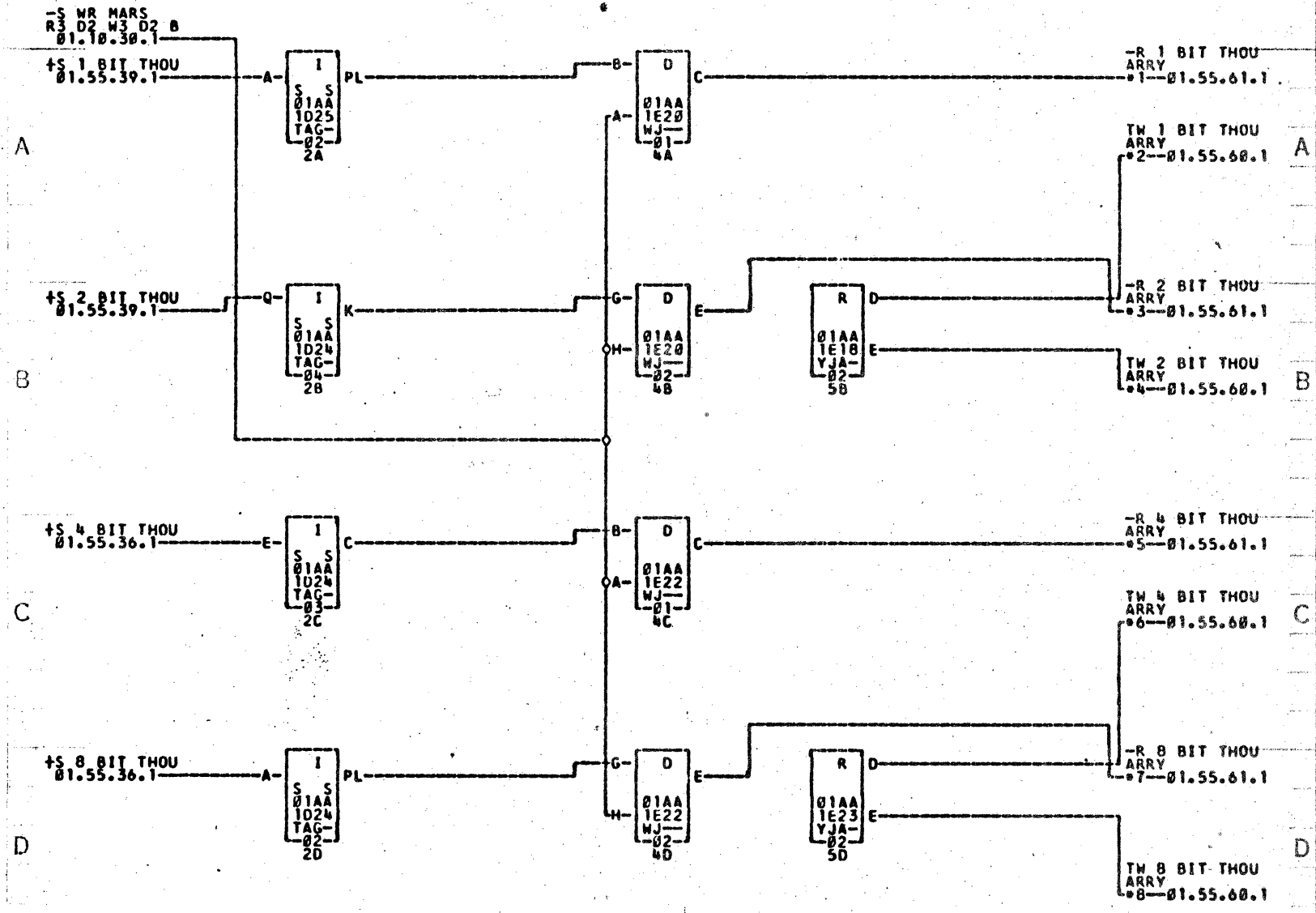
2129067

E.C. 404650C

MARS BIT DRIVERS THOUSANDS POS

1620

01.55.58.1



•1--MARS C31  
•7--MARS C37

•2--MARS A31  
•8--MARS A37

•3--MARS C33

•4--MARS A33

•5--MARS C35

•6--MARS A35

COMMENTS

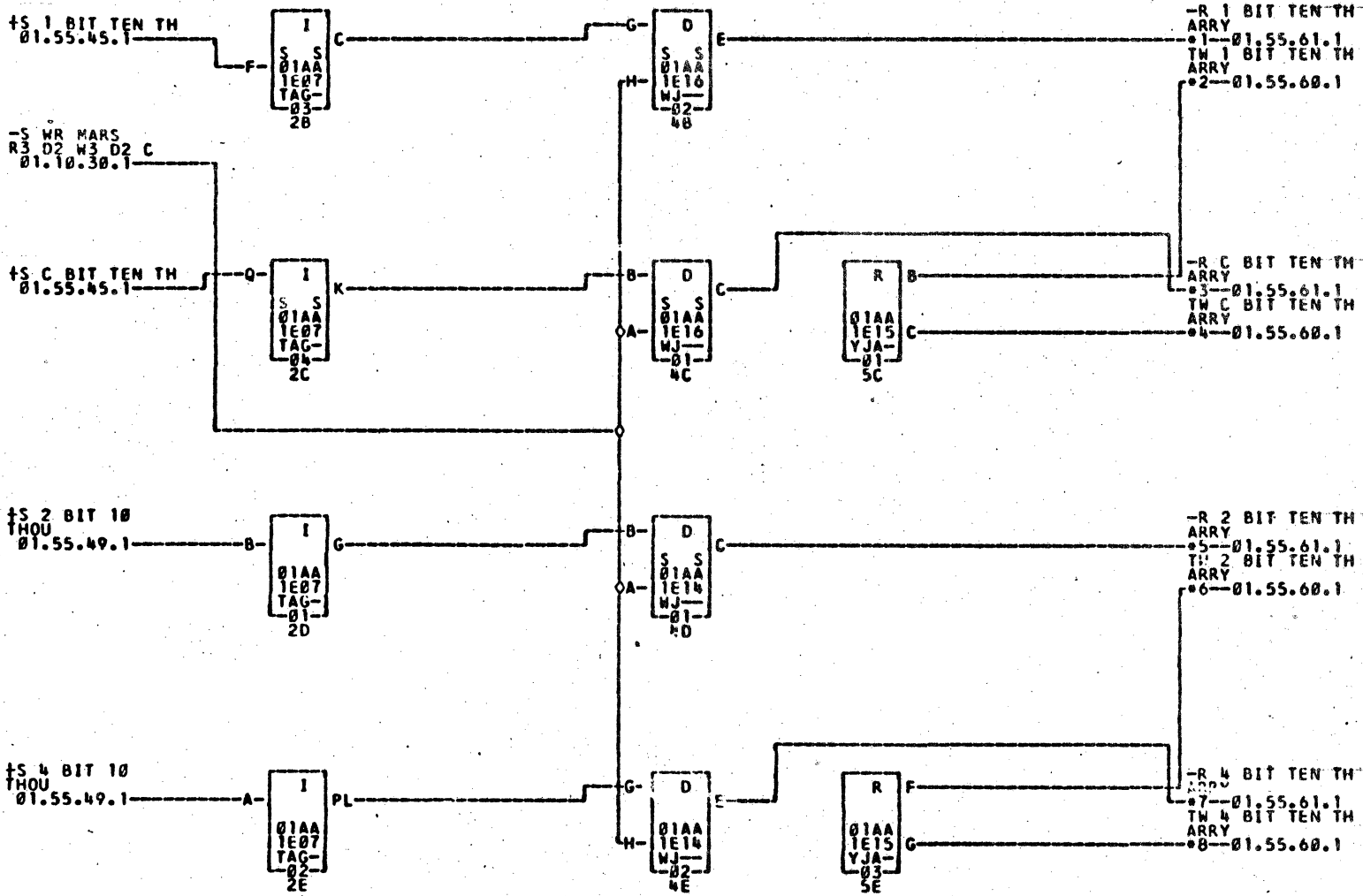
TAG DATE D.A.NO. TAG DATE D.A.NO.  
A 08-30-61 0E05000

TAG DATE D.A.NO. TAG DATE D.A.NO.



A  
B  
C  
D  
E  
F  
G  
H  
J

A  
B  
C  
D  
E  
F  
G  
H  
J



- 1--MARS C41
- 2--MARS A41
- 3--MARS C43
- 4--MARS A43
- 5--MARS C45
- 6--MARS A45
- 7--MARS C47
- 8--MARS A47

COMMENTS TAG DATE D.A.NO. TAG DATE D.A.NO. TAG DATE D.A.NO. TAG DATE D.A.NO.

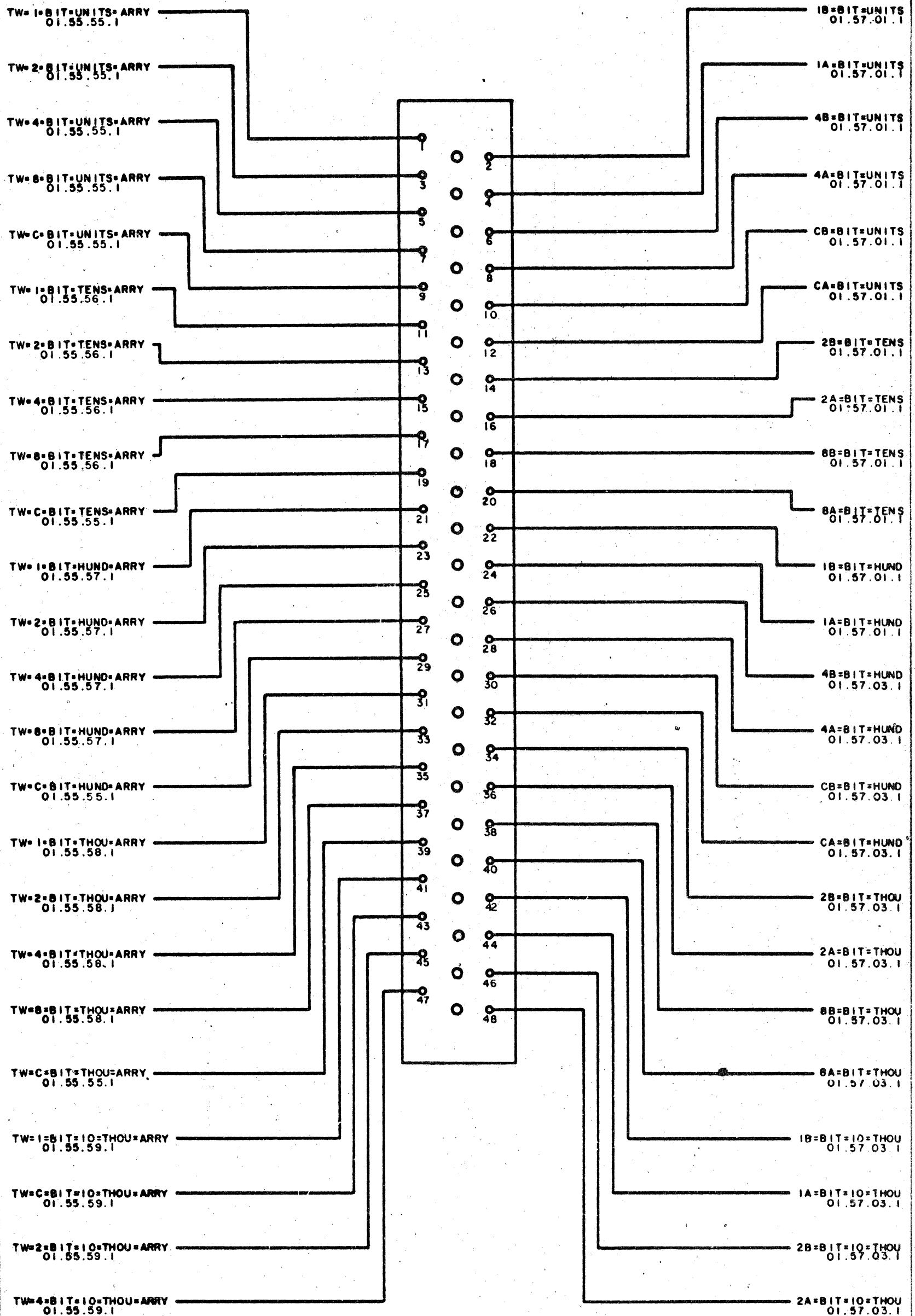
A 08-20-61 0E05000

MARS-BIT DR & SENSE  
WINDING PINS

1620

01.55.60.1

SIDE-A

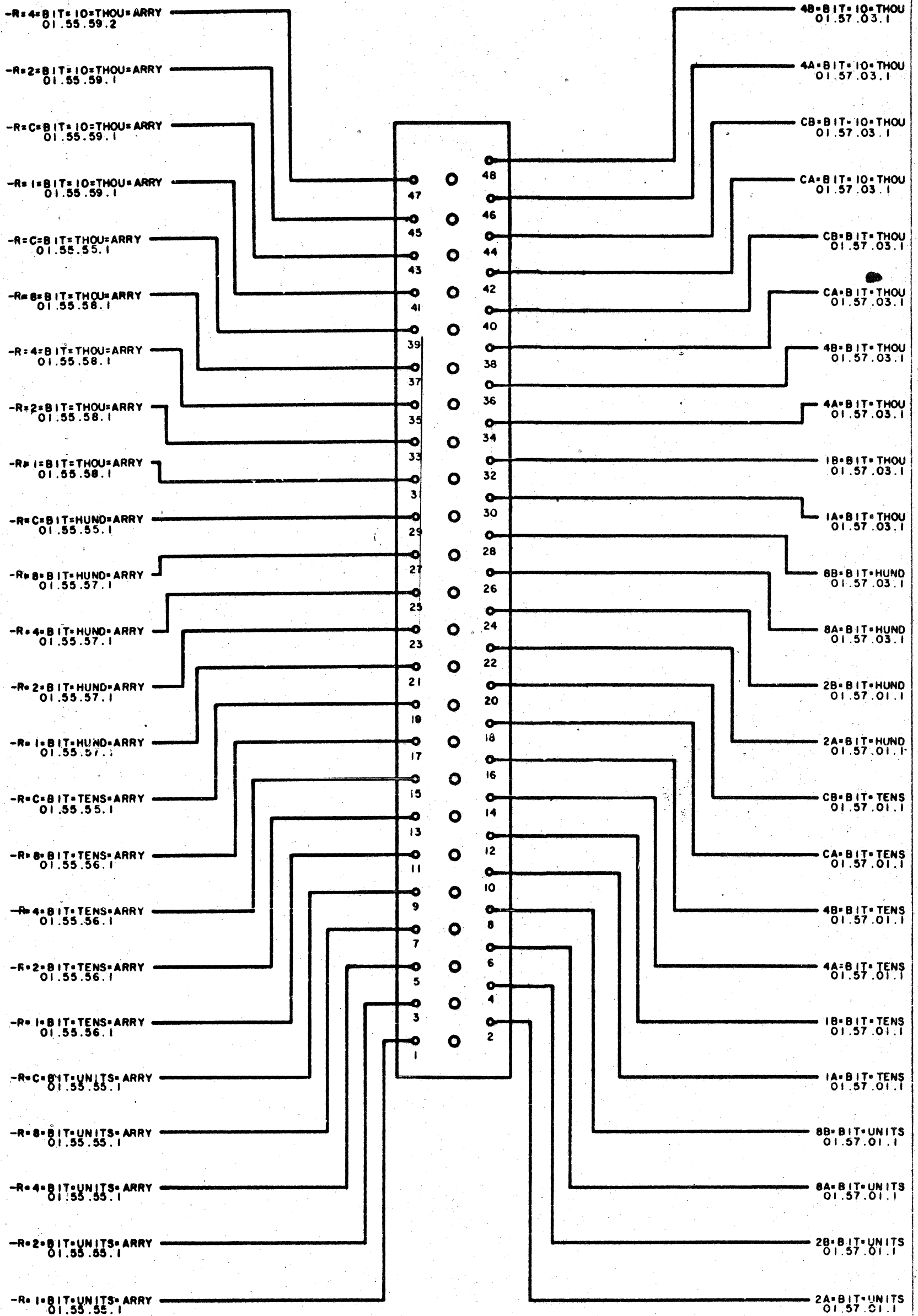


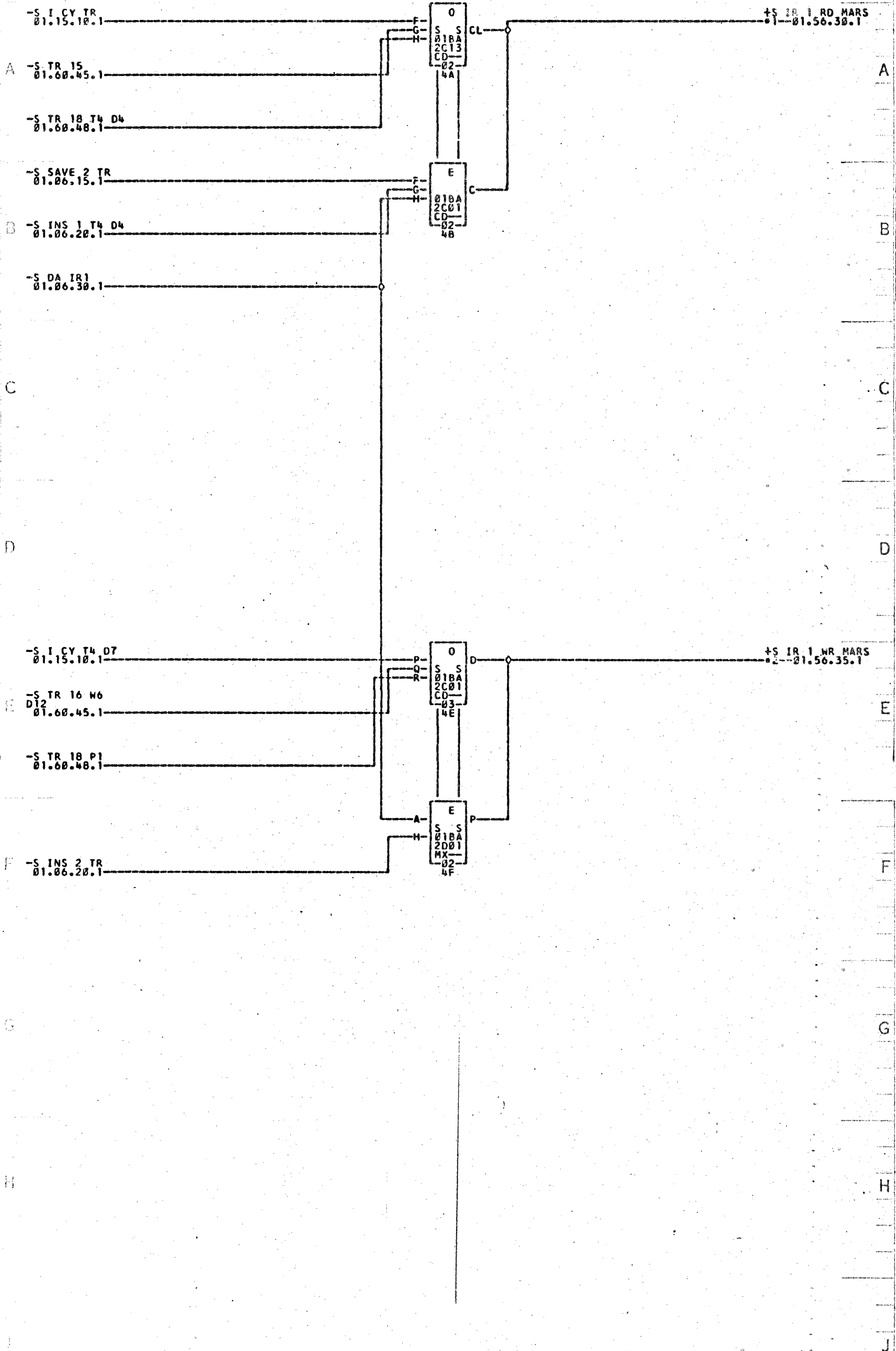
MARS-BIT DR & SENSE  
WINDING PINS

1620

01.55.61.1

SIDE C





\*1--010WG25    ---01AWG25    \*2--010WF26    ---01AWF26

COMMENTS

TAG	DATE	D.A.NO.	TAG	DATE	D.A.NO.	TAG	DATE	D.A.NO.	TAG	DATE	D.A.NO.
A	08-30-61	0E05000									

A

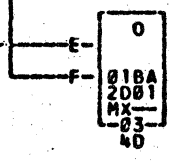
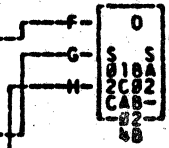
A

-S TR 15  
T4 DA  
01.60.45.1

-S TR 18 OP 42  
NOT SAVE  
01.60.50.1

-S DA IR2  
01.60.30.1

-S TR 15  
01.60.45.1



+S IR 2 RD MARS  
01-01.56.30.1

+S IR 2 WR MARS  
02-01.56.35.1

B

B

C

C

D

D

E

E

F

F

G

G

H

H

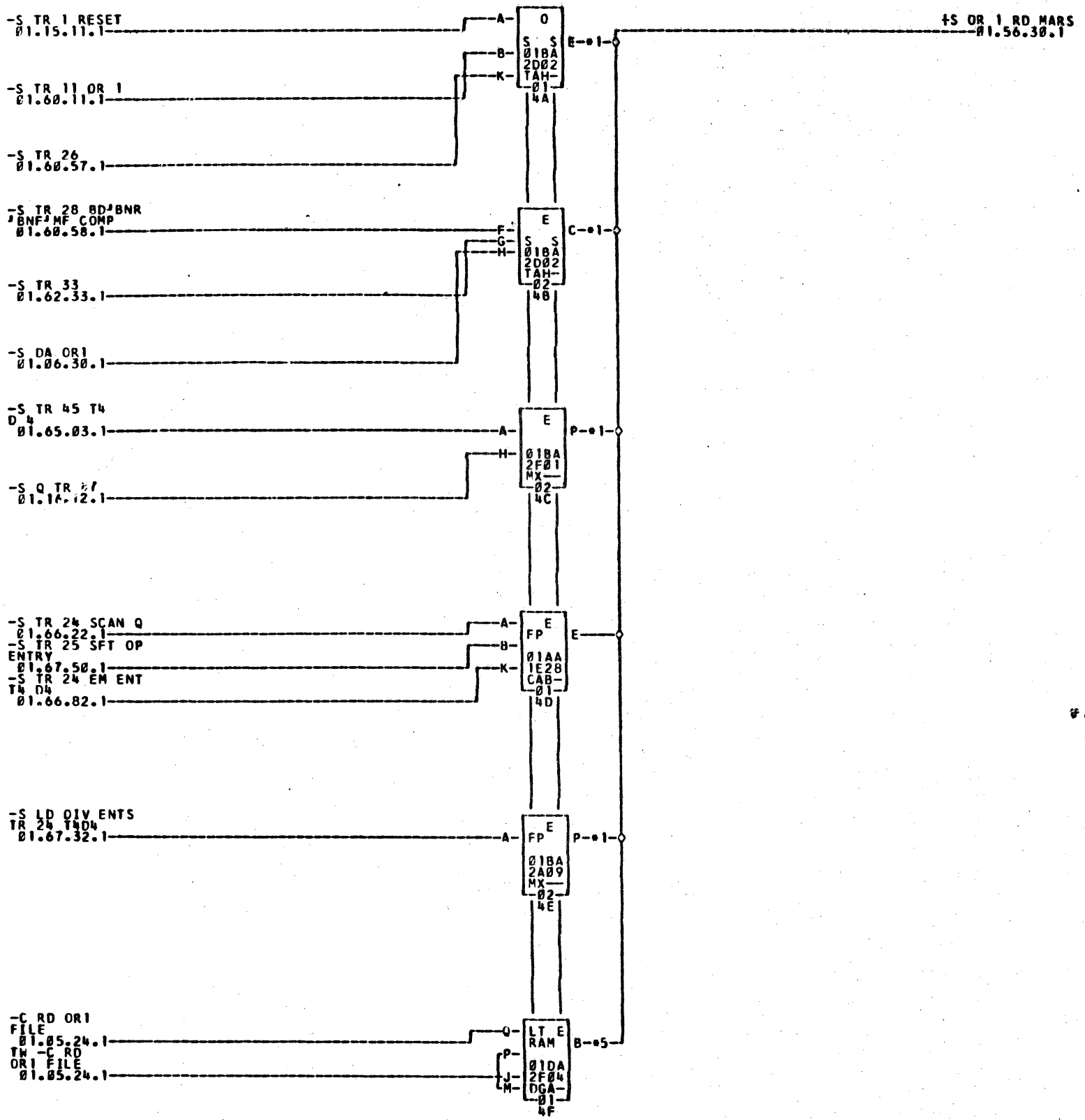
J

J

•1--018WF02    -----018WF02    •2--018WF03    -----018WF03

COMMENTS

TAG DATE	D.A.NO.	TAG DATE	D.A.NO.	TAG DATE	D.A.NO.	TAG DATE	D.A.NO.
A 00-30-61	BE05000						

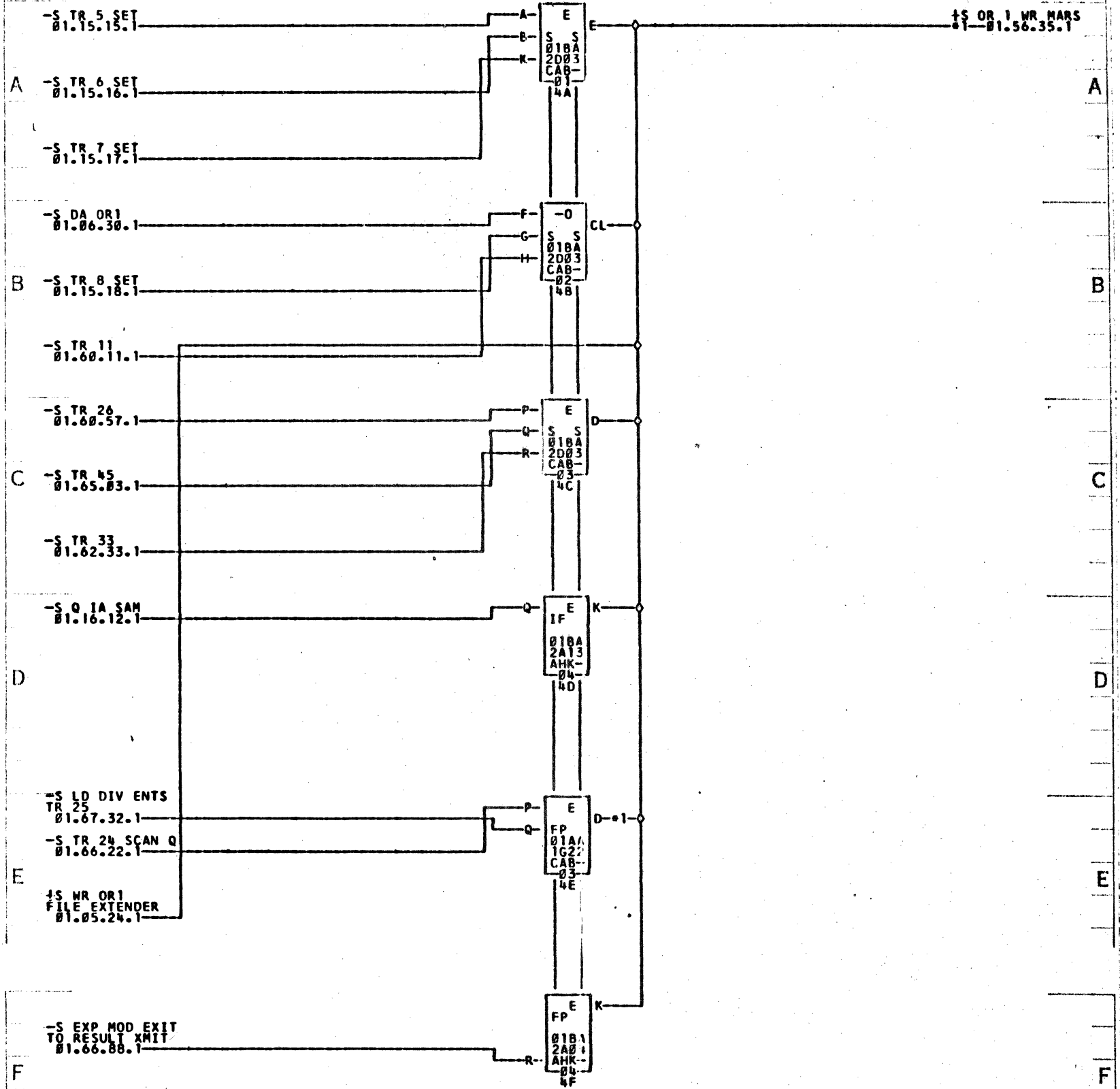


\*1--01BWH11     ---01AWH11     \*5--01D2802M     ---01BVB24     ---01BWH11     ---01AWH11

E. C. 404875

COMMENTS

TAG DATE	D.A.NO.	TAG DATE	D.A.NO.	TAG DATE	D.A.NO.	TAG DATE	D.A.NO.
A 05-22-63	0F01RM3						



\*1-01BWH12      ——— 01AHH12

E.C. 404711

COMMENTS

TAG DATE D.A.NO. TAG DATE D.A.NO.  
A 04-03-62 0F04RM2

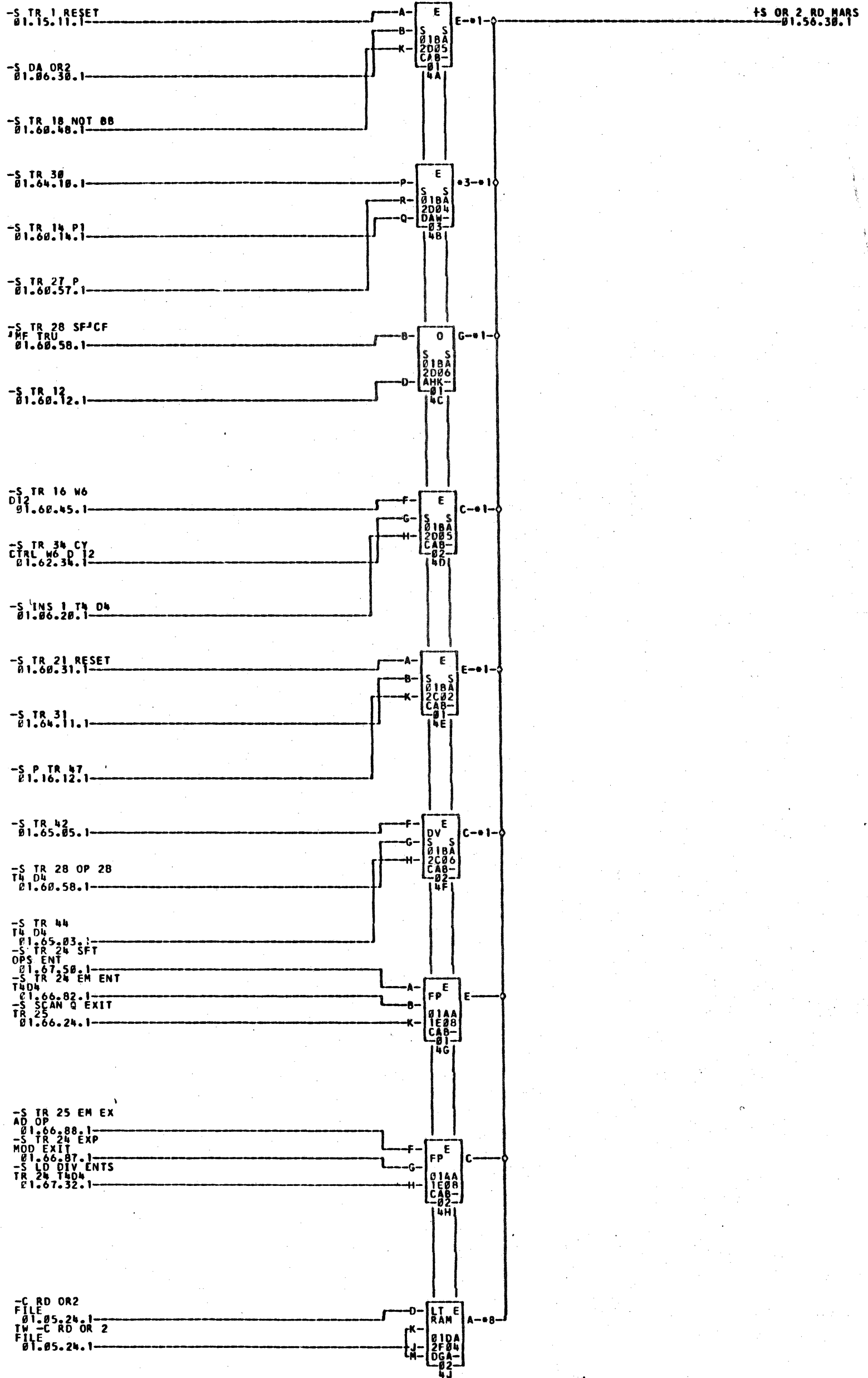
TAG DATE D.A.NO.

TAG DATE D.A.NO.

TAG DATE D.A.NO.

IBM

FORM 624-9015-1



\*1---018XL02    01AXL02    \*3---018XL02    DL---01AXL02    \*8---01D2802J    018VB25  
 ---018XL02    01AXL02

E. C. 404875

COMMENTS

TAG	DATE	D.A.NO.
A	05-22-63	0F07RM3

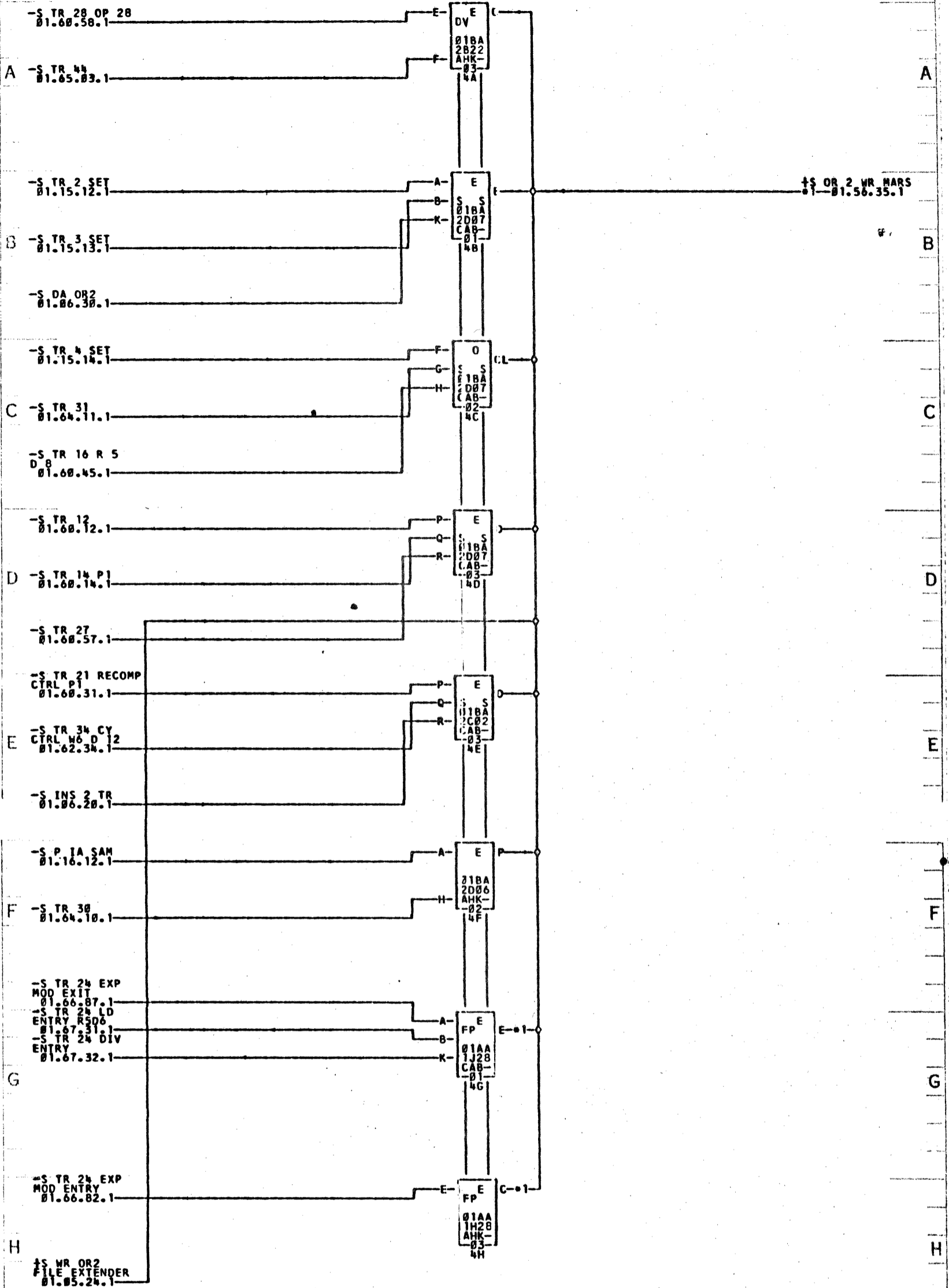
TAG	DATE	D.A.NO.

TAG	DATE	D.A.NO.

TAG	DATE	D.A.NO.





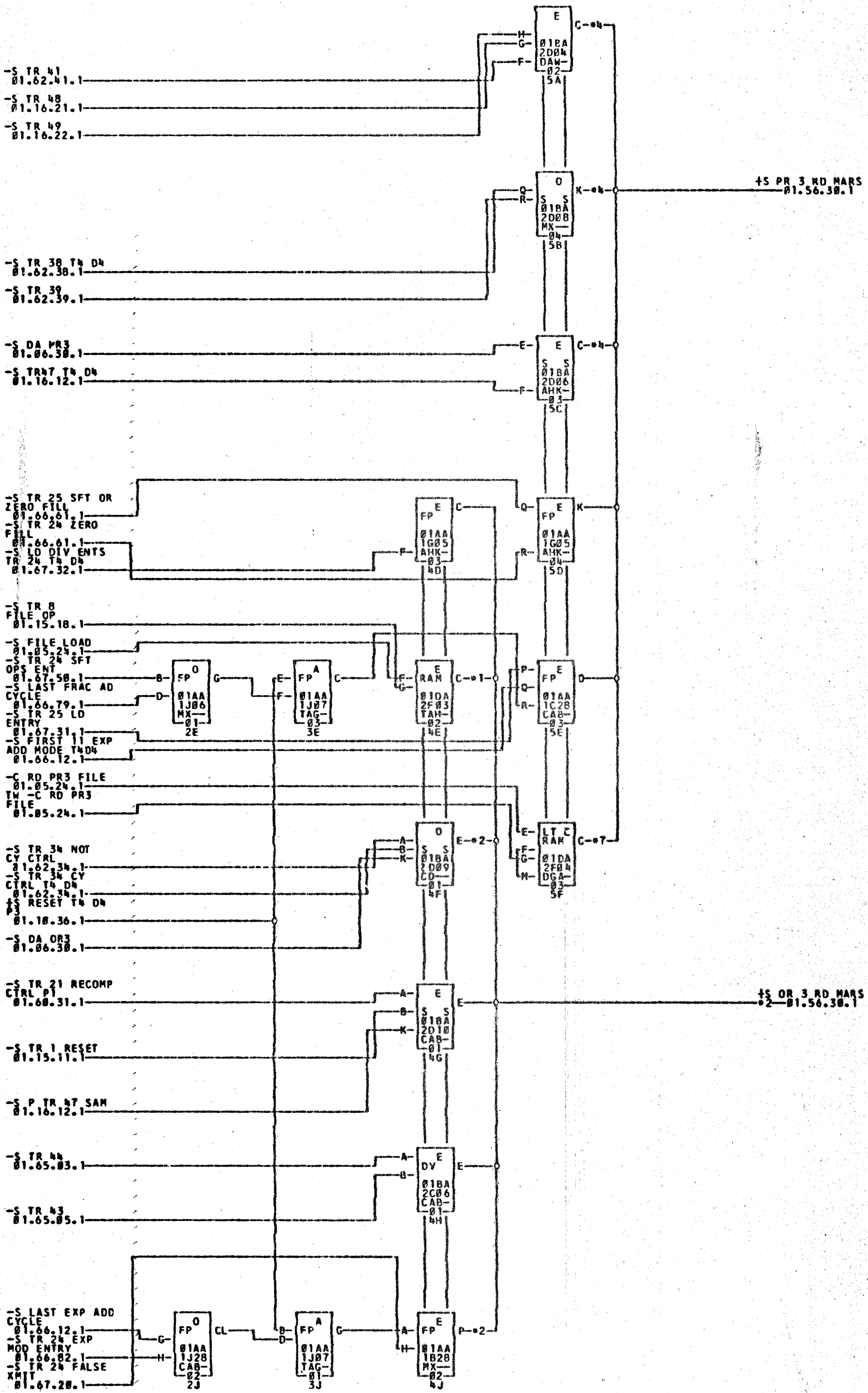


01-01BWH14      01AHH14

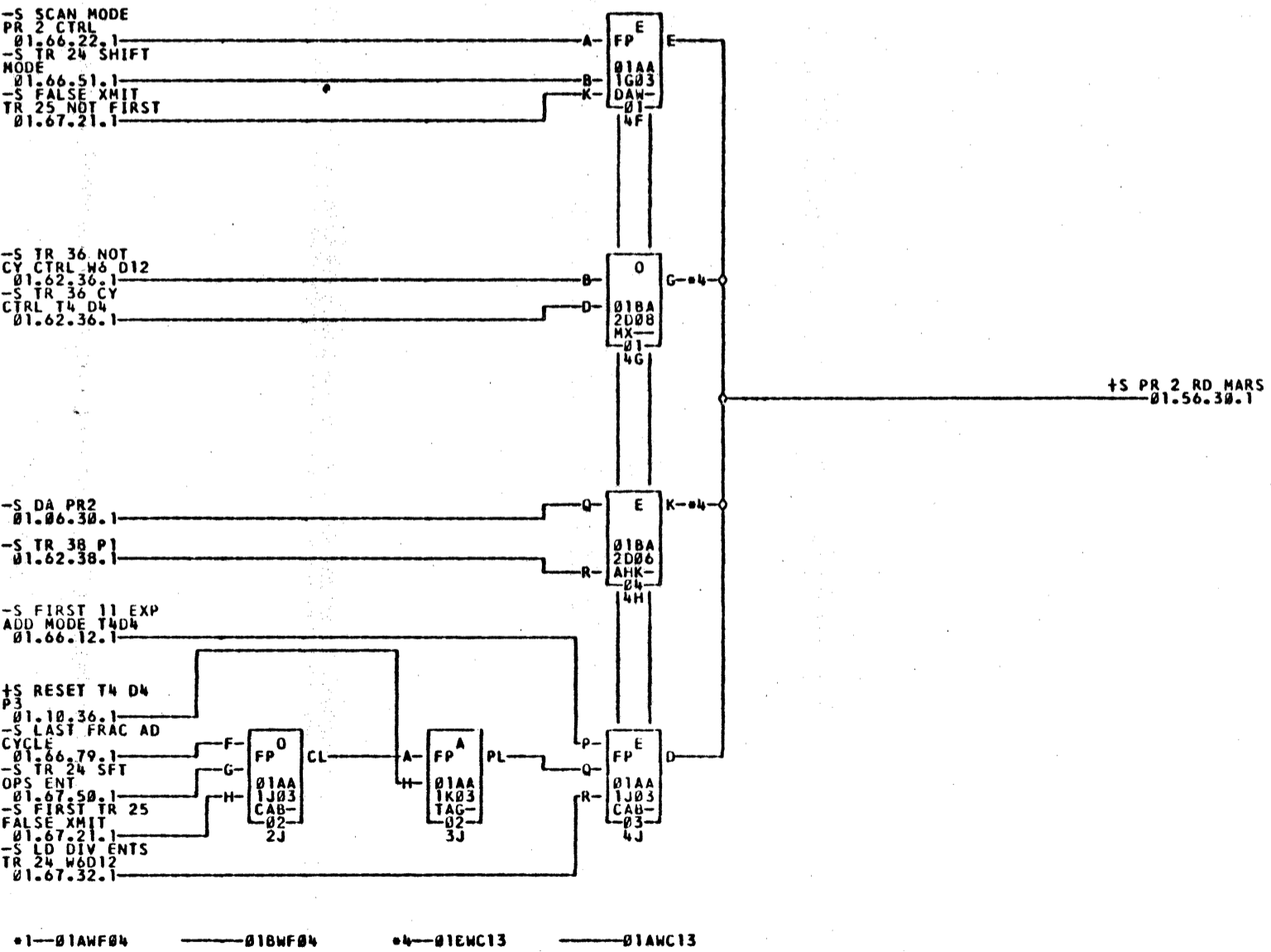
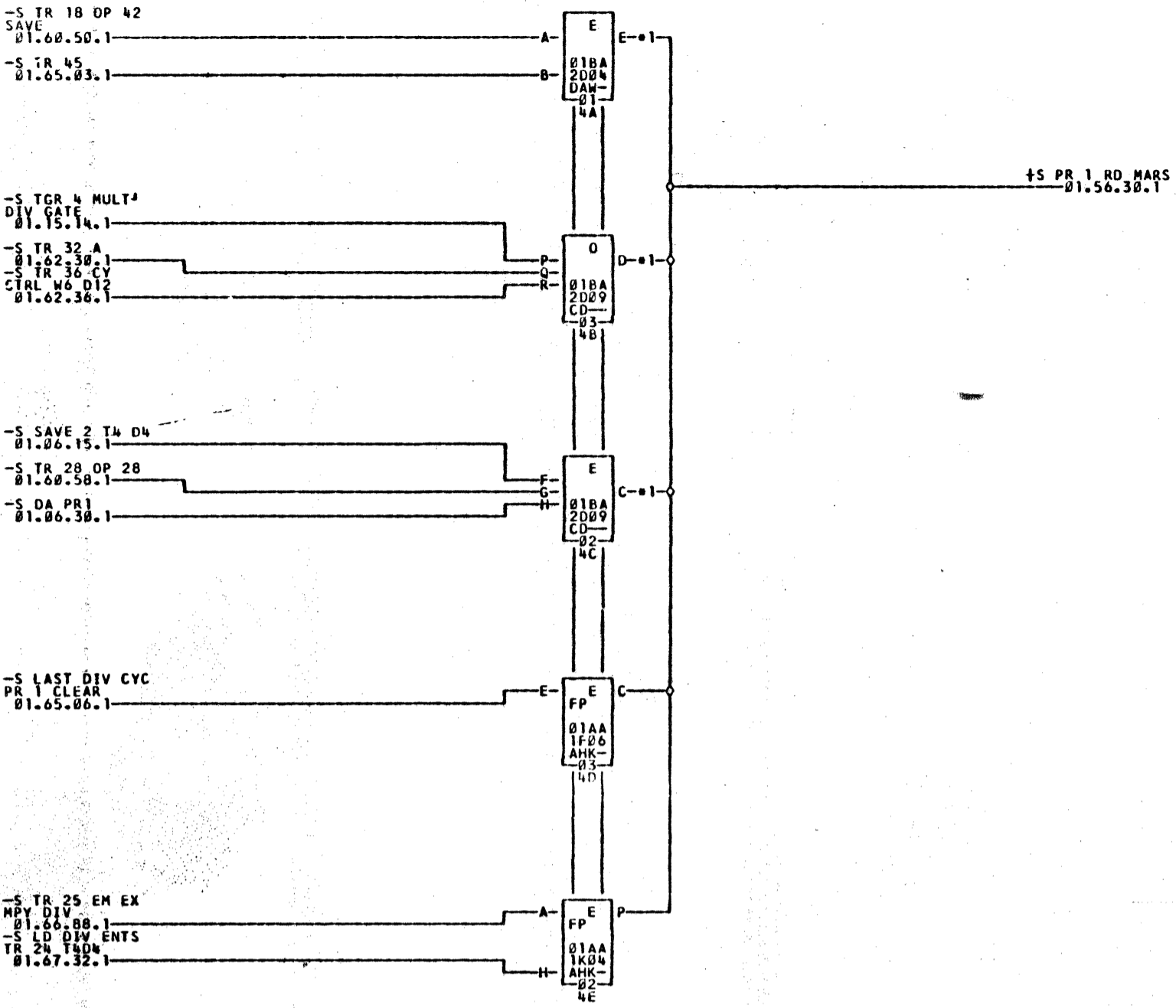
E.C. 404711

COMMENTS

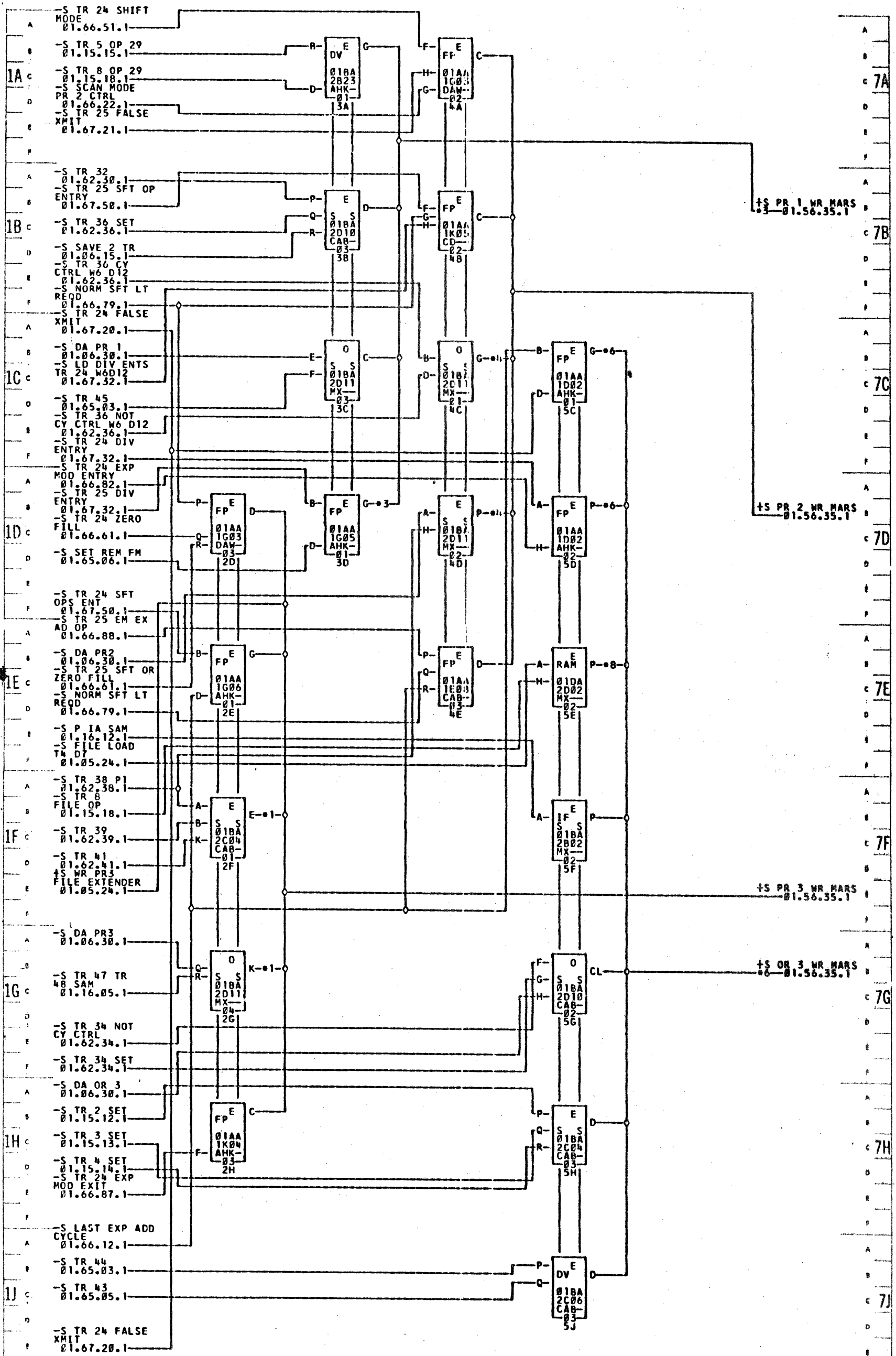
TAG DATE	D.A.NO.	TAG DATE	D.A.NO.	TAG DATE	D.A.NO.	TAG DATE	D.A.NO.
A 04-04-62	0F01RM2						



\*1-01D2A02D    \*2-010WF07    \*7-0102B02K    \*1AVJ04    \*10WF07    \*1AVF07  
 \*4-010WF05    \*1AVF05    \*10WF07    \*10WF05    \*1AVF07



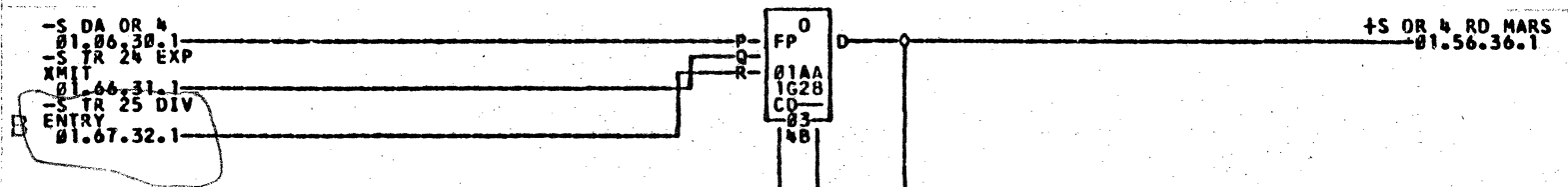
•1—01AWF04      —01BWF04      •4—01ENC13      —01AWC13



\*1-01BWD11    \*2-01AWD11    \*3-01BWD09    \*4-01AWD09    \*5-01BWD10    \*6-01AWD10  
 \*6-01BWD12    \*7-01AWD12    \*8-01D2A02E    \*9-01AVJ05

A

A

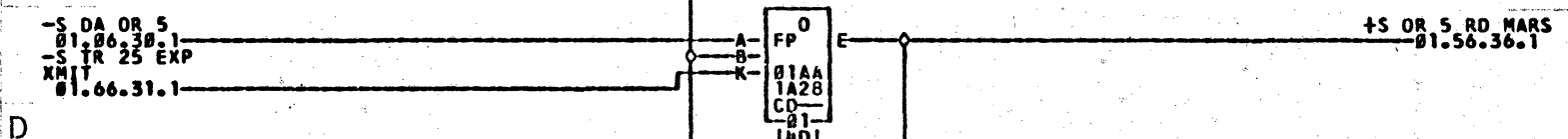


B

-S FIRST 11 EXP  
ADD MODE 14 DN  
01.66.12.1

C

C

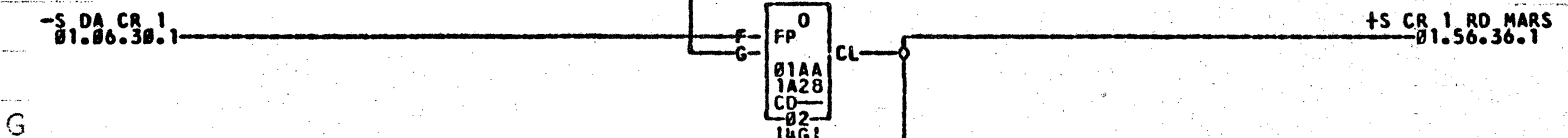


D

-S DIGIT FORCE  
MODE  
01.66.90.1  
-S TR 24 EXP  
MOD ENTRY  
01.66.82.1

E

E



G

G

-S TR 25 SCAN  
01.66.85.1  
-S TR 21 HI  
ORDER EXP MOD  
01.66.85.1

H

H

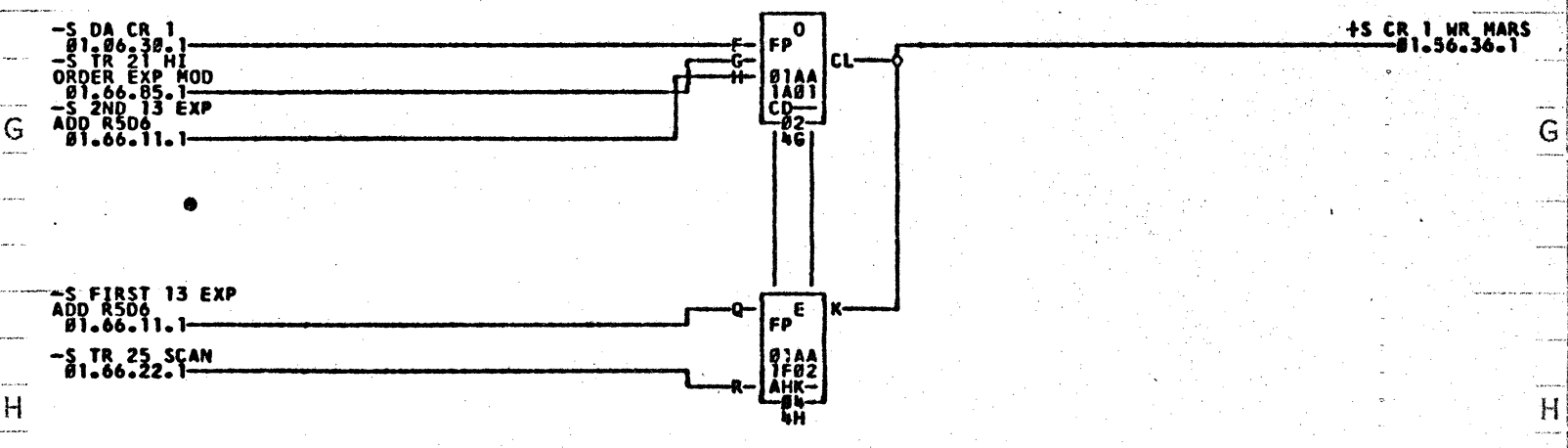
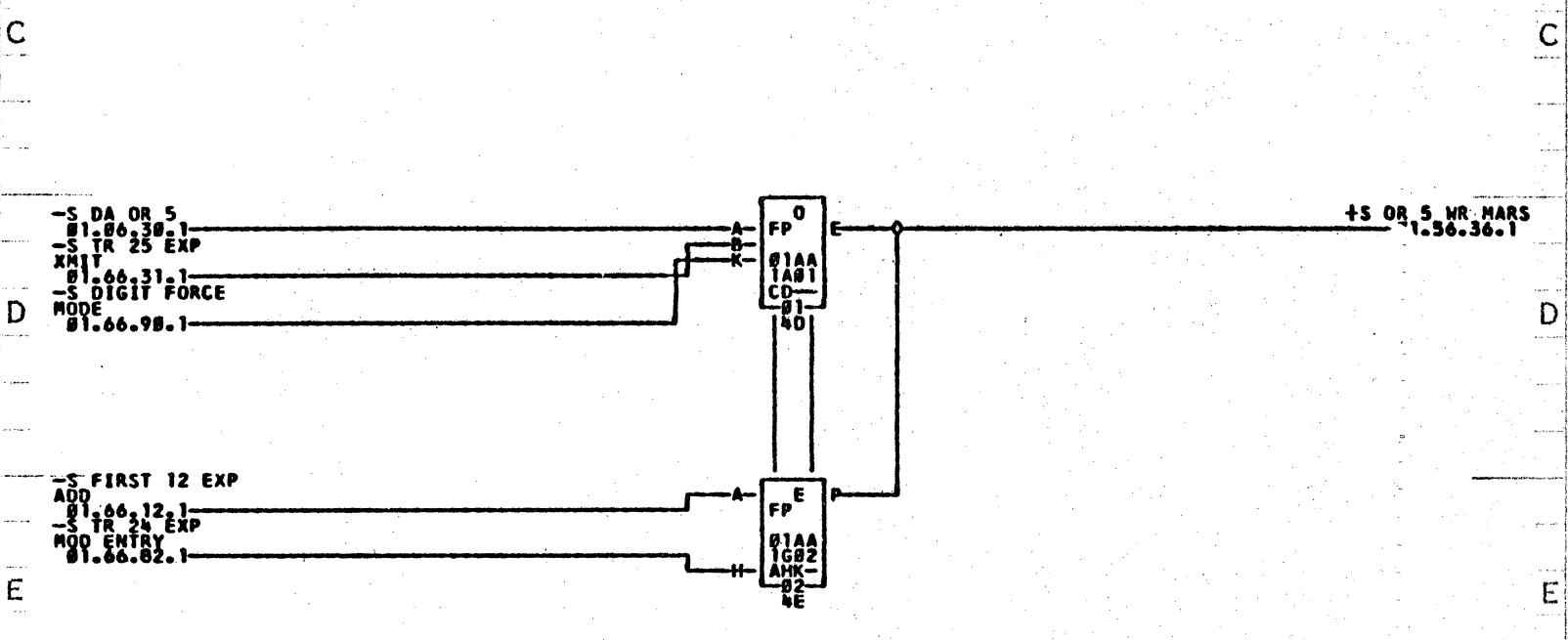
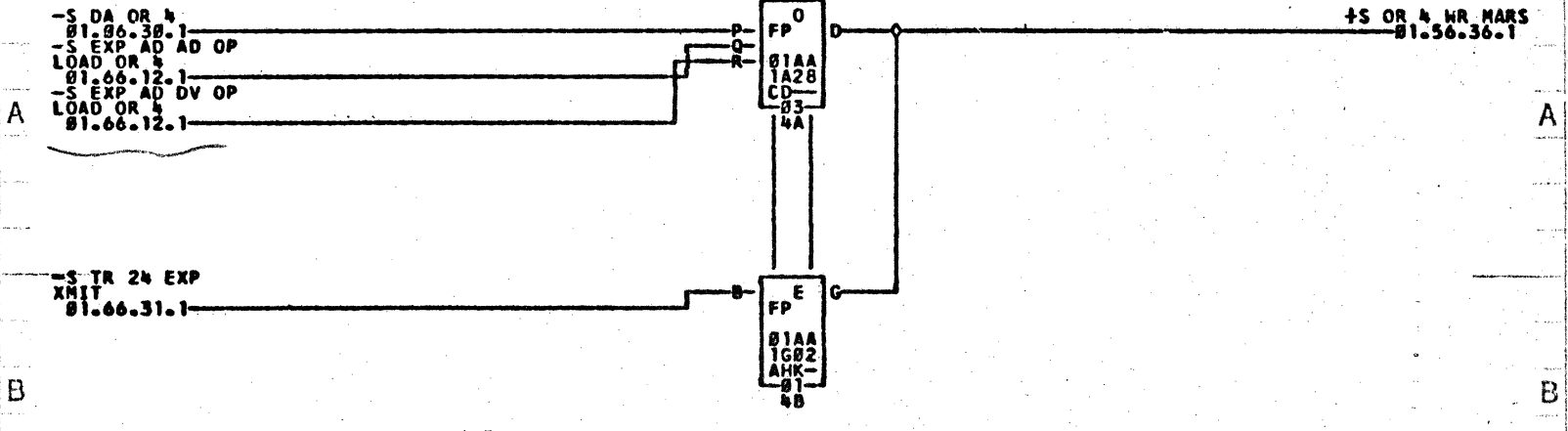
J

J

COMMENTS

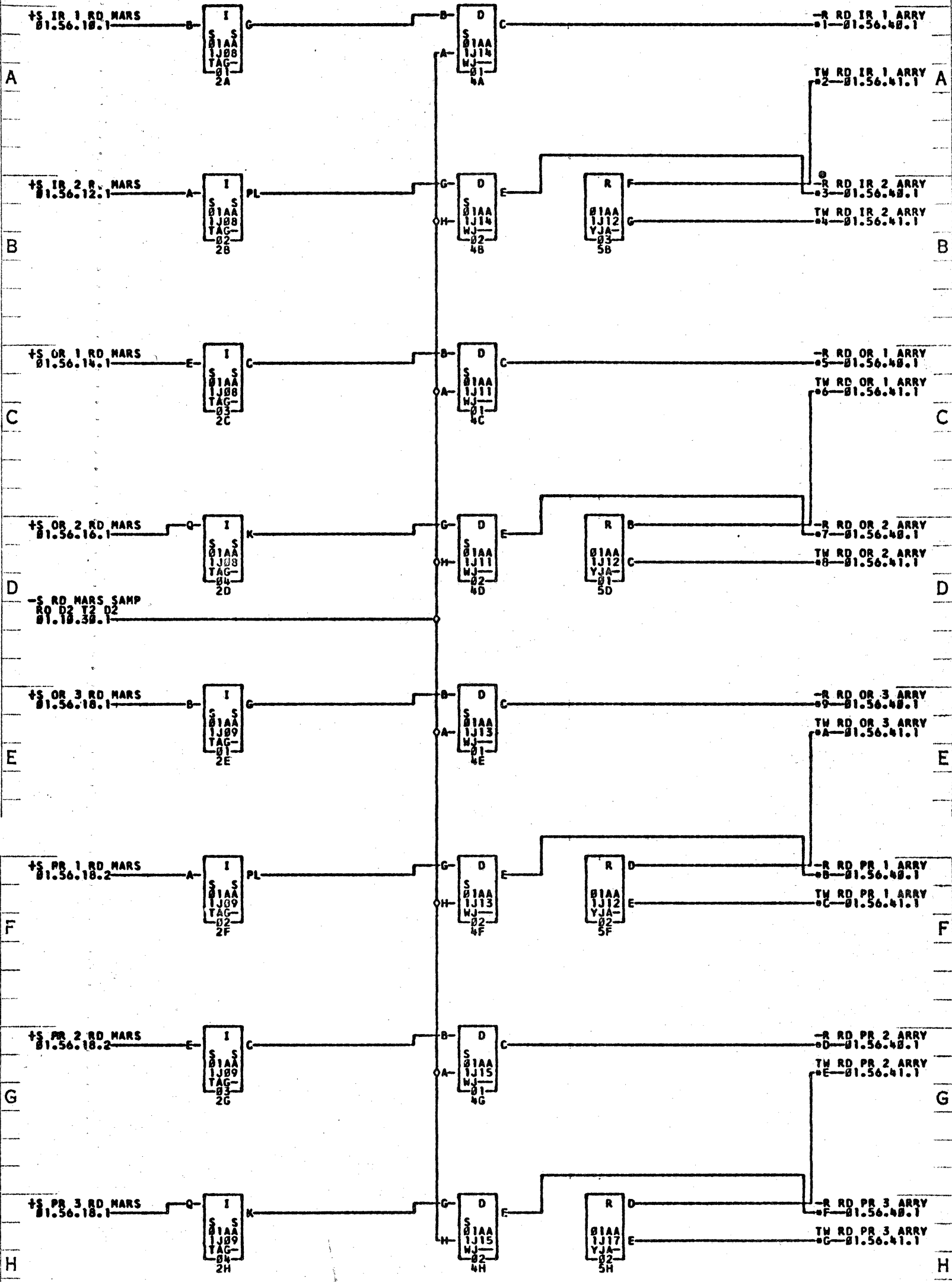
TAG DATE	D.A.NO.	TAG DATE	D.A.NO.	TAG DATE	D.A.NO.	TAG DATE	D.A.NO.
A 02-07-62	0F01000						





COMMENTS

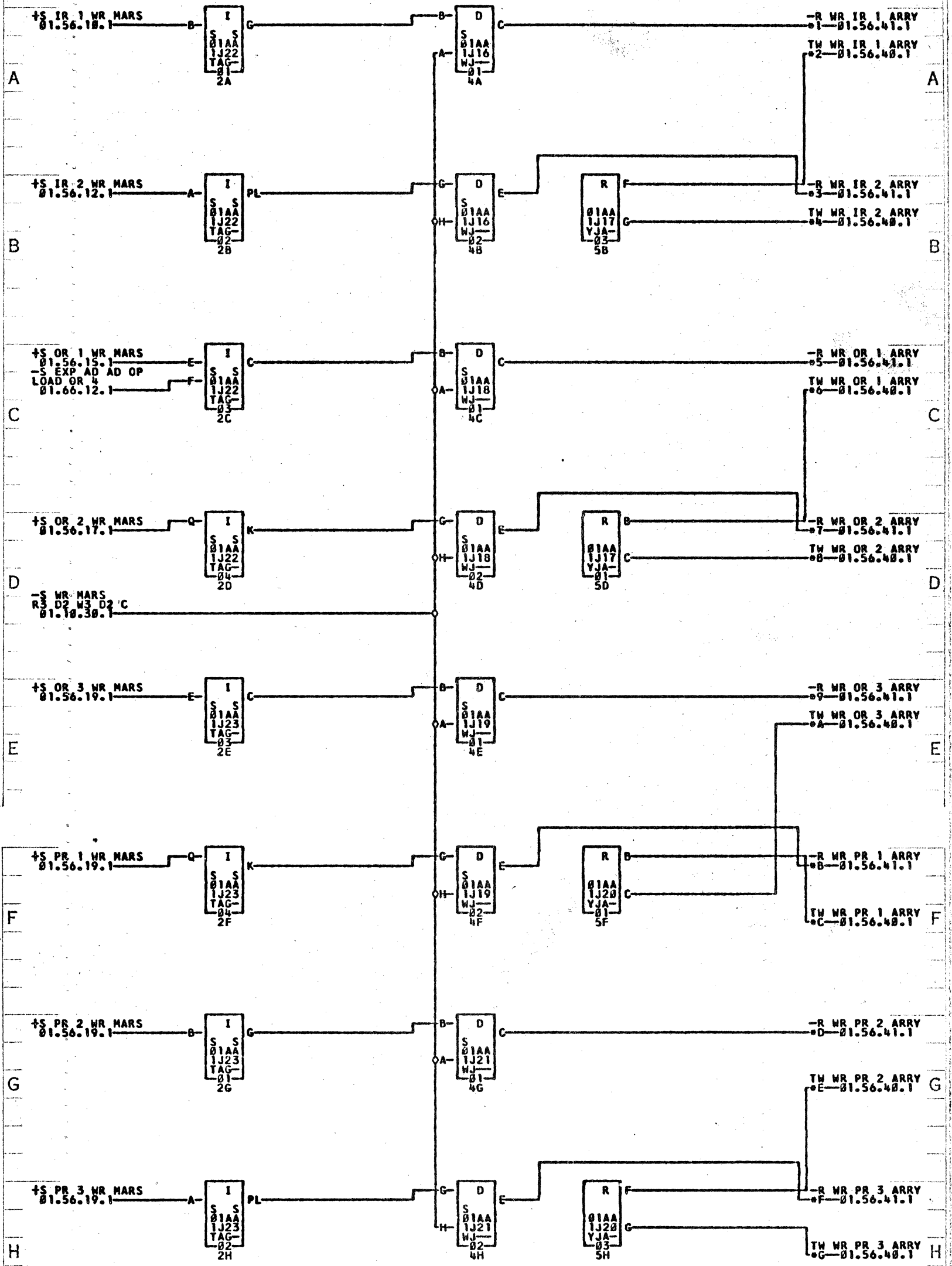
TAG	DATE	D.A.NO.	TAG	DATE	D.A.NO.	TAG	DATE	D.A.NO.	TAG	DATE	D.A.NO.
A	02-03-62	DF01999									



- 1—MARS D01
- 2—MARS B01
- 3—MARS D03
- 4—MARS B03
- 5—MARS D05
- 6—MARS B05
- 7—MARS D07
- 8—MARS B07
- 9—MARS D09
- A—MARS B09
- B—MARS D11
- C—MARS B11
- D—MARS D13
- E—MARS B13
- F—MARS D15
- G—MARS B15

COMMENTS

TAG	DATE	D.A.NO.	TAG	DATE	D.A.NO.	TAG	DATE	D.A.NO.	TAG	DATE	D.A.NO.
A	02-19-62	BF03000									

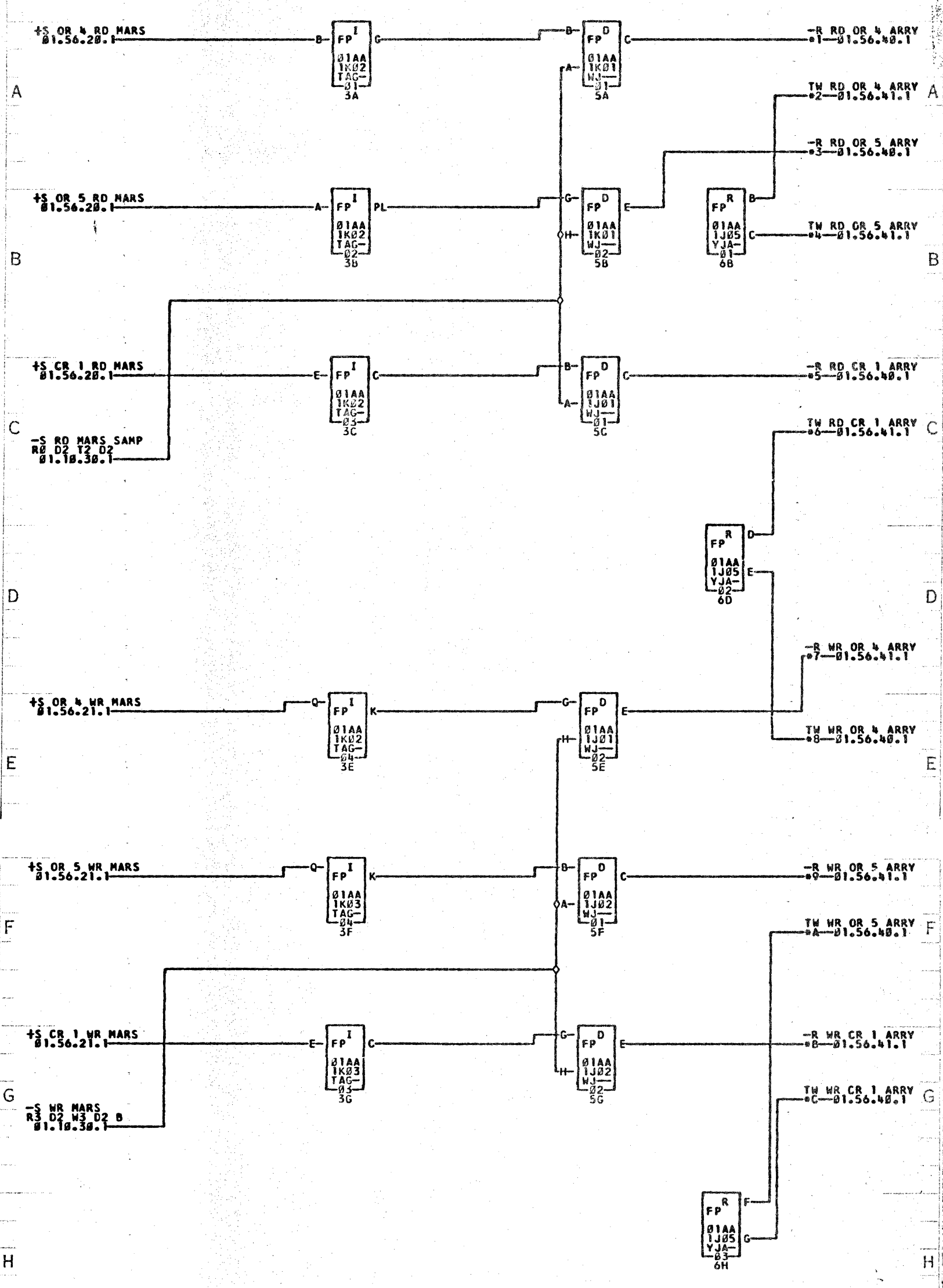


- 1-MARS B02
- 2-MARS D02
- 3-MARS B04
- 4-MARS D04
- 5-MARS B06
- 6-MARS D06
- 7-MARS B08
- 8-MARS D08
- 9-MARS B10
- A-MARS D10
- B-MARS B12
- C-MARS D12
- D-MARS B14
- E-MARS D14
- F-MARS B16
- G-MARS D16

COMMENTS

TAG	DATE	D.A.NO.	TAG	DATE	D.A.NO.	TAG	DATE	D.A.NO.	TAG	DATE	D.A.NO.
A	01-23-62	DF00000									



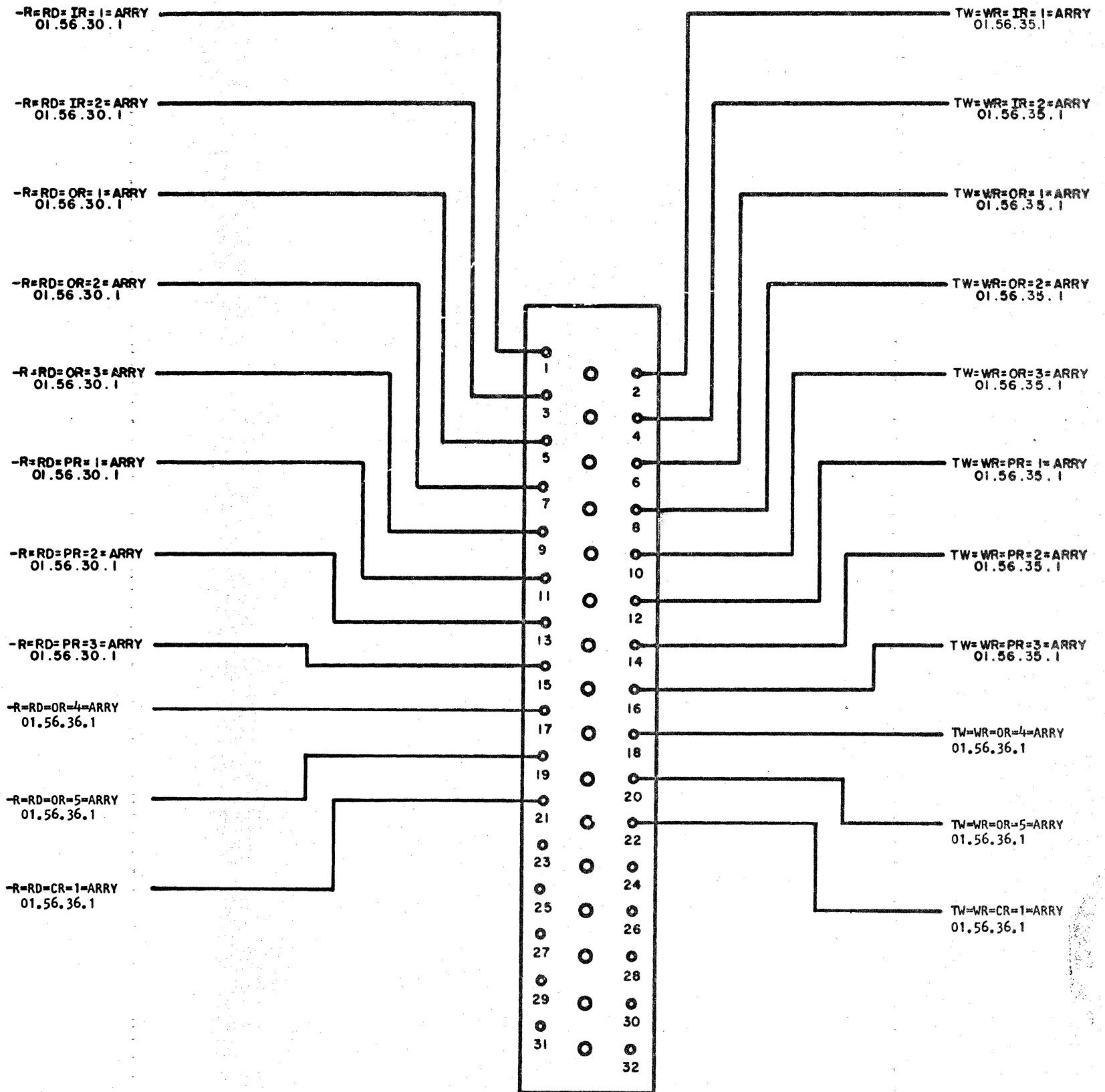


- 1—MARS D17
- 2—MARS B17
- 3—MARS D19
- 4—MARS B19
- 5—MARS D21
- 6—MARS B21
- 7—MARS B18
- 8—MARS D18
- 9—MARS B20
- A—MARS D20
- B—MARS B22
- C—MARS D22

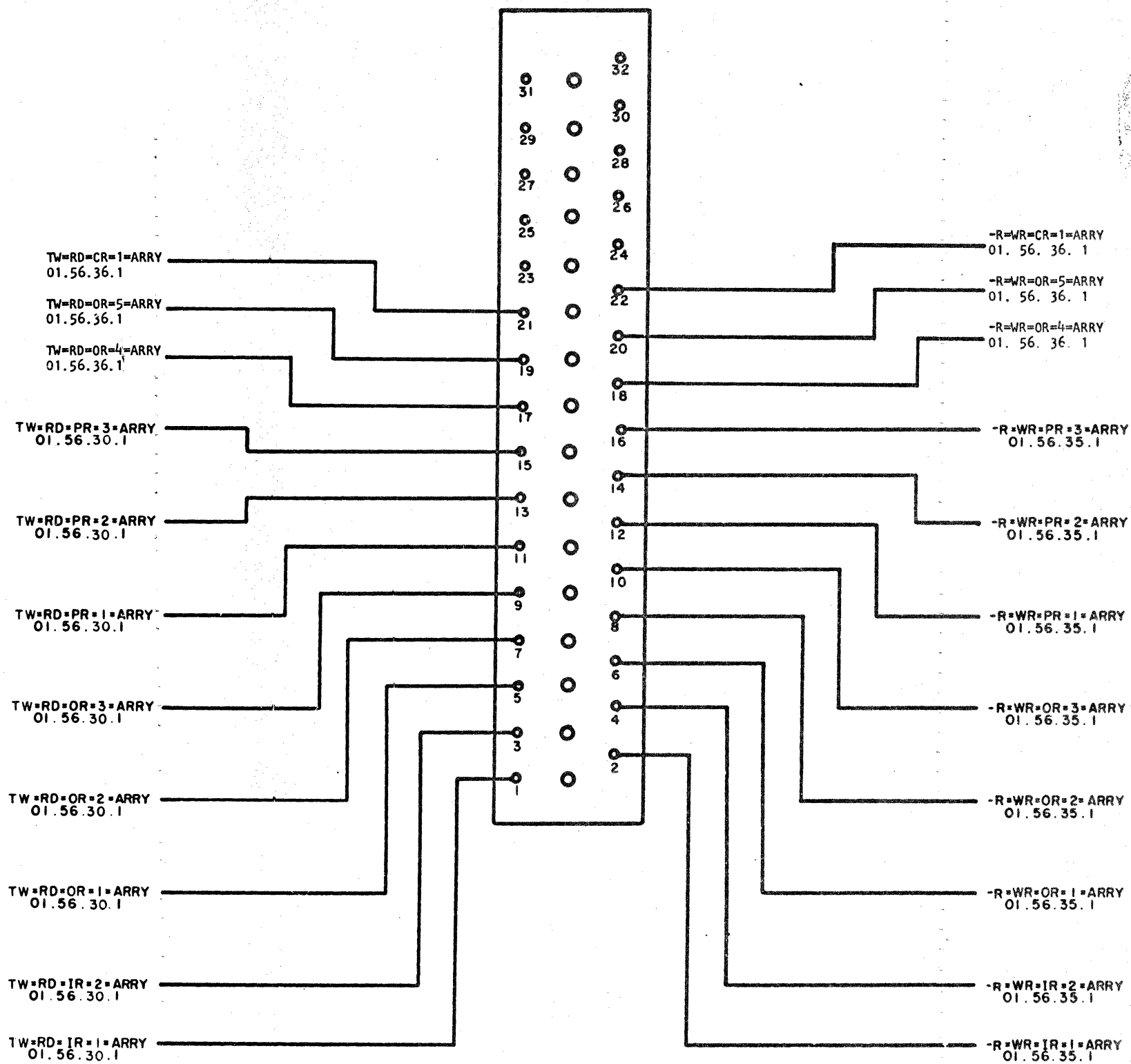
COMMENTS      TAG DATE    D.A.NO.    TAG DATE    D.A.NO.    TAG DATE    D.A.NO.    TAG DATE    D.A.NO.

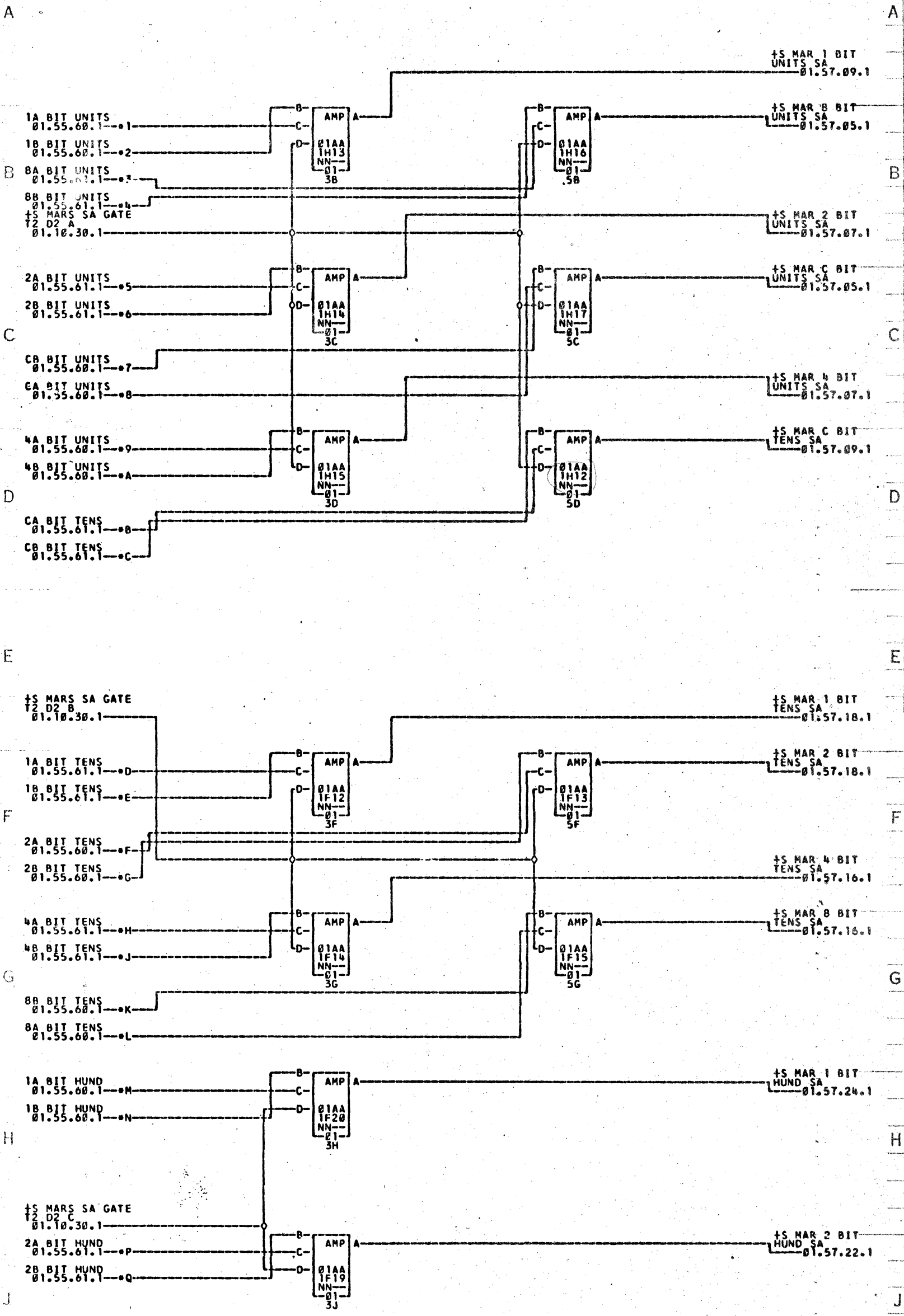
A 01-23-62 0F00000

SIDE D



SIDE B

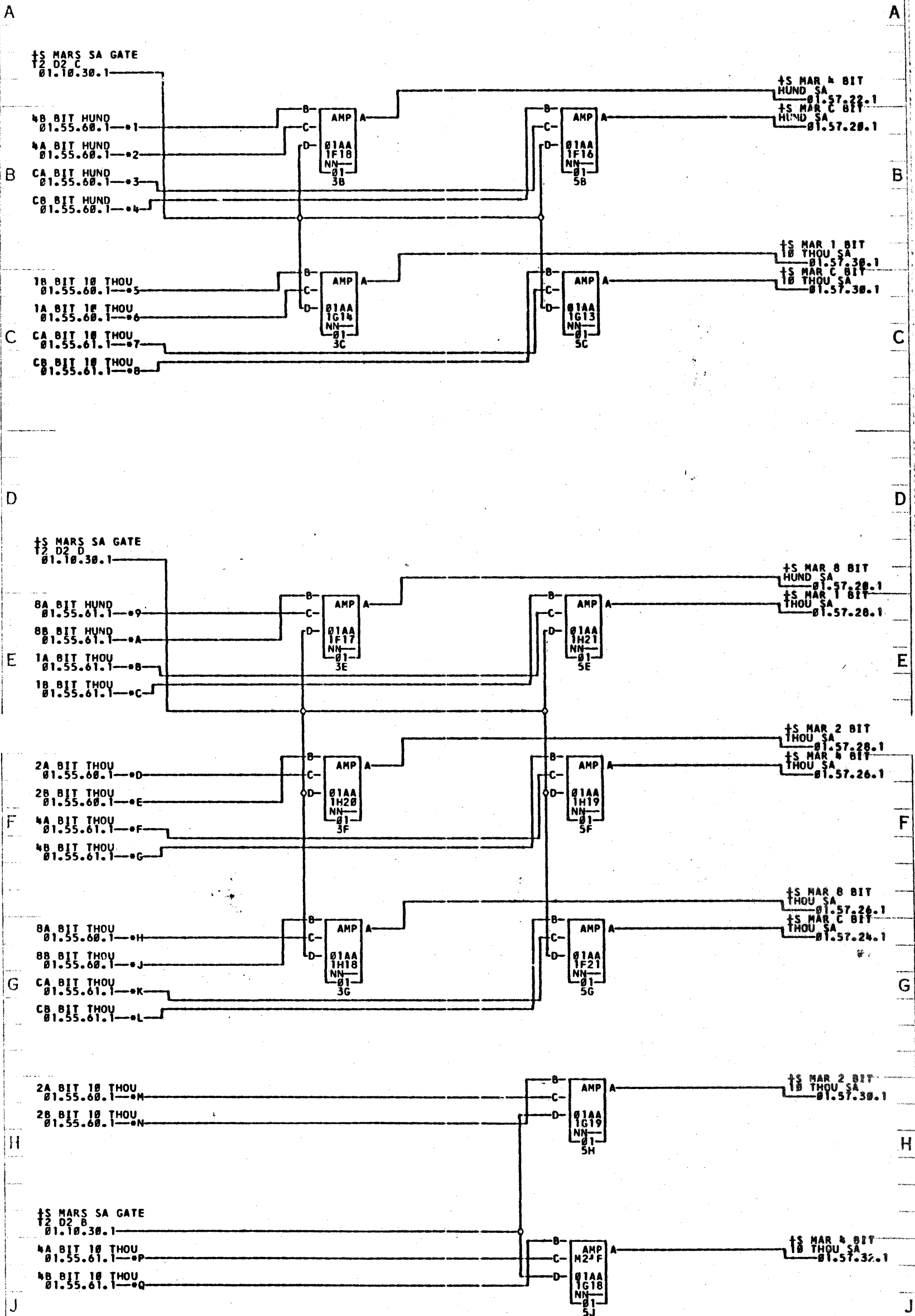




- 1--MARS A04      •2--MARS A02      •3--MARS C06      •4--MARS C08      •5--MARS C02      •6--MARS C04
- 7--MARS A10      •8--MARS A12      •9--MARS A08      •A--MARS A06      •B--MARS C18      •C--MARS C20
- D--MARS C18      •E--MARS C12      •F--MARS A16      •G--MARS A14      •H--MARS C14      •J--MARS C16
- K--MARS A18      •L--MARS A20      •M--MARS A24      •N--MARS A22      •P--MARS C22      •Q--MARS C24

COMMENTS

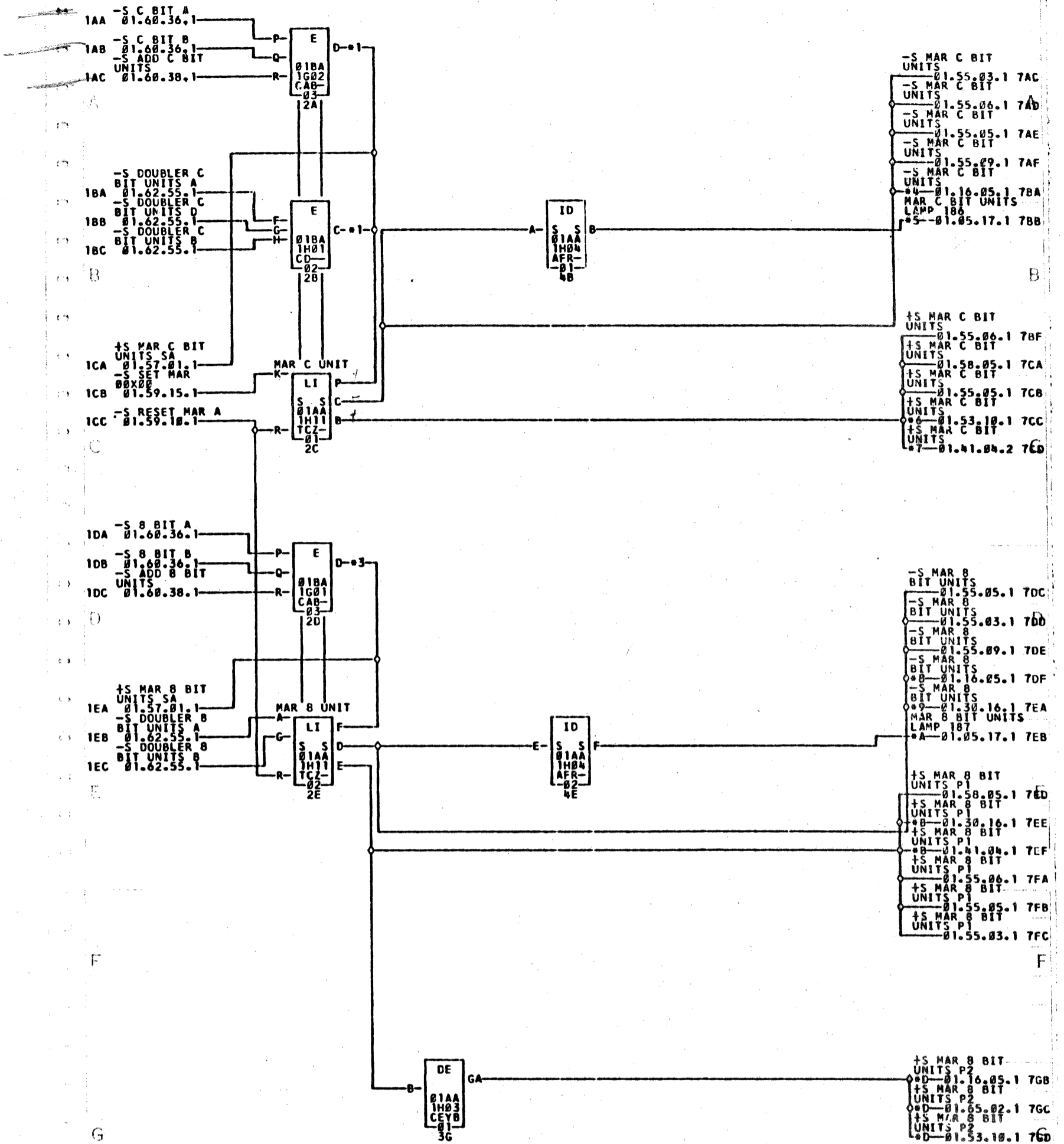
TAG	DATE	D.A.NO.	TAG	DATE	D.A.NO.	TAG	DATE	D.A.NO.	TAG	DATE	D.A.NO.
A	08-30-61	0E05000									



- 1—MARS A26
- 2—MARS A28
- 3—MARS A32
- 4—MARS A38
- 5—MARS A42
- 6—MARS A44
- 7—MARS C42
- 8—MARS C44
- 9—MARS C26
- A—MARS C28
- B—MARS C38
- C—MARS C32
- D—MARS A36
- E—MARS A34
- F—MARS C34
- G—MARS C36
- H—MARS A48
- I—MARS C48
- J—MARS A46
- K—MARS C46
- L—MARS C48
- M—MARS C40
- N—MARS C40
- O—MARS A40
- P—MARS C40
- Q—MARS C40

E.C. 404711      COMMENTS      TAG DATE D.A.NO.      TAG DATE D.A.NO.      TAG DATE D.A.NO.      TAG DATE D.A.NO.

A 04-03-62 BE51M2

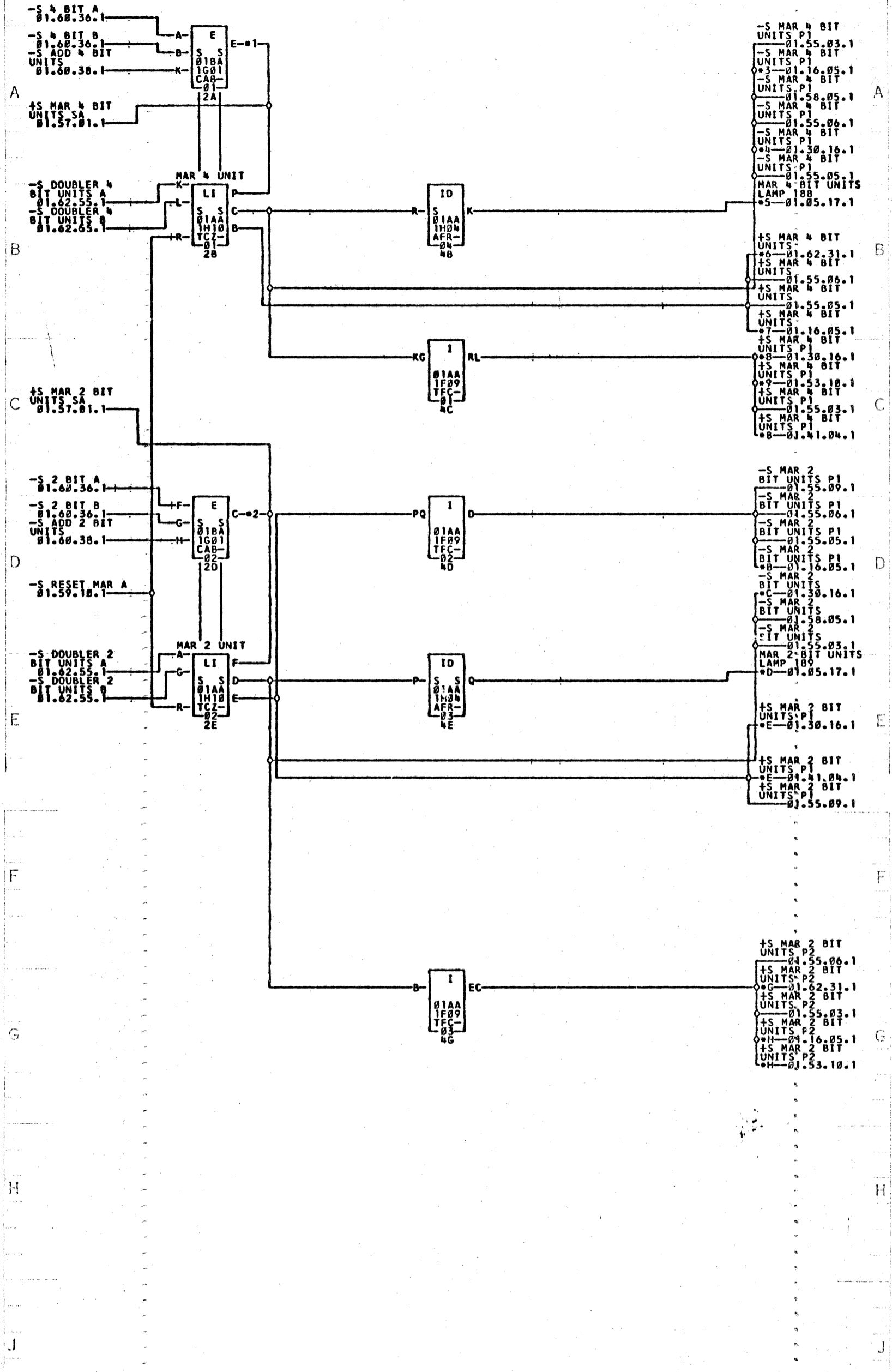


- 1—01BWH21
- 3—01BWG22
- 4—01AWF08
- 6—01AWK04
- 7—01AVI24
- 8—01BWF08
- 5—01AXE06
- 9—01AIZ11C
- A—01AXI07
- B—01AIZ11A
- D—01AWD17
- E—01BWD17

E.C. 404711

COMMENTS

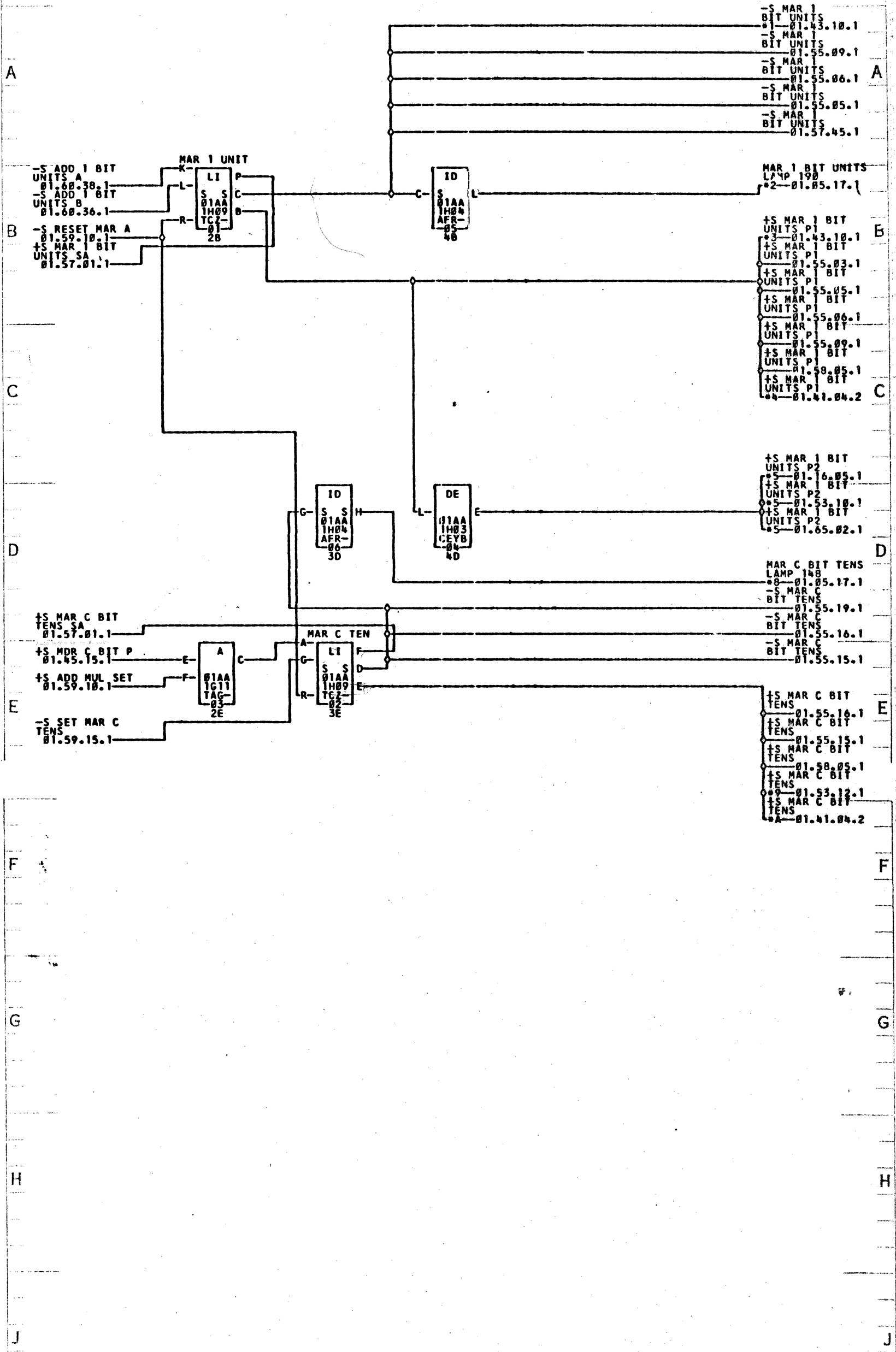
TAG DATE	D.A.NO.	TAG DATE	D.A.NO.	TAG DATE	D.A.NO.	TAG DATE	D.A.NO.
A 05-17-62	DF06RM2						



- 1-018WF23
- 4-01A1211B
- 5-018ZF08B
- 6-016XL18
- E-01A1212D
- H-01AWF13
- 01AWF23
- 01A2Z11B
- 01AWF11
- 7-01AWF12
- 01A2Z12D
- 01BWF13
- 2-018WF22
- 5-01AXE08
- 01BWF11
- 01BWF12
- C-01AWF13
- 01AWF22
- 6-01AWF11
- 8-01A1Z10D
- C-01A1Z11D
- 01BWF13
- 3-01AWD06
- 01BWF11
- 01A2Z10D
- 01A2Z11D
- 01B1Z13D
- 01BWD06
- 01B1Z06B
- 9-01AXL18
- D-01AXE09
- 01B2Z12D

COMMENTS TAG DATE D.A.NO. TAG DATE D.A.NO. TAG DATE D.A.NO. TAG DATE D.A.NO.

A 03-13-62 0F06000

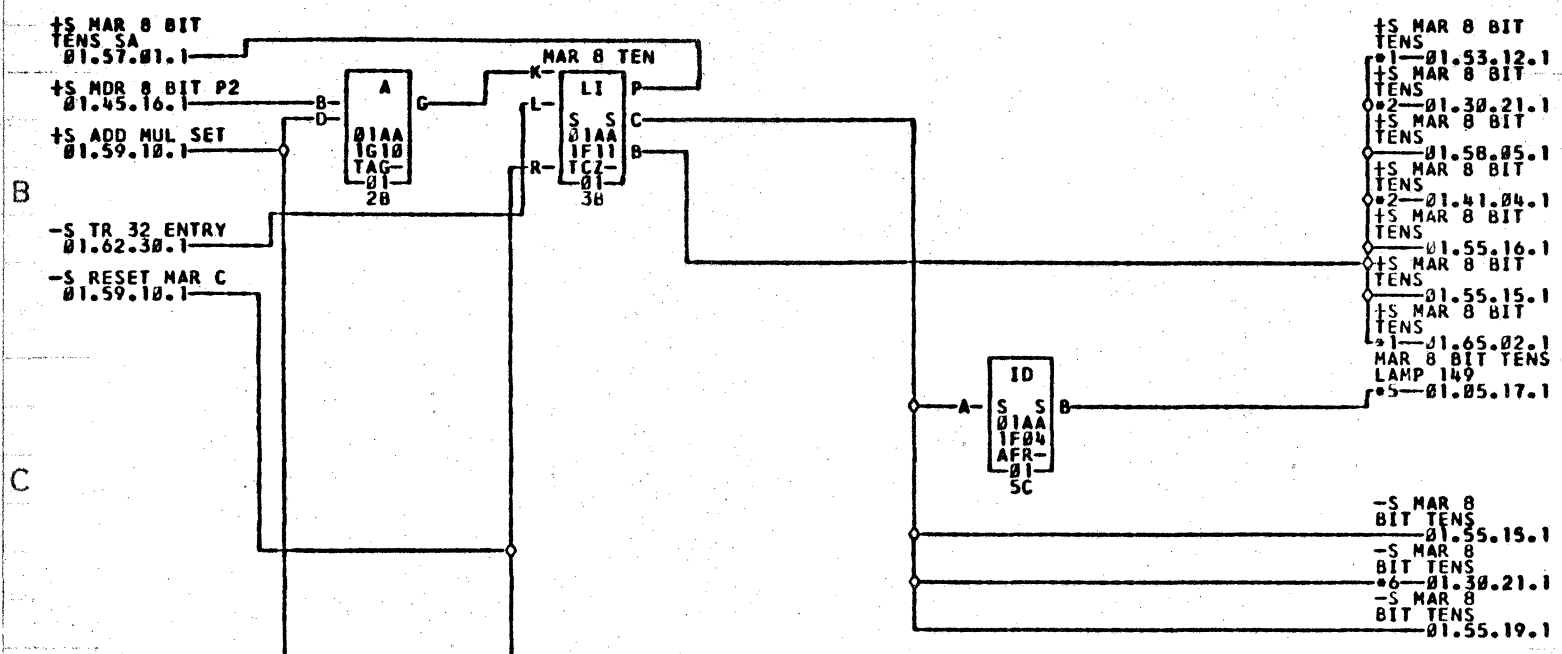


- \*1--01AWH01      \*5--01AWH03      \*2--01AXE10      \*3--01AWH02      \*6--01AK05
- 01D3A01J      \*8--01AK05      \*4--01AVK09
- \*A--01AVK08      \*9--01AK05



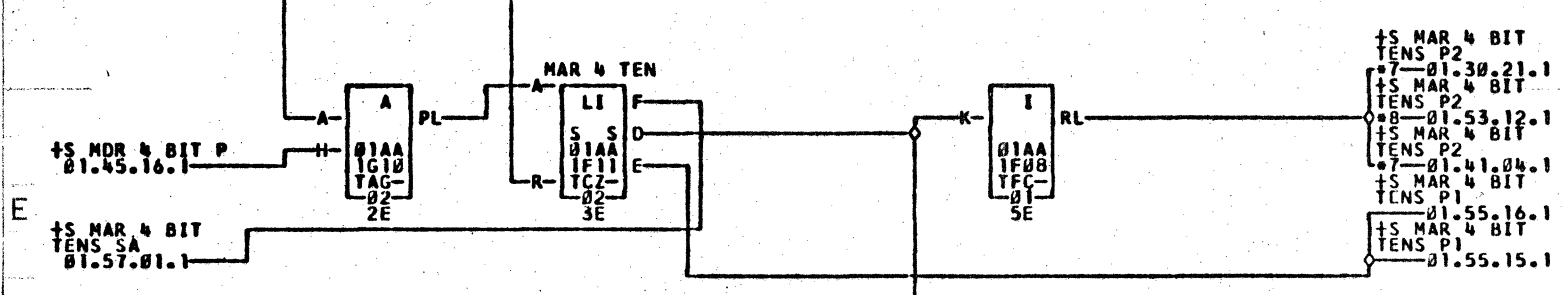
A

A



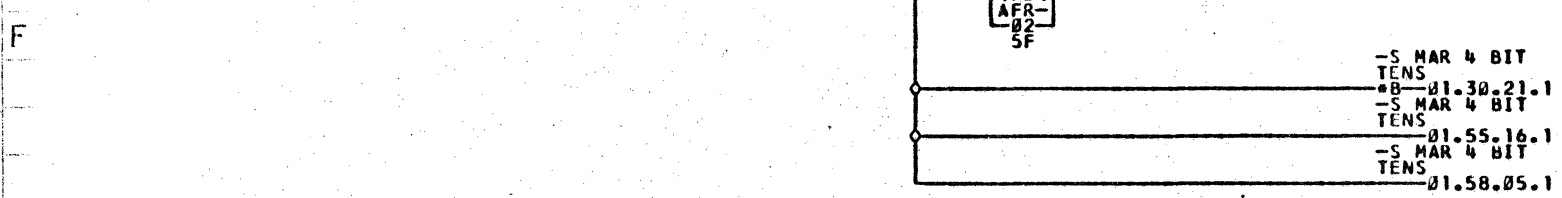
B

B



C

C



D

D



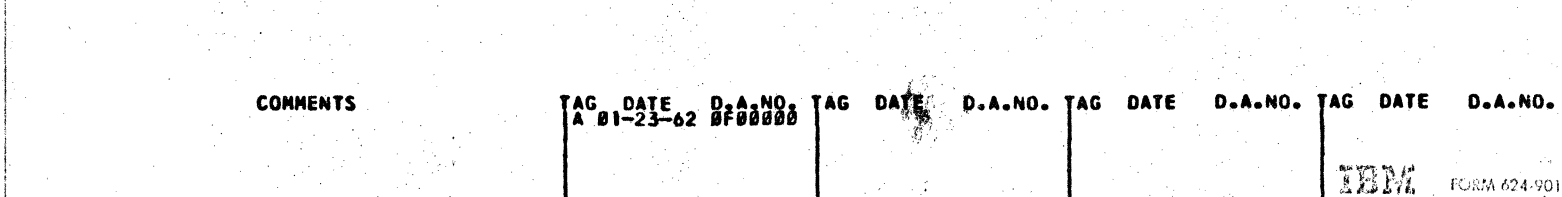
E

E



F

F



G

G

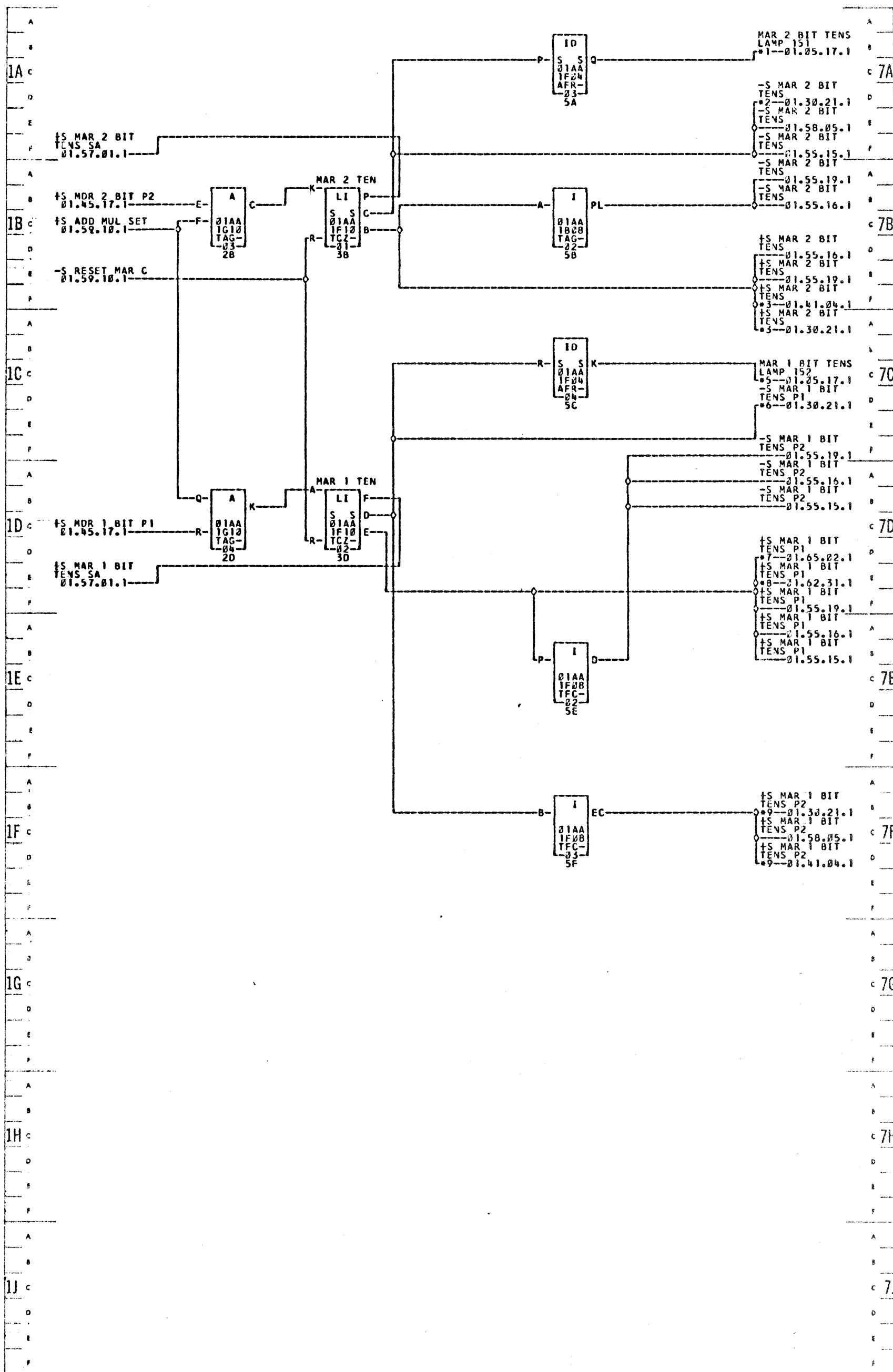
H

J

- 1-01AWH23
- 7-01A1Z08C
- 2-01A1Z12A
- 8-01ANE07
- 5-01AXE12
- 6-01A1Z15B
- 8-01A1Z16B
- 7-01A2Z08C
- 8-01A2Z12A
- 8-01ANE07
- 5-01AXE12
- 6-01A1Z15B
- A-01AXE13

COMMENTS	TAG DATE	D.A.NO.	TAG DATE	D.A.NO.	TAG DATE	D.A.NO.	TAG DATE	D.A.NO.
	A	01-23-62	0F00000					



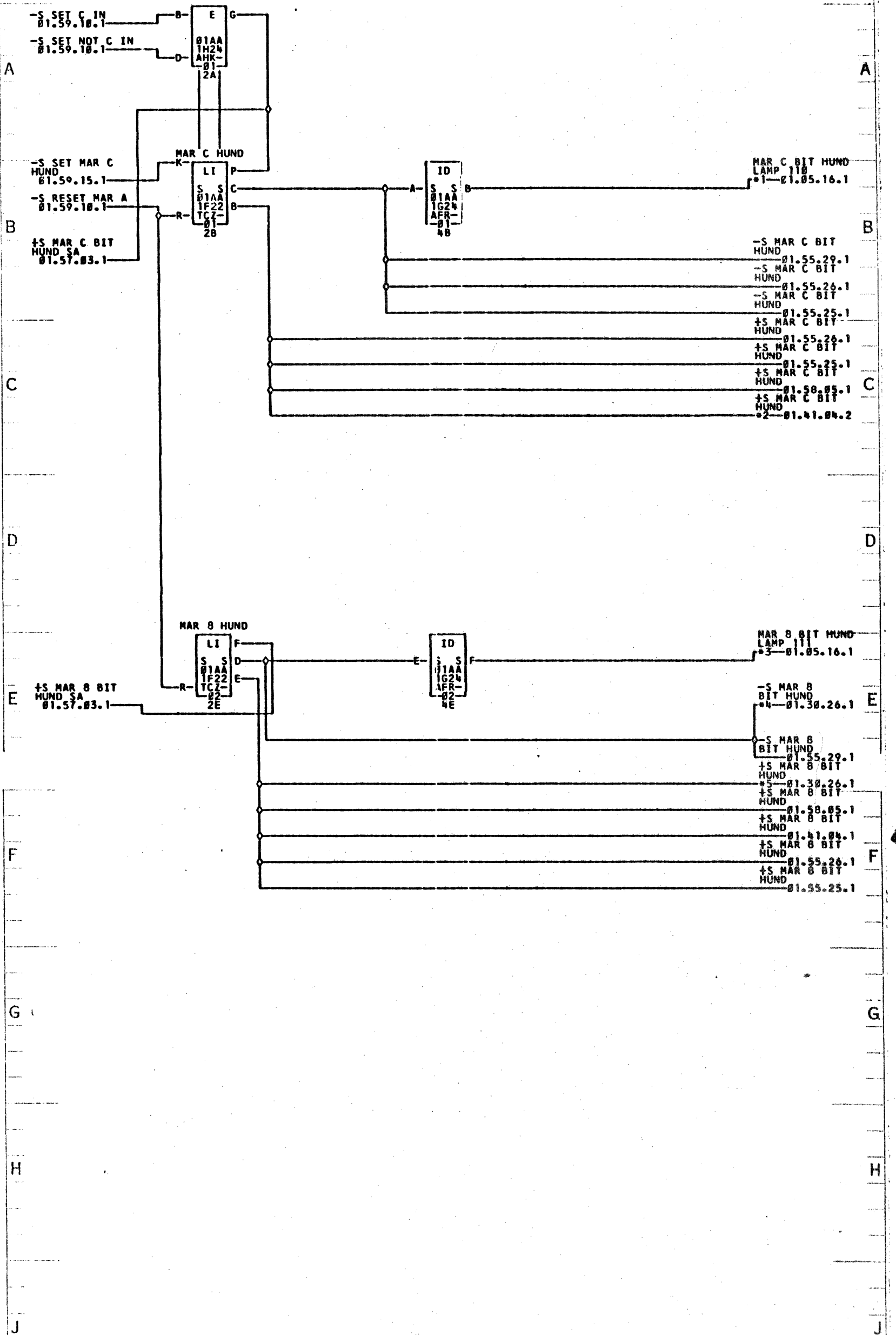


- \*1--01AXE14      \*2--01A1Z16A      \*3--01A1Z18A      \*4--01A1Z18A      \*5--01AXE15
- \*6--01A1Z08A      \*7--01A1Z16A      \*8--01A1Z18A      \*9--01A1Z08B      \*10--01BWC19
- \*11--01B1Z14D      \*12--01B2Z14D      \*13--01A1Z08B      \*14--01A2Z08B      \*15--01BWC19

E. C. 404783

COMMENTS

TAG	DATE	D.A.NO.	TAG	DATE	D.A.NO.	TAG	DATE	D.A.NO.	TAG	DATE	D.A.NO.
A	12-05-62	0E22000									



\*1-01AXE16  
\*5-01A1Z22C

\*2-01AVK07  
\*1A2Z22C

01D3A01G

\*3-01AXE17

\*4-01A1Z22D

01A2Z22D

E.C. 404711

COMMENTS

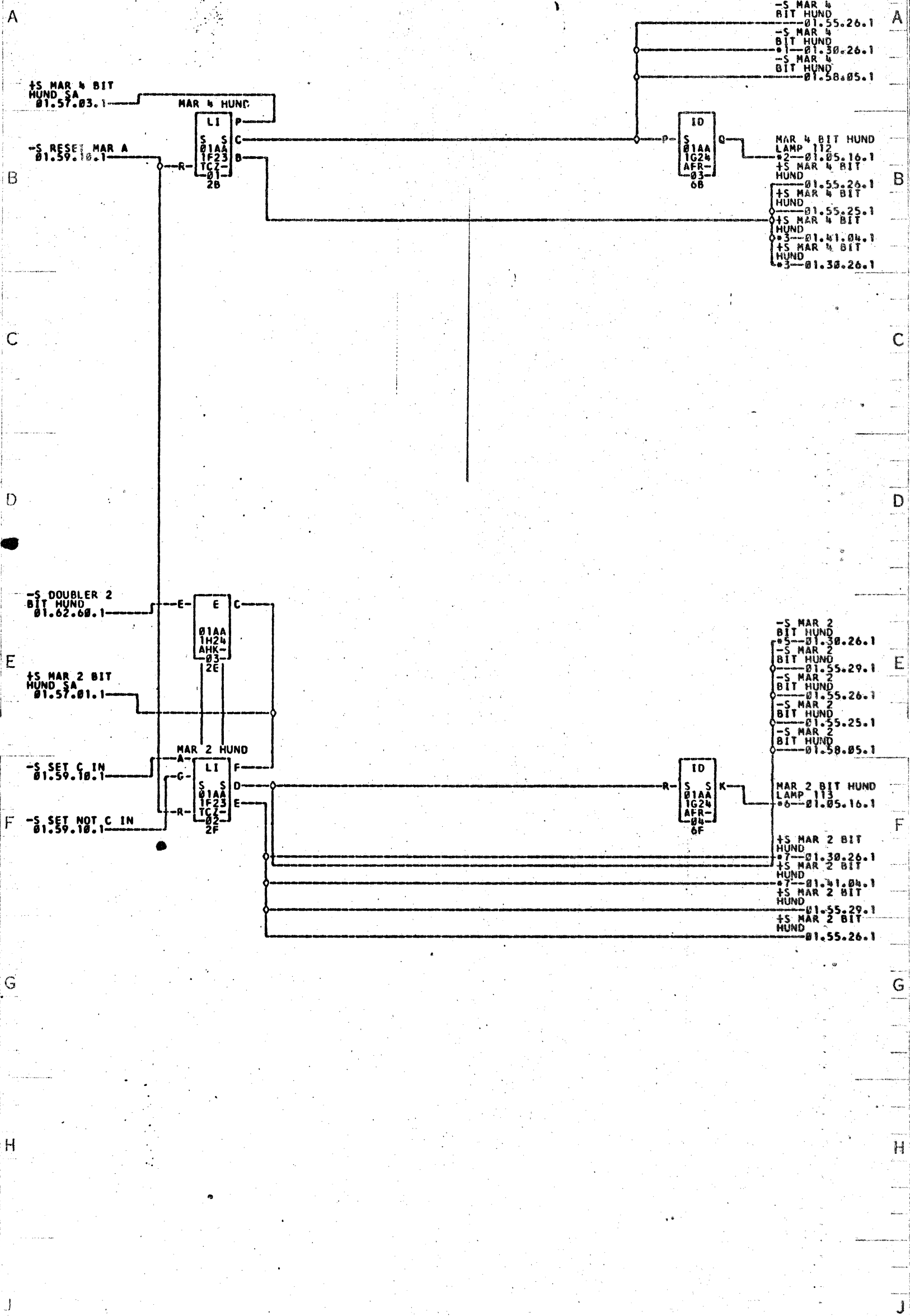
TAG DATE D.A.NO.  
A 04-03-62 0F01R42

TAG DATE D.A.NO.

TAG DATE D.A.NO.

TAG DATE D.A.NO.

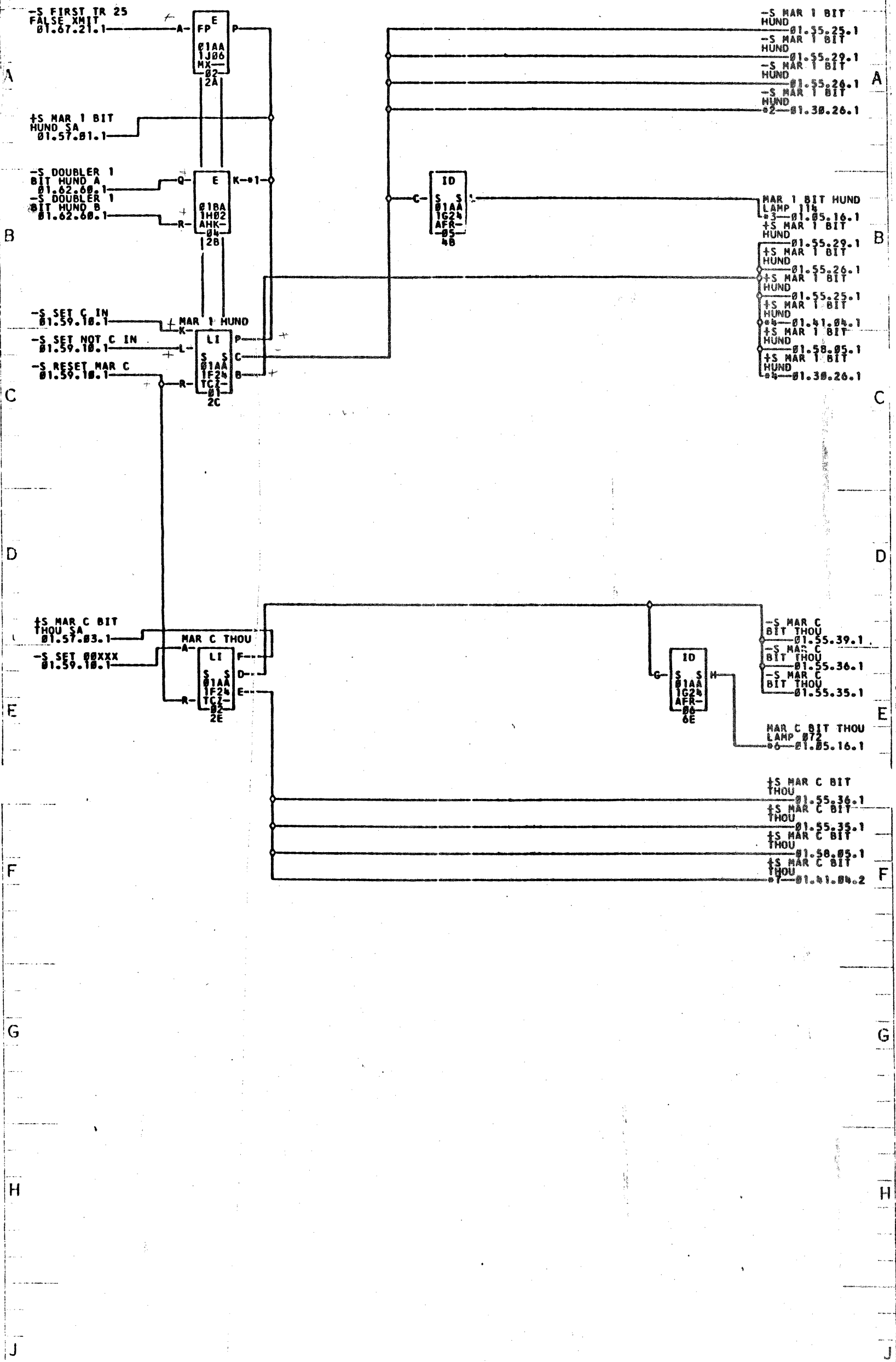




\*1--01A1Z13D    \*2--01AXE18    \*3--01A1Z14D    \*4--01A1Z16D    \*5--01A1Z15D  
 -----01A2Z13D    \*6--01AXE19    -----01A2Z14D

COMMENTS

TAG DATE D.A.NO.    TAG DATE D.A.NO.    TAG DATE D.A.NO.    TAG DATE D.A.NO.  
 A 00-30-61 0205000



- 1—01BWC21
- 2—01A1Z15A
- 3—01AXE20
- 4—01A1Z13A
- 5—01A2Z15A
- 6—01AX21
- 7—01AVK06
- 8—01D3A01F

E.C. 484711

COMMENTS

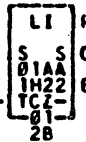
TAG DATE	D.A.NO.	TAG DATE	D.A.NO.	TAG DATE	D.A.NO.	TAG DATE	D.A.NO.
04-03-62	BF01R42						

A

A

+S MAR 8 BIT THOU SA 01.57.03.1

MAR 8 THOU



-S RESET MAR C 01.59.10.1



-S MAR 8 BIT THOU 01-01.30.31.1

-S MAR 8 BIT THOU 01.55.39.1  
MAR 8 BIT THOU LAMP 73  
2-01.05.16.1

+S MAR 8 BIT THOU 01.55.36.1  
+S MAR 8 BIT THOU 01.55.35.1  
+S MAR 8 BIT THOU 01.41.04.1  
+S MAR 8 BIT THOU 01.30.31.1  
+S MAR 8 BIT THOU 01.58.05.1

B

B

C

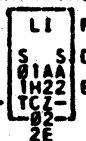
C

D

D

+S MAR 4 BIT THOU SA 01.57.03.1

MAR 4 THOU



-S MAR 4 BIT THOU 01.30.31.1

-S MAR 4 BIT THOU 01.58.05.1  
-S MAR 4 BIT THOU 01.55.36.1  
MAR 4 BIT THOU LAMP 74  
06-01.05.16.1

+S MAR 4 BIT THOU 01.55.36.1  
+S MAR 4 BIT THOU 01.55.35.1  
+S MAR 4 BIT THOU 01.41.04.1  
+S MAR 4 BIT THOU 01.30.31.1

E

E

F

F

G

G

H

H

J

J

01-01A1Z21B  
02-01A2Z21A

03-01A2Z21B  
04-01AXE23

05-01AXE22  
06-01A1Z22A

07-01A1Z22B  
08-01A2Z22A

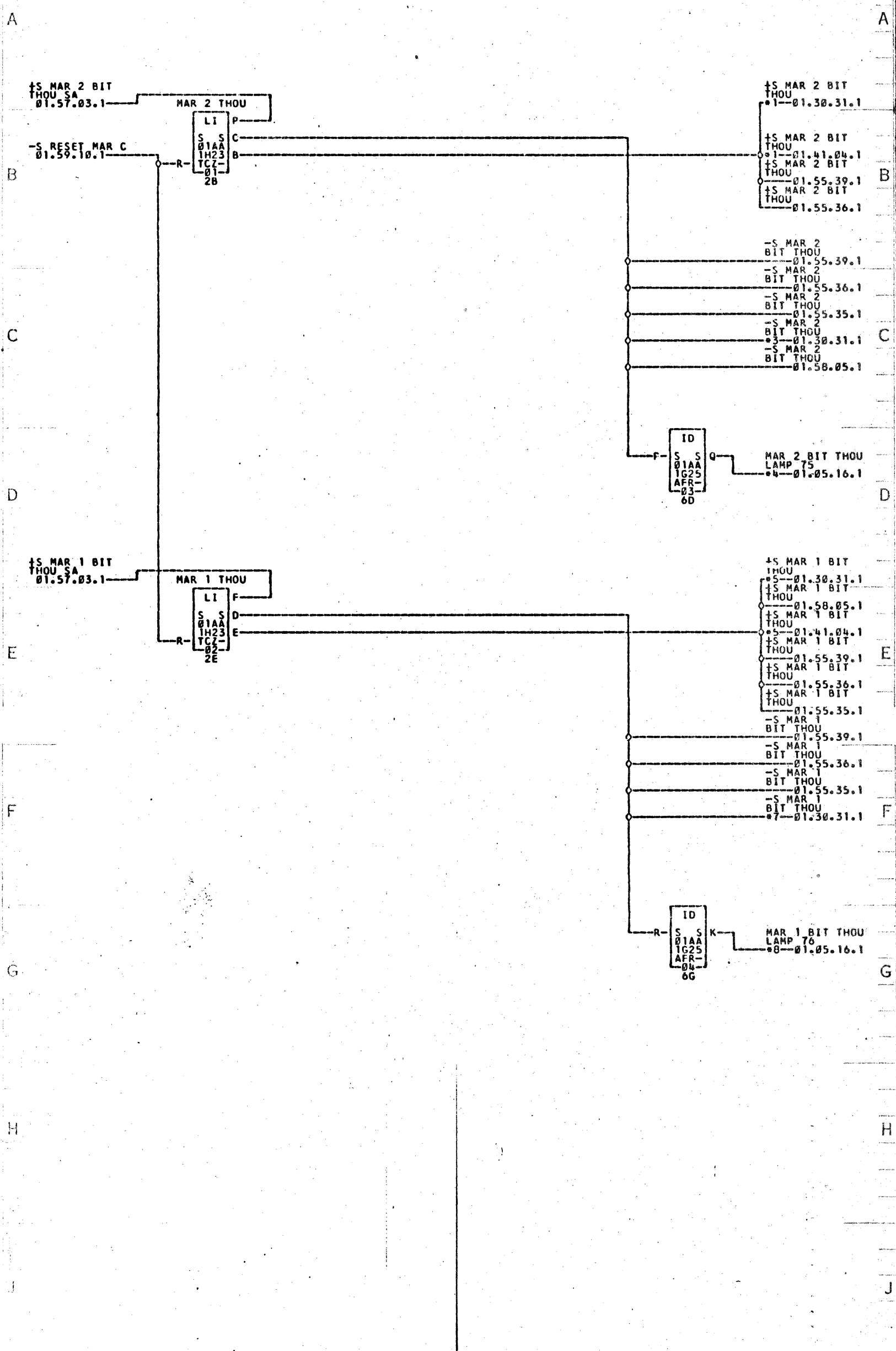
09-01A2Z22B

10-01A1Z21A

COMMENTS

TAG DATE D.A.NO. TAG DATE D.A.NO. TAG DATE D.A.NO. TAG DATE D.A.NO.

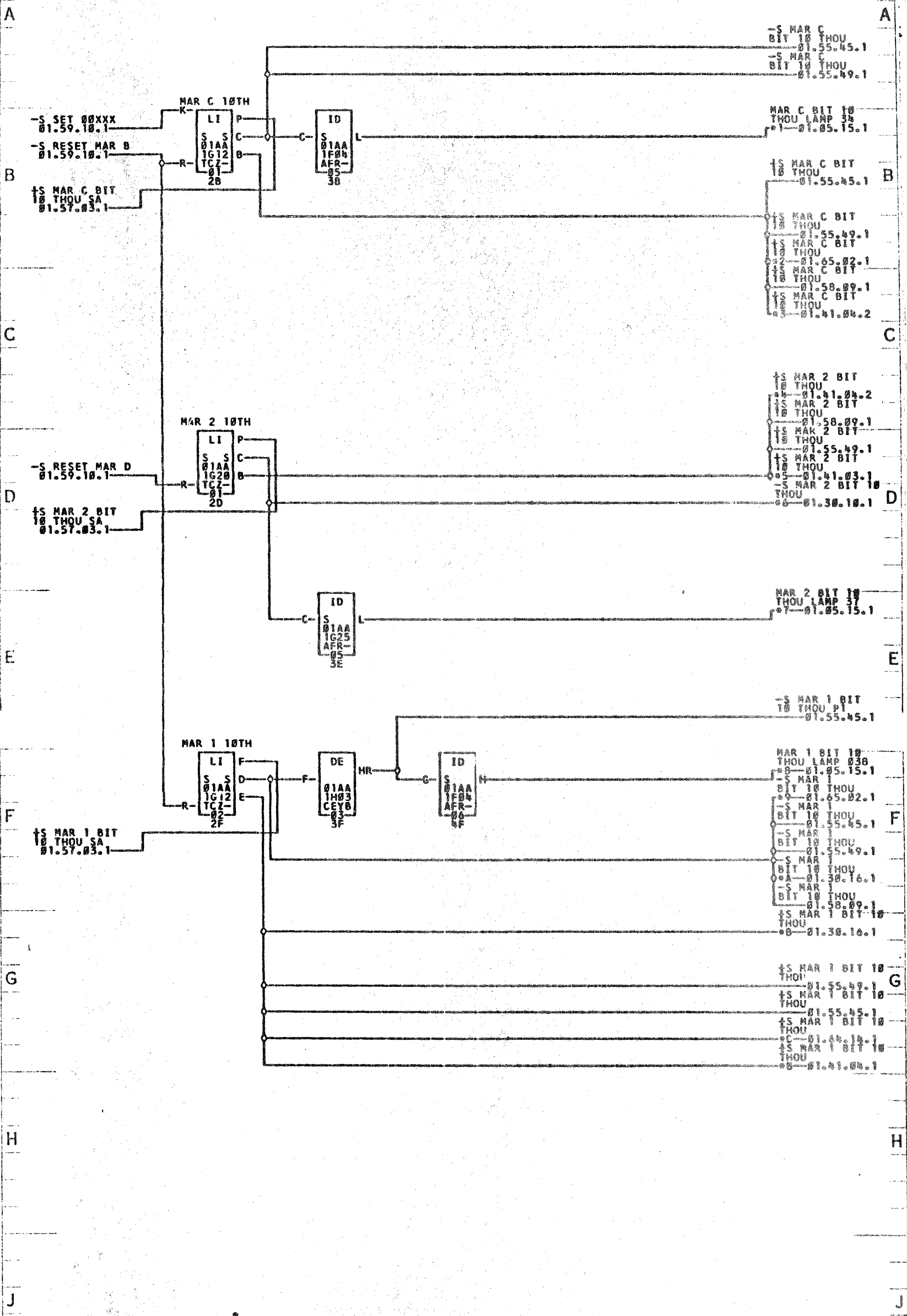
A 08-30-61 0E05000



- 1--01A1223A
- 7--01A1223D
- 3--01A1223C
- 8--01AXE25
- 4--01AXE24
- 5--01A1223B

COMMENTS	TAG DATE	D.A.NO.	TAG DATE	D.A.NO.	TAG DATE	D.A.NO.
	A 08-30-61	0E05000				





- \*1-01AXE26
- \*2-01AWF27
- \*3-01A/K05
- \*4-01D3A01E
- \*5-01AYK04
- \*6-0103A01D
- \*7-01A2Z10A
- \*8-01AXE27
- \*9-01AXE28
- \*A-01A2Z10A
- \*B-01AXE27
- \*C-01A2Z12C
- \*D-01A2Z12C
- \*E-01A2Z12C
- \*F-01A2Z12C
- \*G-01A2Z12C
- \*H-01A2Z12C
- \*I-01A2Z12C
- \*J-01A2Z12C

E.C. 404711 COMMENTS TAG DATE D.A.NO. TAG DATE D.A.NO. TAG DATE D.A.NO. TAG DATE D.A.NO.

7A

7B

7C

7D

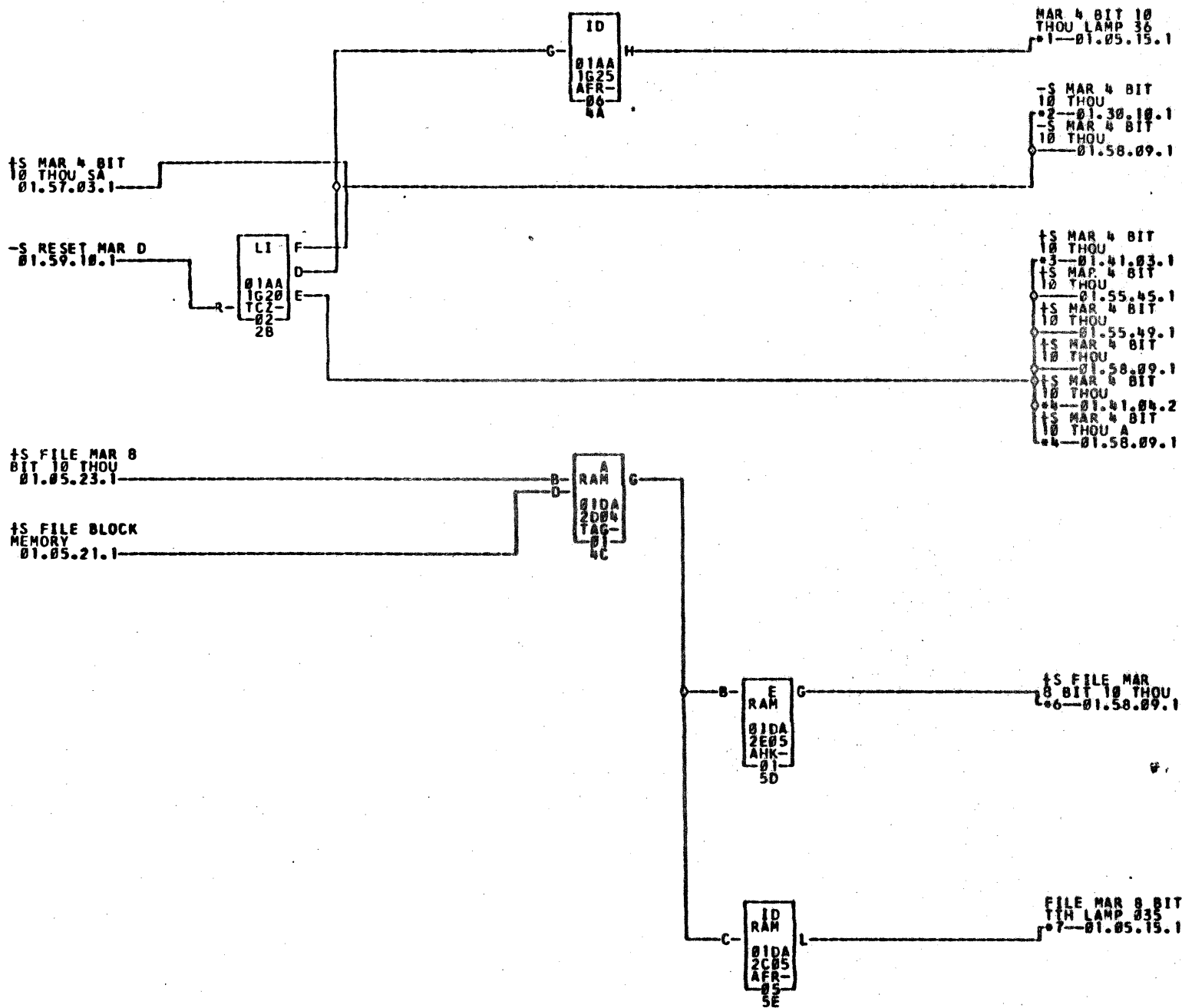
7E

7F

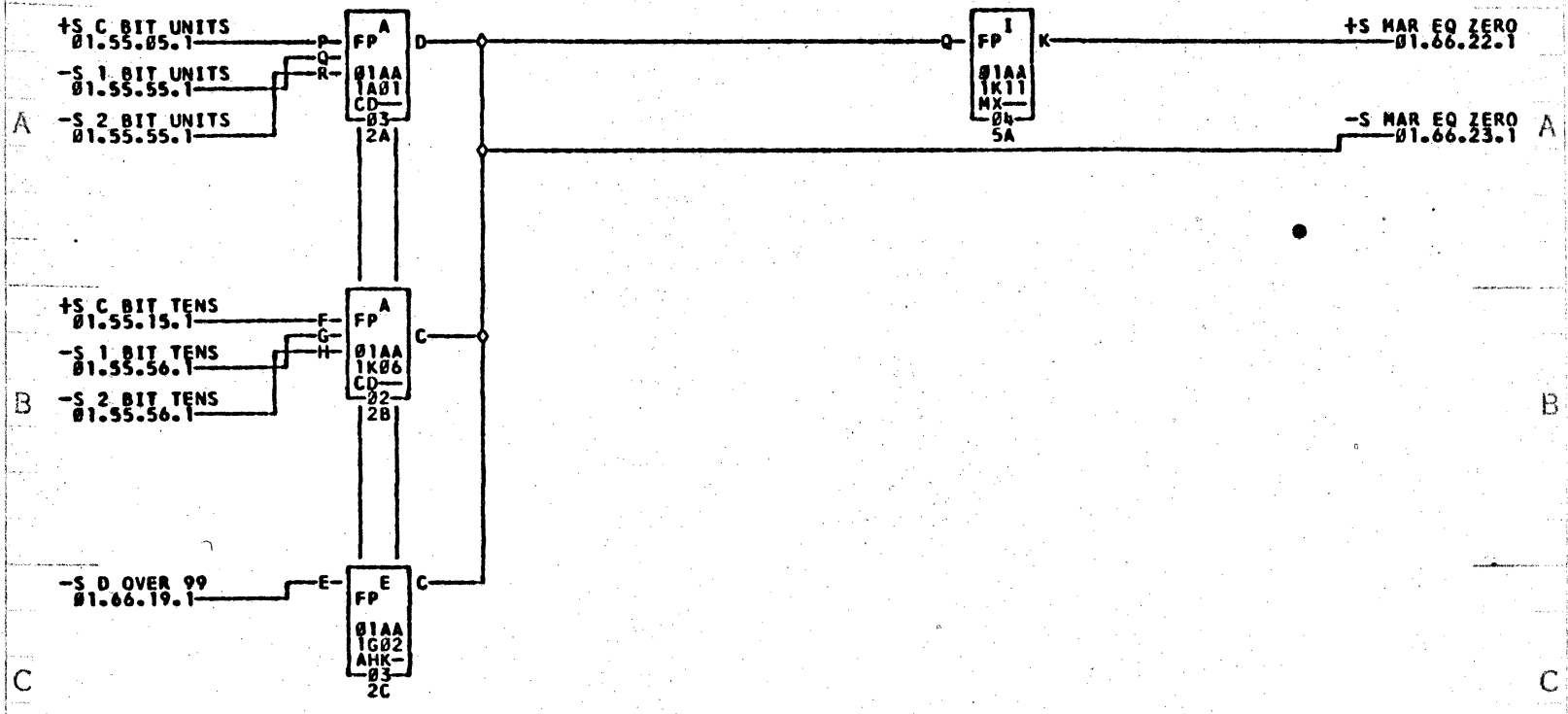
7G

7H

7I



\*1---01AXE29      \*2---01AIZ17A      \*3---01AIZ17D      \*4---01AVK10  
 -----01D3A01K      \*6---01AVJ01      -----01D2A02A      \*7---01D2A04A      -----01A2Z17D



A

B

C

D

E

F

G

H

J

A

B

C

D

E

F

G

H

J

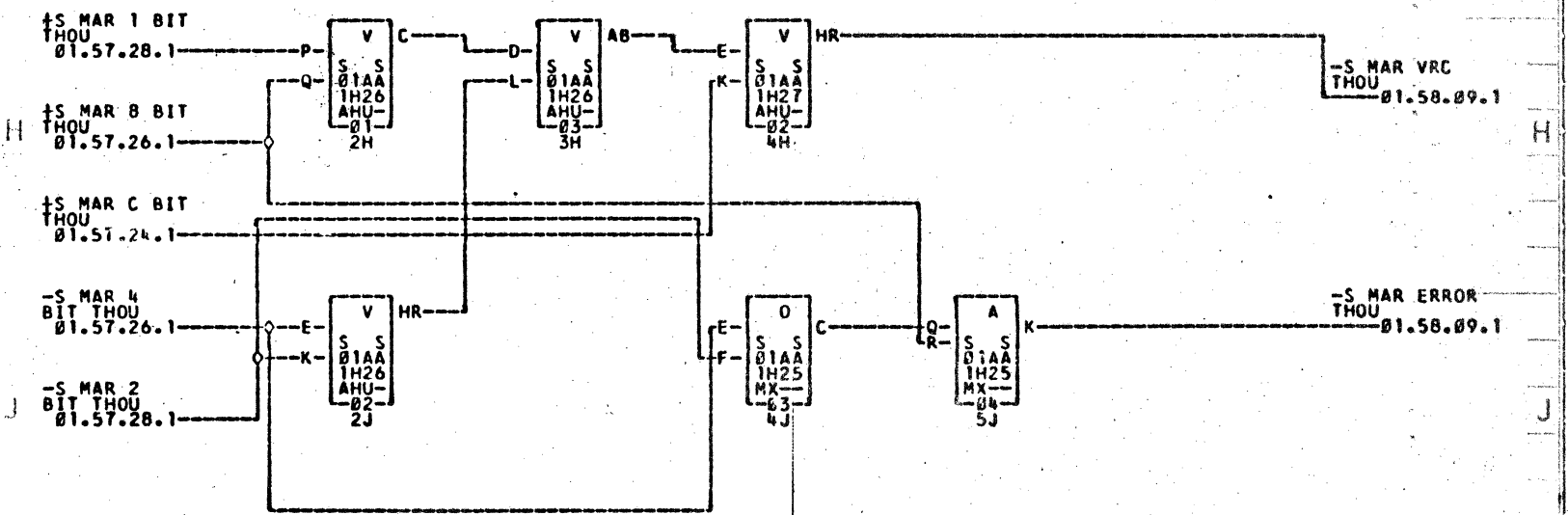
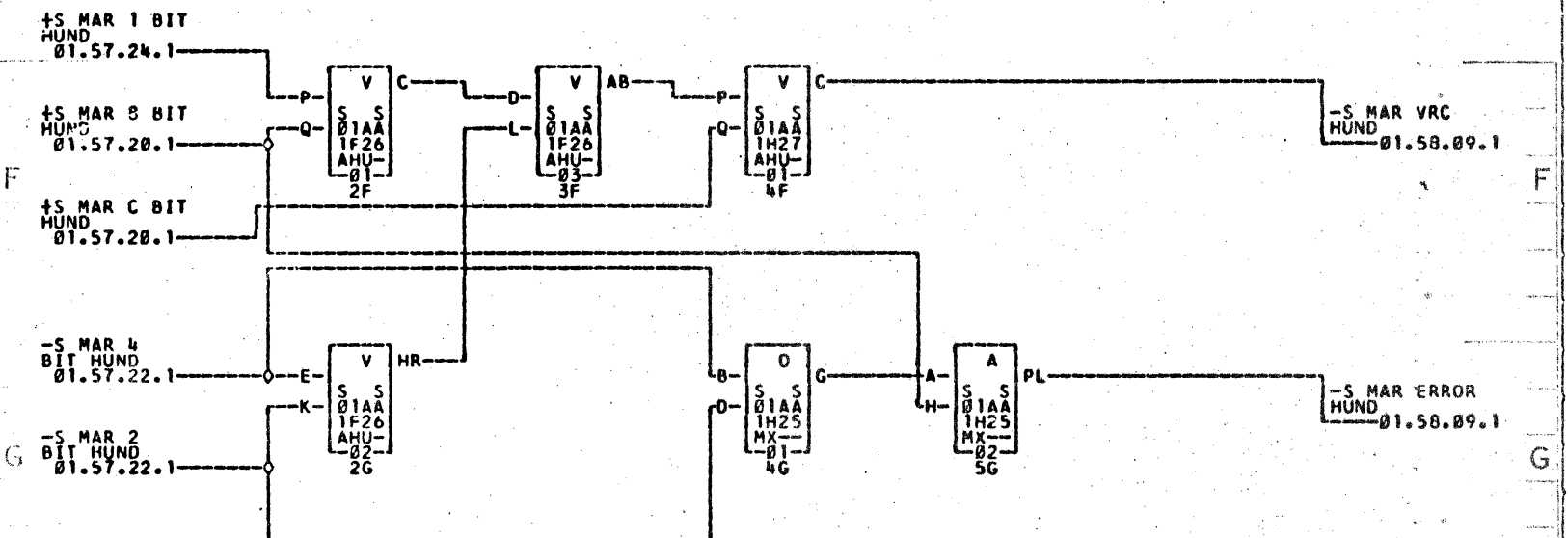
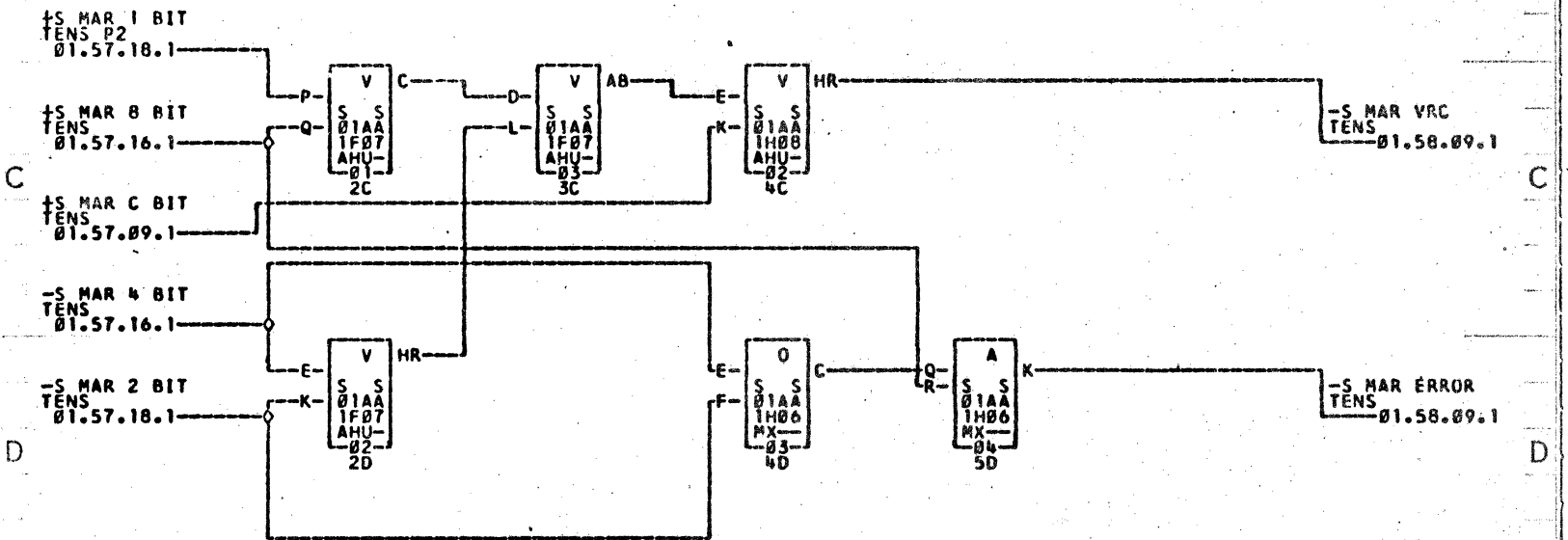
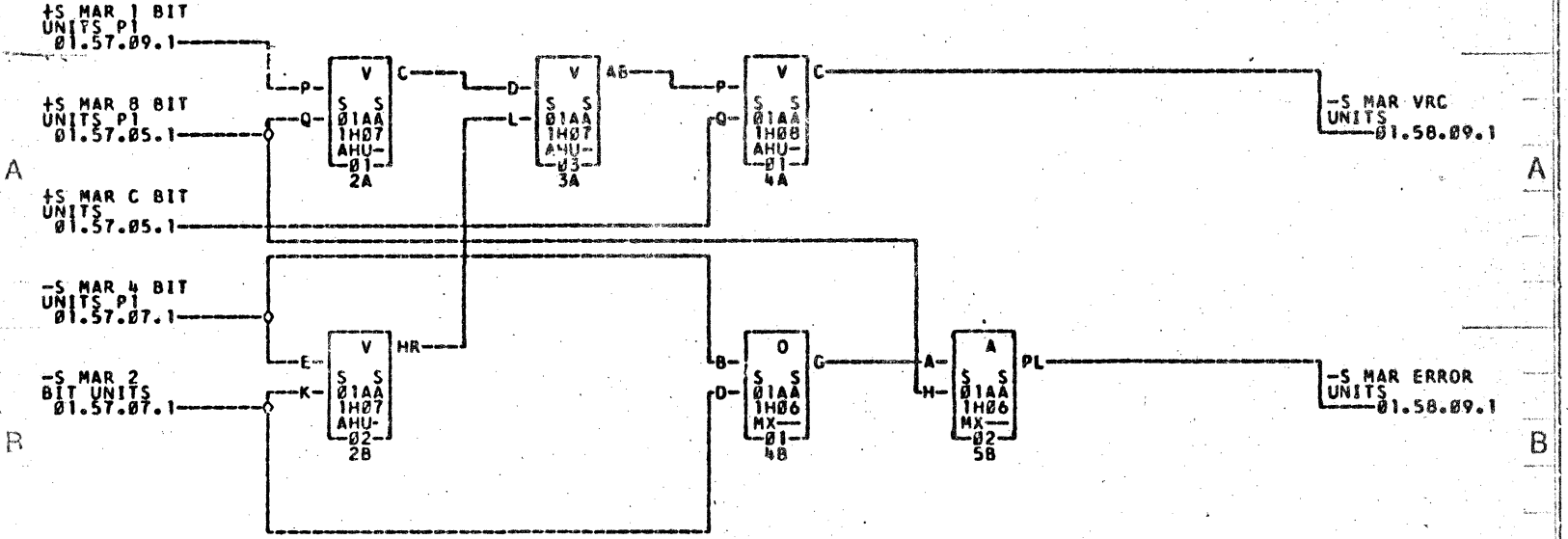
COMMENTS

TAG DATE D.A.NO. A 02-05-62 0F01000

TAG DATE D.A.NO.

TAG DATE D.A.NO.

TAG DATE D.A.NO.



COMMENTS

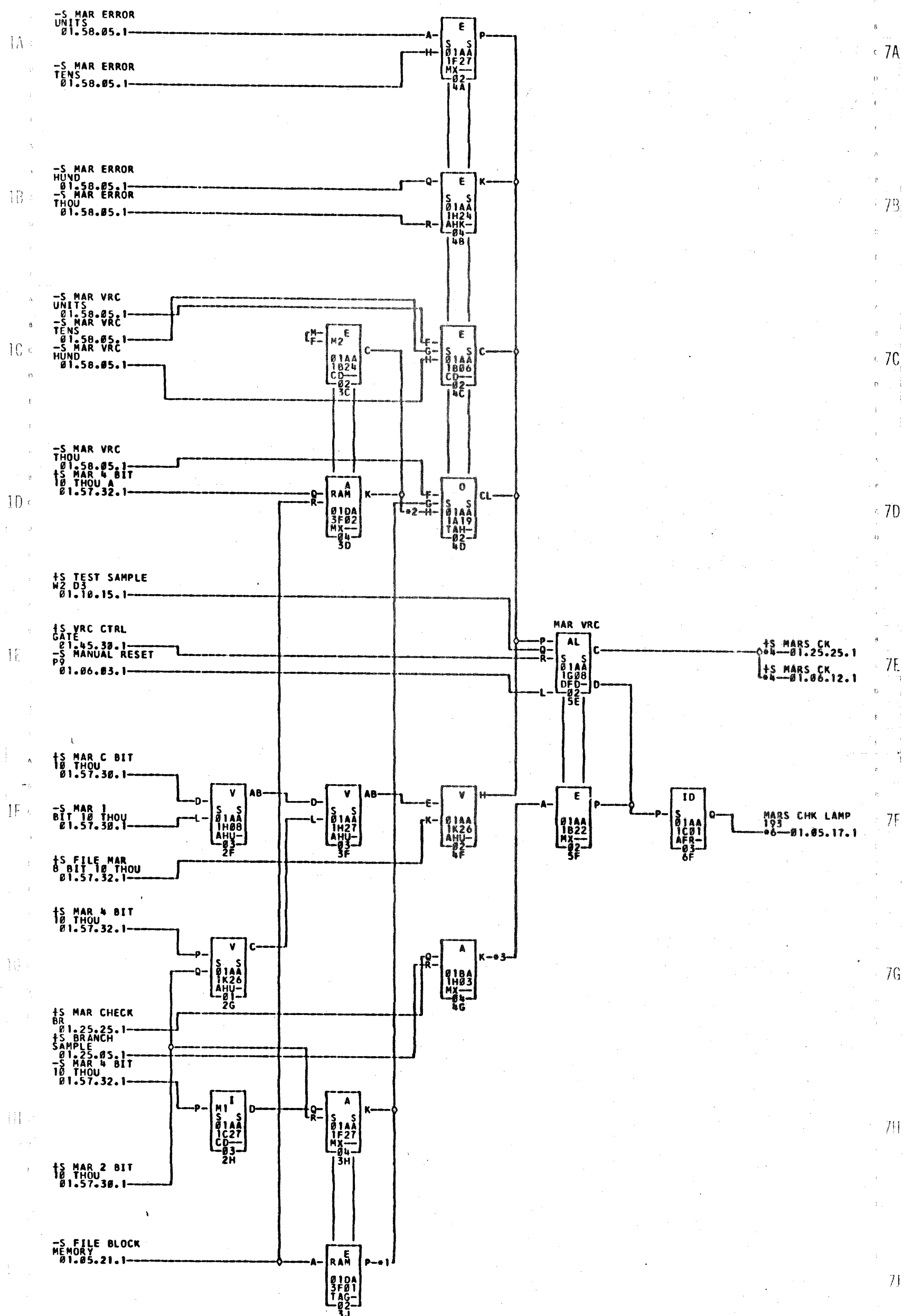
TAG DATE D.A.NO. A 08-30-61 0E05000

TAG DATE D.A.NO.

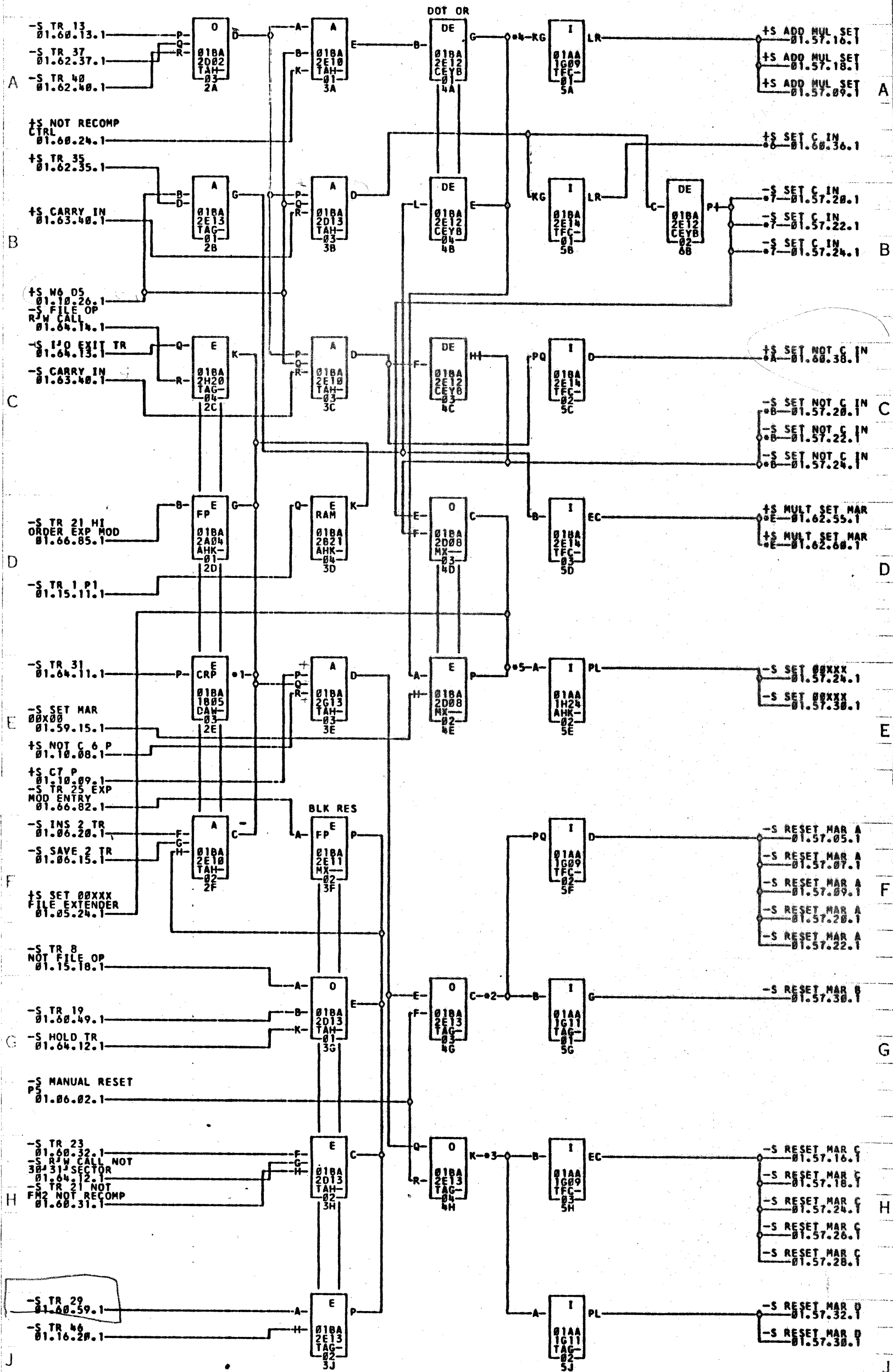
TAG DATE D.A.NO.

TAG DATE D.A.NO.





\*1--01D3A01A      ---01AVK01      \*2--01D3B02D      ---01AVJ20      \*3--01BWB27      ---01AWB27  
 \*4--01AWF15      ---01BWF15      \*6--01AXE32

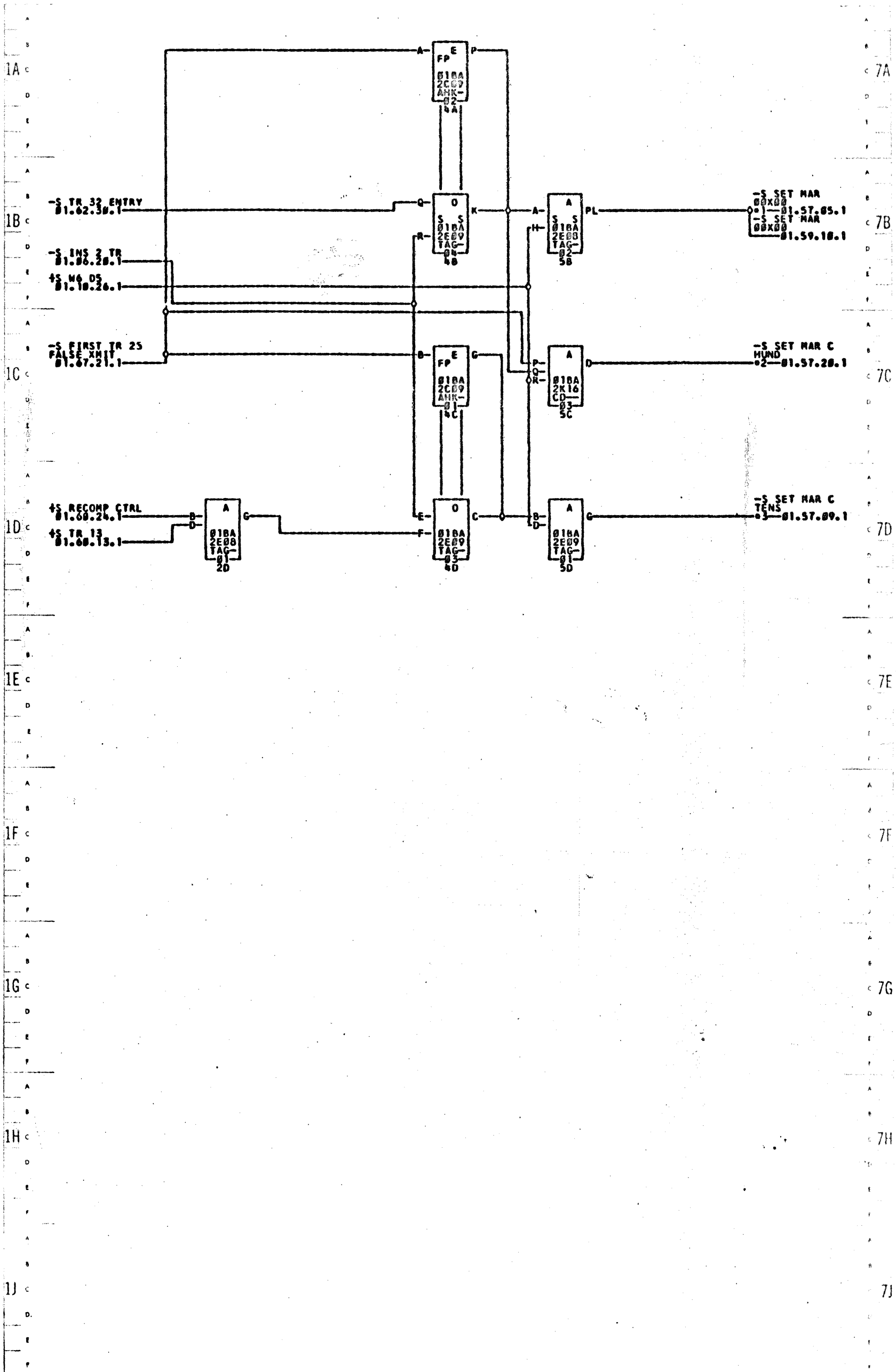


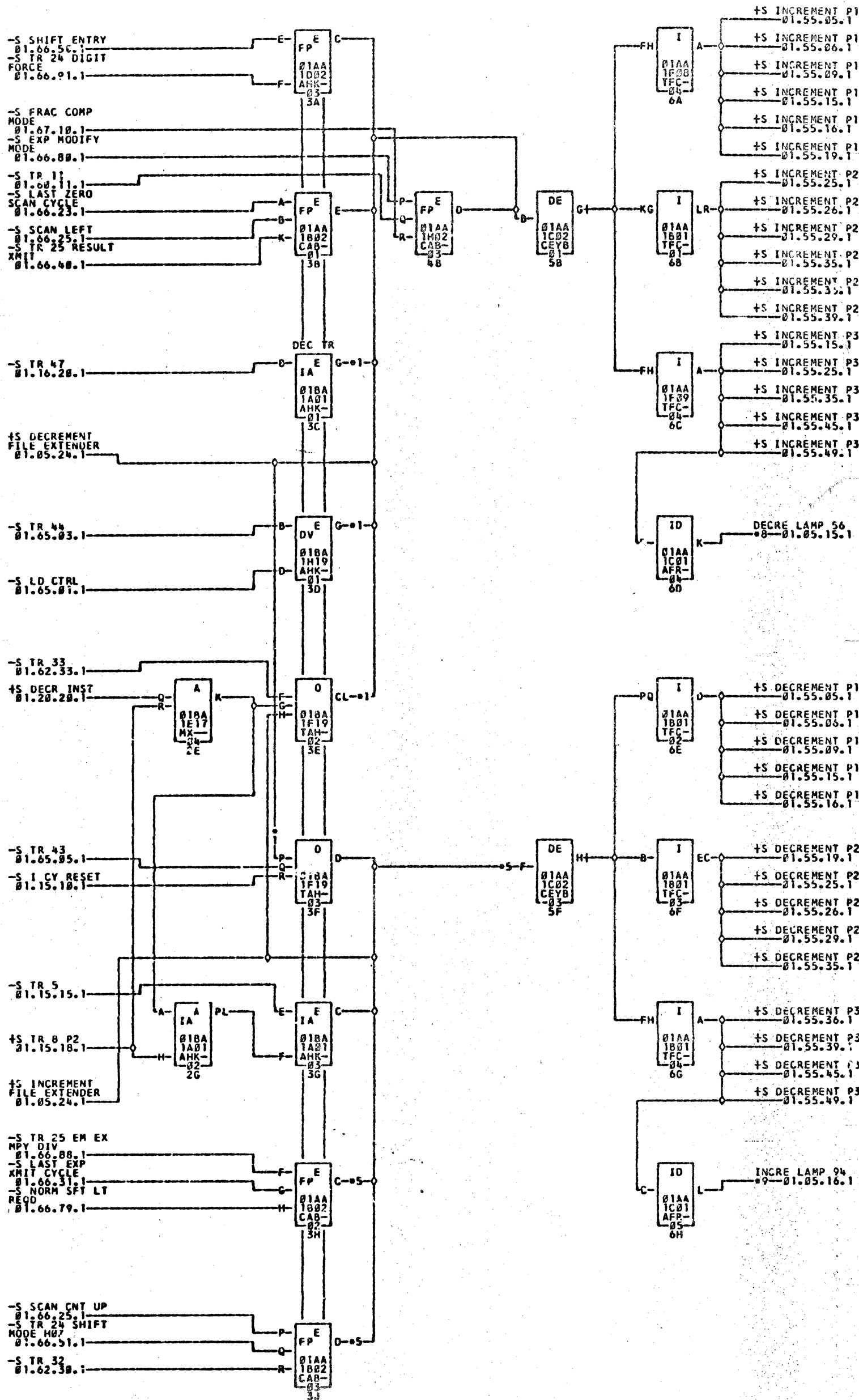
- \*1-01B1Y08A    D-01B2Y08A    \*2-01B1WJ21    01AWJ21    \*3-01B1WJ22    01AWJ22
- \*4-01B1WJ19    01AWJ19    \*5-01B1WJ20    01AWJ20    \*6-01B2Z19D    01B1Z19D
- \*7-01B1WJ23    01AWJ23    \*8-01B2Z20D    01B1Z20D    \*9-01B1WJ24    01AWJ24
- \*E-01B2Z21D    01B1Z21D

E.C. 404711

COMMENTS

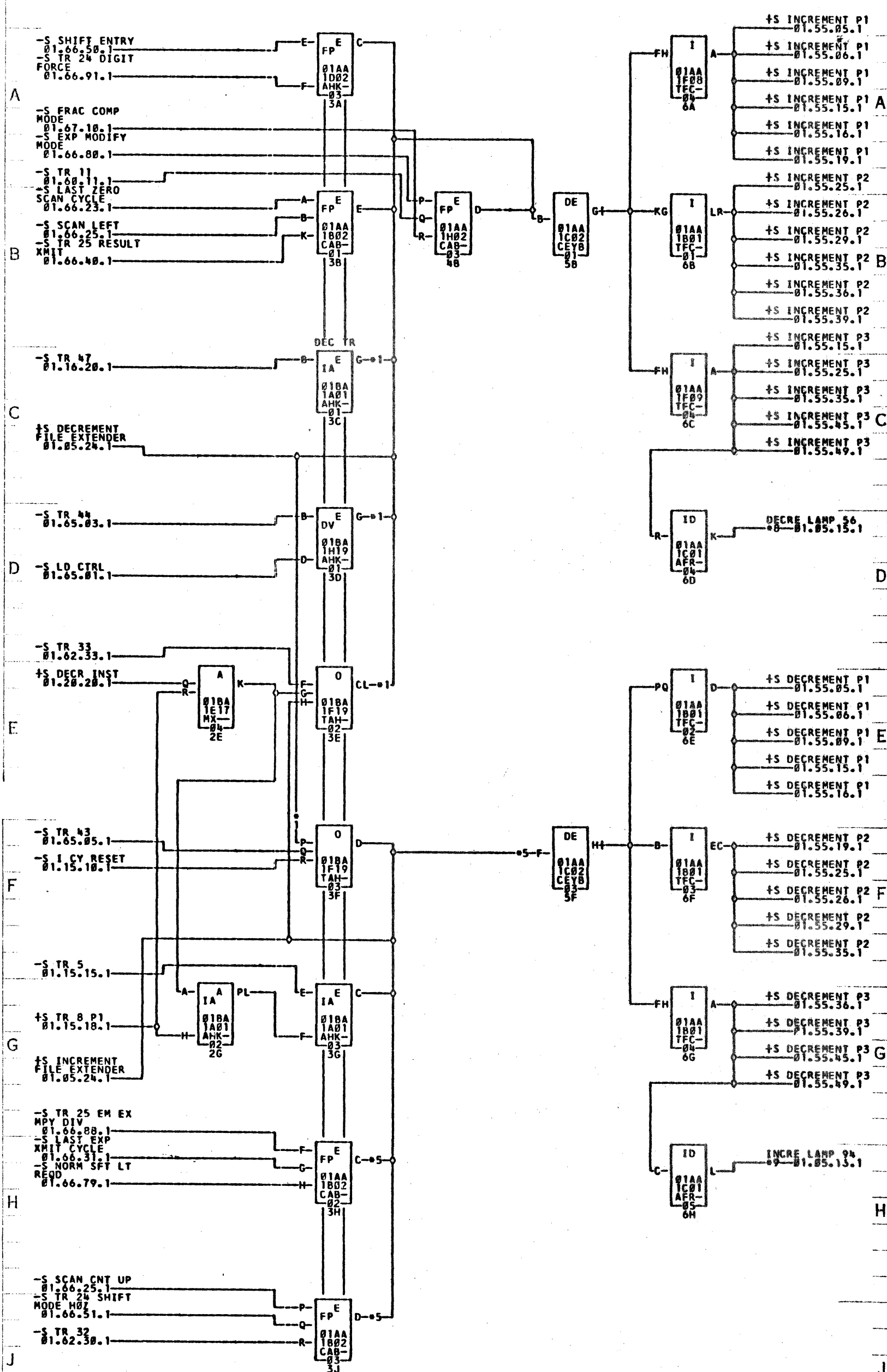
TAG	DATE	D.A.NO.	TAG	DATE	D.A.NO.	TAG	DATE	D.A.NO.
A	04-13-62	0F01R2						





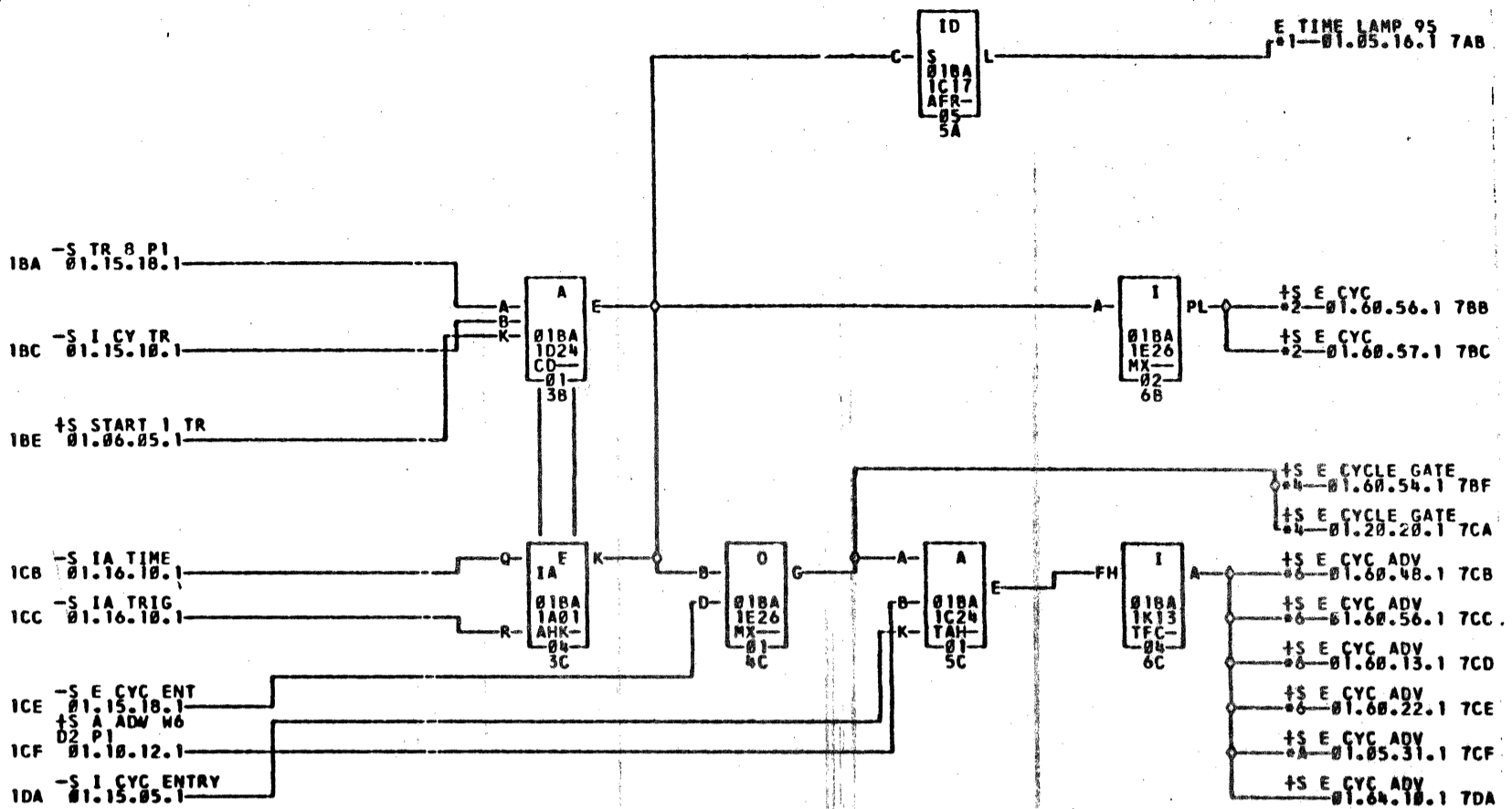
\*1-01AWB10    ——— 01AWB10    \*5-01AXL15    ——— 01AXL15    \*8-01AXE30    \*9-01AXE31





\*1-01BWB10    01AMB10    \*5-01AXL15    01BXL15    \*8-01AXE30    \*9-01AXE31

E.C. 404711    COMMENTS    TAG DATE    D.A.NO.    TAG DATE    D.A.NO.    TAG DATE    D.A.NO.    TAG DATE    D.A.NO.



\*1-01BXE20  
 01B22130  
 \*2-01B1Y27A  
 \*A-01BV611  
 01B2Y27A  
 01D3A62L  
 \*4-01B1Y04B  
 01B2Y04B  
 \*6-01B1Z130

E.C. 404711

COMMENTS

TAG	DATE	D.A.NO.	TAG	DATE	D.A.NO.
A	06-01-62	BF01RM2			

TAG	DATE	D.A.NO.	TAG	DATE	D.A.NO.



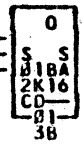
A

A

-S TR 11  
01.60.11.1

-S TR 23  
01.60.32.1

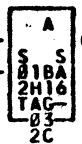
-S TR 21  
01.60.31.1



B

B

+S 0 ADV W6  
02 PI  
01.10.12.1



TGR NO 12



C

C

-S TR 13  
01.60.13.1

1 CV RESET  
01.15.10.1

-S TR 12  
01.60.32.1

-S TR 12  
01.65.07.1

-S TR 12  
01.60.31.1

-S TR 12  
01.60.58.1

-S TR 12  
01.60.11.1

-S TR 12  
01.56.16.1

-S TR 12  
01.56.17.1

-S TR 12  
01.55.02.1

-S TR 12  
01.63.30.1

D

D



E TR NO 12 LAMP  
41  
\*2-01.05.15.1

+S TR 12  
01.63.20.1

+S TR 12  
01.63.40.1

+S TR 12  
01.63.31.1

+S TR 12  
01.60.13.1

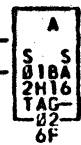
+S TR 12  
01.66.12.1

+S TR 12  
01.60.41.1

E

E

+S RECOMP CTRL  
01.60.24.1



-S RECOMP TR 12  
01.50.05.1

G

G

H

H

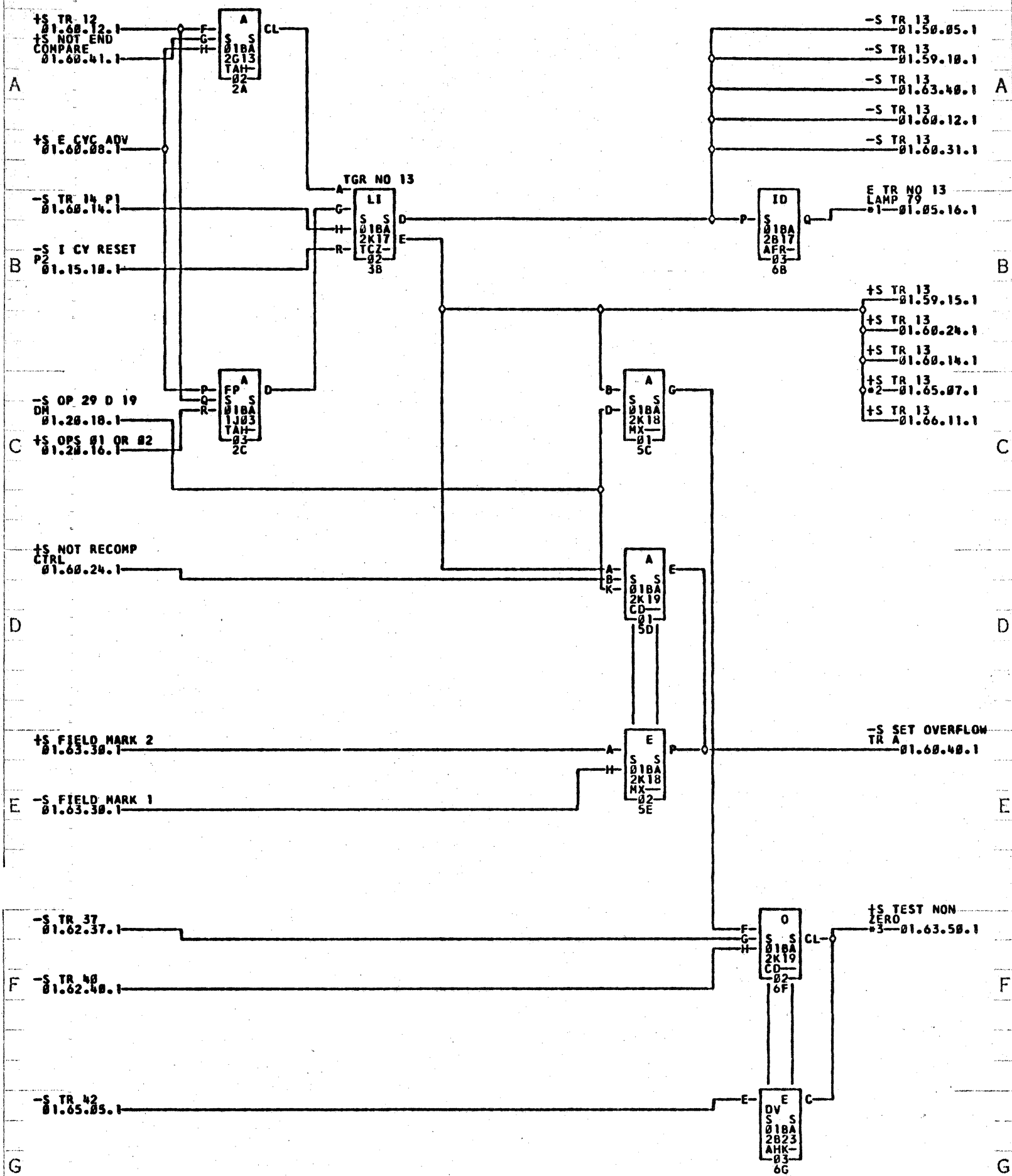
J

J

\*1-01B22220    01B12220    \*2-01BXC07

COMMENTS

TAG DATE	D.A.NO.	TAG DATE	D.A.NO.	TAG DATE	D.A.NO.	TAG DATE	D.A.NO.
A 01-23-62	0F00000						



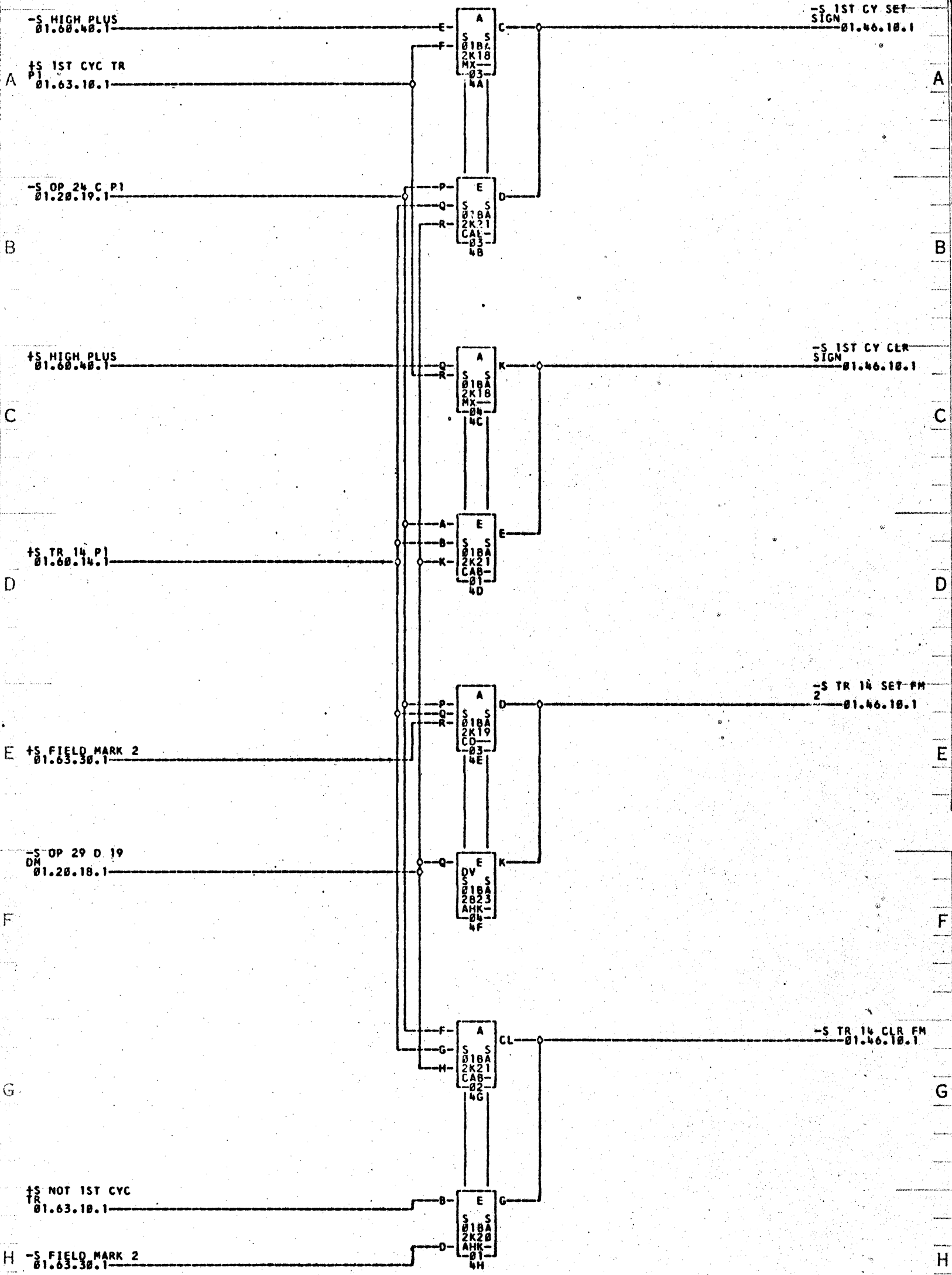
•1-018XC08    •2-0182223D    —0181223D    •3-0182227C    —0181227C

COMMENTS

TAG DATE D.A.NO. TAG DATE D.A.NO. TAG DATE D.A.NO. TAG DATE D.A.NO.

A 01-23-62 DF00000





-S HIGH PLUS  
01.60.40.1

+S 1ST CYC TR  
P1  
01.63.10.1

-S OP 24 C P1  
01.20.19.1

+S HIGH PLUS  
01.60.40.1

+S TR 14 P1  
01.60.14.1

+S FIELD MARK 2  
01.63.30.1

-S OP 29 D 19  
DM  
01.20.18.1

+S NOT 1ST CYC  
TR  
01.63.10.1

-S FIELD MARK 2  
01.63.30.1

-S 1ST CY SET  
SIGN  
01.46.10.1

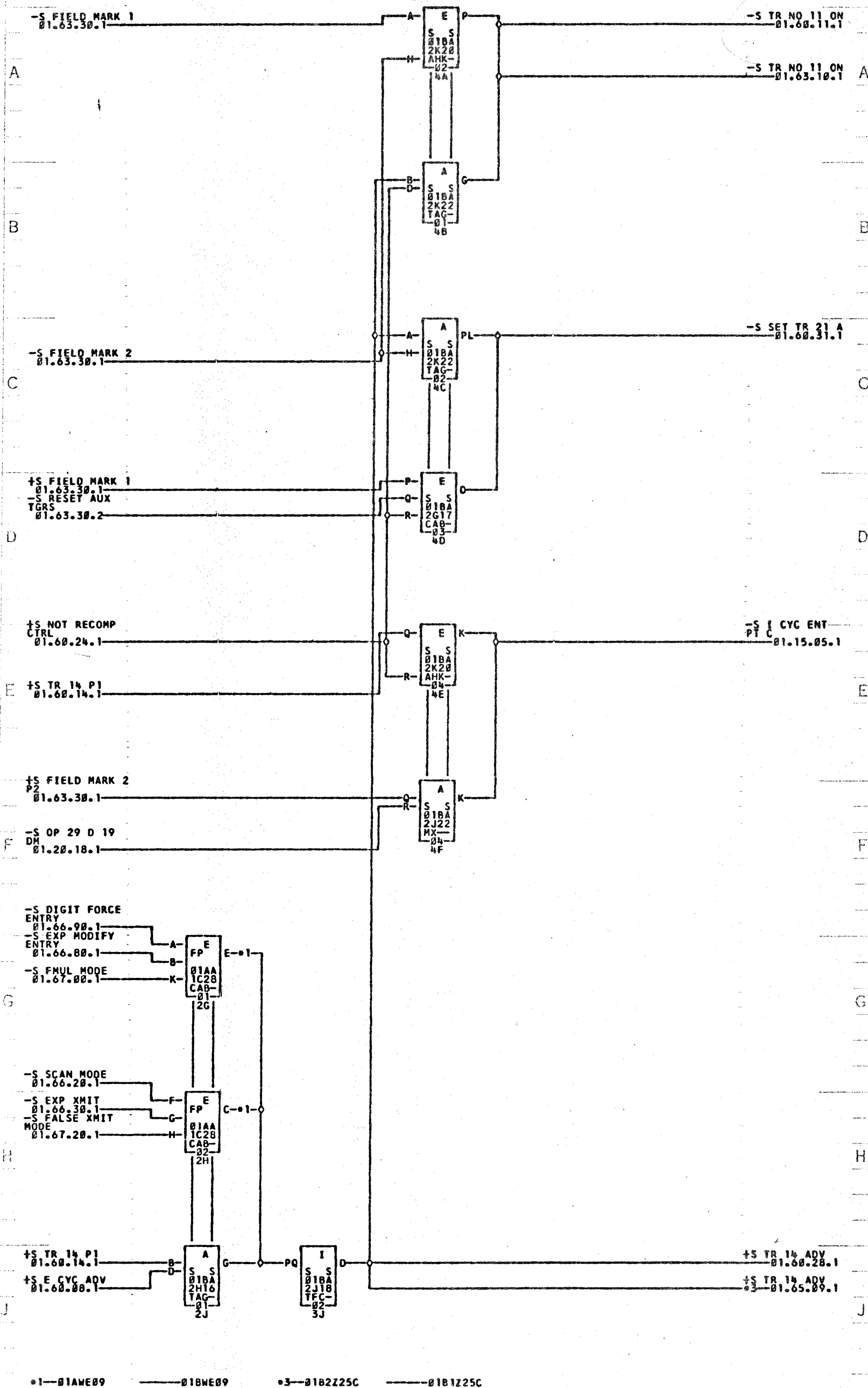
-S 1ST CY CLR  
SIGN  
01.46.10.1

-S TR 14 SET FM  
2  
01.46.10.1

-S TR 14 CLR FM  
01.46.10.1

COMMENTS

TAG DATE D.A.NO. TAG DATE D.A.NO. TAG DATE D.A.NO. TAG DATE D.A.NO.  
A 08-30-61 0E05000

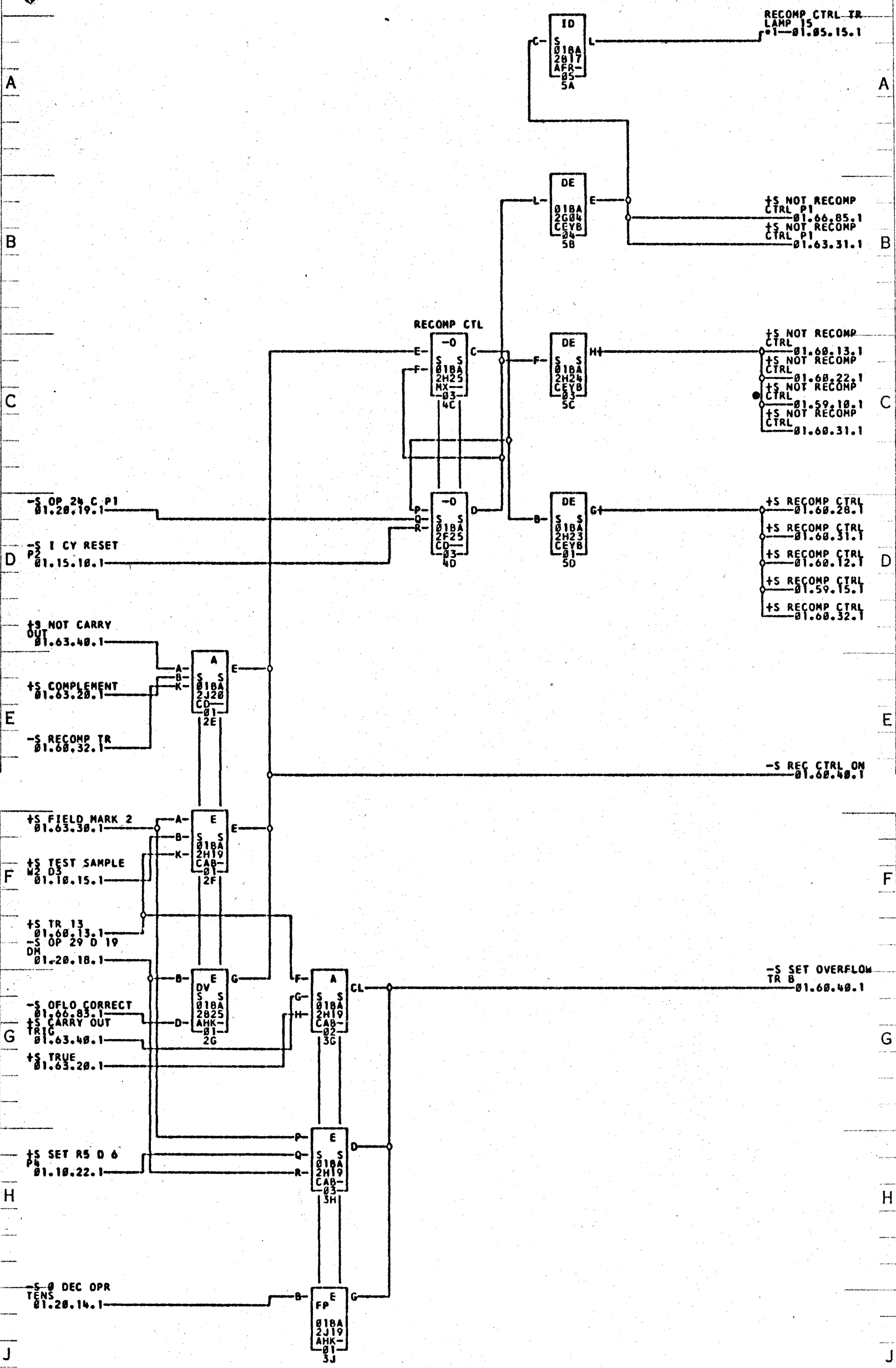


●1—01AWE09      ———01BWE09      ●3—01B2225C      -·-·-01B1225C

COMMENTS

TAG	DATE	D.A.NO.	TAG	DATE	D.A.NO.	TAG	DATE	D.A.NO.	TAG	DATE	D.A.NO.
A	02-08-62	DF01000									





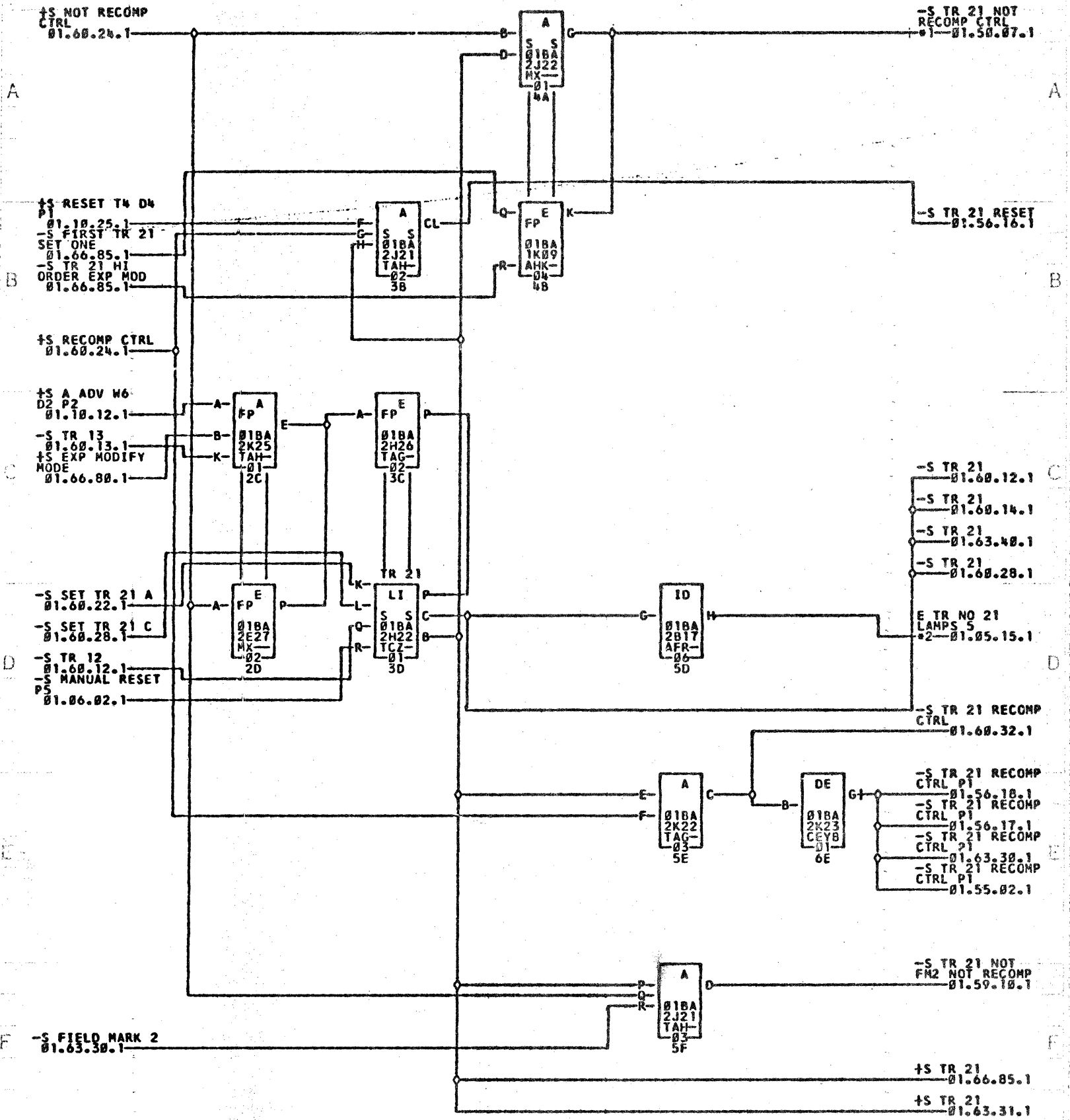
01-010XC10

ENG. CHG. NO. 484752 COMMENTS

TAG DATE D.A.NO. A 82-27-62 6F03000

TAG DATE D.A.NO. TAG DATE D.A.NO. TAG DATE D.A.NO. TAG DATE D.A.NO.

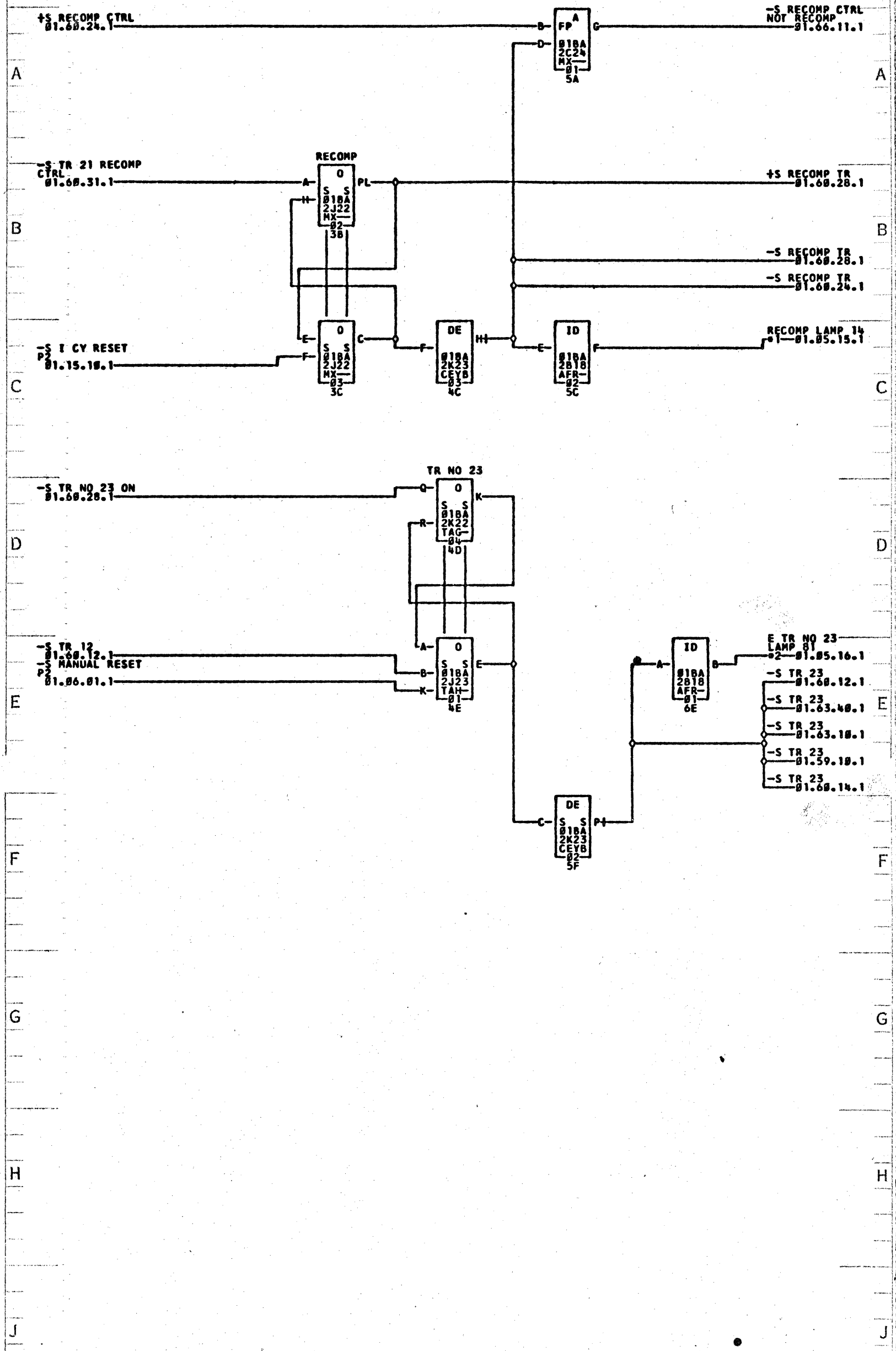




1-0102226C 0101226C 2-010XC11

COMMENTS

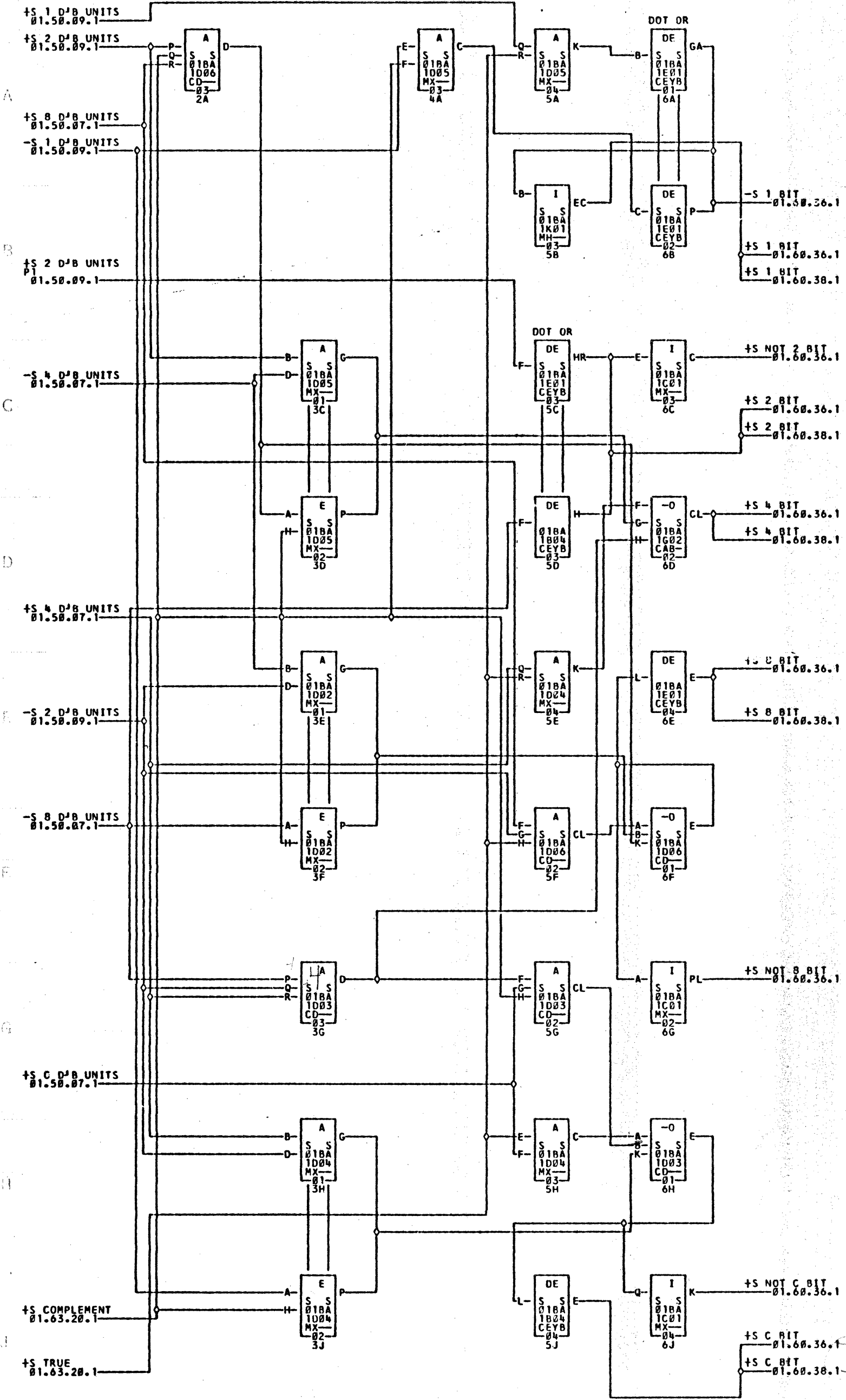
TAG DATE	D.A.NO.	TAG DATE	D.A.NO.	TAG DATE	D.A.NO.	TAG DATE	D.A.NO.
A 02-05-62	0F01000						



•1—818XC12      •2—818XC13

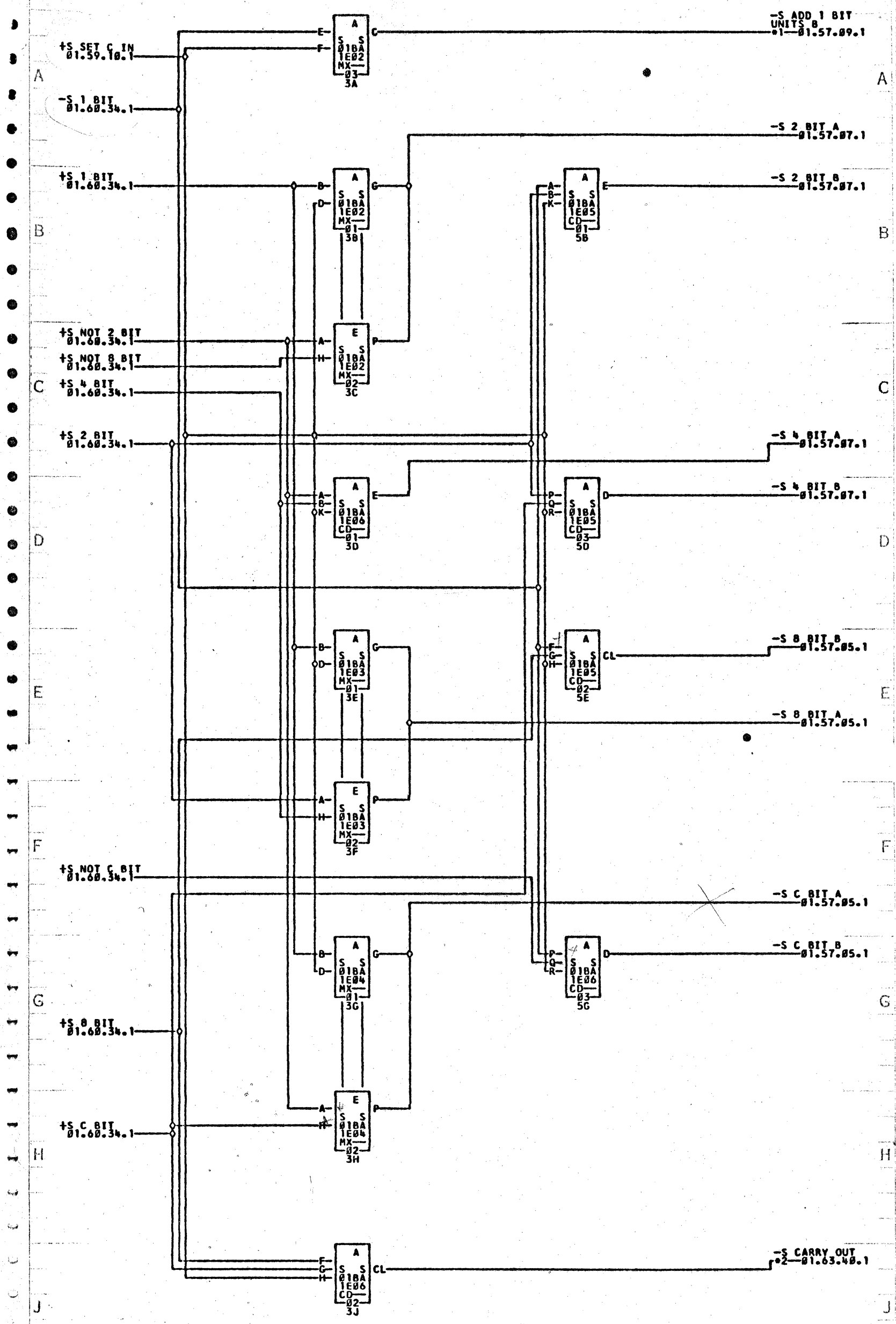
COMMENTS

TAG	DATE	D.A.NO.	TAG	DATE	D.A.NO.	TAG	DATE	D.A.NO.	TAG	DATE	D.A.NO.
A	02-05-62	8F81008									



COMMENTS

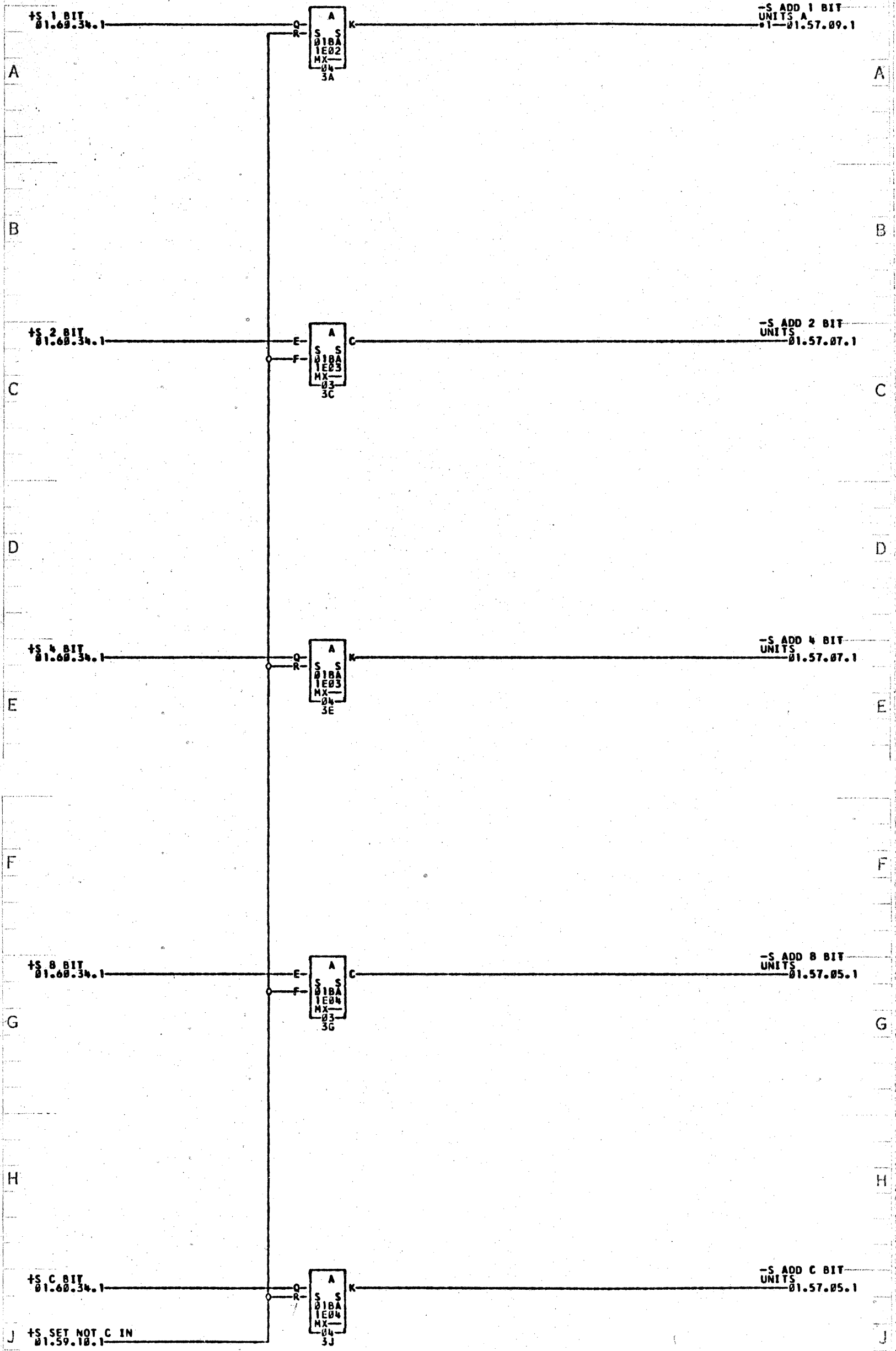
TAG DATE	D.A.NO.	TAG DATE	D.A.NO.	TAG DATE	D.A.NO.	TAG DATE	D.A.NO.
A 03-30-62	RF07000						



01-01BWF20      01AWF20      02-01B1Z07D      01B2Z07D

COMMENTS

TAG DATE	D.A.NO.	TAG DATE	D.A.NO.	TAG DATE	D.A.NO.	TAG DATE	D.A.NO.
A 02-05-62	0F01000						



•1-018WF21 ——— 01AWF21

COMMENTS

TAG DATE	D.A.NO.	TAG DATE	D.A.NO.	TAG DATE	D.A.NO.	TAG DATE	D.A.NO.
A 02-06-62	0F01000						





A

A

B

B

C

C

D

D

E

E

F

F

G

G

H

H

J

J

+S I CYC ENTRY  
01.15.05.1

-S E2 EXIT  
01.68.40.1

-S DF SET  
EXP SIGN  
01.66.92.1  
-S TR 25 EXP  
MOD ENTRY  
01.66.82.1

-S OP 28 LD 18  
LDM  
01.28.18.1  
+S TR 32  
01.62.30.1  
-S ADD SUB COMP  
DIV ENT  
01.60.11.1  
-S MANUAL RESET  
PB  
01.66.83.1

-S RESULT NON  
ZERO  
01.63.50.1

-S TR 24 EXP  
MOD EXIT  
01.66.87.1

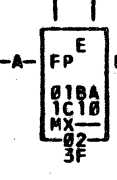
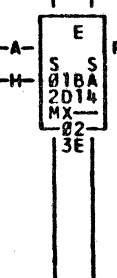
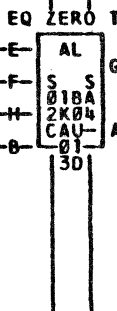
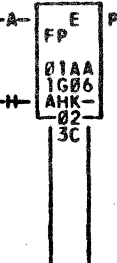
+S NOT 1ST  
CYCLE TR  
01.63.10.1

+S TR 12  
01.68.12.1

+S DIGIT RM GM  
01.63.50.1

+S TRUE  
01.63.20.1

+S OP 24 C P1  
01.28.19.1



+S ZERO EQ TR  
02-01.25.25.1  
+S ZERO EQ TR  
03-01.66.79.1  
+S ZERO EQ TR  
01.66.19.1  
+S ZERO EQ TR  
01.66.83.1  
+S ZERO EQ TR  
01.68.85.1

EQ ZERO LAMP  
171  
01.05.17.1

-S ZERO EQ TR  
05-01.25.25.1  
-S ZERO EQ TR  
06-01.66.30.1  
-S ZERO EQ TR  
06-01.66.79.1  
-S ZERO EQ TR  
01.66.19.1

+S NOT END  
COMPARE  
01.15.05.1  
+S NOT END  
COMPARE  
01.68.13.1

01-01AWK11  
04-01BXC16

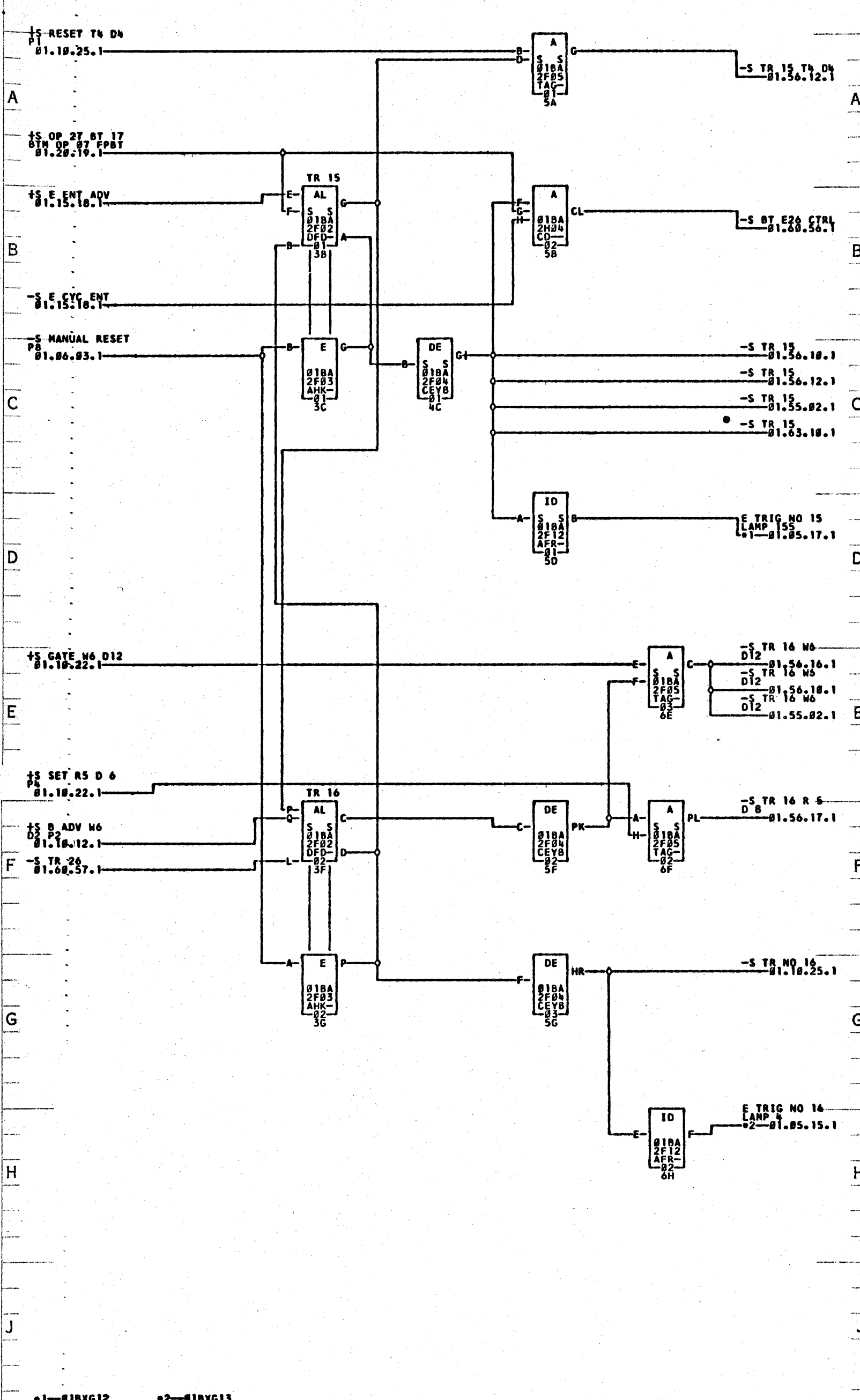
05-01BWK11  
05-01B2213A

02-01B2211A  
01B1213A

06-01B1211A  
01AWK12

03-01AWK13  
01BWK12

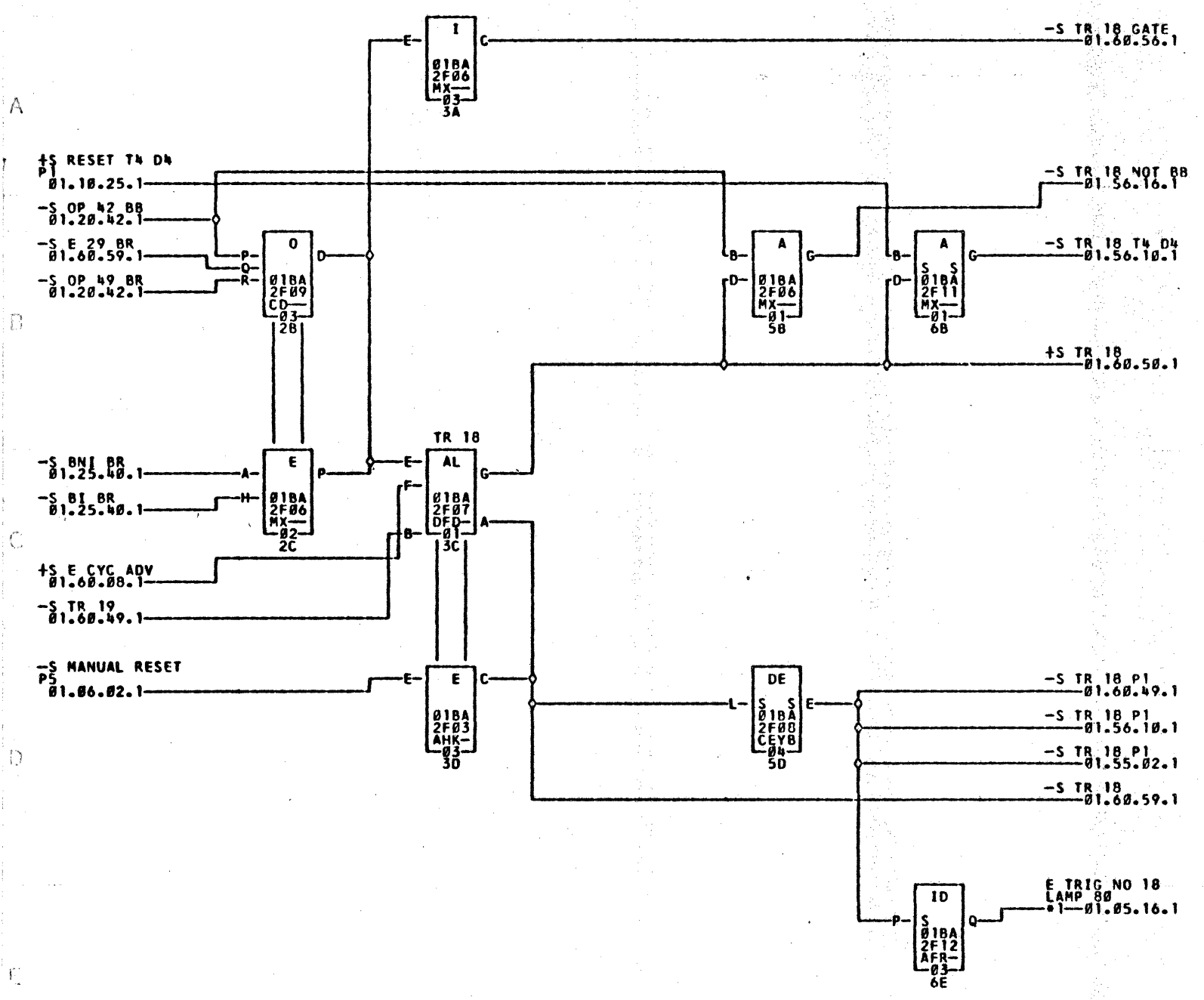
01BWK13



•1-018XG12      •2-018XG13

COMMENTS

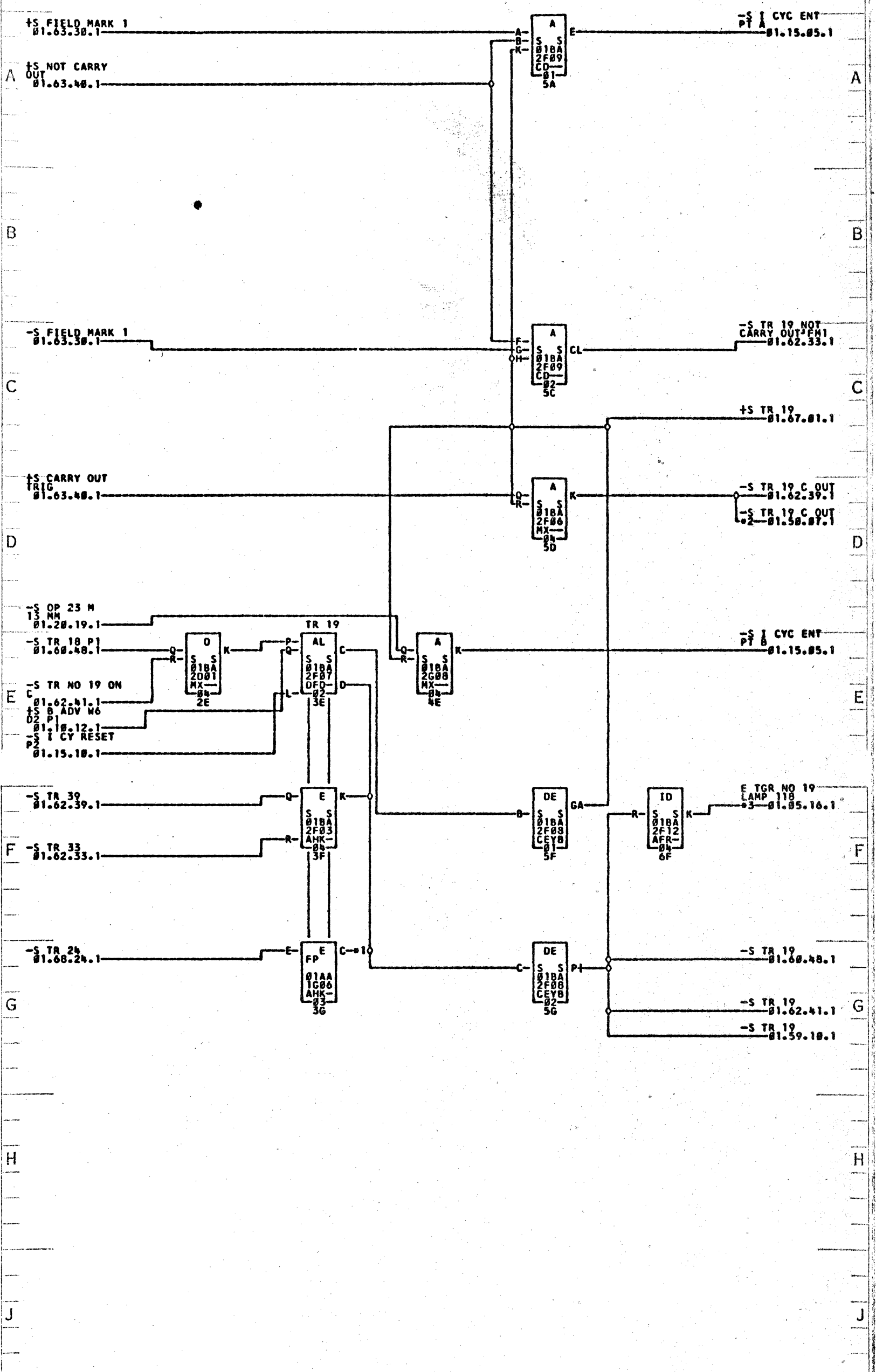
TAG DATE	D.A.NO.	TAG DATE	D.A.NO.	TAG DATE	D.A.NO.	TAG DATE	D.A.NO.
A 02-19-62	0F03000						



\*1--010XG14

COMMENTS

TAG DATE	D.A.NO.	TAG DATE	D.A.NO.	TAG DATE	D.A.NO.	TAG DATE	D.A.NO.
A 03-30-62	0F07000						



•1--01ANE10      ———018ME10      •2--01B2224C      ———01B1224C      •3--01BXC15

COMMENTS      TAG DATE    D.A.NO.    TAG DATE    D.A.NO.    TAG DATE    D.A.NO.    TAG DATE    D.A.NO.

A 02-12-62 0F01000

A

A

B

B

C

C

D

D

E

E

F

F

G

G

H

H

J

J

+S TR 18  
01.60.48.1



+S OP 42 00  
01.20.42.1



+S SAVE CTRL  
01.06.15.1



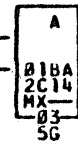
-S TR 18 OP-42  
SAVE 01.56.18.2

-S SAVE CTRL  
01.06.15.1



-S TR 18 OP-42  
NOT SAVE 01.56.12.1

+S RESET R2  
01.10.15.1

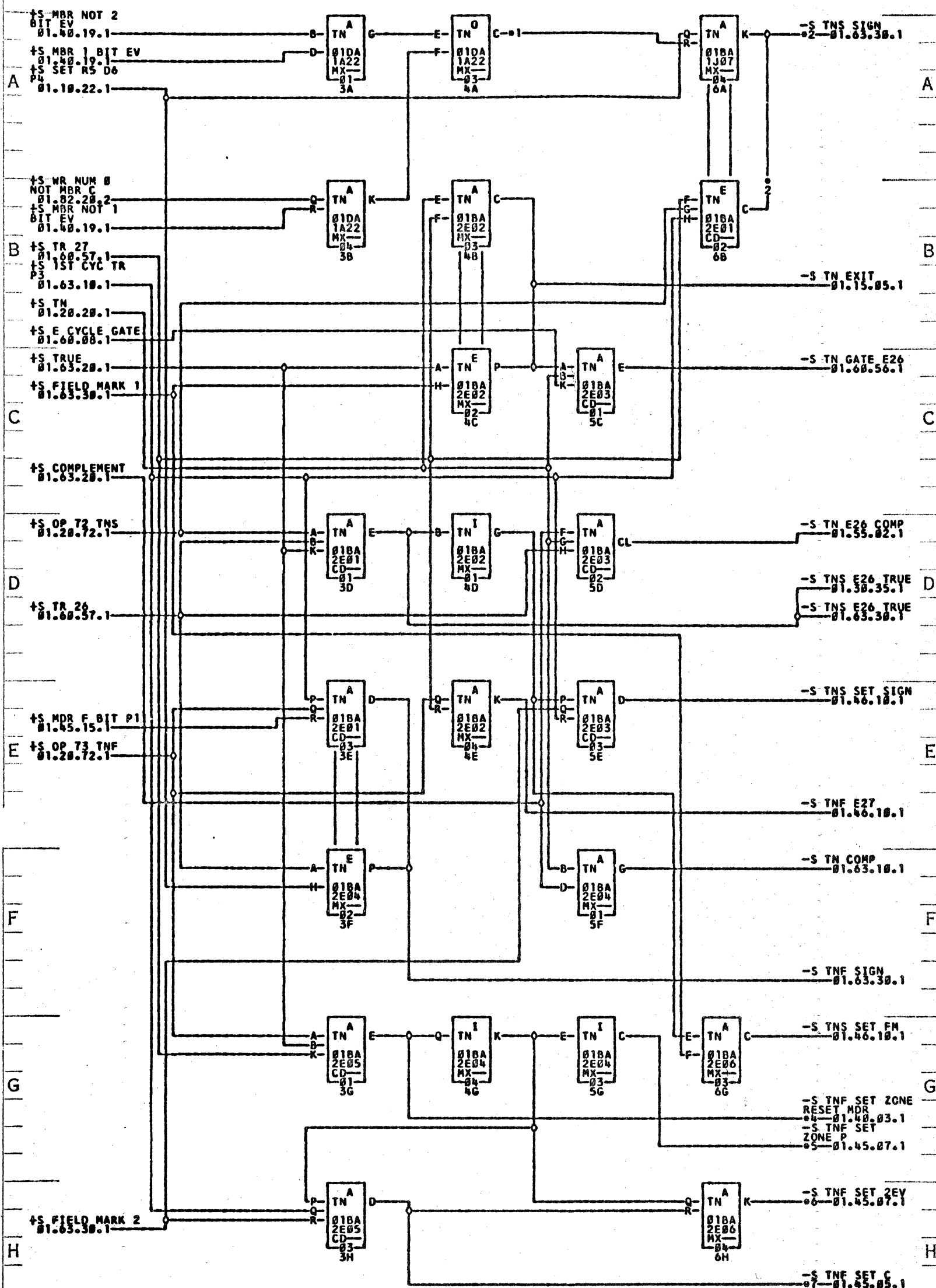


-S TR 18 OP-42  
R2 DS 01.06.15.1

•1-0102Y17D ——— 0101Y17D

COMMENTS

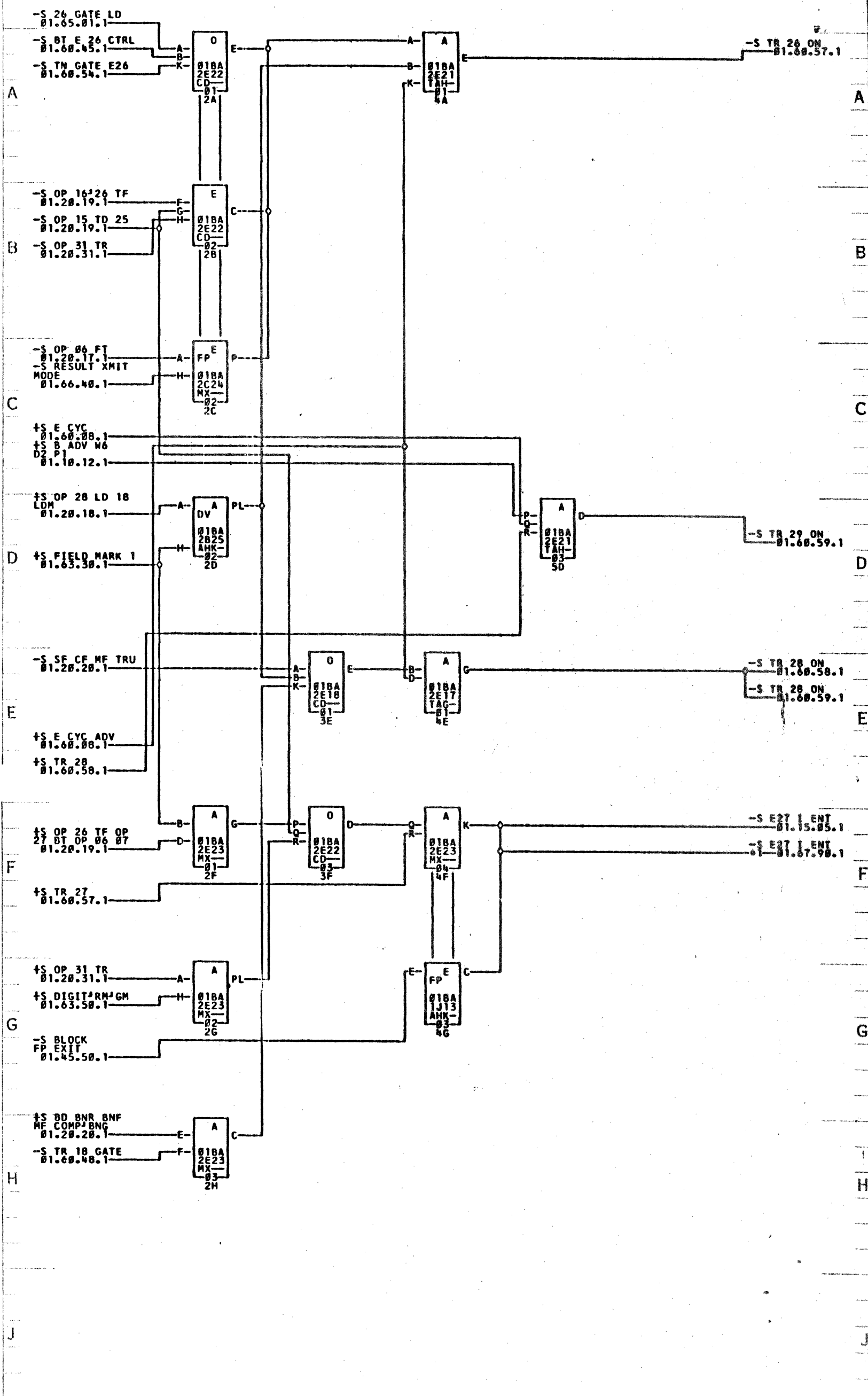
TAG	DATE	D.A.NO.	TAG	DATE	D.A.NO.	TAG	DATE	D.A.NO.	TAG	DATE	D.A.NO.
A	01-23-62	0F00000									



#1—018XJ05    #2—0181Z06A    #3—0182Z02A    #4—0181Z02A  
 #5—0182Y04C    #6—0182Y04D    #7—0182Z09B    #8—0181Z09B

COMMENTS    TAG DATE    D.A.NO.    TAG DATE    D.A.NO.    TAG DATE    D.A.NO.    TAG DATE    D.A.NO.

A 02-12-62 0181000

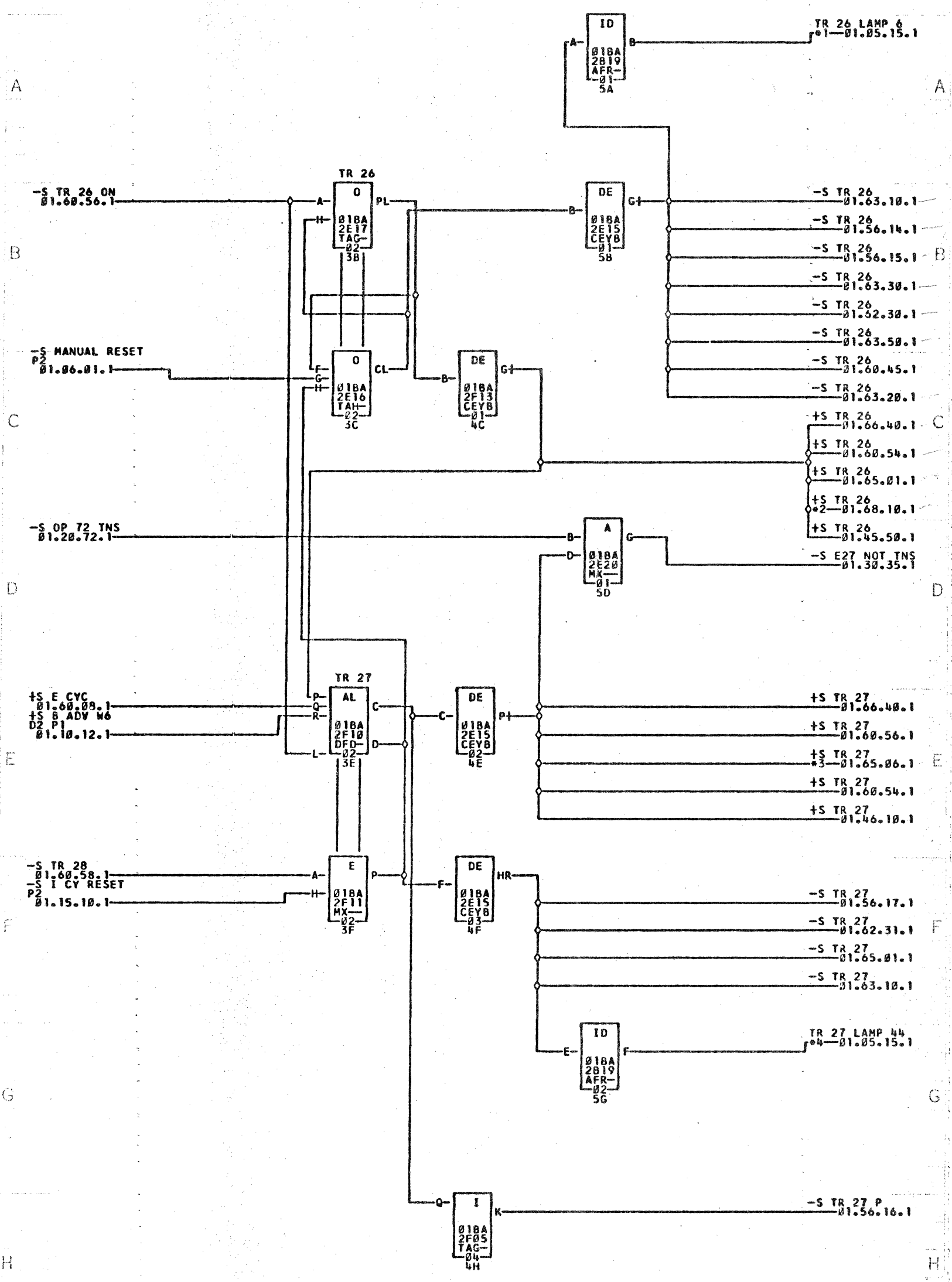


●—01BWE11    —01AWE11

E.C. 404711

COMMENTS

TAG DATE	D.A.NO.	TAG DATE	D.A.NO.	TAG DATE	D.A.NO.	TAG DATE	D.A.NO.
A 04-03-62	0F01RM2						



•1—01BXC17    •2—01ANE12    ———010WE12    •3—01B2Z08C    ———01B1Z08C    •4—01BXC18

COMMENTS

TAG	DATE	D.A.NO.	TAG	DATE	D.A.NO.	TAG	DATE	D.A.NO.	TAG	DATE	D.A.NO.
A	01-23-62	0F00000									



A

A

B

B

C

C

D

D

E

E

F

F

G

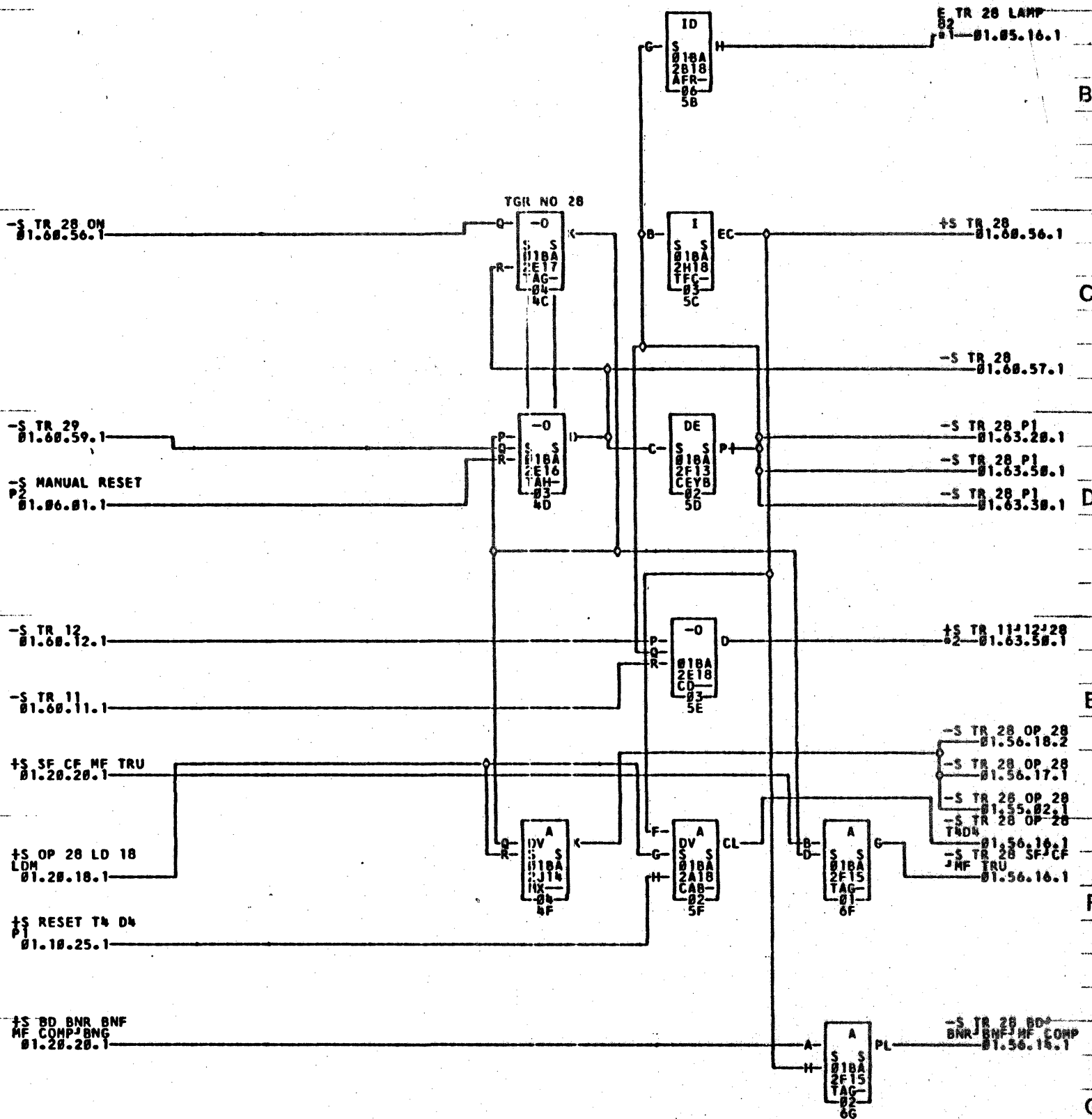
G

H

H

J

J



•1-018XE31    •2-0182Y24D    —0181Y24D

E.C. 404711

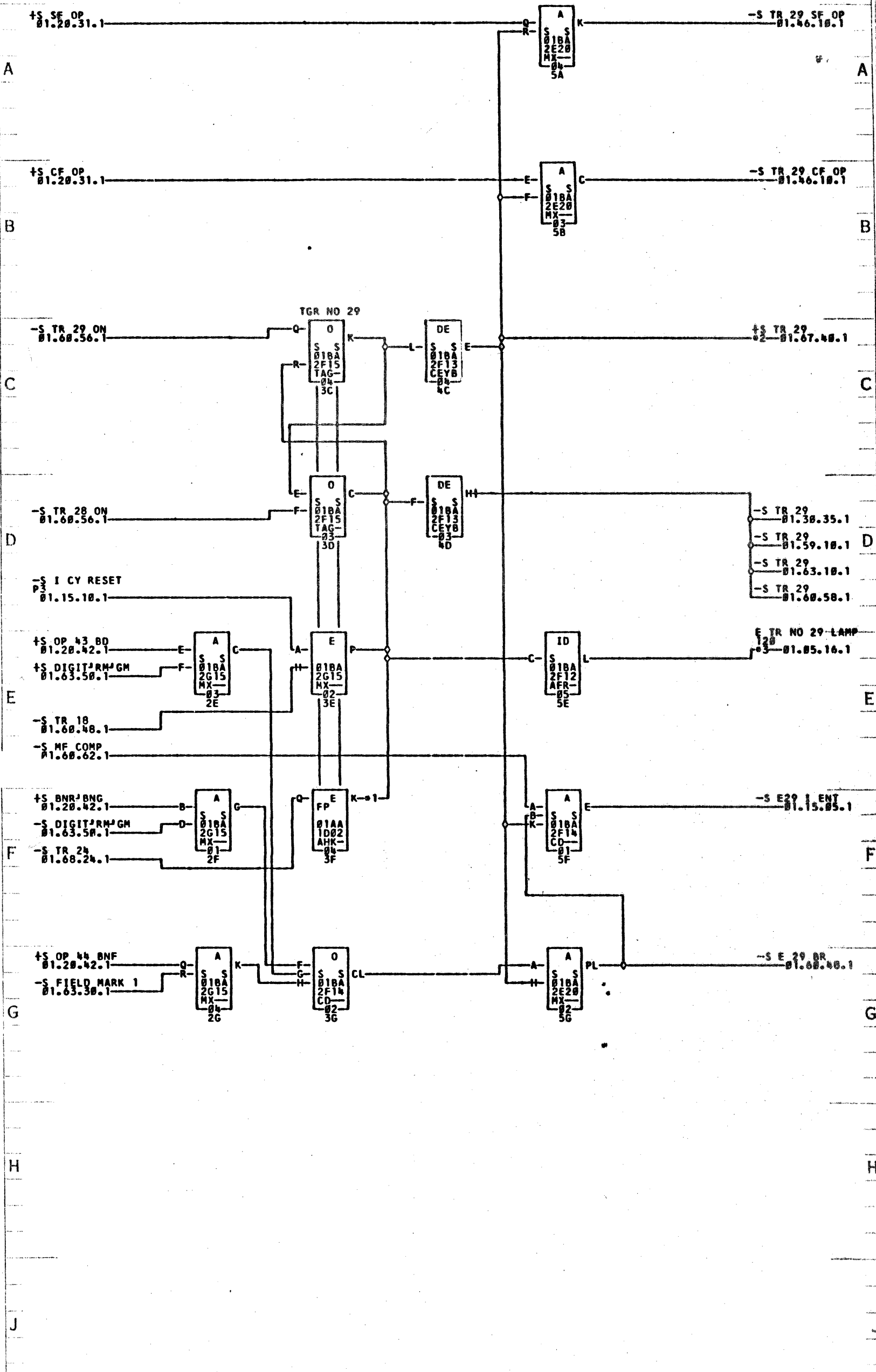
COMMENTS

TAG DATE D.A.NO. A 04-03-62 0F00RM2

TAG DATE D.A.NO.

TAG DATE D.A.NO.

TAG DATE D.A.NO.

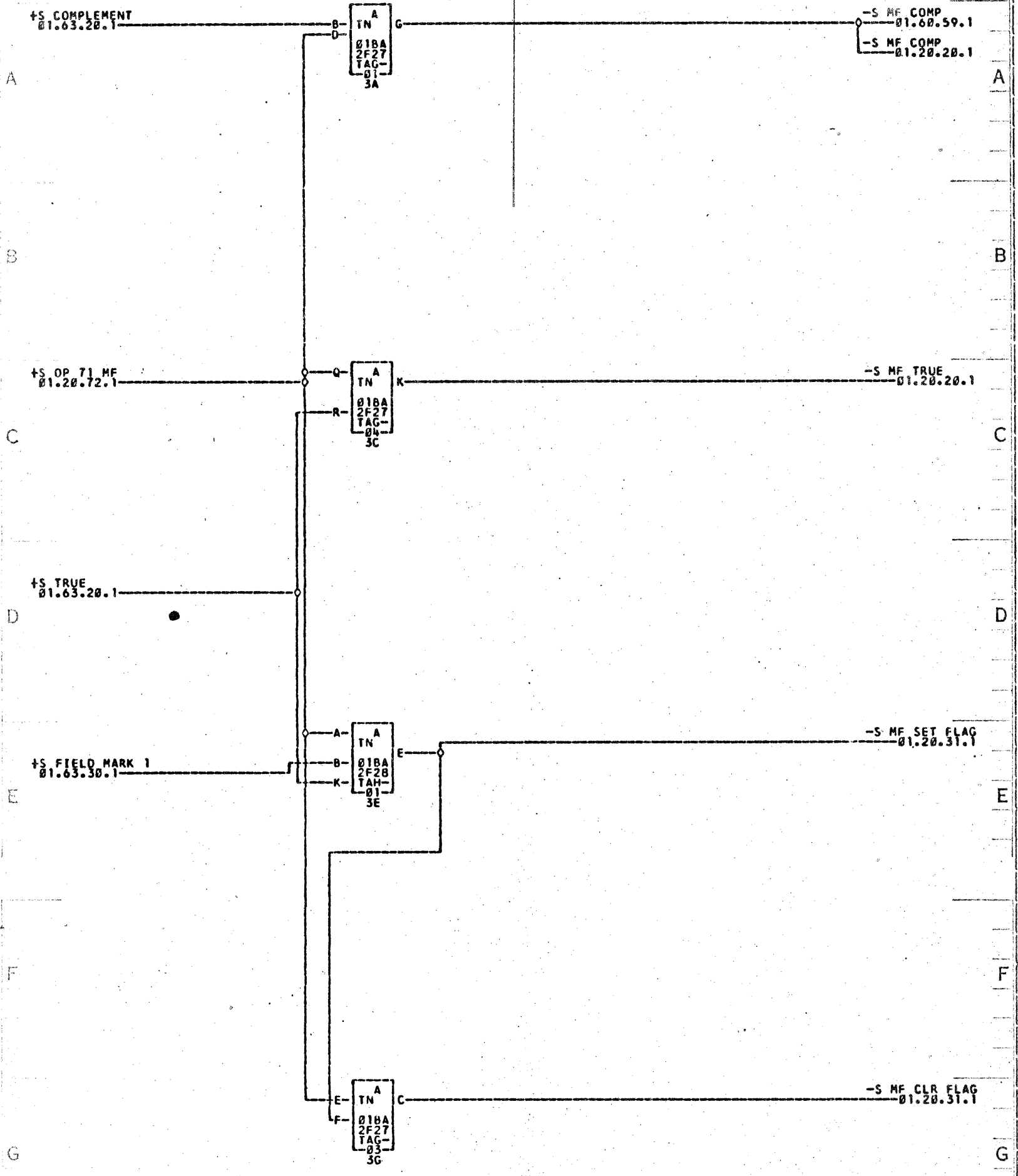


01-01ANE13      01BWE13      02-01ANE14      01BWE14      03-01BXE32

E.C. 404711

COMMENTS

TAG DATE	D.A.NO.	TAG DATE	D.A.NO.	TAG DATE	D.A.NO.	TAG DATE	D.A.NO.
A 04-03-62	DFB1RM2						



COMMENTS

TAG	DATE	D.A.NO.	TAG	DATE	D.A.NO.	TAG	DATE	D.A.NO.	TAG	DATE	D.A.NO.
A	08-30-61	0E05000									

A

A

B

B

C

C

D

D

E

E

F

F

G

G

H

H

J

J

-S OP 28 LD 18

LDN 01.20.10.1

+S OP 23 M

MM 01.20.19.1

+S E ENT ADV

01.15.10.1

-S TR 33

01.62.33.1

-S TR 26

01.60.57.1

-S MANUAL RESET

01.06.03.1

+S E CYC ENT P2

01.15.10.1

+S TR 32

01.62.33.1

+S TR 32

01.60.41.1

+S TR 32

01.62.31.1

+S TR 32

01.60.40.1

-S TR 32 A

01.56.18.2

-S TR 32 ENTRY

01.59.15.1

-S TR 32 ENTRY

01.57.16.1

E TRIG NO 32

LAMP 45

02-01.05.15.1

-S TR 32

03-01.60.05.1

-S TR 32

04-01.10.30.1

-S TR 32

01.56.19.1

-S TR 32

01.63.10.1

-S TR 32 P1

05-01.40.07.1

-S TR 32 P1

05-01.40.17.1

-S TR 32 P1

05-01.41.06.1

-S TR 32 P1

05-01.60.14.1

•1-01BVP01

01B1Z23C

•5-01AWF01

01BWH24

•2-01BXC17

01AWH24

•3-01BWC08

01AWC08

•4-01B2Z23C

COMMENTS

TAG DATE D.A.NO. TAG DATE D.A.NO. TAG DATE D.A.NO. TAG DATE D.A.NO.

A 01-23-62 0F00000

IBM

FORM 624-9015-1

A

A

B

B

C

C

D

D

E

E

F

F

G

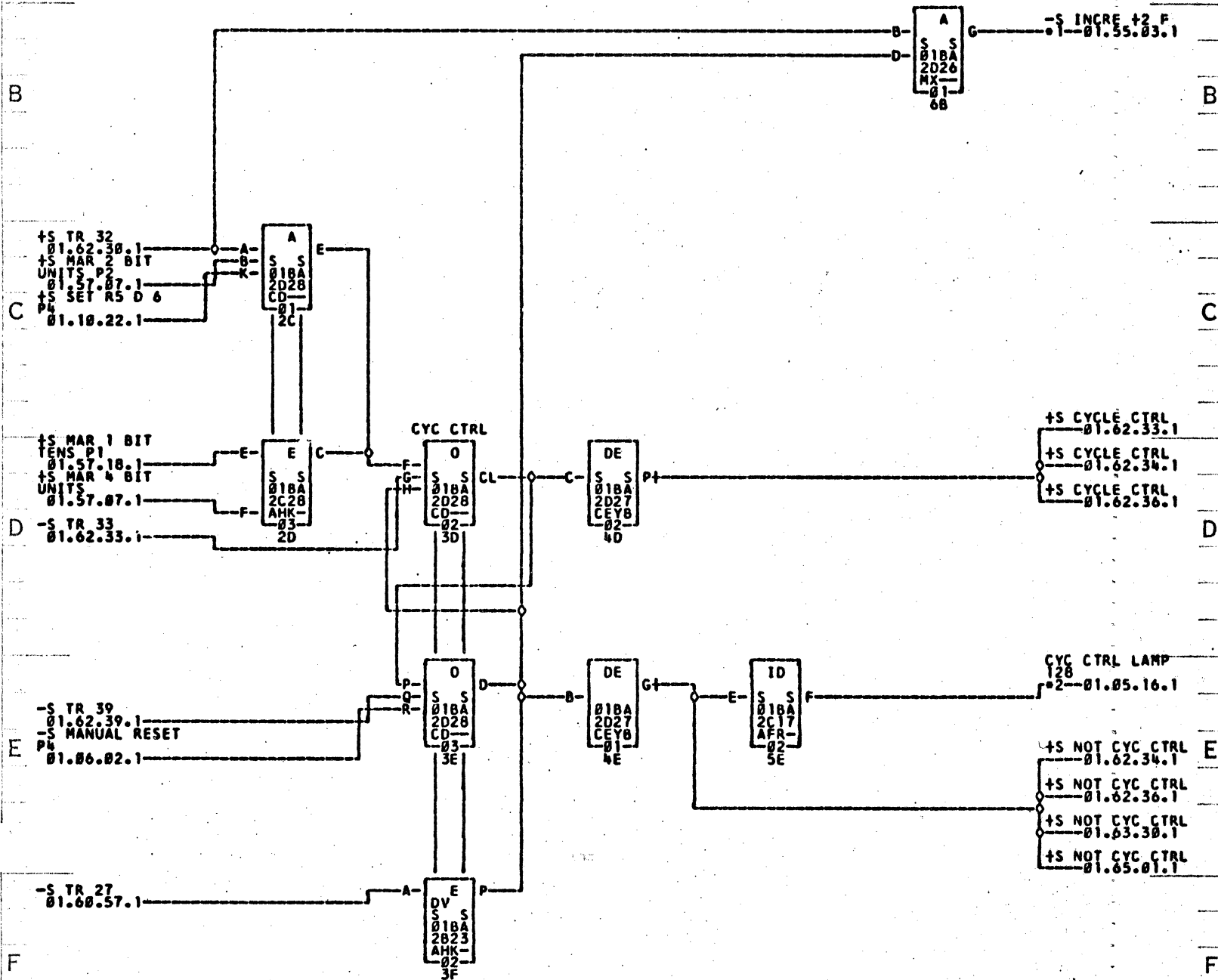
G

H

H

J

J



•1--01B2207C      -----01B1207C      •2--01BXC18

COMMENTS      TAG DATE    D.A.NO.    TAG DATE    D.A.NO.    TAG DATE    D.A.NO.    TAG DATE    D.A.NO.

A 00-30-61 0025000

A

A

-S TR 19 NOT CARRY OUT FM1 01.60.49.1

+S TR 32 01.62.30.1

+S CYCLE CTRL 01.62.31.1

-S TR 34 01.62.34.1

+S OP 23M 13MM 01.20.19.1

+S A ADV W6 01.10.12.1

+S MANUAL RESET 01.06.02.1

-S SET FILE OP 01.25.25.1

D

E

F

G

H

J

\*1-01BVJ28  
\*6-01BXG19

0102001M

\*2-01B2Z25D

01B1Z25D

\*4-01B2Z26A

01B1Z26A

E.C. 404711

COMMENTS

TAG DATE	D.A.NO.	TAG DATE	D.A.NO.	TAG DATE	D.A.NO.	TAG DATE	D.A.NO.
A 04-13-62	0E05RN2						

A

B

C

D

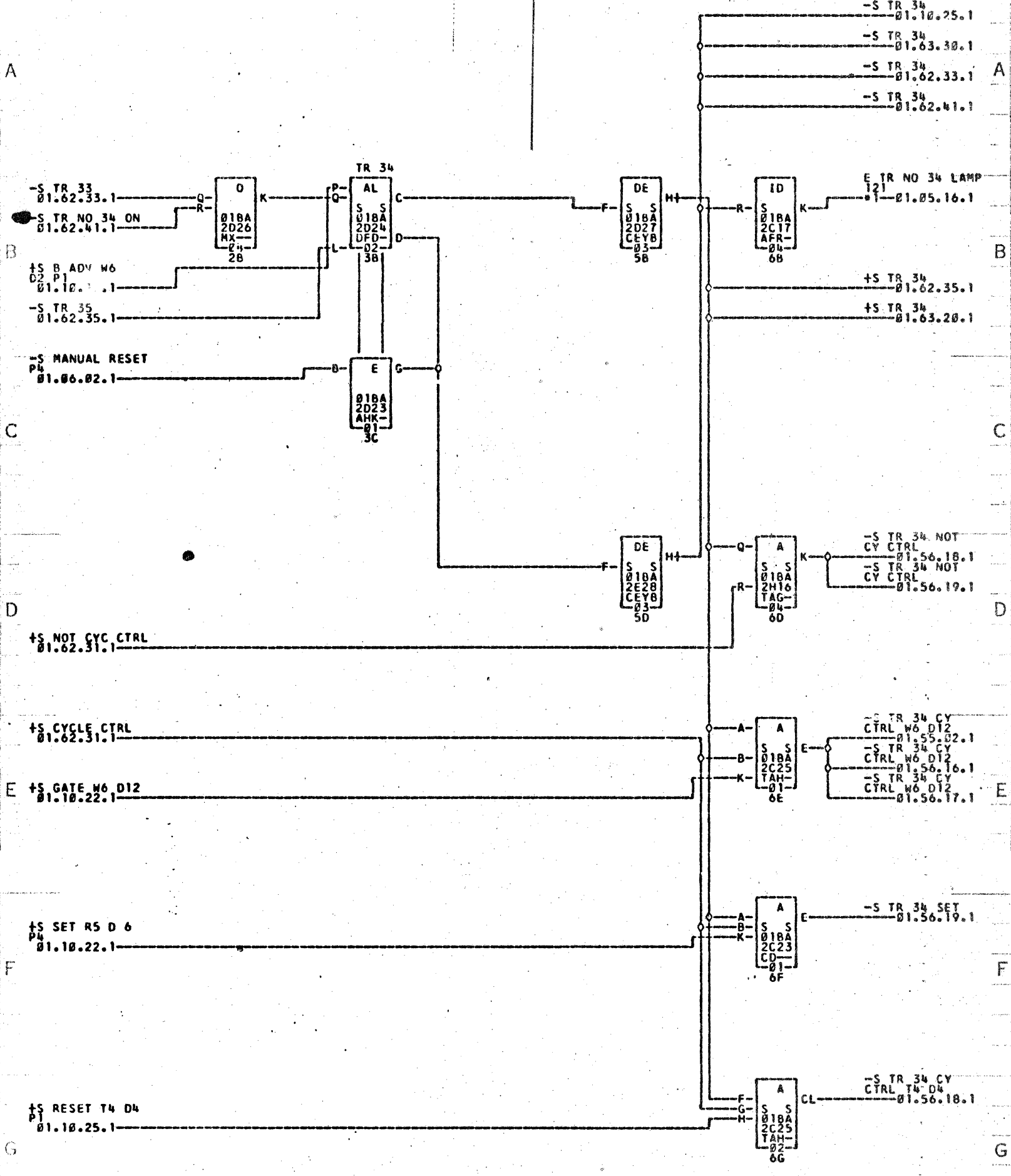
E

F

G

H

J



•1--018XG20

COMMENTS

TAG	DATE	D.A.NO.	TAG	DATE	D.A.NO.	TAG	DATE	D.A.NO.	TAG	DATE	D.A.NO.
A	08-30-61	0E05000									

A

A

B

B

C

C

D

D

E

E

F

F

G

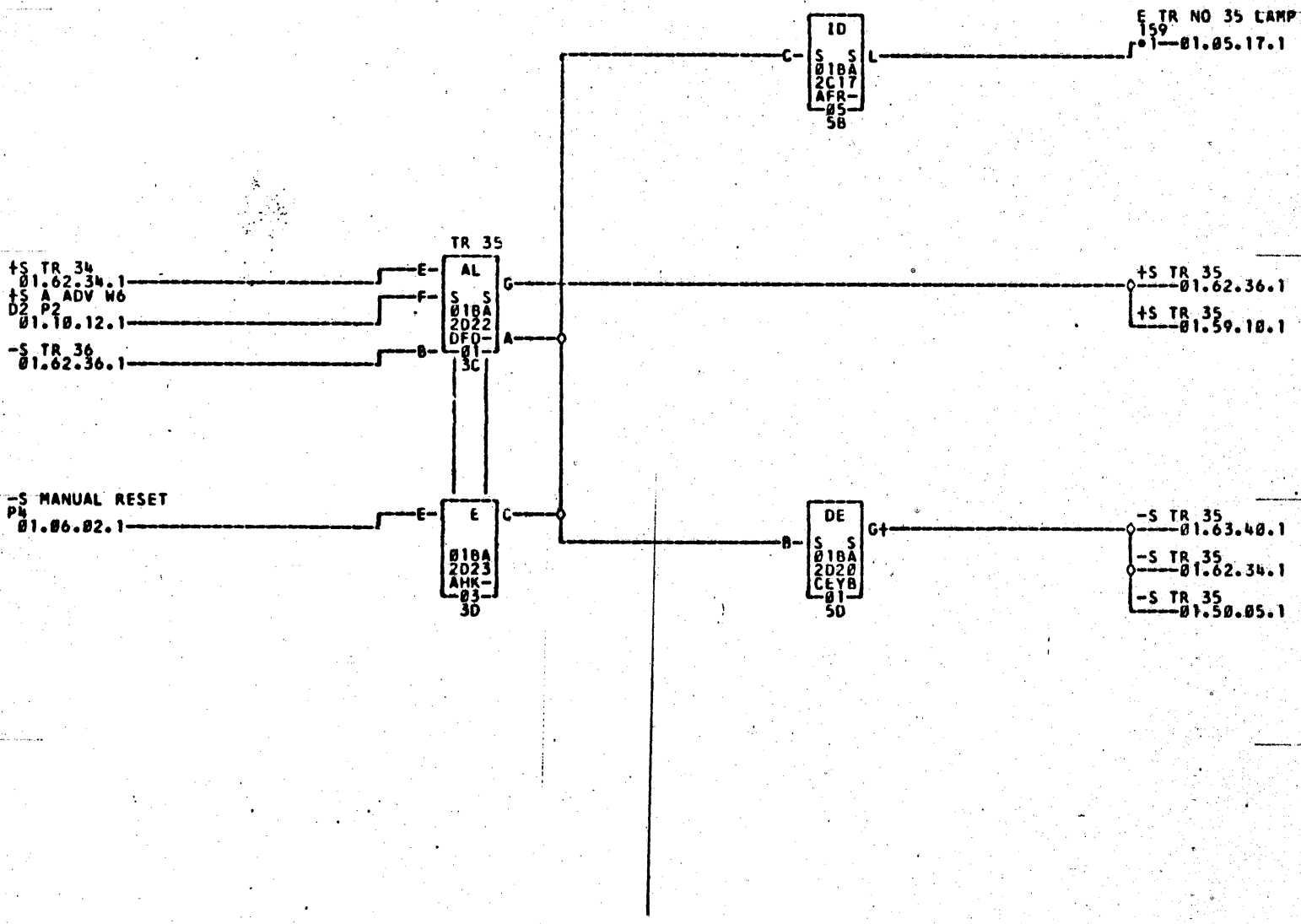
G

H

H

J

J

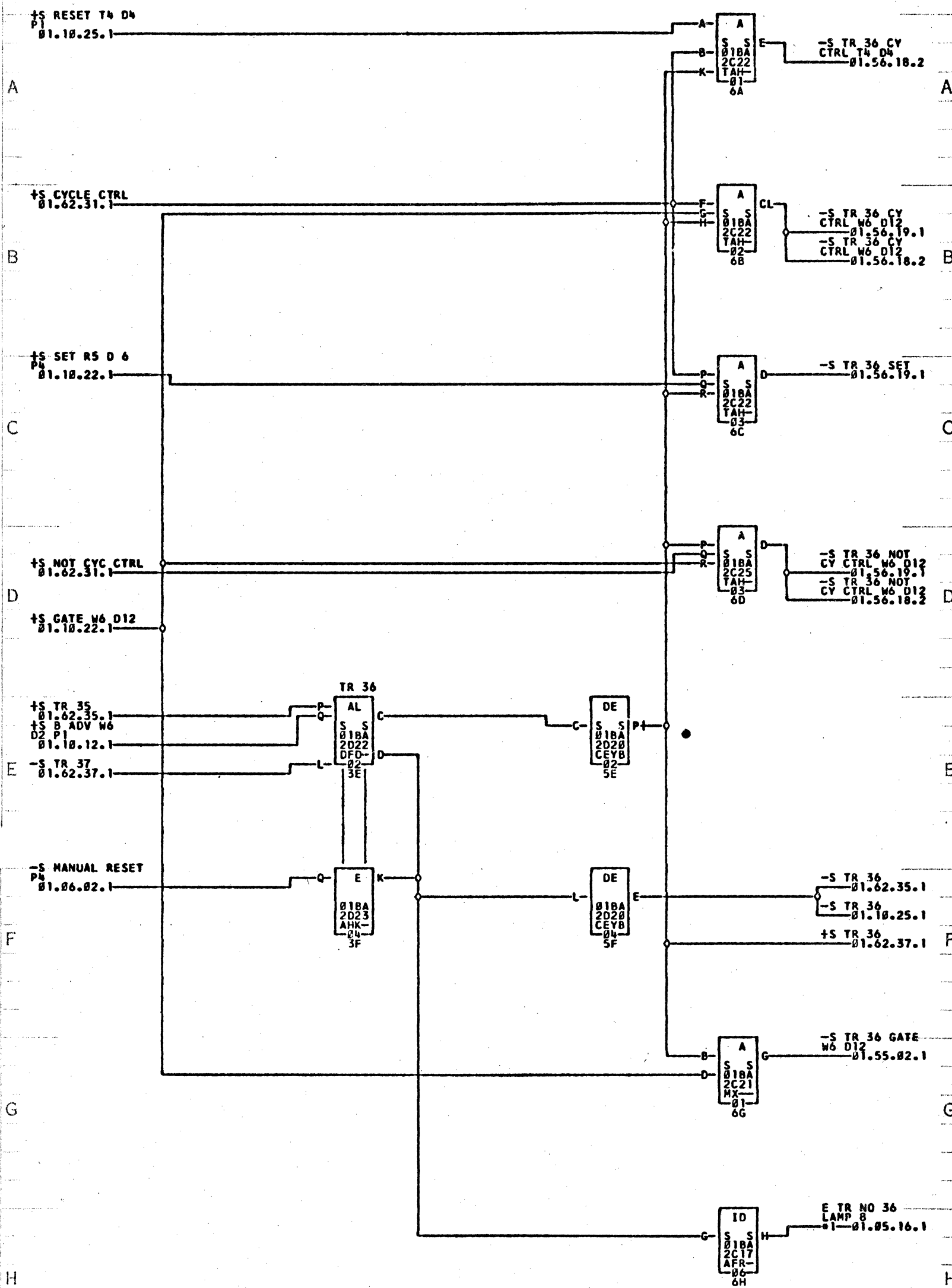


01-010XG21

COMMENTS

TAG DATE	D.A.NO.	TAG DATE	D.A.NO.	TAG DATE	D.A.NO.	TAG DATE	D.A.NO.
A 08-30-61	0005000						





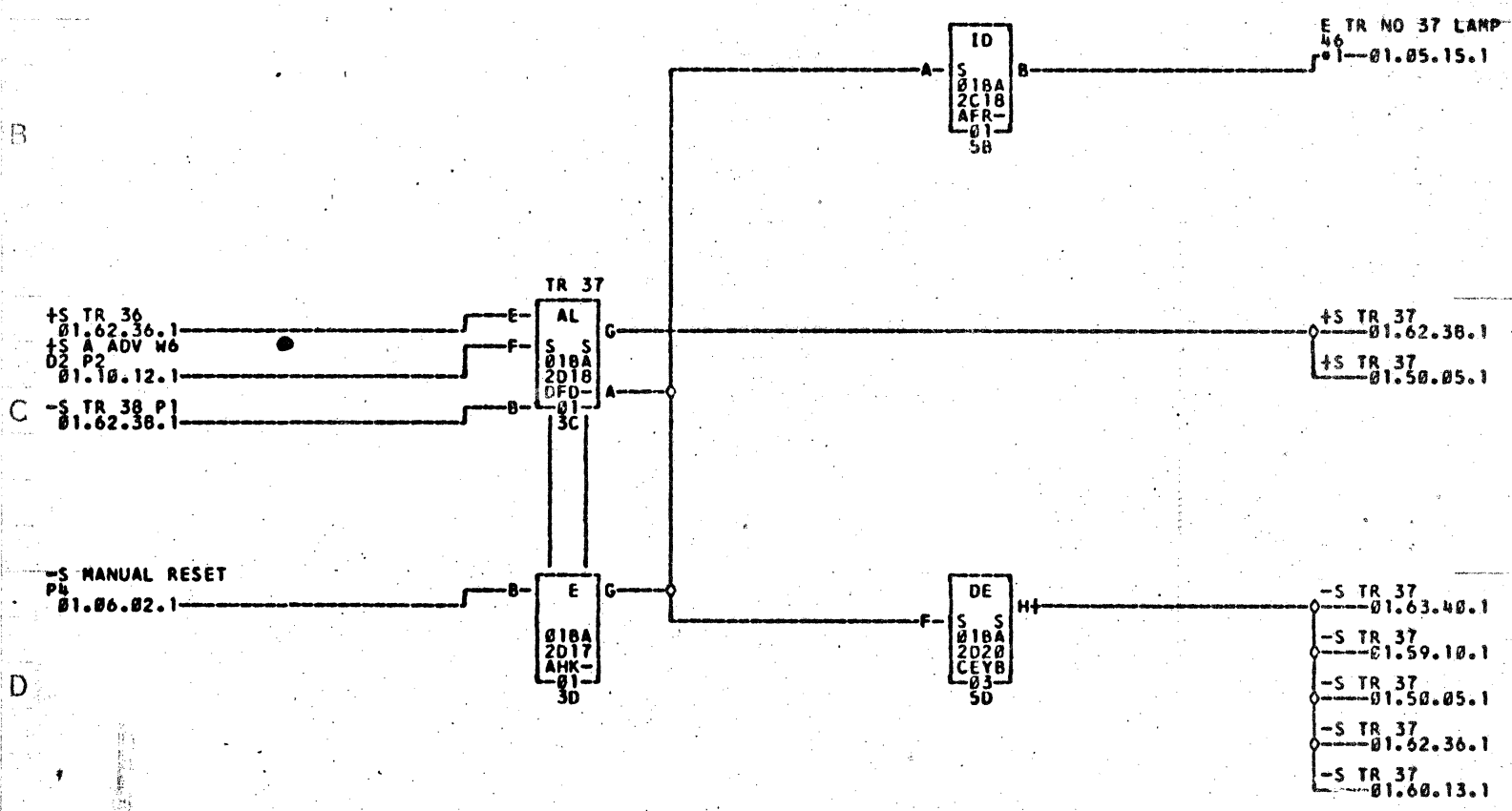
•1-01BXG22

COMMENTS

TAG DATE	D.A.NO.	TAG DATE	D.A.NO.	TAG DATE	D.A.NO.	TAG DATE	D.A.NO.
A 01-23-62	0F00000						

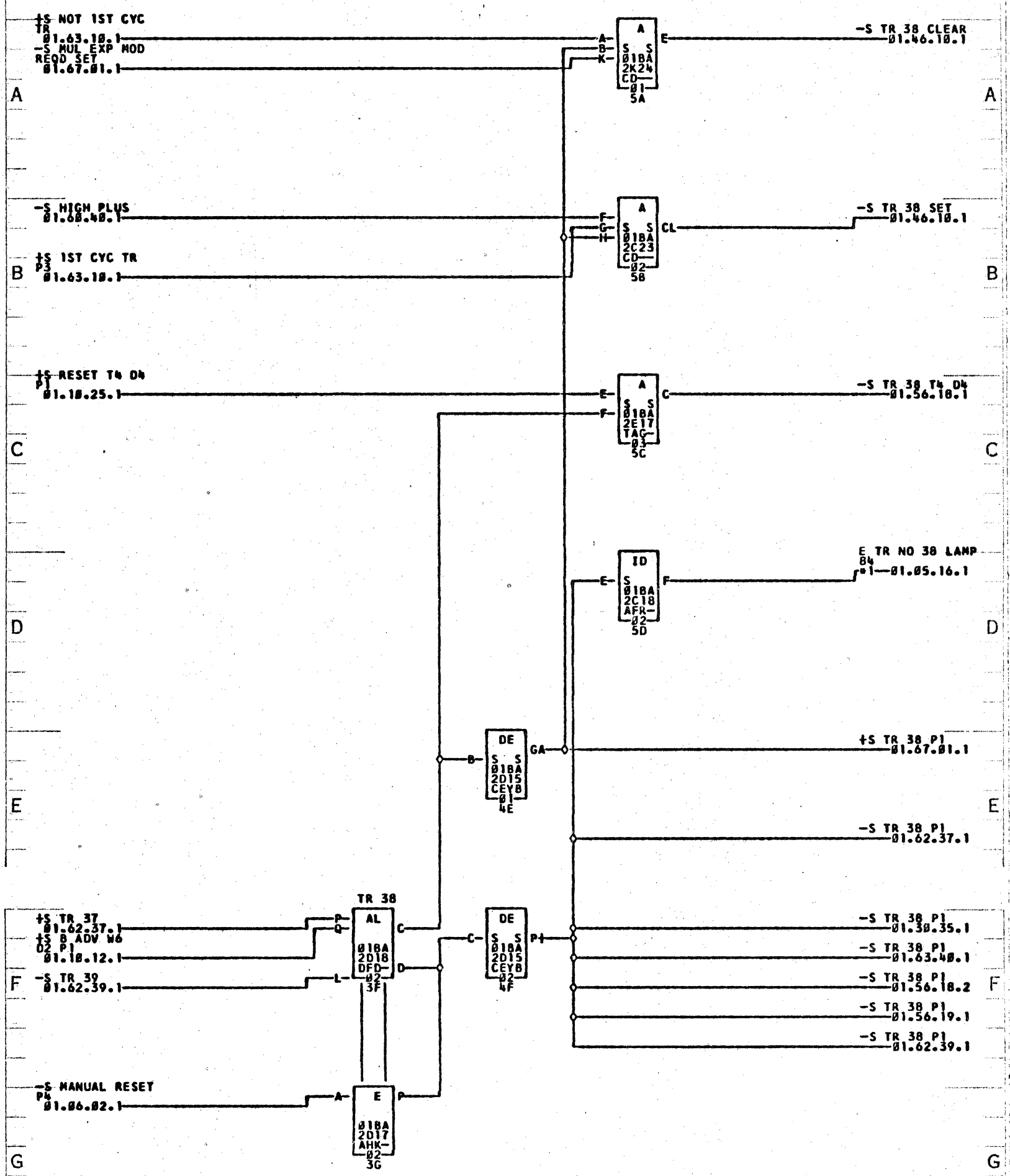
A  
B  
C  
D  
E  
F  
G  
H  
J

A  
B  
C  
D  
E  
F  
G  
H  
J



01-018XG23

COMMENTS	TAG DATE	D.A.NO.	TAG DATE	D.A.NO.	TAG DATE	D.A.NO.	TAG DATE	D.A.NO.
	A	08-30-61	0E05000					



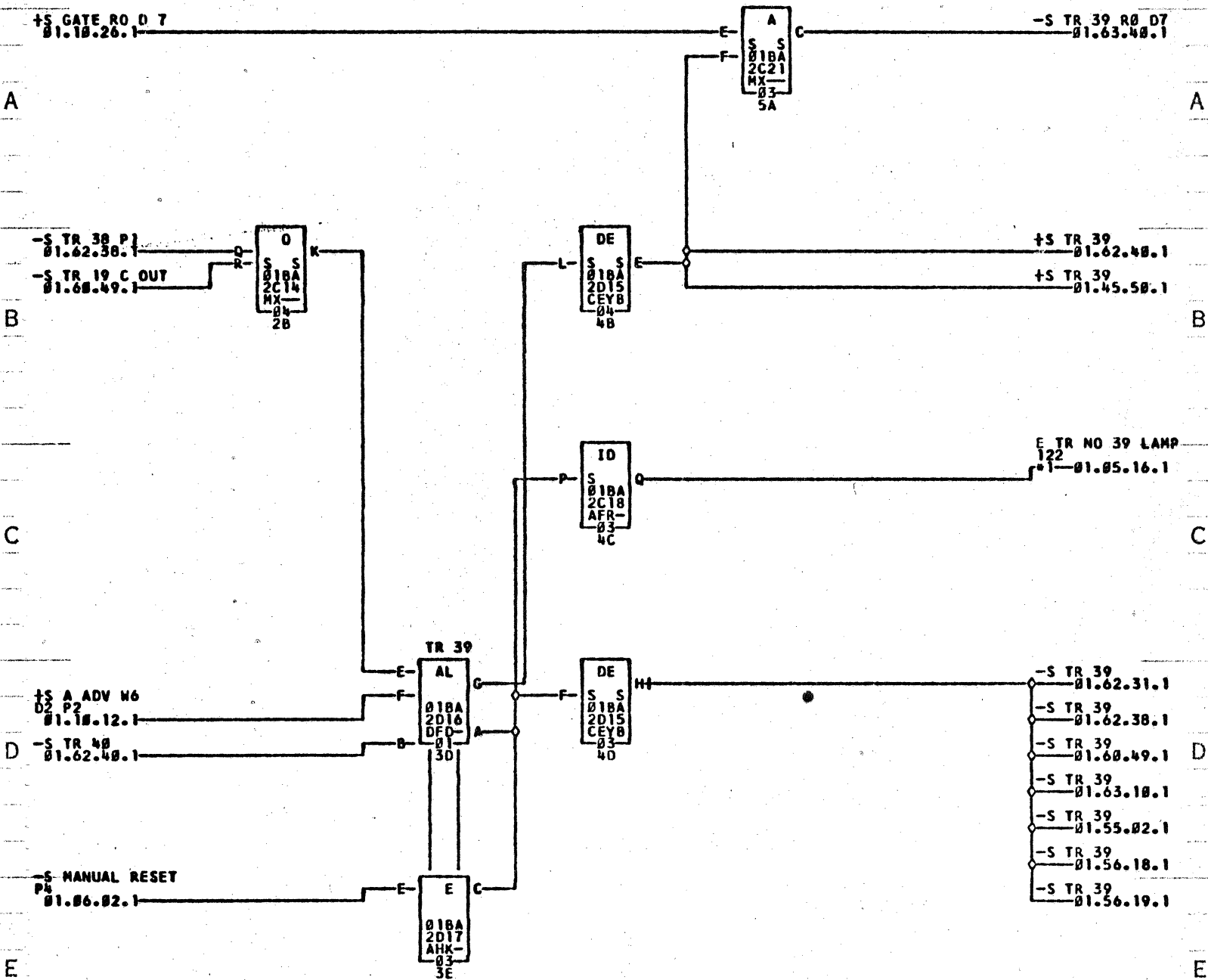
A  
B  
C  
D  
E  
F  
G  
H  
J

A  
B  
C  
D  
E  
F  
G  
H  
J

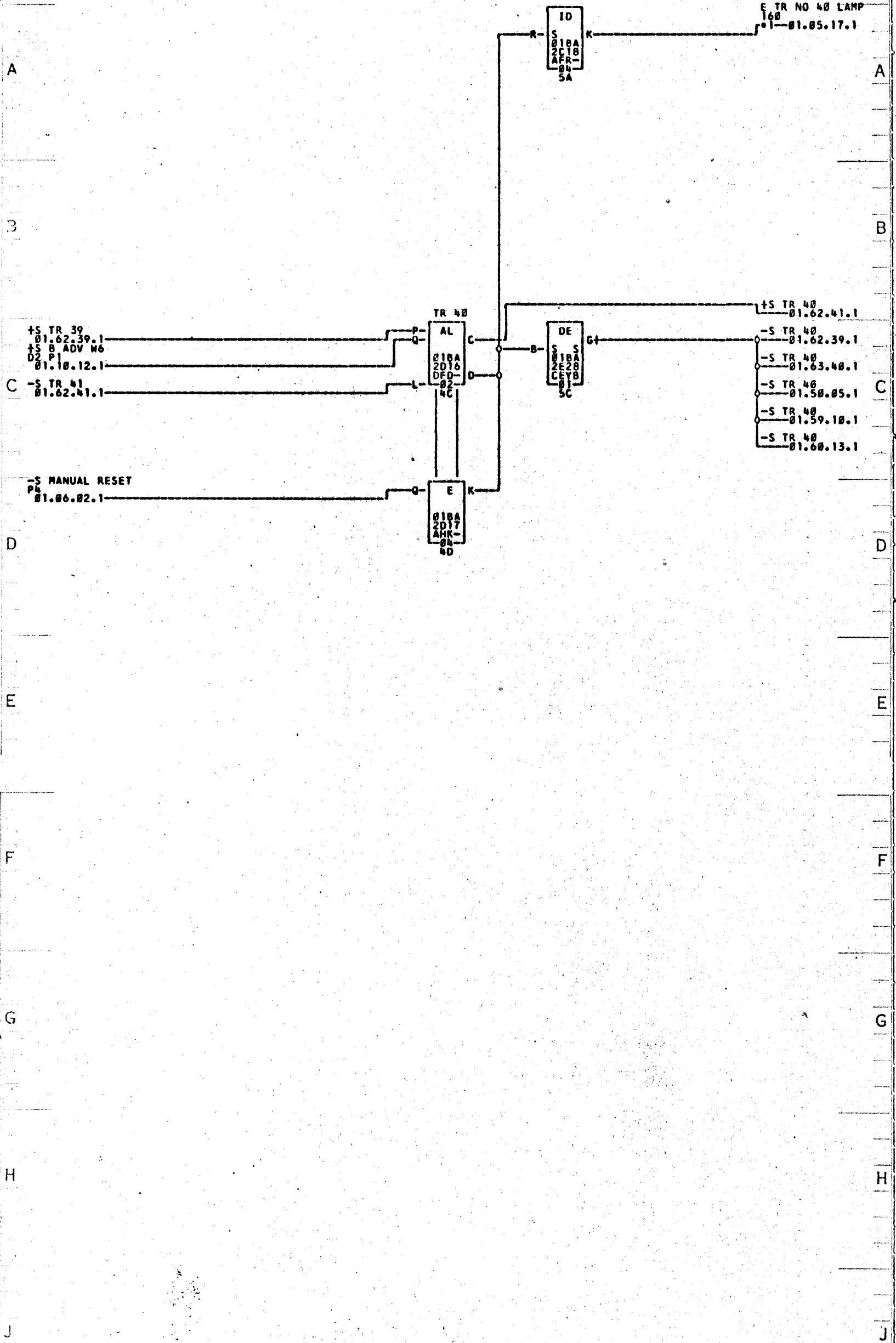
• 1 - 18X624

COMMENTS

TAG	DATE	D.A.NO.	TAG	DATE	D.A.NO.	TAG	DATE	D.A.NO.	TAG	DATE	D.A.NO.
A	01-23-62	0F00000									



01-010XG25



\*1-018XG26

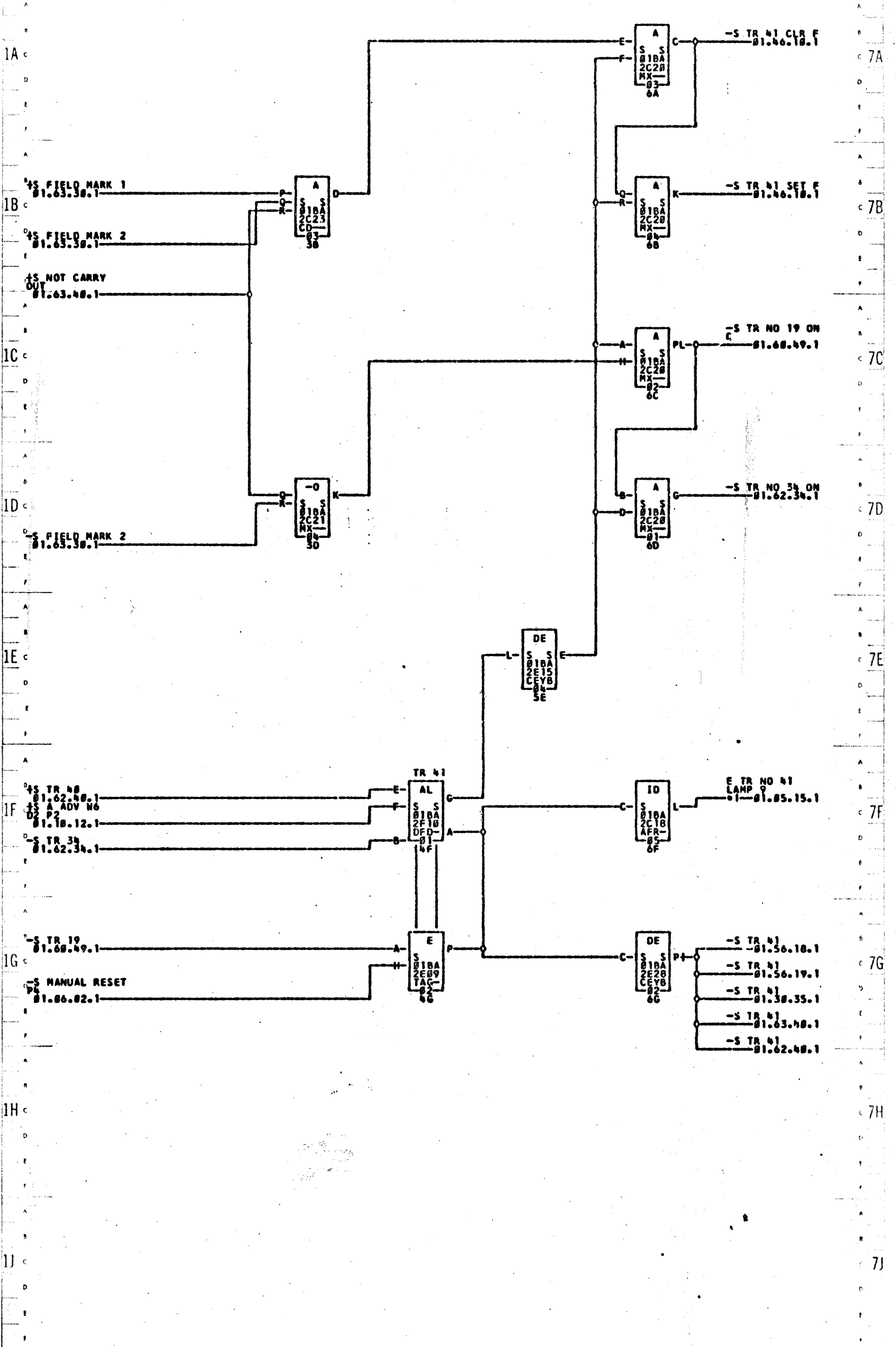
COMMENTS

TAG DATE D.A.NO.  
A 08-30-61 DE05000

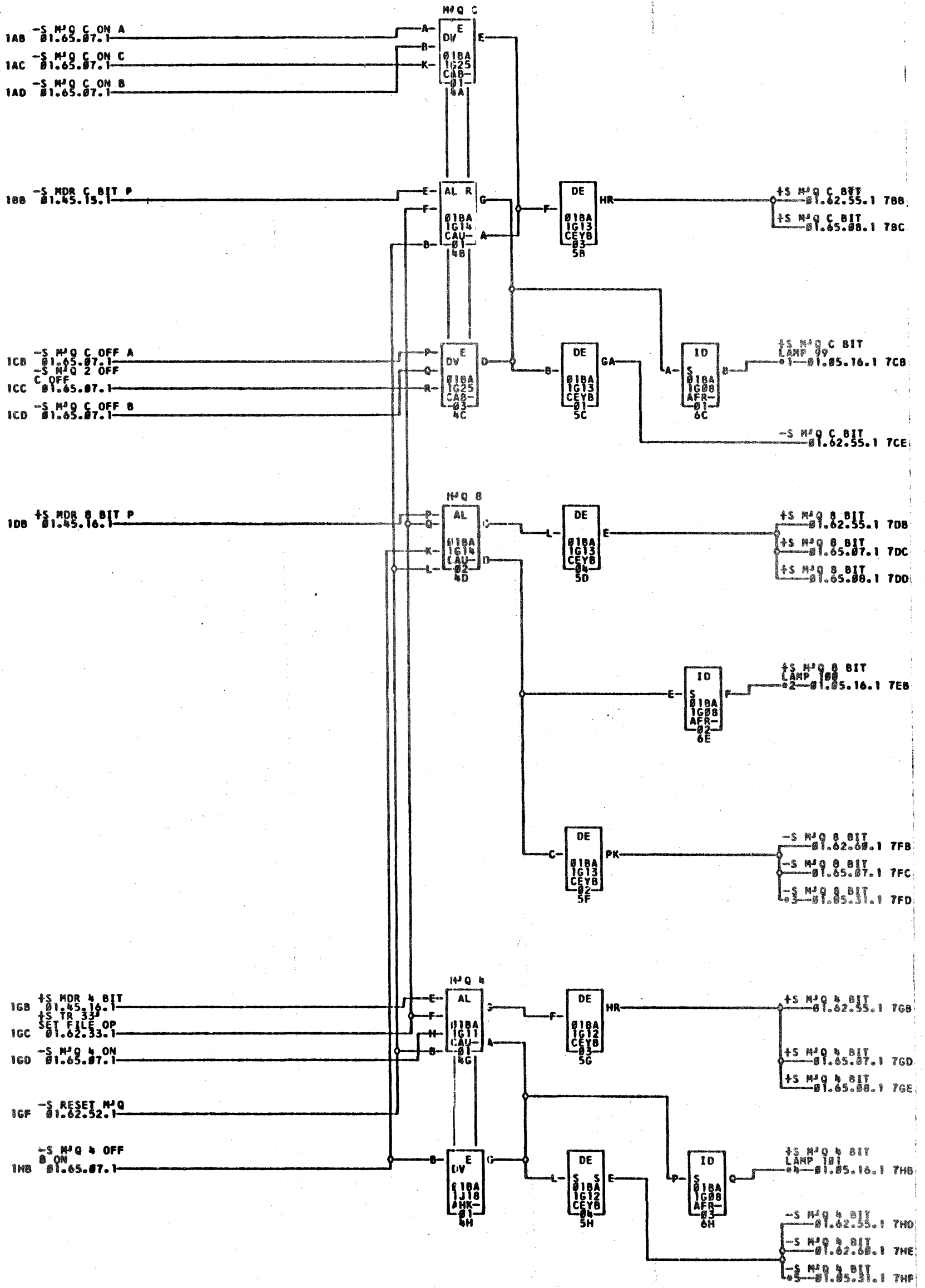
TAG DATE D.A.NO.

TAG DATE D.A.NO.

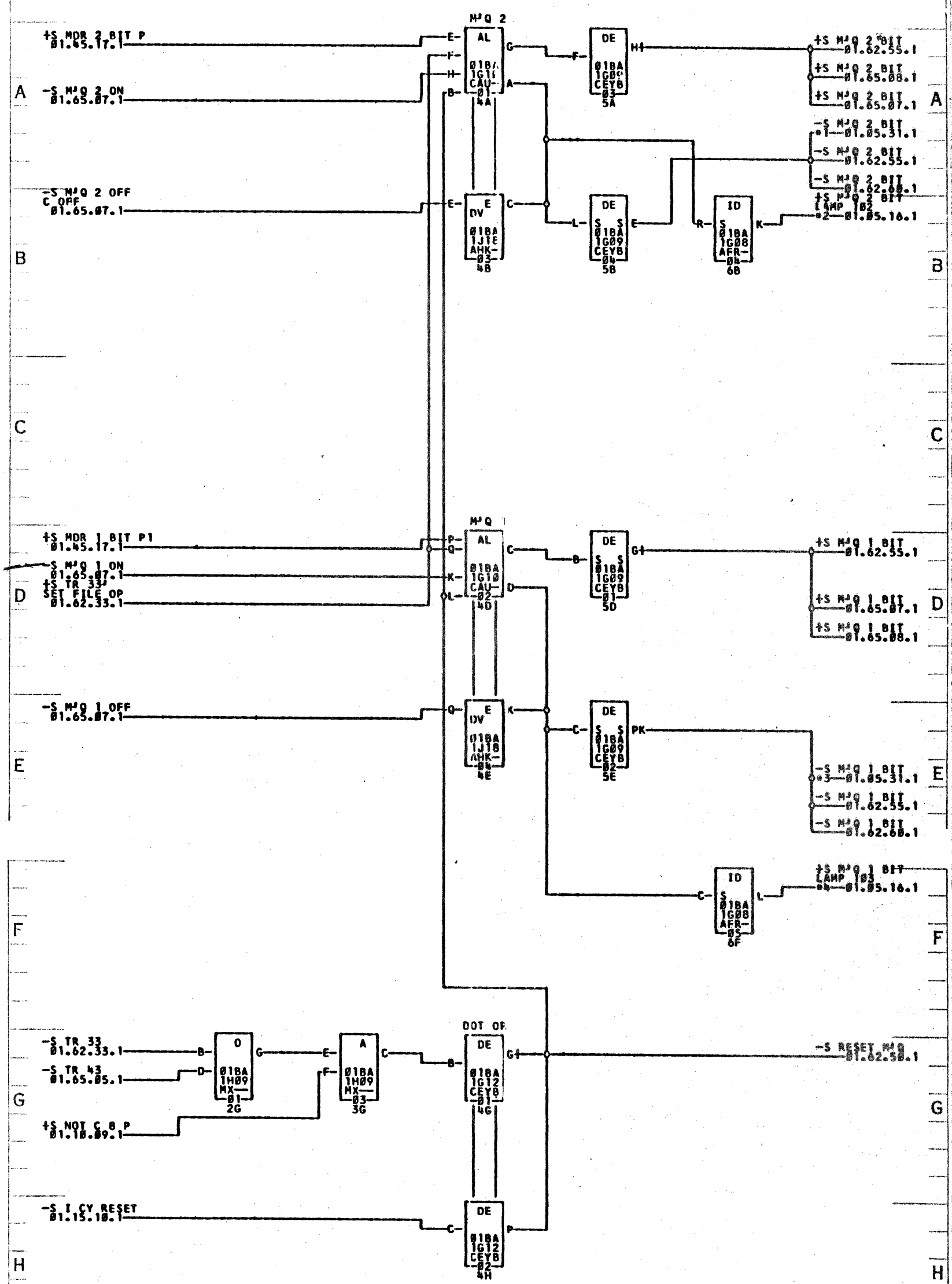
TAG DATE D.A.NO.



01-018X627



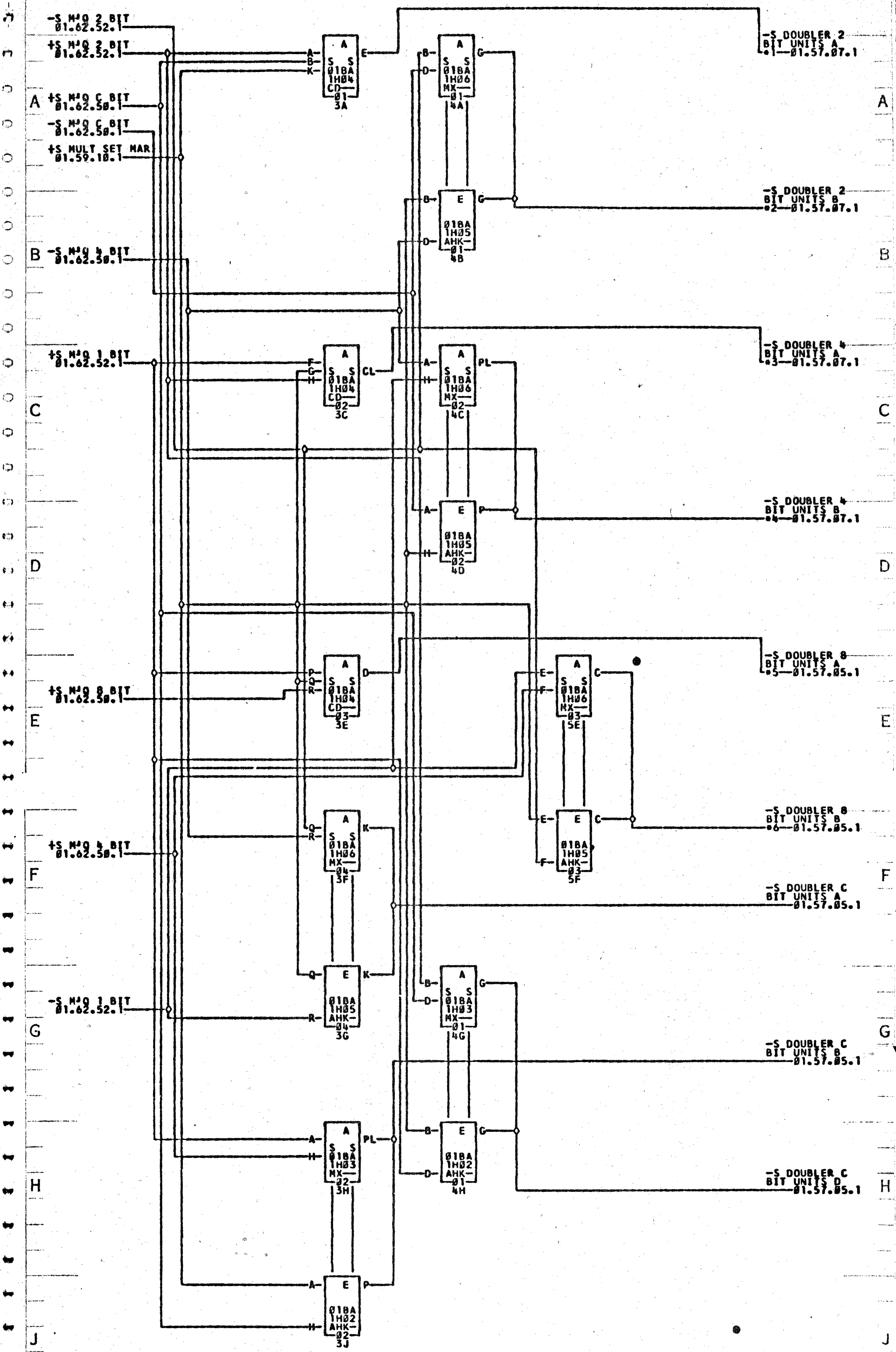
- 1—018XF13  
0102601R
- 2—018XF14  
0102603A
- 3—018YJ19  
0103803A
- 01021101C
- 4—018XF15
- 5—018VJ32



- 1—018V05  
0103A03H
- 4—0103A02E  
018XF17
- 2—018XF16
- 3—018VJ23
- 0102801G
- 0102A03H

E.C. 406711      COMMENTS      TAG DATE D.A.NO.      TAG DATE D.A.NO.      TAG DATE D.A.NO.      TAG DATE D.A.NO.





01-01BWH15  
04-01BWH18

01AHH15

02-01BWH16  
05-01BWH19

01AHH10  
01AHH11

03-01BWH17  
06-01BWH20

01AHH17  
01AHH20

COMMENTS

TAG	DATE	D.A.NO.	TAG	DATE	D.A.NO.	TAG	DATE	D.A.NO.	TAG	DATE	D.A.NO.
A	02-07-62	0F01000									

A  
B  
C  
D  
E  
F  
G  
H  
J

A  
B  
C  
D  
E  
F  
G  
H  
J

-S M'G 4 BIT  
01.62.58.1

-S M'G 8 BIT  
01.62.58.1

+S MULT SET MAR  
01.59.18.1

-S M'G 1 BIT  
01.62.52.1

-S M'G 2 BIT  
01.62.52.1

-S DOUBLER-1  
BIT HUND A  
01.57.24.1

-S DOUBLER-1  
BIT HUND B  
01.57.24.1

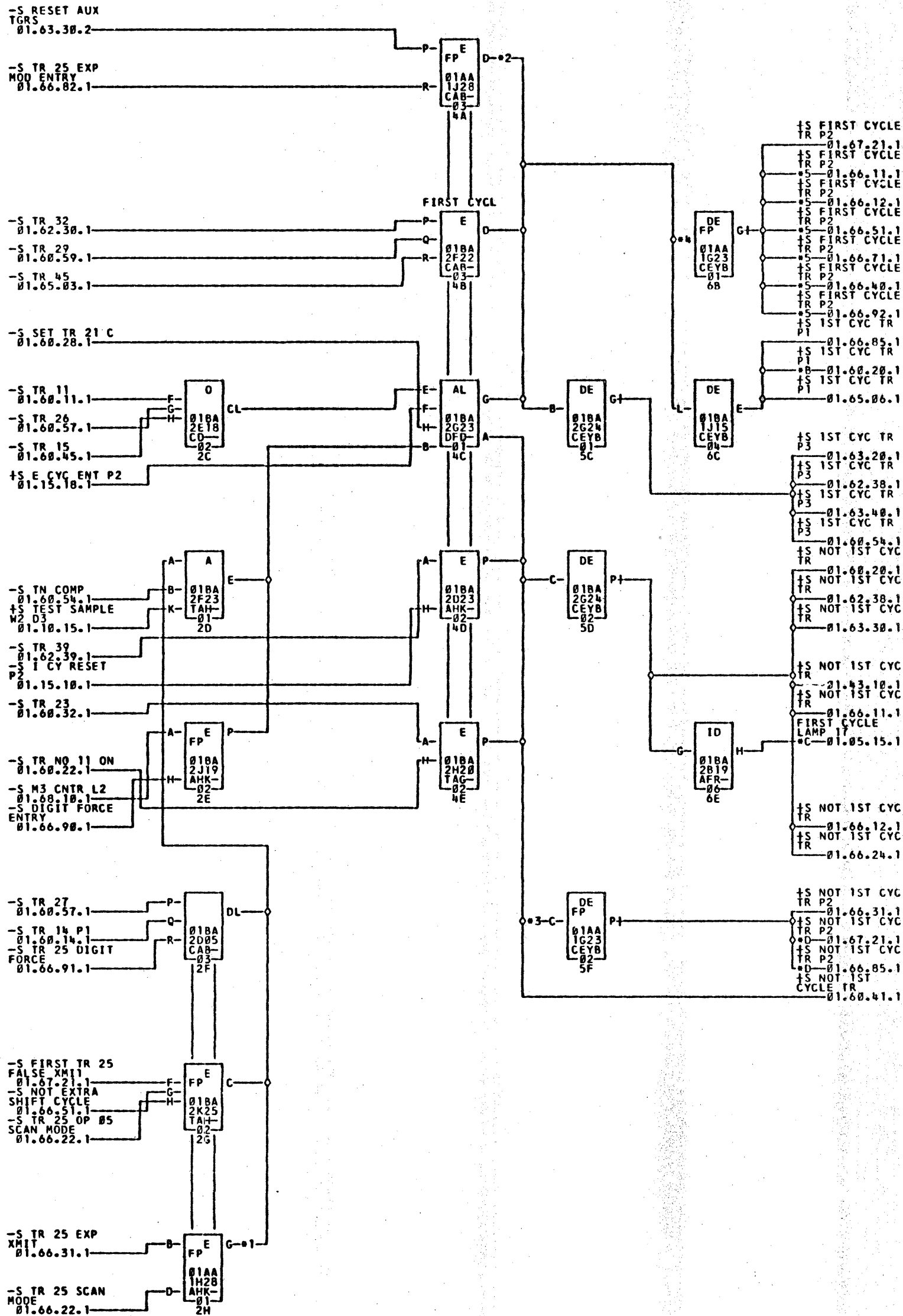
-S DOUBLER-2  
BIT HUND  
01.57.22.1



•1-018WH22      ———01AMH22

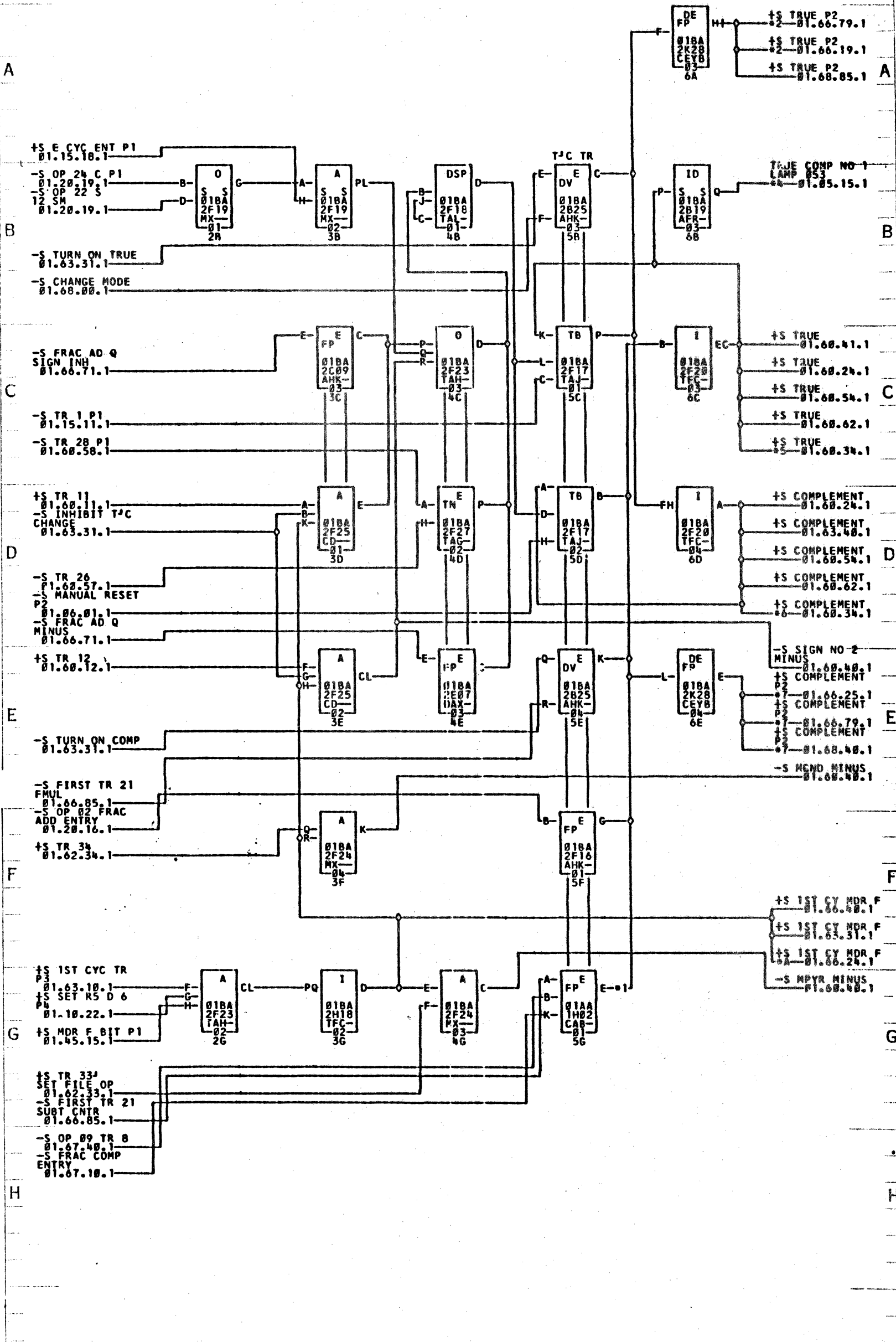
COMMENTS

TAG DATE D.A.NO. TAG DATE D.A.NO. TAG DATE D.A.NO. TAG DATE D.A.NO.  
A 02-23-62 0F01888



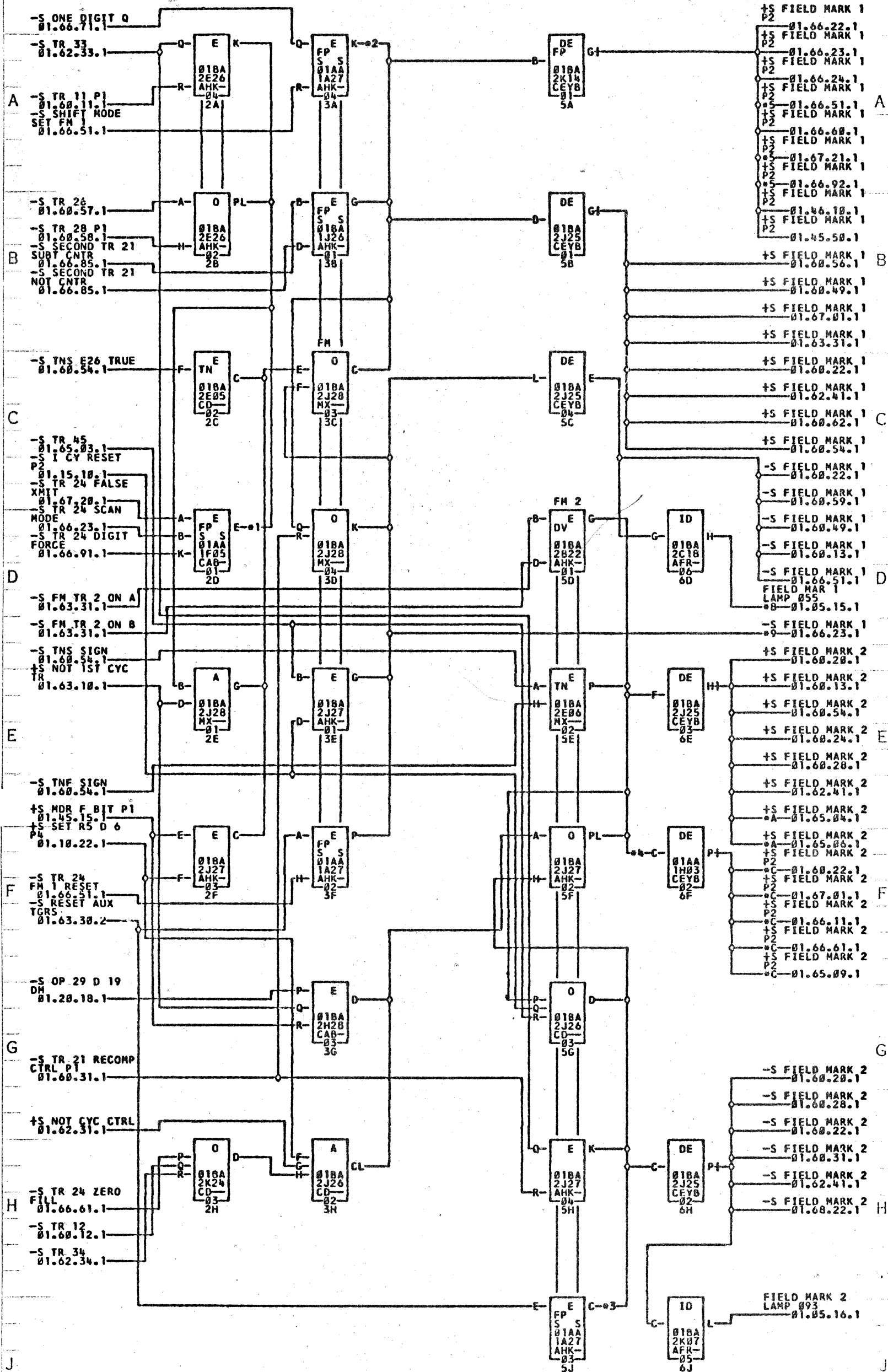
\*1-01AWK17      01BWK17      \*2-01ANE15      01BWE15      \*3-01AWK14      01BWK14  
 \*4-01AWE15      01BWE15      \*5-01AWK15      01BWK15      \*8-01B2228C      01B1228C  
 \*C-01BXF32      \*D-01AWK16

ENG. CHG. NO. 404752      COMMENTS      TAG DATE D.A.NO. TAG DATE D.A.NO. TAG DATE D.A.NO. TAG DATE D.A.NO.  
 A 03-20-62 0F07000



- 1-018WE17      •6-0182Y06D
- 2-018WE16      •7-018WE18
- 3-0131Y23D    •4-018XC32
- 5-018WE19      •A-018WE19

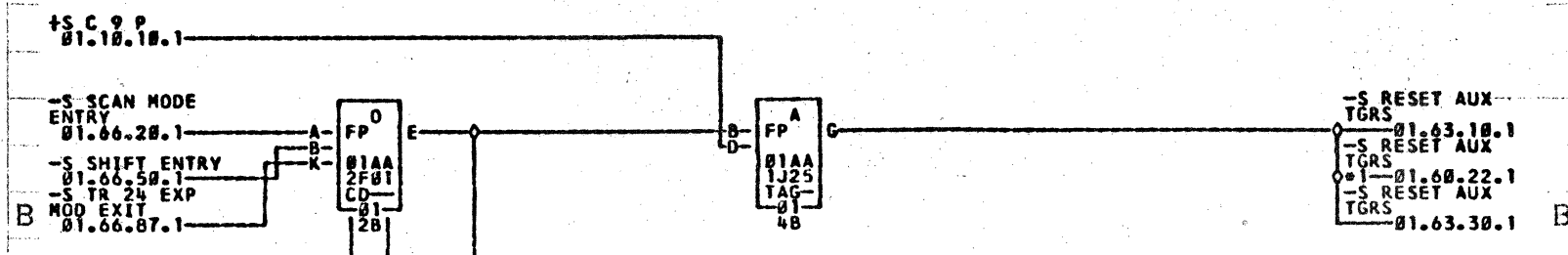
E.C. 404711      COMMENTS      TAG DATE    D.A.NO.    TAG DATE    D.A.NO.    TAG DATE    D.A.NO.    TAG DATE    D.A.NO.



- \*1-01AWE24      \*2-01AWK18      \*3-01AWK20      \*4-01BWK28
- \*5-01BWK19      \*6-01BWK16      \*7-01BWK28      \*8-01BWK28
- \*9-01AWE28      \*A-01B2228A      \*B-01BXL13      \*C-01AXL07

COMMENTS      TAG DATE    D.A.NO.    TAG DATE    D.A.NO.    TAG DATE    D.A.NO.    TAG DATE    D.A.NO.

A A



B B

C C

D D

E E

F F

G G

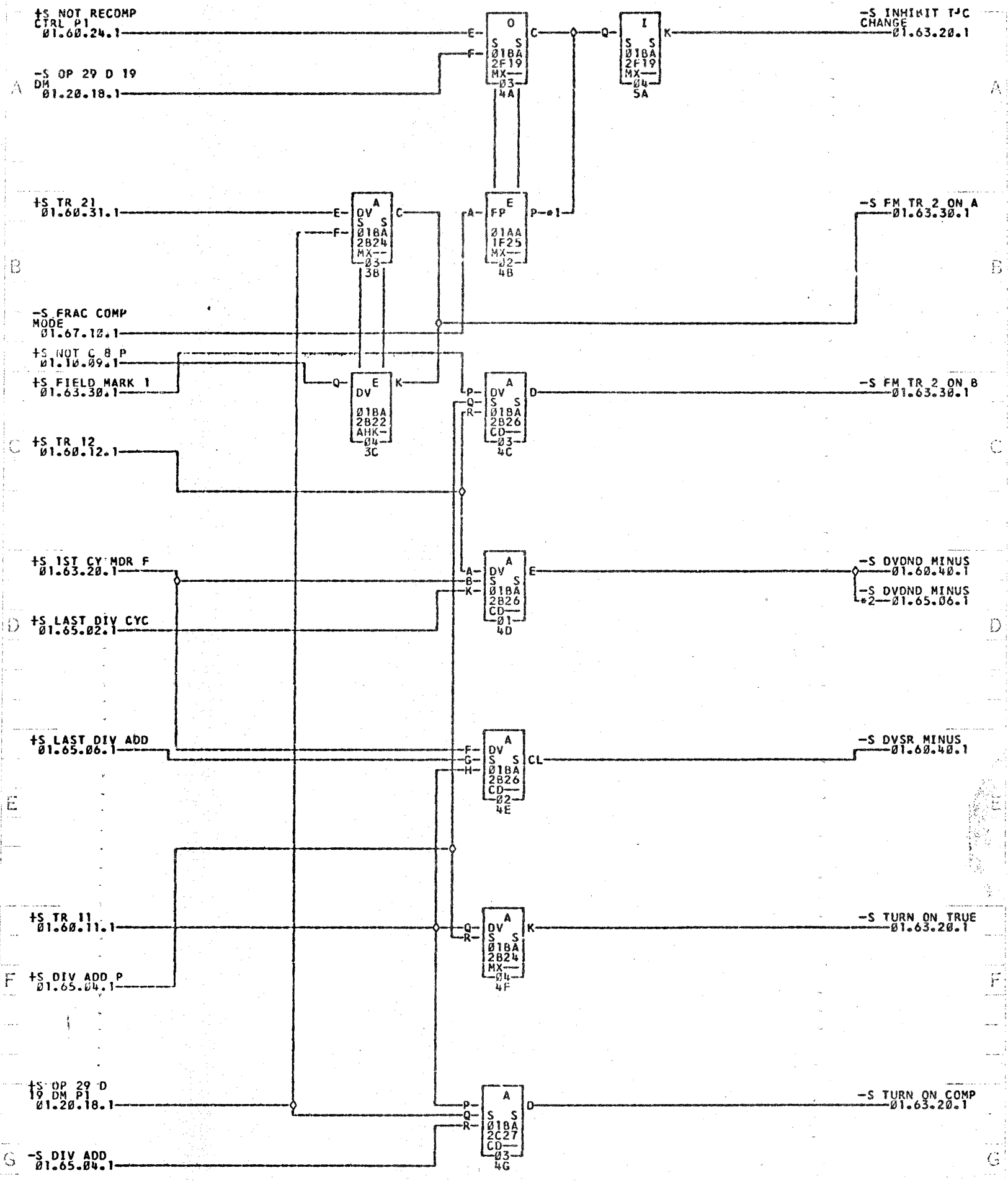
H H

J J

•1-01AWK31 ——— 01BWK31

COMMENTS

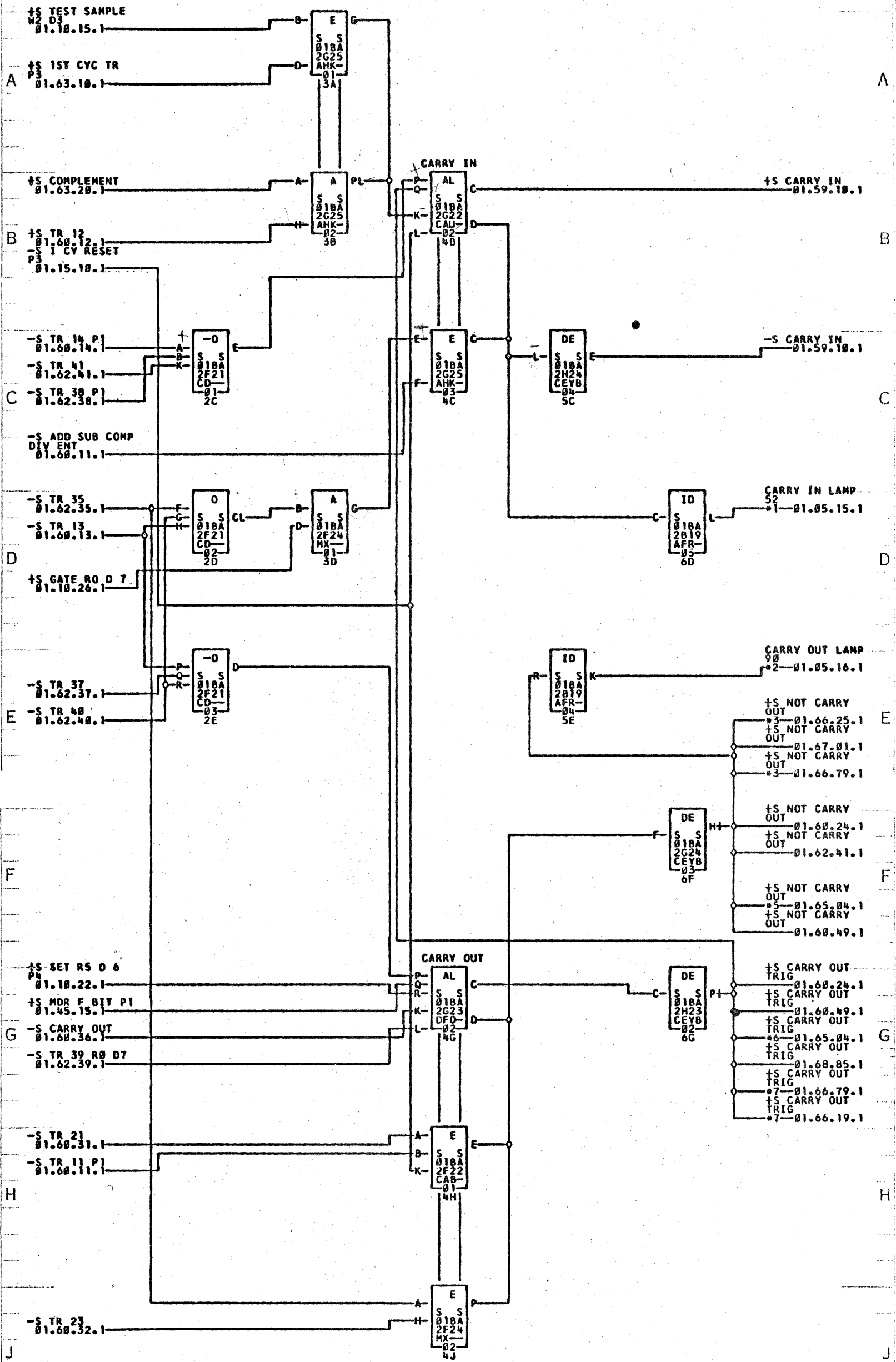
TAG DATE	D.A.NO.	TAG DATE	D.A.NO.	TAG DATE	D.A.NO.	TAG DATE	D.A.NO.
A 02-07-62	01000						



\*1--01AWE21      ——— 01BWE21      \*2--01B2Y26D      ——— 01B1Y26D

COMMENTS

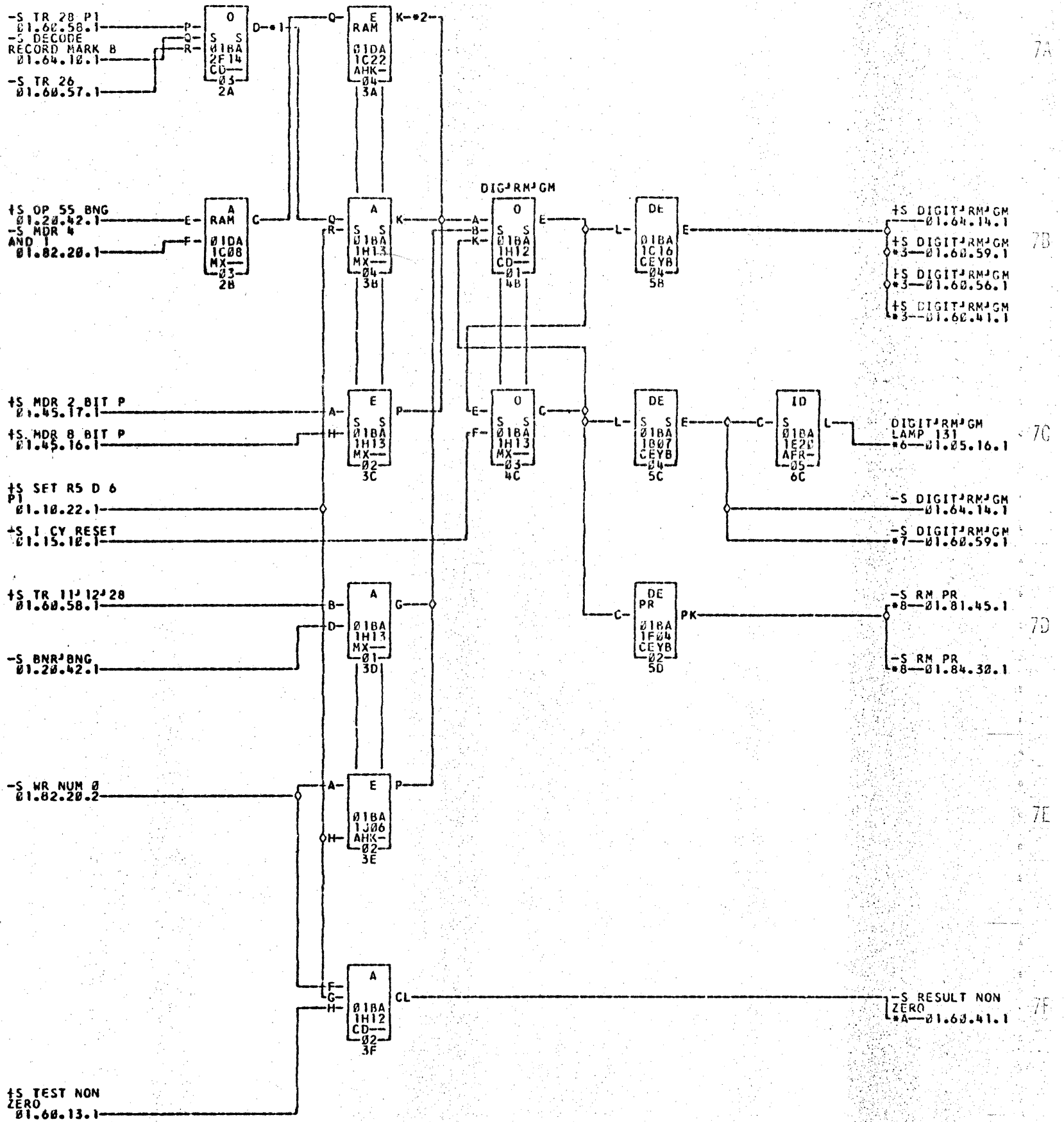
TAG	DATE	D.A.NO.	TAG	DATE	D.A.NO.	TAG	DATE	D.A.NO.	TAG	DATE	D.A.NO.
A	02-12-62	0F01000									



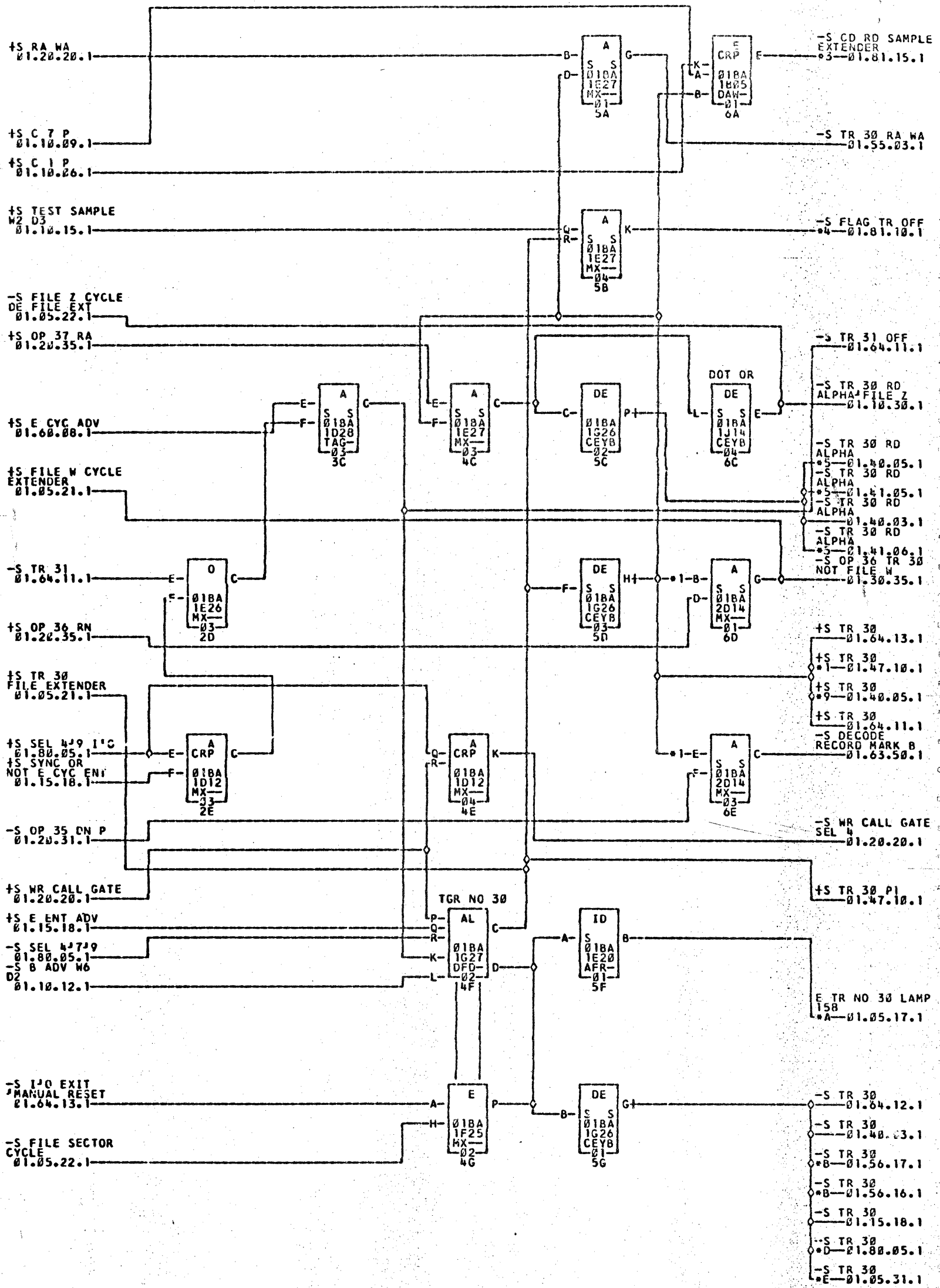
\*1-018XG30      \*2-018XG31      \*3-01AWC09      \*4-01BWC09      \*5-01B2220D  
 \*6-01B2227D      \*7-01AWK21                           \*8-01BWC21

COMMENTS      TAG DATE D.A.NO.      TAG DATE D.A.NO.      TAG DATE D.A.NO.      TAG DATE D.A.NO.

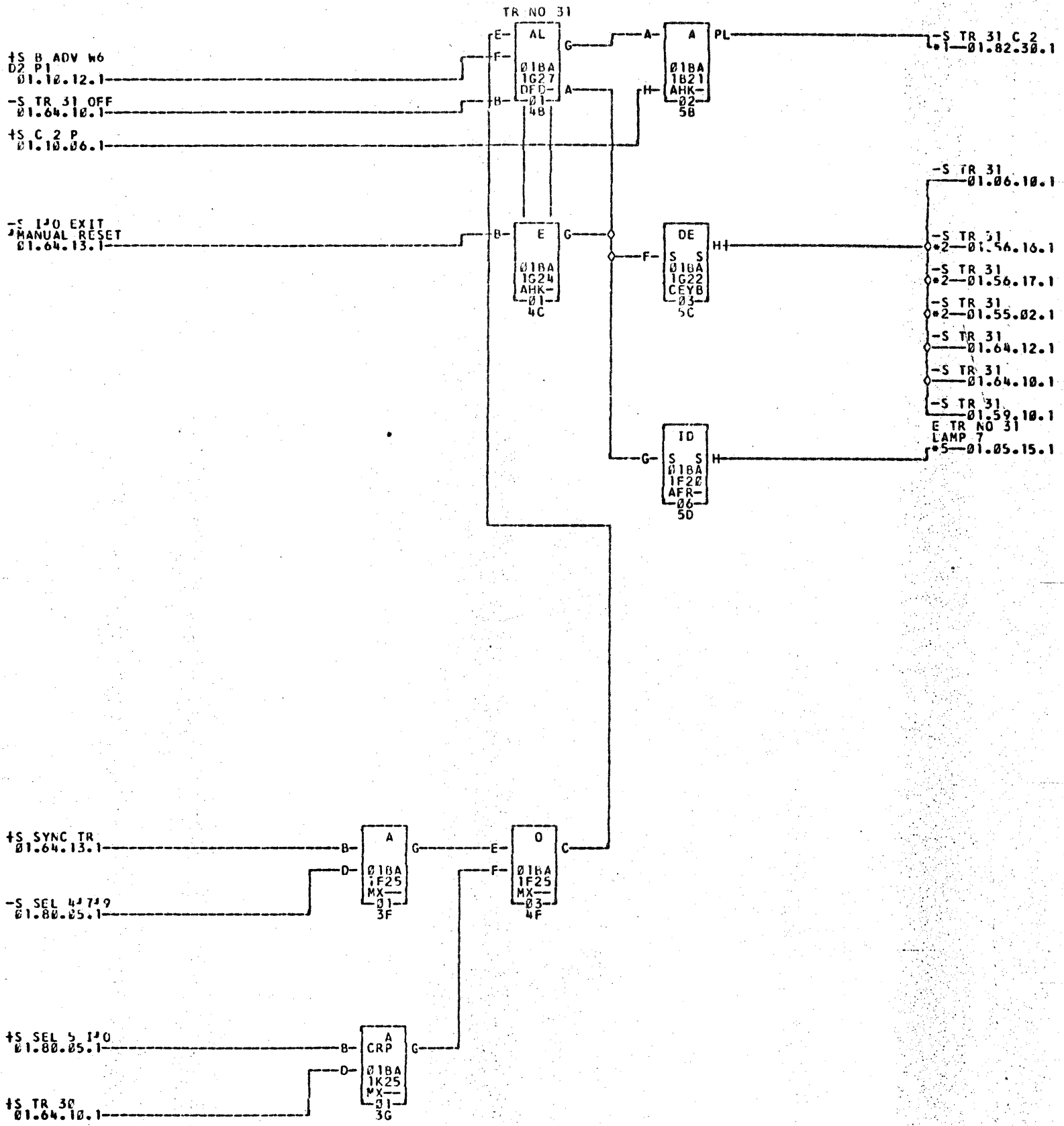




- \*1--01B2214A
- \*2--01HX003
- \*3--01B1227B
- \*4--01DX003
- \*5--01B2227B
- \*6--01RXE29
- \*7--01B12208
- \*8--01DX016
- \*9--01B2212B
- \*A--01B1212B
- \*B--01AW516
- \*C--01AXC13



- #1--01B1Y26A      #3--01B1X600      #5--01B1X601
- #2--01B1WJ31      #4--01B1X609      #6--01B1X630
- #7--01B2106C      #8--01B1WJ21      #9--01D2801E
- #10--01D3A03Q      #11--01D1X600      #12--01D1X601
- #13--01D1X601      #14--01B1X601      #15--01B1Z06C
- #16--01D2A03Q



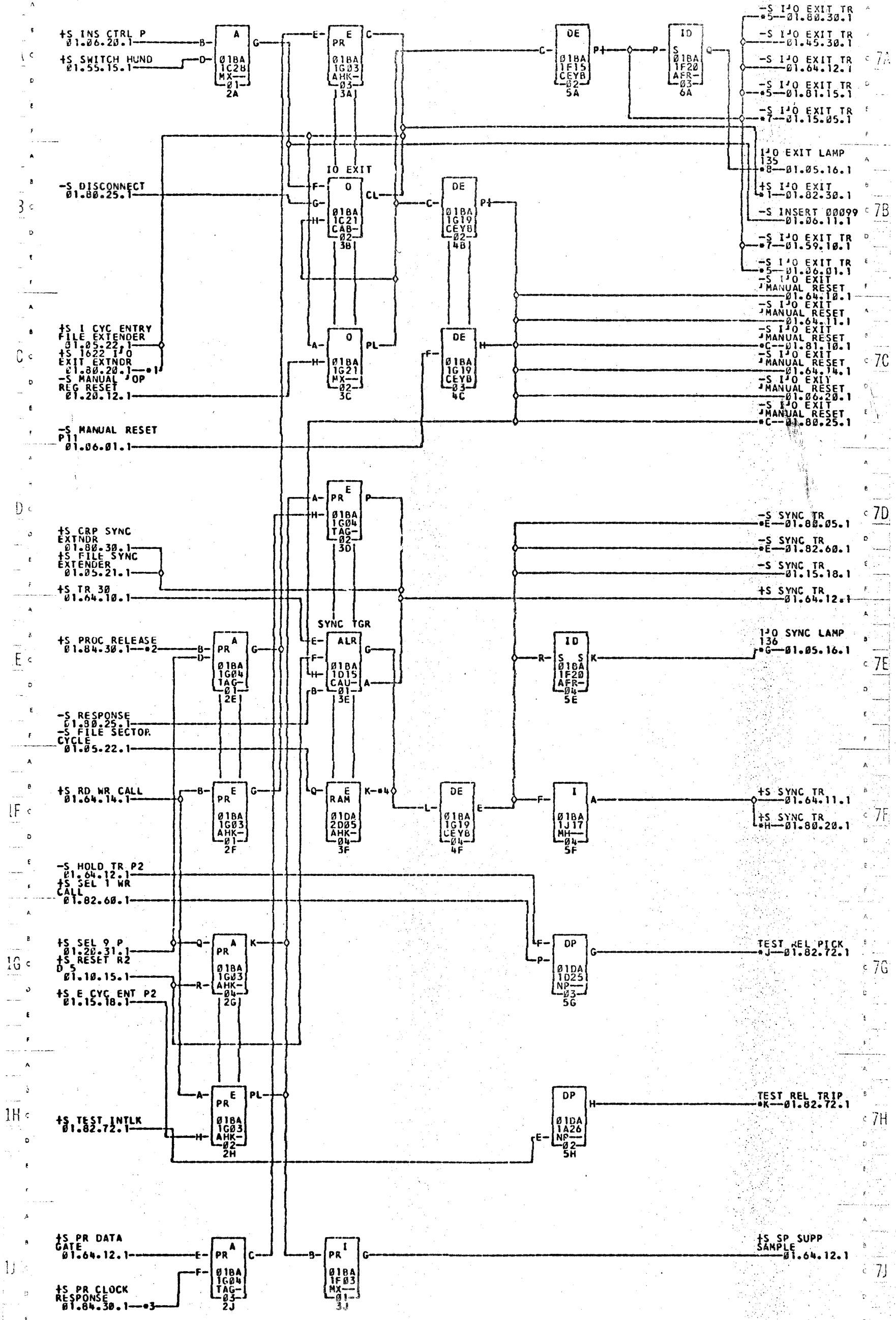
\*1--01BXH06    ---01DW006    \*2--01B02150    ---01B022150    \*5--01BXF18

COMMENTS

TAG DATE D.A.NO. TAG DATE D.A.NO. TAG DATE D.A.NO. TAG DATE D.A.NO.

1A 06-20-63 0E25PF0





- \*1--01BXH07
- \*4--0102A02G
- \*B--01BXF20
- \*H--01BX00?

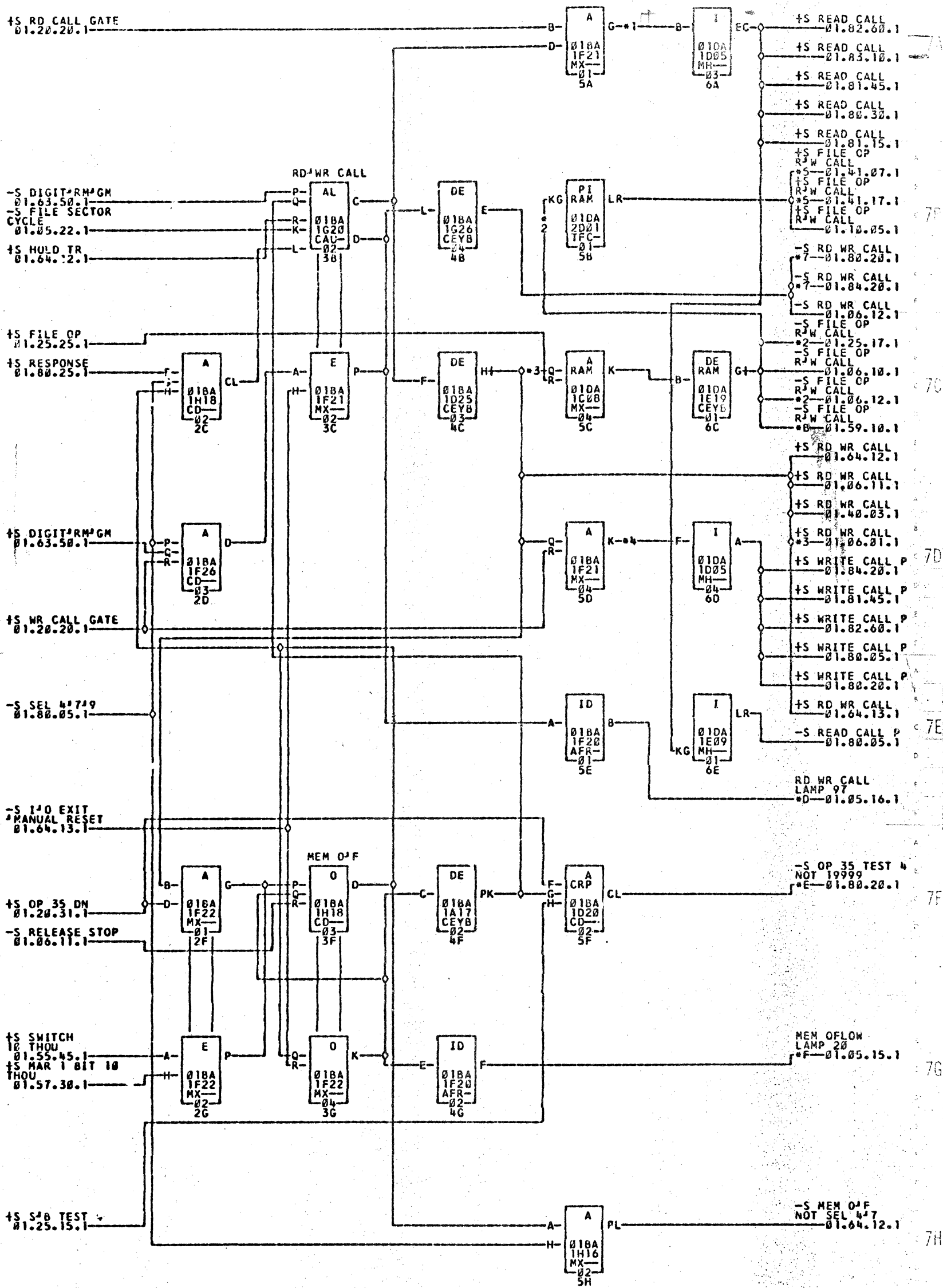
- 010WD07
- 018VB23
- \*C--018XB03
- 01DXB02

- \*2--BXH28
- \*5--010XJ10
- 010XB03
- \*J--010WC01

- 010WD28
- 010XA13
- \*E--018XB02
- \*K--010WC02

- \*3--BXH29
- \*7--0101Z09C
- 010XB32

- 010WD29
- 01B2Z09C
- \*G--018XF21



\*1—018X004  
 \*3—018X023  
 \*7—018X015  
 01D2B01P

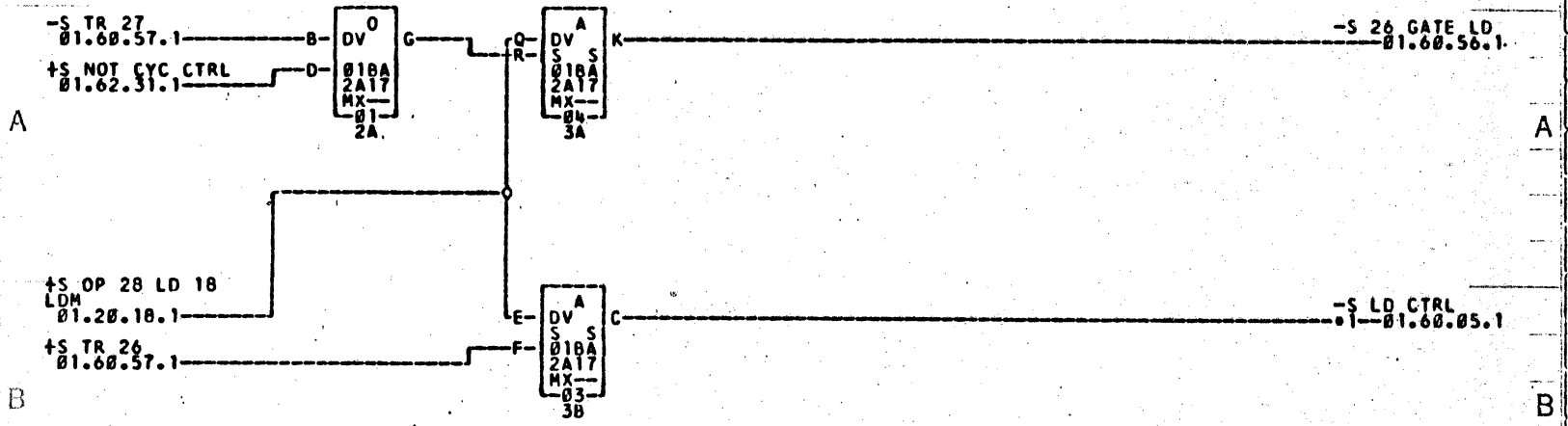
01D8004  
 01DWD23  
 01D3R15  
 018VJ30

\*2—01DXE03  
 \*4—018X006  
 \*6—01DXE03  
 \*8—018XF22

01AXC03  
 01DX006  
 01AXC03  
 \*E—018X022

01AVJ11  
 \*5—01D2B03G  
 01AVJ11  
 01DX822

01D2A02L  
 01D3B03G  
 01D2A02L  
 \*F—018XF23



A

A

B

B

C

C

D

D

E

E

F

F

G

G

H

H

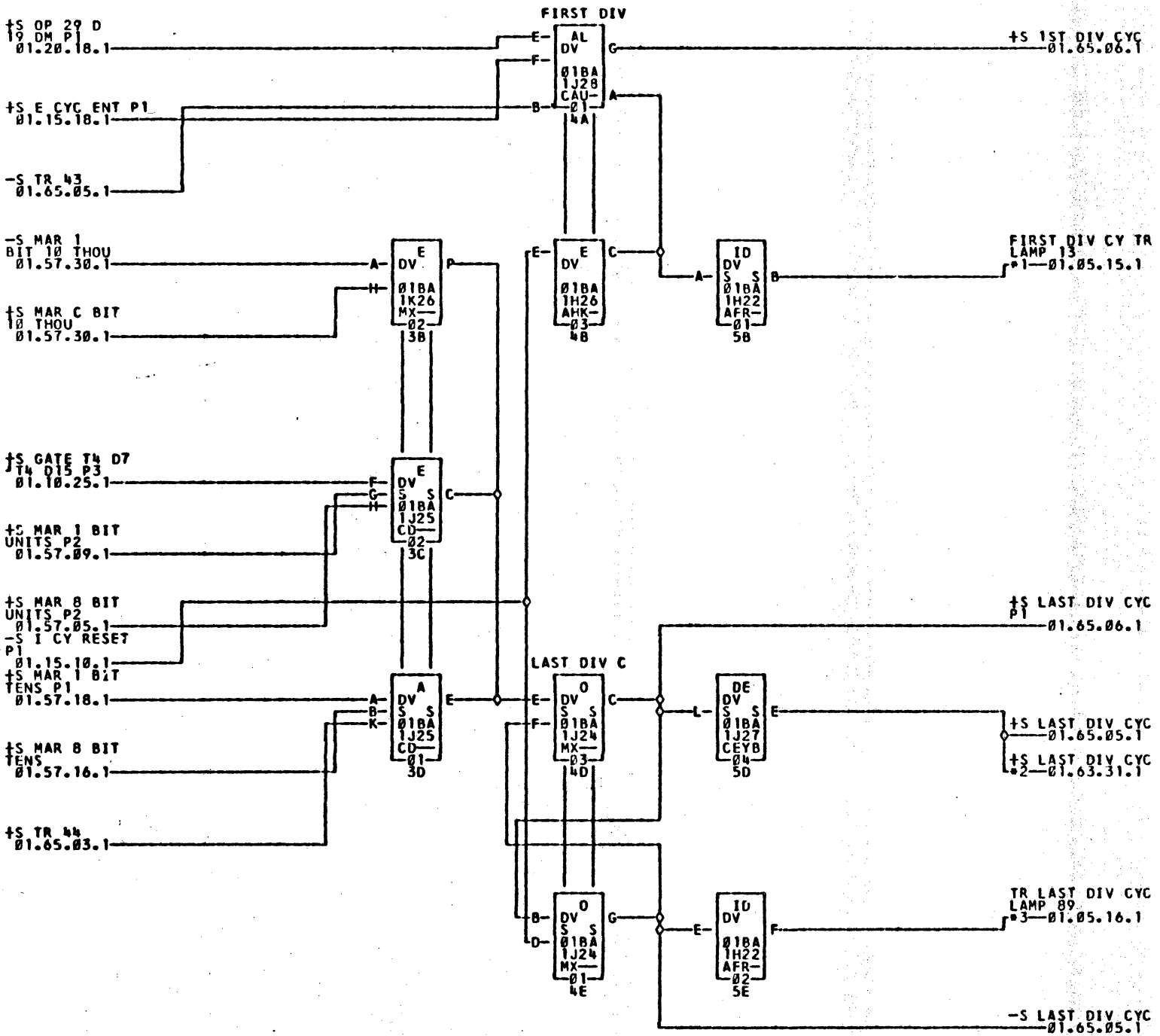
J

J

•1--01B2Y220      -----01B1Y220

COMMENTS

TAG	DATE	D.A.NO.	TAG	DATE	D.A.NO.	TAG	DATE	D.A.NO.	TAG	DATE	D.A.NO.
A	08-30-61	0E05000									



\*1-01BXF24

\*2-01B1227A

—01B2227A

\*3-01BXF25

COMMENTS

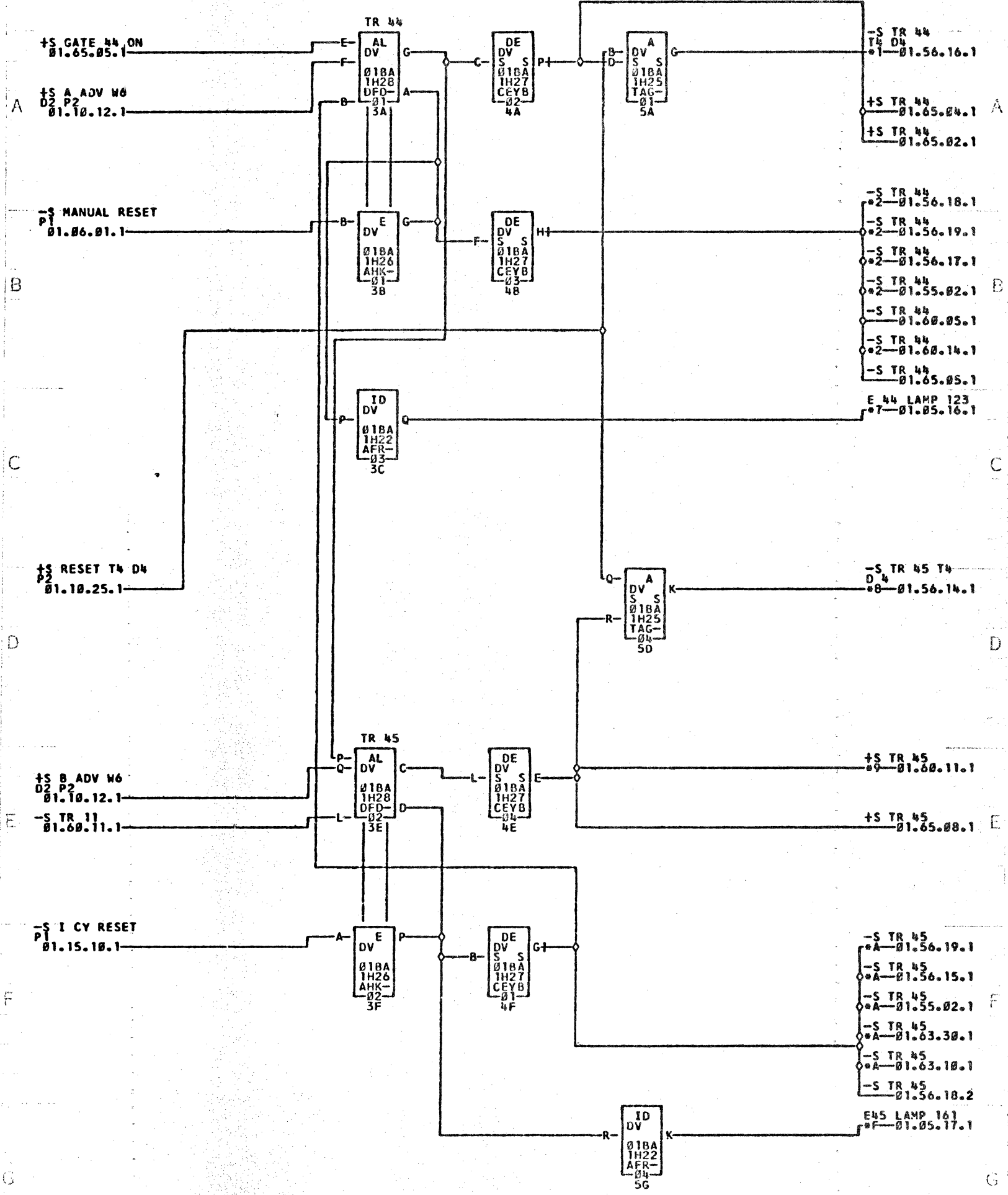
TAG DATE D.A.NO.  
A 03-30-62 0F07000

TAG DATE D.A.NO.

TAG DATE D.A.NO.

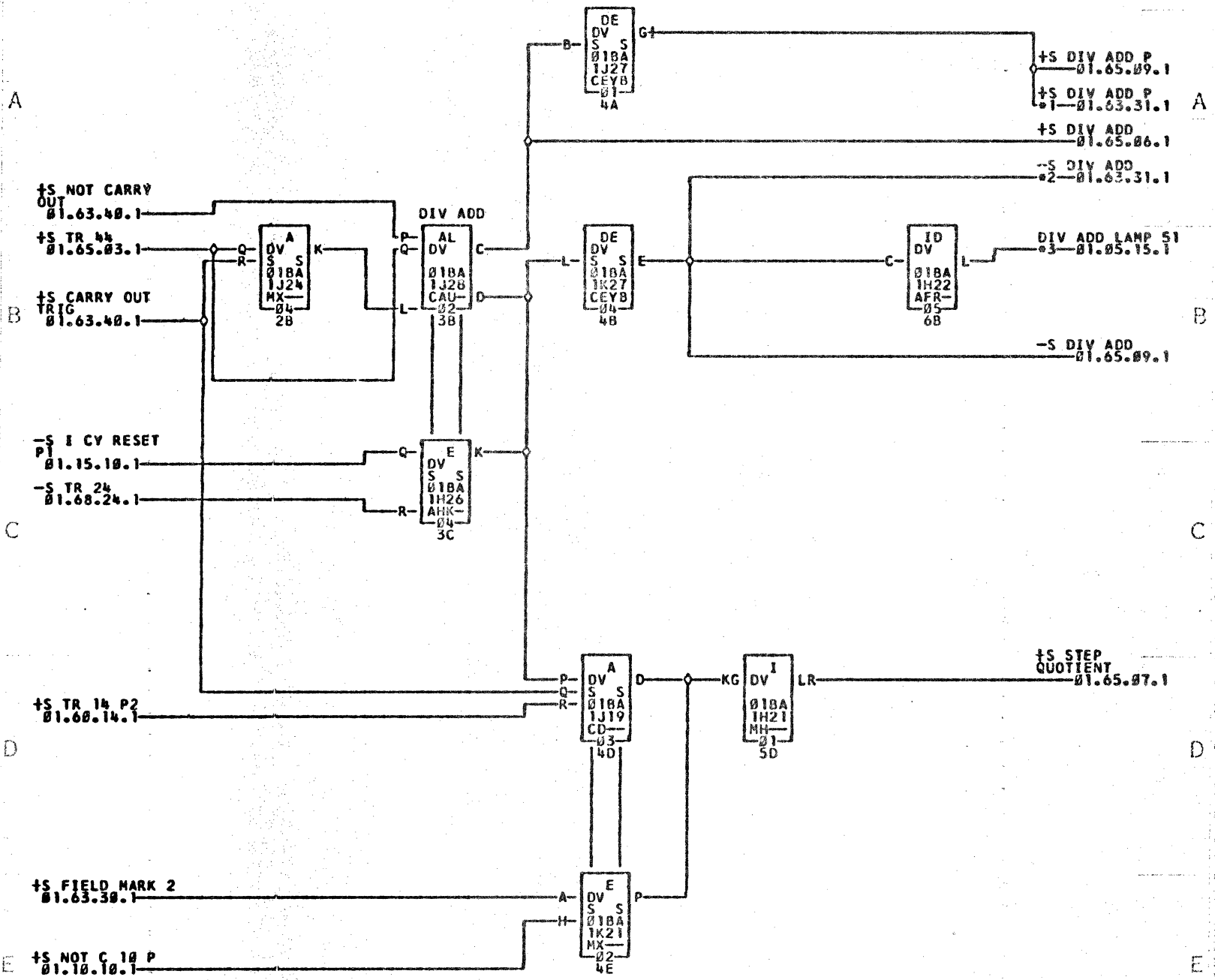
TAG DATE D.A.NO.





- \*1—01B1220A  
01B2222C
- \*9—01B2220A  
01B1221A
- \*2—01B1220B  
01B2221A
- \*A—01B2220B  
01B1221B
- \*7—01B1XF26  
01B2221B
- \*8—01B1222C  
\*F—01B1XF27

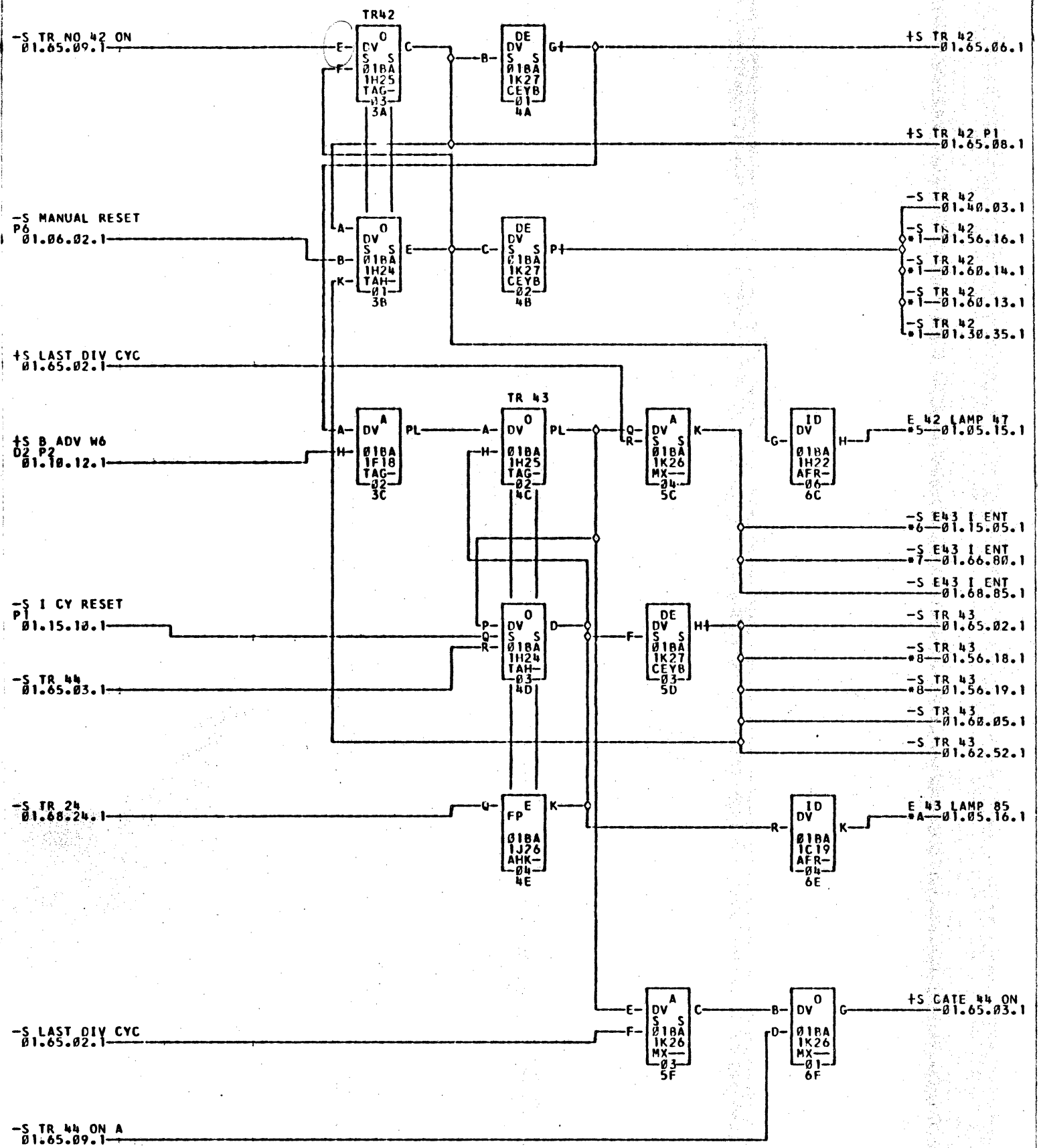
COMMENTS	TAG	DATE	D.A.NO.	TAG	DATE	D.A.NO.	TAG	DATE	D.A.NO.
	A	02-05-62	0F01000						



\*1-0101222A    0102222A    \*2-0101222B    0102222B    \*3-010XF28

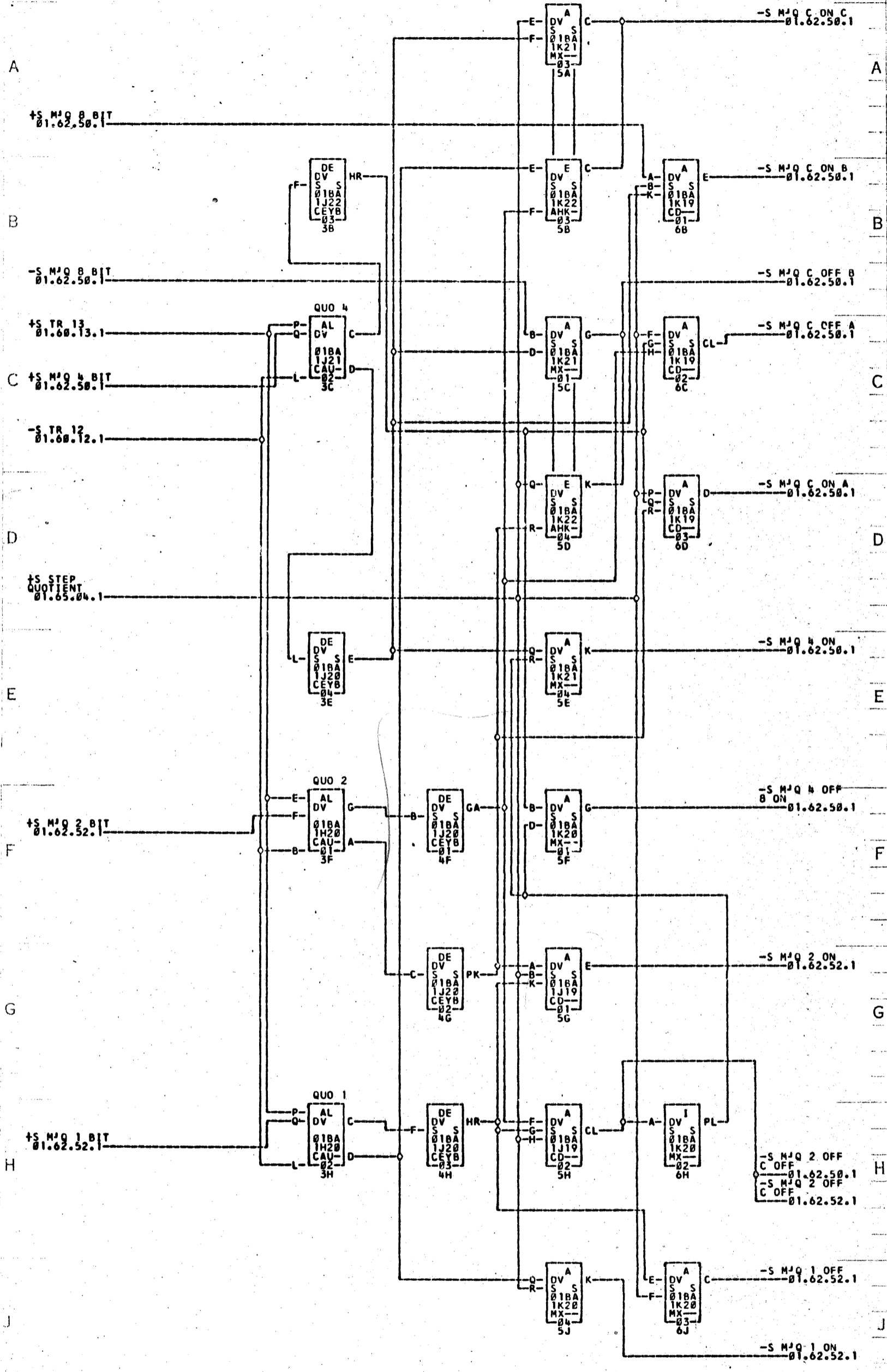
COMMENTS

TAG	DATE	D.A.NO.	TAG	DATE	D.A.NO.	TAG	DATE	D.A.NO.	TAG	DATE	D.A.NO.
A	01-23-62	0F00000									



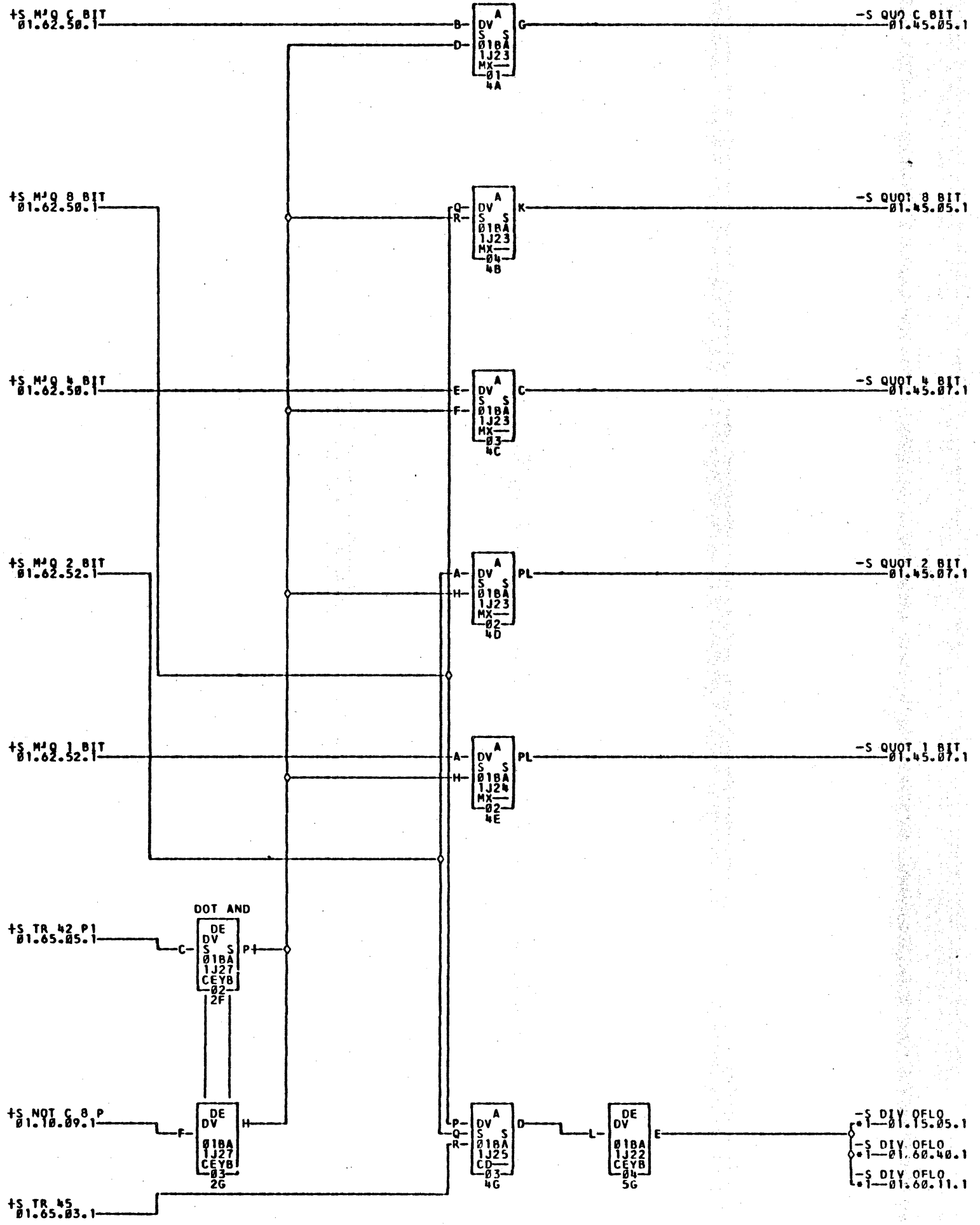
\*1--01B1Z23A    \*2--01B2Z23A    \*3--01BXF30    \*4--01B1Z24A    \*5--01B2Z24A    \*6--01B1Z20  
 \*7--01AWL20    \*8--01B1Z23B    \*9--01B2Z23B    \*A--01BXF29





COMMENTS

TAG	DATE	D.A.NO.	TAG	DATE	D.A.NO.	TAG	DATE	D.A.NO.	TAG	DATE	D.A.NO.
A	08-30-61	0E05000									



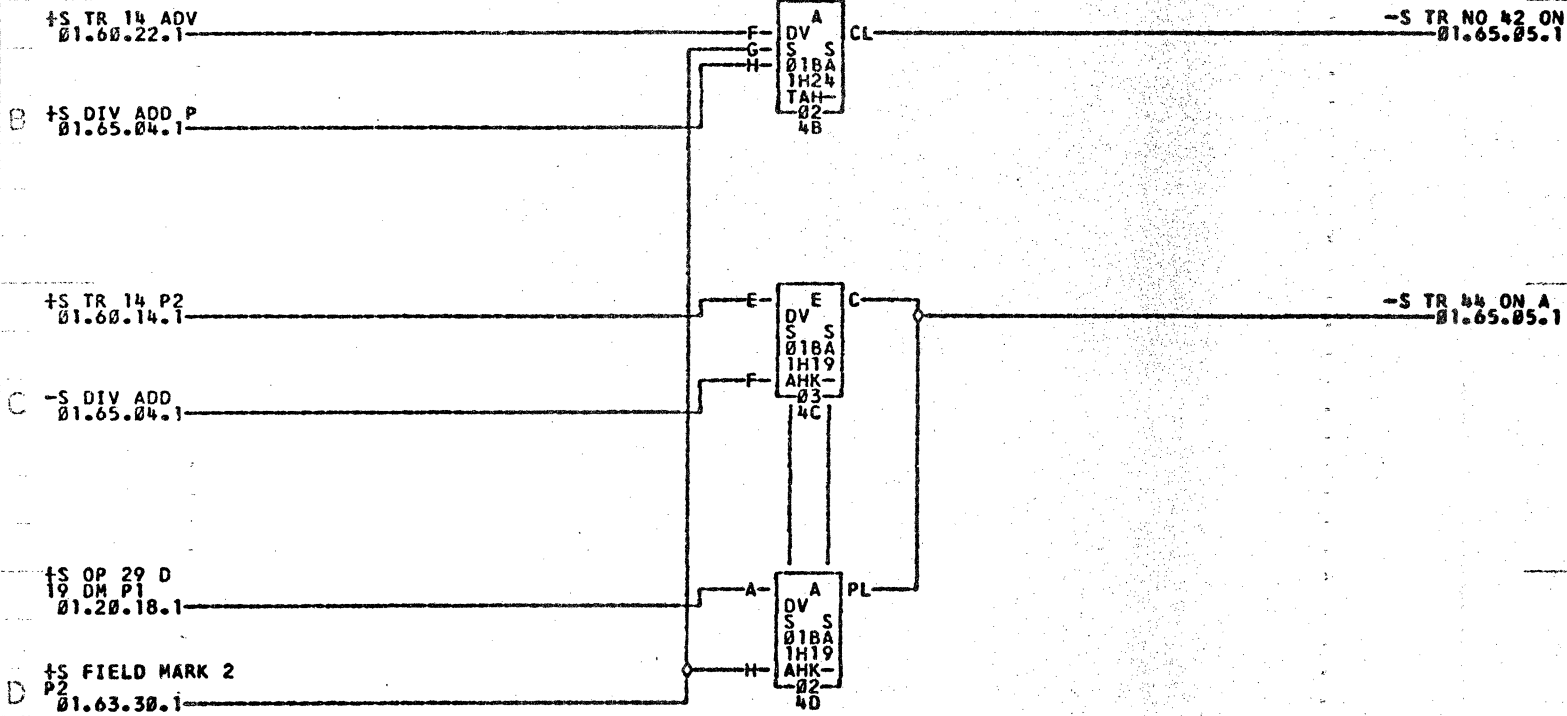
•1--01B1Y25A      ——— 01B2Y25A

COMMENTS      TAG   DATE   D.A.NO.   TAG   DATE   D.A.NO.   TAG   DATE   D.A.NO.   TAG   DATE   D.A.NO.

A   03-30-62   0F07000

A

A



B

B

C

C

D

D

E

E

F

F

G

G

H

H

J

J

COMMENTS

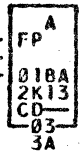
TAG	DATE	D.A.NO.	TAG	DATE	D.A.NO.	TAG	DATE	D.A.NO.	TAG	DATE	D.A.NO.
A	02-12-62	0F01000									

IBM





-S RECOMP CTRL  
 NOT RECOMP  
 01.60.32.1  
 †S TR 14 P1  
 01.60.14.1  
 †S FIELD MARK 2  
 P2  
 01.63.30.1

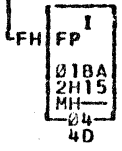


†S LAST ADD CYC  
 01—01.66.12.1  
 †S LAST ADD CYC  
 01—01.68.85.1  
 †S LAST ADD CYC  
 01—01.68.44.1  
 †S LAST ADD CYC  
 01—01.66.81.1  
 †S LAST ADD CYC  
 01—01.67.10.1  
 †S LAST ADD CYC  
 01—01.66.79.1  
 †S LAST ADD CYC  
 01—01.67.20.1

†S EXP ADD MODE  
 01.66.10.1  
 †S TR 13  
 01.60.13.1  
 †S OPS 01 OR 02  
 01.20.16.1



-S EXP AD TR 13  
 01.50.05.1



†S EXP AD TR 13  
 01.43.10.1

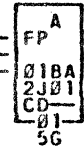
†S FIRST CYCLE  
 TR P2  
 01.63.10.1

†S SET R5D6 P5  
 01.10.22.1

†S NOT 1ST CYC  
 TR  
 01.63.10.1



-S FIRST 13 EXP  
 ADD R5D6  
 01.55.01.1  
 -S FIRST 13 EXP  
 ADD R5D6  
 01.56.21.1

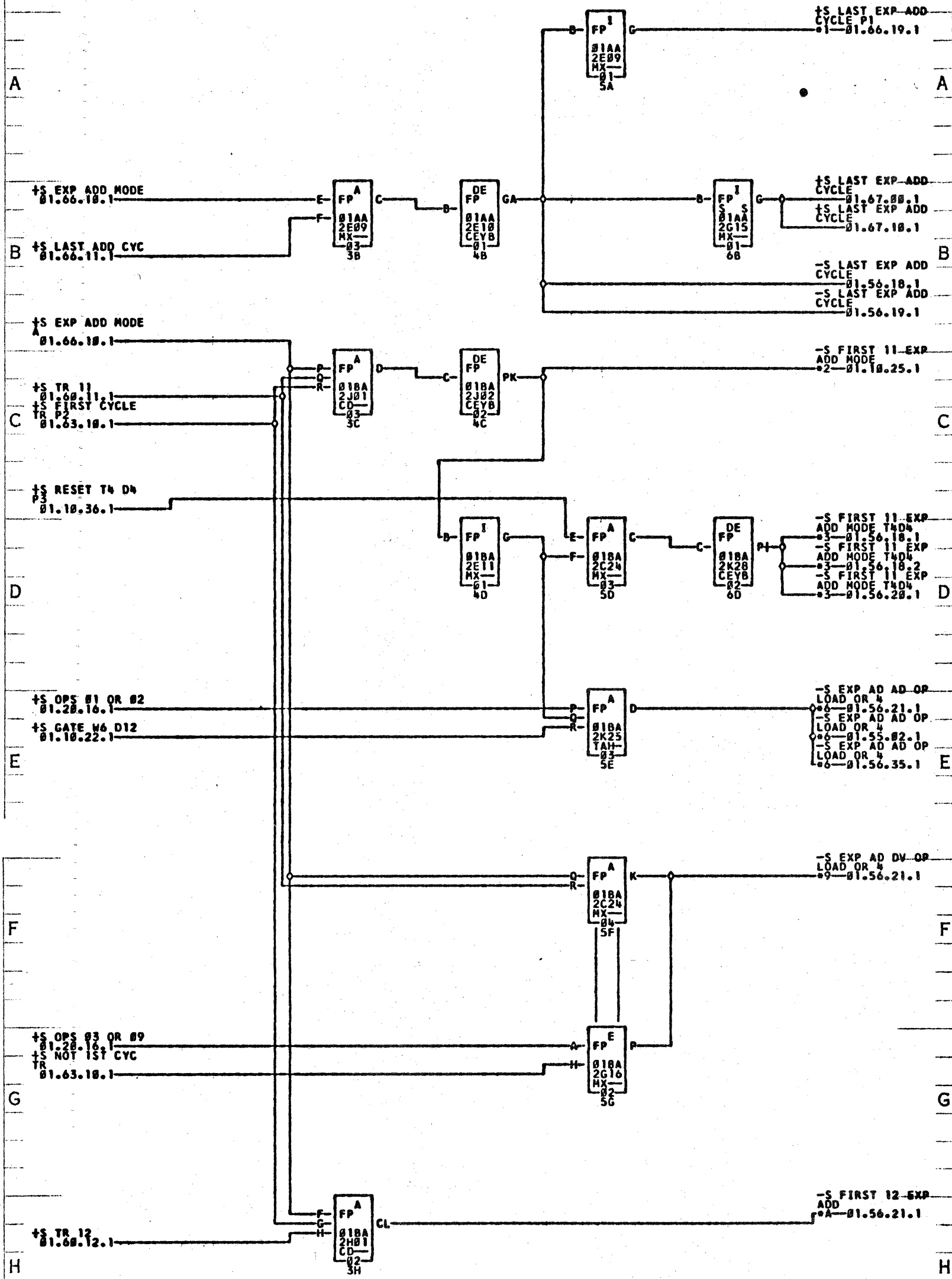


-S 2ND 13 EXP  
 ADD R5D6  
 01.56.21.1  
 -S 2ND 13 EXP  
 ADD R5D6  
 01.55.45.1  
 -S 2ND 13 EXP  
 ADD R5D6  
 01.55.35.1  
 -S 2ND 13 EXP  
 ADD R5D6  
 01.55.25.1  
 -S 2ND 13 EXP  
 ADD R5D6  
 01.55.01.1



-S EXP COMPARE  
 01.20.19.1  
 -S EXP COMPARE  
 01.68.85.1

•1—01BWL08    ———— 01AWL08    •8—01BWL09    ———— 01AWL09    •9—01BWL07    ———— 01AWL07

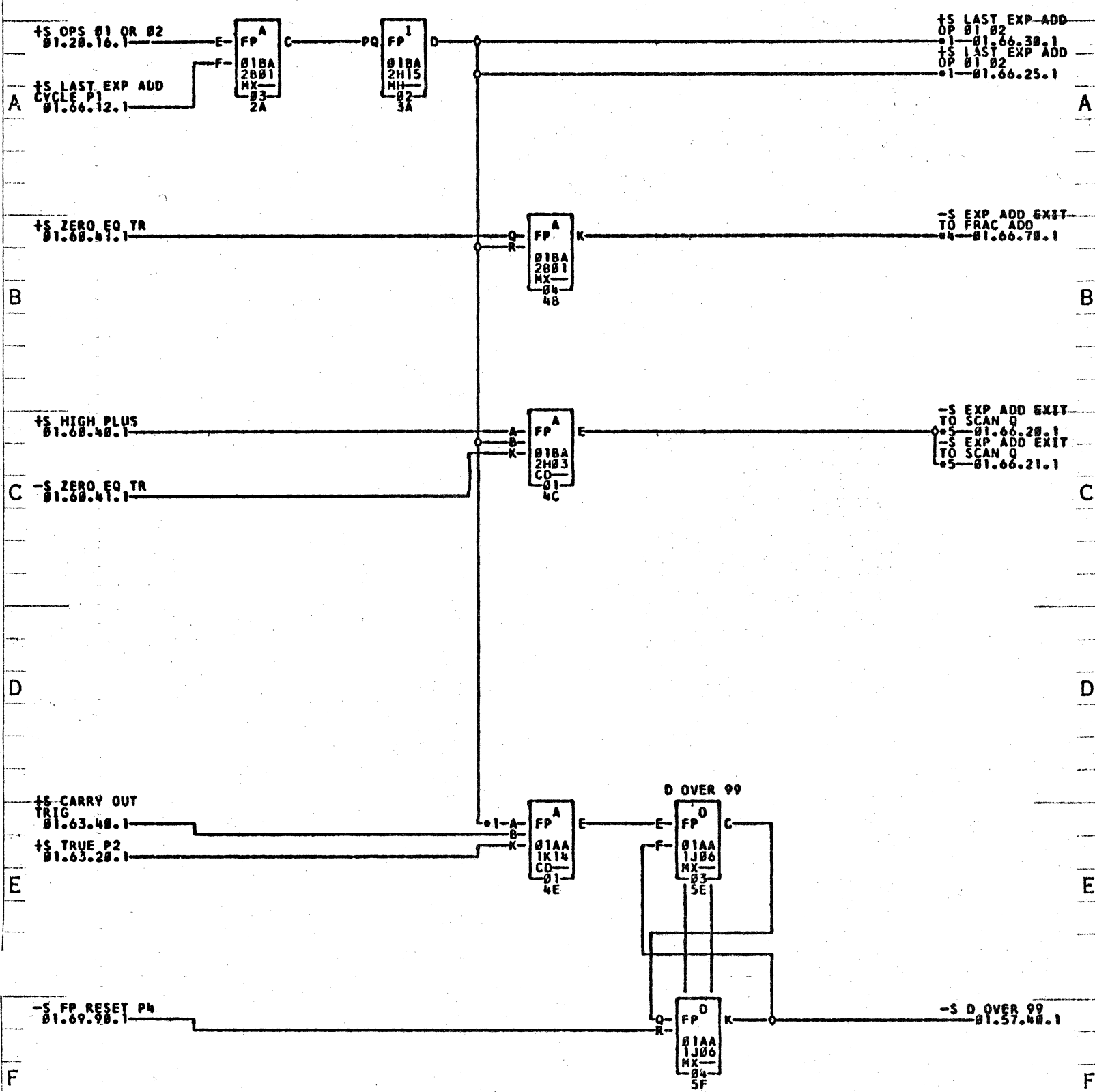


01-01AHC26    02-01AHN29    03-01AHC25    04-01BWH30  
 06-01BWL14    05-01BNC27    07-01BWH30    08-01AHC27

COMMENTS

TAG DATE D.A.NO. TAG DATE D.A.NO. TAG DATE D.A.NO. TAG DATE D.A.NO.

A 02-19-62 0F03000



●1—01BWH32      ———— 01AHW32      ●4—01BWC28      ———— 01AWC28      ●5—01BWH31      ———— 01AHW31

COMMENTS

TAG	DATE	D.A.NO.	TAG	DATE	D.A.NO.	TAG	DATE	D.A.NO.	TAG	DATE	D.A.NO.
A	02-19-62	0F03000									

-S EXP ADD EXIT  
TO SCAN 0  
01.66.19.1  
-S NORM SFT LT  
REQD  
01.66.79.1  
-S LAST EXP  
XMIT CYCLE  
01.66.31.1



+S TIME R304  
01.18.35.1  
-S OP B5 BEGIN  
SCAN  
01.67.58.1  
-S ENTRY RESET  
01.69.98.1

SCAN ENTRY



-S SCAN MODE  
ENTRY  
01.63.38.2

+S TIME WIDN P1  
01.18.35.1  
-S FP RESET P3  
01.69.98.1

SCAN MODE



+S SCAN MODE  
01.66.23.1  
+S SCAN MODE  
01.66.24.1  
+S SCAN MODE  
01.66.25.1  
+S SCAN MODE  
01.66.21.1



+S SCAN MODE A  
01.66.22.1

-S SHIFT MODE  
01.66.58.1  
-S FRAC ADD  
ENTRY  
01.66.78.1  
-S RESULT XMIT  
MODE  
01.66.48.1



-S SCAN MODE  
01.68.24.1  
-S SCAN MODE  
01.67.58.1  
-S SCAN MODE  
01.66.18.1  
-S SCAN MODE  
01.66.78.1  
-S SCAN MODE  
01.66.38.1  
-S SCAN MODE  
01.68.22.1



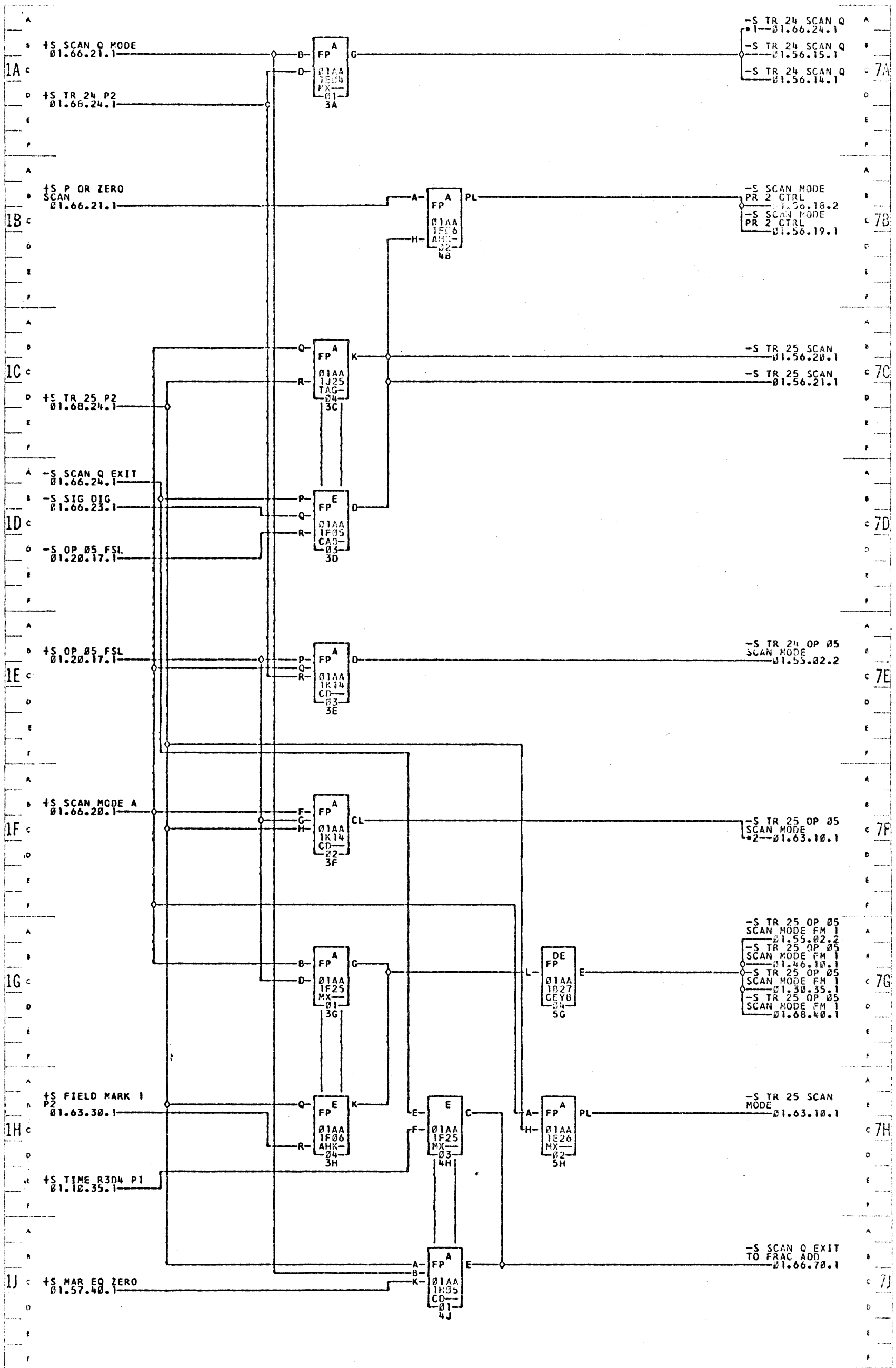
SCAN CE LAMP L2  
01.05.68.1

•1-01AX802

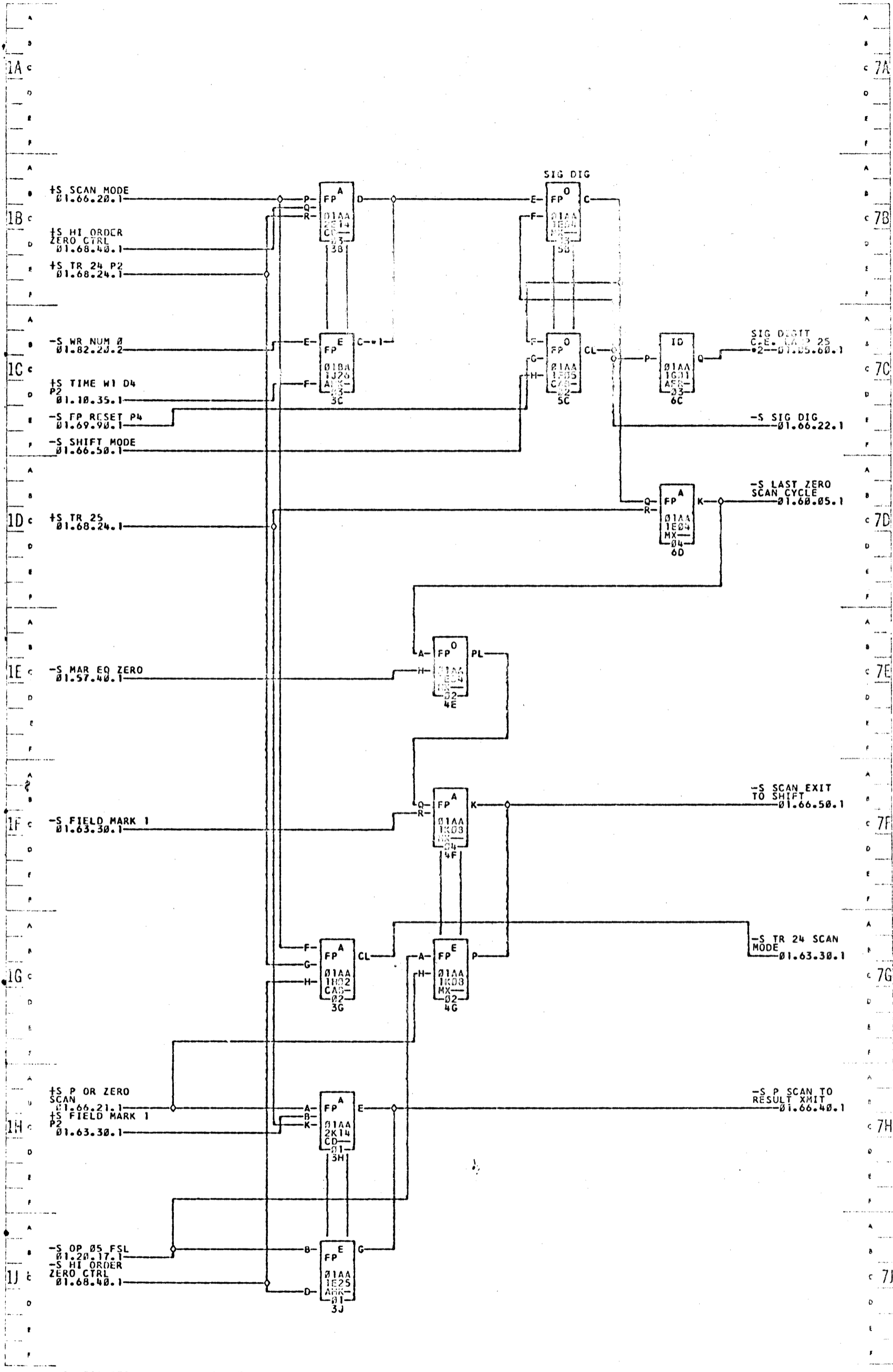
COMMENTS

TAG DATE D.A.NO. TAG DATE D.A.NO. TAG DATE D.A.NO. TAG DATE D.A.NO.  
A 02-12-62 0F01000





\*1-01AWC29    01BWC29    \*2-01AWL15    01BWL15



•1—01AWE32      ———01BWE32      •••01AXB25







A

A

+S LAST EXP ADD  
OP 01 02  
01.66.19.1

-S HIGH PLUS  
01.60.40.1

-S ZERO EQ TR  
01.60.41.1

-S ENTRY RESET  
01.69.90.1

EXP XMIT E



-S EXP XMIT ENTRY  
01.63.30.2

C

C

D

D

+S TIME WIDN P1  
01.10.35.1

-S FP RESET P3  
01.69.90.1

-S SCAN MODE  
01.66.20.1

EXP XMIT



+S EXP XMIT  
01.66.31.1



-S EXP XMIT  
01.68.24.1

-S EXP XMIT  
01.66.10.1

-S EXP XMIT  
01.68.22.1

F

F

G

G

H

H

J

J

\*1-01AX003



EXP XMIT  
C.E. LAMP L3  
01-01.05.60.1

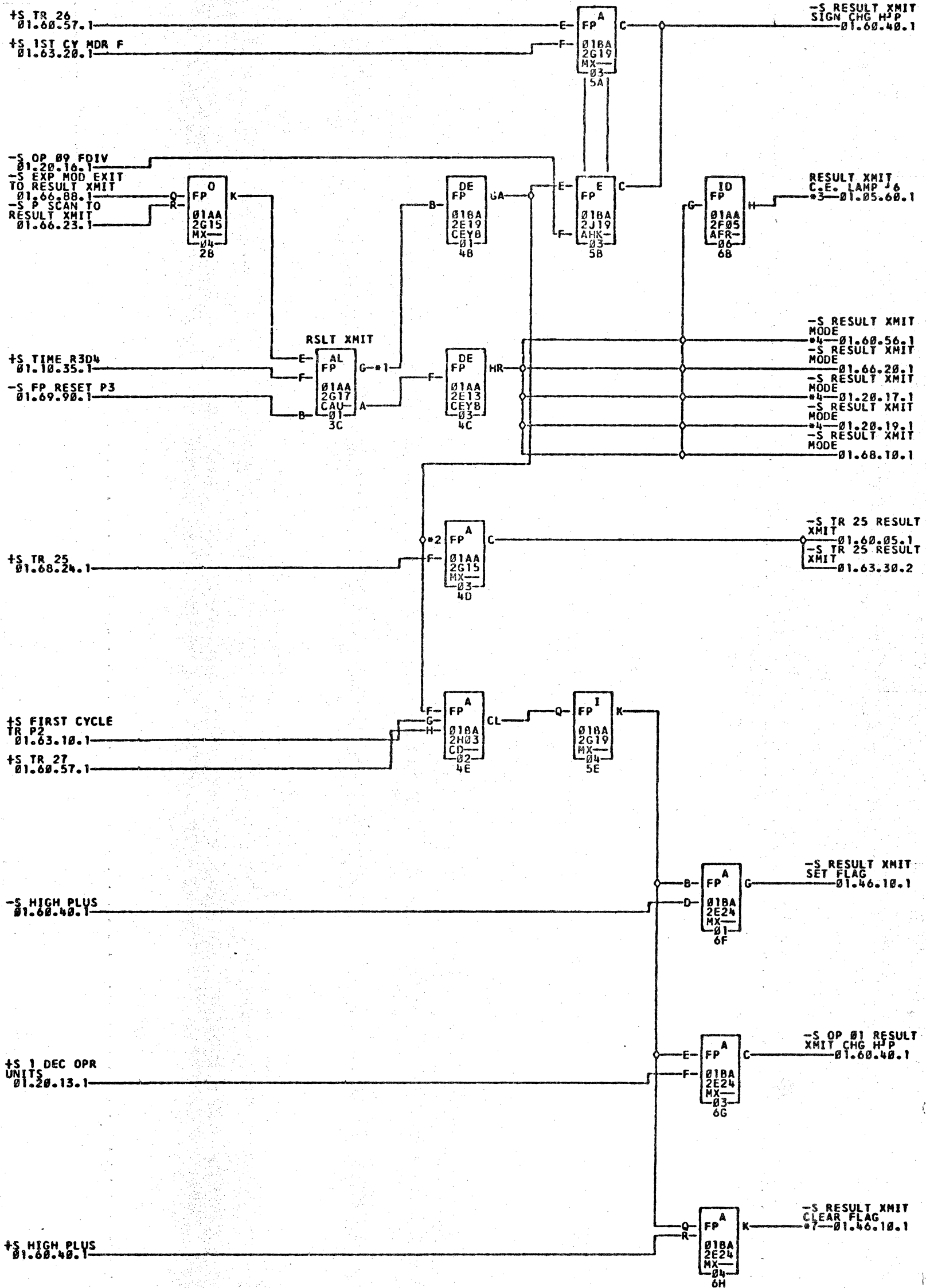
COMMENTS

TAG DATE D.A.NO. TAG DATE D.A.NO. TAG DATE D.A.NO. TAG DATE D.A.NO.

A 02-05-62 0F01000

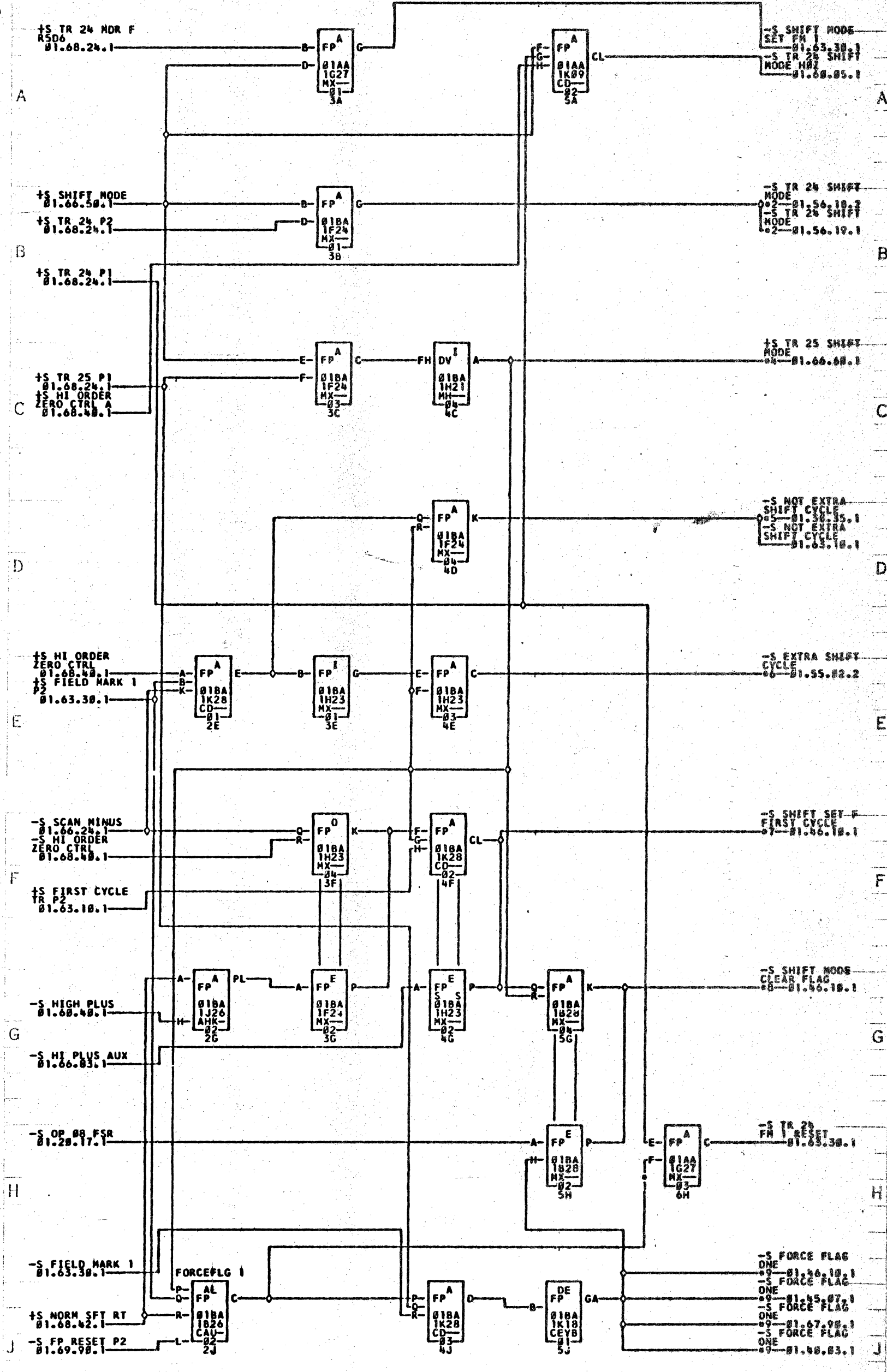






\*1—01AHL12      ———01BHL12      \*2—01AXL09      E———01BXL09      \*3—01AXB06      \*4—01ANC21  
                   01BWC21      \*7—01AWC22      01BWC22

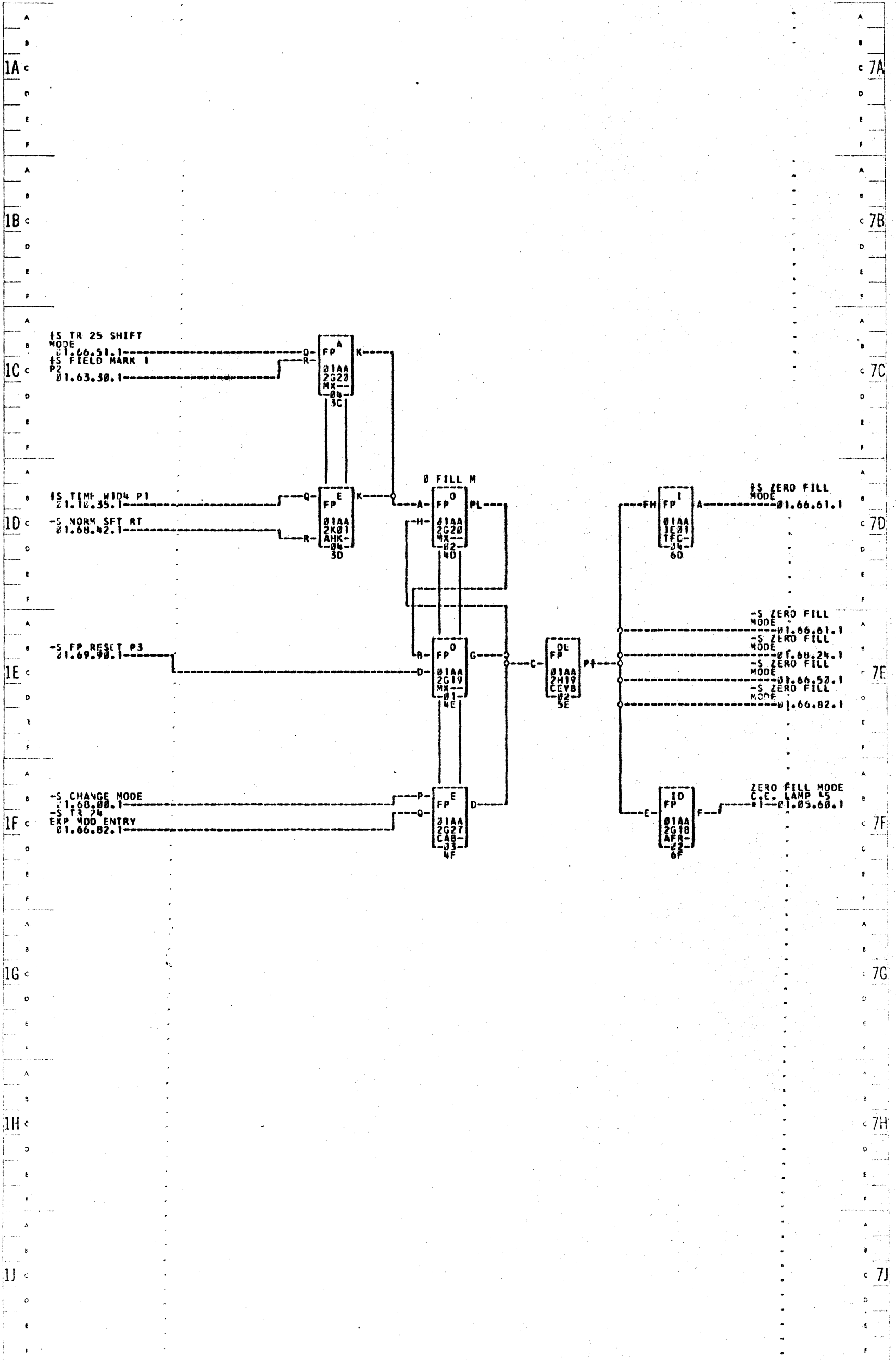




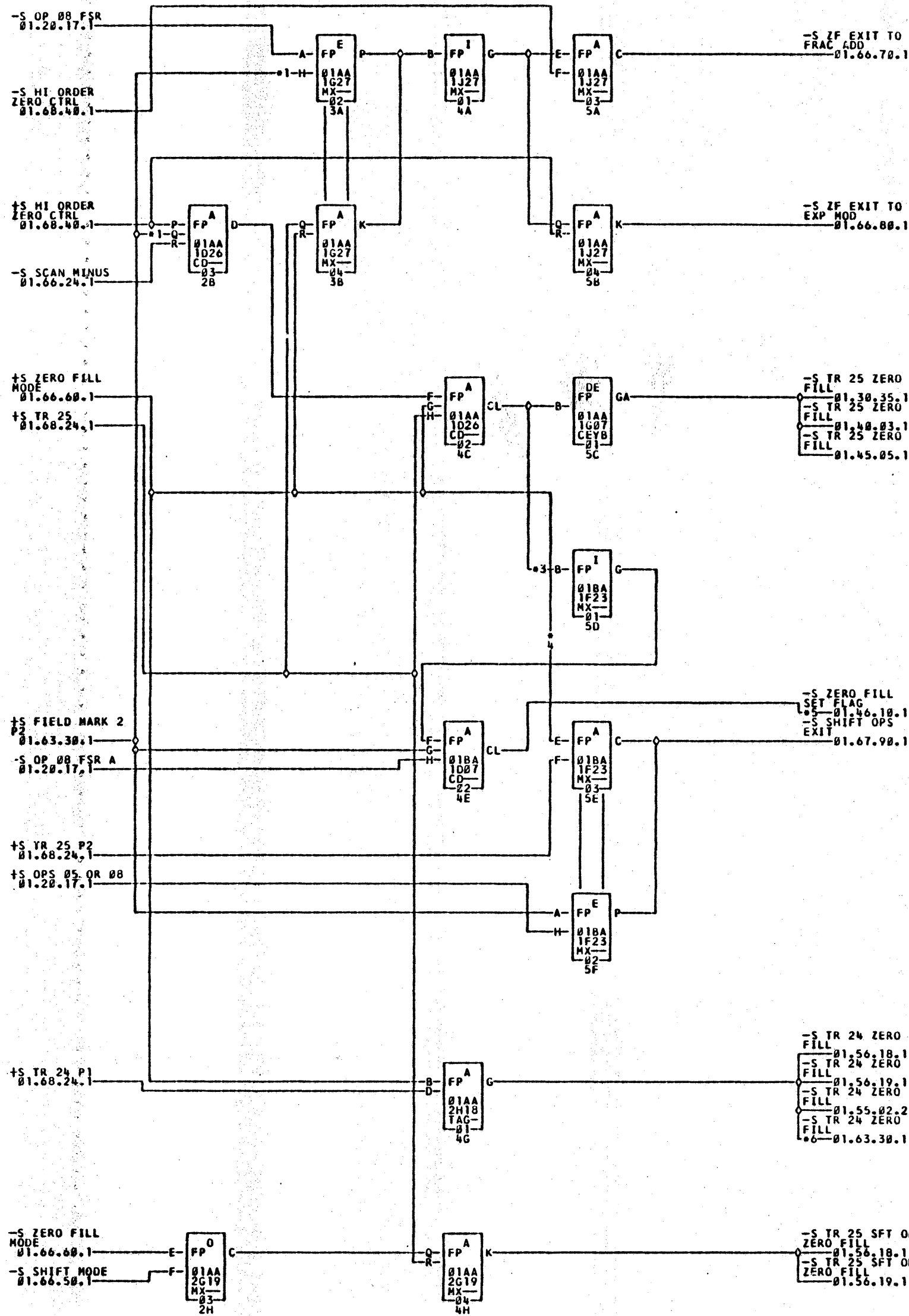
- 1—01BWH09      •2—01AWD04      •3—01BWL16      •4—01AWH05      •5—01BWH05
- 5—01BWD03      •6—01BWL18      •7—01AWL17      •8—01BWH05
- 8—01ANC32      •9—01BWH06      •9—01AWH06

COMMENTS      TAG DATE    D.A.NO.    TAG DATE    D.A.NO.    TAG DATE    D.A.NO.    TAG DATE    D.A.NO.

A 02-19-62    DF03000



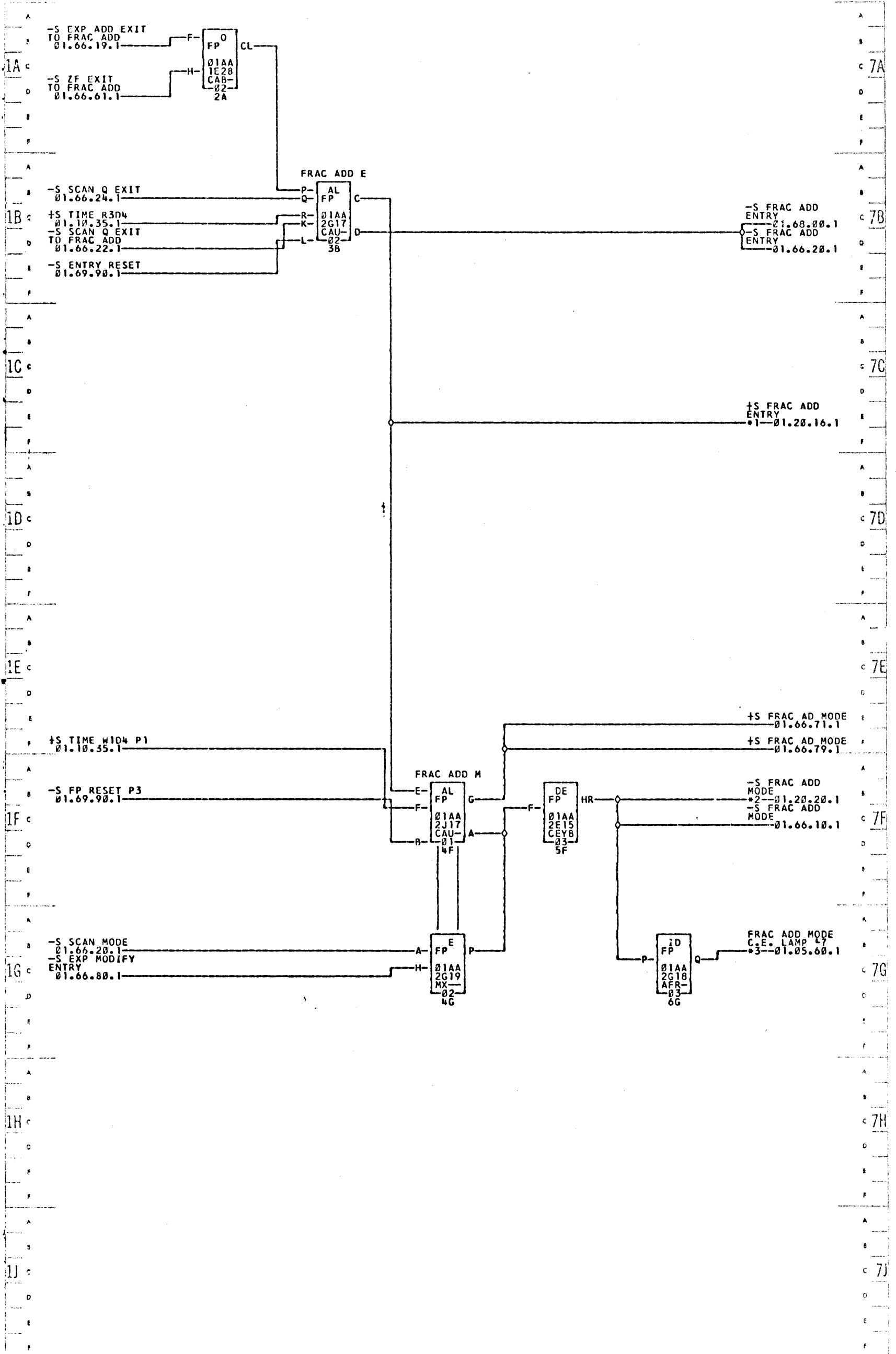
\*1--01AX805



\*1—NOTE 1  
 \*2—01BWC12  
 \*3—01BWC11  
 \*4—01AWH10  
 \*5—01ANC12  
 \*6—01AWL05  
 ————01ANC11  
 ————01BWL05  
 ————01BWH10

COMMENTS  
 NOTE 1 CONNECTOR 01AXL07—01BXL07 IS SHOWN ON PAGE 01.63.30.1  
 TAG DATE D.A.NO. TAG DATE D.A.NO. TAG DATE D.A.NO. TAG DATE D.A.NO.  
 A 03-27-62 DF07000





A

A

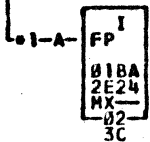
+S SCAN Q  
01.66.21.1  
+S FRAC AD  
MODE  
01.66.70.1



-S FRAC AD Q  
SIGN INH  
01.63.20.1

B

B



C

C

+S TIME WIDN P2  
01.10.35.1



-S FRAC AD Q  
MINUS  
01.63.20.1

D

D

+S FIRST CYCLE  
TR P2  
01.63.10.1

+S SCAN MINUS  
01.66.24.1



E

E

+S TR 11  
01.60.11.1

+S MDR F R5 D6  
01.10.36.1



-S ONE DIGIT Q  
02-01.63.30.1

F

F

G

G

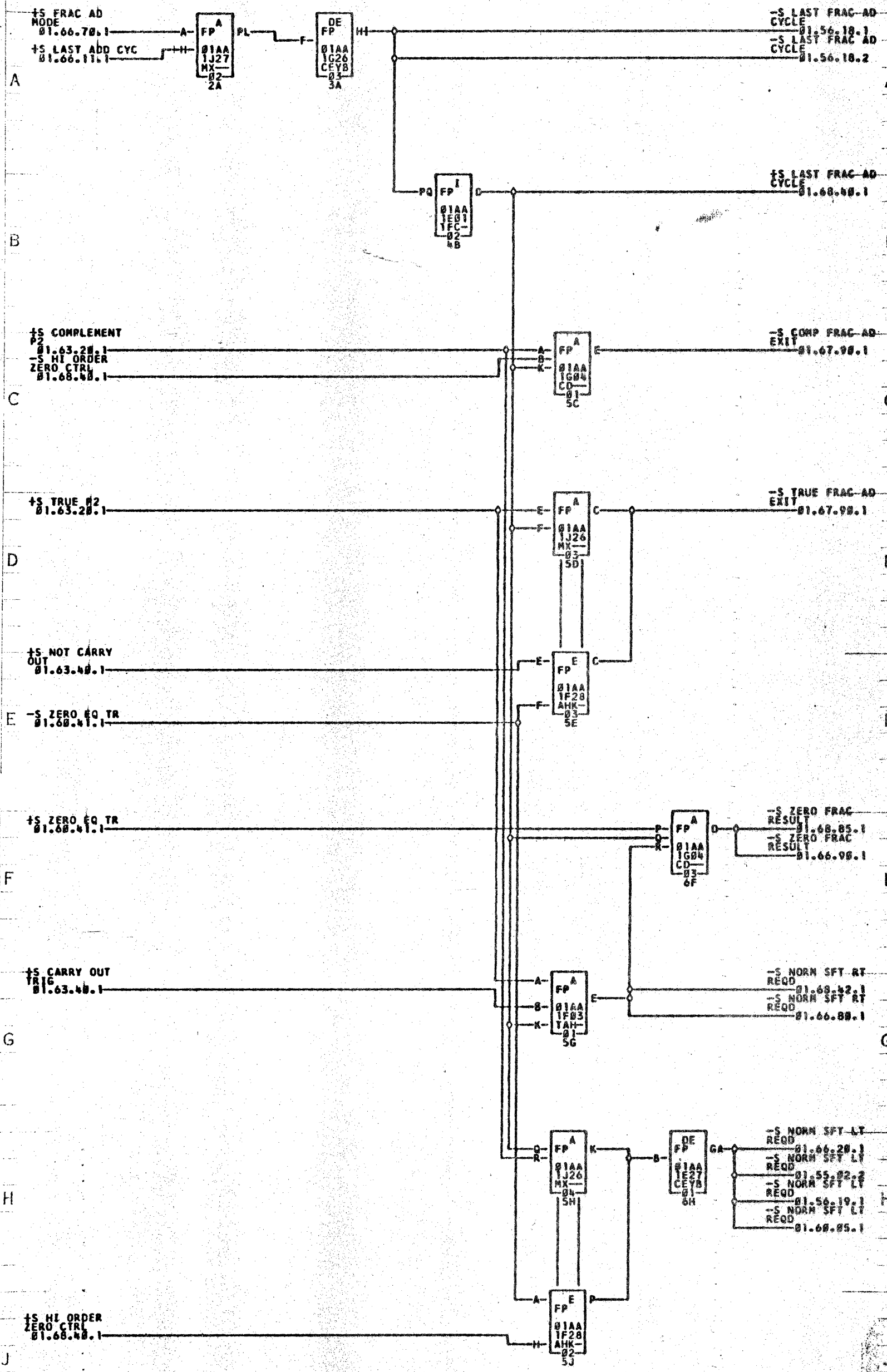
H

H

•1-010WE31    •1-010WE31    •2-010AXL05    •1-010AXL05

COMMENTS

TAG DATE D.A.NO. TAG DATE D.A.NO. TAG DATE D.A.NO. TAG DATE D.A.NO.  
A 02-06-62 0F01000



COMMENTS

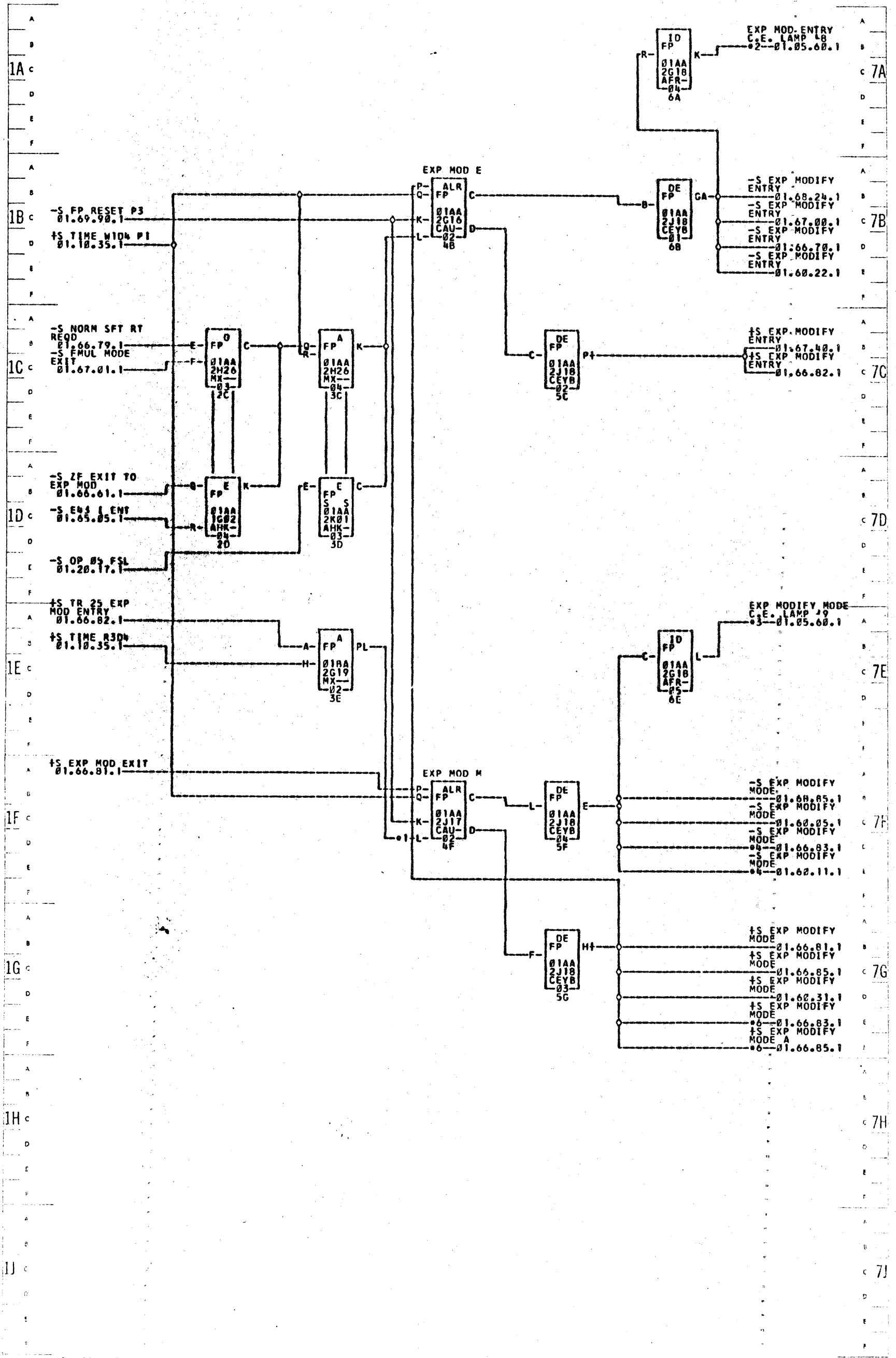
AG DATE D.A.NO. A 02-19-62 8F03000

AG DATE D.A.NO.

AG DATE D.A.NO.

AG DATE D.A.NO.



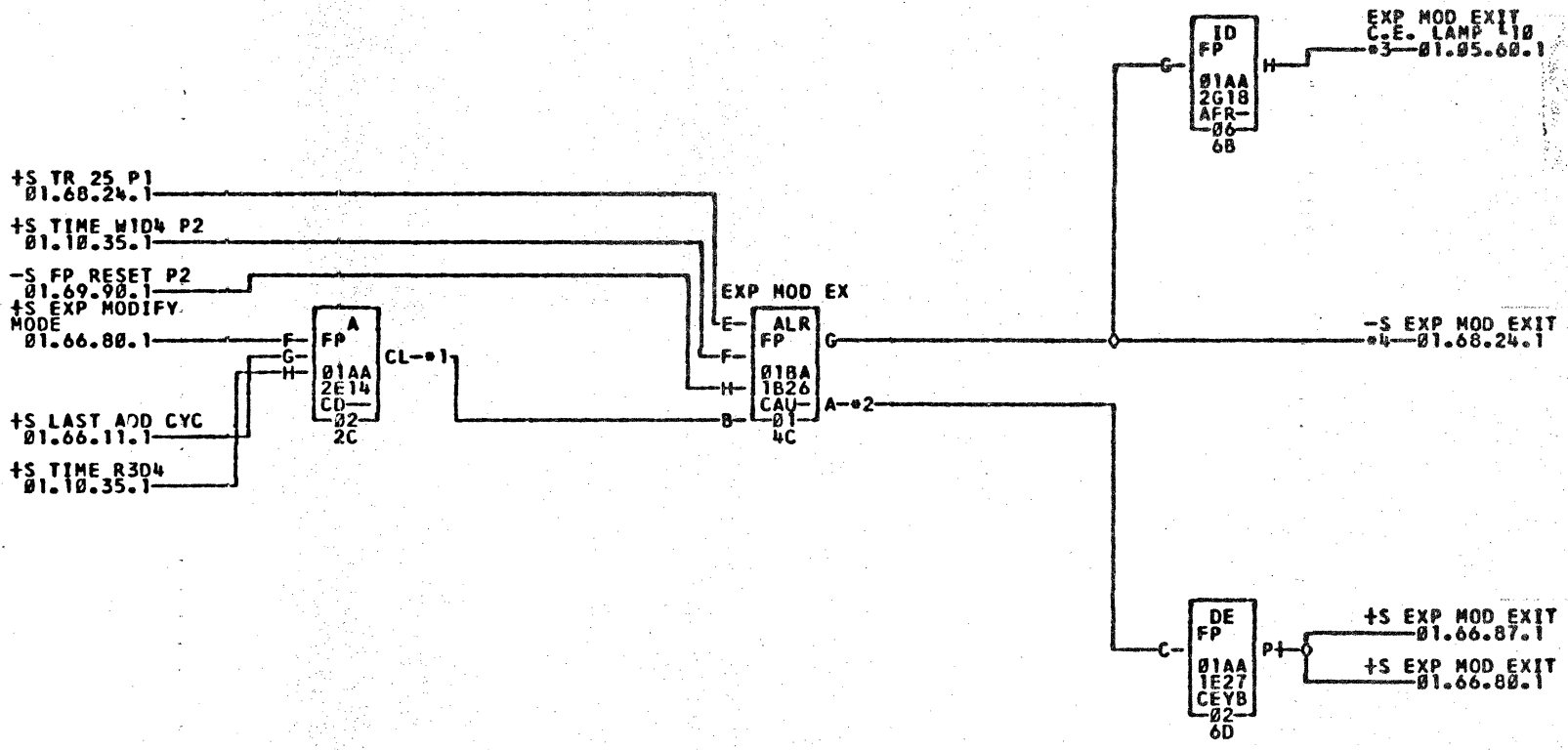


01-01AXL18    02-01AXL19    03-01AXB08    04-01AXB09    05-01AXK25    06-01BXL18  
 07-01BXL19    08-01BXL19    09-01BXL19    10-01BXL19    11-01BXL19    12-01BXL19

E. C. 424847

COMMENTS

TAG	DATE	D.A.NO.	TAG	DATE	D.A.NO.	TAG	DATE	D.A.NO.	TAG	DATE	D.A.NO.
A	01-14-63	0F16000									



\*1-01AWF32  
01AWL21

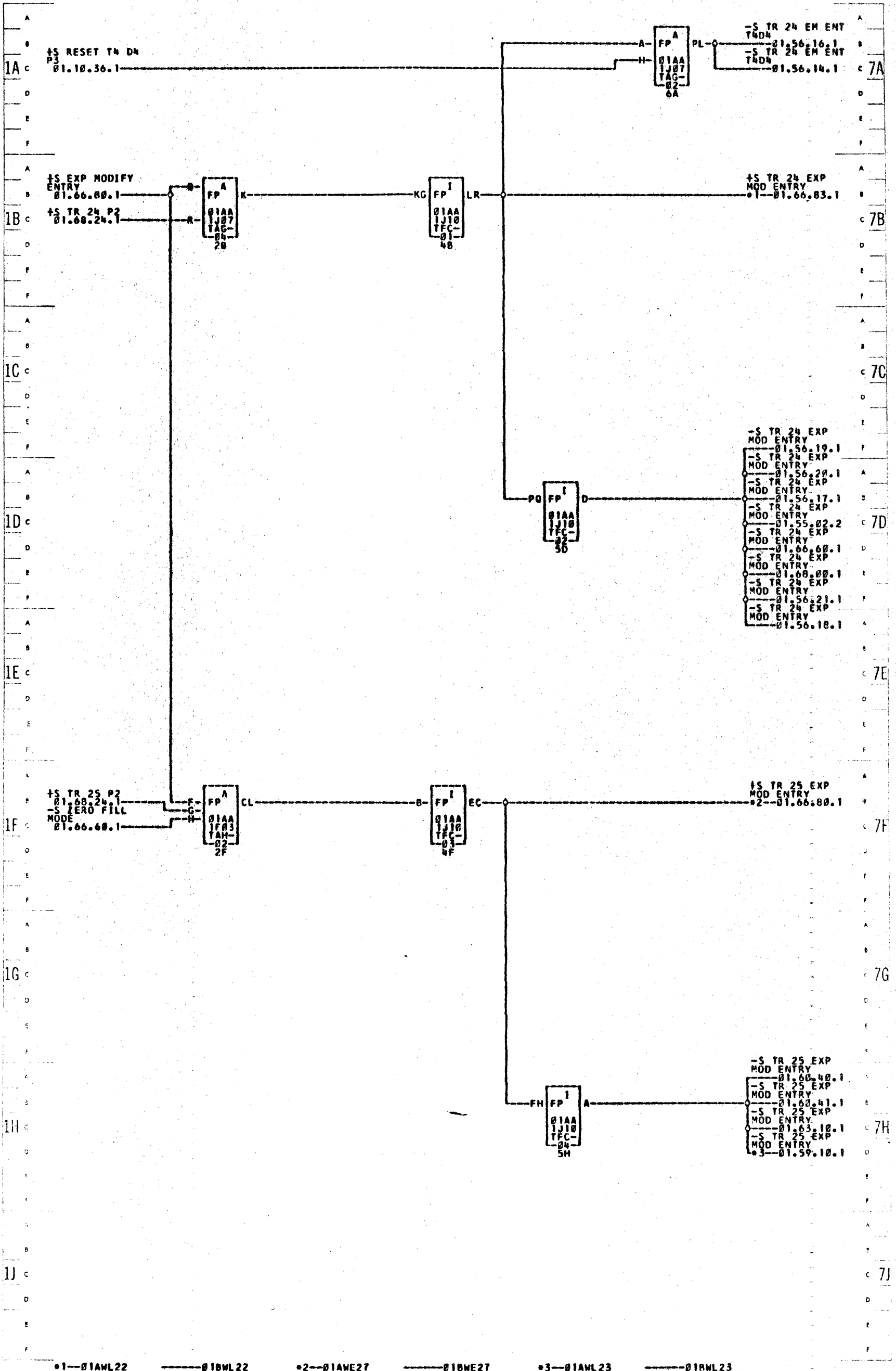
01BWF32

\*2-01AXL08

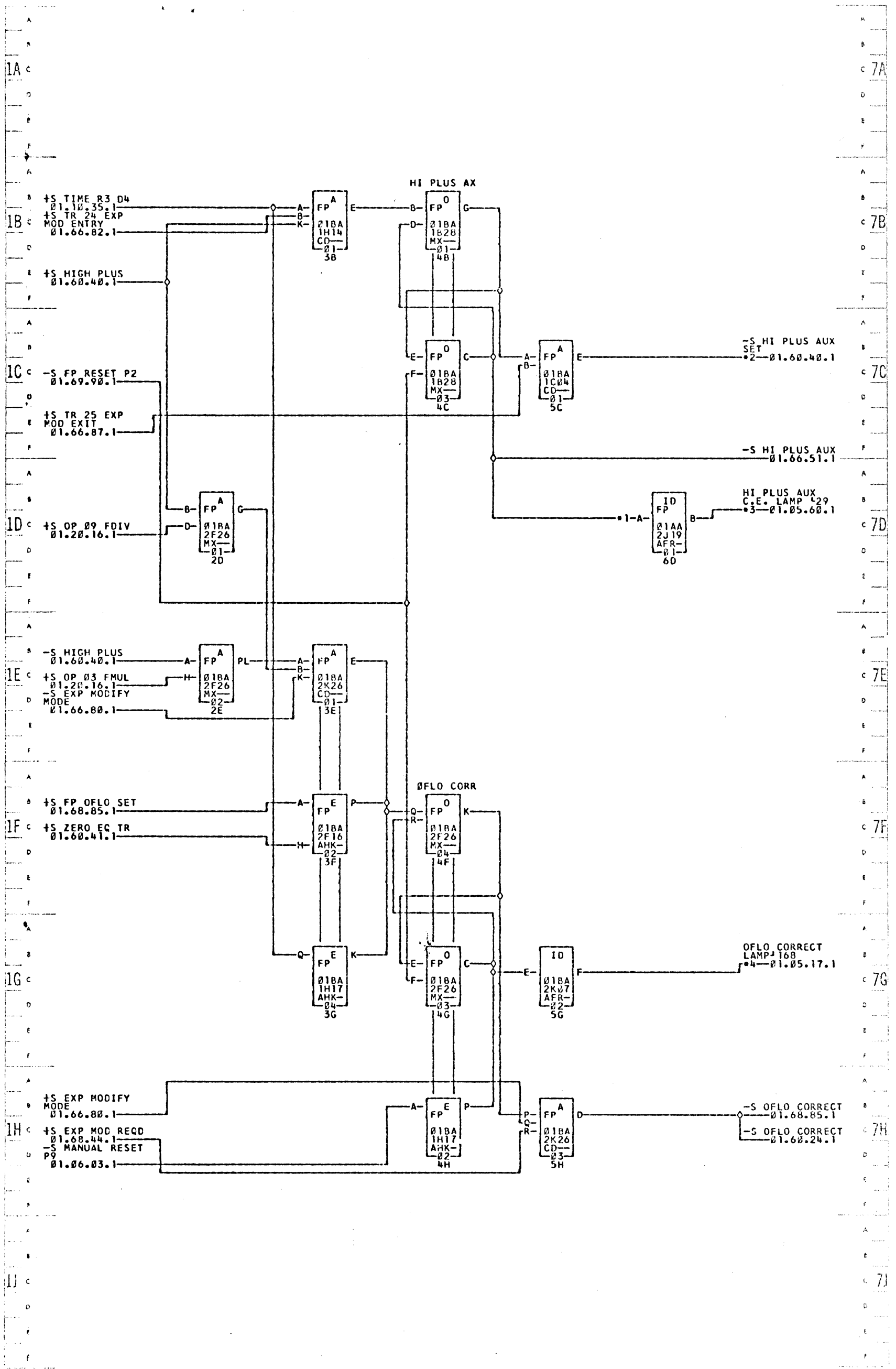
01BXL08

\*3-01AX810

\*4-01BWL21



•1--01AWL22      -----01BWL22      •2--01ANE27      -----01BWE27      •3--01AWL23      -----01BWL23

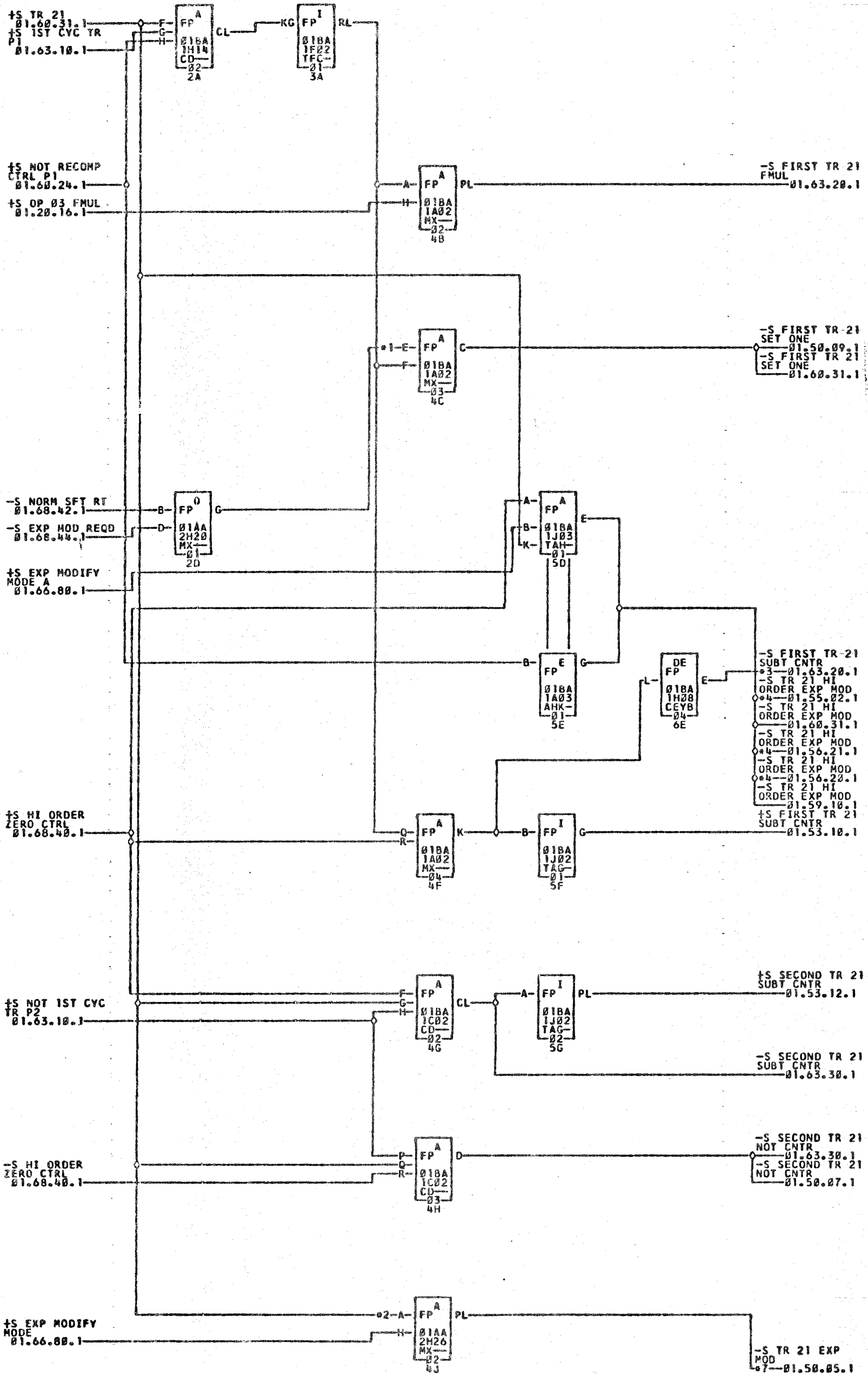


\*1--01BWL24      ————01AWL24      \*2--01BWL25      ————01AWL25      \*3--01AXB29      \*4--01BXC30

E. C. 424806

COMMENTS

TAG	DATE	D.A.NO.	TAG	DATE	D.A.NO.	TAG	DATE	D.A.NO.	TAG	DATE	D.A.NO.
A	08-10-62	0F11020									

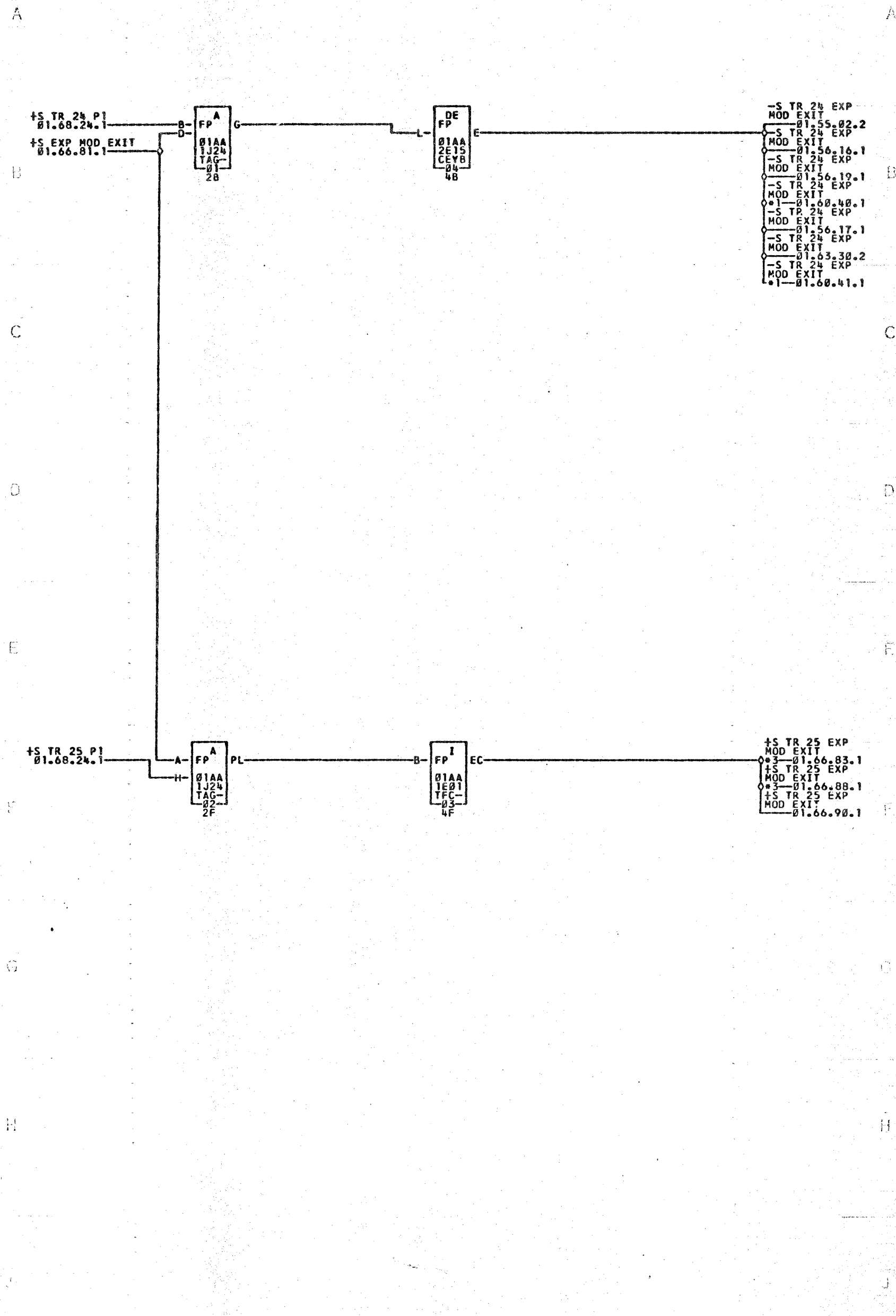


- 1—01BXX31      ————01AXK31      •2—01BWK30      ————01AWK30      •3—01BWB28      ————01AWB28
- 4—01AXL01      ————01BXL01      •7—01AXL14      ————01BXL14

COMMENTS      TAG DATE D.A.NO.      TAG DATE D.A.NO.      TAG DATE D.A.NO.      TAG DATE D.A.NO.

A 02-06-62 0F01000



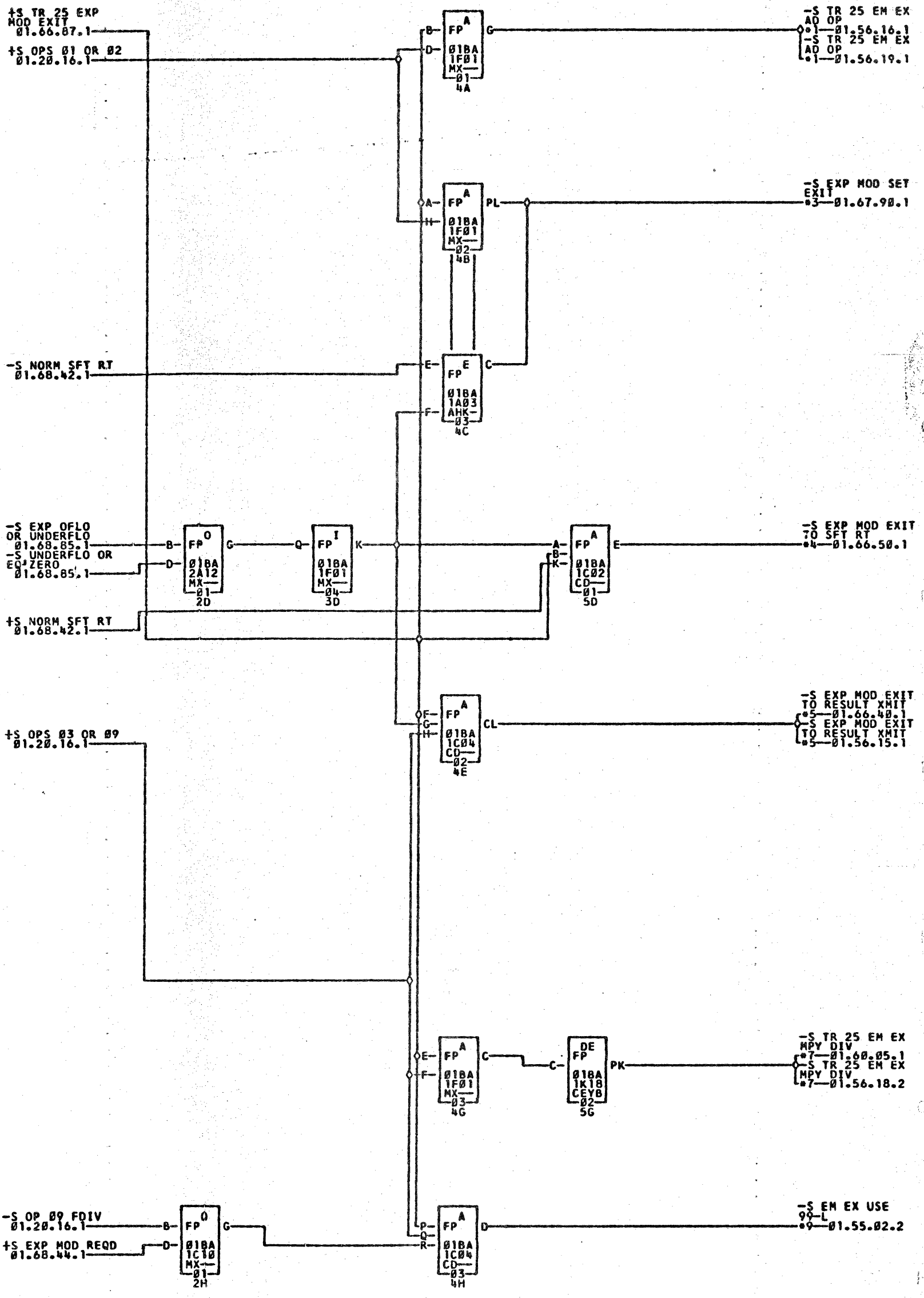


\*1--01AWB31      ———— 018WB31      \*3--01AWB30      ———— 018WB30

COMMENTS

TAG	DATE	D.A.NO.	TAG	DATE	D.A.NO.	TAG	DATE	D.A.NO.	TAG	DATE	D.A.NO.
A	02-07-62	0F01000									

01.66.87.1

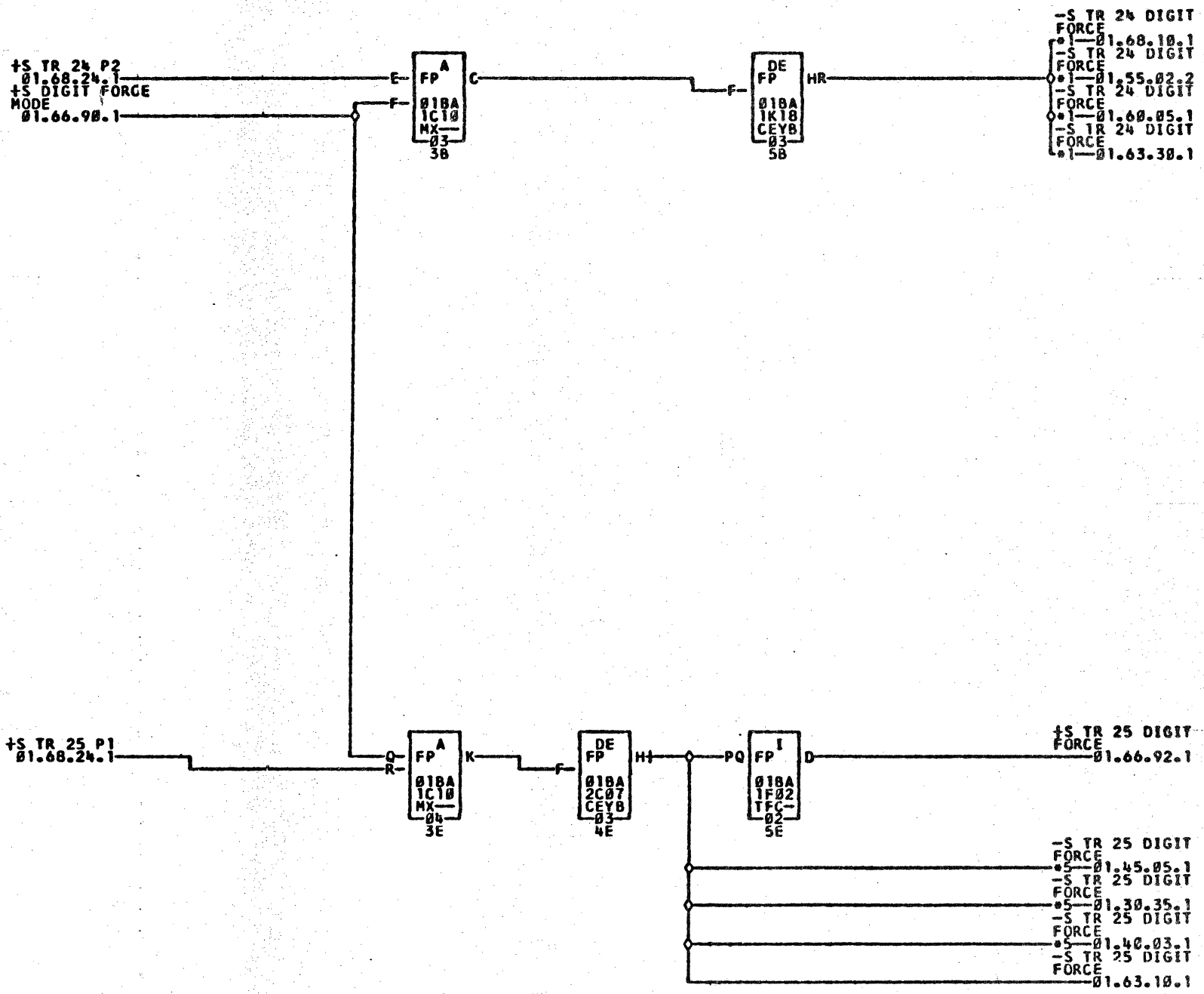


- \*1—01BWE26
- \*3—01BWE25
- \*4—01BWC19
- \*5—01BWC18
- \*7—01BWL11
- \*9—01BWC20
- 01AWE26
- 01AWE25
- 01AWC19
- 01AWE24
- 01AWE23
- 01AWC20

COMMENTS

TAG	DATE	D.A.NO.	TAG	DATE	D.A.NO.	TAG	DATE	D.A.NO.	TAG	DATE	D.A.NO.
A	02-05-62	0F01000									

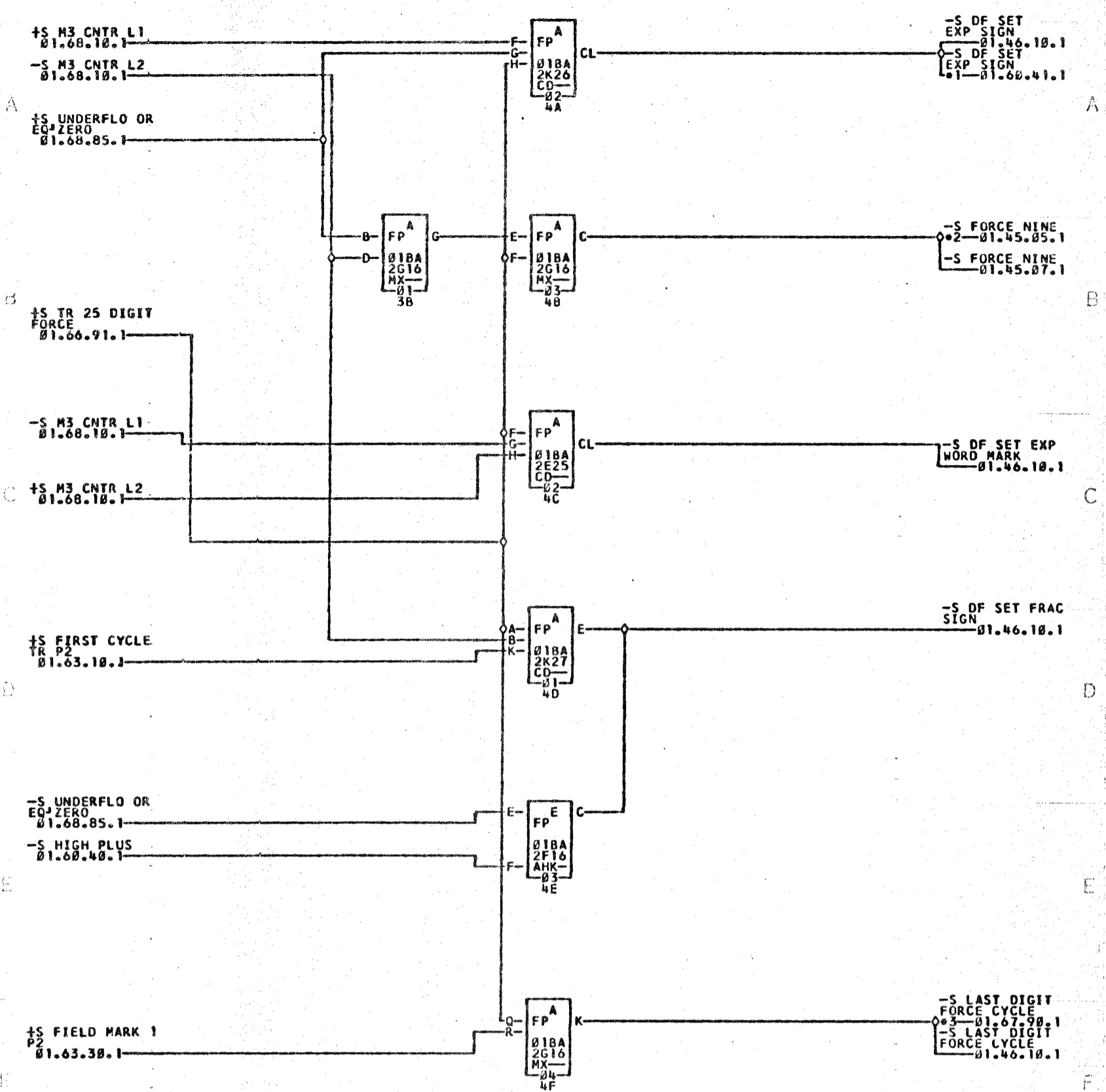




•1—01BWL28      ———01AWL28      •5—01BWL29      ———01AWL29

COMMENTS

TAG	DATE	D.A.NO.	TAG	DATE	D.A.NO.	TAG	DATE	D.A.NO.	TAG	DATE	D.A.NO.
A	02-05-62	0F01000									



\*1-01BWL32

01AWL32

\*2-01BWL31

01AWL31

\*3-01BWL30

01AWL30

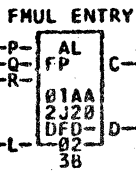
COMMENTS

TAG	DATE	D.A.NO.	TAG	DATE	D.A.NO.	TAG	DATE	D.A.NO.	TAG	DATE	D.A.NO.
A	01-23-62	0F00000									

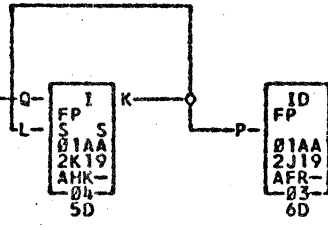
A  
B  
C  
D  
E  
F  
G  
H  
J

A  
B  
C  
D  
E  
F  
G  
H  
J

+S LAST EXP ADD  
 CYCLE  
 01.56.12.1  
 +S OP 03 FMUL  
 P1  
 01.20.16.1  
 +S TIME R3D4 P1  
 01.10.35.1  
 -S ENTRY RESET  
 01.69.90.1

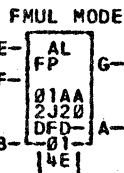


-S FMUL MODE  
 ENTRY  
 01.68.00.1



FMUL MODE  
 C.E. LAMP 11  
 01.05.60.1

+S TIME W104 P2  
 01.10.35.1  
 -S FP RESET P1  
 01.69.90.1



+S FMUL MODE  
 \*2-01.67.01.1

-S EXP MODIFY  
 ENTRY  
 01.66.80.1



-S FMUL MODE  
 01.56.10.1

-S FMUL MODE  
 01.60.22.1

-S FMUL MODE  
 \*3-01.20.19.1

\*1-01AXB11

\*2-01AXK01

——01BXX01

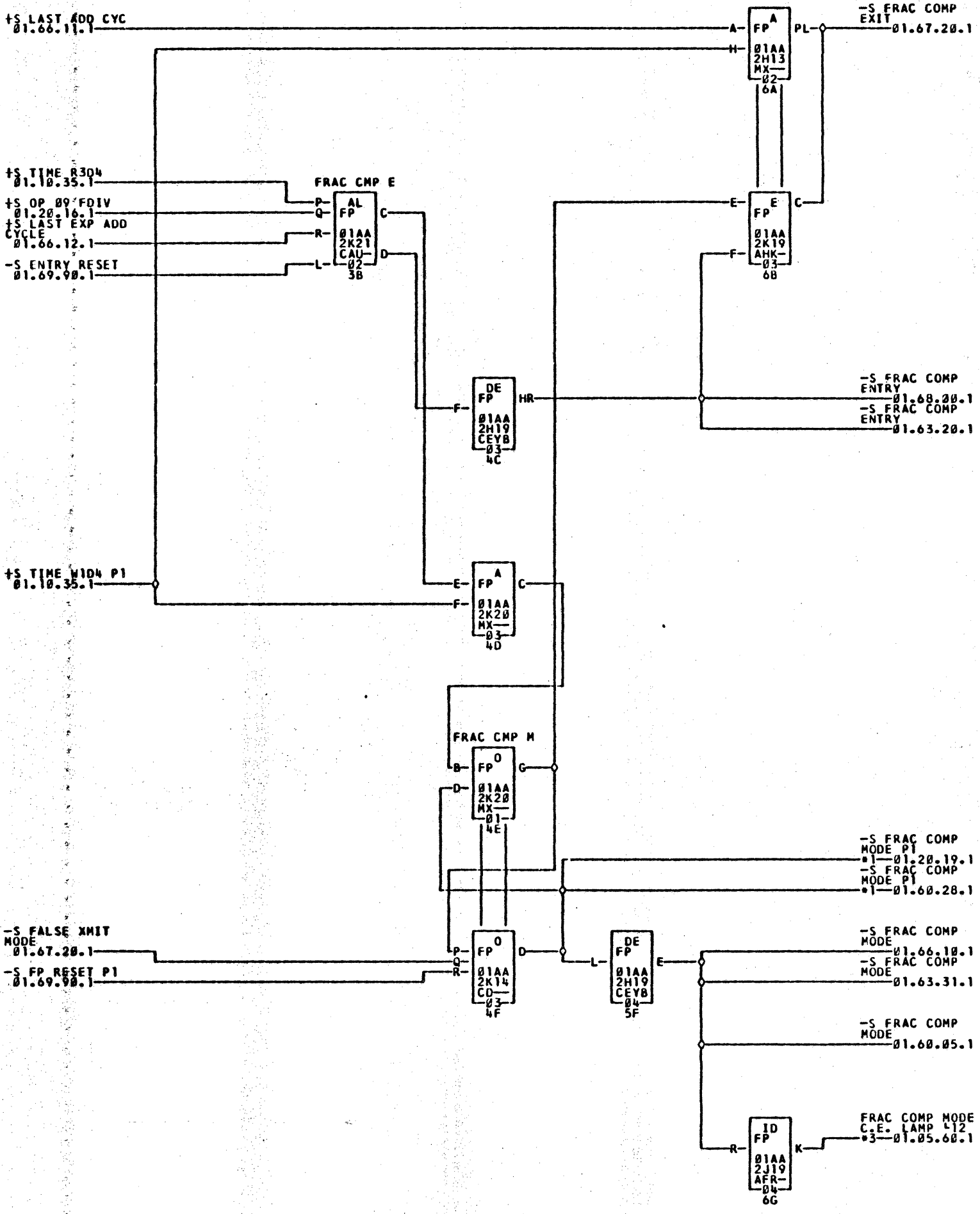
\*3-01AXK02

——01BXX02

COMMENTS

TAG	DATE	D.A.NO.	TAG	DATE	D.A.NO.	TAG	DATE	D.A.NO.	TAG	DATE	D.A.NO.
A	02-12-62	0F01000									

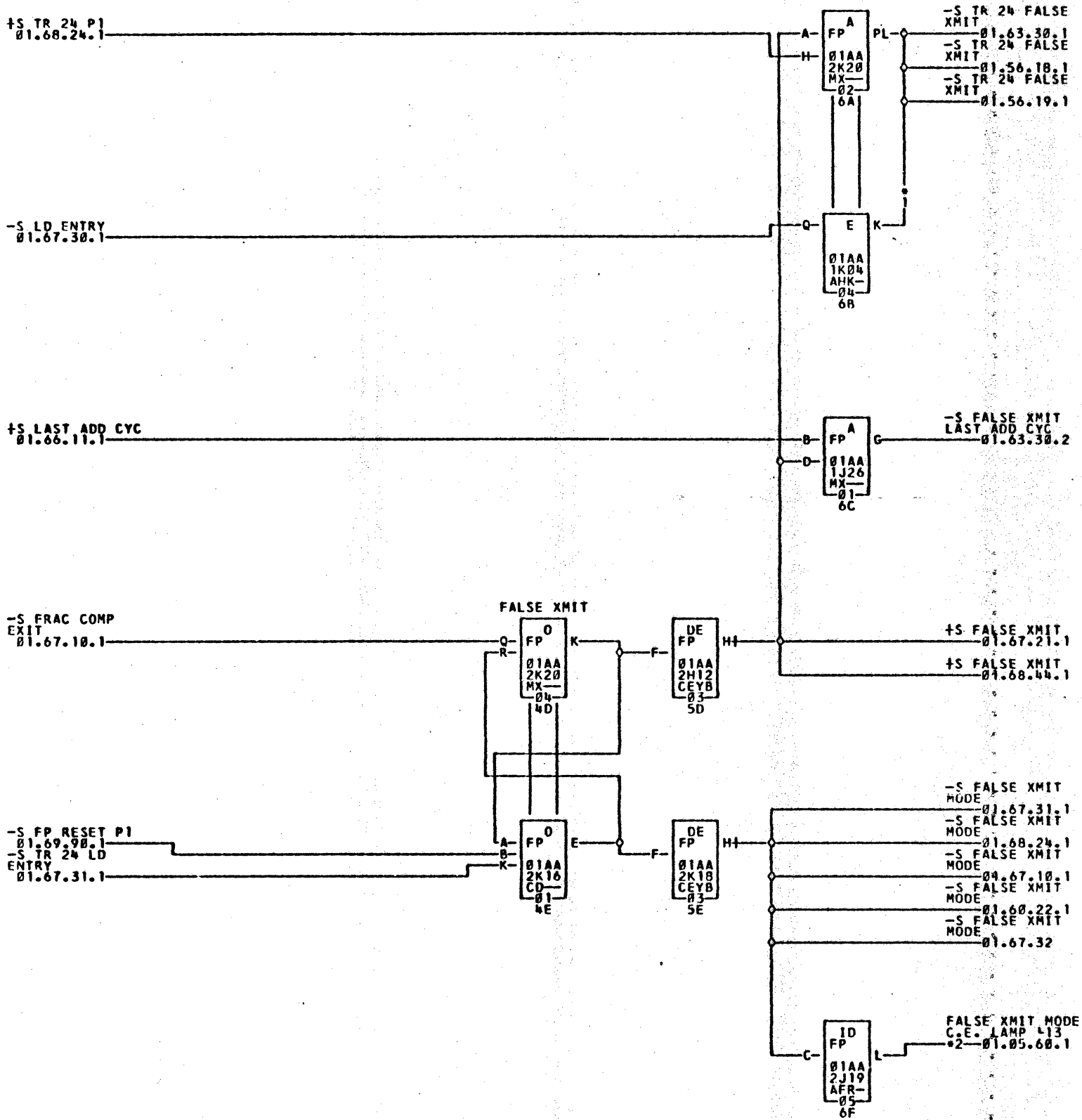




•1—01AXK30      ———018XK30      •3—01AXB12

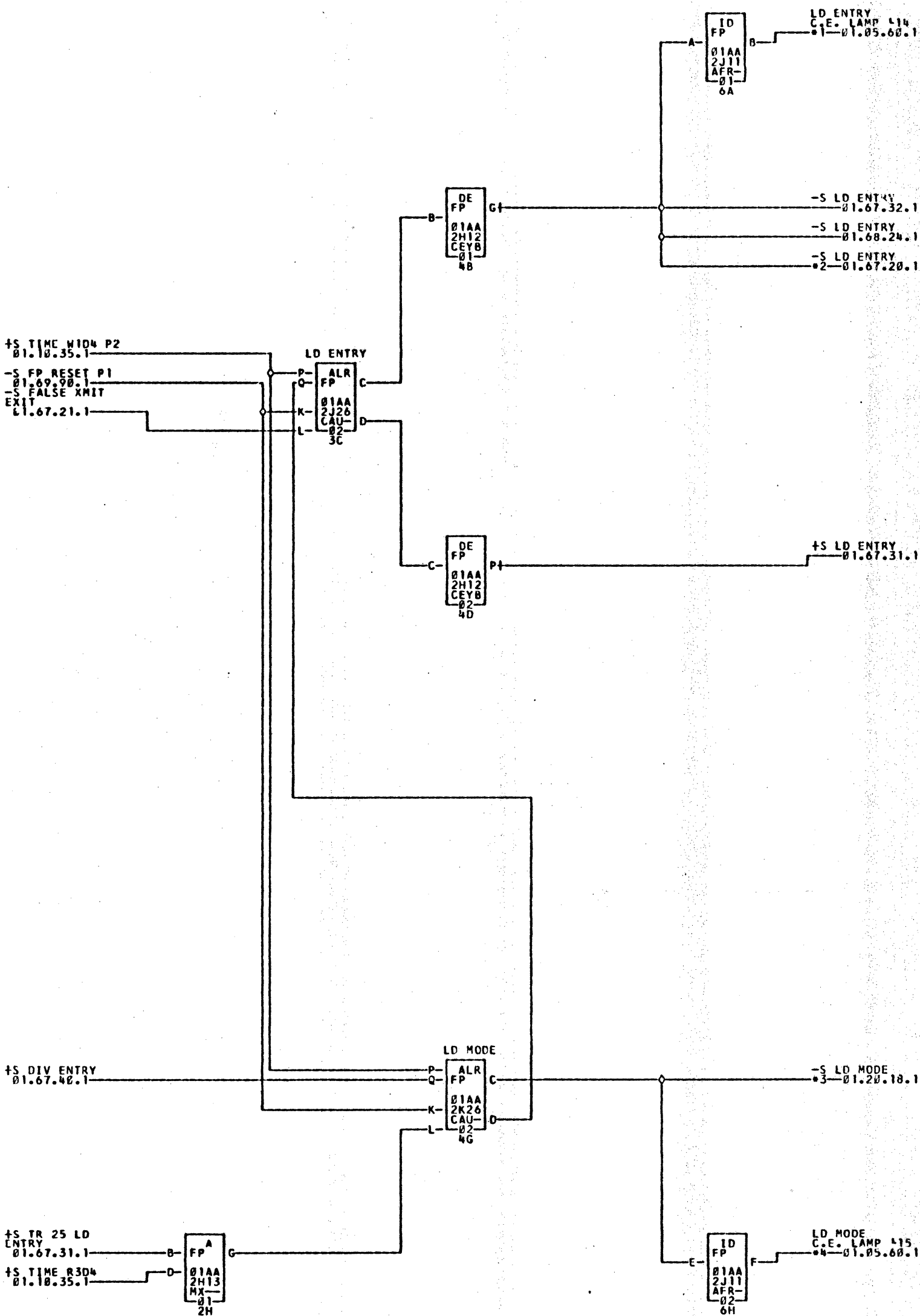
COMMENTS	TAG DATE	D.A.NO.	TAG DATE	D.A.NO.	TAG DATE	D.A.NO.	TAG DATE	D.A.NO.
	A 03-22-62	0F07000						





\*1-01A1Z170    01A2Z170    \*2-01AX013





•1—01AXB14    •2—01A2Z17C    —01A1Z17C    •3—01AXK05    —01BXX05    •4—01AXB15

E. C. 404757

COMMENTS

TAG DATE	D.A.NO.	TAG DATE	D.A.NO.	TAG DATE	D.A.NO.	TAG DATE	D.A.NO.
A 04-26-62	0F07000						

A

A

+S LD ENTRY  
#1.67.30.1

+S TR 24 P1  
#1.68.24.1



-S TR 24 LD  
ENTRY #1.10.25.1  
-S TR 24 LD  
ENTRY #1.67.20.1  
-S TR 24 LD  
ENTRY #1.63.30.2

B

B

+S SET RSD6 P5  
#1.10.22.1



-S TR 24 LD  
ENTRY RSD6  
#1.56.17.1

C

C

+S EXP MOD REQD  
#1.68.44.1



-S TR 24 LD ENT  
EXP MOD REQD  
#1.55.02.2

D

D

+S TR 25 P2  
#1.68.24.1  
-S FALSE XMIT  
MODE  
#1.67.20.1



-S TR 25 LD  
ENTRY #1.56.10.1

E

E



+S TR 25 LD  
ENTRY #1.67.30.1

F

F

G

G

H

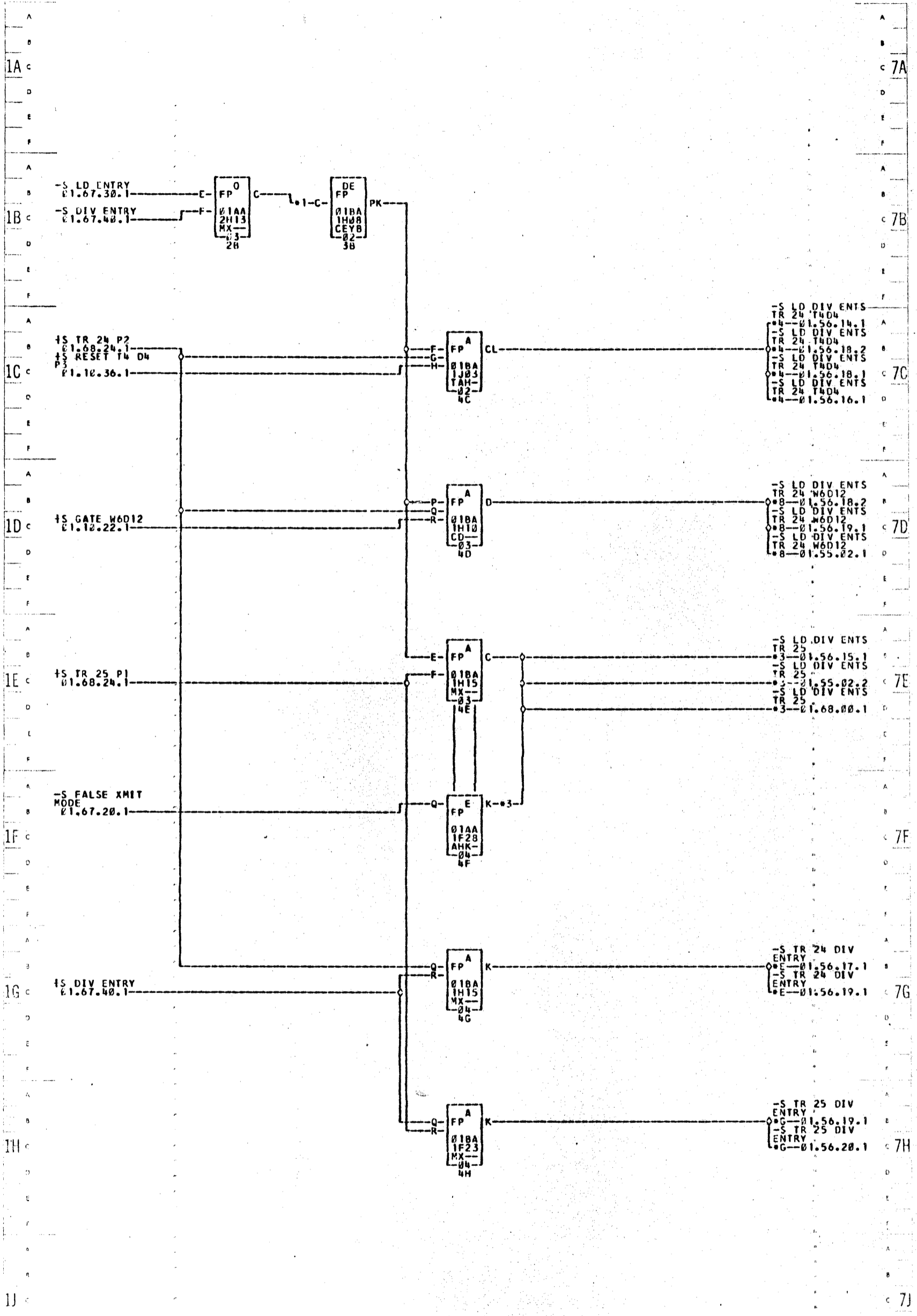
H

J

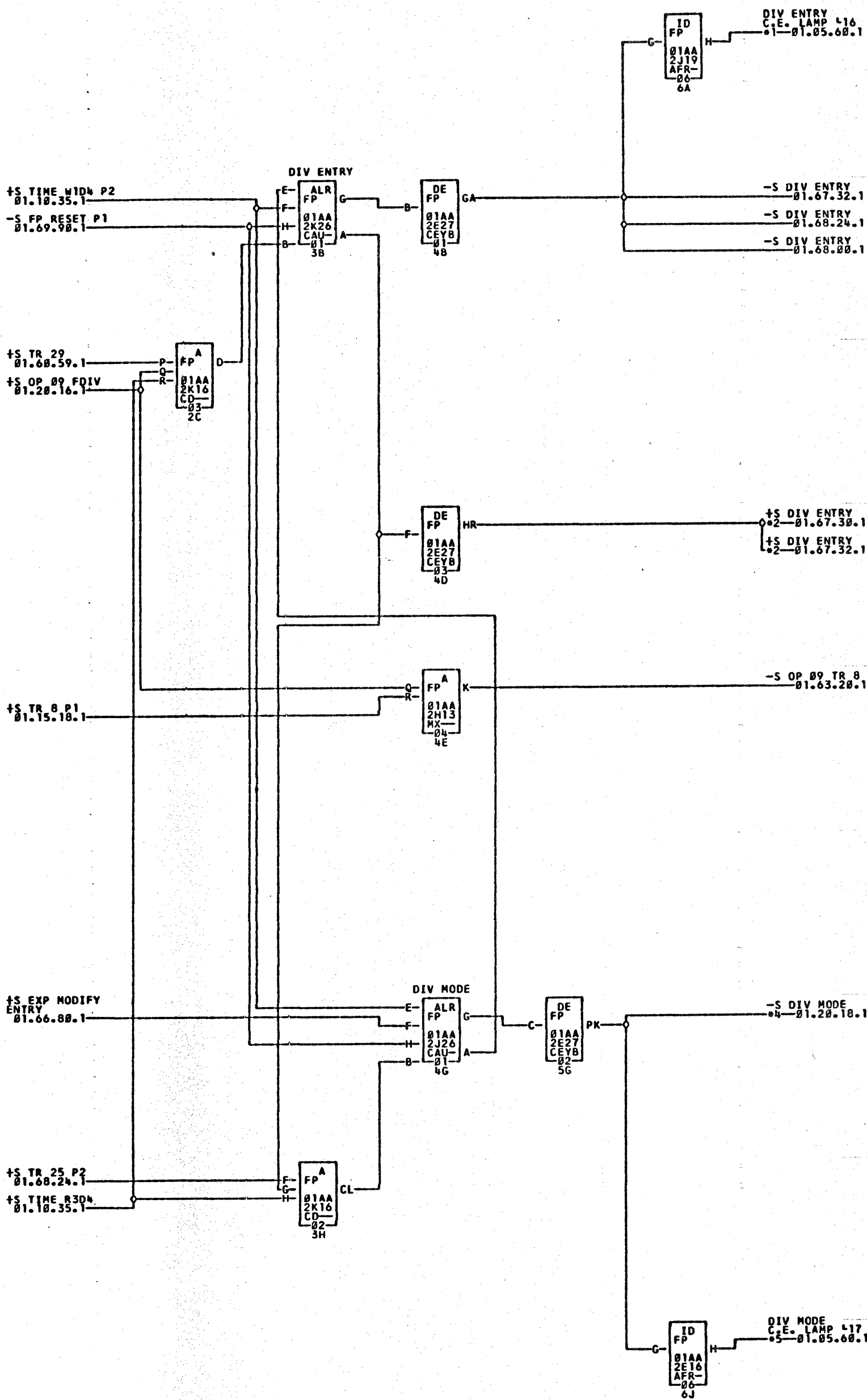
J

COMMENTS

TAG	DATE	D.A.NO.	TAG	DATE	D.A.NO.	TAG	DATE	D.A.NO.	TAG	DATE	D.A.NO.
A	02-10-62	0F03000									



\*1--01AWK23      ---01BWK23      \*3--01BWK24      ---01AWK24      \*b--01BWK27      ---01AWK27  
 \*b--01BWK25      ---01AWK25      \*E--01BWK26      ---01AWK26      \*G--01BWK28      ---01AWK28

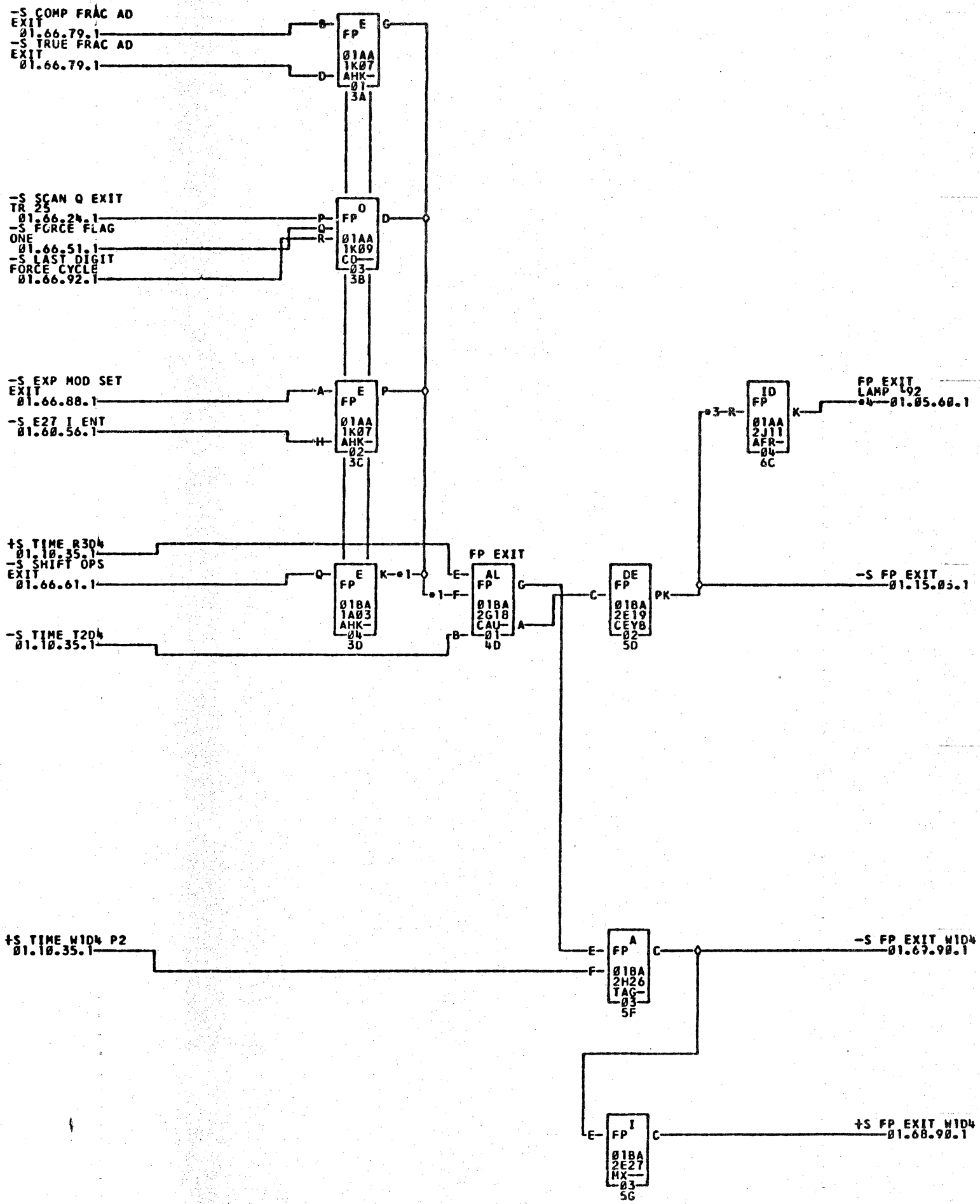


\*1-01AX816    \*2-01AX806    —018XK06    \*4-01AXK07    —018XK07    \*5-01AX817

COMMENTS

TAG	DATE	D.A.NO.	TAG	DATE	D.A.NO.	TAG	DATE	D.A.NO.	TAG	DATE	D.A.NO.
A	02-05-62	0F01000									

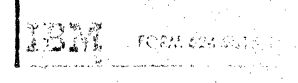




-1-01AXK08      -01BXX08      -3-01AXK09      -01BXX09      -4-01AXF10

COMMENTS      TAG DATE      D.A.NO.      TAG DATE      D.A.NO.      TAG DATE      D.A.NO.      TAG DATE      D.A.NO.

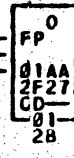
A 02-05-62 0F01000



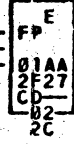


+S TIME WIDN P2  
01.10.35.1

-S FMUL MODE  
ENTRY  
01.67.00.1  
-S FRAC COMP  
ENTRY  
01.67.10.1  
-S LD DIV ENTS  
TR 25  
01.67.32.1



-S DIV ENTRY  
01.67.40.1  
-S TR 24 EXP.  
MOD ENTRY  
01.66.82.1  
-S FRAC ADD  
ENTRY  
01.66.70.1



-S CHANGE MODE  
02-01.66.60.1  
-S CHANGE MODE  
02-01.15.10.1  
-S CHANGE MODE  
02-01.15.18.1  
-S CHANGE MODE  
01.63.20.1

\*1-01AWC14

01BNC14

\*2-01BWL10

01AWL10

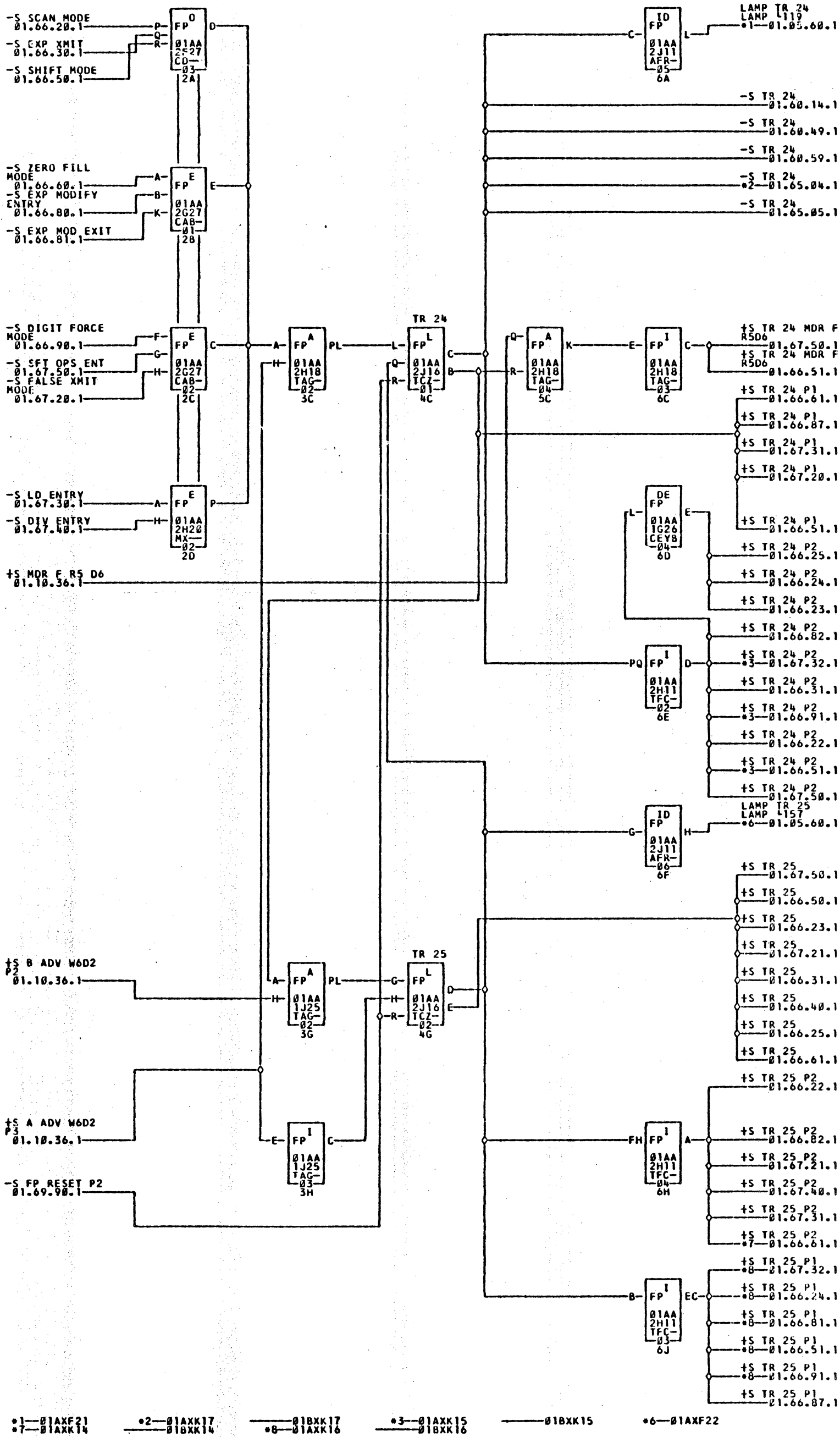
COMMENTS

TAG DATE D.A.NO. TAG DATE D.A.NO. TAG DATE D.A.NO. TAG DATE D.A.NO.

A 01-23-62 0F00000

2305





COMMENTS

TAG	DATE	D.A.NO.	TAG	DATE	D.A.NO.	TAG	DATE	D.A.NO.
A	03-20-62	0F07000						

A

A

B

B

C

C

D

D

E

E

F

F

G

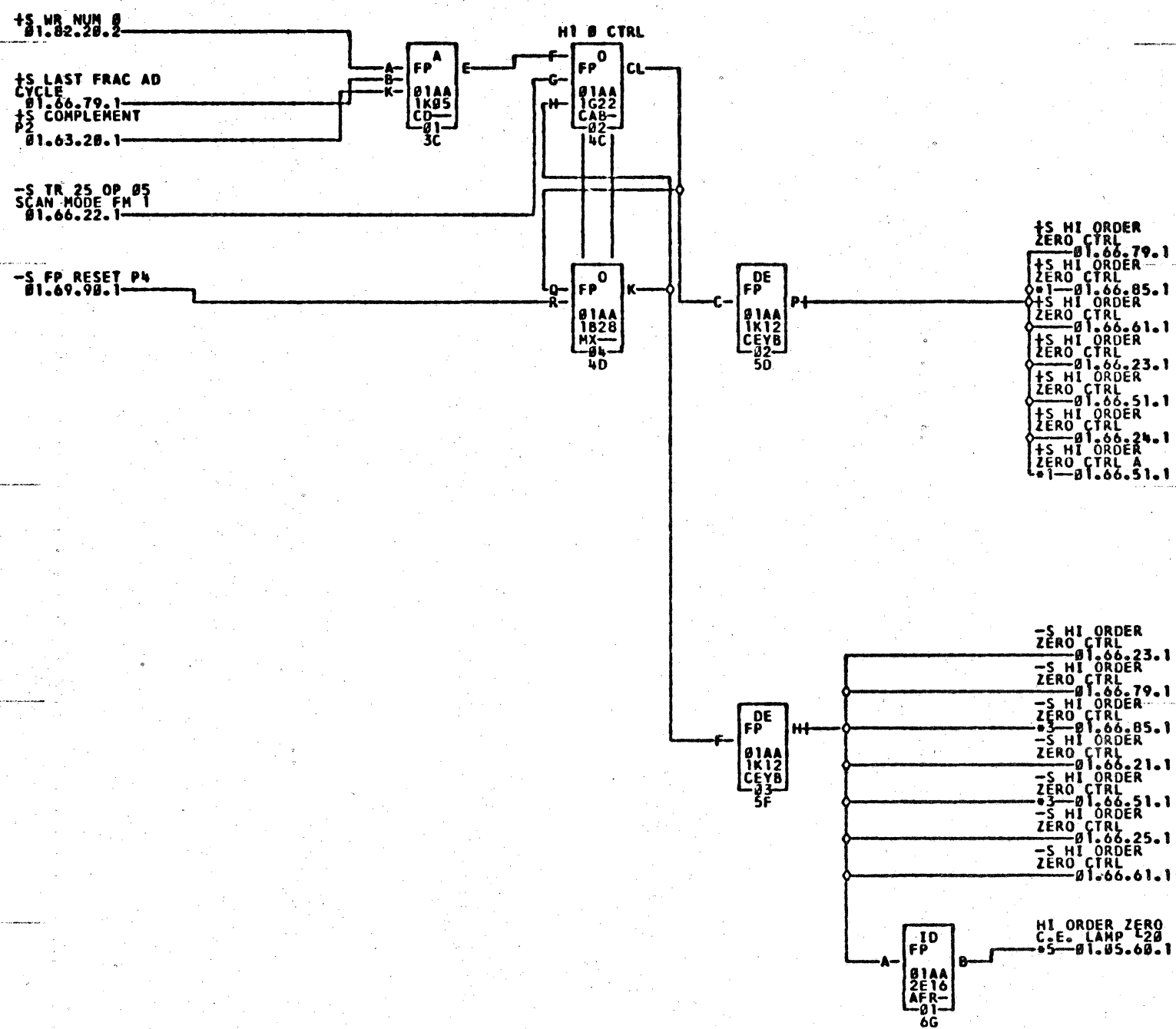
G

H

H

J

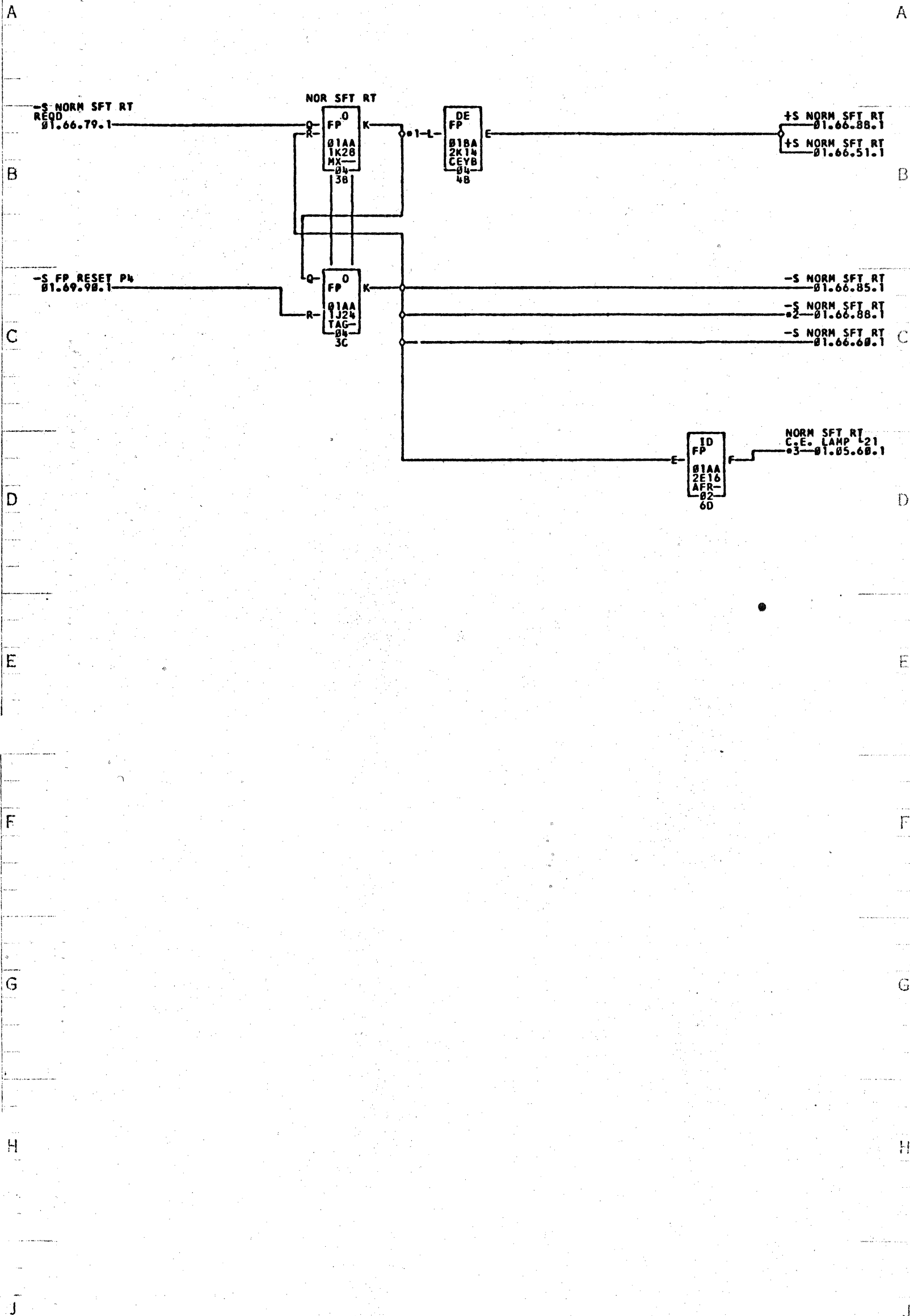
J



•1—01AXK18      ———01BXX18      •3—01AXK19      ———01BXX19      •5—01AXB20

COMMENTS

TAG	DATE	D.A.NO.	TAG	DATE	D.A.NO.	TAG	DATE	D.A.NO.	TAG	DATE	D.A.NO.
A	02-05-62	0F01000									

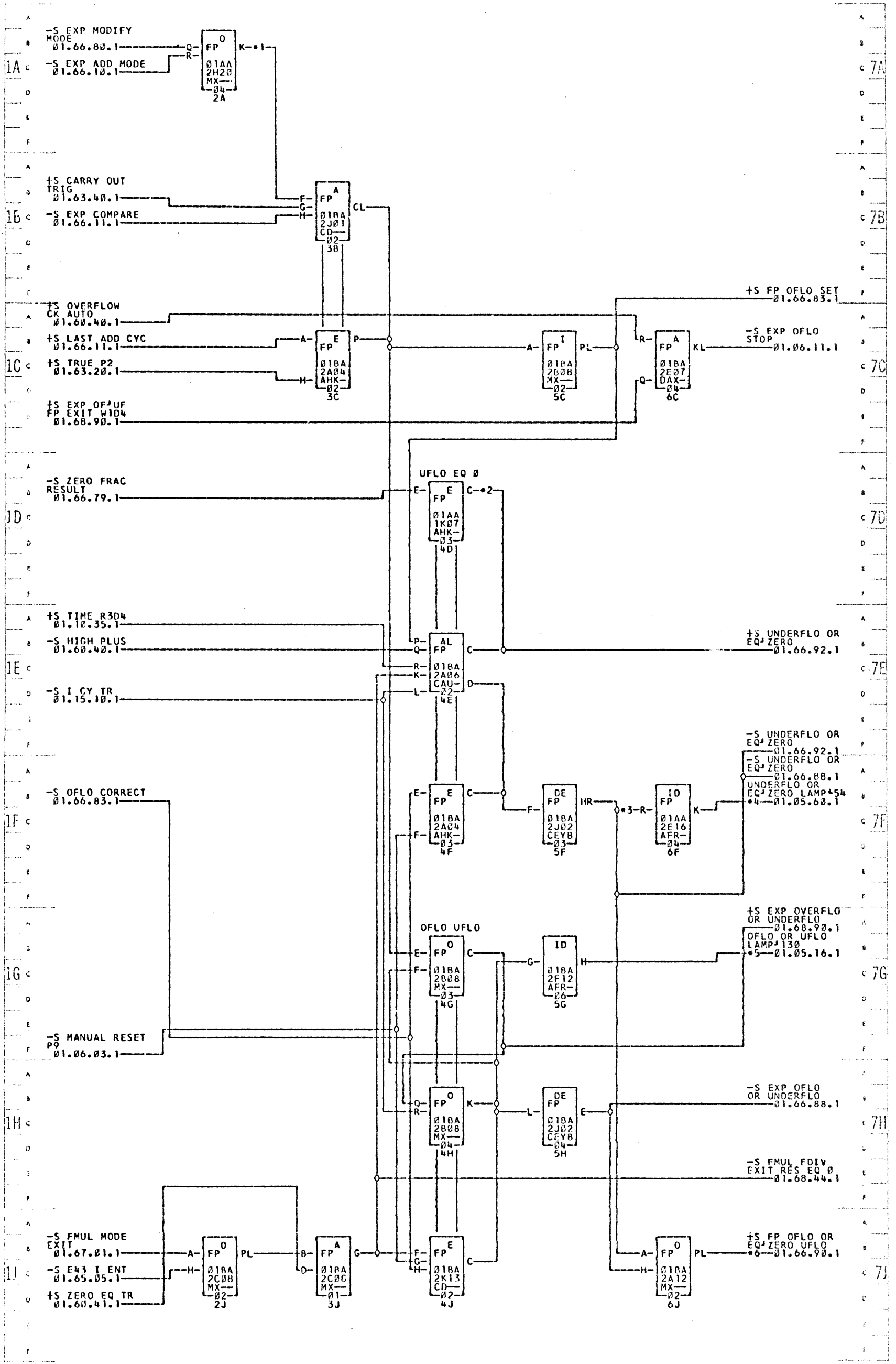


01-01AXK20    016XK20    02-01AXK21    016XK21    03-01AX021

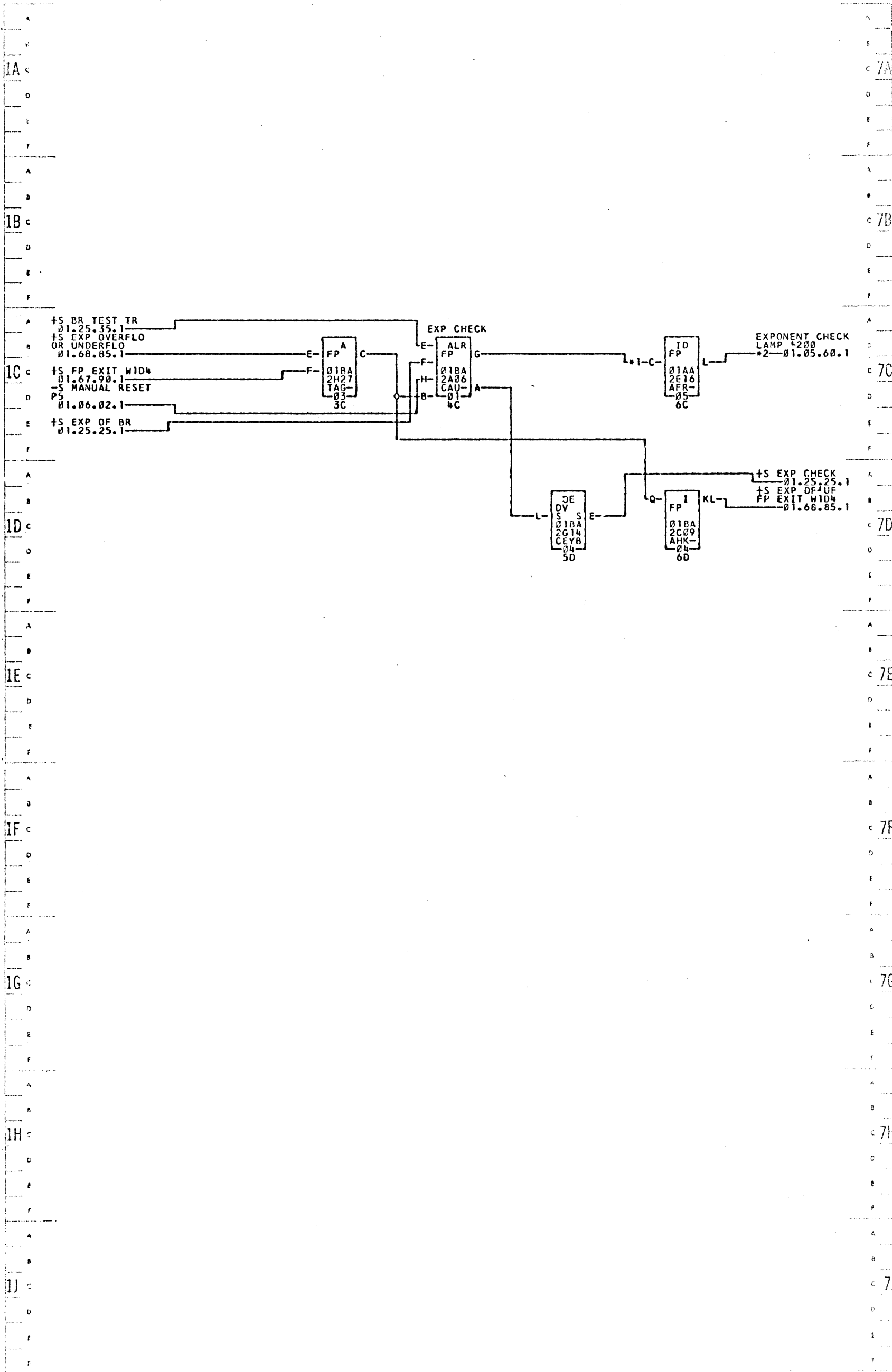
COMMENTS

TAG	DATE	D.A.NO.	TAG	DATE	D.A.NO.	TAG	DATE	D.A.NO.	TAG	DATE	D.A.NO.
A	02-05-62	0F01000									





- \*1--01AXK23      \*5--01BXC01      \*2--01AXK24      \*6--01BXC32
- \*4--01AXF20      \*3--01BXC26



\*1-01BXK27

——01AXK27

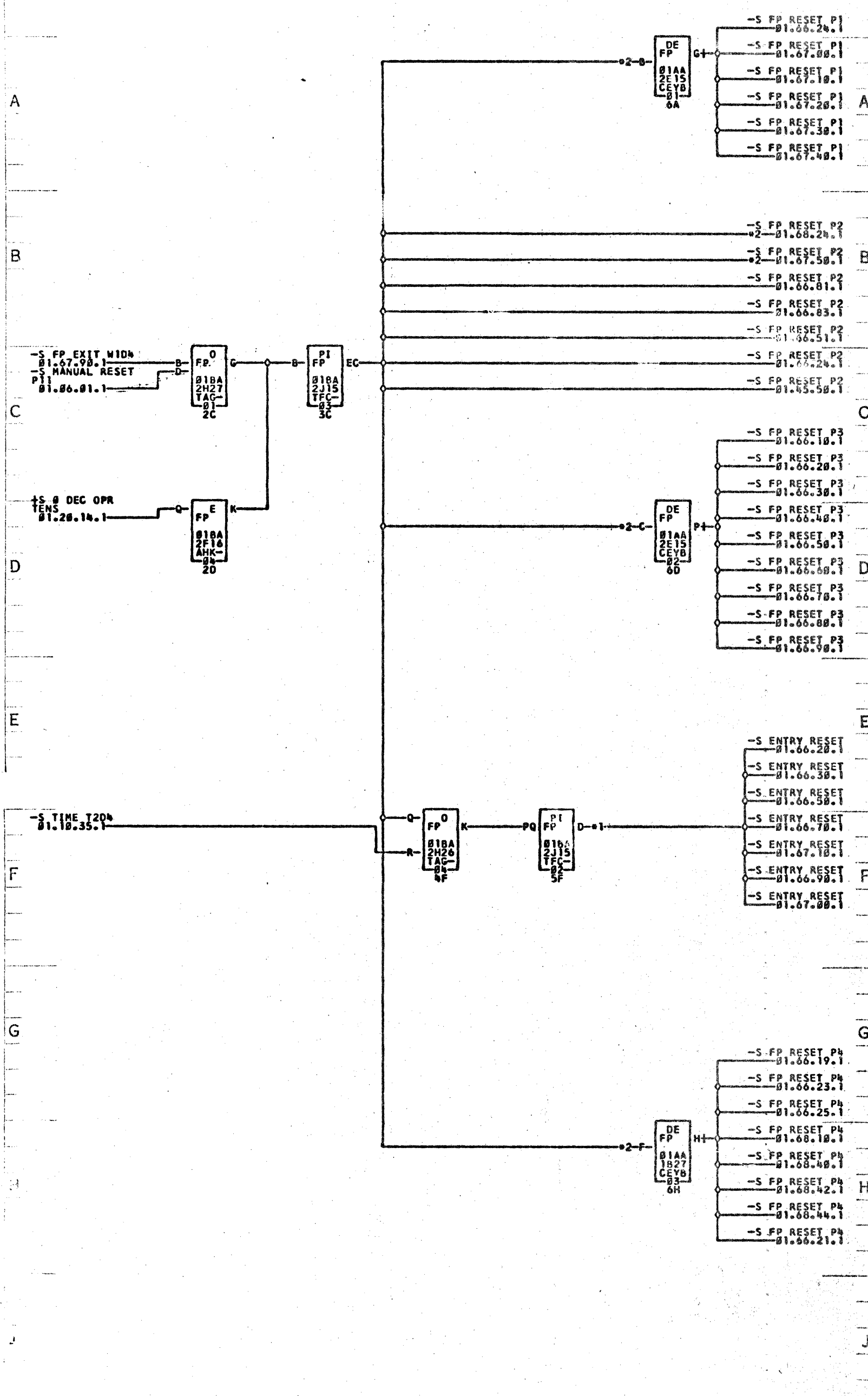
\*2-01AXF19

E.C. 404806

COMMENTS

TAG	DATE	D.A.NO.	TAG	DATE	D.A.NO.	TAG	DATE	D.A.NO.	TAG	DATE	D.A.NO.
A	08-31-62	0F11000									



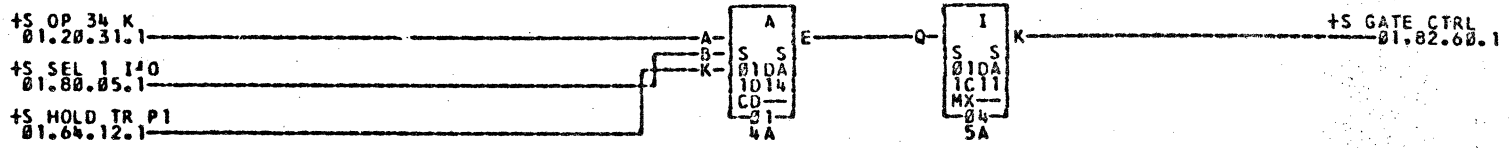


•1-018XK29    —01AXK29    •2-018XK28    —01AXK28

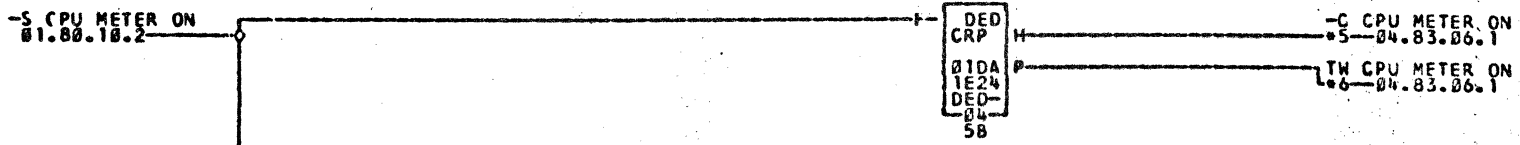
COMMENTS

TAG	DATE	D.A.NO.	TAG	DATE	D.A.NO.	TAG	DATE	D.A.NO.	TAG	DATE	D.A.NO.
A	01-23-62	0F00000									

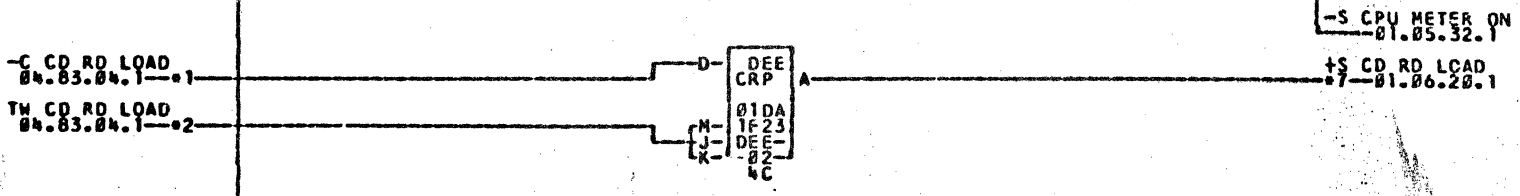




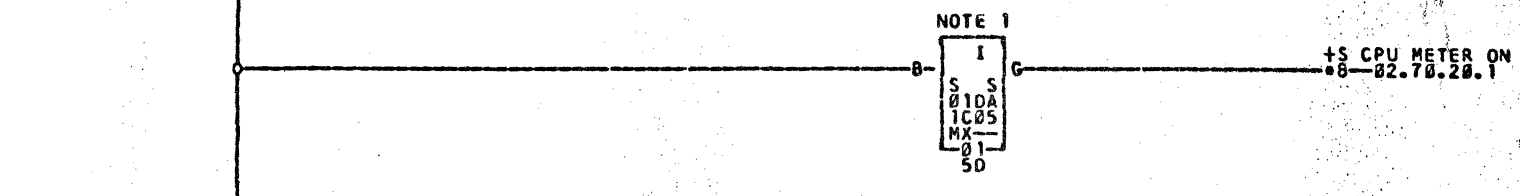
7A



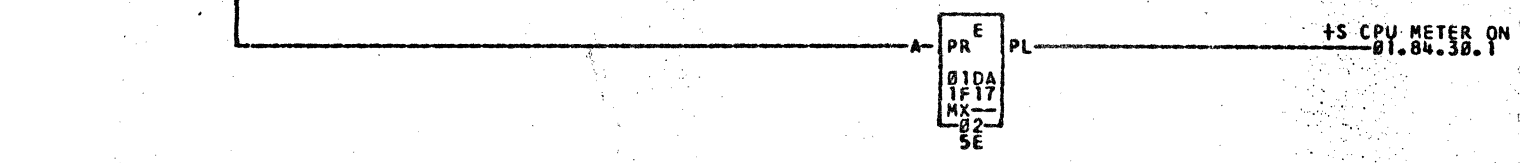
7B



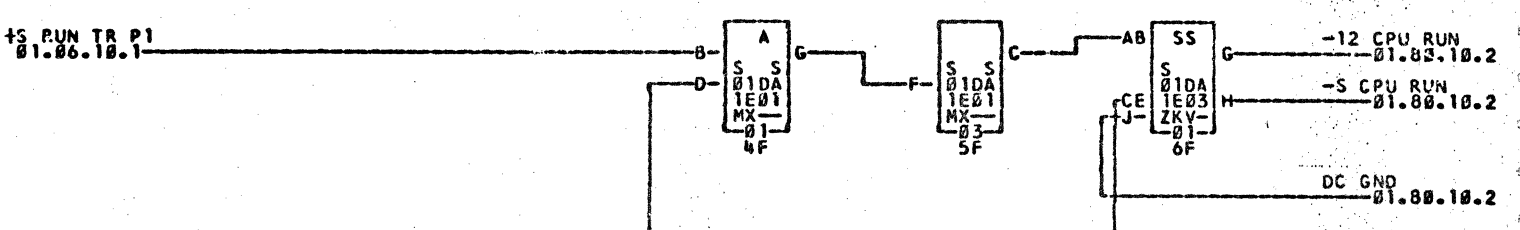
7C



7D



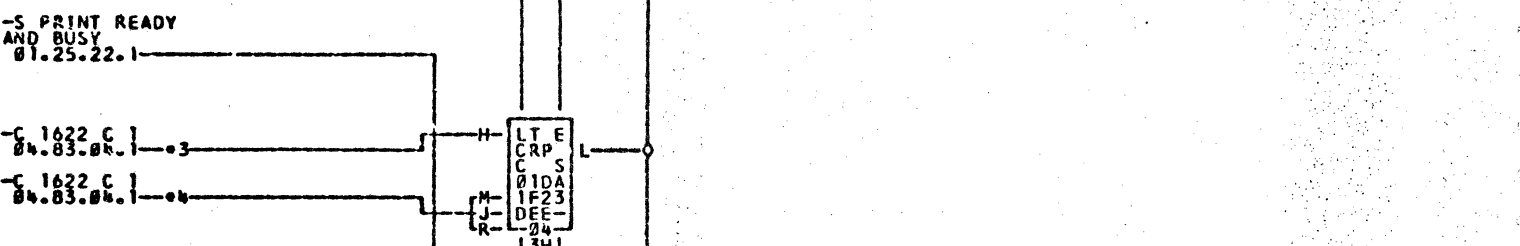
7E



7F



7G

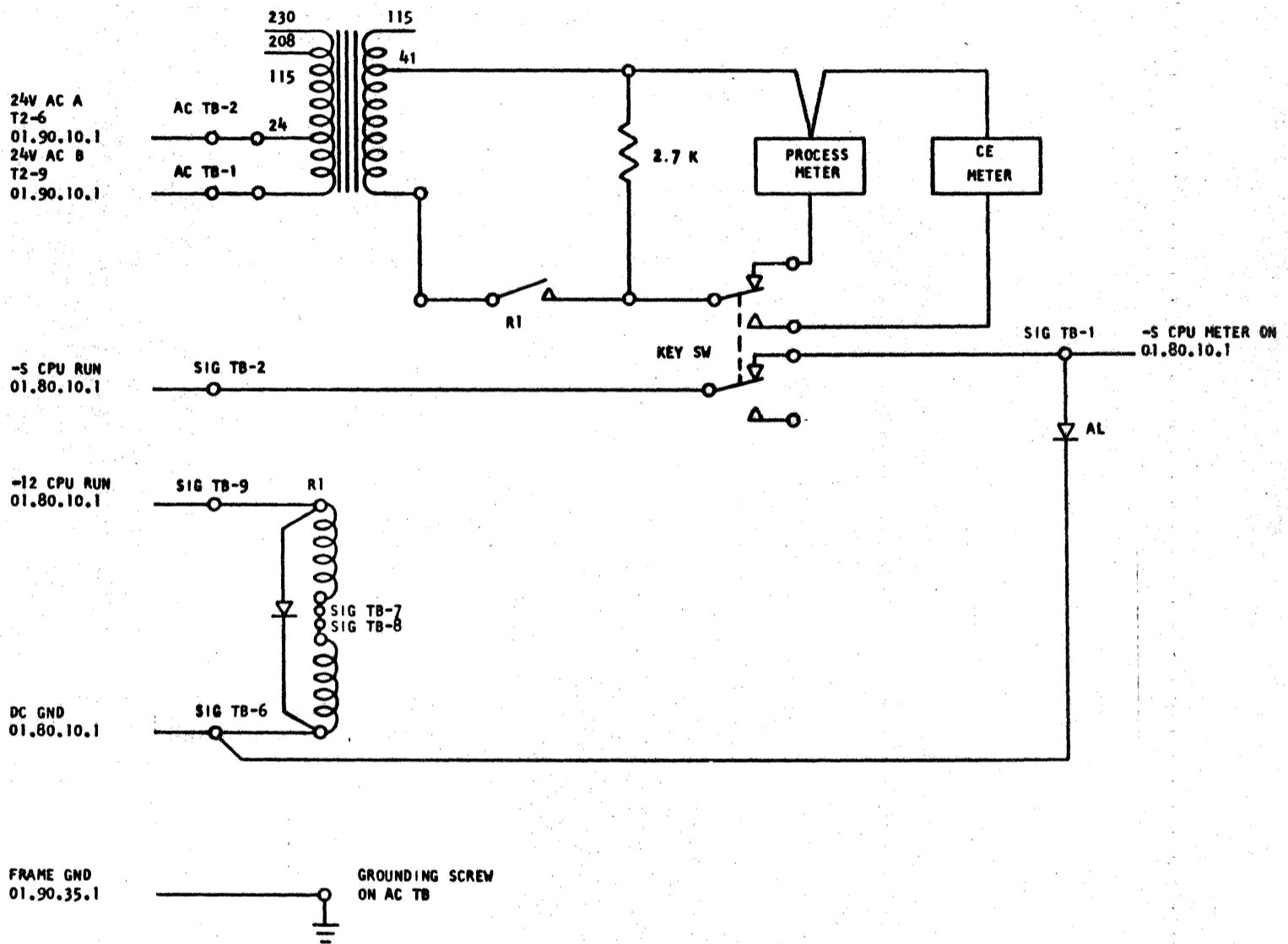


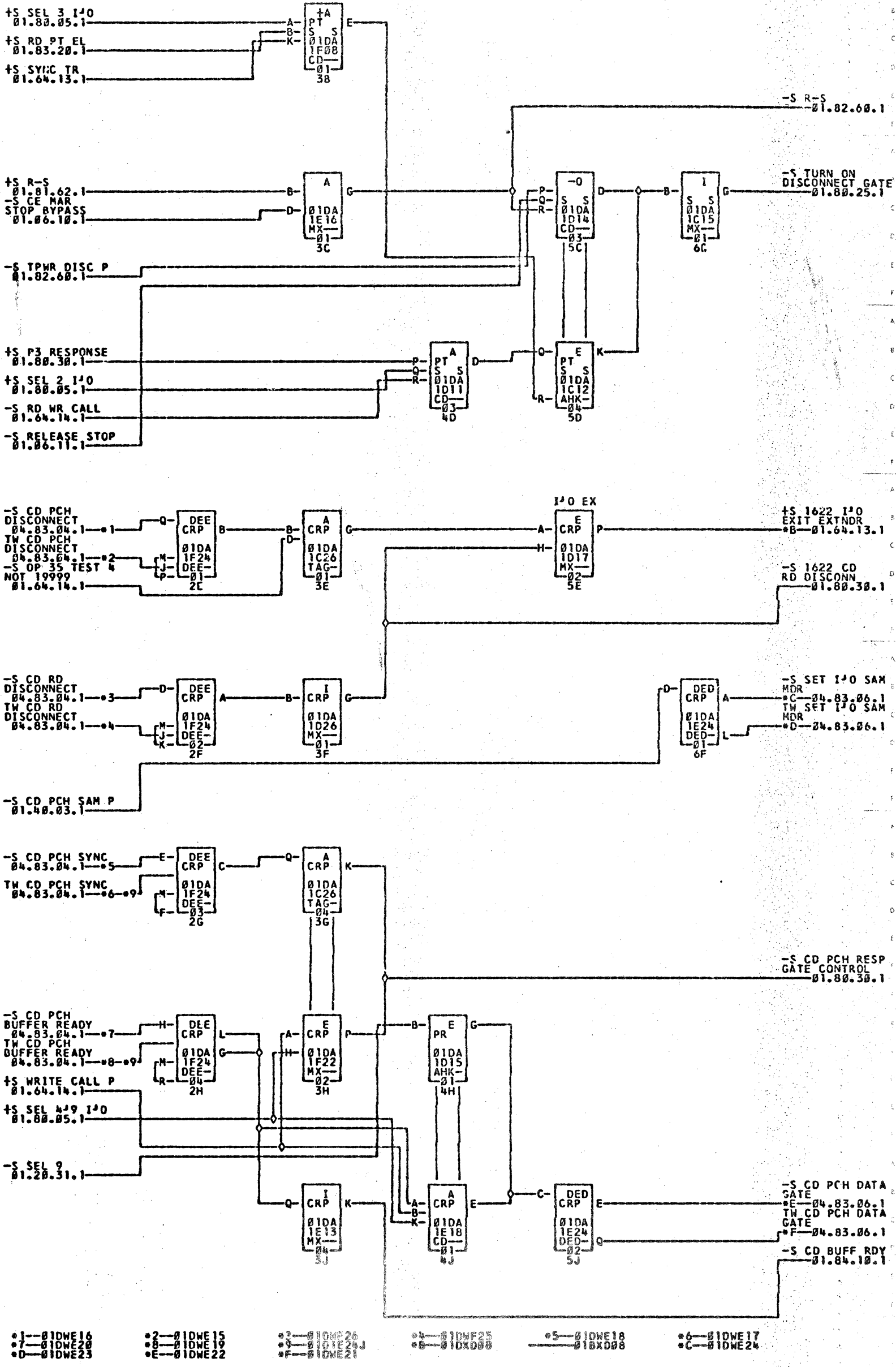
7H

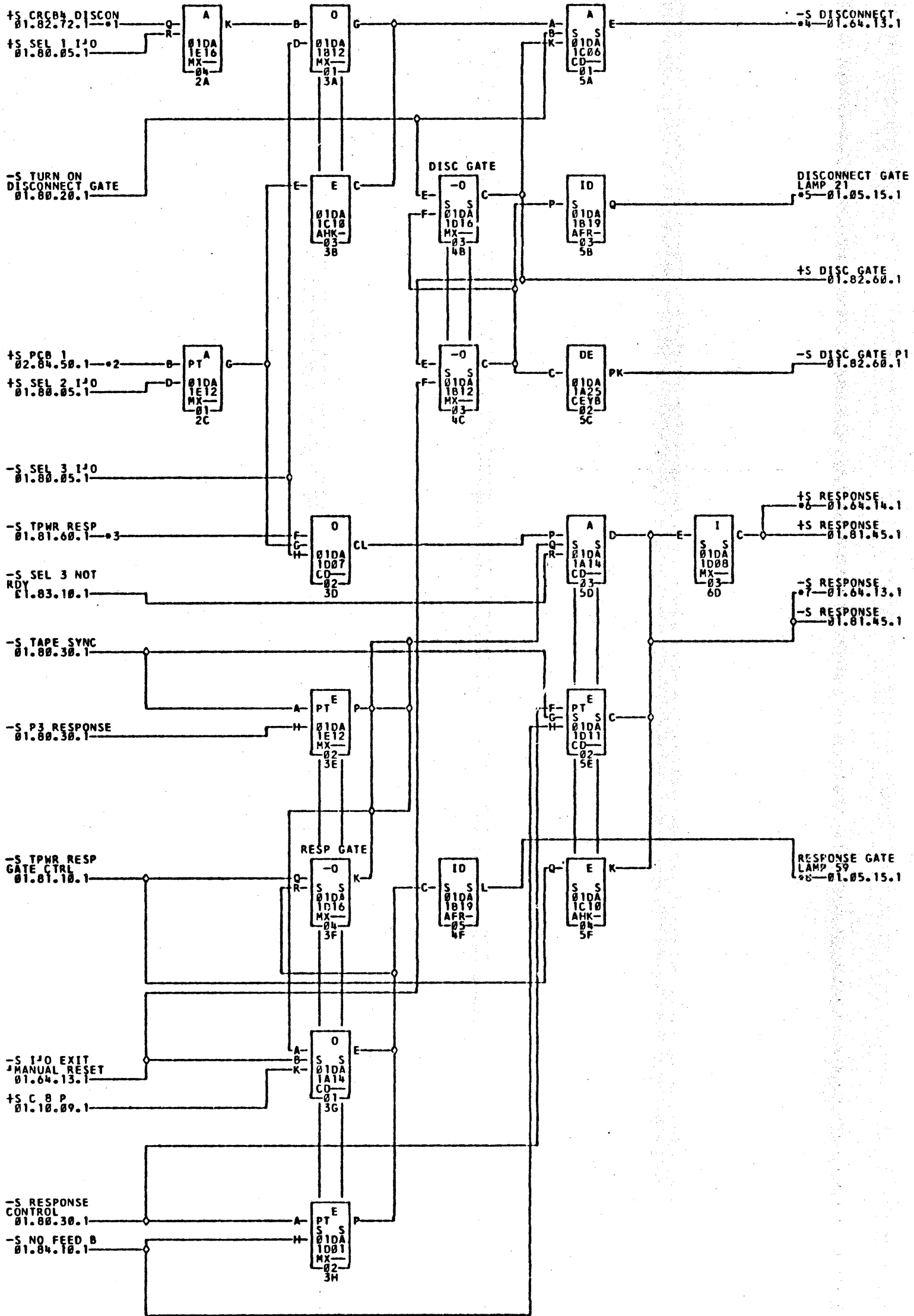


7J

- \*1-01DWF32
- \*2-01DWF31
- \*3-01DWF32
- \*4-01DWF31
- \*5-01DWF30
- \*6-01DWF29
- \*7-01DWD18
- \*8-01DXH10
- \*9-01DXF32
- \*10-01SCA32







•1—01DWC04      •2—01SCA28      ————01DXF20      •3—01DWC05      ————01DXB20      ————01BXB20  
 •5—01DXD16      •6—01DXB07      ————01BXB07      •7—01DXB19      ————01BXB19      •8—01DXD17

A

A

B

B

C

C

D

D

E

E

F

F

G

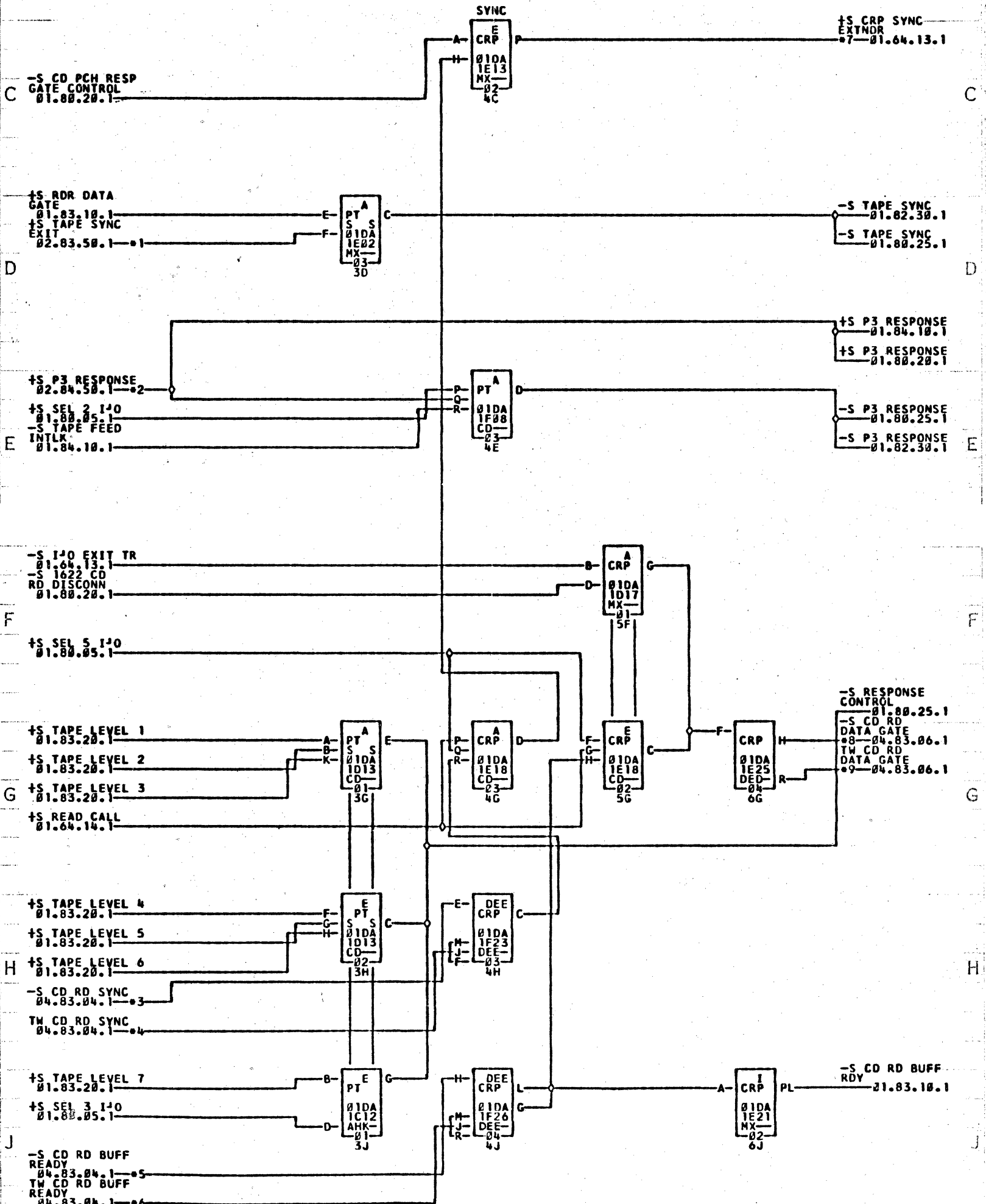
G

H

H

J

J

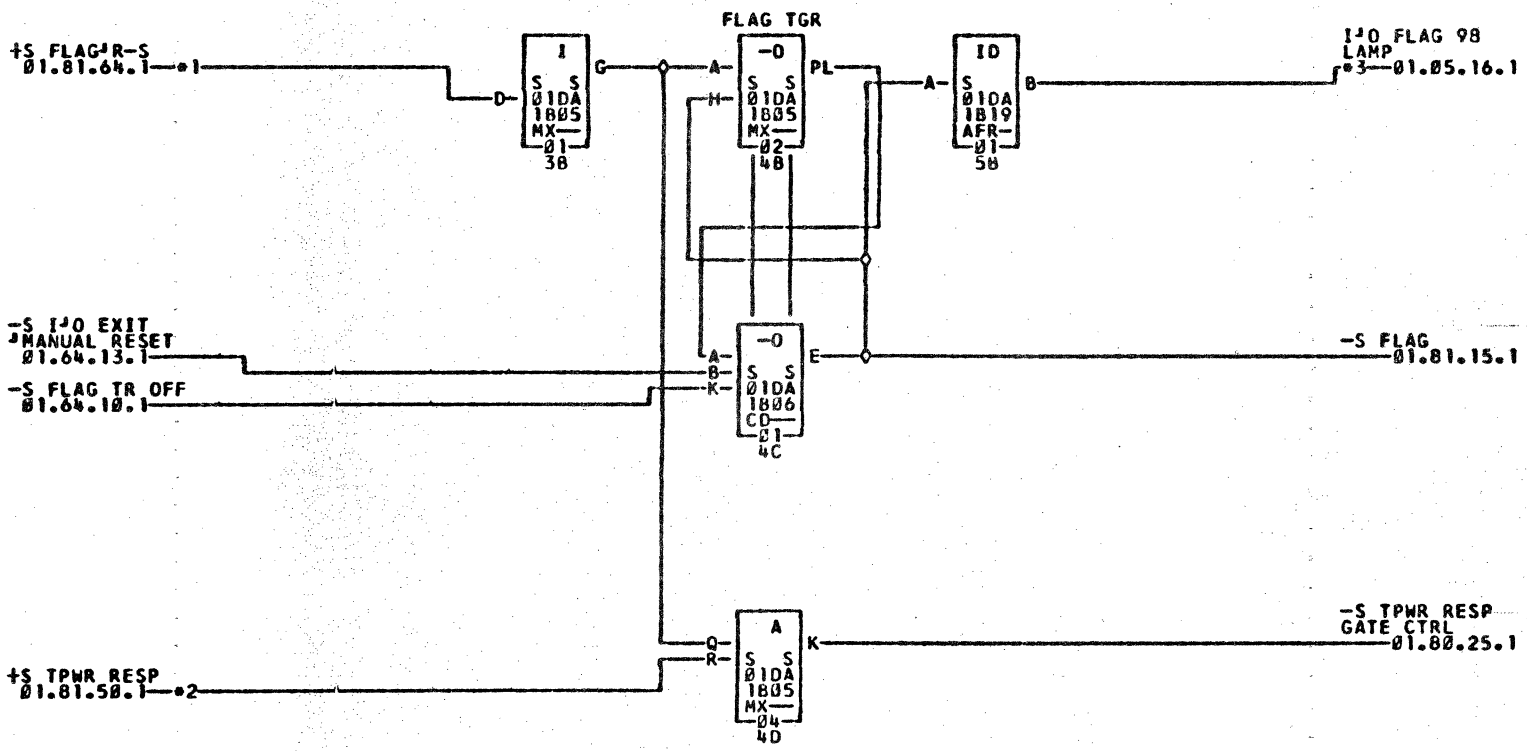


- 1—01SCA19
- 2—01SCA24
- 3—01DWF18
- 4—01DWF17
- 5—01DWF16
- 6—01DWF15
- 7—01DWD25
- 8—01DWF20
- 9—01DWF19

DB001

COMMENTS

TAG	DATE	D.A.NO.	TAG	DATE	D.A.NO.	TAG	DATE	D.A.NO.	TAG	DATE	D.A.NO.
A	01-23-62	0F00000									



\*1-01DXC16

\*2-01DXC02

\*3-01DXD19

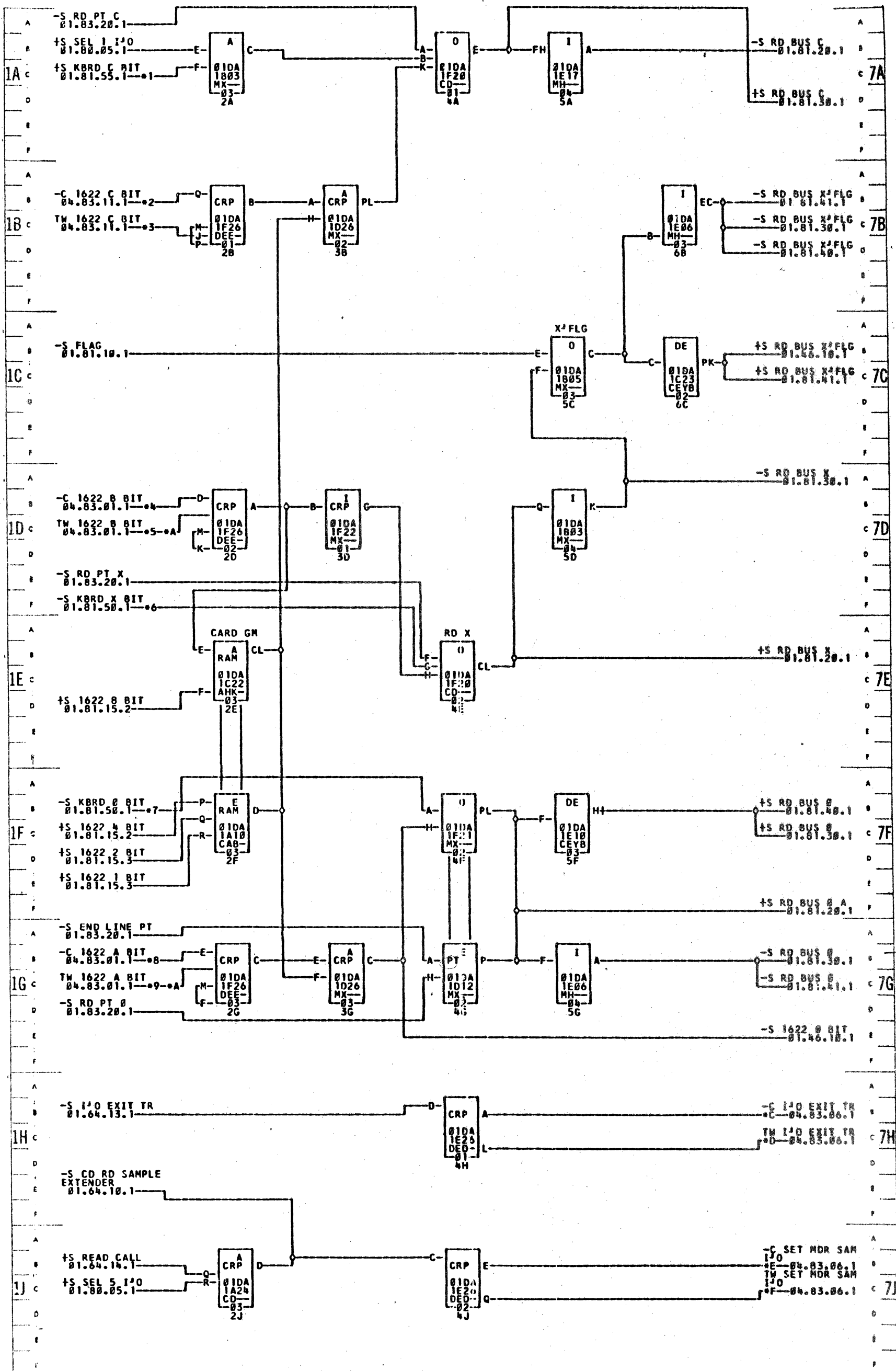
00001

COMMENTS

TAG DATE	D.A.NO.	TAG DATE	D.A.NO.	TAG DATE	D.A.NO.	TAG DATE	D.A.NO.
A 01-23-62	0F00000						

FORM 7000 7000 7000 7000



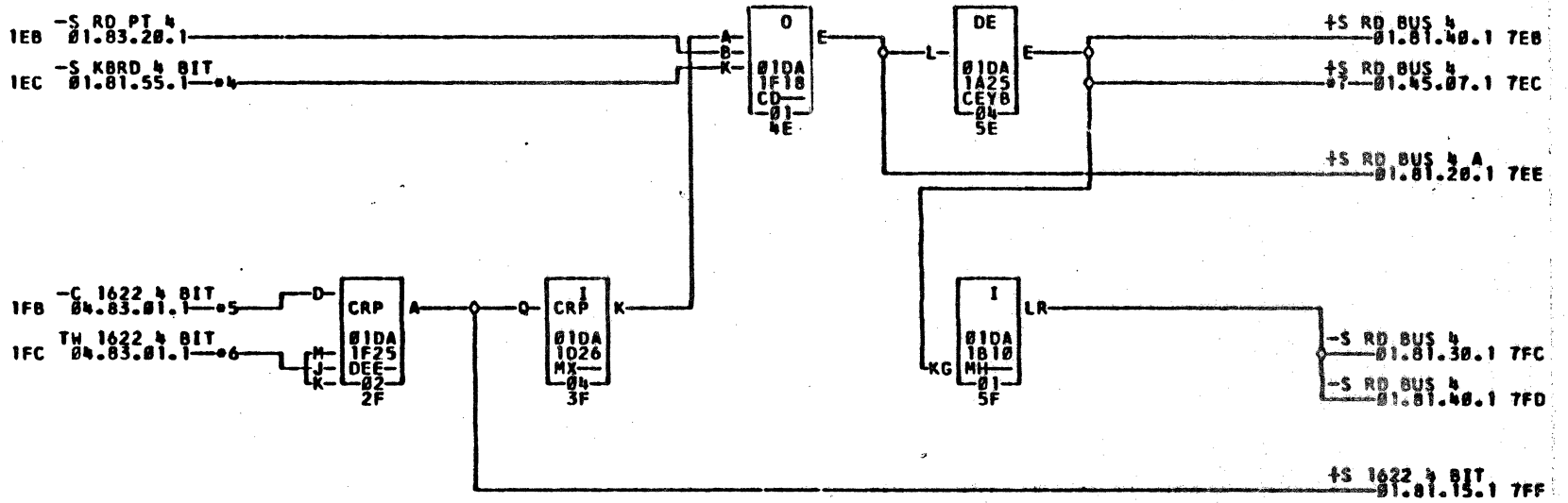
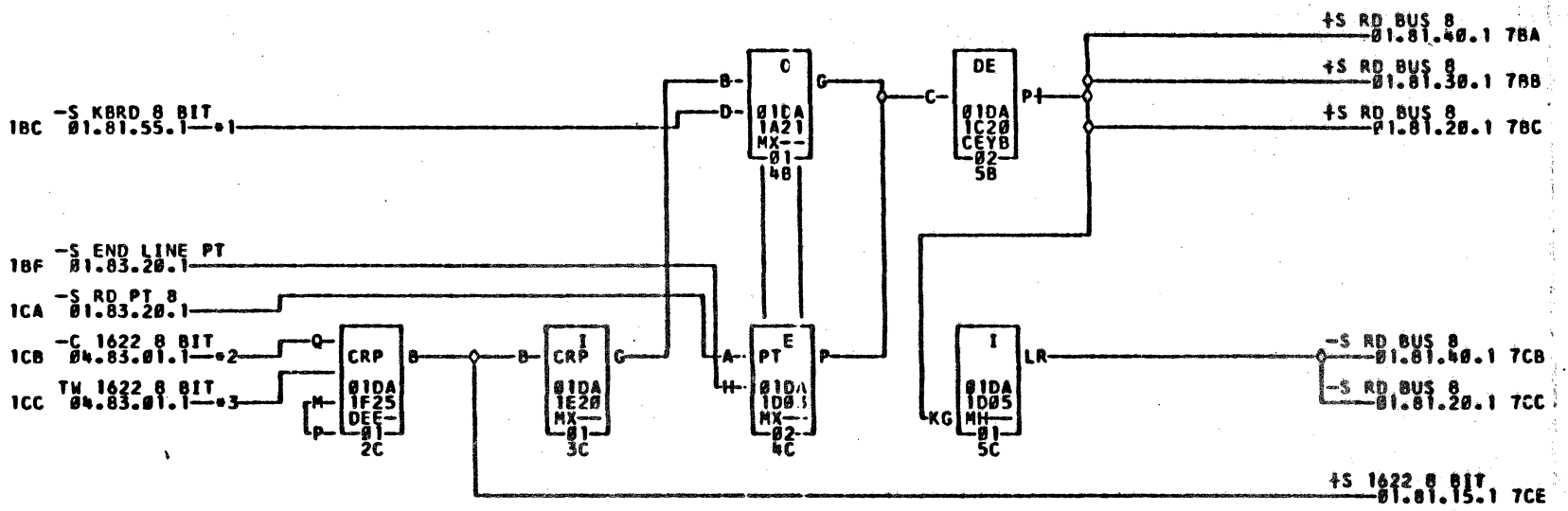


- 1--01DXC14
- 2--01DWF02
- 3--01DWF01
- 4--01DWF06
- 5--01DWF05
- 6--01DXC08
- 7--01DXC09
- 8--01DWF04
- 9--01DWF03
- A--01DWF26J
- C--01DWE26
- E--01DWF22
- F--01DWF21
- D--01DWE25

E. C. 404711

COMMENTS

TAG	DATE	D.A.NO.	TAG	DATE	D.A.NO.	TAG	DATE	D.A.NO.	TAG	DATE	D.A.NO.
A	09-25-62	BF09RM2									



\*1-01DXC13  
\*6-01DWF09

\*2-01DWF08  
\*7-01DXA29

\*3-01DWF07  
01BXJ29

01DIE25J

\*4-01DXC12

\*5-01DWF10

E.C. 404711

COMMENTS

TAG DATE D.A.NO. TAG DATE D.A.NO.  
A 06-01-62 0E05RN2

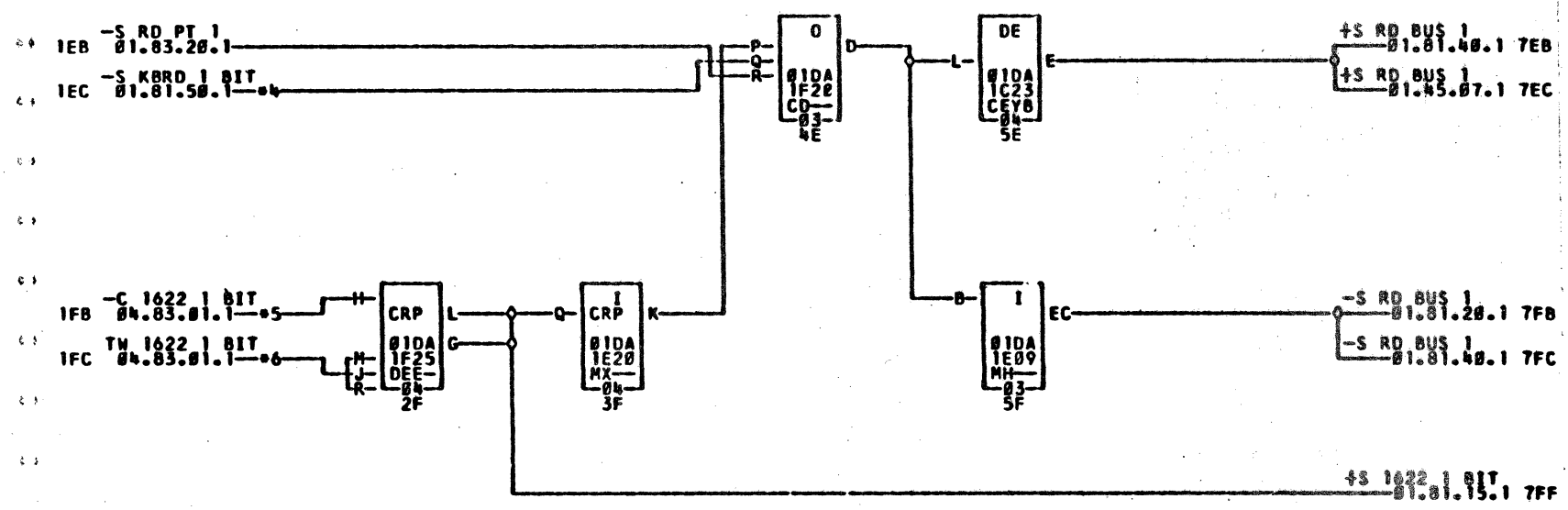
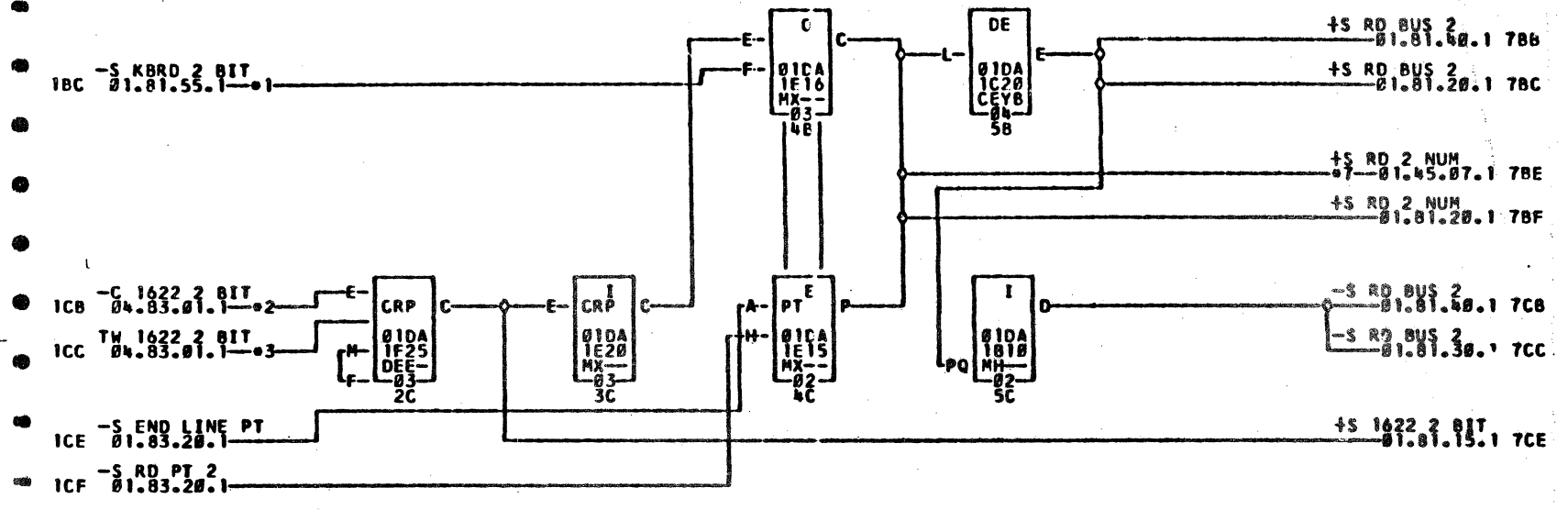
TAG DATE D.A.NO.

TAG DATE D.A.NO.

TAG DATE D.A.NO.

TAG DATE D.A.NO.

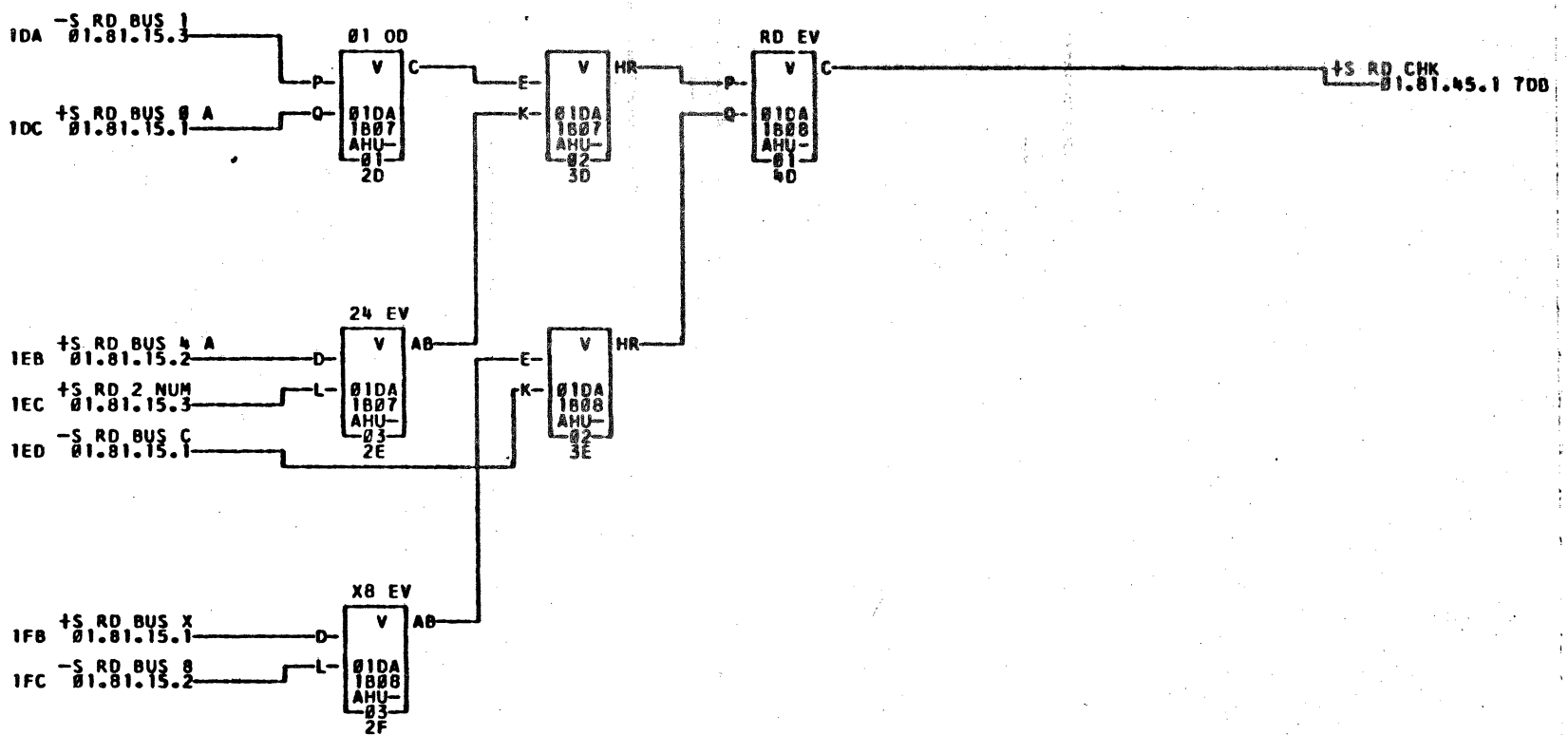
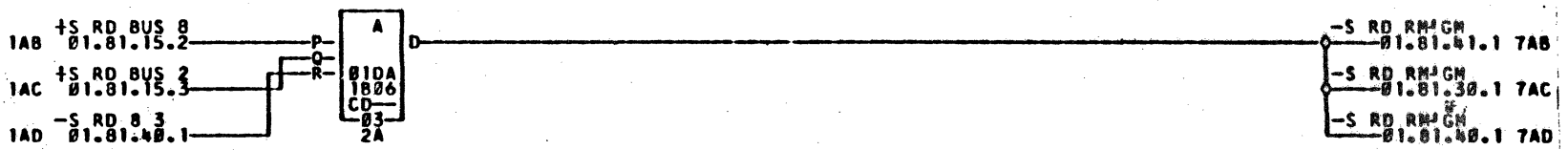
TAG DATE D.A.NO.



- 1—01DXC11
- 2—01DWF12
- 3—01DWF11
- 01D1E25J
- 4—01DXC10
- 5—01DWF14
- 6—01DWF13
- 7—01DXB24
- 01BXB24

E.C. 404711      COMMENTS

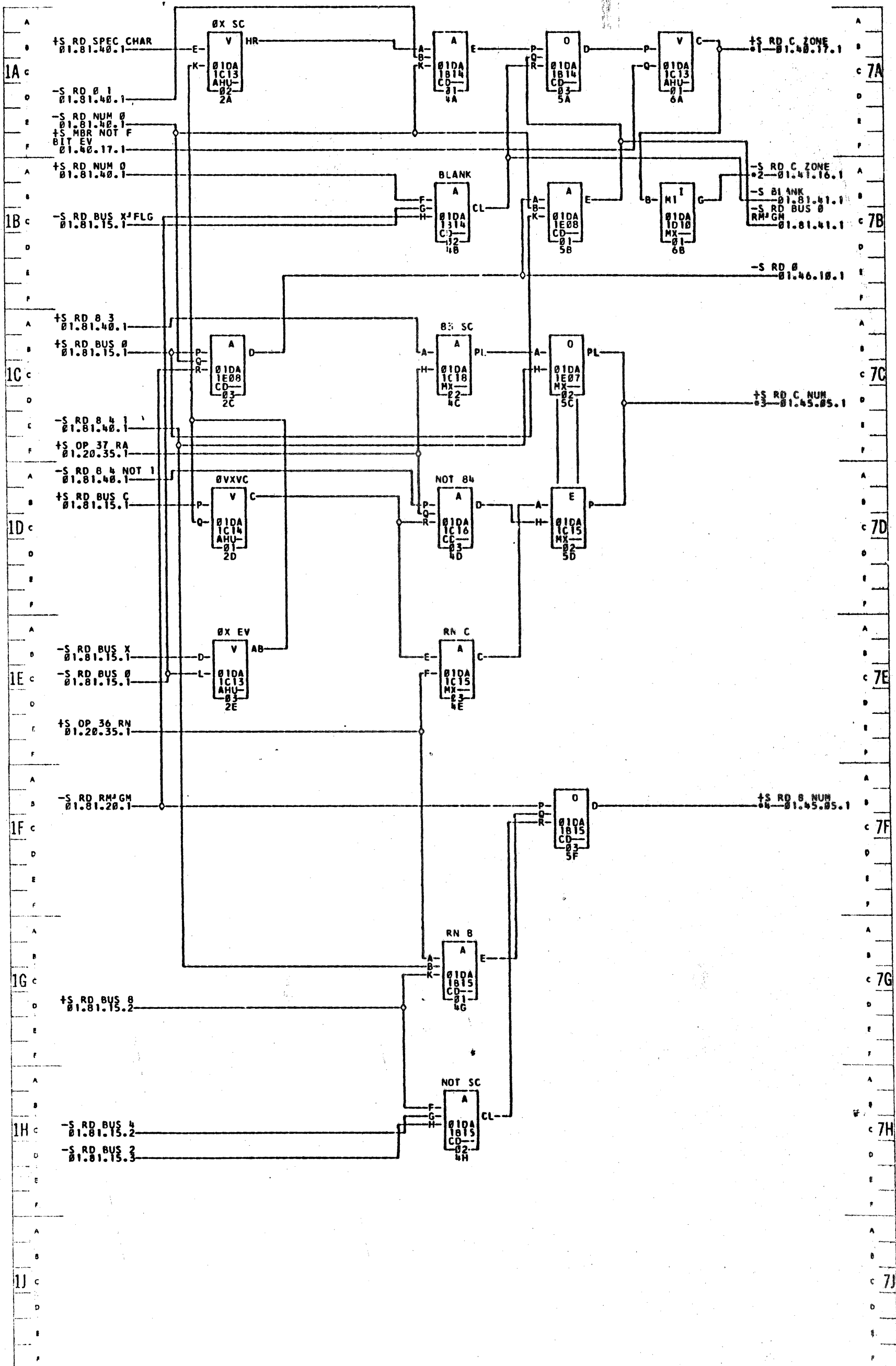
TAG DATE	D.A.NO.	TAG DATE	D.A.NO.	TAG DATE	D.A.NO.	TAG DATE	D.A.NO.
A 06-01-62	DEB5RM2						



E.C. 404711

COMMENTS

TAG DATE	D.A.NO.	TAG DATE	D.A.NO.	TAG DATE	D.A.NO.	TAG DATE	D.A.NO.
A 06-01-62	0E05RM2						



•1—01DXE05      ————01AXC05      •2—01DXE09      ————01AXC09      •3—01DXD04      ————01BXD04  
 •4—01DXD13      ————01BXD13

E.C. 484711

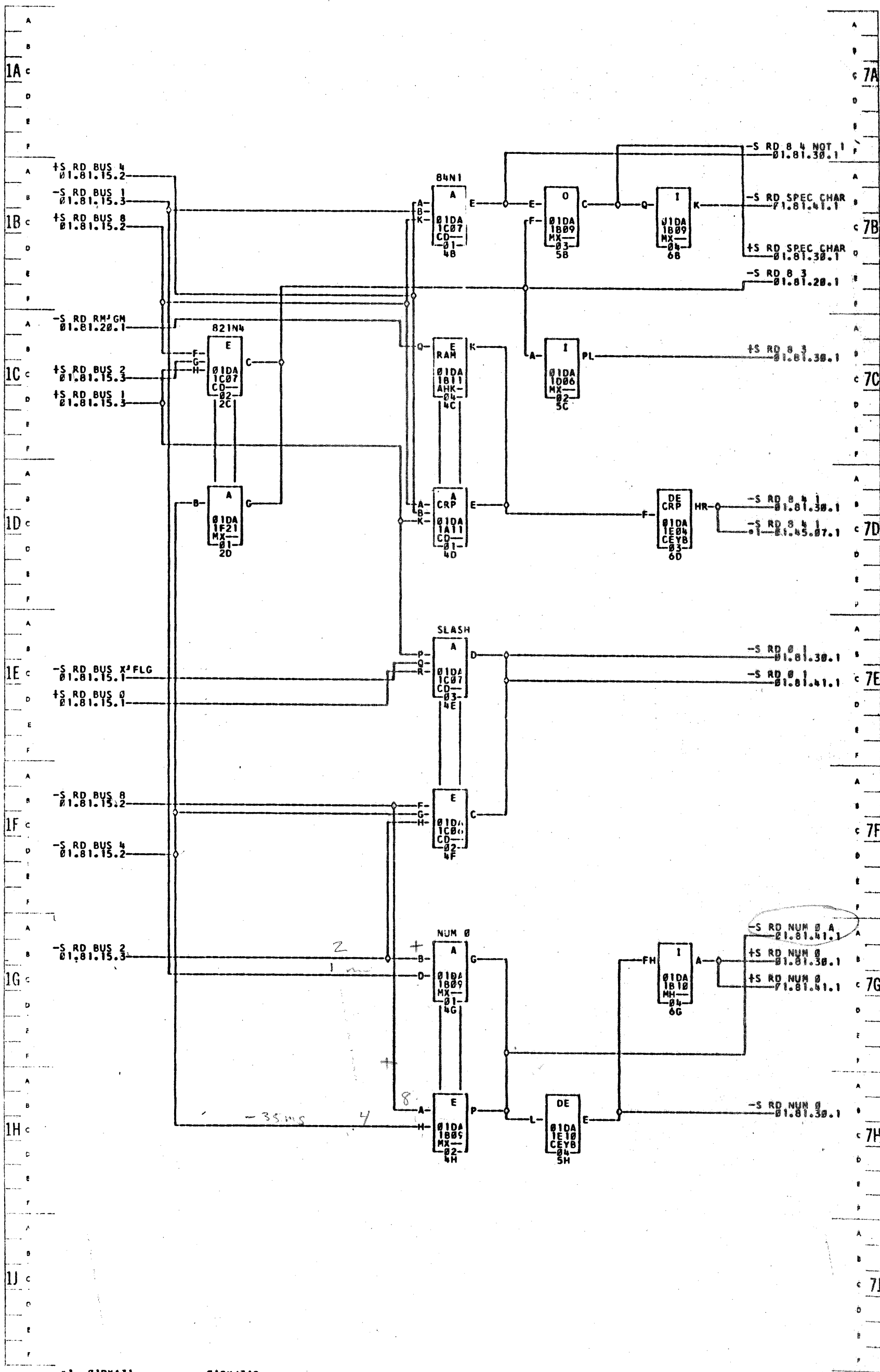
COMMENTS

TAG DATE D.A.NO. A 09-25-62 0F09RM2

TAG DATE D.A.NO.

TAG DATE D.A.NO.

TAG DATE D.A.NO.

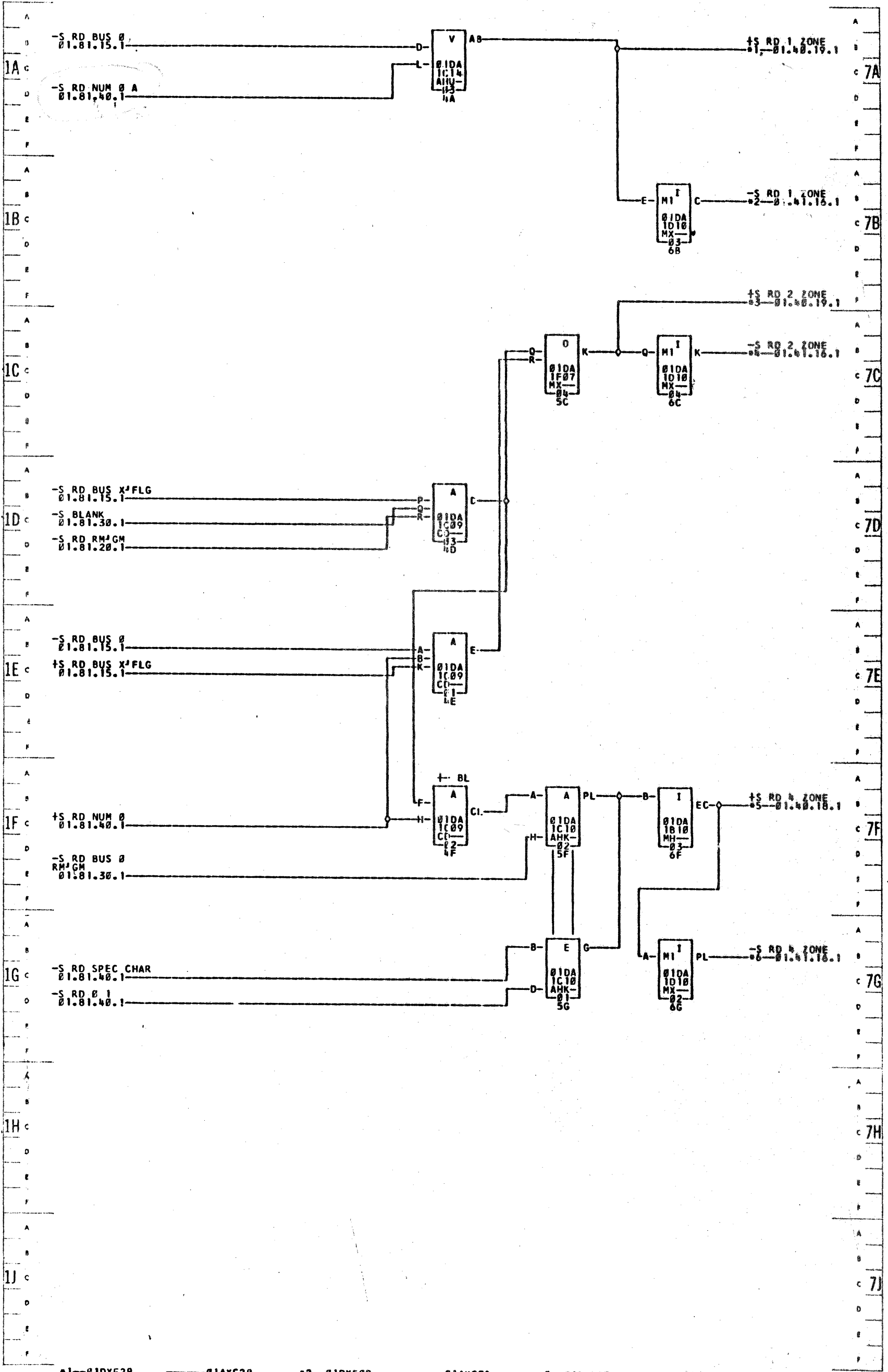


\*1--01DXA31      01BXJ31G

E.C. 404711

COMMENTS

TAG DATE	D.A.NO.	TAG DATE	D.A.NO.	TAG DATE	D.A.NO.	TAG DATE	D.A.NO.
A 09-25-62	0E05RM2						



\*1--01DXE28  
\*4--01DXE07

==== 01AXC28  
==== 01AXC07

\*2--01DXE08  
\*5--01DXE26

==== 01AXC0E  
==== 01AXC2E

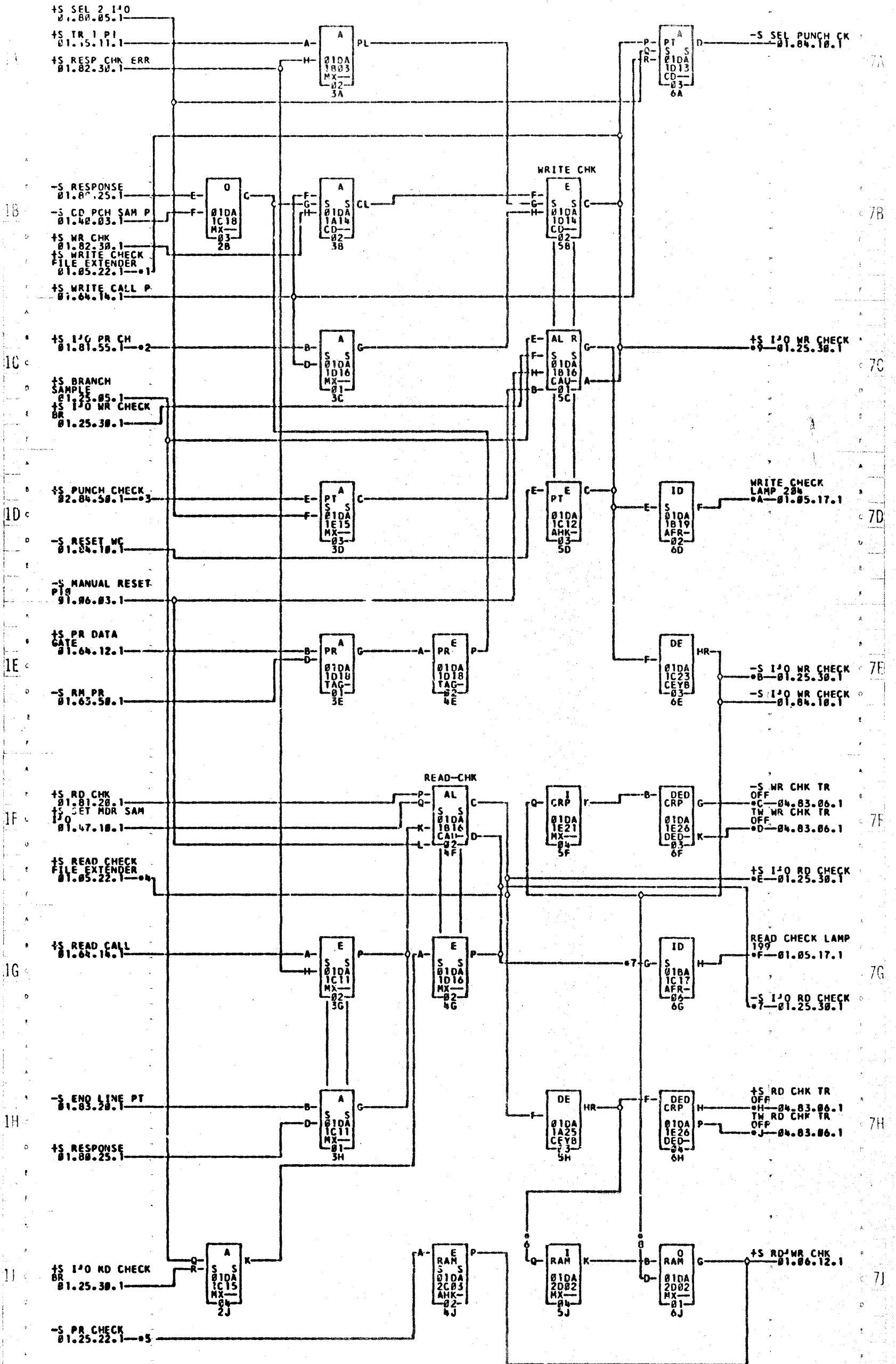
\*3--01DXE27  
\*6--01DXE06

==== 01AXC27  
==== 01AXC06

E.C. 404711

COMMENTS

TAG	DATE	D.A.NO.	TAG	DATE	D.A.NO.	TAG	DATE	D.A.NO.	TAG	DATE	D.A.NO.
A	09-25-62	0E22RM2									



- \*1-018XD09
- \*2-01DXC15
- \*3-01SCA25
- \*4-01DXF25
- \*5-018XN24
- \*6-01DXD09
- \*7-01DXD12
- \*8-01DXD10
- \*9-01DXD09
- \*A-01DXD22
- \*B-01DXD10
- \*C-01DWE28
- \*D-01DXE27
- \*E-01DXD24
- \*F-01DXD14
- \*G-01DXD09
- \*H-01DXF28

E. C. 412524

COMMENTS

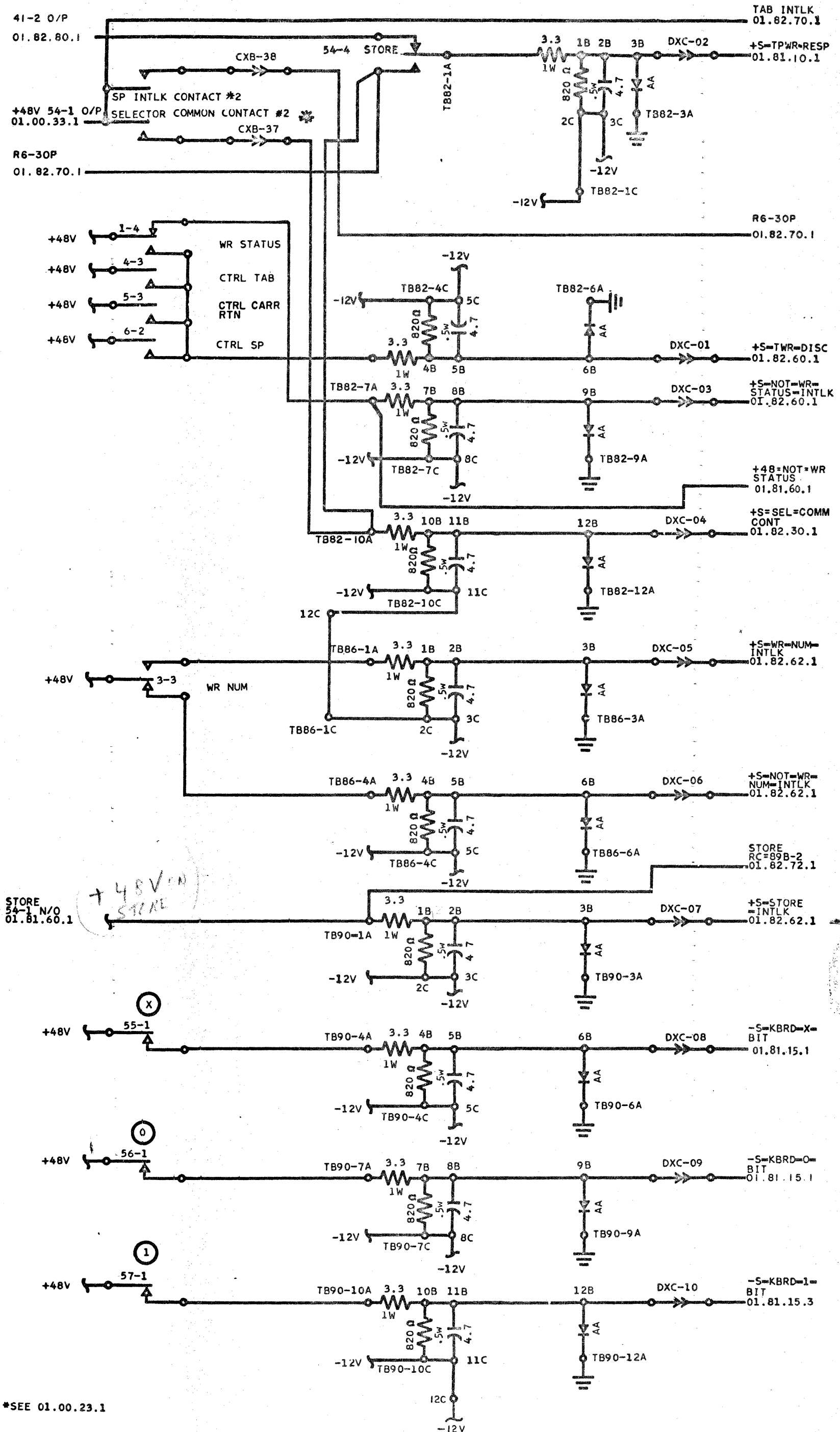
TAG DATE D.A.NO. TAG DATE D.A.NO. TAG DATE D.A.NO. TAG DATE D.A.NO.

A 03-24-64 0222PFA



TYPEWRITER OUTPUT SIGNALS

01.81.50.1



\*SEE 01.00.23.1

WR STATUS  
01.82.72.1

+48V

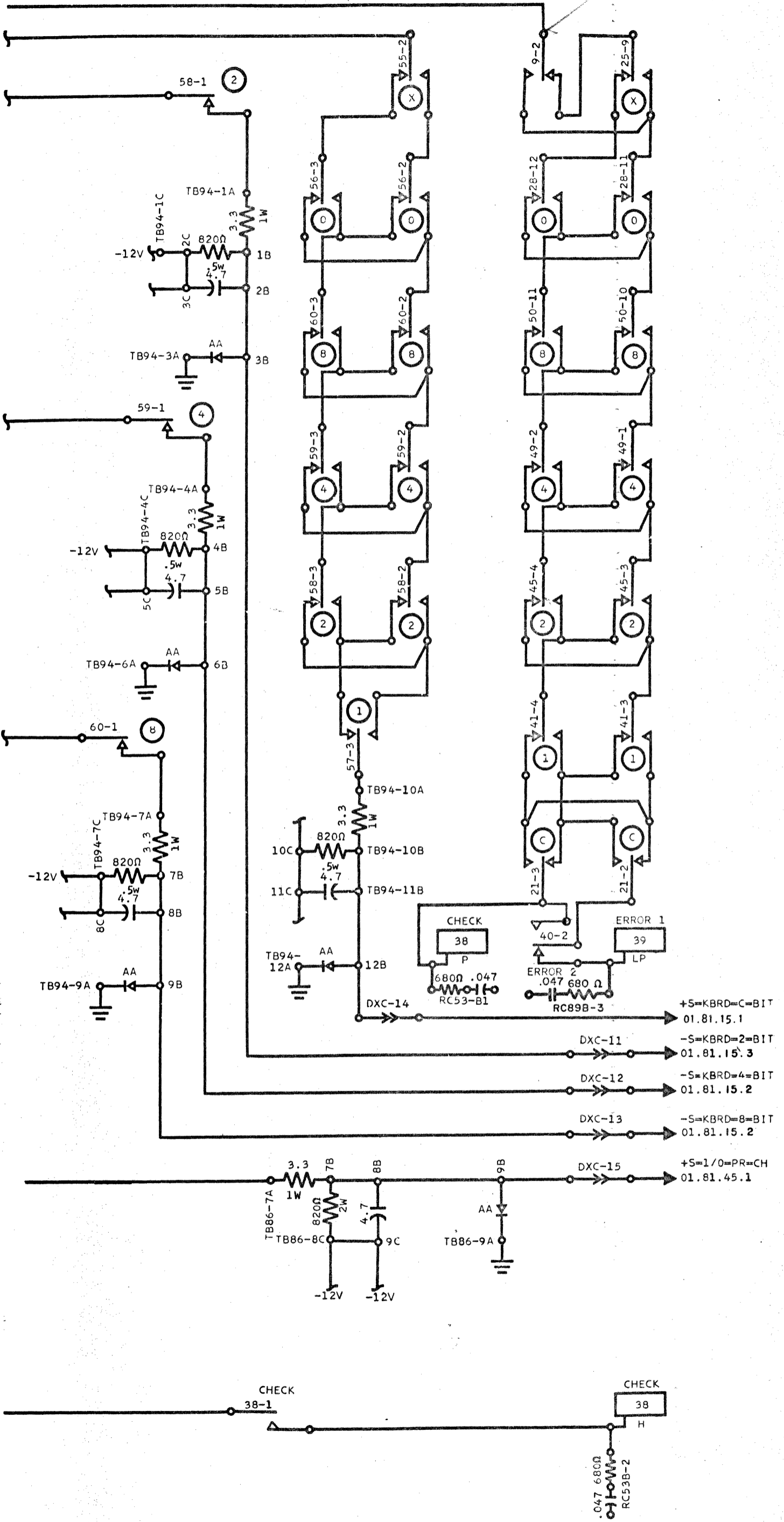
+48V

+48V

+48V

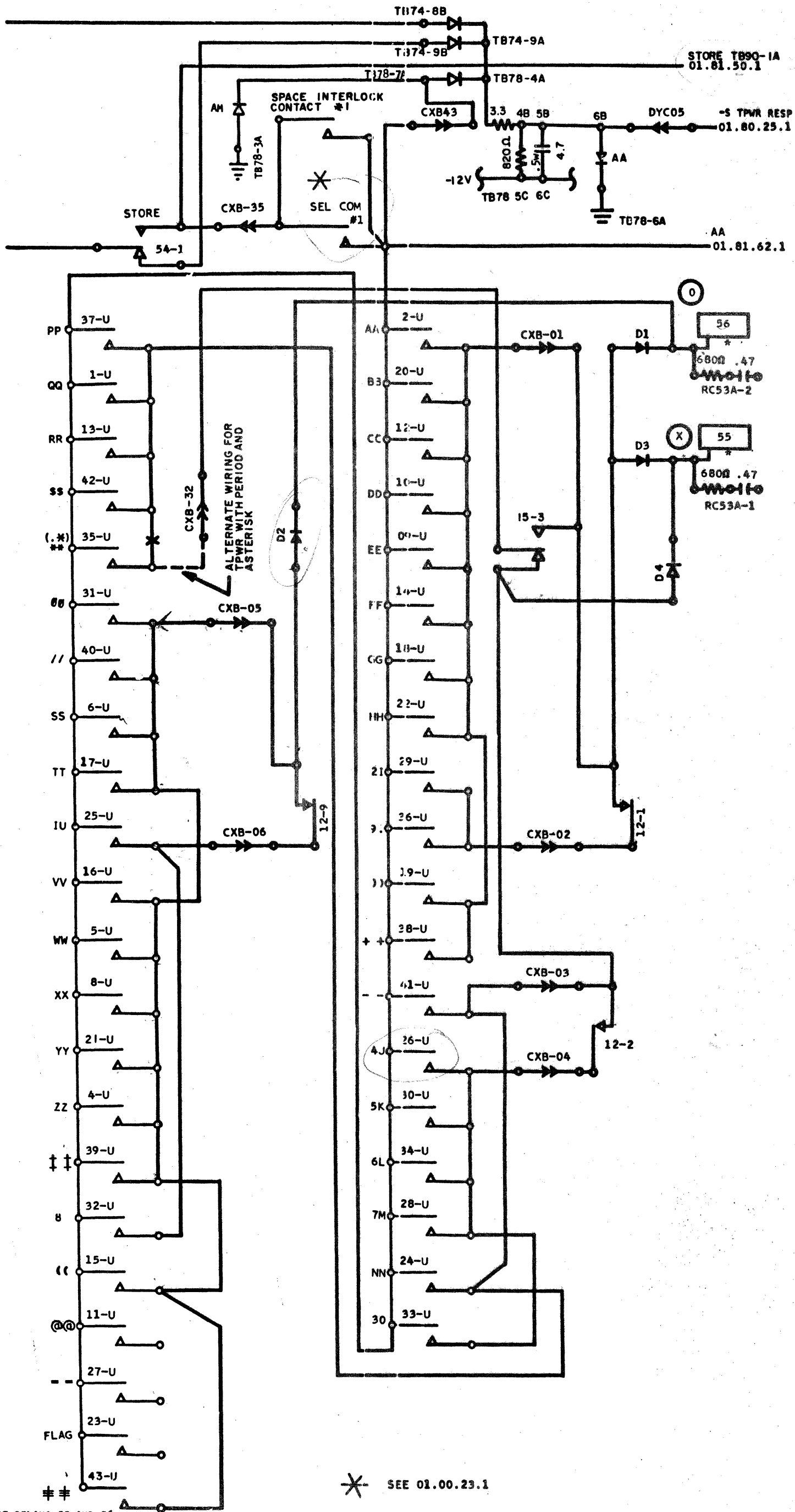
R38-4 N/C  
01.82.80.1

RI-3 O/P  
CB-5  
01.82.80.1



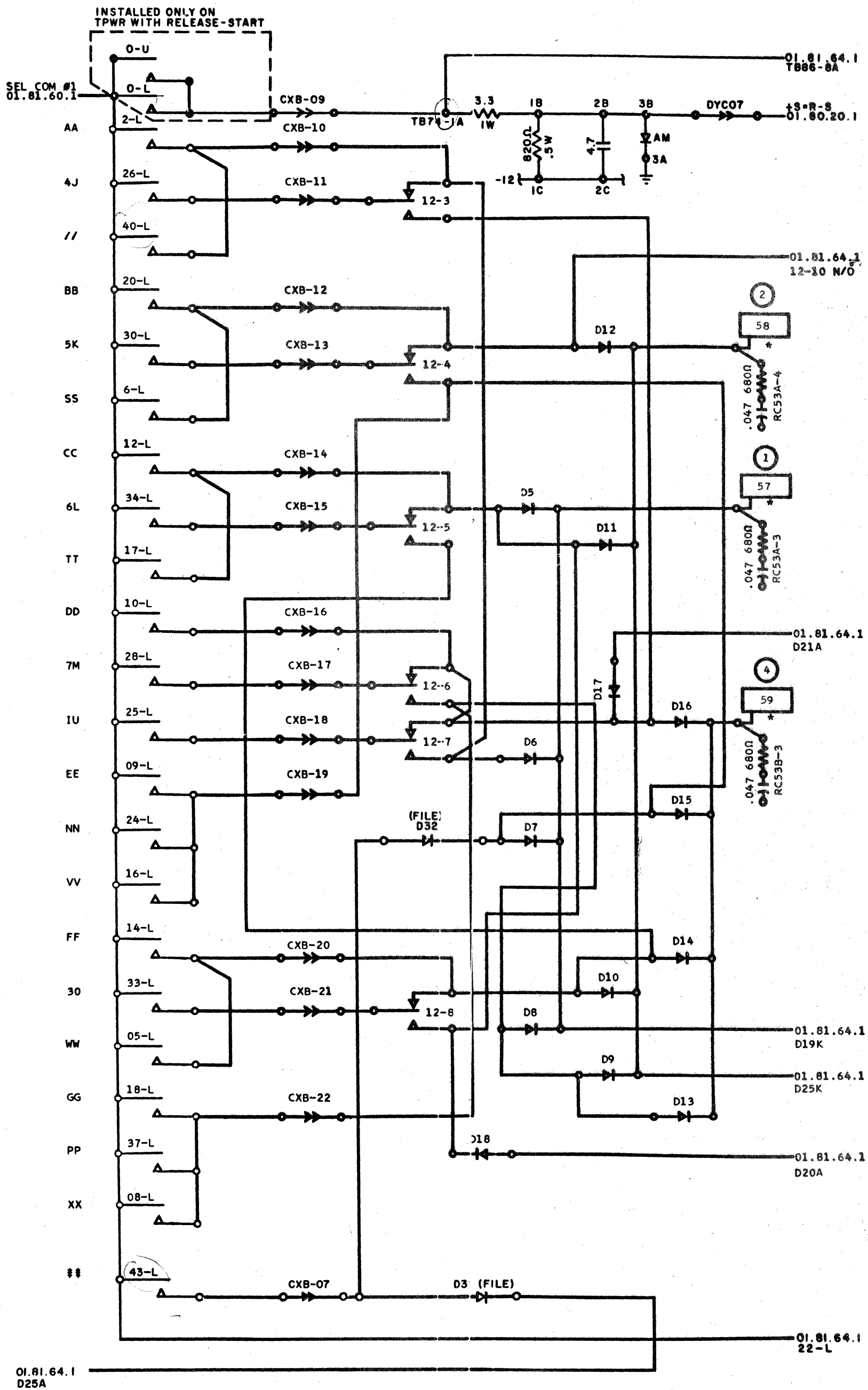
+48-CRCB-3  
WR-STATUS  
01.82.75.1

+48-NOT-WR  
STATUS  
01.81.50.1



\*HOLD COILS OF RELAYS 55 AND 56 SHORTED TO INCREASE DROPOUT DELAY

\* SEE 01.00.23.1



\*HOLD COILS OF RELAYS 57, 58, AND 59  
SHORTED TO INCREASE DROPOUT DELAY

01.81.62.1  
D08K

01.81.62.1  
D08-L

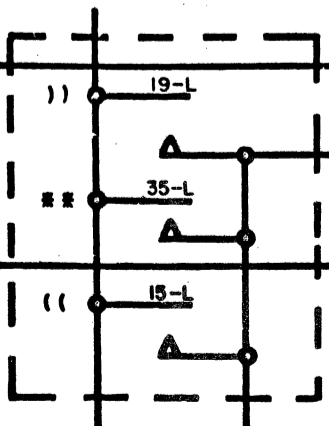
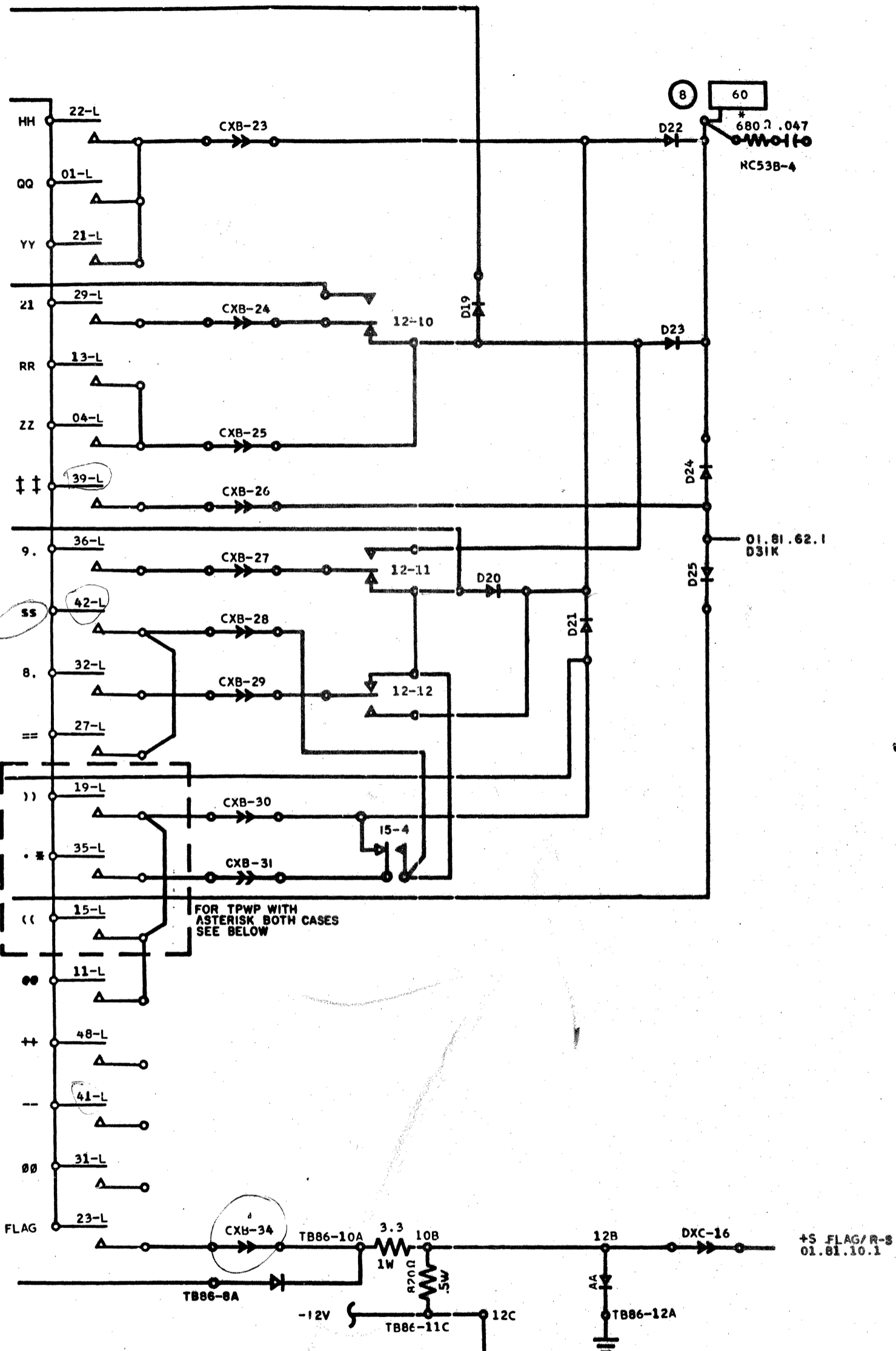
01.81.62.1  
D12A

01.81.62.1  
D18A

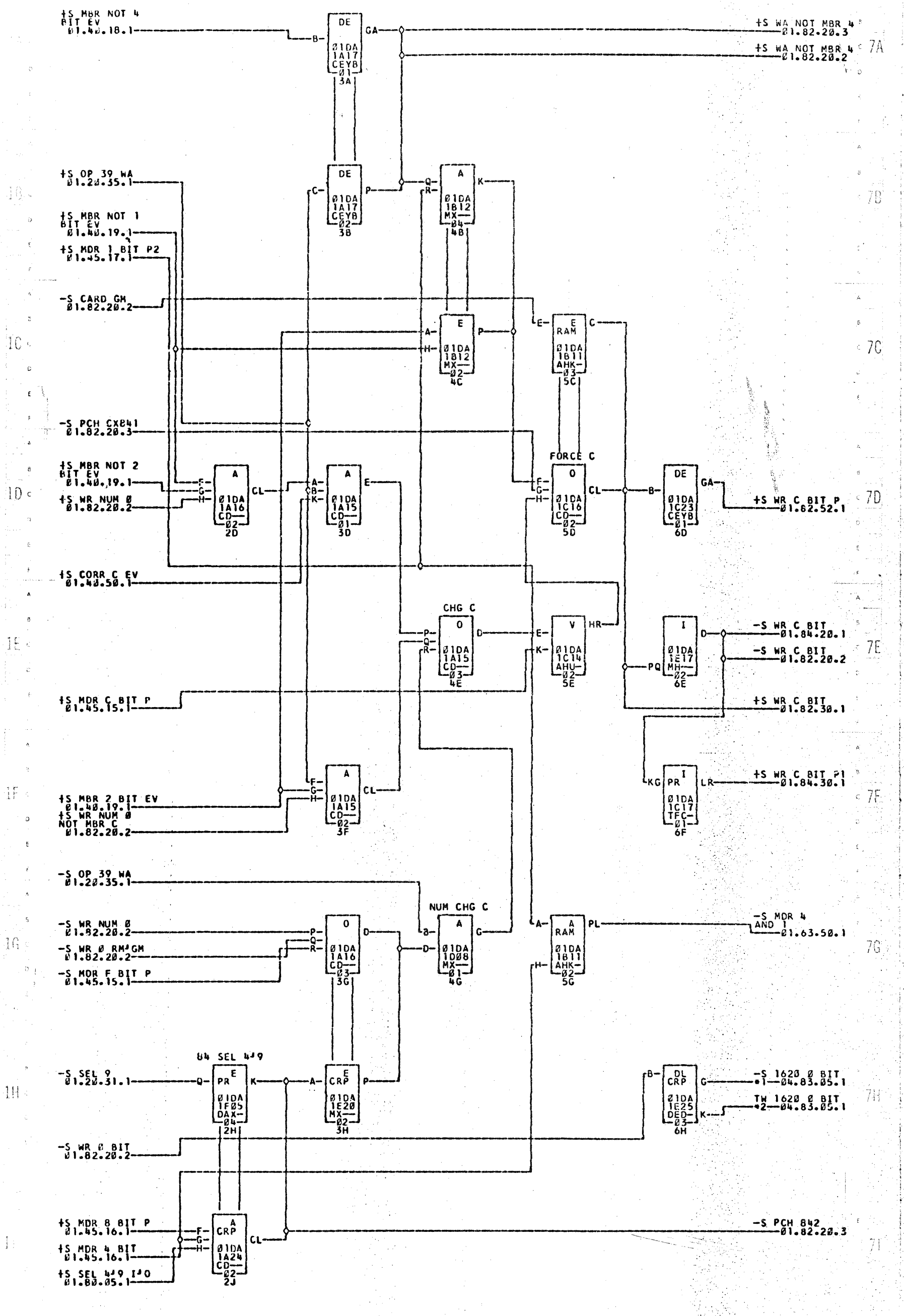
01.81.62.1  
D17A

01.81.62.1  
D09K

01.81.62.1  
TB74-1A

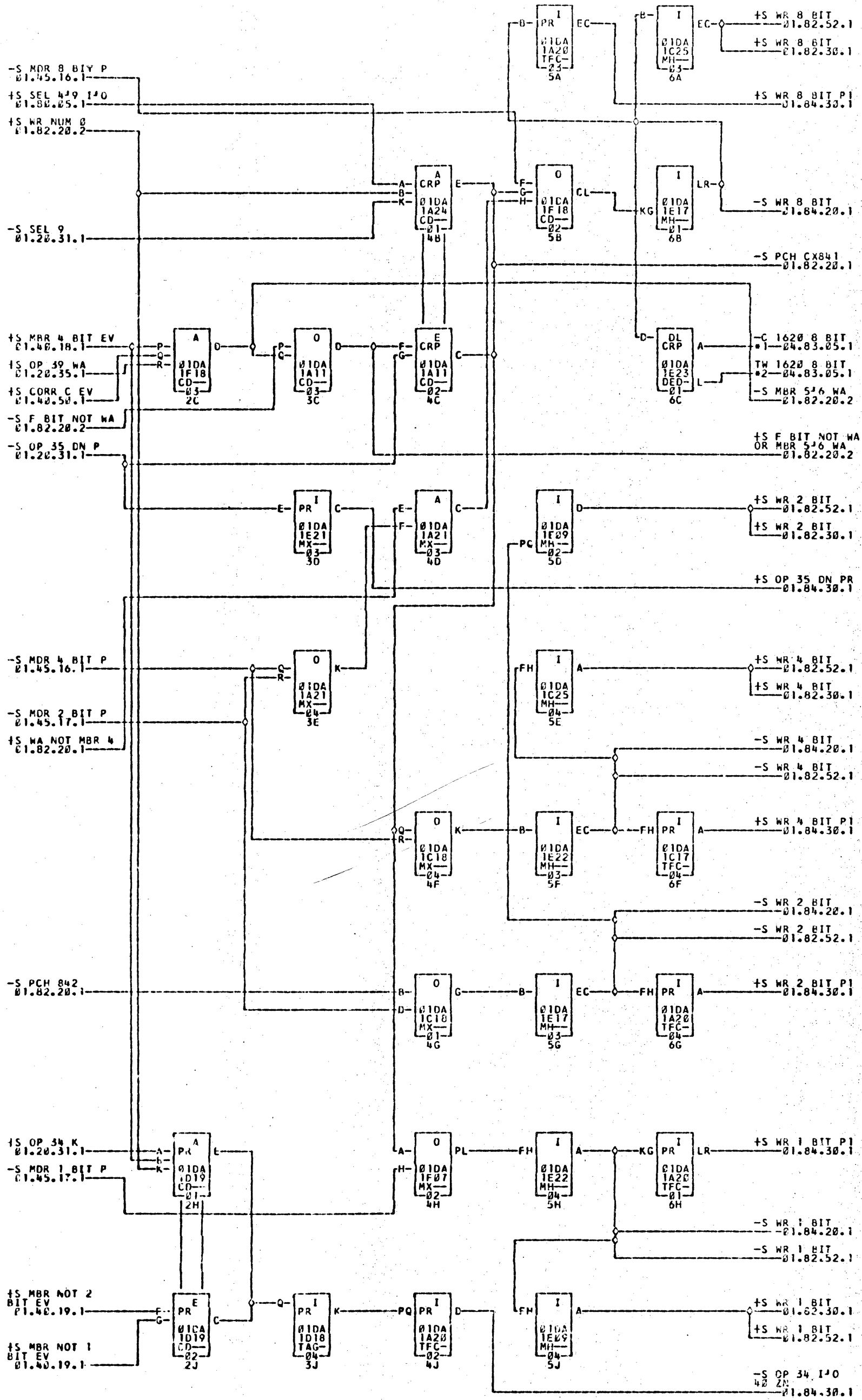


\* HOLD COIL OF RELAY 60  
SHORTED TO INCREASE DROPOUT DELAY



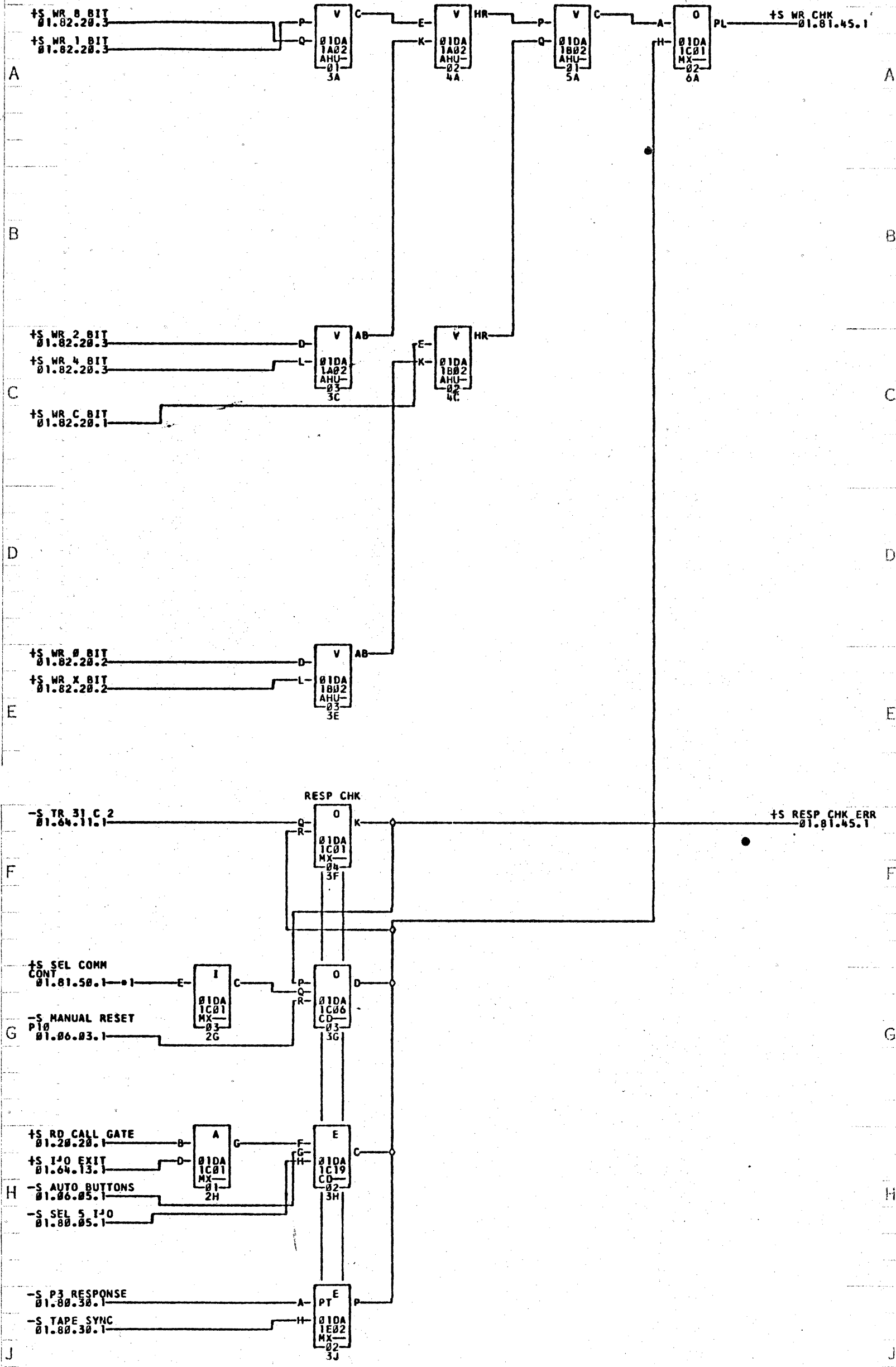
\*1--01DWE04      \*2--01DWE03





•1--010WE00      •2--010WE07





01-01DXC04

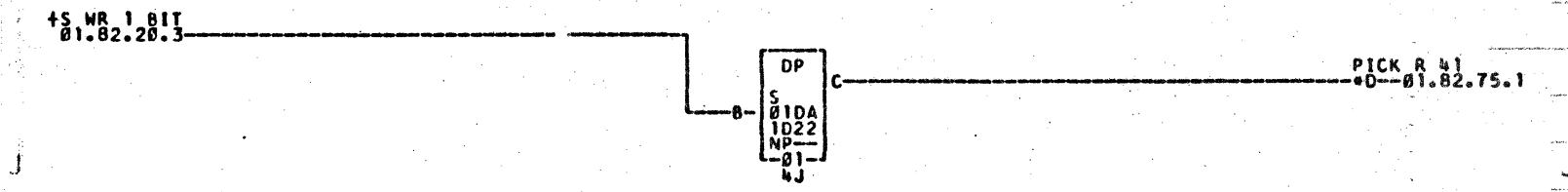
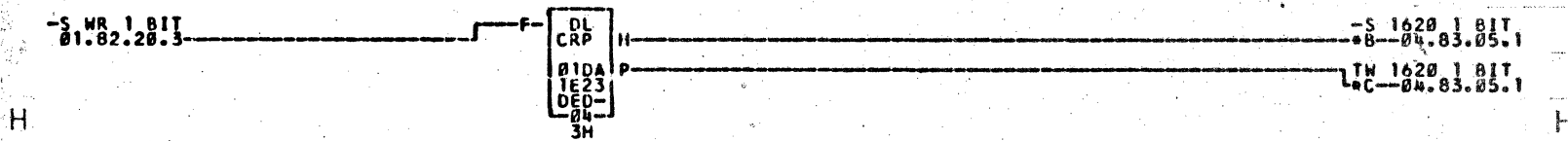
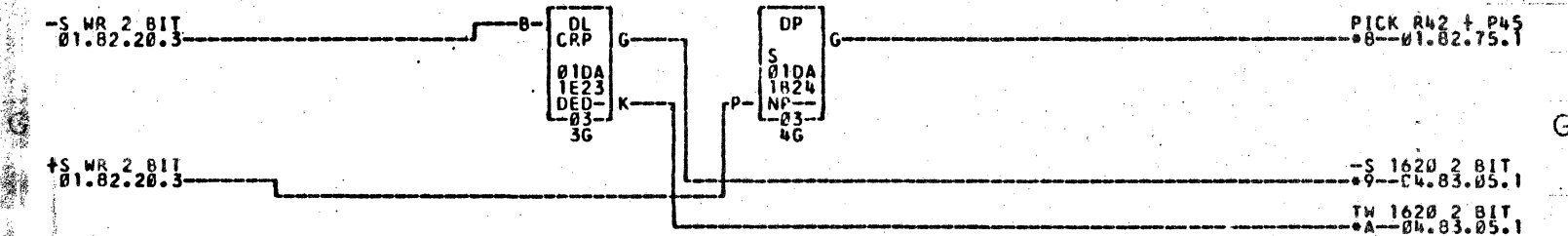
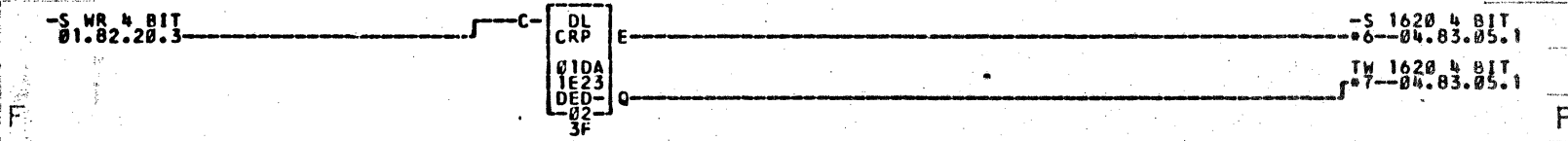
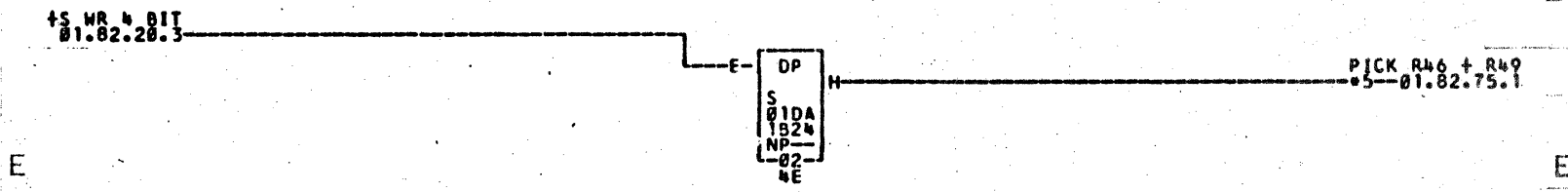
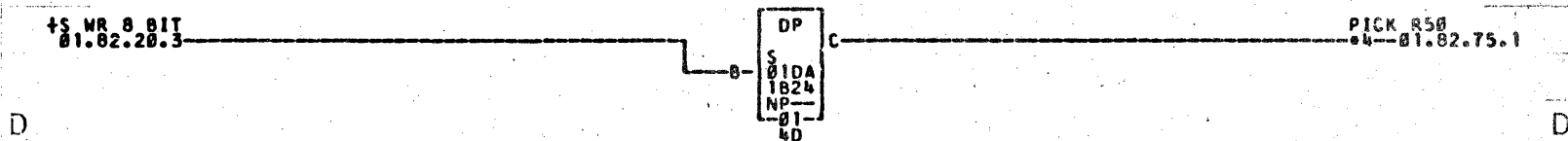
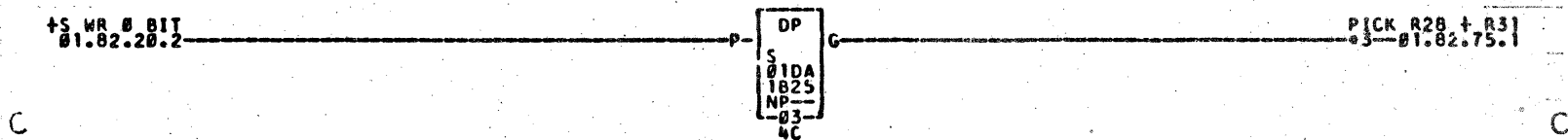
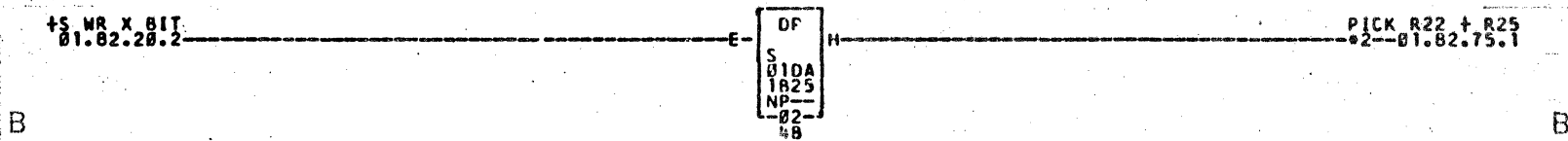
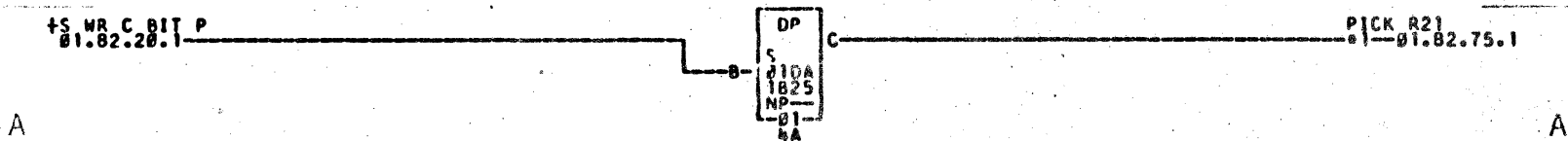
00001

COMMENTS

TAG	DATE	D.A.NO.	TAG	DATE	D.A.NO.	TAG	DATE	D.A.NO.	TAG	DATE	D.A.NO.
A	01-23-62	BF00000									

IBM

FORM 624-9015-1

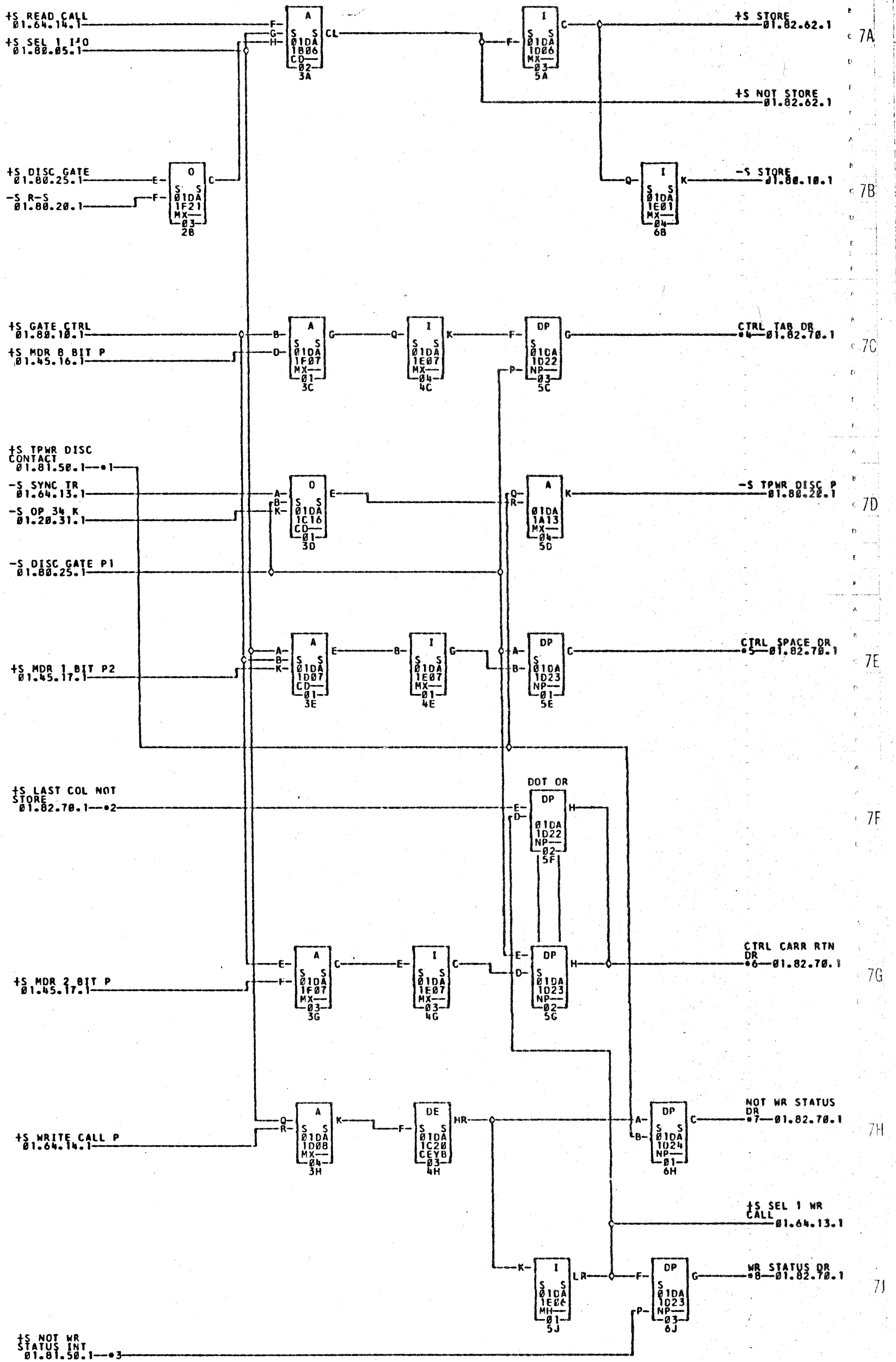


- 1--01DXC32
- 2--01DXC27
- 3--01DXC26
- 4--01DXC31
- 5--01DXC30
- 6--01DWE10
- 7--01DWE09
- 8--01DXC29
- 9--01DWE12
- A--01DWE11
- B--01DWE14
- C--01DWE13
- D--01DXC28

00001

COMMENTS

TAG	DATE	D.A.NO.	TAG	DATE	D.A.NO.	TAG	DATE	D.A.NO.	TAG	DATE	D.A.NO.
A	08-30-61	0E05000									



\*1-01DXC01  
\*7-01DXC20

\*2-01DWC06  
\*8-01DXC19

\*3-01DXC03

\*4-01DXC21

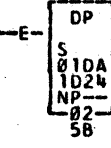
\*5-01DXC25

\*6-01DXC23

A

A

+S STORE  
01.02.60.1



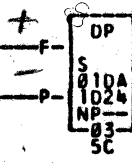
STORE DRIVE  
04--01.02.70.1

B

B

+S NOT STORE  
01.02.60.1

+S STORE INT  
01.01.50.1--1



NOT STORE DRIVE  
05--01.02.70.1

C

C

OUTPUT OV

D

D

-S OP 36 RN  
01.20.35.1

-S OP 38 WN  
01.20.35.1

-S OP 35 DN P  
01.20.31.1

+S NOT WR NUM  
INTLK  
01.01.50.1--2

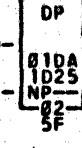


WR NUM DR  
06--01.02.70.1

E

E

+S WR NUM INTLK  
01.01.50.1--3



NOT WR NUM DR  
07--01.02.70.1

F

F

A OV

D = -12V

E =

H =

E = OV

B = -10V

C =

G

G

H

H

J

J

01--01DXC07  
07--01DXC24

02--01DXC06

03--01DXC05

04--01DXC17

05--01DXC18

06--01DXC22

D0001

COMMENTS

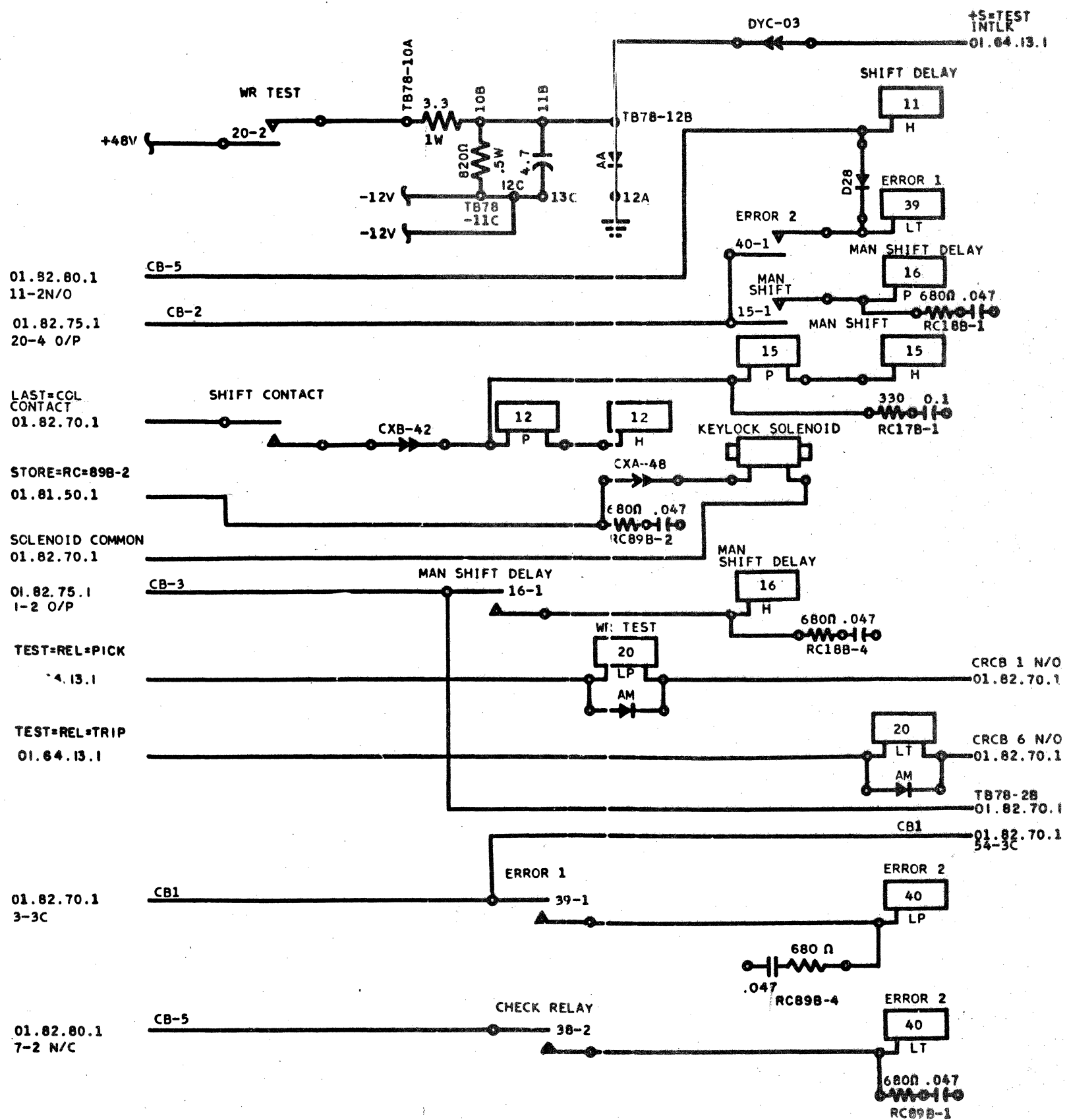
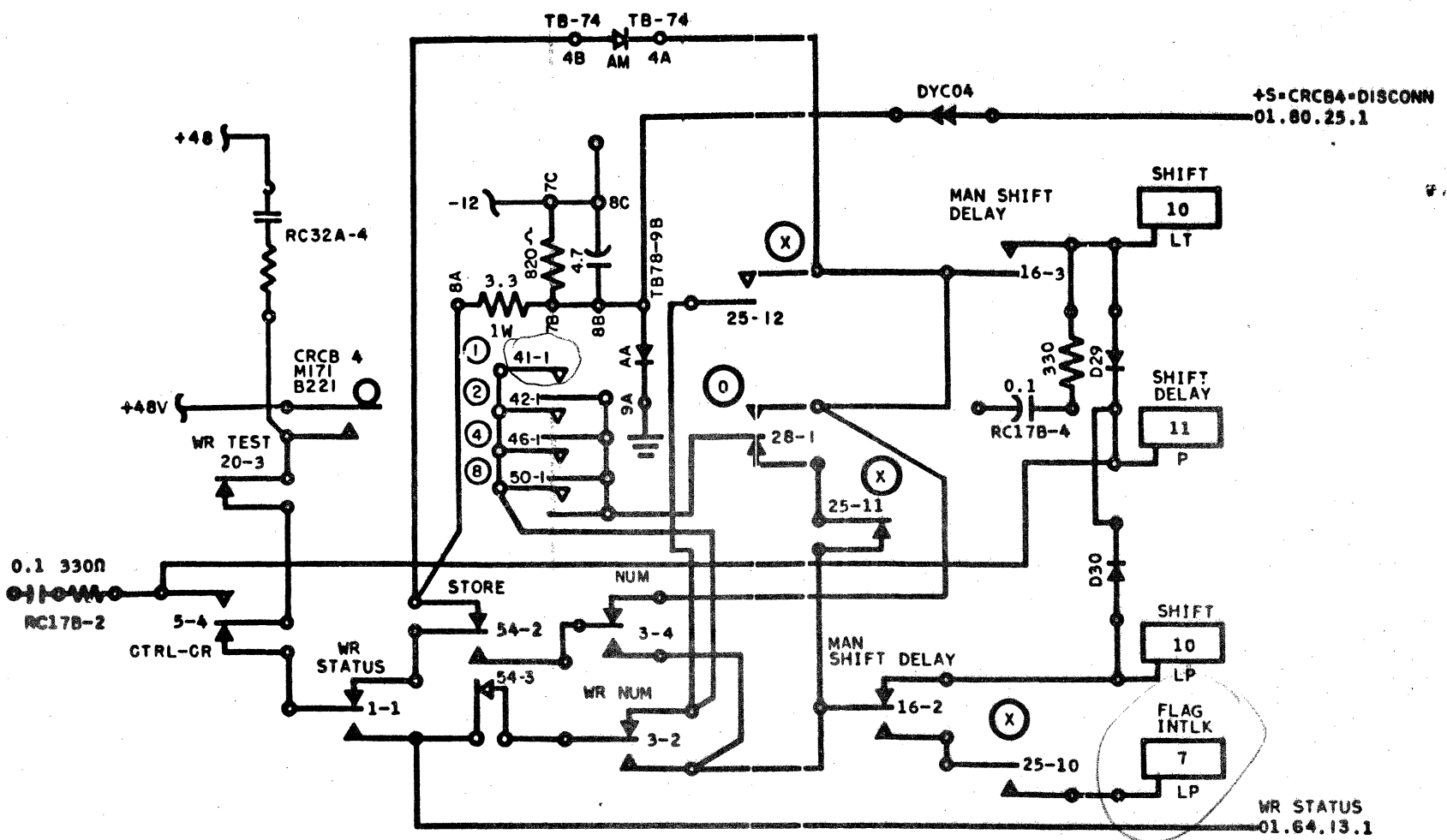
TAG DATE D.A.NO.  
A 08-30-61 0E05000

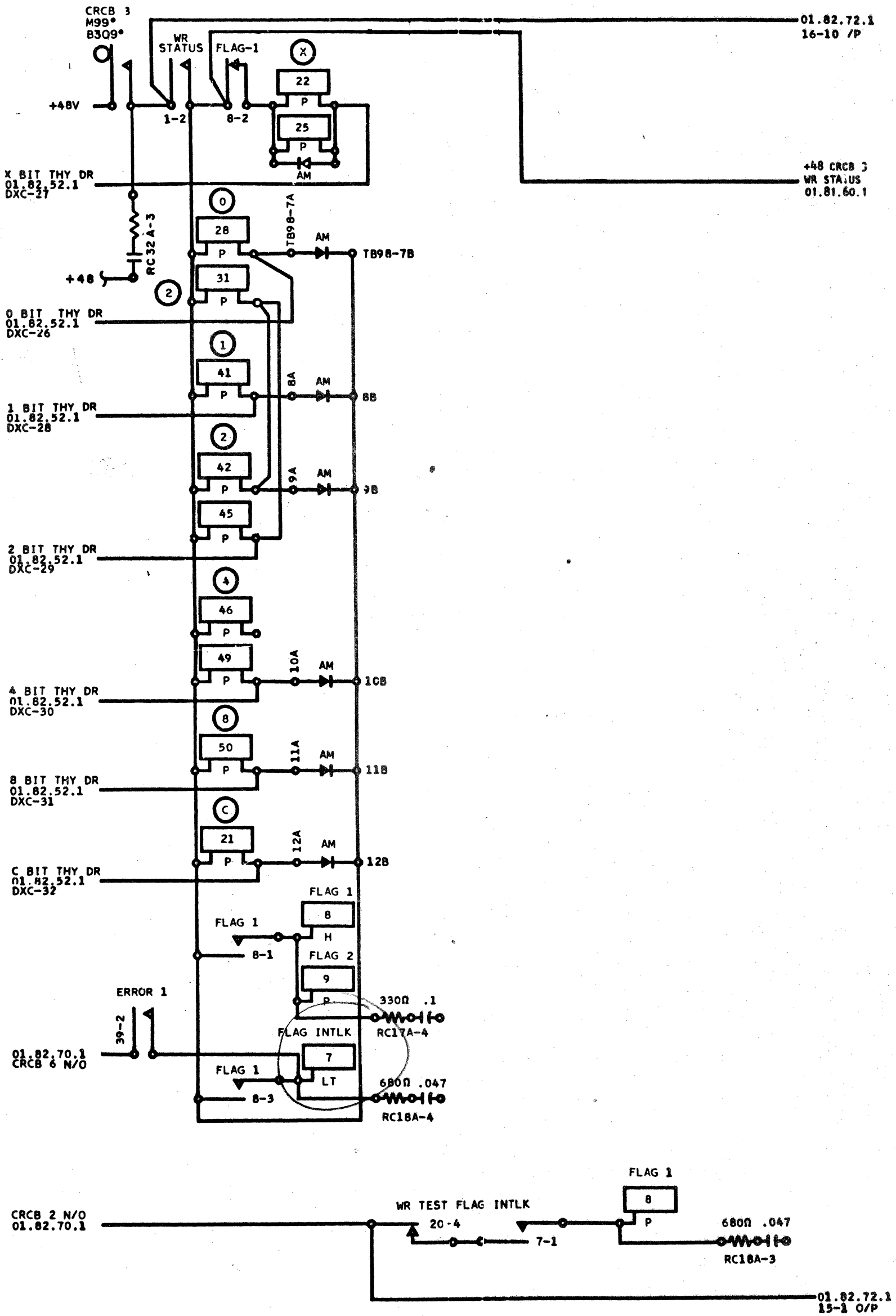
TAG DATE D.A.NO.

TAG DATE D.A.NO.

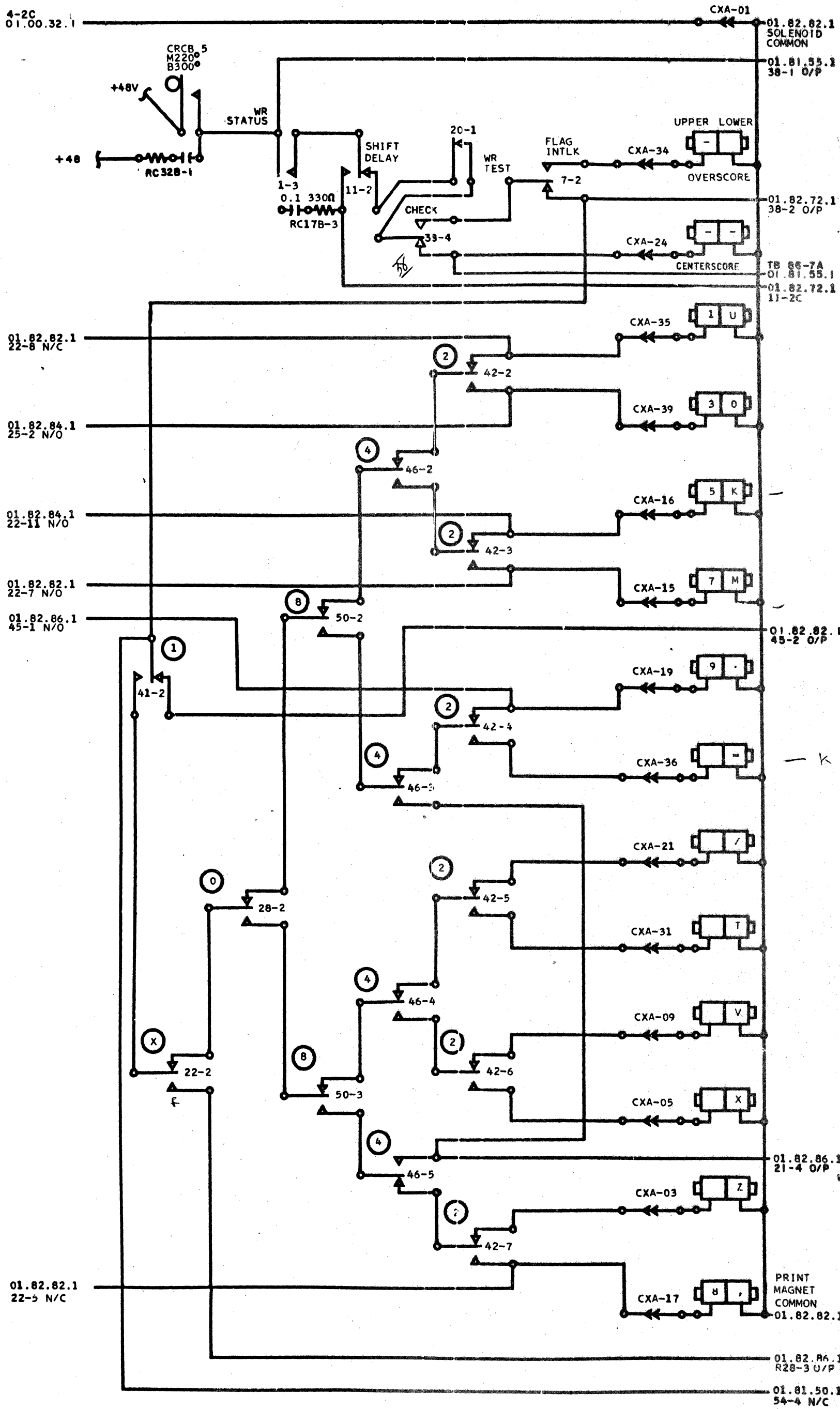
TAG DATE D.A.NO.







To Hold R-38





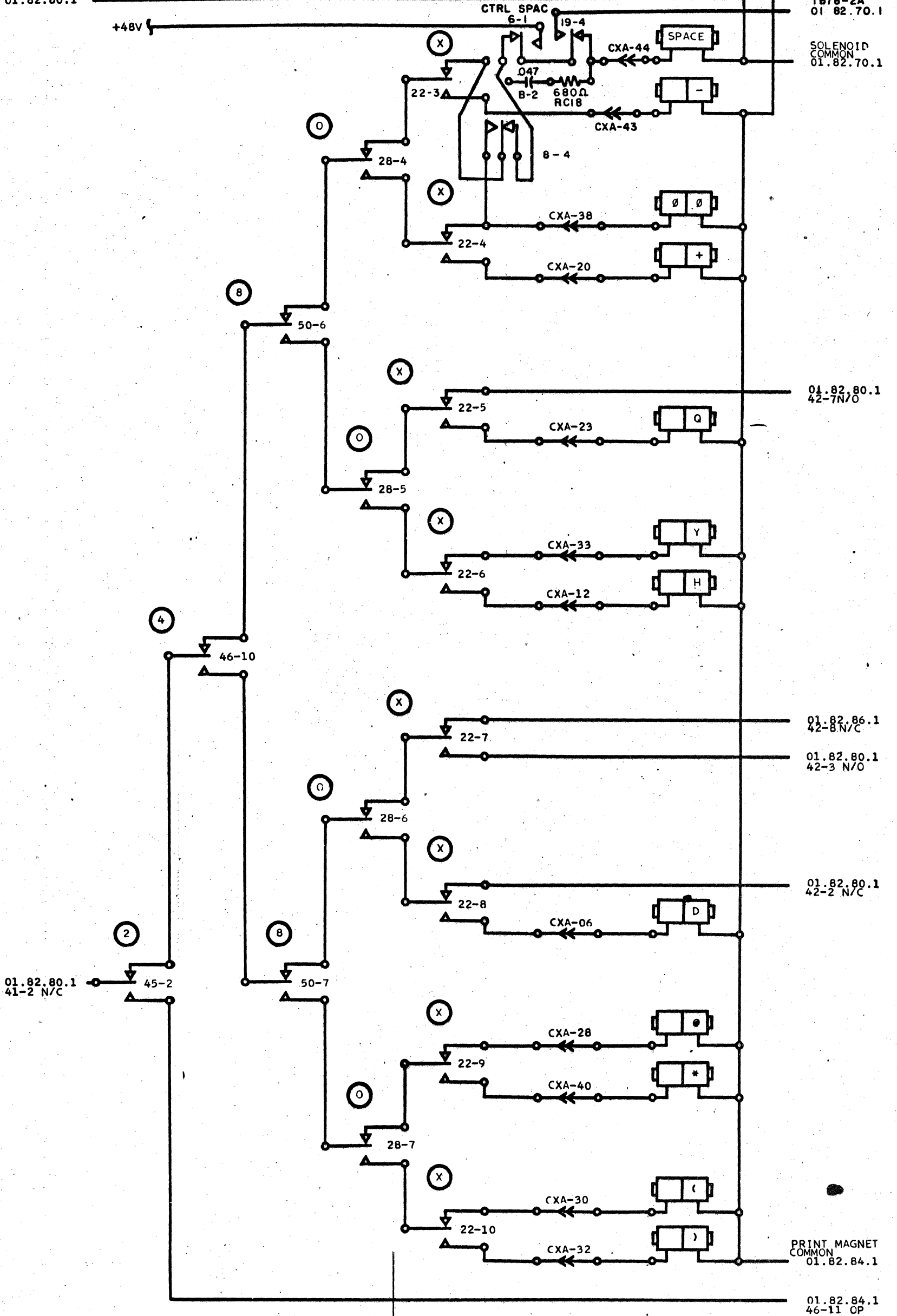
PRINT MAGNET  
COMMON  
01.82.80.1  
SOLENOID COMMON  
01.82.80.1

+48V

CTRL SPAC  
6-1

TB78-2A  
01.82.70.1

SOLENOID  
COMMON  
01.82.70.1



PRINT MAGNET  
COMMON  
01.82.82.1

01.82.82.1  
45-2 N/O

01.82.80.1  
46-3 N/O

01.82.86.1  
46-9 N/O

01.82.86.1  
45-1 N/C

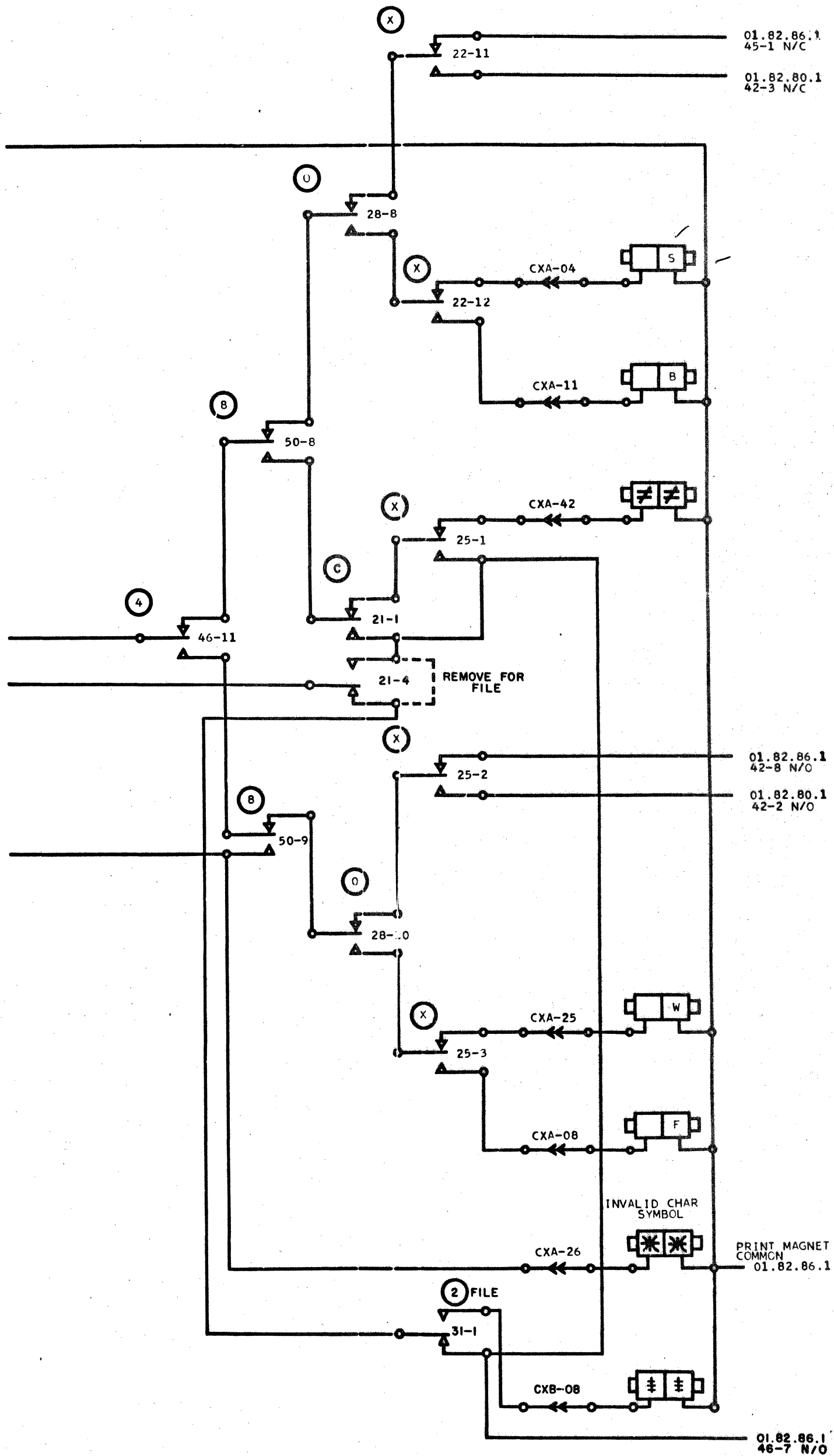
01.82.80.1  
42-3 N/C

01.82.86.1  
42-8 N/O

01.82.80.1  
42-2 N/O

PRINT MAGNET  
COMMON  
01.82.86.1

01.82.86.1  
46-7 N/O



PRINT MAGNET  
COMMON  
01.82.84.1

PRINT

01.82.82.1  
22-7 N/C

01.82.84.1  
25-2 N/C

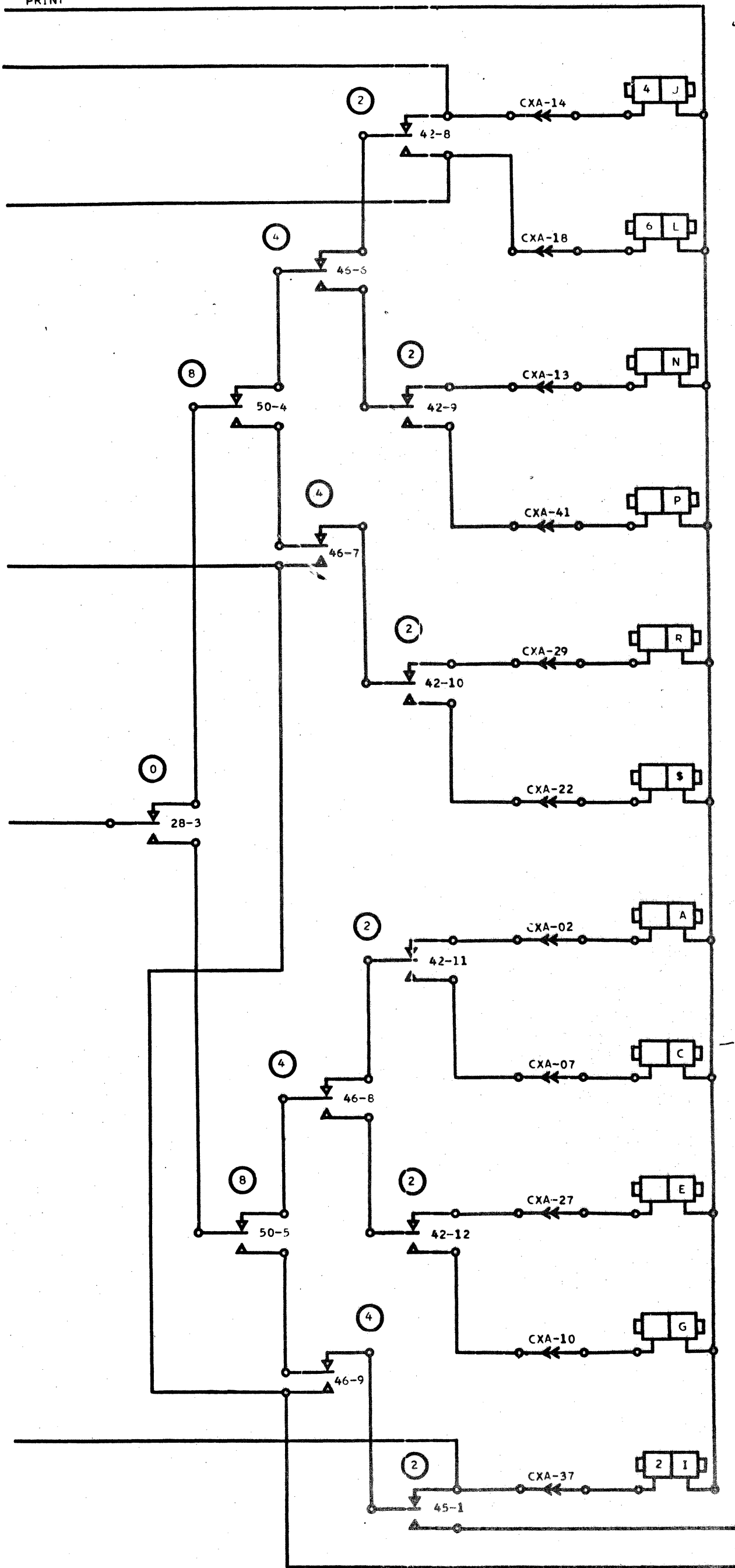
01.82.84.1  
31-1 N/C

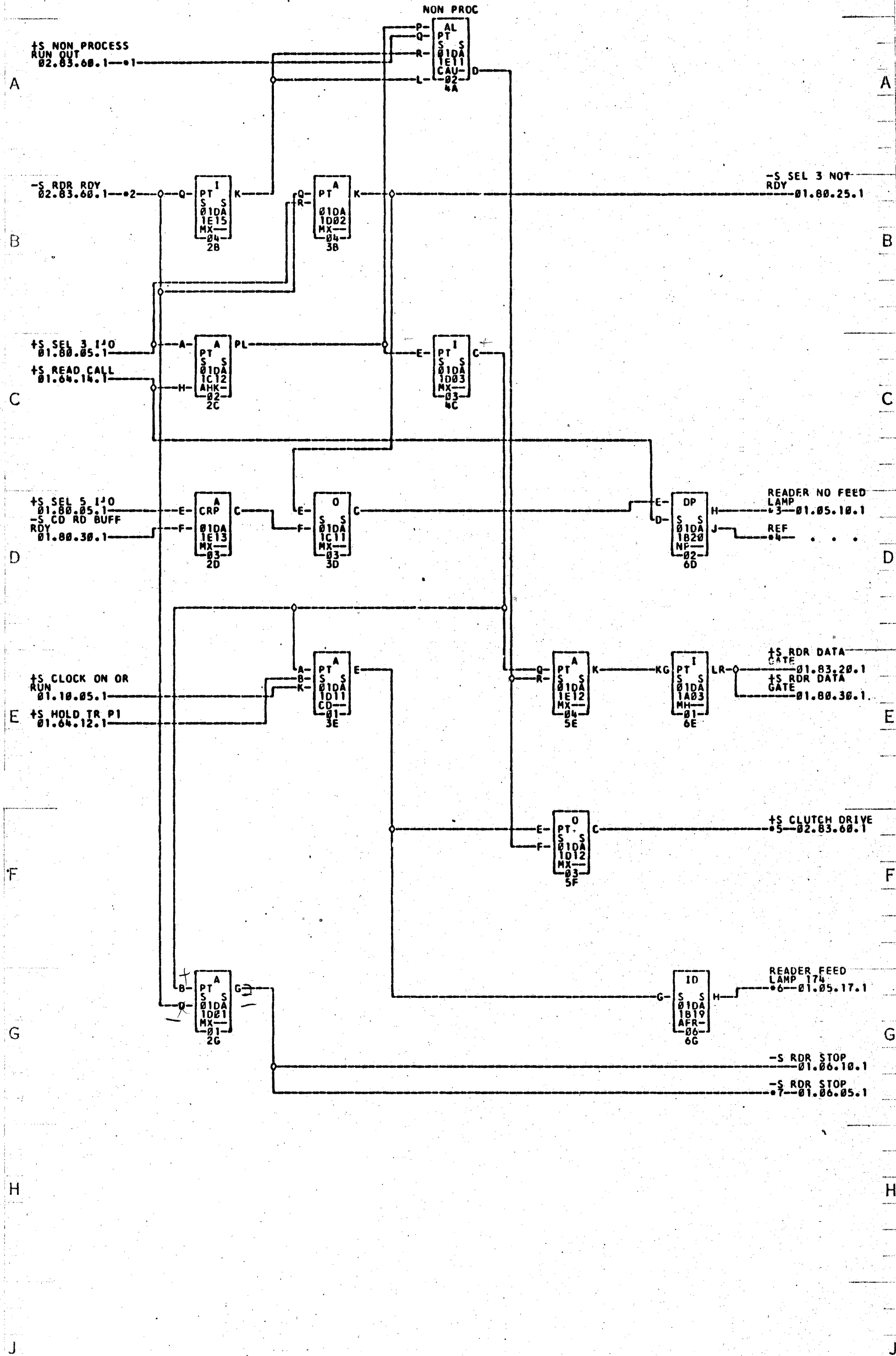
01.82.80.1  
22-2 N/O

01.82.84.1  
22-11 N/C

01.82.80.1  
42-4 N/C

01.82.84.1  
50-9 N/O





\*1--01SCA20  
\*3--01DXF21

==== 01DXF20  
==== 01SCA21

\*2--01SCA22  
\*6--01DX020

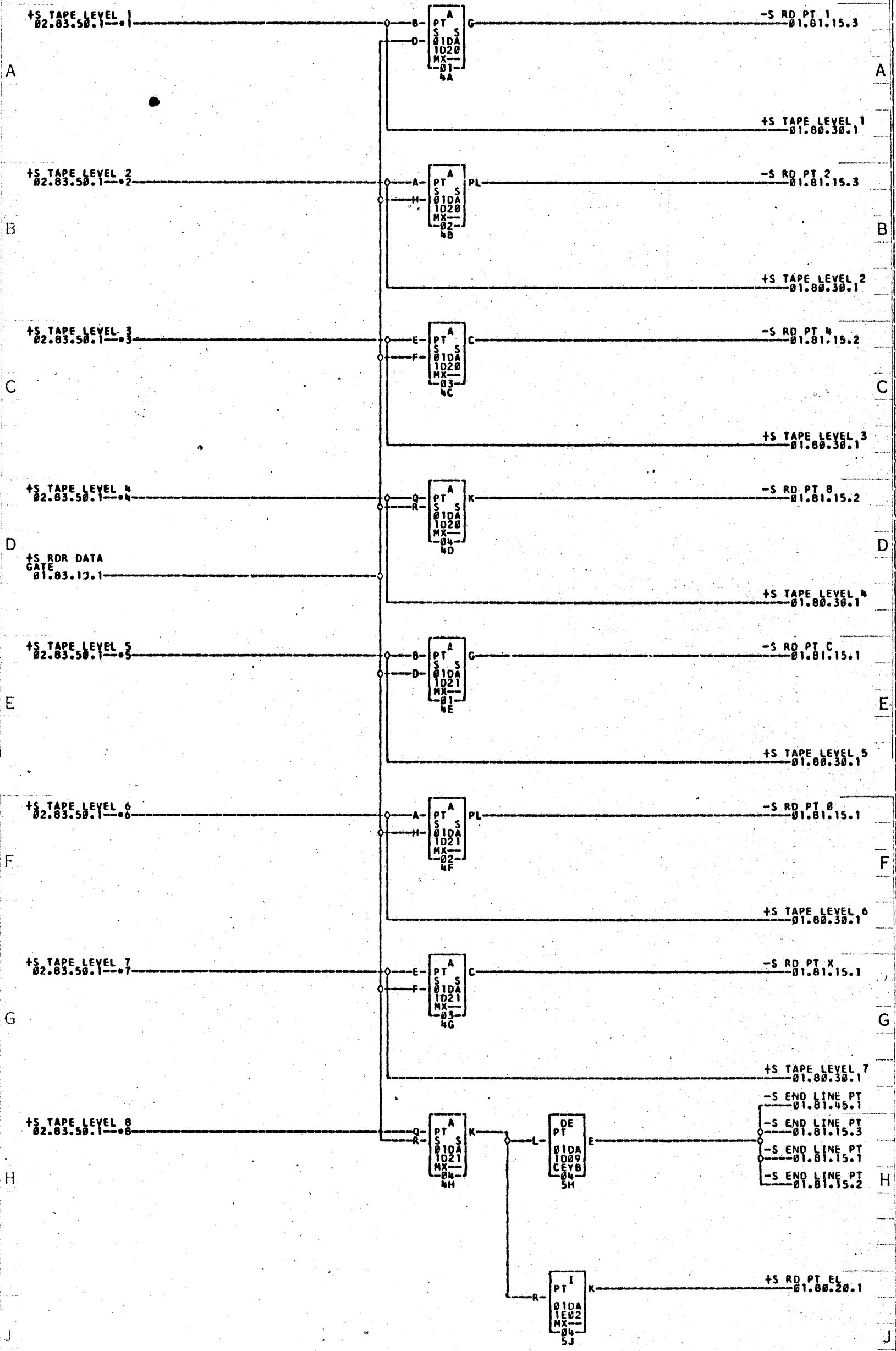
==== 01DXF22  
==== 01DW001

\*3--01DWB13  
==== 01BXH01

\*4--01DWB14

COMMENTS

TAG DATE	D.A.NO.	TAG DATE	D.A.NO.	TAG DATE	D.A.NO.	TAG DATE	D.A.NO.
A 08-30-61	0E05000						

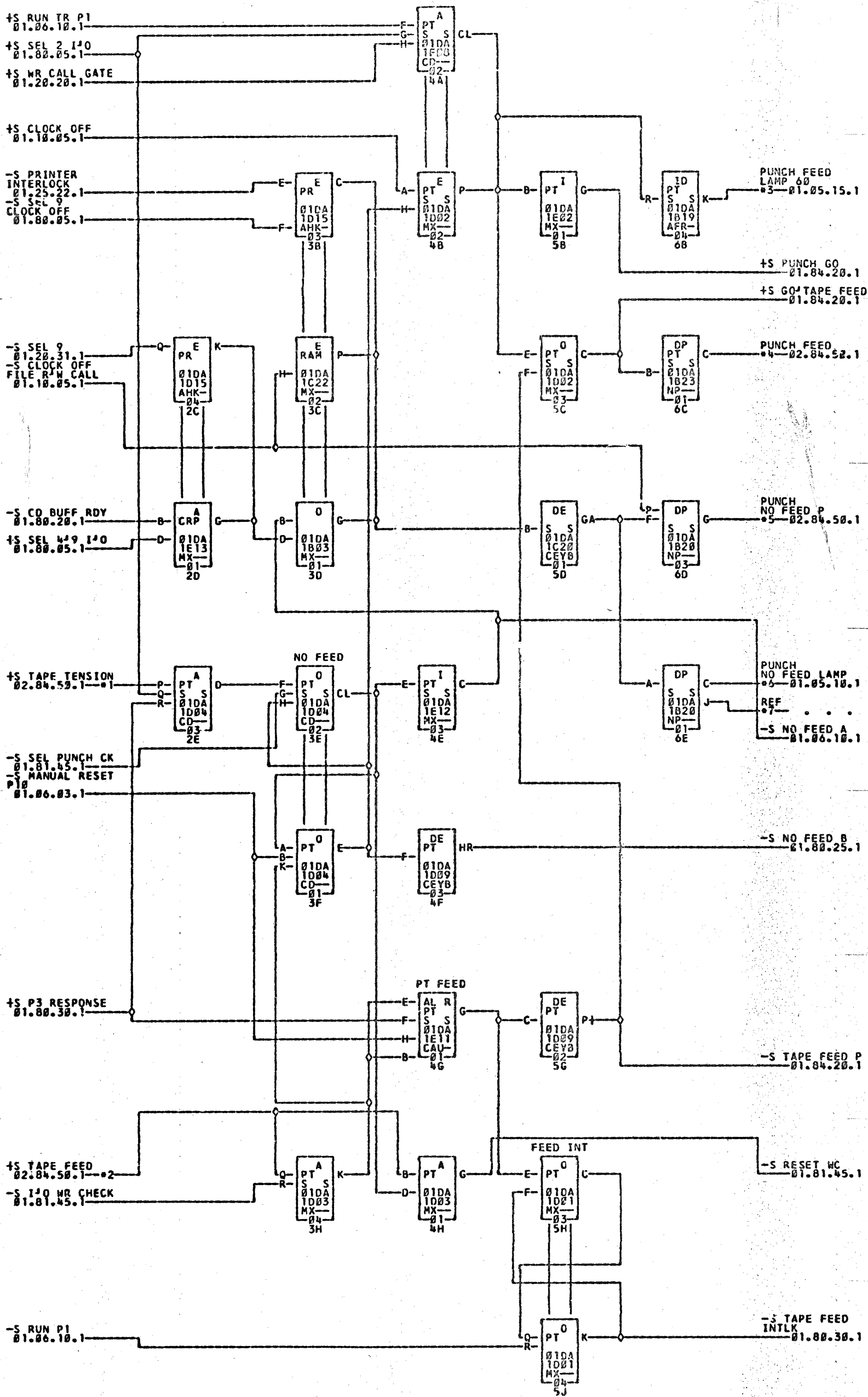


- \*1--01SCA11      == 01DXF11      \*2--01SCA12      == 01DXF12      \*3--01SCA13      == 01DXF13
- \*4--01SCA14      == 01DXF14      \*5--01SCA15      == 01DXF15      \*6--01SCA16      == 01DXF16
- \*7--01SCA17      == 01DXF17      \*8--01SCA18      == 01DXF18

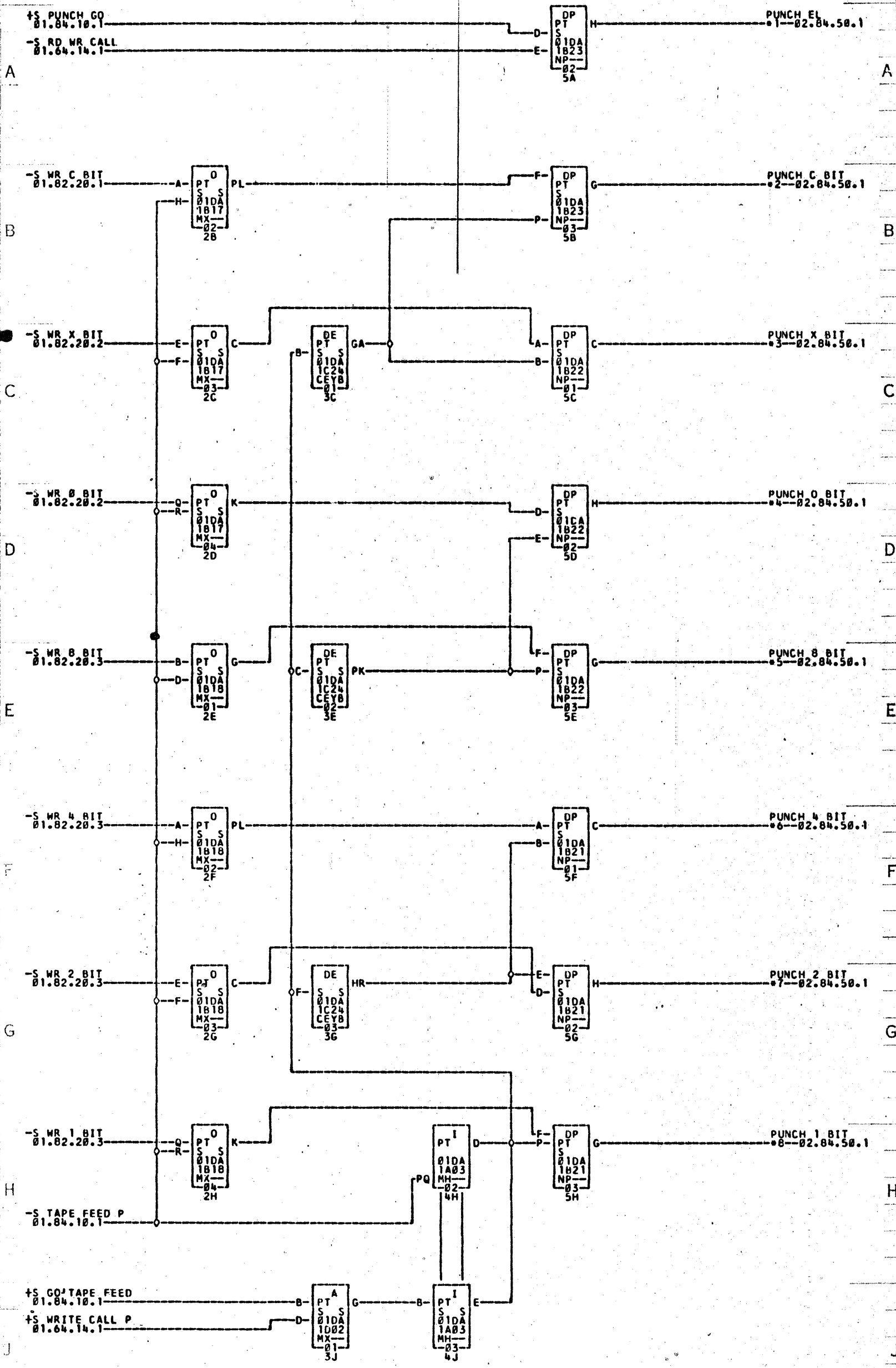
00001

COMMENTS

TAG DATE	D.A.NC.	TAG DATE	D.A.NC.	TAG DATE	D.A.NC.	TAG DATE	D.A.NC.
A 00-30-01	0E05000						



\*1-01SCA23      \*5-01DXF23      \*2-01SCA27      \*6-01DXF27      \*3-01DXD18      \*4-01DXF09  
 \*1-01SCA09      \*5-01DXF10      \*2-01SCA10      \*6-01DXB11      \*7-01DXB12



\*1--01DXF01  
 \*4--01DXF04  
 \*7--01DXF07

====01SCA01  
 ====01SCA04  
 ====01SCA07

\*2--01DXF02  
 \*5--01DXF05  
 \*8--01DXF08

====01SCA02  
 ====01SCA05  
 ====01SCA08

\*3--01DXF03  
 \*6--01DXF06

====01SCA03  
 ====01SCA06

00001

COMMENTS

TAG DATE D.A.NO. TAG DATE D.A.NO. TAG DATE D.A.NO. TAG DATE D.A.NO.  
 A 08-30-61 0E0500B

TS WR X BIT P1 01.02.20.2 ----- TS WR X BIT P1 01.01.00.1

TS WR 0 BIT P1 01.02.20.2 ----- TS WR 0 BIT P1 01.01.00.1

TS WR 8 BIT P1 01.02.20.3 ----- TS WR 8 BIT P1 01.01.00.1

TS WR 4 BIT P1 01.02.20.3 ----- TS WR 4 BIT P1 01.01.00.1

TS WR 2 BIT P1 01.02.20.3 ----- TS WR 2 BIT P1 01.01.00.1

TS WR 1 BIT P1 01.02.20.3 ----- TS WR 1 BIT P1 01.01.00.1

TS WR C BIT P1 01.02.20.1 ----- TS WR C BIT P1 01.01.00.1

TY CAR CTRL 01.25.22.1 ----- TY CAR CTRL 01.01.05.1

-S RM PR 01.03.50.1 ----- -S RM PR 01.01.05.1

TS OP 35 DN PR 01.02.20.3 ----- TS OP 35 DN PR 01.01.05.1

-S SP SUPP MOD 01.04.12.1 ----- -S SP SUPP MOD 01.01.05.1

TS OP 38 WN PR 01.20.35.1 ----- TS OP 38 WN PR 01.01.05.1

-Y PR DATA GATE 01.04.12.1 ----- -Y PR DATA 01.01.05.1

TS CPU METER ON 01.00.10.1 ----- TS CPU METER ON 01.01.00.1

TS WR NUM 0 01.02.20.2 ----- TS WR NUM 0 01.01.05.1

-Y R2 D3 01.10.26.1 ----- -Y R2 D3 01.01.05.1

-Y T2 D2 01.10.26.1 ----- -Y T2 D2 01.01.05.1

-Y T4 D2 01.10.26.1 ----- -Y T4 D2 01.01.05.1

-Y R3 D2 01.10.26.1 ----- -Y R3 D2 01.01.05.1

TY PR CHECK RESET 01.25.22.1 ----- TY PR CHECK RESET 01.01.05.1

-S OP 34 I/O 01.02.20.3 ----- -S OP 34 I/O 01.01.05.1

TS CAR BUSY 01.25.22.1 ----- TS CAR BUSY 01.25.22.1

-S CAR CH 9 19.01.07.1 ----- -S CAR CH 9 01.25.22.1

-S CAR CH 12 19.01.07.1 ----- -S CAR CH 12 01.25.22.1

-S CAR CH 1 19.01.07.1 ----- -S CAR CH 1 01.25.22.1

TS PROC RELEASE 19.01.07.1 ----- TS PROC RELEASE 01.04.13.1

-S PRINT READY 19.01.07.1 ----- -S PRINT READY 01.25.22.1

-S RUN LATCH 19.01.07.1 ----- -S RUN LATCH 01.25.22.1

-S PR CHECK 19.01.07.1 ----- -S PR CHECK 01.25.22.1

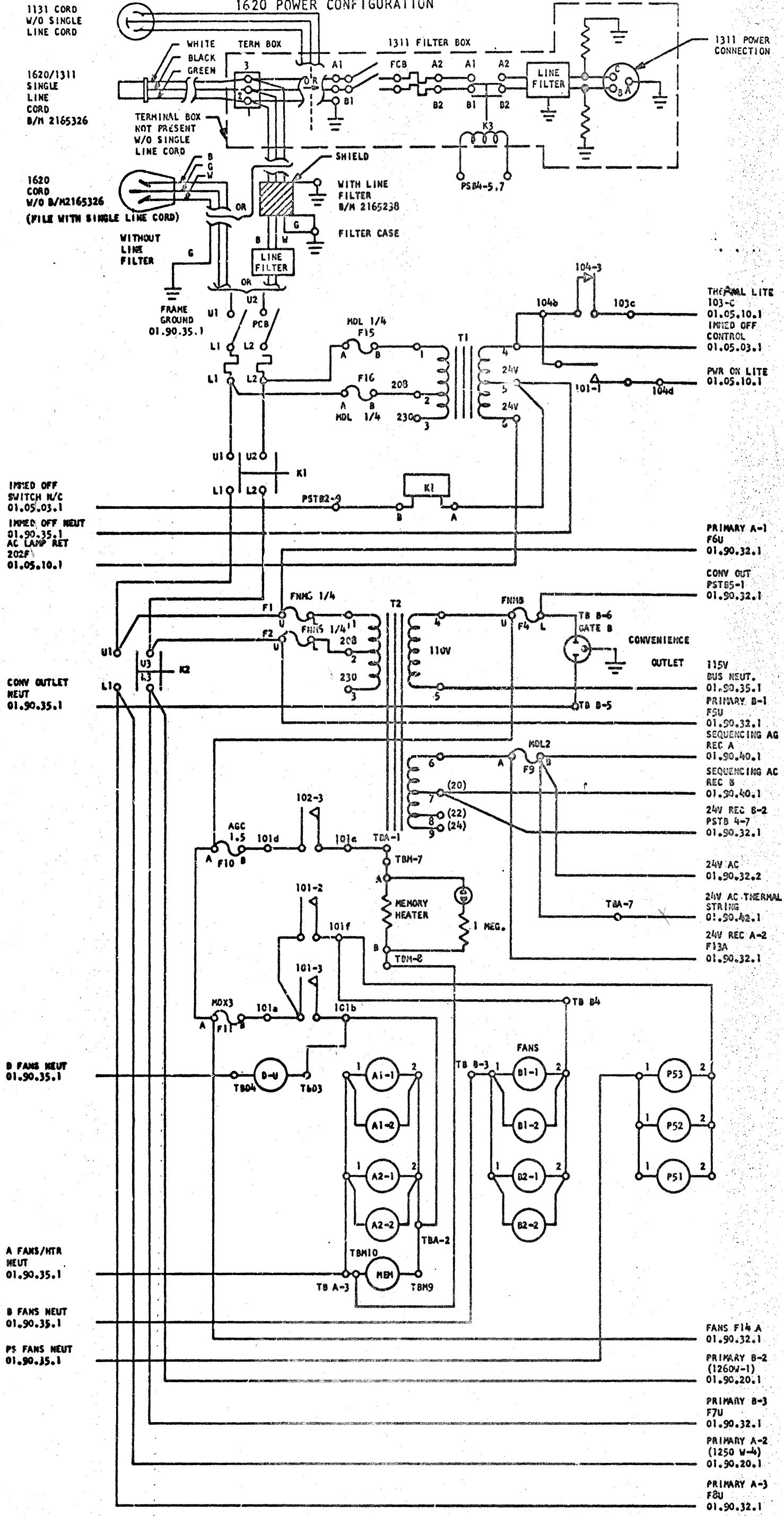
TS PR CLOCK RESPONSE 19.01.07.1 ----- TS PR CLOCK RESPONSE 01.04.13.1

TS CAR MOTION 19.01.07.1 ----- TS CAR MOTION 01.25.22.1

Table with 4 columns of alphanumeric codes and their corresponding bit patterns (e.g., 01-01DWA02F, 03-0331F10F).



AC POWER DISTRIBUTION  
60 CY ONLY  
1620 POWER CONFIGURATION



1131 CORD  
W/O SINGLE  
LINE CORD

1620/1311  
SINGLE  
LINE  
CORD  
B/M 2165326

1620  
CORD  
W/O B/M 2165326  
(FILE WITH SINGLE  
LINE CORD)

WITHOUT  
LINE  
FILTER

FRAME  
GROUND  
01.90.35.1

IMPED OFF  
SWITCH W/C  
01.05.03.1  
IMPED OFF NEUT  
01.90.35.1  
AC LAMP RET  
202F  
01.05.10.1

CONV OUTLET  
NEUT  
01.90.35.1

B FANS NEUT  
01.90.35.1

A FANS/HTR  
NEUT  
01.90.35.1

B FANS NEUT  
01.90.35.1

P5 FANS NEUT  
01.90.35.1

THE FINAL LITE  
103-C  
01.05.10.1  
IMPED OFF  
CONTROL  
01.05.03.1  
PWR ON LITE  
01.05.10.1

PRIMARY A-1  
F6U  
01.90.32.1

CONV OUT  
PSTB5-1  
01.90.32.1

115V  
BUS NEUT.  
01.90.35.1  
PRIMARY B-1  
F5U  
01.90.32.1

SEQUENCING AG  
REC A  
01.90.40.1  
SEQUENCING AC  
REC B  
01.90.40.1  
24V REC B-2  
PSTB 4-7  
01.90.32.1

24V AC  
01.90.32.2  
24V AC THERMAL  
STRING  
01.90.42.1  
24V REC A-2  
F13A  
01.90.32.1

FANS F14 A  
01.90.32.1

PRIMARY B-2  
(1260V-1)  
01.90.20.1

PRIMARY B-3  
F7U  
01.90.32.1

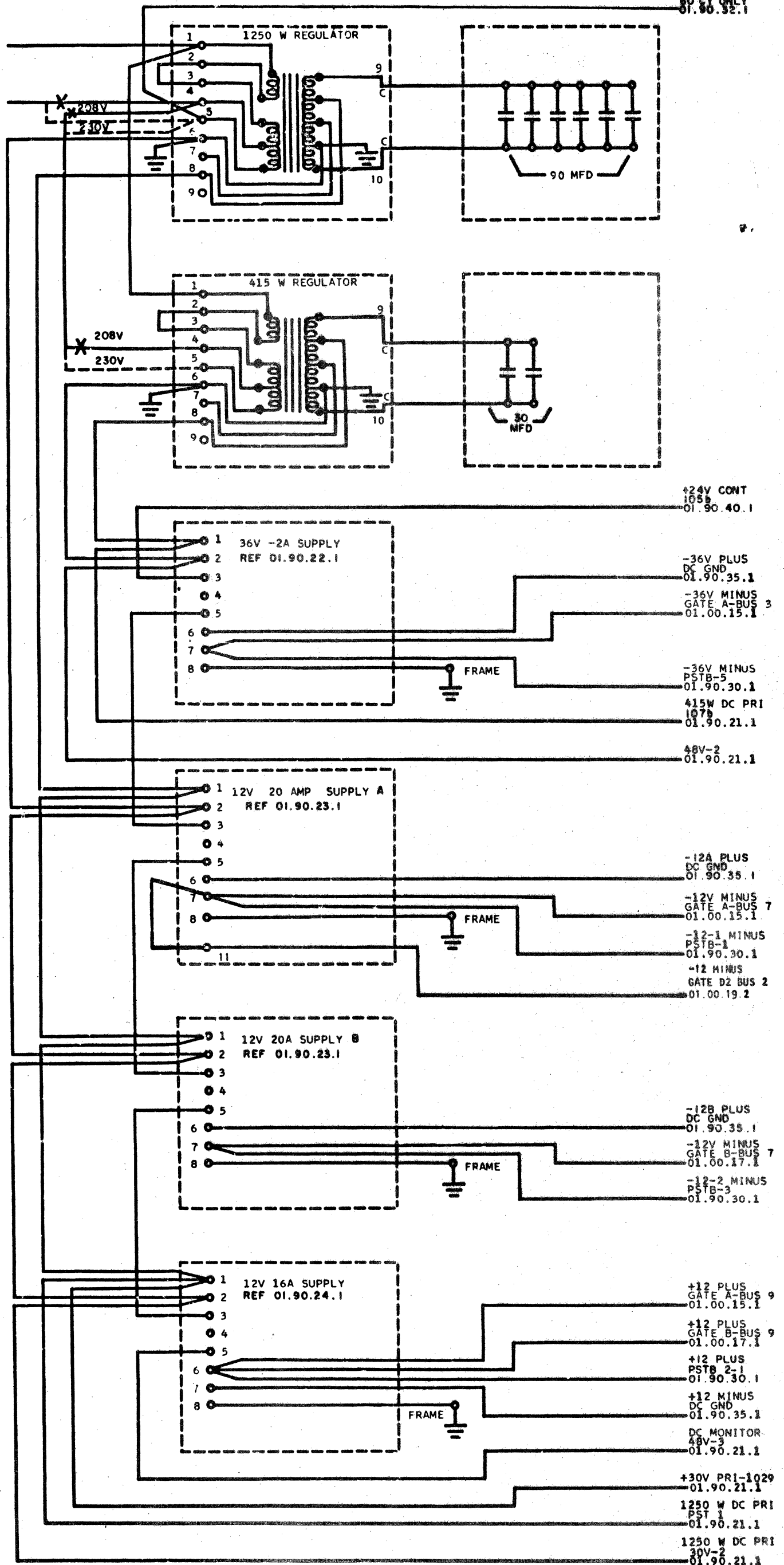
PRIMARY A-2  
(1250 W-4)  
01.90.20.1

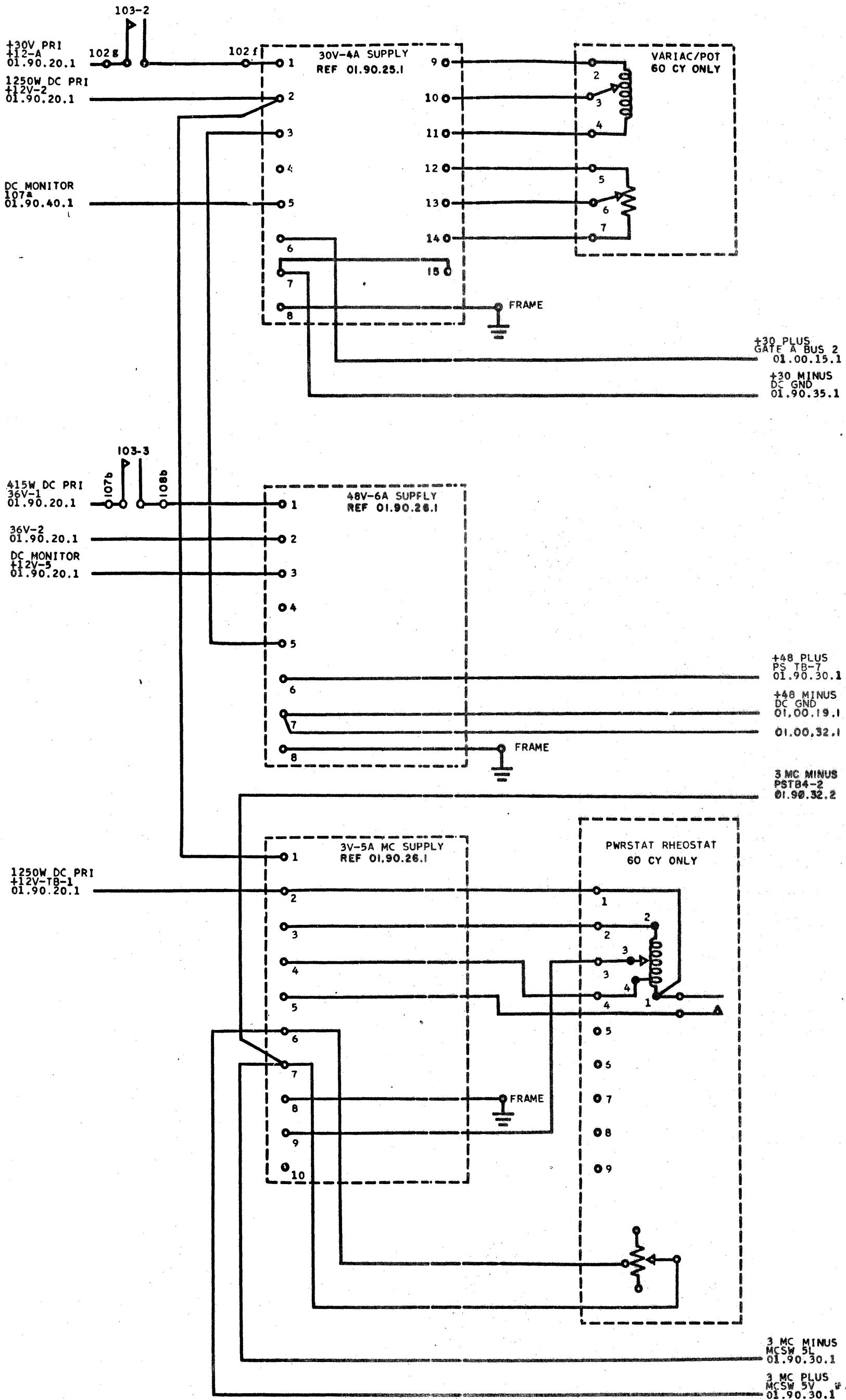
PRIMARY A-3  
F8U  
01.90.32.1

PRIMARY B-2  
(K2-L3)  
01.90.10.1

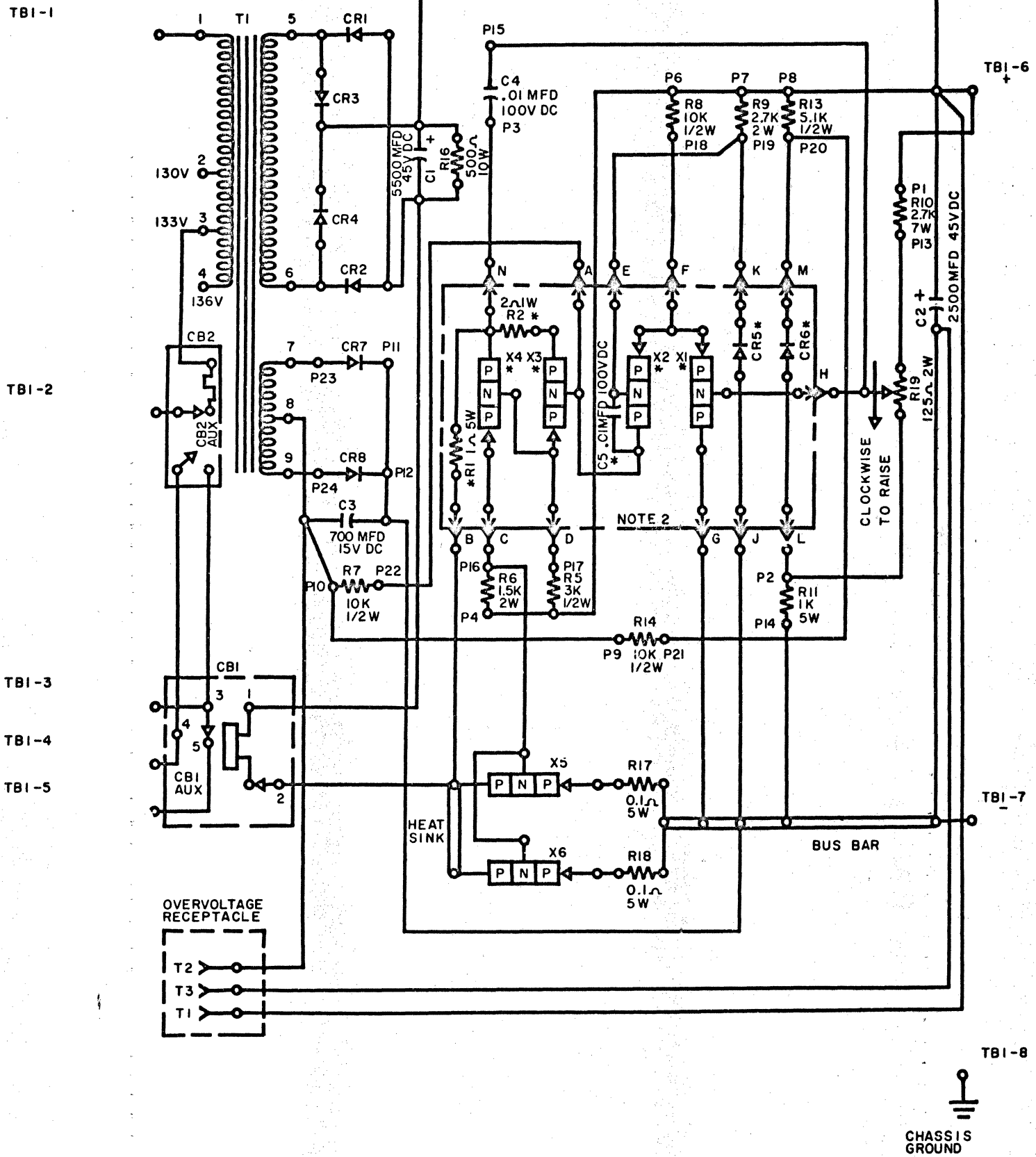
PRIMARY A-2  
(K2-L1)  
01.90.10.1

FUSE 21A  
80 CY ONLY  
01.90.32.1

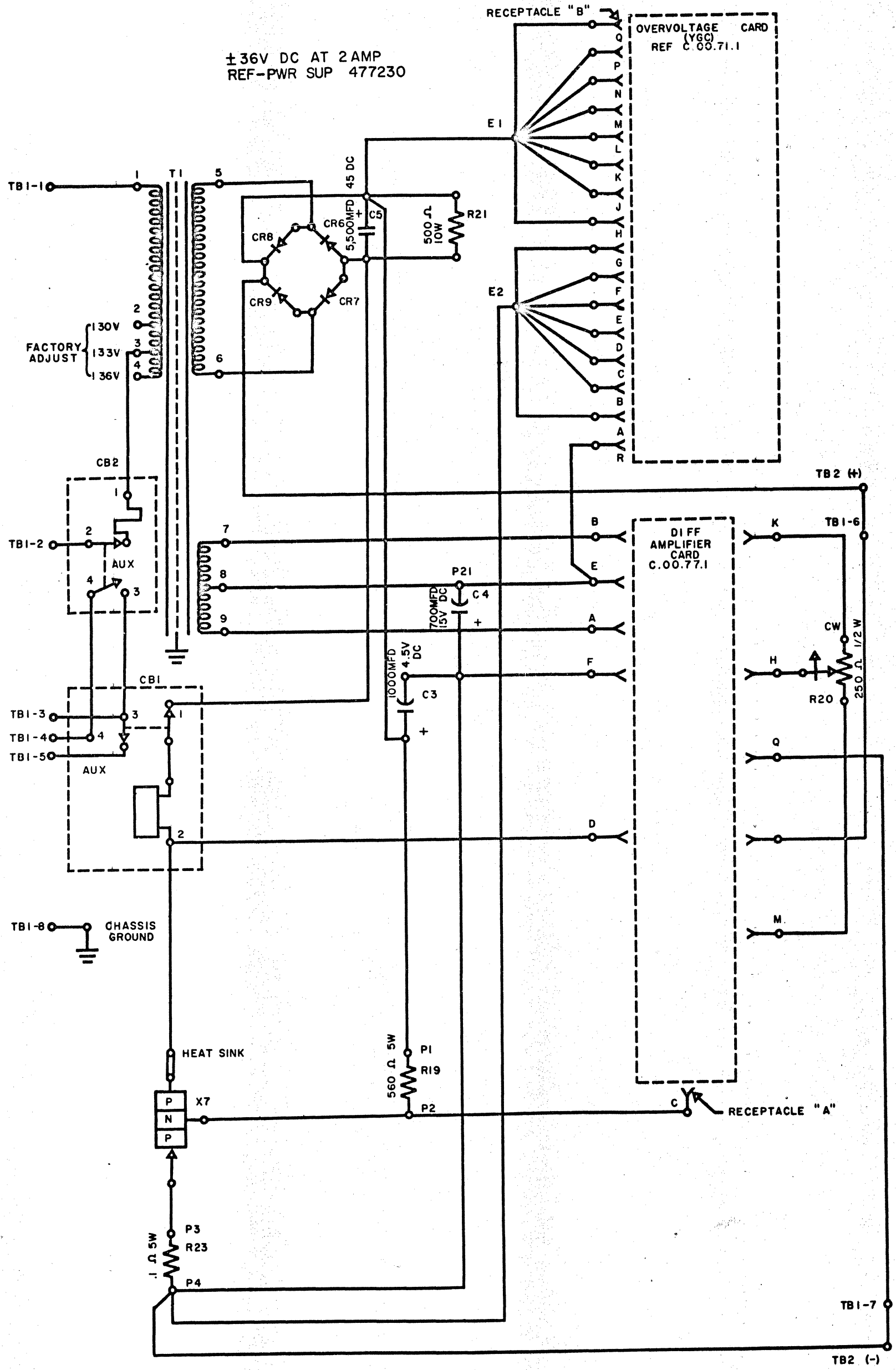




± 36V DC AT 2AMP  
REF-PWR SUP 207276



- NOTES
- \* INDICATES COMPONENTS LOCATED ON COMPONENT CARD ASSEMBLY
  - COMPONENT CARD ASSEMBLY TYPE QU

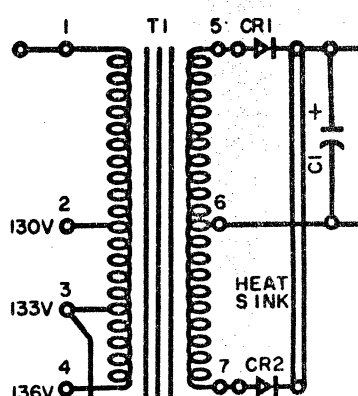


± 12V DC AT 20AMP  
REF-PWR SUP 208258

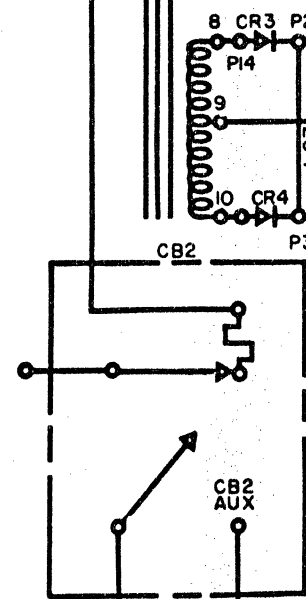
OVERVOLTAGE  
RECEPTACLE

T2 T1 T3

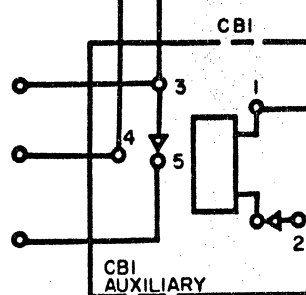
TB1-1



TB1-2



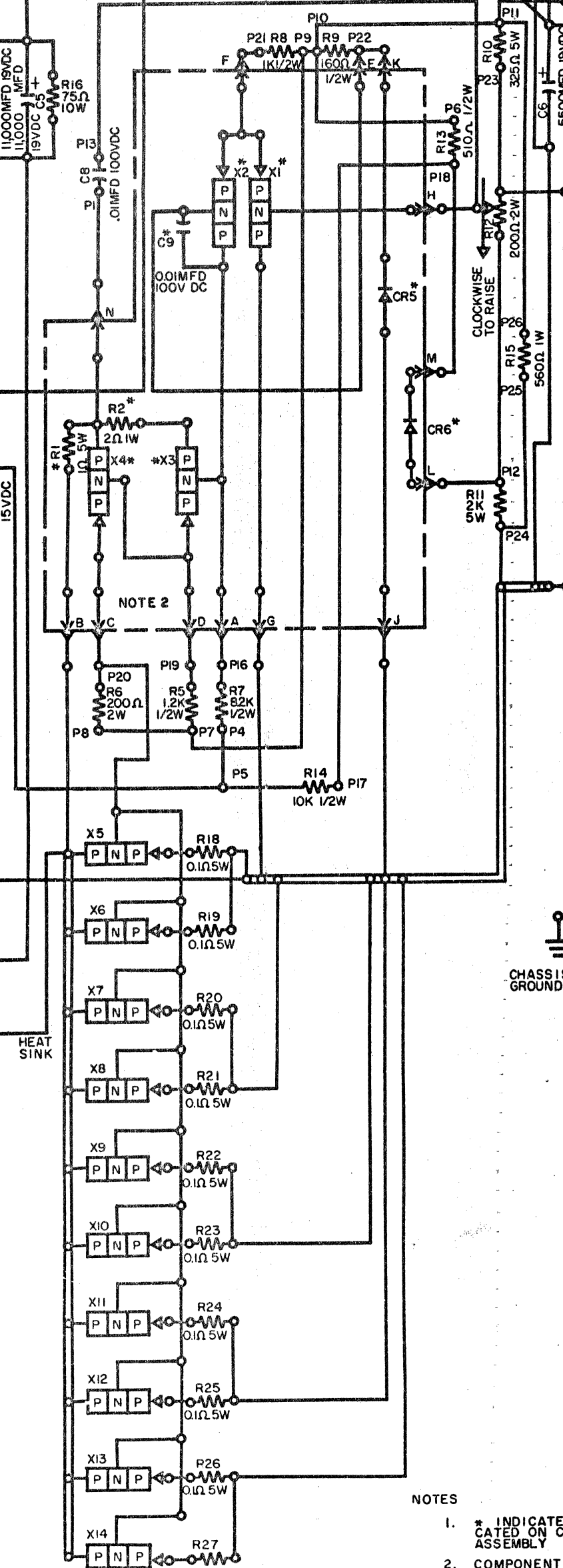
TB1-3



TB1-4



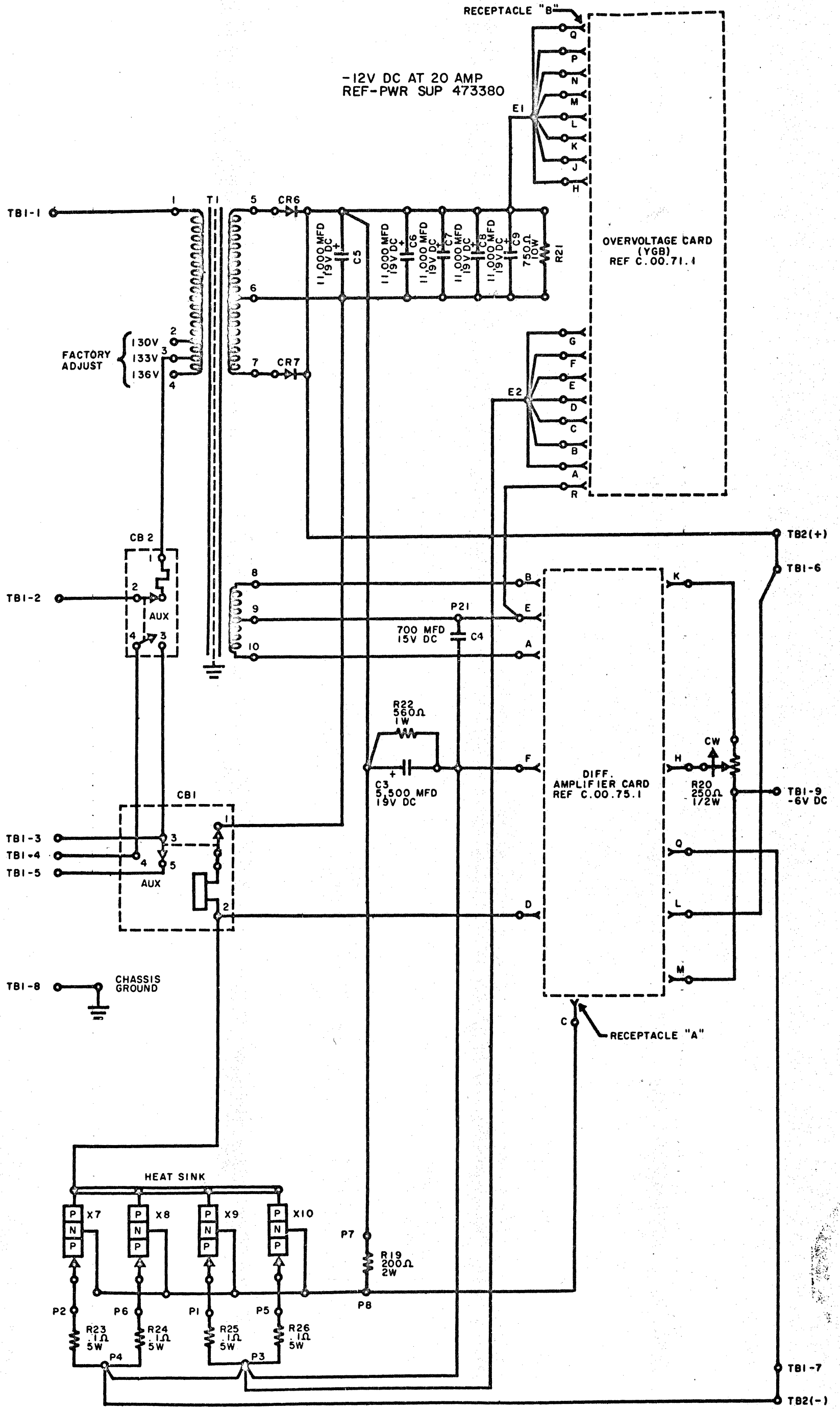
TB1-5



TB1-6  
TB1-7  
TB1-8  
CHASSIS GROUND

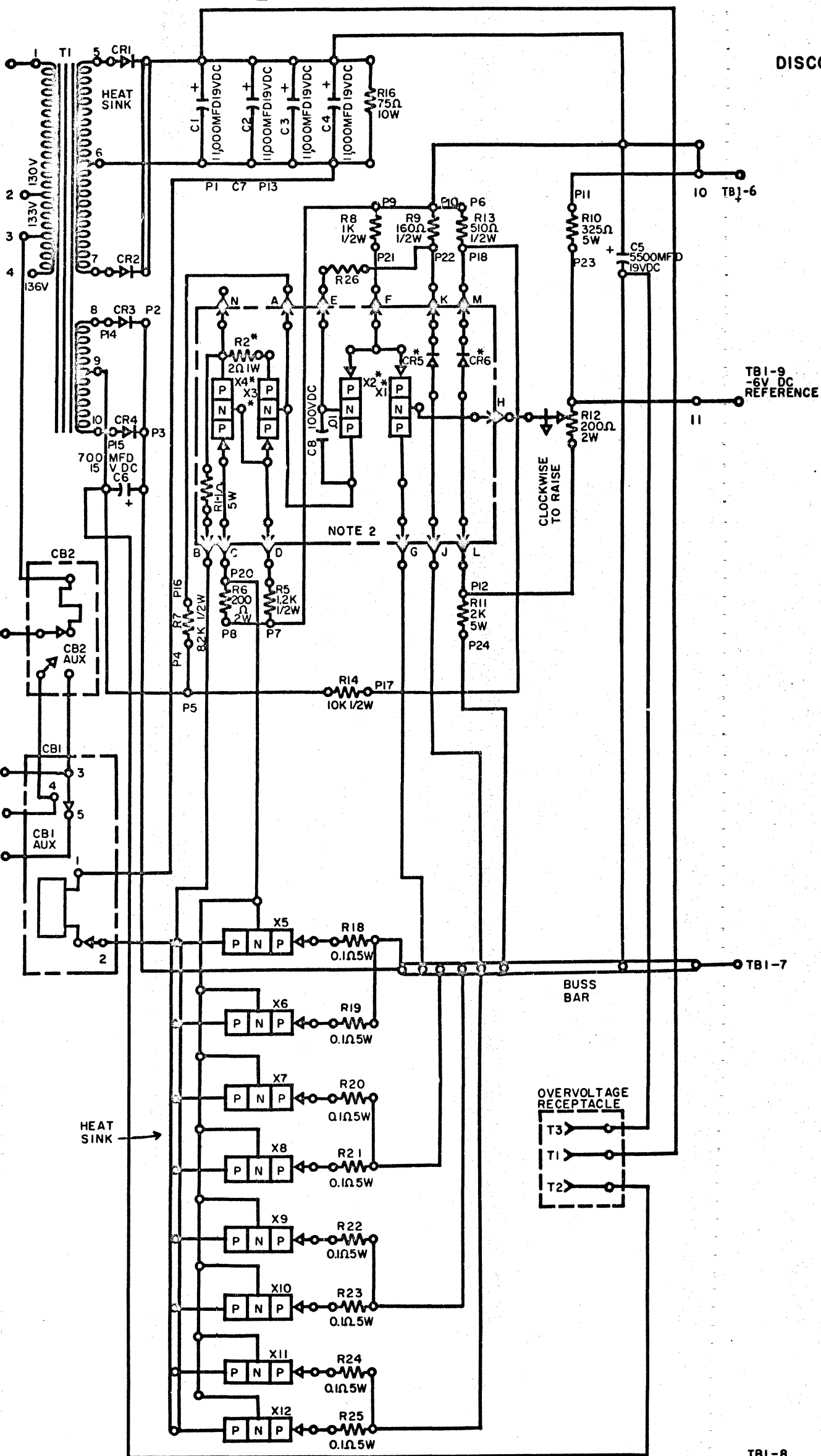
NOTES

- 1. \* INDICATES COMPONENTS LOCATED ON COMPONENT CARD ASSEMBLY
- 2. COMPONENT CARD ASSEMBLY TYPE QU



DISCONTINUED

TB1-1



TB1-2

TB1-3

TB1-4

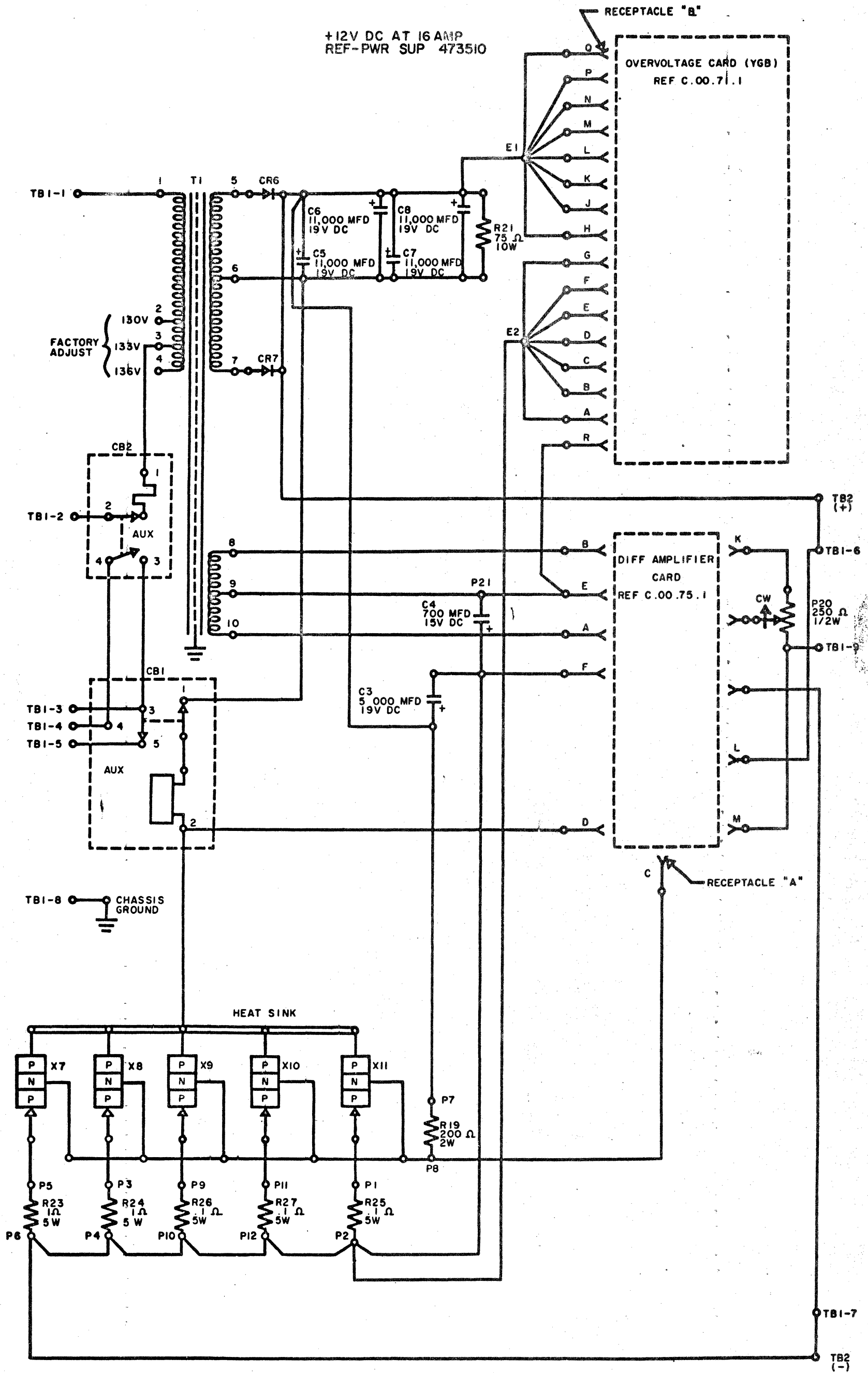
TB1-5

TB1-8



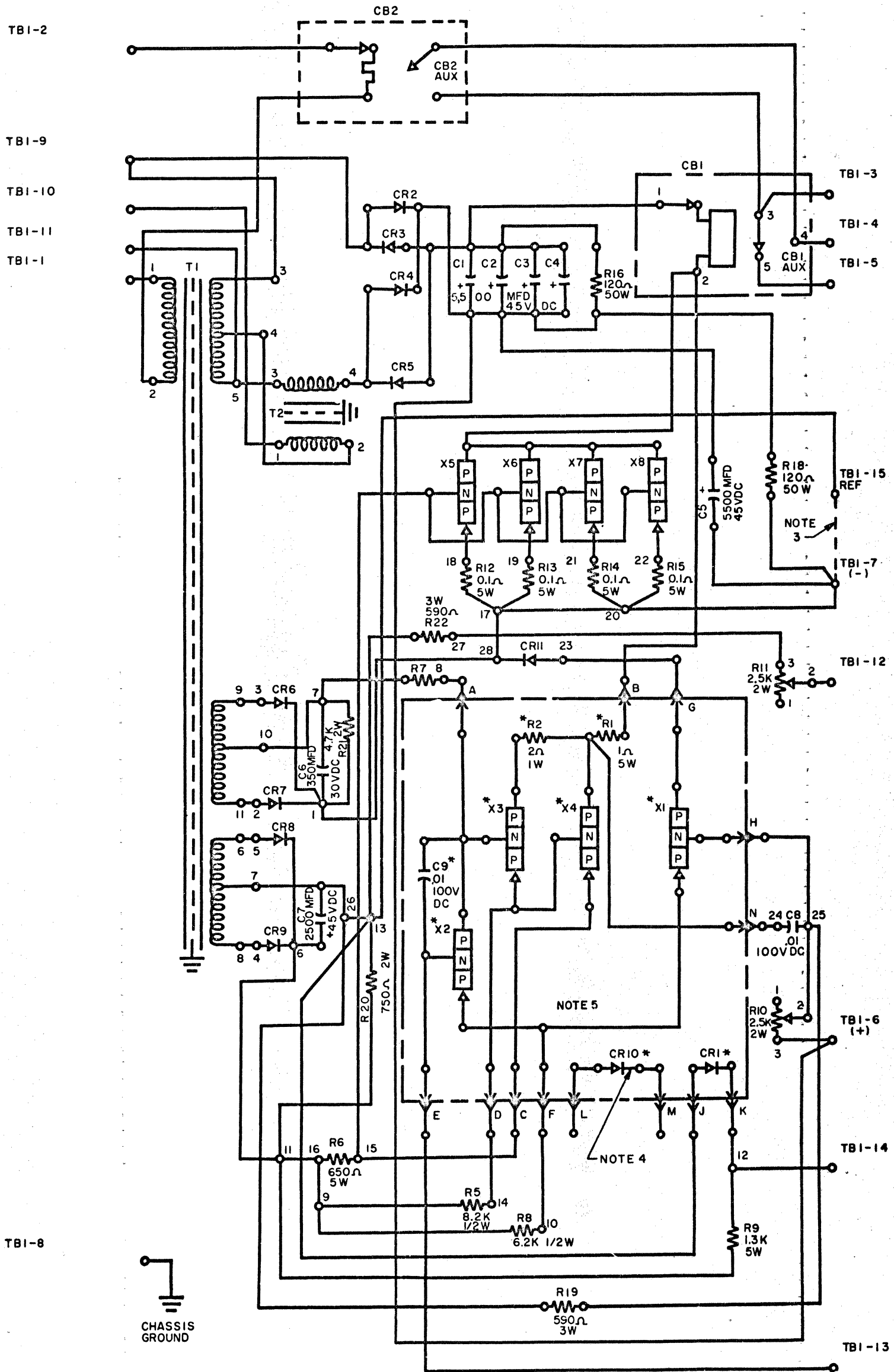
- NOTES
1. \* INDICATES COMPONENTS LOCATED ON COMPONENT CARD ASSEMBLY
  2. COMPONENT CARD ASSEMBLY TYPE QU





+30V DC AT 4 AMP  
REF-PWR SUP 207246

DISCONTINUED

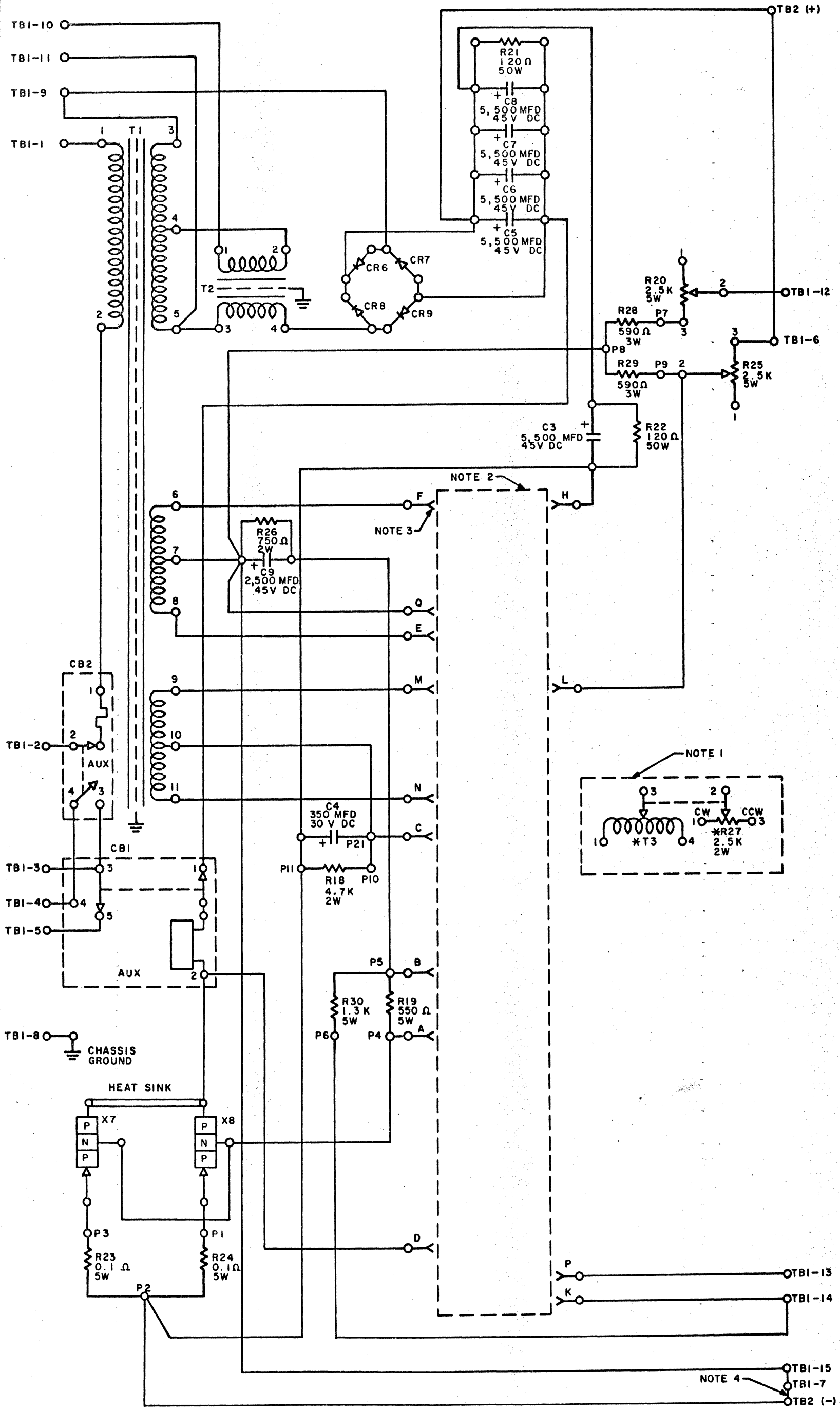


WIRING LIST, VOLTAGE ADJUSTMENT TO POWER SUPPLY

- TBI-9 TO 1 ON T3
- TBI-10 TO 3 ON T3
- TBI-11 TO 4 ON T3
- TBI-12 TO 3 ON R17
- TBI-13 TO 2 ON R17
- TBI-14 TO 1 ON R17

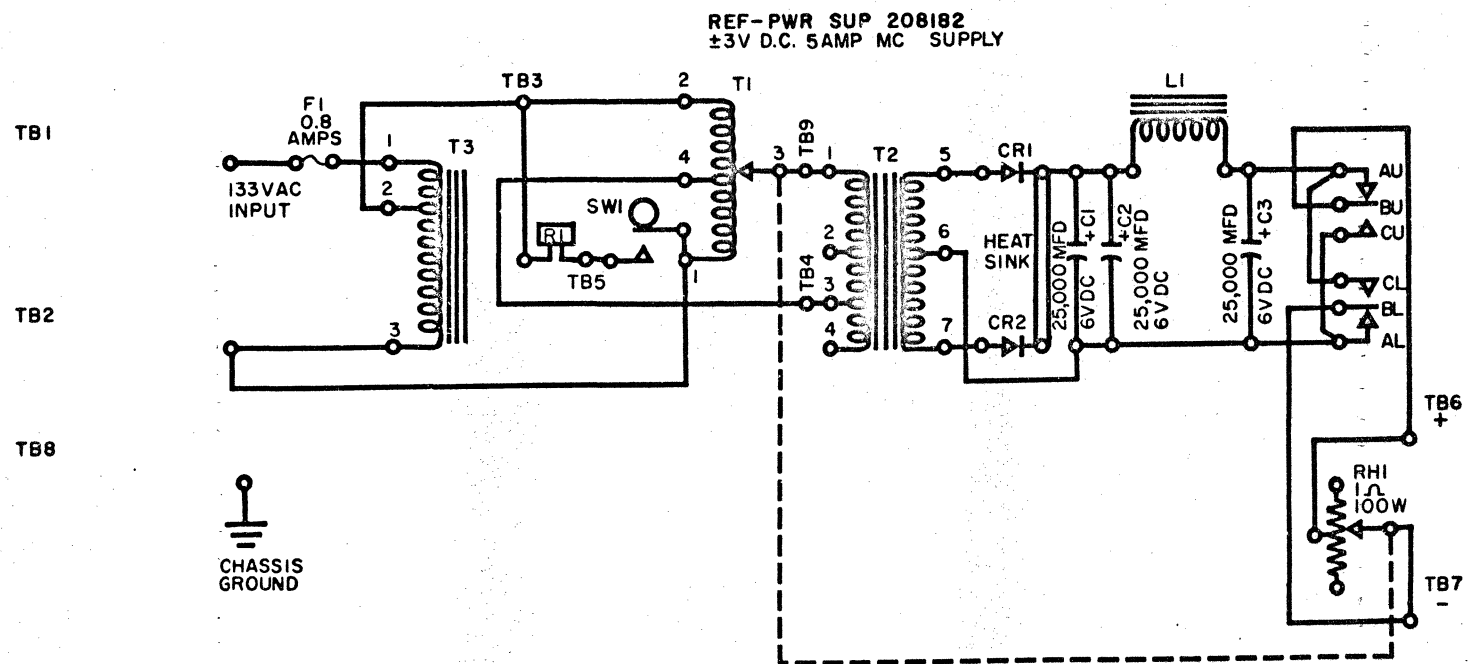
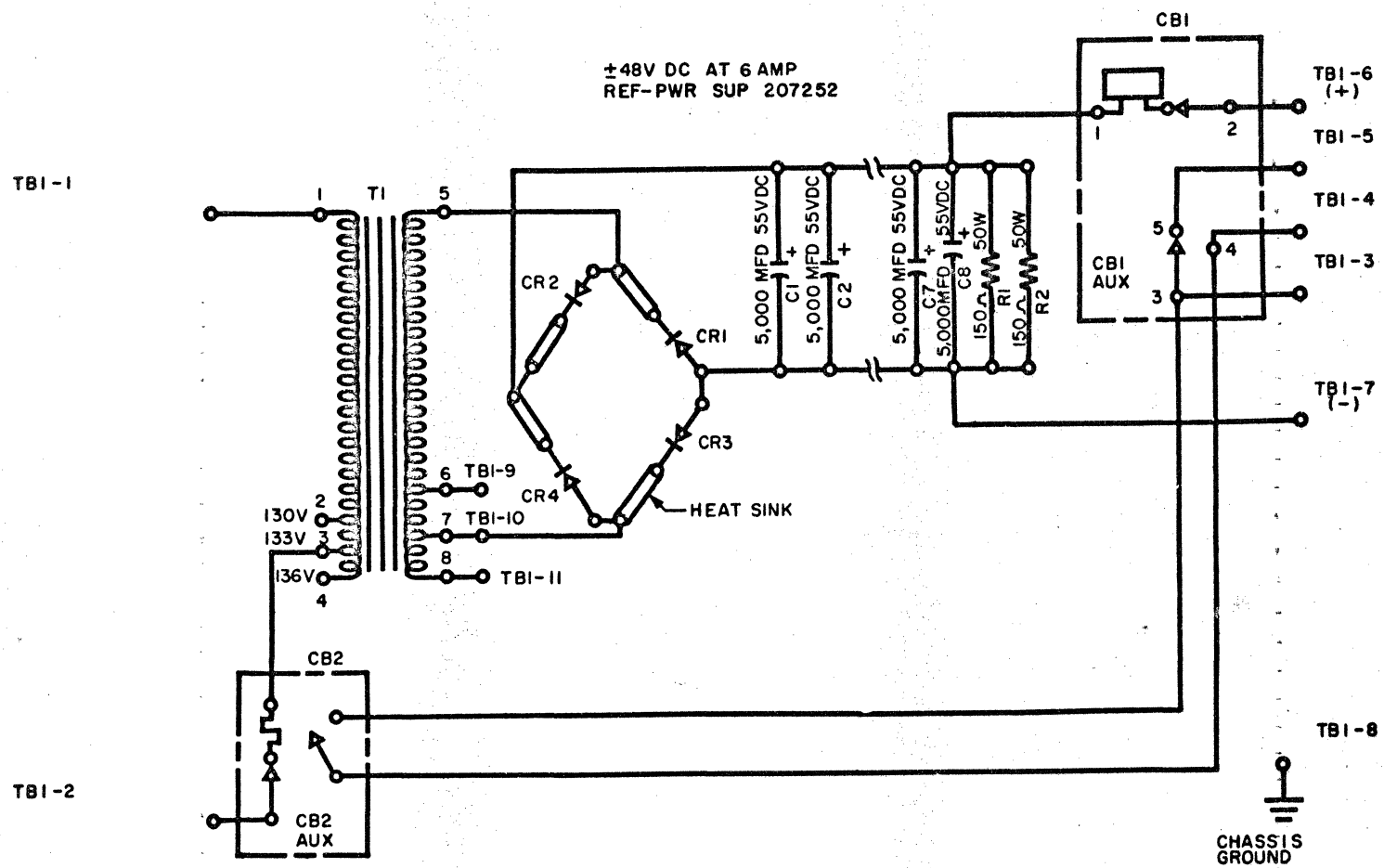
NOTES

1. \* INDICATES COMPONENTS LOCATED ON COMPONENT CARD ASSEMBLY.
2. \*\* INDICATES COMPONENTS LOCATED ON VOLTAGE ADJUSTMENT ASSEMBLY.
3. JUMPER ONLY FOR ZERO VOLT REFERENCE.
4. NOT USED ON THIS SUPPLY
5. COMPONENT CARD ASSEMBLY TYP QU.



- NOTES:
- VOLTAGE ADJUSTMENT ASSEMBLY 220838  
WIRING LIST, VOLTAGE ADJUSTMENT TO POWER SUPPLY VARIAC  
1 TO TBI-9  
3 TO TBI-10  
4 TO TBI-11  
1 TO TBI-14  
2 TO TBI-13  
3 TO TBI-12
  - COMPONENT CARD ASSEMBLY 370614
  - UNIT RECEPTACLE
  - JUMPER ONLY FOR ZERO VOLT REFERENCE
  - ADJ METHOD FOR SETTING OUTPUT V LIMITS EXCITE SPLV (PREFERABLY AT NO LOAD) WITH PROPER REF (+) ON TBI-15. ROTATE VAR TFMR (T3) KNOB FULL CW AND ADJ R25 TO GET 40.5 V FROM SPLV. ONLY THEN ROTATE T3 KNOB FULL COUNTER CW AND ADJ R20 TO GET 19.5 V FROM SPLV. CHECK BY REROTATING T3 KNOB UNDER LOAD. CW ROTATION SHOULD INCREASE OUTPUT VOLTAGE
- \* INDICATES COMPONENTS ON ASSEMBLY
- E/C 404683B 2-15-62

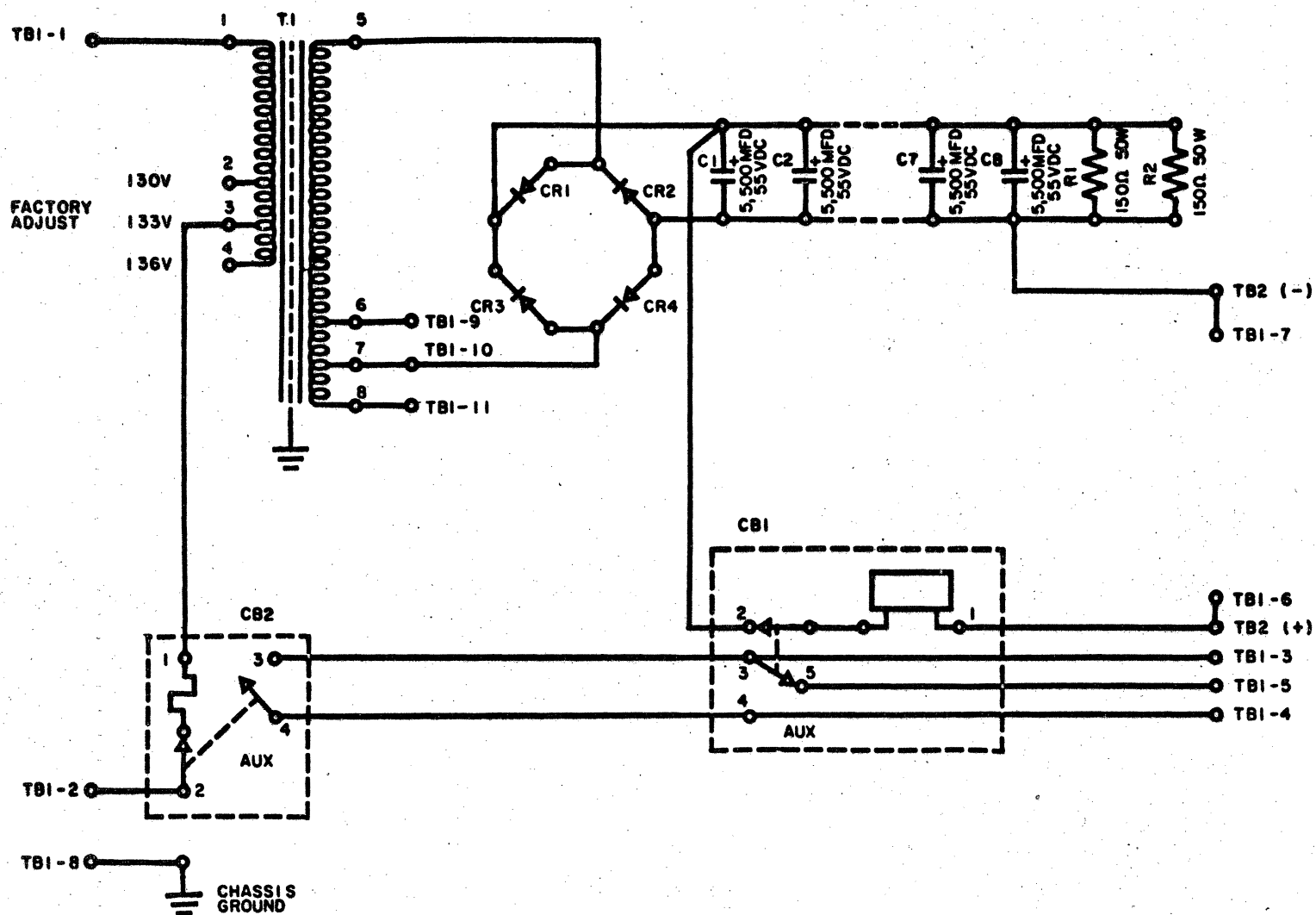
DISCONTINUED



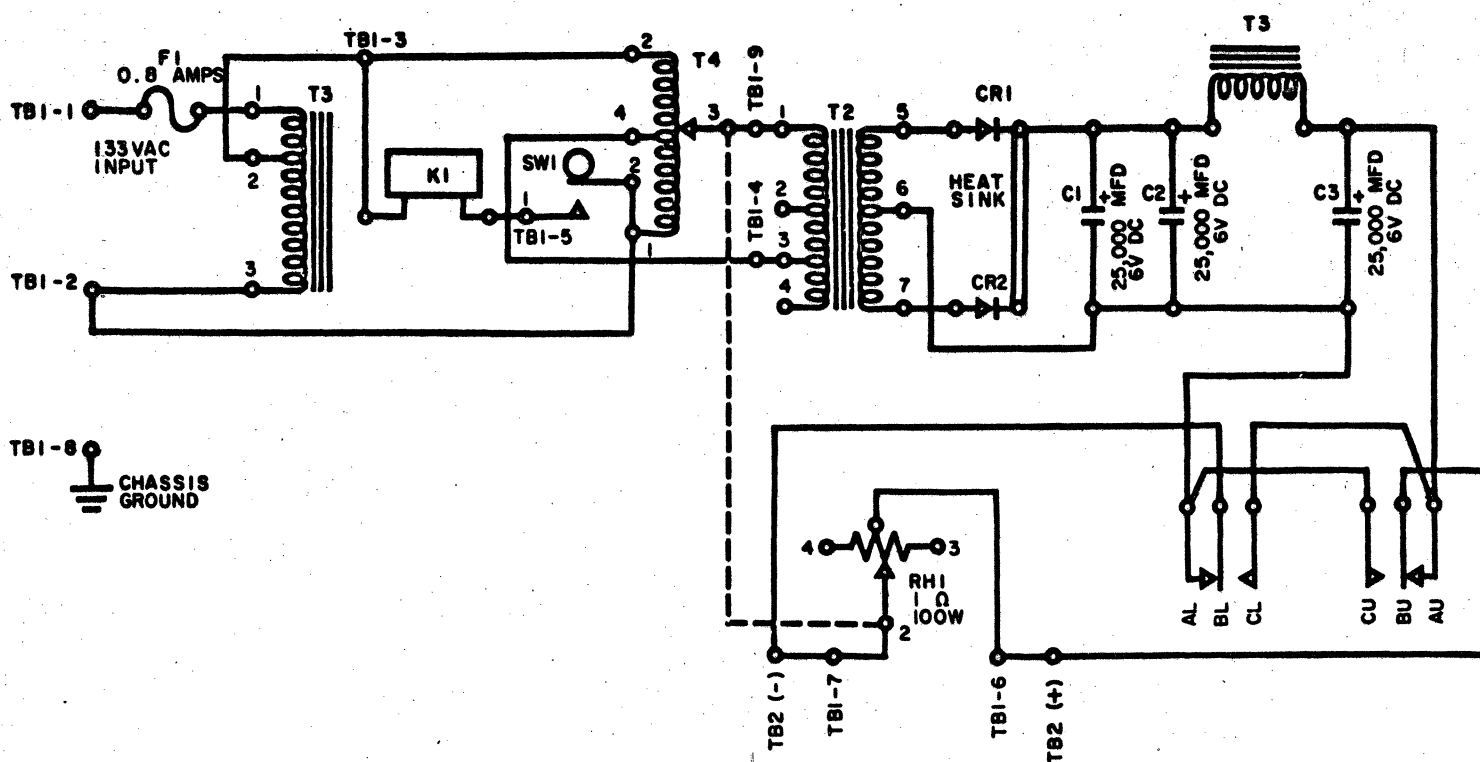
NOTES

- X T1 AND RHI GANGED.
- XI T1, RHI, SWI AND ASSOCIATED WIRING ARE LOCATED REMOTELY TO SUPPLY IN ASSEMBLY NO 220815.
- XII SWI ACTUATING CAM ON SHAFT OF T1.

±48V DC AT 6 AMP  
REF-PWR SUP 477250



±3V DC 5 AMP MC SUPPLY  
REF-PWR SUP 477270



NOTES:

- X T1 AND RHI GANGED
- II T1, RHI, SWI AND ASSOCIATED WIRING ARE LOCATED REMOTELY TO SUPPLY IN ASSEMBLY NO 220815
- III SWI ACTUATING CAM ON SHAFT OF T1

-12 -A MINUS  
-12 -A -7  
01.90.20.1

PSTB1-1

-12 VOLTS  
GATE D BUS 2  
01.00.33.1

-12 -2 MINUS  
-12 -8 7  
01.90.20.1

PSTB1-3

-12V  
TB82-1C  
01.81.50.1

-12 VOLTS  
CONSOLE 201A  
01.05.15.1

-12 VOLTS  
INTEG E40H  
01.00.40.1

-12B MINUS  
PSTB4-3  
01.90.32.1

-36 MINUS  
-36-7  
01.90.20.1

PSTB1-5

-36V  
GATE A BUS 3  
01.00.15.1

-36 MINUS  
PSTB5-11  
01.90.32.1

+48 PLUS  
+48-6  
01.90.21.1

K2-2  
L2 T2

PSTB1-7

+48 METER  
MET SWA-9  
01.90.45.1

+48 VOLTS  
BUS D-5  
01.00.19.1

+48 PLUS  
PSTB4-9  
01.90.32.1

+48 VOLTS  
SW 20 OP  
01.05.01.1

PSTB1-8

+12 PLUS  
+12-6  
01.90.20.1

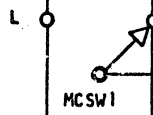
PSTB2-1

+12 VOLTS  
GATE D BUS 4  
01.00.19.1

PSTB2-2

+12 PLUS  
PSTB5-10  
01.90.32.1

+12 MC (METER)  
01.90.45.1



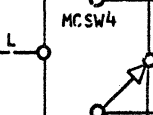
+12M (A1)  
GATE A BUS 8  
01.00.15.1

+12M (A2)  
GATE A BUS 6  
01.00.15.1

+12M (B1)  
GATE B BUS 8  
01.00.17.1

+12M (B2)  
GATE B BUS 6  
01.00.17.1

3MC MINUS  
3VHC-7  
01.90.21.1



+12M  
GATE D BUS 3  
01.00.19.1

PSTB2-4

3MC PLUS  
3VHC-6  
01.90.21.1

PRINTER  
+12M  
01.90.32.2

SYSTEM DISTRIBUTION  
60 CY ONLY

SYSTEM CONFIGURATION							
X	X	X	X	X	X	X	1620
X	X	X	X				1623
X	X			X	X		1622
X		X		X		X	1311
				FROM	TO		JUMPER
				302a	302b		
X				302a	302c		
			X	302a	302d		
	X			302b	302d		
	X			302b	302d		
		X		302c	302d		
X				301a	301c		
		X	X	301a	301d		
	X	X		301b	301c		
X	X			301b	301d		

*WSB configuration*

*1622 out*

RESET OUT  
106f  
01.90.40.1

READY IN  
108d  
01.90.40.1  
THERMAL  
106b  
01.90.40.1

+48 PLUS  
PSTB1-8  
01.90.30.1

24V REC-B  
T2-7  
01.90.10.1

REC-A  
F9A  
01.90.10.1

-12B MINUS  
PSTB1-5  
01.90.30.1

POWER ON  
104g  
01.90.40.1

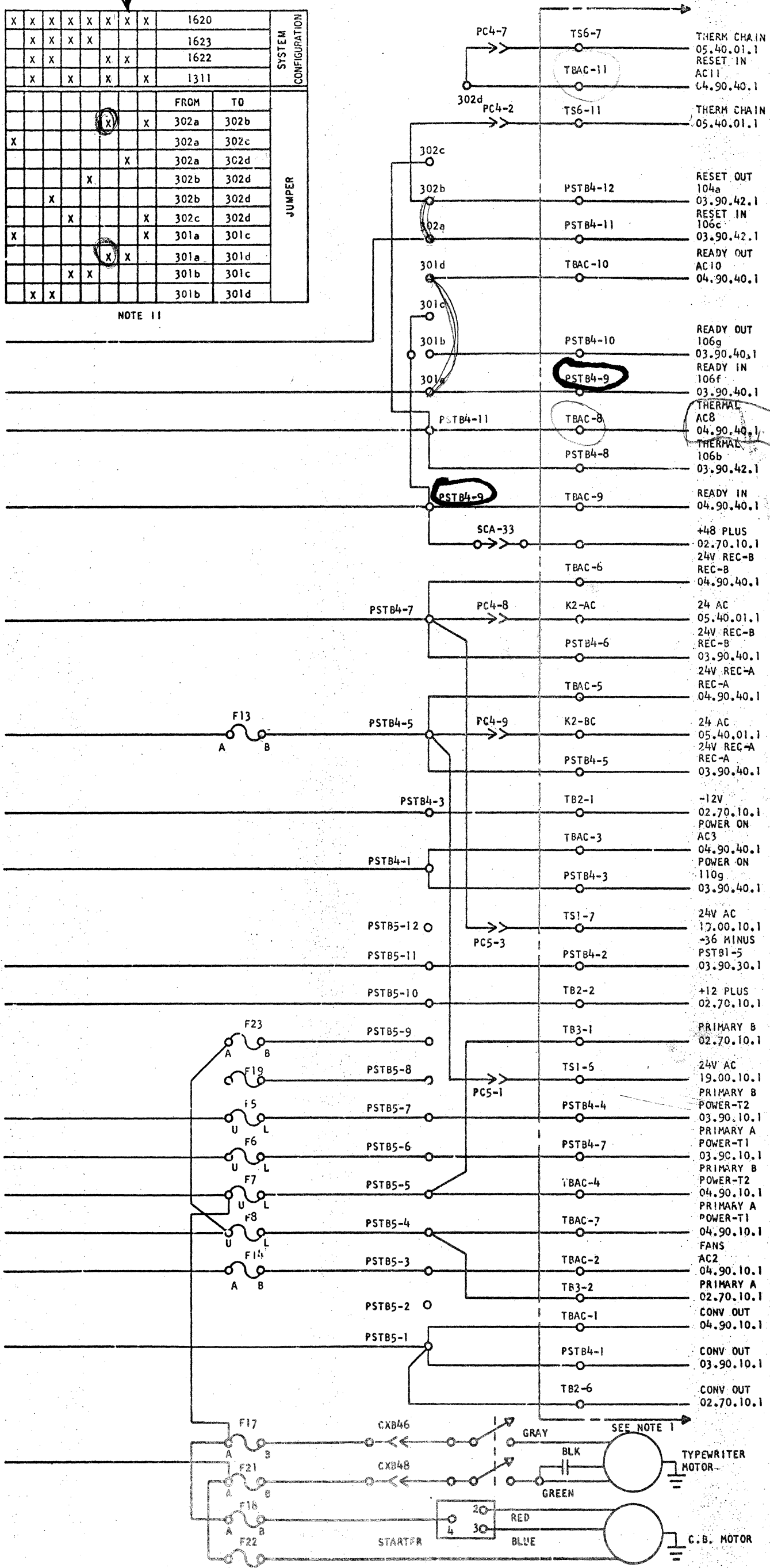
-36 MINUS  
PSTB1-5  
01.90.30.1  
+12 PLUS  
PSTB2-2  
01.90.30.1

PRIMARY B  
F2U  
01.90.10.1  
PRIMARY A  
F1U  
01.90.10.1  
PRIMARY B-3  
K2-L3  
01.90.10.1  
PRIMARY A-3  
K2-L1  
01.90.10.1  
FANS  
F11A  
01.90.10.1

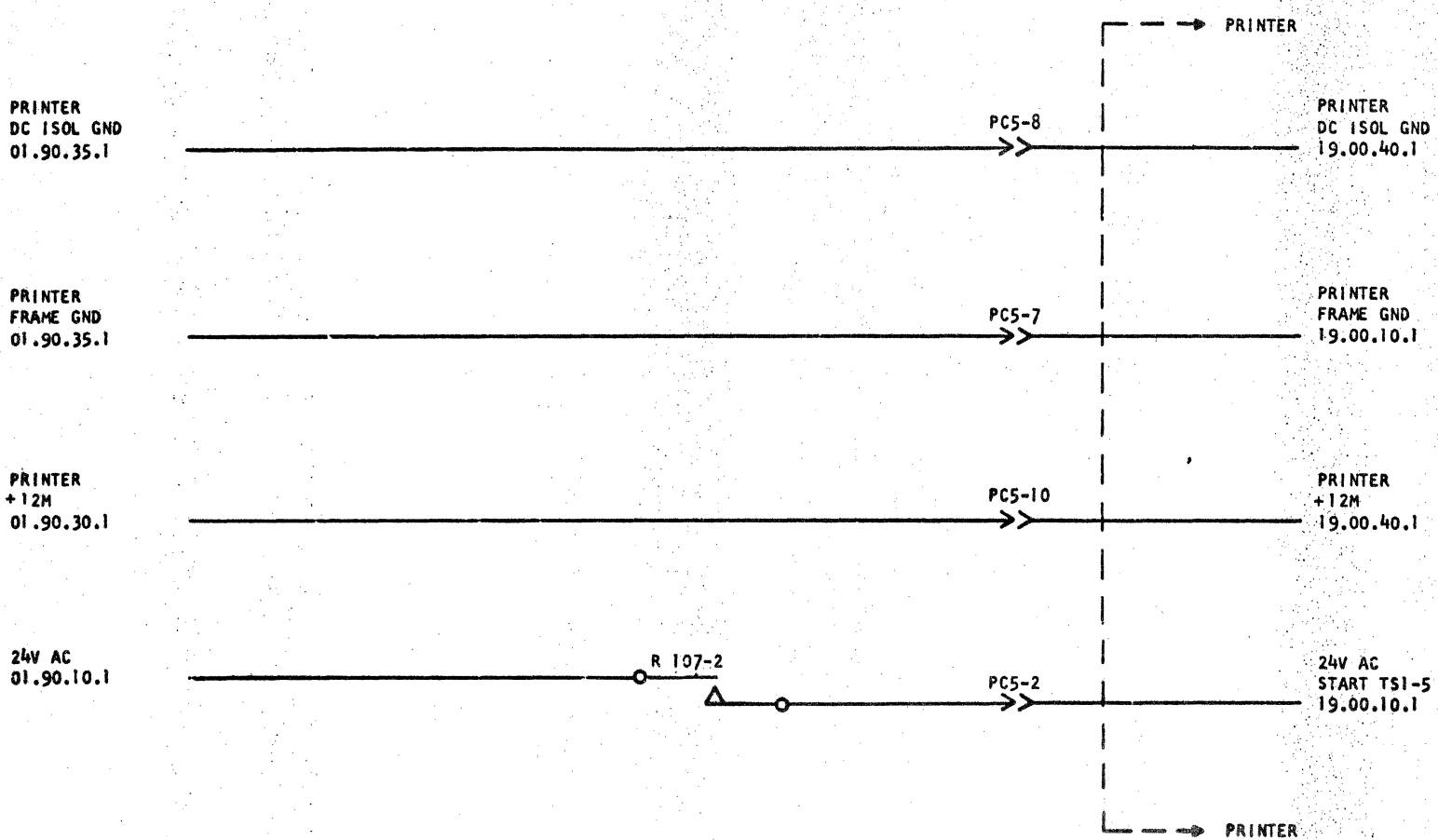
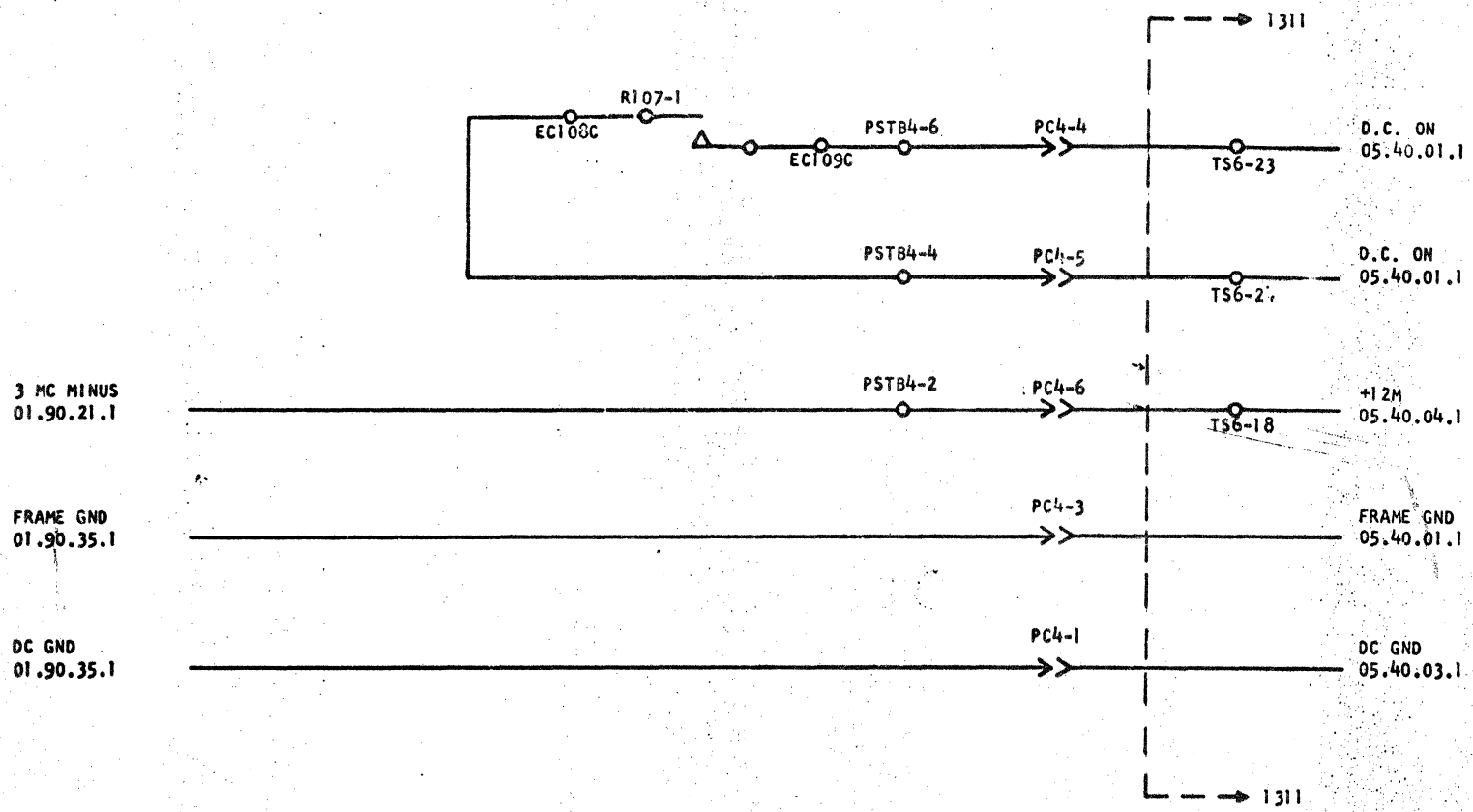
CONV OUT  
F4L  
01.90.10.1

REGUL PRI  
1250W-5  
01.90.20.1

NOTE 11

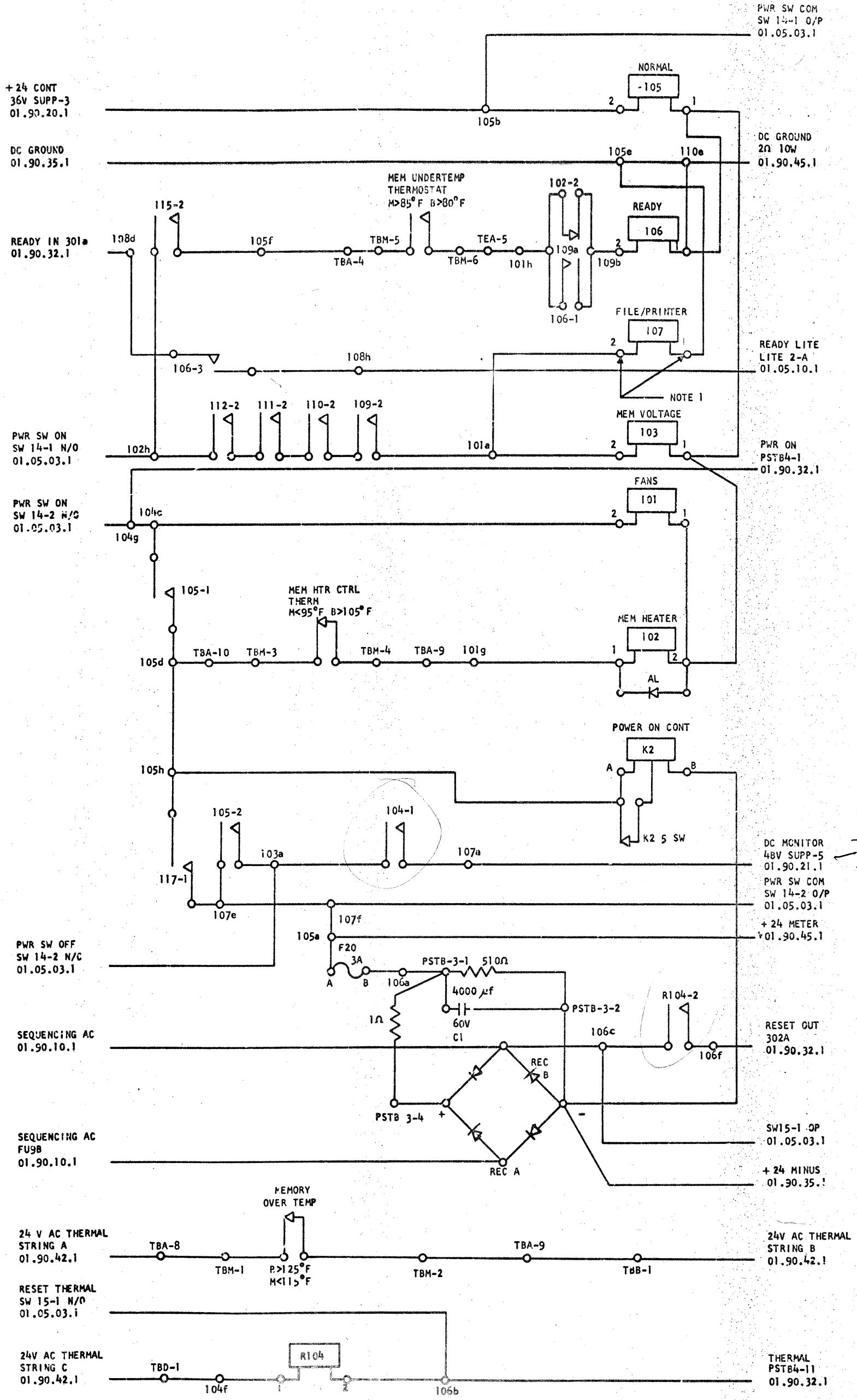


NOTES:  
 1 THESE TERMINALS WILL BE FOUND ON THE OPTIONAL FEATURE MACHINE AND WILL BE DUPLICATED ON OPTIONAL SYSTEM DIAGRAM PAGES  
 11 THE 1521 HAS NO EFFECT ON THE JUMPERS REQUIRED  
 EC 404867 10-25-63 DA 0E05PFO









PWR SW COM  
SW 14-1 O/P  
01.05.03.1

+24 CONT  
36V SUPP-3  
01.90.20.1

DC GROUND  
01.90.35.1

READY IN 301  
01.90.32.1

PWR SW ON  
SW 14-1 N/O  
01.05.03.1

PWR SW ON  
SW 14-2 N/O  
01.05.03.1

PWR SW OFF  
SW 14-2 N/C  
01.05.03.1

SEQUENCING AC  
01.90.10.1

SEQUENCING AC  
FU9B  
01.90.10.1

24 V AC THERMAL  
STRING A  
01.90.42.1

RESET THERMAL  
SW 15-1 N/O  
01.05.03.1

24V AC THERMAL  
STRING C  
01.90.42.1

DC GROUND  
2Ω 10W  
01.90.45.1

READY LITE  
LITE 2-A  
01.05.10.1

PWR ON  
PSTB4-1  
01.90.32.1

DC MONITOR  
48V SUPP-5  
01.90.21.1

PWR SW COM  
SW 14-2 O/P  
01.05.03.1

+24 METER  
01.90.45.1

RESET OUT  
302A  
01.90.32.1

SW15-1 OP  
01.05.03.1

+24 MINUS  
01.90.35.1

24V AC THERMAL  
STRING B  
01.90.42.1

THERMAL  
PSTB4-11  
01.90.32.1

NOTE 1. THE NOTED WIRES AND R107 ARE INSTALLED ONLY WITH SYSTEMS WITH 1311 OR PRINTER

A

A

B

B

C

C

D

D

E

E

F

F

G

G

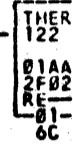
H

H

J

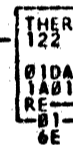
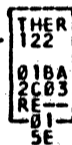
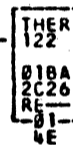
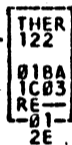
J

24VAC THERMAL  
STRING  
01.90.10.1



24VAC THERMAL  
STRING A  
01.90.40.1

24VAC THERMAL  
STRING B  
01.90.40.1



24VAC THERMAL  
STRING C  
01.90.40.1

•1--01A1225D

-----01A2225D

•2--01B1Y24C

-----01B2Y24C

•3--01T80-2

-----01T80-2

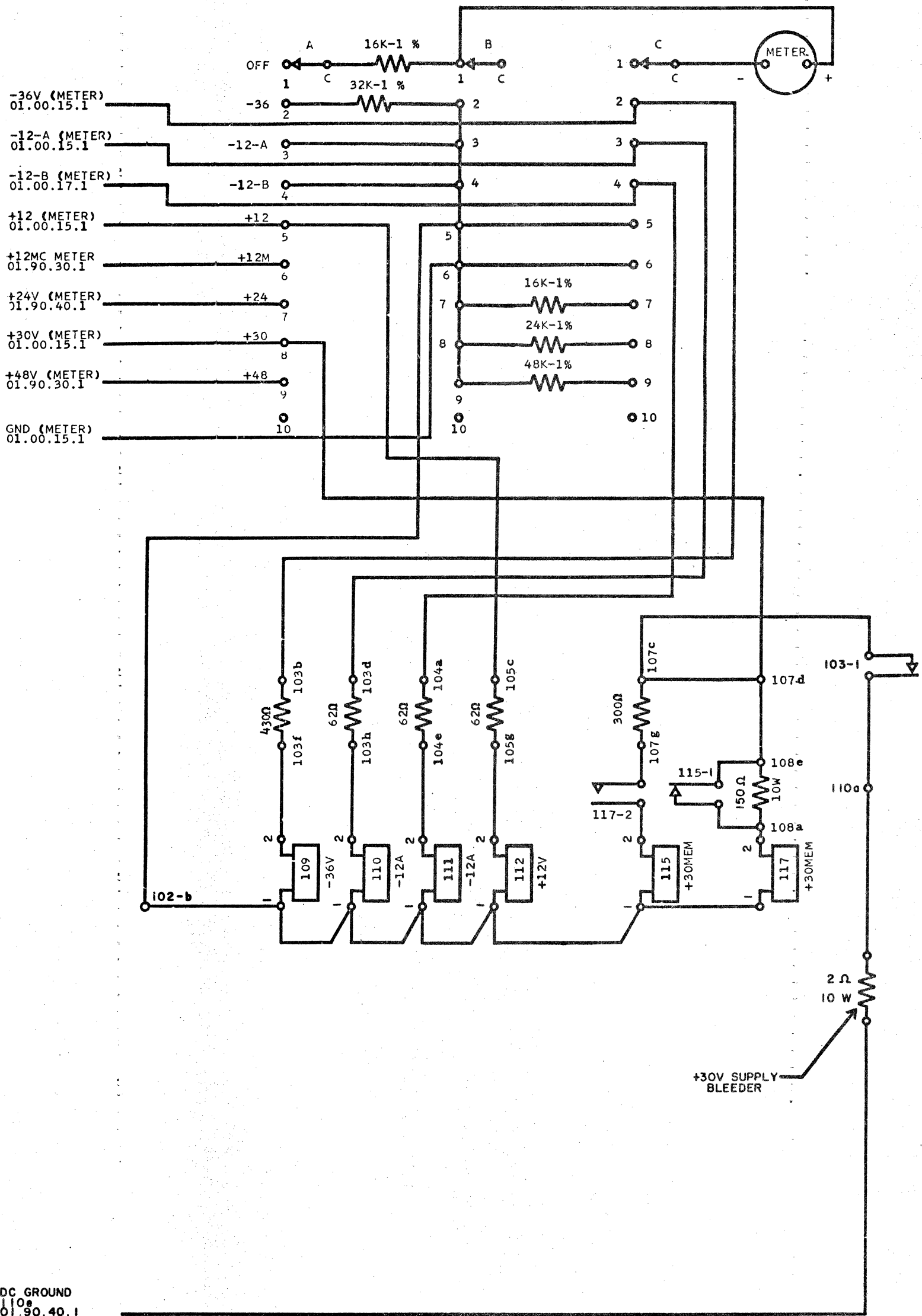
COMMENTS

TAG	DATE	D.A.NO.	TAG	DATE	D.A.NO.	TAG	DATE	D.A.NO.	TAG	DATE	D.A.NO.
A	08-30-61	0E05000									

VOLTAGE SENSE RELAYS AND METERING

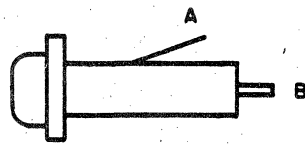
1620

01.90.45.1



### FUSE REF CHART

FUSE#	SHOWN ON	TYPE	RATING	CIRCUIT
1	02.70.10.1	FNM	2	230 AC
2	02.70.10.1	FNM	2	230 AC
3				
4	02.70.10.1	MIC	3	-48 DC
5	02.70.10.1	FNM	2	230 AC
6	02.70.10.1	FNM	2	230 AC



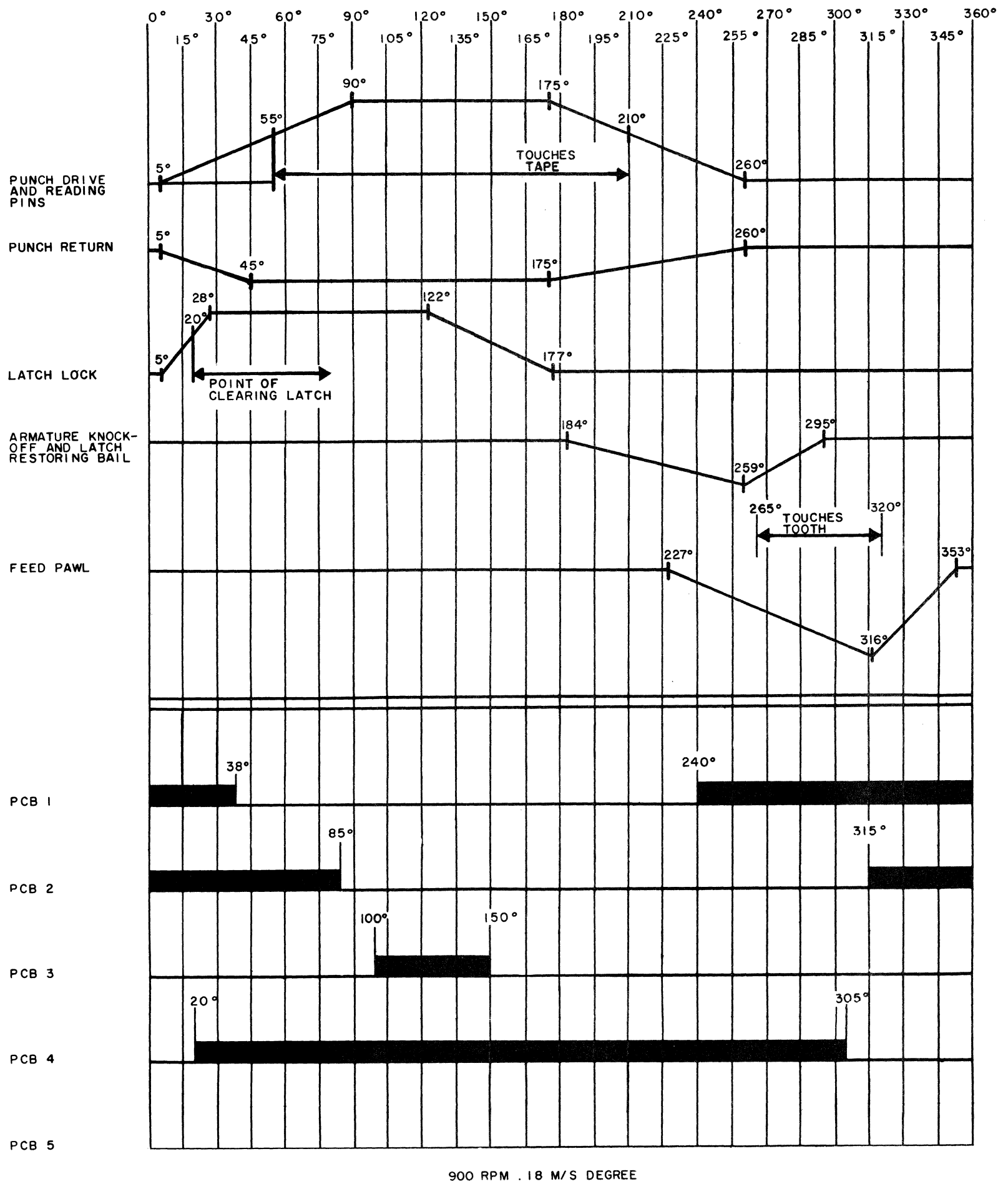
FUSE HOLDER

### PUNCH CONN RESERVATION CHART

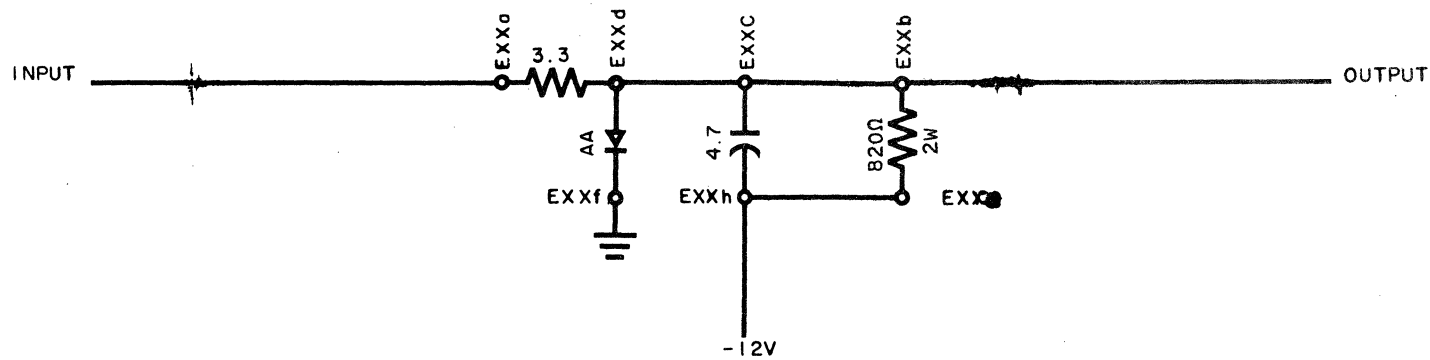
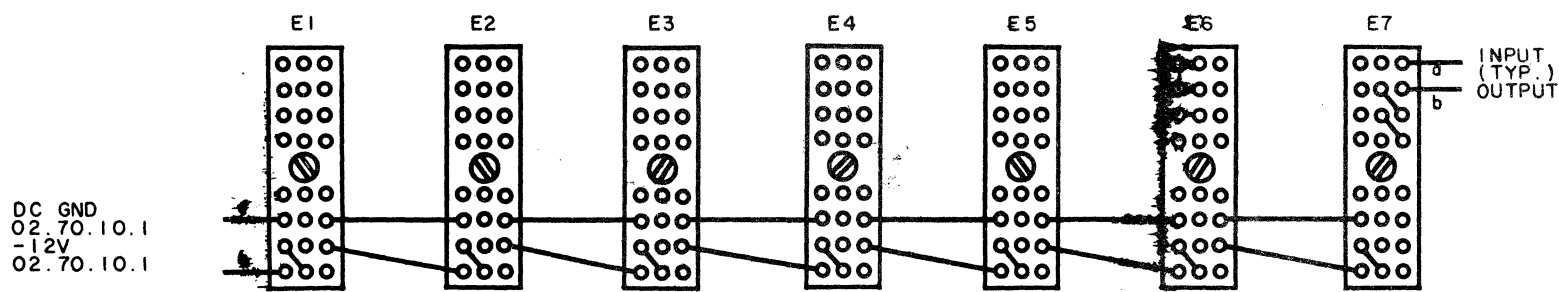
T	SHOWN ON	T	SHOWN ON	T	SHOWN ON	T	SHOWN ON
1	02.84.50.1	11	02.84.50.1	21	02.84.50.1	31	
2	02.70.10.1	12	02.84.50.1	22		32	
3	02.84.50.1	13	02.84.50.1	23	02.84.50.1	33	
4	02.70.10.1	14		24	02.84.50.1	34	
5	02.70.10.1	15	02.84.50.1	25	02.84.50.1	35	
6	02.84.50.1	16	02.84.50.1	26		36	
7	02.84.50.1	17	02.84.50.1	27		37	
8	02.84.50.1	18	02.84.50.1	28	02.84.50.1	38	
9	02.84.50.1	19	02.84.50.1	29		39	
10	02.84.50.1	20	02.84.50.1	30			

### SWITCH LOCATION CHART

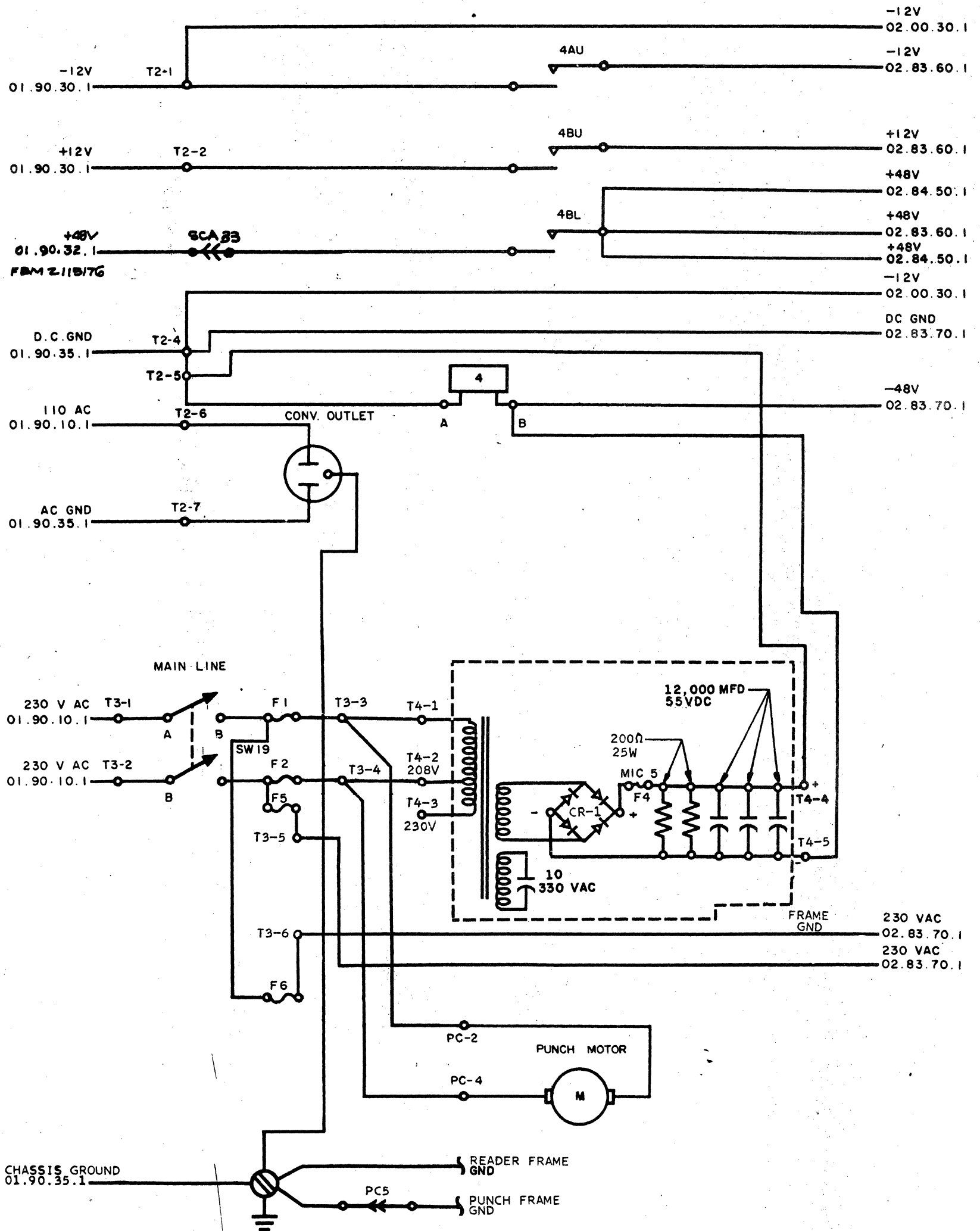
SW#	SHOWN ON	FUNCTION
1	02.83.70.1	CENTER ROLL FEED LIMIT SW
2	02.83.70.1	CENTER ROLL FEED LIMIT SW
3	02.83.70.1	SUPPLY REEL UPPER LIMIT SW
4	02.83.70.1	SUPPLY REEL UPPER MOTOR CONTROL
5	02.83.70.1	SUPPLY REEL LOWER MOTOR CONTROL
6	02.83.70.1	SUPPLY REEL LOWER LIMIT SW
7	02.83.70.1	TAPE RUNOUT LIMIT SW
8	02.83.70.1	TAPE BREAK LIMIT SW
9	02.83.70.1	TAPE LOAD LIMIT SW
10	02.83.70.1	REEL POWER LIMIT SW
11		
12		
13	02.83.70.1	TAKE UP REEL UPPER LIMIT SW
14	02.83.70.1	TAKE UP REEL UPPER MOTOR CONTROL
15	02.83.70.1	TAKE UP REEL LOWER MOTOR CONTROL
16	02.83.70.1	TAKE UP REEL LOWER LIMIT SW
17	02.83.70.1	REEL-STRIP MODE SW
18	02.83.60.1	NON-PROCESS RUNOUT KEY
19	02.70.10.1	MAIN LINE



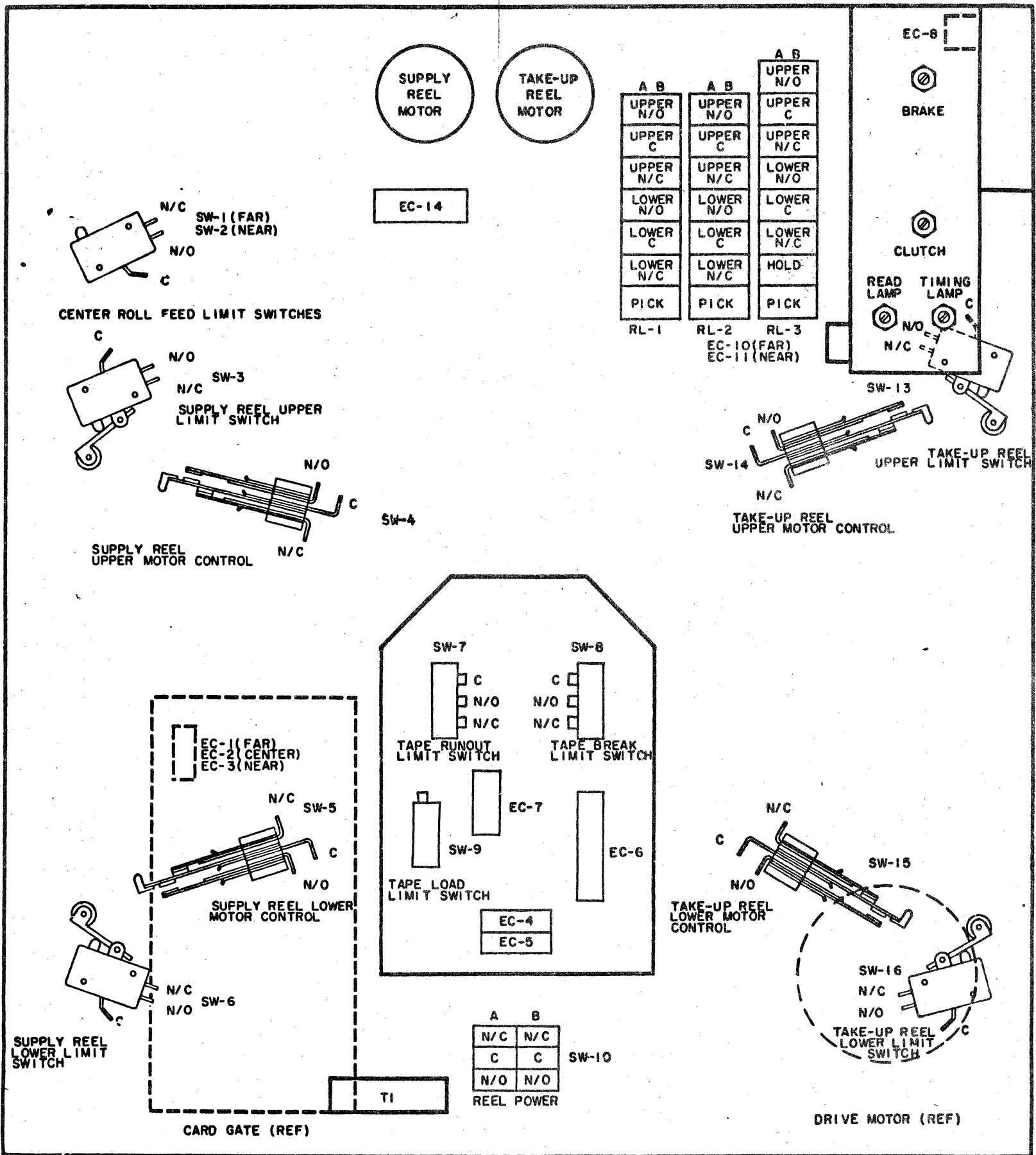
CB #	LOCATION	MAKE	TOL	BREAK	TOL	CAM FUNCTION	PART NO.
1	02.84.50.1	240°	±2°	38°	±2°	+S GATE INTERPOSERS	313414
2	02.84.50.1	315°	±2	85°	±2°	PUNCH CLUTCH & PUNCH MAGNETS	326429
3	02.84.50.1	100°	±2°	150°	±2°	+S PUNCH CHECK - +S P3 RESPONSE	227694
4	02.84.50.1	20°	±2°	305°	±2°	NO FEED MAGNET	309631



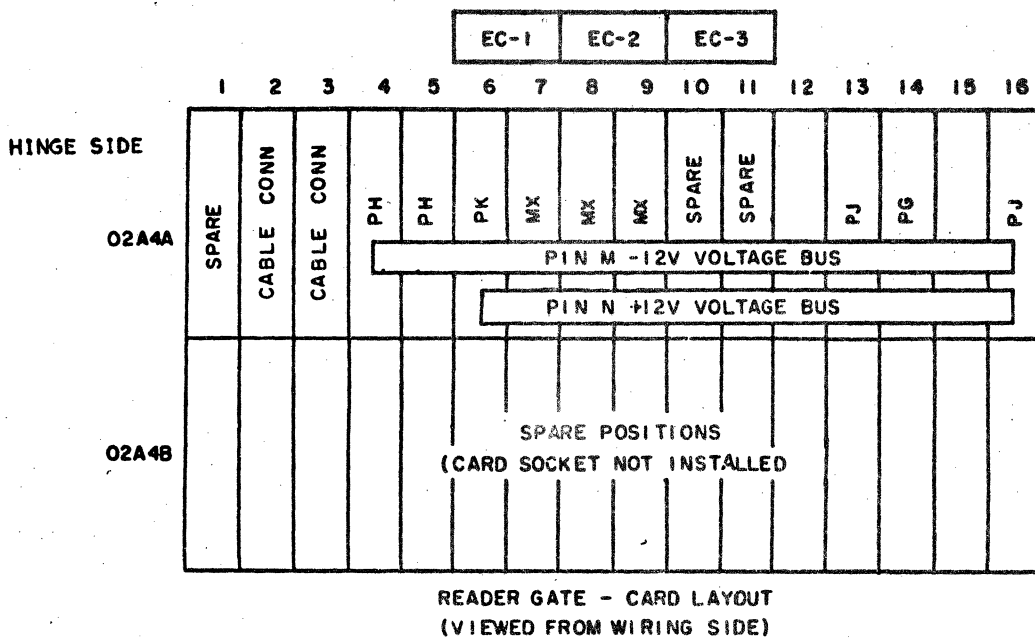
E	SHOWN ON
01	02.84.50.1
02	02.84.50.1
03	02.84.50.1
04	02.84.50.1
05	02.84.50.1
06	02.83.60.1
07	02.84.50.1

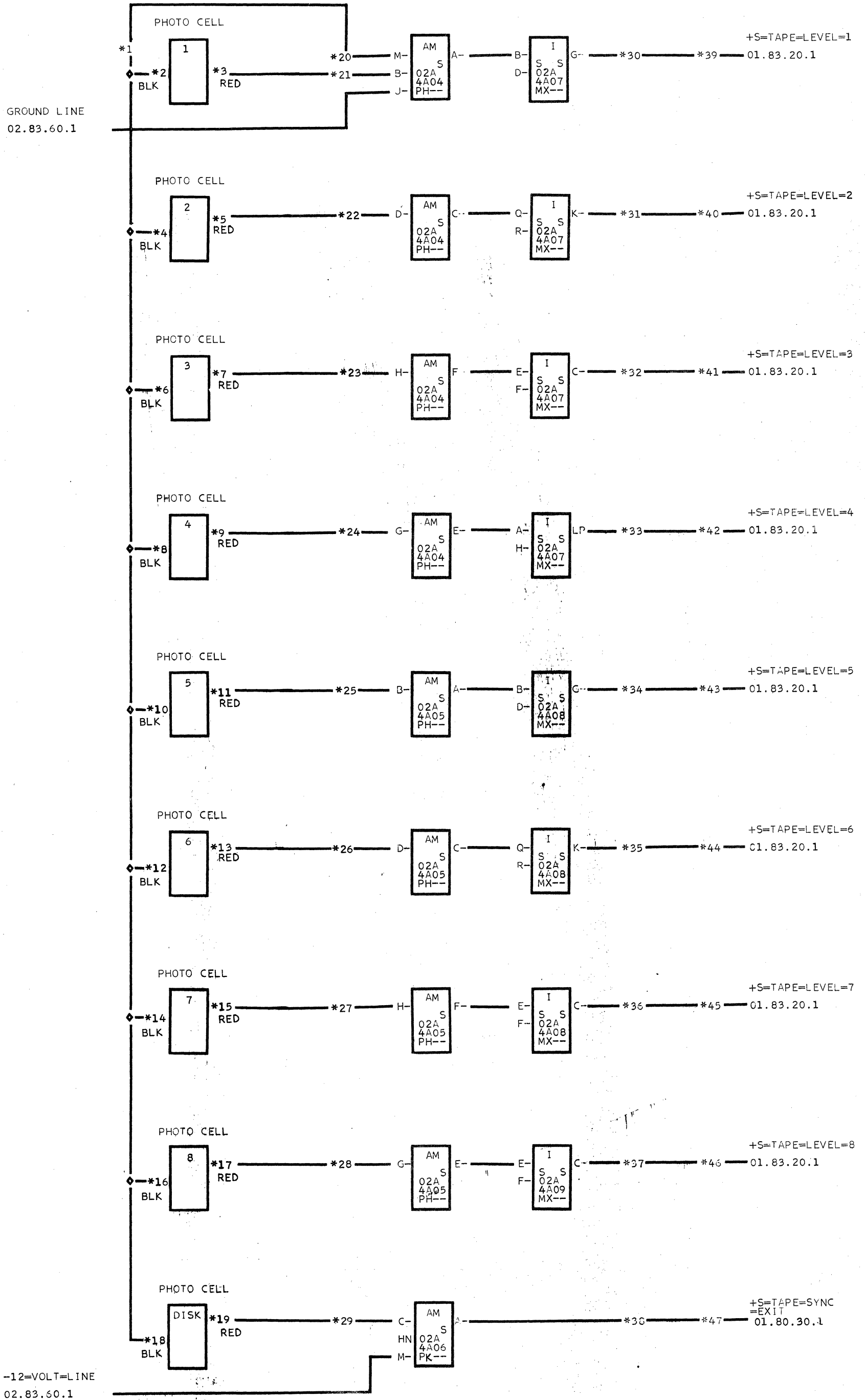






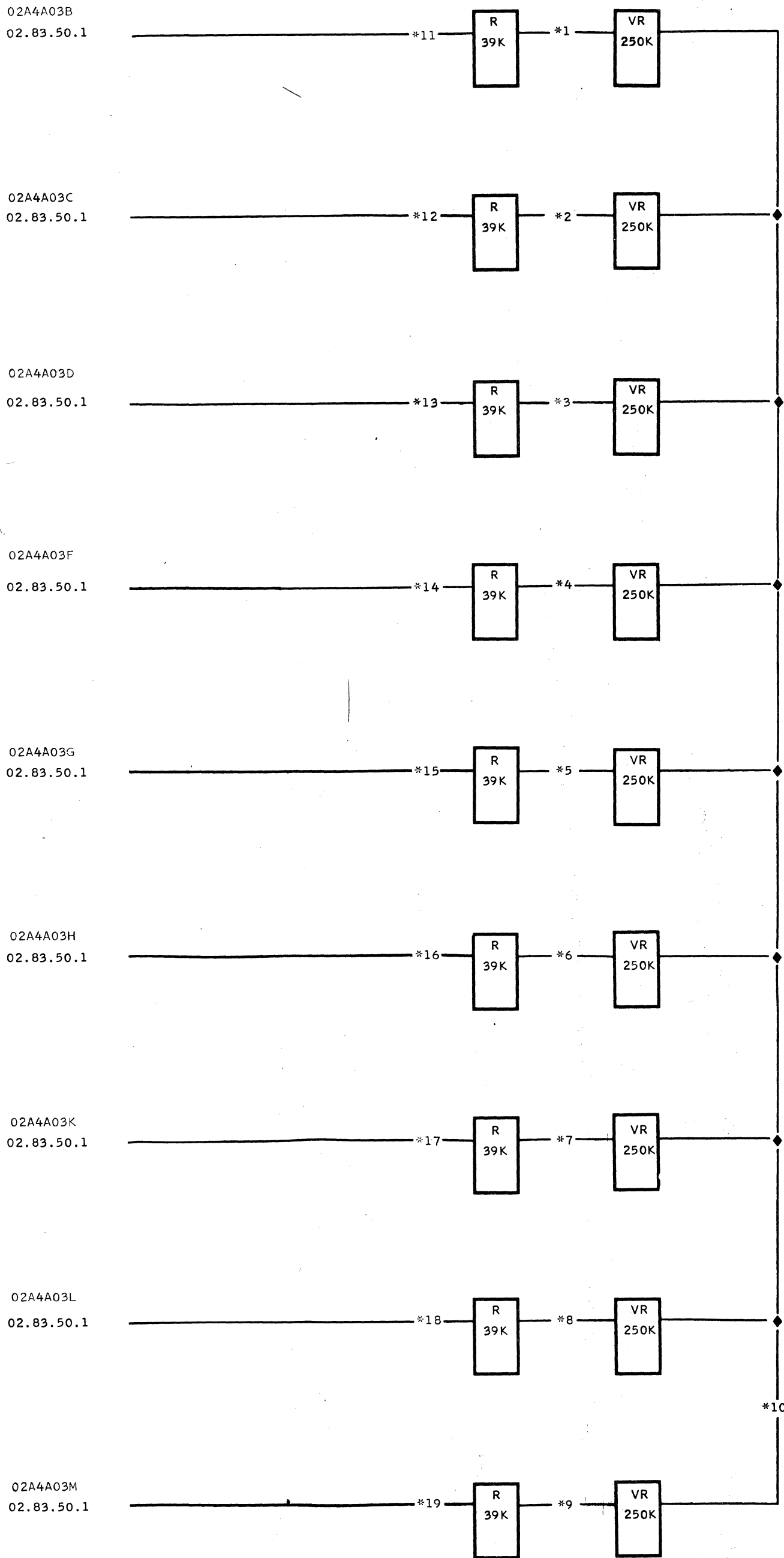
SWITCH, EDGE CONNECTOR, AND TERMINAL BLOCK LOCATION CHART  
(VIEWED FROM THE BACK OF THE READER)



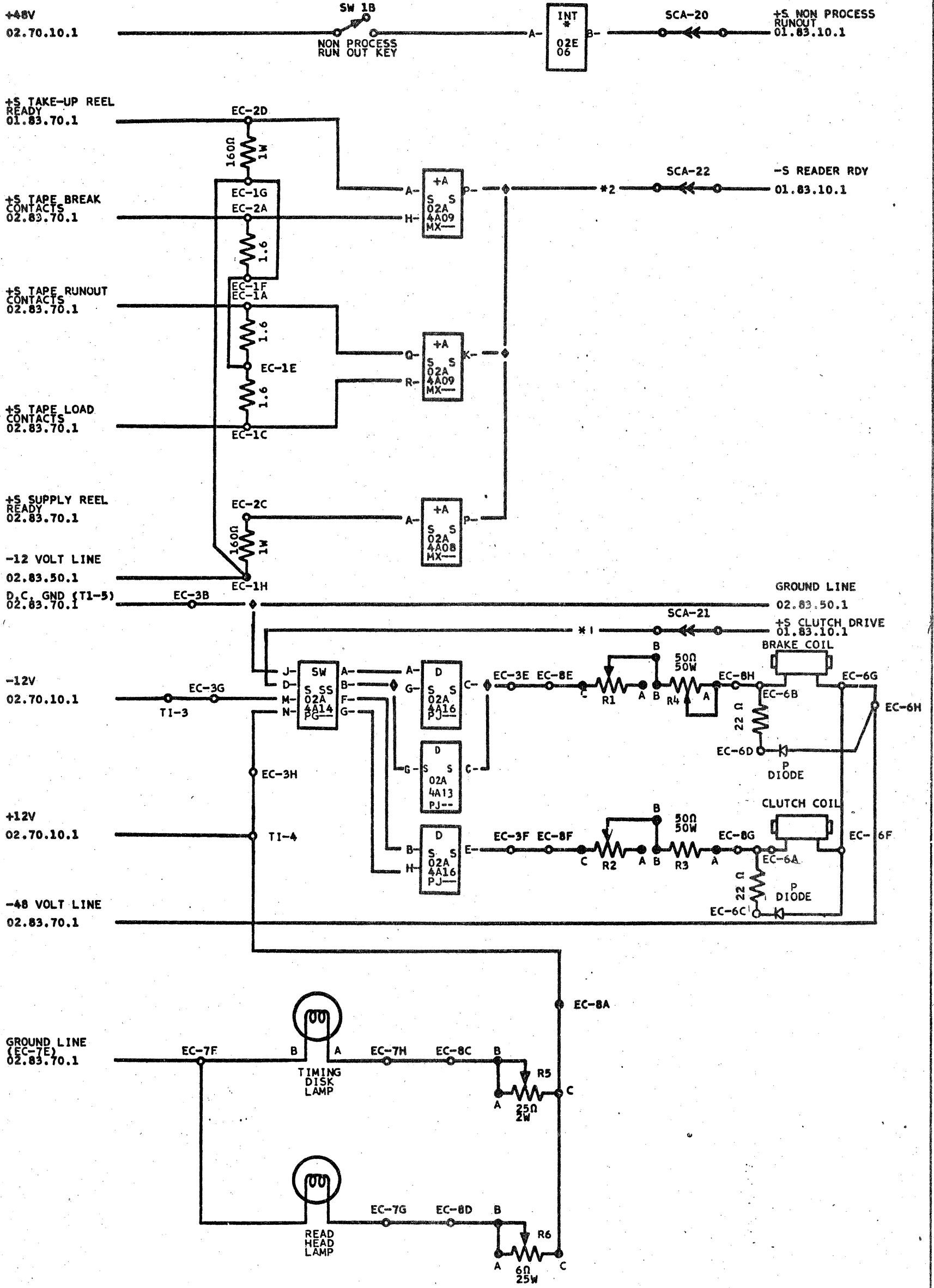


-12=VOLT=L LINE  
02.83.60.1

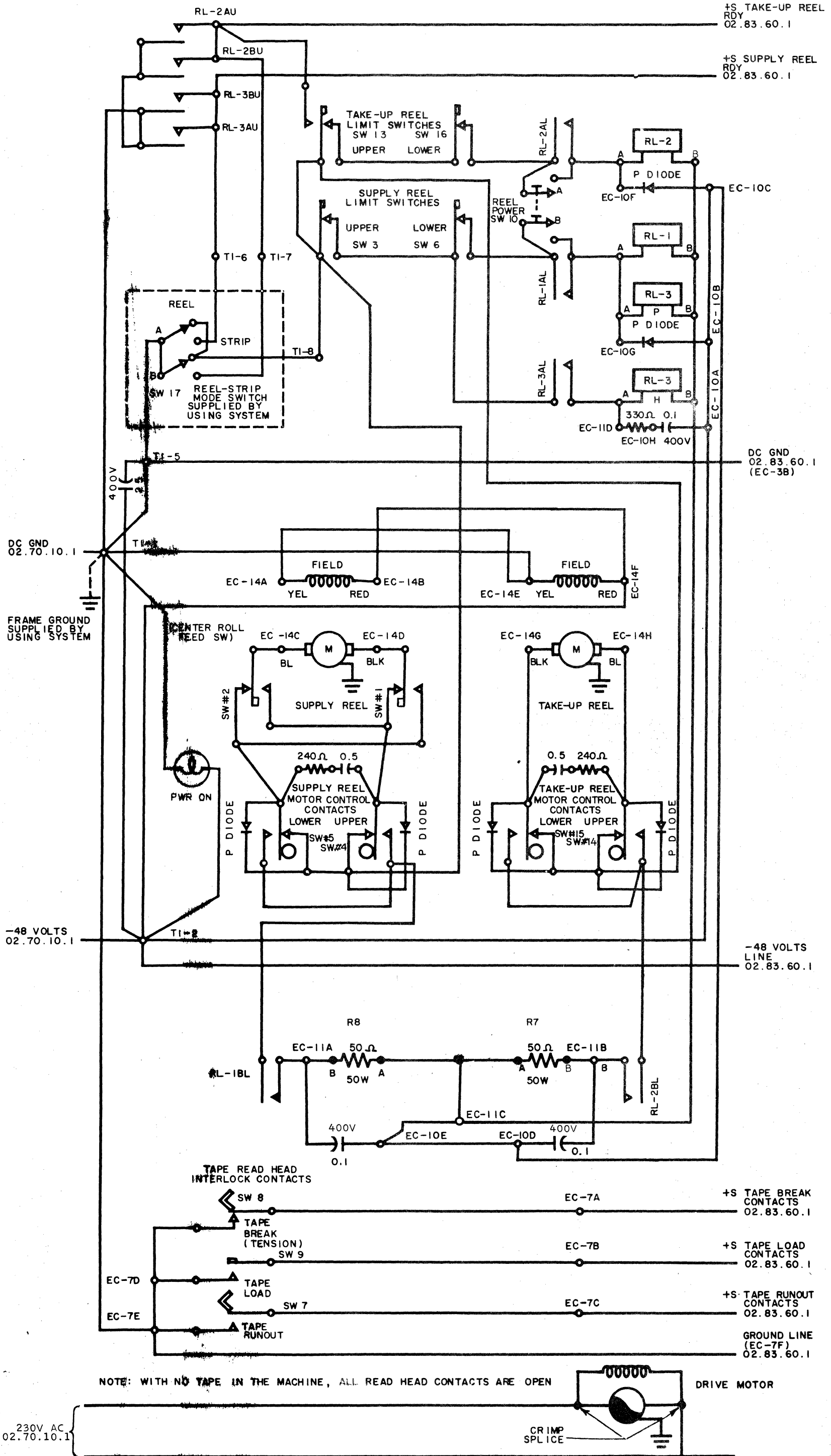
- |                |                |                |                |                |                |                |                |
|----------------|----------------|----------------|----------------|----------------|----------------|----------------|----------------|
| *1---02EC5H    | *2---02EC5C    | *3---02EC4A    | *4---02EC5D    | *5---02EC4B    | *6---02EC5D    | *7---02EC4C    | *8---02EC5E    |
| *9---02EC4D    | *10---02EC5E   | *11---02EC4E   | *12---02EC5F   | *13---02EC4F   | *14---02EC5F   | *15---02EC4G   | *16---02EC5G   |
| *17---02EC4H   | *18---02EC5C   | *19---02EC5A   | *20---02A4A03P | *21---02A4A03B | *22---02A4A03C | *23---02A4A03D | *24---02A4A03E |
| *25---02A4A03G | *26---02A4A03H | *27---02A4A03K | *28---02A4A03L | *29---02A4A03M | *30---02A4A02B | *31---02A4A02C | *32---02A4A02D |
| *33---02A4A02F | *34---02A4A02G | *35---02A4A02H | *36---02A4A02K | *37---02A4A02L | *38---02A4A02M | *39---02SCA-11 | *40---02SCA-12 |
| *41---02SCA-13 | *42---02SCA-14 | *43---02SCA-15 | *44---02SCA-16 | *45---02SCA-17 | *46---02SCA-18 | *47---02SCA-19 |                |

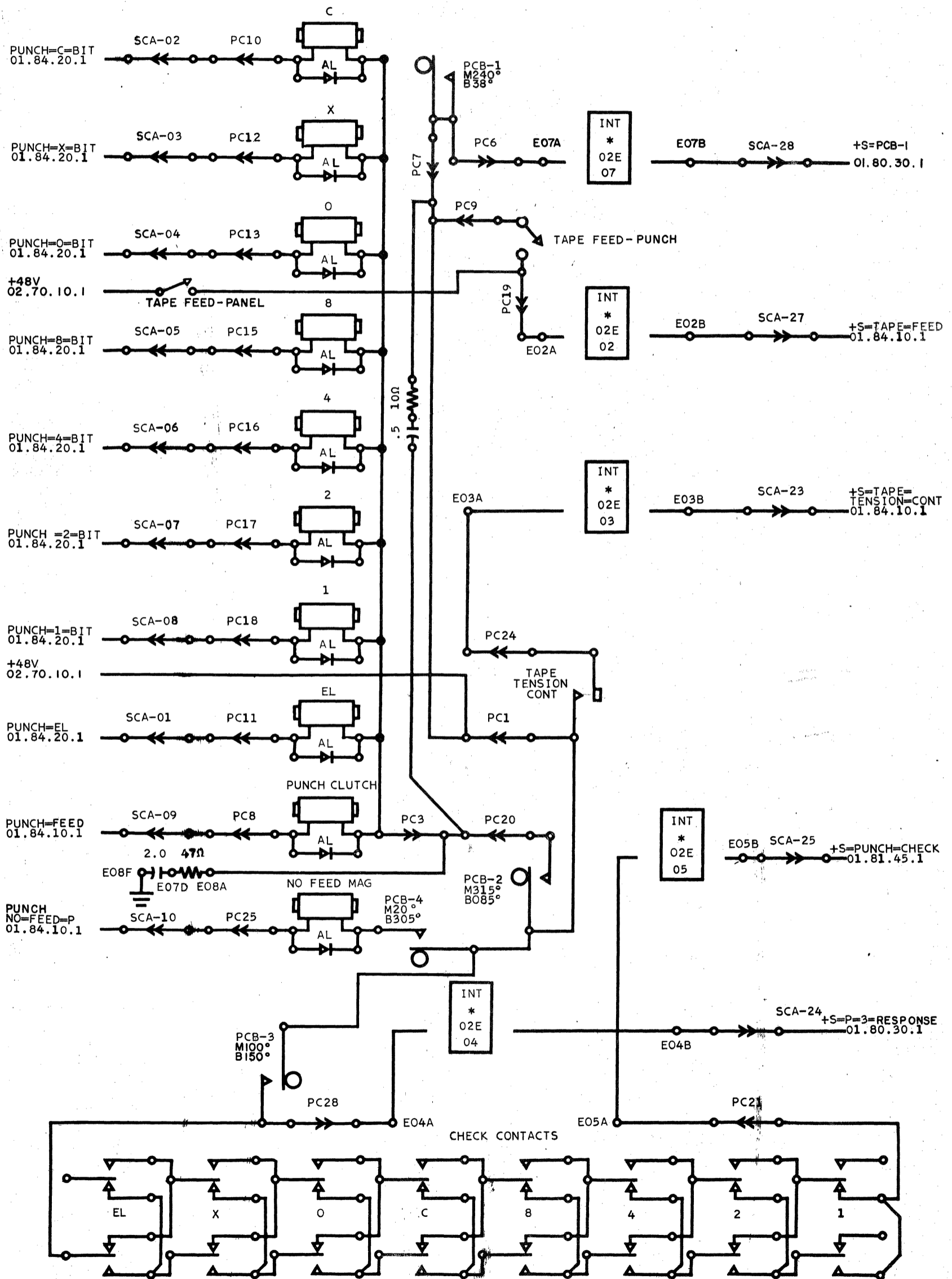


\*1---02EC18A \*2---02EC18C \*3---02EC18E \*4---02EC18G \*5---02EC19A \*6---02EC19C \*7---02EC19E \*8---02EC19G  
 \*9---02EC20A \*10---02EC03H \*11---02EC18B \*12---02EC18D \*13---02EC18F \*14---02EC18G \*15---02EC19B \*16---02EC19D  
 \*17---02EC19F \*18---02EC19G \*19---02EC20B



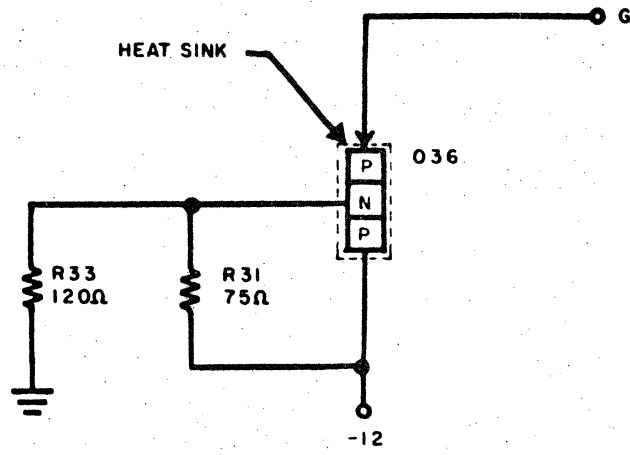
\*1—02A4A02P \*2—02A4A02Q





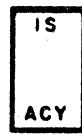
ALLOY-CURRENT SOURCE

ACY



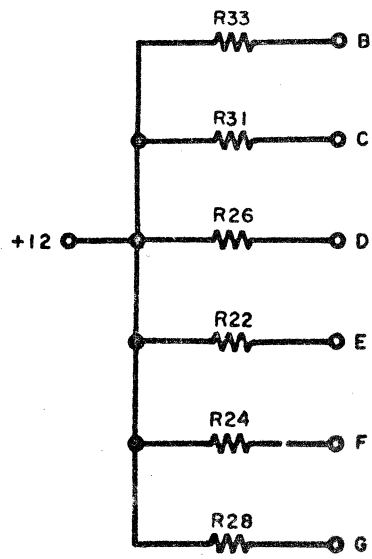
370169 REF

MAX CURRENT 600ma

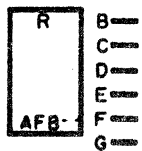


ALLOY-RESISTOR CARD, 3 WATT

AFB  
YJA\*  
YJB\*\*



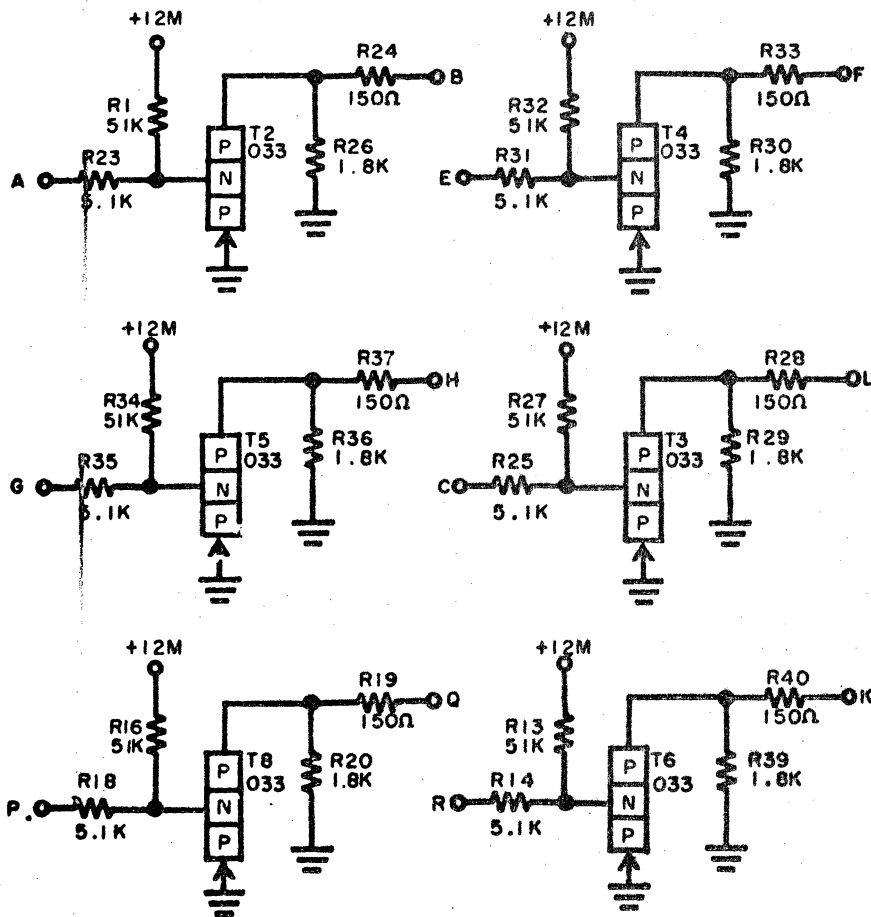
371948 REF  
\*370788 REF  
\*\*370789 REF



RESISTORS ARE  $34.3\Omega \pm 1/2\%$  TOL.  
\* RESISTORS ARE  $40.2\Omega \pm 1.0\%$  TOL.  
\*\* RESISTORS ARE  $17.2\Omega \pm 1.0\%$  TOL.

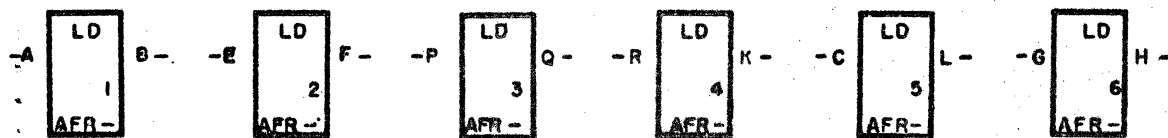
CTRL LIGHT DRIVER N TYPE

AFR  
\*QF



INPUT UP LEVEL 0.0V TO -0.5V  
DOWN LEVEL -5.56V TO -12.48V  
OUTPUT MAX CURRENT 15.0 mA  
\* INTERCHANGEABLE WITH AFR AND SAME P/N AS AFR

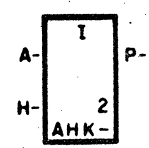
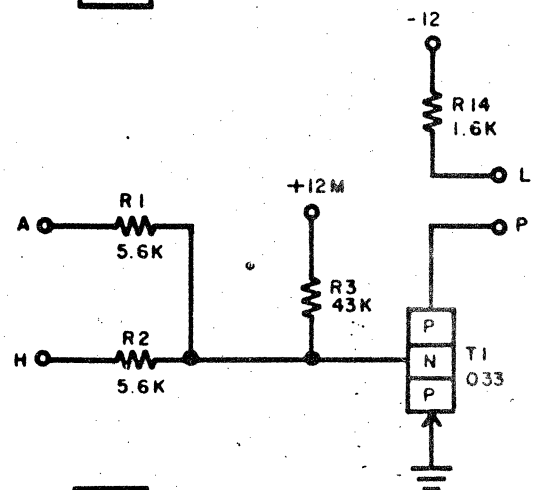
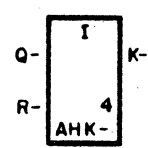
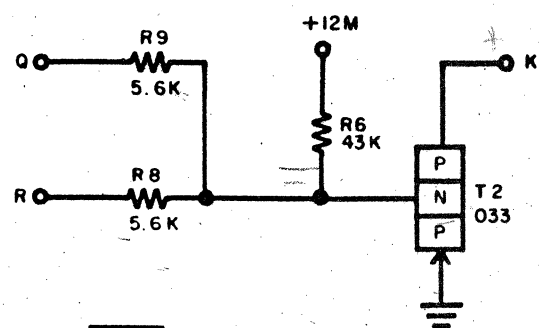
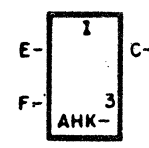
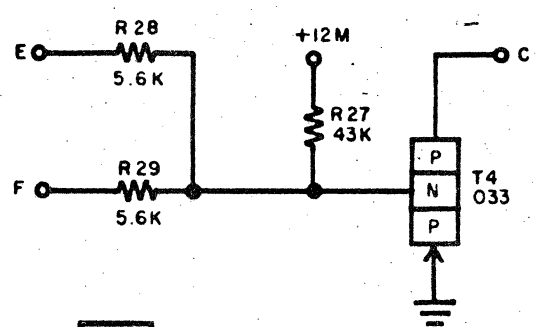
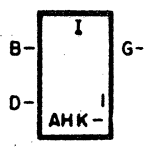
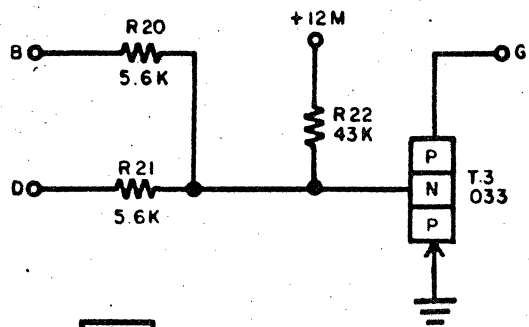
371943 REF





CTRL-INVERTER "N" 2 WAY EXTENDER

AHK-



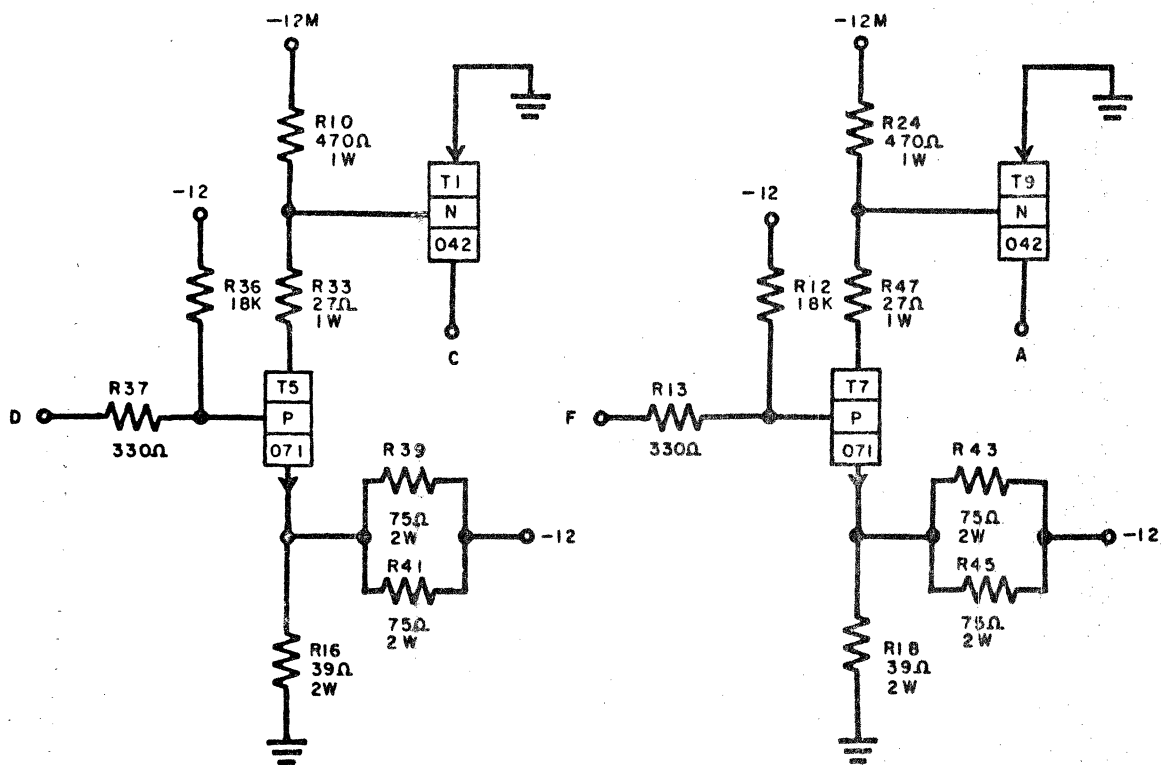
INPUT AND OUTPUT  
UP LEVEL 0V TO -0.2V  
DOWN LEVEL -5.86V TO -12.48V

370322 REF

ALLOY CLUTCH MAGNET DRIVER 1620

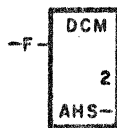
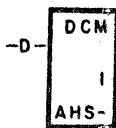
C.00.07.1

AHS



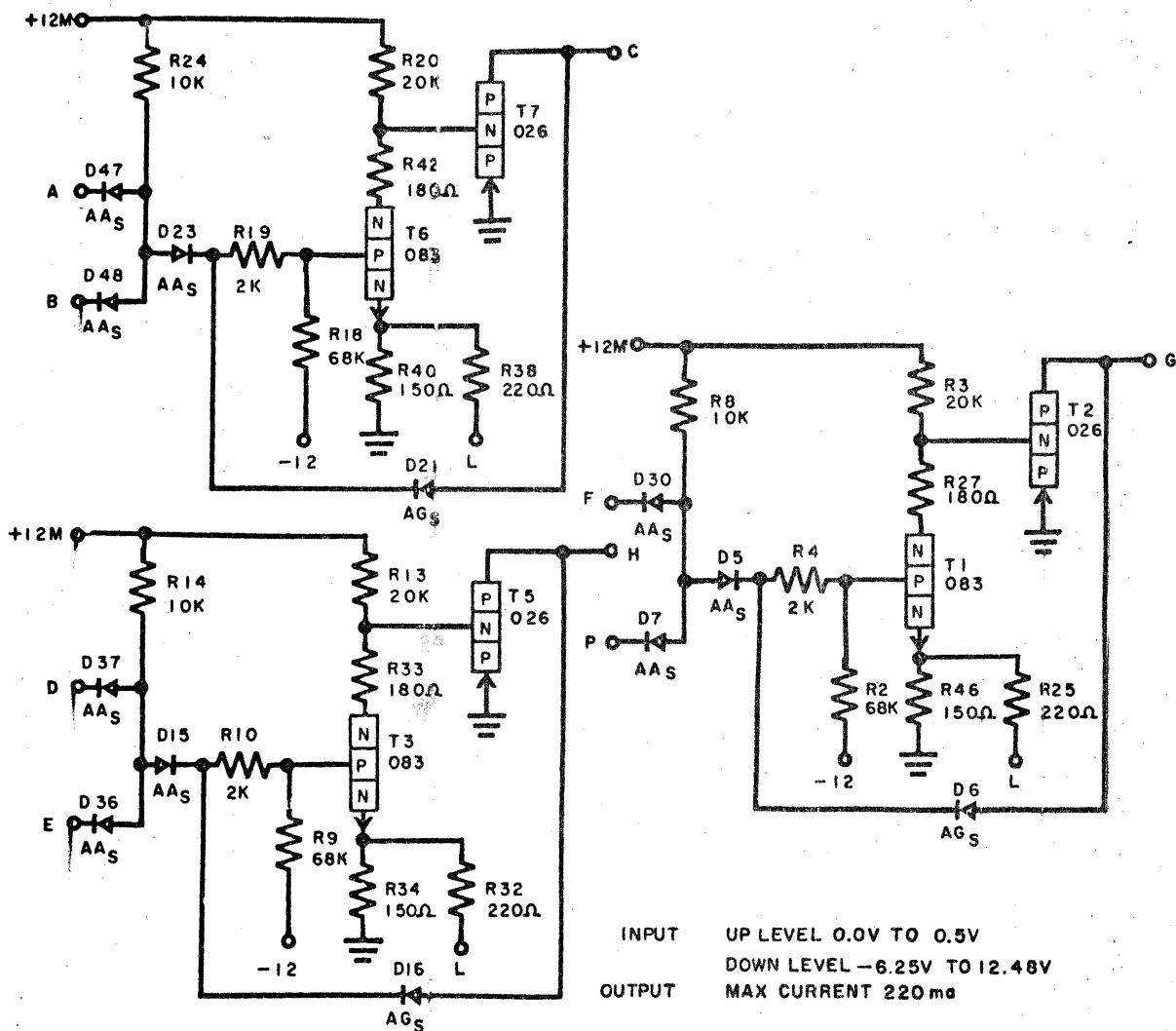
370336 REF

INPUT UP LEVEL -0.1V TO -0.5V  
DOWN LEVEL -6.35V TO -12.48V  
OUTPUT MAX CURRENT 1.35 AMP.



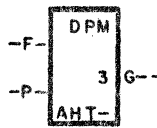
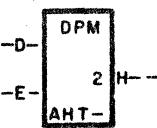
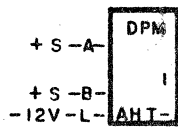
ALLOY PUNCH MAGNET DRIVER

AHT



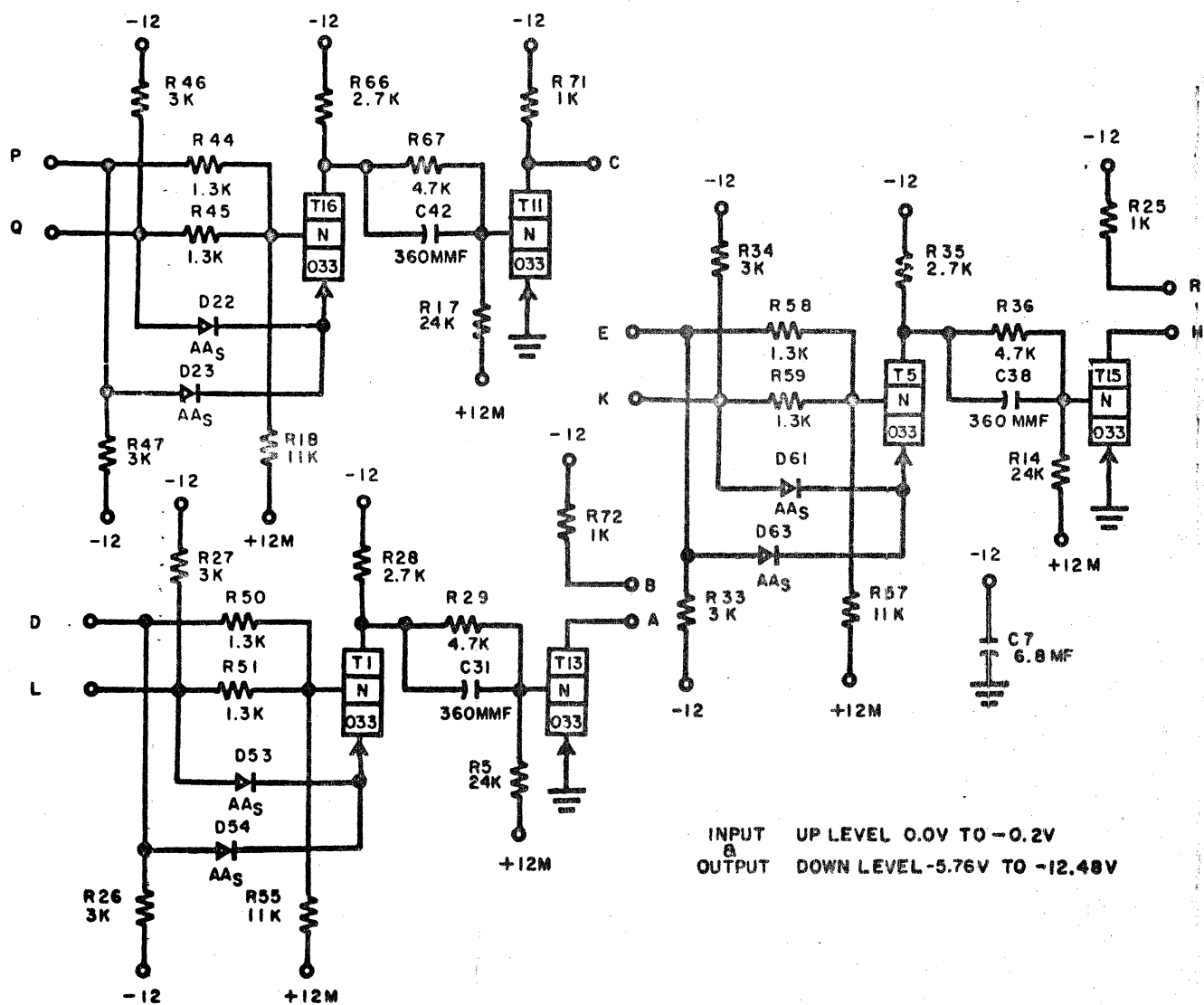
INPUT UP LEVEL 0.0V TO 0.5V  
DOWN LEVEL -6.25V TO 12.48V  
OUTPUT MAX CURRENT 220 mA

370337 REF



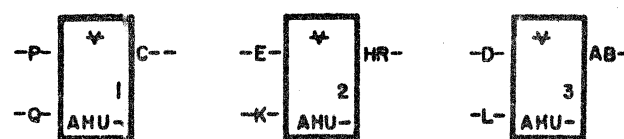
NOTE: "L" PIN IS -12V WHEN CONDUCTING

AHU



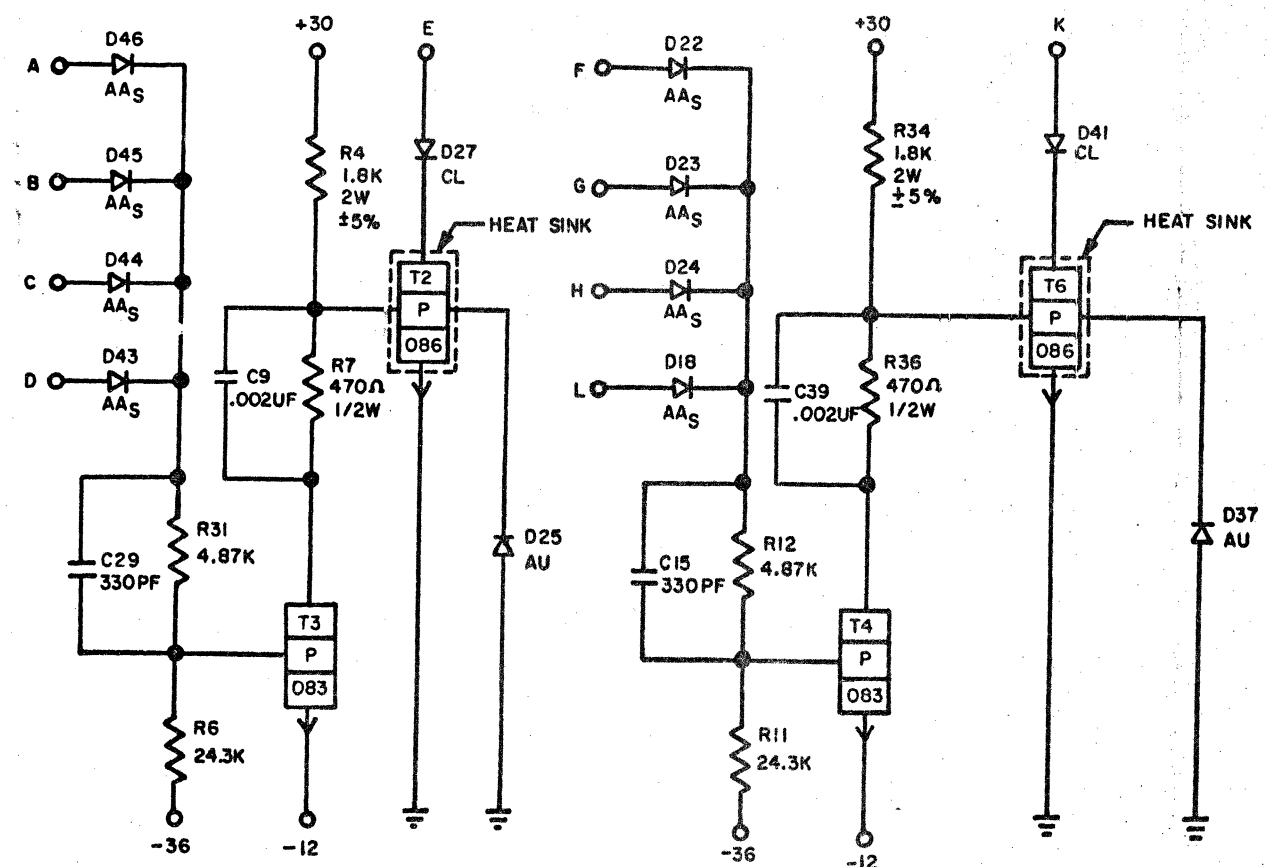
INPUT UP LEVEL 0.0V TO -0.2V  
 OUTPUT DOWN LEVEL -5.76V TO -12.48V

370386 REF



ARW

ALLOY - SWITCH, DECODE

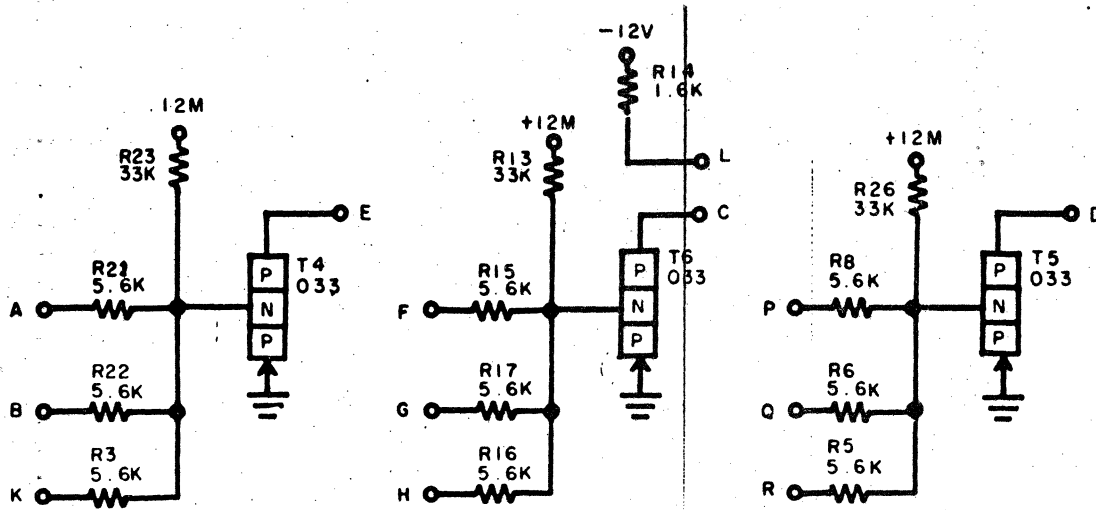


INPUT UP LEVEL 0.0V TO -0.5V  
 DOWN LEVEL -10.2V TO -13.8V  
 OUTPUT NOMINAL 270 mA  
 NOTE: INTERCHANGEABLE WITH FL & WF

372122 REF

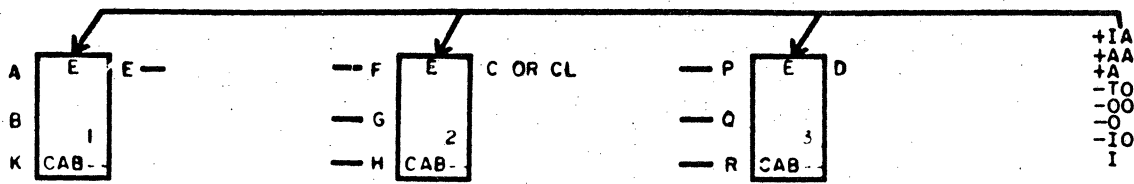
CTRL-INVERTERS "N" TYPE UNLOADED COLLECTORS

CAB



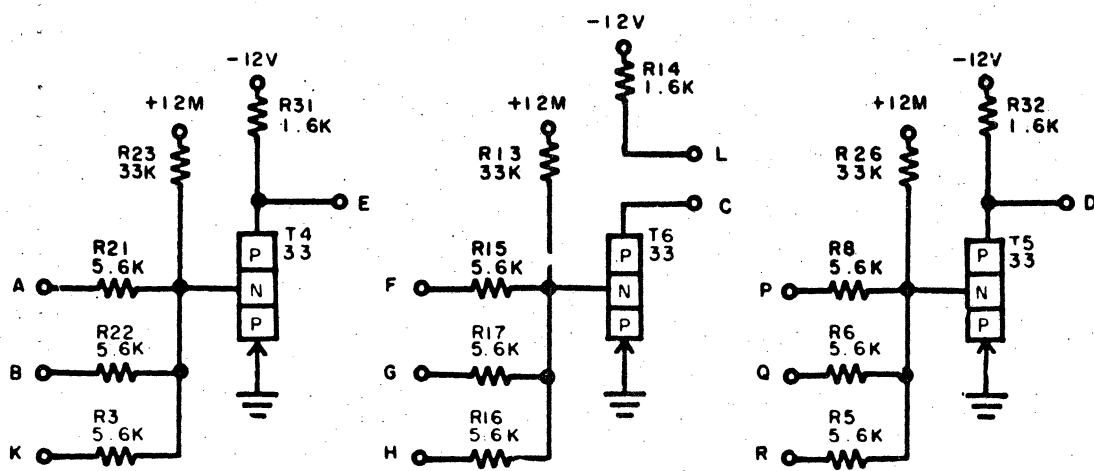
INPUT UP LEVEL -0.1V TO -0.4V  
 OUTPUT DOWN LEVEL -5.86V TO -12.48V

37193J REF



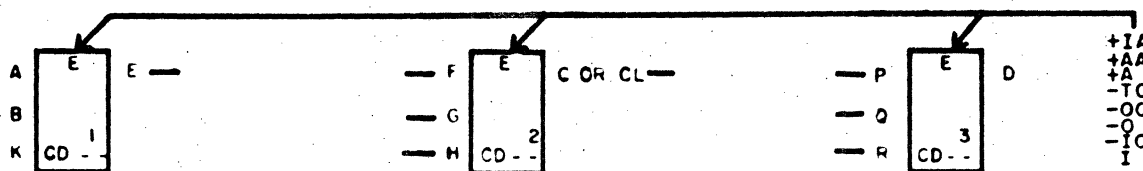
CTRL-INVERTERS "N" TYPE

CD



INPUT UP LEVEL -0.1V TO -0.4V  
 OUTPUT DOWN LEVEL -5.86V TO -12.48V

371029 REF



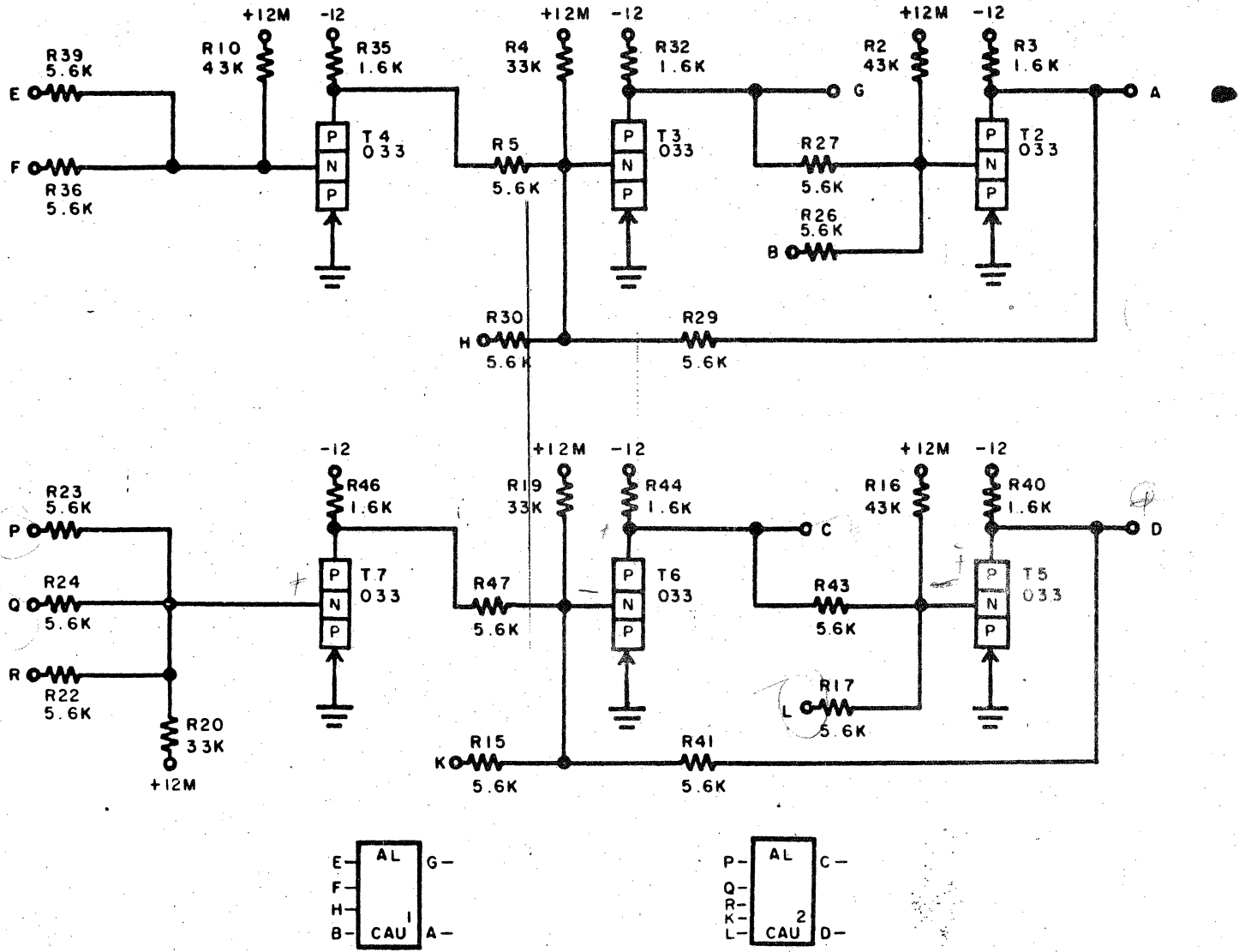
CARD SCHEMATIC

1620

C.00.12.1

CTRL MUP-15

CAU-

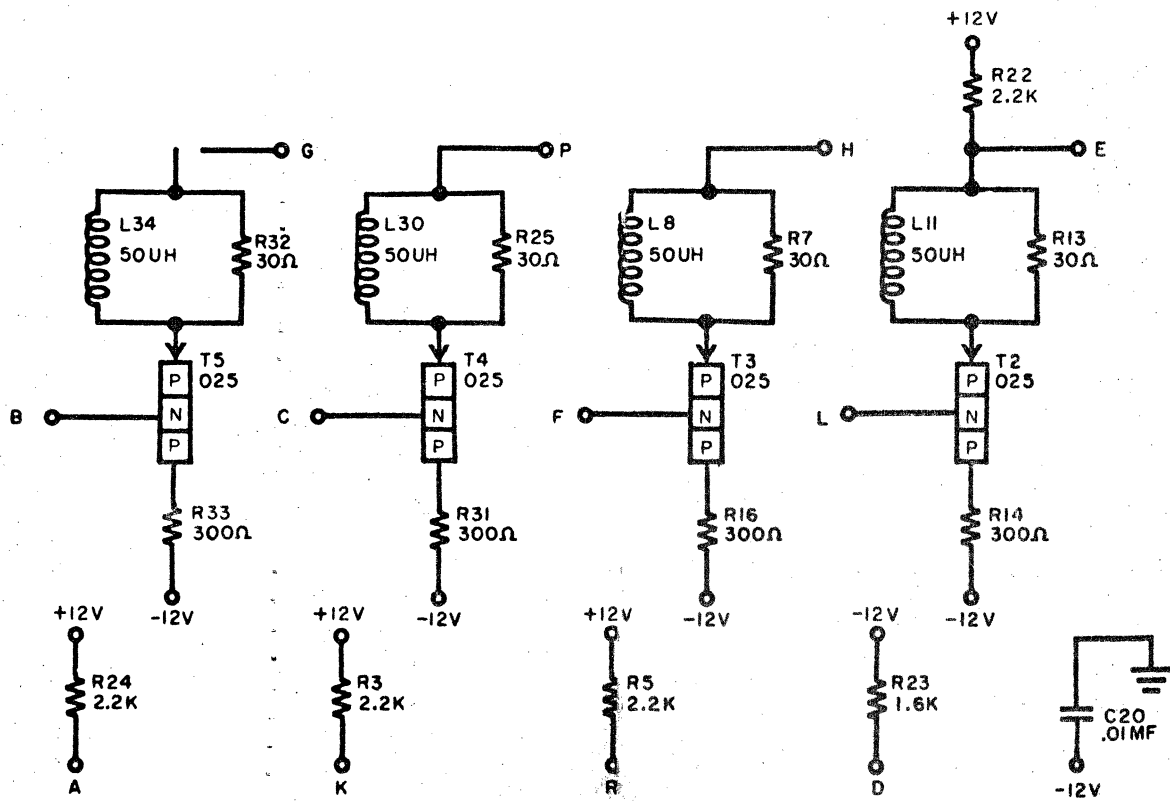


370353 REF

INPUT AND OUTPUT  
 UP LEVEL -0.1V TO -0.4V  
 DOWN LEVEL -5.86V TO -12.48V

CTRL-EMITTER FOLLOWER PNP

CE

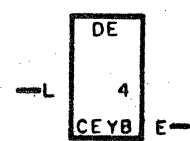
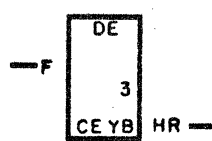
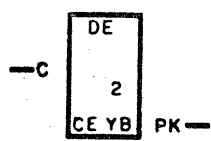
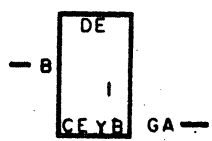


VOLTAGE LEVEL

IN	OUT
0.0V TO -0.2V	+0.02
-6.06V TO -10.55V	-8.0

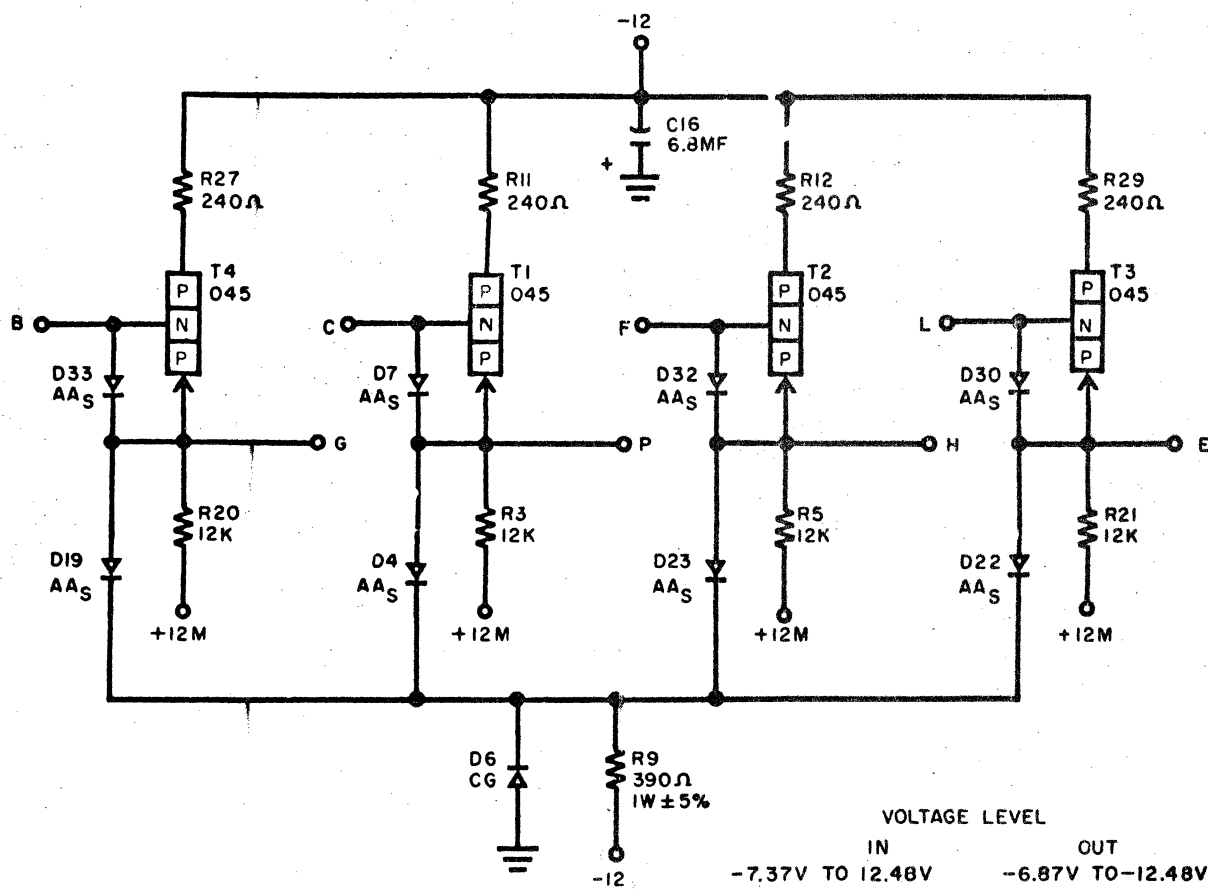
371032 REF

NOTE: Q PIN TIE TO +12V



SDTRL-DRIVER, LOW POWER-IO BASE NON-INVERTING

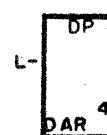
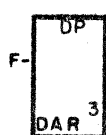
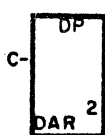
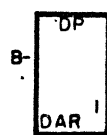
DAR



VOLTAGE LEVEL

IN	OUT
-7.37V TO 12.48V	-6.87V TO -12.48V
-0.1V TO 0.6V	-0.1V TO -0.5V

370082 REF

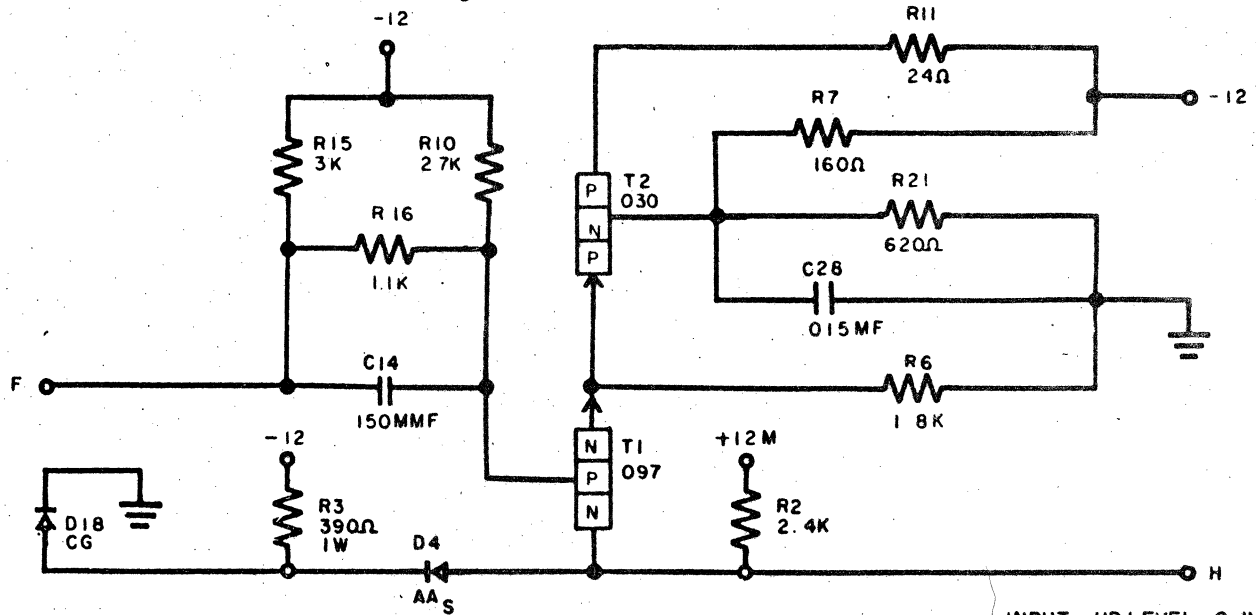
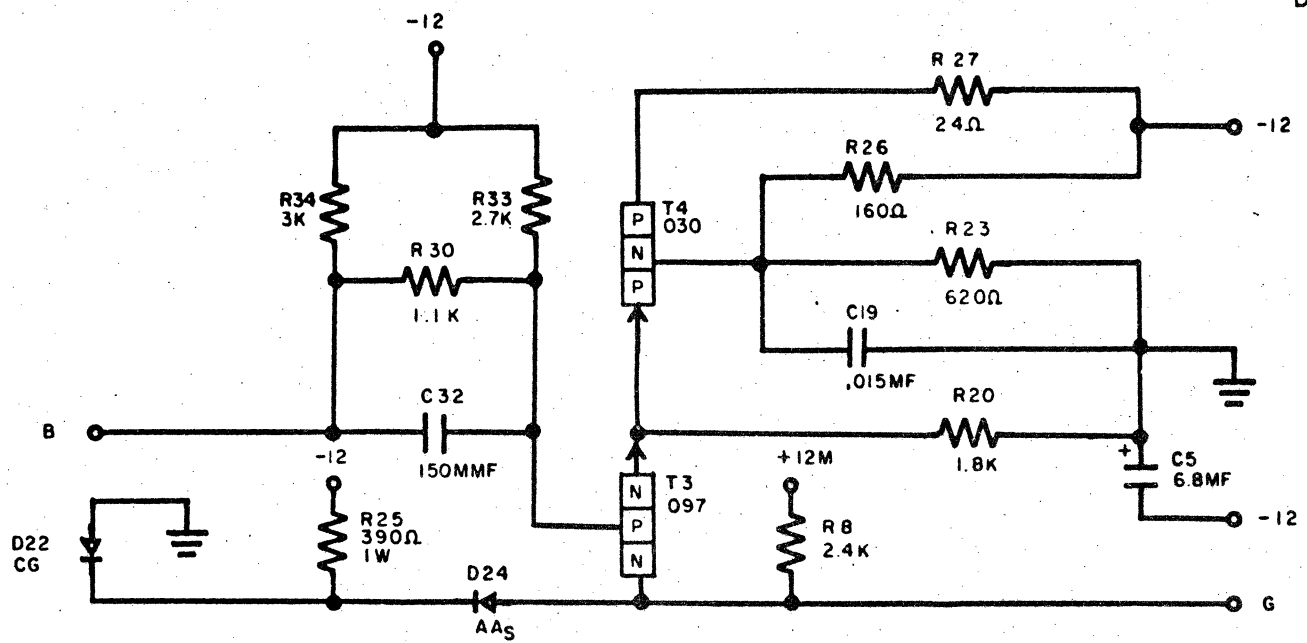


SDTRL-INVERTING, HEAVY POWER DRIVER

1620

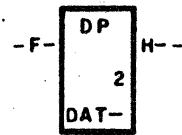
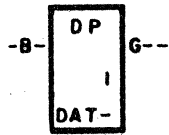
C.00.17.1

DAT



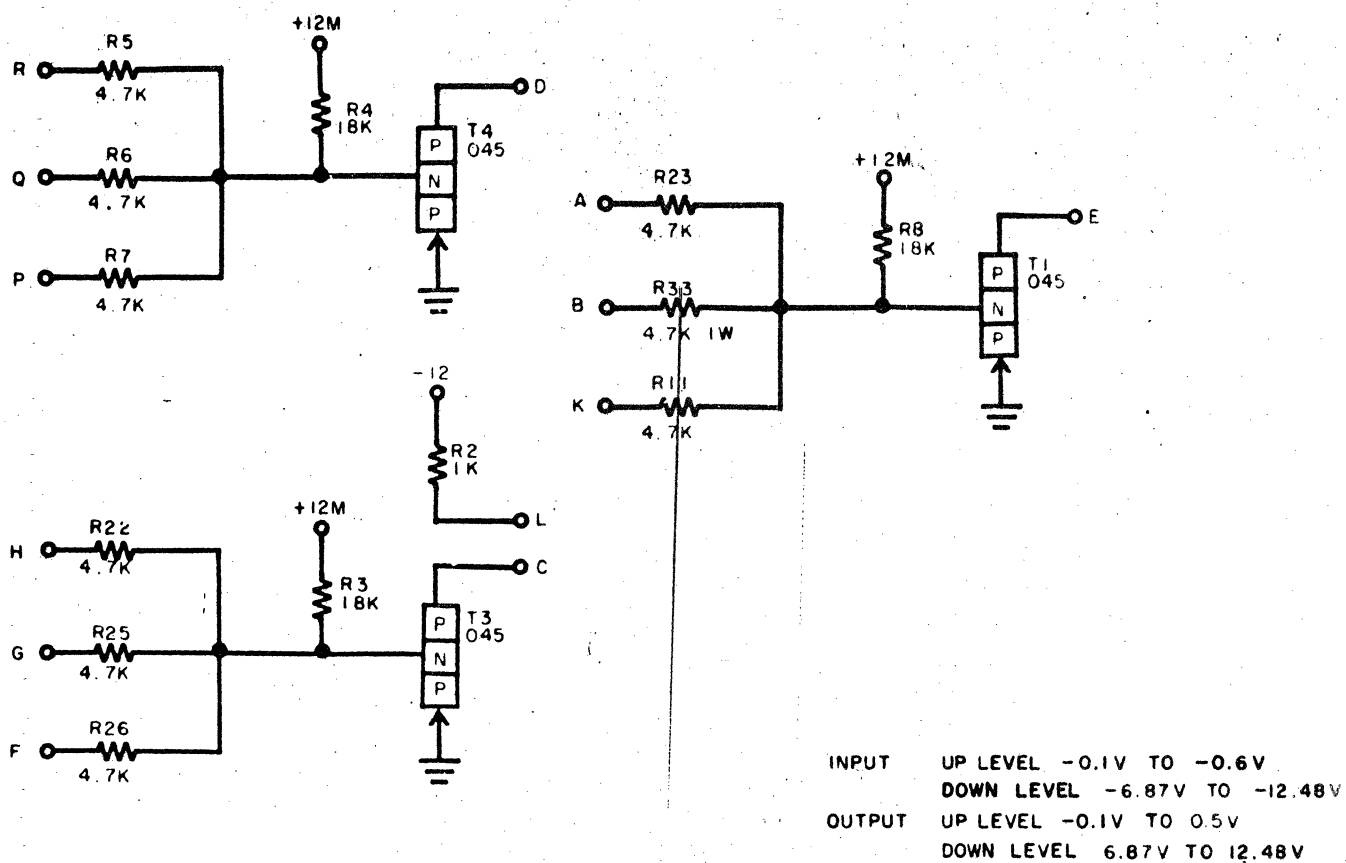
INPUT UP LEVEL -0.1V TO -0.6V  
 DOWN LEVEL -7.73V TO -12.48V  
 OUTPUT UP LEVEL -0.1V TO -0.6V  
 DOWN LEVEL -7.3V TO -9.7V

370172 REF

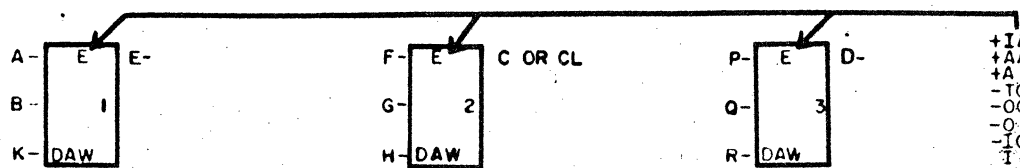


SDTRL-INVERTER, 3 WAY, UNLOADED COLLECTORS

DAW

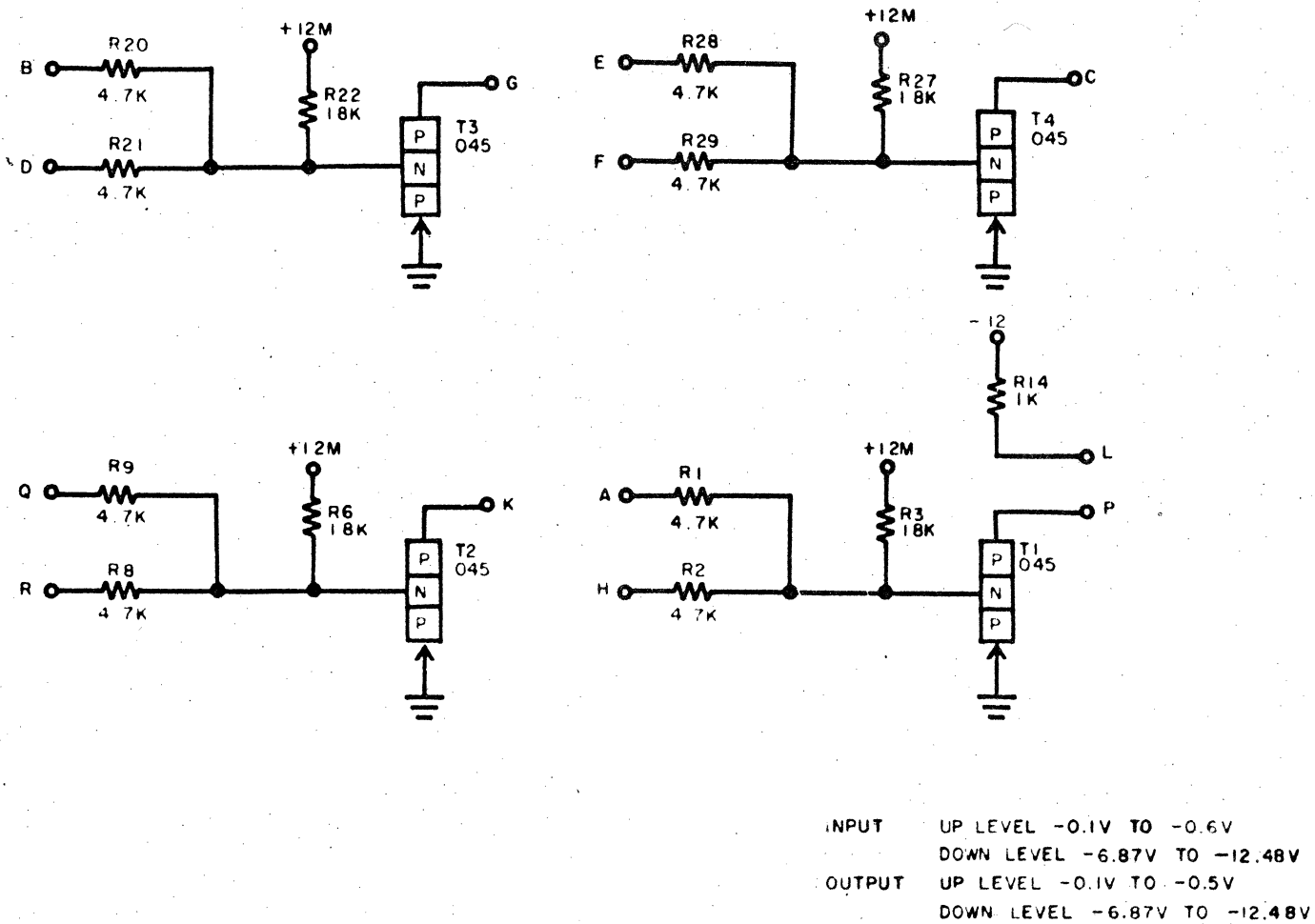


370083 REF



SDTRL-INVERTER, 2 WAY, UNLOADED COLLECTORS

DAX

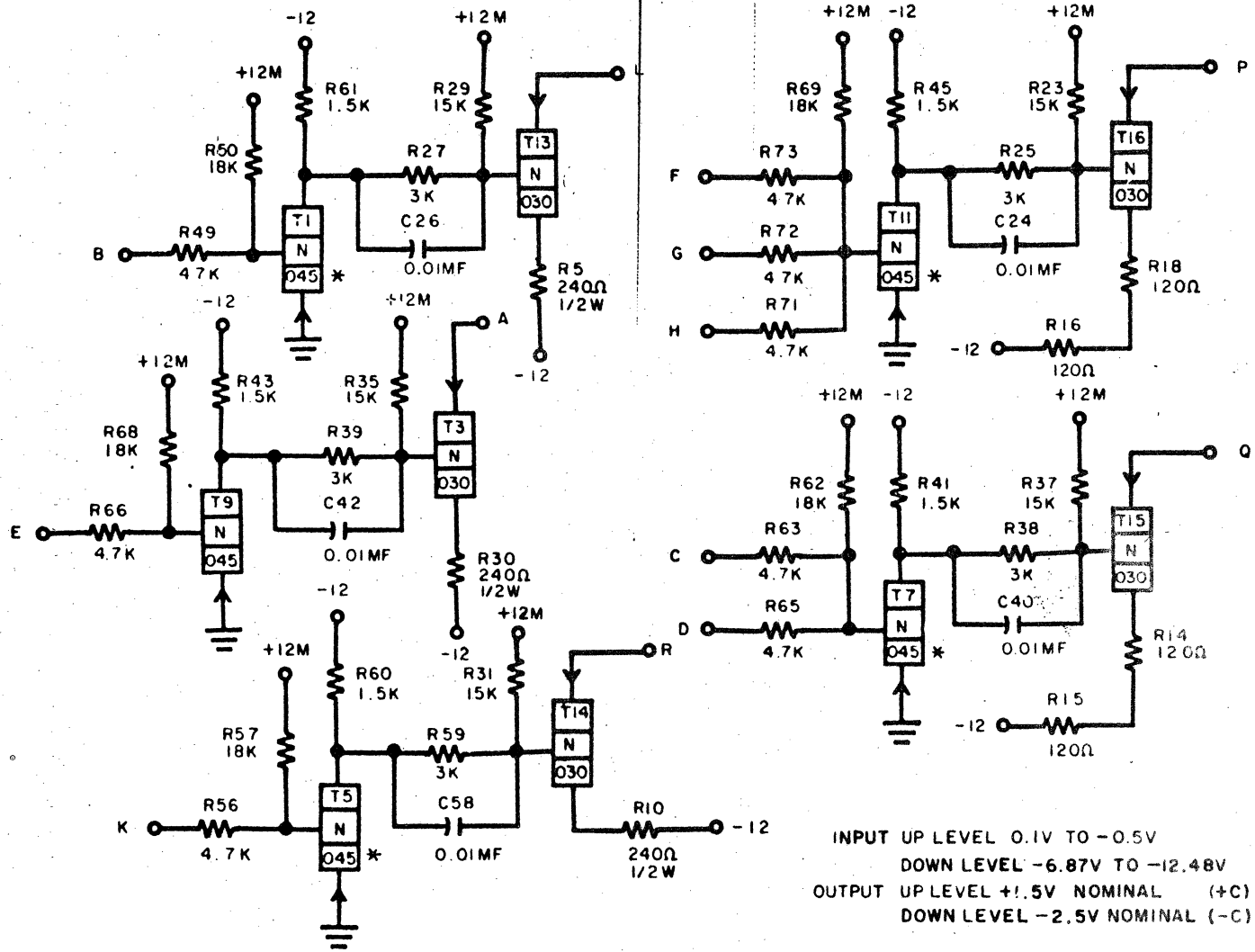


370084 REF



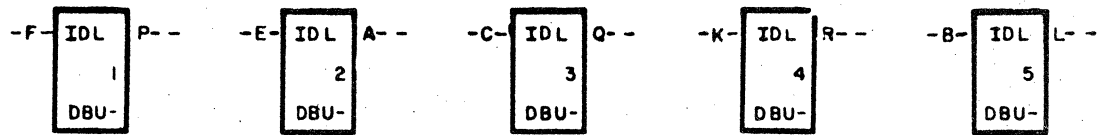


DBU

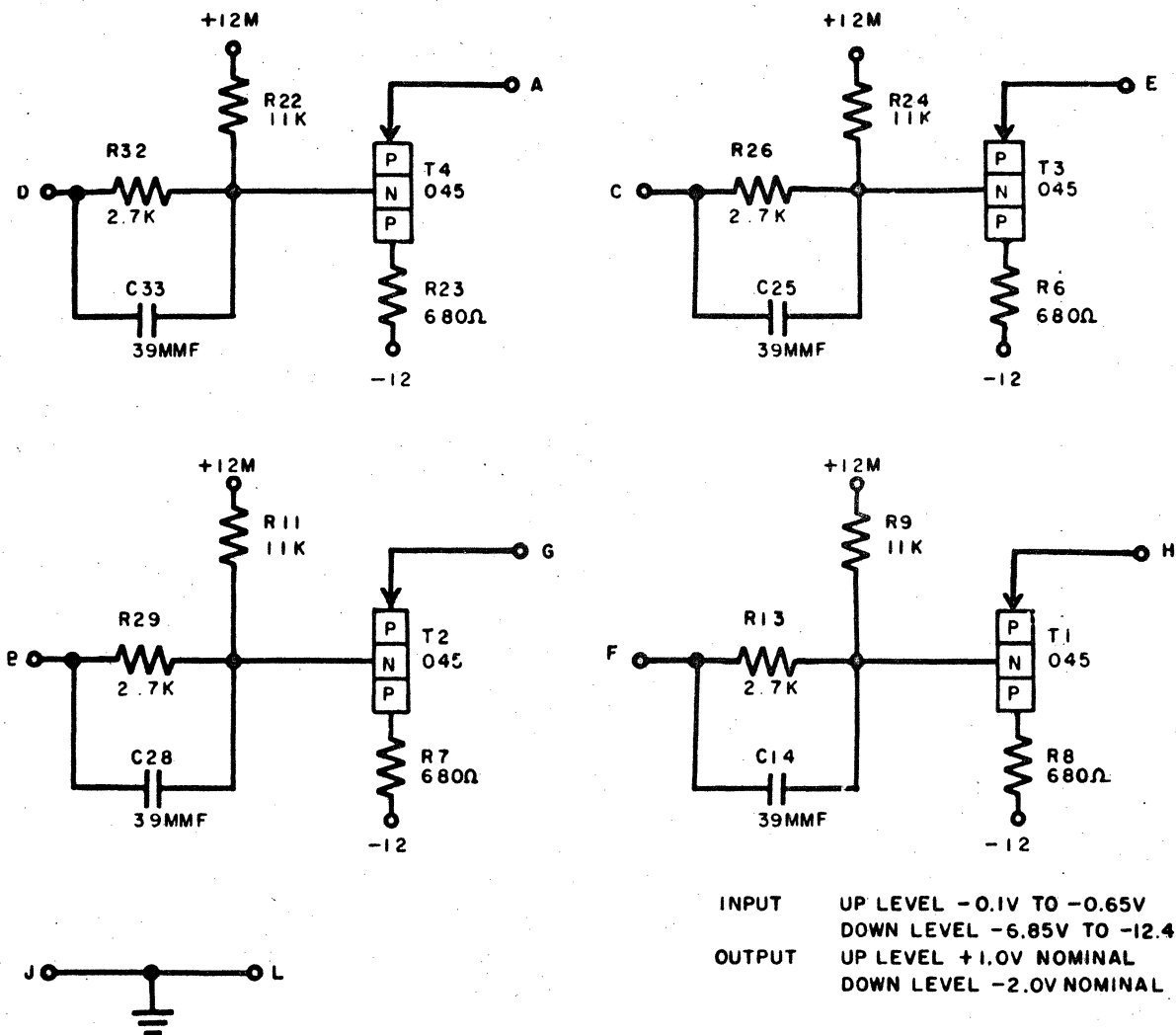


370384 REF

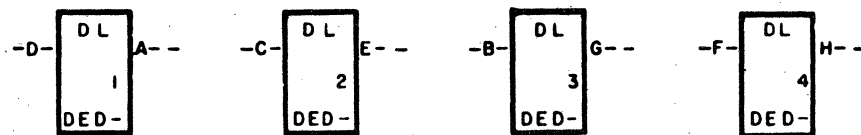
\* IOI



DED

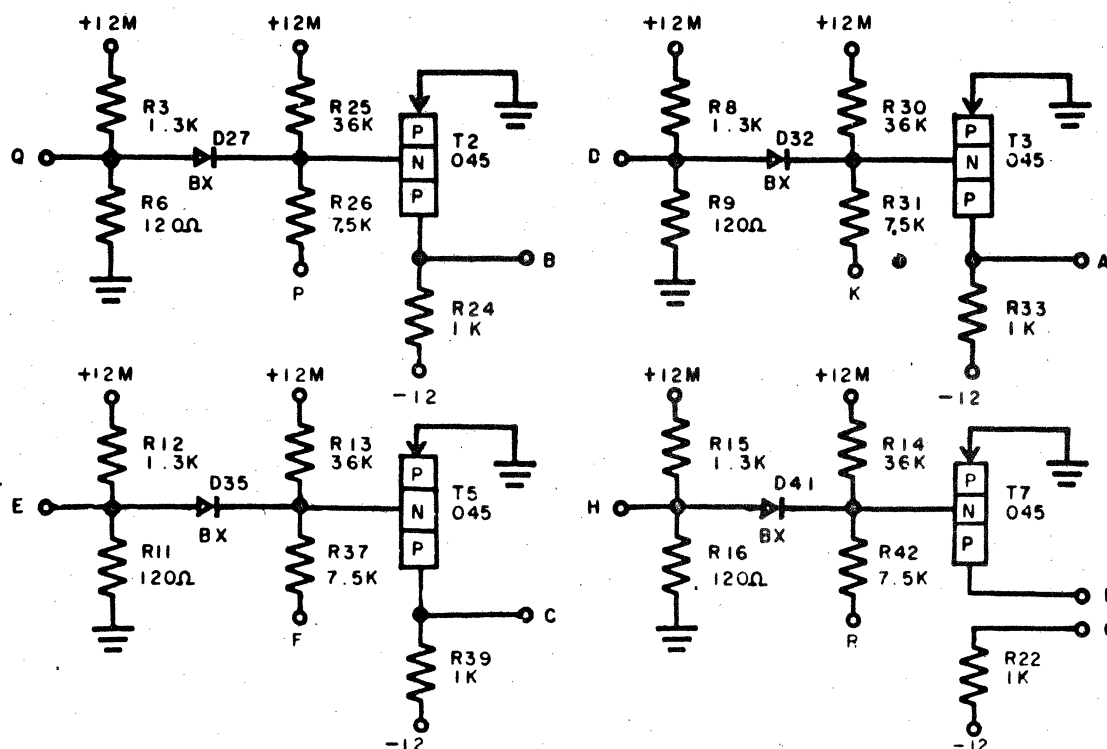


371987 REF

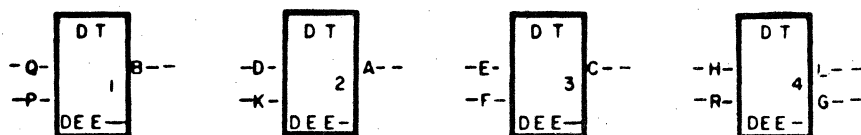


SDTRL STANDARD CABLE TERMINATOR GATED

DEE



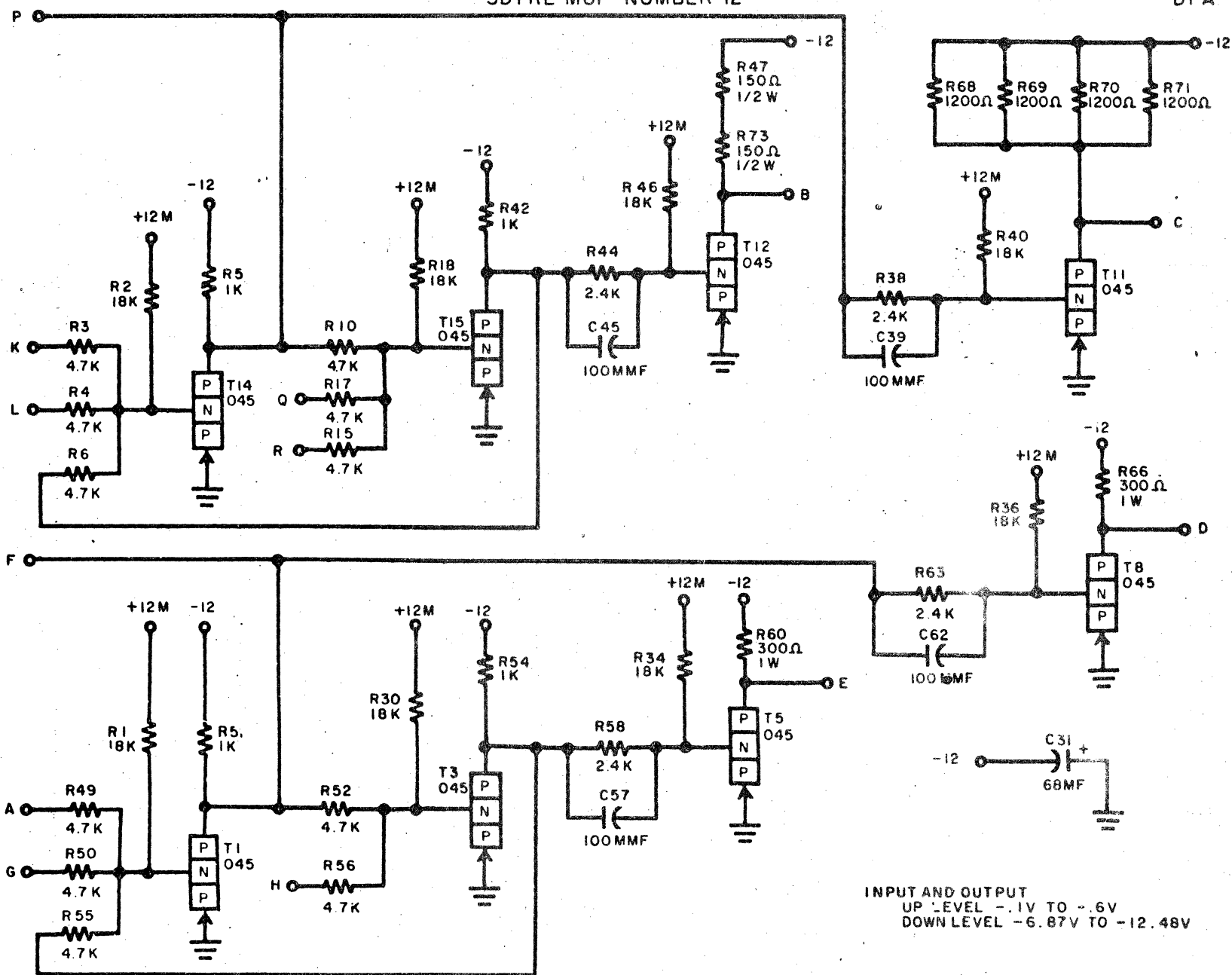
371988 REF



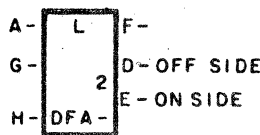
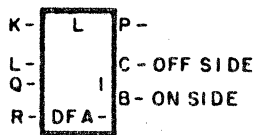
INPUT UP LEVEL +1.0V NOMINAL  
DOWN LEVEL -2.0V NOMINAL  
OUTPUT UP LEVEL -0.1V TO -6.5V  
DOWN LEVEL -6.85V TO -12.48V

SDTRL MUP NUMBER 12

DFA

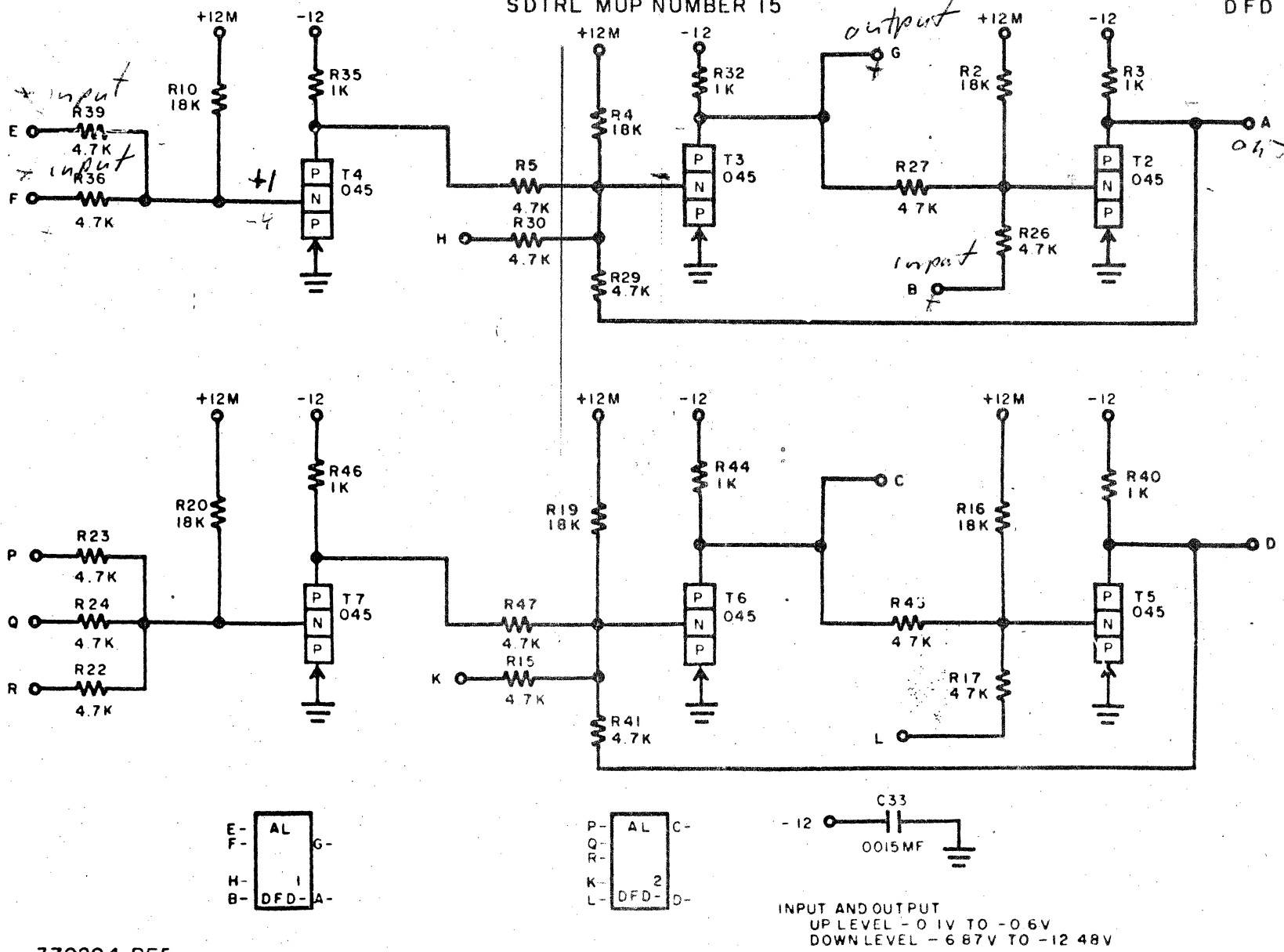


370224 REF

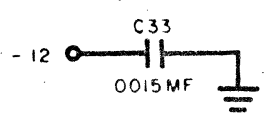
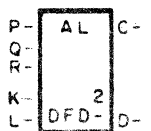
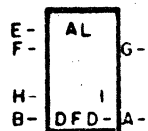


SDTRL MUP NUMBER 15

DFD



370204 REF

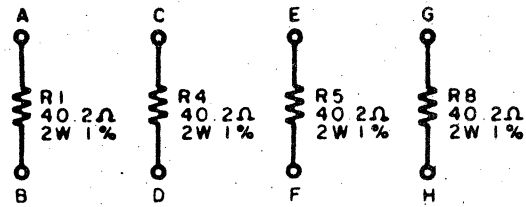


INPUT AND OUTPUT UP LEVEL -0.1V TO -0.6V DOWN LEVEL -6.87V TO -12.48V

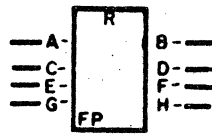


ALLOY-LOAD RESISTOR

FP

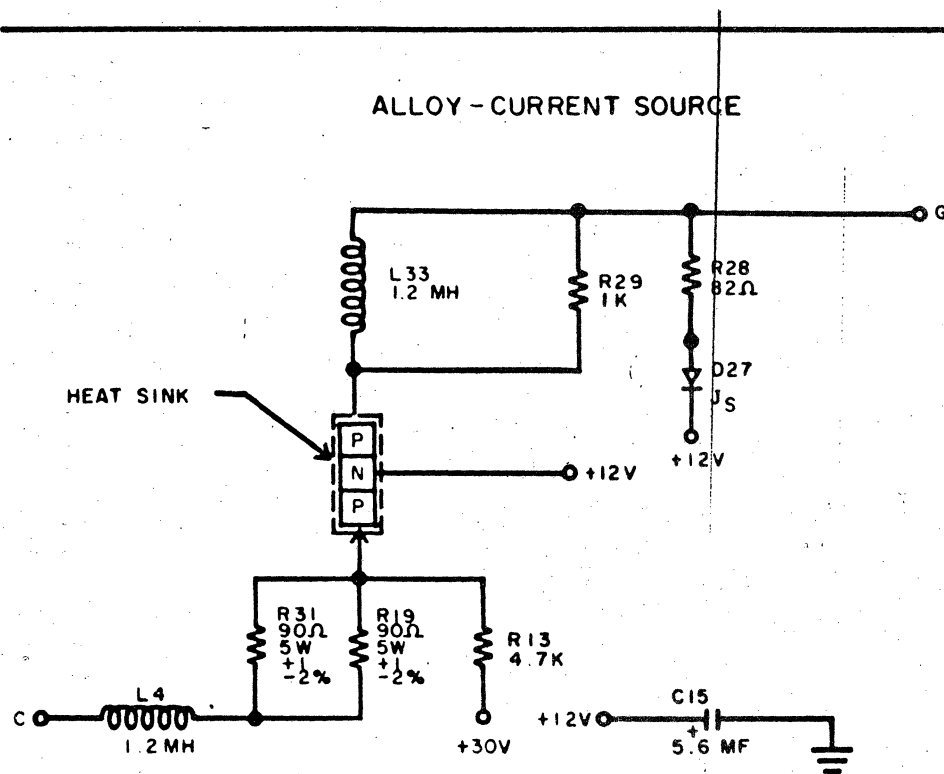


371453 REF



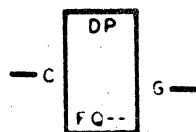
ALLOY - CURRENT SOURCE

FQ  
ALY \*



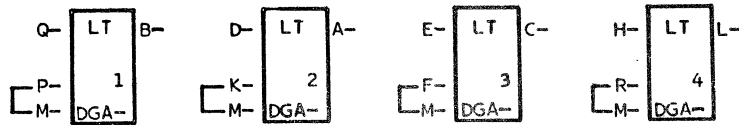
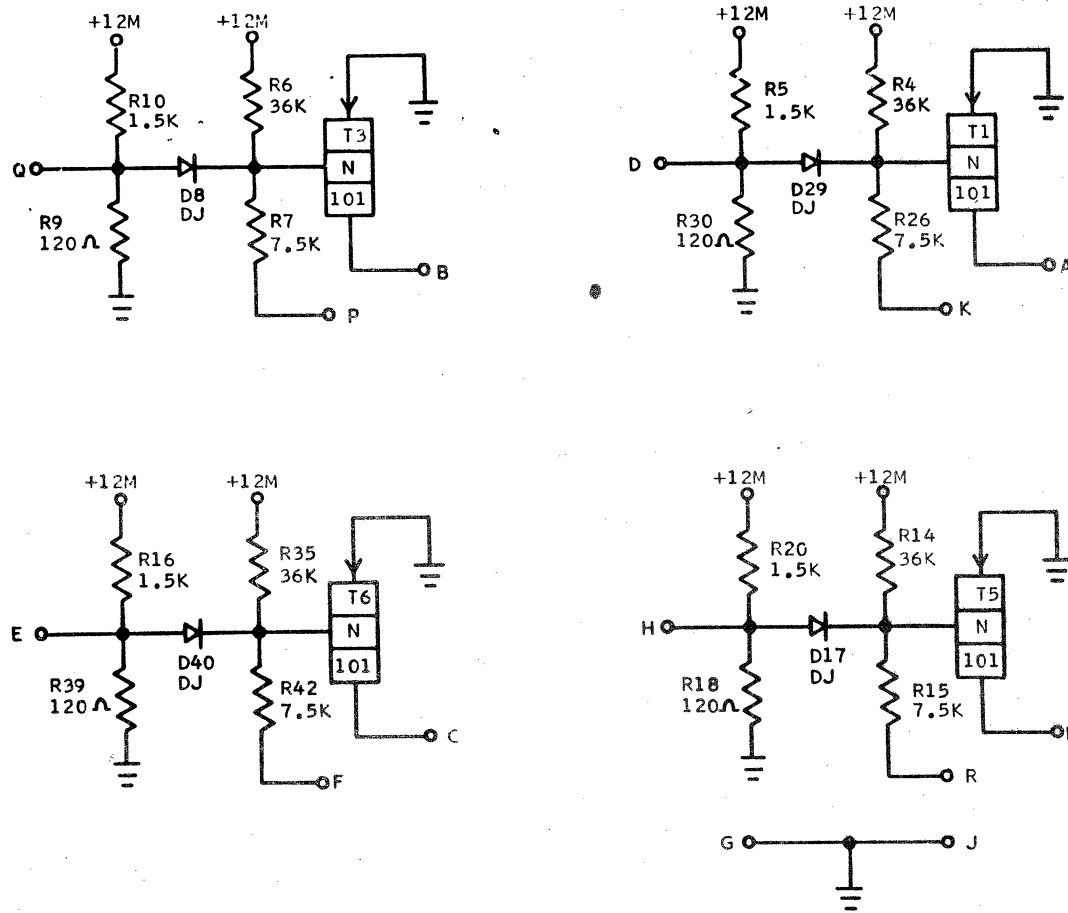
INPUT +30V NOMINAL 1 AMP  
OUTPUT NOMINAL 270 mc

371454 REF  
\* 370552 REF



SDTRL - SIMPLEX INTERFACE TERMINATOR  
GATED WITHOUT LOADS

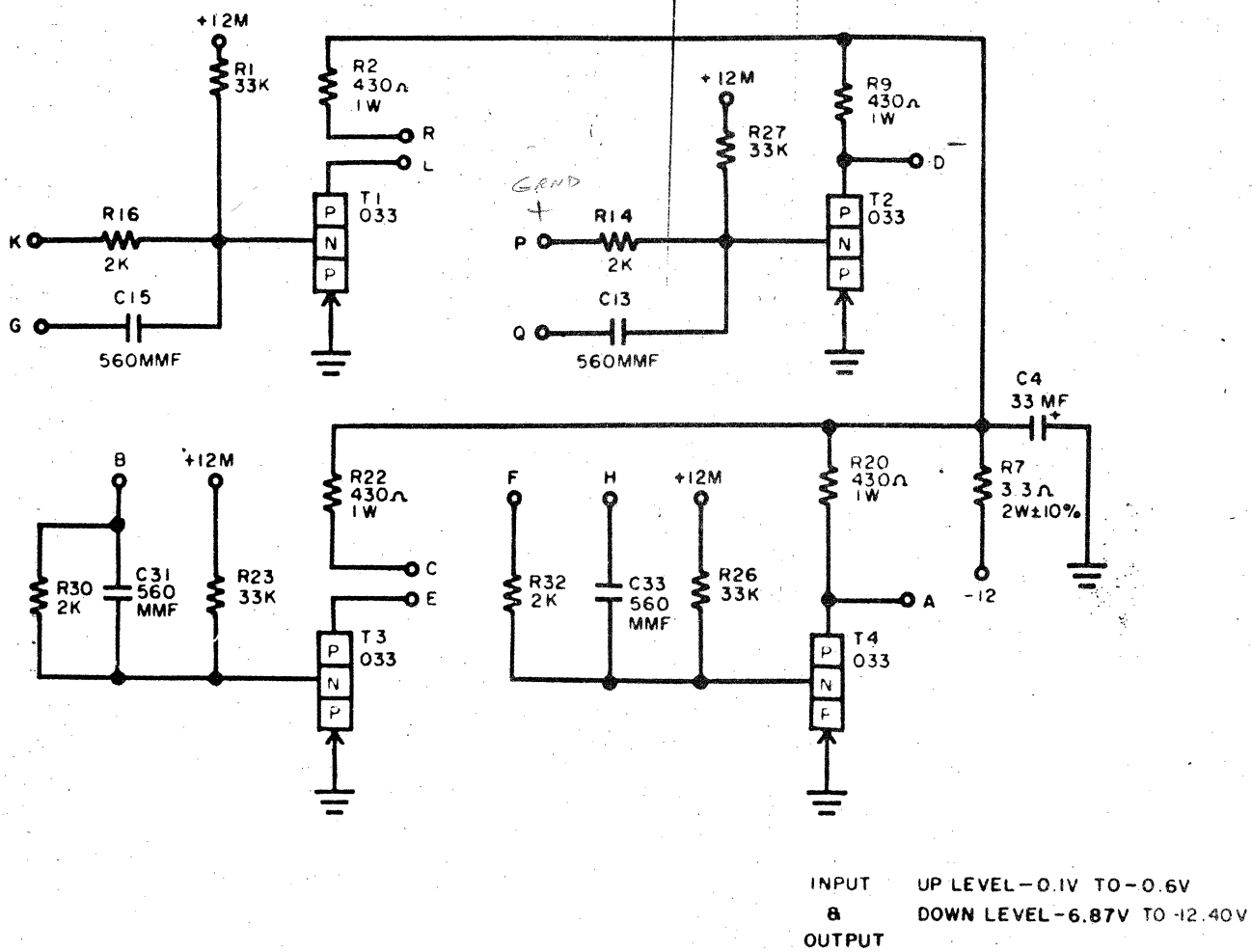
DGA -



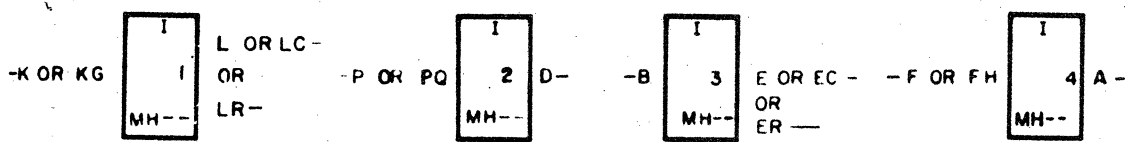
INPUT:  
UP LEVEL +1.0V NOMINAL  
DOWN LEVEL -2.0V NOMINAL  
OUTPUT:  
UP LEVEL -0.1V TO -6.5V  
DOWN LEVEL -6.85V TO -12.48V  
GATE -0.65 TO -6.85

370242 REF

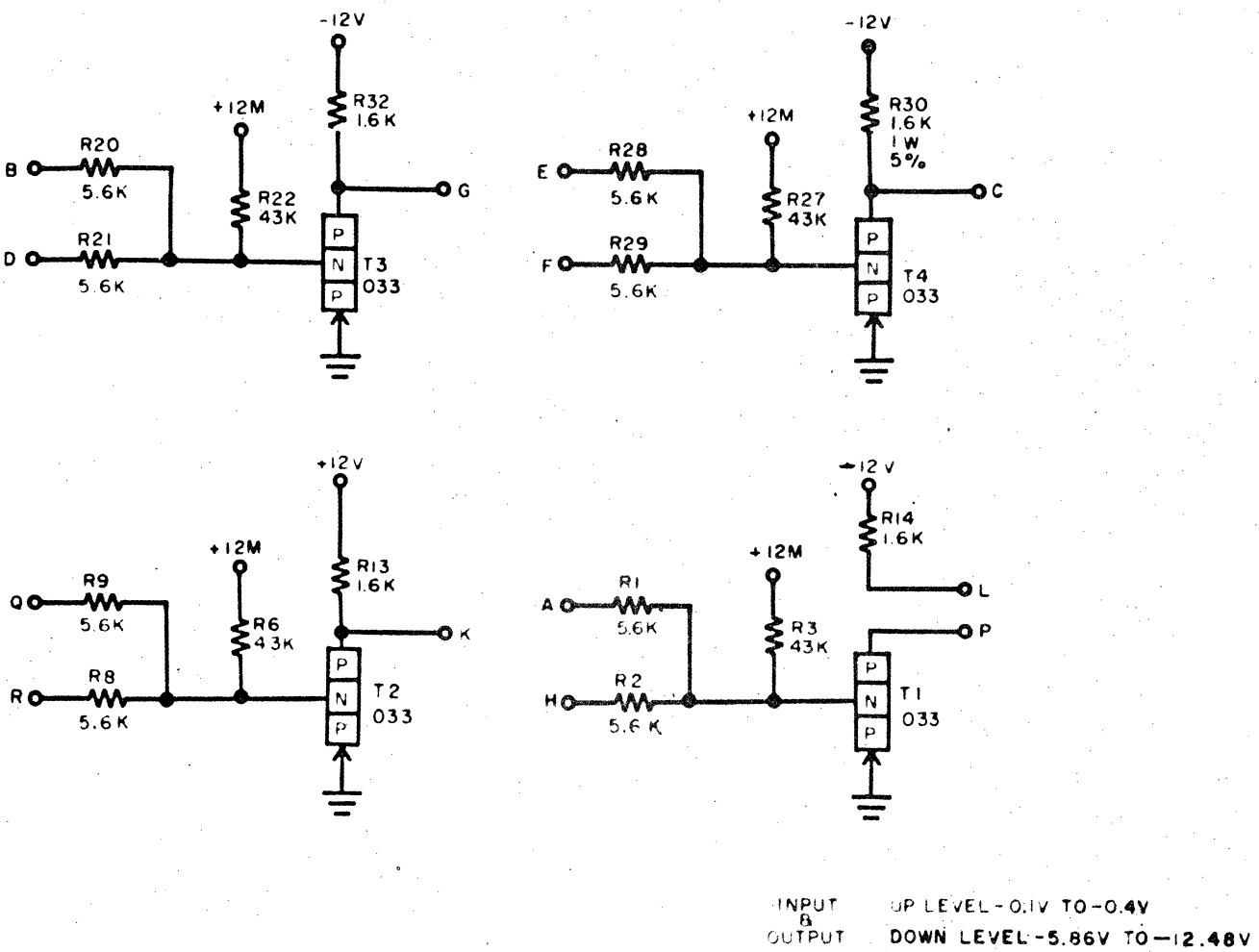
CTRL - INVERTER, POWER - PNP



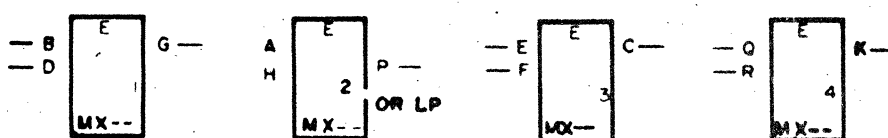
371487 REF



CTRL - INVERTER "N" 2 WAY

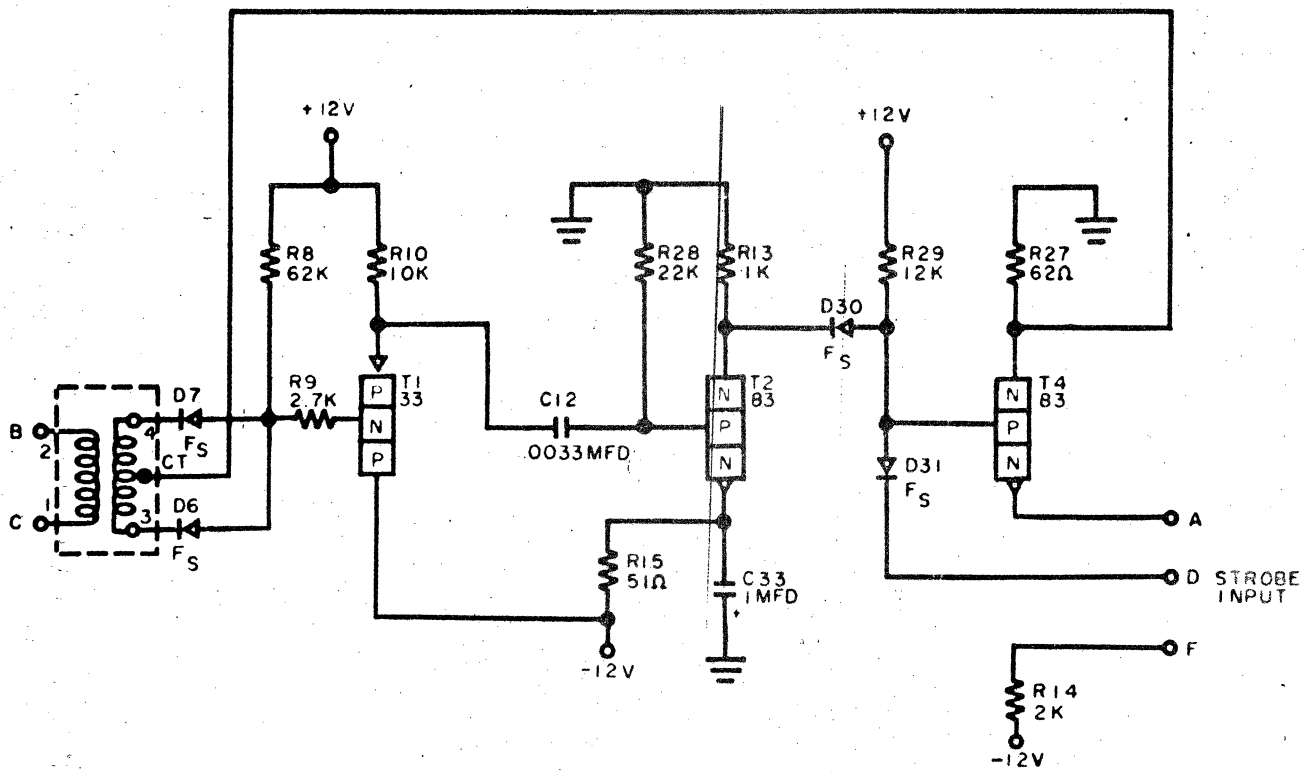


371661 REF



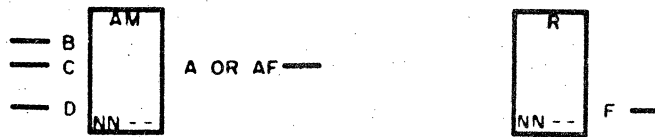
CTDL - SENSE AMPLIFIER, BUFFER

NN



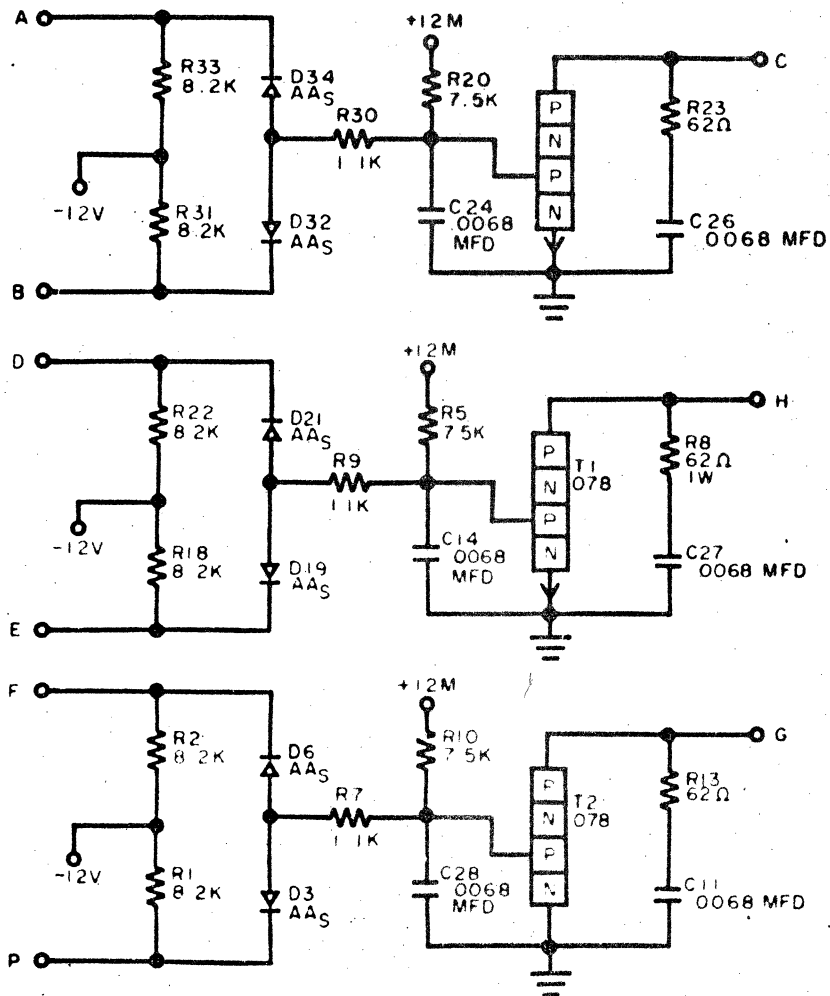
371678 REF

OUTPUT UP LEVEL - 0.1V TO - 0.4V  
DOWN LEVEL - 6.87V TO - 12.48V  
INPUT NOMINAL VOLTAGE  
100 MV PULSE



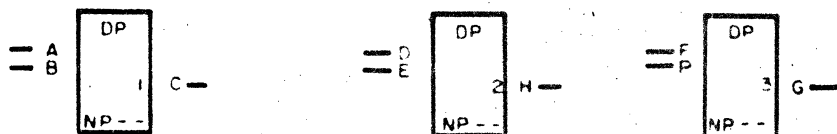
CTRL-DRIVER, RELAY THYRATRON V.M.

NP

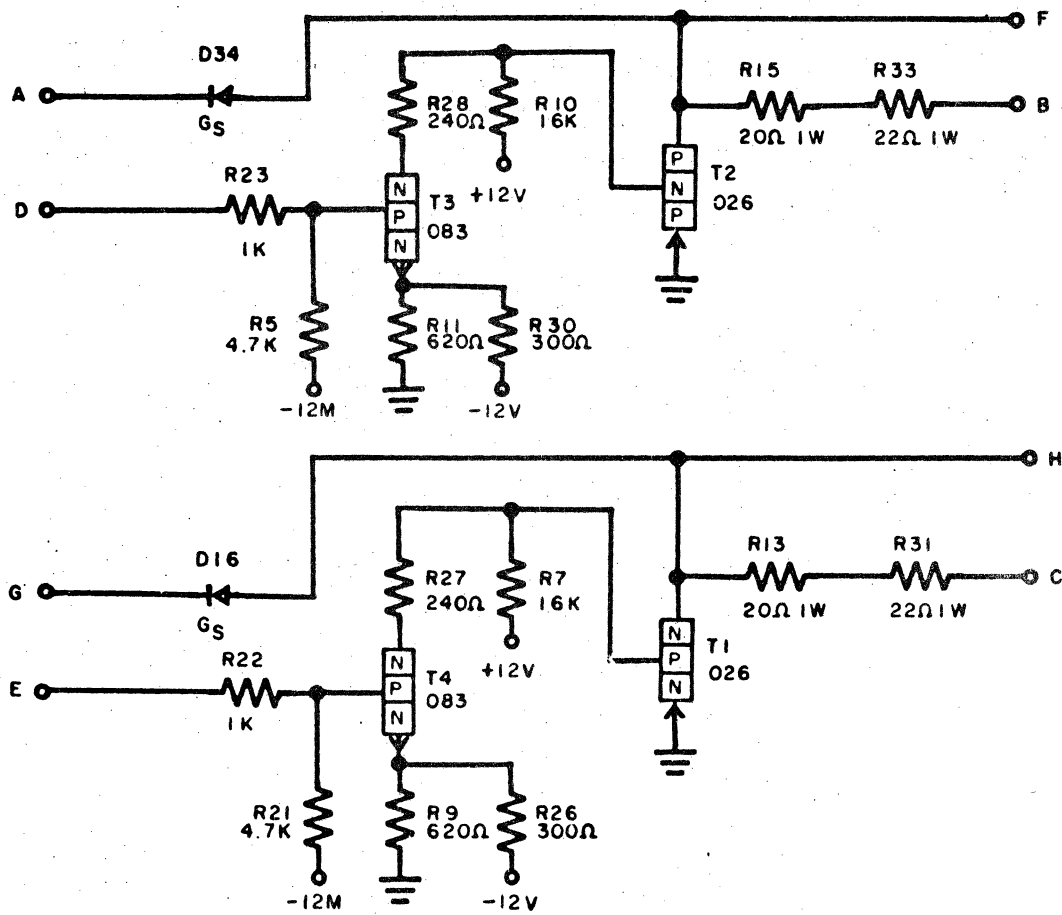


371684 REF

INPUT UP LEVEL - 0.0V TO - 0.3V  
DOWN LEVEL - 5.96V TO - 13.2V  
OUTPUT PIN C, H & F 0.0V TO - 0.6V

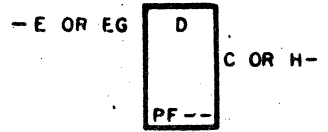
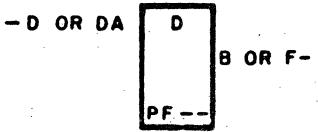




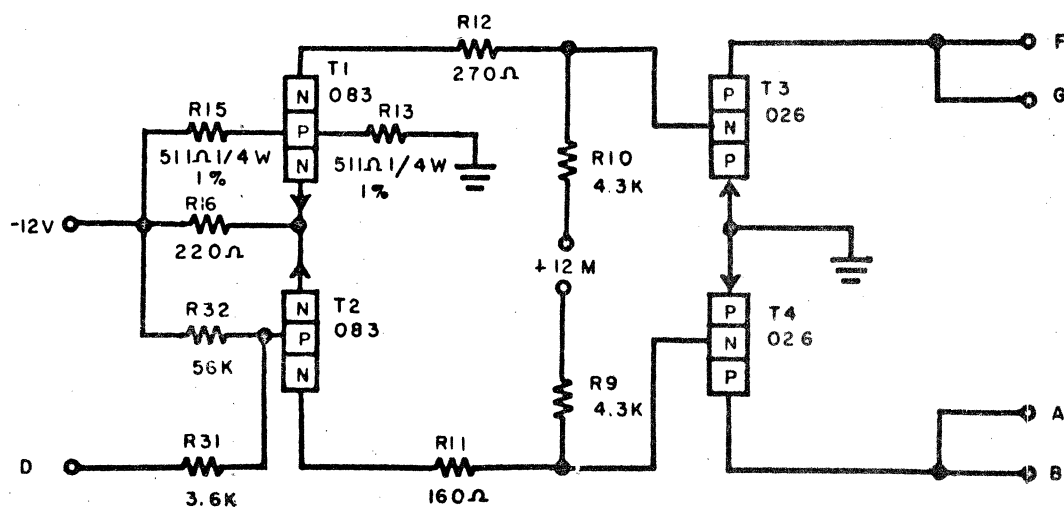


INPUT UP LEVEL -0.1V TO -0.6V  
DOWN LEVEL -6.87V TO -12.48V  
OUTPUT 0.0V TO -0.2V (+W)  
-18.0V TO -20.0V (-W)

371750 REF

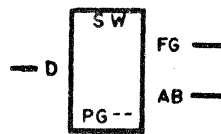


CONTROL-SELECTOR, BRAKE OR CLUTCH

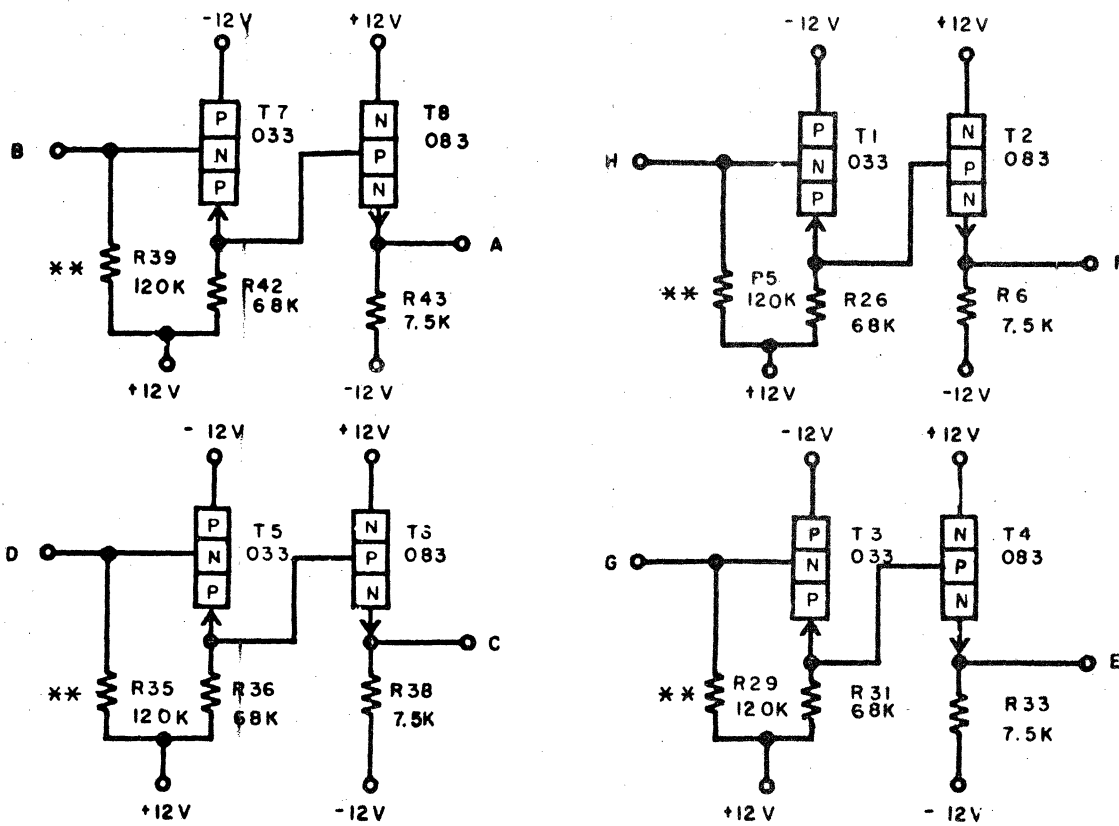


371777 REF

OUTPUT VARIES FROM -0.1 V TO -12V  
 INPUT UP LEVEL -0.1 V TO -0.4V  
 DOWN LEVEL -6.87 V TO -12.48 V



CTRL-EMITTER FOLLOWERS, LOW CURRENT

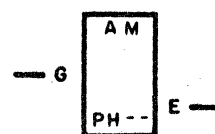
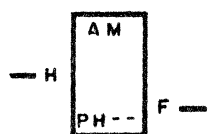
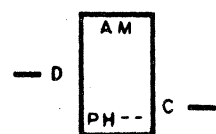
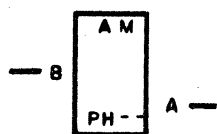


PH  
 \* CBW

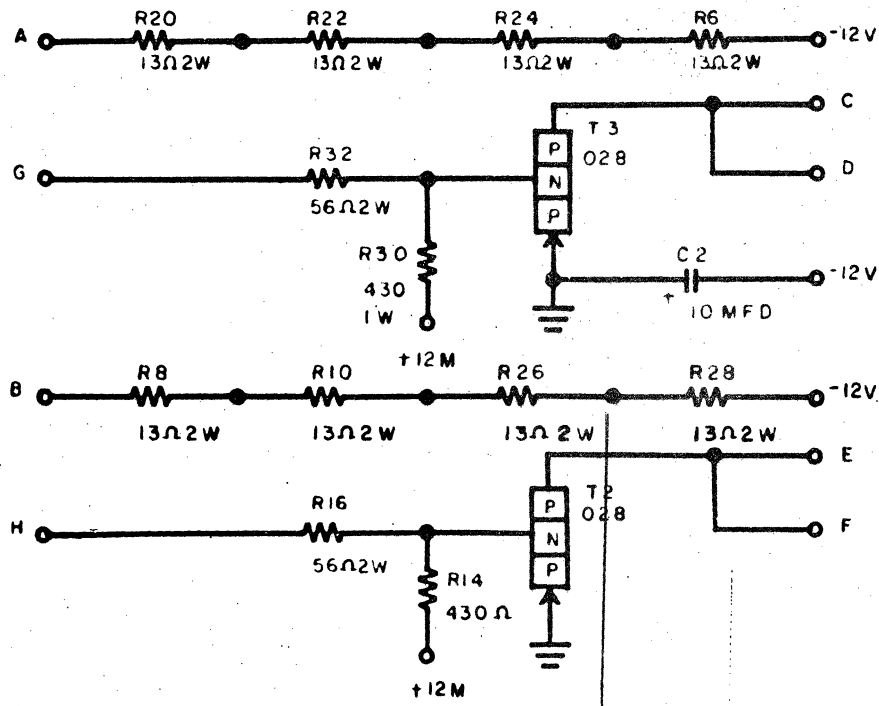
INPUT -8V TO -9V  
 OUTPUT UP LEVEL -0.1V TO -0.4V  
 DOWN LEVEL -6.87V TO -12.48V

371778 REF  
 \* 2115030 REF

\* WHEN PHOTODIODES HAVE ADJUSTING POTENTIOMETERS USE PIN 2115030  
 \*\* THESE RESISTORS ARE REMOVED TO CONVERT PH CARDS TO CBW



CONTROL-DRIVERS, BRAKE AND CLUTCH

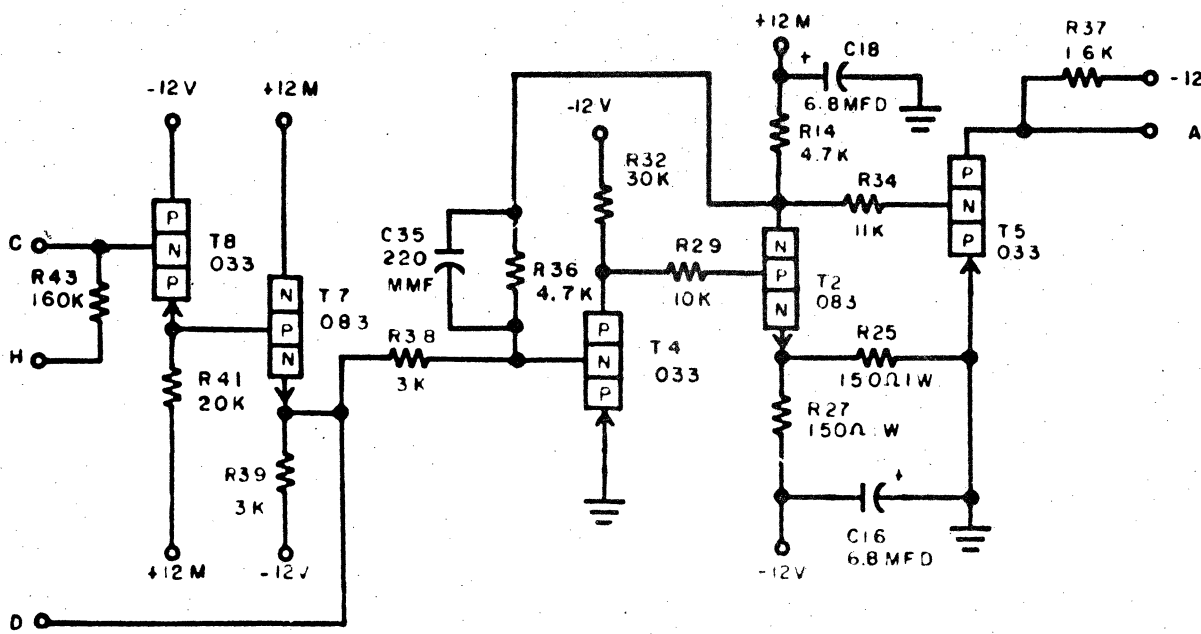


INPUT VARIES FROM -0.1V TO -12V  
 OUTPUT 51.9 V DC AT NO LOAD  
 485 V DC AT PEAK LOAD

371779 REF

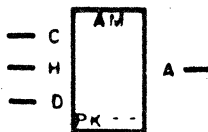


CONTROL- LOCK CIRCUIT- PHOTONSENSE



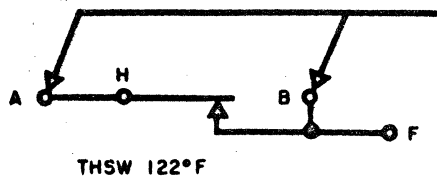
INPUT ADJUSTED TO -8.0V  
 OUTPUT UP LEVEL -0.1V TO -0.4V  
 DOWN LEVEL -6.87V TO -12.48V

371780 REF



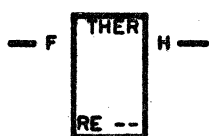
ALLOY-THERMOSWITCH N/C 122°F

RE



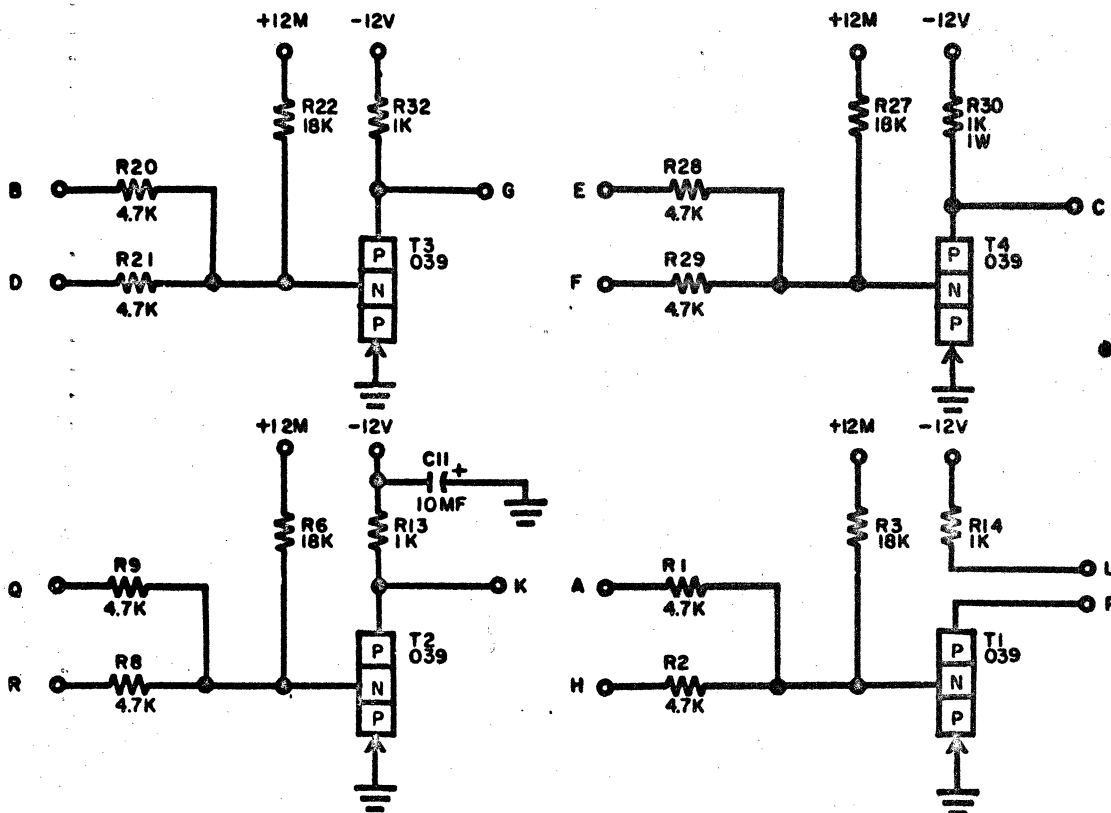
PINS A AND B ARE NOT INPUTS OR OUTPUTS  
THEY INSURE POSITIVE INDICATION  
WHEN THIS CARD IS ACCIDENTLY  
SUBSTITUTED FOR 371696, 371697 AND  
371698

371699 REF



SDTRL-2WAY INVERTER

VE  
TAG\*



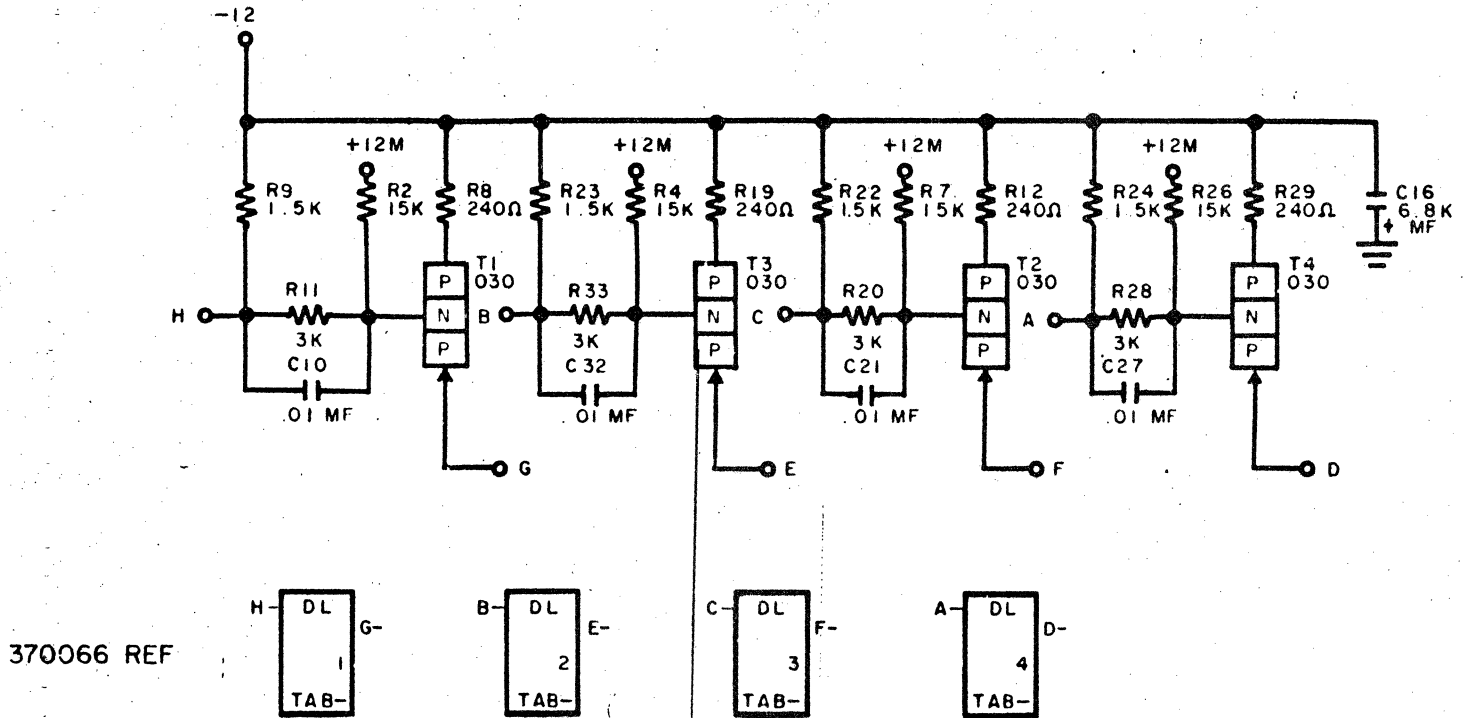
371869 REF  
\* 370366 REF

INPUT UP LEVEL - 0.1V TO -0.6V  
OUTPUT DOWN LEVEL - 6.87V TO -12.48V  
\* INTERCHANGEABLE WITH VE



SDTRL 93Ω COAX LINE DRIVER-DISPERSED LOADS

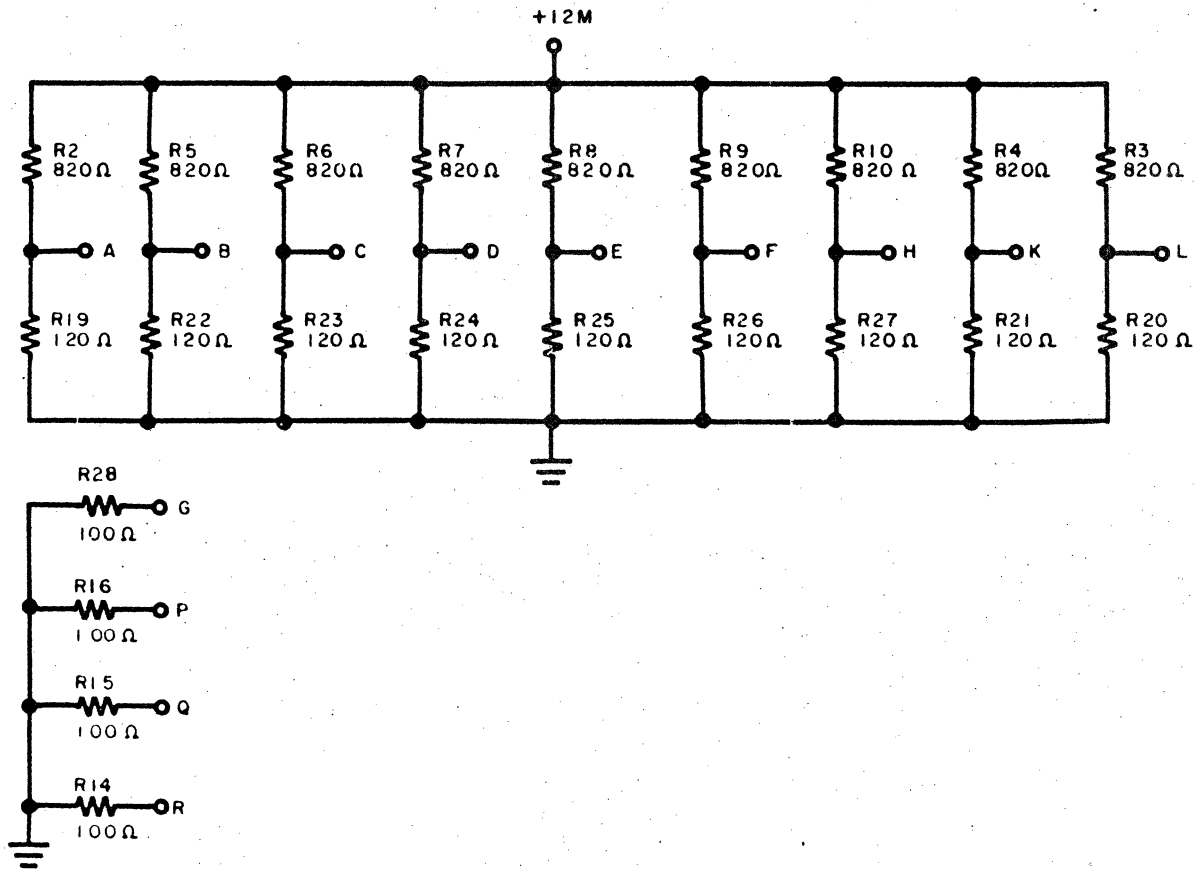
TAB-



INPUT UP LEVEL -0.1V TO -0.4V  
 DOWN LEVEL -6.87V TO -12.48V  
 OUTPUT NOMINAL -2.0V

SDTRL-END OF LINE TERMINATORS

TCK-

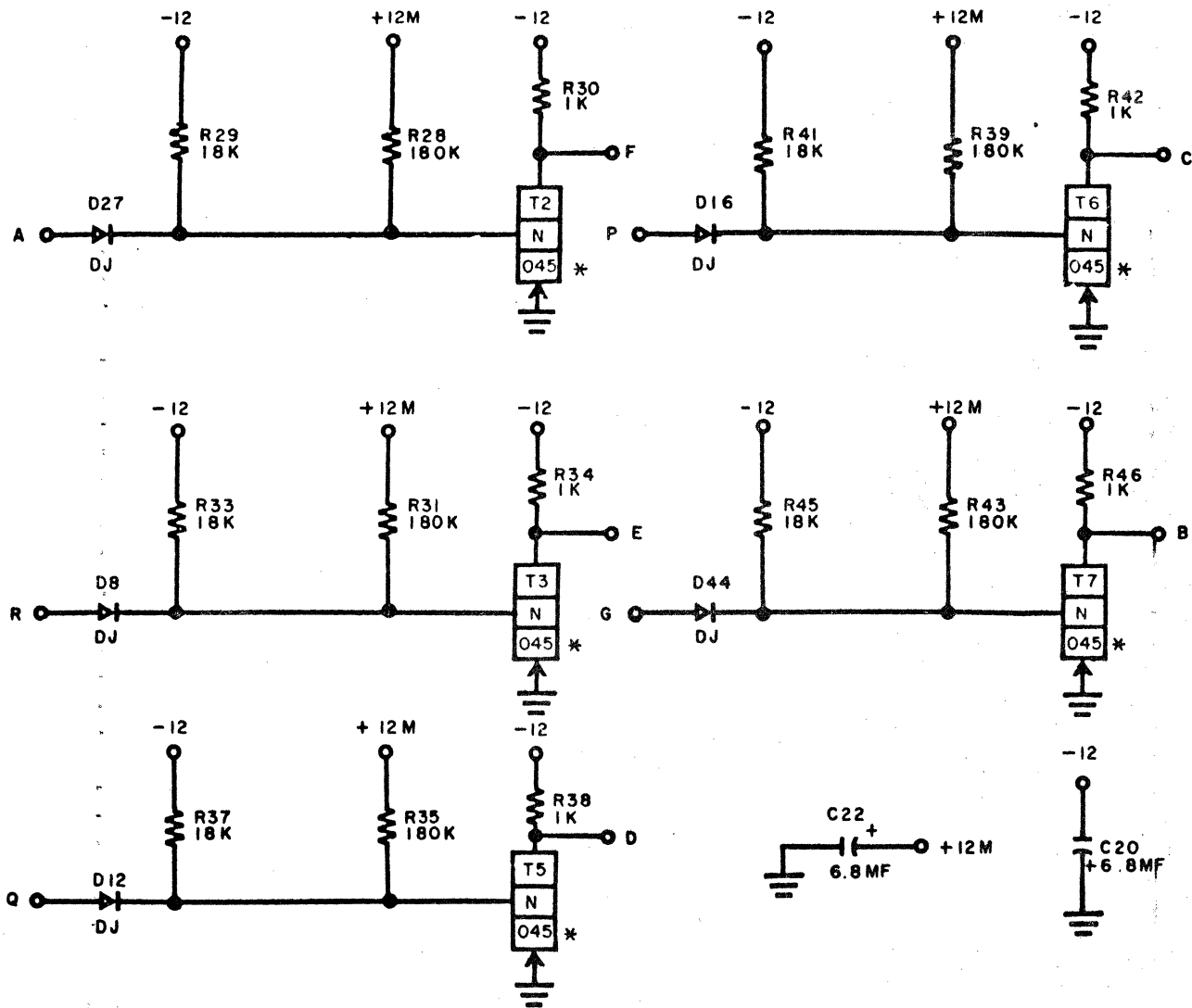


370334 REF

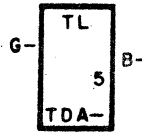
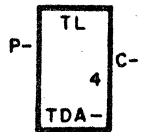
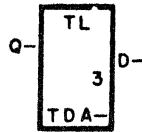
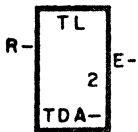
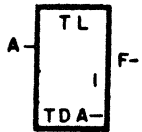
NOTE ALL RESISTORS ARE 1/2 WATT AND ±5%

SDTRL-DISTRIBUTED LINE TERMINATOR

TDA-



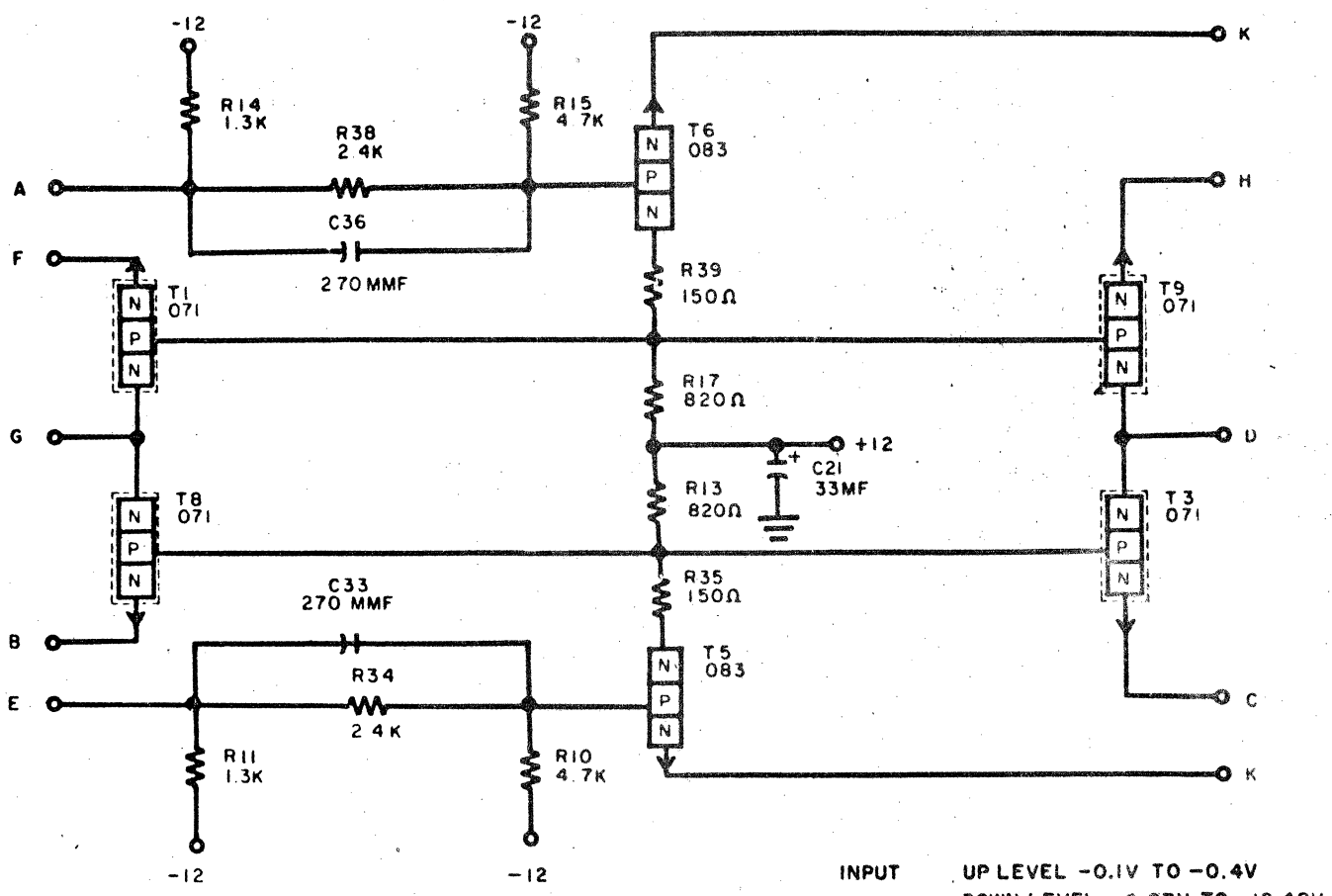
370359 REF



INPUT NOMINAL -2.0V  
 OUTPUT UP LEVEL -0.1V TO -0.4V  
 DOWN LEVEL -6.87V TO -12.48V \*101

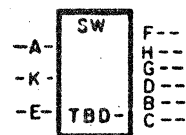
SDTRL-ALLOY SWITCH

TBD



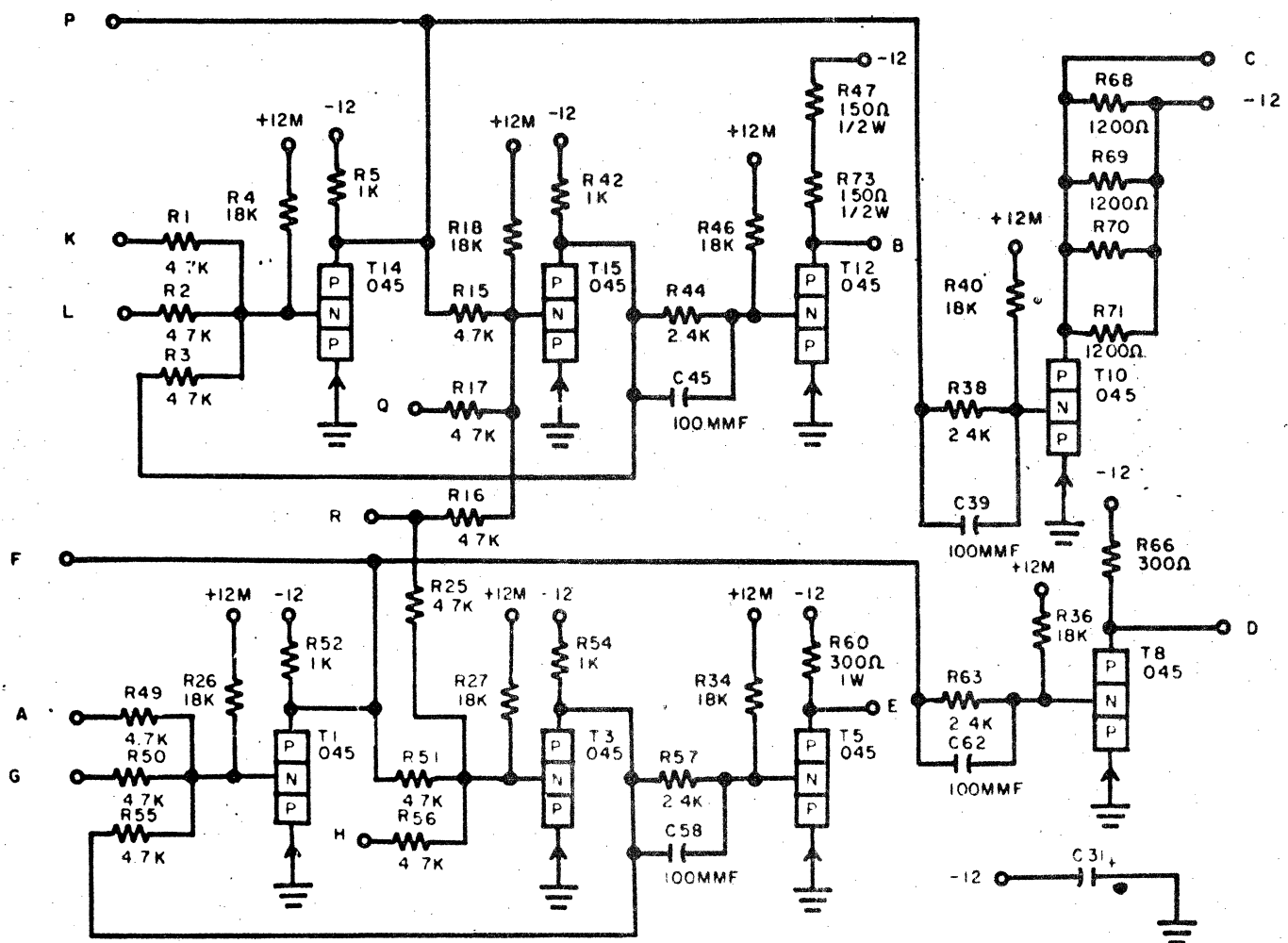
INPUT UP LEVEL -0.1V TO -0.4V  
 DOWN LEVEL -6.87V TO -12.48V  
 OUTPUT NOMINAL 0V TO +12V

370171 REF



SDTRL-MODIFIED MUP NUMBER 12

TCZ



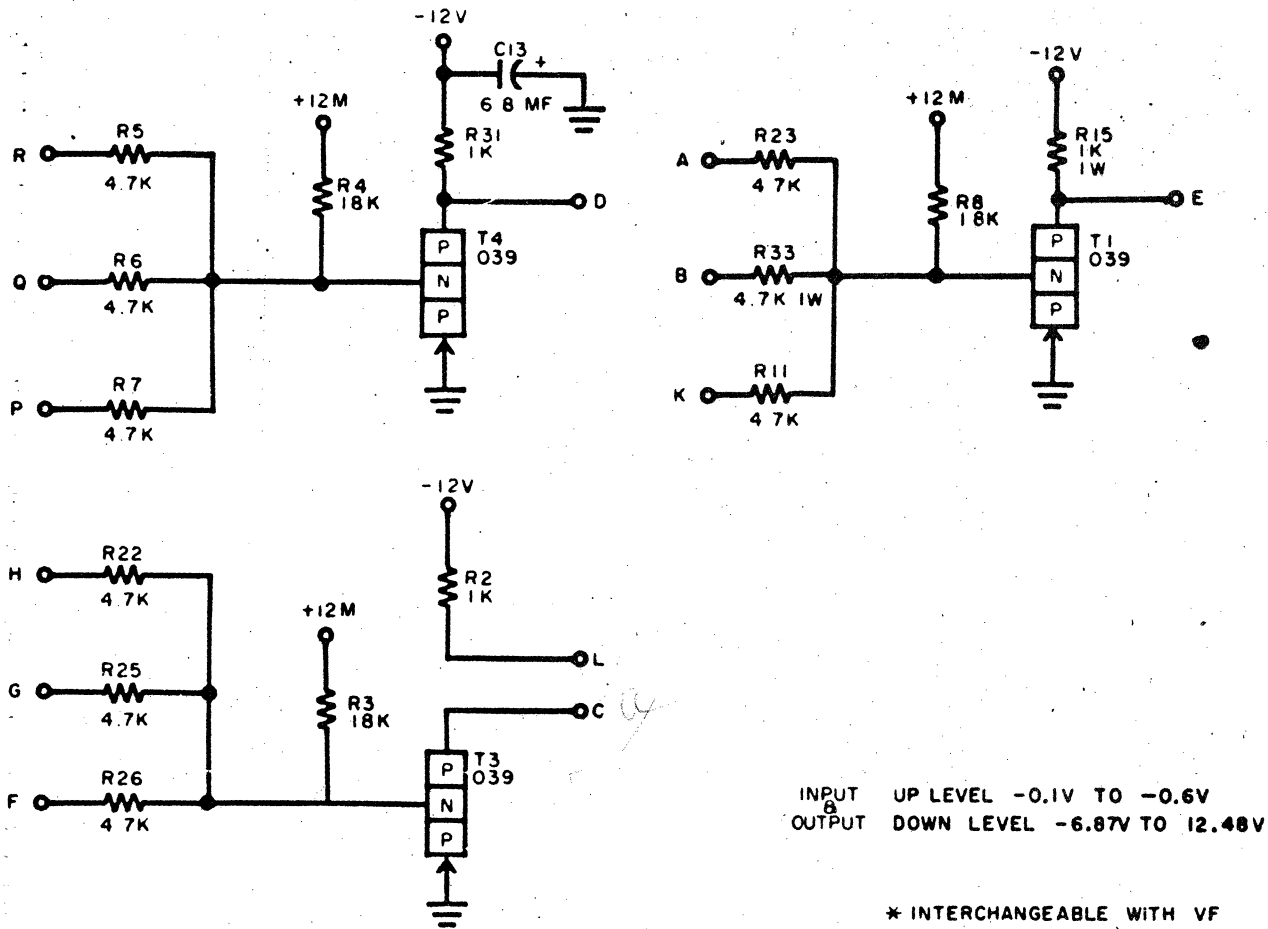
370335 REF



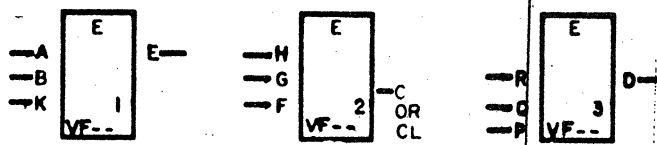
INPUT & OUTPUT  
 UP LEVEL -0.1V TO 0.4V  
 DOWN LEVEL -6.87V TO -12.48V

SDTRL - 3 WAY INVERTER

VF  
TAH\*

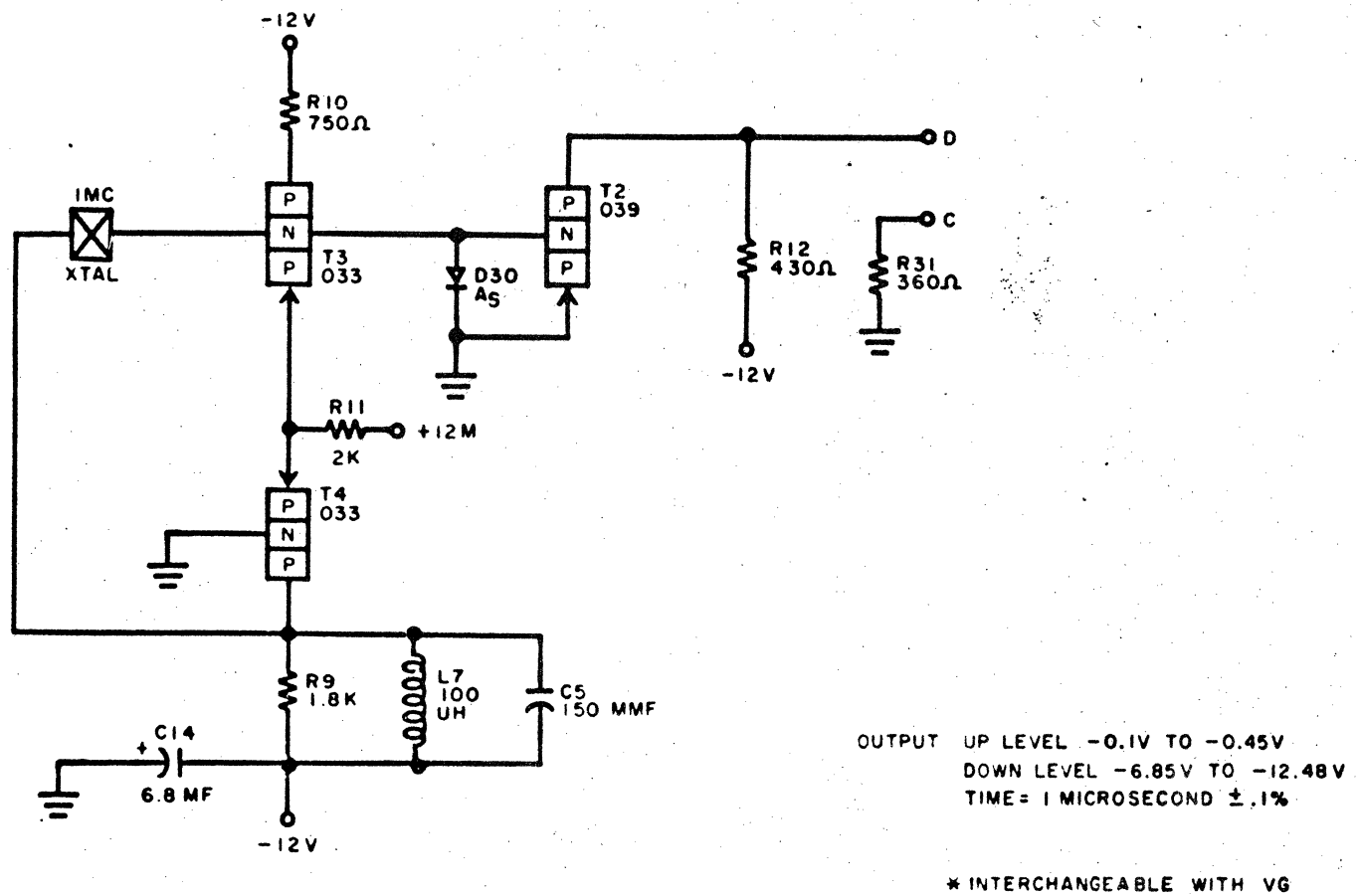


371870 REF  
\* 370367 REF

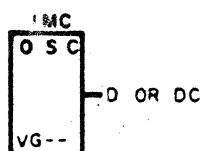


SDTRL - OSCILLATOR, ONE MC

VG  
TAF\*



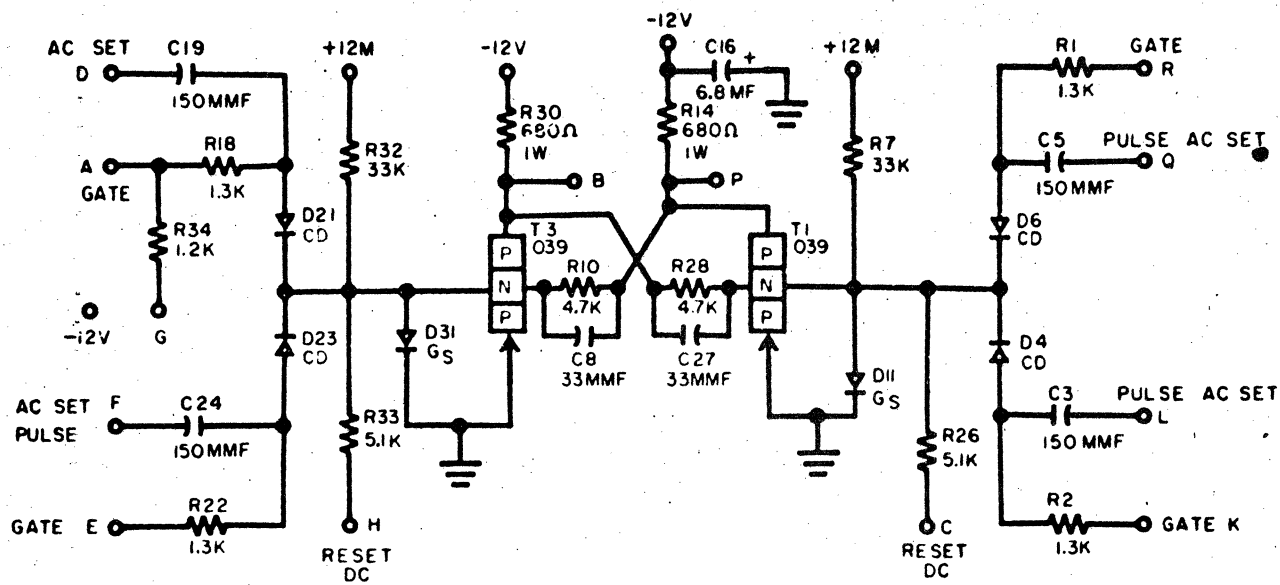
371868 REF  
\* 370365 REF





SDTRL-TRIGGER, BINARY

VJ  
TAJ\*

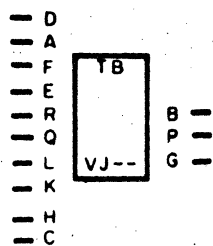


INPUT AC SET POSITIVE SHIFT 4.5V TO 6.0V  
DC GATE UP LEVEL 0.0V TO -0.6V  
DOWN LEVEL -6.87V TO -12.48V

OUTPUT UP LEVEL -0.1V TO -0.6V  
DOWN LEVEL MIN -9.96V

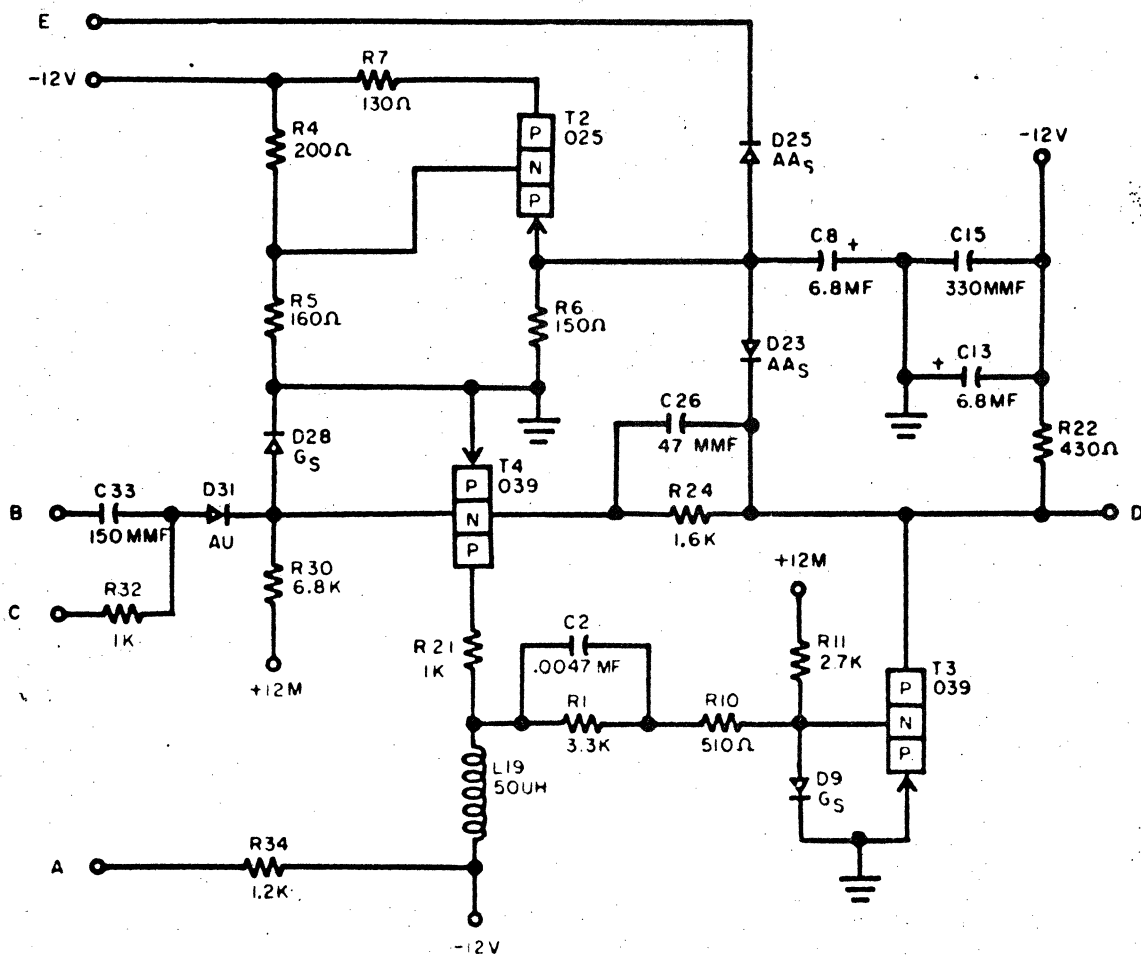
\* INTERCHANGEABLE WITH VJ IF FBM #2115244 IS INSTALLED.

371867 REF  
\*370364 REF



SDTRL-GENERATOR, SAMPLE PULSE

VL  
TAL\*

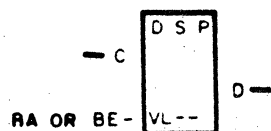


INPUT AC SET POSITIVE SHIFT 4.5V TO 6.24V  
GATE UP LEVEL 0.0V TO -0.6V  
DOWN LEVEL -6.87V TO -12.48V

OUTPUT UP LEVEL 0.0V TO -0.5V  
DOWN LEVEL -4.5V TO -6.24V

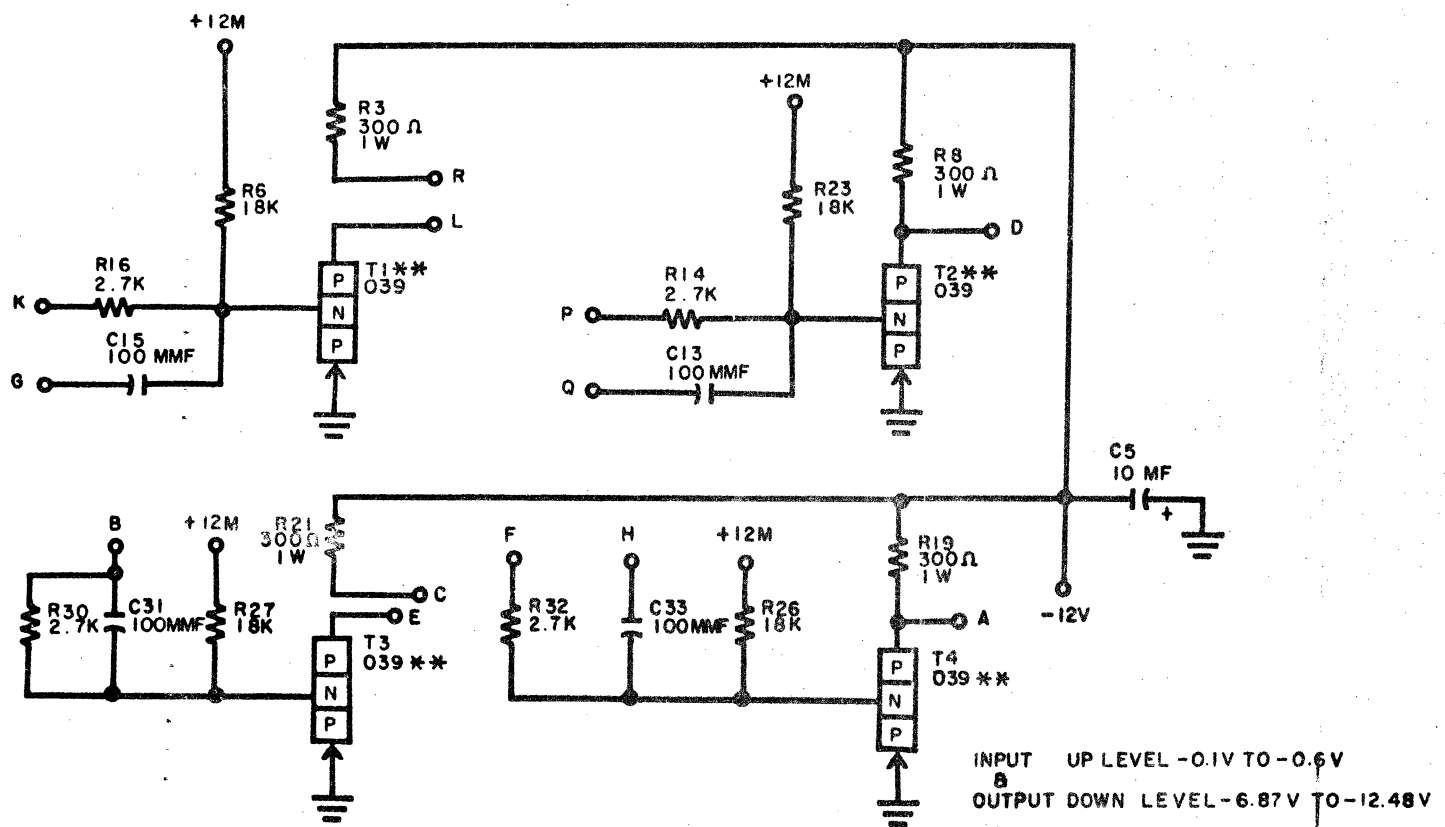
\* INTERCHANGEABLE WITH VL

371874 REF  
\*370370 REF



SDTRL-INVERTER, POWER--PNP

VM  
TAK\*  
TFC\*\*

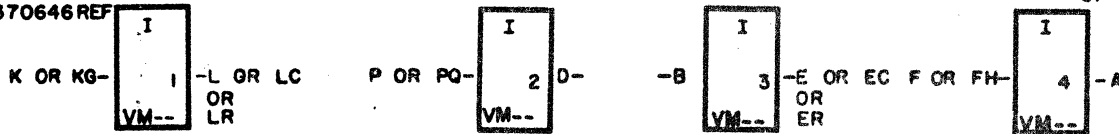


INPUT UP LEVEL -0.1V TO -0.6V  
OUTPUT DOWN LEVEL -6.87V TO -12.48V

\* INTERCHANGEABLE WITH VM

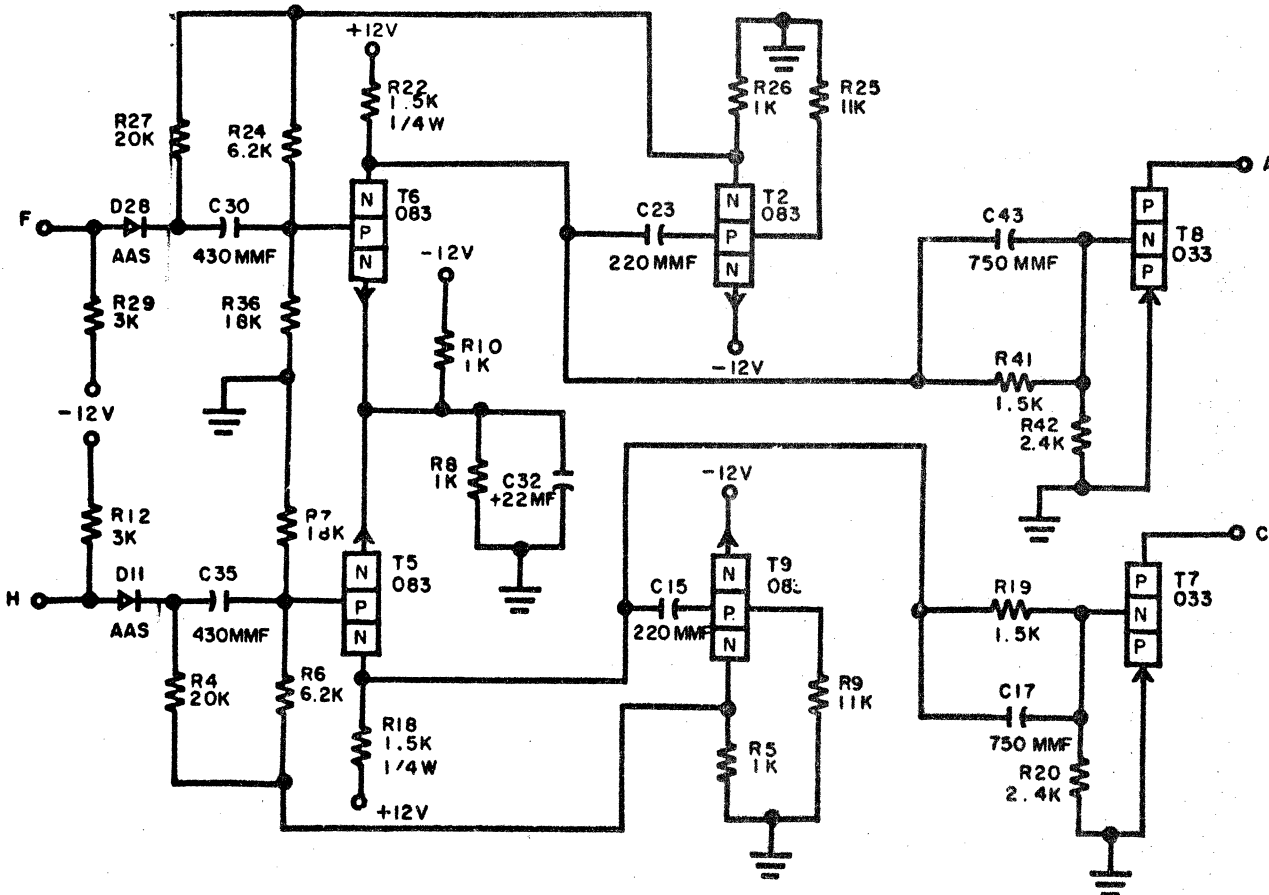
\*\* ALSO INTERCHANGEABLE WITH VM  
(106 REPLACES 039)  
THE INDIVIDUAL INPUTS HAVE THE CAPACITOR AND RESISTOR PARALLELED FOR ALL CIRCUITS AS IN CIRCUIT NO 3 OF THE VM CARD

371871 REF  
\*370368 REF  
\*\*370646 REF



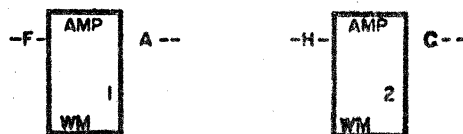
ALLOY-SENSE AMPLIFIERS, SINGLE SHOT

WM



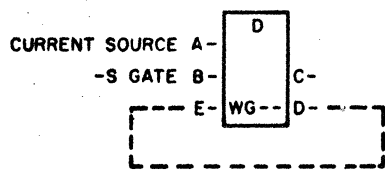
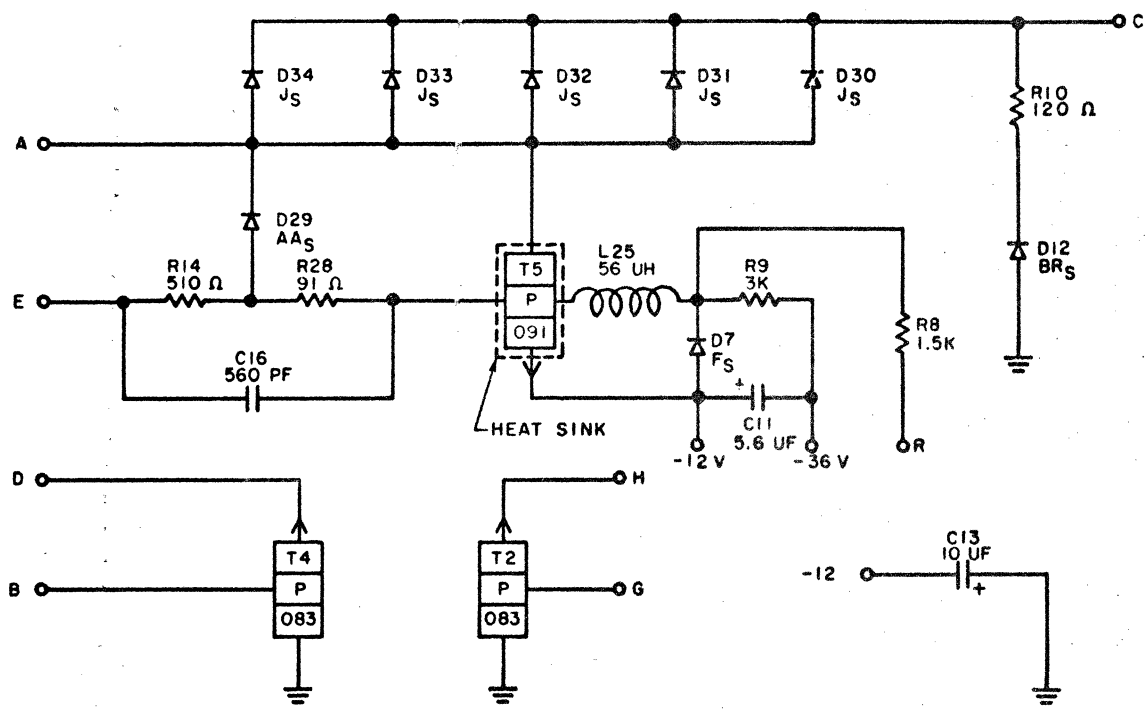
INPUT UP LEVEL -0.1V TO -0.6V  
OUTPUT DOWN LEVEL -6.87V TO -12.48V

371832 REF



ALLOY-DRIVER, CURRENT

WG--



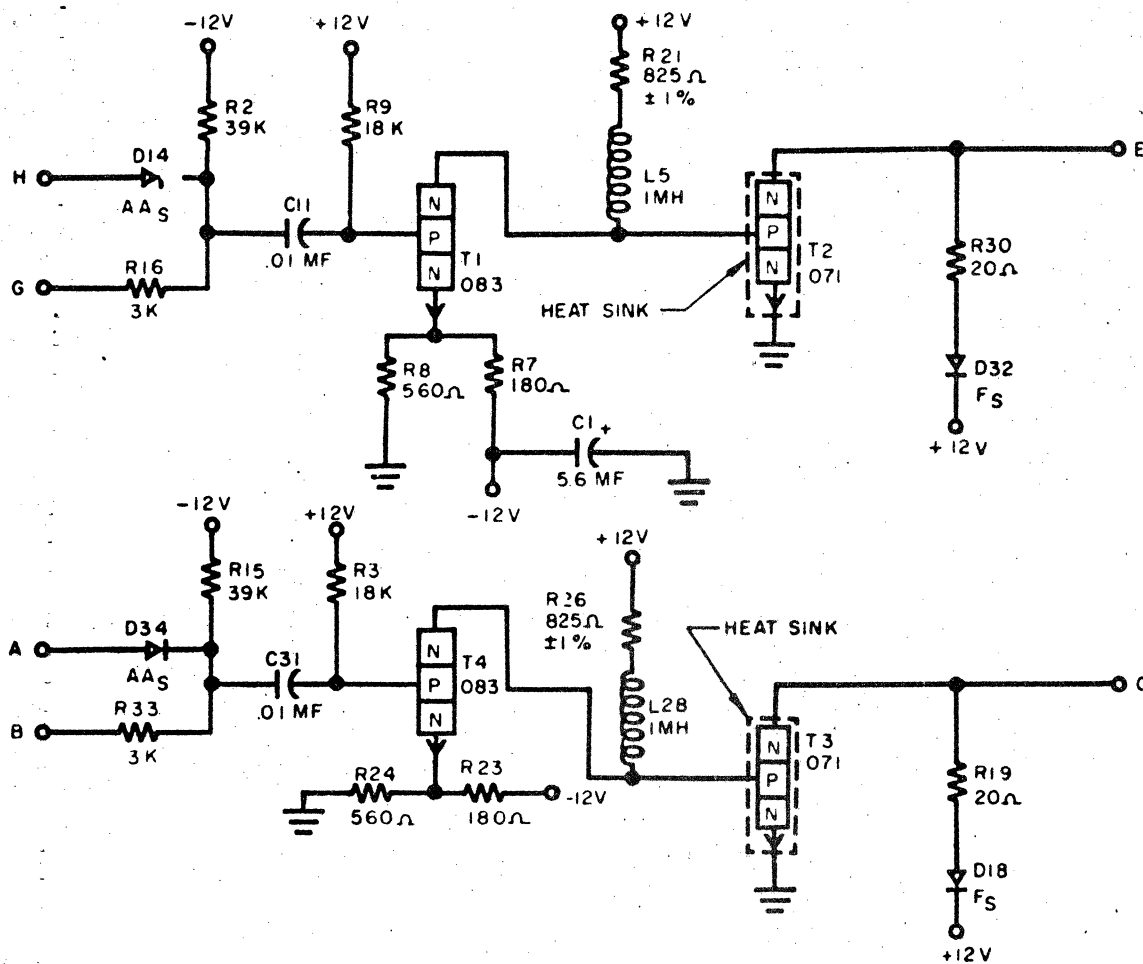
INPUT: A PIN NOMINAL 270 MA  
 E PIN UP LEVEL -0.1 V TO -0.5 V  
 DOWN LEVEL -6.87 V TO -12.48 V

NOTE: NOT INTERCHANGEABLE WITH FM CARD

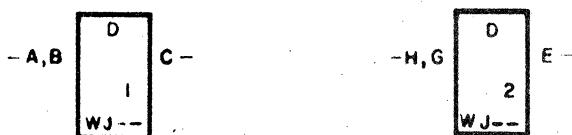
371790

ALLOY-DRIVER, 12V

WJ



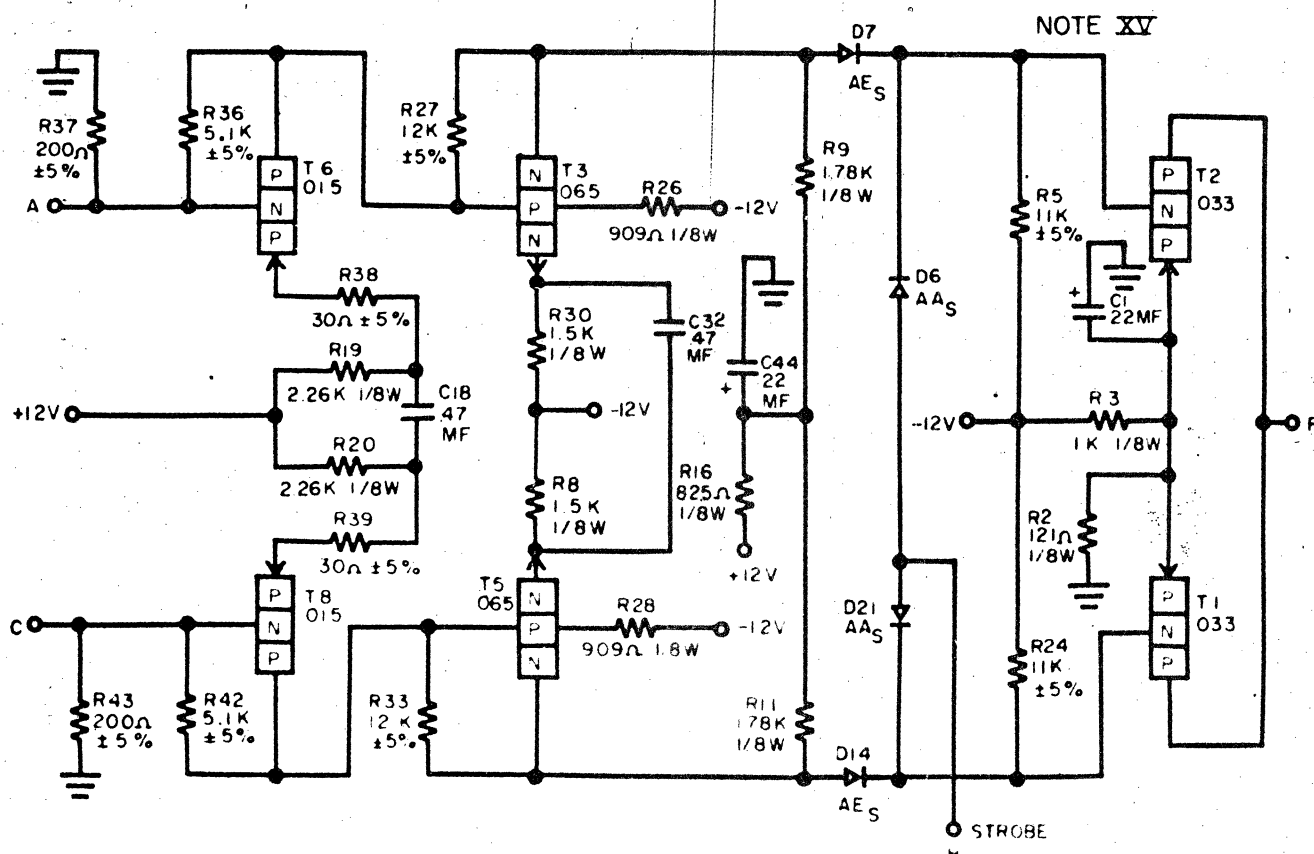
371881 REF



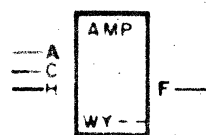
INPUT UP LEVEL 0.0V TO -0.5V  
DOWN LEVEL -90V TO -12.48V  
OUTPUT ± 12V NOMINAL (± R LEVEL)  
230 ma TO 300 ma

ALLOY-AMPLIFIER, PRE SENSE NO. 2

WY



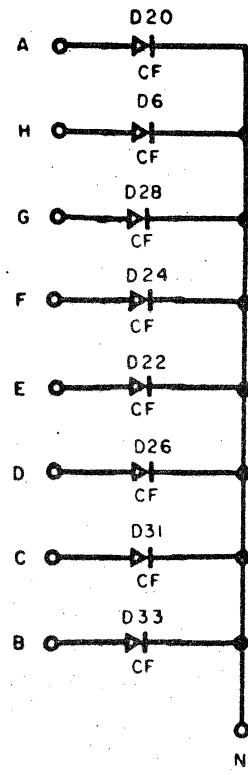
371900 REF



INPUT PIN A B C ± 40 MV NOMINAL  
PIN H OUTPUT  
UP LEVEL -0.1V TO -0.6V  
DOWN LEVEL -6.87V TO -12.48V

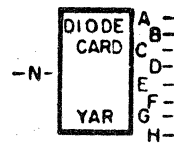
CF DIODE CARD

YAR



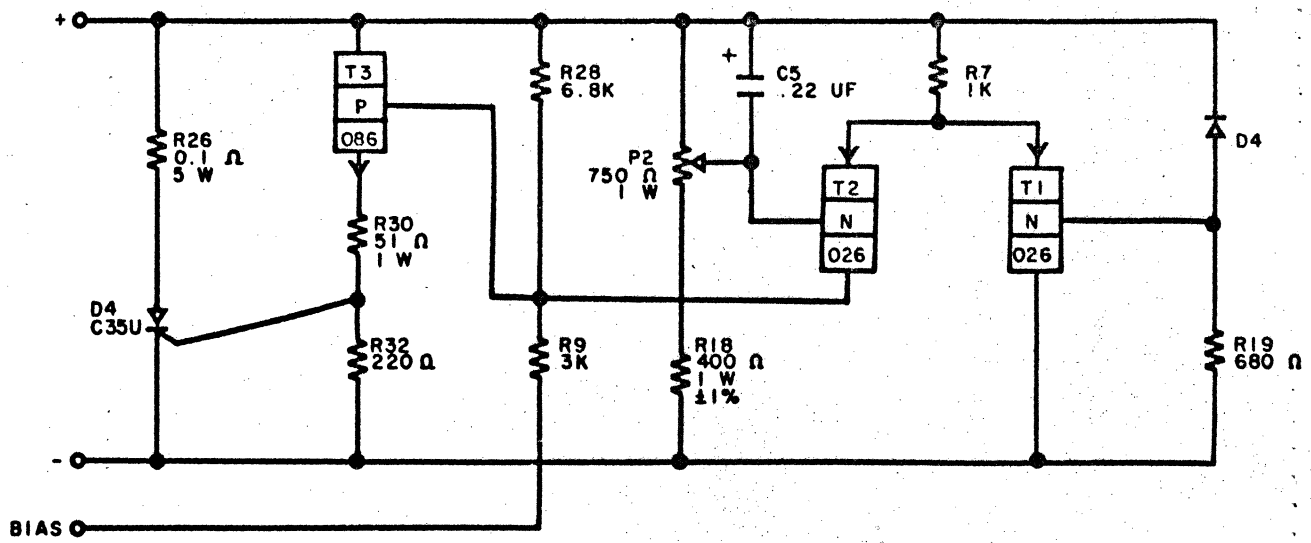
370321 REF

RATED CURRENT 100 ma  
OUTPUT ±12V NOMINAL (± R LEVEL)



OVERVOLTAGE PROTECTION 12 VOLT

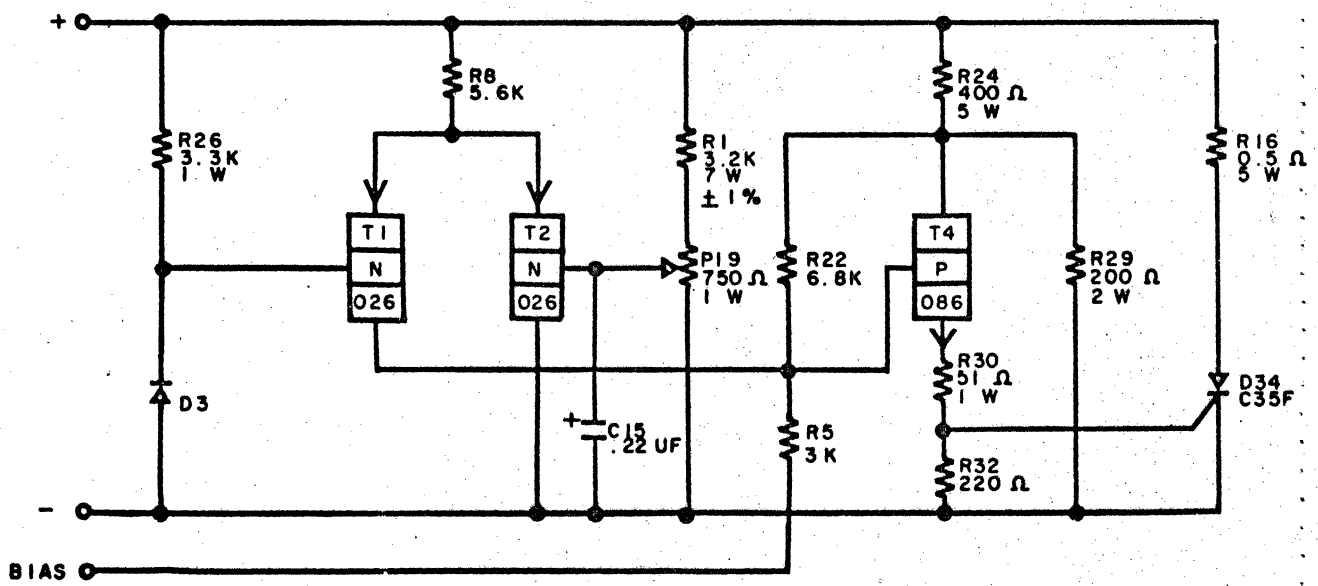
YGB-



370576 REF

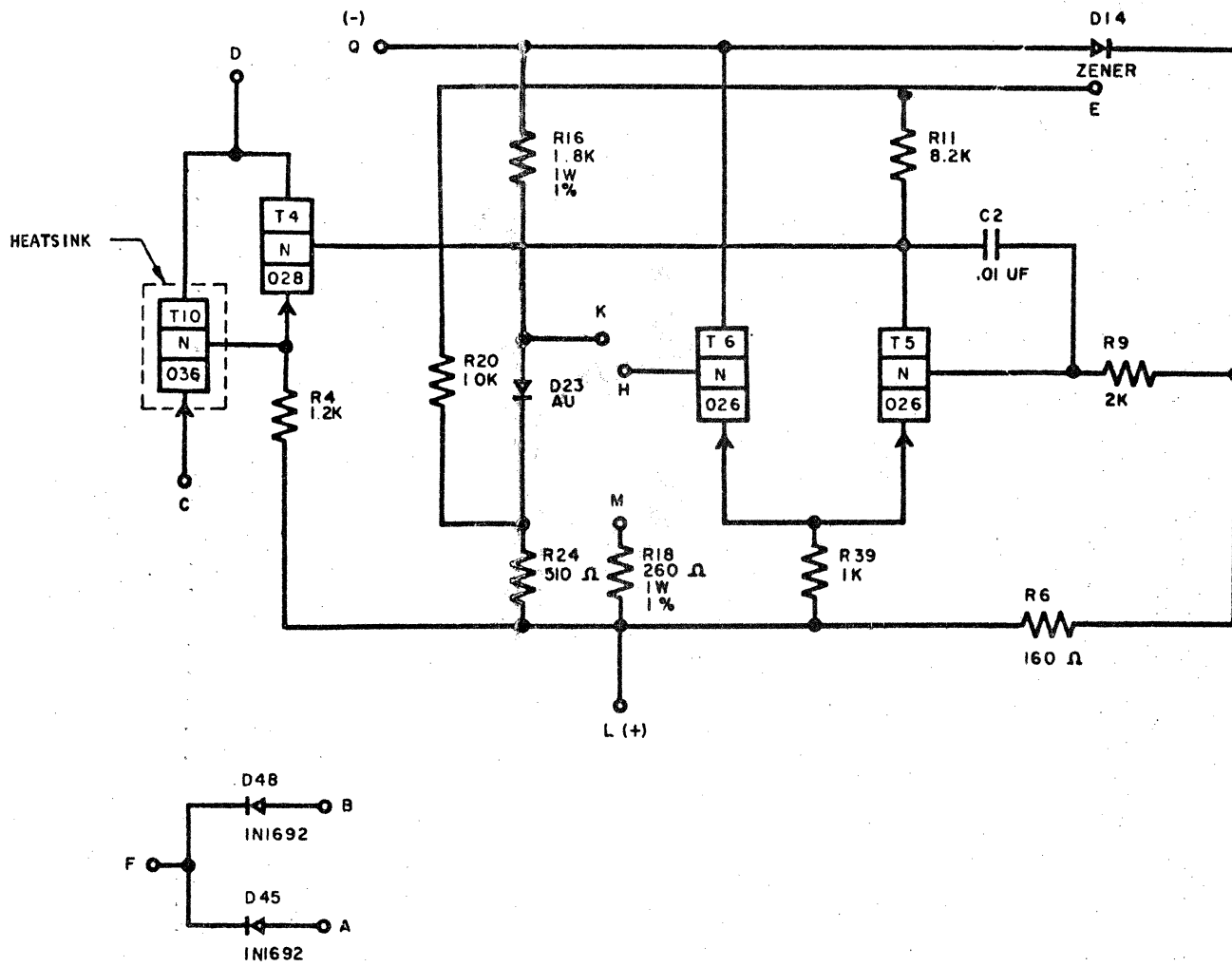
OVERVOLTAGE PROTECTION 36 VOLT

YGC-



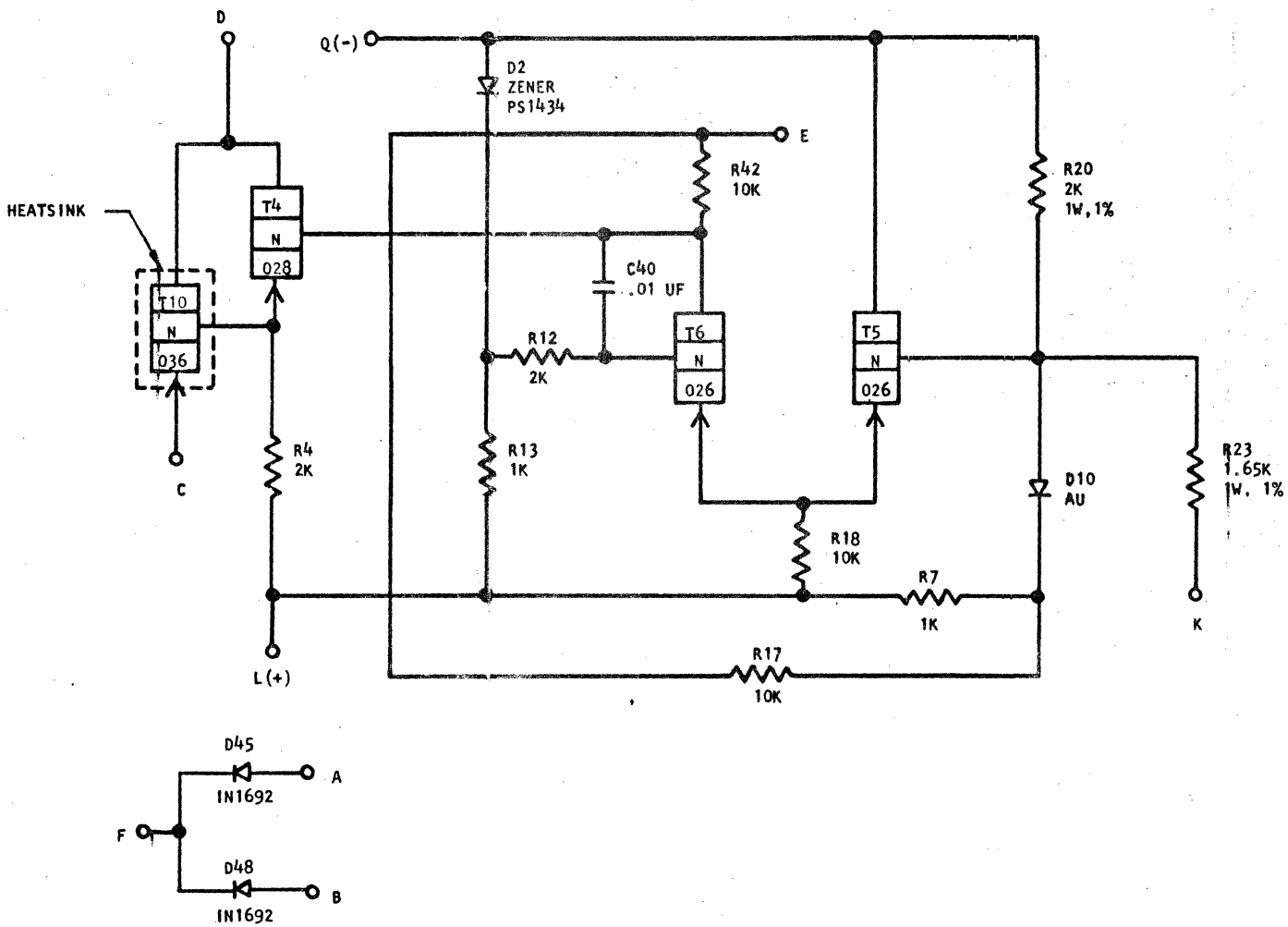
370577 REF

12 VOLT DIFF AMPLIFIER



370610 REF

20 VOLT AT 15 AMP DIFF AMPLIFIER



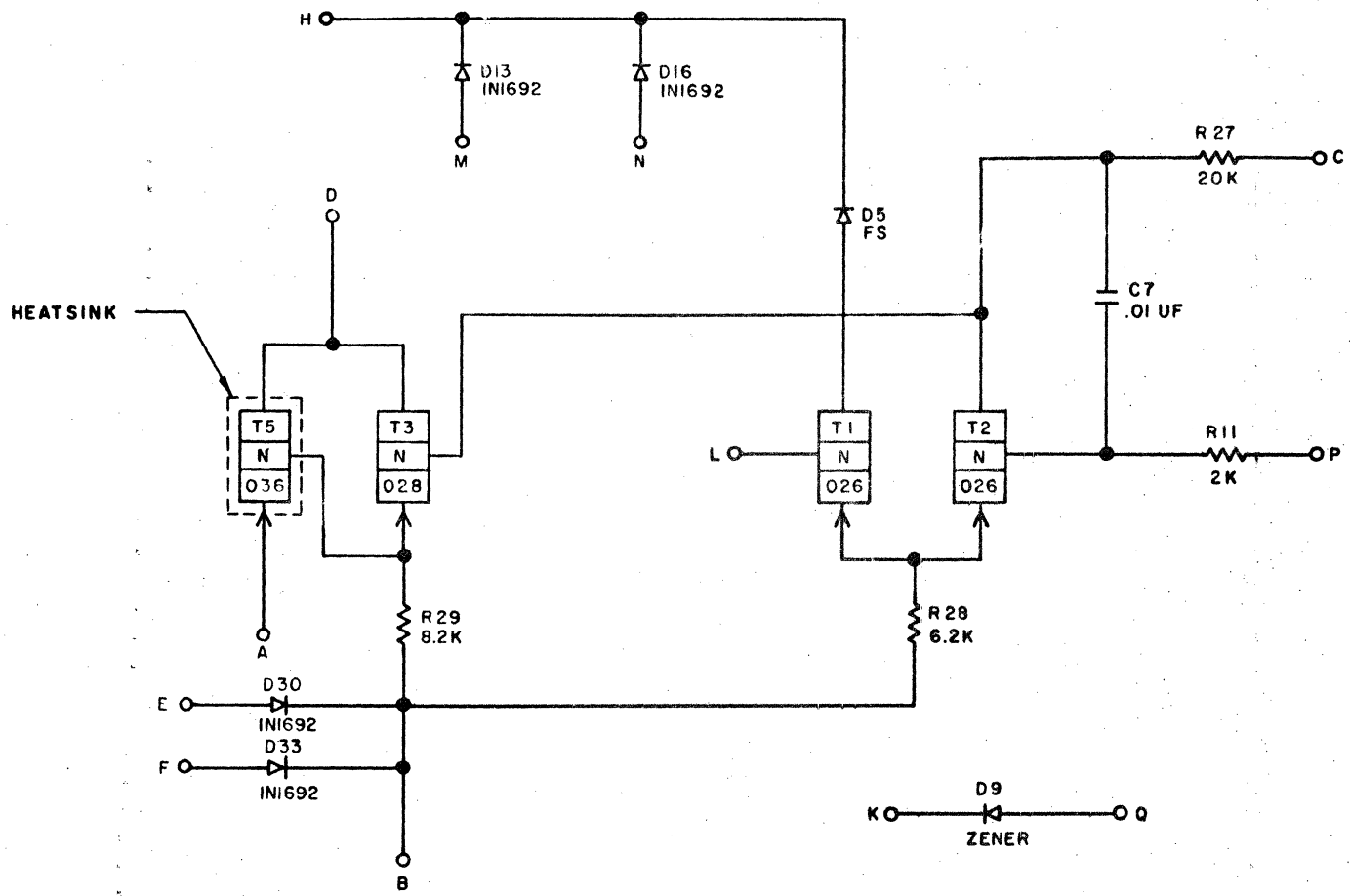
370611 REF

CARD SCHEMATIC

C.00.77.1  
YGN

2125696

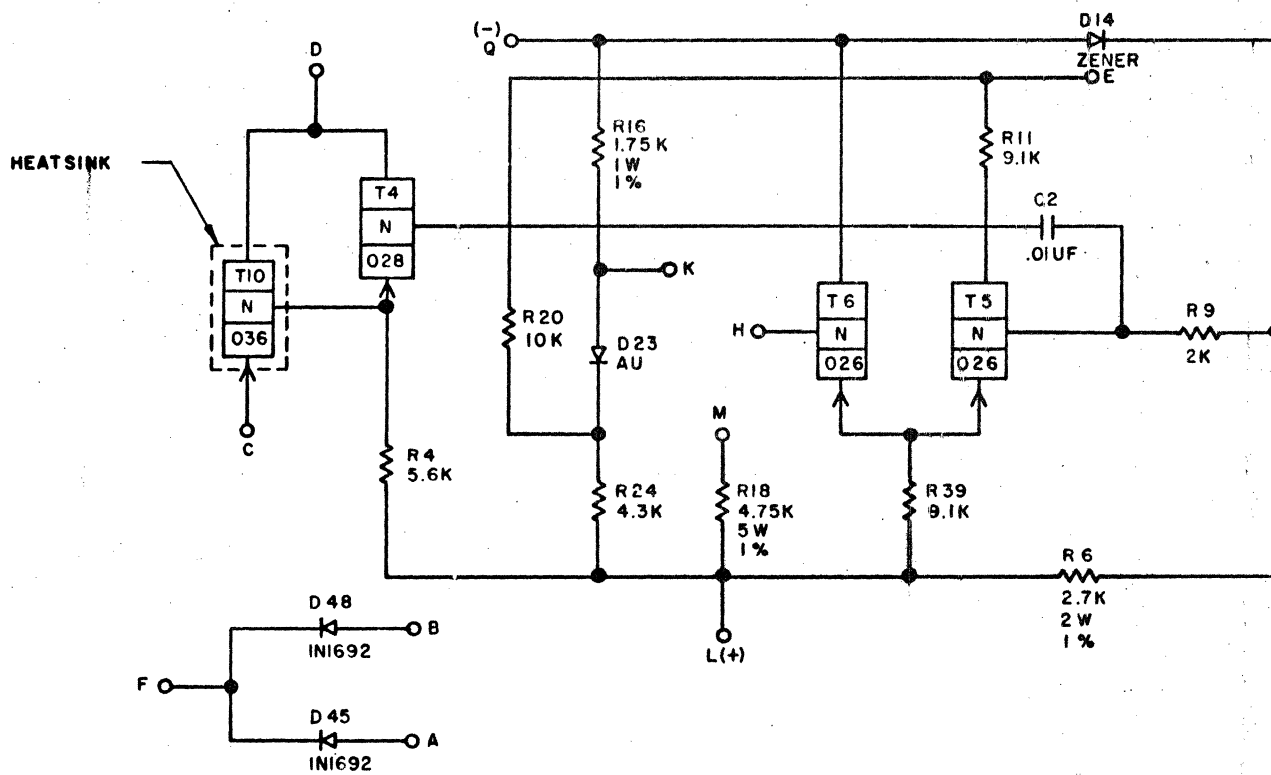
30 VOLT DIFF AMPLIFIER



370614 REF

YGH

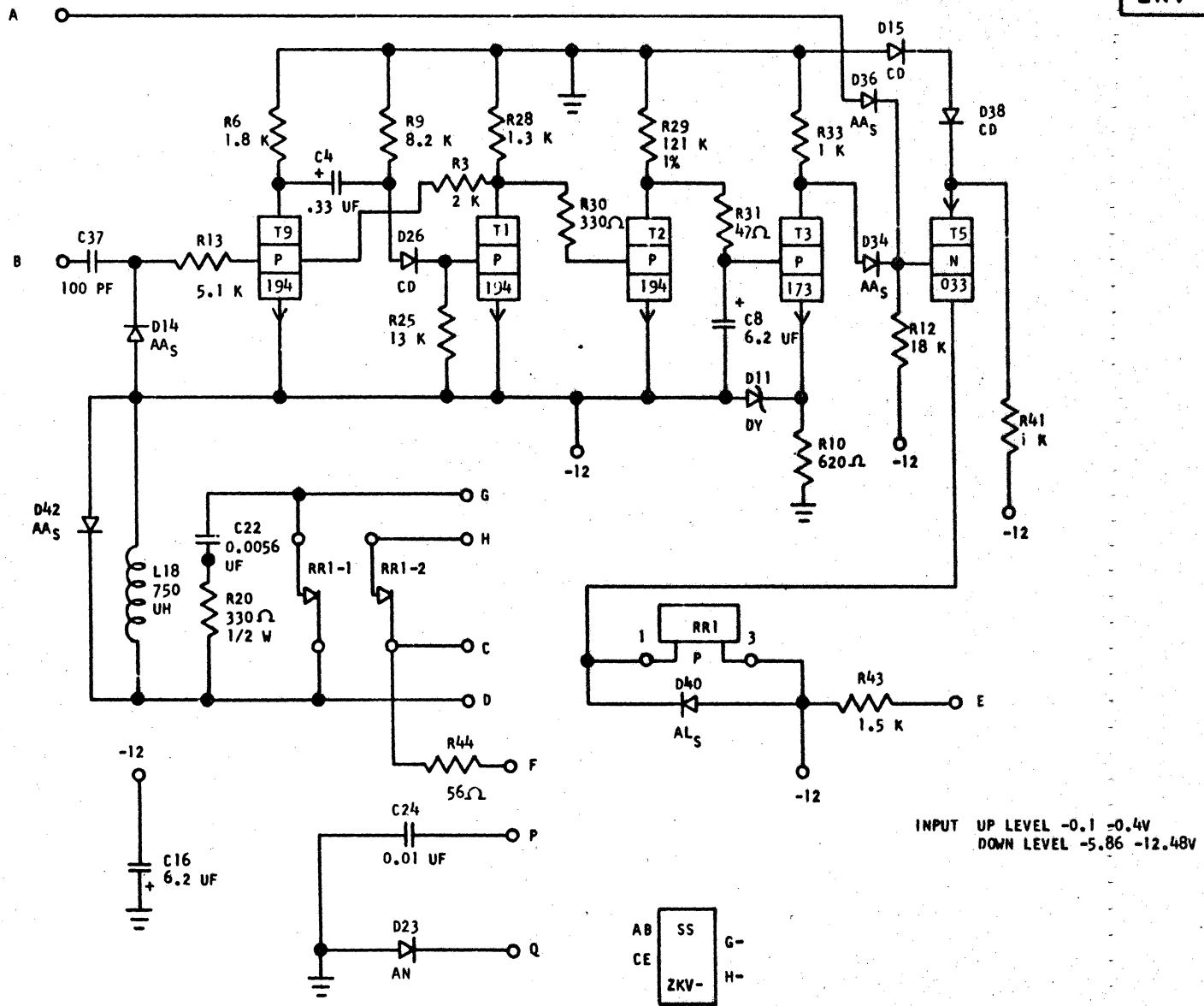
36 VOLT DIFF AMPLIFIER



370609 REF



ZKV-

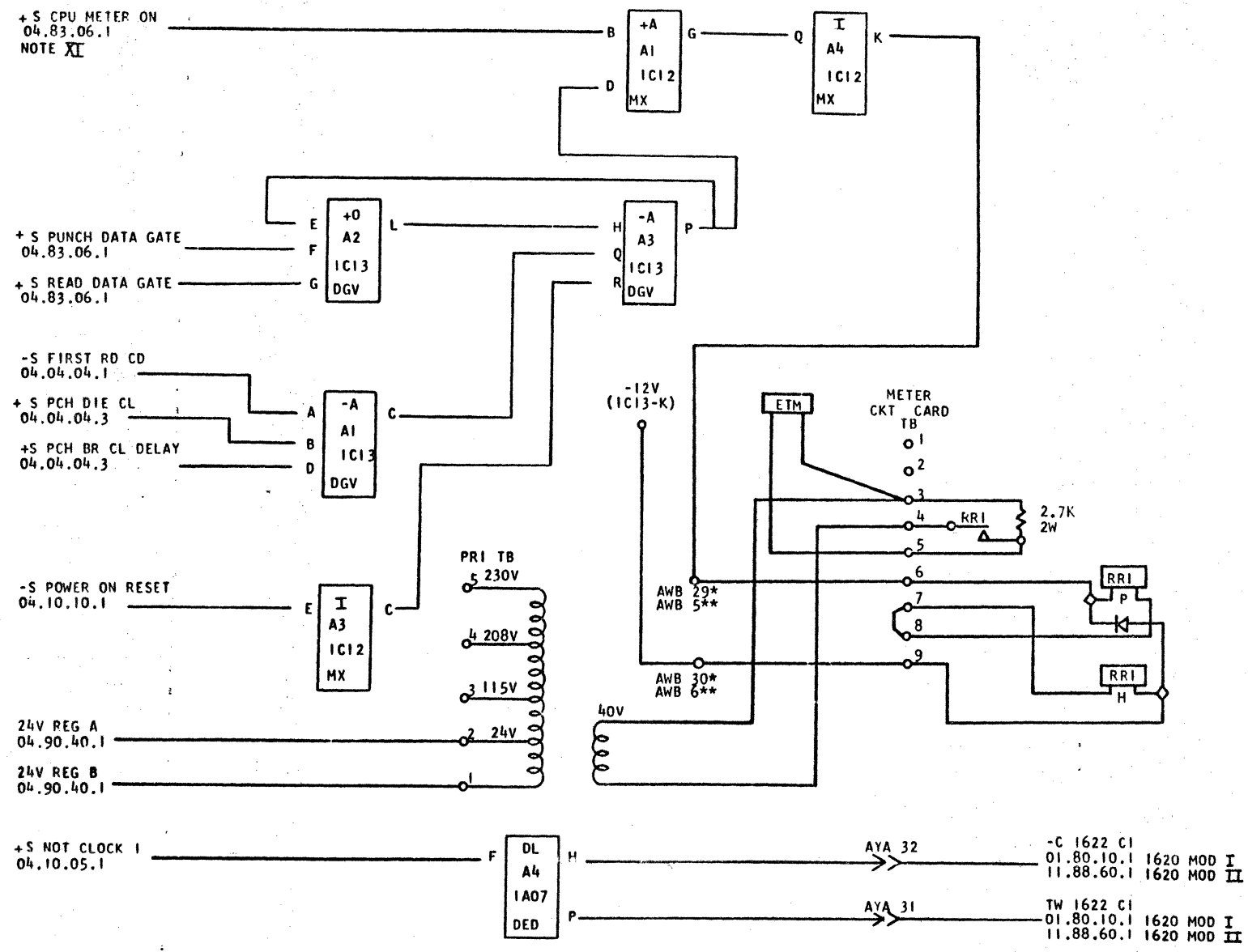


372687 REF

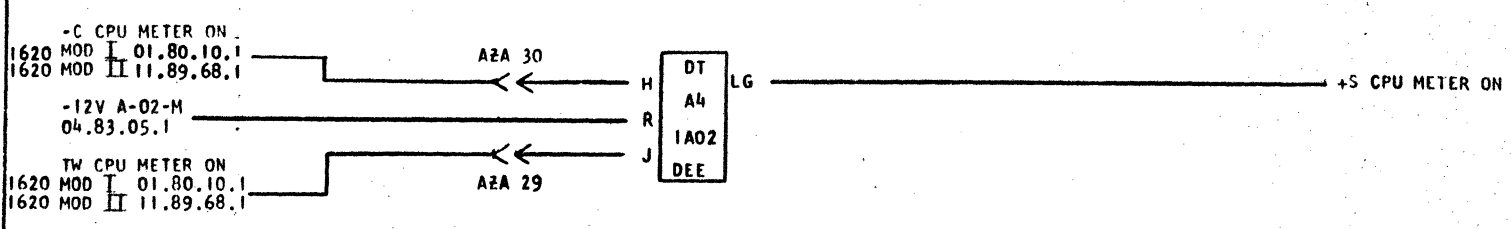
605354

SECTION A

PROCESS METER



SUPPLEMENT TO SECTION 04.83.06.1



- NOTES
- XI SECTION 04.83.06.1, CIRCUIT IAC2 (A4) WAS ALTERED AS SHOWN ABOVE.
  - XII \* INDICATES LOCATIONS USED FOR MACHINE W/D SUFFIX J AND LATER \*\* INDICATES LOCATIONS USED FOR MACHINE W/D SUFFIX \*-H

INTERNATIONAL BUSINESS MACHINES CORP.				DATE	CHANGE NO.	DATE	CHANGE NO.	NOTE	DEVELOPMENT NO.
NAME				9-13-63	805772C			X PRINT TO ENG. SPEC. NO. 894947	
MODEL				10-22-63	805772 H				
DESIGN									
DETAIL									
CHECK		DRAW	DJH	8-29-63					605354
APPRO		CHECK							

SECTION A