

# **2841 Storage Control – Stage 1 and 2**

S127-0793-5

**IBM** Illustrated Parts Catalog

## PREFACE

**This Parts Catalog contains listings and illustrations of all replaceable assemblies, subassemblies and detail parts released to Production Control on or before 1 January 1970, for the 2841 Storage Control (Stage 1 and 2)**

### Second Edition (January 1970)

This manual, Form S127-0793-5, is a major revision of and makes obsolete Form S127-0793-4.

Significant changes or additions to the specifications contained in this publication are continually being made. When using this publication in connection with the operation of IBM equipment, check the latest FE Publications Systems Sequence Listing, Form Y20-0073, for revisions or contact the local IBM Branch Office.

Copies of this and other IBM publications can be obtained through IBM Branch Offices.

A form for reader's comments is provided at the back of this publication. If the form has been removed, send your comments to the address below.

This manual was prepared by the IBM Systems Development Division, Product Publications, Department G24, San Jose, California 95114.

CONTENTS

Figure	Page	Figure	Page
HOW TO USE THIS PARTS CATALOG . . . . .	iii	9 Stage 2 Gate Assembly . . . . .	31
VISUAL INDEX		9A Stage 1 Gate Assembly . . . . .	34
Master Visual Index . . . . .	v	10 Gate Blower Assembly . . . . .	37
Visual Index I Basic Final Assembly . . . . .	viii	11 Power Supply Assembly 3V, 4A 50 Hz . . . . .	38
Visual Index II Pwr Dist and Panel Assemblies . . . . .	ix	12 Power Supply Assembly 3V, 4A 60 Hz . . . . .	40
Visual Index III Gate View . . . . .	x	13 Power Supply Assembly 3V, 12A . . . . .	42
Visual Index IV Power Supplies . . . . .	xi	14 Power Supply Assembly 3V, 16A . . . . .	44
Visual Index V TROS Assembly Stage 1 . . . . .	xii	15 Power Supply Assembly 6V, 12A . . . . .	46
Visual Index VI TROS Assembly Stage 2 . . . . .	xiii	16 Power Supply Assembly 6V, 18A . . . . .	48
Visual Index VII TROS Assembly Stage 2 . . . . .	xiv	17 Power Supply Assembly 12V, 0.75A . . . . .	50
STORAGE CONTROL FINAL ASSEMBLY GROUP		18 Power Supply Assembly 36V, 2A . . . . .	52
1 Stage 2 Frame and Cover Group . . . . .	1	19 Power Assembly, Power Supply . . . . .	54
1A Stage 1 Frame and Cover Group . . . . .	4	TROS GROUP, STAGE 1	
2 2841 Basic Final Assembly . . . . .	8	20 4K A and B Gate Assembly . . . . .	56
GATE AND POWER GROUP		21 A Gate Assembly . . . . .	59
3 CE Panel Assembly . . . . .	16	22 B Gate Assembly . . . . .	61
4 I/O TROS Panel Assembly . . . . .	19	23 C Gate Assembly, 2303 Attachment Feature . . . . .	63
5 Power Distribution Assembly 60 Hz . . . . .	21	TROS GROUP, STAGE 2	
6 Power Distribution Assembly 50 Hz Stage 2 . . . . .	24	24 Gate Assembly, w/o 2303 Feature . . . . .	66
7 Power Distribution Assembly 50 Hz Stage 1 . . . . .	27	25 Gate Assembly, w/2303 Feature . . . . .	69
8 Remote Switch Assembly . . . . .	30	26 A Gate Assembly . . . . .	72
		27 B or C Gate Assembly . . . . .	75

CONTENTS

Figure	Page	Figure	Page
<b>TROS COOLING GROUP</b>		<b>CABLE GROUP</b>	
28	77	31	80
29	78	32	84
 <b>TAPE DECK</b>		 <b>NUMERICAL INDEX . . . . . X-1</b>	
30	79		

## HOW TO USE THIS PARTS CATALOG

### PART I

To find parts quickly, a general understanding of the structure of this catalog is necessary. The catalog is divided into three major sections:

- The Visual Index, containing overall views of the machine, with call-outs pointing to detailed figures.
- The Catalog Section, containing a pictorial breakdown of assemblies and subassemblies.
- The Numerical Index, which is a numerical list of all parts used in the machine, with cross-references to the figure on which the part is found.

#### VISUAL INDEX

The Visual Index, located before the Catalog Section, contains a reduced illustration of every figure in the Catalog Section. The reduced illustrations are tied together with flow arrows to form a natural progression from large assemblies to small assemblies and possibly subassemblies. In effect, a visual table of contents is formed by the Visual Index illustrations.

#### CATALOG SECTION

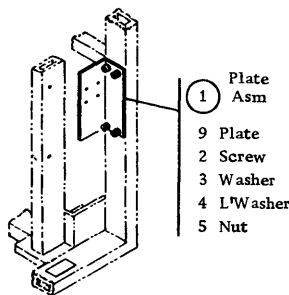
The Catalog Section contains the full-sized illustrations previously noted in the Visual Index. Index numbers on figures refer to corresponding entries in the Group Assembly Parts List accompanying each figure. Refer to part II for explanation of terms used in the Group Assembly Parts List.

#### NUMERICAL INDEX

The Numerical Index is located after the Catalog Section and contains a complete list, in numerical order, of all part numbers used on the machine. Listed with the part number is the index and figure number on which the part is illustrated. The numerical index makes it possible to locate a part when only the part number is known.

#### STACKED INDEX NUMBERS

Stacked Index numbers are used when showing a part and its attaching hardware. The sequence of a typical stack is shown at the right. The circled index number indicates the assembly is broken down within the figure.



#### ILLUSTRATION NOTES

Cross-reference notes are directly on the illustration. The illustration's next higher assembly reference, normally located in the upper left corner of the page will read: "For Parts Not Shown See Figure X". If an assembly is referenced to a lower level figure, the note located next to the index number will read: "See Figure X."

#### DOUBLE LINED DETAIL BOX

The double lined box differentiates between parts shown on the basic model and parts related to a level and/or feature difference. An explanation of the level or feature difference is given in the double lined box.

#### FINDING A PART

The Visual Index is the starting point for locating a part. The illustrations in the Visual Index are reduced versions of all illustrations in the Catalog Section; therefore, the illustrations can be used to find the assembly containing the desired part. Use references to the detailed figure in the Catalog Section, or to another Visual Index illustration, to determine location of part number.

Once the detailed figure in the catalog section is determined, finding the part on the figure and referring to the listing for the part number and description is all that is required in most cases. If the first catalog section figure referenced shows the assembly containing the required part, the index number for the assembly will reference a lower-level figure where the assembly is broken down to its component parts. If the figure referenced by the Visual Index contains neither the part nor an assembly containing the part, it is then necessary to go to the next higher assembly figure. This figure should then contain the part or an assembly containing the part; if not, an even higher level figure must be used. Refer back to the Visual Index for some other figure that could show the desired part.

**Note:** Many detailed parts are unavailable, because they are part of an inseparable assembly (two or more parts welded or bonded together), or because they are part of an assembly purchased as a unit. If parts are found on a welded or bonded assembly, the following note follows the description of the assembly: "Assembly components are not replaceable!" If the part is found on a purchased assembly, and the detail parts of this assembly do not have IBM part numbers, the note following the assembly description will read: "Assembly components are not available." In either case, you need to obtain the part number of the assembly, rather than the detailed part.

#### EXAMPLE FOR ORDERING PARTS

4 -	5726422	FAN ASM-P/S ENCLOSURE FOR NEXT HIGHER ASSEMBLY SEE FIGURE 1-184 FOR ILLUSTRATION SEE FIGURE 4	REF
- 1	334921	TERMINAL, RING- 18-22 AWG, 16 HOLE, INS	2
- 2	187854	SHIELD, TERMINAL BLOCK- 2 POS	1
- 3	210984	SCREW, RD HD MACH-6-32 X .250 LG	1
- 4	5357050	FAN ASM-NO CONNECTOR	ATT PT 1
- 5	32042	SCREW, MACH BIND. HD 10-32 X .375 LG	ATT PT 2
- 6	5357066	BLADE	1
- 7	5357067	MOTOR 208V/230V 60CY 220V 50CY	1
- 8	130434	SCREW, MACH-SLOTTED HEX HD 10-32 X .375 LG	ATT PT 2
- 9	56079	WASHER, LOCK-EXT T .195 ID .410 OD	ATT PT 2
- 10	5726436	HEADER-POWER SUPPLY FAN	1

If the entire fan is required, part number 5726422 should be ordered (all one dot items will be received). If only the subassembly is required, part number 5357050 should be ordered (all two dot items will be received). Each part may be ordered individually.

## HOW TO USE THIS PARTS CATALOG

### PART II

#### 1 SIMILAR ASSEMBLIES

If two assemblies contain a majority of identical parts, they are broken down on the same list. Common parts are shown by one index number. Parts peculiar to one or the other of the assemblies are listed separately and identified by Usable On Code.

#### 2 NP

The entry NP in the part number column denotes the assembly is non-procurable and the detail parts should be ordered separately.

#### 3 USABLE ON CODE

Part application and interchangeability is indicated by the usable on code. If this column is blank, the parts pertain to all equipment(s) covered. Two types of codes are used. The alphabetic code denotes similar assemblies and/or features; the numeric code denotes level. Refer to the beginning of each list for the explanation of the code(s).

#### 4 SUFFIX CODE

The suffix code indicates the month (alphabetic) and the year (numeric) of the engineering change which affected interchangeability of the part.

#### 5 REF

This entry in the units per assembly column denotes an assembly which is completely assembled on a preceding illustration. Quantities for such items are found in its next higher assembly.

#### 6 INDENTURE

The relationship of a part to its next higher assembly is indicated by indentures. For example:

1 2 3 4

Unit

- . Assemblies and Detail Parts of Unit
- . Attaching Parts for Assemblies & Detail Parts
- . . Subassemblies
- . . Attaching Parts for Subassemblies
- . . . Detail Parts for Subassemblies, etc.

#### 7 ATT PT

Attaching Parts: These parts are used to attach a subassembly to an assembly. The attaching parts are listed immediately following the part to be attached.

#### 8 AR

As Required (AR) in the units per assembly column denotes that the quantity is used as required.

#### 9 NO NO.

When this indication appears in the part number column, it denotes a group of parts for which no assembly part number has been assigned, and the detail parts should be ordered separately.

#### 10 "COMM"

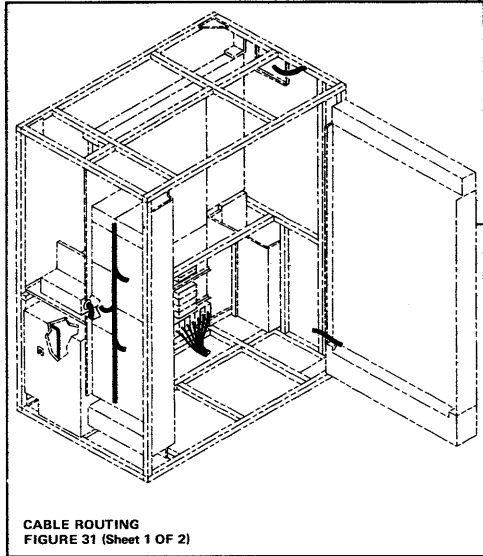
Commercial hardware: When this indication appears in the part number column, it denotes hardware procurable from normal commercial sources and not identified by an IBM part number.

#### 11 LOZENGE

The lozenge in the part number column denotes the part is procurable but not recommended for field replacement, and that the next higher assembly should be ordered.

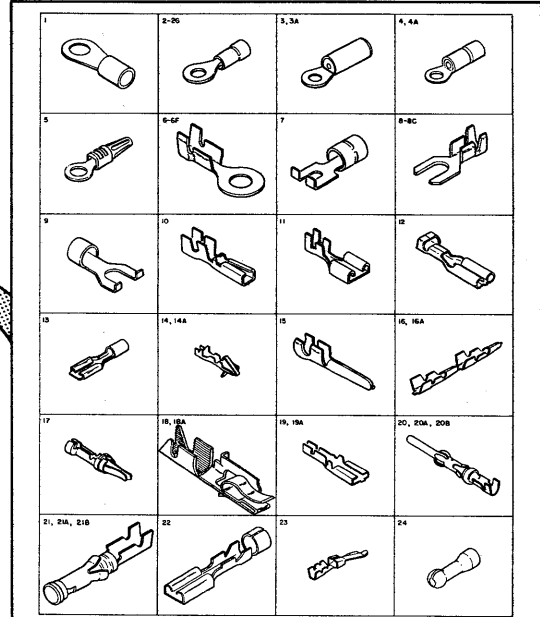
### EXAMPLE OF PARTS LIST

LIST AND INDEX NO.	PART NO.	DESCRIPTION				UNITS PER ASM.	USABLE ON CODE
		1	2	3	4		
		DRIVE MOTOR ASSEMBLY					
2-			3	CODE A USED ON 60 HERTZ ONLY CODE B USED ON 50 HERTZ ONLY			3
				CODE 1 USED ON ASM PRIOR TO B6 SUFFIX	5		
-	2199376 NP			MOTOR ASM,DRIVE-115/220 VOLTS 60 HERTZ	REF		1A
-	2199386 NP			MOTOR ASM,DRIVE-220 VOLTS 50 HERTZ FOR NEXT HIGHER ASM SEE FIGURE 1-92 FOR ILLUSTRATION SEE FIGURE 2	REF		1B
- 1	2204176	6		. PULLEY, 60 HERTZ	1		A
- 1	2199255			. PULLEY, 50 HERTZ	1		B
- 2	79842			. SETSCREW, SPLINE DR CUP PT 8-32 X 3/8 LG	AR		
- 3	2204116			. MOTOR ASM, 220V AC 60 HERTZ	1		A
- 4	NO NO.	9		. MOTOR ASM, 220V AC 50 HERTZ	1		B
- 5	5526			. SCREW, MACH BIND HD 8-32 X 0.625 LG	4		
- 6	2204082			. . FERRULE, OUTER	1		
- 7	2204033			. . FERRULE, INNER	1		
- 8	"COMM"			. . MOTOR, 1/12 HP-220V 60HZ	1		
- 8	2199258			. . MOTOR, DRIVE - 220V 50HZ	1		
- 9	2199401			. PLATE, MOTOR MT-115/220 VOLTS 60 HERTZ	1		A
- 9	2199402			. PLATE, MOTOR MT-220 VOLTS 50 HERTZ	1		B



CABLE ROUTING  
FIGURE 31 (Sheet 1 OF 2)

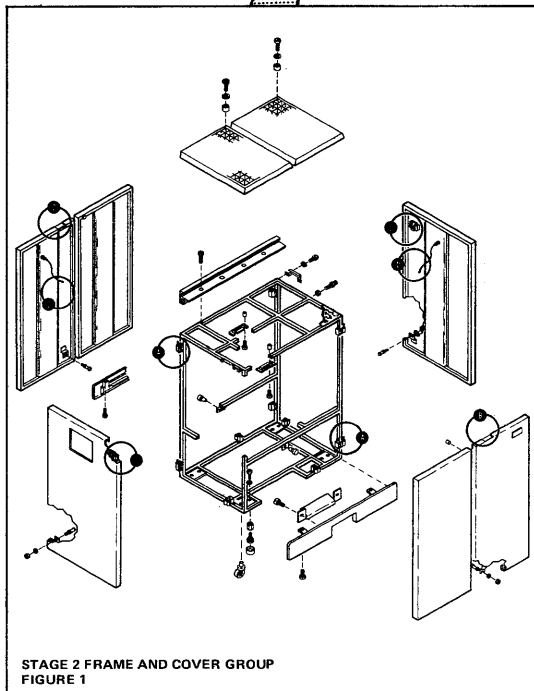
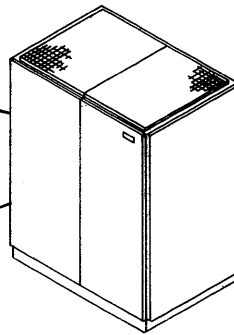
CABLE ROUTING  
FIGURE 31 (Sheet 2 OF 2)



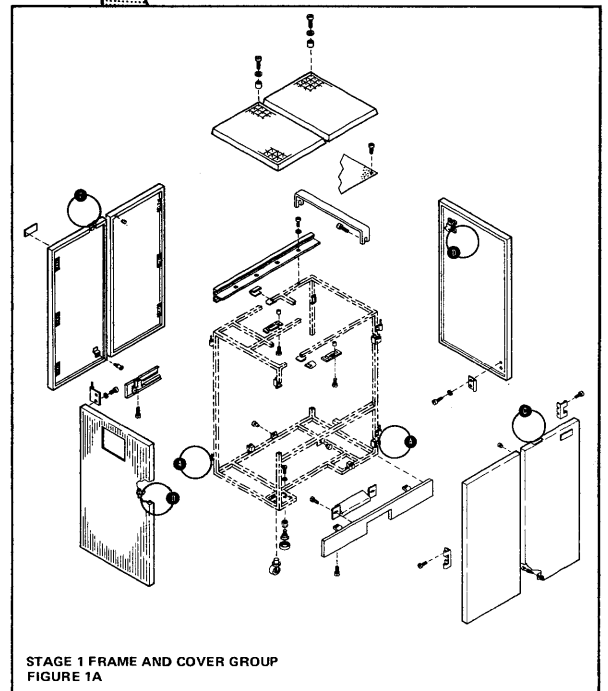
CABLE COMPONENTS  
FIGURE 32 (Sheet 1 OF 3)

CABLE COMPONENTS  
FIGURE 32 (Sheet 2 OF 3)

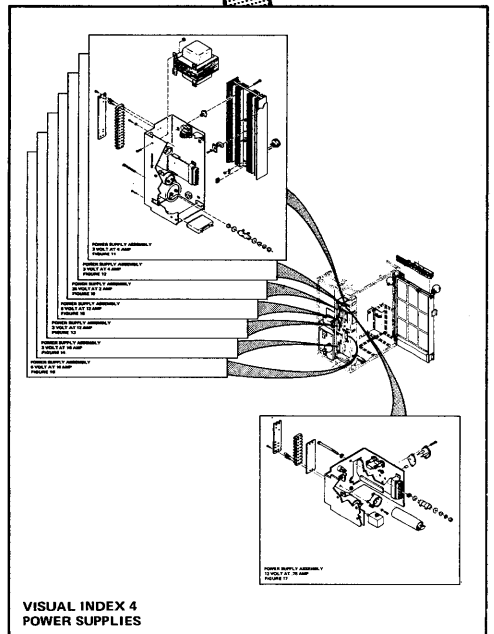
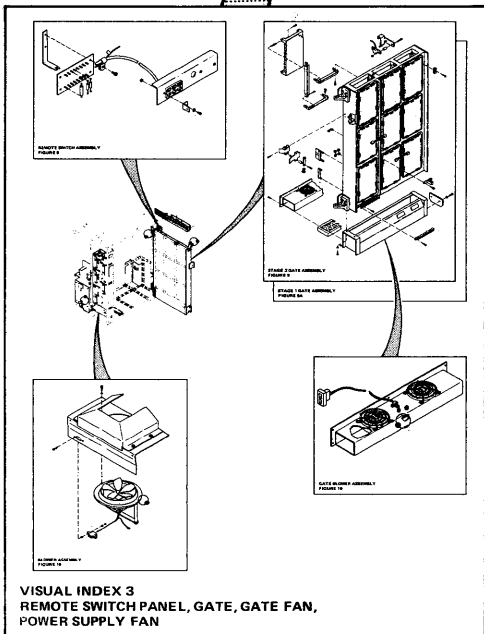
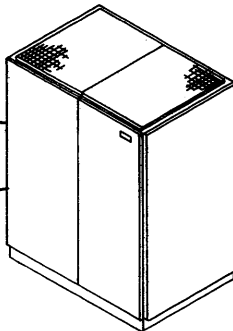
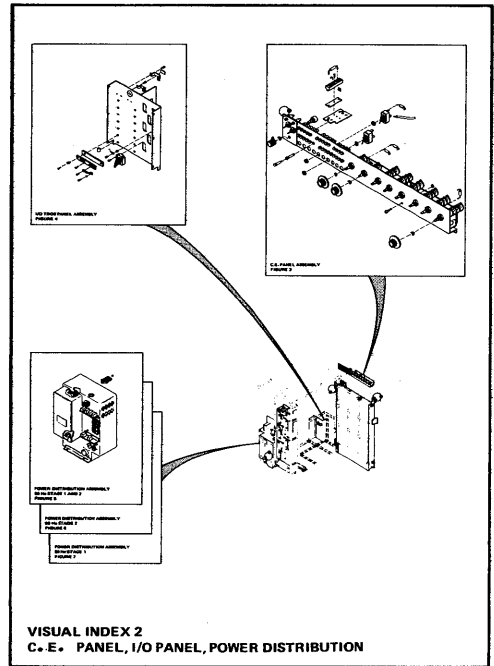
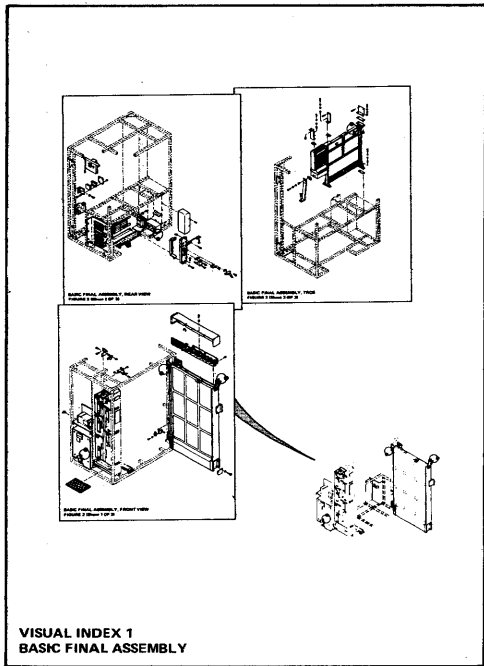
CABLE COMPONENTS  
FIGURE 32 (Sheet 3 OF 3)



STAGE 2 FRAME AND COVER GROUP  
FIGURE 1

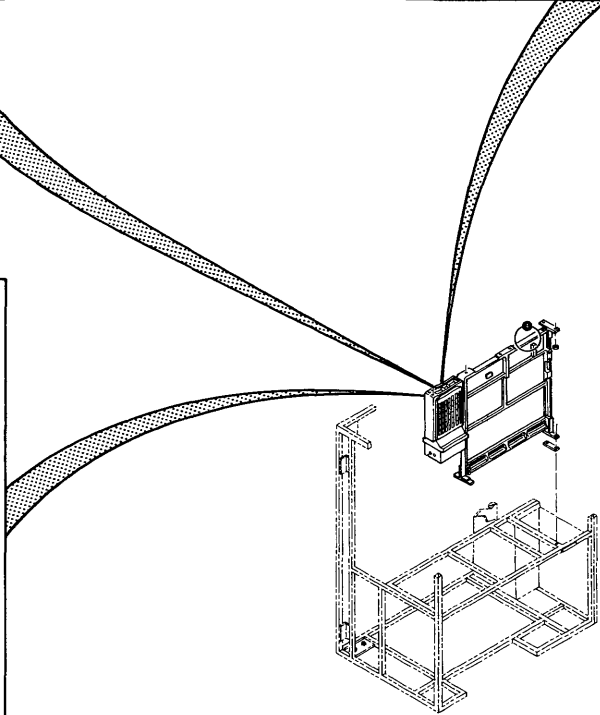
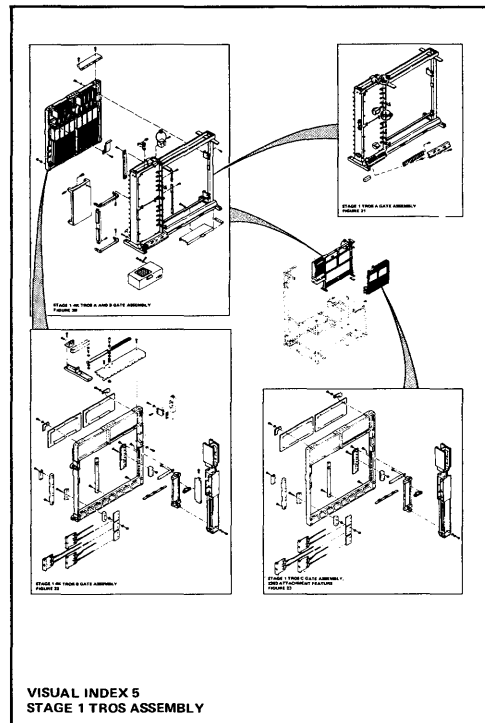
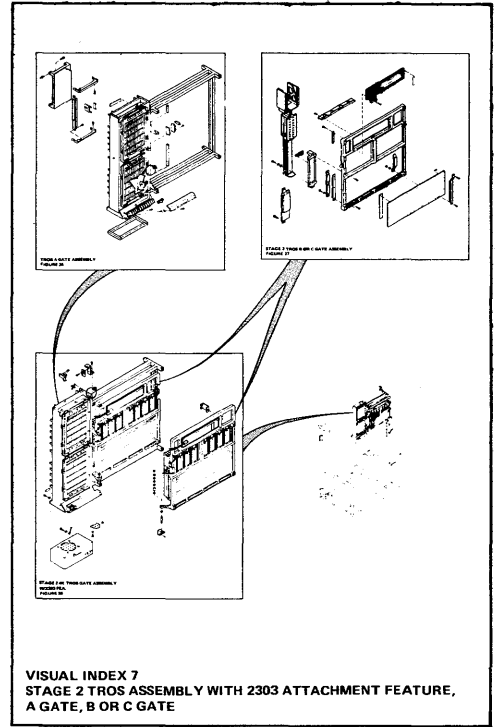
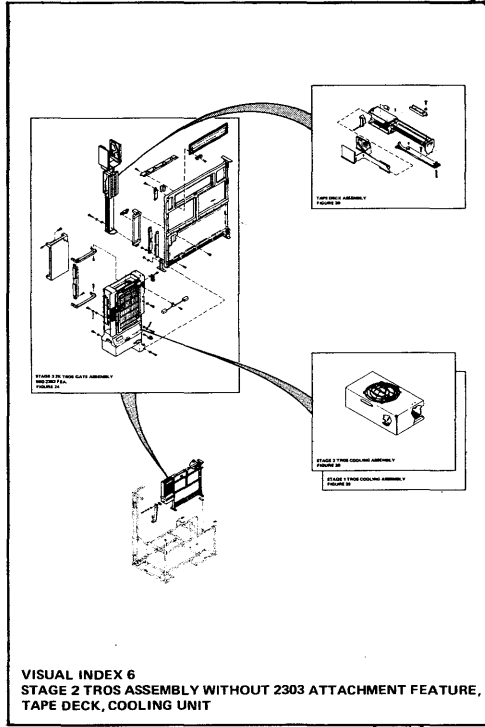


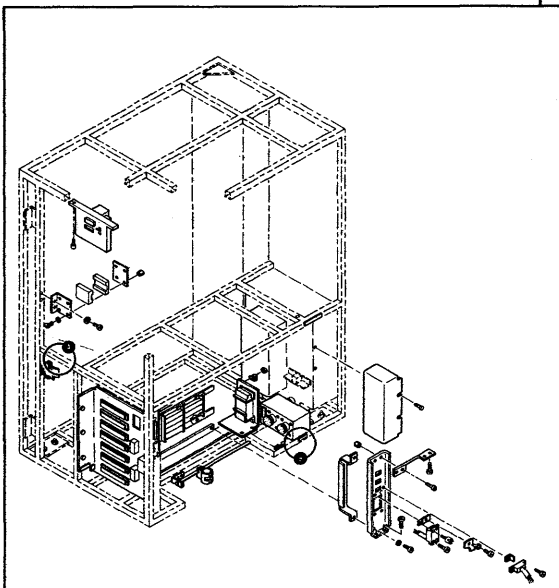
STAGE 1 FRAME AND COVER GROUP  
FIGURE 1A



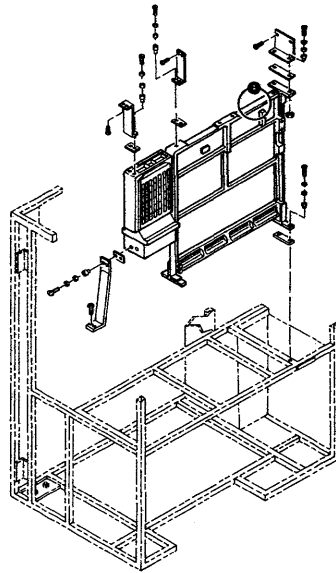
MASTER VISUAL INDEX (Sheet 2 OF 3)



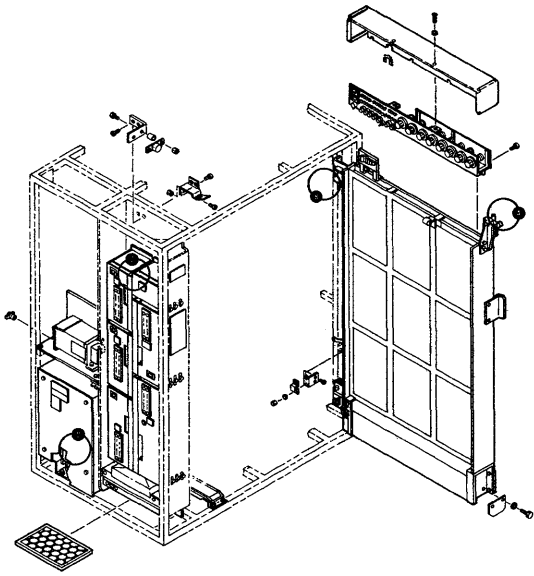




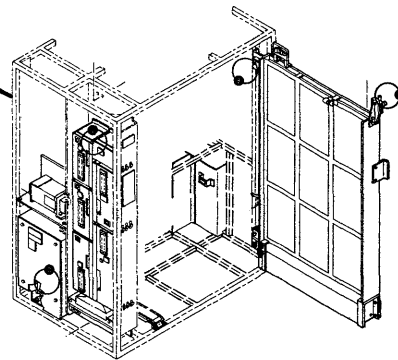
BASIC FINAL ASSEMBLY, REAR VIEW  
FIGURE 2 (Sheet 2 OF 3)

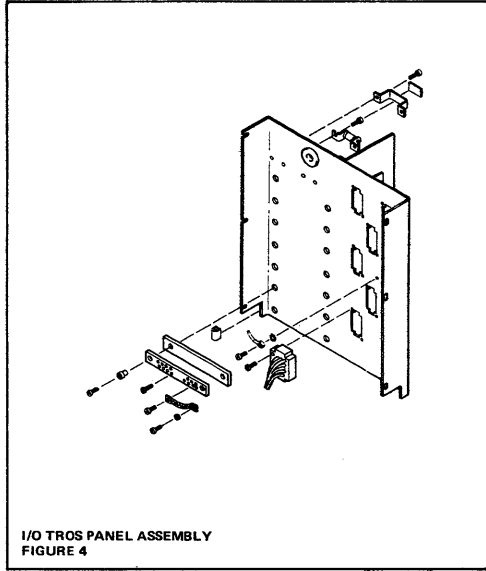


BASIC FINAL ASSEMBLY, TROS  
FIGURE 2 (Sheet 3 OF 3)

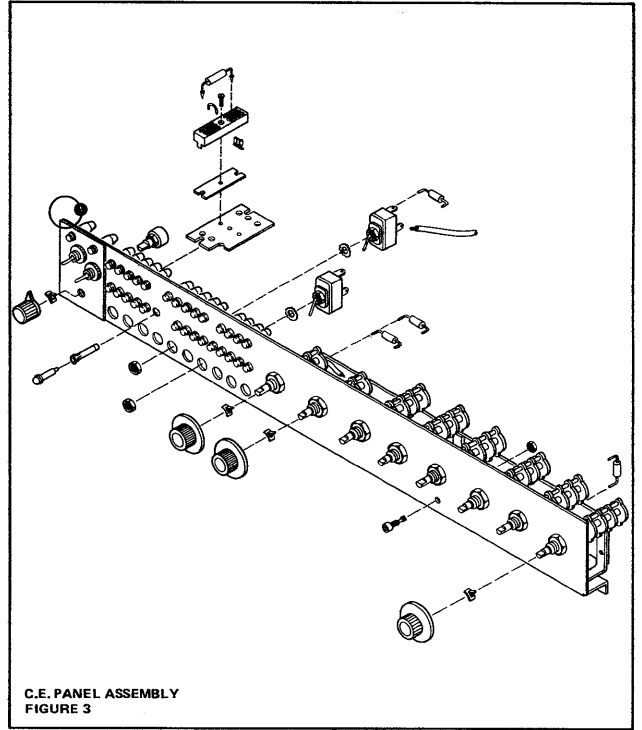


BASIC FINAL ASSEMBLY, FRONT VIEW  
FIGURE 2 (Sheet 1 OF 3)

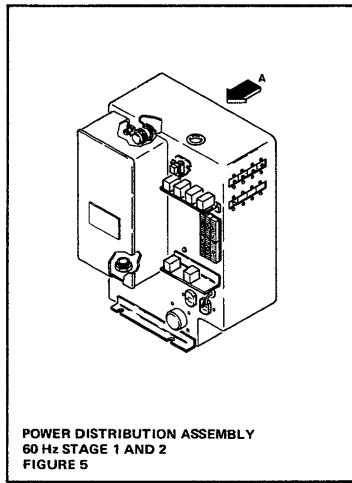




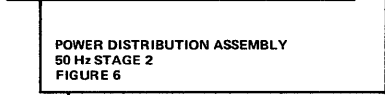
I/O TROS PANEL ASSEMBLY  
FIGURE 4



C.E. PANEL ASSEMBLY  
FIGURE 3



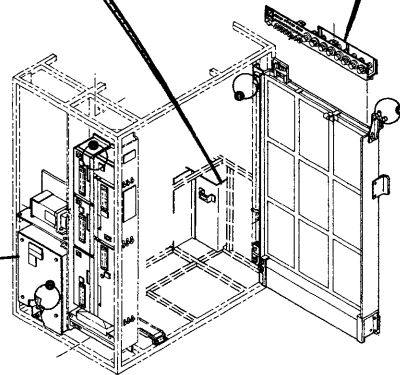
POWER DISTRIBUTION ASSEMBLY  
60 Hz: STAGE 1 AND 2  
FIGURE 5

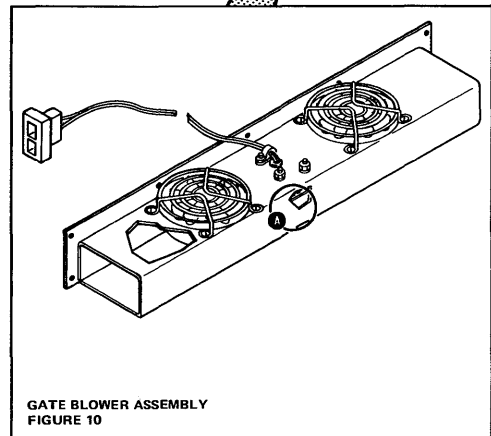
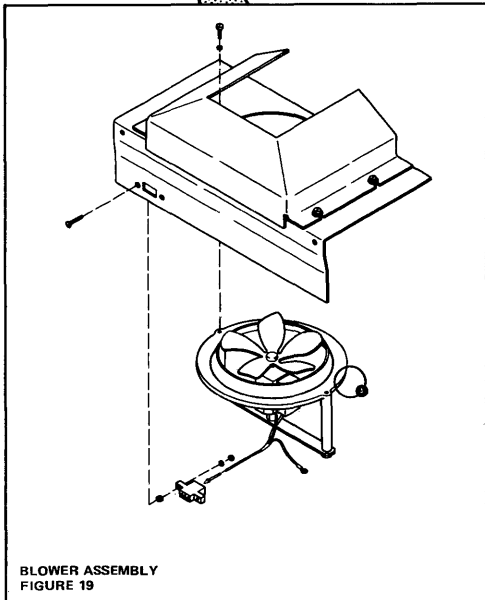
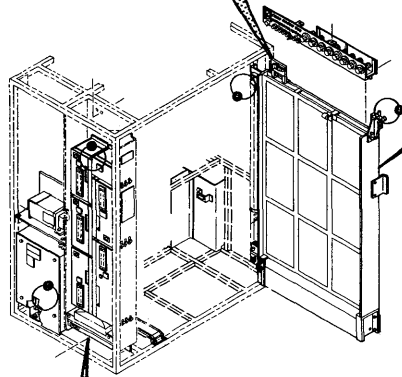
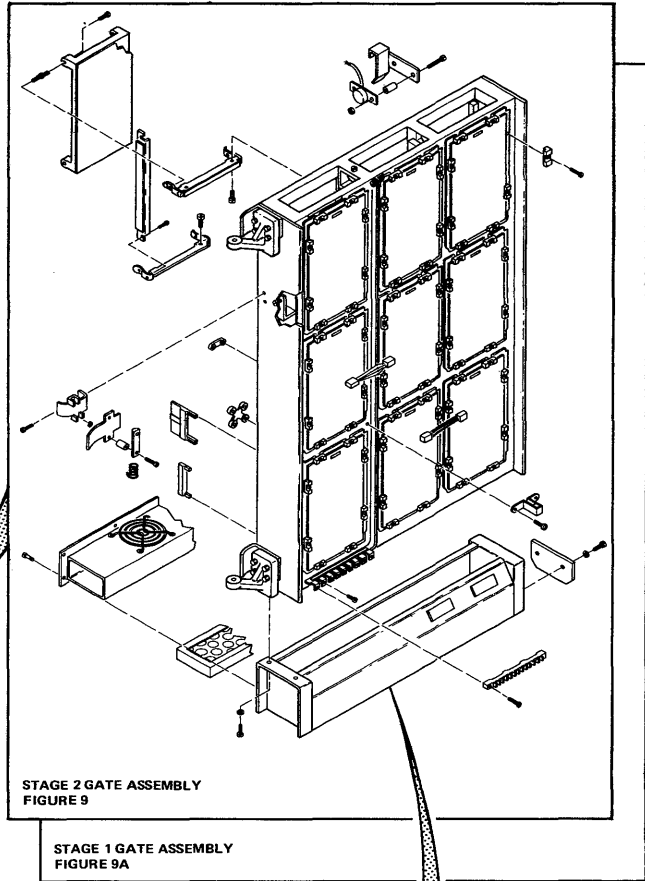
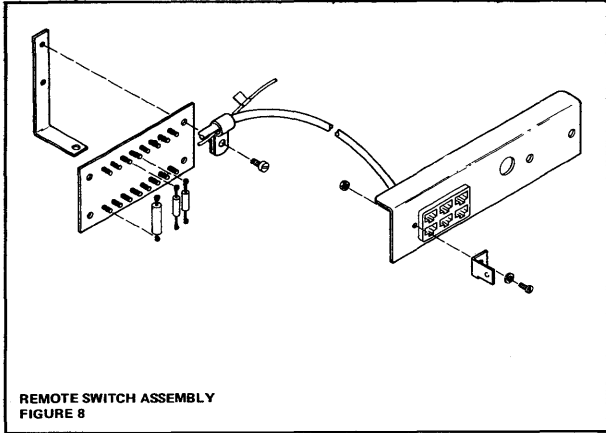


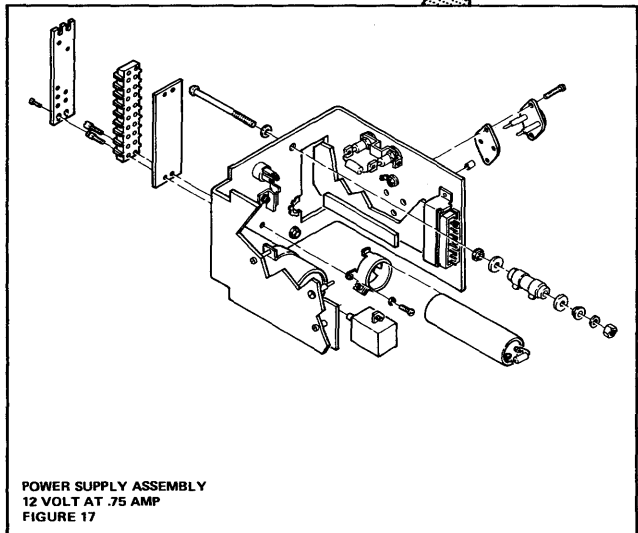
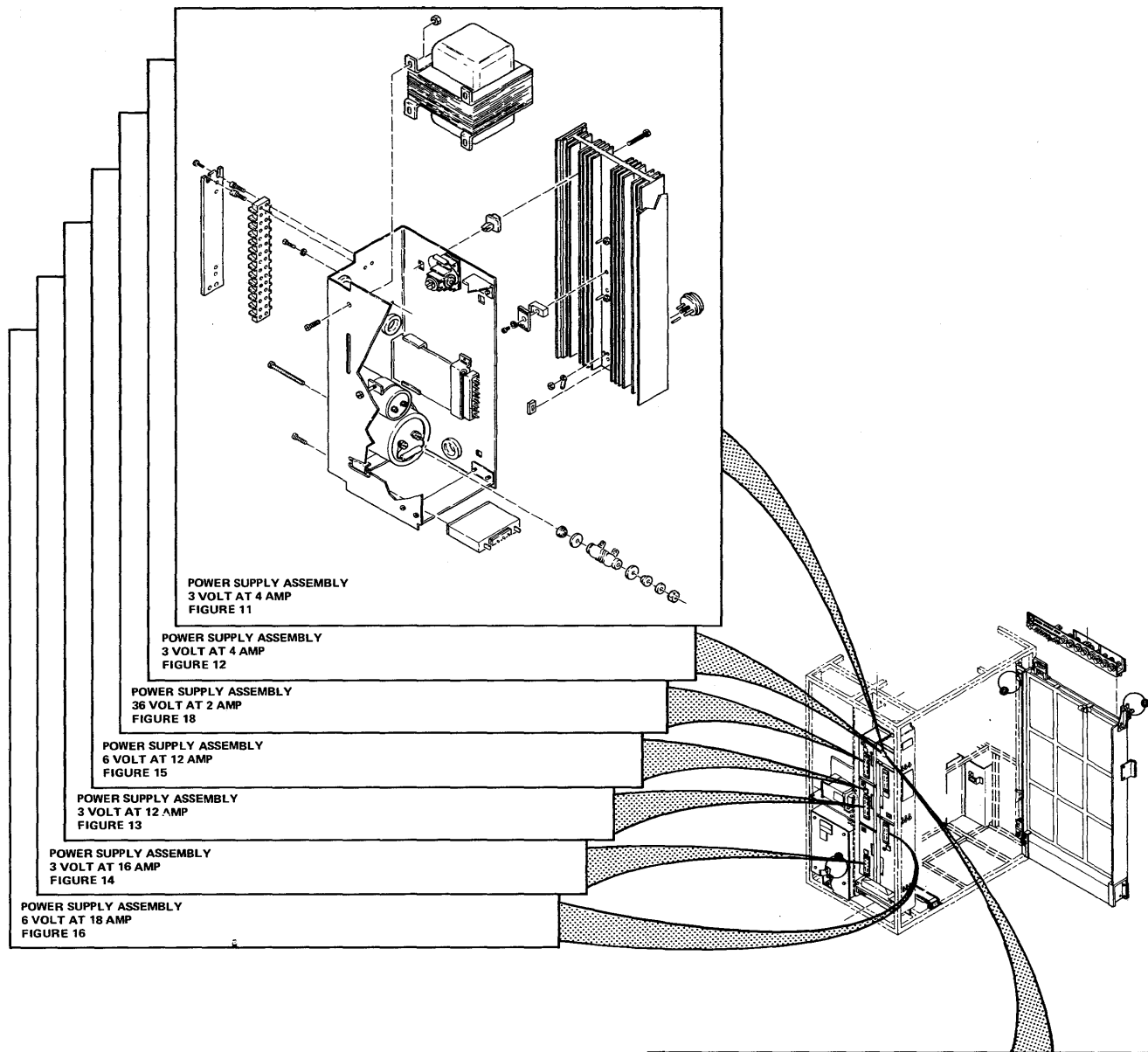
POWER DISTRIBUTION ASSEMBLY  
50 Hz: STAGE 2  
FIGURE 6

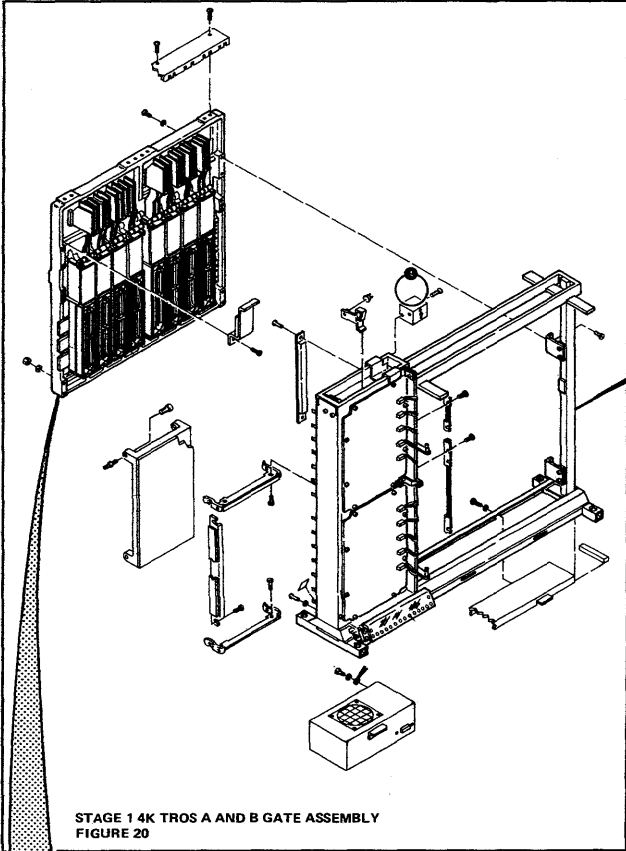


POWER DISTRIBUTION ASSEMBLY  
50 Hz: STAGE 1  
FIGURE 7

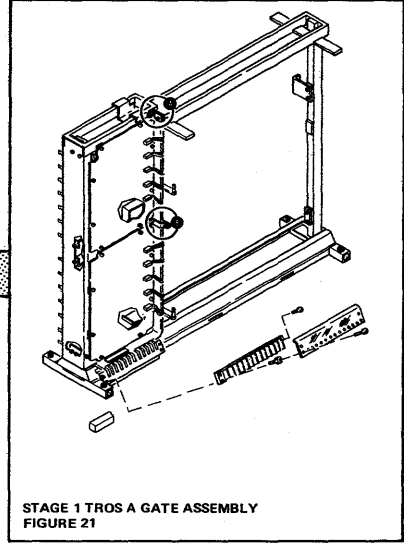




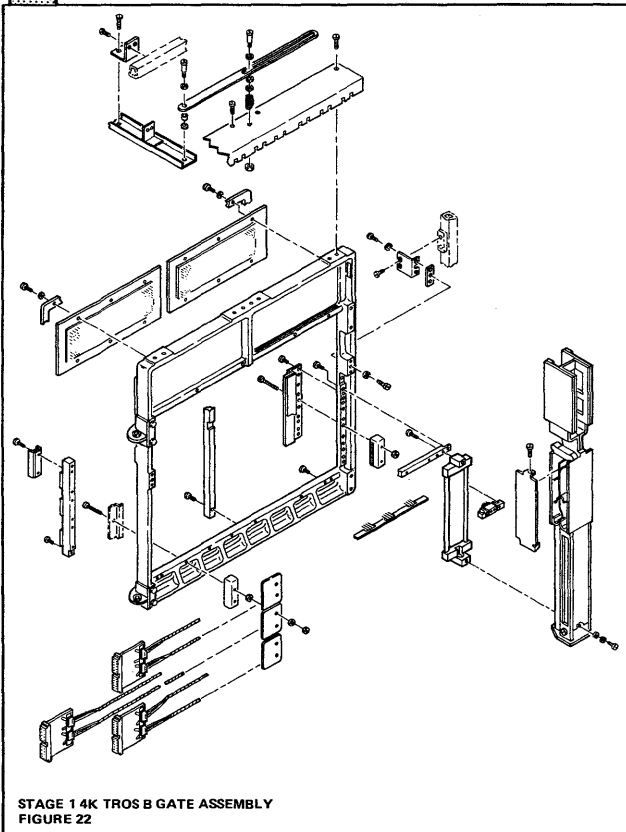




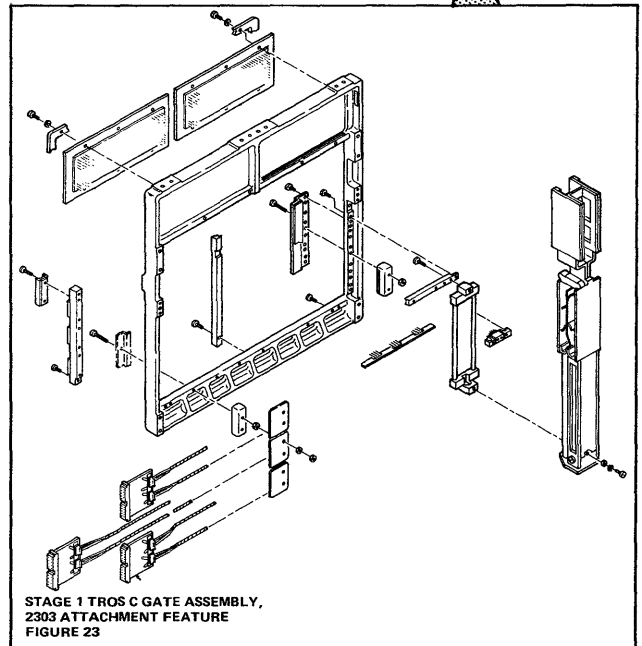
STAGE 1 4K TROS A AND B GATE ASSEMBLY  
FIGURE 20



STAGE 1 TROS A GATE ASSEMBLY  
FIGURE 21

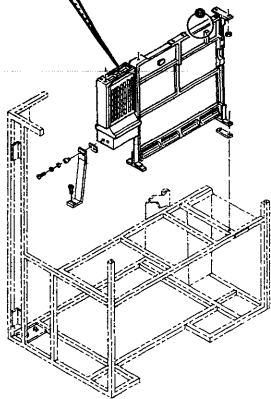
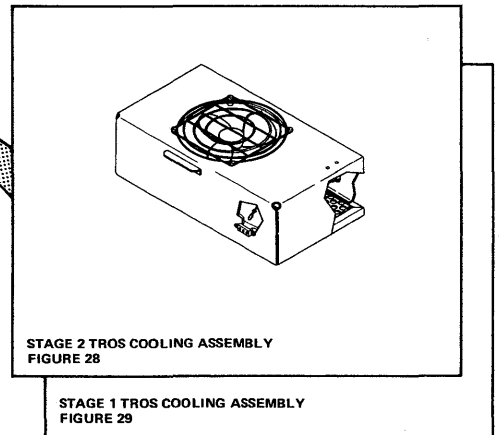
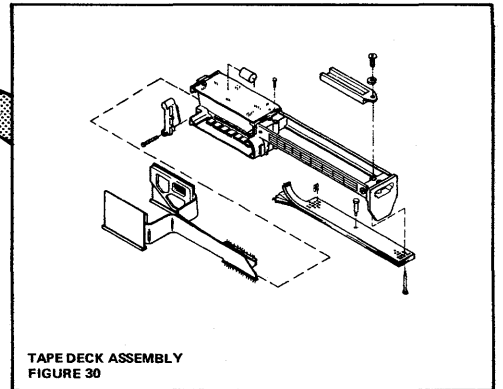
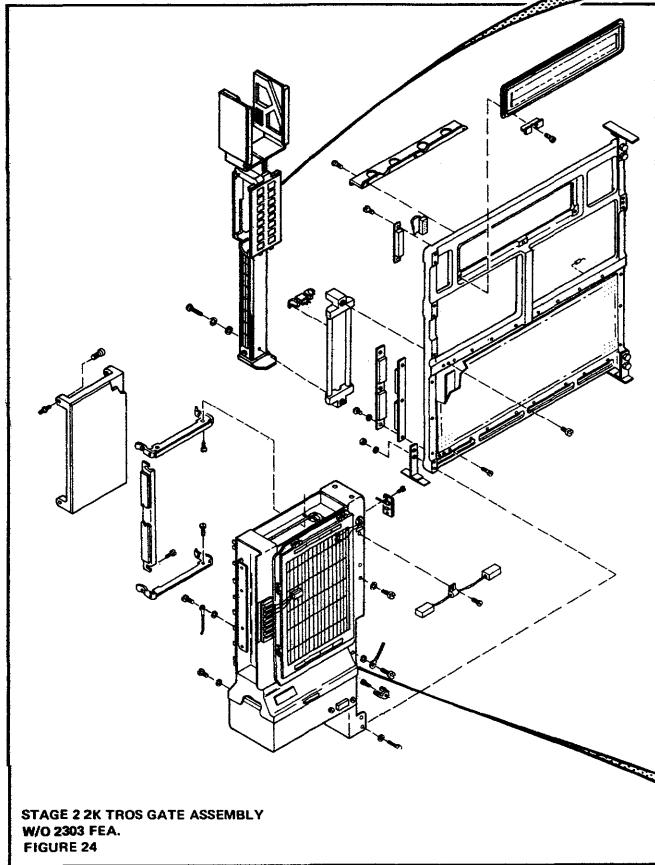


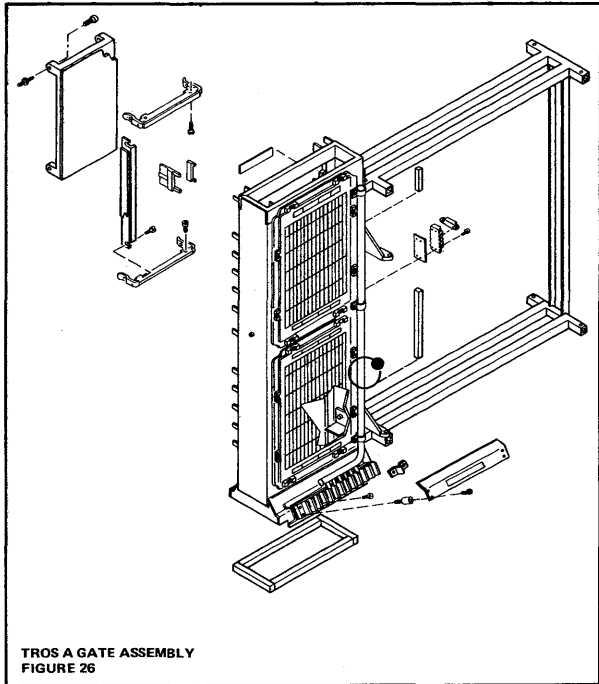
STAGE 1 4K TROS B GATE ASSEMBLY  
FIGURE 22



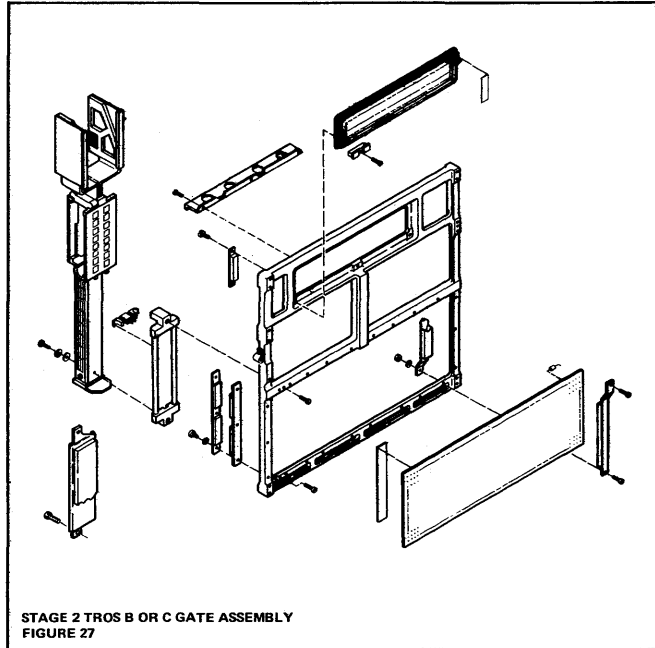
STAGE 1 TROS C GATE ASSEMBLY,  
2303 ATTACHMENT FEATURE  
FIGURE 23

VISUAL INDEX 5

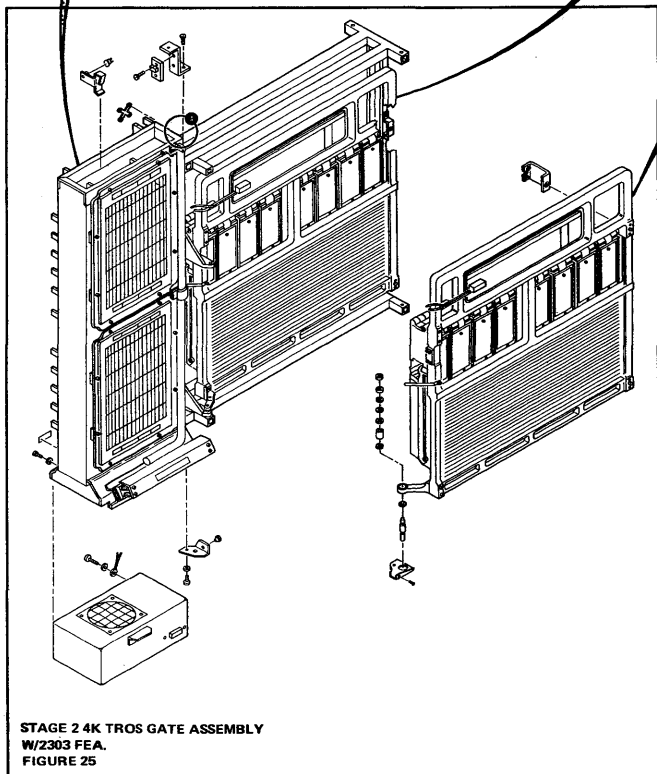




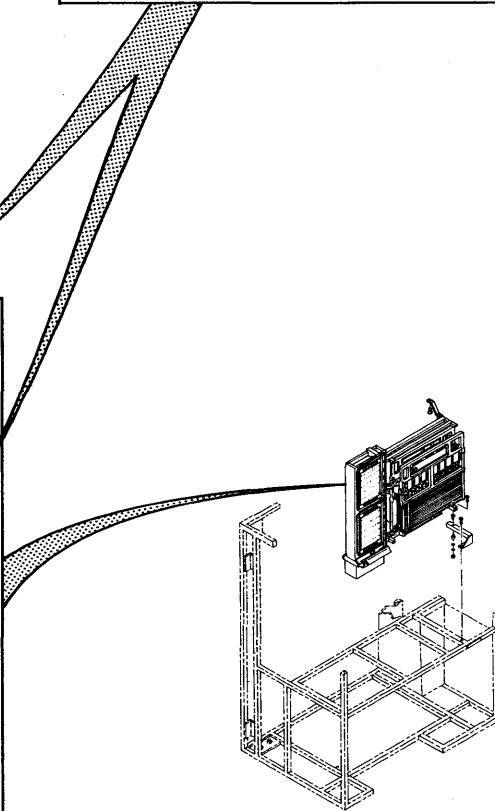
TROS A GATE ASSEMBLY  
FIGURE 26



STAGE 2 TROS B OR C GATE ASSEMBLY  
FIGURE 27



STAGE 2 4K TROS GATE ASSEMBLY  
W/Z303 FEA.  
FIGURE 25



VISUAL INDEX 7



STAGE 2 ONLY  
FOR STAGE 1  
SEE FIG. 1A

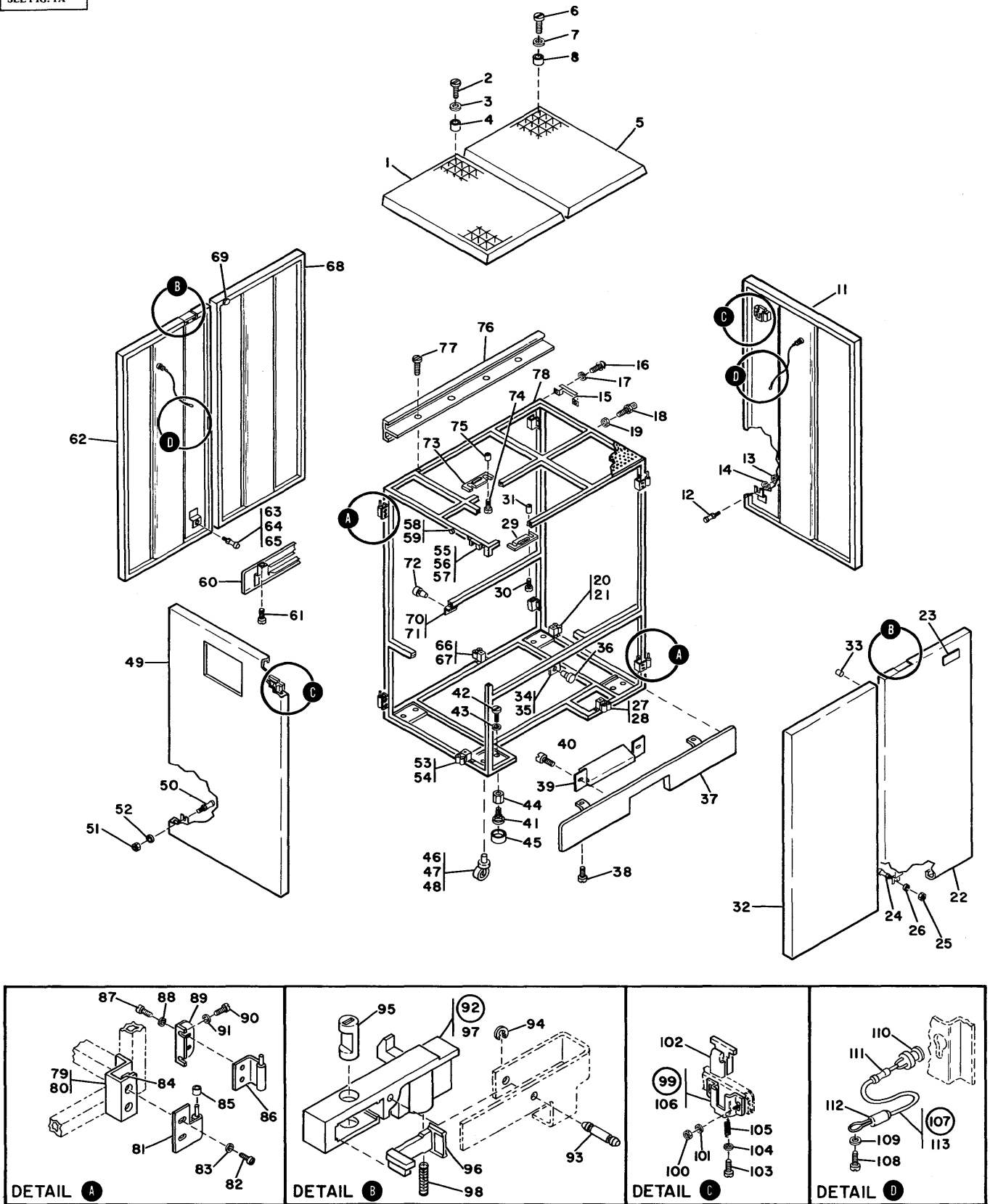


FIGURE 1. STAGE 2 FRAME AND COVER GROUP.

SEE LIST 1

## LIST 1

LIST AND INDEX NUMBER	PART NUMBER	DESCRIPTION	UNITS PER ASM.	USABLE ON CODE
		1 2 3 4		
		STAGE 2 FRAME AND COVER GROUP		
1 -	2191763 NP	2841 COVER GROUP, STAGE 2 FOR ILLUSTRATION SEE FIGURE 1	NP	
- 1	2191859	. COVER, TOP FRONT	1	
- 2	2194019	. SCREW, MACH-BIND. HD, 6-32 X 0.438 LG	ATT PT	3
- 3	1135998	. WASHER, TOP COVER	ATT PT	3
- 4	5397868	. PLUG-LOCATING	ATT PT	3
- 5	2191860	. COVER, TOP REAR	ATT PT	1
- 6	2194019	. SCREW, MACH-BIND. HD, 6-32 X 0.438 LG	ATT PT	3
- 7	1135998	. WASHER, TOP COVER	ATT PT	3
- 8	5397868	. PLUG-LOCATING	ATT PT	3
- 11	2227508	. COVER ASM, REAR	ATT PT	1
		ASSEMBLY COMPONENTS ARE NOT REPLACEABLE		
- 12	609551	. STUD, COVER LOCK	ATT PT	1
- 13	257189	. NUT, HEX 8-32	ATT PT	1
- 14	2125963	. WASHER, LOCK-INT TEETH NO. 8 X 9/16 OD	ATT PT	1
- 15	2227516	. STRIKE	ATT PT	1
- 16	2181004	. SCREW-HEX HD SELFTAP 10-32 X .375 LONG	ATT PT	2
- 17	2125974	. WASHER, INT TOOTH, .200 ID X .562 OD	ATT PT	2
- 18	223781	. SCREW-ADJUSTING 1/4-20 X 1 IN. LG	ATT PT	2
- 19	3960	. NUT, PLAIN, HEX- 1/4-20 X 7/16 FL W	ATT PT	2
- 20	609549	. CATCH, HINGE COVER	ATT PT	1
- 21	81693	. SCREW, MACH-BIND HD 6-32 X 3/8 LG	ATT PT	2
- 22	2227556	. COVER ASM, LEFT FRONT-RIGHT REAR, BLUE	ATT PT	1
- 22	2227557	. COVER ASM, LEFT FRONT-RIGHT REAR, RED	ATT PT	1
- 22	2227558	. COVER ASM, LEFT FRONT-RIGHT REAR, YELLOW	ATT PT	1
- 22	2227559	. COVER ASM, LEFT FRONT-RIGHT REAR, GRAY	ATT PT	1
		ASSEMBLY COMPONENTS ARE NOT REPLACEABLE		
- 23	2184177	. NAMEPLATE, 2841 STORAGE CONTROL, ENGLISH	ATT PT	1
- 23	2184215	. NAMEPLATE, 2841 STORAGE CONTROL, FRENCH	ATT PT	1
- 23	2184217	. NAMEPLATE, 2841 STORAGE CONTROL, GERMAN	ATT PT	1
- 24	609551	. STUD, COVER LOCK	ATT PT	1
- 25	257189	. NUT, HEX 8-32	ATT PT	1
- 26	2125963	. WASHER, LOCK-INT TEETH NO. 8 X 9/16 OD	ATT PT	1
- 27	609549	. CATCH, HINGE COVER	ATT PT	1
- 28	81693	. SCREW, MACH-BIND HD 6-32 X 3/8 LG	ATT PT	2
- 29	826893	. PLATE, LATCH	ATT PT	1
- 30	5319888	. SCREW, SELF TAPPING, 10-32 X .625 LONG	ATT PT	2
- 31	813678	. SPACER	ATT PT	2
- 32	2227560	. COVER ASM, RIGHT FRONT-LEFT REAR, BLUE	ATT PT	1
- 32	2227561	. COVER ASM, RIGHT FRONT-LEFT REAR, RED	ATT PT	1
- 32	2227562	. COVER ASM, RIGHT FRONT-LEFT REAR, YELLOW	ATT PT	1
- 32	2227563	. COVER ASM, RIGHT FRONT-LEFT REAR, GRAY	ATT PT	1
		ASSEMBLY COMPONENTS ARE NOT REPLACEABLE		
- 33	825690	. BUMPER	ATT PT	1
- 34	2191736	. BRACKET-BUMPER	ATT PT	1
- 35	2181004	. SCREW-HEX HD SELFTAP 10-32 X .375 LONG	ATT PT	1
- 36	360193	. BUMPER	ATT PT	1
- 37	2227551	. KICKPLATE, RIGHT SIDE	ATT PT	1
- 38	2181004	. SCREW-HEX HD SELFTAP 10-32 X .375 LONG	ATT PT	2
- 39	2227550	. KICKPLATE, INSERT	ATT PT	1
- 40	250525	. SCREW, MACH-BIND HD 10-32 X 3/16 LG	ATT PT	2
- 41	2191786	. BOLT-SQUARE NECK, 1/2-13 X 2 LG	ATT PT	4
- 42	93178	. SCREW, CAP-SLOT HD, 1/13 X 3/4 LG	ATT PT	4
- 43	130987	. WASHER, LOCK-SPLIT 0.509 ID X 0.879 OD	ATT PT	4
- 44	2191787	. SPACER-1/2-13 X 1-3/4 LG	ATT PT	4
- 45	2162666	. CUP	ATT PT	4
- 46	471901	. CASTER	ATT PT	4
- 47	76846	. NUT, HEX, 500-13	ATT PT	4
- 48	130987	. WASHER, LOCK-SPLIT 0.509 ID X 0.879 OD	ATT PT	4
- 49	2227507	. COVER ASM, FRONT	ATT PT	1
		ASSEMBLY COMPONENTS ARE NOT REPLACEABLE		
- 50	609551	. STUD, COVER LOCK	ATT PT	1
- 51	257189	. NUT, HEX 8-32	ATT PT	1
- 52	2125963	. WASHER, LOCK-INT TEETH NO. 8 X 9/16 OD	ATT PT	1
- 53	609549	. CATCH, HINGE COVER	ATT PT	1
- 54	81693	. SCREW, MACH-BIND HD 6-32 X 3/8 LG	ATT PT	2
- 55	2227516	. STRIKE	ATT PT	1
- 56	2181004	. SCREW-HEX HD SELFTAP 10-32 X .375 LONG	ATT PT	2
- 57	2125974	. WASHER, INT TOOTH, .200 ID X .562 OD	ATT PT	2
- 58	223781	. SCREW-ADJUSTING 1/4-20 X 1 IN. LG	ATT PT	2
- 59	3960	. NUT, PLAIN, HEX- 1/4-20 X 7/16 FL W	ATT PT	2
- 60	2184035	. KICKPLATE, LEFT SIDE	ATT PT	1
- 61	2181004	. SCREW-HEX HD SELFTAP 10-32 X .375 LONG	ATT PT	2

## LIST 1 CONT

LIST AND INDEX NUMBER	PART NUMBER	DESCRIPTION	UNITS PER ASM.	USABLE ON CODE
		1 2 3 4		
		STAGE 2 FRAME AND COVER GROUP -CONT		
1-62	2227556	• COVER ASM,LEFT FRONT-RIGHT REAR,BLUE	1	
-62	2227557	• COVER ASM,LEFT FRONT-RIGHT REAR,RED	1	
-62	2227558	• COVER ASM,LEFT FRONT-RIGHT REAR,YELLOW	1	
-62	2227559	• COVER ASM,LEFT FRONT-RIGHT REAR,GRAY ASSEMBLY COMPONENTS ARE NOT REPLACEABLE	1	
-63	609551	• STUD, COVER LOCK	1	
-64	257189	• NUT, HEX 8-32	1	
-65	2125963	• WASHER,LOCK-INT TEETH NO. 8 X 9/16 OD	1	
-66	609549	• CATCH, HINGE COVER	1	
-67	81693	• SCREW,MACH-BIND HD 6-32 X 3/8 LG	2	
-68	2227560	• COVER ASM,RIGHT FRONT-LEFT REAR,BLUE	1	
-68	2227561	• COVER ASM,RIGHT FRONT-LEFT REAR,RED	1	
-68	2227562	• COVER ASM,RIGHT FRONT-LEFT REAR,YELLOW	1	
-68	2227563	• COVER ASM,RIGHT FRONT-LEFT REAR,GRAY ASSEMBLY COMPONENTS ARE NOT REPLACEABLE	1	
-69	825690	• BUMPER	1	
-70	2191736	• BRACKET-BUMPER	1	
-71	2181004	• SCREW-HEX HD SELFTAP 10-32 X .375 LONG	1	
-72	360193	• BUMPER	1	
-73	826893	• PLATE,LATCH	1	
-74	5319888	• SCREW, SELF TAPPING, 10-32 X .625 LONG	2	
-75	813678	• SPACER	2	
-76	2191789	• TRIMSTRIP	2	
-77	2181004	• SCREW-HEX HD SELFTAP 10-32 X .375 LONG	8	
-78	2191770	• FRAME ASSEMBLY	1	
-79	2227554	• BRACKET,HINGE	8	
-80	2181004	• SCREW-HEX HD SELFTAP 10-32 X .375 LONG	16	
-81	2227552	• HINGE,RIGHT HAND	4	
-81	2227553	• HINGE,LEFT HAND	4	
-82	5319854	• SCREW, SELF TAPPING, 8-32 X .375 LONG	16	
-83	2125963	• WASHER,LOCK-INT TEETH NO. 8 X 9/16 OD	16	
-84	825843	• BAR	8	
-85	2145165	• SPACER, CABLE CLAMP, .250 DIA	4	
-86	2227510	• HINGE,COVER	6	
-87	34512	• SCREW,MACH-BIND HD 8-32 X 3/8 LG	12	
-88	2125963	• WASHER,LOCK-INT TEETH NO. 8 X 9/16 OD	12	
-89	2227509	• BRACKET,HINGE	6	
-90	34512	• SCREW,MACH-BIND HD 8-32 X 3/8 LG	12	
-91	2125963	• WASHER,LOCK-INT TEETH NO. 8 X 9/16 OD	12	
-92	826197	• LATCH ASM	2	
-93	824637	• PIN	2	
-94	257701	• CLIP-FRAME	4	
-95	825394	• CAM	1	
-96	827018	• LOCK	1	
-97	827046	• LATCH	1	
-98	131234	• SPRING	2	
-99	2218822	• LATCH ASSEMBLY, 60 HZ	2	
-99	2218824	• LATCH ASM,50 HZ	2	
-100	11598	• NUT,HEX, 10-32 X 0.375 FL W	4	
-101	2125974	• WASHER, INT TOOTH, .200 ID X .562 OD	4	
-102	2218849	• LATCH-COVER,TOOL OPERATED USED ON 50 HZ ONLY	1	
-102	2218848	• LATCH, COVER USED ON 60 HZ ONLY	1	
-103	2218860	• SCREW-PAN HD,6-32 X 1 LG	1	
-104	257986	• WASHER,0.156 ID X 0.035 THK	1	
-105	508137	• SPRING,HELICAL,COMPR- 9 TURNS	1	
-106	2218861	• BRACKET-LATCH	1	
-107	837969	• STOP ASM,SIDE	4	
-107	2227511	• STOP ASM,FRONT AND REAR	2	
-108	2181004	• SCREW-HEX HD SELFTAP 10-32 X .375 LONG	4	
-109	45690	• WASHER,FLAT	6	
-110	825464	• RETAINER	1	
-111	597038	• FERRULE,ELECTRICAL CONDUCTOR- 8AWG	2	
-112	5271638	• TUBING	1	
-113	597066	• CABLE,INSULATED	14	
		END OF LIST 1		

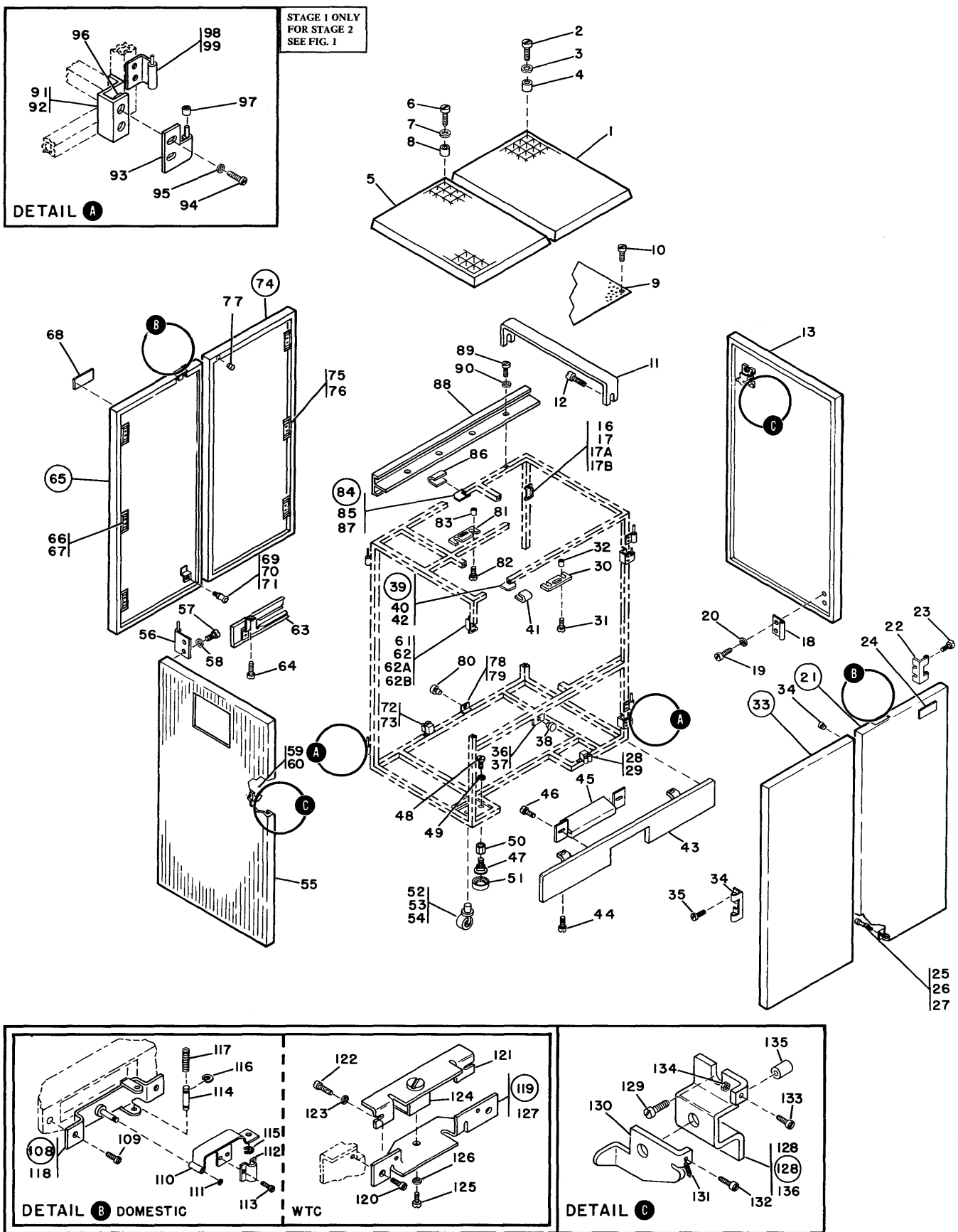


FIGURE 1A. STAGE 1 FRAME AND COVER GROUP.

SEE LIST 1A

## LIST 1A

LIST AND INDEX NUMBER	PART NUMBER	DESCRIPTION				UNITS PER ASM.	USABLE ON CODE
		1	2	3	4		
		STAGE 1 FRAME AND COVER GROUP					
<b>1A</b>		CODE A USED ON 60 HZ MACHINES ONLY CODE B USED ON 50 HZ MACHINES ONLY					
-	2191763 NP	2841 COVER GROUP, STAGE 1 FOR ILLUSTRATION SEE FIGURE 1A				NP	
- 1	2191860	• COVER, TOP REAR				1	
- 2	2194019	• SCREW, MACH-BIND. HD, 6-32 X 0.438 LG				4	
- 3	1135998	• WASHER, TOP COVER				4	
- 4	5397868	• PLUG-LOCATING				4	
- 5	2191859	• COVER, TOP FRONT				1	
- 6	2194019	• SCREW, MACH-BIND. HD, 6-32 X 0.438 LG				2	
- 7	1135998	• WASHER, TOP COVER				2	
- 8	5397868	• PLUG-LOCATING				2	
- 9	2194057	• SCREEN				1	
- 10	236849	• SCREW, MACH-BIND HD 10-32 X 1/4 LG				4	
- 11	2194088	• SUPPORT-COVER				1	
- 12	2125733	• SCREW, HEX, SELF TAP., 5 LG X 0.302 DIA				2	
- 13	2184028	• COVER-REAR				1	A
- 13	2227540	• COVER, REAR VENTED				1	B
- 16	513669	• STRIKE-FRICTION LATCH				2	A
- 16	2227596	• STRIKE, LATCH				1	B
- 17	731626	• SCREW, PAN HEAD, 6-32 X 0.25 LONG				4	A
- 17	5372858	• SCREW, THREAD FORMING HEX 10-32 BY 1/2 LG				2	B
- 17A	5418113	• BUMPER				1	B
- 17B	257189	• NUT, HEX 8-32				1	B
- 18	2191813	• HINGE				3	
- 19	4636	• SCREW, MACH-FL CSK HD 8-32 X 3/8 LG				6	
- 20	35229	• WASHER, FL 11/64 ID X 7/16 OD X 0.078 THK				6	
- 21	2191848	• COVER ASSEMBLY-RH BLUE				1	
- 21	2191751	• COVER ASSEMBLY-RH RED				1	
- 21	2191752	• COVER ASSEMBLY-RH YELLOW				1	
- 21	2191835	• COVER ASSEMBLY-RH GRAY				1	
- 22	2191845	• HINGE-SIDE COVER				3	
- 23	34512	• SCREW, MACH-BIND HD 8-32 X 3/8 LG				6	
- 24	2184177	• NAMEPLATE, 2841 STORAGE CONTROL, ENGLISH				1	
- 24	2184215	• NAMEPLATE, 2841 STORAGE CONTROL, FRENCH				1	
- 24	2184217	• NAMEPLATE, 2841 STORAGE CONTROL, GERMAN				1	
- 25	609551	• STUD, COVER LOCK				1	
- 26	257189	• NUT, HEX 8-32				1	
- 27	55901	• WASHER, LOCK, EXT TEETH - .176 DIA				1	
- 28	609549	• CATCH, HINGE COVER				1	
- 29	81693	• SCREW, MACH-BIND HD 6-32 X 3/8 LG				1	
- 30	826893	• PLATE, LATCH				1	
- 31	5319888	• SCREW, SELF TAPPING, 10-32 X .625 LONG				2	
- 32	813678	• SPACER				2	
- 33	2191847	• COVER ASSEMBLY-LH BLUE				1	
- 33	2191836	• COVER ASSEMBLY-LH RED				1	
- 33	2191837	• COVER ASSEMBLY-LH YELLOW				1	
- 33	2191838	• COVER ASSEMBLY-LH GRAY				1	
- 34	2191845	• HINGE-SIDE COVER				3	
- 35	34512	• SCREW, MACH-BIND HD 8-32 X 3/8 LG				6	
- 36	2191736	• BRACKET-BUMPER				1	
- 37	2181004	• SCREW-HEX HD SELFTAP 10-32 X .375 LONG				1	
- 38	360193	• BUMPER				1	
- 39	2227512	• STOP ASM				1	
- 40	2181004	• SCREW-HEX HD SELFTAP 10-32 X .375 LONG				1	
- 41	2111680	• EXTRUSION-RUBBER				1	
- 42	2227564	• STOP				1	
- 43	2227551	• KICKPLATE, RIGHT SIDE				1	
- 44	2181004	• SCREW-HEX HD SELFTAP 10-32 X .375 LONG				2	
- 45	2227550	• KICKPLATE, INSERT				1	
- 46	250525	• SCREW, MACH-BIND HD 10-32 X 3/16 LG				2	
- 47	2191786	• BOLT-SQUARE NECK, 1/2-13 X 2 LG				4	
- 48	93178	• SCREW, CAP-SLOT HD, 1/13 X 3/4 LG				4	
- 49	130987	• WASHER, LOCK-SPLIT 0.509 ID X 0.879 OD				4	
- 50	2191787	• SPACER-1/2-13 X 1-3/4 LG				4	
- 51	2162666	• CUP				4	
- 52	471901	• CASTER				4	
- 53	76846	• NUT, HEX, 500-13				4	
- 54	130987	• WASHER, LOCK-SPLIT 0.509 ID X 0.879 OD				4	
- 55	2184027	• COVER-FRONT				1	A
- 55	2227539	• COVER, FRONT VENTED				1	B

## LIST 1A CONT

LIST AND INDEX NUMBER	PART NUMBER	DESCRIPTION	UNITS PER ASM.	USABLE ON CODE
		STAGE 1 FRAME AND COVER GROUP -CONT		
1A-56	2191813	. HINGE	3	
- 57	4636	. SCREW,MACH-FL CSK HD 8-32 X 3/8 LG ATT PT	6	
- 58	34512	. SCREW,MACH-BIND HD 8-32 X 3/8 LG ATT PT	6	
- 59	513668	. CATCH, FRICTION LATCH	2	
- 60	731626	. SCREW,PAN HEAD,6-32 X 0.25 LONG ATT PT	4	
- 61	513669	. STRIKE-FRICTION LATCH	2	A
- 61	2227596	. STRIKE, LATCH	1	B
- 62	731626	. SCREW,PAN HEAD,6-32 X 0.25 LONG ATT PT	4	A
- 62	5372858	. SCREW,THREAD FORMING HEX 10-32 BY 1/2 LG	2	B
- 62A	5418113	. BUMPER	1	B
- 62B	257189	. NUT, HEX 8-32	1	B
- 63	2184035	. KICKPLATE,LEFT SIDE	1	
- 64	2181004	. SCREW-HEX HD SELFTAP 10-32 X .375 LONG ATT PT	2	
- 65	2191848	. COVER ASSEMBLY-RH BLUE	1	
- 65	2191751	. COVER ASSEMBLY-RH RED	1	
- 65	2191752	. COVER ASSEMBLY-RH YELLOW	1	
- 65	2191835	. COVER ASSEMBLY-RH GRAY	1	
- 66	2191845	. . HINGE-SIDE COVER	3	
- 67	34512	. . SCREW,MACH-BIND HD 8-32 X 3/8 LG ATT PT	6	
- 68	2184177	. NAMEPLATE,2841 STORAGE CONTROL,ENGLISH	1	
- 68	2184215	. NAMEPLATE,2841 STORAGE CONTROL,FRENCH	1	
- 68	2184217	. NAMEPLATE,2841 STORAGE CONTROL,GERMAN	1	
- 69	609551	. STUD, COVER LOCK	1	
- 70	257189	. NUT, HEX 8-32 ATT PT	1	
- 71	55901	. WASHER, LOCK, EXT TEETH - .176 DIA ATT PT	1	
- 72	609549	. CATCH, HINGE COVER	1	
- 73	81693	. SCREW,MACH-BIND HD 6-32 X 3/8 LG ATT PT	1	
- 74	2191847	. COVER ASSEMBLY-LH BLUE	1	
- 74	2191836	. COVER ASSEMBLY-LH RED	1	
- 74	2191837	. COVER ASSEMBLY-LH YELLOW	1	
- 74	2191838	. COVER ASSEMBLY-LH GRAY	1	
- 75	2191845	. . HINGE-SIDE COVER	1	
- 76	34512	. . SCREW,MACH-BIND HD 8-32 X 3/8 LG ATT PT	1	
- 77	825690	. BUMPER	1	
- 78	2191736	. BRACKET-BUMPER	1	
- 79	2181004	. SCREW-HEX HD SELFTAP 10-32 X .375 LONG ATT PT	1	
- 80	360193	. BUMPER	1	
- 81	826893	. PLATE,LATCH	1	
- 82	5319888	. SCREW, SELF TAPPING, 10-32 X .625 LONG ATT PT	2	
- 83	813678	. SPACER ATT PT	2	
- 84	2227512	. STOP ASM	1	
- 85	2181004	. SCREW-HEX HD SELFTAP 10-32 X .375 LONG ATT PT	1	
- 86	2111680	. . EXTRUSION-RUBBER	1	
- 87	2227564	. . STOP	1	
- 88	2191789	. TRIMSTRIP	2	
- 89	236849	. SCREW,MACH-BIND HD 10-32 X 1/4 LG ATT PT	8	
- 90	3550	. WASHER,FLAT 1/4 ID-9/16-OD-0.05 THICK ATT PT	8	
- 91	2227554	. BRACKET,HINGE	8	
- 92	2181004	. SCREW-HEX HD SELFTAP 10-32 X .375 LONG ATT PT	16	
- 93	2227552	. HINGE,RIGHT HAND	4	
- 93	2227553	. HINGE,LEFT HAND	4	
- 94	5319854	. SCREW, SELF TAPPING, 8-32 X .375 LONG ATT PT	16	
- 95	2125963	. WASHER,LOCK-INT TEETH NO. 8 X 9/16 OD ATT PT	16	
- 96	825843	. BAR ATT PT	8	
- 97	2145165	. SPACER, CABLE CLAMP, .250 DIA	4	
- 98	2227555	. HINGE,COVER	6	
- 99	731630	. SCREW,THD FORMING- 10-32 X 0.500 LG ATT PT	12	
-108	2184034	. LATCH ASSEMBLY-COVER	2	A

LIST **1A** CONT

LIST AND INDEX NUMBER	PART NUMBER	DESCRIPTION	UNITS PER ASM.	USABLE ON CODE
		STAGE I FRAME AND COVER GROUP -CONT		
<b>1A</b> -109	34512	. SCREW,MACH-BIND HD 8-32 X 3/8 LG ATT PT	4	
-110	2184033	. . HANDLE-ACTUATOR	1	
-111	1092125	. . RING, RET 0.145 ID-0.335 OD-0.025 THICK ATT PT	1	
-112	2184030	. . LATCH	1	
-113	58207	. . SCREW,BH.8-32 X 0.250 LG ATT PT	2	
-114	2184029	. . PIN-SPRING GUIDE	1	
-115	45690	. . WASHER,FLAT ATT PT	1	
-116	1092125	. . RING, RET. 0.145 ID-0.335 OD-0.025 THICK ATT PT	1	
-117	146749	. . SPRING,HELICAL,COMPRESSION	1	
-118	2193939	. . BRACKET-LATCH MOUNTING	1	
-119	4103598	. LATCH ASM	2	B
-120	34512	. SCREW,MACH-BIND HD 8-32 X 3/8 LG ATT PT	2	
-121	4103596	. . PLATE,LOCK MTG	1	
-122	58207	. . SCREW,BH.8-32 X 0.250 LG ATT PT	2	
-123	22478	. . WASHER,FL- 0.170 ID 0.375 OD 0.032 THK ATT PT	2	
-124	4105570	. . LOCK	1	
-125	58207	. . SCREW,BH.8-32 X 0.250 LG ATT PT	2	
-126	22478	. . WASHER,FL- 0.170 ID 0.375 OD 0.032 THK ATT PT	2	
-127	4103595	. . PLATE,LATCH MTG	1	
-128	513668	. CATCH,FRICITION LATCH USED ON DOMESTIC ONLY	2	
-128	5407568	. LATCH ASSEMBLY USED ON WTC ONLY	2	
-129	731626	. SCREW,PAN HEAD,6-32 X 0.25 LONG ATT PT	4	A
-129	186759	. SCREW,MACH-BIND HD 8-32 X 5/16 LG ATT PT	4	B
-130	5407563	. . PLATE	1	B
-131	5418181	. . SPRING	1	B
-132	15887	. . SCREW,MACH-BIND HD 2-56 X 1/8 LG ATT PT	1	B
-133	186399	. . SCREW,MACH-BIND HD 2-56 X 3/16 LG ATT PT	1	B
-134	47987	. . NUT,PLAIN,HEX- 2-56 X 3/16 FL W ATT PT	1	B
-135	5407564	. . HUB	1	B
-136	5407566	. . BRACKET	1	B
		END OF LIST <b>1A</b>		

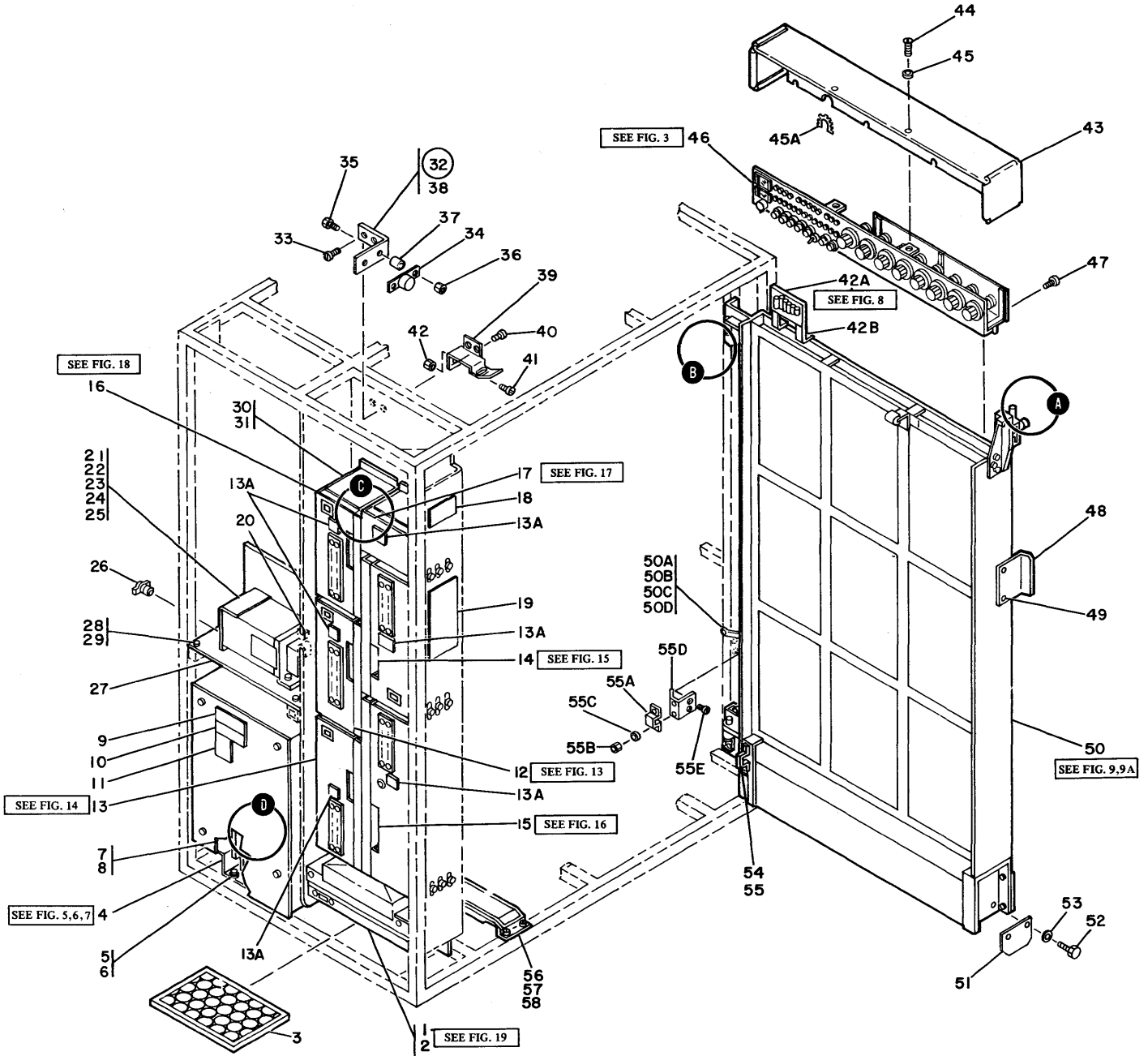
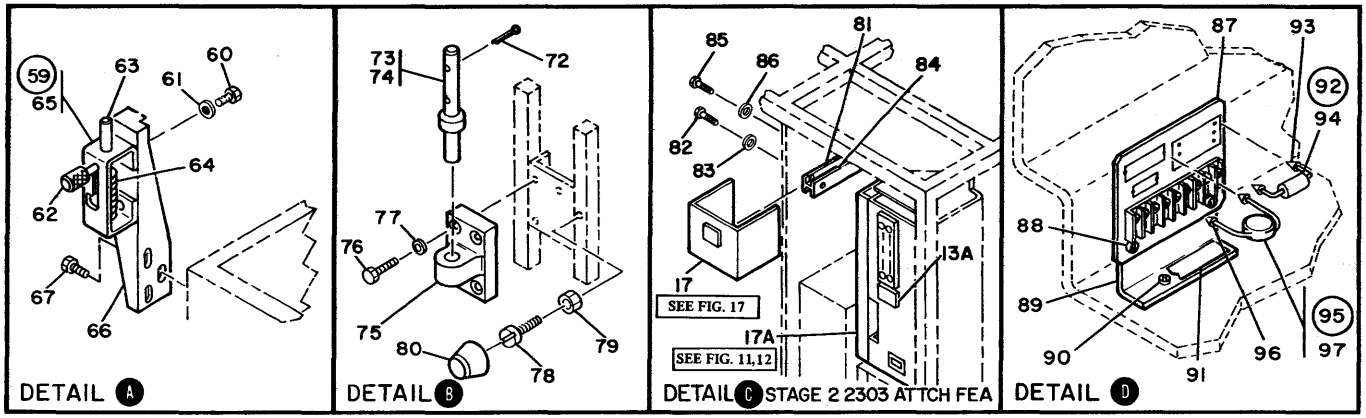


FIGURE 2. BASIC FINAL ASSEMBLY, REAR VIEW. SHEET 1 OF 3, INDEX NOS. 1 THRU 97.

SEE LIST 2



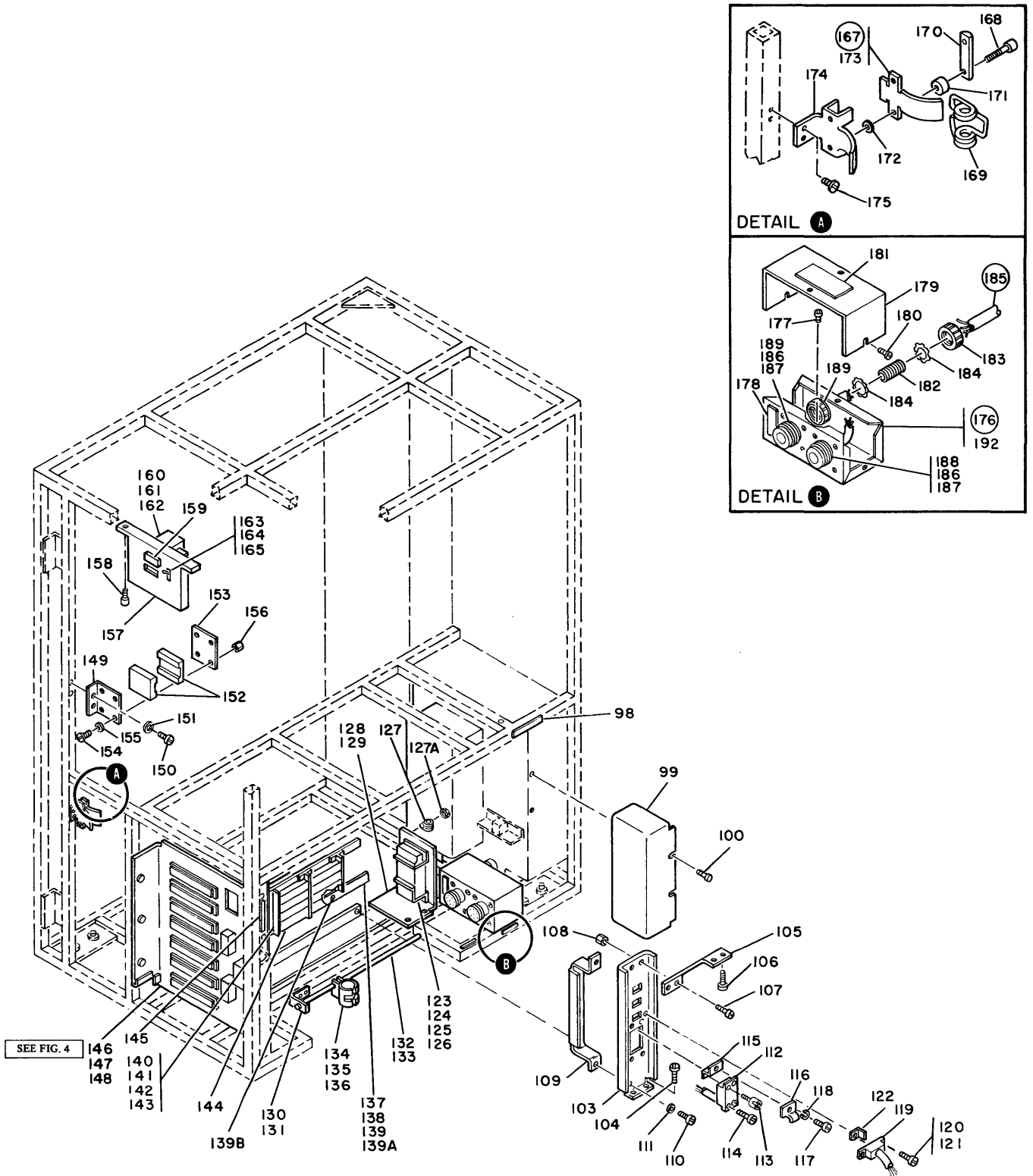


FIGURE 2. BASIC FINAL ASSEMBLY, FRONT VIEW. SHEET 2 OF 3, INDEX NOS. 98 THRU 192.

SEE LIST **2**

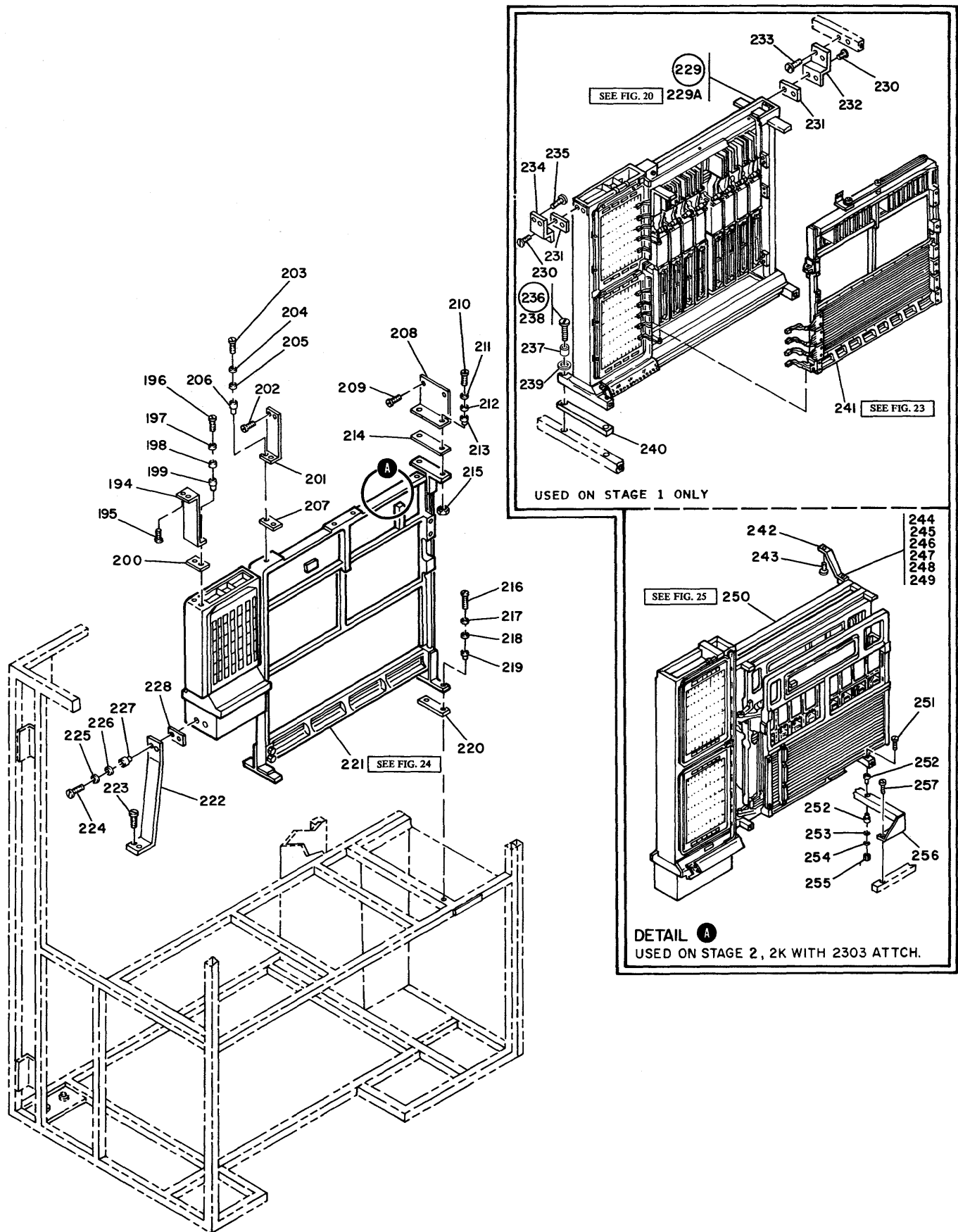


FIGURE 2. BASIC FINAL ASSEMBLY, TROS. SHEET 3 OF 3, INDEX NOS. 194 THRU 257.

SEE LIST **2**

## LIST 2

LIST AND INDEX NUMBER	PART NUMBER	DESCRIPTION	UNITS PER ASM.	USABLE ON CODE
		2841 BASIC FINAL ASSEMBLY		
2		CODE A USED ON STAGE 1 ONLY CODE B USED ON STAGE 2 ONLY CODE E STG 2,W/O 2303 W/READ STORAGE CODE F STG 2,WITH 2303 ATTCH FEA		
-	2210861 NP	2841 BASIC FINAL ASSEMBLY FOR ILLUSTRATION SEE FIGURE 2	1	
- 1	2184084	. BLOWER ASSEMBLY,60 HERTZ	1	
- 1	2191774	. BLOWER ASSEMBLY,50 HERTZ	1	
- 2	2181004	. SCREW-HEX HD SELFTAP 10-32 X .375 LONG ATT PT	2	
- 3	2128556	. FILTER, AIR	1	
- 4	2191720	. PWR DIST ASSEMBLY, STAGE 1 AND 2 60 HZ FOR DETAIL BREAKDOWN SEE FIGURE 5	1	
- 4	2191727	. POWER DISTRIBUTION ASM,STAGE I 50 HZ FOR DETAIL BREAKDOWN SEE FIGURE 7	1	A
- 4	2210870	. POWER DISTRIBUTION ASM,STAGE 2 50 HZ FOR DETAIL BREAKDOWN SEE FIGURE 6	1	B
- 5	2181004	. SCREW-HEX HD SELFTAP 10-32 X .375 LONG ATT PT	4	
- 6	56079	. WASHER-LOCK,EXT T .204 ID .410 OD ATT PT	1	
- 7	2194099	. COVER,POWER DISTRIBUTION,DOMESTIC 2.43 X 3.12 MAINLINE CB OPENING	1	B
- 7	2211495	. COVER,PWR DIST,WTC 2.30 X 2.76 MAINLINE CB OPENING	1	B
- 7	2210884	. COVER,POWER DISTRIBUTION,WTC 3.28 X 3.19 MAINLINE CB OPENING	1	B
- 7	2193983	. COVER,PWR DIST,DOMESTIC USED WITH MAINLINE TOGGLE SWITCH	1	A
- 7	2193984	. COVER,PWR DIST,WTC USED WITH MAINLINE ROTORY SWITCH	1	A
- 8	2181004	. SCREW-HEX HD SELFTAP 10-32 X .375 LONG ATT PT	4	
- 9	369208	. DECAL,INST-HAZARDOUS AREA	1	
- 10	138756	. LABEL,LINE V PRESENT W/MACH PWR OFF	1	
- 11	845762	. DECAL-VOLTAGE	1	
- 12	5239420	. POWER SUPPLY ASM,3 VOLT AT 12 AMP 50 HZ	1	
- 12	5239402	. POWER SUPPLY ASM,3 VOLT AT 12 AMP 60 HZ FOR DETAIL BREAKDOWN SEE FIGURE 13	1	
- 13	5239421	. POWER SUPPLY ASM,3V AT 16.0 AMP-50 HZ	1	
- 13	5239403	. POWER SUPPLY ASM,3V AT 16.0 AMP-60 HZ FOR DETAIL BREAKDOWN SEE FIGURE 14	1	
- 13A	2227528	. LABEL,PWR SPLY	1	
- 14	5239427	. POWER SUPPLY ASM,6V AT 12 AMP-50 HZ	1	
- 14	5239409	. POWER SUPPLY ASM,6V AT 12 AMP-60 HZ FOR DETAIL BREAKDOWN SEE FIGURE 15	1	
- 15	5239429	. POWER SUPPLY ASM,6 VOLTS AT 18 AMP 50 HZ	1	
- 15	5239411	. POWER SUPPLY ASM,6 VOLTS AT 18 AMP 60 HZ FOR DETAIL BREAKDOWN SEE FIGURE 16	1	
- 16	5261700	. POWER SUPPLY ASM,36VDC AT 2 AMP,50 HZ	1	
- 16	5261100	. POWER SUPPLY ASM,36VDC AT 2 AMP,60 HZ FOR DETAIL BREAKDOWN SEE FIGURE 18	1	
- 17	5709420	. POWER SUPPLY ASM,12 VOLT AT 0.75 AMP FOR DETAIL BREAKDOWN SEE FIGURE 17	1	
- 17A	5261000	. POWER SUPPLY ASM,3 VOLT AT 4 AMP 60 HZ FOR DETAIL BREAKDOWN SEE FIGURE 12	1	F
- 17A	5239418	. POWER SUPPLY ASM,3V AT 4.0 AMP-50 HZ FOR DETAIL BREAKDOWN SEE FIGURE 11	1	F
- 18	2211405	. LABEL,TEST POINT-2 CHANNEL SWITCH	1	
- 19	2211839	. LABEL,TEST POINT	1	B
- 19	2210904	USED WITH INTERFACE RESISTANCE . LABEL,IDENTIFICATION-TEST POINT USED WITHOUT INTERFACE RESISTANCE	1	B
- 19	2193971	. LABEL	1	A
- 20	2131516	. RUBBER EXTRUSION	AR	A
- 21	2194932	. TRANSFORMER,220V/115V 1.15 KVA 60 HZ	1	B
- 22	2181004	. SCREW-HEX HD SELFTAP 10-32 X .375 LONG ATT PT	3	
- 23	2125974	. WASHER, INT TOOTH, .200 ID X .562 OD ATT PT	3	
- 24	252207	. CONNECTOR,SOLDERLESS WIRE ATT PT	3	
- 25	56079	. WASHER-LOCK,EXT T .204 ID .410 OD ATT PT	1	
- 26	237327	. CLAMP-CABLE	1	B
- 27	2218869	. BRACKET-TRANSFORMER MOUNTING	1	B
- 28	2181004	. SCREW-HEX HD SELFTAP 10-32 X .375 LONG ATT PT	4	
- 29	56079	. WASHER-LOCK,EXT T .204 ID .410 OD ATT PT	1	
- 30	2159711	. SHIELD, POWER SUPPLY	2	

## LIST 2 CONT

LIST AND INDEX NUMBER	PART NUMBER	DESCRIPTION	UNITS PER ASM.	USABLE ON CODE
		2841 BASIC FINAL ASSEMBLY -CONT		
2 - 31	2181004	• SCREW-HEX HD SELFTAP 10-32 X .375 LONG ATT PT	4	
- 32	2194008	• SWITCH ASSEMBLY-THERMAL	1	
- 33	740501	• SCREW,MACH-HEX HD 6-32 X 1/4 LG ATT PT	2	
- 34	761345	• THERMOSWITCH,N/C 120 DEGREES FH	1	
- 35	2152841	• SCREW,FILLISTER HEAD 4-40 X1/2 1/4. LONG ATT PT	2	
- 36	2145026	• NUT,DOUBLE CHAMFER,4-40 X 1/4 FL W ATT PT	2	
- 37	2152838	• SPACER,PHENOLIC,.125 ID .250 OD X.180 LG ATT PT	2	
- 38	2194007	• BRACKET	1	
- 39	2193909	• STRIKE-GATE LATCH	1	
- 40	2181004	• SCREW-HEX HD SELFTAP 10-32 X .375 LONG ATT PT	2	
- 41	255939	• SCREW-BUMPER ADJ 1/4-20 X 1-3/16 LG	1	
- 42	3960	• NUT,PLAIN,HEX- 1/4-20 X 7/16 FL W ATT PT	1	
- 42A	2194077	• BOARD AND CABLE ASM-REMOTE SWITCHING	1	
		USED WITH REMOTE SWITCH FEA ONLY FOR DETAIL BREAKDOWN SEE FIGURE 8		
- 42B	5319854	• SCREW, SELF TAPPING, 8-32 X .375 LONG ATT PT	2	
- 43	2184119	• COVER-C.E. PANEL	1	
- 44	5350006	• SCREW, SELF TAPPING, 6-32 X .250 LONG ATT PT	6	
- 45	56722	• WASHER-LOCK,EXT T, .150 ID ATT PT	6	
- 45A	730432	• GROMMET,CATERPILLAR	1	
- 46	2191755	• CE PANEL ASM,STAGE 1	1	A
- 46	2210855	• CE PANEL ASM,STAGE 2	1	B
		FOR DETAIL BREAKDOWN SEE FIGURE 3		
- 47	234329	• SCREW AND LOCKWASHER,10-32 X 0.38 LONG ATT PT	4	A
- 47	236849	• SCREW,MACH-BIND HD 10-32 X 1/4 LG ATT PT	4	B
- 48	2194029	• HANDLE-CARD GATE	1	
- 49	2181005	• SCREW-HEX HD SELFTAP 6-32 X .375 LONG ATT PT	2	
- 50	2210885	• OUTER GATE ASM,STAGE 2	1	
		FOR DETAIL BREAKDOWN SEE FIGURE 9		
- 50	2191785	• OUTER GATE ASM,STAGE 1 W/O 2 CHANNEL SW	1	
- 50	2227491	• OUTER GATE ASM-STAGE I WITH 2 CHANNEL SW	1	
		FOR DETAIL BREAKDOWN SEE FIGURE 9A		
- 50A	2101376	• STRAP-GROUND	1	
- 50B	2181004	• SCREW-HEX HD SELFTAP 10-32 X .375 LONG ATT PT	2	
- 50C	2125974	• WASHER, INT TOOTH, .200 ID X .562 OD ATT PT	2	
- 50D	56079	• WASHER-LOCK,EXT T .204 ID .410 OD ATT PT	2	
- 51	2193929	• SHOE,CARD GATE,SIDE MTG	1	A
- 51	2194015	• SHOE,CARD GATE,BOTTOM MTG	1	A
- 51	2211494	• SHOE,CARD GATE	1	B
- 52	2181004	• SCREW-HEX HD SELFTAP 10-32 X .375 LONG ATT PT	2	
- 53	2125974	• WASHER, INT TOOTH, .200 ID X .562 OD ATT PT	2	
- 54	2184181	• CLAMP-POWER CABLE	1	
- 55	5319854	• SCREW, SELF TAPPING, 8-32 X .375 LONG ATT PT	1	
- 55A	2184181	• CLAMP-POWER CABLE	1	
- 55B	34512	• SCREW,MACH-BIND HD 8-32 X 3/8 LG ATT PT	2	
- 55C	55901	• WASHER, LOCK, EXT TEETH - .176 DIA ATT PT	2	
- 55D	2211404	• BRACKET,CABLE CLAMP	1	
- 55E	2181004	• SCREW-HEX HD SELFTAP 10-32 X .375 LONG ATT PT	2	
- 56	2193928	• SUPPORT-CARD GATE	1	A
- 56	2218888	• SUPPORT-CARD GATE	1	B
- 57	2181004	• SCREW-HEX HD SELFTAP 10-32 X .375 LONG ATT PT	2	
- 58	5319888	• SCREW, SELF TAPPING, 10-32 X .625 LONG ATT PT	2	
- 59	2172092	• LATCH ASSEMBLY-GATE	1	
- 60	10170	• SCREW-MACH,BIND HD NO. 6-32 X .250 LG ATT PT	2	
- 61	56722	• WASHER-LOCK,EXT T, .150 ID ATT PT	2	
- 62	528013	• STUD-LATCH	1	
- 63	528014	• PIN-LATCH	1	
- 64	528012	• SPRING,HELICAL,COMPR	1	
- 65	528011	• BRACKET-LATCH	1	
- 66	2193908	• BRACKET-LATCH	1	
- 67	2181004	• SCREW-HEX HD SELFTAP 10-32 X .375 LONG ATT PT	3	
- 72	55102	• PIN,COTTER-EXT PRONG 0.060 DIA X 3/4 LG	2	
- 73	2184164	• PIN,HINGE,LOWER	1	
- 74	2128529	• PIN,HINGE,UPPER	1	
- 75	244571	• HINGE	2	
- 76	38688	• SCREW,HEX HD,1/4-20 X 0.750 LG ATT PT	8	
- 77	76574	• WASHER, LOCK-EXT. TEETH .250 ATT PT	8	
- 78	59649	• SCREW,MACH-HEX HD 1/4-20 X 2 LG	1	
- 79	3960	• NUT,PLAIN,HEX- 1/4-20 X 7/16 FL W	2	
- 80	333064	• CAP-BOLT	1	
- 81	2193932	• OUTER RAIL	8	
- 82	101706	• SCREW,MACH-HEX HD 10-32 X 3/4 LG ATT PT	16	
- 83	2125974	• WASHER, INT TOOTH, .200 ID X .562 OD ATT PT	16	
- 84	2193933	• INNER RAIL,POWER SUPPLY MOUNTING	8	
- 85	2181004	• SCREW-HEX HD SELFTAP 10-32 X .375 LONG ATT PT	8	A
- 85	130434	• SCREW-MACH,SLOTTED HEX HD NO.10-32 X.375 ATT PT	8	B
- 86	2125974	• WASHER, INT TOOTH, .200 ID X .562 OD ATT PT	8	

## LIST 2 CONT

LIST AND INDEX NUMBER	PART NUMBER	DESCRIPTION	UNITS PER ASM.	USABLE ON CODE
		2841 BASIC FINAL ASSEMBLY -CONT		
2 - 87	372688	• CARD ASM,METER ASSEMBLY COMPONENTS ARE NOT REPLACEABLE	1	
- 88	740501	• SCREW,MACH-HEX HD 6-32 X 1/4 LG ATT PT	2	
- 89	740493	• BRACKET-CARD MOUNTING	1	
- 90	740501	• SCREW,MACH-HEX HD 6-32 X 1/4 LG ATT PT	2	
- 91	362915	• LABEL, IBM, BLACK LETTERS ON WHITE	6	
- 92	2162806	• RESISTOR ASSEMBLY- 330 OHMS	1	
- 93	313361	• . TERMINAL, SPADE 0.119 ID- 22, 24 AWG	2	
- 94	317428	• . RESISTOR,FXD,COMP- 330 OHMS P/M 5% 1/2W	1	
- 95	2162799	• CAPACITOR ASM,0.01 MFD,P/M 20%	1	
- 96	313361	• . TERMINAL, SPADE 0.119 ID- 22, 24 AWG	2	
- 97	472639	• . CAPACITOR,FXD,CERAMIC- 0.01 MFD P/M 20%	1	
- 98	124943	• LABEL-HAZARDOUS AREA	6	
- 99	2191883	• COVER-RELAY	1	
-100	2181004	• SCREW-HEX HD SELFTAP 10-32 X .375 LONG ATT PT	3	
-103	2191747	• SUPPORT	1	
-104	5319854	• SCREW, SELF TAPPING, 8-32 X .375 LONG ATT PT	2	
-105	2191832	• STRAP-I/O SUPPORT	1	
-106	5319854	• SCREW, SELF TAPPING, 8-32 X .375 LONG ATT PT	2	
-107	25627	• SCREW,MACH-BIND HD 8-32 X 1/2 LG	2	
-108	72828	• NUT,SELF LKG,HEX- 8-32 X 0.334 FL W	2	
-109	2211402	• BRACKET,SERPANT CONN	2	
-110	32042	• SCREW, MACH BIND. HD 10-32 X 3/8 LG. ATT PT	4	
-111	56079	• WASHER-LOCK,EXT T .204 ID .410 OD ATT PT	4	
-112	2194021	• CABLE ASSEMBLY- 2311 SIGNAL I/O SEE CABLE ROUTING FIGURE 31-14	1	
-113	2122636	• SOCKET-GUIDE,6-32 WITH NUT AND LCKW ATT PT	2	
-114	2181004	• SCREW-HEX HD SELFTAP 10-32 X .375 LONG ATT PT	2	A
-114	170225	• SCREW, LOCKWASHER AND, 6-32 X .438 LG ATT PT	2	B
-115	2181199	• CLIP-STRAIN RELIEF	2	A
-115	2181292	• CLIP,STRAIN RELIEF	2	B
-116	2181293	• CLAMP,CABLE	2	B
-117	845	• SCREW,MACH-FIL H 8-32 X 1/2 LG ATT PT	2	
-118	60646	• WASHER,LOCK-INT TEETH NO. 8 X 0.340 OD ATT PT	2	
-119	2184052	• CABLE ASM,POWER ATTACHMENT,60 HZ	1	A
-119	2191718	• CABLE ASSEMBLY-DC DISTRIBUTION	1	B
-120	170158	SEE CABLE ROUTING FIGURE 31-13 • SCREW AND LOCKWASHER ASM-4-40 X 3/4 LG ATT PT	2	
-121	37913	• NUT, HEX 4-40 NC ATT PT	2	
-122	5271288	• TERMINAL	1	
-123	2194932	• TRANSFORMER,220V/115V 1.15 KVA 60 HZ	1	A
-124	322029	• SCREW,MACH-BIND HD 1/4-20 X 1/2 LG ATT PT	3	
-125	76574	• WASHER, LOCK-EXT. TEETH .250 ATT PT	3	
-126	252207	• CONNECTOR,SOLDERLESS WIRE ATT PT	3	
-127	237327	• CLAMP-CABLE	1	A
-127A	252207	• CONNECTOR,SOLDERLESS WIRE	1	A
-128	2194024	• BRACKET-MOUNTING	1	A
-129	2181004	• SCREW-HEX HD SELFTAP 10-32 X .375 LONG ATT PT	2	
-130	2193935	• BRACKET-CABLE CLAMP	1	
-131	2181004	• SCREW-HEX HD SELFTAP 10-32 X .375 LONG ATT PT	2	
-132	2193936	• BOLT-CABLE CLAMP,1/4-20 X 3/4 LG	1	
-133	3960	• NUT,PLAIN,HEX- 1/4-20 X 7/16 FL W ATT PT	2	
-134	2191879	• CLAMP,0.468 ID	AR	
-134	2191881	• CLAMP,0.842 ID	AR	
-134	2191882	• CLAMP,0.968 ID	AR	
-135	55918	• SCREW,MACH-BIND HD 10-32 X 5/8 LG ATT PT	AR	
-136	11598	• NUT,HEX, 10-32 X 0.375 FL W ATT PT	AR	
-137	2191833	• BAR-HORIZONTAL MOUNTING I/O CONNECTOR	AR	
-138	81693	• SCREW,MACH-BIND HD 6-32 X 3/8 LG ATT PT	AR	
-139	627823	• NUT,KEPS-CONICAL ATT PT	4	A
-139A	56722	• WASHER-LOCK,EXT T, .150 ID ATT PT	6	B
-139B	2191846	• SCREW,THD FORMING,4-40 X 0.50 LG	3	
-140	2191834	• BAR-I/O CONNECTOR VERTICAL MTG	AR	A
-140	2211403	• BAR,I/O CONNECTOR,VERTICAL MTG	2	B
-141	38235	• SCREW,BIND HD 6-32 X .312 LONG ATT PT	6	
-142	257187	• NUT,HEX 6-32 NC ATT PT	AR	
-143	56722	• WASHER-LOCK,EXT T, .150 ID ATT PT	6	
-144	5362304	• CONNECTOR ASSEMBLY - HALF STYLE A	AR	
-144	5362305	• CONNECTOR ASSEMBLY - HALF STYLE B FOR COMPONENTS SEE FIGURE 32-69	AR	
-145	2191884	• LABEL-I/O	1	
-146	2191756	USED WITH ADD FILE AND 2 CHANNEL SW FEA • PANEL ASSEMBLY-I/O	1	
-147	2181004	FOR DETAIL BREAKDOWN SEE FIGURE 4 • SCREW-HEX HD SELFTAP 10-32 X .375 LONG ATT PT	7	
-148	56079	• WASHER-LOCK,EXT T .204 ID .410 OD ATT PT	1	

## LIST 2 CONT

LIST AND INDEX NUMBER	PART NUMBER	DESCRIPTION	UNITS PER ASM.	USABLE ON CODE
1	2	3	4	
		2841 BASIC FINAL ASSEMBLY -CONT		
2 -149	2211492	. BRACKET,FLAT CORE	1	
-150	2181004	. SCREW-HEX HD SELFTAP 10-32 X .375 LONG ATT PT	2	
-151	2125974	. WASHER, INT TOOTH, .200 ID X .562 OD ATT PT	2	
-152	2211490	. CORE,FERRITE	2	
-153	2211491	. PLATE,FLAT CORE	1	
-154	438602	. SCREW,MACH-BIND HD 10-32 X 1-1/2 LG ATT PT	4	
-155	2125974	. WASHER, INT TOOTH, .200 ID X .562 OD ATT PT	4	
-156	11598	. NUT,HEX, 10-32 X 0.375 FL W ATT PT	4	
-157	2193949	. PANEL,USAGE CLOCK,ENGLISH	1	
-157	2211486	. PANEL,USAGE CLOCK,GERMAN	1	
-157	2211488	. PANEL,USAGE CLOCK,FRENCH USED WITH 2 CHANNEL SWITCH FEA	1	
-157	2184145	. PANEL,USAGE CLOCK,ENGLISH	1	
-157	2211484	. PANEL,USAGE CLOCK,FRENCH	1	
-157	2211482	. PANEL,USAGE CLOCK,GERMAN	1	
-157	2184579	USED W/O 2 CHANNEL SWITCH FEA . PANEL-REMOTE SWITCH MOUNTING USED WITH 2 CHANNEL SW AND REMOTE SW FEA	1	
-158	5319854	. SCREW, SELF TAPPING, 8-32 X .375 LONG ATT PT	2	
-159	740490	. LABEL,METER	1	A
-159	5371671	. LABEL,METER	1	B
-160	740503	. METER,60 HZ	1	
-160	740608	. METER,50 HZ	1	
-161	186759	. SCREW,MACH-BIND HD 8-32 X 5/16 LG ATT PT	2	
-162	1090873	. LOCKWASHER,SPLIT NO. 8 ATT PT	2	
-163	738826	. SWITCH,TOGGLE,SPDT MAINTAINED	AR	
-164	216323	. NUT,KNURLED,0.469-32 ATT PT	AR	
-165	159373	. WASHER,LOCK-EXT TEETH 15/32 ID X 3/4 OD ATT PT	AR	
-167	815224	. CLAMP ASSEMBLY	2	
-168	332560	. . SCREW ATT PT	2	
-169	813321	. . SPRING	1	
-170	815220	. . BAR	1	
-171	815219	. . SPACER	2	
-172	816649	. . CLIP	2	
-173	815217	. . PLATE-FRONT	1	
-174	815167	. PLATE-BACK	2	
-175	813706	. SCREW, THREAD FORMING, HEX. WASHER HEAD ATT PT	4	
-176	2227255	. POWER BOX ASM,60 HZ	1	F
-176	2227261	. POWER BOX ASM,50 HZ	1	F
-177	2181001	. SCREW,THD FORMING-HEX WASH HD 10-32X 3/4 ATT PT	2	
-178	138755	. . DECAL,INST-LINE V PRESENT W/MACH PWR OFF	1	
-179	2227253	. . COVER	1	
-180	740501	. . SCREW,MACH-HEX HD 6-32 X 1/4 LG ATT PT	4	
-181	369208	. . DECAL,INST-HAZARDOUS AREA	1	
-182	2227257	. . NIPPLE,1/11.50 NPS ZA X 2.0 LG	1	
-183	532331	. . BUSHING,1.59 X 0.56 THK ATT PT	2	
-184	2227256	. . NUT,LOCK 1/11.50 NPS ATT PT	2	
-185	2227254	. . CABLE ASM,2303 ATTCH FEA,60 HZ	1	
-185	2210868	. . CABLE ASM,2303 ATTCH FEA,50 HZ	1	
-186	170158	SEE CABLE ROUTING FIGURE 31-12 . . SCREW AND LOCKWASHER ASM-4-40 X 3/4 LG ATT PT	8	
-187	37913	. . NUT, HEX 4-40 NC ATT PT	8	
-188	2180661	. . . RECEPTACLE,7 POSITION FEMALE	1	
-189	2207269	. . . RECEPTACLE,8 POSITION FEMALE	1	
-192	2227252	. . HOUSING,2303 PWR BOX	1	
-194	2227449	. BRACKET,MOUNTING-TROS FRONT	1	E
-195	2181004	. SCREW-HEX HD SELFTAP 10-32 X .375 LONG ATT PT	2	E
-196	5350092	. SCREW,SELF TAP HEX WSR,1/4-20 X 0.750 LG ATT PT	2	E
-197	76574	. WASHER, LOCK-EXT. TEETH .250 ATT PT	2	E
-198	24091	. WASHER,0.31 ID X 0.75 OD X 0.06 THK ATT PT	2	E
-199	2227545	. BUSHING,NYLON-TROS ATT PT	2	E
-200	2227446	. STRIP,INSUL,1.00 X 3.00	1	E
-201	2194096	. BRACKET,TOP REAR-TROS MOUNTING	1	E
-202	2181004	. SCREW-HEX HD SELFTAP 10-32 X .375 LONG ATT PT	2	E
-203	5350092	. SCREW,SELF TAP HEX WSR,1/4-20 X 0.750 LG ATT PT	2	E
-204	76574	. WASHER, LOCK-EXT. TEETH .250 ATT PT	2	E
-205	24091	. WASHER,0.31 ID X 0.75 OD X 0.06 THK ATT PT	2	E
-206	2227545	. BUSHING,NYLON-TROS	2	E
-207	2227446	. STRIP,INSUL,1.00 X 3.00	1	E
-208	2194097	. BRACKET,TOP FRONT-TROS MOUNTING	1	E
-209	2181004	. SCREW-HEX HD SELFTAP 10-32 X .375 LONG ATT PT	2	E
-210	129147	. SCREW,MACH-HEX HD 1/4-20 X 7/8 LG ATT PT	2	E
-211	2125656	. LOCKWASHER, ATT PT	2	E
-212	24091	. WASHER,0.31 ID X 0.75 OD X 0.06 THK ATT PT	2	E
-213	2227545	. BUSHING,NYLON-TROS ATT PT	2	E
-214	2227447	. STRIP,INSUL,1.00 X 6.00	1	E

## LIST 2 CONT

LIST AND INDEX NUMBER	PART NUMBER	DESCRIPTION	UNITS PER ASM.	USABLE ON CODE
2841 BASIC FINAL ASSEMBLY -CONT				
2-215	3960	• NUT,PLAIN,HEX- 1/4-20 X 7/16 FL W ATT PT	2	E
-216	5350092	• SCREW,SELF TAP HEX WSR,1/4-20 X 0.750 LG	4	E
-217	76574	• WASHER, LOCK-EXT. TEETH .250	4	E
-218	24091	• WASHER,0.31 ID X 0.75 OD X 0.06 THK	4	E
-219	2227546	• BUSHING,NYLON-TROS	4	E
-220	2227447	• STRIP,INSUL,1.00 X 6.00	1	E
-221	2262276	• TROS GATE ASM,2K 60 HZ W/O 2303 FEA	1	E
-221	2210906	USED WITH 2 TIMING CARDS • TROS GATE ASM,2K 60 HZ W/O 2303 FEA	1	E
-221	2262275	USED WITH 4 TIMING CARDS • TROS GATE ASM,2K 50 HZ W/O 2303 FEA	1	E
-221	2210905	USED WITH 2 TIMING CARDS • TROS GATE ASM,2K 50 HZ W/O 2303 FEA	1	E
-222	2227503	USED WITH 4 TIMING CARDS FOR DETAIL BREAKDOWN SEE FIGURE 24 • BRACKET-TROS MOUNTING	1	E
-223	2181004	• SCREW-HEX HD SELFTAP 10-32 X .375 LONG ATT PT	2	E
-224	5350092	• SCREW,SELF TAP HEX WSR,1/4-20 X 0.750 LG ATT PT	2	E
-225	76574	• WASHER, LOCK-EXT. TEETH .250 ATT PT	2	E
-226	24091	• WASHER,0.31 ID X 0.75 OD X 0.06 THK ATT PT	2	E
-227	2227546	• BUSHING,NYLON-TROS	2	E
-228	2227446	• STRIP,INSUL,1.00 X 3.00	1	E
-229	2193660	• STAGE I 4K TROS ASSEMBLY	1	A
-229A	5352469	• TROS GATE ASM,4K FOR DETAIL BREAKDOWN SEE FIG 20	1	
-230	2191855	• SCREW,THD FORMING-HEX/WASH HD 1/4-20X1.5	4	A
-231	2227543	• INSULATOR,PLASTIC-TROS	2	A
-232	2191784	• BRACKET-REAR TROS MOUNTING	1	A
-233	2181004	• SCREW-HEX HD SELFTAP 10-32 X .375 LONG ATT PT	2	A
-234	2191788	• BRACKET-FRONT TROS MOUNTING	1	A
-235	2181004	• SCREW-HEX HD SELFTAP 10-32 X .375 LONG ATT PT	2	A
-236	2227504	• SCREW ASSEMBLY-INSULATED	4	A
-237	2157342	• TUBING-NON METALLIC	1	A
-238	4056150	• SCREW ATT PT	1	A
-239	479986	• SPACER-CONTROL KNOB ATT PT	4	A
-240	2227544	• INSULATOR,PLASTIC-TROS	2	A
-241	5352252	• TROS C GATE ASM	1	A
-242	2218926	USED WITH 2303 ATTCHMENT FEATURE FOR DETAIL BREAKDOWN SEE FIGURE 23 • BRACKET,Z	4	E
-243	2181004	• SCREW-HEX HD SELFTAP 10-32 X .375 LONG	4	E
-244	36112	• SCREW,MACH-HEX HD 1/4-20 X 1-1/2 LG	4	E
-245	2218925	• BUSHING, TROS ISOLATING - .75 DIA	4	E
-246	150909	• SPACER,0.750 OD X0.257 ID X 0.125 TH	4	E
-247	3550	• WASHER,FLAT 1/4 ID-9/16-OD-0.05 THICK	4	E
-248	6935	• LOCKWASHER,SPLIT 0.25-20,0.493 OD	4	E
-249	3960	• NUT,PLAIN,HEX- 1/4-20 X 7/16 FL W	4	E
-250	2262274	• TROS GATE ASM,STG 2 60HZ,2 TIMING CARDS	1	F
-250	2210901	• TROS GATE ASM,STG 2 60HZ,4 TIMING CARDS	1	F
-250	2262273	• TROS GATE ASM,STG 2 50HZ,2 TIMING CARDS	1	F
-250	2210881	• TROS GATE ASM,STG 2 50HZ,4 TIMING CARDS FOR DETAIL BREAKDOWN SEE FIG 25	1	F
-251	2227504	• SCREW ASSEMBLY-INSULATED ATT PT	4	F
-252	2218925	• BUSHING, TROS ISOLATING - .75 DIA ATT PT	8	F
-253	3550	• WASHER,FLAT 1/4 ID-9/16-OD-0.05 THICK ATT PT	4	F
-254	6935	• LOCKWASHER,SPLIT 0.25-20,0.493 OD ATT PT	4	F
-255	3960	• NUT,PLAIN,HEX- 1/4-20 X 7/16 FL W ATT PT	4	F
-256	2218924	• BRACKET,TROS BASE	2	F
-257	5353301	• SCREW-THREAD FORMING, HEX. WASHER HEAD ATT PT	4	F
END OF LIST 2				

FOR PARTS  
NOT SHOWN  
SEE FIG. 2

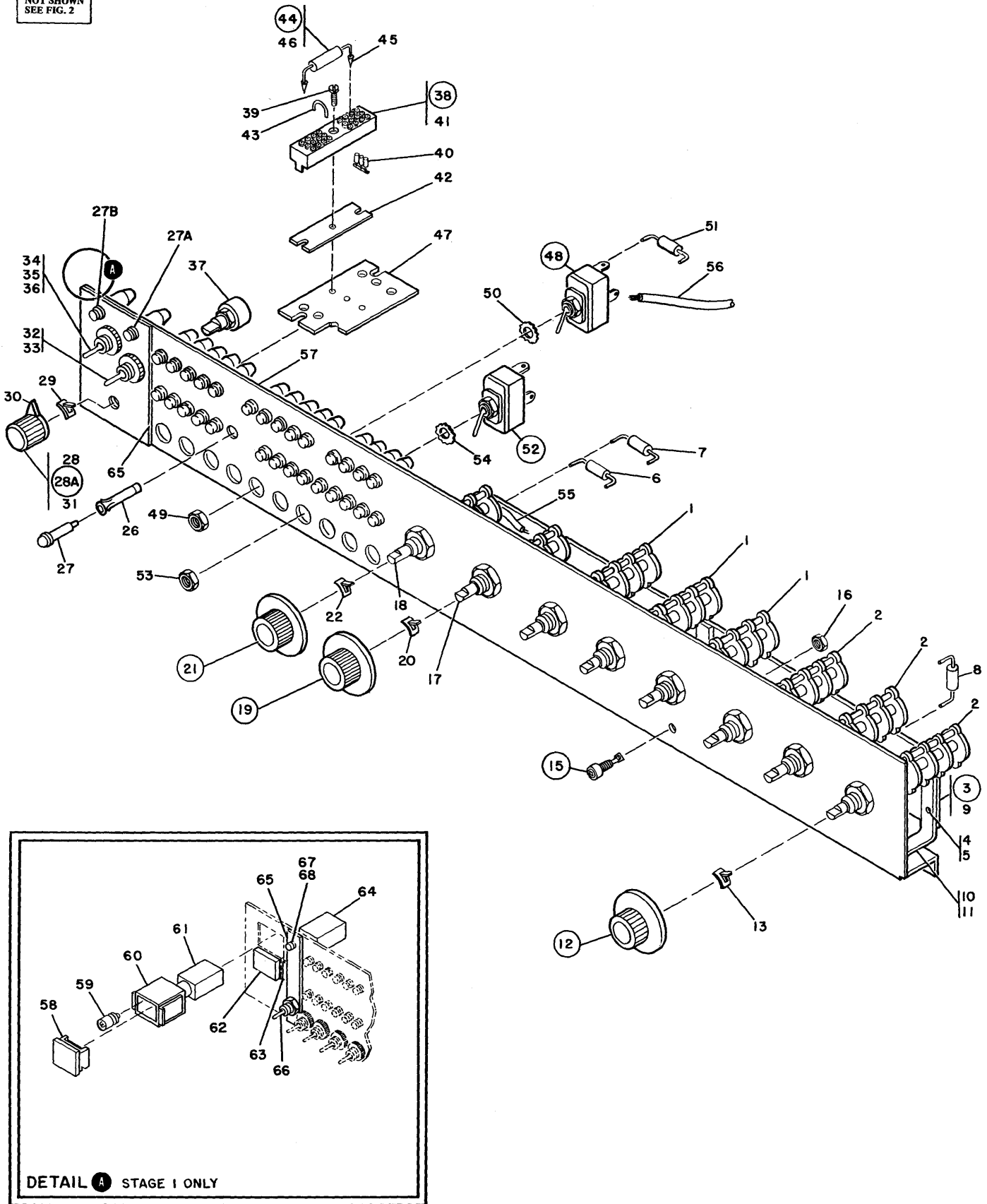


FIGURE 3. C.E. PANEL ASSEMBLY.  
SEE LIST 3



## LIST 2 CONT

LIST AND INDEX NUMBER	PART NUMBER	DESCRIPTION	UNITS PER ASM.	USABLE ON CODE
		1 2 3 4		
		2841 BASIC FINAL ASSEMBLY -CONT		
2 -215	3960	• NUT,PLAIN,HEX- 1/4-20 X 7/16 FL W ATT PT	2	E
-216	5350092	• SCREW,SELF TAP HEX WSR,1/4-20 X 0.750 LG	4	E
-217	76574	• WASHER, LOCK-EXT. TEETH .250	4	E
-218	24091	• WASHER,0.31 ID X 0.75 OD X 0.06 THK	4	E
-219	2227546	• BUSHING,NYLON-TROS	4	E
-220	2227447	• STRIP,INSUL,1.00 X 6.00	1	E
-221	2262276	• TROS GATE ASM,2K 60 HZ W/D 2303 FEA	1	E
-221	2210906	USED WITH 2 TIMING CARDS • TROS GATE ASM,2K 60 HZ W/D 2303 FEA	1	E
-221	2262275	USED WITH 4 TIMING CARDS • TROS GATE ASM,2K 50 HZ W/D 2303 FEA	1	E
-221	2210905	USED WITH 2 TIMING CARDS • TROS GATE ASM,2K 50 HZ W/D 2303 FEA	1	E
-222	2227503	USED WITH 4 TIMING CARDS FOR DETAIL BREAKDOWN SEE FIGURE 24 • BRACKET-TROS MOUNTING	1	E
-223	2181004	• SCREW-HEX HD SELFTAP 10-32 X .375 LONG ATT PT	2	E
-224	5350092	• SCREW,SELF TAP HEX WSR,1/4-20 X 0.750 LG ATT PT	2	E
-225	76574	• WASHER, LOCK-EXT. TEETH .250 ATT PT	2	E
-226	24091	• WASHER,0.31 ID X 0.75 OD X 0.06 THK ATT PT	2	E
-227	2227546	• BUSHING,NYLON-TROS	2	E
-228	2227446	• STRIP,INSUL,1.00 X 3.00	1	E
-229	2193660	• STAGE I 4K TROS ASSEMBLY	1	A
-229A	5352469	• TROS GATE ASM,4K FOR DETAIL BREAKDOWN SEE FIG 20	1	
-230	2191855	• SCREW,THD FORMING-HEX/WASH HD 1/4-20X1.5	4	A
-231	2227543	• INSULATOR,PLASTIC-TROS	2	A
-232	2191784	• BRACKET-REAR TROS MOUNTING	1	A
-233	2181004	• SCREW-HEX HD SELFTAP 10-32 X .375 LONG ATT PT	2	A
-234	2191788	• BRACKET-FRONT TROS MOUNTING	1	A
-235	2181004	• SCREW-HEX HD SELFTAP 10-32 X .375 LONG ATT PT	2	A
-236	2227504	• SCREW ASSEMBLY-INSULATED	4	A
-237	2157342	• TUBING-NON METALLIC	1	A
-238	4056150	• SCREW ATT PT	1	A
-239	479986	• SPACER-CONTROL KNOB ATT PT	4	A
-240	2227544	• INSULATOR,PLASTIC-TROS	2	A
-241	5352252	• TROS C GATE ASM	1	A
-242	2218926	USED WITH 2303 ATTCHMENT FEATURE FOR DETAIL BREAKDOWN SEE FIGURE 23 • BRACKET,Z	4	E
-243	2181004	• SCREW-HEX HD SELFTAP 10-32 X .375 LONG	4	E
-244	36112	• SCREW,MACH-HEX HD 1/4-20 X 1-1/2 LG	4	E
-245	2218925	• BUSHING, TROS ISOLATING - .75 DIA	4	E
-246	150909	• SPACER,0.750 OD X0.257 ID X 0.125 TH	4	E
-247	3550	• WASHER,FLAT 1/4 ID-9/16-OD-0.05 THICK	4	E
-248	6935	• LOCKWASHER,SPLIT 0.25-20,0.493 OD	4	E
-249	3960	• NUT,PLAIN,HEX- 1/4-20 X 7/16 FL W	4	E
-250	2262274	• TROS GATE ASM,STG 2 60HZ,2 TIMING CARDS	1	F
-250	2210901	• TROS GATE ASM,STG 2 60HZ,4 TIMING CARDS	1	F
-250	2262273	• TROS GATE ASM,STG 2 50HZ,2 TIMING CARDS	1	F
-250	2210881	• TROS GATE ASM,STG 2 50HZ,4 TIMING CARDS FOR DETAIL BREAKDOWN SEE FIG 25	1	F
-251	2227504	• SCREW ASSEMBLY-INSULATED ATT PT	4	F
-252	2218925	• BUSHING, TROS ISOLATING - .75 DIA ATT PT	8	F
-253	3550	• WASHER,FLAT 1/4 ID-9/16-OD-0.05 THICK ATT PT	4	F
-254	6935	• LOCKWASHER,SPLIT 0.25-20,0.493 OD ATT PT	4	F
-255	3960	• NUT,PLAIN,HEX- 1/4-20 X 7/16 FL W ATT PT	4	F
-256	2218924	• BRACKET,TROS BASE	2	F
-257	5353301	• SCREW-THREAD FORMING, HEX. WASHER HEAD ATT PT	4	F
		END OF LIST 2		

FOR PARTS  
NOT SHOWN  
SEE FIG. 2

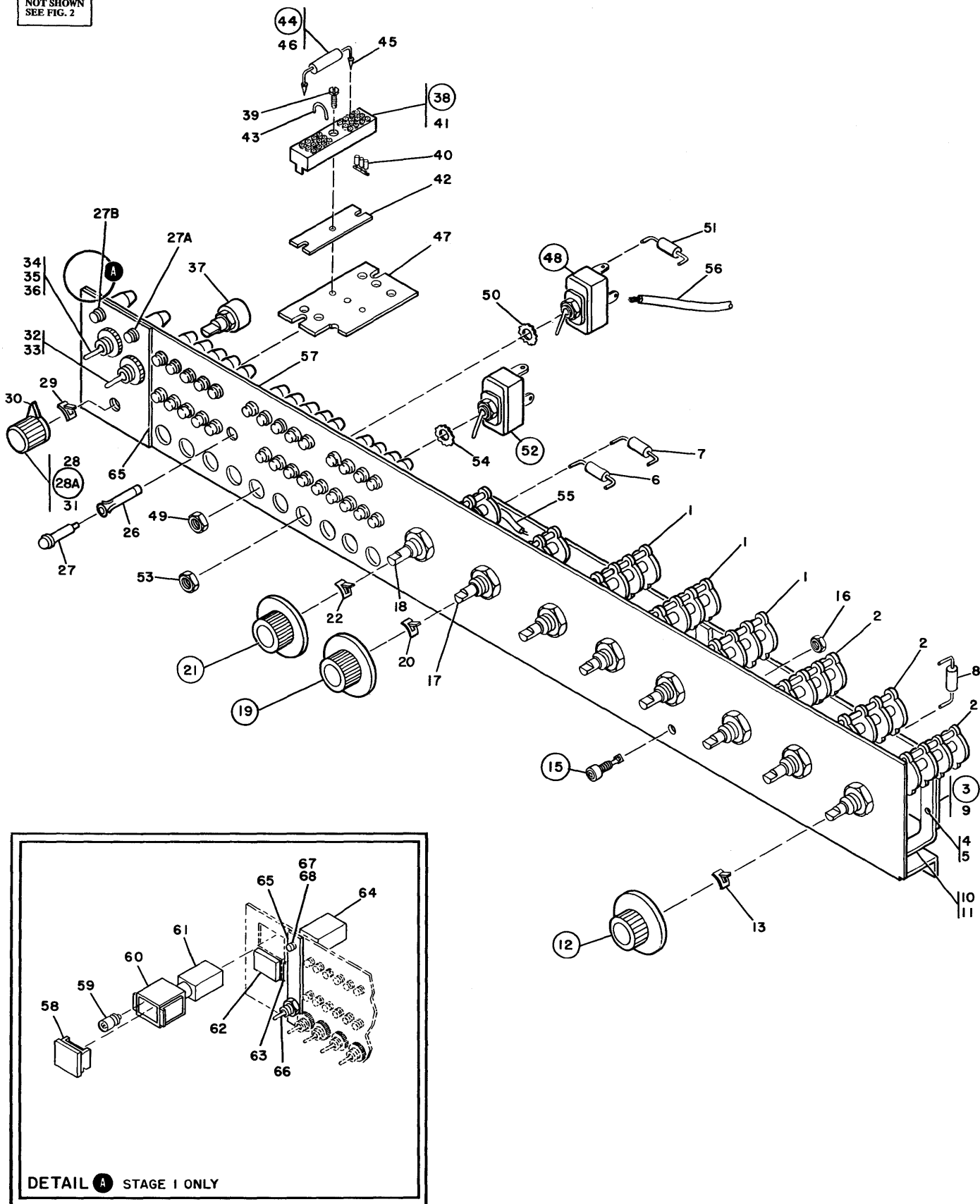


FIGURE 3. C.E. PANEL ASSEMBLY.

SEE LIST **3**

## LIST 3

LIST AND INDEX NUMBER	PART NUMBER	DESCRIPTION	UNITS	USABLE
			PER ASM.	ON CODE
1	2	3	4	
		C.E. PANEL ASSEMBLY		
<b>3</b>				
		CODE A USED ON STAGE 1 ONLY CODE B USED ON STAGE 2 ONLY CODE C USED WITH INTERFACE ISOLATION FEA		
-	2191755	CE PANEL ASM,STAGE 1	REF	A
-	2210855	CE PANEL ASM,STAGE 2	REF	B
		FOR ILLUSTRATION SEE FIGURE 3 FOR NEXT HIGHER ASM SEE FIGURE 2-46		
- 1	2194055	. SWITCH,ROTARY- 2WFR	3	
- 2	2184123	. SWITCH,ROTARY-OPEN WAFER	3	
- 3	2184127	. TERMINAL BOARD ASSEMBLY-C.E. PANEL	1	
- 4	801451	. SCREW AND LOCKWASHER	6	
		ATT PT		
- 5	257986	. WASHER,0.156 ID X 0.035 THK	6	
		ATT PT		
- 6	216443	. . RESISTOR,FXD,750 OHMS P/M 5% 0.25 WATTS	1	
- 6	334987	. . RESISTOR,FXD 180 OHMS P/M 5% 1W	AR	
- 7	492457	. . DIODE,TYPE AG	2	
- 8	124588	. . CAPACITOR,FXD,ELECT- 10 P/M 10% 20V	1	
- 8	492432	. . CAPACITOR,FILM,.047 MFD 5% 100 VOLTS	1	
- 9	2184126	. . TERMINAL BOARD ASSEMBLY-CE PANEL ASSEMBLY COMPONENTS ARE NOT REPLACEABLE	1	
- 10	2184125	. BRACKET-MOUNTING	3	
- 11	801451	. SCREW AND LOCKWASHER	6	
		ATT PT		
- 12	2184144	. KNOB ASSEMBLY-ADDRESS	6	A
- 12	2227522	. KNOB ASM,ADDRESS	6	B
- 13	482195	. . SPRING-CONTROL KNOB REMAINING COMPONENTS ARE NOT REPLACEABLE	1	
- 15	2109037	. JACK-BANANA	1	
- 16	COMM	. . NUT,0.312-32 UNS-2B	1	
		ATT PT		
- 17	2184121	. SWITCH,ROTARY	1	
- 18	2184122	. SWITCH,ROTARY-OPEN WAFER	1	
- 19	2184141	. KNOB ASSEMBLY-REGISTER	1	A
- 19	2227520	. KNOB ASSEMBLY,REGISTER	1	B
- 20	482195	. . SPRING-CONTROL KNOB REMAINING COMPONENTS ARE NOT REPLACEABLE	1	
- 21	2184138	. KNOB ASSEMBLY-COMPARE	1	A
- 21	2227518	. KNOB ASSEMBLY,COMPARE	1	B
- 22	482195	. . SPRING-CONTROL KNOB REMAINING COMPONENTS ARE NOT REPLACEABLE	1	
- 26	5353887	. HOUSING, LAMP	AR	
- 27	5353883	. INDICATOR ASSEMBLY, AMBER, 3 VOLT	3	
- 27	5353889	. INDICATOR ASM,CLEAR,3V	20	
- 27	5353890	. INDICATOR ASM,RED,3V	6	
- 27A	5440629	. INDICATOR ASM,3V-GREEN ASSEMBLY COMPONENTS ARE NOT REPLACEABLE	1	B
- 27B	5353889	. INDICATOR ASM,CLEAR,3V ASSEMBLY COMPONENTS ARE NOT REPLACEABLE	1	B
- 28	317173	. KNOB,POINTER	1	A
- 28A	2227526	. KNOB ASM,C.G. MODE	1	B
- 29	482195	. . SPRING-CONTROL KNOB	1	B
- 30	2227525	. . KNOB,CE MODE	1	B
- 31	2227524	. . CAP,KNOB	1	B
- 32	532167	. SWITCH,TOGGLE DT	1	B
- 33	76574	. WASHER, LOCK-EXT. TEETH .250	1	
		ATT PT		
- 34	2218908	. SWITCH,TOGGLE,DPDT,CENTER ACTION	1	B
- 35	159373	. WASHER,LOCK-EXT TEETH 15/32 ID X 3/4 OD	1	
		ATT PT		
- 36	179744	. NUT,PLAIN,RD- 15/32-32 X 39/64 DIA	1	
		ATT PT		
- 37	2193970	. SWITCH,ROTARY- 4 POLE 2 POS	1	
- 38	302090	. TERMINAL BLOCK ASM-24 FEMALE CONTACTS	AR	
- 39	170159	. SCREW,MACH-BIND HD 4-40 X 0.438 IN. LG	AR	
		ATT PT		
- 40	302089	. . CONTACT,3 POS COMMON	8	
- 41	302088	. . BLOCK,TERMINAL	1	
- 42	302131	. STRIP-TERMINAL BLOCK INSULATOR	AR	
- 43	205331	. JUMPER-RELAY GATES UNIT 1/8 BRASS	1	
- 44	520410	. RESISTOR ASM,FXD,10 OHMS P/M 5% 1WATT	2	A
- 44	509968	. RESISTOR ASSEMBLY, 200 OHM 1/2W	AR	B
- 45	320167	. . TERMINAL,QUICK DISCONNECT-NONINS 16AWG	2	A
- 45	187243	. . TERMINAL, SMALL TAPER 20-22-24 OR 26 AWG	2	B
- 46	335012	. . RESISTOR,FIXED COMP 110 OHM 5% 1 WATT	1	A
- 46	317006	. . RESISTOR,FXD,COMP- 200 OHMS P/M 5% 1/2W	1	B
- 47	2184153	. PLATE-CONNECTOR	1	A
- 47	2211736	. PLATE	1	B

LIST 3 CONT

LIST AND INDEX NUMBER	PART NUMBER	DESCRIPTION				UNITS PER ASM.	USABLE ON CODE
		1	2	3	4		
C.E. PANEL ASSEMBLY -CONT							
3 - 48	738826	. SWITCH,TOGGLE,SPDT MAINTAINED				2	A
- 48	479319	. SWITCH-TOGGLE				2	B
- 49	COMM	. . NUT,0.47-32UNC-2B ATT PT				2	
- 50	159373	. WASHER,LOCK-EXT TEETH 15/32 ID X 3/4 OD ATT PT				2	
- 51	492432	. CAPACITOR,FILM,.047 MFD 5% 100 VOLTS				1	B
- 52	725570	. SWITCH,PUSH 2 SPDT 125/250V AC 5 AMP				8	A
- 52	479320	. SWITCH,TOGGLE,SPDT MOMENTARY				8	B
- 53	COMM	. . NUT,0.47-32UNC-2B ATT PT				2	
- 54	159373	. WASHER,LOCK-EXT TEETH 15/32 ID X 3/4 OD ATT PT				8	
- 55	2191743	. CABLE ASSEMBLY-C.E. PANEL JUMPER				1	A
- 55	2210853	. CABLE ASSEMBLY-CE PANEL SEE CABLE ROUTING FIGURE 31-11				1	B
- 56	2211737	. CABLE ASM,CE PANEL JUMPER SEE CABLE ROUTING FIGURE 31-11				1	
- 57	2184118	. PANEL-C.E.				1	A
- 57	2210854	. PANEL-TROS CE				1	B
- 58	353469	. SCREEN DISPLAY,POWER ON				1	A
- 59	369613	. LAMP,SC MID FL				2	A
- 60	479312	. SWITCH-MOMENTARY				1	A
- 61	719551	. SWITCH,SENSITIVE- 2 SPDT 125V AC 0.2 AMP				1	A
- 62	2193945	. SCREEN,DISPLAY-POWER OFF				1	A
- 63	609678	. SWITCH,PUSHBUTTON,MOMENTARY				1	
- 64	719551	. SWITCH,SENSITIVE- 2 SPDT 125V AC 0.2 AMP				1	A
FOLLOWING COMPONENTS ARE FEATURES ONLY							
- 65	2262282	OVERLAY,INTERFACE ISOLATION				1	A
- 65	2211740	LABEL,INTERFACE ISOLATION				1	B
- 66	532167	SWITCH,TOGGLE DT				1	C
- 67	5353887	HOUSING, LAMP				1	C
- 68	5440629	INDICATOR ASM,3V-GREEN				1	C
END OF LIST 3							

FOR PARTS  
NOT SHOWN  
SEE FIG. 2

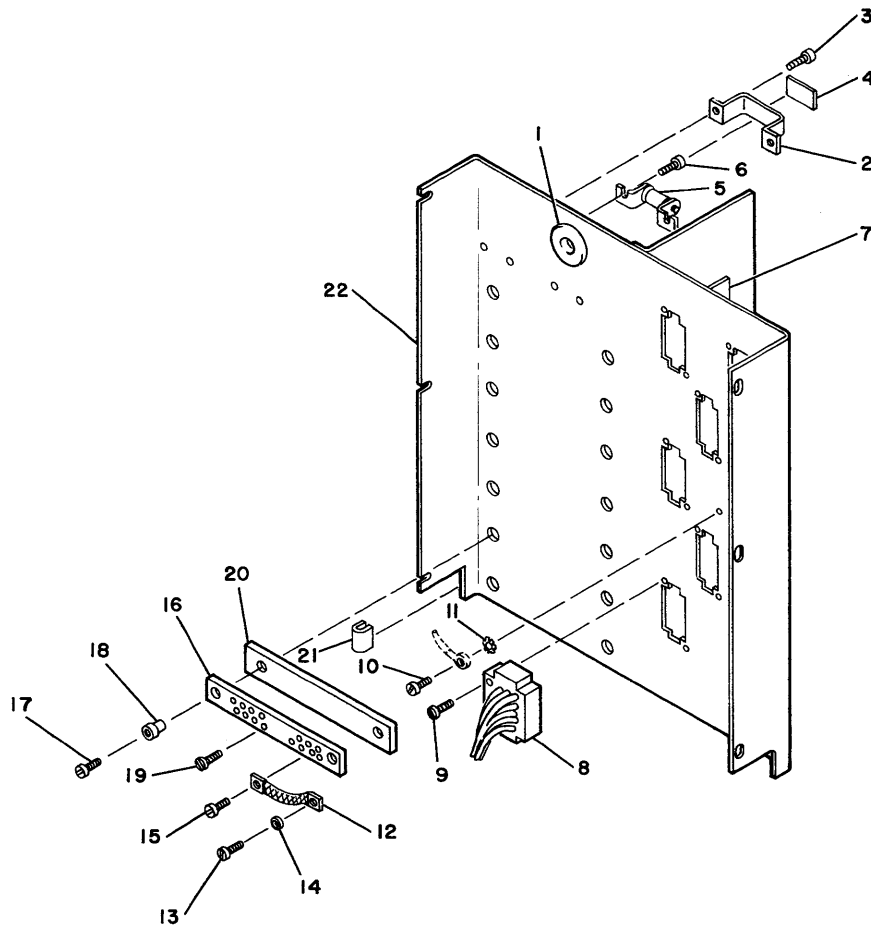


FIGURE 4. I/O TROS PANEL ASSEMBLY.

SEE LIST **4**

## LIST 4

LIST AND INDEX NUMBER	PART NUMBER	DESCRIPTION				UNITS PER ASM.	USABLE ON CODE
		1	2	3	4		
		I/O TROS PANEL ASSEMBLY					
4 -	2191756	PANEL ASSEMBLY-I/O FOR ILLUSTRATION SEE FIGURE 4				REF	
- 1	512663	FOR NEXT HIGHER ASM SEE FIGURE 2-146				1	
- 2	2191816	• GROMMET,RUB-FOR 7/8 HOLE X 1/8 PNL				1	
- 3	2181004	• COVER-RESISTOR				1	
- 4	369207	• SCREW-HEX HD SELFTAP 10-32 X .375 LONG ATT PT				2	
- 5	184090	• LABEL,CAUTION				1	
- 6	2181004	• RESISTOR,FIXED,WW- 130 OHMS 25W				1	
- 7	5466372	• SCREW-HEX HD SELFTAP 10-32 X .375 LONG ATT PT				2	
- 8	2184232	• LABEL,I/O INTERFACE				1	
- 9	170150	• CABLE ASM,DC I/O CONN SEE CABLE ROUTING FIGURE 31-16				4	
- 10	5319854	• SCREW,ASSEM WASH-FIL H 4-40 X 1/4 LG ATT PT				8	
- 11	55901	• SCREW, SELF TAPPING, 8-32 X .375 LONG				2	
- 12	2191867	• WASHER, LOCK, EXT TEETH - .176 DIA				2	
- 13	2181004	• GROUND STRAP,4.62 LG				1	
- 14	45690	• SCREW-HEX HD SELFTAP 10-32 X .375 LONG ATT PT				1	
- 15	58207	• WASHER,FLAT ATT PT				1	
- 16	2210943	• SCREW,BH.8-32 X 0.250 LG ATT PT				1	
- 17	2181001	• BAR,BUS,8 POSITION				7	
- 18	333586	• SCREW,THD FORMING-HEX WASH HD 10-32X 3/4 ATT PT				14	
- 19	58207	• BUSHING,PHENOLIC,.219 I.D.-SHOULDER ATT PT				14	
- 20	2114597	• SCREW,BH.8-32 X 0.250 LG				44	
- 21	2131516	• MARKER STRIP,8POS,DOUBLE ROW				7	
- 22	2191746	• RUBBER EXTRUSION				AR	
		• PANEL-I/O				1	
END OF LIST 4							

FOR PARTS  
NOT SHOWN  
SEE FIG. 2

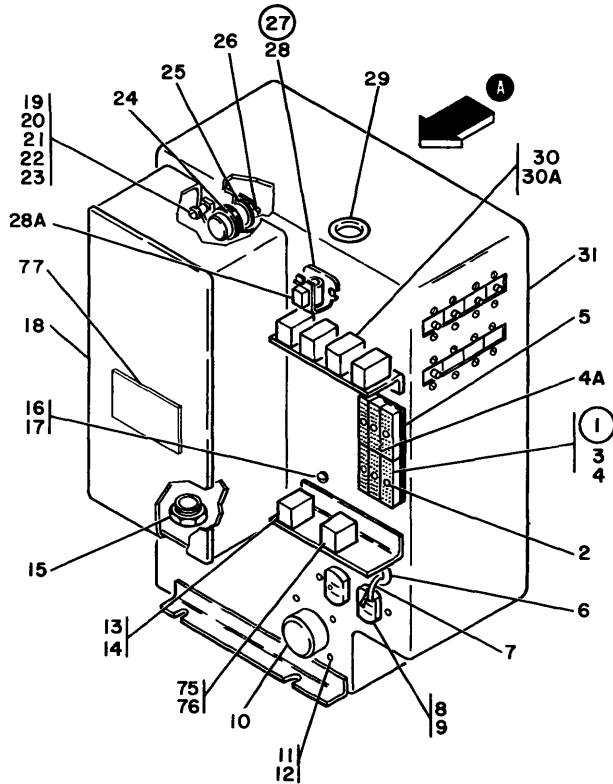
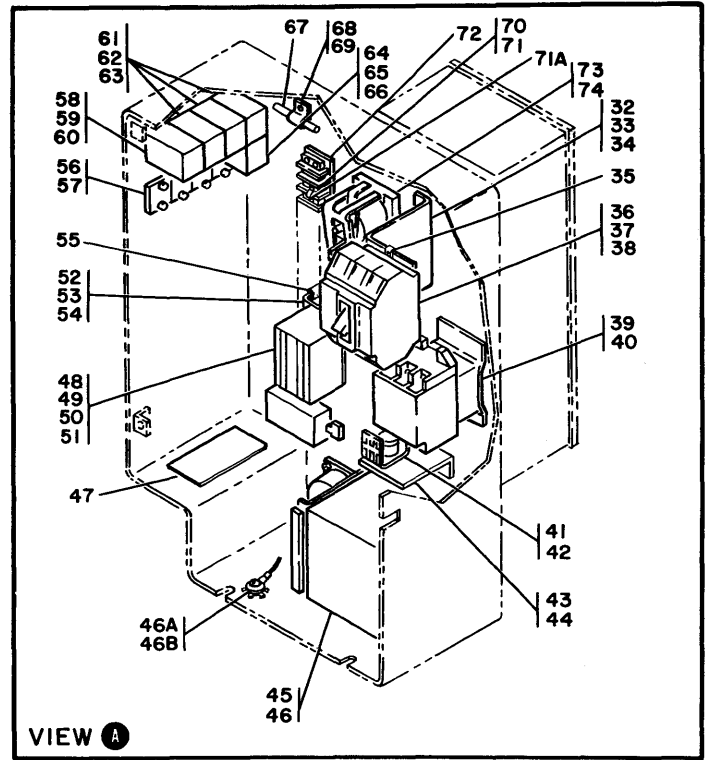


FIGURE 5. POWER DISTRIBUTION ASSEMBLY, 60 HZ.

SEE LIST **5**

## LIST 5

LIST AND INDEX NUMBER	PART NUMBER	DESCRIPTION	UNITS PER ASM.	USABLE ON CODE
		POWER DISTRIBUTION ASSEMBLY, 60 HZ		
5				
-	2191720	PWR DIST ASSEMBLY, STAGE 1 AND 2 60 HZ FOR ILLUSTRATION SEE FIGURE 5 FOR NEXT HIGHER ASM SEE FIGURE 2-4	REF	
- 1	302090	• TERMINAL BLOCK ASM-24 FEMALE CONTACTS	6	
- 2	438549	• SCREW, MACH-BIND HD 4-40 X 7/16 LG	6	ATT PT
- 3	302088	• BLOCK, TERMINAL	1	
- 4	302089	• CONTACT, 3 POS COMMON	8	
- 4A	205331	• JUMPER-RELAY GATES UNIT 1/8 BRASS	15	
- 5	302131	• STRIP-TERMINAL BLOCK INSULATOR	6	
- 6	512663	• GROMMET, RUB-FOR 7/8 HOLE X 1/8 PNL	1	
- 7	2191744	• CABLE ASSEMBLY, DC JUMPER SEE CABLE ROUTING FIGURE 31-2	1	
- 8	357995	• OUTLET, CONVENIENCE, 60 HERTZ	1	
- 9	5350006	• SCREW, SELF TAPPING, 6-32 X .250 LONG	2	ATT PT
- 10	2191741	• CABLE ASSEMBLY, AC JUMPER, 60 HZ SEE CABLE ROUTING FIGURE 31-2	1	
- 11	38351	• SCREW, MACH-FIL HD 6-32 X .312 LG	4	ATT PT
- 12	62031	• WASHER, LOCK-INT TEETH NO. 6 X 0.295 OD	4	ATT PT
- 13	2184065	• RELAY, ARMATURE-4PDT 6V 1 AMP	1	
- 14	627823	• NUT, KEPS-CONICAL	1	ATT PT
- 15	342250	• ADAPTER, CABLE TO CONNECTOR	1	
- 16	5319854	• SCREW, SELF TAPPING, 8-32 X .375 LONG	1	
- 17	55901	• WASHER, LOCK, EXT TEETH - .176 DIA	1	
- 18	2191898	• LINE FILTER, 60 CYCLE	1	
- 19	2227513	• WASHER, SHLDR 0.22 ID X 0.75 OD X 0.10 TH	4	
- 20	2191899	• SPACER-FILTER	4	
- 21	2181004	• SCREW-HEX HD SELFTAP 10-32 X .375 LONG	4	
- 22	2191737	• SCREW, THD FORMING-HEX WASH HD 10-32X 1.0	4	
- 23	120789	• WASHER, FL-NO. 10 X 3/4 OD X 0.046 THK	4	
- 24	730432	• GROMMET, CATERPILLAR	AR	
- 25	2109754	• NIPPLE, 0.50 NPT EXT X 1.125 LONG	1	
- 26	61515	• NUT, LOCK- 1/2-14	2	ATT PT
- 27	2173221	• RELAY ASM, SWITCH AND, TIME DELAY DPDT 24V	1	
- 28	2181004	• SCREW-HEX HD SELFTAP 10-32 X .375 LONG	2	ATT PT
- 28A	634403	• SWITCH	1	
- 29	220764	• GROMMET, RUB-FOR 1-3/8 HOLE X 1/8 PNL	1	
- 30	2184096	• RELAY, ARMATURE-4PDT, 24 VAC	4	
- 30A	627823	• NUT, KEPS-CONICAL	4	ATT PT
- 31	2191721	• HOUSING-POWER DISTRIBUTION 60 CY	1	
- 32	2193982	• BRACKET	1	
- 33	2181004	• SCREW-HEX HD SELFTAP 10-32 X .375 LONG	2	ATT PT
- 34	56079	• WASHER-LOCK, EXT T .204 ID .410 OD	2	ATT PT
- 35	760731	• CLAMP	3	
- 36	5719453	• CIRCUIT BREAKER, 30 AMP 240 VOLT 3 POLE	1	
- 37	38353	• SCREW, MACH-FIL H 6-32 X 7/16 LG	3	ATT PT
- 38	6364	• WASHER, LOCK-SPLIT NO. 6 X 1/4 OD	3	ATT PT
- 39	2130334	• MAGNETIC CONTACTOR, 3-POLE 40A 24V COIL	1	
- 40	2181004	• SCREW-HEX HD SELFTAP 10-32 X .375 LONG	2	ATT PT
- 41	2158694	• RELAY, 3PDT 24 VAC COIL	1	
- 42	627823	• NUT, KEPS-CONICAL	1	ATT PT
- 43	2184048	• BRACKET, RELAY	1	
- 44	2181004	• SCREW-HEX HD SELFTAP 10-32 X .375 LONG	2	ATT PT
- 45	2191869	• TRANSFORMER ASM, ISOLATION 235V	1	
- 46	2181004	• SCREW-HEX HD SELFTAP 10-32 X .375 LONG	4	ATT PT
- 46A	2181004	• SCREW-HEX HD SELFTAP 10-32 X .375 LONG	1	
- 46B	56079	• WASHER-LOCK, EXT T .204 ID .410 OD	1	
- 47	138756	• LABEL, LINE V PRESENT W/MACH PWR OFF	3	
- 48	5213815	• CIRCUIT BREAKER, 20 AMP 240 VOLT 3 POLE	1	
- 49	38353	• SCREW, MACH-FIL H 6-32 X 7/16 LG	3	ATT PT
- 50	6364	• WASHER, LOCK-SPLIT NO. 6 X 1/4 OD	3	ATT PT
- 51	760731	• CLAMP	3	ATT PT
- 52	2193982	• BRACKET	1	
- 53	2181004	• SCREW-HEX HD SELFTAP 10-32 X .375 LONG	2	ATT PT
- 54	56079	• WASHER-LOCK, EXT T .204 ID .410 OD	2	ATT PT
- 55	237455	• RUBBER CHANNEL	3	
- 56	2184095	• COVER-CIRCUIT BREAKER	3	
- 57	1115735	• SCREW	6	ATT PT
- 58	535292	• CIRCUIT PROTECTOR, 1 AMP	1	
- 59	1115735	• SCREW	2	ATT PT
- 60	6364	• WASHER, LOCK-SPLIT NO. 6 X 1/4 OD	2	ATT PT
- 61	524176	• CIRCUIT BREAKER-OVERLOAD PROTECTOR-3AMP	3	
- 62	1115735	• SCREW	6	ATT PT
- 63	6364	• WASHER, LOCK-SPLIT NO. 6 X 1/4 OD	3	ATT PT





FOR PARTS  
NOT SHOWN  
SEE FIG. 2

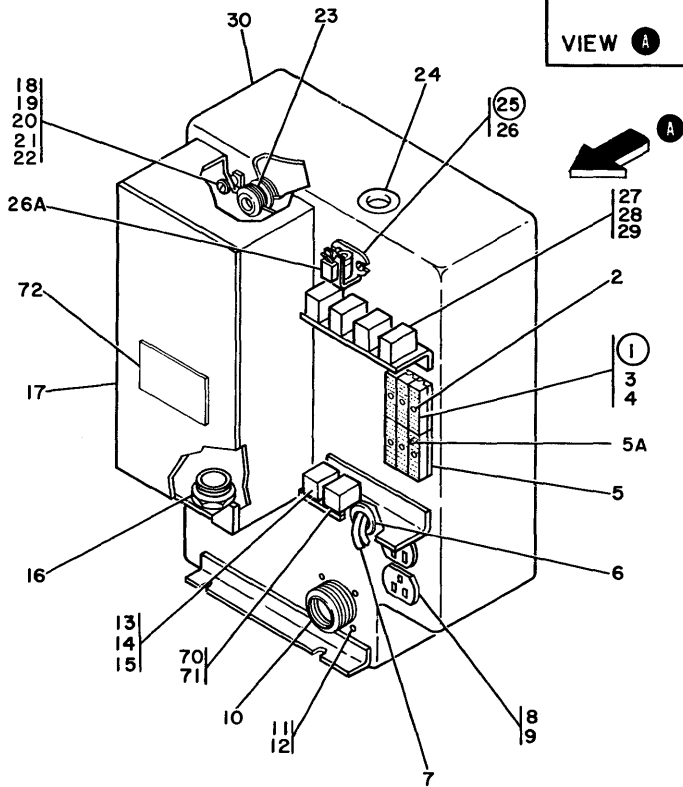
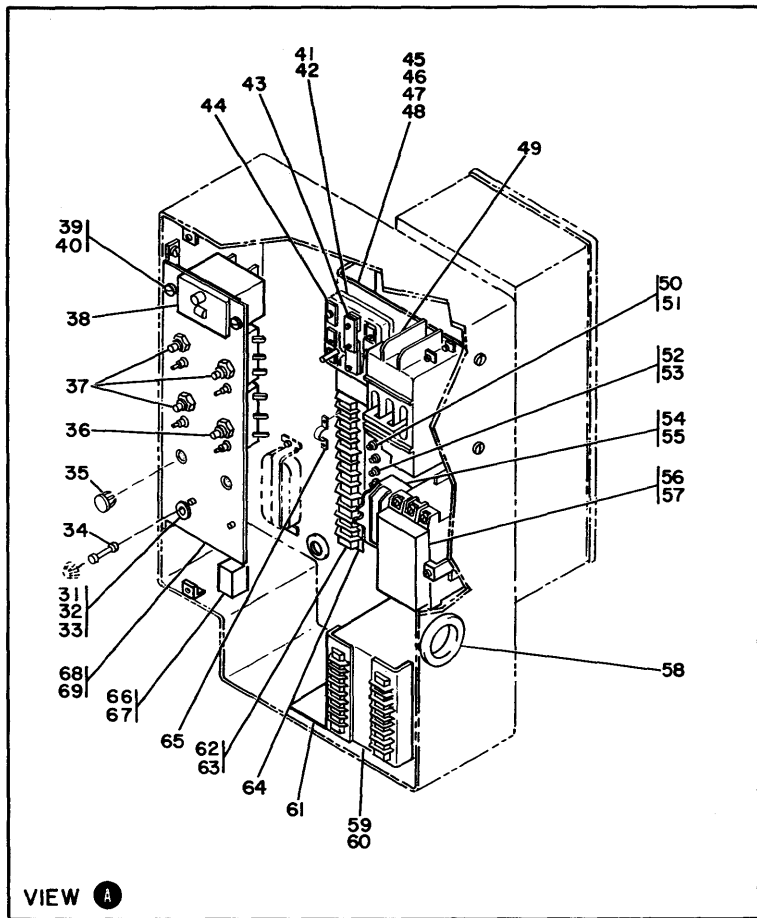


FIGURE 6. POWER DISTRIBUTION ASSEMBLY, 50 HZ STAGE II.

SEE LIST **6**

## LIST 6

LIST AND INDEX NUMBER	PART NUMBER	DESCRIPTION	UNITS PER ASM.	USABLE ON CODE
		POWER DISTRIBUTION ASSEMBLY,50 HZ STG 2		
<b>6</b> -	2210870	POWER DISTRIBUTION ASM,STAGE 2 50 HZ FOR ILLUSTRATION SEE FIGURE 6 FOR NEXT HIGHER ASM SEE FIGURE 2-4	REF	
- 1	302090	. TERMINAL BLOCK ASM-24 FEMALE CONTACTS	6	
- 2	438549	. SCREW,MACH-BIND HD 4-40 X 7/16 LG ATT PT	6	
- 3	302089	. CONTACT,3 POS COMMON	8	
- 4	302088	. BLOCK,TERMINAL	1	
- 5	302131	. STRIP-TERMINAL BLOCK INSULATOR	6	
- 5A	205331	. JUMPER-RELAY GATES UNIT 1/8 BRASS	15	
- 6	512663	. GROMMET,RUB-FOR 7/8 HOLE X 1/8 PNL	1	
- 7	2210882	. CABLE ASSEMBLY,SEQUENCE JUMPER,50 HZ SEE CABLE ROUTING FIGURE 31-2	1	
- 8	418835	. OUTLET,CONVENIENCE,220V 50 HZ	1	
- 9	5350006	. SCREW, SELF TAPPING, 6-32 X .250 LONG ATT PT	2	
- 10	2210879	. CABLE ASSEMBLY,AC JUMPER,50 HZ SEE CABLE ROUTING FIGURE 31-2	1	
- 11	38351	. SCREW,MACH-FIL HD 6-32 X .312 LG ATT PT	4	
- 12	62031	. WASHER,LOCK-INT TEETH NO. 6 X 0.295 OD ATT PT	4	
- 13	2184065	. RELAY,ARMATURE-4PDT 6V 1 AMP	1	
- 14	627823	. NUT,KEPS-CONICAL ATT PT	1	
- 15	6364	. WASHER,LOCK-SPLIT NO. 6 X 1/4 OD ATT PT	1	
- 16	342250	. ADAPTER,CABLE TO CONNECTOR	1	
- 17	4210100	. FILTER ASM,LINE 30 AMP,50 HZ ASSEMBLY COMPONENTS ARE NOT REPLACEABLE	1	
- 18	356289	. BUSHING,0.218 1D-0.625 OD X 0.10 THK	4	
- 19	2191899	. SPACER-FILTER ATT PT	4	
- 20	2181004	. SCREW-HEX HD SELFTAP 10-32 X .375 LONG ATT PT	4	
- 21	2191737	. SCREW,THD FORMING-HEX WASH HD 10-32X 1.0 ATT PT	4	
- 22	120789	. WASHER,FL-NO. 10 X 3/4 OD X 0.046 THK ATT PT	4	
- 23	511553	. GROMMET,RUB-FOR 1 HOLE X 1/8 PNL	2	
- 24	220764	. GROMMET,RUB-FOR 1-3/8 HOLE X 1/8 PNL	1	
- 25	2173221	. RELAY ASM,SWITCH AND,TIME DELAY DPDT 24V	1	
- 26	2181004	. SCREW-HEX HD SELFTAP 10-32 X .375 LONG ATT PT	2	
- 26A	634403	. SWITCH	1	
- 27	2184096	. RELAY,ARMATURE-4PDT,24 VAC	4	
- 28	627823	. NUT,KEPS-CONICAL ATT PT	4	
- 29	6364	. WASHER,LOCK-SPLIT NO. 6 X 1/4 OD ATT PT	4	
- 30	2210889	. HOUSING-POWER DISTRIBUTION	1	
- 31	104615	. FUSEHOLDER	2	
- 32	35739	. SCREW,MACH-BIND HD 6-32 X 15/16 LG ATT PT	4	
- 33	257187	. NUT,HEX 6-32 NC ATT PT	4	
- 34	107668	. FUSE,CARTRIDGE-TIME DELAY 8 AMP 250V	2	
- 35	310411	. BUTTON	2	
- 36	2092572	. CIRCUIT PROTECTOR,1 POLE 1.5 AMP 250V	1	
- 37	8011179	. CIRCUIT BREAKER-THERMAL ELEMENT 3 AMP	3	
- 38	4116944	. CIRCUIT PROTECTOR,3 POLE 20 AMP 408 VOLT	1	
- 39	25627	. SCREW,MACH-BIND HD 8-32 X 1/2 LG ATT PT	2	
- 40	257189	. NUT, HEX 8-32 ATT PT	2	
- 41	4121259	. SWITCH BOARD	1	
- 42	5319888	. SCREW, SELF TAPPING, 10-32 X .625 LONG ATT PT	2	
- 43	4064448	. JUMPER-SWITCH	4	
- 44	4064449	. MARKER-PLATE	1	
- 45	4056252	. PLATE	1	
- 46	4040054	. STANDOFF,10-32 X 2.21 LONG ATT PT	3	
- 47	236849	. SCREW,MACH-BIND HD 10-32 X 1/4 LG ATT PT	3	
- 48	56079	. WASHER-LOCK,EXT T .204 ID .410 OD ATT PT	3	
- 49	4116961	. CIRCUIT BREAKER,3 POLE 30 AMP 440 VOLT	1	
- 50	2181004	. SCREW-HEX HD SELFTAP 10-32 X .375 LONG	1	
- 51	56079	. WASHER-LOCK,EXT T .204 ID .410 OD	1	
- 52	5319854	. SCREW, SELF TAPPING, 8-32 X .375 LONG	3	
- 53	55901	. WASHER, LOCK, EXT TEETH - .176 DIA	3	
- 54	5051235	. CONTACTOR, 24V 10 AMP 50 HZ	1	
- 55	2181011	. SCREW, SELF TAPPING, 6-32 X .50 LG. ATT PT	2	
- 56	4117820	. COIL-24 VAC,32 AMP	1	
- 57	2181007	. SCREW, SELF TAPPING, 6-32 X .625 LG. ATT PT	4	
- 58	220764	. GROMMET,RUB-FOR 1-3/8 HOLE X 1/8 PNL	1	
- 59	2191869	. TRANSFORMER ASM,ISOLATION 235V	1	
- 60	2181004	. SCREW-HEX HD SELFTAP 10-32 X .375 LONG ATT PT	4	
- 61	138756	. LABEL,LINE V PRESENT W/MACH PWR OFF	1	
- 62	253220	. TERMINAL BOARD- 20 DBL SCREW TERMINALS	1	
- 63	2181011	. SCREW, SELF TAPPING, 6-32 X .50 LG. ATT PT	2	
- 64	365323	. MARKER STRIP,20 POSITION	1	



FOR PARTS  
NOT SHOWN  
SEE FIG. 2

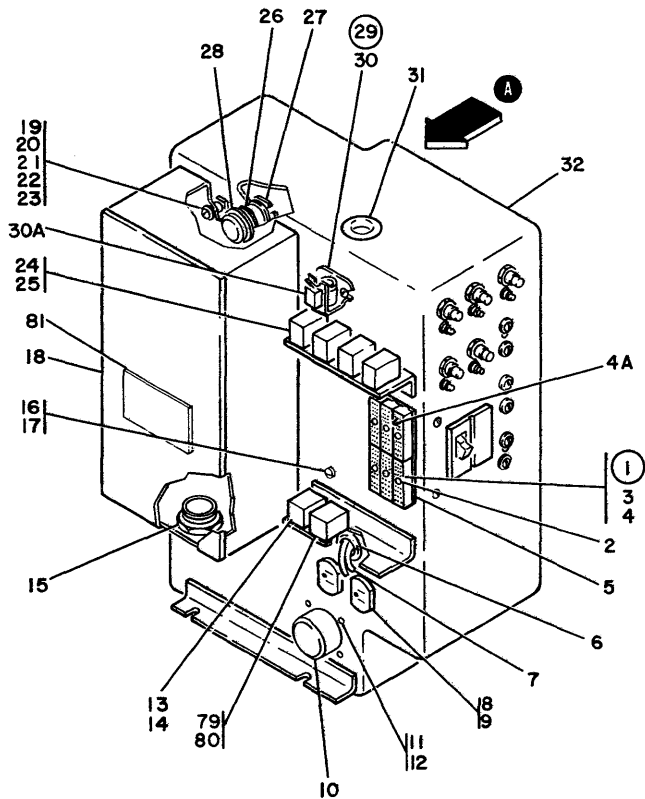
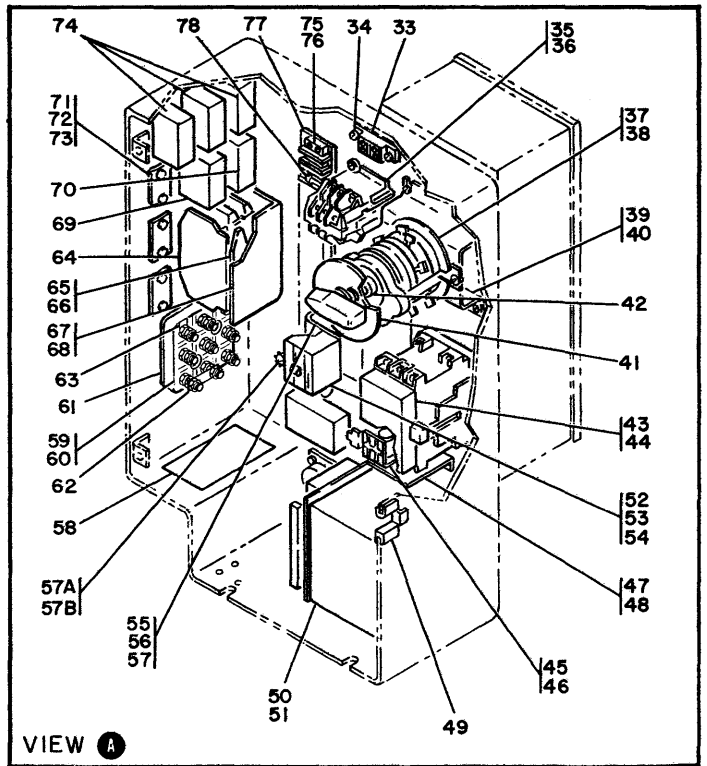


FIGURE 7. POWER DISTRIBUTION ASSEMBLY, 50 HZ STAGE 1.

SEE LIST **7**

## LIST 7

LIST AND INDEX NUMBER	PART NUMBER	DESCRIPTION				UNITS PER ASM.	USABLE ON CODE
		1	2	3	4		
		POWER DISTRIBUTION ASSEMBLY, 50HZ STG 1					
<b>7</b> -	2191727	POWER DISTRIBUTION ASM, STAGE 1 50 HZ FOR ILLUSTRATION SEE FIGURE 7 FOR NEXT HIGHER ASM SEE FIGURE 2-4				REF	
- 1	302090	• TERMINAL BLOCK ASM-24 FEMALE CONTACTS				6	
- 2	2191846	• SCREW, THD FORMING, 4-40 X 0.50 LG ATT PT				6	
- 3	302089	• CONTACT, 3 POS COMMON				8	
- 4	302088	• BLOCK, TERMINAL				1	
- 4A	205331	• JUMPER-RELAY GATES UNIT 1/8 BRASS				15	
- 5	302131	• STRIP-TERMINAL BLOCK INSULATOR				6	
- 6	512663	• GROMMET, RUB-FOR 7/8 HOLE X 1/8 PNL				1	
- 7	2191744	• CABLE ASSEMBLY, DC JUMPER					
		SEE CABLE ROUTING FIGURE 31-2					
- 8	418835	• OUTLET, CONVENIENCE, 220V 50 HZ				1	
- 9	5350006	• SCREW, SELF TAPPING, 6-32 X .250 LONG ATT PT				2	
- 10	2191742	• CABLE ASSEMBLY, AC JUMPER, 50 HZ SEE CABLE ROUTING FIGURE 31-2				1	
- 11	38351	• SCREW, MACH-FIL HD 6-32 X .312 LG ATT PT				4	
- 12	56722	• WASHER-LOCK, EXT T, .150 ID ATT PT				4	
- 13	2184065	• RELAY, ARMATURE-4PDT 6V 1 AMP				1	
- 14	627823	• NUT, KEPS-CONICAL ATT PT				1	
- 15	342250	• ADAPTER, CABLE TO CONNECTOR				1	
- 16	5319854	• SCREW, SELF TAPPING, 8-32 X .375 LONG				1	
- 17	55901	• WASHER, LOCK, EXT TEETH - .176 DIA				1	
- 18	4210100	• FILTER ASM, LINE 30 AMP, 50 HZ				1	
- 19	356289	• BUSHING, 0.218 ID-0.625 OD X 0.10 THK ATT PT				4	
- 20	2191899	• SPACER-FILTER ATT PT				4	
- 21	2181004	• SCREW-HEX HD SELFTAP 10-32 X .375 LONG ATT PT				4	
- 22	2191737	• SCREW, THD FORMING-HEX WASH HD 10-32X 1.0 ATT PT				4	
- 23	120789	• WASHER, FL-NO. 10 X 3/4 OD X 0.046 THK ATT PT				4	
- 24	2184096	• RELAY, ARMATURE-4PDT, 24 VAC				4	
- 25	627823	• NUT, KEPS-CONICAL ATT PT				4	
- 26	2109754	• NIPPLE, 0.50 NPT EXT X 1.125 LONG				1	
- 27	61515	• NUT, LOCK- 1/2-14 ATT PT				2	
- 28	730432	• GROMMET, CATERPILLAR				1	
- 29	2173221	• RELAY ASM, SWITCH AND, TIME DELAY DPDT 24V				1	
- 30	2181004	• SCREW-HEX HD SELFTAP 10-32 X .375 LONG ATT PT				2	
- 30A	634403	• SWITCH				1	
- 31	220764	• GROMMET, RUB-FOR 1-3/8 HOLE X 1/8 PNL				1	
- 32	2191728	• HOUSING-POWER DISTRIBUTION 50 CY				1	
- 33	4121369	• CLIP, TERMINAL				1	
- 34	2181012	• SCREW, SELF TAPPING, 8-32 X .437 LG. ATT PT				2	
- 35	5051235	• CONTACTOR, 24V 10 AMP 50 HZ				1	
- 36	2181011	• SCREW, SELF TAPPING, 6-32 X .50 LG. ATT PT				2	
- 37	4116917	• SWITCH-40 AMP				1	
- 38	2181004	• SCREW-HEX HD SELFTAP 10-32 X .375 LONG ATT PT				2	
- 39	2191730	• BRACKET-MOUNTING				1	
- 40	2181004	• SCREW-HEX HD SELFTAP 10-32 X .375 LONG ATT PT				4	
- 41	205087	• WASHER, FL- 21/64 ID 2-1/2 OD 3/64 THK				1	
- 42	356136	• GROMMET- 3/8 ID X 5/8 OD X 7/16 IN. THK ATT PT				1	
- 43	4117820	• COIL-24 VAC, 32 AMP				1	
- 44	2181007	• SCREW, SELF TAPPING, 6-32 X .625 LG. ATT PT				4	
- 45	2158694	• RELAY, 3PDT 24 VAC COIL				1	
- 46	627823	• NUT, KEPS-CONICAL ATT PT				1	
- 47	2184048	• BRACKET, RELAY				1	
- 48	2181004	• SCREW-HEX HD SELFTAP 10-32 X .375 LONG ATT PT				4	
- 49	2131516	• RUBBER EXTRUSION				AR	
- 50	2191869	• TRANSFORMER ASM, ISOLATION 235V				1	
- 51	2181004	• SCREW-HEX HD SELFTAP 10-32 X .375 LONG ATT PT				4	
- 52	2130337	• CIRCUIT PROTECTOR, 3 POLE 20 AMP 240 VOLT				1	
- 53	322555	• SCREW, MACH-RH 6-32 X 2-1/4 LG ATT PT				2	
- 54	6364	• WASHER, LOCK-SPLIT NO. 6 X 1/4 OD ATT PT				2	
- 55	2184093	• BRACKET-MOUNTING				1	

## LIST 7 CONT

LIST AND INDEX NUMBER	PART NUMBER	DESCRIPTION	UNITS PER ASM.	USABLE ON CODE
		POWER DISTRIBUTION ASSEMBLY,50HZ STG 1-CONT		
<b>7</b>				
- 56	2181004	• SCREW-HEX HD SELFTAP 10-32 X .375 LONG ATT PT	2	
- 57	56079	• WASHER-LOCK,EXT T .204 ID .410 OD ATT PT	2	
- 57A	2181004	• SCREW-HEX HD SELFTAP 10-32 X .375 LONG	1	
- 57B	56079	• WASHER-LOCK,EXT T .204 ID .410 OD	1	
- 58	138756	• LABEL,LINE V PRESENT W/MACH PWR OFF	1	
- 59	4121259	• SWITCH BOARD	1	
- 60	5319888	• SCREW, SELF TAPPING, 10-32 X .625 LONG ATT PT	2	
- 61	4061353	• INSULATION	1	
- 62	4064448	• JUMPER-SWITCH	4	
- 63	4064449	• MARKER-PLATE	1	
- 64	2191740	• CIRCUIT BREAKER-DPST 8 AMP	1	
- 65	2158722	• CLIP, CB MOUNTING ATT PT	1	
- 66	5350006	• SCREW, SELF TAPPING, 6-32 X .250 LONG ATT PT	2	
- 67	2191735	• BRACKET	1	
- 68	2181004	• SCREW-HEX HD SELFTAP 10-32 X .375 LONG ATT PT	2	
- 69	8011178	• CIRCUIT PROTECTOR,1 POLE 250 VOLT	1	
- 70	2092572	• CIRCUIT PROTECTOR,1 POLE 1.5 AMP 250V	1	
- 71	2184095	• COVER-CIRCUIT BREAKER	3	
- 72	2181005	• SCREW-HEX HD SELFTAP 6-32 X .375 LONG ATT PT	6	
- 73	366602	• WASHER,FLT-0.150 IDX0.439 ODX 1/16 THK ATT PT	6	
- 74	8011179	• CIRCUIT BREAKER-THERMAL ELEMENT 3 AMP	3	
- 75	253220	• TERMINAL BOARD- 20 DBL SCREW TERMINALS	1	
- 76	2181007	• SCREW, SELF TAPPING, 6-32 X .625 LG. ATT PT	2	
- 77	365323	• MARKER STRIP,20 POSITION	1	
- 78	472187	• JUMPER-BRASS	3	
		COMPONENTS NOT INCLUDED WITH ASSEMBLY		
- 79	2184096	RELAY,ARMATURE-4PDT,24 VAC USED WITH 2 CHANNEL SWITCH FEA	1	
- 80	627823	NUT,KEPS-CONICAL ATT PT	1	
- 81	2210938	LABEL,CURRENT REQUIREMENTS	1	
		END OF LIST 7		

FOR PARTS  
NOT SHOWN  
SEE FIG. 2

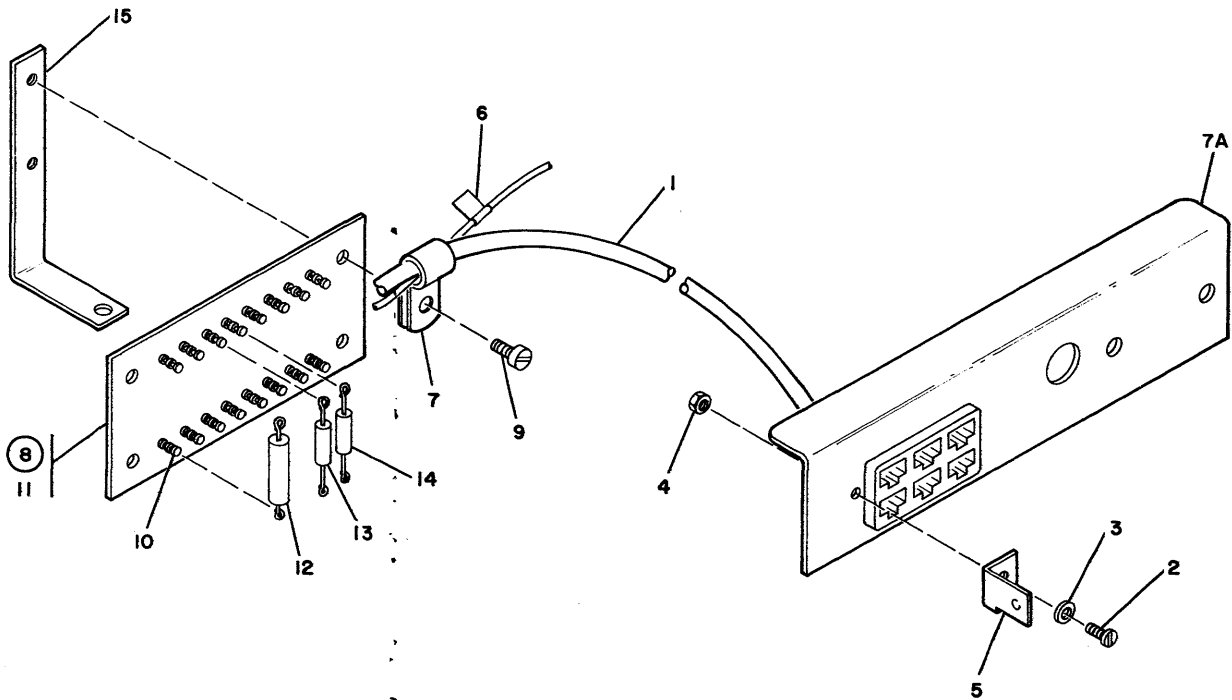


FIGURE 8. REMOTE SWITCH ASSEMBLY.

SEE LIST **8**

LIST AND INDEX NUMBER	PART NUMBER	DESCRIPTION				UNITS PER ASM.	USABLE ON CODE
		1	2	3	4		
		REMOTE SWITCH ASSEMBLY					
<b>8</b> -	2194077	BOARD AND CABLE ASM-REMOTE SWITCHING FOR ILLUSTRATION SEE FIGURE 8 FOR NEXT HIGHER ASM SEE FIG 2-42A				REF	
- 1	2194074	. CABLE ASM-REMOTE SWITCH CONTROL SEE CABLE ROUTING FIGURE 31-15				1	
- 2	170158	. SCREW AND LOCKWASHER ASM-4-40 X 3/4 LG ATT PT				2	
- 3	257985	. WASHER, FL-NO. 4 0.25 OD X 0.028 TH ATT PT				2	
- 4	37913	. NUT, HEX 4-40 NC ATT PT				2	
- 5	5271288	. TERMINAL				1	
- 6	2111210	. LABEL, IDENTIFICATION-WIRE MARKING				7	
- 7	356742	. CLAMP, LOOP- 0.250 ID 0.177 DIA MTG HOLE				2	
- 7A	2194073	. BRACKET, CONNECTOR-REMOTE SWITCHING				1	
- 8	2194075	. TERMINAL BOARD ASSEMBLY-REMOTE SWITCH				1	
- 9	251970	. SCREW, MACH, BH. 4-40 X 0.25 LONG ATT PT				4	
- 10	2193976	. . . TERMINAL-FEED THRU				16	
- 11	2194071	. . . TERMINAL BOARD-REMOTE SWITCHING				1	
- 12	222077	. CAPACITOR, 6.8MF, PM 20%				2	
- 13	317004	. RESISTOR, FXD COMP, 120 OHMS P/M 5% 0.5 W				2	
- 14	333202	. RESISTOR, FXD, COMP-240 OHMS P/M 5% 1/2W				4	
- 15	2194072	. BRACKET-TERMINAL BOARD				1	
		END OF LIST <b>8</b>					



FOR PARTS  
NOT SHOWN  
SEE FIG. 2

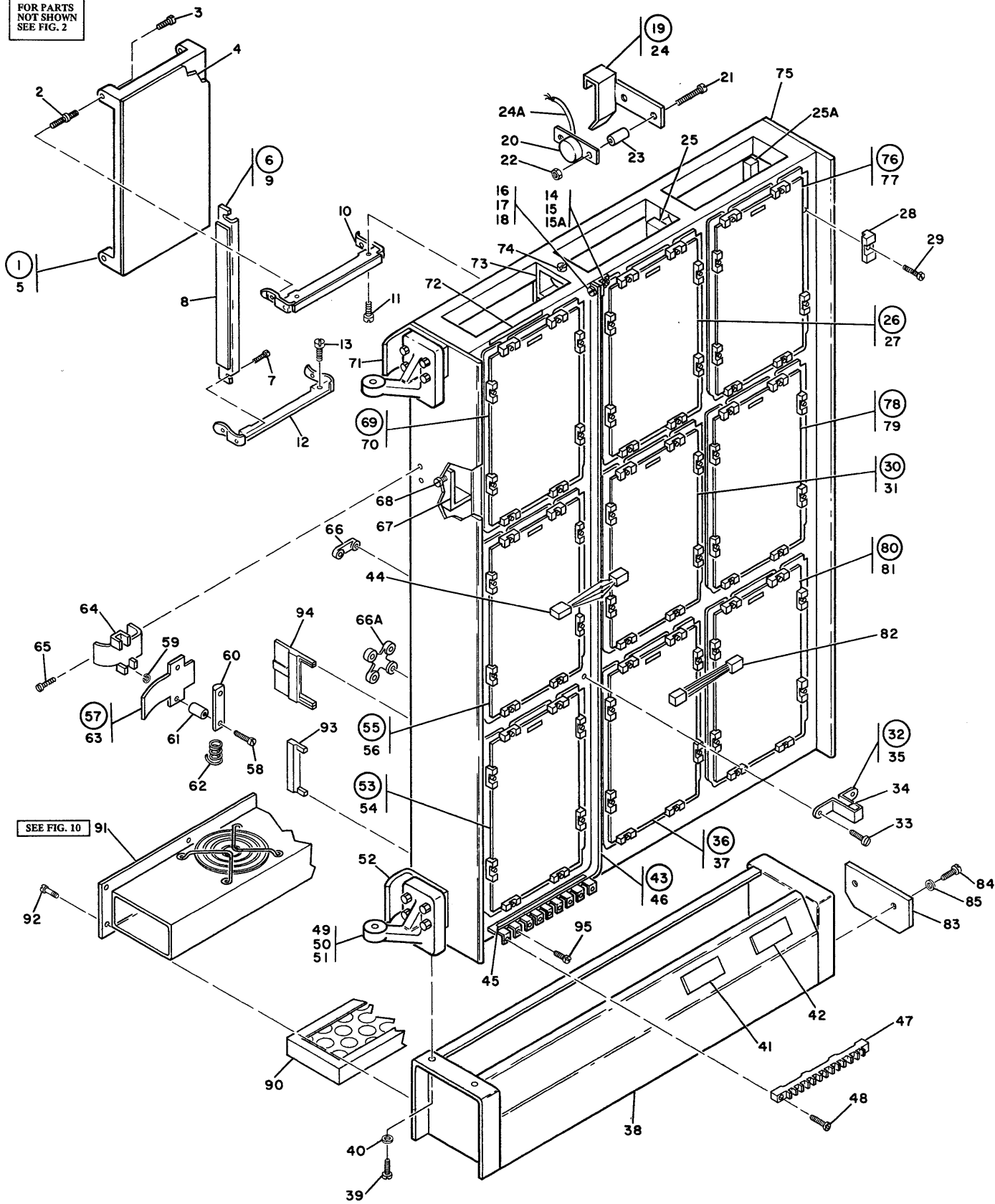


FIGURE 9. STAGE 2 GATE ASSEMBLY.

SEE LIST **9**

## LIST 9

LIST AND INDEX NUMBER	PART NUMBER	DESCRIPTION	UNITS PER ASM.	USABLE ON CODE
		1 2 3 4 STAGE 2 GATE ASSEMBLY		
9 -	2210885	OUTER GATE ASM,STAGE 2 FOR ILLUSTRATION SEE FIGURE 9 FOR NEXT HIGHER ASM SEE FIGURE 2-50	REF	
- 1	811873	. COVER ASSEMBLY, CARD	AR	
- 2	815964	. . CATCH	4	
- 3	815963	. . CATCH-PULL	4	
- 4	815263	. . FOAM	1	
- 5	811872	. . COVER	1	
- 6	811881	. . RETAINER ASSEMBLY	AR	
- 7	10170	. SCREW-MACH,BIND HD NO. 6-32 X .250 LG ATT PT	AR	
- 8	811441	. . SEAL	1	
- 9	811896	. . RETAINER	1	
- 10	811859	. BRACKET,UPPER HINGE	AR	
- 11	2181005	. SCREW-HEX HD SELFTAP 6-32 X .375 LONG ATT PT	AR	
- 12	811858	. BRACKET,LOWER HINGE	AR	
- 13	2181005	. SCREW-HEX HD SELFTAP 6-32 X .375 LONG ATT PT	AR	
- 14	811742	. SUPPORT,BUS	1	
- 15	2181005	. SCREW-HEX HD SELFTAP 6-32 X .375 LONG ATT PT	1	
- 15A	2129550	. WASHER,FLAT- 5/16 OD 5/32 ID 1/32 THK ATT PT	1	
- 16	5356580	. SCREW,MACH-BIND HD 4-40 X 0.50 LONG	1	
- 17	815039	. WASHER,FL 0.12 1D X 0.25 OD X 0.022 THK	1	
- 18	5373223	. NUT,PLAIN,HEX- 4-40 X 0.250 FL W	1	
- 19	2194004	. THERMOSWITCH ASM,N/C 120 DEGREES FH	2	
- 20	761345	. . THERMOSWITCH,N/C 120 DEGREES FH	1	
- 21	2152841	. . SCREW,FILLISTER HEAD 4-40 X1/2 1/4. LONG ATT PT	2	
- 22	2145026	. . NUT,DOUBLE CHAMFER,4-40 X 1/4 FL W ATT PT	2	
- 23	2152838	. . SPACER,PHENOLIC,.125 1D .250 OD X.180 LG	2	
- 24	2194003	. . CLIP-MOUNTING	1	
- 24A	2210856	. CABLE ASM,THERMO-SWITCH SEE CABLE ROUTING FIGURE 31-11	1	
- 25	2194002	. BAFFLE-VERTICAL	3	
- 25A	811442	. SEAL,FOAM,0.38 X 0.25 X 12.25 LG	AR	
- 26	2210701	. PANEL ASM,B1 BASIC,WITH CARDS	1	
- 27	2210700	. . PANEL ASM,B1 BASIC,W/O CARDS	1	
- 28	813179	. CLAMP-BOARD	AR	
- 29	811417	. SCREW,HEX SOC, 6-32 X 0.500 LG ATT PT	AR	
- 30	2211922	. PANEL ASM,B2 2 CHANNEL SWITCH W/O CARDS	1	
- 30	2210703	. PANEL ASM,B2 BASIC,WITH CARDS	1	
- 31	2210702	. . PANEL ASM,B2 BASIC,W/O CARDS	1	
- 32	815946	. BRACKET ASM,BUS	2	
- 33	2181005	. SCREW-HEX HD SELFTAP 6-32 X .375 LONG ATT PT	4	
- 34	815944	. . PAD	1	
- 35	815945	. . BRACKET	1	
- 36	2210705	. PANEL ASM,B3 BASIC,WITH CARDS	1	
- 37	2210704	. . PANEL ASM,B3 BASIC,W/O CARDS	1	
- 38	2191841	. PLENUM WELDMENT ASSEMBLY-GATE-CFC/TROS/	1	
- 39	2181005	. SCREW-HEX HD SELFTAP 6-32 X .375 LONG ATT PT	8	
- 40	56722	. WASHER-LOCK,EXT T, .150 ID ATT PT	8	
- 41	2193671	. LABEL,CE DISPLAY POS	1	
- 42	2193672	. LABEL,CE DISPLAY POS	AR	
- 43	2184184	. LAMINAR BUS ASSEMBLY	1	
- 44	811621	. . CROSSOVER ASM,BOARD TO BUS TO BOARD FOR COMPONENTS SEE FIGURE 32-59	15	
- 45	2184130	. . LABEL-LAMINAR BUS	1	
- 46	811530	. . BUS ASSEMBLY,VERTICAL ASSEMBLY COMPONENTS ARE NOT REPLACEABLE	1	
- 47	811476	. TERM BLOCK ASM,BUS 12 POSITION ASSEMBLY COMPONENTS ARE NOT REPLACEABLE	1	
- 48	10295	. SCREW,MACH-BIND HD 10-32 X 1-1/8 LG ATT PT	2	
- 49	2191817	. HINGE-OUTER GATE	2	
- 50	19852	. SCREW,MACH-HEX HD 1/4-20 X 1 1/4 LG ATT PT	8	
- 51	117281	. NUT-STOP, 1/4-20 ATT PT	8	
- 52	2191842	. CLAMP-HINGE,LOWER	1	
- 53	2210711	. PANEL ASM,C3 BASIC,WITH CARDS	1	
- 53	2210728	. PANEL ASM,C3 INTERFACE ISOL.,W/O CARDS	1	
- 53	2210725	. PANEL ASM,C3 INT-ISOL,INT-RES,WITH CARDS	1	
- 54	2210724	. . PANEL ASM,C3 INT-ISOL,INT-RES,W/O CARDS	1	
- 54	2210710	. . PANEL ASM,C3 BASIC,W/O CARDS	1	
- 55	2210709	. PANEL ASM,C2 BASIC,WITH CARDS	1	
- 55	2210723	. PANEL ASM,C2 INT-ISOL,INT-RES,WITH CARDS	1	
- 56	2210708	. . PANEL ASM,C2 BASIC,W/O CARDS	1	
- 56	2210722	. . PANEL ASM,C2 INT-ISOL,INT-RES,W/O CARDS	1	

## LIST 9 CONT

LIST AND INDEX NUMBER	PART NUMBER	DESCRIPTION	UNITS PER ASM.	USABLE ON CODE
		STAGE 2 GATE ASSEMBLY -CONT		
9 - 57	815224	. CLAMP ASSEMBLY	AR	
- 58	332560	. . SCREW ATT PT	2	
- 59	816649	. . CLIP ATT PT	2	
- 60	815220	. . BAR	1	
- 61	815219	. . SPACER	2	
- 62	813321	. . SPRING	1	
- 63	815217	. . PLATE-FRONT	1	
- 64	815167	. PLATE-BACK	AR	
- 65	2181004	. SCREW-HEX HD SELFTAP 10-32 X .375 LONG ATT PT	4	
- 66	811427	. RETAINER	AR	
- 66A	813519	. RETAINER,CABLE	AR	
- 67	811541	. BAFFLE-END	1	
- 68	438550	. SCREW,MACH-BIND HD 4-40 X 1/2 LG ATT PT	1	
- 69	2210707	. PANEL ASM,C1 BASIC,WITH CARDS	1	
- 69	2210721	. PANEL ASM,C1 INT-ISOL,INT-RES,WITH CARDS	1	
- 70	2210706	. . PANEL ASM,C1 BASIC,W/O CARDS	1	
- 70	2210720	. . PANEL ASM,C1 INT-ISOL,INT-RES,W/O CARDS	1	
- 71	2191843	. CLAMP-HINGE,UPPER	1	
- 72	2211738	. LABEL,INTERFACE ISOLATION	1	
- 73	811542	. BAFFLE-CENTER	1	
- 74	438550	. SCREW,MACH-BIND HD 4-40 X 1/2 LG ATT PT	1	
- 75	2191812	. FRAME-GATE	1	
		COMPONENTS NOT INCLUDED WITH ASSEMBLY		
- 76	2227451	COVER,BLANK-SLT GATE TWO HIGH	1	
- 76	2210695	PANEL ASM,A1 2303 ATT FEA. WITH CARDS	1	
- 77	2210694	. PANEL ASM,A1 2303 ATT FEA. W/O CARDS	1	
- 78	2210697	PANEL ASM,A2 BASIC,WITH CARDS	1	
- 78	2210727	PANEL ASM,A2 2 CHANNEL SWITCH WITH CARDS	1	
- 79	2210696	. PANEL ASM,A2 BASIC,W/O CARDS	1	
- 79	2210726	. PANEL ASM,A2 2 CHANNEL SWITCH W/O CARDS	1	
- 80	2227451	COVER,BLANK-SLT GATE TWO HIGH	1	
- 80	2210699	PANEL ASM,A3 ADDITIONAL FILE,WITH CARDS	1	
- 81	2210698	. PANEL ASM,A3 ADDITIONAL FILE,W/O CARDS	1	
- 82	811482	CROSSOVER ASM,BOARD TO BOARD FOR DETAIL BREAKDOWN SEE FIGURE 32-59	AR	
- 83	2211494	SHOE,CARD GATE	1	
- 84	2181004	SCREW-HEX HD SELFTAP 10-32 X .375 LONG ATT PT	2	
- 85	2125974	WASHER, INT TOOTH, .200 ID X .562 OD ATT PT	2	
- 90	2184104	FILTER-AIR	1	
- 91	2191781	FAN ASSEMBLY,GATE 60 HZ	1	
- 91	2191782	FAN ASSEMBLY,GATE 50 HZ	1	
		FOR DETAIL BREAKDOWN SEE FIGURE 10		
- 92	5319854	SCREW, SELF TAPPING, 8-32 X .375 LONG ATT PT	4	
- 93	811802	GUIDE-CARD,6 PAC	AR	
- 94	811804	GUIDE,CARD,12 PAC	AR	
- 95	811481	SCREW,MACH- 6-32 X 1/4 LG	12	
		END OF LIST 9		

FOR PARTS  
NOT SHOWN  
SEE FIG. 2

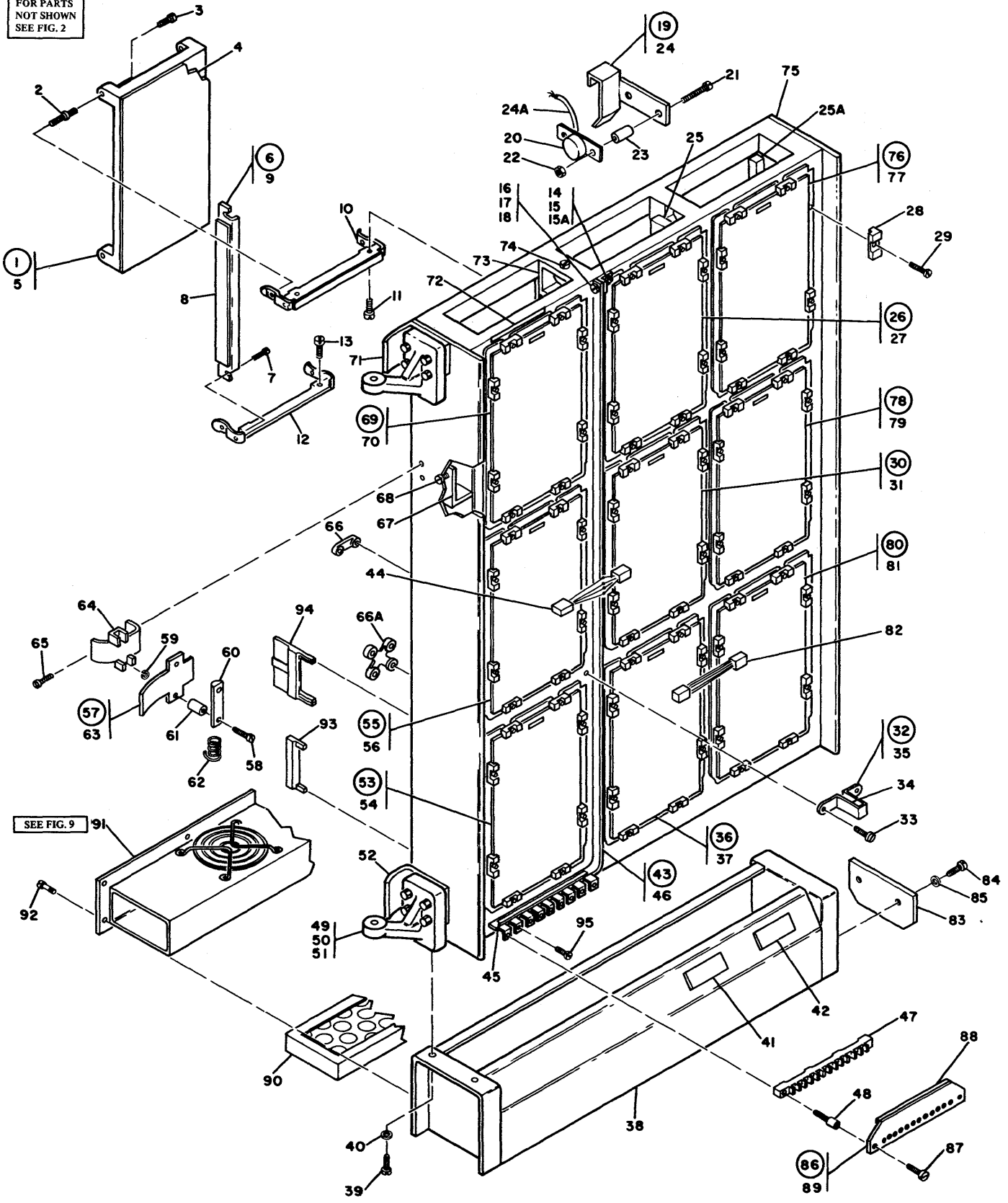


FIGURE 9A. STAGE I GATE ASSEMBLY.

SEE LIST **9A**

## LIST 9A

LIST AND INDEX NUMBER	PART NUMBER	DESCRIPTION				UNITS PER ASM.	USABLE ON CODE
		1	2	3	4		
		STAGE 1 GATE ASSEMBLY					
9A-		CODE A USED WITH 2 CHANNEL SWITCH FEA CODE B USED W/O 2 CHANNEL SWITCH FEA					
-	2227491	OUTER GATE ASM-STAGE 1 WITH 2 CHANNEL SW				REF	
-	2191785	OUTER GATE ASM,STAGE 1 W/O 2 CHANNEL SW FOR ILLUSTRATION SEE FIGURE 9A FOR NEXT HIGHER ASM SEE FIGURE 2-50				REF	
- 1	811873	. COVER ASSEMBLY, CARD				9	
- 2	815964	. . CATCH				4	
- 3	815963	. . CATCH-PULL				4	
- 4	815263	. . FOAM				1	
- 5	811872	. COVER				1	
- 6	811881	. RETAINER ASSEMBLY				18	
- 7	10170	. SCREW-MACH,BIND HD NO. 6-32 X .250 LG				36	
- 8	811441	. . SEAL				1	
- 9	811896	. . RETAINER				1	
- 10	811859	. BRACKET,UPPER HINGE				9	
- 11	2181005	. SCREW-HEX HD SELFTAP 6-32 X .375 LONG		ATT PT	18		
- 12	811858	. BRACKET,LOWER HINGE				9	
- 13	2181005	. SCREW-HEX HD SELFTAP 6-32 X .375 LONG		ATT PT	18		
- 14	811742	. SUPPORT,BUS				1	
- 15	2181005	. SCREW-HEX HD SELFTAP 6-32 X .375 LONG		ATT PT	1		
- 15A	2129550	. WASHER,FLAT- 5/16 OD 5/32 ID 1/32 THK		ATT PT	1		
- 16	5356580	. SCREW,MACH-BIND HD 4-40 X 0.50 LONG				1	
- 17	815039	. WASHER,FL 0.12 ID X 0.25 OD X 0.022 THK				1	
- 18	5373223	. NUT,PLAIN,HEX- 4-40 X 0.250 FL W				1	
- 19	2194004	. THERMOSWITCH ASM,N/C 120 DEGREES FH				2	
- 20	761345	. . THERMOSWITCH,N/C 120 DEGREES FH				1	
- 21	2152841	. SCREW,FILLISTER HEAD 4-40 X1/2 1/4. LONG		ATT PT	2		
- 22	2145026	. . NUT,DOUBLE CHAMFER,4-40 X 1/4 FL W		ATT PT	2		
- 23	2152838	. . SPACER,PHENOLIC,.125 ID .250 OD X.180 LG				2	
- 24	2194003	. CLIP-MOUNTING				1	
- 24A	2210856	. CABLE ASM,THERMO-SWITCH				1	
- 25	2194002	SEE CABLE ROUTING FIGURE 31-11					
- 25A	811442	. BAFFLE-VERTICAL				3	
- 26	2193993	. SEAL,FOAM,0.38 X 0.25 X 12.25 LG				AR	
- 26	2227174	. PANEL ASM,B1 V002 WITH CARDS				1	A
- 26	2191799	. PANEL ASM,B1 2303 ATT FEA. W/O CARDS				1	A
- 26	2227046	. PANEL ASM,B1 BASIC,WITH CARDS				1	B
- 27	2193992	. . PANEL ASM,B1 V002 W/O CARDS				1	A
- 27	2191798	. . PANEL ASM,B1 BASIC,W/O CARDS				1	B
- 28	813179	. CLAMP-BOARD				AR	
- 29	811417	. SCREW,HEX SOC, 6-32 X 0.500 LG		ATT PT	AR		
- 30	2193995	. PANEL ASM,B2 BASIC,WITH CARDS				1	A
- 30	2191801	. PANEL ASM,B2 BASIC,WITH CARDS				1	B
- 31	2193994	. . PANEL ASM,B2 BASIC,W/O CARDS				1	A
- 31	2191800	. . PANEL ASM,B2 BASIC,W/O CARDS				1	B
- 32	811554	. STRAP ASSEMBLY,BUS				2	
- 33	811426	. SCREW,MACH-PAN HD 6-32 X 3/8 IN. LG		ATT PT	4		
- 34	811553	. . PAD, FOAM				1	
- 35	811423	. . STRAP				1	
- 36	2193997	. PANEL ASM,B3 BASIC,WITH CARDS				1	A
- 36	2227176	. PANEL ASM,B3 2303 ATT FEA. W/O CARDS				1	A
- 36	2191803	. PANEL ASM,B3 BASIC,WITH CARDS				1	B
- 36	2227050	. PANEL ASM,B3 2303 ATT FEA. W/O CARDS				1	B
- 37	2193996	. . PANEL ASM,B3 BASIC,W/O CARDS				1	A
- 37	2191802	. . PANEL ASM,B3 BASIC,W/O CARDS				1	B
- 38	2191841	. PLENUM WELDMENT ASSEMBLY-GATE-CFC/TROS/				1	
- 39	2181005	. SCREW-HEX HD SELFTAP 6-32 X .375 LONG		ATT PT	8		
- 40	56722	. WASHER-LOCK,EXT T, .150 ID				8	
- 41	2193671	. LABEL,CE DISPLAY POS				1	
- 42	2193672	. LABEL,CE DISPLAY POS				AR	
- 43	2184184	. LAMINAR BUS ASSEMBLY				1	
- 44	811621	. . CROSSOVER ASM,BOARD TO BUS TO BOARD FOR COMPONENTS SEE FIGURE 32-59				15	
- 45	2184130	. . LABEL-LAMINAR BUS				1	
- 46	811530	. . BUS ASSEMBLY,VERTICAL ASSEMBLY COMPONENTS ARE NOT REPLACEABLE				1	
- 47	811476	. TERM BLOCK ASM,BUS 12 POSITION				1	
- 48	811536	. STANDOFF				2	
- 49	2191817	. HINGE-OUTER GATE				2	

## LIST 9A CONT

LIST AND INDEX NUMBER	PART NUMBER	DESCRIPTION				UNITS PER ASM.	USABLE ON CODE
		1	2	3	4		
		STAGE 1 GATE ASSEMBLY -CONT					
9A - 50	19852	• SCREW,MACH-HEX HD 1/4-20 X 1 1/4 LG				8	
- 51	117281	• NUT-STOP, 1/4-20				8	
- 52	2191842	• CLAMP-HINGE,LOWER				1	
- 53	2193989	• PANEL ASM,C3 BASIC,WITH CARDS				1	A
- 53	2262256	• PANEL ASM,C3 INTERFACE ISOL.,W/O CARDS				1	A
- 53	2191809	• PANEL ASM,C3 BASIC,WITH CARDS				1	B
- 53	2262280	• PANEL ASM,C3 INTERFACE ISOL. W/O CARDS				1	B
- 54	2193988	• . PANEL ASM,C3 BASIC,W/O CARDS				1	A
- 54	2191808	• . PANEL ASM,C3 BASIC,W/O CARDS				1	B
- 55	2191807	• PANEL ASM,C2 BASIC,WITH CARDS				1	
- 55	2262254	• PANEL ASM,C2 INTERFACE ISOL.,W/O CARDS				1	A
- 55	2227054	• PANEL ASM,C2 2303 ATT FEA. W/O CARDS				1	A
- 55	2227594	• PANEL ASM,C2 INT-ISOL,2303 ATT,W/O CARDS				1	A
- 55	2262266	• PANEL ASM,C2 INTERFACE ISOL.,W/O CARDS				1	
- 55	2227054	• PANEL ASM,C2 2303 ATT FEA. W/O CARDS				1	B
- 55	2227592	• PANEL ASM,C2 INT-ISOL,2303 ATT,W/O CARDS				1	B
- 56	2191806	• . PANEL ASM,C2 BASIC,W/O CARDS				1	
- 57	815224	• CLAMP ASSEMBLY				2	
- 58	332560	• . SCREW				2	
- 59	816649	• . CLIP				2	
- 60	815220	• . BAR				1	
- 61	815219	• . SPACER				2	
- 62	813321	• . SPRING				1	
- 63	815217	• . PLATE-FRONT				1	
- 64	815167	• PLATE-BACK				2	
- 65	2181004	• SCREW-HEX HD SELFTAP 10-32 X .375 LONG				4	
- 66	811427	• RETAINER				AR	
- 66A	813519	• RETAINER,CABLE				AR	
- 67	811541	• BAFFLE-END				1	
- 68	438550	• SCREW,MACH-BIND HD 4-40 X 1/2 LG				1	
- 69	2193999	• PANEL ASM,C1 BASIC,WITH CARDS				1	A
- 69	2262252	• PANEL ASM,C1 INTERFACE ISOL.,W/O CARDS				1	A
- 69	2191805	• PANEL ASM,C1 BASIC,WITH CARDS				1	B
- 69	2262264	• PANEL ASM,C1 INTERFACE ISOL.,W/O CARDS				1	B
- 70	2193998	• . PANEL ASM,C1 BASIC,W/O CARDS				1	A
- 70	2191804	• . PANEL ASM,C1 BASIC,W/O CARDS				1	B
- 71	2191843	• CLAMP-HINGE,UPPER				1	
- 72	2211738	• LABEL,INTERFACE ISOLATION				1	
- 73	811542	• BAFFLE-CENTER				1	
- 74	438550	• SCREW,MACH-BIND HD 4-40 X 1/2 LG				1	
- 75	2191812	• FRAME-GATE				1	
		PARTS NOT INCLUDED WITH ASSEMBLY					
- 76	811066	BOARD				1	
- 76	2227041	PANEL ASM,A1 2303 ATT FEA. WITH CARDS				1	
- 77	2227040	• PANEL ASM,A1 2303 ATT FEA. W/O CARDS				1	
- 78	2193987	PANEL ASM,A2 BASIC,WITH CARDS				1	A
- 78	2262250	PANEL ASM,A2 INTERFACE ISOL.,W/O CARDS				1	A
- 78	811066	BOARD				1	B
- 79	2193988	• PANEL ASM,C3 BASIC,W/O CARDS				1	A
- 80	2193991	PANEL ASM,A3 BASIC,WITH CARDS				1	A
- 80	2227172	PANEL ASM,A3 2303 ATT FEA. W/O CARDS				1	A
- 80	2193931	PANEL ASM,A3 BASIC,WITH CARDS				1	B
- 80	2227044	PANEL ASM,A3 2303 ATT FEA. W/O CARDS				1	B
- 80	811066	BOARD				1	B
- 81	2193990	• PANEL ASM,A3 BASIC,W/O CARDS				1	A
- 81	2193930	• PANEL ASM,A3 BASIC,W/O CARDS				1	B
- 82	811482	CROSSOVER ASM,BOARD TO BOARD				AR	
- 83	2193929	SHOE,CARD GATE,SIDE MTG				1	
- 84	2181004	SCREW-HEX HD SELFTAP 10-32 X .375 LONG				2	
- 85	2125974	WASHER, INT TOOTH, .200 ID X .562 OD				2	
- 86	811556	SHIELD ASM,INSULATOR AND - 12 POS				1	
- 87	10170	SCREW-MACH,BIND HD NO. 6-32 X .250 LG				2	
- 88	811555	• SEAL				1	
- 89	811534	• SHIELD, 12 POSITION				1	
- 90	2184104	FILTER-AIR				1	
- 91	2191781	FAN ASSEMBLY,GATE 60 HZ				1	
- 91	2191782	FAN ASSEMBLY,GATE 50 HZ				1	
- 92	5319854	FOR DETAIL BREAKDOWN SEE FIGURE 10 SCREW, SELF TAPPING, 8-32 X .375 LONG				4	
- 93	811802	GUIDE-CARD,6 PAC				AR	
- 94	811804	GUIDE, CARD,12 PAC				AR	
- 95	811481	SCREW,MACH- 6-32 X 1/4 LG				12	

END OF LIST 9A

FOR PARTS  
NOT SHOWN  
SEE FIG. 9

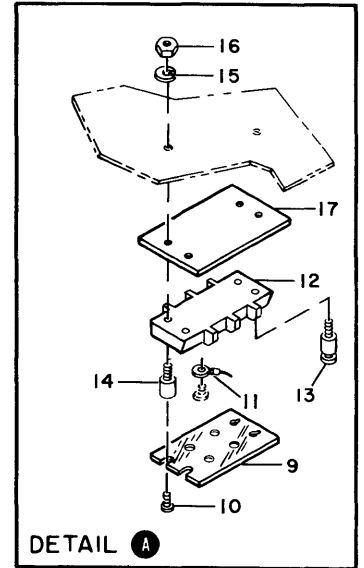
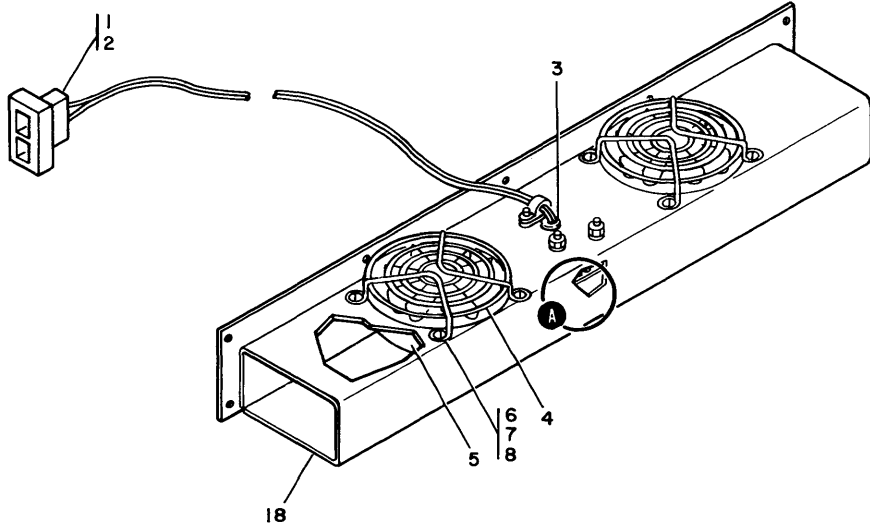


FIGURE 10. GATE BLOWER ASSEMBLY.

SEE LIST **10**

LIST AND INDEX NUMBER	PART NUMBER	DESCRIPTION				UNITS PER ASM.	USABLE ON CODE
		1	2	3	4		
		GATE BLOWER ASSEMBLY					
<b>10</b> -		CODE A USED ON 60 HZ ONLY CODE B USED ON 50 HZ ONLY					
-	2191781	FAN ASSEMBLY,GATE 60 HZ				REF	A
-	2191782	FAN ASSEMBLY,GATE 50 HZ FOR ILLUSTRATION SEE FIGURE 10 FOR NEXT HIGHER ASM SEE FIGURE 9-91				REF	B
- 1	725558	• COVER-CONNECTOR				1	
- 2	2145170	• TERMINAL,QUICK DISCONNECT- 16/18AWG				2	
- 3	450821	• GROMMET,5/16 I.D. X 13/16 O.D.X 5/16 THK				1	
- 4	2172166	• GUARD,FAN				2	A
- 4	4103890	• GUARD,FAN				2	B
- 5	5353877	• FAN 60 HZ				2	A
- 5	4120211	• FAN 50 HZ				2	B
- 6	322065	• SCREW,MACH-BIND HD 6-32 X 5/8 LG				8	A
- 6	35739	• SCREW,MACH-BIND HD 6-32 X 15/16 LG				8	B
- 7	6364	• WASHER,LOCK-SPLIT NO. 6 X 1/4 OD				8	B
- 8	1115657	• SPACER,0.159 ID,0.312 OD,0.126 THICK				8	B
- 9	187467	• SHIELD, 2 POSITION				1	
- 10	210984	• SCREW,MACH RH 6-32 X .25				1	
- 11	334910	• TERMINAL-LUG NO.16 THRU NO.14 WIRE				2	
- 11	334921	• TERMINAL-LUG NO.22 THRU NO.18 WIRE INSUL				4	
- 12	80817	• TERMINAL BLOCK, 2 POSITION				1	
- 13	2125899	• STUD, SHIELD MOUNTING, 6-32 X 1.237 LG				1	
- 14	2125898	• STUD, TAPPED MOUNTING, 6-32 X 1.087 LG				1	
- 15	56722	• WASHER-LOCK,EXT T, .150 ID				2	
- 16	257187	• NUT,HEX 6-32 NC				2	
- 17	507446	• INSULATOR, TERMINAL STRIP				1	
- 18	2191783	• HOUSING-GATE FAN				1	

END OF LIST **10**

FOR PARTS  
NOT SHOWN  
SEE FIG. 2

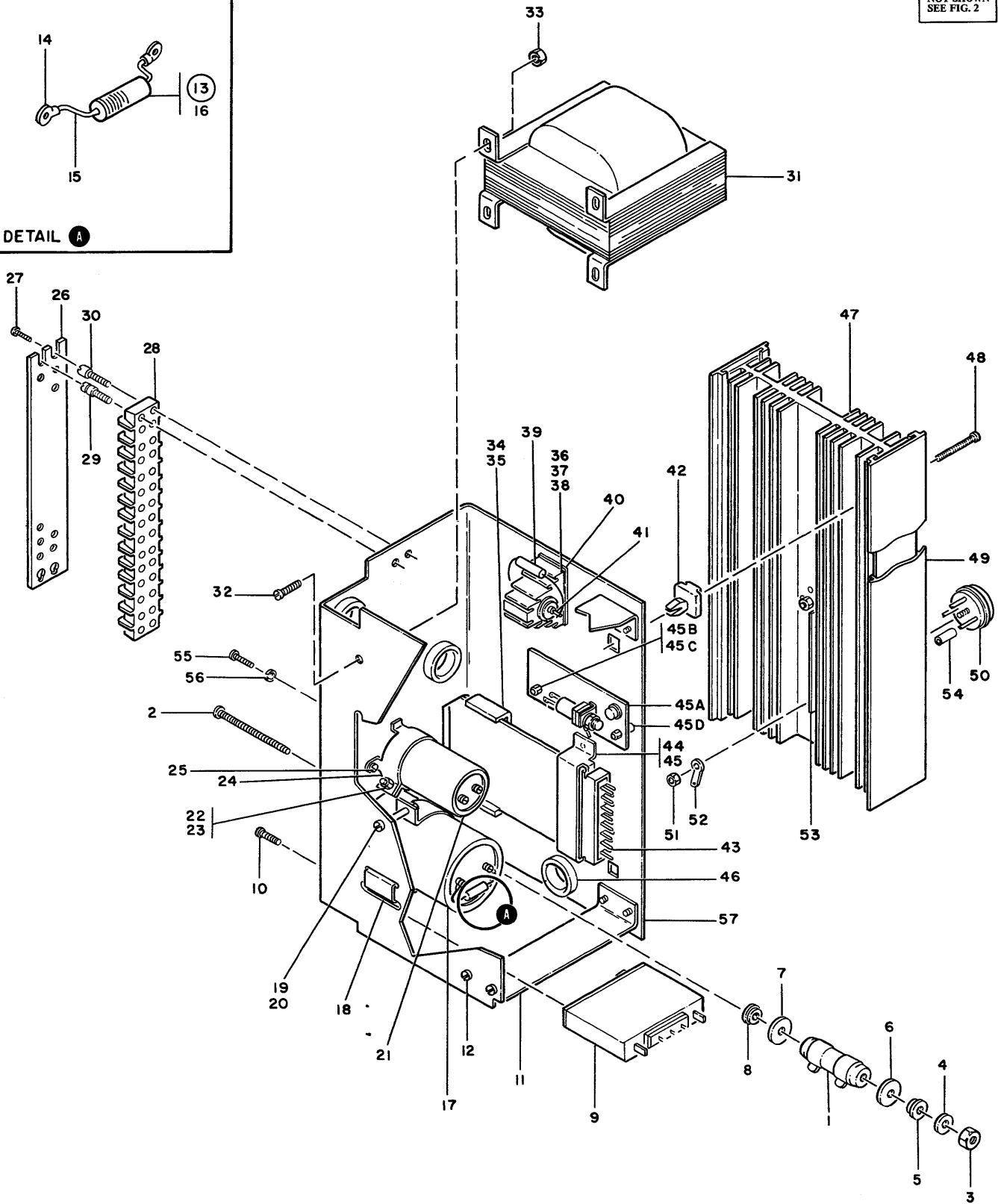
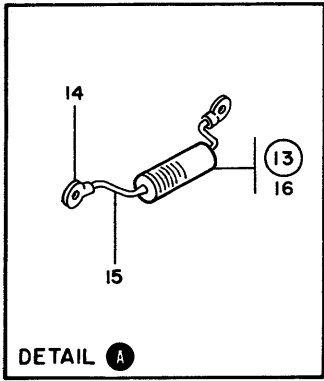
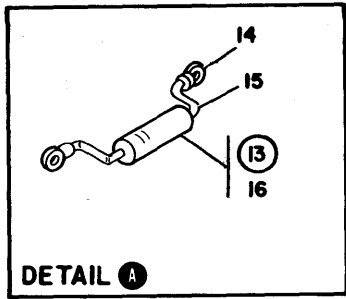


FIGURE 11. POWER SUPPLY ASSEMBLY, 3 VOLT 4 AMP 50HZ.  
SEE LIST 11



LIST **11**

LIST AND INDEX NUMBER	PART NUMBER	DESCRIPTION	UNITS PER ASM.	USABLE ON CODE
		1 2 3 4		
		POWER SUPPLY ASSEMBLY, 3 VOLT 4 AMP		
<b>11</b> -	5239418	POWER SUPPLY ASM, 3V AT 4.0 AMP-50 HZ FOR ILLUSTRATION SEE FIGURE 11 FOR NEXT HIGHER ASM SEE FIGURE 2-17A	REF	
- 1	5261119	. RESISTOR, 0.16 OHMS 25 WATTS WIREWOUND	1	
- 2	438593	. SCREW-MACH-BIND HD NO. 8-32 X 2 1/2 LG ATT PT	1	
- 3	5761938	. NUT/LOCKWASHER ASSEMBLY - 8-32 ATT PT	1	
- 4	2903	. WASHER, FL-NO. 6 X 1/2 OD X 1/32 THK	1	
- 5	510468	. CUP WASHER	1	
- 6	5761935	. WASHER	1	
- 7	5761935	. WASHER	1	
- 8	510468	. CUP WASHER	1	
- 9	5214544	. CIRCUIT BREAKER	1	
- 10	38235	. SCREW, BIND HD 6-32 X .312 LONG ATT PT	2	
- 11	5761779	. BRACKET, CHASSIS	2	
- 12	731629	. SCREW, PAN HD- 10-32 X 0.380 LG ATT PT	8	
- 13	5261935	. RESISTOR ASSEMBLY-330 OHMS 2W	1	
- 14	359695	. TERMINAL-RING LUG NO. 10 STUD	2	
- 15	113819	. TUBING	2	
- 16	317080	. RESISTOR, FXD 330 OHM 2W	1	
- 17	5261067	. CAPACITOR, ELECT., 24000 MF 10VDC	1	
- 18	5761786	. STRAP, CAPACITOR	1	
- 19	438570	. SCREW, MACH-BIND HD 6-32 X 1-1/2 LG ATT PT	1	
- 20	5761943	. NUT, HEX 10-32 NC ATT PT	1	
- 21	5261089	. CAPACITOR, ELECTROLYTIC- 10000 UF 6VDC	1	
- 22	322550	. SCREW, 6-32 X 0.50 LG ATT PT	1	
- 23	5761943	. NUT, HEX 10-32 NC ATT PT	1	
- 24	301768	. BRACKET	1	
- 25	55726	. SCREW, MACH-BIND HD 6-32 X .188 LG ATT PT	2	
- 26	210990	. SHIELD- 13 POSITION	1	
- 27	210984	. SCREW, MACH RH 6-32 X .25 ATT PT	1	
- 28	5214556	. TERMINAL BOARD, 13 POS	1	
- 29	5261167	. STUD- 8-32 X 0.438 LG W/6-32 TAPPED HOLE ATT PT	1	
- 30	5261165	. STUD, SHLDR- 8-32 X 0.438 LG THD ATT PT	3	
- 31	4116492	. TRANSFORMER, 50 HZ	1	
- 32	332620	. SCREW, MACH-BIND HD 10-32 X 1/2 LG ATT PT	4	
- 33	5761908	. NUT, HEX 10-32 NC ATT PT	4	
- 34	5712309	. GUIDE	1	
- 35	5761907	. RIVET	2	
- 36	5761977	. RECTIFIER ASSEMBLY	1	
- 37	734483	. SCREW, PAN HD- 6-32 X 0.380 LG ATT PT	3	
- 38	5762215	. WASHER, INSULATING ATT PT	2	
- 39	491228	. CAPACITOR, .010 UF	1	
- 40	5761979	. INSULATOR	1	
- 41	113819	. TUBING	AR	
- 42	5761796	. INSULATOR, HEAT SINK	4	
- 43	216076	. RECEPTACLE ASM, SINGLE CARD	1	
		FOR COMPONENTS SEE FIGURE 32-65		
- 44	5761904	. BRACKET	1	
- 45	5761907	. RIVET ATT PT	2	
- 45A	5761987	. OVERVOLTAGE CARD ASSEMBLY, 3 VOLT PARTS OF THIS ASM ARE NOT REPLACEABLE	1	
- 45B	438551	. SCREW, MACH-BIND HD 4-40 X 5/8 LG ATT PT	2	
- 45C	37913	. NUT, HEX 4-40 NC ATT PT	2	
- 45D	332779	. SPACER	2	
- 46	5761936	. GROMMET	2	
- 47	5761759	. HEAT SINK	1	
- 48	5761913	. SCREW, ATT PT	4	
- 49	473536	. SEAL	AR	
- 50	369214	. TRANSISTOR, TYPE 108	2	
- 51	11598	. NUT, HEX, 10-32 X 0.375 FL W ATT PT	2	
- 52	316996	. TERMINAL, LUG-NONINS 9AWG NO. 8 MTG HOLE	1	
- 53	5761965	. BUS STRIP	1	
- 54	5761976	. TUBING	AR	
- 55	10170	. SCREW-MACH, BIND HD NO. 6-32 X .250 LG	1	
- 56	56722	. WASHER-LOCK, EXT T, .150 ID	1	
- 57	5761758	. CHASSIS	1	
		END OF LIST <b>11</b>		



FOR PARTS  
NOT SHOWN  
SEE FIG. 2

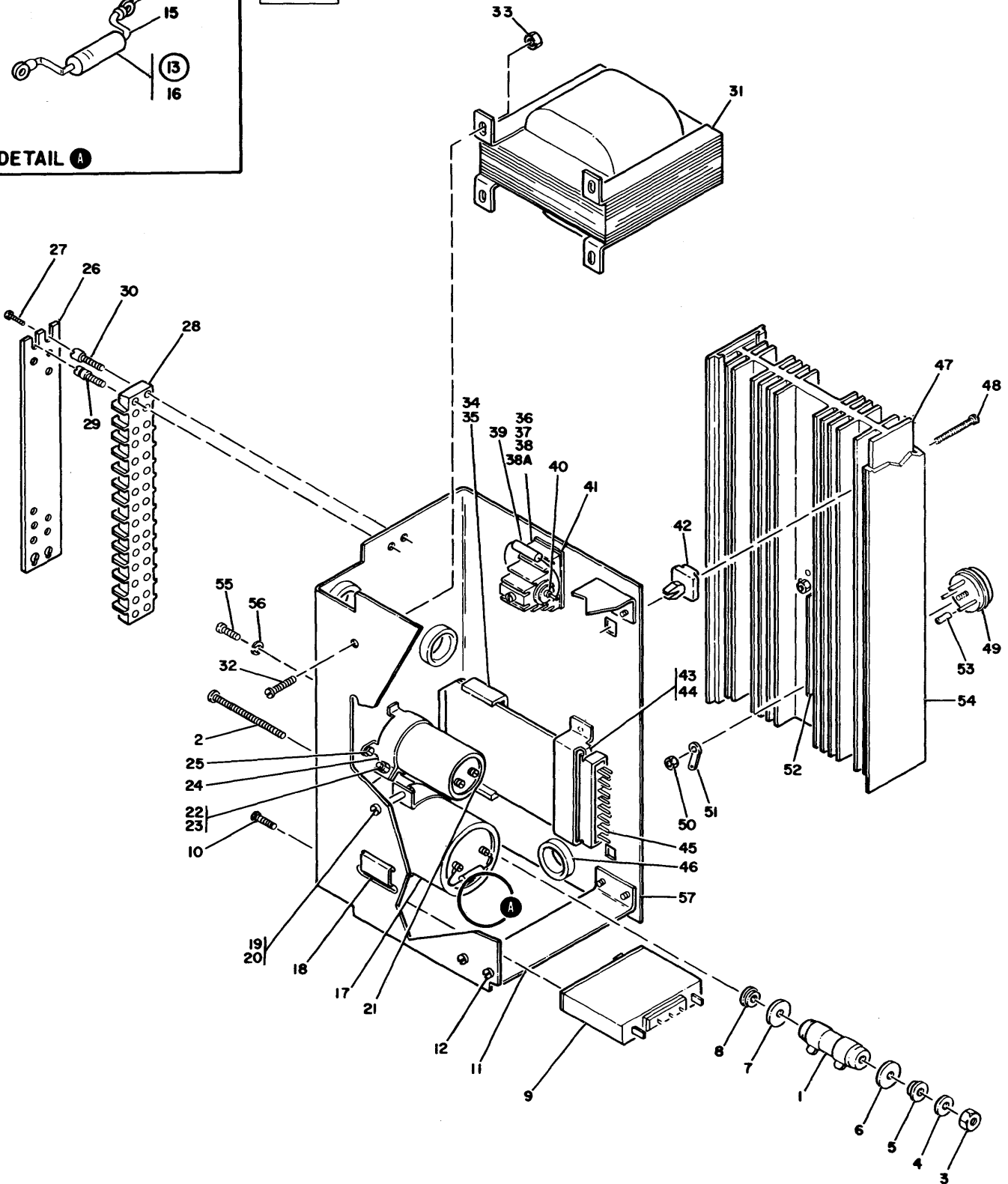


FIGURE 12. POWER SUPPLY ASSEMBLY, 3 VOLT AT 4 AMP.  
SEE LIST 12

## LIST 12

LIST AND INDEX NUMBER	PART NUMBER	DESCRIPTION	UNITS PER ASM.	USABLE ON CODE
		1 2 3 4		
		POWER SUPPLY ASSEMBLY,3 VOLT AT 4 AMP		
12 -	5261000	POWER SUPPLY ASM,3 VOLT AT 4 AMP 60 HZ FOR ILLUSTRATION SEE FIGURE 12 FOR NEXT HIGHER ASM SEE FIGURE 2-17A	REF	
- 1	5261119	• RESISTOR,0.16 OHMS 25 WATTS WIREWOUND	1	
- 2	438593	• SCREW-MACH-BIND HD NO. 8-32 X 2 1/2 LG ATT PT	1	
- 3	5761938	• NUT/LOCKWASHER ASSEMBLY - 8-32 ATT PT	1	
- 4	2903	• WASHER,FL-NO. 6 X 1/2 OD X 1/32 THK	1	
- 5	510468	• CUP WASHER	1	
- 6	5761935	• WASHER	1	
- 7	5761935	• WASHER	1	
- 8	510468	• CUP WASHER	1	
- 9	5214544	• CIRCUIT BREAKER	1	
- 10	38235	• SCREW,BIND HD 6-32 X .312 LONG ATT PT	2	
- 11	5761779	• BRACKET,CHASSIS	2	
- 12	731629	• SCREW,PAN HD- 10-32 X 0.380 LG ATT PT	8	
- 13	5261935	• RESISTOR ASSEMBLY-330 OHMS 2W	1	
- 14	359695	• . TERMINAL-RING LUG NO.10 STUD	2	
- 15	113819	• . TUBING	2	
- 16	317080	• . RESISTOR,FXD 330 OHM 2W	1	
- 17	5261067	• CAPACITOR, ELECT., 24000 MF 10VDC	1	
- 18	5761786	• STRAP,CAPACITOR	1	
- 19	438570	• SCREW,MACH-BIND HD 6-32 X 1-1/2 LG ATT PT	1	
- 20	5761943	• NUT,HEX 10-32 NC ATT PT	1	
- 21	5261089	• CAPACITOR,ELECTROLYTIC- 10000 UF 6VDC	1	
- 22	322550	• SCREW,6-32 X 0.50 LG ATT PT	1	
- 23	5761943	• NUT,HEX 10-32 NC ATT PT	1	
- 24	301768	• BRACKET	1	
- 25	55726	• SCREW,MACH-BIND HD 6-32 X .188 LG ATT PT	2	
- 26	210990	• SHIELD- 13 POSITION	1	
- 27	210984	• SCREW,MACH RH 6-32 X .25 ATT PT	1	
- 28	5214556	• TERMINAL BOARD,13 PDS	1	
- 29	5261167	• STUD- 8-32 X 0.438 LG W/6-32 TAPPED HOLE ATT PT	1	
- 30	5261165	• STUD,SHLDR- 8-32 X 0.438 LG THD ATT PT	3	
- 31	5761723	• TRANSFORMER,60 HZ	1	
- 32	332620	• SCREW,MACH-BIND HD 10-32 X 1/2 LG ATT PT	4	
- 33	5761908	• NUT,HEX 10-32 NC ATT PT	4	
- 34	5712309	• GUIDE	1	
- 35	5761907	• RIVET ATT PT	2	
- 36	5761977	• RECTIFIER ASSEMBLY	1	
- 37	734483	• SCREW,PAN HD- 6-32 X 0.380 LG ATT PT	3	
- 38	5762215	• WASHER,INSULATING ATT PT	2	
- 38A	5762156	• WASHER, 0.144 ID 1.120 OD ATT PT	1	
- 39	491228	• CAPACITOR, .010 UF	1	
- 40	113819	• TUBING	AR	
- 41	5761979	• INSULATOR	1	
- 42	5761796	• INSULATOR,HEAT SINK	4	
- 43	5761904	• BRACKET	1	
- 44	5761907	• RIVET ATT PT	2	
- 45	216076	• RECEPTACLE ASM,SINGLE CARD FOR COMPONENTS SEE FIG 32-65	1	
- 46	5761936	• GROMMET	2	
- 47	5761759	• HEAT SINK	1	
- 48	5761913	• SCREW, ATT PT	4	
- 49	369214	• TRANSISTOR,TYPE 108	2	
- 50	11598	• NUT,HEX, 10-32 X 0.375 FL W ATT PT	2	
- 51	316996	• TERMINAL,LUG-NONINS 9AWG NO. 8 MTG HOLE	1	
- 52	5761965	• BUS STRIP	1	
- 53	5761976	• TUBING	4	
- 54	473536	• SEAL	AR	
- 55	10170	• SCREW-MACH,BIND HD NO. 6-32 X .250 LG	1	
- 56	56722	• WASHER-LOCK,EXT T, .150 ID	1	
- 57	5761758	• CHASSIS	1	
		END OF LIST 12		

FOR PARTS  
NOT SHOWN  
SEE FIG. 2

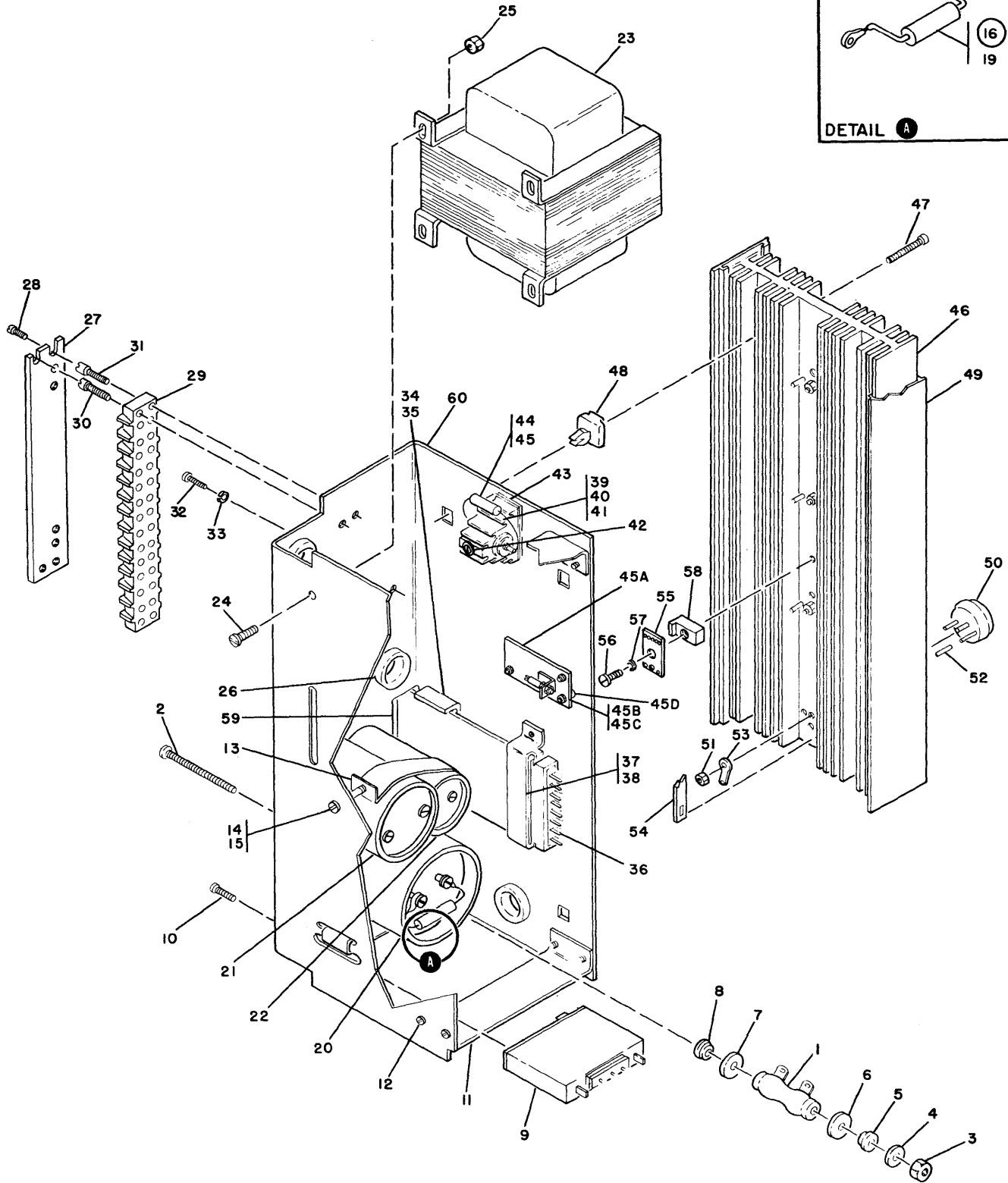
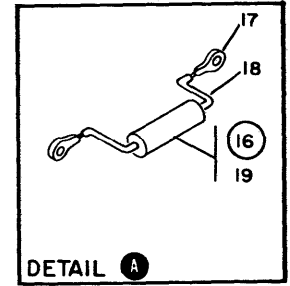
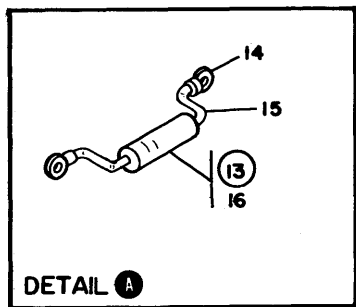


FIGURE 13. POWER SUPPLY ASSEMBLY, 3 VOLT AT 12 AMP.  
SEE LIST 13

## LIST 13

LIST AND INDEX NUMBER	PART NUMBER	DESCRIPTION				UNITS PER ASM.	USABLE ON CODE
		1	2	3	4		
		POWER SUPPLY ASSEMBLY, 3 VOLT AT 12 AMP					
13	5239402	POWER SUPPLY ASM, 3 VOLT AT 12 AMP 60 HZ				REF	
-	5239420	POWER SUPPLY ASM, 3 VOLT AT 12 AMP 50 HZ				REF	
		FOR ILLUSTRATION SEE FIGURE 13 FOR NEXT HIGHER ASM SEE FIGURE 2-12					
- 1	5261098	• RESISTOR, FXD, WW- 0.04 OHMS P/M 10% 25W				1	
- 2	438593	• SCREW-MACH-BIND HD NO. 8-32 X 2 1/2 LG				ATT PT	1
- 3	5761938	• NUT/LOCKWASHER ASSEMBLY - 8-32				ATT PT	1
- 4	2903	• WASHER, FL-NO. 6 X 1/2 OD X 1/32 THK				ATT PT	1
- 5	510468	• CUP WASHER				ATT PT	1
- 6	5761935	• WASHER				ATT PT	1
- 7	5761935	• WASHER				ATT PT	1
- 8	510468	• CUP WASHER				ATT PT	1
- 9	5214548	• CIRCUIT BREAKER					1
- 10	38235	• SCREW, BIND HD 6-32 X .312 LONG				ATT PT	2
- 11	5761779	• BRACKET, CHASSIS					2
- 12	731629	• SCREW, PAN HD- 10-32 X 0.380 LG				ATT PT	8
- 13	5761793	• STRAP, CAPACITOR MTG					1
- 14	438570	• SCREW, MACH-BIND HD 6-32 X 1-1/2 LG				ATT PT	1
- 15	5761943	• NUT, HEX 10-32 NC				ATT PT	1
- 16	5261935	• RESISTOR ASSEMBLY-330 OHMS 2W					1
- 17	359695	• TERMINAL-RING LUG NO.10 STUD					2
- 18	113819	• TUBING					2
- 19	317080	• RESISTOR, FXD 330 OHM 2W					1
- 20	5214368	• CAPACITOR					1
- 21	5261067	• CAPACITOR, ELECT., 24000 MF 10VDC					1
- 22	5261089	• CAPACITOR, ELECTROLYTIC- 10000 UF 6VDC					1
- 23	5761725	• TRANSFORMER, 60 HERTZ					1
- 23	4116496	• TRANSFORMER, 50 HERTZ					1
- 24	332620	• SCREW, MACH-BIND HD 10-32 X 1/2 LG				ATT PT	4
- 25	5761908	• NUT, HEX 10-32 NC				ATT PT	4
- 26	5761936	• GROMMET					3
- 27	210990	• SHIELD- 13 POSITION					1
- 28	210984	• SCREW, MACH RH 6-32 X .25				ATT PT	1
- 29	5214556	• TERMINAL BOARD, 13 POS					1
- 30	5261165	• STUD, SHLDR- 8-32 X 0.438 LG THD				ATT PT	3
- 31	5261167	• STUD- 8-32 X 0.438 LG W/6-32 TAPPED HOLE				ATT PT	1
- 32	10170	• SCREW-MACH, BIND HD NO. 6-32 X .250 LG					1
- 33	56722	• WASHER-LOCK, EXT T, .150 ID					1
- 34	5712309	• GUIDE					1
- 35	5761907	• RIVET				ATT PT	2
- 36	216076	• RECEPTACLE ASM, SINGLE CARD					1
		FOR COMPONENTS SEE FIG 32-65					
- 37	5761904	• BRACKET					1
- 38	5761907	• RIVET				ATT PT	2
- 39	5761977	• RECTIFIER ASSEMBLY					1
- 40	734483	• SCREW, PAN HD- 6-32 X 0.380 LG				ATT PT	3
- 41	5762215	• WASHER, INSULATING				ATT PT	2
- 42	5762156	• WASHER, 0.144 ID 1.120 OD					1
		USED ON 60 HZ ONLY					
- 43	5761979	• INSULATOR					1
- 44	491228	• CAPACITOR, .010 UF					1
- 45	113819	• TUBING					2
- 45A	5761989	• OVERVOLTAGE CARD ASSEMBLY, 12 VOLT					1
		ASSEMBLY COMPONENTS ARE NOT REPLACEABLE					
- 45B	438551	• SCREW, MACH-BIND HD 4-40 X 5/8 LG				ATT PT	2
- 45C	37913	• NUT, HEX 4-40 NC				ATT PT	2
- 45D	332779	• SPACER					2
- 46	5761766	• HEAT SINK					1
- 47	5761913	• SCREW,				ATT PT	4
- 48	5761796	• INSULATOR, HEAT SINK				ATT PT	4
- 49	473536	• SEAL					AR
- 50	369214	• TRANSISTOR, TYPE 108					4
- 51	11598	• NUT, HEX, 10-32 X 0.375 FL W				ATT PT	4
- 52	5761976	• TUBING					AR
- 53	316996	• TERMINAL, LUG-NONINS 9AWG NO. 8 MTG HOLE					4
- 54	5761967	• BUS STRIP					1
- 55	5761909	• TERMINAL, BRASS					1
- 56	2181002	• SCREW-HEX HD SELFTAP 8-32 X .750 LONG				ATT PT	1
- 57	5374689	• BUSHING				ATT PT	1
- 58	5761909	• TERMINAL, BRASS					1
- 59	375200	• CARD ASM					1
		ASSEMBLY COMPONENTS ARE NOT REPLACEABLE					
- 60	5761765	• CHASSIS					1

END OF LIST 13



FOR PARTS  
NOT SHOWN  
SEE FIG. 2

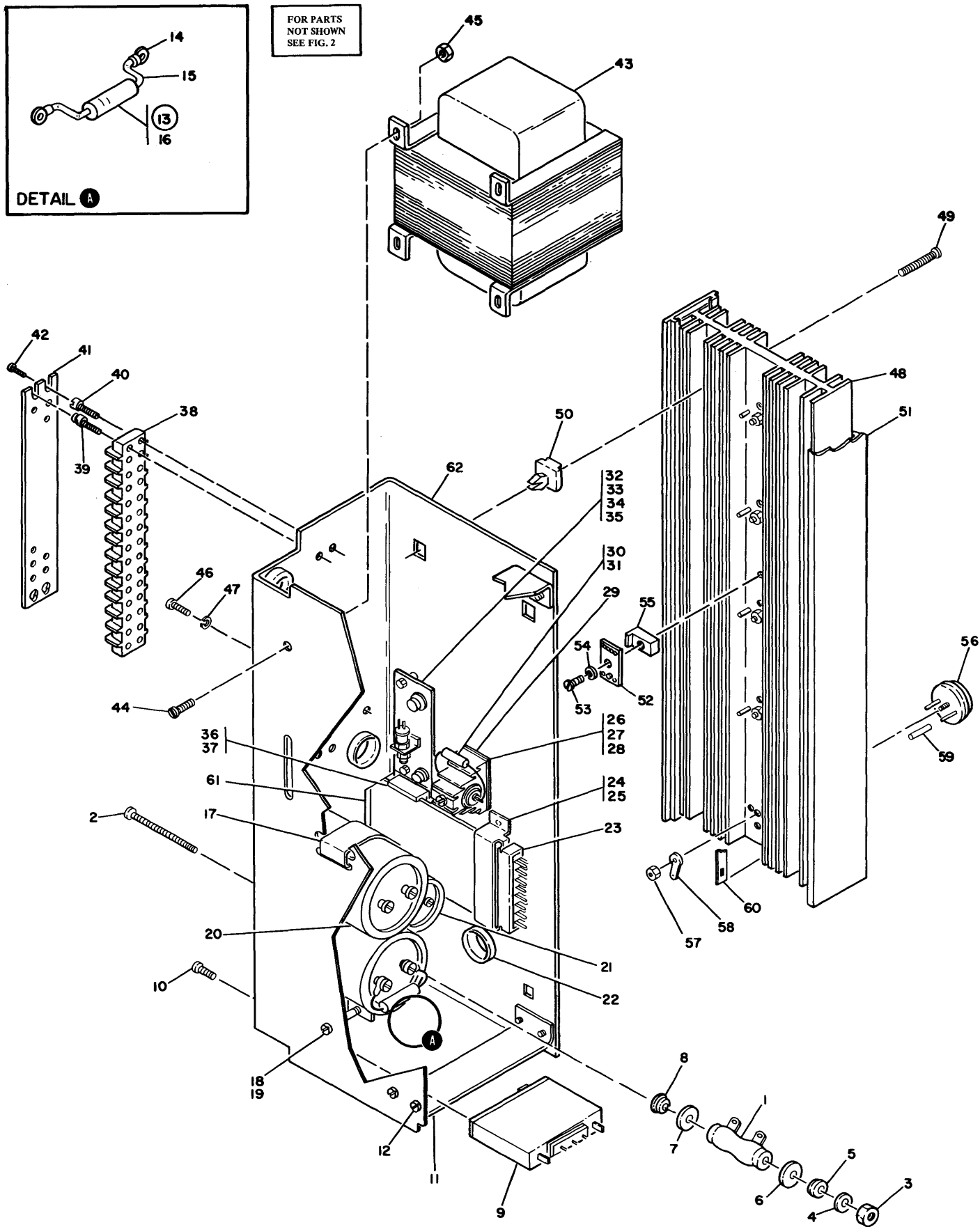


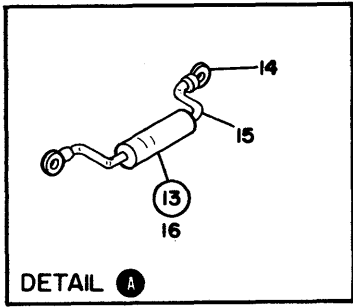
FIGURE 14. POWER SUPPLY ASSEMBLY, 3 VOLT AT 16 AMP

SEE LIST 14

## LIST 14

LIST AND INDEX NUMBER	PART NUMBER	DESCRIPTION	UNITS PER ASM.	USABLE ON CODE
		1 2 3 4		
		POWER SUPPLY ASSEMBLY, 3 VOLT AT 16 AMP		
14 -	5239403	POWER SUPPLY ASM, 3V AT 16.0 AMP-60 HZ	REF	
-	5239421	POWER SUPPLY ASM, 3V AT 16.0 AMP-50 HZ FOR ILLUSTRATION SEE FIGURE 14 FOR NEXT HIGHER ASM SEE FIGURE 2-13	REF	
- 1	5261098	• RESISTOR, FXD, WW- 0.04 OHMS P/M 10% 25W	1	
- 2	438593	• SCREW-MACH-BIND HD NO. 8-32 X 2 1/2 LG	1	ATT PT
- 3	5761938	• NUT/LOCKWASHER ASSEMBLY - 8-32	1	ATT PT
- 4	2903	• WASHER, FL-NO. 6 X 1/2 OD X 1/32 THK	1	ATT PT
- 5	510468	• CUP WASHER	1	
- 6	5761935	• WASHER	1	
- 7	5761935	• WASHER	1	
- 8	510468	• CUP WASHER	1	
- 9	5214552	• PROTECTOR	1	
- 10	38235	• SCREW, BIND HD 6-32 X .312 LONG	2	ATT PT
- 11	5761779	• BRACKET, CHASSIS	2	
- 12	731629	• SCREW, PAN HD- 10-32 X 0.380 LG	8	ATT PT
- 13	5261935	• RESISTOR ASSEMBLY-330 OHMS 2W	1	
- 14	359695	• . TERMINAL-RING LUG NO.10 STUD	2	
- 15	113819	• . TUBING	2	
- 16	317080	• . RESISTOR, FXD 330 OHM 2W	1	
- 17	5761794	• STRAP, CAPACITOR	1	
- 18	438571	• SCREW, BINDING HEAD, 6-32 NC X 1-3/4 LG.	1	ATT PT
- 19	5761943	• NUT, HEX 10-32 NC	1	ATT PT
- 20	5214368	• CAPACITOR	2	
- 21	5261089	• CAPACITOR, ELECTROLYTIC- 10000 UF 6VDC	1	
- 22	5761936	• GROMMET	3	
- 23	216076	• RECEPTACLE ASM, SINGLE CARD FOR COMPONENTS SEE FIG 32-65	1	
- 24	5761904	• BRACKET	1	
- 25	5761907	• RIVET	2	ATT PT
- 26	5761977	• RECTIFIER ASSEMBLY	1	
		ASSEMBLY COMPONENTS ARE NOT REPLACEABLE		
- 27	734483	• SCREW, PAN HD- 6-32 X 0.380 LG	3	ATT PT
- 28	5762215	• WASHER, INSULATING	2	ATT PT
- 29	5761979	• INSULATOR	1	
- 30	491228	• CAPACITOR, .010 UF	1	
- 31	113819	• TUBING	2	
- 32	5761987	• OVERVOLTAGE CARD ASSEMBLY, 3 VOLT ASSEMBLY COMPONENTS ARE NOT REPLACEABLE	1	
- 33	438551	• SCREW, MACH-BIND HD 4-40 X 5/8 LG	2	ATT PT
- 34	332779	• SPACER	2	
- 35	37913	• NUT, HEX 4-40 NC	2	ATT PT
- 36	5712309	• GUIDE	1	
- 37	5761907	• RIVET	2	ATT PT
- 38	5214556	• TERMINAL BOARD, 13 POS	1	
- 39	5261165	• STUD, SHLDR- 8-32 X 0.438 LG THD	3	ATT PT
- 40	5261167	• STUD- 8-32 X 0.438 LG W/6-32 TAPPED HOLE	1	ATT PT
- 41	210990	• SHIELD- 13 POSITION	1	
- 42	210984	• SCREW, MACH RH 6-32 X .25	1	ATT PT
- 43	5761726	• TRANSFORMER, 60 HZ	1	
- 43	4116483	• TRANSFORMER, 50 HZ	1	
- 44	332620	• SCREW, MACH-BIND HD 10-32 X 1/2 LG	4	ATT PT
- 45	5761908	• NUT, HEX 10-32 NC	4	ATT PT
- 46	10170	• SCREW-MACH, BIND HD NO. 6-32 X .250 LG	1	
- 47	56722	• WASHER-LOCK, EXT T, .150 ID	1	
- 48	5761768	• HEAT SINK	1	
- 49	5761913	• SCREW,	4	ATT PT
- 50	5761796	• INSULATOR, HEAT SINK	4	
- 51	473536	• SEAL	AR	
- 52	5761909	• TERMINAL, BRASS	1	
- 53	2181002	• SCREW-HEX HD SELFTAP 8-32 X .750 LONG	1	ATT PT
- 54	5374689	• BUSHING	1	ATT PT
- 55	5761798	• INSULATOR, PHENOLIC - .38W X .75 LG	1	
- 56	369214	• TRANSISTOR, TYPE 108	5	
- 57	11598	• NUT, HEX, 10-32 X 0.375 FL W	5	ATT PT
- 58	316996	• TERMINAL, LUG-NONINS 9AWG NO. 8 MTG HOLE	1	
- 59	5761976	• TUBING	AR	
- 60	5761968	• BUS STRIP	1	
- 61	375200	• CARD ASM	1	
		ASSEMBLY COMPONENTS ARE NOT REPLACEABLE		
- 62	5761767	• CHASSIS	1	

END OF LIST 14



FOR PARTS  
NOT SHOWN  
SEE FIG. 2

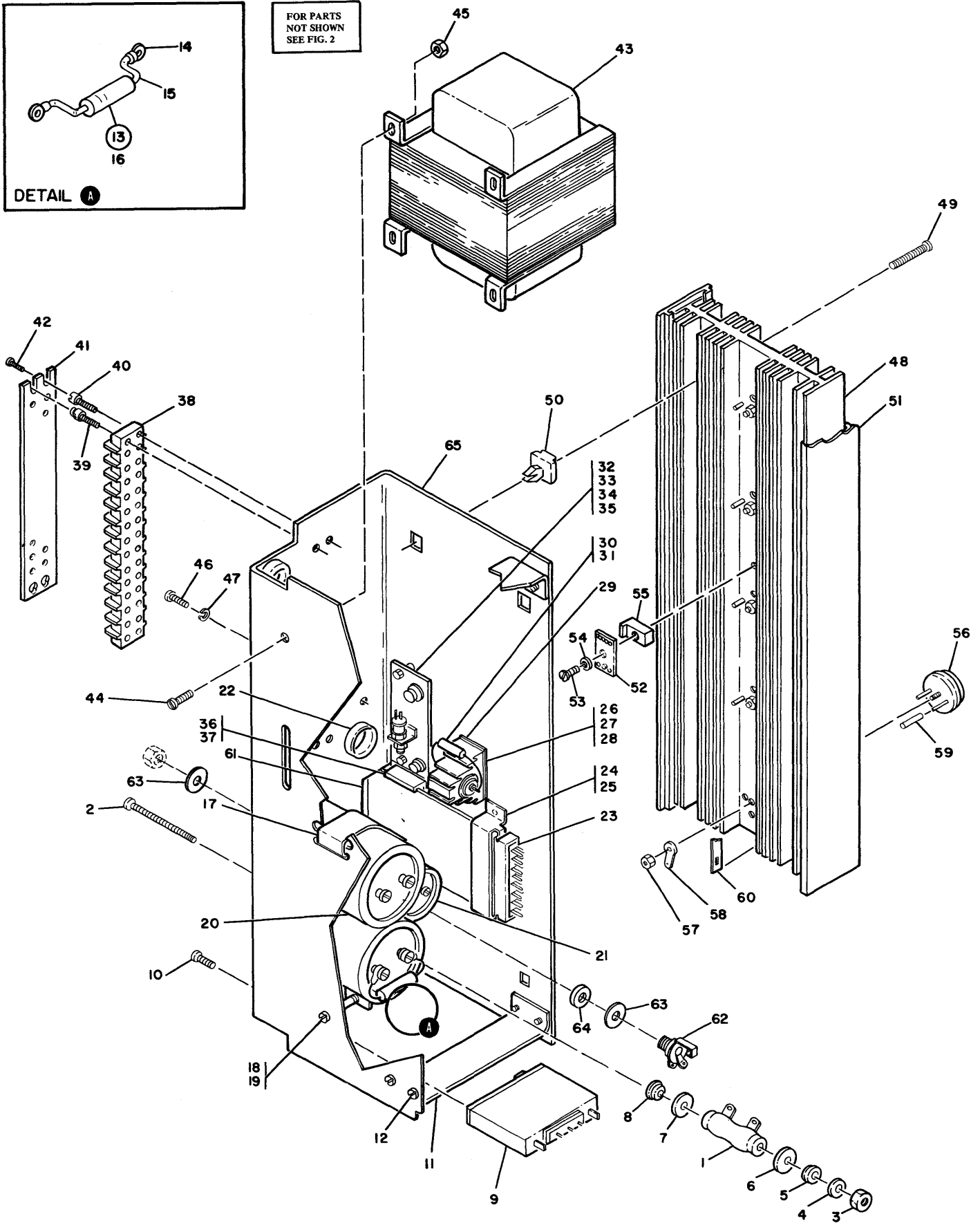


FIGURE 15. POWER SUPPLY ASSEMBLY, 6 VOLT AT 12 AMP.

SEE LIST **15**



## LIST 15

LIST AND INDEX NUMBER	PART NUMBER	DESCRIPTION				UNITS PER ASM.	USABLE ON CODE
		1	2	3	4		
		POWER SUPPLY ASSEMBLY, 6 VOLT AT 12 AMP					
<b>15</b> -	5239409	POWER SUPPLY ASM, 6V AT 12 AMP-60 HZ				REF	
-	5239427	POWER SUPPLY ASM, 6V AT 12 AMP-50 HZ FOR ILLUSTRATION SEE FIGURE 15 FOR NEXT HIGHER ASM SEE FIGURE 2-14				REF	
- 1	5261098	. RESISTOR, FXD, WW- 0.04 OHMS P/M 10% 25W				1	
- 2	438593	. SCREW-MACH-BIND HD NO. 8-32 X 2 1/2 LG ATT PT				1	
- 3	5761938	. NUT/LOCKWASHER ASSEMBLY - 8-32 ATT PT				1	
- 4	2903	. WASHER, FL-NO. 6 X 1/2 OD X 1/32 THK ATT PT				1	
- 5	510468	. CUP WASHER				1	
- 6	5761935	. WASHER				1	
- 7	5761935	. WASHER				1	
- 8	510468	. CUP WASHER				1	
- 9	5214548	. CIRCUIT BREAKER				1	
- 10	38235	. SCREW, BIND HD 6-32 X .312 LONG ATT PT				2	
- 11	5761779	. BRACKET, CHASSIS				2	
- 12	731629	. SCREW, PAN HD- 10-32 X 0.380 LG ATT PT				8	
- 13	5261935	. RESISTOR ASSEMBLY-330 OHMS 2W				1	
- 14	359695	. . TERMINAL-RING LUG NO.10 STUD				2	
- 15	113819	. . TUBING				AR	
- 16	317080	. . RESISTOR, FXD 330 OHM 2W				1	
- 17	5761794	. STRAP, CAPACITOR				1	
- 18	438571	. SCREW, BINDING HEAD, 6-32 NC X 1-3/4 LG. ATT PT				1	
- 19	5761943	. NUT, HEX 10-32 NC ATT PT				1	
- 20	5214367	. CAPACITOR				2	
- 21	5261128	. CAPACITOR, ELECTROLYTIC- 7300 UF 10VDC				1	
- 22	5761936	. GROMMET				3	
- 23	216076	. RECEPTACLE ASM, SINGLE CARD FOR COMPONENTS SEE FIGURE 32-65				1	
- 24	5761904	. BRACKET				1	
- 25	5761907	. RIVET ATT PT				2	
- 26	5761977	. RECTIFIER ASSEMBLY				1	
- 27	734483	. SCREW, PAN HD- 6-32 X 0.380 LG ATT PT				3	
- 28	5762215	. WASHER, INSULATING ATT PT				3	
- 29	5761979	. INSULATOR				1	
- 30	491228	. CAPACITOR, .010 UF				1	
- 31	113819	. TUBING				2	
- 32	5761988	. OVERVOLTAGE CARD ASSEMBLY, 6 VOLT				1	
- 33	438551	. SCREW, MACH-BIND HD 4-40 X 5/8 LG ATT PT				2	
- 34	332779	. SPACER ATT PT				2	
- 35	37913	. NUT, HEX 4-40 NC ATT PT				2	
- 36	5712309	. GUIDE				1	
- 37	5761907	. RIVET ATT PT				2	
- 38	5214556	. TERMINAL BOARD, 13 POS				1	
- 39	5261165	. STUD, SHLDR- 8-32 X 0.438 LG THD ATT PT				3	
- 40	5261167	. STUD- 8-32 X 0.438 LG W/6-32 TAPPED HOLE ATT PT				1	
- 41	210990	. SHIELD- 13 POSITION				1	
- 42	210984	. SCREW, MACH RH 6-32 X .25 ATT PT				1	
- 43	5761729	. TRANSFORMER, 60 HZ				1	
- 43	4116484	. TRANSFORMER, 50 HZ				1	
- 44	332620	. SCREW, MACH-BIND HD 10-32 X 1/2 LG ATT PT				4	
- 45	5761908	. NUT, HEX 10-32 NC ATT PT				4	
- 46	10170	. SCREW-MACH, BIND HD NO. 6-32 X .250 LG				1	
- 47	56722	. WASHER-LOCK, EXT T, .150 ID				1	
- 48	5761768	. HEAT SINK				1	
- 49	5761913	. SCREW, ATT PT				4	
- 50	5761796	. INSULATOR, HEAT SINK				4	
- 51	473536	. SEAL				AR	
- 52	5761909	. TERMINAL, BRASS				1	
- 53	2181002	. SCREW-HEX HD SELFTAP 8-32 X .750 LONG ATT PT				1	
- 54	5374689	. BUSHING ATT PT				1	
- 55	5761798	. INSULATOR, PHENOLIC - .38W X .75 LG				1	
- 56	369214	. TRANSISTOR, TYPE 108				5	
- 57	11598	. NUT, HEX, 10-32 X 0.375 FL W ATT PT				5	
- 58	316996	. TERMINAL, LUG-NONINS 9AWG NO. 8 MTG HOLE				1	
- 59	5761976	. TUBING				10	
- 60	5761968	. BUS STRIP				1	
- 61	375203	. CARD ASM				1	
		ASSEMBLY COMPONENTS ARE NOT REPLACEABLE					
- 62	1134451	. JACK, AUX PWR- .44 OD				1	
- 63	529691	. WASHER, MICA				2	
- 64	473592	. INSULATOR				1	
- 65	5761767	. CHASSIS				1	

END OF LIST 15

FOR PARTS  
NOT SHOWN  
SEE FIG. 2

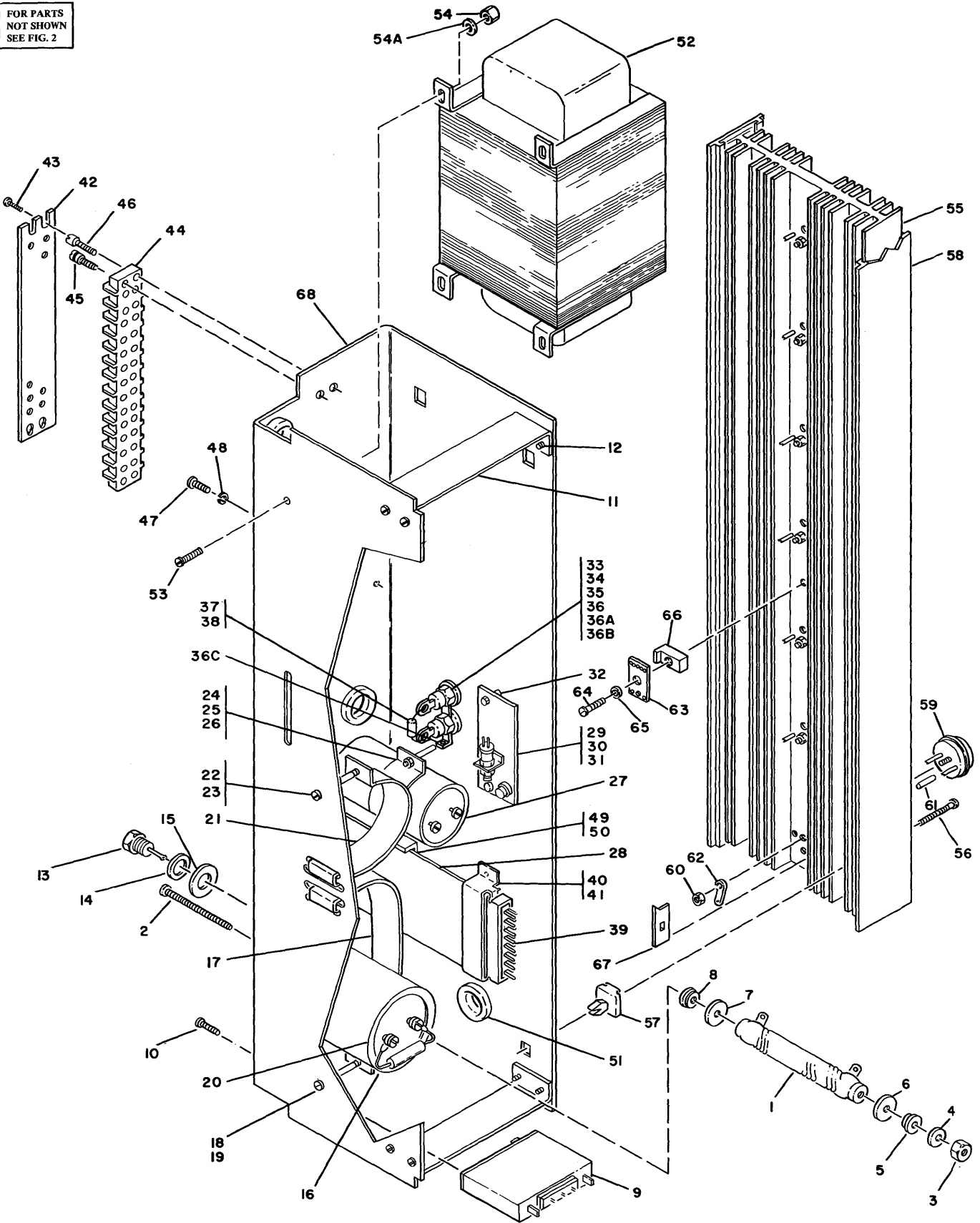


FIGURE 16. POWER SUPPLY ASSEMBLY, 6 VOLT AT 18 AMP.

SEE LIST 16

2841  
LIST 16

LIST AND INDEX NUMBER	PART NUMBER	DESCRIPTION	UNITS PER ASM.	USABLE ON CODE
		POWER SUPPLY ASM,6 VOLT AT 18 AMP		
16-	5239411	POWER SUPPLY ASM,6 VOLTS AT 18 AMP 60 HZ	REF	
-	5239429	POWER SUPPLY ASM,6 VOLTS AT 18 AMP 50 HZ FOR ILLUSTRATION SEE FIGURE 16	REF	
		FOR NEXT HIGHER ASM SEE FIGURE 2-15		
- 1	730483	• RESISTOR,FXD-WW-0.06 OHM P/M 10PCT 90W	1	
- 2	331982	• SCREW,MACH RD HD 8-32 X 1-1/4 LG	1	ATT PT
- 3	600960	• NUT,LOCKING,8-32	1	ATT PT
- 4	2903	• WASHER,FL-NO. 6 X 1/2 OD X 1/32 THK	1	
- 5	510468	• CUP WASHER	1	
- 6	5761935	• WASHER	1	
- 7	5761935	• WASHER	1	
- 8	510468	• CUP WASHER	1	
- 9	5214553	• PROTECTOR	1	
- 10	38235	• SCREW,BIND HD 6-32 X .312 LONG	2	ATT PT
- 11	5761779	• BRACKET,CHASSIS	2	
- 12	731629	• SCREW,PAN HD- 10-32 X 0.380 LG	8	ATT PT
- 13	1134451	• JACK,AUX PWR- .44 OD	1	
- 14	529691	• WASHER, MICA	2	
- 15	473592	• INSULATOR	1	
- 16	5261899	• RESISTOR ASSEMBLY- 100 OHMS 5W	1	
- 17	5761784	• STRAP,CAPACITOR	1	
- 18	438571	• SCREW, BINDING HEAD, 6-32 NC X 1-3/4 LG.	1	ATT PT
- 19	5761943	• NUT,HEX 10-32 NC	1	ATT PT
- 20	5214367	• CAPACITOR	3	
- 21	5761788	• STRAP,CAPACITOR	1	
- 22	438571	• SCREW, BINDING HEAD, 6-32 NC X 1-3/4 LG.	1	ATT PT
- 23	5761943	• NUT,HEX 10-32 NC	1	ATT PT
- 24	5761786	• STRAP,CAPACITOR	1	
- 25	438570	• SCREW,MACH-BIND HD 6-32 X 1-1/2 LG	1	ATT PT
- 26	5761943	• NUT,HEX 10-32 NC	1	ATT PT
- 27	5261067	• CAPACITOR, ELECT., 24000 MF 10VDC	1	
- 28	375203	• CARD ASM	1	
- 29	5761988	ASSEMBLY COMPONENTS ARE NOT REPLACEABLE • OVERTVOLTAGE CARD ASSEMBLY, 6 VOLT ASSEMBLY COMPONENTS ARENOT REPLACEABLE	1	
- 30	438551	• SCREW,MACH-BIND HD 4-40 X 5/8 LG	2	ATT PT
- 31	37913	• NUT, HEX 4-40 NC	2	ATT PT
- 32	332779	• SPACER	2	
- 33	127324	• SEMICONDUCTOR DEVICE,D10- 150V 30 AMP	1	
- 34	160017	• NUT,PLAIN,HEX- 1/4-28 X 7/16 FL W	3	ATT PT
- 35	217017	• WASHER-INSULATING	2	ATT PT
- 36	473592	• INSULATOR	1	
- 36A	76574	• WASHER, LOCK-EXT. TEETH .250	2	
- 36B	3550	• WASHER,FLAT 1/4 ID-9/16-OD-0.05 THICK	2	
- 36C	478043	• JUMPER - PLATE	1	
- 37	491228	• CAPACITOR, .010 UF	1	
- 38	113819	• TUBING	2	
- 39	216076	• RECEPTACLE ASM,SINGLE CARD FOR COMPONENTS SEE FIGURE 32-65	1	
- 40	5761904	• BRACKET	1	
- 41	5761907	• RIVET	2	ATT PT
- 42	210990	• SHIELD- 13 POSITION	1	
- 43	210984	• SCREW,MACH RH 6-32 X .25	1	ATT PT
- 44	5214556	• TERMINAL BOARD,13 POS	1	
- 45	5261165	• STUD,SHLDR- 8-32 X 0.438 LG THD	3	ATT PT
- 46	5261167	• STUD- 8-32 X 0.438 LG W/6-32 TAPPED HOLE	1	ATT PT
- 47	10170	• SCREW-MACH,BIND HD NO. 6-32 X .250 LG	1	
- 48	56722	• WASHER-LOCK,EXT T, .150 ID	1	
- 49	5712309	• GUIDE	1	
- 50	5761907	• RIVET	2	ATT PT
- 51	5761936	• GROMMET	3	
- 52	5761734	• TRANSFORMER,60 HZ	1	
- 52	4116485	• TRANSFORMER,50 HZ	1	
- 53	332620	• SCREW,MACH-BIND HD 10-32 X 1/2 LG	4	ATT PT
- 54	602721	• NUT,10-32	4	ATT PT
- 54A	56079	• WASHER-LOCK,EXT T .204 ID .410 OD	1	ATT PT
- 55	5761775	• HEAT SINK	1	
- 56	5761913	• SCREW,	4	ATT PT
- 57	5761796	• INSULATOR,HEAT SINK	6	
- 58	473536	• SEAL	AR	
- 59	369214	• TRANSISTOR,TYPE 108	7	
- 60	11598	• NUT,HEX, 10-32 X 0.375 FL W	7	ATT PT
- 61	5761976	• TUBING	14	
- 62	316996	• TERMINAL,LUG-NONINS 9AWG NO. 8 MTG HOLE	1	
- 63	5761909	• TERMINAL, BRASS	1	
- 64	2181002	• SCREW-HEX HD SELFTAP 8-32 X .750 LONG	1	ATT PT
- 65	5374689	• BUSHING	1	ATT PT
- 66	5761798	• INSULATOR, PHENOLIC - .38W X .75 LG	1	
- 67	5761973	• BUS STRIP	1	
- 68	5761774	• CHASSIS	1	
		ASSEMBLY COMPONENTS ARE NOT REPLACEABLE		

END OF LIST 16

FOR PARTS  
NOT SHOWN  
SEE FIG. 2

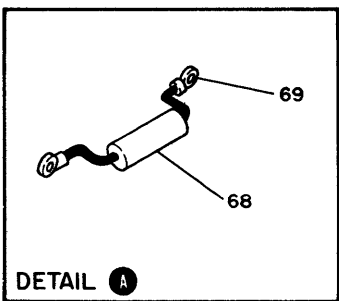
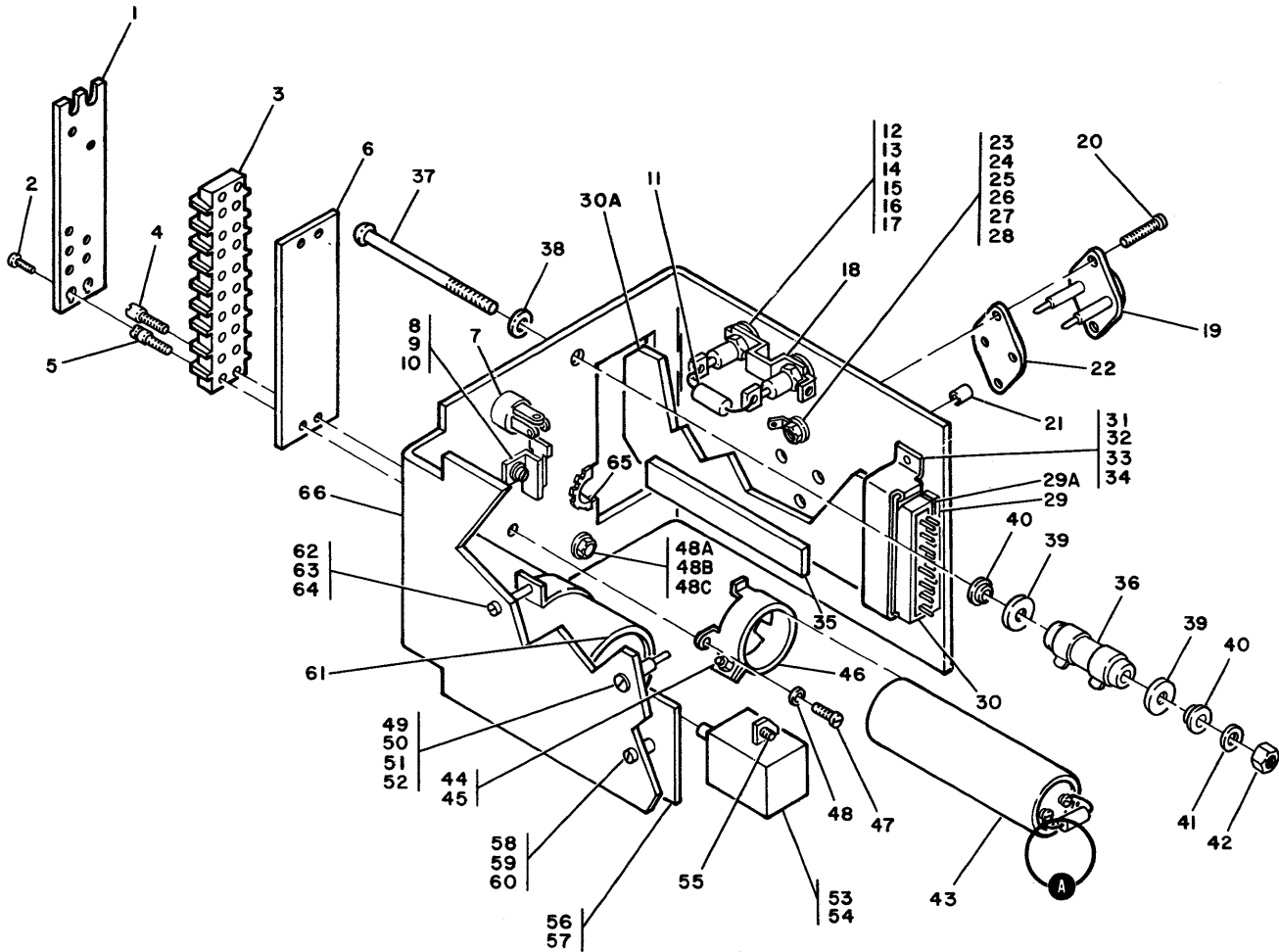


FIGURE 17. POWER SUPPLY ASSEMBLY, 12 VOLT AT 0.75 AMP.

SEE LIST 17

2841  
LIST 17

LIST AND INDEX NUMBER	PART NUMBER	DESCRIPTION	UNITS PER ASM.	USABLE ON CODE
		POWER SUPPLY ASM,12 VOLT AT 0.75 AMP -CONT		
<b>17</b> -	5709420	POWER SUPPLY ASM,12 VOLT AT 0.75 AMP FOR ILLUSTRATION SEE FIGURE 17 FOR NEXT HIGHER ASM SEE FIGURE 2-17	REF	
- 1	191480	• SHIELD,8 POSITION	1	
- 2	210984	• SCREW,MACH RH 6-32 X .25	ATT PT	1
- 3	322766	• TERMINAL BOARD		1
- 4	210883	• STUD, EXT 6-32 X 1/2 INT 6-32 X 0.19 DP	ATT PT	1
- 5	210884	• STUD, SLOTTED 6-32 X 1/2 LONG THREAD	ATT PT	3
- 6	126036	• STRIP,MARKER-INSULATING		1
- 7	441181	• POTENTIOMETER		1
- 8	478045	• TERMINAL - SOLDER		1
- 9	55726	• SCREW,MACH-BIND HD 6-32 X .188 LG	ATT PT	1
- 10	62031	• WASHER,LOCK-INT TEETH NO. 6 X 0.295 OD	ATT PT	1
- 11	491228	• CAPACITOR, .010 UF		1
- 12	598479	• SEMICONDUCTOR DEVICE,D10- 150V 10 AMP		2
- 13	217019	• WASHER,INSULATING .199 ID 1.00 OD	ATT PT	4
- 14	45690	• WASHER,FLAT	ATT PT	2
- 15	473582	• INSULATOR	ATT PT	2
- 16	11598	• NUT,HEX, 10-32 X 0.375 FL W	ATT PT	2
- 17	56121	• WASHER,LOCK-INT TEETH NO. 10 X 0.381 OD	ATT PT	2
- 18	478043	• JUMPER - PLATE		1
- 19	369616	• TRANSISTOR-TYPE 119		1
- 20	38354	• SCREW,MACH-FIL H 6-32 X 1/2 LG	ATT PT	2
- 21	219423	• TUBE,RUBBER- 0.085 ID X 0.120 OD X 2 LG		2
- 22	473582	• INSULATOR	ATT PT	2
- 23	5761706	• LUG,SOLDER		1
- 24	5270517	• INSULATOR-MICA		1
- 25	257187	• NUT,HEX 6-32 NC	ATT PT	2
- 26	56722	• WASHER-LOCK,EXT T, .150 ID	ATT PT	2
- 27	442959	• INSULATOR,WASH- 11/64 ID 15/32 OD 1/32 T		2
- 28	257986	• WASHER,0.156 ID X 0.035 THK	ATT PT	2
- 29	801591	• BLOCK,SPACER		1
- 29A	473547	• SPACER,1 X 2 3/8 IN .12 IN THICK		1
- 30	216076	• RECEPTACLE ASM,SINGLE CARD FOR COMPONENTS SEE FIGURE 32-65		1
- 30A	372085	• CARD ASSEMBLY ASSEMBLY COMPONENTS ARE NOT REPLACEABLE		1
- 31	473530	• BRACKET		1
- 32	38235	• SCREW,BIND HD 6-32 X .312 LONG	ATT PT	2
- 33	62031	• WASHER,LOCK-INT TEETH NO. 6 X 0.295 OD	ATT PT	2
- 34	38051	• NUT,PLAIN HEX 6-32 X 1/4 FL W	ATT PT	2
- 35	216206	• GUIDE-SINGLE CARD LONG		1
- 36	512074	• RESISTOR,VITREOUS-1 OHM P/M 5% 25W		1
- 37	438598	• SCREW, MACH-FH NO. 8-32 X 1-3/4 LG	ATT PT	1
- 38	22478	• WASHER,FL- 0.170 ID 0.375 OD 0.032 THK	ATT PT	1
- 39	507144	• WASHER-CENTERING 0.173 ID X 5/8 OD	ATT PT	2
- 40	442958	• INSULATOR,WASH- 7/16 ID 3/4 OD 1/32 THK	ATT PT	2
- 41	60646	• WASHER,LOCK-INT TEETH NO. 8 X 0.340 OD	ATT PT	1
- 42	257189	• NUT, HEX 8-32	ATT PT	1
- 43	360244	• CAPACITOR,ELECTROLYTIC 5000 MFD 25 VDCW		1
- 44	322550	• SCREW,6-32 X 0.50 LG	ATT PT	1
- 45	257189	• NUT, HEX 8-32	ATT PT	1
- 46	445304	• CLAMP,CAPACITOR		1
- 47	55726	• SCREW,MACH-BIND HD 6-32 X .188 LG	ATT PT	2
- 48	56722	• WASHER-LOCK,EXT T, .150 ID	ATT PT	2
- 48A	322550	• SCREW,6-32 X 0.50 LG	ATT PT	1
- 48B	56722	• WASHER-LOCK,EXT T, .150 ID	ATT PT	2
- 48C	257187	• NUT,HEX 6-32 NC	ATT PT	2
- 49	478045	• TERMINAL - SOLDER		1
- 50	81693	• SCREW,MACH-BIND HD 6-32 X 3/8 LG	ATT PT	1
- 51	62031	• WASHER,LOCK-INT TEETH NO. 6 X 0.295 OD	ATT PT	1
- 52	257187	• NUT,HEX 6-32 NC	ATT PT	1
- 53	535292	• CIRCUIT PROTECTOR,1 AMP		1
- 54	10170	• SCREW-MACH,BIND HD NO. 6-32 X .250 LG	ATT PT	2
- 55	10170	• SCREW-MACH,BIND HD NO. 6-32 X .250 LG		2
- 56	5253902	• CARD ASSEMBLY- 12V OVERVOLTAGE CIRCUIT ASSEMBLY COMPONENTS ARE NOT REPLACEABLE		1
- 57	37913	• NUT, HEX 4-40 NC	ATT PT	2
- 58	483111	• SPACER,SLEEVE- 0.12 ID 0.25 OD X 0.19 LG	ATT PT	2
- 59	483551	• SCREW	ATT PT	2
- 60	257985	• WASHER,FL-NO. 4 0.25 OD X 0.028 TH	ATT PT	2
- 61	363407	• CAPACITOR,ELEC 1000MF P100% M10% 15VDC		1
- 62	38351	• SCREW,MACH-FIL HD 6-32 X .312 LG	ATT PT	1
- 63	62031	• WASHER,LOCK-INT TEETH NO. 6 X 0.295 OD	ATT PT	1
- 64	257187	• NUT,HEX 6-32 NC	ATT PT	1
- 65	730432	• GROMMET,CATERPILLAR		1
- 66	5709424	• CHASSIS-POWER SUPPLY		1
- 68	317052	• RESISTOR,FXD,COMP- 1.8K P/M 5% 1/2W		1
- 69	334932	• TERMINAL-LUG NO.18 THRU NO.22 WIRE INSUL		2

END OF LIST 17

FOR PARTS  
NOT SHOWN  
SEE FIG. 2

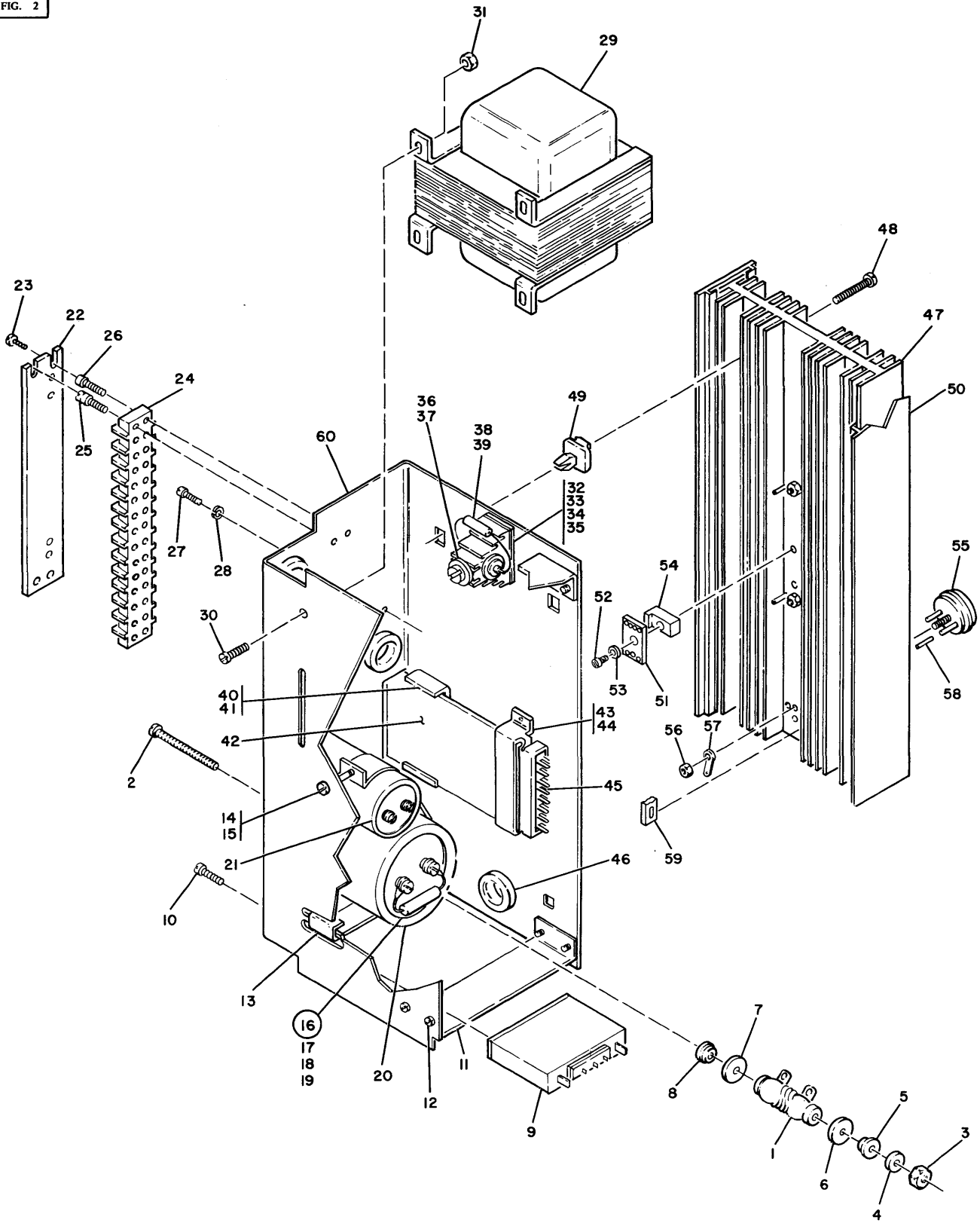


FIGURE 18. POWER SUPPLY ASSEMBLY, 36 VOLT AT 2 AMP.  
SEE LIST 13

## LIST 18

LIST AND INDEX NUMBER	PART NUMBER	DESCRIPTION				UNITS PER ASM.	USABLE ON CODE
		1	2	3	4		
		POWER SUPPLY ASM, 36VDC AT 2 AMP					
18	-						
-	5261100					REF	
-	5261700					REF	
		FOR ILLUSTRATION SEE FIGURE 18 FOR NEXT HIGHER ASM SEE FIGURE 2-16					
- 1	5261117						
- 2	438593					1	
- 3	5761938				ATT PT	1	
- 4	2903				ATT PT	1	
- 5	510468					1	
- 6	5761935					1	
- 7	5761935					1	
- 8	510468					1	
- 9	5214543					1	
- 10	38235					2	
- 11	5761779					2	
- 12	731629				ATT PT	8	
- 13	5761905					1	
- 14	438567				ATT PT	1	
- 15	5761943				ATT PT	1	
- 16	5261139					1	
- 17	334932				ATT PT	2	
- 18	113819					2	
- 19	359959					1	
- 20	5214365					1	
- 21	5261129					1	
- 22	210990					1	
- 23	210984				ATT PT	1	
- 24	5214556					1	
- 25	5261165				ATT PT	3	
- 26	5261167				ATT PT	1	
- 27	10170					1	
- 28	56722					1	
- 29	5761747					1	
- 29	4116498					1	
- 30	332620				ATT PT	4	
- 31	5761908				ATT PT	4	
- 32	5761977					1	
- 33	734483				ATT PT	2	
- 34	5762215					2	
- 36	734483					1	
- 37	5762156					1	
- 38	491228					1	
- 39	113819					AR	
- 40	5712309					1	
- 41	5761907				ATT PT	2	
- 42	375206					1	
		ASSEMBLY COMPONENTS ARE NOT REPLACEABLE					
- 43	5761904					1	
- 44	5761907				ATT PT	2	
- 45	216076					1	
		FOR COMPONENTS SEE FIGURE 32-65					
- 46	5761936					3	
- 47	5761764					1	
- 48	5761913				ATT PT	4	
- 49	5761796					4	
- 50	473536					AR	
- 51	5761909					1	
- 52	2181002				ATT PT	1	
- 53	5374689					1	
- 54	5761798					1	
- 55	369214					3	
- 56	11598				ATT PT	3	
- 57	316996					1	
- 58	5761976					6	
- 59	5761966					1	
- 60	5761763					1	
		END OF LIST 18					

FOR PARTS  
NOT SHOWN  
SEE FIG. 2

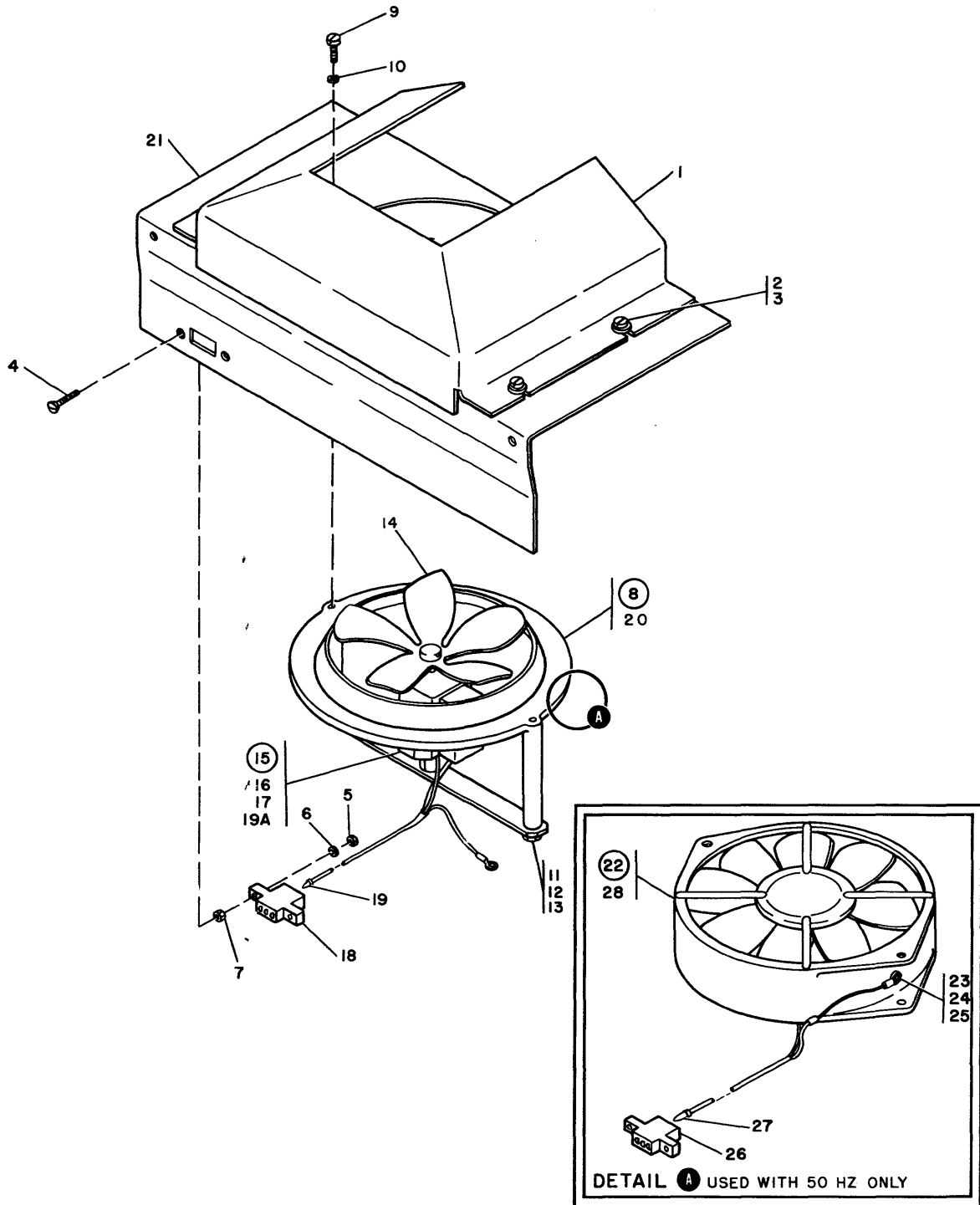


FIGURE 19. BLOWER ASSEMBLY.  
SEE LIST 19



## LIST 19

LIST AND INDEX NUMBER	PART NUMBER	DESCRIPTION 1 2 3 4	UNITS PER ASM.	USABLE ON CODE
		BLOWER ASSEMBLY		
19 -	2184084	BLOWER ASSEMBLY,60 HERTZ	REF	
-	2191774	BLOWER ASSEMBLY,50 HERTZ FOR ILLUSTRATION SEE FIGURE 19 FOR NEXT HIGHER ASM SEE FIGURE 2-1	REF	
- 1	2184099	. PLENUM-FAN,POWER SUPPLY	1	
- 2	2181004	. SCREW-HEX HD SELFTAP 10-32 X .375 LONG ATT PT	4	
- 3	47242	. WASHER,FL-NO. 12 X 1/2 OD X 0.062 THK	4	
- 4	52578	. SCREW,MACH-FH 6-32 X 0.667 LG	2	
- 5	257187	. NUT,HEX 6-32 NC	2	
- 6	56722	. WASHER-LOCK,EXT T, .150 ID	2	
- 7	11598	. NUT,HEX, 10-32 X 0.375 FL W	2	
- 8	5357051	. FAN ASM,208/230V 60 HZ - 220V 50 HZ USED ON ASSEMBLY 2184084 ONLY	1	
- 9	2181004	. SCREW-HEX HD SELFTAP 10-32 X .375 LONG ATT PT	2	
- 10	2125974	. WASHER, INT TOOTH, .200 ID X .562 OD ATT PT	2	
- 11	5357068	. BRACKET-MOTOR MTG	1	
- 12	120211	. SCREW,MACH-HEX HD 10-32 X 1/2 LG ATT PT	2	
- 13	56079	. WASHER-LOCK,EXT T .204 ID .410 OD ATT PT	2	
- 14	5357066	. BLADE	1	
- 15	5357063	. MOTOR ASM,208/230V 60 HZ - 220V 50 HZ	1	
- 16	130434	. SCREW-MACH,SLOTTED HEX HD NO.10-32 X.375 ATT PT	2	
- 17	56079	. WASHER-LOCK,EXT T .204 ID .410 OD ATT PT	2	
- 18	5353853	. RECEPTACLE,3 POSITION	2	
- 19	5353854	. CONTACT, MALE 16-20 WIRE	2	
- 19A	5357067	. MOTOR,208V/230V 60 HZ 220V 50 HZ	1	
- 20	5357069	. ORIFICE-FAN	1	
- 21	2184085	. PLATE-MTG,POWER SUPPLY BLOWER	1	
- 22	4120218	. FAN ASM,50 HZ	1	
		USED ON ASSEMBLY 2191774 ONLY		
- 23	257284	. TERMINAL-RING NO.10 STUD	1	
- 24	58207	. SCREW,BH.8-32 X 0.250 LG	1	
- 25	55901	. WASHER, LOCK, EXT TEETH - .176 DIA	1	
- 26	5353853	. RECEPTACLE,3 POSITION	1	
- 27	5353854	. CONTACT, MALE 16-20 WIRE	1	
- 28	4120172	. FAN	1	
		END OF LIST 19		

FOR PARTS  
NOT SHOWN  
SEE FIG. 2

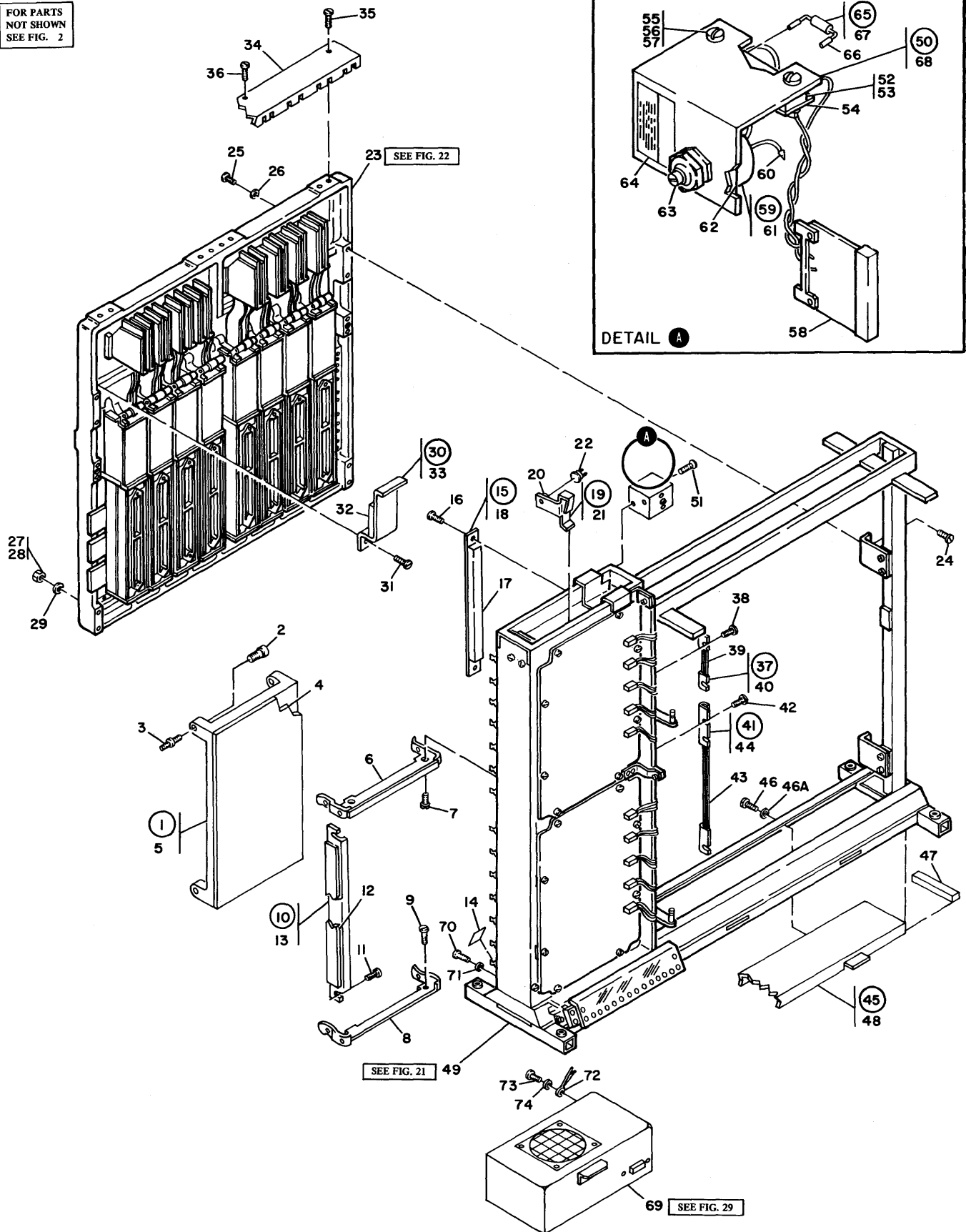


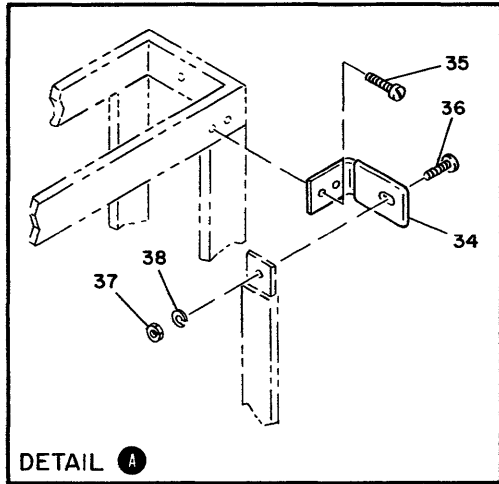
FIGURE 20. STAGE I 4K TROS A AND B GATE ASSEMBLY.

SEE LIST **20**

## LIST 20

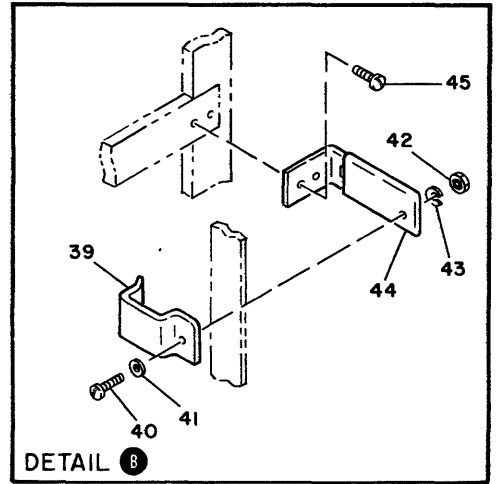
LIST AND INDEX NUMBER	PART NUMBER	DESCRIPTION	UNITS	USABLE
			PER ASM.	ON CODE
		STAGE 1 4K TROS A AND B GATE ASM		
20 -	5352469	TROS GATE ASM,4K FOR ILLUSTRATION SEE FIGURE 20 FOR NEXT HIGHER ASM SEE FIG 2-229A	REF	
- 1	811865	• COVER ASM, CARD	2	
- 2	815963	• • CATCH-PULL	4	
- 3	815964	• • CATCH	4	
- 4	815263	• • FOAM	1	
- 5	811864	• • COVER, MEMORY CARD	1	
- 6	811851	• BRACKET-HINGE-UPPER	2	
- 7	811426	• SCREW, MACH-PAN HD 6-32 X 3/8 IN. LG ATT PT	4	
- 8	811850	• BRACKET-HINGE-LOWER	2	
- 9	811426	• SCREW, MACH-PAN HD 6-32 X 3/8 IN. LG ATT PT	4	
- 10	811881	• RETAINER ASSEMBLY	4	
- 11	55726	• SCREW, MACH-BIND HD 6-32 X .188 LG ATT PT	8	
- 12	811441	• • SEAL	1	
- 13	811880	• • BAR	1	
- 14	5349534	• NAMEPLATE-VOLTAGE AND CURRENT	1	
- 15	742574	• RETAINER ASSEMBLY	1	
- 16	81693	• SCREW, MACH-BIND HD 6-32 X 3/8 LG ATT PT	2	
- 17	742576	• • PAD-FLAT CABLE RETAINER	1	
- 18	742575	• • RETAINER	1	
- 19	742628	• CLIP ASSEMBLY	1	
- 20	5349854	• • SHOE	1	
- 21	742627	• • CLIP	1	
- 22	5353879	• THERMOSTAT-N/C OPEN AT 134 DEG F	1	
- 23	5352472	• B GATE ASSEMBLY- 2841 STAGE I BASIC TROS FOR DETAIL BREAKDOWN SEE FIGURE 22	1	
- 24	36112	• SCREW, MACH-HEX HD 1/4-20 X 1-1/2 LG ATT PT	4	
- 25	3960	• NUT, PLAIN, HEX- 1/4-20 X 7/16 FL W ATT PT	4	
- 26	3550	• WASHER, FLAT 1/4 ID-9/16-OD-0.05 THICK ATT PT	4	
- 27	59648	• SCREW, HEX HD 250-20 X 1.750 LG ATT PT	2	
- 28	3960	• NUT, PLAIN, HEX- 1/4-20 X 7/16 FL W ATT PT	2	
- 29	3550	• WASHER, FLAT 1/4 ID-9/16-OD-0.05 THICK ATT PT	2	
- 30	5349598	• CLAMP ASSEMBLY-CARD	1	
- 31	38235	• SCREW, BIND HD 6-32 X .312 LONG ATT PT	2	
- 32	5349599	• • PAD-CARD CLAMP	1	
- 33	5349597	• • CLAMP-CARD	1	
- 34	5349587	• GUIDE, CARD-INSULATED	1	
- 35	28413	• SCREW, MACH-BIND HD 10-32 X 5/16 LG ATT PT	4	
- 36	32617	• SCREW, MACH BD HD 10-32 NF X .4375 LG ATT PT	4	
- 37	742580	• GUIDE ASSEMBLY	1	
- 38	734483	• SCREW, PAN HD- 6-32 X 0.380 LG ATT PT	2	
- 39	742634	• • PAD	1	
- 40	742578	• • GUIDE	1	
- 41	742566	• GUIDE ASSEMBLY	1	
- 42	734483	• SCREW, PAN HD- 6-32 X 0.380 LG ATT PT	3	
- 43	742633	• • PAD	1	
- 44	742567	• • GUIDE	1	
- 45	742643	• PLATE ASSEMBLY	1	
- 46	28413	• SCREW, MACH-BIND HD 10-32 X 5/16 LG ATT PT	2	
- 46A	56121	• WASHER, LOCK-INT TEETH NO. 10 X 0.381 OD ATT PT	2	
- 47	742510	• • PAD	1	
- 48	742642	• • PLATE-BAFFLE	1	
- 49	5352471	• A GATE ASSEMBLY- 2841 STAGE I BASIC TROS FOR DETAIL BREAKDOWN SEE FIGURE 21	1	
- 50	5352479	• DRIVE CURRENT POTENTIOMETER ASSEMBLY	1	
- 51	734483	• SCREW, PAN HD- 6-32 X 0.380 LG ATT PT	2	
- 52	5351623	• • CONNECTOR	1	
- 53	5351625	• • TERMINAL	3	
- 54	5351624	• • COVER	1	
- 55	845	• • SCREW, MACH-FIL H 8-32 X 1/2 LG ATT PT	2	
- 56	55901	• • WASHER, LOCK, EXT TEETH - .176 DIA ATT PT	2	
- 57	257189	• • NUT, HEX 8-32	2	
- 58	5352474	• • CABLE ASM ASSEMBLY COMPONENTS ARE NOT AVAILABLE	1	
- 59	5352476	• • POTENTIOMETER ASSEMBLY	1	
- 60	5351626	• • • TERMINAL	2	
- 61	597436	• • • POTENTIOMETER	1	
- 62	5374347	• • INSULATOR	1	
- 63	317181	• • LOCK, POTENTIOMETER	1	
- 64	5349592	• • LABEL-POTENTIOMETER INCREASE	1	
- 65	5352477	• • RESISTOR ASM	1	
- 66	5351626	• • • TERMINAL	2	
- 67	483313	• • • RESISTOR, FXD 3.3 OHMS P/M 5% 0.5 WATTS	1	
- 68	5352473	• BRACKET	1	





FOR PARTS  
NOT SHOWN  
SEE FIG. 20

DETAIL A



DETAIL B

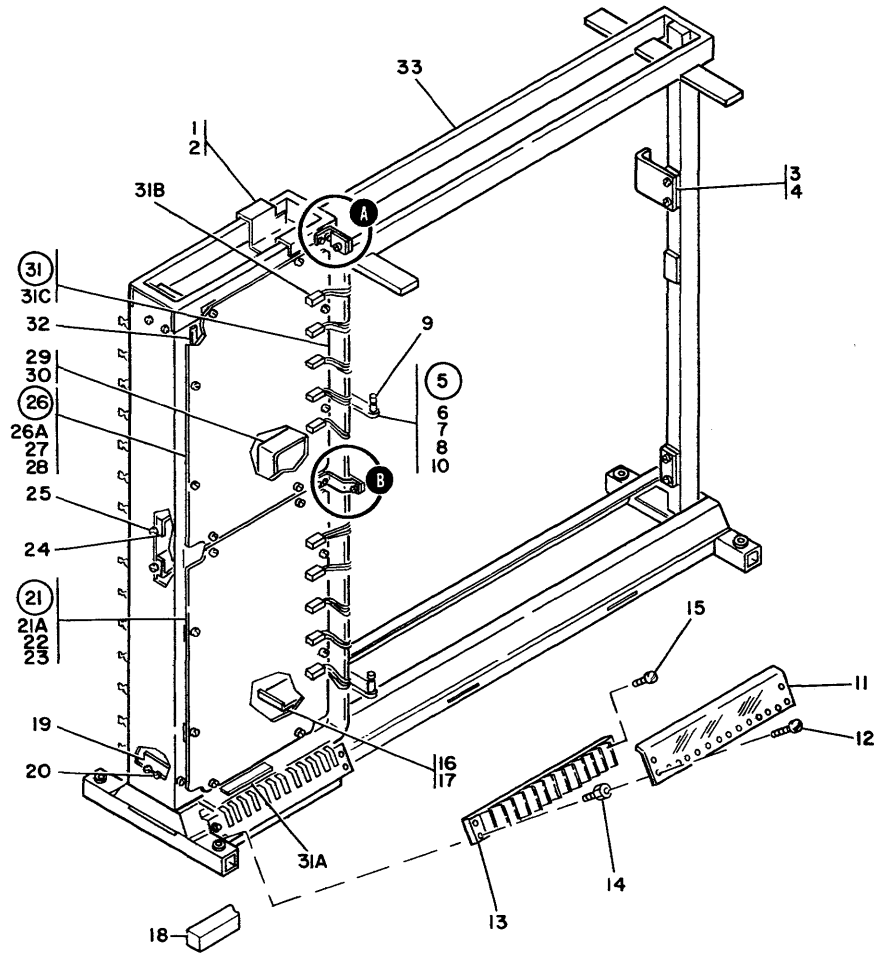


FIGURE 21. STAGE 1 TROS A GATE ASSEMBLY.

SEE LIST 21

## LIST 21

LIST AND INDEX NUMBER	PART NUMBER	DESCRIPTION				UNITS PER ASM.	USABLE ON CODE
		1	2	3	4		
		STAGE 1 TROS A GATE ASSEMBLY					
21 -	5352471	A GATE ASSEMBLY- 2841 STAGE 1 BASIC TROS FOR ILLUSTRATION SEE FIGURE 21 FOR NEXT HIGHER ASM SEE FIGURE 20-49				REF	
- 1	5374342	. BAFFLE				1	
- 2	734483	. SCREW,PAN HD- 6-32 X 0.380 LG ATT PT				2	
- 3	5352258	. BRACKET-GATE MOUNTING				2	
- 4	32617	. SCREW, MACH BD HD 10-32 NF X .4375 LG ATT PT				4	
- 5	5352254	. HINGE ASM				2	
- 6	129654	. SCREW,CAP,SOC HD- 10-32 X 3/4 LG ATT PT				8	
- 7	56121	. WASHER,LOCK-INT TEETH NO. 10 X 0.381 OD ATT PT				16	
- 8	11598	. NUT,HEX, 10-32 X 0.375 FL W ATT PT				8	
- 9	5352255	. . PIN				2	
- 10	5352253	. . HINGE				1	
- 11	742519	. SHIELD,12 POSITION				1	
- 12	38235	. SCREW,BIND HD 6-32 X .312 LONG				4	
- 13	811474	. TERMINAL BLOCK,12 POSITION DOUBLE ROW				1	
- 14	210957	. STUD, TAPPED-MOUNTING ATT PT				4	
- 15	815151	. SCREW,BIND HD,8-32 X 0.38 LONG				12	
- 16	5374344	. BAFFLE				1	
- 17	734483	. SCREW,PAN HD- 6-32 X 0.380 LG ATT PT				2	
- 18	742510	. PAD				AR	
- 19	5374343	. BAFFLE				2	
- 20	734483	. SCREW,PAN HD- 6-32 X 0.380 LG ATT PT				2	
- 21	5374273	. BOARD ASM,A2 WITH CARDS				1	
- 21A	5374272	. . BOARD ASM,A2 W/O CARDS ASSEMBLY COMPONENTS ARE NOT AVAILABLE				1	
- 22	811417	. SCREW,HEX SOC, 6-32 X 0.500 LG ATT PT				8	
- 23	813179	. CLAMP-BOARD ATT PT				8	
- 24	5374346	. BAFFLE				1	
- 25	734483	. SCREW,PAN HD- 6-32 X 0.380 LG ATT PT				2	
- 26	5374271	. BOARD ASM,A1 WITH CARDS				1	
- 26A	5374270	. . BOARD ASM,A1 W/O CARDS ASSEMBLY COMPONENTS ARE NOT AVAILABLE				1	
- 27	811417	. SCREW,HEX SOC, 6-32 X 0.500 LG ATT PT				8	
- 28	813179	. CLAMP-BOARD ATT PT				8	
- 29	5374345	. BAFFLE				1	
- 30	734483	. SCREW,PAN HD- 6-32 X 0.380 LG ATT PT				2	
- 31	5374340	. BUS ASM				1	
- 31A	5374369	. . FILTER-FAN				1	
- 31B	811483	. . CROSSOVER ASM,BUS TO BOARD FOR COMPONENTS SEE FIGURE 32-59B				10	
- 31C	815125	. . BUS ASSEMBLY				1	
- 32	811442	ASSEMBLY COMPONENTS ARE NOT REPLACEABLE					
- 33	742520	. SEAL,FOAM,0.38 X 0.25 X 12.25 LG				4	
		. FRAME ASSEMBLY				1	
- 34	742513	ASSEMBLY COMPONENTS ARE NOT REPLACEABLE					
		. BRACKET ASSEMBLY				1	
- 35	80651	ASSEMBLY COMPONENTS ARE NOT REPLACEABLE					
- 36	801391	. SCREW,THD CTG-BIND HD 6-32 X 3/8 LG ATT PT				4	
- 37	257187	. SCREW,MACH-RH 6-32 X 1/2 LG				1	
		. NUT,HEX 6-32 NC				1	
- 38	62031	. WASHER,LOCK-INT TEETH NO. 6 X 0.295 OD				1	
- 39	5374339	. CLAMP ASM				1	
		ASSEMBLY COMPONENTS ARE NOT REPLACEABLE					
- 40	81693	. SCREW,MACH-BIND HD 6-32 X 3/8 LG ATT PT				1	
- 41	257986	. WASHER,0.156 ID X 0.035 THK ATT PT				1	
- 42	257187	. NUT,HEX 6-32 NC ATT PT				1	
- 43	62031	. WASHER,LOCK-INT TEETH NO. 6 X 0.295 OD ATT PT				1	
- 44	742515	. BRACKET ASSEMBLY				1	
		ASSEMBLY COMPONENTS ARE NOT REPLACEABLE					
- 45	80651	. SCREW,THD CTG-BIND HD 6-32 X 3/8 LG ATT PT				2	
		END OF LIST 21					

FOR PARTS  
NOT SHOWN  
SEE FIG. 20

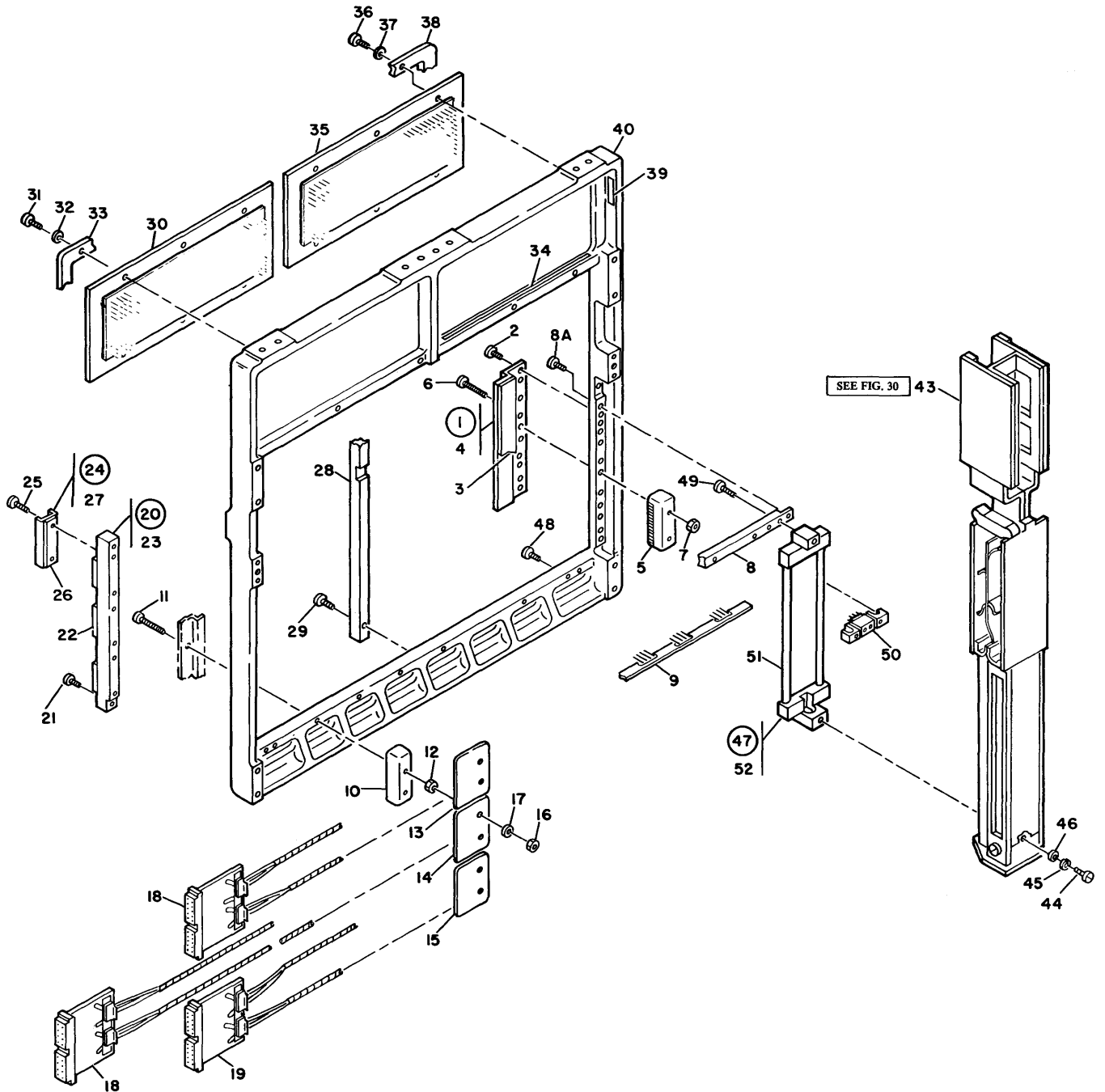


FIGURE 22. STAGE 1 4K TROS B GATE ASSEMBLY.

SEE LIST **22**

## LIST 22

LIST AND INDEX NUMBER	PART NUMBER	DESCRIPTION	UNITS PER ASM.	USABLE ON CODE
		1 2 3 4		
		STAGE 1 4K TROS B GATE ASSEMBLY		
22 -				
-	5352472	B GATE ASSEMBLY- 2841 STAGE 1 BASIC TROS FOR ILLUSTRATION SEE FIGURE 22 FOR NEXT HIGHER ASM SEE FIGURE 20-23	REF	
- 1	742532	• CLAMP ASSEMBLY	2	
- 2	251970	• SCREW,MACH,BH. 4-40 X 0.25 LONG ATT PT	8	
- 3	742534	• SEAL,RUBBER,BULK 0.38 X 0.19	1	
- 4	742549	• CLAMP	1	
- 5	742531	• BLOCK	3	
- 6	438554	• SCREW,MACH-BIND HD 4-40 X 1 LG ATT PT	6	
- 7	37913	• NUT, HEX 4-40 NC ATT PT	6	
- 8	5349548	• BAR,HORIZONTAL	1	
- 8A	5528	• SCREW,MACH-BIND HD 8-32 X 0.625 LG ATT PT	2	
- 9	742599	• STRIP ASM	24	
		ASSEMBLY COMPONENTS ARE NOT REPLACEABLE		
- 10	742531	• BLOCK	3	
- 11	5352251	• SCREW ATT PT	6	
- 12	37913	• NUT, HEX 4-40 NC ATT PT	6	
- 13	742543	• PLATE,IDENTIFICATION	1	
- 14	742542	• PLATE,IDENTIFICATION	1	
- 15	742541	• PLATE,IDENTIFICATION	1	
- 16	37913	• NUT, HEX 4-40 NC	6	
- 17	10610	• WASHER,FL-NO. 4 X 3/8 OD X 0.031 THK	6	
- 18	742546	• CABLE ASSEMBLY	2	
		ASSEMBLY COMPONENTS ARE NOT AVAILABLE		
- 19	5352475	• CABLE ASM	1	
		ASSEMBLY COMPONENTS ARE NOT AVAILABLE		
- 20	5349553	• CLAMP ASM	1	
- 21	321483	• SCREW,MACH-BIND HD 8-32 X 1 LG ATT PT	2	
- 22	742533	• PAD	3	
- 23	742553	• BAR	1	
- 24	5349552	• PAD ASM	3	
- 25	438551	• SCREW,MACH-BIND HD 4-40 X 5/8 LG ATT PT	6	
- 26	742533	• PAD	1	
- 27	742553	• BAR	1	
- 28	5349547	• BAR,VERTICAL	1	
- 29	321483	• SCREW,MACH-BIND HD 8-32 X 1 LG ATT PT	4	
- 30	5348978	• BOARD ASM,B1	1	
		ASSEMBLY COMPONENTS ARE NOT REPLACEABLE		
- 31	322551	• SCREW,BIND HD 6-32 X 0.75 LONG ATT PT	6	
- 32	56722	• WASHER-LOCK,EXT T, .150 ID ATT PT	6	
- 33	742552	• CLAMP ATT PT	1	
- 34	5349568	• LABEL	2	
- 35	5348976	• BOARD ASM,A1	1	
		ASSEMBLY COMPONENTS ARE NOT REPLACEABLE		
- 36	322551	• SCREW,BIND HD 6-32 X 0.75 LONG ATT PT	6	
- 37	56722	• WASHER-LOCK,EXT T, .150 ID ATT PT	6	
- 38	742552	• CLAMP ATT PT	1	
- 39	5349569	• LABEL	4	
- 40	742547	• FRAME	1	
		PARTS NOT INCLUDED WITH ASSEMBLY		
- 43	742454 NP	TAPE DECK ASSEMBLY FOR PART NO. AND MODULE LOCATION SEE CLD S,VOLUME 1,QA001-2227606 FOR DETAIL BREAKDOWN SEE FIGURE 30	AR	
- 44	438568	SCREW,MACH-UNDRCT BIND HD 6-32 X 1-1/8 ATT PT	AR	
- 45	56722	WASHER-LOCK,EXT T, .150 ID ATT PT	AR	
- 46	257986	WASHER,0.156 ID X 0.035 THK ATT PT	AR	
- 47	5352467	BANK ASSEMBLY-CORE CARRIER	7	
- 48	19944	SCREW,MACH-BIND HD 8-32 X 3/4 LG ATT PT	AR	
- 49	321483	SCREW,MACH-BIND HD 8-32 X 1 LG ATT PT	AR	
- 50	742461	• I CORE CARRIER ASSEMBLY	24	
		ASSEMBLY COMPONENTS ARE NOT REPLACEABLE		
- 51	742460	• ROD	AR	
- 52	742466	• BLOCK ASSEMBLY	AR	
		ASSEMBLY COMPONENTS ARE NOT REPLACEABLE		

END OF LIST 22



FOR PARTS  
NOT SHOWN  
SEE FIG. 2

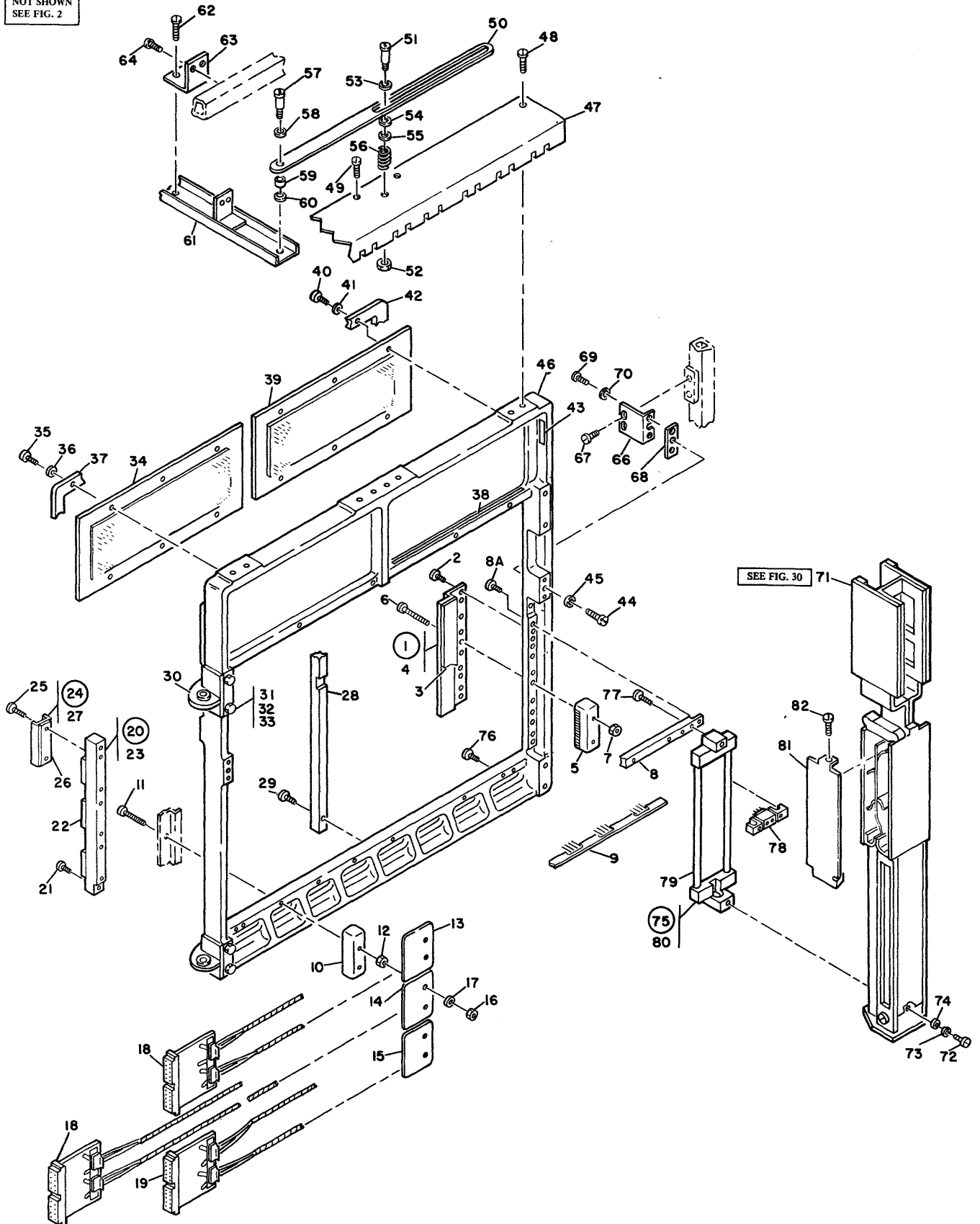


FIGURE 23. STAGE I TROS C GATE ASSEMBLY, 2303 ATTACHMENT FEATURE.

SEE LIST 23

## LIST 23

LIST AND INDEX NUMBER	PART NUMBER	DESCRIPTION	UNITS PER ASM.	USABLE ON CODE
		STAGE 1 TROS C GATE,2303 ATTACHMENT FEA.		
23 -				
-	5352252	TROS C GATE ASM FOR ILLUSTRATION SEE FIGURE 23 FOR NEXT HIGHER ASM SEE FIGURE 2-241	REF	
- 1	742532	• CLAMP ASSEMBLY	2	
- 2	251970	• SCREW,MACH,BH. 4-40 X 0.25 LONG	8	ATT PT
- 3	742534	• SEAL,RUBBER,BULK 0.38 X 0.19	1	
- 4	742549	• CLAMP	1	
- 5	742531	• BLOCK	3	
- 6	438554	• SCREW,MACH-BIND HD 4-40 X 1 LG	6	ATT PT
- 7	37913	• NUT, HEX 4-40 NC	6	ATT PT
- 8	5349548	• BAR,HORIZONTAL	1	
- 8A	5528	• SCREW,MACH-BIND HD 8-32 X 0.625 LG	2	ATT PT
- 9	742599	• STRIP ASM	27	
- 10	742531	• BLOCK	3	
- 11	5352251	• SCREW	6	ATT PT
- 12	37913	• NUT, HEX 4-40 NC	6	ATT PT
- 13	742543	• PLATE,IDENTIFICATION	1	
- 14	742542	• PLATE,IDENTIFICATION	1	
- 15	742541	• PLATE,IDENTIFICATION	1	
- 16	37913	• NUT, HEX 4-40 NC	6	ATT PT
- 17	10610	• WASHER,FL-NO. 4 X 3/8 OD X 0.031 THK	6	ATT PT
- 18	742546	• CABLE ASSEMBLY ASSEMBLY COMPONENTS ARE NOT AVAILABLE	2	
- 19	5352475	• CABLE ASM ASSEMBLY COMPONENTS ARE NOT AVAILABLE	1	
- 20	5349553	• CLAMP ASM ASSEMBLY COMPONENTS ARE NOT AVAILABLE	1	
- 21	321483	• SCREW,MACH-BIND HD 8-32 X 1 LG	2	ATT PT
- 22	742533	• PAD	3	
- 23	742553	• BAR	1	
- 24	5349552	• PAD ASM	3	
- 25	438551	• SCREW,MACH-BIND HD 4-40 X 5/8 LG	6	ATT PT
- 26	742533	• PAD	1	
- 27	742554	• STRIP	1	
- 28	5349547	• BAR,VERTICAL	1	
- 29	321483	• SCREW,MACH-BIND HD 8-32 X 1 LG	4	ATT PT
- 30	5352270	• BLOCK ASM,HINGE	2	
- 31	59648	ASSEMBLY COMPONENTS ARE NOT REPLACEABLE • SCREW,HEX HD 250-20 X 1.750 LG	4	ATT PT
- 32	76574	• WASHER, LOCK-EXT. TEETH .250	4	ATT PT
- 33	3960	• NUT,PLAIN,HEX- 1/4-20 X 7/16 FL W	4	ATT PT
- 34	5352283	• BOARD ASM,PERS,B1 HALF ASSEMBLY COMPONENTS ARE NOT REPLACEABLE	1	
- 35	322551	• SCREW,BIND HD 6-32 X 0.75 LONG	6	ATT PT
- 36	56722	• WASHER-LOCK,EXT T, .150 ID	6	ATT PT
- 37	742552	• CLAMP	1	
- 38	5349568	• LABEL	4	
- 39	5352282	• BOARD ASM,PERS,A1 HALF ASSEMBLY COMPONENTS ARE NOT REPLACEABLE	1	
- 40	322551	• SCREW,BIND HD 6-32 X 0.75 LONG	6	ATT PT
- 41	56722	• WASHER-LOCK,EXT T, .150 ID	6	ATT PT
- 42	742552	• CLAMP	1	
- 43	5349569	• LABEL	4	
- 44	742556	• SCREW,GATE RETAINING- 1/4-20 X 1.0 LG	1	
- 45	76574	• WASHER, LOCK-EXT. TEETH .250	1	
- 46	742547	• FRAME	1	
		PARTS NOT INCLUDED WITH ASSEMBLY		
- 47	5349587	GUIDE,CARD-INSULATED	1	
- 48	28413	SCREW,MACH-BIND HD 10-32 X 5/16 LG	4	ATT PT
- 49	32617	SCREW, MACH BD HD 10-32 NF X .4375 LG	4	ATT PT
- 50	742595	STAY	1	
- 51	5349531	SCREW, SHOULDER 10-32 X 1.95 LG	1	ATT PT
- 52	11598	NUT,HEX, 10-32 X 0.375 FL W	1	ATT PT
- 53	742588	PAD, FRICTION	1	
- 54	742588	PAD, FRICTION	1	
- 55	309065	WASHER, LOWER BASE MOUNTING	1	
- 56	5349532	SPRING, COMPRESSION	1	
- 57	5349529	SCREW, SHOULDER 10-32 X 1.30 LG	1	
- 58	309065	WASHER, LOWER BASE MOUNTING	1	
- 59	5349530	SPACER .68 THK	1	
- 60	301093	WASHER, LOCK-INT TEETH 0.20 ID 3/8 OD	1	

LIST 23 CONT

LIST AND INDEX NUMBER	PART NUMBER	DESCRIPTION				UNITS PER ASM.	USABLE ON CODE
		1	2	3	4		
		STAGE 1 TROS C GATE, 2303 ATTACHMENT FEA.					
23 - 61	5352261	CHANNEL-STAY MOUNTING				1	
- 62	731629	SCREW, PAN HD- 10-32 X 0.380 LG				1	
- 63	5352260	BRACKET-STAY				1	
- 64	734483	SCREW, PAN HD- 6-32 X 0.380 LG				4	
- 66	5352257	BRACKET-GATE STOP				1	
- 67	32617	SCREW, MACH BD HD 10-32 NF X .4375 LG				2	
- 68	742593	BLOCK-GATE RETAINING				1	
- 69	180894	SCREW, CAP, HEX HD- 1/4-20 X 3/8 LG				2	
- 70	76574	WASHER, LOCK-EXT. TEETH .250				2	
- 71	742454 NP	TAPE DECK ASM FOR PART NO. AND MODULE LOCATION SEE CLD'S, VOLUME 1, QA001-2227606 FOR DETAIL BREAKDOWN SEE FIGURE 30				AR	
- 72	438568	SCREW, MACH-UNDRCT BIND HD 6-32 X 1-1/8				AR	
- 73	56722	WASHER-LOCK, EXT T, .150 ID				AR	
- 74	257986	WASHER, 0.156 ID X 0.035 THK				AR	
- 75	5352467	BANK ASSEMBLY-CORE CARRIER				7	
- 76	19944	SCREW, MACH-BIND HD 8-32 X 3/4 LG				AR	
- 77	321483	SCREW, MACH-BIND HD 8-32 X 1 LG				AR	
- 78	742461	. I CORE CARRIER ASSEMBLY ASSEMBLY COMPONENTS ARE NOT REPLACEABLE				24	
- 79	742460	. ROD				AR	
- 80	742466	. BLOCK ASSEMBLY ASSEMBLY COMPONENTS ARE NOT REPLACEABLE				AR	
- 81	5374394	SHIELD-TAPE				2	
- 82	34512	SCREW, MACH-BIND HD 8-32 X 3/8 LG				2	
		END OF LIST 23					

FOR PARTS  
NOT SHOWN  
SEE FIG. 2

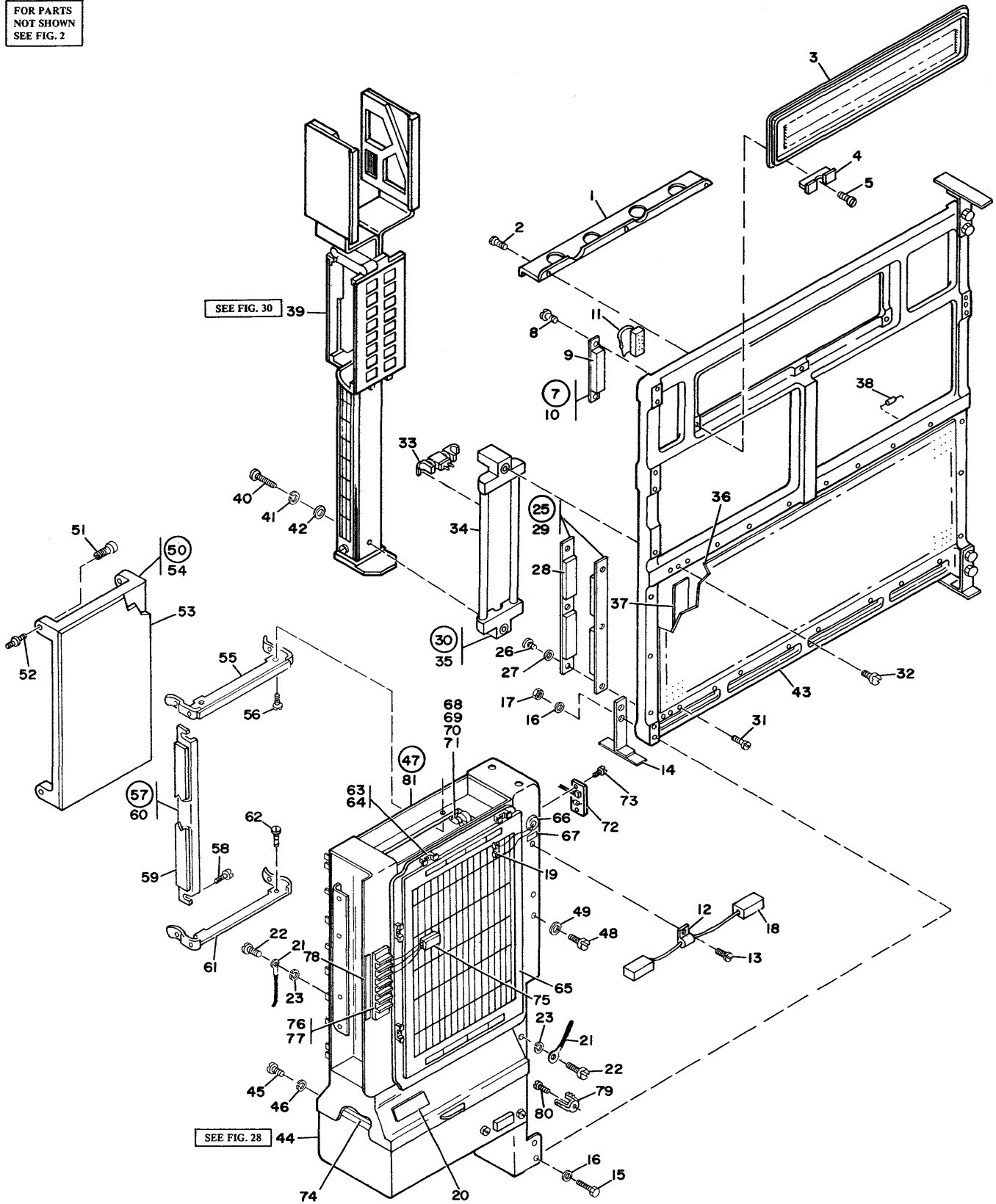


FIGURE 24. STAGE 2 2K TROS GATE ASSEMBLY.

SEE LIST **24**

## LIST 24

LIST AND INDEX NUMBER	PART NUMBER	DESCRIPTION				UNITS PER ASM.	USABLE ON CODE
		1	2	3	4		
		STAGE 2 2K TROS GATE ASM,W/O 2303 FEA.					
24 -	2262276	TROS GATE ASM,2K 60 HZ W/O 2303 FEA USED WITH 2 TIMING CARDS				REF	
-	2210906	TROS GATE ASM,2K 60 HZ W/O 2303 FEA USED WITH 4 TIMING CARDS				REF	
-	2262275	TROS GATE ASM,2K 50 HZ W/O 2303 FEA USED WITH 2 TIMING CARDS				REF	
-	2210905	TROS GATE ASM,2K 50 HZ W/O 2303 FEA USED WITH 4 TIMING CARDS				REF	
		USED W/READ ONLY STORAGE,W/O 2303 FEA. FOR ILLUSTRATION SEE FIGURE 24 FOR NEXT HIGHER ASM SEE FIGURE 2-221					
- 1	5374337	. BRACKET				1	
- 2	2181071	. SCREW,MACH,PAN HD,6-32 X 0.50 LONG				ATT PT	3
- 3	768212	. BOARD ASM,PERS,COMMONING ASSEMBLY COMPONENTS ARE NOT REPLACEABLE					1
- 4	813179	. CLAMP-BOARD					6
- 5	767616	. SCREW				ATT PT	6
- 7	5374670	. RETAINER ASM					1
- 8	1177491	. SCREW,THD FORMING,PAN 8-32 X 0.50 LONG				ATT PT	2
- 9	5352800	. . PAD-INSULATING					1
- 10	5374669	. . RETAINER					1
- 11	767653	. CABLE ASM,SENSE PAIRS ASSEMBLY COMPONENTS ARE NOT AVAILABLE					1
- 12	357433	. CLAMP,LOOP- 0.187 ID 0.203 DIA MTG HOLE					1
- 13	10170	. SCREW-MACH,BIND HD NO. 6-32 X .250 LG				ATT PT	1
- 14	5374120	. BRACKET-TROS MOUNTING					3
- 15	59648	. SCREW,HEX HD 250-20 X 1.750 LG				ATT PT	6
- 16	65756	. WASHER,LOCK-INT TEETH 0.25 ID X 0.478 OD				ATT PT	12
- 17	3960	. NUT,PLAIN,HEX- 1/4-20 X 7/16 FL W				ATT PT	6
- 18	5374112	. CROSSOVER ASM,BOARD TO BOARD FOR COMPONENTS SEE FIGURE 32-59C					1
- 19	813197	. HOUSING-TERMINAL					2
- 20	5349534	. NAMEPLATE-VOLTAGE AND CURRENT					1
- 21	742582	. JUMPER ASSEMBLY					2
- 22	186759	. SCREW,MACH-BIND HD 8-32 X 5/16 LG				ATT PT	4
- 23	55901	. WASHER, LOCK, EXT TEETH - .176 DIA				ATT PT	4
- 25	767629	. BRACKET ASM,STRAIN RELIEF					2
- 26	2181003	. SCREW,MACH-PAN HD THD FRMNG NO. 6-32				ATT PT	3
- 27	62031	. WASHER,LOCK-INT TEETH NO. 6 X 0.295 OD				ATT PT	3
- 28	742534	. . SEAL,RUBBER,BULK 0.38 X 0.19					2
- 29	767632	. . BRACKET					1
- 30	5352467	. BANK ASSEMBLY-CORE CARRIER					A+
- 31	19944	. SCREW,MACH-BIND HD 8-32 X 3/4 LG				ATT PT	AR
- 32	321483	. SCREW,MACH-BIND HD 8-32 X 1 LG				ATT PT	AR
- 33	742461	. . I CORE CARRIER ASSEMBLY ASSEMBLY COMPONENTS ARE NOT REPLACEABLE					24
- 34	742460	. . ROD					2
- 35	742466	. . BLOCK ASSEMBLY					2
		ASSEMBLY COMPONENTS ARE NOT REPLACEABLE					
- 36	5806713	. PANEL ASM,SENSE					1
- 37	767639	. MARKER STRIP					1
- 38	492615	. RESISTOR,FXD,COMP-200 OHM P/M 5 PCT 1/4W					48
- 39	742454	. TAPE DECK ASM FOR PART NO. AND MODULE LOCATION SEE CLD 5,VOLUME 1,QA001-2227606 FOR DETAIL BREAKDOWN SEE FIGURE 30					8
- 40	438568	. SCREW,MACH-UNDRCT BIND HD 6-32 X 1-1/8				ATT PT	16
- 41	56722	. WASHER-LOCK,EXT T, .150 ID				ATT PT	16
- 42	257986	. WASHER,0.156 ID X 0.035 THK				ATT PT	16
- 43	5349561	. GATE ASM					1
		ASSEMBLY COMPONENTS ARE NOT REPLACEABLE					
- 44	5374371	. FAN ASM,GATE,60 HERTZ					1
- 44	5374370	. FAN ASM,GATE,50 HERTZ					1
		FOR DETAIL BREAKDOWN SEE FIGURE 28					
- 45	28413	. SCREW,MACH-BIND HD 10-32 X 5/16 LG				ATT PT	2
- 46	56121	. WASHER,LOCK-INT TEETH NO. 10 X 0.381 OD				ATT PT	2
- 47	5374105	. FRAME ASM,2K TROS USED ON ASM 2210906 AND 2210905					1
- 47	767746	. FRAME ASM,2K TROS USED ON ASM 2262276 AND 2262275					1

LIST 24 CONT

LIST AND INDEX NUMBER	PART NUMBER	DESCRIPTION	UNITS PER ASM.	USABLE ON CODE
STAGE 2 2K TROS GATE ASM,W/O 2303 FEA. -CONT				
24 - 48	59648	. SCREW,HEX HD 250-20 X 1.750 LG ATT PT	2	
- 49	65756	. WASHER,LOCK-INT TEETH 0.25 ID X 0.478 OD ATT PT	2	
- 50	811865	. COVER ASM, CARD	1	
- 51	815963	. . . CATCH-PULL	4	
- 52	815964	. . . CATCH	4	
- 53	815263	. . . FOAM	1	
- 54	811864	. . . COVER, MEMORY CARD	1	
- 55	811851	. . BRACKET-HINGE-UPPER	1	
- 56	811426	. . SCREW,MACH-PAN HD 6-32 X 3/8 IN. LG ATT PT	2	
- 57	811881	. . RETAINER ASSEMBLY	2	
- 58	55726	. . SCREW,MACH-BIND HD 6-32 X .188 LG ATT PT	4	
- 59	811441	. . . SEAL	1	
- 60	811869	. . . COVER ASSEMBLY-CARD	1	
- 61	811850	. . BRACKET-HINGE-LOWER	1	
- 62	811426	. . SCREW,MACH-PAN HD 6-32 X 3/8 IN. LG ATT PT	2	
- 63	813179	. . CLAMP-BOARD	8	
- 64	811417	. . SCREW,HEX SOC, 6-32 X 0.500 LG	8	
- 65	5375721	. . BOARD ASM,02A A1,WITH CARDS USED ON ASM 2210906 AND 2210905	1	
- 65	767749	. . BOARD ASM,02A A1,WITH CARDS USED ON ASM 2262276 AND 2262275	1	
- 65A	5375720	. . . BOARD ASM,02A A1,W/O CARDS	1	
- 65A	767748	. . . BOARD ASM,02A A1,W/O CARDS ASSEMBLY COMPONENTS ARE NOT REPLACEABLE	1	
- 66	1077722	. . GROMMET,RUB-FOR 5/16 HOLE X 1/16 PNL	1	
- 67	5375754	. . LABEL	1	
- 68	761345	. . THERMOSWITCH,N/C 120 DEGREES FH	1	
- 69	2152841	. . SCREW,FILLISTER HEAD 4-40 X1/2 1/4. LONG ATT PT	2	
- 70	2152838	. . SPACER,PHENOLIC,.125 ID .250 OD X.180 LG ATT PT	2	
- 71	2145026	. . NUT,DOUBLE CHAMFER,4-40 X 1/4 FL W ATT PT	2	
- 72	5374115	. . POTENTIOMETER ASSEMBLY	1	
- 73	55726	. . SCREW,MACH-BIND HD 6-32 X .188 LG ATT PT	2	
- 74	742534	. . SEAL,RUBBER,BULK 0.38 X 0.19	4	
- 75	5374110	. . CROSSOVER ASM,BOARD TO BUS FOR COMPONENTS SEE FIGURE 32-59D	1	
- 75	767674	. . CROSSOVER ASM,BOARD TO BUS FOR COMPONENTS SEE FIGURE 32-59E	2	
- 76	317145	. . TERMINAL BOARD- 8 DBL SCREW TERMINALS	1	
- 77	2181071	. . SCREW,MACH,PAN HD,6-32 X 0.50 LONG ATT PT	4	
- 78	767638	. . MARKER STRIP	1	
- 79	472168	. . CLAMP-CABLE	4	
- 80	5374129	. . FASTENER ATT PT	4	
- 81	5374106	. . FRAME ASSEMBLY- 2 K TROS	1	
END OF LIST 24				

FOR PARTS  
NOT SHOWN  
SEE FIG. 2

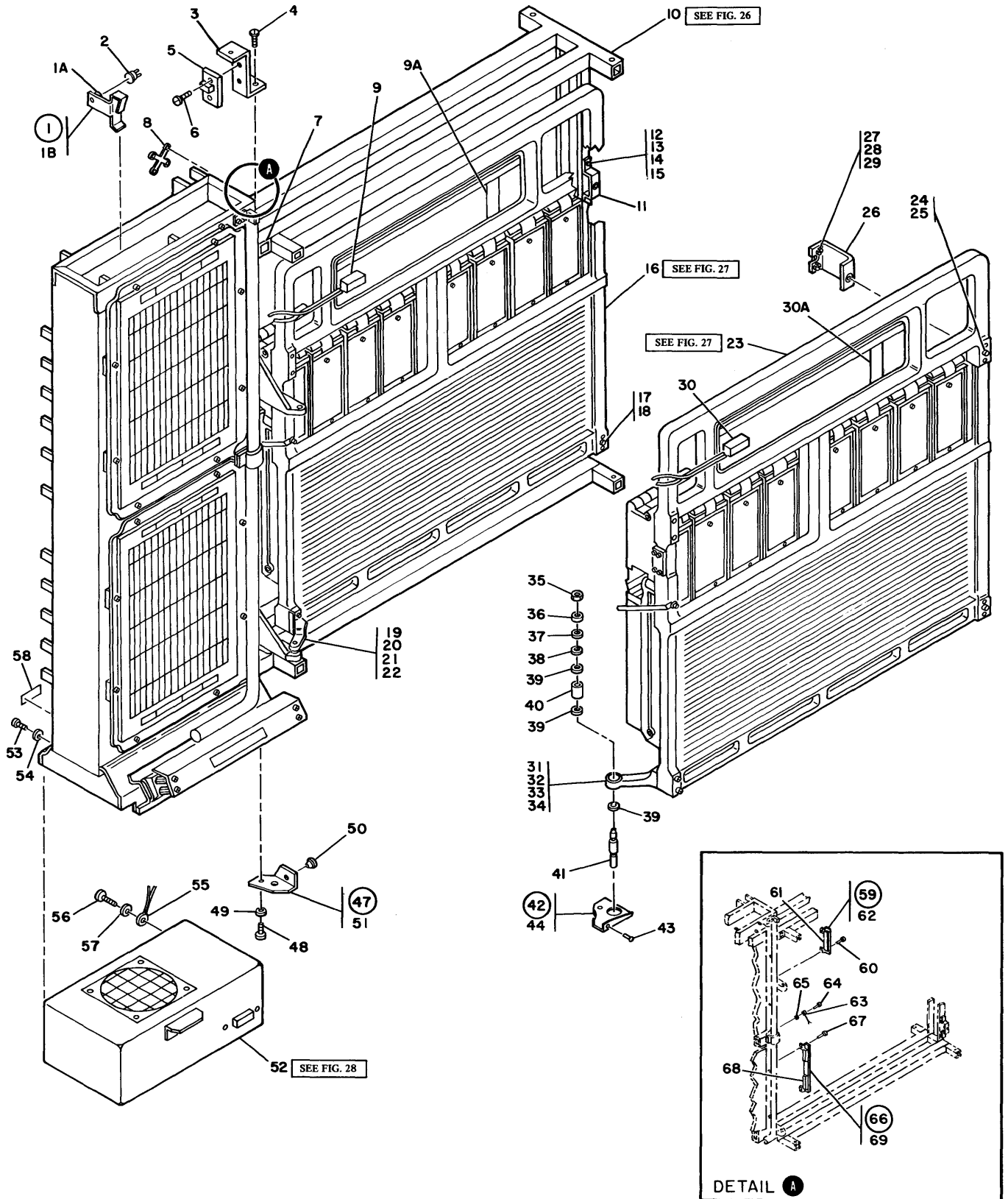


FIGURE 25. STAGE 2 4K TROS GATE ASSEMBLY.

SEE LIST 25

## LIST 25

LIST AND INDEX NUMBER	PART NUMBER	DESCRIPTION				UNITS PER ASM.	USABLE ON CODE
		1	2	3	4		
		STAGE 2 4K TROS GATE ASM,W/2303 FEATURE					
25							
-							
-	2262274				TROS GATE ASM,STG 2 60HZ,2 TIMING CARDS	REF	
-	2210901				TROS GATE ASM,STG 2 60HZ,4 TIMING CARDS	REF	
-	2262273				TROS GATE ASM,STG 2 50HZ,2 TIMING CARDS	REF	
-	2210881				TROS GATE ASM,STG 2 50HZ,4 TIMING CARDS FOR ILLUSTRATION SEE FIGURE 25 FOR NEXT HIGHER ASM SEE FIGURE 2-250	REF	
-	1 742628				• CLIP ASSEMBLY	1	
-	1A 5349854				• • SHOE	1	
-	1B 742627				• • CLIP	1	
-	2 5349253				• THERMOSTAT	1	
-	3 5375755				• BRACKET ASSEMBLY-POTENTIOMETER ASSEMBLY COMPONENTS ARE NOT REPLACEABLE	1	
-	4 731626				• SCREW,PAN HEAD,6-32 X 0.25 LONG ATT PT	2	
-	5 5374115				• POTENTIOMETER ASSEMBLY ASSEMBLY COMPONENTS ARE NOT REPLACEABLE	1	
-	6 55726				• SCREW,MACH-BIND HD 6-32 X .188 LG ATT PT	2	
-	7 5375754				• LABEL	1	
-	8 813519				• RETAINER,CABLE	2	
-	9 5374388				• CROSSOVER ASM,BOARD TO BUS FOR COMPONENTS SEE FIG 32-59F	1	
-	9A 5374659				• LABEL-IDENTIFICATION USED ON B GATE ONLY	1	
-	10 767759 NP				• TROS A GATE ASM USED ON ASM 2262274 AND 2262273	1	
-	10 5374128 NP				• TROS A GATE ASM USED ON ASM 2210901 AND 2210881 FOR DETAIL BREAKDOWN SEE FIGURE 26	1	
-	11 5375751				• BRACKET ASSEMBLY-GATE RETAINING ASSEMBLY COMPONENTS ARE NOT REPLACEABLE	2	
-	12 36844				• SCREW,CAP-SLOT HD 1/4-20 X 1/2 LG ATT PT	4	
-	13 3550				• WASHER,FLAT 1/4 ID-9/16-OD-0.05 THICK ATT PT	4	
-	14 76574				• WASHER, LOCK-EXT. TEETH .250 ATT PT	4	
-	15 3960				• NUT,PLAIN,HEX- 1/4-20 X 7/16 FL W ATT PT	4	
-	16 768248 NP				• TROS B GATE ASM,WITH SENSE PANEL	1	
-	16 767644 NP				• TROS B GATE ASM,WITH SENSE STRIPS FOR DETAIL BREAKDOWN SEE FIGURE 27	1	
-	17 5352768				• SCREW, CAPTIVE, .250-20 UNC X 1.65 LG ATT PT	2	
-	18 76574				• WASHER, LOCK-EXT. TEETH .250 ATT PT	2	
-	19 5352762				• HINGE	2	
-	20 59648				• SCREW,HEX HD 250-20 X 1.750 LG ATT PT	4	
-	21 76574				• WASHER, LOCK-EXT. TEETH .250 ATT PT	4	
-	22 3960				• NUT,PLAIN,HEX- 1/4-20 X 7/16 FL W ATT PT	4	
-	23 768248 NP				• TROS C GATE ASM,WITH SENSE PANEL	1	
-	23 767644 NP				• TROS C GATE ASM,WITH SENSE STRIPS FOR DETAIL BREAKDOWN SEE FIGURE 27	1	
-	24 5352768				• SCREW, CAPTIVE, .250-20 UNC X 1.65 LG ATT PT	2	
-	25 76574				• WASHER, LOCK-EXT. TEETH .250 ATT PT	2	
-	26 5375750				• BRACKET ASSEMBLY-OUTER GATE RETAINING ASSEMBLY COMPONENTS ARE NOT REPLACEABLE	2	
-	27 59648				• SCREW,HEX HD 250-20 X 1.750 LG ATT PT	4	
-	28 3960				• NUT,PLAIN,HEX- 1/4-20 X 7/16 FL W ATT PT	4	
-	29 76574				• WASHER, LOCK-EXT. TEETH .250 ATT PT	4	
-	30 5374388				• CROSSOVER ASM,BOARD TO BUS FOR DETAIL BREAKDOWN SEE FIGURE 32-59F	1	
-	30A 5374661				• LABEL USED ON C GATE ONLY	1	
-	31 5352762				• HINGE	2	
-	32 59648				• SCREW,HEX HD 250-20 X 1.750 LG ATT PT	4	
-	33 76574				• WASHER, LOCK-EXT. TEETH .250 ATT PT	4	
-	34 3960				• NUT,PLAIN,HEX- 1/4-20 X 7/16 FL W ATT PT	4	
-	35 118997				• NUT,SELF LKG,HEX- 5/16-18 X 1/2 FL W	4	
-	36 4033171				• WASHER	2	
-	37 161351				• WASHER, FLAT 0.330 ID-0.625 OD-0.05 THK	2	
-	38 5375753				• WASHER,FLAT- 3/4 OD 9/16 ID X 1/16 THK.	6	



LIST 25 CONT

LIST AND INDEX NUMBER	PART NUMBER	DESCRIPTION				UNITS PER ASM.	USABLE ON CODE
		1	2	3	4		
		STAGE 2 4K TROS GATE ASM,W/2303 FEATURE -CONT					
25	- 39 5375753	. WASHER,FLAT- 3/4 OD 9/16 ID X 1/16 THK.				6	
	- 40 767601	. SPACER USED W/O B GATE ONLY				2	
	- 41 5375747	. PIN-HINGE				2	
	- 42 5375743	. BRACKET ASSEMBLY-GATE STOP				1	
	- 43 1108505	. . BUMPER				1	
	- 44 5375737	. . BRACKET,STOP				1	
	- 47 5375744	. BRACKET ASM,STOP				1	
	- 48 734483	. SCREW,PAN HD- 6-32 X 0.380 LG ATT PT				1	
	- 49 56722	. WASHER-LOCK,EXT T, .150 ID ATT PT				1	
	- 50 1108505	. . BUMPER				1	
	- 51 5375739	. . BRACKET,STOP				1	
	- 52 5374371	. FAN ASM,GATE,60 HERTZ				1	
	- 52 5374370	. FAN ASM,GATE,50 HERTZ				1	
	- 53 28413	FOR DETAIL BREAKDOWN SEE FIGURE 28 . SCREW,MACH-BIND HD 10-32 X 5/16 LG ATT PT				2	
	- 54 56121	. WASHER,LOCK-INT TEETH NO. 10 X 0.381 OD ATT PT				2	
	- 55 742582	. JUMPER ASSEMBLY				1	
	- 56 186759	. SCREW,MACH-BIND HD 8-32 X 5/16 LG ATT PT				2	
	- 57 55901	. WASHER, LOCK, EXT TEETH - .176 DIA ATT PT				2	
	- 58 5349534	. NAMEPLATE-VOLTAGE AND CURRENT				1	
	- 59 5352772	. GUIDE ASSEMBLY-TAPE CABLE				1	
	- 60 734483	. SCREW,PAN HD- 6-32 X 0.380 LG ATT PT				2	
	- 61 742534	. . SEAL,RUBBER,BULK 0.38 X 0.19				1	
	- 62 5352773	. . GUIDE				1	
	- 63 5352781	. JUMPER ASSEMBLY-GROUND				2	
	- 64 2181008	. SCREW,SELF TAPPING, 8-32 X 0.375 LG ATT PT				1	
	- 65 55901	. WASHER, LOCK, EXT TEETH - .176 DIA ATT PT				1	
	- 66 5352774	. GUIDE ASSEMBLY-SENSE CABLE				1	
	- 67 734483	. SCREW,PAN HD- 6-32 X 0.380 LG ATT PT				2	
	- 68 742534	. . SEAL,RUBBER,BULK 0.38 X 0.19				1	
	- 69 5352775	. . GUIDE				1	
		END OF LIST 25					

FOR PARTS  
NOT SHOWN  
SEE FIG. 25

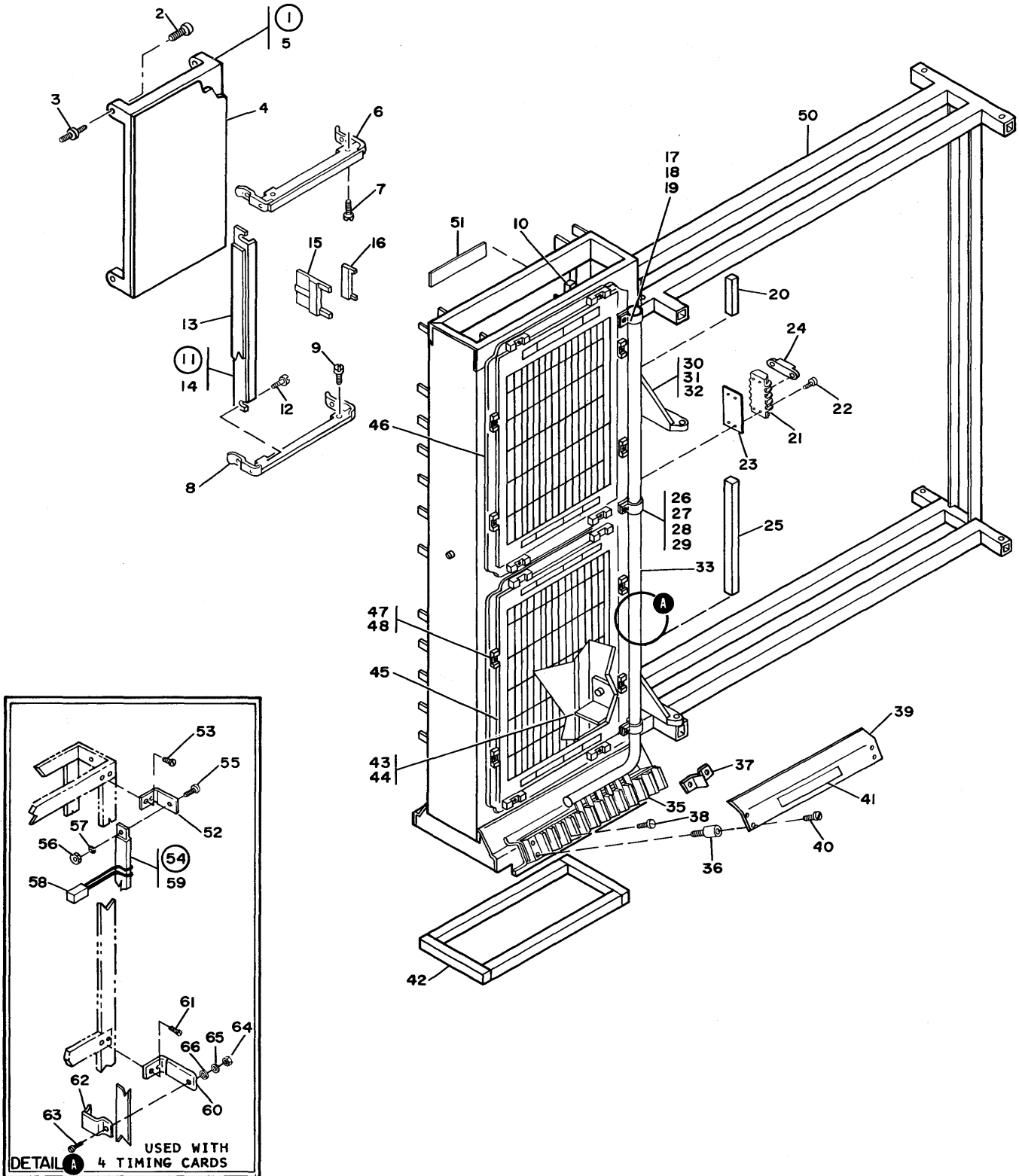


FIGURE 26. TROS A GATE ASSEMBLY.

SEE LIST 26

## LIST 26

LIST AND INDEX NUMBER	PART NUMBER	DESCRIPTION	UNITS	USABLE
			PER ASM.	ON CODE
		TROS A GATE ASSEMBLY		
26		CODE 1 USED WITH 4 TIMING CARDS CODE 2 USED WITH 2 TIMING CARDS		
-	767759 NP	TROS A GATE ASM	REF	
-	5374128 NP	TROS A GATE ASM FOR ILLUSTRATION SEE FIGURE 26 FOR NEXT HIGHER ASM SEE FIGURE 25-10	REF	
- 1	811867	. CARD COVER ASSEMBLY	2	
- 2	815963	. . CATCH-PULL	4	
- 3	815964	. . CATCH	4	
- 4	815263	. . FOAM	1	
- 5	811866	. . COVER	1	
- 6	811853	. BRACKET-HINGE	2	
- 7	811426	. SCREW,MACH-PAN HD 6-32 X 3/8 IN. LG	4	ATT PT
- 8	811852	. BRACKET-HINGE	2	
- 9	811426	. SCREW,MACH-PAN HD 6-32 X 3/8 IN. LG	4	ATT PT
- 10	811442	. SEAL,FOAM,0.38 X 0.25 X 12.25 LG	4	
- 11	811881	. RETAINER ASSEMBLY	2	
- 12	55726	. SCREW,MACH-BIND HD 6-32 X .188 LG	8	ATT PT
- 13	811441	. . SEAL	1	
- 14	811896	. . RETAINER	1	
- 15	811363	. EXTENDER, CARD, 6 PAC	AR	
- 16	811804	. GUIDE,CARD,12 PAC	AR	
- 17	357433	. CLAMP,LOOP- 0.187 ID 0.203 DIA MTG HOLE	1	
- 18	734483	. SCREW,PAN HD- 6-32 X 0.380 LG	1	ATT PT
- 19	62031	. WASHER,LOCK-INT TEETH NO. 6 X 0.295 OD	1	ATT PT
- 20	742534	. SEAL,RUBBER,BULK 0.38 X 0.19	AR	
- 21	323838	. TERMINAL BLOCK,4 POS.	2	
- 22	5374379	. SCREW	6	ATT PT
- 23	515620	. INSULATOR	2	
- 24	5374381	. BUMPER	4	
- 25	742534	. SEAL,RUBBER,BULK 0.38 X 0.19	AR	
- 26	327921	. CLAMP,CABLE	2	
- 27	734483	. SCREW,PAN HD- 6-32 X 0.380 LG	2	ATT PT
- 28	257986	. WASHER,0.156 ID X 0.035 THK	2	ATT PT
- 29	62031	. WASHER,LOCK-INT TEETH NO. 6 X 0.295 OD	2	ATT PT
- 30	5352745	. HINGE	2	
- 31	129654	. SCREW,CAP,SOC HD- 10-32 X 3/4 LG	8	ATT PT
- 32	56121	. WASHER,LOCK-INT TEETH NO. 10 X 0.381 OD	8	ATT PT
- 33	767624	. CABLE ASM,VOLTAGE DISTRIBUTION FOR COMPONENTS SEE FIGURE 32-8D, 8E,60,63,64	1	
- 35	811474	. TERMINAL BLOCK,12 POSITION DOUBLE ROW	1	
- 36	210957	. STUD, TAPPED-MOUNTING	4	ATT PT
- 37	5364226	. JUMPER,BRASS 50 AMP TB	3	
- 38	811481	. SCREW,MACH- 6-32 X 1/4 LG	24	
- 39	742519	. SHIELD,12 POSITION	1	
- 40	38235	. SCREW,BIND HD 6-32 X .312 LONG	4	ATT PT
- 41	5374396	. LABEL	1	
- 42	742534	. SEAL,RUBBER,BULK 0.38 X 0.19	AR	
- 43	5352753	. BAFFLE,LOWER RIGHT	1	
- 43	5352780	. BAFFLE,TOP RIGHT	1	2
- 43	5352784	. BAFFLE,LEFT CENTER	1	2
- 43	5352787	. BAFFLE,RIGHT CENTER	1	2
- 43	5349535	. BAFFLE,LOWER LEFT	1	2
- 44	734483	. SCREW,PAN HD- 6-32 X 0.380 LG	2	
- 45	5375725	. BOARD ASSEMBLY- 02A-A2 ASSEMBLY COMPONENTS ARE NOT AVAILABLE	1	
- 46	767761	. BOARD ASM,02A-A1	1	1
- 46	5374133	. BOARD ASSEMBLY- 02A-A1 ASSEMBLY COMPONENTS ARE NOT AVAILABLE	1	2
- 47	811417	. SCREW,HEX SOC, 6-32 X 0.500 LG	16	ATT PT
- 48	813179	. CLAMP-BOARD	16	ATT PT
- 50	5352743	. FRAME ASSEMBLY-A GATE	1	
- 51	768310	. LABEL	1	
- 52	742513	. BRACKET ASSEMBLY ASSEMBLY COMPONENTS ARE NOT REPLACEABLE	1	2
- 53	734483	. SCREW,PAN HD- 6-32 X 0.380 LG	2	2

LIST 26 CONT

LIST AND INDEX NUMBER	PART NUMBER	DESCRIPTION 1 2 3 4	UNITS PER ASM.	USABLE ON CODE
TROS A GATE ASSEMBLY -CONT				
26 - 54	5374341	. BUS ASSEMBLY	1	2
- 55	801391	. SCREW,MACH-RH 6-32 X 1/2 LG ATT PT	1	2
- 56	257186	. NUT,PLAIN,HEX- 4-40 X 5/16 FL W ATT PT	1	2
- 57	62031	. WASHER,LOCK-INT TEETH NO. 6 X 0.295 OD ATT PT	1	2
- 58	811483	. . CROSSOVER ASM,BUS TO BOARD	9	
		FOR COMPONENTS SEE FIGURE 32-59B		
- 59	5374378	. . BUS ASM	1	
- 60	742515	ASSEMBLY COMPONENTS ARE NOT REPLACEABLE . BRACKET ASSEMBLY	1	2
		ASSEMBLY COMPONENTS ARE NOT REPLACEABLE		
- 61	734483	. SCREW,PAN HD- 6-32 X 0.380 LG ATT PT	2	2
- 62	5374339	. CLAMP ASM	1	2
		ASSEMBLY COMPONENTS ARE NOT REPLACEABLE		
- 63	81693	. SCREW,MACH-BIND HD 6-32 X 3/8 LG ATT PT	1	2
- 64	257187	. NUT,HEX 6-32 NC ATT PT	1	2
- 65	62031	. WASHER,LOCK-INT TEETH NO. 6 X 0.295 OD ATT PT	1	2
- 66	257986	. WASHER,0.156 ID X 0.035 THK ATT PT	1	2
END OF LIST 26				

FOR PARTS  
NOT SHOWN  
SEE FIG. 25

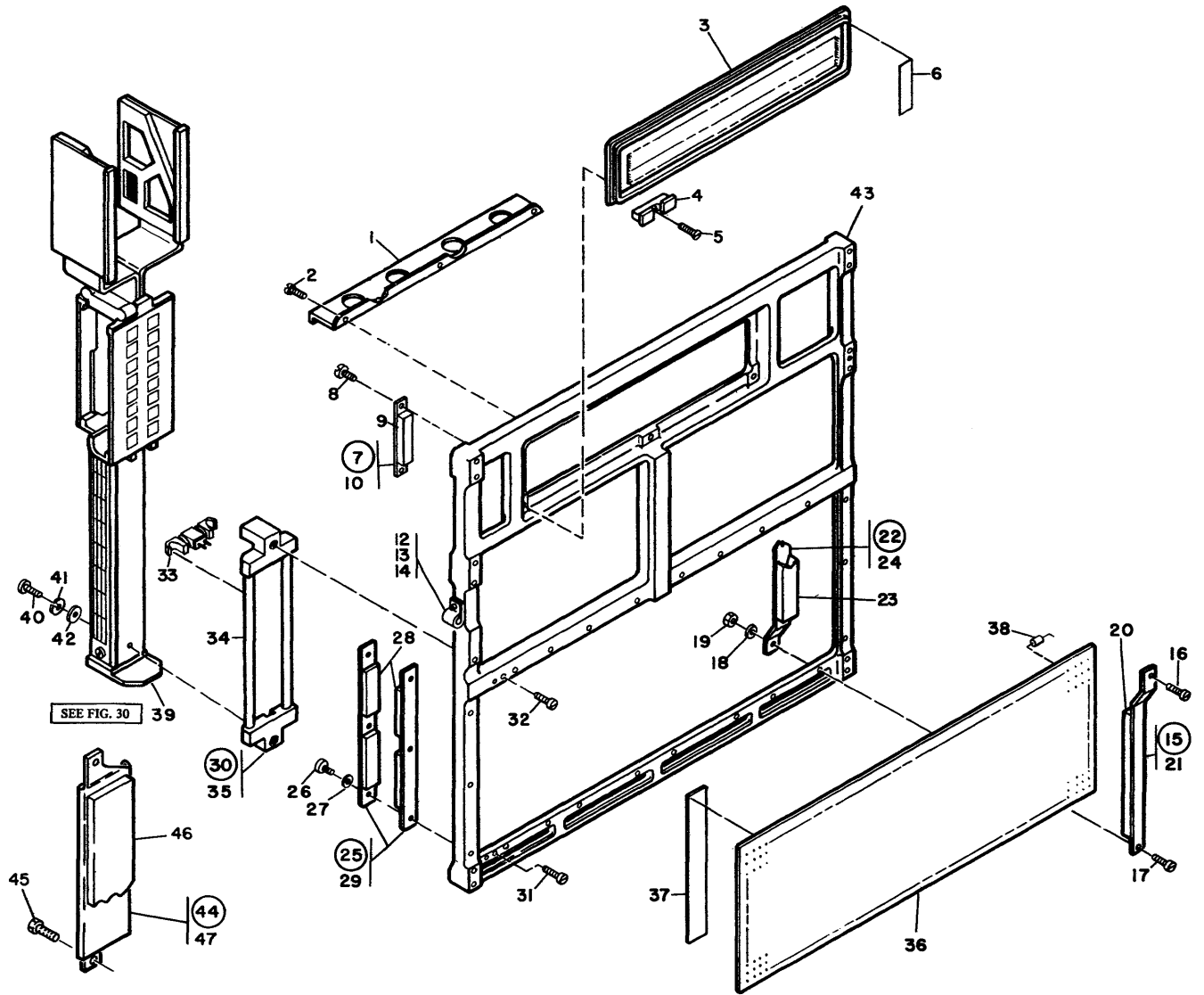


FIGURE 27. STAGE 2 TROS B OR C GATE ASSEMBLY.

SEE LIST 27

## LIST 27

LIST AND INDEX NUMBER	PART NUMBER	DESCRIPTION				UNITS PER ASM.	USABLE ON CODE
		1	2	3	4		
		TROS B OR C GATE ASSEMBLY					
27	768248 NP 767644 NP	TROS B OR C GATE,W/SENSE PANEL TROS B OR C GATE,W/SENSE STRIPS FOR ILLUSTRATION SEE FIGURE 27 FOR NEXT HIGHER ASM SEE FIGURE 25-16 AND 25-23				REF REF	
- 1	5374337	. BRACKET				1	
- 2	2181071	. SCREW,MACH,PAN HD,6-32 X 0.50 LONG				ATT PT	3
- 3	768212	. BOARD ASM,PERS,COMMONING USED ON ASM 768248					1
- 3	5352798	. BOARD ASM,PERS,COMMONING USED ON ASM 767644 ASSEMBLY COMPONENTS ARE NOT AVAILABLE					1
- 4	813179	. CLAMP-BOARD					6
- 5	767616	. SCREW				ATT PT	6
- 6	768312	. LABEL,IDENTIFICATION					1
- 7	5374670	. RETAINER ASM					1
- 8	381741	. SCREW,THREAD FORM-PAN HD 8-32 X 3/8 LG				ATT PT	2
- 9	5352800	. . PAD-INSULATING					1
- 10	5374669	. . RETAINER					1
- 12	357433	. CLAMP,LODP- 0.187 ID 0.203 DIA MTG HOLE					2
- 13	2191846	. SCREW,THD FORMING,4-40 X 0.50 LG				ATT PT	2
- 14	257986	. WASHER,0.156 ID X 0.035 THK				ATT PT	2
- 15	767627	. SUPPORT ASM,OUTER					1
- 16	438588	. SCREW,MACH-UNDRCT BIND HD 8-32 X 1-1/4				ATT PT	1
- 17	321483	. SCREW,MACH-BIND HD 8-32 X 1 LG				ATT PT	1
- 18	60646	. WASHER,LOCK-INT TEETH NO. 8 X 0.340 OD				ATT PT	2
- 19	257189	. NUT, HEX 8-32				ATT PT	2
- 20	742534	. . SEAL,RUBBER,BULK 0.38 X 0.19					1
- 21	767631	. . SUPPORT,OUTER					1
- 22	767626	. SUPPORT ASM,INNER					1
- 23	742534	. . SEAL,RUBBER,BULK 0.38 X 0.19					1
- 24	767630	. . SUPPORT,INNER					1
- 25	767629	. BRACKET ASM,STRAIN RELIEF					2
- 26	2181003	. SCREW,MACH-PAN HD THD FRMNG NO. 6-32				ATT PT	3
- 27	62031	. WASHER,LOCK-INT TEETH NO. 6 X 0.295 OD				ATT PT	3
- 28	742534	. . SEAL,RUBBER,BULK 0.38 X 0.19					2
- 29	767632	. . BRACKET					1
- 30	5352467	. BANK ASSEMBLY-CORE CARRIER					AR
- 31	19944	. SCREW,MACH-BIND HD 8-32 X 3/4 LG				ATT PT	AR
- 32	321483	. SCREW,MACH-BIND HD 8-32 X 1 LG				ATT PT	AR
- 33	742461	. . I CORE CARRIER ASSEMBLY ASSEMBLY COMPONENTS ARE NOT REPLACEABLE					24
- 34	742460	. . ROD					2
- 35	742466	. . BLOCK ASSEMBLY ASSEMBLY COMPONENTS ARE NOT REPLACEABLE					2
- 36	5806713	. PANEL ASM,SENSE ASSEMBLY COMPONENTS ARE NOT REPLACEABLE					1
- 37	767639	. MARKER STRIP					1
- 38	492615	. RESISTOR,FXD,COMP-200 OHM P/M 5 PCT 1/4W					48
- 39	742454 NP	. TAPE DECK ASM FOR PART NO. AND MODULE LOCATION SEE CLD'S,VOLUME 1,QA001-2227606 FOR DETAIL BREAKDOWN SEE FIGURE 30					AR
- 40	438568	. SCREW,MACH-UNDRCT BIND HD 6-32 X 1-1/8				ATT PT	AR
- 41	56722	. WASHER-LOCK,EXT T, .150 ID				ATT PT	AR
- 42	257986	. WASHER,0.156 ID X 0.035 THK				ATT PT	AR
- 43	5349561	. GATE ASM					1
- 44	5374098	. COVER ASSEMBLY					AR
- 45	10170	. SCREW-MACH,BIND HD NO. 6-32 X .250 LG					AR
- 46	5374097	. . PAD-COVER					1
- 47	5374096	. . COVER-BANK					1
END OF LIST 27							

FOR PARTS  
NOT SHOWN  
SEE FIG. 24, 25

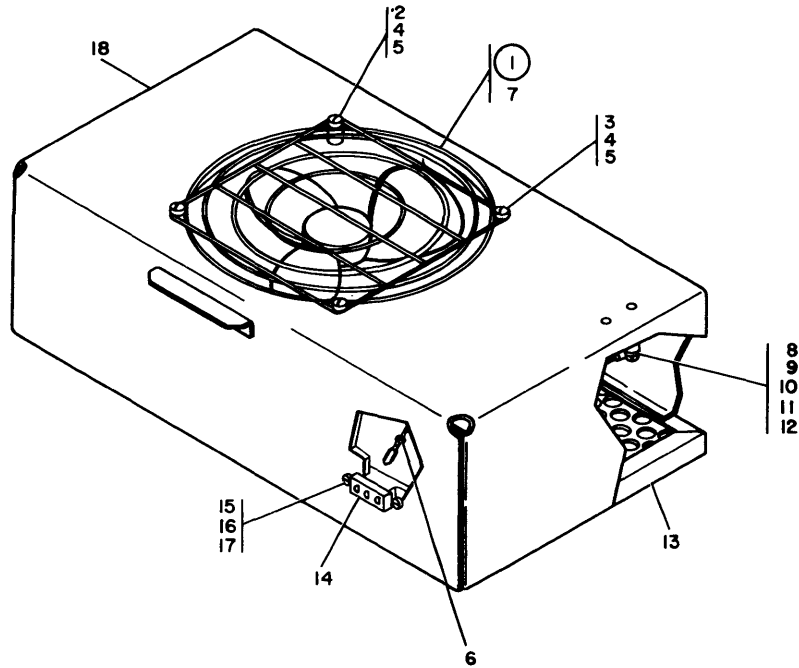


FIGURE 28. STAGE 2 TROS COOLING ASSEMBLY.

SEE LIST 28

LIST AND INDEX NUMBER	PART NUMBER	DESCRIPTION				UNITS PER ASM.	USABLE ON CODE
		1	2	3	4		
STAGE 2 TROS COOLING ASSEMBLY							
28-		CODE A USED ON 60 HZ ONLY CODE B USED ON 50 HZ ONLY					
-	5374371	FAN ASM,GATE,60 HERTZ				REF	
-	5374370	FAN ASM,GATE,50 HERTZ FOR ILLUSTRATION SEE FIGURE 28 FOR NEXT HIGHER ASM SEE FIGURE 24-44 AND 25-52				REF	
- 1	742526	• FAN ASM,60 HZ				1	A
- 1	742611	• FAN ASM,50 HZ				1	B
- 2	35739	• SCREW,MACH-BIND HD 6-32 X 15/16 LG				3	A
- 2	10170	• SCREW-MACH,BIND HD NO. 6-32 X .250 LG				3	B
- 3	322065	• SCREW,MACH-BIND HD 6-32 X 5/8 LG				1	A
- 3	10170	• SCREW-MACH,BIND HD NO. 6-32 X .250 LG				1	B
- 4	56722	• WASHER-LOCK,EXT T, .150 ID				4	
- 5	241886	• STUD,TIE BAR-CABLE				4	B
- 6	5353854	• CONTACT, MALE 16-20 WIRE				2	
- 7	5357090	• FAN,60 HZ				1	A
- 7	4120171	• FAN,220V-50 HZ				1	B
- 8	742582	• JUMPER ASSEMBLY				1	
- 9	186759	• SCREW,MACH-BIND HD 8-32 X 5/16 LG				1	
- 10	55901	• WASHER, LOCK, EXT TEETH - .176 DIA				1	
- 11	36776	• NUT,PLAIN,HEX- 6-32 X 5/16 FL W				1	A
- 12	38351	• SCREW,MACH-FIL HD 6-32 X .312 LG				1	B
- 13	5374369	• FILTER-FAN				1	
- 14	5353853	• RECEPTACLE,3 POSITION				1	
- 15	322065	• SCREW,MACH-BIND HD 6-32 X 5/8 LG				2	
- 16	1091220	• WASHER				2	
- 17	257187	• NUT,HEX 6-32 NC				2	
- 18	5374367	• HOUSING-FAN				1	

END OF LIST 28

FOR PARTS  
NOT SHOWN  
SEE FIG. 20

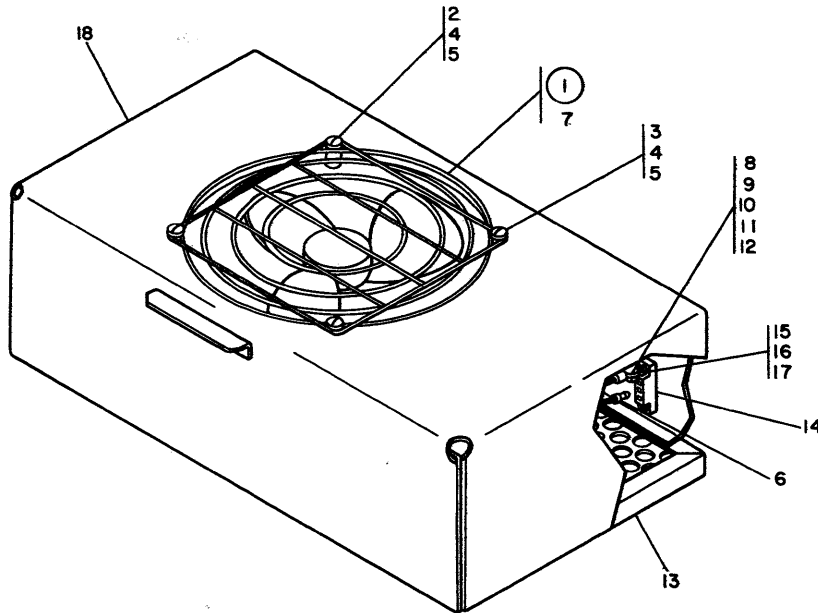


FIGURE 29. STAGE 1 TROS COOLING ASSEMBLY.

SEE LIST 29

LIST AND INDEX NUMBER	PART NUMBER	DESCRIPTION				UNITS PER ASM.	USABLE ON CODE
		1	2	3	4		
		STAGE 1 TROS COOLING ASSEMBLY					
<b>29</b>							
-		CODE A USED ON 60 HZ ONLY CODE B USED ON 50 HZ ONLY					
-	5352295	COOLING ASM,TROS 60 HZ				REF	
-	5352294	COOLING ASM,TROS 50 HZ FOR ILLUSTRATION SEE FIGURE 29 FOR NEXT HIGHER ASM SEE FIGURE 20-69				REF	
- 1	742526	• FAN ASM,60 HZ				1	A
- 1	742611	• FAN ASM,50 HZ				1	B
- 2	38352	• SCREW,MACH-FIL H 6-32 X 3/8 LG		ATT PT	4	A	
- 2	81693	• SCREW,MACH-BIND HD 6-32 X 3/8 LG		ATT PT	3	B	
- 3	38351	• SCREW,MACH-FIL HD 6-32 X .312 LG		ATT PT	1	A	
- 3	322065	• SCREW,MACH-BIND HD 6-32 X 5/8 LG		ATT PT	1	B	
- 4	56722	• WASHER-LOCK,EXT T, .150 ID		ATT PT	5		
- 5	241886	• STUD,TIE BAR-CABLE		ATT PT	4	B	
- 6	5353854	• CONTACT, MALE 16-20 WIRE				2	
- 7	5357090	• FAN,60 HZ				1	A
- 7	4120171	• FAN,220V-50 HZ				1	B
- 8	742582	• JUMPER ASSEMBLY				1	
- 9	186759	• SCREW,MACH-BIND HD 8-32 X 5/16 LG		ATT PT	1		
- 10	55901	• WASHER, LOCK, EXT TEETH - .176 DIA		ATT PT	1		
- 11	36776	• NUT,PLAIN,HEX- 6-32 X 5/16 FL W		ATT PT	1	A	
- 12	38351	• SCREW,MACH-FIL HD 6-32 X .312 LG		ATT PT	1	B	
- 13	742612	• FILTER				1	
- 14	5353853	• RECEPTACLE,3 POSITION				1	
- 15	322065	• SCREW,MACH-BIND HD 6-32 X 5/8 LG		ATT PT	2		
- 16	1091220	• WASHER		ATT PT	2		
- 17	257187	• NUT,HEX 6-32 NC		ATT PT	2		
- 18	742641	• HOUSING				1	

END OF LIST 29



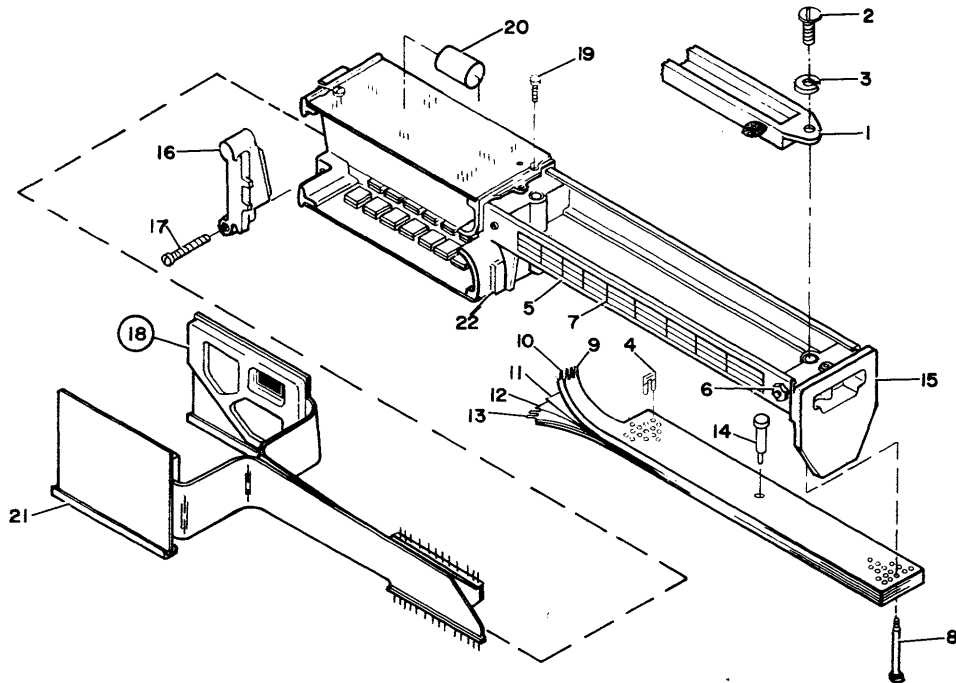


FIGURE 30. TAPE DECK ASSEMBLY.

SEE LIST **30**

LIST AND INDEX NUMBER	PART NUMBER	DESCRIPTION				UNITS PER ASM.	USABLE ON CODE
		1	2	3	4		
		TAPE DECK ASSEMBLY					
<b>30</b> -	742454 NP	TAPE DECK ASSEMBLY FOR PART NO. AND MODULE LOCATION SEE CLD'S, VOLUME 1, QA001-2227606 FOR ILLUSTRATION SEE FIGURE 30 FOR NEXT HIGHER ASM SEE FIG 22-43 AND 23-71 AND 27-39				REF	
- 1	742640	• RETAINER				1	
- 2	81693	• SCREW, MACH-BIND HD 6-32 X 3/8 LG				2	ATT PT
- 3	55901	• WASHER, LOCK, EXT TEETH - .176 DIA				2	ATT PT
- 4	2414896	• CORE, U				48	
- 5	742479	• RAIL ASSEMBLY ASSEMBLY COMPONENTS ARE NOT REPLACEABLE				2	
- 6	438572	• SCREW, MACH-UNDRCT BIND HD 6-32 X 2 LG				2	ATT PT
- 7	5349551	• LABEL				1	
- 8	5349595	• PIN ASSEMBLY				2	
- 9	742614	• TAPE A-UNPERSONALIZED				43	
- 10	742471	• TAPE-RESISTIVE				1	
- 11	742635	• TAPE-INSULATION				1	
- 12	742616	• TAPE C-UNPERSONALIZED				42	
- 13	742615	• TAPE B-UNPERSONALIZED				43	
- 14	5349594	• PIN-LOCATING				1	
- 15	742478	• SUPPORT ASSEMBLY				1	
- 16	742486	• CLAMP ASSEMBLY				2	
- 17	438563	ASSEMBLY COMPONENTS ARE NOT REPLACEABLE					
- 18	742648	• SCREW, MACH-FIL H 6-32 X 1-1/2 LG				2	ATT PT
		• CABLE ASSEMBLY AND DIODE BOARD				1	
		FOR COMPONENTS SEE FIGURE 32-26					
- 19	1141097	• SCREW,				4	
- 20	2414895	• SEMICONDUCTOR DEVICE, DIODE				AR	
- 21	742649	• CABLE ASSEMBLY AND DIODE BOARD				1	
		FOR COMPONENTS SEE FIGURE 32-26					
- 22	742484	• CHASSIS ASSEMBLY				1	
		ASSEMBLY COMPONENTS ARE NOT REPLACEABLE					

END OF LIST **30**

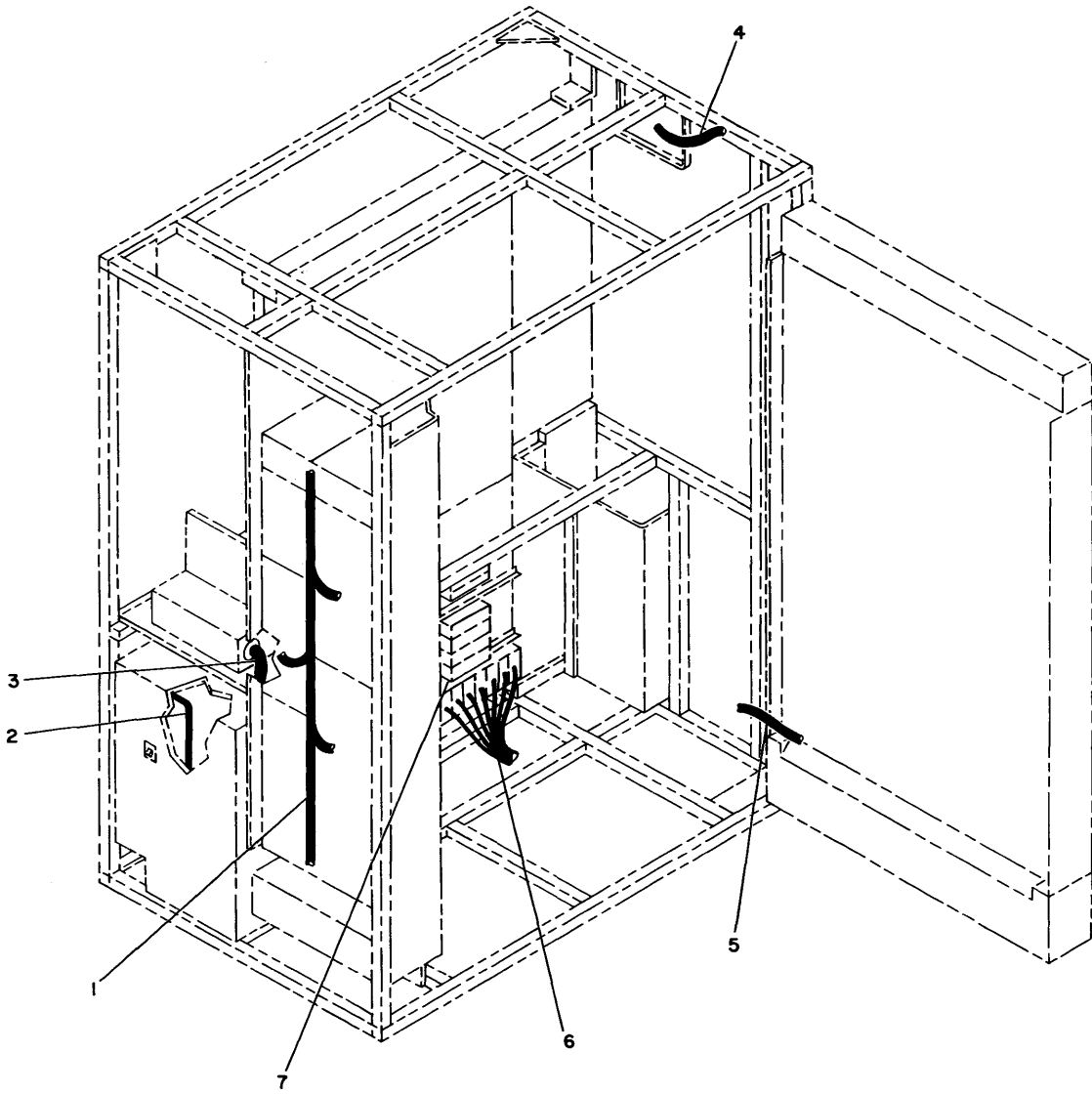


FIGURE 31. CABLE ROUTING GROUP. SHEET 1 OF 2, INDEX NOS. 1-7.

SEE LIST **31**

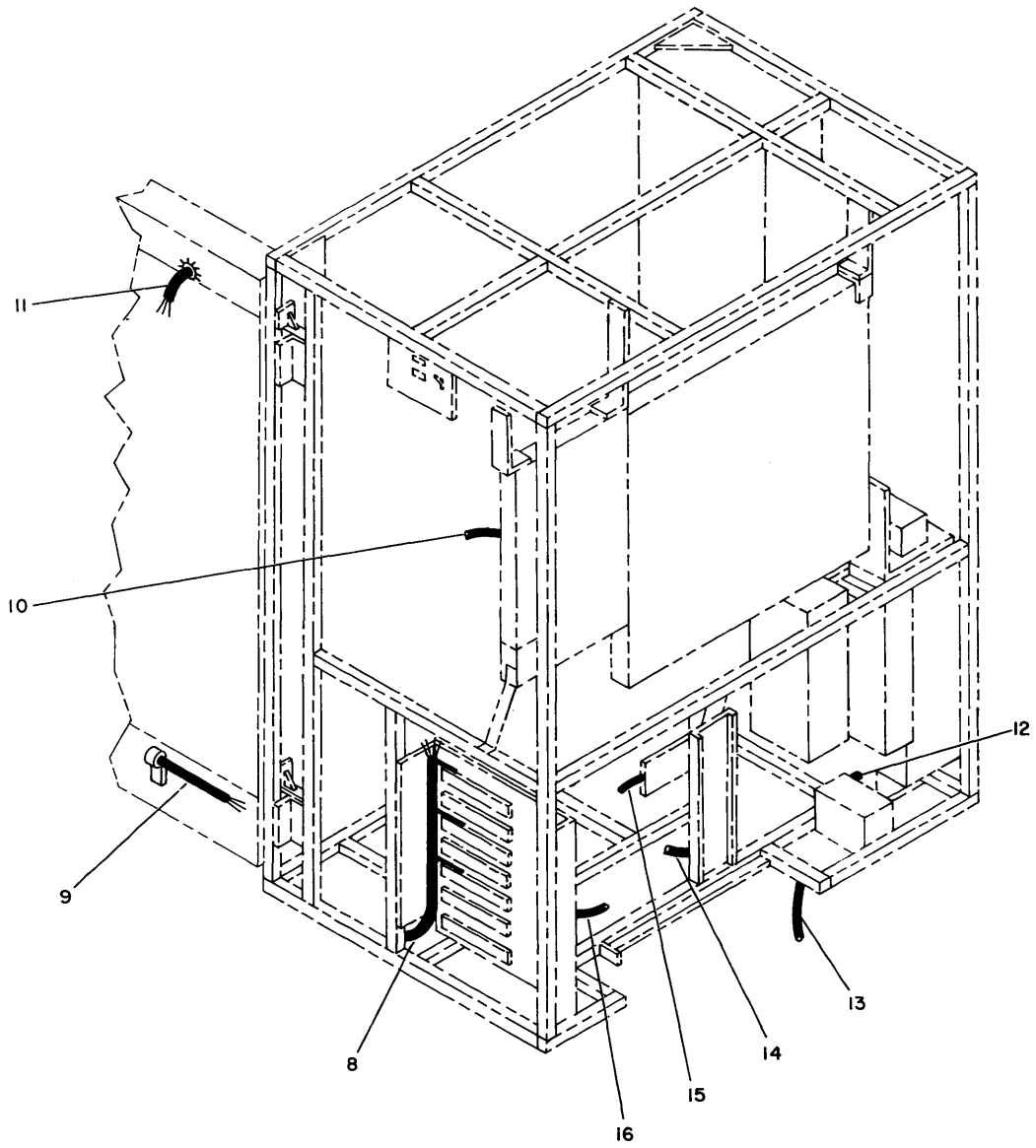


FIGURE 31. CABLE ROUTING GROUP. SHEET 2 OF 2, INDEX NOS. 8-16.

SEE LIST **31**

LIST **31**

LIST AND INDEX NUMBER	PART NUMBER	DESCRIPTION	UNITS	USABLE
			PER ASM.	ON CODE
		1 2 3 4		
		CABLE ROUTING GROUP		
<b>31</b> -				
-		CODE A USED ON STAGE 1 ONLY CODE B USED ON STAGE 2 ONLY		
-	2210862 NP	CABLE ROUTING GROUP	REF	
- 1	2191701	FOR ILLUSTRATION SEE FIGURE 31 • CABLE ASSEMBLY-AC DISTRIBUTION	1	
- 2	2191741	FOR COMPONENTS SEE FIG 32-1, 2B,2D,2E,4,12,36A • CABLE ASSEMBLY,AC JUMPER,60 HZ	1	
- 2	2191742	FOR COMPONENTS SEE FIG.32-2A,2B,3,4,45 • CABLE ASSEMBLY,AC JUMPER,50 HZ	1	A
- 2	2210879	FOR COMPONENTS SEE FIG.32-3,3A,4,26,45 • CABLE ASSEMBLY,AC JUMPER,50 HZ	1	B
- 2	2191744	FOR COMPONENTS SEE FIG.32-2,2A,2B,2D,5 • CABLE ASSEMBLY,DC JUMPER	1	A
- 2	2210882	FOR COMPONENTS SEE FIG.32-2D, 8,13,15,16,19 • CABLE ASSEMBLY,SEQUENCE JUMPER,50 HZ	1	B
- 3	2194016	FOR COMPONENTS SEE FIG.32-2D, 6D,8,8A,8B,10,13,16,19 • CABLE ASSEMBLY-CONV. OUTLET POWER	1	A
- 3	2210942	• CABLE ASM,CONV OUTLET	1	B
- 4	2193941	FOR COMPONENTS SEE FIG.32-2A,4 • CABLE ASM,2 CHANNEL AUXILIARY	1	
- 5	2210856	FOR COMPONENTS SEE FIG.32-33 • CABLE ASM,THERMO-SWITCH	1	B
- 6	2191707	FOR COMPONENTS SEE FIG.32-16 • CABLE ASM,TROS 2302 MULTIPLEX I/O	1	AR
- 6	2191708	• CABLE ASM,TROS-OPT FILES SIMPLEX I/O	1	
- 6	2191710	FOR COMPONENTS SEE FIG.32-23,33A,39 • CABLE ASM,TROS-READ WRITE	AR	
- 6	2227249	• CABLE ASM,2303 CLOCK LINES	1	
- 7	2227492	FOR COMPONENTS SEE FIG.32-23,33A,50 • CABLE ASM-TWO CHANNEL SWITCH TEST	2	B
- 8	2191718	FOR COMPONENTS SEE FIG.32-18, 18A,41,42,43,46,47,48 • CABLE ASSEMBLY-DC DISTRIBUTION	1	
- 9	2191704	FOR COMPONENTS SEE FIG.32-1, 2A,2B,2D,2E,4,4F,6C,8C,11,16,16A • CABLE ASSEMBLY-FAN DISTRIBUTION	1	A
- 9	2227530	FOR COMPONENTS SEE FIG.32-2D,2E,6,6A, 8C,12,14,29,29A,30,31,35,36A • CABLE ASM,TROS-FAN DISTRIBUTION	1	B
- 10	2193980	FOR COMPONENTS SEE FIG.32-2D,2E 6E,6F,8C,12,14,29,30,31,35,36A • CABLE ASM-TROS TO TEST CONNECTOR	1	
- 10	2227531	• CABLE ASM-TROS TO TEST CONNECTOR FOR COMPONENTS SEE FIG 32- 2E,20,20A, 20B,33A,52,53,54,55,56,57,58	1	B
- 11	2191743	• CABLE ASSEMBLY-C.E. PANEL JUMPER	1	A
- 11	2210853	• CABLE ASSEMBLY-CE PANEL USED W/O INTERFACE ISOLATION	1	B
- 11	2211737	• CABLE ASM,CE PANEL JUMPER USED WITH INTERFACE ISOLATION FOR COMPONENTS SEE FIG.32-16,18,33	1	
- 12	2227254	• CABLE ASM,2303 ATTCH FEA,60 HZ FOR COMPONENTS SEE FIG.32-2A,3,45,45A	1	B
- 12	2210868	• CABLE ASM,2303 ATTCH FEA,50 HZ FOR COMPONENTS SEE FIG.32-3,3A,7,45,45A	1	B
- 13	2184052	• CABLE ASM,POWER ATTACHMENT,60 HZ	1	
- 13	2194076	• CABLE ASM,POWER ATTACHMENT,60 HZ FOR COMPONENTS SEE FIG.32-2, 2A,2E,3,3A,44	1	B
- 13	2191719	• CABLE ASM,POWER ATTACHMENT 50 HZ FOR COMPONENTS SEE FIG.32-2A,3	1	



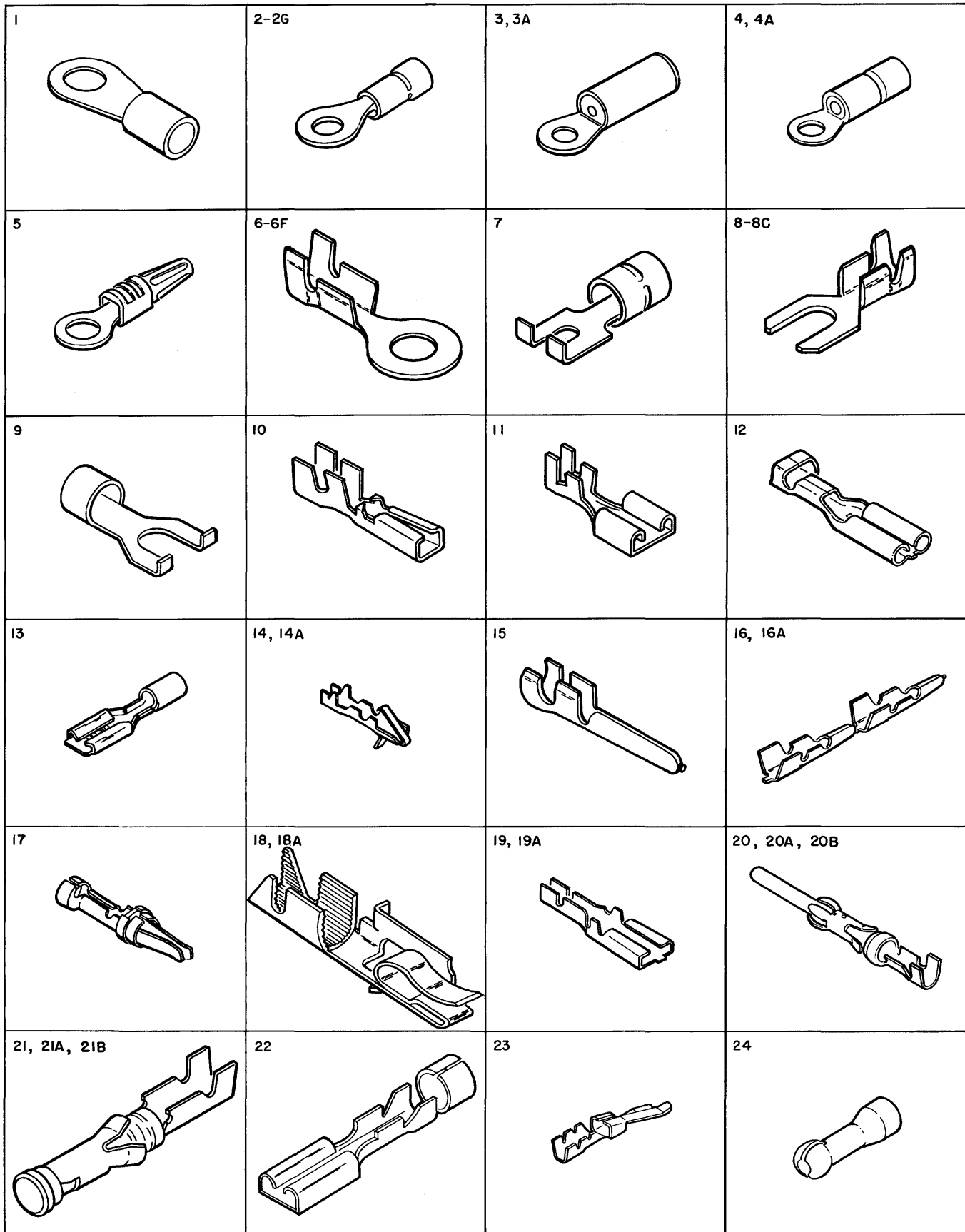


FIGURE 32. CABLE COMPONENT GROUP. SHEET 1 OF 3, INDEX NOS. 1-24.

SEE LIST **32**

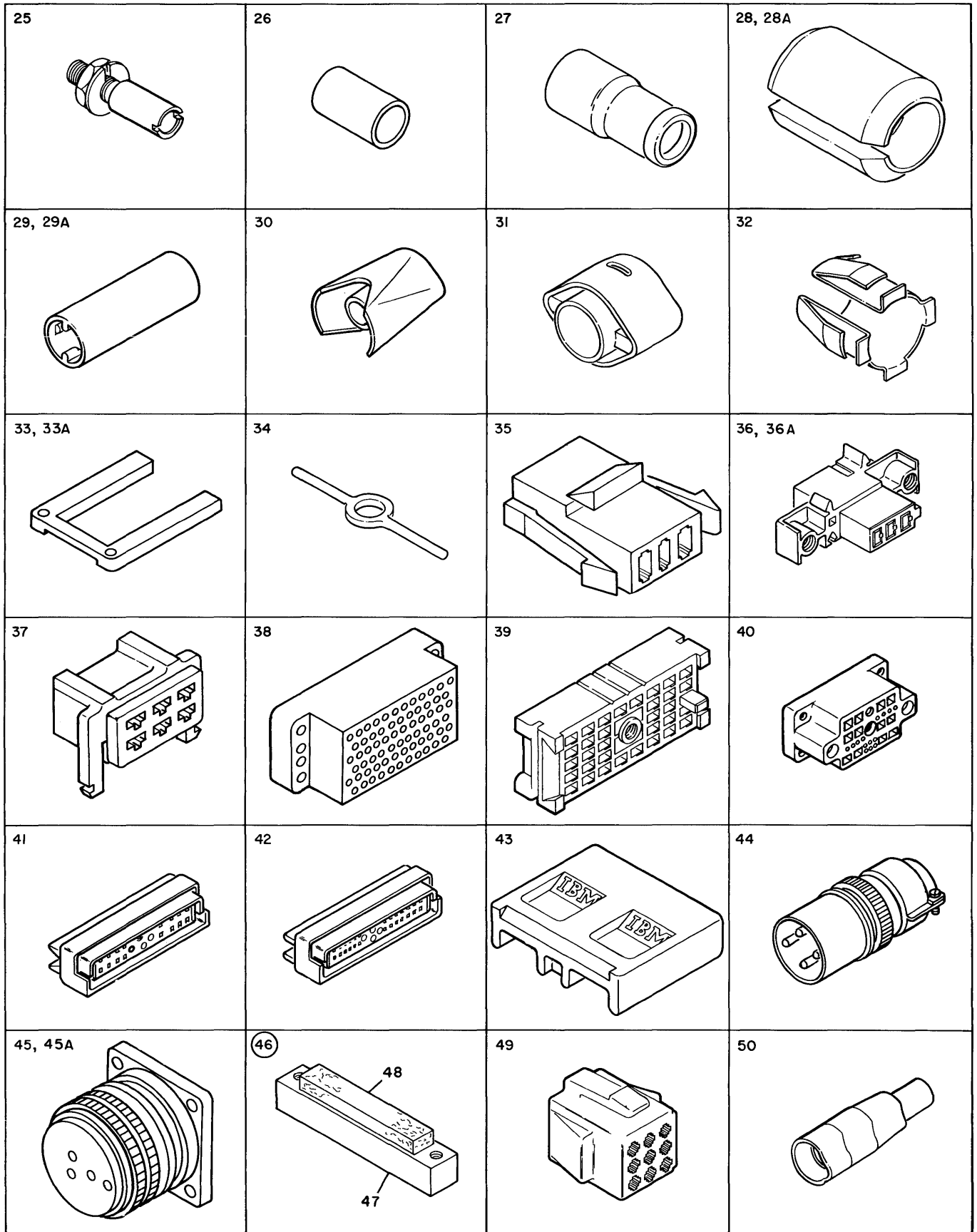


FIGURE 32. CABLE COMPONENT GROUP. SHEET 2 OF 3, INDEX NOS. 25-50.

SEE LIST **32**

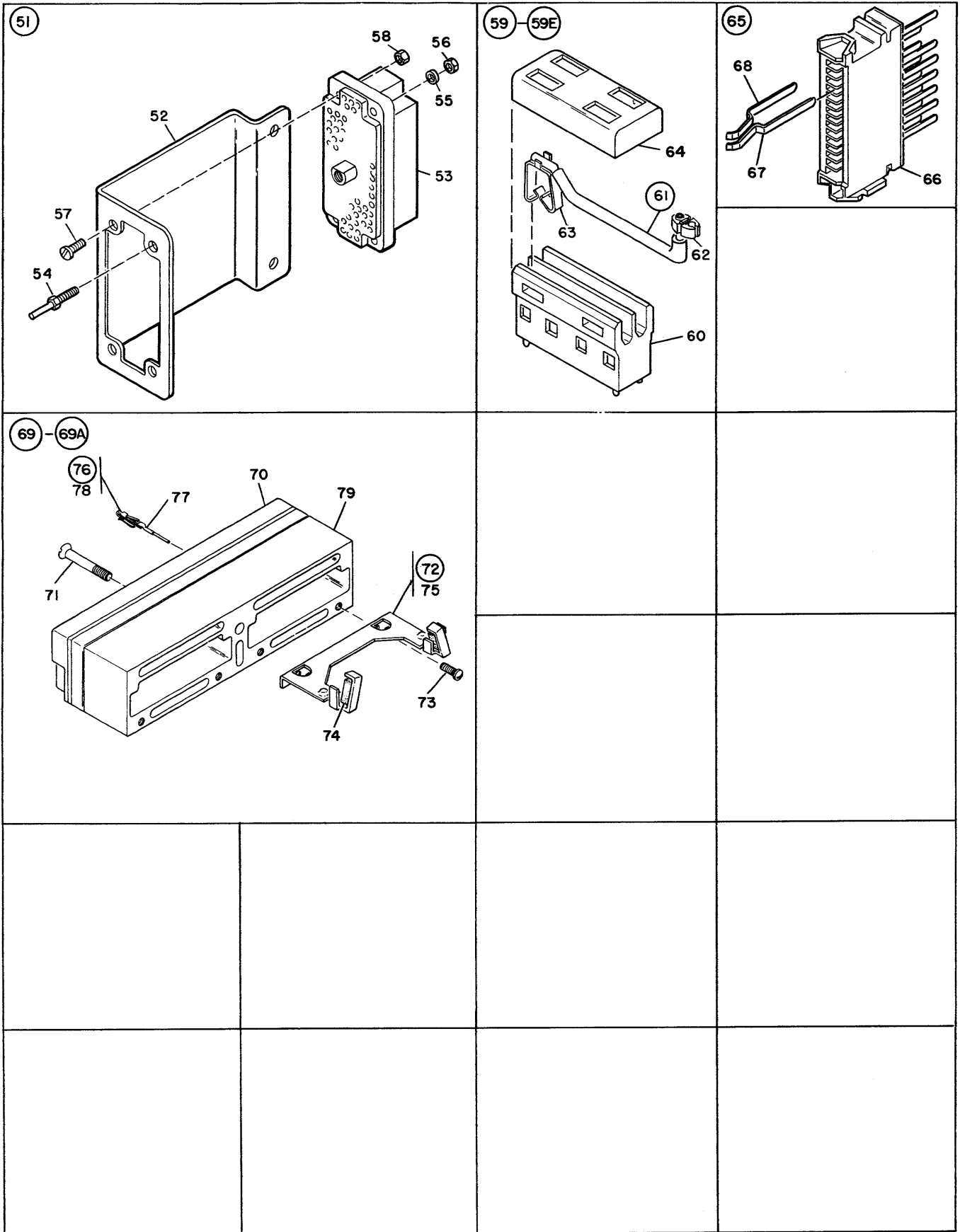


FIGURE 32. CABLE COMPONENT GROUP. SHEET 3 OF 3, INDEX NOS. 51-79.

SEE LIST **32**



## LIST 32

LIST AND INDEX NUMBER	PART NUMBER	DESCRIPTION				UNITS PER ASM.	USABLE ON CODE
		1	2	3	4		
		CABLE COMPONENT GROUP					
<b>32</b> -	NO NO.	CABLE COMPONENT GROUP FOR ILLUSTRATION SEE FIGURE 32					
- 1	92784	• TERMINAL,LUG-INS 18-20AWG NO.8 MTG HOLE				AR	
- 2	124439	• TERMINAL,NO 10 RING				AR	
- 2A	186968	• TERMINAL,LUG-INS 10/12AWG NO. 8 MTG HOLE				AR	
- 2B	334910	• TERMINAL-LUG NO.16 THRU NO.14 WIRE				AR	
- 2C	334921	• TERMINAL-LUG NO.22 THRU NO.18 WIRE INSUL				AR	
- 2D	334932	• TERMINAL-LUG NO.18 THRU NO.22 WIRE INSUL				AR	
- 2E	360370	• TERMINAL-RING TOUNGUE NO.14-16 WIRE				AR	
- 2F	806715	• TERMINAL,LUG-INS 22/26AWG NO. 8 MTG HOLE				AR	
- 2G	322025	• TERMINAL,LUG-INS 14/16AWG 1/4 MTG HOLE				AR	
- 3	2101326	• TERMINAL-CLIP,BARREL NO.12-10 WIRE INSUL				AR	
- 3A	2101327	• TERMINAL,LUG-INS 10/12AWG 1/4 MTG HOLE				AR	
- 4	253740	• TERMINAL,LUG-INS 10-12AWG NO.6 MTG HOLE				AR	
- 4A	334921	• TERMINAL-LUG NO.22 THRU NO.18 WIRE INSUL				AR	
- 5	359695	• TERMINAL-RING LUG NO.10 STUD				AR	
- 6	186959	• TERMINAL-RING,6 STUD				AR	
- 6A	186960	• TERMINAL-RING 10 STUD				AR	
- 6B	186961	• TERMINAL-RING,NO.6 STUD NON INSULATED				AR	
- 6C	186962	• TERMINAL-RING,6 STUD				AR	
- 6D	186965	• TERMINAL,LUG-SPADE				AR	
- 6E	257284	• TERMINAL-RING NO.10 STUD				AR	
- 6F	2101657	• TERMINAL,RING,NO.8 STUD				AR	
- 7	368222	• TERMINAL-NO.8 STUD 16-14 WIRE				AR	
- 8	186967	• TERMINAL,LUG-NONINS 20AWG NO.6 MTG SLOT				AR	
- 8A	187460	• TERMINAL,LUG-NONINS 20AWG NO. 8 MTG SLOT				AR	
- 8B	255994	• TERMINAL,LUG				AR	
- 8C	313361	• TERMINAL, SPADE 0.119 ID- 22, 24 AWG				AR	
- 8D	767682	• TERMINAL,LUG				AR	
- 8E	767683	• TERMINAL,LUG				AR	
- 9	603152	• TERMINAL-NO.6 SCREW				AR	
- 10	339156	• CLIP, SLIP ON TAPER TAB				AR	
- 11	523267	• TERMINAL,QUICK DISCONNECT- 14/18AWG				AR	
- 12	5353852	• CONTACT-FEMALE,NO.16-20 WIRE				AR	
- 13	2158688	• TERMINAL				AR	
- 14	609687	• CONTACT				AR	
- 14A	2145170	• TERMINAL,QUICK DISCONNECT- 16/18AWG				AR	
- 15	600844	• TERMINAL, SMALL TAPER, 55-24 AWG				AR	
- 16	187243	• TERMINAL, SMALL TAPER 20-22-24 OR 26 AWG				AR	
- 16A	360433	• TERMINAL-TAPER PIN 16/18AWG 0.073 NOM OD				AR	
- 17	2180671	• TERMINAL ASM, FEMALE 8-10 AWG				AR	
- 18	5362301	• CONTACT,LARGE SERPENT				AR	
- 18A	5362302	• CONTACT				AR	
- 19	2114531	• CLIP, TAPERED				AR	
- 19A	2123478	• RECEPTACLE,TAPER TAB, 18-20 GA WIRE				AR	
- 20	2122258	• PIN-CONTACT MALE 20/22AWG				AR	
- 20A	2122260	• PIN-CONTACT,AWG 18-16				AR	
- 20B	2127867	• PIN, CONTACT 24-26 AWG				AR	
- 21	2122259	• SOCKET,CONTACT-AWG 20-22				AR	
- 21A	2122261	• SOCKET,CONTACT AWG 18 - 16				AR	
- 21B	2127890	• SOCKET-CONTACT AWG 26-24				AR	
- 22	5351177	• TERMINAL-RECEPTACLE				AR	
- 23	598041	• TERMINAL,QUICK DISCONNECT- 20/24AWG				AR	
- 24	97528	• CONNECTOR				AR	
- 25	2122636	• SOCKET-GUIDE,6-32 WITH NUT AND LCKW				AR	
- 26	597038	• FERRULE,ELECTRICAL CONDUCTOR- 8AWG				AR	
- 27	2227452	• FERROLE, COAX				AR	
- 28	2227453	• BUSHING, COAL CONNECTOR				AR	
- 28A	2227454	• SOCKET,COAX CONNECTOR				AR	
- 29	2178470	• SLEEVE,INSULATING 0.308 DIA X 0.75 LG				AR	
- 29A	2184183	• SLEEVE, INSULATING				AR	
- 30A	2178469	• FERRULE-SHIELDED WIRE 0.150 ID				AR	
- 31	2184182	• FERRULE-SHIELDED WIRE				AR	
- 32	2180666	• SPRING, RETENTION, COAX CONNECTOR				AR	
- 33	5352958	• STRAIN RELIEF				AR	
- 33A	5352960	• STRAIN RELIEF				AR	
- 34	2180796	• JACKSCREW, FIXED				AR	
- 35	725557	• PLUG, CONNECTOR, 3 CIRCUIT				AR	
- 36	815934	• CONNECTOR,DISCRETE WIRE 22-26 AWG				AR	
- 36A	5353851	• HOUSING-CONNECTOR RECEPTACLE, 3 POS				AR	
- 37	523269	• INSERT,ELECTRICAL CONNECTOR- 6 POS				AR	
- 38	2127855	• CONNECTOR,RECP,ELEC-MINI 75 FEMALE CONT				AR	
- 39	546013	• BLOCK- 32 POSITION CONNECTOR				AR	

## LIST 32 CONT

LIST AND INDEX NUMBER	PART NUMBER	DESCRIPTION	UNITS PER ASM.	USABLE ON CODE
		1 2 3 4 CABLE COMPONENT GROUP -CONT		
<b>32</b>				
- 40	2180672	• BLOCK, RECEPTACLE, 29 POSITION	AR	
- 41	5353869	• CONNECTOR BLOCK -STYLE B	AR	
- 42	5353867	• CONNECTOR BLOCK - STYLE A	AR	
- 43	5362306	• COVER, CONNECTOR BLOCK	AR	
- 44	2131750	• PLUG, MALE CONNECTOR	AR	
- 45	2180661	• RECEPTACLE,7 POSITION FEMALE	AR	
- 45A	2207269	• RECEPTACLE,8 POSITION FEMALE	AR	
- 46	5353896	• STRAIN RELIEF ASSEMBLY	AR	
- 47	5353858	• . BLOCK,STRAIN RELIEF	1	
- 48	NO NO.	• . NEOPRENE,25-114,0.23 X 1.5 LONG	1	
- 49	569879	• INSERT,ELEC CONNECTOR- 9 POSITION	AR	
- 50	2194054	• TERMINAL,COAXIAL SPLICE	AR	
- 51	NO NO.	• CABLE GROUP	AR	
- 52	2193973	• . BRACKET-RECEPTACLE	1	
- 53	740549	• . CONNECTOR-FEMALE,104 POS	1	
- 54	740617	• . PIN-GUIDE ASM	2	
- 55	62031	• . WASHER,LOCK-INT TEETH NO. 6 X 0.295 OD	2	
- 56	38051	• . NUT,PLAIN HEX 6-32 X 1/4 FL W	2	
- 57	170226	• . SCREW,ASMD WASHER- 6-32 X 1/2 LG	2	
- 58	257187	• . NUT,HEX 6-32 NC	2	
- 59	811482	• CROSSOVER ASM,BOARD TO BOARD	AR	
- 59A	811621	• CROSSOVER ASM,BOARD TO BUS TO BOARD	AR	
- 59B	811483	• CROSSOVER ASM,BUS TO BOARD	AR	
- 59C	5374112	• CROSSOVER ASM,BOARD TO BOARD	AR	
- 59D	5374110	• CROSSOVER ASM,BOARD TO BUS	AR	
- 59E	767674	• CROSSOVER ASM,BOARD TO BUS	AR	
- 59F	5374388	• CROSSOVER ASM,BOARD TO BUS	AR	
- 60	813801	• . HOUSING	AR	
- 61	811484	• . CONTACT ASM USED WITH 811482	4	
- 61	811496	• . CONTACT ASSEMBLY USED WITH 811621	4	
- 61	811495	• . CONTACT ASSEMBLY USED WITH 811483	2	
- 61	811485	• . CONTACT ASM USED WITH 811483	2	
- 61	5374114	• . CONTACT ASM USED WITH 5374112	4	
- 61	5374111	• . CONTACT ASM USED WITH 5374110	4	
- 61	767659	• . CONTACT ASM USED WITH 767647	4	
- 61	5374387	• . CROSSOVER ASM,BOARD TO BUS USED WITH 5374387	4	
- 62	813827	• . . BUS CONNECTOR	AR	
- 63	813681	• . . CONTACT, MINITURE BUS	AR	
- 64	813802	• . CAP	AR	
- 65	216076	• RECEPTACLE ASM,SINGLE CARD	AR	
- 66	216073	• . CARD RECEPTACLE- 1 POSITION	AR	
- 67	216088	• . SPRING-CONTACT	AR	
- 68	216087	• . SPRING-CONTACT	AR	
- 69	5362304	• CONNECTOR ASSEMBLY - HALF STYLE A	AR	
- 69A	5362305	• CONNECTOR ASSEMBLY - HALF STYLE B	AR	
- 70	5353867	• . CONNECTOR BLOCK - STYLE A USED WITH 5362304	1	
- 70	5353868	• . BLOCK,CONNECTOR-STYLE B USED WITH 5362305	1	
- 71	109918	• . SCREW,FLAT AD,SELF TAP,4-40 X 0.50 LG	2	
- 72	5404468	• . BRACKET ASSEMBLY USED WITH 5362304	2	
- 72	5353895	• . BRACKET ASSEMBLY USED WITH 5362305	2	
- 73	112628	• . SCREW,BIND HD,SELF TAP,4-40 X 3/8 LG	4	
- 74	5404467	• . . PAD,PRESSURE USED WITH 5362304	2	
- 74	5353894	• . . PAD-PRESSURE USED WITH 5362305	2	
- 75	5404466	• . . CLAMP,CABLE USED WITH 5362304	1	
- 75	5353899	• . . BRACKET USED WITH 5362305	1	
- 76	5362303	• . CONTACT AND PIN ASSEMBLY	48	
- 77	811727	• . . PIN-CONNECTOR	1	
- 78	5362301	• . . CONTACT,LARGE SERPENT	1	
- 79	5353902	• . . GUIDE-PIN	1	

END OF LIST 32

## NUMERICAL INDEX

PART NO.	LIST AND INDEX NO.	PART NO.	LIST AND INDEX NO.	PART NO.	LIST AND INDEX NO.
845	2 -117	10170-CONT	24 - 13	35229	1A- 20
	20 - 55		27 - 45	35739	6 - 32
2903	11 - 4		28 - 2		10 - 6
	12 - 4		28 - 3		28 - 2
	13 - 4	10295	9 - 48	36112	2 -244
	14 - 4	10610	22 - 17		20 - 24
	15 - 4		23 - 17	36776	28 - 11
	16 - 4	11598	1 -100		29 - 11
	18 - 4		2 -136	36844	25 - 12
3550	1A- 90		2 -156	37913	2 -121
	2 -247		11 - 51		2 -187
	2 -253		12 - 50		8 - 4
	16 - 368		13 - 51		11 - 45C
	20 - 26		14 - 57		13 - 45C
	20 - 29		15 - 57		14 - 35
	25 - 13		16 - 60		15 - 35
3960	1 - 19		17 - 16		16 - 31
	1 - 59		18 - 56		17 - 57
	2 - 42		19 - 7		22 - 7
	2 - 79		21 - 8		22 - 12
	2 -133		23 - 52		22 - 16
	2 -215	15887	1A-132		23 - 7
	2 -249	19852	9 - 50		23 - 12
	2 -255		9A- 50		23 - 16
	20 - 25	19944	22 - 48	38051	17 - 34
	20 - 28		23 - 76		32 - 56
	23 - 33		24 - 31	38235	2 -141
	24 - 17		27 - 31		11 - 10
	25 - 15	22478	1A-123		12 - 10
	25 - 22		1A-126		13 - 10
	25 - 28		17 - 38		14 - 10
	25 - 34	24091	2 -198		15 - 10
4636	1A- 19		2 -205		16 - 10
	1A- 57		2 -212		17 - 32
5528	22 - 8A		2 -218		18 - 10
	23 - 8A		2 -226		20 - 31
6364	5 - 38	25627	2 -107		21 - 12
	5 - 50		6 - 39		26 - 40
	5 - 60	28413	20 - 35	38351	5 - 11
	5 - 63		20 - 46		6 - 11
	5 - 66		20 - 70		7 - 11
	6 - 15		23 - 48		17 - 62
	6 - 29		24 - 45		28 - 12
	7 - 54		25 - 53		29 - 3
	10 - 7	32042	2 -110		29 - 12
6935	2 -248	32617	20 - 36	38352	29 - 2
	2 -254		21 - 4	38353	5 - 37
10170	2 - 60		23 - 49		5 - 49
	9 - 7		23 - 67	38354	17 - 20
	9A- 7	34512	1 - 87	38688	2 - 76
	9A- 87		1 - 90	45690	1 -109
	11 - 55		1A- 23		1A-115
	12 - 55		1A- 35		4 - 14
	13 - 32		1A- 58		17 - 14
	14 - 46		1A- 67	47242	19 - 3
	15 - 46		1A- 76	47987	1A-134
	16 - 47		1A-109	52578	19 - 4
	17 - 54		1A-120	55102	2 - 72
	17 - 55		2 - 55B	55726	11 - 25
	18 - 27		23 - 82		12 - 25

PART NO.	LIST AND INDEX NO.	PART NO.	LIST AND INDEX NO.	PART NO.	LIST AND INDEX NO.
55726-CONT	17 - 9	58207-CONT	4 - 15	113819-CONT	12 - 15
	17 - 47		4 - 19		12 - 40
	20 - 11		19 - 24		13 - 18
	24 - 58	59648	20 - 27		13 - 45
	24 - 73		23 - 31		14 - 15
	25 - 6		24 - 15		14 - 31
55901	26 - 12		24 - 48		15 - 15
	1A- 27		25 - 20		15 - 31
	1A- 71		25 - 27		16 - 38
	2 - 55C		25 - 32		18 - 18
	4 - 11	59649	2 - 78		18 - 39
	5 - 17	60646	2 -118	117281	9 - 51
	6 - 53		17 - 41		9A- 51
	7 - 17		27 - 18	118997	25 - 35
	19 - 25	61515	5 - 26	120211	19 - 12
	20 - 56		7 - 27	120789	5 - 23
	20 - 74	62031	5 - 12		6 - 22
	24 - 23		6 - 12		7 - 23
	25 - 57		17 - 10	124439	32 - 2
	25 - 65		17 - 33	124588	3 - 8
	28 - 10		17 - 51	124943	2 - 98
	29 - 10		17 - 63	126036	17 - 6
55918	30 - 3		21 - 38	127324	16 - 33
56079	2 -135		21 - 43	129147	2 -210
	2 - 6		24 - 27	129654	21 - 6
	2 - 25		26 - 19		26 - 31
	2 - 29		26 - 29	130434	2 - 85
	2 - 50D		26 - 57		19 - 16
	2 -111		26 - 65	130987	1 - 43
	2 -148		27 - 27		1 - 48
	5 - 34		32 - 55		1A- 49
	5 - 46B	65756	24 - 16		1A- 54
	5 - 54		24 - 49	131234	1 - 98
	6 - 48	72828	2 -108	138755	2 -178
	6 - 51	76574	2 - 77	138756	2 - 10
	7 - 57		2 -125		5 - 47
	7 - 57B		2 -197		6 - 61
	16 - 54A		2 -204		7 - 58
	19 - 13		2 -217	146749	1A-117
	19 - 17		2 -225	150909	2 -246
56121	17 - 17		3 - 33	159373	2 -165
	20 - 46A		16 - 36A		3 - 35
	20 - 71		23 - 32		3 - 50
	21 - 7		23 - 45		3 - 54
	24 - 46		23 - 70	160017	16 - 34
	25 - 54		25 - 14	161351	25 - 37
	26 - 32		25 - 18	170150	4 - 9
56722	2 - 45		25 - 21	170158	2 -120
	2 - 61		25 - 25		2 -186
	2 -139A		25 - 29		8 - 2
	2 -143		25 - 33	170159	3 - 39
	7 - 12	76846	1 - 47	170225	2 -114
	9 - 40		1A- 53	170226	32 - 57
	9A- 40	80651	21 - 35	179744	3 - 36
	10 - 15		21 - 45	180894	23 - 69
	11 - 56	80817	10 - 12	184090	4 - 5
	12 - 56	81693	1 - 21	186399	1A-133
	13 - 33		1 - 28	186759	1A-129
	14 - 47		1 - 54		2 -161
	15 - 47		1 - 67		20 - 73
	16 - 48		1A- 29		24 - 22
	17 - 26		1A- 73		25 - 56
	17 - 48		2 -138		28 - 9
	17 - 48B		17 - 50		29 - 9
	18 - 28		20 - 16	186959	32 - 6
	19 - 6		21 - 40	186960	32 - 6A
	22 - 32		26 - 63	186961	32 - 6B
	22 - 37		29 - 2	186962	32 - 6C
	22 - 45		30 - 2	186965	32 - 6D
	23 - 36	92784	32 - 1	186967	32 - 8
	23 - 41	93178	1 - 42	186968	32 - 2A
	23 - 73		1A- 48	187243	3 - 45
	24 - 41		32 - 24		32 - 16
	25 - 49	97528	2 - 82	187460	32 - 8A
	27 - 41	101706	6 - 31	187467	10 - 9
	28 - 4	104615	6 - 34	191480	17 - 1
	29 - 4	107668	32 - 71	205087	7 - 41
58207	1A-113	109918	32 - 73	205331	3 - 43
	1A-122	112628	11 - 15		5 - 4A
	1A-125	113819	11 - 41		6 - 5A

PART NO.	LIST AND INDEX NO.
205331-CONT	7 - 4A
210883	17 - 4
210884	17 - 5
210957	21 - 14
	26 - 36
210984	10 - 10
	11 - 27
	12 - 27
	13 - 28
	14 - 42
	15 - 42
	16 - 43
	17 - 2
	18 - 23
210990	11 - 26
	12 - 26
	13 - 27
	14 - 41
	15 - 41
	16 - 42
	18 - 22
216073	32 - 66
216076	11 - 43
	12 - 45
	13 - 36
	14 - 23
	15 - 23
	16 - 39
	17 - 30
	18 - 45
	32 - 65
	32 - 68
216087	32 - 67
216088	17 - 35
216206	2 - 164
216323	3 - 6
216443	16 - 35
217017	17 - 13
217019	17 - 21
219423	5 - 29
220764	6 - 24
	6 - 58
	7 - 31
222077	8 - 12
223781	1 - 18
	1 - 58
234329	2 - 47
236849	1A- 10
	1A- 89
	2 - 47
	6 - 47
237327	2 - 26
	2 - 127
237455	5 - 55
241886	28 - 5
	29 - 5
244571	2 - 75
250525	1 - 40
	1A- 46
251970	8 - 9
	22 - 2
	23 - 2
252207	2 - 24
	2 - 126
	2 - 127A
253220	5 - 70
	6 - 62
	7 - 75
253740	32 - 4
255939	2 - 41
255994	32 - 88
257186	26 - 56
257187	2 - 142
	6 - 33
	10 - 16
	17 - 25
	17 - 48C
	17 - 52
	17 - 64
	19 - 5

PART NO.	LIST AND INDEX NO.
257187-CONT	21 - 37
	21 - 42
	26 - 64
	28 - 17
	29 - 17
	32 - 58
257189	1 - 13
	1 - 25
	1 - 51
	1 - 64
	1A- 17B
	1A- 26
	1A- 62B
	1A- 70
	6 - 40
	17 - 42
	17 - 45
	20 - 57
	27 - 19
257284	19 - 23
	32 - 6E
257701	1 - 94
257985	8 - 3
	17 - 60
257986	1 - 104
	3 - 5
	17 - 28
	21 - 41
	22 - 46
	23 - 74
	24 - 42
	26 - 28
	26 - 66
	27 - 14
	27 - 42
301093	23 - 60
301768	11 - 24
	12 - 24
302088	3 - 41
	5 - 3
	6 - 4
	7 - 4
302089	3 - 40
	5 - 4
	6 - 3
	7 - 3
302090	3 - 38
	5 - 1
	6 - 1
	7 - 1
302131	3 - 42
	5 - 5
	6 - 5
	7 - 5
309065	23 - 55
	23 - 58
310411	6 - 35
313361	2 - 93
	2 - 96
	32 - 8C
316996	11 - 52
	12 - 51
	13 - 53
	14 - 58
	15 - 58
	16 - 62
	18 - 57
317004	8 - 13
317006	3 - 46
317052	17 - 68
317080	11 - 16
	12 - 16
	13 - 19
	14 - 16
	15 - 16
317145	24 - 76
317173	3 - 28
317181	20 - 63
317428	2 - 94
320167	3 - 45

PART NO.	LIST AND INDEX NO.
321483	22 - 21
	22 - 29
	22 - 49
	23 - 21
	23 - 29
	23 - 77
	24 - 32
	27 - 17
	27 - 32
322025	32 - 2G
322029	2 - 124
322065	10 - 6
	28 - 3
	28 - 15
	29 - 3
	29 - 15
322550	11 - 22
	12 - 22
	17 - 44
	17 - 48A
322551	22 - 31
	22 - 36
	23 - 35
	23 - 40
322555	7 - 53
322766	17 - 3
323838	26 - 21
327921	26 - 26
331982	16 - 2
332560	2 - 168
	9 - 58
	9A- 58
332620	11 - 32
	12 - 32
	13 - 24
	14 - 44
	15 - 44
	16 - 53
	18 - 30
332779	11 - 45D
	13 - 45D
	14 - 34
	15 - 34
	16 - 32
	2 - 80
333064	8 - 14
333202	4 - 18
333586	10 - 11
334910	32 - 2B
	10 - 11
334921	32 - 2C
	32 - 4A
334932	17 - 69
	18 - 17
	32 - 2D
334987	3 - 6
335012	3 - 46
339156	32 - 10
342250	5 - 15
	6 - 16
	7 - 15
353469	3 - 58
356136	7 - 42
356289	6 - 18
	7 - 19
356742	8 - 7
357433	24 - 12
	26 - 17
	27 - 12
357995	5 - 8
359695	11 - 14
	12 - 14
	13 - 17
	14 - 14
	15 - 14
	32 - 5
359959	18 - 19
360193	1 - 36
	1 - 72
	1A- 38

PART NO.	LIST AND INDEX NO.
360193-CONT	1A- 80
360244	17 - 43
360370	32 - 2E
360433	32 - 16A
361903	1A- 77
362915	2 - 91
363407	17 - 61
365323	5 - 72
	6 - 64
	7 - 77
	7 - 73
366602	32 - 7
368222	4 - 4
369207	2 - 9
369208	2 -181
369214	11 - 50
	12 - 49
	13 - 50
	14 - 56
	15 - 56
	16 - 59
	18 - 55
369613	3 - 59
369616	17 - 19
372085	17 - 30A
372688	2 - 87
375200	13 - 59
	14 - 61
375203	15 - 61
	16 - 28
375206	18 - 42
381741	27 - 8
418835	6 - 8
	7 - 8
438549	5 - 2
	6 - 2
438550	9 - 68
	9 - 74
	9A- 68
	9A- 74
438551	11 - 45B
	13 - 45B
	14 - 33
	15 - 33
	16 - 30
	22 - 25
	23 - 25
438554	22 - 6
	23 - 6
438563	30 - 17
438567	18 - 14
438568	22 - 44
	23 - 72
	24 - 40
	27 - 40
438570	11 - 19
	12 - 19
	13 - 14
	16 - 25
438571	14 - 18
	15 - 18
	16 - 18
	16 - 22
438572	30 - 6
438588	27 - 16
438593	11 - 2
	12 - 2
	13 - 2
	14 - 2
	15 - 2
	18 - 2
438598	17 - 37
438602	2 -154
441181	17 - 7
442958	17 - 40
442959	17 - 27
445304	17 - 46
450821	10 - 3
471901	1 - 46
	1A- 52

PART NO.	LIST AND INDEX NO.
472168	24 - 79
472187	5 - 71A
	6 - 65
	7 - 78
472639	2 - 97
473530	17 - 31
473536	11 - 49
	12 - 54
	13 - 49
	14 - 51
	15 - 51
	16 - 58
	18 - 50
473547	17 - 29A
473582	17 - 15
	17 - 22
473592	15 - 64
	16 - 15
	16 - 36
478043	16 - 36C
	17 - 18
478045	17 - 8
	17 - 49
479312	3 - 60
479319	3 - 48
479320	3 - 52
479986	2 -239
482195	3 - 13
	3 - 20
	3 - 22
	3 - 29
483111	17 - 58
483313	20 - 67
483551	17 - 59
491228	11 - 39
	12 - 39
	13 - 44
	14 - 30
	15 - 30
	16 - 37
	17 - 11
	18 - 38
492432	3 - 8
	3 - 51
492457	3 - 7
492615	24 - 38
	27 - 38
507144	17 - 39
507446	10 - 17
508137	1 -105
509968	3 - 44
510468	11 - 5
	11 - 8
	12 - 5
	12 - 8
	13 - 5
	13 - 8
	14 - 5
	14 - 8
	15 - 5
	15 - 8
	16 - 5
	16 - 8
	18 - 5
	18 - 8
511553	6 - 23
512074	17 - 36
512663	4 - 1
	5 - 6
	6 - 6
	7 - 6
513668	1A- 59
	1A-128
513669	1A- 16
	1A- 61
515620	26 - 23
520410	3 - 44
523267	32 - 11
523269	32 - 37
524176	5 - 61

PART NO.	LIST AND INDEX NO.
524177	5 - 64
528011	2 - 65
528012	2 - 64
528013	2 - 62
528014	2 - 63
529691	15 - 63
	16 - 14
532167	3 - 32
	3 - 66
532331	2 -183
535292	5 - 58
	17 - 53
546013	32 - 39
569879	32 - 49
597038	1 -111
	32 - 26
597066	1 -113
597436	20 - 61
598041	32 - 23
598479	17 - 12
600844	32 - 15
600960	16 - 3
602721	16 - 54
603152	32 - 9
609549	1 - 20
	1 - 27
	1 - 53
	1 - 66
	1A- 28
	1A- 72
609551	1 - 12
	1 - 24
	1 - 50
	1 - 63
	1A- 25
	1A- 69
609678	3 - 63
609687	32 - 14
627823	2 -139
	5 - 14
	5 - 30A
	5 - 42
	5 - 76
	6 - 14
	6 - 28
	6 - 67
	6 - 71
	7 - 14
	7 - 25
	7 - 46
	7 - 80
634403	5 - 28A
	6 - 26A
	7 - 30A
719551	3 - 61
	3 - 64
725557	32 - 35
725558	10 - 1
725570	3 - 52
730432	2 - 45A
	5 - 24
	7 - 28
	17 - 65
730483	16 - 1
731626	1A- 17
	1A- 60
	1A- 62
	1A-129
	25 - 4
731629	11 - 12
	12 - 12
	13 - 12
	14 - 12
	15 - 12
	16 - 12
	18 - 12
	23 - 62
731630	1A- 99
734483	11 - 37
	12 - 37

PART NO.	LIST AND INDEX NO.
734483-CONT	13 - 40
	14 - 27
	15 - 27
	18 - 33
	18 - 36
	20 - 38
	20 - 42
	20 - 51
	21 - 2
	21 - 17
	21 - 20
	21 - 25
	21 - 30
	23 - 64
	25 - 48
	25 - 60
	25 - 67
	26 - 18
	26 - 27
	26 - 44
	26 - 53
	26 - 61
738826	2 - 163
	3 - 48
740490	2 - 159
740493	2 - 89
740501	2 - 33
	2 - 88
	2 - 90
	2 - 180
740503	2 - 160
740549	32 - 53
740608	2 - 160
740617	32 - 54
742454	22 - 43
	23 - 71
	24 - 39
	27 - 39
	30 - REF
742460	22 - 51
	23 - 79
	24 - 34
742461	27 - 34
	22 - 50
	23 - 78
	24 - 33
	27 - 33
742466	22 - 52
	23 - 80
	24 - 35
	27 - 35
742471	30 - 10
742478	30 - 15
742479	30 - 5
742484	30 - 22
742486	30 - 16
742510	20 - 47
	21 - 18
742513	21 - 34
	26 - 52
742515	21 - 44
	26 - 60
742519	21 - 11
	26 - 39
742520	21 - 33
742526	28 - 1
	29 - 1
742531	22 - 5
	22 - 10
	23 - 5
	23 - 10
742532	22 - 1
	23 - 1
742533	22 - 22
	22 - 26
	23 - 22
	23 - 26
742534	22 - 3
	23 - 3
	24 - 28

PART NO.	LIST AND INDEX NO.
742534-CONT	24 - 74
	25 - 61
	25 - 68
	26 - 20
	26 - 25
	26 - 42
	27 - 20
	27 - 23
	27 - 28
742541	22 - 15
	23 - 15
742542	22 - 14
	23 - 14
742543	22 - 13
	23 - 13
742546	22 - 18
	23 - 18
742547	22 - 40
	23 - 46
742549	22 - 4
	23 - 4
742552	22 - 33
	22 - 38
	23 - 37
	23 - 42
742553	22 - 23
	22 - 27
	23 - 23
742554	23 - 27
742556	23 - 44
742566	20 - 41
742567	20 - 44
742574	20 - 15
742575	20 - 18
742576	20 - 17
742578	20 - 40
742580	20 - 37
742582	20 - 72
	24 - 21
	25 - 55
	28 - 8
	29 - 8
742588	23 - 53
	23 - 54
742593	23 - 68
742595	23 - 50
742599	22 - 9
	23 - 9
742611	28 - 1
	29 - 1
742612	29 - 13
742614	30 - 9
742615	30 - 13
742616	30 - 12
742627	20 - 21
	25 - 1B
742628	20 - 19
	25 - 1
742633	20 - 43
742634	20 - 39
742635	30 - 11
742640	30 - 1
742641	29 - 18
742642	20 - 48
742643	20 - 45
742648	30 - 18
742649	30 - 21
760731	5 - 35
	5 - 51
761345	2 - 34
	9 - 20
	9A - 20
	24 - 68
767601	25 - 40
767616	24 - 5
	27 - 5
767624	26 - 33
767626	27 - 22
767627	27 - 15
767629	24 - 25

PART NO.	LIST AND INDEX NO.
767629-CONT	27 - 25
767630	27 - 24
767631	27 - 21
767632	24 - 29
	27 - 29
767638	24 - 78
767639	24 - 37
	27 - 37
767644	25 - 16
	25 - 23
767653	24 - 11
767659	32 - 61
767674	24 - 75
	32 - 59E
767682	32 - 8D
767683	32 - 8E
767746	24 - 47
767748	24 - 65A
767749	24 - 65
767759	25 - 10
	26 - REF
767761	26 - 46
768212	24 - 3
	27 - 3
768248	25 - 16
	25 - 23
	27 - REF
	27 - REF
768310	26 - 51
768312	27 - 6
801391	21 - 36
	26 - 55
801451	3 - 4
	3 - 11
801591	17 - 29
806715	32 - 2F
811066	9A - 76
	9A - 78
	9A - 80
811363	26 - 15
811417	9 - 29
	9A - 29
	21 - 22
	21 - 27
	24 - 64
	26 - 47
811423	9A - 35
811426	9A - 33
	20 - 7
	20 - 9
	24 - 56
	24 - 62
	26 - 7
	26 - 9
811427	9 - 66
	9A - 66
811441	9 - 8
	9A - 8
	20 - 12
	24 - 59
	26 - 13
811442	9 - 25A
	9A - 25A
	21 - 32
	26 - 10
811474	21 - 13
	26 - 35
811476	9 - 47
	9A - 47
811481	9 - 95
	9A - 95
	26 - 38
811482	9 - 82
	9A - 82
	32 - 59
811483	21 - 31B
	26 - 58
	32 - 59B
811484	32 - 61
811485	32 - 61

PART NO.	LIST AND INDEX NO.	PART NO.	LIST AND INDEX NO.	PART NO.	LIST AND INDEX NO.
811495	32 - 61	815125	21 - 31C	2101376	2 - 50A
811496	32 - 61	815151	21 - 15	2101657	32 - 6F
811530	9 - 46	815167	2 - 174	2102366	5 - 68
	9A- 46		9 - 64	2109037	3 - 15
811534	9A- 89		9A- 64	2109754	5 - 25
811536	9A- 48	815217	2 - 173		7 - 26
811541	9 - 67		9 - 63	2111210	8 - 6
	9A- 67		9A- 63	2111680	1A- 41
811542	9 - 73	815219	2 - 171		1A- 86
	9A- 73		9 - 61	2114531	32 - 19
811553	9A- 34		9A- 61	2114597	4 - 20
811554	9A- 32	815220	2 - 170	2122258	32 - 20
811555	9A- 88		9 - 60	2122259	32 - 21
811556	9A- 86		9A- 60	2122260	32 - 20A
811621	9 - 44	815224	2 - 167	2122261	32 - 21A
	9A- 44		9 - 57	2122636	2 - 113
	32 - 59A		9A- 57		32 - 25
811727	32 - 77	815263	9 - 4	2123478	32 - 19A
811742	9 - 14		9A- 4	2125656	2 - 211
	9A- 14		20 - 4	2125733	1A- 12
811802	9 - 93		24 - 53	2125898	10 - 14
	9A- 93		26 - 4	2125899	10 - 13
811804	9 - 94	815934	32 - 36	2125963	1 - 14
	26 - 16	815944	9 - 34		1 - 26
811850	20 - 8	815945	9 - 35		1 - 52
	24 - 61	815946	9 - 32		1 - 65
811851	20 - 6	815963	9 - 3		1 - 83
	24 - 55		9A- 3		1 - 88
811852	26 - 8		20 - 2		1 - 91
811853	26 - 6		24 - 51		1A- 95
811858	9 - 12		26 - 2	2125974	1 - 17
	9A- 12	815964	9 - 2		1 - 57
811859	9 - 10		9A- 2		1 - 101
	9A- 10		20 - 3		2 - 23
811864	20 - 5		24 - 52		2 - 50C
	24 - 54		26 - 3		2 - 53
811865	20 - 1	816649	2 - 172		2 - 83
	24 - 50		9 - 59		2 - 86
811866	26 - 5		9A- 59		2 - 151
811867	26 - 1	824637	1 - 93		2 - 155
811869	24 - 60	825394	1 - 95		9 - 85
811872	9 - 5	825464	1 - 110		9A- 85
	9A- 5	825690	1 - 33		19 - 10
811873	9 - 1		1 - 69	2127855	32 - 38
	9A- 1	825843	1 - 84	2127867	32 - 20B
811880	20 - 13		1A- 96	2127890	32 - 21B
811881	9 - 6	826197	1 - 92	2128529	2 - 74
	9A- 6	826893	1 - 29	2128556	2 - 3
	20 - 10		1 - 73	2129550	9 - 15A
	24 - 57		1A- 30		9A- 15A
	26 - 11		1A- 81	2130334	5 - 39
811896	9 - 9	827018	1 - 96	2130337	7 - 52
	9A- 9	827046	1 - 97	2131516	2 - 20
	26 - 14	837969	1 - 107		4 - 21
813179	9 - 28	845762	2 - 11		7 - 49
	9A- 28	1077722	24 - 66	2131750	32 - 44
	21 - 23	1090873	2 - 162	2145026	2 - 36
	21 - 28	1091220	28 - 16		9 - 22
	24 - 4		29 - 16		9A- 22
	24 - 63	1092125	1A- 111		24 - 71
	26 - 48		1A- 116	2145165	1 - 85
	27 - 4	1108505	25 - 43		1A- 97
813197	24 - 19		25 - 50	2145170	10 - 2
813321	2 - 169	1115657	10 - 8		32 - 14A
	9 - 62	1115735	5 - 57	2152838	2 - 37
	9A- 62		5 - 59		9 - 23
813519	9 - 66A		5 - 62		9A- 23
	9A- 66A		5 - 65		24 - 70
	25 - 8	1134451	15 - 62	2152841	2 - 35
813678	1 - 31		16 - 13		9 - 21
	1 - 75	1135998	1 - 3		9A- 21
	1A- 32		1 - 7		24 - 69
	1A- 83		1A- 3	2157342	2 - 237
813681	32 - 63		1A- 7	2158688	32 - 13
813706	2 - 175	1141097	30 - 19	2158694	5 - 41
813801	32 - 60	1177491	24 - 8		6 - 66
813802	32 - 64	2092572	6 - 36		7 - 45
813827	32 - 62		7 - 70	2158722	7 - 65
815039	9 - 17	2101326	32 - 3	2159711	2 - 30
	9A- 17	2101327	32 - 3A	2162666	1 - 45



PART NO.	LIST AND INDEX NO.	PART NO.	LIST AND INDEX NO.	PART NO.	LIST AND INDEX NO.
2162666-CONT	1A- 51	2181004-CONT	6 - 50	2184125	3 - 10
2162799	2 - 95		6 - 60	2184126	3 - 9
2162806	2 - 92		6 - 69	2184127	3 - 3
2172092	2 - 59		7 - 21	2184130	9 - 45
2172166	10 - 4		7 - 30		9A- 45
2173221	5 - 27		7 - 38	2184138	3 - 21
	6 - 25		7 - 40	2184141	3 - 19
	7 - 29		7 - 48	2184144	3 - 12
2178469	32 - 30A		7 - 51	2184145	2 -157
2178470	32 - 29		7 - 56	2184153	3 - 47
2180661	2 -188		7 - 57A	2184164	2 - 73
	32 - 45		7 - 68	2184177	1 - 23
2180666	32 - 32		9 - 65		1A- 24
2180671	32 - 17		9 - 84		1A- 68
2180672	32 - 40		9A- 65	2184181	2 - 54
2180796	32 - 34		9A- 84		2 - 55A
2181001	2 -177		19 - 2	2184182	32 - 31
	4 - 17		19 - 9	2184183	32 - 29A
2181002	13 - 56	2181005	2 - 49	2184184	9 - 43
	14 - 53		7 - 72		9A- 43
	15 - 53		9 - 11	2184215	1 - 23
	16 - 64		9 - 13		1A- 24
	18 - 52		9 - 15		1A- 68
2181003	24 - 26		9 - 33	2184217	1 - 23
	27 - 26		9 - 39		1A- 24
2181004	1 - 16		9A- 11		1A- 68
	1 - 35		9A- 13	2184232	4 - 8
	1 - 38		9A- 15		31 - 16
	1 - 56		9A- 39	2184249	31 - 16
	1 - 61	2181007	5 - 71	2184579	2 -157
	1 - 71		5 - 74	2191701	31 - 1
	1 - 77		6 - 57	2191702	31 - 16
	1 - 80		7 - 44	2191704	31 - 9
	1 -108		7 - 76	2191705	31 - 16
	1A- 37	2181008	25 - 64	2191707	31 - 6
	1A- 40	2181011	6 - 55	2191708	31 - 6
	1A- 44		6 - 63	2191709	31 - 14
	1A- 64		7 - 36	2191710	31 - 6
	1A- 79	2181012	7 - 34	2191718	2 -119
	1A- 85	2181071	24 - 2		31 - 8
	1A- 92		24 - 77	2191719	31 - 13
	2 - 2		27 - 2	2191720	2 - 4
	2 - 5	2181199	2 -115		5 -REF
	2 - 8	2181292	2 -115	2191721	5 - 31
	2 - 22	2181293	2 -116	2191727	2 - 4
	2 - 28	2184027	1A- 55		7 -REF
	2 - 31	2184028	1A- 13	2191728	7 - 32
	2 - 40	2184029	1A-114	2191730	7 - 39
	2 - 50B	2184030	1A-112	2191735	7 - 67
	2 - 52	2184033	1A-110	2191736	1 - 34
	2 - 55E	2184034	1A-108		1 - 70
	2 - 57	2184035	1 - 60		1A- 36
	2 - 67		1A- 63		1A- 78
	2 - 85	2184048	5 - 43	2191737	5 - 22
	2 -100		7 - 47		6 - 21
	2 -114	2184052	2 -119		7 - 22
	2 -129		31 - 13	2191740	7 - 64
	2 -131	2184065	5 - 13	2191741	5 - 10
	2 -147		6 - 13		31 - 2
	2 -150		7 - 13	2191742	7 - 10
	2 -195	2184084	2 - 1		31 - 2
	2 -202		19 -REF	2191743	3 - 55
	2 -209	2184085	19 - 21		31 - 11
	2 -223	2184093	7 - 55	2191744	5 - 7
	2 -233	2184095	5 - 56		7 - 7
	2 -235		7 - 71		31 - 2
	2 -243	2184096	5 - 30	2191746	4 - 22
	4 - 3		5 - 75	2191747	2 -103
	4 - 6		6 - 27	2191751	1A- 21
	4 - 13		6 - 70		1A- 65
	5 - 21		7 - 24	2191752	1A- 21
	5 - 28		7 - 79		1A- 65
	5 - 33	2184099	19 - 1	2191755	2 - 46
	5 - 40	2184104	9 - 90		3 -REF
	5 - 44		9A- 90	2191756	2 -146
	5 - 46	2184118	3 - 57		4 -REF
	5 - 46A	2184119	2 - 43	2191763	1 -REF
	5 - 53	2184121	3 - 17		1A-REF
	6 - 20	2184122	3 - 18	2191770	1 - 78
	6 - 26	2184123	3 - 2	2191774	2 - 1

PART NO.	LIST AND INDEX NO.	PART NO.	LIST AND INDEX NO.	PART NO.	LIST AND INDEX NO.
2191774-CONT	19 -REF	2191899	5 - 20	2194099	2 - 7
2191781	9 - 91		6 - 19	2194932	2 - 21
	9A- 91		7 - 20		2 -123
2191782	10 -REF	2193660	2 -229	2207269	2 -189
	9 - 91	2193671	9 - 41		32 - 45A
	9A- 91		9A- 41	2210694	9 - 77
2191783	10 -REF	2193672	9 - 42	2210695	9 - 76
	10 - 18		9A- 42	2210696	9 - 79
2191784	2 -232	2193908	2 - 66	2210697	9 - 78
2191785	2 - 50	2193909	2 - 39	2210698	9 - 81
	9A-REF	2193928	2 - 56	2210699	9 - 80
2191786	1 - 41	2193929	2 - 51	2210700	9 - 27
	1A- 47		9A- 83	2210701	9 - 26
2191787	1 - 44	2193930	9A- 81	2210702	9 - 31
	1A- 50	2193931	9A- 80	2210703	9 - 30
2191788	2 -234	2193932	2 - 81	2210704	9 - 37
2191789	1 - 76	2193933	2 - 84	2210705	9 - 36
	1A- 88	2193935	2 -130	2210706	9 - 70
2191798	9A- 27	2193936	2 -132	2210707	9 - 69
2191799	9A- 26	2193939	1A-118	2210708	9 - 56
2191800	9A- 31	2193941	31 - 4	2210709	9 - 55
2191801	9A- 30	2193942	31 - 14	2210710	9 - 54
2191802	9A- 37	2193945	3 - 62	2210711	9 - 53
2191803	9A- 36	2193949	2 -157	2210720	9 - 70
2191804	9A- 70	2193970	3 - 37	2210721	9 - 69
2191805	9A- 69	2193971	2 - 19	2210722	9 - 56
2191806	9A- 56	2193973	32 - 52	2210723	9 - 55
2191807	9A- 55	2193976	8 - 10	2210724	9 - 54
2191808	9A- 54	2193980	31 - 10	2210725	9 - 53
2191809	9A- 53	2193982	5 - 32	2210726	9 - 79
2191812	9 - 75		5 - 52	2210727	9 - 78
	9A- 75	2193983	2 - 7	2210728	9 - 53
2191813	1A- 18	2193984	2 - 7	2210853	3 - 55
	1A- 56	2193987	9A- 78		31 - 11
2191816	4 - 2	2193988	9A- 54	2210854	3 - 57
2191817	9 - 49		9A- 79	2210855	2 - 46
	9A- 49	2193989	9A- 53		3 -REF
2191832	2 -105	2193990	9A- 81	2210856	9 - 24A
2191833	2 -137	2193991	9A- 80		9A- 24A
2191834	2 -140	2193992	9A- 27		31 - 5
2191835	1A- 21	2193993	9A- 26	2210861	2 -REF
	1A- 65	2193994	9A- 31	2210862	31 -REF
2191836	1A- 33	2193995	9A- 30	2210868	2 -185
	1A- 74	2193996	9A- 37		31 - 12
2191837	1A- 33	2193997	9A- 36	2210870	2 - 4
	1A- 74	2193998	9A- 70		6 -REF
2191838	1A- 33	2193999	9A- 69	2210879	6 - 10
	1A- 74	2194002	9 - 25		31 - 2
2191841	9 - 38		9A- 25	2210881	2 -250
	9A- 38	2194003	9 - 24		25 -REF
2191842	9 - 52		9A- 24	2210882	6 - 7
	9A- 52	2194004	9 - 19		31 - 2
2191843	9 - 71		9A- 19	2210884	2 - 7
	9A- 71	2194007	2 - 38	2210885	2 - 50
2191845	1A- 22	2194008	2 - 32		9 -REF
	1A- 34	2194015	2 - 51	2210888	6 - 68
	1A- 66	2194016	31 - 3	2210889	6 - 30
	1A- 75	2194019	1 - 2	2210901	2 -250
2191846	2 -139B		1 - 6		25 -REF
	7 - 2		1A- 2	2210904	2 - 19
	27 - 13		1A- 6	2210905	2 -221
2191847	1A- 33	2194021	2 -112		24 -REF
	1A- 74		31 - 14	2210906	2 -221
2191848	1A- 21	2194024	2 -128		24 -REF
	1A- 65	2194029	2 - 48	2210938	5 - 77
2191855	2 -230	2194054	32 - 50		6 - 72
2191859	1 - 1	2194055	3 - 1		7 - 81
	1A- 5	2194057	1A- 9	2210942	5 - 67
2191860	1 - 5	2194071	8 - 11		31 - 3
	1A- 1	2194072	8 - 15	2210943	4 - 16
2191867	4 - 12	2194073	8 - 7A	2211402	2 -109
2191869	5 - 45	2194074	8 - 1	2211403	2 -140
	6 - 59		31 - 15	2211404	2 - 55D
	7 - 50	2194075	8 - 8	2211405	2 - 18
2191879	2 -134	2194076	31 - 13	2211482	2 -157
2191881	2 -134	2194077	2 - 42A	2211484	2 -157
2191882	2 -134		8 -REF	2211486	2 -157
2191883	2 - 99	2194088	1A- 11	2211488	2 -157
2191884	2 -145	2194096	2 -201	2211490	2 -152
2191898	5 - 18	2194097	2 -208	2211491	2 -153

PART NO.	LIST AND INDEX NO.	PART NO.	LIST AND INDEX NO.	PART NO.	LIST AND INDEX NO.
2211492	2 - 149	2227539	1A- 55	4116917	7 - 37
2211494	2 - 51	2227540	1A- 13	4116944	6 - 38
	9 - 83	2227543	2 -231	4116961	6 - 49
2211495	2 - 7	2227544	2 -240	4117820	6 - 56
2211736	3 - 47	2227545	2 -199		7 - 43
2211737	3 - 56		2 -206	4120171	28 - 7
	31 - 11		2 -213		29 - 7
2211738	9 - 72	2227546	2 -219	4120172	19 - 28
	9A- 72		2 -227	4120211	10 - 5
2211740	3 - 65	2227550	1 - 39	4120218	19 - 22
2211839	2 - 19		1A- 45	4121259	6 - 41
2211922	9 - 30	2227551	1 - 37		7 - 59
2218822	1 - 99		1A- 43	4121369	7 - 33
2218824	1 - 99	2227552	1 - 81	4210100	6 - 17
2218848	1 -102		1A- 93		7 - 18
2218849	1 -102	2227553	1 - 81	5051235	6 - 54
2218860	1 -103		1A- 93		7 - 35
2218861	1 -106	2227554	1 - 79	5213815	5 - 48
2218869	2 - 27		1A- 91	5214365	18 - 20
2218888	2 - 56	2227555	1A- 98	5214367	15 - 20
2218908	3 - 34	2227556	1 - 22		16 - 20
2218924	2 -256		1 - 62	5214368	13 - 20
2218925	2 -245	2227557	1 - 22		14 - 20
	2 -252		1 - 62	5214543	18 - 9
2218926	2 -242	2227558	1 - 22	5214544	11 - 9
2227040	9A- 77		1 - 62		12 - 9
2227041	9A- 76	2227559	1 - 22	5214548	13 - 9
2227044	9A- 80		1 - 62		15 - 9
2227046	9A- 26	2227560	1 - 32	5214552	14 - 9
2227050	9A- 36		1 - 68	5214553	16 - 9
2227054	9A- 55	2227561	1 - 32	5214556	11 - 28
	9A- 55		1 - 68		12 - 28
2227172	9A- 80	2227562	1 - 32		13 - 29
2227174	9A- 26		1 - 68		14 - 38
2227176	9A- 36	2227563	1 - 32		15 - 38
2227249	31 - 6		1 - 68		16 - 44
2227252	2 -192	2227564	1A- 42		18 - 24
2227253	2 -179		1A- 87	5239402	2 - 12
2227254	2 -185	2227592	9A- 55		13 -REF
	31 - 12	2227594	9A- 55	5239403	2 - 13
2227255	2 -176	2227596	1A- 16		14 -REF
2227256	2 -184		1A- 61	5239409	2 - 14
2227257	2 -182	2262250	9A- 78		15 -REF
2227261	2 -176	2262252	9A- 69	5239411	2 - 15
2227446	2 -200	2262254	9A- 55		16 -REF
	2 -207	2262256	9A- 53	5239418	2 - 17A
	2 -228	2262264	9A- 69		11 -REF
2227447	2 -214	2262266	9A- 55	5239420	2 - 12
	2 -220	2262273	2 -250		13 -REF
2227449	2 -194		25 -REF	5239421	2 - 13
2227451	9 - 76	2262274	2 -250		14 -REF
	9 - 80		25 -REF	5239427	2 - 14
2227452	32 - 27	2262275	2 -221		15 -REF
2227453	32 - 28		24 -REF	5239429	2 - 15
2227454	32 - 28A	2262276	2 -221		16 -REF
2227491	2 - 50		24 -REF	5253902	17 - 56
	9A-REF	2262280	9A- 53	5261000	2 - 17A
2227492	31 - 7	2262282	3 - 65		12 -REF
2227503	2 -222	2414895	30 - 20	5261067	11 - 17
2227504	2 -236	2414896	30 - 4		12 - 17
	2 -251	4033171	25 - 36		13 - 21
2227507	1 - 49	4040054	6 - 46		16 - 27
2227508	1 - 11	4056150	2 -238	5261089	11 - 21
2227509	1 - 89	4056252	6 - 45		12 - 21
2227510	1 - 86	4061353	7 - 61		13 - 22
2227511	1 -107	4064448	6 - 43		14 - 21
2227512	1A- 39		7 - 62	5261098	13 - 1
	1A- 84	4064449	6 - 44		14 - 1
2227513	5 - 19		7 - 63		15 - 1
2227516	1 - 15	4103595	1A-127	5261100	2 - 16
	1 - 55	4103596	1A-121		18 -REF
2227518	3 - 21	4103598	1A-119	5261117	18 - 1
2227520	3 - 19	4103890	10 - 4	5261119	11 - 1
2227522	3 - 12	4105570	1A-124		12 - 1
2227524	3 - 31	4116483	14 - 43	5261128	15 - 21
2227525	3 - 30	4116484	15 - 43	5261129	18 - 21
2227526	3 - 28A	4116485	16 - 52	5261139	18 - 16
2227528	2 - 13A	4116492	11 - 31	5261165	11 - 30
2227530	31 - 9	4116496	13 - 23		12 - 30
2227531	31 - 10	4116498	18 - 29		13 - 30

PART NO.	LIST AND INDEX NO.	PART NO.	LIST AND INDEX NO.	PART NO.	LIST AND INDEX NO.
5261165-CONT	14 - 39	5349854-CONT	25 - 1A	5353854-CONT	28 - 6
	15 - 39	5350006	2 - 44		29 - 6
	16 - 45		5 - 9	5353858	32 - 47
	18 - 25		6 - 9	5353859	32 - 48
5261167	11 - 29		7 - 9	5353867	32 - 42
	12 - 29		7 - 66		32 - 70
	13 - 31	5350092	2 -196	5353868	32 - 70
	14 - 40		2 -203	5353869	32 - 41
	15 - 40		2 -216	5353877	10 - 5
	16 - 46		2 -224	5353879	20 - 22
	18 - 26	5351177	32 - 22	5353883	3 - 27
5261700	2 - 16	5351623	20 - 52	5353887	3 - 26
	18 -REF	5351624	20 - 54		3 - 67
5261899	16 - 16	5351625	20 - 53	5353889	3 - 27
5261935	11 - 13	5351626	20 - 60		3 - 27B
	12 - 13		20 - 66	5353890	3 - 27
	13 - 16	5352251	22 - 11	5353894	32 - 74
	14 - 13		23 - 11	5353895	32 - 72
	15 - 13	5352252	2 -241	5353896	32 - 46
5270517	17 - 24		23 -REF	5353899	32 - 75
5271288	2 -122	5352253	21 - 10	5353902	32 - 79
	8 - 5	5352254	21 - 5	5356580	9 - 16
5271638	1 -112	5352255	21 - 9		9A- 16
5319854	1 - 82	5352257	23 - 66	5357051	19 - 8
	1A- 94	5352258	21 - 3	5357063	19 - 15
	2 - 42B	5352260	23 - 63	5357066	19 - 14
	2 - 55	5352261	23 - 61	5357067	19 - 19A
	2 -104	5352270	23 - 30	5357068	19 - 11
	2 -106	5352282	23 - 39	5357069	19 - 20
	2 -158	5352283	23 - 34	5357090	28 - 7
	4 - 10	5352294	20 - 69		29 - 7
	5 - 16		29 -REF	5362301	32 - 18
	5 - 69	5352295	20 - 69		32 - 78
	6 - 52		29 -REF	5362302	32 - 18A
	7 - 16	5352467	22 - 47	5362303	32 - 76
	9 - 92		23 - 75	5362304	2 -144
	9A- 92		24 - 30		32 - 69
5319888	1 - 30		27 - 30	5362305	2 -144
	1 - 74	5352469	2 -229A		32 - 69A
	1A- 31		20 -REF	5362306	32 - 43
	1A- 82	5352471	20 - 49	5364226	26 - 37
	2 - 58		21 -REF	5371671	2 -159
	6 - 42	5352472	20 - 23	5372858	1A- 17
	7 - 60		22 -REF		1A- 62
	5 - 73	5352473	20 - 68	5373223	9 - 18
5337062	22 - 35	5352474	20 - 58		9A- 18
5348976	22 - 30	5352475	22 - 19	5374096	27 - 47
5348978	25 - 2		23 - 19	5374097	27 - 46
5349253	23 - 57	5352476	20 - 59	5374098	27 - 44
5349529	23 - 59	5352477	20 - 65	5374105	24 - 47
5349530	23 - 51	5352479	20 - 50	5374106	24 - 81
5349531	23 - 56	5352743	26 - 50	5374110	24 - 75
5349532	20 - 14	5352745	26 - 30		32 - 59D
5349534	24 - 20	5352753	26 - 43	5374111	32 - 61
	25 - 58	5352762	25 - 19	5374112	24 - 18
5349535	26 - 43		25 - 31		32 - 59C
5349547	22 - 28	5352768	25 - 17	5374114	32 - 61
	23 - 28		25 - 24	5374115	24 - 72
5349548	22 - 8	5352772	25 - 59		25 - 5
	23 - 8	5352773	25 - 62	5374120	24 - 14
5349551	30 - 7	5352774	25 - 66	5374128	25 - 10
5349552	22 - 24	5352775	25 - 69		26 -REF
	23 - 24	5352780	26 - 43	5374129	24 - 80
5349553	22 - 20	5352781	25 - 63	5374133	26 - 46
	23 - 20	5352784	26 - 43	5374270	21 - 26A
5349561	24 - 43	5352787	26 - 43	5374271	21 - 26
	27 - 43	5352798	27 - 3	5374272	21 - 21A
5349568	22 - 34	5352800	24 - 9	5374273	21 - 21
	23 - 38		27 - 9	5374337	24 - 1
5349569	22 - 39	5352958	32 - 33		27 - 1
	23 - 43	5352960	32 - 33A	5374339	21 - 39
5349587	20 - 34	5353301	2 -257		26 - 62
	23 - 47	5353851	32 - 36A	5374340	21 - 31
5349592	20 - 64	5353852	32 - 12	5374341	26 - 54
5349594	30 - 14	5353853	19 - 18	5374342	21 - 1
5349595	30 - 8		19 - 26	5374343	21 - 19
5349597	20 - 33		28 - 14	5374344	21 - 16
5349598	20 - 30		29 - 14	5374345	21 - 29
5349599	20 - 32	5353854	19 - 19	5374346	21 - 24
5349854	20 - 20		19 - 27	5374347	20 - 62

PART NO.	LIST AND INDEX NO.
5374367	28 - 18
5374369	21 - 31A
	28 - 13
5374370	24 - 44
	25 - 52
	28 -REF
5374371	24 - 44
	25 - 52
	28 -REF
5374378	26 - 59
5374379	26 - 22
5374381	26 - 24
5374387	32 - 61
5374388	25 - 9
	25 - 30
	32 - 59F
5374394	23 - 81
5374396	26 - 41
5374659	25 - 9A
5374661	25 - 30A
5374669	24 - 10
	27 - 10
5374670	24 - 7
	27 - 7
5374689	13 - 57
	14 - 54
	15 - 54
	16 - 65
	18 - 53
5375720	24 - 65A
5375721	24 - 65
5375725	26 - 45
5375737	25 - 44
5375739	25 - 51
5375743	25 - 42
5375744	25 - 47
5375747	25 - 41
5375750	25 - 26
5375751	25 - 11
5375753	25 - 38
	25 - 39
5375754	24 - 67
	25 - 7
5375755	25 - 3
5397868	1 - 4
	1 - 8
	1A- 4
	1A- 8
5404466	32 - 75
5404467	32 - 74
5404468	32 - 72
5407563	1A-130
5407564	1A-135
5407566	1A-136
5407568	1A-128
5418113	1A- 17A
	1A- 62A
5418181	1A-131
5440629	3 - 27A
	3 - 68
5466372	4 - 7
5709420	2 - 17
	17 -REF
5709424	17 - 66
5712309	11 - 34
	12 - 34
	13 - 34
	14 - 36
	15 - 36
	16 - 49
	18 - 40
5719453	5 - 36
5761706	17 - 23
5761723	12 - 31
5761725	13 - 23
5761726	14 - 43
5761729	15 - 43
5761734	16 - 52
5761747	18 - 29
5761758	11 - 57

PART NO.	LIST AND INDEX NO.
5761758-CONT	12 - 57
5761759	11 - 47
	12 - 47
5761763	18 - 60
5761764	18 - 47
5761765	13 - 60
5761766	13 - 46
5761767	14 - 62
	15 - 65
5761768	14 - 48
	15 - 48
5761774	16 - 68
5761775	16 - 55
5761779	11 - 11
	12 - 11
	13 - 11
	14 - 11
	15 - 11
	16 - 11
	18 - 11
5761784	16 - 17
5761786	11 - 18
	12 - 18
	16 - 24
	16 - 21
5761788	13 - 13
5761793	14 - 17
5761794	15 - 17
5761796	11 - 42
	12 - 42
	13 - 48
	14 - 50
	15 - 50
	16 - 57
	18 - 49
5761798	14 - 55
	15 - 55
	16 - 66
	18 - 54
5761904	11 - 44
	12 - 43
	13 - 37
	14 - 24
	15 - 24
	16 - 40
	18 - 43
5761905	18 - 13
5761907	11 - 35
	11 - 45
	12 - 35
	12 - 44
	13 - 35
	13 - 38
	14 - 25
	14 - 37
	15 - 25
	15 - 37
	16 - 41
	16 - 50
	18 - 41
	18 - 44
5761908	11 - 33
	12 - 33
	13 - 25
	14 - 45
	15 - 45
	18 - 31
5761909	13 - 55
	13 - 58
	14 - 52
	15 - 52
	16 - 63
	18 - 51
5761913	11 - 48
	12 - 48
	13 - 47
	14 - 49
	15 - 49
	16 - 56
	18 - 48

PART NO.	LIST AND INDEX NO.
5761935	11 - 6
	11 - 7
	12 - 6
	12 - 7
	13 - 6
	13 - 7
	14 - 6
	14 - 7
	15 - 6
	15 - 7
	16 - 6
	16 - 7
	18 - 6
	18 - 7
5761936	11 - 46
	12 - 46
	13 - 26
	14 - 22
	15 - 22
	16 - 51
	18 - 46
5761938	11 - 3
	12 - 3
	13 - 3
	14 - 3
	15 - 3
	18 - 3
5761943	11 - 20
	11 - 23
	12 - 20
	12 - 23
	13 - 15
	14 - 19
	15 - 19
	16 - 19
	16 - 23
	16 - 26
	18 - 15
5761965	11 - 53
	12 - 52
5761966	18 - 59
5761967	13 - 54
5761968	14 - 60
	15 - 60
5761973	16 - 67
5761976	11 - 54
	12 - 53
	13 - 52
	14 - 59
	15 - 59
	16 - 61
	18 - 58
5761977	11 - 36
	12 - 36
	13 - 39
	14 - 26
	15 - 26
	18 - 32
5761979	11 - 40
	12 - 41
	13 - 43
	14 - 29
	15 - 29
5761987	11 - 45A
	14 - 32
5761988	15 - 32
	16 - 29
5761989	13 - 45A
5762156	12 - 38A
	13 - 42
	18 - 37
5762215	11 - 38
	12 - 38
	13 - 41
	14 - 28
	15 - 28
	18 - 34
5806713	24 - 36
	27 - 36
8011178	7 - 69
8011179	6 - 37
	7 - 74

PART NO.	LIST AND INDEX NO.

PART NO.	LIST AND INDEX NO.

PART NO.	LIST AND INDEX NO.

**READER'S COMMENT FORM**

2841 Parts Catalog

Form S127-0793-5

● How did you use this publication?

- As a reference source
- As a classroom text
- As.....

● Based on your own experience, rate this publication...

- As a reference source:
- |       |       |       |       |       |
|-------|-------|-------|-------|-------|
| ..... | ..... | ..... | ..... | ..... |
| Very  | Good  | Fair  | Poor  | Very  |
| Good  |       |       |       | Poor  |

● What is your occupation? .....

● We would appreciate your other comments; please give specific page and line references where appropriate. If you wish a reply, be sure to include your name and address.

● Thank you for your cooperation. No postage necessary if mailed in the U.S. A.

**YOUR COMMENTS PLEASE . . .**

Your answers to the questions on the back of this form, together with your comments, will help us produce better publications for your use. Each reply will be carefully reviewed by the persons responsible for writing and publishing this material. All comments and suggestions become the property of IBM.

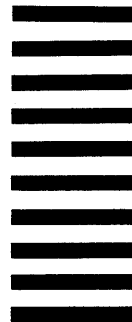
Please note: Requests for copies of publications and for assistance in utilizing your IBM system should be directed to your IBM representative or to the IBM sales office serving your locality.

fold

fold

FIRST CLASS  
PERMIT NO. 2078  
SAN JOSE, CALIF.

**BUSINESS REPLY MAIL**  
NO POSTAGE STAMP NECESSARY IF MAILED IN U. S. A.



POSTAGE WILL BE PAID BY . . .

IBM Corporation  
Monterey & Cottle Rds.  
San Jose, California  
95114

Attention: Product Publications, Dept. G24

fold

fold



**International Business Machines Corporation**  
Data Processing Division  
1133 Westchester Avenue, White Plains, New York 10604  
(U.S.A. only)

**IBM World Trade Corporation**  
821 United Nations Plaza, New York, New York 10017  
(International)





2841

2841

AB INSERT FOR FRONT COVER

S127-0793-5

IBM 2841 PARTS CATALOG PRINTED IN U.S.A. S127-0793-5

**IBM**

**International Business Machines Corporation**  
**Data Processing Division**  
**1133 Westchester Avenue, White Plains, New York 10604**  
**[U.S.A. only]**

**IBM World Trade Corporation**  
**821 United Nations Plaza, New York, New York 10017**  
**[International]**