

2841

S N: 5221

ALD

OB
TO
EB

VOL.1

B M 2210740

MACH	M	SERIAL	SYST	SYSTEM	F/E	W/T	CUST	MD	MICRO	BOX	MACHINE	PLT	PLT	MACHINE
TYPE	C	NUMBER	TYPE	NUMBER	B/O	CTY	NUMBER	CD	TPC-CD	SHIP	SHIP	MFG	CTL	STATUS
2841	1	0035221	8801	0050955	0631		4602554			77/12/02		S.J.	S.J.	FACTORY

BASIC	ECA	EC	FACTORY	EC	SALES	MOD	MFG	MOD	PLANT	ORDER	HARD	CARD
BSO.413237			411189		001		A01		42333U		000	

STANDARD FEATURE SECTION

ECA	FIELD	FACTORY	FEATURE	BM	DEVICE	FTR-ASN	FEATURE NAME	STATUS	MES-NO	STAT	DATE
000	111111P		2191765	9043			COLOR GRP BLUE	FACT INST			
000	413172		2210101				TAPE DECK ASM	FACT INST			
000	111111P		2210857				LOGIC GRP PL LV BM	FACT INST			
033	413328	413351	2210860	9903			FINAL ASM 60 CY TROS	FACT INST			
000	413304D		2210894				NO 2321 ATTACH	FACT INST			
000	413304F		2210897				NO ADDTN FILE TYPE	FACT INST			
000	413304D		2210898				NO 2 CHAN SWITCH	FACT INST			
000	413303		2210906				READ ONLY STOR 60CY	FACT INST			
008	413201		2211101				TAPE DECK ASM	FACT INST			
000	111111P		2211910				INFO PLATE GRP BM	FACT INST			
000	413173		2212101				TAPE DECK ASM	FACT INST			
024	413203		2213101				TAPE DECK ASM	FACT INST			
009	413202		2214101				TAPE DECK ASM	FACT INST			
009	413202		2215101				TAPE DECK ASM	FACT INST			
000	111111P		2227300				ADDR LIST	FACT INST			
000	111111P		2227301				ADDR LIST	FACT INST			
000	111111P		2227302				ADDR LIST	FACT INST			
000	111111P		2227306				ADDR LIST	FACT INST			
000	111111P		2227310				ADDR LIST	FACT INST			
000	111111P		2227311				ADDR LIST	FACT INST			
000	413343A	413343B	2251774				ISOL FT INST ISOL LG	FACT INST			

CABLE AND SHIP GROUP SECTION

ECA	FIELD	FACTORY	B/M #	DC-RPQ	LENGTH	DESCRIPTION	STATUS	MES-NO	STAT	DATE
000	413305	413306E				SHIP GROUP TROS	FACT INST			
000	111111P		2210940			14 FT PWR CBL	FACT INST			

FACTORY EC SECTION

EC NO	STATUS
257750	INSTALLED
411189	INSTALLED
413356	INSTALLED

ECA HISTORY SECTION

N/A = ECA NOT ASSIGNED EC PROD PRAC LEVEL = 0092 (MRS)

ECA	EC NO	ECA STATUS	FLD	B/M	EIT	QTY	FCSI	DATE
PTI	413355	OPTIONAL CHG NOT INST						
043	413419	NOT REQUIRED						
045	413238	INSTALLED						
046	413360	NOT REQUIRED						
047	413363	INSTALLED						
048	413364	INSTALLED						
228	111111	OPTIONAL CHG NOT INST						
N/A	413358A	NOT REQUIRED						

VOLUME #10 MACHINE 2841-1-0035221 MODEL A01 SYSTEM 0050955 MODE BOX SHIP 77/12/02

LOGIC TYPE -6- BOARDS

PAGE NUM	SH	TITLE	PART NUM	EC NUM	FEATURE B/M OR B/MS
01A-B1		CUSTOMIZED BOARD ASM	0002210700	413400	
01A-B2		CUSTOMIZED BOARD ASM	0002210702	413404	
01A-B3		CUSTOMIZED BOARD ASM	0002210704	413416	
01A-C1		CUSTOMIZED BOARD ASM	0002210720	413407	
01A-C2		CUSTOMIZED BOARD ASM	0002210722	413407	
01A-C3		CUST BD	0002210724	413410	

TOTAL PART NUMBERS THIS VOLUME 6

VOLUME A01 MACHINE 2841-1-0035221 MODEL A01 SYSTEM 0050955 MODE BOX SHIP 77/12/02

LOGIC TYPE -7- DIAGNOSTIC MANUAL

PAGE NUM	SH	TITLE	PART NUM	EC NUM	FEATURE B/M OR B/MS
F610*		2311 COMPONENT FUNCT	0002181154	411300	✓
FFF0-*		2311 CE PACK UTILITY	0002181150	411130	✓
FFF0-0		2311 CE PACK UTILITY	0002181152	411300	✓
F610-0		2311 DIAGNOSTIC PROG	0002181156	413146J	✓
F611-0		2311 DIAGNOSTIC PROG	0002181160	413146J	✓
F612-0		2311 DIAGNOSTIC PROG	0002181164	413146J	✓
F613-0		2311 DIAGNOSTIC PROG	0002181168	411300	✓

TOTAL PART NUMBERS THIS VOLUME 7

VOLUME A02 MACHINE 2841-1-0035221 MODEL A01 SYSTEM 0050955 MODE

BOX SHIP 77/12/02

LOGIC TYPE -7- DIAGNOSTIC MANUAL

PAGE NUM	SH	TITLE	PART NUM	EC NUM	FEATURE B/M OR B/MS
	FD2	FRIEND-2	0002193850	422998	✓
	F60A	2841 FILE CU FUNCTIO	0002193845	413237	✓
	F60B	2841 FILE CU FUNCTIO	0002193847	413238	✓
	F600*	FILE DIAG TEST	0002193556	413237	✓
	F600-0	2841 FILE DIAG TEST	0002193536	413238	✓
	F601-0	2841 FILE DIAGNOSTIC	0002193537	413238	✓
	F602-0	2841 FILE DIAGNOSTIC	0002193538	413237	✓
	F603-0	2841-2311 DIAG LISTI	0002193539	413237	✓
	F604-0	2841-2311 DIAGNOSTIC	0002193540	413237	✓
	F605-0	2841-2311 DIAGNOSTIC	0002193541	413237	-
	F606-0	2841-2311 DIAGNOSTIC	0002193542	413237	-
	F607-0	2841-2311 DIAGNOSTIC	0002193543	413238	✓
	F608-0	2841-2311 DIAGNOSTIC	0002193544	413237	✓
	F609-0	2841-2311 DIAGNOSTIC	0002193545	413237	-

TOTAL PART NUMBERS THIS VOLUME 14

VOLUME 000 MACHINE 2841-1-0035221 MODEL A01 SYSTEM 0050955 MODE BOX SHIP 77/12/02

LOGIC TYPE -8- DIAGNOSTIC PROGRAM

PAGE NUM	SH	TITLE	PART NUM	EC NUM	FEATURE B/M OR B/MS
F60A		CARD DECK	0002193844	413237	
F60B		CARD DECK	0002193846	413237	
FOFE-		2311 DISK PACK CARD	0005396099	257750	
F600-		2841/2302 CARD DECK	0002193546	413237	
F601-		2841/2302 CARD DECK	0002193547	413237	
F602-		2841/2302 CARD DECK	0002193548	413237	
F603-		2841/2302 CARD DECK	0002193549	413237	
F604-		2841/2302 CARD DECK	0002193550	413237	
F605-		2841/2302 CARD DECK	0002193551	413237	
F606-		2841/2302 CARD DECK	0002193552	413237	
F607-		2841/2302 CARD DECK	0002193553	413237	
F608-		2841/2302 CARD DECK	0002193554	413237	
F609-		2841/2302 CARD DECK	0002193555	413237	
F610-		2841/2302 CARD DECK	0002181157	413146J	
F611-		2841-2311 CARD DECK	0002181161	413146J	
F612-		2841-2311 CARD DECK	0002181165	413146J	
F613-		2841-2311 CARD DECK	0002181169	413146J	
FRIEND		FRIEND CARD DECK	0002193848	422998	
F600-5		2841-2311 CARD DECK	0002193546	413237	
F601-5		2841-2311 CARD DECK	0002193547	413237	
F602-5		2841-2311 CARD DECK	0002193548	413237	

TOTAL PART NUMBERS THIS VOLUME 21

VOLUME 001 MACHINE 2841-1-0035221 MODEL A01 SYSTEM 0050955 MODE BOX SHIP 77/12/02

LOGIC TYPE -0- SYSTEMS DIAGRAMS

PAGE NUM	SH	TITLE	PART NUM	EC NUM	FEATURE B/M OR B/MS
AL001		ALU 0 BIT	0002210402	413400	
AL011		ALU 1 BIT	0002210403	413400	
AL021		ALU 2 BIT	0002210404	413400	
AL031		ALU 3 BIT	0002210405	413400	
AL041		ALU 4 BIT	0002210406	413400	
AL051		ALU 5 BIT	0002210407	413400	
AL061		ALU 6 BIT	0002210408	413400	
AL071		ALU 7 BIT	0002210409	413400	
AL081		CONTROL CARRY DECODE	0002210400	413400	
AL091		CTRL CARRY AND CC DE	0002210401	413400	
AL101		D BUS POWER DP & O	0002227653	413405	
AL111		D BUS POWER D1 & D2	0002227654	413405	
AL121		D BUS POWER D3 & D4	0002227655	413405	
AL131		D BUS POWER D5 & D6	0002227656	413405	
AL141		D BUS POWER D7 ALV O	0002227657	413405	
AL146		GATED D BUS DRIVE	0002210417	413400	
AL201		D BUS PARITY	0002210415	413400	
AL211		CARRY IN LATCH	0002210416	413404	
BA001		A REG ASM PARITY BIT	0002210418	413400	
BA011		A REG ASM 0 BIT	0002210419	413400	
BA021		A REG ASM 1 BIT	0002210420	413400	
BA031		A REG ASM 2 BIT	0002210421	413400	
BA041		A REG ASM 3 BIT	0002210422	413400	
BA051		A REG ASM 4 BIT	0002210423	413400	
BA061		A REG ASM 5 BIT	0002210424	413400	
BA071		A REG ASM 6 BIT	0002210425	413400	
BA081		A REG ASM 7 BIT	0002210426	413400	
BA091		A REG ER IE IH P 0 1	0002210427	413400	
BA101		A REG ER IE IH 2 3 4	0002210428	413400	
BA111		A REG ER IE IH 5 6 7	0002210429	413403	
BA121		STAT REG OR FEAT A E	0002210430	413400	
BA131		MANUAL STAT REG A EN	0002210431	413402	
BA206		A REG SW SC ASSEMBLE	0002210432	413400	
BA216		A REG SW SC ASSEMBLE	0002210433	413400	
BA226		A REG SW SC ASSEMBLE	0002210434	413400	
BA236		A REG SW SC ASSEMBLE	0002210435	413400	
BA246		A REG SW SC ASSEMBLE	0002210436	413400	
BA256		A REG SW SC ASSEMBLE	0002210437	413400	
BA266		A REG SW SC ASSEMBLE	0002210438	413400	
BA276		A REG SW SC ASSEMBLE	0002210439	413400	
BB001		B REG ASM PO 1 BITS	0002210440	413400	
BB011		B REG ASM 2 THRU 7 B	0002210441	413400	
DA001		YCA POWERING	0002227658	413405	
DA011		A REG INPUT GATES-CA	0002210443	413402	
DA021		A REG INPUT GATES-CA	0002210444	413402	
DA031		A REG INPUT GATES-CA	0002210445	413402	
DA041		A REG INPUT GATES CA	0002211656	413407	.W. 0002251774
DA056		CONTROL LINE POWERIN	0002210447	413402	
DB001		B REG INPUT GATES-CB	0002210448	413400	
DD001		CONTROL DESTINATION	0002210449	413400	
DD006		CONTROL DESTINATION	0002210586	413400	
DD011		FEAT BX BY GL DECODE	0002210450	413400	

VOLUME 001 MACHINE 2841-1-0035221 MODEL A01 SYSTEM 0050955 MODE

BOX SHIP 77/12/02

LOGIC TYPE -0- SYSTEMS DIAGRAMS

PAGE NUM	SH	TITLE	PART NUM	EC NUM	FEATURE B/M OR B/MS
DE001		JKUS SAL OUTPUT LINE	0002210451	413400	
DE011		TROS SAL OUTPUT LINE	0002210452	413400	
DE021		TROS ADDRESS EXITS	0002210453	413400	
DH001		CH DECODER PG 1	0002210454	413400	
DH011		CH DECODER PG 2	0002210455	413403	
DL001		CL DECODER PG 1	0002210457	413400	
DL011		CL DECODER PG 2	0002210458	413400	
DS001		CS CONTROL REG	0002210459	413400	
DS011		STATUS REG SET GATES	0002210460	413400	
DS021		STATUS REG SET GATES	0002210461	413400	
DS031		STATUS REG SET GATES	0002210462	413400	
DS041		STATUS REG SET GATES	0002210463	413400	
DV001		ALT CD-CN 5-A TO D X	0002227660	413405	
EA001		COMMONING BOARD	0005374134	551670	.W. 0002210906
EA011		COMMONING BOARD	0005374135	551670	.W. 0002210906
EA081		COMMONING BOARD	0005374136	551670	.W. 0002210906
EB011		CR SENSE AMPLIFIERS	0005374141	551634	.W. 0002210906
EB021		CR SENSE AMPLIFIERS	0005374142	551634	.W. 0002210906
EB031		CR SENSE AMPLIFIERS	0005374143	551634	.W. 0002210906
EB041		CR SENSE AMPLIFIERS	0005374144	551634	.W. 0002210906
EB051		CR SENSE AMPLIFIERS	0005374145	551634	.W. 0002210906
EB061		CR SENSE AMPLIFIERS	0005374146	551634	.W. 0002210906
EB071		CR SENSE AMPLIFIERS	0005374147	551634	.W. 0002210906
EB081		CR SENSE AMPLIFIERS	0005374148	551634	.W. 0002210906
EB091		CR SENSE AMPLIFIERS	0005374149	551634	.W. 0002210906
EB101		CR SENSE AMPLIFIERS	0005374150	551634	.W. 0002210906
EB111		CR SENSE AMPLIFIERS	0005374151	551634	.W. 0002210906
EB121		CR SENSE AMPLIFIERS	0005374152	551634	.W. 0002210906
EB181		SENSE LATCHES	0005374153	551670	.W. 0002210906
EB191		SENSE LATCHES	0005374154	551670	.W. 0002210906
EB201		SENSE LATCHES	0005374155	551670	.W. 0002210906
EB211		SENSE LATCHES	0005374156	551670	.W. 0002210906
EB221		SENSE LATCHES	0005374157	551670	.W. 0002210906
EB231		SENSE LATCHES	0005374158	551670	.W. 0002210906
EB241		SENSE LATCHES	0005374159	551670	.W. 0002210906
EB251		SENSE LATCHES	0005374160	551670	.W. 0002210906
EB261		SENSE LATCHES	0005374161	551670	.W. 0002210906
EB271		SENSE LATCHES	0005374162	551670	.W. 0002210906
EB281		SENSE LATCHES	0005374163	551670	.W. 0002210906
EB291		SENSE LATCHES	0005374164	551670	.W. 0002210906
OB001		SOCKET LISTING	0002210685	413401	
OB011		SOCKET LISTING	0002211717	413410	.W. 0002251774
OB021		SOCKET LISTING	0002210687	413402	
OB031		SOCKET LISTING	0002210688	413401	
OB041		SOCKET LISTING	0002210689	413404	
OB051		SOCKET LISTING	0002210690	413416	
OB061		SOCKET LISTING	0002211711	413407	.W. 0002251774
OB071		SOCKET LISTING	0002211713	413407	.W. 0002251774
OB081		SOCKET LISTING	0002211715	413410	.W. 0002251774

VOLUME 002 MACHINE 2841-1-0035221 MODEL A01 SYSTEM 0050955 MODE

BOX SHIP 77/12/02

LOGIC TYPE -0- SYSTEMS DIAGRAMS

PAGE NUM	SH	TITLE	PART NUM	EC NUM	FEATURE B/M OR B/MS
EC051		16 DRIVERS	0005374167	254870	.W. 0002210906
EC091		16 DRIVERS	0005374168	254870	.W. 0002210906
EC131		16 DRIVERS	0005374169	254870	.W. 0002210906
EC171		16 DRIVERS	0005374170	254870	.W. 0002210906
EC231		TIMING CARD	0005374171	551670	.W. 0002210906
EC241		TIMING CARD	0005374172	551670	.W. 0002210906
EC251		TIMING CARD	0005374173	551670	.W. 0002210906
EC281		TIMING CARD	0005374174	551670	.W. 0002210906
EC311		2841 ROS 2 INPUT ADD	0005374175	254870	.W. 0002210906
EC511		TROS TIMING REQ	0005374364	254870	.W. 0002210906
EC592		MK 2 GATES REF DWG	0000767709	551668	.W. 0002210906
EC593		MK 2 GATES REF DWG	0000767721	551670	.W. 0002210906
EC595		A GATE STROBE SELECT	0000767714	551668	.W. 0002210906
EC596		TIMING CARD A	0000767715	551668	.W. 0002210906
EC597		TIMING CARD C	0000767716	551668	.W. 0002210906
EC598		TIMING CARD D	0000767717	551668	.W. 0002210906
EC601		SOCKET LISTING	0005375719	551670	.W. 0002210906
EC611		SOCKET LISTING	0005375722	551670	.W. 0002210906
FA001		2841 INTERFACE W/CH	0002211410	413363	
FA004		2841 INTERFACE W/CH	0002211411	413363	
FA011		INTERFACE TROS TO 23	0002210831	413306A	
FA021		INTERFACE WITH 2302	0002210832	413306C	
FA022		INTERFACE WITH 2302	0002210833	413306C	
FA023		INTERFACE WITH 2302	0002210834	413306C	
GB001		FEED THRU PAGE CHANN	0002211658	413407	.W. 0002251774
GB006		FEED THRU PAGE CHANN	0002211659	413407	.W. 0002251774
GB011		BUS OUT LINE REC CHA	0002211660	413407	.W. 0002251774
GB016		BUS OUT LINE REC CHA	0002211661	413407	.W. 0002251774
GB021		CH TAGS OUT REC CH A	0002211662	413407	.W. 0002251774
GB026		CH TAGS OUT REC CH B	0002211663	413407	.W. 0002251774
GB031		SELECT OUT BYPASS CH	0002211664	413407C	.W. 0002251774
GB036		SELECT OUT BYPASS CH	0002211665	413407C	.W. 0002251774
GB041		CHANNEL A TAGS OUT	0002211666	413410	.W. 0002251774
GB046		CHANNEL B TAGS OUT	0002211667	413410	.W. 0002251774
GB051		SELECT BUS OUT LINE	0002227671	413405	
GB053		SELECTED BUS OUT LIN	0002227672	413405	
GB055		SELECTED BUS OUT LIN	0002227673	413405	
GB061		SELECT CHANNEL TAG L	0002211671	413407	.W. 0002251774
GB071		ADDRESS SELECTION	0002211672	413407	.W. 0002251774
GB081		ADD COMPARE & OPR IN	0002211673	413407	.W. 0002251774
GB091		CHANNEL SELECT SWITC	0002211674	413407	.W. 0002251774
GB101		SELECT OUT STEERING	0002211675	413407	.W. 0002251774
GB106		SELECT OUT STEERING	0002211676	413407	.W. 0002251774
GB111		BUS IN CHANNEL A	0002211677	413407	.W. 0002251774
GB116		BUS IN CHANNEL B	0002211678	413407	.W. 0002251774
GB121		BUS OUT PARITY CK CH	0002211679	413407	.W. 0002251774
GB126		BUS OUT PARITY CHECK	0002210492	413400	
GB131		WRITE READ & TRANSFE	0002211680	413407	.W. 0002251774
GB141		SVS REQ AND SVS IN L	0002211681	413407	.W. 0002251774
GB151		SVS REQ & SVS IN RES	0002211682	413407	.W. 0002251774
GB161		CHANNEL TAGS IN CHAN	0002211683	413407	.W. 0002251774
GB166		CHANNEL TAGS IN CHAN	0002211684	413407	.W. 0002251774

VOLUME 002 MACHINE 2841-1-0035221 MODEL A01 SYSTEM 0050955 MODE BOX SHIP 77/12/02

LOGIC TYPE -0- SYSTEMS DIAGRAMS

PAGE NUM	SH	TITLE	PART NUM	EC NUM	FEATURE B/M OR B/MS
GB171		CHANNEL TAGS IN DRIV	0002211685	413407	.W. 0002251774
GB176		CHANNEL TAGS IN DRIV	0002211686	413407	.W. 0002251774
GB181		CHANNEL A RESET	0002211687	413410	.W. 0002251774
GB186		CHANNEL B RESETS	0002211688	413410	.W. 0002251774
GB191		HALT I-O CONTROL	0002211689	413407	.W. 0002251774
GB201		METERING CHANNEL A	0002211690	413407C	.W. 0002251774
GB206		METERING CHANNEL B	0002211691	413407	.W. 0002251774
GB211		CU BUSY STATUS & CU	0002211692	413407	.W. 0002251774
GB216		CU BUSY STATUS AND C	0002210499	413403	
GB226		SW REGISTER RESET	0002227696	413410	
GB236		CHANNEL INTERRUPT CO	0002211694	413407	.W. 0002251774
GB246		UNIT ATTENTION LINES	0002210511	413400	
GB247		UNIT ATTENTION LINES	0002210512	413400	
GR006		ATTENTION UNIT 0	0002210502	413400	
GR016		ATTENTION UNIT 1	0002210503	413400	
GR026		ATTENTION UNIT 2	0002210504	413400	
GR036		ATTENTION UNIT 3	0002210505	413400	
GR046		ATTENTION UNIT 4	0002210506	413400	
GR056		ATTENTION UNIT 5	0002210507	413400	
GR066		ATTENTION UNIT 6	0002210508	413400	
GR076		ATTENTION UNIT 7	0002210509	413400	
HA001		FT REG 2311	0002227698	413405	
HA002		FE REGISTER DISPLAY	0002210712	413404	
HA006		OPTA MODE INDEX	0002210515	413404	
HA011		FC REG 2311	0002210516	413403	
HA012		FE REGISTER DISPLAY	0002210648	413403	
HA021		2311 BUSS AND TAG LI	0002210517	413404	
HA031		2311 MOD SELECT AND	0002210518	413400	
HA041		2311 INTERFACE EXIT	0002210519	413400	
HA051		2311 INTERFACE ENTER	0002210520	413400	
HA061		2311 MOD SEL TERMINA	0002210521	413400	
HA071		2311 LINE RECEIVERS	0002210522	413402	
HA072		2311 OLD ADDRESS DIS	0002210713	413403	
HA081		2311 LINE RECEIVERS	0002210523	413400	
HA091		2311 SEEK COMP & REA	0002227184	413405	
HA101		WRITE SAFETY	0002210525	413406	
HA111		ANY ATTENTION	0002211697	413407	.W. 0002251774
HA121		IC INPUT TO A REG AS	0002210527	413400	
HA131		IC INPUT TO A REG AS	0002210528	413400	
HA141		IC INPUT TO A REG AS	0002210529	413402	

TOTAL PART NUMBERS THIS VOLUME

92

VOLUME 003 MACHINE 2841-1-0035221 MODEL A01 SYSTEM 0050955 MODE BOX SHIP 77/12/02

LOGIC TYPE -0- SYSTEMS DIAGRAMS

PAGE NUM	SH	TITLE	PART NUM	EC NUM	FEATURE B/M OR B/MS
HB001		FILE TAG REGISTER	0002210530	413402	
HB002		FT REG DISP OPT FILE	0002210683	413404	
HB011		FC REGISTER	0002210531	413400	
HB021		FC REGISTER DISTRIBU	0002210532	413402	
HB022		FT REG DISP OPT FILE	0002210684	413402	
HB031		HEAD ADDRESS REGISTE	0002210533	413400	
HB041		DATA LINE DRIVERS-BI	0002210534	413400	
HB042		DATA LINE DRIVERS-BI	0002210535	413400	
HB051		DATA LINE DRIVERS-BI	0002210536	413400	
HB052		DATA LINE DRIVERS-BI	0002210537	413400	
HB061		CONTROL DRIVERS PAGE	0002210538	413400	
HB062		CONTROL DRIVERS PAGE	0002210539	413400	
HB071		ACC AND MOD ENCODE	0002210540	413400	
HB081		MODULE ENCODE	0002210541	413404	
HB086		ADDTL STORAGE MODULE	0002210542	413400	
HB091		FILE SAFETY	0002210543	413400	
HB101		ATTENTION LINES 0-7	0002210544	413400	
HB106		ATTENTION LINES 8-15	0002210545	413400	
HB111		ANY ATTENTION OPTION	0002210546	413400	
HB116		ATTENTION LINES 8-15	0002210547	413400	
HB121		FILE STATUS TERM	0002210548	413400	
HB131		FAIL SAFE CONTROL	0002210549	413402	
HB141		A BUS ENTRY 0-3	0002210550	413400	
HB142		A BUS ENTRY 4-7	0002210551	413400	
HB151		I E GATE CONTROL	0002210552	413403	
HC051		WRITE ADDRESS MARK	0002210559	413400	
HC061		WRITE DATA	0002210560	413400	
HC161		DELTA & BIT RING DRI	0002210570	413400	
HC201		5NS TO 30NS CONVERSI	0002210574	413400	
HC211		FILE DATA REG SET	0002210575	413400	
HC221		BIT RING 0-1-2-3	0002210576	413400	
HC241		BURST GATES-2303	0002210611	413400	
KC001		K NAND SECOND CLOCK	0002227186	413405	
KC011		CLOCK PULSE ASSEMBLE	0002210579	413404	
KC021		CLOCK PULSE ASSEMBLE	0002210580	413400	
KC031		CLOCK PULSE ASSEMBLE	0002210581	413403	
KC041		CLOCK PULSE ASSEMBLE	0002210582	413403	
KC051		CLOCK PULSE ASSEMBLE	0002210583	413400	
KC061		CARD TYPE 4015 CIRCU	0002210584	413400	
KC071		C3 CLOCK ASSY B TIME	0002211699	413407	.W. 0002251774
KC081		CLOCK PULSE ASSEMBLE	0002210588	413402	
KC091		CLOCK PULSE ASSEMBLE	0002210589	413402	
KC101		C3 CLOCK ASSY A TIME	0002211700	413407	.W. 0002251774
KG001		MACH REG RESETS	0002227189	413410	
KK001		W REG SELECT	0002210456	413402	
KK011		TROS ADDRESS W REGIS	0002210591	413404	
KK021		W X SET PULSE DRIVER	0002210592	413402	
KK031		TROS ADDRESS X REGIS	0002210593	413402	
KK041		TROS ADDRESS X REGIS	0002210594	413402	
KK051		TROS ADDRESS X REGIS	0002210595	413402	
KK061		X REGISTER P BIT	0002210596	413402	
RA001		A REGISTER	0002210597	413400	

VOLUME 003 MACHINE 2841-1-0035221 MODEL A01 SYSTEM 0050955 MODE

BOX SHIP 77/12/02

LOGIC TYPE -0- SYSTEMS DIAGRAMS

PAGE NUM	SH	TITLE	PART NUM	EC NUM	FEATURE B/M OR B/MS
RA011		A REG AND B REG SET	0002210598	413404	
RA021		A REG INDICATOR DRIV	0002210599	413404	
RB001		PARTIAL SUM REGISTER	0002210600	413400	
RB002		PARTIAL SUM REGISTER	0002210601	413400	
RB011		BX REGISTER	0002210605	413402	
RB012		BX REGISTER	0002210606	413400	
RB016		CYCLIC BURST GENERAT	0002210602	413400	
RB021		BY REGISTER	0002210607	413402	
RB022		BY REGISTER	0002210608	413400	
RB026		BX BY ENTRY	0002210603	413400	
RB027		BX BY ENTRY	0002210604	413400	
RB036		BUFFER BURST REGISTE	0002210609	413400	
RB037		BUFFER BURST REGISTE	0002210610	413400	
RC001		OP REGISTER	0002210612	413402	
RD001		DH REGISTER	0002210613	413402	
RD011		DL REGISTER	0002210614	413402	
RD021		DW REGISTER	0002227190	413405	
RD031		DR REG SET PULSE DR	0002227191	413405	
RD041		DR ASSEM AND REG	0002210617	413400	
RE001		ERROR LATCHES	0002210618	413400	
RF001		FR REGISTER	0002210619	413402	
RG001		GL REGISTER	0002210620	413402	
RG011		GP REGISTER	0002210621	413402	
RK001		KL REGISTER	0002210622	413402	
RS001		STATUS REGISTER	0002210623	413400	
RS011		STATUS REGISTER	0002210624	413400	
RS021		STATUS REGISTER	0002210625	413400	
RS031		STATUS REGISTER	0002210626	413402	
RS041		STAT REG SET AND RES	0002210627	413402	
RU001		UR REGISTER UNIT SEL	0002210628	413402	
RW006		CHNL SWITCH REGISTER	0002210630	413400	
RW016		CHNL SWITCH REGISTER	0002210631	413400	
RW026		CHNL SWITCH REGISTER	0002210632	413400	
RW036		CHNL SWITCH REGISTER	0002210633	413400	
RW046		CHNL SWITCH REGISTER	0002210634	413400	
RW056		CHNL SWITCH REGISTER	0002210635	413400	
RW066		CHNL SWITCH REGISTER	0002210636	413400	
RW076		CHNL SWITCH REGISTER	0002210637	413400	
RW086		SWITCH REGISTER DEST	0002210629	413402	

TOTAL PART NUMBERS THIS VOLUME

91

VOLUME 004 MACHINE 2841-1-0035221 MODEL A01 SYSTEM 0050955 MODE BOX SHIP 77/12/02

LOGIC TYPE -0- SYSTEMS DIAGRAMS

PAGE NUM	SH	TITLE	PART NUM	EC NUM	FEATURE B/M OR B/MS
SD001		READ DATA ENTRY	0002210638	413400	
SD011		READ DATA TERMINATIO	0002210639	413403	
SD016		OPT READ DATA TERM F	0002210642	413400	
SD021		READ DATA TERMINATIO	0002210640	413400	
SD026		OPT READ DATA TERM F	0002210641	413400	
SD031		ZEROS AND ERROR DETE	0002210643	413404	
SD036		2321 ZEROS & ERROR D	0002210647	413401	
SD041		2311 AND 2321 DATA D	0002210644	413400	
SD051		RAMP GENERATOR AND V	0002210645	413400	
SD056		2321 RAMP GENERATOR	0002210649	413400	
SD061		DATA SEPARATION AND	0002210646	413400	
SD066		2321 DATA SEPARATION	0002210650	413402	
SD071		2321 2302-2311 VFD S	0002211704	413407	.W. 0002251774
SD072		2321 2302-2311 VFD S	0002227263	413405	
SD081		WRITE OSC GATING & R	0002210653	413404	
SD091		READ AND WRITE CLOCK	0002210654	413404	
SD101		READ CLOCK GATE & RE	0002210655	413400	
SD111		FDR-DR TRANSFER CONT	0002210656	413402	
SD121		BIT RING AND DELTA D	0002210657	413400	
SD131		BIT RING POSITIONS 0	0002210658	413400	
SD132		BIT RING POSITIONS 4	0002210659	413400	
SD141		FILE DATA REG 0-1-2-	0002210660	413400	
SD142		FILE DATA REG 4-5-6-	0002210661	413400	
SD151		PARALLEL TO SERIAL W	0002210662	413400	
SD161		FILE WRITE DATA DRIV	0002210663	413404	
SD166		OPT FILE WRITE DATA	0002210664	413400	
SD171		WRITE DATA CONVERSIO	0002210665	413400	
SD181		WRITE OSCILLATOR AND	0002210666	413416	
SD191		DATA GOOD AND COUNT	0002210667	413404	
SD201		SEARCH ADDRESSMARK&W	0002210668	413400	
SD211		ADDRESS MARK DETECTI	0002210669	413400	
SP001		SERVICE PANEL	0002210803	413402	
SP011		SERVICE PANEL	0002210804	413402	
SP021		SERVICE PANEL	0002210805	413402	
SP031		SERVICE PANEL	0002210806	413403	
SP041		SVS PANEL & PROC MET	0002211742	413407	.W. 0002251774
SP044		REMOTE SWITCHING SIG	0002194058	413153A	
SP051		CE PANEL FEED THRU	0002210670	413402	
SP061		CE PANEL FEED THRU B	0002227264	413406	
SP071		CE START STOP SET AD	0002210672	413404	
SP081		STOP ADDR COMPARE X	0002210673	413402	
SP082		STOP ADDR COMPARE X	0002210674	413402	
SP091		RECYCLE CONTROL	0002210675	413402	
SP101		INHIBIT CONTROL	0002210676	413403	
SP111		SAL PARITY CHECK	0002210677	413400	
SP121		SAL PARITY CHECK	0002210678	413400	
SP131		CONTROL REG PARITY C	0002210679	413400	
SP141		ERROR LATCHES	0002211708	413407	.W. 0002251774
SP151		CE PANEL FEED THRU A	0002211709	413407	.W. 0002251774
SP161		CE PANEL FEED THRU A	0002211710	413407	.W. 0002251774
SP171		PROCESS METER DRIVE	0002210808	413306	
SP201		I/O TESTER INTERFACE	0002210813	413306	

VOLUME 004 MACHINE 2841-1-0035221 MODEL A01 SYSTEM 0050955 MODE

BOX SHIP 77/12/02

LOGIC TYPE -0- SYSTEMS DIAGRAMS

PAGE NUM	SH	TITLE	PART NUM	EC NUM	FEATURE B/M OR B/MS
YA001		AC POWER CONTROL	0002210871	413306	
YA002		POWER CONTR TRANSF &	0002210872	413403	
YA011		AC POWER DISTRIBUTIO	0002210873	413306	
YA021		POWER SEQUENCE	0002210828	413306	
YA031	1	POWER SEQUENCE	0002210874	413403	
YA041		POWER SUPPLIES WIRIN	0002193404	413304F	
YA051		DC POWER DISTRIBUTIO	0002210816	413306	
YA061		D C POWER DIST	0002211416	413363	
YA071		DC POWER DISTRIBUTIO	0002210817	413304F	
YA081		DC POWER DISTRIBUTIO	0002210810	413304F	
YA091		ROS 2 POWER DISTRIBUTIO	0002210875	413328A	
YB001		POWER SUPPLY 3VDC-12	0002193442	413100F	
YB011		POWER SUPPLY 3VDC-16	0002193443	413100F	
YB021		POWER SUPPLY 6VDC-18	0002193444	413100F	
YB031		POWER SUPPLY 36V-2 A	0002184290	413010S	
YB051		POWER SUPPLY 6V-12 A	0002193410	413100F	
YB061		POWER SUPPLY 12V .75	0002193411	413100F	
ZA001		MACH COMPONENT LAYOU	0002211412	413405	
ZA002		MACHINE COMP LAYOUT	0002210877	413306A	
ZA011	1	RELAY CB & TERM LOCA	0002210878	413407	
ZA031		SVS PANEL INDICATORS	0002211728	413407	.W. 0002251774
ZA041		I/O PANEL CONNECTORS	0002211413	413405	
ZA042		2841 CABLE ROUTING &	0002211414	413356	
ZA051		CONNECTOR PIN REF	0002193437	413306A	
ZC001		O/I GATE SIGNAL CABL	0002211415	413407	.W. 0002251774
ZC101		CABLING GATE A XOVER	0002211726	413407	.W. 0002251774
ZC111		CABLING GATE A SLT	0002210821	413306A	
ZC121		CABLING GATE A SLT	0002210822	413306	
ZC131		CABLING GATE A SLT	0002210823	413405	
ZC141		CABLING GATE A SLT	0002210824	413306	
ZC151		CABLING GATE A SLT	0002210825	413410	
ZC161		CABLING GATE A SLT	0002210826	413407	.W. 0002251774
ZC171		T CONNECTOR JUMPER C	0002210827	413301E	
ZC181		CABLING ROS 2 TO GAT	0002227501	413306	
ZC191		CABLING ROS 2 TO GAT	0002227502	413306	
ZC201		CABLING GATE A TO I/	0002211417	413405	
ZC211		CABLING GATE A TO I/	0002211418	413405	
ZC221		CABLING GATE A TO I/	0002210839	413306	
ZC231		CABLING GATE A TO I/	0002210840	413306A	
ZC241		CABLING GATE A TO I/	0002210841	413306A	
ZC244		CABLING GATE A TO I/	0002211419	413405	
ZC245		CABLING GATE A TO I/	0002211420	413405	
ZC251		CABLING CE PANEL TO	0002210811	413402	
ZC261		CABLING CE PANEL TO	0002211727	413407	.W. 0002251774
ZC271		CABLING GATE A TO I/	0002210842	413306	
ZC281		CABLING GATE A TO I/	0002210843	413306	

TOTAL PART NUMBERS THIS VOLUME

98

VOLUME 005 MACHINE 2841-1-0035221 MODEL A01 SYSTEM 0050955 MODE BOX SHIP 77/12/02

LOGIC TYPE -0- SYSTEMS DIAGRAMS

PAGE NUM	SH	TITLE	PART NUM	EC NUM	FEATURE B/M OR B/MS
QA001		P/N LIST FOR TAPE DE	0002227606	413203	
QA002		FIELD LAYOUT-2841 TR	0002194018	413203	
QA004		MICROPROGRAM DEFINIT	0002226988	413172	
QA005		COMMAND CODES	0002226989	413203	
QA006		2302 ADDR DECODE TAB	0002226990	413140	
QA007		2321 ADDR DECODE TAB	0002226991	413172	
QA008		MICROPROGRAM DEFINIT	0002226992	413172	
QA009		MICROPROGRAM DEFINIT	0002226993	413203	
QA010		GEN MICROPROGRAM LOG	0002226994	413140	
QB000		RESET ENTRY BLOCK	0002226850	413172	
QB010		INITIAL SELECTION	0002226851	413173	
QB020		STATUS PRESENTATION	0002226852	413203	
QB030		SEEK COMPLETE ADDR R	0002226853	413172	
QB040		SELECT FILE INTERFAC	0002226854	413203	
QB050		FILE SELECTION & STA	0002226855	413202	
QB051		TIMEOUT FOR SAFETY C	0002226856	413202	
QB052		TIMEOUT FOR SAFETY C	0002226857	413200	
QB060		TWO CHNL SW PROCESSI	0002226858	413200	
QB070		FILE STATUS CHECK	0002226859	413203	
QB071		FILE STATUS CHECK	0002226860	413173	
QB080		FILE STATUS CHECK DE	0002226861	413173	
QB081		DEVICE BUSY	0002226862	413203	
QB082		FILE STATUS DECODE 1	0002226863	413173	
QB090		FILE STATUS DECODE 2	0002226864	413173	
QB100		CHECK OVERRIDE ERR C	0002226865	413202	
QC010		CHAINED RESELECTION-	0002226866	413140	
QC020		CHAUNED RESLCTN WAIT	0002226867	413140	
QC030		CHAINED RESELECTION-	0002226868	413140	
QC040		TIMER SUBROUTINE-RD	0002226869	413203	
QC050		TIMER SUBROUTINE-WRI	0002226870	413172	
QC060		TIMER SUBROUTINE-SAF	0002226871	413202	
QC070		INDEX SUBROUTINE	0002226872	413140	
QD010		COMMAND DECODE ENTRY	0002226873	413172	
QD020		COMMAND DECODE ENTRY	0002226874	413173	
QD030		COMMAND DECODE ENTRY	0002226875	413140	
QD040		COMMAND DECODE CTRL	0002226876	413140	
QD050		COMMAND DECODE WRT C	0002226877	413140	
QD060		COMMAND DECODE WRT C	0002226878	413140	
QD070		COMMAND DECODE RD/SE	0002226879	413174	
QD080		COMMAND DECODE RD/SE	0002226880	413140	
QD090		COMMAND DECODE RD/SE	0002226881	413140	
QD100		COMMAND DECODE	0002226882	413172	
QD110		COMMAND DECODE ERR E	0002226883	413140	
QD120		COMMAND DECODE ERR E	0002226884	413140	
QE010		NOT WRITE IMMEDIATE	0002226885	413140	
QE020		NOT WRITE IMMEDIATE	0002226886	413172	
QE030		INTERFACE TO ROUTINE	0002226887	413202	
QE040		HD SEL-PICK STPR ENA	0002226888	413174	
QE050		SENSE ROUTINE	0002226889	413140	
QE060		SPACE COUNT & SENSE	0002226890	413172	
QE061		INTERFACE-SPACE CT &	0002226895	413174	
QE062		INTERFACE SPACE COUN	0002226891	413203	

VOLUME 005 MACHINE 2841-1-0035221 MODEL A01 SYSTEM 0050955 MODE

BOX SHIP 77/12/02

LOGIC TYPE -0- SYSTEMS DIAGRAMS

PAGE NUM	SH	TITLE	PART NUM	EC NUM	FEATURE B/M OR B/MS
QE070		WRITE IMMEDIATE	0002226892	413173	
QE080		WRITE GATE TURN ON	0002226893	413172	
QE081		2303 WRITE GATE TURN	0002227427	413172	
QE090		WRITE ROUTINE INTERF	0002226894	413172	
QF000		RESERVE/RELEASE	0002227036	413172	
QF010		SENSE I/O ROUTINE	0002226896	413203	
QF020		SENSE I/O ROUTINE	0002226897	413140	
QF030		SENSE I/O ROUTINE	0002226898	413140	
QF040		SENSE-BYTES TO CHANN	0002226899	413140	
QF041		SENSE ROUTINE	0002226900	413140	
QG000		SEEK ROUTINE ENTRY	0002226901	413172	
QG010		SEEK ROUTINE ENTRY	0002226902	413172	
QG020		SEEK SET LIMITS	0002226903	413172	
QG030		BYTE TRANSFER	0002226904	413140	
QG040		BYTE SHIFTING	0002226905	413172	
QG050		BYTE SHIFTING	0002226906	413172	
QG060		SEEK ERROR TEST	0002226907	413203	
QG061		SEEK ERROR TEST	0002226908	413172	
QG070		2311 DECODE	0002226909	413140	
QG080		2302 SEEK ADDRESS DE	0002226910	413140	
QG090		2302 SEEK ADDRESS DE	0002226911	413140	
QG100		2302/2321 HD & 7320	0002226912	413172	
QG110		2321 FINGER ADDR & H	0002226913	413140	
QG120		HEAD CHECK	0002226914	413172	
QG130		SEEK CONTROL	0002226915	413172	
QG131		SEEK CONTROL-SHEET V	0002226916	413172	
QG132		2303 SEEK CNTRL LOAD	0002227382	413172	
QG140		SEEK CONTROL	0002226917	413172	
QG150		RESTORE-2321 RECAL-2	0002226918	413140	
QG160		SEEK-RESTORE-RECAL	0002226919	413203	
QG162		DEVICE END RESETS	0002227035	413140	
QG169		SET FILE MASK	0002226920	413203	
QG170		SET FILE MASK	0002226921	413140	
QH011		INDEX PROCESSING	0002226922	413172	
QH021		INDEX PROCESSING	0002226923	413172	
QH031		INDEX PROCESSING	0002226924	413172	
QH041		INDEX PROCESSING	0002226925	413201	
QH051		INDEX PROCESSING	0002226926	413140	
QH061		INDEX PROCESSING	0002226927	413140	
QH071		INDEX PROCESSING	0002226928	413140	
QH081		INDEX PROCESSING	0002226929	413140	
QH200		2303 INDEX PROC EN-R	0002227383	413174	
QH201		2303 INDEX PROC WAIT	0002227384	413174	
QH210		2303 INDEX PROCESSIN	0002227385	413174	
QH220		2303 INDEX PROCESSIN	0002227386	413201	
QH230		2303 INDEX PROCESSIN	0002227387	413203	
QH240		2303 INDEX PROCESSIN	0002227388	413172	
QJ010		FLAG BYTE PROCESSING	0002226931	413140	
QJ020		FLAG BYTE PROCESSING	0002226932	413140	
QJ030		FLAG BYTE PROCESSING	0002226933	413172	
QJ300		2303 FLAG BYTE PROC	0002227389	413174	
QJ310		2303 FLAG BYTE PROC	0002227390	413174	

VOLUME 005 MACHINE 2841-1-0035221 MODEL A01 SYSTEM 0050955 MODE

BOX SHIP 77/12/02

LOGIC TYPE -0- SYSTEMS DIAGRAMS

PAGE NUM	SH	TITLE	PART NUM	EC NUM	FEATURE B/M OR B/MS
QJ320		2303 FLAG BYTE PROC	0002227391	413174	
QK010		LOAD COUNTS	0002226934	413172	
QK011		LOAD COUNTS DATA FIE	0002226935	413140	
QK020		LOAD COUNTS	0002226936	413174	
QK030		LOAD COUNTS	0002226937	413174	
QK300		2303 COUNT LOADING	0002227392	413174	
QK310		2303 COUNT LOADING	0002227393	413174	
QK320		2303 COUNT LOADING	0002227394	413174	
QK330		2303 COUNT LOADING	0002227395	413174	
QL010		RD/CLOCK-ENTRY	0002226938	413140	
QL020		RD/CLOCK-MAIN LOOP	0002226939	413140	
QL030		RD/CLOCK-CHNL BEHIND	0002226940	413140	
QL300		2303 READ/CLOCKING	0002227396	413203	
QL310		2303 READ/CLOCKING	0002227397	413203	
QL320		2303 READ/CLOCKING L	0002227398	413203	
QL330		2303 READ/CLOCKING L	0002227399	413174	
QM010		SEARCH MAIN LOOP	0002226941	413172	
QM020		SEARCH MAIN LOOP	0002226942	413172	
QM030		SEARCH MAIN LOOP	0002226943	413172	
QM040		SEARCH EXIT DECISION	0002226944	413203	
QM300		2303 SEARCH ROUTINE	0002227400	413174	
QM310		2303 SEARCH ROUTINE	0002227401	413174	
QM320		2303 SEARCH ROUTINE	0002227402	413174	
QM330		2303 SEARCH ROUTINE	0002227403	413174	
QM340		2303 SEARCH ROUTINE	0002227404	413174	
QM350		2303 SEARCH ROUTINE	0002227405	413174	
QM360		2303 SEARCH ROUTINE	0002227406	413174	

TOTAL PART NUMBERS THIS VOLUME 131

VOLUME 006 MACHINE 2841-1-0035221 MODEL A01 SYSTEM 0050955 MODE

BOX SHIP 77/12/02

LOGIC TYPE -0- SYSTEMS DIAGRAMS

PAGE NUM	SH	TITLE	PART NUM	EC NUM	FEATURE B/M OR B/MS
QN010		SEARCH/SCAN	0002226945	413140	
QN020		SEARCH/SCAN	0002226946	413140	
QN030		SEARCH/SCAN	0002226947	413140	
QN040		SEARCH/SCAN	0002226948	413140	
QN050		SEARCH/SCAN	0002226949	413140	
QP010		WRITE ROUTINE	0002226950	413140	
QP020		WRITE ROUTINE	0002226951	413140	
QP030		WRITE ROUTINE	0002226952	413140	
QP040		WRITE ROUTINE	0002226953	413172	
QP050		WRITE ROUTINE	0002226954	413140	
QP060		WRITE ROUTINE	0002226955	413140	
QP070		WRITE ROUTINE	0002226956	413140	
QP080		WRITE ROUTINE	0002226957	413140	
QP090		WRITE ROUTINE	0002226958	413140	
QP100		WRITE ROUTINE	0002226959	413140	
QP110		WRITE ROUTINE	0002226960	413140	
QP120		WRITE ROUTINE	0002226961	413140	
QP130		WRITE ROUTINE	0002226962	413140	
QP300	2303	WRITE ROUTINE	0002227407	413172	
QP310	2303	WRITE ROUTINE	0002227408	413174	
QP319	2303	WRITE ROUTINE	0002227409	413172	
QP320	2303	WRITE ROUTINE	0002227410	413172	
QP330	2303	WRITE ROUTINE	0002227411	413174	
QP340	2303	WRITE ROUTINE	0002227412	413174	
QP341	2303	WRITE ROUTINE	0002227413	413174	
QP350	2303	WRITE ROUTINE	0002227414	413174	
QP360	2303	WRITE ROUTINE	0002227415	413172	
QP370	2303	WRITE ROUTINE	0002227416	413172	
QP380	2303	WRITE ROUTINE	0002227417	413174	
QP390	2303	WRITE ROUTINE	0002227418	413174	
QP400	2303	WRITE ROUTINE	0002227419	413172	
QP410	2303	WRITE ROUTINE	0002227420	413172	
QQ010		GAP SPACING	0002226963	413172	
QQ020		GAP WRITING	0002226964	413140	
QQ030		2303 WRITE ROUTINE	0002227422	413172	
QR010		BURST BYTE PROCESSIN	0002226965	413140	
QR020		BURST BYTE PROCESSING	0002226966	413140	
QR030		BURST BYTE PROCESSIN	0002226967	413172	
QR040		BURST BYTE PROCESSIN	0002226968	413173	
QR050		BURST BYTE PROCESSIN	0002226969	413173	
QR060		BURST BYTE PROCESSIN	0002226970	413173	
QR300		BURST BYTE PROC 2303	0002227423	413172	
QR310		BURST BYTE PROCESSIN	0002227424	413172	
QR320		BURST BYTE PROC 2303	0002227425	413172	
QR330		BURST BYTE PROC 2303	0002227426	413360	
QS010		END PROCEDURE	0002226971	413172	
QS020		END PROCEDURE	0002226972	413172	
QS030		END PROCEDURE	0002226973	413140	
QS040		END PROCEDURE	0002226974	413172	
QS050		END PROCEDURE	0002226975	413140	
QS061		END PROCEDURE	0002226976	413202	
QS070		END PROCEDURE	0002226977	413172	

VOLUME 006 MACHINE 2841-1-0035221 MODEL A01 SYSTEM 0050955 MODE BOX SHIP 77/12/02

LOGIC TYPE -0- SYSTEMS DIAGRAMS

PAGE NUM	SH	TITLE	PART NUM	EC NUM	FEATURE B/M OR B/MS
QS081		END PROCEDURE	0002226978	413203	
QS091		END PROCEDURE	0002226979	413172	
QS100		ESTAB CONTINGENT CON	0002226980	413203	
QX001		TROS DIAG MICROPROG	0002210800	413402	
QX002		TROS DIAG MICROPROG	0002210801	413402	
QX003		TROS DIAG MICROPROG	0002210802	413402	
QX020		DIAGNOSTICS	0002226981	413140	
QX030		DIAGNOSTICS	0002226982	413140	
QX040		DIAGNOSTICS	0002226983	413172	
QX050		DIAGNOSTICS	0002226984	413140	
QX060		DIAGNOSTICS	0002226985	413140	
QX070		DIAGNOSTICS	0002226986	413140	
QX080		DIAGNOSTICS	0002226987	413140	
QY000		INTERDUCTION TO CE N	0002227628	413250	
QY010		INITIALIZATION OF 28	0002227629	413250	
QY020		COMMAND CONTROL CHAR	0002227630	413250	
QY030		2311SEEK CHART	0002227631	413250	
QY031		2302 SEEK CHART	0002227632	413250	
QY032		2321 SEEK CHART	0002227633	413250	
QY040		ERROR OR LOOP WORDS	0002227634	413250	
QY050		2311,2302 SEQUENCE O	0002227635	413250	
QY051		RD HOME ADDR.-RESET	0002227636	413250	
QY052		WRITE ROUTINES-SELECT	0002227637	413250	
QY053		READ RCUTINES-VFO SC	0002227638	413250	
QY100		CE MODULE LOGIC FLOW	0002227641	413250	
QY110		2311 SEQUENCE OF OPE	0002227642	413250	
QY120		2302 SEQUENCE OF OPE	0002227643	413250	
QY130		2321SEQUENCE OF OPER	0002227644	413250	
QY140		READ HOME ADDRESS	0002227645	413250	
QY150		RESET ATTN AND/OR DE	0002227646	413250	
QY160		WRITE ROUTINES	0002227647	413250	
QY170		READ ROUTINES	0002227648	413250	
QY180		VFO SCOPING ROUTINE	0002227649	413250	
QY200		2311 INITIAL SELECTI	0002227610	413250	
QY210		2311 SEEK/2311-2302	0002227611	413250	
QY220		READ HA 2311-2302-23	0002227612	413250	
QY230		HA COMPARE-COMMAND D	0002227613	413250	
QY235		RESET OUTSTANDING AT	0002227614	413250	
QY240		DELAY BEFORE WRITING	0002227615	413250	
QY250		WRITE AM ROUTINE	0002227616	413250	
QY260		WRITE ANY SELECTED B	0002227617	413250	
QY270		READ ADDRESS MARK	0002227618	413250	
QY280		READ-COMP-COUNT ANY	0002227619	413250	
QY300		2302 INITIAL SELECTN	0002227620	413250	
QY310		2302 SET CYLINDER AN	0002227621	413250	
QY400		2321 INITIAL SELECTI	0002227622	413250	
QY410		2321 SEEK & RESET AL	0002227623	413250	
QY420		2321 SEEK-INITIALIZE	0002227624	413250	
QY430		2321/2302 SEEK COMPL	0002227625	413250	
QY500		VFO SCOPING ROUTINES	0002227626	413250	

VOLUME 007 MACHINE 2841-1-0035221 MODEL A01 SYSTEM 0050955 MODE

BOX SHIP 77/12/02

LOGIC TYPE -1- OTHER SYSTEMS DIAGRAMS

PAGE NUM	SH	TITLE	PART NUM	EC NUM	FEATURE B/M OR B/MS
001		2311 TABLE OF CONTEN	0002181019	411308	
201		2311 UNIT DAT & CNTR	0002181019	411308	
501		2311 HOW TO READ SYM	0002181019	411308	
502		2311 TRANS CIRCT	0002181019	411308	
503		2311 CYLNDR ADRS REG	0002181019	411308	
504		2311 DIFF CNTR & DEC	0002181019	411308	
505		2311 HEAD ADDR REG&D	0002181019	411308	
506		2311 READ CIRCTS	0002181019	411308	
507		2311 WRITE CIRCTS	0002181019	411308	
508		2311 SAFETY CIRCTS	0002181019	411308	
601		2311 POWER ON SEQ	0002181019	411308	
602		2311 HEAD LOAD SEQ	0002181019	411308	
603		2311 SEEK OPRATN	0002181019	411308	
604		2311 SEEK OPRATN	0002181019	411308	
605		2311 READ OPRATN	0002181019	411308	
606		2311 WRITE OPRATN	0002181019	411308	
701		2311 POWER ON SEQ	0002181019	411308	
702		2311 HEAD LOAD SEQ	0002181019	411308	
703		2311 SEEK CYLNDR	0002181019	411308	
704		2311 SEEK CYLNDR	0002181019	411308	
705		2311 SEEK TRK & RETR	0002181019	411308	
706		2311 SEEK TRK & RETR	0002181019	411308	
707		2311 READ OPRATN	0002181019	411308	
708		2311 WRITE OPRATN	0002181019	411308	
801		2311 SCOPE PATRNS-TR	0002181019	411308	
802		2311 SCOPE PATRNS-R	0002181019	411308	
803		2311 SCOPE PATRNS-W	0002181019	411308	
901		2311 E-M TIMING	0002181019	411308	
902		2311 E-M TIMING	0002181019	411308	
903		2311 MISC DATA	0002181019	411308	
12131		WRITE DRIVER	0002181068	411286	
40491		READ PRE AMP	0002181223	411286	
50071		2311 INDEX PRE AMP R	0002180816	411102	
50081		2311 INDEX PRE AMP R	0002180817	411189	
50091		2311 DETENT PRE AMP	0002180818	411102	

VOLUME 007 MACHINE 2841-1-0035221 MODEL A01 SYSTEM 0050955 MODE BOX SHIP 77/12/02

LOGIC TYPE -7- DIAGNOSTIC MANUAL

PAGE NUM	SH	TITLE	PART NUM	EC NUM	FEATURE B/M OR B/MS
FOFE<		ADDENDUM TO FOFE DES	0002210936	413186	
FOFE-		2311 DISK PK DIAG PR	0005396098	257750	
F007-2		FOFE USERS GUIDE	0005448461	257750	

TOTAL PART NUMBERS THIS VOLUME 38

VOLUME 008 MACHINE 2841-1-0035221 MODEL A01 SYSTEM 0050955 MODE

BOX SHIP 77/12/02

LOGIC TYPE -0- SYSTEMS DIAGRAMS

PAGE NUM	SH	TITLE	PART NUM	EC NUM	FEATURE B/M OR B/MS
V1M00		ADDRESS LIST	0002227627	413250	
V4M00	1	WORD MAPS	0002227300	413172	.W. 0002210101
V4M01		WORD MAPS	0002227301	413201	.W. 0002211101
V4M02	1	WORD MAPS	0002227302	413173	.W. 0002212101
V4M03	1	WORD MAPS	0002227306	413203	.W. 0002213101
V4M04		WORD MAPS	0002227310	413202	.W. 0002214101
V4M05	1	WORD MAPS	0002227311	413202	.W. 0002215101

REQUESTED BY FTR UPD ITC

INDIVIDUAL TABLE OF CONTENTS

77/11/04 PAGE 21

VOLUME 008 MACHINE 2841-1-0035221 MODEL A01 SYSTEM 0050955 MODE BOX SHIP 77/12/02

LOGIC TYPE -1- OTHER SYSTEMS DIAGRAMS

PAGE NUM	SH	TITLE	PART NUM	EC NUM	FEATURE B/M OR B/MS
FEMDM		IDENT DWG	0002211784	413343	

TOTAL PART NUMBERS THIS MACHINE 709 TOTAL PART NUMBERS THIS VOLUME 8

Field Change History

Machine Type 2841 S/N 35221 Model _____

1	51	101	151	201	251	301	351	401	451
2	52	102	152	202	252	302	352	402	452
3	53	103	153	203	253	303	353	403	453
4	54	104	154	204	254	304	354	404	454
5	55	105	155	205	255	305	355	405	455
6	56	106	156	206	256	306	356	406	456
7	57	107	157	207	257	307	357	407	457
8	58	108	158	208	258	308	358	408	458
9	59	109	159	209	259	309	359	409	459
10	60	110	160	210	260	310	360	410	460
11	61	111	161	211	261	311	361	411	461
12	62	112	162	212	262	312	362	412	462
13	63	113	163	213	263	313	363	413	463
14	64	114	164	214	264	314	364	414	464
15	65	115	165	215	265	315	365	415	465
16	66	116	166	216	266	316	366	416	466
17	67	117	167	217	267	317	367	417	467
18	68	118	168	218	268	318	368	418	468
19	69	119	169	219	269	319	369	419	469
20	70	120	170	220	270	320	370	420	470
21	71	121	171	221	271	321	371	421	471
22	72	122	172	222	272	322	372	422	472
23	73	123	173	223	273	323	373	423	473
24	74	124	174	224	274	324	374	424	474
25	75	125	175	225	275	325	375	425	475
26	76	126	176	226	276	326	376	426	476
27	77	127	177	227	277	327	377	427	477
28	78	128	178	228	278	328	378	428	478
29	79	129	179	229	279	329	379	429	479
30	80	130	180	230	280	330	380	430	480
31	81	131	181	231	281	331	381	431	481
32	82	132	182	232	282	332	382	432	482
33	83	133	183	233	283	333	383	433	483
34	84	134	184	234	284	334	384	434	484
35	85	135	185	235	285	335	385	435	485
36	86	136	186	236	286	336	386	436	486
37	87	137	187	237	287	337	387	437	487
38	88	138	188	238	288	338	388	438	488
39	89	139	189	239	289	339	389	439	489
40	90	140	190	240	290	340	390	440	490
41	91	141	191	241	291	341	391	441	491
42	92	142	192	242	292	342	392	442	492
43	93	143	193	243	293	343	393	443	493
44	94	144	194	244	294	344	394	444	494
45	95	145	195	245	295	345	395	445	495
46	96	146	196	246	296	346	396	446	496
47	97	147	197	247	297	347	397	447	497
48	98	148	198	248	298	348	398	448	498
49	99	149	199	249	299	349	399	449	499
50	100	150	200	250	300	350	400	450	500

120-1723-1

EXAMPLE: 26 Cross out number on Installation of ECA
 27 Circle number when ECA is not applicable
 28A Add A when ECA is uninstalled and "As Required"

Continued on
Reverse Side

501	551	601	651	701	751	801	851	901	951
502	552	602	652	702	752	802	852	902	952
503	553	603	653	703	753	803	853	903	953
504	554	604	654	704	754	804	854	904	954
505	555	605	655	705	755	805	855	905	955
506	556	606	656	706	756	806	856	906	956
507	557	607	657	707	757	807	857	907	957
508	558	608	658	708	758	808	858	908	958
509	559	609	659	709	759	809	859	909	959
510	560	610	660	710	760	810	860	910	960
511	561	611	661	711	761	811	861	911	961
512	562	612	662	712	762	812	862	912	962
513	563	613	663	713	763	813	863	913	963
514	564	614	664	714	764	814	864	914	964
515	565	615	665	715	765	815	865	915	965
516	566	616	666	716	766	816	866	916	966
517	567	617	667	717	767	817	867	917	967
518	568	618	668	718	768	818	868	918	968
519	569	619	669	719	769	819	869	919	969
520	570	620	670	720	770	820	870	920	970
521	571	621	671	721	771	821	871	921	971
522	572	622	672	722	772	822	872	922	972
523	573	623	673	723	773	823	873	923	973
524	574	624	674	724	774	824	874	924	974
525	575	625	675	725	775	825	875	925	975
526	576	626	676	726	776	826	876	926	976
527	577	627	677	727	777	827	877	927	977
528	578	628	678	728	778	828	878	928	978
529	579	629	679	729	779	829	879	929	979
530	580	630	680	730	780	830	880	930	980
531	581	631	681	731	781	831	881	931	981
532	582	632	682	732	782	832	882	932	982
533	583	633	683	733	783	833	883	933	983
534	584	634	684	734	784	834	884	934	984
535	585	635	685	735	785	835	885	935	985
536	586	636	686	736	786	836	886	936	986
537	587	637	687	737	787	837	887	937	987
538	588	638	688	738	788	838	888	938	988
539	589	639	689	739	789	839	889	939	989
540	590	640	690	740	790	840	890	940	990
541	591	641	691	741	791	841	891	941	991
542	592	642	692	742	792	842	892	942	992
543	593	643	693	743	793	843	893	943	993
544	594	644	694	744	794	844	894	944	994
545	595	645	695	745	795	845	895	945	995
546	596	646	696	746	796	846	896	946	996
547	597	647	697	747	797	847	897	947	997
548	598	648	698	748	798	848	898	948	998
549	599	649	699	749	799	849	899	949	999
550	600	650	700	750	800	850	900	950	1000

EXAMPLE: ~~26~~ Cross out number on Installation of ECA

(27) Circle number when ECA is not applicable

28A Add A when ECA is uninstalled and "As Required"

SOLID LOGIC DESIGN AUTOMATION - SOCKET LISTING

A7	CONNECTOR D02 HC041EA4 D04 HC041EE4	H5	SINGLE CARD WDRM 5800143 0143	L3	5800006 0006	N6	B03 HC201PK4 B04 HC201PG4 B05 HC201PX4 B08 SD171A24 B09 HB091AF2 B10 HB021BA2 B12 HC201GK4 B13 HB151SB4 D02 HC201PG4 D04 HC201PS4 D05 HC201QA4 D06 HC201QD4 D07 HB021DF4 D09 SD171EL4 D10 HC161CB4 D12 HC201GQ4 D13 SD201BQ4
B2	SINGLE CARD WDRM 5800413 0413	E5	SINGLE CARD WDRM 5800135 0135	H6	SINGLE CARD WDRM 5800143 0143	L4	SINGLE CARD WDRM 5800145 0145
B3	DOUBLE CARD WDRM 5804466 4466	E6	SINGLE CARD WDRM 5800135 0135	H7	SINGLE CARD WDRM 5303308 3308	L5	SINGLE CARD WDRM 5800143 0143
B4	HC001 A1 A2 A3 A4 A5 A6 A7 A8 A9	E7	SINGLE CARD WDRM 5800135 0135	J2	SINGLE CARD WDRM 5800413 0413	L6	SINGLE CARD WDRM 5800141 0141
B5	SINGLE CARD WDRM 5803308 3308	F2	DOUBLE CARD WDRM 5804466 4466	J3	SINGLE CARD WDRM 5800135 0135	L7	SINGLE CARD WDRM 5800135 0135
B6	SINGLE CARD WDRM 5803488 3488	F4	SINGLE CARD WDRM 5800143 0143	J4	SINGLE CARD WDRM 5800143 0143	M2	SINGLE CARD WDRM 5800015 0015
B7	SINGLE CARD WDRM 5800135 0135	F5	SINGLE CARD WDRM 5800143 0143	J5	SINGLE CARD WDRM 5800145 0145	M3	SINGLE CARD WDRM 5800000 0000
C2	DOUBLE CARD WDRM 5804466 4466	F6	SINGLE CARD WDRM 5803308 3308	J6	SINGLE CARD WDRM 5800147 0147	M4	SINGLE CARD WDRM 5800145 0145
C3	HC001 A1 A2 A3 A4 A5 A6 A7 A8 A9	F7	SINGLE CARD WDRM 5800135 0135	J7	SINGLE CARD WDRM 5800135 0135	M5	SINGLE CARD WDRM 5800006 0006
C4	SINGLE CARD WDRM 5800413 0413	G2	DOUBLE CARD WDRM 5804466 4466	K3	SINGLE CARD WDRM 5800145 0145	M6	SINGLE CARD WDRM 5800006 0006
C5	SINGLE CARD WDRM 5800135 0135	G3	HC011 A1 A2 A3 A4 A5 A6 A7 A8 A9	K4	SINGLE CARD WDRM 5800135 0135	M7	SINGLE CARD WDRM 5800006 0006
C6	SINGLE CARD WDRM 5800135 0135	G4	SINGLE CARD WDRM 5800143 0143	K5	SINGLE CARD WDRM 5800145 0145	N2	CONNECTOR B02 HC241SB4 B03 HC161DF4 B04 RS021AR4 B05 RE001SB4 B07 RDO41AS4 B08 RDO41AU4 B09 RDO41AV4 B10 RDO41BP4 B12 RDO41AR4 D02 HC241PH4 D04 HC241PK4 D05 HC241PL4 D07 RDO41AT4 D09 RDO41BU4 D10 RDO41BQ4 D11 RDO41BR4 D13 HC201QP4
C7	SINGLE CARD WDRM 5800135 0135	G5	SINGLE CARD WDRM 5800143 0143	K6	SINGLE CARD WDRM 5800143 0143	N6	CONNECTOR B02 HC201PC4
D3	DOUBLE CARD WDRM 5804466 4466	G6	SINGLE CARD WDRM 5800135 0135	K7	SINGLE CARD WDRM 5800135 0135		
D4	HC021 A1 A2 A3 A4 A5 A6 A7 A8 A9	H2	DOUBLE CARD WDRM 5804466 4466	L2	SINGLE CARD WDRM 5800000 0000		
D5	SINGLE CARD WDRM 5800135 0135	H3	HC011 A1 A2 A3 A4 A5 A6 A7 A8 A9	L3	SINGLE CARD WDRM 5800000 0000		
D6	SINGLE CARD WDRM 5800413 0413	H4	SINGLE CARD WDRM 5800143 0143				
D7	SINGLE CARD WDRM 5800145 0145						
E2	SINGLE CARD WDRM 5800413 0413						
E3	DOUBLE CARD WDRM 5804466 4466						
E4							

PLUG LIST

PART NO	ACC	TYPE	SOCKETS	TOTAL
5800000	WDRM	0000	L2 M3	02
5800006	WDRM	0006	L3 M5 M6 M7	04
5800015	WDRM	0015	F2	01
5800135	WDRM	0135	B7 C5 C6 C7 D5 E5 E6 E7 F7 G6 J3 J7 K4 K7 L7	15
5800141	WDRM	0141	L6	01
5800143	WDRM	0143	F4 F5 G4 G5 H4 H5 H6 J4 K6 L5	11
5800145	WDRM	0145	D7 J5 K3 K5 L4 M4	06
5800147	WDRM	0147	J6	01
5800413	WDRM	0413	B2 C4 D6 E2 J2	05
5803308	WDRM	3308	B5 F6 H7	03
5803488	WDRM	3488	B6	01
5804466	WDRM	4466	B3 C2 D3 E3 F2 G2 H2	07
			CONN A7 N2 N6 N7	04

SOCKET LISTING
DATE 06-21-66 FAC# 2841R
LOG 172U BOARD 01A-A1
PREV. ENGR. - - 41340
PRES. ENGR. 06-21-66 413401
P.N. 2210685 SDD
IBM CORP. SDD BLK.

00001

		PLUG LIST																		
PART NO	ACC	TYPE	SOCKETS										TOTAL							
5800000	WCH2	0000	D6	D7	E2	H5	O8													
			K6	L4	L5	M5														
5800005	WCH2	0005	G5	H6																02
5800006	WCH2	0006	L2	M2	M3															03
5800008	WCH2	0008	B6	D2	D4	E6	O8													
			F6	G6	H3	J6														
5800015	WCH2	0015	B2	H2																02
5800199	WCH2	0199	C7	L6																02
5800212	WCH2	0212	K5																	01
5800229	WCH2	0229	J5																	01
5800238	WCH2	0238	K4																	01
5800347	DSKA	0347	B7																	01
5800347	WCH2	0347	C6	D5	E5	F2	O6													
			F3	H4																
5800359	WCH2	0359	B5	M4																02
5803016	WCH2	3016	B3	F5																02
5803022	WCH2	3022	K2																	01
5803575	WCH2	3575	B4	C4	M6															03
5804007	WCH2	4007	C5	D3	E3	E4	O8													
			F4	G4	J4	K3														
5804015	WCH2	4015	L7																	01
5804061	WCH2	4061	L3	M7																02
5804282	WCH2	4282	C2	G2	J2															03
			CONN	A2	A3	A4	A8													11
				B8	C8	N2	N3													
				N4	N5	N6														
	RPQ		E7	F7	G7	H7	O7													
			J7	K7	N7															

SOCKET LISTING
DATE 04-18-68 MACH. 2841R
LOG 110E BOARD 01A-A2
PREV. ENGR. - -
PRES. ENGR. 04-03-68 413410
P.N. 2211717
IBM CORP. SDD BLK.

0
B
0
1
1
007

SOLID LOGIC DESIGN AUTOMATION—SOCKET LISTING

A1	CONNECTOR E09 HB101CB2
A2	CONNECTOR B02 HB091AA4 B04 HB091AB4 B05 HB091AC4 B07 HB091AD4 B10 HB061CA4 B12 HB061BA4 B13 HB062BF4 D02 HB121AK4 D04 HB121AJ4 D05 HB121AG4 D07 HB151AB4 D09 HB041BC4 D10 HB121AA4 D12 HB121AC4 D13 HB121AE4
A3	CONNECTOR B02 HB071FG4 B04 HB071FE4 E05 HB121AD4 E07 HB121AH4 E09 HB121AF4 E10 HA031DM4 B12 HB062ET4 D02 HB062CE4 D04 HB062CD4 D05 HB062CC4 D07 HB121GG4 D09 HB041AK4 D10 HB061BE4 D12 HB041AL4 D13 HB061BD4
A4	CONNECTOR B02 HB101AA4 B04 HB101AC4 B05 HB101AD4 B07 HB101AB4 B12 HB071FB4 B13 HB071FD4 D02 HB101AB4 D12 HB071FA4
A5	CONNECTOR B02 HB101AC4 B07 HB101AD4 B12 HB081FA4 D02 HB101AD4 D12 HB081FB4
A6	CONNECTOR B02 HB101AE4 B04 HB101AG4 B05 HB101AH4 B07 HB101AF4 B12 HB081FC4 B13 HB071FH4 D02 HB101AF4 D12 HB081FD4
A7	CONNECTOR B02 HB101AG4 B07 HB101AH4 B12 HB081FE4 D02 HB101AH4 D12 HB081FF4
B1	CONNECTOR A11 HB101CC2 B09 HB101CE2 B11 HB101CD2 C09 HB101CG2 C11 HB101CF2 D09 HB101CH2 E11 HB101CA2
B2	SINGLE CARD DSKA 5803209 3209 HB091 A1 B1
B3	DOUBLE CARD DSKA 5804270 4270
B4	HB071 AA AB AC AD AE AF HB081 AH AJ AK AM AN AP HE071 AQ HE081 BA BB BC BD BE BF BN HB062 CB CC HE106 DA DB DC DE HB151 HA UNUSED PORTIONS

B5	DOUBLE CARD DSAS 5804270 4270 HB086 AA AB AC AD AE AF HB106 AH AJ AK AM AN AP KA LA UNUSED PORTIONS
B6	CONNECTOR B11 GB236TP4
C1	DOUBLE CARD DSKA 5804270 4270 HB041 AA AB HB052 AC AD HB041 AE HB052 AF HB061 AH AJ AK AM AN AP AQ HB071 BA BB BC BD BE BF BG BH BJ BK BL BM BN HB041 CB CC HB101 DA DB DC DE UNUSED PORTIONS
C2	SINGLE CARD DSKA 5800720 0720 HB091 A1 B1 C1 D1 HB121 E1 F1 G1 H1 HB101 J1 K1 L1 M1 N1 P1 Q1 S1
C3	DOUBLE CARD DSKA 5804270 4270 HB041 AA AB AC AD AE AF HB042 AH AJ AK AM AN AP BF BG BH BJ BK BL BM BN HB041 CB CC HB091 DA DB DC DE HA JA KA LA UNUSED PORTIONS
C4	DOUBLE CARD DSKA 5804270 4270 HB061 AA AB AC AD AE AF AQ HB062 BA BB BC BD BE BF BG BH BJ BK BL BM BN HB061 CB CC HB101 DA DB DC DE HA JA KA LA UNUSED PORTIONS
C5	DOUBLE CARD DSKA 5804270 4270
C6	DOUBLE CARD DSKA 5804270 4270 HB061 AA AB AC AD AE AF AQ HB062 BA BB BC BD BE BF BG BH BJ BK BL BM BN HB061 CB CC HB101 DA DB DC DE HA JA KA LA UNUSED PORTIONS
D2	DOUBLE CARD DSKA 5804270 4270
D3	DOUBLE CARD DSKA 5804270 4270 HB061 AA AB AC AD AE AF AQ HB062 BA BB BC BD BE BF BG BH BJ BK BL BM BN HB061 CB CC HB101 DA DB DC DE HA JA KA LA UNUSED PORTIONS
D4	SINGLE CARD DSAS 5800347 0347 HB116 A1 B1 C1 D1 E1 F1 G1 H1
D5	SINGLE CARD DSAS 5800000 0000
D6	SINGLE CARD DSKA 5800720 0720
D6	SINGLE CARD DSKA 5800720 0720 HB121 A1 B1 C1 D1 HB106 E1 F1 HB121 G1 H1 HB106 J1 K1 L1 HB151 M1 HB106 P1 Q1 S1 UNUSED PORTIONS

E2	SINGLE CARD DSKA 5800347 0347 HB111 A1 B1 HB101 C1 HB091 D1 HB061 E1 F1 HB051 G1 H1 HR
E3	SINGLE CARD DSKA 5800006 0006 HB091 A1 A2 A3 B1 B2 B3 HB081 C1 C2 C3 D1 D2 D3
E4	SINGLE CARD DSKA 5800347 0347 HB151 A1 HB142 B1 C1 D1 HB111 E1 HB091 F1 G1 HB086 H1
E5	DOUBLE CARD DSKA 5804270 4270
E6	DOUBLE CARD DSKA 5804270 4270 HB031 AA AB AC AD AE AF AH AJ AK AM AN AP AQ HB052 BA BB BC BD BE BF BG BH BJ BK BL BM BN HB051 CB CC HB101 DA DB DC DE HB121 FA HA JA KA LA MA
F2	SINGLE CARD DSKA 5800000 0000 HB151 A1 B1 HB091 C1 HB061 D1 HB052 E1 F1
F3	SINGLE CARD DSKA 5800347 0347 HB091 A1 B1 HB081 C1 D1 HB021 E1 F1 G1 H1
F4	DOUBLE CARD DSKA 5804283 4283
F5	DOUBLE CARD DSKA 5804283 4283 HB011 A1 AA AB AC AD AE AF AG AH AJ AK AL AM AN AP AA AS AT AU AV AW AX AY AZ
F6	SINGLE CARD DSAS 5804061 4061 HB086 B1 B2 HB106 C1 C2 HB086 F1 HB106 H1 UNUSED PORTIONS
G2	SINGLE CARD DSKA 5800229 0229 HB111 A1 HB091 B1 HB001 C1
G3	SINGLE CARD DSKA 5800000 0000 HB031 A1 B1 C1 D1 HB091 E1 F1
G4	SINGLE CARD DSKA 5800359 0359 HB031 A1 HB021 B1 C1 D1 E1 HB001 F1 G1 H1 J1 K1
G5	SINGLE CARD DSKA 5800000 0000 HB002 A1 A2 C1 C2 D1 D2 F1 F2 G1 G2 H1 H2 J1 J2 L1 L2

G5	SINGLE CARD DSKA 5800813 0813 HB031 D1 E1 F1 UNUSED PORTIONS A B C
G6	SINGLE CARD DSKA 5803209 3209 HE091 A1 B1
G7	SINGLE CARD DSKA 5800347 0347 HB071 A1 HB061 B1 HB051 C1 D1 HB001 E1 F1 G1 H1
H2	SINGLE CARD DSKA 5800000 0000 HB091 A1 B1 C1 D1 HB021 E1 F1
H3	DOUBLE CARD DSKA 5804283 4283 HB001 A1 AA AB AC AD AE AF AG AH AJ AK AL AM AN AP AA AS AT AU AV AW AX AY AZ
H4	SINGLE CARD DSKA 5800000 0000 HB052 A1 B1 C1 HB051 D1 HB131 E1 F1
H5	SINGLE CARD DSKA 5800000 0000 HB052 A1 B1 C1 HB051 D1 HB131 E1 F1
H6	SINGLE CARD DSKA 5800000 0000 HB141 A1 HB111 B1 C1 D1 HB071 E1 F1 HB062 G1 HB061 H1
H8	SINGLE CARD CE 3943 HB002 B1 B2 E1 E2
J2	SINGLE CARD DSKA 5800347 0347 HB141 A1 HB111 B1 C1 D1 HB031 E1 HB151 F1 G1 H1 HB131 G1 H1
J3	SINGLE CARD DSKA 5800000 0000 HB071 A1 HB062 B1 C1 HB052 D1 HB131 E1 F1
J4	SINGLE CARD DSKA 5800813 0813 HB031 A1 B1 C1 D1 E1 HB011 F1
J5	SINGLE CARD DSKA 5800006 0006 HB051 A1 A2 A3 B1 B2 B3 C1 C2 C3 HB052 D1 D2 D3
J6	SINGLE CARD DSKA 5804061 4061 HB011 A1 A2 HB001 B1 B2 HB031 C1 C2 HB011 D1 E1 HB001 F1 G1 HB031 H1 J1
J8	SINGLE CARD CE 3943 HB002 A1 A2 C1 C2 D1 D2 F1 F2 G1 G2 H1 H2 J1 J2 L1 L2

K2	SINGLE CARD DSKA 5800000 0000 HB151 A1 B1 C1 HB071 D1 HB151 E1 F1
K3	SINGLE CARD DSKA 5800000 0000 HB151 A1 HB091 B1 HB131 C1 D1 E1 F1
K4	SINGLE CARD DSKA 5800000 0000 HB031 A1 HB021 B1 C1 HB011 D1 E1 HB071 F1
K5	SINGLE CARD DSKA 5800347 0347 HB142 A1 HB141 B1 C1 D1 HB086 E1 HB001 F1 HB081 G1 HB071 H1
K6	SINGLE CARD DSKA 5800015 0015 HB052 A1 A2 HB051 B1 B2 C1 C2 HB142 D1 D2
K8	SINGLE CARD CE 3943 HB002 K1 K2 M1 M2
L2	SINGLE CARD DSKA 5800347 0347 HB151 A1 B1 C1 D1 HB121 E1 HB111 F1 G1 H1
L3	SINGLE CARD DSKA 5800346 0346 HB151 A1 HB131 B1 HB081 C1 HB031 D1 E1 HB151 F1 G1 H1 HB131 G1 H1
L4	DOUBLE CARD DSKA 5804282 4282 HB142 01 02 03 04 05 06 07 08 09 10 11 12 13 14 15 16 HB141 17 18 19 20 21 22 23 24 25 26 27 28 29 30 31 32
L6	SINGLE CARD DSKA 5800000 0000 HB151 E1 HB052 F1 UNUSED PORTIONS A B C D
L8	SINGLE CARD CE 3943 HB022 B1 B2 E1 E2
M2	SINGLE CARD DSKA 5803038 3038 KC091 A1 A2 A3 A4 A5 B1 B2 E1 F1 G1 G2 K1 K2 K3 K4 K5 UNUSED PORTIONS C D H J
M3	SINGLE CARD DSKA 5800000 0000

F3	SINGLE CARD DSKA 5800015 0015 HB141 A1 A2 HB001 B1 B2 HB011 C1 C2 D1 D2
F4	CONNECTOR B02 SP101DB4 B03 HB131AB2 B08 HB021BA2 B09 HB091AF2 D07 HB021DF4 D10 HC161CB4 D12 HB151SB4 HA031DM4
F5	SINGLE CARD DSKA 5800015 0015 HB141 A1 A2 HB001 B1 B2 HB011 C1 C2 D1 D2
F6	SINGLE CARD WDRM 5804061 4061 HB151 A1 A2 HB021 B1 B2 HB151 D1 HB021 F1 UNUSED PORTIONS C E G H J
F8	SINGLE CARD CE 3943 HB022 A1 A2 C1 C2 D1 D2 F1 F2 G1 G2 H1 H2 J1 J2 L1 L2
N2	CONNECTOR B02 HB111FB2 B03 HB121GE2 B04 KC001CJ4 B05 KC001CL4 B08 DAC41BA4 B09 DAC41BC4 B10 RD031BD4 B12 HB021BD2 D04 KC001CK4 D05 KC001CM4 D06 HA001FD4 D07 DV001CC4 D09 DR041BD4 D10 RD031BE4 D11 HB021DA2 D12 HB061CF4 D13 HB031EJ4
N3	CONNECTOR B03 SPO61AB4 B07 RU001AL2 B08 RU001AJ2 B09 RU001AS4 B10 RU001BB4 B12 RU001EE4 B13 RU001BG4 D04 RU001AQ2 D05 RU001AN2 D06 RU001AM2 D07 RU001AK2 D09 RU001BA4 D10 RU001BC4 D11 RU001BD4 D12 RU001BF4 D13 SPO61AC4
N4	CONNECTOR B02 HB086AJ4 B03 HB151FA2 B04 HB151FB2 B05 HB071CD2 B09 HB081DE4 B10 HB071EA2 B12 RU001AN2 B13 HB086AL4 D02 HB151DD2 D04 HB151FD2 D05 HB151FC2 D06 HB081GH4 D09 HB081DA2 D10 RU001AQ2 D11 DA001AA4 D12 RU001AL2 D13 RU001AJ2
N5	CONNECTOR B03 AL101EA4 B04 AL111EA4 B05 AL121EA4

F06	HB151ED2
E07	AL131EB4
E08	GF201SA4
E09	HB141CA4
E10	HB141CC4
E12	HB142CB4
E13	HB142CB4
D02	AL101EA4
D03	HB151FC2
D04	AL111EB4
D05	AL121EB4
D06	AL131EA4
D07	AL141EA4
D09	HB141CB4
D10	HB141CD4
D11	HB142CA4
D12	HB142CC4
D13	HA101EB4
N6	CONNECTOR B02 HB1C6BA4 B04 HB1C6BC4 B05 HB1C6BD4 B07 HB1C6BB4 B12 HB0C6FA4 B13 HB0C6FB4 E02 HB10EE4 E03 HB10EF4 D04 HB10EFA4 D05 HB10EB4 D07 HB1C6BA4 D12 HB0C6BC4 D13 HB0C6BD4
N7	CONNECTOR E02 HB041AE4 E04 HB041AD4 E05 HB041AC4 E07 HB041AE4 E09 HB042AJ4 B10 HB042AH4 B12 HB042AG4 B13 HB042AF4 D02 HB051FD4 D04 HB051FC4 D05 HB051FB4 D07 HB051FA4 D09 HB052FE4 D10 HB052FC4 D12 HB052FB4 D13 HB052FA4
N8	SINGLE CARD CE 3943 HB022 K1 K2 M1 M2
N8	CONNECTOR B02 HB086AJ4 B03 HB151FA2 B04 HB151FB2 B05 HB071CD2 B09 HB081DE4 B10 HB071EA2 B12 RU001AN2 B13 HB086AL4 D02 HB151DD2 D04 HB151FD2 D05 HB151FC2 D06 HB081GH4 D09 HB081DA2 D10 RU001AQ2 D11 DA001AA4 D12 RU001AL2 D13 RU001AJ2

SOCKET LISTING
DATE 09-14-66 PACH. 2841R
LOG 257Y BOARD 01A-A3
REV. ENGR. 06-21-66 413401
PRES. ENGR. 09-13-66 413402
P.N. 2210687 SDD
IMP CORP. SDD BLK.

SOLID LOGIC DESIGN AUTOMATION—SOCKET LISTING

PLUG LIST					
PART NO	ACC	TYPE	SOCKETS	TOTAL	
5800000	DSAS	0000	D5		01
5800000	DSKA	0000	F2 G3 G5 H3		11
			H0 J1 K2 K3		
			K4 L6 M3		
5800006	ISKA	0006	E3 J5		02
5800015	DSKA	0015	K6 F5		02
5800229	DSKA	0229	G2		01
5800346	DSKA	0346	L3		01
5800347	DSAS	0347	D4		01
5800347	ISKA	0347	E2 E4 F3 H2		07
			J2 K5 L2		
5800359	DSKA	0359	G4		01
5800720	DSKA	0720	C4 D6		02
5800613	DSKA	0613	G6 J4		02
5803038	ISKA	3038	F2		01
5803209	DSKA	3209	B2 G7		02
5804061	DSAS	4061	F6		01
5804061	DSKA	4061	J6		01
5804061	UDRM	4061	M6		01
5804270	DSAS	4270	B5		01
5804270	DSKA	4270	B3 C2 C5 D2		05
			E5		
5804282	DSKA	4282	L4		01
5804283	DSKA	4283	F4 H4		02
		CONN	P1 R2 R3 R4		16
			R5 R6 R7 B1		
			C1 R4 R2 R3		
			N4 N5 N6 N7		
			H8 J8 K8 L8		06
			M8 N8		
CE	3943				

SOCKET LISTING
 DATE 09-14-66 PACH. 2841R
 LDC 257Y BOARD 01A-A3
 PREV. ENGR. 06-21-66 413401
 REES. ENGR. 09-13-66 413402
 P.N. 2210667 SDD
 IEM CORP. SDD ELK.

0
8
0
2
1
1

000

M1	B11 SP061BL4 C09 SP061BN4 C11 SP061BP4 D09 SP161AB4 E09 GB201GA4 E11 SP161AC4
M2	SINGLE CARD 5803572 3572 RD011 A1 A2 A3 RC001 A4 A5 A6 RU001 A7 A8 A9 RD011 AA RC001 AB RU001 AC RD011 AD RC001 AE RU001 AF RD011 AG RC001 AH RU001 AJ
M3	DOUBLE CARD 5804280 4280
M4	BB001 01 02 03 04 05 06 07 08 09 10 11 12 BB011 13 14 15 16 17 18 19 20 21 22 23 24 25 26 27 28 29 30 31 32 33 34 35 35
M5	SINGLE CARD 5800000 0000 RE001 A1 B1 BA131 C1 D1 RE001 E1 F1
M6	SINGLE CARD 5804007 4007 RC001 A1 A2 A3 A4 A5 B1 B2 B3 B4
M7	SINGLE CARD 5800410 0410 AL131 A1 B1 AL141 C1 AL111 D1 E1 AL121 F1 G1 AL111 J1 K1 AL131 M1 AL101 N1 P1 AL141 Q1 AL131 R1 AL121 S1 AL101 T1 AL121 U1 AL101 V1
	UNUSED PORTIONS H L
M8	CONNECTOR A06 AL201CB4 B04 SP061BN4 B06 RE001BB4 C04 HC241PE4 C06 KG001CC4 D04 RS011BL4 E04 HC161DF4 E06 AL211FB4
N1	CONNECTOR A09 SP161AE4 A11 SP161AF4
N2	CONNECTOR B03 DD001CR4 E04 DD001CC4 B05 DD001DA4 B06 BA011BK2 B07 DD001DD4 B08 DE001BC4 B09 DE001CC4 B10 DE001DC4 B11 BA021BK2 B12 DE001DD4 B14 DE001BB4 D02 DD001CA4 D03 BA001BK2 D04 DD001CD4 D05 DD001DB4 D06 DD001DC4 D07 DE001DB4

N2	D09 DE001AB4 D10 DE001BD4 D11 DE001CD4 D12 DB001BA4 D13 DB001BC4
N3	CONNECTOR B03 DS011BC4 B04 DS011BD4 B05 DS021BB4 B06 BA041BK2 B07 DS031BA4 B08 DS031BC4 B09 DS031BD4 B10 DS041EB4 B11 BA051BK2 B13 SP061AC4 D02 DS011BB4 D03 BA031BK2 D04 DS021BA4 D05 DS021BC4 D06 DS021BD4 D07 DS031BB4 D09 DS041BA4 D10 DS041BC4 D11 DS041BD4 D12 SP061AB4 D13 KG001BB4
N4	CONNECTOR B03 RC001AK2 B04 RC001AL2 B05 RC001AN2 B06 BA071BK2 B07 RC001AR2 B08 RS001BL4 B09 RS011BK4 B10 RS021BK4 B11 BA081BK2 B12 RS031BL4 B13 DA001BF2 D02 RC001AJ2 D03 BA061BK2 D04 RC001AM2 D05 RC001AP2 D06 RC001AQ2 D07 RS001BK4 D09 RS011BL4 D10 RS021BL4 D11 RS031BK4 D12 HB151FB2 D13 DA001BJ2
N5	CONNECTOR B03 SP061BD4 B04 DE001BA4 B05 DE001CA4 B06 SP091AL4 B07 DA001CF4 B08 DA001CH4 B09 KG001DA4 B10 DA001AK2 B11 KG001SA4 B12 RE001CM4 B13 RE001CA4 D02 SP101DH4 D03 DA011DE4 D04 DA001CB4 D05 DA001CD4 D06 DE001DA4 D07 DE001EB4 D09 KG001DB4 D10 DA001BC2 D11 KG001CC4 D12 RF001CD2 D13 RE001CL4
N6	CONNECTOR B02 AL141CA4 B03 HC211AB4 B04 HC211AC2 B05 HC211AE2 B07 HC211AG2 B08 RD031CK4 B09 RDC41AR4 B10 RD041AT4 B12 RD041BN4 B13 RD041BQ4 D02 HC211AA2 D04 HC211AD4 D05 HC211AH4 D06 HC211AF4 D07 KG001BB4 D09 RD041AS4 D10 RD041AU4 D11 RD041AV4 D12 RD041BP4 D13 RD041BR4
N7	CONNECTOR

N7	B02 HB151FD2 B03 SP101CH4 E04 KC001CJ4 B05 KC001CL4 B08 SP161AC4 B09 GB201SA4 E10 DA001BM2 E04 KC001CK4 D05 KC001CM4 D06 KC021AQ4 D07 SP101DF4 D09 DA001AG2 D10 DA001AE2 D11 SP141BV4 D12 RE001CX4
N8	CONNECTOR A04 RB036AF4

PLUG LIST				
PART NO	ACC	TYPE	SOCKETS	TOTAL
5800000		0000	G4 M5	02
5800002		0002	F4 G5	02
5800006	WDRM	0006	G7 J7	02
5800007		0007	H5	01
5800007	WDRM	0007	G2	01
5800015		0015	G3	01
5800015	WDRM	0015	J2	01
5800236		0236	K4	01
5800243	WDRM	0243	E7 K7	02
5800347		0347	K3	01
5800347	WDRM	0347	F2	01
5800410		0410	M7	01
5803038		3038	L7	01
5803487		3487	H4 J4 K5 L5	04
5803572		3572	H2 K2 L2 M2	04
5803574		3574	H3 J3 L3 L4	04
5803575		3575	E4 F3	02
5804007		4007	C6 C7 D6 D7	11
			F7 G6 H6 H7	
			K6 L6 M6	
5804067		4067	C4	01
5804067	WDRM	4067	E5	01
5804280		4280	D4 M3	02
5804282		4282	B3 C2 F5 J5	04
	CONN	A2	A3 A4 A5	36
			A6 A7 A8 B2	
			B6 B7 B8 C8	
			D8 E8 F1 F8	
			G1 G8 H1 H8	
			J1 J8 K1 K8	
			L1 L8 M1 M8	
			N1 N2 N3 N4	
			N5 N6 N7 N8	

SOCKET LISTING
DATE 06-21-66 MACH# 2841R
LOG 172J BOARD 01A-B1
PREV. ENGR. - - 413400
PRES. ENGR. 06-21-66 413401
P.No 2210689 SDD
IPM CORP. SDD PLK.

000
3
1

A3	CONNECTOR B03 AL131SB4 B04 AL131SA4 B05 AL121SA4 B07 AL101SB4 B10 KC001CC4 D02 AL141SA4 D04 AL121SB4 D05 AL111SB4 D06 AL111SA4 D07 AL101SA4 D09 KC001BA4 D10 KC001BB4 D11 KC001CD4 D13 KG001CC4
A5	CONNECTOR B02 RA021AB4 B04 RA021AC4 B05 RA021DE4 B07 RA021CB4 B08 SP151AL4 B09 SP151AR4 B10 SP151AP4 E12 SP151AS4 B13 SP161AD4 D02 RA021AA4 D04 RA021AD4 D05 RA021AF4 D06 RA021CA4 D09 SP151AN4 D10 SP151AQ4 D11 SP151AR4 D12 SP151AT4
A6	CONNECTOR B03 AL111EB4 B04 AL121EA4 B05 AL131EA4 B07 AL101EA4 B12 SP061SA4 B13 KC011FJA D02 AL111EA4 D04 AL121EA4 D05 AL131EA4 D06 AL141EA4 D07 DA001AL4 D11 DV001DA4 D12 KG001CC4 D13 KC011AN4
B2	SINGLE CARD OPTB 5803575 3575 AL101 A1 A2 AL111 A3 A4 AL121 A5 B1 AL131 B2 B3 AL141 B4
B3	SINGLE CARD 5803035 3035 AL131 A1 A2 A3 A4 A5 A6 D1 D2 D3 D4 D5 D6 UNUSED PORTIONS B C E F
B4	SINGLE CARD 5800143 0143 AL041 A1 A2 A3 B1 AL051 C1 C2 C3 D1
B5	SINGLE CARD 5800730 0730 RA021 A1 A2 A3 A4 A5 A6 A7 A8
C2	SINGLE CARD 5800199 0199 AL121 A1 B1 AL111 C1 D1 AL101 E1 F1
C3	SINGLE CARD 5803035 3035 AL121 A1 A2 A3 A4 A5 A6 B1 D2 D3 D4 D5 D6 UNUSED PORTIONS B C E F

C4	SINGLE CARD 5800145 0145 AL041 A1 A2 A3 A4 AL051 B1 B2 B3 B4 CONNECTOR E09 AL101EA4
D2	SINGLE CARD 5803035 3035 AL101 A1 A2 A3 A4 A5 A6 D1 D2 D3 D4 D5 D6 UNUSED PORTIONS B C E F
D3	SINGLE CARD 5800511 0511 AL201 A1 B1
D4	SINGLE CARD 0359 RB002 A1 RB001 B1 C1 D1 E1 RA001 F1 G1 H1 J1 K1
D5	SINGLE CARD 5800145 0145 AL021 A1 A2 A3 A4 AL031 B1 B2 B3 B4
D8	CONNECTOR E04 AL101EA4
E1	CONNECTOR A11 AL101EB4 B09 AL111EB4 B11 AL111EA4 C09 AL121EB4 C11 AL121EA4 D09 AL131EA4 E09 AL141EA4 E11 AL131EB4
E2	SINGLE CARD 5800199 0199 AL101 A1 B1 C1 AL091 D1 E1 AL211 F1
E3	SINGLE CARD 5803035 3035 AL111 A1 A2 A3 A4 A5 A6 D1 D2 D3 D4 D5 D6 UNUSED PORTIONS B C E F
E4	SINGLE CARD 5800145 0145 AL001 A1 A2 A3 A4 AL011 B1 B2 B3 B4
E5	SINGLE CARD 5800143 0143 AL021 A1 A2 A3 B1 AL031 C1 C2 C3 D1
E8	CONNECTOR A06 AL101EB4 B04 AL111EB4 B06 AL111EA4 C04 AL121EB4 C06 AL121EA4 D04 AL131EB4 E04 AL141EA4 E06 AL131EB4
F1	CONNECTOR A11 SP061SA4 B09 AL101CB4 B11 AL101CA4 C09 AL111CB4 C11 AL111CA4 D09 AL121CA4 E09 AL131CA4

F1	E11 AL121CB4
F2	SINGLE CARD 5800005 0005 AL201 A1 AL061 C1 UNUSED PORTIONS B
F3	SINGLE CARD 5800347 0347 RB002 B1 C1 D1 AL211 E1 AL101 F1 FR AL061 G1 GR H1 HR UNUSED PORTIONS A
F4	SINGLE CARD 5800143 0143 AL061 A1 A2 A3 B1 AL071 C1 C2 C3 D1
F5	SINGLE CARD 5800143 0143 AL001 A1 A2 A3 B1 AL011 C1 C2 C3 D1
F8	CONNECTOR A06 HA061AA4 B04 HA061AE4 B06 HA061AC4 C04 HA061AJ4 C06 HA061AG4 D04 HA061AL4 E04 HA061AR4 E06 HA061AN4
G1	CONNECTOR A09 AL141CA4 A11 AL131CB4 E09 BA001BK2
G2	SINGLE CARD 5800199 0199 AL141 B1 C1 D1 AL131 E1 F1 UNUSED PORTIONS A
G3	SINGLE CARD 0359 RA001 A1 B1 C1 D1 KC011 E1 AL211 F1 G1 AL141 H1 AL091 J1 AL061 K1
G4	SINGLE CARD 5800145 0145 AL061 A1 A2 A3 A4 AL071 B1 B2 B3 B4
G8	CONNECTOR A04 KC081BD4
H1	CONNECTOR A11 BA011BK2 B09 BA031BK2 B11 BA021BK2 C09 BA051BK2 C11 BA041BK2 D09 BA061BK2 E09 BA081BK2 E11 BA071BK2
H2	SINGLE CARD 5803035 3035 AL141 A1 A2 A3 A4 A5 A6 RB036 D1 D2 D3 D4 D5 D6 E1 E2 F1 UNUSED PORTIONS B C

H3	SINGLE CARD 5804007 4007 RA001 A1 A2 A3 A4 A5 B1 B2 B3 B4
H4	SINGLE CARD 5804007 4007 RB001 A1 A2 A3 A4 RB002 B5 B1 B2 B3 AL061 B4
H5	SINGLE CARD 5804061 4061 AL211 A1 A2 RA011 B1 B2 C1 C2 AL211 D1 E1 RA011 F1 G1 H1 J1
J1	CONNECTOR A11 SP101DF4 B09 BB001CJ4 C09 BB001CA4 C11 BB001CM4 D09 BB001CB4 E09 BB001EA4 E11 BB001CC4
J2	SINGLE CARD 5800243 0243 RB001 A1 B1 C1 D1 E1 F1
J3	SINGLE CARD 5800243 0243 RB002 A1 B1 C1 D1 RB001 E1 F1
J4	SINGLE CARD 5800243 0243 RB002 C1 D1 E1 F1 UNUSED PORTIONS A B
K1	CONNECTOR A09 BB011EC4 A11 BB011EB4
K2	SINGLE CARD 5800813 0813 AL211 A1 AL091 B1 C1 D1 AL201 E1 F1
K3	DOUBLE CARD 5804150 4150
K4	KC001 A1 A2 A3 A4 A5 A6 A7 A8 A9 AA AB AC AD AE AF AG AH AJ AK AL AM AN AP AQ AS AT AU AV AW
L1	CONNECTOR A11 AL081EC4 B09 KC001CK4 B11 KC001CJ4 C09 KC001CF4 C11 KC001CL4 D09 AL201DE2 E09 AL201AH4
L2	SINGLE CARD 5800007 0007 AL201 A1 AL091 B1 C1 C2 C3 D1 D2 D3
L3	SINGLE CARD 5800006 0006 AL201 A1 A2 A3 B1 B2 B3 C1 C2 C3 AL211 D1 D2 D3
L4	SINGLE CARD 5803038 3038 KC011 A1 A2 A3 A4 A5 B1 B2 E1 F1 G1 G2 K1

L4	K2 K3 K4 K5 UNUSED PORTIONS C D H J CONNECTOR A11 AL201CB4 E09 SP061EN4 E11 RE001BB4 C09 HC241PE4 C11 KC001CC4 D09 RS011BL4 E09 HC161DF4 E11 AL211FB4
M2	SINGLE CARD 5800006 0006 AL211 A1 A2 A3 AL061 B1 E2 B3 AL211 C1 C2 C3 UNUSED PORTIONS D
M3	SINGLE CARD WCH2 5800007 0007 DV001 A1 B1 C1 C2 C3 UNUSED PORTIONS D
M4	SINGLE CARD 5803493 3493 KC001 A1
N1	CONNECTOR A09 RE036AF4
N2	CONNECTOR B03 HA061AQ4 B04 HA061AC4 B05 HA061AG4 B08 HA061AA4 B09 DV001CA4 D04 HA061AE4 D05 HA061AJ4 D06 HA061AL4 D07 HA061AN4 D13 DD001EA4
N3	CONNECTOR B02 SP031AJ4 B03 RA001CA4 B04 KG001DB4 B05 SP101BB4 B07 AL201DQ4 B08 SP161AD4 B09 DE011DE4 B10 DE011DF4 B12 KC031BE4 B13 SP061AK4 D02 DV001DA4 D04 DV001DJ4 D05 DV001DH4 D06 SP061AG4 D07 DE011CE4 D09 DA001AL4 D10 DE011DD4 D11 DE011CD4 D12 AL201DB4 D13 AL201FC4

PLUG LIST				
PART NO	ACC	TYPE	SOCKETS	TOTAL
5800005	0005	F2		01
5800006	0006	L3 M2		02
5800007	0007	L2		01
5800007	WCH2	0007	M3	01
5800143	0143	B4 E5 F4 F5		04
5800145	0145	C4 D5 E4 G4		04
5800199	0199	C2 E2 G2		03
5800243	0243	J2 J3 JA		03
5800347	0347	F3		01
5800511	0511	D3		01
5800730	0730	B5		01
5800813	0813	K2		01
5803035	3035	B3 C3 D2 E3		05
5803038	3038	L4		01
5803493	3493	M4		01
5803575	3575	B2		01
5804007	4007	M3 H4		02
5804061	4061	H5		01
5804150	4150	K3		01
	0359	D4 G3		02
	CONN	A3 A5 A6 D1		19
		FA E1 EB F1		
		FR G1 GB H1		
		J1 K1 L1 M1		
		N1 N2 N3		

SOCKET LISTING	
DATE 03-17-67	MADE 2841R
LOG 0763	BOARD 01A-82
PREV. E:GR. 06-21-66	413401
PRES. E:GR. 03-17-67	413404
Part# 2210689	SDD
IBM CORP.	SDD ELK.

SOLID LOGIC DESIGN AUTOMATION—rSOCKET LISTING

Table with columns A2 through A7, listing connectors and their pin configurations. Includes sub-headers like CONNECTOR and various pin names (B02, B03, etc.).

Table with columns A7 through B3, listing connectors and their pin configurations. Includes sub-headers like CONNECTOR, SINGLE CARD, and DOUBLE CARD.

Table with columns B3 through B7, listing connectors and their pin configurations. Includes sub-headers like CONNECTOR, SINGLE CARD, and DOUBLE CARD.

Table with columns B7 through E7, listing connectors and their pin configurations. Includes sub-headers like CONNECTOR, SINGLE CARD, DOUBLE CARD, and UNUSED PORTIONS.

Table with columns E7 through G5, listing connectors and their pin configurations. Includes sub-headers like SINGLE CARD, DOUBLE CARD, and UNUSED PORTIONS.

Table with columns G5 through J4, listing connectors and their pin configurations. Includes sub-headers like SINGLE CARD, DOUBLE CARD, and UNUSED PORTIONS.

Table with columns J4 through M8, listing connectors and their pin configurations. Includes sub-headers like CONNECTOR, SINGLE CARD, DOUBLE CARD, and UNUSED PORTIONS.

SOCKET LISTING
DATE 08-16-68 MACH. 2841R
LOG 232D BOARD 01A-B3
PREV. ENGR. 03-17-67 413404
PRES. ENGR. 08-23-68 413416
PART. 2210690
IBM CORP. SDD BLK.

N2	D05	KC001CM4
	D06	HA001GN4
	D07	DV001CC4
	D11	SD072BB4
	D12	SP101BA4
	D13	GB201UJ4
N3 CONNECTOR		
	B02	HA021EA4
	B03	HA021EB4
	B04	HA021CB4
	B05	HA021ED4
	B07	HA021CE4
	B08	HA021CF4
	B09	HA031DF4
	B10	HA031DE4
	D02	HA021CA4
	D04	HA021EC4
	D05	HA021CC4
	D06	HA021CD4
	D07	HA021FA4
	D09	HA021EF4
N4 CONNECTOR		
	B02	HA051AB4
	B03	HA051AC4
	B04	HA051AD4
	B05	HA051AE4
	D02	HA031BA4
	D04	HA031BB4
	D05	HA031BC4
	D06	HA031BD4
	D09	HA051GA4
	D10	HA051GB4
	D11	HA051FA4
	D12	HA051EA4
N5 CONNECTOR		
	B02	HA051BB4
	B03	HA051BC4
	B04	HA051BD4
	B05	HA051BE4
	D02	HA031DA4
	D04	HA031DB4
	D05	HA031DC4
	D06	HA031DD4
	D09	HA051DA4
	D10	HA051CA4
	D11	HA051BA4
	D12	HA051AA4
N6 CONNECTOR		
	B02	HA051GF4
	B03	HA051GE4
	B04	HA051GD4
	B05	HA051GC4
	B07	HA051FE4
	B08	HA051FD4
	B09	HA051FC4
	B10	HA051FB4
	D02	HA051AF4
	D04	HA051CF4
	D05	HA051EE4
	D06	HA051BF4
	D07	HA051ED4
	B09	HA051DD4
ON †		
	B02	AL141CA4
	B03	HC211AB4
	B04	HC211AC2
	B05	HC211AE2
	B07	HC211AG2
	B08	RD031CK4
	B09	RD041AR4
	B10	RD041AT4
	B12	RD041BN4
	B13	RD041BQ4
	D02	HC211AA2
	D04	HC211AD4
	D05	HC211AH4
	D06	HC211AF4
	D07	KG001BB4
	D09	RD041AS4
	D10	RD041AU4
	D11	RD041AV4
	D12	RD041BP4
	D13	RD041BR4

N8 SINGLE CARD
3943 CE
HA012 K1 K2 M1 M2

B
O
S
1

PLUG LIST				
PART NO	ACC	TYPE	SOCKETS	TOTAL
5800000		0000	D3 F3	02
5800000	OPTA	0000	J3	01
5800000	WDRM	0000	K7 L7	02
5800002		0002	C6	01
5800005		0005	D6 L5	02
5800006		0006	E4 H5	02
5800007		0007	C5 H3 J6	03
5800015		0015	B3 G6	02
5800064		0064	E7	01
5800135		0135	B5	01
5800199		0199	B6 E3 E5	03
5800212		0212	E6 G7 H7 J7	04
5800229		0229	D4	01
5800238		0238	G3	01
5800274		0274	B7	01
5800346		0346	J5	01
5800346	WDRM	0346	K6	01
5800347		0347	D5 F6 F7 H4 H6	05
5800359		0359	H2 M5	02
5800720		0720	K3 L6	02
5800725		0725	G2	01
5803038		3038	F2	01
5804007		4007	C7 D7	02
5804061		4061	E2 J4	02
5804270		4270	K4 L3 M3	03
5804280		4280	C3	01
5804283		4283	F4 G4	02
	CONN	A2 A3 A4 A5		22
		A6 A7 B4 D1		
		D8 E1 E8 F1		
		F8 G1 M6 M7		
		N2 N3 N4 N5		
		N6 N7		
CE	3943	B8 C8 H8 J8		08
		K8 L8 M8 N8		

SOCKET LISTING
DATE 08-16-68 MACH. 2841R
LOG 232D BOARD 01A-B3
PREV. ENGR. 03-17-67 413404
PRES. ENGR. 08-23-68 413416
P.N. 2210690
IBM CORP. SDD BLK.

0
B
O
S
1

000

A1 CONNECTOR E09 SP051AA4 E11 SP151BA4	A6 B02 DA001AK2 B03 GBC61YL4 B04 GB061YH4 B05 GB061YK4 B07 SP141CC4 B08 GB181ZV4 B09 GB181ZF4 B10 KGC01CD4 B12 GB061YJ4 B13 GB041EB4 D02 GR201SA4 D04 GB061YG4 D05 SP151BH4 D06 DA001BC2 D07 DV001CC4 D09 GR041SH4 D10 SP151EG4 D11 KGC001CC4 D12 DA001BM2 D13 SP061AH4	B8 B06 KC001CJ4 C04 KC001CM4 C06 KC001CL4 D04 SP061AF4 E04 DA001AM4	D5 5800007 0007 SP101 A1 KG001 B1 SP101 C1 C2 C3 KG001 D1 D2 D3	F2 KK041 B1 B2 KK051 B3 B4	H1 C09 SP151AZ4 C11 SP151AY4 D09 SP151FA4 E09 SP151PC4 E11 SP151EE4	K3 5803022 3022 SP111 A1 A2 A3 A4 A5 A6 A7 A8
A2 CONNECTOR B03 DDO01CB4 B04 DDO01CC4 B05 DDO01DA4 B06 BA011BK2 B07 DDO01DD4 B08 DE001BC4 B09 DE001CC4 B10 DE001DC4 B11 BA021BK2 B12 DE001DD4 B13 DB001BB4 D02 FDC1CA4 D03 BA001PK2 D04 DDO01CD4 D05 DDO01DB4 D06 DDO01DC4 D07 BE001DH4 D09 DE001BH4 D10 DE001BD4 D11 DE001CD4 D12 DE001BA4 D13 UB001BC4	A7 CONNECTOR B02 HB151FD2 E03 SP101CH4 B04 KC001CJ4 E05 KC001CL4 B08 SP161AC4 B09 GR201SA4 B10 DA001EM2 D04 KC001CK4 D05 KC001CA4 D06 KC021AA4 D07 SP101DF4 D09 DA001AG2 D10 DA001AD2 D11 SP141BV4 D12 RE001CX4	C1 CONNECTOR A11 SP051BA4 B09 SP051BB4 B11 SP051AV4 C09 SP061AA4 C11 SP051AG4 D09 SP061AC4 E09 SP061AD4 E11 SP061AB4	D6 SINGLE CARD 5800015 0015 KG001 A1 A2 B1 B2 KK021 C1 C2 SP101 D1 D2	F3 SINGLE CARD 5803575 3575 KK011 A1 A2 A3 A4 SP101 B1 KK051 B1 B2 B3 B4	H2 SINGLE CARD 5800064 0064 SP081 A1 A2 A3 A4 A5 SP082 B1 B2 B3 B4 B5	K4 SINGLE CARD 5800006 0006 SP141 A1 A2 A3 B1 B2 B3 C1 C2 C3 DA001 D1 D2 D3
A3 CONNECTOR B03 DS011BC4 B04 DS011BD4 B05 DS021EB4 B06 BA041BK2 B07 DS031BA4 B08 DS031BC4 B09 DS031BD4 B10 DS041BB4 B11 BA051BK2 B13 SP061AC4 D02 DS011BB4 D03 BA031BK2 D04 DS021BA4 D05 DS021BC4 D06 DS021BD4 D07 DS031BB4 D09 DS041BA4 D10 DS041BC4 D11 DS041BD4 D12 SP061AB4 D13 KG001BB4	A8 CONNECTOR E06 HA001FD4	C2 SINGLE CARD 5800006 0006 KK001 A1 A2 A3 B1 B2 B3 C1 C2 C3 D1 D2 D3	D7 SINGLE CARD 5803078 3038 KC041 A1 A2 A3 A4 A5 B1 B2 E1 F1 G1 G2 K1 K2 K3 K4 K5	F4 SINGLE CARD 5800000 0000 SP141 A1 SP091 B1 SP121 C1 SP101 D1 KK051 E1 SP101 F1	H3 SINGLE CARD 5800243 0243 SP121 A1 RE001 B1 C1 DV001 D1 SP121 E1 F1	K5 SINGLE CARD 5803573 3573 DS001 A1 A2 A3 A4 A5 A6 A7 A8 A9 AA AB AC AD AE AF AG AH AJ AK AL
A4 CONNECTOR B03 RC001AK2 B04 RC001AL2 B05 RC001AN2 B06 BA071BK2 B07 RC001AP2 B08 RS001EL4 B09 RS011BK4 B10 RS021BK4 B11 BA081BK2 B12 RS031BL4 B13 DA001BF2 D02 RC001AJ2 D03 BA061EK2 D04 RC001AM2 D05 RCO01AP2 D06 RC001AQ2 D07 RS001BK4 D09 RS011BL4 D10 RS021EL4 D11 RS031EK4 D12 HB151FB2 D13 DA001BJ2	B1 CONNECTOR A11 SP051AW4 B09 SP051AX4 B11 SP051AR4 C09 SP051AY4 C11 SP051AS4 D09 SP051AT4 E09 SP051AU4 E11 SP051AZ4	C3 DOUBLE CARD 5801281 4281 DH001 AA AB AC AD AE AF AG AH AJ AK AL AM AN AP AQ AS DH011 AT AU AV AW AX AY DH001 BA SP121 CA SP071 DA KK021 FA	D8 CONNECTOR A04 DDO01EA4	F5 SINGLE CARD 5800000 0000 KK051 A1 KK051 B1 KK001 C1 KK031 D1 KK061 E1 KG001 F1	H4 SINGLE CARD 5800008 0008 SP101 A1 A2 A3 A4 B1 B2 B3 B4	K6 SINGLE CARD 5800007 0007 DV001 A1 DA001 B1 DV001 C1 C2 C3 D1 D2 D3
A5 CONNECTOR B03 SP061BD4 B04 DE001BA4 B05 DE001CA4 B06 SP091AL4 B07 DA001CF4 B08 DA001CH4 B09 KG001DA4 B10 DA001AK2 B11 KGC01SA4 B12 RE001CM4 B13 RE001CA4 D02 SP101DH4 D03 DA001DE4 D04 DA001CB4 D05 DA001CD4 D06 DE001DA4 D07 DE001EB4 D09 KG001DB4 D10 DA001BC2 D11 KG001CC4 D12 RE001CD2 D13 RE001CL4	B2 SINGLE CARD 5800008 0008 KK041 A1 A2 A3 A4 B1 B2 B3 B4	C4 DOUBLE CARD 5801281 4281 DH001 AA AB AC AD AE AF AG AH AJ AK AL AM AN AP AQ AS DH011 AT AU AV AW AX AY DH001 BA SP121 CA SP071 DA KK021 FA	D9 SINGLE CARD 5800008 0008 KK031 A1 A2 A3 A4 B1 B2 B3 B4	F6 SINGLE CARD 5800238 0238 KK061 A1 B1 C1 D1 KK051 E1	H5 SINGLE CARD 5803487 3487 DS041 01 02 03 04 05 06 07 08 09 10 11 12	L1 CONNECTOR A11 KK011DG4 B09 KK011DE4 E11 KK011DF4 C09 KK011DC4 C11 KK011DD4 D09 KK011DB4 E09 KK011DJ4 E11 KK011DA4
A6 CONNECTOR	B3 DOUBLE CARD 5804281 4281 DL001 AA AB AC AD AE AF AG AH AJ AK AL AM AN AP AQ AS DL011 AT AU AV AW AX AY DL001 BA SP091 CA SP141 DA DD001 FA	C5 SINGLE CARD 5800006 0006 KK021 A1 A2 A3 SP071 B1 B2 B3 SP101 C1 C2 C3 DL011 D1 D2 D3	E1 CONNECTOR A11 SP051AD4 B09 SP051AC4 E11 SP051AK4 C09 SP051AB4 C11 SP051AJ4 D09 SP051AH4 E09 SP051AP4 E11 SP051AA4	F7 SINGLE CARD 5803038 3038 KC031 A1 A2 A3 A4 A5 B1 B2 E1 F1 KG001 G1 G2 KC031 K1 K2 K3 K4 K5	H6 SINGLE CARD 5803487 3487 DS031 01 02 03 04 05 06 07 08 09 10 11 12	L2 SINGLE CARD 5800730 0730 KK011 A1 A2 A3 A4 A5 A6 A7 A8
	B4 CONNECTOR A11 SP051AW4 B09 SP051AX4 B11 SP051AR4 C09 SP051AY4 C11 SP051AS4 D09 SP051AT4 E09 SP051AU4 E11 SP051AZ4	C6 SINGLE CARD 5804015 4015 KC051 A1 GB041 B1 KC051 C1 C2 GB041 D1 E1 E2 KC051 F1	E2 SINGLE CARD 5800813 0813 SP121 A1 KK011 B1 C1 D1 E1 F1	G1 CONNECTOR A09 SP071CG4 A11 SP071CF4 E09 SP151AJ4	J1 CONNECTOR A11 SP151ED4 B09 SP151BL4 B11 SP151EE4 C11 SP151EG4 D09 SP061AG4 E09 SP061AH4 E11 SP061AJ4	L3 SINGLE CARD 5803022 3022 SP111 A1 A2 A3 A4 A5 A6 A7
	B5 SINGLE CARD 5803575 3575 DA001 A1 A2 A3 A4 A5 KC031 B1 B2 SP101 B3 B4	C7 SINGLE CARD 5800274 0274 DA001 A1 A2 A3 KG001 C1 C2 C3 E1 E2 E3	E3 SINGLE CARD 5800238 0238 SP101 A1 KG001 B1 KK061 C1 D1 E1	G2 SINGLE CARD 5800243 0243 SP131 A1 B1 C1 D1 E1 F1	J2 SINGLE CARD 5800064 0064 SP082 A1 A2 A3 A4 A5 B1 B2 B3 B4 B5	L4 SINGLE CARD 5800347 0347 SP141 A1 C1 D1 E1 SP101 F1 KG001 G1 GR DL001 H1
	B6 SINGLE CARD 5800274 0274 DA001 A1 A2 A3 C1 C2 C3 E1 E2 E3	C8 CONNECTOR A06 SP071SB4 B04 SP101DB4 B06 DS031BC4 C04 SP161SC4 C06 SP101DF4 E04 SP101BA4 E06 KC031BK4	E4 SINGLE CARD 5800238 0238 SP101 A1 KG001 B1 KK061 C1 D1 E1	G3 SINGLE CARD 5803573 3573 DD001 A1 A2 A3 A4 A5 A6 A7 A8 A9 AA AB AC AD AE AF AG AH AJ AK AL	J3 SINGLE CARD 5803022 3022 SP121 A1 A2 A3 A4 A5 A6 A7 A8	L5 SINGLE CARD 5803575 3575 KK031 A1 A2 A3 KK041 A4 A5 B1 KK051 B2 B3 DVCO: B4
	B7 SINGLE CARD 5800274 0274 DA001 A1 A2 A3 C1 C2 C3 E1 E2 E3	C9 CONNECTOR A09 SP091CJ4 A11 SP061AE4 E09 SP051AL4 E11 SP071FK4	E5 SINGLE CARD 5800008 0008 SP091 A1 A2 A3 A4 KG001 B1 B2 B3 B4	G4 SINGLE CARD 5800347 0347 SP091 A1 B1 C1 SP071 D1 SP091 E1 SP071 F1 G1 H1	J4 SINGLE CARD 5800247 0247 SP091 A1 SP141 B1 SP101 C1	L6 CONNECTOR A06 LS361EF4 B04 DDO01CB4 B06 DDO01CA4 C04 DDO01CD4 C06 DDO01CC4 D04 KC031BJ4 E04 KC031BE4
	B8 CONNECTOR A04 HB151EC2 A06 KGC001CD4 B04 KC001CK4	D1 CONNECTOR A09 SP091CJ4 A11 SP061AE4 E09 SP051AL4 E11 SP071FK4	E6 SINGLE CARD 5800347 0347 SP071 A1 B1 KK061 C1 KK051 D1 KK021 E1 F1 KC051 FR G1 KC031 H1	G5 SINGLE CARD 5804061 4061 KC031 A1 A2 SP091 B1 B2 C1 C2 KC031 D1 SP091 F1 J1	J5 SINGLE CARD 5803487 3487 DS021 01 02 03 04 05 06 07 08 09 10 11 12	L7 CONNECTOR A11 KK011BH4 B09 KK011BF4 E11 KK011BG4 C09 KK011BJ4 C11 KK011BE4 D09 SP141BA4 E09 SP141BC4 E11 SP141BB4
	B9 SINGLE CARD 5800274 0274 DA001 A1 A2 A3 C1 C2 C3 E1 E2 E3	D2 SINGLE CARD 5800008 0008 KK031 A1 A2 A3 A4 KK041 B1 B2 B3 B4	E7 SINGLE CARD 5803038 3038 KC051 A1 A2 A3 A4 A5 B1 B2 E1 F1 G1 G2 K1 K2 K3 K4 K5	G6 SINGLE CARD 5800199 0199 SP101 A1 KG001 B1 KK051 C1 D1 DA001 E1 RE001 F1	J6 SINGLE CARD 5803487 3487 DS011 01 02 03 04 05 06 07 08 09 10 11 12	L8 CONNECTOR A11 KK011BH4 B09 KK011BF4 E11 KK011BG4 C09 KK011BJ4 C11 KK011BE4 D09 SP141BA4 E09 SP141BC4 E11 SP141BB4
	B9 CONNECTOR A04 HB151EC2 A06 KGC001CD4 B04 KC001CK4	D3 SINGLE CARD 5800015 0015 KK021 A1 A2 DB001 B1 B2 C1 C2 D1 D2	F1 CONNECTOR A11 SP051AF4 B09 SP051AE4 B11 SP051AN4 C09 SP071CA4 C11 SP071FB4 D09 SP071CB4 E09 SP071CE4 E11 SP071CD4	H1 CONNECTOR A11 SP151AV4 B09 SP151AX4 B11 SP151AW4	K1 CONNECTOR A09 SP061AF4 A11 SP061AK4 E09 KK011DH4 E11 SP141E24	L9 SINGLE CARD 5800064 0064 SP081 A1 A2 A3 A4 A5 B1 B2 B3 B4 B5
	B9 CONNECTOR	D4 SINGLE CARD 5800359 0359 KK051 A1 B1 KG001 C1 D1 E1 F1 KC041 G1 H1 DB001 J1 K1	F2 SINGLE CARD 5804007 4007 KK031 A1 A2 A3 KK041 A4 KK061 A5	K2 SINGLE CARD 5800064 0064 SP081 A1 A2 A3 A4 A5 B1 B2 B3 B4 B5	L9 SINGLE CARD	

SOCKET LISTING
DATE 08-04-67 PACH. 2841R
LDC 217J BOARD 01A-C1
PREV. ENGR. -
PRES. ENGR. 08-15-67 413407
P.No. 2211711 SDD
IBM CORP. SDD BLK.

SOLID LOGIC DESIGN AUTOMATION SOCKET LISTING

N2	SINGLE CARD 5500730 0730 KK011 A1 A2 A3 A5 A6 A7 SP071 A8	N5	D11 KC051CK4 D12 SP101SA4 D13 SP061PK4
N3	SINGLE CARD 5800730 0730 SP141 A1 A2 A3 A5 A6 A7 A8	N6	CONNECTOR B02 KK011AB4 B03 KK011AC4 B04 KK011AD4 B05 KK011AE4 B07 KK031CA4 B08 KK031CB4 B10 KK011EM4 D02 KK011BA4 D04 KK011BB4 D05 KK011BC4 D06 KK011BD4 D07 KK031DA4 D09 KK031DB4
N4	SINGLE CARD 5803022 3022 SP131 A1 A2 A3 A4 A5 A6 A7 A8 A9	N7	CONNECTOR B02 SP051AU4 B03 RA001CA4 B04 KG001DB4 B05 SP101BB4 B07 AL201DQ4 B08 SP161AD4 B09 DE011DE4 B10 DE011DF4 B12 KC031BE4 B13 SP061AK4 D02 DV001DA4 D04 DV001DJ4 D05 DV001DH4 D06 SPC61AG4 D07 DE011CE4 D09 DA001AL4 D10 DE011DD4 D11 DE011CD4 D12 AL201DB4 D13 AL201DC4
N5	SINGLE CARD 5803022 3022 SP131 A1 A2 A3 A4 A5 A6 A7		
N6	CONNECTOR B04 SP101SA4 C06 LS3B1DN4		
N1	CONNECTOR A09 SP141BJ4 A11 SP141BC4		
N2	CONNECTOR B02 DE011AA4 B03 DE011BA4 B04 DE001BJ4 B05 DE001AC4 B07 DE011BB4 B08 DE011CB4 B09 DE001CJ4 B10 DE001DE4 B12 DE011CC4 B13 DE011DC4 D02 DE001DJ4 D04 DE011CA4 D05 DE011DA4 D06 DE001EA4 D07 DE001EB4 D09 DE011DB4 D10 DE011BC4 D11 DE001CE4 D12 DE001AA4 D13 DE001BA4		
N3	CONNECTOR B02 DE011BD4 B03 DE011DD4 B04 DE001DA4 B05 DE001EB4 B07 DE011DE4 B08 DE011DF4 B09 DE001DB4 B10 DE001EC4 B12 DE011BE4 B13 DE011CF4 D02 DE001CA4 D04 DE011CD4 D05 DE011CE4 D06 DE001BB4 D07 DE001CB4 D09 DE011BF4 D10 DE011AG4 D11 DE001CC4 D12 DE001AB4 D13 DE001DC4		
N4	CONNECTOR B02 DE011EF4 B03 DE011EC4 B04 DE001CD4 B05 DE001DD4 D02 DE001BD4 D05 DE011EG4 D06 DE001AD4		
N5	CONNECTOR B02 KK031CA4 B03 KK041CA4 B04 KK041CB4 B05 KK041CC4 B07 KK051CA4 B08 KK051CB4 B12 SP101DD4 D02 KK031DC4 D04 KK041DD4 D05 KK041DB4 D06 KK041DC4 D07 KK051DA4 D09 KK051DB4		

PLUG LIST

PART NO	ACC	TYPE	SOCKETS	TOTAL
5800000	0000	F4 F5		02
5800006	0006	C2 C5 K4		03
5800007	0007	D5 K6		02
5800008	0008	B2 D2 E2 E5	H4	05
5800015	0015	D3 D6		02
5800064	0064	H2 J2 K2		03
5800199	0199	G6		01
5800238	0238	F4 F6		02
5800243	0243	G2 H3		02
5800247	0247	J4		01
5800274	0274	B6 B7 C7		03
5800347	0347	E6 G4 L4		03
5800359	0359	D4		01
5800730	0730	L2 M2 N3		03
5800813	0813	E3		01
5803022	3022	J3 K3 L3 M4	N5	05
5803038	3038	D7 E7 F7		03
5803487	3487	H5 H6 J5 J6		04
5803573	3573	G3 K5		02
5803575	3575	B5 F3 L5		03
5804007	4007	F2		01
5804015	4015	C6		01
5804051	4051	G5		01
5804281	4281	B3 C3		02
	CONN	A1 A2 A3 A5 A6 A7 A8 A9 B1 B2 B3 B4 B5 B6 B7 B8 B9 C1 C2 C3 C4 C5 C6 C7 C8 C9 D1 D2 D3 D4 D5 D6 D7 D8 D9 E1 E2 E3 E4 E5 E6 E7 E8 E9 F1 F2 F3 F4 F5 F6 F7 F8 F9 G1 G2 G3 G4 G5 G6 G7 G8 G9 H1 H2 H3 H4 H5 H6 H7 H8 H9 J1 J2 J3 J4 J5 J6 J7 J8 J9 K1 K2 K3 K4 K5 K6 K7 K8 K9 L1 L2 L3 L4 L5 L6 L7 L8 L9 M1 M2 M3 M4 M5 M6 M7 M8 M9 N1 N2 N3 N4 N5 N6 N7 N8 N9		32

SOCKET LISTING
DATE 08-04-67 MACH. 2841R
LOG 217J BOARD 01A-C1
PREV. ENGR. - - -
PRES. ENGR. 08-15-67 413407
P.N. 2211711 SDD
IBM CORP. SDD BLK.

08061057

SOLID LOGIC DESIGN AUTOMATION - SOCKET LISTING

Part No	ACC	Type	Socket	Total
5800000			B2 F6	02
5800000	DCDR	0000	F7	01
5800006		0006	G6	01
5800006	DCDR	0006	H7 J7	02
5800007		0007	C7	01
5800008		0008	D6	01
5800135		0135	C4 C5 E5 G5	04
5800135	DSK3	0135	G3	01
5800135	DSKA	0135	L3	01
5800135	WDRM	0135	B5	01
5800143		0143	B7 C6	02
5800147		0147	J6	01
5800147	DCDR	0147	H5	01
5800199		0199	E6	01
5800229		0229	D5	01
5800229	WDRM	0229	F5	01
5800238		0238	E7	01
5800347		0347	D7	01
5800347	DCDR	0347	H6	01
5800347	DCDR	0347	G7	01
5800347	DCDR	0347	H7	01
5800347	DCDR	0347	H8	01
5800347	DCDR	0347	H9	01
5800347	DCDR	0347	H10	01
5800347	DCDR	0347	H11	01
5800347	DCDR	0347	H12	01
5800347	DCDR	0347	H13	01
5800347	DCDR	0347	H14	01
5800347	DCDR	0347	H15	01
5800347	DCDR	0347	H16	01
5800347	DCDR	0347	H17	01
5800347	DCDR	0347	H18	01
5800347	DCDR	0347	H19	01
5800347	DCDR	0347	H20	01
5800347	DCDR	0347	H21	01
5800347	DCDR	0347	H22	01
5800347	DCDR	0347	H23	01
5800347	DCDR	0347	H24	01
5800347	DCDR	0347	H25	01
5800347	DCDR	0347	H26	01
5800347	DCDR	0347	H27	01
5800347	DCDR	0347	H28	01
5800347	DCDR	0347	H29	01
5800347	DCDR	0347	H30	01
5800347	DCDR	0347	H31	01
5800347	DCDR	0347	H32	01
5800347	DCDR	0347	H33	01
5800347	DCDR	0347	H34	01
5800347	DCDR	0347	H35	01
5800347	DCDR	0347	H36	01
5800347	DCDR	0347	H37	01
5800347	DCDR	0347	H38	01
5800347	DCDR	0347	H39	01
5800347	DCDR	0347	H40	01
5800347	DCDR	0347	H41	01
5800347	DCDR	0347	H42	01
5800347	DCDR	0347	H43	01
5800347	DCDR	0347	H44	01
5800347	DCDR	0347	H45	01
5800347	DCDR	0347	H46	01
5800347	DCDR	0347	H47	01
5800347	DCDR	0347	H48	01
5800347	DCDR	0347	H49	01
5800347	DCDR	0347	H50	01
5800347	DCDR	0347	H51	01
5800347	DCDR	0347	H52	01
5800347	DCDR	0347	H53	01
5800347	DCDR	0347	H54	01
5800347	DCDR	0347	H55	01
5800347	DCDR	0347	H56	01
5800347	DCDR	0347	H57	01
5800347	DCDR	0347	H58	01
5800347	DCDR	0347	H59	01
5800347	DCDR	0347	H60	01
5800347	DCDR	0347	H61	01
5800347	DCDR	0347	H62	01
5800347	DCDR	0347	H63	01
5800347	DCDR	0347	H64	01
5800347	DCDR	0347	H65	01
5800347	DCDR	0347	H66	01
5800347	DCDR	0347	H67	01
5800347	DCDR	0347	H68	01
5800347	DCDR	0347	H69	01
5800347	DCDR	0347	H70	01
5800347	DCDR	0347	H71	01
5800347	DCDR	0347	H72	01
5800347	DCDR	0347	H73	01
5800347	DCDR	0347	H74	01
5800347	DCDR	0347	H75	01
5800347	DCDR	0347	H76	01
5800347	DCDR	0347	H77	01
5800347	DCDR	0347	H78	01
5800347	DCDR	0347	H79	01
5800347	DCDR	0347	H80	01
5800347	DCDR	0347	H81	01
5800347	DCDR	0347	H82	01
5800347	DCDR	0347	H83	01
5800347	DCDR	0347	H84	01
5800347	DCDR	0347	H85	01
5800347	DCDR	0347	H86	01
5800347	DCDR	0347	H87	01
5800347	DCDR	0347	H88	01
5800347	DCDR	0347	H89	01
5800347	DCDR	0347	H90	01
5800347	DCDR	0347	H91	01
5800347	DCDR	0347	H92	01
5800347	DCDR	0347	H93	01
5800347	DCDR	0347	H94	01
5800347	DCDR	0347	H95	01
5800347	DCDR	0347	H96	01
5800347	DCDR	0347	H97	01
5800347	DCDR	0347	H98	01
5800347	DCDR	0347	H99	01
5800347	DCDR	0347	H100	01

SOCKET LISTING
DATE 08-04-67 MACH. 2841R
LOG 217J BOARD 01A-C2
PREV. ENGR. -
PRES. ENGR. 08-15-67 413407
P.N. 2211713 SDD
IBM CORP. SDD BLK.

08071

007

A2	CONNECTOR B02 HA111DD4 B03 KG001CD4 B04 KC001CJ4 B05 KC001CL4 B08 SD071BB4 B09 HA091FS4 B10 GB161SS4 B12 SD072FA4 D04 KC001CK4 D05 KC001CM4 D06 HA001GN4 D07 DV001CC4 D11 SD072BB4 D12 SP101BA4 D13 GB201LJ4
A3	CONNECTOR B02 DRO01AK2 B03 GB061YL4 B04 GB061YH4 B05 GB061YK4 B07 SP141CC4 B08 GB181ZN4 B09 GB181ZF4 B10 KG001CD4 B12 GB061YJ4 B13 GB041EB4 D02 GB201SA4 D04 GB061YG4 D05 SP151BH4 D06 DRO01BC2 D07 DV001CC4 D09 GB041SH4 D10 SP151BQ4 D11 KG001CC4 D12 DRO01BM2 D13 SPO61AH4
A4	CONNECTOR B02 AL131EB4 B03 RD021AJ2 B04 RD021AK2 B05 RD021AM2 B07 RD021AQ2 B08 DRO41BA4 B09 DRO41BC4 B10 GB121TC4 B12 DRO41BB4 B13 SP161AF4 D02 RD021AH2 D04 RD021AL2 D05 RD021AN2 D06 RD021AP2 D07 RD021AR2 D09 RD031BF4 D10 GB201GA4 D12 GB081SX4 D13 SP161AE4
A5	CONNECTOR B02 GB211AM4 B03 GB051DB4 B04 GB051DC4 B05 GB053DB4 B07 GB055DB4 B08 KG001DB4 B09 GB201FD4 B10 AL111EA4 B12 AL121EB4 B13 GB061TL4 D02 GB051DA4 D04 GB053DA4 D05 GB053DC4 D06 GB055DA4 D07 GB055DC4 D09 AL101EB4 D10 AL111EB4 D11 AL121EA4 D12 AL131EA4 D13 AL141EA4
A6	CONNECTOR B02 GB191TJ4 B03 GB091EB4 B04 GB091EC4 B05 GB236TG4 B07 GB181GJ4 B08 GB071SA4 B10 GB041EF4 D04 GB091EE4 D05 GB226SE4 D06 SPO61AH4 D13 GB081FE4
A7	CONNECTOR B02 GB046DA4 B03 GB046DC4 B04 GB046DF4 B05 GB046EF4

A7	B07 GB046SH4 B08 GB191JK4 B09 GB216AF4 B10 GB216AA4 B12 GB211AH4 B13 GB206UK4 D02 GB046DB4 D04 GB046EA4 D05 GB046SA4 D06 GB046SD4 D07 GB046SK4 D09 GB061YB4 D10 GB201SA4 D11 GB201UH4 D12 GB211AB4 D13 GB206DB4
A8	CONNECTOR E04 GB051DA4 E06 GB011AA6
B1	CONNECTOR A11 SPO61AF4 B09 KC001CK4 B11 KC001CJ4 C09 KC001CM4 C11 KC001CL4 D09 HA001GN4 E09 SP101BA4
B2	SINGLE CARD 5803038 3038 KC101 A1 A2 A3 A4 A5 B1 B2 E1 G1 G2 K1 K2 K3 K4 K5 UNUSED PORTIONS C D F H J
B3	SINGLE CARD 5801452 1452 GB041 A1 A2 A3 A4 A5 A6 GB031 B1 C1 C2 C3 C4 C6
B4	SINGLE CARD 5800813 0813 GB131 A1 GB061 B1 C1 D1 E1 F1
B5	SINGLE CARD 5800347 0347 GB211 A1 B1 GB191 C1 GB181 D1 KC101 E1 GB201 F1 G1 H1 DRO41 HR
B6	SINGLE CARD 5800015 0015 GB091 A1 A2 B1 B2 GB121 C1 C2 GB131 D1 D2
B7	SINGLE CARD 5800000 0000 GB211 A1 GB061 B1 C1 D1 GB211 E1 GB081 F1
B8	CONNECTOR B04 GB051DB4 B06 GB011AB6 C04 GB051DC4 C06 GB011AC6 D04 GB011AD6 E04 GB053DB4 E06 GB011AE6
C1	CONNECTOR A11 GB191TK4 B11 HA091FS4 C09 GB091EB4 C11 SD071BB4 D09 SD072BB4 E09 GB131BB2 E11 SD072FA4
C2	SINGLE CARD 5803038 3038

C2	KC071 A1 A2 A3 A4 A5 B1 B2 E1 F1 G1 G2 K1 K2 K3 K4 K5 UNUSED PORTIONS C D H J
C3	SINGLE CARD 5800008 0008 GB131 A1 A2 A3 A4 GB141 B1 B2 B3 B4
C4	SINGLE CARD 5800006 0006 GB081 A1 A2 A3 GB101 B1 B2 B3 GB131 C1 C2 C3 GB201 D1 D2 D3
C5	SINGLE CARD 5800347 0347 GB181 A1 B1 C1 GB161 D1 GB191 E1 ER GB131 F1 FR GB101 G1 DRO41 GR GB101 H1
C6	SINGLE CARD 5800000 0000 GB101 A1 GB081 B1 GB061 C1 GB041 D1 GB191 E1 F1
C7	SINGLE CARD 5800000 0000 GB211 A1 B1 GB061 C1 GB181 D1 GB211 E1 GB201 F1
C8	CONNECTOR A06 GB081TA4 B04 GB053DC4 B06 GB011AF6 C04 GB055DA4 C06 GB011AG6 D04 GB053DA4 E04 GB055DB4 E06 GB011AH6
D1	CONNECTOR A09 GB131DD4
D2	SINGLE CARD WCH2 5803016 3016 GB116 A1 A2 A3 A4 A5 A6 A7 A8 A9
D3	SINGLE CARD 5800007 0007 GB131 A1 B1 GB151 C1 C2 C3 D1 D2 D3
D4	SINGLE CARD WCH2 5800359 0359 GB141 A1 B1 GB131 C1 D1 E1 F1 G1 GB101 H1 J1 K1
D5	SINGLE CARD 5800007 0007 GB201 A1 GB161 B1 GB141 C1 C2 C3 GB181 D1 D2 D3
D6	SINGLE CARD 5800007 0007 GB191 A1 GB161 B1 GB191 C1 C2 C3 GB061 D1 D2 D3

D7	SINGLE CARD 5800000 0000 GB211 A1 GB041 B1 GB181 C1 GB081 D1 GB041 E1 GB191 F1
D8	CONNECTOR A04 GB055DC4 A06 GB011AJ6 E04 HA111GA4 E06 HA111DD4
E2	DOUBLE CARD 5804095 4095 GB071 A1 UNUSED PORTIONS B
E4	SINGLE CARD 5800212 0212 GB101 A1 A2 A3 A4 GB151 B1 B2 B3 B4 GB201 C1 D1
E5	SINGLE CARD 5800247 0247 GB081 A1 GB181 B1 GB161 C1
E6	SINGLE CARD 5800359 0359 GB081 A1 B1 C1 D1 GB061 E1 F1 G1 GB041 H1 J1 K1
E7	SINGLE CARD WCH2 5800000 0000 GB106 A1 GB091 B1 C1 GB081 D1 E1 GB101 F1
E8	CONNECTOR A06 GB091EB4 B04 GB101AB4 B06 GB201DA4 C04 GB201VB4 C06 GB201UY4
F2	SINGLE CARD 5803016 3016 GB111 A1 A2 A3 A4 A5 A6 A7 A8 A9
F3	SINGLE CARD WCH2 5801443 1443 GB116 A1 A2 A3 A4 A5 A6
F4	SINGLE CARD WCH2 5801443 1443 GB176 A1 A2 A3 A4 A5 A6
F5	SINGLE CARD 5800002 0002 GB201 A1 B1 GB166 C1 GB101 D1 GB041 E1
F6	SINGLE CARD 5800008 0008 GB101 A1 A2 A3 A4 GB081 B1 B2 B3 B4

F7	SINGLE CARD WCH2 5801452 1452 GB046 A1 A2 A3 A4 A5 A6 GB036 B1 C1 C3 C4 C6
F8	CONNECTOR B04 GB226SE4 B06 KG001CD4
G2	SINGLE CARD 5801443 1443 GB111 A1 A2 A3 GB116 A4 A5 A6 B1
G3	SINGLE CARD WCH2 5801432 1432 GB016 A1 A2 A3 B1 B2 B3 C1 C2 C3 GB026 D1 D2 E1 E2 F1 F2 F3
G4	SINGLE CARD WCH2 5801438 1438 GB036 B1 B2 GB176 C1 GB116 C2 GB176 C3 GB116 C4 GB036 E1 E2 E3 E4 F1 F2
G5	SINGLE CARD 5800000 0000 GB211 A1 GB161 B1 C1 GB141 D1 GB161 E1 GB201 F1
G6	SINGLE CARD 5800000 0000 GB041 A1 B1 C1 D1 GB121 E1 GB041 F1
G7	SINGLE CARD WCH2 5800000 0000 GB186 A1 B1 GB166 C1 D1 GB106 E1 F1
H1	CONNECTOR B09 GB206UK4 B11 GB201US4 C11 SP161SC4
H2	SINGLE CARD WCH2 5801432 1432 GB016 A1 A2 A3 B1 B2 B3 C1 C2 C3 D1 D2 D3 E1 E2 E3 F1 F2 F3
H3	SINGLE CARD 5801443 1443 GB111 A1 A2 A3 A4 A5 A6 B1
H4	SINGLE CARD 5801443 1443 GB171 A1 A2 A3 A4 A5 A6
H5	SINGLE CARD WCH2 5801432 1432 GB026 A1 A2 E1 E2 C1 C2

H5	D1 D2 E1 E2 F1 F2 G1
H6	SINGLE CARD WCH2 5800247 0247 GB081 A1 GB186 B1 GB166 C1
H7	SINGLE CARD WCH2 5800347 0347 GB201 A1 GB186 B1 GB166 C1 GB106 D1 E1 GB091 F1 GB106 G1 GB091 H1
J2	SINGLE CARD 5801432 1432 GB011 A1 A2 A3 B1 B2 B3 C1 C2 C3 D1 D2 D3 E1 E2 E3 F1 F2 F3
J3	SINGLE CARD 5801432 1432 GB021 A1 A2 B1 B2 C1 C2 GB011 D1 D2 D3 E1 E2 E3 F1 F2 F3 GB021 G1
J4	SINGLE CARD 5801438 1438 GB031 B1 B2 GB171 C1 GB111 C2 GB171 C3 GB111 C4 GB201 D1 D2 GB031 E1 E2 E3 E4 F1 F2
J5	SINGLE CARD 5801432 1432 GB021 A1 A2 B1 B2 C1 C2 D1 D2 E1 E2 F1 F2 F3
J6	SINGLE CARD 5803016 3016 GB161 A1 A2 A3 A4 A5 GB131 A6 A7 GB161 A8 A9
J7	SINGLE CARD 5800359 0359 GB071 A1 GB106 B1 C1 GB071 D1 GB101 E1 GB091 F1 G1 GB081 H1 J1 K1
K2	CONNECTOR B03 GB016BA4 B05 GB016BC4 B08 GB016BE4 B10 GB006DC4 B12 GB006AH4 D04 GB006AF4 D06 GB176BE4 D09 GB006DF4 D11 GB006DE4 D13 GB006AA4
K3	CONNECTOR B03 GB116SB4 B05 GB116SD4 B08 GB116SF4 B10 GB116SH4 B12 GB116SK4 D04 GB116SC4 D06 GB116SE4 D09 GB116SQ4 D11 GB116SJ4 D13 GB006DB4
K4	CONNECTOR B03 GB176BF4 B05 GB176BC4 B08 GB036AH4 B10 GB006BA4 B12 GB006CC4 D04 GB176BB4 D06 GB176BD4 D09 GB036CA4 D11 GB006AC4 D13 GB006BC4
K5	CONNECTOR B03 GB006AE4 B05 GB176BG4 B08 GB006DG4 B10 GB006DC4 B12 GB006AH4 D04 GB006AF4 D06 GB176BE4 D09 GB006DF4 D11 GB006DE4 D13 GB006AA4
K6	SINGLE CARD 5800813 0813 GB161 A1 B1 C1 D1 E1 GB131 F1
K7	SINGLE CARD WCH2 5800008 0008 GB106 A1 A2 A3 A4 B1 B2 B3 B4
L2	CONNECTOR B03 GB016BA4 B05 GB016BC4 B08 GB016BE4 B10 GB016BG4 B12 GB016BH4 D04 GB016BB4 D06 GB016BD4 D09 GB016BF4 D11 GB016BH4 D13 GB006DA4
L3	CONNECTOR B03 GB116SB4 B05 GB116SD4 B08 GB116SF4 B10 GB116SH4 B12 GB116SK4 D04 GB116SC4 D06 GB116SE4 D09 GB116SQ4 D11 GB116SJ4 D13 GB006DB4
L4	CONNECTOR B03 GB176BF4 B05 GB176BC4 B08 GB036CA4 B10 GB006BA4 B12 GB006CC4 D04 GB176BB4 D06 GB176BD4 D09 GB006CA4 D11 GB006AC4 D13 GB006BC4
L5	CONNECTOR B03 GB006AE4 B05 GB176BG4 B08 GB006DG4 B10 GB006DC4 B12 GB006AH4 D04 GB006AF4 D06 GB176BE4 D09 GB006DF4 D11 GB006DE4 D13 GB006AA4

SOCKET LISTING
DATE 04-18-68 MACH. 2841R
LOG 110E BOARD C1A-C3
PREV. ENGR. - -
PRES. ENGR. 04-03-68 413410
P.N. 2211715
IBM CORP. SDD BLK.

0
B
0A7
8
1

0
B
0
8
1
007

L6	SINGLE CARD 5803022 3022	GB121 A1 A2 A3 A4 A5 A6 A7 A8 A9
L7	SINGLE CARD 5800006 0006	GB106 A1 A2 A3 GB211 B1 B2 B3 GB091 C1 C2 C3 D1 D2 D3
M2	CONNECTOR	B03 GB011BA4 B05 GB011BC4 B08 GB011BE4 B10 GB011BG4 B12 GB011BJ4 D04 GB011BB4 D06 GB011BD4 D09 GB011BF4 D11 GB011BH4 D13 GB001DA4
M3	CONNECTOR	B03 GB111SB4 B05 GB111SD4 B08 GB111SF4 B10 GB111SH4 B12 GB111SK4 D04 GB111SC4 D06 GB111SE4 D09 GB111SG4 D11 GB111SJ4 D13 GB001DB4
M4	CONNECTOR	B03 GB171BF4 B05 GB171BC4 B08 GB031AH4 B10 GB001BA4 B12 GB001CC4 D04 GB171BB4 D06 GB171BD4 D09 GB031CA4 D11 GB001AC4 D13 GB001BC4
M5	CONNECTOR	B03 GB001AE4 B05 GB171BG4 B08 GB001DG4 B10 GB001DC4 B12 GB001AH4 D04 GB001AF4 D06 GB171BE4 D09 GB001DF4 D11 GB001DE4 D13 GB001AA4
M6	CONNECTOR	B02 GB166FA4 B03 GB206DA4 B04 GB201UR4 B05 GB126EC4 B07 GB121TC4 B08 GB181GL4 B09 GB026SA6 B10 GB026SC6 B12 GB026SF6 B13 GB026SH6 D02 GB166SJ4 D04 GB201UR4 D05 GB121TE4 D06 GB161AF4 D07 GB186XD4 D09 GB026SB6 D10 GB026SD6 D11 GB026SE6 D12 GB026SG6 D13 GB046SR4
M7	SINGLE CARD 5800199 0199	GB201 A1 GB091 B1 C1 GB201 D1 GB041 F1

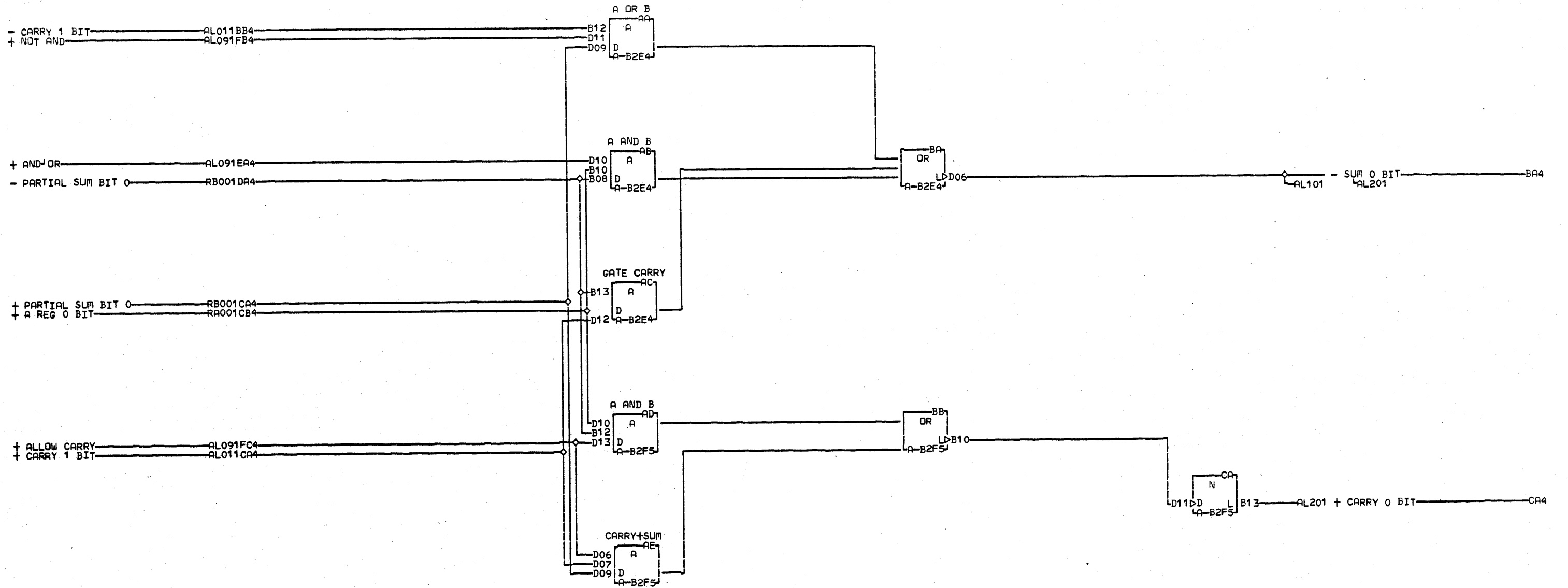
N2	B08 GB011BE4 B10 GB011BG4 B12 GB011BJ4 D04 GB011BB4 D06 GB011BD4 D09 GB011BF4 D11 GB011BH4 D13 GB001DA4
N3	CONNECTOR B03 GB111SB4 B05 GB111SD4 B08 GB111SF4 B10 GB111SH4 B12 GB111SK4 D04 GB111SC4 D06 GB111SE4 D09 GB111SG4 D11 GB111SJ4 D13 GB001DB4
N4	CONNECTOR B03 GB171BF4 B05 GB171BC4 B08 GB031CB4 B10 GB001BA4 B12 GB001CC4 D04 GB171BB4 D06 GB171BD4 D09 GB001CA4 D11 GB001AC4 D13 GB001BC4
N5	CONNECTOR B03 GB001AE4 B05 GB171BG4 B08 GB001DG4 B10 GB001DC4 B12 GB001AH4 D04 GB001AF4 D06 GB171BE4 D09 GB001DF4 D11 GB001DE4 D13 GB001AA4
N6	CONNECTOR B02 GB011EC4 B03 GB011FA4 B04 GB011EB4 B05 GB011ED4 B07 GB011EG4 B08 GB016EA4 B09 GB016FA4 B10 GB016FB4 B12 GB016EF4 B13 HA111GA4 D02 GB011EA4 D04 GB011FB4 D05 GB011FC4 D06 GB011EF4 D07 GB016EC4 D09 GB016EB4 D10 GB016ED4 D11 GB016FC4 D12 GB016EG4
N7	CONNECTOR B02 GB051DA4 B03 GB051DC4 B04 GB053DA4 B05 GB053DC4 B07 GB055DC4 B08 GB041EA4 B09 DA041BA4 B10 GB161AK4 B12 GB061YU4 B13 GB081FD4 D02 GB051DB4 D04 GB053DB4 D05 GB055DA4 D06 GB055DB4 D07 GB161SH4 D09 SP141CC4 D10 GB061TA4 D11 GB211AL4 D12 GB081EB4 D13 GB106DA4

O	UNUSED PORTIONS
B	
0	E
8	*****
1N2	CONNECTOR B03 GB011BA4 B05 GB011BC4

PLUG LIST						
PART NO	ACC	TYPE	SOCKETS	TOTAL		
5800000	0000	B7	C6 C7 D7	06		
		G5	G6			
5800000	WCH2	0000	E7 G7	02		
5800002		0002	F5	01		
5800006		0006	C4 L7	02		
5800007		0007	D3 D5 D6	03		
5800008		0008	C3 F6	02		
5800008	WCH2	0008	K7	01		
5800015		0015	B6	01		
5800199		0199	H7	01		
5800212		0212	E4	01		
5800247		0247	E5	01		
5800247	WCH2	0247	H6	01		
5800347		0347	B5 C5	02		
5800347	WCH2	0347	H7	01		
5800359		0359	D4 E6 J7	03		
5800813		0813	B4 K6	02		
5801432		1432	J2 J3 J5	03		
5801432	WCH2	1432	G3 H2 H5	03		
5801438		1438	J4	01		
5801438	WCH2	1438	G4	01		
5801443		1443	G2 H3 H4	03		
5801443	WCH2	1443	F3 F4	02		
5801452		1452	B3	01		
5801452	WCH2	1452	F7	01		
5803016		3016	F2 J6	02		
5803016	WCH2	3016	D2	01		
5803022		3022	L6	01		
5803038		3038	B2 C2	02		
5804095		4095	E2	01		
	CONN	A2 A3 A4 A5 A6 A7 A8 A9 B1 B2 B3 B4 B5 B6 B7 B8 C1 C2 C3 C4 C5 C6 C7 C8 D1 D2 D3 D4 D5 D6 D7 D8 D9 E1 E2 E3 E4 E5 E6 E7 E8 E9 F1 F2 F3 F4 F5 F6 F7 F8 F9 G1 G2 G3 G4 G5 G6 G7 G8 H1 H2 H3 H4 H5 H6 H7 H8 H9 J1 J2 J3 J4 J5 J6 J7 J8 J9 K1 K2 K3 K4 K5 K6 K7 K8 K9 L1 L2 L3 L4 L5 L6 L7 L8 L9 M1 M2 M3 M4 M5 M6 M7 M8 M9 N1 N2 N3 N4	35			

SOCKET LISTING
 DATE 04-18-68 MACH. 2841R
 LOG 110E BOARD 01A-C3
 PREV. ENGR. - -
 PRES. ENGR. 04-03-68 413410
 P.N. 2211715
 IBM CORP. SDD BLK.

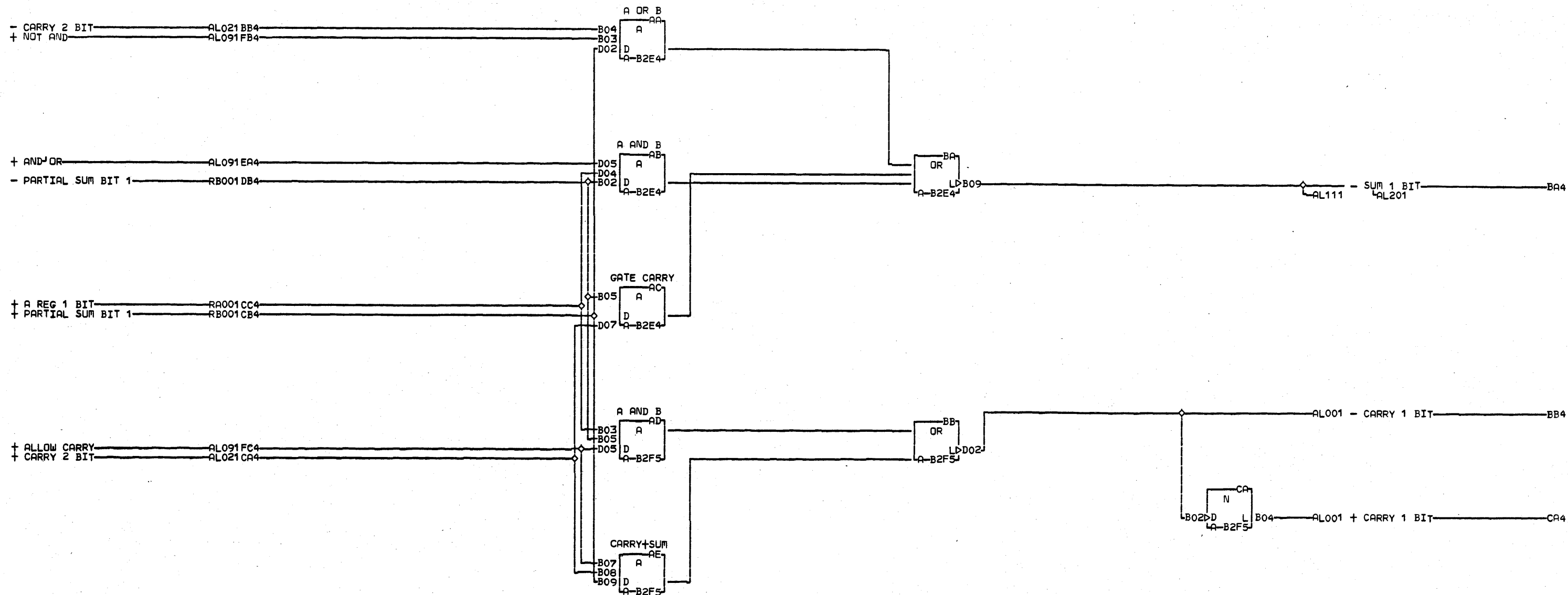
C
T
R
O
L
S
1
007



LOC. TYPE
 A-B2E4 0145
 A-B2F5 0143

ALU 0 BIT	
E.C. HISTORY	MACH. 2841R
	FRAME 01
	IBM CORP. SDD
DATE LAST EC	P.N. 2210402
05-06-66 413400	

AL001

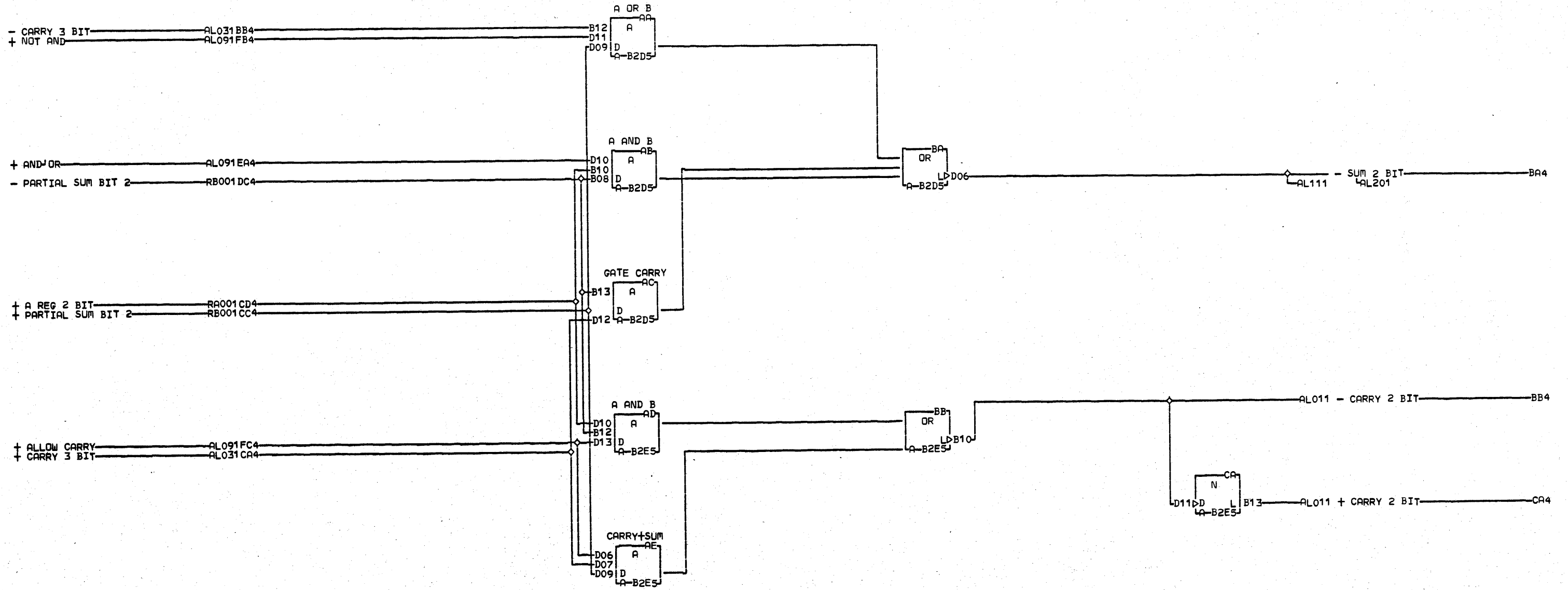


A
1101
1
000

LOC. TYPE
A-B2E4 0145
A-B2F5 0143

ALU 1 BIT	
E.C.-HISTORY	MACH.2841R
DATE	LAST EC
05-06-66	413400
FRAME	01
IBM CORP. SDD	
P.N. 2210403	

A
1101
1
000

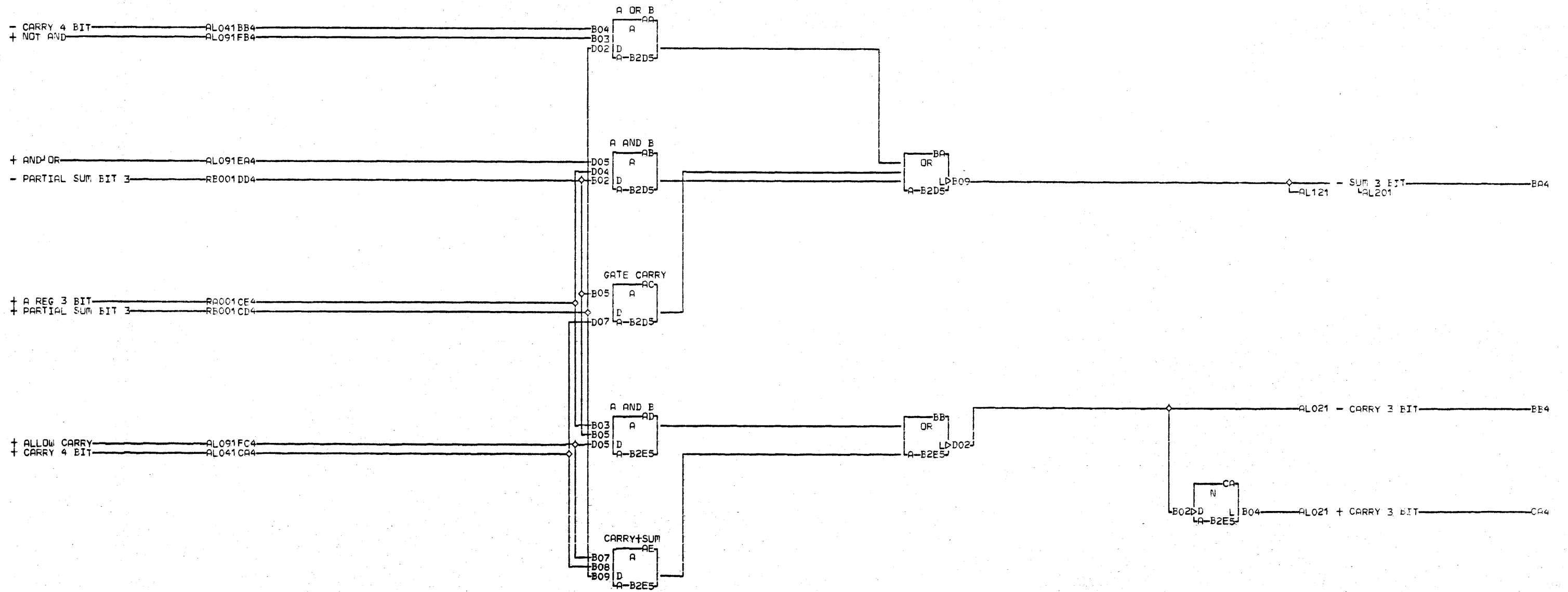


AL021
000

LOC. TYPE
A-B2D5 0145
A-B2E5 0143

ALU 2 BIT	
-E.C.-HISTORY	MACH.2841R
DATE	FRAME 01
LAST EC	IBM CORP. SDD
05-06-66 413400	P.N. 2210404

AL021
000



AL031

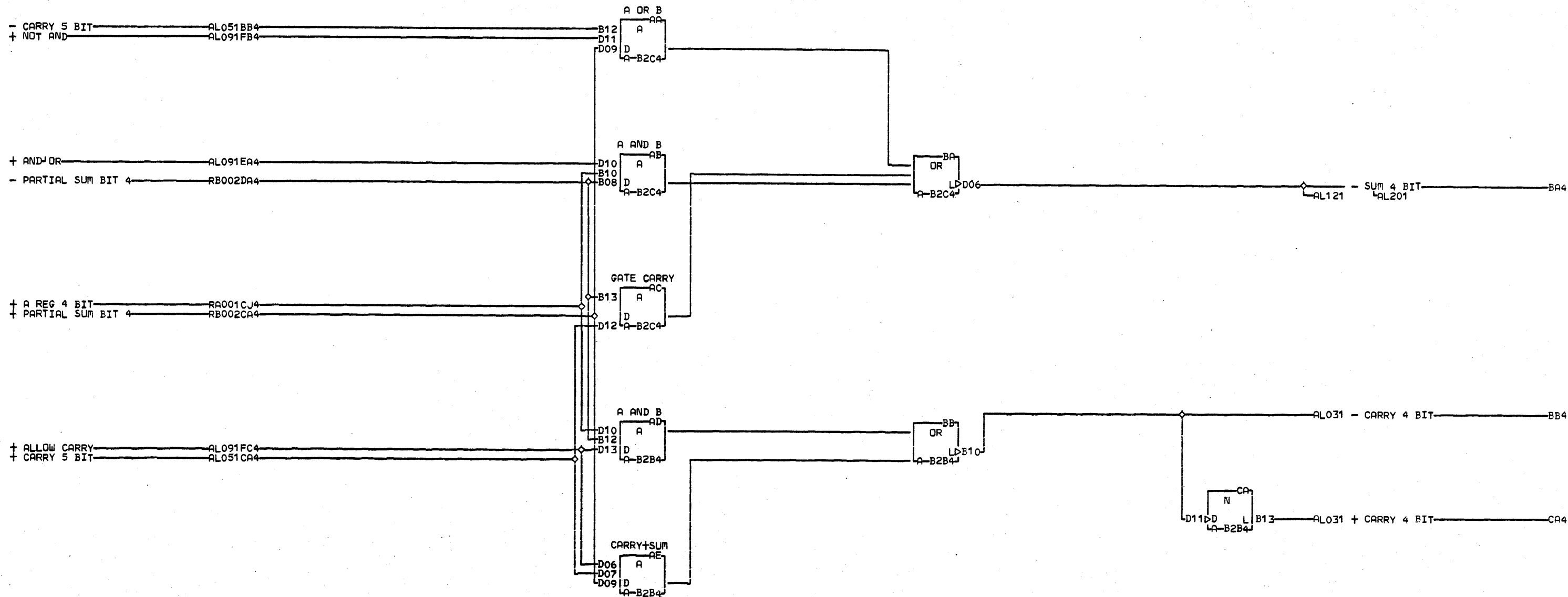
000

LOC. TYPE
 A-B2D5 0145
 A-B2E5 0143

ALU 3 BIT	
-E.C.-HISTORY	MACH.2841R
	FRAME 01
	IBM CORP. SDD
DATE LAST EC	P.N. 2210405
05-06-66 413400	

AL031

000

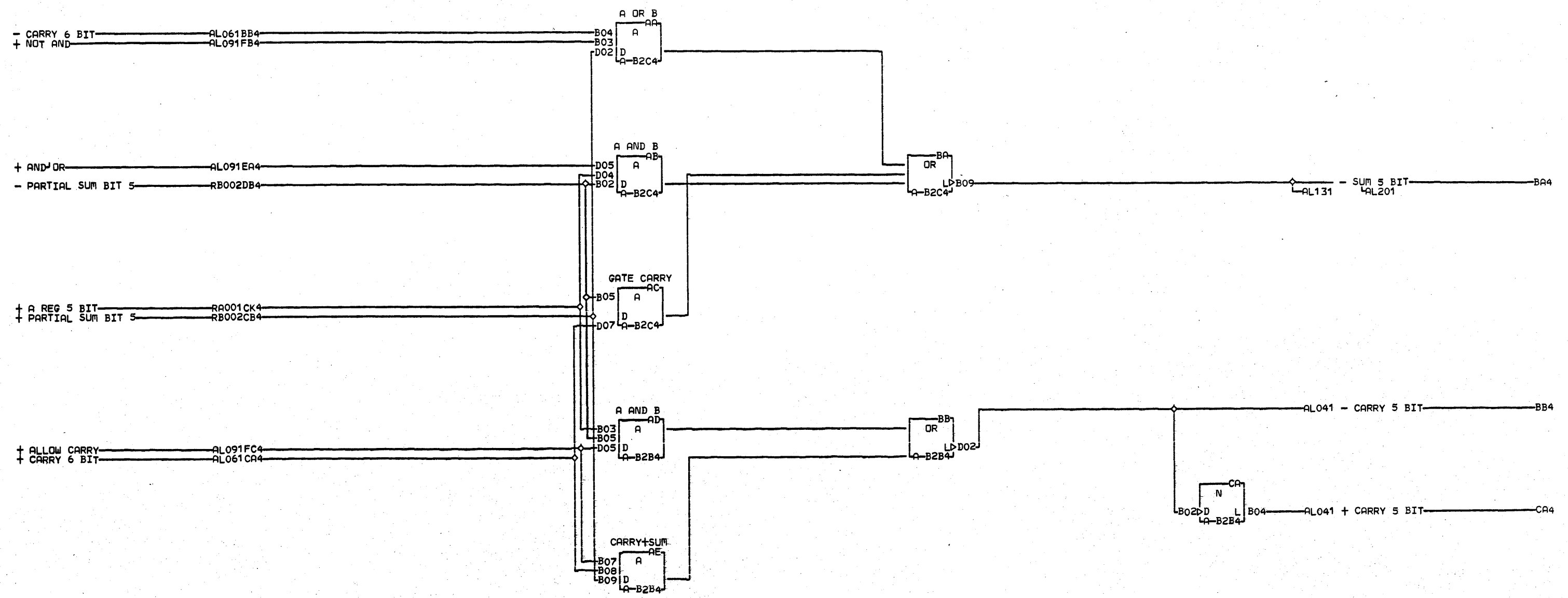


140LD
000

LOC. TYPE
A-B2B4 0143
A-B2C4 0145

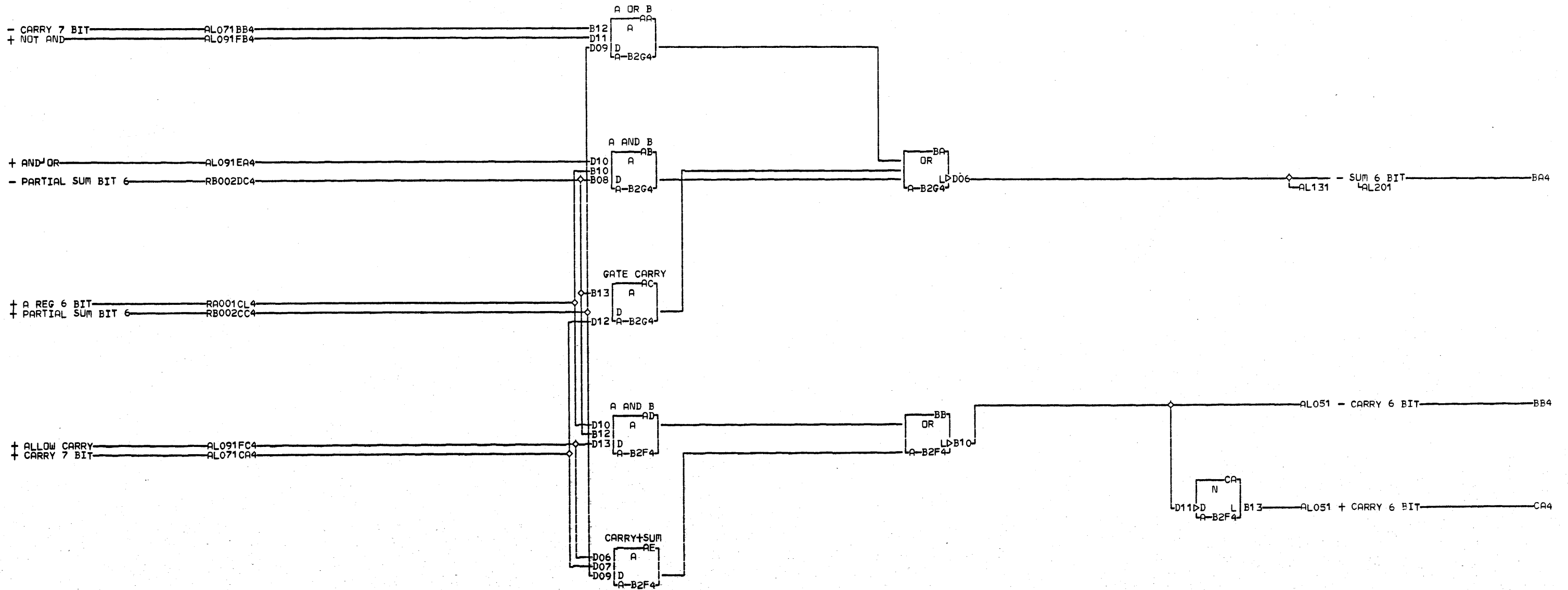
ALU 4 BIT	
E.C. HISTORY	MACH. 2841R
DATE	FRAME 01
LAST EC	IBM CORP. SDD
05-06-66 413400	P.N. 2210406

AL041
000



LOC. TYPE
 A-B2B4 0143
 A-B2C4 0145

ALU 5 BIT	
E.C. HISTORY	MACH. 2841R
DATE LAST EC	FRAME 01
05-06-66 413400	IBM CORP. SDD
	P.N. 2210407

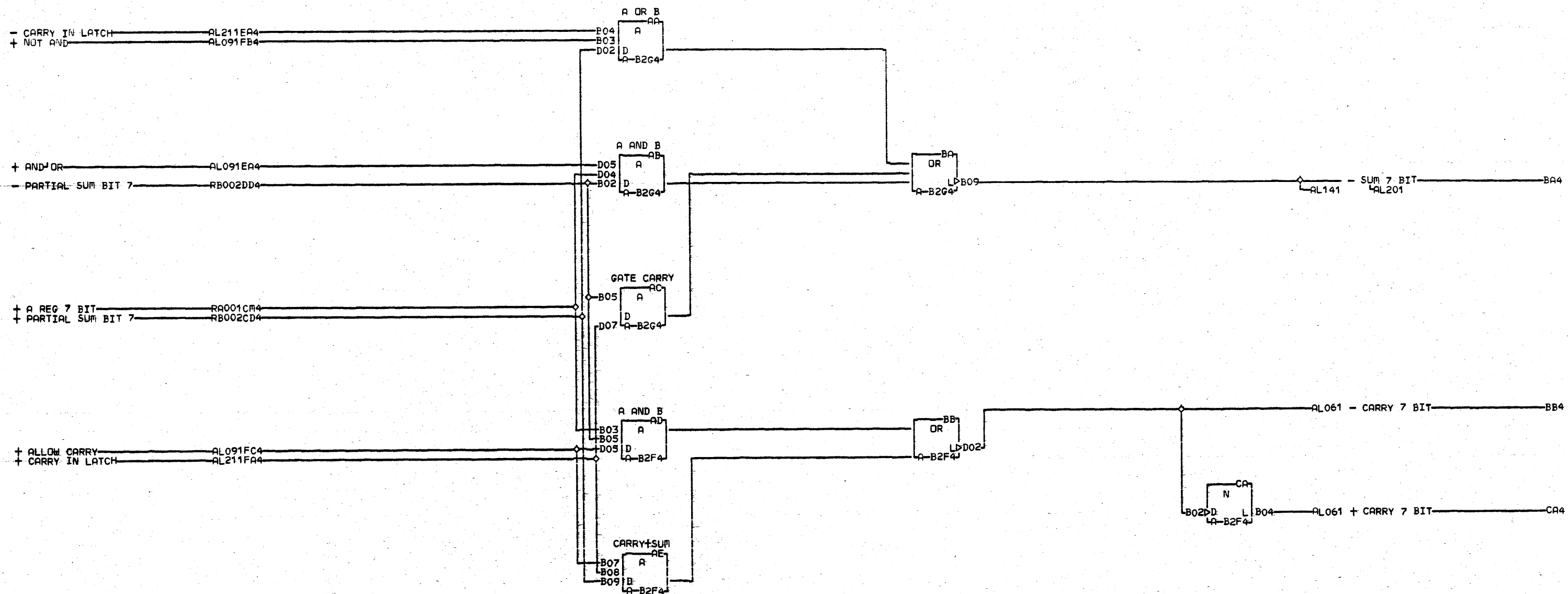


AL061

LOC. TYPE
 A-B2F4 0143
 A-B2G4 0145

ALU 6 BIT	
E.C.-HISTORY	MACH.2841R
DATE	FRAME 01
LAST EC	IBM CORP. SDD
05-06-66 413400	P.N. 2210408

AL061



AL071

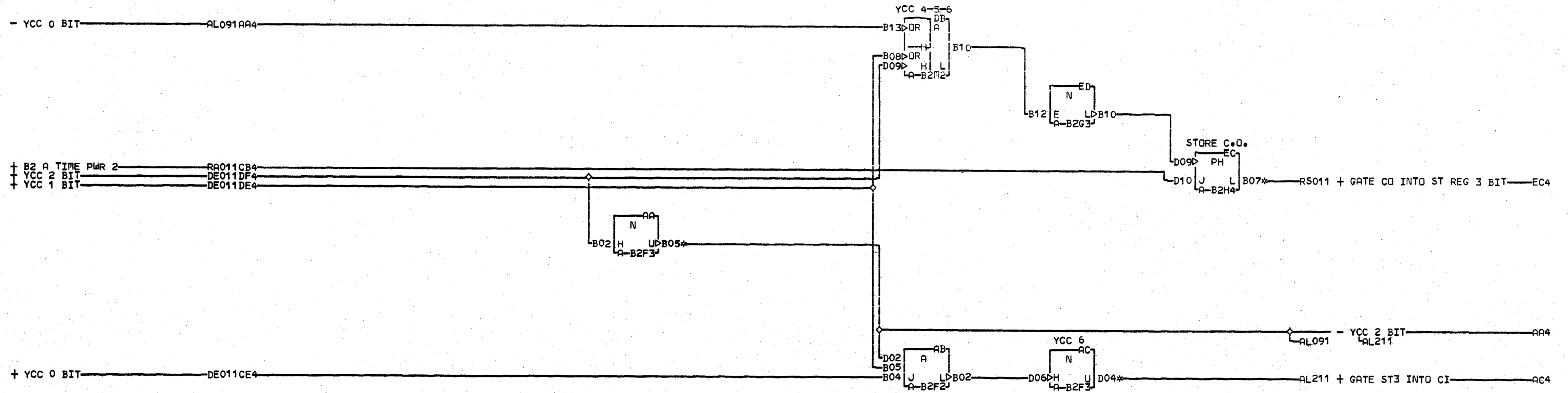
000

LDC. TYPE
 A-B2F4 0143
 A-B2G4 0145

ALU 7 BIT	
E.C. HISTORY	MACH. 2841R
	FRAME 01
	IBM CORP. SDD
DATE LAST EC	P.N. 2210409
05-06-66 413400	

AL071

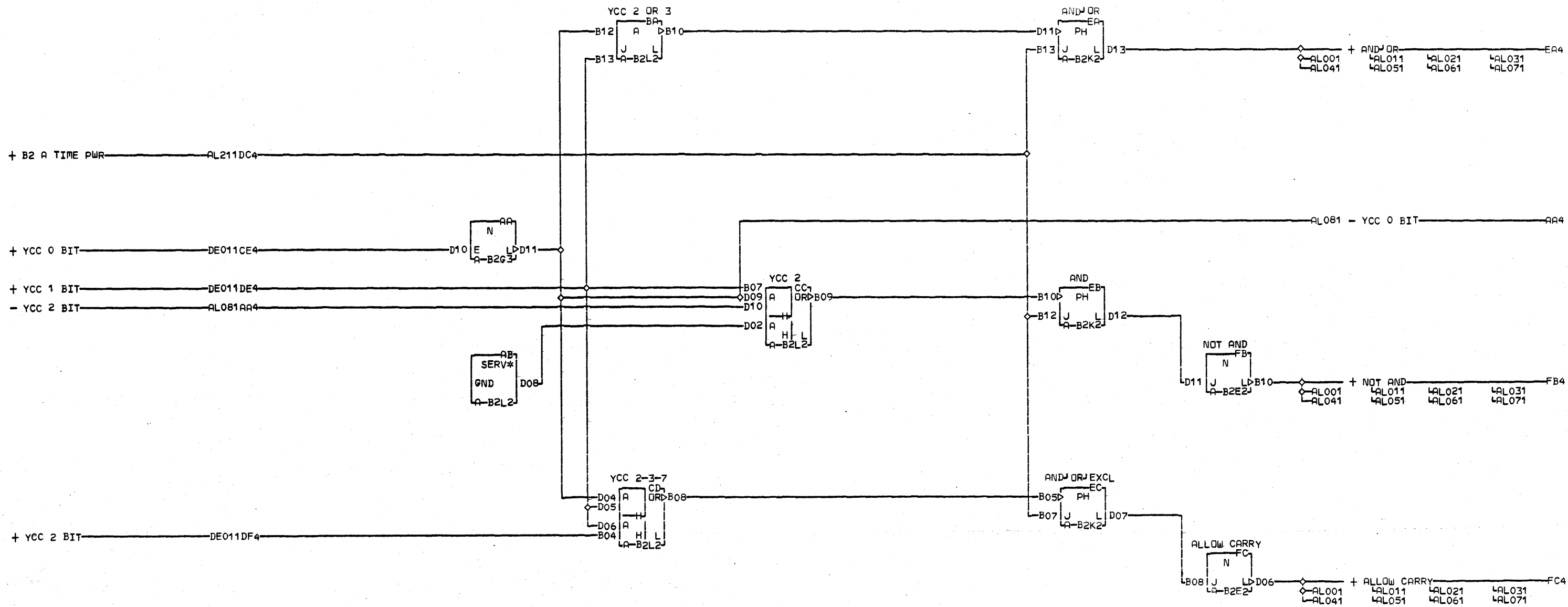
000



AA4 RESISTOR
 A-B2F3D02
 AC4 RESISTOR
 A-B2F3D05
 EC4 A-B2L1A11
 01A-B1L8A06

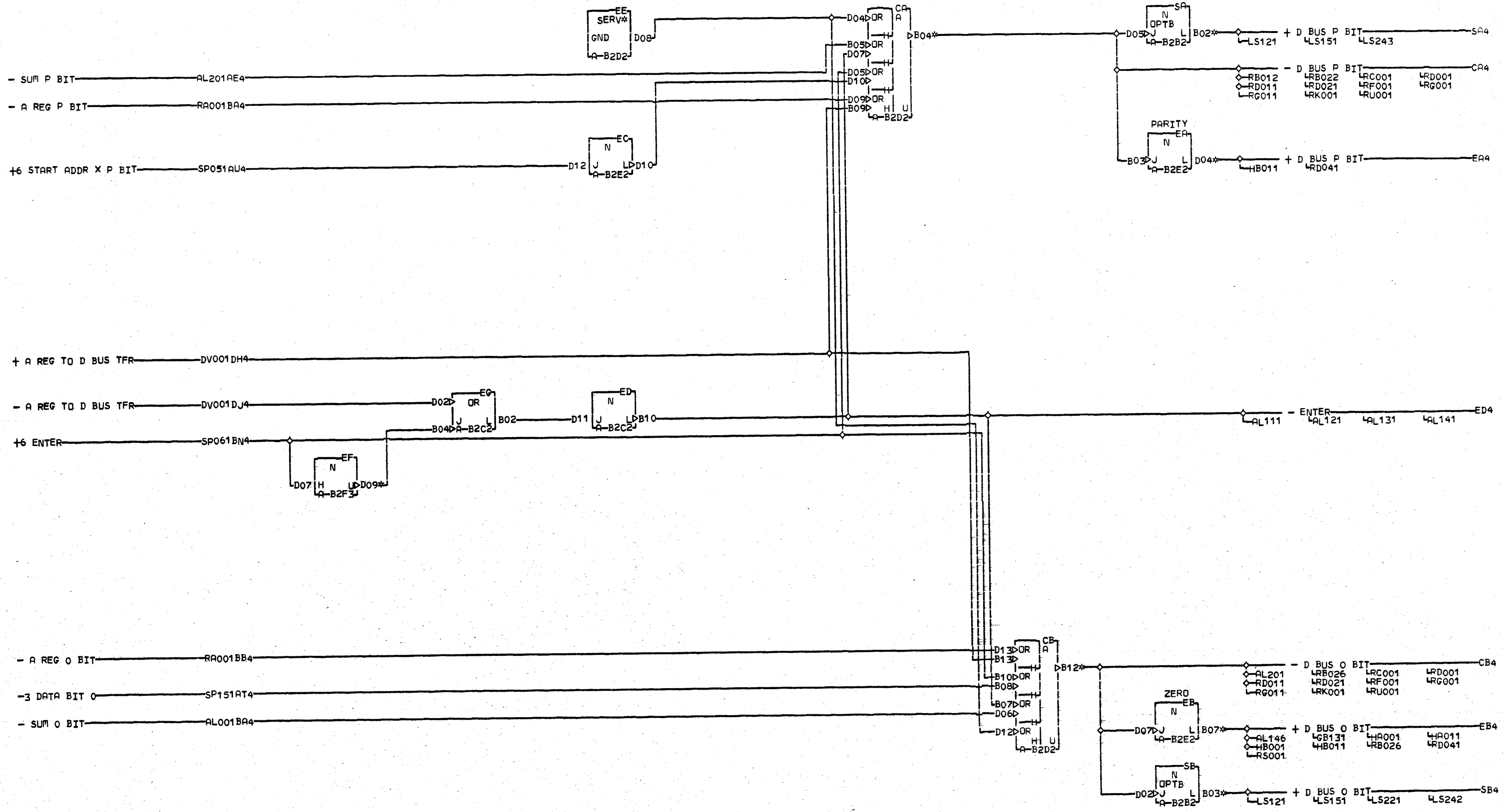
LOC. TYPE
 A-B2F2 0005
 A-B2F3 0347
 A-B2G3 0359
 A-B2H4 4007
 A-B2M2 0006

CONTROL CARRY DECODER	
E.C.-HISTORY	MACH.2841R
	FRAME C1
	IBM CORP. GPD
DATE LAST EC	P.N. 2210400
05-06-66 413400	



LOC. TYPE
 A-B2E2 0199
 A-B2G3 0359
 A-B2K2 0813
 A-B2L2 0007

CONTROL CARRY AND CC DECODER		MACH. 2841R	A L 0 9 1
FUNCTION CONTROL			
E.C. HISTORY		FRAME 01	000
		IBM CORP. SDD	
DATE LAST EC	P.N. 2210401		
05-06-66 413400			

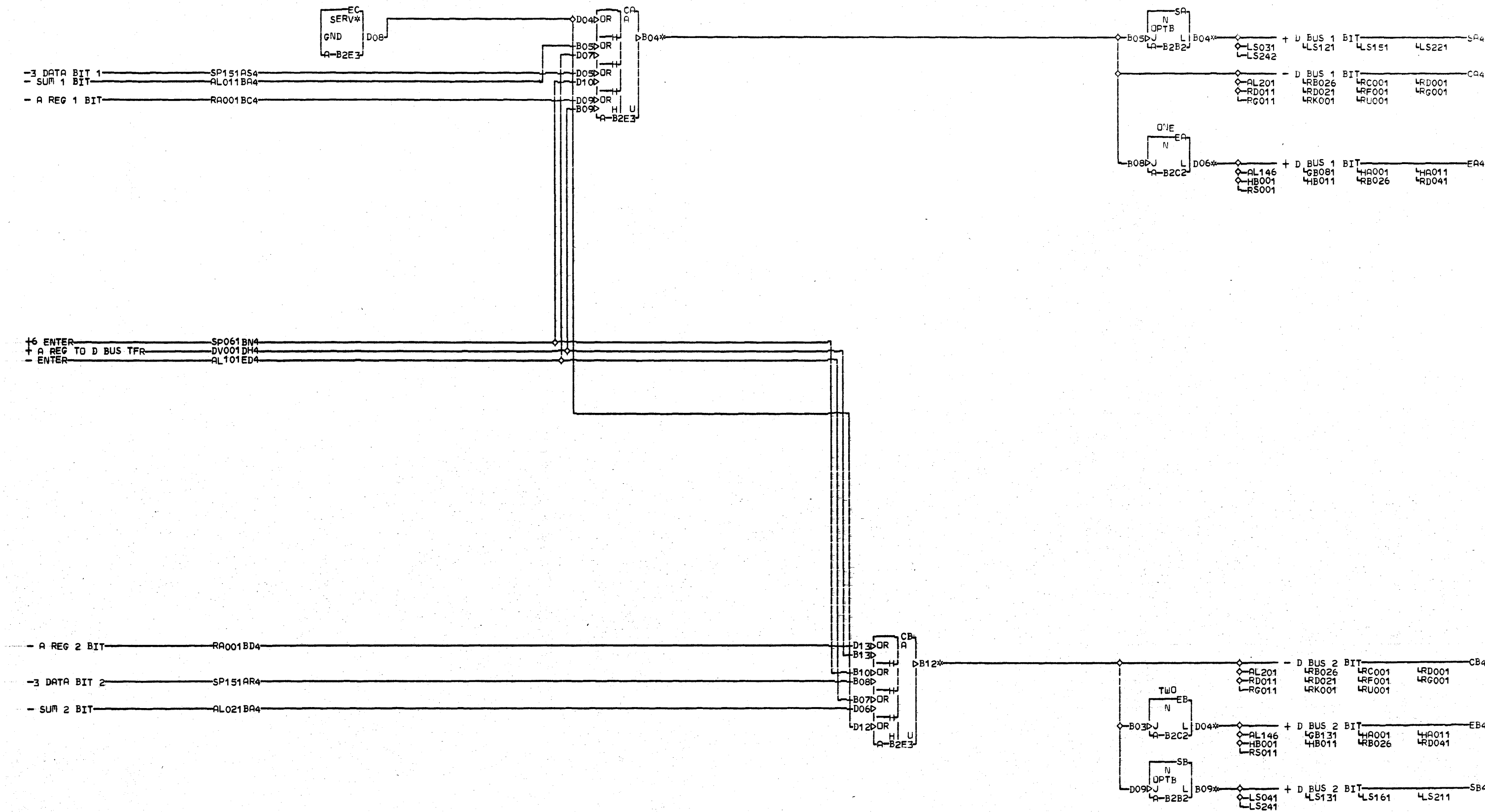


CA4	A-B2F1B11	A-B1M7D09	01A-B1E8A06	EF4 RESISTOR
	01A-B1F8B06	A-B1M7B09	01A-B2E8A06	A-B2F3D10
	RESISTORS	EA4	A-B2D1E09	01A-B3E1A11
	A-B1M7B10	01A-B1D8E04	01A-B1A3D09	01B-A2A4D07
	A-B1M7D10	01A-B2D8E04	01A-C3A5D09	SB4
CB4	A-B2F1B09	01A-B3D1E09	01A-B3A5B03	01B-A2A4B07
	01A-B1F8B04	01A-B3A5D02	01A-A3N5B03	
	01A-B1A8E06	01A-A3N5D02	01A-B2A6B07	
	RESISTORS	EB4	A-B2E1A11	01A-A2N6B07

LOC.	TYPE
A-B1M7	0410
A-B2B2	3575
A-B2C2	0199
A-B2D2	3035
A-B2E2	0199
A-B2F3	0347

D BUS POWER DP AND DO	
E.C.-HISTORY	MACH.2841R
DATE	LAST EC
04-19-67	413405
FRAME	01
IBM CORP. GPD	
P.N.	2227653

001
SIM TO PN 2210410 EC 413402



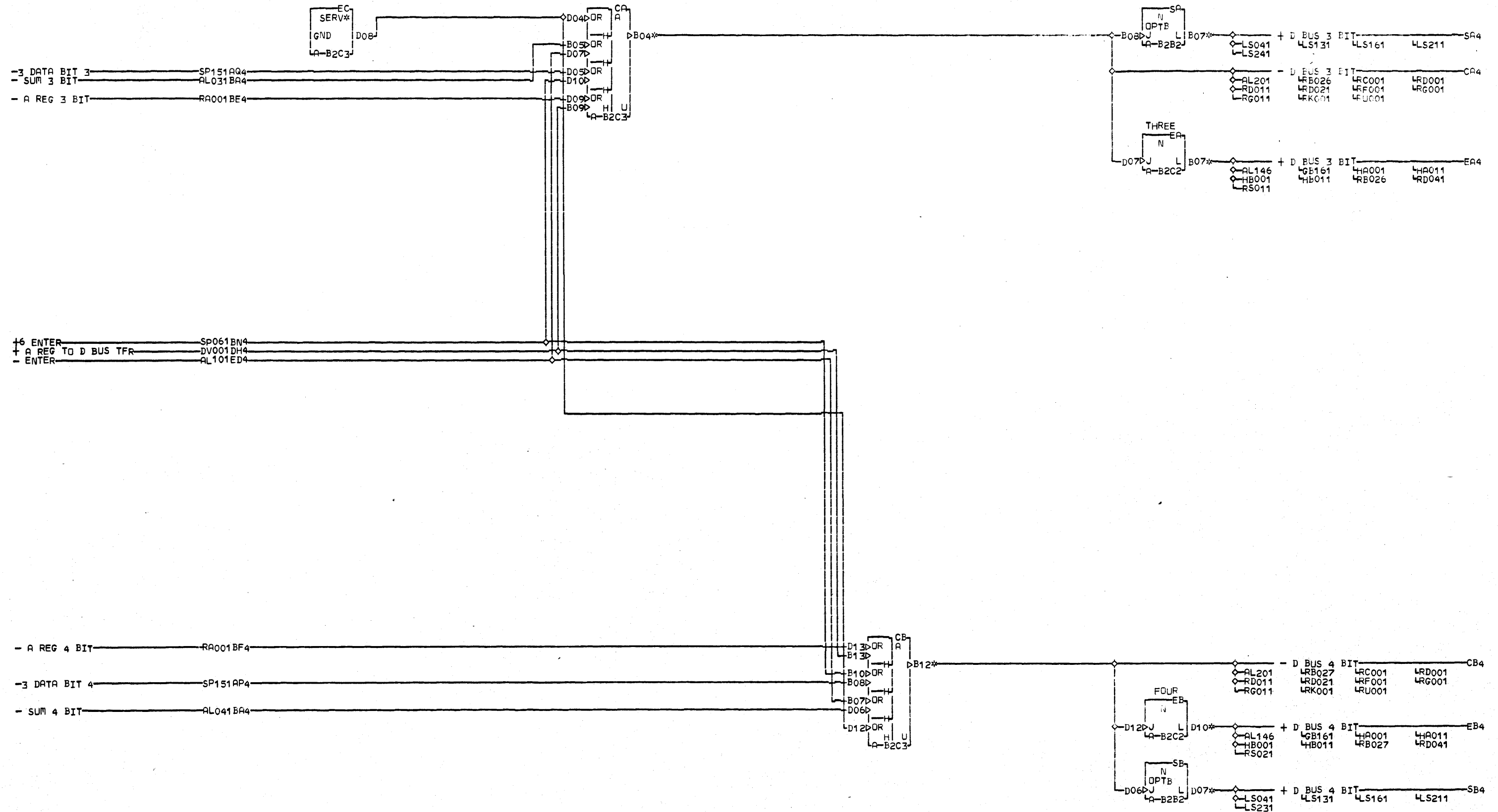
CA4 A-B2F1C11	RESISTORS	01A-B3A5B04	01A-A3N5D04
01A-B1F8C06	A-B1M7D12	01A-A3N5B04	01A-B1A3D10
01A-B1B8B06	A-B1M7B12	01A-B2A6D02	01A-C3A5D10
RESISTORS	EA4 A-B2E1B11	01A-A2N6D02	01A-B2A6B03
A-B1M7B13	01A-B1E8B06	EB4 A-B2E1B09	01A-A2N6B03
A-B1M7D13	01A-B2E8B06	01A-B1E8B04	SA4 A-B2A3D06
CB4 A-B1F8C04	01A-B3E1B11	01A-B2E8B04	01B-A2A4D06
01A-B2F1C09	01A-B1A3B10	01A-B3E1B09	SB4 A-B2A3D05
01A-B1B8C06	01A-C3A5B10	01A-B3A5D04	01B-A2A4D05

LOC.	TYPE
A-B1M7	0410
A-B2B2	3575
A-B2C2	0199
A-B2E3	3035

D BUS POWER D1 AND D2		A
E.C. HISTORY	MACH. 2841R	L
	FRAME 01	1
	IBM CORR. GPD	1
DATE 04-19-67	LAST EC 413405	001
	P. No. 2227654	

AL111

001 SIM TO PN 2210411 EC 413402



ALL
1
1

001 SIM TO PN 2210412 EC 413402

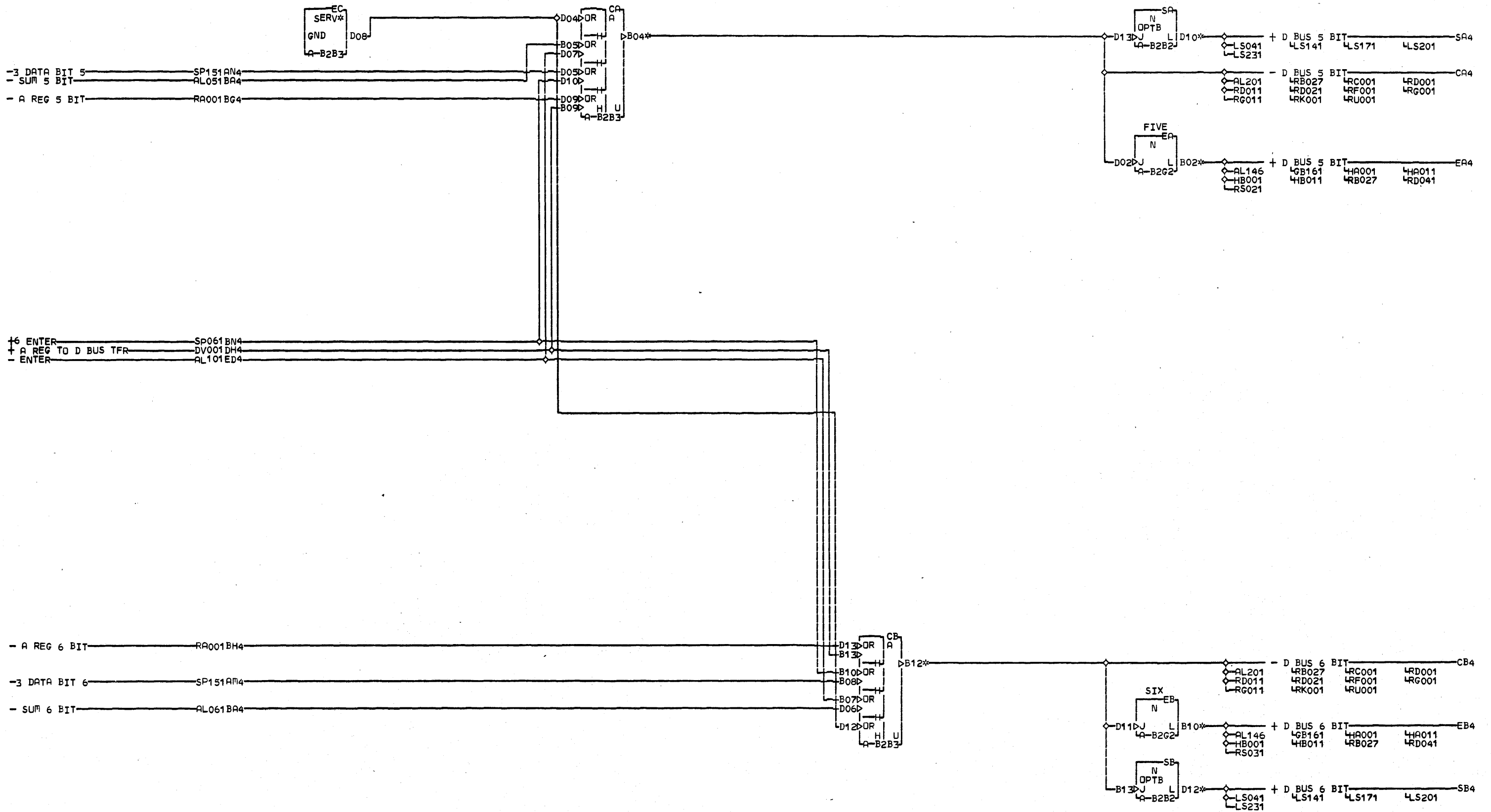
CA4 A-B2F1D09	RESISTORS	01A-B3A5B05	01A-C3A5B12
01A-B1F8D04	A-B1M7D04	01A-A3N5B05	01A-B3A5D05
01A-B1B8D04	A-B1M7B04	01A-E2A6B04	01A-A3N5D05
RESISTORS	EA4 A-B2E1C11	01A-A2N6B04	01A-B2A6D04
A-B1M7D11	01A-B1E8C06	EB4 A-B2E1C09	01A-A2N6D04
A-B1M7D06	01A-B2E8C06	01A-B1E8C04	SA4 A-B2A3B05
CB4 A-B2F1E11	01A-B3E1C11	01A-B2E8C04	01B-A2A4E05
01A-B1F8E06	01A-B1A3D11	01A-B3E1C09	SB4 A-B2A3D04
01A-B1B8E06	01A-C3A5D11	01A-B1A3B12	01B-A2A4D04

LOC. TYPE
A-B1M7 0410
A-B2B2 3575
A-B2C2 0199
A-B2C3 3035

D BUS POWER D3 AND D4	
E.C. HISTORY	MACH. 2841R
	FRAME 01
	IBM CORP. GPD
DATE LAST EC	P.N. 2227655
04-19-67 413405	

ALL
1
1

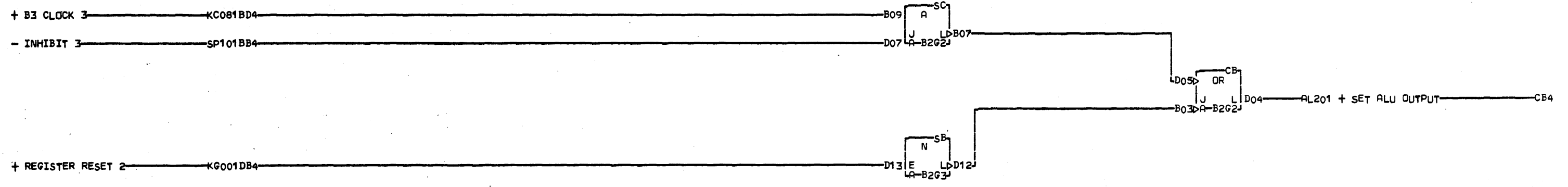
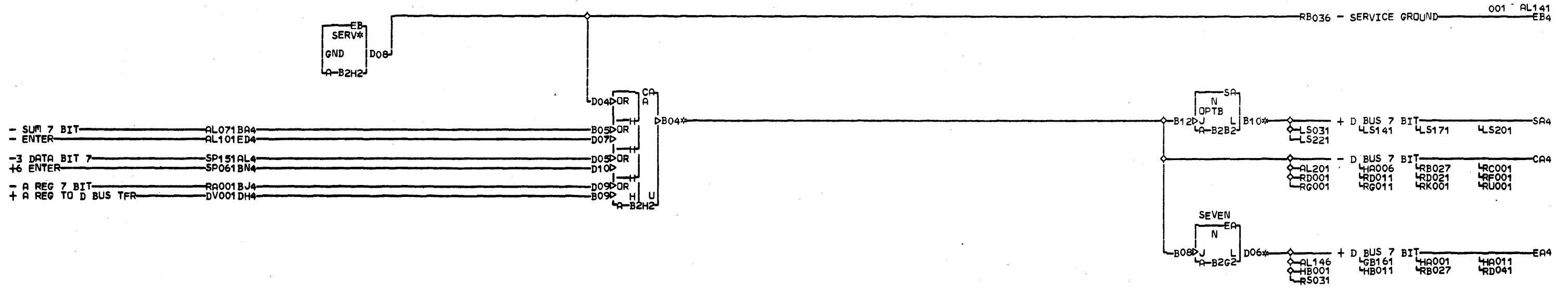
001



A	CA4	A-B2F1E09	RESISTORS	01A-B3A5D06	01A-A3N5B07
L		01A-B1F8E04	A-B1M7D02	01A-A3N5D06	01A-B1A6B02
1		01A-B1C8B06	A-B1M7B02	01A-B2A6B05	01A-C3A4B02
3			RESISTORS	EA4	A-B2E1D09
1			A-B1M7B05	01A-B1E8D04	EB4
			A-B1M7D05	01A-B2E8D04	01A-B1E8E06
	CB4	A-B2G1A11	01A-B3E1D09	01A-B2E8E06	01B-A2A4B04
		01A-E1G8A06	01A-B1A3D12	01A-B3E1E11	SB4
001		01A-B1C8C06	01A-C3A5D12	01A-B3A5B07	01B-A2A4B03

LOC. TYPE
 A-B1M7 0410
 A-B2B2 3575
 A-B2B3 3035
 A-B2G2 0199

D BUS POWER D5 AND D6
 E.C.-HISTORY MACH.2841R
 FRAME 01
 IBM CORP. GPD
 DATE LAST EC 04-19-67 413405
 P.No. 2227656



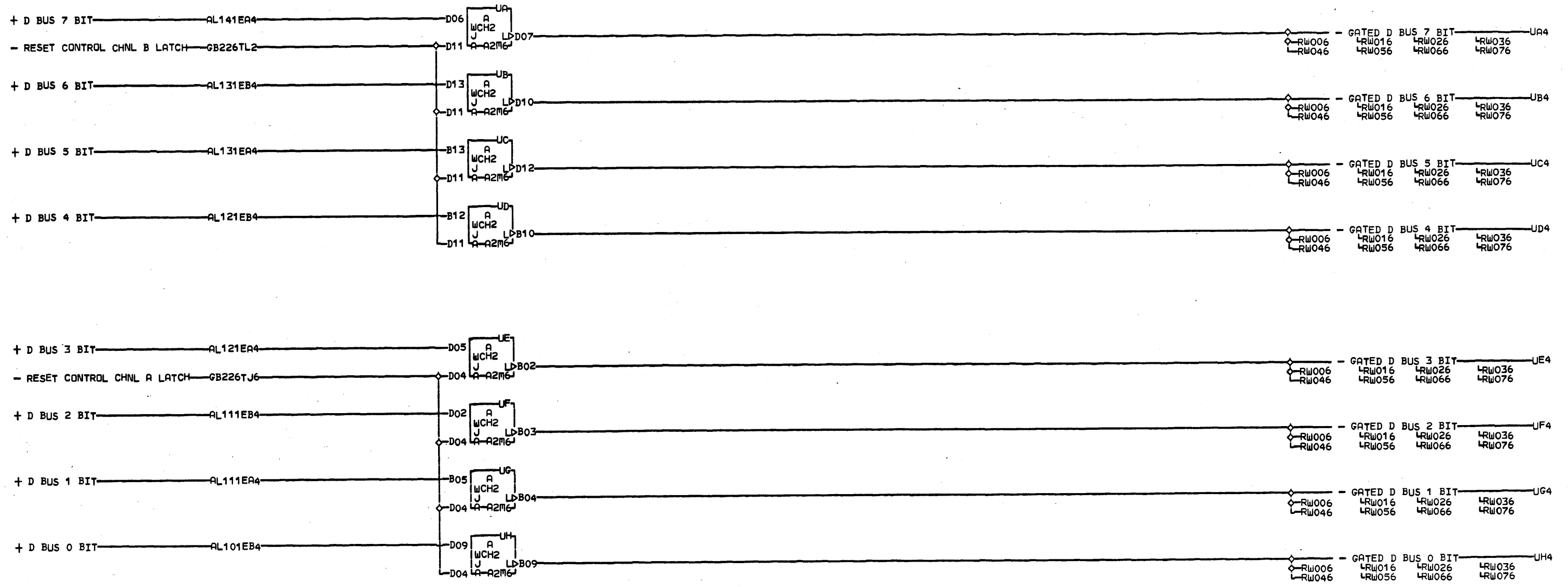
AL41

001 SIM TO PN 2210414 EC 413402

CA4 A-B2G1A09	01A-B1E8E04	SA4 A-B2A3D02
01A-B1G8A04	01A-B2E8E04	01B-A2A4D02
01A-B1N6B02	01A-B3E1E09	
01A-B3N7B02	01A-B1A3D13	
01A-B1C9E06	01A-C3A5D13	
RESISTORS	01A-B3A5D07	
A-B1M7B07	01A-A3N5D07	
A-B1M7D07	01A-B2A6D06	
EA4 A-B2E1E09	01A-A2N6D06	

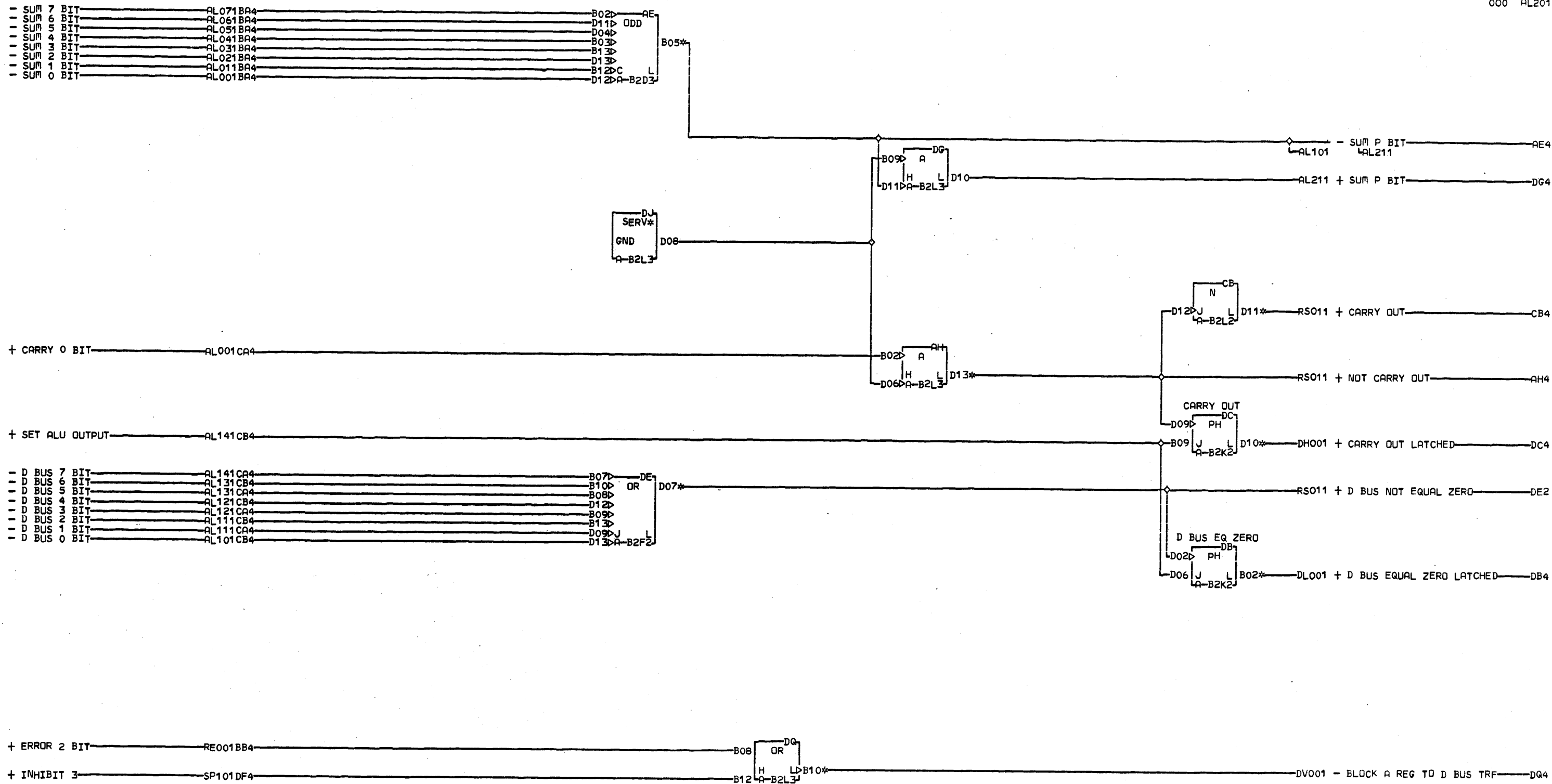
LOC.	TYPE
A-B1M7	0410
A-B2E2	3575
A-B2G2	0199
A-B2G3	0359
A-B2H2	3035

D BUS POWER D7		AL41
ALU OUTPUT SET DRIVER		
E.C.-HISTORY		MACH.2841R
		FRAME 01
		IBM CORP. GPD
DATE	LAST EC	001
04-19-67	413405	
		P.N. 2227657



LUC. TYPE
A-A2M6 3575

GATED D BUS DRIVE	
E.C.-HISTORY	MACH. 2841R
	FRAME 01
	IBM CORP. GPD
DATE	LAST EC
05-06-66	413400
	P.N. 2210417



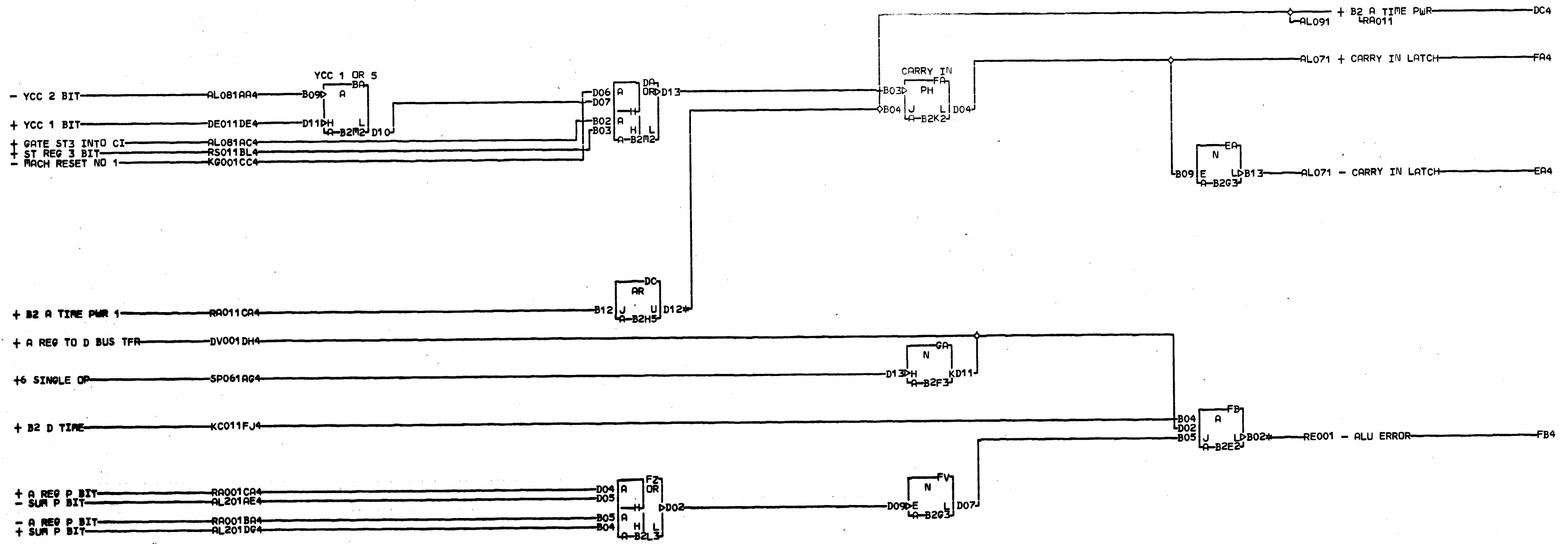
AL201

AE4 RESISTOR 01A-C1N7D13
 A-B2D3D02 DE2 A-B1L8D04
 AH4 A-B1L8E04 01A-B2L1D09
 01A-B2L1E09 DQ4 A-B2N3B07
 CB4 A-B1M8A06 01A-C1N7B07
 01A-B2M1A11
 DB4 A-B2N3D12
 01A-C1N7D12
 DC4 A-B2N3D13

LDC. TYPE
 A-B2D3 0511
 A-B2F2 0005
 A-B2K2 0813
 A-B2L2 0007
 A-B2L3 0006

D BUS PARITY	D EQUAL 0
CARRY OUT LATCHED	
E.C. HISTORY	MACH. 2841R
FRAME	01
DATE	LAST EC
05-06-66	413400
P.N.	2210415

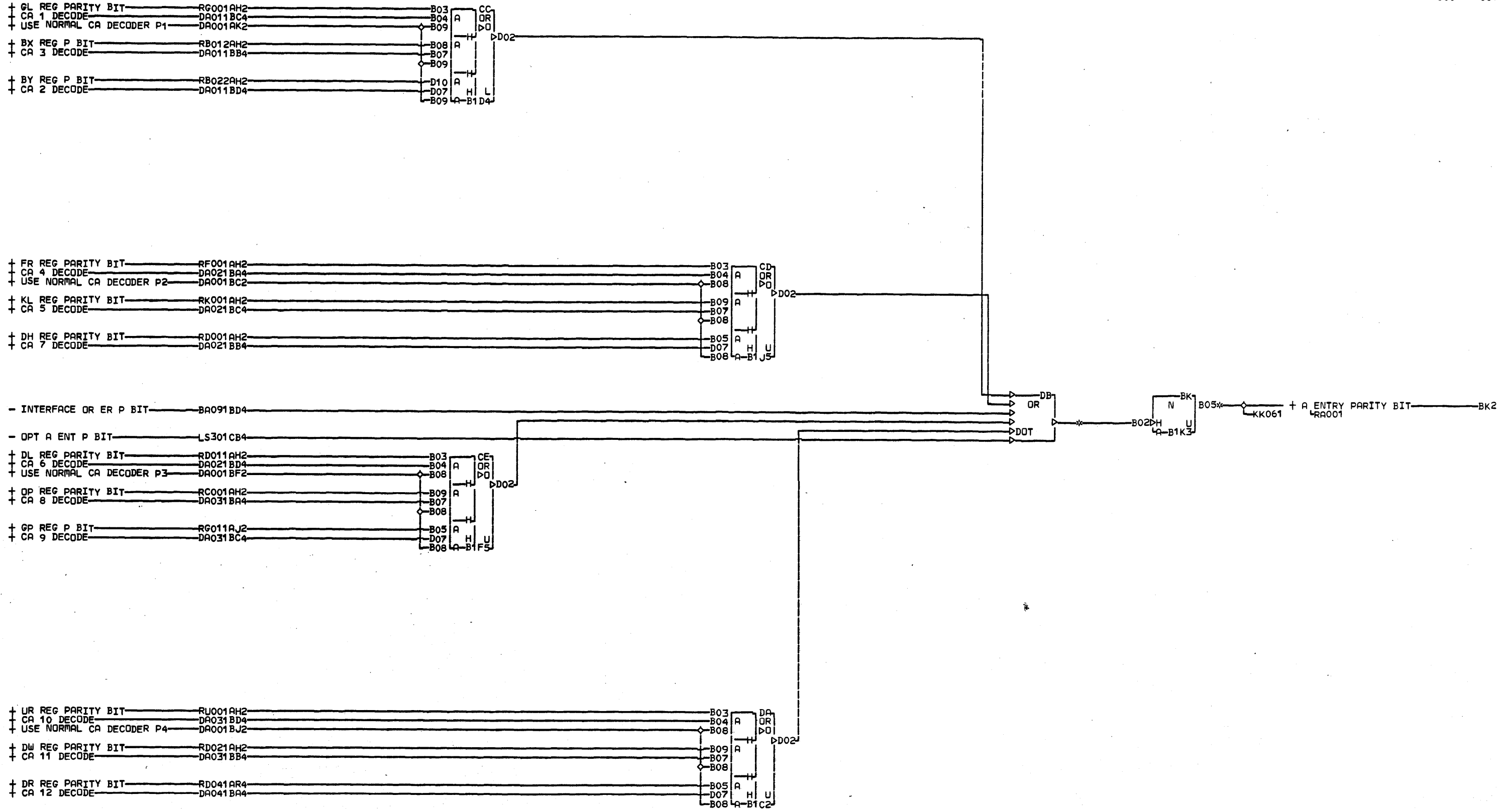
AL201



DC4 RESISTORS
 A-B2H5D11
 A-B2H5D13
 FB4 A-B2M1E11
 01A-B1M8E06

LOC. TYPE
 A-B2E2 0199
 A-B2F3 0347
 A-B2G3 0359
 A-B2H5 4061
 A-B2K2 0813
 A-B2L3 0006
 A-B2M2 0006

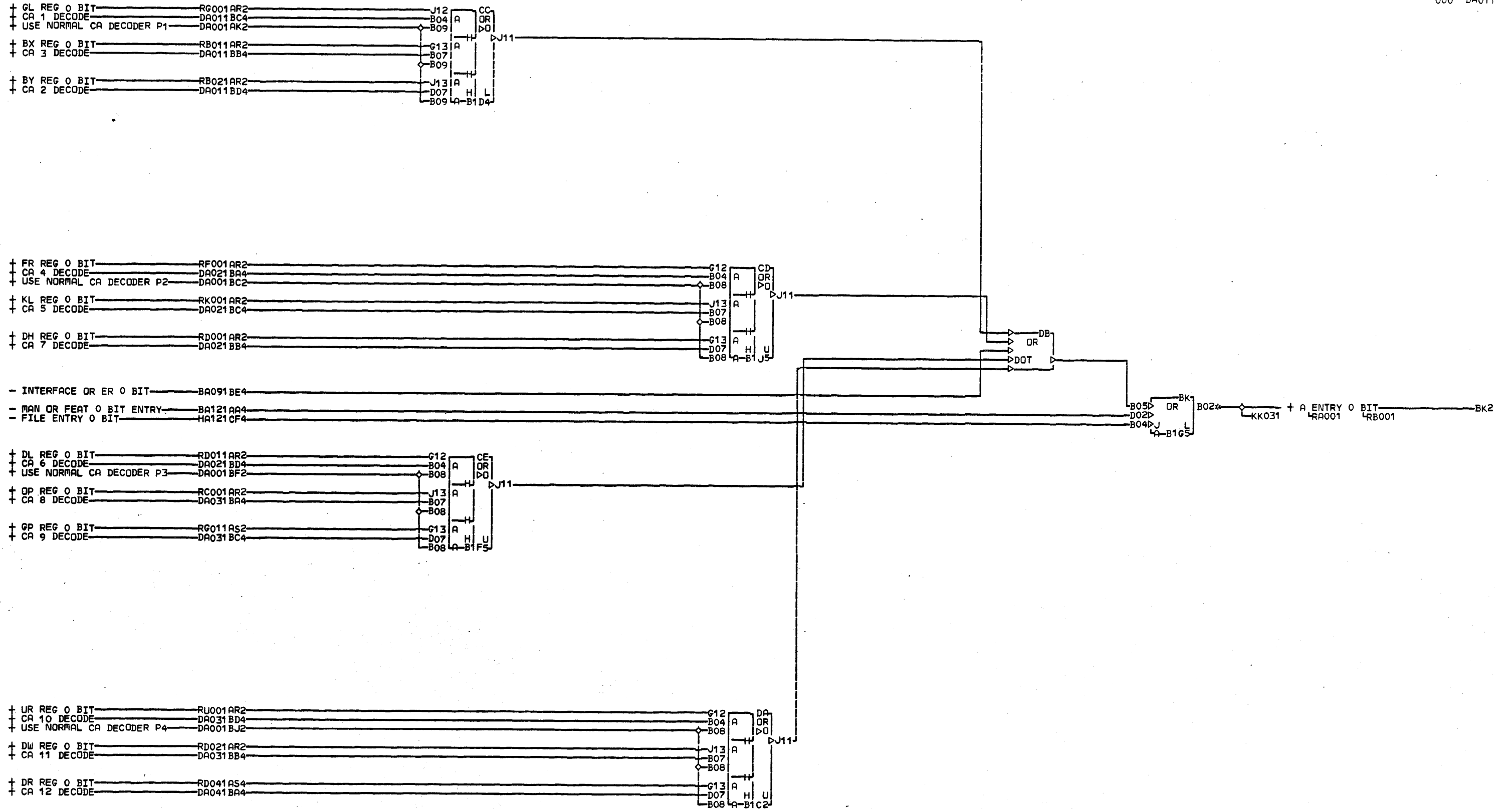
CARRY IN LATCH	
E.C. HISTORY	MACH. 2841R
413400	FRAME 01
413402	IBM CORP. GPD
DATE LAST EC	P.No. 2210416
03-13-67 413404	



BK2 A-B1G8E04
 01A-B2G1E09
 01A-B1N2D03
 01A-C1A2D03
 RESISTOR
 A-B1K3B02
 DB4 A-B1B6D02

LOC. TYPE
 A-B1C2 4282
 A-B1D4 4280
 A-B1F5 4282
 A-B1J5 4282
 A-B1K3 0347

A REG ASSEMBLY PARITY BIT	
E.C. HISTORY	MACH. 2841R
DATE	FRAME 01
LAST EC	IBM CORP. GPD
05-06-66 413400	P.N. 2210418



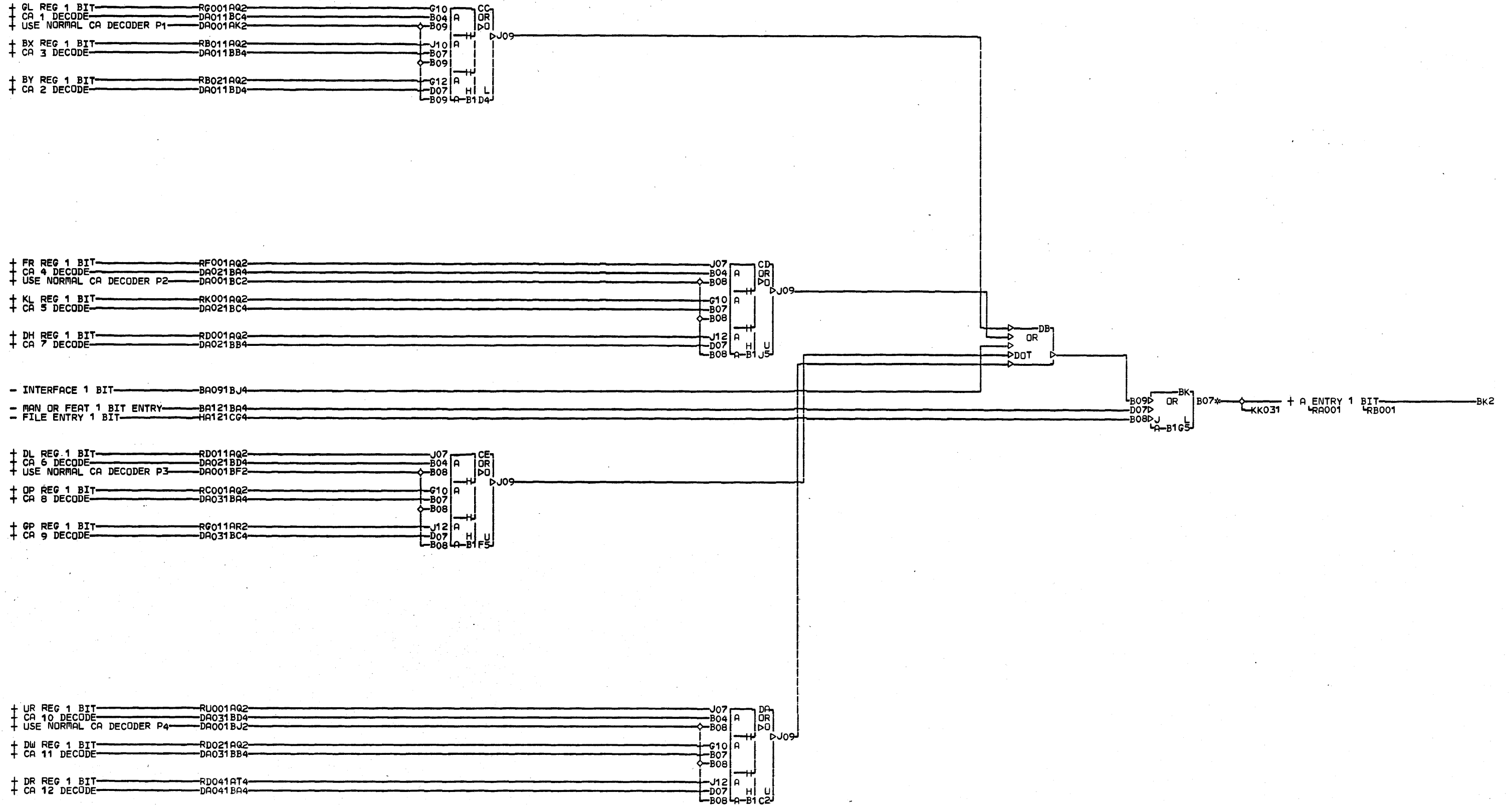
B
A
0
1
1
000

BK2 A-B1H8A06
01A-B2H1A11
01A-B1N2B06
01A-C1A2B06

LDC. TYPE
A-B1C2 4282
A-B1D4 4280
A-B1F5 4282
A-B1G5 0002
A-B1J5 4282

A REG ASSEM 0 BIT	
E.C. HISTORY	MACH. 2841R
DATE	FRAME 01
LAST EC	IBM CORP. GPD
05-06-66 413400	P.N. 2210419

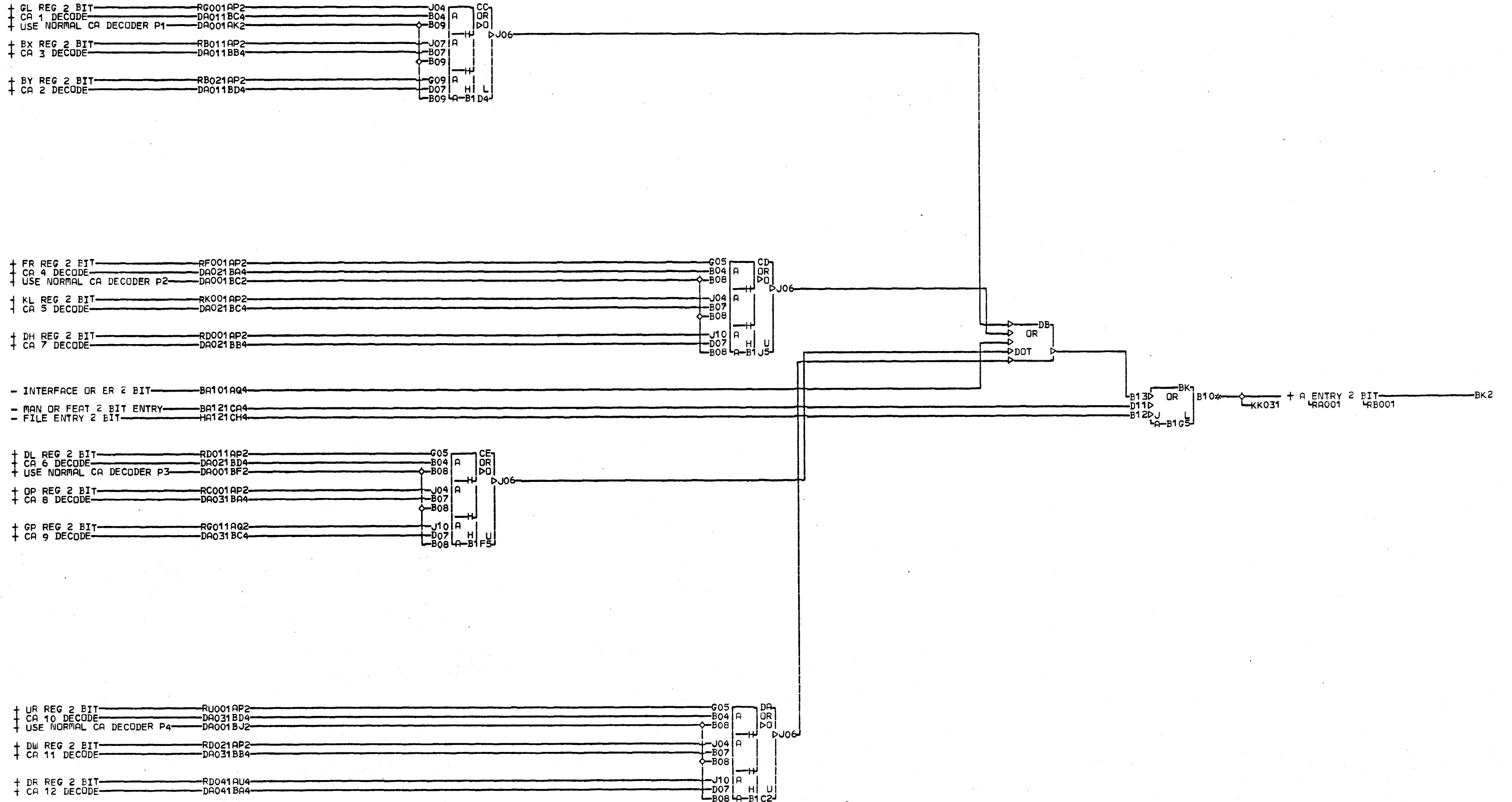
B
A
0
1
1
000



BK2 A-B1H8B06
 01A-B2H1B11
 01A-B1N2B11
 01A-C1A2B11

LOC. TYPE
 A-B1C2 4282
 A-B1D4 4280
 A-B1F5 4282
 A-B1G5 0002
 A-B1J5 4282

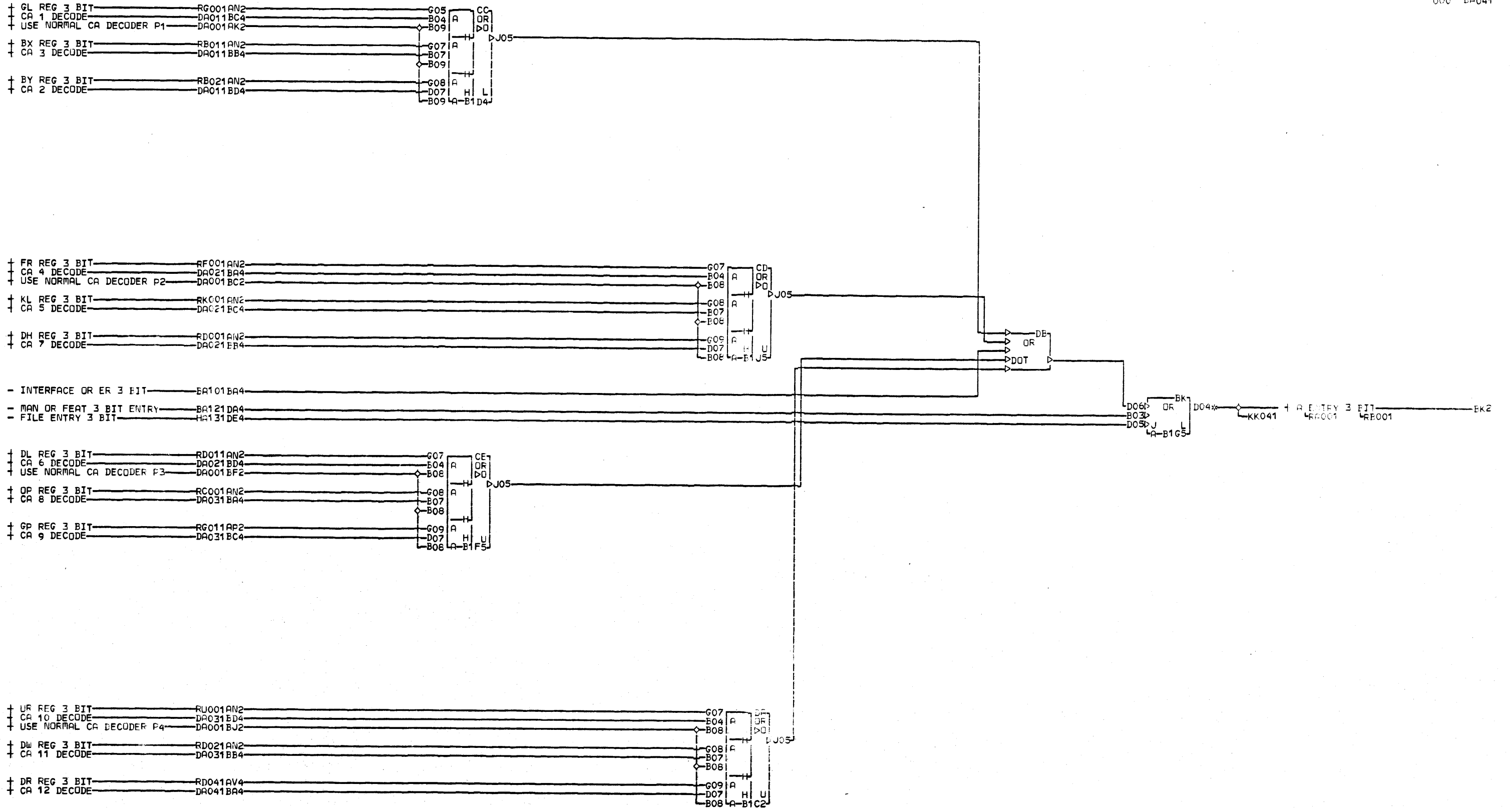
A REG ASSEM 1 BIT	
E.C. HISTORY	MACH. 2841R
DATE	FRAME 01
LAST EC	IBM CORP. GPD
05-06-66 413400	P.N. 2210420



BK2 A-B1H8B04
 01A-B2H1B09
 01A-B1N3D03
 01A-C1A3D03

LOC. TYPE
 A-B1C2 4282
 A-B1D4 4280
 A-B1F5 4282
 A-B1G5 0002
 A-B1J5 4282

A REG ASSEM 2 BIT	
E.C. HISTORY	MACH. 2841R
DATE	FRAME C1
LAST EC	IBM CORP. GFD
05-06-66 413400	P.N. 2210421



B
A
O
4
1

000

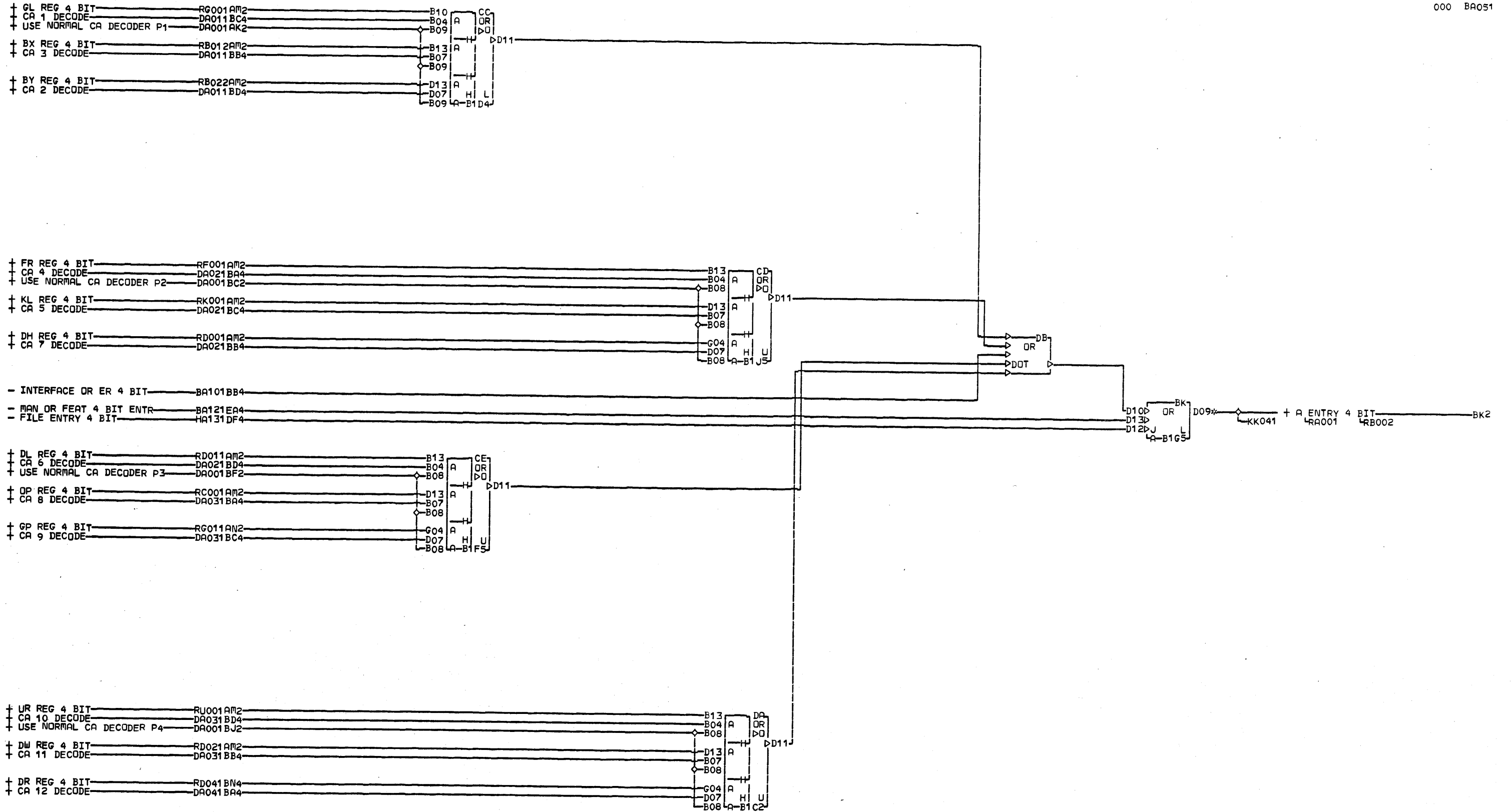
BK2 A-B1HBC06
 01A-B2H1C11
 01A-B1N3B06
 01A-C1A3B06

LOC. TYPE
 A-B1C2 4282
 A-B1D4 4280
 A-B1F5 4282
 A-B1G5 0002
 A-B1J5 4282

A REG ASSEM 3 BIT	
E.C.-HISTORY	MACH.2841R
	FRF#E 01
DATE LAST EC	IBM CORP. GPD
05-06-66 413400	P.N. 2210422

B
A
O
4
1

000



B
A
O
S
1

BK2 A-B1H8C04
01A-B2H1C09
01A-B1N3B11
01A-C1A3B11

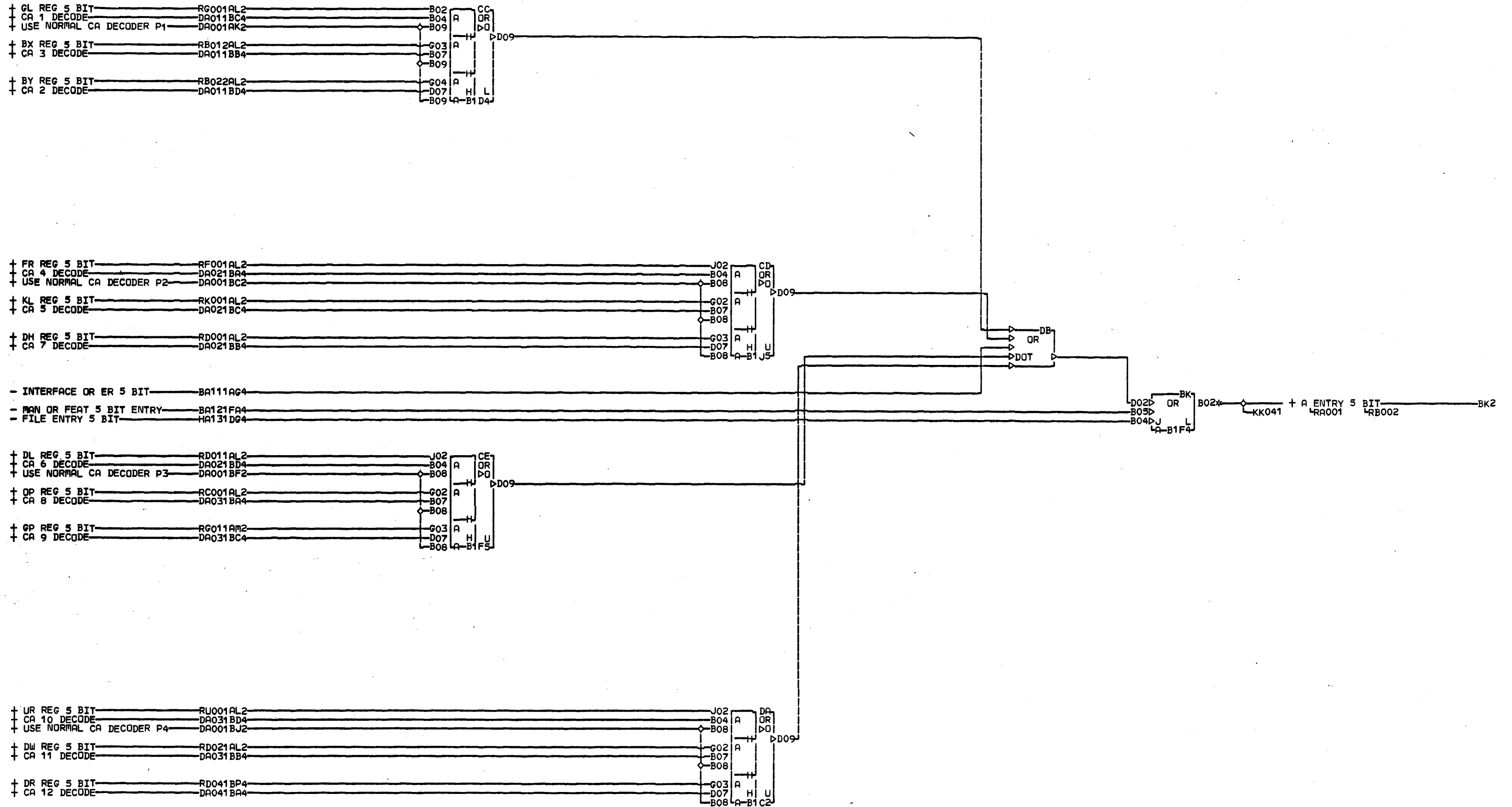
000

LOC. TYPE
A-B1C2 4282
A-B1D4 4280
A-B1F5 4282
A-B1G5 0002
A-B1J5 4282

A REG ASSEM 4 BIT	
E.C. HISTORY	MACH. 2841R
DATE	LAST EC
05-06-66	413400
FRAME	01
IBM CORP. GPD	
P.No.	2210423

B
A
O
S
1

000



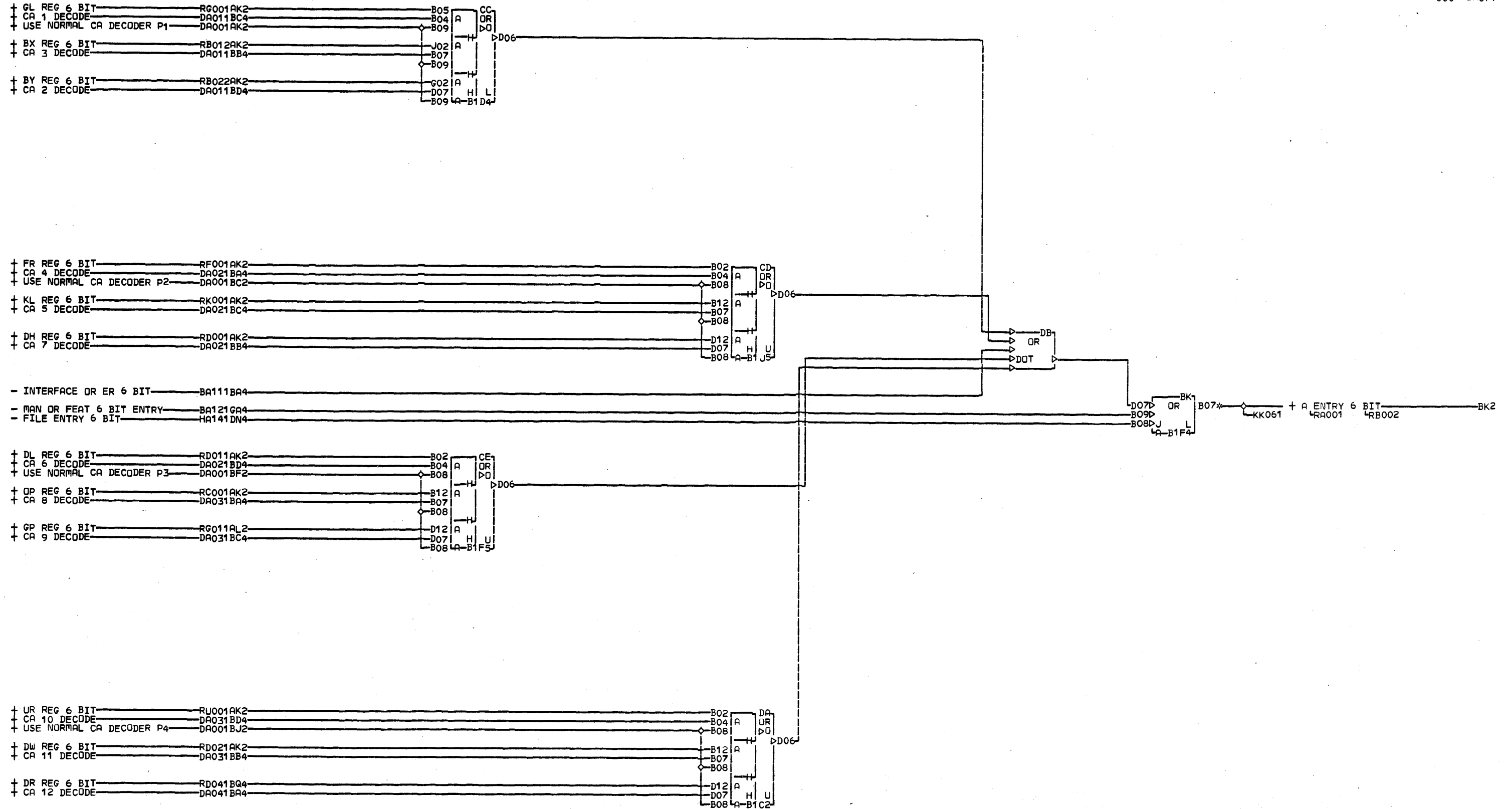
B
A
0
6
1

BK2 A-B1H8D04
 01A-B2H1D09
 01A-B1N4D03
 01A-C1A4D03

LOC. TYPE
 A-B1C2 4282
 A-B1D4 4280
 A-B1F4 0002
 A-B1F5 4282
 A-B1J5 4282

A REG ASSEM 5 BIT	
E.C. HISTORY	MACH. 2841R
DATE LAST EC	IBM CORP. GPD
05-06-66 413400	P.N. 2210424

B
A
0
6
1



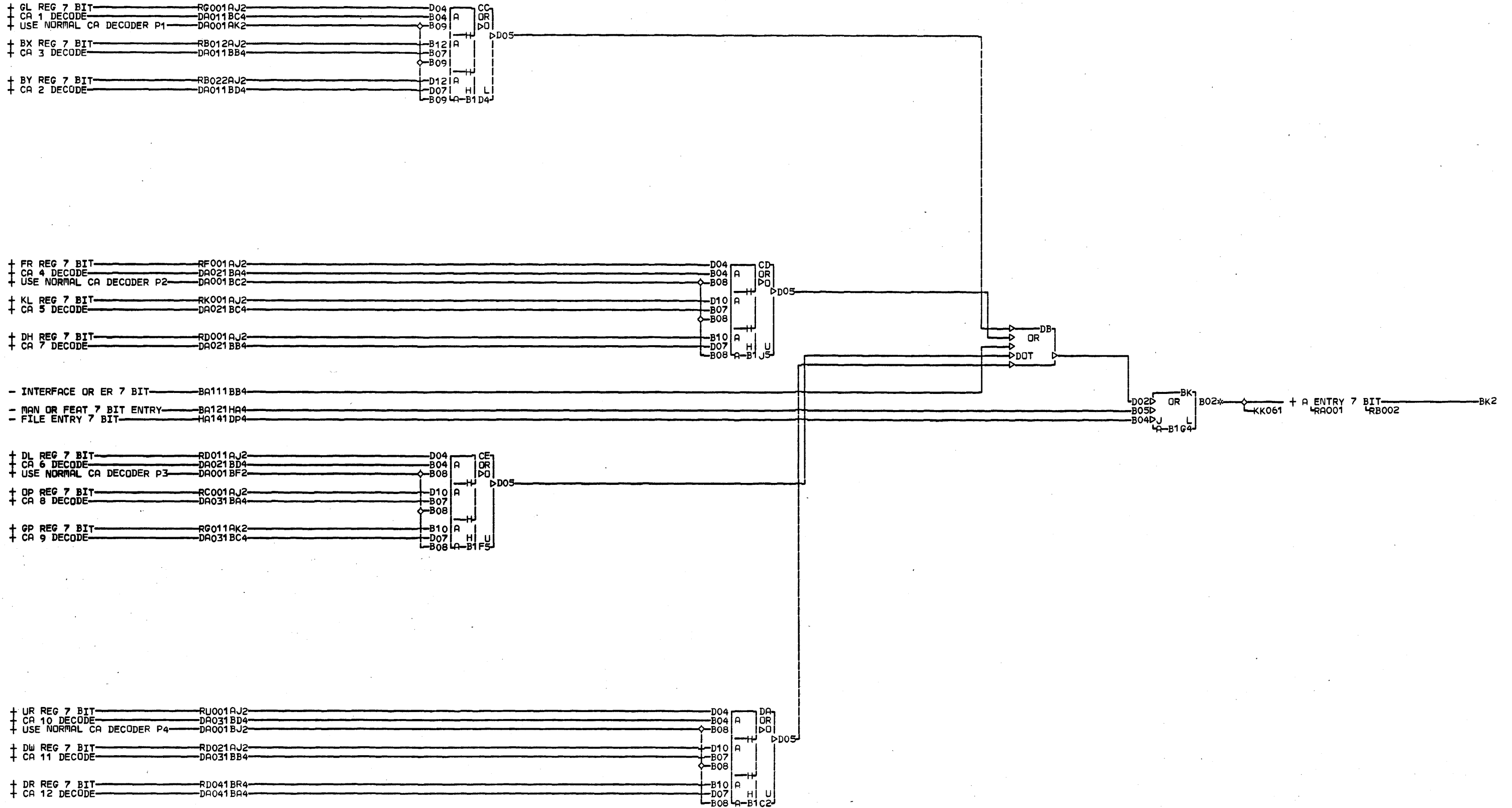
B
A
0
7
1
000

BK2 A-B1H8E06
01A-B2H1E11
01A-B1N4B06
01A-C1A4B06

LUC. TYPE
A-B1C2 4282
A-B1D4 4280
A-B1F4 0002
A-B1F5 4282
A-B1J5 4282

A REG ASSEM 6 BIT	
E.C. HISTORY	MACH. 2841R
DATE LAST EC	FRAME 01
05-06-66 413400	IBM CORP. GPD
	P.N. 2210425

b
p
0
7
1
000

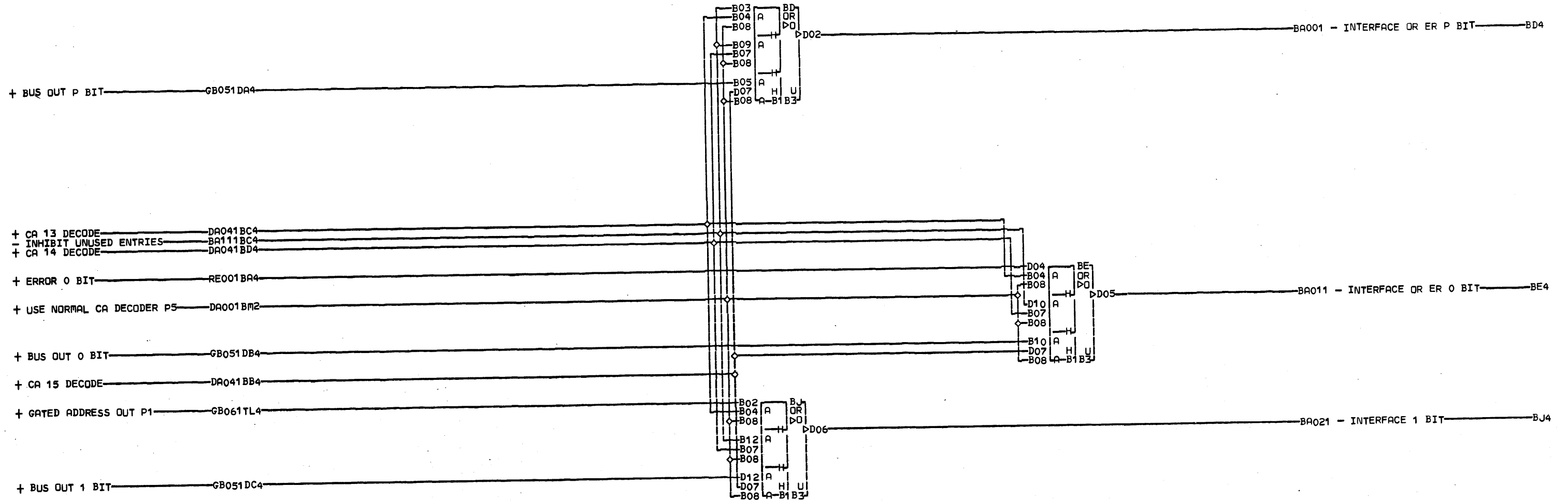


B
A
O
8
1

BK2 A-B1H8E04
 01A-B2H1E09
 01A-B1N4B11
 01A-C1A4B11

LOC. TYPE
 A-B1C2 4282
 A-B1D4 4280
 A-B1F5 4282
 A-B1G4 0000
 A-B1J5 4282

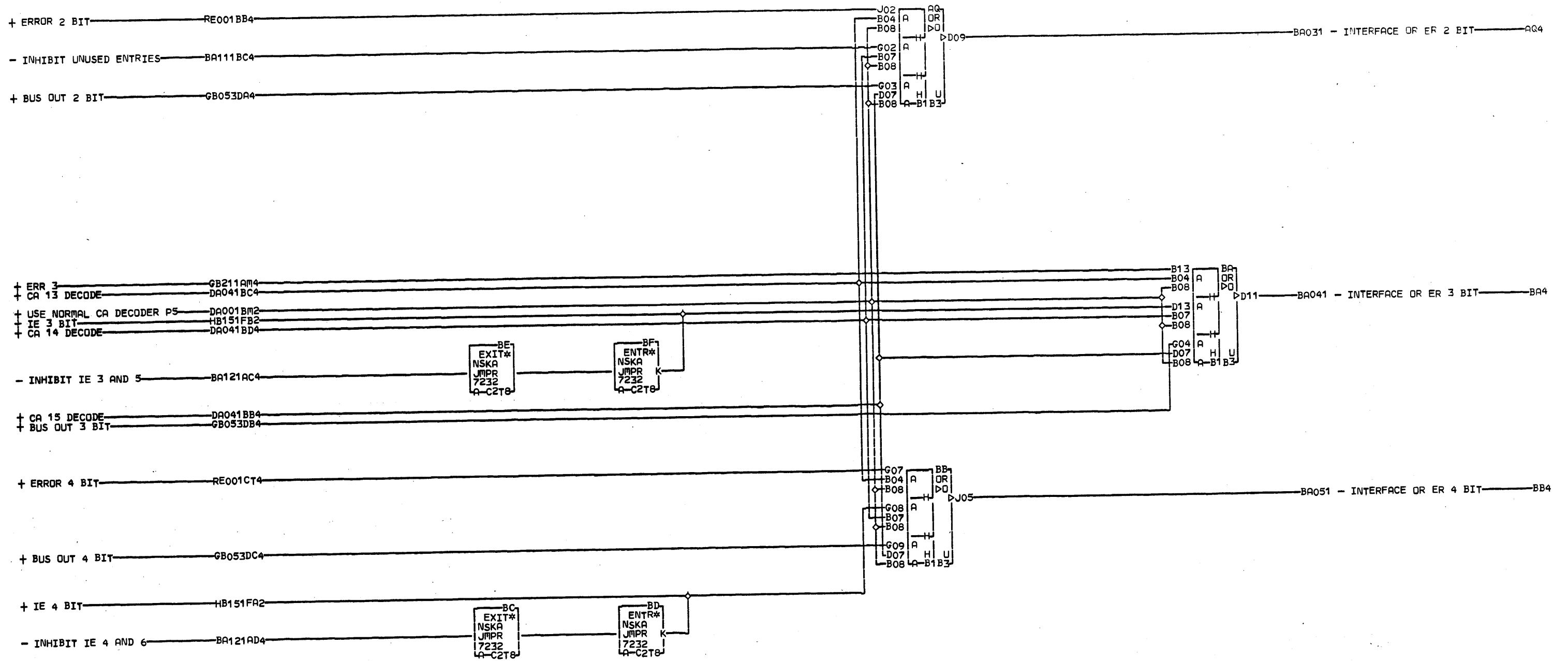
A REG ASSEM 7 BIT	
E.C. HISTORY	MACH. 2841R
	FRAME 01
	ISS. CORP. GPD
DATE LAST EC	P. 2210426
05-06-66 413400	



LJC. TYPE
A-B1E3 4282

A REG ER IE IH P 0 1 BITS	
E.C. HISTORY	MACH. 2841R
	FRAME 01
	IBM CORP. GPD
DATE LAST EC	P.N. 2210427
05-06-66 413400	

E
A
0
9
1



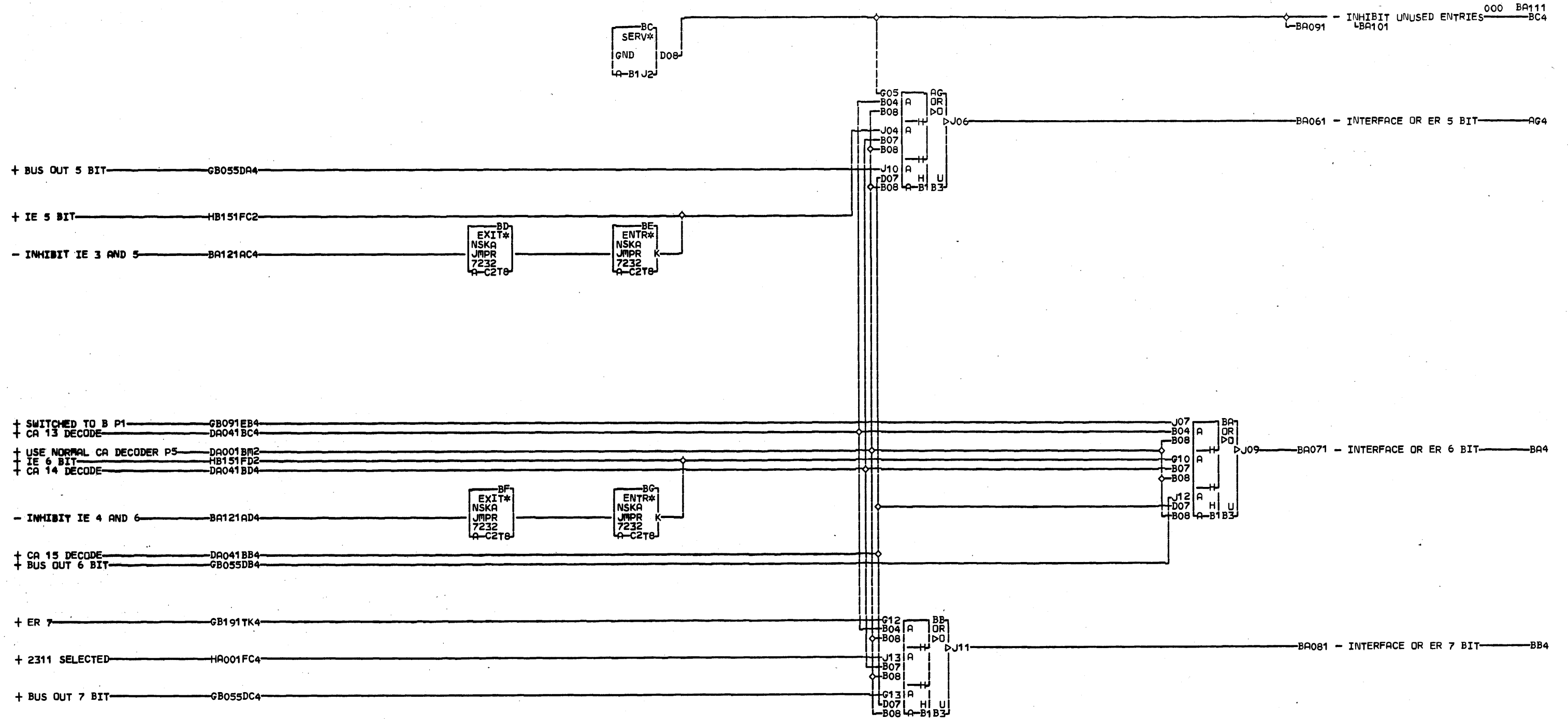
BA101

000

LJC. TYPE
A-B1B3 4282

A REG ER IE IH 2 3 4 BITS		BA101
E.C.-HISTORY	MACH.2841R	
	FRAME 01	
	IBM CORP. GPD	
DATE	LAST EC	000
05-06-66	413400	
	P.N. 2210428	

F
N

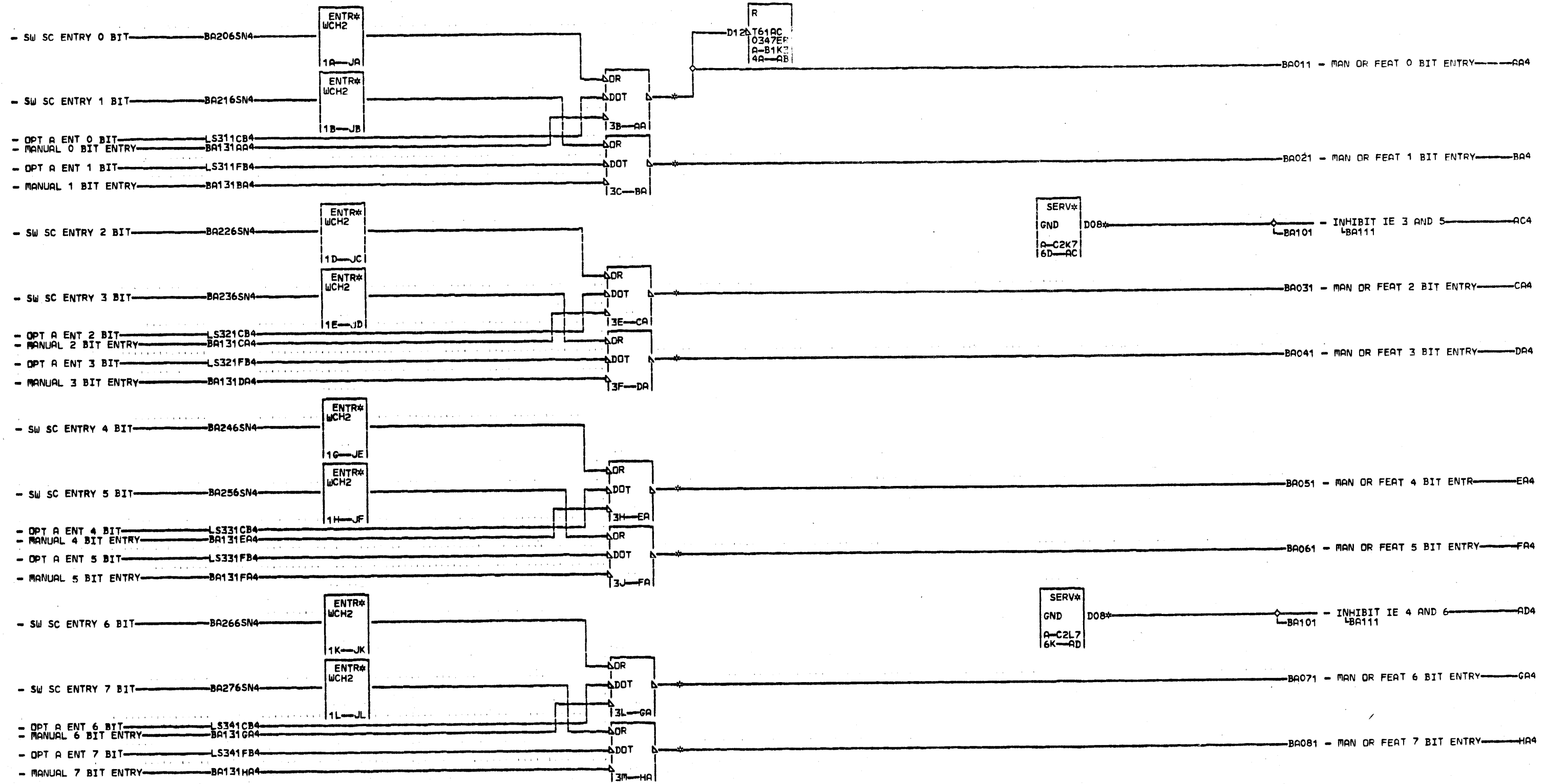


LOC. TYPE
A-B1B3 4282

A REG ER IE IH 5 6 7 BITS	
E.C. HISTORY 413400	MACH. 2841R FRAME 01
DATE LAST EC 10-17-66 413403	IBM CORP. GPD P.N. 2210429

B
A
1
1
1
000

B
A
1
1
1
000



AA4 A-B1B7D02 01A-B1B6D04 HA4 A-B1B7B07
 01A-B1B6B03 DA4 A-B1B7D04 01A-B1B6D07
 AC4 A-C2K8E04 01A-B1B6B05
 01A-C2L8B04 EA4 A-B1B7B05
 AD4 A-C2L8C04 01A-B1B6D05
 01A-C2M8D04 FA4 A-B1B7D05
 BA4 A-B1B7B03 01A-B1B6D06
 01A-B1B6B04 GA4 A-B1B7D06
 CA4 A-B1B7B04 01A-B1B6B07

05-06-66 413400

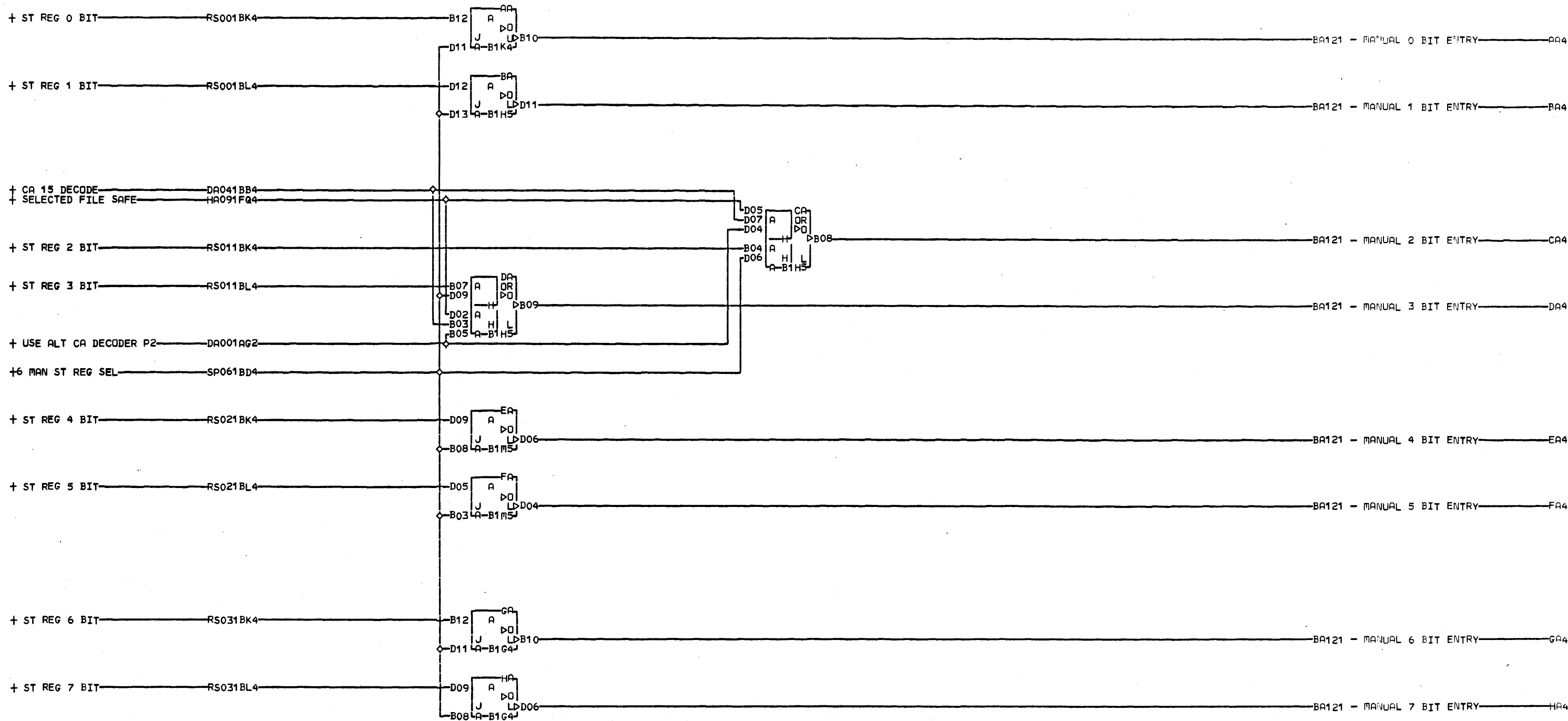
STAT REG OR FEATURE		
DATE	05-11-66	MACH# 2841R
LOG	1265	FRAME 01
		P.# 2210430
IBM CORP.	SDD BLK.	SE

BA121

000

BA121

000

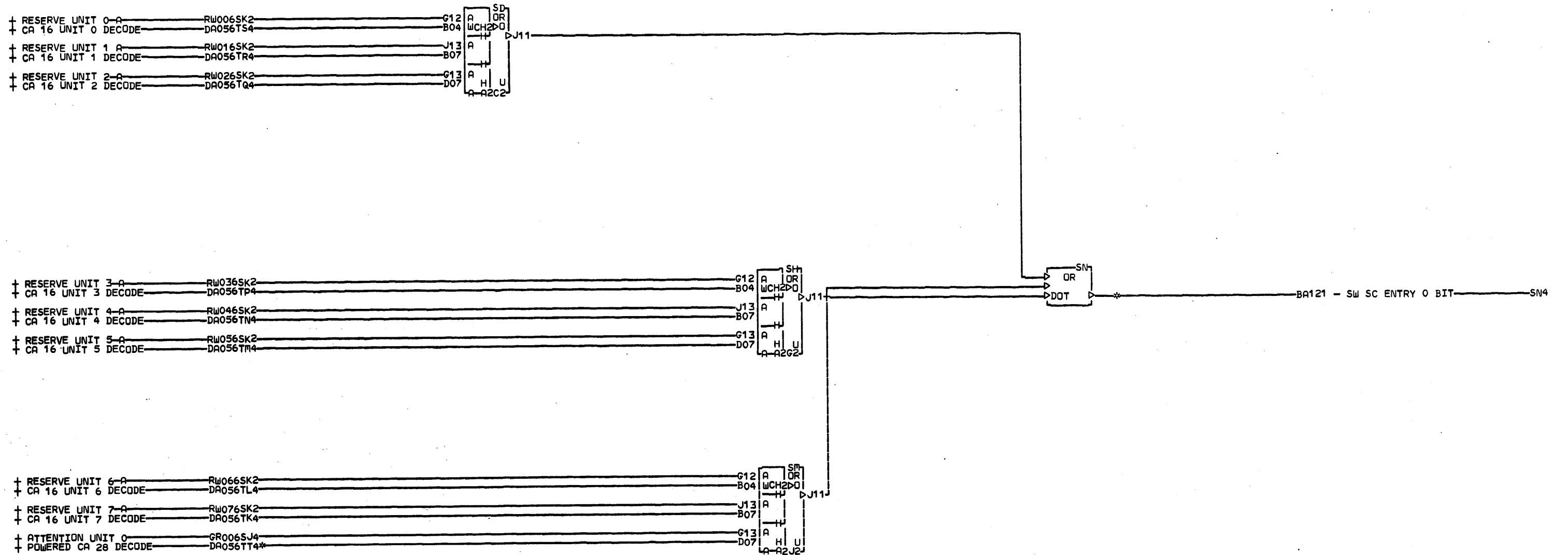


B
A
1
3
1
000

LOC. TYPE
 A-B1G4 0000
 A-B1H5 0007
 A-B1K4 0238
 A-B1M5 0000

MANUAL STAT REG	
A ENTRY	
E.C. HISTORY 413400	MACH. 2841R
DATE 09-12-66	FRAME 01
LAST EC 413402	IBF CJP. SDD
	P.N. 2210431

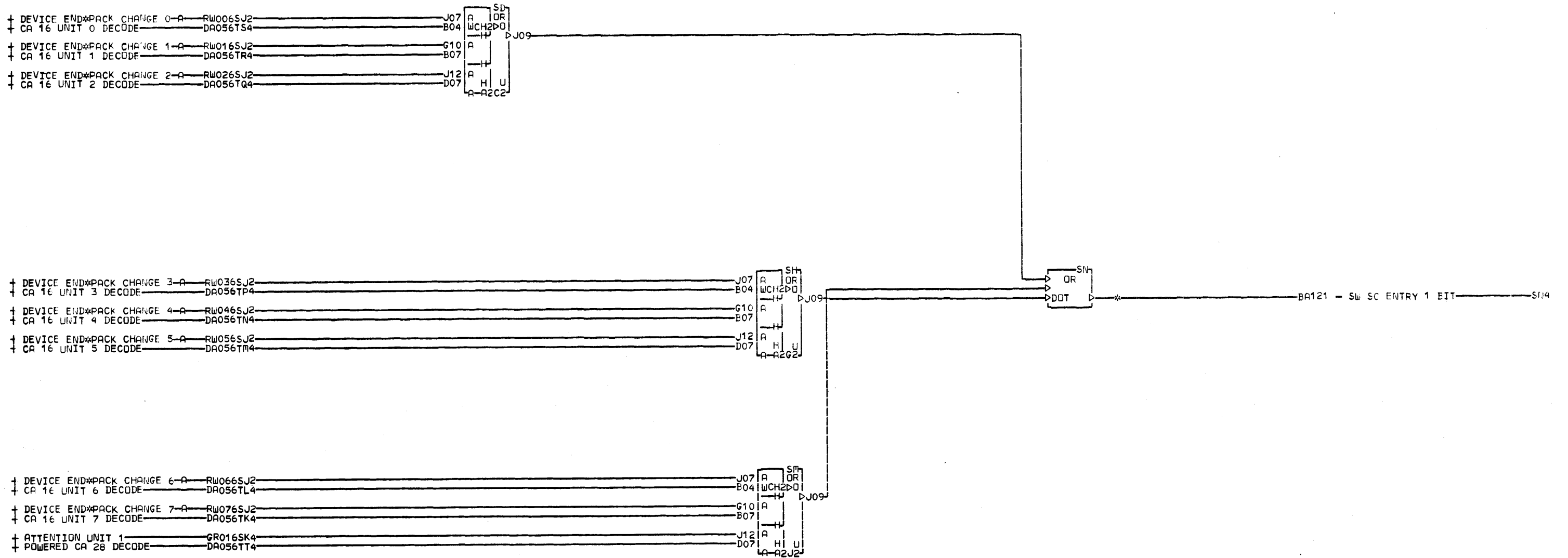
F
A
1
3
1
000



DA056TT4
 RESISTORS
 A-A2L3D02
 A-A2L3D05
 SN4 A-A2A2D02

LOC. TYPE
 A-A2C2 4282
 A-A2G2 4282
 A-A2J2 4282
 A-A2L3 4061

A REG SW SC ASSEMBLER	
O BIT	
E.C.-HISTORY	MACH.2841R
DATE	FRAME 01
LAST EC	IBM CORP. GPD
05-06-66 413400	P.N. 2210432



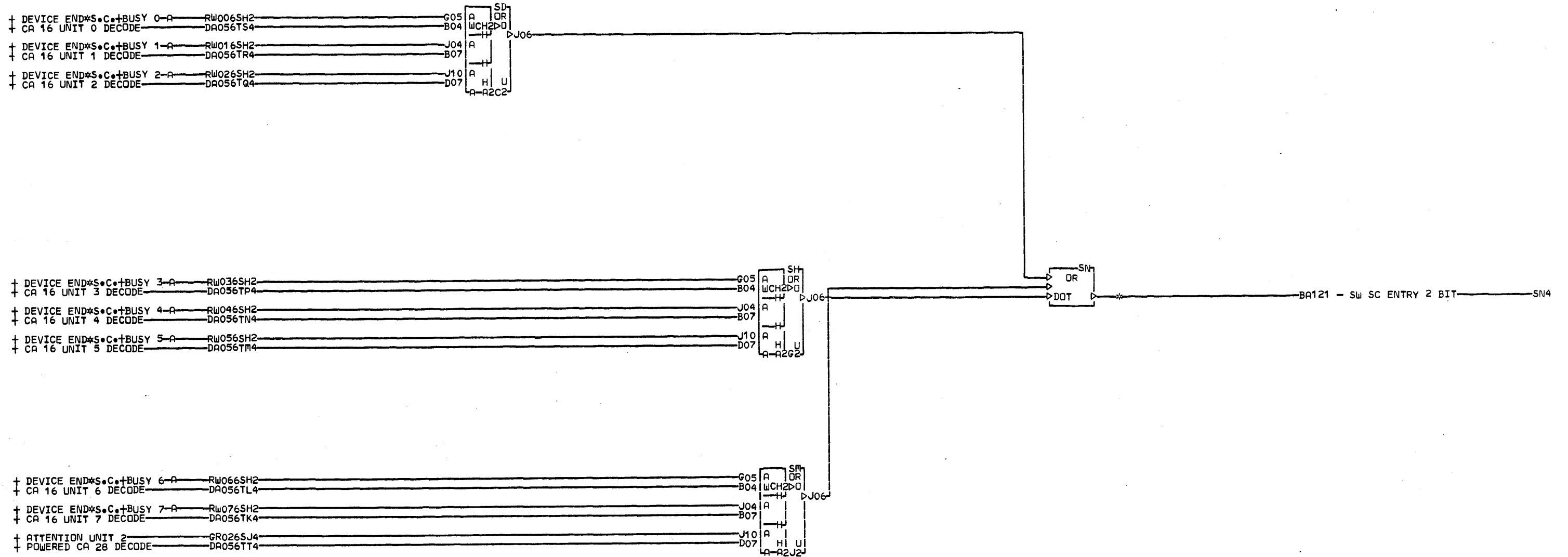
SN4 A-A2A2B03

B
A
2
1
6
000

LOC.	TYPE
A-A2C2	4282
A-A2G2	4282
A-A2J2	4282

A REG SW SC ASSEMBLER	
1 BIT	
E.C. HISTORY	MACH. 2841R
DATE	LAST EC
05-06-66	413400
FRAME	01
IBM CORP. GPD	
P.N.	2210433

B
A
2
1
6
000

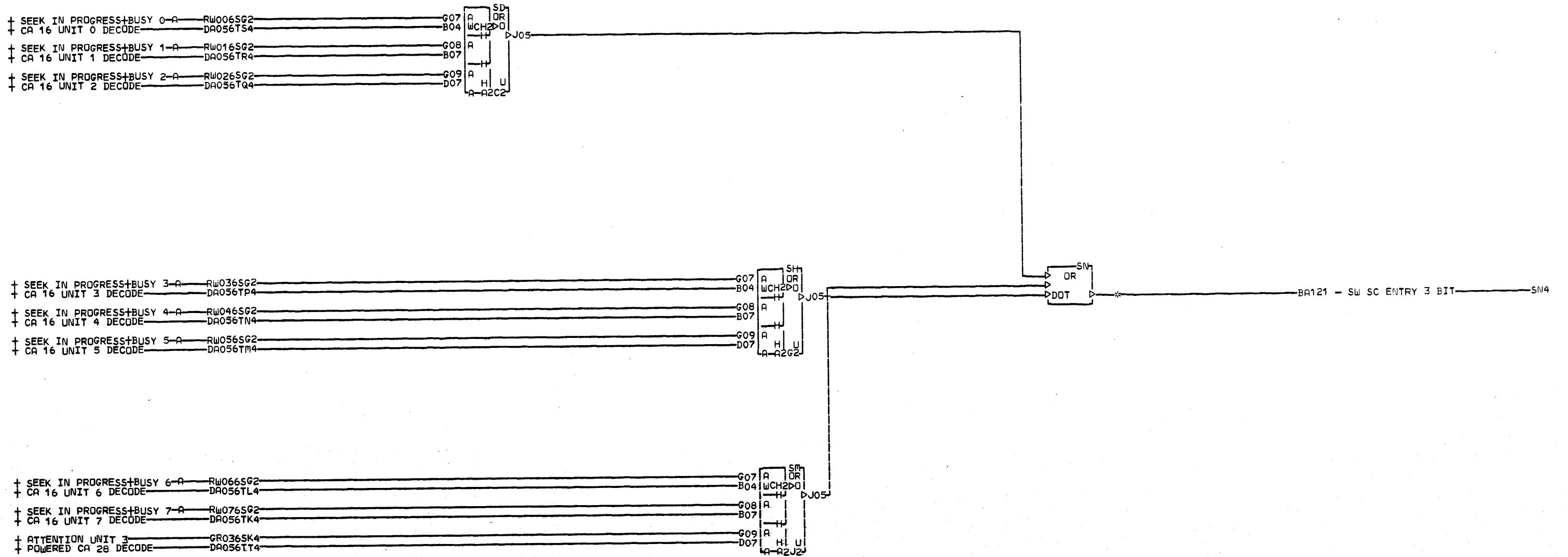


SN4 A-A2A2B04

B
A
2
2
6
000

LOC.	TYPE
A-A2C2	4282
A-A2G2	4282
A-A2J2	4282

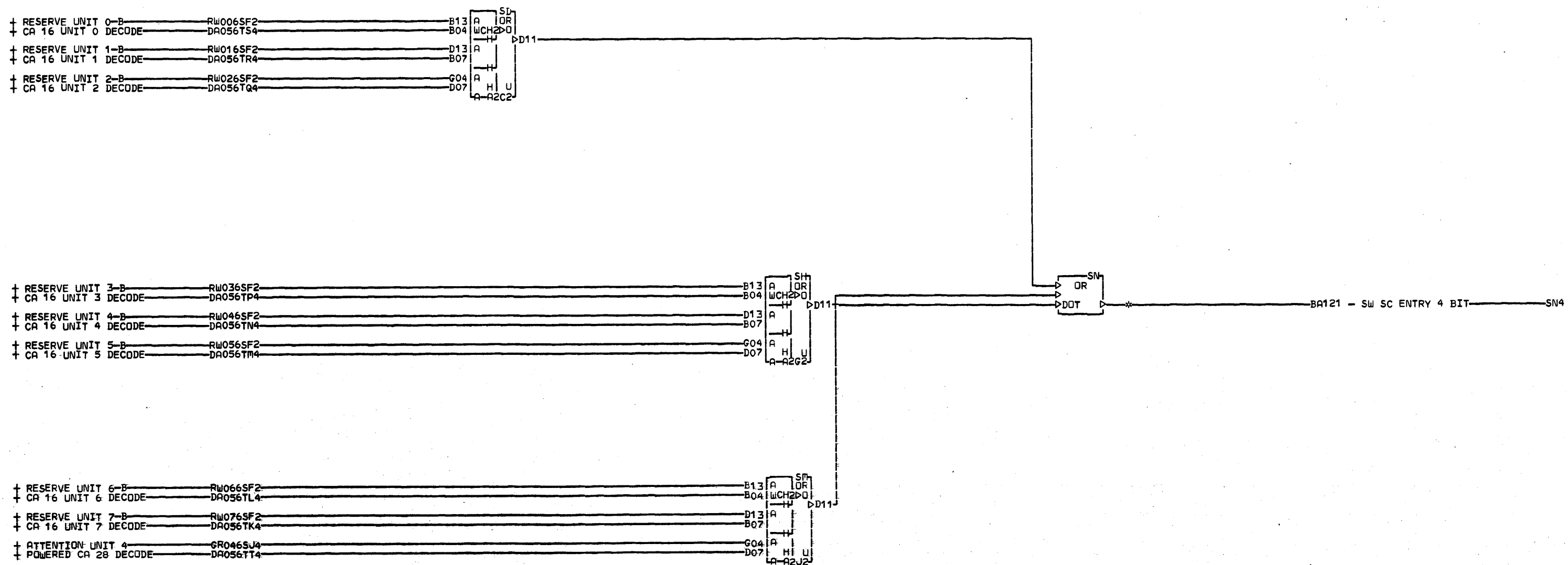
A REG SW SC ASSEMBLER		B A 2 2 6
E.C. HISTORY 2 BIT		
MACH. 2841R		000
FRAME	01	
DATE	LAST EC	
05-06-66	413400	IBM CORP. GPD
P.N. 2210434		



SN4 A-A2A2D04

LOC. TYPE
 A-A2C2 4282
 A-A2G2 4282
 A-A2J2 4282

A REG SW SC ASSEMBLER	
3 BIT	
E.C. HISTORY	MACH. 2841R
FRAME	01
DATE	LAST EC
05-06-66 413400	IP.N. 2210435



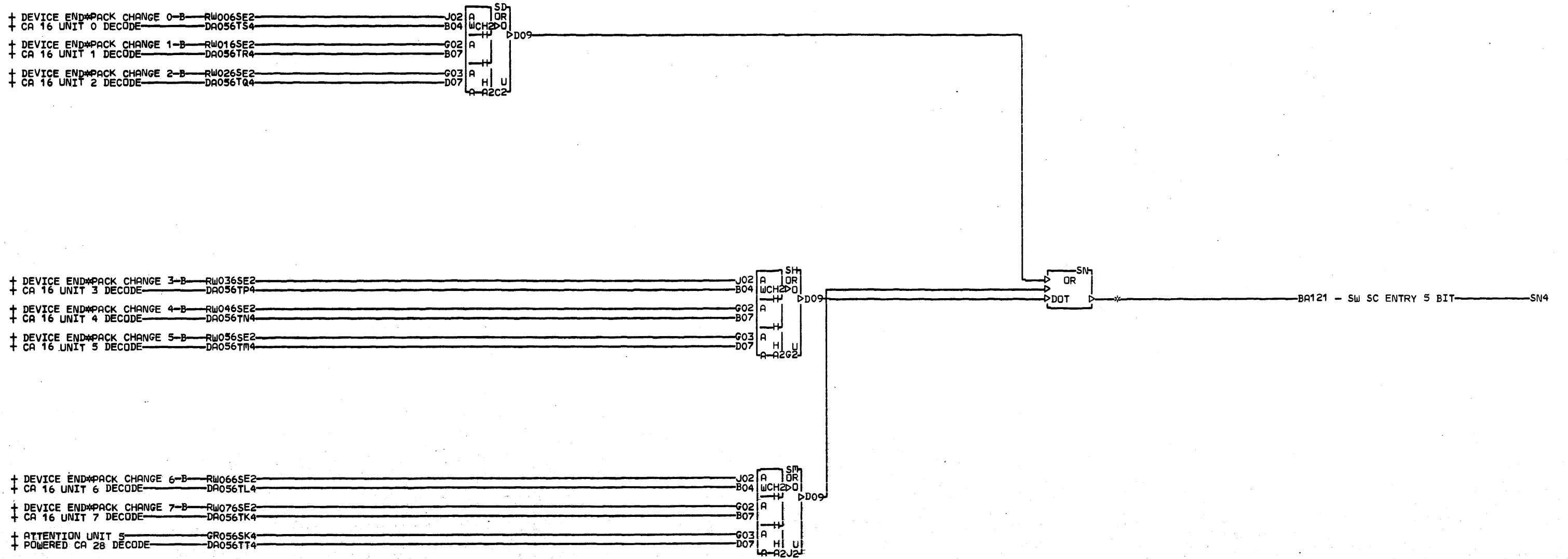
SN4 A-A2A2B05

LOC. TYPE
 A-A2C2 4282
 A-A2G2 4282
 A-A2J2 4282

A REG SW SC ASSEMBLER	
4 BIT	
E-C-HISTORY	MACH. 2841R
DATE	FRAME 01
LAST EC	IBM CORP. GPD
05-06-66 413400	P.N. 2210436

B
A
2
4
6
000

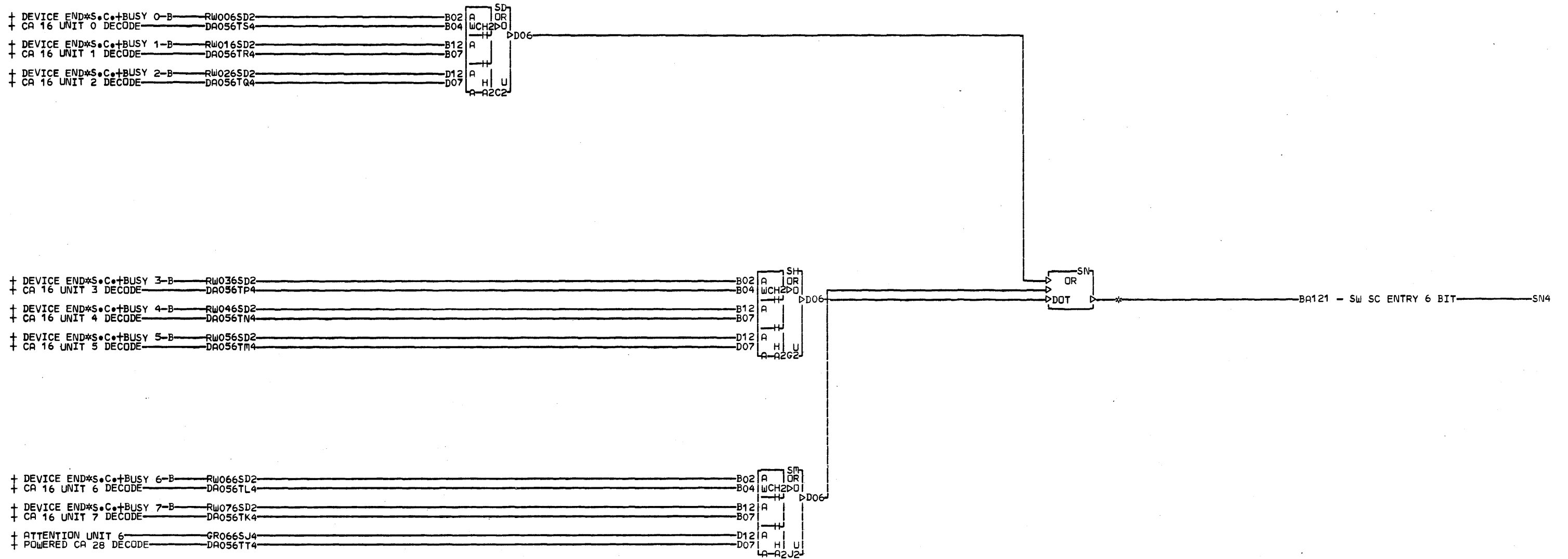
B
A
2
4
6
000



SN4 A-A2A2D05

LOC. TYPE
 A-A2C2 4282
 A-A2G2 4282
 A-A2J2 4282

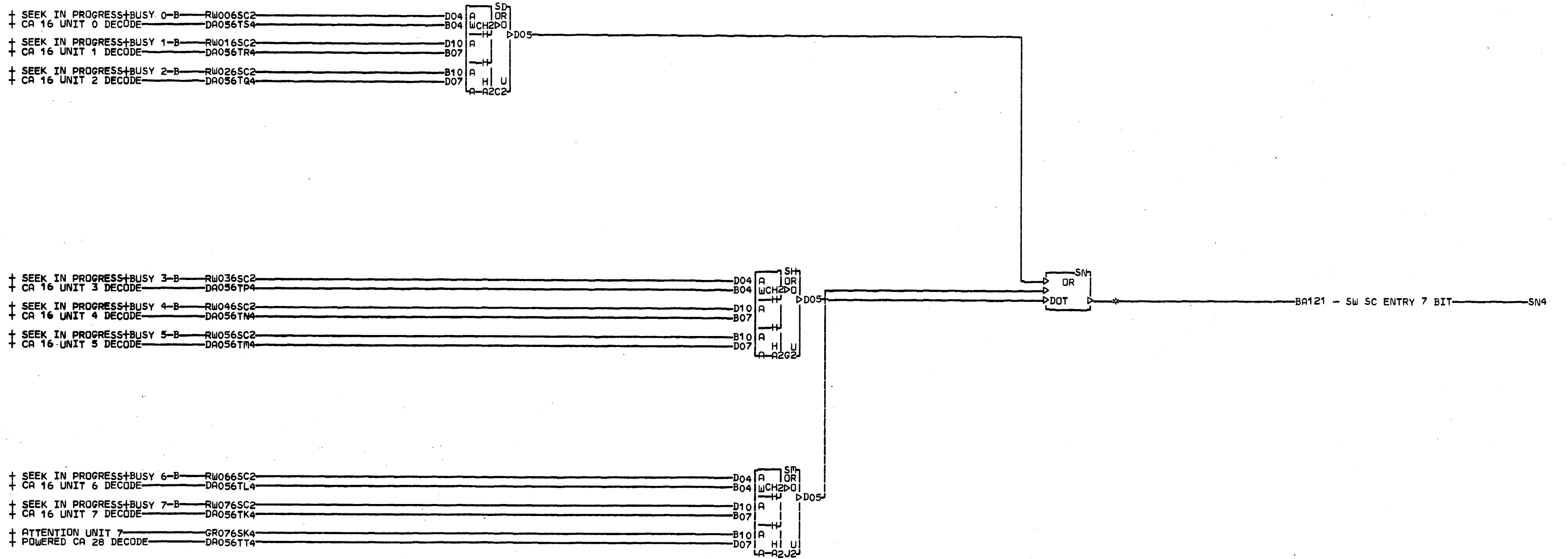
A REG SW SC ASSEMBLER	
5 BIT	
E.C. HISTORY	MACH. 2841R
FRAME	01
DATE	LAST EC
05-06-66	413400
IE* CORP. GPD	Pin. 2210437



SN4 A-A2A2D06

LUC. TYPE
 A-A2C2 4282
 A-A2G2 4282
 A-A2J2 4282

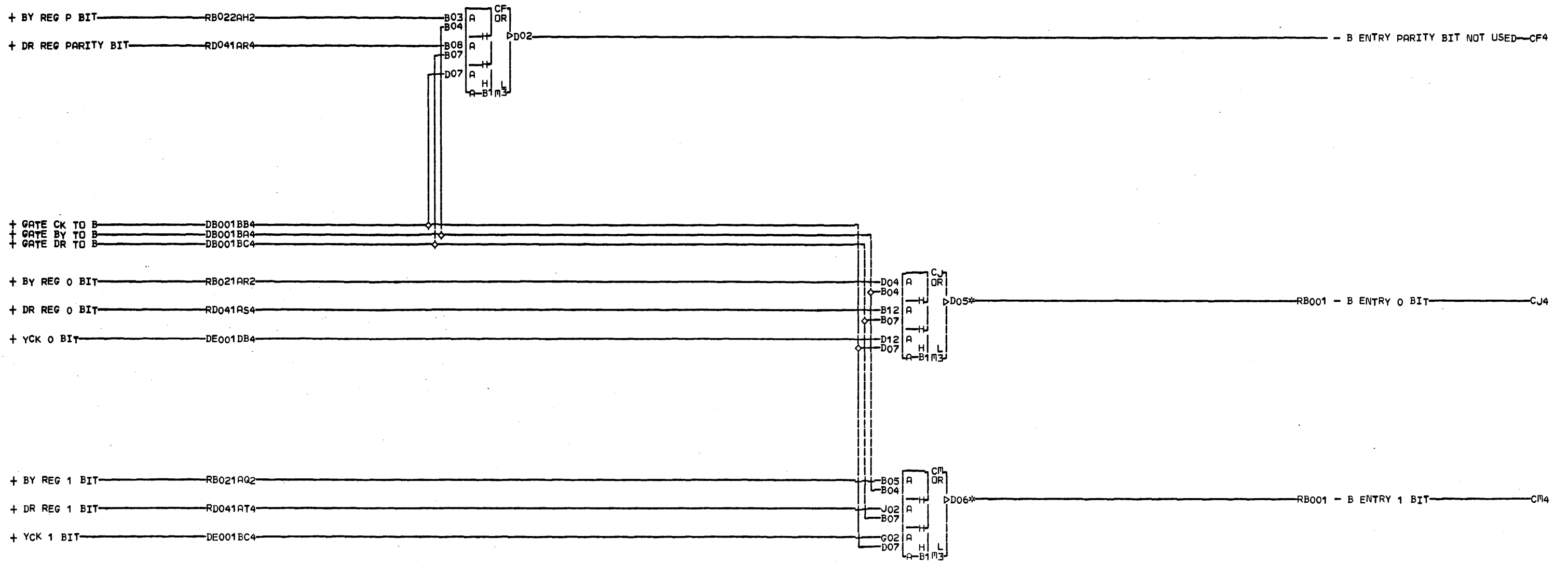
A REG SW SC ASSEMBLER	
6 BIT	
E.C. HISTORY	MACH. 2841R
FRAME	01
DATE	LAST EC
05-06-66 413400	P.N. 2210438



SN4 A-A2A2B07

LDC.	TYPE
A-A2C2	4282
A-A2G2	4282
A-A2J2	4282

A REG SW SC ASSEMBLER	
7 BIT	
E.C.-HISTORY	MACH. 2841R
FRAME	01
DATE	LAST EC
05-06-66	413400
P.N.	2210439
IBM CORP. GPD	



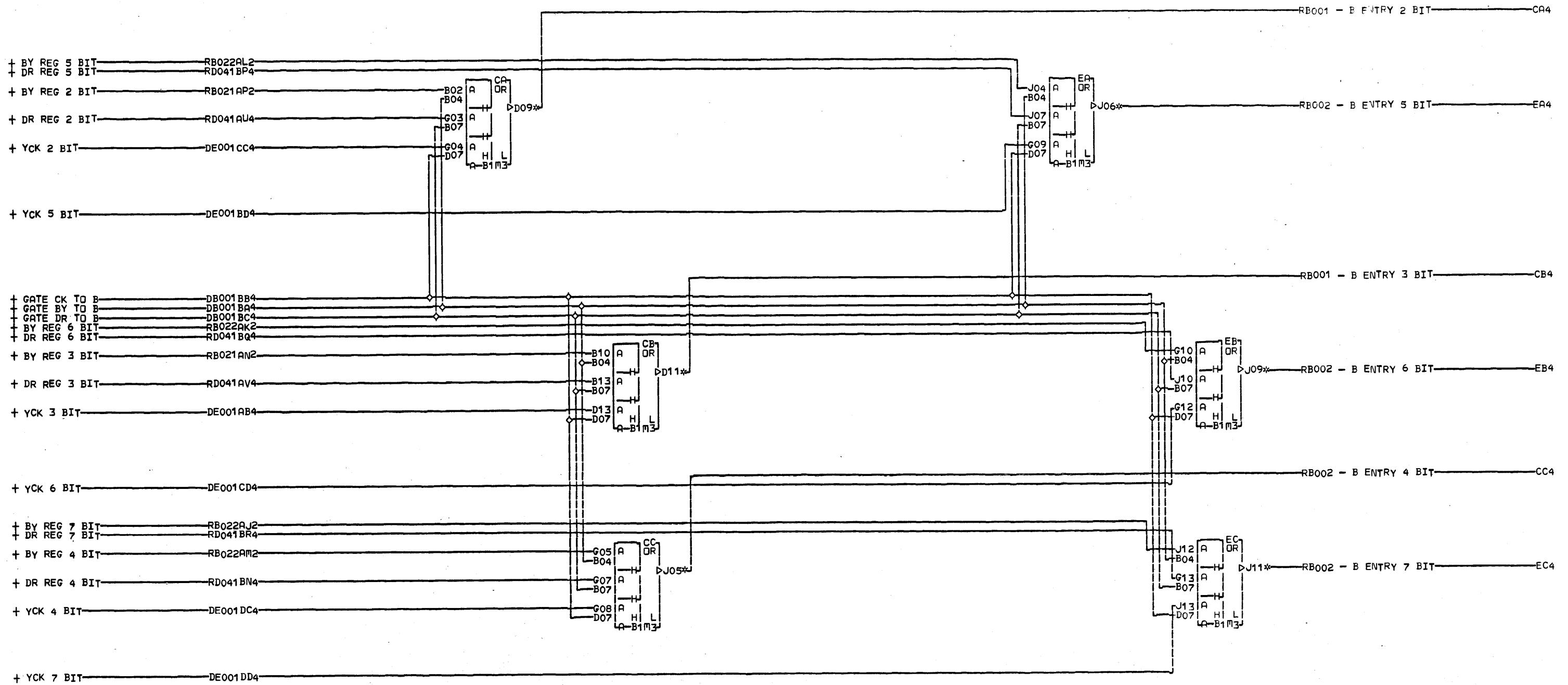
CJ4 A-B1J8B04
 01A-B2J1B09
 CM4 A-B1J8C06
 01A-B2J1C11

LDC. TYPE
 A-B1M3 4280

B REG ASSM P 0 1 BITS	
E.C. HISTORY	MACH. 2841R
	FRAME 01
	IBM CORP. GPD
DATE LAST EC	P.No. 2210440
05-06-66 413400	

B
 B
 0
 0
 1
 000

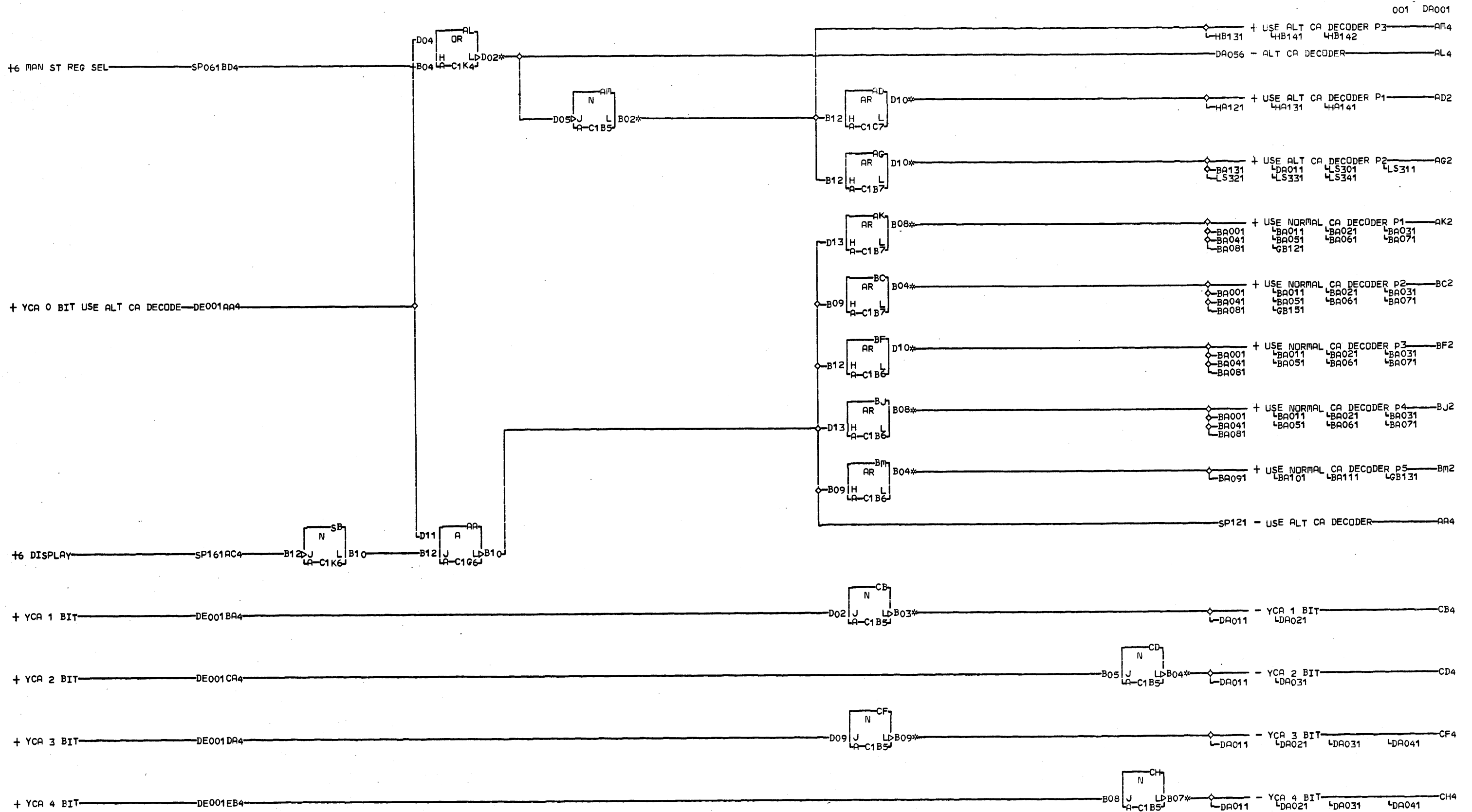
B
 B
 0
 0
 1
 000



CA4 A-B1J8C04 01A-B2K1A11
 01A-B2J1C09 EC4 A-B1K8A04
 CB4 A-B1J8D04 01A-B2K1A09
 01A-B2J1D09
 CC4 A-B1J8E06
 01A-B2J1E11
 EA4 A-B1J8E04
 01A-B2J1E09
 EB4 A-B1K8A06

LJC. TYPE
 2-B1M3 4280

E REG ASSM 2 3 4 5 6 7 BITS	
E.C. HISTORY	MACH. 2841R
	FRAME 01
	IBM CORP. GPD
DATE LAST EC	P.N. 2210441
05-06-66 413400	



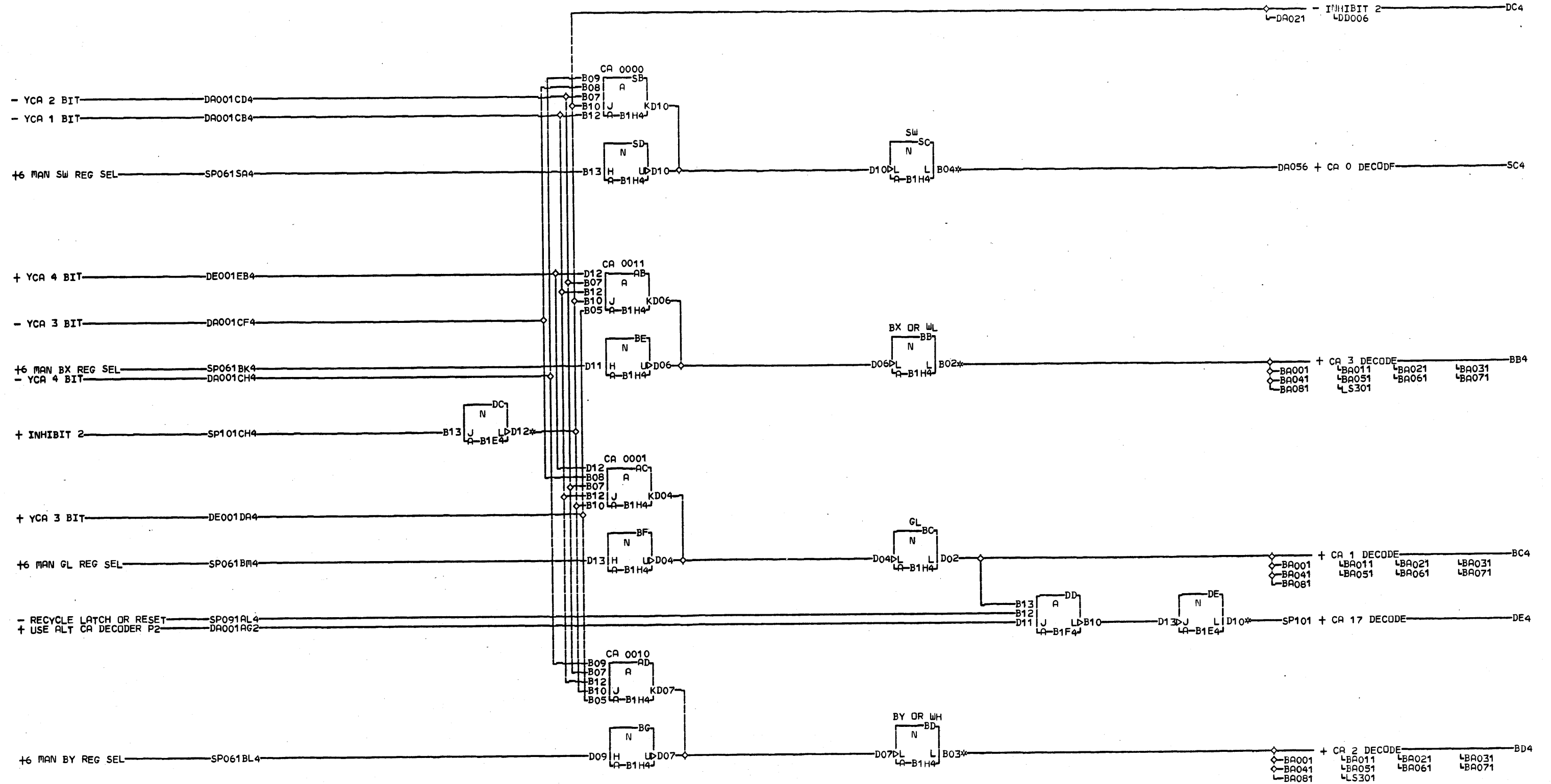
AD2 A-C1A7D10	01A-B1N5B10	01A-C2A3D11	01A-B1N4D13	CF4 A-C1A5B07
01A-B1N7D10	01A-C1A6B02	01A-A3N4D11	BM2 A-C1A7B10	01A-B1N5B07
01A-B1A5D04	01A-C3A3B02	BC2 A-C1A5D10	01A-B1N7B10	CH4 A-C1A5B08
01A-B3A3D04	AL4 A-C1N7D09	01A-B1N5D10	01A-C1A6D12	01A-B1N5B08
AG2 A-C1A7D09	01A-B2N3D09	01A-C1A6D06	01A-C3A3D12	
01A-B1N7D09	01A-B2A6D07	01A-C3A3D06	CB4 A-C1A5D04	
01A-B1B6B10	01A-A2N6D07	BF2 A-C1A4B13	01A-B1N5D04	
01B-A1B7B10	AM4 A-C1B8E04	01A-B1N4B13	CD4 A-C1A5D05	
AK2 A-C1A5B10	01A-C2B1E09	BJ2 A-C1A4D13	01A-B1N5D05	

LOC.	TYPE
A-C1B5	3575
A-C1B6	0274
A-C1B7	0274
A-C1C7	0274
A-C1G6	0199
A-C1K4	0006
A-C1K6	0007

YCA POWERING	
E.C.-HISTORY	MACH. 2841R
DATE	LAST EC
04-19-67	413405
FRAME	01
IBM CORP. GPD	
P.No. 2227658	

DA001

DA001



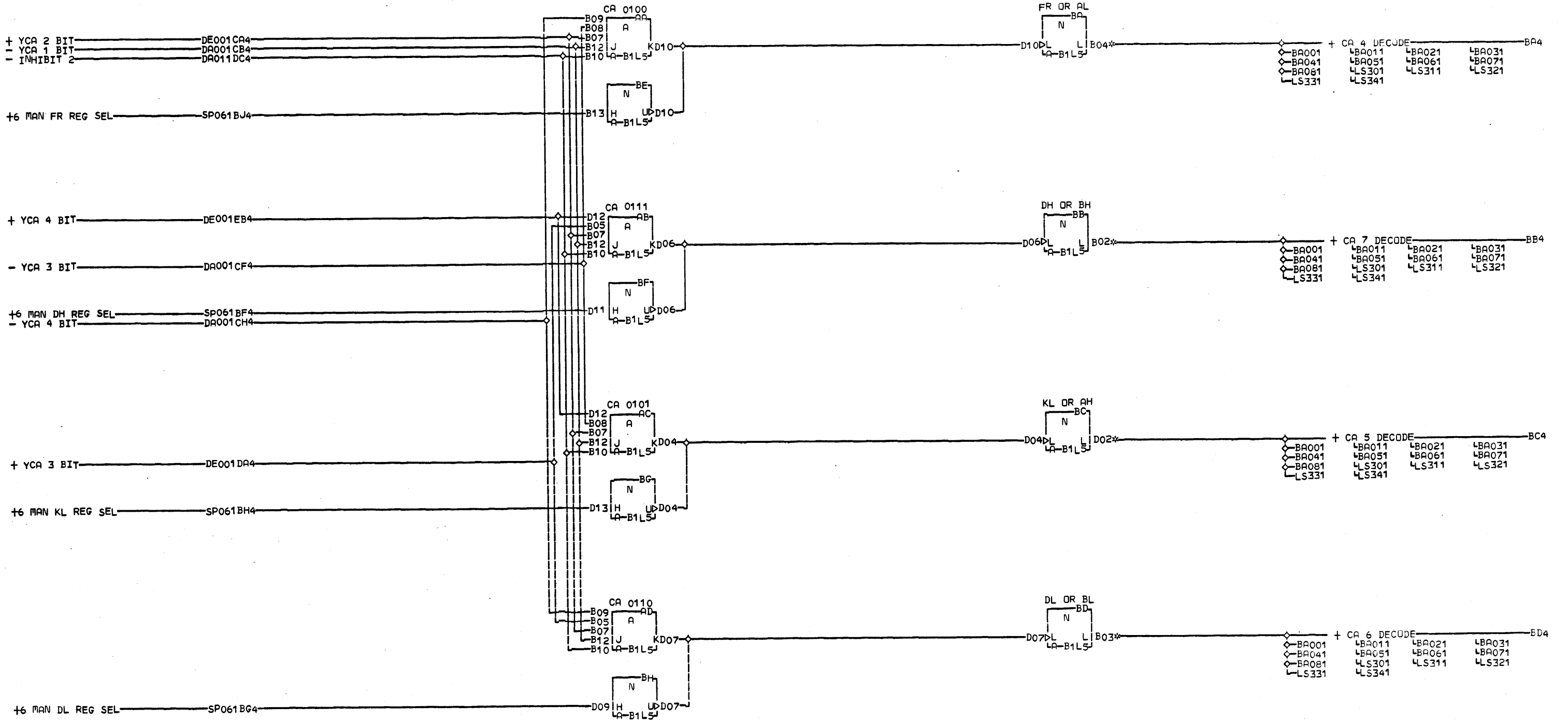
DA011

BB4 A-B1B6B13 01A-A2A2D13
 01B-A1E7B13
 ED4 A-B1E6D13
 01B-A1E7D13
 DC4 A-B1A7D11
 01A-C2A4D11
 DE4 A-B1A5D03
 01A-C1A5D03
 SC4 A-B1E7D13

LUC. TYPE
 A-B1E4 3575
 A-B1F4 0002
 A-B1H4 3487

A REG INPUT GATES
 CA DECODER 0 1 2 3
 E.C. HISTORY MACH. 2841A
 413400
 DATE 09-12-66 LST EC 413402
 FRAME 01
 IBM CORP. SPD
 P.No. 2210443

000



BA4 P-E1B6D12
 01B-A1B7D12
 BB4 P-E1B6D10
 01B-A1B7D10
 BC4 P-E1E6E12
 01B-A1B7E12
 BD4 P-E1E6E11
 01B-A1B7D11

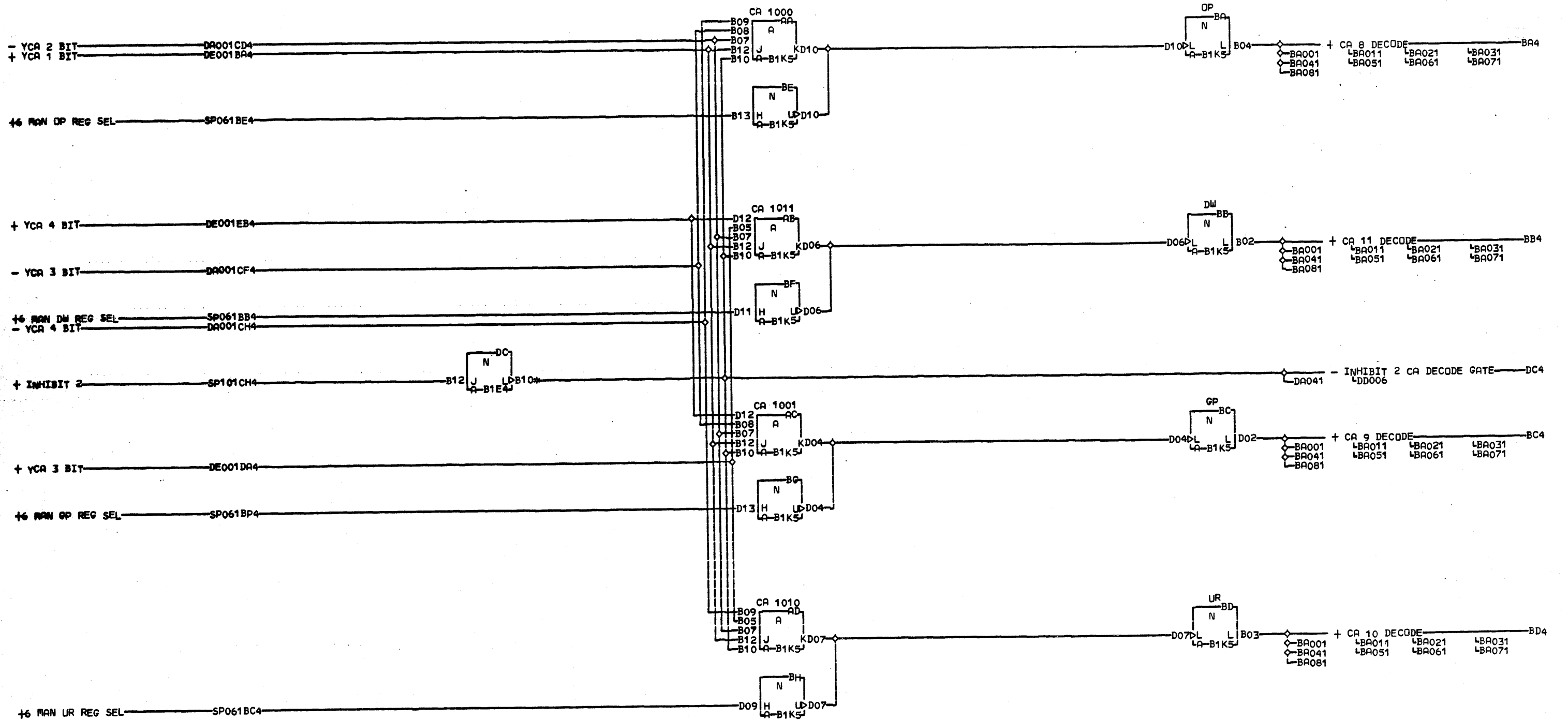
LUC. TYPE
 A-B1L5 3487

A REG INPUT GATES
 CA DECODER 4 5 6 7
 E.C. HISTORY MACH. 2841R
 41340C
 DATE LAST EC 09-12-66 413402
 IBT CORP. GPD P.N. 2210444

DA
 0
 2
 1

DA
 0
 2
 1

000

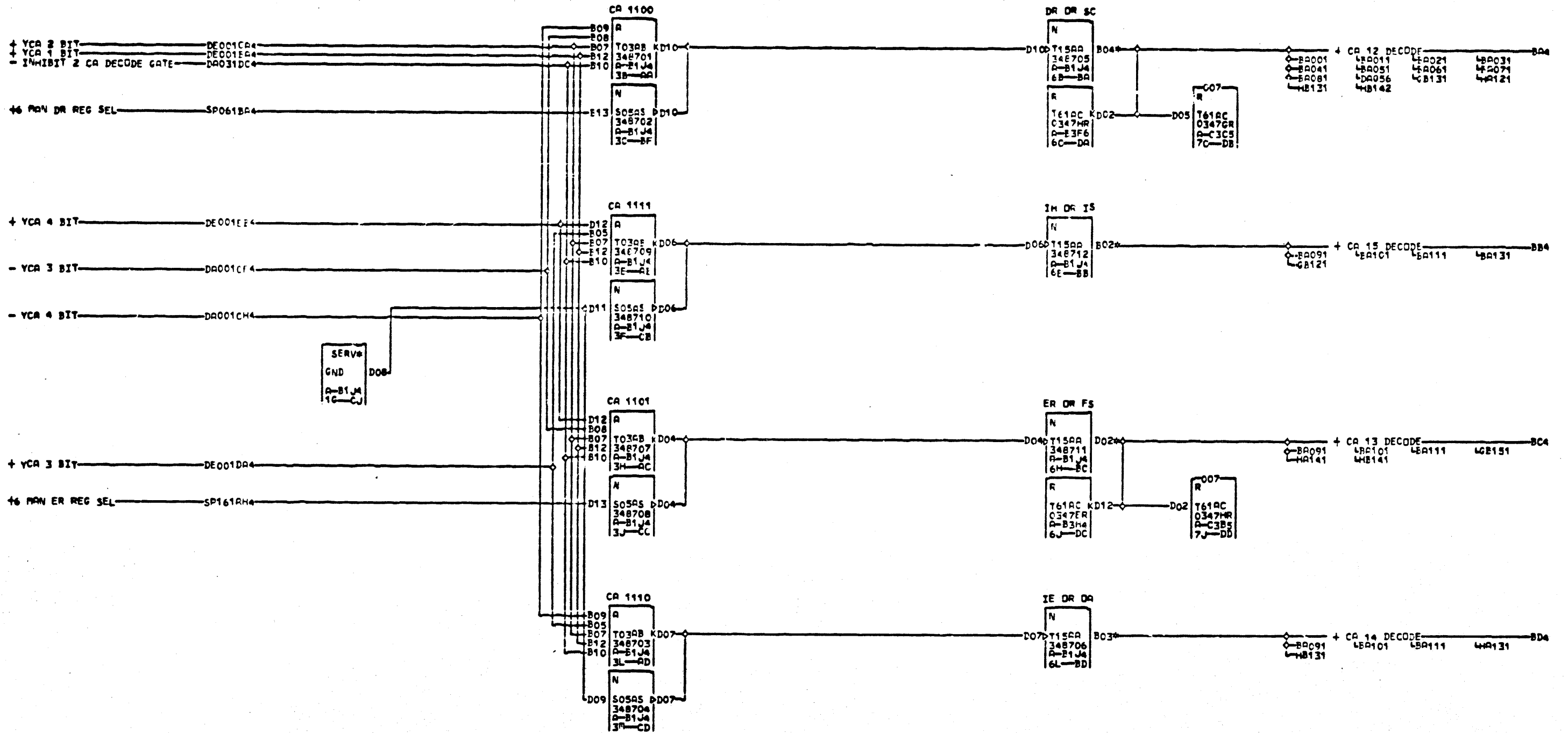


DC4 A-B1A7D10
 01A-C2A4D10

LOC. TYPE
 A-B1E4 3575
 A-B1K5 3487

A REG INPUT GATES	
CA DECODER 8 9 10 11	
E.C. HISTORY	MACH. 2841R
413400	FRAME 01
DATE LAST EC	IBM CORP. GPD
09-12-66 413402	P.N. 2210445

DA031
 000



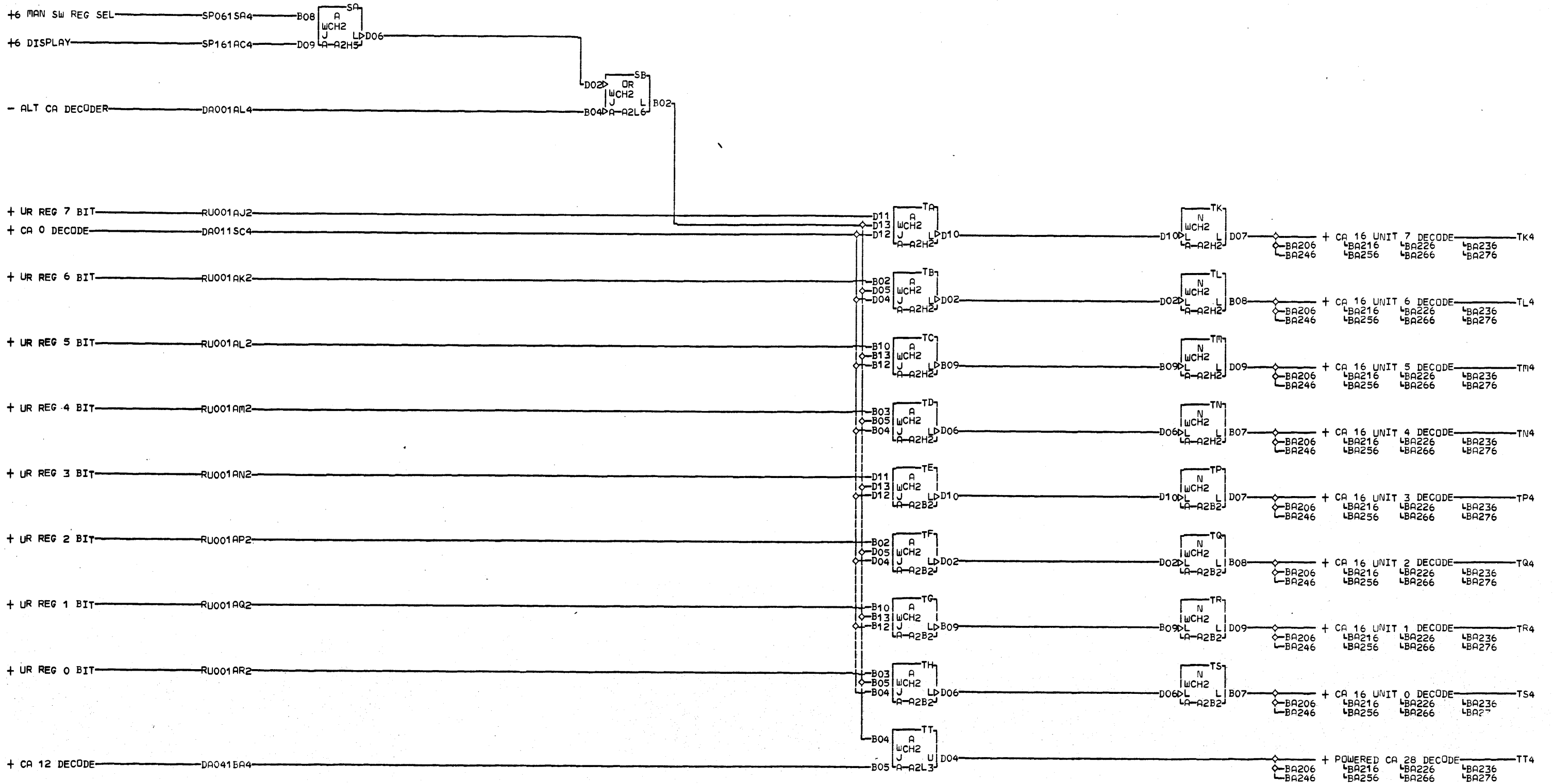
007
 1
 00B
 1
 007
 SIR TO PN 2210446 EC 413404

BA4 A-B1A6E08	O1A-B1A6B12	O1A-B3A2D09
C1A-C3A4E08	BC4 A-B1A6E09	O1A-A3N2D09
O1A-B1A4E08	O1A-C3A4B09	
O1A-B1A4E08	O1A-B3A4B09	
O1A-B3A2B08	O1A-B1A4E09	
O1A-B3N2B08	O1A-C3A2E09	
O1A-B2N3B09	O1A-A3N2E09	
O1A-C3N7E09	BD4 A-B3A4D09	
BB4 A-C3A4B12	O1A-B1A4D09	

08-15-67 413407

A REG INPUT GATES		
CA DECODER 12 13 14 15		
DATE	08-09-67	MACH. 2941R
LOG	215R FRAME	01
	P.No. 2211656	
IBM CORP.	CPD BLK.	SA

007

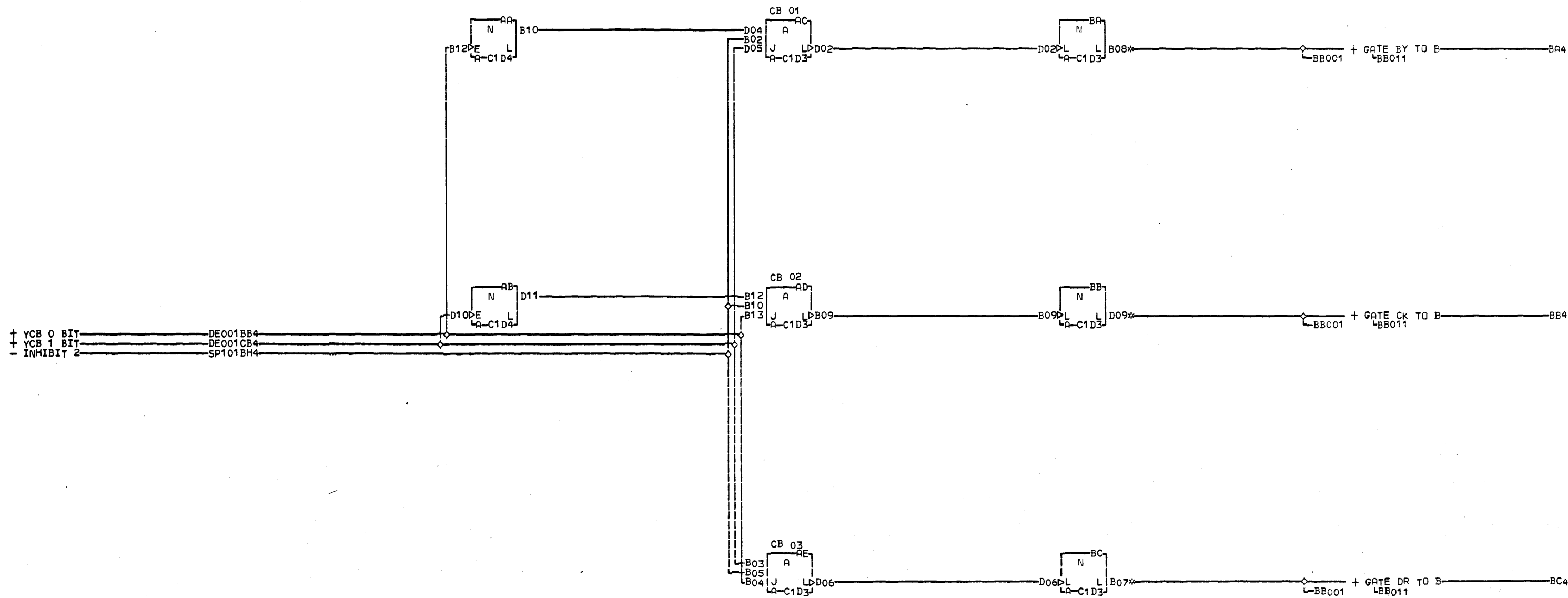


D
6
000

LOC. TYPE
 A-A2B2 0015
 A-A2H2 0015
 A-A2H5 0000
 A-A2L3 4061
 A-A2L6 0199

CONTROL LINE POWERING FOR
 SW REG ASSEMBLER
 E.C. HISTORY MACH. 2841R
 413400 FRAME 01
 IBM CORP. GPD
 DATE LAST EC P.N. 2210447
 09-12-66 413402

D
6
000



† YCB 0 BIT DE001BB4
 † YCB 1 BIT DE001CB4
 - INHIBIT 2 SP101BH4

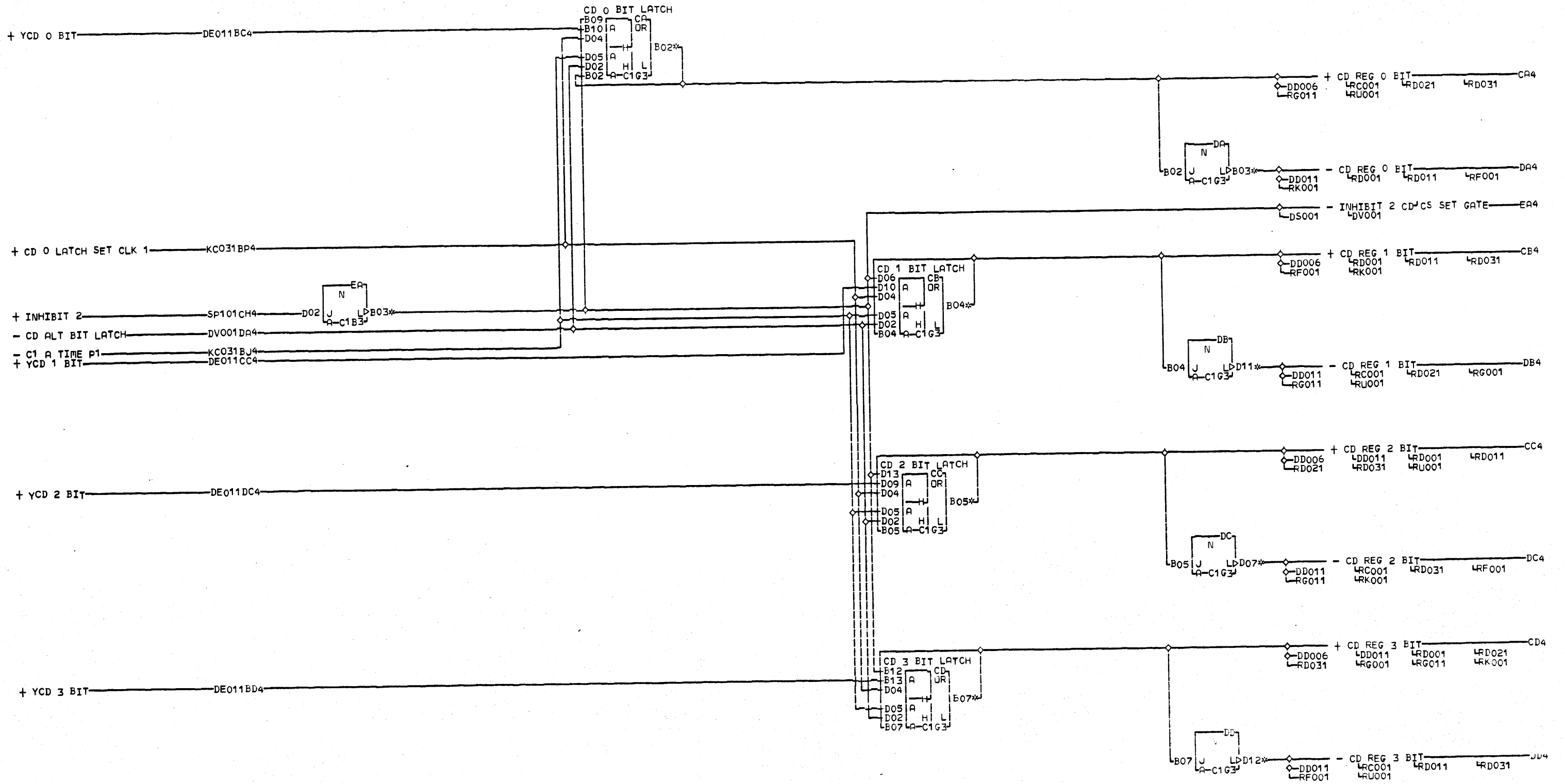
BA4 A-B1N2D12
 01A-C1A2D12
 BB4 A-B1N2B13
 01A-C1A2B13
 BC4 A-B1N2D13
 01A-C1A2D13

LDC. TYPE
 A-C1D3 0015
 A-C1D4 0359

B REG INPUT GATES	
CB DECODER	
E.C.-HISTORY	MACH.2841R
FRAME	01
IBM CORP. GPD	
DATE LAST EC	P.N. 2210448
05-06-66 413400	

D
B
0
0
1
000

D
B
0
0
1
000



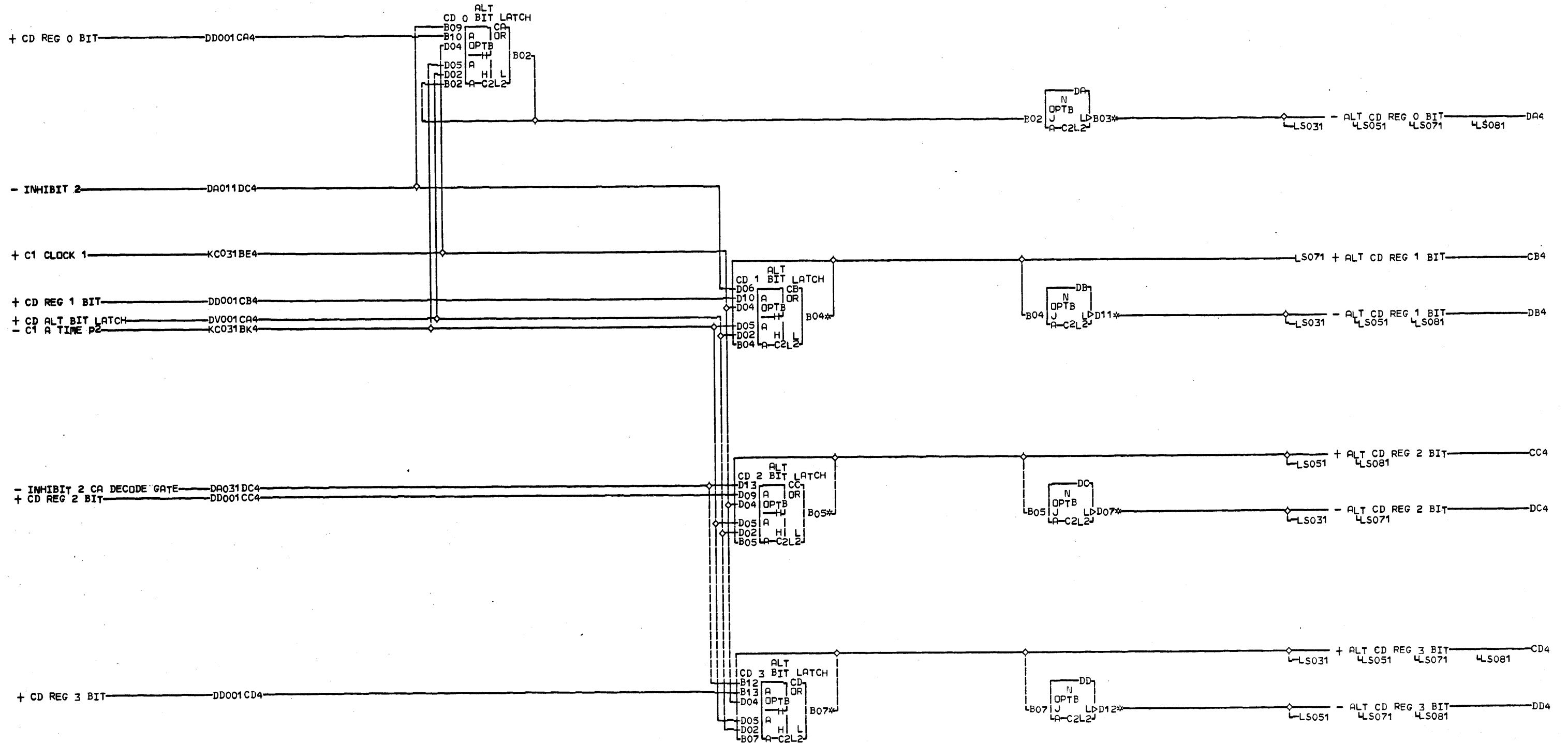
CA4 A-B1N2D02	01A-C1A2B04	DA4 A-B1N2B05	DD4 A-E1N2B07
01A-C1A2D02	01A-E1H1C11	01A-C1A2B05	01A-C1A2B07
01A-C1L8B06	01A-C1L8C06	01A-B1H1E11	01A-B1H1D09
01A-C2L1B11	01A-C2L1C11	DB4 A-B1N2D05	EA4 A-C1D8A04
CB4 A-E1N2B03	CD4 A-B1N2D04	01A-C1A2D05	01A-C2D1A09
01A-C1A2B03	01A-C1A2D04	01A-B1H1B11	01A-C2A2D13
01A-C1L8B04	01A-E1G1E11	DC4 A-B1N2D06	01A-B2N2D13
01A-C2L1B09	01A-C1L8C04	C1A-C1A2D06	
CC4 A-E1N2B04	01A-C2L1C09	01A-E1J1C11	

LJC. TYPE
A-C1E3 4281
A-C1G3 3573

CONTROL DESTINATION REGISTER	
E.C.-HISTORY	MACH.2841R
DATE	LAST EC
05-06-66	413400
FRAME	01
IBM CORP. GPD	
P.N.	2210449

DD001
1
000

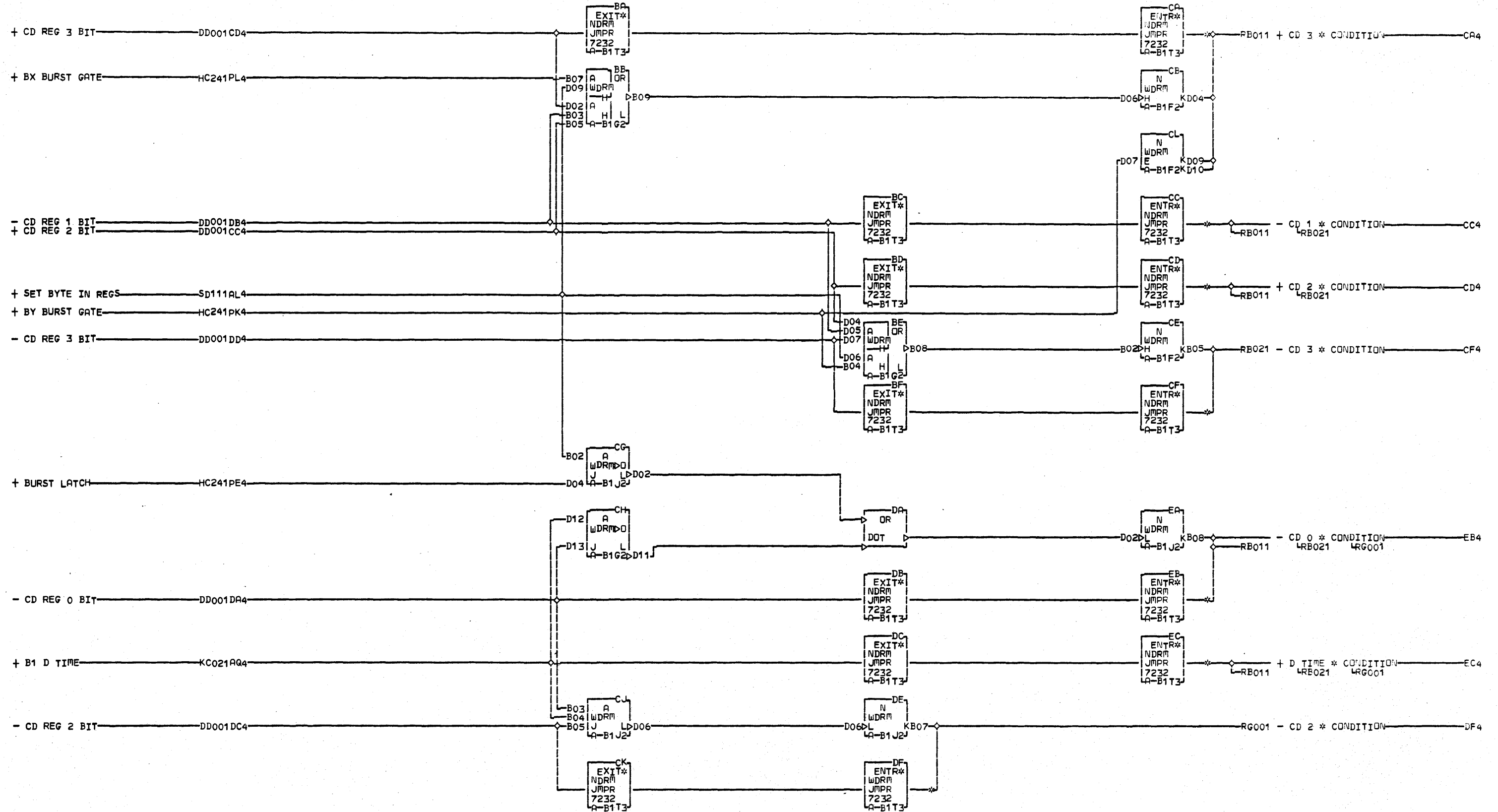
DD001
1
000



CB4 A-C2N2B07 01B-A2A2D04
 01B-A2A2B07 DC4 A-C2N2B05
 CC4 A-C2N2D07 01B-A2A2B05
 01B-A2A2D07 DD4 A-C2N2D05
 CD4 A-C2N2B08 01B-A2A2D05
 01B-A2A2B08
 DA4 A-C2N2B04
 01B-A2A2B04
 DB4 A-C2N2D04

LDC. TYPE
A-C2L2 3573

CONTROL DESTINATION REGISTER
 16 THROUGH 31
 E.C. HISTORY TACH. 2841R
 FRAME 01
 IBM CORP. SDC
 DATE LAST EC P.N. 2210586
 05-09-66 413400



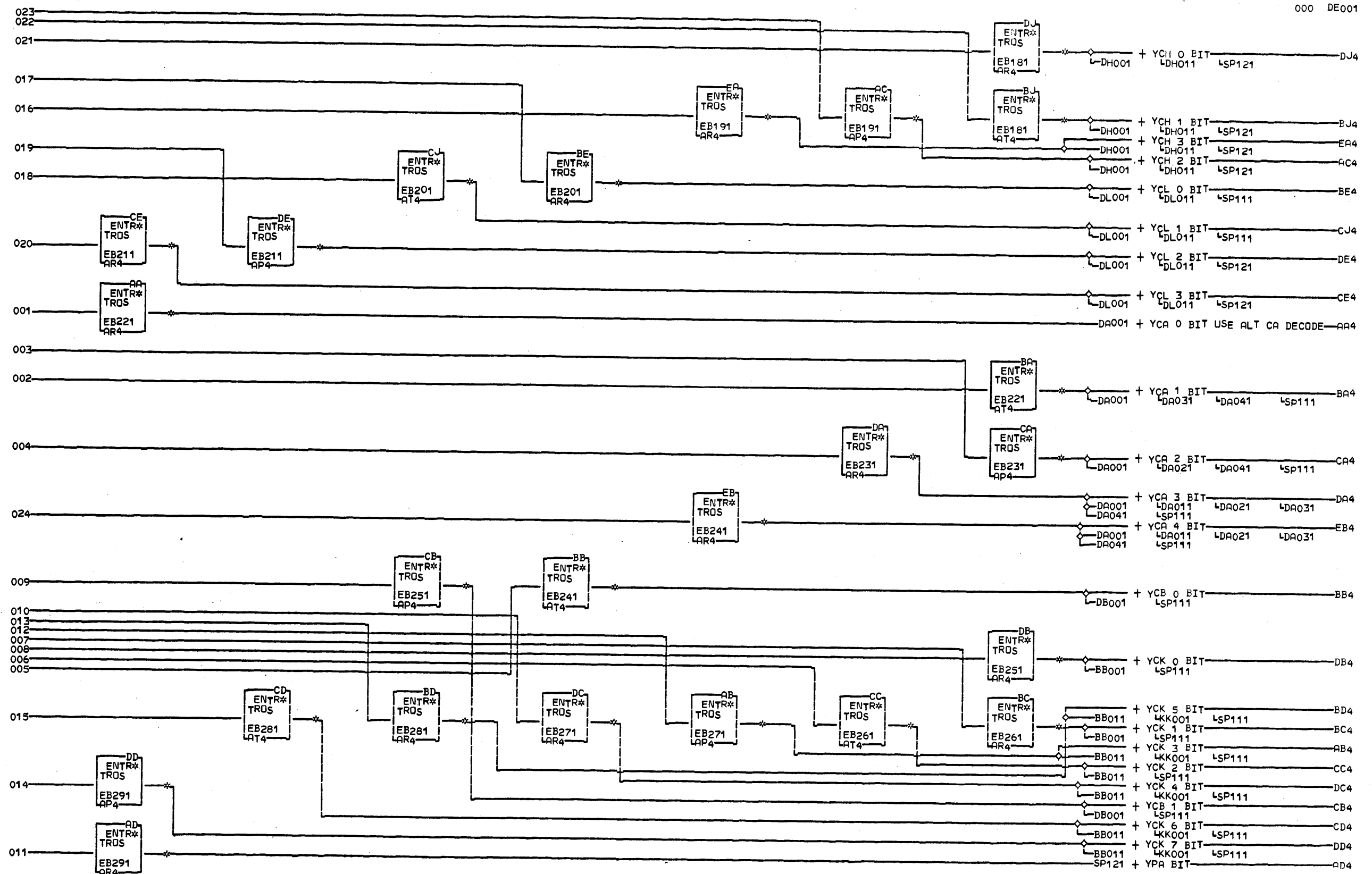
DD011

CA4 A-B1G1E09
 CC4 A-B1H1B09
 CD4 A-B1H1C09
 CF4 A-B1J1D09
 RESISTOR
 A-B1F2D02
 DF4 A-B1J1C09
 EB4 A-B1H1E09
 EC4 A-B1J1B09

LDC. TYPE
 A-B1F2 0347
 A-B1G2 0007
 A-B1J2 0015

FEATURE BX BY GL		D D O 1 1
DECODE		
E.C. HISTORY	FRACH. 2841R	1
	FRAME 01	1
	IBM CORP. SDD	000
DATE 05-06-66	LAST EC 413400	
	P.N. 2210450	

+ SAL 5 BIT
 + SAL 3 BIT
 + SAL 1 BIT
 + SAL 9 BIT
 + SAL 7 BIT
 + SAL 13 BIT
 + SAL 11 BIT
 + SAL 15 BIT
 + SAL 17 BIT
 + SAL 21 BIT
 + SAL 19 BIT
 + SAL 23 BIT
 + SAL 25 BIT
 + SAL 29 BIT
 + SAL 39 BIT
 + SAL 41 BIT
 + SAL 37 BIT
 + SAL 33 BIT
 + SAL 31 BIT
 + SAL 35 BIT
 + SAL 27 BIT
 + SAL 43 BIT
 + SAL 45 BIT
 + SAL 47 BIT



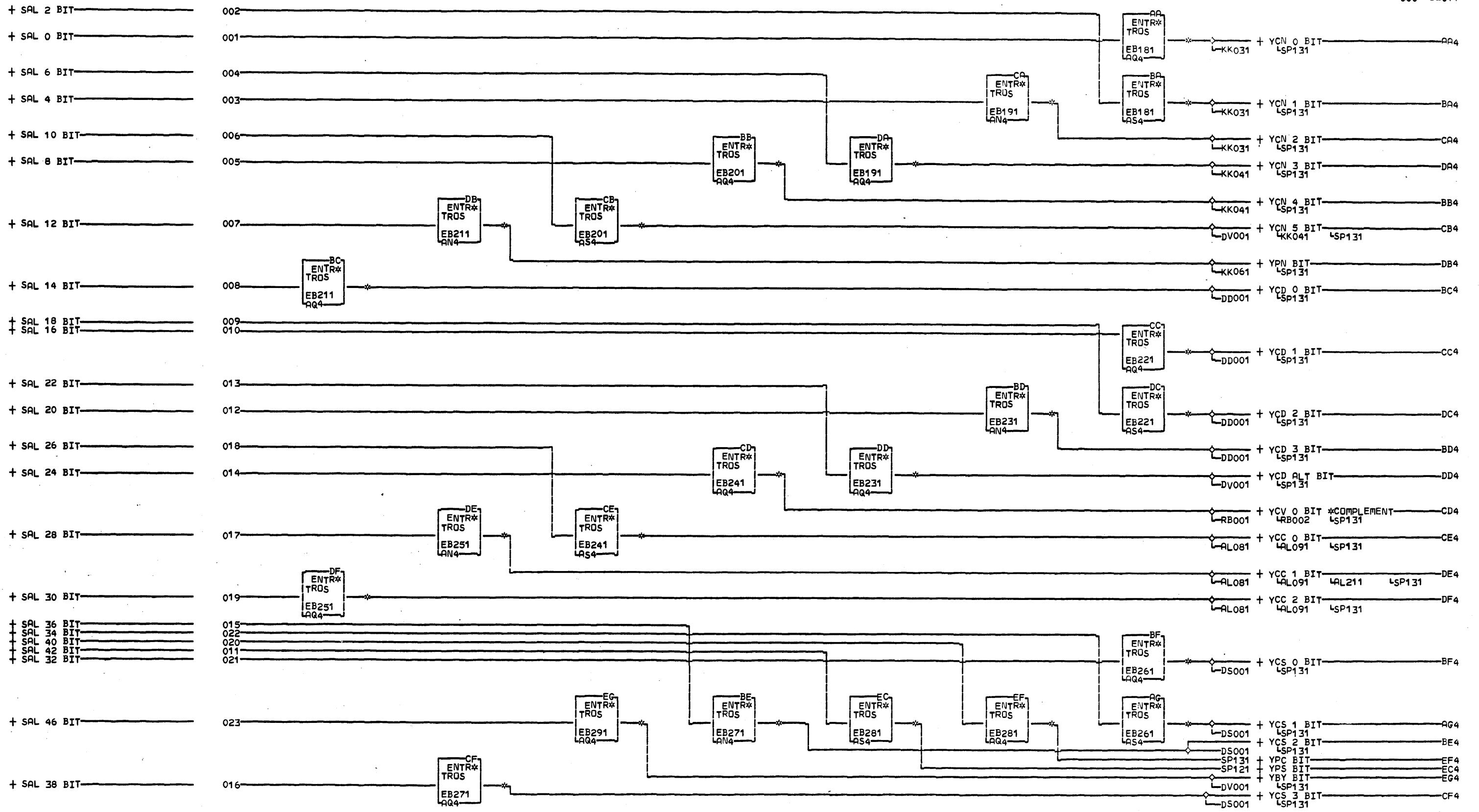
000 DE001

AA4 A-C1N2D12	BB4 A-C1N3D06	CA4 A-C1N3D02	DA4 A-C1N3D04	EA4 A-C1N3B05
AB4 A-C1N3D12	BC4 A-C1N3B10	01A-C1A5B05	CE4 A-C1N2D11	01A-C1A5D07
01A-B1N2D09	01A-B1N2B08	01A-B1N5B05	CJ4 A-C1N2B09	01A-C1A2B10
01A-C1A2D09	01A-C1A2B08	CB4 A-C1N3D07	DA4 A-C1N3B04	DD4 A-C1N4B05
AC4 A-C1N2B05	BD4 A-C1N4D02	CC4 A-C1N3D11	01A-C1A5D06	01A-B1N2B12
AD4 A-C1N4D06	01A-B1N2D10	01A-B1N2B09	01A-B1N5D06	01A-C1A2B12
BA4 A-C1N2D13	01A-C1A2D10	01A-C1A2B09	DB4 A-C1N3B09	DE4 A-C1N2B10
01A-C1A5B04	BE4 A-C1N2D07	CD4 A-C1N4B04	01A-B1N2D07	DJ4 A-C1N2D02
01A-B1N5B04	BJ4 A-C1N2B04	01A-B1N2D11	01A-C1A2D07	EA4 A-C1N2D06

TRoS SAL OUTPUT LINES ODD BITS
 CH CL CA CB CK PA ASSIGN
 E.C. HISTORY MACH. 2841R
 FRAME 01
 IBM CORP. GPD
 DATE LAST EC 05-06-66 413400
 P.N. 2210451

FN

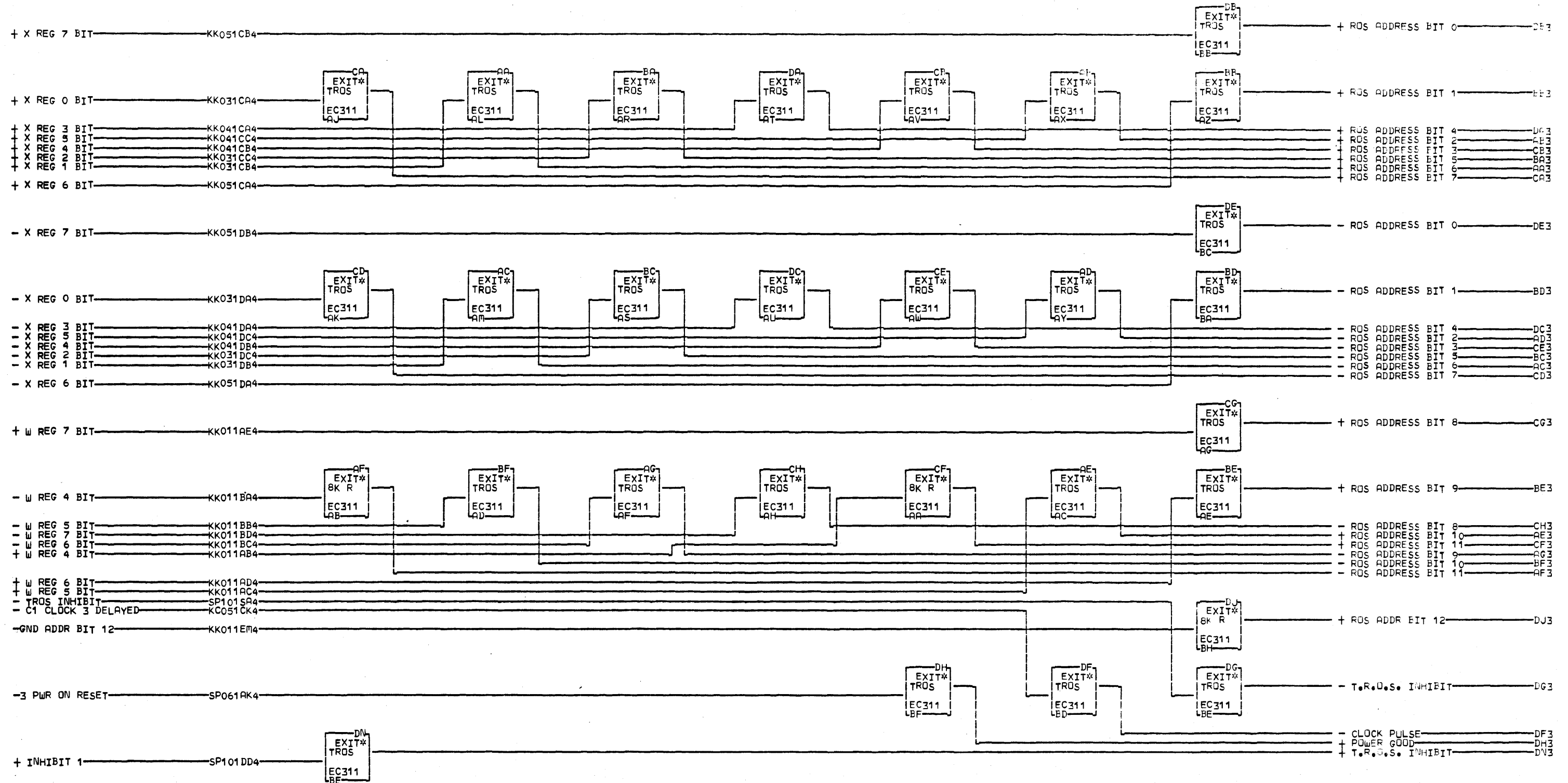
000 DE011

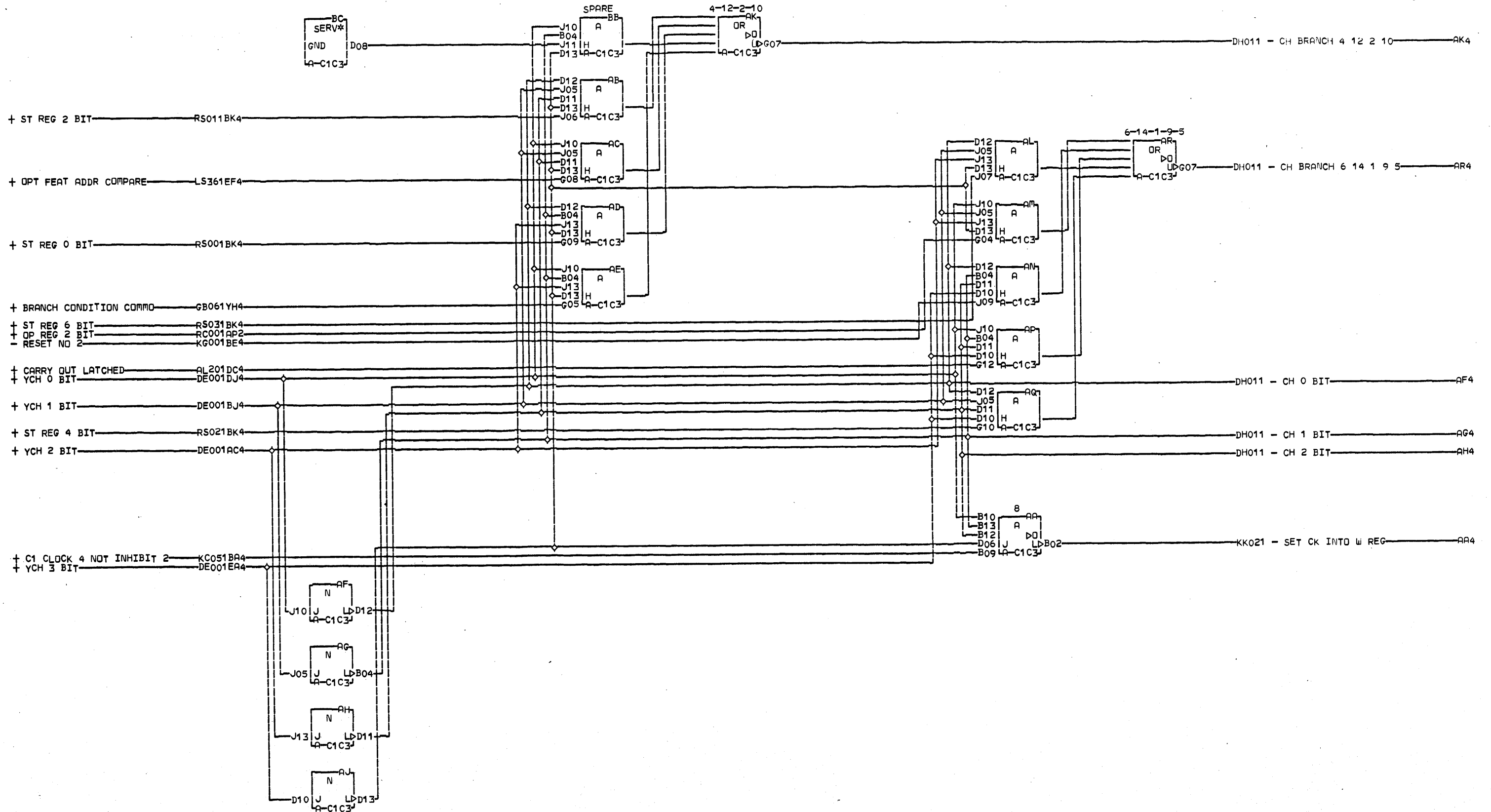


AA4	A-C1N2B02	CB4	A-C1N2B08	DA4	A-C1N2D05	DF4	A-C1N3B08
AG4	A-C1N3D10	CC4	A-C1N2B12	DB4	A-C1N2D09	01A	A-C1N7B10
BA4	A-C1N2B03	CD4	A-C1N3D04	DC4	A-C1N2B13	01A	B2N3B10
BB4	A-C1N2B07	01A	C1N7D11	DD4	A-C1N3B03	EC4	A-C1N4B03
BC4	A-C1N2D10	01A	B2N3D11	01A	C1N7D10	EF4	A-C1N4B02
BD4	A-C1N3B02	CE4	A-C1N3D05	01A	B2N3D10	EG4	A-C1N4D05
BE4	A-C1N3B12	01A	C1N7D07	DE4	A-C1N3B07		
BF4	A-C1N3D09	01A	B2N3D07	01A	C1N7B09		
CA4	A-C1N2D04	CF4	A-C1N3B13	01A	B2N3B09		

TROS SAL OUTPUT LINES EVEN BIT		MACH. 2841R	FRAME 01
CN PN CD CV CC CS PC PS ASSIGN			
-E.C.-HISTORY		IBM CORP. GPD	000
DATE	LAST EC	P.No. 2210452	
05-06-66	413400		

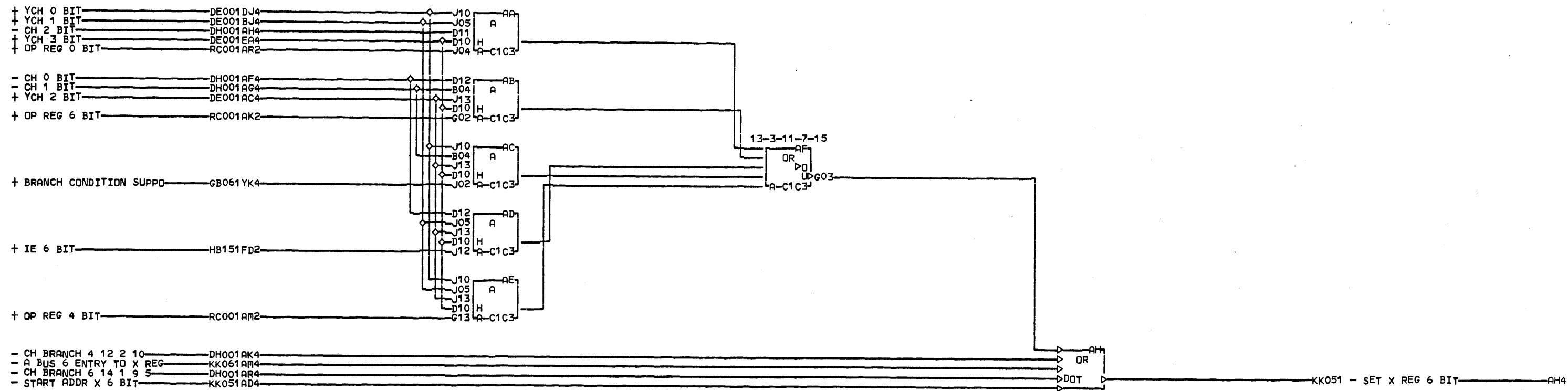
DE011
000

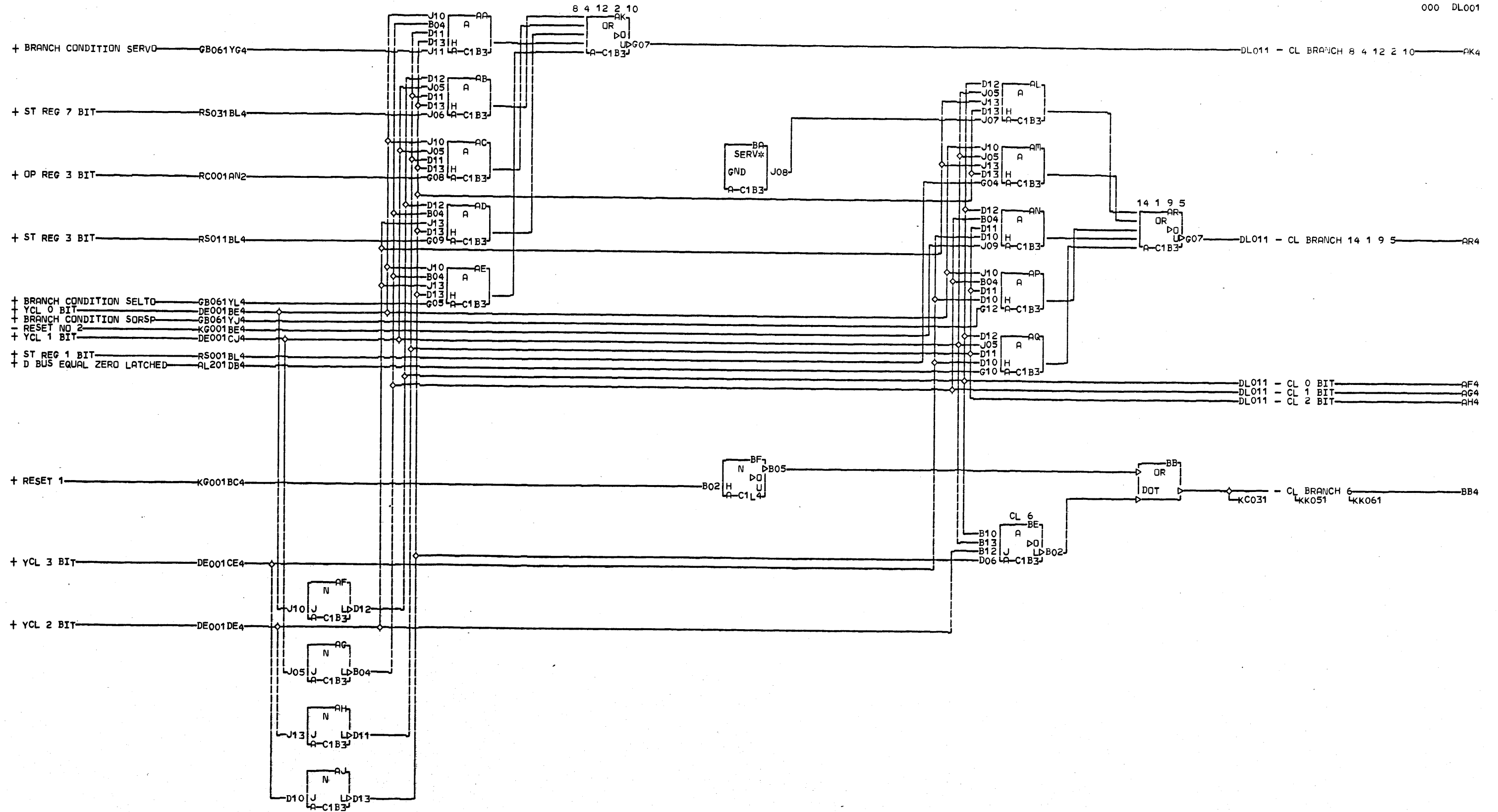




LOC. TYPE
A-C1C3 4281

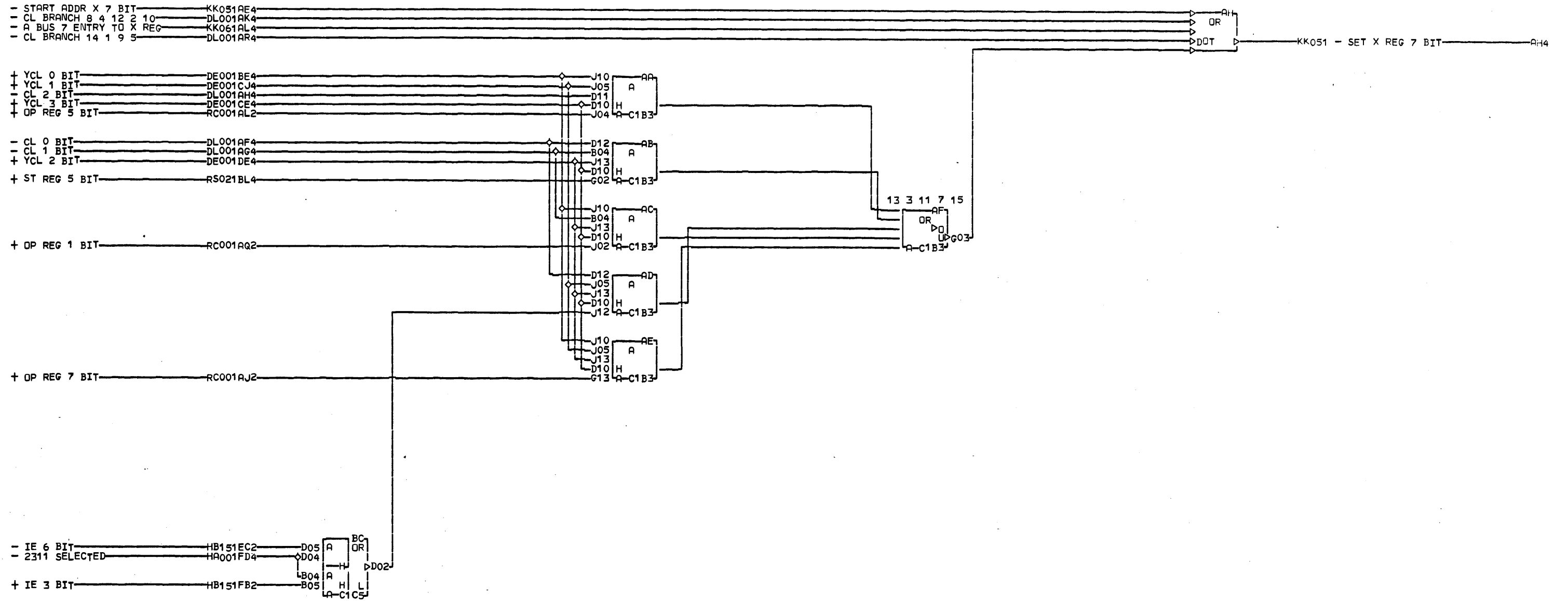
CH DECODER PG 1	
E.C. HISTORY	PACH.2841R
DATE	FRAME 01
LAST EC	IBM CORP. GPD
05-06-66 41340C	P.N. 2210454

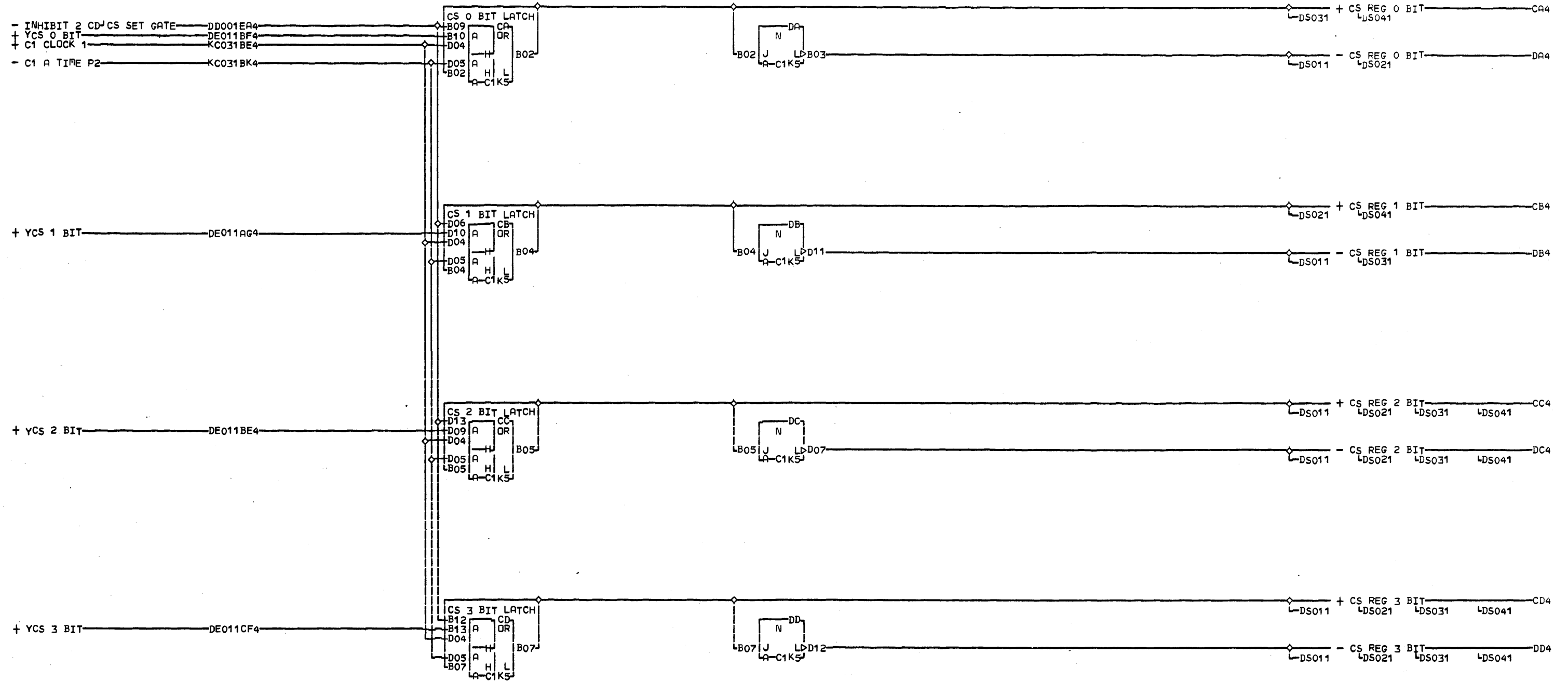




LOC. TYPE
 A-C1B3 4281
 A-C1L4 0347

CL DECODEF PG 1		DL001
E.C. HISTORY	MACH. 2841R	0
	FRAME 01	1
	IBM CORP. GPD	000
DATE LAST EC	P.N. 2210457	
05-06-66 413400		

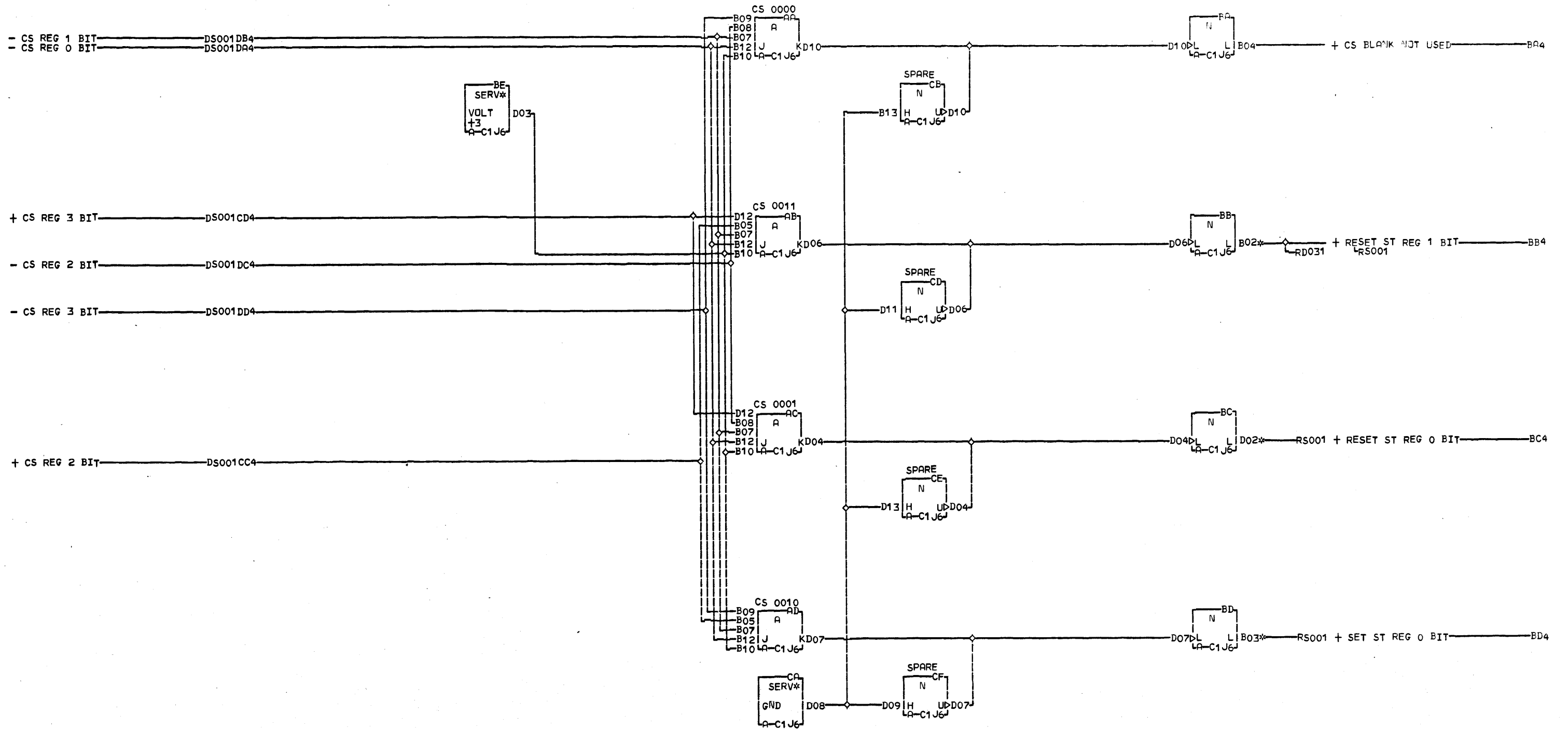




LJC. TYPE
A-C1K5 3573

CS CONTROL REG	
E.C.-HISTORY	MACH.2841R
	FRAME 01
	IBM CORP. GPD
DATE	LAST EC
05-06-66	41340C
	P.N. 2210459

DS001
000



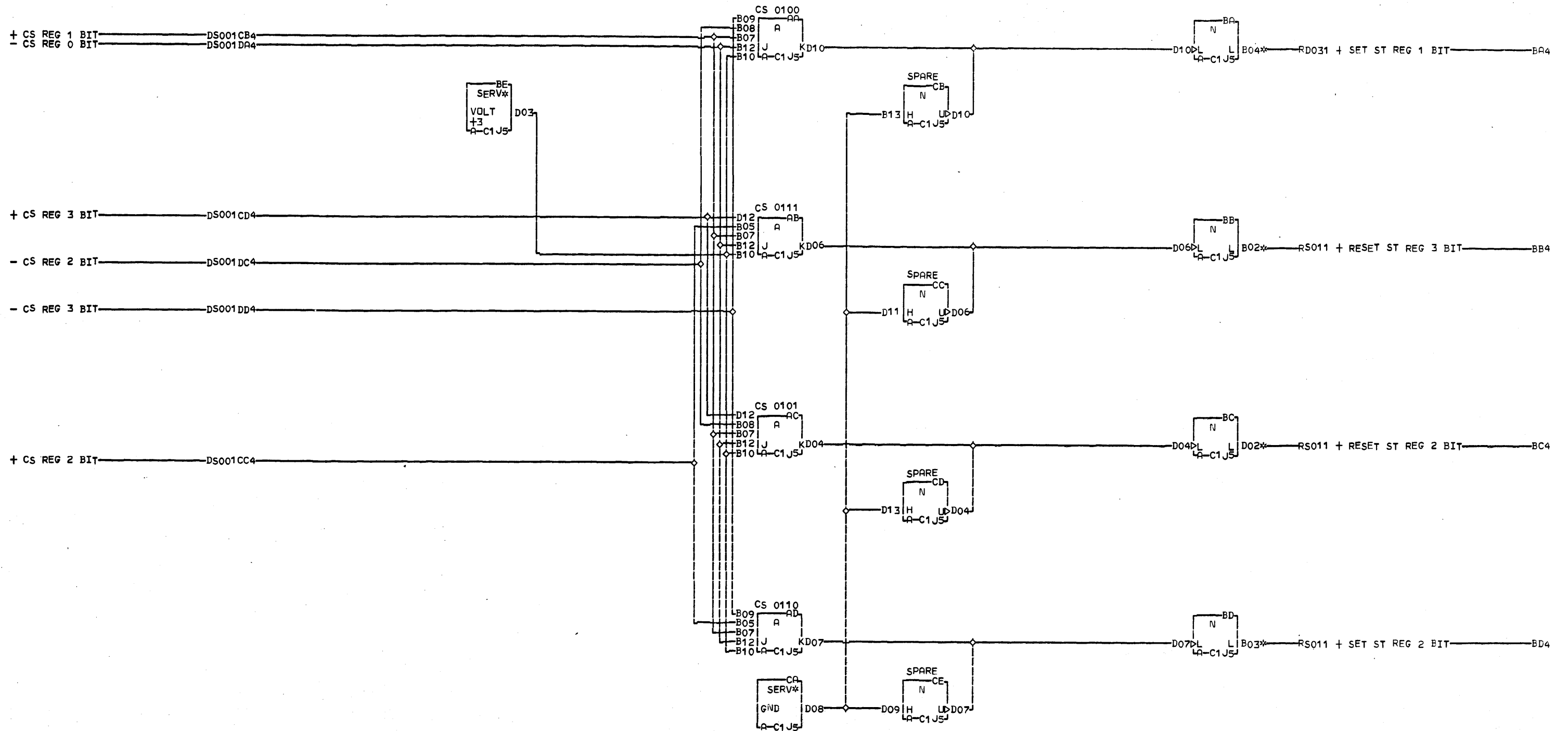
DS011
000

BB4 A-B1N3D02
 01A-C1A3D02
 BC4 A-B1N3B03
 01A-C1A3B03
 BD4 A-B1N3B04
 01A-C1A3B04

LJC. TYPE
 A-C1J6 3487

STATUS REG SET GATES	
CS DECODE PAGE 1 OF 4	
E.C. HISTORY	MACH. 2841R
FRAME	01
IBM CORP. GPD	
DATE LAST EC	
05-06-66 413400	P.N. 2210460

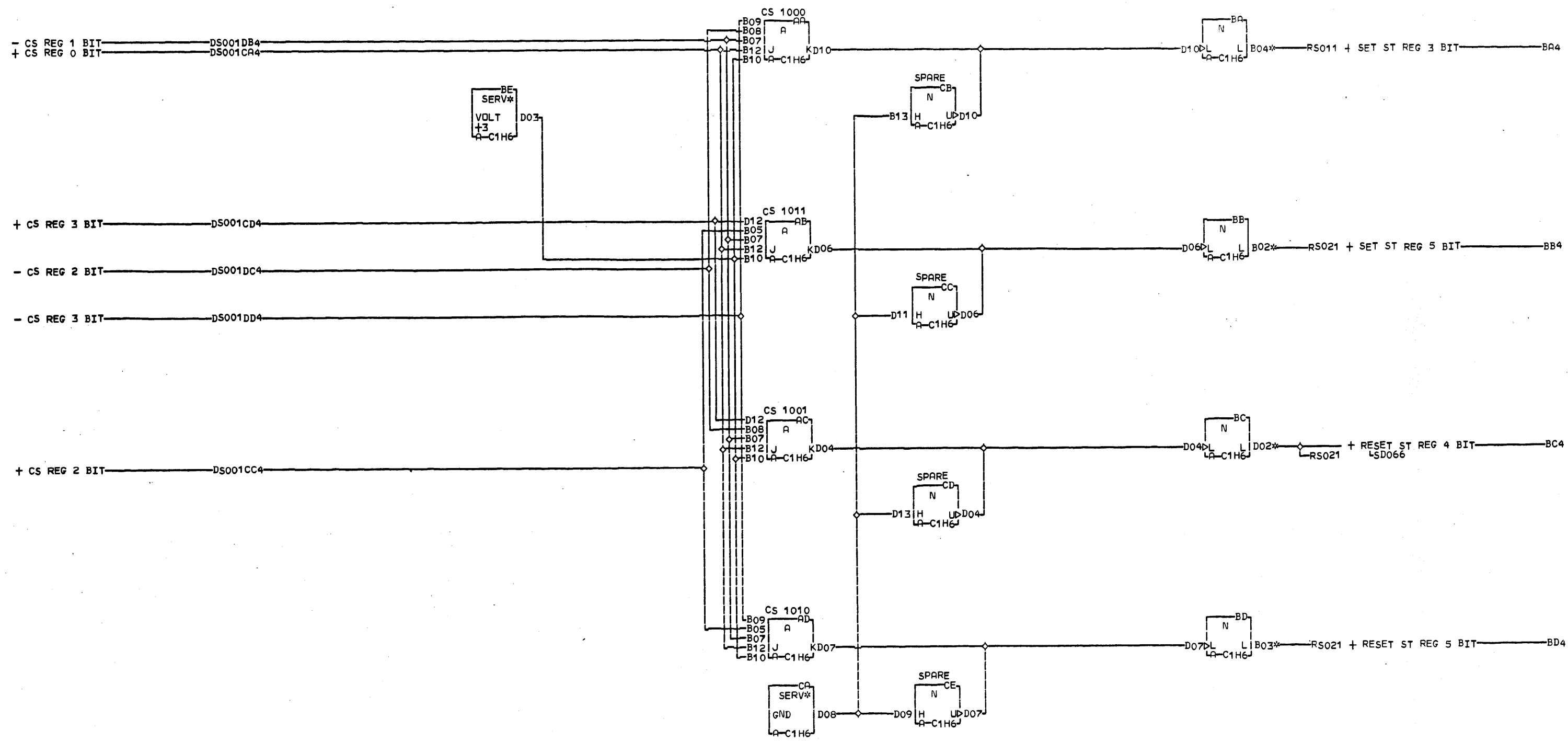
DS011
000



BA4 A-C1A3D04
 01A-B1N3D04
 BB4 A-C1A3B05
 01A-B1N3B05
 BC4 A-C1A3D05
 01A-B1N3D05
 BD4 A-C1A3D06
 01A-B1N3D06

LDC. TYPE
 A-C1J5 3487

STATUS REG SET GATES	
CS DECODE PAGE 2 OF 4	
E.C. HISTORY	MACH. 2841R
DATE	LAST EC
05-06-66	413400
FRAME	01
IBM CORP. GPD	
P.No.	2210461



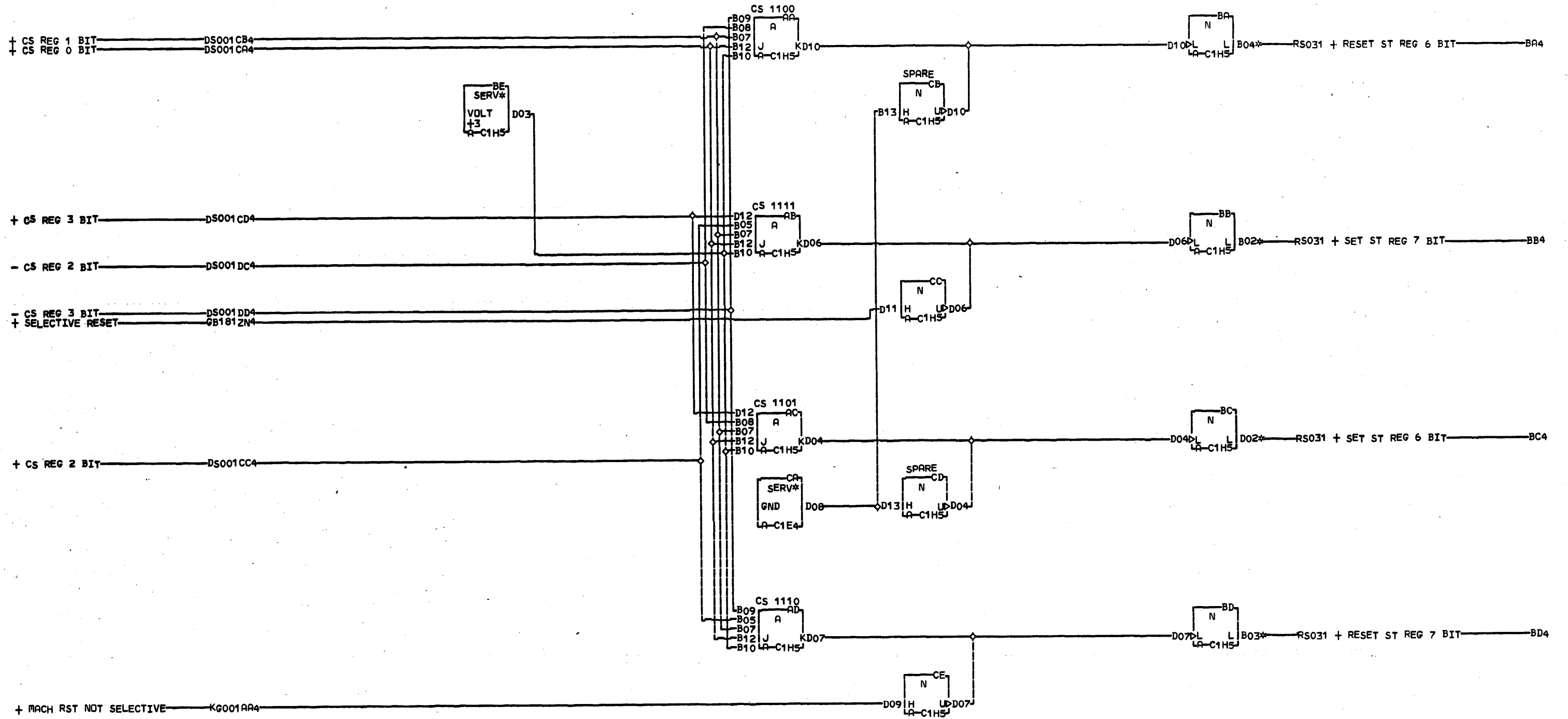
BA4 A-B1N3B07 01A-C1A3B09
 01A-C1A3B07
 BB4 A-B1N3D07
 01A-C1A3D07
 BC4 A-B1N3B08
 01A-C1A3B08
 01A-C1C8B06
 01A-C2C1B11
 BD4 A-B1N3B09

LUC. TYPE
 A-C1H6 3487

STATUS REG SET GATES		MACH#2841R
CS DECODE PAGE 3 OF 4		
-E.C.-HISTORY		FRAME 01
DATE LAST EC		IBM CORP. GPD
05-06-66 413400		P.N. 2210462

DS031
 000

DS031
 000



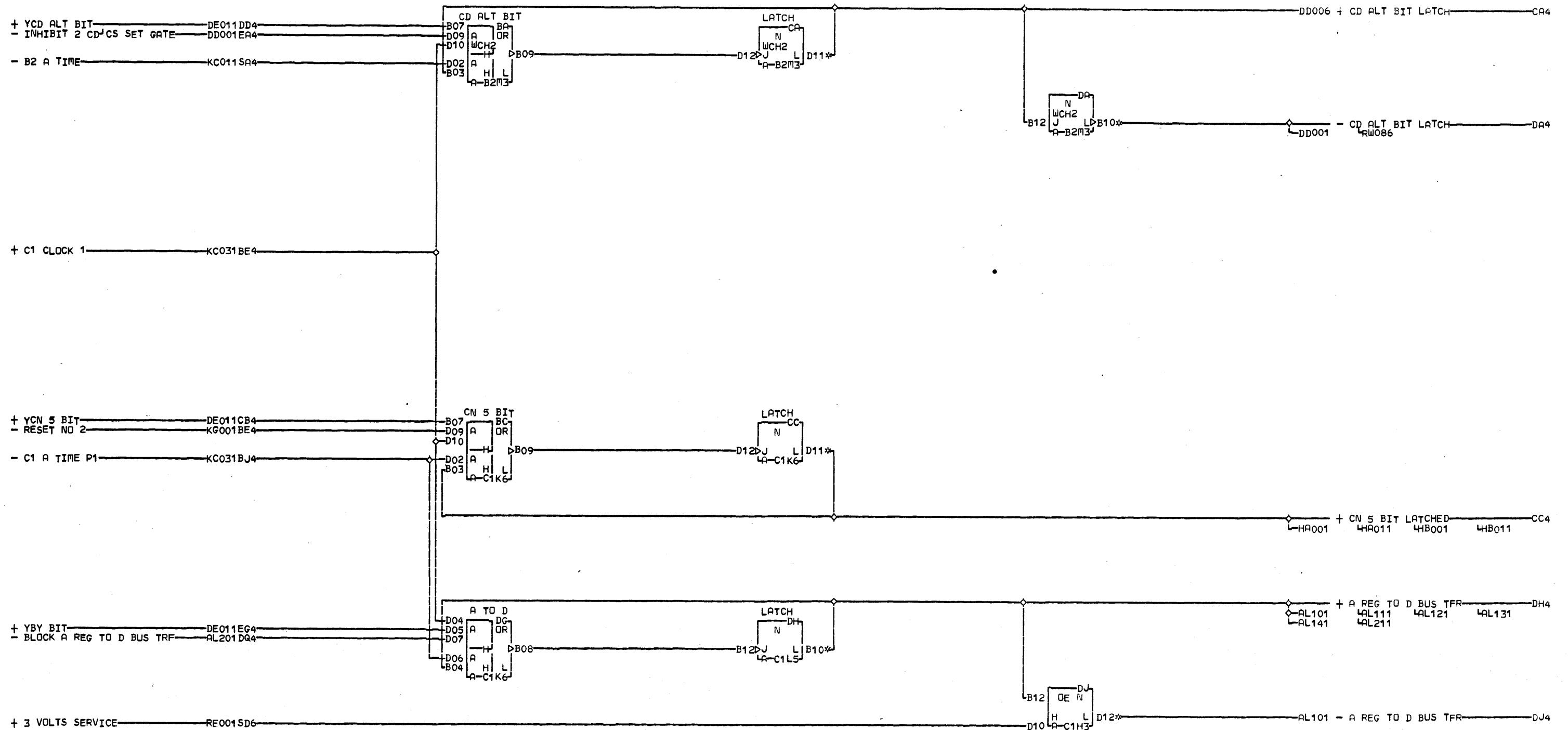
DS041
000

BA4 A-B1N3D09
 01A-C1A3D09
 BB4 A-B1N3B10
 01A-C1A3B10
 BC4 A-B1N3D10
 01A-C1A3D10
 BD4 A-B1N3D11
 01A-C1A3D11

LOC. TYPE
 A-C1H5 3487

STATUS REG SET GATES
 CS DECODE PAGE 4 OF 4
 E.C. HISTORY MACH. 2841R
 FRAME 01
 IBM CORP. GPD
 DATE LAST EC
 05-06-66 413400 P.No. 2210463

DS041
000

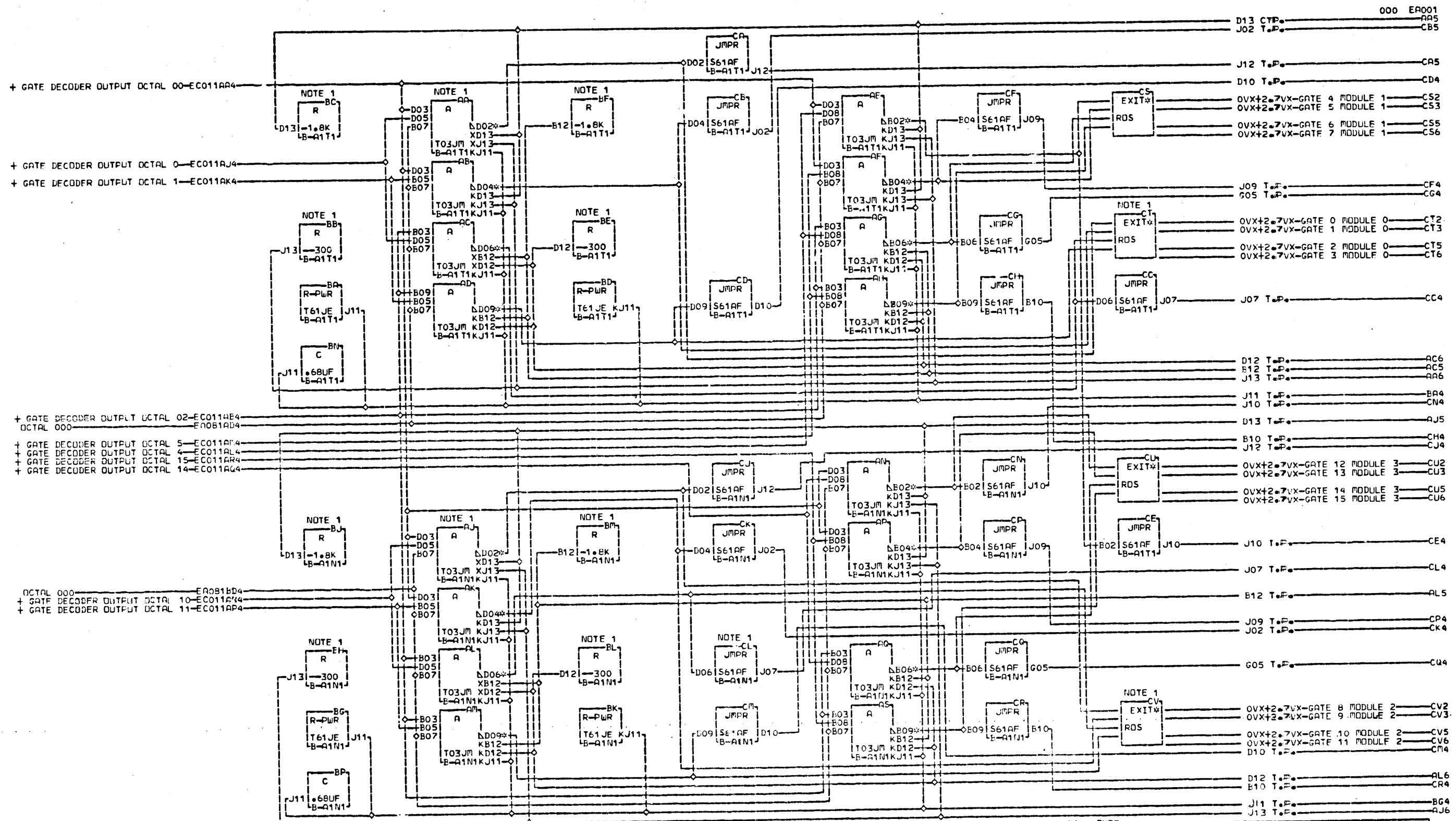


D	CA4	A-B2N2B09	01A-A2N6D11
V	01A	C2A2B09	01A-B2N3D02
0	CC4	A-C1A6D07	01A-C1N7D02
0	01A	C3A3D07	DH4 A-C1N7D05
1	01A	C3A2D07	01A-B2N3D05
001	01A	B3N2D07	DJ4 A-C1N7D04
	01A	B3A2D07	01A-B2N3D04
	01A	A3N2D07	
	DA4	A-B2A6D11	

SIM TO PN 2210464 EC 413400

LOC.	TYPE
A-B2M3	0007
A-C1H3	0243
A-C1K6	0007
A-C1L5	3575

ALT CD-CN 5-A TO D XFER CONTROL LATCHES		MACH. 2841R	FRAME 01
-E.C.-HISTORY-			
DATE	LAST EC	IBM CORP. GPD	
04-19-67	413405	P.N. 2227660	

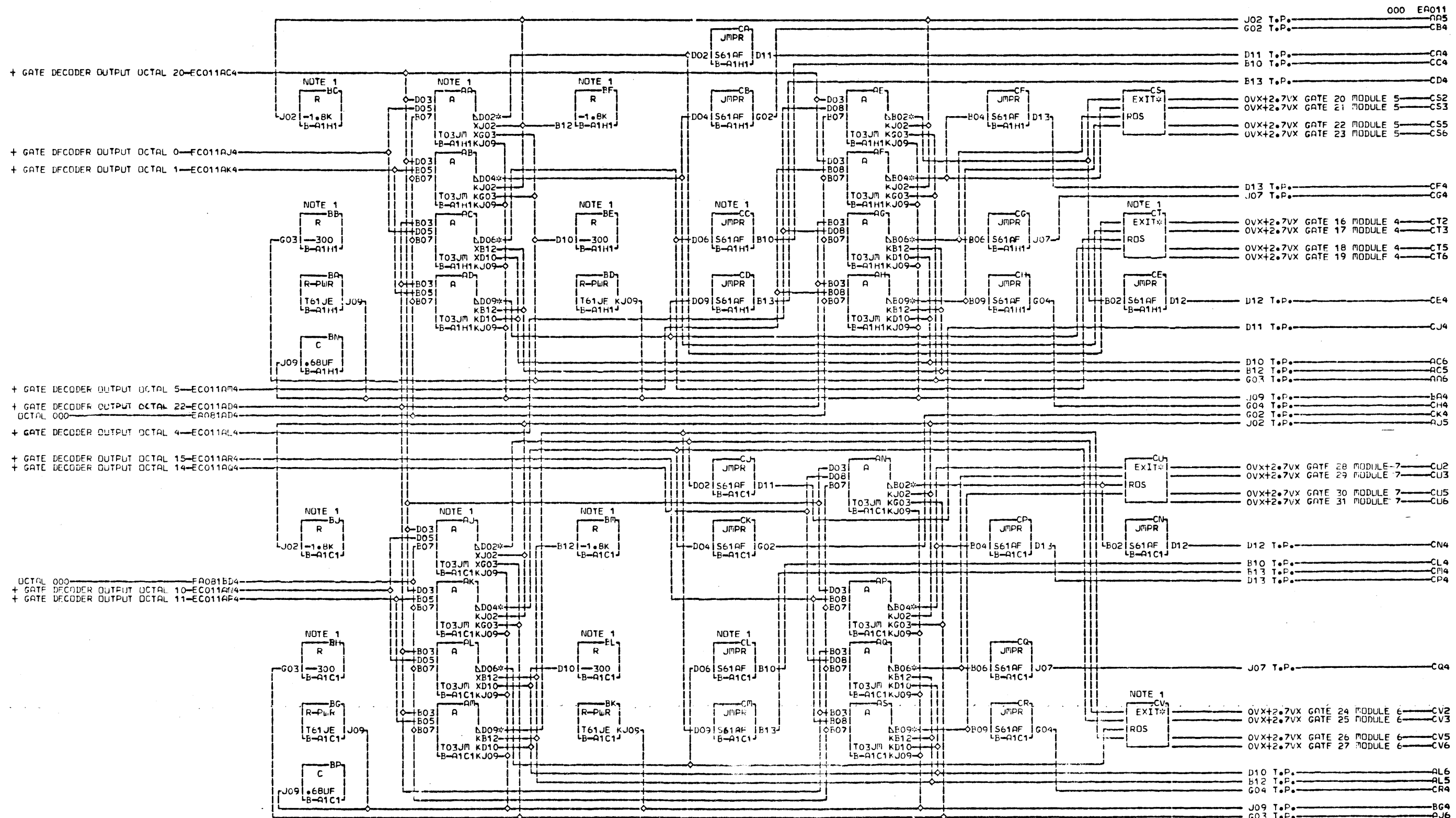


NOTE 1 SEE REFERENCE PAGE
 F.c. 592 Pals 767709 FOR
 LOGICAL PRESENTATION OF
 A GATE CARD P.No. 5204666
 O EFFORD F.c. 165452b
 0
 1
 000

AA4 B-A1U1D02 02B-A1R1D02 AK4 B-A1P1D04 02B-A1M1D04
 02B-A1V1D02 AF4 B-A1S1D04 02B-A1Q1D04 AQ4 B-A1L1B06
 AB4 B-A1U1D04 02B-A1R1D04 AL4 B-A1P1B06 02B-A1M1B06
 02B-A1V1D04 AG4 B-A1S1E06 02B-A1Q1B06 AS4 B-A1L1D09
 AC4 B-A1U1B06 02B-A1R1B06 AM4 B-A1P1D09 02B-A1M1D09
 02B-A1V1E06 AH4 B-A1S1D09 02B-A1Q1D09
 AD4 B-A1U1D09 02B-A1R1D09 AN4 B-A1L1D02
 02B-A1V1D09 AJ4 B-A1P1D02 02B-A1M1D02
 AE4 B-A1S1D02 02B-A1Q1D02 AP4 B-A1L1D04

LUC. TYPE
 B-A1N1 4686
 B-A1T1 4686

COMPUTING BOARD MK 2 GATES		E
E.C.-HISTORY	MACH.2841R0S2	A
	FRAME .02	0
	IBM CORP. SDD	1
DATE	LAST EC	000
05-01-67	551670	
	P.No. 5374134	

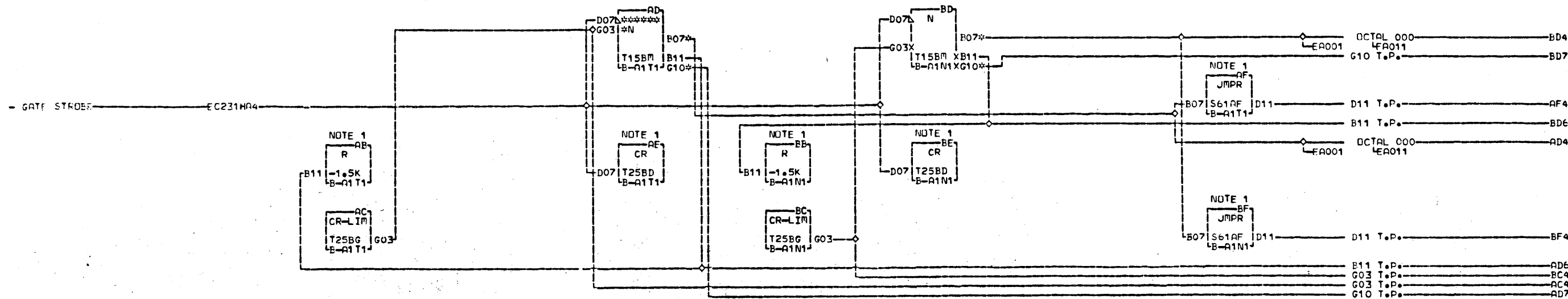


NOTE 1 SEE REFERENCE PAGE
 F.C. 594 P. 727713 FOR
 LOGICAL PRESENTATION OF
 GATE CARD P.N. 5804688
 REF. F.C. 165453B
 1
 1
 000

AA4 B-A1J1D02	Q2B-A1F1D02	AK4 B-A1D1D04	Q2B-A1A1D04
Q2B-A1K1D02	AF4 B-A1G1D04	Q2B-A1E1D04	AQ4 B-A1B1B06
AE4 B-A1J1D04	Q2B-A1F1D04	AL4 B-A1D1B06	Q2B-A1A1B06
Q2B-A1K1D04	AG4 B-A1G1E06	Q2B-A1E1B06	AS4 B-A1B1D09
AC4 B-A1J1E06	Q2B-A1F1B06	AM4 B-A1D1D09	Q2B-A1A1D09
Q2B-A1K1B06	AH4 B-A1G1D09	Q2B-A1E1D09	
AD4 B-A1J1D09	Q2B-A1F1L09	AN4 B-A1B1D02	
Q2B-A1K1D09	AJ4 B-A1D1D02	Q2B-A1A1D02	
AE4 B-A1G1D02	Q2B-A1E1D02	AP4 B-A1B1D04	

LOC. TYPE
 B-A1C1 4688
 B-A1H1 4688

COMMUNING BOARD MK2 GATES	
E.C. HISTORY	MACH. 2841RDS2
DATE LAST EC	FRAME 02
05-01-67 551670	IBM CORP. SDD
	P.N. 5374135



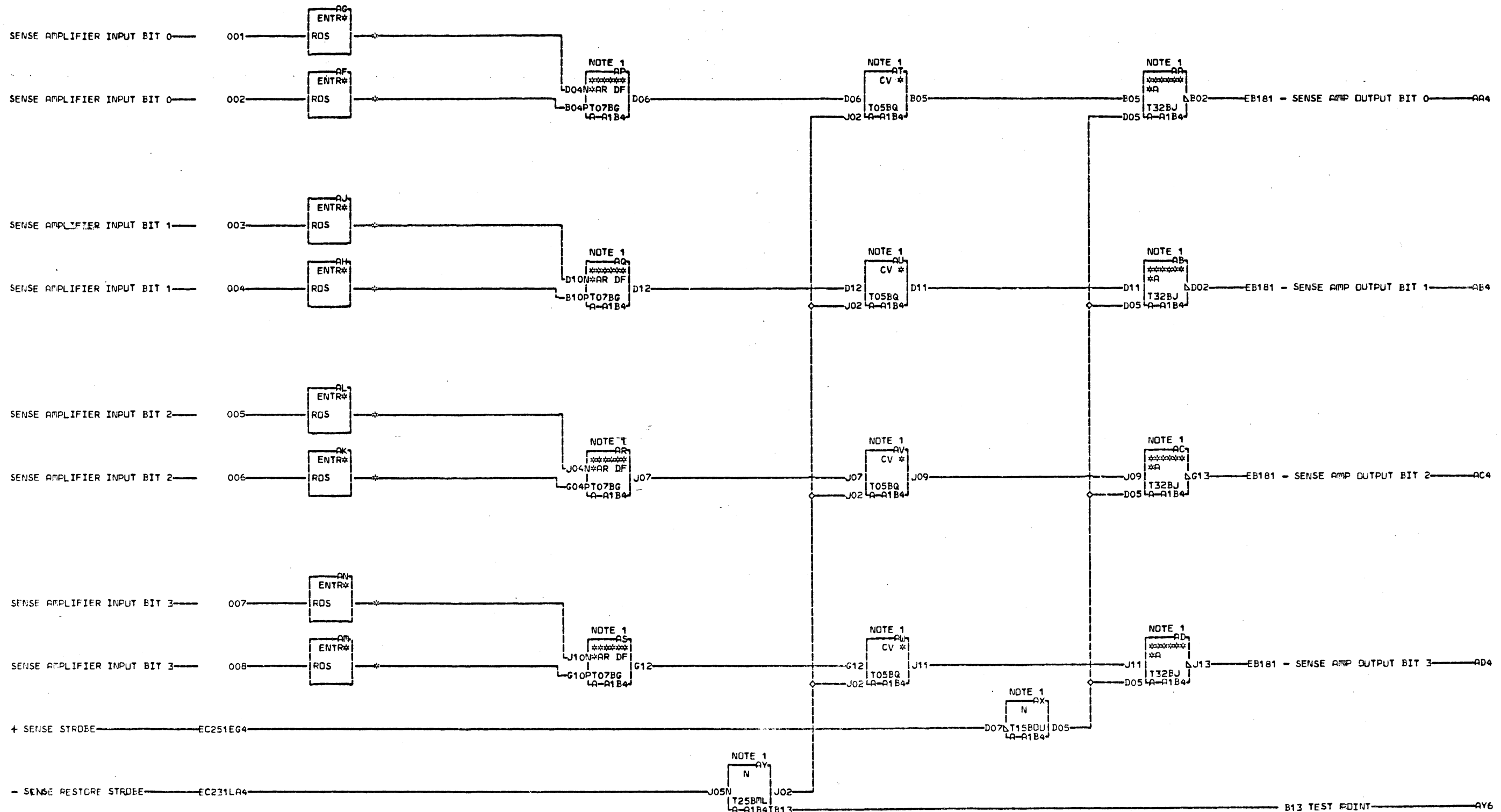
NOTE 1 SEE REFERENCE PAGE
 FC593 P.N. 767721 FOR LOGICAL
 PRESENTATION OF GATE CARD
 PN 5804686 BEFORE EC 165452B

AD4 B-A1A1D07
 AD7 RESISTOR
 B-A1T1G10
 BD4 B-A1A1R07
 BD7 RESISTOR
 B-A1N1G10

000

LOC. TYPE
 B-A1N1 4686
 B-A1T1 4686

COMMONING BOARD PK 2 GASTROFF		EA081
E.C. HISTORY	MACH. 2841R052	
	FRAME 02	
DATE LAST EC	IBM CORP. SDD	000
05-01-67 551670	P.N. 5374136	



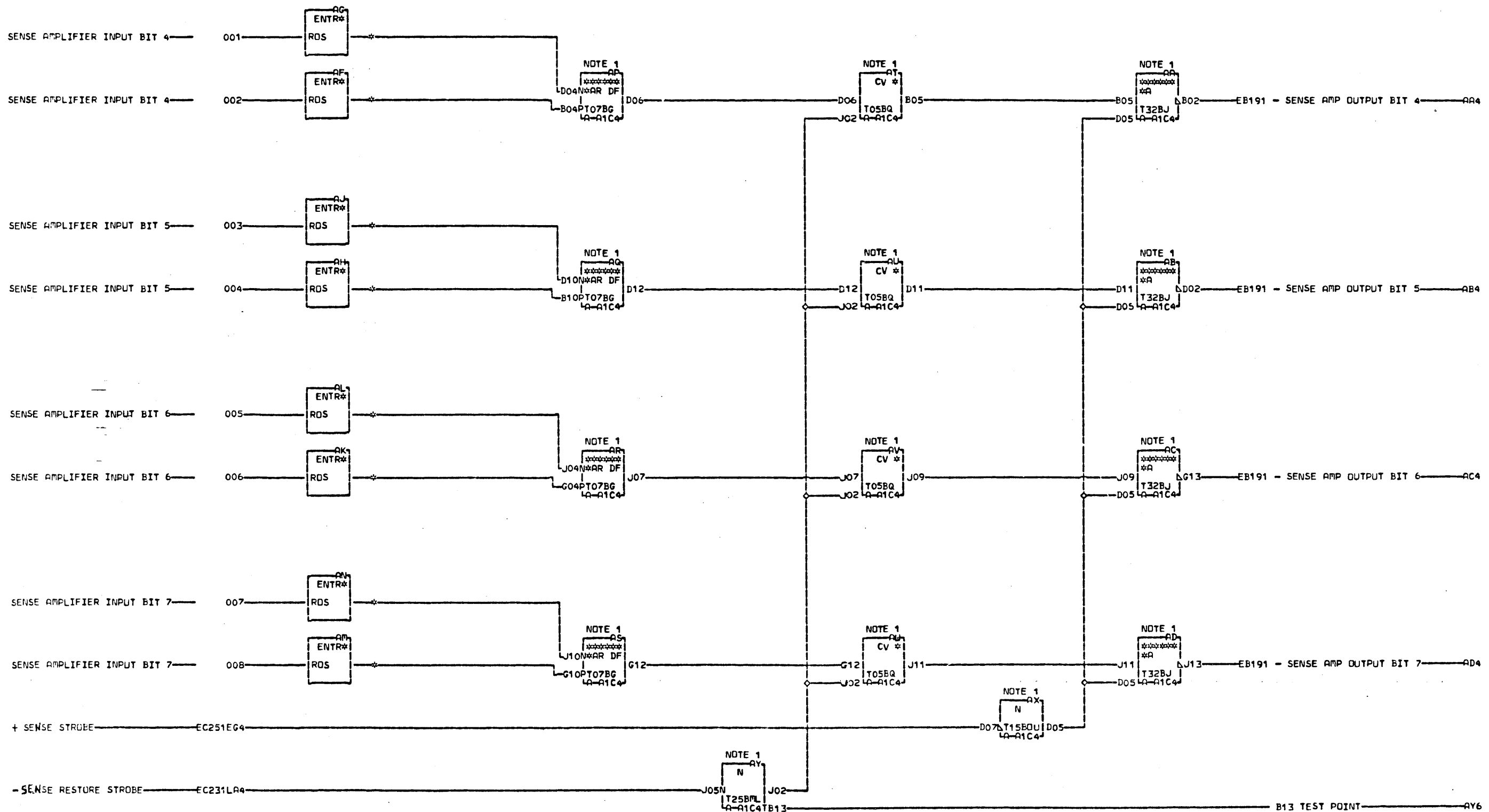
PAIRS 001 THRU 008 ARE TWISTED
PAIRS FROM SENSE COMMONING
E STRIPS AND ARE CONNECTED TO
E BACK OF LARGE BOARD A1 WITH
O CONNECTOR P.N. 813195.
NOTE 1. SEE REFERENCE.
PAGE E.C. 591 P.N. 5375787
FOR LOGICAL PRESENTATION OF
000 SENSE AMPLIFIER P.N. 5804454
BEFORE E.C. 167303C

- AF4 A-11A4B02
- AG4 A-11A4D02
- AH4 A-11A4E08
- AJ4 A-11A4D09
- AK4 A-11A5E02
- AL4 A-11A5D02
- AM4 A-11A5B08
- AN4 A-11A5D09

LDC. TYPE
A-11B4 4454

CR SENSE AMPLIFIERS	
E.C. HISTORY	MACH. 2841RDS2
254870	FRAME 02
551634	IBM CORP. WTC
551670	P.N. 5374141
DATE LAST EC	
05-01-66 551634	

EB011



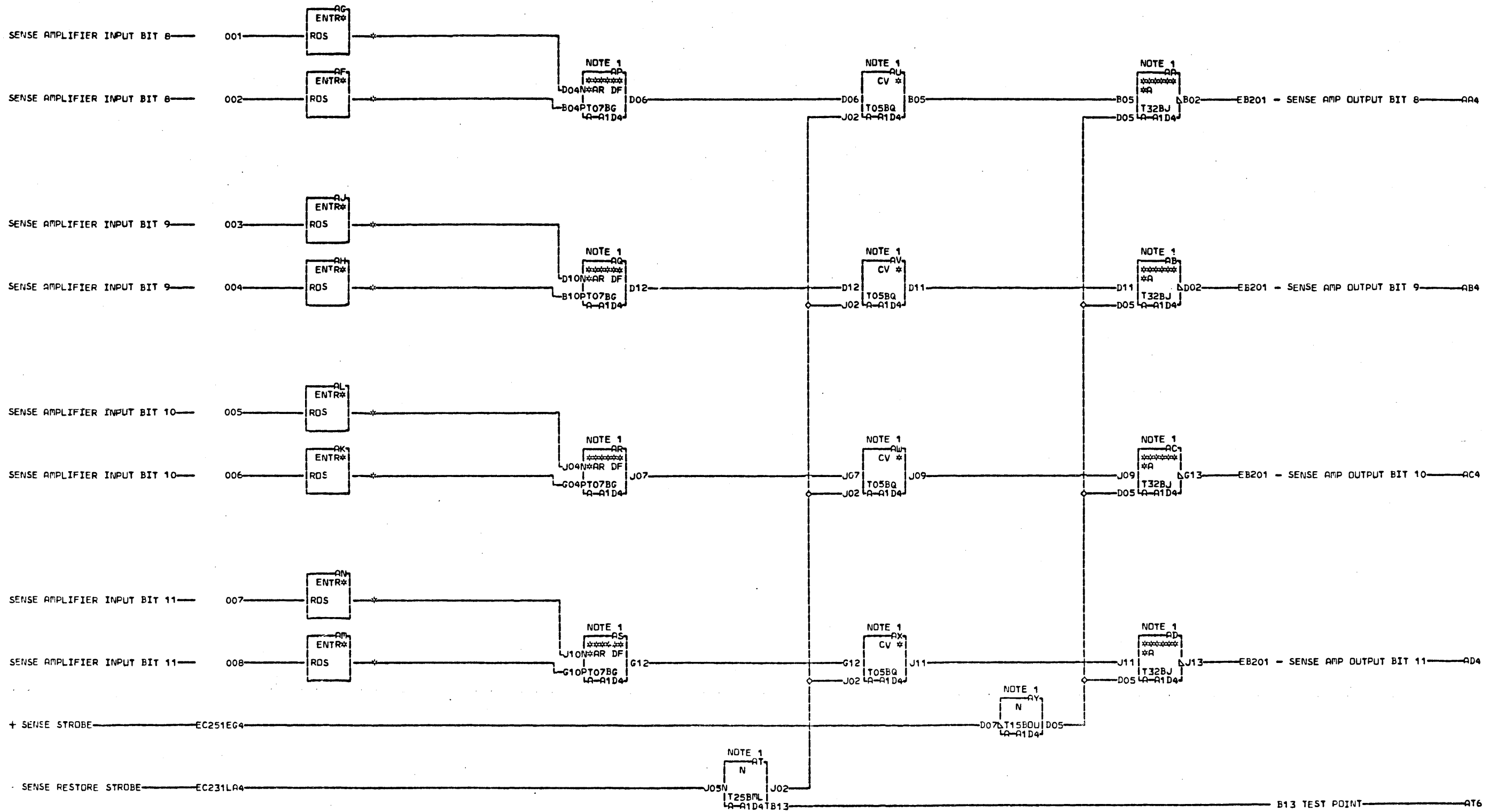
LETS 001 THRU 008 ARE LISTED
PAIRS FROM SENSE COMMONING
E STRIPS AND ARE CONNECTED TO
B SOCK OF LARGE BOARD A1 WITH
O CONNECTOR P.N. 813195
2 NOTE 1. SEE REFERENCE
1 PAGE E.C. 591 P.N. 5375787
FOR LOGICAL PRESENTATION OF
000SENSE AMPLIFIER P.N. 5804454
BEFORE E.C. 167303C

- AF4 A-A1A4B03
- AG4 A-A1A4D04
- AH4 A-A1A4B09
- AJ4 A-A1A4D10
- AK4 A-A1A5B03
- AL4 A-A1A5D04
- AM4 A-A1A5B09
- AN4 A-A1A5D10

LOC. TYPE
A-A1C4 4454

CR SENSE AMPLIFIERS	
E.C. HISTORY	MACH. 2841R0S2
254870	FRAME 02
551634	IBM CORP. WTC
551670	P.N. 5374142
DATE LAST EC	
05-01-66 551634	

EB021



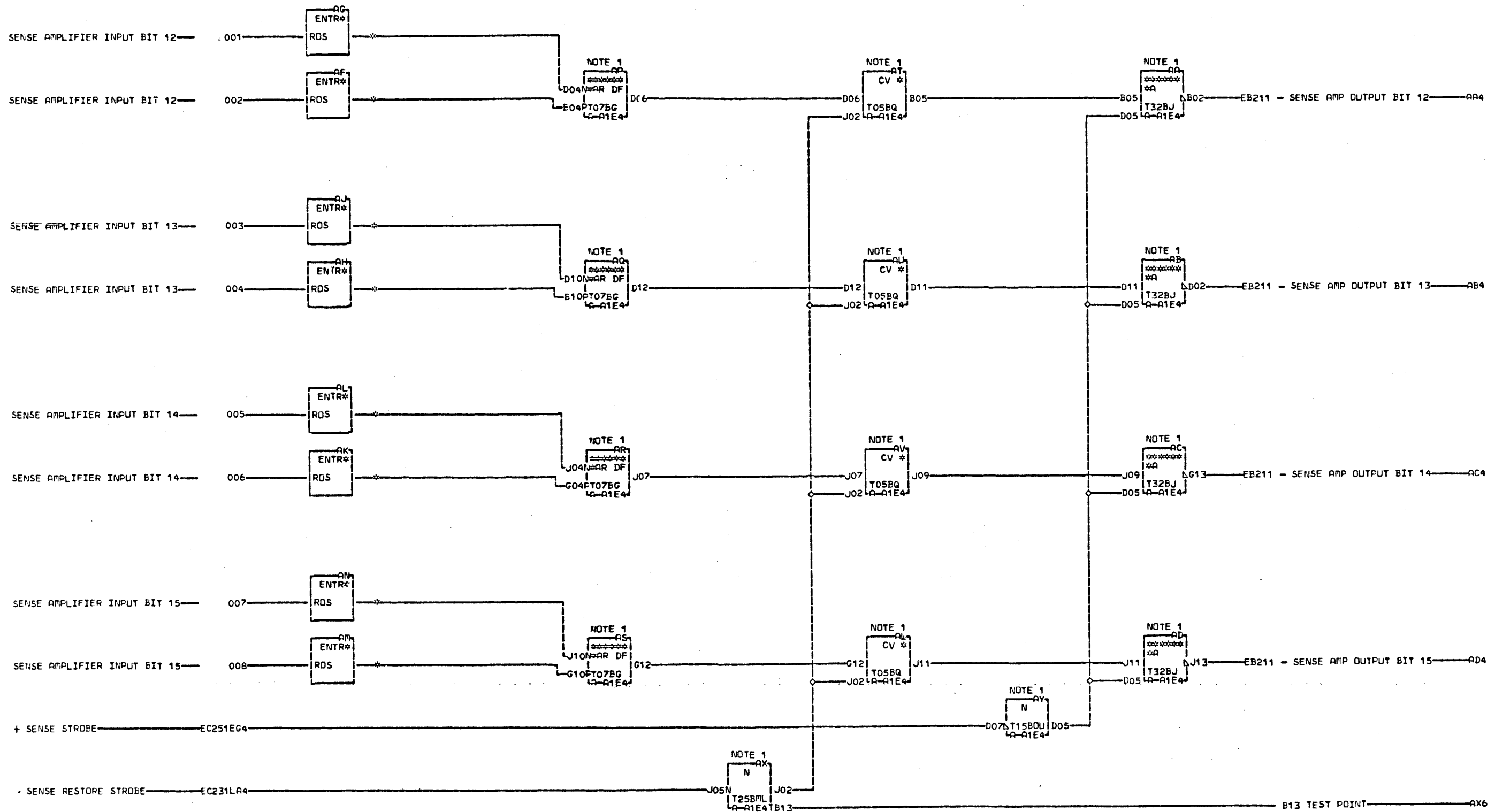
NETS 001 THRU 008 ARE TWISTED PAIRS FROM SENSE COMMONING STRIPS AND ARE CONNECTED TO BACK OF LARGE BOARD A1 WITH CONNECTOR P.N. 813195. NOTE 1. SEE REFERENCE PAGE E.C. 591 P.N. 5375787 FOR LOGICAL PRESENTATION OF SENSE AMPLIFIER P.N. 5604454 BEFORE E.C. 167303C

- AF4 A-11A4B04
- AG4 A-11A4D05
- AH4 A-11A4B10
- AJ4 A-11A4D11
- AK4 A-11A5B04
- AL4 A-11A5D05
- AM4 A-11A5B10
- AN4 A-11A5D11

LOC. TYPE
A-11D4 4454

CR SENSE AMPLIFIERS	
E.C. HISTORY	MACH. 2841R052
254870	FRAME 02
551634	IBM CORP. WTC
551670	P.N. 5374143
DATE	LAST EC
05-01-66	551634

EB031
000



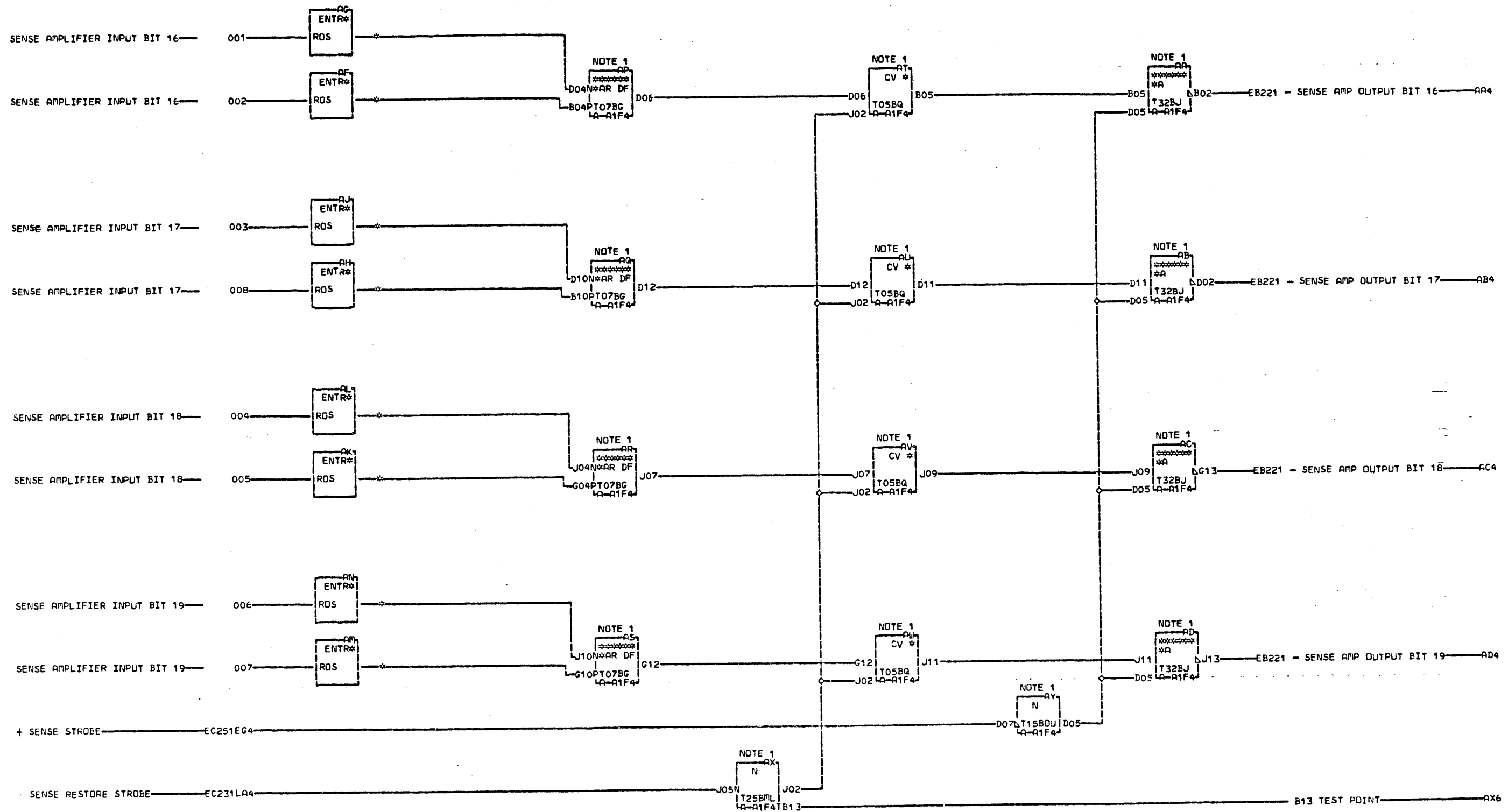
NETS 001 THRU 008 ARE TWISTED
PAIRS FROM SENSE COMMONING
E STRIPS AND ARE CONNECTED TO
B BACK OF LARGE BOARD A1 WITH
O CONNECTOR P.N. 613195.
4 NOTE 1. SEE REFERENCE
1 PAGE E.C. 591 P.N. 5375787
FOR LOGICAL PRESENTATION OF
000SENSE AMPLIFIER P.N. 5804454
BEFORE E.C. 167303C

- AF4 A-1A4B05
- AG4 A-1A4D06
- AH4 A-1A4B12
- AJ4 A-1A4D12
- AK4 A-1A5B05
- AL4 A-1A5D06
- AM4 A-1A5B12
- AN4 A-1A5D12

LOC. TYPE
A-A1E4 4454

CR SENSE AMPLIFIERS	
E.C. HISTORY	MACH. 2841R052
254870	FRAME 02
551634	IBM CORP. WTC
551670	P.N. 5374144
DATE LAST EC	
05-01-66 551634	

EB041
000

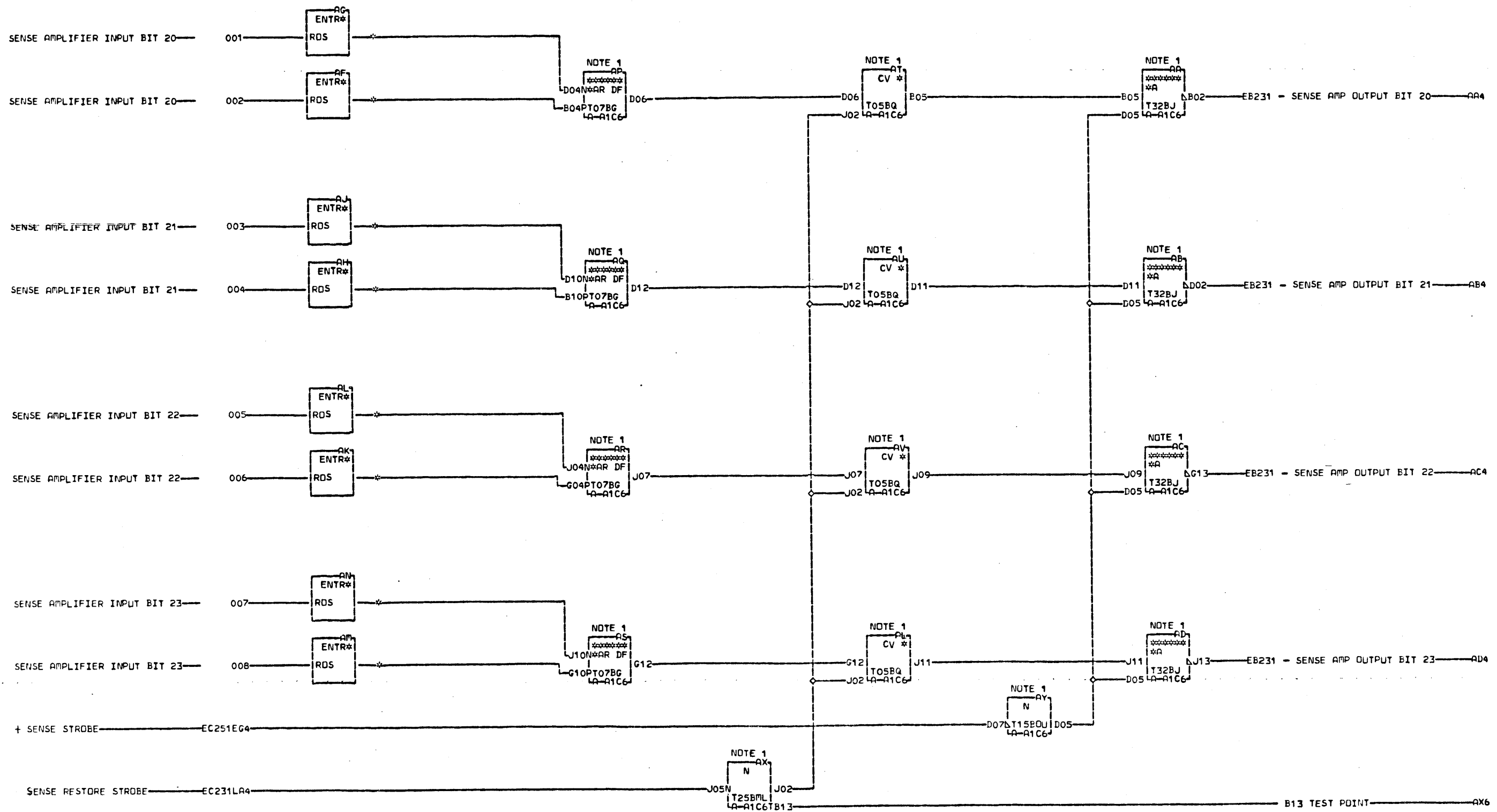


NETS 001 THRU 008 ARE TWISTED
PAIRS FROM SENSE CONNECTING
E STRIPS AND ARE CONNECTED TO
B BACK OF LARGE BOARD A1 WITH
O CONNECTOR P.N. 813195.
5 NOTE 1. SEE REFERENCE
1 PAGE E.C. 591 P.N. 5375787
FOR LOGICAL PRESENTATION OF
000 SENSE AMPLIFIER P.N. 5604454
BEFORE E.C. 167303C

AF4 A-A1A4B07
AG4 A-A1A4D07
AJ4 A-A1A4D13
AL4 A-A1A5B07
AN4 A-A1A5D13

LDC. TYPE
A-A1F4 4454

CR SENSE AMPLIFIERS	
E.C. HISTORY	MACH. 2841R052
254870	FRAME 02
351634	IBM CORP. WTC
551670	P.N. 5374145
DATE LAST EC	000
05-01-66 551634	



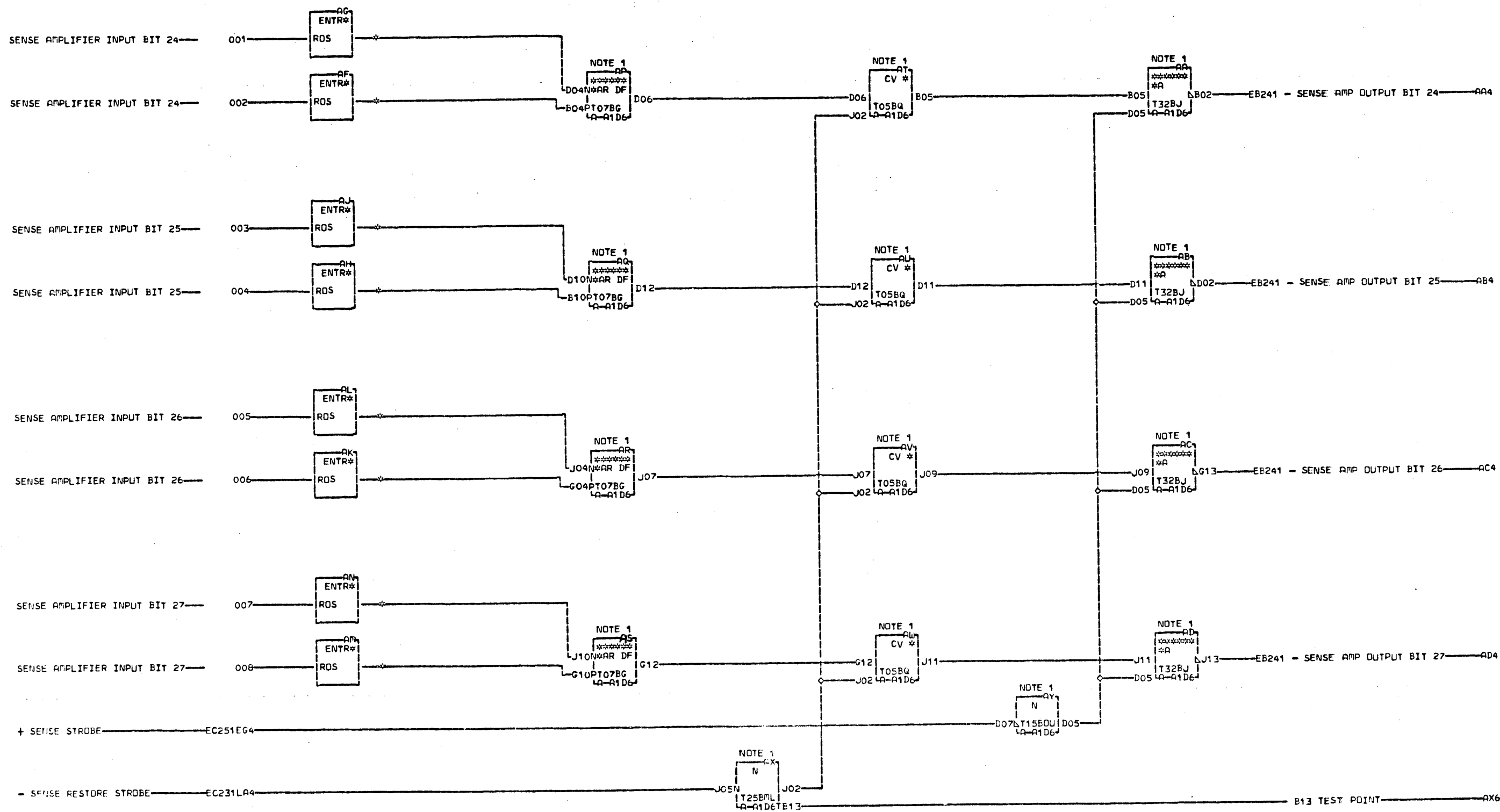
NETS 001 THRU 008 ARE TWISTED
PAIRS FROM SENSE COMMONING
E STRIPS AND ARE CONNECTED TO
E BACK OF LARGE BOARD A1 WITH
O CONNECTOR P.N. B13195.
6 NOTE 1 SEE REFERENCE
1 PAGE E.C. 591 P.N. 5375787
FOR LOGICAL PRESENTATION OF
000SENSE AMPLIFIER P.N. 5804454
BEFORE E.C. 167303C

AF4 A-01A6B02
AG4 A-01A6D02
AH4 A-01A6B08
AJ4 A-01A6D09
AK4 A-01A7B02
AL4 A-01A7D02
AM4 A-01A7B08
AN4 A-01A7D09

LOC. TYPE
A-A1C6 4454

CR SENSE AMPLIFIERS	
E.C. HISTORY	MACH. 2841R052
254870	FRAME 02
551634	IBM CORP. WTC
551670	P.N. 5374146
DATE LAST EC	
05-01-66 551634	

EB
06
1
000



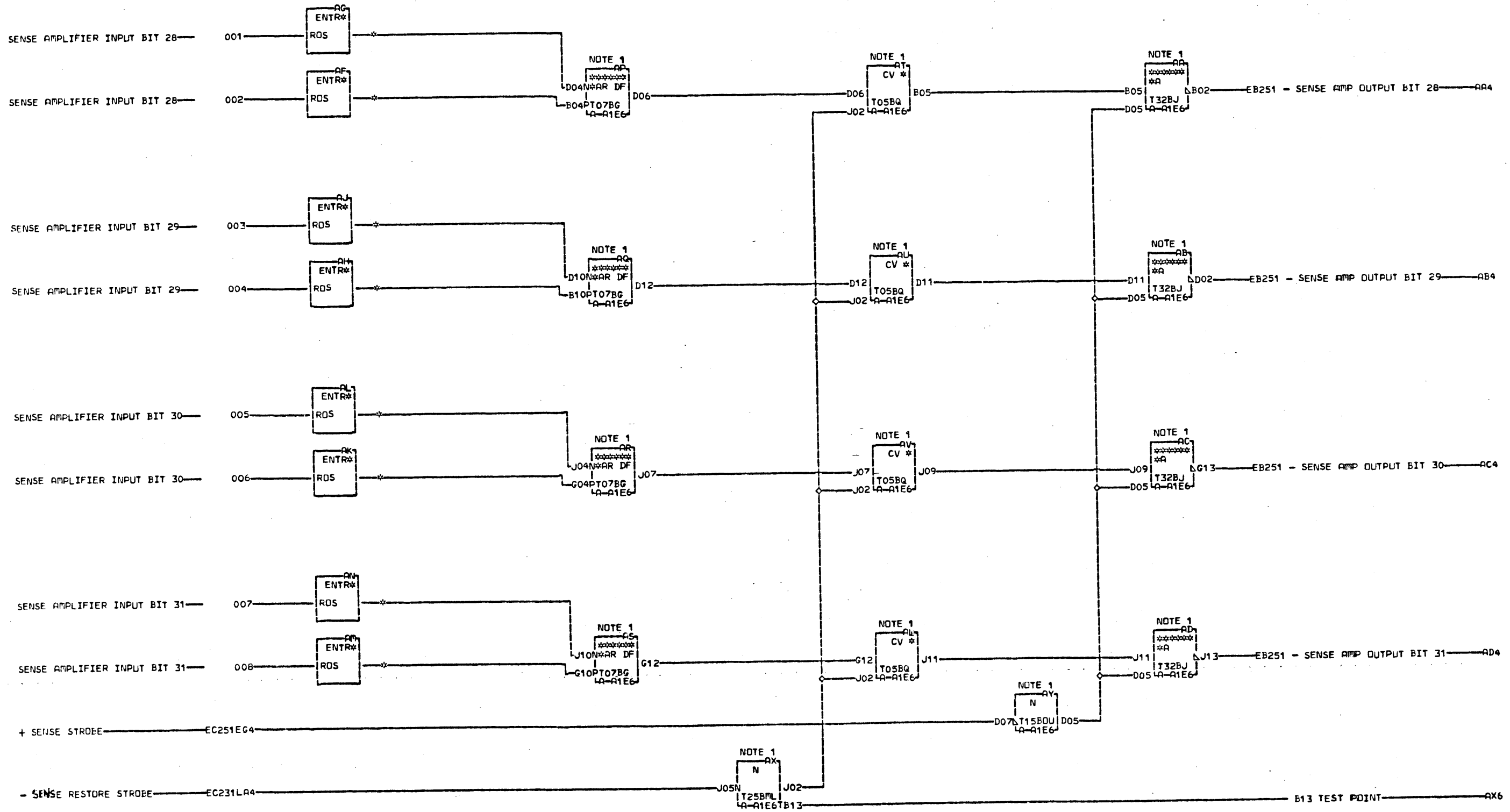
NETS 001 THRU 008 ARE TWISTED
 PAIRS FROM SENSE COMMONING
 E STRIPS AND ARE CONNECTED TO
 E BACK OF LARGE BOARD A1 WITH
 O CONNECTOR P.N. B13195
 7 NOTE 1. SEE REFERENCE
 1 PAGE E.C. 591 P.N. 5375787
 FOR LOGICAL PRESENTATION OF
 000 SENSE AMPLIFIER P.N. 5E04454
 BEFORE E.C. 167303C

AF4 A-A1A6B03
 AG4 A-A1A6D04
 AH4 A-A1A6B09
 AJ4 A-A1A6D10
 AK4 A-A1A7B03
 AL4 A-A1A7B04
 AM4 A-A1A7B09
 AN4 A-A1A7D10

LOC. TYPE
 A-A1D6 4454

CR SENSE AMPLIFIERS	
E.C. HISTORY	MACH. 2841R052
254870	FRAME 02
551634	IBM CORP. WTC
551670	
DATE LAST EC	P.N. 5374147
05-01-66 551634	

EB
 07
 1
 000

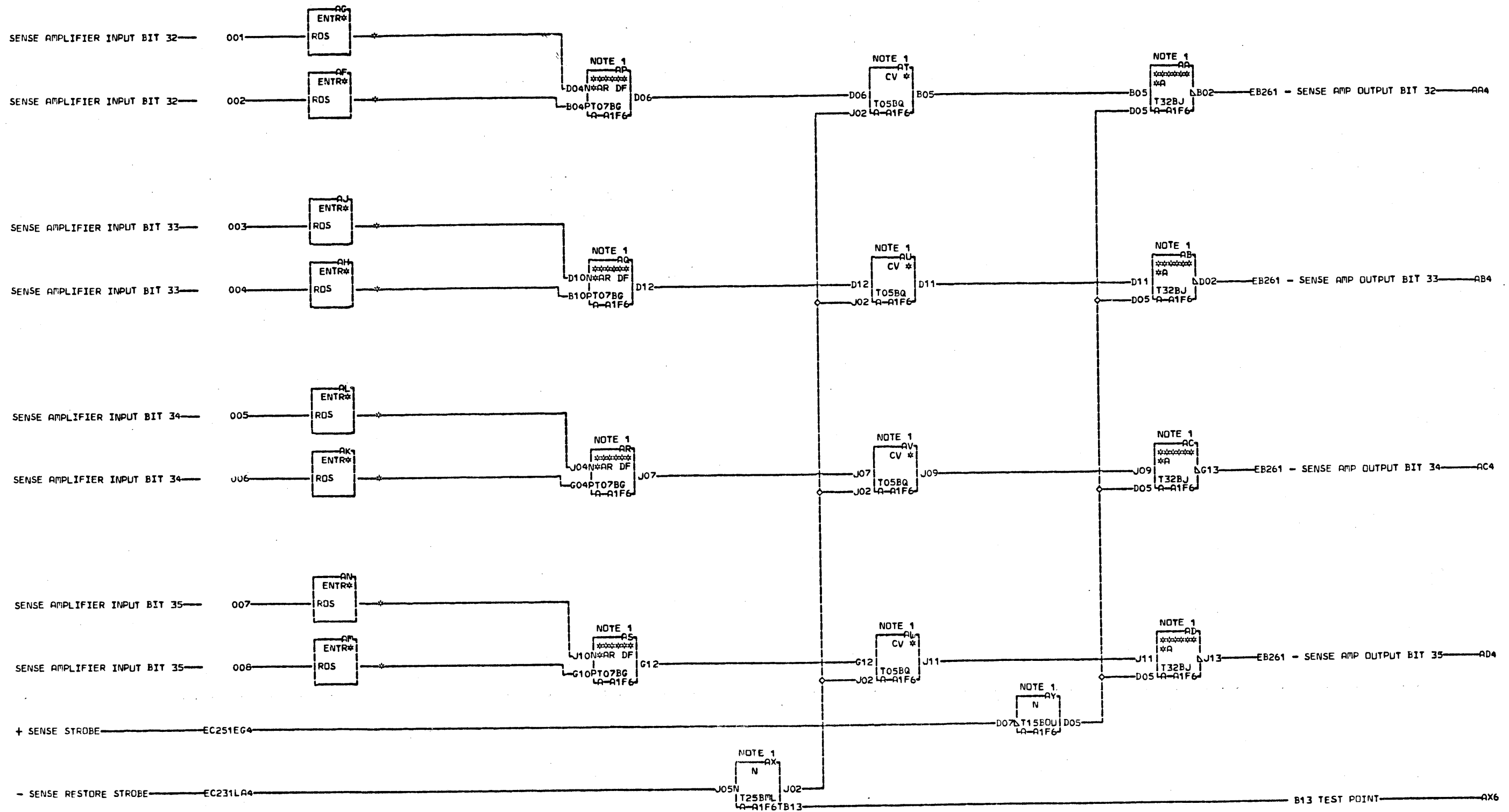


NETS 001 THRU 008 ARE TWISTED
 PAIRS FROM SENSE COMMONING
 F STRIPS AND ARE CONNECTED TO
 B BACK OF LARGE BOARD A1 WITH
 O CONNECTOR P.N. 813195.
 B NOTE 1 SFF REFERENCE
 1 PAGE E.C. 159 P.N. 5375787
 FOR LOGICAL PRESENTATION OF
 00SENSE AMPLIFIER P.N. 5804454
 BEFORE E.C. 167303C

- AF4 A-1A6B04
- AG4 A-1A6D05
- AH4 A-1A6B10
- AJ4 A-1A6D11
- AK4 A-1A7B04
- AL4 A-1A7D05
- AM4 A-1A7B10
- AN4 A-1A7D11

LOC. TYPE
 A-A1E6 4454

CR SENSE AMPLIFIERS		E B O B 1 000
E.C. HISTORY		
254870	MACH. 2841RDS2	
551634	FRAME 02	
551670	IBM CORP. WTC	
DATE LAST EC	P.N. 5374148	
05-01-66	551634	



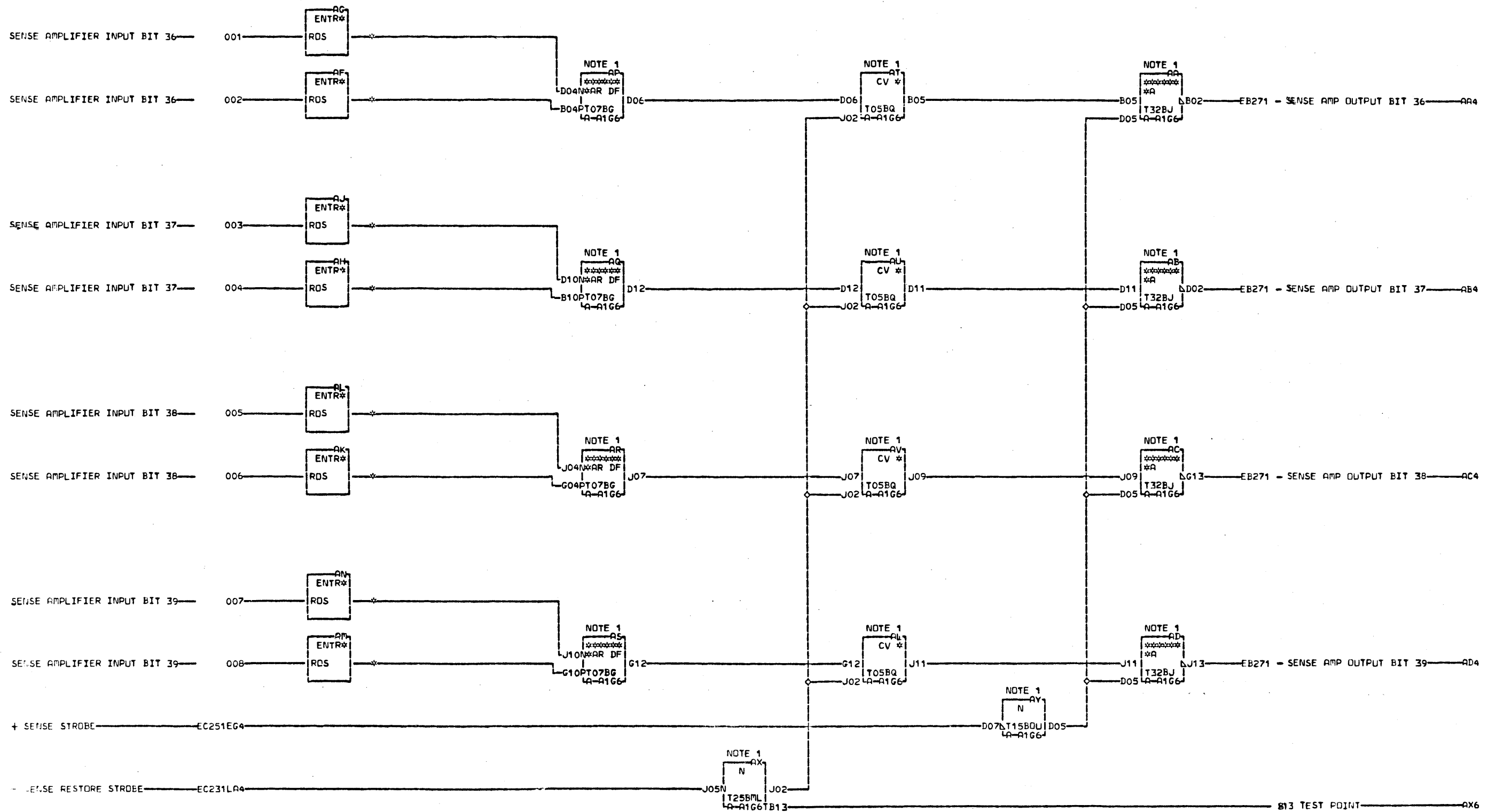
NETS 001 THRU 008 ARE TWISTED
PAIRS FROM SENSE COMMONING
E STRIPS AND ARE CONNECTED TO
B BACK OF LARGE BOARD A1 WITH
O CONNECTOR P.N. 813195.
9 NOTE 1. SEE REFERENCE
1 PAGE E.C.159 P.N.5375787
FOR LOGICAL PRESENTATION OF
000SENSE AMPLIFIER P.N.5804454
BEFORE E.C.167303C

- AF4 A-1A6B05
- AG4 A-1A6D06
- AH4 A-1A6B12
- AJ4 A-1A6D12
- AK4 A-1A7E05
- AL4 A-1A7D06
- AM4 A-1A7B12
- AN4 A-1A7D12

LOC. TYPE
A-1F6 4454

CR SENSE AMPLIFIERS	
E.C. HISTORY	MACH.2841R052
254870	FRAME 02
551634	IBM CORP. WTC
551670	P.N. 5374149
DATE LAST EC	
05-01-66 551634	

EB091
000

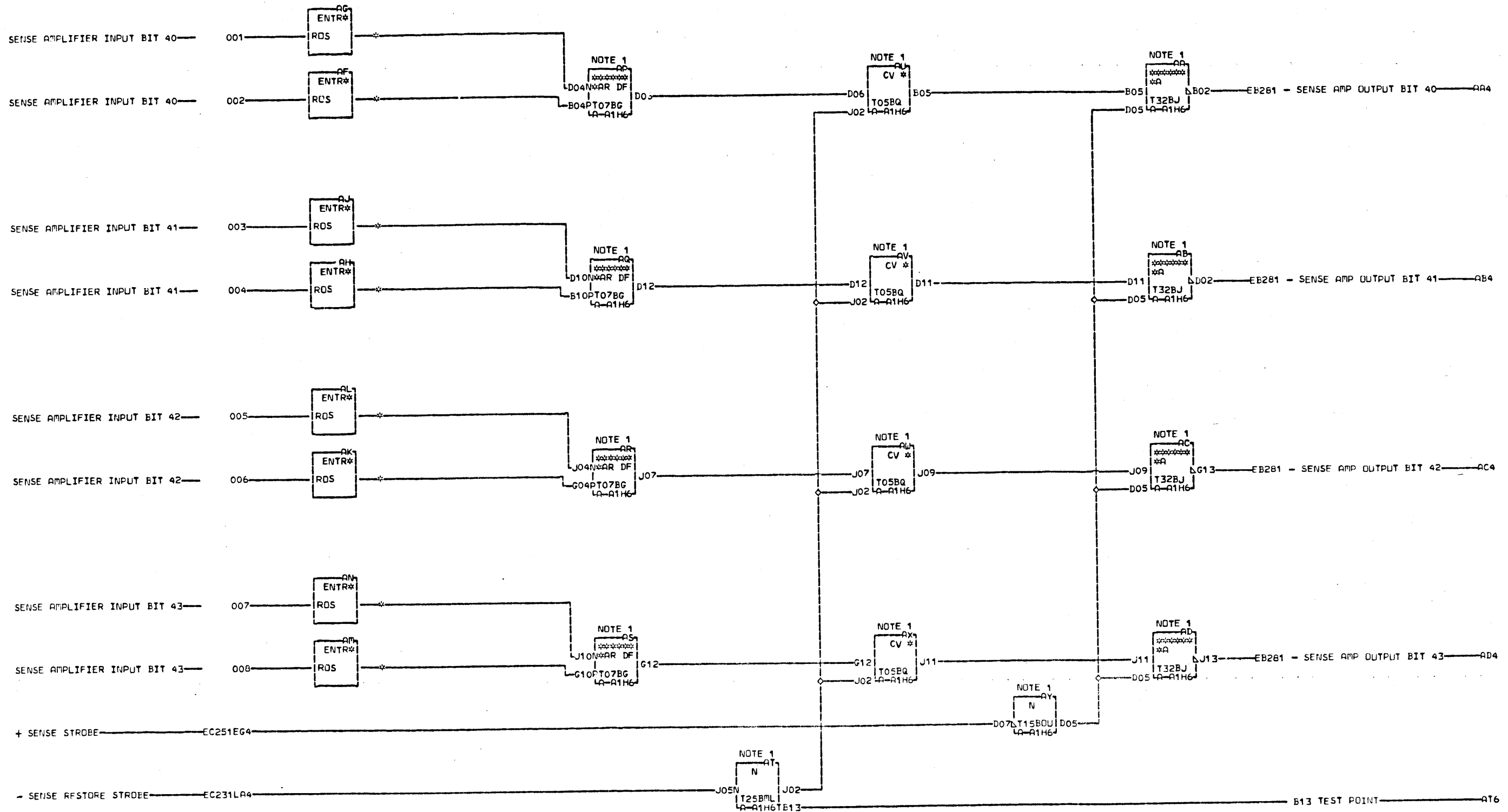


NETS 001 THRU 008 ARE TWISTED
PAIRS FROM SENSE COMMONING
STRIPS AND ARE CONNECTED TO
BACK OF LARGE BOARD A1 WITH
1 CONNECTOR P.N. 613195
NOTE 1 SEE REFERENCE
PAGE E.C. 159 P.N. 5375787
FOR LOGICAL PRESENTATION OF
SENSE AMPLIFIER P.N. 5804454
BEFORE E.C. 167303C

- AF4 A-01A6B07
- AG4 A-01A6D07
- AH4 A-01A6B13
- AJ4 A-01A6D13
- AK4 A-01A7B07
- AL4 A-01A7D07
- AM4 A-01A7B13
- AN4 A-01A7D13

LDC TYPE
A-A1G6 4454

CR SENSE AMPLIFIERS		
E.C. HISTORY	MACH. 2841RUS2	E
254270		B
551634	FRAME 02	0
551670		1
DATE LAST EC	IBN CORP. & T.C.	000
05-21-66 551634	P.N. 5374150	



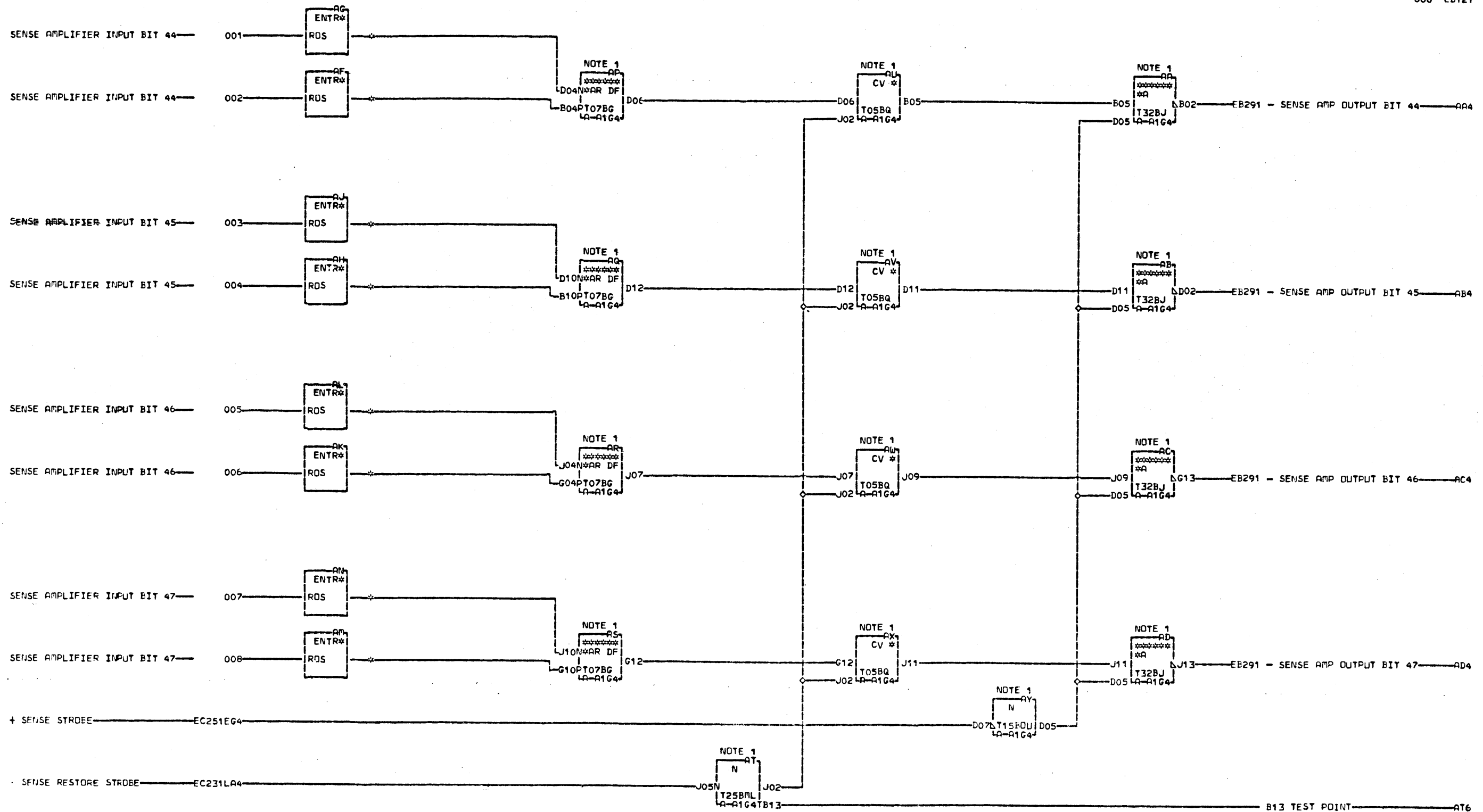
NETS 001 THRU 008 ARE TWISTED
PAIRS FROM SENSE COMMONING
STRIPS AND ARE CONNECTED TO
BACK OF LARGE BOARD A1 WITH
CONNECTOR P.N. 613195.
NOTE 1. SEE REFERENCE
PAGE E.C.159 P.N.5375787
FOR LOGICAL PRESENTATION OF
CR SENSE AMPLIFIER P.N.5804454
BEFORE E.C.167303C

AF4 A-A1B6B02
AG4 A-A1B6D02
AH4 A-A1B6B08
AJ4 A-A1B6D09
AK4 A-A1B7B02
AL4 A-A1B7D02
AM4 A-A1B7B08
AN4 A-A1B7D09

LOC. TYPE
A-A1H6 4454

CR SENSE AMPLIFIERS	
E.C. HISTORY	MACH#2841R052
254870	FRAME 02
551634	IBM CORP. L7C
551670	P.N. 5374151
DATE LAST EC	
05-01-66 551634	

E
B
1
1
1
000



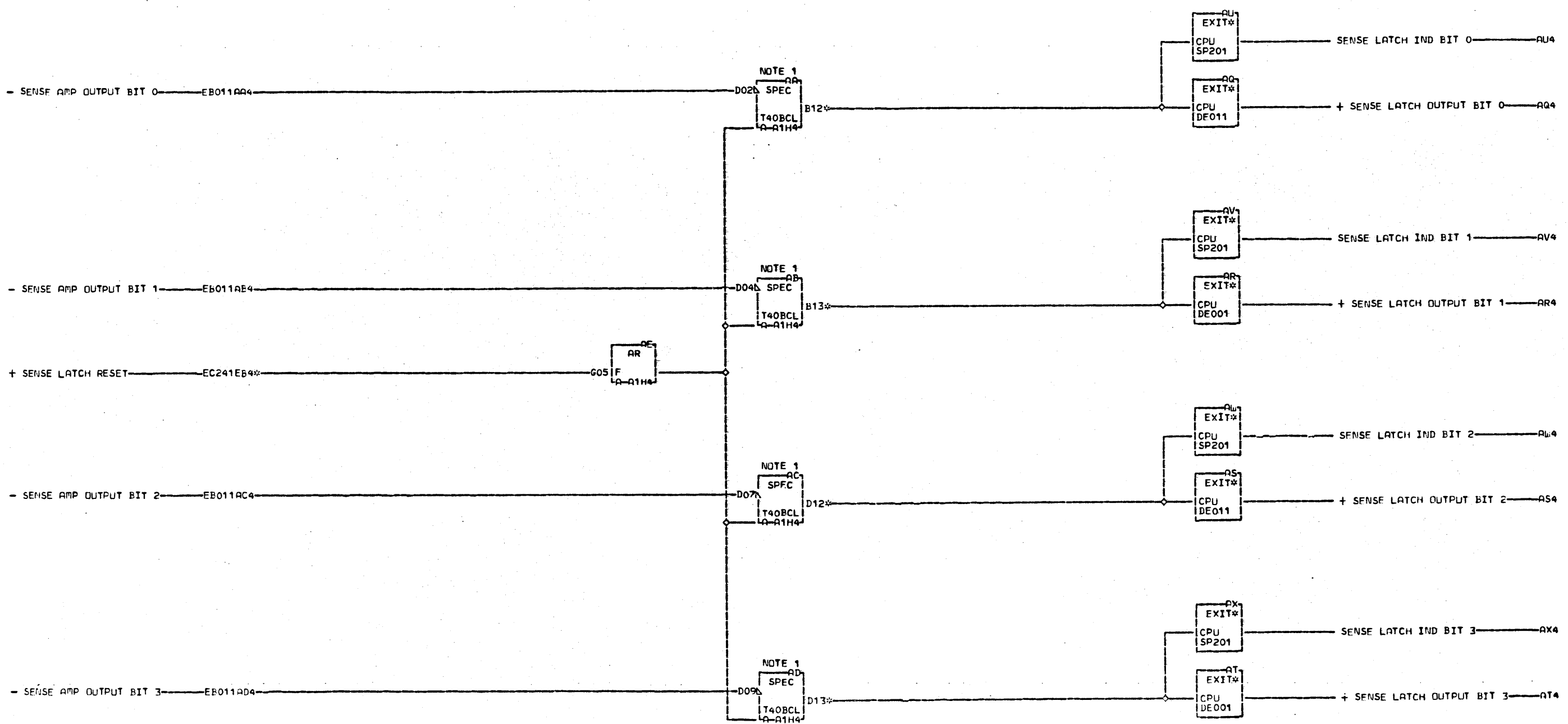
NETS 001 THRU 008 ARE TWISTED
PAIRS FROM SENSE COMMONING
E STRIPS AND ARE CONNECTED TO
B BACK OF LARGE BOARD AT WITH
1 CONNECTOR P.N. 813195.
2 NOTE 1. SEE REFERENCE
1 PAGE E.C. 159 P.N. 5375787
FOR LOGICAL PRESENTATION OF
000 SENSE AMPLIFIER P.N. 5604454
BEFORE E.C. 167303C

- AF4 A-1186B03
- AG4 A-1186D04
- AH4 A-1186B09
- AJ4 A-1186D10
- AK4 A-1187B03
- AL4 A-1187D04
- AM4 A-1187B09
- AN4 A-1187D10

LDC. TYPE
A-11G4 4454

CR SENSE AMPLIFIERS	
E.C. HISTORY	MACH. 2841RJS2
254870	FRAME 02
551634	1
551670	1
DATE LAST EC	IBM CORP. WTC
05-01-66 551634	P.N. 5374152

E
B
1
2
1
1
000

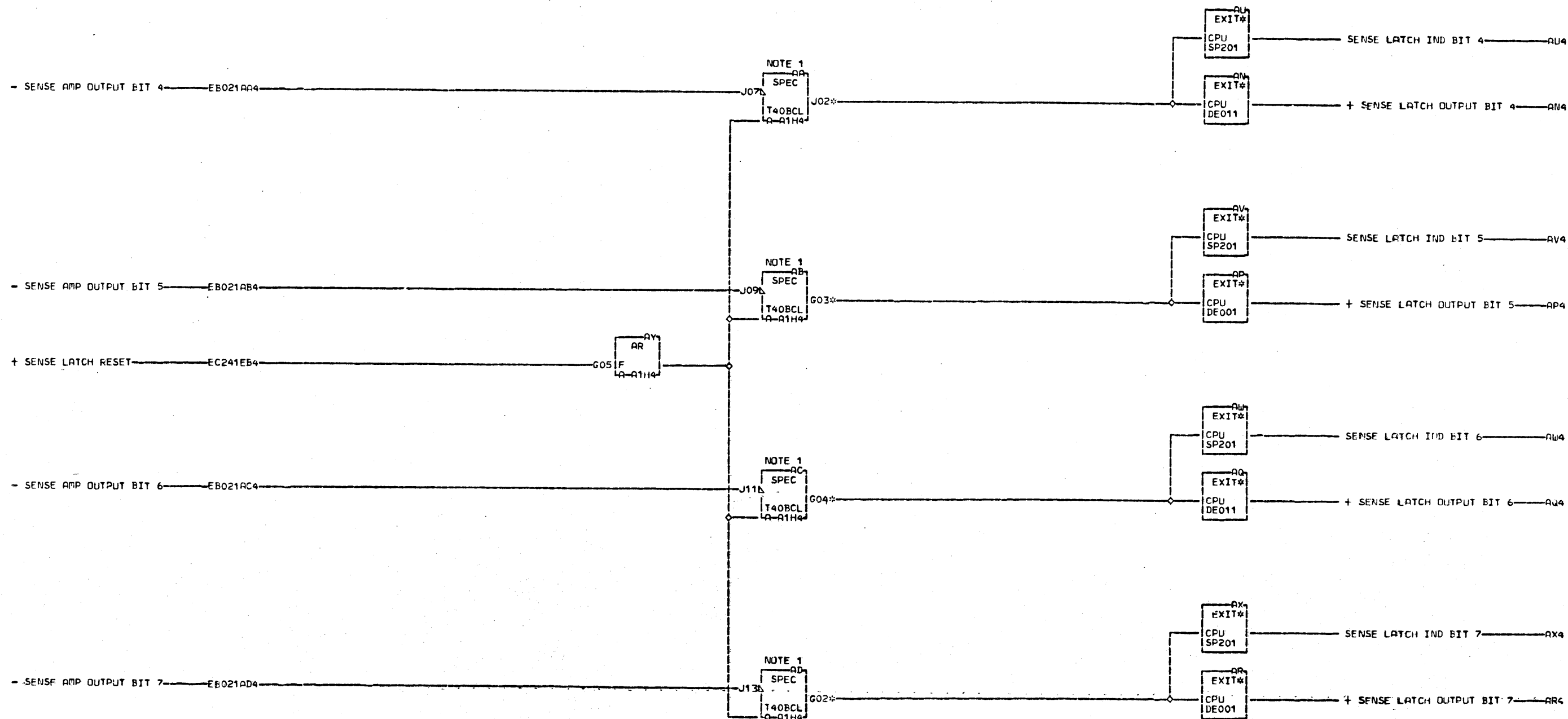


NOTE 1.
CIRCUIT FLYER
E T40BB APPLIES
B FOR SMALL CARD
1 P.N. 5804461 BEFORE
E E.C. 168035B.
1

EC241EB4 AD4 A-A1N4B04
RESISTOR 02A-A1M4B04
A-A1H4G05
AA4 A-A1N4B02
02A-A1M4B02
AB4 A-A1N4D02
02A-A1M4D02
AC4 A-A1N4B03
02A-A1M4B03

LDC. TYPE
A-A1H4 4461

SENSE LATCHES	
E.C. HISTORY	MACH. 2841R052
254870	FRAME 02
DATE LAST EC	IBM CORP. WTC
05-01-67 551670	P.N. 5374153



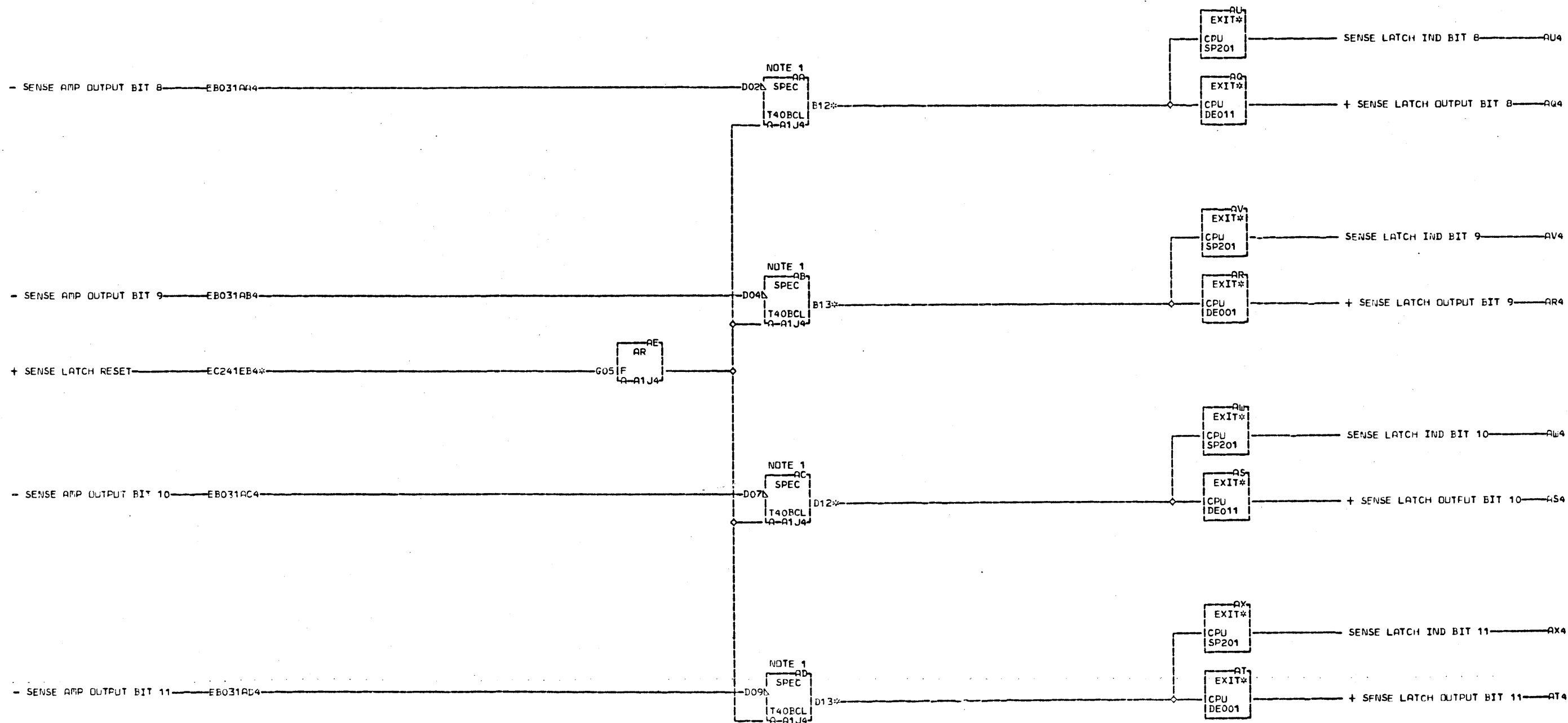
NOTE 1.
CIRCUIT FLYER
E T40BB APPLIES
B FOR SMALL CARD
1 P.N. 5804461
9 BEFORE F.C. 168038B.
1

AA4 A-A1N4D04
02A-A1M4D04
AB4 A-A1M4B05
02A-A1M4B05
AC4 A-A1M4D05
02A-A1M4D05
AD4 A-A1M4D06
02A-A1M4D06

LOC. TYPE
A-A1H4 4461

SENSE LATCHES	
E.C. HISTORY	MACH. 2841R052
254870	FRAME 02
DATE	LAST EC
05-01-67	551670
	IBM CORP. WTC
	P.N. 5374154

EB
1
9
1
000



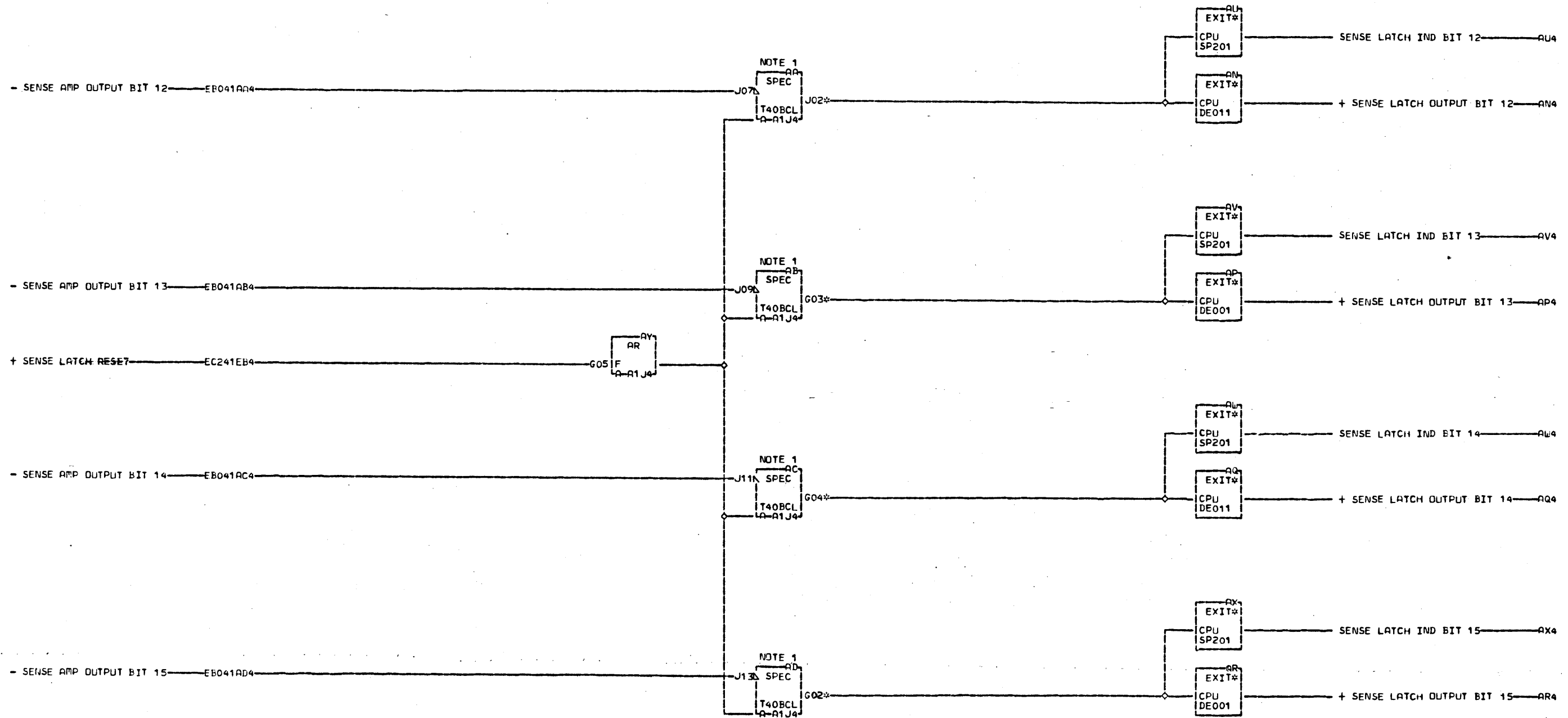
NOTE 1.
CIRCUIT FLYER
E T40B APPLIES
B FOR SMALL CARD
2 P.N. 5804461
0 BEFORE E.C. 1680356.
1

EC241EB4 AD4 A-A1N4B09
RESISTOR 02A-A1M4B09
A-A1J4G05
AA4 A-A1N4B07
02A-A1M4B07
AB4 A-A1N4D07
02A-A1M4D07
AC4 A-A1N4B08
02A-A1M4B08

LDC. TYPE
A-A1J4 4461

SENSE LATCHES	
E.C. HISTORY	MACH. 2841R0S2
254870	FRAME 02
DATE	IBM CORP. WTC
LAST EC	P.N. 5374155
105-01-67 551670	

EB201
000



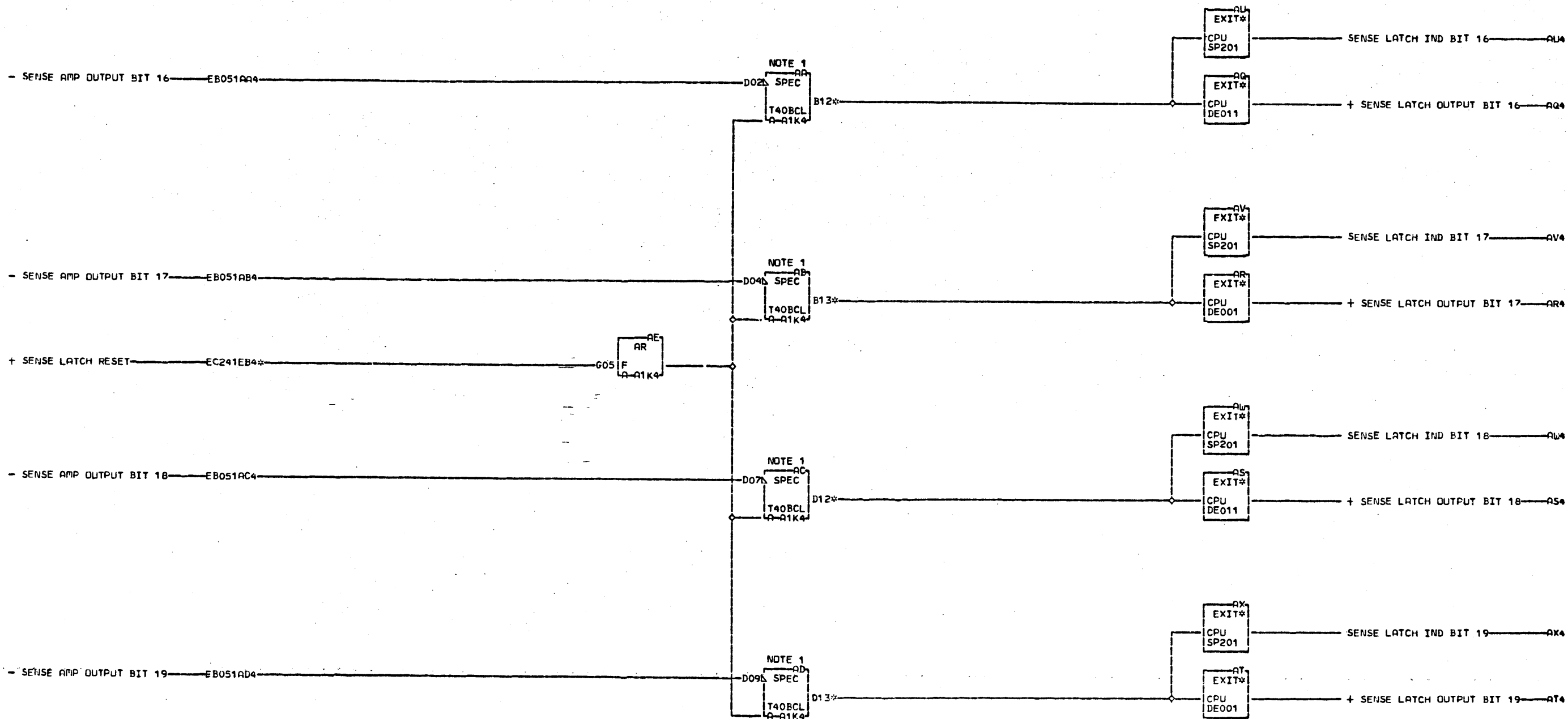
NOTE 1.
CIRCUIT FLYER
E T40BB APPLIES
B FOR SMALL CARD
2 P.N. 5804461
1 BEFORE F.C. 168038h.

AA4 A-A1N4D09
O2A-A1M4D09
AB4 A-A1N4B10
O2A-A1M4B10
AC4 A-A1N4D10
O2A-A1M4D10
AD4 A-A1N4D11
O2A-A1M4D11

LDC. TYPE
A-A1J4 4461

SENSE LATCHES	
E.C.-HISTORY 254870	MACH#2841R052 FRAME 02
DATE LAST EC 05-01-67 551670	IBM CORP. WTC P.N. 5374156

EB211
000



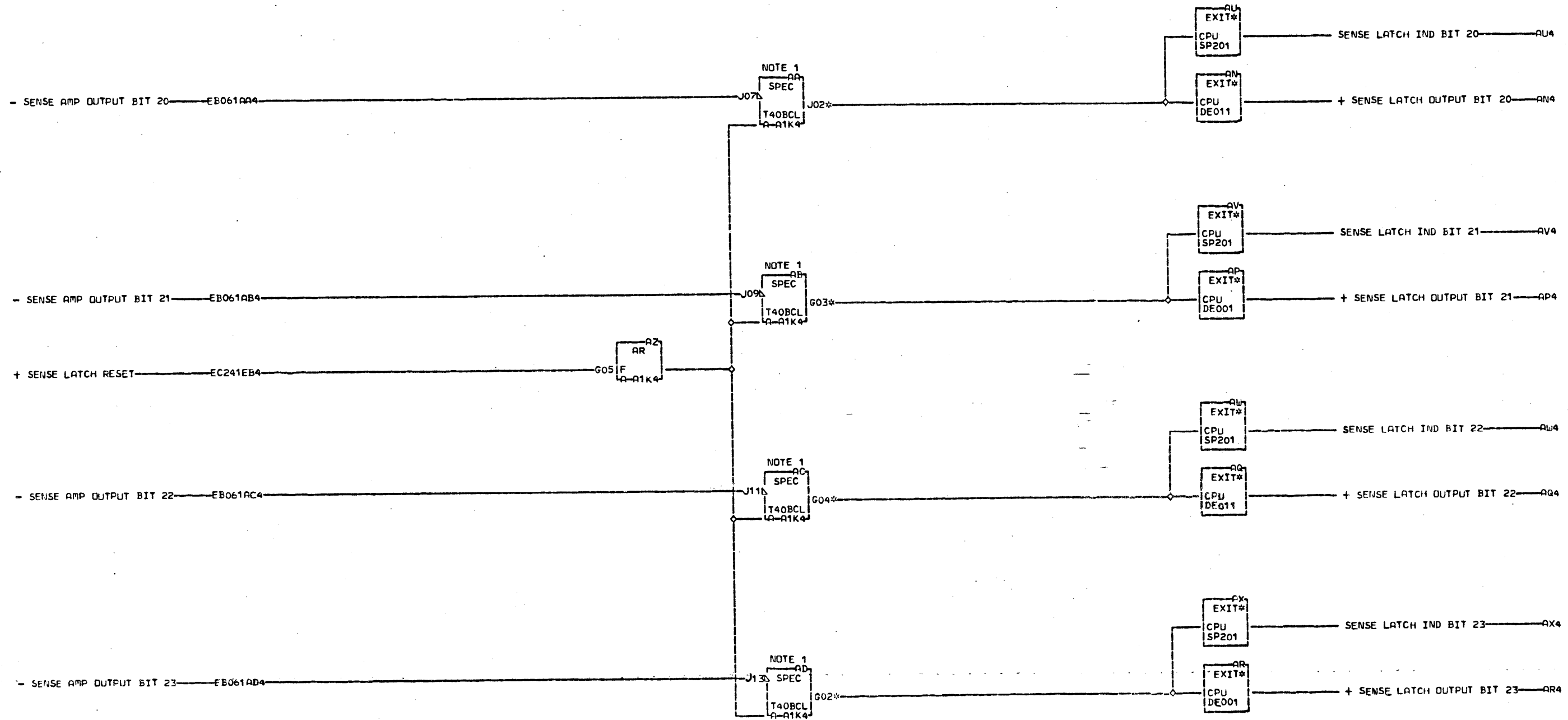
NOTE 1.
CIRCUIT FLYER
E T40BB APPLIES
B FOR SMALL CARD
2 P.N. 5804461
2 BEFORE E.C. 16803BB.
1

EC241EB4 AD4 A-A1N4D13
RESISTOR 02A-A1M4D13
A-A1K4G05
AA4 A-A1M4B12
02A-A1M4B12
AB4 A-A1M4D12
02A-A1M4D12
AC4 A-A1M4B13
02A-A1M4B13

LDC. TYPE
A-A1K4 4461

SENSE LATCHES	
E.C. HISTORY 254870	MACH. 2841R052
DATE LAST EC 05-01-67 551670	FRAME 02 IBM CORP. WTC P.N. 5374157

EB221
000



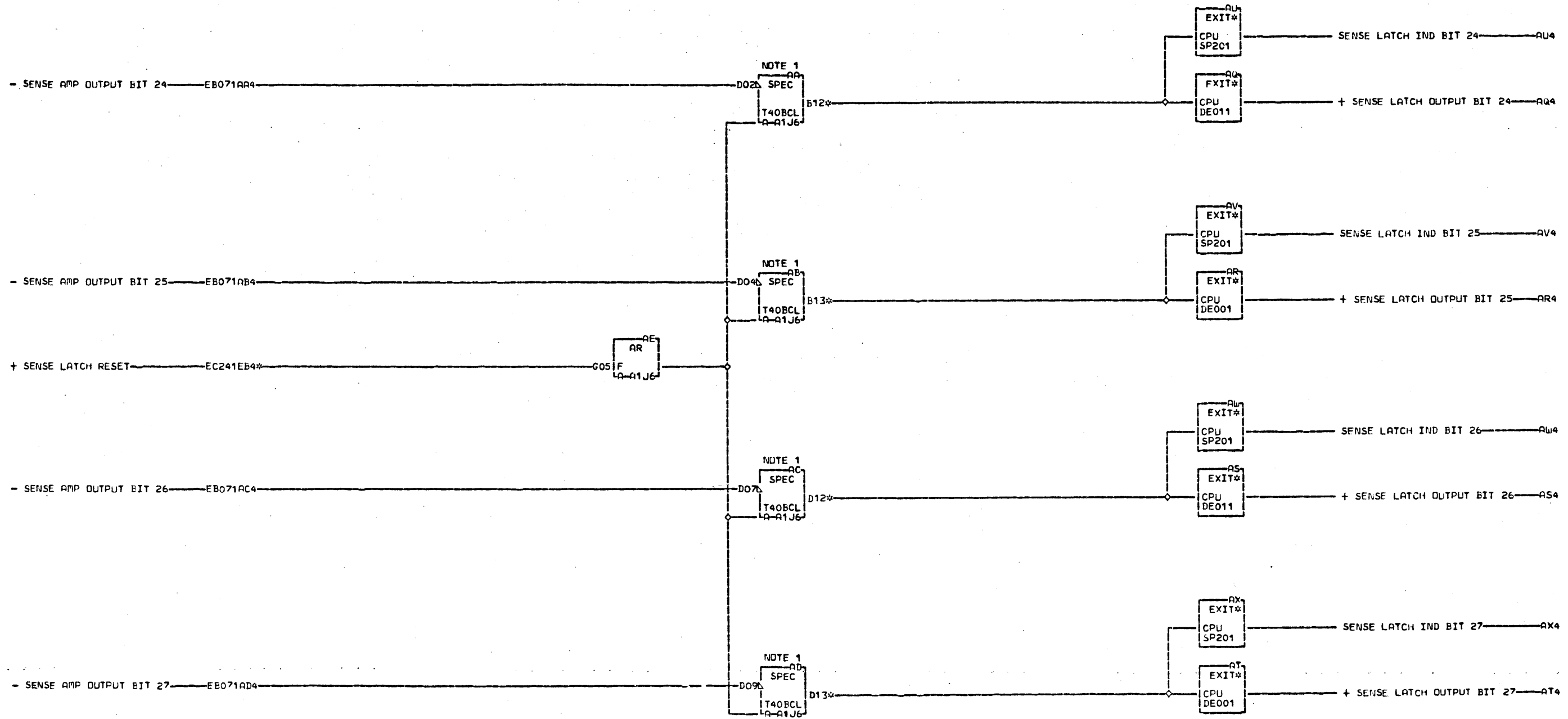
NOTE 1.
CIRCUIT FLYER
E T40BB APPLIES
B FOR SMALL CARD
2 P.N. 5804461
3 BEFORE F.C.
1 168038B.

AA A-A1N6B02
O2A-A1M6B02
AB A-A1N6D02
O2A-A1M6D02
AC A-A1N6B03
O2A-A1M6B03
AD A-A1N5B04
O2A-A1M6B04

LDC. TYPE
A-A1K4 4461

SENSE LATCHES	
E.C. HISTORY	MACH. 2841R052
254870	FRAME 02
DATE	IBM CORP. WTC
05-01-67	P.N. 5374158
LAST EC	551670

E
B
2
3
1

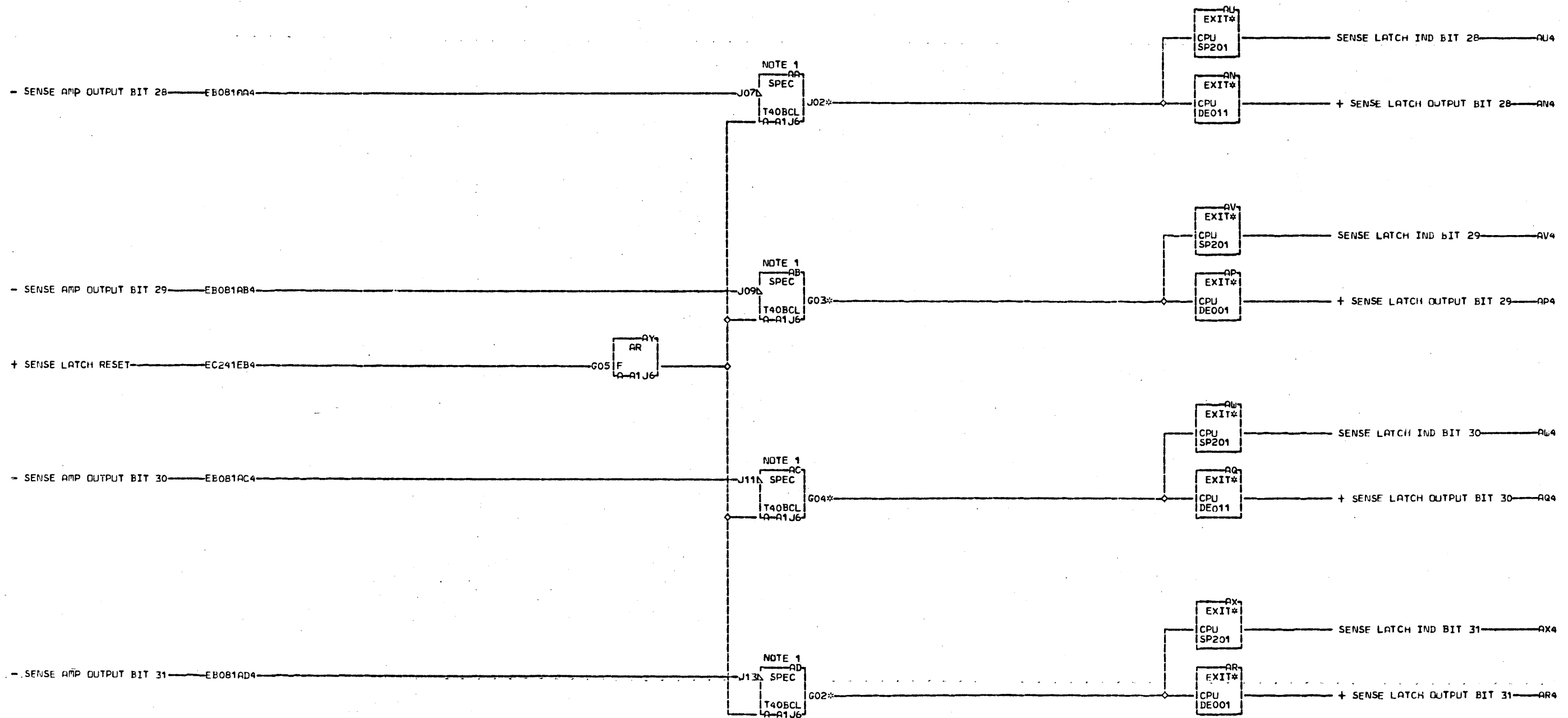


NOTE 1.
CIRCUIT FLYER
E T40EB APPLIES
R FOR SMALL CARD
2 P.N. 5804461
4 BEFORE E.C. 168038A.
1

EC241EB4 AD4 A-A1N6D06
RESISTOR 02A-A1M6D06
A-A1J6G05
AA4 A-A1N6D04
02A-A1M6D04
AB4 A-A1N6B05
02A-A1M6B05
AC4 A-A1N6D05
02A-A1M6D05

LOC. TYPE
A-A1J6 4461

SENSE LATCHES		F B 2 4 1
E.C. HISTORY 254870	MACH. 2841R052	
DATE LAST EC 05-01-67 551670	FRAME 02 IBM CORP. WTC P.N. 5374159	000



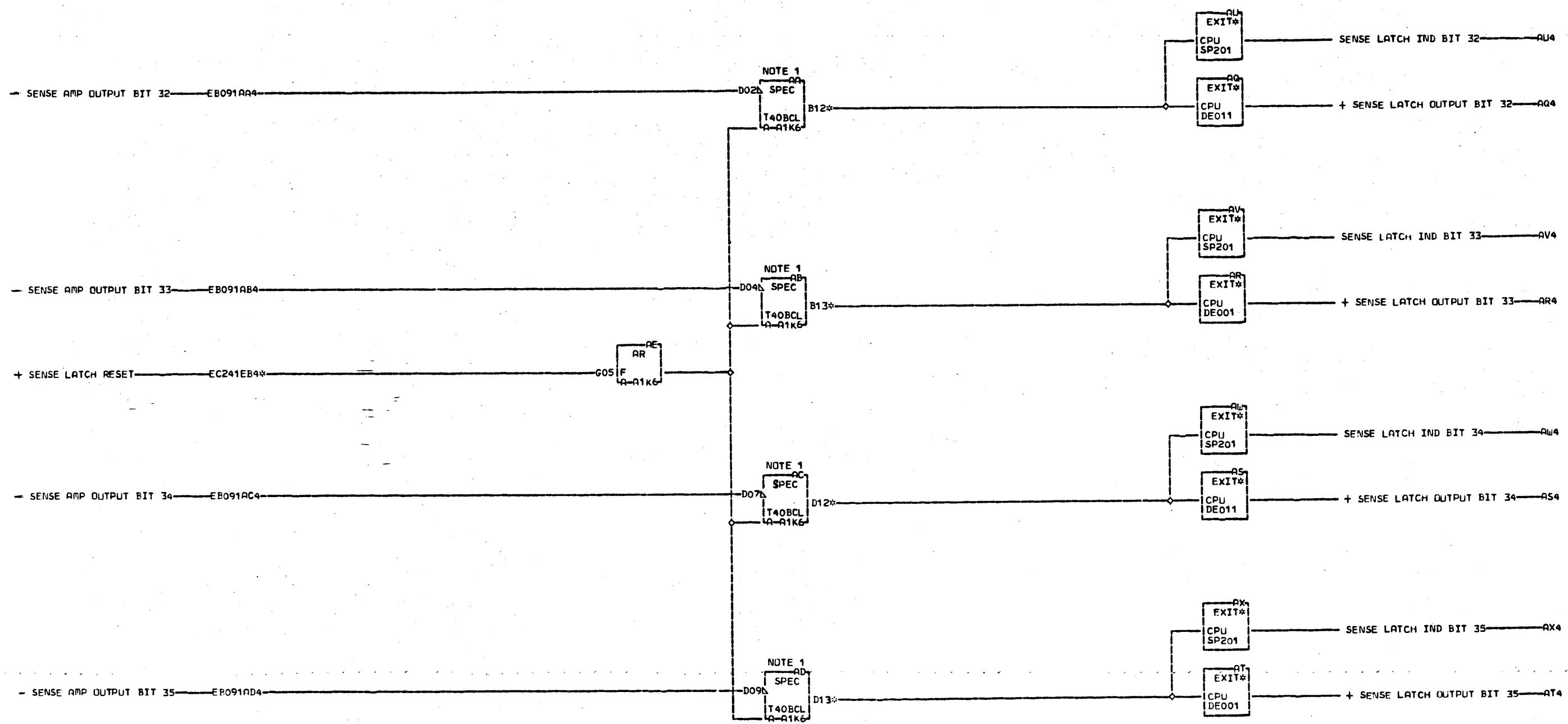
NOTE 1.
CIRCUIT FLYER
E T40BB APPLIES
B FOR SMALL CARD
2 P.N. 5804461
5 BEFORE F.C. 168038B.
1

AA4 A-A1N6B07
02A-A1M6B07
AB4 A-A1N6D07
02A-A1M6D07
AC4 A-A1N6B08
02A-A1M6B08
AD4 A-A1N6E09
02A-A1M6B09

LOC. TYPE
A-1J6 4461

SENSE LATCHES	
EC-HISTORY 254870	MACH#2841R052 FRAME 02
DATE LAST EC 05-01-67 551670	IBM CORP. WTC P.N. 5374160

EB251
000



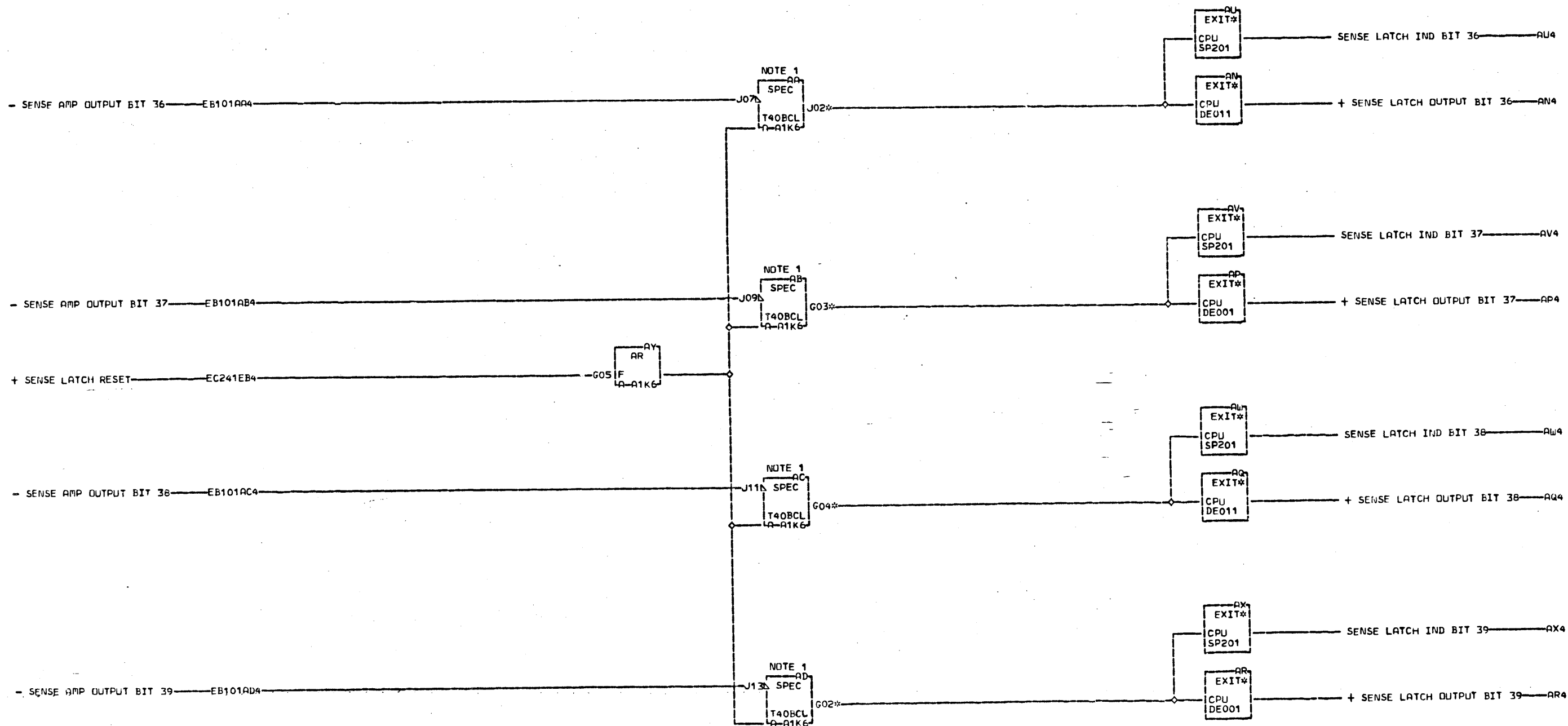
SPECIAL BLOCKS ARE
BUFFERED LATCHES
NOTE 1
CIRCUIT FLYER
T40EB APPLIES
FOR LATCH CARD
P.N. 5804461 BEFORE
E.C. 165038B

EC241EB4 AD4 A-A1N6D11
RESISTOR 02A-A1M6D11
A-A1K6G05
AA4 A-A1N6D09
02A-A1M6D09
AB4 A-A1N6B10
02A-A1M6B10
AC4 A-A1N6D10
02A-A1M6D10

LOC. TYPE
A-A1K6 4461

SENSE LATCHES	
E.C. HISTORY	MACH. 2841RDS2
254870	FRAME 02
DATE LAST EC	IBM CORP. WTC
05-01-67 551670	P.N. 5374161

E B 261
000



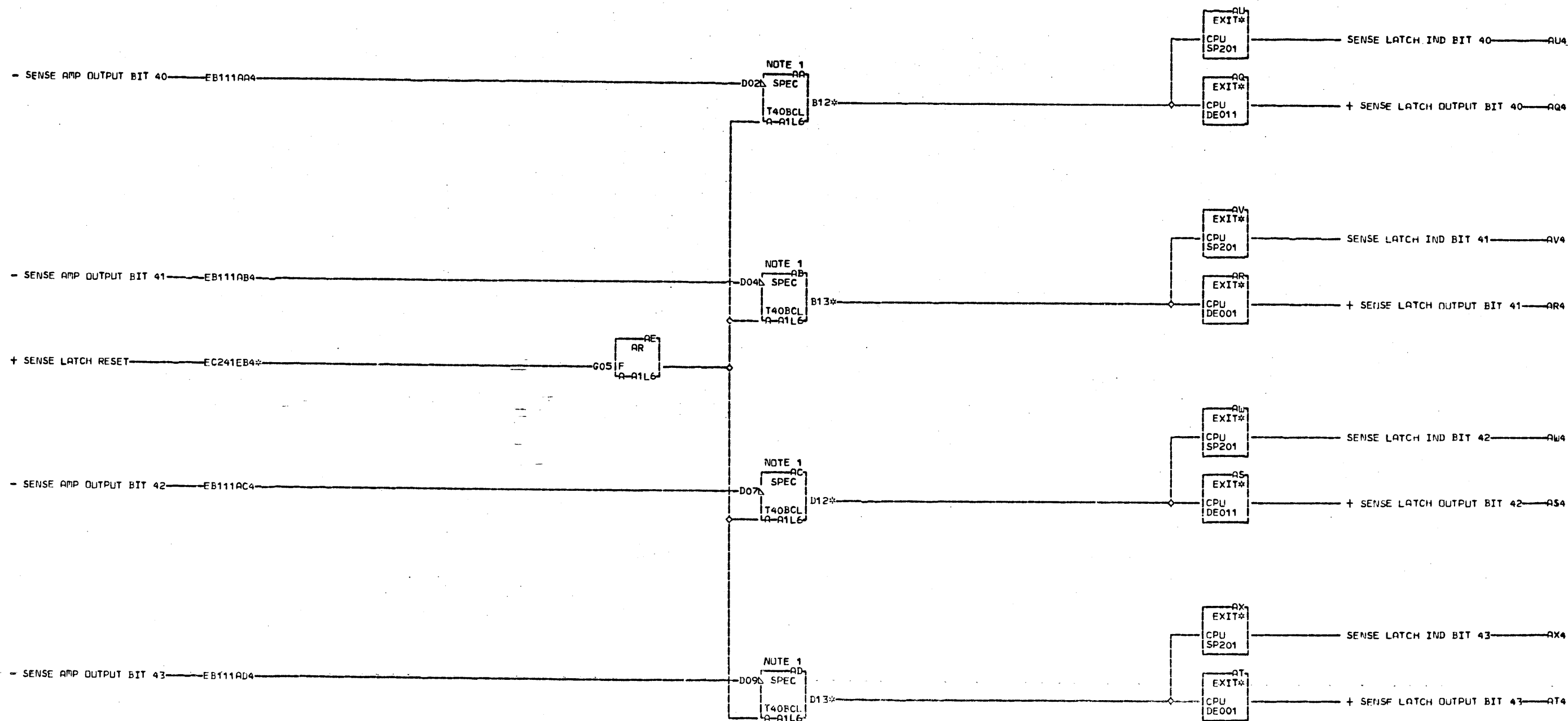
SPECIAL BLOCKS ARE
BUFFERED LATCHES
E NOTE 1.
B CIRCUIT FLYER
2 T40BB APPLIES
7 FOR LATCH CARD
1 P.N. 5804461 BFFORE
E.C. 168078B
000

AA4 A-A1M6B12
02A-A1M6B12
AB4 A-A1M6D12
02A-A1M6D12
AC4 A-A1M6B13
02A-A1M6B13
AD4 A-A1M6D13
02A-A1M6D13

LDC. TYPE
A-A1K6 4461

SENSE LATCHES	
E.C. HISTORY 254870	MACH#2841R052 FRAME 02 IBM CORP. WTC P.No. 5374162
DATE LAST EC 05-01-67 551670	

E
N
B
1
000



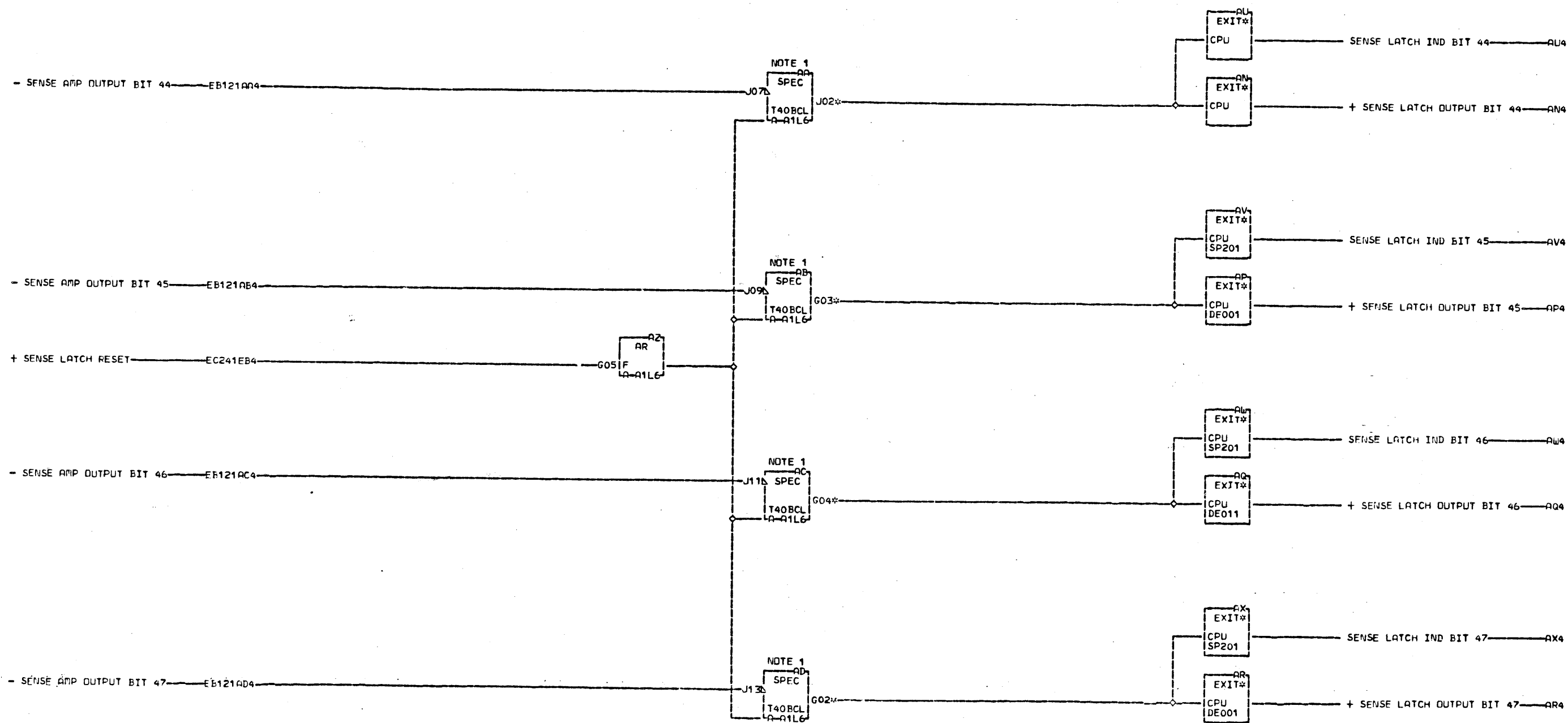
SPECIAL BLOCKS ARE
BUFFERED LATCHES
E NOTE 1
B CIRCUIT FLYER
2 T40BB APPLIES
8 FOR LATCH CARD
1 P.N. 5804461 BEFORE
E.C. 1680388
000

EC241EB4 RESISTOR AD4 A-A1N7B04
A-A1L6G05 02A-A1M7B04
AA4 A-A1N7B02
02A-A1M7B02
AB4 A-A1N7D02
02A-A1M7D02
AC4 A-A1N7B03
02A-A1M7B03

LOC. TYPE
A-A1L6 4461

SENSE LATCHES	
E.C. HISTORY	MACH. 2841R052
254870	FRAME 02
DATE LAST EC	IRM CORP. WTC
05-01-67 551670	P.N. 5374163

E
B
2
8
1
000



SPECIAL BLOCKS ARE
BUFFERED LATCHES
E NOTE 1.
B CIRCUIT FLYER
2 T40B APPLIES
9 FOR LATCH CARD
1 P.N. 5804461 EFFORE
E.C. 168038B
000

AA4 A-A1N7D04
02A-A1M7D04
AB4 A-A1N7B05
02A-A1M7B05
AC4 A-A1N7D05
02A-A1M7D05
AD4 A-A1N7D06
02A-A1M7D06

LOC. TYPF
A-A1L6 4461

SENSE LATCHES	
E.C. HISTORY	MACH#2841R052
254870	FRAME 02
DATE LAST EC	IBM CORP. WTC
05-01-67 551670	P.N. 5374164

EB291