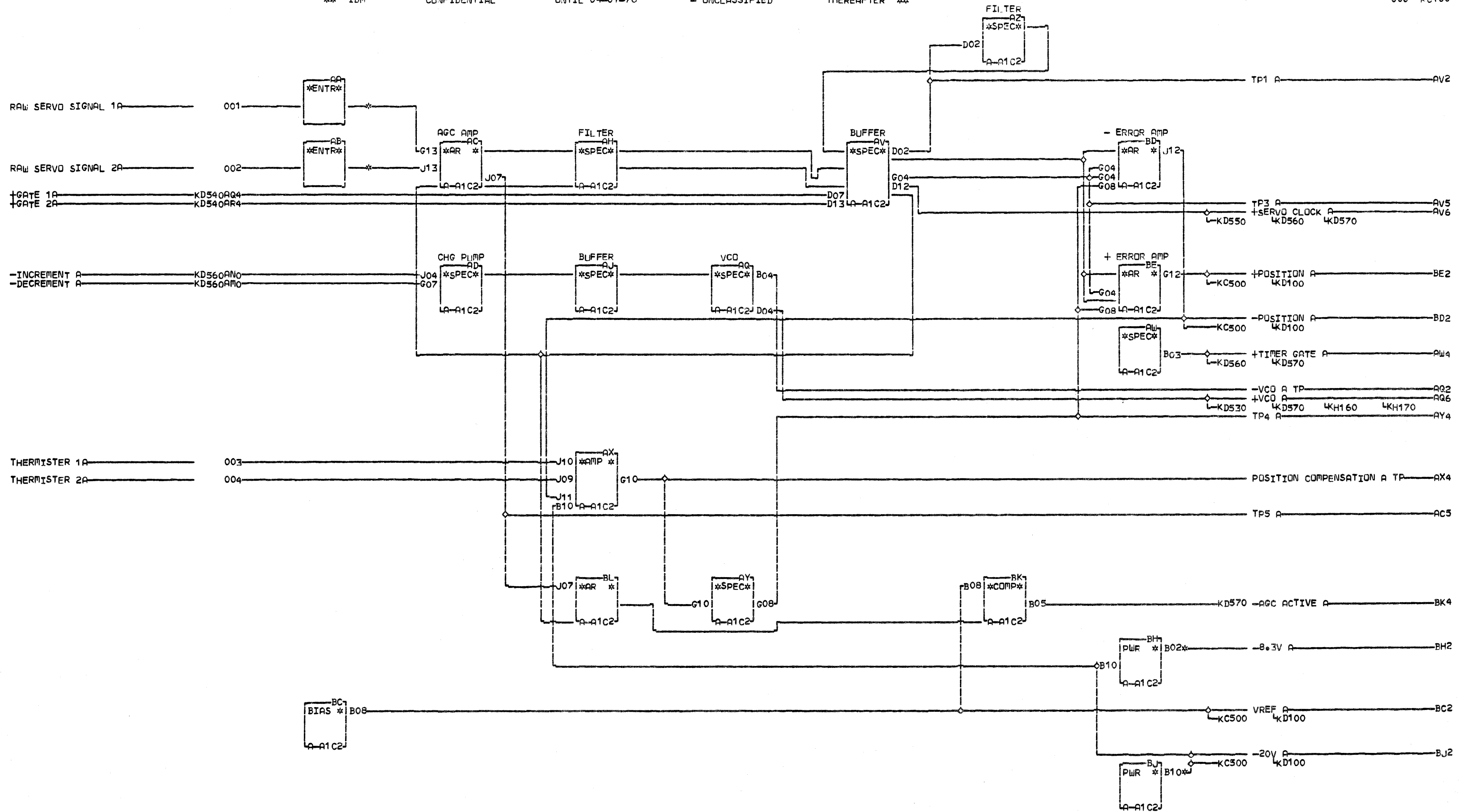


VOLTAGE DISTRIBUTION A	
E.C. HISTORY	B MACH. 3350
435460	
446701	FRAME 01
	IBM CORP. GPD
DATE LAST EC	P.N. 4291601
03-05-76 446704	



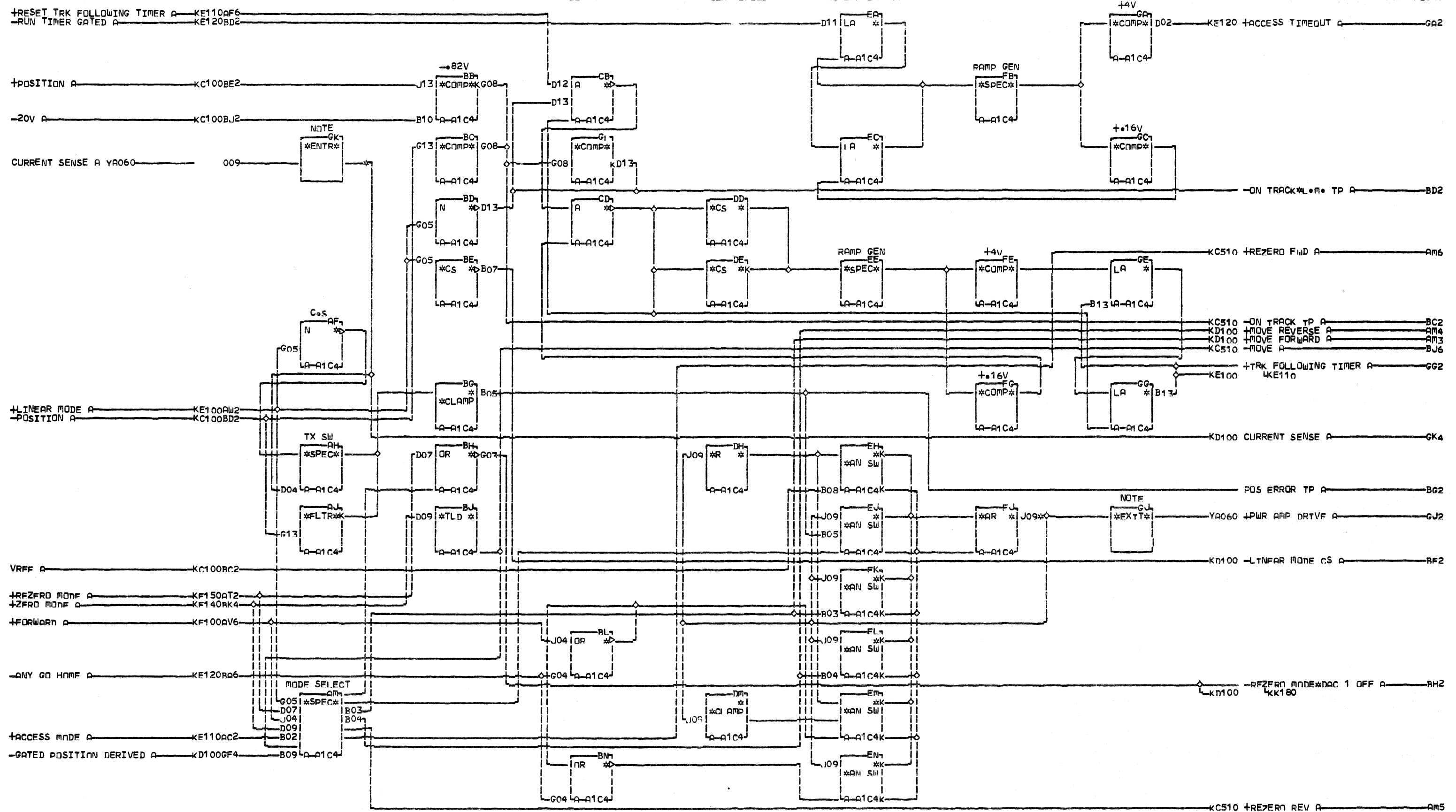
AA4 A-D1B2B12
 AB4 A-D1B2D12
 BH2 A-D1B2D13
 O1A A-D1B2B13
 BJ2 A-D1A4B10

LQC TYPE
 A-A1C2 BC49

SERVO AMP A	
E.C. HISTORY	B MACH. 3350
435460	FRAME 01
446701	IBM CORP. GPD
DATE LAST EC	P.N. 4291602
03-05-76 446704	

K
C
1
0
0

K
C
1
0
0
000

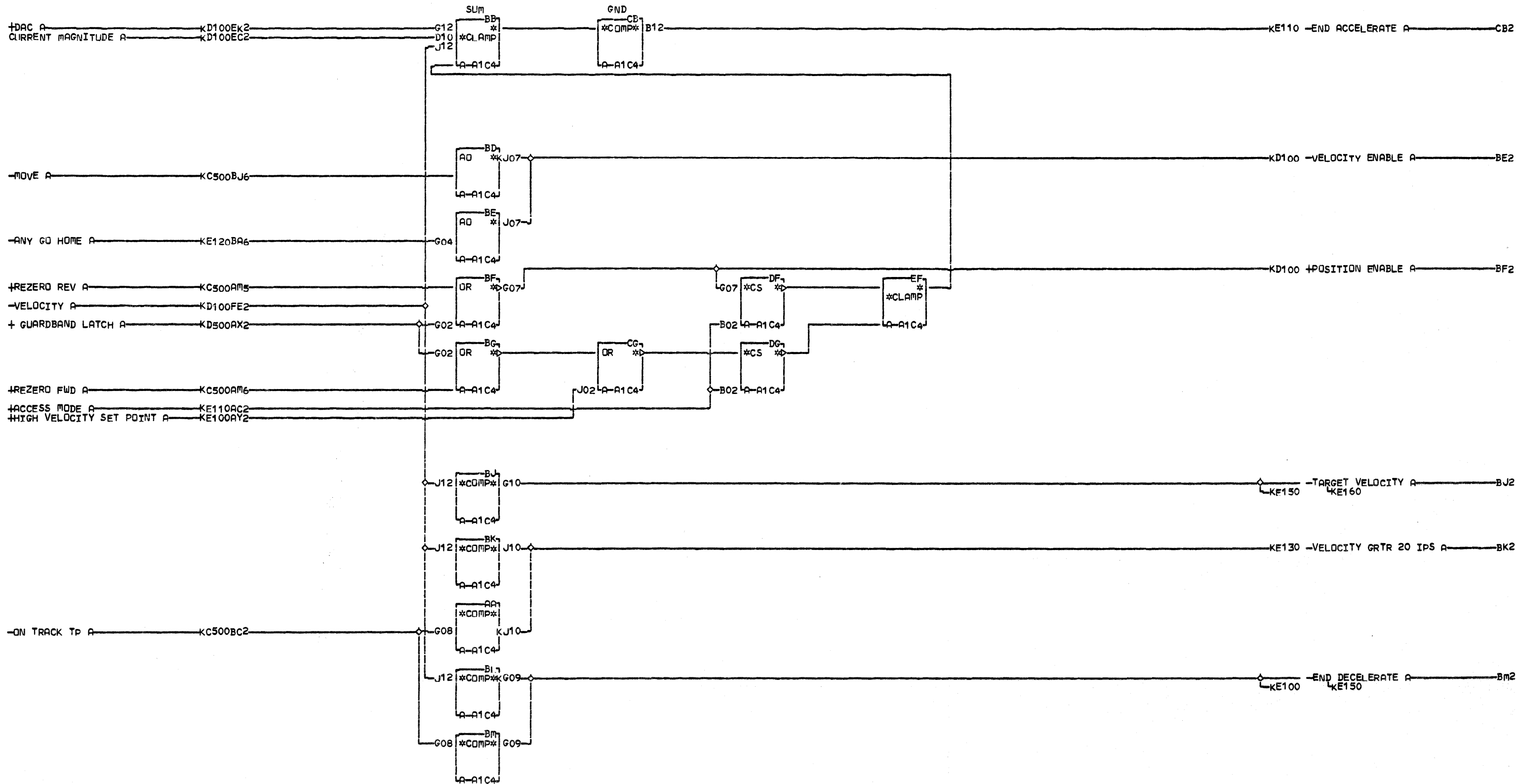


NOTE B BOX HAS YB PAGES.

F.12 A-A1A4D10
Gk4 A-A1A4D02

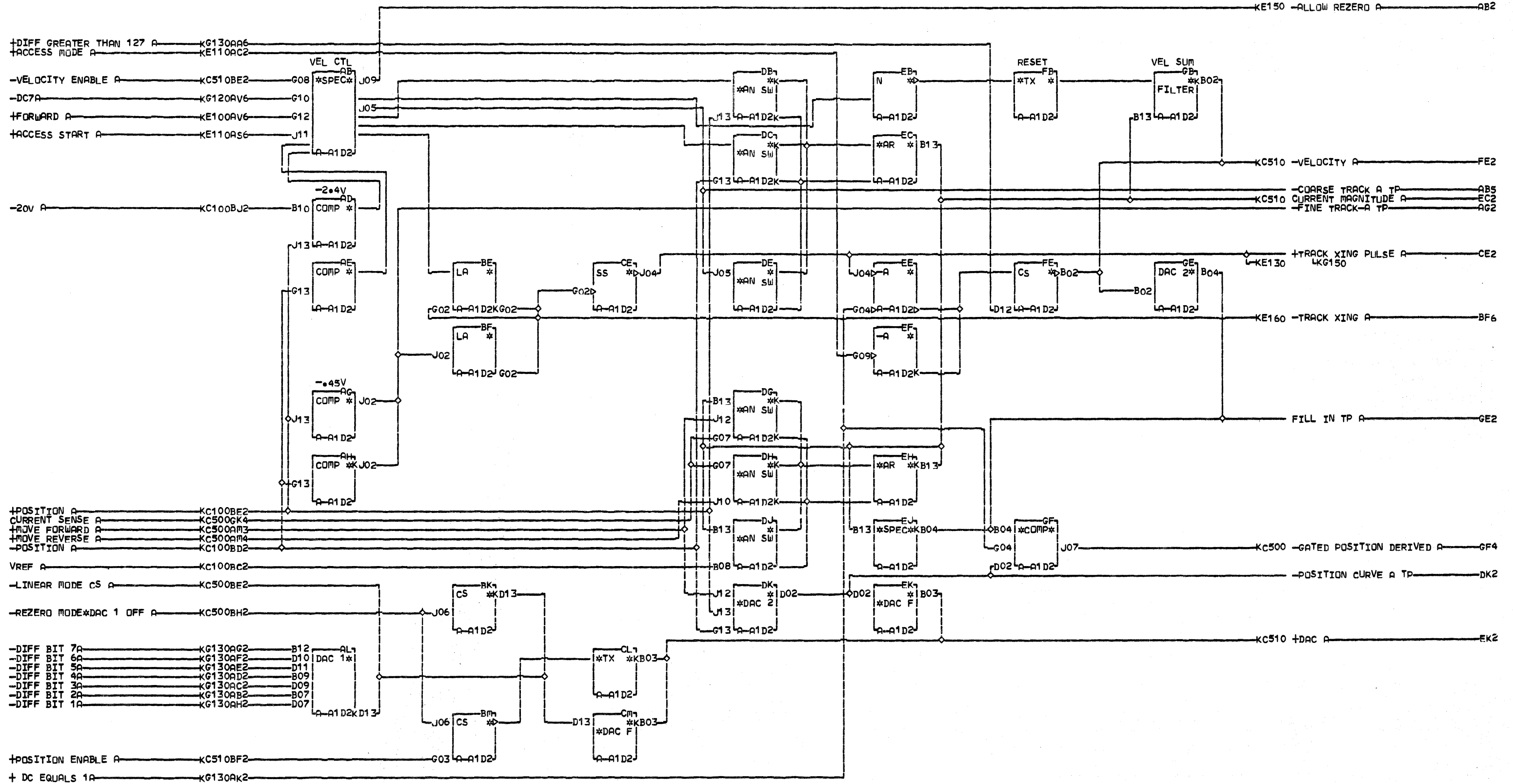
IDC TYPE
A-A1C4 BC50

SERVO INTC A	
E.C. HISTORY	MACH. 3350
435460	FRAME 01
446701	IBM CORP. GPD
446702	DATE
446704	LAST EC
06-04-76 446705	Pa. 4291603



LOC. TYPE
A-A1C4 BC50

SERVO LOGIC A	
E.C. HISTORY	MACH. 3350
435460	FRAME 01
446701	IBM CORP. GPD
DATE	LAST EC
03-05-76	446704
P.N.	4291604

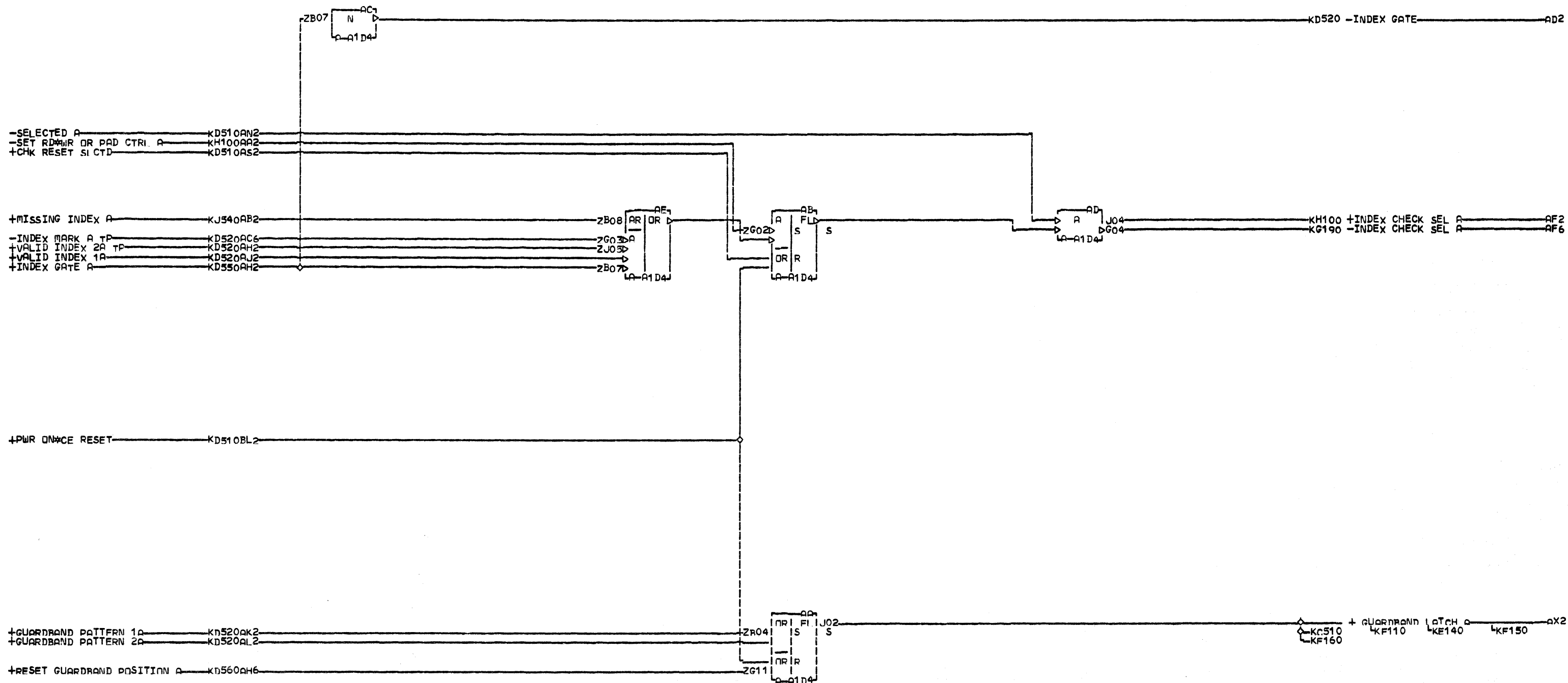


LOC. TYPE
A-A1D2 BC51

SERVO ANALOG A	
E.C. HISTORY	B1 MACH. 3350
435460	
446701	FRAME 01
446702	
DATE	LAST EC
03-05-76	446704
P.N.	4291605

K
D
1
0
0

K
D
1
0
0



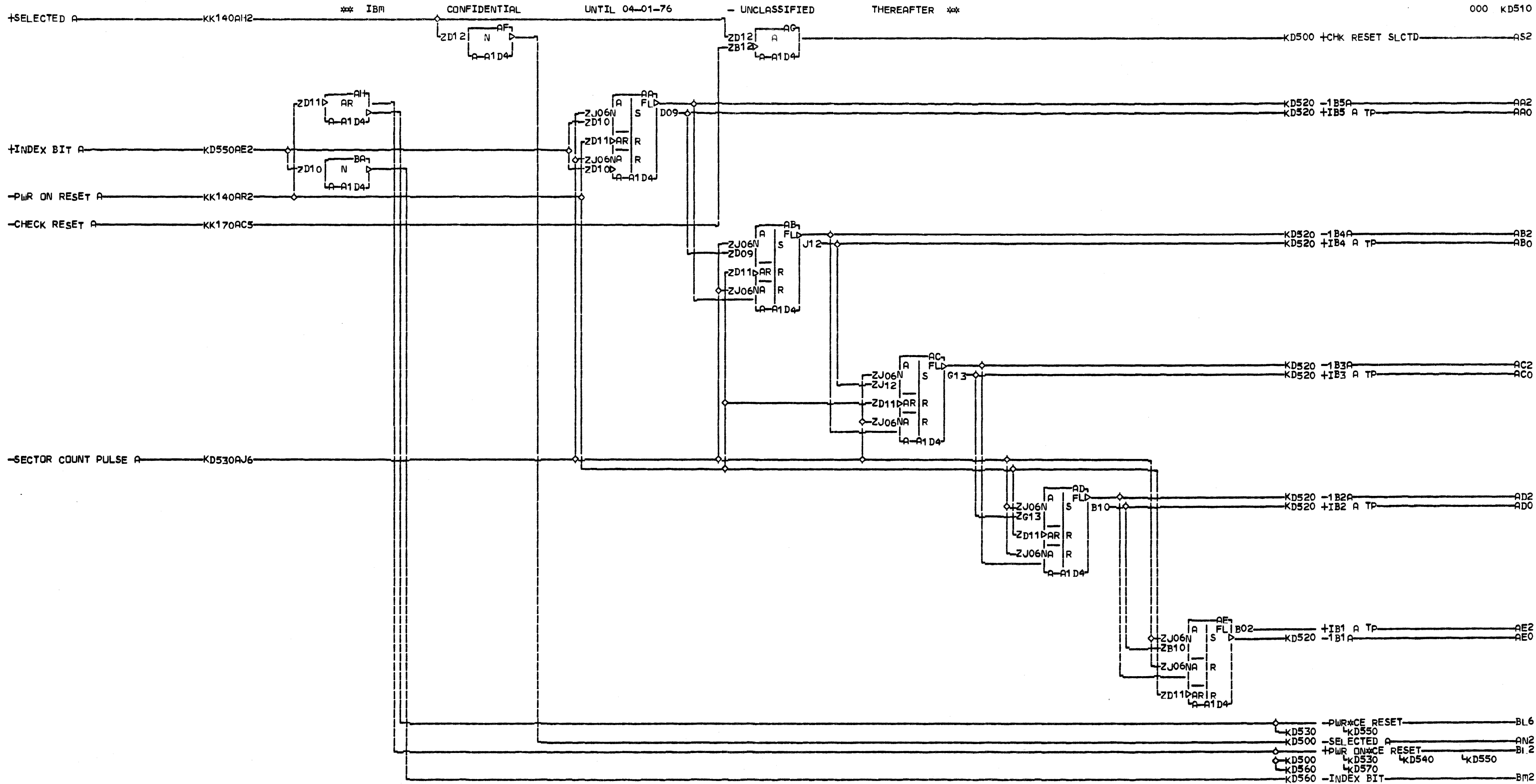
K
D
S
O
O

000COPYRIGHT IBM CORP 1976

LOC. TYPE
A-A1D4 BC46

ACTIVE TRACK A	
E.C. HISTORY	MACH. 3350
435460	
446701	FRAME 01
446704	IBM CORP. SDD
DATE	LAST EC
06-04-76	446705
	P.N. 4291606

K
D
S
O
O

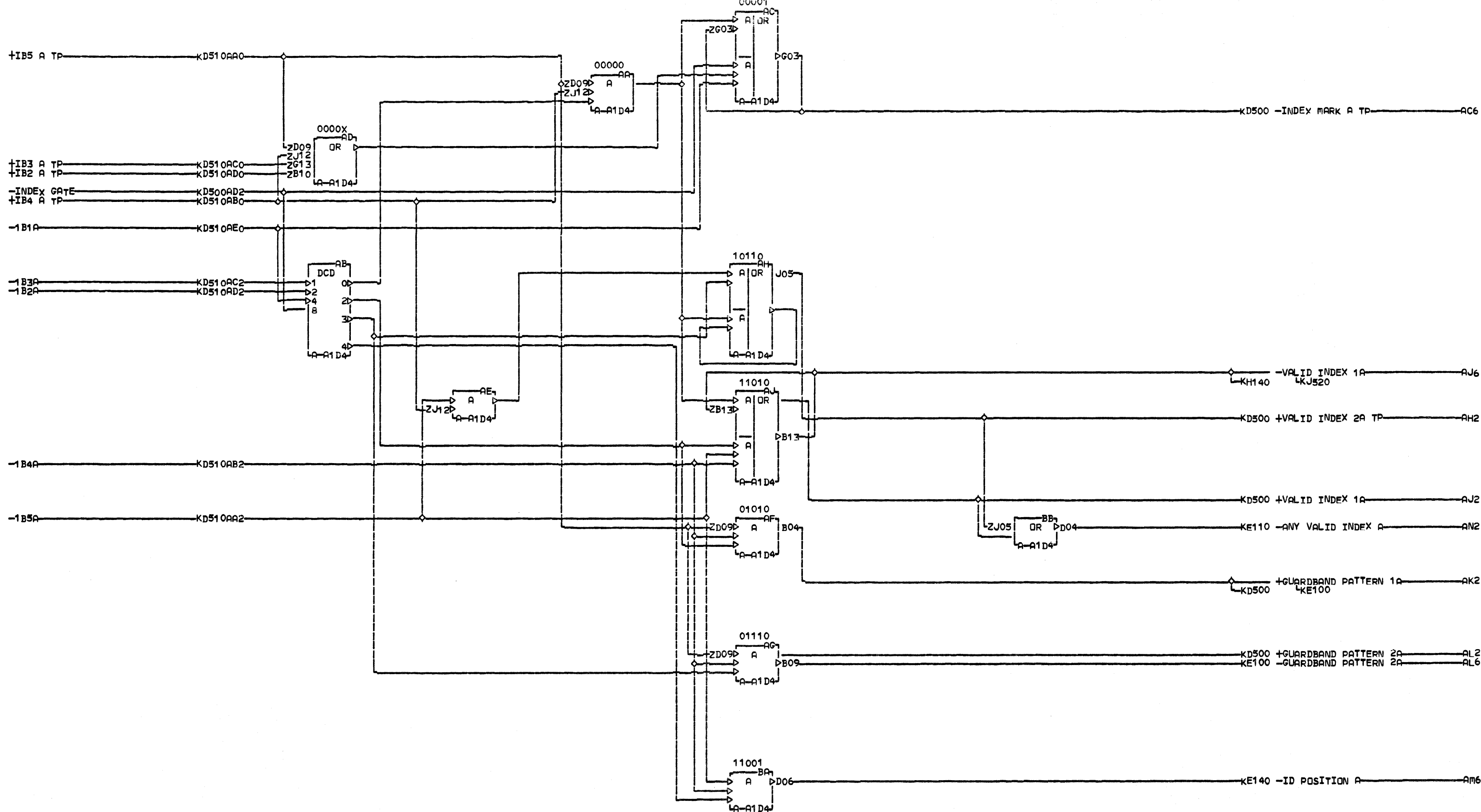


LOC. TYPE
A-A1D4 BC46

INDEX SHIFT REG A	
E.C. HISTORY	B-MACH.3350
435460	FRAME 01
446701	IBM CORP. SDD
DATE	LAST EC
03-05-76	446704
P.No.	4291607

K
D
S
1
0

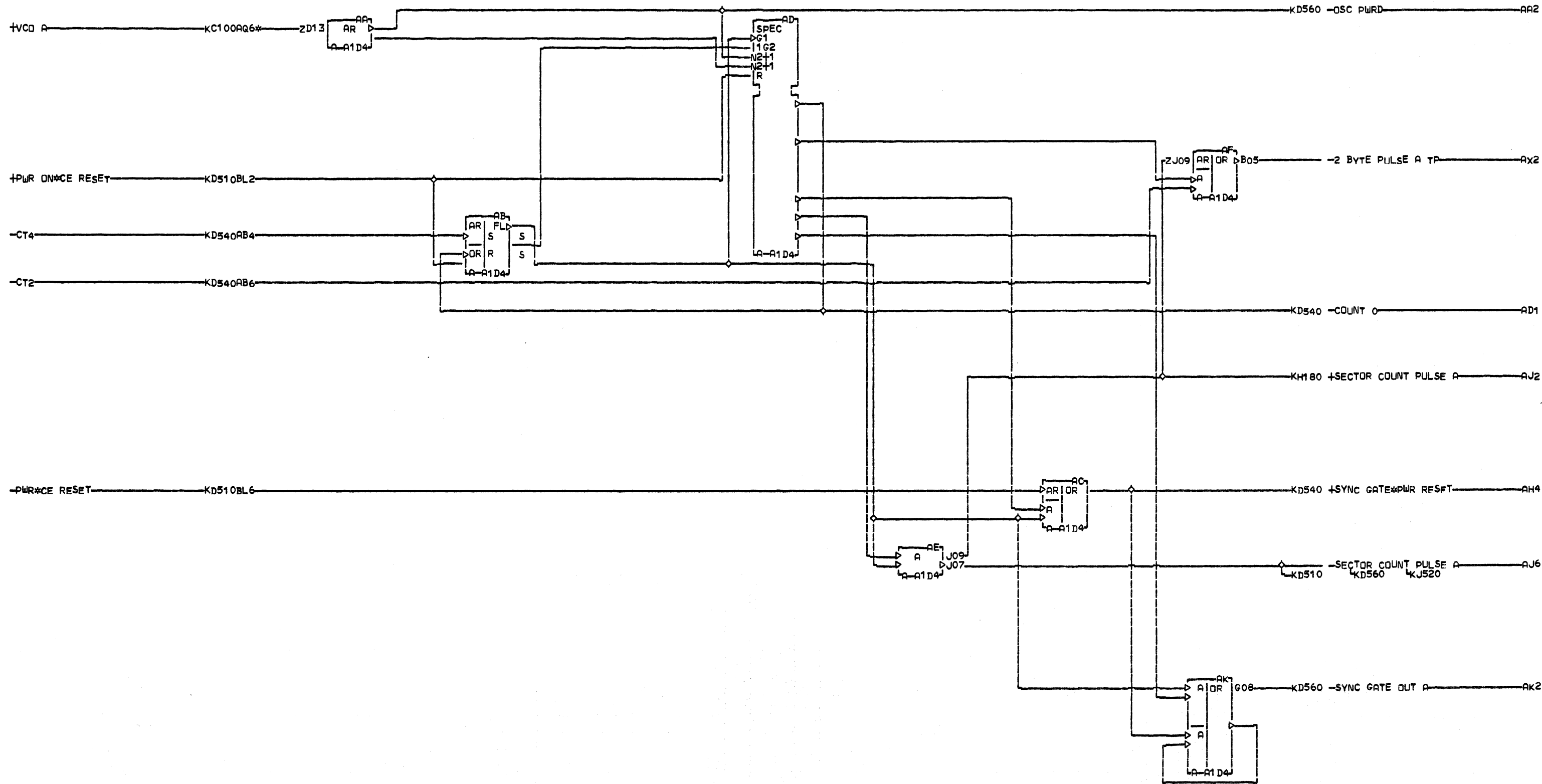
K
D
S
1
0
000



NOTE BLOCK LABELS REFLECT
SHIFT REGISTER BITS
504030201.

LDC. TYPE
A-A1D4 BC46

INDEX DECODES A	
-E.C.-HISTORY	B MACH.3350
435460	FRAME 01
446701	IBM CORP. GPD
DATE	LAST EC
03-05-76	446704
P.N.	4291608



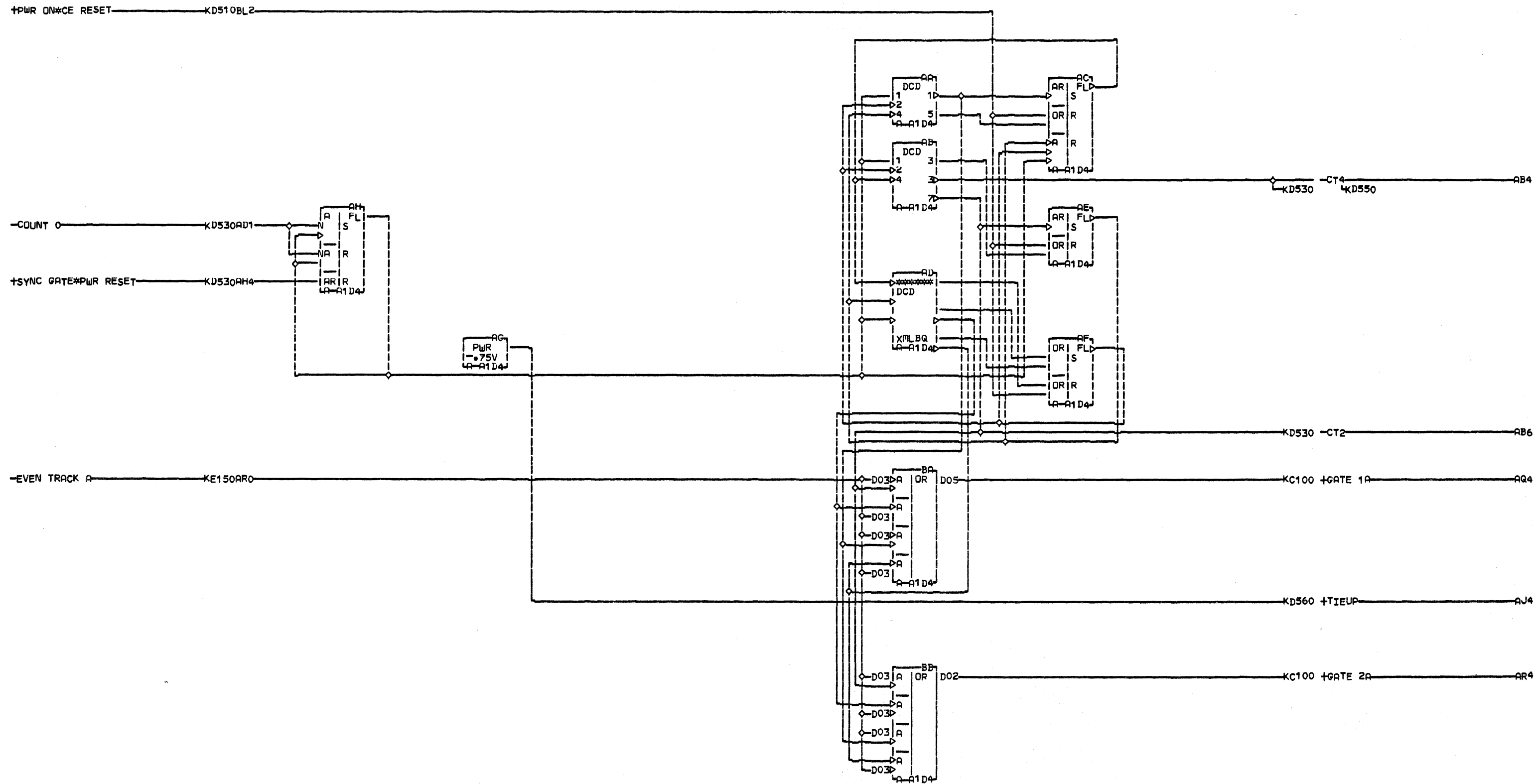
KC100AQ6
RESISTOR
A-A1D4D13

LOC. TYPE
A-A1D4 BC46

PRIMARY OSC DECODE A	
-E.C.-HISTORY-	B MACH. 3350
435460	FRAME 01
446701	IBM CORP. GPD
DATE	LAST EC
03-05-76	446704
	PoN. 4291609

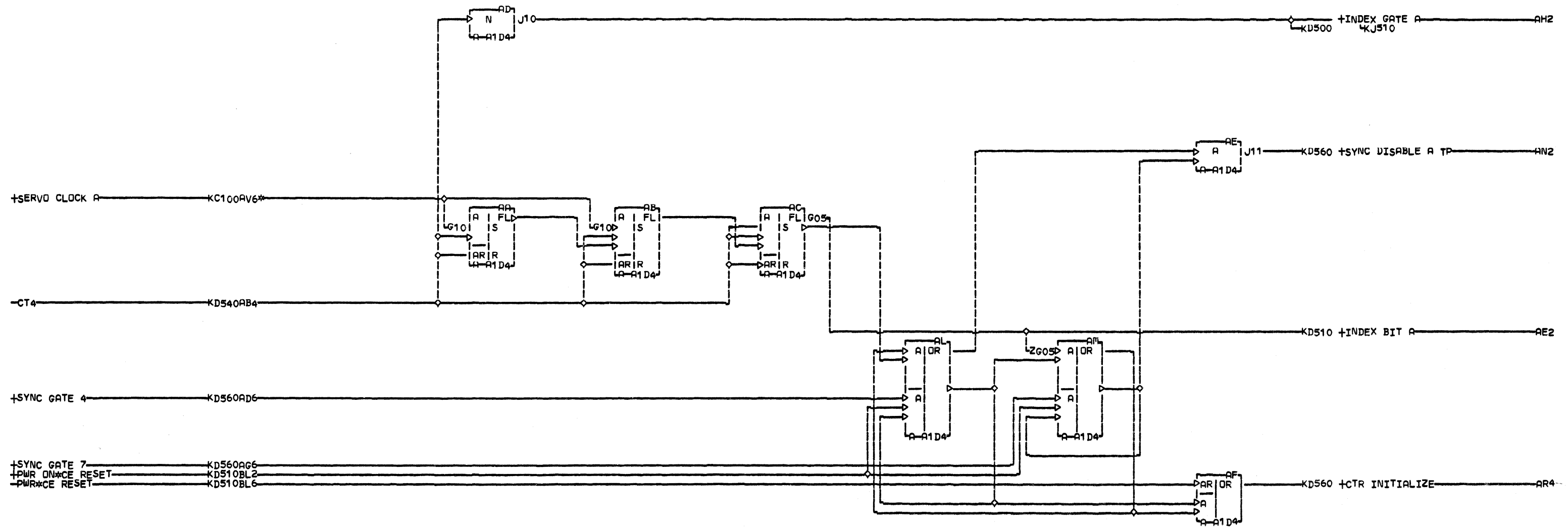
K
D
5
3
0
0
0

0
1
2
3
4
5
6
7
8
9



LQC TYPE
A-A1D4 BC46

SECONDARY OSC DECODE A	
E.C. HISTORY	MACH. 3350
435460	FRAME 01
446704	IBM CORP. GPD
DATE	LAST EC
10-01-76	446706
P.No.	4291610



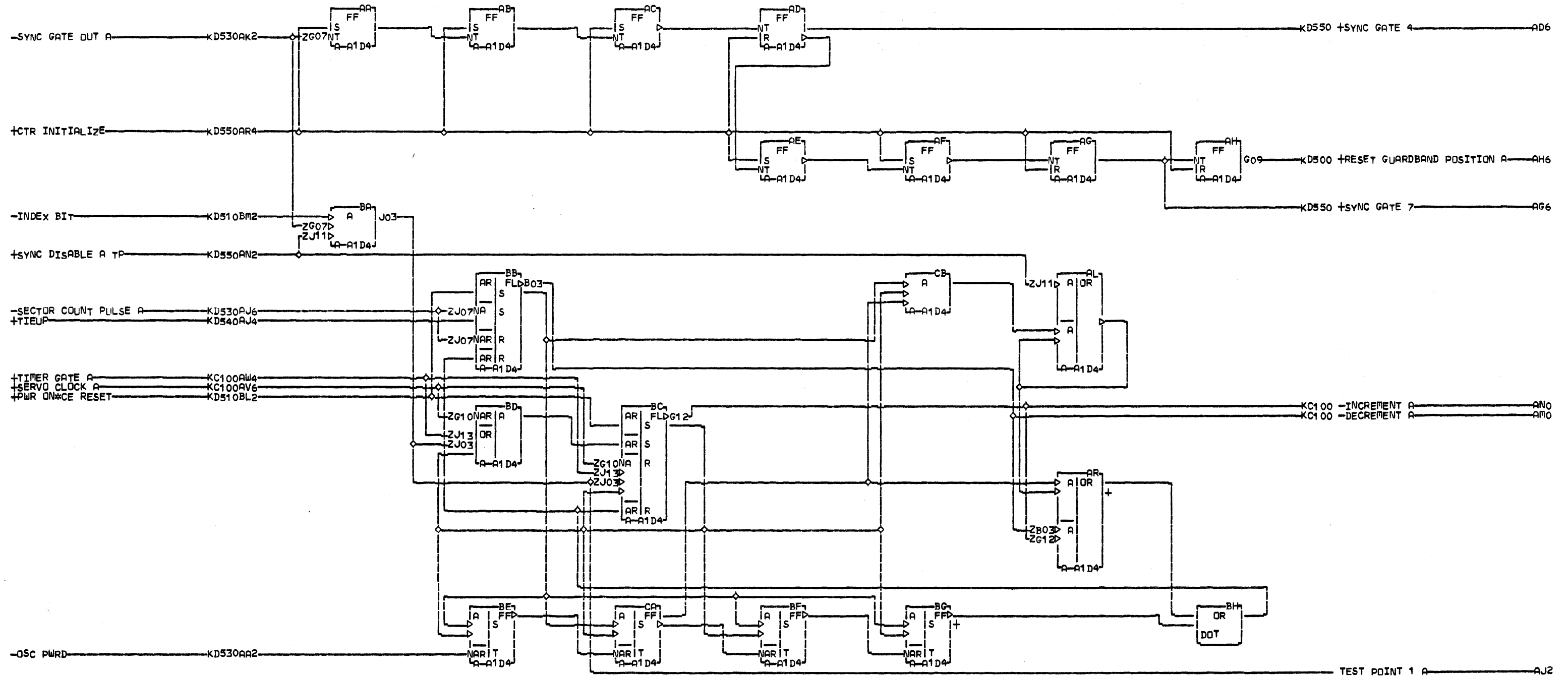
KC100AV6
RESISTOR
A-A1D4G10

LOC. TYPE
A-A1D4 BC46

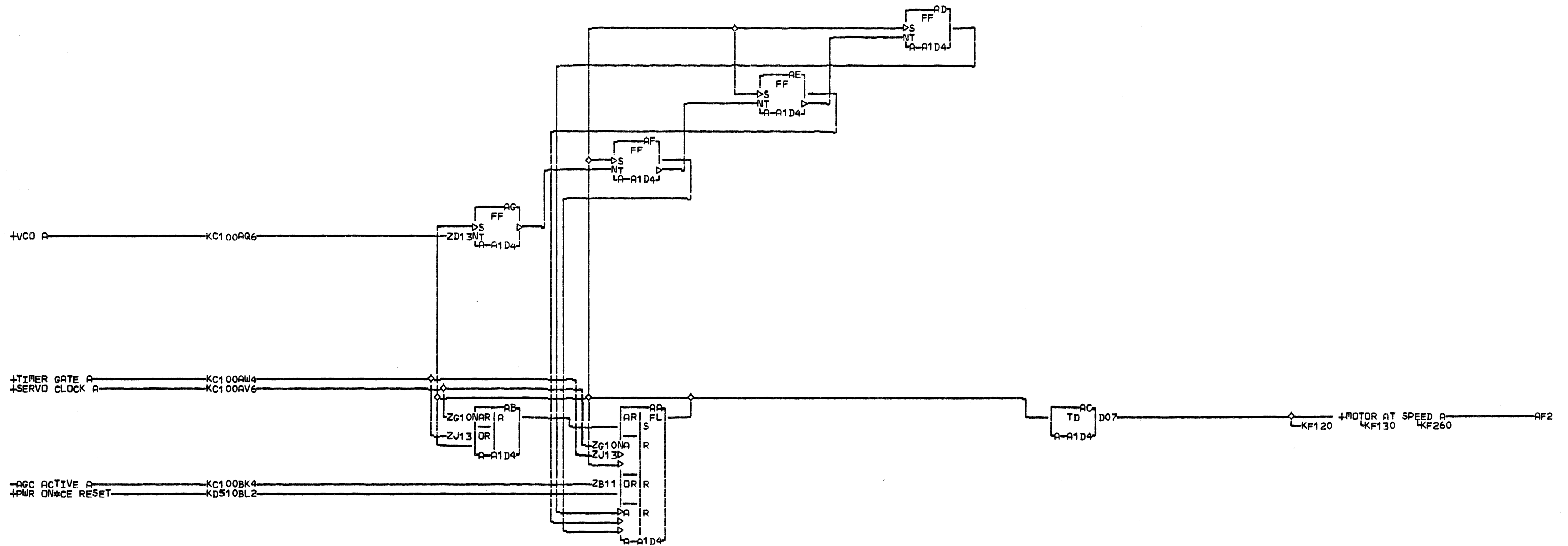
INDEX BIT AND INDEX GATE A	
E.C. HISTORY	MACH. 3350
435460	
446701	FRAME 01
446702	
446704	IBM CORP. GPD
DATE	LAST EC
10-01-76	446706
	P.N. 4291611

K
D
S
5
0

K
D
S
5
0



GB POSITION RESET COUNTER A	
E.C. HISTORY	MACH. 3350
435460	FRAME 01
446701	IBM CORP. GPD
DATE LAST EC	P.N. 4291612
03-05-76 446704	

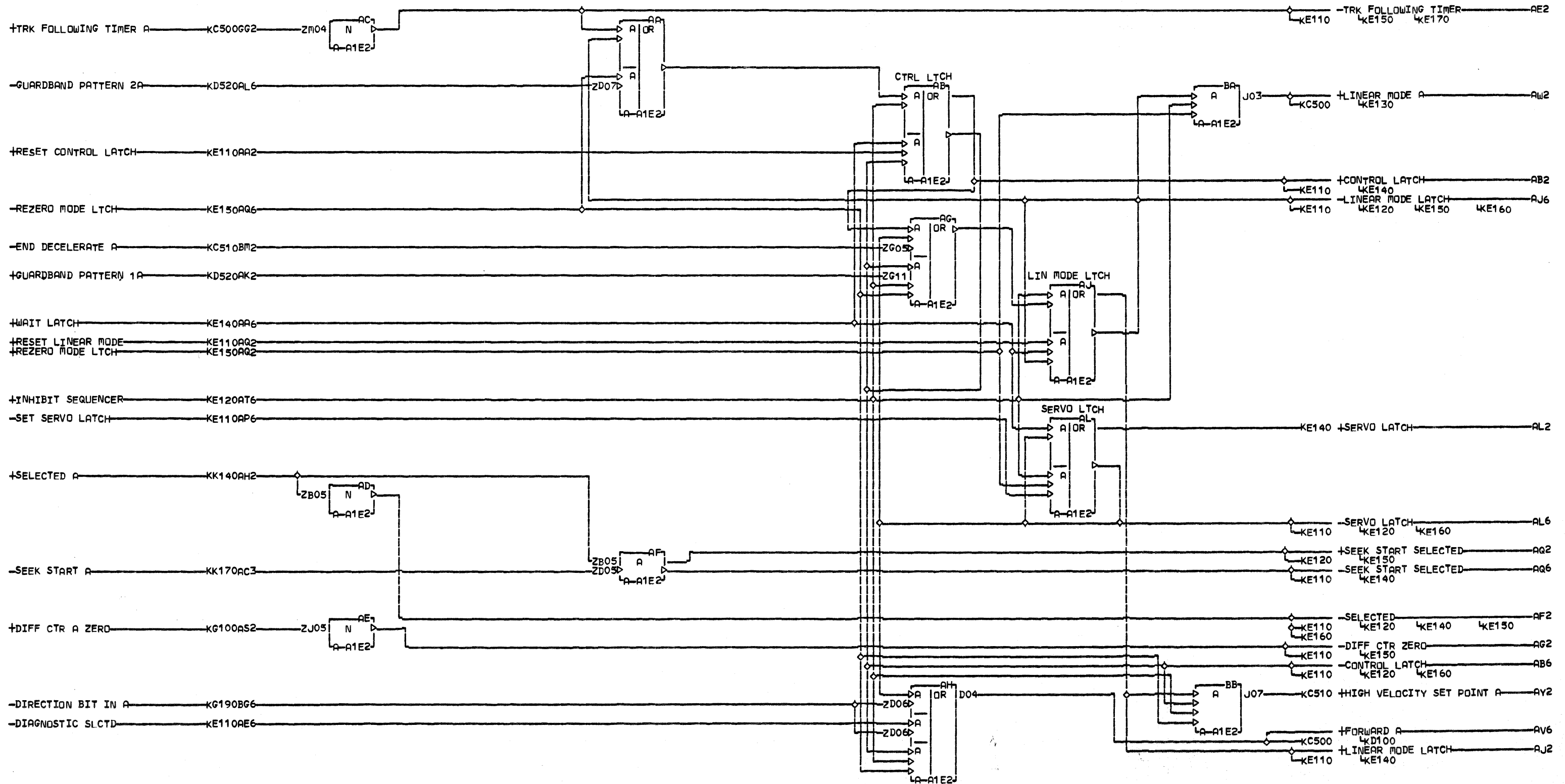


LOC. TYPE
A-A1D4 BC46

MOTOR AT SPEED	
E.C. HISTORY 435460 446701	MACH. 3350 FRAME 01 IBM CORP. GPD P.N. 4291613
DATE 03-05-76	LAST EC 446704

K
D
5
7
0
000

0
V
S
D
K

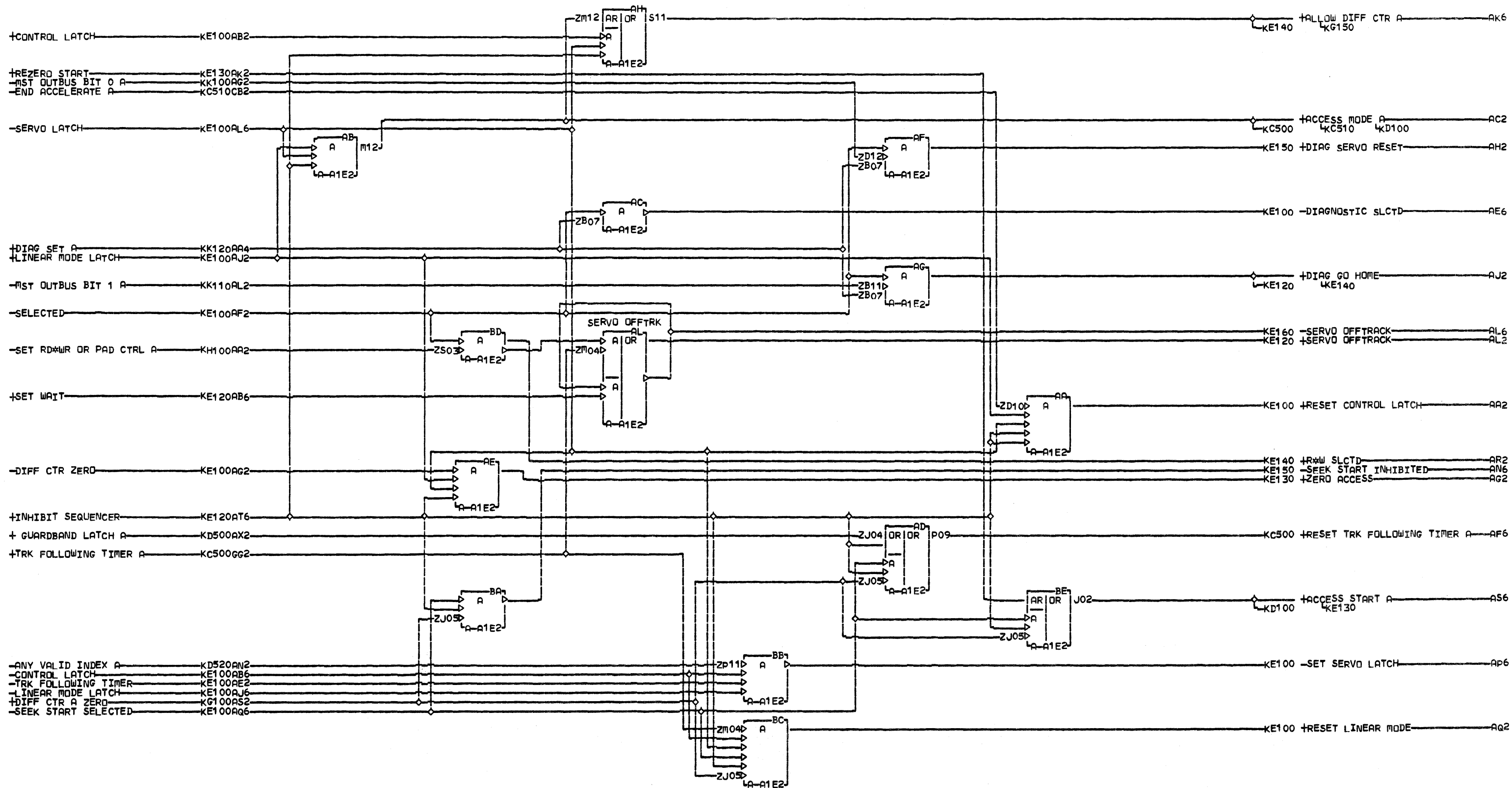


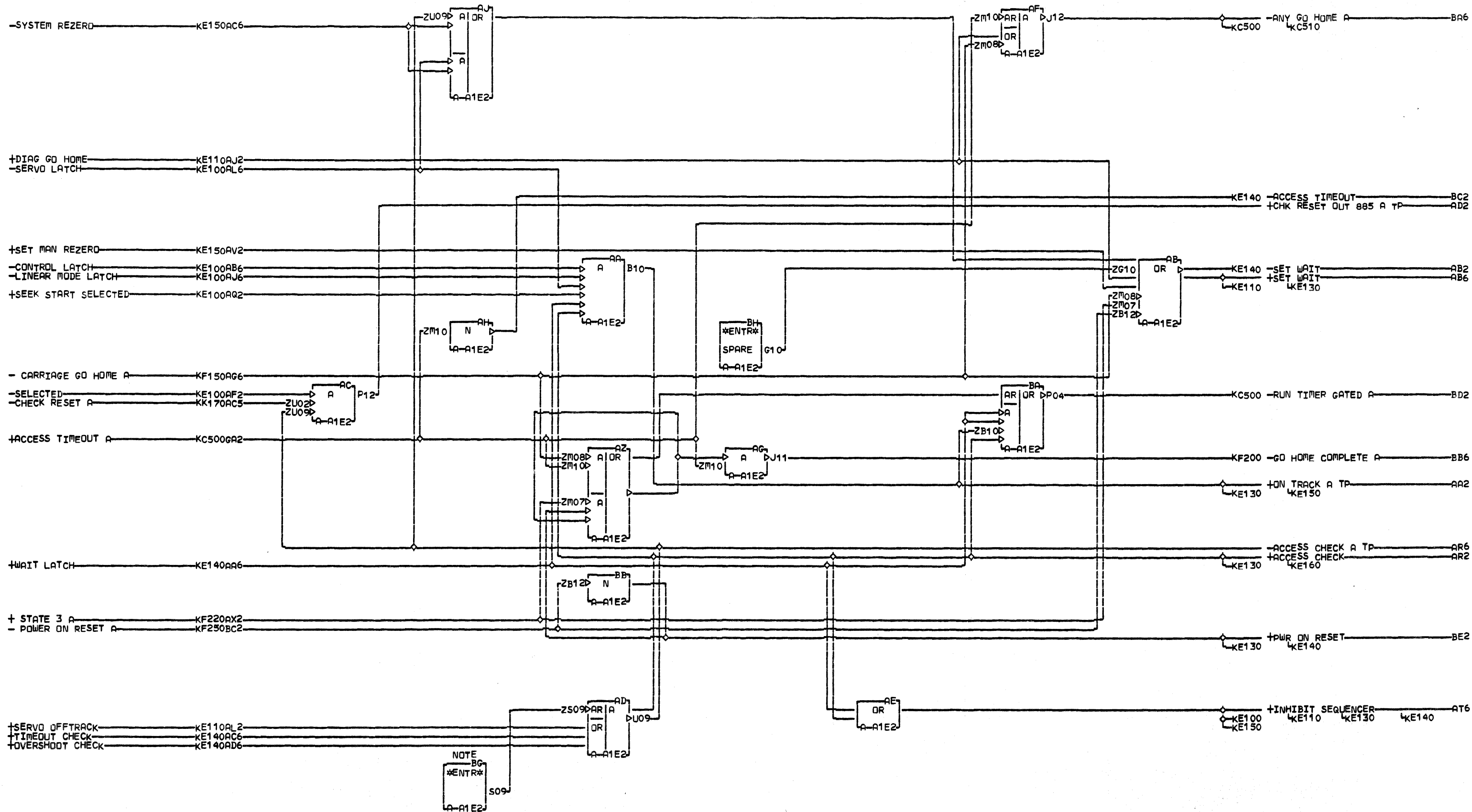
LOC. TYPE
A-A1E2 BC45

A FILE	
SERVO CONTROL	
E.C.—HISTORY	B—MACH. 3350
435460	FRAME 01
446701	IBM CORP. SDD
DATE	LAST EC
03-05-76	446704
P.No.	4291614

KE100

KE100

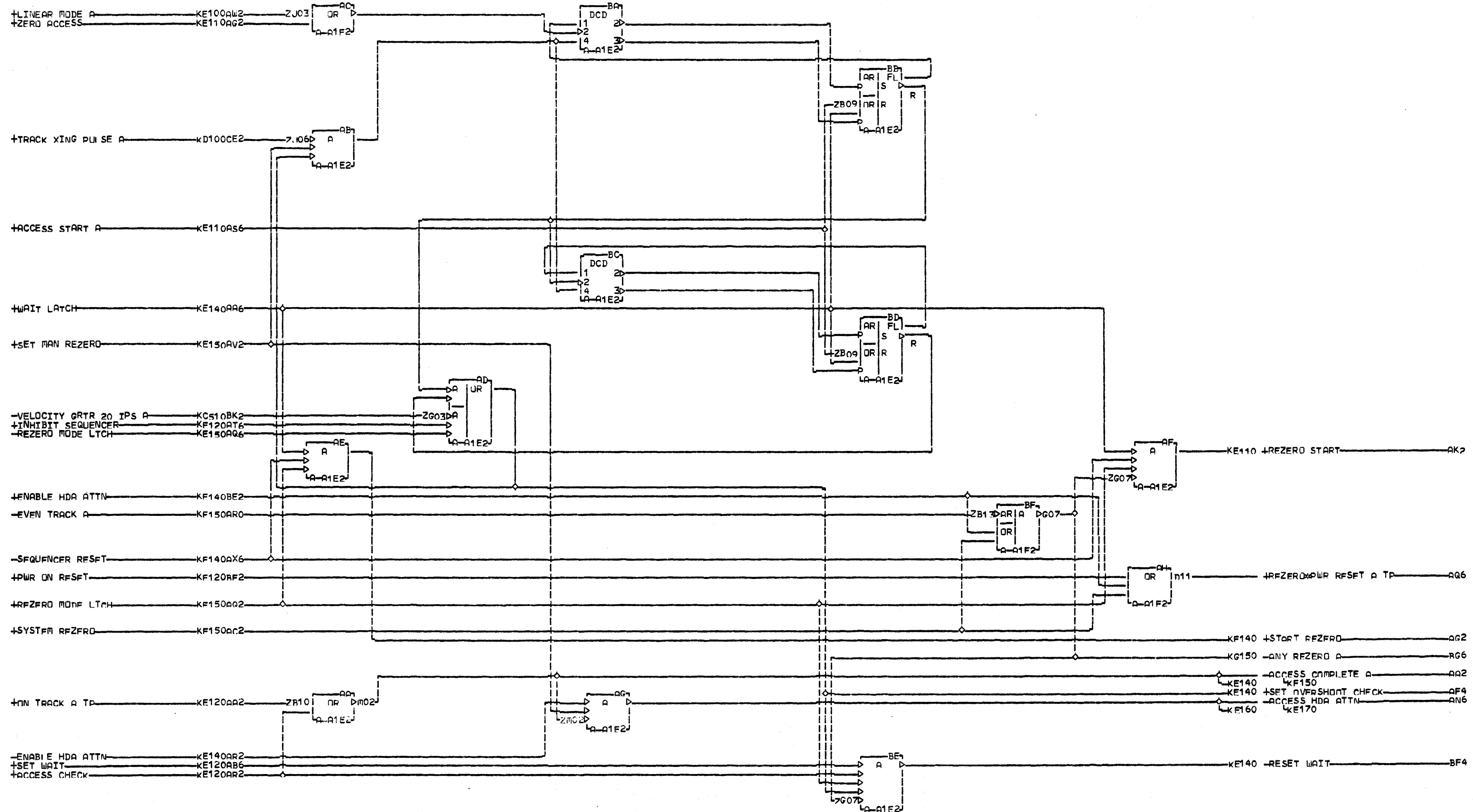




NOTE TO DISABLE ACCESS CHECK
JUMPER S09 TO GND.

LOC. TYPE
A-A1E2 BC45

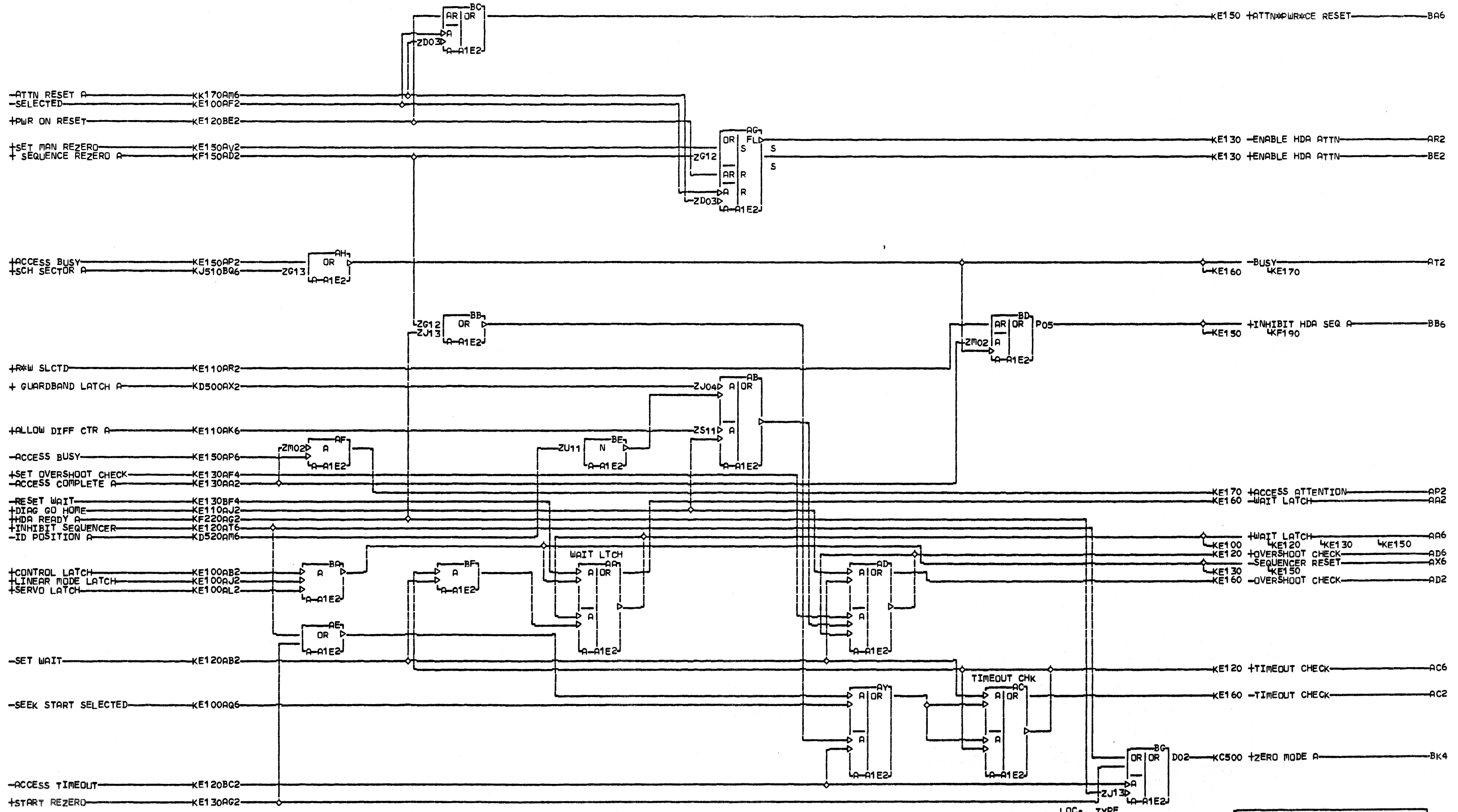
A FILE		K E 1 2 0
SERVO CONTROL		
E.C. HISTORY	B. MACH. 3350	0
435460	446701	
DATE	LAST EC	000
03-05-76	446704	
IBM CORP. SDD		0
P.O. No. 4291616		



KE130

LOG. TYPE A-A1E2 BC45

A FILE		K	
SERVO CONTROL		E	
E.C.-HISTORY	B-MACH-3350	1	
435460		3	
446701	FRAME 01	0	
446704	IBM CORP. SDD		
DATE	LAST EC		
06-04-76	446705	000	
P.N.	4291617		



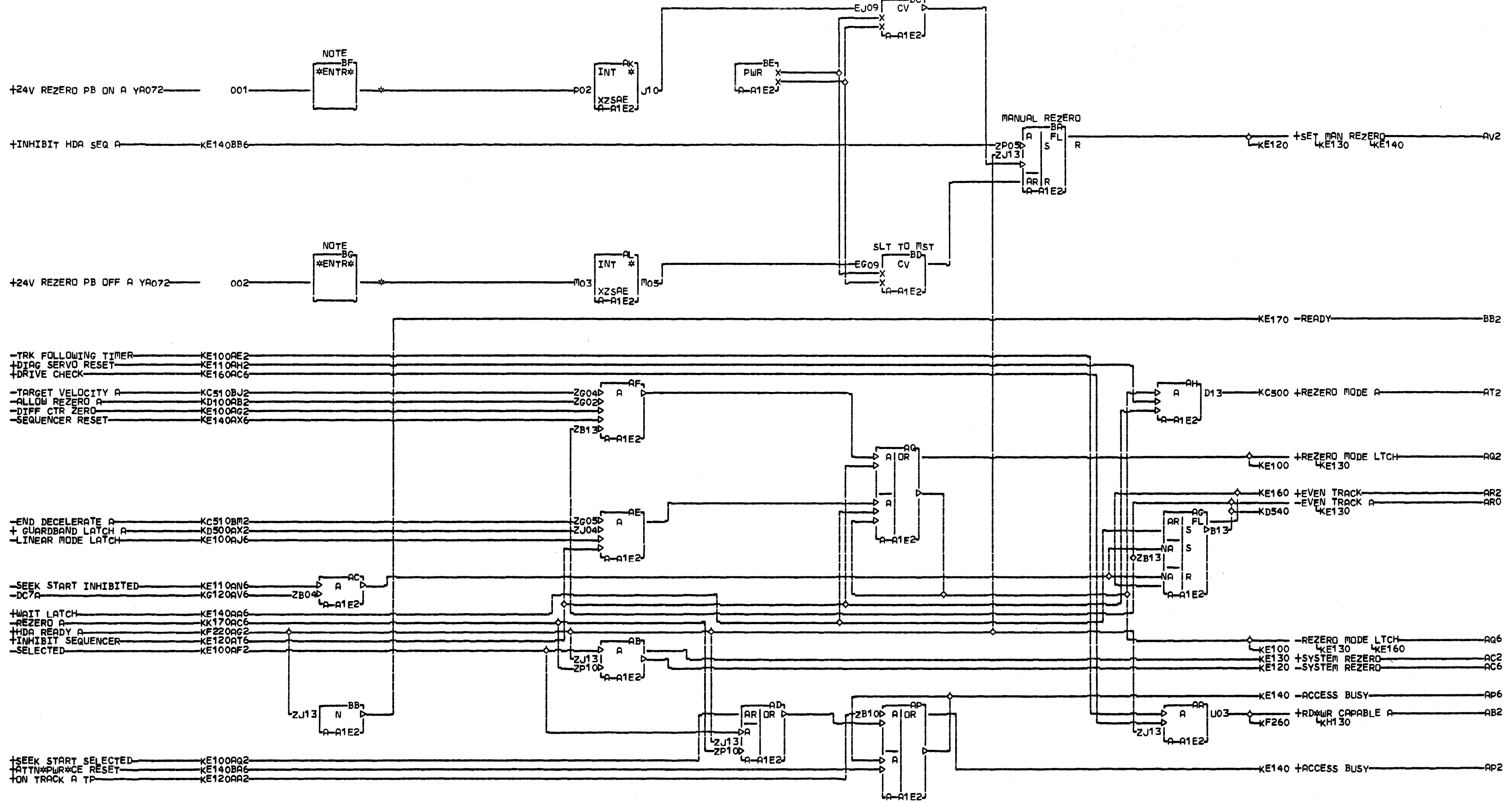
LOC. TYPE
A-A1E2 BC45

K
1
4
0

A FILE	
E.C.	HISTORY
435460	446701
DATE	LAST EC
03-05-76	446704
B-MACH	3350
FRAME	01
IBM CORP.	SDD
PoN.	4291618

K
1
4
0

000



NOTE B BOX HAS YB PAGES.

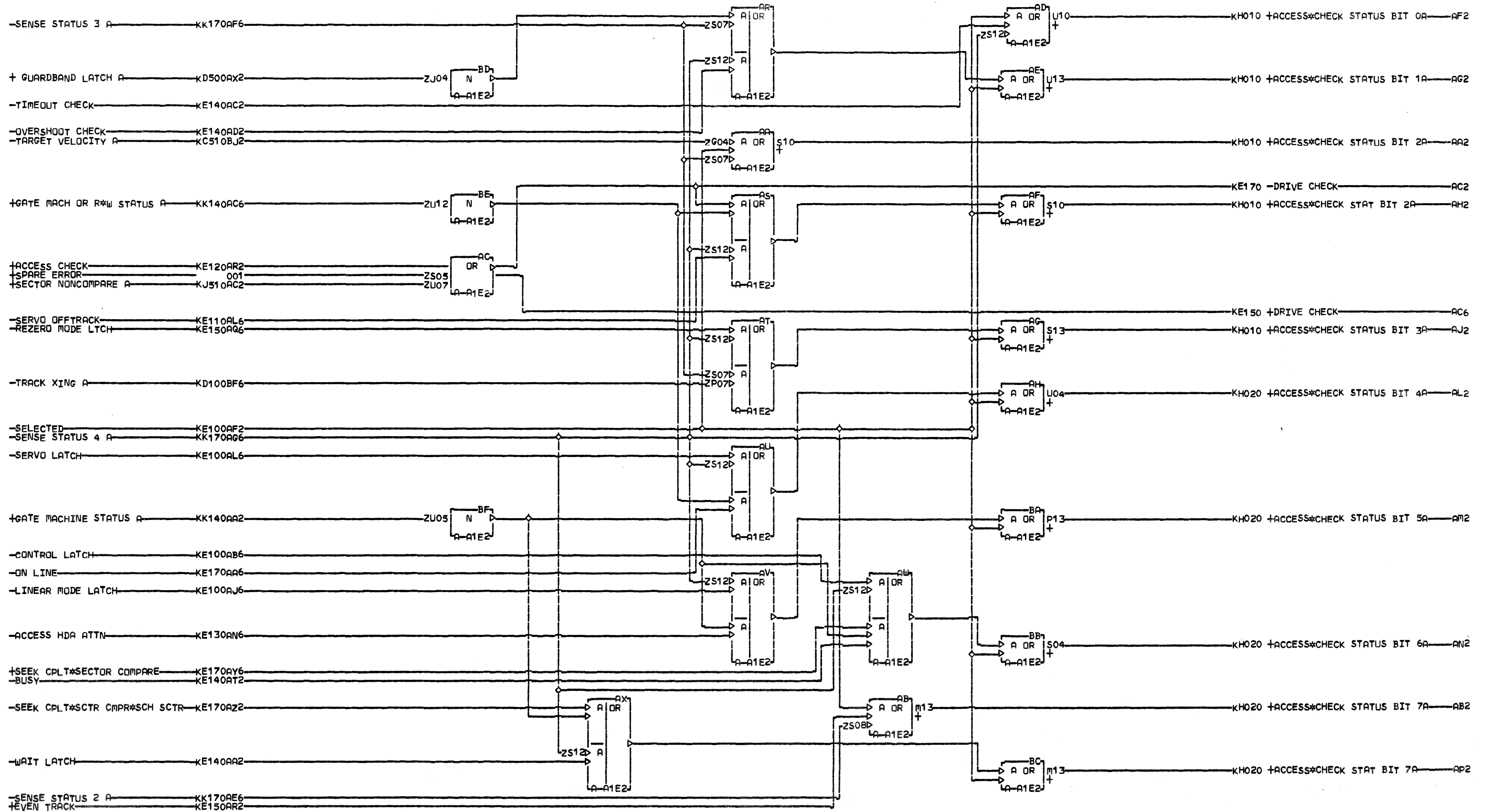
BF4 A-A1A5D02
BG4 A-A1A5D07

LOC. TYPE
A-A1E2 BC45

A FILE	
SERVO CONTROL	
-E.C.-HISTORY-B MACH.3350	
435460	FRAME 01
446701	IBM CORP. SDD
DATE LAST EC	P.No. 4291619
03-05-76 446704	

KE
150

KE
150

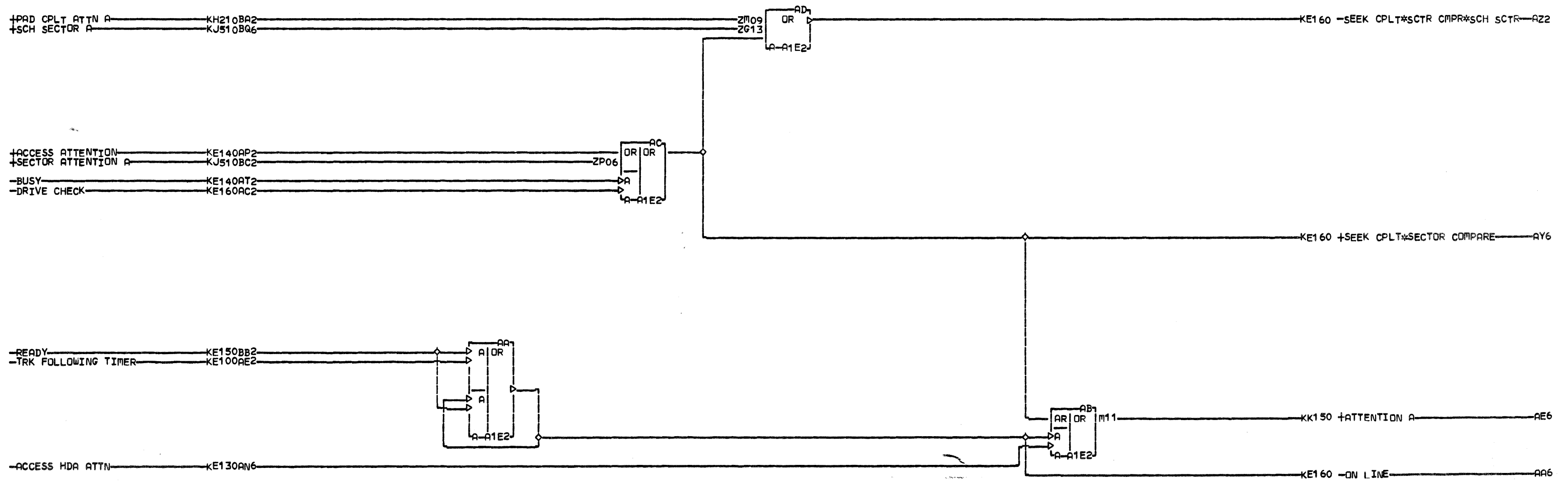


LOC. TYPE
A-A1E2 BC45

A FILE	
SERVO CONTROL	
E.C. HISTORY	B MACH. 3350
435460	
446701	FRAME 01
	IBM CORP. SDD
DATE LAST EC	P.N. 4291620
03-05-76 446704	

1
6
0

K
E
1
6
0

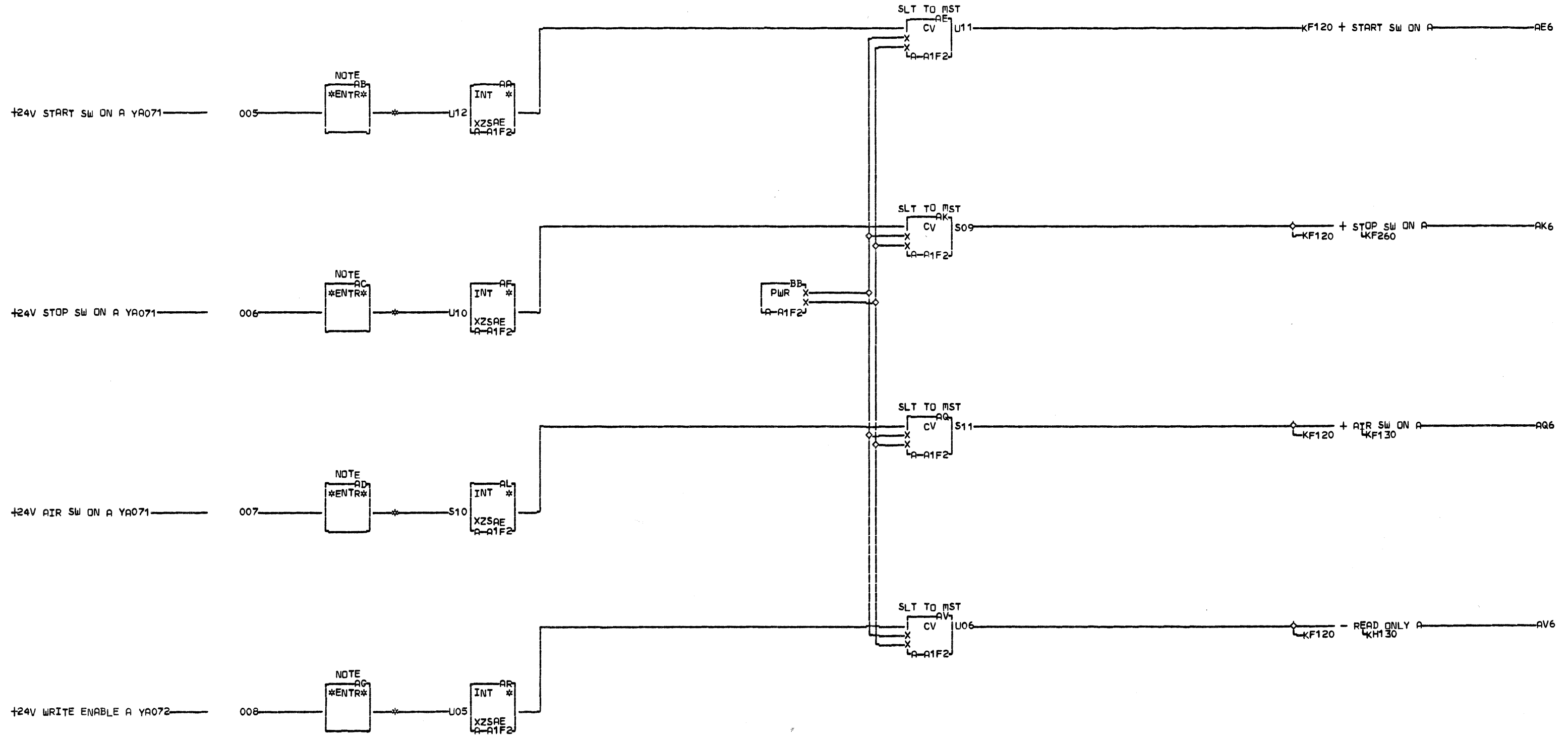


KE170

LOC. TYPE
A-A1E2 BC45

A FILE	
SERVO CONTROL	
E.C. HISTORY	B. MACH. 3350
435460	
446701	FRAME 01
IBM CORP. SDD	
DATE LAST EC	P.No. 4291621
03-05-76 446704	

KE170



NOTE B BOX HAS YB PAGES.

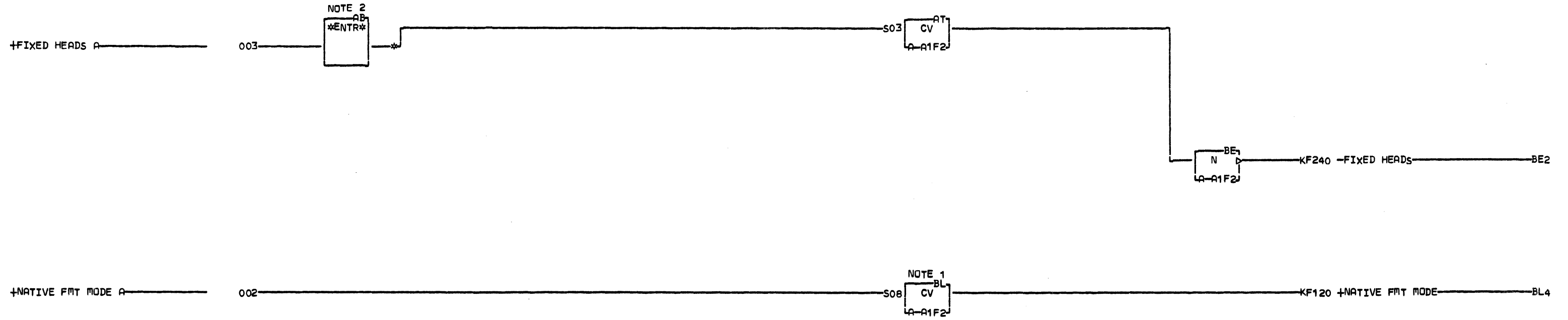
AB4 A-A1ASD10
 AC4 A-A1ASD11
 AD4 A-A1ASB07
 AG4 A-A1ASB02

LOC. TYPE
 A-A1F2 BC44

HDA SEQUENCING A	
SWITCH INTEGRATORS	
E.C. HISTORY	B. MACH. 3350
DATE	LAST EC
03-05-76	446704
FRAME	01
IBM CORP. GPD	
P.No.	4291622

K
F
1
0
0

K
F
1
0
0



NOTE 1 FOR NATIVE FORMAT
 JUMPER S08 TO U08.
 NOTE 2 B BOX HAS YB PAGES.

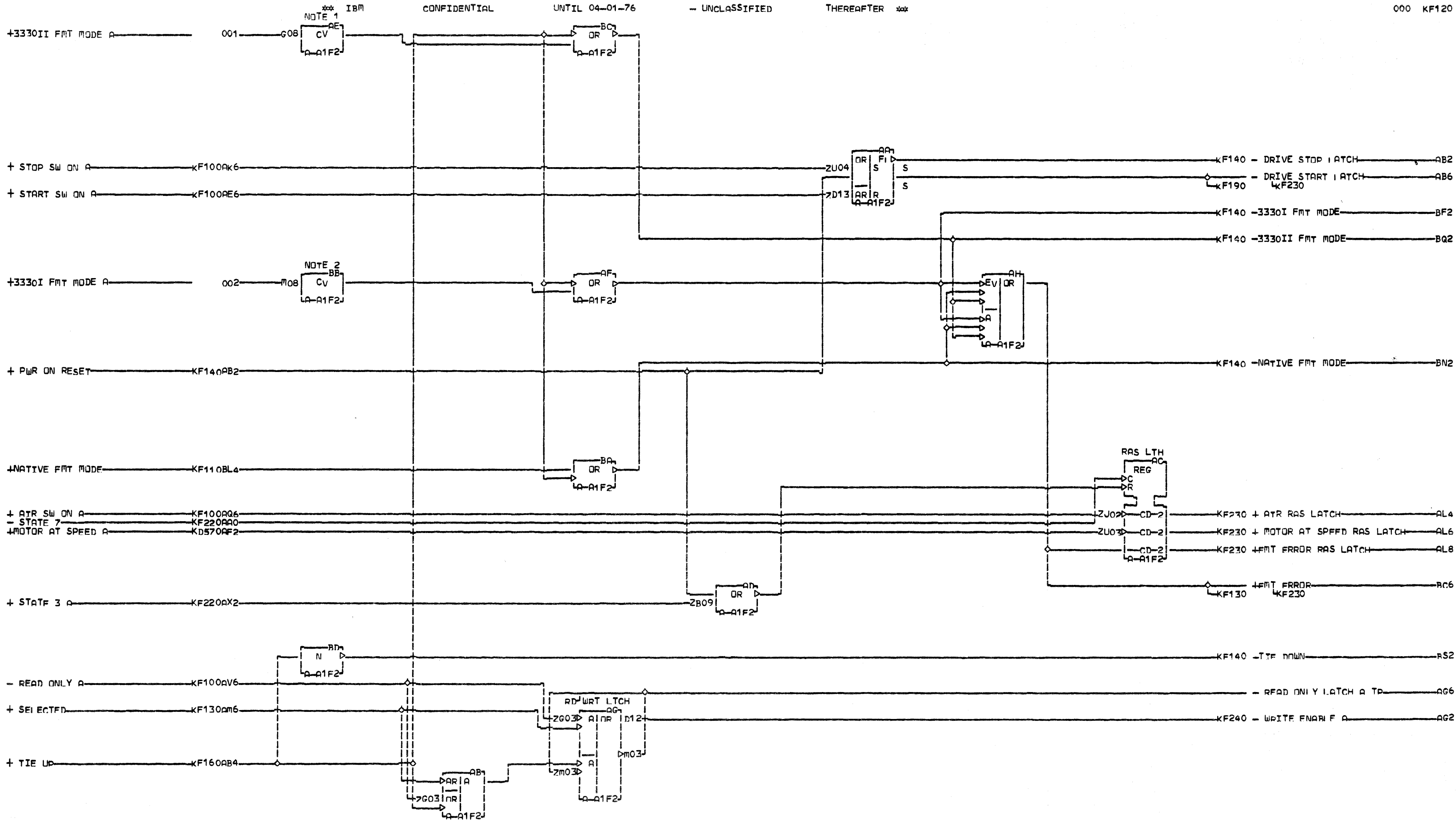
AB4 A-A1J1C13

K
 F
 1
 1
 0

LOC. TYPE
 A-A1F2 BC44

HDA SEQUENCING A	
E.C. HISTORY	MACH. 3350
FRAME	01
DATE	LAST EC
03-05-76	446704
IBM CORP. SDD	P.N. 4291623

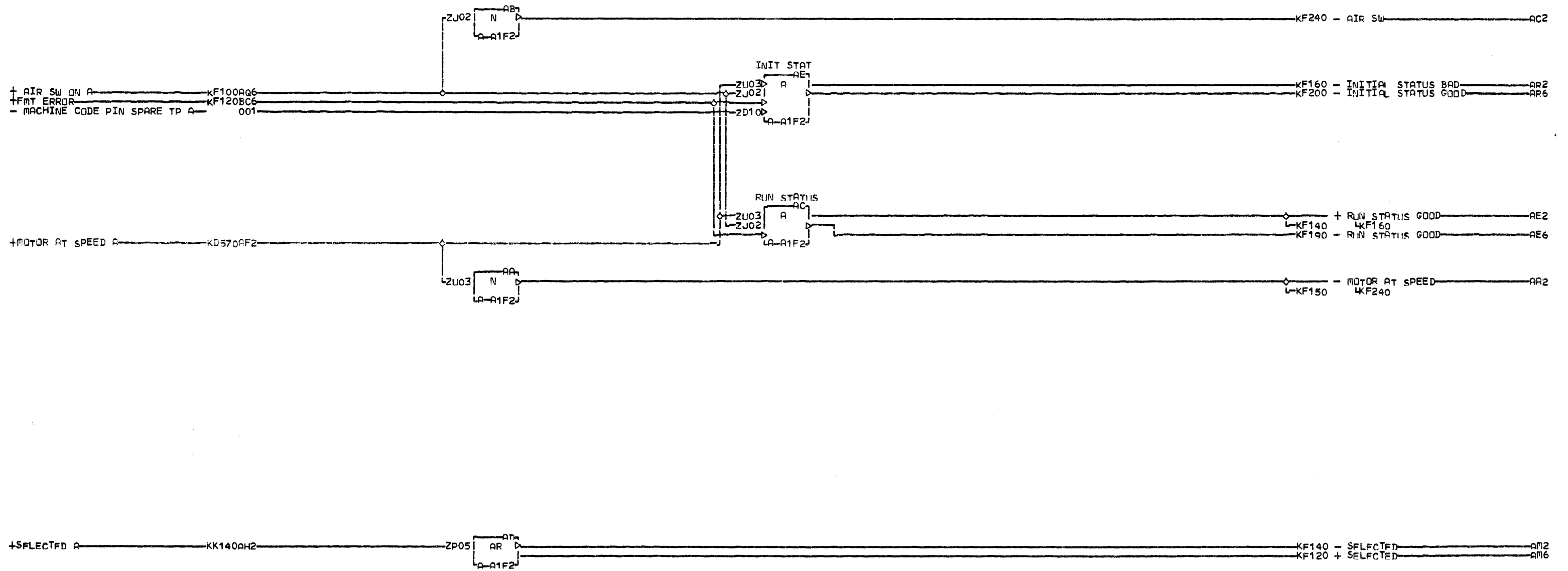
111TX
 000



NOTE 1 FOR 3330II FORMAT
 JUMPER G08 TO J08.
 NOTE 2 FOR 3330I FORMAT
 JUMPER M08 TO P08.

LOC. TYPE
 A-1F2 BC44

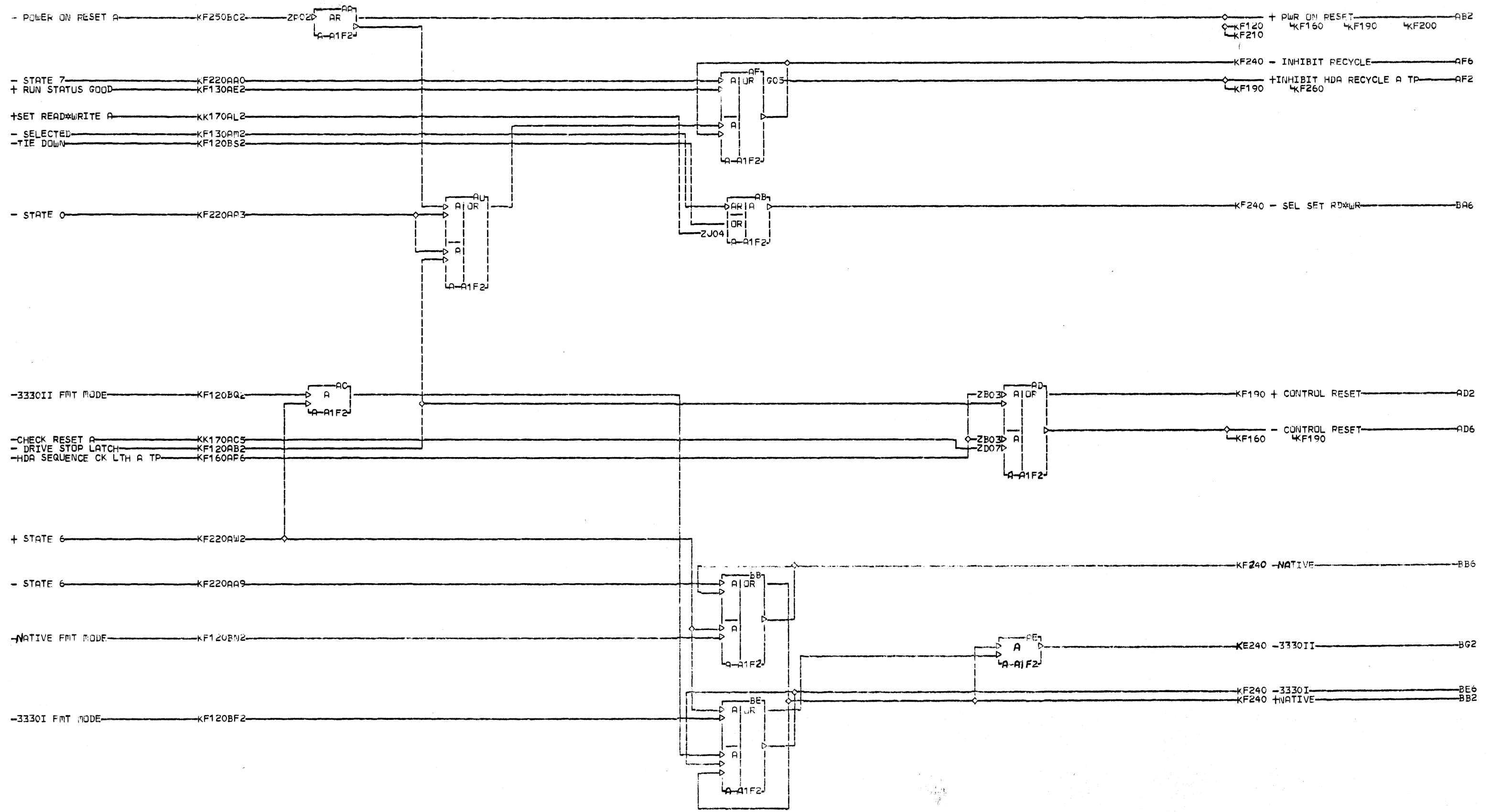
HDA SEQUENCING A	
E.C. HISTORY	MACH. 3350
446704	
FRAME	01
DATE	LAST EC
06-04-76	446705
IBM CORP. SDD	
P.N.	4291624



K
F
1
3
0

INC. TYPE
A-A1F2 BC44

HDA SEQUENCING A		K F 1 3 0
INTERLOCKS AND CONTROL		
E-C-HISTORY-BY MACH. 3350		000
446704	FRAME 01	
DATE LAST EC		IBM CORP. SDD
06-04-76 446705		
P.N. 4291625		

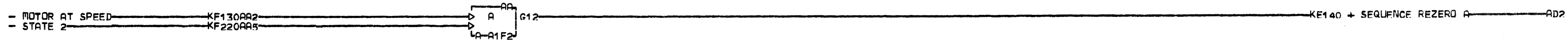
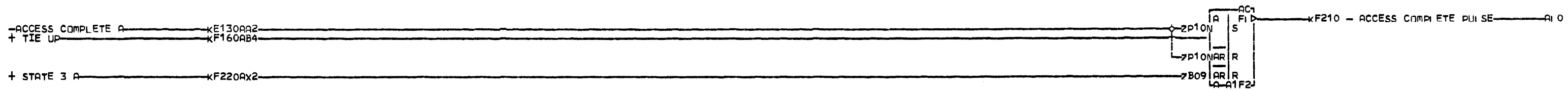


LUC TYPE
A-A1F2 BC44

HDA SEQUENCING A STOP RECYCLE AND RESET - HISTORY - E, FACI, 3350	
446704	FROM 01
DATE LAST ED	IBM CORP. SER
104-1-77 446708	IPAN 4291626

K
F
1
4
C

K
F
1
4
0

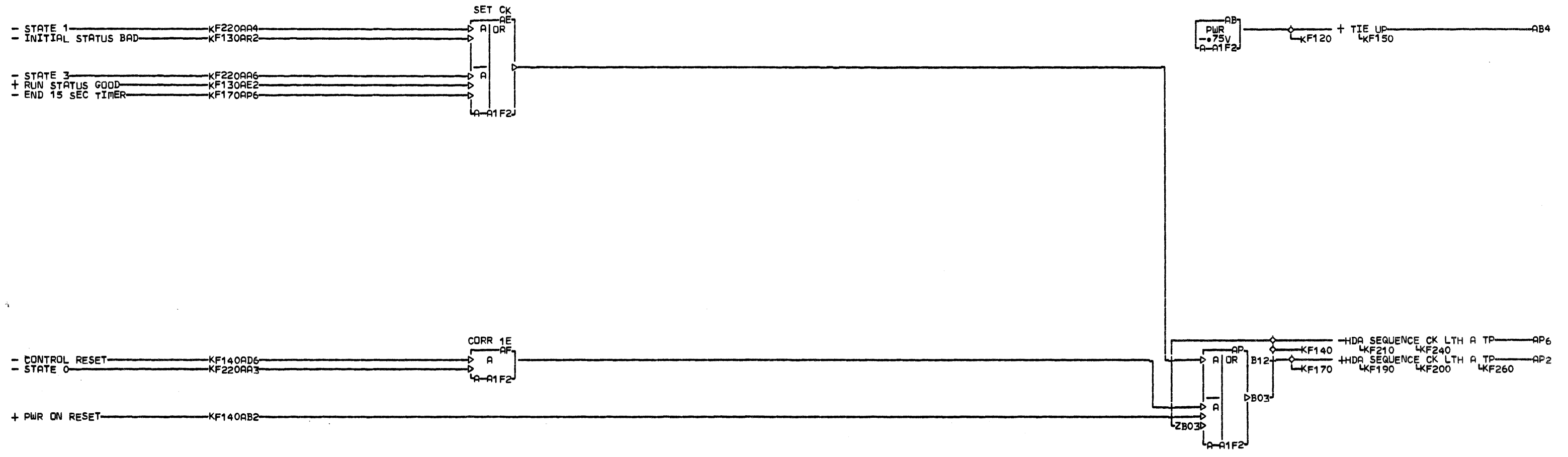


INC. TYPE
A-A1F2 BC44

HDA SEQUENCING A	
E.C. HISTORY 446704	B. MACH. 3350 FRAME 01
DATE 06-04-76	LAST EC 446705
	IBM CORP. SDD P.O. 4291627

K
F
1
5
0

K
F
1
5
0

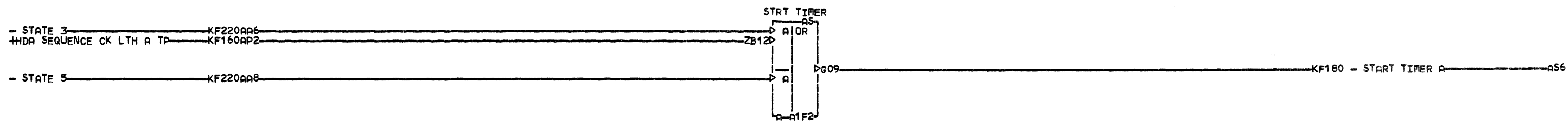
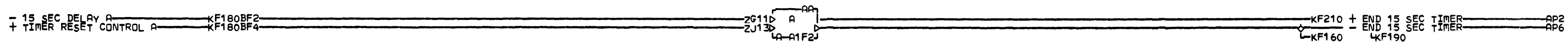


KF160

LOC. TYPE
A-A1F2 BC44

HDA SEQUENCING A CHECK LATCH	
E.C. HISTORY	MACH. 3350
DATE	LAST EC
03-05-76	446704
FRAME	01
IBM CORP. SDD	
P.N.	4291628

KF160



LOC. TYPE
A-A1F2 BC44

HDA SEQUENCING A	
TIMER CONTROL	
E.C. HISTORY	B. MACH. 3350
FRAME	01
IBM CORP. SDD	
DATE LAST EC	P.No. 4291629
03-05-76 446704	

K
F
1
7
0
000

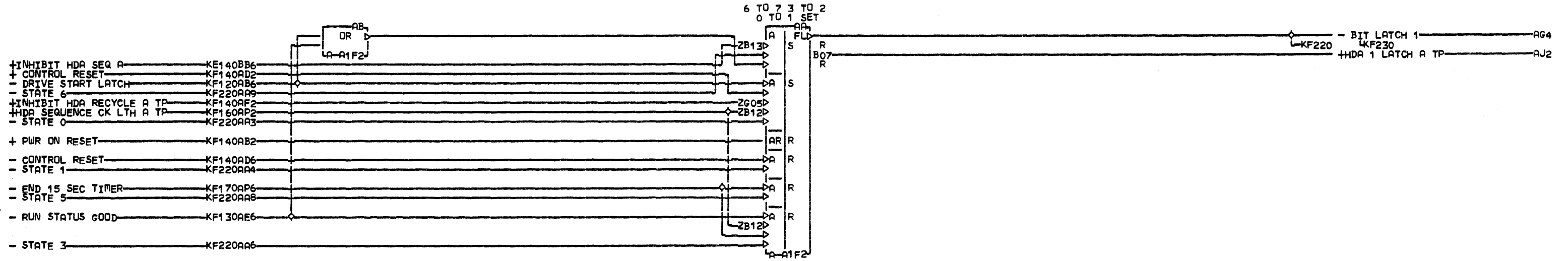
170

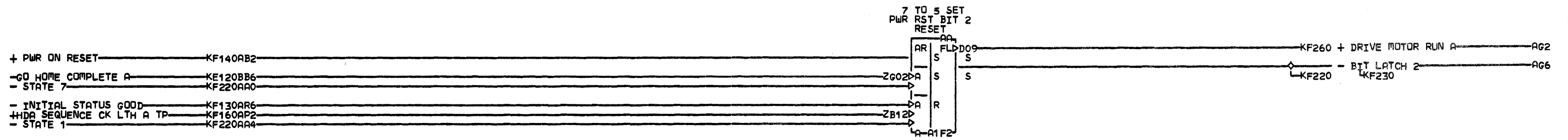
- START TIMER A KF170A56



LOC. TYPE
 A-A1F2 BC44

HDA SEQUENCING A	
15 SEC TIMER	
E.C.-HISTORY	MACH. 3350
DATE	LAST EC
03-05-76	446704
FRAME	01
IBM CORP. SDD	
P.N.	4291630



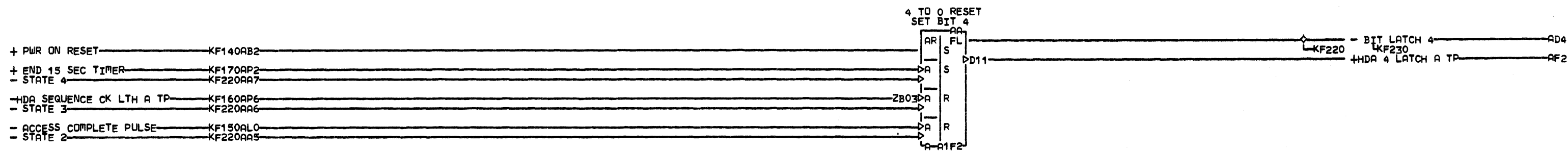


K
2
0
0

LOC. TYPE
A-A1F2 BC44

HDA SEQUENCING A BIT 2 LATCH	
E.C.-HISTORY	B MACH.3350
FRAME	01
IBM CORP. SDD	
DATE LAST EC	P.N. 4291632
03-05-76 446704	

K
2
0
0

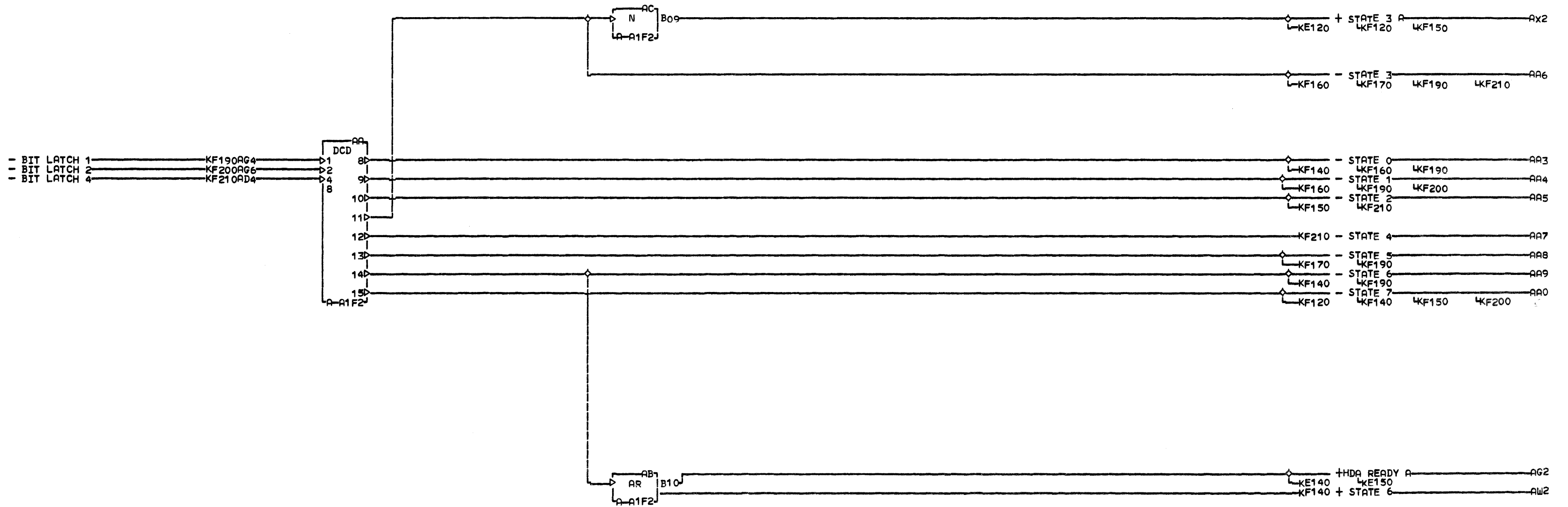


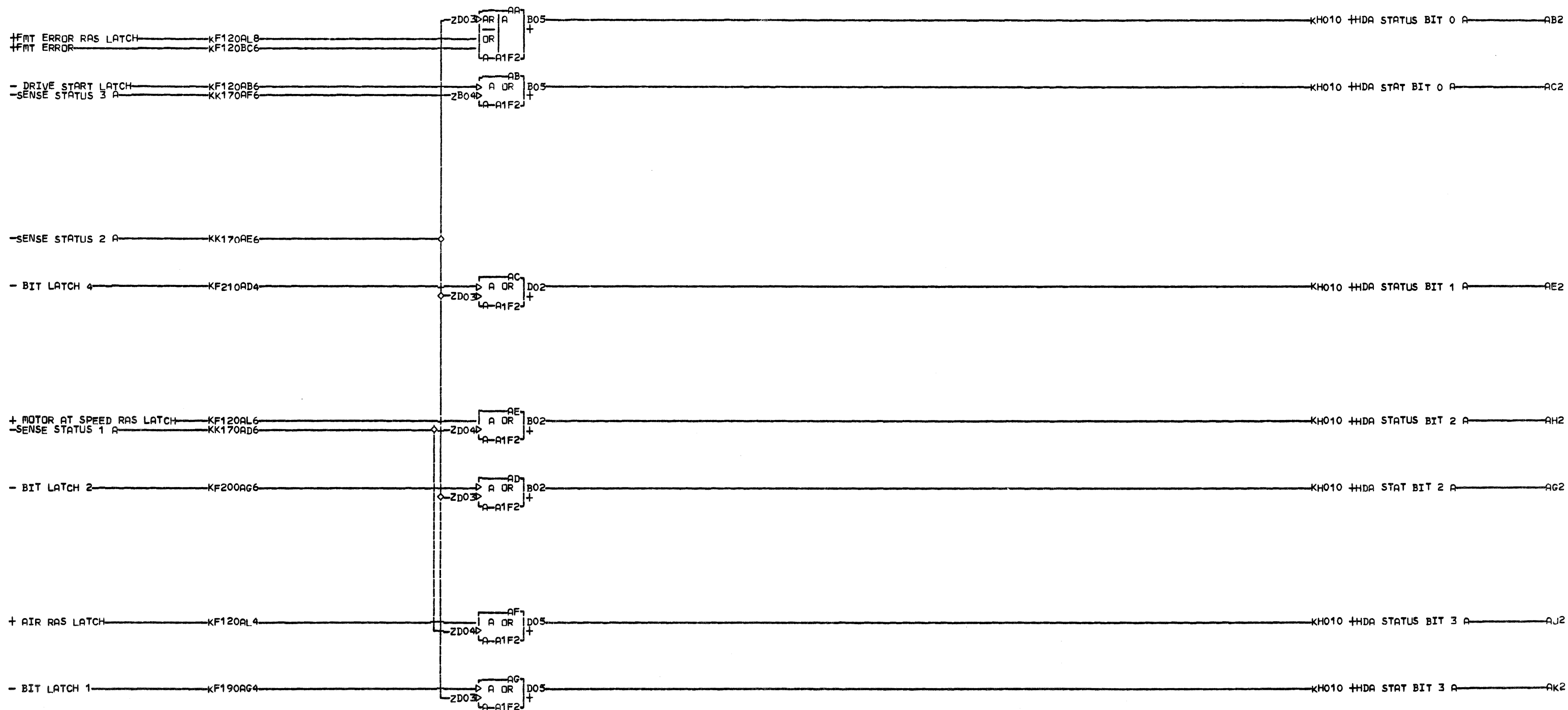
0
2
1
0

LOC. TYPE
A-A1F2 BC44

HDA SEQUENCING A	
BIT 4 LATCH	
E.C.—HISTORY—B	MACH#3350
FRAME	01
IBM CORP. SD	
DATE LAST EC	P.N. 4291633
03-05-76 446704	

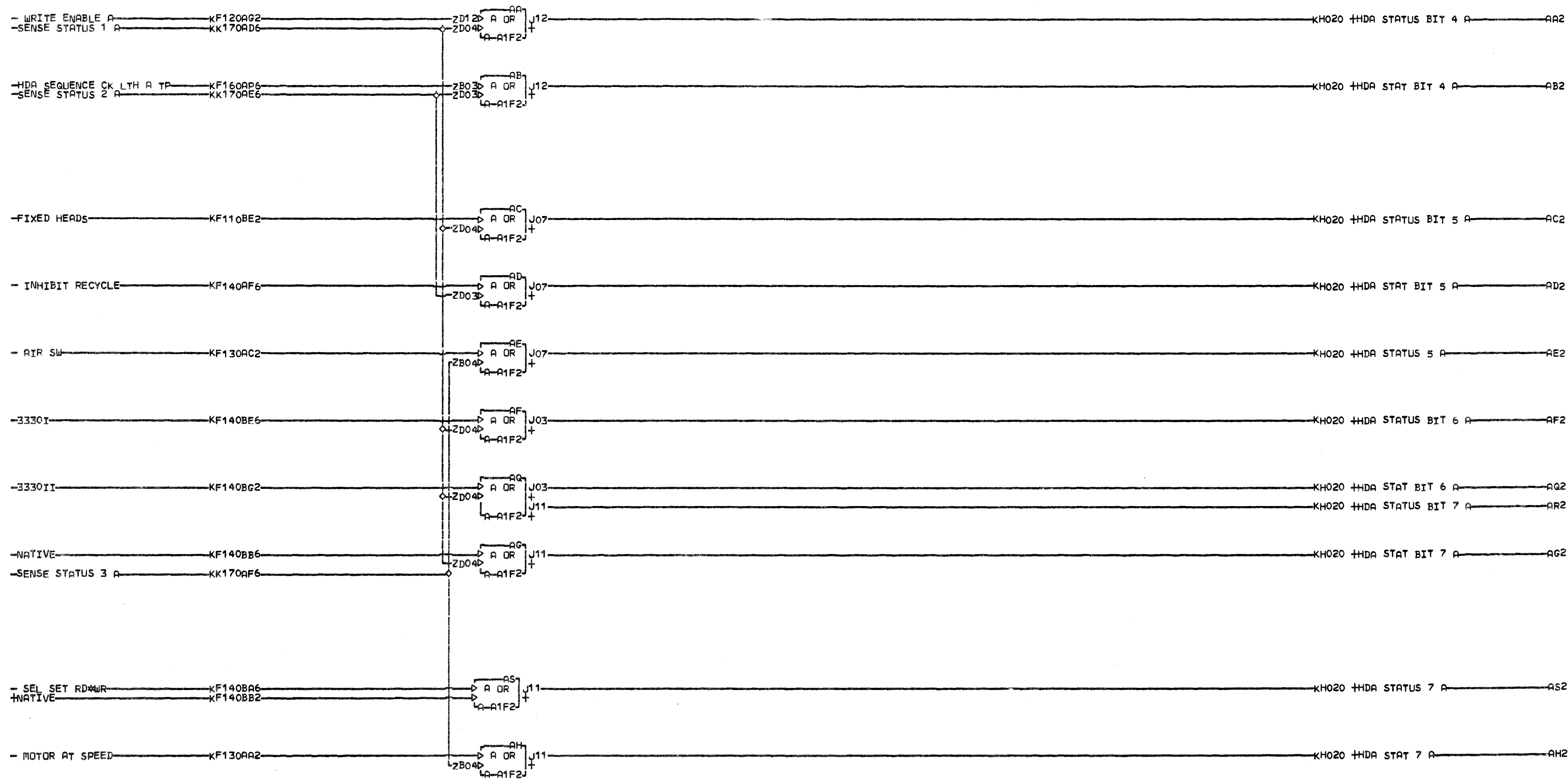
K
F
2
1
0
000





LOC. TYPE
 A-A1F2 BC44

HDA SEQUENCING A	
E.C. HISTORY	B1 MACH. 3350
DATE	LAST EC
03-05-76	446704
FRAME	01
IBM CORP. SDD	
P.N.	4291635

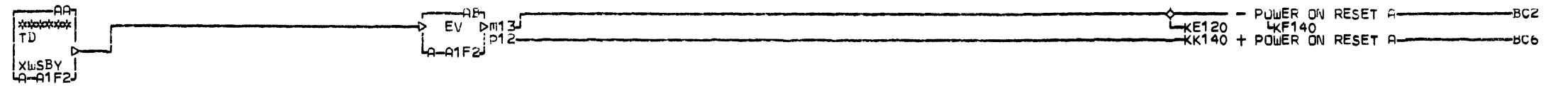


LOC. TYPE
A-A1F2 BC44

HDA SEQUENCING A	
E.C. HISTORY	B. MACH. 3350
	FRAME 01
	IBM CORP. SDD
DATE LAST EC	P.No. 4291636
03-05-76 446704	

K
F
2
4
0
000

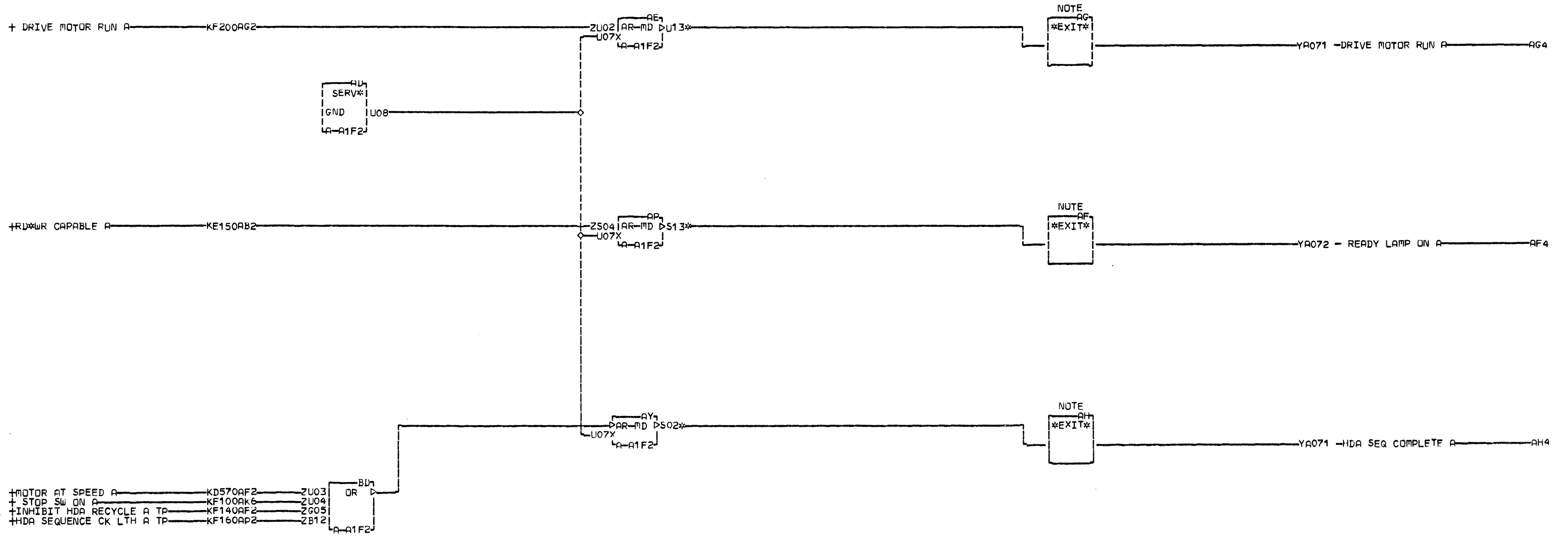
K
F
2
4
0



LJC. TYPE
A-A1F2 BC44

HDA SEQUENCING A			
POWER ON RESET			
E.C. HISTORY	446704	FRAME	01
	446705		
DATE	104-01-77	LAST EC	446708
		IP.N.	4291637
			000

K
F
2
5
0



NOTE B BOX HAS YB PAGES.

AE2 A-A1A5B12
 AP2 A-A1A5D12
 AY2 A-A1A5B13

LOC. TYPE
 A-A1F2 BC44

HDA SEQUENCING A		MAGNET DRIVERS	
E.C. HISTORY	446704	MACH. 3350	01
DATE	104-01-77	LAST EC	446708
IP.N.	4291638	IBN CORP. GPU	000

K
F
2
6
0

K
F
2
6
0

** IBM

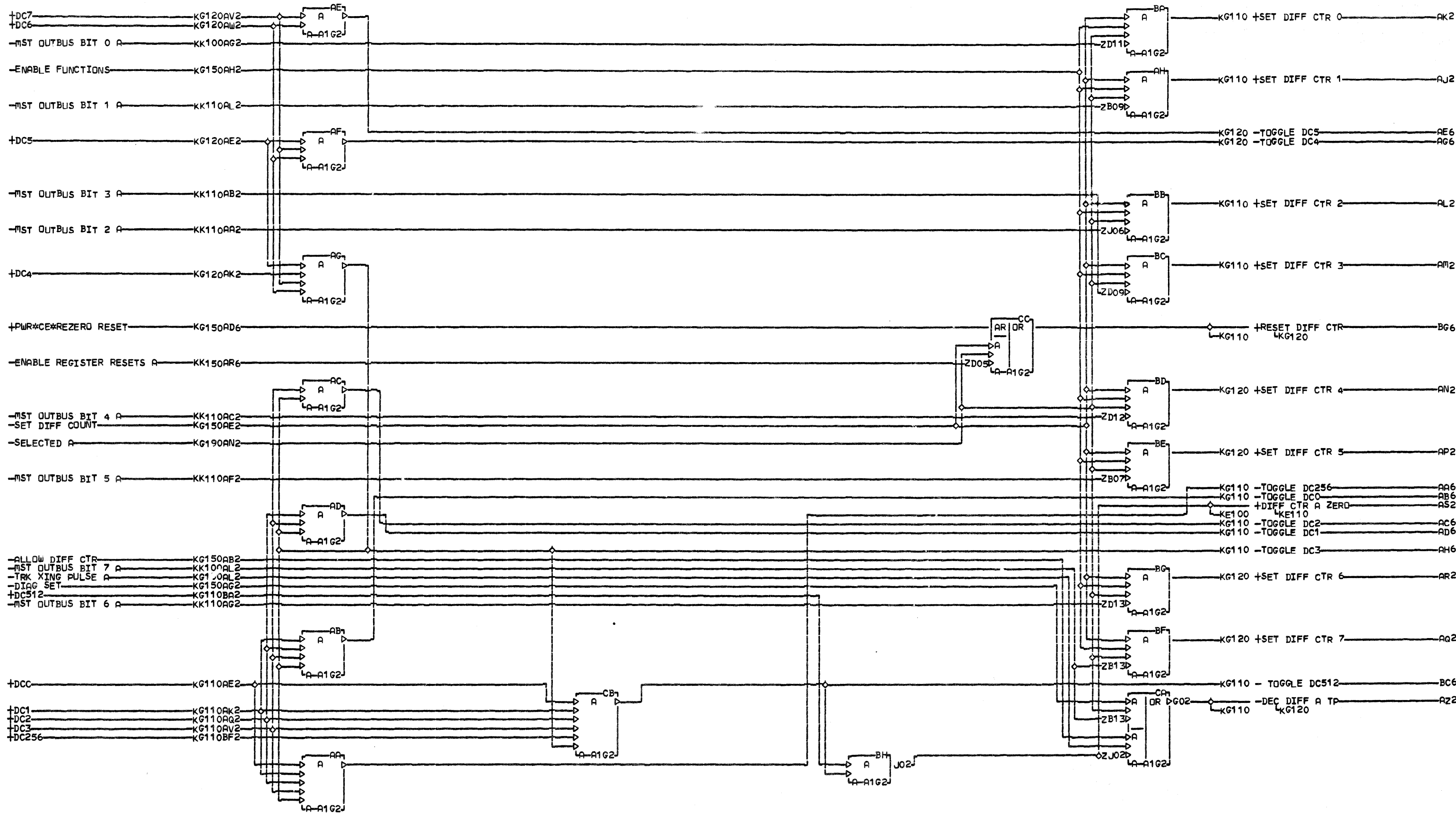
CONFIDENTIAL

UNTIL 04-01-76

- UNCLASSIFIED

THEREAFTER **

000 KG100

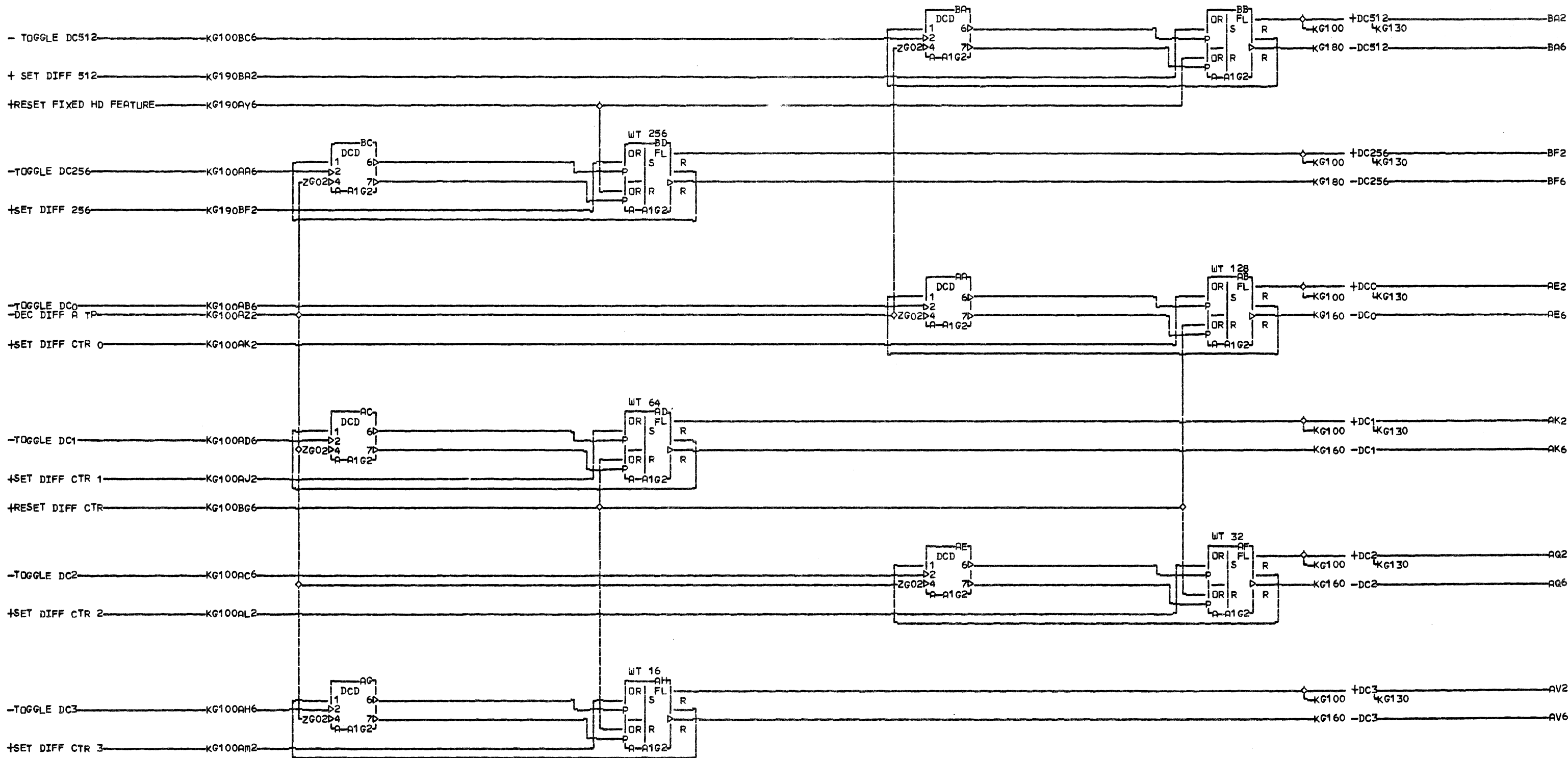


LOC. TYPE
A-A1G2 BC42

A FILE CONTROLS	
-E.C.-HISTORY	B MACH. 3350
446701	FRAME 01
DATE LAST EC	IBM CORP. SDD
03-05-76 446704	P.No. 4291639

KG100

KG100

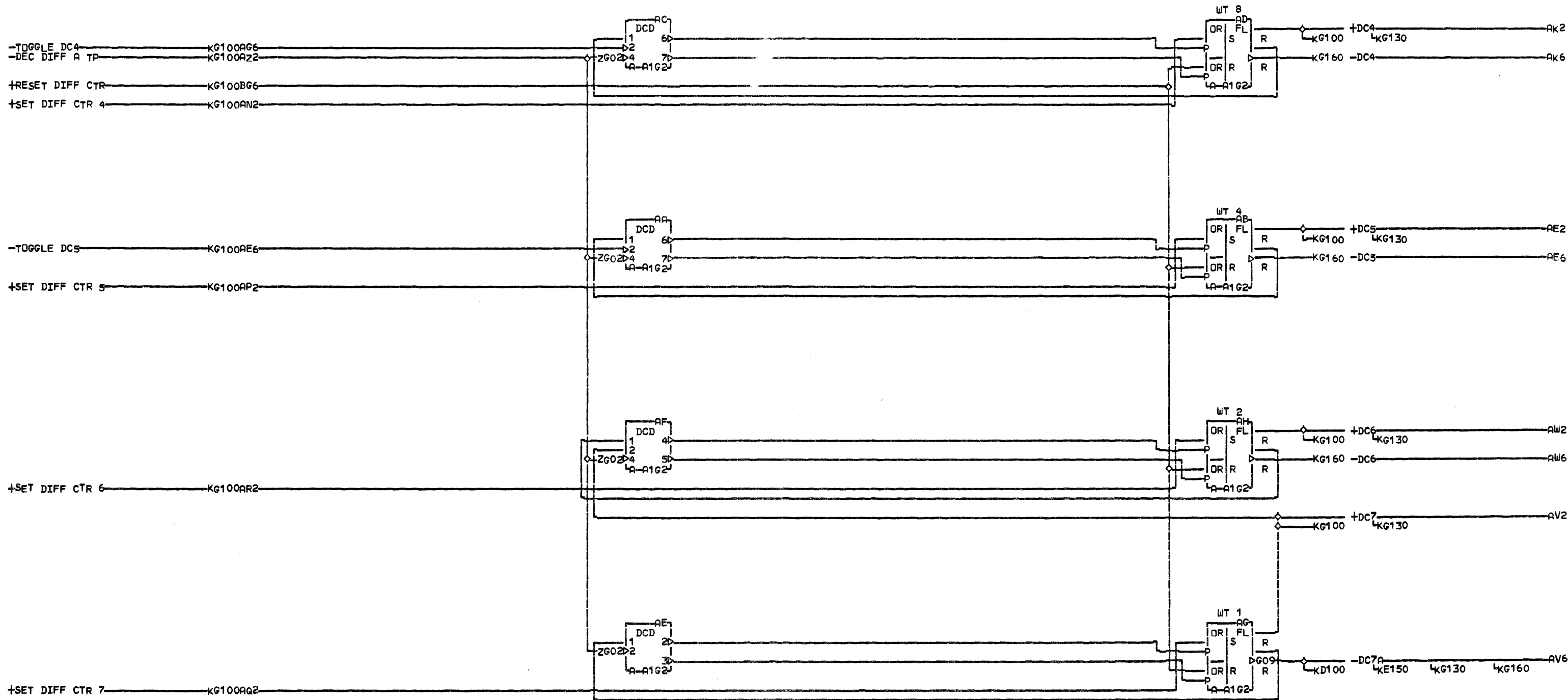


LOC. TYPE
A-A1G2 BC42

A FILE	
DIFF CTR 512 THRU 16	
E.C. HISTORY	B MACH. 3350
446701	
FRAME	01
IBM CORP. SDD	
DATE LAST EC	P.N. 4291640
03-05-76 446704	

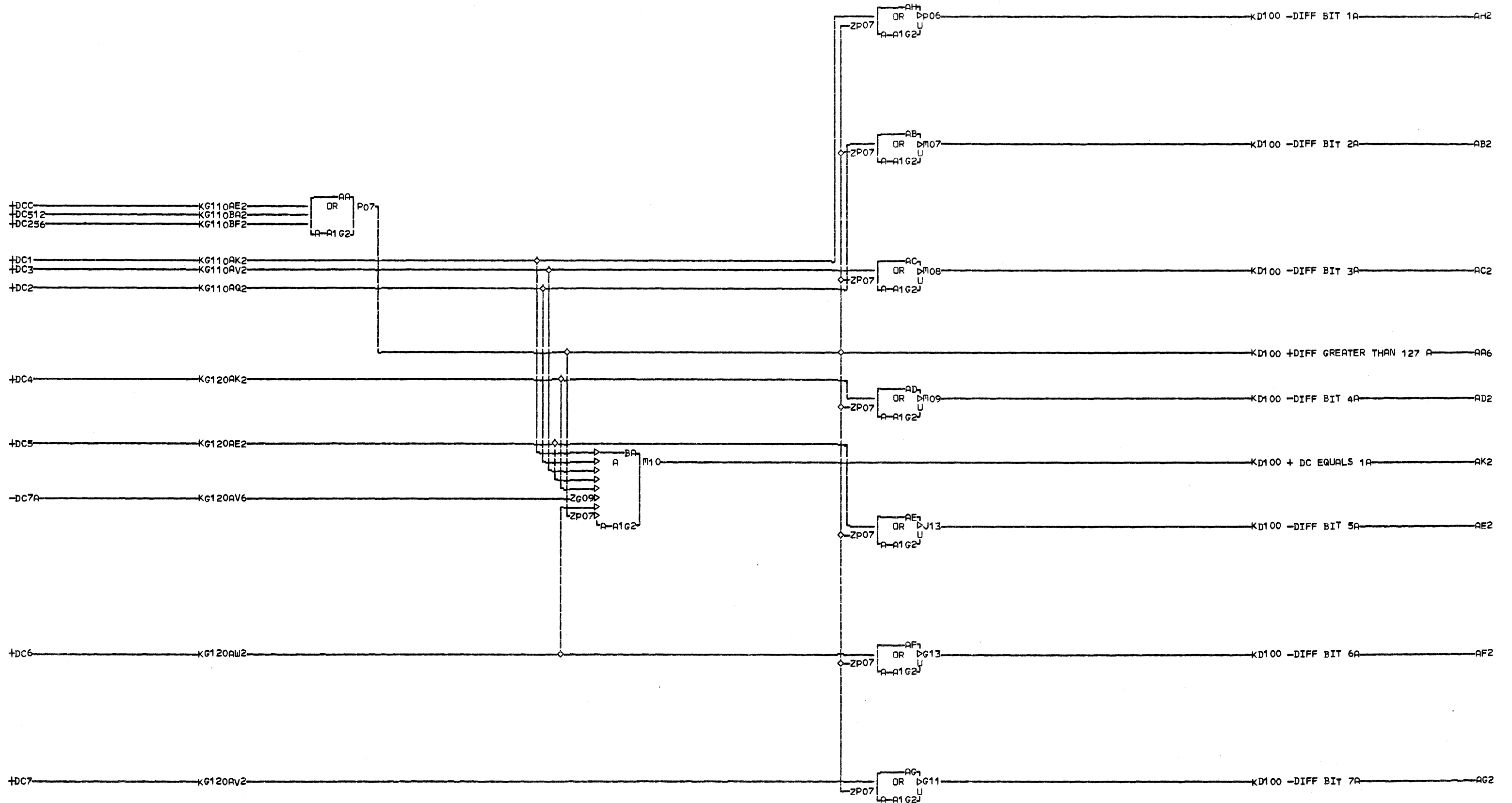
KG110

KG110



LDC. TYPE
 A-A1G2 BC42

A FILE	
DIFF CTR 8 THRU 1	
E.C. HISTORY	MACH. 3350
446701	
DATE	LAST EC
03-05-76	446704
FRAME	01
IBM CORP. SDD	
PoN.	4291641

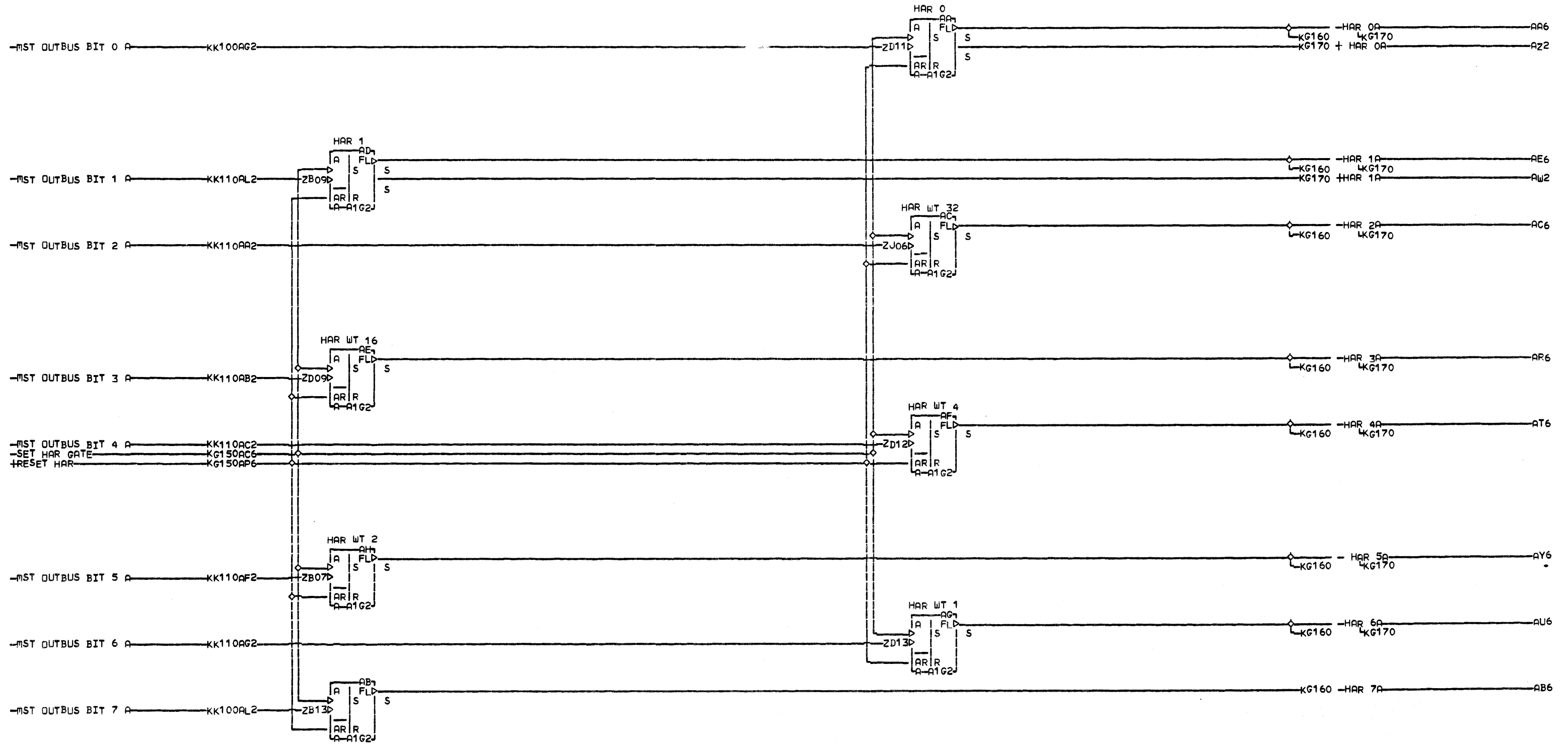


K
G
1
3
0

LOC. TYPE
A-A1G2 BC42

A FILE	
DIFF BITS 1 THRU 7	
E.C. HISTORY	B. MACH. 3350
446701	FRAME 01
446702	IBM CORP. SDD
DATE LAST EC	P.N. 4291642
03-05-76 446704	

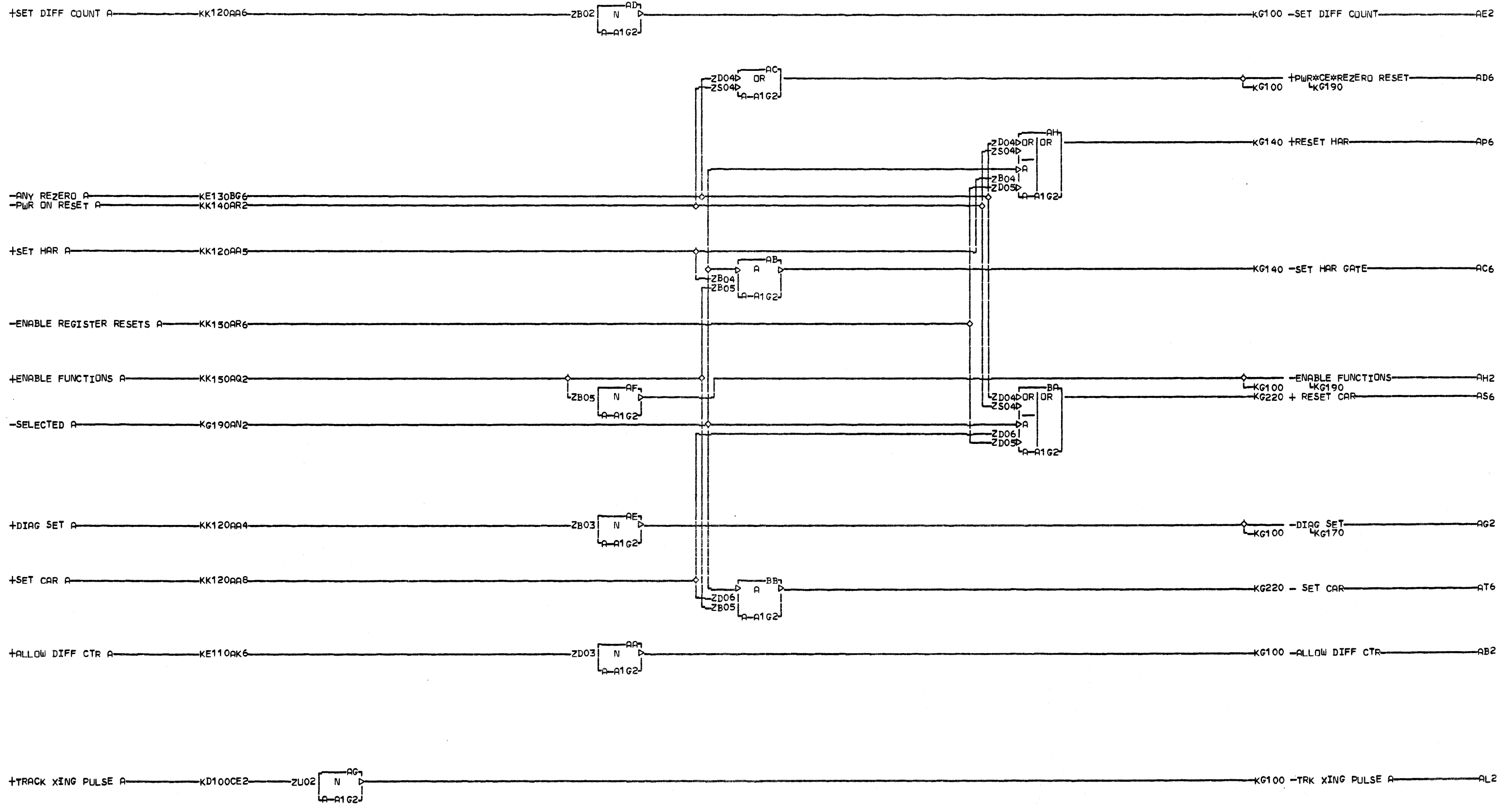
K
G
1
3
0



KG140

LOC. TYPE
A-A1G2 BC42

A FILE		K
HAR		G
E.C. HISTORY	B MACH. 3350	1
446701	FRAME 01	4
	IBM CORP. SDD	0
DATE LAST EC	P.N. 4291643	000
03-05-76 446704		

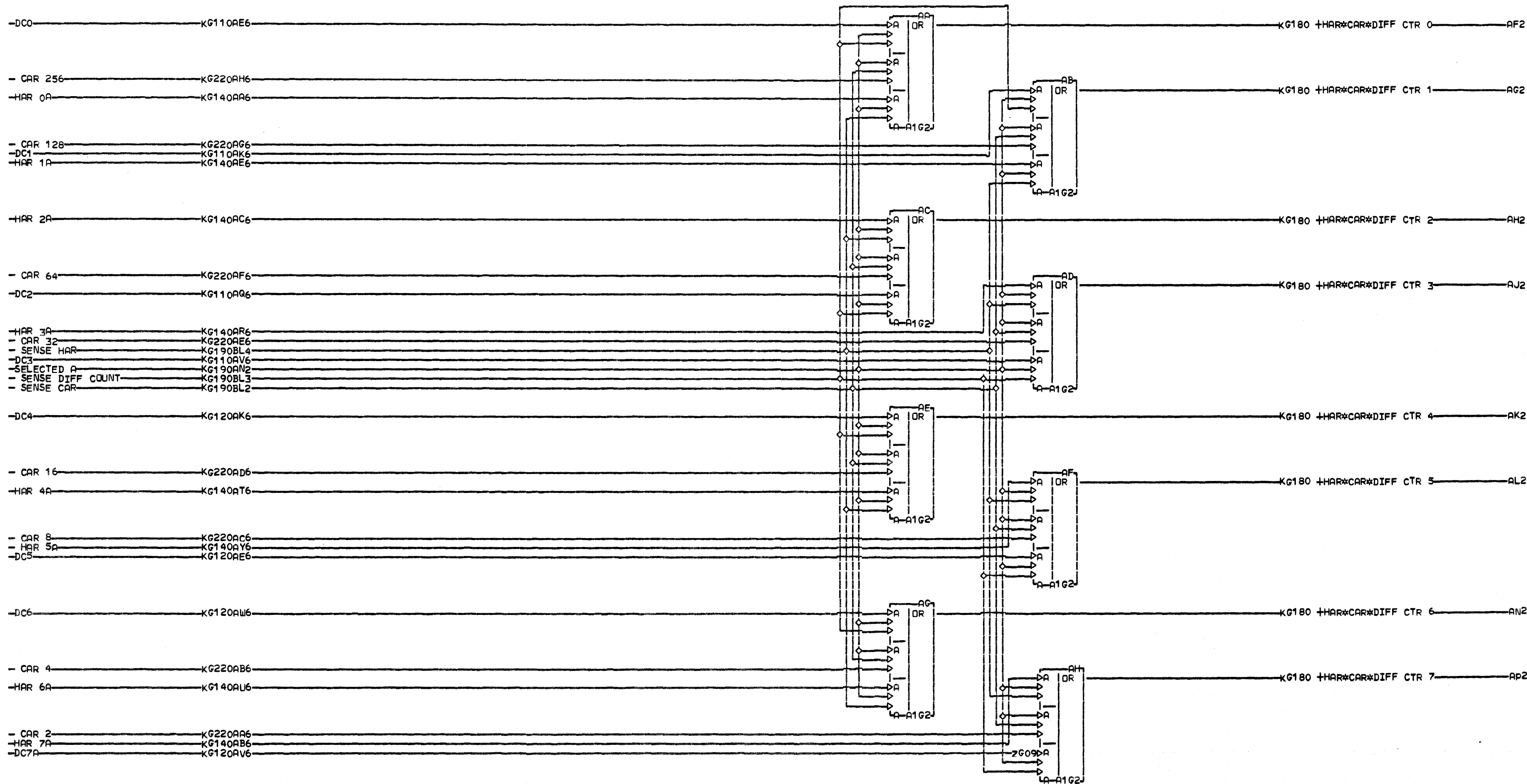


K
1
5
0

LQC. TYPE
A-A1G2 BC42

A FILE CONTROLS	
E.C. HISTORY	B MACH.3350
446701	FRAME 01
DATE	LAST EC
03-05-76	446704
P.N.	4291644

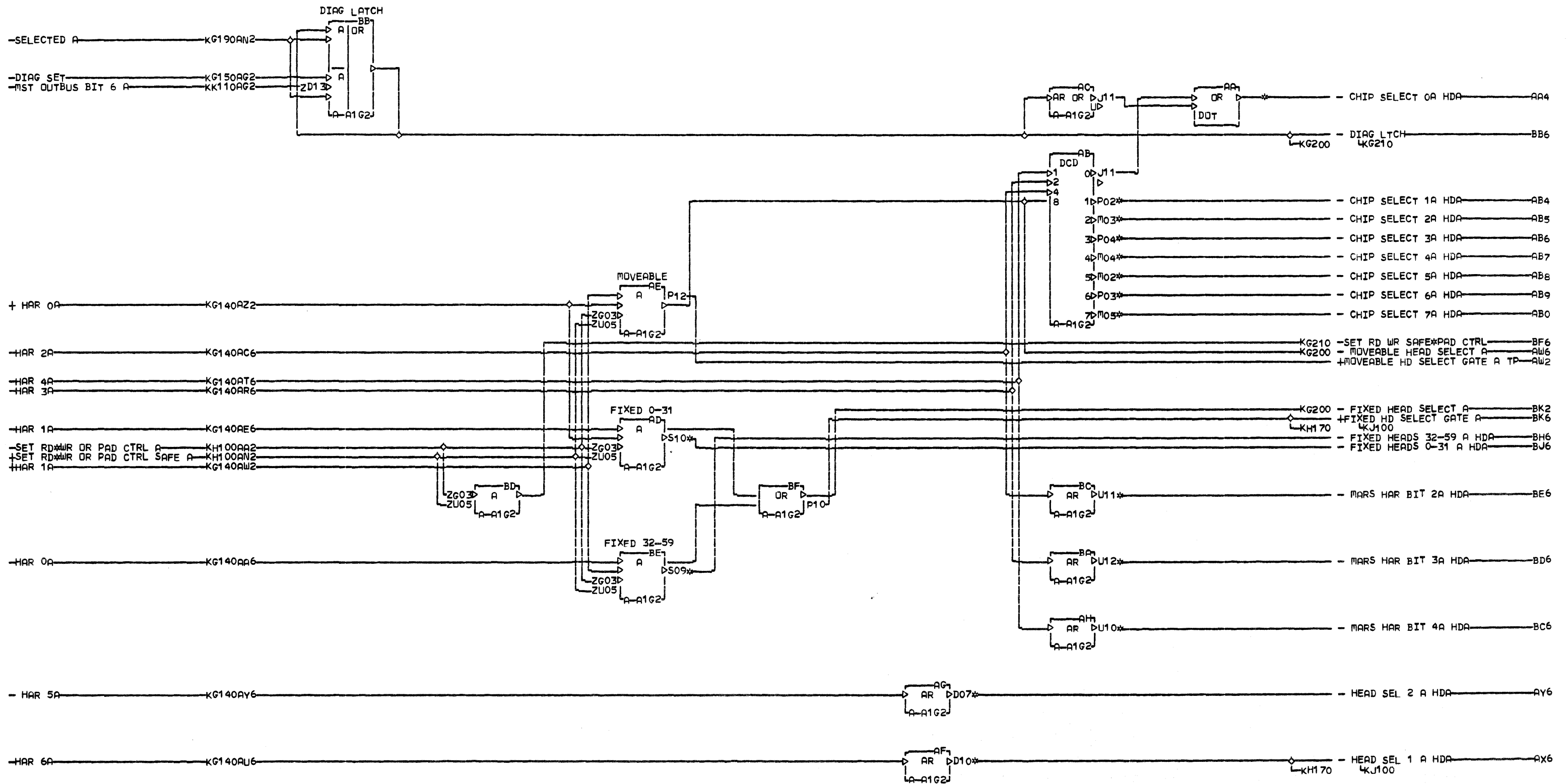
K
1
5
0



LOC. TYPE
A-A1G2 BC42

A FILE	
HAR*DIFF CTR 0 THRU 7	
E.C. HISTORY	MACH. 3350
446701	
FRAME	01
IBM CORP. SDD	
DATE LAST EC	
03-05-76 446704	P.N. 4291645

K
G
1
6
0
000



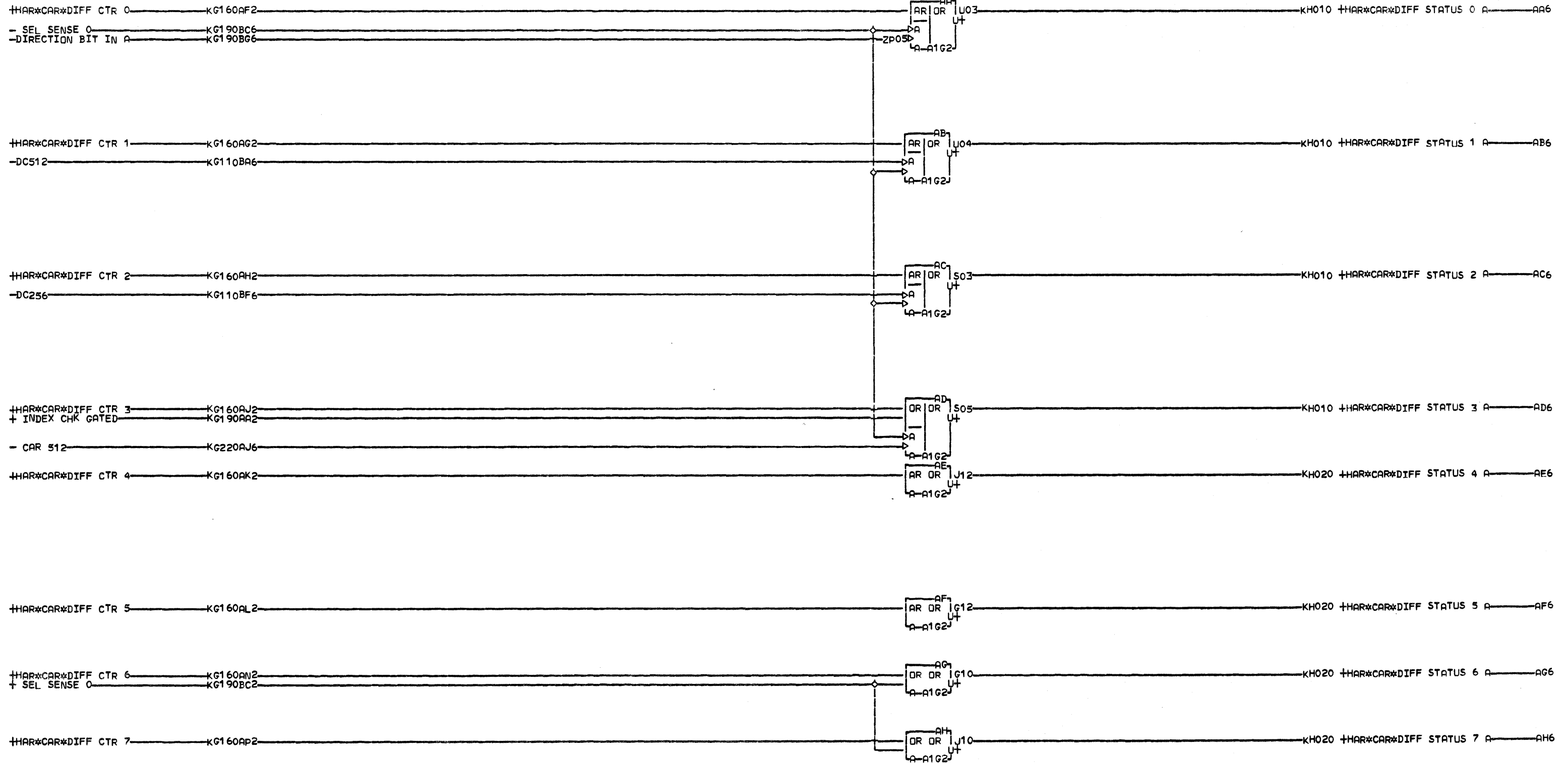
KG170
 000COPYRIGHT IBM CORP 1976

AA2 A-A1B2D02 AF2 A-A1B2D09
 AB6 A-A1B2B02 AG2 A-A1B2B08
 AB8 A-A1K1B13 AH2 A-A1J1B13
 AB10A A-A1K1B11 BA2 A-A1J1A11
 AB12A A-A1K1A13 BC2 A-A1H1E13
 AB14A A-A1J1E11 BE3 A-A1H1E11
 AB16A A-A1J1D13
 AB18A A-A1J1D11
 AD3 A-A1H1D13

LOC. TYPE
 A-A1G2 BC42

A FILE	
HEAD SELECT	
E.C.-HISTORY	MACH.3350
446701	
FRAME	01
IBM CORP. SDD	
DATE	LAST EC
03-05-76	446704
P.N.	4291646

KG170
 000

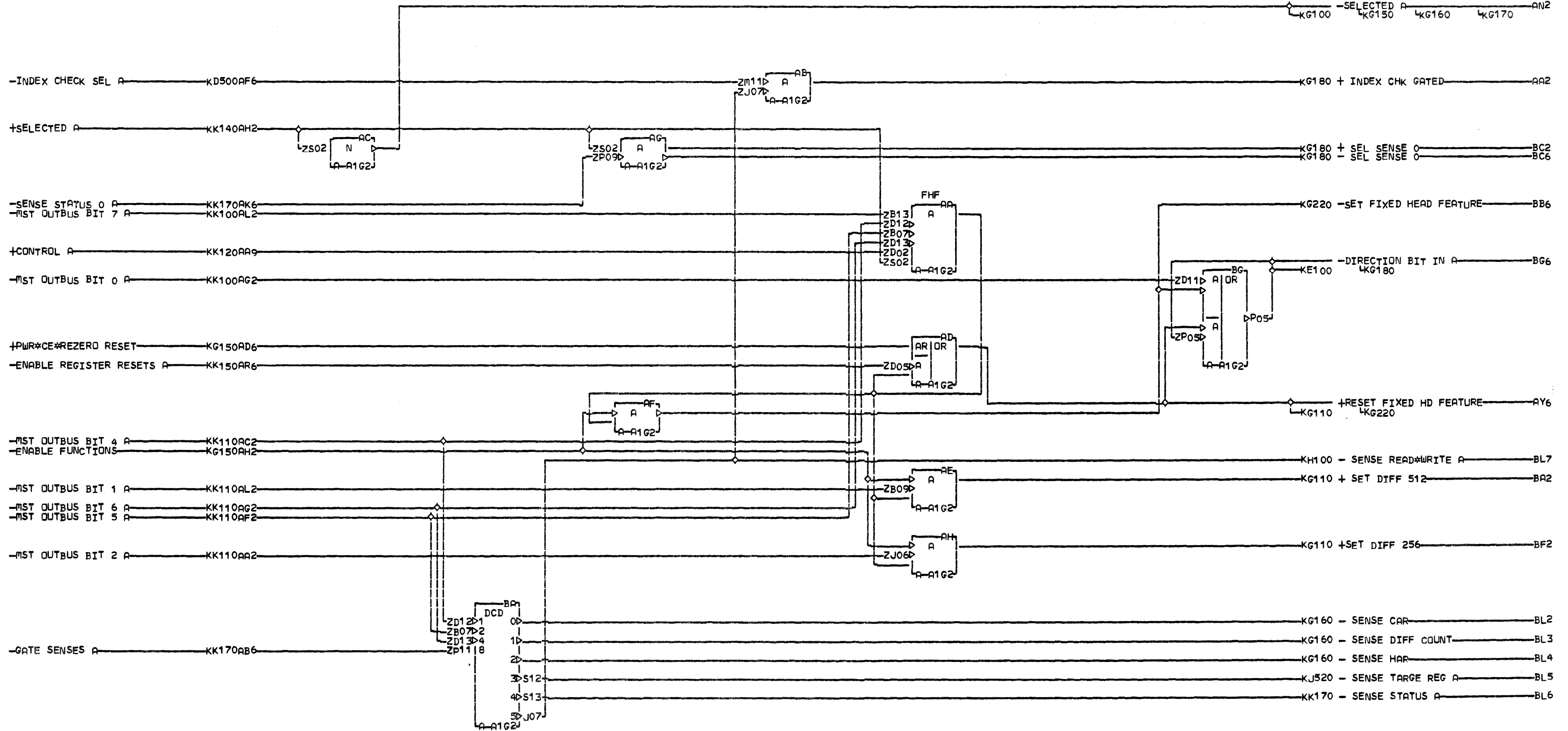


K
G
1
8
0

LOC. TYPE
A-A1G2 BC42

A FILE	
STATUS BITS	
-E.C.-HISTORY- 446701	B MACH.3350
FRAME	01
DATE	LAST EC
03-05-76	446704
IBM CORP. SDD	P.N. 4291647

K
G
1
8
0

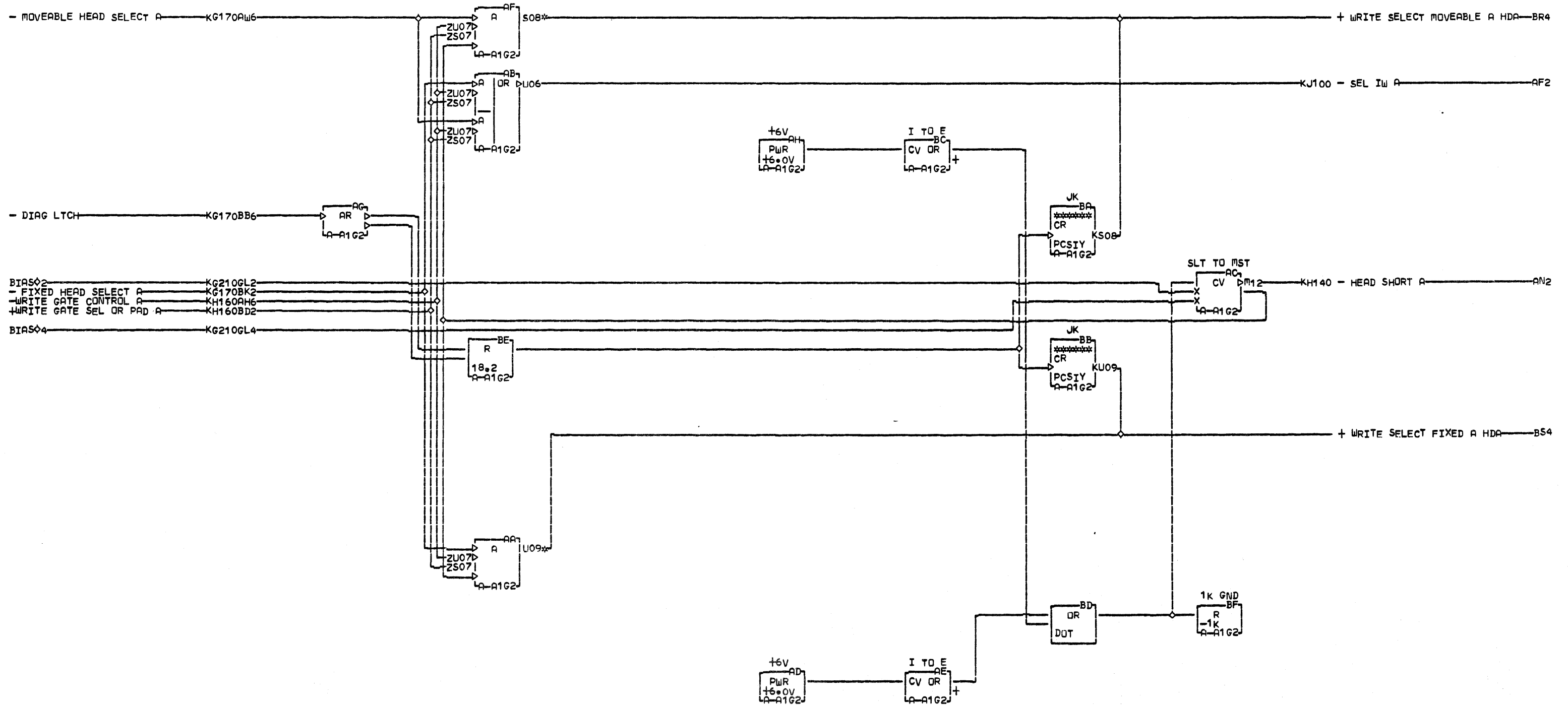


KG190

LOC. TYPE
A-A1G2 BC42

A FILE	
DIR BIT	
E.C. HISTORY	MACH. 3350
446701	
FRAME	01
IBM CORP. SDD	
DATE	LAST EC
03-05-76	446704
P.N.	4291648

KG190

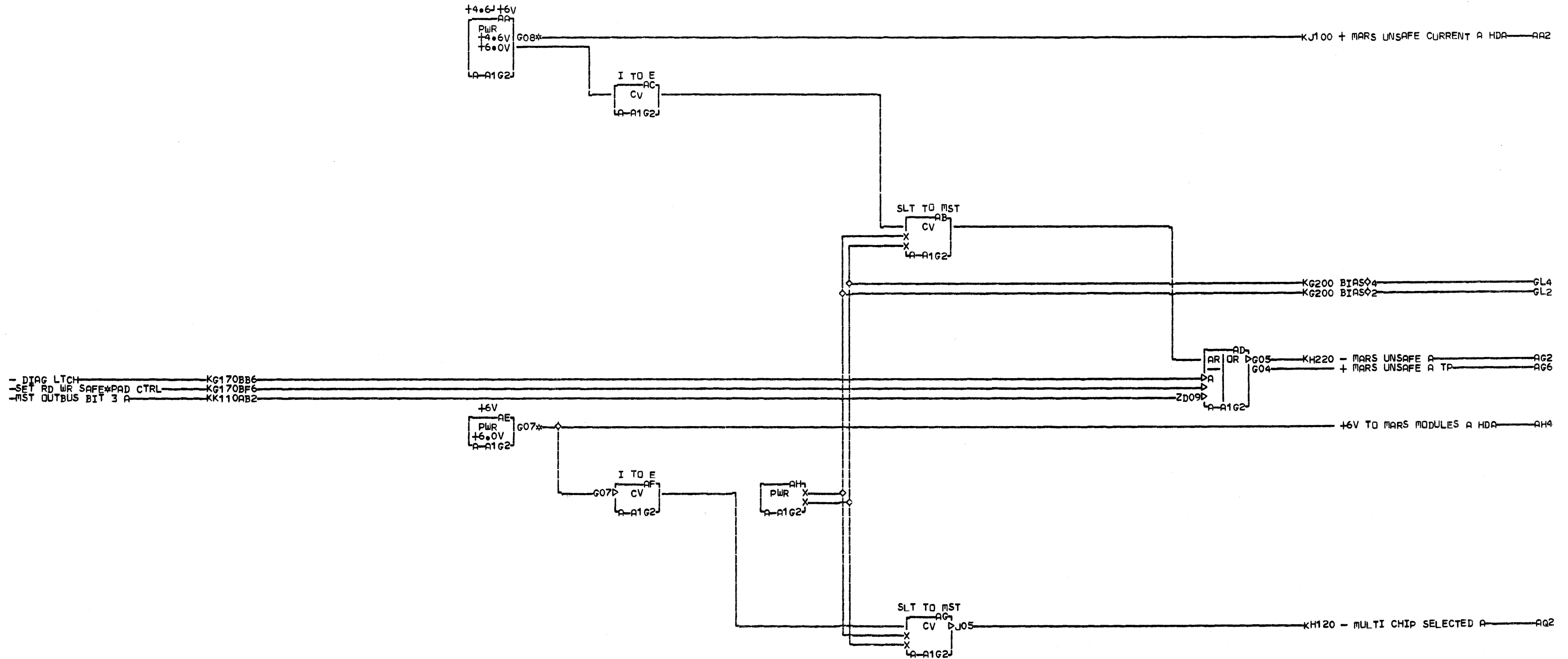


AA2 A-A1B2D04
 AF2 A-A1B2B09

LOC. TYPE
 A-A1G2 BC42

A FILE		K
MARS INTERFACE		G
E.C. HISTORY	B MACH. 3350	2
446701	FRAME 01	0
446702	IBM CORP. SDD	0
DATE LAST EC	P.N. 4291649	000
03-05-76 446704		

2000



- DIAG LTCH KG170BB6
 - SET RD WR SAFE*PAD CTRL KG170BF6
 - MST OUTBUS BIT 3 A KK110AB2

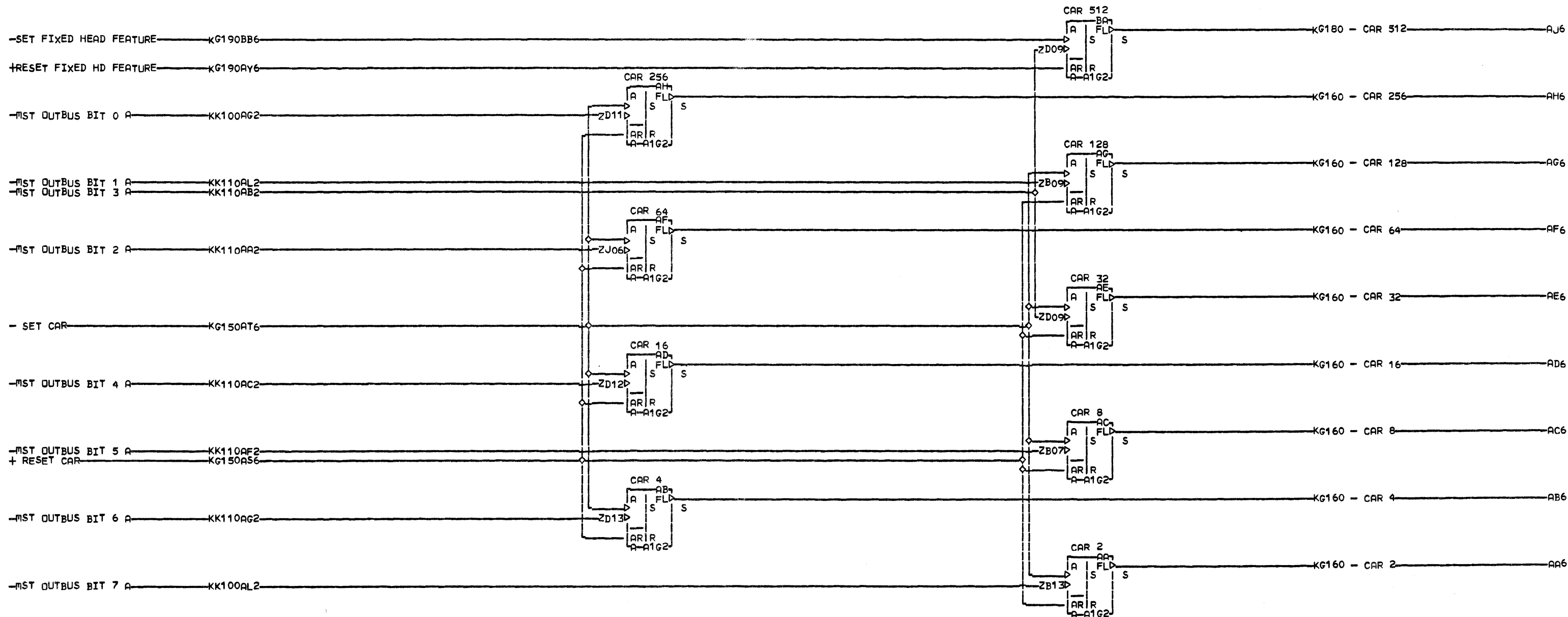
AA3 A-A1B2B04
 01A A-A1J1C11
 AE2 A-A1B2D07
 01A A-A1B2D10

LOC. TYPE
 A-A1G2 BC42

A FILE		LCMI	
-E.C.-HISTORY	446701	MACH.	3350
	446702	FRAME	01
DATE	LAST EC	IBM CORP.	SDD
03-05-76	446704	P.N.	4291650

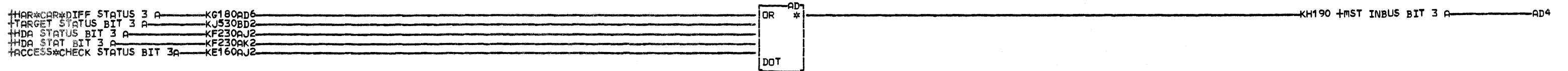
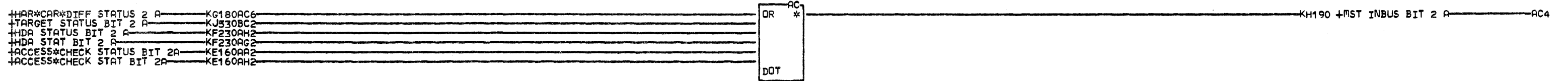
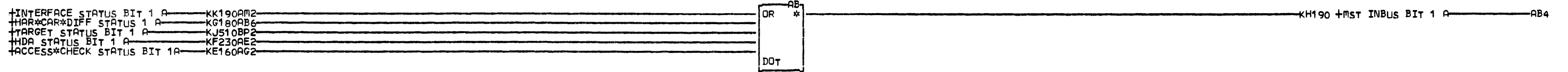
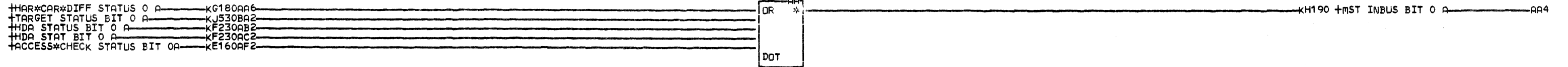
1-NGK
 0

KG
 2
 1
 0
 000



LOC. TYPE
A-A1G2 BC42

A FILE	
CYLINDER ADDRESS REGISTER	
E.C. HISTORY	B MACH. 3350
446701	FRAME 01
DATE LAST EC	IBM CORP. SDD
03-05-76 446704	P.N. 4291651

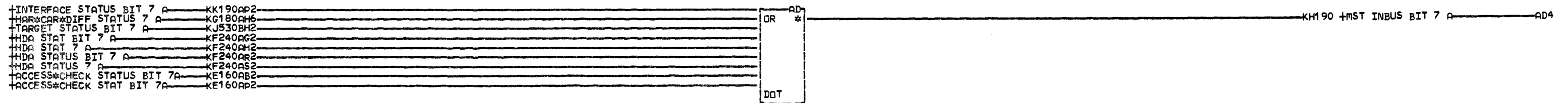
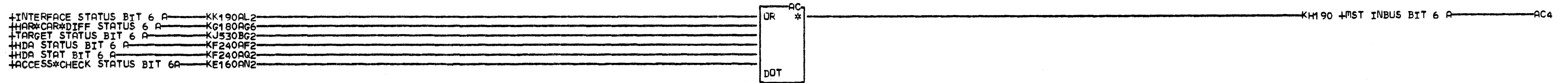
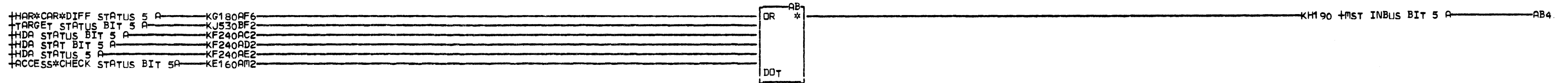
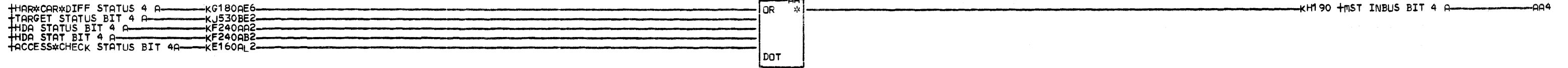


K
H
0
1
0

LOC. TYPE

A INBUS DOT BITS 0 TO 3	
E.C. HISTORY	B MACH. 3350
435460	
446701	FRAME 01
	IBM CORP. GPD
DATE LAST EC	P.N. 4291652
03-05-76 446704	

K
H
0
1
0
000

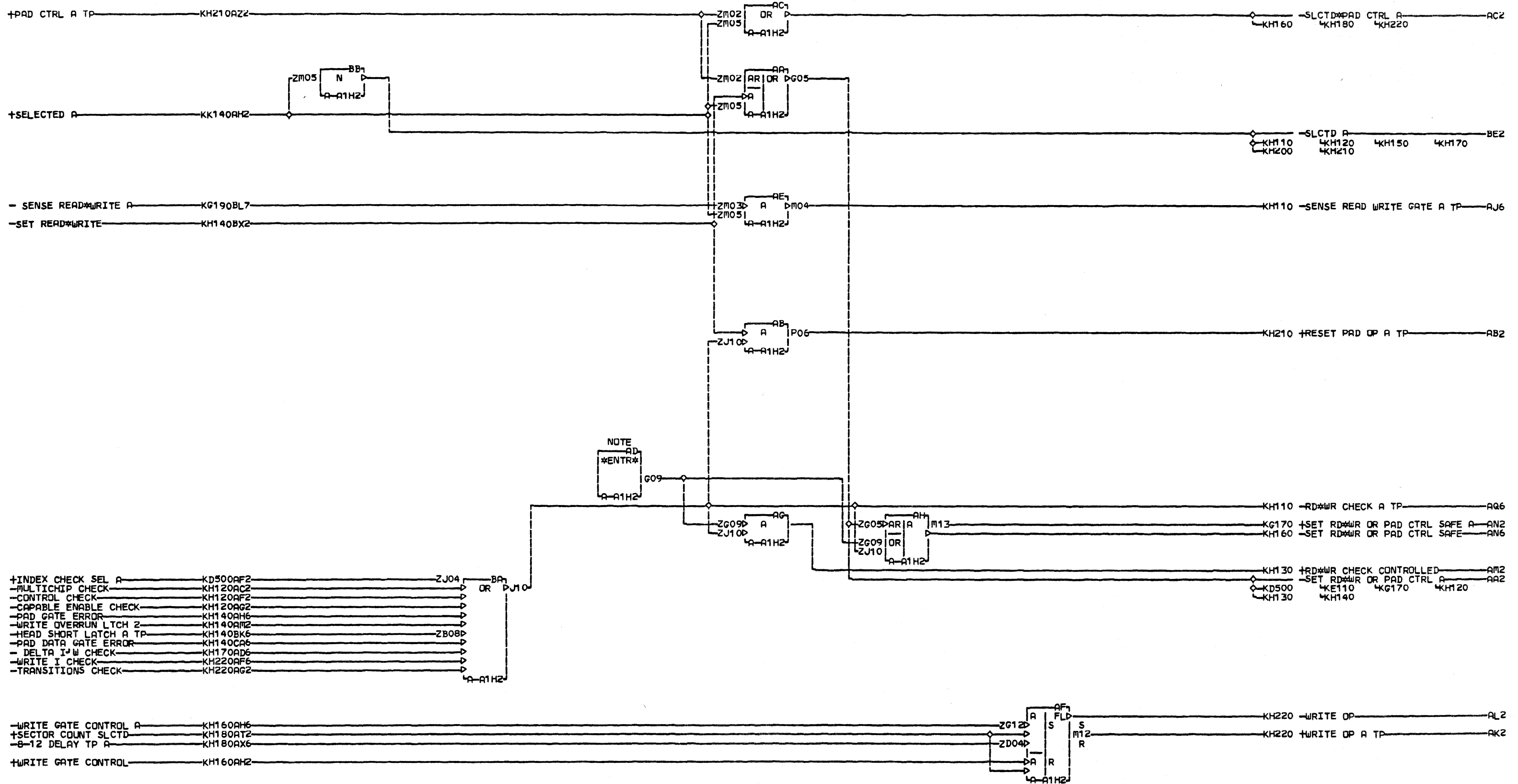


LOC. TYPE

K
H
0
2
0

A INBUS DOT BITS 4 TO 7	
E.C. HISTORY	B. MACH. 3350
435460	FRAME 01
446701	IBM CORP. GPD
DATE LAST EC	P.N. 4291653
03-05-76 446704	

K
H
0
2
0
000



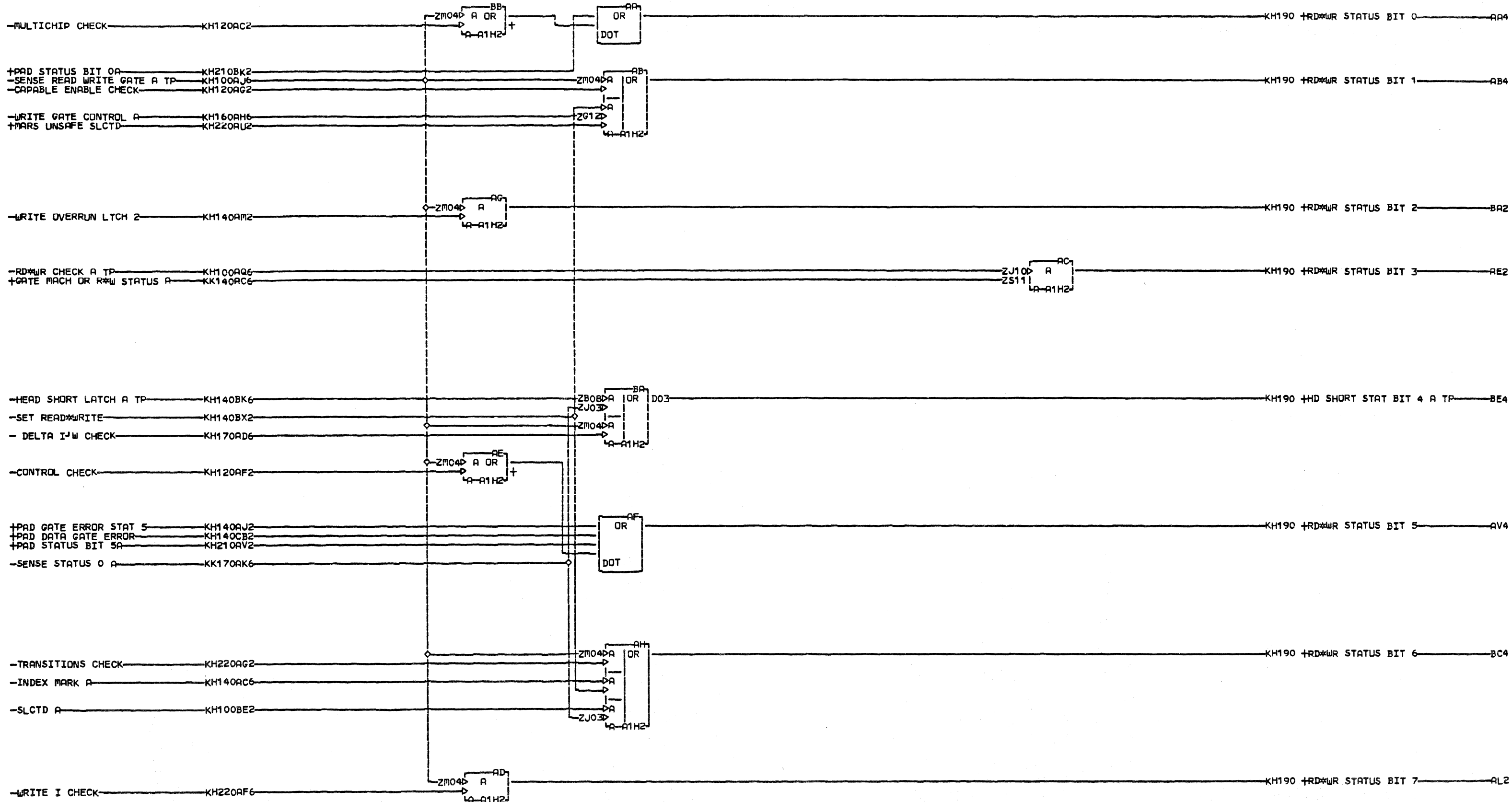
NOTE
AD
ENTR
A-A1H2
G09

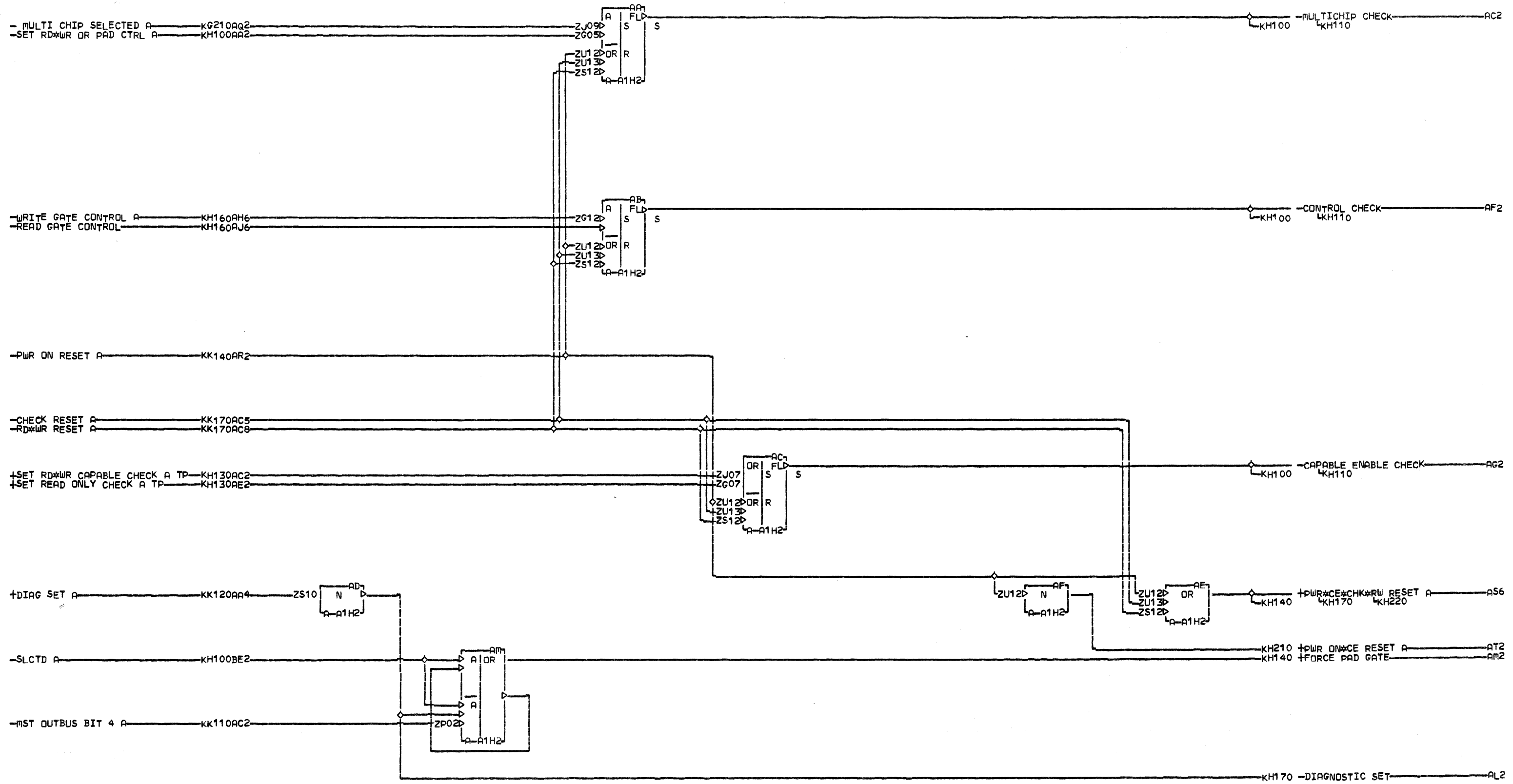
NOTE TO DISABLE RD*WR SAFETY JUMPER G09 TO GND.

K
H
1
0
0

LOC. TYPE
A-A1H2 BC48

A FILE		READ WRITE CONTROLS AND SAFETY		E.C. HISTORY		E. MACH. 3350	
446701	446706	FRAME	01				
446702							
446704							
446705							
DATE	LAST EC	IBM CORP.	SDDI				
12-16-77	446710	P.N.	4291654				



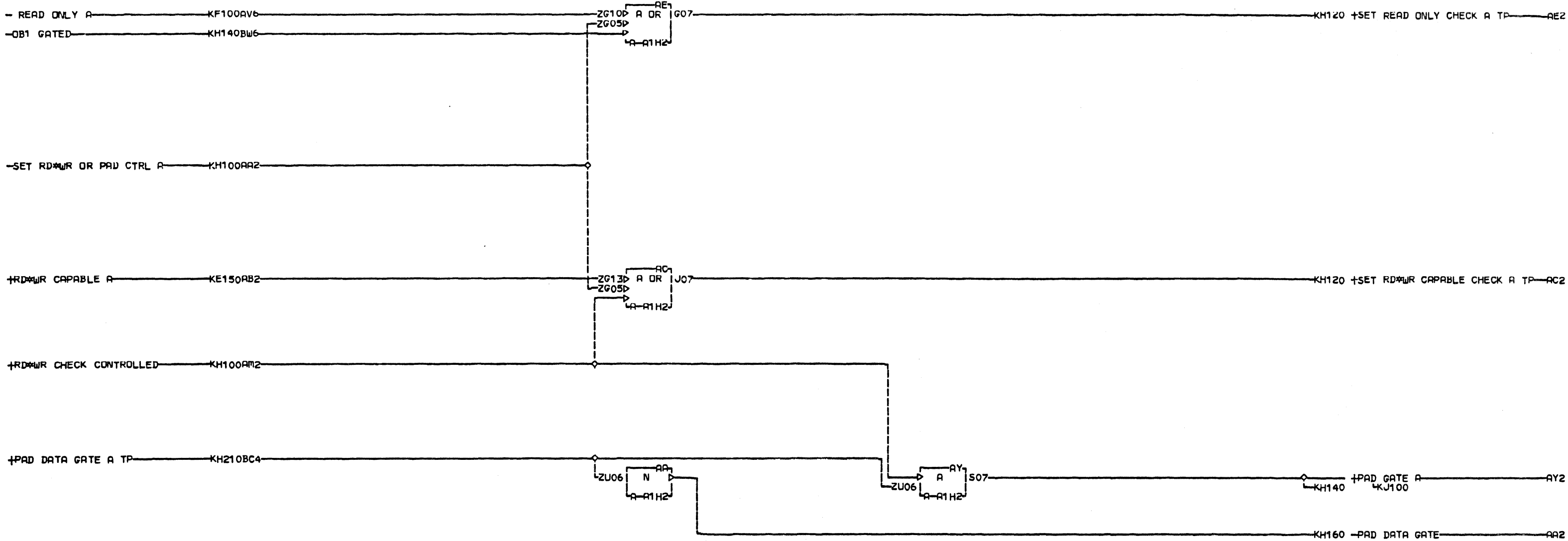


K
1
2
0

LOC. TYPE
A-A1H2 BC48

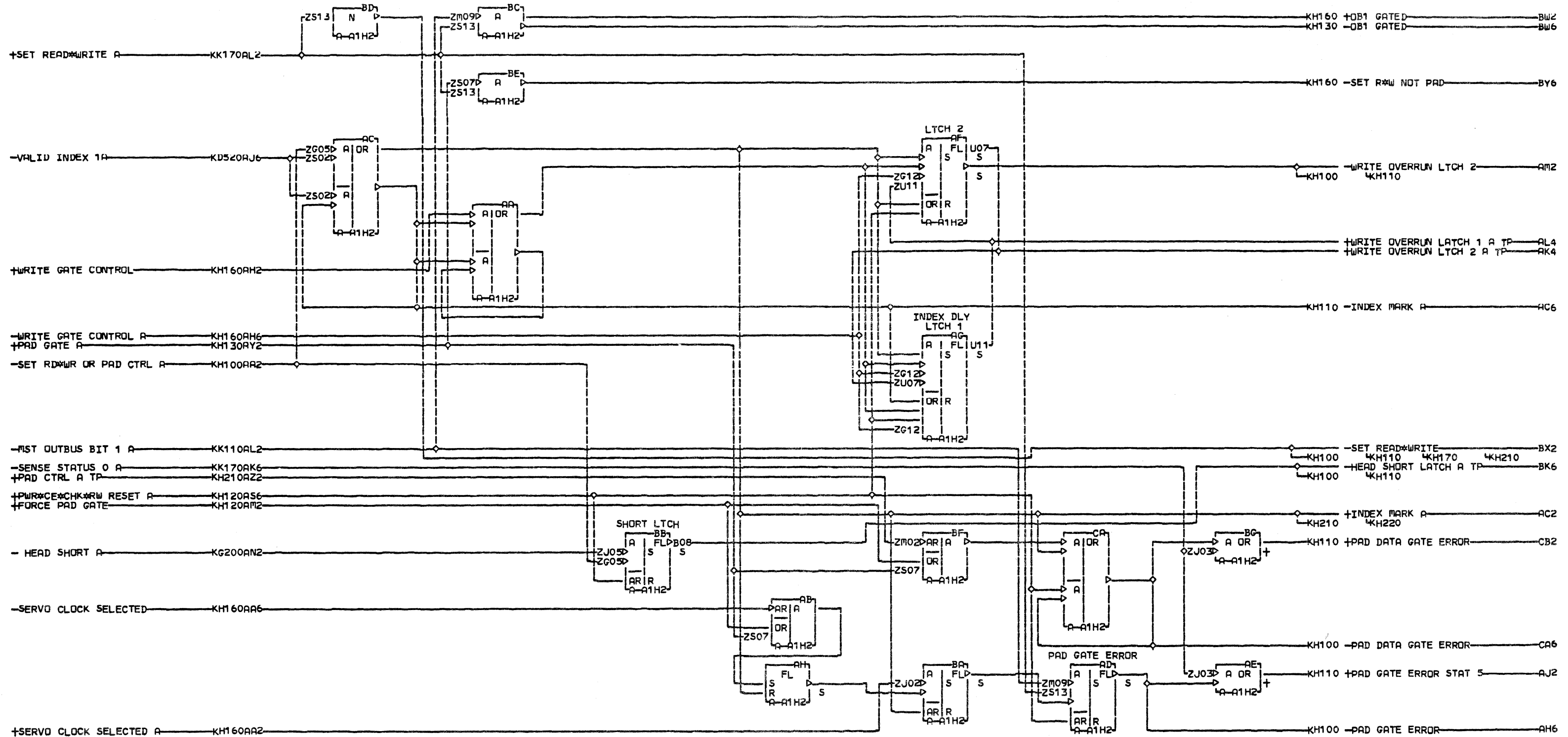
A FILE	
READ WRITE CONTROLS AND SAFET	
E.C. HISTORY	MACH. 3350
446701	
FRAME	01
IBM CORP. SDD	
DATE LAST EC	
03-05-76 446704	P.N. 4291656

K
1
2
0



LOC. TYPE
A-A1H2 BC48

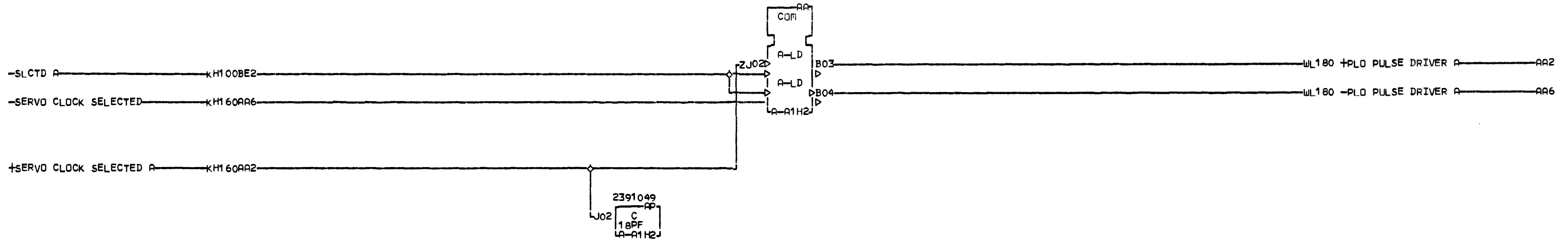
A FILE		
READ WRITE CONTROLS AND SAFETY		K
E.C. HISTORY	E-MACH.3350	H
446701		1
446702	FRAME	01 3
446704		0
	IBM CORP. SDD	
DATE	LAST EC	000
12-16-77	446710	
	P.N. 4291657	



LDC TYPE
A-A1H2 BC4B

WRITE OVERRUN DETECTOR		
-E.C.-HISTORY-	E MACH.3350	K
446701		1
446702	FRAME	01 4
446704	IBM CORP. GPD	0
DATE	LAST EC	
12-16-77	446710	P.N. 4291658

K
1
4
0

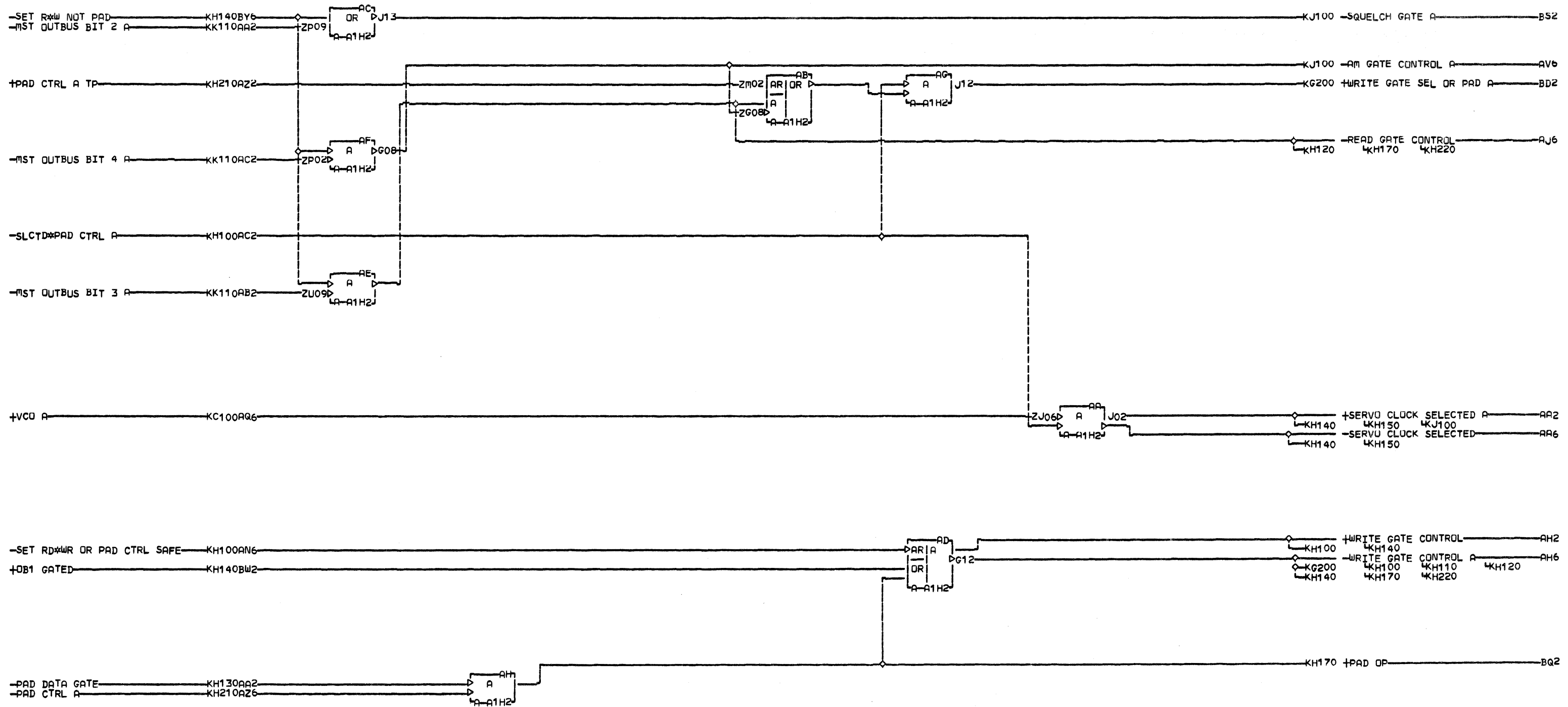


K
H
1
5
0

LOC. TYPE
A-A1H2 BC48

A FILE	
READ WRITE CONTROLS AND SAFETY	
E.C. HISTORY	MACH. 3350
446701	
FRAME	01
IBM CORP. SDD	
DATE	LAST EC
03-05-76	446704
P.N.	4291659

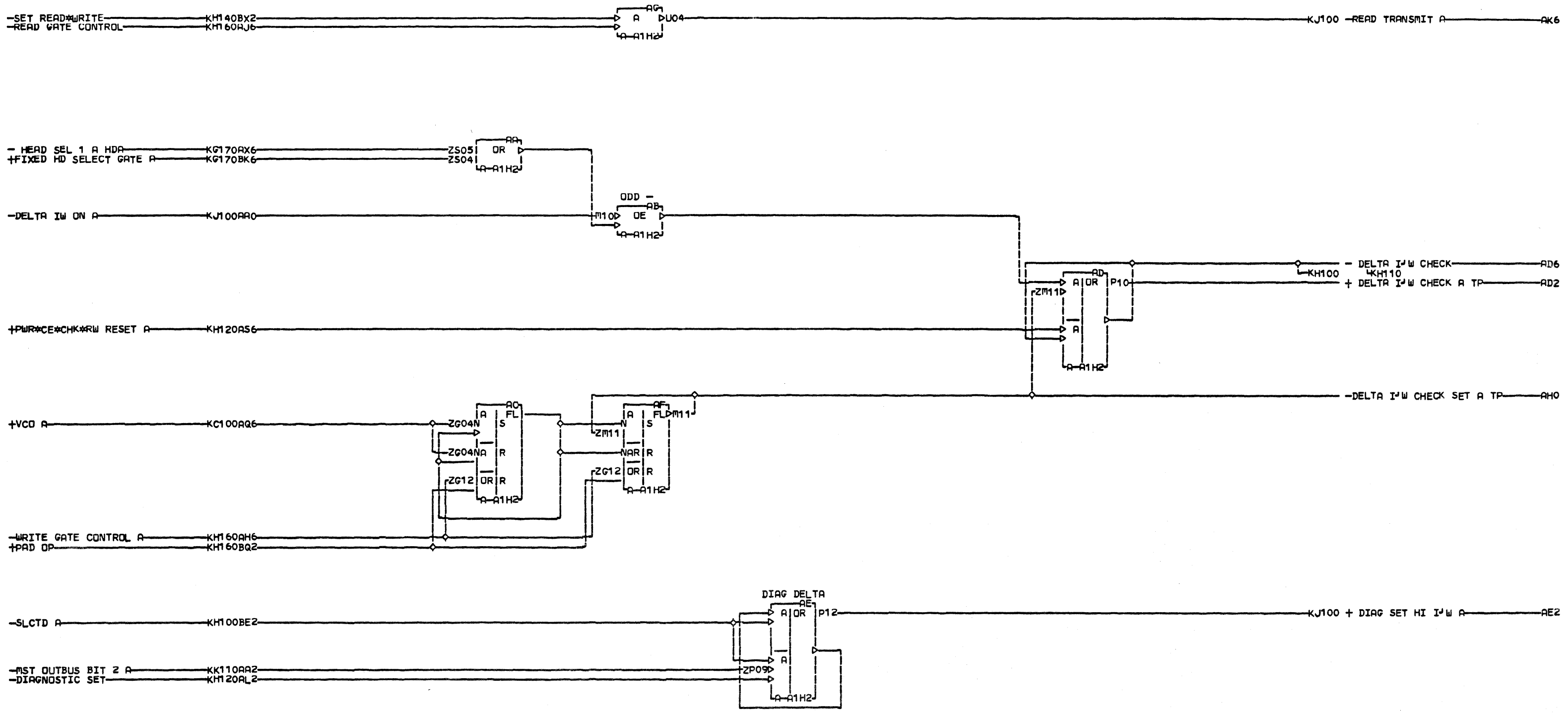
K
H
1
5
0



K
H
1
6
0

LDC TYPE
A-A1H2 BC48

A FILE		
READ WRITE CONTROLS AND SAFET		
E.C. HISTORY	B1 MACH. 3350	
446701		1
446702	FRAME	01 6
446704		0
DATE	LAST EC	IBM CORP. SDD
10-01-76	446706	IP.No. 4291660



LOC. TYPE
A-A1H2 BC4B

A FILE	
READ WRITE CONTROLS AND SAFET	
E.C. HISTORY	MACH. 3350
446701	
446702	FRAME 01
446704	
446706	IBM CORP. SDD
DATE	LAST EC
12-16-77	446710
PoN.	4291661

K
H
1
7
0

** IBM

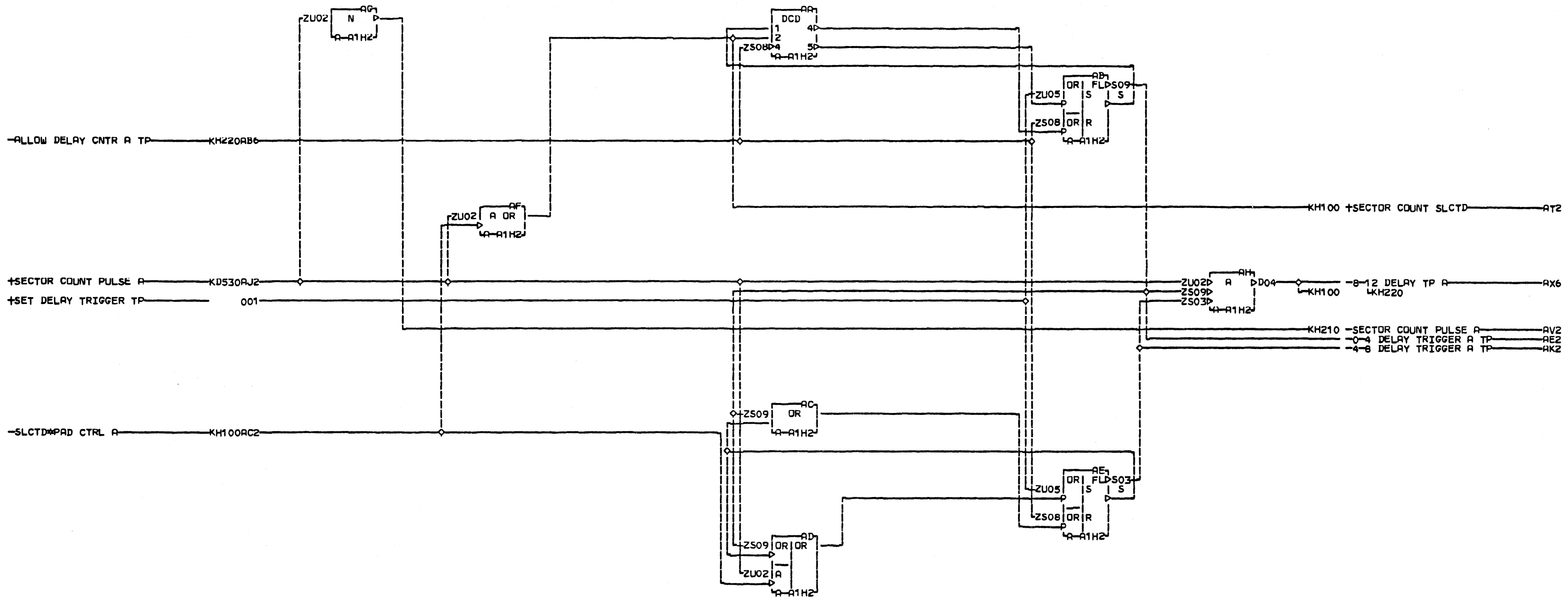
CONFIDENTIAL

UNTIL 04-01-76

- UNCLASSIFIED

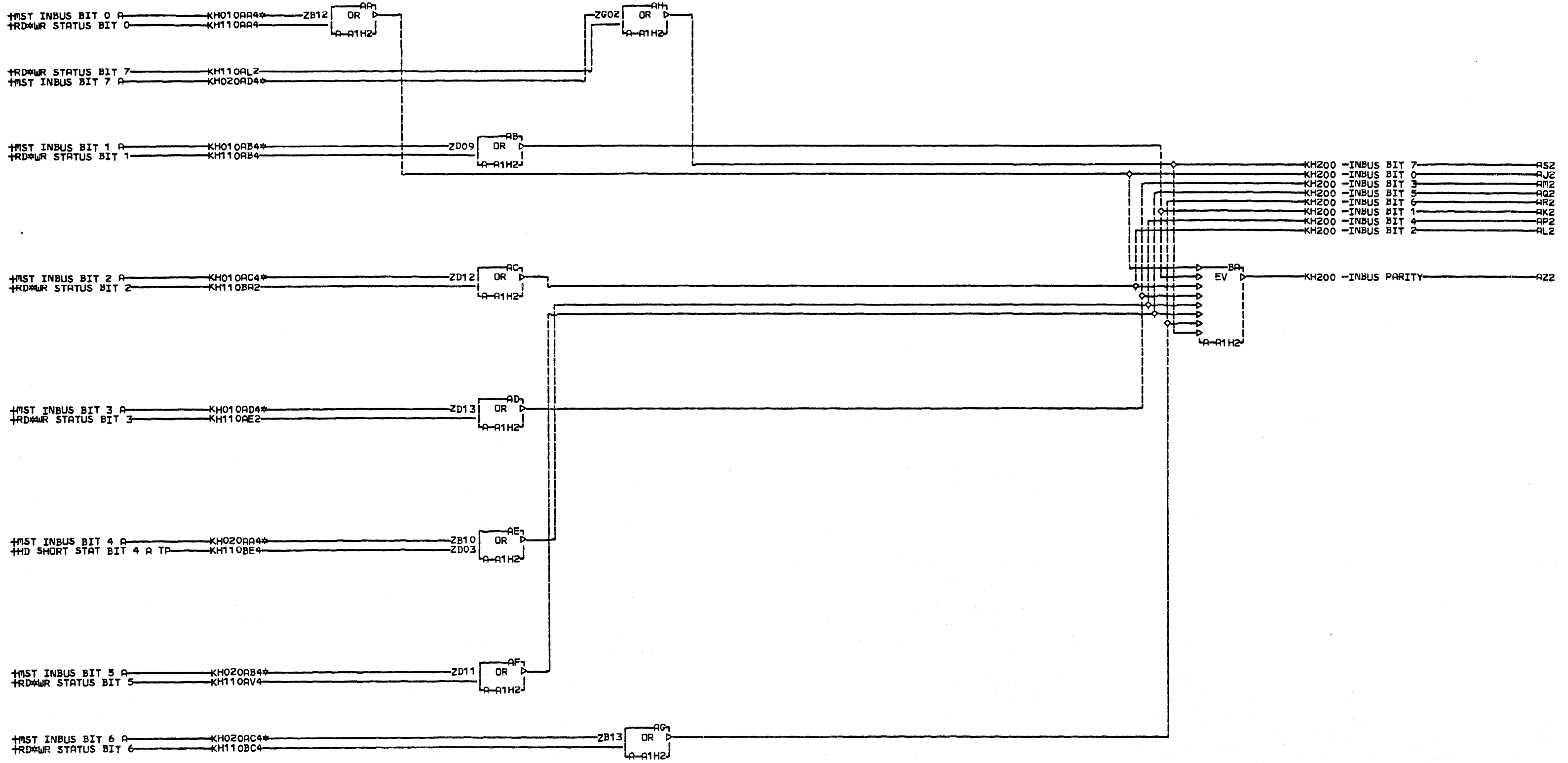
THEREAFTER **

000 KH180



LOC. TYPE
A-A1H2 BC48

A FILE		K
READ WRITE CONTROLS AND SAFETY		H
E.C. HISTORY - E. MACH. 3350		1
446701		8
446704	FRAME	01
446705		0
IBM CORP. SDD		000
DATE	LAST EC	
12-16-77	446710	
P.No. 4291662		

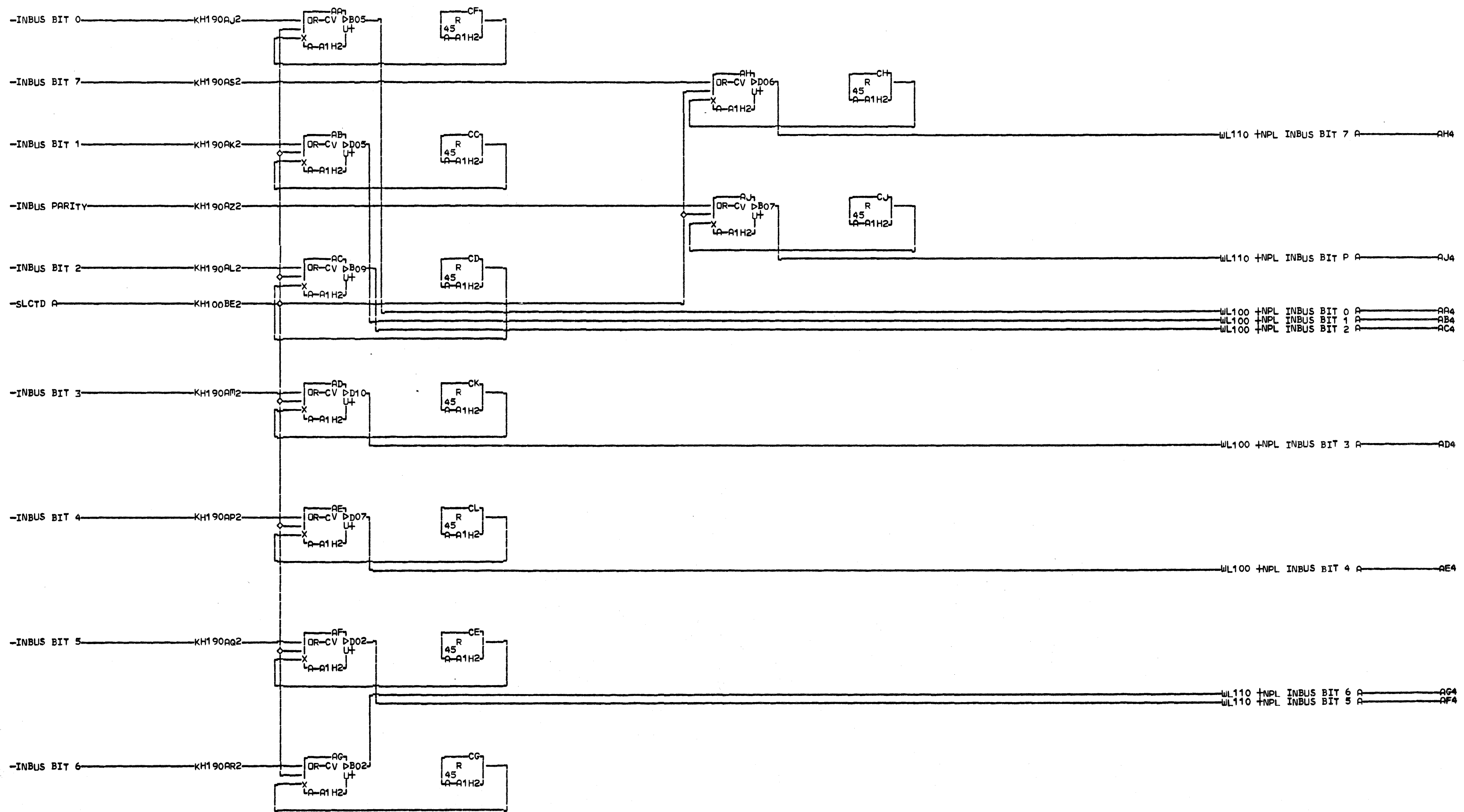


K
H
1
9
0
000COPYRIGHT IBM CORP 1976

KH010AA4	KH010AD4	KH020AC4
RESISTOR	RESISTOR	RESISTOR
A-A1H2B12	A-A1H2D13	A-A1H2B13
KH010AB4	KH020AA4	KH020AD4
RESISTOR	RESISTOR	RESISTOR
A-A1H2D09	A-A1H2B10	A-A1H2G02
KH010AC4	KH020AB4	
RESISTOR	RESISTOR	
A-A1H2D12	A-A1H2D11	

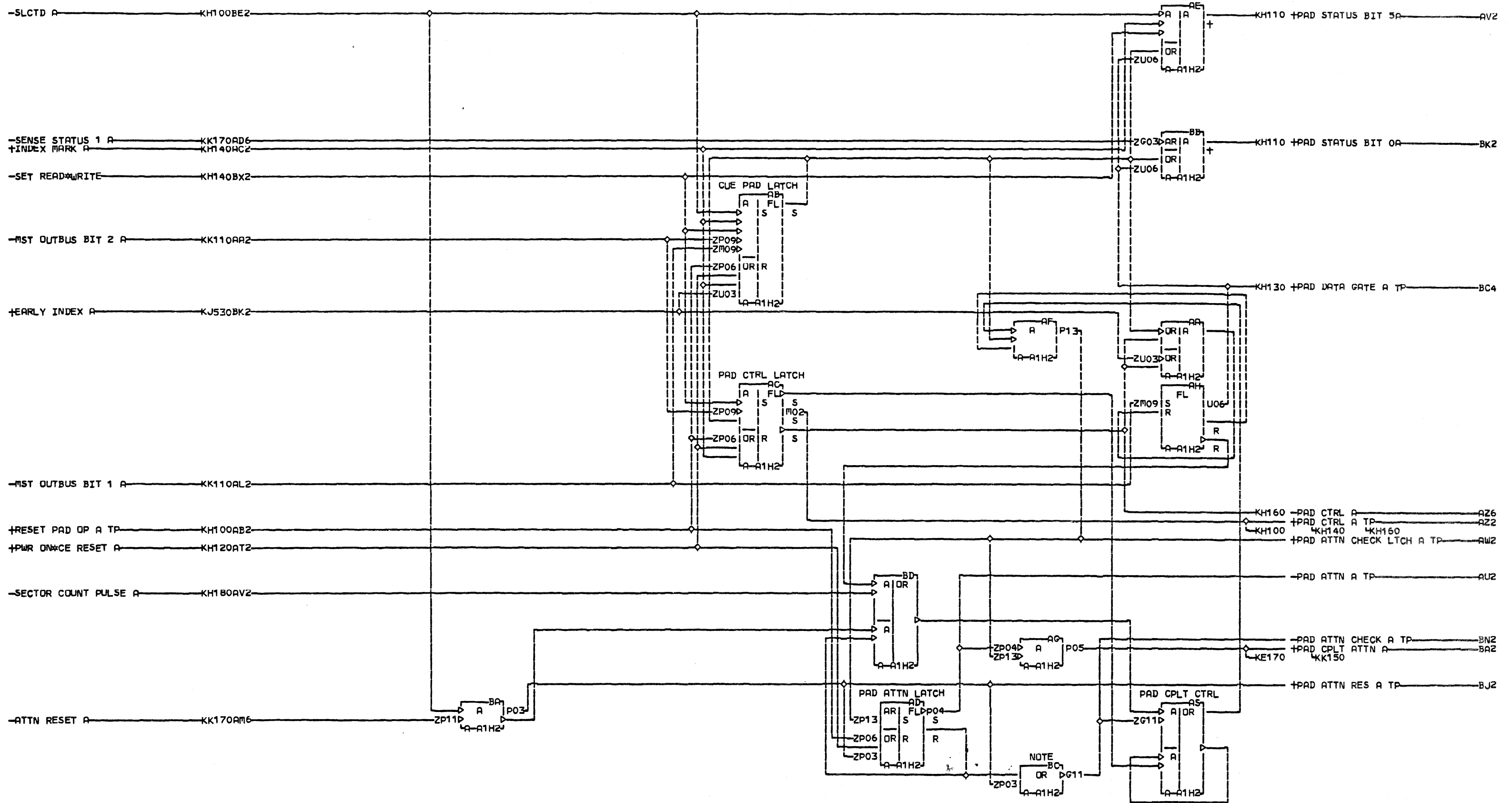
LOC. TYPE
A-A1H2 BC48

A FILE		K
INBUS AND SELECT		H
E.C. HISTORY	E. MACH. 3350	1
446701	FRAME	01
446704	IBM CORP. SDD	0
DATE	LAST EC	000
12-16-77	446710	
	P.N. 4291663	



LOC. TYPE
A-A1H2 BC48

A FILE		K H 2 0 0
INBUS AND SELECT		
E.C. HISTORY	B. MACH. 3350	01
446701	FRAME	
DATE	LAST EC	IBM CORP. SDD
03-05-76	446704	P.N. 4291664



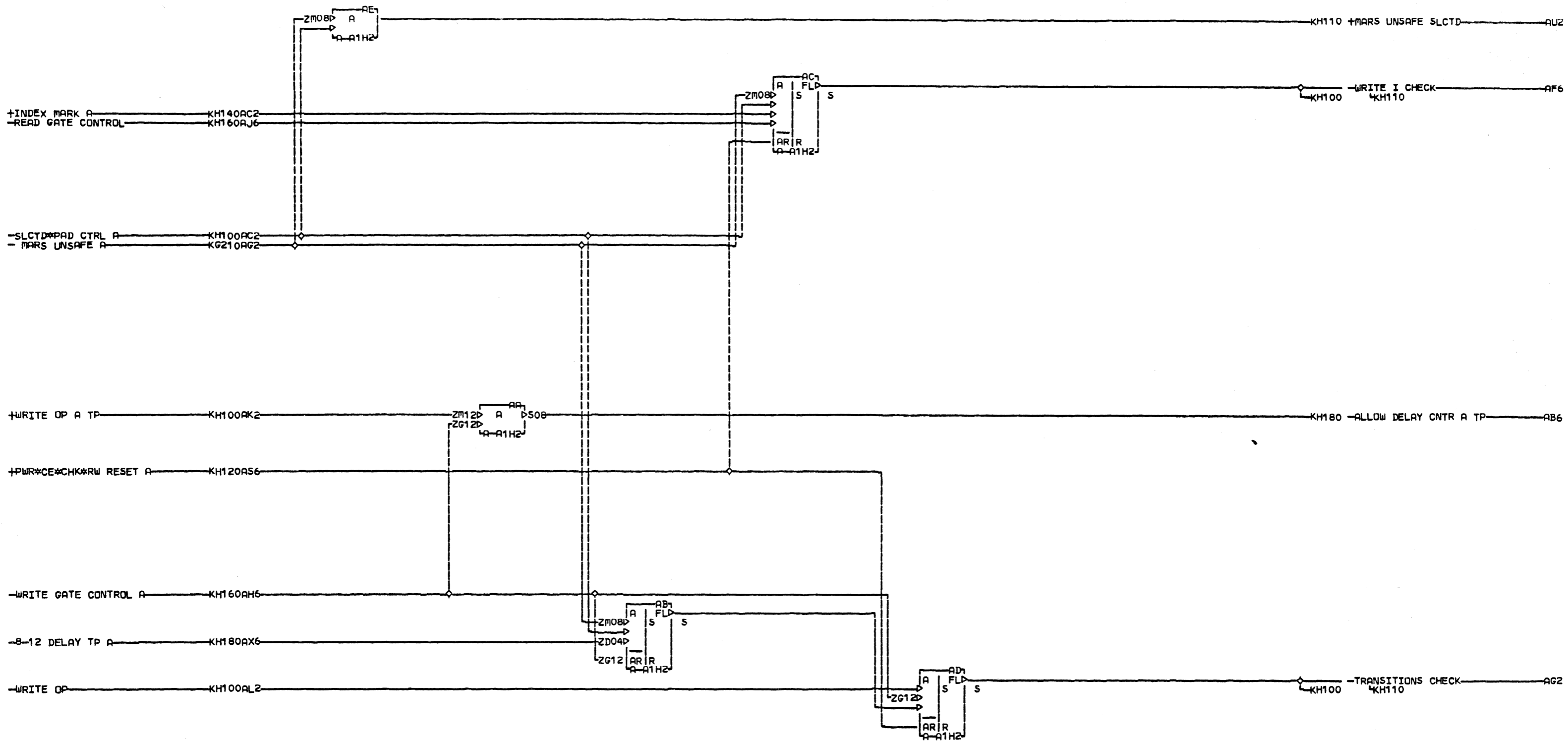
NOTE THIS FUNCTION ONLY
ON CARD PN 8250739
OR LATER.

K
H
2
1
0

LOC. TYPE
A-A1H2 BC4B

A FILE		
WRITE PADDING		
-E.C.-HISTORY	E	MACH.3350
446701		FRAME 01
446704		01
446706		0
DATE LAST EC		IBM CORP. SDD
12-16-77	446710	PoN. 4291665

K
H
2
1
0

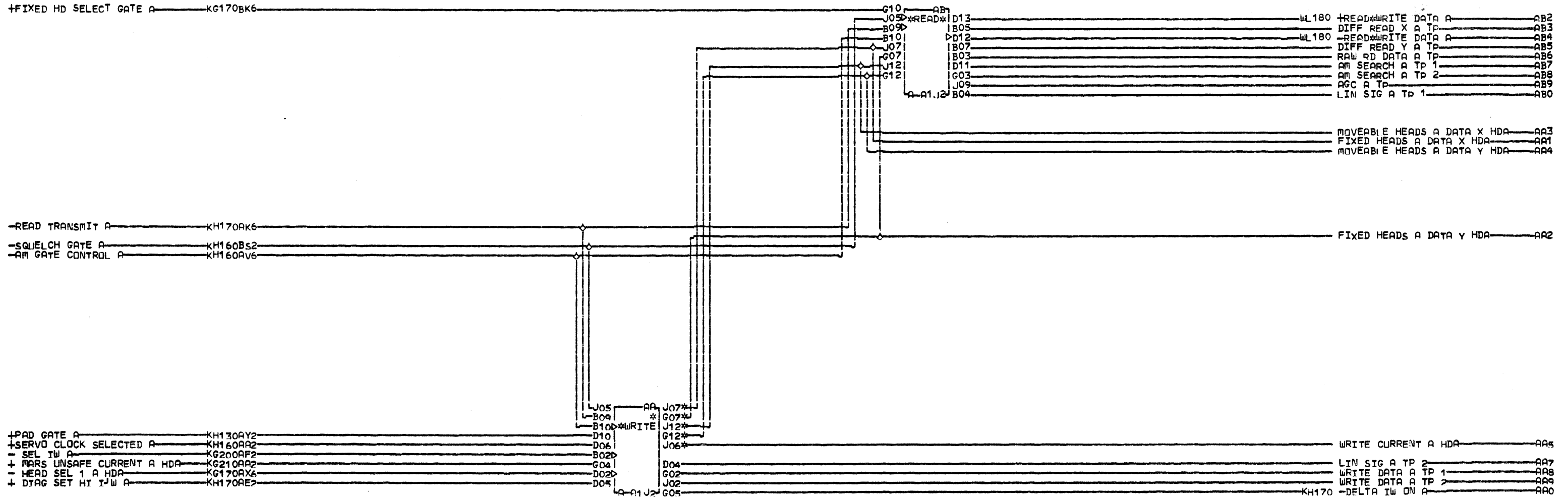


LOC. TYPE
A-A1H2 BC48

TRANSITIONS AND IWRITE CHECK		
-E.C.-HISTORY	-E-	MACH. 3350
446701		
446704	FRAME	01
446705		
DATE	LAST EC	IBM CORP. GPD
12-16-77	446710	P.N. 4291666

K
H
2
2
0
0
0

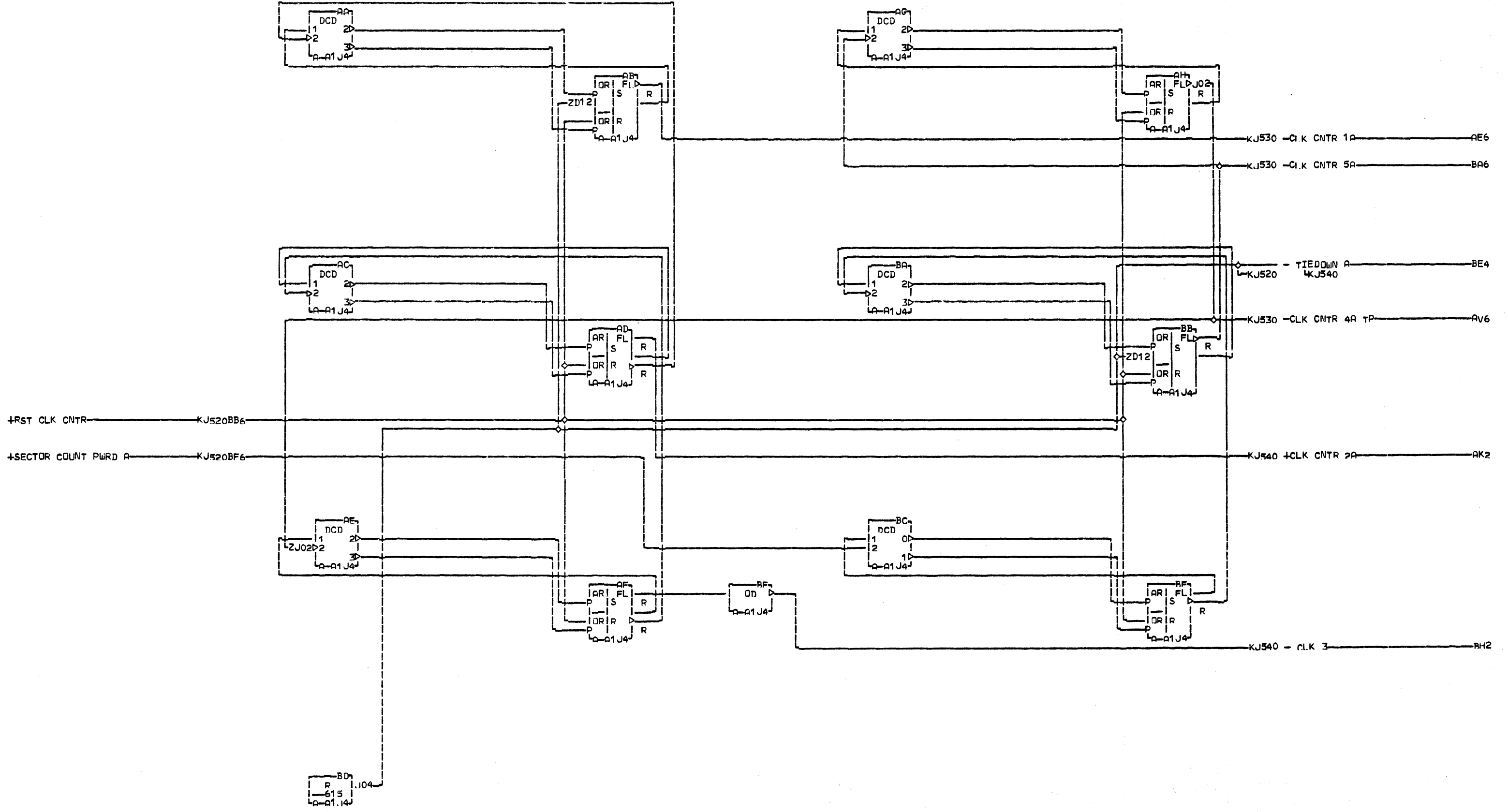
ONNIX



AA1 A-A1H1B11
AA2 A-A1H1C13
AA3 A-A1H1A11
AA4 A-A1H1A13
AA5 A-A1B2B03
01A-A1B2D03

INC. TYPE
A-A1.12 BC40

READ DETECTOR A	
E.C. HISTORY	B MACH#3350
435460	
446701	FRAME 01
446702	
446704	IBM CORP. GPD
DATE	LAST EC
06-04-76	446705
	P.N. 4291667



INC. TYPE
A-A1.14 BC43

A CLOCK CTR BIT 1-6	
E.C. HISTORY	MACH. 3350
435460	FRAME 01
446702	IBM CORP. SDD
446704	P.No. 4291668
DATE	LAST EC
06-04-76	446705

** IBM

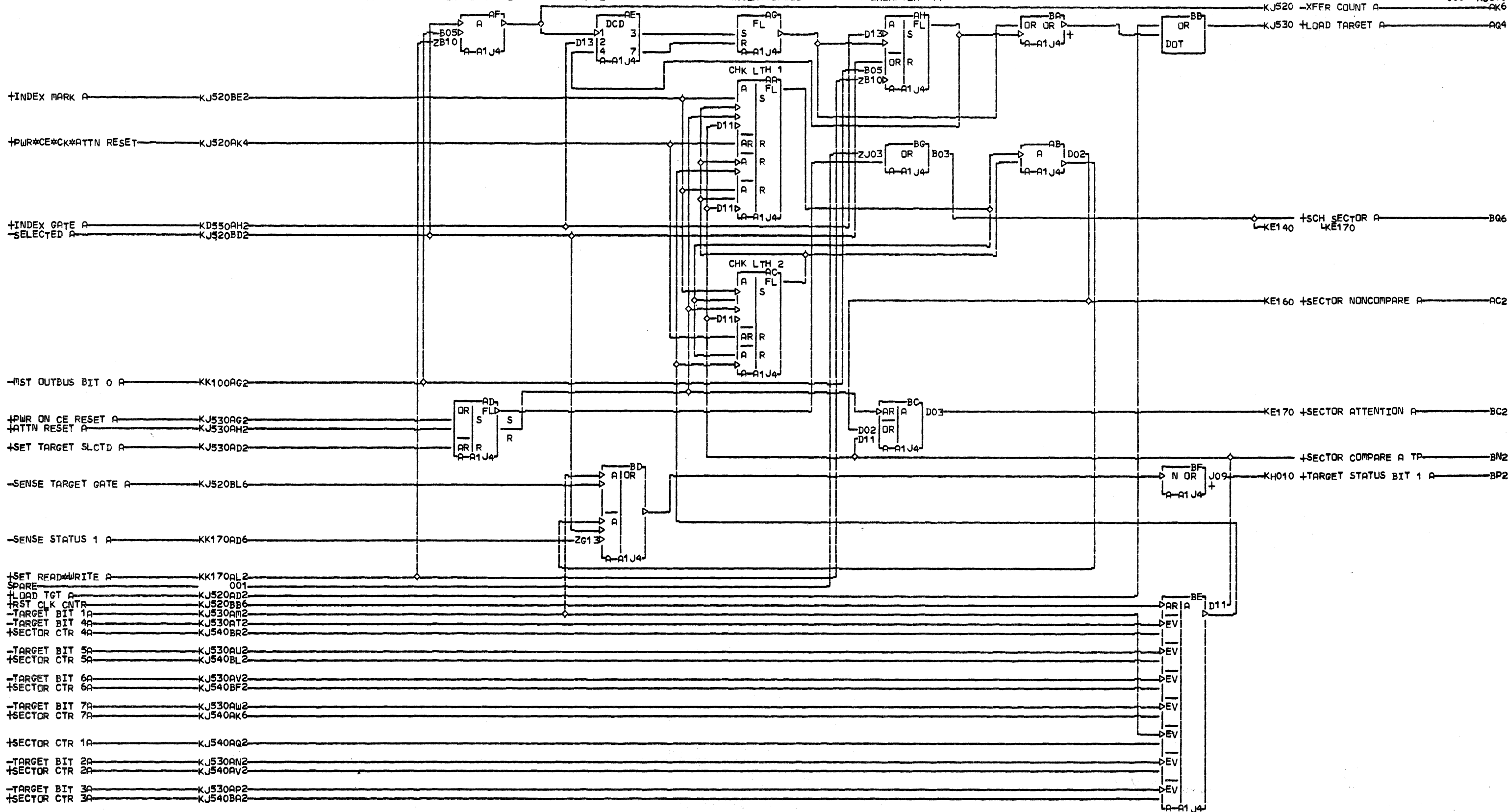
CONFIDENTIAL

UNTIL 04-01-76

- UNCLASSIFIED

THEREAFTER **

000 KJ510
AK6

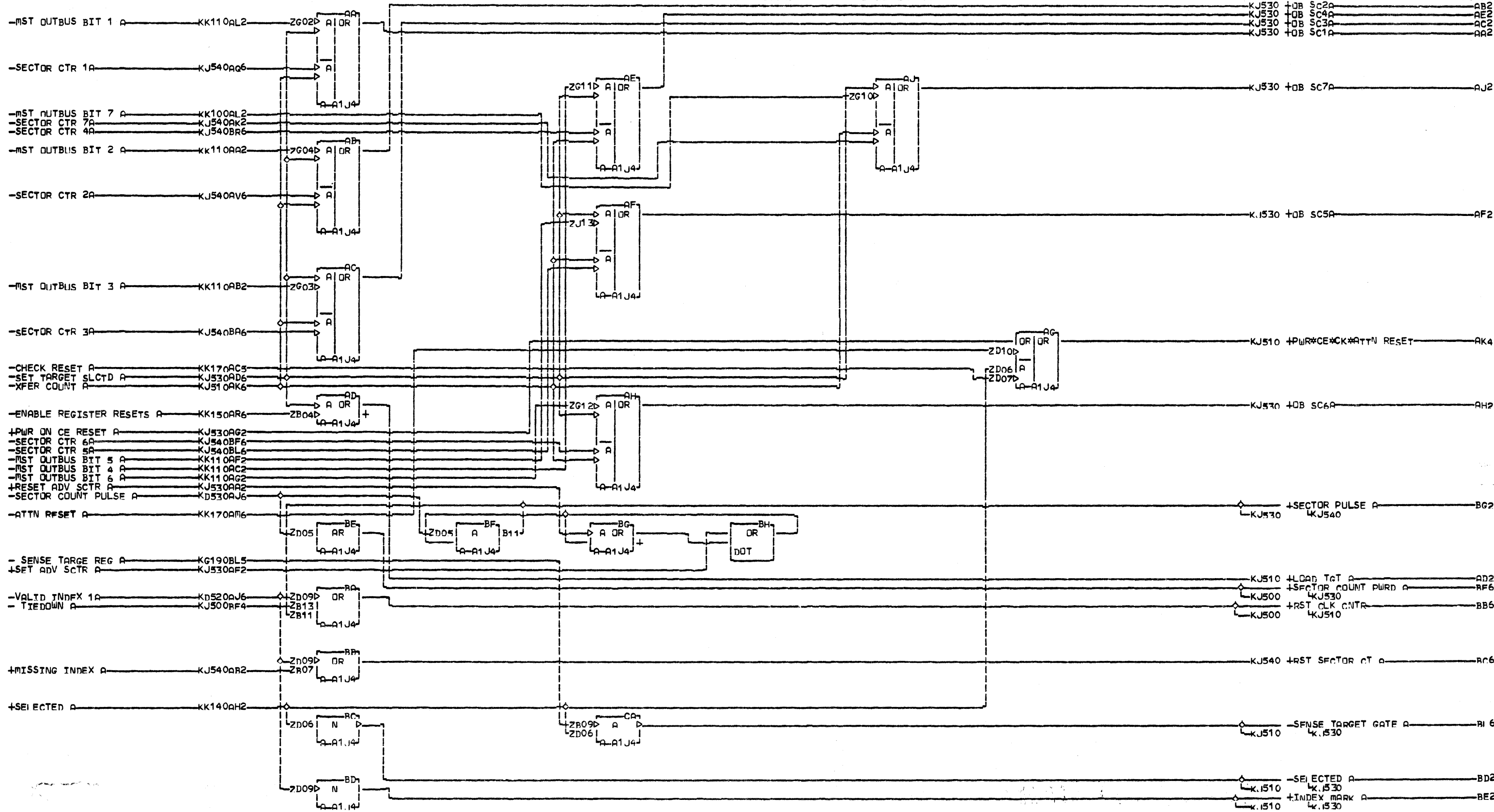


K
J
5
1
0

LDC TYPE
A-A1 J4 BC43

A XFER COUNT AND LOAD TGT	
E.C. HISTORY	B MACH.3350
435460	FRAME 01
446701	IBM CORP. SDD
446702	P.No. 4291669
DATE LAST EC	
03-05-76 446704	

K
J
5
1
0

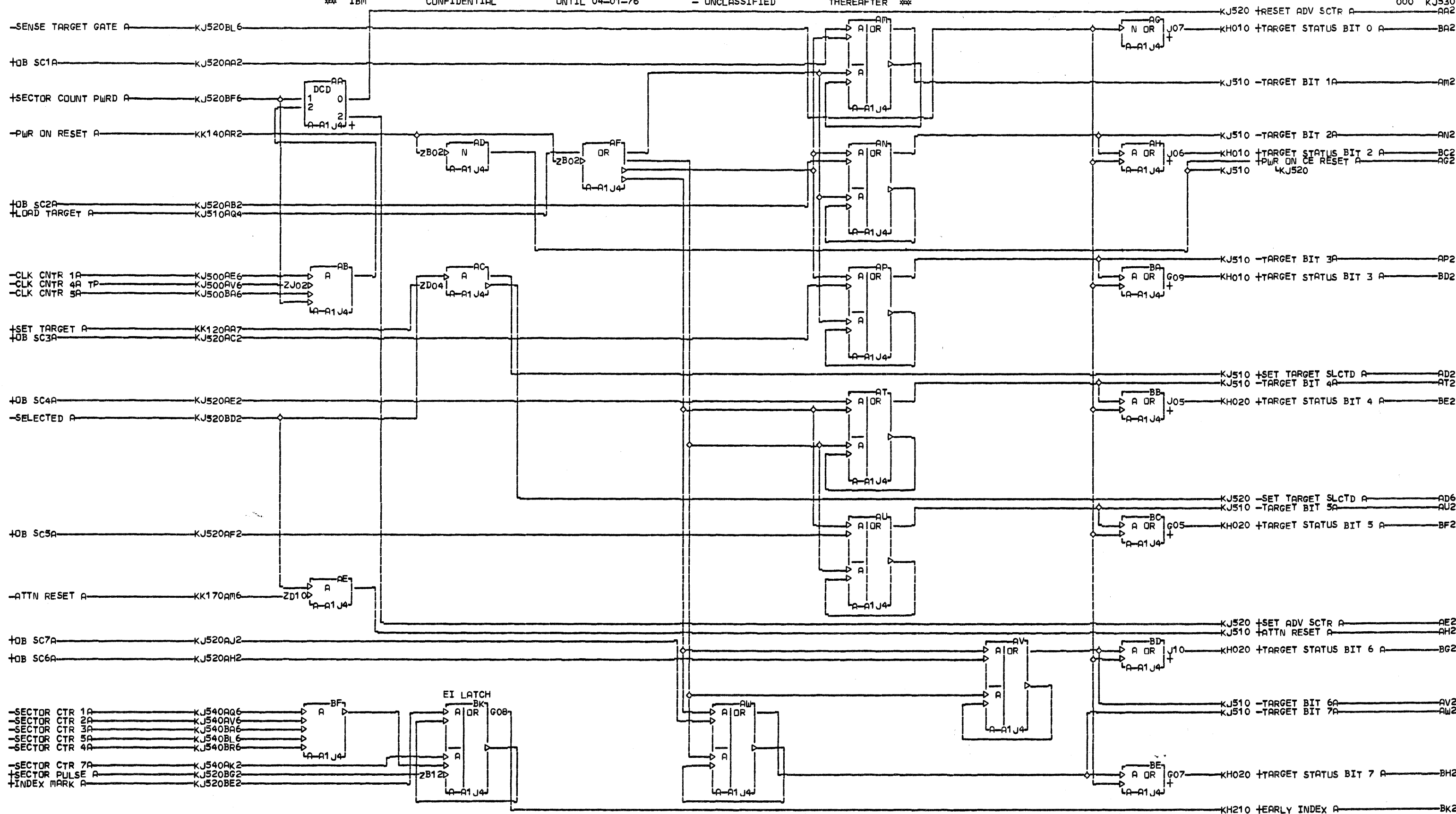


LOC. TYPE
A-A1J4 BC43

TARGET REG A INPUTS		
E.C.	HISTORY	B-MACH. 3350
435460		
446701		FRAME 01
446702		
446704		IBM CORP. SDD
DATE	LAST EC	
06-04-76	446705	P.N. 4291670

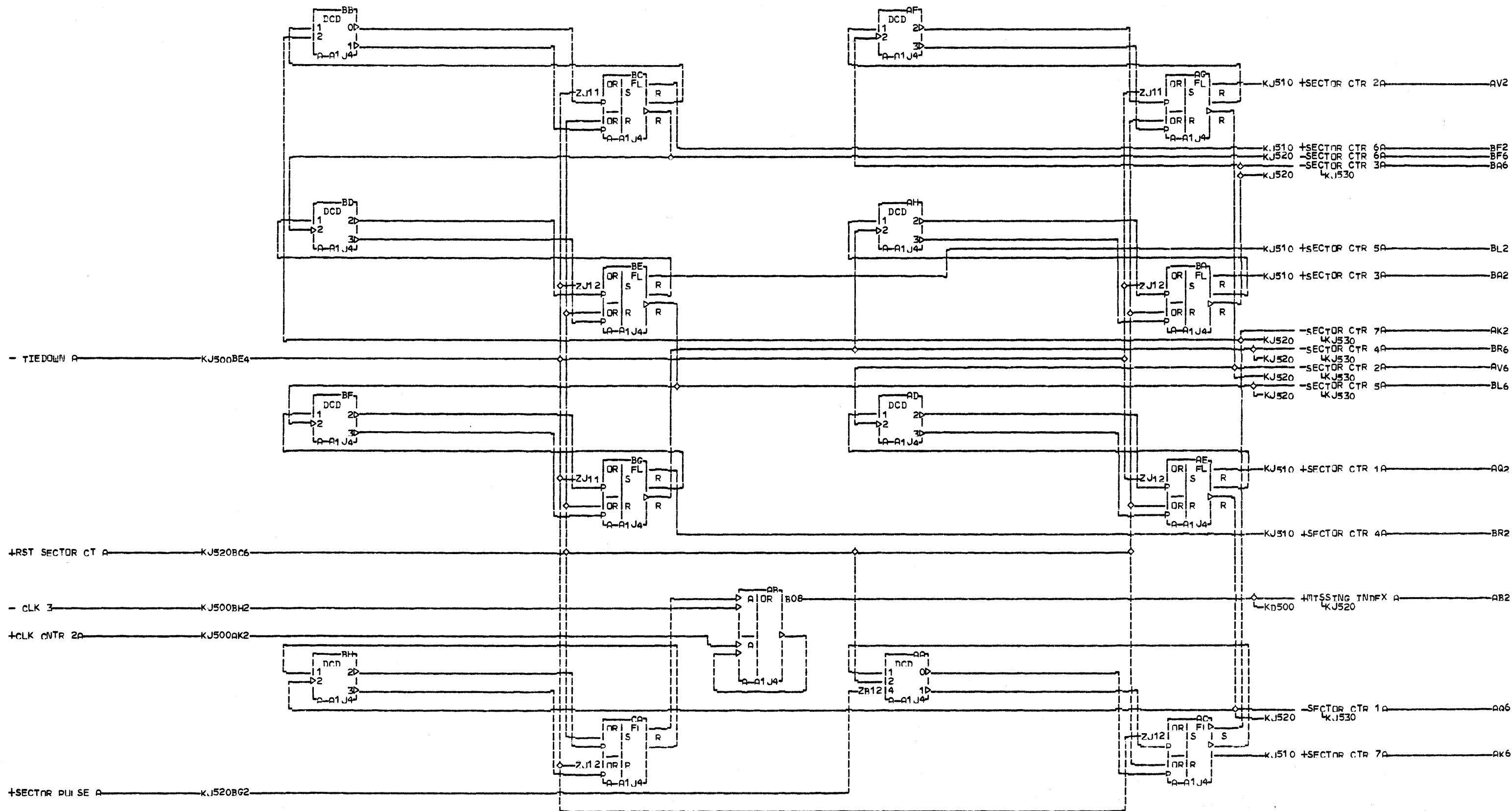
ONB-K

K
J
5
2
0
000



LOC. TYPE
A-A1J4 BC43

TARGET REG A	
-E.C.-HISTORY	B-MACH-3350
435460	FRAME 01
446701	IBM CORP. SDD
446702	P.No. 4291671
DATE	LAST EC
03-05-76	446704

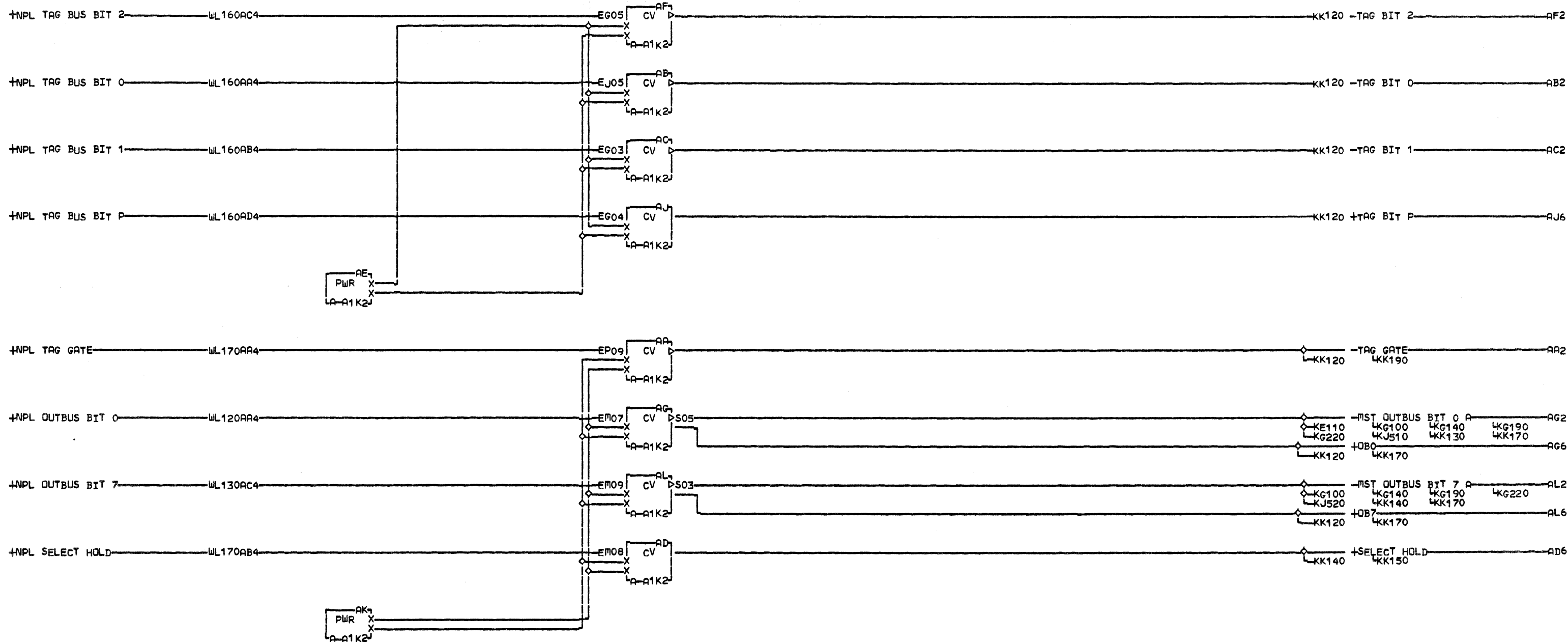


LOC. TYPE
A-A1.4 BC43

A SECTOR COUNTER 1 2 3 7	
-E.C.-HISTORY-B MACH. 3350	
435460	FRAME 01
446701	IBM CORP. SDD
446704	P.N. 4291672
DATE LAST EC	
06-04-76 446705	

K
J
5
4
0

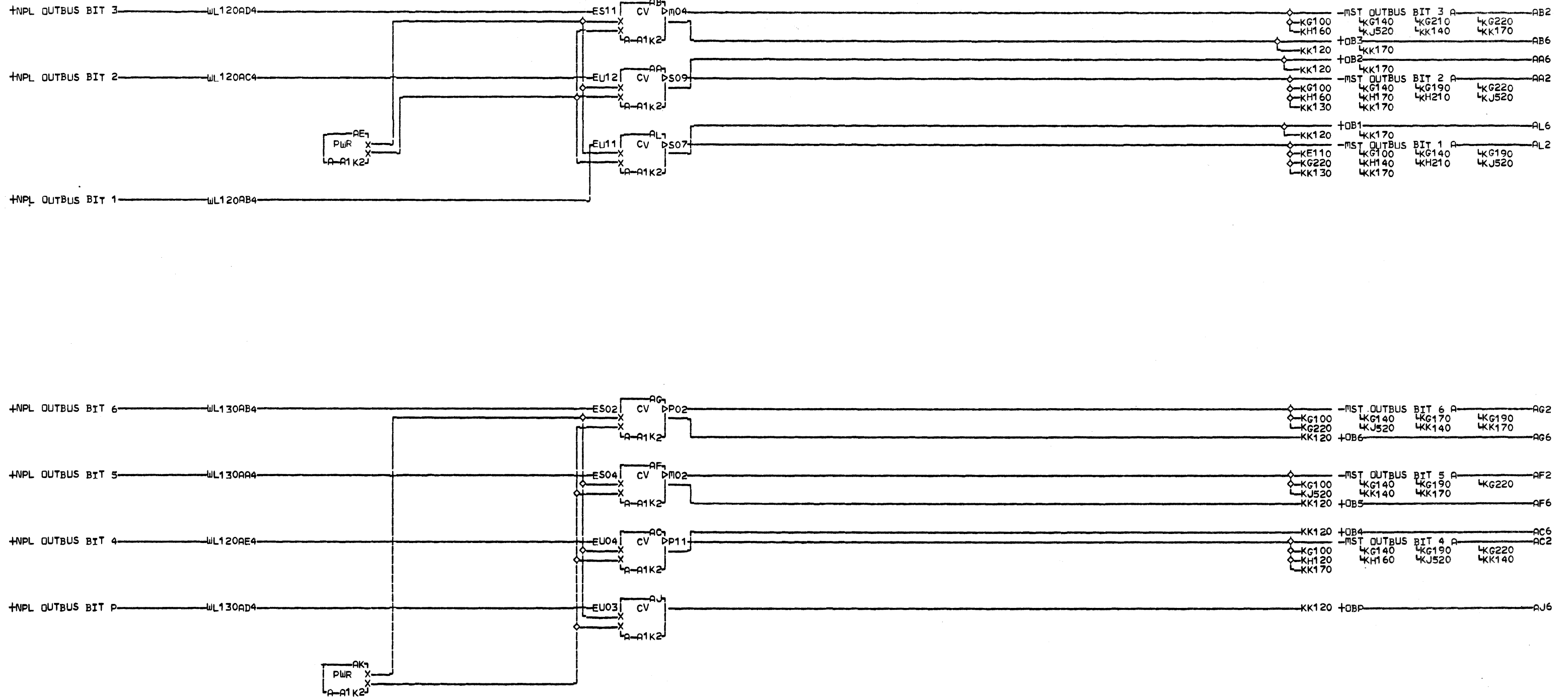
K
J
5
4
0



KK100

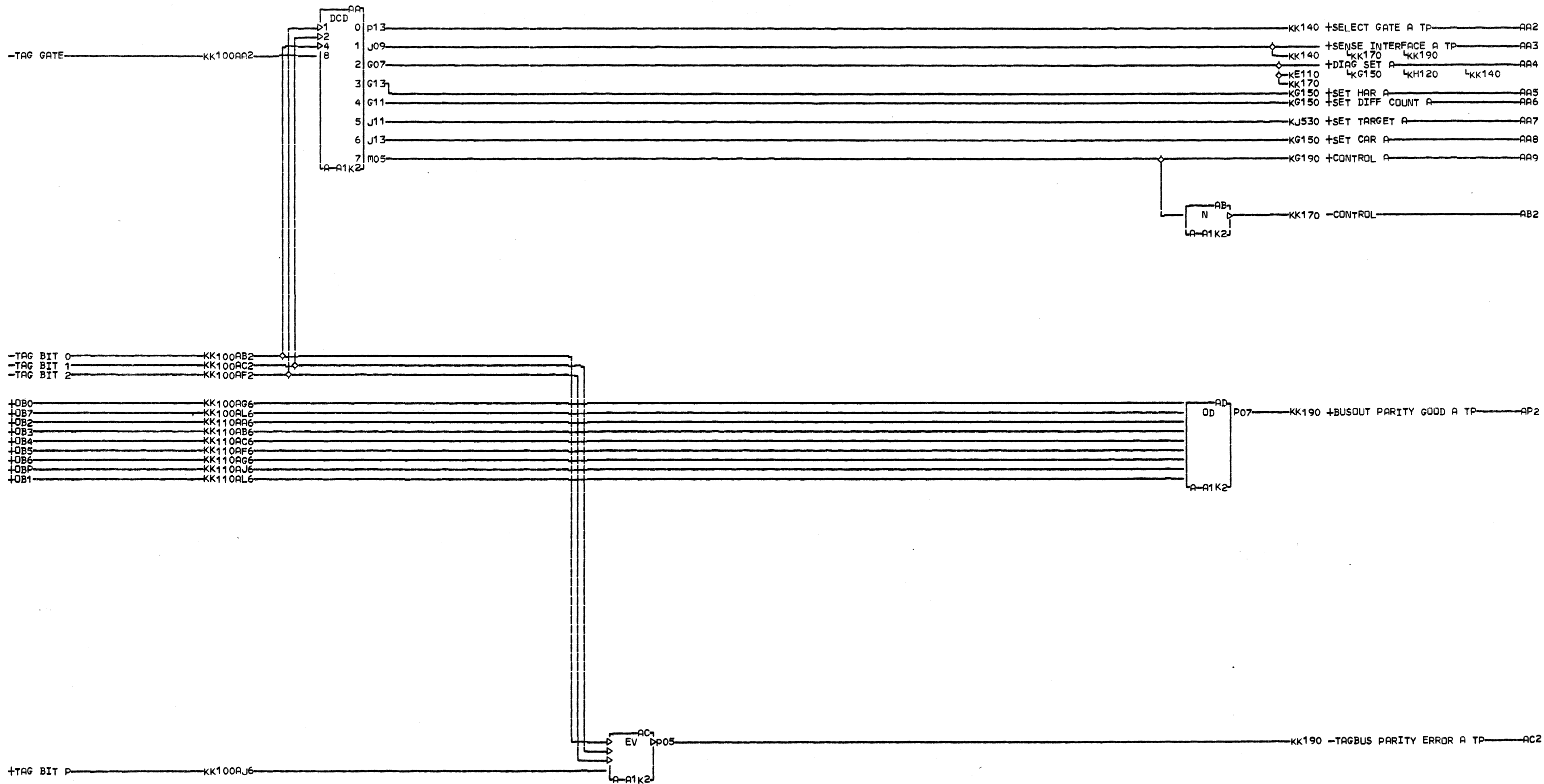
LOC. TYPE
A-A1K2 BC41

A FILE		K	
LINE RECEIVERS		K	
E.C. HISTORY	B. MACH. 3350	1	
435460		0	
446701	FRAME	01	0
	IBM CORP. SDD	0	
DATE	LAST EC	000	
03-05-76	446704	P.No.	4291673



LJC. TYPE
A-A1K2 BC41

A FILE		K
LINE RECEIVERS		K
E.C. HISTORY	B. MACH. 3350	1
435460		1
446701	FRAME	01
	IBM CORP. SDD	0
DATE	LAST EC	000
03-05-76	446704	
	P.No. 4291674	

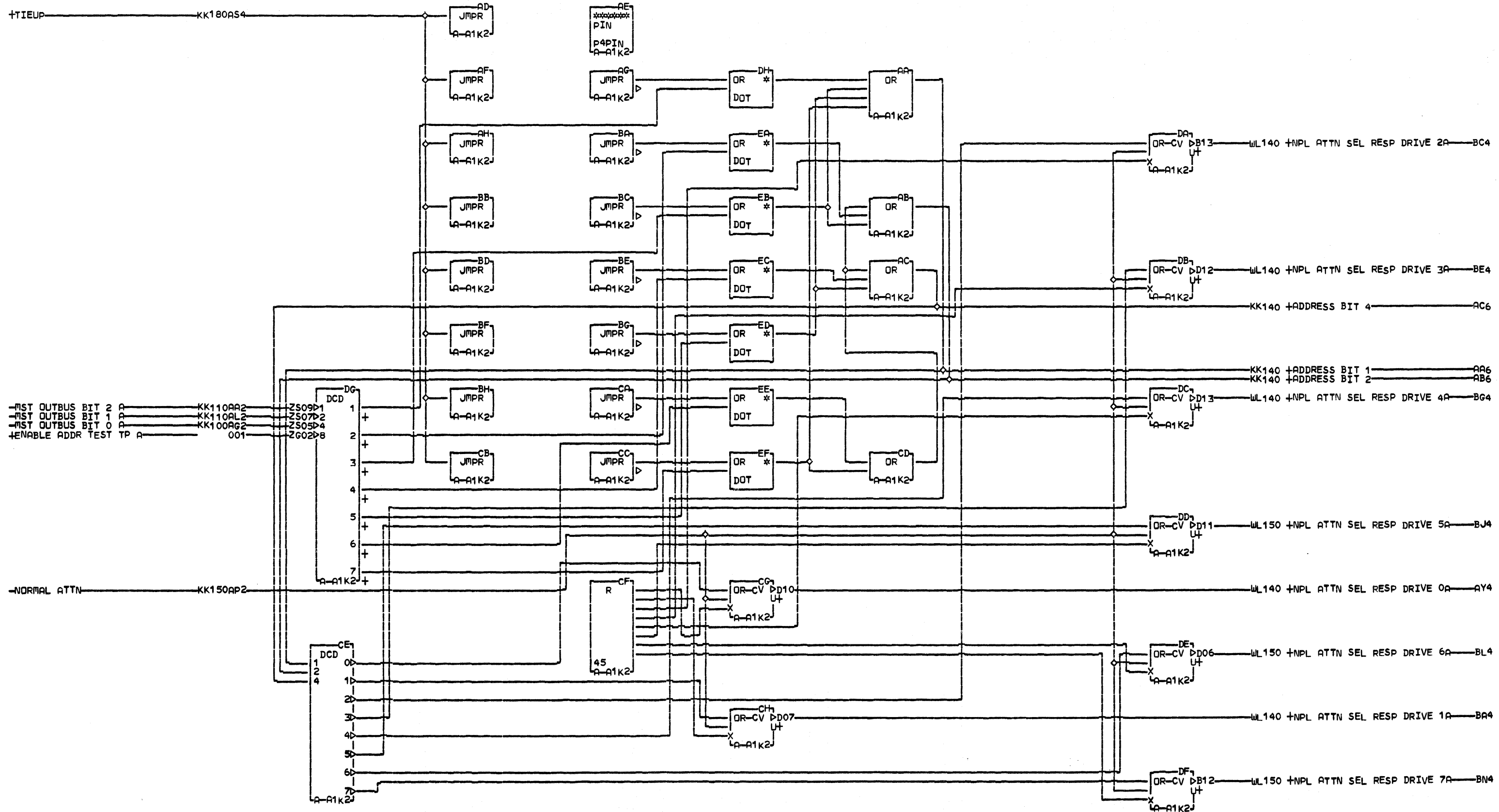


KK120

LOC. TYPE
A-1K2 BC41

A FILE		
PARITY DETECTORS		
E.C. HISTORY	B. MACH. 3350	
435460		
446701	FRAME	01
	IBM CORP. SDD	
DATE	LAST EC	
03-05-76	446704	
	P.N. 4291675	

KK120



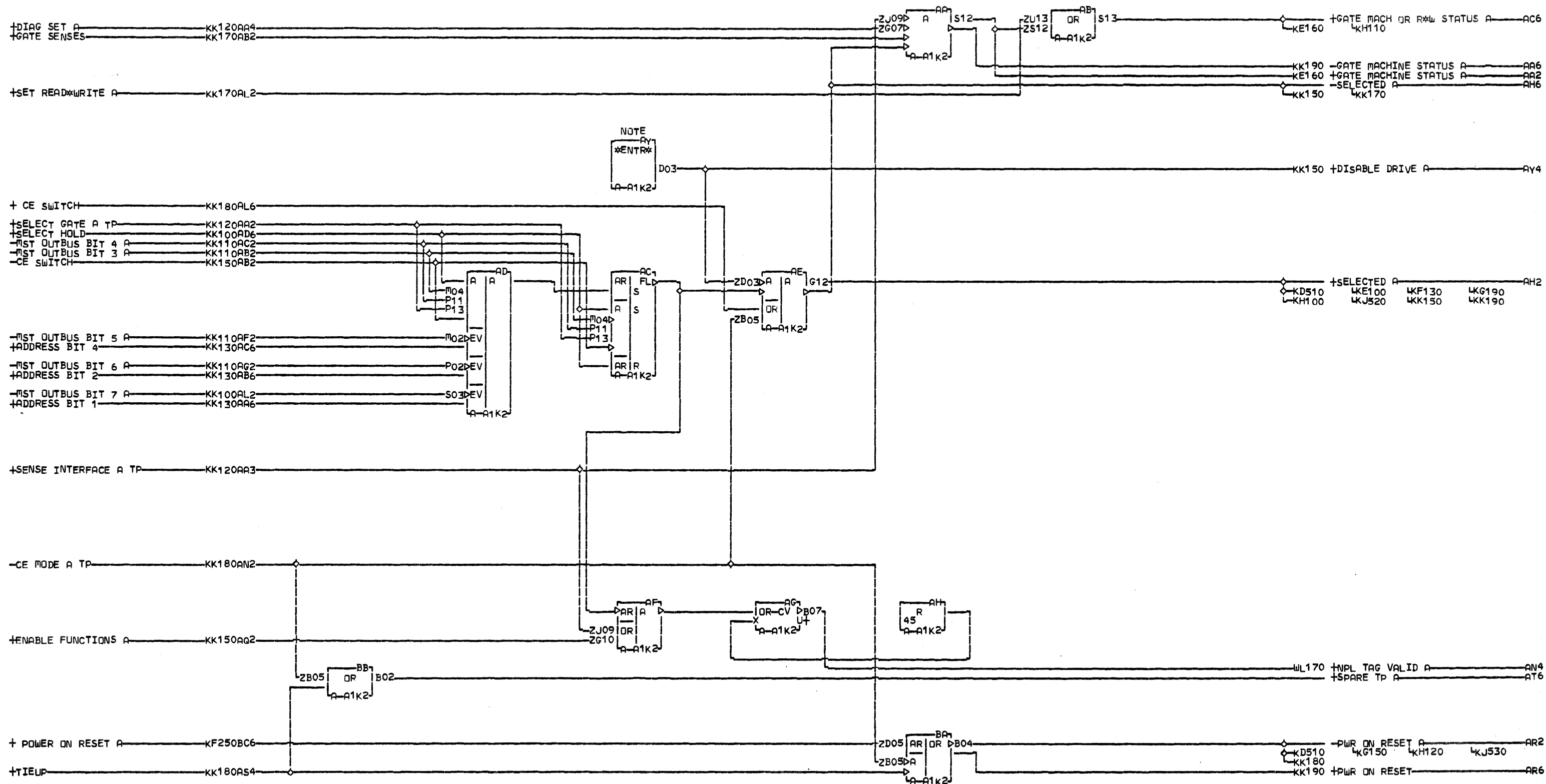
-MST OUTBUS BIT 2 A KK110AA2 ZS09D1
 -MST OUTBUS BIT 1 A KK110AL2 ZS07D2
 -MST OUTBUS BIT 0 A KK110AG2 ZS05D4
 -ENABLE ADDR TEST TP A 001 ZG02D8

-NORMAL ATTN KK150AP2

NOTE ADDRESS 0 PINS
 ARE AT CARD COORD
 812-912.

LOC. TYPE
 A-A1K2 BC41

LOGICAL AND PHYSICAL ADDRESSING		K K 1 3 0
-E.C.-HISTORY- 435460 446701	MACH.3350 FRAME 01 IBM CORP. GPD	
DATE LAST EC 03-05-76 446704	P.No. 4291676	000



NOTE
#ENTR#
D03
A-1K2

NOTE TO DISABLE DRIVE
JUMPER D03 TO GND.

K
K
1
4
0

LOC. TYPE
A-1K2 BC41

A FILE CONTROLS	
E.C. HISTORY	MACH. 3350
435460	FRAME 01
446701	IBM CORP. SDD
446702	DATE LAST EC
03-05-76	446704
P.O.N. 4291677	

K
K
1
4
0
000

** IBM

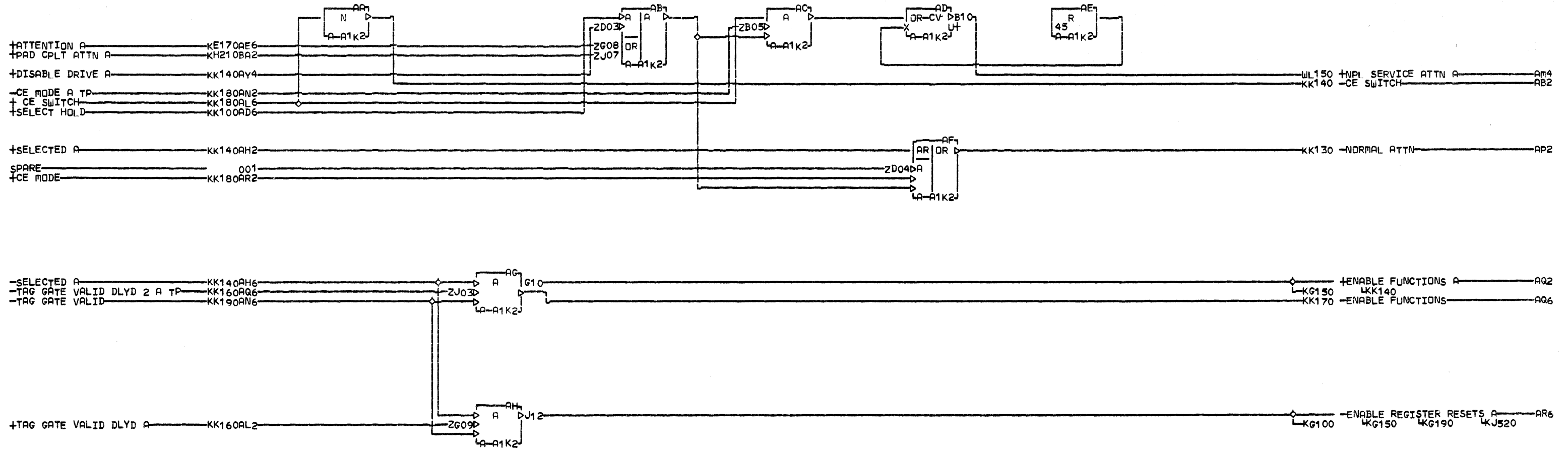
CONFIDENTIAL

UNTIL 04-01-76

- UNCLASSIFIED

THEREAFTER **

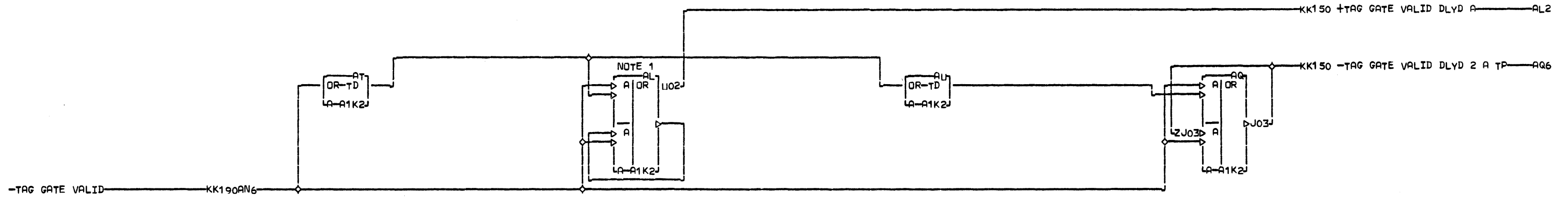
000 KK150



LDC. TYPE
A-1K2 BC41

A FILE CONTROLS	
E.C.-HISTORY	MACH. 3350
435460	FRAME 01
446701	IBM CORP. SDD
DATE LAST EC	P.No. 4291678
03-05-76 446704	

KK150

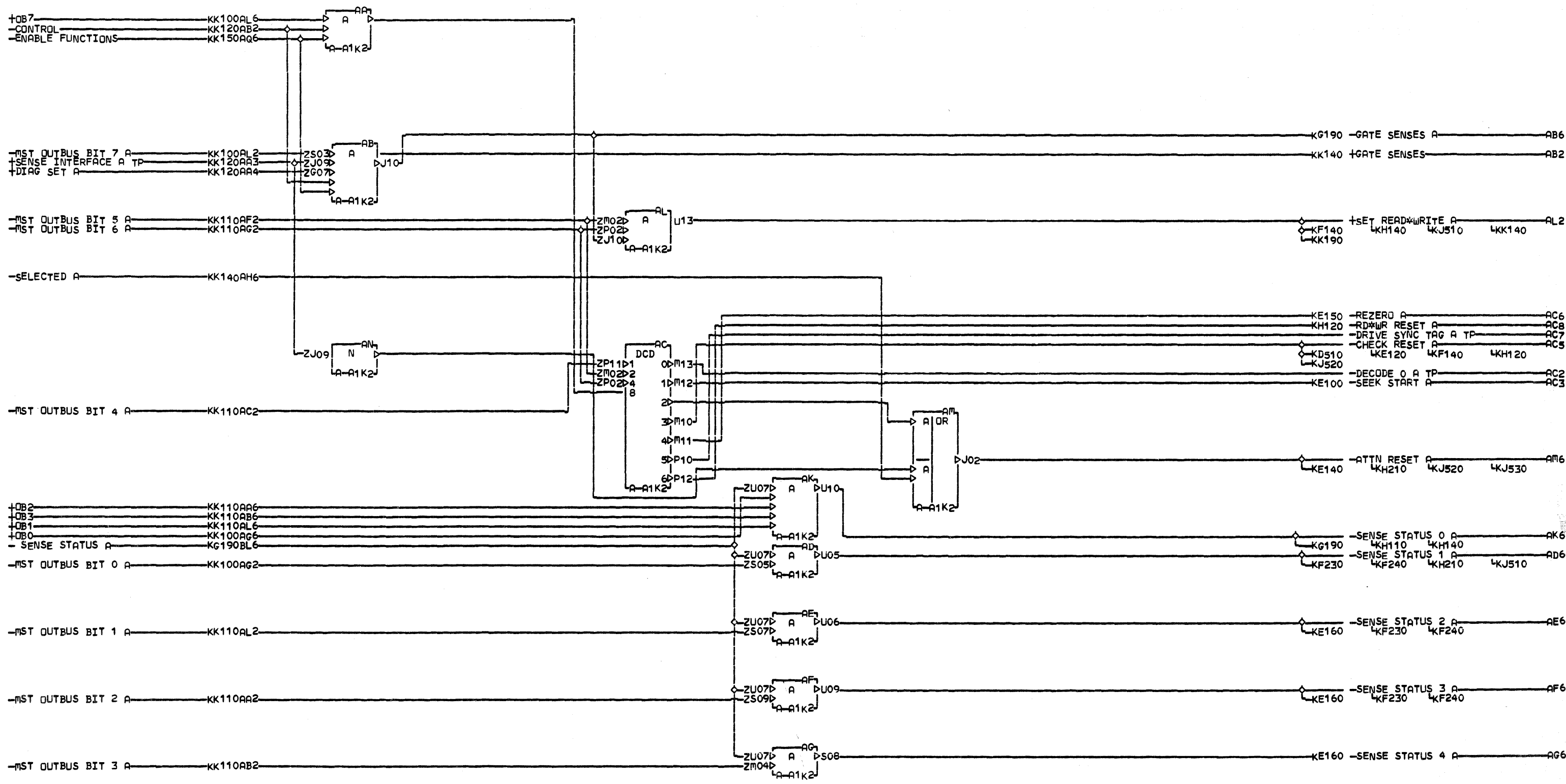


KK160

LQC. TYPE
A-A1K2 BC41

A FILE	
TAG GATE DELAY	
E.C.-HISTORY	B-MACH.3350
435460	
DATE	LAST EC
03-05-76	446704
FRAME	01
IBM CORP. SDD	
P.No.	4291679

KK160

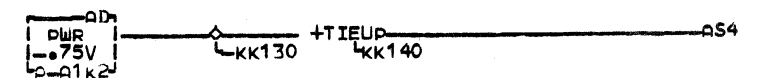
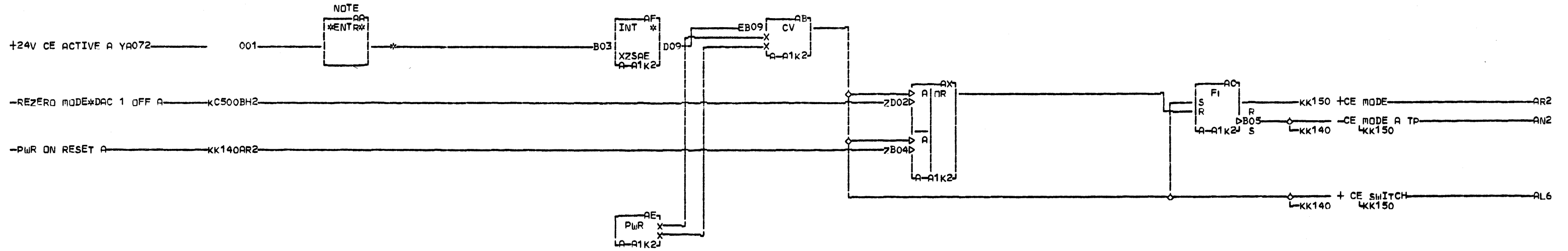


K
K
1
7
0

LOC. TYPE
A-A1K2 BC41

A FILE DECODERS	
-E.C.-HISTORY	B-MACH-3350
435460	FRAME 01
446701	IBM CORP. SDD
DATE LAST EC	P.N. 4291680
03-05-76 446704	

K
K
1
7
0
000



NOTE B BOX HAS YB PAGES.

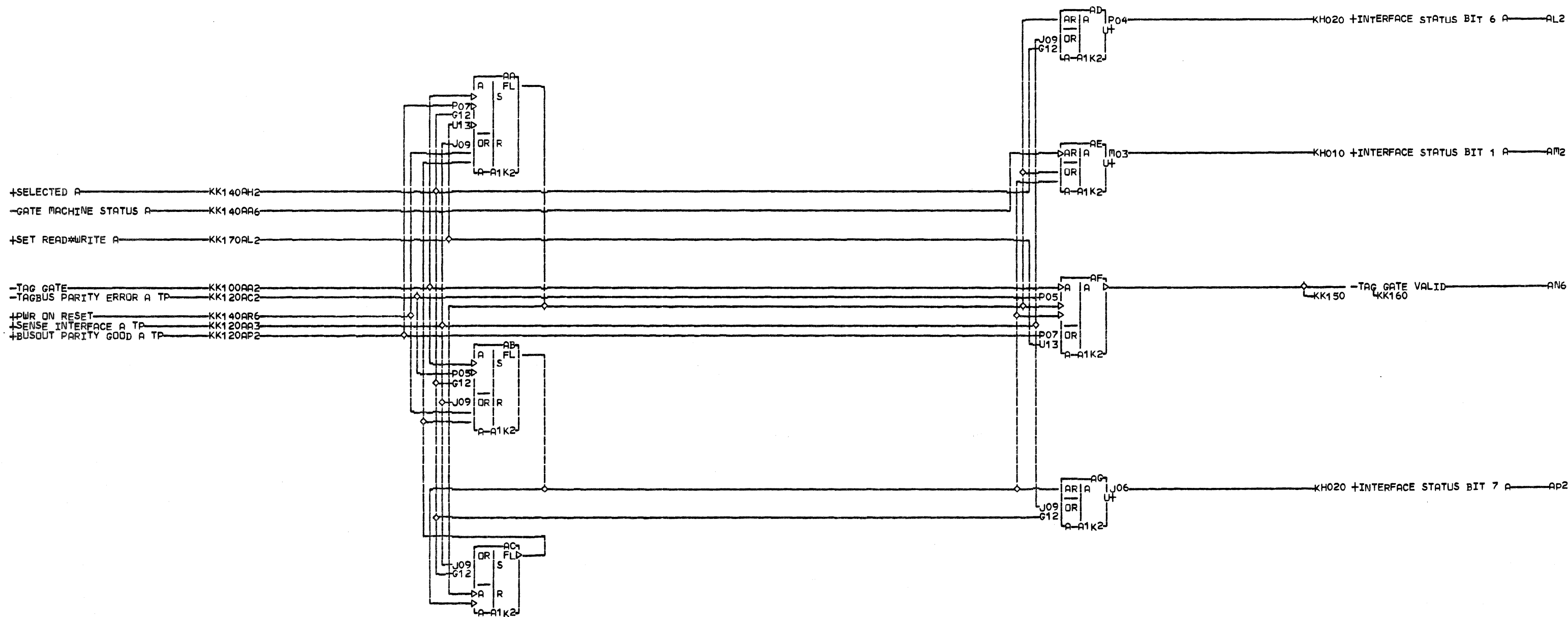
AA4 A-A1A5B03

KK180

LOC. TYPE
A-A1K2 BC41

A FILE	
CONTROLS	
—E.C.—HISTORY—	B MACH. 3350
435460	FRAME 01
446701	
446702	IBM CORP. SDD
446704	
DATE	LAST EC
06-04-76	446705
	P.N. 4291681

KK180



KK190

LOC. TYPE
A-A1K2 BC41

A FILE	
ERROR LATCHES	
E.C. HISTORY	MACH. 3350
435460	FRAME 01
446701	IBM CORP. SDD
DATE LAST EC	P.No. 4291682
03-05-76 446704	

KK190