

MACHINE HISTORY

MACH TYPE 3480

SALES MOD  
B22  
MC1

PTL PTL MACHINE  
MFG CTL STATUS  
S.J. S.J. FACTORY

STANDARD FEATURE SECTION

ECA	FIELD	FACTORY	FEATURE	BM	FTR-ASN	FEATURE NAME	STATUS
000	A57501	A48118	56X4382			C/G W/O/ ACL 60	FACTINST
000	A57501	A47956B	56X4385			C/G W/ACL 60	FACTINST
000	A06068	A06101	6177943			WTC WARN ENG	FACTINST
000	A29029	A46540	6272349			DEVICE CD GRP	FACTINST
000	A29029	A46540	6272349			DEVICE CD GRP	FACTINST
000	A29029	A57691	6272569			DEVICE CD GRP	FACTINST
000	A29029	A57691	6272569			DEVICE CD GRP	FACTINST
000	A06068		6460005			LANGUAGE ENGLISH	FACTINST
000	A21937	A56209	8576650			FINAL ASM 60HZ	FACTINST
000	A29455	A47956B	8576706			W/D ALD	FACTINST
000	329318	336335	8674079			60HZ/3PHS 208V	FACTINST
000	329318	336335	8674081			60HZ/3PHS 240V	FACTINST

CABLE AND SHIP GROUP SECTION

ECA	FIELD	FACTORY	B/M #	DESCRIPTION	STATUS
000	A05897	A21909	6460006	SHIP GROUP B22	FACT INST

ECA HISTORY SECTION

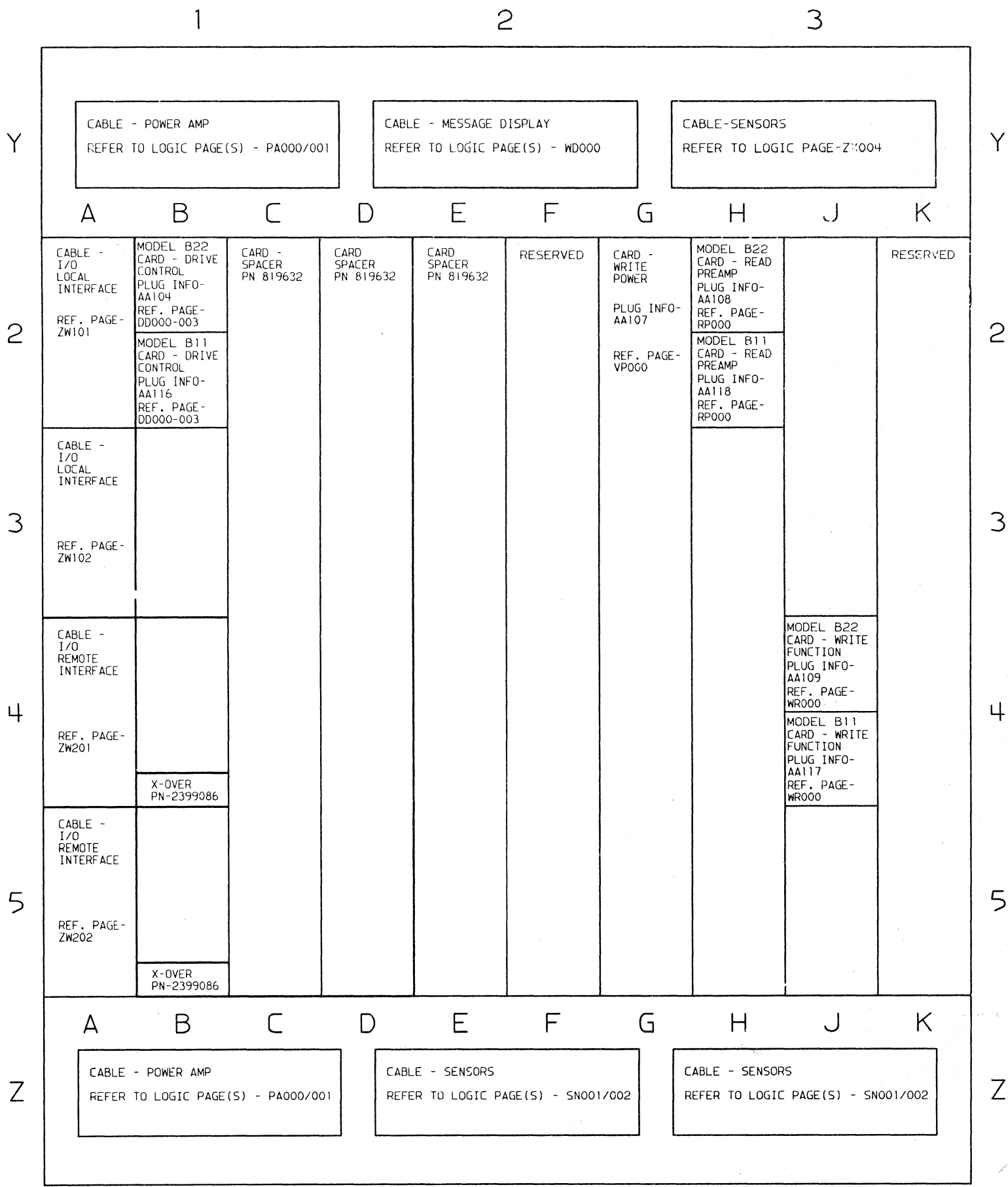
INSTALLED REA'S

N/A = ECA NOT ASSIGNED

ECA	EC NO	ECA STATUS	ECA	EC NO	ECA STATUS	EC NO	REA#	AFFECTS	BM
-----	-------	------------	-----	-------	------------	-------	------	---------	----

PART NO. 6178975

PART NO. 6178975  
DEVELOPMENT NO.



NOTES

- 1 PN 8576373, DRIVE DATA BUS TERMINATOR ASM, KTER FOR B/M 6460006 IN LAST DRIVE OF STRING.
- 2 PN 8492916, DRIVE DATA BUS TERMINATOR ASM, DXTM FOR WITHOUT B/M 6460006 IN LAST DRIVE OF STRING.

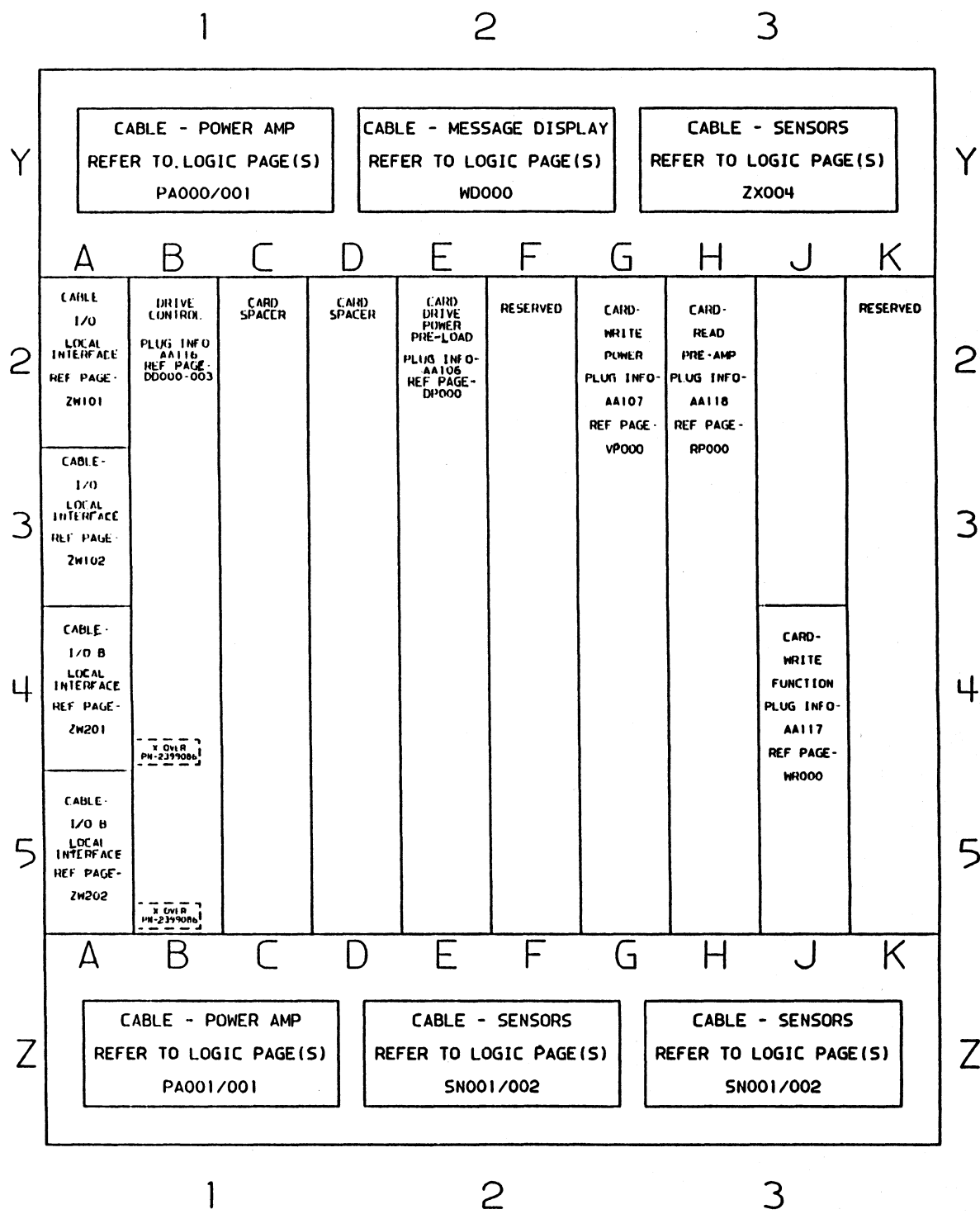
		<small>THIS DOCUMENT IS THE PROPERTY OF IBM. ITS USE IS AUTHORIZED ONLY FOR RESPONDING TO A REQUEST FOR QUOTATION OR FOR THE PERFORMANCE OF WORK FOR IBM. ALL QUESTIONS MUST BE REFERRED TO THE IBM PURCHASING DEPARTMENT.</small>		DATE	EC NO.		PART NO. SHEET 1 OF 1
TITLE	A1 BOARD (REF. PAGE AA100). MACHINE-3480		11JUN86	A21676A	6178975		
DESIGNER	DMD	31JUL85	4DEC86	A29052	DEVELOPMENT NO.		
CHECKED			17MAR87	A06051D	LOGIC PG NO.		
APPROVED					AA000		
CLASS	LDP	31JUL85					

11 | 10 | 9 | 8 | 7 | 6 | 5 | 4 | 3 | 2

PART NO.  
6464628

PART NO.  
6464628  
DEVELOPMENT NO.

REFERENCE DRAWING



NOTES

1 THIS PAGE IS TO BE USED FOR MODEL 3480 B11 ONLY.

DATE 13 JAN 86  
14 Aug 86

EC NO. A05999  
A29048

DESIGNER BW 23 JAN 84

CHECKED

APPROVED

CLASS BW 23 JAN 84

MUST CONFORM TO ENG. SPEC.

PART NO. SHEET OF  
6464628

DEVELOPMENT NO.

LOGIC PG NO.  
AA001

## CARD PLUG LIST

FUNCTION - BOARD		
LOCATION - 2A-A1		
LOGIC SHEETS - NONE		
	PRIMARY	ALTERNATE
PNAME	DCFO (R)	
PART NUMBER	6272786	
EC NUMBER	A29029	
IEC NUMBER		
COMMENTS -		
30E-AA		

## CARD LOCATION CHART

PN=6272807,EC=A29029  
 LOC=2A-A1  
 USN 00001      PRI=27JAN86 0904  
 AUC=            SEC  
 PFOR=KSHB      NEXTBLK AB  
 MACH=3480  
 CID DCFO        JDB H309017D

## CARD PLUG LIST

FUNCTION - DRIVE CONTROL CARD		
LOCATION - 2A-A1B2		
LOGIC SHEETS - DD000,001,002,003		
	PRIMARY	ALTERNATE
PNAME	DD01R	DD01R
PART NUMBER	68X8145	68X8102
EC NUMBER	A29033	A29033
IEC NUMBER		
COMMENTS -		
30E-AA		

## CARD LOCATION CHART

PN=6272353,EC=A29033  
 LOC=2A-A1B2  
 USN 00001 PRI=13OCT87 1655  
 AUC# SEC  
 PFDR#KSHB NEXTBLK AB  
 MACH=3480  
 CID DCF0 JCB D8523060

A  
A  
1  
0  
4

0001

A  
P  
1  
0  
4  
0001

## CARD PLUG LIST

FUNCTION - WRITE POWER CARD		
LOCATION - 2A-A1G2		
LOGIC SHEETS - VP000		
	PRIMARY	ALTERNATE
PNAME	ICNN	
PART NUMBER	6272338	
EC NUMBER	A29015	
IEC NUMBER		
COMMENTS -		
30E-AA		

## CARD LOCATION CHART

PN=6272357,EC=A29015

LOC=2A-A1G2

USN 00001	PRI=17OCT85 1612
AJC=	SEC
PFUR=KSHB	NEXTBLK AB
FRCH=3480	
CIP DCF0	JOB H309017P

AA  
1  
0  
7

0001

## CARD PLUG LIST

FUNCTION - READ PREAMP		
LOCATION - 2A-A1H2		
FOR USE ON MODEL - B22		
LOGIC SHEETS - RP000		
	PRIMARY	ALTERNATE
PNAME	ICGTR	
PART NUMBER	6384593	
EC NUMBER	A29046	
IEC NUMBER		
COMMENTS -		
30E-AA		

## CARD LOCATION CHART

PN=6272354*EC=A29046	
LOC=2A-A1H2	
USM 00001	PFI=09SEP86 2055
PUC=	SEC
PFDRM=KSHB	NEXTBLK AB
MACH=3480	
CID DCFO	JOB D852308C

## CARD PLUG LIST

FUNCTION - WRITE FUNCTION		
LOCATION - 2A-A1J4		
LOGIC SHEETS - WR000		
	PRIMARY	ALTERNATE
PNAME	ICJC	
PART NUMBER	6384585	
EC NUMBER		
IEC NUMBER	112-24532	
COMMENTS -		
30E-AA		

AA109  
0001

## CARD LOCATION CHART

PN=6272356, EC=846390

LDC=2A-A1J4

USN 00001 PRI=14NDV85 1539

AUC= SEC  
PFORM=KSHB NEXTBLK ABMACH=3480  
CID DCFO

JDB H309017W

AA109  
0001



CARD PLUG LIST

FUNCTION - POWER AMPLIFIER LOCATION - TU-DC/1-PA FOR USE ON MODEL B22 LOGIC SHEETS - PA000/001		
	PRIMARY	ALTERNATE
PNAME	DSPG	
PART NUMBER	13F3755	
EC NUMBER	A46540	
IEC NUMBER		
COMMENTS - 30E-AA		

CARD LOCATION CHART

PN=6464595,EC=A46540

LOC=2A-A1

USN 00001

CIIC=

PFLNTH=KSHB

MACH=3480

CID TCF0

PRI=18APR88 1443

SEC

NEXTBLK AB

JOB D6523085

A

1

1

0

0001

CARD PLUG LIST

FUNCTION - MESSAGE DISPLAY		
LOCATION - TU-D0/1-DPS		
LOGIC SHEETS - W000		
	PRIMARY	ALTERNATE
PNAME	DMD2	
PART NUMBER	6178268	
EC NUMBER	A58108	
IEC NUMBER		
COMMENTS -		
30E-AP		

CARD LOCATION CHART

PN=6464596, EC=A58108

LDC=2A-A1		
USN 00001	PRI=19MAY88 1325	A
AUC=	SEC	1
FFORP=kSHB	NEXTBLK AB	1
MACH=3480		1
CIE DCF0	JOB D852308G	0001

## CARD PLUG LIST

FUNCTION - AUTO CARTRIDGE LOADER		
LOCATION - ACL-1-CC		
LOGIC SHEETS - AL000		
	PRIMARY	ALTERNATE
PNAME	DST1	
PART NUMBER	13F2223	
EC NUMBER	A47956B	
IEC NUMBER		
COMMENTS -		
30E-AP		

## CARD LOCATION CHART

PN=6273155,EC=A47956B	
LUC=ACL-1-CC	
USN 00001	PRI=14UEC88 1254
PLC#	SEC
PLC#K5MB#	NEXT BLK AB
PLC#J4BU	
CID DCFO	JOB 0852308Q

A  
1  
1  
3

UUU1

CARD PLUG LIST

FUNCTION - AUTOMATIC CARTRIDGE LOADER PANEL CARD		
LOCATION - AL-DO/1-PC		
LOGIC SHEETS - AL002		
	PRIMARY	ALTERNATE
PNAME	DLE1	
PART NUMBER	6272906	
EC NUMBER	A29476	
REA NUMBER		
COMMENTS - REPLACEMENT FRU 6272909 INCLUDES PANEL CARD AND LANGUAGE GROUP OVERLAY		
30E-AA		

CARD LOCATION CHART	
PN=6273156, EC=A29455	
LDC=2A-A1	
USN 00001	PRI=12MAR86 1357
AUC=	SEC
PFDRM=KSHB	NEXTBLK AB
MACH=COPR	JDB 6559898B
CID AKG2	

A  
1  
1  
4  
0001

A  
1  
1  
4  
0001

## CARD PLUG LIST

D			
FUNCTION - POWER AMPLIFIER			
LOCATION - TU-D0/1-PA			
FOR USE ON MODEL B11			
LOGIC SHEETS - PA000/001			
		I. PRIMARY	ALTERNATE
PNAME	DSPH		
PART NUMBER	13F3756		
EC NUMBER	A46540		
IEC NUMBER			
COMMENTS -			
30E-AA			

## CARD LOCATION CHART

PN=6272818,EC=A46540

LOC=2A-A1

USN 0001

 PNC=  
 PFORM=KSHB  
 PACH=3480  
 CID LCF 0

PRI=22FFB88 0952

 SEC  
 NEXTBLK AB

JOB 185230EC

 A  
 A  
 1  
 1  
 5  
 0001

## CARD PLUG LIST

FUNCTION - DRIVE CONTROL CARD		
LOCATION - 2A-A1B2		
FOR USE ON MODEL - 311		
LOGIC SHEETS - DD000.001.002.003		
	PRIMARY	ALTERNATE
PNAME	DD02	
PART NUMBER	68X8151	
EC NUMBER	A46520	
IEC NUMBER	112-25723	
COMMENTS -		
ICE-AD		

## CARD LOCATION CHART

PN=6272817.EC=A46520  
 LOC=2A-A1B2  
 USN 00001 PFI=27AUG66 1109  
 AUC= SEC  
 PFORM=KSHB NEXTBLK AB  
 PACM=J480  
 CID DCFO JCB P85230A8

A  
 A  
 1  
 1  
 6  
 0001

## CARD PLUG LIST

FUNCTION - WRITE FUNCTION		
LOCATION - 2A-A1J4		
FOR USE ON MODEL - B11		
LOGIC SHEETS - WR000		
	PRIMARY	ALTERNATE
PNAME	IWD1	
PART NUMBER	6390130	
EC NUMBER	A06002	
IEC NUMBER	112-24530	
COMMENTS -		
30E-AA		

## CARD LOCATION CHART

SHEET PN=6272816 EC=A29048

LDC=2A-A1J4

USN 00001

AUC=  
PFORM=KSHB  
PACH=3480  
CID DCFO

PRI=08AUG86 0909

SEC  
NEXTBLK AB

JDB D852308A

A  
A  
1  
1  
7

0001

## CARD PLUG LIST

FUNCTION - READ PREAMP		
LOCATION - 2A-A1H2		
LOGIC SHEETS - RP000		
	PRIMARY	ALTERNATE
PNAME	IRP1	
PART NUMBER	6384591	
EC NUMBER	A29045	
REA NUMBER		
COMMENTS -		
30E-AA		

## CARD LOCATION CHART

PN=6272815, EC=A29048

LOC=2A-A1H2

USN 00001

ORIG=

PFORM=KSHB

PACH=3480

CID DCFO

PRI=08AUG86 0909

SEC

NEXTLK AB

JOB D852308A

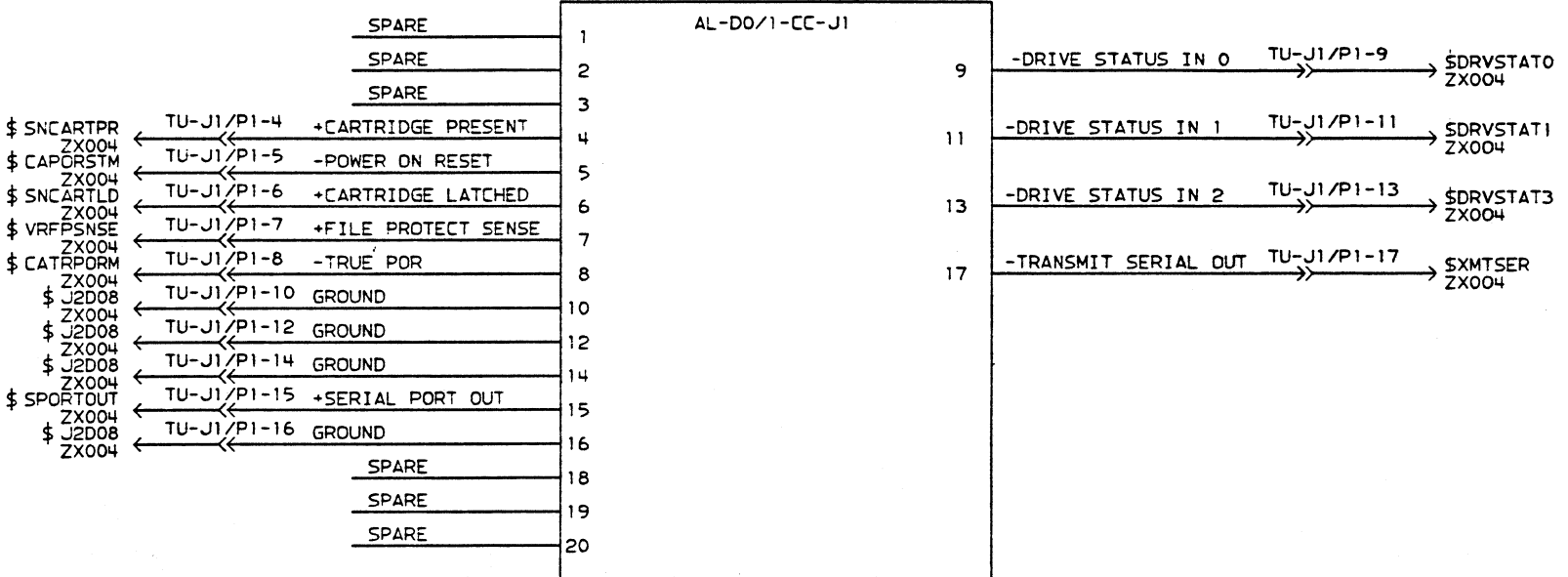
A  
A  
1  
1  
8

0001



PART NO.  
6273195

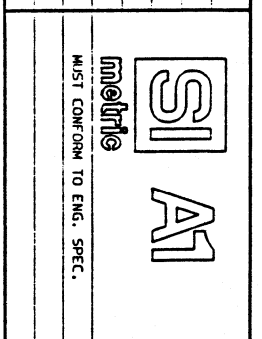
LOADER CONTROL CARD



THIS DOCUMENT IS THE PROPERTY OF  
IBM CORPORATION. IT IS LOANED TO YOU  
FOR USE ONLY IN CONNECTION WITH THE  
SERVICE PROVIDED BY IBM. IT IS NOT TO  
BE REPRODUCED OR TRANSMITTED IN ANY  
FORM OR BY ANY MEANS, ELECTRONIC,  
MECHANICAL, OR BY ANY INFORMATION  
RETRIEVAL SYSTEM, WITHOUT THE  
PREVIOUS WRITTEN PERMISSION OF THE  
IBM RESEARCH DEVELOPMENT DEPARTMENT.

11111 LOADER CONTROL  
CARD-AUTO CARTRIDGE LOADER  
DESIGNER BT 12MAY86  
CHECKED BT 12MAY86  
APPROVED BT 12MAY86  
CLASS

DATE	12MAY86
CC NO.	A29455

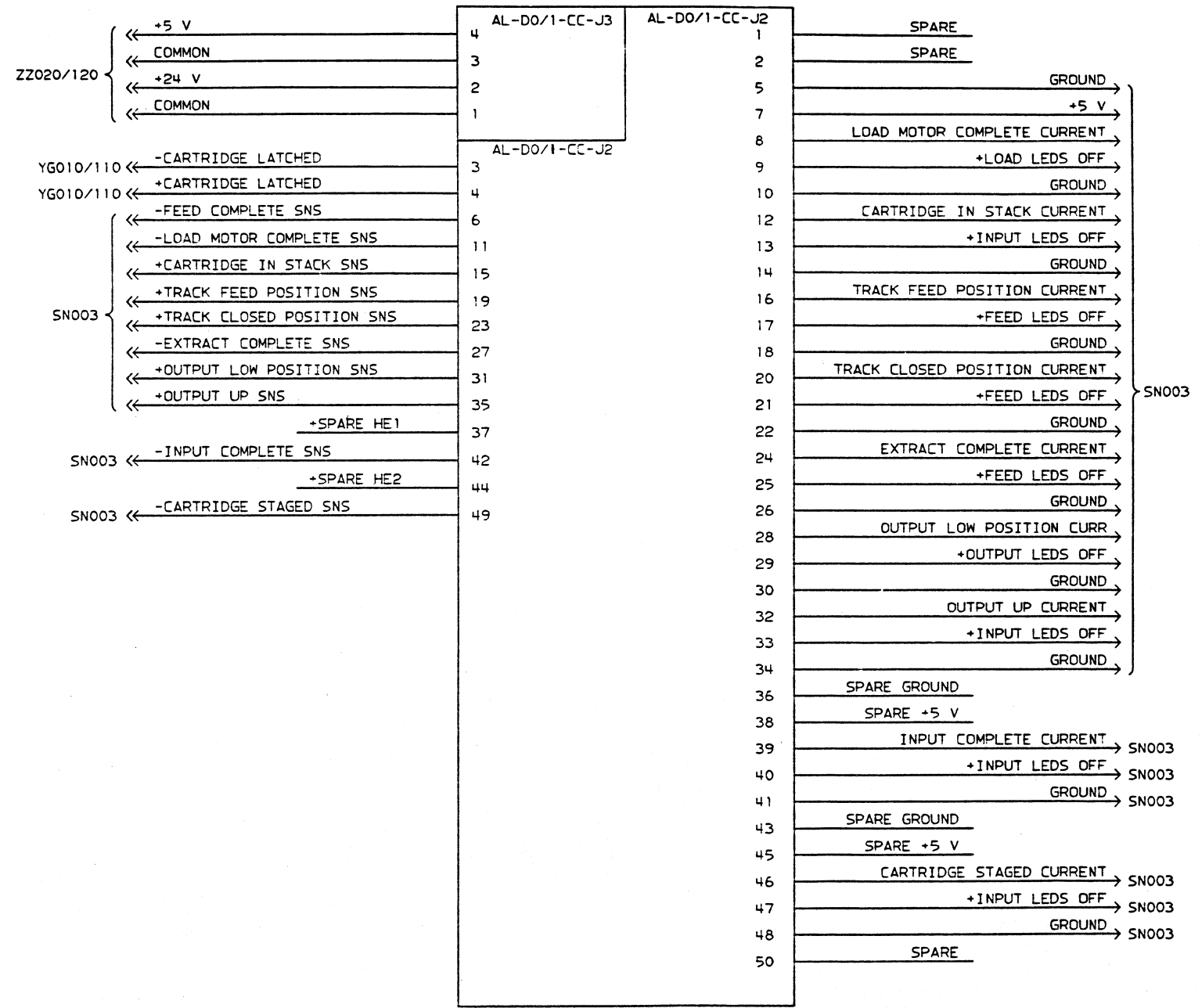


PART NO.	6273195	SHEET 1 OF 3
DEVELOPMENT NO.	AL001	
LOGIC PG NO.		

IBM CORPORATION  
PART NO.  
6273195  
DEVELOPMENT NO.

PART NO.  
6273195

LOADER CONTROL CARD

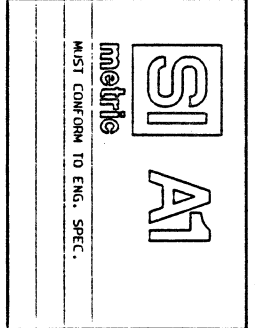


THIS DOCUMENT IS THE PROPERTY OF  
IBM. IT IS TO BE USED ONLY FOR THE  
FUNCTIONS AND FOR THE PERIOD OF  
TIME SPECIFIED IN THE CONTRACT  
OR ORDER. IT IS TO BE RETURNED  
TO THE IBM OFFICE FROM WHICH  
IT WAS OBTAINED. QUESTIONS  
REGARDING THIS DOCUMENT SHOULD  
BE REFERRED TO THE IBM  
REPRESENTATIVE.

TITLE: LOADER CONTROL  
CARD-AUTO CARTRIDGE LOADER

DESIGNER: \_\_\_\_\_  
CHECKED: \_\_\_\_\_  
APPROVED: \_\_\_\_\_  
CLASS: \_\_\_\_\_

DATE: 12MAY86  
EC NO.: A29455



PART NO. 6273195 SHEET 2 OF 3  
DEVELOPMENT NO. AL001  
LOGIC PG NO. AL001

PART NO. 6273195  
DEVELOPMENT NO. \_\_\_\_\_



11 10 9 8 7 6 5 4 3 2 1

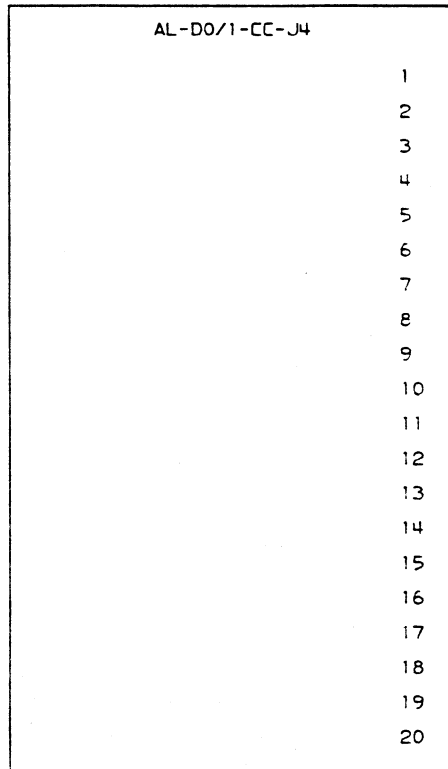
11 10 9 8 7 6 5 4 3 2 1

A B C D E F G H I J K

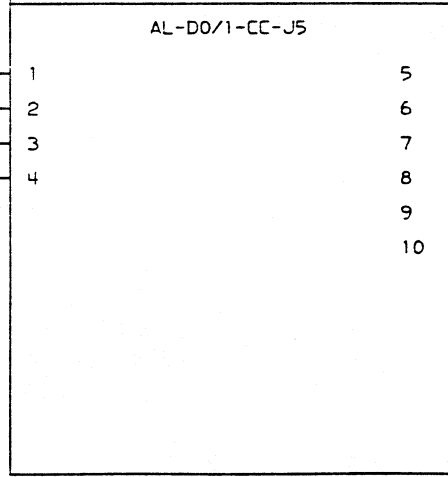
A B C D E F G H I J K

PART NO.  
6273195

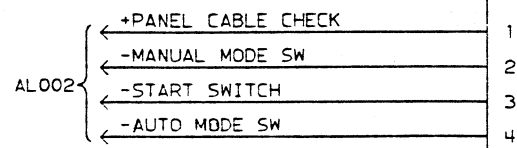
LOADER CONTROL CARD



YG120



AL002



		THIS DRAWING IS THE PROPERTY OF SIEMENS. IT IS TO BE USED ONLY FOR THE PROJECT AND WORK FOR WHICH IT WAS PREPARED. ALL QUESTIONS CONCERNING THIS DRAWING SHOULD BE REFERRED TO THE 10M PROJECT ENGINEER.	
TITLE	LOADER CONTROL	DATE	12MAY86
DESIGNER	CARD-AUTO CARTRIDGE LOADER	EC NO.	A29455
CHECKED			
APPROVED		MUST CONFORM TO ENG. SPEC.	
CLASS		LOGIC PG NO.	AL001
		DEVELOPMENT NO.	6273195
		PART NO.	6273195
		SHEET 3 OF 3	

PART NO.  
6273195  
 DEVELOPMENT NO.

11 | 10 | 9 | 8 | 7 | 6 | 5 | 4 | 3 | 2 | 1  
 A | B | C | D | E | F | G | H | I | J | K

11 | 10 | 9 | 8 | 7 | 6 | 5 | 4

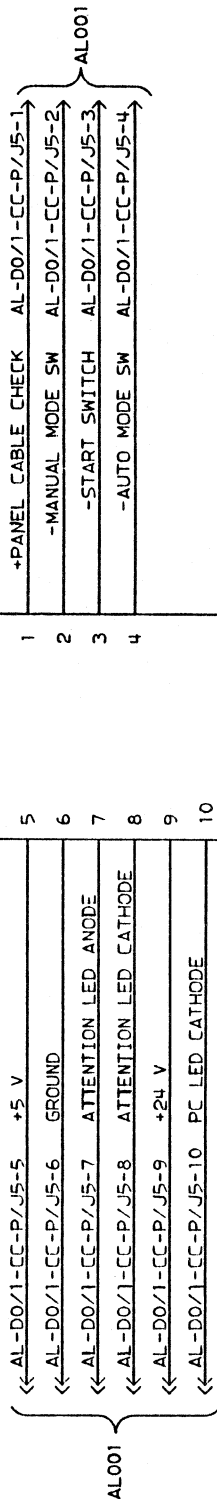
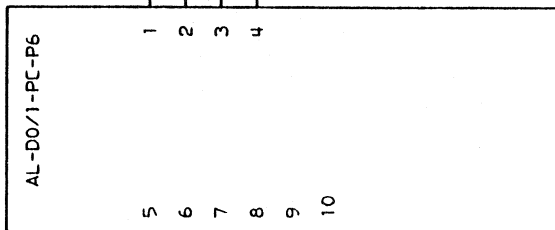


K  
C  
H  
G  
F  
E  
D  
C  
B  
A

PART NO.  
6273198

PART NO.  
6273198  
DEVELOPMENT NO.

LOADER PANEL CARD



**IBM**  
THIS DOCUMENT IS THE PROPERTY OF IBM. ITS USE IS AUTHORIZED ONLY FOR RESPONDING TO A REQUEST FOR QUOTATION OR FOR THE PERFORMANCE OF WORK FOR IBM. ALL QUESTIONS MUST BE REFERRED TO THE IBM PURCHASING DEPARTMENT.

TITLE	LOADER PANEL CARD - AUTO CARTRIDGE LOADER	
DESIGNER	BT	12MAY86
CHECKED		
APPROVED		
CLASS	BT	12MAY86

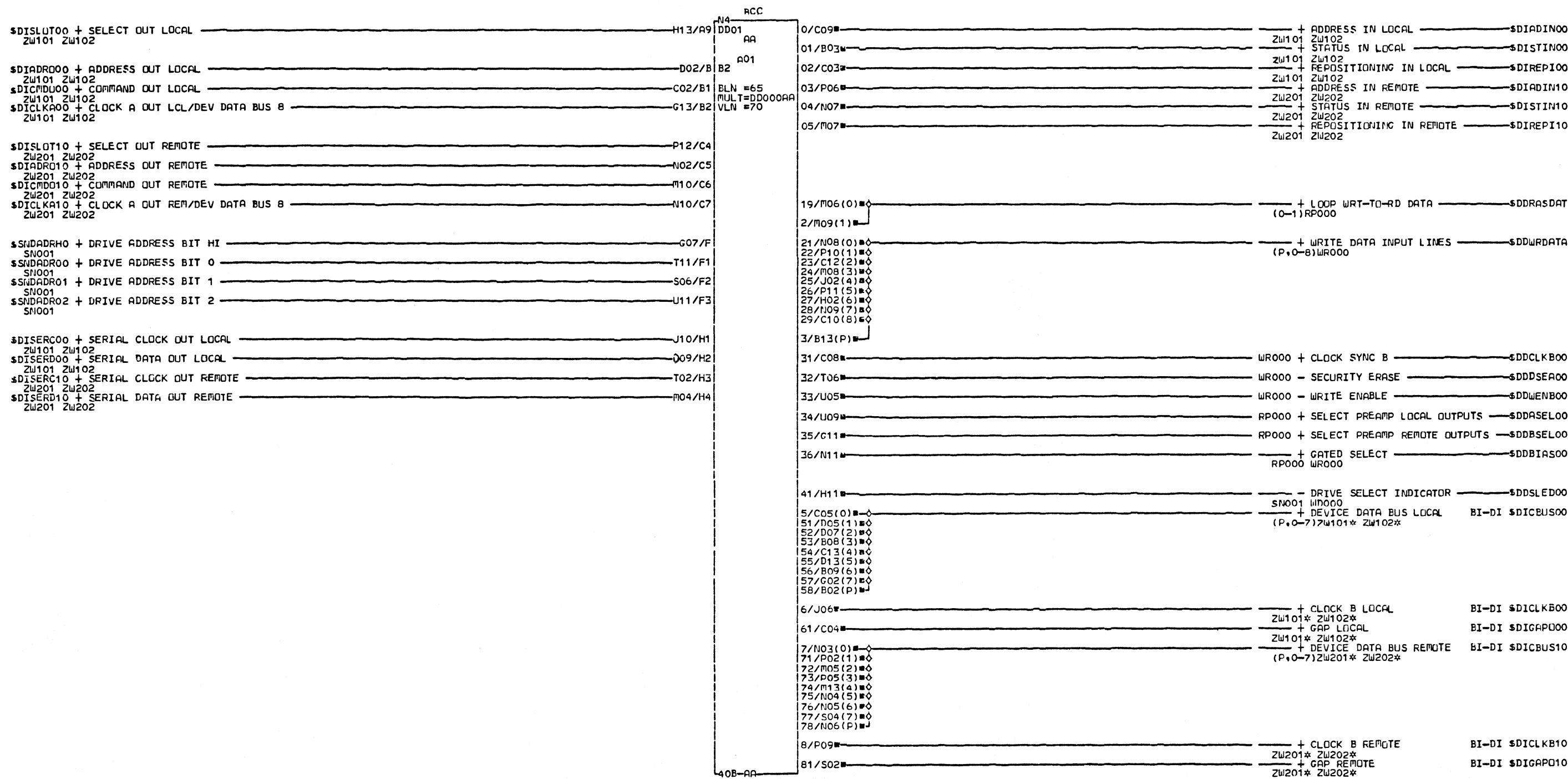
DATE	12MAY86	EC NO.	A29455



MUST CONFORM TO ENG. SPEC.

PART NO. SHEET 1 OF 1  
6273198  
DEVELOPMENT NO.  
LOGIC PG NO.  
AL002

11 | 10 | 9 | 8 | 7 | 6 | 5 | 4 | 3 | 2 | 1



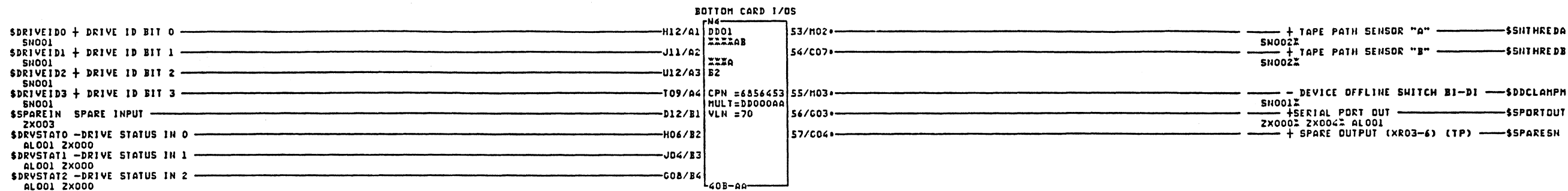
40B-AA

COMMENTS

A1+5V: D03,J03,P03,U03  
2GND: D08,J08,P08,U08  
3+8.5: M11  
4-5V: B06

DRIVE CONTROL CARD  
I/O MACRO BLOCK  
PN=6178218,EC=A15660  
LOC=2A-A1B2  
USN 00003 PRI=14MAR85 1232  
AUC= SEC  
PFDRM=KSHB NEXTBLK AB  
MACH=3480  
CID: DCFO JUB R544753H

D  
D  
O  
O  
O



BOTTOM CARD CONNECTOR  
ASSIGNMENTS  
DRIVE CONTROL CARD  
PN=6178219, EC=A29455

LOC=2A-A1B2

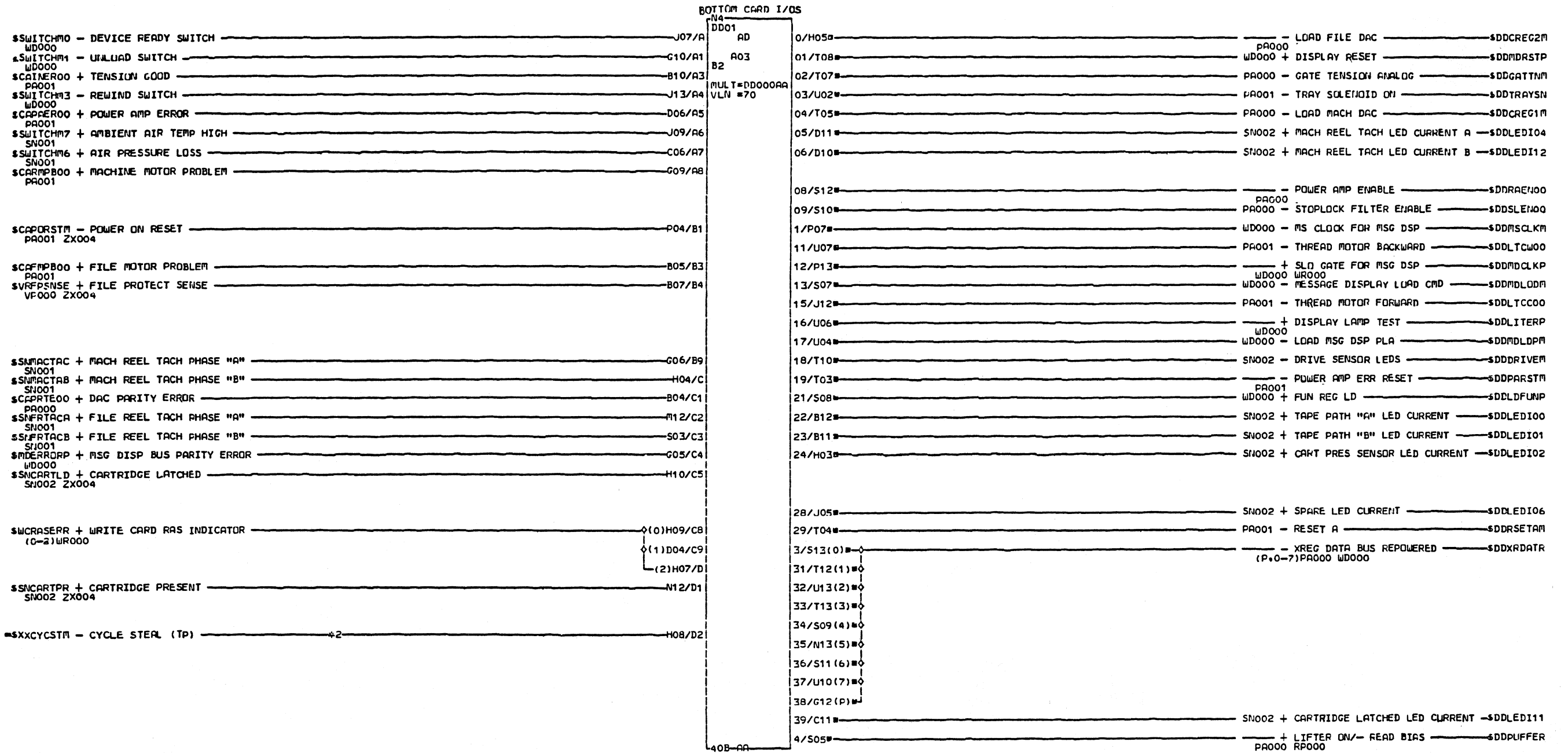
USN 00001      PRI=12MAR86 1357

AUC=            SEC

PFORM=KSHB    NEXTBLK AB

MACH=CDPR

CID AKG2            JOB 6559898B



CONNECTORS  
\$XXCYCSTM  
0003S2A-A1/E2P11

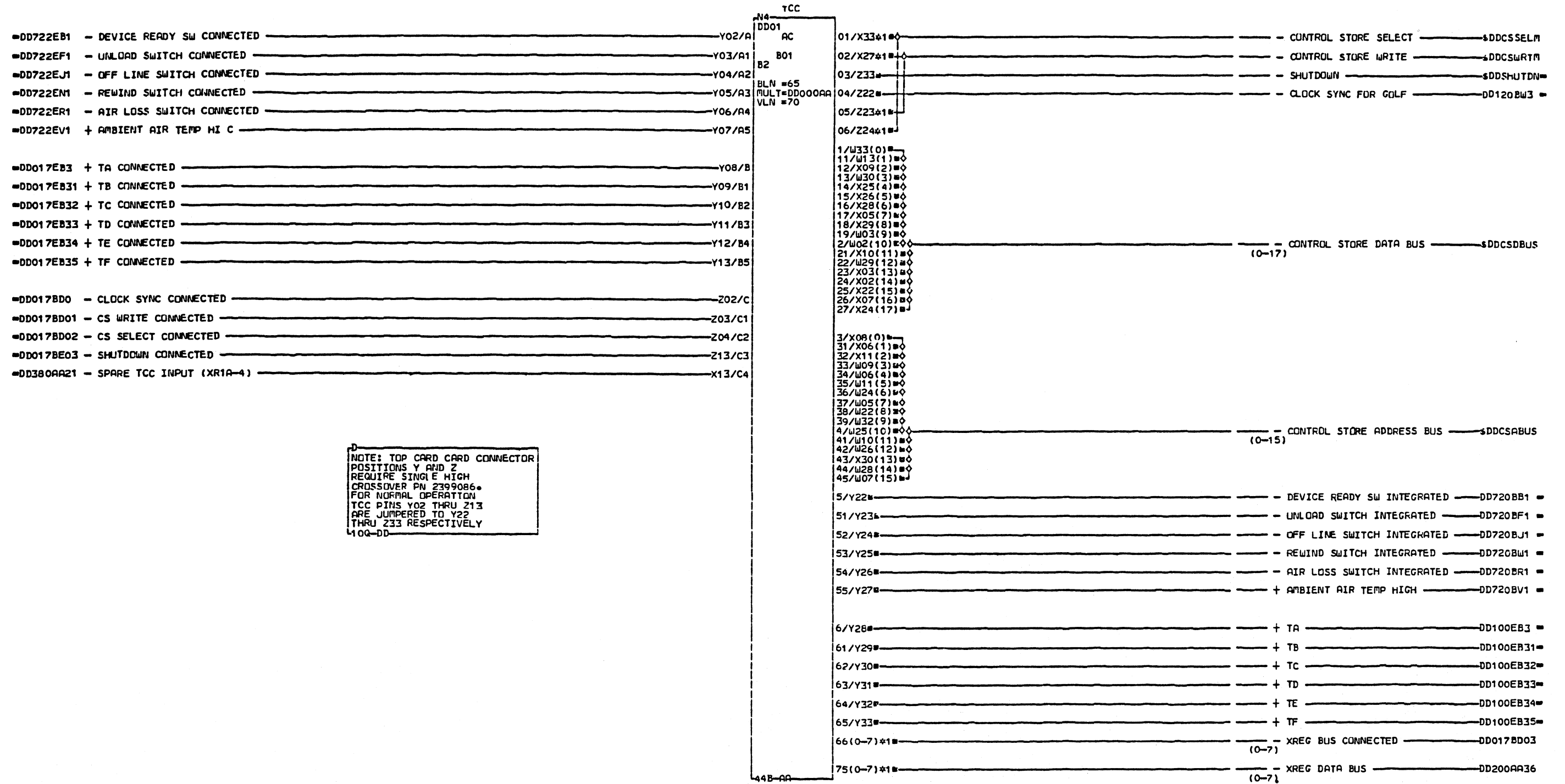
D  
D  
0  
0  
2

0001

BOTTOM CARD CONNECTOR  
ASSIGNMENTS  
DRIVE CONTROL CARD  
PN=6178220+EC=A15660

LDC=2A-A1B2

USN 00003	PRI=14MAR85 1232	D
ALIC=	SEC	0
PFUN=KSHB	NEXTBLK AB	0
FINCH=3480		2
CID DCFO	JOB R544753H	0001



NOTE: TOP CARD CARD CONNECTOR POSITIONS Y AND Z REQUIRE SINGLE HIGH CROSSOVER PN 2399086 FOR NORMAL OPERATION TCC PINS Y02 THRU Z13 ARE JUMPED TO Y22 THRU Z33 RESPECTIVELY 410Q-DD

COMMENTS	PINS	PINS
A1 GND: W04, W08, W12, W23, W27, W31	AA	69/208
Z GND: X04, X12, X23, X31	01	70/209
	•HA	71/210
	•LA	72/211
	02	73/212
	•HA	75/225
	•LA	76/226
	05	77/227
	•LA	78/228
	06	79/229
	•LA	80/230
	66/205	81/231
	67/206	82/232
	68/207	

TCC MACROBLOCK	
DRIVE CONTROL CARD	
PN=6178221, EC=A15660	
LUC=2A-A1B2	
USN 00003	PRI=14MAR85 1232
FUC=	SEC
PFDRM=KSHB	NEXTBLK DE
WACH=3480	
CID DCF0	J1B R544753H

0001

0001



PART NO.  
6390313

THIS DOCUMENT IS THE PROPERTY OF  
GENERAL ELECTRIC COMPANY  
IT IS TO BE USED ONLY FOR THE PURPOSES  
SPECIFIED AND IS NOT TO BE REPRODUCED  
OR TRANSMITTED IN ANY FORM OR BY ANY  
MEANS, ELECTRONIC OR MECHANICAL,  
INCLUDING PHOTOCOPYING, RECORDING,  
OR BY ANY INFORMATION STORAGE AND  
RETRIEVAL SYSTEM, WITHOUT PERMISSION  
IN WRITING FROM THE GENERAL ELECTRIC  
CORPORATION, P.O. BOX 217, PITTSFIELD,  
MASSACHUSETTS 01203.

TITLE	POWER AMP
DESIGNER	JTU
CHECKED	AHR
APPROVED	AHR
CLASS	DWO

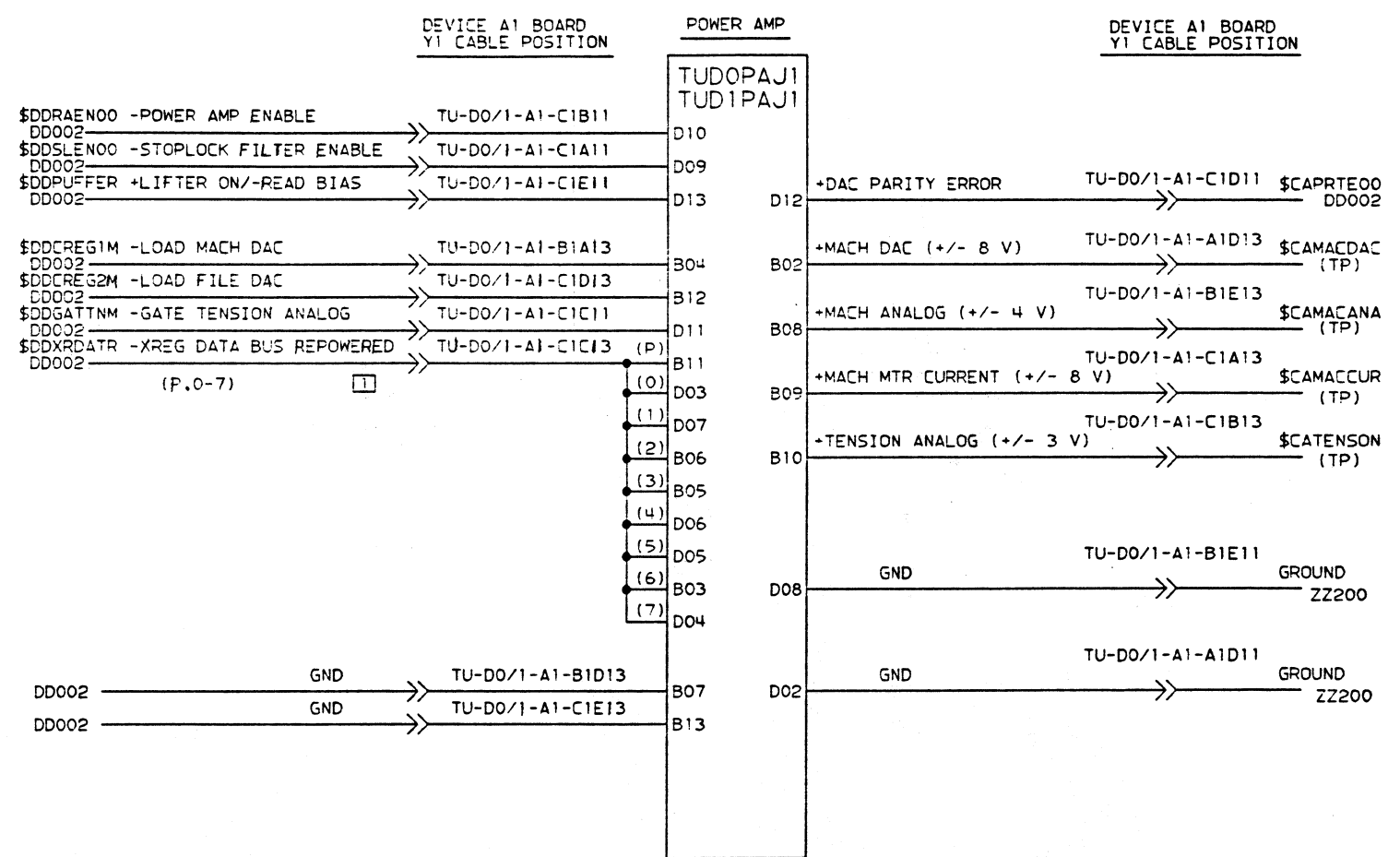
DATE	MAR84
DATE	3 JUN85
EC NO.	A06052
EC NO.	A06069

SI A1

metlife

MUST CONFORM TO ENG. SPEC.

PART NO.	6390313
DEVELOPMENT NO.	PA000/001
SHEET 1 OF 3	



- NOTES
- 1 TU-D0/1-A1 DD002: (P)C1C13 (0)A1E11 (1)B1D11 (2)B1C13 (3)B1B13 (4)B1C11 (5)B1B11 (6)A1E13 (7) B1A11.
  - 2 TRANSDUCER BIAS (+15 V) DEVELOPED AT POWER AMP BOARD.

PART NO.  
6390313  
DEVELOPMENT NO.

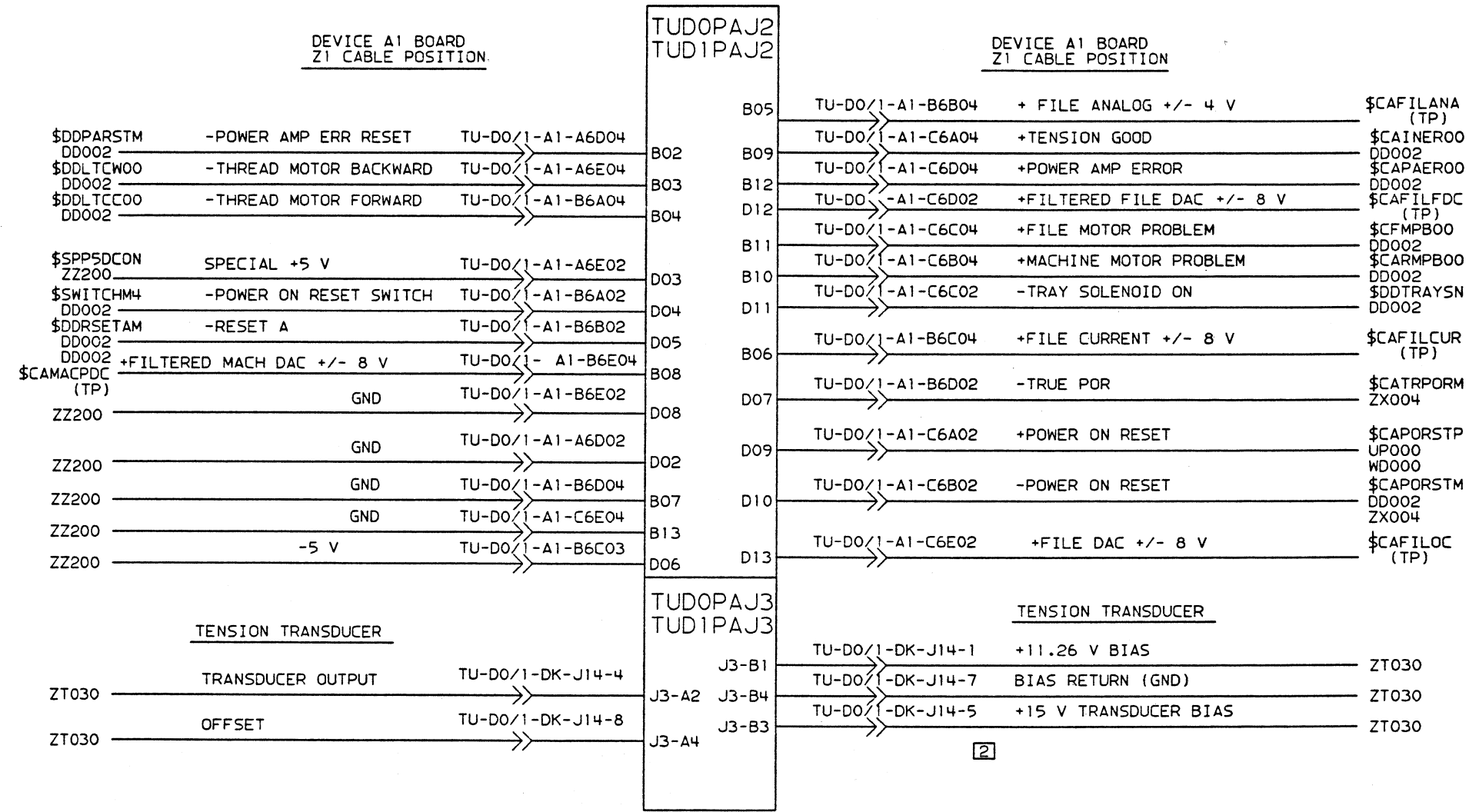


PART NO.  
6390313

POWER AMP

DEVICE A1 BOARD  
Z1 CABLE POSITION

DEVICE A1 BOARD  
Z1 CABLE POSITION



THIS DOCUMENT IS THE PROPERTY OF IBM. ITS USE IS AUTHORIZED ONLY FOR THE PROJECT AND WORK FOR WHICH IT WAS PREPARED. IT IS NOT TO BE REPRODUCED OR TRANSMITTED IN ANY FORM OR BY ANY MEANS, ELECTRONIC OR MECHANICAL, INCLUDING PHOTOCOPYING, RECORDING, OR BY ANY INFORMATION STORAGE AND RETRIEVAL SYSTEM. QUESTIONS CONCERNING THIS DOCUMENT SHOULD BE REFERRED TO THE IBM MARKETING DEPARTMENT.

TITLE	DATE	EC NO.
CONNECTORS	7MAR84	A06052
DESIGNER	3JUN85	A06069
CHECKED		
APPROVED		
CLASS		

SI A1

metLife

MUST CONFORM TO ENG. SPEC.

PART NO. 6390313 SHEET 2 OF 3

DEVELOPMENT NO. PA000/001

LOGIC PG NO.

PART NO. 6390313

DEVELOPMENT NO.

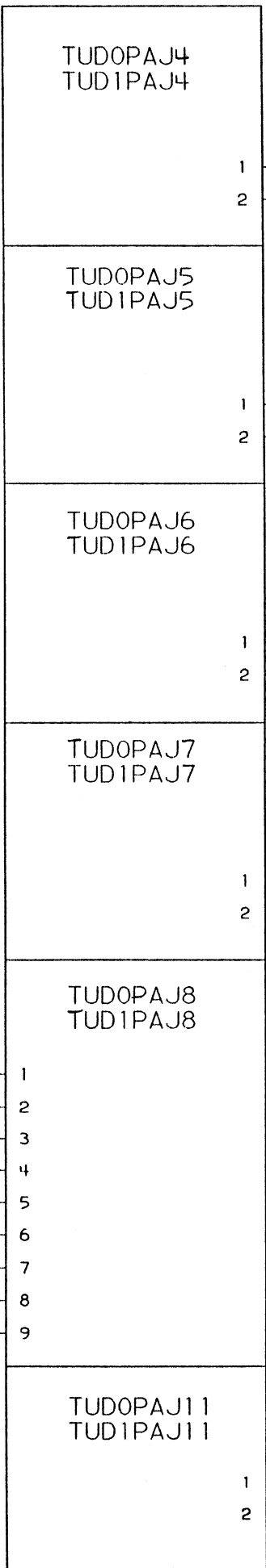




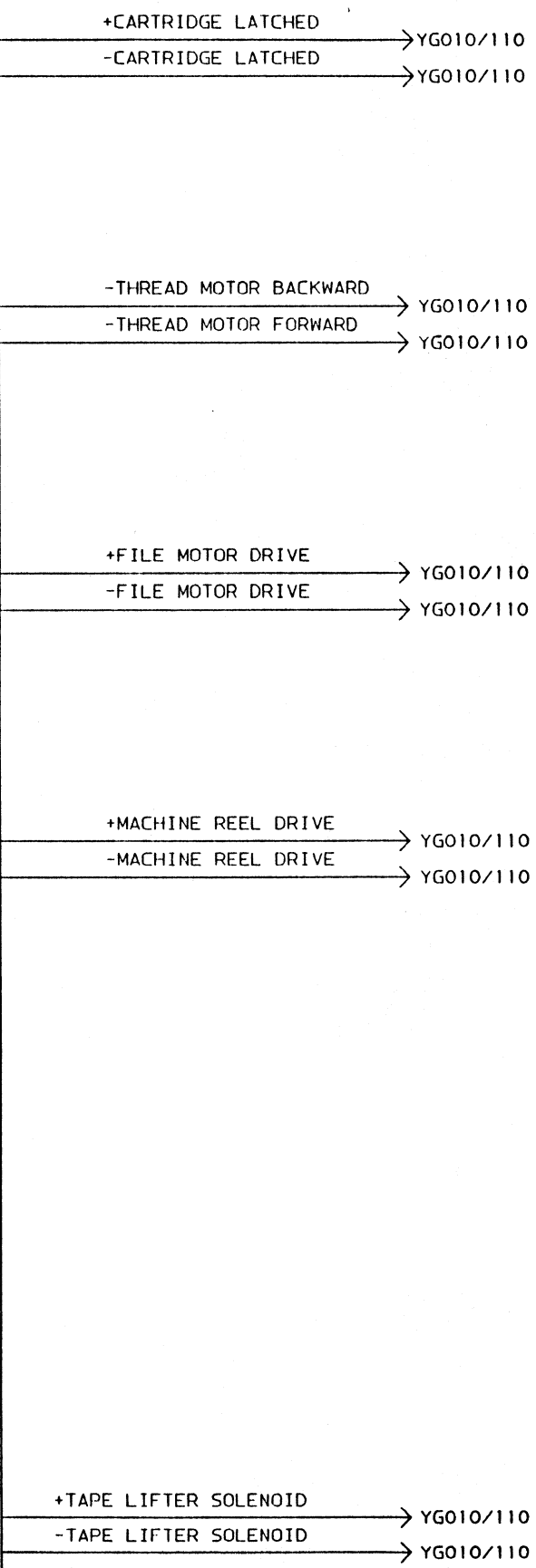
PART NO.  
6390313

PART NO.  
6390313  
DEVELOPMENT NO.

POWER AMP



- ZZ020/120
- ← TU D0/1-P1-P1-3 +5 V
  - ← TU D0/1-P1-P1-9 +5 V RTN
  - ← TU D0/1-P1-P2-1 +24 V
  - ← TU D0/1-P1-P2-2 +15 V
  - ← TU D0/1-P1-P2-8 +15 V RTN
  - ← TU D0/1-P1-P2-7 +24 V RTN
  - ← TU D0/1-P1-P2-11 -PICK
  - ← TU D0/1-P1-P2-3 -15 V
  - ← TU D0/1-P1-P1-6 +5 V CTLD



THIS DOCUMENT IS THE PROPERTY OF IBM. ITS USE IS AUTHORIZED ONLY FOR RESPONDING TO A REQUEST FOR QUOTATION OR FOR THE PERFORMANCE OF WORK FOR IBM. ALL QUESTIONS MUST BE REFERRED TO THE IBM PURCHASING DEPARTMENT.

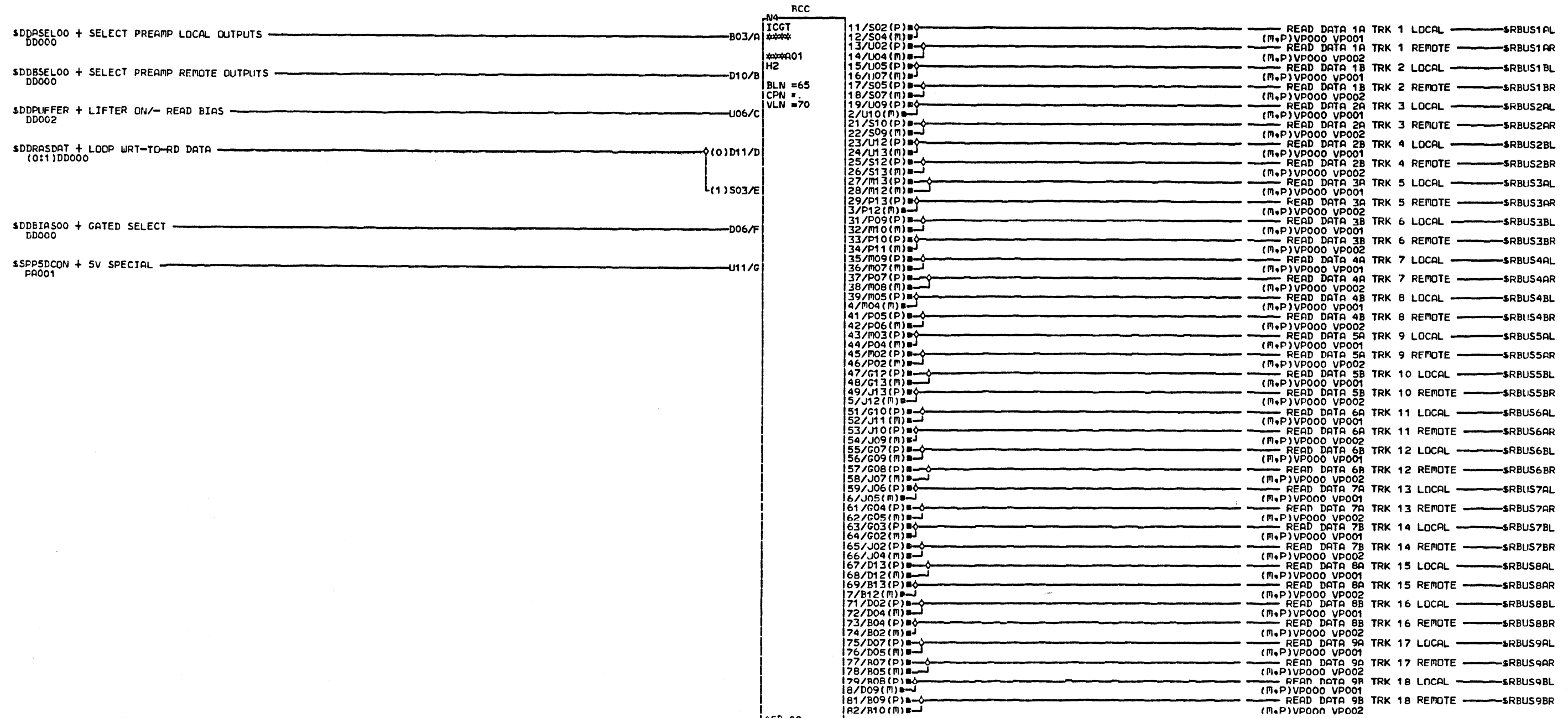
TITLE	POWER AMP-
CONNECTORS	
DESIGNER	
CHECKED	
APPROVED	
CLASS	

DATE	7MAR84	EC NO.	A06052
RED	3JUN85		A06069



MUST CONFORM TO ENG. SPEC.

PART NO.	6390313	SHEET 3 OF 3
DEVELOPMENT NO.		
LOGIC PG NO.	PA000/001	



READ DATA BUS OUTPUTS P AND M ARE  
 .90V TO 1.4V PEAK-TO-PEAK MEASURED DIFFERENTIALLY  
 55Z-XX

COMMENTS  
 A1 GND: D08, J08, P08, U08  
 2+5V: D03, J03, P03, U03  
 3-5V: B06, G06, F06, S06  
 4+5V: E11

READ PREAMP CARD  
 PN=6178223, EC=A29052  
 LOC=2A-A1H2  
 USN 00001 PRI=19JAN7 0836  
 RIC= SFC  
 FFLK=KSHB NEXTBLK XY  
 MACH=3480  
 CID DCF O JOB DF523088

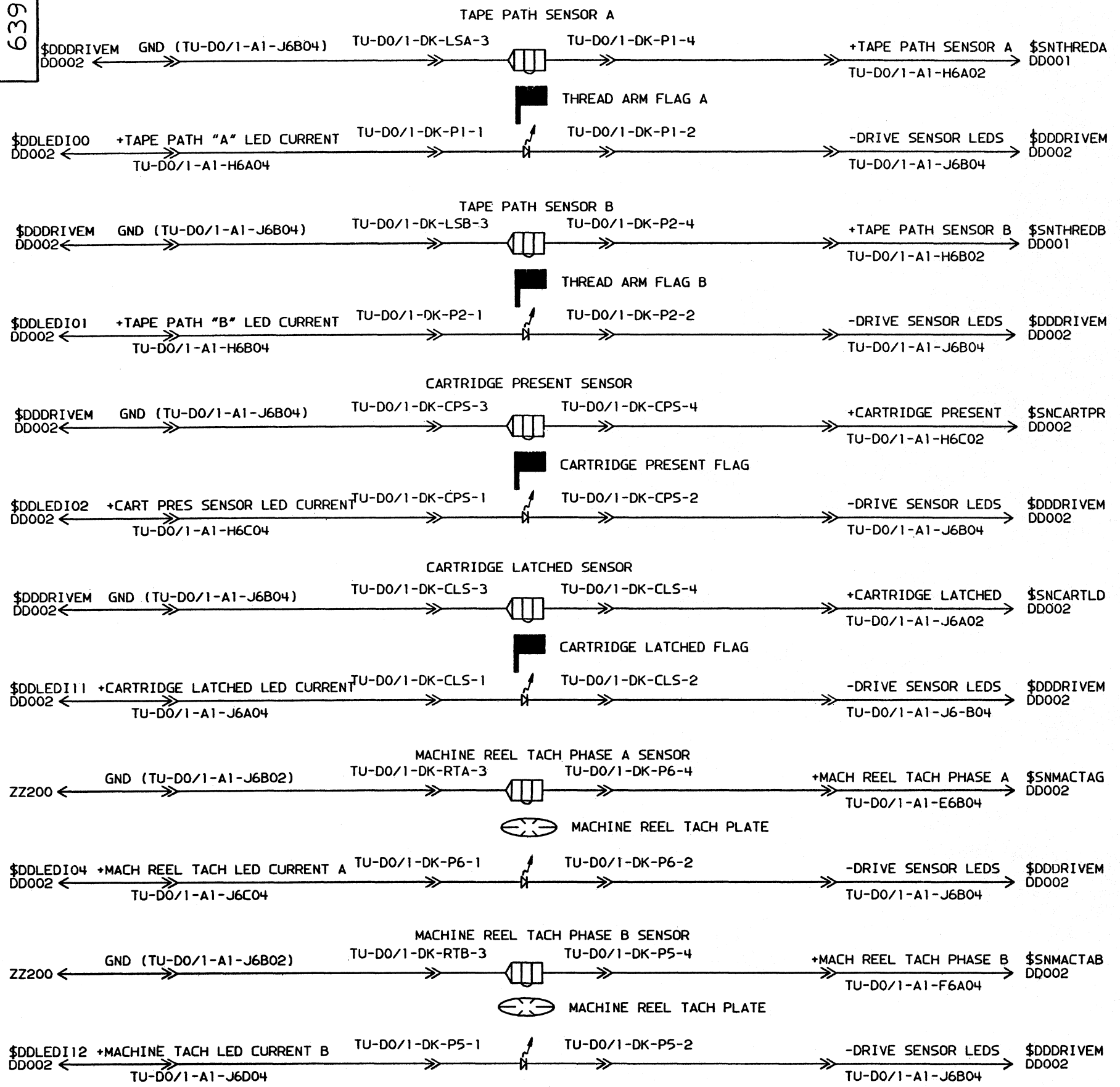
R  
P  
0  
0

R  
P  
0  
0

PART NO.  
6390314  
DEVELOPMENT NO.

PART NO.  
6390314

SENSORS AND SWITCHES



THIS DOCUMENT IS THE PROPERTY OF IBM. ITS USE IS AUTHORIZED ONLY FOR RESPONDING TO A REQUEST FOR QUOTATION OR FOR THE PERFORMANCE OF WORK FOR IBM. ALL QUESTIONS MUST BE REFERRED TO THE IBM PURCHASING DEPARTMENT.

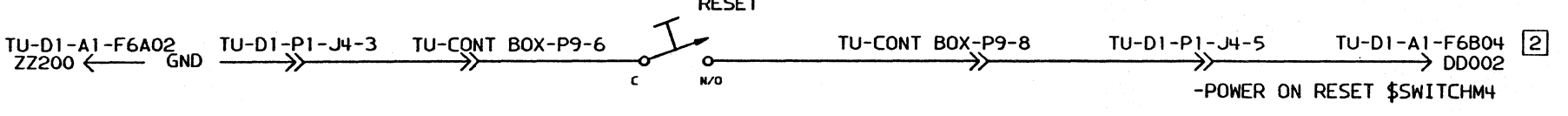
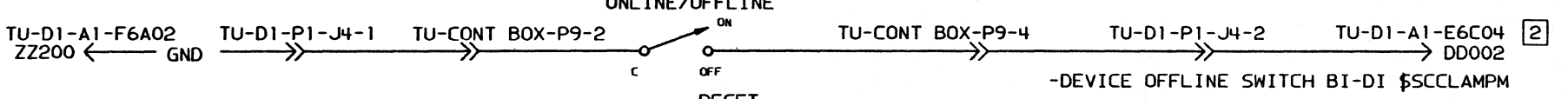
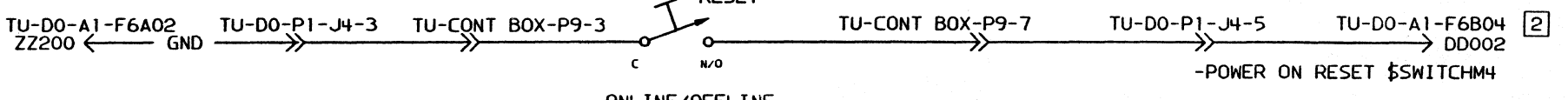
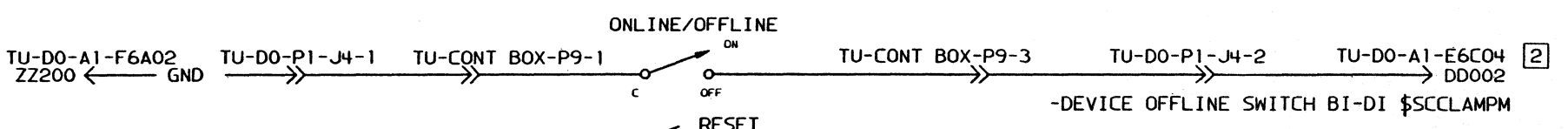
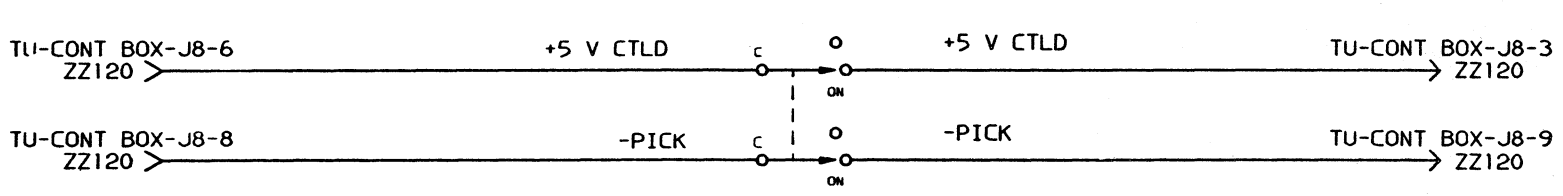
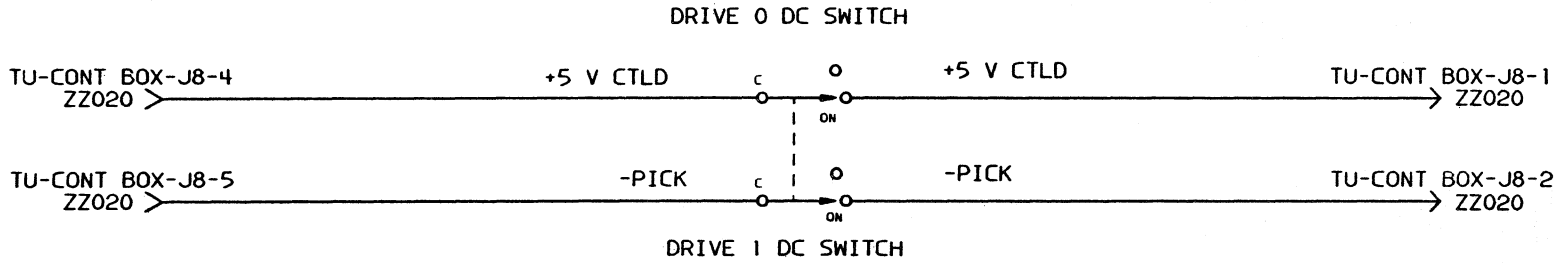
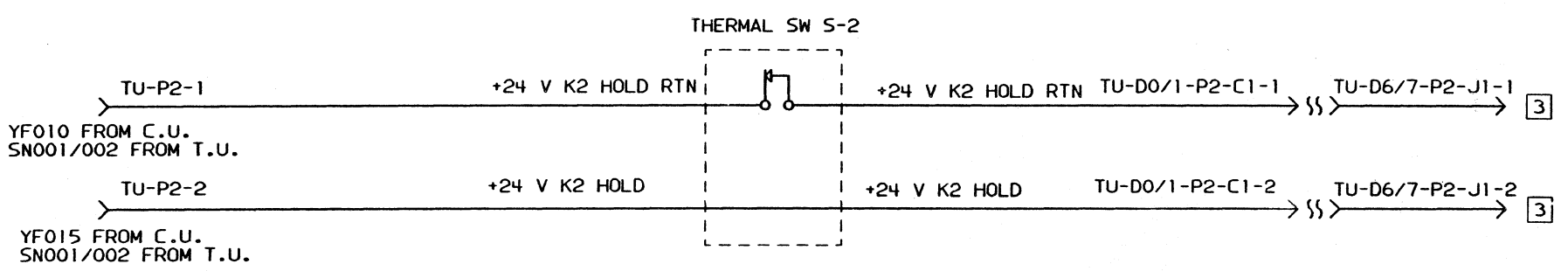
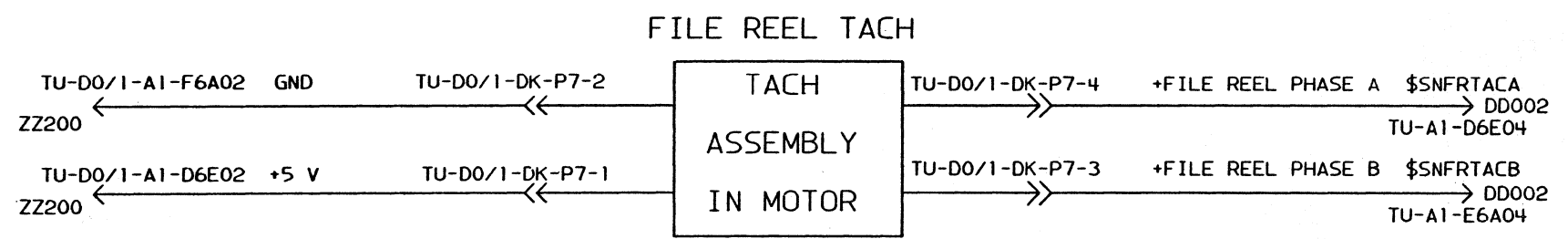
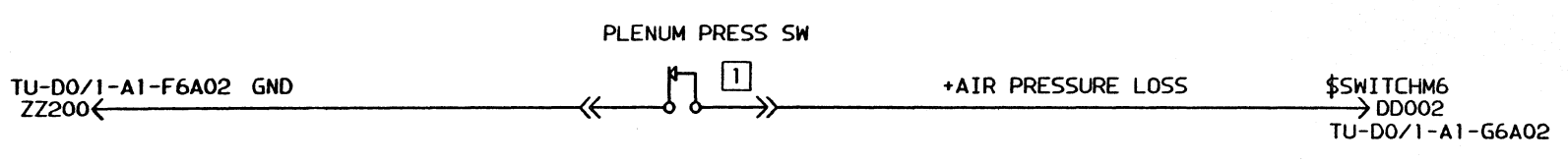
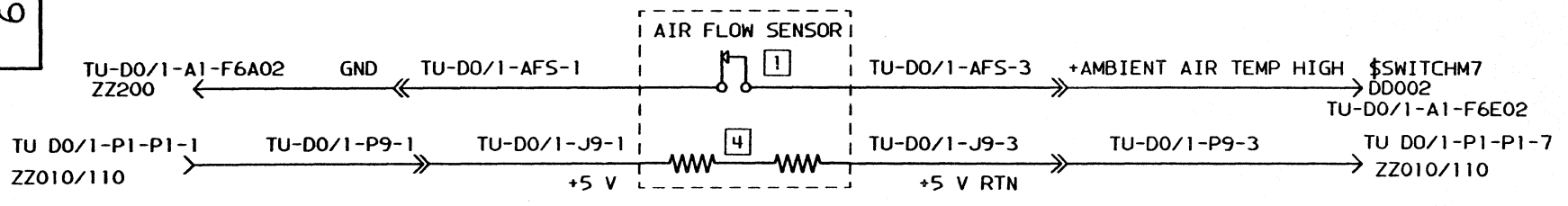
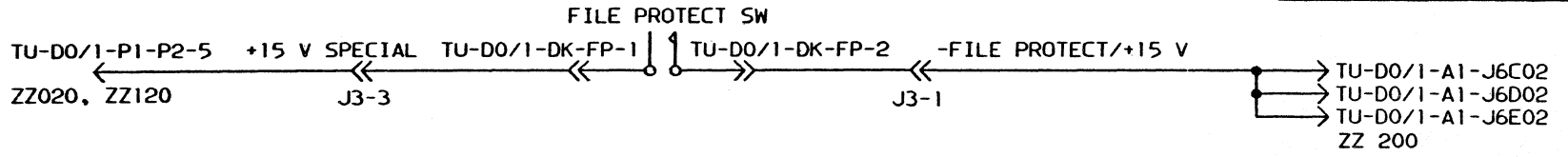
TITLE	DESIGNER	CHECKED	APPROVED	CLASS	DATE	EC NO.
SENSORS AND SWITCHES - DRIVE 0/1	JTJ	AHR	AHR	DMD	7MAR84	A06052
					3JUN85	A060609
					23AUG85	A21676
					11JUN86	A21676A
					4DEC86	A29052
					23JUN87	A29052A



PART NO. SHEET 1 OF 3  
6390314  
DEVELOPMENT NO.  
LOGIC PG NO.  
SN001/002

PART NO. 6390314

PART NO. 6390314  
DEVELOPMENT NO.

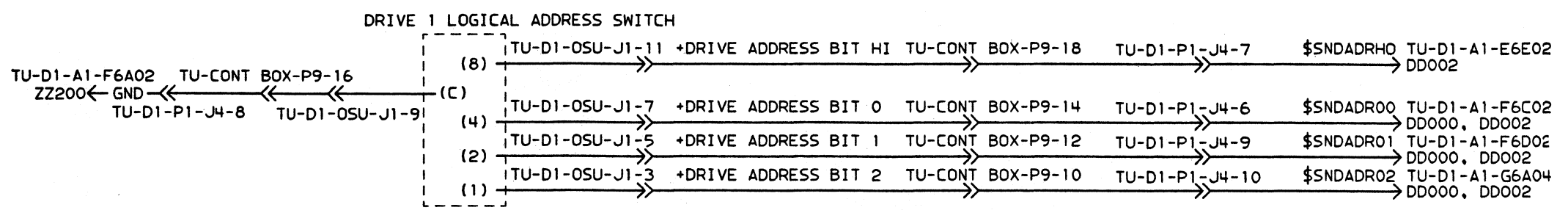
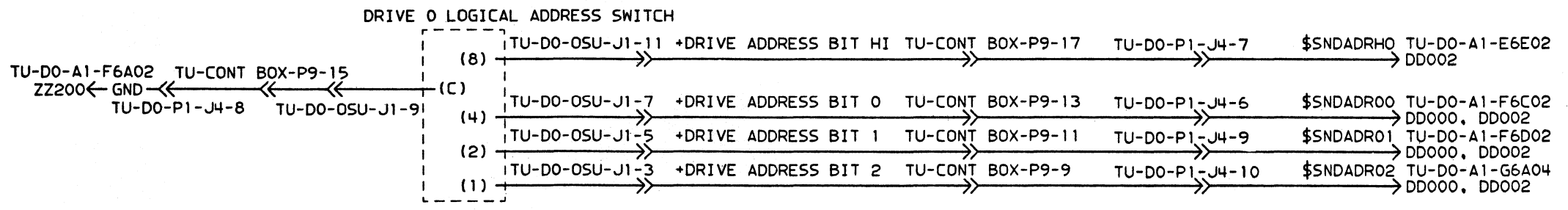
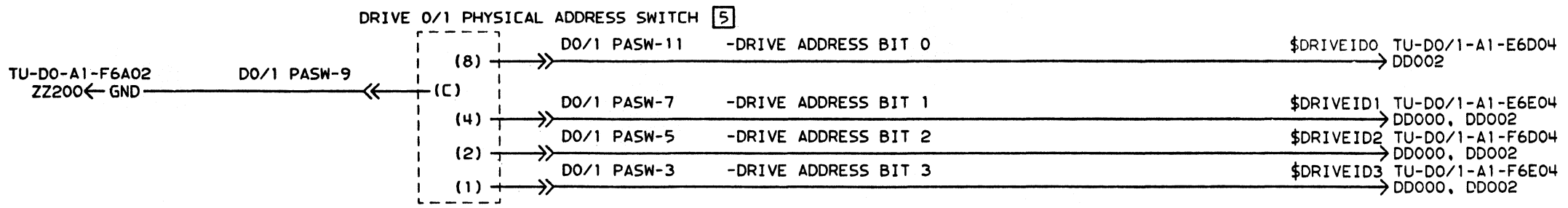


**IBM**  
THIS DOCUMENT IS THE PROPERTY OF IBM. ITS USE IS AUTHORIZED ONLY FOR RESPONDING TO A REQUEST FOR QUOTATION OR FOR THE PERFORMANCE OF WORK FOR IBM. ALL QUESTIONS MUST BE REFERRED TO THE IBM PURCHASING DEPARTMENT.

DATE		EC NO.			PART NO. SHEET 2 OF 3
7MAR84		A06052			6390314
3JUN85		A06069			DEVELOPMENT NO.
23AUG85		A21676			LOGIC PG NO.
TITLE	SENSORS AND	RED	3JUN85	A06069	SN001/002
SWITCHES - DRIVES 0/1			11JUN86	A21676A	
DESIGNER			4DEC86	A29052	
CHECKED			23JUN87	A29052A	
APPROVED					
CLASS					

MUST CONFORM TO ENG. SPEC.

PART NO.  
6390314

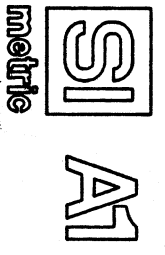


NOTES

- [1] SWITCHES SHOWN IN OPERATING POSITION.
- [2] FOR CONNECTION FROM SLT CONNECTOR TO CARD LOGIC SEE FIELD WIRE NET LIST.
- [3] LINES JUMPERED TOGETHER AT LAST DRIVE.
- [4] TWO 4 OHM RESISTORS ARE PART OF THE 'AIR FLOW SENSOR' ASSEMBLY.
- [5] SWITCH LOCATED ON REAR OF DRIVE, ACCESS FROM REAR OF TAPE UNIT.

TITLE	DATE	EC NO.
DESIGNER	7MAR84	A06052
CHECKED	3JUN85	A06069
APPROVED	23AUG85	A21676
CLASS	11JUN86	A21676A
	4DEC86	A29052
	23JUN87	A29052A

THIS DOCUMENT IS THE PROPERTY OF IBM. ITS USE IS AUTHORIZED ONLY FOR THE ORIGINAL WORK OR FOR REPRODUCTION OF WORK FOR IBM. ALL QUESTIONS MUST BE REFERRED TO THE IBM PURCHASING DEPARTMENT.



PART NO. 6390314 SHEET 3 OF 3  
DEVELOPMENT NO. SNO01/002  
LOGIC PG NO.

PART NO. 6390314  
DEVELOPMENT NO.

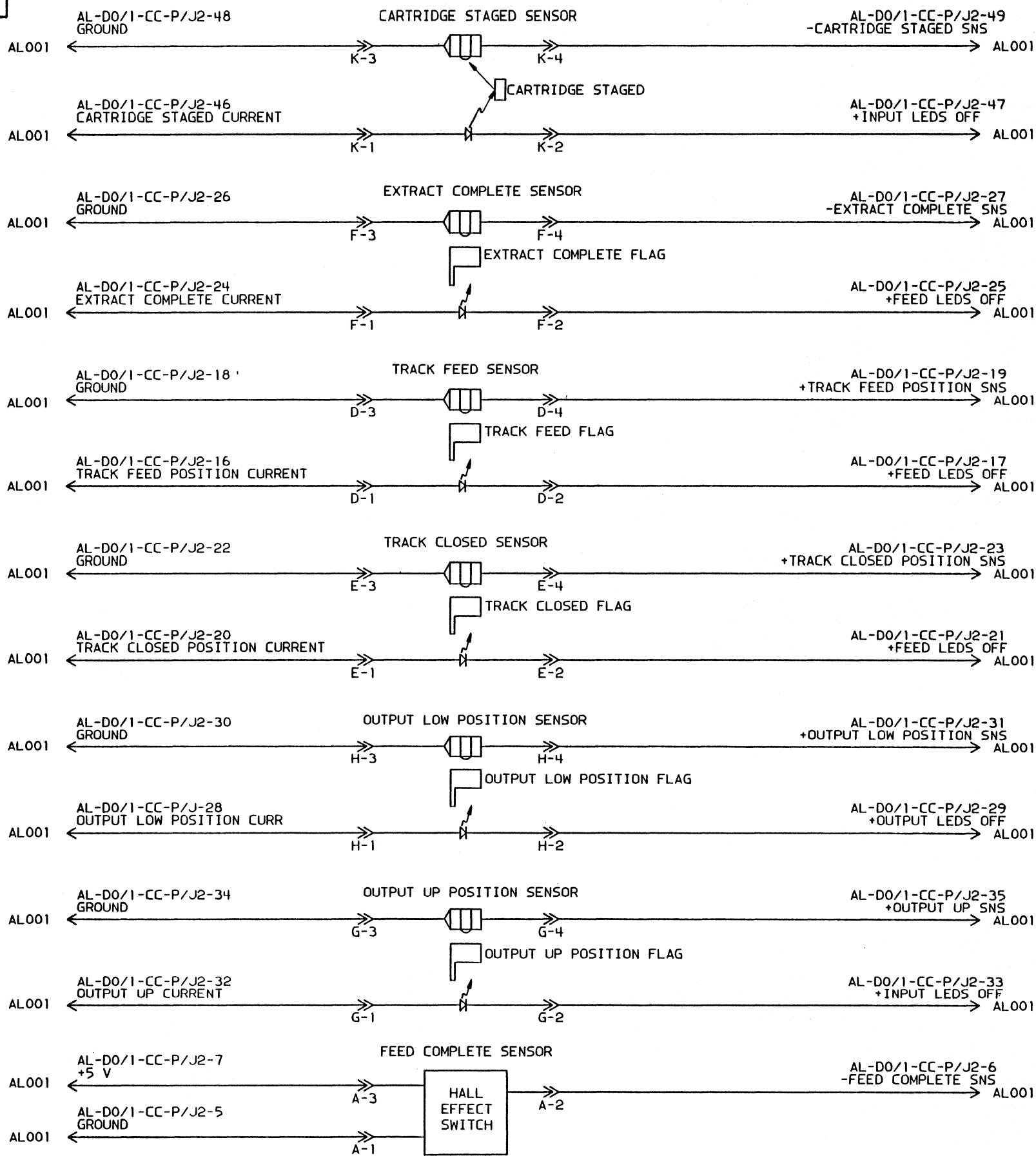




PART NO.  
6273194

PART NO.  
6273194  
DEVELOPMENT NO.

LOADER SENSORS



IBM  
THIS DOCUMENT IS THE PROPERTY OF IBM. ITS USE IS AUTHORIZED ONLY FOR RESPONDING TO A REQUEST FOR QUOTATION OR FOR THE PERFORMANCE OF WORK FOR IBM. ALL QUESTIONS MUST BE REFERRED TO THE IBM PURCHASING DEPARTMENT.

DATE	12MAY86																		
EC NO.	A29455																		
<table border="1"> <tr> <td>TITLE</td> <td colspan="2">LOADER SENSORS</td> </tr> <tr> <td colspan="3">- AUTO CARTRIDGE LOADER</td> </tr> <tr> <td>DESIGNER</td> <td>BT</td> <td>12MAY86</td> </tr> <tr> <td>CHECKED</td> <td></td> <td></td> </tr> <tr> <td>APPROVED</td> <td></td> <td></td> </tr> <tr> <td>CLASS</td> <td>BT</td> <td>12MAY86</td> </tr> </table>		TITLE	LOADER SENSORS		- AUTO CARTRIDGE LOADER			DESIGNER	BT	12MAY86	CHECKED			APPROVED			CLASS	BT	12MAY86
TITLE	LOADER SENSORS																		
- AUTO CARTRIDGE LOADER																			
DESIGNER	BT	12MAY86																	
CHECKED																			
APPROVED																			
CLASS	BT	12MAY86																	

DATE	12MAY86
EC NO.	A29455
MUST CONFORM TO ENG. SPEC.	

PART NO.	6273194	SHEET 1 OF 2
DEVELOPMENT NO.		
LOGIC PG NO.	SN003	

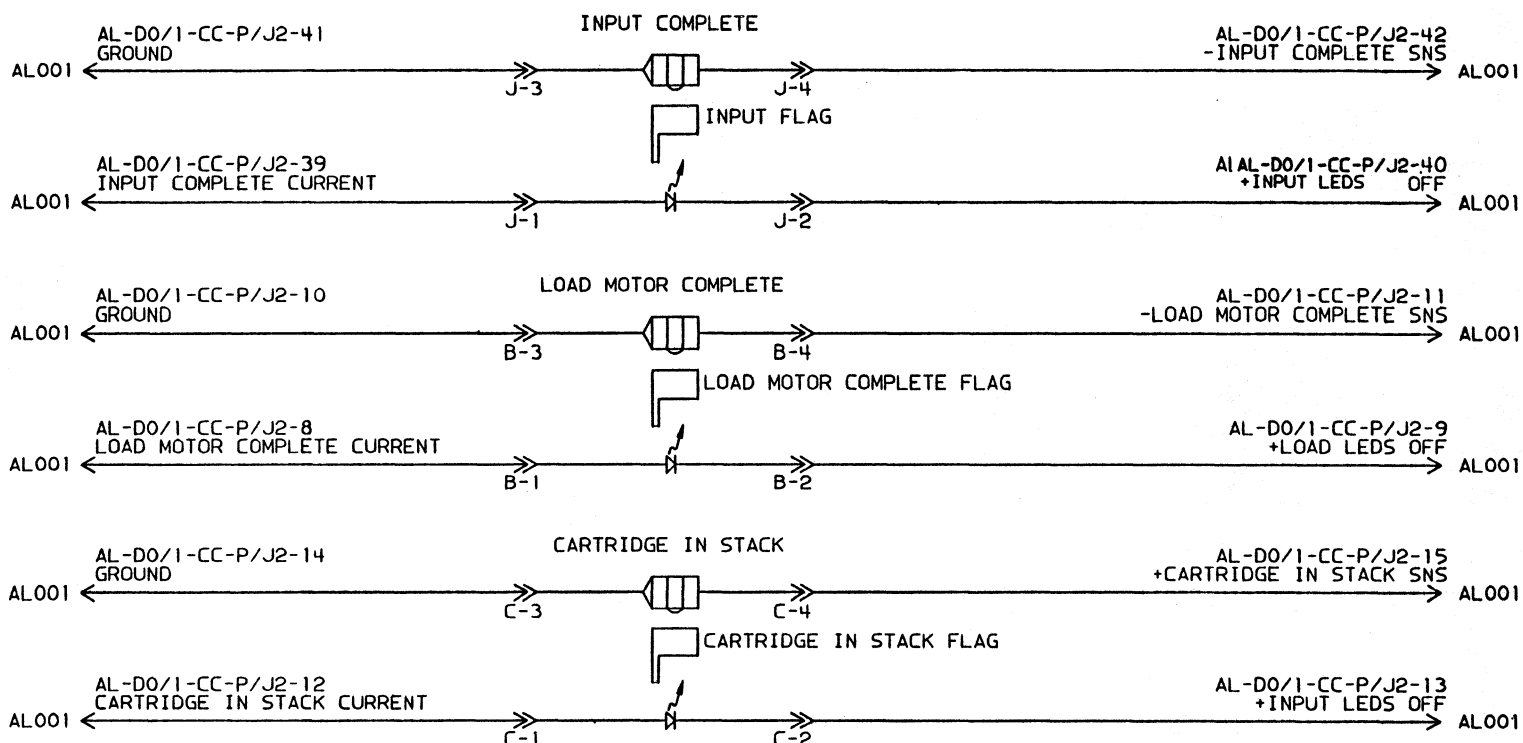




PART NO.  
6273194

PART NO.  
6273194  
DEVELOPMENT NO.

LOADER SENSORS



**IBM** THIS DOCUMENT IS THE PROPERTY OF IBM. ITS USE IS AUTHORIZED ONLY FOR RESPONDING TO A REQUEST FOR QUOTATION OR FOR THE PERFORMANCE OF WORK FOR IBM. ALL QUESTIONS MUST BE REFERRED TO THE IBM PURCHASING DEPARTMENT.

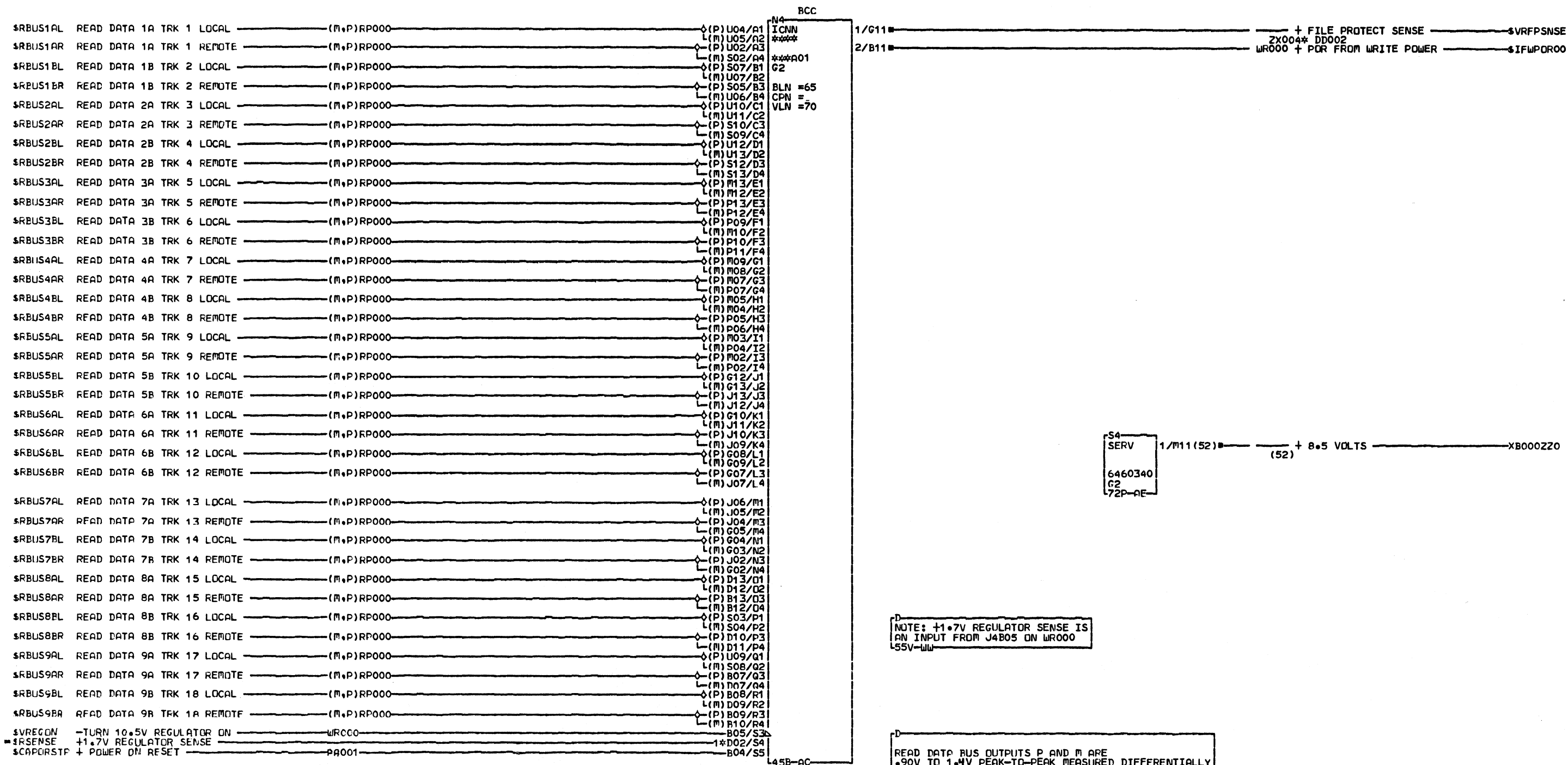
TITLE	LOADER SENSORS
	- AUTO CARTRIDGE LOADER
CHECKED	
APPROVED	
CLASS	

DATE	12MAY86
EC NO.	A29455



MUST CONFORM TO ENG. SPEC.

PART NO.	6273194
DEVELOPMENT NO.	
LOGIC PG NO.	SN003



COMMENTS

A1GND: D08  
 2+5V: D03  
 3-5V: B06  
 4+10.5V: D04, D05, D06  
 5+15V: B02, B03  
 6+15V CONNECTS THRU  
 7 FILE PROTECT SWITCH  
 8 REFERENCE PAGE SNO01/002  
 9+8.5V: "11"

PINS

AC  
 S4  
 v1.7

WRITE POWER CARD

PN=4746366, EC=A29052

LOC=2A-A1G2

USN 00001 PRI=19JAN67 0836  
 CUC= SFC  
 F1 OR F1=KSHB NEXTBLK XY  
 MFC=3480  
 CIP TCF0 JOB 185230PF

NOTE: +1.7V REGULATOR SENSE IS AN INPUT FROM J4B05 ON WR000

READ DATA BUS OUTPUTS P AND M ARE .90V TO 1.4V PEAK-TO-PEAK MEASURED DIFFERENTIALLY

PART NO.  
6390315

DESIGNER	JTJ
CHECKED	AHR
APPROVED	AHR
CLASS	DMO

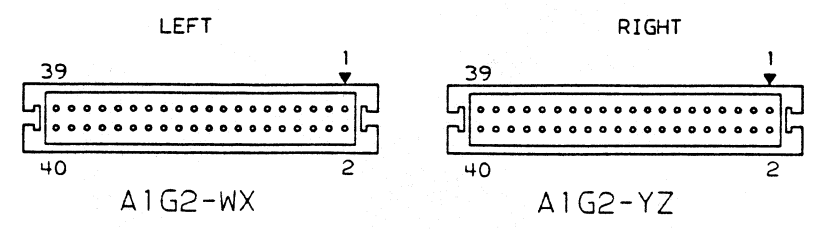
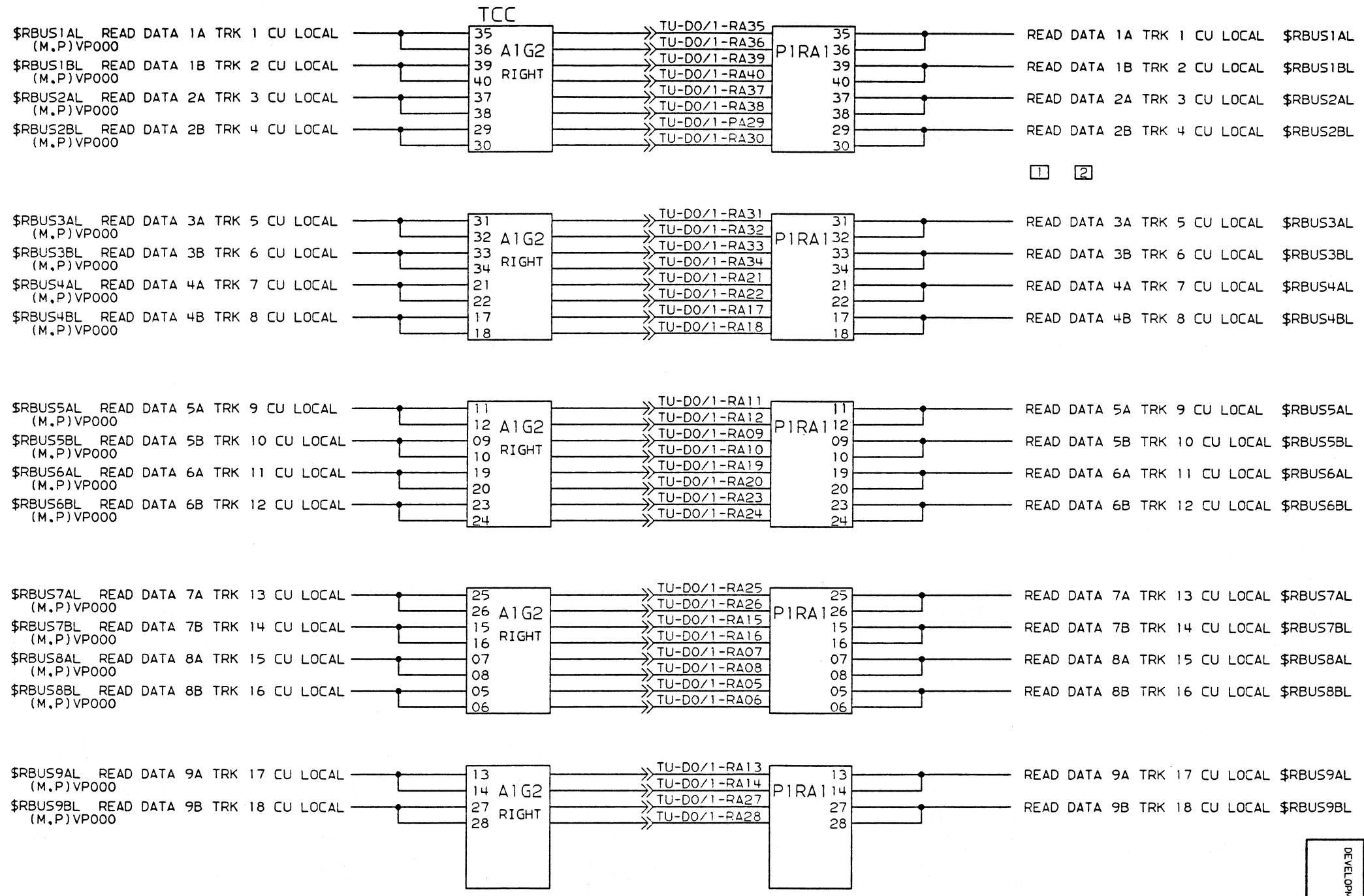
TITLE	DRIVE LOCAL
DATE	7MAR84
DATE	3JUN85
EC NO.	A06052
EC NO.	A06069

THIS DOCUMENT IS THE PROPERTY OF IBM. IT IS LOANED TO YOU FOR YOUR USE ONLY. IT IS NOT TO BE REPRODUCED, COPIED, OR TRANSMITTED IN ANY FORM OR BY ANY MEANS, ELECTRONIC OR MECHANICAL, INCLUDING PHOTOCOPYING, RECORDING, OR BY ANY INFORMATION STORAGE AND RETRIEVAL SYSTEM. ALL QUESTIONS MUST BE REFERRED TO THE IBM MANUFACTURING DEPARTMENT.

**SI**  
**metrix**  
**A1**

MUST CONFORM TO ENG. SPEC.

PART NO.	6390315
DEVELOPMENT NO.	
LOGIC PG NO.	VP001
SHEET OF	

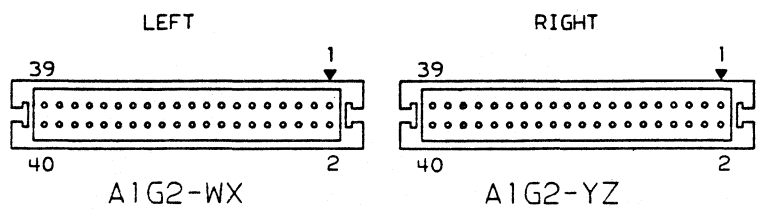
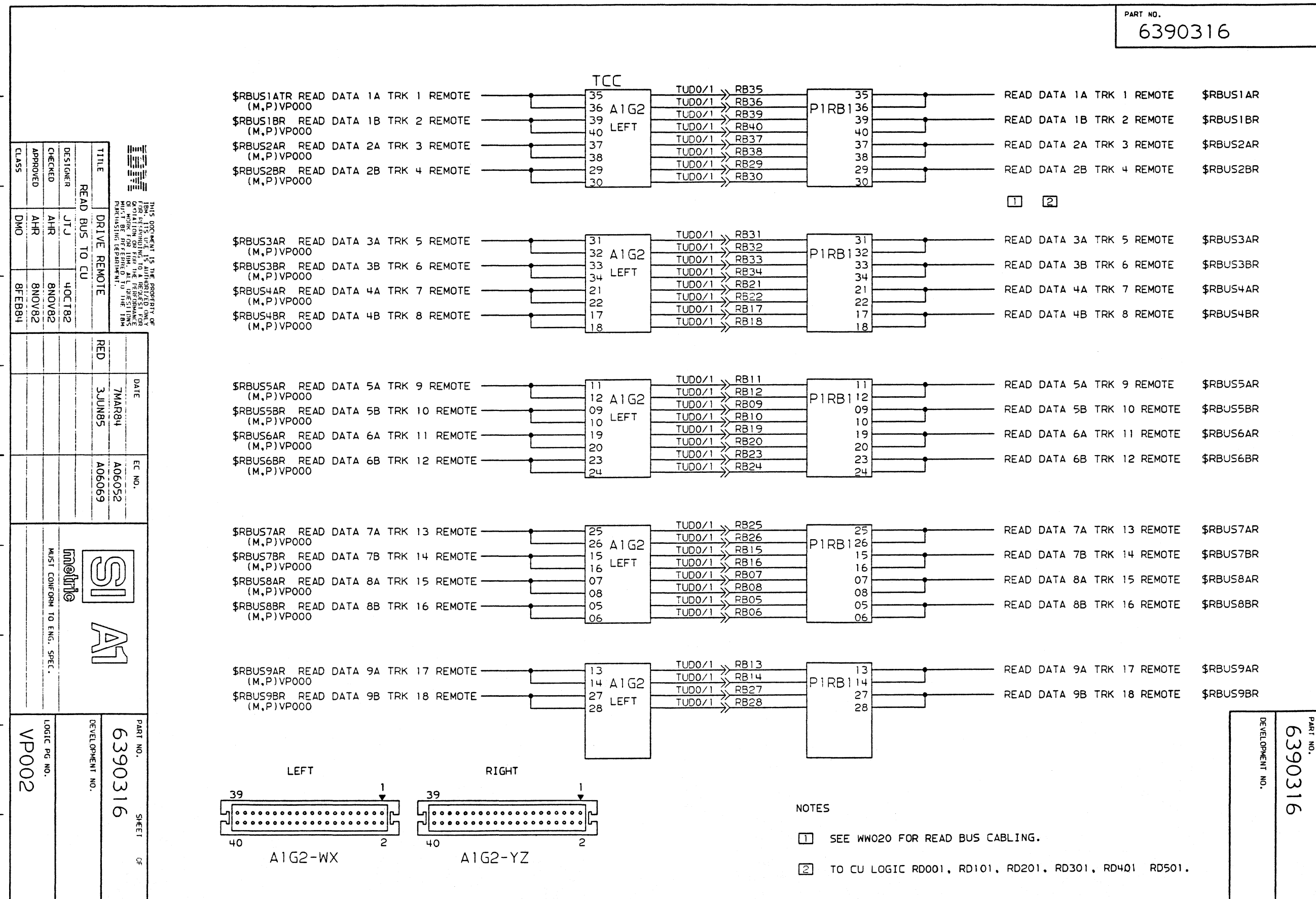


- NOTES
- 1 SEE WW020 FOR READ BUS CABLING.
  - 2 TO CU LOGIC RD001, RD101, RD201, RD301, RD401, RD501.

PART NO.	6390315
DEVELOPMENT NO.	



PART NO.  
6390316



NOTES  
 1 SEE WW020 FOR READ BUS CABLING.  
 2 TO CU LOGIC RD001, RD101, RD201, RD301, RD401 RD501.

THIS DOCUMENT IS THE PROPERTY OF IBM. ITS USE IS AUTHORIZED ONLY FOR THE PROJECT AND WORK FOR WHICH IT WAS PREPARED. IT IS NOT TO BE REPRODUCED OR DISSEMINATED IN ANY MANNER WITHOUT THE EXPRESS WRITTEN PERMISSION OF IBM.

TITLE	READ BUS TO CU
DESIGNER	JTJ
CHECKED	AHR
APPROVED	AHR
CLASS	DMO

DATE	7MAR84
DATE	3JUN85
EC NO.	A06052 A06069

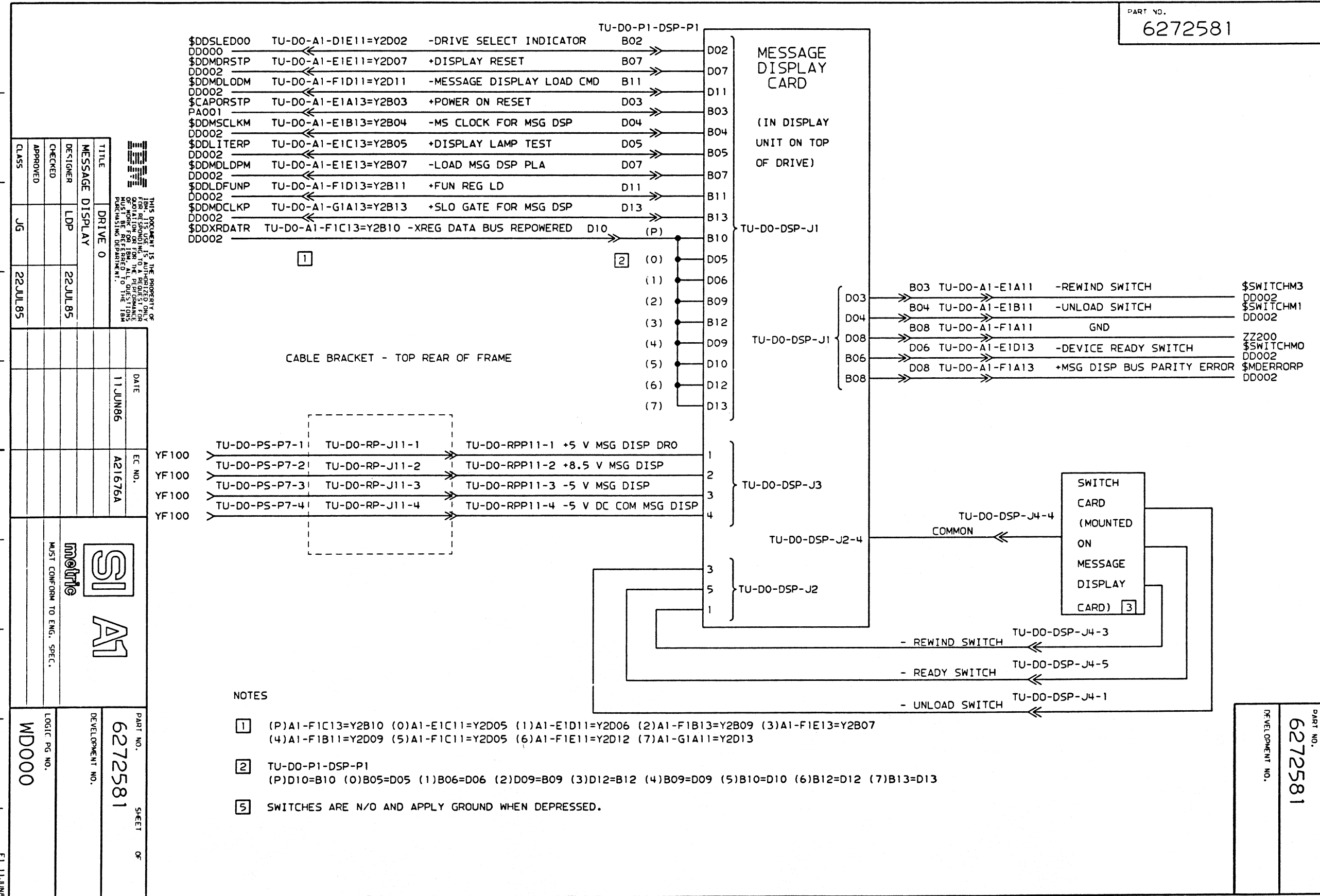
SI A1  
 MUST CONFORM TO ENG. SPEC.

PART NO.	6390316
DEVELOPMENT NO.	VP002

PART NO.	6390316
DEVELOPMENT NO.	



PART NO.  
6272581



THIS DOCUMENT IS THE PROPERTY OF THE AIR FORCE. IT IS TO BE RETURNED TO THE AIR FORCE AT THE END OF THE PERIOD FOR WHICH IT IS LOANED. IT IS TO BE RETURNED TO THE AIR FORCE PURCHASING DEPARTMENT.

DESIGNER: LDP  
CHECKED: LDP  
APPROVED: JG  
CLASS: JG  
DATE: 22 JUL 85

TITLE	DATE	EC NO.
MESSAGE DISPLAY DRIVE 0	11 JUN 86	A21676A

SI A1  
MUST CONFORM TO ENG. SPEC.

PART NO. 6272581  
SHEET OF  
DEVELOPMENT NO.  
LOGIC PG NO. WD000

PART NO. 6272581  
DEVELOPMENT NO.



11  
10  
9  
8  
7  
6  
5  
4  
3  
2  
ET 11 JUN 86 DR

PART NO.  
6272583

\$DDSLED00	TU-D1-A1-D1E11=Y2D02	-DRIVE SELECT INDICATOR	B02	TU-D1-P1-DSP-P1
DD000				
\$DDMDRSTP	TU-D1-A1-E1E11=Y2D07	+DISPLAY RESET	R07	
DD002				
\$DDMDLDM	TU-D1-A1-F1D11=Y2D11	-MESSAGE DISPLAY LOAD CMD	B11	
DD002				
\$CAPORSTP	TU-D1-A1-E1A13=Y2B03	+POWER ON RESET	D03	
PA001				
\$DDMSCLKM	TU-D1-A1-E1B13=Y2B04	-MS CLOCK FOR MSG DSP	D04	
DD002				
\$DDLITERP	TU-D1-A1-E1C13=Y2B05	+DISPLAY LAMP TEST	D05	
DD002				
\$DDMDLDPM	TU-D1-A1-E1E13=Y2B07	-LOAD MSG DSP PLA	D07	
DD002				
\$DDLDFUNP	TU-D1-A1-F1D13=Y2B11	+FUN REG LD	D11	
DD002				
\$DDMDCLKP	TU-D1-A1-G1A13=Y2B13	+SLO GATE FOR MSG DSP	D13	
DD002				
\$DDXRDATA	TU-D1-A1-F1C13=Y2B10	-XREG. DATA BUS REPOWERED D10	(P)	
DD002				

MESSAGE DISPLAY CARD  
(IN DISPLAY UNIT ON TOP OF DRIVE)

TU-D1-DSP-J1

TU-D1-DSP-J1

TU-D1-DSP-J3

TU-D1-DSP-J2-4

TU-D1-DSP-J2

D03	B03 TU-D1-A1-E1A11	-REWIND SWITCH	\$SWITCHM3
D04	B04 TU-D1-A1 E1B11	-UNLOAD SWITCH	DD002 \$SWITCHM1
D08	B08 TU-D1-A1-F1A11	GND	DD002
B06	D06 TU-D1-A1-E1D13	-DEVICE READY SWITCH	ZZ200 \$SWITCHM0
B08	D08 TU-D1-A1-F1A13	+MSG DISP BUS PARITY ERROR	DD002 \$MDERRORP
			DD002

SWITCH CARD (MOUNTED ON MESSAGE DISPLAY CARD) [3]

- REWIND SWITCH TU-D1-DSP-J4-3
- READY SWITCH TU-D1-DSP-J4-5
- UNLOAD SWITCH TU-D1-DSP-J4-1

CABLE BRACKET - TOP REAR OF FRAME

YF100	TU-D1-PS-P3-1	TU-D1-RP-J10-5	TU-D1-RP-P11-5	+5 V MSG DISP DR1
YF100	TU-D1-PS-P3-2	TU-D1-RP-J10-6	TU-D1-RP-P11-6	+8.5 V MSG DISP
YF100	TU-D1-PS-P3-3	TU-D1-RP-J10-7	TU-D1-RP-P11-7	-5 V MSG DISP
YF100	TU-D1-PS-P3-4	TU-D1-RP-J10-8	TU-D0-RP-P11-8	-5 V DC COM MSG DISP

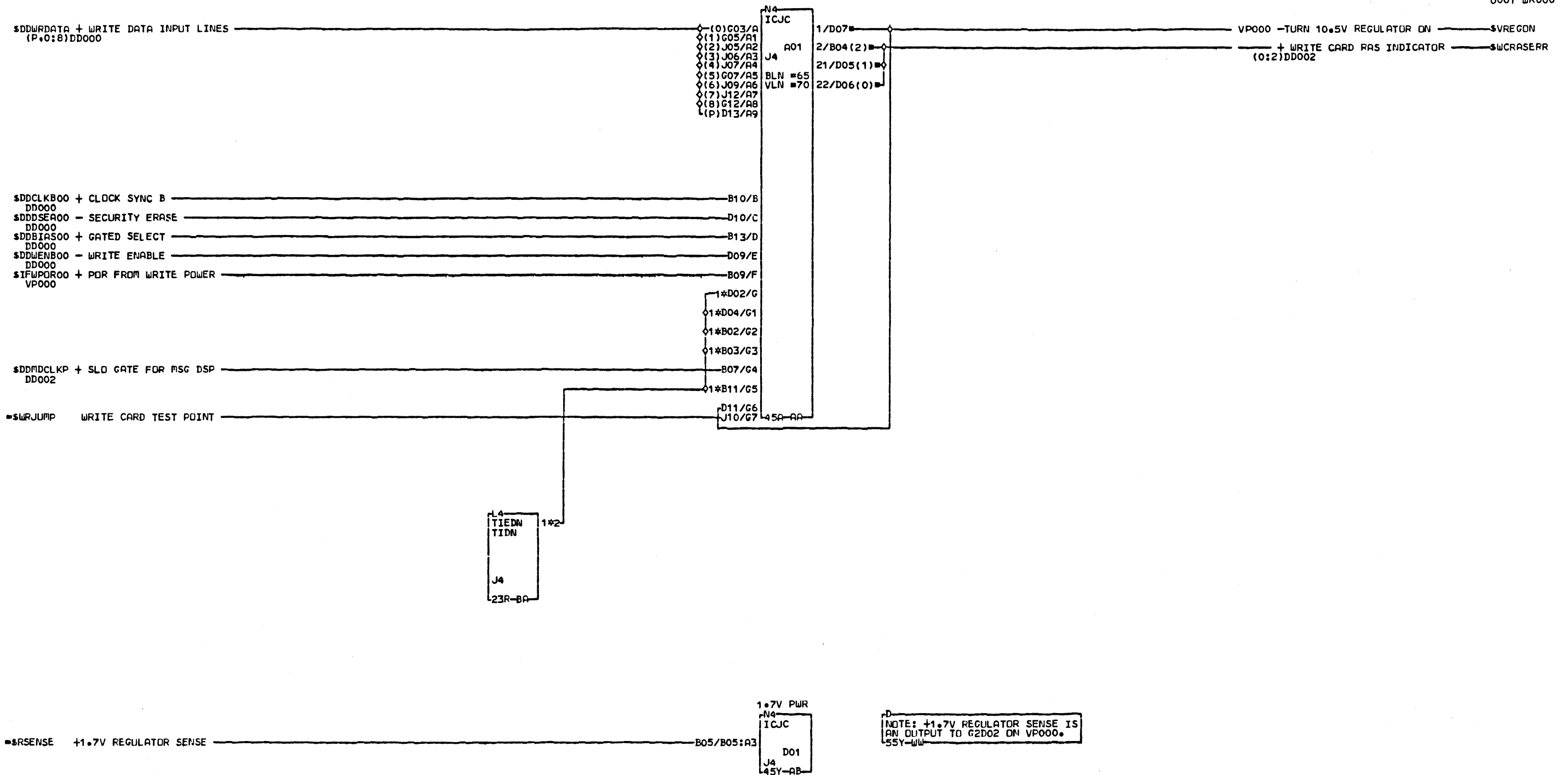
NOTES

- [1] (P)A1-F1C13=Y2B10 (O)A1-E1C11=Y2D05 (1)A1-E1D11=Y2D06 (2)A1-F1B13=Y2B09 (3)A1-F1E13=Y2B07 (4)A1-F1B11=Y2D09 (5)A1-F1C11=Y2D05 (6)A1-F1E11=Y2D12 (7)A1-G1A11=Y2D13
- [2] TU-D1-P1-DSP-P1 (P)D10=B10 (O)B05=D05 (1)B06=D06 (2)D09=B09 (3)D12=B12 (4)B09=D09 (5)B10=D10 (6)B12=D12 (7)B13=D13
- [3] SWITCHES ARE N/O AND APPLY GROUND WHEN DEPRESSED.

<p>THIS DOCUMENT IS THE PROPERTY OF IBM. ITS USE IS AUTHORIZED ONLY FOR PERSONNEL TO A REQUEST FOR WORK FOR IBM. ALL QUESTIONS MUST BE REFERRED TO THE IBM PURCHASING DEPARTMENT.</p>	
TITLE	DRIVE 1
DESIGNER	LDP
CHECKED	
APPROVED	
CLASS	JG
DATE	22 JUL 85
DATE	11 JUN 86
EC NO.	A21676A
<p>SI A1</p> <p>MUST CONFORM TO ENG. SPEC.</p>	
PART NO.	6272583
DEVELOPMENT NO.	
LOGIC PG NO.	WD001
SHEET OF	

PART NO.  
6272583  
DEVELOPMENT NO.



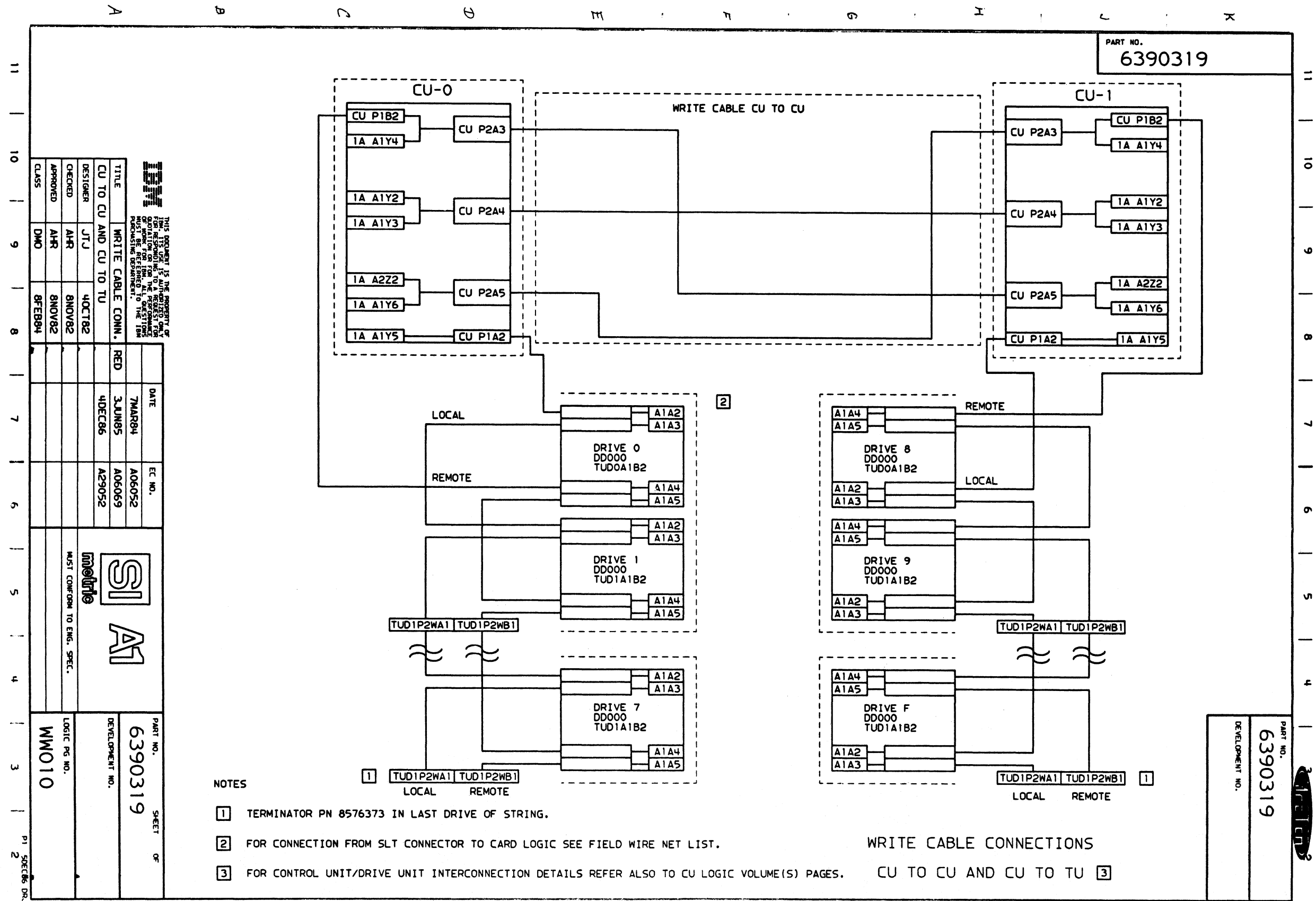


COMMENTS	PINS	CONNECTORS
A1GND: D08,G08,G09,G10	AA	BA1
2GND: G13,J08,J11,J13	G0	0001\$2A-A1/J4D08
3+5V: D03,J03	•VGND	•PV,V0
4-5V: B06,G06	G1	
5+8.5V: G11	•VGND	
6+10.5V: B12,D12,G02,G04	G2	
7+10.5V: J02,J04	•VGND	
	G3	
	•VGND	
	G5	
	•VGND	

WRITE CARD	
PN=6178224,EC=A29052	
LDC=2A-A1J4	
USN 00001	PRI=09DEC86 0930
PLC=	SEC
PFURN=K.SHB	NEXTBLK WX
MACH=3480	
CID DCFO	JOB D852308B

WR000

WR000



PART NO.  
6390319

THIS DOCUMENT IS THE PROPERTY OF THE COMPANY. IT IS NOT TO BE REPRODUCED OR TRANSMITTED IN ANY FORM OR BY ANY MEANS, ELECTRONIC OR MECHANICAL, INCLUDING PHOTOCOPYING, RECORDING, OR BY ANY INFORMATION STORAGE AND RETRIEVAL SYSTEM, WITHOUT PERMISSION IN WRITING FROM THE COMPANY.

TITLE	WRITE CABLE CONN.
CU TO CU AND CU TO TU	
DESIGNER	JTJ
CHECKED	AHR
APPROVED	AHR
CLASS	DMO

DATE	7MAR84	EC NO.	A06052
	3JUN85		A06069
	4DEC86		A29052

SI A1  
metrite  
MAST CONFORM TO ENG. SPEC.

PART NO.	6390319	SHEET	OF
DEVELOPMENT NO.	WM010	LOGIC PG. NO.	

- NOTES
- 1 TERMINATOR PN 8576373 IN LAST DRIVE OF STRING.
  - 2 FOR CONNECTION FROM SLT CONNECTOR TO CARD LOGIC SEE FIELD WIRE NET LIST.
  - 3 FOR CONTROL UNIT/DRIVE UNIT INTERCONNECTION DETAILS REFER ALSO TO CU LOGIC VOLUME(S) PAGES.

WRITE CABLE CONNECTIONS  
CU TO CU AND CU TO TU 3

PART NO.	6390319
DEVELOPMENT NO.	





PART NO.  
6390320

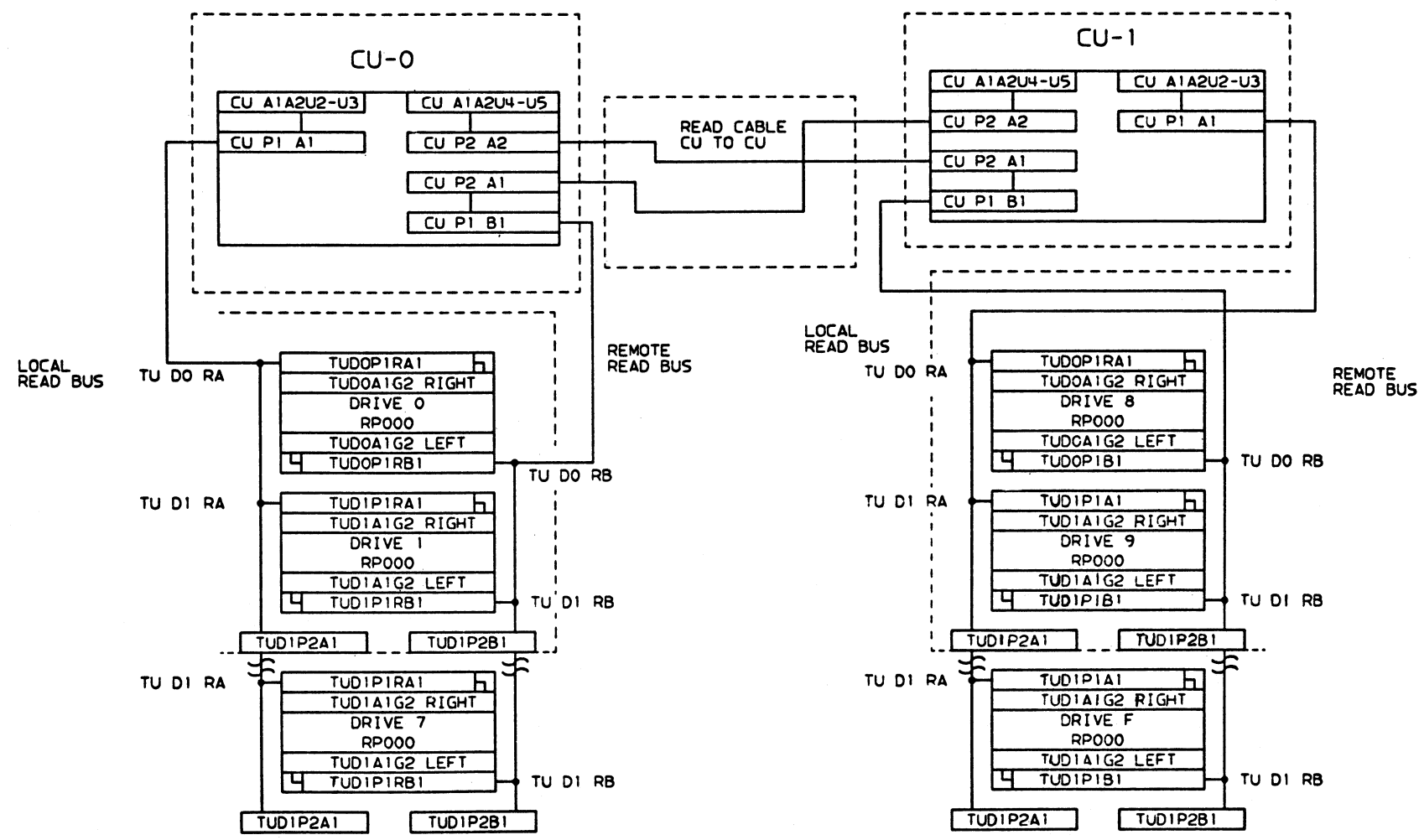
THIS DOCUMENT IS THE PROPERTY OF  
SI AND IS LOANED TO YOU BY  
SI. IT IS NOT TO BE REPRODUCED OR  
TRANSMITTED IN ANY FORM OR BY  
ANY MEANS, ELECTRONIC OR MECHANICAL,  
INCLUDING PHOTOCOPYING, RECORDING,  
OR BY ANY INFORMATION STORAGE AND  
RETRIEVAL SYSTEM, WITHOUT THE  
WRITTEN PERMISSION OF SI.

TITLE	READ BUS CONN.	DATE	7MAR84
DESIGNER	JTU	EC NO.	A06052
CHECKED	AHR		A06069
APPROVED	AHR		A29052
CLASS	DWO		

MUST CONFORM TO ENG. SPEC.

PART NO.	6390320	SHEET OF	
DEVELOPMENT NO.	WW020		



READ BUS CONNECTIONS  
CU TO CU AND CU TO TU

NOTES  
1 FOR CONTROL UNIT/DRIVE UNIT INTERCONNECTION DETAILS REFER ALSO TO CU LOGIC VOLUME(S) PAGES.

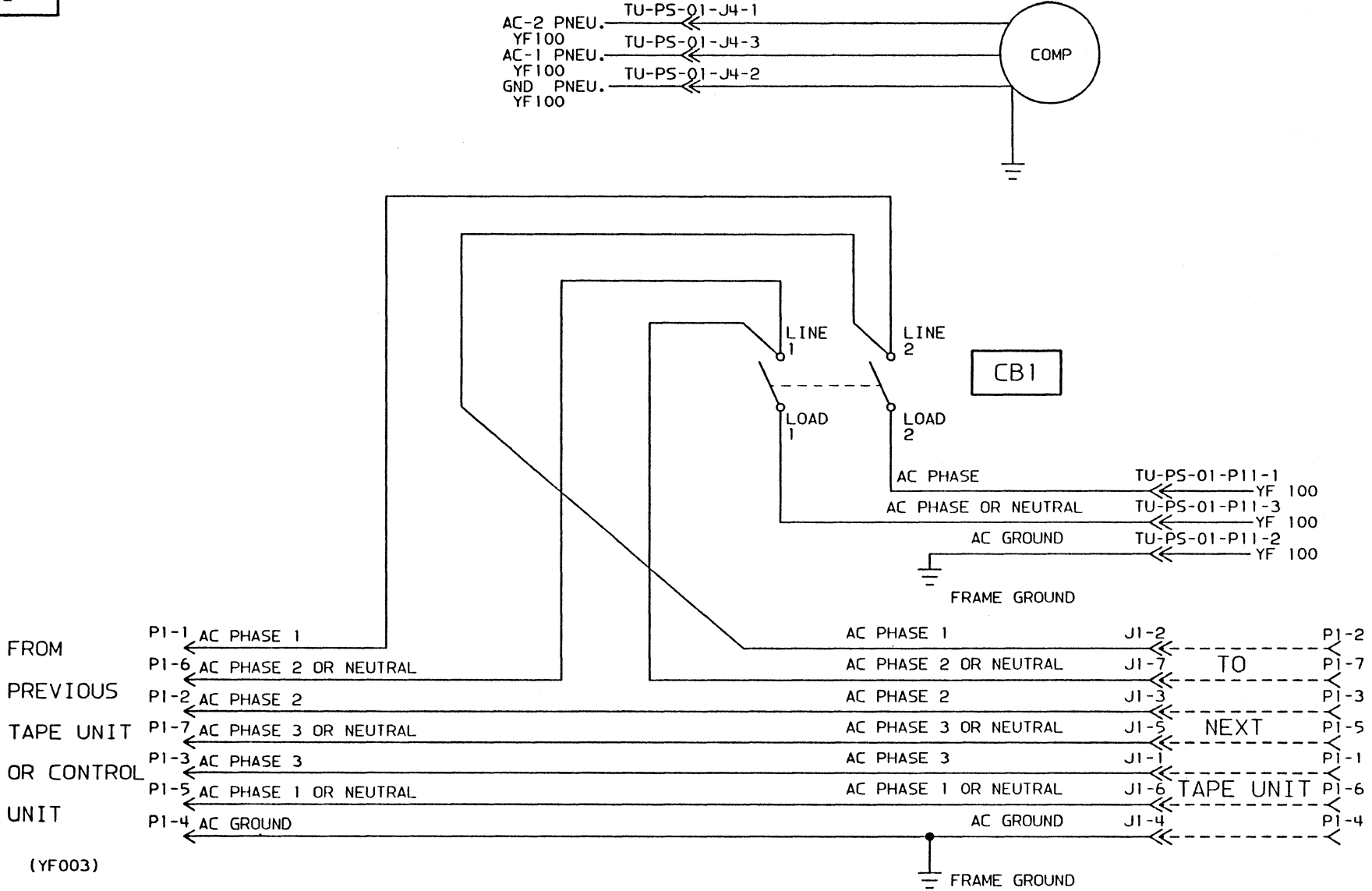
PART NO.	6390320
DEVELOPMENT NO.	



PART NO. 6390322

PART NO.  
6390322  
DEVELOPMENT NO.

PNEUMATIC  
COMPRESSOR  
50 Hz  
(EXCEPT JAPAN)



NOTES

- 1 A/C PHASES ARE SHOWN FOR 1ST TAPE UNIT IN STRING. ADDITIONAL TAPE UNIT PHASES WILL ROTATE ACCORDING TO POSITIONS IN J1 CONNECTOR.

WARNING:  
LETHAL VOLTAGES  
PRESENT WITH POWER OFF

**IBM** THIS DOCUMENT IS THE PROPERTY OF IBM. ITS USE IS AUTHORIZED ONLY FOR RESPONDING TO A REQUEST FOR QUOTATION OR FOR THE PERFORMANCE OF WORK FOR IBM. ALL QUESTIONS MUST BE REFERRED TO THE IBM PURCHASING DEPARTMENT.

TITLE	PRIMARY POWER	RED
DISTRIBUTION - 50 Hz		
DESIGNER	PJS	4OCT82
CHECKED	AHR	8NOV82
APPROVED	AHR	8NOV82
CLASS	DMO	8FEB84

DATE	7MAR84	EC NO.	A06052
	3JUN85		A06069



MUST CONFORM TO ENG. SPEC.

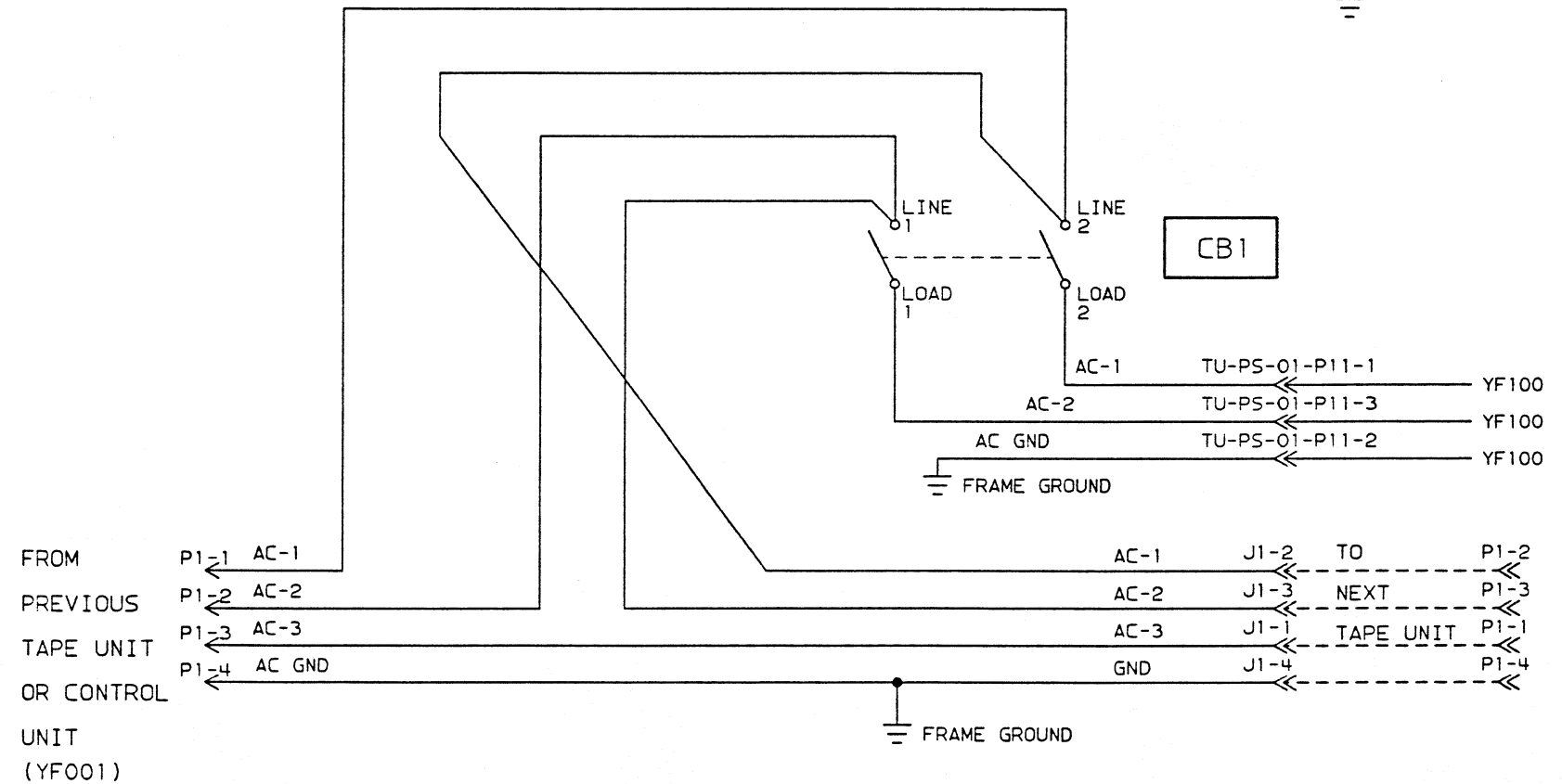
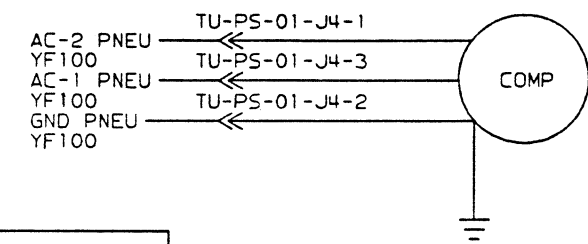
PART NO. SHEET OF  
6390322

DEVELOPMENT NO.

LOGIC PG NO.  
YF050

PART NO.  
6390323

PNEUMATIC  
COMPRESSOR  
60 Hz / 50 Hz JAPAN



NOTES

- 1 A/C PHASES ARE SHOWN FOR 1ST TAPE UNIT IN STRING. ADDITIONAL TAPE UNIT PHASES WILL ROTATE ACCORDING TO POSITIONS IN J1 CONNECTOR.

WARNING:  
LETHAL VOLTAGES  
PRESENT WITH POWER OFF

THIS DOCUMENT IS THE PROPERTY OF IBM. ITS USE IS AUTHORIZED ONLY FOR RESPONDING TO A REQUEST FOR INFORMATION OR FOR THE PERFORMANCE OF DUTY AS A RESULT OF A CONTRACT WITH THE IBM PURCHASING DEPARTMENT.

TITLE	PRIMARY POWER
DISTRIBUTION	- 60 Hz
DESIGNER	PJS
CHECKED	AHR
APPROVED	AHR
CLASS	DMO
DATE	4OCT82
DATE	8NOV82
DATE	8NOV82
DATE	8FEB84

DATE	7MAR84	EC NO.	A06052
DATE	3JUN85	EC NO.	A06069

SI A1

metlic

MUST CONFORM TO ENG. SPEC.

PART NO.	6390323	SHEET	OF
DEVELOPMENT NO.			
LOGIC PG NO.	YF060		

PART NO.	6390323
DEVELOPMENT NO.	



PART NO.  
6390324

THIS DOCUMENT IS THE PROPERTY OF THE U.S. AIR FORCE. IT IS TO BE RETURNED TO THE U.S. AIR FORCE OFFICE OF AIR FORCE POLICY AND PLANS, WASHINGTON, D.C. 20330 UNLESS OTHERWISE INDICATED.	
TITLE	POWER SUPPLY
DESIGNER	JTJ
CHECKED	AHR
APPROVED	AHR
CLASS	DWO
DATE	7MAR84
EC NO.	A06052
	A06069
50/60 Hz - T.U. 40CT82 8NOV82 8NOV82 BEEB84	
3JUN85 A06052 A06069	
SI A1 MUST CONFORM TO ENG. SPEC.	
PART NO.	6390324
DEVELOPMENT NO.	YF100
SHEET	OF

INPUT VOLTAGE SECTION JUMPER

230/240 VAC { J14-2 ←  
J14-1 ←

220 VAC { J13-2 ←  
J13-1 ←

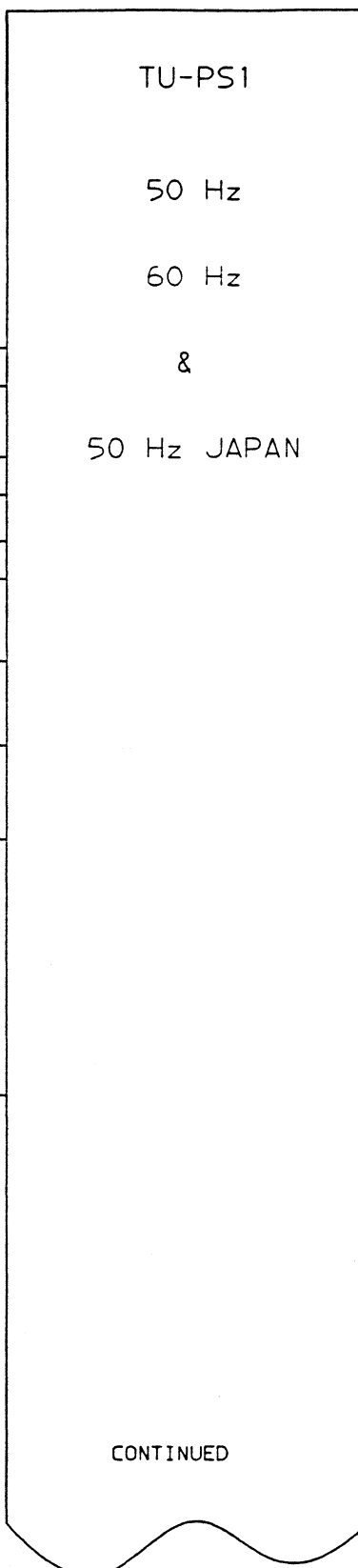
200/208 VAC { J12-2 ←  
J12-1 ←

INPUT AC FROM CB ON MACH. FRAME (TAPE DR.) (YF050, YF060)

J11-3 ← AC PHASE 2

J11-1 ← AC PHASE 1

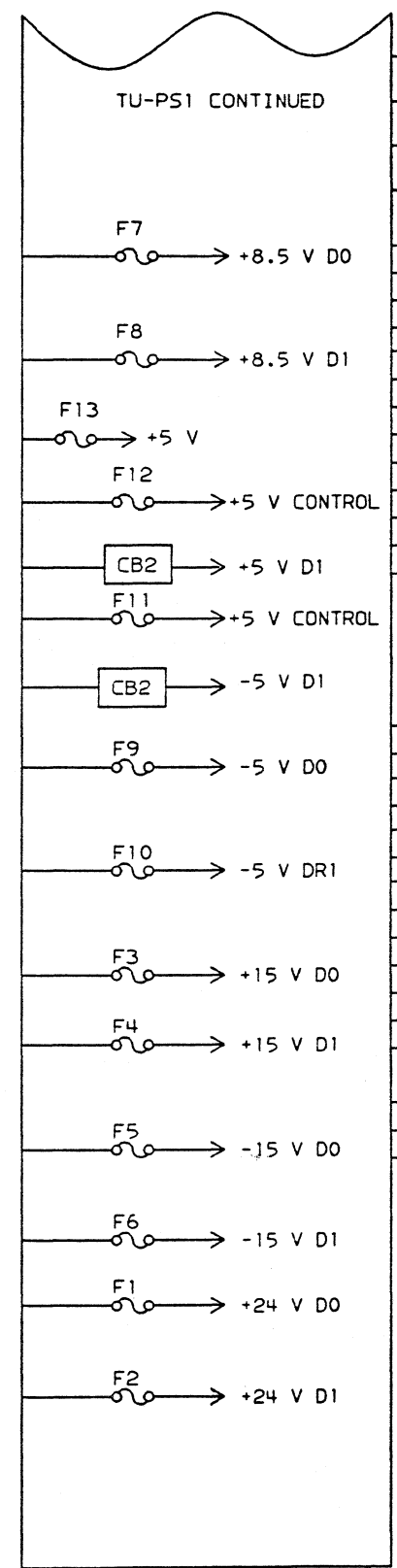
J11-2 ← AC GND



- J1-1 +24 V DRIVE 1 ZZ120
- J1-2 +15 V DRIVE 1 ZZ120
- J1-3 -15 V DRIVE 1 ZZ120
- J1-4 +8.5 V DRIVE 1 ZZ110
- J1-5 +15 V SPECIAL DRIVE 1 ZZ120
- J1-6 -5 V DRIVE 1 ZZ110
- J1-7 +24 V RETURN DRIVE 1 ZZ120
- J1-8 +15 V RETURN DRIVE ZZ120
- J1-10 +8.5 V RETURN DRIVE 1 ZZ110
- J1-12 -5 V RETURN DRIVE 1 ZZ110
- J2-1
- J2-2
- J2-3 +5 V DRIVE 1 ZZ110,ZZ120
- J2-4
- J2-5
- J2-6 +5 V CNTLD DRIVE 1 ZZ120
- J2-7
- J2-8
- J2-9 +5 V RETURN DRIVE 1 ZZ110
- J2-10
- J2-11
- J3-1 +5 V MESSAGE DISP. DR 1 WD001
- J3-2 -8.5 V MSG. DISP. YD110
- J3-3 -5 V MESSAGE DISP. WD001
- J3-4 GND WD001
- J4-1 ← AC-2 PNEUM YF050/YF060
- J4-2 ← GND PNEUM YF050/YF060
- J4-3 ← AC-1 PNEUM YF050/YF060
- J5-1 +24 V DRIVE 0 ZZ020
- J5-2 +15 V DRIVE 0 ZZ020
- J5-3 -15 V DRIVE 0 ZZ020
- J5-4 +8.5 V DRIVE 0 ZZ010
- J5-5 +15 V SPECIAL DRIVE 0 ZZ020
- J5-6 -5 V DRIVE 0 ZZ010
- J5-7 +24 V RETURN DRIVE 0 ZZ020
- J5-8 +15 V RETURN DRIVE 0 ZZ020
- J5-10 +8.5 V RETURN DRIVE 0 ZZ010
- J5-11 -PICK ZZ020
- J5-12 -5 V RETURN DRIVE 0 ZZ010
- J6-1
- J6-2
- J6-3 +5 V DRIVE 0 ZZ010,ZZ020
- J6-4
- J6-5
- J6-6 +5 V CNTLD DRIVE 0 ZZ020
- J6-7
- J6-8
- J6-9 +5 V RETURN DRIVE 0 ZZ010
- J6-10
- J6-11

ZZ120 -PICK J1-11

WARNING  
LETHAL VOLTAGES  
WITH POWER OFF



- J7-1 +5 V MESSAGE DISP. DR 0 WD000
- J7-2 +8.5 V MESSAGE DISPLAY WD000
- J7-3 -5 V MESSAGE DISP. WD000
- J7-4 GND WD000
- ← J8-1 TP +24 V
- ← J8-3 TP +15 V
- ← J8-4 TP +8.5 V
- ← J8-5 TP +5 V
- ← J8-6 TP +5 V
- ← J8-7 TP -5 V
- ← J8-8 TP -15 V
- ← J8-10 +24 V RETURN
- ← J8-11 TP +15 V RETURN
- ← J8-12 TP +8.5 V RETURN
- ← J8-13 TP +5 V RETURN
- ← J8-14 TP -5 V RETURN
- ← J8-15 TP -15 V RETURN
- ← J9-1 TP +24 V
- ← J9-3 TP +15 V
- ← J9-4 TP +8.5 V
- ← J9-5 TP +5 V
- ← J9-6 TP +5 V
- ← J9-7 TP -5 V
- ← J9-8 TP -15 V
- ← J9-10 +24 V RETURN
- ← J9-11 TP +15 V RETURN
- ← J9-12 TP +8.5 V RETURN
- ← J9-13 TP +5 V RETURN
- ← J9-14 TP -5 V RETURN
- ← J9-15 TP -15 V RETURN
- ← J15-1 ← AC-2 TU BLOWER
- ← J15-2 ← GND - BLOWER
- ← J15-3 ← AC-1 TU BLOWER

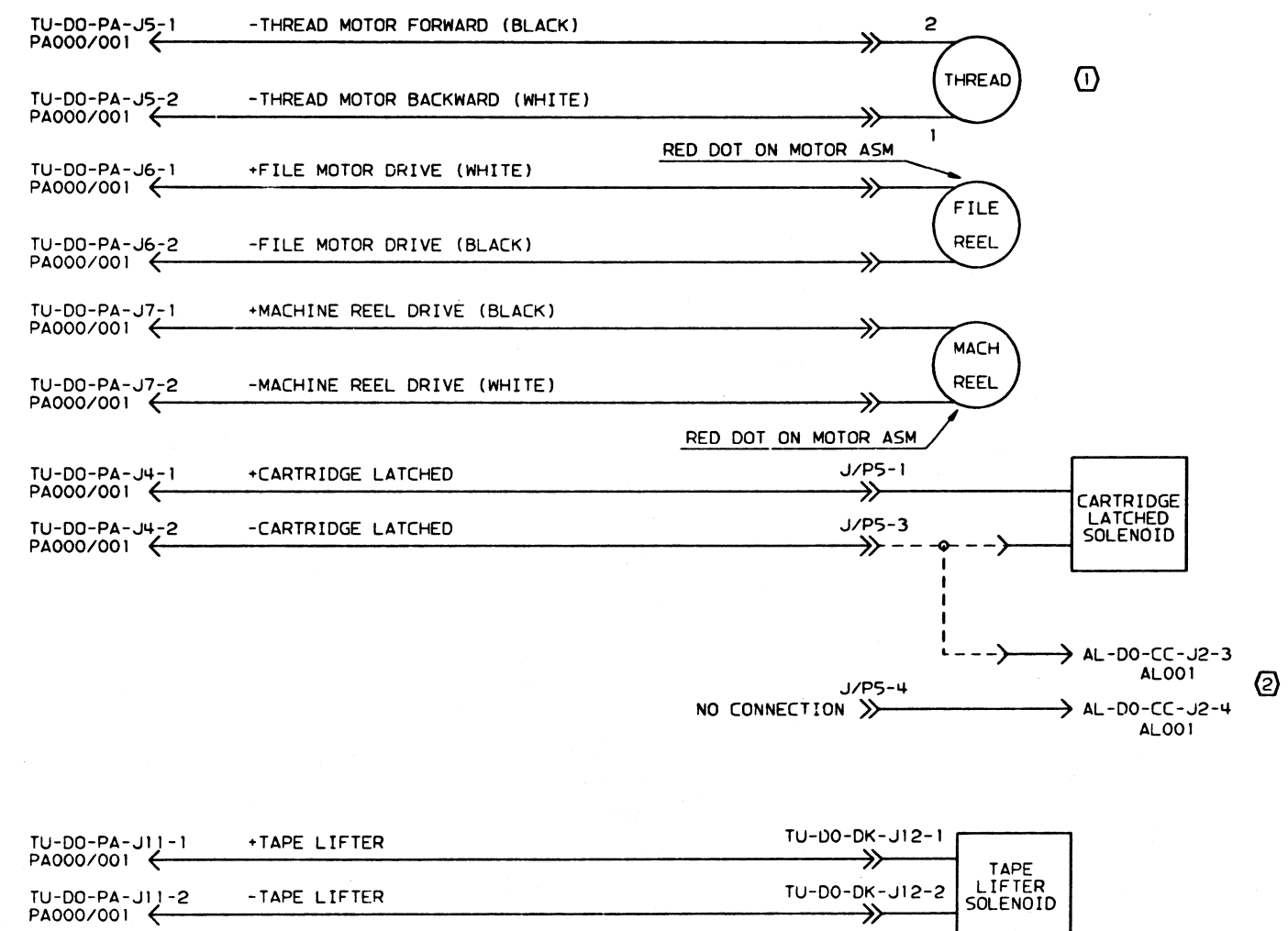
PART NO.  
6390324

DEVELOPMENT NO.



PART NO.  
6390325

MOTORS & SOLENOIDS



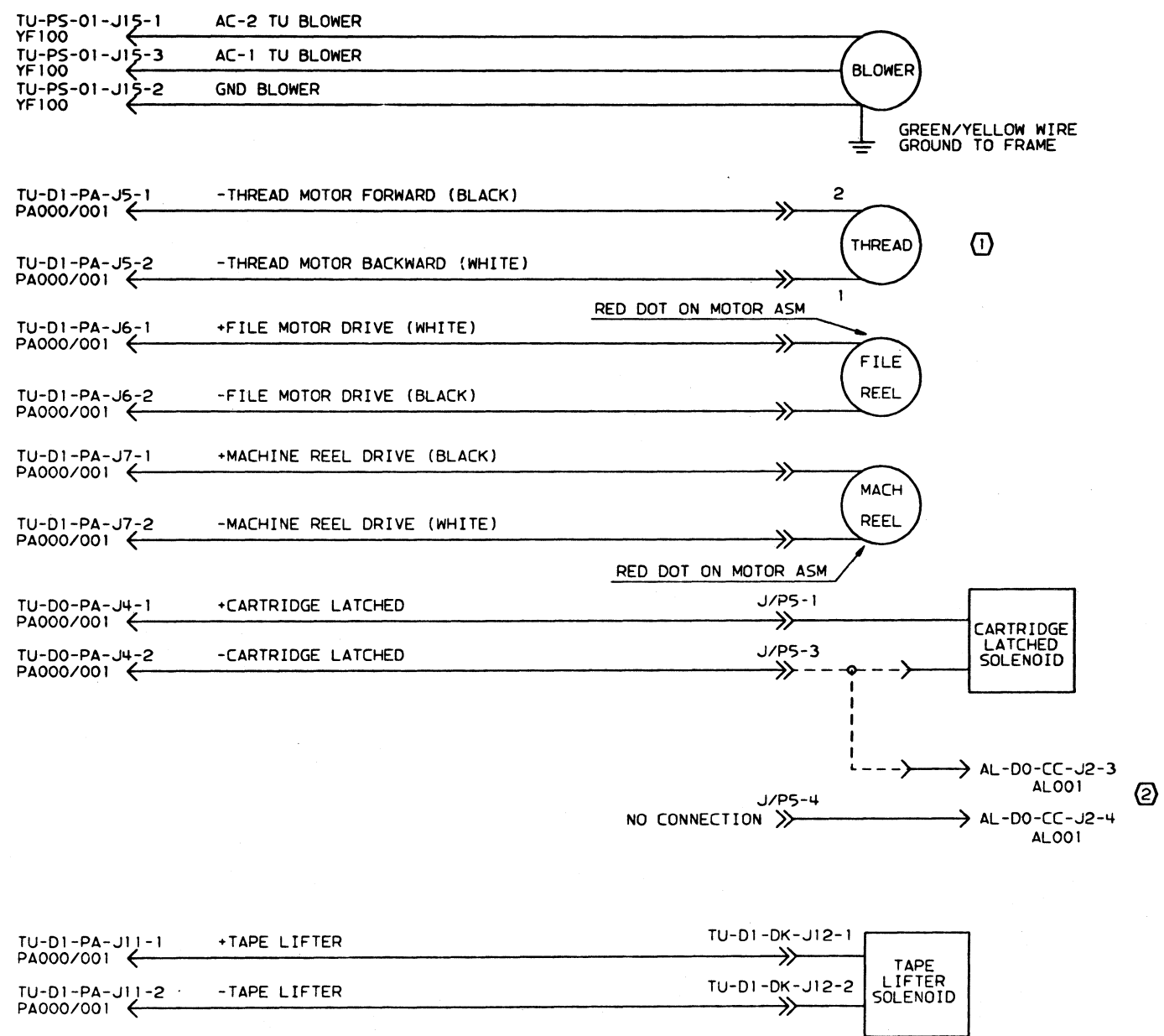
- NOTES
- ① NUMBERS ON MOTOR LABEL.
  - ② CONNECTION WHEN AUTO LOADER IS MOUNTED ON DRIVE.

<p>THIS DOCUMENT IS THE PROPERTY OF          IBM. IT IS TO BE USED ONLY FOR THE          PURPOSES FOR WHICH IT WAS          SPECIFICALLY ISSUED. IT IS TO BE          RETURNED TO THE ISSUING OFFICE          OF THE IBM CORPORATION, AT THE          ADDRESS SHOWN BELOW, WHEN          REQUESTED FOR RETURN. ALL          REQUESTS FOR INFORMATION          CONCERNING THIS DOCUMENT          SHOULD BE REFERRED TO THE          IBM CORPORATION, AT THE          ADDRESS SHOWN BELOW.</p>		DATE	EC NO.	PART NO.
TITLE	MOTOR AND	7MAR84	A06052	6390325
SOLENOIDS-DRIVE 0		3JUN85	A06069	DEVELOPMENT NO.
DESIGNER	PJS	12MAY86	A29455	LOGIC PG NO.
CHECKED	AHR	4OCT82	A29492	YG010
APPROVED	AHR	8NOV82		
CLASS	DNO	8FEB84		

PART NO.  
6390325  
DEVELOPMENT NO.

PART NO.  
6390326

MOTORS & SOLENOIDS



- NOTES
- ① NUMBERS ON MOTOR LABEL.
  - ② CONNECTION WHEN AUTO LOADER IS MOUNTED ON DRIVE.

THIS DOCUMENT IS THE PROPERTY OF IBM. IT IS LOANED TO YOUR COMPANY FOR YOUR USE ONLY. IT IS NOT TO BE REPRODUCED OR TRANSMITTED IN ANY FORM OR BY ANY MEANS, ELECTRONIC OR MECHANICAL, INCLUDING PHOTOCOPYING, RECORDING, OR BY ANY INFORMATION STORAGE AND RETRIEVAL SYSTEM, WITHOUT PERMISSION IN WRITING FROM THE PURCHASING DEPARTMENT.

TITLE	MOTOR AND SOLENOIDS-DRIVE 1	DATE	EC NO.
DESIGNER	PJS	7MAR84	A06052
CHECKED	AHR	3JUN85	A06069
APPROVED	AHR	12MAY86	A29455
CLASS	DND	19JAN87	A29492

MUST CONFORM TO ENG. SPEC.

PART NO.	6390326	SHEET	OF
DEVELOPMENT NO.	YG110	LOGIC PG NO.	

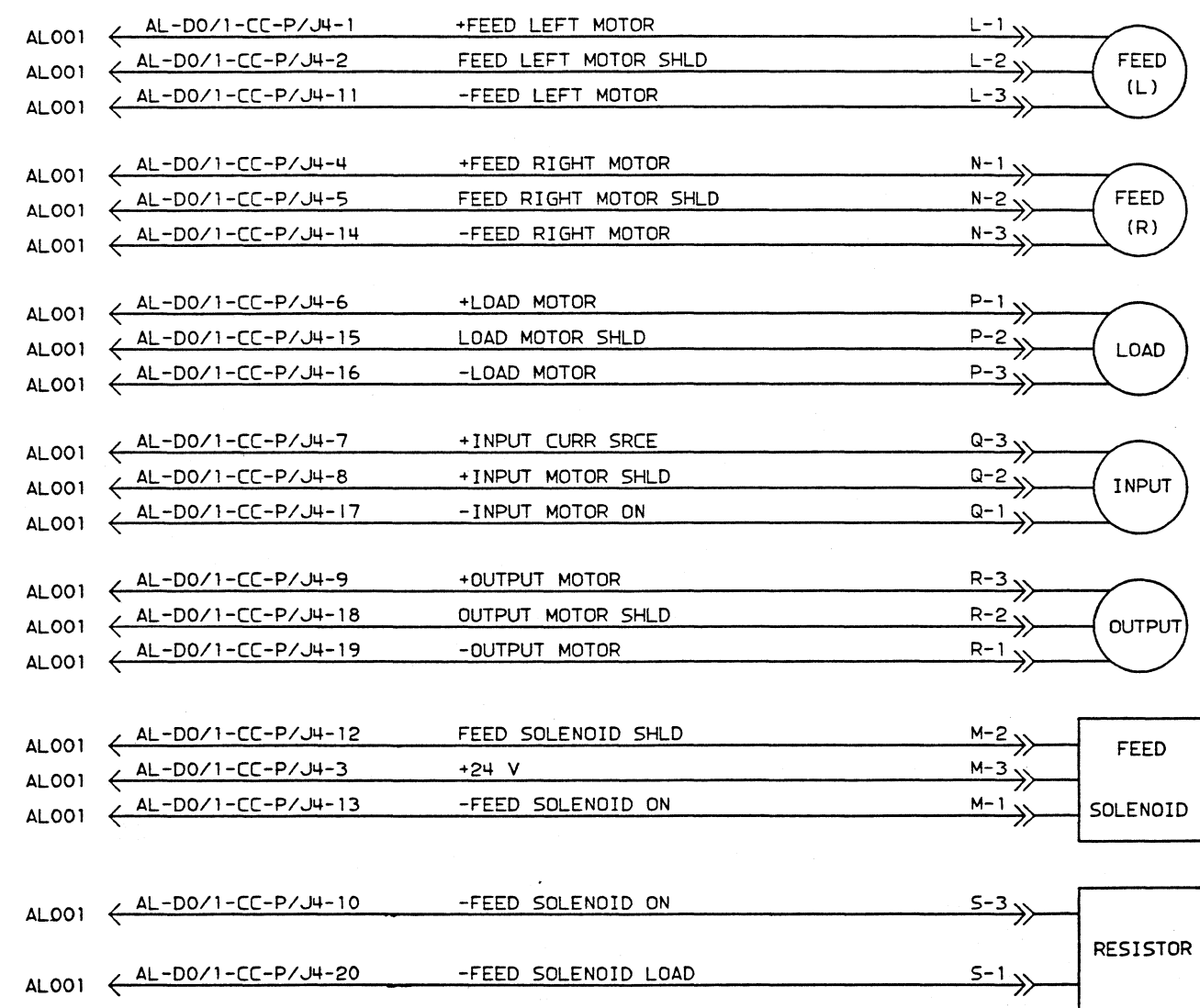
PART NO.	6390326
DEVELOPMENT NO.	

11 10 9 8 7 6 5 4 3 2

11 10 9 8 7 6 5 4 3 2

PART NO.  
6273203

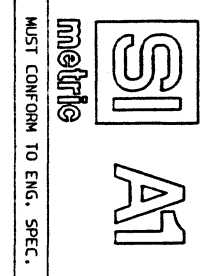
LOADER MOTORS AND SOLENOIDS



THIS DOCUMENT IS THE PROPERTY OF IBM. ITS USE IS AUTHORIZED ONLY FOR THE PERFORMANCE OF THE WORK FOR WHICH IT WAS PREPARED. ALL QUESTIONS MUST BE REFERRED TO THE IBM RESEARCH DEPARTMENT.

DESIGNER	BT	12MAY86
CHECKED		
APPROVED		
CLASS	BT	12MAY86

DATE	12MAY86
FC NO.	A29455



PART NO.	6273203	SHEET 1 OF 1
DEVELOPMENT NO.	YG120	
LOGIC PG NO.		

PART NO.	6273203
DEVELOPMENT NO.	



11 | 10 | 9 | 8 | 7 | 6 | 5 | 4 | 3 | 2

11 | 10 | 9 | 8 | 7 | 6 | 5 | 4 | 3 | 2

A | B | C | D | E | F | G | H | I | J | K

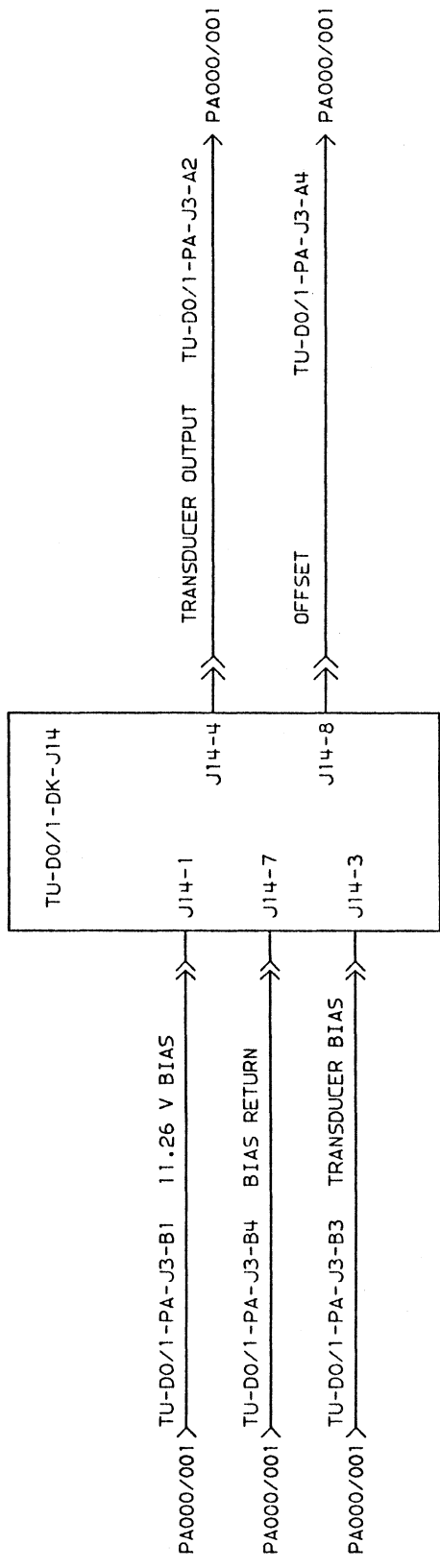
A | B | C | D | E | F | G | H | I | J | K



PART NO.  
6390327

PART NO.  
6390327  
DEVELOPMENT NO.

TENSION TRANSDUCER ASM



**IBM**  
THIS DOCUMENT IS THE PROPERTY OF IBM. ITS USE IS AUTHORIZED ONLY FOR RESPONDING TO A REQUEST FOR QUOTATION OR FOR THE PERFORMANCE OF WORK FOR IBM. ALL QUESTIONS MUST BE REFERRED TO THE IBM PURCHASING DEPARTMENT.

TITLE			TENSION TRANSDUCER		
DESIGNER	PJS	4OCT82			
CHECKED	AHR	8NOV82			
APPROVED	AHR	8NOV82			
CLASS	DMO	8FEB84			

DATE	7MAR84	EC NO.	A06052
	3JUN85		A06069



MUST CONFORM TO ENG. SPEC.

PART NO.	SHEET	OF
6390327		
DEVELOPMENT NO.		
LOGIC PG NO.		
ZT030		

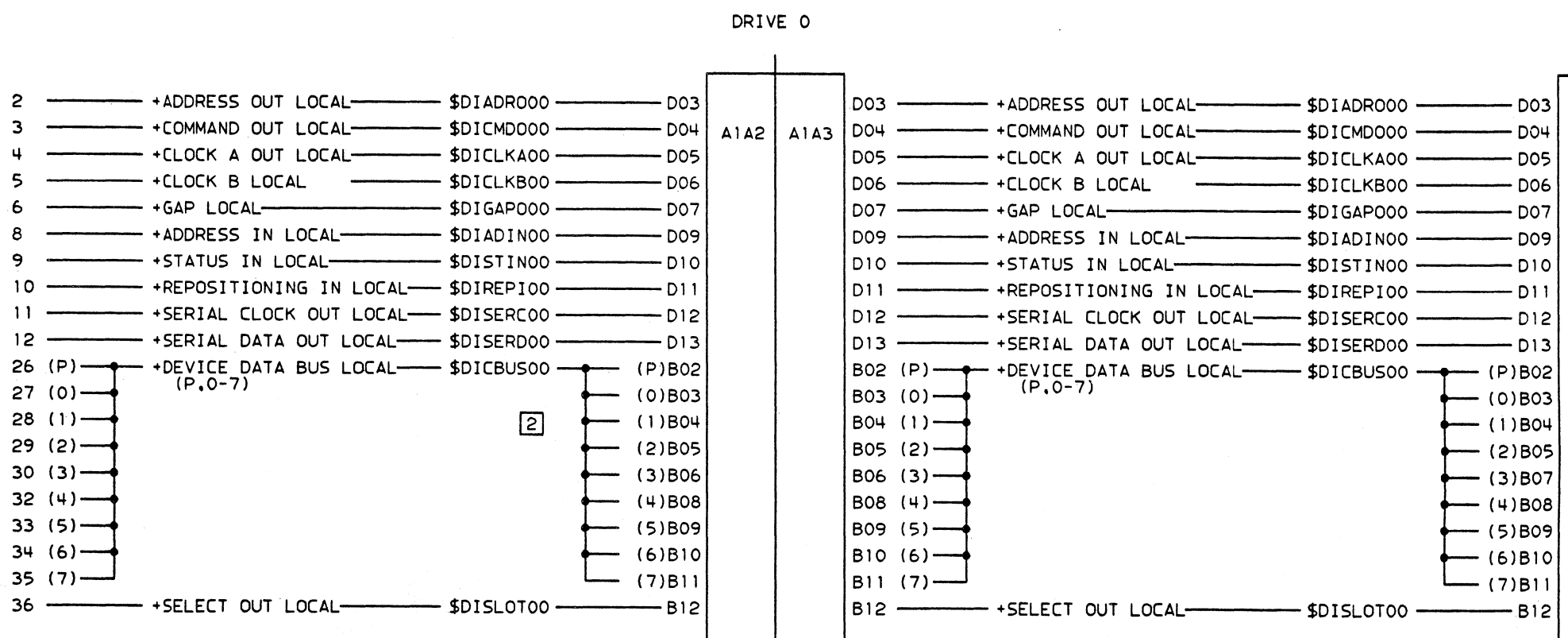


PART NO.  
6390328

11  
10  
9  
8  
7  
6  
5  
4

INNER  
FRAME  
PLUG  
FROM  
CU  
LOGIC  
PAGE  
D1001  
WA-IN

1



NOTE

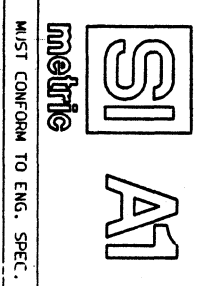
1 FROM CONTROL UNIT OR PRECEEDING DRIVE ZW102.

2 FOR CONNECTION FROM SLT CONNECTOR TO LOGIC SEE FIELD WIRE NET LIST.

SIGNAL '+ CLOCK A OUT LOCAL' HAS A DUAL FUNCTION AS DEVICE DATA BIT 8.

PINS D02, D08, B07 & B13 ARE GROUND.

<p>THIS DOCUMENT IS THE PROPERTY OF IBM. ITS USE IS AUTHORIZED ONLY FOR PERSONNEL TO A REQUEST FOR INFORMATION OR FOR THE PERFORMANCE OF DUTY. IT IS TO BE RETURNED TO THE PURCHASING DEPARTMENT.</p>		<p>DATE</p> <p>7MAR84</p> <p>3JUN85</p> <p>23JUN87</p>		<p>EC NO.</p> <p>A06052</p> <p>A06069</p> <p>A29052A</p>	
TITLE	WRITE BUS LOCAL	DATE	7MAR84	EC NO.	A06052
DESIGNER	JTU	DATE	3JUN85	EC NO.	A06069
CHECKED	AHR	DATE	23JUN87	EC NO.	A29052A
APPROVED	AHR				
CLASS	DWO				



PART NO.  
6390328

DEVELOPMENT NO.

MASTER

PART NO.  
6390328

DEVELOPMENT NO.  
ZW101

SHEET OF

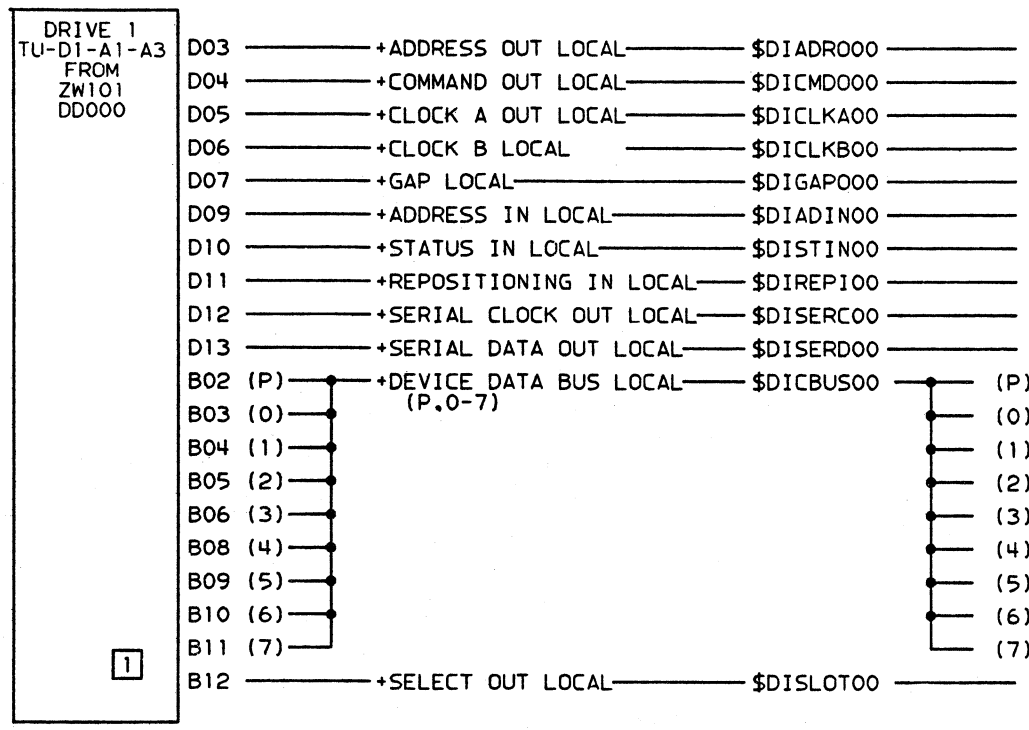
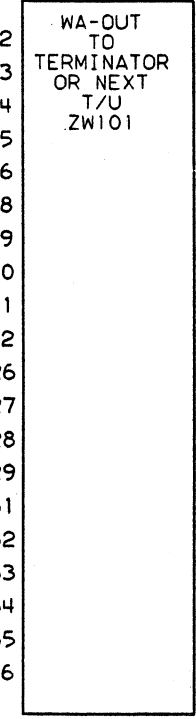
PART NO.  
6390329

11 | 10 | 9 | 8 | 7 | 6 | 5 | 4

PART NO.  
6390329  
DEVELOPMENT NO.



INNER CONNECTION



THIS DOCUMENT IS THE PROPERTY OF IBM. ITS USE IS AUTHORIZED ONLY FOR RESPONDING TO A REQUEST FOR INFORMATION OR FOR THE PERFORMANCE OF THE FUNCTIONS OF THE IBM PURCHASING DEPARTMENT.

TITLE	WRITE BUS LOCAL
DESIGNER	JTJ
CHECKED	AHR
APPROVED	AHR
CLASS	DWO

DATE	7MAR84	EC NO.	A06052
	3JUN85		A06069
	4DEC86		A29052
	23JUN87		A29052A

MUST CONFORM TO ENG. SPEC.

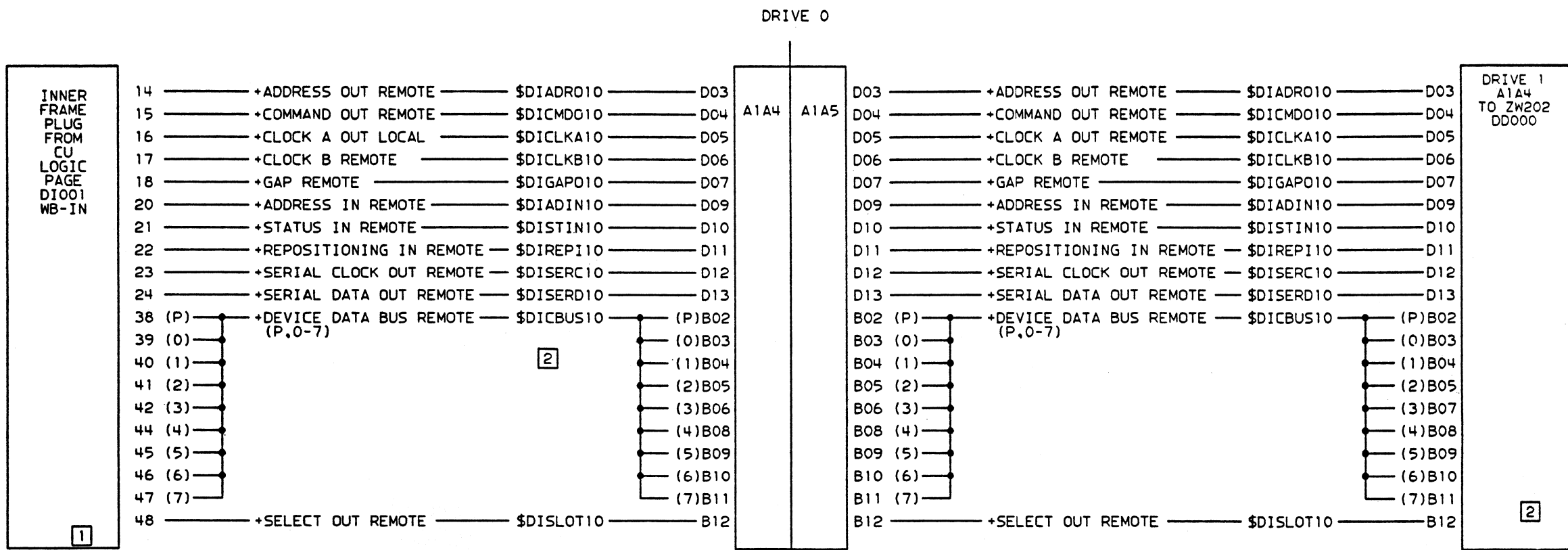
PART NO. 6390329 SHEET OF  
DEVELOPMENT NO. ZW102  
LOGIC PG NO. ZW102

NOTES

- 1 FOR CONNECTION FROM SLT CONNECTOR TO CARD LOGIC SEE FIELD WIRE NET LIST.
- SIGNAL '+ CLOCK A OUT LOCAL' HAS A DUAL FUNCTION AS DEVICE DATA BIT 8.
- PINS D02, D08, B07 & B13 ARE GROUND.

PART NO.  
6390331

11  
10  
9  
8  
7  
6  
5  
4



NOTE

[1] FROM CONTROL UNIT OR PRECEEDING DRIVE ZW202.

[2] FOR CONNECTION FROM SLT CONNECTOR TO CARD LOGIC SEE FIELD WIRE NET LIST.

SIGNAL '+CLOCK A OUT LOCAL' HAS A DUAL FUNCTION AS DEVICE DATA BIT 8.

PINS D02, D08, B07 & B13 ARE GROUND.

THIS DOCUMENT IS THE PROPERTY OF IBM. ITS USE IS AUTHORIZED ONLY FOR THE SPECIFIC PROJECT AND FOR THE PERFORMABLE WORK ORDER OR FOR THE REPRODUCTION OF THE ORIGINAL DOCUMENT. IT IS TO BE RETURNED TO THE IBM PURCHASING DEPARTMENT.

TITLE	WRITE BUS REMOTE
DESIGNER	JTJ
CHECKED	AHR
APPROVED	AHR
CLASS	DMD
DATE	4OCT82
DATE	8NOV82
DATE	8NOV82
DATE	8NOV82

DATE	7MAR84	EC NO.	A06052
DATE	3JUN85	EC NO.	A06069
DATE	23JUN87	EC NO.	A29052A

METRIC

SI

A1

MUST CONFORM TO ENG. SPEC.

PART NO. 6390331 SHEET OF

DEVELOPMENT NO. ZW201

LOGIC PG NO. ZW201

103 9/11/76/1

PART NO. 6390331

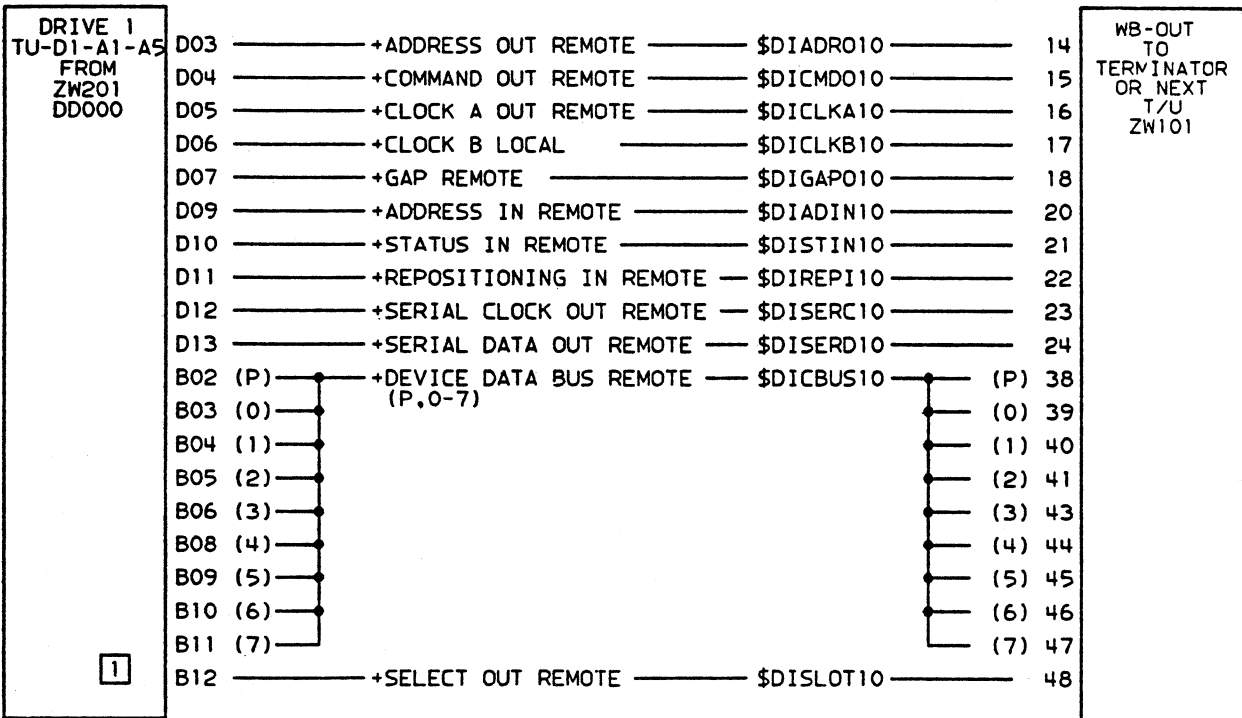
DEVELOPMENT NO.

3METERS

PART NO.  
6390332

11 | 10 | 9 | 8 | 7 | 6 | 5 | 4

PART NO.  
6390332  
DEVELOPMENT NO.



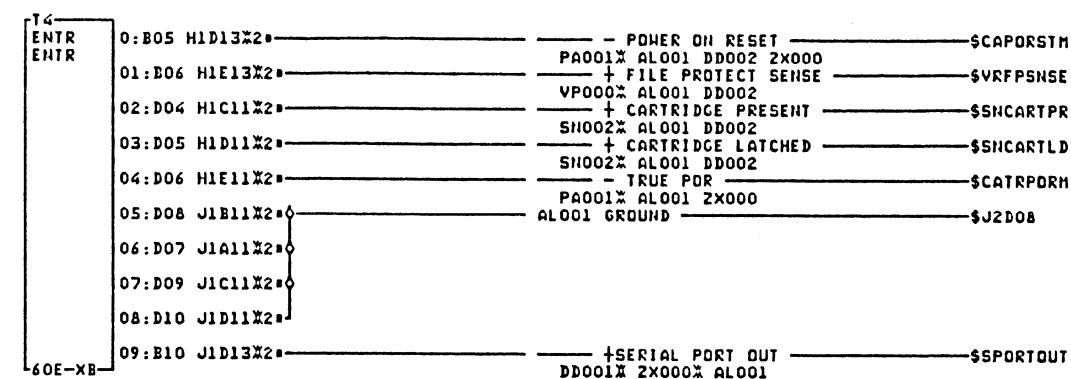
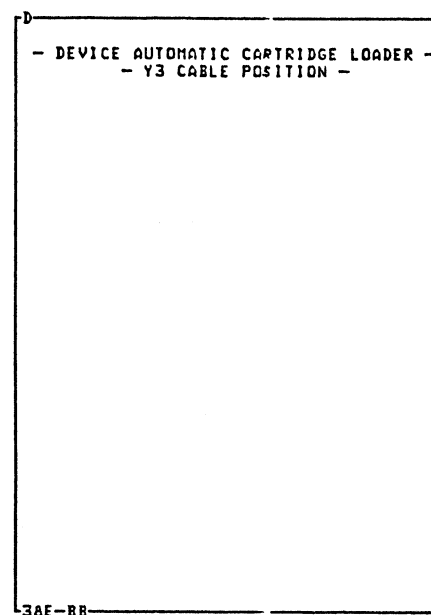
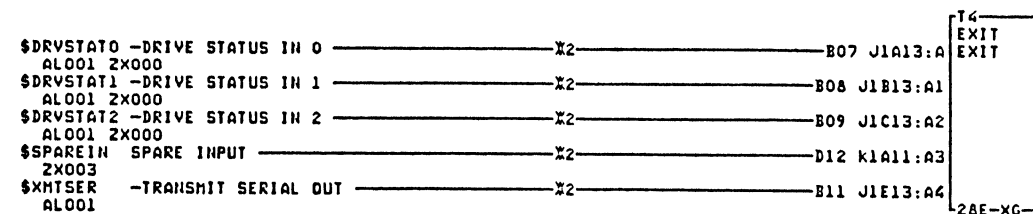
NOTES

1 FOR CONNECTION FROM SLT CONNECTOR TO CARD LOGIC SEE FIELD WIRE NET LIST.

SIGNAL '+ CLOCK A OUT LOCAL' HAS A DUAL FUNCTION AS DEVIVE DATA BIT 8.

PINS D02, D08, B07 & B13 ARE GROUND.

		THIS DOCUMENT IS THE PROPERTY OF MOTOROLA AND IS TO BE RETURNED TO A REQUEST FOR QUOTATION OR FOR THE PERFORMANCE OF WORK FOR WHICH IT WAS PREPARED. IT IS NOT TO BE REPRODUCED OR TRANSMITTED IN ANY FORM OR BY ANY MEANS, ELECTRONIC OR MECHANICAL, INCLUDING PHOTOCOPYING, RECORDING, OR BY ANY INFORMATION STORAGE AND RETRIEVAL SYSTEM, WITHOUT THE WRITTEN PERMISSION OF THE PURCHASING DEPARTMENT.	
TITLE	WRITE BUS REMOTE	DATE	EC NO.
DESIGNER	JTU	7MAR84	A06052
CHECKED	AHR	3JUN85	A06069
APPROVED	AHR	4DEC86	A29052
CLASS	DMD	23JUN87	A29052A
		MUST CONFORM TO ENG. SPEC.	
PART NO.		SHEET	
6390332		OF	
DEVELOPMENT NO.		LOGIC PG NO.	
ZW202		ZW202	



CONNECTORS	
0002/2A-A1/A	XH1D13
0006/2A-A1/A	XH1E11
0007/2A-A1/A	XJ1A13
0008/2A-A1/A	XJ1B13
0009/2A-A1/A	XJ1C13
0016/2A-A1/A	XJ1A11
0019/2A-A1/A	XJ1B11
0017/2A-A1/A	XJ1C11

CONNECTORS	
0018/2A-A1/A	XJ1D11
0005/2A-A1/A	XH1D11
0014/2A-A1/A	XH1C11
0001/2A-A1/A	XK1A11
0020/2A-A1A1/A	XJ1D13
0015/2A-A1/A	XH1E13
0021/2A-A1/A	XJ1E13

DEVICE AUTO CARTRIDGE LOADER  
CABLE SLOT Y3

PN=6178206, EC=A29455

LOC=2A-A1

USH 00001      PRI=12MAR86 1357

AUC=            SEC

PFORM=KSHB    NEXBLK XH

HACH=CDPR

CID AKG2        JOB 6559898B

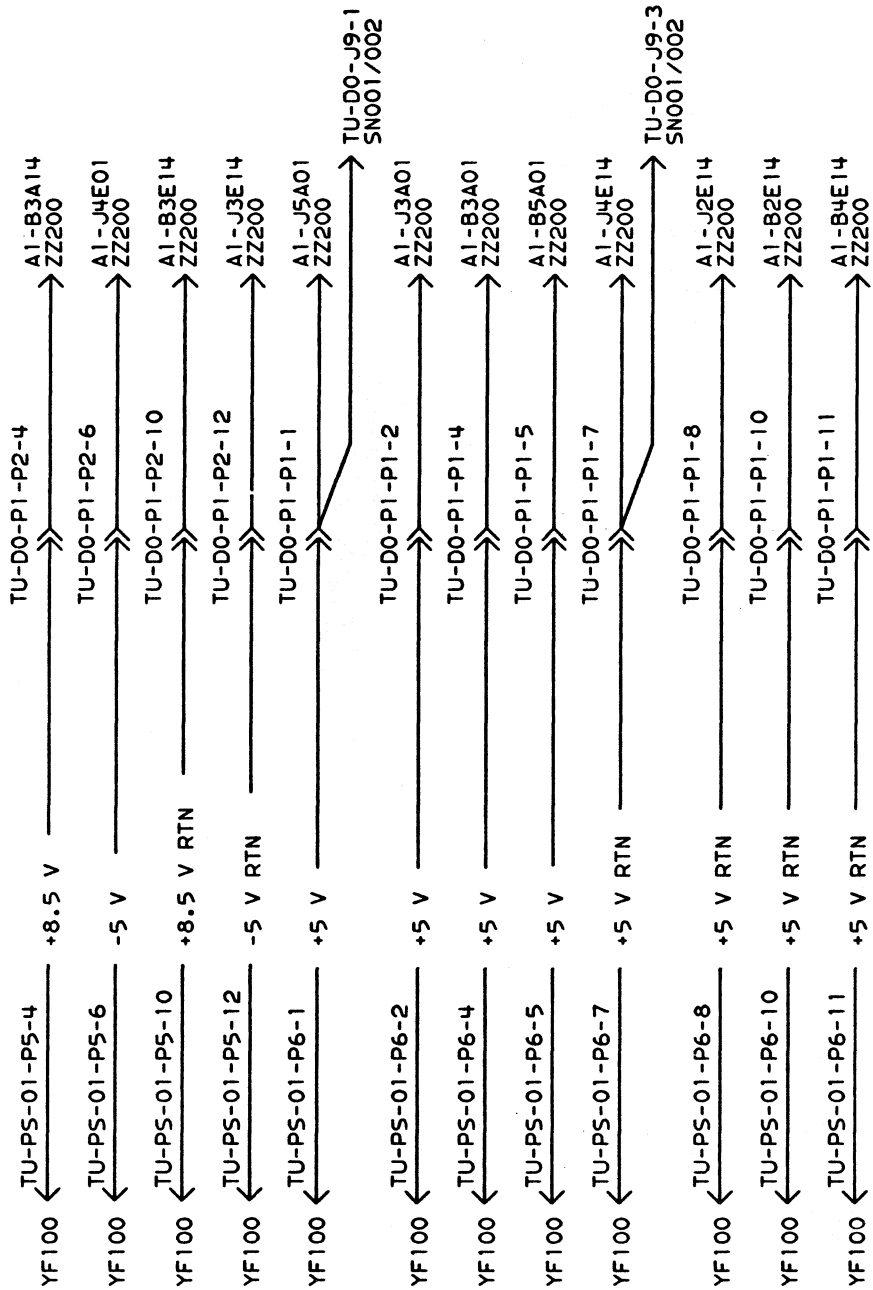
Z  
X  
0  
0  
4  
0001



PART NO.  
6390334

PART NO.  
6390334  
DEVELOPMENT NO.

DRIVE 0



THIS DOCUMENT IS THE PROPERTY OF IBM. ITS USE IS AUTHORIZED ONLY FOR RESPONDING TO A REQUEST FOR QUOTATION OR FOR THE PERFORMANCE OF WORK FOR IBM. ALL QUESTIONS MUST BE REFERRED TO THE IBM PURCHASING DEPARTMENT.

TITLE	DRIVE 0		DATE	EC NO.		PART NO.	SHEET	OF
DC VOLTAGE DISTRIBUTION			7MAR84	A06052		6390334		
DESIGNER	JTJ	4OCT82	3JUN85	A06069		DEVELOPMENT NO.		
CHECKED	AHR	8NOV82	4DEC86	A29052		LOGIC PG NO.		
APPROVED	AHR	8NOV82			ZZ010			
CLASS	DMO	8FEB84						

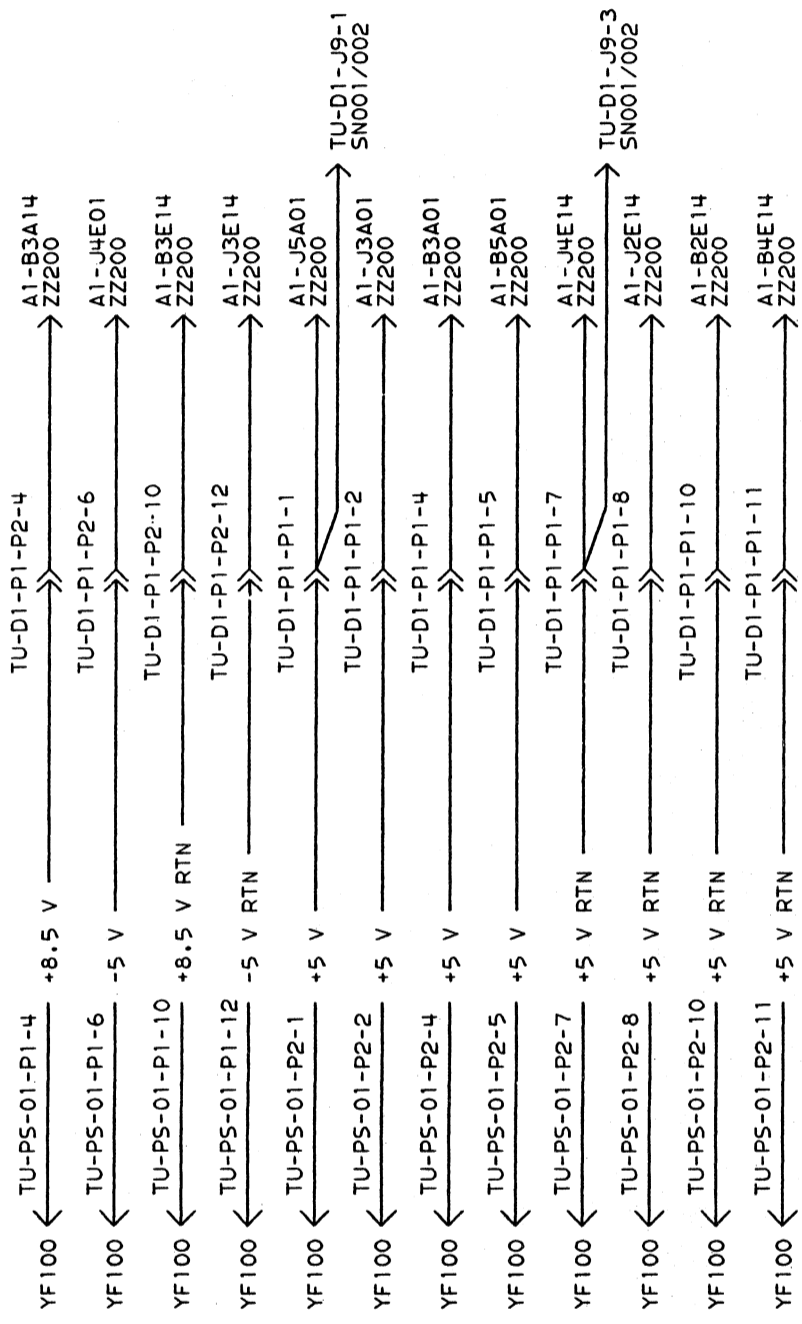




PART NO.  
6390336

PART NO.  
6390336  
DEVELOPMENT NO.

DRIVE 1



THIS DOCUMENT IS THE PROPERTY OF IBM. ITS USE IS AUTHORIZED ONLY FOR RESPONDING TO A REQUEST FOR QUOTATION OR FOR THE PERFORMANCE OF WORK FOR IBM. ALL QUESTIONS MUST BE REFERRED TO THE IBM PURCHASING DEPARTMENT.

TITLE	DRIVE 1	
DC VOLTAGE DISTRIBUTION		
DESIGNER	JTJ	4OCT82
CHECKED	AHR	8NOV82
APPROVED	AHR	8NOV82
CLASS	DMO	8FEB84

DATE	EC NO.
7MAR84	A06052
3JUN85	A06069
4DEC86	A29052
23JUN87	A29052A



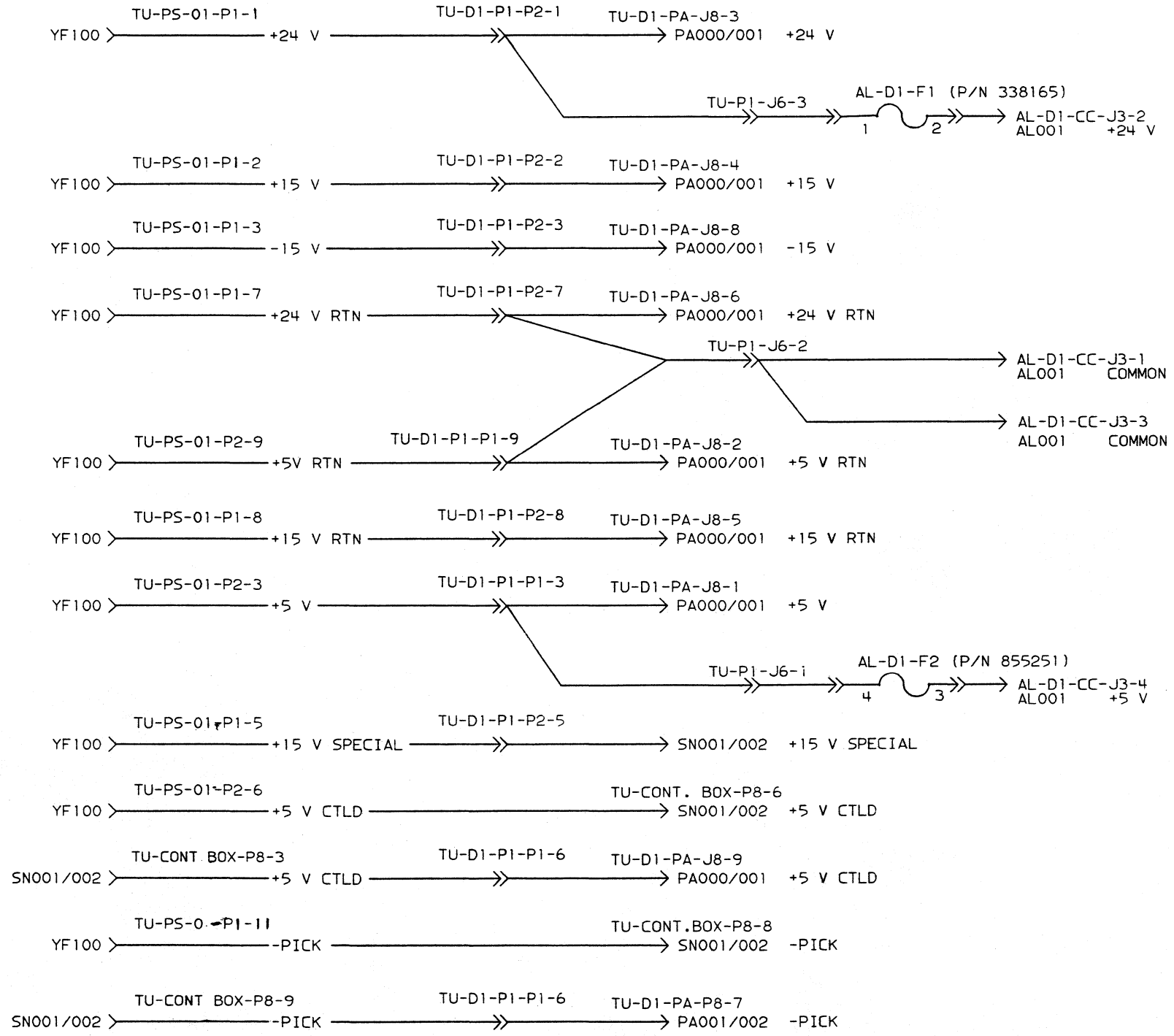
MUST CONFORM TO ENG. SPEC.

PART NO.	SHEET OF
6390336	
DEVELOPMENT NO.	
LOGIC PG NO.	
ZZ110	



PART NO.  
6390337

DRIVE 1



THIS DOCUMENT IS THE PROPERTY OF IBM. ITS USE IS AUTHORIZED ONLY FOR THE PERSONNEL TO A REQUEST WITH THE IBM CORPORATION. IT IS TO BE RETURNED TO THE IBM CORPORATION, PUNCHING DEPARTMENT.

TITLE	DC VOLTAGE
DISTRIBUTION - DRIVE 1	
DESIGNER	JTJ
CHECKED	AHR
APPROVED	AHR
CLASS	DNO
DATE	7MARB84
DATE	3JUN85
DATE	12MAY86
FT. NO.	A06052
FT. NO.	A06069
FT. NO.	A29455

DATE	7MARB84
DATE	3JUN85
DATE	12MAY86
FT. NO.	A06052
FT. NO.	A06069
FT. NO.	A29455

SI AT

MUST CONFORM TO ENG. SPEC.

PART NO.	6390337
DEVELOPMENT NO.	ZZ120
LOGIC PG. NO.	

PART NO.	6390337
DEVELOPMENT NO.	



11 | 10 | 9 | 8 | 7 | 6 | 5 | 4 | 3 | 2

11 | 10 | 9 | 8 | 7 | 6 | 5 | 4 | 3 | 2

A | B | C | D | E | F | G | H | I | J | K

A | B | C | D | E | F | G | H | I | J | K



PART NO. 6390338

DRIVE 0/1 A1 LOGIC BOARD  
VOLTAGE DISTRIBUTION LIST

PART NO. 6390338  
DEVELOPMENT NO.

VOLTAGE		VOLTAGE		VOLTAGE		VOLTAGE		VOLTAGE	
0.00	A1D11	+1.70	G2D02	-5.00	B2B06	+8.50	B2A14	+10.50	G2D04
•	A2B07	• [2]	J4B05	•	B3E01	•	B3A14	•	G2D05
•	A2B13			•	B4E01	•	B4A14	•	G2D06
•	A2D02			•	B5E01	•	B4B11	•	J4B12
•	A2D08	+5.00		•	B6C03	•	C3B11	•	J4D12
•	A3B07	SPECIAL	{ A6E02	•	C3B06	•	C4B11	•	J5B02
•	A3B13	• [3]	{ H2U11	•	C4B06	•	H2B11	•	J5B04
•	A3D02	•	B2D03	•	F2B06	•	J2A14	•	J5D02
•	A3D08	•	B3A01	•	F3B06	•	J3A14	•	J5D04
•	A4B07	•	B3D03	•	F4B06	•	J4A14		
•	A4B13	•	B4A01	•	F5B06	•	J5B11		
•	A4D02	•	B4D03	•	G2B06			10.5 V DEVELOPED	
•	A4D08	•	B5A01	•	H2B06			ON REGULATOR CARD	
•	A5B07	•	B5D03	•	H3B06			TU-D0/1-A1-G2	
•	A5B13	•	C3D03	•	H4B06			VP000	
•	A5D02	•	C4D03	•	H5B06				+15.00
•	A5D08	•	C5D03	•	J4E01				G2B02
•	A6D02	•	D2D03	•	J4B06				G2B03
•	B1D13	•	D3D03	•	J4E01				J6C02
•	B1E11	•	D4D03	•	J5B06				J6D02
•	B2D08	•	D5D03	•	J5E01				J6E02
•	B2E14	•	D6E03						
•	B3D08	•	E2D03						
•	B3E14	•	E3D03						
•	B4D08	•	E4D03						
•	B4E14	•	E5D03						
•	B5D08	•	F2D03						
•	B6D04	•	F3D03						
•	B6E02	•	F4D03						
•	C1E13	•	F5D03						
•	C2D08	•	G2D03						
•	C3D08	•	H2D03						
•	C4D08	•	H3D03						
•	C5D08	•	H4D03						
•	C6E04	•	H5D03						
•	D2D08	•	J3A01						
•	D3D08	•	J4A01						
•	D4D08	•	J4B08						
•	D5D08	•	J4D03						
•	E2D08	•	J5A01						
•	E3D08	•	J5D03						
•	E4D08	•	K2D03						
•	E5D08	•	K3D03						
•	F1A11	•	K4D03						
•	F2D08	•	K5D03						
•	F3D08								
•	F4D08								
•	F5D08								
•	F6A02								
•	G2D08								
•	J2D08								
•	G3D08								
•	G4D08								
•	G5D08								
•	H2D08								
•	H3D08								
•	H4D08								
•	H5D08								
•	J2E14								
•	J3D08								
•	J3E14								
•	J4D08								
•	J4E14								
•	J5B08								
•	J5B09								
•	J5B10								
•	J5B13								
•	J5D08								
•	J5D11								
•	J5D13								
•	J6B02								
•	K2D08								
•	K3D08								
•	K4D08								
•	K5D08								

▷ POP UP CONNECTORS PIN SIDE OF BOARD  
ZZ010 & ZZ110

NOTES

- [1] +15 V SPECIAL TO PINS J6 C02, J6 D02, AND J6 E02 WHEN FILE PROTECT SWITCH IS CLOSED (FROM SN001/002). CARTRIDGE IS NOT FILE PROTECTED WHEN SWITCH IS CLOSED. +15 V SPECIAL IS CONNECTED THROUGH AN INTERNAL PLANE TO G2B02 AND G2B03 WHEN THE SWITCH IS CLOSED.
- [2] WRITE CARD REGULATOR OUTPUT (TEST POINT) REFER TO WR000.
- [3] SPECIAL +5 V OUTPUT VIA POWER AMP FOR READ PREAMP CARD POWER SEQUENCING. REFER TO PA000/001 AND RP000.



THIS DOCUMENT IS THE PROPERTY OF IBM. ITS USE IS AUTHORIZED ONLY FOR RESPONDING TO A REQUEST FOR QUOTATION OR FOR THE PERFORMANCE OF WORK FOR IBM. ALL QUESTIONS MUST BE REFERRED TO THE IBM PURCHASING DEPARTMENT.

TITLE	VOLTAGE DIST.	RED
LIST		
DESIGNER	JTJ	4OCT82
CHECKED	AHR	8NOV82
APPROVED	AHR	8NOV82
CLASS	DMD	8FEB84

DATE	EC NO.
7MAR84	A06052
3JUN85	A06069
4DEC86	A29052



MUST CONFORM TO ENG. SPEC.

PART NO.	SHEET	OF
6390338		
DEVELOPMENT NO.		
LOGIC PG NO.		
ZZ200		

PART NO. 000627278b EC NO. 000A29029A (42) LOCATION 2A-A1 DIMENSIONS ARE ENGLISH (IN)

Table with columns: ENG. NET NO., FROM, TO, PL, WIR TYP, LENGTH, NODE NAME CROSS REFERENCE (NET-TO-PIN), ENG. NET NO., FROM, TO, PL, WIR TYP, LENGTH, ENG. NET NO., FROM, TO, PL, WIR TYP, LENGTH. Contains multiple entries for various wire types like \$DDASEL00, \$DDBIAS00, etc.

PART NO. 000627278b EC NO. 000A29029A (42) LOCATION 2A-A1 DIMENSIONS ARE ENGLISH (IN)

Table with columns: ENG. NET NO., FROM, TO, PL, WIR TYP, LENGTH, NODE NAME CROSS REFERENCE (NET-TO-PIN), ENG. NET NO., FROM, TO, PL, WIR TYP, LENGTH, ENG. NET NO., FROM, TO, PL, WIR TYP, LENGTH. Contains multiple entries for various wire types like \$DDSLED00, \$DDWDRDATA07, etc.

DATE - 04/29/86

- FIELD WIRE NET LIST -

\*\*\*\*\*

PART NO. 0006272786  
EC NO. 000A29029A (42)

LOCATION 2A-A1

DIMENSIONS ARE ENGLISH (IN)

\*\*\*\*\*

ENG. NET NO.	FROM	TO	PL MIR TYP	LENGTH	NODE NAME	CROSS REFERENCE (NET-TO-PIN)	ENG. NET NO.	FROM	TO	PL MIR TYP	LENGTH
.	C3A03-	A3D03-	07	00.975	.	A3C09- A3B09- 07 00.125	.	B4B13-	A4C13-	07	00.559
\$DIADRO10	A5D03-	B5E03-	07	00.809	\$DICBUS0006	A2B10- A2C10- 07 00.125	\$DICBUS1004	A4C13-	A5C08-	06	01.232
.	B5E03-	B4E02-	06	01.932	.	A2C10- A2C09- 06 00.125	.	A5C08-	A5B08-	07	00.125
.	B4E02-	B4C02-	07	00.309	.	A2C09- B2B09- 07 00.609	.				
.	B4C02-	A4D03-	01	00.625	.	B2B09- B2A09- 07 00.125	\$DICBUS1005	A5B09-	B5A08-	01	00.625
\$DICBUS00 P	A2B02-	B2B02-	01	00.734	.	B2A09- B3A10- 06 01.932	.	B5A08-	B4A03-	02	02.475
.	B2B02-	A2C03-	01	00.625	.	B3A10- A3B10- 07 00.609	.	B4A03-	B4C04-	01	00.375
.	A2C03-	A3B02-	02	01.750	\$DICBUS0007	A2B11- B2A11- 01 00.559	.	B4C04-	A4C03-	01	00.850
\$DICBUS0000	A2B03-	A2A03-	01	00.125	.	B2A11- B3A02- 02 00.732	.	A4C03-	A4B09-	02	00.875
.	A2A03-	A2A05-	02	00.357	.	B3A02- B3B02- 01 00.125	\$DICBUS1006	A4B10-	A4A10-	01	00.125
.	A2A05-	B2C05-	01	00.984	.	B3B02- A3C02- 07 00.559	.	A4A10-	A4A04-	02	00.807
.	B2C05-	A2A04-	01	01.000	.	A3C02- A3C11- 06 01.182	.	A4A04-	B4C05-	01	01.059
.	A2A04-	A3A03-	02	01.682	.	A3C11- A3B11- 07 00.125	.	B4C05-	A4A05-	07	00.975
.	A3A03-	A3B03-	01	00.125	\$DICBUS10 P	A4B02- B4A02- 07 00.559	.	A4A05-	A5B10-	06	02.500
\$DICBUS0001	A3B04-	A3E04-	01	00.434	.	B4A02- B4A06- 06 00.557	\$DICBUS1007	A4B11-	B4A11-	07	00.559
.	A3E04-	A2E05-	02	01.732	.	B4A06- B4C06- 07 00.309	.	B4A11-	B5A04-	06	00.982
.	A2E05-	B2D05-	01	00.559	.	B4C06- A4A06- 01 00.984	.	B5A04-	B5B04-	07	00.125
.	B2D05-	A2C05-	07	00.859	.	A4A06- A5A02- 02 01.357	.	B5B04-	B5C04-	01	00.609
.	A2C05-	A2C04-	06	00.125	.	A5A02- A5B02- 01 00.125	.	A5C04-	A5C11-	02	00.982
.	A2C04-	A2B04-	07	00.125	\$DICBUS1000	A5B03- C5C03- 01 01.484	.	A5C11-	A5B11-	01	00.125
\$DICBUS0002	A2B05-	B2A05-	07	00.559	.	C5C03- C4C03- 02 01.857	\$DICLKA00	A2D05-	A2E06-	01	00.250
.	B2A05-	B2A07-	06	00.357	.	B4C03- B4C03- 01 00.684	.	B2D05-	B3A13-	02	02.750
.	B2A07-	B2D07-	07	00.434	.	C4C03- A4B03- 07 00.809	.	B3A13-	B3B13-	01	00.125
.	B2D07-	A2C07-	01	00.859	\$DICBUS1001	A4B04- A4C04- 07 00.125	.	B3B13-	A3E12-	07	00.375
.	A2C07-	A3C05-	02	01.607	.	A4C04- A4C02- 06 00.357	.	A3E12-	A3E05-	06	00.932
.	A3C05-	A3B05-	01	00.125	.	A4C02- B4D02- 07 00.900	\$DICLKA10	A4E05-	A4E10-	06	00.682
\$DICBUS0003	A3B06-	A3E06-	01	00.484	.	B4D02- C4C02- 01 00.559	.	A4E10-	B4C10-	07	00.434
.	A3E06-	A2E08-	02	01.557	.	C4C02- C5C04- 02 02.057	.	B4C10-	B4E10-	01	00.309
.	A2E08-	B2B08-	01	00.309	\$DICBUS1002	C5C04- A5B04- 01 01.475	.	B4E10-	B5E05-	02	01.232
.	B2B08-	B2A08-	07	00.125	.	A5B05- C5A05- 01 01.225	.	B5E05-	A5D05-	01	00.809
.	B2A08-	B2A06-	06	00.307	.	C5A05- C4A05- 02 01.807	\$DICLKB00	A3D06-	B3D06-	01	00.684
.	B2A06-	A2B06-	07	00.559	.	C4A05- B4B05- 01 00.609	.	B3D06-	A3A06-	07	01.059
\$DICBUS0004	A3B08-	B3A08-	07	00.559	.	B4B05- A4B05- 07 00.684	.	A3A06-	A2D06-	07	00.484
.	B3A08-	B2A13-	06	01.232	\$DICBUS1003	A4B06- A4C06- 07 00.125	.	A2A06-	A2D06-	07	00.484
.	B2A13-	B2C13-	07	00.359	.	A4C06- A4C05- 06 00.125	\$DICLKB10	A5D06-	B5E06-	01	00.859
.	B2C13-	B2E13-	01	00.309	.	A4C05- B4D05- 07 00.859	.	B5E06-	B4D09-	02	01.500
.	B2E13-	B2E08-	02	00.732	.	B4D05- B4A05- 01 00.475	.	B4D09-	A4C08-	01	00.875
.	B2E08-	A2B08-	01	01.100	.	B4A05- B5A06- 02 01.982	\$DICMD000	A4C08-	A4D06-	02	00.375
\$DICBUS0005	A2B09-	A2A13-	06	00.625	.	B5A06- A5B06- 01 00.559	.	A3D04-	A3C04-	01	00.125
.	A2A13-	B2D13-	07	01.100	\$DICBUS1004	A4B08- A4E08- 07 00.434	.	A3C04-	A2C01-	02	02.182
.	B2D13-	A2C13-	07	00.809	.	A4E08- A4E13- 06 00.732	.				
.	A2C13-	A3C09-	07	01.357	.	A4E13- B4B13- 07 00.359					

DATE - 04/29/86

- FIELD WIRE NET LIST -

\*\*\*\*\*

PART NO. 0006272786  
EC NO. 000A29029A (42)

LOCATION 2A-A1

DIMENSIONS ARE ENGLISH (IN)

\*\*\*\*\*

ENG. NET NO.	FROM	TO	PL MIR TYP	LENGTH	NODE NAME	CROSS REFERENCE (NET-TO-PIN)	ENG. NET NO.	FROM	TO	PL MIR TYP	LENGTH
.	A2C01-	B2C01-	01	00.684	.	B2D09- B2E09- 01 00.125	.	J4C09-	J4B09-	01	00.125
\$DICMD000	B2C01-	B2C02-	02	00.125	\$DISERD00	B2E09- B3E13- 02 02.307	\$J2D08	J2D08-	J1D11-	06	01.432 V
.	B2C02-	A2D04-	07	00.859	.	B3E13- A3D13- 01 00.809	.	J1D11-	J1C11-	07	00.125
\$DICMD010	A5D04-	A4C10-	02	01.125	\$DISERD10	A4D13- A4E04- 06 01.357	.	J1C11-	J1B11-	07	00.125
.	A4C10-	B4B10-	01	00.559	.	A4E04- B4B04- 07 00.309	.	J1B11-	J1A11-	07	00.125
.	B4B10-	A4C09-	07	00.625	.	B4B04- B4A04- 07 00.125	\$MDERRORP	B3B05-	F3A05-	07	02.434
.	A4C09-	A4D04-	06	00.750	.	B4A04- A5E13- 06 03.000	.	F3A05-	F1A13-	06	02.557
\$DIGAPO00	A3D07-	C3A07-	01	00.934	.	A5E13- A5D13- 07 00.125	\$RBUS1AL M	H5B04-	G5D05-	01	00.500
.	C3A07-	C2A04-	02	02.182	\$DISLOT00	A2B12- A2A12- 01 00.125	\$RBUS1AL P	H5B02-	G5D04-	01	00.725
.	C2A04-	B2C04-	01	00.434	.	A2A12- A3A13- 02 01.982	\$RBUS1AR M	G5B02-	H5D04-	02	01.125
.	B2C04-	A2E04-	07	00.434	.	A3A13- B3C13- 01 00.984	\$RBUS1AR P	G5D02-	H5D02-	02	00.682
.	A2E04-	A2E07-	06	00.482	.	B3C13- A3B12- 01 00.875	\$RBUS1BL M	G5D07-	H5D07-	01	00.734
.	A2E07-	A2D07-	07	00.125	\$DISLOT10	A4B12- B4D12- 07 00.934	\$RBUS1BL P	H5D05-	G5B07-	01	01.125
\$DIGAPO10	A5D07-	A5D14-	02	00.932	.	B4D12- A4C12- 07 00.859	\$RBUS1BR M	G5D06-	H5B07-	02	00.607
.	A5D14-	B5B14-	01	00.434	.	A4C12- A5C12- 06 01.807	\$RBUS1BR P	G5B05-	H5B05-	02	00.725
.	B5B14-	B5B02-	02	01.607	.	A5C12- A5B12- 07 00.125	\$RBUS2AL M	H5D10-	G5D11-	01	00.750
.	B5B02-	A5E01-	07	00.375	\$DISTIN00	A2D10- A2E02- 06 01.125	\$RBUS2AL P	H5D09-	G5D10-	01	00.850
.	A5E01-	A4D07-	06	01.125	.	A2E02- B2B03- 07 00.375	\$RBUS2AR M	G5B09-	H5B09-	02	00.682
\$DIREPI00	A2D11-	A2E11-	07	00.125	.	B2B03- A2E03- 01 00.309	\$RBUS2AR P	G5B10-	H5B10-	02	00.775
.	A2E11-	B2A04-	06	01.000	.	A2E03- A3D10- 02 02.750	\$RBUS2BL M	G5D13-	H5D13-	01	00.775
.	B2A04-	B2C03-	07	00.375	\$DISTIN10	A5D10- A5E10- 01 00.125	\$RBUS2BL P	G5D12-	H5D12-	01	00.684
.	B2C03-	B2A03-	07	00.309	.	A5E10- A4E07- 02 02.225	\$RBUS2BR M	G5B13-	H5B13-	02	00.775
.	B2A03-	B3A11-	02	02.850	.	A4E07- B4C07- 01 00.434	\$RBUS2BR P	G5B12-	H5B12-	02	00.682
.	B3A11-	A3D11-	07	00.359	.	B4C07- B4A07- 07 00.309	\$RBUS3AL M	G4B12-	H4B12-	01	00.684
\$DIREPI10	A5D11-	B5A11-	07	00.309	.	B4A07- B4A10- 06 00.432	\$RBUS3AL P	G4B13-	H4B13-	01	00.775
.	B5A11-	B4B07-	06	02.375	\$DRIVEID0	B4A10- A4D10- 07 00.359	\$RBUS3AR M	G4D12-	H4D12-	02	00.725
.	B4B07-	C4E07-	01	01.109	.	B3C12- B5C14- 01 02.157	\$RBUS3AR P	G4D13-	H4D13-	02	00.732
.	C4E07-	C4E11-	02	00.607	.	B5C14- B5D14- 02 03.800					
.	C4E11-	A4D11-	01	01.434	.	E5D14- E6D04- 02 00.557					
\$DISERC00	A3D12-	B3E12-	01	00.309	\$DRIVEID1	E6E04- E1D14- 06 07.625					
.	B3E12-	B3D10-	02	00.875	.	E1D14- B2D01- 07 02.000					
.	B3D10-	A3C10-	01	00.809	.	B2D01- B3D11- 06 03.107					
.	A3C10-	A2D12-	02	01.625	\$DRIVEID2	B5D12- B5E12- 01 00.125					
\$DISERC10	A5D12-	A5C02-	02	01.375	.	B5E12- B6E03- 01 00.682					
.	A5C02-	B5C02-	01	00.684	.	B6E03- B6D04- 02 02.500					
.	B5C02-	A5E02-	07	00.434	\$DRIVEID3	F6E04- F5E09- 06 01.182					
.	A5E02-	A4E12-	06	00.557	.	F5E09- B5C09- 07 02.850					
.	A4E12-	A4D12-	07	00.125	\$IFMPOR00	G2B11- J2C11- 01 01.484					
\$DISERD00	A2D13-	A2E13-	07	00.125	.	J2C11- J4C09- 02 03.357					
.	A2E13-	A2E09-	06	00.607							
.	A2E09-	B2D09-	07	00.559							





DATE - 04/29/86 - FIELD WIRE NET LIST -
PART NO. 000 6272786
EC NO. 000A290299 (42)
LOCATION 2A-A1
DIMENSIONS ARE ENGLISH (IN)

Table with columns: PIN, NET, PIN, NET, NODE NAME, CROSS REFERENCE (PIN-TO-NET), PIN, NET, PIN, NET. Contains multiple rows of network node and connection data.

DATE - 04/29/86 - FIELD WIRE NET LIST -
PART NO. 000 6272786
EC NO. 000A290299 (42)
LOCATION 2A-A1
DIMENSIONS ARE ENGLISH (IN)

Table with columns: PIN, NET, PIN, NET, NODE NAME, CROSS REFERENCE (PIN-TO-NET), PIN, NET, PIN, NET. Contains multiple rows of network node and connection data.

DATE - 04/29/86

- FIELD WIRE NET LIST -

PART NO. 000 6272786 EC NO. 000A29027A (42) LOCATION 2A-A1 DIMENSIONS ARE ENGLISH (IN)

Table with columns: PIN, NET, PIN, NET, NODE NAME CROSS REFERENCE (PIN-TO-NET), PIN, NET, PIN, NET, PIN, NET. Lists various electrical components and their connections.

DATE - 04/29/86

- FIELD WIRE NET LIST -

PART NO. 000 6272786 EC NO. 000A29027A (42) LOCATION 2A-A1 DIMENSIONS ARE ENGLISH (IN)

Table with columns: PIN, NET, PIN, NET, NODE NAME CROSS REFERENCE (PIN-TO-NET), PIN, NET, PIN, NET, PIN, NET. Lists various electrical components and their connections.