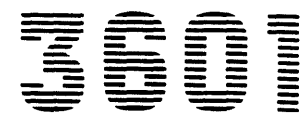


Maintenance Library



**Models 2A, 2B, 2C, 3A, 3B, 3C and 3D
Finance Communication Controller
Parts Catalog**

Preface

This Parts Catalog (PC) contains listings and illustrations of all replaceable assemblies, subassemblies and detail parts released to Production Control on or before March 1, 1978 for the 3601 Communication Controller Models 2A, 2B, 2C, 3A, 3B, 3C and 3D.

Contents

How To Use A Parts Catalog	iii
Visual Index	iv
Catalog Section	1
Fig. No.	Page
1 Final Assembly, 3601 (3 Sheets)	2
2 Gate Assembly, Model A & B	8
2A Gate Assembly, Model C & D	10
3 2 Sided Diskette Drive Assembly (3 Sheets)	11
4 File Cover Assembly	14
5 1 Sided Diskette Drive Assembly	15
6 Disc Clamping Plate Assembly	16
7 Base Plate Assembly	17
8 Cable and Jumper Assembly, Component Parts (2 Sheets)	18
Numeric Index	22

Third Edition (May, 1978)

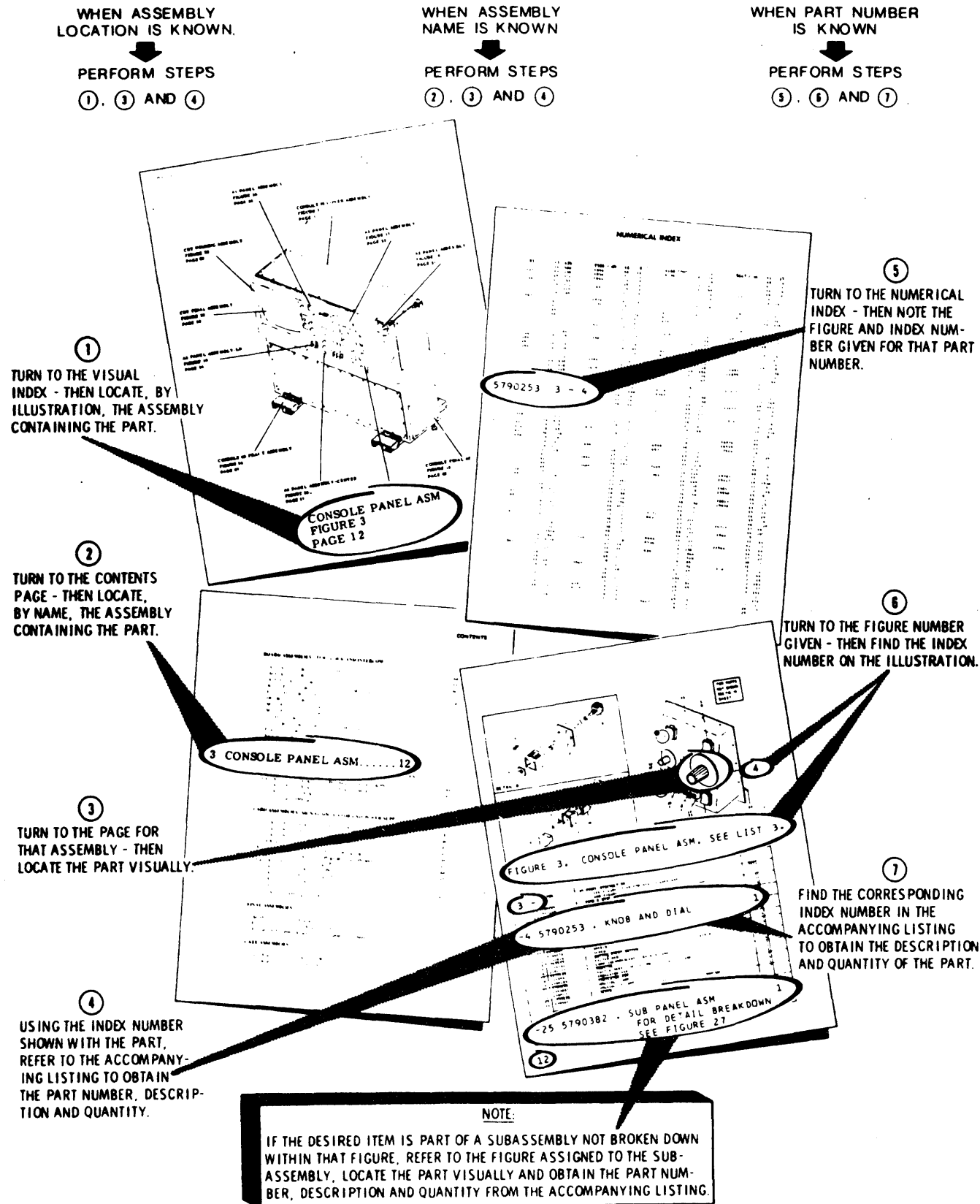
This is a major revision of, and obsoletes, S126-0013-1. Changes that affect this catalog are made periodically; any such changes will be reported in subsequent revisions or Technical Newsletters.

Requests for copies of IBM publications should be made to your IBM representative or to the IBM branch office serving your locality.

A form is provided at the back of this publication for reader's comments. If the form has been removed, comments may be addressed to: IBM Systems Development Division, Product Publications, Dept. 63T, Neighborhood Road, Kingston, N.Y., 12401

©International Business Machines Corporation 1976 , 1977, 1978.

HOW TO FIND PART INFORMATION:

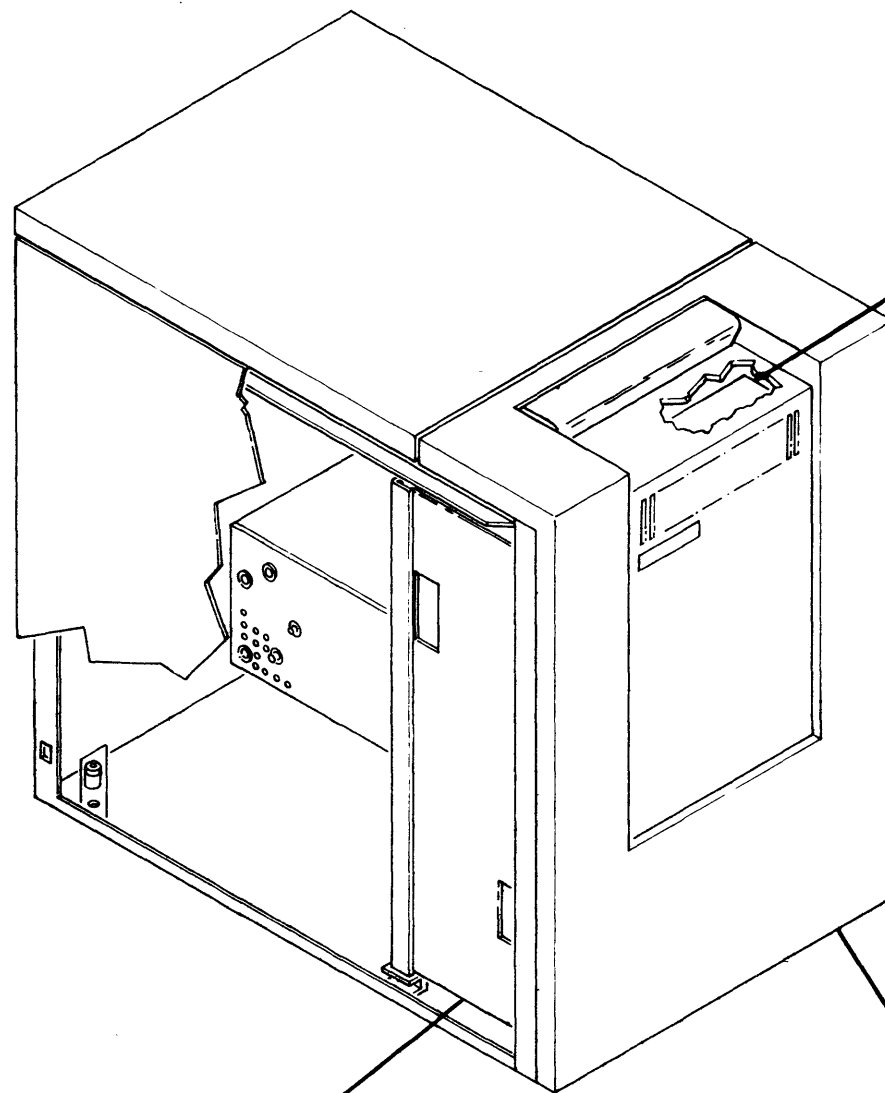


GLOSSARY

- ① NO NO. - When this notation appears in the Part No. column, it denotes a part or group of parts that have not been assigned a part number or which are not recommended for field replacement.
- ② NR - This notation in the Part No. column denotes a part not recommended for field replacement.
- ③ NP - This notation in the Part No. or Description column indicates parts that are non-procurable. In these cases the next higher assembly should be ordered.
- ④ AR - The notation AR in the Units Per Asm. column indicates that the quantity of the part is used as required.
- ⑤ SIMILAR ASSEMBLIES - If two or more assemblies contain a majority of identical parts, they are combined in the same listing. Parts common to assemblies are illustrated and listed by one index number. Parts peculiar to one or the other of the assemblies are listed separately and identified either in the description of the part, or by a descriptive trailer line.
- ⑥ REF - The notation REF in the Units Per Asm. column indicates that the listing of the assembly is repeated and reference should be made to its previous listing for the quantity required.
- ⑦ INDENTURE - The indentation of items under the numerals 1 through 4 at the head of the Description column shows the relationship between assemblies, subassemblies and detail parts. For example:
 1 2 3 4
 (No dot) MAIN ASSEMBLY
 (One dot) • Detail parts of main assembly
 (One dot) • Assembly within main assembly
 (Two dot) • • Detail part of one dot assembly
 (Two dot) • • Assembly within one dot assembly
 (Three dot) • • • Detail parts of two dot assembly
- ⑧ ATT PT - This notation in the Description column is used to denote hardware that attaches assemblies, subassemblies and detail parts to the next higher assembly. The attaching hardware is listed immediately following the part to be attached.

Note: Space left for customizing glossary terms if required.

FIGURE - INDEX NUMBER	PART NUMBER	UNITS PER ASM.	DESCRIPTION			
			1	2	3	4
22 -	NO NO.	REF	TRANSPORT AND VACUUM ASSEMBLY THIS ASSEMBLY CANNOT BE ORDERED FOR REPLACEMENT, SEE LIST 2-252 FOR NEXT HIGHER ASM			
①						
- 1	1846187	1	•	DOOR ASSEMBLY, VACUUM COLUMN - MODS 6, 8		
- 1	1846188	1	•	DOOR ASSEMBLY, VACUUM COLUMN - MOD 4		
- 2	55918	5	•	SCREW, MACH BD HD - 10-32 X 0.625 LG	ATT PT	
- 3	45690	5	•	WASHER, FL - 0.203 ID X 0.408 OD	ATT PT	
- 4	2512946	AR	•	SHIM, DOOR VAC COLUMN 0.015 THK		
- 4	2512948	AR	•	SHIM, DOOR VAC COLUMN 0.030 THK		
- 5	1846100	AR	•	PNEUMATIC HOSES TRANSPORT ASSEMBLY		
- 9	2523727	NP	•	DISC, DECORATIVE		
- 10	1767707		•	COVER		
- 11	322562		•	SCREW, BD HD - 10-32 X 2.000 INCHES LG	ATT PT	
- 12	1767705		•	CAM		
- 13	1766920		•	SPRING, COMP 1.190 OD X 2.750 LG		
- 14	1767720		•	HUB ASM		
- 15	356742		• •	CLAMP, 0.375 ID X 0.173 MTG HOLE		
- 16	5489002		• •	SCREW, MACH BD HD - 6-32 X 0.250 LG	ATT PT	
- 17	1090873		• •	LOCKWASHER, SPLIT - 0.168 ID X 0.296 OD	ATT PT	
- 18	1767703	NR	• •	ROLLER, TRIPLE		
- 19	1767711	NR	• •	ROLLER, SINGLE		



1 SIDED DISKETTE DRIVE ASSEMBLY
 FIGURE 5
 PAGE 15

2 SIDED DISKETTE DRIVE ASSEMBLY
 FIGURE 3 (3 SHEETS)
 PAGE 11

MODEL A & B GATE ASSEMBLY
 FIGURE 2
 PAGE 8

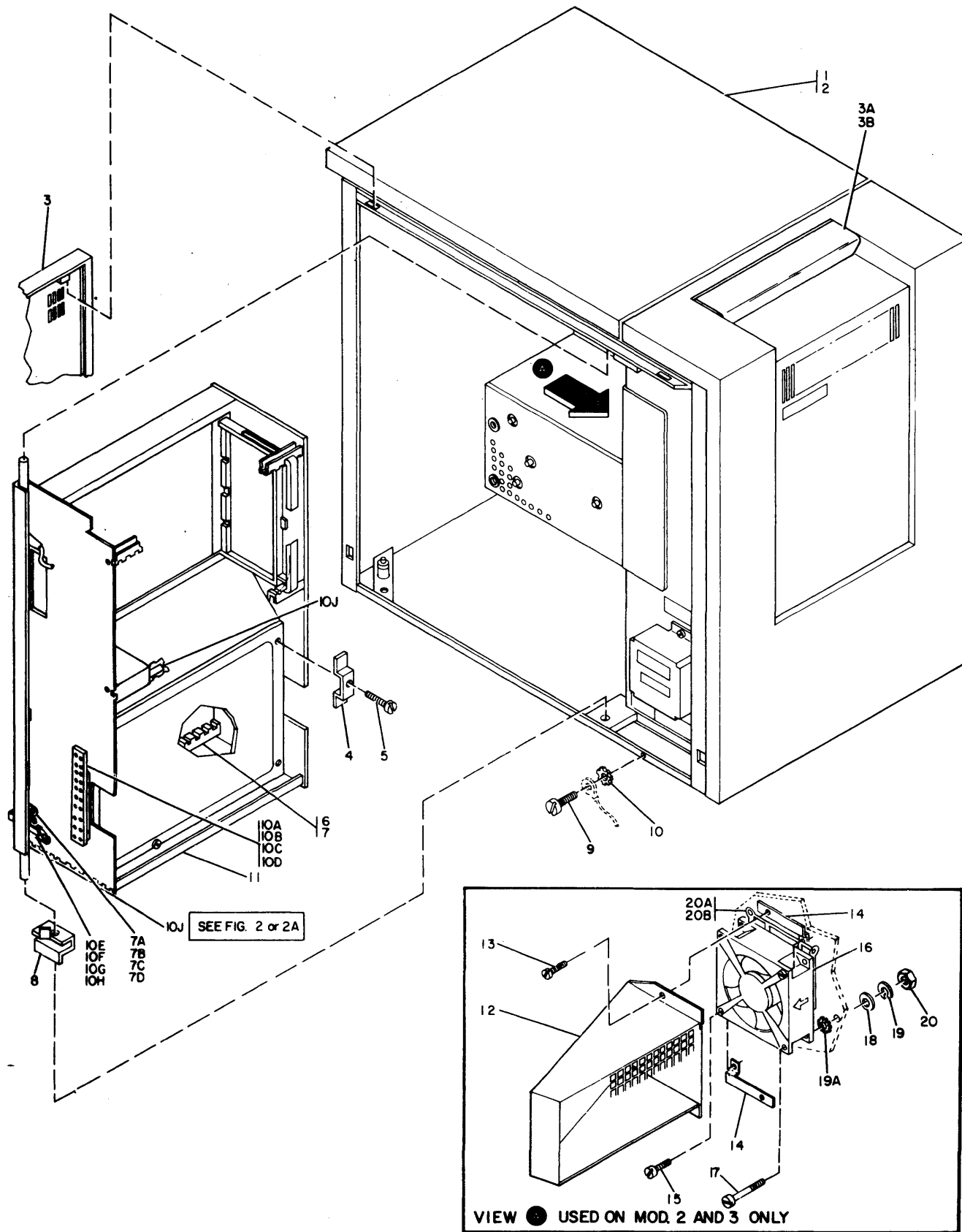
MODEL C & D GATE ASSEMBLY
 FIGURE 2A
 PAGE 10

FINAL ASSEMBLY, 3601
 FIGURE 1 (3 SHEETS)
 PAGE 2

CABLE AND JUMPER ASM.
 COMPONENT PARTS
 FIGURE 8 (2 SHEETS)
 PAGE 18

3601 Communication Controller Visual Index

CATALOG SECTION



List 1. Final Assembly, 3601.

FIGURE-INDEX NUMBER	PART NUMBER	UNITS PER ASM.	DESCRIPTION			
			1	2	3	4
1 -	4943636 NP		FINAL ASM, 3601 MODS. A2, A3, B2 AND B3 FOR ILLUSTRATION SEE FIGURE 1			
- 1	1831733	1	. TOP, TABLE			
- 2	257189	4	. NUT, HEX- 8-32			
- 3	1831732	1	. COVER, SIDE			
- 3A	4943654	1	. COVER			
- 3B	1165203	2	. SCREW- 2-56			
- 4	813179	8	. CLAMP-BOARD			
- 5	811417	8	. SCREW, HEX SOCKET H- 6-32 X 1/2 LG			
- 6	1837359	2	. CARD GUIDE			
- 7	58207	4	. SCREW, MACH-UNDRCT BIND HD 8-32 X 1/4 LG			
- 7A	1159255	1	. CLAMP, ADJUSTABLE			
- 7B	34512	1	. SCREW, BIND, HD 8-32 X .375 LG			
- 7C	257189	1	. NUT, HEX- 8-32			
- 7D	1090873	1	. WASHER, LOCK, SPLIT RING- .168 ID, .296 OD			
- 8	4943642	1	. STOP-GATE			
- 9	80651	1	. SCREW, THD CUTTING-PAN HD 6-32 X 0.375 LG			
- 10	56722	1	. WASHER, LOCK-EXT TEETH NO. 6			
- 10A	367115	6	. JUMPER ASSEMBLY			
- 10B	322767	1	. TERMINAL BOARD- 10 DBL SCREW TERMINALS			
- 10C	91610	2	. SCREW, THD CTG-BIND HD 6-32 X 1/2 LG			
- 10D	363434	1	. MARKER STRIP- 10 POS NOS. 1 THRU 10			
- 10E	1159255	1	. CLAMP, ADJUSTABLE			
- 10F	34512	1	. SCREW, BIND, HD 8-32 X .375 LG			
- 10G	1090873	1	. WASHER, LOCK, SPLIT RING- .168 ID, .296 OD			
- 10H	257189	1	. NUT, HEX- 8-32			
- 10J	473442	AR	. GROMMET - CATERPILLAR			
- 11	4943635	1	. GATE ASSEMBLY			
- 11	4946081	1	. GATE ASSEMBLY			
- 11	4406051	1	. GATE ASSEMBLY			
- 12	1831829	1	. DUCT			
- 13	10170	2	. SCREW, MACH-BIND HD 6-32 X 1/4 LG			
- 14	4943649	2	. BRACKET			
- 15	322550	2	. SCREW, MACH, BIND HD- 6-32 X .5 LG			
- 16	597300	1	. FAN, AXIAL- 115V AC 1PH 60CPS			
- 16	4404222	1	. FAN, VENTURI			
- 16	4120526	1	. FAN, 240V			
- 16	5313850	1	. FAN, VENTURI			
- 17	95878	2	. SCREW			
- 18	257986	2	. WASHER, FLAT NO. 6			
- 19	6364	2	. WASHER, LOCK-SPLIT NO. 6 X 1/4 OD			
- 19A	56722	1	. WASHER, LOCK-EXT TEETH NO. 6			
- 20	257187	2	. NUT, PLAIN, HEX- 6-32 X 3/8 FL W			
- 20A	177946	1	. GUARD-FAN			
- 20B	70078	2	. SCREW, THD CUTTING-PAN HD 6-32 X 1/4 LG			

Figure 1. Final Assembly, 3601. Sheet 1 of 3. Index Nos. 1-20B.

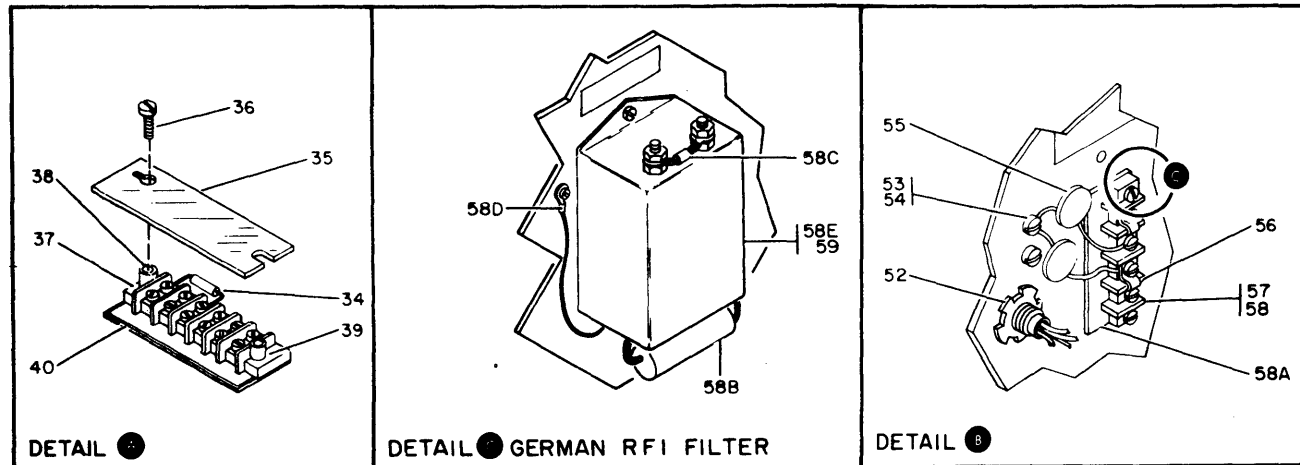
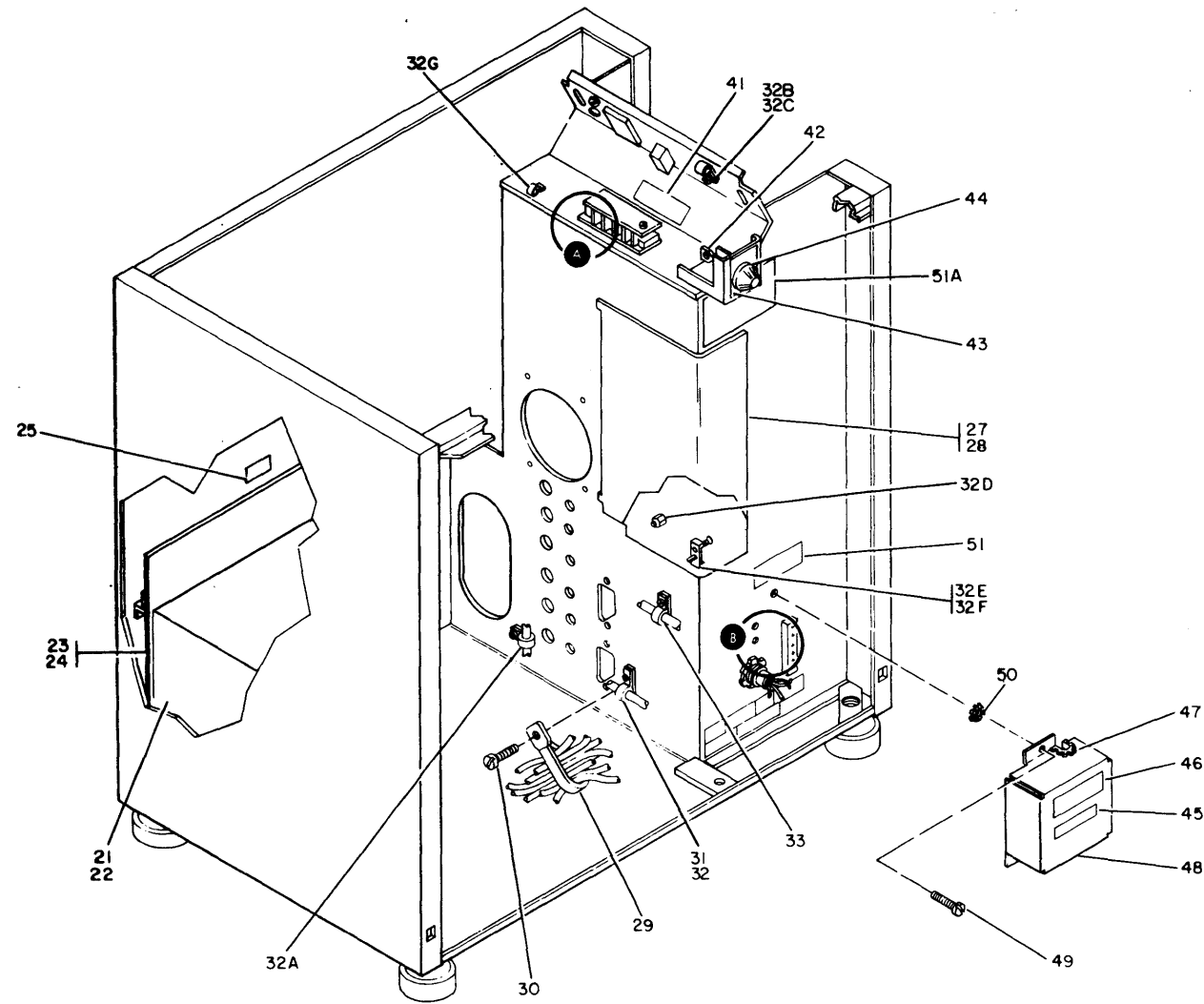


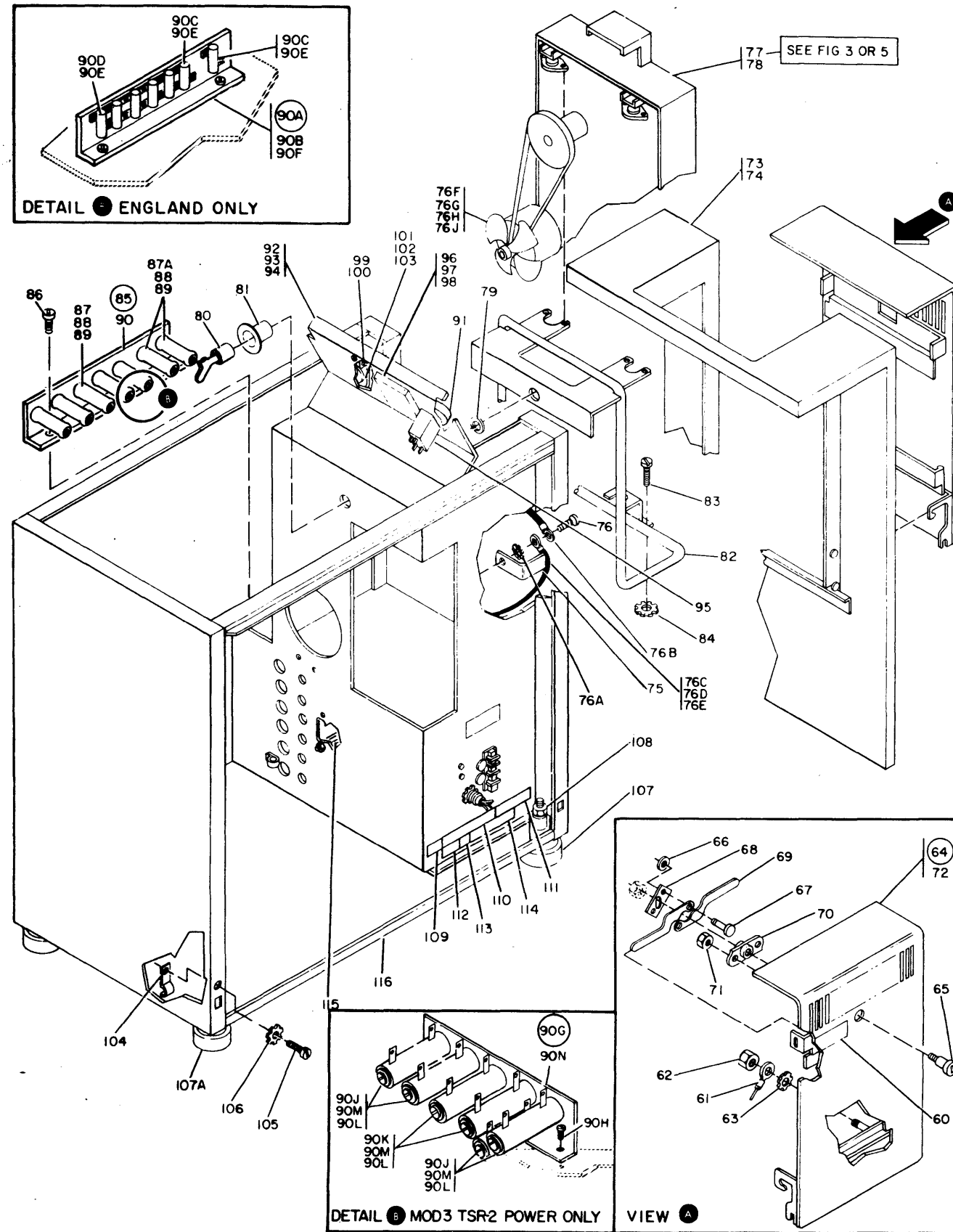
Figure 1. Final Assembly, 3601. Sheet 2 of 3. Index Nos. 21-59.

List 1. Final Assembly, 3601.

FIGURE-INDEX NUMBER	PART NUMBER	UNITS PER ASM.	DESCRIPTION			
			1	2	3	4
1 - 21	4400650	1	. POWER SUPPLY ASM. USED ON 100-123.5V MODS 2 AND 3 WITH TSR-3 POWER			
- 21	4400651	1	. POWER SUPPLY ASM. USED ON 220-240V MODS 2 AND 3 WITH TSR-3 POWER			
- 21	1740531	1	. POWER SUPPLY ASM. SUBSTITUTE FOR 4400651 WHEN MFG. BY WTC			
- 21	1659300	1	. POWER SUPPLY ASM. USED ON 100-123.5V MODS C AND D AND MODEL 2 WITH TSR-2 POWER			
- 21	4408700	1	. POWER SUPPLY ASM. SUBSTITUTE FOR 1659300 WHEN MFG BY WTC			
- 21	1659301	1	. POWER SUPPLY ASM. USED ON 220-240V MODS C AND D AND MODEL 2 WITH TSR-2 POWER			
- 21	4408701	1	. POWER SUPPLY ASM. SUBSTITUTE FOR 1659301 WHEN MFG. BY WTC			
- 21	1659320	1	. POWER SUPPLY ASM. USED ON 100-123.5V MOD 3 OR 2 WITH EXPANDED STORAGE AND TSR-2 POWER			
- 21	4408710	1	. POWER SUPPLY ASM. SUBSTITUTE FOR 1659320 WHEN MFG. BY WTC			
- 21	1659321	1	. POWER SUPPLY ASM. USED ON 220-240V MOD 3 OR 2 WITH EXPANDED STORAGE AND TSR-2 POWER			
- 21	4408711	1	. POWER SUPPLY ASM. SUBSTITUTE FOR 1659321 WHEN MFG. BY WTC SUBSTITUTE FOR 1659321 WHEN MFG. BY WTC			
- 22	5372858	4	. SCREW, HEX HD 10-32 X .50 LG ATT PT			
- 23	4406663	1	. PLATE, MTG. ATT PT			
- 24	2181004	4	. SCREW, HEX HD- 10-32 X 0.375 LG ATT PT			
- 25	124943	1	. LABEL-HAZARDOUS AREA			
- 27	1831811	1	. COVER			
- 28	10170	1	. SCREW, MACH-BIND HD 6-32 X 1/4 LG ATT PT			
- 29	1159255	1	. CLAMP, ADJUSTABLE			
- 30	32042	1	. SCREW, MACH BD HD- 10-32 X 3/8 LG ATT PT			
- 31	322250	1	. CLAMP, LOOP- 1 ID 0.199 DIA MTG HOLE			
- 32	32042	1	. SCREW, MACH BD HD- 10-32 X 3/8 LG ATT PT			
- 32A	825303	1	. CLAMP, CABLE			
- 32B	532393	1	. CLAMP-ADJUSTABLE CABLE			
- 32C	2181005	1	. SCREW, SELF TAPPING, 6-32 X .375 LG. ATT PT			
- 32D	5922560	2	. STANDOFF			
- 32E	398476	1	. TERMINAL			
- 32F	731631	1	. SCREW, PAN HD- 4-40 X 1/4 LG ATT PT			
- 32G	825303	1	. CLAMP, CABLE			
- 33	825303	2	. CLAMP, CABLE			
- 34	1652491	1	. RESISTOR ASM.			
- 35	582444	1	. COVER, TERMINAL BOARD			
- 36	10170	1	. SCREW, MACH-BIND HD 6-32 X 1/4 LG ATT PT			
- 37	322767	1	. TERMINAL BOARD- 10 DBL SCREW TERMINALS			
- 38	210883	1	. STUD-SHIELD MTG, TAPPED, NO. 6-32 ATT PT			
- 39	210884	1	. STUD-SHIELD MTG, NO. 6-32 ATT PT			
- 40	363434	1	. MARKER STRIP- 10 POS NOS. 1 THRU 10			
- 41	138755	1	. DECAL, INST-LINE V PRESENT W/MACH PWR OFF			
- 42	1655352	1	. FUSE- 5A USED WITH 50/60HZ 100/110/115/123.5 VOLT			
- 42	2456618	1	. FUSE, 3 AMP USED WITH 50 HZ 220/235 VOLT			
- 42	107669	1	. FUSE, 10A USED ON 100-123.5V MOD 3 WITH TSR-2 PWR			
- 42	1655352	1	. FUSE- 5A USED ON 220-240V MOD 3 WITH TSR-2 POWER			
- 43	1831786	1	. OVERLAY, FUSE USED WITH 50 HZ 220/235 VOLT ONLY			
- 43	4406668	1	. OVERLAY, FUSE USED ON 100-123.5V MOD 3 WITH TSR-2 PWR			
- 44	179946	1	. HOLDER-FUSE			
- 45	124943	1	. LABEL-HAZARDOUS AREA			
- 46	845762	1	. DECAL-VOLTAGE			
- 47	473442	1	. GROMMET - CATERPILLAR			
- 48	1831760	1	. COVER			
- 48	5240400	1	. COVER			
- 49	80651	2	. SCREW, THD CUTTING-PAN HD 6-32 X 0.375 LG ATT PT			
- 50	56722	1	. WASHER, LOCK-EXT TEETH NO. 6 ATT PT			
- 51	138755	1	. DECAL, INST-LINE V PRESENT W/MACH PWR OFF			

List 1. Final Assembly, 3601.

FIGURE- INDEX NUMBER	PART NUMBER	UNITS PER ASM.	DESCRIPTION				
			1	2	3	4	
1 - 51A	2542403	1	
- 52	2100264	1	
- 53	601093	2	
- 54	55901	2	
- 55	2582969	2	
- 56	367115	2	
- 57	5253824	1	
- 58	91610	2	
- 58A	5253823	1	
- 58B	5240405	1	
- 58C	1745328	1	
- 58D	598273	1	
- 58E	1860276	1	
- 59	601093	2	ATT PT



List 1. Final Assembly 3601.

FIGURE-INDEX NUMBER	PART NUMBER	UNITS PER ASM.	DESCRIPTION			
			1	2	3	4
1 - 60	4943614	1	NAMEPLATE-ENGLISH			
- 60	4943618	1	NAMEPLATE-GERMAN			
- 60	4943622	1	NAMEPLATE-FRENCH			
- 60	4943626	1	NAMEPLATE-SPANISH			
- 60	4943630	1	NAMEPLATE-ITALIAN			
- 60	4943610	1	NAMEPLATE-JAPANESE			
- 60	4405881	1	NAMEPLATE - CANADIAN FRENCH USED ON MODEL 2A			
- 60	4943615	1	NAMEPLATE-ENGLISH			
- 60	4943619	1	NAMEPLATE-GERMAN			
- 60	4943623	1	NAMEPLATE-FRENCH			
- 60	4943627	1	NAMEPLATE-SPANISH			
- 60	4943631	1	NAMEPLATE-ITALIAN			
- 60	4943611	1	NAMEPLATE-JAPANESE			
- 60	4405882	1	NAMEPLATE - CANADIAN FRENCH USED ON MODEL 2B			
- 60	4943616	1	NAMEPLATE-ENGLISH			
- 60	4943620	1	NAMEPLATE-GERMAN			
- 60	4943624	1	NAMEPLATE-FRENCH			
- 60	4943628	1	NAMEPLATE-SPANISH			
- 60	4943632	1	NAMEPLATE-ITALIAN			
- 60	4943612	1	NAMEPLATE-JAPANESE			
- 60	4405883	1	NAMEPLATE - CANADIAN FRENCH USED ON MODEL 3A			
- 60	4943617	1	NAMEPLATE-ENGLISH			
- 60	4943621	1	NAMEPLATE-GERMAN			
- 60	4943625	1	NAMEPLATE-FRENCH			
- 60	4943629	1	NAMEPLATE-SPANISH			
- 60	4943633	1	NAMEPLATE-ITALIAN			
- 60	4943613	1	NAMEPLATE-JAPANESE			
- 60	4405884	1	NAMEPLATE - CANADIAN FRENCH USED ON MODEL 3B			
- 60	4406054	1	NAMEPLATE - ENGLISH			
- 60	4406056	1	NAMEPLATE - GERMAN			
- 60	4406055	1	NAMEPLATE - FRENCH			
- 60	4406058	1	NAMEPLATE - SPANISH			
- 60	4406059	1	NAMEPLATE - ITALIAN			
- 60	4406057	1	NAMEPLATE - JAPANESE			
- 60	4409446	1	NAMEPLATE - CANADIAN FRENCH USED ON MODEL 2C			
- 60	4409450	1	NAMEPLATE - ENGLISH			
- 60	4409452	1	NAMEPLATE - GERMAN			
- 60	4409451	1	NAMEPLATE - FRENCH			
- 60	4409454	1	NAMEPLATE - SPANISH			
- 60	4409455	1	NAMEPLATE - ITALIAN			
- 60	4409453	1	NAMEPLATE - JAPANESE			
- 60	4409456	1	NAMEPLATE - CANADIAN FRENCH USED ON MODEL 3D			
- 60	4406060	1	NAMEPLATE - ENGLISH			
- 60	4406062	1	NAMEPLATE - GERMAN			
- 60	4406061	1	NAMEPLATE - FRENCH			
- 60	4406064	1	NAMEPLATE - SPANISH			
- 60	4406065	1	NAMEPLATE - ITALIAN			
- 60	4406063	1	NAMEPLATE - JAPANESE			
- 60	4409444	1	NAMEPLATE - CANADIAN FRENCH USED ON MODEL 3C			
- 60	4406674	1	NAMEPLATE - ENGLISH			
- 60	4406676	1	NAMEPLATE - GERMAN			
- 60	4406675	1	NAMEPLATE - FRENCH			
- 60	4406678	1	NAMEPLATE - SPANISH			
- 60	4406679	1	NAMEPLATE - ITALIAN			
- 60	4406677	1	NAMEPLATE - JAPANESE			
- 60	4406680	1	NAMEPLATE - CANADIAN FRENCH USED ON MODEL 3D			
- 61	1652489	1	JUMPER ASM.			
- 62	257189	1	NUT, HEX- 8-32			
- 63	55901	1	WASHER, LOCK-EXT TEETH NO. 8 X 0.381 OD			
- 64	1831796	1	COVER ASSEMBLY			
- 65	1831793	1	LOCK PLUG			
- 66	1073418	2	RING-RETAINING			
- 67	627247	2	PIN			
- 68	1831787	1	CAM			
- 69	1831788	2	BAR			
- 70	1831794	1	HOUSING			
- 71	37913	2	NUT-HEX 4-40 X .250 ID			
- 72	1831741	1	COVER			
- 73	4943669	1	COVER, END			

Figure 1. Final Assembly, 3601. Sheet 3 of 3. Index Nos. 60-116.

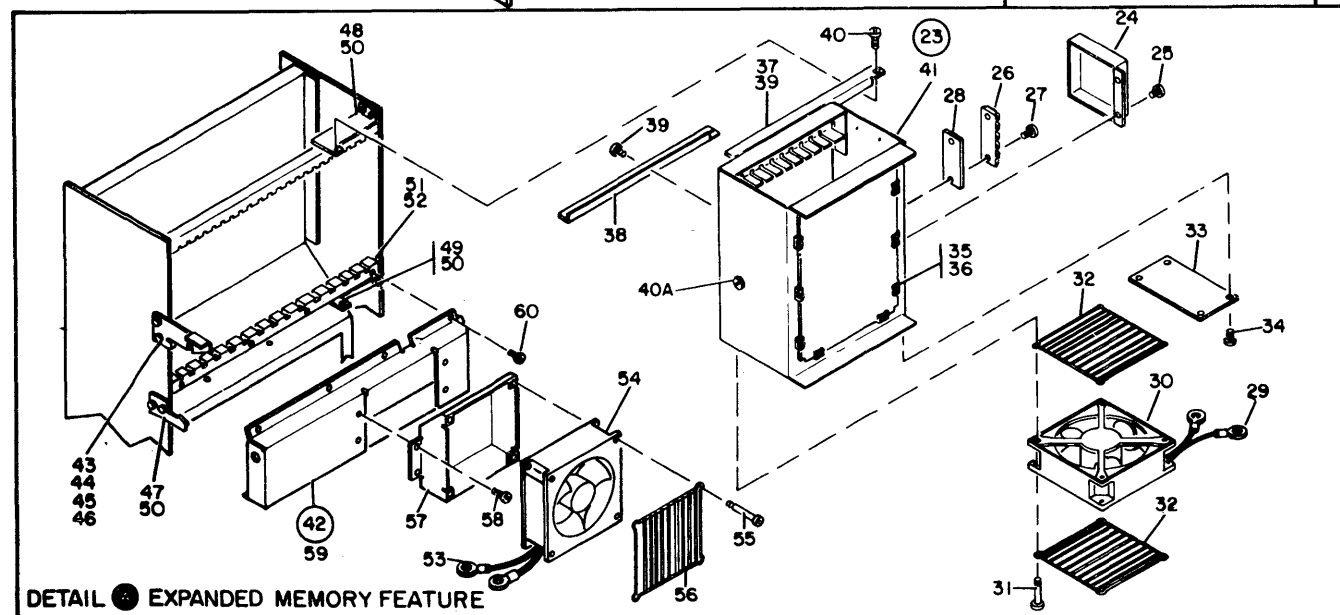
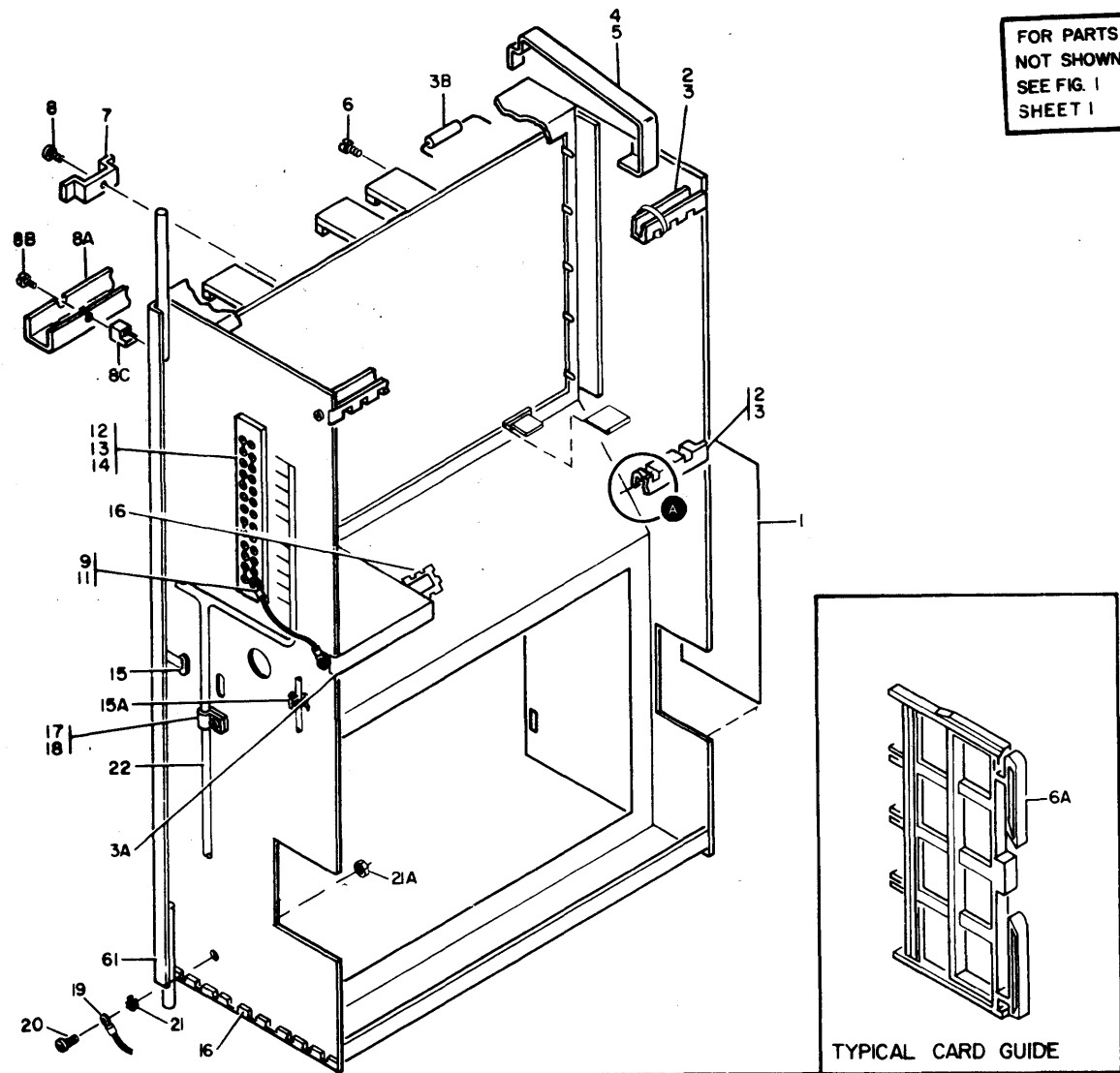
List 1. Final Assembly 3601.

FIGURE-INDEX NUMBER	PART NUMBER	UNITS PER ASM	DESCRIPTION
1 - 74	34512	2	. SCREW,BIND.HD 8-32 X .375 LG ATT PT
- 75	5271288	1	. TERMINAL,FIXED TAB
- 76	236550	1	. SCREW,MACH-BIND HD 4-40 X 0.375 LG ATT PT
- 76A	338169	1	. WASHER,LOCK-EXT TEETH NO. 4 X .260 OD ATT PT
- 76B	534758	1	. JUMPER ASM-GRN 7 IN. 14AWG 1 LUG EA END
- 76C	1842861	1	. JUMPER ASM
- 76D	2181005	1	. SCREW, SELF TAPPING, 6-32 X .375 LG. ATT PT
- 76E	56722	1	. WASHER,LOCK-EXT TEETH NO. 6 ATT PT
- 76F	1831815	1	. FAN BLADE
			USED WITH STORAGE EXPANSION FEATURE
- 76G	34512	1	. SCREW,BIND.HD 8-32 X .375 LG ATT PT
- 76H	846555	1	. WASHER ATT PT
- 76J	2903	1	. WASHER,FL-NO. 6 X 1/2 OD X 1/32 THK ATT PT
- 77	5562005	1	. DRIVE ASM,2 SIDED DISKETTE 110-115V 60HZ
- 77	5562006	1	. DRIVE ASM,2 SIDED DISKETTE 200-240V 50HZ
- 77	5562007	1	. DRIVE ASM,2 SIDED DISKETTE 123.5V 50HZ
			OLD STYLE USED ON MODS 2B AND 3B
- 77	5562137	1	. 2 SIDED DISKETTE DRIVE ASM,110/115V 60HZ
- 77	5562138	1	. 2 SIDED DISKETTE DRIVE ASM,200/235V 50HZ
- 77	5562139	1	. 2 SIDED DISKETTE DRIVE ASM,100/123V 50HZ
			NEW STYLE WITH NEW CONNECTOR USED ON MODS 2B,2D,3B AND 3D
			FOR DETAIL BREAKDOWN SEE FIGURE 3
- 77	2305561	1	. DRIVE ASM,1 SIDED DISKETTE 110-115V 60HZ
- 77	2305562	1	. DRIVE ASM,1 SIDED DISKETTE 200-240V 50HZ
- 77	2305563	1	. DRIVE ASM,1 SIDED DISKETTE 123.5V 50HZ
			OLD STYLE CONNECTOR,USED ON MODS 2A # 3A
- 77	2305516	1	. 1 SIDED DISKETTE DRIVE ASM,110/115V 60HZ
- 77	2305517	1	. 1 SIDED DISKETTE DRIVE ASM,200/235V 50HZ
- 77	2305518	1	. 1 SIDED DISKETTE DRIVE ASM,100/123V 50HZ
			NEW STYLE CONNECTOR,USED ON MODS 2A,2C, 3A AND 3C
			FOR DETAIL BREAKDOWN SEE FIGURE 5
- 78	10170	6	. SCREW,MACH-BIND HD 6-32 X 1/4 LG ATT PT
- 79	312575	1	. RING,RETAINING- 0.4375 ID X 0.040 THK
- 80	315912	1	. WING STUD
- 81	312573	1	. EYELET,TURNLOCK FASTENER- 0.354 ID
- 82	1831738	1	. FRAME, FILE
- 83	58207	1	. SCREW,MACH-UNDRCT BIND HD 8-32 X 1/4 LG
- 84	55901	1	. WASHER,LOCK-EXT TEETH NO. 8 X 0.381 OD
- 85	4943645	1	. RESISTOR ASSEMBLY
			USED ON STANDARD MACH.ALL TSR-3 MODELS- SEE INDEX 90A FOR ENGLAND
- 86	2181005	2	. SCREW, SELF TAPPING, 6-32 X .375 LG. ATT PT
- 87	526323	5	. . RESISTOR
- 87A	482499	2	. . RESISTOR,FXD WIREWOUND
- 88	438592	7	. . SCREW,MACH-BIND HD 8-32 X 2-1/4 LG ATT PT
- 89	22478	14	. . WASHER,FL- 0.170 ID 0.375 OD 0.32 THK
- 90	1652372	1	. . BRACKET
- 90A	5117990	1	. RESISTOR ASSEMBLY- ENGLAND
- 90B	2181005	2	. SCREW, SELF TAPPING, 6-32 X .375 LG. ATT PT
- 90C	5118034	2	. . RESISTOR
- 90D	2283009	5	. . RESISTOR- 20 OHM, 10WPM5a
- 90E	2600544	14	. . SCREW-PAN HD 2-56 ATT PT
- 90F	5117991	1	. . BRACKET
- 90G	4406661	1	. RESISTOR ASSEMBLY
			USED ON MODEL 3 WITH TSR-2 POWER
- 90H	2181005	2	. SCREW, SELF TAPPING, 6-32 X .375 LG. ATT PT
- 90J	528458	4	. RESISTOR,FXD PWR WW- 2 OHMS P/M 5a 25W
- 90K	501550	2	. RESISTOR,FXD,WW- 5 OHMS P/M 10a 25W
- 90L	438592	6	. SCREW,MACH-BIND HD 8-32 X 2-1/4 LG ATT PT
- 90M	22478	12	. WASHER,FL- 0.170 ID 0.375 OD 0.32 THK ATT PT
- 90N	1652372	1	. BRACKET
- 91	1831785	1	. BUTTON, ENGLISH/JAPANESE
- 91	1831805	1	. BUTTON, GERMAN
- 91	1831806	1	. BUTTON, FRENCH
- 91	1831807	1	. BUTTON, SPANISH
- 91	1831808	1	. BUTTON, ITALIAN
- 91	1831806	1	. BUTTON, FRENCH
- 92	4943667	1	. OPERATION PANEL
- 93	34512	2	. SCREW,BIND.HD 8-32 X .375 LG ATT PT
- 94	22478	2	. WASHER,FL- 0.170 ID 0.375 OD 0.32 THK ATT PT
- 95	5184238	1	. SWITCH, RESET
- 96	5252982	1	. SWITCH, POWER
- 97	5240406	1	. INSULATOR
- 98	10170	2	. SCREW,MACH-BIND HD 6-32 X 1/4 LG ATT PT
- 99	1652492	1	. SHIELD

List 1. Final Assembly 3601.

FIGURE-INDEX NUMBER	PART NUMBER	UNITS PER ASM	DESCRIPTION
1 -100	10170	1	. SCREW,MACH-BIND HD 6-32 X 1/4 LG ATT PT
-101	2396767	1	. INDICATOR, LED
-102	1842239	1	. CLAMP-LED MTG.
-104	2621483	2	. CLIP,GROUND-FRAME
-105	1154338	2	. SCREW ATT PT
-106	56722	2	. WASHER,LOCK-EXT TEETH NO. 6 ATT PT
-107	1831810	3	. GLIDE
-107	1652365	3	. GLIDE-WT
-107A	4943653	1	. GLIDE
-107A	4943668	1	. GLIDE-WT
-108	24107	4	. NUT,PLAIN,HEX- 3/8 X 9/16 FL W ATT PT
-109	855286	AR	. LABEL
-109	960766	AR	. PLATE
-110	5996127	1	. PLATE VOLTAGE
			SPECIFY APPLICABLE NOMENCLATURE- MACHINE NUMBER AND MODEL
-111	855284	1	. PLATE- MANUFACTURING EXPORT
-112	855282	1	. PLATE- SERIAL NO. LEFT
-113	855283	1	. PLATE- SERIAL NO. RIGHT
-114	855264	AR	. PLATE- MANUFACTURED BY USA
-114	855265	AR	. PLATE- MANUFACTURED BY
-114	855266	AR	. PLATE- MANUFACTURED BY WT
-114	855267	AR	. PLATE- MANUFACTURED FOR USA
-114	855268	AR	. PLATE- MANUFACTURED FOR
-114	855269	AR	. PLATE- MANUFACTURED FOR WT
-114	855270	AR	. PLATE- RECONDITIONED BY USA
-114	855271	AR	. PLATE- RECONDITIONED BY USA
-114	855272	AR	. PLATE- RECONDITIONED BY WT
-114	855273	AR	. PLATE- RENOVATED BY USA
-114	855274	AR	. PLATE- RENOVATED BY
-114	855275	AR	. PLATE- RENOVATED BY WT
-114	855276	AR	. PLATE- RECONDITIONED FOR USA
-114	855277	AR	. PLATE- RECONDITIONED FOR
-114	855278	AR	. PLATE- RECONDITIONED FOR WT
-114	855279	AR	. PLATE- RENOVATED FOR USA
-114	855280	AR	. PLATE- RENOVATED FOR
-114	855281	AR	. PLATE- RENOVATED FOR WT
-115	5922560	2	. STANDOFF
-116	4943648	1	. FRAME

FOR PARTS
NOT SHOWN
SEE FIG. 1
SHEET 1



DETAIL EXPANDED MEMORY FEATURE

Figure 2. Gate Assembly.

List 2. Gate Assembly.

FIGURE-INDEX NUMBER	PART NUMBER	UNITS PER ASM.	DESCRIPTION			
			1	2	3	4
2 -	4943635	REF	GATE ASSEMBLY FOR NEXT HIGHER ASM, SEE FIGURE 1-11 FOR ILLUSTRATION SEE FIGURE 2			
- 1	4944501	1	. LABEL			
- 1A	5420242	5	. TY-MINIATURE			
- 1B	1855687	6	. CLIP			
- 2	1837359	2	. CARD GUIDE			
- 3	58207	4	. SCREW, MACH-UNDRCT BIND HD 8-32 X 1/4 LG			
- 3A	4406683	1	. PLATE, FILLER			
- 3B	4943666	1	. RESISTOR ASM- 100 OHM, 1 WATT			
- 4	4943647	1	. LATCH			
- 5	70078	2	. SCREW, THD CUTTING-PAN HD 6-32 X 1/4 LG			
- 6	2191846	6	. SCREW, PAN HD- 4-40 X 1/2 LG			
- 6A	2732786	AR	. GUIDE, CARD POSITION O1A1-A2 M/D WRAP AND O1A2-P5			
- 6A	2732787	AR	. GUIDE, CARD POSITION O1A1-A2 E1A, B2, B4 AND O1A2-L2, N2 AND N4			
- 6A	2633955	AR	. GUIDE, CARD POSITION O1A1-C2-G2, K2, N2-V2, O1A2-B2-K2 AND O1B1-H2-K2			
- 6A	8240000	AR	. GUIDE, CARD POSITION O1A1-H2, J2 AND L2			
- 6A	2732785	AR	. GUIDE, CARD POSITION O1A1-M2 AND M4			
- 7	813179	6	. CLAMP-BOARD			
- 8	811417	6	. SCREW, HEX SOCKET H- 6-32 X 1/2 LG			
- 8A	4943986	1	. BRACKET			
- 8B	2181088	2	. SCREW, HEX SOC- 6-32 X 7/8 LG			
- 8C	4943655	2	. SPACER			
- 9	2180978	1	. JUMPER ASSEMBLY, 5 INCHES LONG			
- 11	55901	1	. WASHER, LOCK-EXT TEETH NO. 8 X 0.381 OD			
- 12	320461	1	. TERMINAL BOARD-13 POS			
- 13	91610	2	. SCREW, THD CTG-BIND HD 6-32 X 1/2 LG			
- 14	2101325	1	. PLATE, DESIGNATION-13 POS			
- 15	760221	1	. TIE, CABLE			
- 15A	5420242	1	. TY-MINIATURE			
- 16	473442	1	. GROMMET - CATERPILLAR			
- 17	1127179	1	. CLAMP, CABLE			
- 18	91610	1	. SCREW, THD CTG-BIND HD 6-32 X 1/2 LG			
- 19	5759506	1	. JUMPER, GROUND			
- 20	81693	1	. SCREW, MACH-BIND HD 6-32 X 3/8 LG			
- 21	56722	1	. WASHER, LOCK-EXT TEETH NO. 6			
- 21A	257187	1	. NUT, PLAIN, HEX- 6-32 X 3/8 FL W			
- 22	4943638	1	. CABLE ASM, SIGNAL AND DC-DISK FILE			
- 22	4943641	1	. CABLE ASM, SIGNAL COMM LINE INPUT			
- 22	4943637	1	. CABLE ASM, POWER DC INPUT TO GATE			
- 22	4943640	1	. CABLE ASM, LOOP ADAPTER-BOARD			
- 22	4943639	1	. CABLE ASM, POWER DIST-BOARD VOLTAGE			
- 23	4405851	1	. EXPANDED MEMORY FEATURE-GATE 01B			
- 24	4405841	1	. SHIELD, SAFETY			
- 25	10170	2	. SCREW, MACH-BIND HD 6-32 X 1/4 LG			
- 26	323838	1	. BLOCK, TERMINAL- 4 DOUBLE SCREWS			
- 27	322550	2	. SCREW, MACH, BIND HD- 6-32 X .5 LG			
- 28	515620	1	. INSULATOR			
- 29	5759738	2	. JUMPER			
- 30	597300	1	. FAN, AXIAL- 115V AC 1PH 60CPS			
- 30	4404222	1	. FAN, VENTURI			
- 31	438572	4	. SCREW, MACH-UNDRCT BIND HD 6-32 X 2 LG			
- 32	177946	2	. GUARD-FAN			
- 33	4405840	1	. PLATE, FILLER			
- 34	5319854	4	. SCREW, THD CUTTING-HEX HD 8-32 X 0.375 LG			
- 35	813179	6	. CLAMP-BOARD			
- 36	811417	6	. SCREW, HEX SOCKET H- 6-32 X 1/2 LG			
- 37	4405849	1	. PIVOT, UPPER			
- 38	4405850	1	. PIVOT, LOWER			
- 39	5319854	4	. SCREW, THD CUTTING-HEX HD 8-32 X 0.375 LG			
- 40	41117	2	. STUD 10/32			
- 40A	6907	1	. SCREW, MACH. BIND HD 10-32 X 5/8 LG			
- 41	1837154	1	. GATE			
- 42	4405852	1	. EXPANDED MEMORY FEATURE			
- 43	4405844	1	. LATCH			
- 44	139611	1	. SCREW			
- 45	56722	1	. WASHER, LOCK-EXT TEETH NO. 6			
- 46	257187	1	. NUT, PLAIN, HEX- 6-32 X 3/8 FL W			
- 47	4405845	1	. SUPPORT			

List 2. Gate Assembly.

FIGURE- INDEX NUMBER	PART NUMBER	UNITS PER ASM.	DESCRIPTION			
			1	2	3	4
2 - 48	4405842	1	.	.	PIVOT,UPPER	
- 49	4405843	1	.	.	PIVOT,LOWER	
- 50	5350012	3	.	.	SCREW, THD FORMING HEX WSR HD 8-32 X .25	ATT PT
- 51	4405848	1	.	.	CARD GUIDE	
- 52	58207	2	.	.	SCREW,MACH-UNDRCT BIND HD 8-32 X 1/4 LG	ATT PT
- 53	5759738	2	.	.	JUMPER	
- 54	4405855	1	.	.	FAN, 100-123.5V 50/60HZ	
- 54	4405856	1	.	.	FAN, 220-240V 50/60HZ	
- 55	438571	4	.	.	SCREW, BINDING HEAD, 6-32 NC X 1-3/4 LG.	ATT PT
- 56	177946	1	.	.	GUARD-FAN	
- 57	4405847	1	.	.	HOUSING,FAN	
- 58	10170	4	.	.	SCREW,MACH-BIND HD 6-32 X 1/4 LG	ATT PT
- 59	4405846	1	.	.	SUPPORT,FAN	
- 60	5350012	1	.	.	SCREW, THD FORMING HEX WSR HD 8-32 X .25	ATT PT
- 61	4943634	1	.	.	GATE ASSEMBLY	

FOR PARTS
NOT SHOWN
SEE FIG. 1
SHEET 1

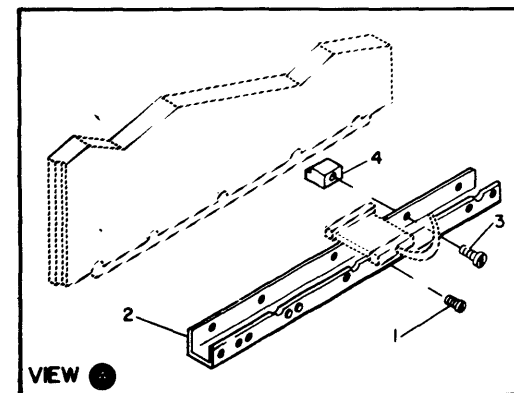
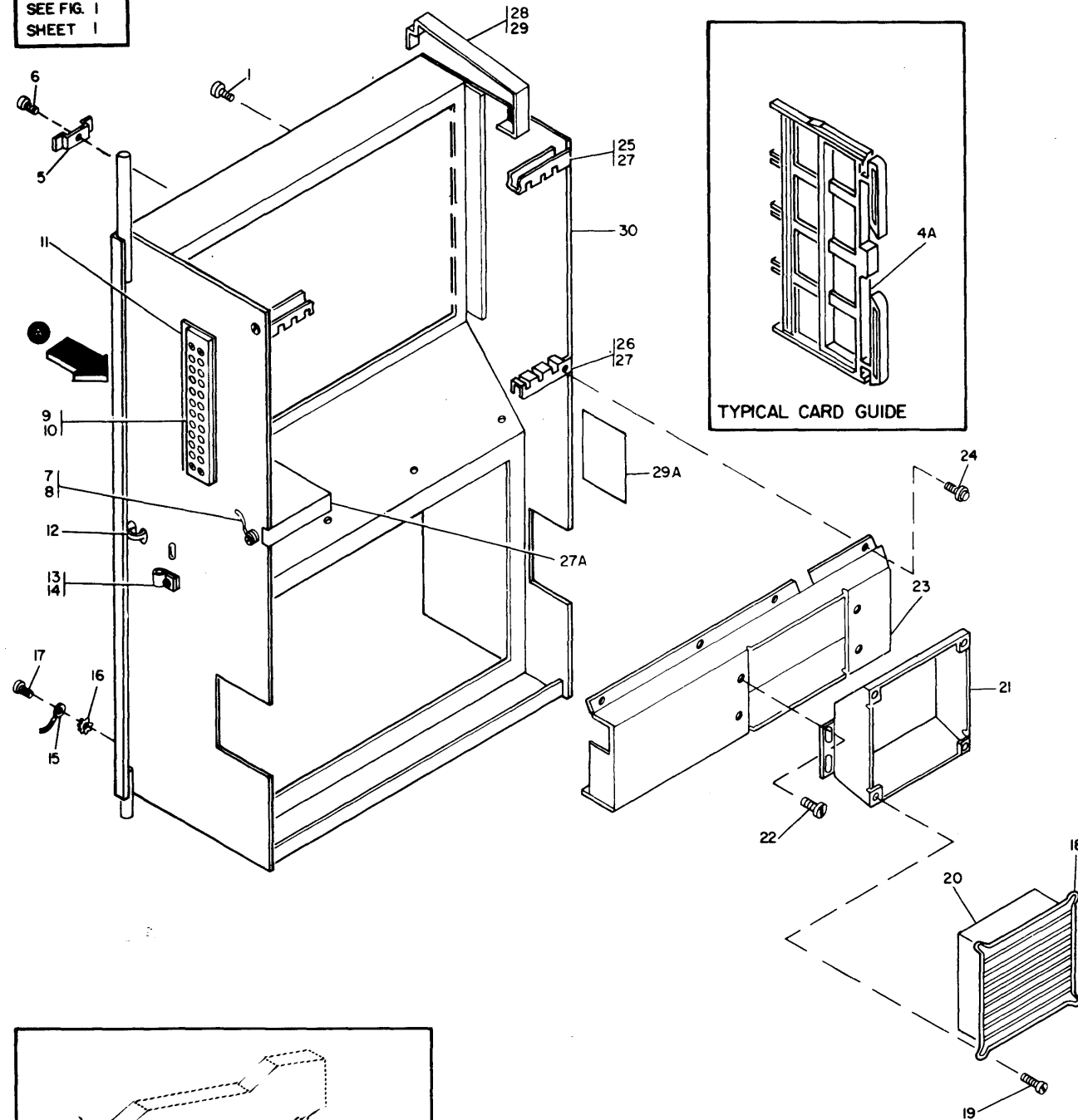
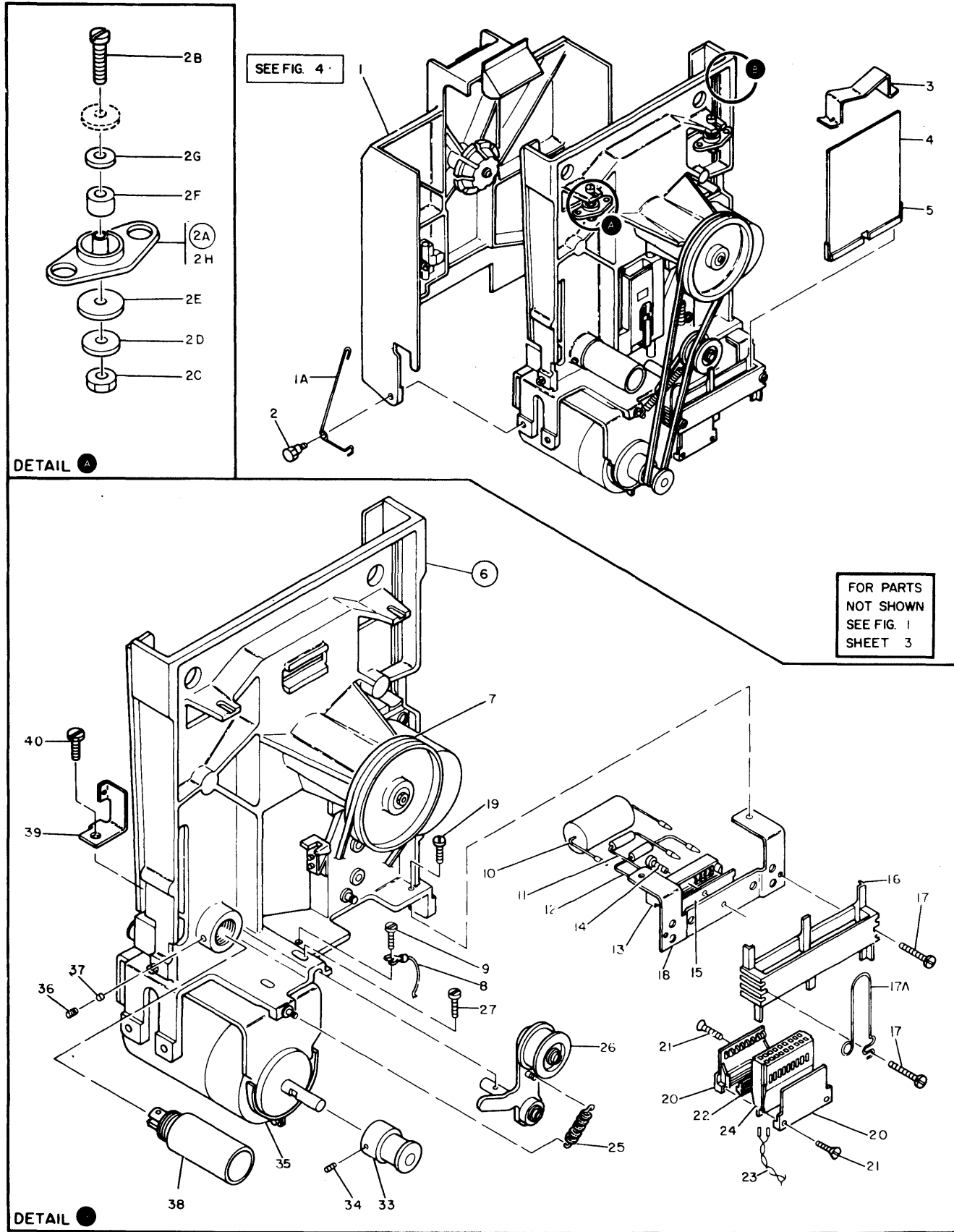


Figure 2A. Gate Assembly.

List 2A. Gate Assembly.

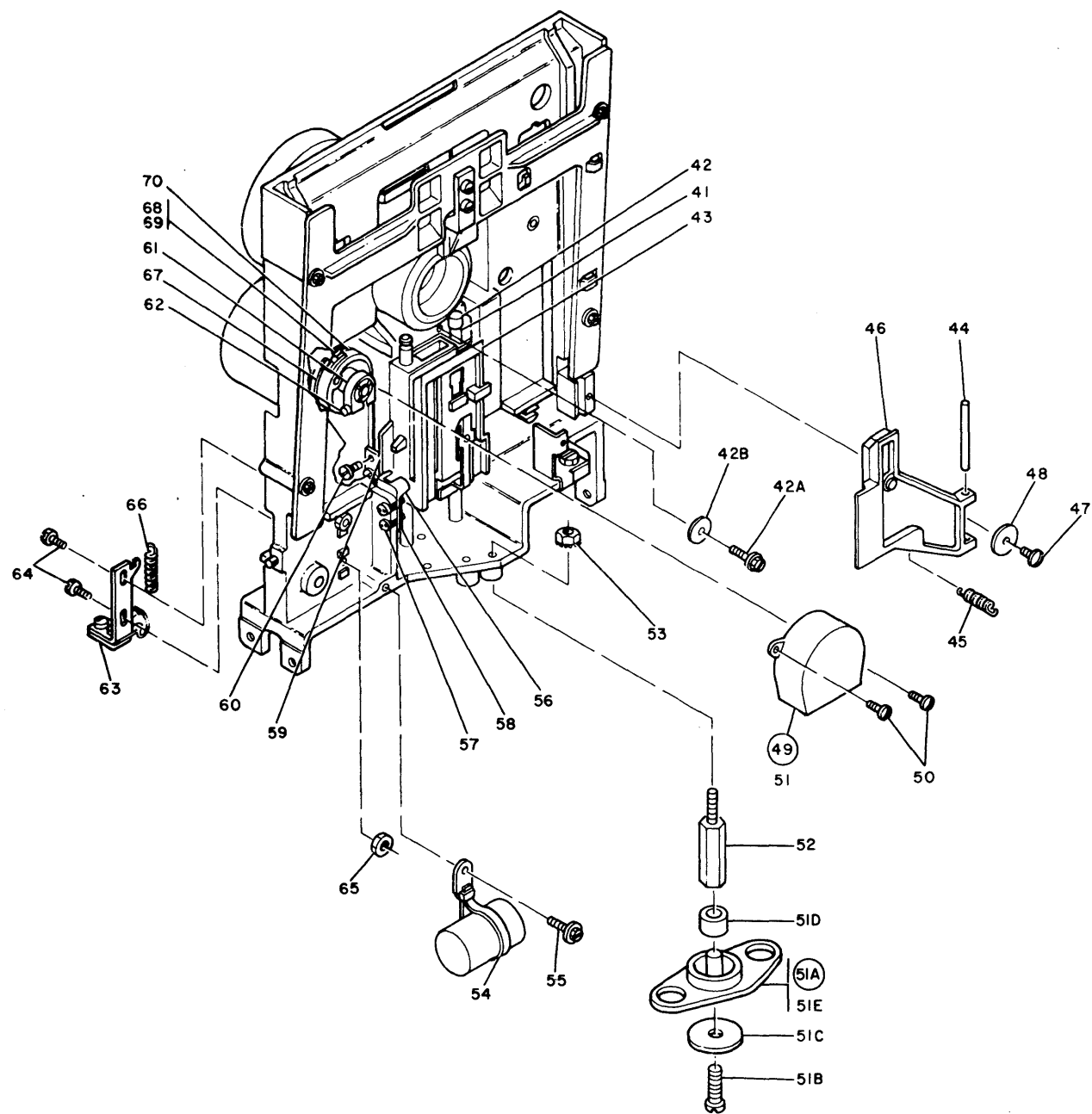
FIGURE- INDEX NUMBER	PART NUMBER	UNITS PER ASM.	DESCRIPTION			
			1	2	3	4
2A-	4406051	REF	GATE ASSEMBLY USED ON MODELS C AND D			
-	4946081	REF	GATE ASSEMBLY USED ON MODS 2A,2B,3A AND 3B WITH TSR-2 POWER FOR NEXT HIGHER ASM, SEE FIGURE 1-11			
- 1	2191846	6	• SCREW,PAN HD- 4-40 X 1/2 LG			
- 2	2621489	1	• BRACKET			
- 3	2181088	2	• SCREW,HEX SOC- 6-32 X 7/8 LG			
- 4	4943655	2	• SPACER			
- 4A	2732786	AR	• GUIDE, CARD POSITION 01A1-A2 M/D WRAP AND 01A2-P5			
- 4A	2732787	AR	• GUIDE, CARD POSITION 01A1-A2 E1A,B2,B4 AND 01A2-L2,N2 AND N4			
- 4A	2633955	AR	• GUIDE, CARD POSITION 01A1-C2-G2,K2,N2-V2,01A2-B2-K2 AND 01B1-H2-K2			
- 4A	8240000	AR	• GUIDE, CARD POSITION 01A1-H2,J2 AND L2			
- 4A	2732785	AR	• GUIDE, CARD POSITION 01A1-M2 AND M4			
- 5	813179	6	• CLAMP-BOARD			
- 6	811417	6	• SCREW,HEX SOCKET H- 6-32 X 1/2 LG			
- 7	2180978	1	• JUMPER ASSEMBLY, 5 INCHES LONG			
- 8	55901	1	• WASHER,LOCK-EXT TEETH NO. 8 X 0.381 OD			
- 9	320461	1	• TERMINAL BOARD-13 POS			
- 10	91610	2	• SCREW,THD CTG-BIND HD 6-32 X 1/2 LG			
- 11	2101325	1	• PLATE,DESIGNATION-13 POS			
- 12	760221	1	• TIE,CABLE			
- 13	1127179	1	• CLAMP,CABLE			
- 14	91610	1	• SCREW,THD CTG-BIND HD 6-32 X 1/2 LG			
- 15	5759506	1	• JUMPER,GROUND			
- 16	56722	1	• WASHER,LOCK-EXT TEETH NO. 6			
- 17	91610	1	• SCREW,THD CTG-BIND HD 6-32 X 1/2 LG			
- 18	177946	1	• GUARD-FAN			
- 19	438571	2	• SCREW, BINDING HEAD, 6-32 NC X 1-3/4 LG.			
- 20	597300	1	• FAN,100-123.5V 50/60HZ			
- 20	5313850	1	• FAN,220V 50HZ			
- 20	4404222	1	• FAN,240V 50HZ			
- 20	4120526	1	• FAN,240V 50HZ SUBSTITUTE FOR 4404222 WHEN MFG. BY WTC			
- 21	4405847	1	• HOUSING,FAN			
- 22	10170	4	• SCREW,MACH-BIND HD 6-32 X 1/4 LG			
- 23	4405846	1	• SUPPORT,FAN			
- 24	5319854	8	• SCREW,THD CUTTING-HEX HD 8-32 X 0.375 LG			
- 25	1837359	1	• CARD GUIDE			
- 26	4405848	1	• CARD GUIDE			
- 27	58207	4	• SCREW,MACH-UNDRCT BIND HD 8-32 X 1/4 LG			
- 27A	4406683	1	• PLATE, FILLER			
- 28	4943647	1	• LATCH			
- 29	70078	2	• SCREW,THD CUTTING-PAN HD 6-32 X 1/4 LG			
- 29A	4406681	1	• LABEL USED ON TSR-2 POWER MODELS			
- 30	4943634	1	• GATE ASSEMBLY			



List 3. 2 Sided Diskette Drive Assembly.

FIGURE-INDEX NUMBER	PART NUMBER	UNITS PER ASM.	DESCRIPTION			
			1	2	3	4
3 -	5562005	REF	DRIVE ASM, 2 SIDED DISKETTE 110-115V 60HZ			
-	5562006	REF	DRIVE ASM, 2 SIDED DISKETTE 200-240V 50HZ			
-	5562007	REF	DRIVE ASM, 2 SIDED DISKETTE 123.5V 50HZ OLD STYLE USED ON MODS 2B AND 3B			
-	5562137	REF	2 SIDED DISKETTE DRIVE ASM, 110/115V 60HZ			
-	5562138	REF	2 SIDED DISKETTE DRIVE ASM, 200/235V 50HZ			
-	5562139	REF	2 SIDED DISKETTE DRIVE ASM, 100/123V 50HZ NEW STYLE WITH NEW CONNECTOR USED ON MODS 2B, 2D, 3B AND 3D FOR NEXT HIGHER ASM, SEE FIGURE 1-77			
- 1	5562031	1	COVER ASM, STANDARD AND FAN PULLEY FOR DETAIL BREAKDOWN SEE FIGURE 4			
- 1A	5562313	1	. SPRING			
- 2	2305553	2	. PIVOT			
- 2A	2305556	2	. SHOCKMOUNT ASM., UPPER			
- 2B	438570	1	. SCREW, MACH-BIND HD 6-32 X 1-1/2 LG			
- 2C	257187	1	. NUT, PLAIN, HEX- 6-32 X 3/8 FL W			
- 2D	6364	1	. WASHER, LOCK-SPLIT NO. 6 X 1/4 OD			
- 2E	2278074	1	. WASHER			
- 2F	2278073	1	. COLLAR			
- 2G	631865	1	. WASHER, FLAT			
- 2H	2305625	1	. SHOCKMOUNT			
- 3	5562067	1	. RETAINER			
- 4	8527124	1	. CARD ASM, 3 X 2			
- 4	8527157	1	. CARD ASM, 2 X 2			
- 5	811804	1	. GUIDE, CARD			
- 6	5562030	1	. PLATE ASSEMBLY, BASE			
- 7	2305616	1	. BELT			
- 8	2305598	1	. JUMPER ASM			
- 9	81693	1	. SCREW, MACH-BIND HD 6-32 X 3/8 LG			
- 10	2103010	1	. CAPACITOR ASM. NOTE> WHEN REPLACING CAPACITOR ASM, CLAMP P/N 532393 MUST ALSO BE REPLACED			
- 11	5562096	1	. RESISTOR ASM.			
- 12	2127635	1	. RESISTOR ASM.			
- 13	302090	1	. CONNECTOR, RECP, ELEC- 24 FEMALE CONTACTS			
- 14	438549	1	. SCREW, MACH-BIND HD 4-40 X 7/16 LG			
- 15	302131	1	. INSULATOR, TERMINAL BLOCK			
- 16	2274833	1	. CONNECTOR			
- 17	438567	2	. SCREW, MACH-UNDRCT BIND HD 6-32 X 1 LG			
- 17A	5562102	1	. GUIDE, CABLE			
- 18	5562066	1	. BRACKET			
- 19	81693	2	. SCREW, MACH-BIND HD 6-32 X 3/8 LG			
- 20	5466397	2	. STRAIN RELIEF			
- 21	109918	2	. SCREW, THD CUTTING-FLAT HD 4-40 X 1/2 LG			
- 22	5466393	2	. CLAMP, STRAIN RELIEF			
- 23	5562077	1	. CABLE-SOLENOID			
- 24	5447741	1	. HOUSING, SINGLE HI			
- 25	2305726	1	. SPRING			
- 26	5562020	1	. IDLER ASM, BELT			
- 27	81693	1	. SCREW, MACH-BIND HD 6-32 X 3/8 LG			
- 33	2305597	1	. PULLEY - 60 HZ			
- 34	257970	1	. SETSCREW-SPLINE DR FP 6-32 X 1/4 LG			
- 35	2305675	1	. MOTOR AND BRACKET ASM.-OLD STYLE USED ON 60HZ ONLY			
- 35	2305676	1	. MOTOR AND BRACKET ASM.-OLD STYLE USED ON 50HZ 110/123.5V ONLY			
- 35	2305677	1	. MOTOR AND BRACKET ASM.-OLD STYLE USED ON 50HZ 200/240V ONLY			
- 35	4178051	1	. MOTOR AND BRACKET ASM.-NEW STYLE CONN. USED ON 110/115V 60HZ			
- 35	4178055	1	. MOTOR AND BRACKET ASM.-NEW STYLE CONN. USED ON 110/123.5V 50HZ ONLY			
- 35	4178057	1	. MOTOR AND BRACKET ASM.-NEW STYLE CONN. USED ON 200/230V 50HZ			
- 36	195	1	. SCREW, SET- 6 FLT 10-32 X 0.19 LG			
- 37	5562101	1	. PELLET			
- 38	5562064	1	. SOLENOID			
- 39	5562046	1	. BRACKET, BAIL SPRING			
- 40	234341	1	. SCREW, ASMD WASHER-FIL HD 1/4-20 X 5/8 LG			

Figure 3. 2 Sided Diskette Drive Assembly. Sheet 1 of 3. Index Nos. 1-40.



List 3. 2 Sided Diskette Drive Assembly.

FIGURE- INDEX NUMBER	PART NUMBER	UNITS PER ASM.	DESCRIPTION					
			1	2	3	4		
3 - 41	5562038	2	ROD-GUIDE	
- 42	2181011	2	SCREW, SELF-TAPPING- 6-32 X 0.500 LG	ATT PT
- 42A	2181011	2	SCREW, SELF-TAPPING- 6-32 X 0.500 LG	
- 42B	591469	2	WASHER-INSUL 0.37 OD 0.141 ID 0.06 THK	
- 43	1708300	1	CARRIAGE ASM, HEAD	
- 44	5562098	1	PIN	
- 45	150676	1	SPRING	
- 46	5562049	1	BAIL ASM.	
- 47	10170	1	SCREW, MACH-BIND HD 6-32 X 1/4 LG	ATT PT
- 48	110029	1	WASHER, FL-NO 8 X 5/8 OD X 1/16 THK	
- 49	5562088	1	COVER/WIPER ASM	
- 50	55726	2	SCREW, MACH-BIND HD 6-32 X .188 LG	
- 51	5562035	1	WIPER	
- 51A	2305557	1	SHOCKMOUNT ASM, LOWER	
- 51B	438568	1	SCREW, MACH-UNDRCT BIND HD 6-32 X 1-1/8	
- 51C	2278074	1	WASHER	
- 51D	2278073	1	COLLAR	
- 51E	2280710	1	SHOCKMOUNT	
- 52	2305697	1	STANDOFF	
- 53	602721	1	NUT, LOCK- 10-32	ATT PT
- 54	532393	1	CLAMP-ADJUSTABLE CABLE	
- 55	5349929	1	SCREW, THD FORMING- 8-32 X 0.500 LG	ATT PT
- 56	5562036	NR	BLOCK-TIMING	
- 57	5562069	NR	SCREW	ATT PT
- 58	5562072	NR	NUT PLATE	ATT PT
- 59	5562041	1	CLAMP	
- 60	236550	2	SCREW, MACH-BIND HD 4-40 X 0.375 LG	ATT PT
- 61	5562099	1	CLAMP	
- 62	186925	1	SCREW, FLUTED SH 4-40 X 5/8 LG	ATT PT
- 63	5562085	1	PULLEY ASM.	
- 64	5562103	2	SCREW	ATT PT
- 65	257189	2	NUT, HEX- 8-32	ATT PT
- 66	5562051	1	SPRING	
- 67	5562044	1	BAND	
- 68	5562037	1	CLAMP	
- 69	438548	2	SCREW, MACH-BIND HD 4-40 X 3/16 LG	ATT PT
- 70	5562086	1	PULLEY-DRIVE	

Figure 3. 2 Sided Diskette Drive Assembly. Sheet 2 of 3. Index Nos. 41-70.

List 3. 2 Sided Diskette Drive Assembly.

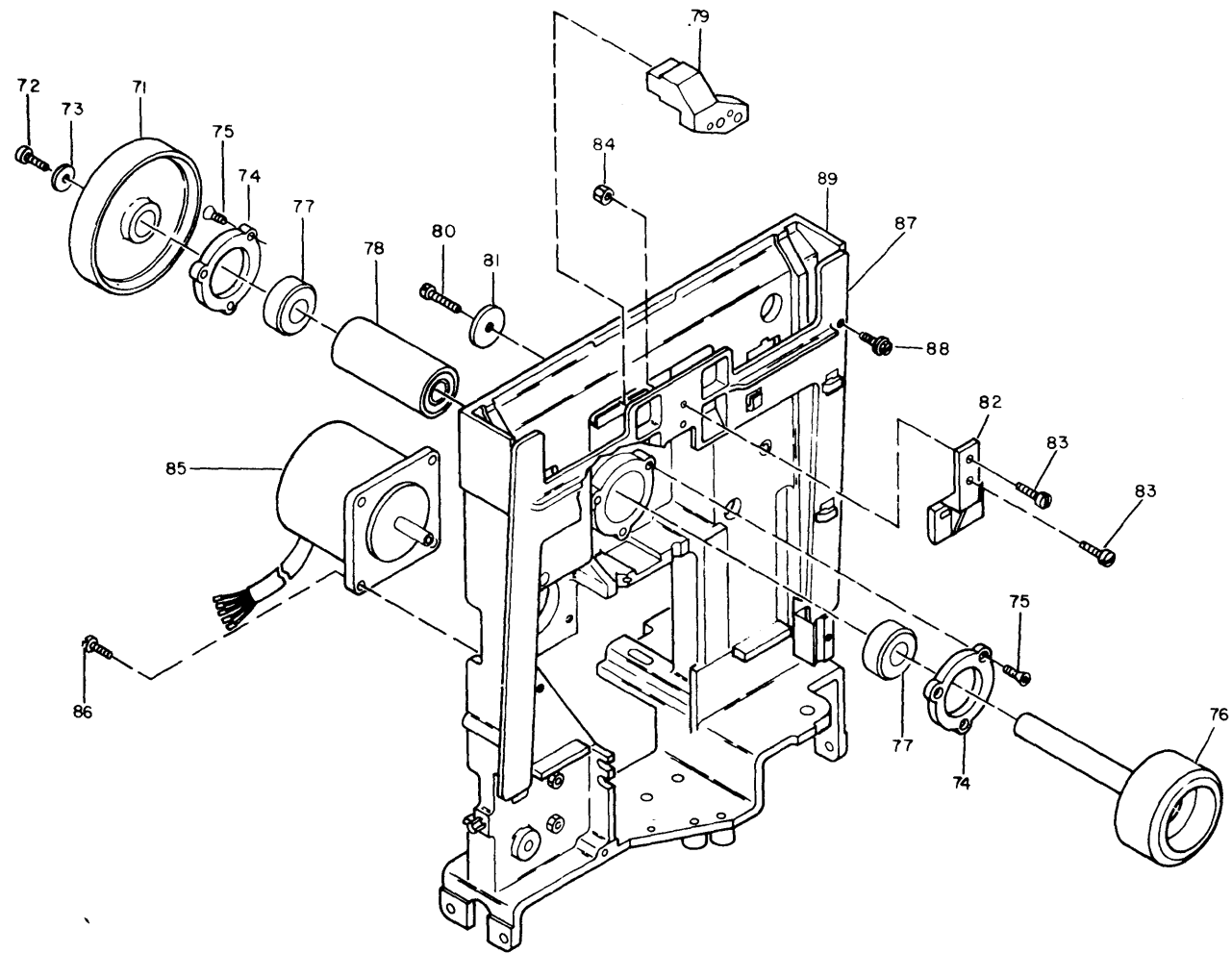
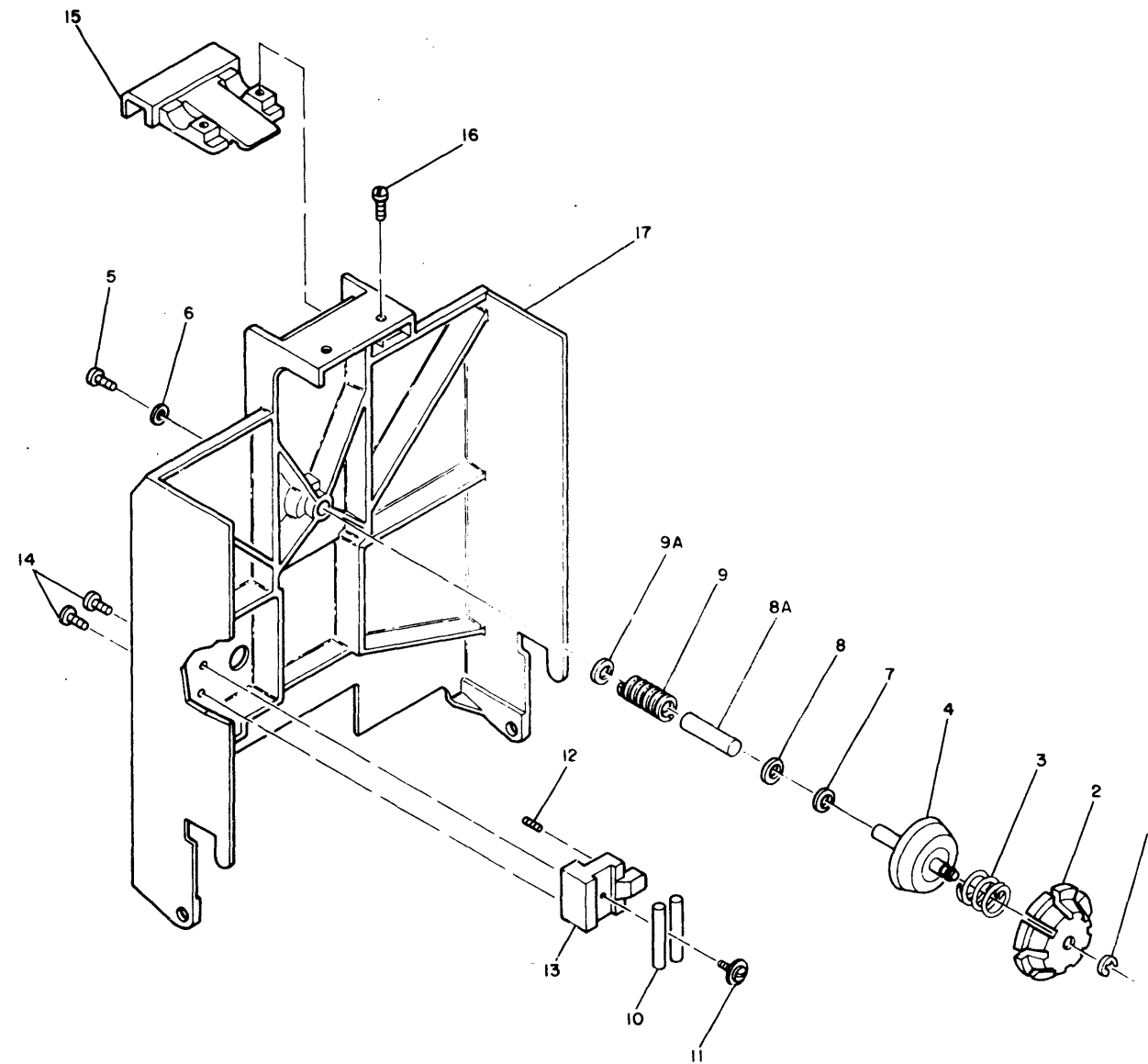


FIGURE- INDEX NUMBER	PART NUMBER	UNITS PER ASM.	DESCRIPTION				
			1	2	3	4	
3 - 71	2305621	NR	1	.	.	PULLEY	
- 72	5562071	NR	1	.	.	SCREW	ATT PT
- 73	49374	NR	1	.	.	WASHER	ATT PT
- 74	2305546	NR	2	.	.	RETAINER	
- 75	2305547	NR	6	.	.	SCREW,FLT HD- 8-32 X 0.44 LG	ATT PT
- 76	2305619	NR	1	.	.	HUB, DISC DRIVE	
- 77	5344991	NR	2	.	.	BEARING	
- 78	2305620	NR	1	.	.	SPACER	
- 79	5562083	NR	1	.	.	TRANSISTOR ASM,PHOTO	
- 80	170241	NR	1	.	.	SCREW AND LOCKWASHER ASM 6-32 X 0.750 LG	ATT PT
- 81	2130285	NR	1	.	.	WASHER,FLAT	ATT PT
- 82	5562081	NR	1	.	.	L.E.D. ASM.	
- 83	81693	NR	2	.	.	SCREW,MACH-BIND HD 6-32 X 3/8 LG	ATT PT
- 84	257187	NR	2	.	.	NUT,PLAIN,HEX- 6-32 X 3/8 FL W	ATT PT
- 85	5562053	NR	1	.	.	MOTOR-STEPPER	
- 86	81693	NR	1	.	.	SCREW,MACH-BIND HD 6-32 X 3/8 LG	
- 87	5562061	NR	1	.	.	GUIDE-POST	
- 88	5700484	NR	4	.	.	SCREW, SELF TAPPING, 4-40 X .375 LG.	ATT PT
- 89	5562082	NR	1	.	.	CASTING ASM.	

Figure 3. 2 Sided Diskette Drive Assembly. Sheet 3 of 3. Index Nos. 71-89.

FOR PARTS
NOT SHOWN
SEE FIG. 3
SHEET 1

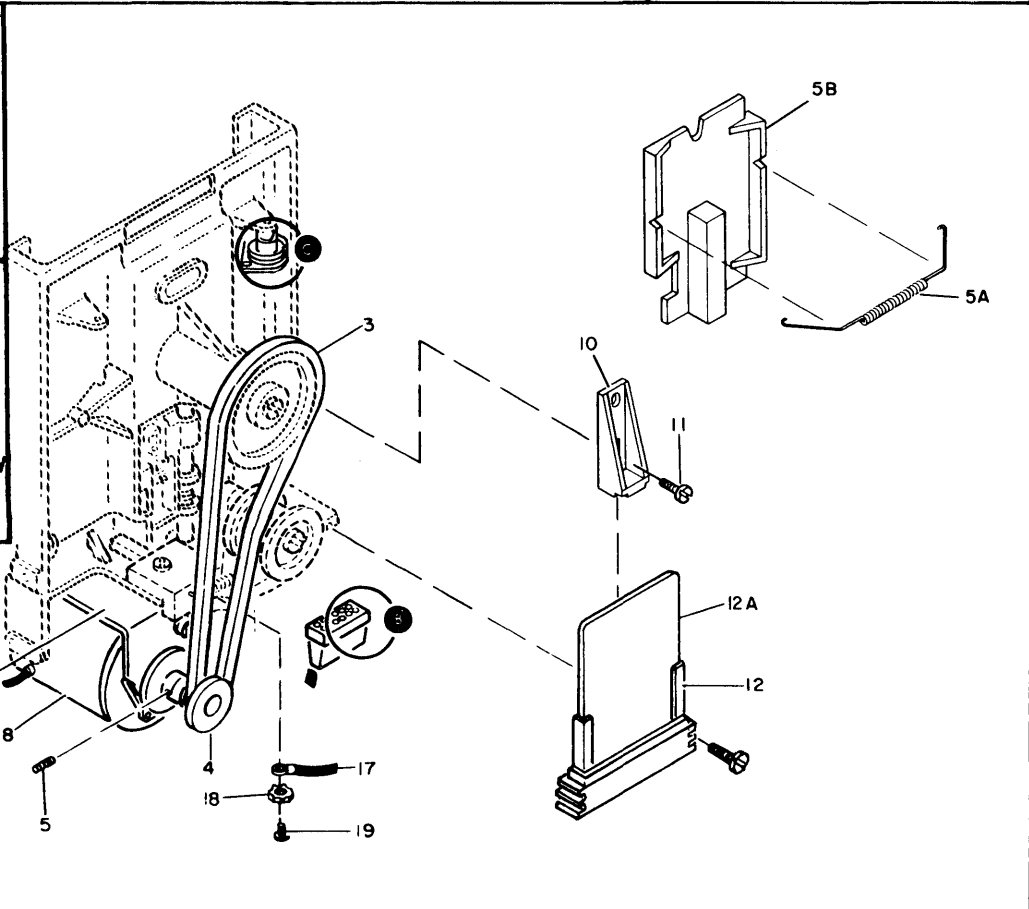
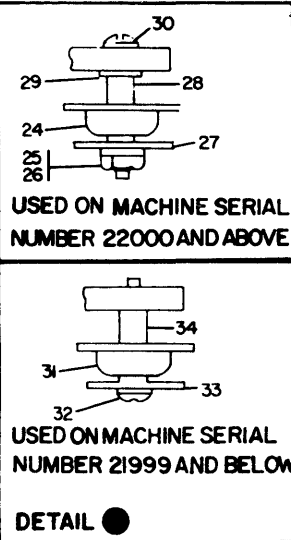
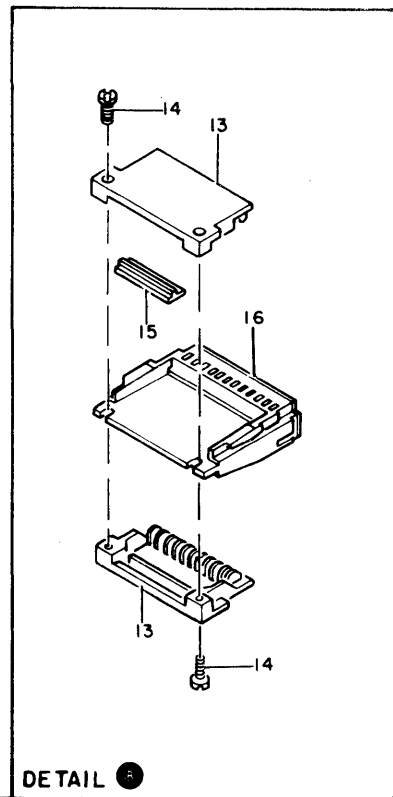
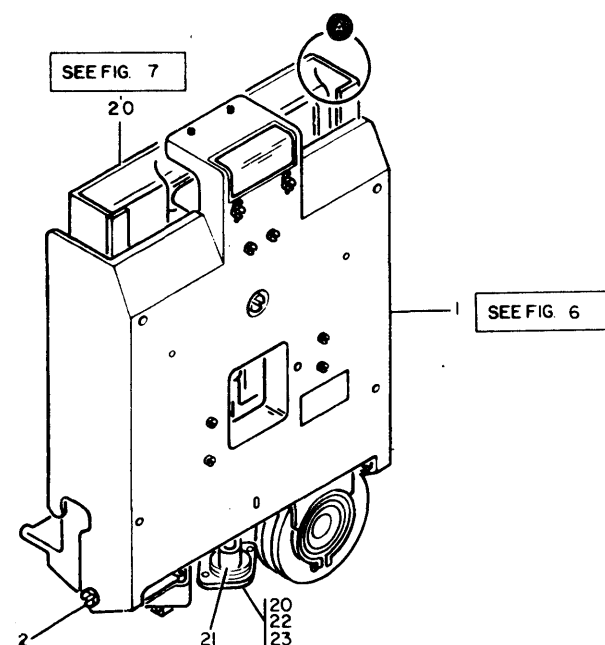


List 4. File Cover Assembly.

FIGURE- INDEX NUMBER	PART NUMBER	UNITS PER ASM.	DESCRIPTION			
			1	2	3	4
4 -	5562031	REF	COVER ASM, STANDARD AND FAN PULLEY FOR NEXT HIGHER ASM, SEE FIGURE 3-1			
- 1	332747	1	• RING, RETAINING-EXT 0.207 ID X 0.025 THK			
- 2	2305644	1	• COILET			
- 3	2305647	1	• SPRING, COMPRESSION			
- 4	2305526	1	• CONE AND SHAFT ASM			
- 5	34512	1	• SCREW, BIND, HD 8-32 X .375 LG			
- 6	2903	1	• WASHER, FL-NO. 6 X 1/2 OD X 1/32 THK			
- 7	555427	1	• SHIM			
- 8	25018	1	• WASHER, 0.255 ID X 0.50 OD X 0.046 THK			
- 8A	2305462	1	• SLEEVE			
- 9	2305646	1	• SPRING, COMPRESSION			
- 9A	120571	1	• WASHER, FL- 1/4 X 5/8 OD X 1/16 THK			
- 10	5562019	2	• TIMING PIN			
- 11	1164265	1	• SCREW			
- 12	311167	1	• SCREW, SET-NYLOK 10-32 X 3/8 LG			
- 13	5562084	1	• BACKSTOP			
- 14	81693	2	• SCREW, MACH-BIND HD 6-32 X 3/8 LG			
- 15	2305650	1	• LATCH			
- 16	322550	2	• SCREW, MACH, BIND HD- 6-32 X .5 LG			
- 17	5562062	1	• COVER			

Figure 4. File Cover Assembly.

FOR PARTS
NOT SHOWN
SEE FIG. 1
SHEET 3



List 5. 1 Sided Diskette Drive Assembly.

FIGURE-INDEX NUMBER	PART NUMBER	UNITS PER ASM.	DESCRIPTION
5 -	2305561	REF	DRIVE ASM,1 SIDED DISKETTE 110-115V 60HZ
-	2305562	REF	DRIVE ASM,1 SIDED DISKETTE 200-240V 50HZ
-	2305563	REF	DRIVE ASM,1 SIDED DISKETTE 123.5V 50HZ
-	2305516	REF	1 SIDED DISKETTE DRIVE ASM,110/115V 60HZ
-	2305517	REF	1 SIDED DISKETTE DRIVE ASM,200/235V 50HZ
-	2305518	REF	1 SIDED DISKETTE DRIVE ASM,100/123V 50HZ
-	2305602	1	NEW STYLE CONNECTOR USED ON MODS.2A,2C, 3A AND 3C FOR NEXT HIGHER ASM, SEE FIGURE 1-77 DISK CLAMPING PLATE ASM FOR DETAIL BREAKDOWN SEE FIGURE 6
- 2	2305649	1	PIN
- 3	2305616	1	BELT
- 4	2305597	1	PULLEY - 60 HZ
- 4	2305540	1	PULLEY - 50 HZ
- 5	257970	1	SETSCREW-SPLINE DR FP 6-32 X 1/4 LG
- 5A	2772892	1	SPRING
- 5B	2594695	1	SHIELD ASM
- 6	2305675	1	MOTOR # BRACKET ASM
- 6	2305676	1	MOTOR AND BRACKET ASM 50 HZ 115V
- 6	2305677	1	MOTOR AND BRACKET ASM 50 HZ 208V
- 6	4178051	1	MOTOR AND BRACKET ASM.- NEW STYLE CONN. USED ON 110-115V 60HZ
- 6	4178053	1	MOTOR AND BRACKET ASM.- NEW STYLE CONN. USED ON 110-123.5V 50HZ
- 6	4178057	1	MOTOR AND BRACKET ASM.- NEW STYLE CONN. USED ON 200-230V 50HZ
- 7	234341	2	SCREW,ASMD WASHER-FIL HD 1/4-20 X 5/8 LG
- 8	2305672	1	MOTOR ASM,110-115V 60HZ -OLD STYLE CONN.
- 8	2305706	1	MOTOR ASM,110-123.5V 50HZ-OLD STYLE CONN.
- 8	2305707	1	MOTOR ASM,200-230V 50HZ -OLD STYLE CONN.
- 8	4178050	1	MOTOR ASM,100-115V 60HZ-NEW STYLE CONN.
- 8	4178054	1	MOTOR ASM,100-123.5V 50HZ-NEW STYLE CONN.
- 8	4178056	1	MOTOR ASM,200-235V 50HZ-NEW STYLE CONN.
- 9	2305632	1	BRACKET USED WITH OLD STYLE MOTOR
- 9	2305632	1	BRACKET USED WITH NEW STYLE MOTOR
- 10	2305474	1	HOLDER, CARD
- 11	2181005	1	SCREW, SELF TAPPING, 6-32 X .375 LG.
- 12	811804	1	GUIDE,CARD
- 12A	8524194	1	CARD ASM 3X2
- 12A	8528202	1	CARD ASM 2X2
- 13	5466397	2	STRAIN RELIEF
- 14	109918	2	SCREW,THD CUTTING-FLAT HD 4-40 X 1/2 LG
- 15	5466393	2	CLAMP,STRAIN RELIEF
- 16	5447741	1	HOUSING,SINGLE HI
- 17	2305598	1	JUMPER ASM
- 18	2305548	1	SCREW
- 19	56722	1	WASHER,LOCK-EXT TEETH NO. 6
- 20	2305700	1	BASE PLATE ASSEMBLY FOR DETAIL BREAKDOWN SEE FIGURE 7
- 21	2280710	1	SHOCKMOUNT
- 22	2278073	1	COLLAR
- 23	438568	1	SCREW,MACH-BD HD 6-32 X 1-1/8 LG
- 24	2278074	1	WASHER,SNUB .170 ID X .88 OD X .032 THK
- 25	2305625	2	SHOCKMOUNT
- 26	257187	2	NUT,HEX 6-32
- 27	6364	2	LOCKWASHER,SLIT NO.6 X 1/4 OD
- 28	2278074	2	WASHER,SNUB .17 ID X .88 OD X .032 THK
- 29	2278073	2	COLLAR
- 30	631865	2	WASHER,FLAT .147 ID X .406 OD X 1/32 THK
- 31	438570	2	SCREW,MACH-BIND HD 6-32 X 1-1/2 LG
- 32	2305625	2	SHOCKMOUNT
- 33	438568	2	SCREW,MACH-BD HD 6-32 X 1-1/8 LG
- 34	2278074	2	WASHER,SNUB .17 ID X .88 OD X .032 LG
- 35	2278073	1	COLLAR

Figure 5. 1 Sided Diskette Drive Assembly.

List 6. Disc Clamping Plate Assembly.

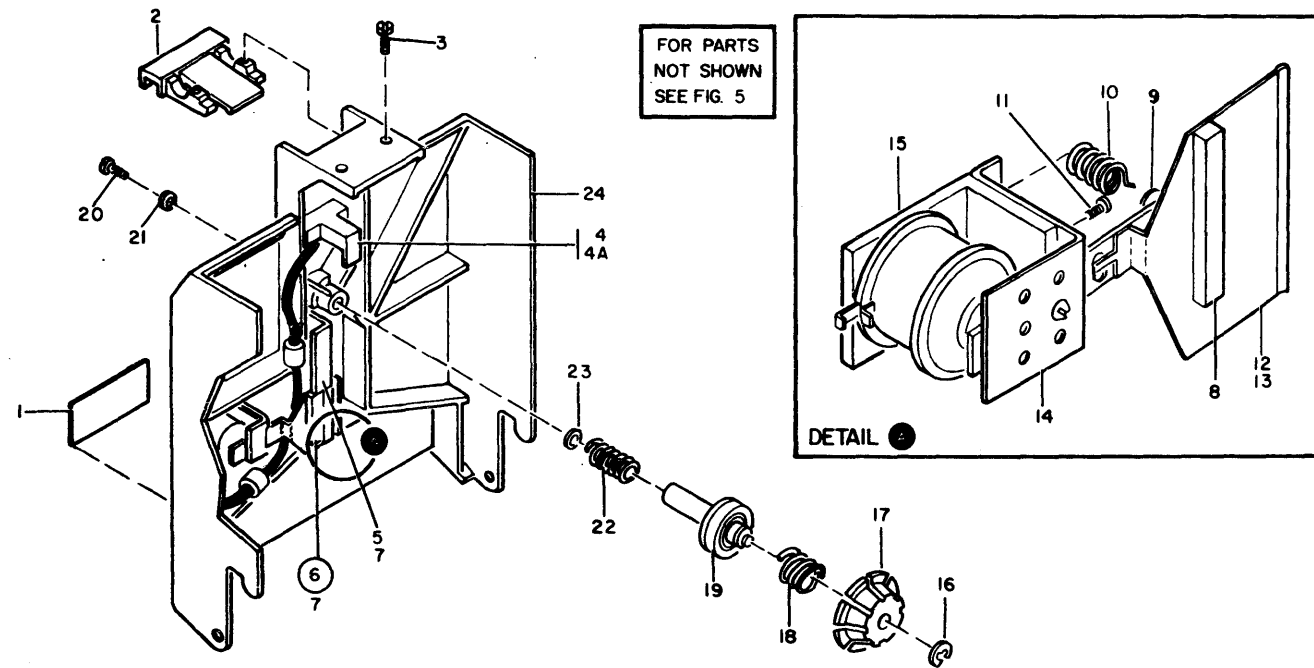
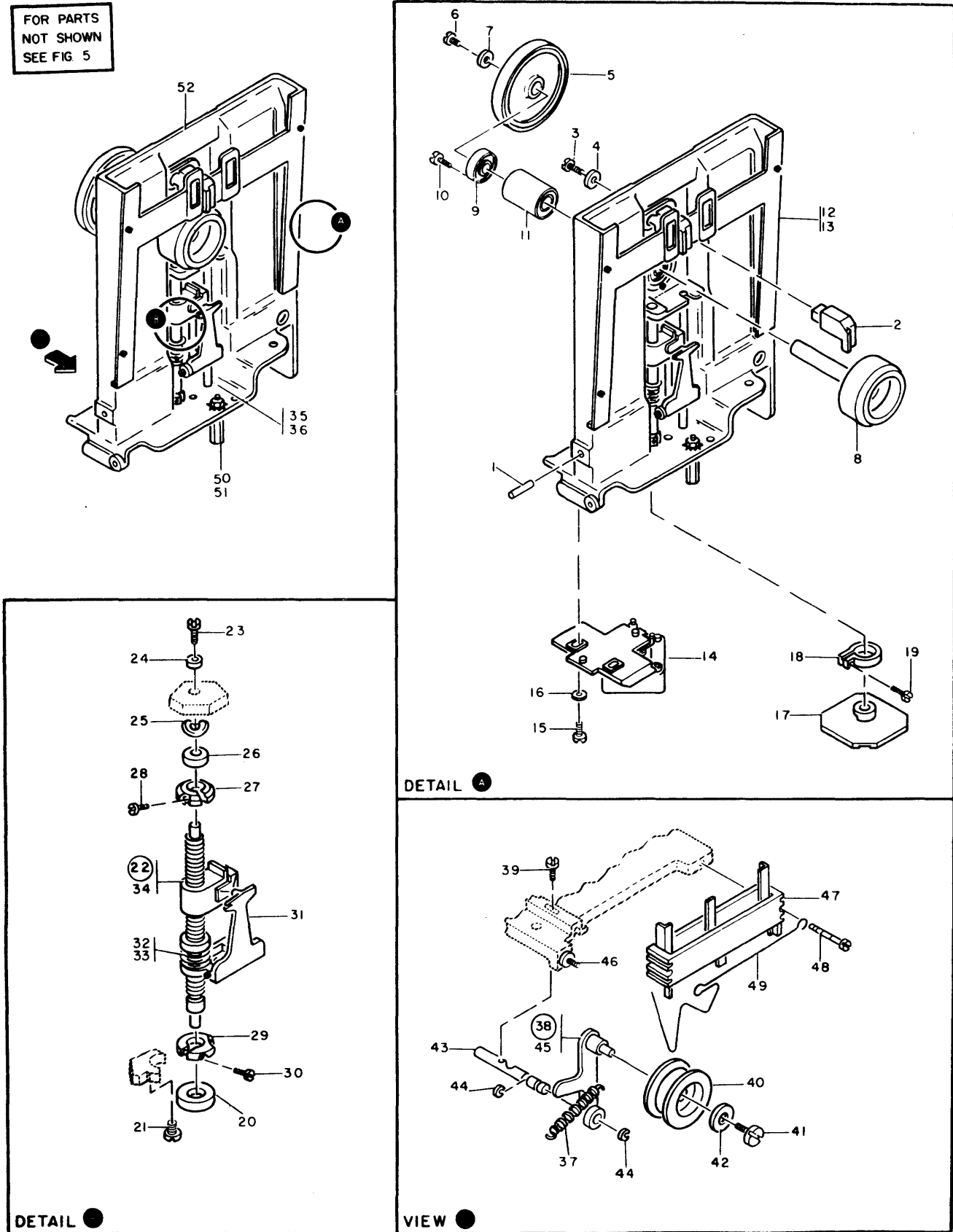


FIGURE-INDEX NUMBER	PART NUMBER	UNITS PER ASM.	DESCRIPTION			
			1	2	3	4
6 -	2305602	REF	DISC CLAMPING PLATE ASM FOR NEXT HIGHER ASM, SEE FIGURE 5-1			
- 1	2305693	1	• LABEL			
- 2	2305650	1	• LATCH			
- 3	322550	2	• SCREW, MACH, BIND HD- 6-32 X .5 LG			
- 4	2305656	1	• LED ASSEMBLY			
- 4A	81693	2	• SCREW, MACH-BIND HD 6-32 X 3/8 LG			
- 5	2305690	1	• INDICATOR ASSEMBLY, TRACKING			
- 6	2305609	1	• LOAD ASSEMBLY, HEAD			
- 7	10170	4	• SCREW, MACH-BIND HD 6-32 X 1/4 LG			
- 8	2305653	1	• SEAL			
- 9	186926	1	• SCREW			
- 10	340002	1	• SPRING			
- 11	186636	1	• SCREW			
- 12	2305610	1	• ARMATURE			
- 13	15887	1	• SCREW, MACH-BIND HD 2-56 X 1/8 LG			
- 14	2278172	1	• BRACKET			
- 15	2305542	1	• COIL			
- 16	332747	1	• RING, RETAINING-EXT 0.207 ID X 0.025 THK			
- 17	2305644	1	• COILET			
- 18	2305647	1	• SPRING, COMPRESSION			
- 19	2305526	1	• CONE AND SHAFT ASM			
- 20	34512	1	• SCREW, BIND, HD 8-32 X .375 LG			
- 21	22478	1	• WASHER, FL- 0.170 ID 0.375 OD 0.32 THK			
- 22	2305646	1	• SPRING, COMPRESSION			
- 23	204608	1	• WASHER, FL- 0.265 ID X 7/8 OD X 3/32 THK			
- 24	2305648	1	• PLATE			

Figure 6. Disc Clamping Plate Assembly.

FOR PARTS
NOT SHOWN
SEE FIG 5



List 7. Base Plate Assembly.

FIGURE- INDEX NUMBER	PART NUMBER	UNITS PER ASM.	DESCRIPTION			
7 -	2305700	REF	BASE PLATE ASSEMBLY FOR NEXT HIGHER ASM, SEE FIGURE 5-20			
- 1	257922	2	. PIN, TAPER			
- 2	2305604	1	. PHOTO TRANSISTOR ASSEMBLY			
- 3	170215	1	. SCREW AND WASHER ASM 6-32 X 3/8 LG			
- 4	2130285	1	. WASHER, FLAT			
- 5	2305621	1	. PULLEY			
- 6	234331	1	. SCREW, ASMD WASHER-FIL H 10-32 X 1/2 LG			
- 7	49374	1	. WASHER			
- 8	2305619	1	. HUB, DISC DRIVE			
- 9	5344991	1	. BEARING			
- 10	186759	6	. SCREW, MACH-BIND HD 8-32 X 5/16 LG			
- 11	2305620	1	. SPACER			
- 12	2305659	1	. GUIDE			
- 13	251970	4	. SCREW-MACH BD. HD. 4-40 X 1/4 LG			
- 14	2305545	1	. MOTOR ASM			
- 15	34512	2	. SCREW, BIND. HD 8-32 X .375 LG			
- 16	22478	2	. WASHER, FL- 0.170 ID 0.375 OD 0.32 THK			
- 17	2305544	1	. WHEEL, LEADSCREW			
- 18	2305689	1	. CLAMP			
- 19	357820	1	. SCREW, CAP, SOC HD- 4-40 X 1/2 LG			
- 20	2305537	1	. BEARING			
- 21	10170	2	. SCREW, MACH-BIND HD 6-32 X 1/4 LG			
- 22	2305558	1	. LEADSCREW ASM			
- 23	338238	1	. . SCREW, MACH-BD HD 4-40 NC X .3125 LG			
- 24	2305530	1	. . SPACER			
- 25	2305663	1	. . WASHER, SPRING			
- 26	2305538	1	. . BEARING			
- 27	2305618	1	. . STOP			
- 28	38250	1	. . SCREW			
- 29	2305528	1	. . STOP			
- 30	52523	1	. . SCREW, MACH-FIL H 4-40 X 5/8 LG			
- 31	2743540	1	. . HEAD ASM			
- 32	2305628	1	. . SPRING			
- 33	2305627	1	. . NUT			
- 34	2305626	1	. . LEADSCREW			
- 35	2305629	1	. . SHAFT			
- 36	186924	1	. SCREW CAP FLUT SOC HD 4-40 X 0.375 LG			
- 37	2305726	1	. . SPRING			
- 38	2305552	1	. . IDLER, ASM			
- 39	81693	1	. SCREW, MACH-BIND HD 6-32 X 3/8 LG			
- 40	2305720	1	. . ROLL ASM			
- 41	58207	1	. . SCREW, MACH-UNDRCT BIND HD 8-32 X 1/4 LG			
- 42	22478	1	. . WASHER, FL- 0.170 ID 0.375 OD 0.32 THK			
- 43	2305725	1	. . SHAFT			
- 44	257982	2	. . CLIP			
- 45	2305718	1	. . ARM ASM			
- 46	2305722	1	. . STUD			
- 47	2274833	1	. . CONNECTOR			
- 48	438567	2	. SCREW, MACH-UNDRCT BIND HD 6-32 X 1 LG			
- 49	2305555	1	. . GUIDE			
- 50	2305697	1	. . STANDOFF			
- 51	602721	1	. NUT, LOCK- 10-32			
- 52	2305709	1	. . BASEPLATE			

Figure 7. Base Plate Assembly.

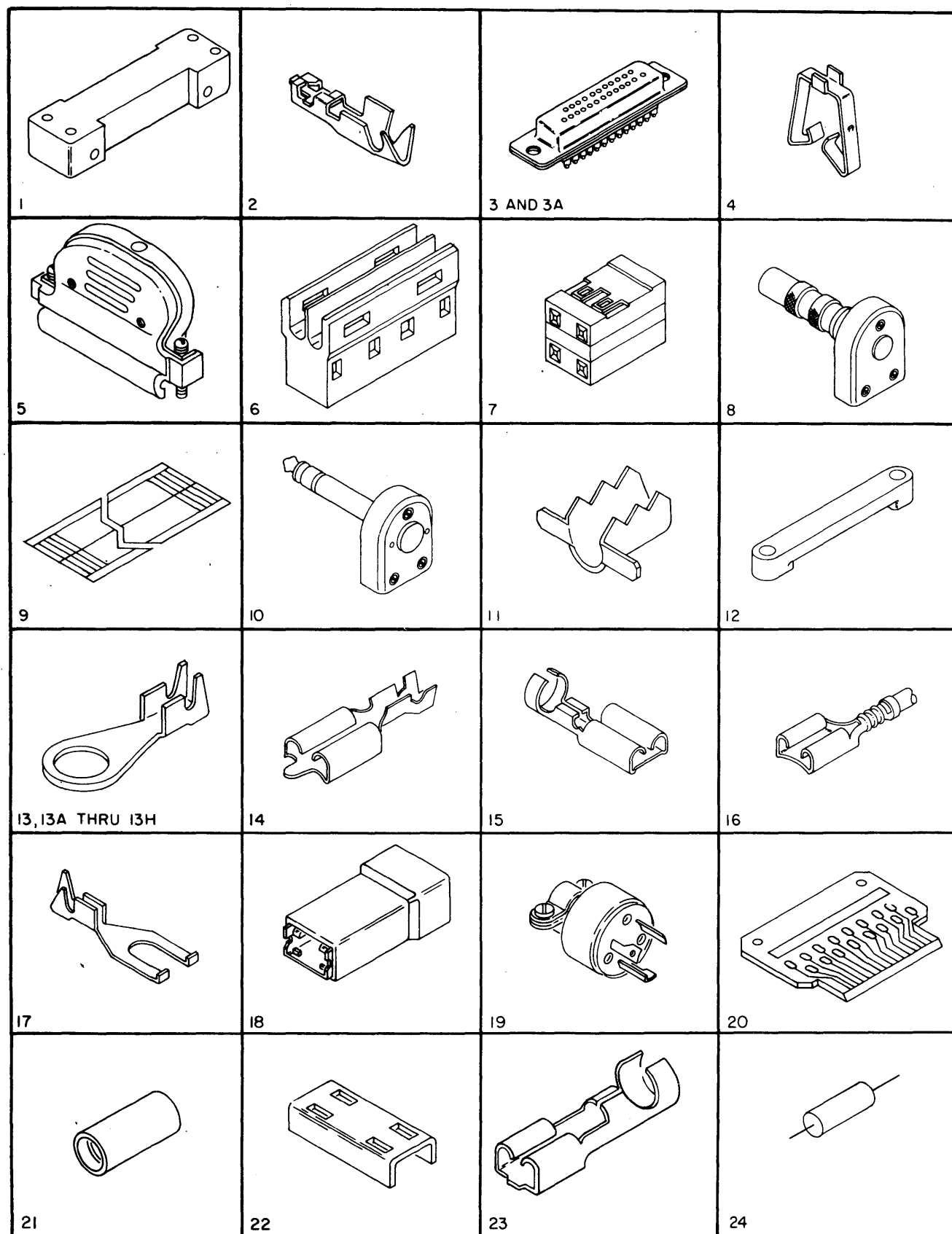


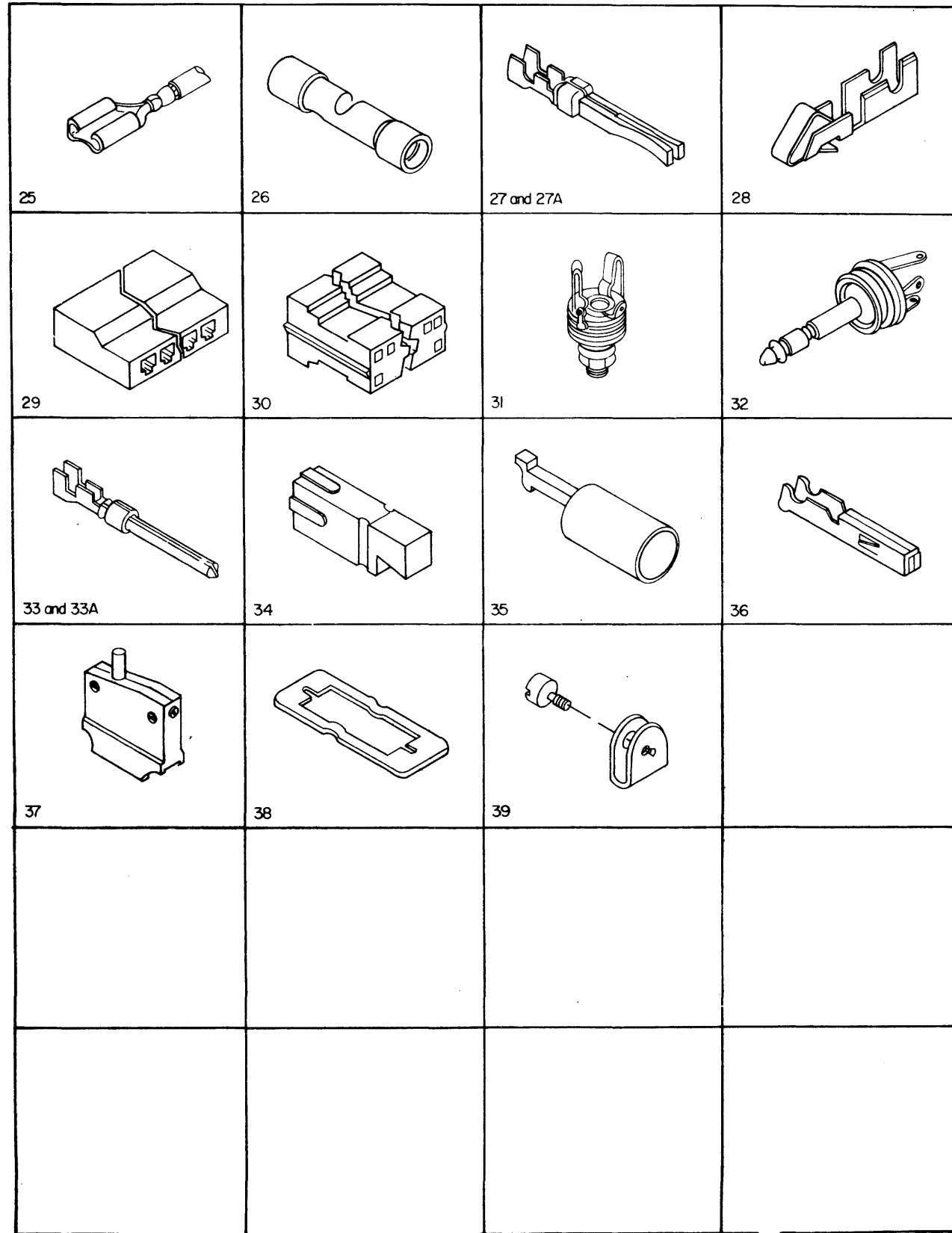
Figure 8. Cable Assembly Component Parts. Sheet 1 of 2. Index Nos. 1-24.

List 8. Cable Assembly Component Parts.

FIGURE-INDEX NUMBER	PART NUMBER	UNITS PER ASM.	DESCRIPTION				
			1	2	3	4	
8 -	1563175	1	CABLE ASM, LOOP ADAPTER, BOARD A2				
-	1563204	1	CABLE ASM, EXTERNAL MODEM TO CU				
-	1563205	1	CABLE ASM, CONTROL UNIT TO TELEPHONE				
-	1563206	1	CABLE ASM, TELEPHONE LINE TO DEVICE				
-	1563242	1	CABLE ASM, TELEPHONE LINE TO DEVICE				
-	1563243	1	CABLE ASM, CONTROL UNIT TO WT LINES				
-	1651003	1	CABLE ASM, 3601 TO EXTERNAL MODEM				
-	1652490	1	CABLE ASM, SIGNAL AND DC-DFI				
-	1831749	1	CABLE ASM, FILTER TO POWER ON SWITCH				
-	1831752	1	CORD ASM				
-	1831753	1	CABLE ASM, BOARD TO OPS PANEL				
-	1831769	1	CABLE ASM, PWR AC DIST AND CONTROLS				
-	1831774	1	CABLE ASM, MOTOR INPUT-DFI				
-	1831783	1	CORD ASM, ATTACHMENT, SHIELDED 125V				
-	2570048	1	CORD ASM, ATTACHMENT, SHIELDED 50 HZ				
-	4943637	1	CABLE ASM, POWER DC INPUT TO GATE				
-	4943638	1	CABLE ASM, SIGNAL AND DC, DISC FILE				
-	4943639	1	CABLE ASM, POWER DIST-BOARD VOLTAGE				
-	4943640	1	CABLE ASM, LOOP ADAPTER, BOARD				
-	4943641	1	CABLE ASM, SIGNAL COMM LINE INPUT				
-	4943643	1	CABLE ASM, POWER DIST BOARD A2				
-	4943646	1	CABLE ASM, BOARD TO OPS PANEL				
-	4943650	1	CABLE ASM, FAN				
-	4943652	1	CABLE ASM, SPEC VOLTAGES TO BD A2				
-	4944489	1	CABLE ASM, 3601 TO EXT MODEM (PTT)				
-	4944499	1	CABLE ASM, 3601 TO EXT MODEM (PTT)				
-	5240408	1	CORD ASM, ATTACHMENT-FILTER TO PWR ON SW				
-	1860989	1	CORD ASM, ATTACHMENT- 6 FT LOCKING PLUG				
-	1860978	1	CORD ASM, ATTACHMENT-RFI FEATURE				
-	2570047	1	CORD ATTACHMENT- 50/60HZ, JAPAN(SHIELDED)				
-	4405853	1	CABLE ASM, GATE FAN INPUT				

List 8. Cable Assembly Component Parts.

FIGURE- INDEX NUMBER	PART NUMBER	UNITS PER ASM.	DESCRIPTION			
			1	2	3	4
8						FOR COMPONENT PARTS SEE INDICES -9 AND -13B
-	4405854	1				CABLE ASM-POWER DIST-BOARD VOLTAGE FOR COMPONENT PARTS SEE INDICES -4,-6,-9,-13B,-13C,-13D AND -22
-	4022714	1				CABLE ASM-EXT. MODEM,MODS A2,A3,B2,B3 FOR COMPONENT PARTS SEE INDICES -2,-3,-5A,-7,-13B AND -26
-	4406075	1				CABLE ASM,GATE FAN INPUT FOR COMPONENT PARTS SEE INDICES -9 AND -13B
-	4406670	1				CABLE ASM,LOOP ADAPTER,BD 2 FOR COMPONENT PARTS SEE INDICES -2,-30,-31 AND -32
-	4406671	1				CABLE ASM, ALA UCM 2 WIRE INTERNAL FOR COMPONENT PARTS SEE INDICES -2,-3B,-13A,-30 AND -33
-	4406672	1				CABLE ASM,ALA UCM 4 WIRE INTERNAL FOR COMPONENT PARTS SEE INDICES -2,-3B,-13A,-30 AND -33
-	4406682	1				CABLE ASM,DC DIST TO GATE 2/3 BD FOR COMPONENT PARTS SEE INDICES -1,-4,-6,-9,-9A,-13A,-13C,-13D,-20,-22,-27,-28,-29,-34 AND -35
-	4409516	1				CABLE ASM,SIGNAL COMM LINE INPUT FOR COMPONENT PARTS SEE INDICES -1,-3B,-20 AND -33
-	4944498	1				CABLE ASM,3601 TO EXT MODEM (PTT) FOR COMPONENT PARTS SEE INDICES -2,-3,-5A,-7,-9,-13B AND -21
-	6812757	1				CABLE ASM,MOTOR INPUT -DF1 FOR COMPONENT PARTS SEE INDICES -9,-13B AND -36
-	4404218	1				CABLE ASM,EXTERNAL EIA/CCITT FOR COMPONENT PARTS SEE INDICES -3B,-3C,-9B,-14,-27,-27A,-33,-33A,-37,-38 AND -39
- 1	2621490	AR				. CLAMP,CABLE
- 2	2637682	AR				. CONNECTOR - DISCRETE
- 2A	815933	AR				. CONNECTOR,DISCRETE WIRE
- 3	5252592	AR				. CONNECTOR,MALE- 25 POSITION
- 3A	5252593	AR				. CONNECTOR-FEMALE 25 POSITION
- 3B	1655338	AR				. CONNECTOR
- 3C	1655336	AR				. CONNECTOR, 25 POS. FEMALE
- 4	813681	AR				. CONTACT
- 5	765496	AR				. HOOD AND STRAIN RELIEF ASM
- 5A	765295	AR				. STRAIN RELIEF AND HOOD
- 6	813801	AR				. HOUSING
- 7	5252955	AR				. HOUSING
- 8	5252766	AR				. JACK
- 9	317296	AR				. LABEL-NUMBERING L TO R 1 THRU 33
- 9A	317297	AR				. LABEL-NUMBERING L TO R 34 THRU 66
- 9B	483770	AR				. LABEL, CABLE IDENTIFICATION
- 10	5252765	AR				. PLUG
- 11	1561344	AR				. STRAIN RELIEF
- 12	5353922	AR				. CLAMP
- 13	483674	AR				. TERMINAL,RING-BRASS #4 STUD 22-26 AWG
- 13A	483676	AR				. TERMINAL, RING-22-26 AWG NO. 6 STUD
- 13B	483677	AR				. TERMINAL,RING-BRASS #6 STUD 18-20 AWG
- 13C	483678	AR				. TERMINAL,RING- NO. 6
- 13D	483679	AR				. TERMINAL,RING-NO. 6
- 13E	483681	AR				. TERMINAL,RING- NO. 8
- 13F	483682	AR				. TERMINAL, RING - 14 TO 16 AWG
- 13G	483683	AR				. TERMINAL,RING- 10-12 AWG NO. 8 STUD
- 13H	483685	AR				. TERMINAL
- 14	1127037	AR				. RECEPTACLE,TAB- 0.755 LG
- 15	5351177	AR				. RECEPTACLE,TAB- 0.825 LG
- 16	5213274	AR				. RECEPTACLE,QUICK DISCONNECT-INSUL. SUPP
- 17	483650	AR				. TERMINAL, FLANGED SPADE
- 18	5761882	AR				. HOUSING, RECEPTACLE
- 19	1176508	AR				. PLUG,CONN. - 15A 115V
- 20	5800634	AR				. CARD ASSEMBLY
- 21	602603	AR				. CONNECTOR
- 22	813802	AR				. COVER
- 23	2502307	AR				. TERMINAL
- 24	483200	AR				. RESISTOR



List 8. Cable Assembly Component Parts.

FIGURE- INDEX NUMBER	PART NUMBER	UNITS PER ASM.	DESCRIPTION			
			1	2	3	4
8 - 25	236915	AR	• TERMINAL, SLIP ON-20-18 AWG			
- 26	523176	AR	• CONNECTOR, TWO WAY, WIRE SIZE 24-20			
- 27	1655337	AR	• SOCKET, CONTACT 20-24 AWG			
- 27A	1655358	AR	• SOCKET, CONTACT			
- 28	5252582	AR	• TERMINAL, NO. 18			
- 29	5252581	AR	• HOUSING, CONNECTOR- 15 POS			
- 30	2731400	AR	• HOUSING, 0.125 CTR TO CTR			
- 31	5252768	AR	• JACK, PANEL MOUNT			
- 32	5252767	AR	• PLUG, PANEL MOUNT			
- 33	1655339	AR	• PIN, CONTACT			
- 33A	1655359	AR	• PIN, CONTACT 24-28 AWG			
- 34	2523604	AR	• HOUSING, CONNECTOR			
- 35	2523605	AR	• CONTACT, CONNECTOR			
- 36	1847521	AR	• SOCKET, UNIVERSAL			
- 37	1855555	AR	• HOUSING ASM.			
- 38	1855807	AR	• PLATE, RETAINER			
- 39	1855559	AR	• RETAINER KIT			

Figure 8. Cable Assembly Component Parts. Sheet 2 of 2. Index Nos. 25-39.

NUMERICAL INDEX

PART NO.	LIST AND INDEX NO.	PART NO.	LIST AND INDEX NO.	PART NO.	LIST AND INDEX NO.	PART NO.	LIST AND INDEX NO.	PART NO.	LIST AND INDEX NO.	PART NO.	LIST AND INDEX NO.	PART NO.	LIST AND INDEX NO.	PART NO.	LIST AND INDEX NO.
195	3 - 36	91610	1 - 10C	357820	7 - 19	825303-CONT	1 - 33	1831783	8 - REF	2305530	7 - 24	2305718	7 - 45	4406058	1 - 60
2903	1 - 76J		1 - 58	363434	1 - 10D	845762	1 - 46	1831785	1 - 46	2305537	7 - 20	2305720	7 - 40	4406059	1 - 60
6364	4 - 6		2 - 13		1 - 40	846555	1 - 76H	1831786	1 - 43	2305538	7 - 26	2305722	7 - 46	4406060	1 - 60
	1 - 19		2 - 18	367115	1 - 10A	855264	1 - 114	1831787	1 - 68	2305540	5 - 4	2305725	7 - 43	4406061	1 - 60
	3 - 2D		2A - 10		1 - 56	855265	1 - 114	1831788	1 - 69	2305542	6 - 15	2305726	3 - 25	4406062	1 - 60
	5 - 27		2A - 14	398476	1 - 32E	855266	1 - 114	1831793	1 - 65	2305544	7 - 17		7 - 37	4406063	1 - 60
6907	2 - 40A		2A - 17	438548	3 - 69	855267	1 - 114	1831794	1 - 70	2305545	7 - 14	2396767	1 - 101	4406064	1 - 60
10170	1 - 13	95878	1 - 17	438549	3 - 14	855268	1 - 114	1831796	1 - 64	2305546	3 - 74	2456618	1 - 42	4406065	1 - 60
	1 - 28	107669	1 - 42	438567	3 - 17	855269	1 - 114	1831805	1 - 91	2305547	3 - 75	2502307	8 - 23	4406075	8 - REF
	1 - 36	109918	3 - 21		7 - 48	855270	1 - 114	1831806	1 - 91	2305548	5 - 18	2523604	8 - 34	4406661	1 - 90G
	1 - 78		5 - 14	438568	3 - 51B	855271	1 - 114		1 - 91	2305552	7 - 38	2523605	8 - 35	4406663	1 - 23
	1 - 98	110029	3 - 48		5 - 23	855272	1 - 114		1 - 91	2305553	3 - 2	2523606	1 - 51A	4406668	1 - 43
	1 - 100	120571	4 - 9A		5 - 33	855273	1 - 114		1 - 91	2305555	7 - 49	2570047	8 - REF	4406670	8 - REF
	2 - 25	124943	1 - 25	438570	3 - 2B	855274	1 - 114	1831810	1 - 107	2305556	3 - 2A	2570048	8 - REF	4406671	8 - REF
	2 - 58		1 - 45		5 - 31	855275	1 - 114	1831811	1 - 27	2305557	3 - 51A	2582969	1 - 55	4406672	8 - REF
	2A - 22	138755	1 - 41	438571	2 - 55	855276	1 - 114	1831815	1 - 76F	2305558	7 - 22	2594695	5 - 5B	4406674	1 - 60
	3 - 47		1 - 51		2A - 19	855277	1 - 114	1831829	1 - 12	2305561	1 - 77	2600544	1 - 90E	4406675	1 - 60
	6 - 7	139611	2 - 44	438572	2 - 31	855278	1 - 114	1837154	2 - 41	2305562	5 - REF	2621489	1 - 104	4406676	1 - 60
	7 - 21	150676	3 - 45	438592	1 - 88	855279	1 - 114	1837359	1 - 6		1 - 77	2621489	2A - 2	4406677	1 - 60
	6 - 13	170215	7 - 3		1 - 90L	855280	1 - 114		2 - 2		5 - REF	2621490	8 - 1	4406678	1 - 60
15887	1 - 89	170241	3 - 80	473442	1 - 10J	855281	1 - 114		2A - 25	2305563	1 - 77	2633955	2 - 6A	4406679	1 - 60
22478	1 - 90H	177946	1 - 20A		1 - 47	855282	1 - 112		1 - 102		5 - REF		2A - 4A	4406680	1 - 60
	1 - 94		2 - 32		2 - 16	855283	1 - 113		1 - 76C	2305597	3 - 33	2637682	8 - 2	4406681	2A - 29A
	6 - 21	179946	2 - 56	482499	1 - 87A	855284	1 - 111		8 - 36		5 - 4	2731400	8 - 30	4406682	8 - REF
	7 - 16		2A - 18	483200	8 - 24	855286	1 - 109		8 - 37	2305598	3 - 8	2732785	2 - 6A	4406683	2 - 3A
	7 - 42		1 - 44	483650	8 - 17	960766	1 - 109		8 - 39		5 - 17		2A - 4A	4408700	2A - 27A
24107	1 - 108	186636	6 - 11	483674	8 - 13	NO NO.	999 - REF		2 - 1B	2305602	5 - 1	2732786	2 - 6A	4408701	1 - 21
25018	4 - 8	186759	7 - 10	483676	8 - 13A	1073418	1 - 66		8 - 38		6 - REF	2732787	2A - 4A	4408710	1 - 21
32042	1 - 30	186924	7 - 36	483677	8 - 13B	1090873	1 - 7D		1 - 58E	2305604	7 - 2		2 - 6A	4408711	1 - 21
	1 - 32	186925	3 - 62	483678	8 - 13C		1 - 10G		8 - REF	2305609	6 - 6		2A - 4A	4408711	1 - 21
34512	1 - 7B	186926	6 - 9	483679	8 - 13D	1127037	8 - 14		8 - REF	2305610	6 - 12	2743540	7 - 31	4409444	1 - 60
	1 - 10F	204608	6 - 23	483681	8 - 13E	1127179	2 - 17		1 - 52	2305616	3 - 7	2772892	5 - 5A	4409446	1 - 60
	1 - 74	210883	1 - 38	483682	8 - 13F		2A - 13		2 - 14		5 - 3	4022714	8 - REF	4409450	1 - 60
	1 - 76G	210884	1 - 39	483683	8 - 13G	1154338	1 - 105		2A - 11	2305618	7 - 27	4120526	1 - 16	4409451	1 - 60
	1 - 93	234331	7 - 6	483685	8 - 13H	1159255	1 - 7A		3 - 10	2305619	3 - 76		2A - 20	4409452	1 - 60
	4 - 5	234341	3 - 40	483770	8 - 9B		1 - 10E		3 - 12		7 - 8	4178050	5 - 8	4409453	1 - 60
	6 - 20		5 - 7	501550	1 - 90K		1 - 29		3 - 81	2305620	3 - 78	4178051	3 - 35	4409454	1 - 60
	7 - 15	236550	1 - 76	515620	2 - 28	1164265	4 - 11		7 - 4		7 - 11		5 - 6	4409455	1 - 60
37913	1 - 71		3 - 60	523176	8 - 26	1165203	1 - 3B		2 - 9	2305621	3 - 71	4178053	5 - 6	4409456	1 - 60
38250	7 - 28	236915	8 - 25	526323	1 - 87	1176508	8 - 19		2A - 7		7 - 5	4178054	5 - 8	4409456	1 - 60
38442	1 - 103	251970	7 - 13	528458	1 - 90J	1561344	8 - 11		1 - 24	2305625	3 - 2H	4178055	3 - 35	4409516	8 - REF
41117	2 - 40	257187	1 - 20	532393	1 - 32B	1563175	8 - REF		1 - 32C		5 - 25	4178056	5 - 8	4409516	1 - 60
49374	3 - 73		2 - 21A		3 - 54	1563204	8 - REF		1 - 76D		5 - 32	4178057	3 - 35	4409516	1 - 60
	7 - 7		2 - 46	534758	1 - 76B	1563205	8 - REF		1 - 86	2305626	7 - 34		5 - 6	4409516	1 - 60
52523	7 - 30		3 - 2C	555427	4 - 7	1563206	8 - REF		1 - 90B	2305627	7 - 33	4400650	1 - 21	4409516	1 - 60
55726	3 - 50		3 - 84	582444	1 - 35	1563242	8 - REF		1 - 90H	2305628	7 - 32	4400651	1 - 21	4409516	1 - 60
55901	1 - 54		5 - 26	591469	3 - 42B	1563243	8 - REF		5 - 11	2305629	7 - 35	4404218	8 - REF	4409516	1 - 60
	1 - 63	257189	1 - 2	597300	1 - 16	1651003	8 - REF		3 - 42	2305632	5 - 9	4404222	1 - 16	4409516	1 - 60
	1 - 84		1 - 7C		2 - 30	1652365	1 - 107		3 - 42A		5 - 9		2 - 30	4409516	1 - 60
	2 - 11		1 - 10H		2A - 20	1652372	1 - 90		2 - 8B	2305644	4 - 2		2A - 20	4409516	1 - 60
	2A - 8		1 - 62	598273	1 - 58D		1 - 90N		2A - 3		6 - 17	4405840	2 - 33	4409516	1 - 60
56722	1 - 10		3 - 65	601093	1 - 53	1652489	1 - 61		2 - 6	2305646	4 - 9	4405841	2 - 24	4409516	1 - 60
	1 - 19A	257922	7 - 1		1 - 59	1652490	8 - REF		2A - 1		6 - 22	4405842	2 - 48	4409516	1 - 60
	1 - 50	257970	3 - 34	602603	8 - 21	1652491	1 - 34		3 - 16	2305647	4 - 3	4405843	2 - 49	4409516	1 - 60
	1 - 76E		5 - 5	602721	3 - 53	1652492	1 - 99		7 - 47		6 - 18	4405844	2 - 43	4409516	1 - 60
	1 - 106	257982	7 - 44		7 - 51	1655336	8 - 3C		3 - 2F	2305648	6 - 24	4405845	2 - 47	4409516	1 - 60
	2 - 21	257986	1 - 18	627247	1 - 67	1655337	8 - 27		3 - 51D	2305649	5 - 2	4405846	2 - 59	4409516	1 - 60
	2 - 45	302090	3 - 13	631865	3 - 2G	1655338	8 - 3B		5 - 22	2305650	4 - 15		2A - 23	4409516	1 - 60
	2A - 16	302131	3 - 15		5 - 30	1655339	8 - 33		5 - 29		6 - 2	4405847	2 - 57	4409516	1 - 60
	5 - 19	311167	4 - 12	731631	1 - 32F	1655352	1 - 42		5 - 35	2305653	6 - 8		2A - 21	4409516	1 - 60
58207	1 - 7	312573	1 - 81	760221	2 - 15		1 - 42		3 - 2E	2305656	6 - 4	4405848	2 - 51	4409516	1 - 60
	1 - 83	312575	1 - 79		2A - 12	1655358	8 - 27A		3 - 51C	2305659	7 - 12		2A - 26	4409516	1 - 60
	2 - 3	315912	1 - 80	765295	8 - 5A	1655359	8 - 33A		5 - 24	2305663	7 - 25	4405849	2 - 37	4409516	1 - 60
	2 - 52	317296	8 - 9	765496	8 - 5	1659300	1 - 21		5 - 28	2305672	5 - 8	4405850	2 - 38	4409516	1 - 60
	2A - 27	317297	8 - 9A	811417	1 - 5	1659301	1 - 21		5 - 34	2305675	3 - 35	4405851	2 - 23	4409516	2 - 61
	7 - 41	320461	2 - 12		2 - 8	1659320	1 - 21		6 - 14		5 - 6	4405852	2 - 42	4409516	2A - 30
70078	1 - 20B		2A - 9		2 - 36	1659321	1 - 21		3 - 51E	2305676	3 - 35	4405853	8 - REF	4409516	1 - 11
	2 - 5	322250	1 - 31		2A - 6	1708300	3 - 43		5 - 21		5 - 6	4405854	8 - REF	4409516	2 - REF
	2A - 29	322550	1 - 15	811804	3 - 5	1740531	1 - 21		1 -						

PART NO.	LIST AND INDEX NO.	PART NO.	LIST AND INDEX NO.	PART NO.	LIST AND INDEX NO.	PART NO.	LIST AND INDEX NO.
4943643	8 - REF	5562037	3 - 68				
4943645	1 - 85	5562038	3 - 41				
4943646	8 - REF	5562041	3 - 59				
4943647	2 - 4	5562044	3 - 67				
	2A- 28	5562046	3 - 39				
4943648	1 -116	5562049	3 - 46				
4943649	1 - 14	5562051	3 - 66				
4943650	8 - REF	5562053	3 - 85				
4943652	8 - REF	5562061	3 - 87				
4943653	1 -107A	5562062	4 - 17				
4943654	1 - 3A	5562064	3 - 38				
4943655	2 - 8C	5562066	3 - 18				
	2A- 4	5562067	3 - 3				
4943666	2 - 3A	5562069	3 - 57				
4943667	1 - 92	5562071	3 - 72				
4943668	1 -107A	5562072	3 - 58				
4943669	1 - 73	5562077	3 - 23				
4943986	2 - 8A	5562081	3 - 82				
4944489	8 - REF	5562082	3 - 89				
4944498	8 - REF	5562083	3 - 79				
4944499	8 - REF	5562084	4 - 13				
4944501	2 - 1	5562085	3 - 63				
4946081	1 - 11	5562086	3 - 70				
	2A- REF	5562088	3 - 49				
5117990	1 - 90A	5562096	3 - 11				
5117991	1 - 90F	5562098	3 - 44				
5118034	1 - 90C	5562099	3 - 61				
5184238	1 - 95	5562101	3 - 37				
5213274	8 - 16	5562102	3 - 17A				
5240400	1 - 48	5562103	3 - 64				
5240405	1 - 58B	5562137	1 - 77				
5240406	1 - 97		3 - REF				
5240408	8 - REF	5562138	1 - 77				
5252581	8 - 29		3 - REF				
5252582	8 - 28	5562139	1 - 77				
5252592	8 - 3		3 - REF				
5252593	8 - 3A	5562313	3 - 1A				
5252765	8 - 10	5700484	3 - 88				
5252766	8 - 8	5759506	2 - 19				
5252767	8 - 32		2A- 15				
5252768	8 - 31	5759738	2 - 29				
5252955	8 - 7		2 - 53				
5252982	1 - 96	5761882	8 - 18				
5253823	1 - 58A	5800634	8 - 20				
5253824	1 - 57	5922560	1 - 32D				
5271288	1 - 75		1 -115				
5313850	1 - 16	5996127	1 -110				
	2A- 20	6812757	8 - REF				
5319854	2 - 34	8240000	2 - 6A				
	2 - 39		2A- 4A				
	2A- 24	8524194	5 - 12A				
5344991	3 - 77	8527124	3 - 4				
	7 - 9	8527157	3 - 4				
5349929	3 - 55	8528202	5 - 12A				
5350012	2 - 50						
5351177	2 - 60						
5353922	8 - 15						
5372858	8 - 12						
5420242	1 - 22						
	2 - 1A						
	2 - 15A						
5447741	3 - 24						
	5 - 16						
5466393	3 - 22						
	5 - 15						
5466397	3 - 20						
	5 - 13						
5562005	1 - 77						
	3 - REF						
5562006	1 - 77						
	3 - REF						
5562007	1 - 77						
	3 - REF						
5562019	4 - 10						
5562020	3 - 26						
5562030	3 - 6						
5562031	3 - 1						
	4 - REF						
5562035	3 - 51						
5562036	3 - 56						

READER'S COMMENT FORM

3601 Finance Communication Controller
Models 2A, 2B, 2C, 3A, 3B, 3C and 3D
Parts Catalog

Order No. S126-0013-2

- Did you find the part you needed in the catalog?
- If you *did not* find the part in the catalog, how did you obtain the correct part number?
- What parts were you unable to find? (Include numbers if you were able to determine them by alternate means.)
- If you *did* find the part you needed in the catalog, but had unusual difficulty locating it, please send us the part number and page number. Include a description of your difficulty if you wish.

We would appreciate your comments. If you wish a reply, be sure to include your name and address.

READER'S COMMENT FORM

3601 Finance Communication Controller
Models 2A, 2B, 2C, 3A, 3B, 3C and 3D
Parts Catalog

Order No. S126-0013-2

- Did you find the part you needed in the catalog?
- If you *did not* find the part in the catalog, how did you obtain the correct part number?
- What parts were you unable to find? (Include numbers if you were able to determine them by alternate means.)
- If you *did* find the part you needed in the catalog, but had unusual difficulty locating it, please send us the part number and page number. Include a description of your difficulty if you wish.

We would appreciate your comments. If you wish a reply, be sure to include your name and address.

Reply Requested?

Yes

No

NAME

STREET

CITY

STATE ZIP CODE

Reply Requested?

Yes

No

NAME

STREET

CITY

STATE ZIP CODE

Reader's Comment Form

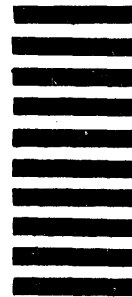
Fold

Fold

Cut or Fold Along Line

First Class
Permit 40
Armonk
New York

Business Reply Mail
No postage stamp necessary if mailed in the U.S.A.



Postage will be paid by:

International Business Machines Corporation
Department 63T
Neighborhood Road
Kingston, New York 12401

Fold

Fold



International Business Machines Corporation
Data Processing Division
1133 Westchester Avenue, White Plains, N.Y. 10604

IBM World Trade Americas/Far East Corporation
Town of Mount Pleasant, Route 9, North Tarrytown, N.Y., U.S.A. 10591

IBM World Trade Europe/Middle East/Africa Corporation
360 Hamilton Avenue, White Plains, N.Y., U.S.A. 10601

Reader's Comment Form

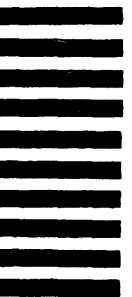
Fold

Fold

Cut or Fold Along Line

First Class
Permit 40
Armonk
New York

Business Reply Mail
No postage stamp necessary if mailed in the U.S.A.



Postage will be paid by:

International Business Machines Corporation
Department 63T
Neighborhood Road
Kingston, New York 12401

Fold

Fold



International Business Machines Corporation
Data Processing Division
1133 Westchester Avenue, White Plains, N.Y. 10604

IBM World Trade Americas/Far East Corporation
Town of Mount Pleasant, Route 9, North Tarrytown, N.Y., U.S.A. 10591

IBM World Trade Europe/Middle East/Africa Corporation
360 Hamilton Avenue, White Plains, N.Y., U.S.A. 10601



International Business Machines Corporation

Data Processing Division

1133 Westchester Avenue, White Plains, N.Y. 10604

IBM World Trade Americas/Far East Corporation

Town of Mount Pleasant, Route 9, North Tarrytown, N.Y., U.S.A. 10591

IBM World Trade Europe/Middle East/Africa Corporation

360 Hamilton Avenue, White Plains, N.Y., U.S.A. 10601