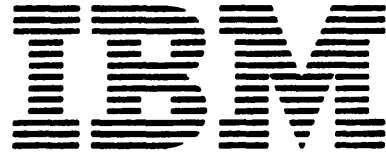




Maintenance Library

3046

**Power Unit Model 1
Domestic
Parts Catalog**



Maintenance Library

3046

**Power Unit Model 1
Domestic
Parts Catalog**

S126-0003-0

Preface

This Parts Catalog (PC) contains listings and illustrations of all replaceable assemblies, subassemblies and detail parts released to Production Control on or before September 15, 1972 for the 3046 Power Unit Model 1 Domestic sites only. World Trade sites reference form S135-0004.

First Edition (September, 1972)

Information in this catalog is subject to change from time to time. Any such change will be reported in subsequent revisions or FE Supplements.

Requests for copies of IBM publications should be made to your IBM representative or to the IBM branch office serving your locality.

A form is provided at the back of this publication for reader's comments. If the form has been removed, comments may be addressed to: IBM Systems Development Division, Product Publications, Dept. 520, Neighborhood Road, Bldg. 004, Kingston, N.Y., 12401

©International Business Machines Corporation, 1972

Contents

How To Use This Parts Catalog	iv
Visual Index	vi
Catalog Section	1

Fig. No.		Page
1	Power Unit Covers	2
2	Power Unit Final Assembly (2 Sheets)	4
3	Motor Generator	8
4	Detect Assembly	10
5	Regulator Assembly	12
6	Cable Component Parts	15
Numeric Index		X-1

How To Use This Parts Catalog

CATALOG STRUCTURE

A general understanding of the structure of this catalog is necessary in order for the user to find parts easily and quickly. The catalog contains three major sections:

Visual Index - Contains overview illustrations of the machine with references into the Catalog Section.

Catalog Section - Contains exploded view drawings of assemblies and subassemblies of the machine with their associated Parts Lists.

Numerical Index - Lists all parts used in the machine with reference to the illustration (figure) on which the part is shown.

FINDING A PART

The Visual Index is the starting point to locate a part. The Visual Index illustrations are overall views of the machine. These illustrations will refer you to one of two places:

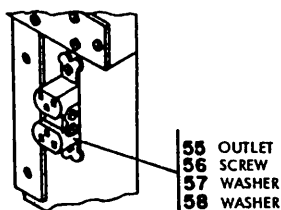
- (1) Another illustration in the Visual Index for finer detail of the portion of the machine in which you are interested and from there into a major assembly drawing in the Catalog Section, or
- (2) Directly into a major assembly drawing in the Catalog Section.

The major assembly drawing will either contain the desired part or it will reference a subordinate drawing; e.g., "See Figure 2 for detailed breakdown." Referencing may be carried to several levels before the desired part is found on an illustration. Once the part is found on an illustration, the index number serves as the key between the illustration and its associated Parts List.

ILLUSTRATION METHODS

Stacked Index Numbers

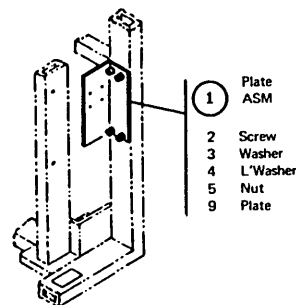
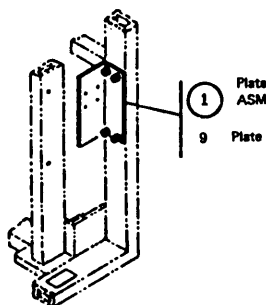
Stacked index numbers are used when showing a part and its attaching hardware as a group. The sequence of a typical stack is shown at the right. Use of the vertical line to the left of the stacked numbers is optional.



Circled Index Numbers

Circled index numbers indicate that the circled item is an assembly which is broken down within the figure. Two configurations are possible:

- (1) A circled index number with the index number of the end item of the assembly shown below the circled number.
- (2) A circled index number with attaching hardware stacked and with the end item of the assembly shown as the last index number in the stack.

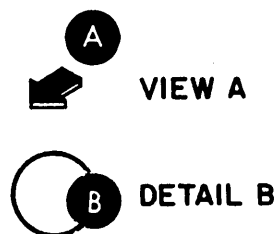


Reference Notes

Illustration notes that reference the next higher assembly are generally located in the upper left corner of the figure; e.g., "For Parts Not Shown, See Figure X." Illustration notes that reference a subassembly are located next to the index number; e.g., "See Figure Y."

Detail Boxes

A single-lined detail box is used to show either another view of an illustrated assembly or a finer breakdown of a portion of the illustrated assembly. The examples at the right are the symbols used to relate the content of the detail box to the assembly.



A double-lined detail box is used to show a different manufacturing level of a portion of the illustrated assembly. An explanation of the difference between these levels is contained within the box.

PARTS LIST NOMENCLATURE AND METHODS

The following terms are used throughout the Parts Lists; therefore, complete familiarity with them is essential. The terms are keyed to the sample parts list shown below.

- 1 AR (As Required) - denotes an undefined or an unknown quantity.
- 2 ATT PT (Attaching Parts) - denotes parts used to attach a part or subassembly to an assembly. The "attaching parts" are listed immediately following the part or subassembly to be attached and have the same indent level as the part or subassembly.
- 3 COMM (Commercial) - denotes hardware procurable from normal commercial sources and not identified by an IBM part number.
- 4 Indent pattern - indicates relationship of a part to its next higher assembly. For example:
 1 2 3 4
 Unit
 . Assemblies and Detail Parts of Unit
 . Attaching Parts for Assemblies & Detail Parts
 . . Subassemblies
 . . Attaching Parts for Subassemblies
 . . . Detail Parts for Subassemblies, etc.
- 5 NR (Not Recommended) - denotes the part is not recommended for field replacement, and that the next higher assembly should be ordered.
- 6 NP (Non-Procurable) - denotes the assembly is non-procurable and that detail parts must be ordered separately.

- 7 NO NO. (No Number) - denotes a group of parts for which no assembly part number has been assigned and that detail parts must be ordered separately.
- 8 REF (Reference) - denotes that quantities for such items are identified in the next higher assembly.
- 9 Similar Assemblies - If two assemblies contain a majority of identical parts, they are broken down on the same figure/list. Parts unique to either of the similar assemblies are identified by either a Usable On Code or a note in the description column.
- 10 Usable on Code - This column can be used to identify unique parts of similar assemblies (see 9 above). Two types of codes (an alphabetic and numeric) are used. For any given Parts List, the codes are defined at the top of that list and are only meaningful for that list.
 Alphabetic codes are used to identify unique parts of selective assemblies:
 Ex. 1 Code A - Used on 50-Hz machines.
 Code B - Used on 60-Hz machines.
 Ex. 2 Code A - Used on Red Cover Group.
 Code B - Used on Blue Cover Group.
 Code C - Used on Yellow Cover Group.
 Numeric codes are used to identify unique parts of different manufacturing levels of assemblies:
 Ex. 1 Code 1 - Used prior to suffix L7. (See 11 below.)
 Code 2 - Used after suffix L7.
 Ex. 2 Code 1 - Used prior to serial #10137.
 Code 2 - Used after serial #10137.
- 11 Suffix Code - indicates the month (alphabetic) and the year (numeric) of the engineering change; e.g., B 6 stamped after the serial number equals Feb 1966.

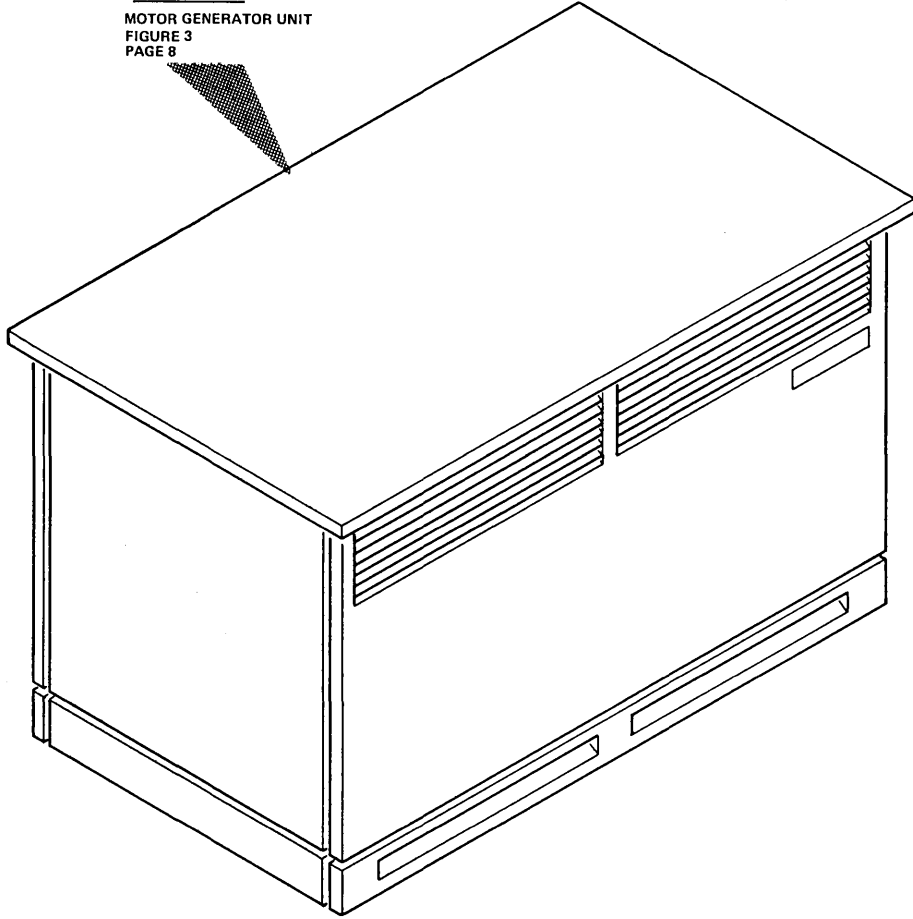
LIST AND INDEX NUMBER	PART NUMBER	DESCRIPTION	UNITS PER ASM.	USABLE ON CODE
		1 2 3 4		
		DRIVE MOTOR ASSEMBLY - 220 VOLTS		
2 -		CODE A USED ON 60 HZ ONLY CODE B USED ON 50 HZ ONLY CODE 1 USED ON ASM PRIOR TO B6 SUFFIX		
-	2199376 NP	DRIVE MOTOR ASM - 220 VOLTS 60 HZ	REF	1A
-	2199386 NP	DRIVE MOTOR ASM - 220 VOLTS 50 HZ	REF	1B
		FOR NEXT HIGHER ASM SEE FIGURE 1-92 FOR ILLUSTRATION SEE FIGURE 2		
- 1	2204176	. PULLEY, 60 HZ	1	A
- 1	2199255	. PULLEY, 50 HZ	1	B
- 2	79842	. SETSCREW, SPLINE DR CUP PT 8-32 X 3/8 LG	1	AR
- 3	2204116	. MOTOR ASM, 220V AC 60 HZ	1	A
- 4	NO NO.	. MOTOR ASM, 220V AC 50 HZ	1	B
- 5	5526	. SCREW, MACH BIND HD 8-32 X 0.625 LG	4	
- 6	2204082	. FERRULE, OUTER	1	
- 7	2204033	. FERRULE, INNER	1	
- 8	COMM	. MOTOR, 1/12 HP - 220V 60 HZ	1	A
- 8	2199258	. MOTOR, 1/12 HP - 220V 50 HZ	1	B
- 9	2199401 NR	. PLATE, MOTOR MT - 220 VOLTS 60 HZ	1	A
- 9	2199402 NR	. PLATE, MOTOR MT - 220 VOLTS 50 HZ	1	B

3046 POWER UNIT MODEL 1

COVER ASSEMBLY
FIGURE 1
PAGE 2

FINAL ASSEMBLY
FIGURE 2
PAGE 4

MOTOR GENERATOR UNIT
FIGURE 3
PAGE 8



CABLE ASSEMBLIES
LIST 6
PAGE 14

CABLE COMPONENT PARTS
FIGURE 7
PAGE 15

CATALOG SECTION

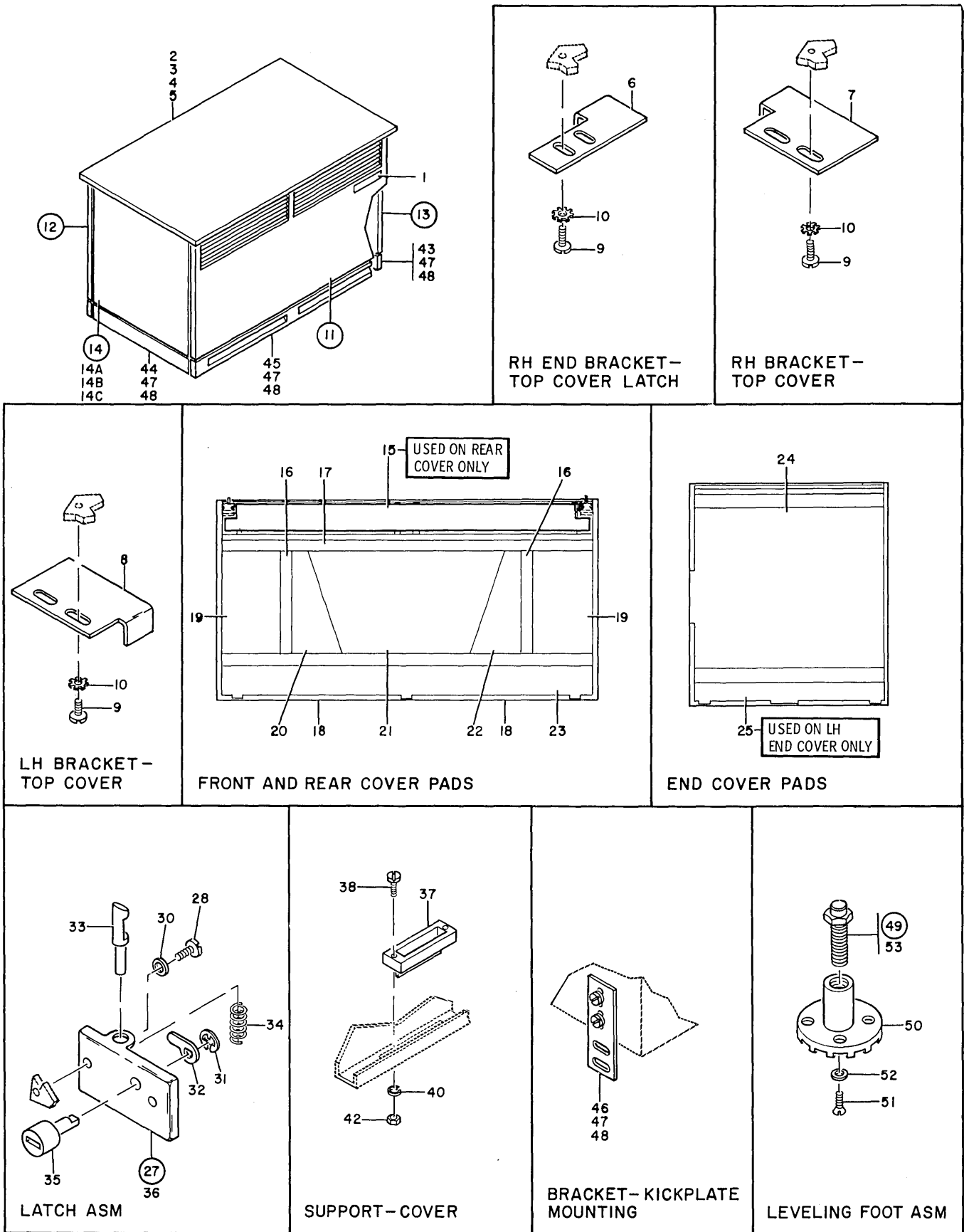


FIGURE 1. POWER UNIT COVERS.

LIST 1. POWER UNIT COVERS.

FIGURE- INDEX NUMBER	PART NUMBER	DESCRIPTION	UNITS PER ASM.	USABLE ON CODE
1 -	2598905 NP	3046 COVER ASM		
- 1	2601780	. NAMEPLATE, ENGLISH	1	
- 1	2601748	. NAMEPLATE, FRENCH	1	
- 1	2601792	. NAMEPLATE, GERMAN	1	
- 2	2598620	. TABLE TOP ASM	1	
- 3	322029	. SCREW, MACH-BIND HD 1/4-20 X 1/2 LG	ATT PT	16
- 4	76574	. LOCKWASHER-EXT TOOTH ID .267 X OD .510	ATT PT	16
- 5	2598692	. PAD, ACOUSTIC	1	
- 6	2601796	. BRACKET, LATCH	4	
- 7	2598687	. BRACKET, LATCH, RH	1	
- 8	2598629	. BRACKET, LATCH, LH	1	
- 9	186759	. SCREW, MACH-BIND HD 8-32 X 5/16 LG	ATT PT	12
- 10	55901	. WASHER, LOCK-EXT TEETH NO. 8 X 0.381 OD	ATT PT	12
- 11	2598702	. COVER ASM, FRONT-RED	1	
- 11	2598707	. COVER ASM, FRONT-YELLOW	1	
- 11	2598712	. COVER ASM, FRONT-BLUE	1	
- 11	2598717	. COVER ASM, FRONT-GREY	1	
- 11	2598722	. COVER ASM, FRONT-WHITE	1	
- 11	2598703	. . COVER, FRONT-RED	1	
- 11	2598708	. . COVER, FRONT-YELLOW	1	
- 11	2598713	. . COVER, FRONT-BLUE	1	
- 11	2598718	. . COVER, FRONT-GREY	1	
- 11	2598723	. . COVER, FRONT-WHITE	1	
- 12	2598700	. COVER ASM, REAR-RED	1	
- 12	2598705	. COVER ASM, REAR-YELLOW	1	
- 12	2598710	. COVER ASM, REAR-BLUE	1	
- 12	2598715	. COVER ASM, REAR-GREY	1	
- 12	2598720	. COVER ASM, REAR-WHITE	1	
- 12	2598703	. . COVER, REAR-RED	1	
- 12	2598708	. . COVER, REAR-YELLOW	1	
- 12	2598713	. . COVER, REAR-BLUE	1	
- 12	2598718	. . COVER, REAR-GREY	1	
- 12	2598723	. . COVER, REAR-WHITE	1	
- 13	2601804	. COVER ASM END-RH	1	
- 13	2601799	. . COVER END-RH	1	
- 14	2601789	. COVER ASM END-LH	1	
- 14	2598677	. . COVER END-LH	1	
- 14A	438622	. SCREW, MACH-BIND HD 1/4-20 X 3/8 LG	ATT PT	4
- 14B	76574	. LOCKWASHER-EXT TOOTH ID .267 X OD .510	ATT PT	4
- 14C	5372243	. BUSHING, PIVOT	ATT PT	4
- 15	2598690	. PAD, ACOUSTIC	1	
- 16	2598696	. STRIP, SEALING, FOAM RUBBER, SELF ADHES	2	
- 17	2598695	. STRIP, SEALING, FOAM RUBBER, SELF ADHES	2	
- 18	2598697	. STRIP, SEALING, FOAM RUBBER, SELF ADHES	2	
- 19	2598689	. PAD, ACOUSTIC	2	
- 20	2601983	. PAD	1	
- 21	2598688	. PAD, ACOUSTIC	1	
- 22	2601985	. PAD	1	
- 23	2598691	. PAD, ACOUSTIC	1	
- 24	2601788	. PAD-LH END COVER	1	
- 24	2602344	. PAD-RH END COVER	1	
- 25	2601787	. PAD-LH END COVER	1	
- 27	2598694	. LATCH ASM	2	
- 28	79778	. SCREW-SELF TAPPING NO. 6-32 X 5/16 LG	ATT PT	AR
- 28	80651	. SCREW, THD CUTTING-PAN HD 6-32 X 0.375 LG	ATT PT	AR
- 30	257986	. WASHER, FLAT NO. 6	ATT PT	4
- 31	192049	. . CLIP	1	
- 32	4062756	. . ARM	1	
- 33	4106830	. . BOLT	1	
- 34	8108642	. . SPRING	1	
- 35	2598882	. . BOLT	1	
- 36	2601783	. . BRACKET	1	
- 37	2598661	. SUPPORT, FEMALE, NYLON	2	
- 38	35739	. SCREW, MACH-BIND HD 6-32 X 15/16 LG	ATT PT	AR
- 38	34512	. SCREW, BIND. HD 8-32 X .375 LG	ATT PT	AR
- 40	257986	. WASHER, FLAT NO. 6	ATT PT	AR
- 40	55901	. WASHER, LOCK-EXT TEETH NO. 8 X 0.381 OD	ATT PT	AR
- 42	257187	. NUT, PLAIN, HEX- 6-32 X 3/8 FL W	ATT PT	4
- 43	2601800	. KICKPLATE-ABOVE FLOOR CABLING	1	
- 43	2598663	. KICKPLATE-BELOW FLOOR CABLING	1	
- 44	2598663	. KICK PLATE	1	
- 45	2598664	. KICK PLATE	2	
- 46	2598630	. MOUNTING STRIP	10	
- 47	438622	. SCREW, MACH-BIND HD 1/4-20 X 3/8 LG	ATT PT	38
- 48	76574	. LOCKWASHER-EXT TOOTH ID .267 X OD .510	ATT PT	38
- 49	587875	. FOOT ASSEMBLY-LEVELING	1	
- 50	587874	. . FOOT-ADJUSTABLE RUBBER BASE	1	
- 51	186036	. . SCREW, MACH-FH 1/4-20 X 1/2 LG	ATT PT	1
- 52	587866	. . STOP-LEVELING FOOT	ATT PT	1
- 53	587834	. . STUD-LEVELING	1	

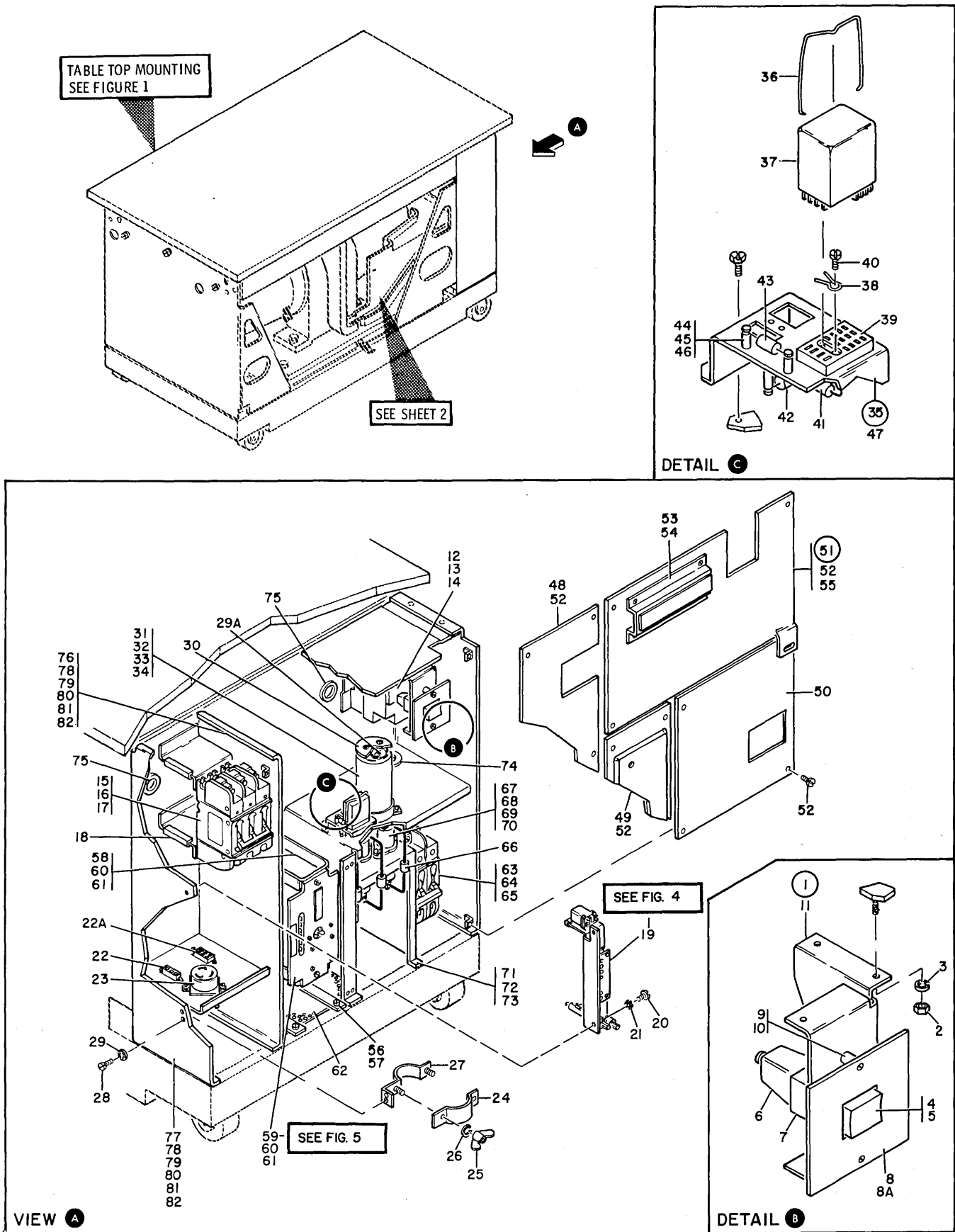


FIGURE 2. POWER UNIT FINAL ASSEMBLY. SHEET 1 OF 2. INDEX NOS. 1-82.

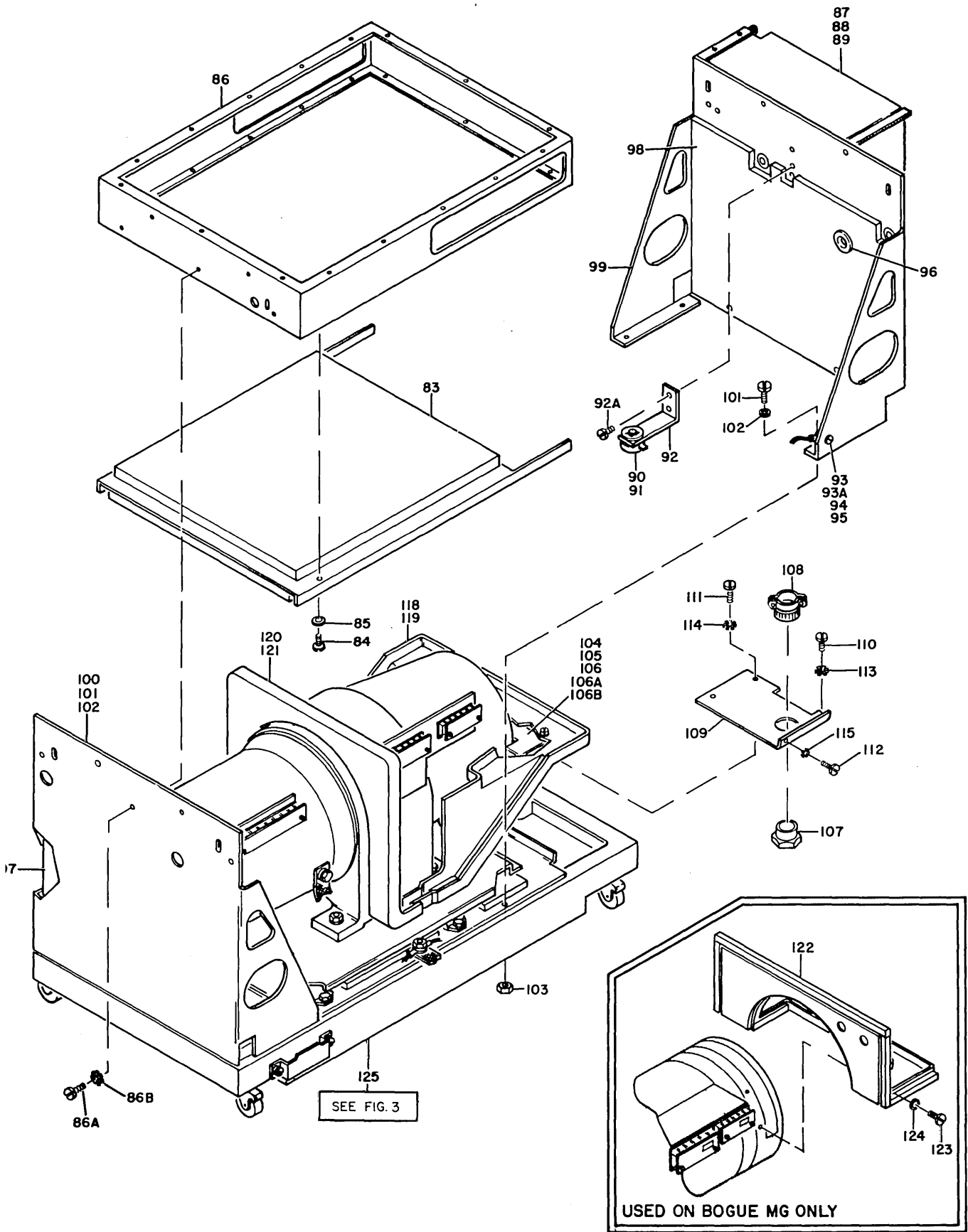


FIGURE 2. POWER UNIT FINAL ASSEMBLY. SHEET 2 OF 2. INDEX NOS. 83-125.

LIST 2. POWER UNIT FINAL ASSEMBLY.

FIGURE- INDEX NUMBER	PART NUMBER	DESCRIPTION	UNITS PER ASM.	USAE ON COD
2 -	2598329 NP	POWER UNIT FINAL ASSEMBLY-GE		
-	1827446 NP	POWER UNIT FINAL ASSEMBLY-BOGUE		
- 1	2602351	. LAMP ASM	1	
- 2	2566629	. NUT ATT PT	3	
- 3	2566650	. WASHER, LOCK ATT PT	3	
- 4	821087	. . LENS-POWER ON	1	
- 5	2414970	. . LAMP, INCANDESCENT	1	
- 6	827840	. . SOCKET, SINGLE CONTACT, BAYONET BASE	1	
- 7	5373660	. . HOUSING-SWITCH AND LIGHT	1	
- 8	2602327	. . PLATE	1	
- 8A	38433	. . SCREW, MACH-FH 4-40 X 1/4 LG ATT PT	2	
- 9	2604221	. . SPACER	2	
- 10	438548	. . SCREW, MACH-BIND HD 4-40 X 3/16 LG ATT PT	2	
- 11	2602326	. . BRACKET	1	
- 12	5270586	. RELAY-24 VDC COIL	1	
- 13	28413	. SCREW, MACH-BIND HD 10-32 X 5/16 LG ATT PT	3	
- 14	45690	. WASHER, FL - NO.10 X 7/16 OD X 1/32 THK ATT PT	3	
- 15	2602278	. CIRCUIT BREAKER, 3 POLE, 250V, 400HZ, 35 AMP	1	
- 16	34512	. SCREW, BIND. HD 8-32 X .375 LG ATT PT	4	
- 17	22478	. WASHER, FL- 0.170 ID 0.375 OD 0.32 THK ATT PT	4	
- 18	518578	. RUBBER CHANNEL	AR	
- 19	2599237	. DETECT ASSEMBLY	1	
- 20	236849	FOR DETAIL BREAKDOWN, SEE FIG. 4 . SCREW, MACH-BIND HD 10-32 X 0.250 LG ATT PT	2	
- 21	56079	. WASHER, LOCK-EXT T .195 ID .410 OD ATT PT	2	
- 22	597301	. INSERT, ELECTRICAL CONNECTOR	AR	
- 22A	523269	. CONNECTOR-ELECT 6 POS INSERT	AR	
- 23	2602264	. RECEPTACLE, FEMALE	AR	
- 24	2605359	. CLAMP	1	
- 25	2596652	. NUT, WING ATT PT	2	
- 26	6364	. WASHER, LOCK-SPLIT NO. 6 X 1/4 OD ATT PT	2	
- 27	2605360	. CLAMP, BASE	1	
- 28	10170	. SCREW, MACH-BIND HD 6-32 X 1/4 LG ATT PT	2	
- 29	62031	. WASHER, LOCK-INT TEETH NO. 6 X 0.295 OD ATT PT	2	
- 29A	2604976	. RESISTOR ASM	1	
- 30	5240477	. SHIELD, CAPACITOR	1	
- 31	2175862	. CAPACITOR ASM	1	
- 32	35739	. SCREW, MACH-BIND HD 6-32 X 15/16 LG ATT PT	3	
- 33	56722	. WASHER, LOCK-EXT TEETH NO. 6 ATT PT	3	
- 34	257187	. NUT, PLAIN, HEX- 6-32 X 3/8 FL W ATT PT	3	
- 35	2601794	. RELAY ASM	1	
- 36	5318966	. . RETAINER, RELAY- 4 POSITION	1	
- 37	5318968	. . RELAY, ARM-COIL 24V CONT 30V 5 AMP 4PDT	1	
- 38	5364197	. . GROUND-RELAY	1	
- 39	5318967	. . SOCKET, 4 POSITION RELAY	1	
- 40	438548	. . SCREW, MACH-BIND HD 4-40 X 3/16 LG ATT PT	1	
- 41	2111232	. . SEMICONDUCTOR DEVICE, DIODE-TYPE AM	1	
- 42	216797	. . RESISTOR, FXD, FILM- 24 OHMS P/M 5% 2W	1	
- 43	5323537	. . SEMICONDUCTOR DEVICE, DIO- 200V 6 AMP	4	
- 44	505367	. . STANDOFF	4	
- 45	37913	. . NUT-HEX 4-40 X .250 ID ATT PT	4	
- 46	338169	. . WASHER, LOCK-EXT TEETH NO. 4 X .260 OD ATT PT	1	
- 47	2601814	. . BRACKET, MOUNTING	1	
- 48	2601817	. COVER, OUTPUT AND FILTER	1	
- 49	2601816	. COVER, REGULATOR	1	
- 50	2601815	. COVER, INPUT	1	
- 51	2604508	. COVER ASM	1	
- 52	58207	. SCREW, MACH-UNDRCT BIND HD 8-32 X 1/4 LG ATT PT	17	
- 53	2604483	. . SUPPORT	1	
- 54	70078	. . SCREW, THD CUTTING-PAN HD 6-32 X 1/4 LG ATT PT	4	
- 55	2604507	. . COVER	1	
- 56	2601793	. BRACKET	1	
- 57	28413	. SCREW, MACH-BIND HD 10-32 X 5/16 LG ATT PT	6	
- 58	2601797	. BRACKET, MOUNTING	2	
- 59	2630430	. REGULATOR ASSEMBLY	1	
- 60	32042	FOR DETAIL BREAKDOWN, SEE FIGURE 5 . SCREW, MACH BD HD- 10-32 X 3/8 LG ATT PT	6	
- 61	11598	. NUT, PLAIN-HEX 10-32 X 3/8 FL W ATT PT	6	
- 62	2602270	. COVER, MESH	1	
- 63	2630468	. CIRCUIT BREAKER, 3 POLE 240/480 V 55 AMP	1	
- 63	5214260	. CIRCUIT BREAKER, 3 POLE, 240/480 V, 20 AMP USED ON GE MG ONLY	1	
- 64	5528	. SCREW, MACH BIND HD 8-32 X .625 IG ATT PT	4	
- 65	22478	. WASHER, FL- 0.170 ID 0.375 OD 0.32 THK ATT PT	4	

FOR PARTS
NOT SHOWN
SEE FIG. 2
SHEET 2

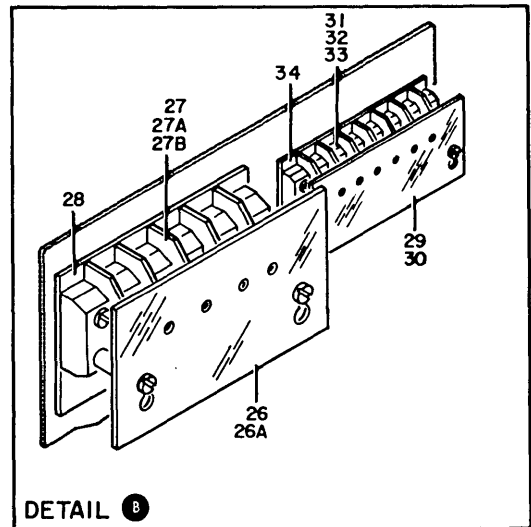
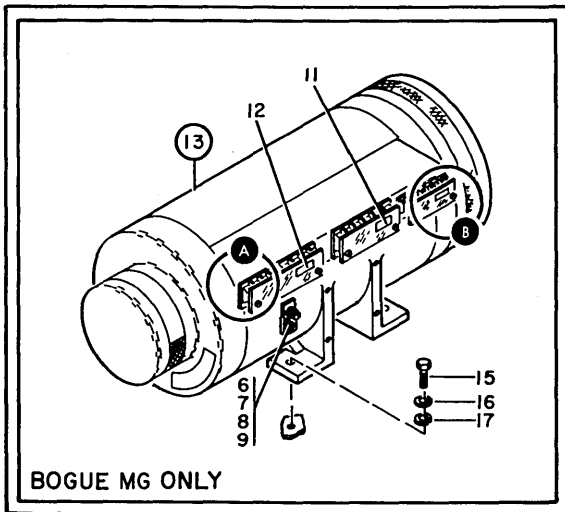
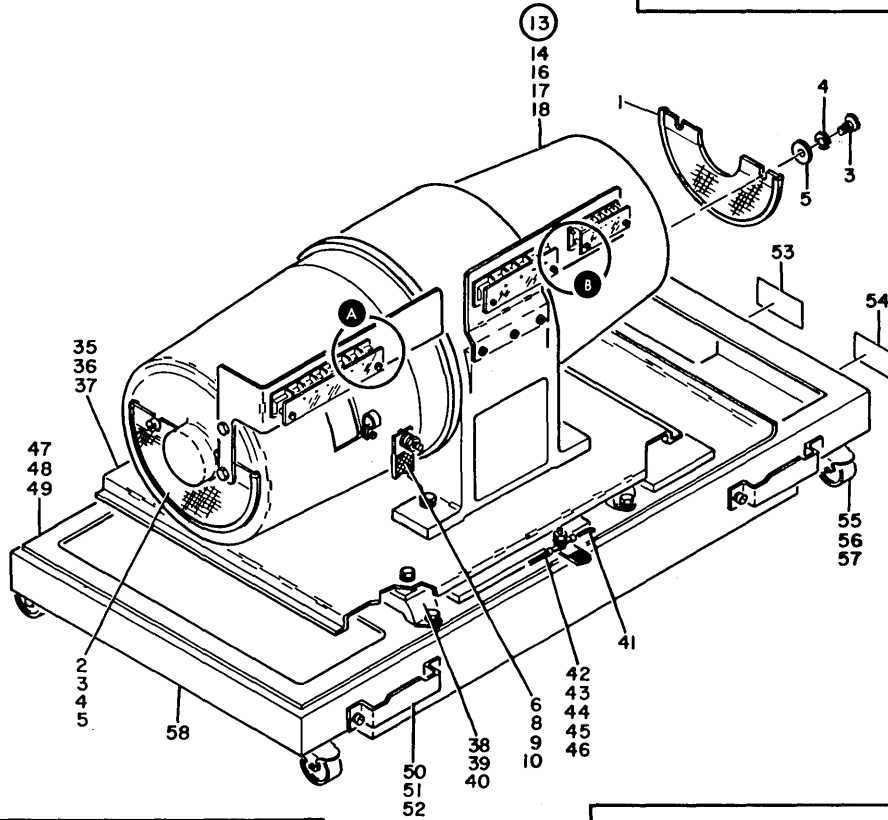
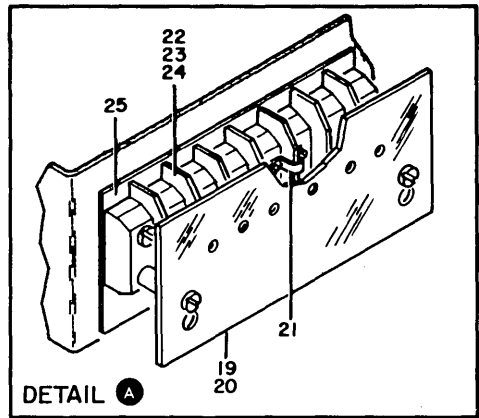


FIGURE 3. MOTOR GENERATOR.

LIST 3. MOTOR GENERATOR.

FIGURE- INDEX NUMBER	PART NUMBER	DESCRIPTION	UNITS PER ASM.	USABLE ON CODE
		1 2 3 4		
3 -	2602342	MOTOR GENERATOR-GE	REF	
-	1829435	MOTOR GENERATOR-BOGUE FOR NEXT HIGHER ASM,SEE FIGURE 2-125	REF	
- 1	2603896	. GRILL-SMALL USED ON GE MG ONLY	1	
- 2	2603895	. GRILL-LARGE USED ON GE MG ONLY	1	
- 3	28413	. SCREW,MACH-BIND HD 10-32 X 5/16 LG	ATT PT	3
- 4	9092	. WASHER-LOCK,SPLIT RING, .194 ID .337OD	ATT PT	3
- 5	45690	. WASHER, FL - NO.10 X 7/16 OD X 1/32 THK	ATT PT	3
- 6	2602339	. JUMPER		1
- 7	38686	. SCREW,MACH-HEX HD 1/4-20 X 1/2 LG	ATT PT	1
- 8	3550	. WASHER,FL- 1/4 X 9/16 OD X 0.050 THK	ATT PT	1
- 9	76574	. LOCKWASHER-EXT TOOTH ID .267 X OD .510	ATT PT	1
- 10	36109	. NUT,PLAIN,HEX- 1/4-20 X 7/16 FL W	ATT PT	1
- 11	2601784	. LABEL,WARNING		1
- 12	2602350	. LABEL,TB		1
- 13	1993811 NR	. MOTOR GENERATOR-GE		1
- 13	1827344 NR	. MOTOR GENERATOR-BOGUE ONLY TERMINAL BOARDS MAY BE REPLACED ON THIS ASM. IF MOTOR GENERATOR UNIT MALFUNCTIONS ORDER 2602342 (GE) OR 1829435 (BOGUE)		1
- 14	59682	. SCREW	ATT PT	14
- 15	25833	. SCREW	ATT PT	4
- 16	130985	. WASHER,FLAT	ATT PT	4
- 17	130987	. WASHER,LOCK-SPLIT 0.509 ID X 0.879 CD	ATT PT	4
- 18	76846	. NUT,PLAIN,HEX	ATT PT	4
- 19	1994582	. . SHIELD- 6 POS		1
- 20	32042	. . SCREW,MACH BD HD- 10-32 X 3/8 LG	ATT PT	1
- 21	1994578	. . JUMPER		1
- 22	1994574	. . TERMINAL BOARD- 6 POS		1
- 23	438601	. . SCREW,MACH-UNDRCT BIND HD 10-32 X 7/8 LG	ATT PT	2
- 24	1994579	. . STANDOFF	ATT PT	2
- 25	1994577	. . MARKER STRIP- 6 POS		1
- 26	1994581	. . SHIELD- 4 POS		1
- 26A	32042	. . SCREW,MACH BD HD- 10-32 X 3/8 LG	ATT PT	1
- 27	1994573	. . TERMINAL BOARD- 4 POS		1
- 27A	438601	. . SCREW,MACH-UNDRCT BIND HD 10-32 X 7/8 LG	ATT PT	2
- 27B	1994579	. . STANDOFF	ATT PT	2
- 28	1994576	. . MARKER STRIP- 4 POS		1
- 29	337193	. . SHIELD-TERMINAL BOARD 6 POSITION		1
- 30	10170	. . SCREW,MACH-BIND HD 6-32 X 1/4 LG	ATT PT	2
- 31	317131	. . TERMINAL BOARD- 6 DEL SCREW TERMINALS		1
- 32	38354	. . SCREW,MACH-FIL H 6-32 X 1/2 LG	ATT PT	2
- 33	210883	. . STUD-SHIELD MTG,TAPPED,NO. 6-32	ATT PT	2
- 34	322266	. . MARKER STRIP- 6 POS NOS. 1 THRU 6		1
- 35	2602317 NR	. SUPPORT		1
- 36	93178	. SCREW,HEX HD- 1/2-13 X 3/4 LG	ATT PT	4
- 37	130987	. WASHER,LOCK-SPLIT 0.509 ID X 0.879 OD	ATT PT	4
- 38	667022 NR	. MOUNT,SHOCK ABSORBING		4
- 39	10305	. SCREW,CAP,SLOT HEX HD,8-32,1.5 LG	ATT PT	AR
- 39	4553	. SCREW,HEX HEAD- 3/8-16 X 3/4 LG	ATT PT	AR
- 40	10309	. LOCKWASHER	ATT PT	8
- 41	2192880	. JUMPER ASM		1
- 42	2601934	. JUMPER ASM		1
- 43	129147	. SCREW,MACH-HEX HD 1/4-20 X 7/8 LG	ATT PT	1
- 44	3550	. WASHER,FL- 1/4 X 9/16 OD X 0.050 THK	ATT PT	1
- 45	76574	. LOCKWASHER-EXT TOOTH ID .267 X OD .510	ATT PT	1
- 46	36109	. NUT,PLAIN,HEX- 1/4-20 X 7/16 FL W	ATT PT	1
- 47	2598618 NR	. COVER,DUCT		1
- 48	32617	. SCREW,MACH-BIND HD 10-32 X 0.438 LG	ATT PT	4
- 49	9092	. WASHER-LOCK,SPLIT RING, .194 ID .337OD	ATT PT	4
- 50	2598667	. SUPPORT,MALE,STEEL		6
- 51	90261	. SCREW,MACH-BIND HD 1/4-20 X 0.438 LG	ATT PT	12
- 52	76574	. LOCKWASHER-EXT TOOTH ID .267 X OD .510	ATT PT	12
- 53	369207	. LABEL,VOLTAGE		1
- 54	5731697	. LABEL,WARNING		1
- 55	2575275	. CASTER,SWIVEL		4
- 56	5471	. SCREW,CAP,SLOT HEX HD,0.312-18,0.75 LG	ATT PT	16
- 57	257983	. WASHER,LOCK-SPLIT 0.319 ID X 0.591 OD	ATT PT	16
- 58	2598614 NR	. CHASSIS		1

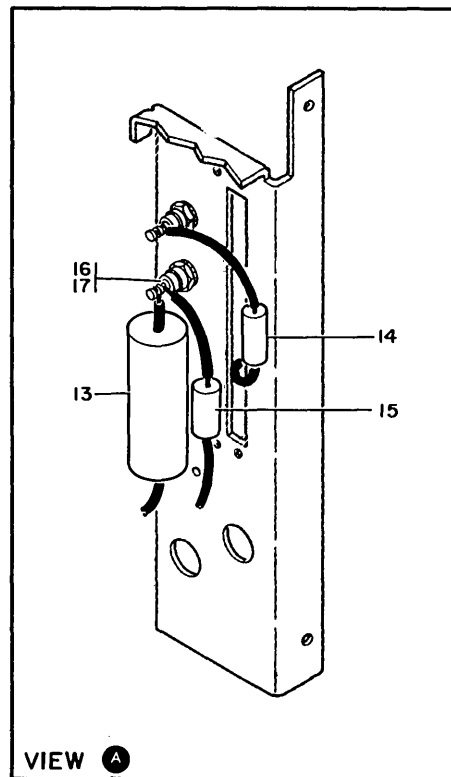
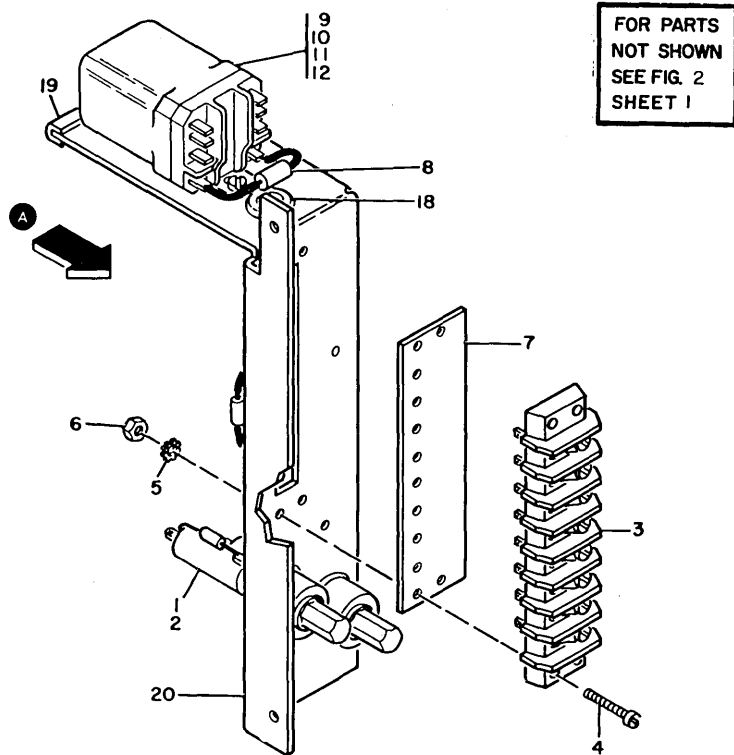


FIGURE 4. DETECT ASSEMBLY.

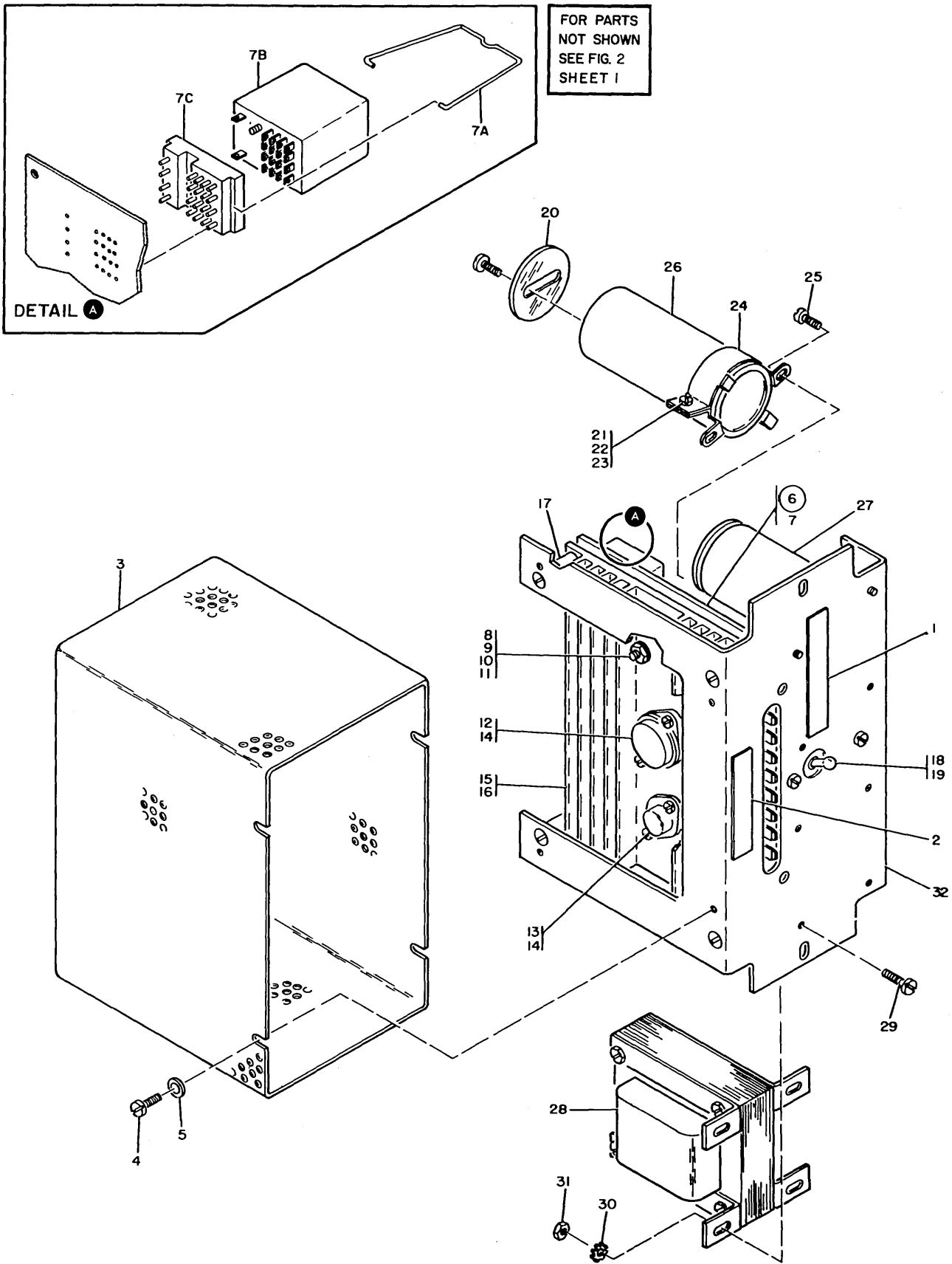


FIGURE 5. REGULATOR ASSEMBLY.

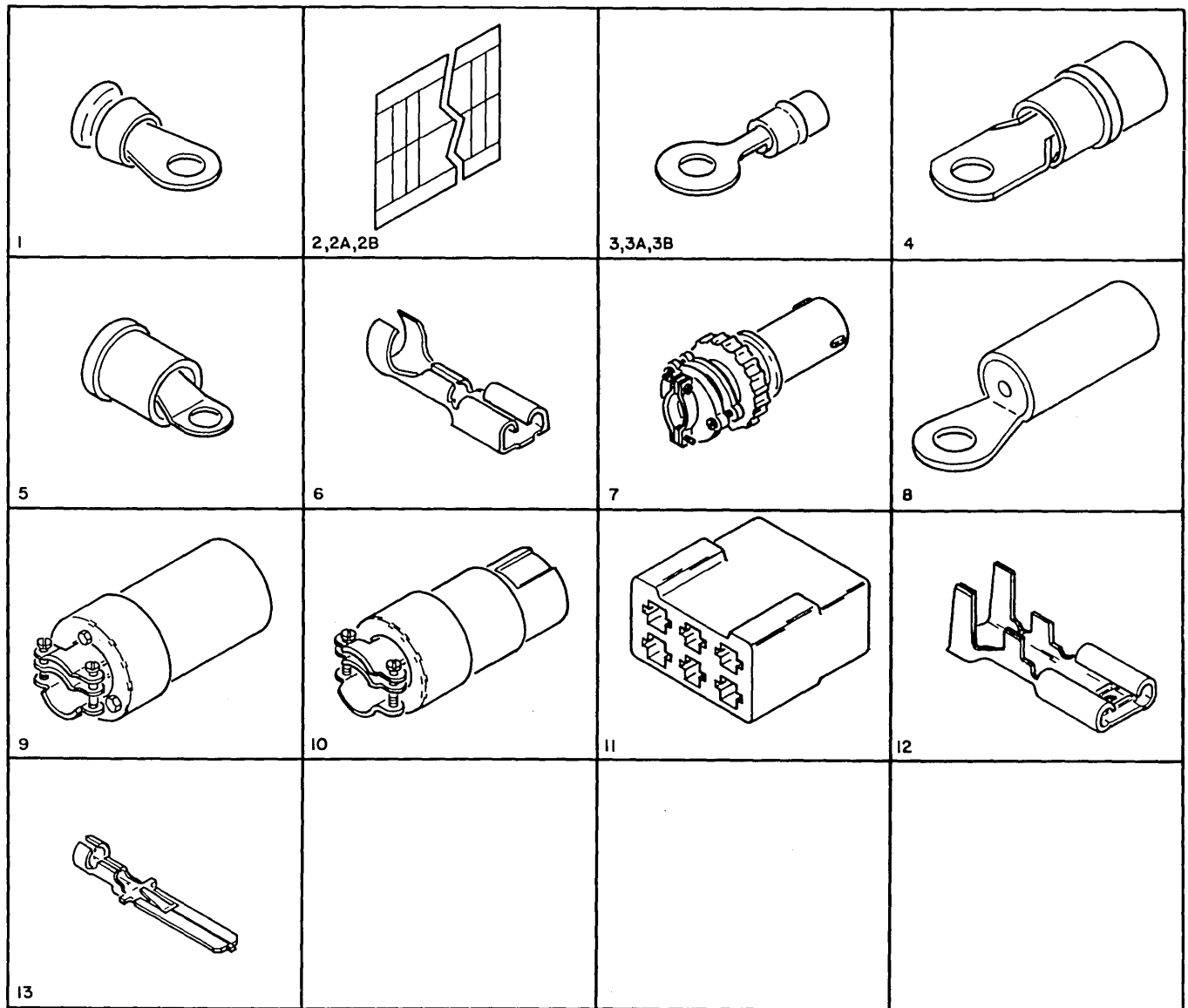


FIGURE 7. CABLE COMPONENT PARTS.

LIST 7. CABLE COMPONENT PARTS.

FIGURE- INDEX NUMBER	PART NUMBER	DESCRIPTION				UNITS PER ASM.	USABLE ON CODE
		1	2	3	4		
7 -	NO NO. NP	CABLE COMPONENTS					
- 1	82725	. TERMINAL, LUG-INS 6AWG 17/64 MTG HOLE				AR	
- 2	317296	. LABEL-NUMBERING L TO R 1 THRU 33				AR	
- 2A	483770	. LABEL, CABLE IDENTIFICATION				AR	
- 2B	598381	. LABEL-LETTERS L TO R UP. CASE A THRU Z				AR	
- 3	334768	. TERMINAL, RING-16-22 AWG 1/4 MTG HOLE				AR	
- 3A	334921	. TERMINAL-RING, 18-22 AWG, #6 HOLE, INS				AR	
- 3B	334932	. TERMINAL-RING, 18-22 AWG, #10 HOLE, INS				AR	
- 4	335327	. TERMINAL, LUG- SCREW SIZES 8 THRU 10				AR	
- 5	335970	. TERMINAL, IUG- 8 AWG 1/4 MTG HOLE				AR	
- 6	523267	. RECEPTACLE, TAB- 0.798 LG				AR	
- 7	538724	. CONNECTOR, PLUG, ELECTRICAL				AR	
- 8	2101327	. TERMINAL, LUG-INS 10/12AWG 1/4 MTG HOLE				AR	
- 9	2602265	. PLUG, MALE				AR	
- 10	2602266	. PLUG, FEMALE				AR	
- 11	523268	. HOUSING-TAB				AR	
- 12	1127037	. RECEPTACLE, TAB- 0.755 LG				AR	
- 13	827991	. TERMINAL, QUICK DISCONNECT				AR	

NUMERIC INDEX

PART NO.	LIST AND INDEX NO.	PART NO.	LIST AND INDEX NO.	PART NO.	LIST AND INDEX NO.	PART NO.	LIST AND INDEX NO.
3550	3 - 8	76574	1 - 4	483770	7 - 2A	2598702	1 - 11
	3 - 44		1 - 14B	502588	4 - 3	2598703	1 - 11
4553	3 - 39		1 - 48	505367	2 - 44		1 - 12
5471	3 - 56		2 - 81	518578	2 - 18	2598705	1 - 12
5528	2 - 64		2 -102	523267	7 - 6	2598707	1 - 11
6364	2 - 26		2 -113	523268	7 - 11	2598708	1 - 11
	5 - 22		3 - 9	523269	2 - 22A		1 - 12
9092	2 - 94		3 - 45	538724	7 - 7	2598710	1 - 12
	3 - 4		3 - 52	587834	1 - 53	2598712	1 - 11
	3 - 49	76846	3 - 18	587866	1 - 52	2598713	1 - 11
10170	2 - 28	79778	1 - 28	587874	1 - 50		1 - 12
	3 - 30	80651	1 - 28	587875	1 - 49	2598715	1 - 12
	5 - 19	81693	4 - 10	597301	2 - 22	2598717	1 - 11
10305	3 - 39		5 - 7	598381	7 - 2B	2598718	1 - 11
10309	3 - 40	82725	7 - 1	598479	5 - 8		1 - 12
11598	2 - 61	90261	3 - 51	601093	2 - 84	2598720	1 - 12
	2 - 70	93178	3 - 36	667022	3 - 38	2598722	1 - 11
	2 - 82	111254	4 - 1	821087	2 - 4	2598723	1 - 11
	2 - 95	120211	2 -101	827840	2 - 6		1 - 12
	2 -103		2 -106A	827991	7 - 13	2598880	2 -118
	5 - 9	123070	4 - 18	1127037	7 - 12	2598881	2 -120
22478	2 - 17	129147	3 - 43	1827343	2 -122	2598882	1 - 35
	2 - 65	130985	3 - 16	1827344	3 - 13	2598905	1 - REF
	2 -124	130987	3 - 17	1827446	2 - REF	2598920	2 - 98
24752	2 -123		3 - 37	1829435	2 -125	2599234	4 - 20
25627	5 - 29	186036	1 - 51		3 - REF	2599237	2 - 19
25833	3 - 15	186759	1 - 9	1835661	2 - 92		4 - REF
28413	2 - 13	192049	1 - 31	1993811	3 - 13	2601748	1 - 1
	2 - 57	198981	2 - 74	1994573	3 - 27	2601780	1 - 1
	2 - 72	208256	4 - 14	1994574	3 - 22	2601783	1 - 36
	2 - 79	210883	3 - 33	1994576	3 - 28	2601784	3 - 11
	3 - 3	216797	2 - 42	1994577	3 - 25	2601787	1 - 25
32042	2 - 60	236849	2 - 20	1994578	3 - 21	2601788	1 - 24
	2 - 88		2 - 73	1994579	3 - 24	2601789	1 - 14
	3 - 20		2 - 93		3 - 27B	2601792	1 - 1
	3 - 26A	257187	1 - 42	1994581	3 - 26	2601793	2 - 56
32617	2 - 68		2 - 34	1994582	3 - 19	2601794	2 - 35
	3 - 48		4 - 6	2101327	7 - 8	2601796	1 - 6
34512	1 - 38		4 - 12	2111232	2 - 41	2601797	2 - 58
	2 - 16		5 - 23		4 - 8	2601799	1 - 13
	2 - 78	257189	5 - 31	2175862	2 - 31	2601800	1 - 43
	2 - 86A	257983	3 - 57	2192880	3 - 41	2601804	1 - 13
	2 -112	257986	1 - 30	2391346	5 - 12	2601805	2 - 76
35739	1 - 38		1 - 40	2391347	5 - 13	2601812	2 - 71
	2 - 32		5 - 5	2414970	2 - 5	2601813	2 - 77
36109	3 - 10	301768	5 - 24	2566600	2 - 92A	2601814	2 - 47
	3 - 46	316807	5 - 16	2566629	2 - 2	2601815	2 - 50
37913	2 - 45	317096	4 - 15	2566638	2 -121	2601816	2 - 49
38350	5 - 14	317131	3 - 31	2566650	2 - 3	2601817	2 - 48
38354	3 - 32	317296	7 - 2	2575275	3 - 55	2601818	6 - 3
38433	2 - 8A	322029	1 - 3	2596652	2 - 25	2601819	6 - 4
38686	2 -101		2 - 80	2598329	2 - REF	2601824	6 - 5
	3 - 7	322065	4 - 4	2598614	3 - 58	2601834	6 - 6
45690	2 - 14	322266	3 - 34	2598616	2 - 99	2601845	6 - 7
	2 -106B	322550	5 - 21	2598618	3 - 47	2601854	6 - 8
	3 - 5	332620	2 -105	2598619	2 - 83	2601934	3 - 42
	5 - 11		2 -111		2 - 86	2601983	1 - 20
55726	5 - 4		2 -119	2598620	1 - 2	2601985	1 - 22
55901	1 - 10	334768	7 - 3	2598629	1 - 8	2602066	2 - 92
	1 - 40	334921	7 - 3A	2598630	1 - 46	2602097	2 -104
	2 - 85	334932	7 - 3B	2598632	6 - 1	2602113	6 - 9
	2 - 86B	335327	7 - 4	2598638	6 - 2	2602264	2 - 23
	2 -115	335970	7 - 5	2598661	1 - 37	2602265	7 - 9
	5 - 30	336823	5 - 2	2598663	1 - 43	2602266	7 - 10
56079	2 - 21	337193	3 - 29		1 - 44	2602269	2 -109
	2 - 69	338169	2 - 46	2598664	1 - 45	2602270	2 - 62
	2 - 89	338327	2 - 75	2598667	3 - 50	2602271	2 - 87
	2 - 93A	347030	4 - 13	2598677	1 - 14	2602276	2 -107
	2 -102	360882	4 - 2	2598687	1 - 7	2602278	2 - 15
	2 -106	369207	3 - 53	2598688	1 - 21	2602279	4 - 9
	2 -114	438548	2 - 10	2598689	1 - 19	2602317	3 - 35
56121	5 - 10		2 - 40	2598690	1 - 15	2602326	2 - 11
56722	2 - 33	438566	5 - 25	2598691	1 - 23	2602327	2 - 8
	4 - 5	438601	3 - 23	2598692	1 - 5	2602339	3 - 6
	4 - 11		3 - 27A	2598693	2 - 97	2602342	2 -125
	4 - 17	438622	1 - 14A	2598694	1 - 27		3 - REF
58207	2 - 52		1 - 47	2598695	1 - 17	2602344	1 - 24
59682	3 - 14	438623	2 -110	2598696	1 - 16	2602349	2 -100
62031	2 - 29	473442	4 - 19	2598697	1 - 18	2602350	3 - 12
70078	2 - 54	483107	5 - 27	2598700	1 - 12	2602351	2 - 1

PART NO.	LIST AND INDEX NO.	PART NO.	LIST AND INDEX NO.	PART NO.	LIST AND INDEX NO.	PART NO.	LIST AND INDEX NO.
2603683	2 - 96						
2603895	3 - 2						
2603896	3 - 1						
2604221	2 - 9						
2604483	2 - 53						
2604507	2 - 55						
2604508	2 - 51						
2604976	2 - 29A						
2605359	2 - 24						
2605360	2 - 27						
2630080	5 - 18						
2630421	5 - 32						
2630422	5 - 3						
2630423	5 - 15						
2630424	5 - 17						
2630425	5 - 28						
2630427	5 - 6						
2630430	2 - 59						
	5 - REF						
2630468	2 - 63						
4062756	1 - 32						
4106830	1 - 33						
5213430	2 - 67						
5214120	5 - 7C						
5214260	2 - 63						
5214406	5 - 26						
5240477	2 - 30						
5261296	5 - 20						
5261459	4 - 16						
5270586	2 - 12						
5318966	2 - 36						
	5 - 7A						
5318967	2 - 39						
5318968	2 - 37						
	5 - 7B						
5323537	2 - 43						
5351178	6 - 10						
5356635	4 - 7						
5364197	2 - 38						
5367677	2 - 66						
5372243	1 - 14C						
5373660	2 - 7						
5501996	2 - 90						
5501997	2 - 91						
5731697	3 - 54						
5785130	5 - 1						
5795838	2 - 108						
8108642	1 - 34						

YOUR COMMENTS PLEASE

3046 Power Unit Model 1 _____
 Parts Catalog _____

Form # S126-0003-0

Your Name _____

Business Address _____

Employed By: IBM _____ Other _____

Frequency of use:	<i>Daily</i>	<i>Weekly</i>	<i>Monthly</i>	<i>Almost Never</i>	
This Catalog	_____	_____	_____	_____	
Other IBM Catalogs	_____	_____	_____	_____	
How do you rate this catalog	<i>Very Good</i>	<i>Good</i>	<i>Fair</i>	<i>Poor</i>	<i>Very Poor</i>
Completeness	_____	_____	_____	_____	_____
Continuity	_____	_____	_____	_____	_____
Useability	_____	_____	_____	_____	_____
Accuracy	_____	_____	_____	_____	_____
Amount of Information:	<i>Too Much</i>		<i>Not Enough</i>		
	_____		_____		

Note: If any of the above ratings are fair or below, please indicate specific reasons below.

Other Comments: (Please give specific page, and line references)

Your comments, please . . .

Your comments, together with your answer to the questions on the back of this form will help us produce better publications for your use. Your comments will be carefully reviewed by the persons responsible for writing and publishing this material. All comments and suggestions become the property of IBM.

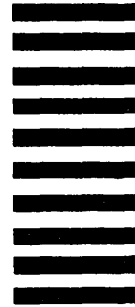
Cut or Fold Along Line

Fold

Fold

First Class
Permit 40
Armonk
New York

Business Reply Mail
No postage stamp necessary if mailed in the U.S.A.



Postage will be paid by:

International Business Machines Corporation
Department 520
Neighborhood Road
Kingston, New York 12401

Fold

Fold

3046 Power Unit Model 1, Domestic Printed in USA S126-0003-0



International Business Machines Corporation
Data Processing Division
1133 Westchester Avenue, White Plains, New York 10604
(U.S.A. only)

3046

3046

Fold

Cut

S126-0003-0

3046 Power Unit Model 1, Domestic Printed in USA S126-0003-0



International Business Machines Corporation
Data Processing Division
1133 Westchester Avenue, White Plains, New York 10604
(U.S.A. only)