

BOARD HISTORY

PN	EC	STATUS/ECA
1765712	734107	FCS
1765712	734877	MAND (083)

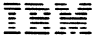
BOARD REPLACEMENT :

ORDER THE SAME PART NUMBER AND EC LEVEL OF THE BOARD BEING REPLACED.  
 CHECK WITH PAGE AA005 FOR JUMPER/RESISTOR WIRING.

RPQ : SEE SUPPLEMENT PN 4416179  
 FCS : FIRST CUSTOMER SHIPMENT  
 MAND : MANDATORY  
 OPT : OPTIONAL  
 FEATURE IDENTIFICATION : SEE PAGE AA000

NOTES

- 1] CARD REQUIRES JUMPERS PLUGGING,REFER TO PAGE AA010.
- 2] BOARD WIRING AFFECTED,SEE BOARD HISTORY.
- 3] EMBEDDED VERSION (SHOULD BE USED FOR REPLACEMENT).
- 4] ALL CABLES GOING TO 01X-Y1 GATE WILL GO TO THE SAME BOARD LOCATION IN A3 WHEN THE Y1 (AUXILLARY) GATE IS NOT PRESENT.

 "THIS DOCUMENT IS THE PROPERTY OF IBM. ITS USE IS AUTHORIZED ONLY FOR RESPONDING TO A REQUEST FOR QUOTATION OR FOR THE PERFORMANCE OF WORK FOR IBM. ALL QUESTIONS MUST BE REFERRED TO THE IBM PURCHASING DEPARTMENT."



EC	SEE EC	846771						
DATE	HISTORY	11JUN82						

SOC	CARD TYPE	LOGIC	FEATURE	EC STATUS						
				FCS	MAND	OPT				
				EC 734107	EC 734877	EC 847125				
					NOTE [2]					
				ECA 083	ECA 126					
B2	2588	PP061		5852588						
B3	2588	PP071		5852588						
C2 [1]	2272	BS011- BS081			8236963	8565080				
D2	2271	BK001- BK051		8236962						
E2	2274	BN011- BN091	7 TRK	8236264						
F2	2276	BR001- BR071		8218426						
G2	9904	BW001- BW091 BW101- BW191		8236949						
H2	2273	BW191		8236942						
K2	9912	BW201 BW242		8236954						
L2	2275	BN301 BN312	7 TRK	8236945						
L4	6282	BL001	W/O 7TRK	5854347						
R2	9159 OR W055	PK081- PK101  PK041 PK051 PK181 PP041 PP051		8216681  8218325 NOTE [3]						
S2	9898	PR151- PR161		8218361						
T2	9151 OR W053	PK011- PK035  PS011		8216694  8218323 NOTE [3]						
U2	9897 OR W036	PP011- PP031  PR131- PR141		8215427  8218336 NOTE [3]						
V3	2589	PS031		5852589						
V4	2589	PS041		5852589						
V5	2589	PS021		5852589						

THIS DOCUMENT IS THE PROPERTY OF IBM. ITS USE IS AUTHORIZED ONLY FOR RESPONDING TO A REQUEST FOR QUOTATION OR FOR THE PERFORMANCE OF WORK FOR IBM. ALL QUESTIONS MUST BE REFERRED TO THE IBM PURCHASING DEPARTMENT.



EC	SEE EC	846771					
DATE	HISTORY	11JUN82					

SOC	TYPE	PN	FEATURE	GOES TO	
A2	CABLE	5802875		01X-Y1V2	NOTE [4]
A3	CABLE	5802875		01A-A2C2	
A4	CABLE	5802875		01A-A2A2	
A5	CABLE	5802875		01A-A2B2	
B4	CABLE	5802875		01X-Y1V4	NOTE [4]
B5	CABLE	5802875		01X-Y1V5	NOTE [4]
V2	CABLE	5802875		01X-Y1V3	NOTE [4]
Y1	CABLE	5802875		01X-Y1Y6	NOTE [4]
Y2	CABLE	5802875		01X-Y1Z6	NOTE [4]
Y3	CABLE	5802875		01A-B2Y1	
Y4	CABLE	5802875		01A-B2Y3	
Y5	CABLE	5802875		01A-B2Y2	
Y6	CABLE	5802875		01A-A2Y6	
Z1	XOVER	5802876		01A-A2Y1	
Z2	XOVER	5802876		01A-A2Y2	
Z3	XOVER	5802876		01A-A2Y3	
Z4	XOVER	5802876		01A-A2Y4	
Z5	XOVER	5802876		01A-A2Y5	
Z6	CABLE	5802875		01A-B2Y4	



"THIS DOCUMENT IS THE PROPERTY OF IBM. ITS USE IS AUTHORIZED ONLY FOR RESPONDING TO A REQUEST FOR QUOTATION OR FOR THE PERFORMANCE OF WORK FOR IBM. ALL QUESTIONS MUST BE REFERRED TO THE IBM PURCHASING DEPARTMENT."

EC	SEE EC	846771					
DATE	HISTORY	11JUN82					



BOARD HISTORY

PN	EC	STATUS/ECA	NOTES
2521394 2521394	733843 846627	FCS MAND	NOTE <span style="border: 1px solid black; padding: 0 2px;">4</span>

BOARD REPLACEMENT :

ORDER THE SAME PART NUMBER AND EC LEVEL OF THE BOARD BEING REPLACED.  
 CHECK WITH PAGE AA005 FOR JUMPER/RESISTOR WIRING.

RPQ : SEE SUPPLEMENT PN 2741905  
 FCS : FIRST CUSTOMER SHIPMENT  
 MAND : MANDATORY  
 OPT : OPTIONAL  
 FEATURE IDENTIFICATION : SEE PAGE AA000

NOTES

- 1 CARD REQUIRES JUMPER PLUGGING, REFER TO PAGE AA010.
- 2 BOARD WIRING AFFECTED, SEE BOARD HISTORY.
- 3 EMBEDDED VERSION (SHOULD BE USED FOR REPLACEMENT).
- 4 BOARD WIRING EC 846627 IS DONE BY FIELD BM AT EC 847836 (ECA 123).
- 5 FOR REPLACEMENT, ORDER CARD PN 8565076.

**IBM** "THIS DOCUMENT IS THE PROPERTY OF IBM. ITS USE IS AUTHORIZED ONLY FOR RESPONDING TO A REQUEST FOR QUOTATION OR FOR THE PERFORMANCE OF WORK FOR IBM. ALL QUESTIONS MUST BE REFERRED TO THE IBM PURCHASING DEPARTMENT."



EC	SEE EC	846771					
DATE	HISTORY	11JUN82					

				EC STATUS					
SOC	CARD TYPE	LOGIC	FEATURE	FCS	MAND	MAND	MAND	MAND	OPT
				EC 734107	EC 736697	EC 449048	EC 846627	EC 847836	EC 847221
							NOTE 214		
					ECA 081	ECA 106	ECA 118	ECA 123	ECA 124
C3	6282	NR031		5854347					
D2	1537 OR W050	XC011- XC061	W/O SEL	8216688					
				8218320 NOTE 3					8565065
	7864	XC521- XC561	SEL	8218305					8565077
E2	9909	XC091- XC151	W/O SEL	8218422					
1	9910	XC591 XC661	SEL	8236253					
G2	DE01	QA121		EMPTY			8565073 NOTE 5	8565076	
1									
H2	2268	QA021- QA111			8237119				
J2	9158	PR071- PR121		8214669					
K2	9896	AA011- AA041		8236449					
L2	9161	AA051 AA081- AA101 OR W035 AA171- AA185		8218356					
				8218335 NOTE 3					
M2	W032	AA061- AA071 AA111- AA131 AA171				8218332			
1									
N2	W034	AA191- AA261				8218334			
P2	E761	FD051	COM 2	5804761					



"THIS DOCUMENT IS THE PROPERTY OF IBM. ITS USE IS AUTHORIZED ONLY FOR RESPONDING TO A REQUEST FOR QUOTATION OR FOR THE PERFORMANCE OF WORK FOR IBM. ALL QUESTIONS MUST BE REFERRED TO THE IBM PURCHASING DEPARTMENT."



EC	SEE EC	846771					
DATE	HISTORY	11JUN82					

SOC	CARD TYPE	LOGIC	FEATURE	EC STATUS							
				FCS	MAND						
				EC 734107	EC 734879						
					ECA 079						
P3	E761	FD051		5804761							
P4	9146 OR W030	AA451- AA461 AB471		8215422							
				8218330 NOTE [3]							
Q2	9144 OR W029	AA141 AA381- AA411 AB431- AB461		8230745							
				8230746 NOTE [3]							
R2	1536 OR W045	FC161- FC211 FD041 NR021		8216700							
				8218315 NOTE [3]							
T2	X362	AA421- AA431 AB141 AB391 AB401- AB421 FD011			8232753						



"THIS DOCUMENT IS THE PROPERTY OF IBM. ITS USE IS AUTHORIZED ONLY FOR RESPONDING TO A REQUEST FOR QUOTATION OR FOR THE PERFORMANCE OF WORK FOR IBM. ALL QUESTIONS MUST BE REFERRED TO THE IBM PURCHASING DEPARTMENT."



EC	SEE EC	846771					
DATE	HISTORY	11 JUL 82					

SOC	TYPE	PN	FEATURE	GOES TO
A2	CABLE	5802875		01A-A1A4
A3	CABLE	5802875	SEL	01A-B3Y1
	CABLE	5802133	W/O SEL	01T-A1A8
A4	CABLE	5802133	W/O SEL	01T-A1B8
A5	CABLE	5802133	COM 2	01T-A1B6
	CABLE	5802875	2 CS	01A-B3Z5
	CABLE	5802875	3 OR 4 CS	01A-A3V5
B2	CABLE	5802875		01A-A1A5
B3	CABLE	5802875	SEL	01A-B3Y2
	CABLE	5802133	COM 2	01T-A1A6
	CABLE	5802875	2 CS	01A-B3Z3
	CABLE	5802875	3 OR 4 CS	01A-A3A4
B4	CABLE	5802875	SEL	01A-B3Y3
	CABLE	5802133	W/O SEL	01T-A1B7
B5	CABLE	5802875	SEL OR 2 CS	01A-B3Z1
	CABLE	5802133	COM 2	01T-A1B5
	CABLE	5802875	3 OR 4 CS	01A-B3Y3
C2	CABLE	5802875		01A-A1A3
C4	CABLE	5802133	W/O SEL	01T-A1A7
C5	CABLE	5802875	SEL OR 2 CS	01A-B3Y5
	CABLE	5802133	COM 2	01T-A1A5
	CABLE	5802875	3 OR 4 CS	01A-B3Y4
U2	CABLE	5802875		01A-B2B2
U5	CABLE	5802875		01A-B2B5
V2	XOVER	5802876		01A-B2A2
V3	XOVER	5802876		01A-B2A3
V4	XOVER	5802876		01A-B2A4
V5	XOVER	5802876		01A-B2A5
Y1	XOVER	5802876		01A-A1Z1
Y2	XOVER	5802876		01A-A1Z2
Y3	XOVER	5802876		01A-A1Z3
Y4	XOVER	5802876		01A-A1Z4
Y5	XOVER	5802876		01A-A1Z5
Y6	CABLE	5802875		01A-A1Y6



"THIS DOCUMENT IS THE PROPERTY OF IBM. ITS USE IS AUTHORIZED ONLY FOR RESPONDING TO A REQUEST FOR QUOTATION OR FOR THE PERFORMANCE OF WORK FOR IBM. ALL QUESTIONS MUST BE REFERRED TO THE IBM PURCHASING DEPARTMENT."



EC	SEE EC	846771					
DATE	HISTORY	11JUN82					

BOARD HISTORY

PN	EC	STATUS/ECA	NOTES
2521384	733814	MAND	NOTE <span style="border: 1px solid black; padding: 0 2px;">5</span>
2521384	734872	MAND	NOTE <span style="border: 1px solid black; padding: 0 2px;">5</span>
1384002	847120	RELEASE	
1384002	846627	MAND(123)	NOTE <span style="border: 1px solid black; padding: 0 2px;">4</span>

BOARD REPLACEMENT :

ORDER THE SAME PART NUMBER AND EC LEVEL OF THE BOARD BEING REPLACED, UNLESS OTHERWISE SPECIFIED.  
 CHECK WITH PAGE AA005 FOR JUMPER/RESISTOR WIRING.

RPQ : SEE SUPPLEMENT PN 4416177  
 FCS : FIRST CUSTOMER SHIPMENT  
 MAND : MANDATORY  
 OPT : OPTIONAL  
 FEATURE IDENTIFICATION : SEE PAGE AA000

NOTES

- 1 CARD REQUIRES JUMPERS PLUGGING, REFER TO PAGE AA010.
- 2 BOARD WIRING AFFECTED, SEE BOARD HISTORY.
- 3 EMBEDDED VERSION (SHOULD BE USED FOR REPLACEMENT).
- 4 BOARD WIRING EC 846627 IS DONE BY FIELD BM AT EC 847836 (ECA 123).
- 5 FOR REPLACEMENT, ORDER PN 1384002.
- 6 FOR REPLACEMENT, ORDER PN 8565076.



"THIS DOCUMENT IS THE PROPERTY OF IBM. ITS USE IS AUTHORIZED ONLY FOR RESPONDING TO A REQUEST FOR QUOTATION OR FOR THE PERFORMANCE OF WORK FOR IBM. ALL QUESTIONS MUST BE REFERRED TO THE IBM PURCHASING DEPARTMENT."



EC	SEE EC	846771					
DATE	HISTORY	11JUN82					



SOC	CARD TYPE	LOGIC	FEATURE	EC STATUS			
				FCS	MAND	MAND	MAND
				EC 734107	EC 449048	EC 846627	EC 847636
						NOTE [2][4]	
					ECA 106	ECA 118	ECA 123
C2	W034	AB201- AB271			8218334		
D2 [1]	W032	AB051 AB071 AB111- AB131 AB201 AB381			8218332		
E2	9161 OR W035	AB061 AB081- AB101 AB181 AB191 AB195		8218356			
F2	9896	AB011 AB041		8218335 NOTE [3]			
G2	9150 OR W052	PR011- PR061		8236449			
H2	2267	QB021- QB111		8215421			
J2 [1]	DE01	QB121		8218322 NOTE [3]			
K2	E761	FC271 FD051 XM171		8236252		8565073 NOTE [6]	8565076
K3	2290	FC041 XM041	RCS	EMPTY			
K4	E761	FD051		5804761			
K5	6282	NR011		5818281			
				5804761			
				5854347			




"THIS DOCUMENT IS THE PROPERTY OF IBM. ITS USE IS AUTHORIZED ONLY FOR RESPONDING TO A REQUEST FOR QUOTATION OR FOR THE PERFORMANCE OF WORK FOR IBM. ALL QUESTIONS MUST BE REFERRED TO THE IBM PURCHASING DEPARTMENT."



EC	SEE EC	846771				
DATE	HISTORY	11JUN82				

SOC	CARD TYPE	LOGIC	FEATURE	EC STATUS						
				FCS	MAND	OPT				
				EC 734107	EC 733814	EC 846498				
					NOTE [2]					
					ECA 024	ECA 125				
L2 [1]	1538 OR W046	AB151 - AB171 FC141 - FC151			8218309					
					8218316 NOTE [3]					
M2 [1]	2258	AB451 FC071 - FC131			8218414					
N2 [1]	9149	XM061 - XM111	MIS	8214157						
P2	W031	XM011 - XM051	MIS	8218331		8565082				
Q2	W031	FC011 - FC051		8218331		8565082				
R2	5840	XM12 - XM181	MIS		8218301					
S2	5840	FC221 - FC281			8218301					

 "THIS DOCUMENT IS THE PROPERTY OF IBM. ITS USE IS AUTHORIZED ONLY FOR RESPONDING TO A REQUEST FOR QUOTATION OR FOR THE PERFORMANCE OF WORK FOR IBM. ALL QUESTIONS MUST BE REFERRED TO THE IBM PURCHASING DEPARTMENT."



EC	SEE EC	846771					
DATE	HISTORY	11JUN82					

SOC	TYPE	PN	LOGIC	FEATURE	GOES TO
A2	XOVER	5802876			01A-A2V2
A3	XOVER	5802876			01A-A2V3
A4	XOVER	5802876			01A-A2V4
A5	XOVER	5802876			01A-A2V5
B2	CABLE	5802875			01A-A2U2
B5	CABLE	5802875			01A-A2U5
T2	CABLE	2520992	XM055	MIS	01S-A1B5
T3	CABLE	2520988	FC061		01S-A1A1
T4	CABLE	2520987	FC291		01S-A1B3
T5	CABLE	2520994	XM055	MIS	01S-A1B8
U2	CABLE	2520988	FC291		01S-A1A2
U3	CABLE	2520992	XM055	MIS	01S-A1B6
U4	CABLE	2520994	XM055	MIS	01S-A1B7
U5	CABLE	2520987	FC291		01S-A1B4
V2	CABLE	2520990	FC201		01S-A1B2
V3	CABLE	2520990	FC061		01S-A1B1
V4	CABLE	2520989	FC291		01S-A1A3
V5	CABLE	2520989	FC291		01S-A1A4
Y1	CABLE	5802875			01A-A1Y3
Y2	CABLE	5802875			01A-A1Y5
Y3	CABLE	5802875			01A-A1Y4
Y4	CABLE	5802875			01A-A1Z6
Y5	CABLE	2520993	XM055	MIS	01S-A1A5
Y6	CABLE	2520993	XM055	MIS	01S-A1A6
Z5	CABLE	2520991	XM055	MIS	01S-A1A8
Z6	CABLE	2520991	XM055	MIS	01S-A1A7



"THIS DOCUMENT IS THE PROPERTY OF IBM. ITS USE IS AUTHORIZED ONLY FOR RESPONDING TO A REQUEST FOR QUOTATION OR FOR THE PERFORMANCE OF WORK FOR IBM. ALL QUESTIONS MUST BE REFERRED TO THE IBM PURCHASING DEPARTMENT."



EC	SEE EC	846771					
DATE	HISTORY	11JUN82					

BOARD HISTORY

PN	EC	STATUS/ECA
1765714	734098	FCS
1765714	736699	MAND (082)
1765714	846276	MAND(115)

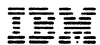
BOARD REPLACEMENT :

ORDER THE SAME PART NUMBER AND EC LEVEL OF THE BOARD BEING REPLACED.  
 CHECK WITH PAGE AA005 FOR JUMPER/RESISTOR WIRING.

RPQ : NO SUPPLEMENT  
 FCS : FIRST CUSTOMER SHIPMENT  
 MAND : MANDATORY  
 OPT : OPTIONAL  
 FEATURE IDENTIFICATION : SEC PAGE AA000

NOTES

- [1] BOARD WIRING AFFECTED,SEE BOARD HISTORY.
- [2] FOR REPLACEMENT, ORDER PN 8232741.



"THIS DOCUMENT IS THE PROPERTY OF IBM. ITS USE IS AUTHORIZED ONLY FOR RESPONDING TO A REQUEST FOR QUOTATION OR FOR THE PERFORMANCE OF WORK FOR IBM. ALL QUESTIONS MUST BE REFERRED TO THE IBM PURCHASING DEPARTMENT."



EC	SEE EC	846771						
DATE	HISTORY	11JUL82						

SOC	CARD TYPE	LOGIC	FEATURE	EC STATUS					
				FCS	MAND	MAND	MAND	MAND	
				EC 734107	EC 736699	EC 737145	EC 733226	EC 846276	
					NOTE [1]			NOTE [1]	
				ECA 082	ECA 089	ECA 102	ECA 115		
B3	6282	CL001		5854347					
B4	6282	CL011		5854347					
C2	2270	CN211- CN291	NRZ1	8236957					
D2	9913	CN011- CN071	NRZ1			8237131			
F2	9901	CE011- CE111		8218398					
G2	9908	CJ011- CJ081		8218401					
H2	2264	CH111- CH161		8236265					
J2	2277	CH011- CH081					8565059		
K2	9902	CD131- CD391		8236262					
L2	9902	CD211- CD291		8236262					
M2	9902	CD111- CD191		8236262					
N2	DC56	CB411- CB441					8565064		
P2	2278	CC001- CC121		8236961					
Q2	2269	CB111- CB131			8237120				
R2	2251 OR 2251 OR 2251	CA300- CA331		8232741  8218460 NOTE [2] 1767940 NOTE [2]					
S2	2251 OR 2251 OR 2251	CA200- CA231		8232741  8218460 NOTE [2] 1767940 NOTE [2]					
T2	2251 OR 2251 OR 2251	CA100- CA131		8232741  8218460 NOTE [2] 1767940 NOTE [2]					

THIS DOCUMENT IS THE PROPERTY OF IBM. ITS USE IS AUTHORIZED ONLY FOR RESPONDING TO A REQUEST FOR QUOTATION OR FOR THE PERFORMANCE OF WORK FOR IBM. ALL QUESTIONS MUST BE REFERRED TO THE IBM PURCHASING DEPARTMENT.



EC	SEE EC	846771					
DATE	HISTORY	11JUN82					

SOC	TYPE	PN	LOGIC	GOES TO
V2	CABLE	5802875		01A-A1A2
V3	CABLE	5802875		01A-A1V2
V4	CABLE	5802875		01A-A1B4
V5	CABLE	5802875		01A-A1B5
Y6	CABLE	5802875		01A-A1Y1
Z6	CABLE	5802875		01A-A1Y2



"THIS DOCUMENT IS THE PROPERTY OF IBM. ITS USE IS AUTHORIZED ONLY FOR RESPONDING TO A REQUEST FOR QUOTATION OR FOR THE PERFORMANCE OF WORK FOR IBM. ALL QUESTIONS MUST BE REFERRED TO THE IBM PURCHASING DEPARTMENT."



EC	SEE EC	846771					
DATE	HISTORY	11JUN82					

YEL WIRE : YELLOW WIRE AWG 30  
 2520936 : 51 OHM TIE-UP RESISTOR (BLUE)  
 2520942 : 620 OHM TIE-DOWN RESISTOR (YELLOW)

RPQ : SEE SUPPLEMENT PN 4416176

FEATURE IDENTIFICATION : SEE PAGE AA000.

SECTION A : ALL MACHINES.  
 :  
 C : PRIORITY JUMPERS FOR MACHINE WITH EC 733814.  
 D : SINGLE DENSITY. [3]  
 E : SINGLE OR DUAL DENSITY. [3]  
 F : 7 TRK.  
 G : SELECTION LOGIC (SEL).  
 H : WITHOUT SELECTION LOGIC.  
 J : WITHOUT MULTIPLE INTERFACE LOGIC (MIS).  
 SECTION K : REMOTE CHANNEL SWITCH (RCS).

NOTES

- [1] JUMPERS ALREADY INSTALLED ON BOARD PN 1384002.
- [2] MAY BE PRINTED OR YELLOW WIRE.
- [3] REQUIRED FOR SINGLE DENSITY.



"THIS DOCUMENT IS THE PROPERTY OF IBM. ITS USE IS AUTHORIZED ONLY FOR RESPONDING TO A REQUEST FOR QUOTATION OR FOR THE PERFORMANCE OF WORK FOR IBM. ALL QUESTIONS MUST BE REFERRED TO THE IBM PURCHASING DEPARTMENT."



EC	SEE EC	846771	846771B					
DATE	HISTORY	11JUN82	15AUG83					

SECTION A : ALL MACHINES					
BOARD	LOGIC	FROM	TO	COMPONENT	NOTES
01A-A2		C3 B11	L2 J11	NOTE [2]	DELETE PIN SIDE
		L2 G11	C3 B12		
		C3 B07	Q2 G07		
		T2 B07	V5 D11		
		T2 B07	T1 B11		
		Q2 U07	D2 U12		
		V3 D09	C3 B10		
		V3 D09	P4 G02		
		L2 G09	C3 D12		
		C3 D12	F1 D11	NOTE [2]	DELETE PIN SIDE DELETE CARD SIDE
		D2 U12	C3 D11	YEL WIRE	
		K2 J04	C3 B12		
		U5 D11	V1 A13		
		C3 B11	D2 U13		
		Q2 M07	V1 B11		
		L2 J11	T1 D11		
		L2 G11	H1 B11		
		D2 M09	C2 B04		
		Q2 G07	C1 E13		
		V5 D11	T1 B11		
		T2 M07	V1 B13		
	AB141	C2 B06	T2 G05		
	QA111	H2 U09	H2 B03		
		H2 U09	H2 S10		
		V3 D09	P4 G02		
		P4 G02	C3 B10		
	AA171	L2 G09	F1 D11	YEL WIRE	
		Q2 U07	Q2 U08	2520936	
	AB431	Q2 P04	Q2 P08		
	AB461	Q2 P07	Q2 P08		
	AB461	Q2 J12	Q2 J08		
	AB471	P4 B09	P4 D08		
		K2 M11	K2 P08		
	AA171	M2 D13	M2 D08	2520936	
	AA461	P4 B07	P4 B06	2520942	
01A-A2		T2 B07	T2 B06	2520942	



"THIS DOCUMENT IS THE PROPERTY OF IBM. ITS USE IS AUTHORIZED ONLY FOR RESPONDING TO A REQUEST FOR QUOTATION OR FOR THE PERFORMANCE OF WORK FOR IBM. ALL QUESTIONS MUST BE REFERRED TO THE IBM PURCHASING DEPARTMENT."



EC	SEE EC	846771	846771B					
DATE	HISTORY	11JUN82	15AUG83					



SECTION A : ALL MACHINES (CONT'D)						
BOARD	LOGIC	FROM	TO	COMPONENT	NOTES	
01A-B2		Q2 B02	Q2 J10	NOTE [2]	DELETE PIN SIDE NOTE [1]	
		N2 U12	Q2 J10	NOTE [2]	DELETE PIN SIDE NOTE [1]	
U5 B10		V5 B10	NOTE [2]	DELETE PIN SIDE NOTE [1]		
T5 B10		R6 C04	NOTE [2]	DELETE CARD SIDE NOTE [1]		
	FC261	K5 B03	G2 S09	YEL WIRE	DELETE NOTE [1]	
	FC021	R6 C04	P2 U07	YEL WIRE	NOTE [1]	
		P2 U07	T5 B10			
		V5 B10	Q2 U07			
		S2 G04	S2 D09			
		S2 D09	R2 D09			
		R2 D09	C1 A13			
		QB101	Q2 J06	P2 J06		
		QB111	P2 J06	C1 B13		
			Q2 J10	B5 D11		
			K5 D09	H2 G08		
			H2 B03	H2 U09		
			H2 U09	H2 S10		
			K5 B11	F2 J04		
			T2 B05	U2 B05		
			U2 B05	V2 B03		
			T2 D04	U2 D04		
		U2 D04	V2 D04			
		T2 B07	U2 B07			
		U2 B07	V2 B07			
		T2 B09	U2 B09			
		U2 B09	V2 B11			
		T2 D12	U2 D12			
		U2 D12	V2 D12			
		T3 B03	U3 B05			
		U3 B03	V3 B03			
		T3 D04	U3 D04			
		U3 D04	V3 D04			
		T3 B07	U3 B07			
		U3 B07	V3 B07			
		T3 B11	U3 B11			
		U3 B11	V3 B11			
		T3 D12	U3 D12			
		U3 D12	V3 D12			
		T4 B03	U4 B03			
		U4 B03	V4 B03			
		T4 D04	U4 D04			
01A-B2		U4 D04	V4 D04	YEL WIRE	NOTE [1]	

IBM "THIS DOCUMENT IS THE PROPERTY OF IBM. ITS USE IS AUTHORIZED ONLY FOR RESPONDING TO A REQUEST FOR QUOTATION OR FOR THE PERFORMANCE OF WORK FOR IBM. ALL QUESTIONS MUST BE REFERRED TO THE IBM PURCHASING DEPARTMENT."

EC	SEE EC	846771	846771B				
DATE	HISTORY	11JUN82	15AUG83				



SECTION A : ALL MACHINES (CONT'D)					
BOARD	LOGIC	FROM	TO	COMPONENT	NOTES
01A-B2		T4 B07	U4 B07	YEL WIRE	NOTE <input type="checkbox"/>
		U4 B07	V4 B07		
		T4 B11	U4 B09		
		U4 B13	V4 B11		
		T4 D12	U4 D12		
		U4 D12	V4 D12		
		T5 B03	U5 B03		
		U5 B03	V5 B03		
		T5 D04	U5 D04		
		U5 D04	V5 D04		
		T5 B07	U5 B07		
		U5 B07	V5 B07		
		T5 B11	U5 B11		
		U5 B11	V5 B11		
		T5 D12	U5 D12		
		U5 D12	V5 D12		
		N2 U12	Q2 J10		
		U5 B10	Q2 U07		
		K4 B05	K2 D13		
		K2 D13	K2 B05		
		K4 B10	K2 B10		
		S2 P09	K2 B08		
		K2 D04	S2 P11		
		K2 B07	R2 P09		
		K2 B03	R2 P11		
		C1 D13	G2 S09	YEL WIRE	NOTE <input type="checkbox"/>
	AB181	E2 M11	E2 P08	2520936	
	FC011	Q2 B04	Q2 D08	2520936	
01A-B2	XM011	P2 B04	P2 D08	2520936	

**IBM** "THIS DOCUMENT IS THE PROPERTY OF IBM. ITS USE IS AUTHORIZED ONLY FOR RESPONDING TO A REQUEST FOR QUOTATION OR FOR THE PERFORMANCE OF WORK FOR IBM. ALL QUESTIONS MUST BE REFERRED TO THE IBM PURCHASING DEPARTMENT."



EC	SEE EC	846771	846771B				
DATE	HISTORY	11JIN82	15AUG83				

SECTION C : PRIORITY JUMPERS					
BOARD	LOGIC	FROM	TO	COMPONENT	NOTES
01A-B2 ↑ ↓ 01A-B2	FC281 ↑ ↓ FC281	V4 D09	S2 P09	YEL WIRE ↑ ↓ YEL WIRE	} ADD FOR HIGH PRIORITY CHANNEL A NOTE 1
		T4 B08	V4 B08		
	XM181 ↑ ↓ XM181	V4 D09	T4 D09		} ADD FOR LOW PRIORITY CHANNEL A
		T4 B08	S2 P09		
01A-B2	FC281	S2 P11	V4 B08	YEL WIRE	} ADD FOR HIGH PRIORITY CHANNEL B (MIS) NOTE 1
		U6 C02	R2 P09		
	XM181	U4 B08	U6 B04		} ADD FOR LOW PRIORITY CHANNEL B (MIS)
		R2 P11	U4 D09		
		U6 C02	U4 D09		
		U4 B08	R2 P09		
		R2 P11	U6 B04		

SECTION D : SINGLE DENSITY FEATURE ONLY					
BOARD	LOGIC	FROM	TO	COMPONENT	NOTES
01X-Y1	CN251	C2 U02	C2 S06	2520942	



"THIS DOCUMENT IS THE PROPERTY OF IBM. ITS USE IS AUTHORIZED ONLY FOR RESPONDING TO A REQUEST FOR QUOTATION OR FOR THE PERFORMANCE OF WORK FOR IBM. ALL QUESTIONS MUST BE REFERRED TO THE IBM PURCHASING DEPARTMENT."



EC	SEE EC	846771	846771B					
DATE	HISTORY	11JUN82	15AUG83					

SECTION E : SINGLE OR DUAL DENSITY FEATURE					
BOARD	LOGIC	FROM	TO	COMPONENT	NOTES
01A-A1	BR101	L2 G07	L2 G11	YEL WIRE	
↑	↑	E2 D09	E2 B09		
		E2 D13	E2 B13		
		L2 G13	L2 G12		
		E2 D02	E2 B02		
		E2 D10	E2 B10		
		E2 J04	E2 G04		
		E2 J02	E2 G02		
		F2 J02	L2 B04		
		E2 D04	E2 B04		
		E2 D12	E2 B12		
		E2 J05	E2 G05		
		E2 J10	E2 G10		
		E2 P04	E2 M09		
		E2 U02	E2 S02		
		E2 U09	E2 S09		
		E2 P02	E2 M02		
		E2 P10	E2 M10		
		E2 U03	E2 S03		
		E2 U11	E2 S11		
		E2 J07	E2 G07		
E2 P11	E2 M11				
E2 U05	E2 S05				
01A-A1	BR111	E2 U12	E2 S12	YEL WIRE	
↓	↓	K2 M13	K2 M06	2520942	
01A-A2	AA131	M2 P03	M2 M06	2520942	

SECTION F : 7 TRK FEATURE ONLY					
BOARD	LOGIC	FROM	TO	COMPONENT	NOTES
01A-A2	AA131	M2 P03	M2 P08	2520936	

**IBM** "THIS DOCUMENT IS THE PROPERTY OF IBM. ITS USE IS AUTHORIZED ONLY FOR RESPONDING TO A REQUEST FOR QUOTATION OR FOR THE PERFORMANCE OF WORK FOR IBM. ALL QUESTIONS MUST BE REFERRED TO THE IBM PURCHASING DEPARTMENT."



EC	SEE EC	846771	846771B				
DATE	HISTORY	11JUN82	15AUG83				

SECTION G : SELECTION LOGIC					
BOARD	LOGIC	FROM	TO	COMPONENT	NOTES
01A-A2	XC601	C4 B02	A4 B12	YEL WIRE	
↑		C4 D03	A4 D09		
		C4 B04	A4 D07		
		C4 D05	A4 D11		
		C4 B06	A5 D07		
		C4 D07	A5 D09		
		C4 B08	A5 B12		
		C4 D09	A5 D11		
		B3 D09	A5 B10		
		E2 U09	A3 B02		
		E2 S03	B3 B02		
		A4 B10	A3 D09		
01A-A2		E2 P05	C3 D02	YEL WIRE	
				↓	

SECTION H : WITHOUT SELECTION LOGIC					
BOARD	LOGIC	FROM	TO	COMPONENT	NOTES
01A-A2		A3 B03	A3 B02	YEL WIRE	
01A-A2		B3 B03	B3 B02	YEL WIRE	
01A-A2	FD051	A3 D09	P3 B03	YEL WIRE	

SECTION J : WITHOUT MIS					
BOARD	LOGIC	FROM	TO	COMPONENT	NOTES
01A-B2	FC031	Q2 U10	Q2 S02	YEL WIRE	
↑	XM041	P2 P07	P2 P08	2520936	
	FC051	Q2 P13	Q2 M06	2520942	
	AB161	L2 S09	L2 S06	2520942	
01A-B2	XM101	N2 J11	N2 J08	2520936	
				↓	

**IBM** "THIS DOCUMENT IS THE PROPERTY OF IBM. ITS USE IS AUTHORIZED ONLY FOR RESPONDING TO A REQUEST FOR QUOTATION OR FOR THE PERFORMANCE OF WORK FOR IBM. ALL QUESTIONS MUST BE REFERRED TO THE IBM PURCHASING DEPARTMENT."

<b>MASTER</b>	EC	SEE EC	846771	846771B				
	DATE	HISTORY	11JUN82	15AUG83				

SECTION K : RCS (REMOTE CHANNEL SWITCH)					
BOARD	LOGIC	FROM	TO	COMPONENT	NOTES
01A-B2 ↑ ↓ 01A-B2	PS041	A5 B06	P2 G12	NOTE <span style="border: 1px solid black; padding: 0 2px;">2</span>	DELETE PIN SIDE DELETE CARD OR PIN SIDE
		A5 B04	Q2 G12	NOTE <span style="border: 1px solid black; padding: 0 2px;">2</span>	
		PS041	A5 B06	K3 B08	YEL WIRE
			K3 B08	K3 D09	
			A5 B04	K3 D07	
			K3 D07	K3 B13	
			Q2 G13	K3 B07	
		PS041	P2 G13	K3 D12	
		FC041	K3 B12	K3 D13	
		FC041	K3 B11	Q2 G12	
		XM041	K3 D10	K3 D05	
		XM041	K3 D04	P2 G12	YEL WIRE
		FC041	K3 B12	K3 B06	2520942
		FC041	K3 B11	K3 B06	2520942
	XM041	K3 D05	M3 B06	2520942	
	XM041	K3 D04	M3 B06	2520942	



"THIS DOCUMENT IS THE PROPERTY OF IBM. ITS USE IS AUTHORIZED ONLY FOR RESPONDING TO A REQUEST FOR QUOTATION OR FOR THE PERFORMANCE OF WORK FOR IBM. ALL QUESTIONS MUST BE REFERRED TO THE IBM PURCHASING DEPARTMENT."

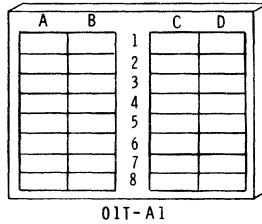
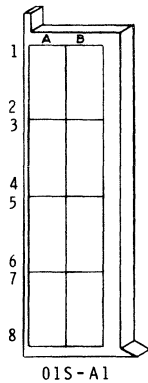
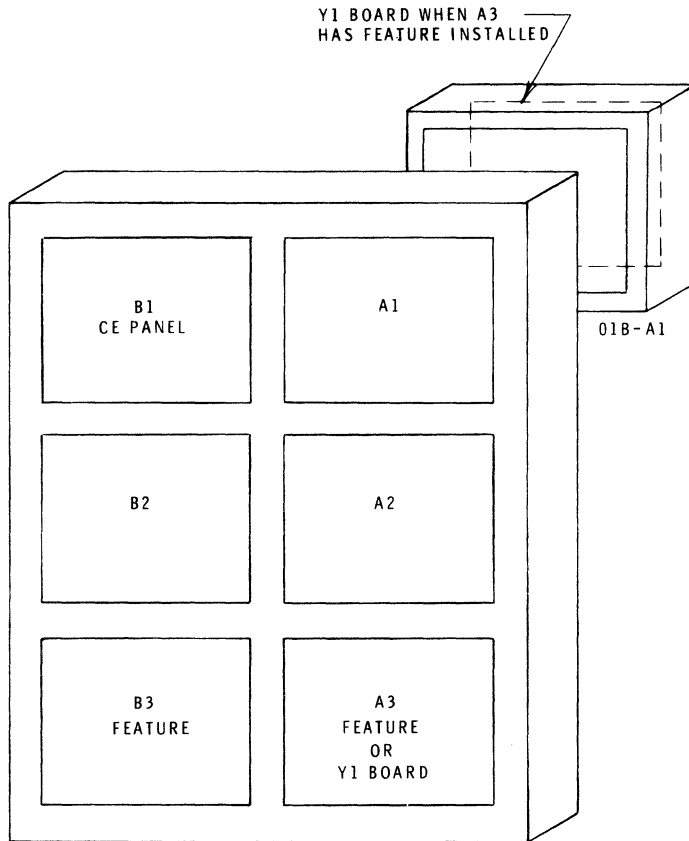


EC	SEE EC	846771	846771B				
DATE	HISTORY	11JUN82	15AUG83				

C

1846376

PART NO 1846376	LOGIC PG NO AA006
--------------------	----------------------



VIEW-LOOKING INTO REAR OF MACHINE

"THIS DOCUMENT IS THE PROPERTY OF IBM. ITS USE IS AUTHORIZED ONLY FOR RESPONDING TO A REQUEST FOR QUOTATION OR FOR THE PERFORMANCE OF WORK FOR IBM. ALL QUESTIONS MUST BE REFERRED TO THE IBM PURCHASING DEPARTMENT."

<b>IBM</b>				DATE	CHANGE NO	DATE	CHANGE NO
NAME	GATE LOCATION DIAGRAM (AA006)			17DEC72	734081		
DESIGN	GWV	27SEP71	SHT OF				
DETAIL	VLG	17DEC72					
CHECK	DS		CLASSIFICATION	MUST CONFORM TO ENG SPEC	DEVELOPMENT NO	LOGIC PG NO	
APPRO			N-JW	7SEP73		AA006	

1846376

C

PN 2524099    3803-1    BOARD HISTORY 01A-A3  
                   3803-2    CARD LOCATION LIST  
                                   CABLE LOCATION LIST

AA007  
 PAGE 1 OF 3

BOARD HISTORY

PN	EC	STATUS/ECA
2521396	733760	FCS

RPQ : NO SUPPLEMENT  
 FCS : FIRST CUSTOMER SHIPMENT  
 FEATURE IDENTIFICATION : SEE PAGE AA000

NOTES

- 1] CARD REQUIRES JUMPERS PLUGGING, REFER TO PAGE AA010.
- 2] THE CHARACTER IN PARENTHESES ( ) IS THE APPROPRIATE CHART ON LOGIC PAGE XC 701.
- 3] EC 733816 FOR MOD 1.  
 EC 734107(FCS) FOR MOD 2.

 "THIS DOCUMENT IS THE PROPERTY OF IBM. ITS USE IS AUTHORIZED ONLY FOR RESPONDING TO A REQUEST FOR QUOTATION OR FOR THE PERFORMANCE OF WORK FOR IBM. ALL QUESTIONS MUST BE REFERRED TO THE IBM PURCHASING DEPARTMENT."



EC	SEE EC	846771					
DATE	HISTORY	11JUN82					



SOC	CARD TYPE	LOGIC XC701 NOTE [2]	FEATURE MFI	EC STATUS				
				EC NOTE [3]	FCS			
L2 [1]	7866	(A)	3 OR 4CS	8215379				
M2 [1]	7868	(A)	3 OR 4CS	8215381				
N2 [1]	7868	(A)	3 OR 4CS	8215381				
P2 [1]	7868	(A)	4CS	8215381				
Q2 [1]	6319	(A)	3 OR 4CS	8215378				
R2 [1]	7867	(A)	3 OR 4CS	8215380				
S2 [1]	7867	(A)	3 OR 4CS	8215380				
T2 [1]	7867	(A)	4CS	8215380				



"THIS DOCUMENT IS THE PROPERTY OF IBM. ITS USE IS AUTHORIZED ONLY FOR RESPONDING TO A REQUEST FOR QUOTATION OR FOR THE PERFORMANCE OF WORK FOR IBM. ALL QUESTIONS MUST BE REFERRED TO THE IBM PURCHASING DEPARTMENT."



EC	SEE EC	846771					
DATE	HISTORY	11JUN82					

SOC	TYPE	PN	FEATURE	LOGIC XC701 NOTE [2]	GOES TO
A4	CABLE		3 OR 4CS	(D)	01A-A2B3
A5	CABLE		3 OR 4CS	(D)	01T-A1A4
B4	CABLE		3 OR 4CS	(D)	01T-A1A6
B5	CABLE		4CS	(D)	01T-A1A2
U2	CABLE		3 OR 4CS	(E)	OPERATOR PANEL
U3	CABLE		3 OR 4CS	(E)	OPERATOR PANEL
U4	CABLE		4CS	(D)	01T-A1B2
U5	CABLE		3 OR 4CS	(D)	01T-A1B6
V2	CABLE		3 OR 4CS	(H)	01A-B3Z1
V3	CABLE		3 OR 4CS	(H)	01A-B3Y1
V4	CABLE		3 OR 4CS	(D)	01T-A1B4
V5	CABLE		3 OR 4CS	(D)	01A-A2A5
Y4	CABLE		3 OR 4CS	(L)	01A-B3Y6
Y5	CABLE		3 OR 4CS	(L)	01A-B3Z6

IBM "THIS DOCUMENT IS THE PROPERTY OF IBM. ITS USE IS AUTHORIZED ONLY FOR RESPONDING TO A REQUEST FOR QUOTATION OR FOR THE PERFORMANCE OF WORK FOR IBM. ALL QUESTIONS MUST BE REFERRED TO THE IBM PURCHASING DEPARTMENT."



EC	SEE EC	846771					
DATE	HISTORY	1 JUN82					

BOARD HISTORY

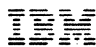
SEL OR 2 CS		
PN	EC	STATUS/ECA
2521388	732385	FCS


3 OR 4 CS		
PN	EC	STATUS/EC
2521398	732383	FCS

RPQ : NO SUPPLEMENT  
 FCS : FIRST CUSTOMER SHIPMENT  
 FEATURE IDENTIFICATION : SEE PAGE AA000

NOTES

- [1] CARD REQUIRED JUMPERS PLUGGING, REFER TO PAGE AA010.
- [2] LOGIC PAGE XC700 FOR SEL OR 2CS. LOGIC PAGE XC701 FOR 3 OR 4 CS. THE CHARACTER IN PARENTHESES ( ) IS THE APPROPRIATE CHART ON THE LOGIC PAGE.
- [3] EC 733816 FOR MOD 1.  
 EC 734107 (FCS) FOR MOD 2.

 "THIS DOCUMENT IS THE PROPERTY OF IBM. ITS USE IS AUTHORIZED ONLY FOR RESPONDING TO A REQUEST FOR QUOTATION OR FOR THE PERFORMANCE OF WORK FOR IBM. ALL QUESTIONS MUST BE REFERRED TO THE IBM PURCHASING DEPARTMENT."

	EC	SEE EC	846771				
	DATE	HISTORY	11JUN82				

SOC	CARD TYPE	LOGIC NOTE [2]	FEATURE	EC STATUS			
				FCS			
				EC NOTE [3]			
C2	5897	(J)	3 OR 4CS	5855743			
D2	5897	(M)	SEL	5855743			
	5897	(J)	2CS	5855743			
	5897	(J)	3 OR 4CS	5855743			
E2	5897	(J)	2CS	5855743			
	5897	(J)	3 OR 4CS	5855743			
F2	5897	(M)	SEL	5855743			
	5897	(J)	2CS	5855743			
	5897	(J)	4CS	5855743			
G2	5897	(J)	2CS	5855743			
	5897	(J)	3 OR 4CS	5855743			
H2	6319	(A)	2CS [1]	8215378			
	5897	(J)	3 OR 4CS	5855743			
J2	7867	(A)	2CS [1]	8215380			
	5897	(J)	3 OR 4CS	5855743			
K2	7866	(A)	2CS [1]	8215379			
	5897	(J)	4CS	5855743			
L2	7868	(A)	2CS [1]	8215381			
	5896	(J)	4CS	5855742			
M2	5896	(J)	3 OR 4CS	5855742			
N2	5896	(J)	3 OR 4CS	5855742			
		(J)	3 OR 4CS	5855742			
P2	5896	(J)	2CS	5855742			
		(J)	3 OR 4CS	5855742			
		(M)	SEL	5855742			
Q2	5896	(J)	2CS	5855742			
		(J)	4CS	5855742			
		(J)	3 OR 4CS	5855742			
R2	5896	(J)	2CS	5855742			
		(J)	3 OR 4CS	5855742			
S2	5896	(M)	SEL	5855742			
		(J)	2CS	5855742			
		(J)	3 OR 4CS	5855742			
T2	5896	(J)	3 OR 4CS	5855742			



"THIS DOCUMENT IS THE PROPERTY OF IBM. ITS USE IS AUTHORIZED ONLY FOR RESPONDING TO A REQUEST FOR QUOTATION OR FOR THE PERFORMANCE OF WORK FOR IBM. ALL QUESTIONS MUST BE REFERRED TO THE IBM PURCHASING DEPARTMENT."



EC	SEE EC	846771				
DATE	HISTORY	11JUN82				

SOC	TYPE	PN	FEATURE	LOGIC NOTE <span style="border: 1px solid black; padding: 0 2px;">2</span>	GOES TO
A2	CABLE		SEL 2CS 3 OR 4CS	(P) (H) (H,K)	01T-A1D8 01T-A1D8 01T-A1D8
A3	CABLE		SEL 2CS 3 OR 4CS	(P) (H) (H,K)	01T-A1D7 01T-A1D7 01T-A1D7
A4	CABLE		SEL 2CS 3 OR 4CS	(P) (H) (H,K)	01T-A1D6 01T-A1D6 01T-A1D6
A5	CABLE		SEL 2CS 3 OR 4CS	(P) (H) (H,K)	01T-A1D5 01T-A1D5 01T-A1D5
B2	CABLE		SEL 2CS 3 OR 4CS	P H (H,K)	01T-A1D4 01T-A1D4 01T-A1D4
B3	CABLE		SEL 2CS 3 OR 4CS	(P) (H) (H,K)	01T-A1D3 01T-A1D3 01T-A1D3
B4	CABLE		SEL 2CS 3 OR 4CS	(P) (H) (H,K)	01T-A1D2 01T-A1D2 01T-A1D2
B5	CABLE		SEL 2CS 3 OR 4CS	(P) (H) (H,K)	01T-A1D1 01T-A1D1 01T-A1D1
C3	CABLE	2521342	2CS	(E)	OPERATOR PANEL
U2	CABLE		SEL 2CS 3 OR 4CS	(P) (K) (K)	01T-A1C4 01T-A1C4 01T-A1C4
U3	CABLE		SEL 2CS 3 OR 4CS	(P) (K) (K)	01T-A1C3 01T-A1C3 01T-A1C3
U4	CABLE		SEL 2CS 3 OR 4CS	(P) (K) (K)	01T-A1C2 01T-A1C2 01T-A1C2
U5	CABLE		SEL 2CS 3 OR 4CS	(P) (K) (K)	01T-A1C1 01T-A1C1 01T-A1C1

IBM "THIS DOCUMENT IS THE PROPERTY OF IBM. ITS USE IS AUTHORIZED ONLY FOR RESPONDING TO A REQUEST FOR QUOTATION OR FOR THE PERFORMANCE OF WORK FOR IBM. ALL QUESTIONS MUST BE REFERRED TO THE IBM PURCHASING DEPARTMENT."



EC	SEE EC	846771					
DATE	HISTORY	11JUN82					

SOC	TYPE	PN	FEATURE	LOGIC NOTE [2]	GOES TO
V2	CABLE		SEL 2CS 3 OR 4CS	(P) (K) (K)	01T-A1C8 01T-A1C8 01T-A1C8
V3	CABLE		SEL 2CS 3 OR 4CS	(P) (K) (K)	01T-A1C7 01T-A1C7 01T-A1C7
V4	CABLE		SEL 2CS 3 OR 4CS	(P) (K) (K)	01T-A1C6 01T-A1C6 01T-A1C6
V5	CABLE		SEL 2CS 3 OR 4CS	(P) (K) (K)	01T-A1C5 01T-A1C5 01T-A1C5
Y1	CABLE		SEL 3 OR 4CS	(Q)	01A-A2A3 01A-A3V3
Y2	CABLE		SEL 3 OR 4CS	(Q) (K)	01A-A2B3 01T-A1B5
Y3	CABLE		SEL 3 OR 4CS	(N) (K)	01A-A2B4 01A-A2B5
Y4	CABLE		3 OR 4CS	(K)	01A-A2C5
Y5	CABLE		SEL 2CS 3 OR 4CS	(P) (K) (K)	01A-A2C5 01A-A2C5 01T-A1A5
Y6	CABLE		2CS 3 OR 4CS	(K) (L)	01T-A1A5 01A-A3Y4
Z1	CABLE		SEL 2CS 3 OR 4CS	(P) (K)	01A-A2B5 01A-A2B5 01A-A3V2
Z2	CABLE		2CS 4CS	(K)	01T-A1B5 01T-A1B1
Z3	CABLE		2CS 3 OR 4CS	(D)	01A-A2B3 01T-A1B3
Z4	CABLE		2CS 3 OR 4CS	(D) (K)	01T-A1A6 01T-A1A3
Z5	CABLE		2CS 4CS	(D) (K)	01A-A2A5 01T-A1A1
Z6	CABLE		2CS 3 OR 4CS	(D) (L)	01T-A1B6 01A-A3Y5

IBM "THIS DOCUMENT IS THE PROPERTY OF IBM. ITS USE IS AUTHORIZED ONLY FOR RESPONDING TO A REQUEST FOR QUOTATION OR FOR THE PERFORMANCE OF WORK FOR IBM. ALL QUESTIONS MUST BE REFERRED TO THE IBM PURCHASING DEPARTMENT."

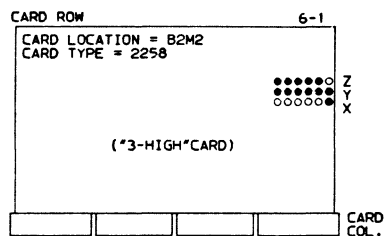


EC	SEE EC	846771			
DATE	HISTORY	11JUN82			

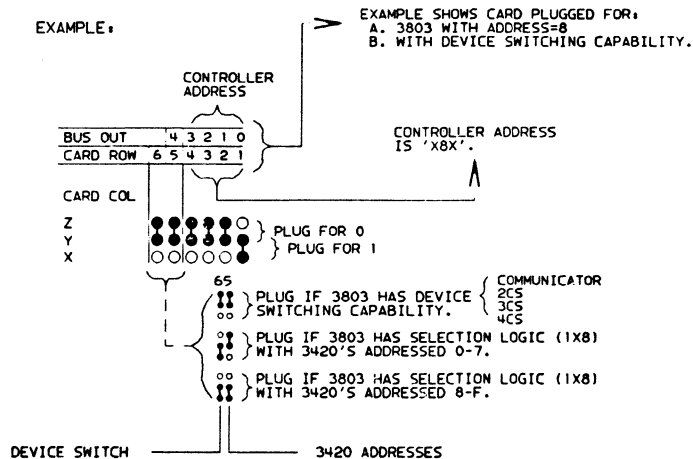


PLUGGING CHART AA010  
3803.002

1 3803 ADDRESS (CHANNEL "A"):

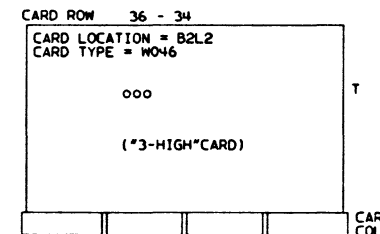
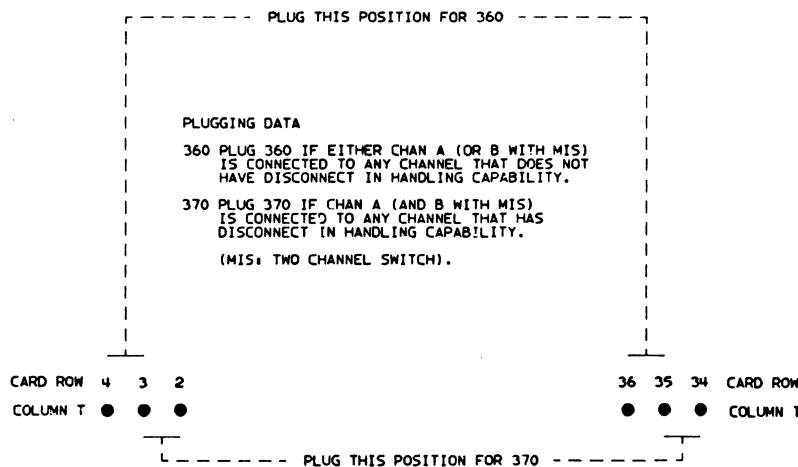
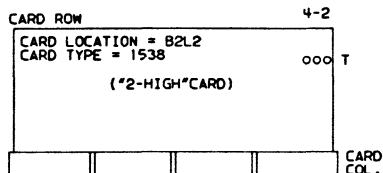


EXAMPLE:



EXAMPLE SHOWS CARD PLUGGED FOR:  
A. 3803 WITH ADDRESS=8  
B. WITH DEVICE SWITCHING CAPABILITY.

2 DISCONNECT-IN HANDLING: S/360 OR S/370



EC	SEE EC	846771			
DATE	HISTORY	11JUN82			



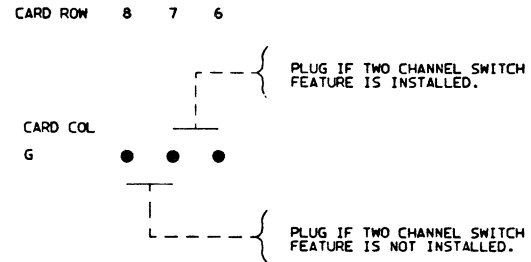
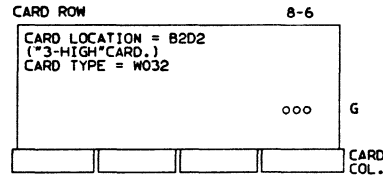
PLUGGING CHART AA010  
3803.002

3 SELECT OUT PRIORITY:

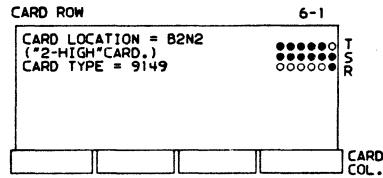
TAPE CONTROLS ARE FACTORY-WIRED TO RESPOND TO A SELECT OUT SIGNAL (HIGH PRIORITY). IF ("LOW PRIORITY") IS DESIRED, CHANGE THE B2 PANEL WIRING TO CONVERT A 3803 TAPE CONTROL TO RESPOND TO A SELECT IN SIGNAL. REFER TO WIRING CHARTS AA005.

4 FEATURES (WHEN APPLICABLE TO YOUR MACHINE):

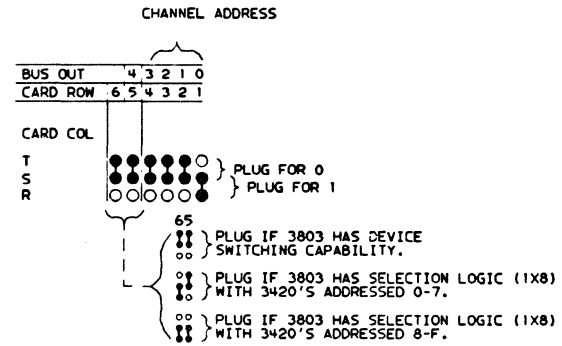
A. TWO CHANNEL SWITCH FEATURE: (MIS)



B. TWO-CHANNEL SWITCH FEATURE (3803 ADDRESS CHANNEL "B"):

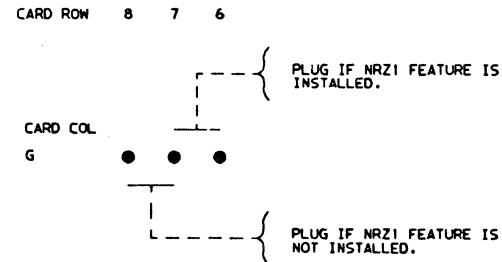
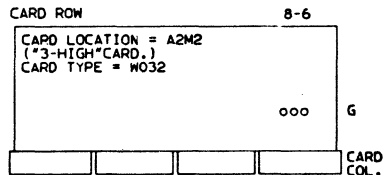


EXAMPLE:



EXAMPLE SHOWS CARD PLUGGED FOR:  
A. 3803 WITH ADDRESS = 8.  
B. WITH DEVICE SWITCHING CAPABILITY.

C. NRZ1 FEATURE:



EC	SEE EC	846771			
DATE	HISTORY	11JUN82			



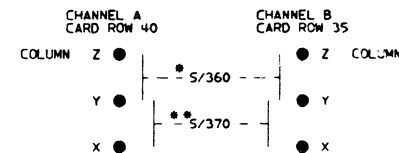
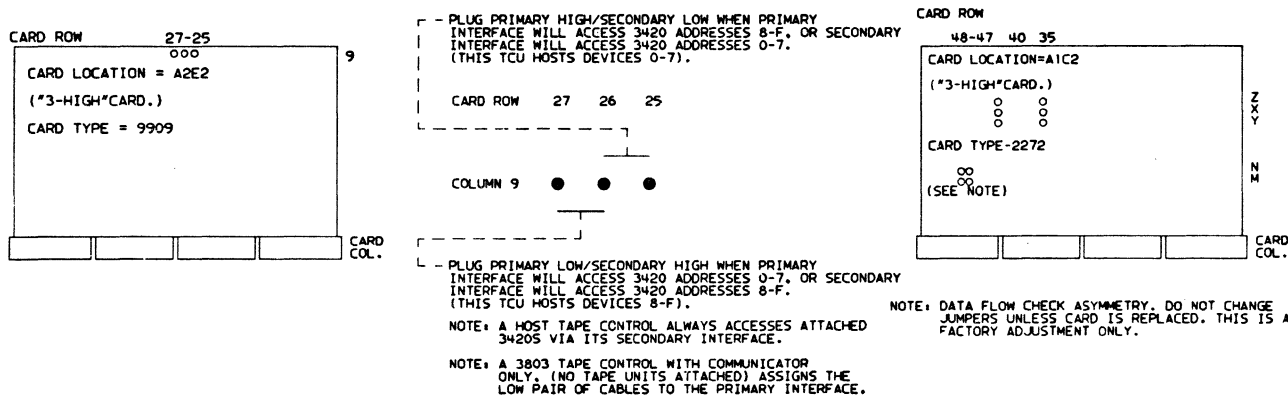


PLUGGING CHART AA010  
3803.002

5 PRIMARY/SECONDARY TAPE UNIT INTERFACE CONTROL:

6 DATA IN HANDLING: S/360 OR S/370.

A. WITH DEVICE SWITCHING CAPABILITY.



PLUG EACH CHANNEL INDEPENDENTLY AS FOLLOWS:

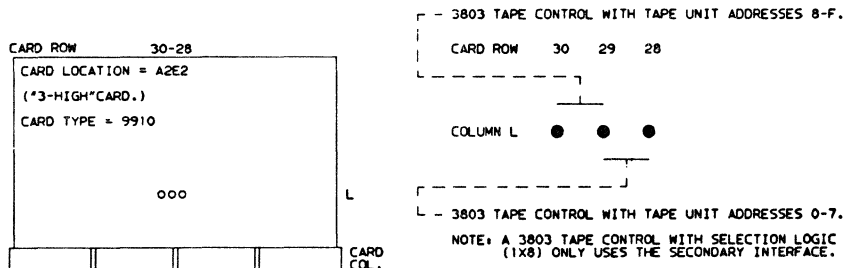
\*360 PLUG 360 IF THE ATTACHED CHANNEL DOES NOT HAVE DATA IN/DATA OUT CAPABILITY.

\*\*370 PLUG 370 IF THE ATTACHED CHANNEL HAS DATA IN/DATA OUT CAPABILITY.

IF ATTACHED TO A 2880 CHANNEL, BUS OUT CHECKS MAY OCCUR IF CHANNEL TIMINGS ARE NOT OPTIMIZED. THE 2880 MUST BE AT EC 718040 LEVEL OR HIGHER.

\*W/O MIS-CHANNEL B MAY BE PLUGGED TO 360 OR 370 SINCE IT IS NOT USED.

B. WITH SELECTION LOGIC (1X8).



EC	SEE EC	846771		
DATE	HISTORY	11JUN82		

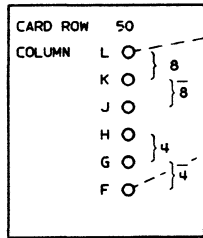


PLUGGING CHART AA010  
3803.002

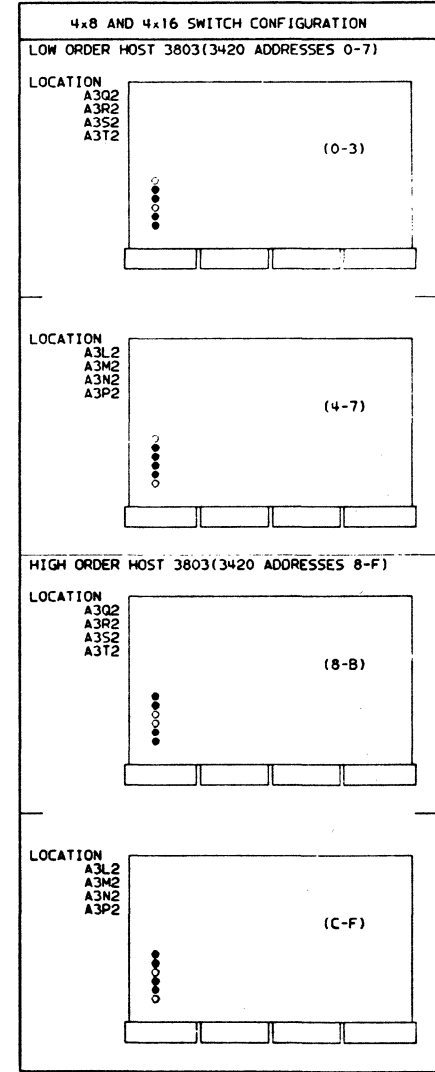
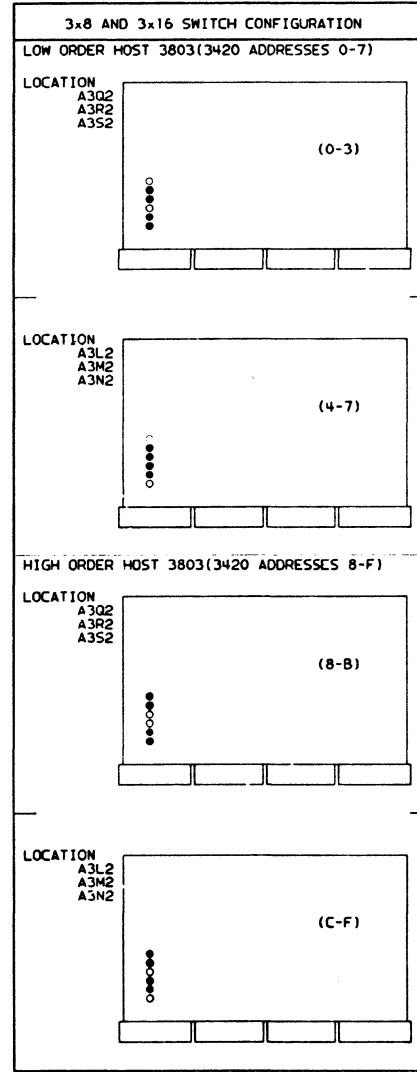
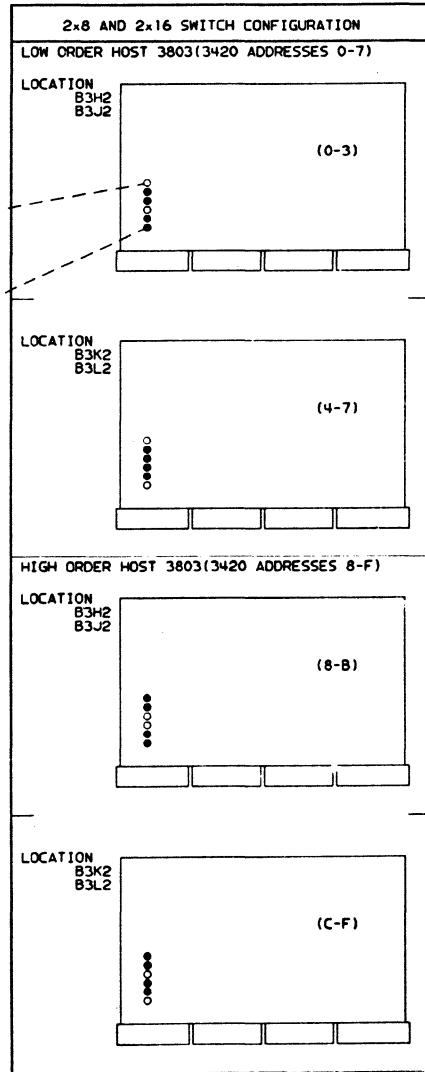
7 TAPE SWITCHING FEATURE ADDRESS CONTROL:

- FOR INSTALLATIONS WITH LESS THAN A FULL COMPLEMENT OF 3420 TAPE UNITS (FOR EXAMPLE, 2X12), PLUG ALL CARDS AS IF THE NON-EXISTENT TAPE UNITS HAD ADDRESSES ASSIGNED TO THEM.

JUMPER CABLE LOCATIONS FOR SWITCH CARDS:



- AS EACH SWITCH CARD IS PULLED, REFER TO STEP 8 AND VERIFY THAT DEVICE SELECTION PRIORITY ASSIGNMENTS ARE CORRECT.



EC	SEE EC	846771			
DATE	HISTORY	11JUN82			



"THIS DOCUMENT IS THE PROPERTY OF IBM. ITS USE IS AUTHORIZED ONLY FOR RESPONDING TO A REQUEST FOR QUOTATION OR FOR THE PERFORMANCE OF WORK FOR IBM. ALL QUESTIONS MUST BE REFERRED TO THE IBM PURCHASING DEPARTMENT."



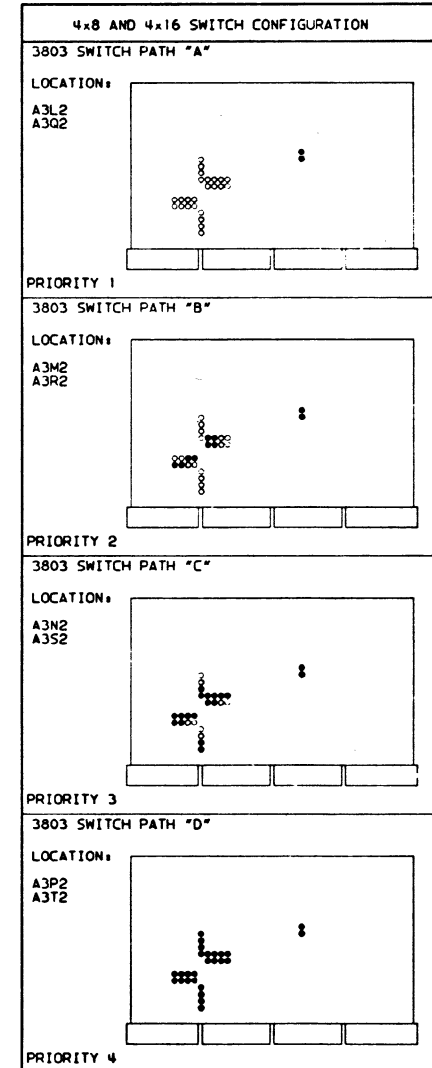
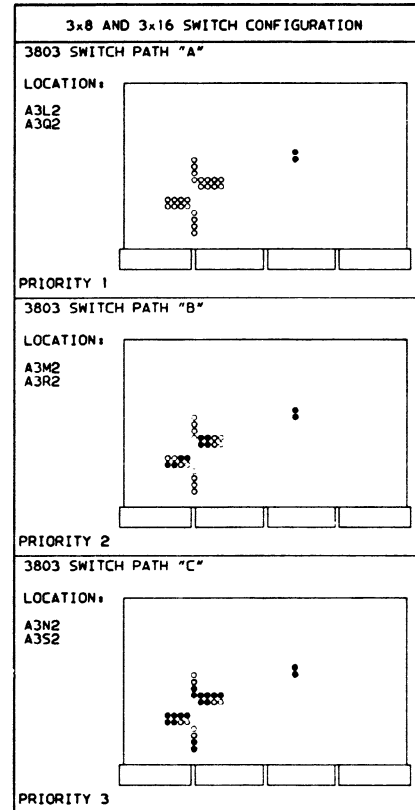
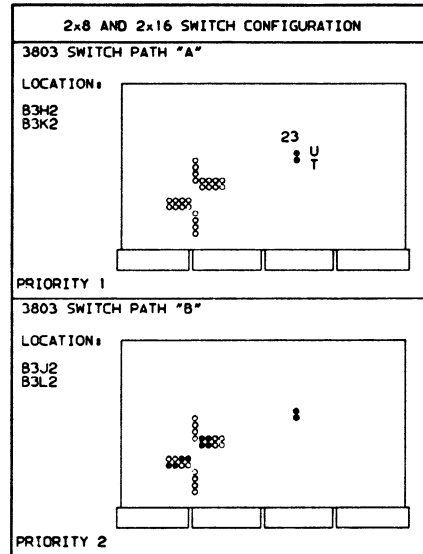
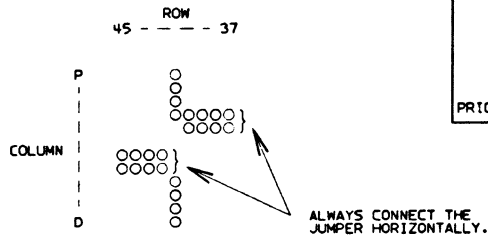
PLUGGING CHART AA010  
3803.002

8 DEVICE SELECTION PRIORITY ASSIGNMENTS:

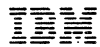
PLUGGING RULES:

1. A PRIORITY MUST BE ASSIGNED TO EACH SET OF CARDS.
2. NO DUPLICATION OF PRIORITY SHOULD EXIST BETWEEN SETS OF CARDS IN ONE 3803 TAPE CONTROL.
3. ALL CARDS MUST HAVE T23-U23 CONNECTED BY A JUMPER WIRE.
4. FACTORY PLUGGING FOR THESE CARDS SHOULD BE AS SHOWN, AND SHOULD NOT HAVE TO BE CHANGED FOR ANY INSTALLATION.
5. THIS PLUGGING ESTABLISHES PRIORITY. IF TWO 3803S TRY TO ACCESS THE SAME 3420 TAPE UNIT SIMULTANEOUSLY, THE 3803 WITH THE LEAST NUMBER OF JUMPERS WILL TAKE CONTROL.

CONNECT A JUMPER CABLE TO LOCATIONS FOR SWITCH CARDS AS SHOWN BELOW:



EC	SEE EC	846771			
DATE	HISTORY	11JUN82			



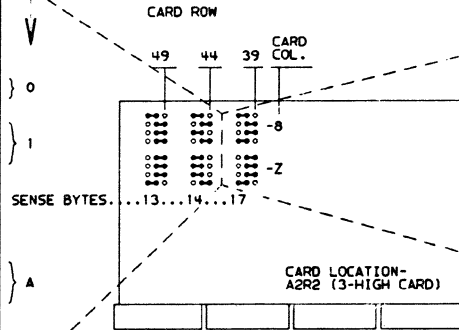
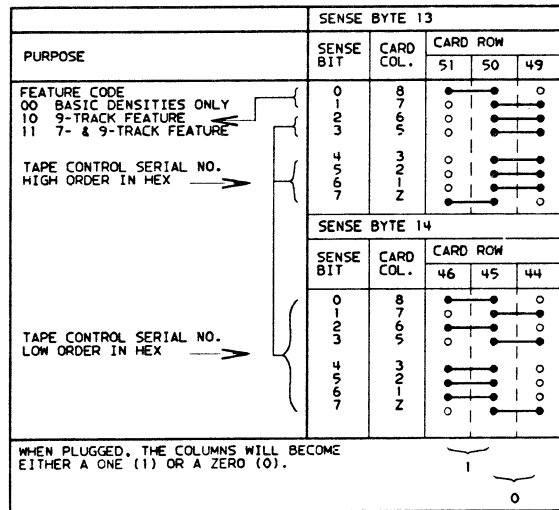
PLUGGING CHART AA010  
3803.002

9 TAPE CONTROL SERIAL NUMBER/EC LEVEL/FEATURE CODE:

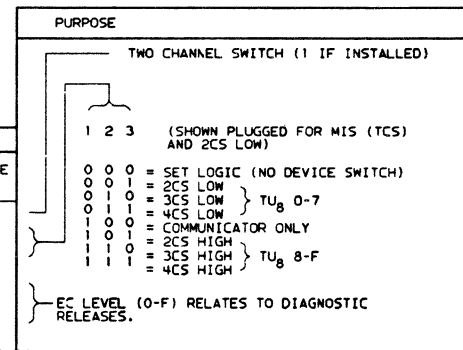
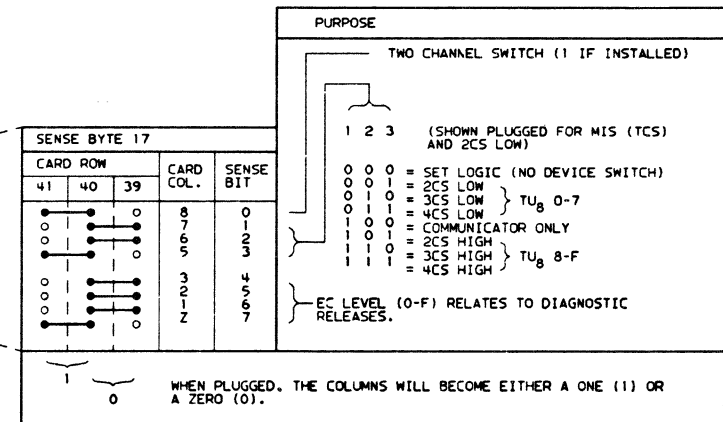
PLUGGING EXAMPLE: TAPE CONTROL SERIAL NUMBER IS 10430,  
WITH 9-TRACK FEATURE.

10430  
-10000  
430 DECIMAL = 01 AE HEX

FEATURE CODE TAPE CONTROL SERIAL NUMBER



TWO CHANNEL SWITCH, DEVICE SWITCHING, AND EC LEVEL.

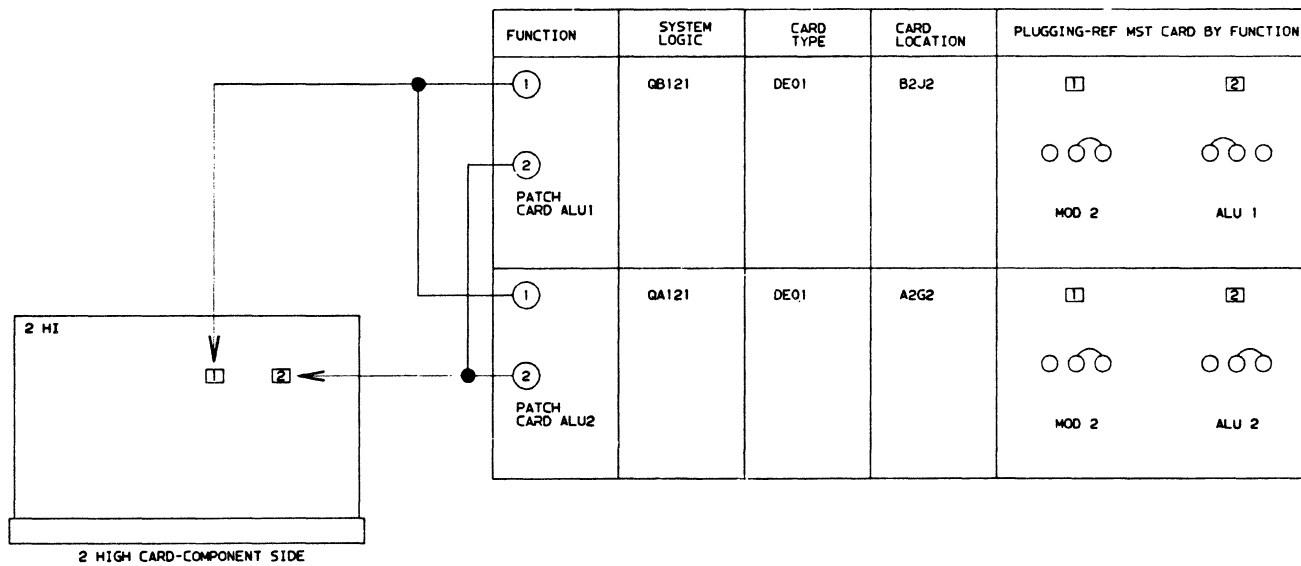


EC	SEE EC	046771			
DATE	HISTORY	11JUN82			

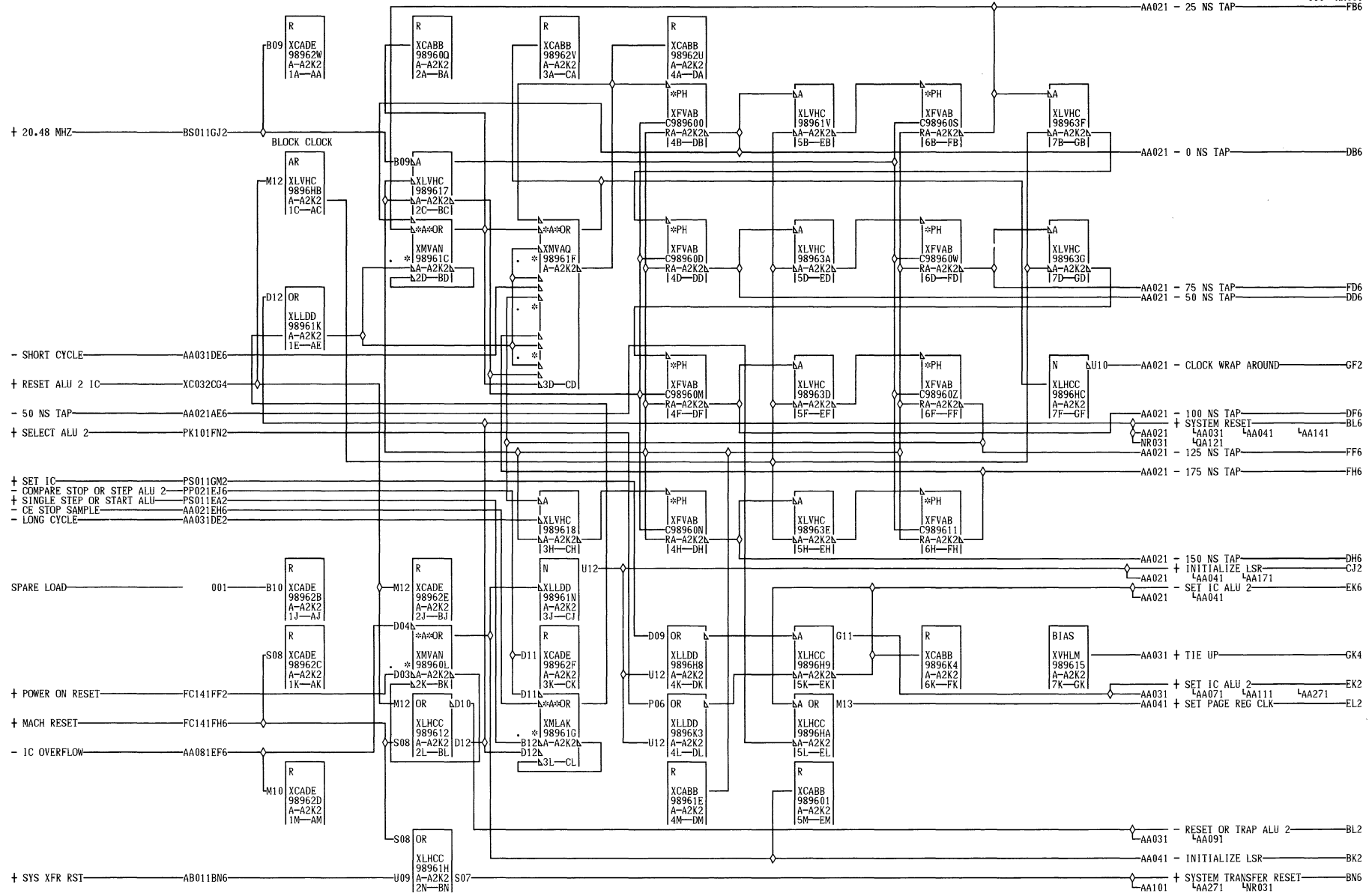
IBM "THIS DOCUMENT IS THE PROPERTY OF IBM. ITS USE IS AUTHORIZED ONLY FOR RESPONDING TO A REQUEST FOR QUOTATION OR FOR THE PERFORMANCE OF WORK FOR IBM. ALL QUESTIONS MUST BE REFERRED TO THE IBM PURCHASING DEPARTMENT."



PLUGGING CHART AA010  
3803.002



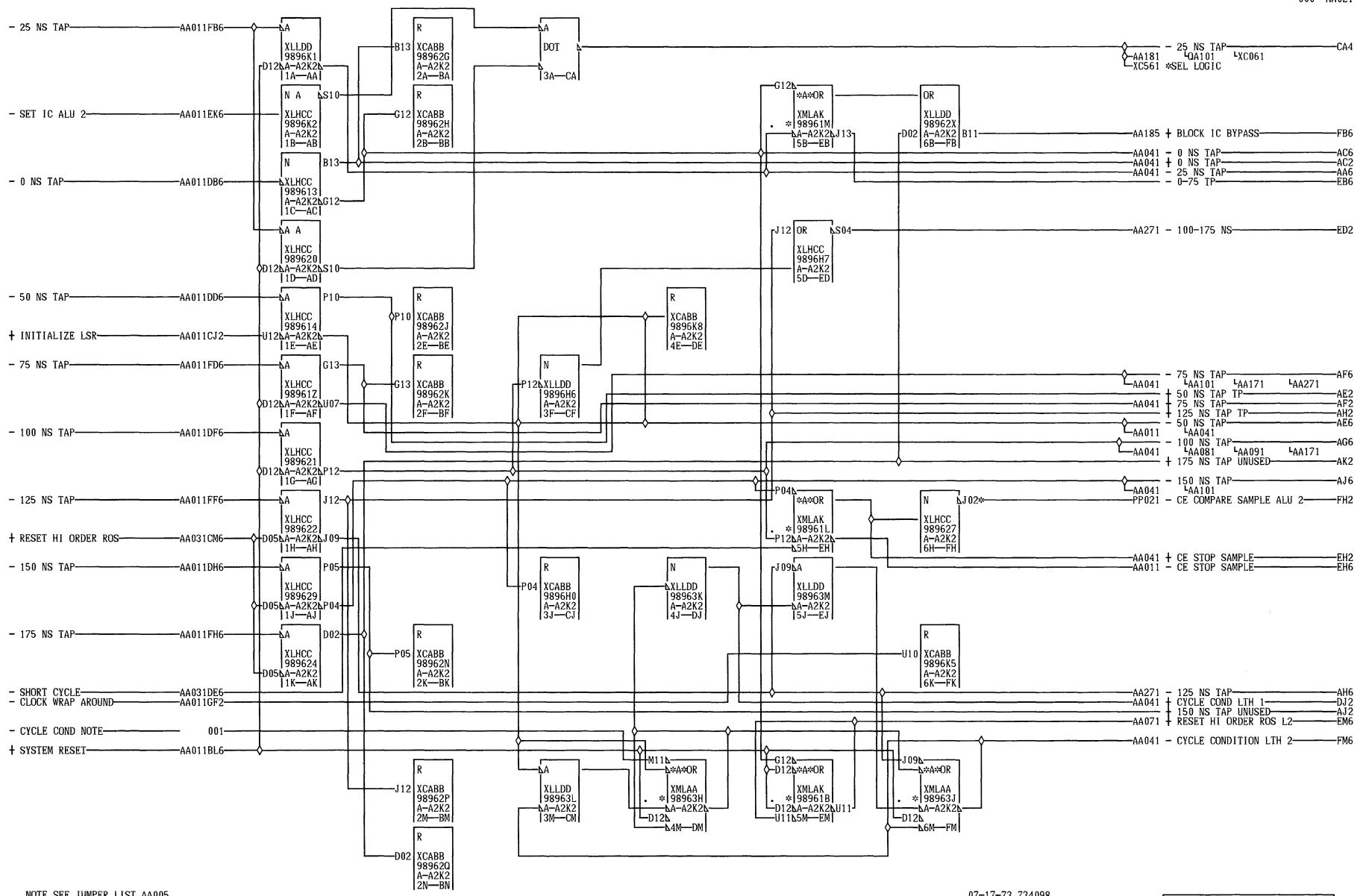
EC	SEE EC	846771			
DATE	HISTORY	11 JUN 82			



07-17-73 734098

A  
A  
0  
1  
1  
000

BASIC CLOCK TIMINGS			
ALU 2			
DATE	08-08-73	MACH.	3803-2
LOG	0051	FRAME	01
		P.N.	2736129
IBM CORP.	SDD BLK.		GP



NOTE SEE JUMPER LIST AA005

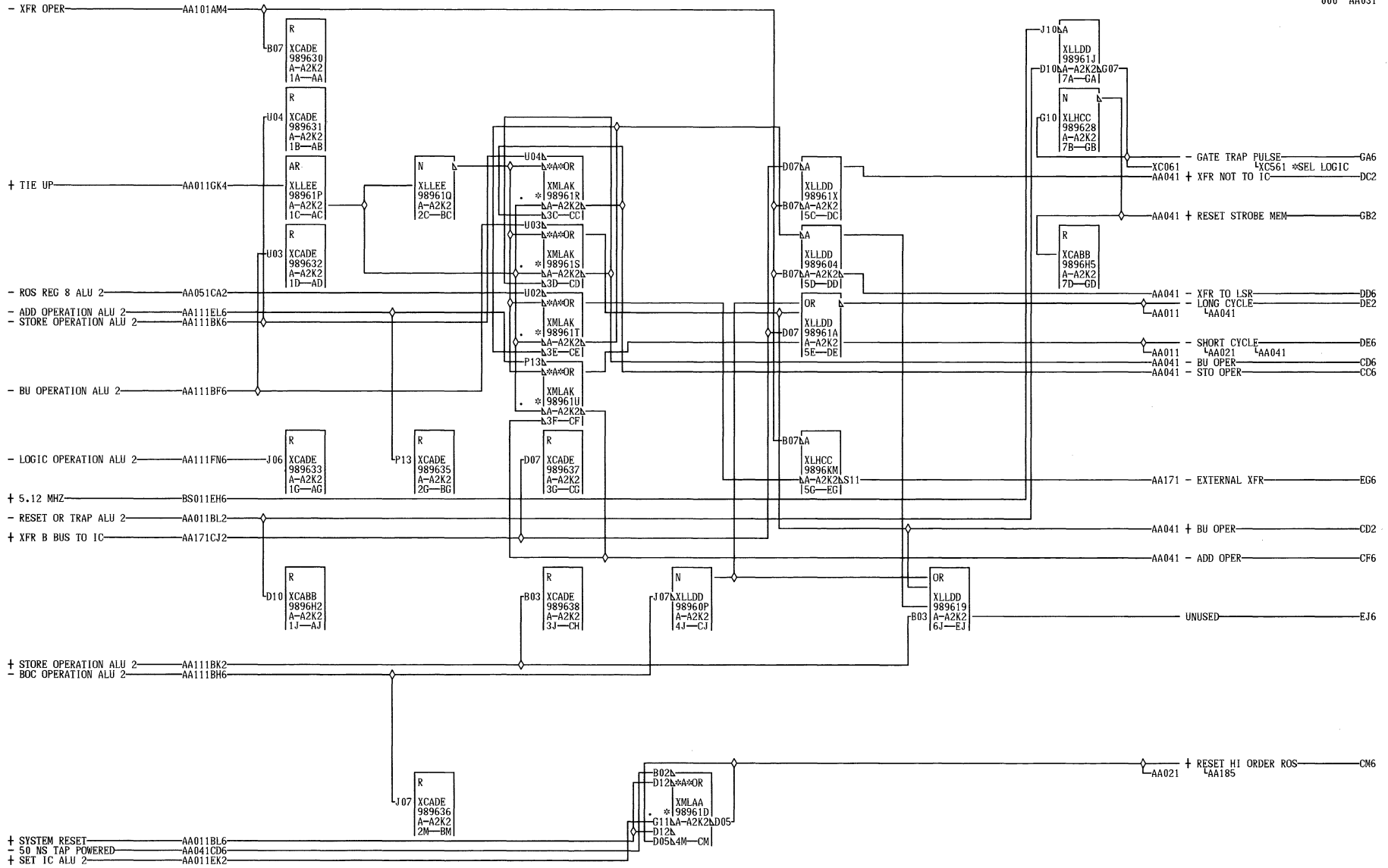
FH2 A-A2B2B08  
01A-A1A5B08

07-17-73 734098

A  
A  
0  
2  
1  
  
000

DELAY LINE ALU 2			
DATE	08-08-73	MACH.	3803-2
LOG	0051	FRAME	01
		P.N.	2736130
IBM CORP.	SDD	BLK.	GN

A  
A  
0  
2  
1  
  
000



A  
A  
0  
3  
1  
000

07-17-73 734098

CLOCK GATING			
ALU 2			
DATE	08-08-73	MACH.	3803-2
LOG	0051	FRAME	01
		P.N.	2736131
IBM CORP.	SDD	BLK.	GE

A  
A  
0  
3  
1  
000



- LONG CYCLE AA031DE2  
 - LOGIC OPERATION ALU 2 AA111FNG  
 - SHORT CYCLE AA031DE6  
 + RESET STROBE MEM AA031DB2  
 + SYSTEM RESET AA011BL6

+ BU OPER AA031CD2  
 + XFR NOT TO IC AA031DC2  
 + 75 NS TAP AA021AF2

- BU OPER AA031CD6  
 - 50 NS TAP AA021AE6  
 - 150 NS TAP AA021AJ6  
 + 0 NS TAP AA021AC2  
 - 100 NS TAP AA021AG6  
 - STO OPER AA031CG6  
 - ADD OPER AA031CF6

+ ROS CYCLE MODE 2 BK001BM6  
 + CYCLE COND LTH 1 AA021DJ2  
 - 25 NS TAP AA021AA6  
 - 0 NS TAP AA021AC6  
 - 75 NS TAP AA021AF6  
 + ROS REG 3 ALU 2 AA071DD6  
 - XFR TO LSR AA031DD6

- INITIALIZE LSR AA011BK2  
 - CYCLE CONDITION LTH 2 AA021FW6  
 - SET IC ALU 2 AA011EK6  
 + INITIALIZE LSR AA011CJ2

+ CE STOP SAMPLE AA021EH2  
 + SET PAGE REG CLK AA011EL2

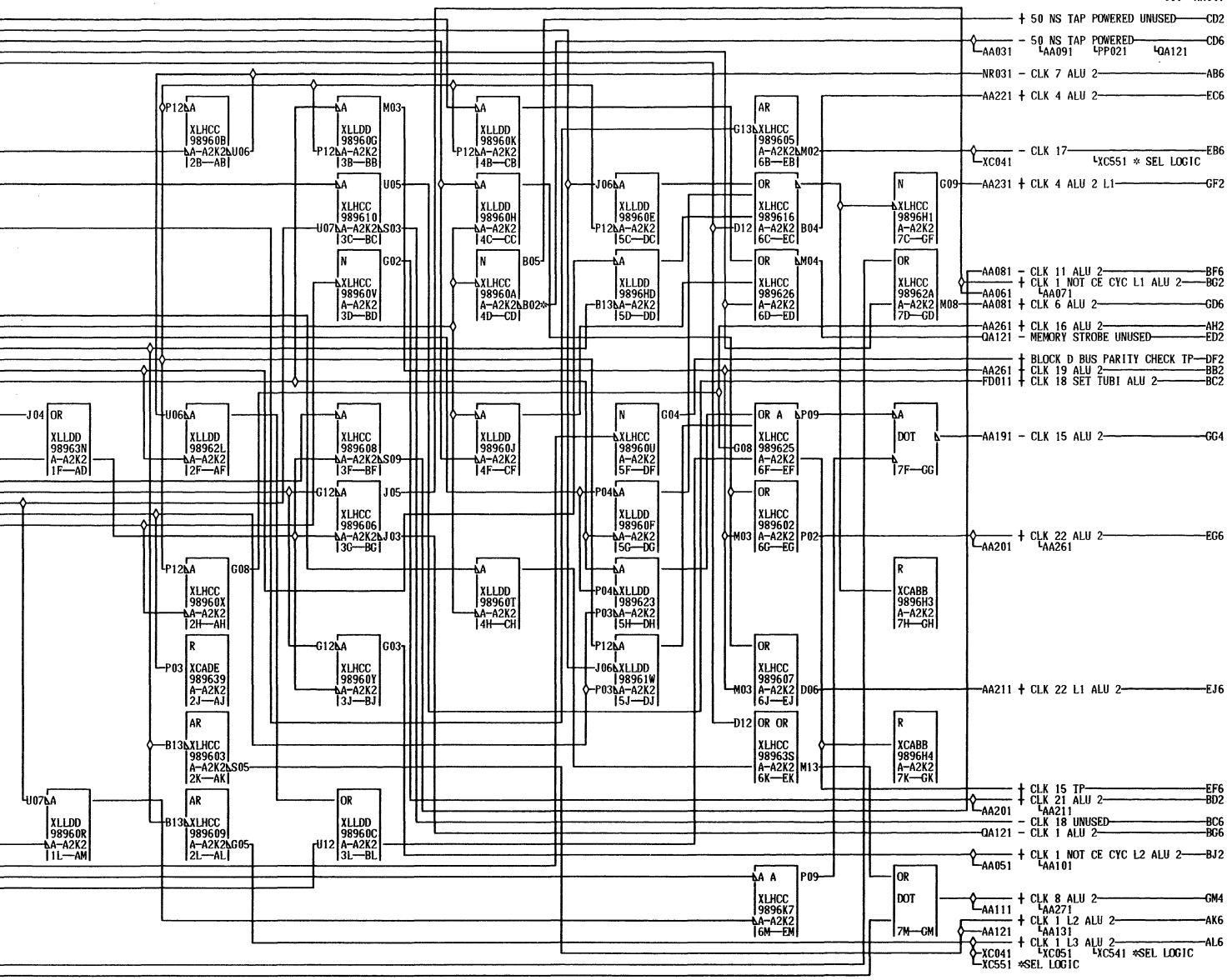
CD6 A-A2N1C11  
 01A-A1N6C02

07-17-73 734098  
 07-16-80 846627

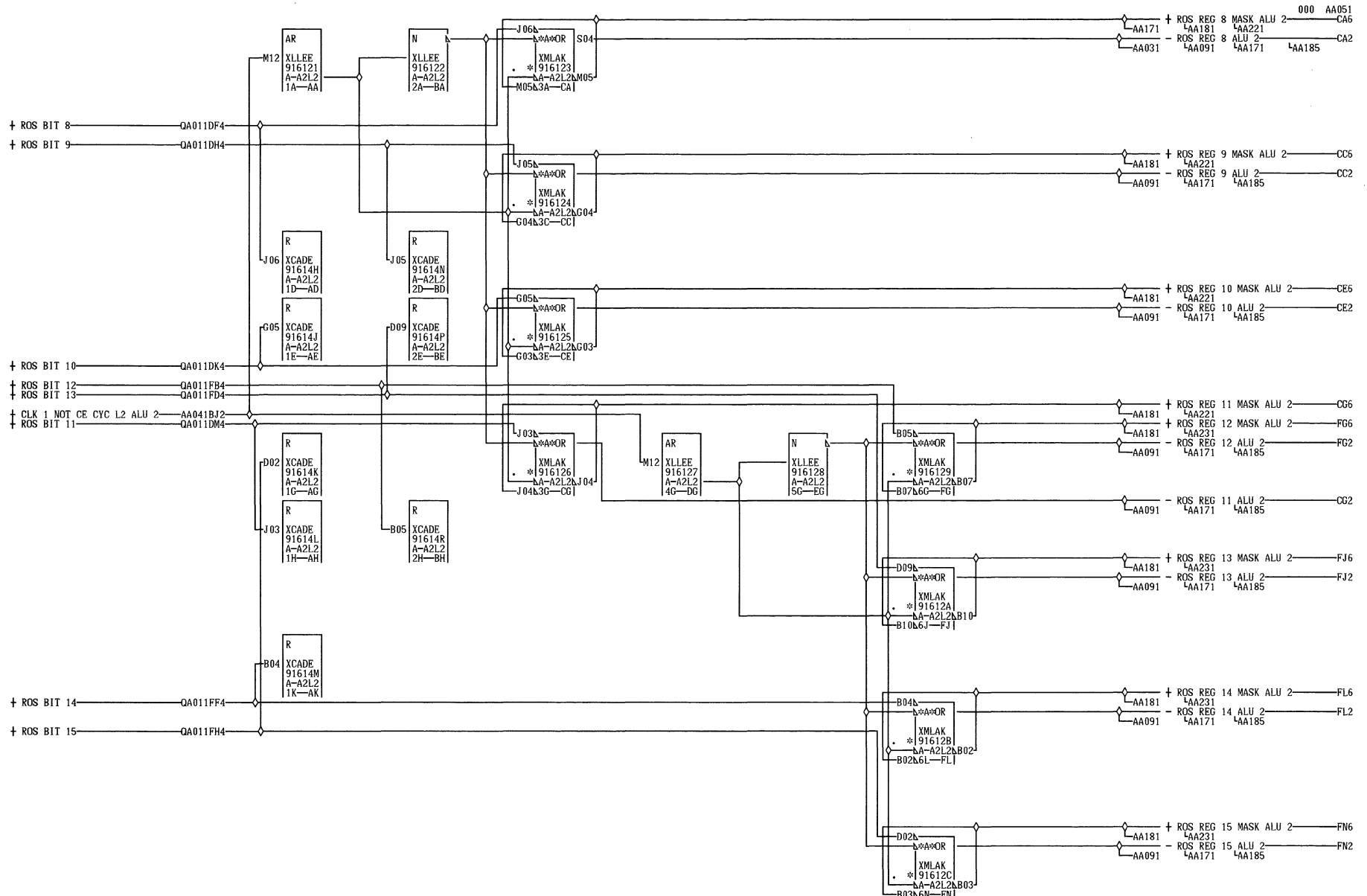
CLOCK POWERING			
DATE	08-18-81	MACH.	3803-2
LOG	1002	FRAME	01
		P.N.	2736132
		IBM CORP.	SDD BLK.

A  
 0  
 4  
 1  
 000

A  
 0  
 4  
 1  
 000



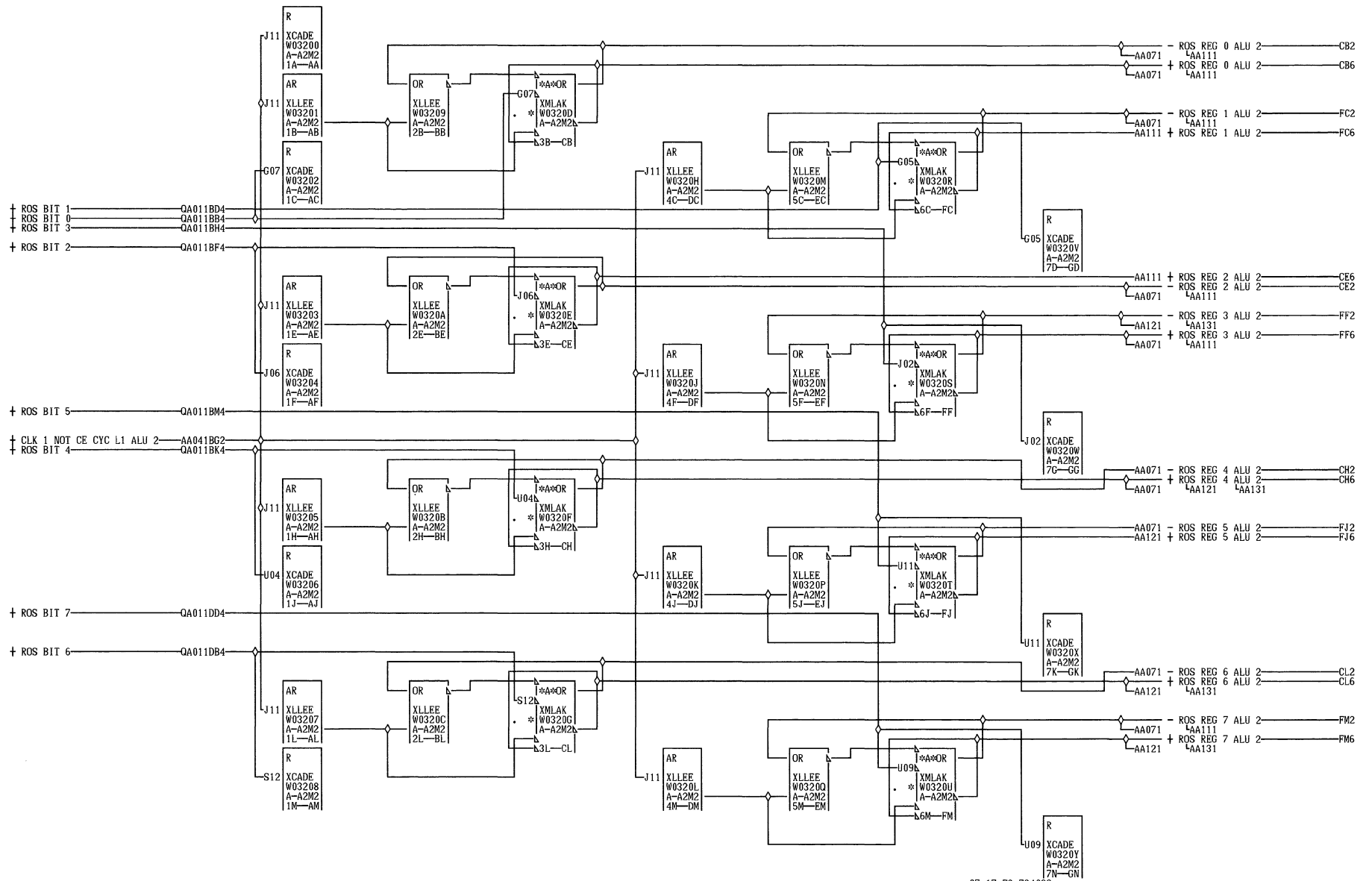
+ 50 NS TAP POWERED UNUSED CD2  
 - 50 NS TAP POWERED AA031 AA091 4PP021 4QA121 CD6  
 NR031 - CLK 7 ALU 2 AB6  
 AA221 + CLK 4 ALU 2 EC6  
 - CLK 17 XC041 XC551 \*SEL LOGIC EB6  
 AA231 + CLK 4 ALU 2 L1 GF2  
 - CLK 11 ALU 2 AA081 BF6  
 + CLK 1 NOT CE CYC L1 ALU 2 AA071 AA061 BG2  
 + CLK 6 ALU 2 AA081 CD6  
 + CLK 16 ALU 2 AA261 AH2  
 MEMORY STROBE UNUSED QA121 ED2  
 + BLOCK D BUS PARTIY CHECK TP AA261 DF2  
 CLK 19 ALU 2 AA261 BB2  
 + CLK 18 SET TUBI ALU 2 FD011 BC2  
 - CLK 15 ALU 2 AA191 GG4  
 + CLK 22 ALU 2 AA201 AA261 EG6  
 - CLK 22 L1 ALU 2 AA211 EJ6  
 + CLK 15 TP EF6  
 + CLK 21 ALU 2 AA201 BD2  
 - CLK 18 UNUSED BC6  
 - CLK 1 ALU 2 QA121 BG6  
 + CLK 1 NOT CE CYC L2 ALU 2 AA051 AA101 BJ2  
 + CLK 8 ALU 2 AA111 AA271 GM4  
 + CLK 1 L2 ALU 2 AA121 AA131 AK6  
 + CLK 1 L3 ALU 2 XC041 XC051 XC541 \*SEL LOGIC AL6  
 \*SEL LOGIC XC551



07-17-73 734098

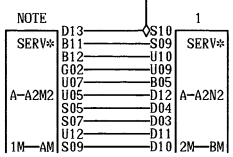
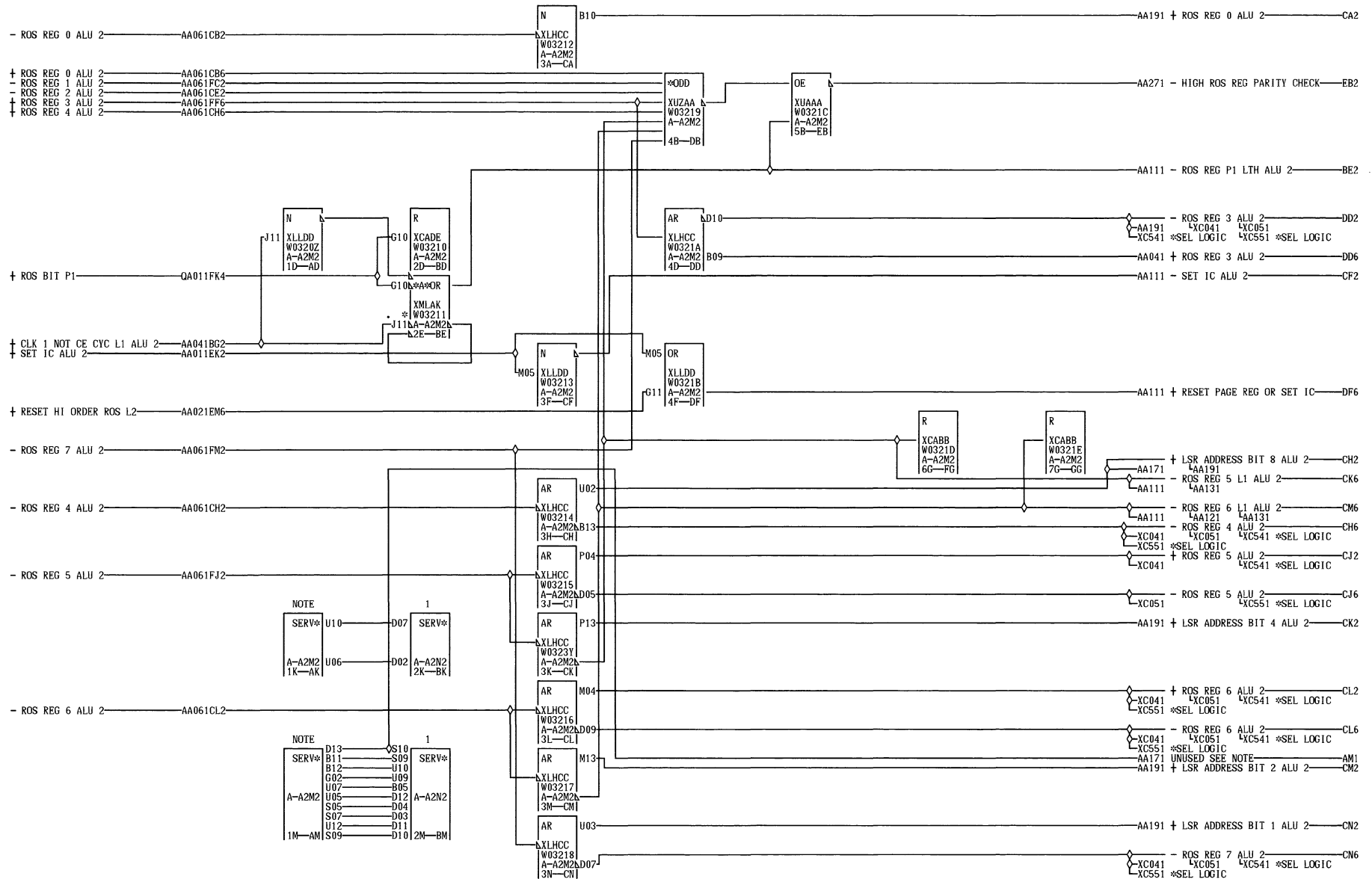
LOW ORDER ROS REGISTER			A
ALU 2			A
DATE	08-08-73	MACH. 3803-2	0
LOG	0051	FRAME 01	S
P.N. 2736133			1
IBM CORP.	BLK.	CK	000

A  
0  
5  
1  
  
000



07-17-73 734098

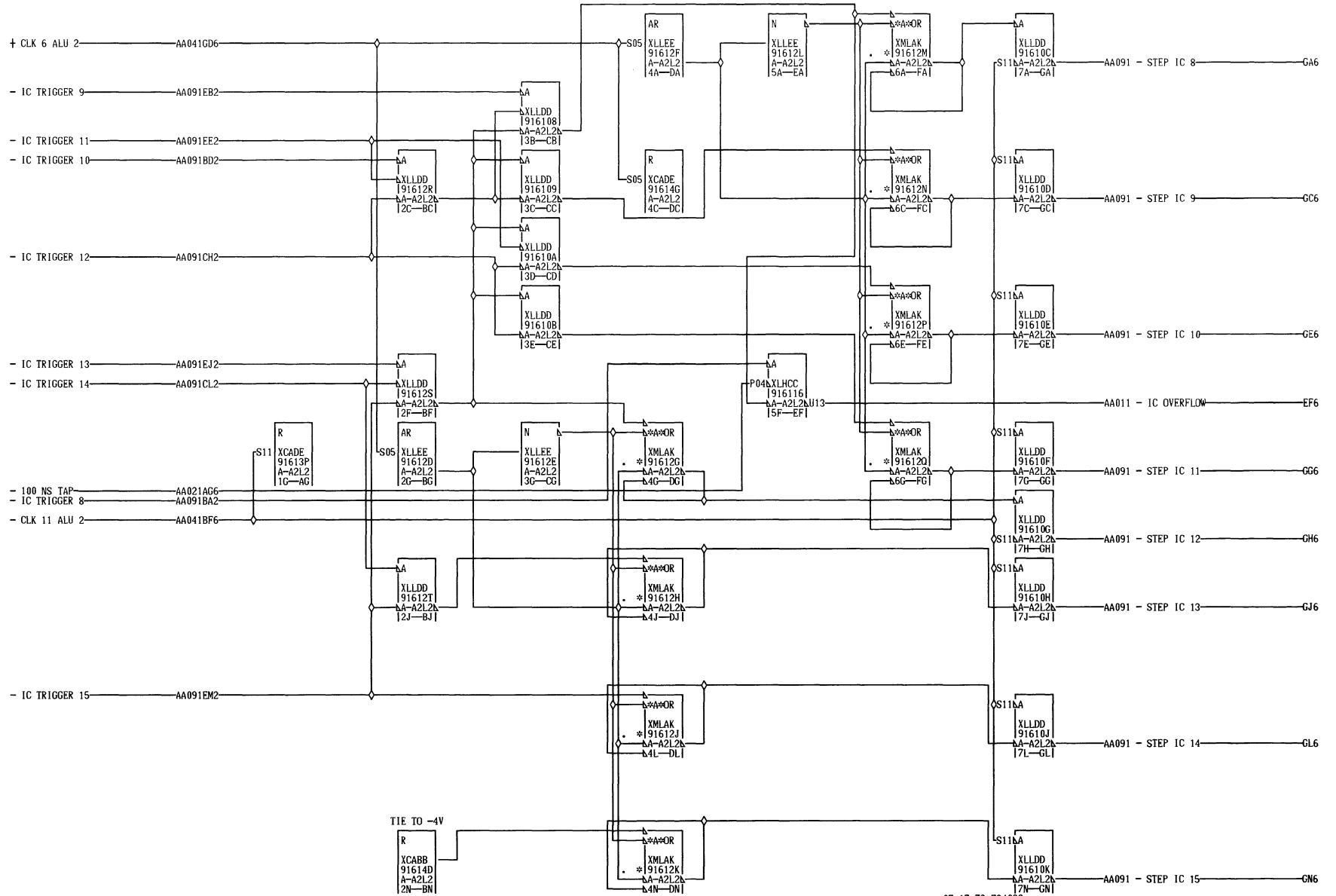
ROS REG 0-7	A
ALU 2	A
DATE 08-08-73 MACH. 3803-2	0
LOG 0051 FRAME 01	6
P.N. 2736134	1
IBM CORP. SDD BLK.	000
	GP



NOTE 1 THESE SERVICE NETS ARE TO RETAIN NETS NOT USED BY W032 AND W034 A CARDS BUT USED BY 0 9148 AND 9160 CARDS 7 WHEN INSTALLED.

07-17-73 734098

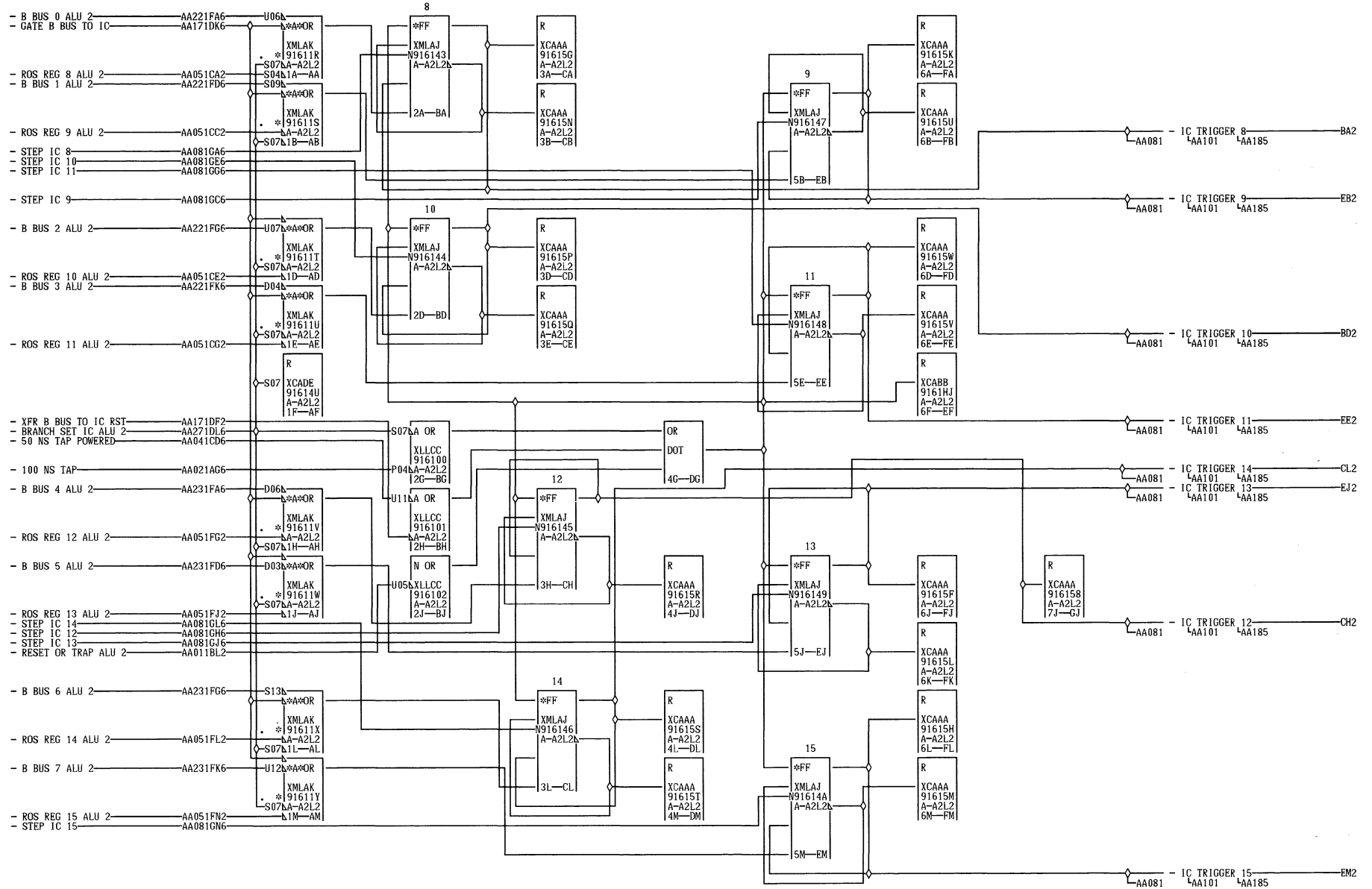
ROS REG POWERING		
ALU 2		
DATE	08-08-73 MACH. 3803-2	A
LOG	0051 FRAME 01	A
	P.N. 2736135	0
		7
		1
		000
IBM CORP.	SDD BLK.	GH



07-17-73 734098

A  
0  
8  
1  
000

INSTRUCTION COUNTER LOOK-AHEAD			A
ALU 2			A
DATE	08-18-81	MACH. 3803-2	0
LOG	0051	FRAME 01	8
P.N. 2736136			1
1BM CORP. BLK.			000
			GP



07-17-73 734098

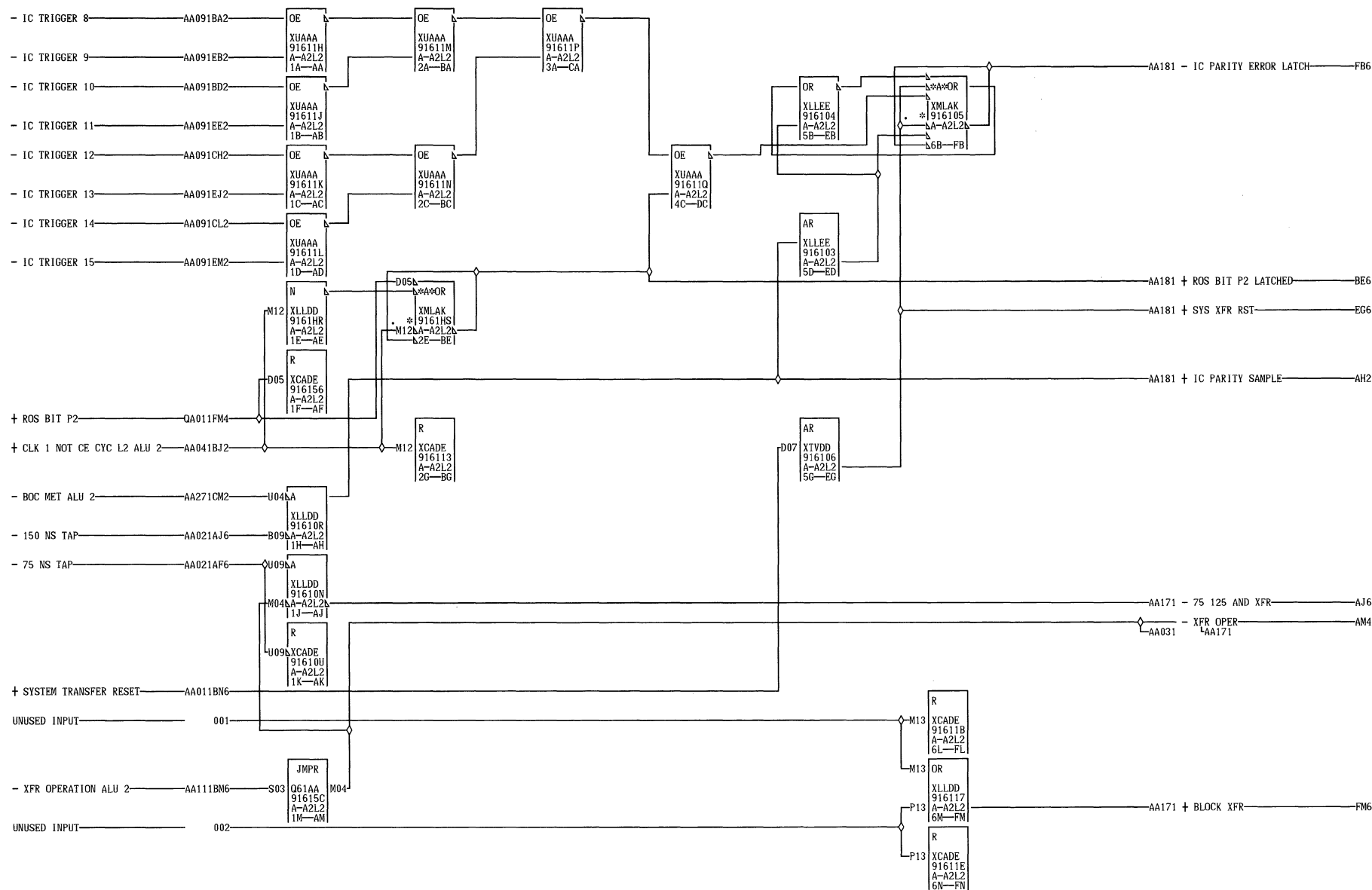
A  
A  
0  
9  
1

000

INSTRUCTION COUNTER			
ALU 2			
DATE	08-08-73	MACH.	3803-2
LOG	0051	FRAME	01
P.N. 2736137			
IBM CORP.	BLK.	GN	

A  
A  
0  
9  
1

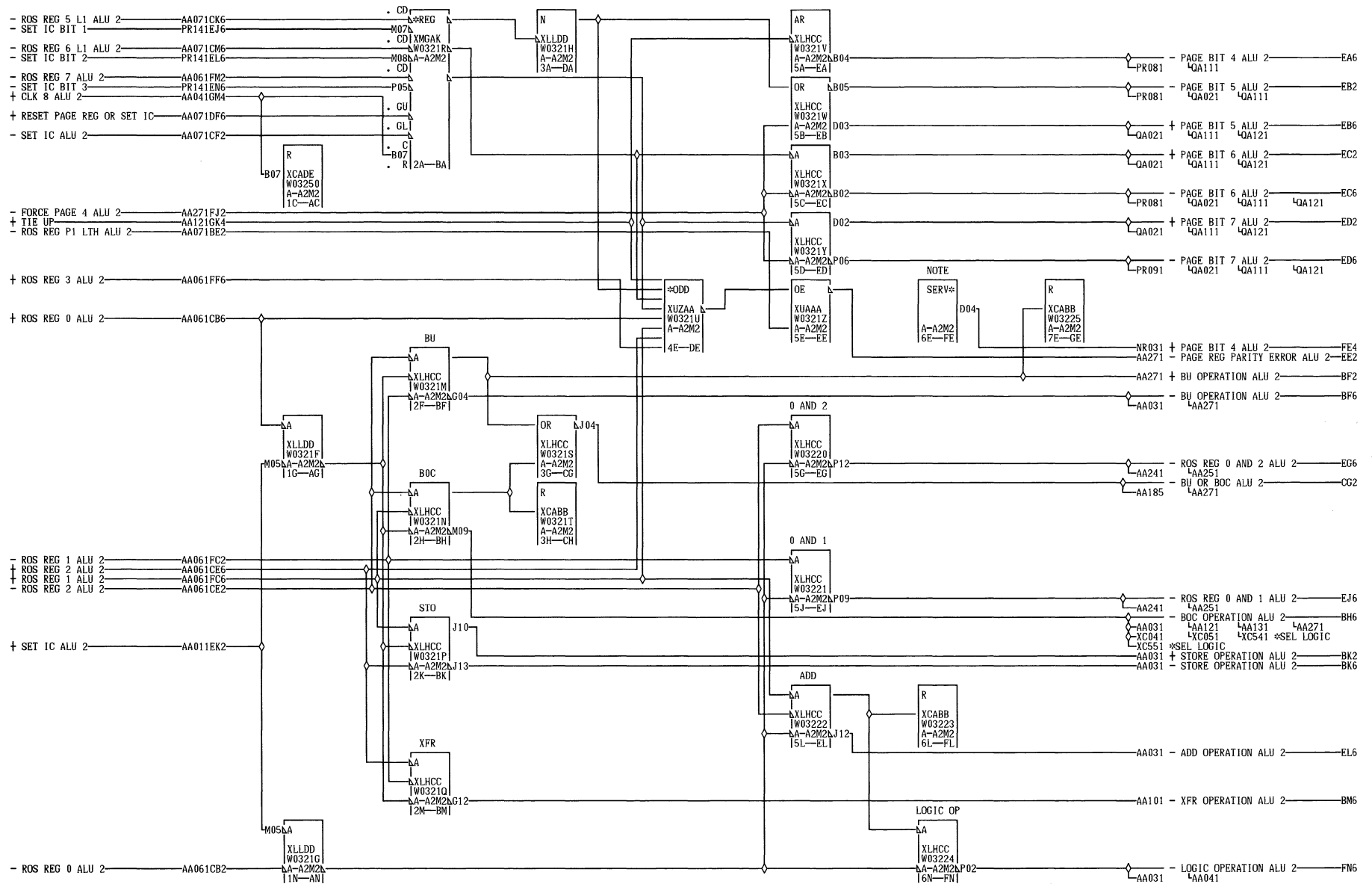
000



07-17-73 734098

A  
A  
1  
0  
1  
000

LOAD INSTRUCTION COUNTER				A
PARITY CHECK ALU 2				A
DATE	08-08-73	WACH.	3803-2	1
LOG	0051	FRAME	01	0
				1
		P.N.	2736138	000
IBM CORP.	BLK.	GL.		



NOTE  
SERV\*  
A-A2M2  
6E-FE

R  
XCABB  
W03225  
A-A2M2  
7E-GE

NOTE PAGE BIT 4 NOT AVAILABLE WHEN THIS CARD IS INSTALLED

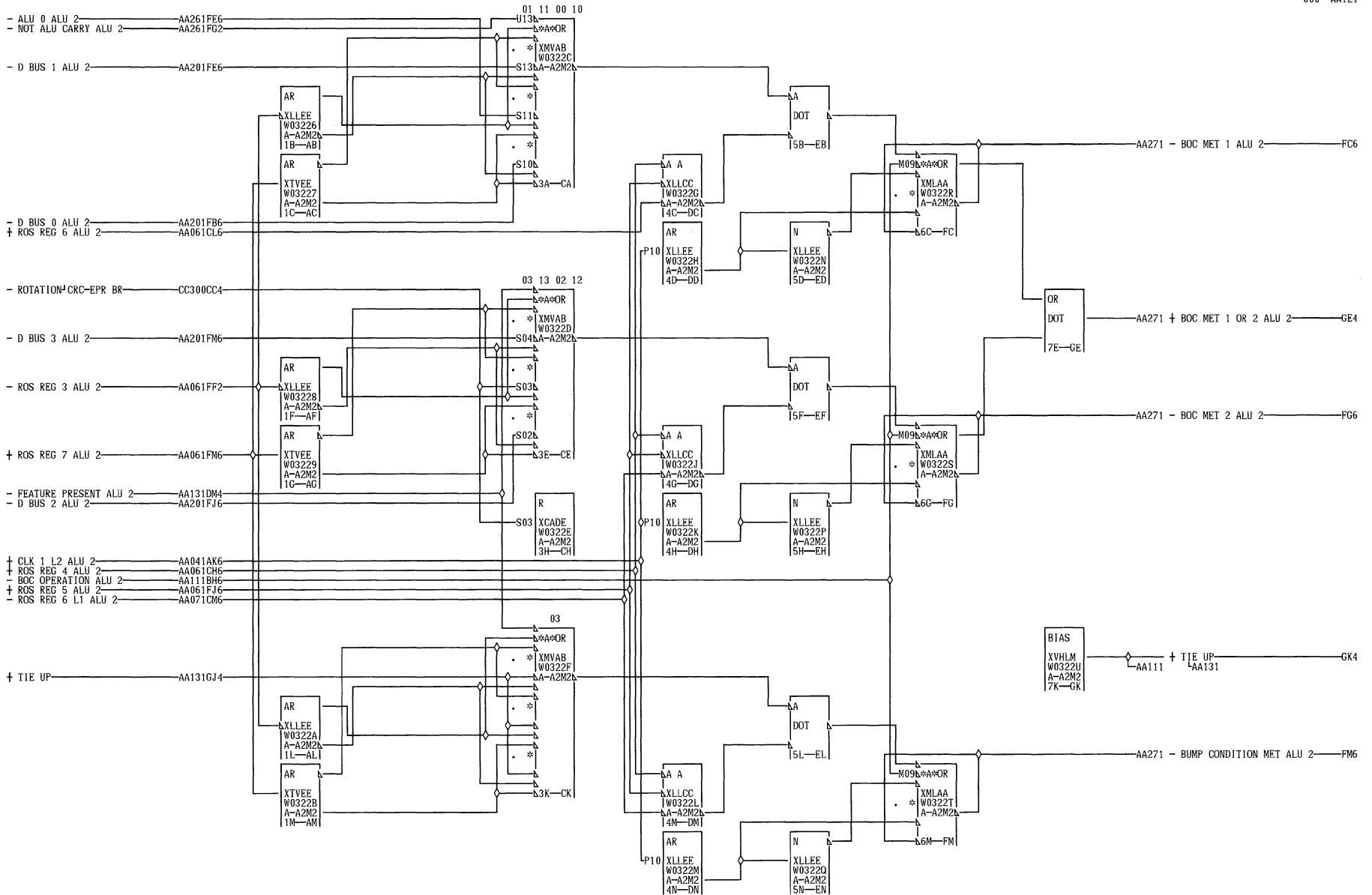
A  
A  
1  
1  
1  
1

000

07-17-73 734098

PAGE REG AND INSTRUCTION DCD	ALU 2	A
DATE	08-08-73 MACH. 3803-2	A
LOG	0051 FRAME	1
	P.N. 2736139	1
IBM CORP.	SDD BLK.	GF



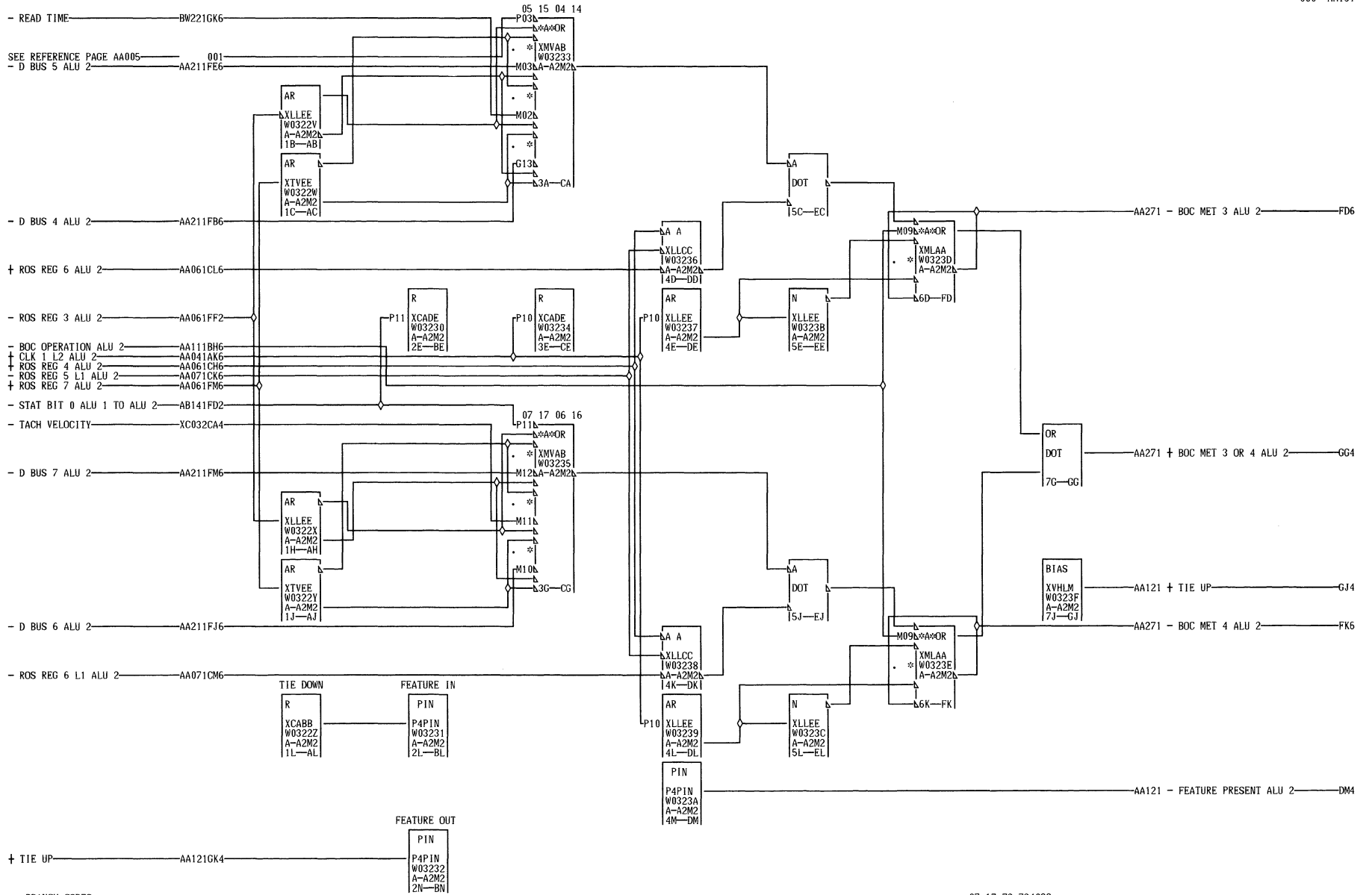


BRANCH CODES  
 00 ALU 0  
 A 01 NOT ALU CARRY  
 A 02 NOT FC3  
 1 03 FEATURE PRESENT  
 2 10 D BUS 0 11 D BUS 1  
 1 12 D BUS 2 13 D BUS 3

000

07-17-73 734098

BOC CONDITIONS		
ALU 2		
DATE	08-08-73 MACH. 3803-2	A
LOG	0051 FRAME	1
	P.N. 2736140	1
IBM CORP.	SDD BLK.	GL

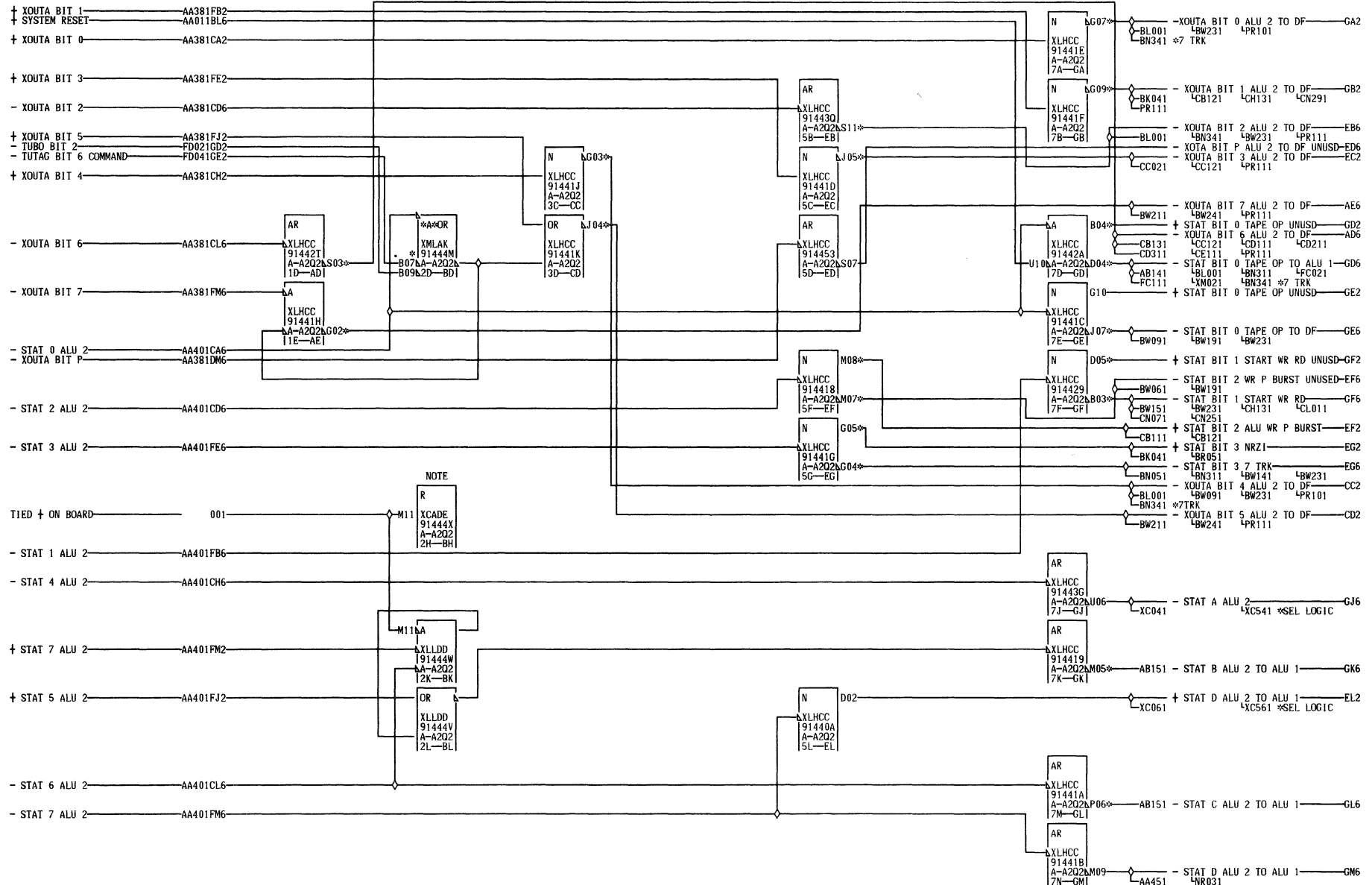


BRANCH CODES  
 04 READ TIME  
 A 05 9 TRK NRZ1  
 A 06 TACH VELOCITY  
 1 07 STOP STAT  
 3 14 D BUS 4 15 D BUS 5  
 1 16 D BUS 6 17 D BUS 7

07-17-73 734098  
 12-06-73 734879

BOC CONDITIONS		
DATE	01-11-74	MACH. 3803-2
LOG	0045	FRAME 01
		P.N. 2736141
IBM CORP.	SDD BLK.	GK

A  
A  
1  
3  
1  
000

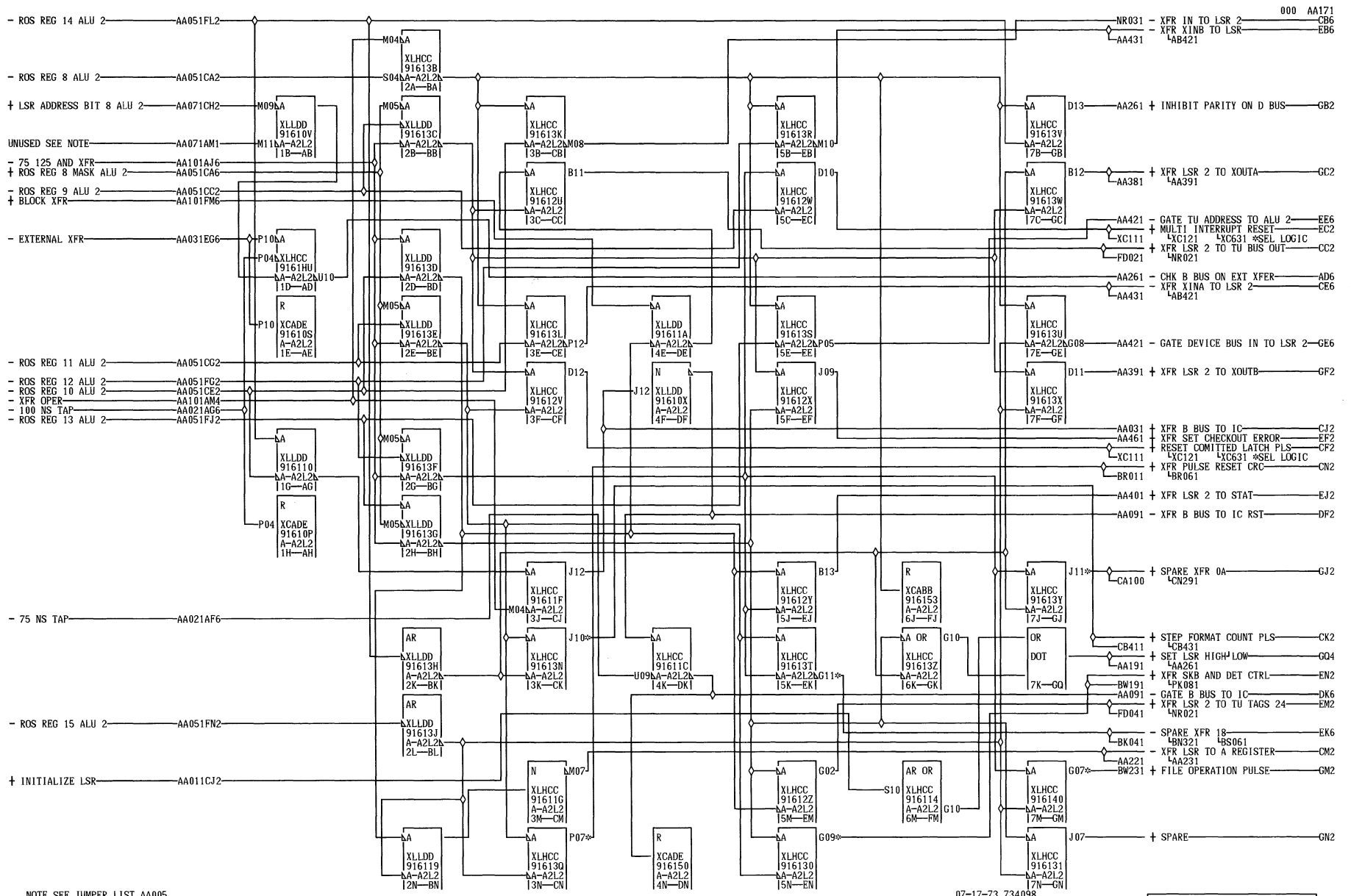


NOTE TJE + ON PANEL WITH P/N 2520936

A	AD6 A-A2J1E11	01A-A1J6D02	01A-A1F1B11	01A-A1C6E04	GD6 A-A2V4B13	01A-A1J6B04
A	01A-A1J6E02	EB6 A-A2H1E11	01X-Y1U6C02	GB2 A-A2N1E13	01A-B2A4B13	01A-A1B5D02
1	01A-A1B4D10	01A-A1H6E02	EF6 A-A2V1B11	01A-A1N6E04	01A-B2F1B11	01X-Y1V5D02
1	01X-Y1V4D10	EC2 A-A2J1A11	01A-A1V1B11	01A-A2N1E13	01A-A1R1B11	CK6 A-A2V2B08
4	AE6 A-A2K1B11	01A-A1J6A02	EG2 A-A2K1A13	01A-A1N6E04	GE6 A-A2H1D13	01A-B2A2B08
1	01A-A1K6B02	01A-A1B4D06	01A-A1K6A04	01A-A1B4D03	01A-A1H6D04	GL6 A-A2V2B09
000	CC2 A-A2J1E11	01X-Y1V4D06	EG6 A-A2K1B13	01X-Y1V4D03	GF2 A-A2H1E13	01A-B2A2B09
	01A-A1J6C02	EF2 A-A2J1C13	01A-A1K6B04	GD2 A-A2H1A13	01A-A1H6E04	
	CD2 A-A2J1D11	01A-A1J6C04	GA2 A-A2C1E13	01A-A1H6A04	GF6 A-A2J1B13	

07-17-73 734098

CONDITION BRANCHES ALU TO ALU		
DATE	ALU 2	A
08-08-73	MACH. 3803-2	1
LOG	0051 FRAME	1
	P.N. 2736142	000
IBM CORP.	SDD BLK.	GN



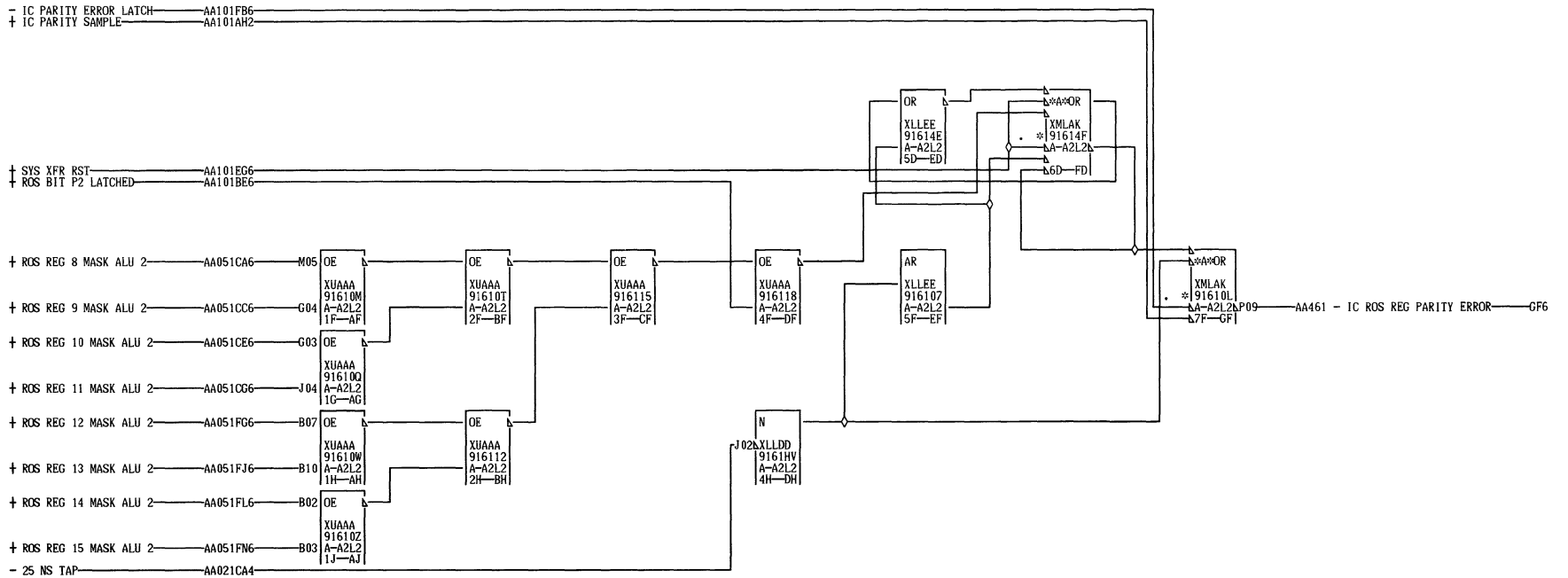
NOTE SEE JUMPER LIST AA005

A  
A  
1  
7  
1  
000

CK2 A-A2C2B10 01A-A1F6D02  
01A-A1A3B10 GJ2 A-A2T1D11  
01A-A1F1C11 01A-A1T1D11  
01X-Y1U6D02 01A-A1E1D11  
CN2 A-A2U1D11 01X-Y1T6E02  
01A-A1U1D11 CN2 A-A2B2B05  
EK6 A-A2H1B11 01A-A1A5B05  
01A-A1H6B02  
EN2 A-A2F1D11

07-17-73 734098

TRANSFER DECODE			
DATE	08-08-73	MACH.	3803-2
LOG	0051	FRAME	01
		P.N.	2736143
IBM CORP.	SDD BLK.		GR

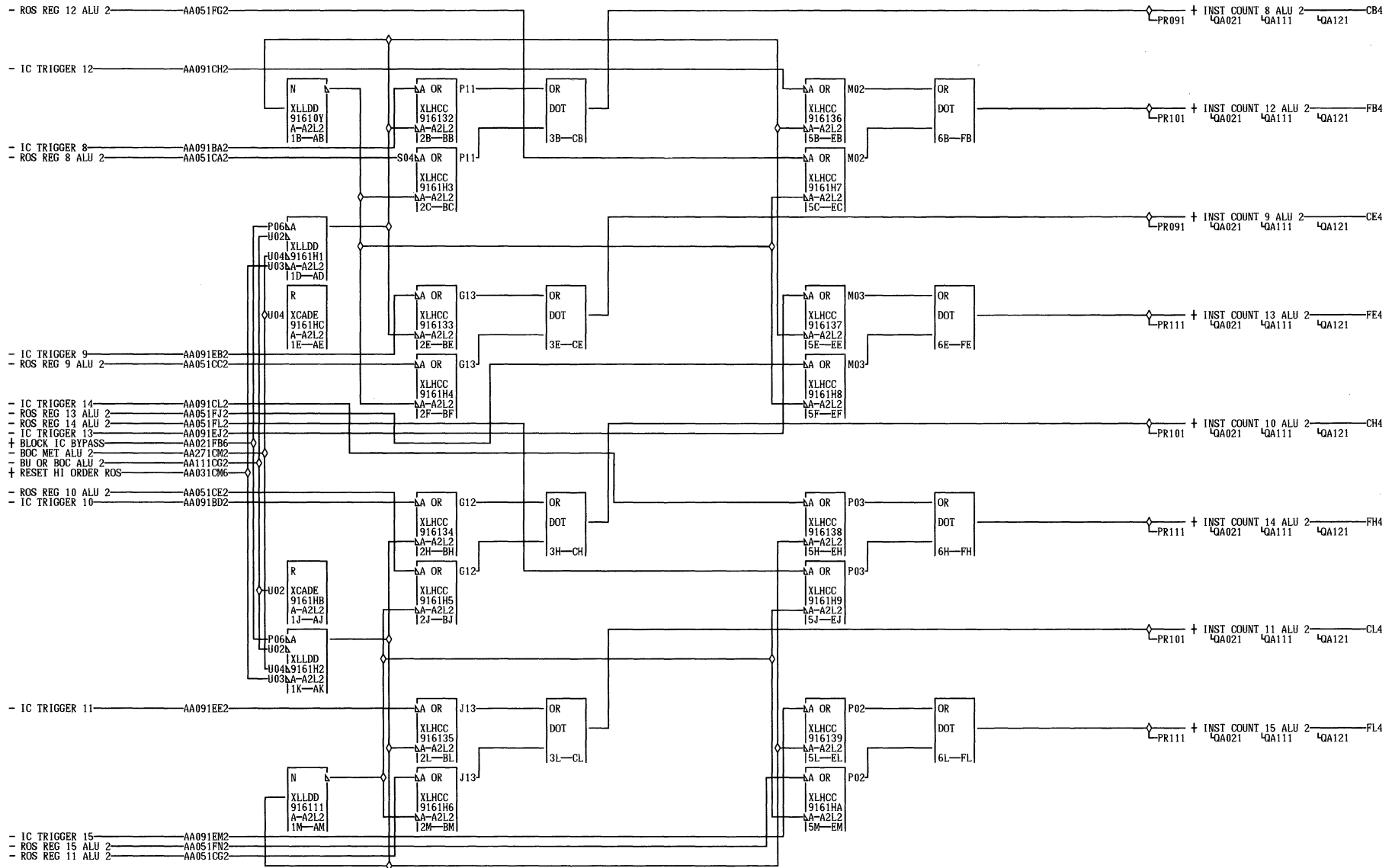


07-17-73 734098

A  
 A  
 1  
 8  
 1  
 000

TRANSFER PARITY CHECK			
ALU 2			
DATE	08-18-81	MACH.	3803-2
LOG	0051	FRAME	01
		P.N.	2736144
IBM CORP.	BLK.		GJ

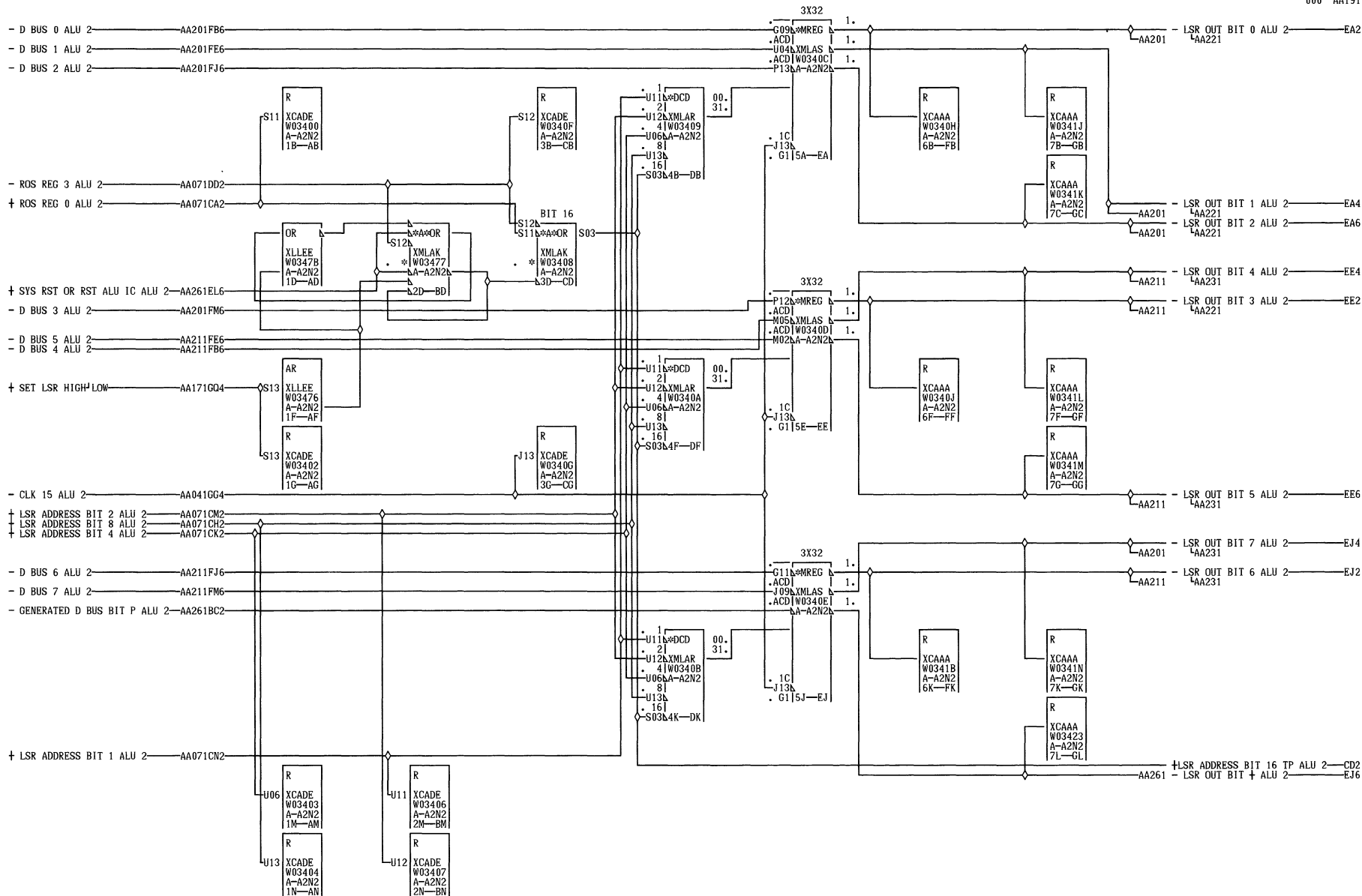
A  
 A  
 1  
 8  
 1  
 000



A  
A  
1  
8  
5  
000

07-17-73 734098  
04-22-74 734877

INSTRUCTION COUNT GATING			
ALU 2			
DATE	05-06-74	MACH.	3803-2
LOG	0J14	FRAME	01
		P.N.	2736145
IBM CORP.	BLK.	FM	000

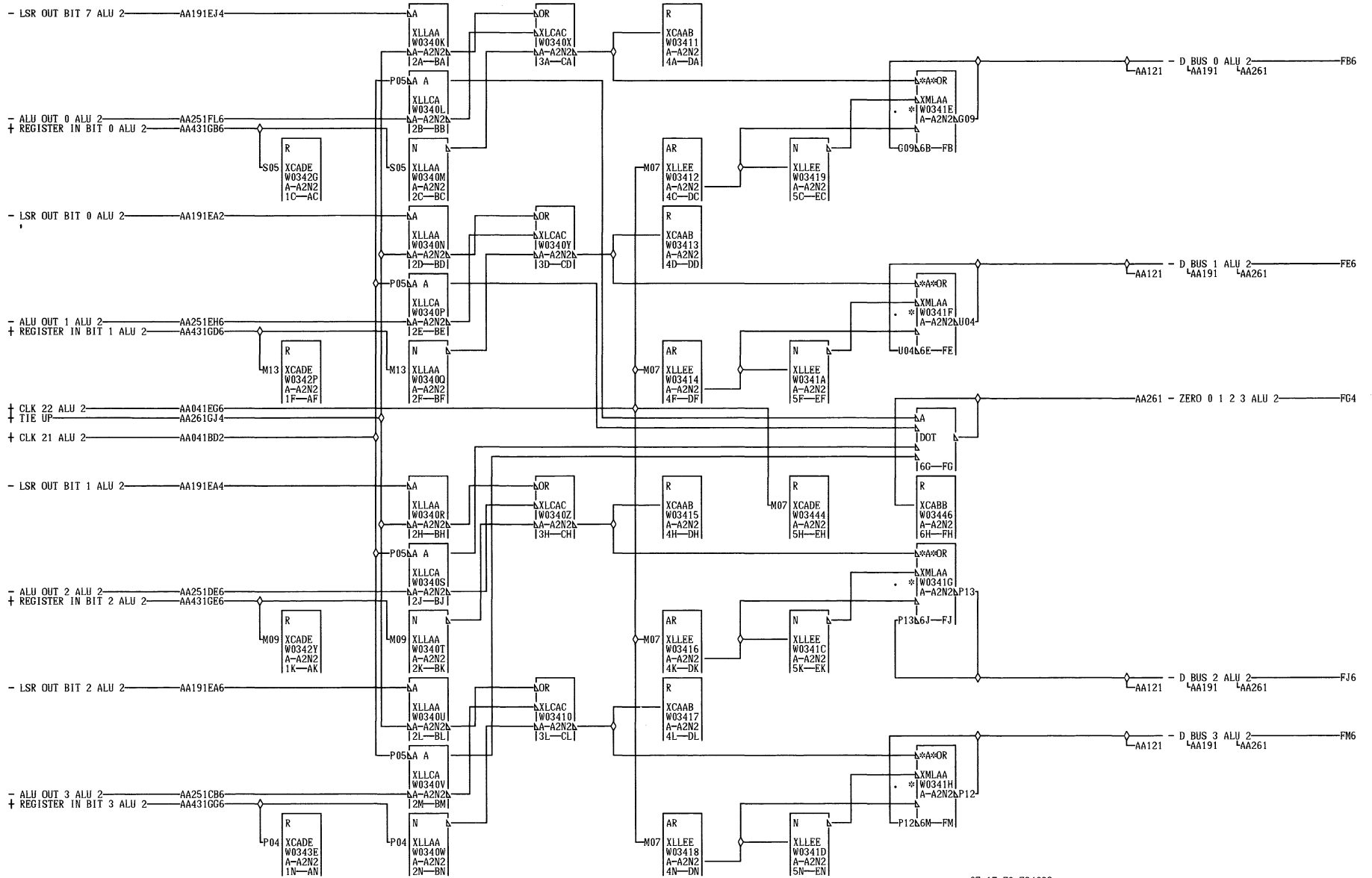


07-17-73 734098

A  
A  
1  
9  
1  
000

32 LSRS			
ALU 2			
DATE	08-08-73	MACH.	3803-2
LOG	0051	FRAME	01
		P.N.	2736146
IBM CORP.	SDD	BLK.	GM

A  
A  
1  
9  
1  
000

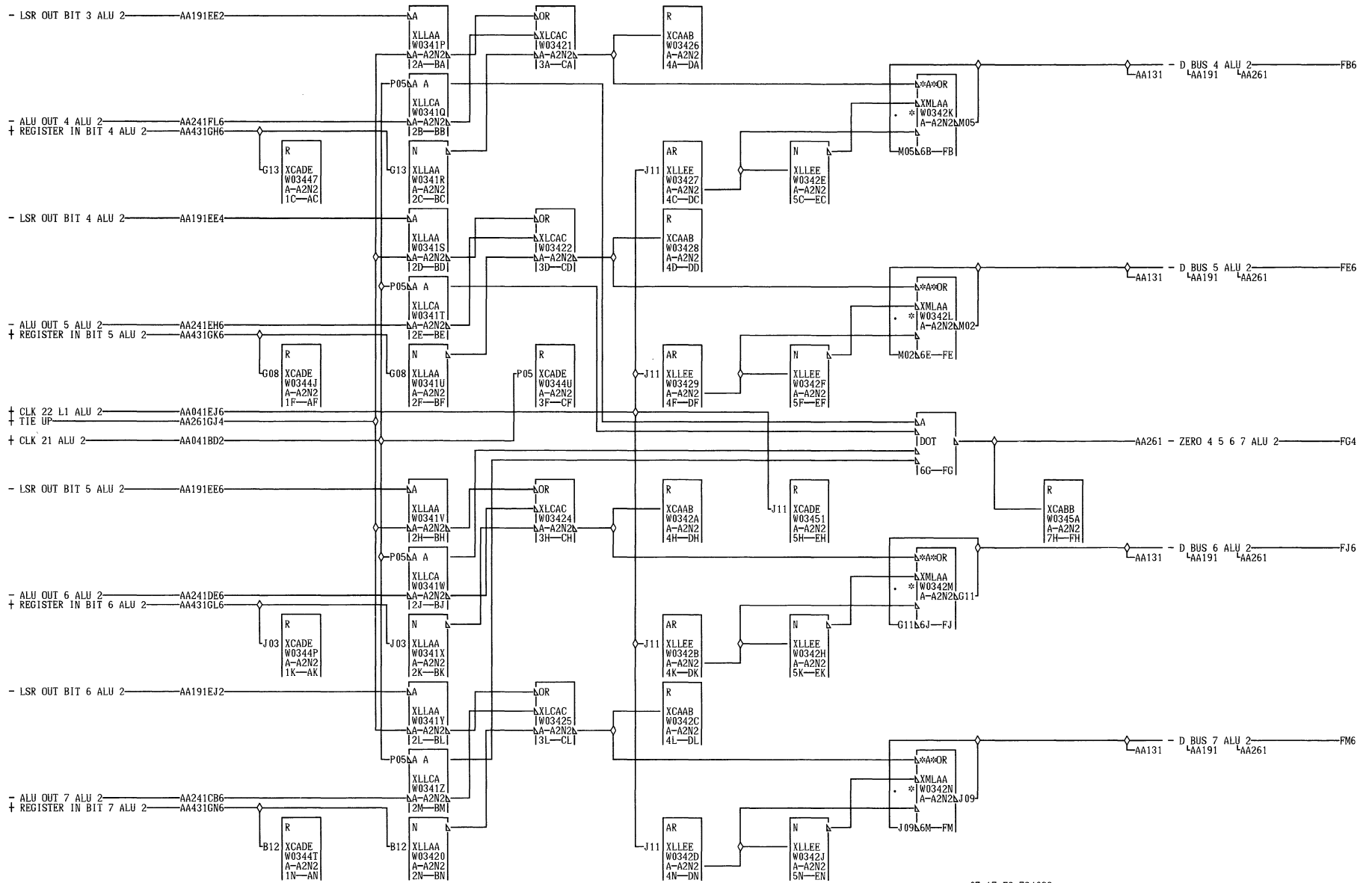


A  
A  
2  
0  
1  
1  
000

07-17-73 734098

ALU D BUS REG 0 1 2 3	A
ALU 2	A
DATE 08-08-73 MACH. 3803-2	2
LOG 0051 FRAME 01	0
P.N. 2736147	1
IBM CORP. SDD BLK.	000
	FN

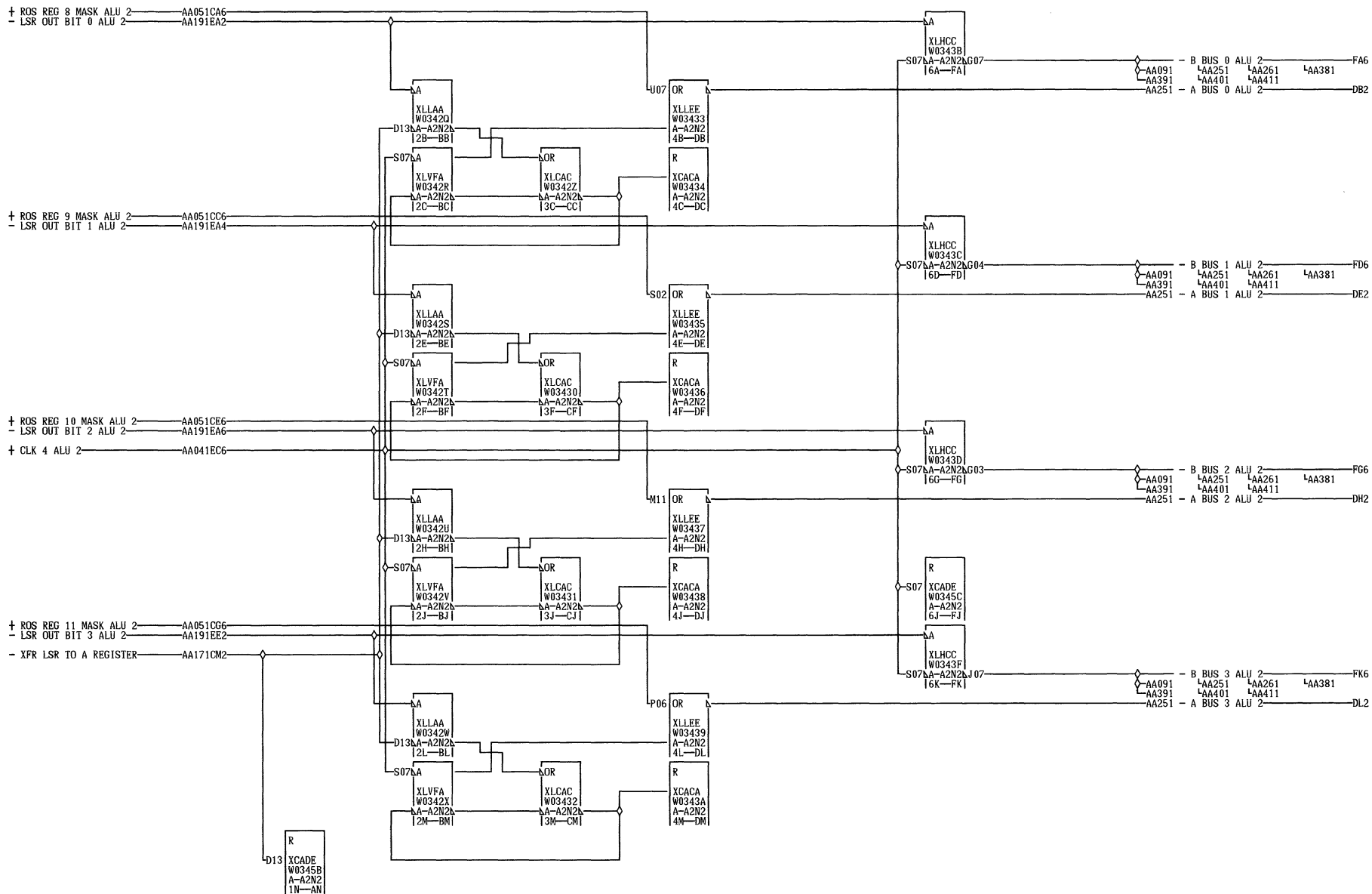




07-17-73 734098

A  
A  
2  
1  
1  
000

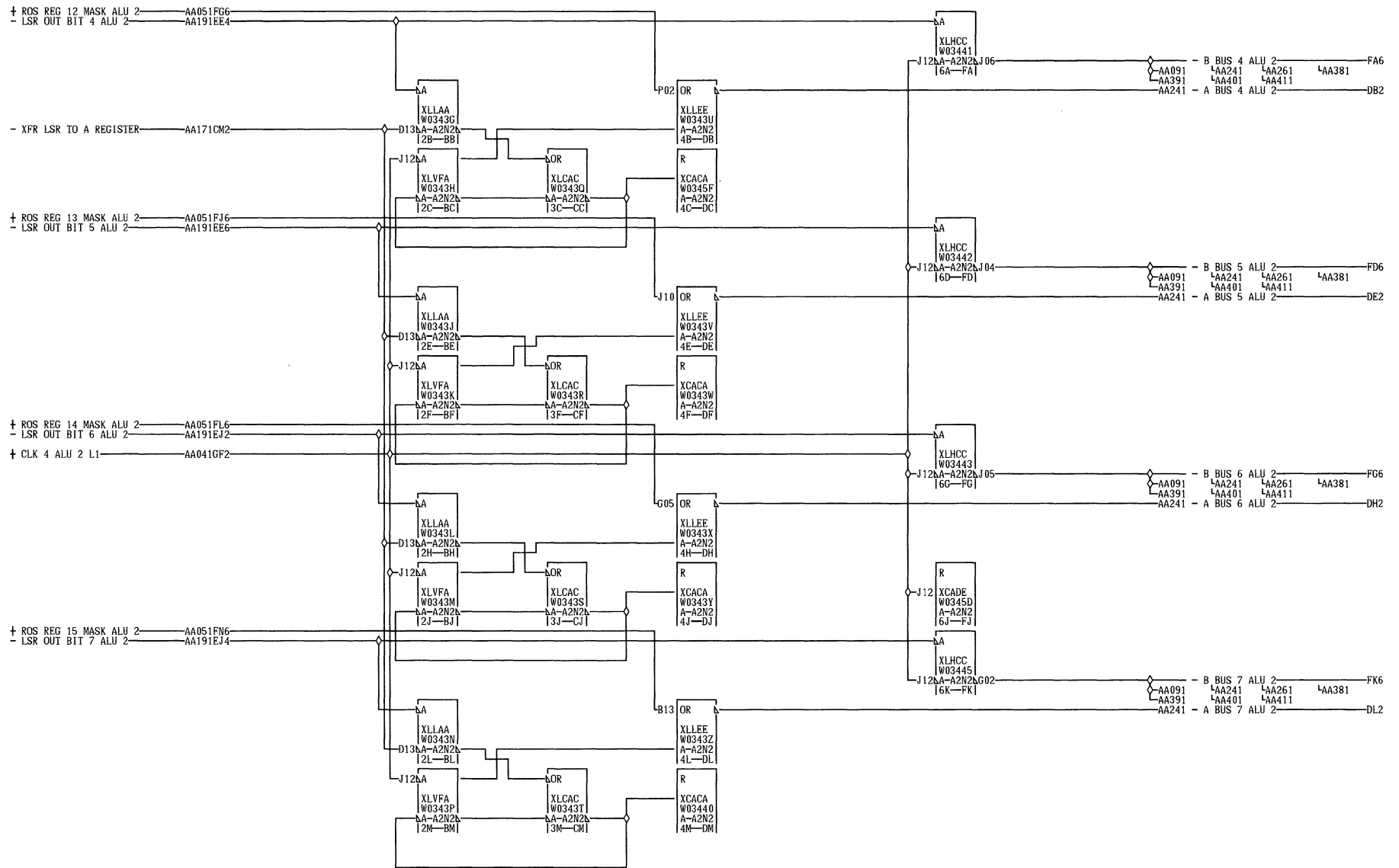
ALU D BUS REG 4 5 6 7	A
ALU 2	A
DATE 08-08-73 MACH. 3803-2	2
LOG 0051 FRAME 01	1
P.N. 2736148	1
IBM CORP. SDD BLK. FN	000



07-17-73 734098

A  
A  
2  
2  
1  
000

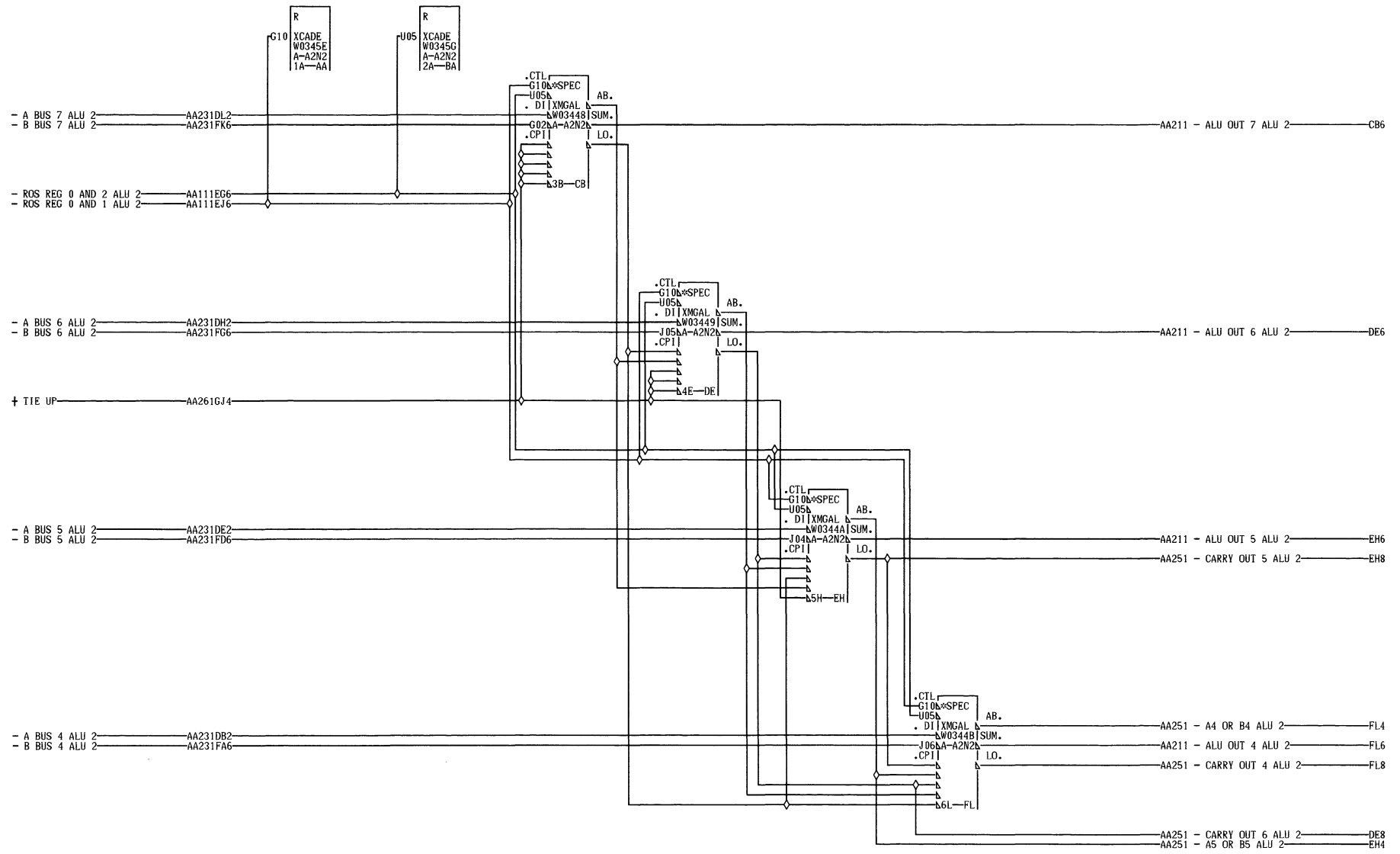
A REG AND B REG 0 1 2 3			
DATE 08-08-73 MACH. 3803-2			
LOG	005: FRAME	01	
	P.N.	2736149	
IBM CORP.	SDD BLK.	FL	000



07-17-73 734098

A  
A  
2  
3  
1  
1  
000

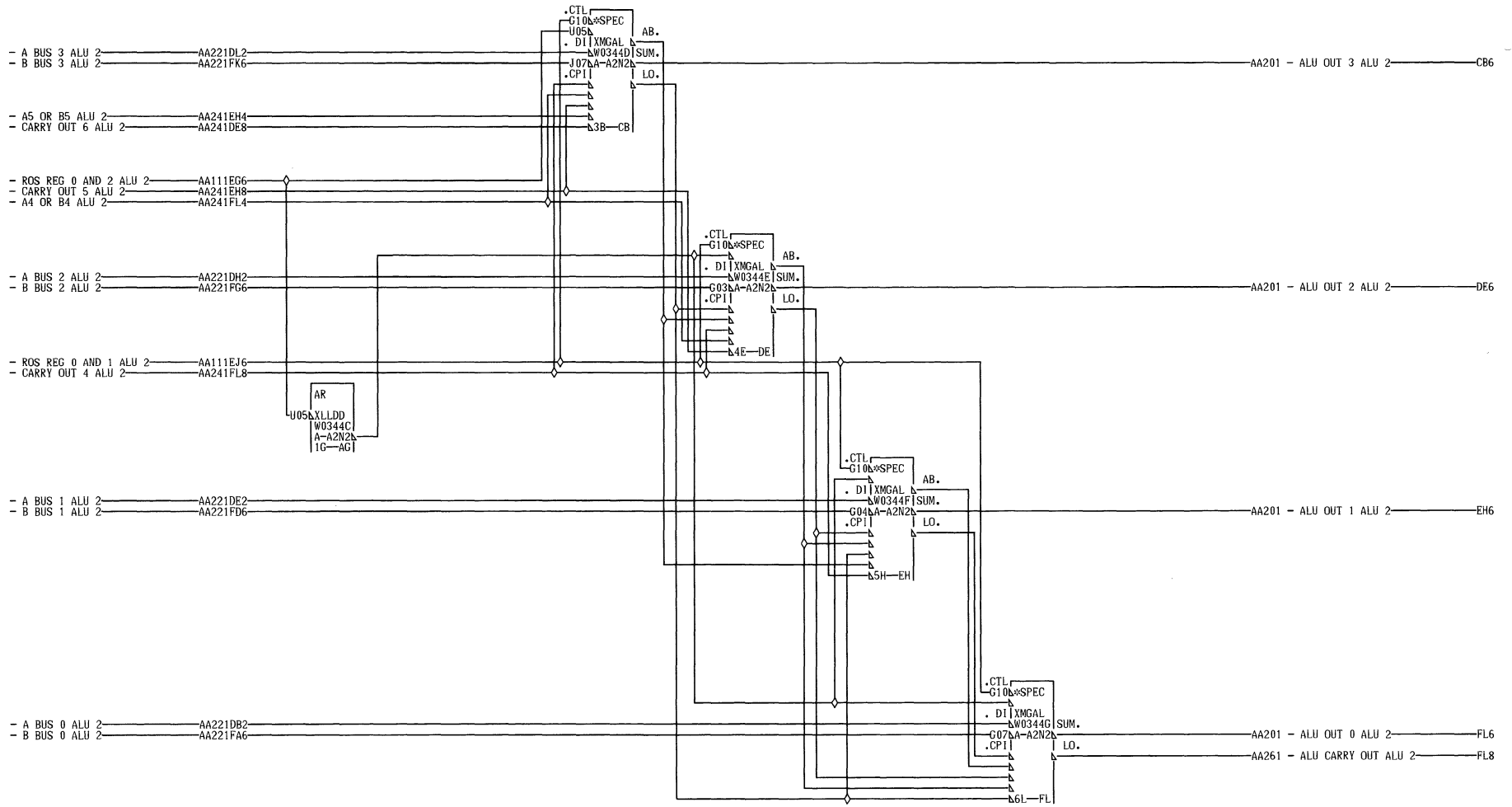
A REG AND B REG 4 5 6 7			A
ALU 2			A
DATE	08-08-73	MACH. 3803-2	2
LOG	0051	FRAME 01	3
P.N. 2736150			1
IBM CORP.	SDD BLK.	FL	000



07-17-73 734098  
12-06-73 734879

A  
A  
2  
4  
1  
000

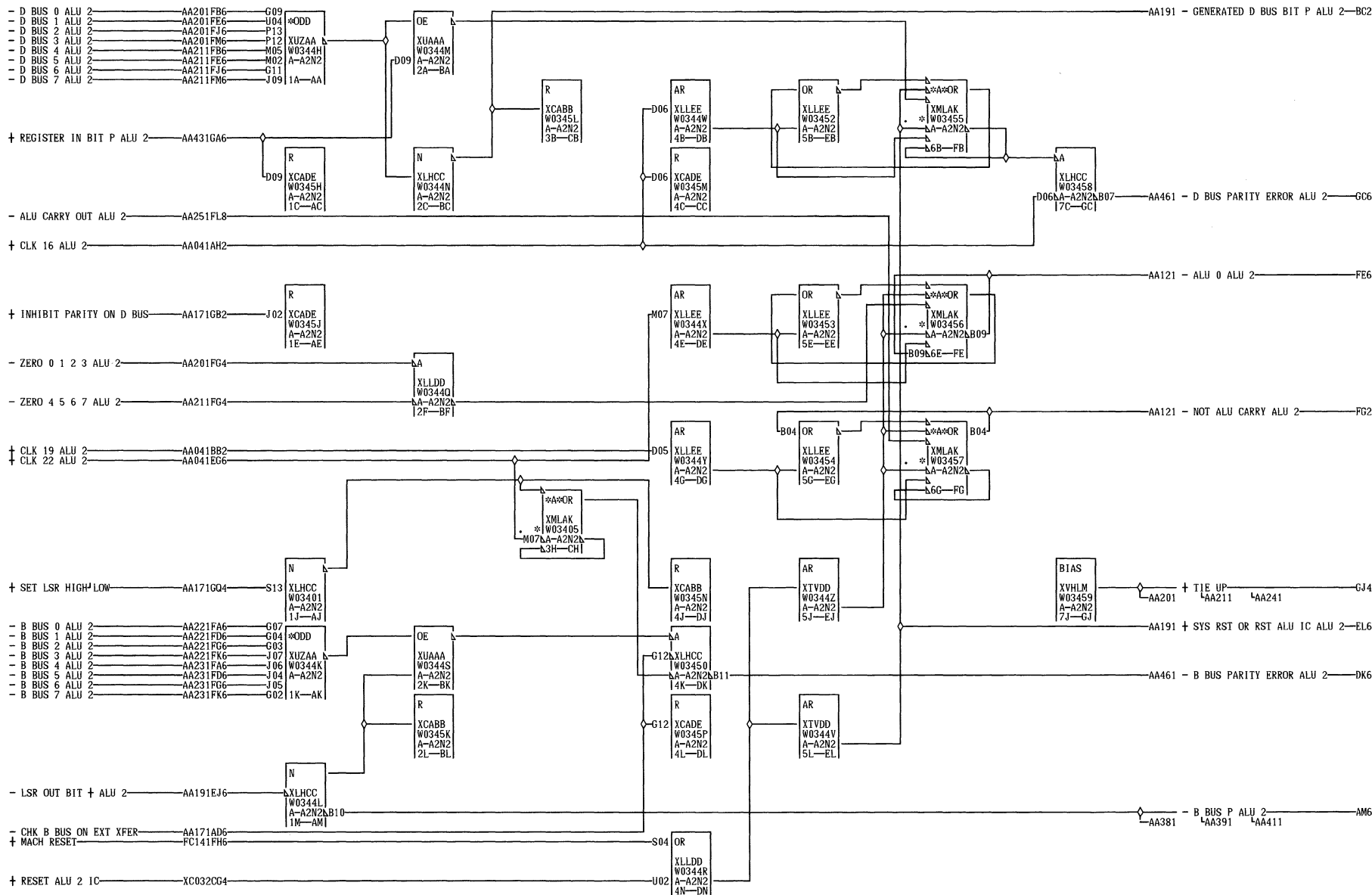
ALU 7 THRU 4			A
ALU 2			A
DATE	01-11-74	MACH. 3803-2	2
LOG	0045 FRAME	01	4
			1
	P.N.	2736151	000
IBM CORP.	SDD BLK.	FM	



A  
A  
2  
5  
1  
000

07-17-73 734098  
12-06-73 734879

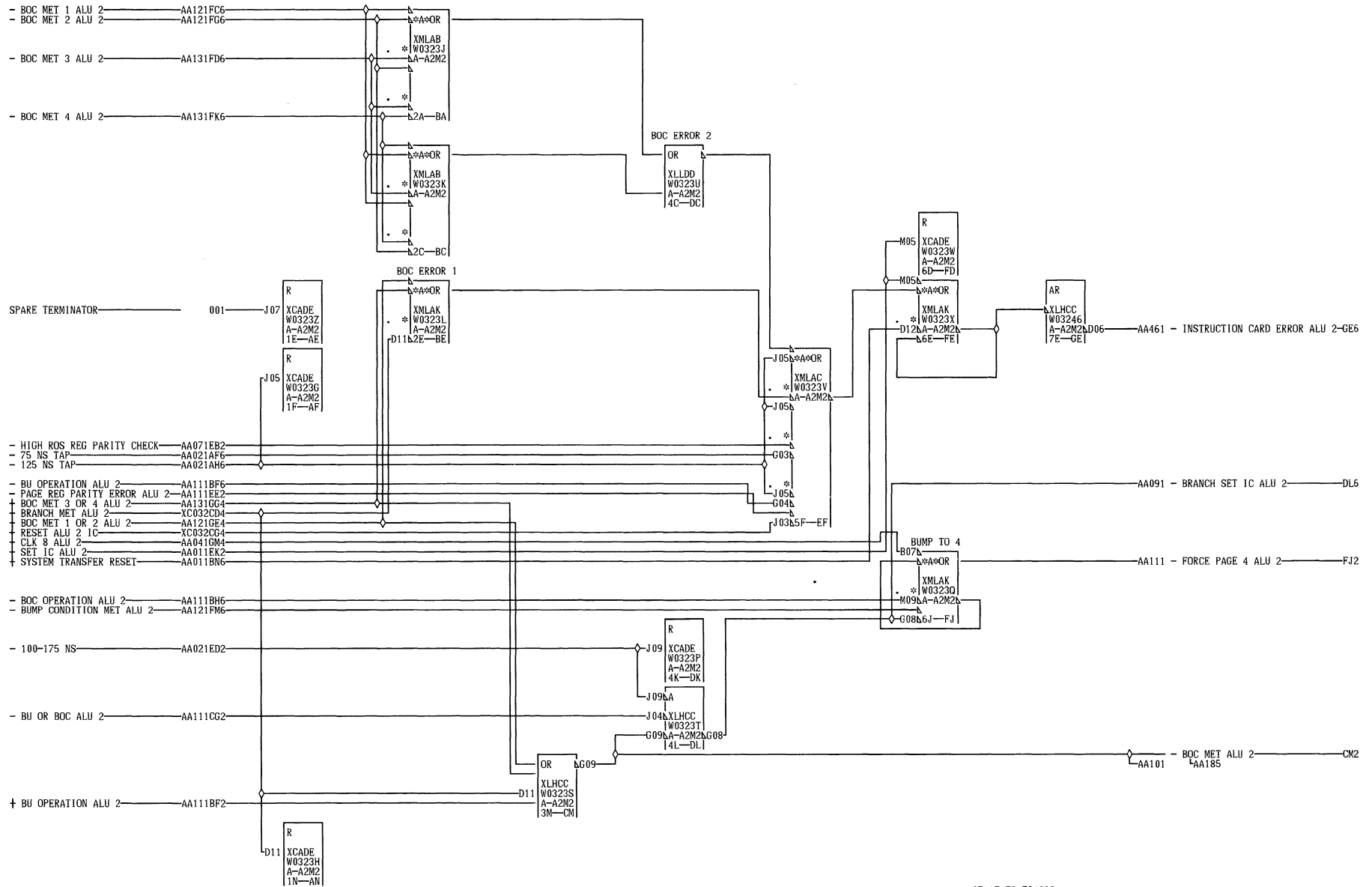
ALU 3 THRU 0		A
ALU 2		A
DATE	01-11-74 MACH. 3803-2	2
LOG	0045 FRAME 01	5
	P.N. 2736152	1
IBM CORP.	SDD BLK.	FM



A  
A  
2  
6  
1  
000

07-17-73 734098

D AND B BUS PARITY ERROR		A	
ALU 2		2	
DATE 08-08-73 MACH. 3803-2		6	
LOG	0051 FRAME	1	
P.N. 2736153		000	
IBM CORP.	SDD BLK.	GM	

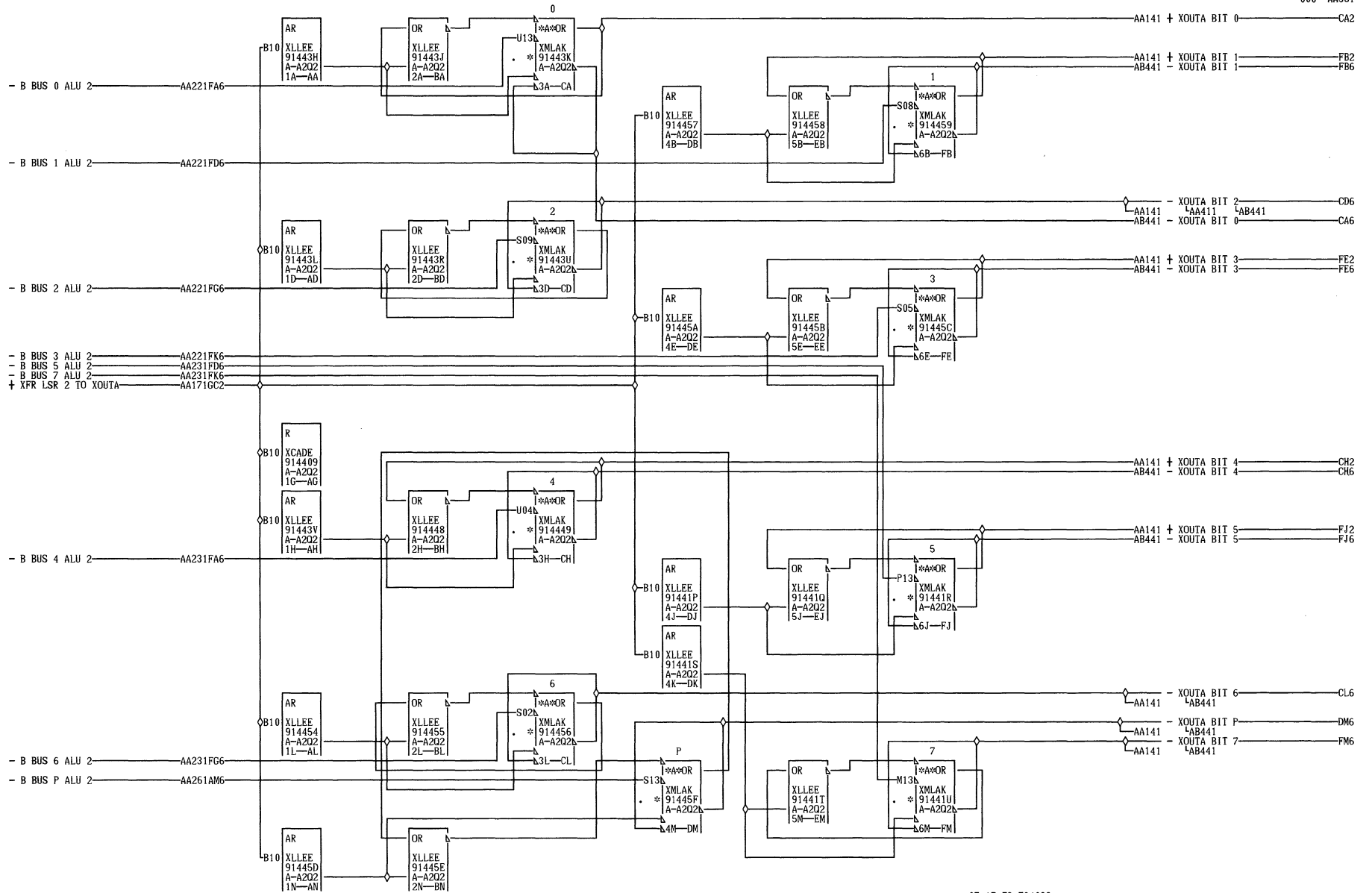


A  
A  
2  
7  
1  
000

07-17-73 734098

INSTRUCTION CARD ERROR			
ALU 2			
DATE	08-08-73	MACH.	3803-2
LOG	0051	FRAME	01
P.N.		2736154	
IBM CORP.	SDD BLK.	GF	000

A  
A  
2  
7  
1  
000



07-17-73 734098

CROSSOVER REG XOUTA			
ALU 2			
DATE	08-06-73	MACH.	3803-2
LOG	0051	FRAME	01
P.N. 2736155			
IBM CORP.	SDD	BLK.	FN

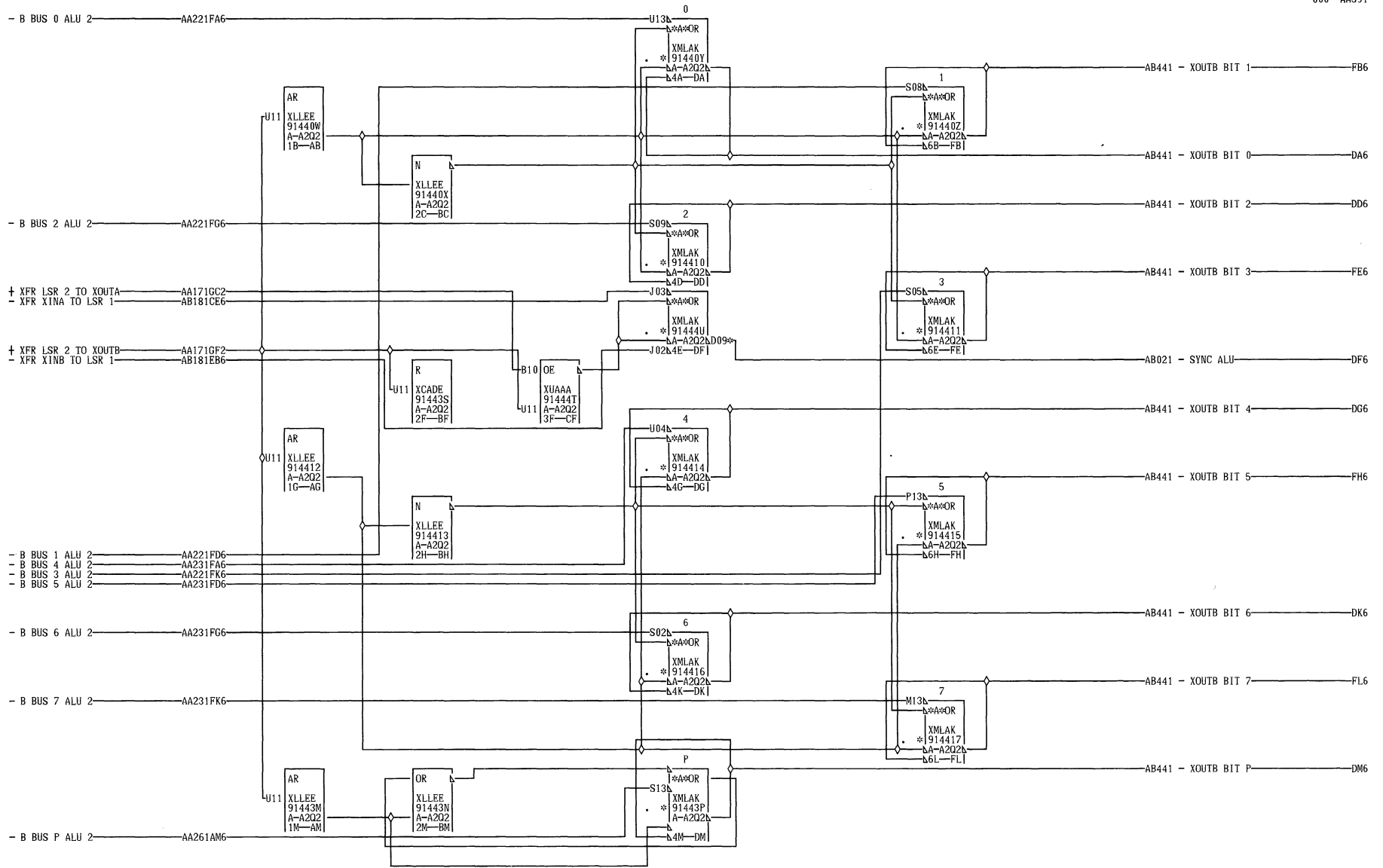
A  
A  
3  
8  
1

000

A  
A  
3  
8  
1

000





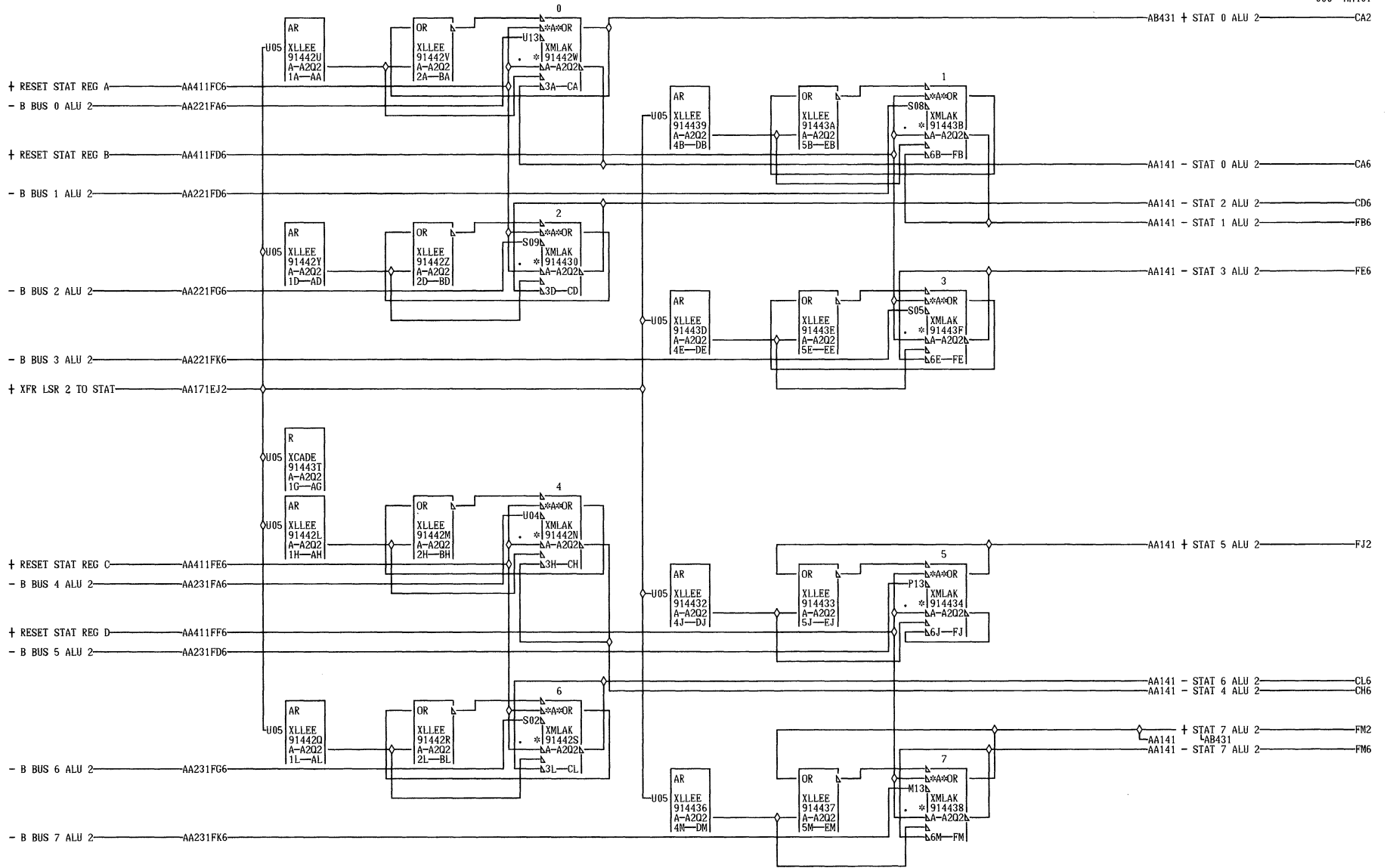
DF6 A-A2U5D10  
01A-B2B5D10

07-17-73 734098

A  
A  
3  
9  
1  
000

CROSSOVER REG XOUTB			
DATE	08-08-73	MACH.	3803-2
LOG	0051	FRAME	01
		P.N.	2736156
IBM CORP.	SDD BLK.		FM

A  
A  
3  
9  
1  
000

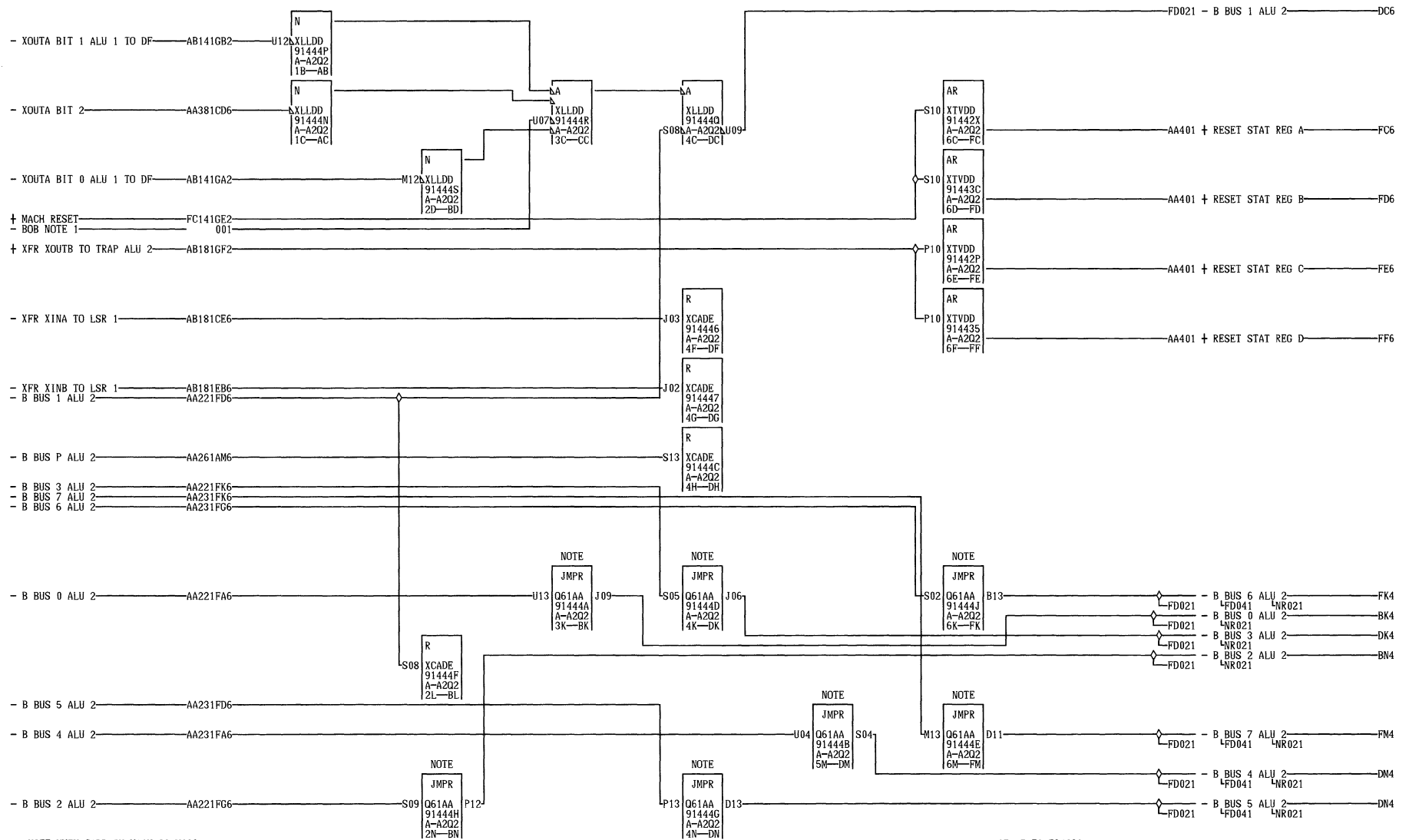


A  
A  
4  
0  
1  
000

07-17-73 734098

STAT REGISTER		
ALU 2		
DATE	08-08-73	MACH. 3803-2
LOG	0051	FRAME 01
		P.N. 2736157
IBM CORP.	SDD BLK.	FN

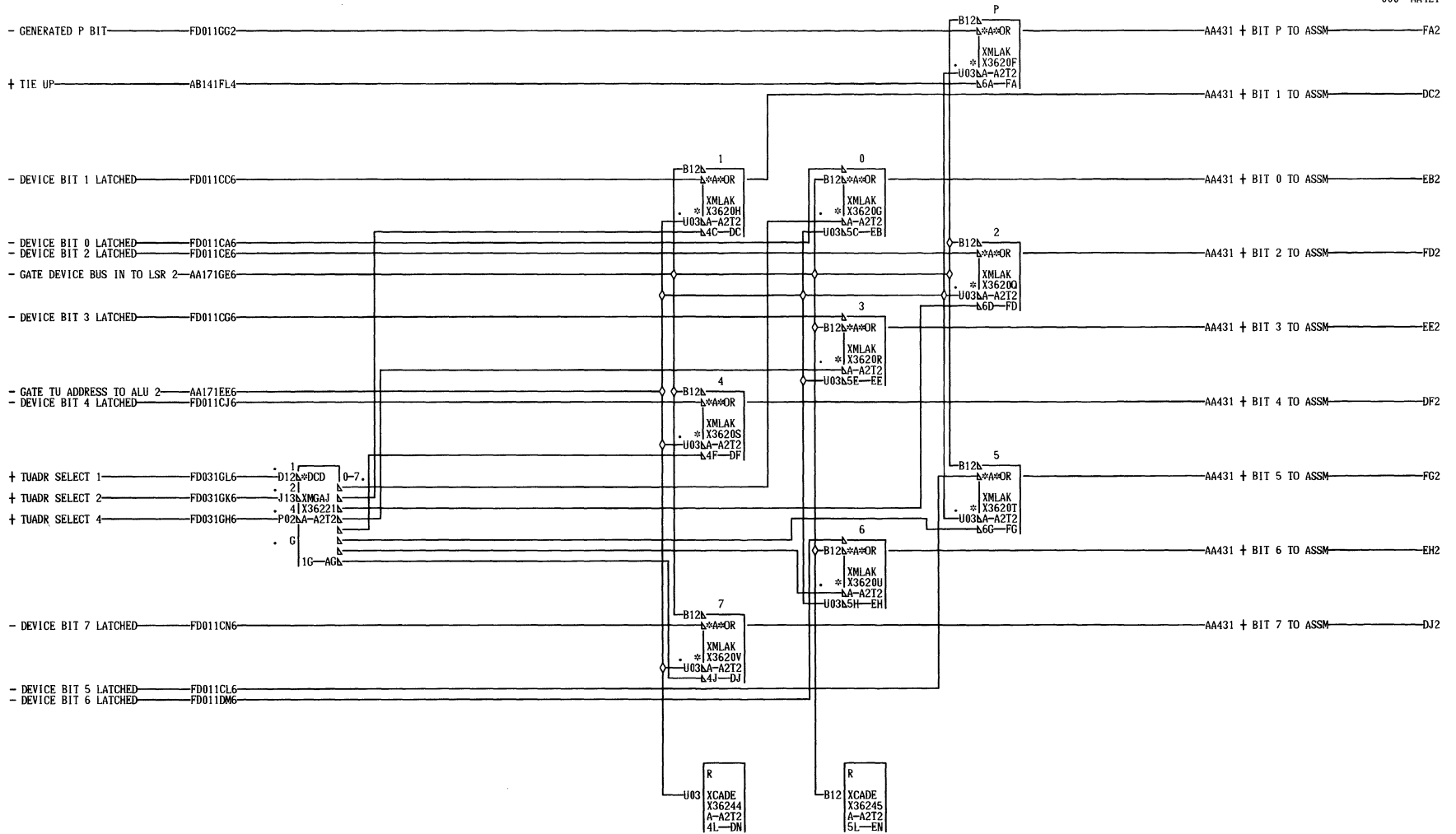
A  
A  
4  
0  
1  
000



NOTE WHEN CARD IN MACH IS W029  
 LINES ENTERING THESE BLOCKS  
 ARE TERMINATED AND JUMPER  
 A BLOCKS BECOME DRIVERS.  
 4 NOTE 1 TIE UP ON PANEL  
 1 WITH P/N 2520936 FROM  
 1 Q2U07 TO Q2U08

07-17-73 734098

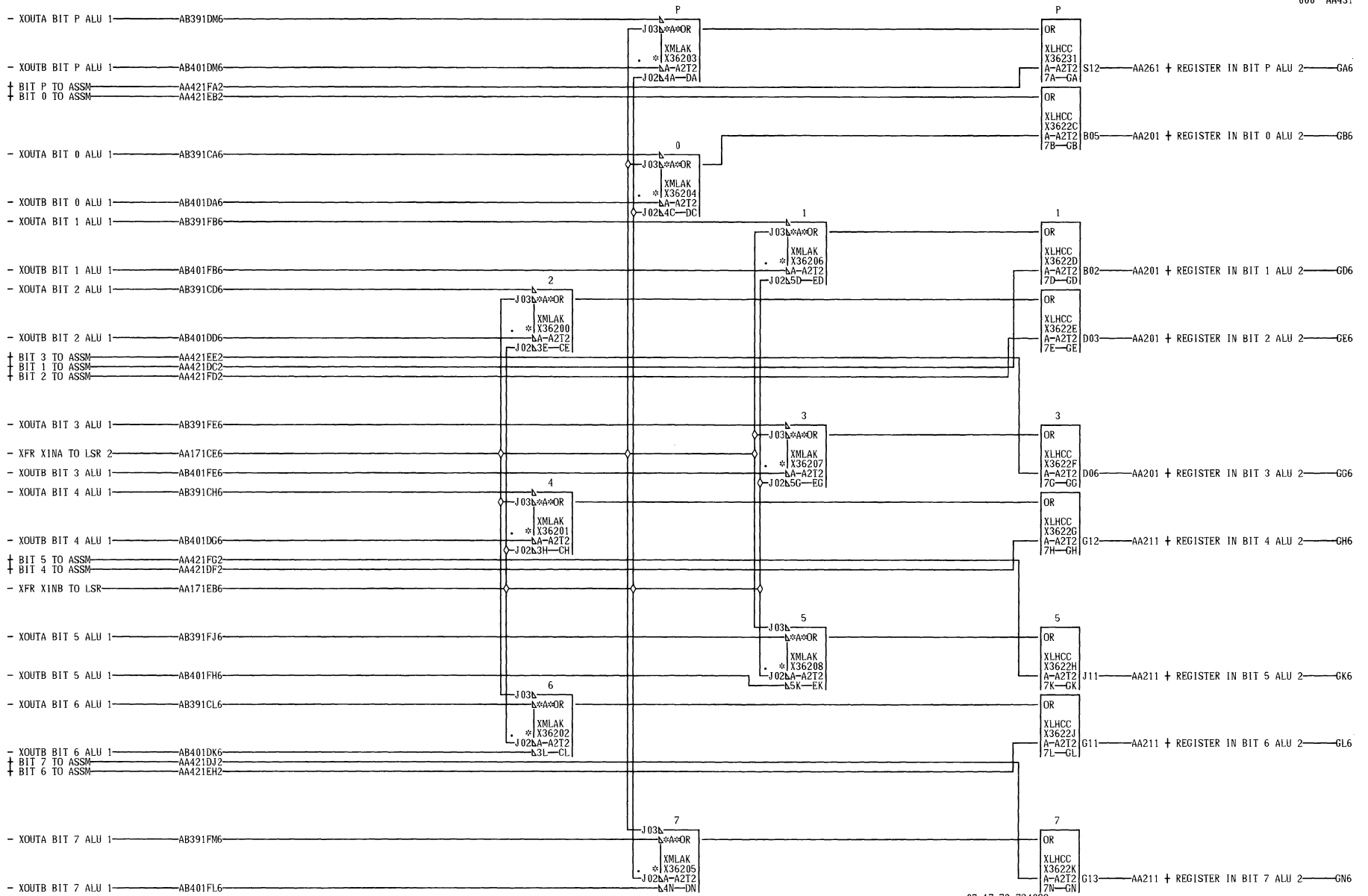
RESETS	A
ALU 2	A
DATE 08-08-73 MACH. 3803-2	4
LOG 0051 FRAME 01	1
	1
P.N. 2736158	000
IBM CORP. SDD BLK.	GN



A  
A  
4  
2  
1  
000

07-17-73 734098  
12-06-73 734879

ASSEMBLER IN			A
ALU 2			A
DATE	08-18-81	MACH. 3803-2	4
LOG	0055	FRAME 01	2
		P.N. 2736159	1
IBM CORP.	SDD BLK.	FH	000

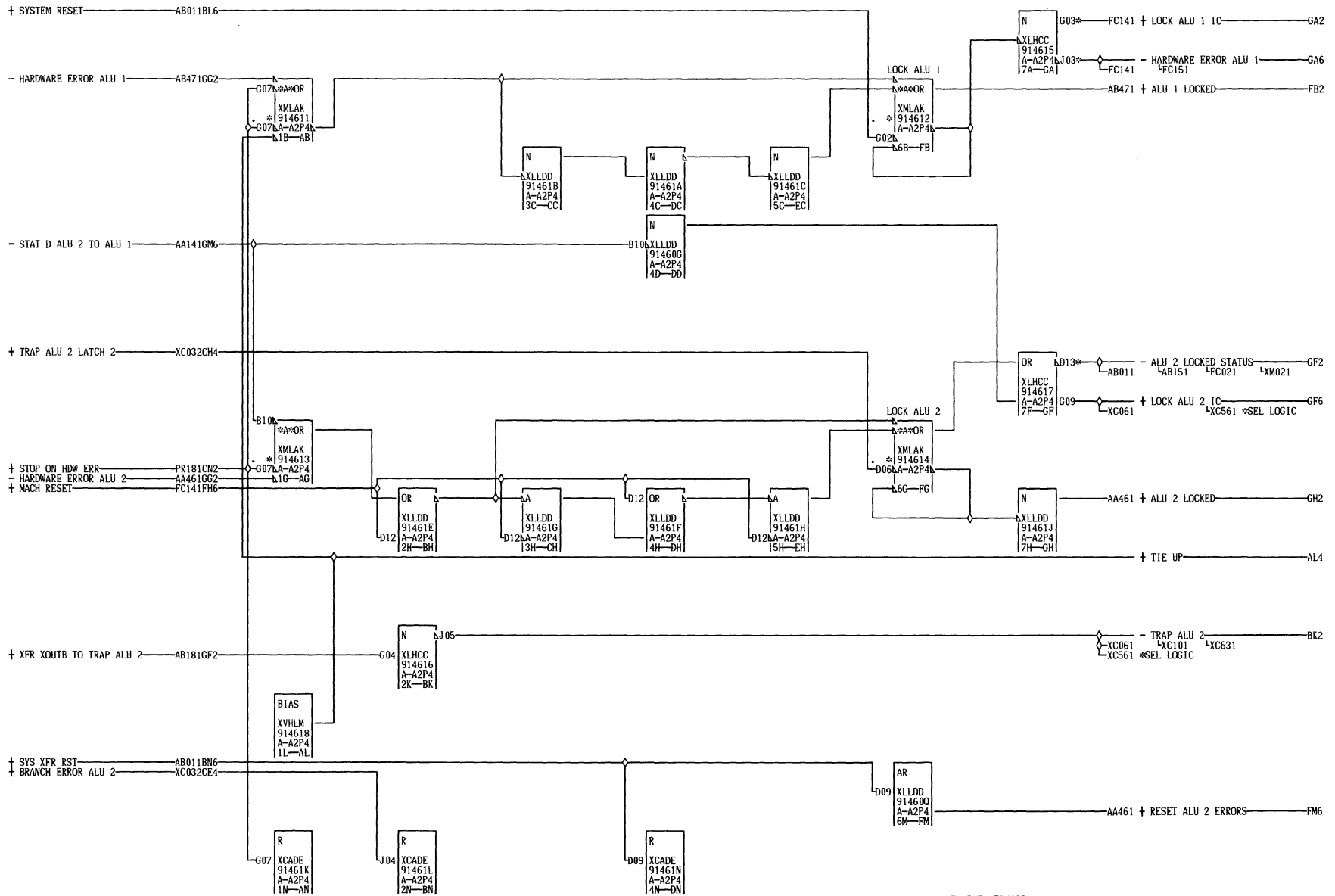


A  
A  
4  
3  
1  
000

07-17-73 734098  
12-06-73 734879

ALU REGISTERS INPUT GATING			
DATE	01-11-74	MACH.	3803-2
LOG	0055	FRAME	01
		P.N.	2736160
IBM CORP.	SDD BLK.		GP

A  
A  
4  
3  
1  
000

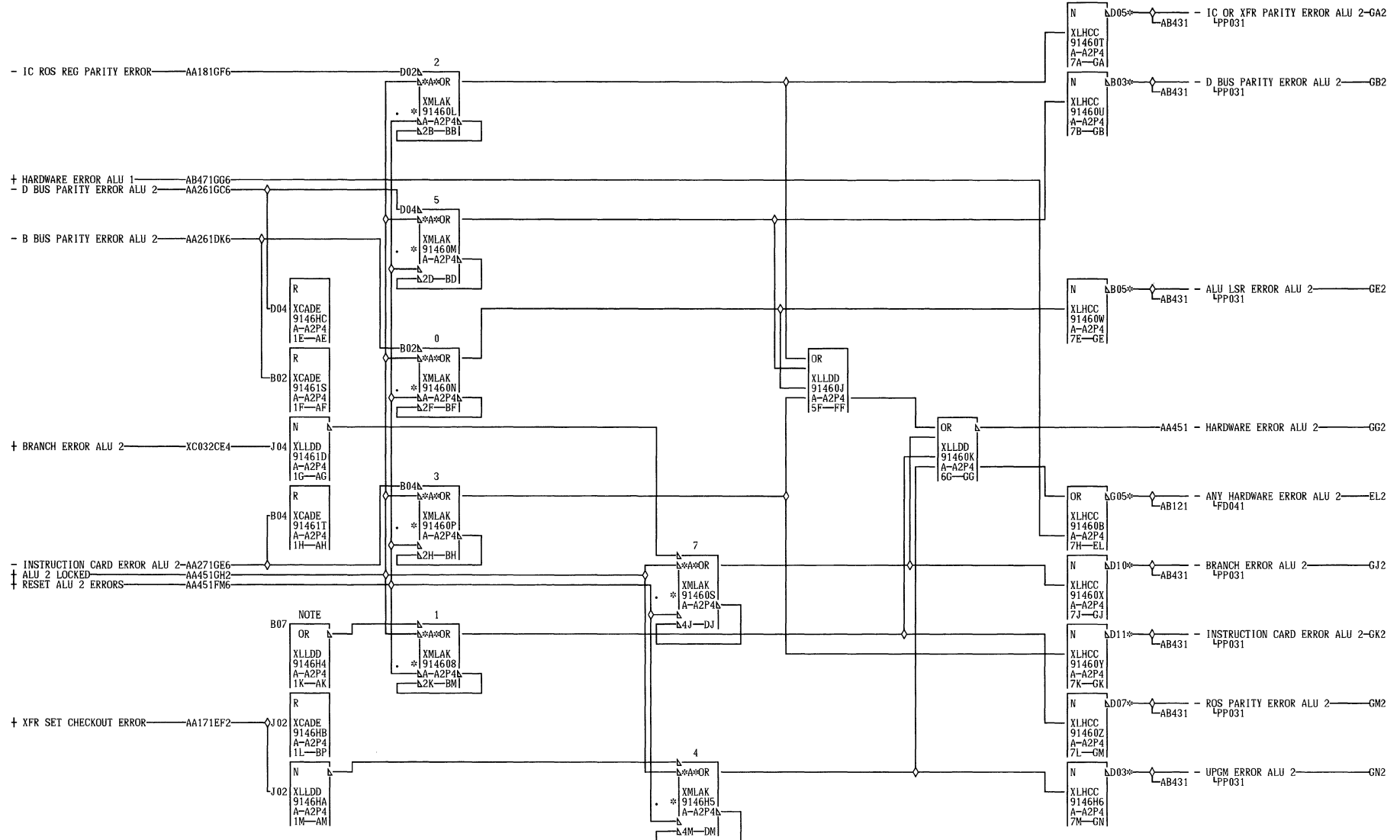


A  
A  
4  
5  
1

GA2 A-A2U2B06  
01A-B2B2B06  
GA6 A-A2U2B08  
01A-B2B2B08  
GF2 A-A2V4D09  
01A-B2A4D09

07-17-73 734098

IC CONTROL ERRORS			
ALU 2			
DATE	08-18-81	MACH.	3803-2
LOG	0051	FRAME	01
		P.N.	2736161
IBM CORP.	SDD	BLK.	CJ

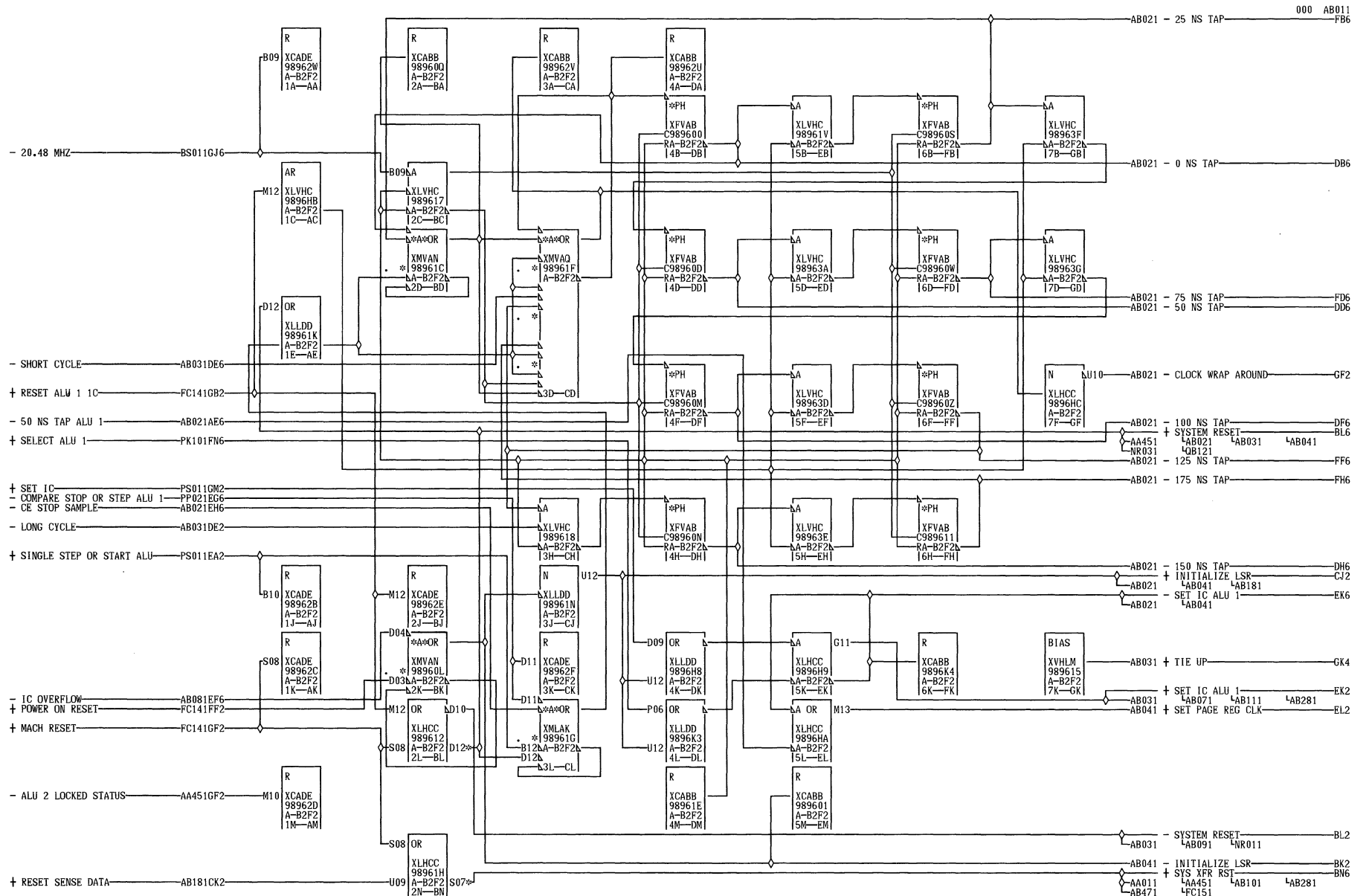


NOTE SEE JUMPER LIST AA005

A	EL2 A-A2U5B06	01A-A1A4B06
A	01A-B2R5B06	GK2 A-A2A2B08
4	GA2 A-A2A2B02	01A-A1A4B08
4	01A-A1A4B02	GM2 A-A2A2B09
6	GB2 A-A2A2B04	01A-A1A4B09
1	01A-A1A4B04	GN2 A-A2M1E13
	GE2 A-A2A2B05	01A-A1M6E04
	01A-A1A4B05	
000	GJ2 A-A2A2B06	

07-17-73 734098

HARDWARE ERROR LATCHES			
DATE	ALU 2		A
08-08-73	MACH. 3803-2		4
LOG	0051 FRAME	01	6
	P.N. 2736162		1
			000
IBM CORP.	SDD BLK.	GP	



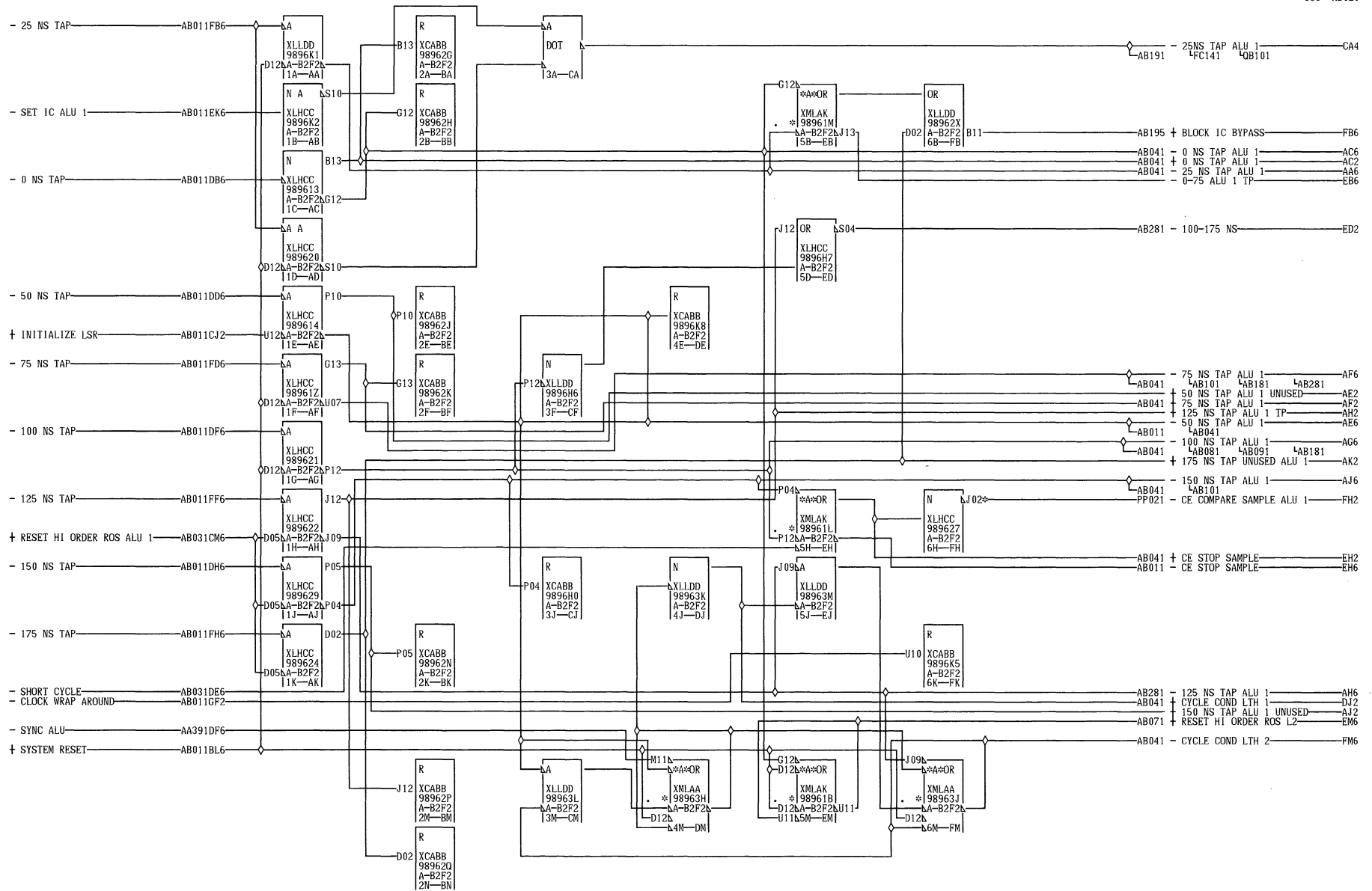
A  
 B  
 0  
 1  
 1  
 1  
 000

BL6 A-B2A3D09  
 01A-A2V3D09  
 BN6 A-B2A5B08  
 01A-A2V5B08

07-17-73 734098

BASIC CLOCK TIMINGS			
DATE	08-08-73	MACH.	3803-2
LOG	0051	FRAME	01
		P.N.	2736163
IBM CORP.	SDD BLK.		000





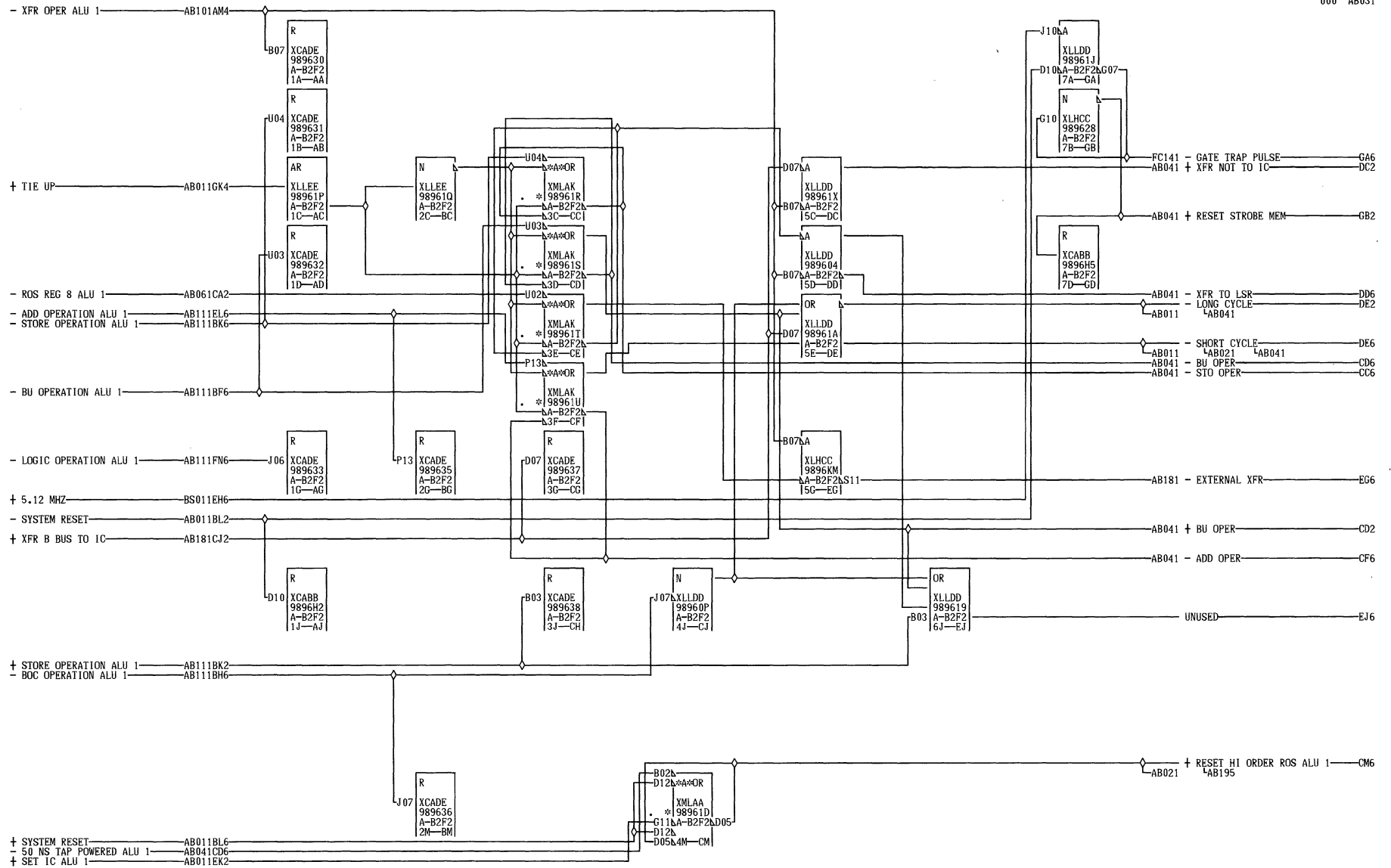
FH2 A-B2F1B13  
01A-A1R1B13

07-17-73 734098

A  
B  
0  
2  
1  
000

TAP POWERING ALU 1			
DATE	08-08-73	MACH.	3803-2
LOG	0051	FRAME	01
		P.N.	2736164
IBM CORP.	SDD	BLK.	GN

A  
B  
0  
2  
1  
000

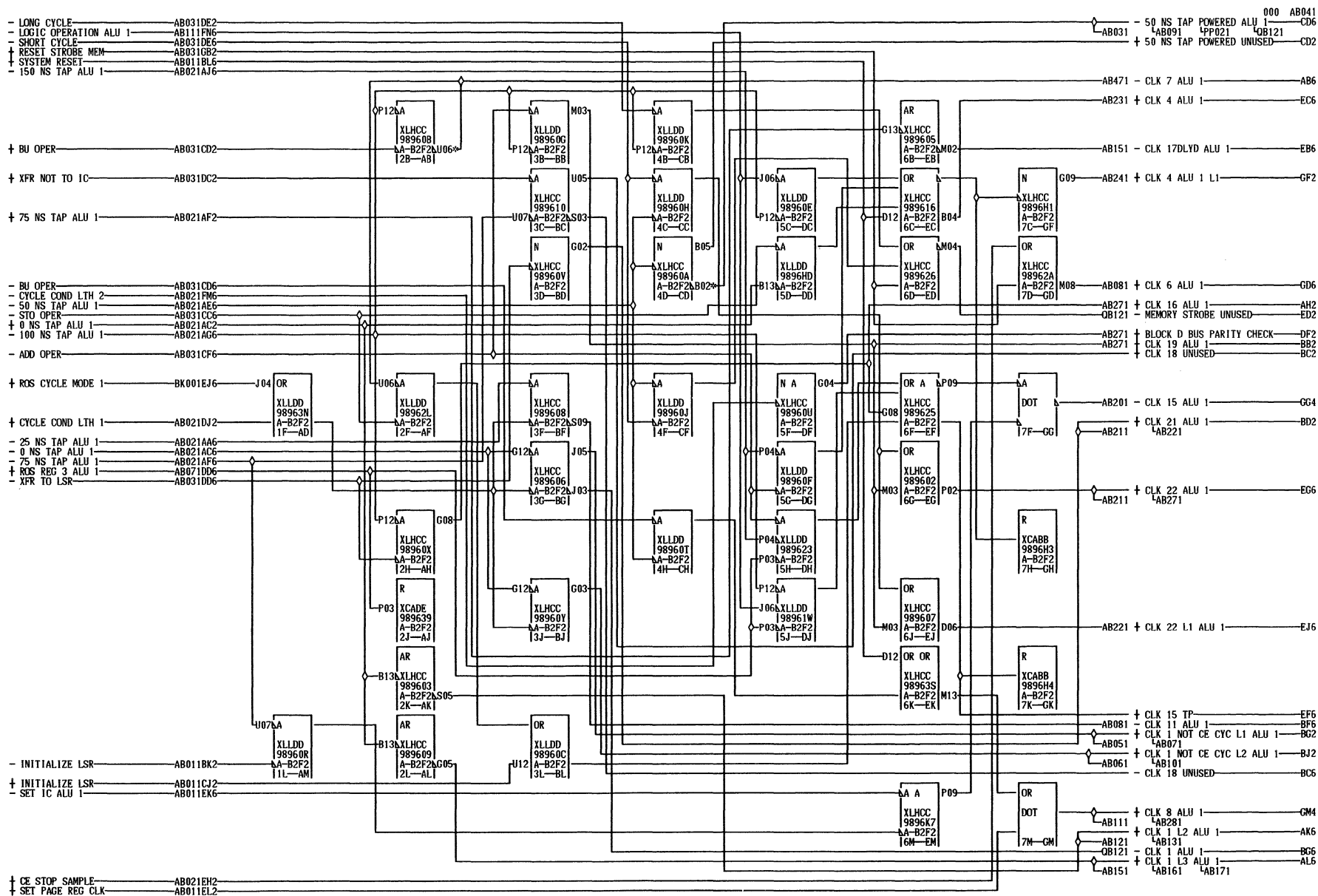


07-17-73 734098

A  
B  
0  
3  
1

000

CLOCK GATING			
DATE	08-08-73 MACH. 3803-2	A	B
LOG	0051 FRAME	01	3
	P.N. 2736165		1
IBM CORP.	SDD BLK.	GE	000



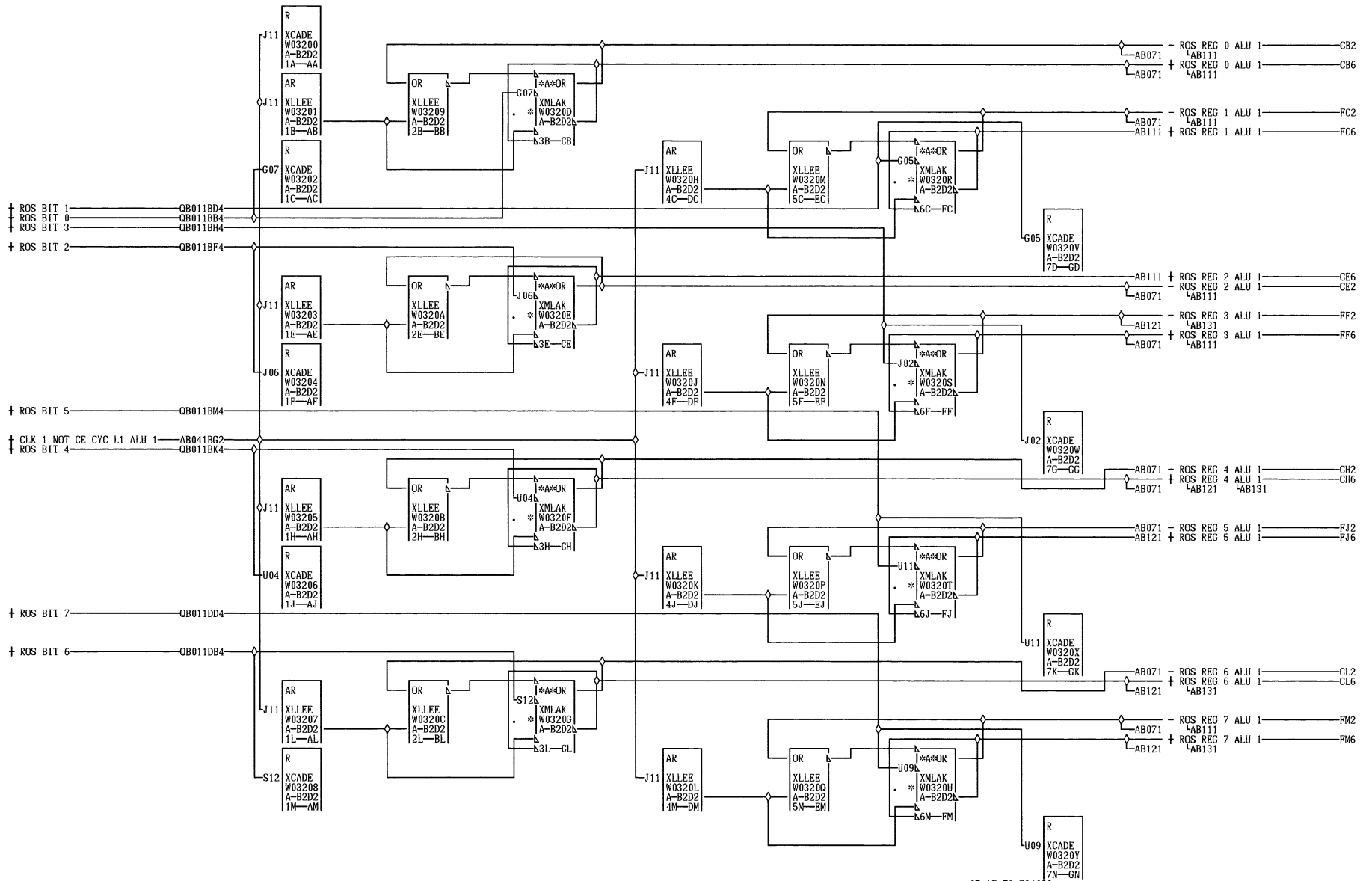
A  
B  
0  
4  
1  
000

AB6 A-B2B2B02  
01A-A2U2B02  
CD6 A-B2B1C13  
01A-A1H1E13

07-17-73 734098  
07-16-80 846627

CLOCK POWERING ALU 1			
DATE	08-18-81	MACH.	3803-2
LOG	1002	FRAME	01
		P.N.	2736166
IBM CORP.	SDD BLK.		GN

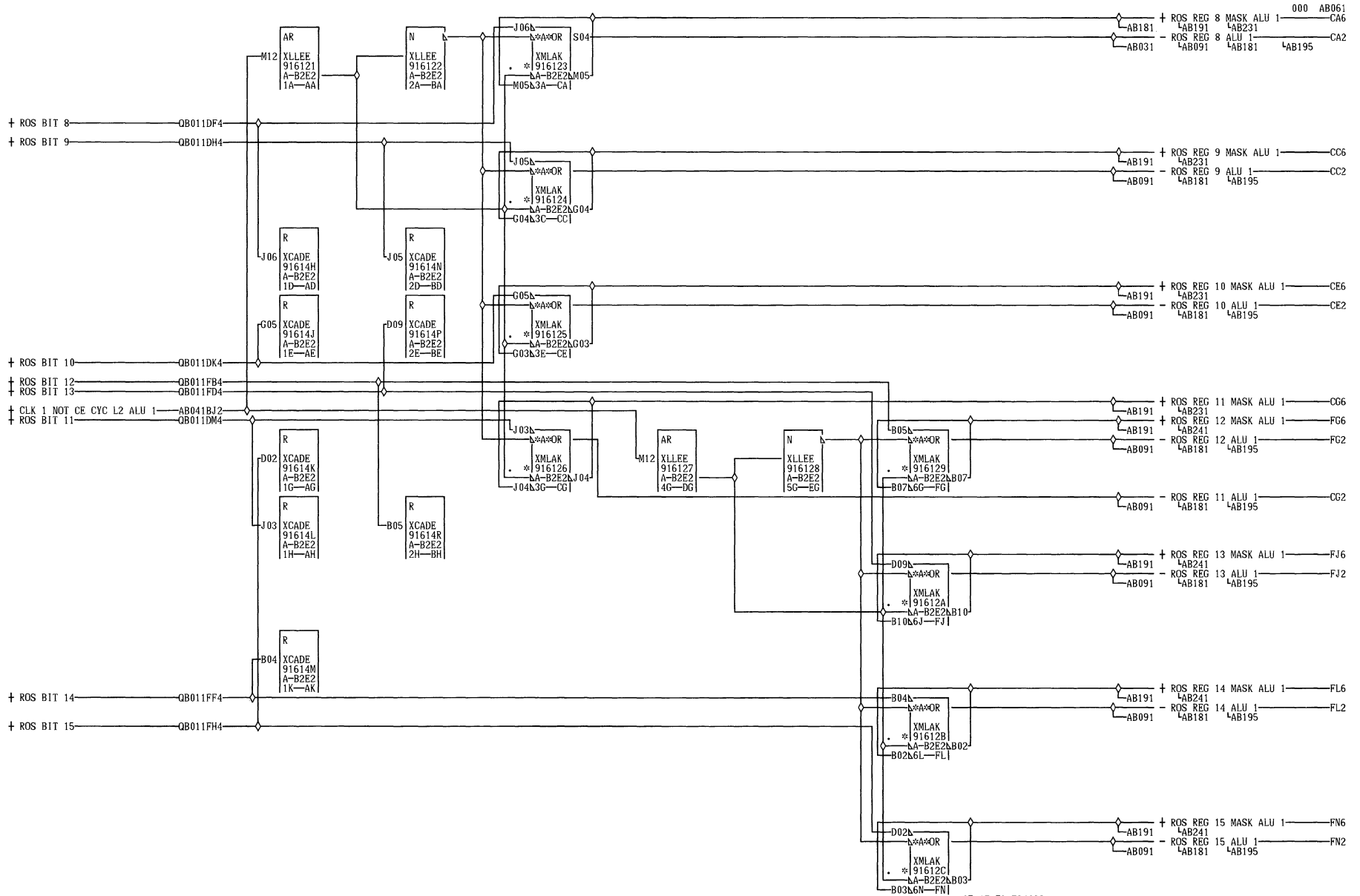
A  
B  
0  
4  
1  
000



07-17-73 734098

ROS REG 0-7			
ALU 1			
DATE	08-08-73	MACH.	3803-2
LOG	0051	FRAME	01
P.N. 2736167			
IBM CORP.	SDD BLK.	GP	000

AB051  
000

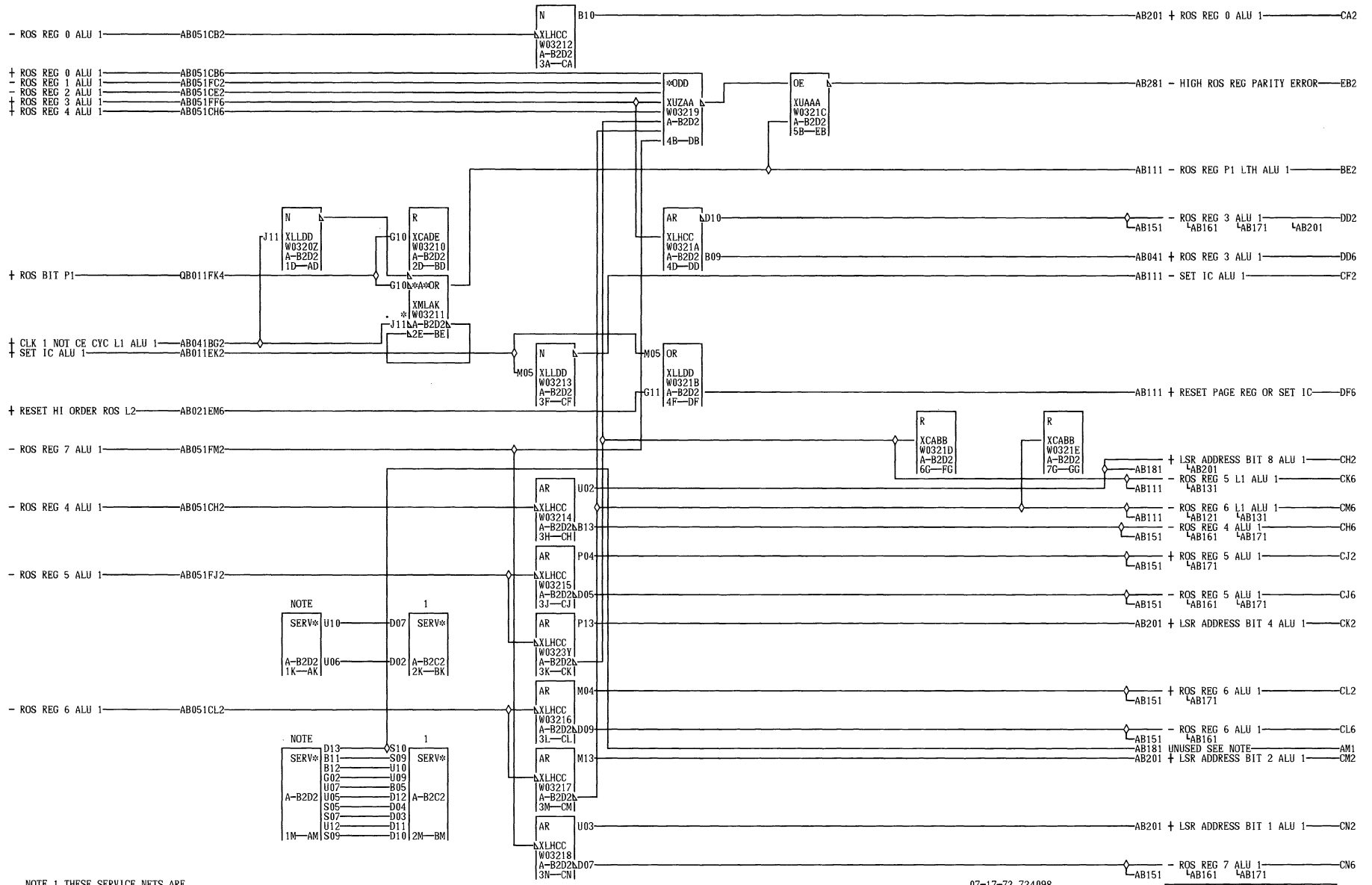


07-17-73 734098

LOW ORDER ROS REGISTER			
ALU 1			
DATE	08-08-73	MACH.	3803-2
LOG	0051	FRAME	01
P.N. 2736168			
IBM CORP.	BLK.	CK	

A  
B  
0  
6  
1

A  
B  
0  
6  
1



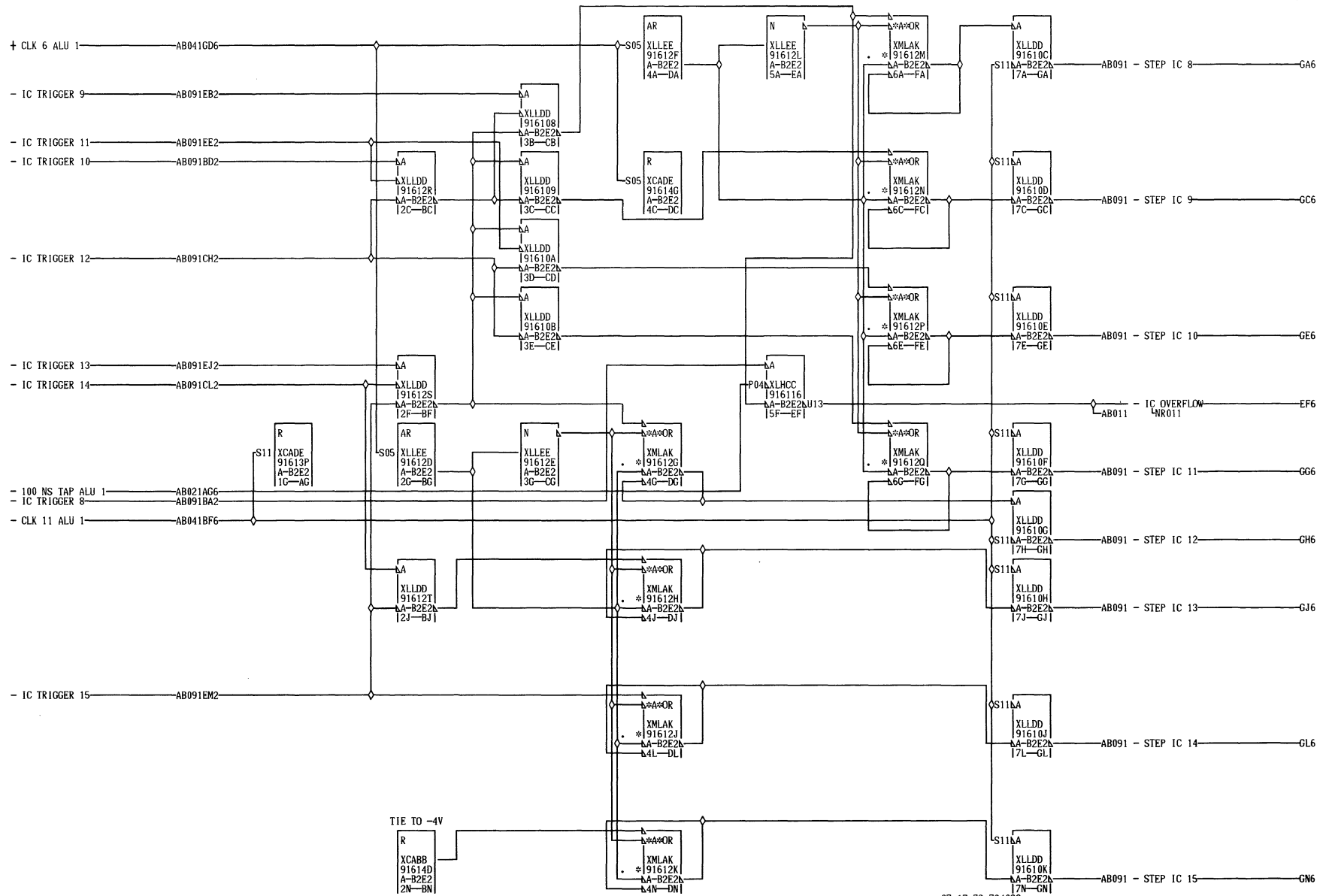
NOTE  
SERV\* U10 D07 SERV\*  
A-B2D2 U06 D02 A-B2C2  
1K-AK 2K-BK

NOTE  
D13 S10 1  
SERV\* B11 S09 SERV\*  
B12 U10  
G02 U09  
U07 S05  
A-B2D2 U05 D12 A-B2C2  
S05 D04  
S07 D03  
U12 D11  
1M-AM S09 D10 2M-BM

NOTE 1 THESE SERVICE NETS ARE TO RETAIN NETS NOT USED BY A W032 AND W034 CARDS BUT USED B BY 9148 AND 9160 CARDS WHEN 0 INSTALLED.  
7  
1

07-17-73 734098

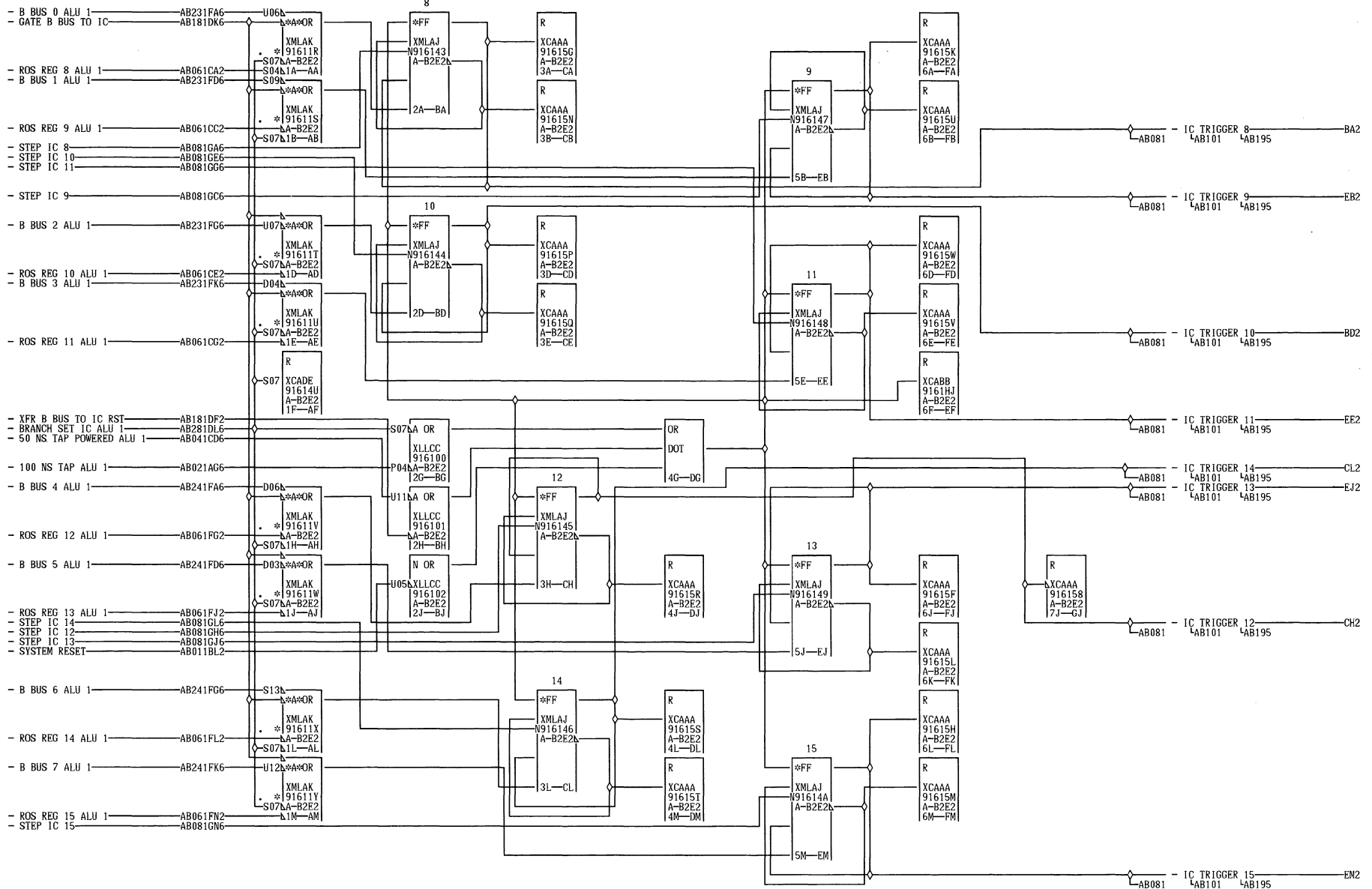
ROS REG POWERING		
DATE	ALU 1	A
08-08-73	MACH. 3803-2	B
LOG	0051 FRAME 01	7
	P.N. 2736169	1
IBM CORP.	SDD BLK.	GH



07-17-73 734098

A  
B  
0  
8  
1  
000

INSTRUCTION COUNTER LOOK-AHEAD			A
ALU 1			B
DATE	08-18-81	MACH. 3803-2	0
LOG	0051	FRAME 01	8
		P.N. 2736170	1
IBM CORP.	BLK.		000
			GP



A  
B  
0  
9  
1

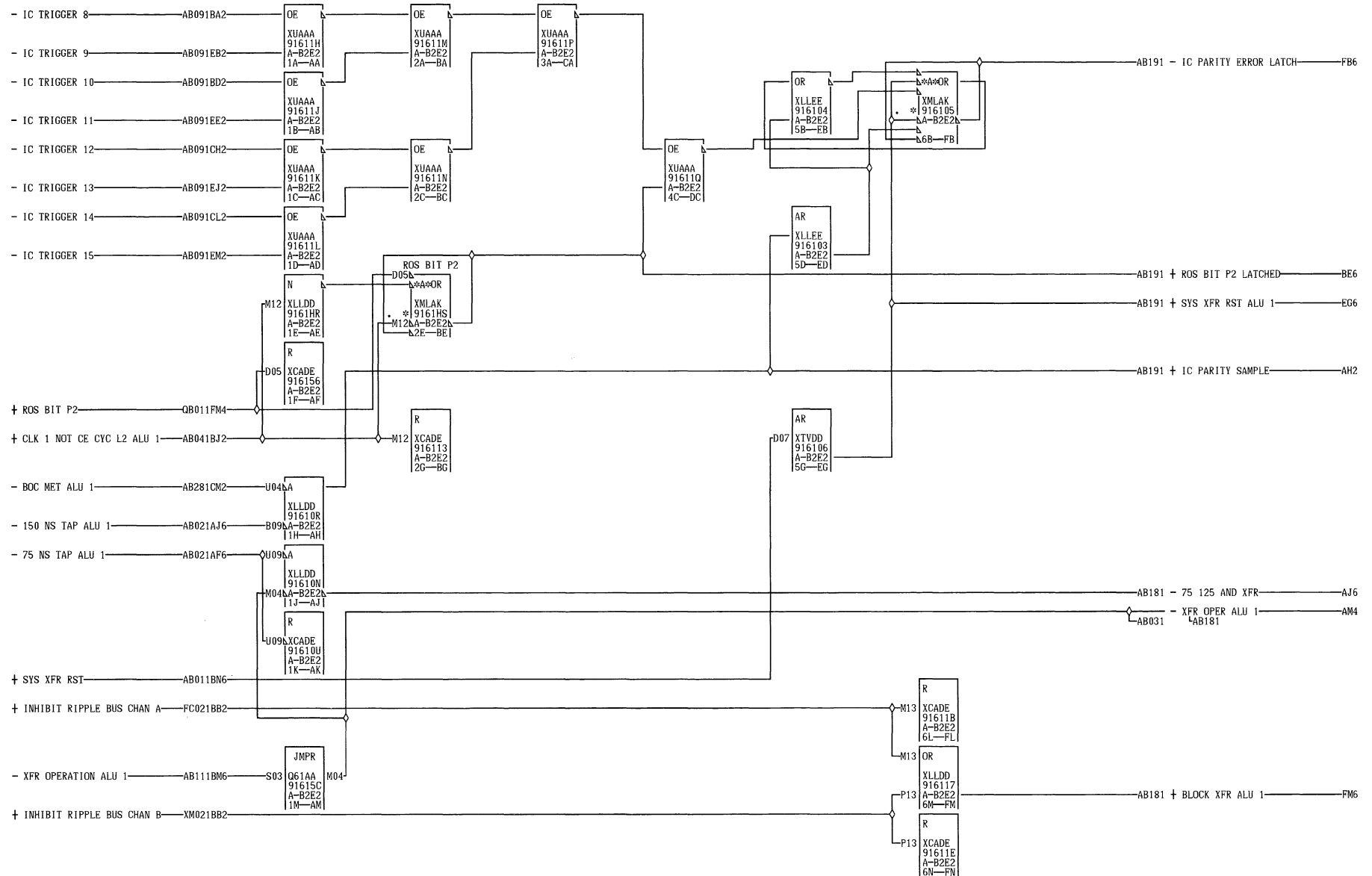
000

07-17-73 734098

INSTRUCTION COUNTER ALU 1			
DATE	08-08-73	MACH.	3803-2
LOG	0051	FRAME	01
		P.N.	2736171
IBM CORP.	BLK.	TK	000

A  
B  
0  
9  
1

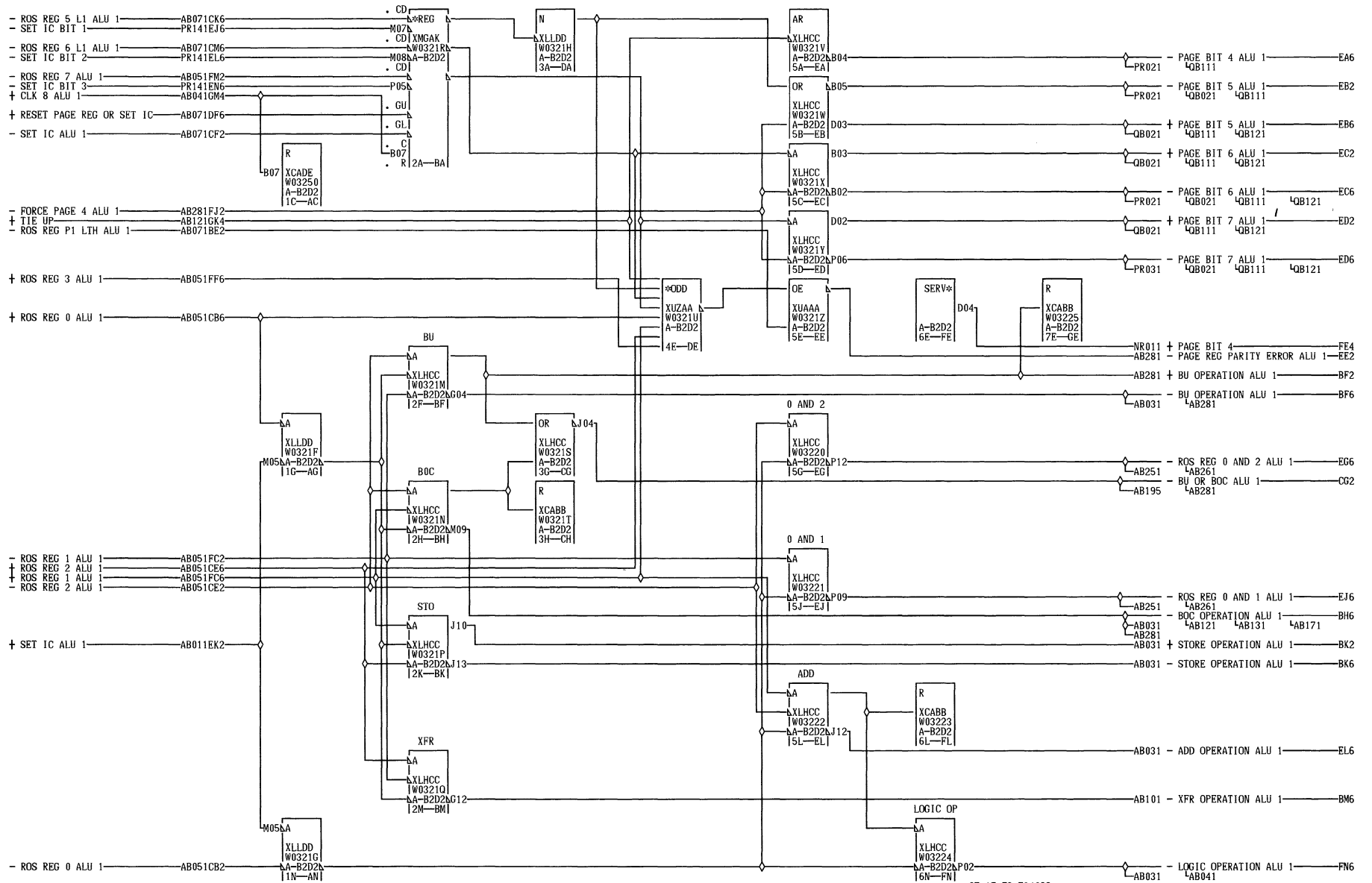




07-17-73 734098

A  
B  
1  
0  
1  
000

LOAD INSTRUCTION COUNTER PARITY CHECK			A
DATE	08-08-73	MACH. 3803-2	B
LOG	0051	FRAME 01	1
		P.N. 2736172	0
IBM CORP.	BLK.	GL	1
			000

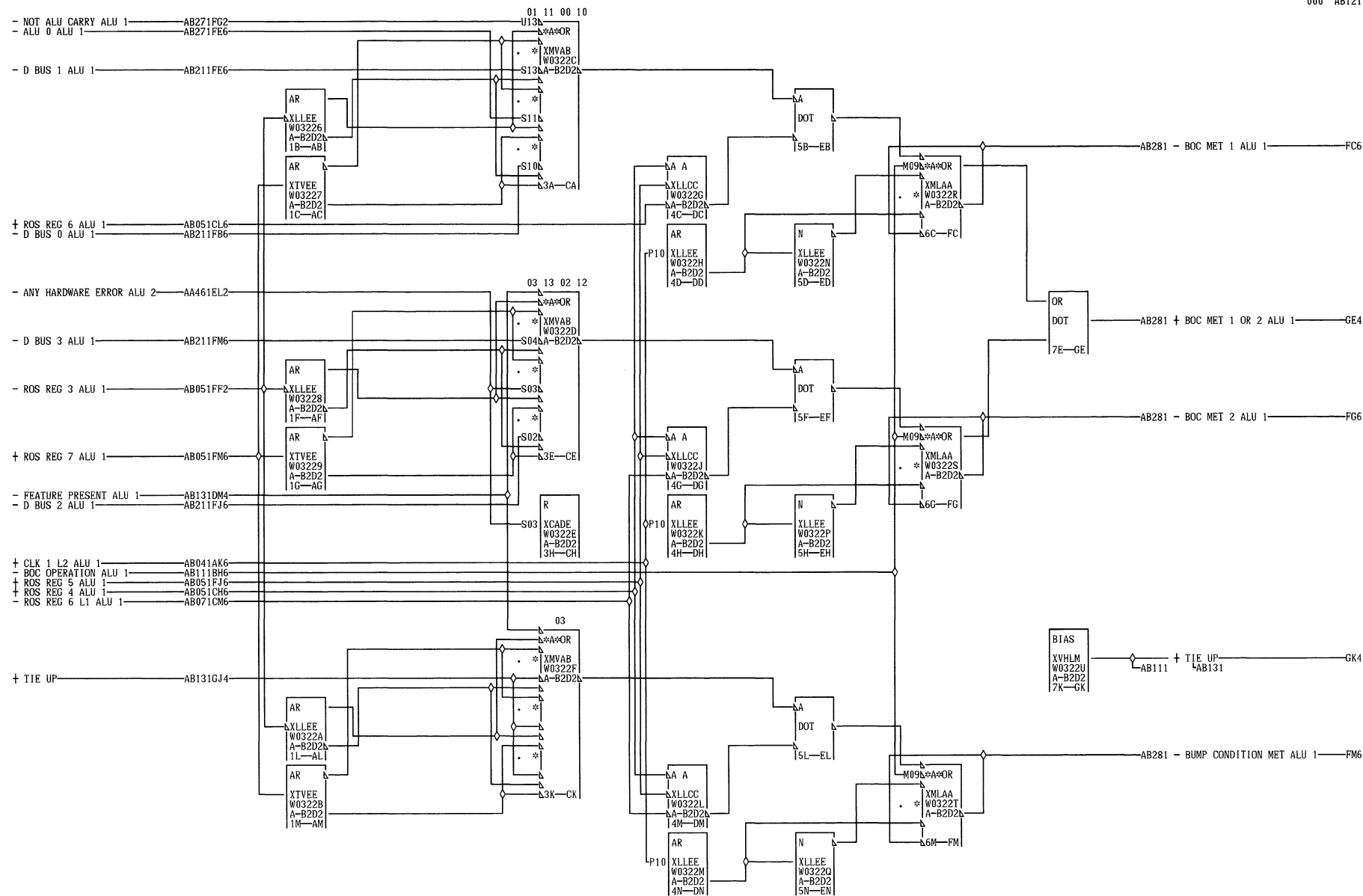


07-17-73 734098

A  
B  
1  
1  
1  
000

PAGE REG AND INSTRUCTION DCD			
ALU 1			
DATE	08-08-73	MACH.	3803-2
LOG	0051	FRAME	01
		P.N.	2736173
IBM CORP.	SDD	BLK.	GF

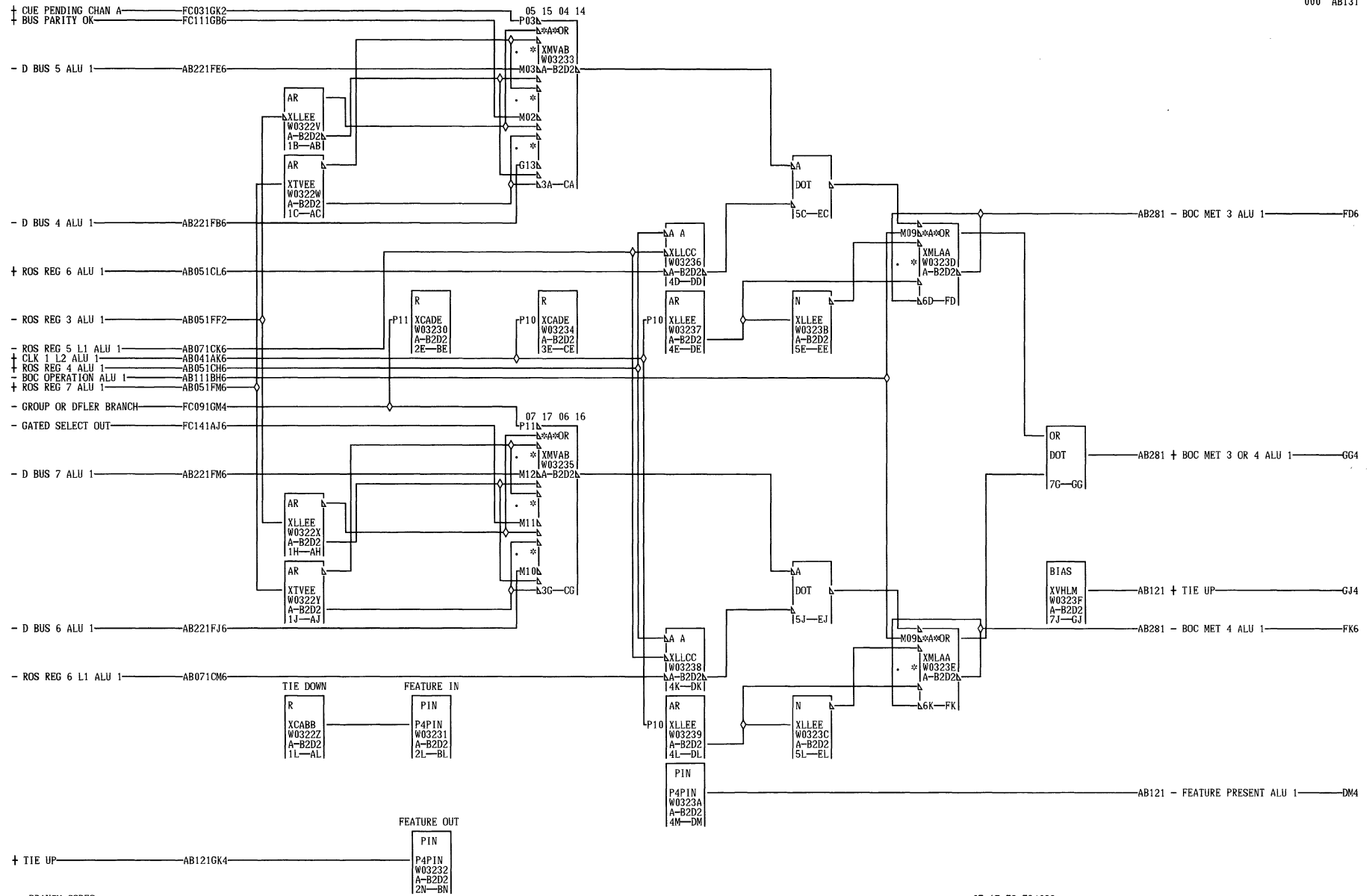
A  
B  
1  
1  
1  
000



BRANCH CODES  
 00 ALU 0  
 A 01 NOT ALU CARRY  
 B 02 ANY ALU HARDWARE ERROR  
 1 03 FEATURE PRESENT  
 2 10 D BUS 0 11 D BUS 1  
 1 12 D BUS 2 13 D BUS 3

07-17-73 734098

BOC CONDITIONS			
DATE	ALU 1		A
08-08-73	MACH. 3803-2		1
LOG	0051 FRAME	01	2
	P.N. 2736174		1
IBM CORP.	SDD BLK.	GL	000

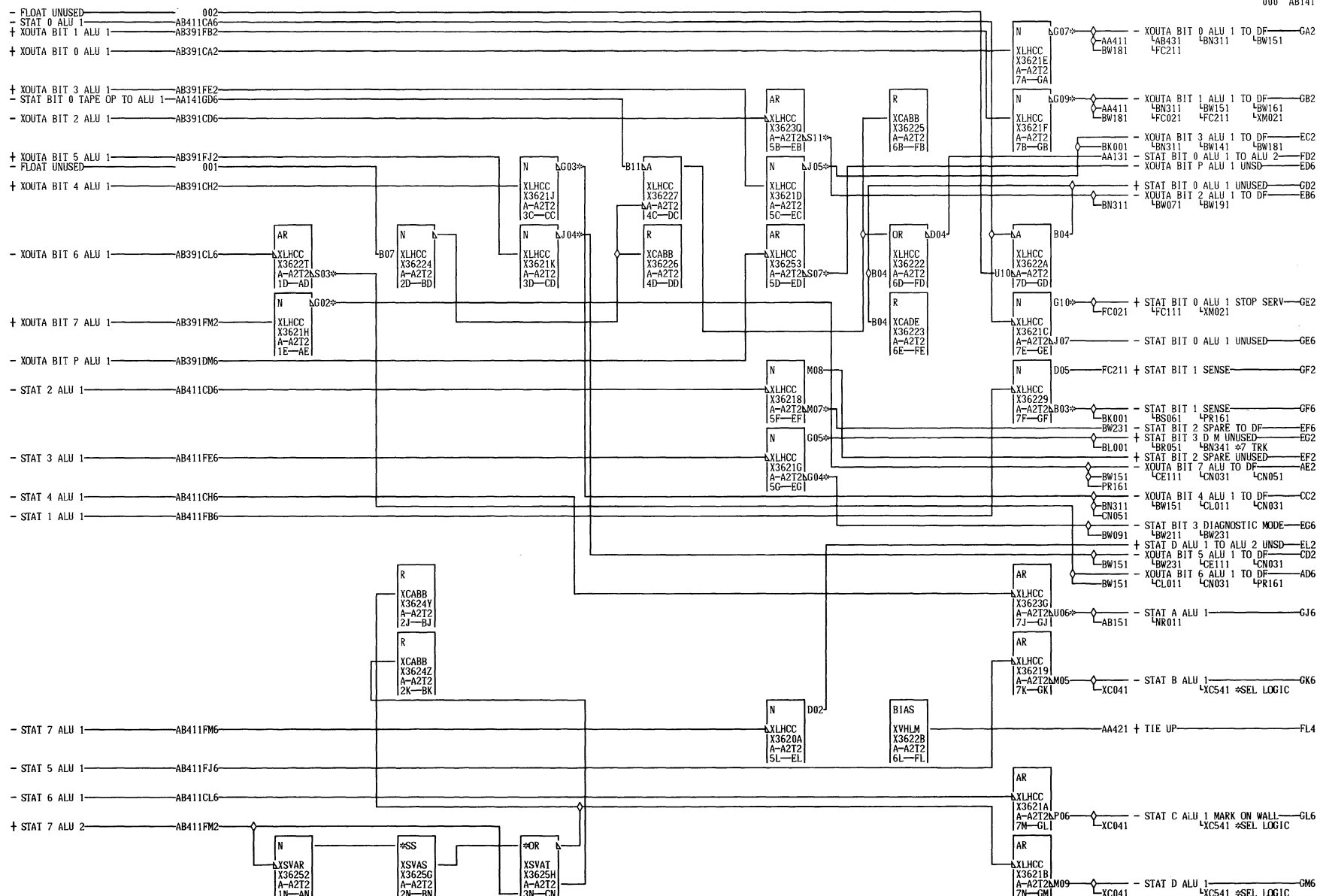


BRANCH CODES  
 04 NOT BUS OUT PARITY ODD  
 A 05 NOT CUE PENDING CHAN A  
 B 06 GATED SELECT OUT  
 1 07 DATA CHECK  
 3 14 D BUS 4    15 D BUS 5  
 1 16 D BUS 6    17 D BUS 7

07-17-73 734098

BOC CONDITIONS		
ALU 1		
DATE	08-08-73 MACH.	3803-2
LOG	0051 FRAME	01
P.N.		2736175
IBM CORP.	SDD BLK.	GK

A  
B  
1  
3  
1  
000

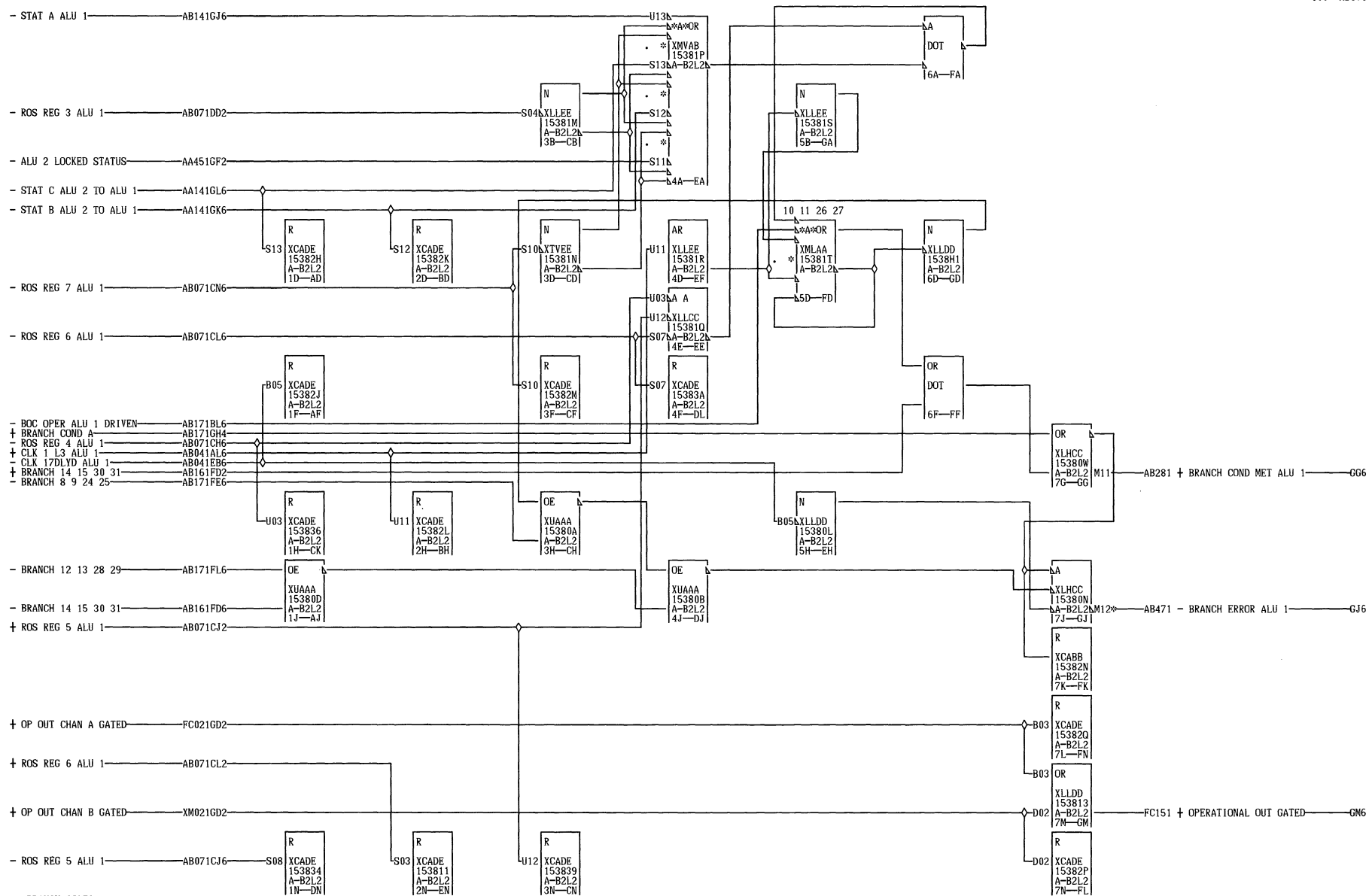


A  
B  
1  
4  
1  
000

AD6 A-1R6D02	01A-A2R1B11	EC2 A-A2Q1E11	01A-A1N6B04	GF6 A-A2M1A13
01A-A2K1D11	01A-A1B5D03	01A-A1Q6E02	GA2 A-A2Q1A11	01A-A1M6A04
01A-A1B5D06	01X-Y1V5D03	ED6 A-A2P1E11	01A-A1Q6A02	G46 A-A2V2B10
01X-Y1V5D06	CD2 A-A2R1C11	01A-A1P6E02	G82 A-A2U2D09	01A-B2A2B10
AE2 A-A2S1A11	01A-A1R6C02	EF6 A-A2V1B13	01A-B2B2D09	
01A-A1S6A02	01A-A1B5D05	01A-A1V1B13	01A-B2F1A13	
01A-A1B5D07	01X-Y1V5D05	EG2 A-A2C2B06	01A-A1R1A13	
01X-Y1V5D07	EB6 A-A2Q1D11	01A-A1A3B06	GE2 A-A2V5B10	
CC2 A-A1R6B02	01A-A1Q6D02	EG6 A-A2N1B13	01A-B2A5B10	

07-17-73 734098  
12-06-73 734879  
01-06-75 733226

CONDITION BRANCHES ALU TO ALU		A
ALU 1		B
DATE	08-18-81 MACH. 3803-2	1
LOG	0025 FRAME	01
		4
		1
	P.N. 2736176	000
IBM CORP. SDD BLK.		GN

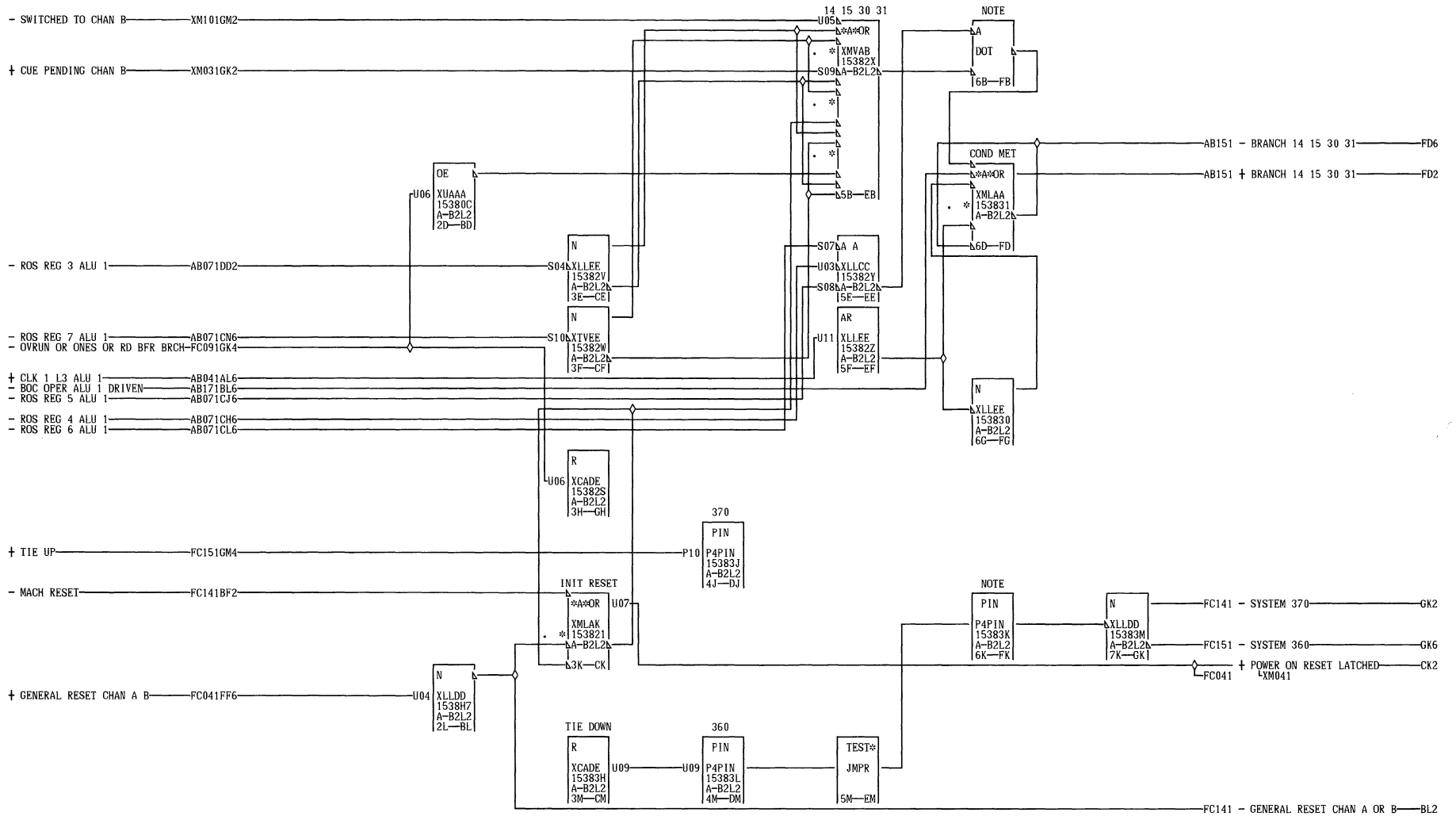


BRANCH CODES  
 0A STAT A  
 0B STAT B  
 0C STAT C  
 1 1B ALU 2 LOCKED STATUS  
 5  
 1  
 000

GJ6 A-B2A3D05  
 01A-A2V3D05

07-17-73 734098

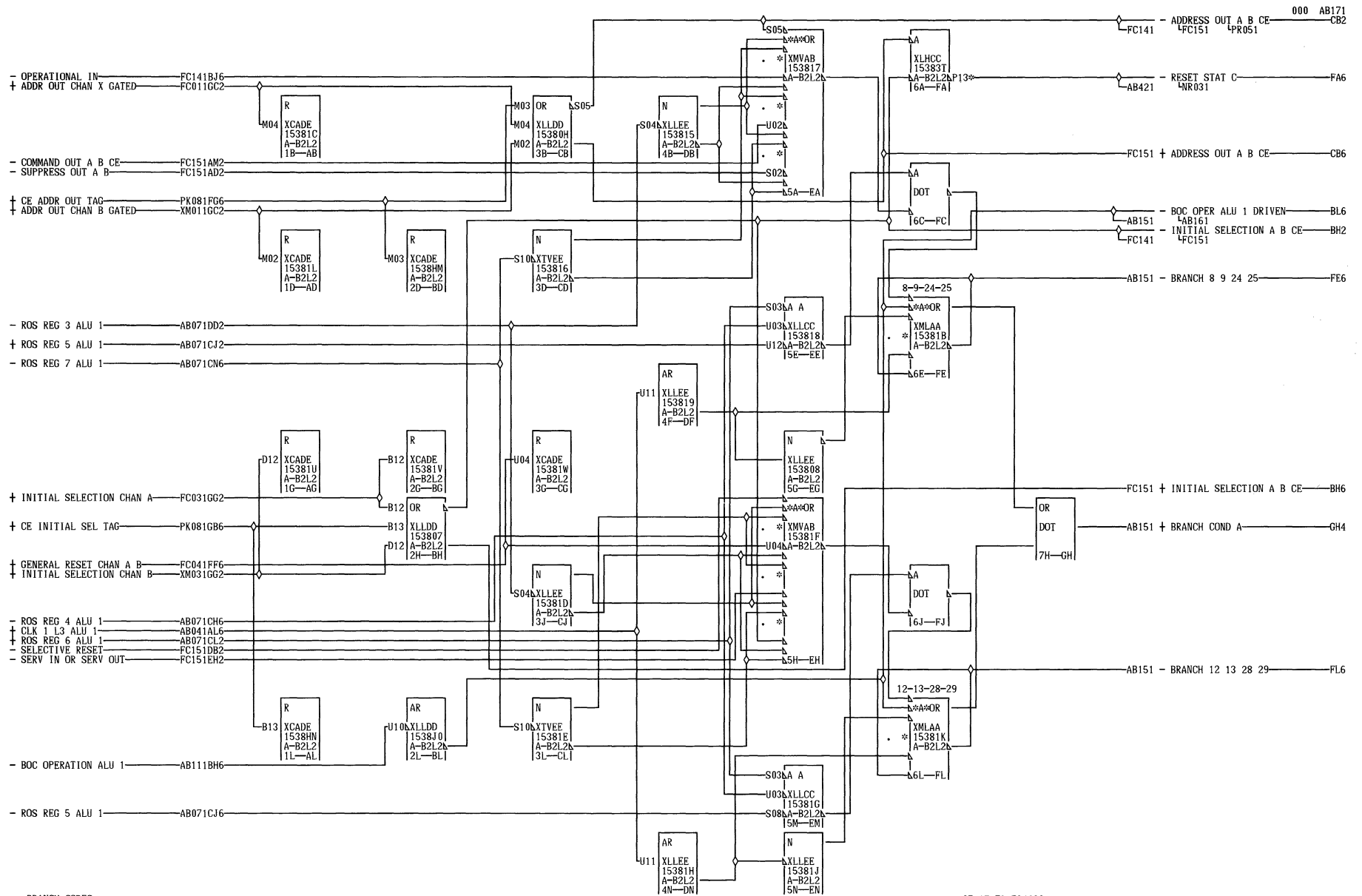
BRANCH ON CONDITION			
DATE	08-08-73 MACH. 3803-2		
LOG	0051 FRAME	01	5
			1
	P.N. 2736177		
IBM CORP.	SDD BLK.		000



BRANCH CODES  
 OE-SW TO B  
 A 1E-CUE PEND  
 B OF-INIT RESET IF OVERRUN  
 1 NOTE SYSTEM 360 PLUG T03 TO  
 6 T04 SYSTEM 370 PLUG T03 TO T02  
 1 NOTE.  
 TIE A-B2L2S09 TO A-B2L2S06  
 000WITH P4N 2520942 IF TWO CHAN  
 SWITCH FEAT IS NOT INSTALLED

07-17-73 734098

INTERFACE BRANCH COND CHAN B			
DATE	08-08-73	MACH.	3803-2
LOG	0051	FRAME	01
		P.N.	2736178
IBM CORP.	SDD BLK.	GL	000

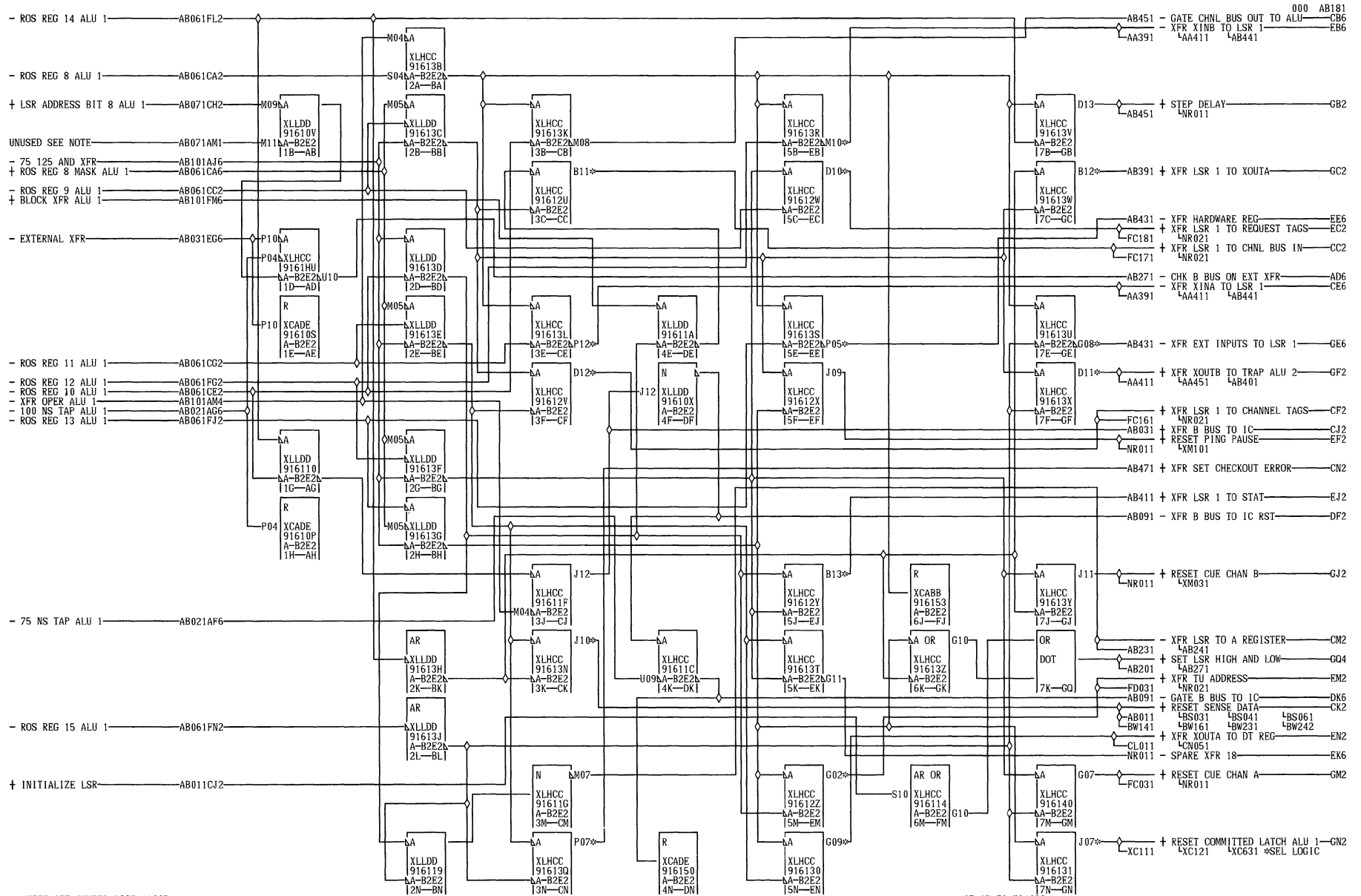


BRANCH CODES  
 08 ADDRESS OUT FA6 A-B2B5D13  
 A 09 COMMAND OUT 01A-A2U5D13  
 B 0C SELECTIVE RESET  
 1 0D SERV IN OR SERV OUT  
 7 18 OP IN  
 1 19 SUPPRESS OUT  
 1C GENERAL RESET  
 0001D INITIAL SELECTION

07-17-73 734098

INTERFACE BRANCH ON COND			
DATE	08-08-73	MACH.	3803-2
LOG	0051	FRAME	01
		P.N.	2736179
IBM CORP.	SDD	BLK.	GM





NOTE SEE JUMPER LIST AA005

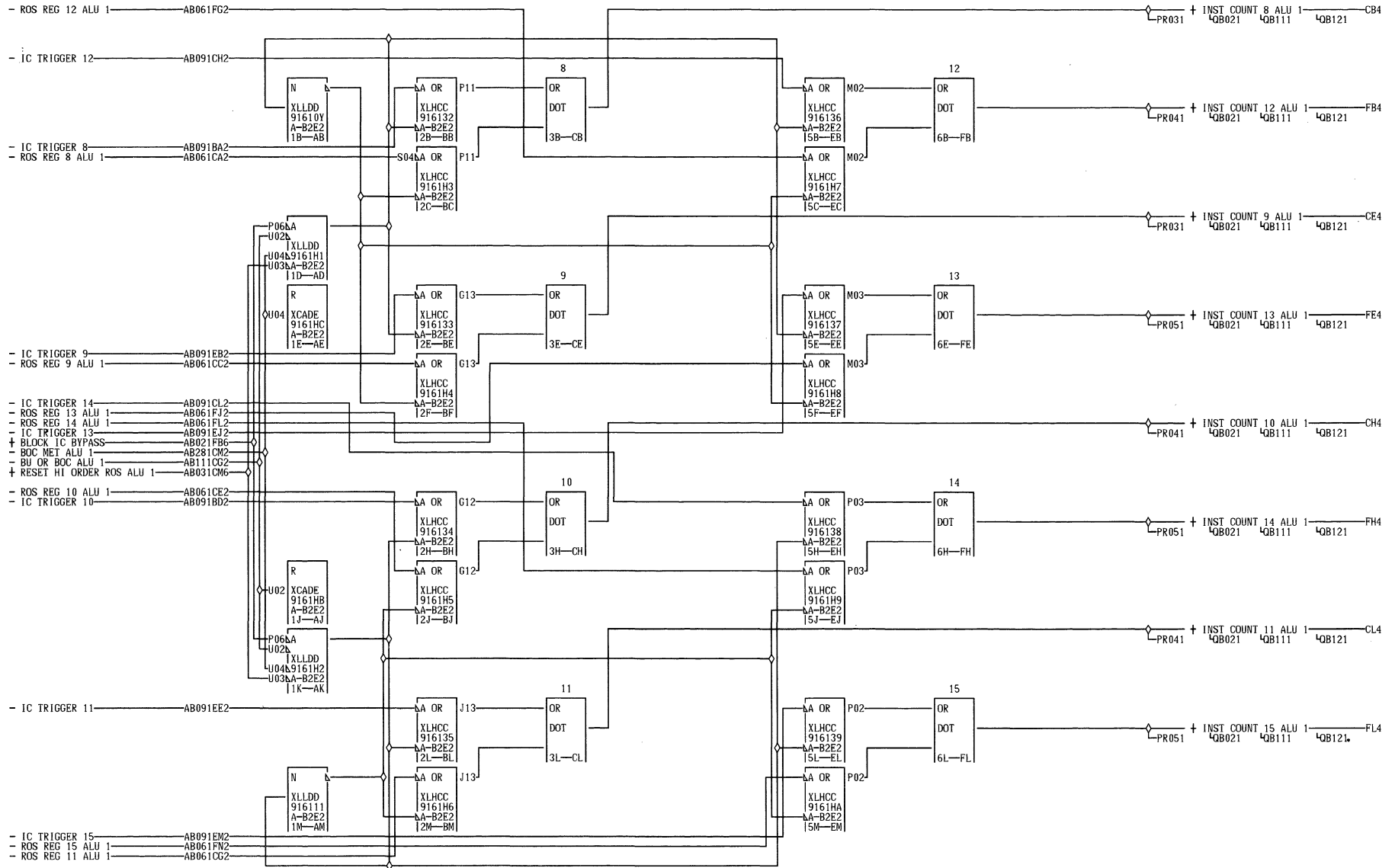
A  
 B  
 1  
 8  
 1  
 000

CC2 A-B2A2D02 01A-A2V4D07 EM2 A-B2A2D11 01A-A2V3D10  
 01A-A2V2D02 EB6 A-B2A2B13 01A-A2V2D11 GF2 A-B2A2D06  
 CE6 A-B2A3D03 01A-A2V2B13 EN2 A-B2F1C13 01A-A2V2D06  
 01A-A2V3D03 EC2 A-B2A4D06 01A-A1R1C13 GN2 A-B2B5B08  
 CF2 A-B2A2D09 01A-A2V4D06 01A-A1B5D09 01A-A2U5B08  
 01A-A2V2D09 EE6 A-B2A2D05 01X-Y1V5D09  
 CK2 A-B2F1E13 01A-A2V2D05 GC2 A-B2A2D03  
 01A-A1R1E13 EJ2 A-B2A2D10 01A-A2V2D03  
 CN2 A-B2A4D07 01A-A2V2D10 GE6 A-B2A3D10

07-17-73 734098

TRANSFER DECODE			
DATE	08-08-73	MACH.	3803-2
LOG	0051	FRAME	01
		P.N.	2736180
IBM CORP.	SDD BLK.		GR



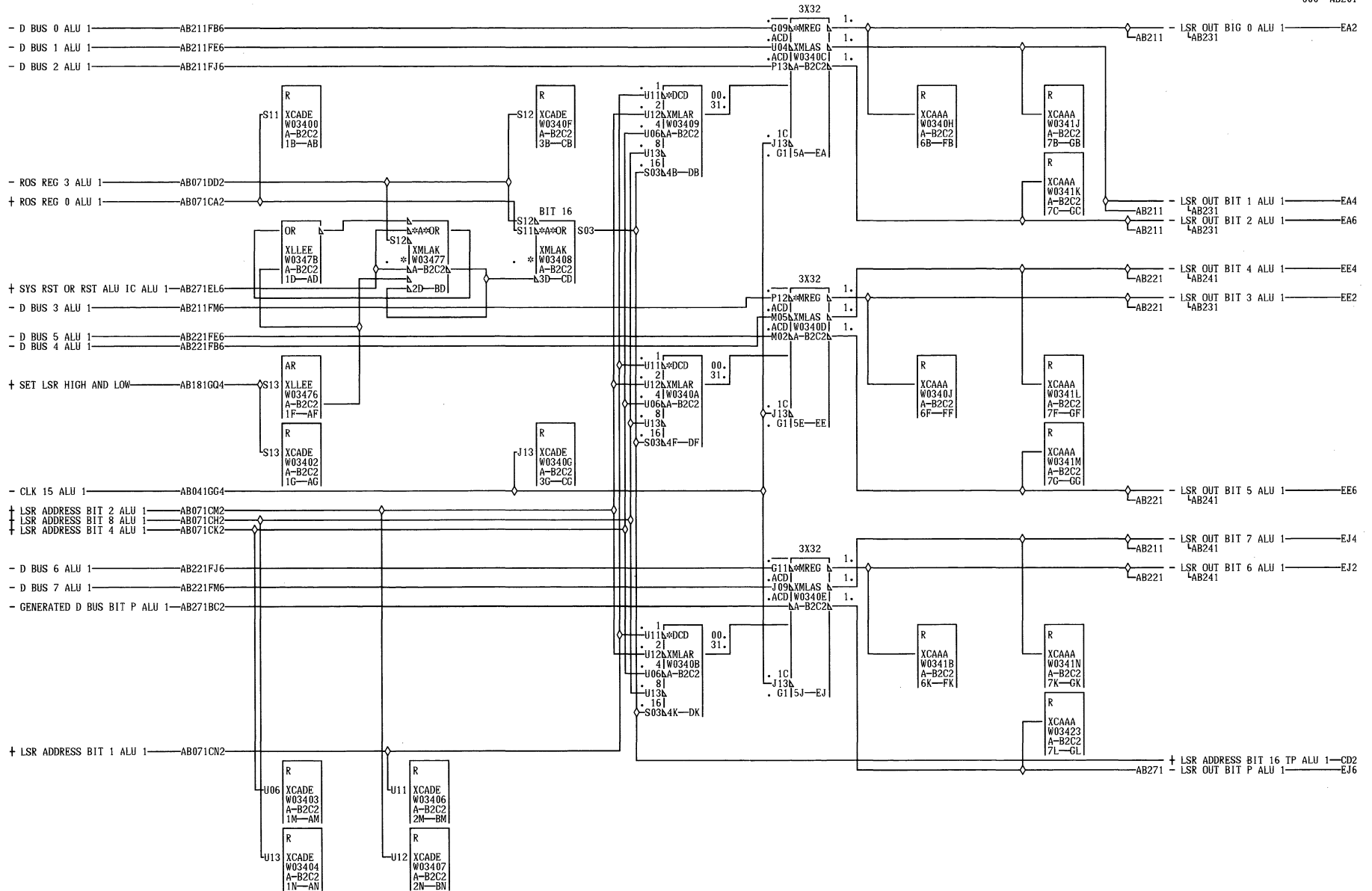


A  
B  
1  
9  
5  
000

07-17-73 734098  
12-06-73 734879

INSTRUCTION COUNT GATING			
ALU 1			
DATE	01-11-74	MACH.	3803-2
LOG	0045	FRAME	01
		P.N.	2736182
IBM CORP.	BLK.		FM

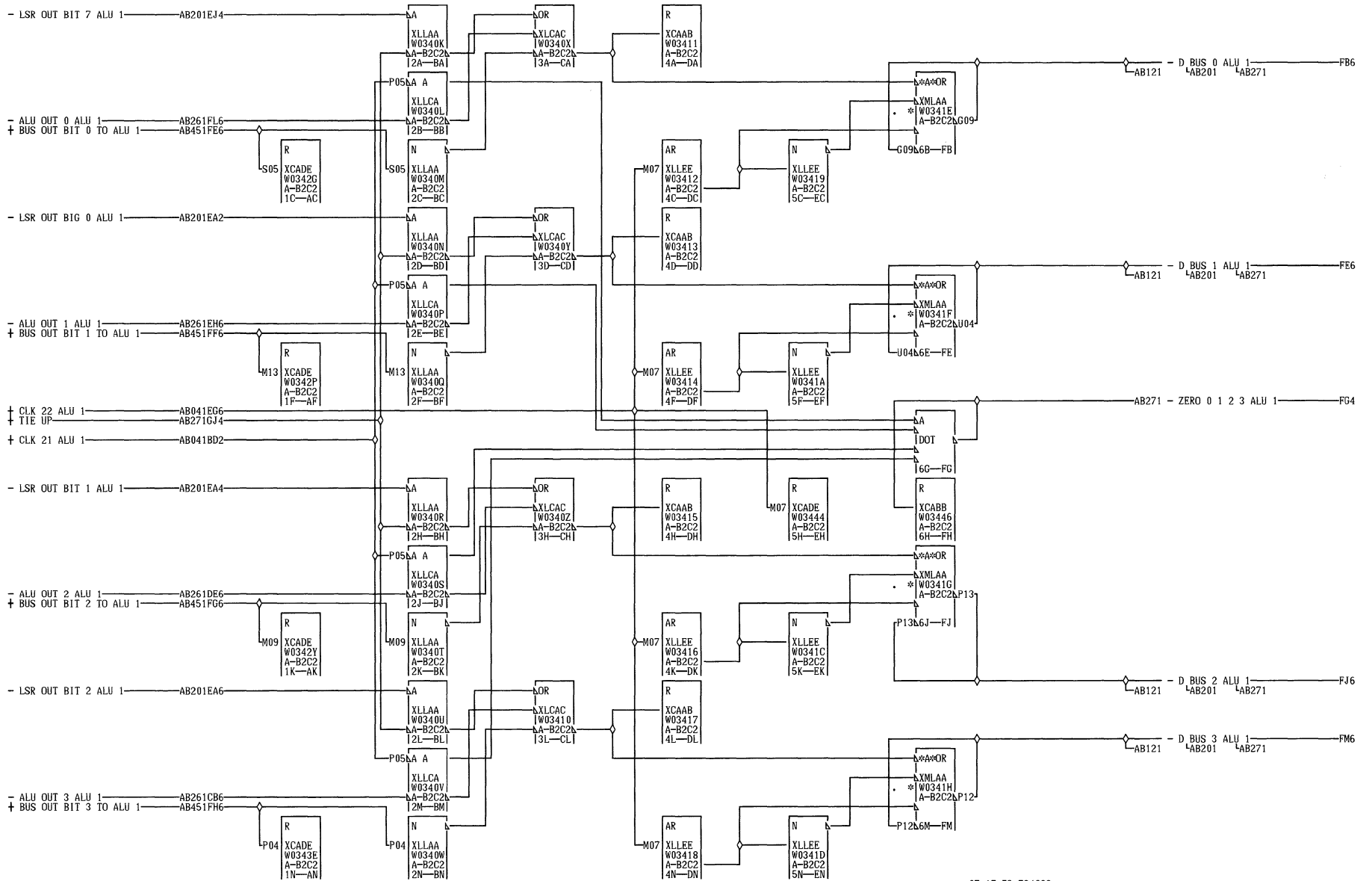
A  
B  
1  
9  
5  
000



07-17-73 734098

A  
B  
2  
0  
1  
000

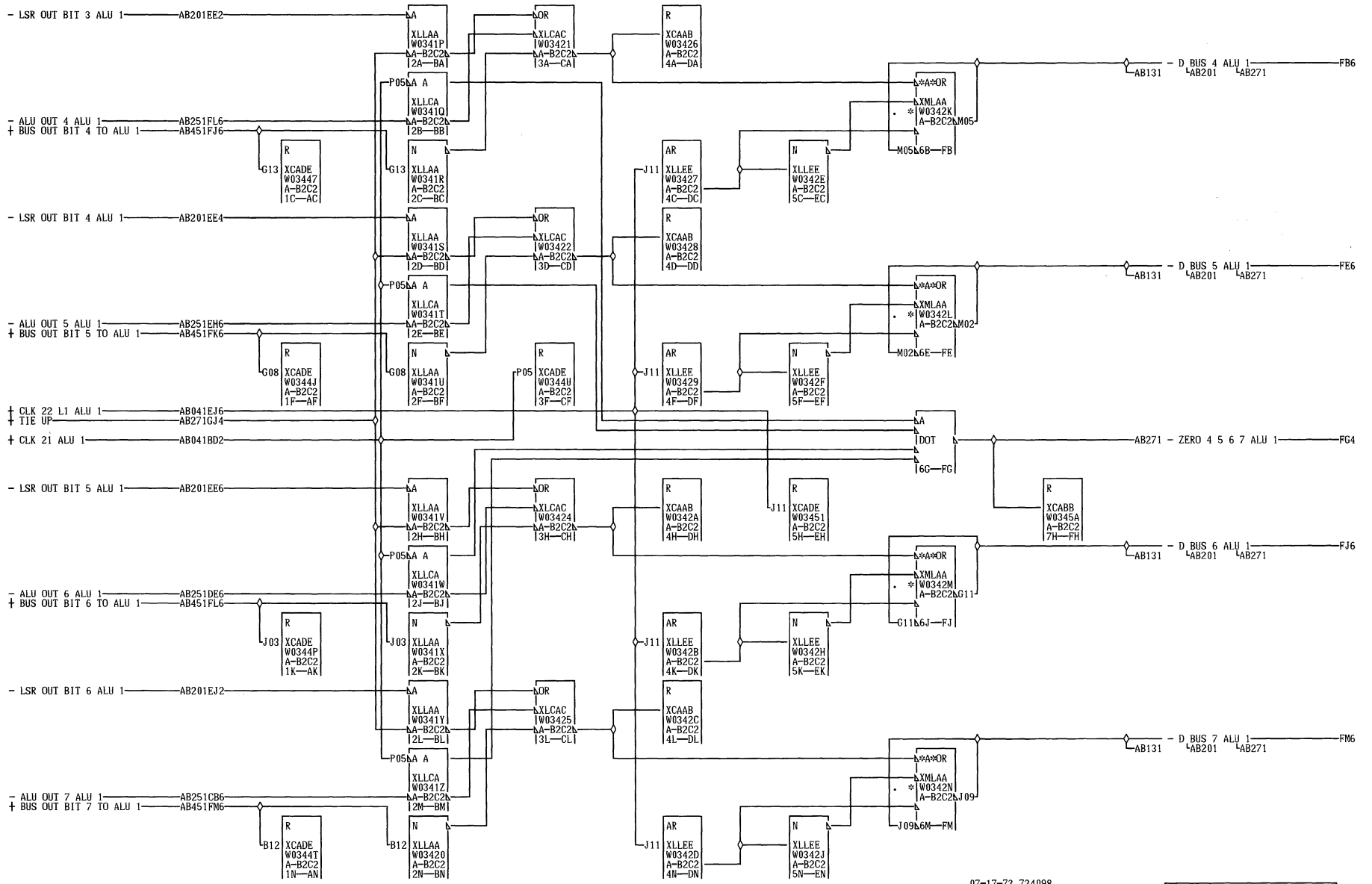
32 LSRS			A
ALU 1			B
DATE	08-08-73	MACH. 3803-2	2
LOG	0051	FRAME 01	0
P.N. 2736183			1
IBM CORP. SDD BLK.			000
			GM



A  
B  
2  
1  
1  
000

07-17-73 734098

ALU D BUS REG 0 1 2 3	A
ALU 1	B
DATE 08-08-73 MACH. 3803-2	2
LOG 0051 FRAME 01	1
P.N. 2736184	1
IBM CORP. SDD BLK. FN	1
	000

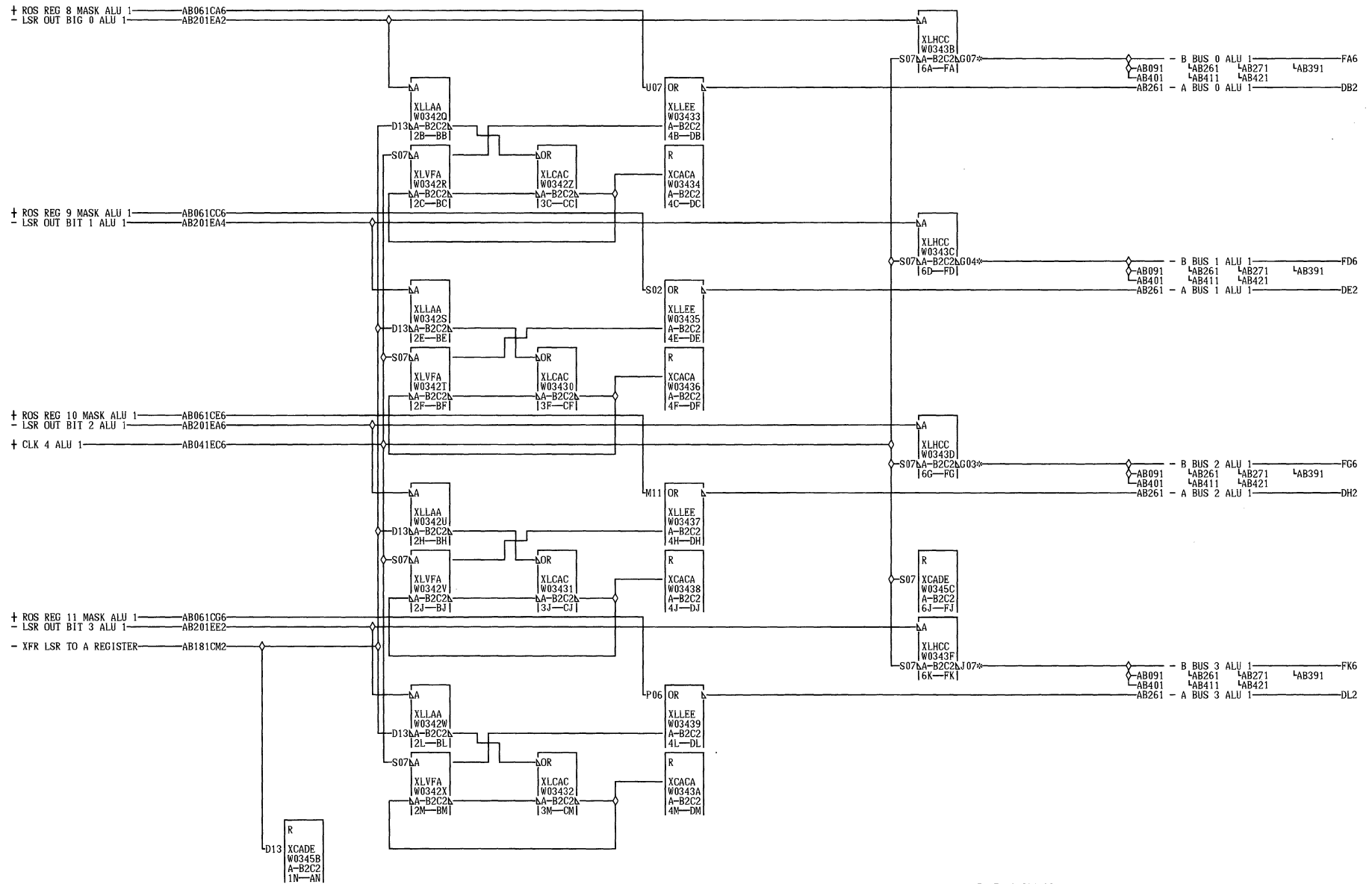


A  
B  
2  
2  
1  
000

07-17-73 734098

ALU D BUS REG 4 5 6 7			
ALU 1			
DATE	08-08-73	MACH.	3803-2
LOG	0051	FRAME	01
		P.N.	2736185
IBM CORP.	SDD	BLK.	FN

A  
B  
2  
2  
1  
000



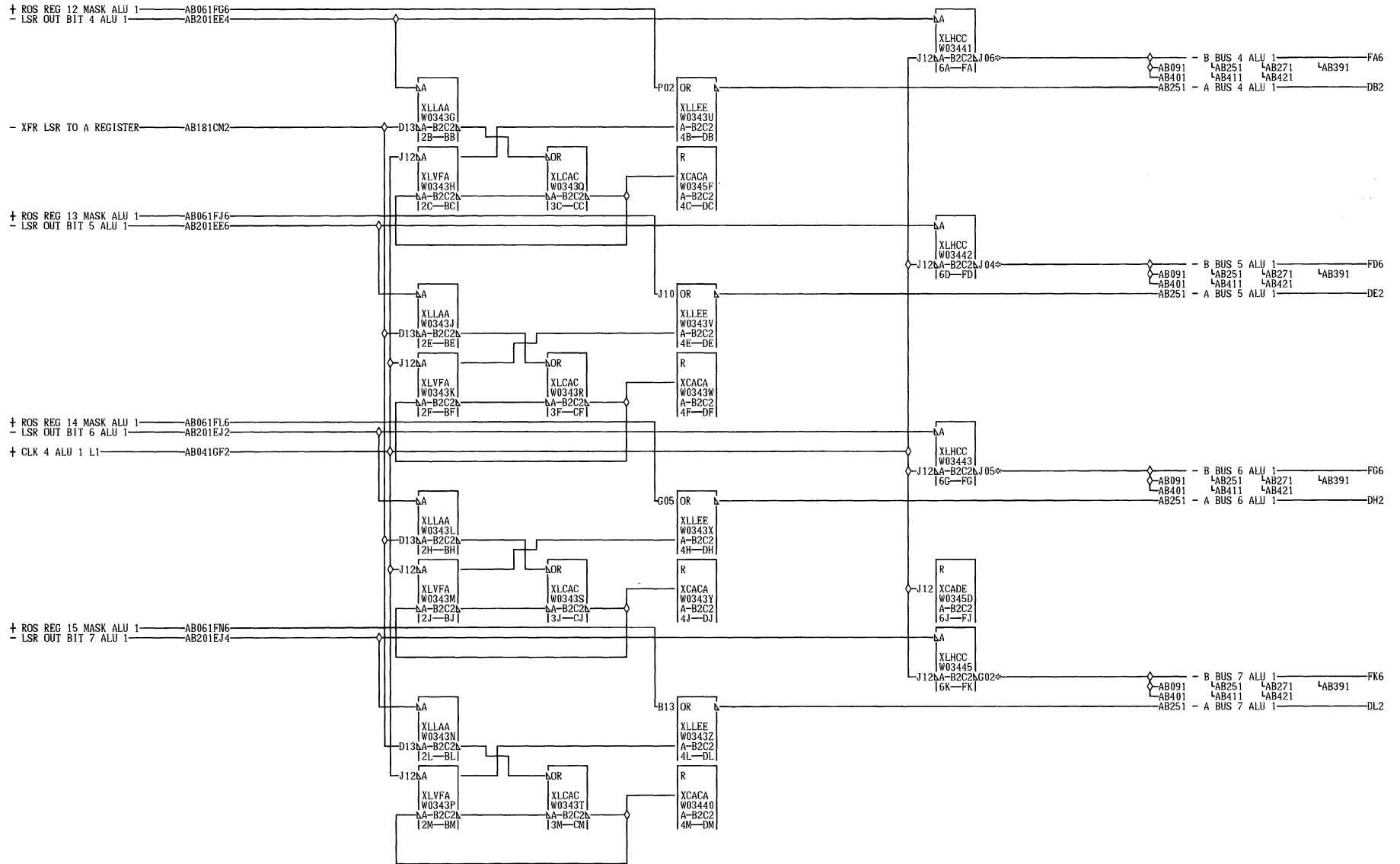
A  
E  
2  
3  
1  
000

FA6 A-B2A4D11  
01A-A2V4D11  
FD6 A-B2A4D13  
01A-A2V4D13  
FG6 A-B2A5D02  
01A-A2V5D02  
FK6 A-B2A5D03  
01A-A2V5D03

R  
XCADE  
W0345B  
A-B2C2  
1N-AN

07-17-73 734098

A REG AND B REG 0 1 2 3		
ALU 1		
DATE	08-08-73 MACH.	3803-2
LOG	0051 FRAME	01 3 1
P.N.		2736186
IBM CORP.	SDD BLK.	FL



† ROS REG 12 MASK ALU 1 — AB061FG6  
 - LSR OUT BIT 4 ALU 1 — AB201EE4  
  
 - XFR LSR TO A REGISTER — AB181CM2  
  
 † ROS REG 13 MASK ALU 1 — AB061FJ6  
 - LSR OUT BIT 5 ALU 1 — AB201EE6  
  
 † ROS REG 14 MASK ALU 1 — AB061FL6  
 - LSR OUT BIT 6 ALU 1 — AB201EJ2  
 † CLK 4 ALU 1 L1 — AB041GF2  
  
 † ROS REG 15 MASK ALU 1 — AB061FN6  
 - LSR OUT BIT 7 ALU 1 — AB201EJ4

J12A-B2C2A J06\* — B BUS 4 ALU 1 — FA6  
 — AB091 — AB251 — AB271 — AB391  
 — AB401 — AB411 — AB421  
 — AB251 — A BUS 4 ALU 1 — DB2  
  
 J12A-B2C2A J04\* — B BUS 5 ALU 1 — FD6  
 — AB091 — AB251 — AB271 — AB391  
 — AB401 — AB411 — AB421  
 — AB251 — A BUS 5 ALU 1 — DE2  
  
 J12A-B2C2A J05\* — B BUS 6 ALU 1 — FG6  
 — AB091 — AB251 — AB271 — AB391  
 — AB401 — AB411 — AB421  
 — AB251 — A BUS 6 ALU 1 — DH2  
  
 J12A-B2C2A J02\* — B BUS 7 ALU 1 — FK6  
 — AB091 — AB251 — AB271 — AB391  
 — AB401 — AB411 — AB421  
 — AB251 — A BUS 7 ALU 1 — DL2

A  
 B  
 2  
 4  
 1  
 000

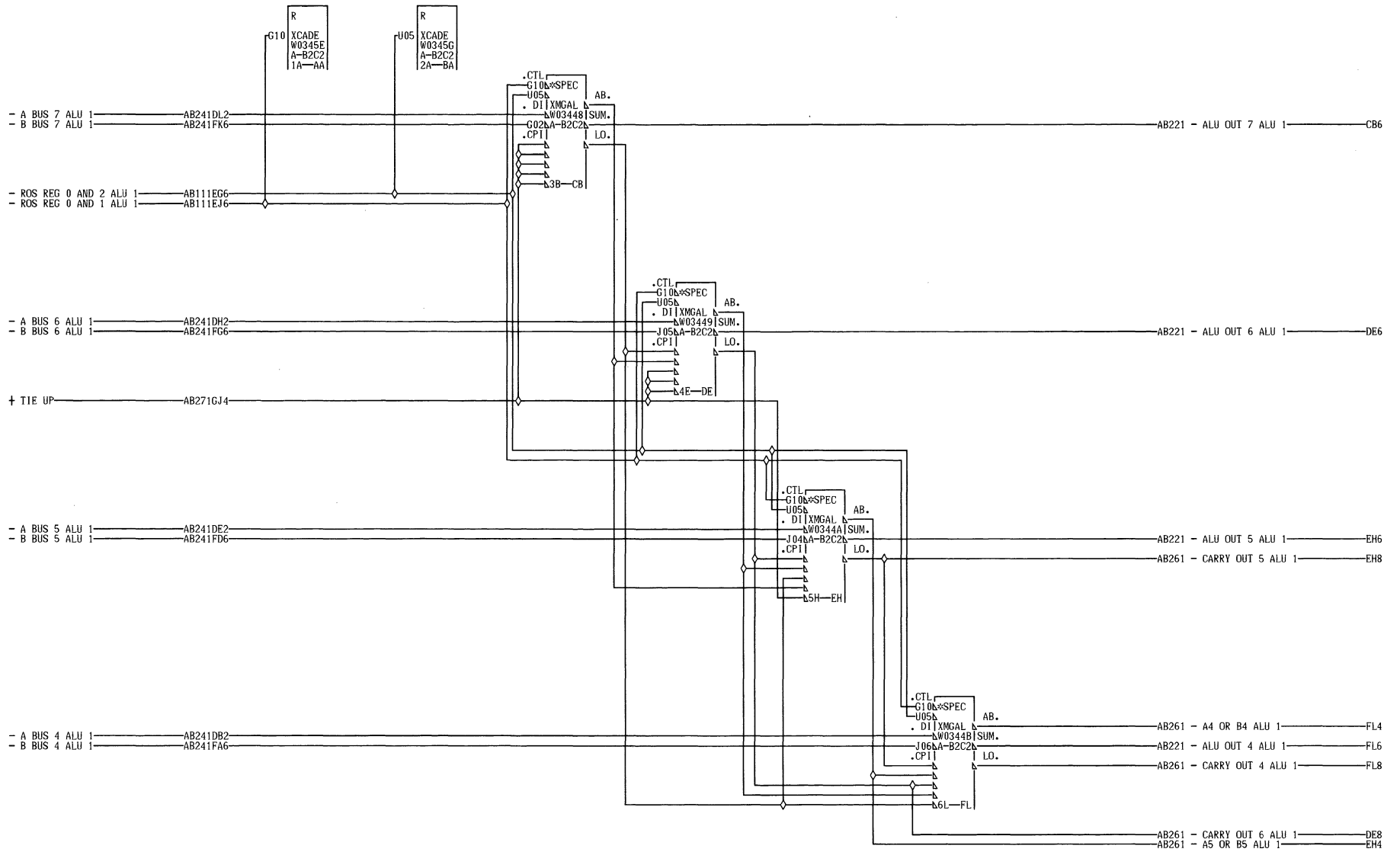
FA6 A-B2A5D05  
 01A-A2V5D05  
 FD6 A-B2A5D06  
 01A-A2V5D06  
 FG6 A-B2A5D07  
 01A-A2V5D07  
 FK6 A-B2A5D09  
 01A-A2V5D09

07-17-73 734098

A REG AND B REG 4 5 6 7			
DATE	08-08-73	MACH.	3803-2
LOG	0051	FRAME	01
		P.N.	2736187
IBM CORP.	SDD	BLK.	FL

A  
B  
2  
4  
1  
000



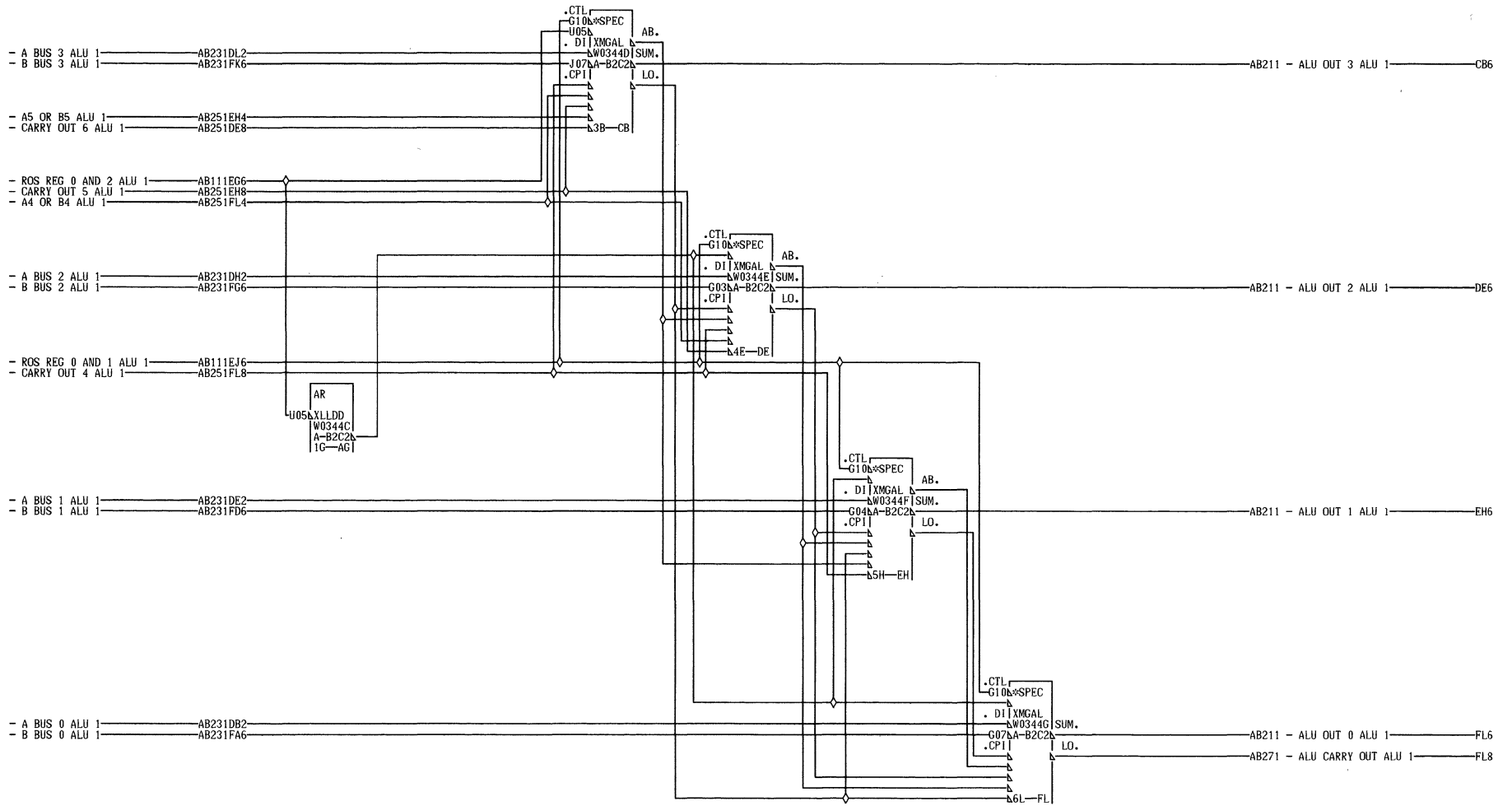


A  
B  
2  
5  
1  
000

07-17-73 734098  
12-06-73 734879

ALU 7 THRU 4		
ALU 1		
DATE	01-11-74	MACH. 3803-2
LOG	0045	FRAME 01
P.N. 2736188		
IBM CORP.	SDD BLK.	FM

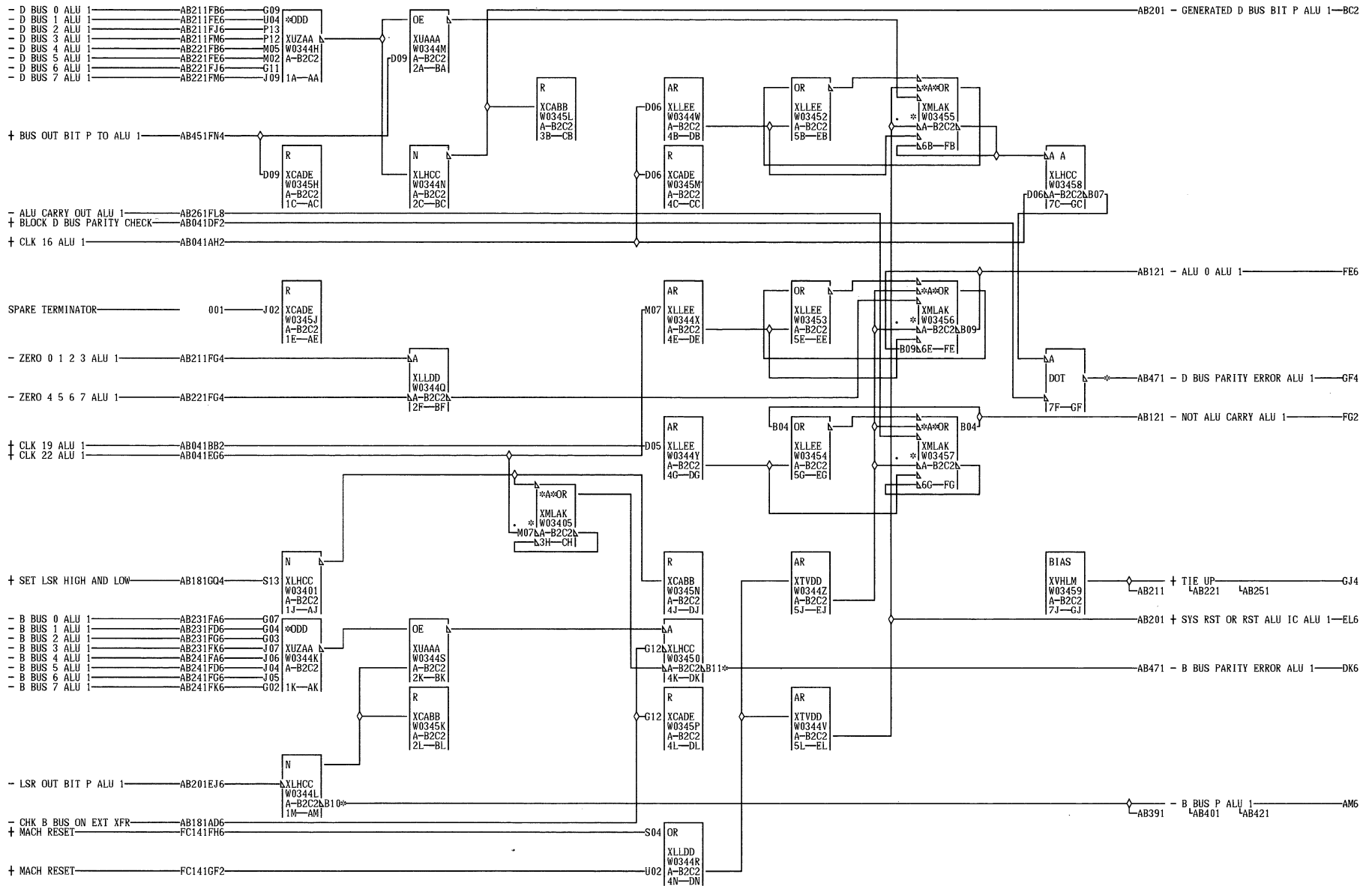
A  
B  
2  
5  
1  
000



A  
B  
2  
6  
1  
000

07-17-73 734098  
12-06-73 734879

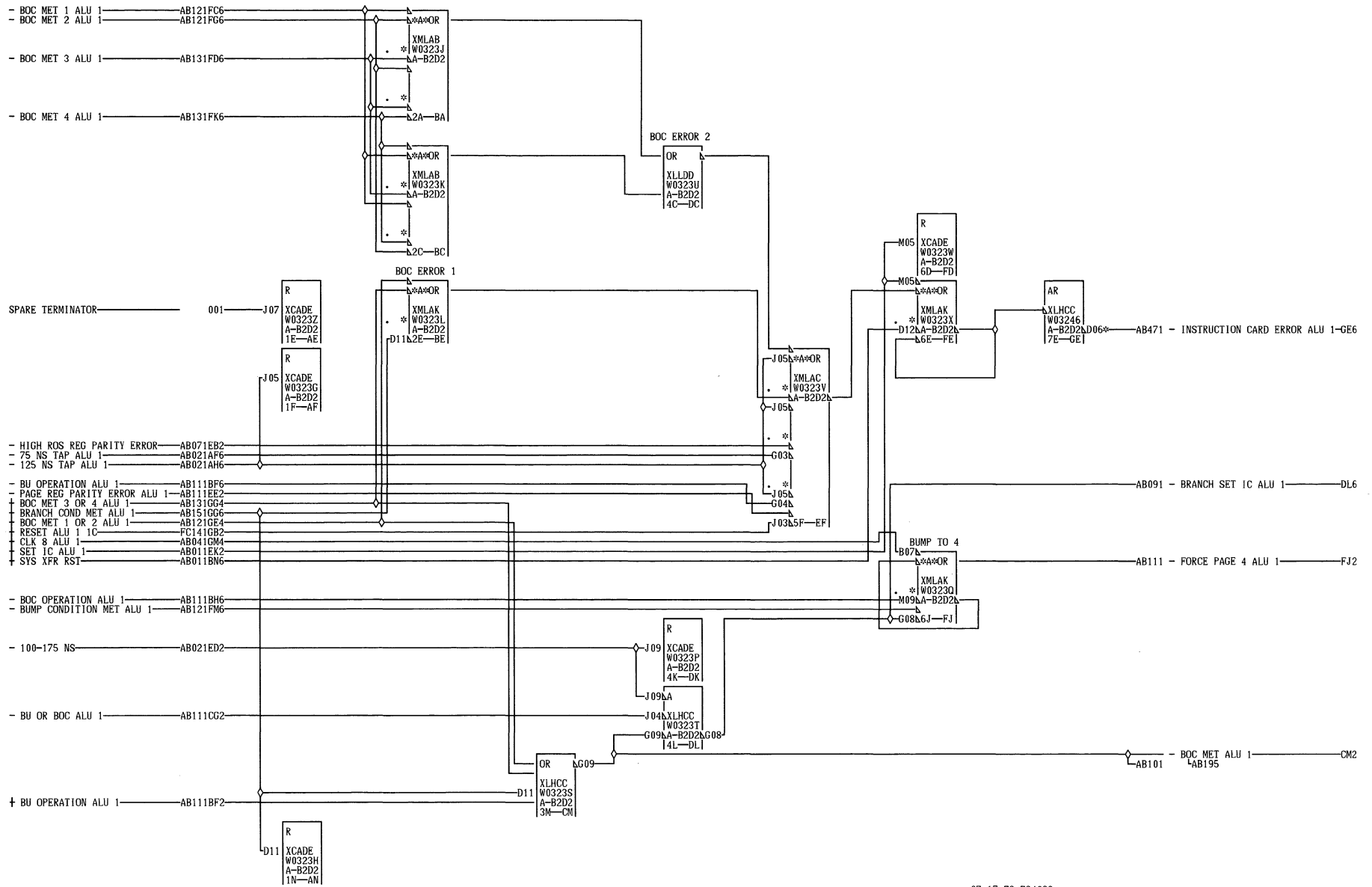
ALU 3 THRU 0			A
ALU 1			B
DATE	01-11-74	MACH. 3803-2	2
LOG	0045	FRAME 01	6
		P.N. 2736189	1
IBM CORP.	SDD BLK.	FM	000



A AM6 A-B2A5D10  
 B 01A-A2V5D10  
 2 DR6 A-B2B2D10  
 7 01A-A2U2D10  
 1 GF4 A-B2A5D13  
 1 01A-A2V5D13

07-17-73 734098

D AND B BUS PARITY ERROR			
ALU 1			
DATE	08-08-73	MACH.	3803-2
LOG	0051	FRAME	01
		P.N.	2736190
IBM CORP.	SDD	BLK.	GM



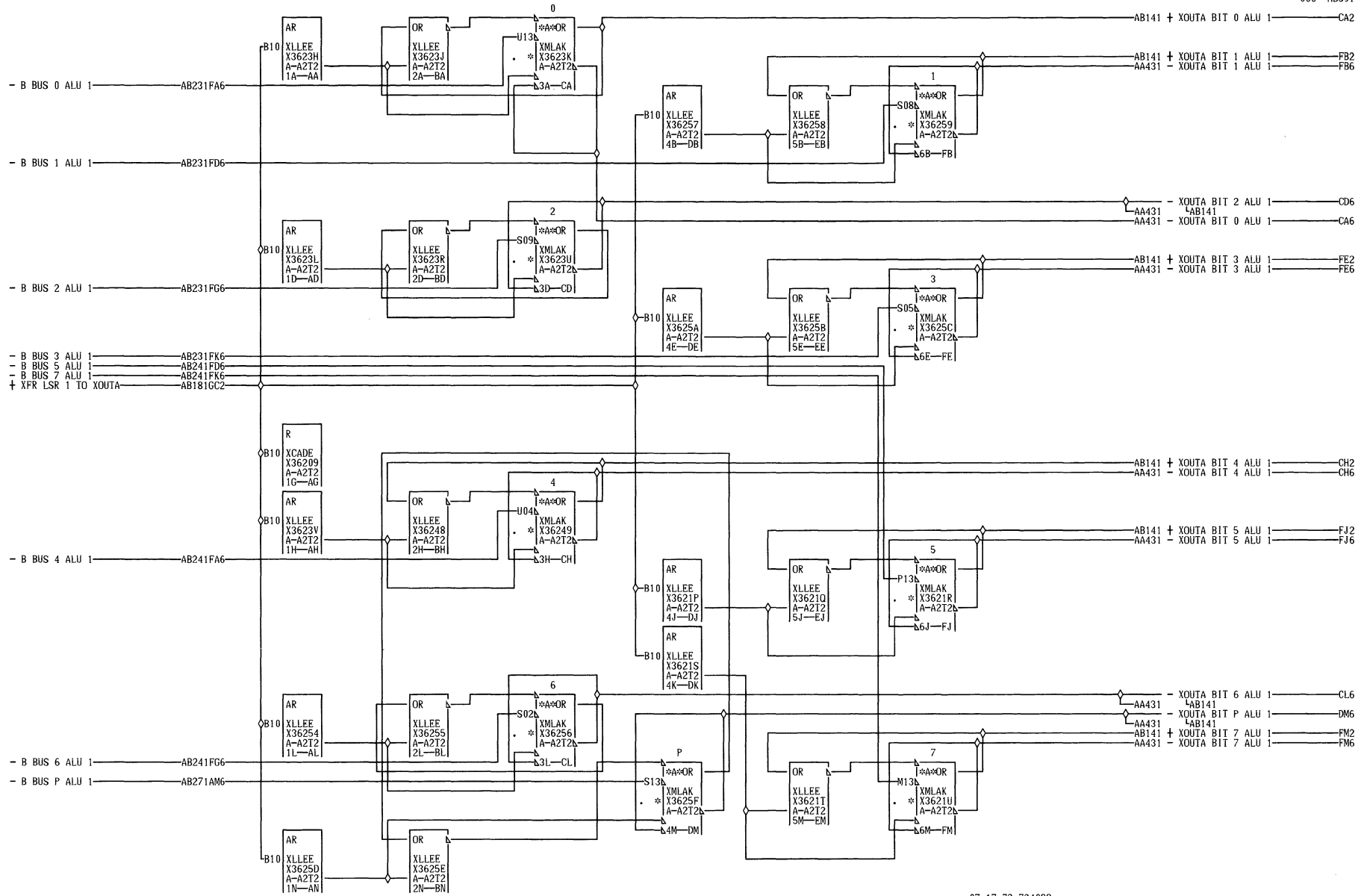
GE6 A-B2A3D02  
01A-A2V3D02

07-17-73 734098

A  
B  
2  
8  
1  
000

INSTRUCTION CARD ERROR			
ALU 1			
DATE	08-08-73	MACH.	3803-2
LOG	0051	FRAME	01
		P.N.	2736191
IBM CORP.	SDD	BLK.	GF

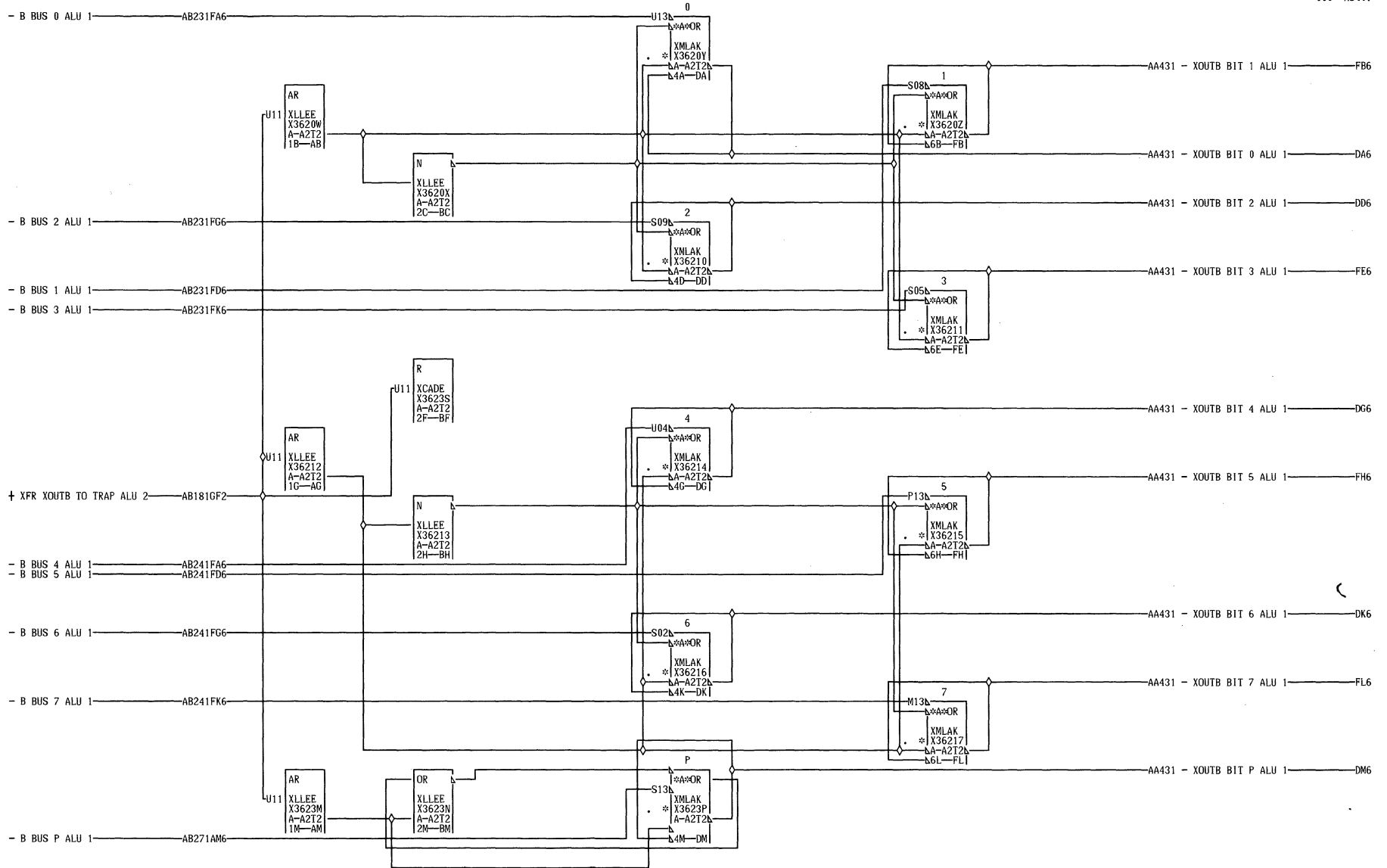
A  
B  
2  
8  
1  
000



07-17-73 734098  
12-06-73 734879

CROSSOVER REG XOUT A ALU 1		A
DATE	01-11-74 MACH. 3803-2	B
LOG	0055 FRAME 01	3
	P.N. 2736192	9
IBM CORP.	SDD BLK.	1
		000

A  
B  
3  
9  
1  
000



A  
B  
4  
0  
1

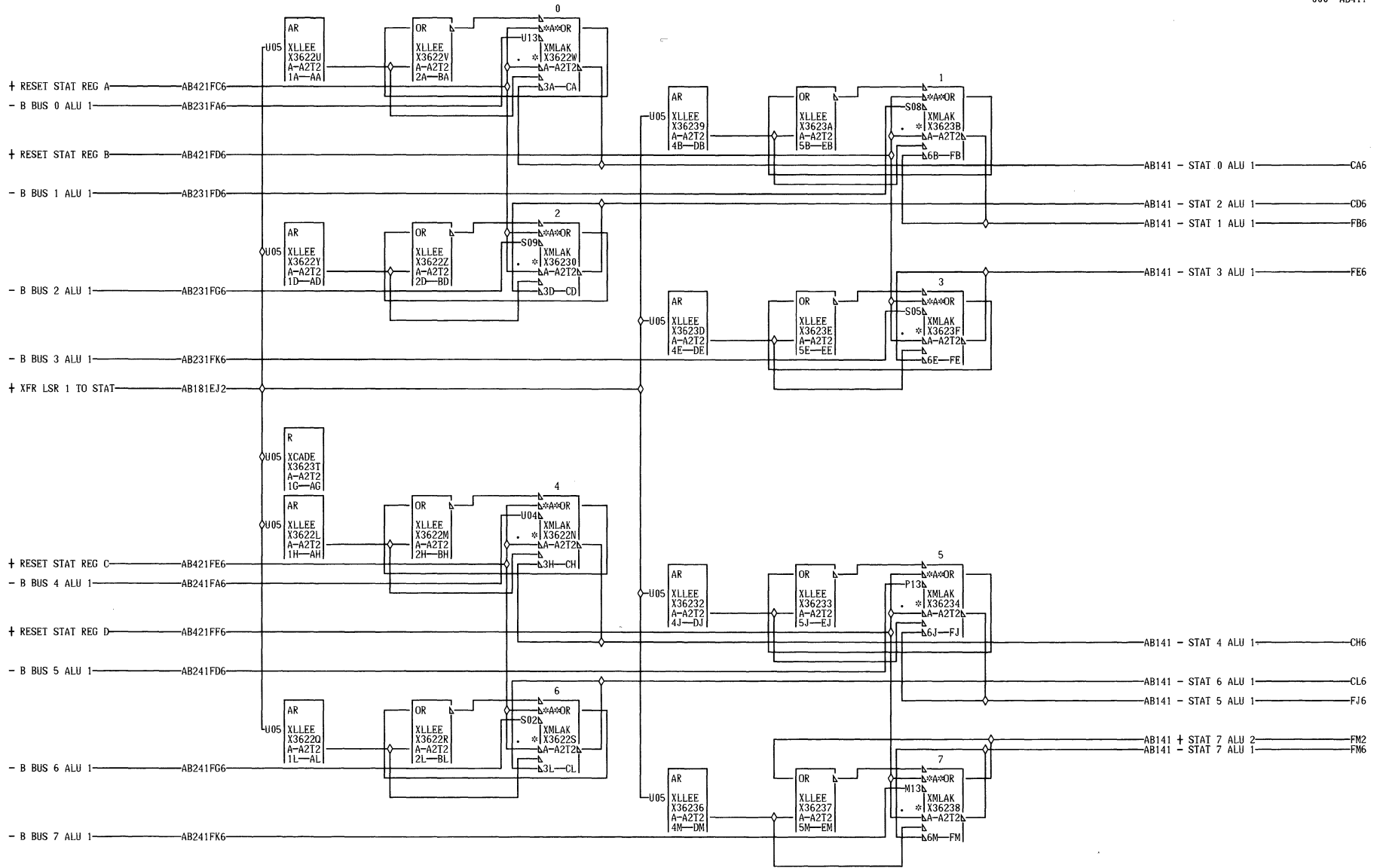
000

07-17-73 734098  
12-06-73 734879

CROSSOVER REG XOUT B ALU 1			
DATE	01-11-74	MACH.	3803-2
LOG	0055	FRAME	01
		P.N.	2736193
IBM CORP.	SDD BLK.		FM

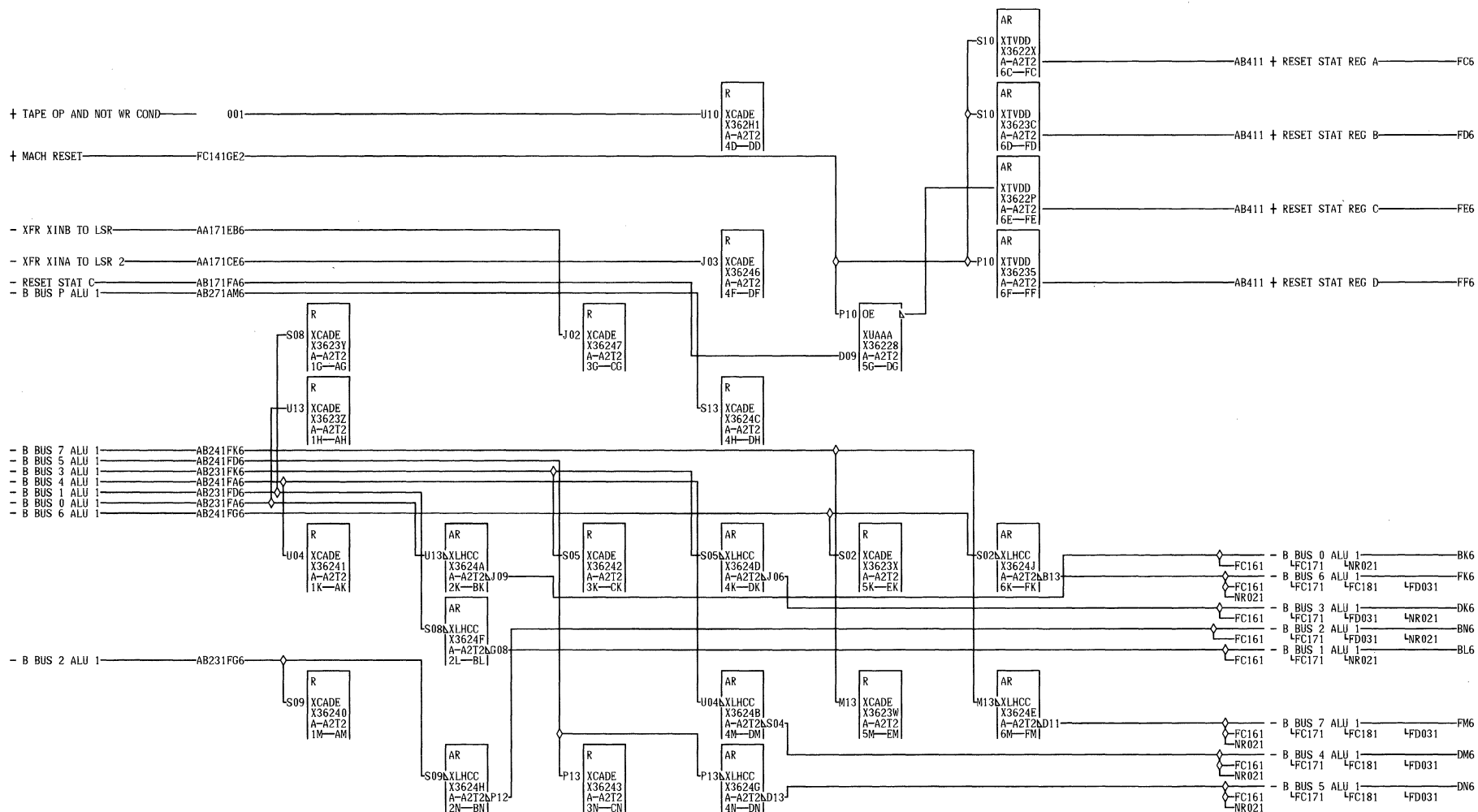
A  
B  
4  
0  
1

000



07-17-73 734098  
12-06-73 734879

STAT REGISTER			
ALU 1			
DATE	01-11-74	MACH.	3803-2
LOG	0045	FRAME	01
		P.N.	2736194
IBM CORP.	SDD	BLK.	FN



07-17-73 734098  
12-06-73 734879

RESETS ALU 1			
DATE	01-11-74	MACH.	3803-2
LOG	0067	FRAME	01
		P.N.	2736195
IBM CORP.	SDD	BLK.	GN

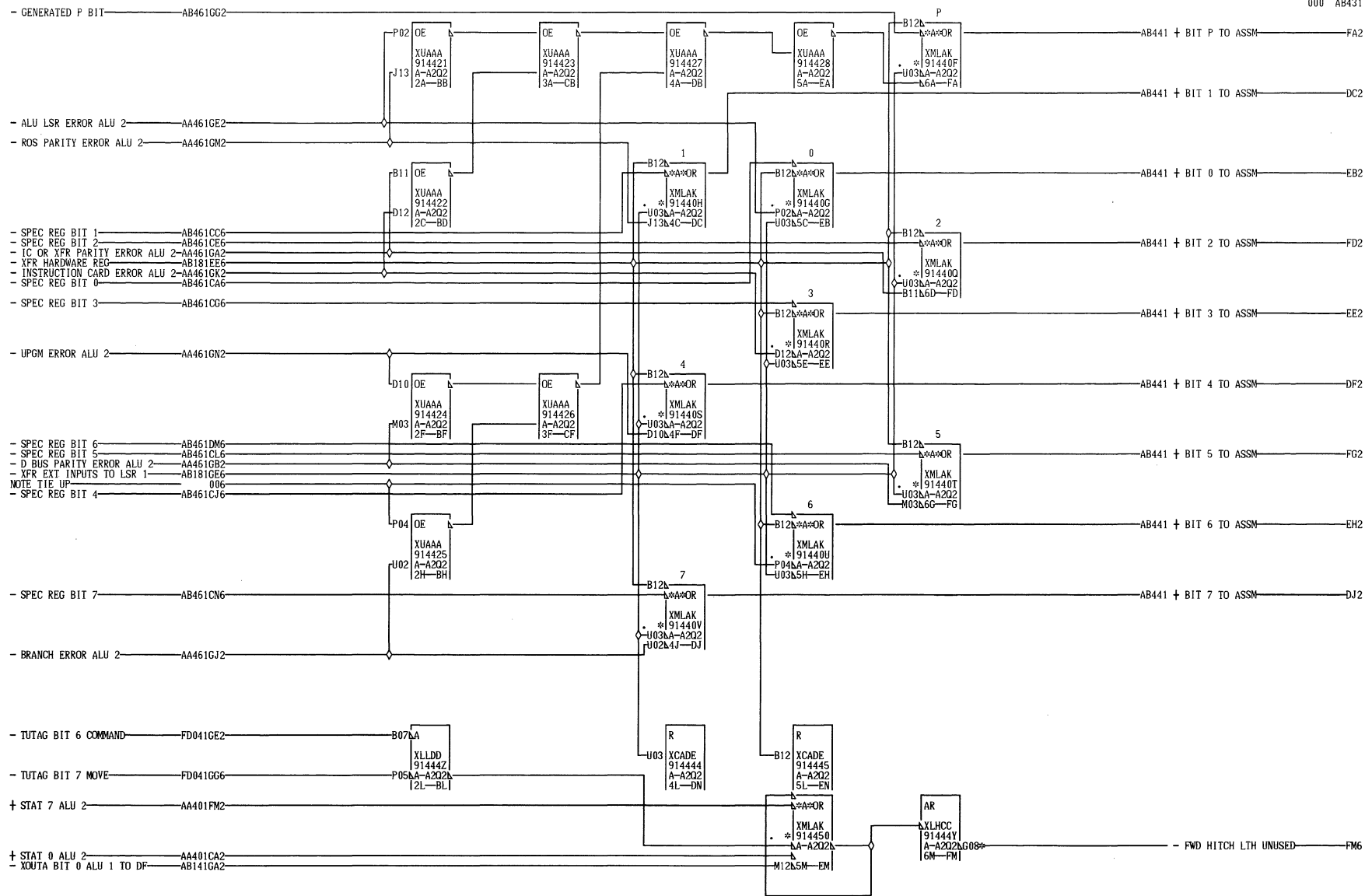
A  
B  
4  
2  
1

000

A  
B  
4  
2  
1

000



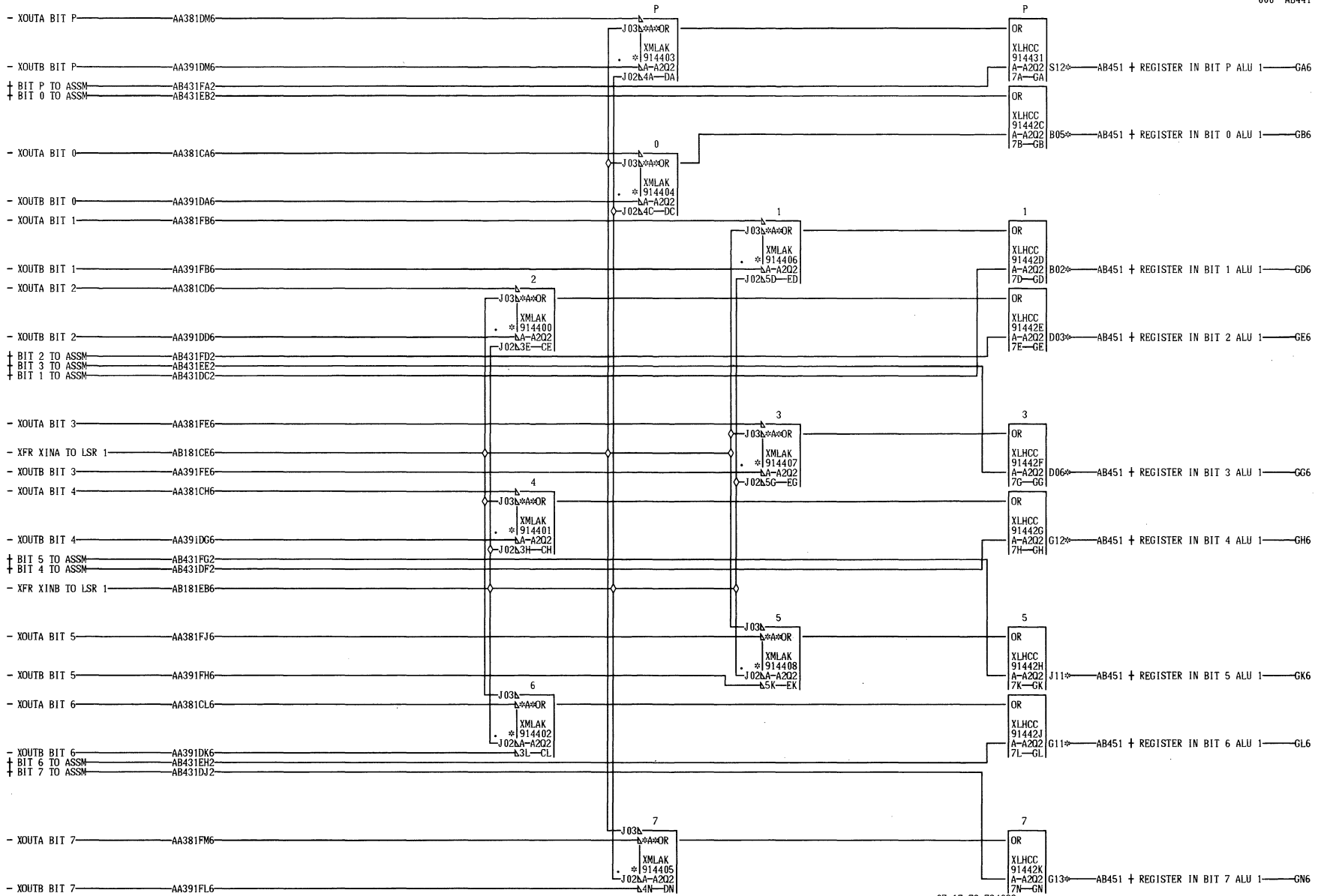


NOTE TIE UP NET 006  
ON BOARD, USE P/N 2520936  
A BETWEEN A-A202P04 AND  
B A-A202P08

FM6 A-A2G1A11  
01A-A1G6A02

07-17-73 734098

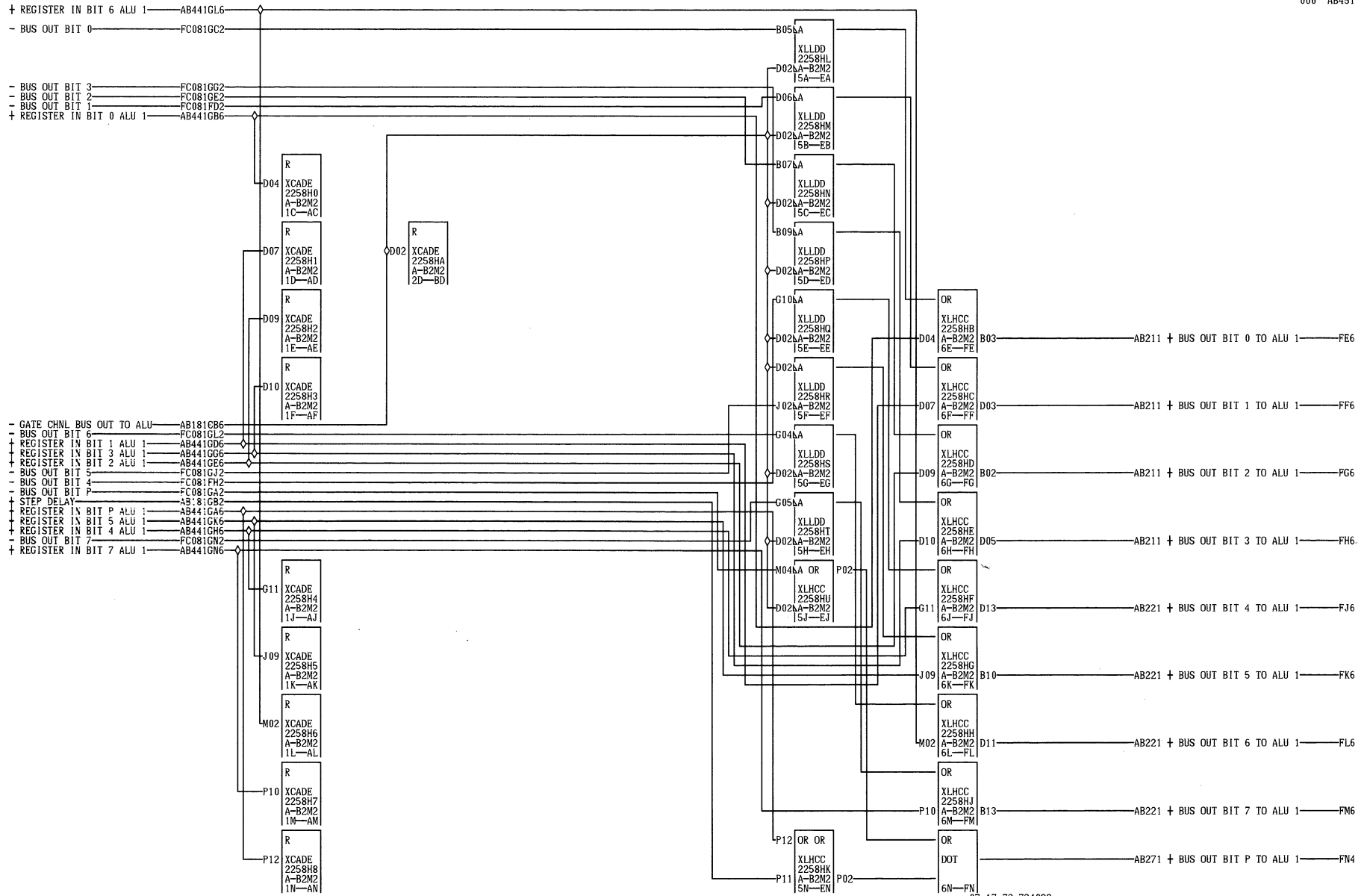
ASSEMBLER ALU 1 IN		
DATE	08-18-81	MACH. 3803-2
LOG	0051	FRAME 01
P.N.		2736196
IBM CORP.	SDD BLK.	FN



A GA6 A-A2V3B02 01A-B2A3B08  
 B 01A-B2A3B02 GH6 A-A2V3B09  
 4 GB6 A-A2V3B04 01A-B2A3B09  
 4 01A-B2A3B04 GK6 A-A2V3B10  
 4 GD6 A-A2V3B05 01A-B2A3B10  
 1 01A-B2A3B05 GL6 A-A2V3B12  
 GE6 A-A2V3B06 01A-B2A3B12  
 000 01A-B2A3B06 GN6 A-A2V3B13  
 006 A-A2V3B08 01A-B2A3B13

07-17-73 734098

ALU REGISTERS GATING			
ALU I INPUT			
DATE	08-18-81	MACH.	3803-2
LOG	0051	FRAME	01
		P.N.	2736197
IBM CORP.	SDD BLK.		GP



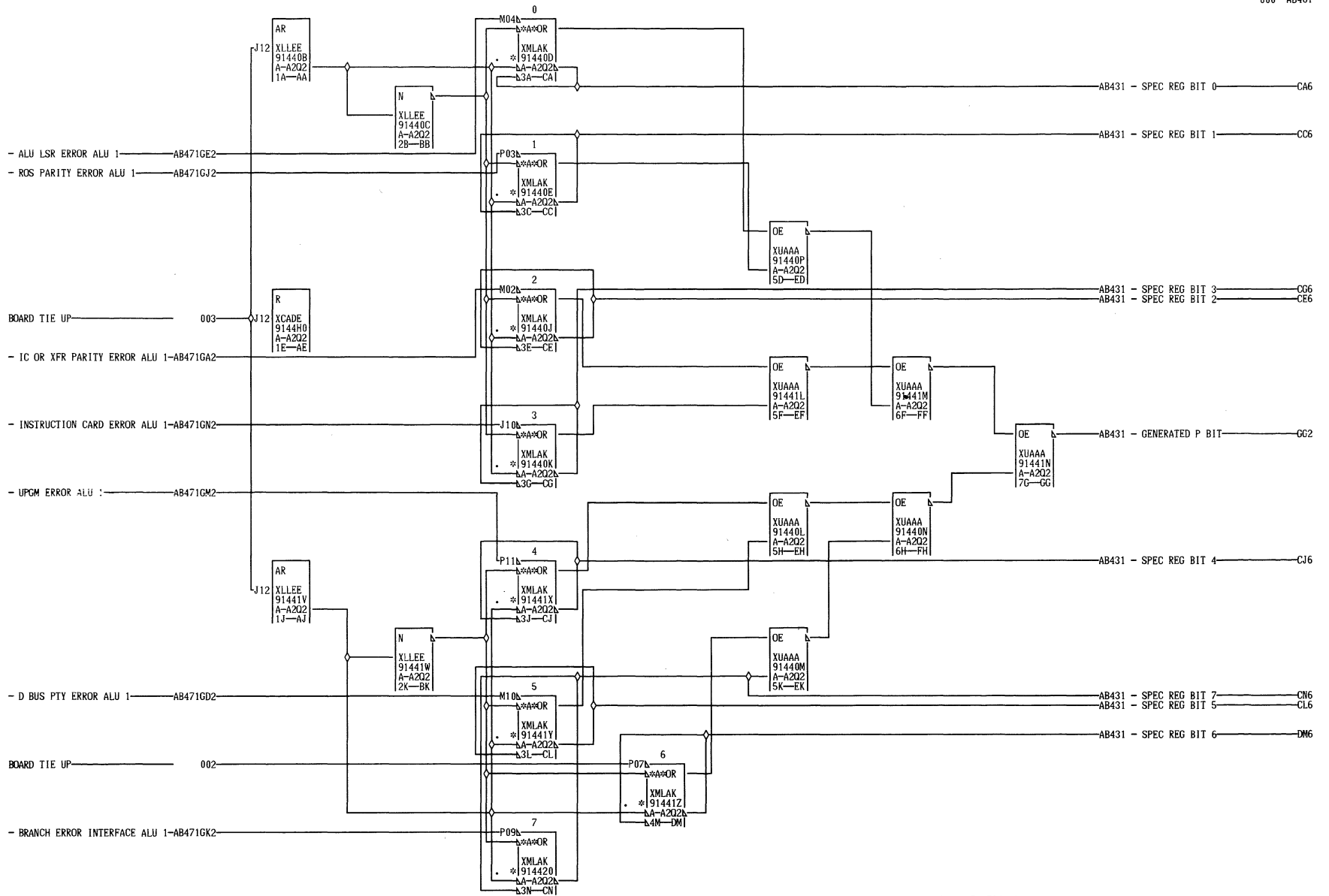
A  
B  
4  
5  
1

000

BUS OUT GATE TO ALU 1			
DATE	08-08-73	MACH.	3803-2
LOG	0051	FRAME	01
		P.N.	2736198
IBM CORP.	CO	BLK.	GP

A  
B  
4  
5  
1

000

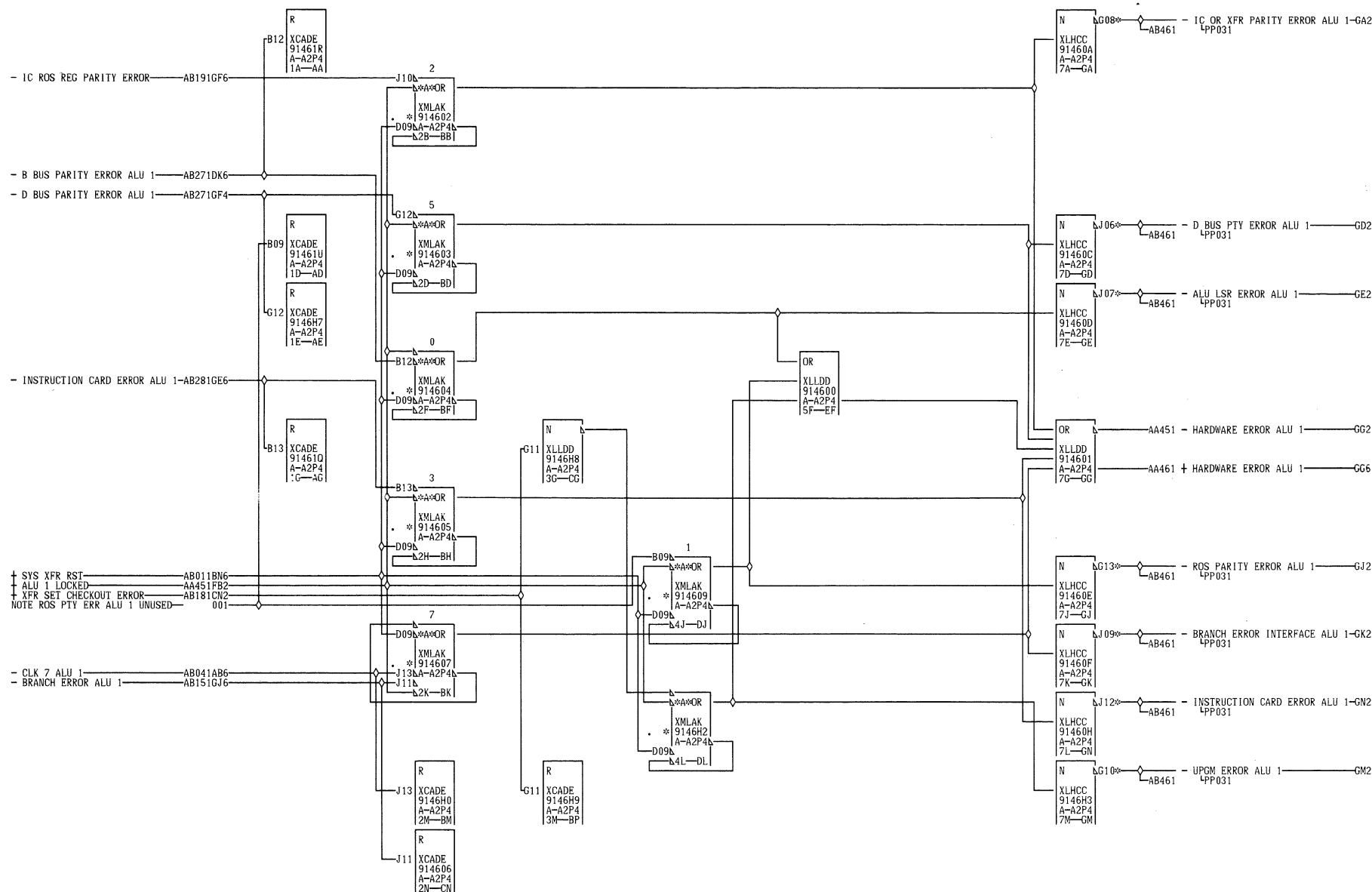


TIE UP A-A202P07 TO A-A2P2P08  
AND A-A202J12 TO A-A202J08  
WITH P/N 2520936

A  
B  
4  
6  
1  
000

07-17-73 734098

SPECIAL REGISTER			A
TU BUS IN OR HDWR ERRORS			B
DATE 08-18-81 MACH. 3803-2			4
LOG	0051 FRAME	01	6
P.N. 2736199			1
IBM CORP. SDD BLK.			000
			GH



NOTE SEE JUMPER LIST AA005

A  
B  
4  
7  
1  
000

GA2 A-A2B2D05 01A-A1A5D10  
 01A-A1A5D05 GM2 A-A2M1C13  
 GD2 A-A2B2D06 01A-A1M6C04  
 01A-A1A5D06 GN2 A-A2B2D11  
 GE2 A-A2B2D07 01A-A1A5D07  
 01A-A1A5D07  
 GJ2 A-A2B2D09  
 01A-A1A5D09  
 GK2 A-A2B2D10

07-17-73 734098

HARDWARE ERROR LATCHES ALU 1		
DATE	08-08-73	MACH. 3803-2
LOG	0051	FRAME 01
		P.N. 2736200
IBM CORP.	SDD BLK.	GP

A  
B  
4  
7  
1  
000