



ZY31-0642-0

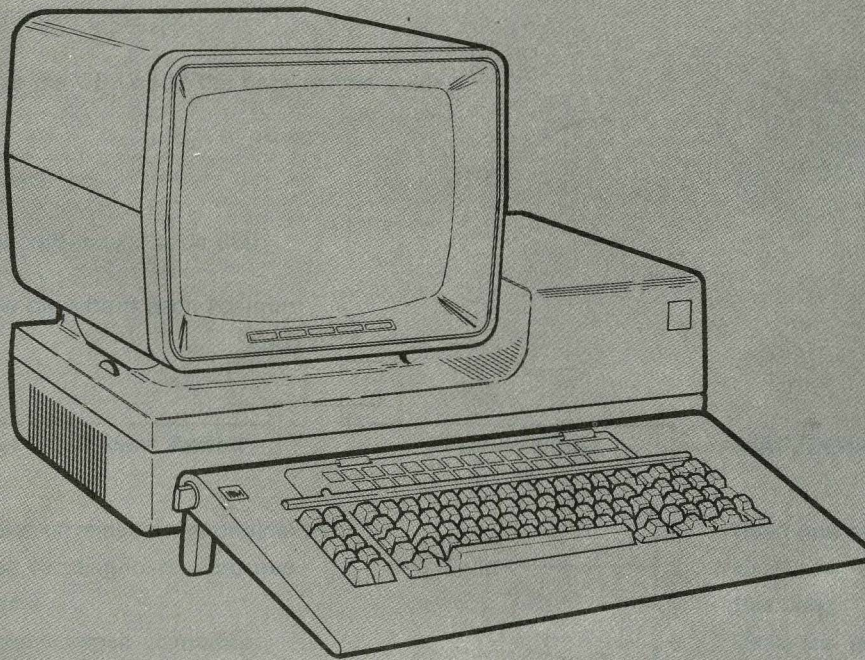
First Edition (September 1981)

Changes are periodically made to the information herein; these changes will be reported in new editions of the publication.

This publication is only for the purpose of guiding the customer engineer in coding the I/PAR and logging the maintenance activity for the IBM 5291 Display Station.

This publication could contain technical inaccuracies or typographical errors. Address your comments about this publication to IBM Corporation, Publications Department, 225 Rochester, Minnesota 55901. IBM may use and distribute any of the information you supply in any way it believes appropriate without incurring any obligation whatsoever. You may, of course, continue to use the information you supply.

IBM 5291 Display Station I/PAR Code Guide and CE Log



Serial No. _____

Install Date _____

First Edition (September 1981)

Changes are periodically made to the information herein; these changes will be reported in new editions of the publication.

This publication is only for the purpose of guiding the customer engineer in coding the I/PAR and logging the maintenance activity for the IBM 5291 Display Station.

This publication could contain technical inaccuracies or typographical errors. Address your comments about this publication to IBM Corporation, Publications, Department 245, Rochester, Minnesota 55901. IBM may use and distribute any of the information you supply in any way it believes appropriate without incurring any obligation whatever. You may, of course, continue to use the information you supply.

Contents

I/PAR Code Guide	1
Base (Lower Unit)	1
Keyboard Unit	2
Display Unit	3
Logic	4
Power	4
Customer Responsibility	4
No Trouble Found	5
Features/RPOs	6
CE Log	7

Instructions For Using This Guide

The minor codes have been expanded to allow additional feedback to identify why a field replaceable unit (FRU) was replaced.

For troubles on which a repair action has been taken:

- When a FRU is listed more than once, select the best overall description and add a comment in the narrative section of the I/PAR. Code 00 (Other) is not used as a minor code. Use the minor code supplied that best describes why the FRU was replaced.
- Record the three-digit major and the two-digit minor codes in the unit field of the I/PAR document.
- Select the cause code that best identifies the action, failure mode, MAP/diagnostic package, and problem determination procedures effectiveness.
- Record the cause code in the CAU ACT field of the I/PAR document.
- Complete the CE Log at the back of this guide.

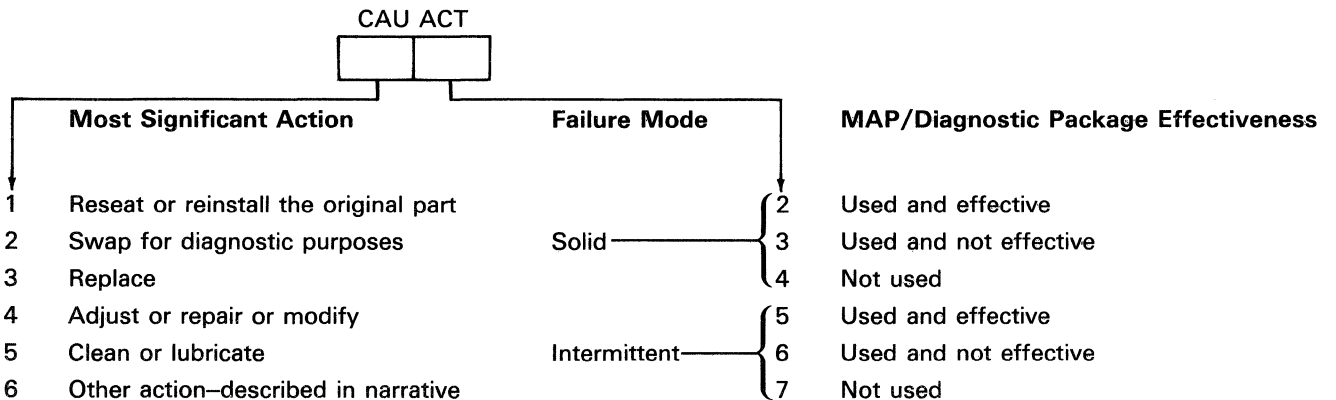
For all *No Trouble Found* calls:

- Refer to major code 960.
- Complete the CE Log at the back of this guide.

Cause Codes

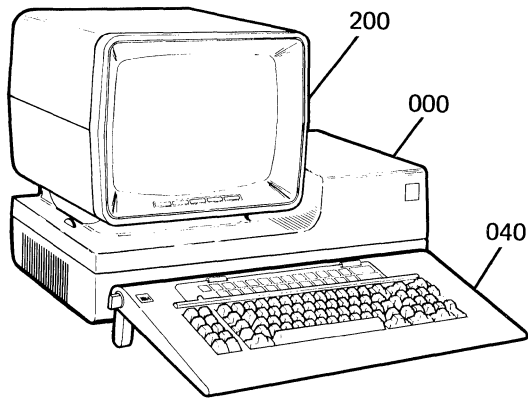
(Do not use with major code 960.)

Choose one digit from each column:



Note: Consider the MAPs and diagnostics effective if they identify the failing part or direct you to the appropriate repair action or procedure.

I/PAR Code Guide



000 BASE (LOWER UNIT)

For the primary power panel, see major code 600.

Alarm Assembly

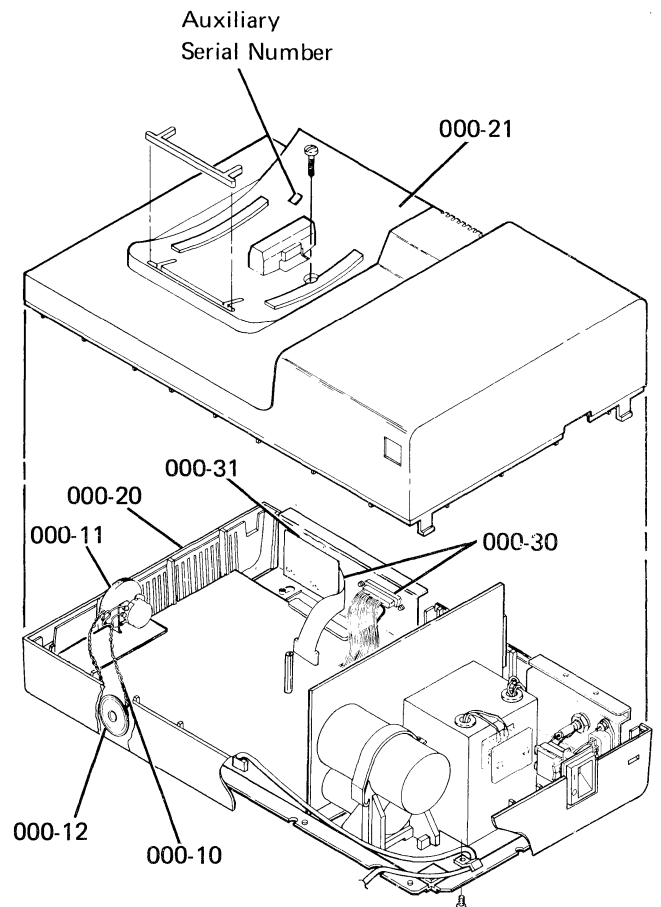
- 10 Cable
- 11 Potentiometer/knob
- 12 Speaker

Covers

- 20 Bottom
- 21 Top

I/O Assembly

- 30 Cable/Connector
- 31 Address/Terminator Switches



040 KEYBOARD UNIT

Cable Assembly

10 Cable

Covers

20 Base

21 Tilt Mechanism

22 Upper

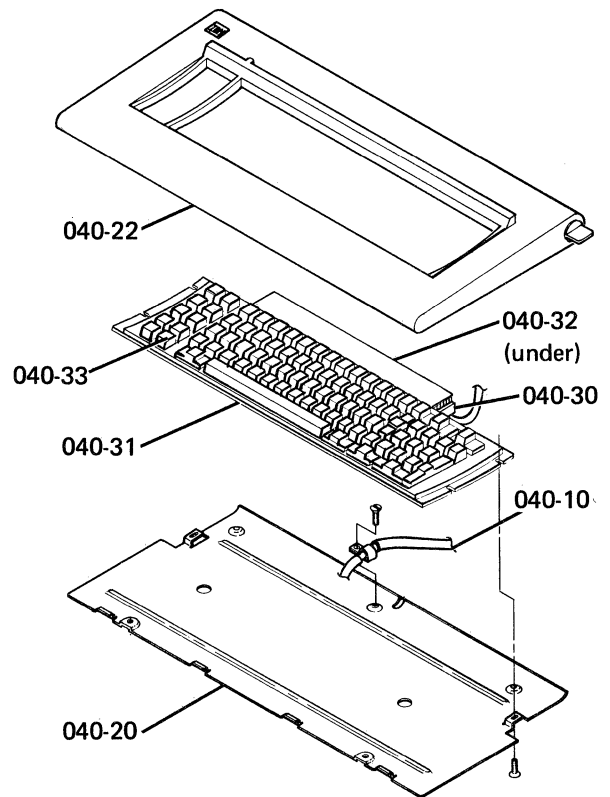
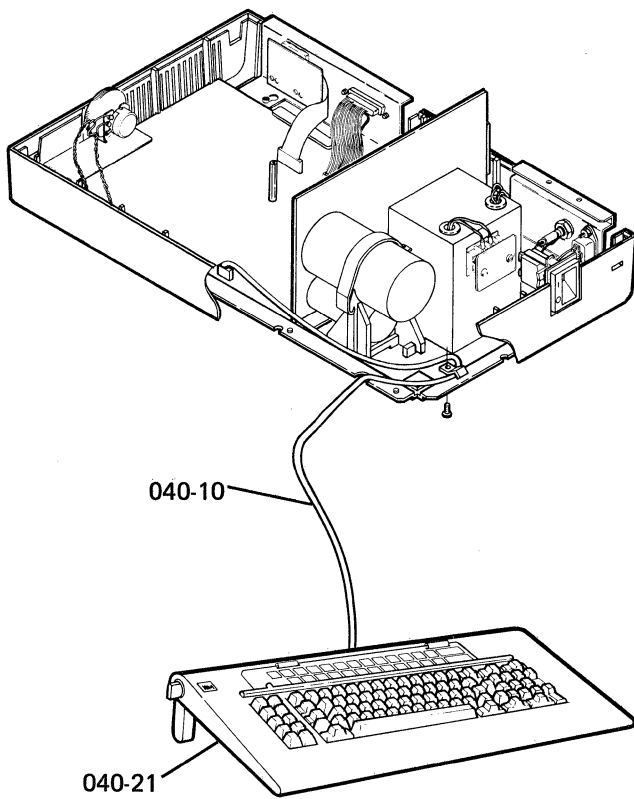
Logic Card/Key Assembly

30 Connector

31 Electrical

32 Jumpers

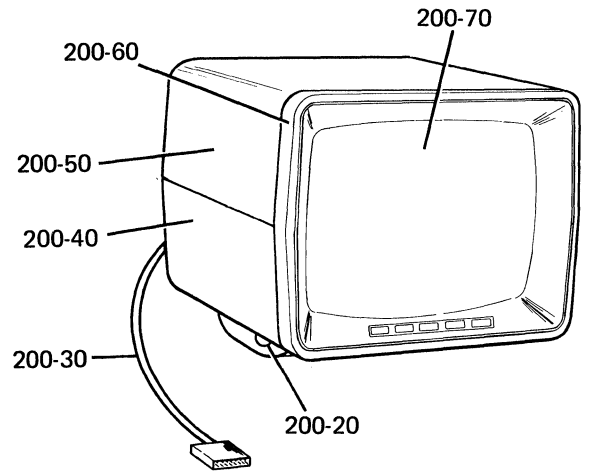
33 Key Stem/Key Tops



200 DISPLAY UNIT

Display Assembly

- 10 Adjustment (Describe in narrative)
- 20 Brightness Control/Knob
- 30 Cable Assembly
- 40 Cover, Bottom
- 50 Cover, Top
- 60 Retaining Ring
- 70 Screen (Describe symptom in narrative)



300 LOGIC

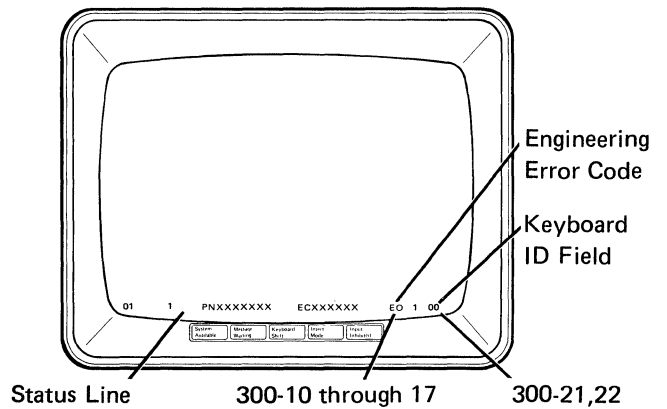
Error code available (Record first applicable error listed.)

Engineering Error Codes

- 10 E0
- 11 E1
- 12 E2
- 13 E3
- 14 E4
- 15 E5
- 16 E6
- 17 E7
- 21 KU
- 22 LU

Planar Symptom Codes

- 30 Communications Problem
- 40 Continuously Looping Diagnostics
- 50 Keyboard Logic Problem
- 60 No System Available Indicator
- 70 Screen Problem



600 POWER

AC Capacitor

10 AC Capacitor

AC Fuse

20 AC Fuse, F1

Line Cord

30 Line Cord

Power Supply Board

40 Fuse, +5 Vdc
 41 Fuse, -5 Vdc
 42 Printed Circuit Board

Primary Power Assembly

50 Cable
 51 Fuse Holder
 52 Line Filter (capacitor)
 53 Receptacle, Line Cord
 54 Switch, Power

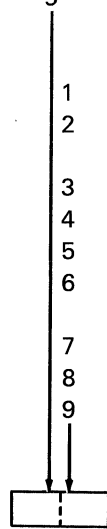
Transformer

60 Transformer

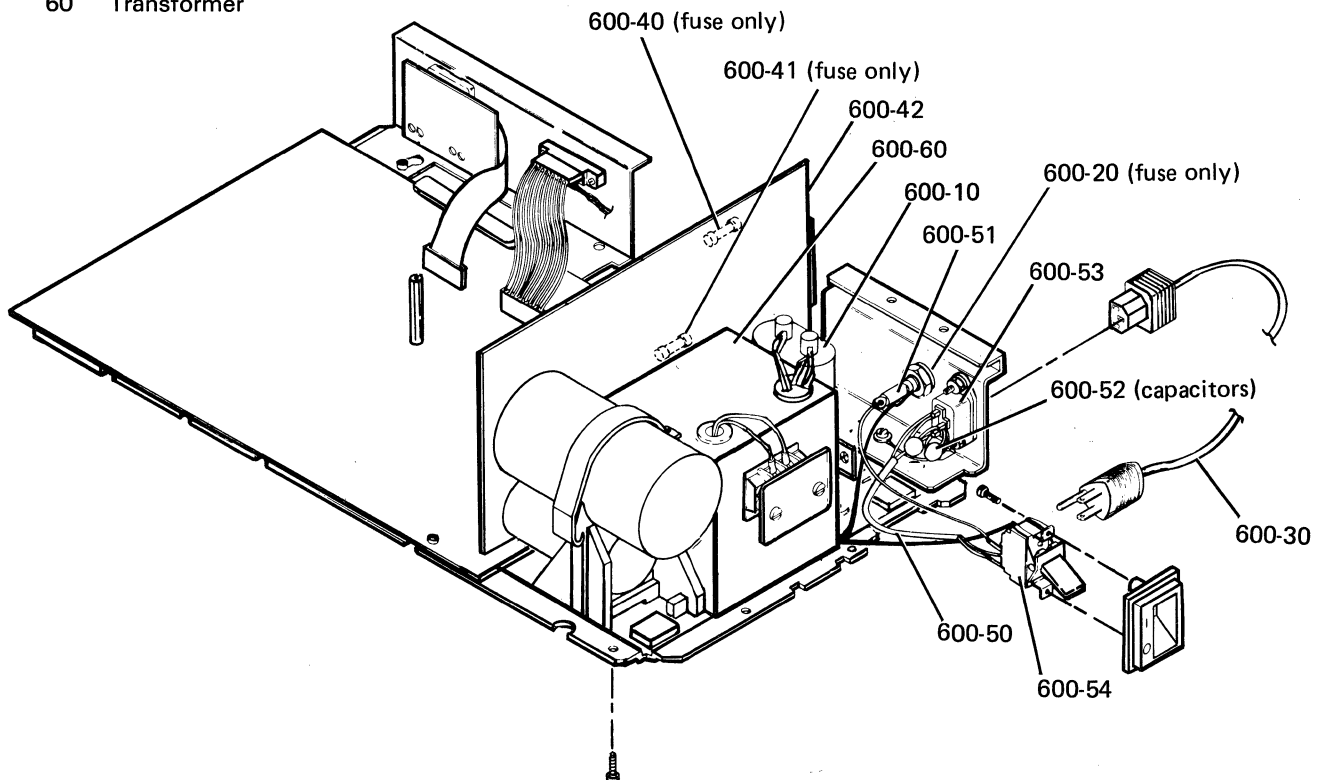
870 CUSTOMER RESPONSIBILITY

Construct a minor code from one choice out of the tens column (7, 8, or 9) and one choice out of the units column (1 through 9). Enter the minor code in the unit field of the I/PAR document.

- 7 Customer problem determination—
not used/not provided
 - 8 Customer problem determination—
used and effective
 - 9 Customer problem determination—
used and not effective
-
- 1 Address or terminator switches
 - 2 Configuration problem other than
switches or application program
 - 3 Customer application program
 - 4 Environment unsuitable
 - 5 Hardware compatibility
 - 6 Operating procedures incorrect or
operator error
 - 7 Power failure or difficulty (external)
 - 8 Station protectors
 - 9 Twinaxial cable, connectors



Minor Code (record in the unit field of the I/PAR document)



960 NO TROUBLE FOUND

Use major code 960 only to report calls when an error is logged, indicated, or reported, but no specific repair action is taken. Record 960 for the major code and the appropriate two digits for the minor code.

Error Code

If you have a four-digit error code, either on the display screen or in the Error History Table, record the first two digits for the minor code and the last two digits for the CAU ACT code of the I/PAR document.

Example:

Major	Minor	Cause
960	01	49

(The error code on the display screen was 0149.)

20 Display Unit

Use the appropriate cause code in the CAU ACT field of the I/PAR document.

40 Keyboard Unit

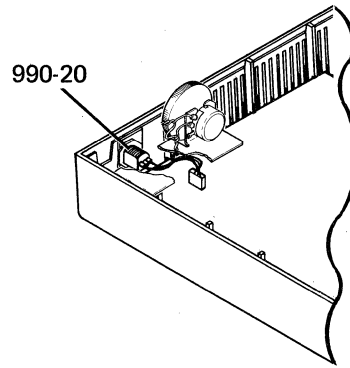
Use the appropriate cause code in the CAU ACT field of the I/PAR document.

60 Power

Use the appropriate cause code in the CAU ACT field of the I/PAR document.

990 FEATURES/RPQs

- 20 Keylock RPQ
- 30 RPQ (other than keylock.
Explain fully in narrative.)



CE Log

Date	Description of Problem/Action Taken (Do not record hours or part number.)	CE Name



International Business Machines Corporation

**General Systems Division
4111 Northside Parkway N.W.
P.O. Box 2150
Atlanta, Georgia 30055
(U.S.A. only)**

**General Business Group/International
44 South Broadway
White Plains, New York 10601
U.S.A.
(International)**

IBM 5291 Display Station I/PAR Code Guide and CE Log Printed in U.S.A. ZY31-0642-0