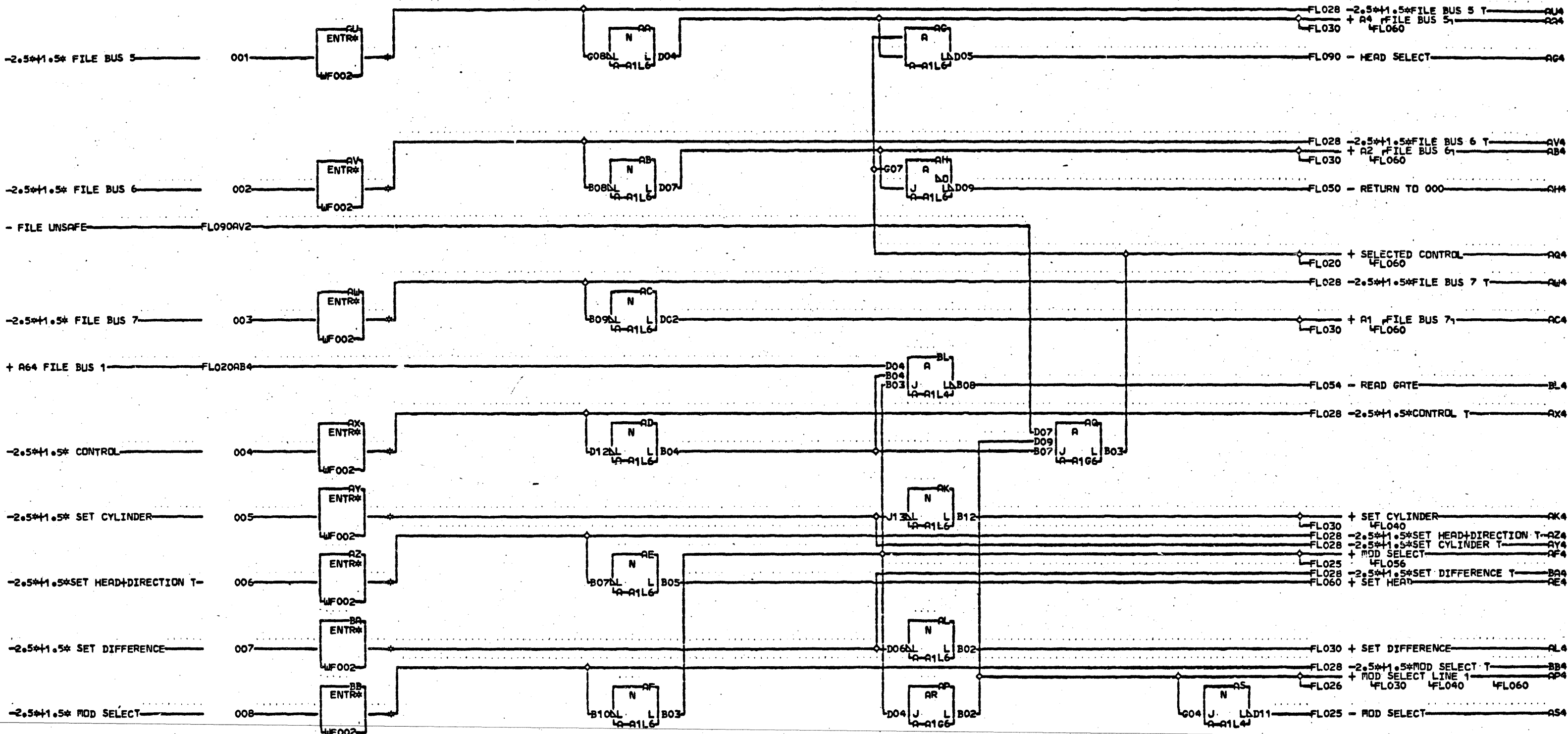


PAGE NO.	SH	TITLE	PART NO	EC NO.	FEATURE B/M OR B/MS
** LOGIC TYPE	SLT	BOARDS			
					6
01A-A1		CUSTOM BOARD	2218200	424000	
01A-A2		CUSTOM BOARD	2218202	420927	



AU4 P-11N7B07
 AV4 P-11N7B08
 AW4 P-11N7B09
 AX4 P-11N7B13
 AY4 P-11N7D13
 AZ4 P-11N7B12
 BA4 P-11N7B10
 BB4 P-11N6B09

LOC. TYPE
 A-116 6269
 A-114 8338
 A-116 4270

LINE RECEIVERS			
E.C. HISTORY		MACH-2314	
416035	416097	FRAME	01
416044	420852		
416080	420841		
416091	420925	IBM CORP. GPD	
DATE	LAST EC		
07-10-67	420928	P.No. 2218221	

FLO21

1201 F
1
000

PAGE NO. SH	TITLE	PART NC	EC NO.	FEATURE B/M OR B/MS
** LOGIC TYPE	SYSTEM DIAGRAMS			0
A1001	SOCKET LIST	2218216	420928	
A1003	SOCKET LIST	2218212	420928	
A2001	SOCKET LIST	2218218	420927	
A2003	SOCKET LIST	2218214	420927	
FD101	FILE I/O CAR MAR	2267925	424000	
FD102	READ/WRITE CIRCUITS	2267926	422947	
FD103	SAFETY CIRCUITS	2267927	424000	
FD104	ACCESS TIMING SOLENOID	2267928	422947	
FL020	LINE RECEIVERS	2218220	416091	
FL021	LINE RECEIVERS	2218221	420928	
FL025	LINE DRIVERS	2218222	416097	
FL026	LINE DRIVERS	2218223	424000	
FL028	TERMINATOR 2X8 SWITCH	2218264	416091	
FL030	CYL ADDR+RESET	2218224	416044	
FL040	DIFF CNTR	2218225	416097	
FL050	SOLENOID DRIVERS	2218226	420928	
FL053	ACCESS TIMING	2218227	420928	
FL054	ON LINE AND GATED ATTENTION	2218262	420928	
FL056	XDUCER CRT	2218228	420928	
FL060	HEAD ADDRESS REG	2218229	416097	
FL066	HEAD ADD+DECODE	2218230	416080	
FL069	Y SELECT 0-9	2218231	416044	
FL073	WRITE READ+ERASE	2218232	420927	
FL076	WRITE DRIVER+MATRIX EVEN	2218233	416096	
FL077	WRITE DRIVER+MATRIX ODD	2218234	416096	
FL081	PRE-AMP+WRITE TRIGGER	2218235	420927	
FL090	SAFETY CIRCUIT	2218236	424000	
FL093	READ ERASE+Y SELECT SAFETY	2218237	420927	
FL099	CE INDICATOR	2218238	416080	
FL120	SERVICE VOLTAGE BOARD	2218239	416035	
FL122	SERVICE VOLTAGE BOARD D-A2	2218240	416080	
FU020	LINE RECEIVERS	2218241	416091	
FU021	LINE RECEIVERS	2218242	420928	
FU025	LINE DRIVERS	2218243	416097	
FU026	LINE DRIVERS	2218244	424000	
FU028	TERMINATOR 2X8 SWITCH	2218265	416091	
FU030	CYL ADDR REC	2218245	416044	
FU040	DIFF CNTR	2218246	416097	
FU050	SOLENOID DRIVERS	2218247	420928	
FU053	ACCESS TIMING	2218248	420928	
FU054	ON LINE AND GATED ATTENTION	2218263	420928	
FU056	XDUCER CRT+SPEED DET	2218249	420928	
FU060	HEAD ADDRESS REG	2218250	416097	
FU066	HEAD ADD+DECODE	2218251	416044	
FU069	Y SELECT 0-9	2218252	416044	
FU073	WRITE READ+ERASE	2218253	420927	
FU076	WRITE DRIVER+MATRIX EVEN	2218254	416096	
FU077	WRITE DRIVER+MATRIX ODD	2218255	416096	
FU081	PRE-AMP+WRITE TRIGGER	2218256	420927	
FU090	SAFETY CIRCUIT	2218257	424000	
FU093	READ ERASE+Y SELECT SAFETY	2218258	420927	
FU099	CE INDUCTOR	2218259	416044	
FU120	SERVICE VOLTAGE BOARD	2218260	416044	
FU122	SERVICE VOLTAGE BOARD C-A2	2218261	416080	

** LOGIC TYPE REFERENCE DATA 5

WF001	2314 FILE DRIVE + INTERFACE CABLE	2218331	416034
WF002	2314 FILE - FCU INTERFACE	2218332	422947
YA001	AC-POWER CONTROL	2218333	420926
YB001	DC AND SIGNAL DIST	2218334	422947
YB003	ENABLE/DISABLE, MULTI-TAG SWITCHES	2239071	422947
ZL001	POWER ON/OFF SEQUENCE FILE LOWER	2218335	422947
ZL003	SOLENOIDS FILE LOWER	2218336	422947
ZU001	POWER ON/OFF SEQUENCE FILE UPPER	2218337	422947
ZU003	SOLENOIDS FILE UPPER	2218338	422947
ZZ001	COMPONENT LOCATIONS	2218339	422947

SOLID LOGIC DESIGN AUTOMATION—SOCKET LISTING

A6 A7	DOUBLE CARD 5806264 6264
FL056	A1 B1 C1 E1 F1 G1 H1 H2 J1 K1
UNUSED PORTIONS D	
A8	CONNECTOR E04 FL020AG4 E06 FL056AY5
B8	CONNECTOR A06 FL020AK4 B04 FL056AB6 B06 FL056AL4 C04 FL056BB4 E06 FL090BD4
C6	CONNECTOR B02 FL040BP4 B04 FL030AR4 B07 FL030AN4 B09 FL090AJ4 B10 FL030AK4 B13 FL030AJ4 D02 FL090AK4 D04 FL090AL4 D05 FL030AL4 D06 FL040BM4 D09 FL030AM4 D10 FL030AS4 D11 FL025CP4 D12 FL040BK4 D13 FL030AP4
C7	CONNECTOR B02 FL060AN4 B04 FL040AT4 B07 FL060BC4 B09 FL040AL4 B10 FL026EF4 B12 FL054BB4 D02 FL040AR4 D04 FL060BA4 D05 FL040AN4 D07 FL060AL4 D09 FL040BH4 D11 FL030BD4 D12 FL060BP4
C8	CONNECTOR A06 FL093AG4 B04 FL073AB4 B06 FL090AB3 C04 FL090AB5 C06 FL090AB6 D04 FL020AH4 E04 FL093AB2
D6 D7	DOUBLE CARD 5807221 7221
FL090	AA AB AC AE AF AJ AK AL AM AN AP AR AS AT AU AV AX AY AZ BA BB BD BE BF BG
D8	CONNECTOR A04 FL066AB4 A06 FL066AF4 E04 FL056AK4
E6 E7	DOUBLE CARD 5804273 4273
FL060	A1 A4 A5 A7 AA AB AC AD AE AF AG AH AJ AK AL AM AN AP AQ AS AT AU AV AW AX AY AZ
FL025	BA
E8	CONNECTOR B04 FL056AY5 B06 FL056AY7 C04 FL056AY4 D04 FL056AK4 E04 FL056AW5 E06 FL056AW2
1F6 0F7 0 1	DOUBLE CARD 5807325 7325
FL053	AA AB AD AE AF AG AH AJ AK AL AM AN AP AR AT AW AX AY

AZ BA BC BH BJ FL050 BK	F8	CONNECTOR A04 FL056AY2 B04 FL056AX6 B06 FL056AW4 C04 FL056AX7 E04 FL056BA4 E06 FL056AX8

SINGLE CARD 8340 .01U	G5	
FL054 BA CA	G6 G7	DOUBLE CARD 5806269 6269
FL056 AA FL090 BA FL053 CA FL050 DA DB FL090 FA FL050 GA GB FL021 HA HB JA JB FL050 KA FL054 LA FL050 MA FL020 PA PB FL090 SA FL026 TA		

CONNECTOR A04 FL056AX4 A06 FL056AK4	G8	

DOUBLE CARD 5808338 8338	H4 H5	
FL050 A1 A2 B1 FL056 C1 FL050 D1 E1 FL021 F1 FL054 G1 H1 FL050 J1 FL056 K1 K2 FL053 L1 M1		
UNUSED PORTIONS P		

DOUBLE CARD 5806270 6270	H6 H7	
FL040 01 02 03 04 05 06 07 08 09 10 11 12 13 14 15 16 17 18 19 21 22 23 24 25 26 27 28 29 30 31 32 33 34 35 36 37 38 39 40 B1		

DOUBLE CARD 5808338 8338	J4 J5	
FL050 A1 A2 B1 C1 FL054 D1 FL090 E1 FL053 F1 FL054 G1 H1 FL050 J1 K1 K2 FL054 L1 FL053 M1		
UNUSED PORTIONS P		

DOUBLE CARD 5804268 4268	J6 J7	
FL030 A3 AA AB AC AD AE AF AG AH AJ AK AL AM AN AP AQ AS AT AU AV AW AX AY AZ BA BC		
UNUSED PORTIONS D		

CONNECTOR B06 FL090CA4 D04 FL093AG4 E04 FL093AK4 E06 FL073AB4	J8	

DOUBLE CARD 5808338 8338	K4 K5	
FL050 A1 A2 B1 FL090 C1 D1 FL026 E1 F1 FL054 G1 H1 J1 FL050 K1 K2 FL053 L1 FL090 M1		
UNUSED PORTIONS P		

DOUBLE CARD 5804270 4270	K6 K7	
FL026 AA AB AC AD AE AF AG AJ AK AM AN AP AQ BA BB BC BD BE BF BG BH BJ BK BL BM BN FL025 CB CC FL020 DA DB DC DE DF FA HA FL050 LA		
UNUSED PORTIONS J K M		

CONNECTOR A04 FL093AB2 A06 FL093AF4 E04 FL066AP4 E06 FL066AL4	K8	

DOUBLE CARD 5808338 8338	L4 L5	
FL050 A1 A2 B1 FL090 C1 FL021 D1 FL054 E1 FL050 F1 FL056 G1 FL021 H1 FL050 J1 K1 K2 L1 FL090 M1		
UNUSED PORTIONS P		

DOUBLE CARD 5804270 4270	L6 L7	
FL025 AA AB AC AD AE AF AG AJ AK AM AN AP AQ BA BB BC BD BE BF BG BH BJ BK BL BM BN BP CB CC FL021 DA DB DC DE DF FA HA JA KA LA		
UNUSED PORTIONS M		

CONNECTOR A06 FL030AJ4 B04 FL066AK4 B06 FL066AS4 C04 FL066AJ4 C06 FL066AN4 D04 FL066AV4 E04 FL066AM4 E06 FL066AR4	L8	

SINGLE CARD 5800720 0720	M5	
FL028 AA AB AC AD AE AF AG AH AM AN AP AQ AR		
UNUSED PORTIONS B C D E F G H J K L M N P Q S		

DOUBLE CARD 5806261 6261	M6 M7	
FL066 AA AB AC AD AE AF AG AH AJ AK FL060 AL AM AN AP AQ AR AS FL066 C1 C2 C3 C4 C5 C6		

C7 C9 CB UNUSED PORTIONS B	M8	CONNECTOR A06 FL066AA4 B04 FL066AT4 B06 FL066AQ4 C04 FL066AH4 C06 FL066AC4 E04 FL066AE4 E06 FL066AG4

CONNECTOR B02 FL090CG4 B02 FL090CC4 B03 FL050AJ4 B04 FL050BA4 B05 FL056AL4 B07 FL050AY4 B08 FL050AV4 B09 FL050AZ4 B10 FL050AW4 B12 FL050AT4 B13 FL050AX4 D02 FL090AY4 D05 FL054BL4 D06 FL054BC4 D07 FL053AS4 D09 FL053BC4 D10 FL050BZ4 D12 FL056AV4 D13 FL090BT4	N5	

CONNECTOR B02 FL026AN4 B03 FL026AM4 B04 FL026BC4 B05 FL026BB4 B06 FL020AH4 B07 FL025BA4 B08 FL025BB4 B09 FL021BB4 B10 FL025AZ4 D02 FL026BD4 D04 FL026AL4 D05 FL026AK4 D06 FL026BA4 D07 FL066AV4 D11 FL090BD4 D13 FL066AW4	N6	

CONNECTOR B02 FL020AJ4 B03 FL020AF4 B04 FL020AS4 B05 FL020AT4 B07 FL021AJ4 B08 FL021AV4 B09 FL021AW4 B10 FL021BA4 B12 FL021AZ4 B13 FL021AX4 D02 FL025CH4 D05 FL025CM4 D06 FL025AL4 D07 FL025AK4 D09 FL025BD4 D10 FL025AM4 D11 FL025BC4 D12 FL020AU4 D13 FL021AY4	N7	

CONNECTOR A04 FL066AF4 A06 FL066AB4	N8	

PLUG LIST

PART NO	ACC	TYPE	SOCKETS	TOTAL
5800720	2X85	0720	M5	01
5804268		4268	J6	01
5804270		4270	K6 L6	02
5804273		4273	E5	01
5806261		6261	M6	01
5806264		6264	A6	01
5806269		6269	G6	01
5806270		6270	H6	01
5807221		7221	D6	01
5807325		7325	F6	01
5808338		8338	H4 J4 K4 L4 A8 B8 C6 C7 C8 D8 E8 F8 G8 J8 K8 L8 M8 N5 N6 N7	04 17
.01U 8340 G5				01

SOCKET LISTING
DATE 07-31-67 PACH. 2314

LOG 212T BOARD 01A-01
PREV. ENGR. - - 420925
PRES. ENGR. 07-31-67 420928
P.N. 2218216

IBM CORP. SDD BLK.

000
000
000

A1 CONNECTOR
E09 FU020AG4
E11 FU056AY5

A2 DOUBLE CARD
A3 5806264 6264

FU056 A1 B1 C1 E1 F1 G1
H1 H2 J1 K1

UNUSED PORTIONS

D

B1 CONNECTOR
A11 FU020AK4
B09 FU056AB6
B11 FU056AL4
C09 FU056BB4
E11 FUC90BD4

C1 CONNECTOR
A11 FU093AG4
B09 FU073AB4
B11 FU090AB3
C09 FU090AB5
C11 FU090AB6
D09 FU020AH4
E09 FU093AB2

C2 CONNECTOR
B02 FU040BP4
B04 FU030AR4
B07 FU030AN4
B09 FU090AJ4
B10 FU030AK4
B13 FU030AJ4
D02 FU090AK4
D04 FU090AL4
D05 FU030AL4
D06 FU040BM4
D09 FU030AM4
D10 FU030AS4
D11 FU025CG4
D12 FUC40BK4
D13 FU030AP4

C3 CONNECTOR
B02 FU060AN4
B04 FU040AT4
B07 FUC60BC4
B09 FU040AL4
B10 FU026BF4
B12 FU054BB4
D02 FU040AR4
D04 FU060BA4
D05 FU040AN4
D07 FU060AL4
D09 FU040BH4
D11 FU090BD4
D12 FU060BP4

C4 DOUBLE CARD
C5 5808338 8338

FU050 A1 A2 B1
FU056 C1
FU054 D1 E1
FU050 F1
FU054 G1 H1
FU053 J1
FU050 K1 K2
FU053 L1 M1

UNUSED PORTIONS

P

D1 CONNECTOR
A09 FU066AB4
A11 FU066AF4
S09 FU056AK4

D2 DOUBLE CARD
D3 5807221 7221

FU090 AA AB AC AD AE AF AJ
AK AL AM AN AP AR
AS AT AU AV AX AY
AZ BA BB BD BE BF
BG

D4 DOUBLE CARD
AD5 5808338 8338

FU050 A1 A2 B1 C1
FU054 D1
FU090 E1
FU053 F1
FU054 G1 H1

FU050 J1 K1 K2
FU054 L1
FU053 M1

UNUSED PORTIONS

P

E1 CONNECTOR
B09 FU056AY5
B11 FU056AY7
C09 FU056AY4
D09 FU056AK4
E09 FU056AW5
E11 FU056AW2

E2 DOUBLE CARD
E3 5804273 4273

FU060 A1 A4 A5 A7 AA AB
AC AD AE AF AG AH
AJ AK AL AM AN AP
AQ AS AT AU AV AW
AX AY AZ

FU025 BA

E4 DOUBLE CARD
E5 5808338 8338

FU050 A1 A2 B1
FU090 C1 D1
FU026 E1 F1
FU054 G1 H1 J1
FU050 K1 K2
FU053 L1
FU090 M1

UNUSED PORTIONS

P

F1 CONNECTOR
A09 FU056AY2
B09 FU056AX6
B11 FU056AW4
C09 FU056AX7
E09 FU056BA4
E11 FU056AX8

F2 DOUBLE CARD
F3 5807325 7325

FU053 AA AB AD AE AF AG
AH AJ AK AL AM AN
AP AR AT AU AX AY
AZ BA BB BJ

FU050 BK

F4 DOUBLE CARD
F5 5808338 8338

FU050 A1 A2 B1
FU090 C1
FU021 D1
FU054 E1
FU050 F1
FU056 G1
FU021 H1
FU050 J1 K1 K2 L1
FU090 M1

UNUSED PORTIONS

P

G1 CONNECTOR
A09 FU056AX4
A11 FU056AK4

G2 DOUBLE CARD
G3 5806269 6269

FU056 AA
FU090 BA
FU053 CA
FU050 DA DB
FU090 FA
FU050 GA GB
FU021 HA HB JA JB
FU050 KA
FU054 LA
FU050 MA
FU020 PA PB
FU090 SA
FU026 TA

G5 SINGLE CARD
8340 .01U

FU054 AA AB

H2 DOUBLE CARD
H3 5806270 6270

FU040 01 02 03 04 05 06
07 08 09 10 11 12
13 14 15 16 17 18
19 21 22 23 24 25
26 27 28 29 30 31
32 33 34 35 36 37
38 39 40 B1

J1 CONNECTOR
B11 FU090CA4
D09 FU093AG4
E09 FU093AK4
E11 FU073AB4

J2 DOUBLE CARD
J3 5804268 4268

FU030 A3 AA AB AC AD AE
AF AG AH AJ AK AL
AM AN AP AQ AS AT
AU AV AW AX AY AZ
BA BC

FU050 CA

UNUSED PORTIONS

D

K1 CONNECTOR
A09 FU093AB2
A11 FU093AF4
E09 FU066AF4
E11 FU066AL4

K2 DOUBLE CARD
K3 5804270 4270

FU026 AA AB AC AD AE AF
AH AJ AK AM AN AP
AQ BA BB BC BD BE
BF BG BH BJ BK BL
BN BM

FU025 CB CC
FU020 DA DB DC DE DF FA
HA

FU050 LA

UNUSED PORTIONS

J K M

L1 CONNECTOR
A11 FU030AJ4
B09 FU066AK4
B11 FU066AS4
C09 FU066AU4
C11 FU066AV4
D09 FU066AV4
E09 FU066AM4
E11 FU066AR4

L2 DOUBLE CARD
L3 5804270 4270

FU025 AA AB AC AD AE AF
AH AJ AK AM AN AP
BA BB BC BD BE BF
BG BH BJ BK BL BM
BN BP CB CC
FU021 DA DB DC DE DF FA
HA JA KA LA

UNUSED PORTIONS

M

M1 CONNECTOR
A11 FU066AA4
B09 FU066AT4
B11 FU066AQ4
C09 FU066AH4
C11 FU066AC4
E09 FU066AE4
E11 FU066AG4

M2 DOUBLE CARD
M3 5806261 6261

FU066 AA AB AC AD AE AF
AG AH AJ AK
FU060 AL AM AN AP AQ AR
AS
FU066 C1 C2 C3 C4 C5 C6
C7 C9 C9

UNUSED PORTIONS

B

M4 SINGLE CARD 2X85
5800720 0720

FU028 AA AB AC AD AE AF
AG AH AM AN AP AQ
AR

UNUSED PORTIONS

B C D E F G H J K
L M N P Q S

N1 CONNECTOR
A09 FU066AF4
A11 FU066AB4

N2 CONNECTOR
B02 FU026AN4
B03 FU026AM4
B04 FU026BC4
B05 FU026BB4
B06 FU020AH4
B07 FU025BA4
B08 FU025BB4
B09 FU021BB4
B10 FU025AZ4
D02 FU025BD4
D04 FU025AL4
D05 FU025AK4
D06 FU025BA4
D07 FU066AV4
D11 FU090BD4
D13 FU066AW4

N3 CONNECTOR
B02 FU020AQ4
B03 FU020AR4
B04 FU020AS4
B05 FU020AT4
B07 FU021AU4
B08 FU021AV4
B09 FU021AW4
B10 FU021BA4
B12 FU021AZ4
B13 FU021AX4
D02 FU025CH4
D05 FU025CM4
D06 FU025AL4
D07 FU025AK4
D09 FU025BD4
D10 FU025AM4
D11 FU025BC4
D12 FU020AU4
D13 FU021AY4

N4 CONNECTOR
B02 FU090CG4
B03 FU050AU4
B04 FU050BA4
B05 FU056AL4
B07 FU050AY4
B08 FU050AV4
B09 FU050AZ4
B10 FU050AW4
B12 FU050AT4
B13 FU050AX4
D02 FU090AY4
D05 FU054BL4
D06 FU054BC4
D07 FU053AS4
D09 FU053BC4
D10 FU050BZ4
D12 FU056AV4
D13 FU090BT4

PLUG LIST

PART NO	ACC	TYPE	SOCKETS	TOTAL
5800720	2X85	0720	M4	01
5804268		4268	J2	01
5804270		4270	K2 L2	02
5804273		4273	E2	01
5806261		6261	M2	01
5806264		6264	A2	01
5806269		6269	G2	01
5806270		6270	H2	01
5807221		7221	D2	01
5807325		7325	F2	01
5808338		8338	C4 D4 E4 F4	04
	CONN	A1 B1 C1 C2		17
		C3 D1 E1 F1		
		G1 J1 K1 L1		
		M1 N1 N2 N3		
		N4		
.C1U	8340	G5		01

SOCKET LISTING
DATE 07-31-67 MACH. 2314

LOG 212U BOARD 01A-A1
PREV. ENGR. - - 420925
PRES. ENGR. 07-31-67 420928
P.N. 2218212

IBM CORP. SDD BLK.

A
1
0
0
3
000

```

A1 CONNECTOR
  B02 FU081AK4
  B09 FU090CA4
  B12 FU073AB4
  B13 FU093AF4
  D11 FU093AG4
  D12 FU093AK4
  D13 FU093AB2
-----
A2 CONNECTOR
  B02 FU066AL4
  B03 FU030AJ4
  B04 FU066AS4
  B05 FU066AN4
  B07 FU066AR4
  B08 FU066AQ4
  B09 FU066AQ4
  B10 FU066AQ4
  B12 FU066AC4
  B13 FU066AB4
  D02 FU066AP4
  D04 FU066AK4
  D05 FU066AJ4
  D06 FU066AV4
  D07 FU066AR4
  D09 FU066AT4
  D10 FU066AH4
  D12 FU066AE4
  D13 FU066AF4
-----
B1 SINGLE CARD
  6846
  FU081 AA AB
  FU093 BA
  FU073 CA DA
-----
C1 DOUBLE CARD
  5806268 6258
  FU069 AA AB AC AD AE AF
  AG AH AJ AK
  FU093 AL AM BA
  UNUSED PORTIONS
  C
-----
D1 SINGLE CARD
  6636
  FU081 AE BA
-----
E1 DOUBLE CARD
  5806277 6277
  FU073 AA AB AD AF AG BA
  BB
  FU093 BE BF
  UNUSED PORTIONS
  C
-----
F1 DOUBLE CARD
  5807332 7332
  FU076 01
  FU077 01
  FU076 02
  FU077 02
  FU076 03
  FU077 03
  FU076 04
  FU077 04
  FU076 05
  FU077 13
  FU076 19 20 21 22 23
  FU077 27 28 29 30
  FU076 36
  FU077 37
  FU076 38
  FU077 41
  
```

PLUG LIST				
PART NO	ACC	TYPE	SOCKETS	TOTAL
5806268		6268	C1	01
5806277		6277	E1	01
5807332		7332	F1	01
		6836	D1	01
		6846	B1	01
		CONN	A1 A2	02

SOCKET LISTING
 DATE 06-07-67 PACH. 2314
 LOG 158F BOARD 010-A2
 PREV. ENGR. 10-17-66 420832
 PRES. ENGR. 07-06-67 420927
 P.N. 2218218 SDD
 IBM CORP. SDD BLK.

0002

20001
 70

A1	CONNECTOR
B02	FLO81AK4
B09	FLO90CA4
B12	FLO73AB4
B13	FLO93AF4
D11	FLO93AG4
D12	FLO93AK4
D13	FLO93AB2

A2	CONNECTOR
B02	FL066AL4
B03	FL030AJ4
B04	FL066AS4
B05	FL066AN4
B07	FL066AR4
B08	FL066AQ4
B09	FL066AG4
B10	FL066AC4
B12	FL066AQ4
B13	FL066AB4
D02	FL066AP4
D04	FL066AK4
D05	FL066AU4
D06	FL066AV4
D07	FL066AM4
D09	FL066AT4
E10	FL066AH4
D12	FL066AE4
D13	FL066AF4

B1	SINGLE CARD
	6846
	FLO81 AA AB
	FLO93 BA
	FLO73 CA DA

C1	DOUBLE CARD
C2	5806268 6268
	FLO69 AA AB AC AD AE AF
	AG AH AJ AK
	FLO93 AL AM BA
	UNUSED PORTIONS
	C

D1	SINGLE CARD
	6836
	FLO81 AE BA

E1	DOUBLE CARD
E2	5806277 6277
	FLO73 AA AB AD AF AG BA
	BB
	FLO93 BE BF
	UNUSED PORTIONS
	C

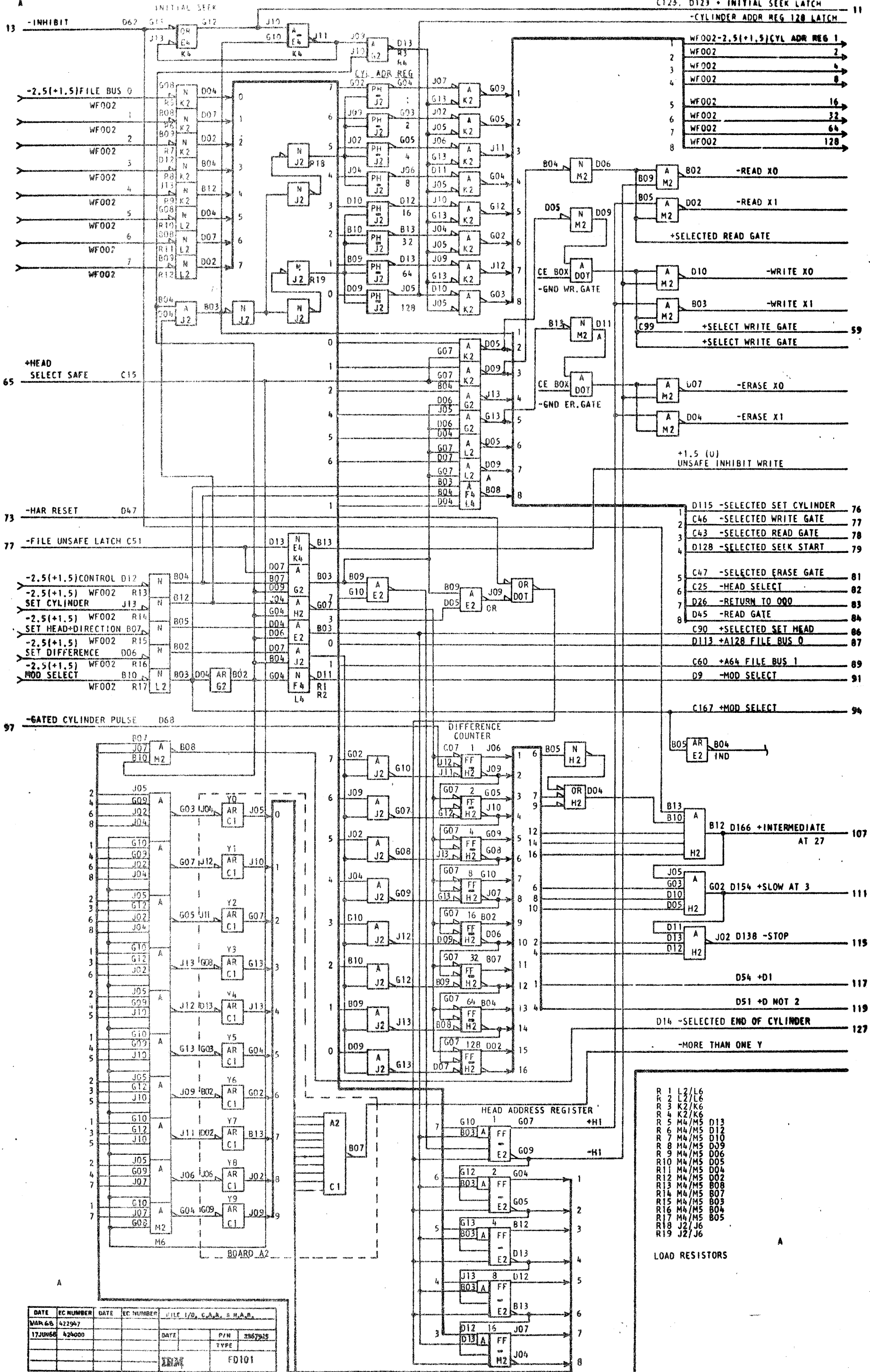
F1	DOUBLE CARD
F2	5807332 7332
	FLO76 01
	FLO77 01
	FLO76 02
	FLO77 02
	FLO76 03
	FLO77 03
	FLO76 04
	FLO77 04
	FLO76 05
	FLO77 13
	FLO76 19 20 21 22 23
	FLO77 27 28 29 30
	FLO76 36
	FLO77 37
	FLO76 38
	FLO77 41

PLUG LIST				
PART NO	ACC	TYPE	SOCKETS	TOTAL
5806268		6268	C1	01
5806277		6277	E1	01
5807332		7332	F1	01
		6836	D1	01
		6846	B1	01
		CONN	A1 A2	02

SOCKET LISTING
 DATE 06-07-67 RACH. 2314
 LOG 1586 BOARD 01D-A2
 PREV. ENGR. 10-17-66 420832
 PRES. ENGR. 07-06-67 420927
 P.No. 2218214 SDD
 IBM CORP. SDD BLK.

2
0
0
3
000

jo.



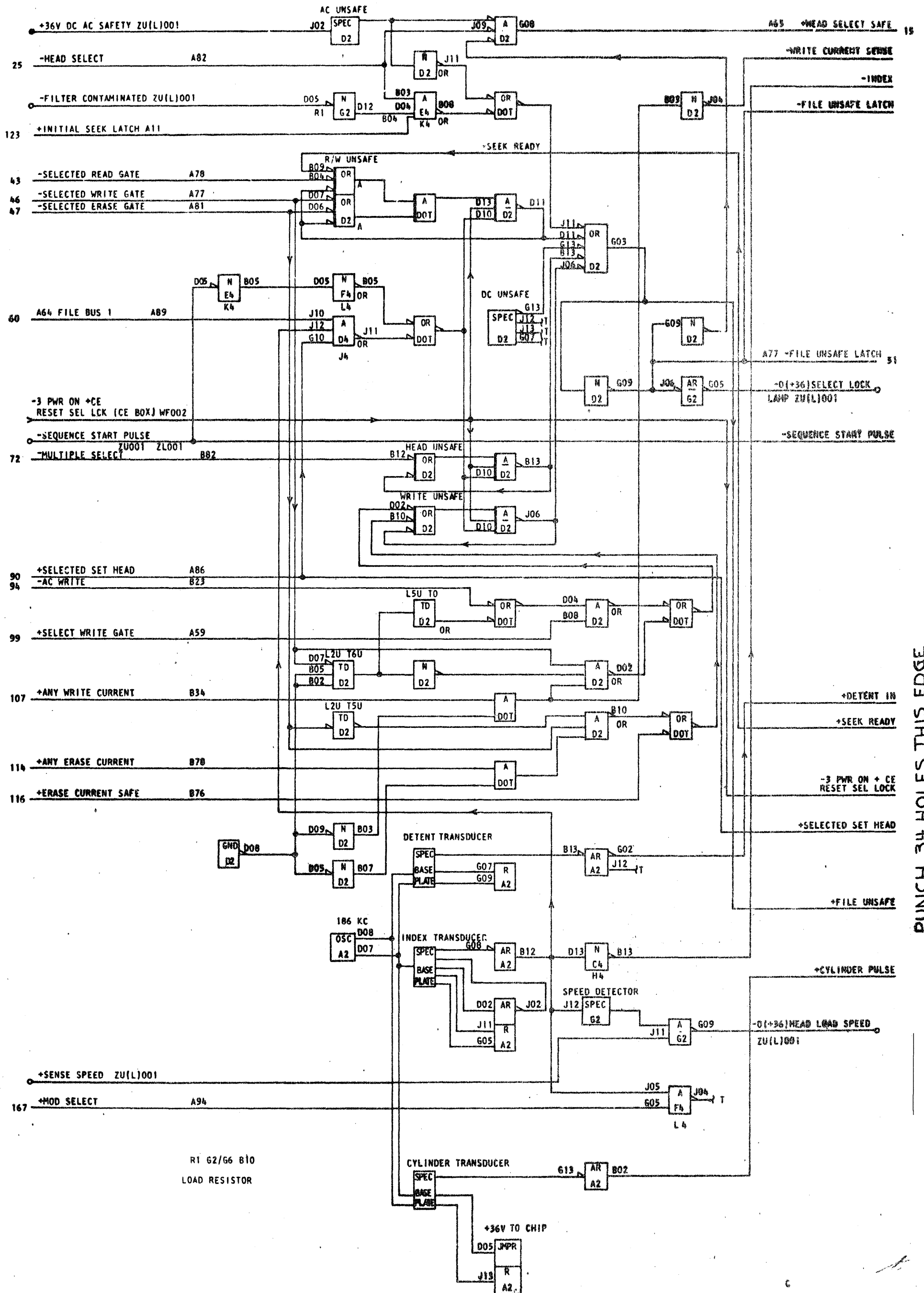
PUNCH 34 HOLES THIS EDGE

DATE	EC NUMBER	DATE	EC NUMBER	FILE I/O, C.A.A., S.H.A.A.
MAR 68	422947			
17 JUN 68	424000			

DATE	P/N	TYPE
	3867315	

IBM FD101

- LOAD RESISTORS
- R 1 L2/L6
 - R 2 L2/L6
 - R 3 K2/K6
 - R 4 K2/K6
 - R 5 M4/M5 D13
 - R 6 M4/M5 D12
 - R 7 M4/M5 D10
 - R 8 M4/M5 D09
 - R 9 M4/M5 D06
 - R 10 M4/M5 D05
 - R 11 M4/M5 D04
 - R 12 M4/M5 D02
 - R 13 M4/M5 B08
 - R 14 M4/M5 B07
 - R 15 M4/M5 B03
 - R 16 M4/M5 B04
 - R 17 M4/M5 B05
 - R 18 J2/J6
 - R 19 J2/J6

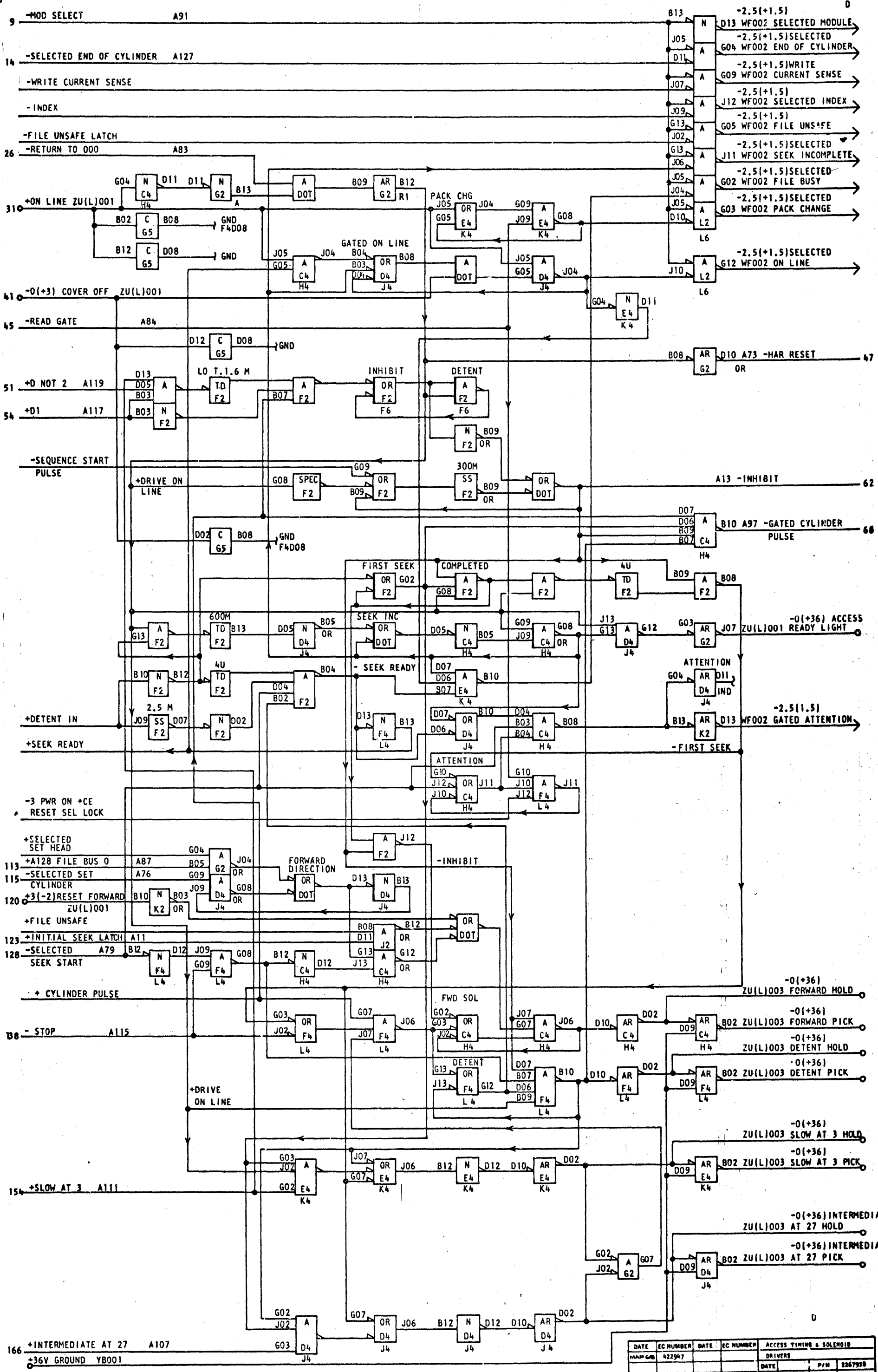


PUNCH 34 HOLES THIS EDGE

RT G2/G6 B10
LOAD RESISTOR

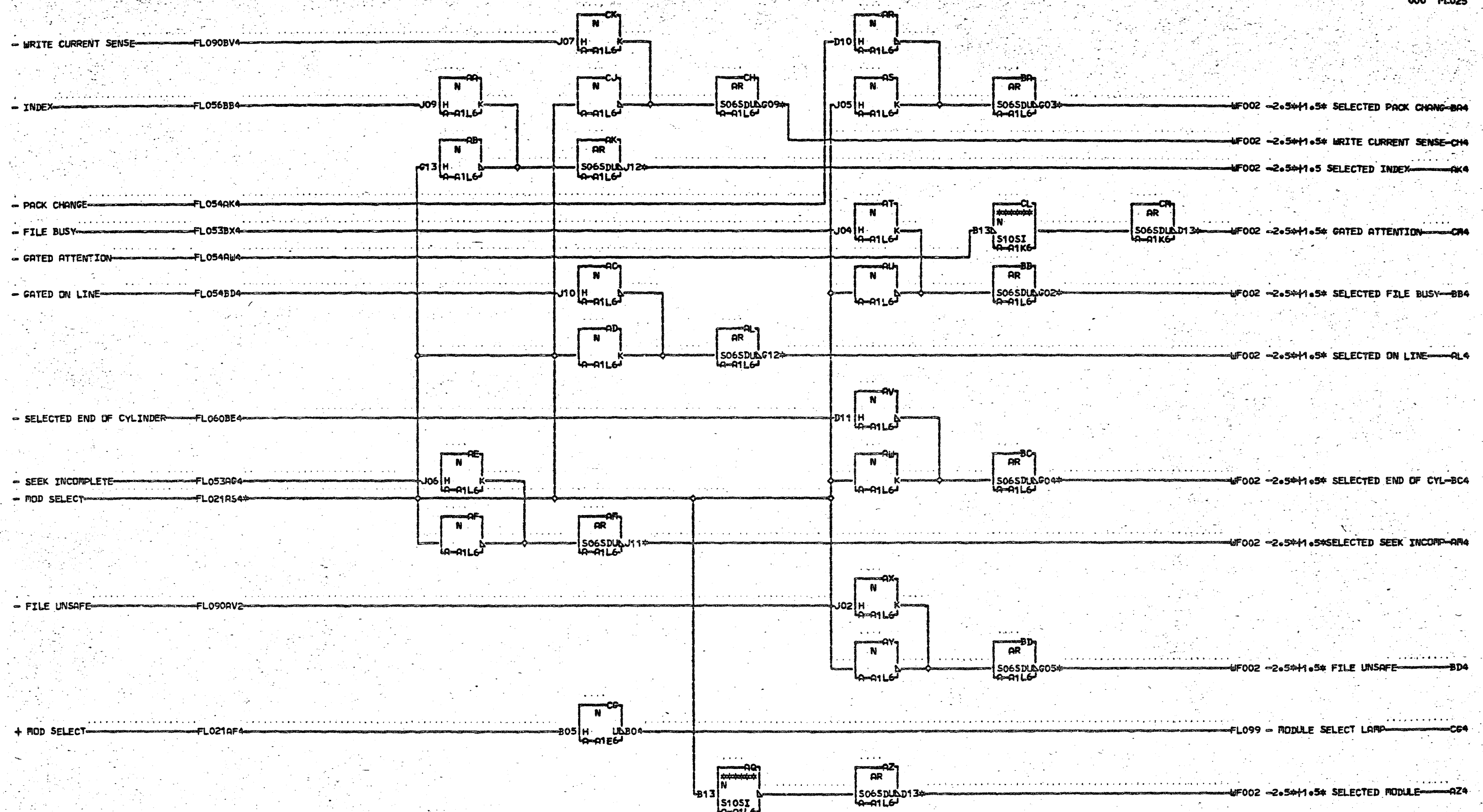
DATE	EC NUMBER	DATE	EC NUMBER	SAFETY CIRCUITS
MAR 68	422947			
17 JUN 68	424030			
		DATE	P/N	2267387
			TYPE	
		IBM		FD103

PUNCH 34 HOLES THIS EDGE



R1 F2/F6 J02 LOAD RESISTOR

DATE	EC NUMBER	DATE	EC NUMBER	ACCESS TIMING & SOLENOID
MAP 68	422947			DRIVERS
				DATE
				P/N 2267928
				TYPE
				IBM
				FD104



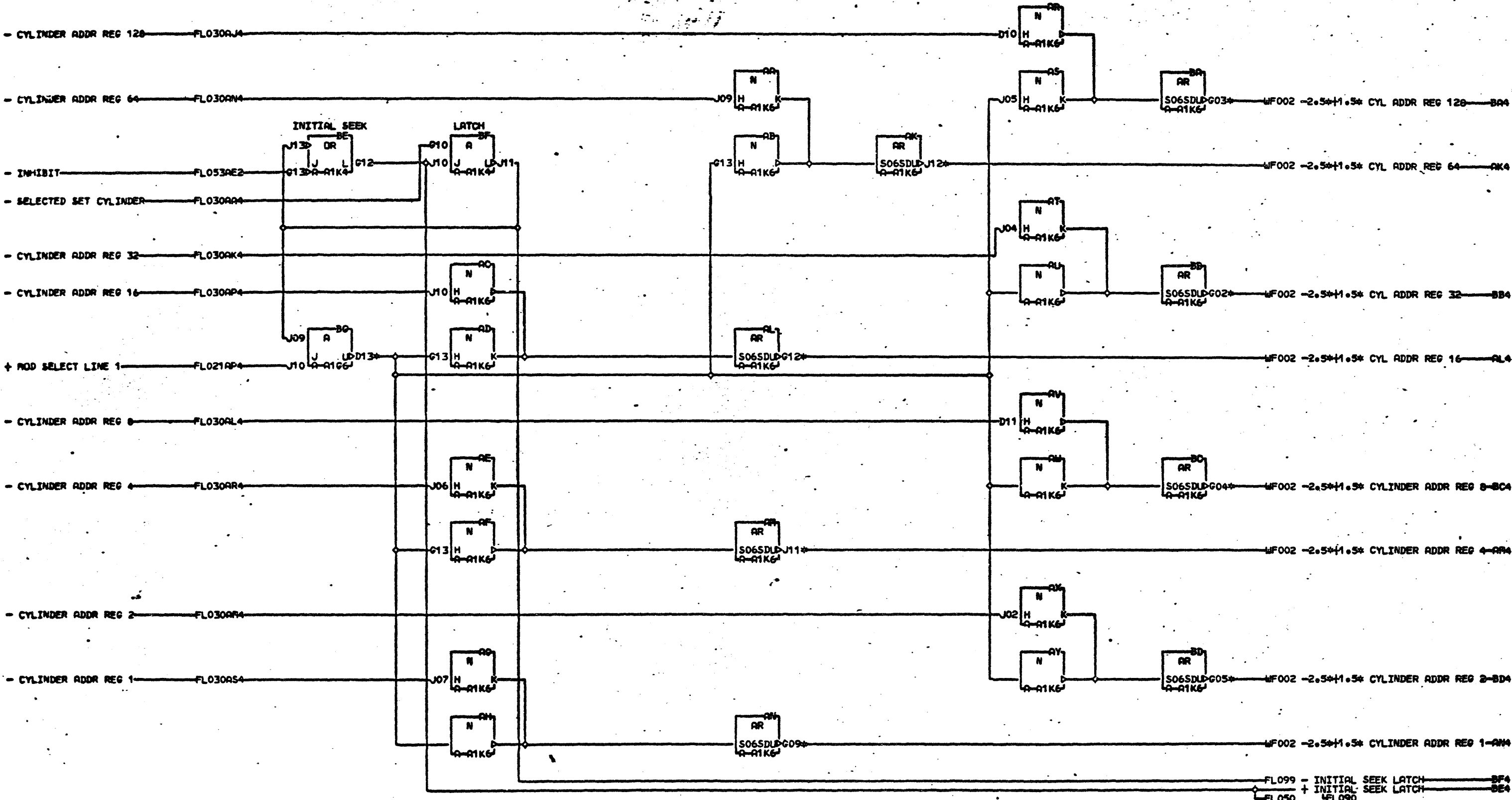
FL021AS4 BB4 P-1N6B08
 RESISTORS BC4 P-1N7D11
 A-1L6 BD4 P-1N7D09
 P-1L6 CH4 P-1N7D02
 AK4 P-1N7D07 CR4 P-1N7D05
 AL4 P-1N7D06
 AA4 P-1N7D10
 AZ4 P-1N6B10
 BA4 P-1N6B07

LOC. TYPE
 A-1E6 4273
 A-1K6 4270
 A-1L6 4270

LINE DRIVERS
 E.C. HISTORY PACH-2314
 416035
 416044 FRAME 01
 416080
 416069 IBR CORP. GPD
 DATE LAST EC
 07-05-66 416097 P.No 2218222

UNOFF 000

UNOFF 000



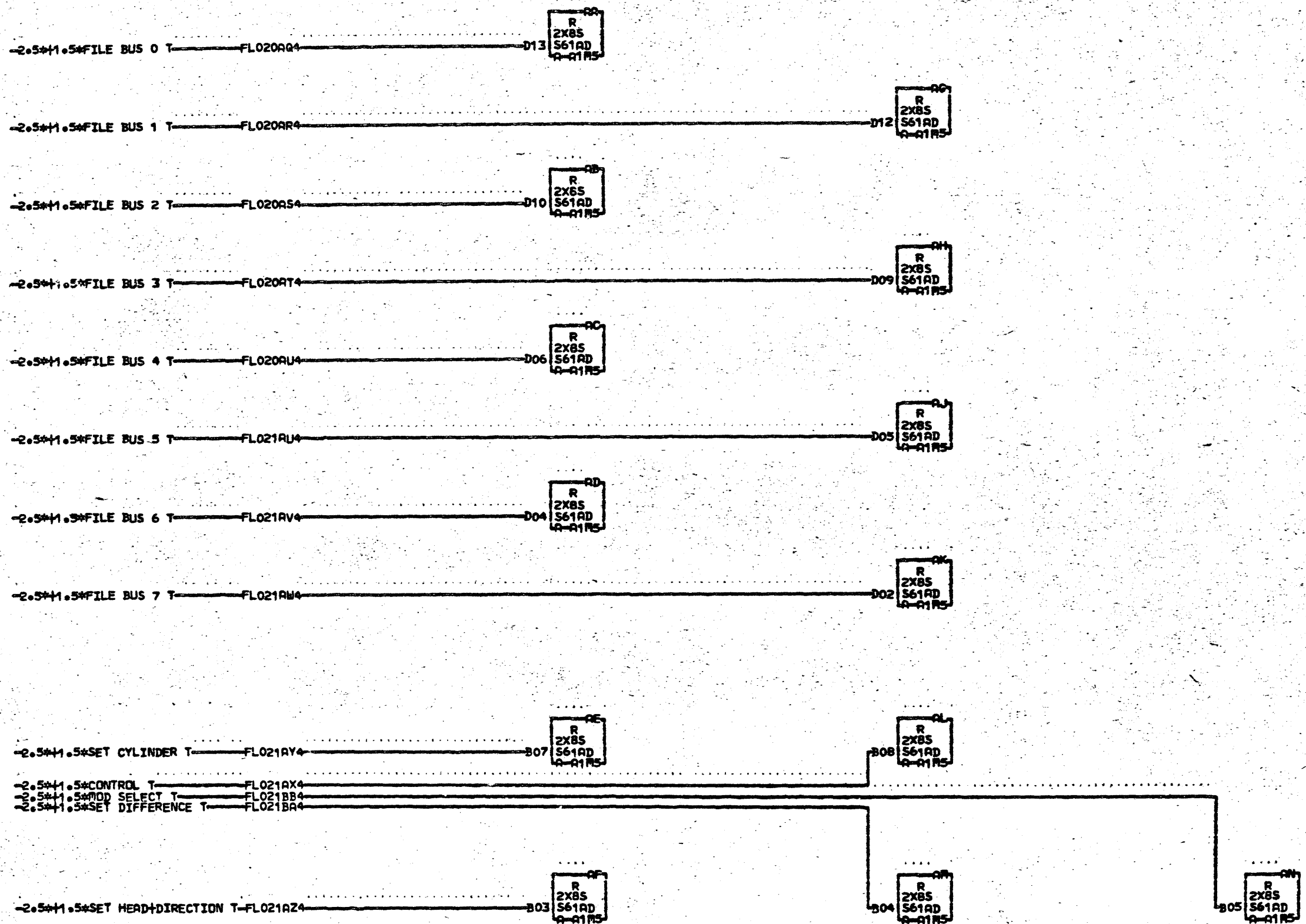
000

- AK4 A-A1N6D05
- AL4 A-A1N6D04
- AA4 A-A1N6B03
- AV4 A-A1N6B02
- BA4 A-A1N6D06
- BB4 A-A1N6B05
- BC4 A-A1N6B04
- BD4 A-A1N6D02
- BA A-A1N6D02
- BA RECTETERS
- A-A1K6
- A-A1K6

LDC. TYPE
 A-A1K6 6269
 A-A1K4 8338
 A-A1K6 4270

E.C. HISTORY		MACH. 2314	
416035	420852	FRAME	01
416044	420925		
416097	420928		
420843		IBR CORP. OPD	
DATE	LAST EC	P.No.	2218223
06-07-68	424000		

FL026
 000



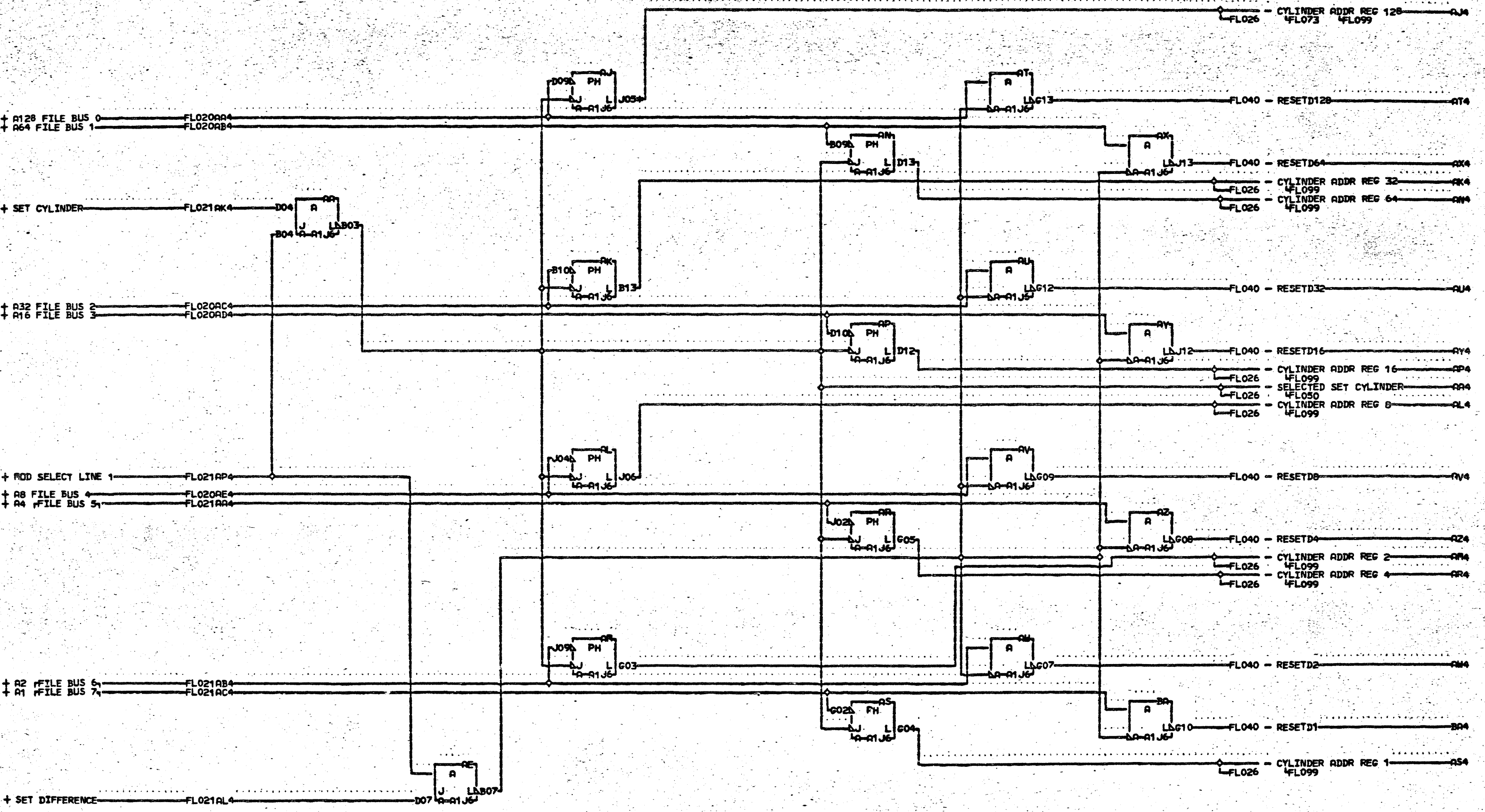
NOTE
THE 2X8 SWITCH IS
AN OPTIONAL FEATURE

LDC. TYPE
A-A1R5 0720

TERMINATOR 2X8 SWITCH	
E.C. HISTORY 416080	FRAME 01
DATE 06-04-66	LAST EC 416091
IBN CORP. SDD P.No 2218264	

000

000



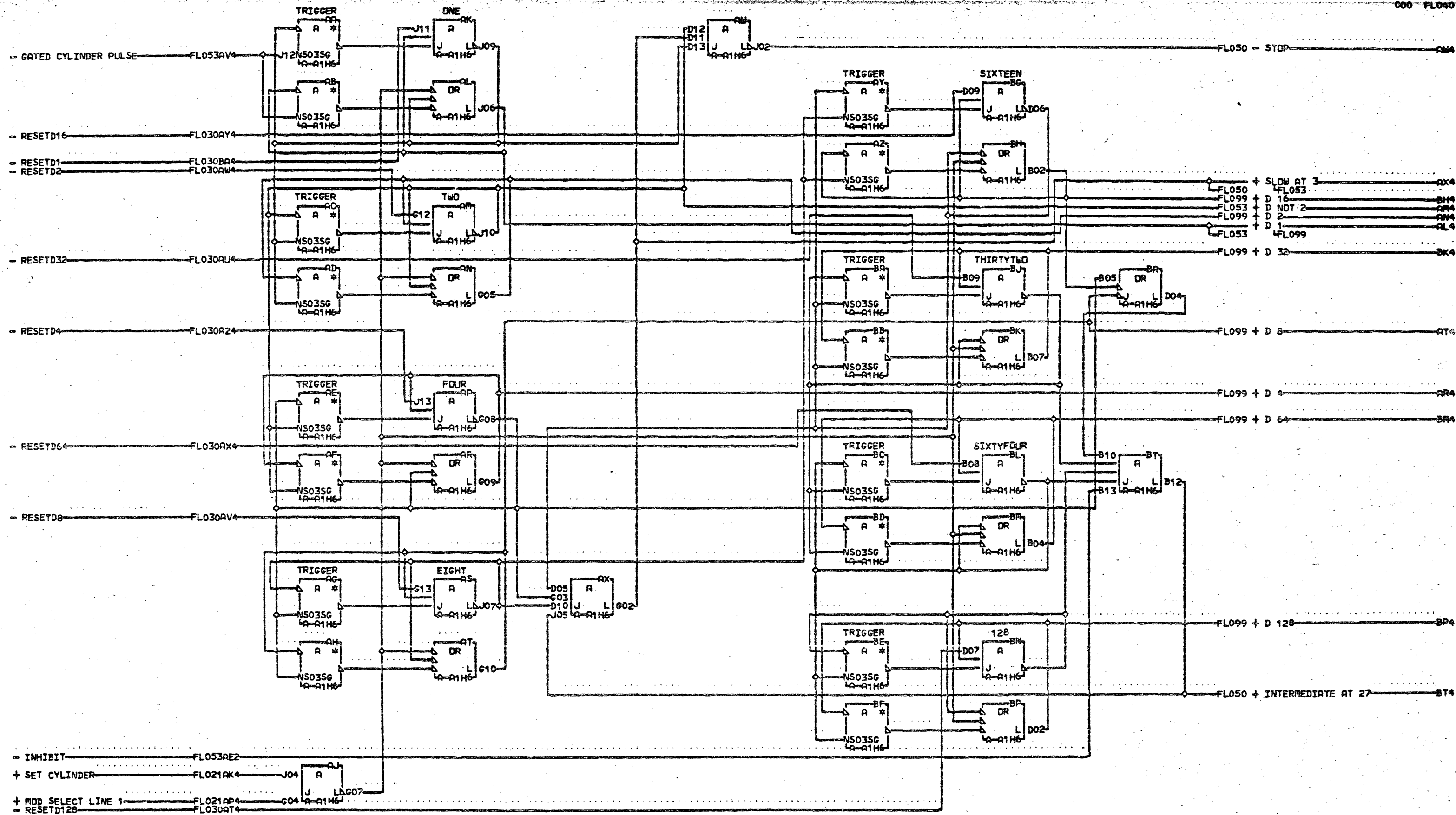
000
000
000

AJ4 A-A1L8A06

LDC TYPE
A-A1J6 4268

CYL ADDR REG + DIFF RESET	
E.C. HISTORY 416035	RACH-2314 FRAME 01
DATE 01-12-66	LAST EC 416044
	IBR CORP. GPD PoNo 2218224

000
000
000

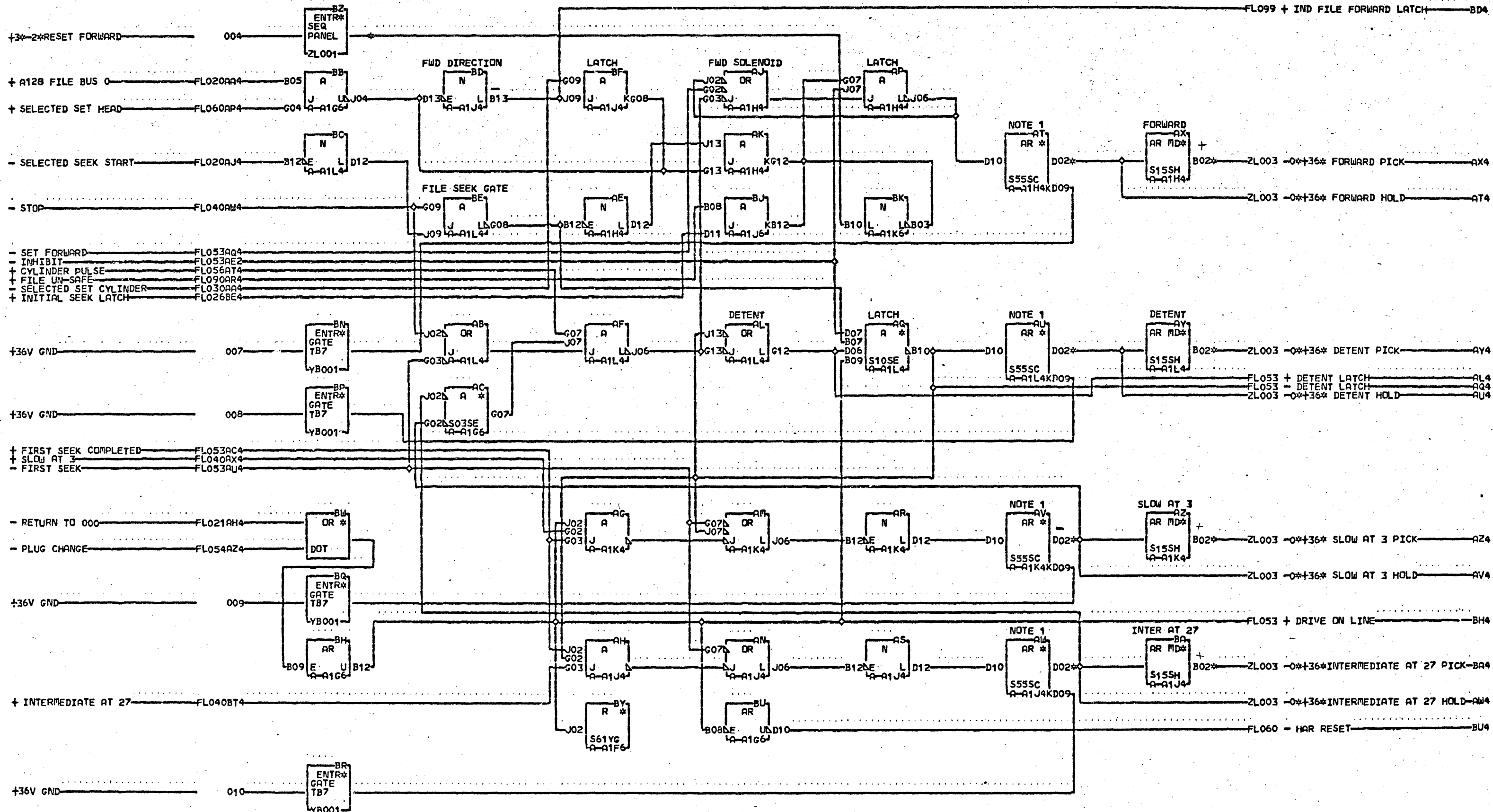


LOC. TYPE
A-A1H6 6270

DIFFERENCE COUNTER WITH DECODES	
E.C. HISTORY	FRAMES 2314
416035	FRAME 01
416044	IBM CORP. GPD
416080	P.N. 2218225
DATE LAST EC	
07-05-66 416097	

FLO40
000

000

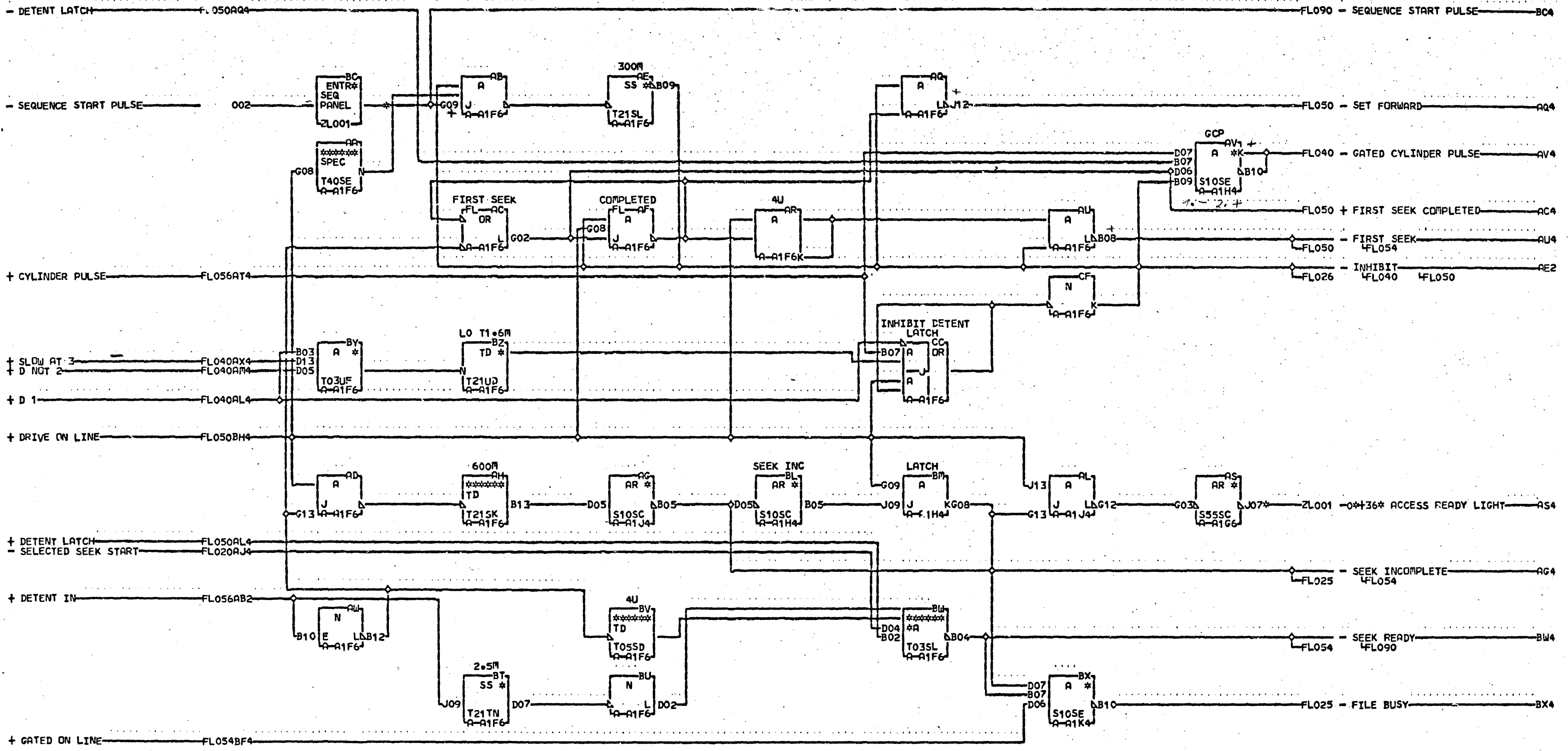


NOTE 1 EXTRA PICK PULSES MAY OCCUR ON DRIVERS WHOSE
 F SOLENOID IS ALREADY PICKED.
 L THIS IS NORMAL AND WILL NOT CAUSE A PROBLEM.
 5
 0
 000

- AT4 A-A1N5B12
- AU4 A-A1N5B03
- AV4 A-A1N5B08
- AW4 A-A1N5B10
- AX4 A-A1N5B13
- AY4 A-A1N5B07
- AZ4 A-A1N5B09
- BA4 A-A1N5B04
- BZ4 A-A1N5D10

LOC.	TYPE
A-A1F6	7325
A-A1G6	6269
A-A1H4	8338
A-A1J4	8338
A-A1K4	4268
A-A1K4	8338
A-A1K6	4270
A-A1L4	8338

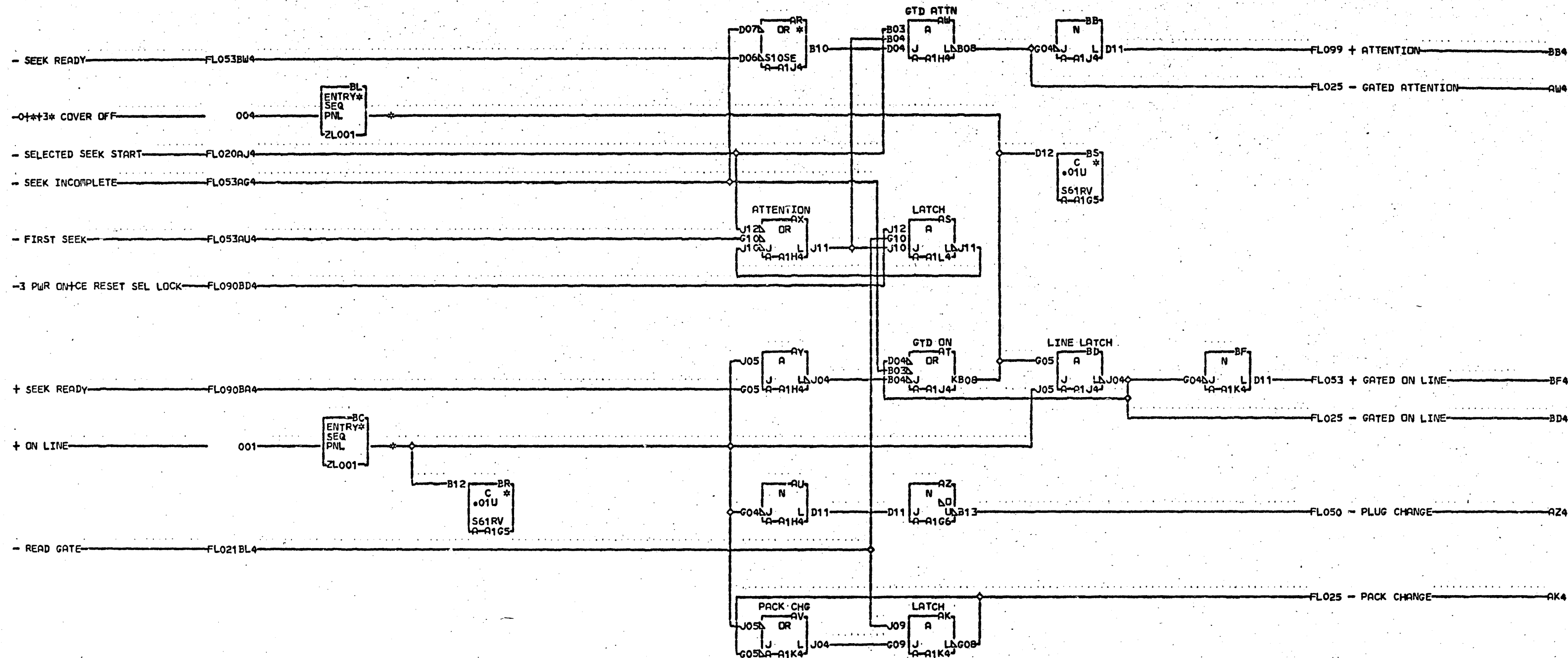
SOLENOID DRIVERS			
E.C. HISTORY		MACH. 2314	
416035	420832		
416044	420843	FRAME	01
416080	420852		
416097	420925	IBM CORP. GPE	000
DATE	LAST EC		
07-18-67	420928	P.No. 2218226	



A54 A-A1N5D07
 BC4 A-A1N5D09

LOC. TYPE
 A-A1F6 7325
 A-A1G6 6269
 A-A1H4 8338
 A-A1J4 8338
 A-A1K4 8338

ACCESS TIMING			
E.C. HISTORY		MACH#2314	
416035	416097	FRAME	01
416044	420832	IBM CORP.	GPD
416080	420852	DATE	LAST EC
416091	420925	P.N.	2218227
07-10-67	420928		



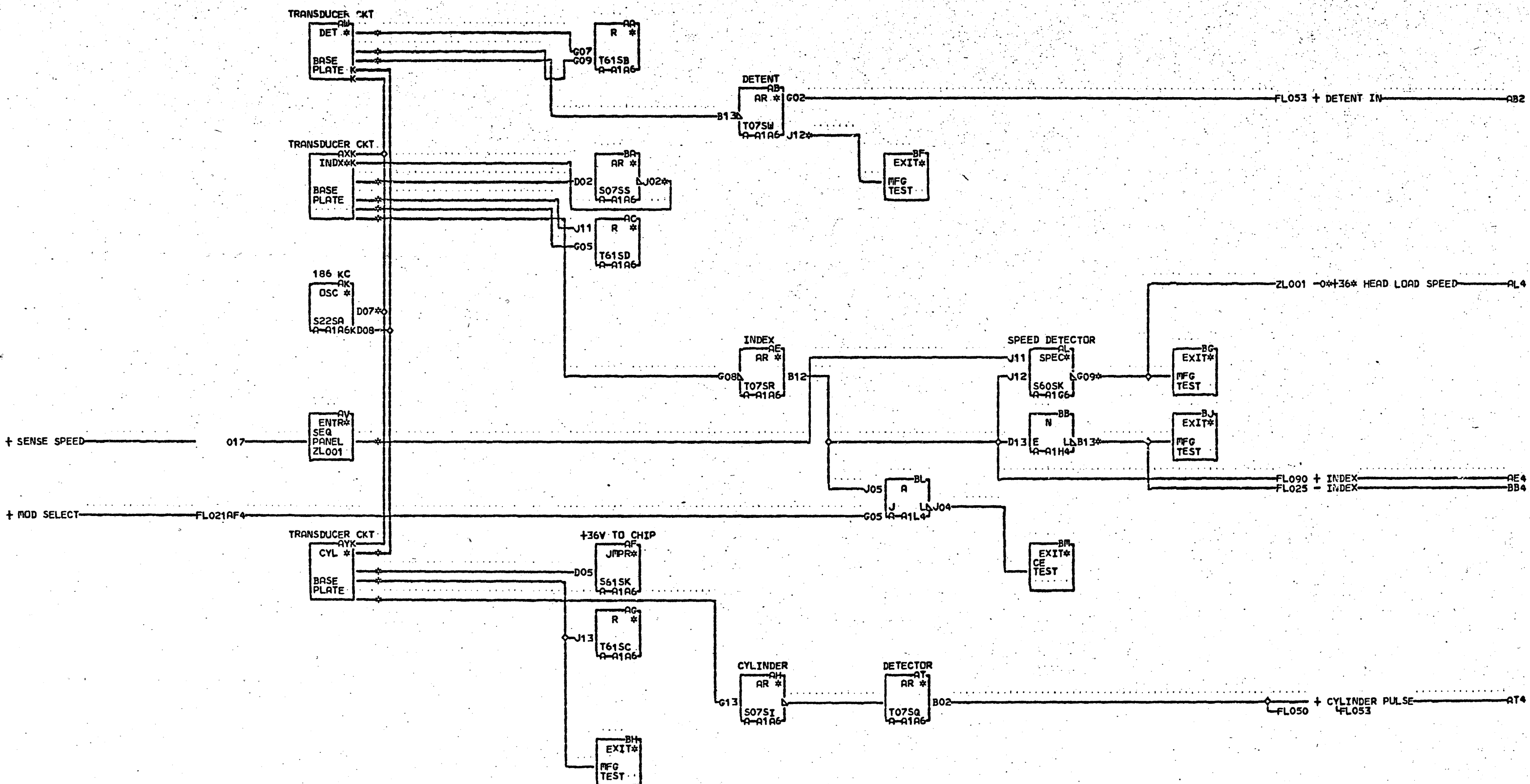
BC4 A-A1N5D06
BL4 A-A1N5D05

LOC. TYPE
A-A1G5 8340
A-A1G6 6269
A-A1H4 8338
A-A1J4 8338
A-A1K4 8338
A-A1L4 8338

ON LINE AND GATED ATTENTION			
E.C. HISTORY		MACH#2314	
416044	420843		
416080	420852	FRAME	01
416097	420841		
420832	420925	IBM CORP. GPD	
DATE	LAST EC		
07-31-67	420928	P#N# 2218262	

FL054

000



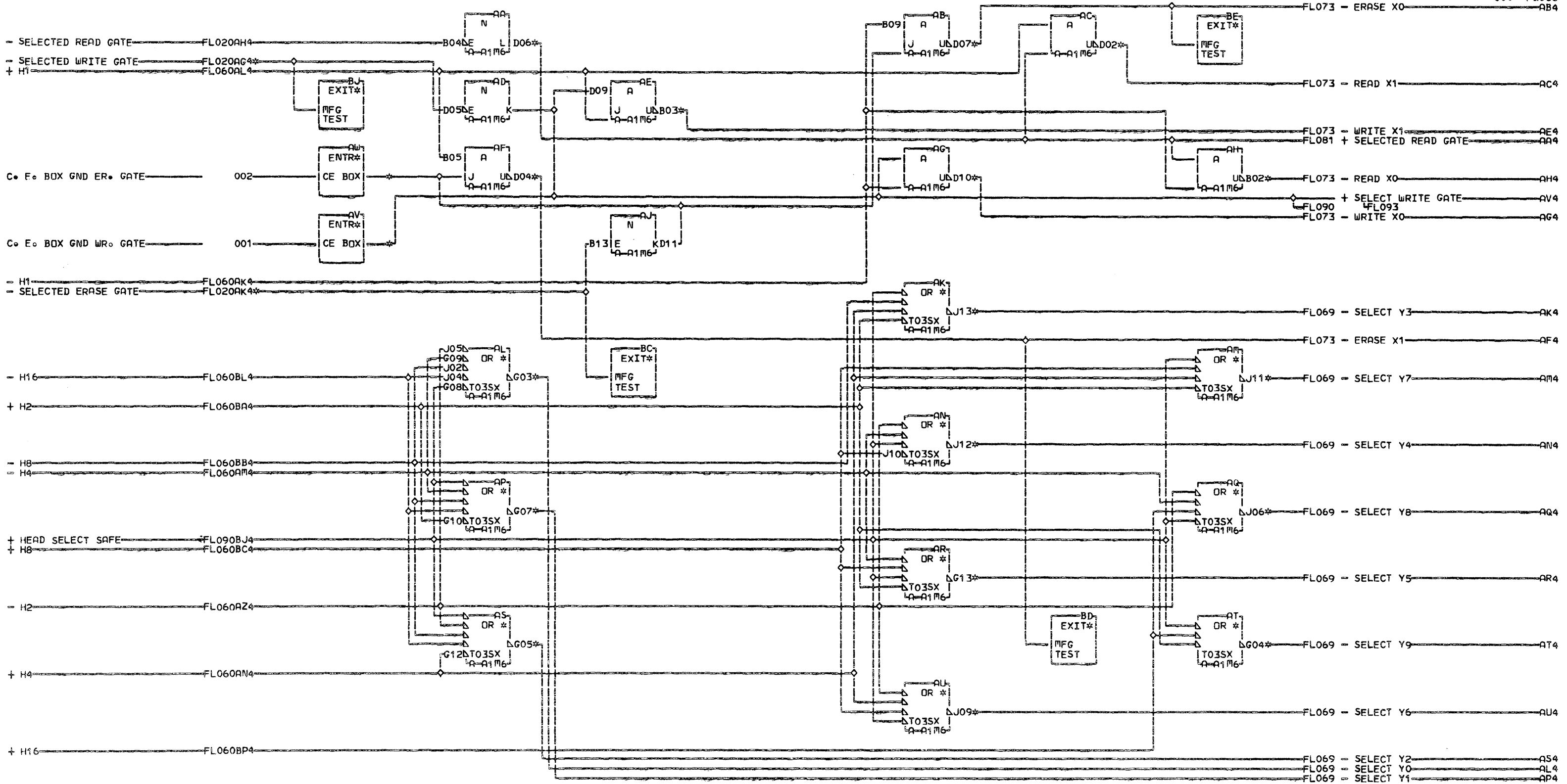
NOTE
 IF A TRANSISTOR CAN IS
 GROUNDED ON A TRANSDUCER
 CHIP THE TRANSDUCER WILL
 BE BLOWN AND A +6 OR
 -3 VOLT LAND MAY BE
 OPENED ON THE LARGE
 CARD

AB6 A-1B8B04	AW5 A-1E8E04	AY7 A-1E8B06
AK4 A-1D8E04	AX4 A-1F8A04	BA4 A-1F8E04
01A A-1G8A06	AX6 A-1F8B04	BB4 A-1B8C04
01A A-1E8D04	AX7 A-1F8C04	
AL4 A-1N5B05	AX8 A-1F8E06	
01A A-1B8B06	AY2 A-1F8A04	
AV4 A-1N5D12	AY4 A-1E8C04	
AW2 A-1E8E06	AY5 A-1E8B04	
AW4 A-1F8B06	01A A-1A8E06	

LOC.	TYPE
A-1A6	6264
A-1G6	6269
A-1H4	8338
A-1L4	8338

TRANSDUCER CIRCUIT AND SPEED DETECTOR			
E.C. HISTORY		MACH. 2314	
416035	416097	FRAME	01
416044	420843		
416080	420852		
416091	420841	IBM CORP.	GPD
DATE	LAST EC		
07-10-67	420928	P.No.	2218228

F
L
O
5
6

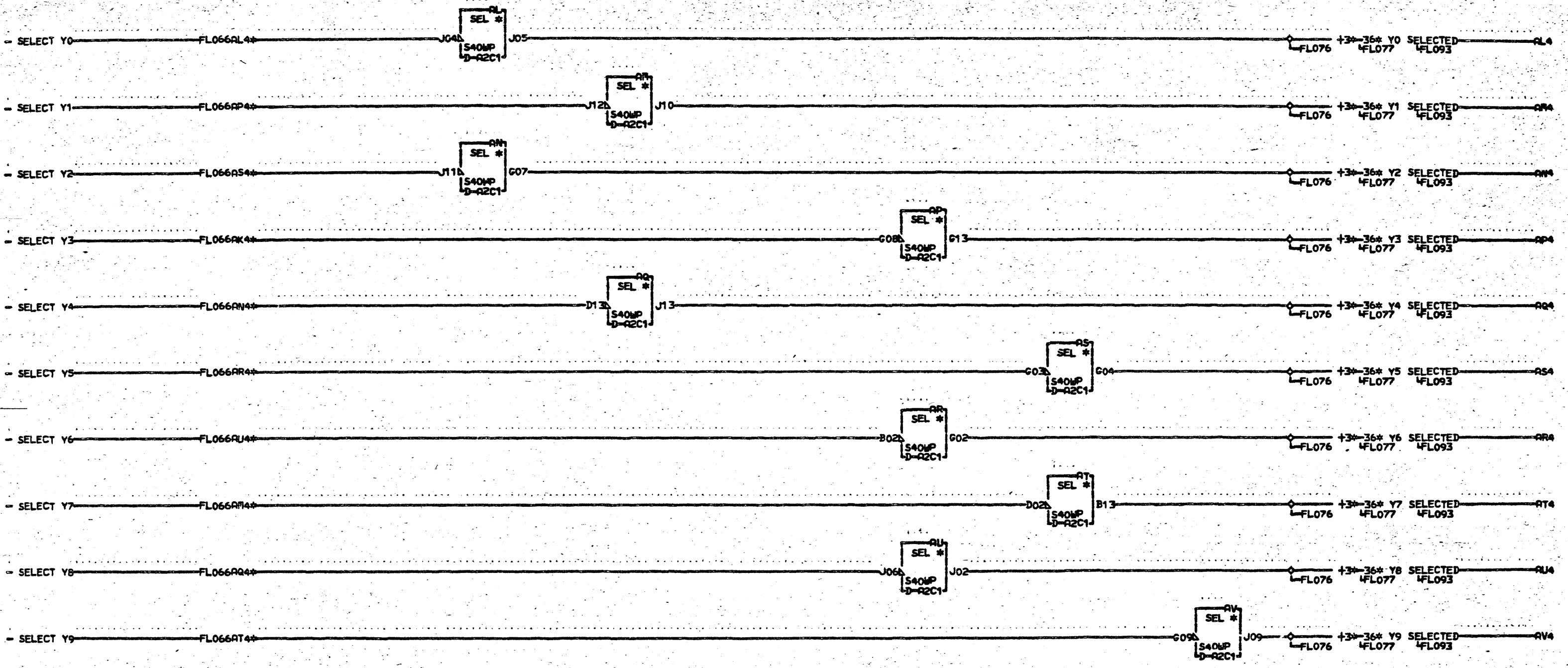


FLO66
000

FL020AG4	AF4	A-A1N8A04	AQ4	A-A1M8B06	
01A-A1A8E04	01A-A1D8A06	AR4	A-A1L8E06		
FL020AK4	AG4	A-A1M8E06	AS4	A-A1L8A06	
01A-A1B8A06	AH4	A-A1M8C04	AT4	A-A1M8B04	
AA4	A-A1M8A06	AK4	A-A1L8B04	AU4	A-A1L8C04
AB4	A-A1N8A06	AL4	A-A1K8E06	AV4	A-A1N6D07
01A-A1D8A04	AM4	A-A1L8E04	01A-A1L8D04		
AC4	A-A1M8C06	AN4	A-A1L8C06	AW4	A-A1N6D13
AE4	A-A1M8E04	AP4	A-A1K8E04		

LOC. TYPF
A-A1M6 6261

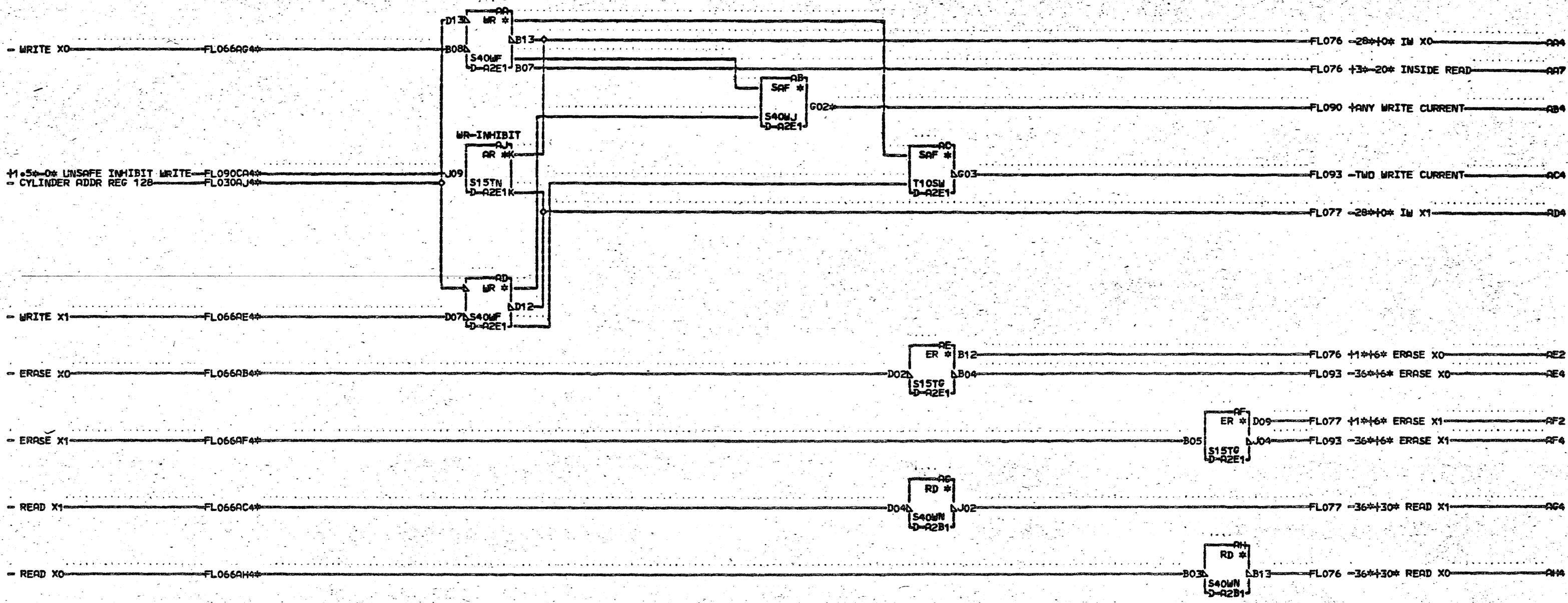
HEAD ADD + DECODE		F
E-C-HISTORY	MACH#2314	L
416035		0
416044	FRAME	01
		6
DATE	LAST EC	IBM CORP. GPD
04-22-66	416080	Po# 2218230



FL066AK4 01D-A2A2D02 FL066AU4
 01D-A2A2D04 FL066AQ4 01D-A2A2D05
 FL066AL4 01D-A2A2B09
 01D-A2A2B02 FL066AR4
 FL066AM4 01D-A2A2B07
 01D-A2A2D07 FL066AS4
 FL066AN4 01D-A2A2B04
 01D-A2A2B05 FL066AT4
 FL066AP4 01D-A2A2D09

LDC. TYPE
D-A2C1 6268

Y SELECT 0-9	
E.C. HISTORY	FRAM#2314
416035A	FRAME 01
DATE LAST EC	IBR CORP. GPD
03-04-66 416044	P#N# 2218231



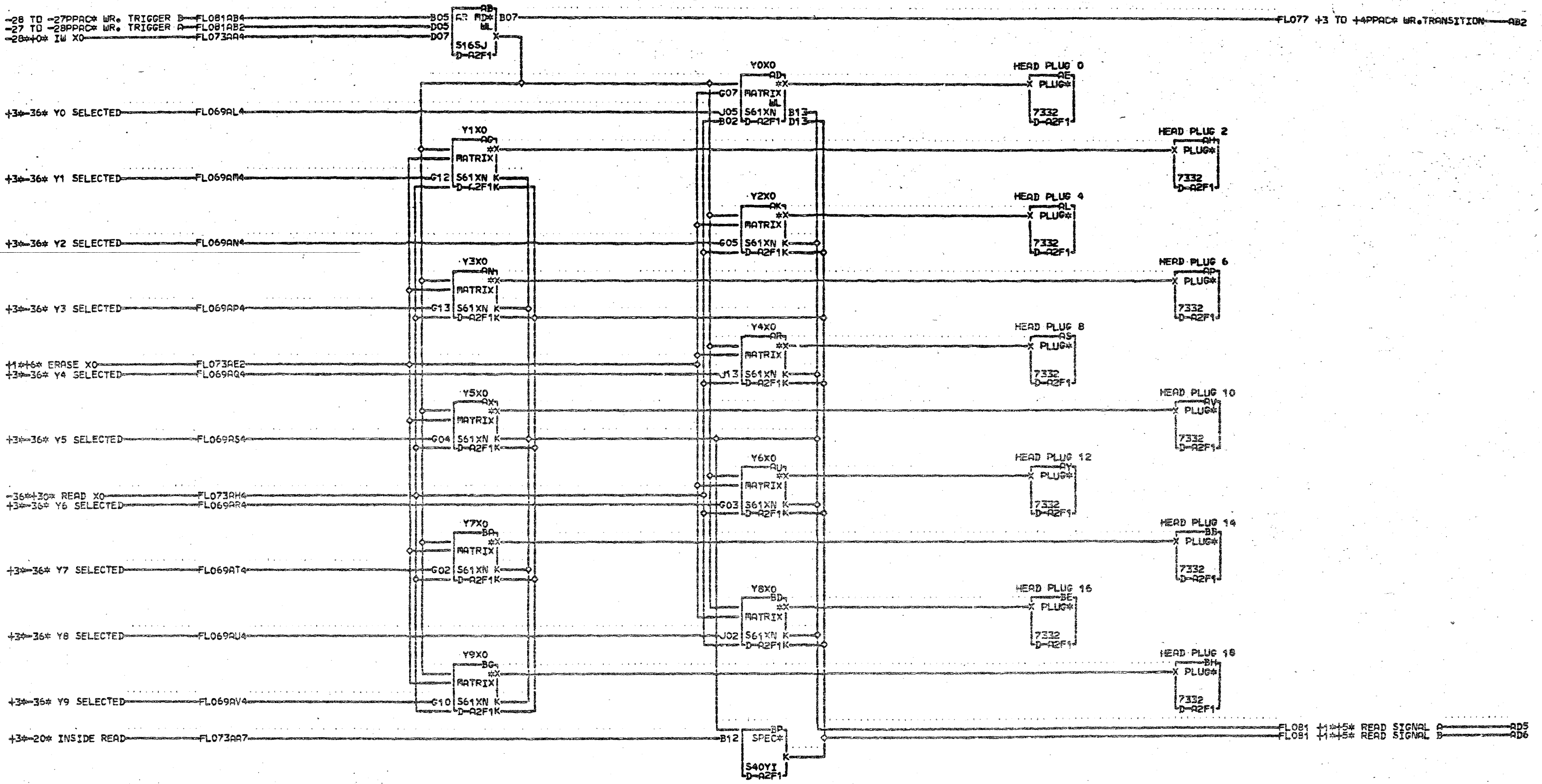
000

FL030AJ4 01D-A2A2D13
 01D-A2A2B03 FL066AC4
 FL066AB4 01D-A2A2B12
 01D-A2A2B13 FL066AH4
 FL066AC4 01D-A2A2D10
 01D-A2A2B10 FL090CA4
 FL066AE4 01D-A2A1B09
 01D-A2A2D12 AB4 D-A2A1B12
 FL066AF4

LOC. TYPE
 D-A2B1 6846
 D-A2E1 6277

WRITE READ + ERASE	
E-C-HISTORY	FRAM#2314
416035A 420832	FRAME 01
416044	IBM CORP. GPD
416080	P.N. 2218232
416096	
DATE LAST EC	
06-06-67 420927	

F
 0
 7
 3
 000



-28 TO -27PPAC* WR. TRIGGER B FLO81AB4
 -27 TO -28PPAC* WR. TRIGGER A FLO81AB2
 -28+0# IW X0 FLO73AA4

+3-36# Y0 SELECTED FLO69AL4
 +3-36# Y1 SELECTED FLO69AM4
 +3-36# Y2 SELECTED FLO69AN4
 +3-36# Y3 SELECTED FLO69AP4
 +1+6# ERASE X0 FLO73AE2
 +3-36# Y4 SELECTED FLO69AQ4
 +3-36# Y5 SELECTED FLO69AS4
 -36+30# READ X0 FLO73AH4
 +3-36# Y6 SELECTED FLO69AR4
 +3-36# Y7 SELECTED FLO69AT4
 +3-36# Y8 SELECTED FLO69AU4
 +3-36# Y9 SELECTED FLO69AV4
 +3-20# INSIDE READ FLO73AA7

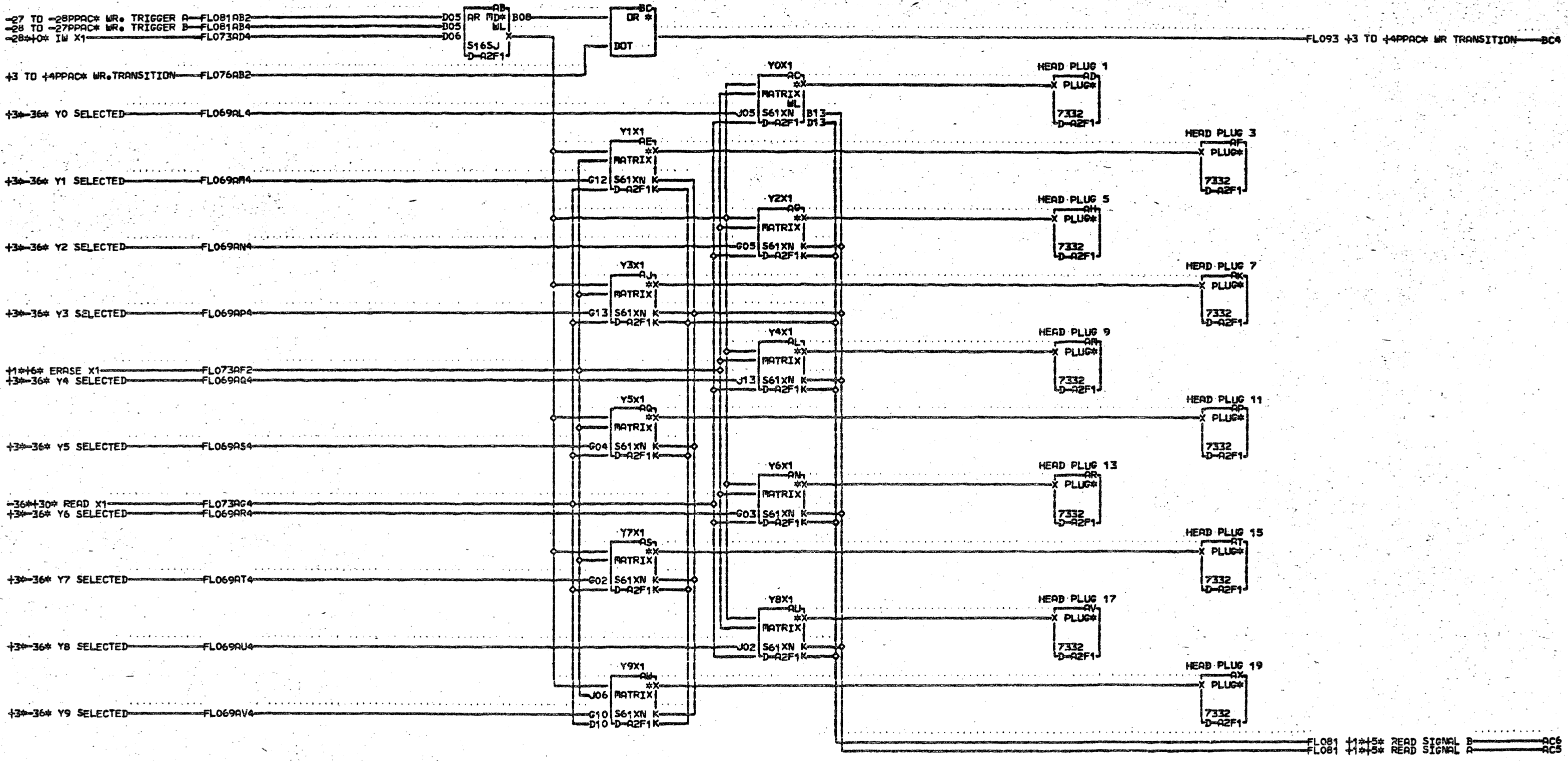
FLO77 +3 TO +4PPAC* WR. TRANSITION AB2

LOC. TYPE
 D-A2F1 7332

WRITE DRIVER + MATRIX EVEN	
E.C. HISTORY	RACH-2314
416035A	FRAME 01
416044	IBM CORP. GPD
DATE LAST EC	P.No 2218233
08-10-66 416096	

FLO76
 000

67007
 000



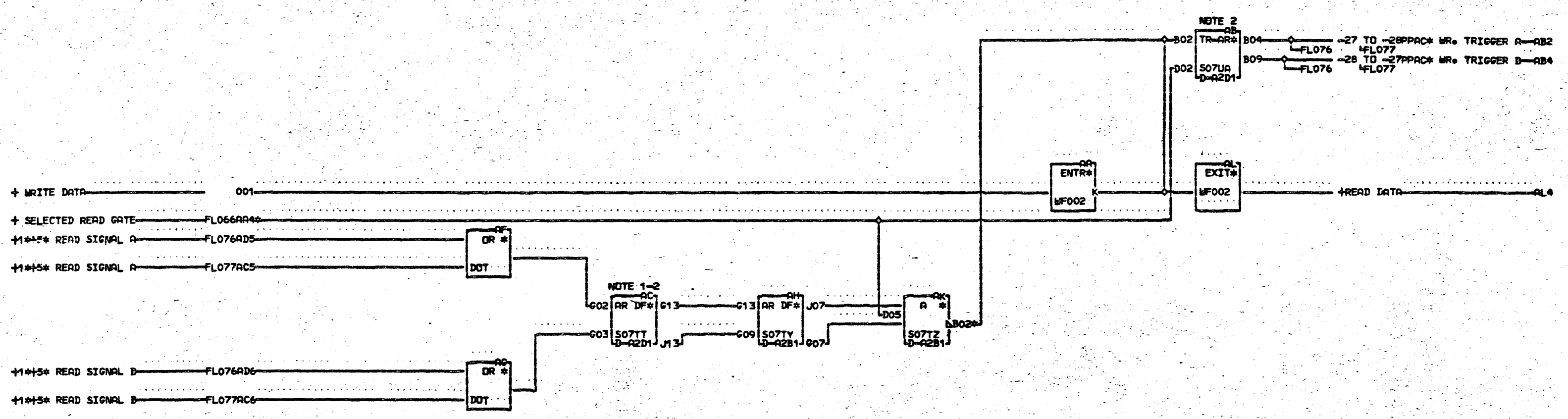
FL081 +1#15# READ SIGNAL B AC6
 FL081 +1#13# READ SIGNAL A AC5

LDC TYPE
 D-A2F1 7332

WRITE DRIVER + MATRIX ODD	
E.C. HISTORY	MACH. 2314
416035A	FRAME 01
416044	IBM CORP. GPD
DATE	LAST EC
08-10-66	416096
P.No. 2218234	

FL077

000



NOTE 2

B04 -27 TO -28PPAC* WR. TRIGGER A-AB2
 FL076
 B09 -28 TO -27PPAC* WR. TRIGGER B-AB4
 FL076

NOTE 1-2

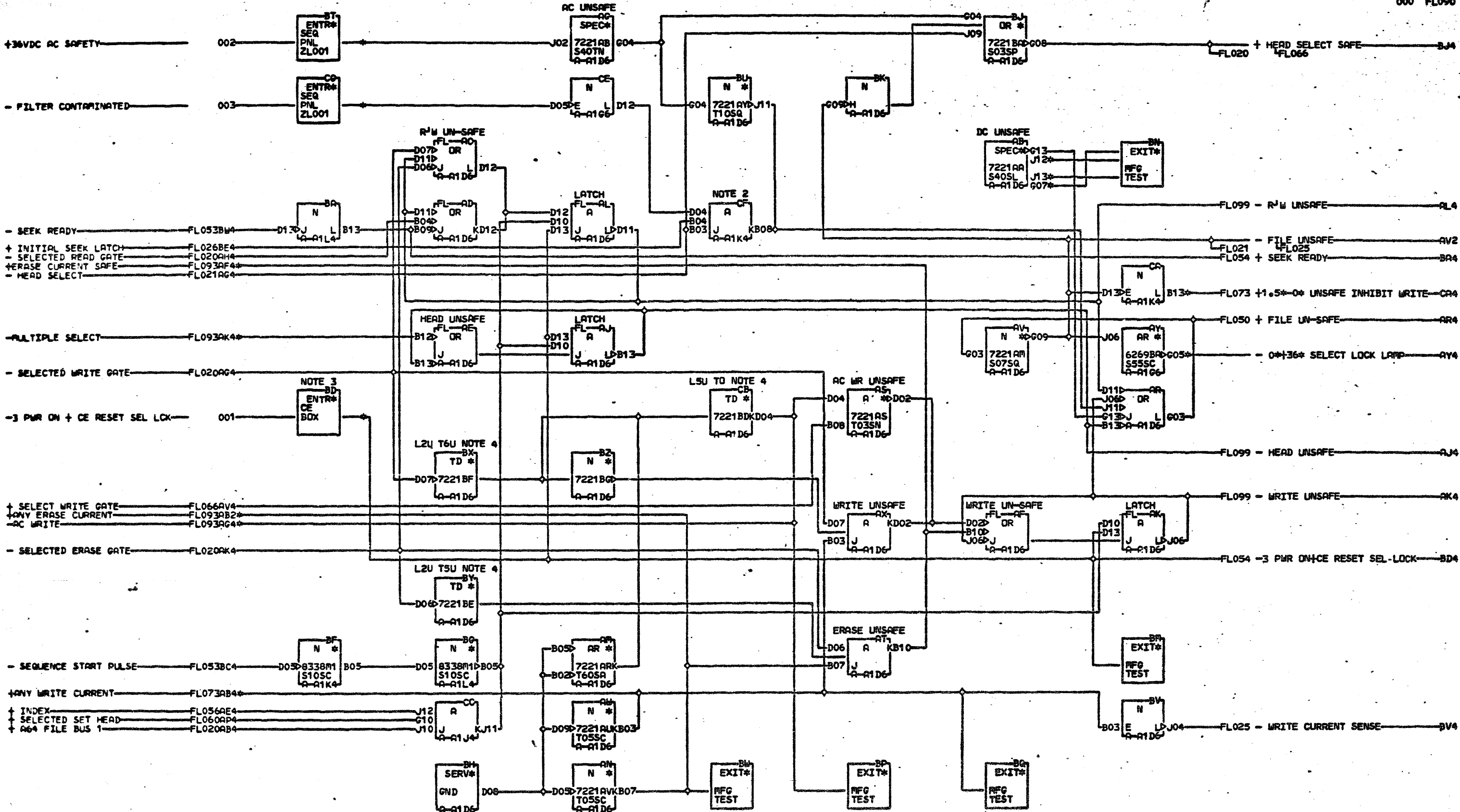
NOTE 1 JUMPER D1012 TO D1J12
 WHEN MAKING RADIAL ALIGNMENT
 OF HEADS. THIS JUMPER MUST BE
 REMOVED WHEN ADJUSTMENT IS
 COMPLETED. NOTE 2 PN 5806387
 MAY BE SUBSTITUTED FOR 5806836
 IN LOCATION D1.

FL066AA4
 O1D-A2A2B08
 AK4 D-A2A1B02

LDC. TYPE
 D-A2B1 6846
 D-A2D1 6836

PRE-APP + WRITE TRIGGER	
E.C. HISTORY	FRAM. 2314
416035A	FRAME 01
416044	
416096	
420832	IBM CORP. GPD
DATE	LAST EC
06-06-67	420927
	P.No 2218235

FL081

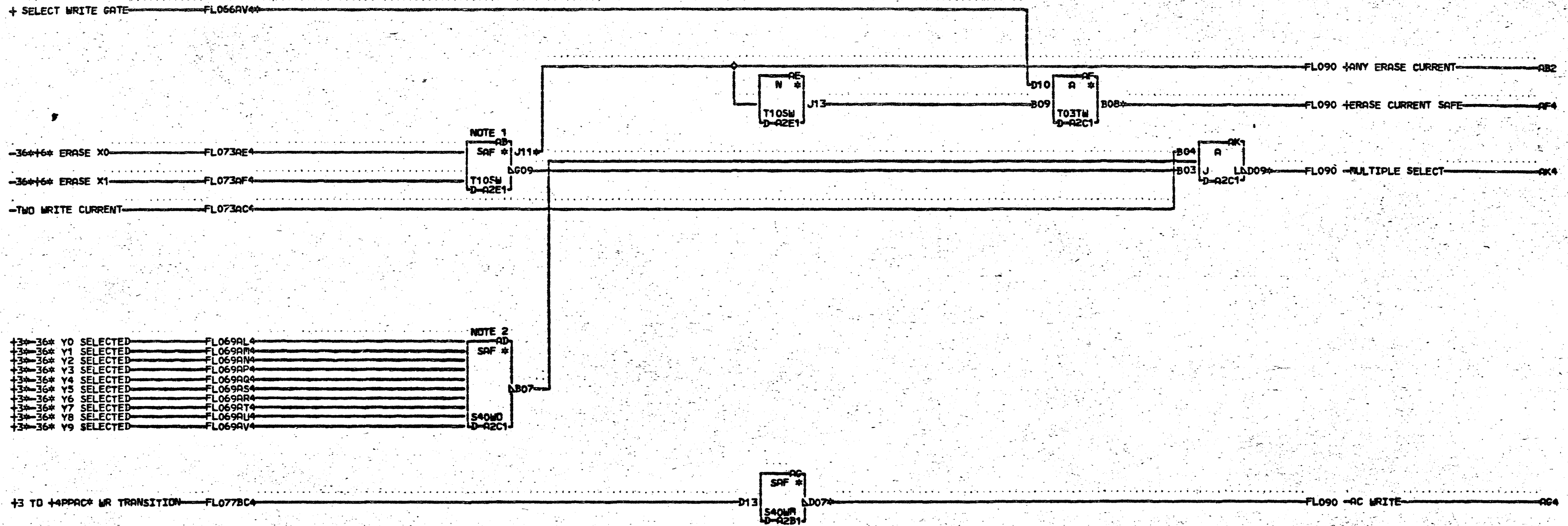


NOTE 1 TO TIE OFF SELECT LOCK LATCHES GROUND D6D10
 F NOTE 2 WIRING FOR VACUUM L SWITCH MACHINES ONLY
 0 NOTE 3 THIS LINE ALSO RESET THE ATTENTION LATCH
 9 NOTE 4 TD BLOCK TITLE MEANS OUTPUT LEADING EDGE DELAYED X 000MICRO SECONDS TRAILING EDGE DELAYED X MICRO SECONDS

FLO73AB4	01A-A1J8D04	01A-A1N6D11
01A-A1J8E06	01A-A1C8A06	BT4 A-A1NSD13
01A-A1C8B04	FLO93AK4	CA4 A-A1JB806
FLO93AB2	01A-A1J8E04	CG4 A-A1NSB02
01A-A1K8A04	AB3 A-A1C8B06	01A-A1NSB02
01A-A1C8E04	AB5 A-A1C8C04	RESISTOR
FLO93AF4	AB6 A-A1C8C06	A-A166B10
01A-A1K8A06	AY4 A-A1NSD02	
FLO93AG4	BD4 A-A1B8E06	

LOC.	TYPE
A-A1D6	7221
A-A1G6	6269
A-A1J4	8338
A-A1K4	8338
A-A1L4	8338

SAFETY CIRCUIT	
E-C-HISTORY	
416080	420852
416091	420841
416097	420925
416128	420928
DATE	LAST EC
06-10-68	424000
RACH-2314	
FRAME	01
IBM CORP. GPD	
P.N. 2218236	



- NOTE 2
- +3-36* Y0 SELECTED FL069AL4
 - +3-36* Y1 SELECTED FL069AM4
 - +3-36* Y2 SELECTED FL069AN4
 - +3-36* Y3 SELECTED FL069AP4
 - +3-36* Y4 SELECTED FL069AQ4
 - +3-36* Y5 SELECTED FL069AS4
 - +3-36* Y6 SELECTED FL069AR4
 - +3-36* Y7 SELECTED FL069AT4
 - +3-36* Y8 SELECTED FL069AU4
 - +3-36* Y9 SELECTED FL069AV4

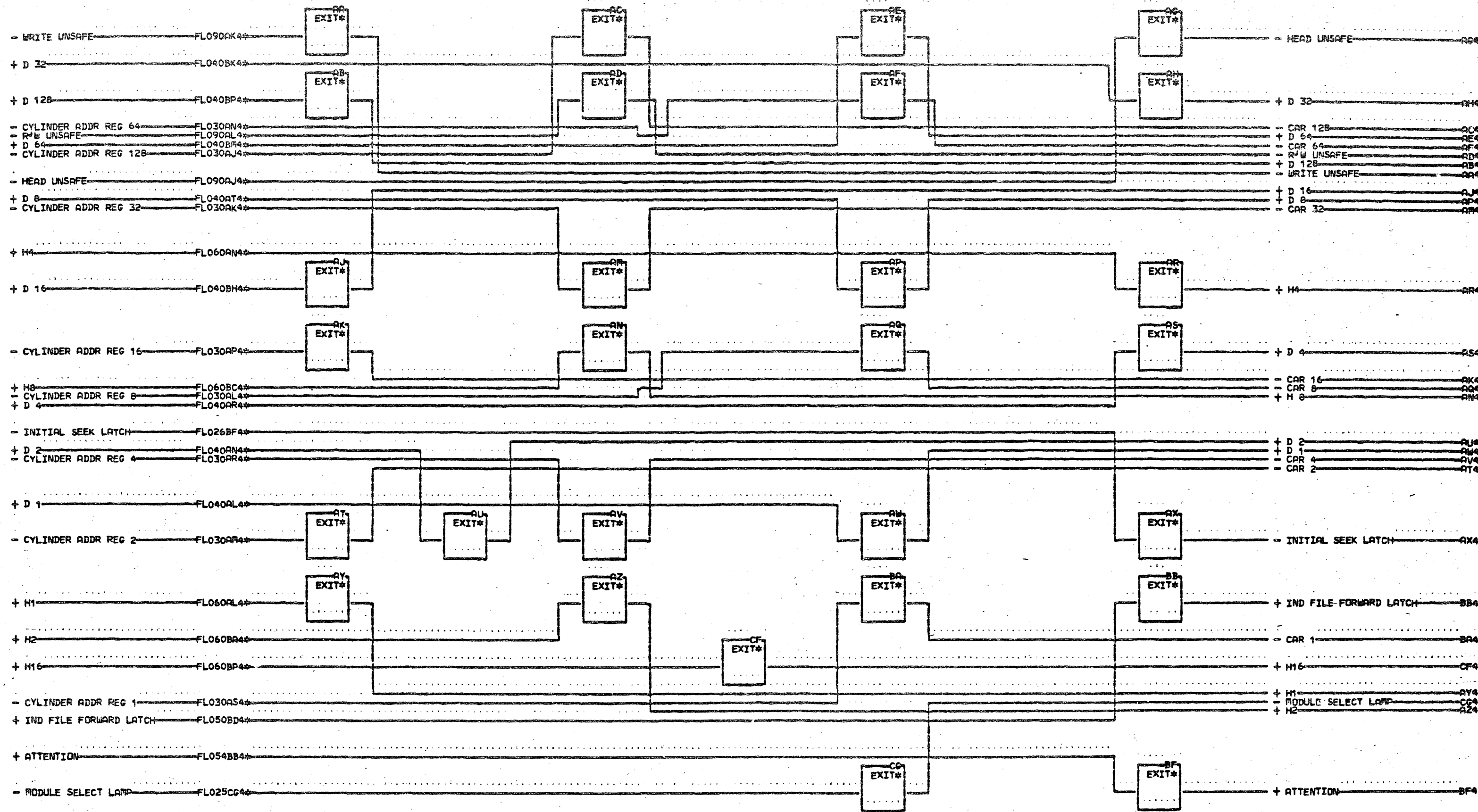
NOTE 1 TEST POINT
 E1609 IS - TWO
 F ERASE CURRENTS
 L NOTE 2 TEST POINT
 O C1B07 IS - MORE THAN
 9 ONE Y SELECTED
 3

FL066AV4
 01D-AZA2D06
 AB2 D-AZAD13
 AF4 D-AZAD13
 AG4 D-AZAD11
 AK4 D-AZAD12

LDC TYPE
 D-AZB1 6846
 D-AZC1 6268
 D-AZE1 6277

READO ERASE + Y SELECT SAFETY		
E.C. HISTORY CKT		
416035A	420832	RACH-2314
416044		FRAME 01
416080		IBR CORP. GPD
416096		DATE LAST EC
06-06-67	420927	PoN 2218237

F
 L
 0
 9
 3
 000

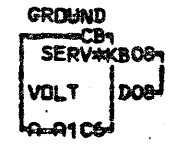
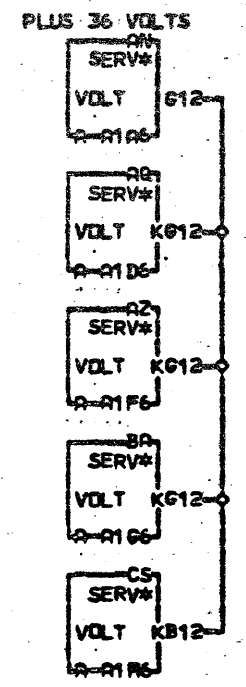
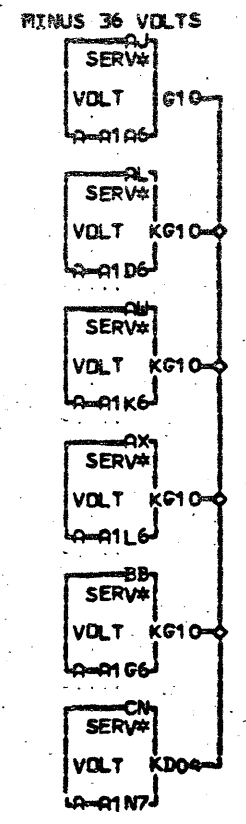
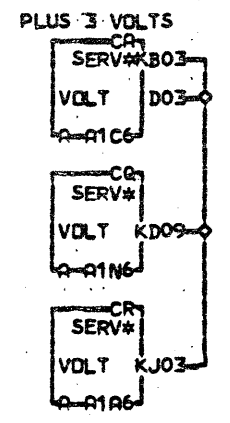
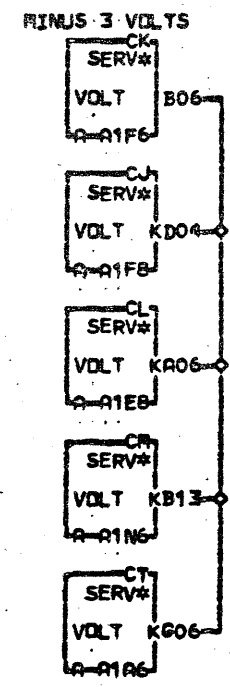
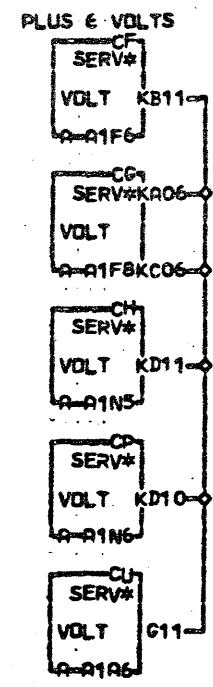


F
9
000

FL025C64	01A-A1C6D11	FL030A54	01A-A1C7B04	FL050BD4	01A-A1C7D04	FL090AL4
01A-A1C6D05	FL030AM4	01A-A1C6D10	FL040BH4	01A-A1C7D11	FL060BC4	01A-A1C6D04
FL026BF4	01A-A1C6D09	FL040AL4	01A-A1C7D09	FL054BB4	01A-A1C7B07	
01A-A1C7B10	FL030AN4	01A-A1C7B09	FL040BK4	01A-A1C7B12	FL060BP4	
FL030AJ4	01A-A1C6B07	FL040AM4	01A-A1C6D12	FL060AL4	01A-A1C7D12	
01A-A1C6B13	FL030AP4	01A-A1C7D05	FL040BM4	01A-A1C7D07	FL090AJ4	
FL030AK4	01A-A1C6D13	FL040AR4	01A-A1C6D06	FL060AM4	01A-A1C6B09	
01A-A1C6B10	FL030AR4	01A-A1C7D02	FL040BP4	01A-A1C7B02	FL090AK4	
FL030AL4	01A-A1C6B04	FL040RT4	01A-A1C6B02	FL060BA4	01A-A1C6D02	

CoE INDICATOR	
E.C. HISTORY	RACH#2314
416035	FRAME 01
416044	IBM CORP. GPD
DATE LAST EC	PoN# 2218238
04-22-66 416080	

F
L
0
9
9
000

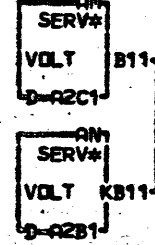


000

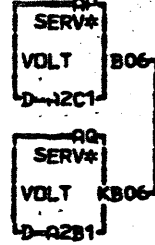
SERVICE VOLTAGE BOARD A-01	
E.C. HISTORY	FRAME 01
DATE 10-29-65	LAST EC 416035
IBN CORP. GPD	
P.No 2218239	

FL120

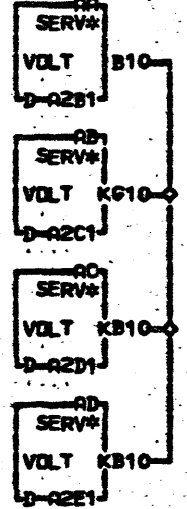
PLUS 6 VOLTS



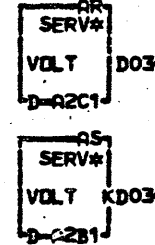
MINUS 3 VOLTS



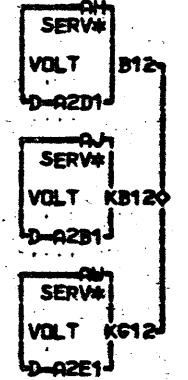
MINUS 36 VOLTS



PLUS 3 VOLTS

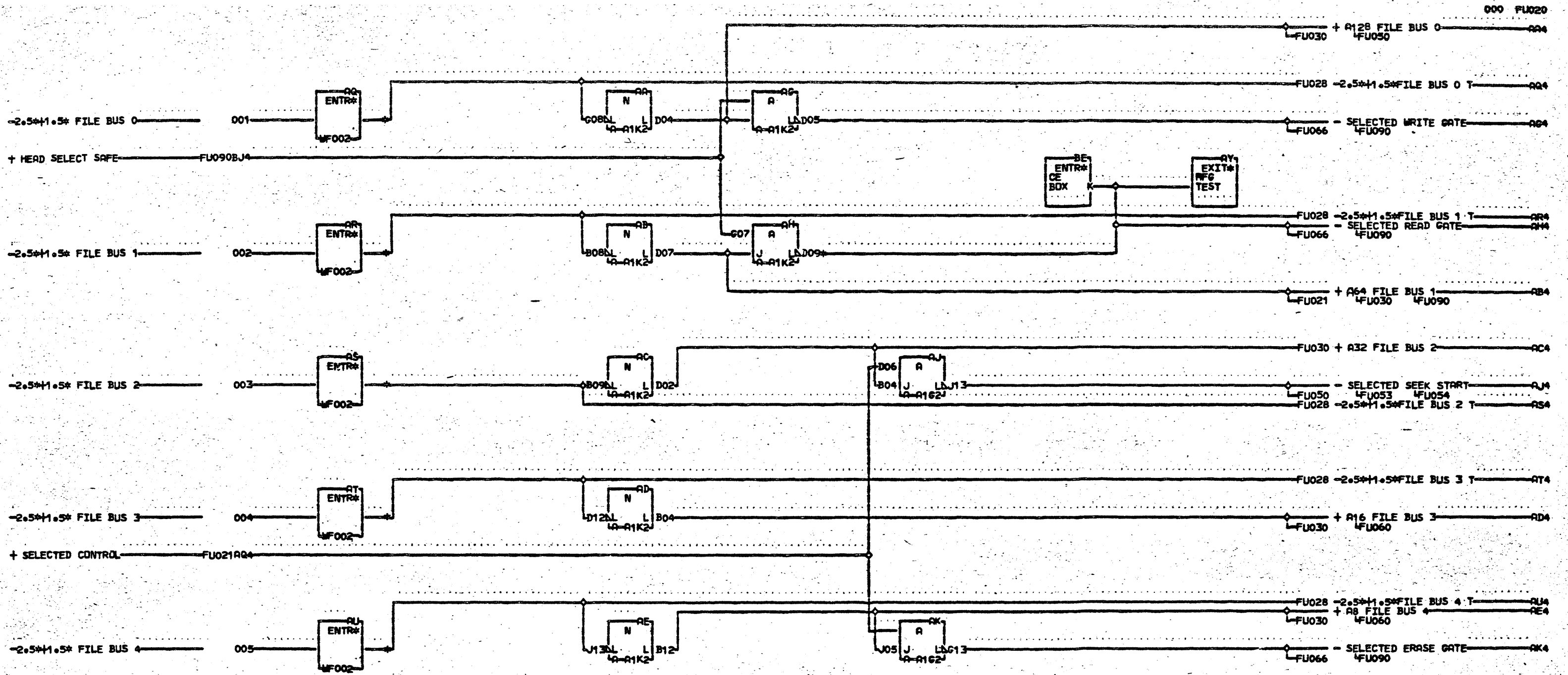


PLUS 36 VOLTS



SERVICE VOLTAGE BOARD D-A2	
E.C. HISTORY 416035A	FRAM#2314
DATE 04-22-66	LAST EC 416080
	FRAME 01
	IBR CORP. GPD
	P.N. 2218240

000
2218240
jjo



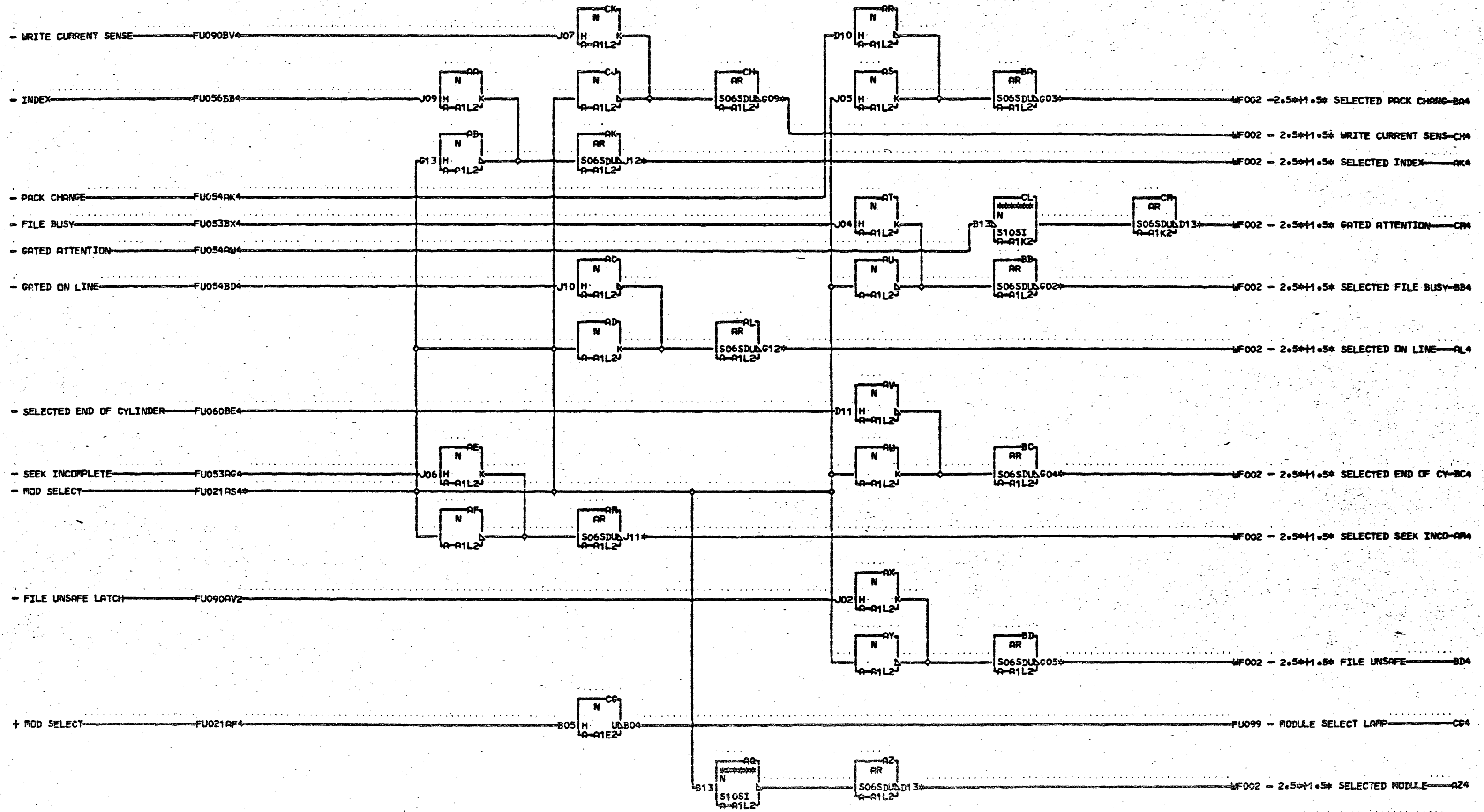
0000

AQ P 51C1D09
 AR P 51N2B06
 AS P 51N3B02
 AT P 51N3B03
 AU P 51N3B04
 AV P 51N3B05
 AW P 51N3D12

LOC. TYPE
 A-1162 6269
 A-11K2 4270

LINE RECEIVERS	
E.C. HISTORY	PACH 2314
416035	FRAME 01
416044	IBN CORP. GPD
416080	P.No. 2218241
DATE LAST EC	
06-08-66 416091	

F U O 2 0



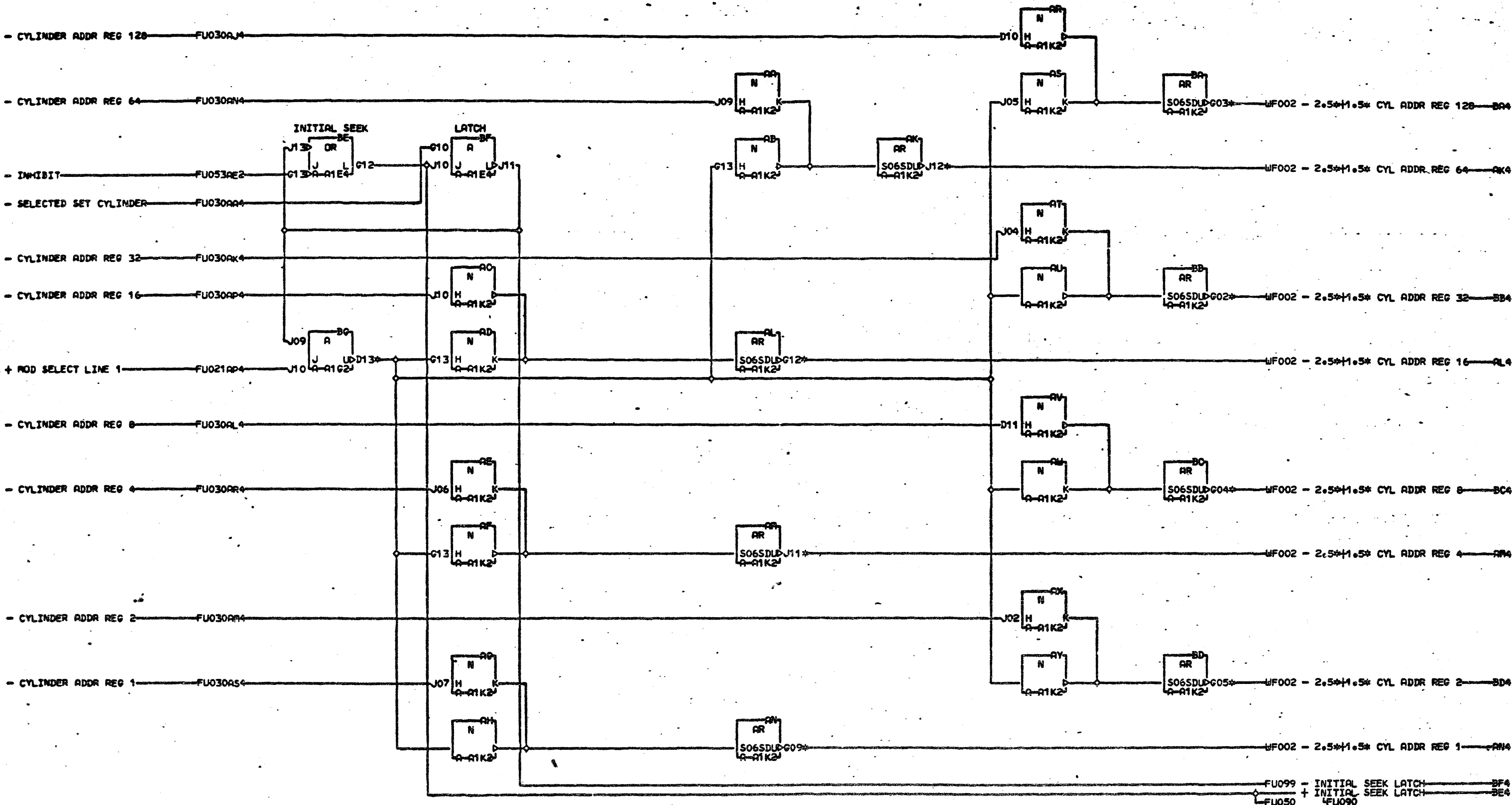
- FU021AS4
- RESISTORS
- AK4 A-A1N3D07
- AL4 A-A1N3D06
- AM4 A-A1N3D10
- AZ4 A-A1N2B10
- BA4 A-A1N2B07
- BB4 A-A1N2B08
- BC4 A-A1N3D11
- BD4 A-A1N3D09
- CH4 A-A1N3D02
- CA4 A-A1N3D05

LDC TYPE
 A-A1E2 4273
 A-A1K2 4270
 A-A1L2 4270

LINE DRIVERS	
E-C-HISTORY	RACH#2314
416035	FRAME 01
416044	IBN CORP. GPD
416069	PoN# 2218243
DATE 07-05-66	LAST EC 416097

FU025
 000

UNCCF
 000



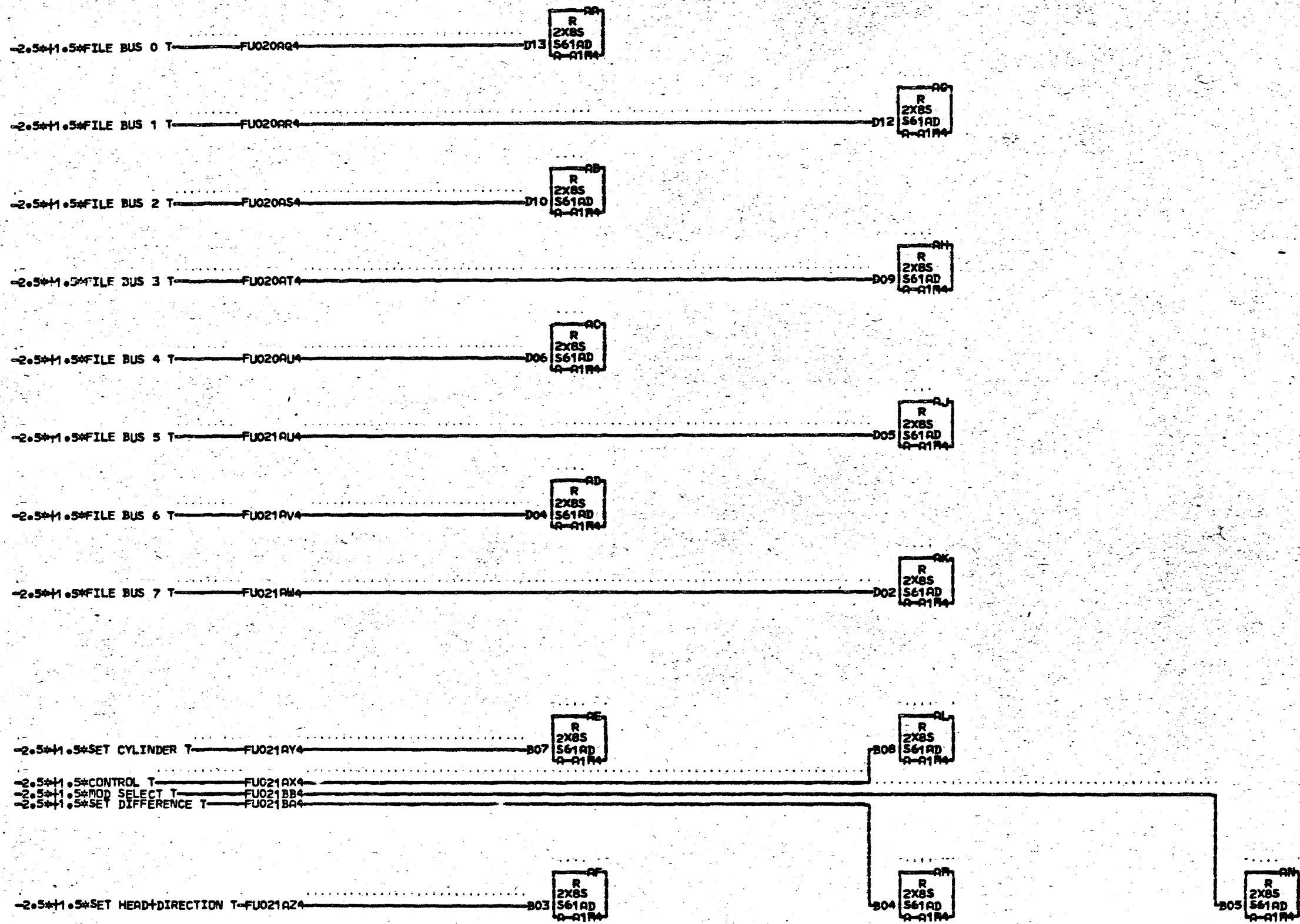
000

- AK4 P-31 N2D05 P-21 K2
- AL4 P-31 N2D04 P-21 K2
- AN4 P-31 N2B03
- AP4 P-31 N2B02
- BK4 P-31 N2D06
- BL4 P-31 N2B05
- BN4 P-31 N2B04
- BP4 P-31 N2D02
- BK4 RESISTORS

LOC. TYPE
 P-31E4 6338
 P-31G2 6269
 P-21K2 4270

LINE DRIVERS			
-E.C.-HISTORY-		RACH-2314	
416035	420852	FRAME	01
416044	420925		
416097	420928		
420843		IBM CORP. GPD	
DATE	LAST EC		
06-07-68	424000	P.No. 2218244	

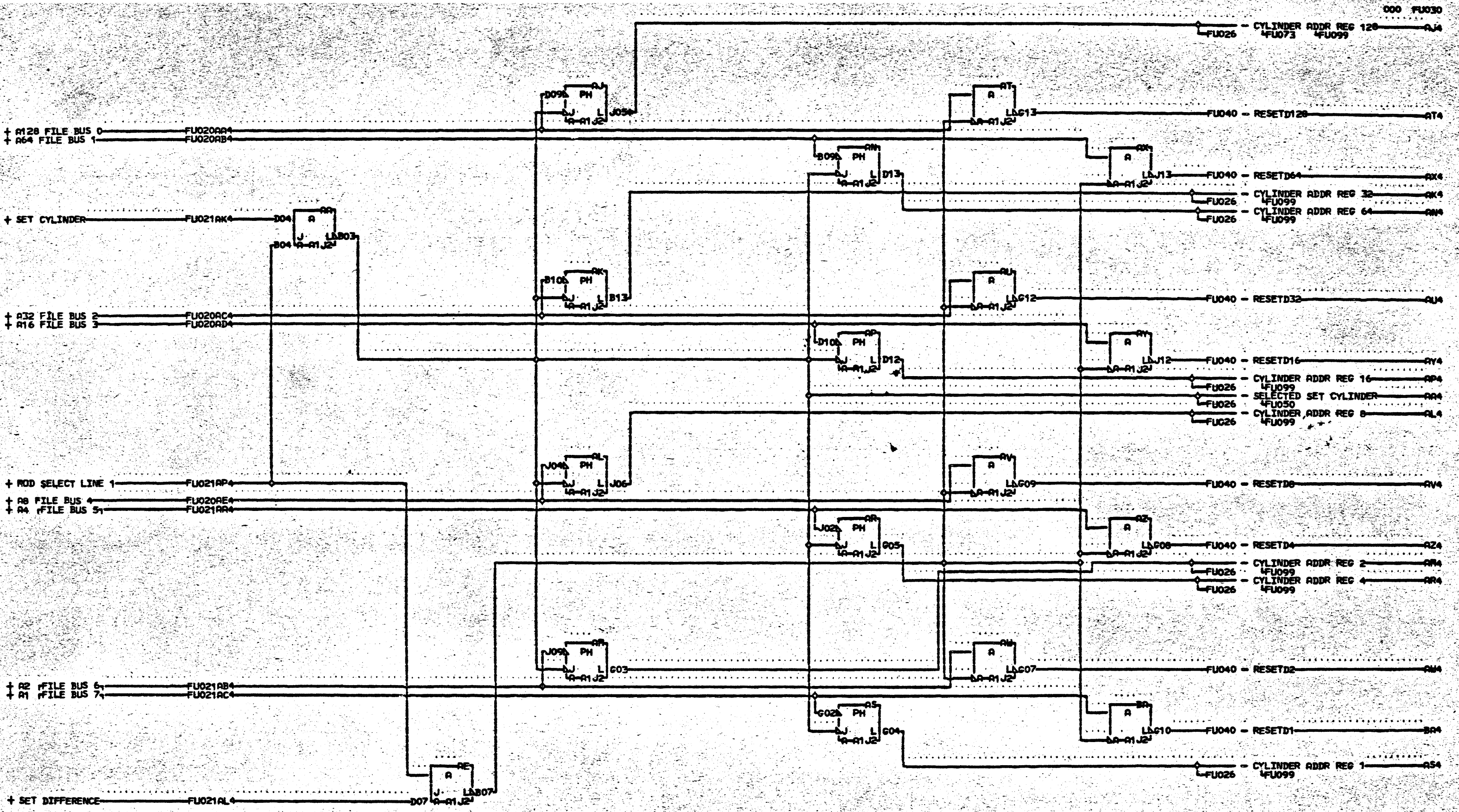
000



LDC TYPE
 A-11A4 0720

TERMINATOR 2X8 SWITCH	
E.C. HISTORY 416080	MACH. 2314
	FRAME 01
	IBM CORP. SDD
DATE LAST EC 06-04-66 416091	P.N. 2218265

F
 U
 0
 2
 8
 000

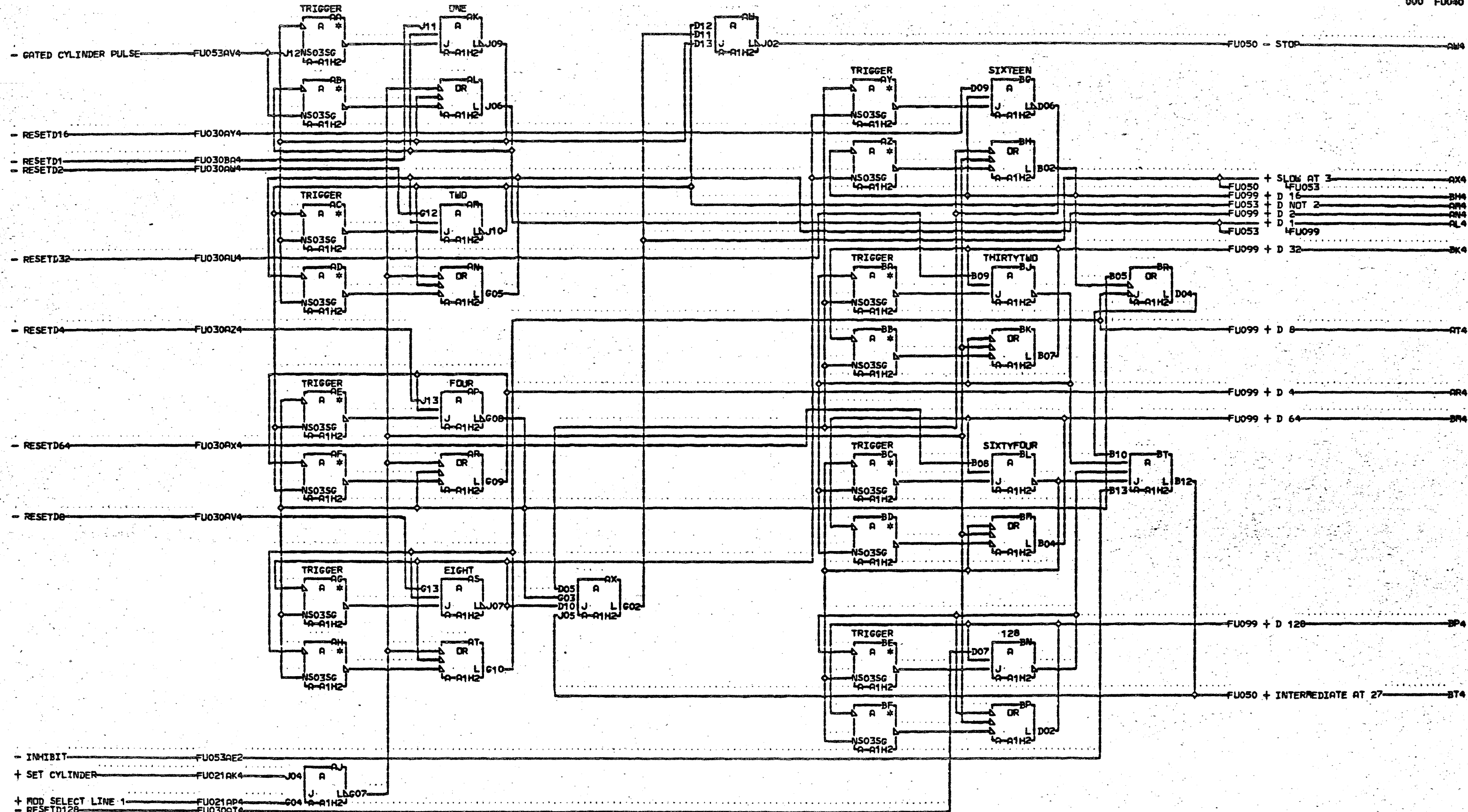


AJ4 A-A1L1A11

LOC. TYPE
A-A1J2 4268

CYL ADDR REG + DIFF RESET	
E-C-HISTORY 416035	RACH-2314 FRAME 01
DATE LAST EC 101-12-66 416044	IBR CORP. GPD P.N. 2218245

FU030
000

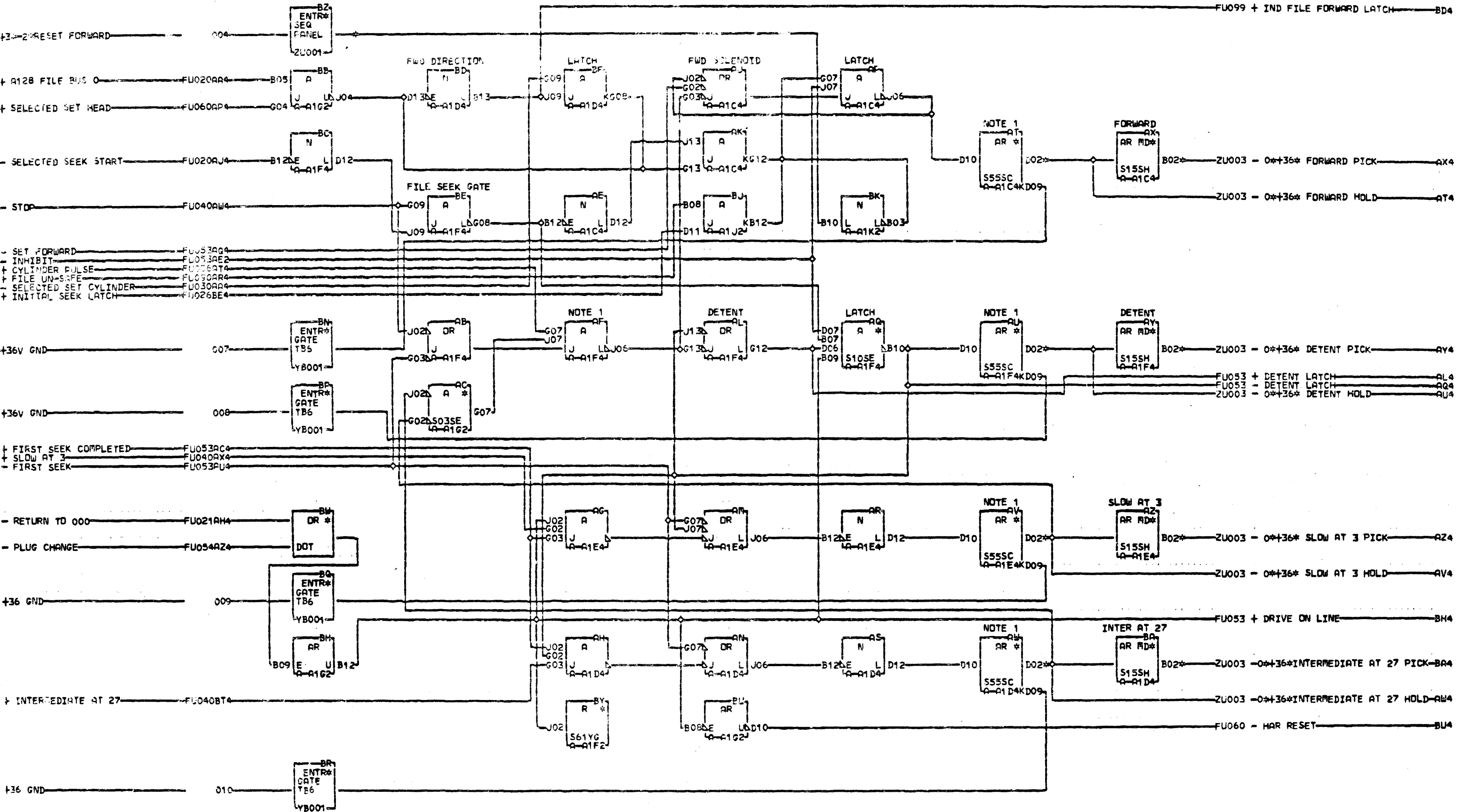


LDC. TYPE
A-A1H2 6270

DIFFERENCE COUNTER WITH DECODES	
E.C. HISTORY	RACH-2314
416035	FRAME 01
416044	IBR CORP. GPD
416080	PeN. 2218246
DATE LAST EC	
07-05-66 416097	

FU040
000

000



NOTE 1 EXTRA PICK PULSES MAY OCCUR ON DRIVERS WHOOS SOLENOID IS ALREADY PICKED. THIS IS NORMAL AND WILL NOT CAUSE A PROBLEM.

5
0

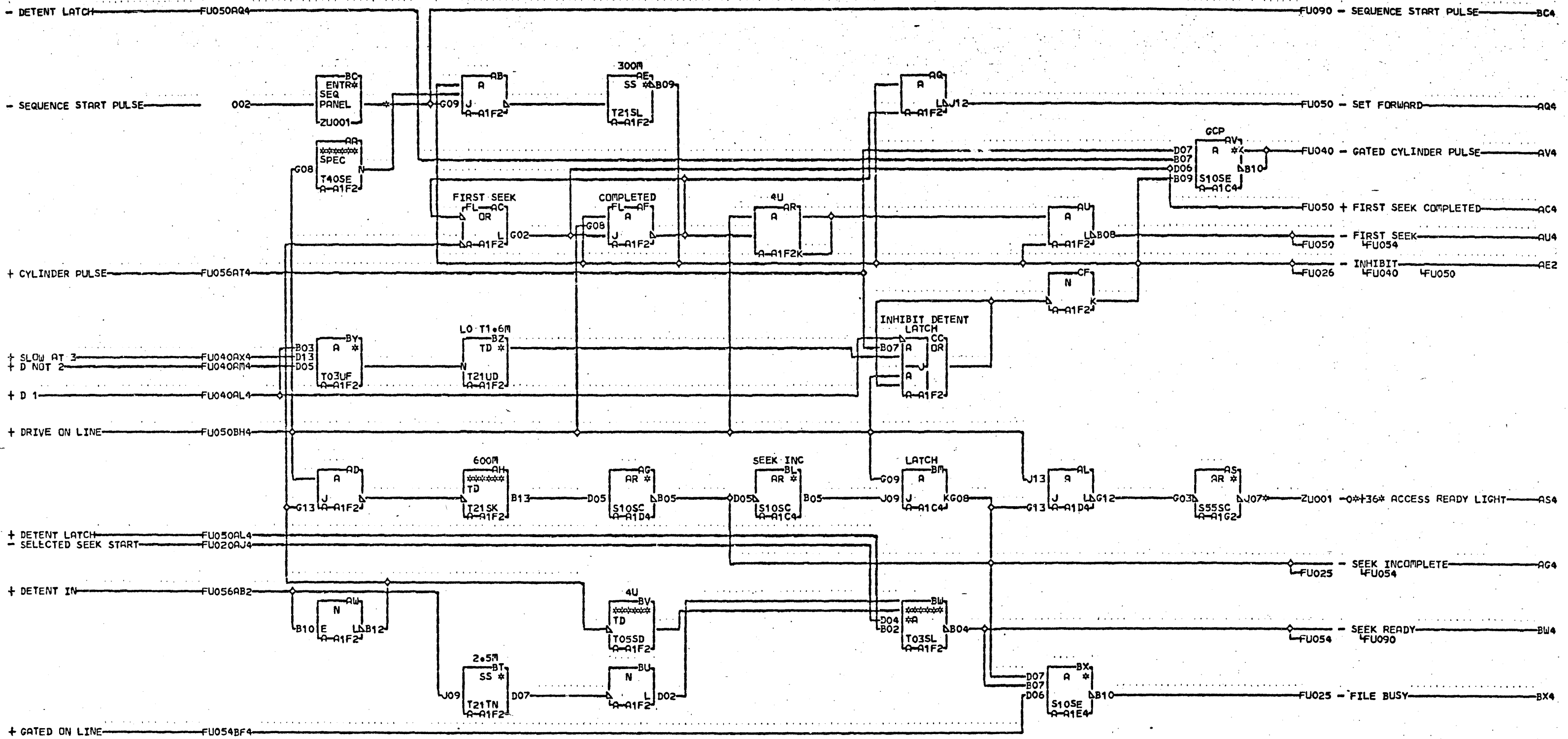
000

AT4 2 01 N4B12
 AU4 2 01 N4B03
 AV4 2 01 N4B08
 AW4 2 01 N4B10
 AX4 2 01 N4B13
 AY4 2 01 N4B07
 AZ4 2 01 N4B09
 BA4 2 01 N4B04
 BB4 2 01 N4D10

LDC: TYPE
 R-A1C4 8338
 R-A1D4 8338
 R-A1E4 8338
 R-A1F2 7325
 R-A1F4 8338
 R-D1G2 6269
 R-A1J2 4268
 R-A1K2 4270

SOLENOID DRIVERS			
E.C. HISTORY		MACH. 2314	
416035	420843	FRAME	01
416044	420852	DATE	LAST EC
416097	420925	IBM CORP. GPD	
420832		P.No. 2218247	

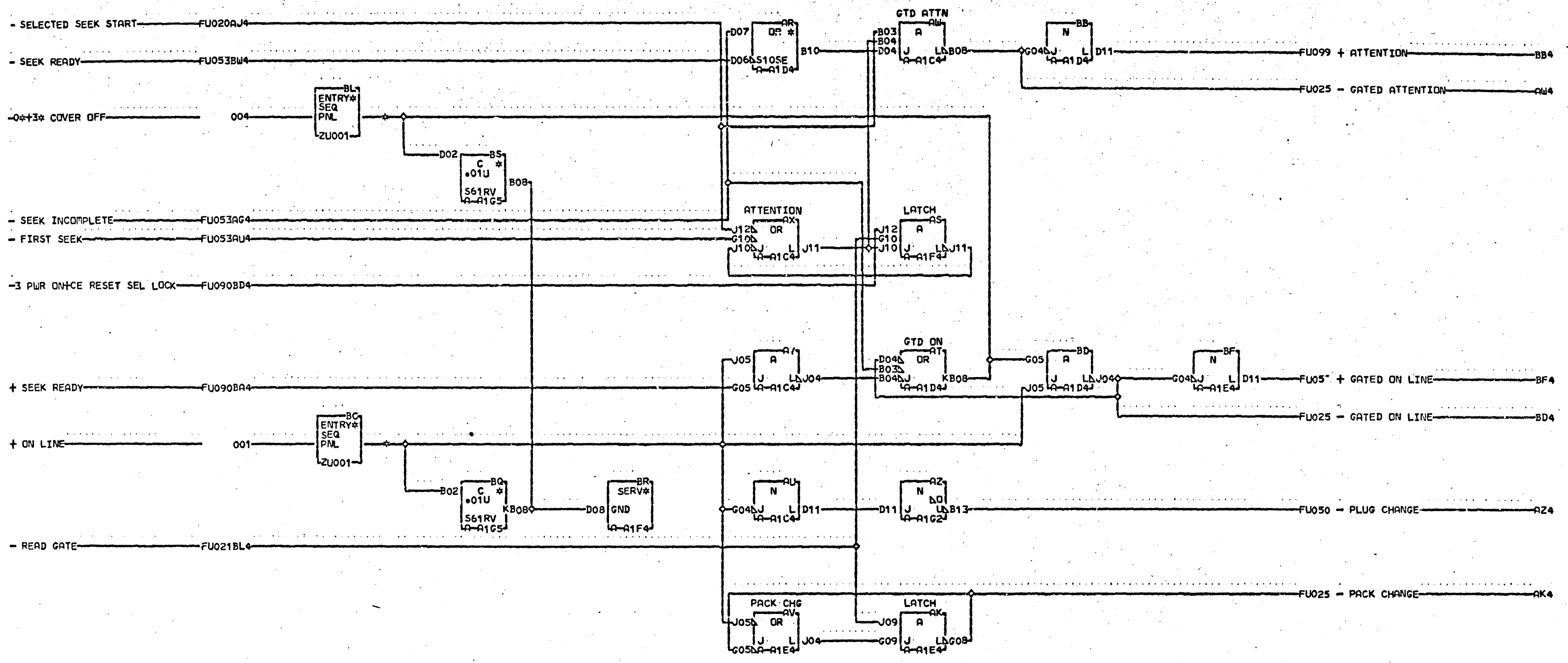
F U 0 5 0
000



AS4 A-A1N4D07
 BC4 A-A1N4D09

LOC.	TYPE
A-A1C4	8338
P-A1D4	8338
P-A1E4	8338
T-A1F2	7325
A-A1G2	6269

ACCESS TIMING		
E.C. HISTORY		MACH.2314
416035	416097	
416044	420832	FRAME 01
416080	420852	
416091	420925	IBM CORP. GPD
DATE	LAST EC	
07-10-67	420928	P.No. 2218248



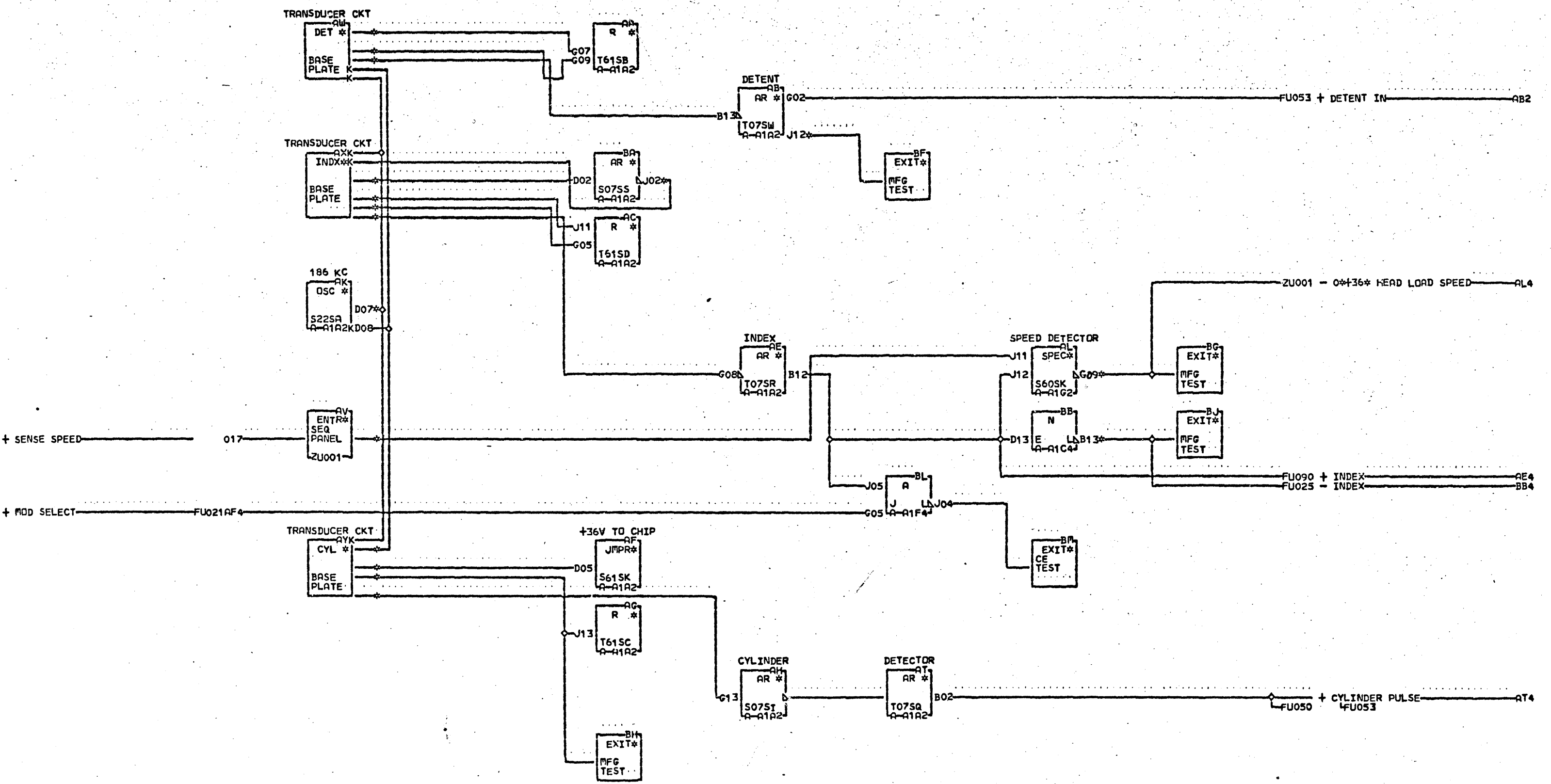
BC4 A-A1N4D06
BL4 A-A1N4D05

LOC. TYPE
A-A1C4 8338
A-A1D4 8338
A-A1E4 8338
A-A1F4 8338
A-A1G2 6269
A-A1G5 8340

ON LINE AND GATED ATTENTION HISTORY		MACH#2314	
416044	420843	FRAME	01
416080	420852		
416097	420841		
420832	420925	IBM CORP. GPD	
DATE	LAST EC		
08-01-67	420928	P#N# 2218263	

45001
000

FU054
000



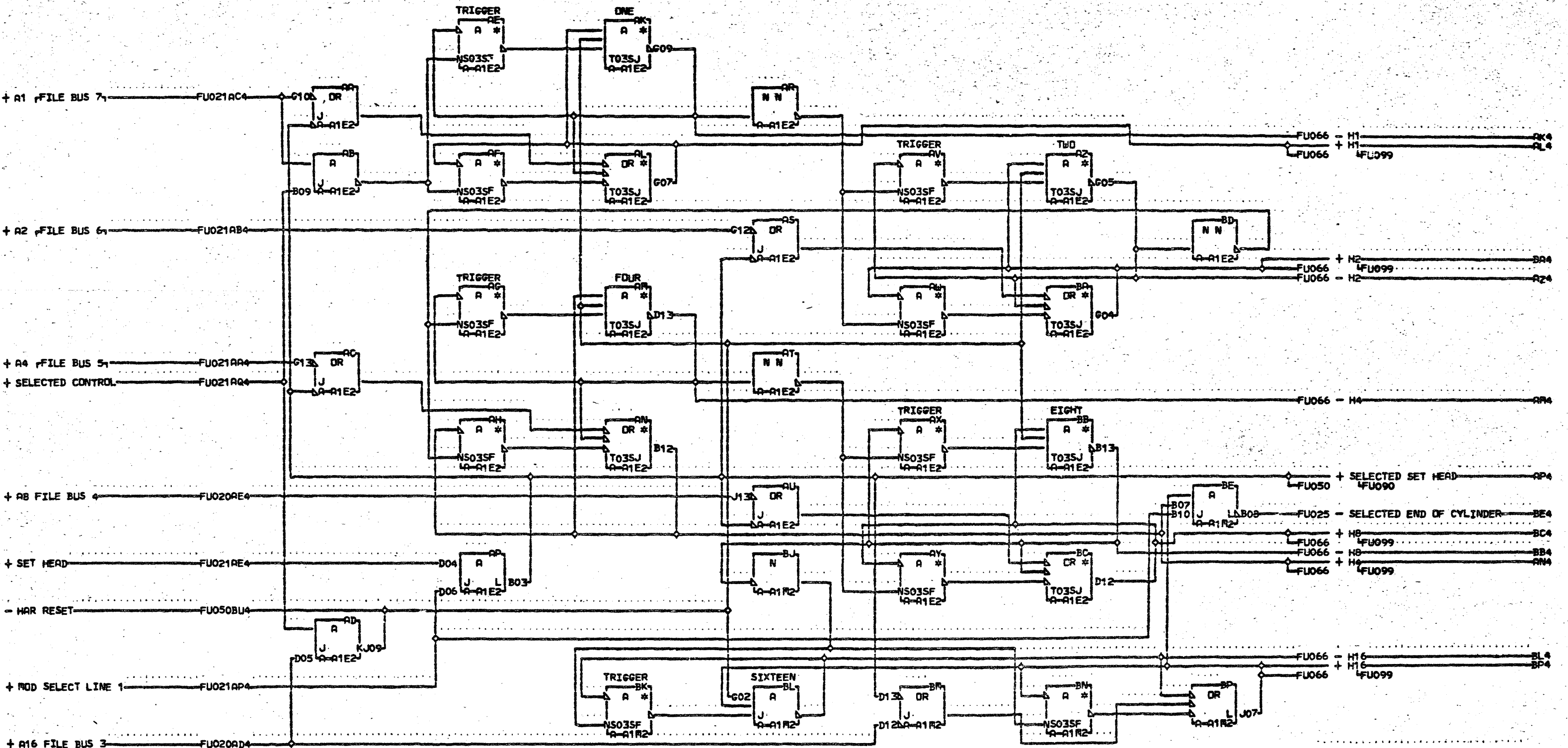
NOTE
 IF A TRANSISTOR CAN IS
 GROUNDED ON A TRANSDUCER
 CHIP THE TRANSDUCER WILL
 BE BLOWN AND A +6 OR
 -3 VOLT LAND MAY BE
 OPENED ON THE LARGE
 CARD

AB6 A-A1B1B09	AW5 A-A1E1E09	AY7 A-A1E1B11
AK4 A-A1G1A11	AX4 A-A1G1A09	BA4 A-A1F1E09
01A A-A1D1E09	AX6 A-A1F1B09	BB4 A-A1B1C09
01A A-A1E1D09	AX7 A-A1F1C09	
AL4 A-A1N4B05	AX8 A-A1F1E11	
01A A-A1B1B11	AY2 A-A1F1A09	
AV4 A-A1N4D12	AY4 A-A1E1C09	
AW2 A-A1E1E11	AY5 A-A1E1B09	
AW4 A-A1F1B11	01A A-A1A1E11	

LOC.	TYPE
A-A1A2	6264
A-A1C4	8338
A-A1F4	8338
A-A1G2	6269

TRANSDUCER CIRCUIT AND SPEED DETECTOR			
E.C. HISTORY		MACH. 2314	
416035	420843	FRAME	01
416044	420852		
416091	420841	IBM CORP. GPD	
416097			
DATE	LAST EC	P.N.	2218249
07-10-67	420928		

F U 0 5 6

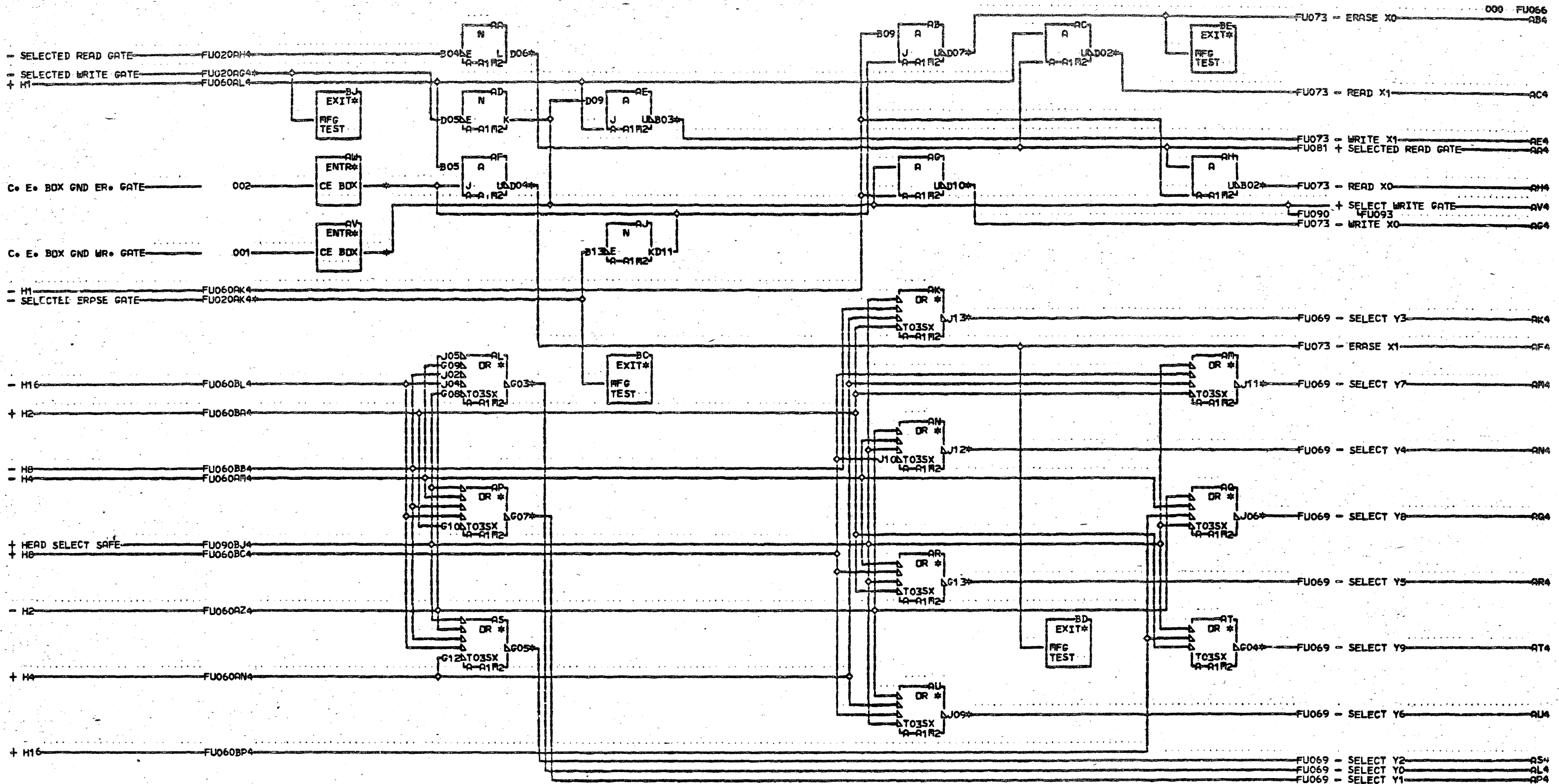


LOC. TYPE
A-A1E2 4273
A-A1R2 6261

HEAD ADDRESS REG.	
E.C. HISTORY	RACH#2314
416035	FRAME 01
416044	IBR CORP. GPD
416091	P.No. 2218250
DATE LAST EC	
06-29-66 416097	

F U O 6 0
0 0 0

F U O 6 0
0 0 0

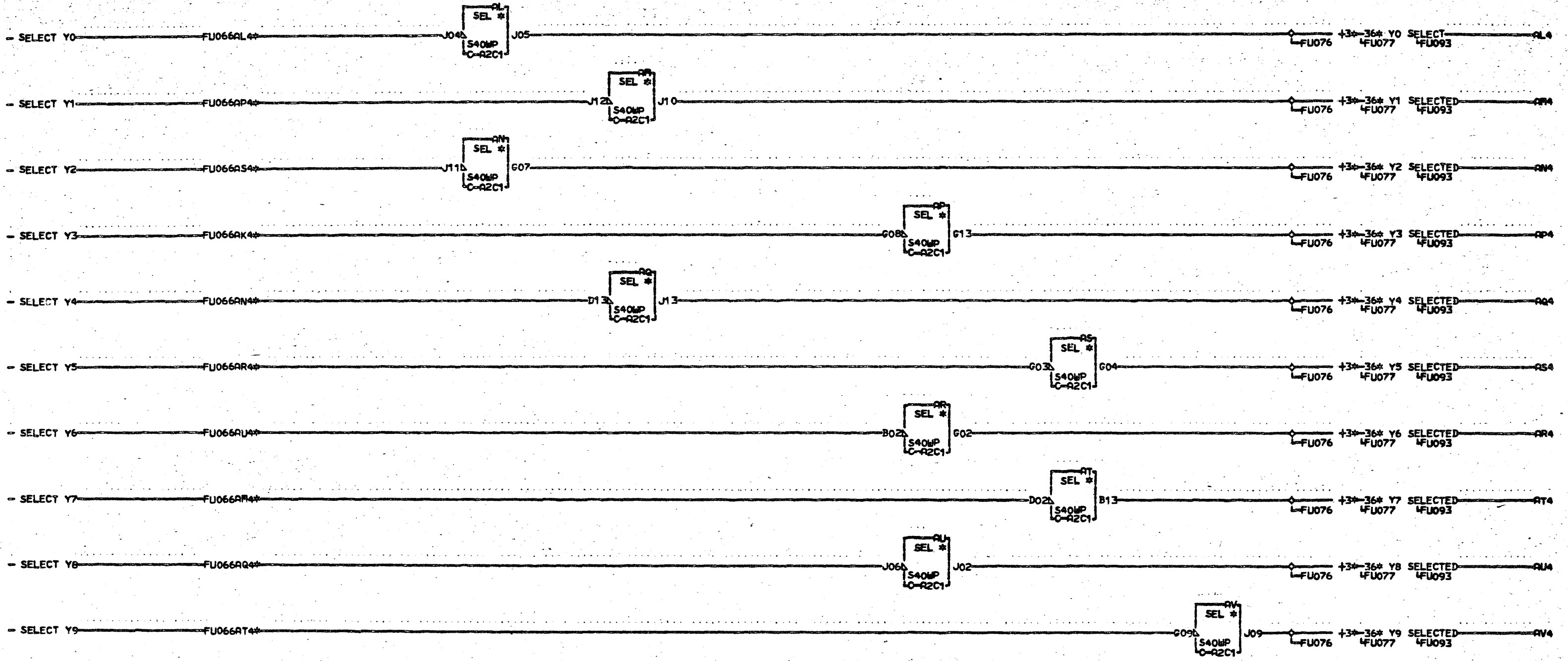


FU020AG4	AF4	A-A1M1A09	AQ4	D-D1M1B11
01A-D1A1E09	01A-D1D1A11	AR4	D-D1L1E11	
FUC20AK4	AG4	A-A1M1E11	AS4	D-D1L1B11
01A-D1B1A11	AH4	A-A1M1C09	AT4	D-D1M1B09
AA4	D-D1M1A11	AK4	A-A1L1B09	AU4
AB4	D-D1N1A11	AL4	A-A1K1E11	AV4
01A-D1D1A09	AM4	A-A1L1E09	01	D-D1L1D09
AC4	D-D1M1C11	AN4	A-A1L1C11	AW4
AE4	A-A1M1E09	AP4	A-A1K1E09	

LDC TYPE
A-A1M2 6261

HEAD ADD + DECODE	
E.C. HISTORY 416035	MACH#2314 FRAME 01
DATE 03-01-66	LAST EC 416044
	IBA CORP. GPD Po# 2218251

F
U
O
6
6
000



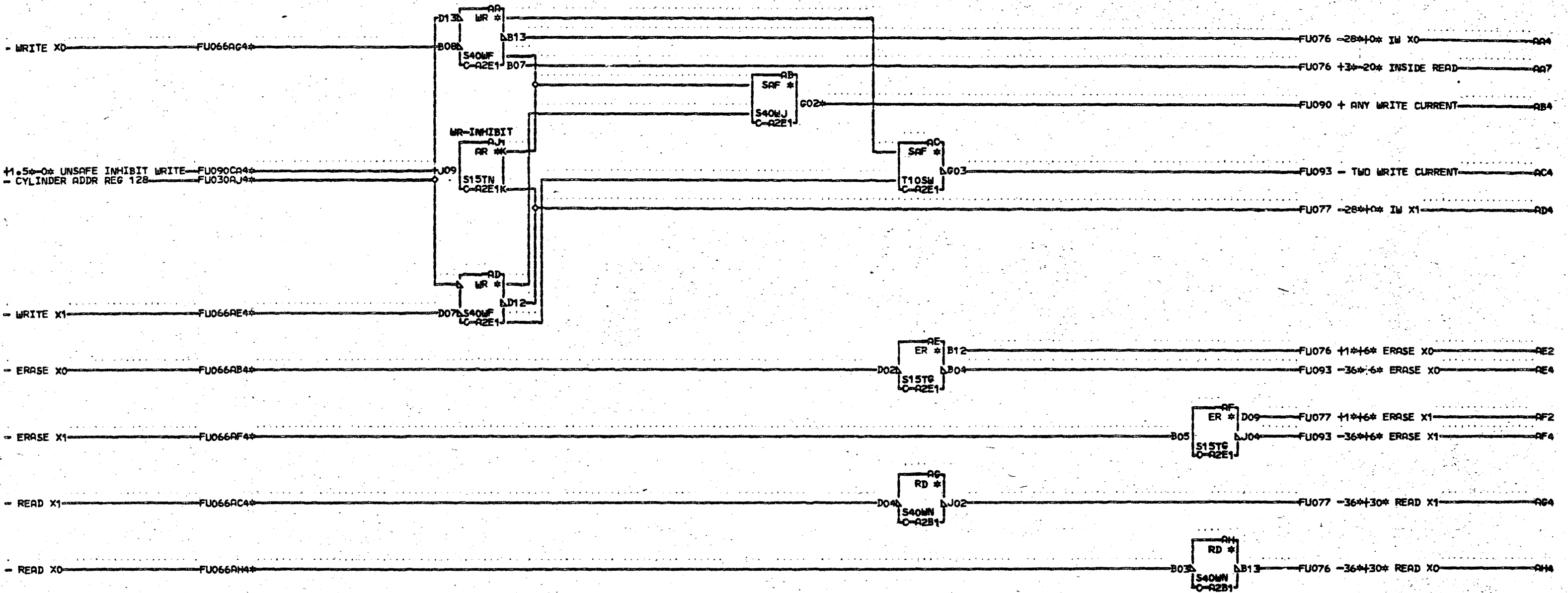
FU066AK4 01C-A2A2D02 FU066AM4
 01C-A2A2D04 FU066AQ4 01C-A2A2D05
 FU066AL4 01C-A2A2B09
 01C-A2A2B02 FU066AR4
 FU066AM4 01C-A2A2B07
 01C-A2A2D07 FU066AS4
 FU066AM4 01C-A2A2B04
 01C-A2A2B05 FU066AT4
 FU066AP4 01C-A2A2D09

LDC TYPE
 C-A2C1 6268

Y SELECT 0-9	
EoCo-HISTORY 416035A	FRAME 01
DATE LAST EC 03-04-66 416044	IBN CORP. GPD P.o.N. 2218252

9 8000 F

FU069

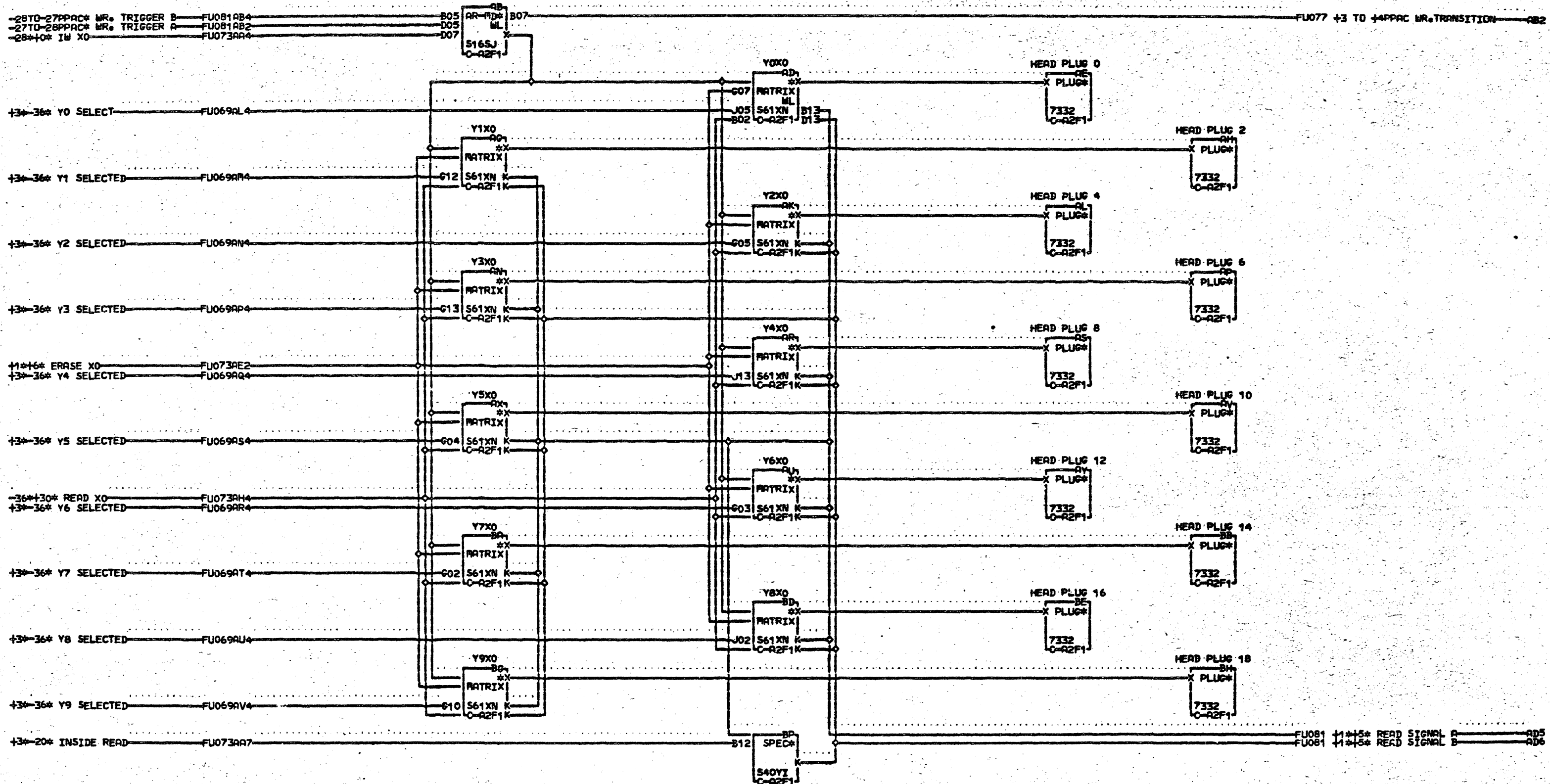


FU030AJ4 01C-A2A2D13
 01C-A2A2B03 FU066AC4
 FU066AB4 01C-A2A2B12
 01C-A2A2B13 FU066AH4
 FU066AC4 01C-A2A2D10
 01C-A2A2B10 FU090CA4
 FU066AE4 01C-A2A1B09
 01C-A2A2D12 AB4 C-A2A1B12
 FU066AF4

LOC TYPE
 C-A2B1 6846
 C-A2E1 6277

WRITE READ + ERASE	
E.C. HISTORY	MACH. 2314
416035A	FRAME 01
416044	IBN CORP. GPD
416096	P. No. 2219253
420832	
DATE	LAST EC
06-06-67	420927

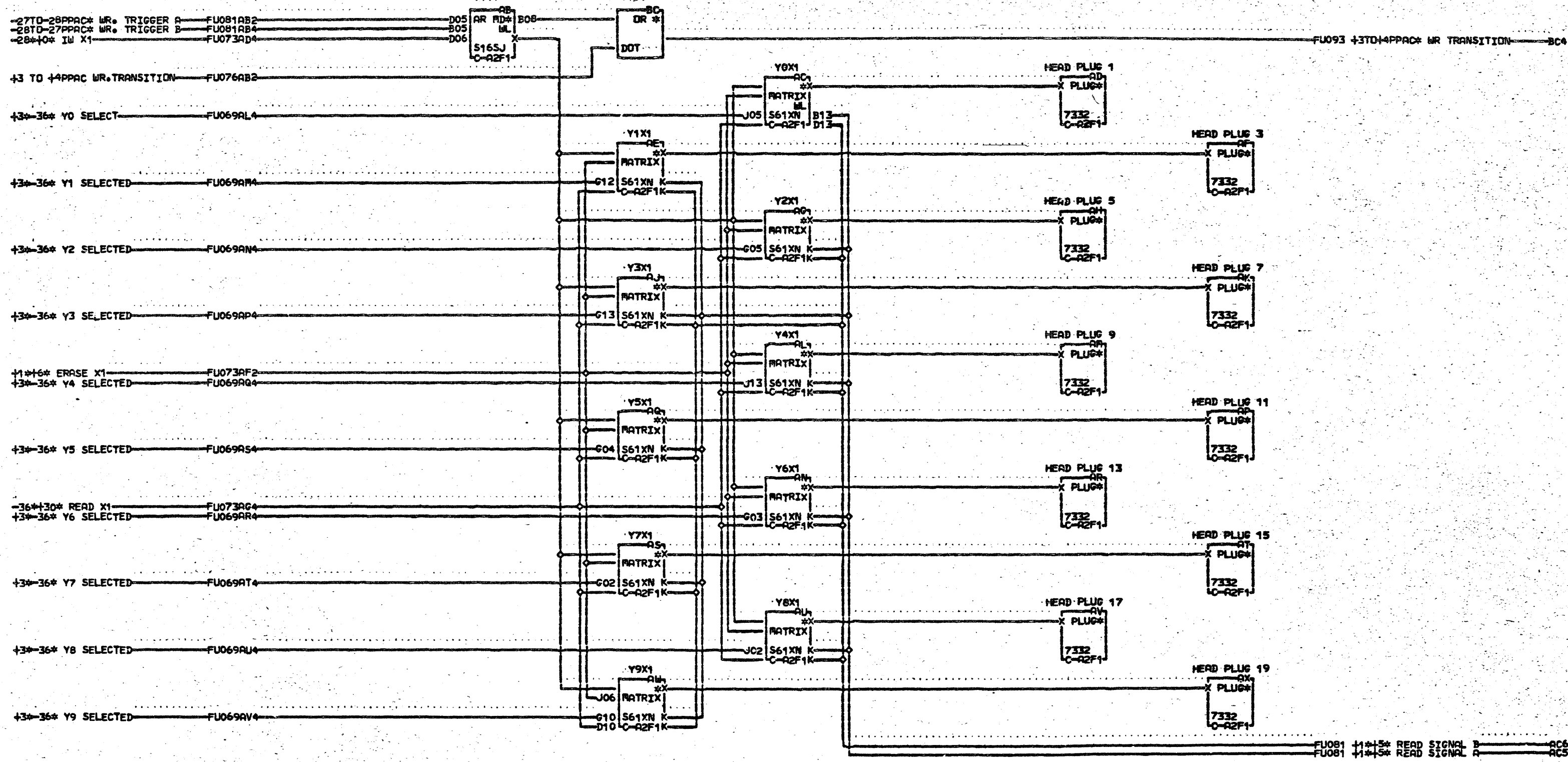
FU073
 000



LOC. TYPE
C-A2F1 7X32

WRITE DRIVER + MATRIX EVEN	
E-C-HISTORY	MACH.2314
416035A	FRAME 01
416044	IBM CORP. GPD
DATE 08-10-66	LAST EC 416096
P.No. 2218254	

6700F
6

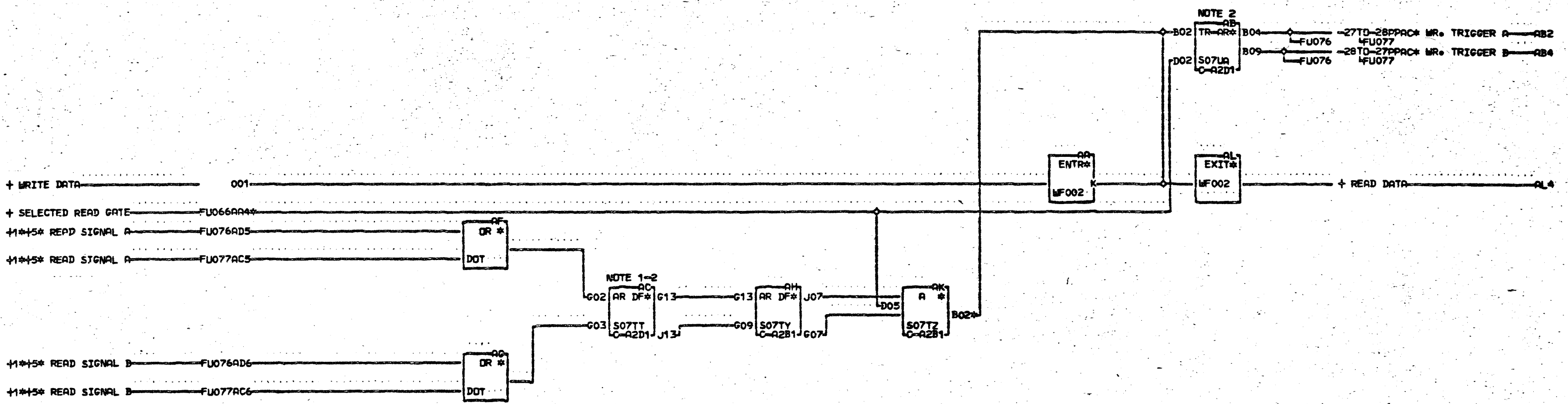


LOC. TYPE
C-A2F1 7332

WRITE DRIVER + MATRIX ODD	
E.C. HISTORY	FRAC#2314
416035A	FRAME 01
416044	IBM CORP. GPD
DATE LAST EC	Po# 2218255
08-10-66 416096	

F U 0 7 7

000



+ WRITE DATA 001

+ SELECTED READ GATE FU066AA4

+1*+5* READ SIGNAL A FU076AD5

+1*+5* READ SIGNAL A FU077AC5

+1*+5* READ SIGNAL B FU076AD6

+1*+5* READ SIGNAL B FU077AC6

NOTE 2

TR AR* B04 -27TD-28PPAC* MR. TRIGGER A AB2
FU076

S07UA C-A2D1 B09 -28TD-27PPAC* MR. TRIGGER B AB4
FU076

NOTE 1-2

AR DF* G13

S07TT C-A2D1 J13

S07TY C-A2B1 G07

S07TZ C-A2B1 B02*

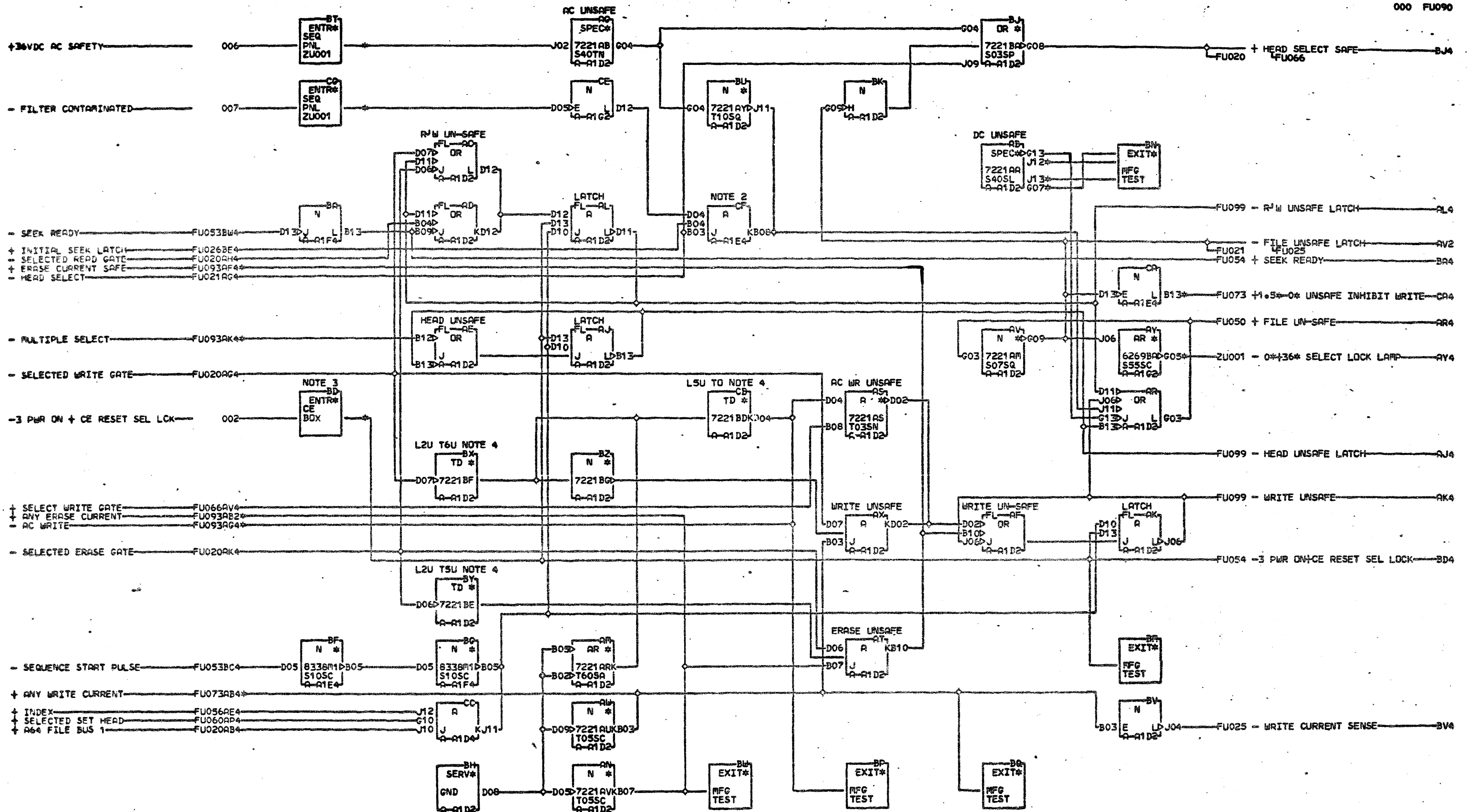
NOTE 1 JUMPER D1G12 TO D1J12 WHEN MAKING RADIAL ALIGNMENT OF HEADS. THIS JUMPER MUST BE REMOVED WHEN ADJUSTMENT IS COMPLETED. NOTE 2 PN 5806387 8 MAY BE SUBSTITUTED FOR 5806836 1 IN LOCATION D1

FU066AA4 01C-A2A2B08 AK4 C-A2A1B02

LOC. TYPE
C-A2B1 6846
C-A2D1 6836

PRE-AMP + WRITE TRIGGER	
E.C. HISTORY	RACH-2314
416035A	FRAME 01
416044	IBM CORP. GPD
416096	DATE LAST EC
420832	06-06-67 420927
06-06-67 420927	PN# 2218256

FU081

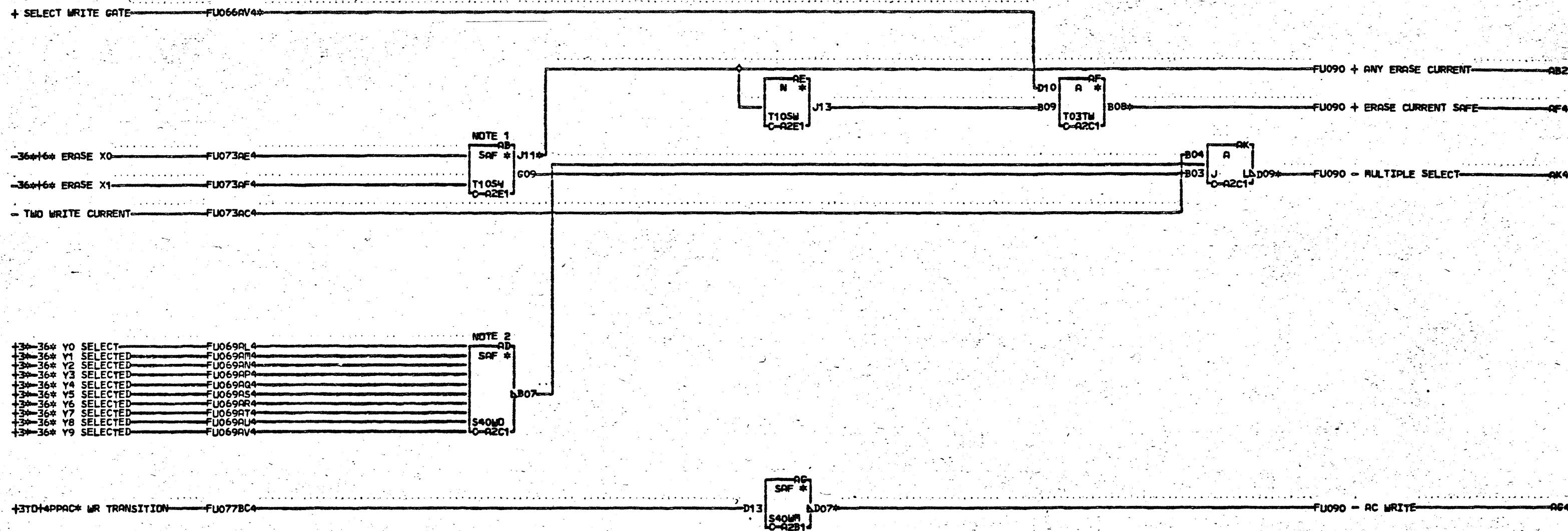


NOTE 1 TO TIE OFF SELECT LOCK LATCHES GROUND D2D10.
 F NOTE 2 WIRING FOR VACUUM SWITCH MACHINES ONLY
 U NOTE 3. THIS LINE ALSO RESETS THE ATTENTION LATCH.
 O NOTE 4 TD BLOCK TITLE MEANS OUTPUT LEADING EDGE DELAYED X 000MICRO SECONDS. TRAILING EDGE DELAYED X MICRO SECONDS

FU073AB4	01A-A1J1E11	01A-A1J1D09	01A-A1N2D11
FU093AB2	01A-A1C1B09	FU093AK4	CA4 A-A1J1B11
FU093AF4	01A-A1K1A09	AB3 A-A1C1B11	CG4 A-A1N4B02
FU020AB4	01A-A1C1E09	AB5 A-A1C1C09	RESISTOR
FU093AG4	01A-A1K1A11	AY4 A-A1N4D02	R-A162B10
FU093AH4	BD4 A-A1B1E11		

LOC.	TYPE
A1D2	7221
A1D4	8338
A1E4	8338
A1F4	8338
A1G2	6269

SAFETY CIRCUIT		
E.C. HISTORY	RACH#2314	
416080	420852	FRAME 01
416091	420841	
416097	420925	
416128	420928	IBR CORP. GPD
DATE	LAST EC	
06-10-68	424000	P#No 2218257



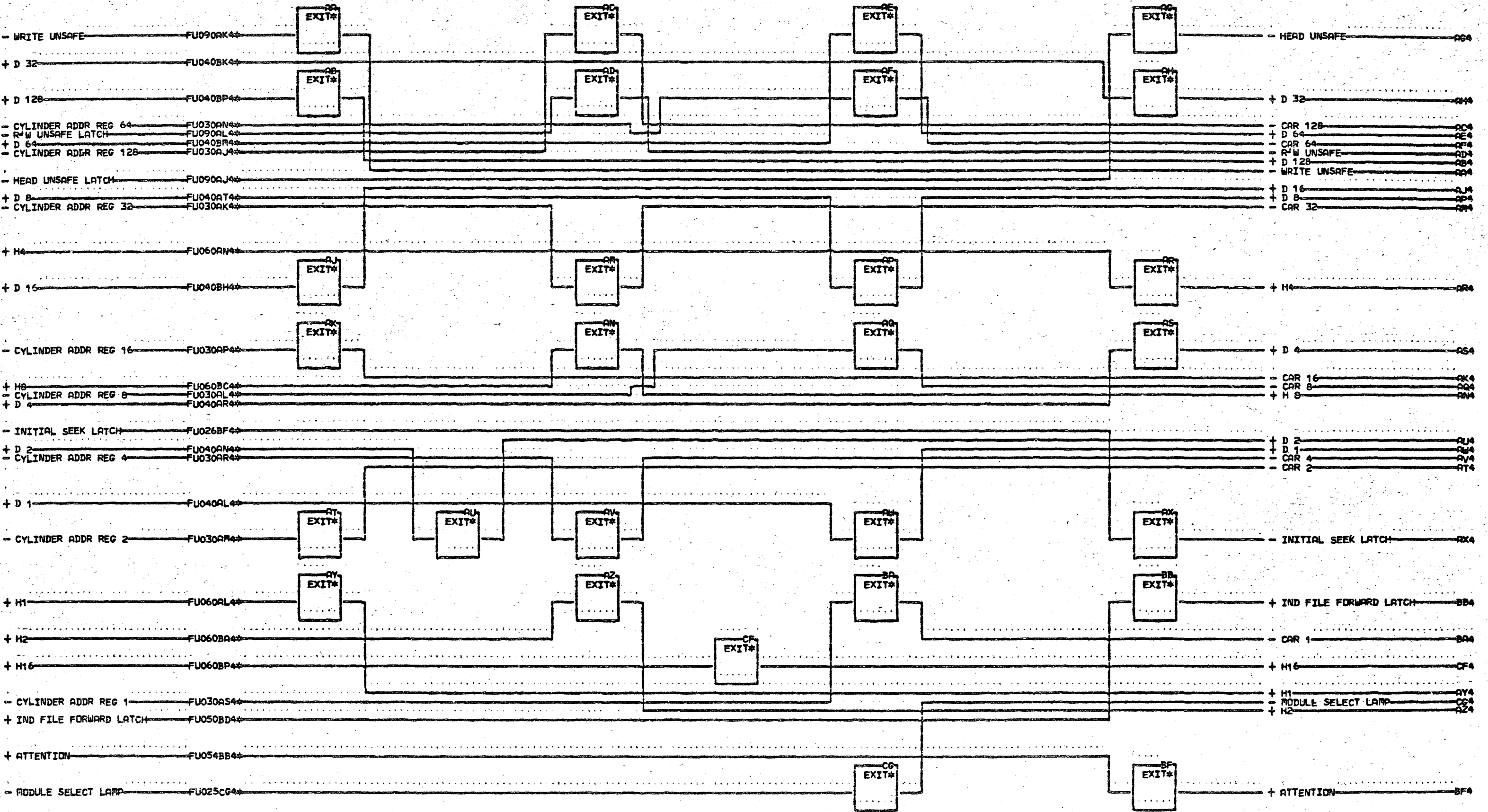
NOTE 1 TEST POINT
 E1609 IS - TWO
 F ERASE CURRENTS
 U NOTE 2 TEST POINT
 O C1807 IS - MORE THAN
 9 ONE Y SELECTED.
 3

FU066AV4
 010-A2A2D06
 AB2 C-A2A1D13
 AF4 C-A2A1B13
 AC4 C-A2A1D11
 AK4 C-A2A1D12

LOC. TYPE
 C-A2B1 6846
 C-A2C1 6268
 C-A2E1 6277

READ ERASE + Y SELECT SAFETY	
E.C. HISTORY CKT.	
416035A	RACH#2314
416044	FRAME 01
416096	IBM CORP. GPD
420832	PoN# 2218258
DATE 06-06-67	LAST EC 420927

FU093



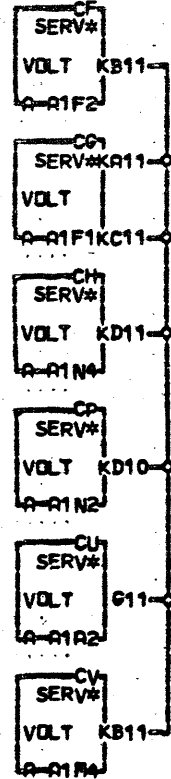
F
U
0
9
000

FU025CG4	01A-A1C2D05	FU030AS4	01A-A1C3B04	FU050BD4	01A-A1C3D04	FU090AL4
01A-A1C2D11	FU030AM4	01A-A1C2D10	FU040BH4	01A-A1C3D11	FU060BC4	01A-A1C2D04
FU026BF4	01A-A1C2D09	FU040AL4	01A-A1C3D09	FU054BB4	01A-A1C3B07	
01A-A1C3B10	FU030AN4	01A-A1C3B09	FU040BK4	01A-A1C3B12	FU060BP4	
FU030AJ4	01A-A1C2B07	FU040AN4	01A-A1C2D12	FU060AL4	01A-A1C3D12	
01A-A1C2B13	FU030AP4	01A-A1C3D05	FU040BM4	01A-A1C3D07	FU090AJ4	
FU030AK4	01A-A1C2D13	FU040AR4	01A-A1C2D06	FU060AM4	01A-A1C2B09	
01A-A1C2B10	FU030AR4	01A-A1C3D02	FU040BP4	01A-A1C3B02	FU090AK4	
FU030AL4	01A-A1C2B04	FU040AT4	01A-A1C2B02	FU060BA4	01A-A1C2D02	

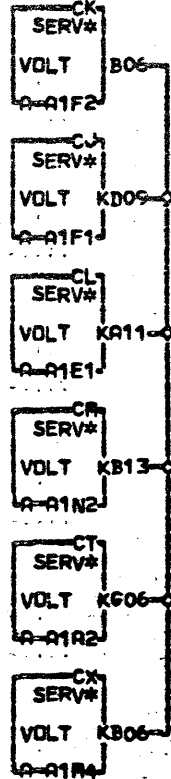
CoE INDICATOR	
—EoCo—HISTORY— 416035	RACH#2314 FRAME 01 IBM CORP. GPD P.o# 2218259
DATE LAST EC 03-01-66 416044	

F
U
0
9
000

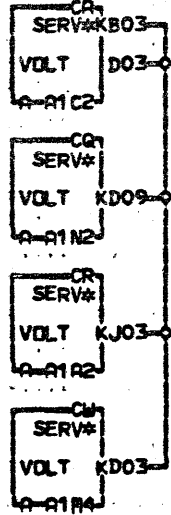
PLUS 6 VOLTS



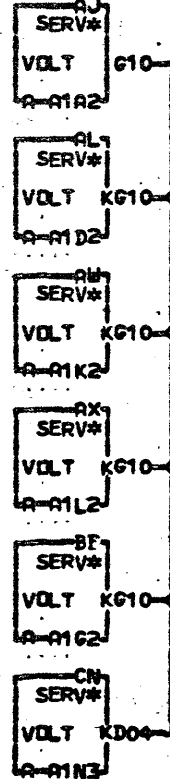
MINUS 3 VOLTS



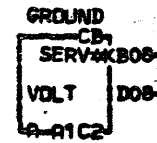
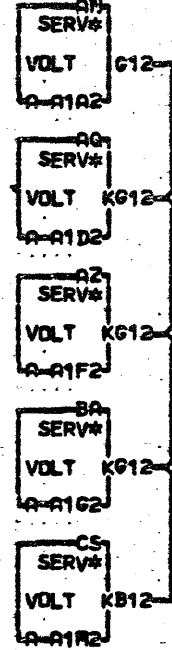
PLUS 3 VOLTS



MINUS 36 VOLTS



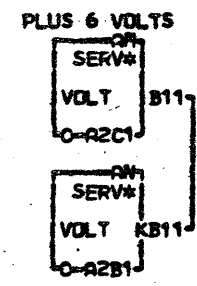
PLUS 36 VOLTS



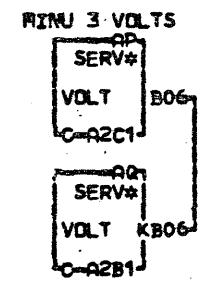
00000000

SERVICE VOLTAGE BOARD A-A1	
E.C. HISTORY 416035	MACH. 2314
DATE 01-12-66	FRAME 01
LAST EC 416044	IBN CORP. GPD
	P.No. 2218260

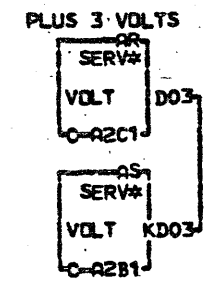
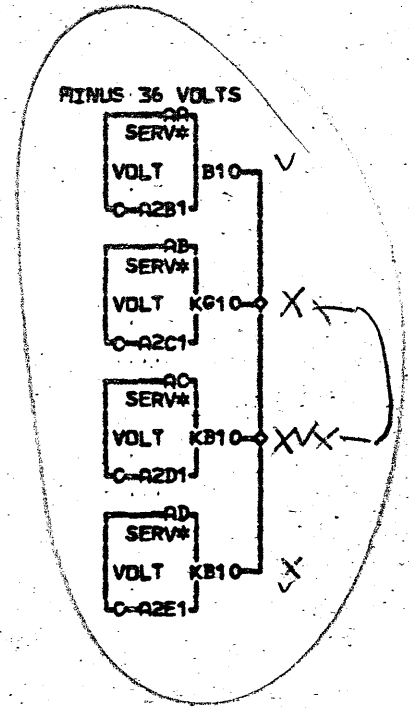
00000000



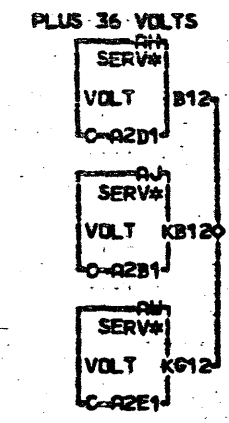
D1 B11 G11
 E1 B11 G11
 F1 B11 G11



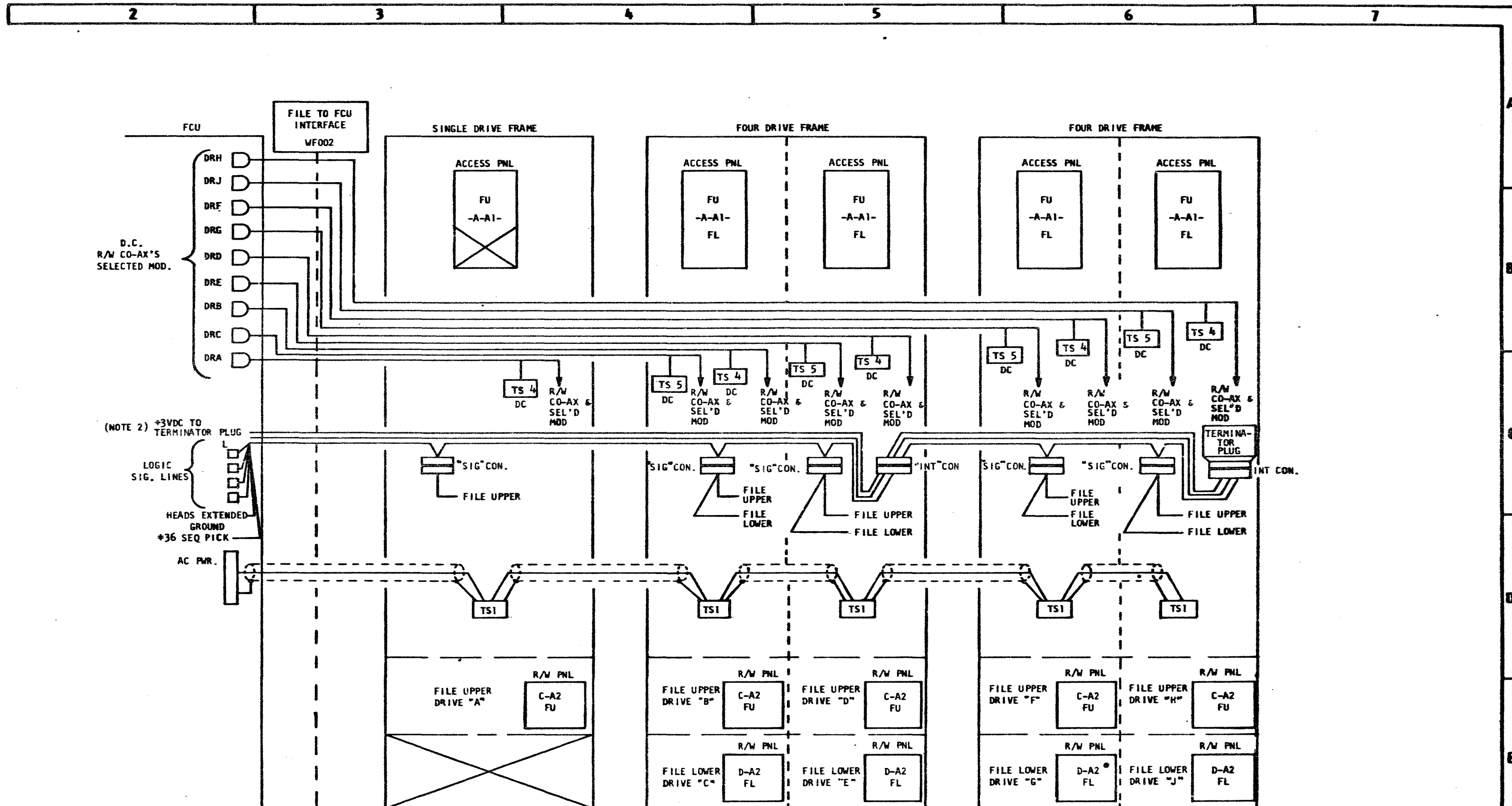
E1 B06
 D1 -
 F1 -



E1
 D1
 F1



SERVICE VOLTAGE BOARD C-02	
E.C. HISTORY 416035A	FRAM#2314 FRAME 01
DATE 04-22-66	LAST EC 416080
	IBM CORP. GPD P.No 2218261



- NOTES:
- ONE SET OF LOGICS ARE PROVIDED FOR ONE FILE UPPER AND ONE FILE LOWER BUT ARE APPLICABLE TO THE ENTIRE FILE.
 - +3VDC IS CARRIED IN THE SIGNAL CABLE THRU THE "INT" CONNECTORS TO THE TERMINATOR PLUG ONLY.

DATE	EC NUMBER	DATE	EC NUMBER	2314 FILE DRIVE & INTERFACE		
APR66	416034			CABLE LAYOUT		
				DATE	P/N	2218337
					TYPE	
				IBM		WF001

7
 6
 5
 4
 3
 2

FCU TO FILE TO FILE

FROM WF011 LINE TITLE	FCU LOGIC PAGE	SIG. CONNECTOR		FILE LOGIC PAGES	FILE FD'S	FILE LINE TITLE	
		PIN	TWISTED WIRE				
FILE BUS 0	WF011	SIG - A	SIG - B	FL/FU020	FD101	-2.5* +1.5* FILE BUS 0	
FILE BUS 1	WF011	SIG - C	SIG - D	FL/FU020	FD101	-2.5* +1.5* FILE BUS 1	
FILE BUS 2	WF011	SIG - E	SIG - F	FL/FU020	FD101	-2.5* +1.5* FILE BUS 2	
FILE BUS 3	WF011	SIG - H	SIG - J	FL/FU020	FD101	-2.5* +1.5* FILE BUS 3	
FILE BUS 4	WF011	SIG - K	SIG - L	FL/FU020	FD101	-2.5* +1.5* FILE BUS 4	
FILE BUS 5	WF011	SIG - M	SIG - N	FL/FU021	FD101	-2.5* +1.5* FILE BUS 5	
FILE BUS 6	WF011	SIG - P	SIG - R	FL/FU021	FD101	-2.5* +1.5* FILE BUS 6	
FILE BUS 7	WF011	SIG - S	SIG - T	FL/FU021	FD101	-2.5* +1.5* FILE BUS 7	
SET DIFFERENCE	WF011	SIG - U	SIG - V	FU/FL021	FD101	-2.5* +1.5* SET DIFFERENCE	
SET CYLINDER	WF011	SIG - W	SIG - X	FU/FL021	FD101	-2.5* +1.5* SET CYLINDER	
SET HEAD	WF011	SIG - Y	SIG - Z	FU/FL021	FD101	-2.5* +1.5* SET HD + DIRECTION	
CONTROL	WF011	SIG - a	SIG - b	FU/FL021	FD101	-2.5* +1.5* CONTROL	
MOD 0 SELECT	WF011	SIG - c	SIG - d	YB001		MOD 0 SELECT	
MOD 1 SELECT	WF011	SIG - f	SIG - g	YB001		MOD 1 SELECT	
MOD 2 SELECT	WF011	SIG - h	SIG - i	YB001		MOD 2 SELECT	
MOD 3 SELECT	WF011	SIG - j	SIG - k	YB001		MOD 3 SELECT	
MOD 4 SELECT	WF011	SIG - m	SIG - n	YB001		MOD 4 SELECT	
MOD 5 SELECT	WF011	SIG - p	SIG - q	YB001		MOD 5 SELECT	
MOD 6 SELECT	WF011	SIG - r	SIG - s	YB001		MOD 6 SELECT	
MOD 7 SELECT	WF011	SIG - t	SIG - u	YB001		MOD 7 SELECT	
SPARE MOD SELECT	WF011	SIG - v	SIG - w	YB001		SPARE MOD SELECT	
CONTROLLED GND FROM FCU	WF011	SIG - CK	-	YB001		CONTROLLED GND FROM FCU	
SEQUENCE PICK IN	WF011	NOTE 3	SIG - CL	-	YB001	SEQ. PICK (INCOMING) NOTE 3	
+3 FILE TERMINATOR	WF011		INT - AT	-	WF001	+3V DC } NOTE 2	
			INT - AU	-		+3V DC }	
AC POWER	WF011		TS 1	-	YA001	208V AC - 3 PHASE	
+36	WF011	NOTE 4	TS 4/5	-	YB001	+36	
-36	WF011	NOTE 4	TS 4/5	-	YB001	-36	
+6	WF011	NOTE 4	TS 4/5	-	YB001	+6	
+3	WF011	NOTE 4	TS 4/5	-	YB001	+3	
-3	WF011	NOTE 4	TS 4/5	-	YB001	-3	
GND	WF011	NOTE 4	TS 4/5	-	YB001	GND	
-3 PWR ON RESET	WF011		SIG - BP		FU/FL090	FD103	-3 PWR ON RESET + C.E. RESET SELECT LOCK
READ/WRITE COAX	WF011	NOTE 4	R/W BOARD		YB001	FD102	READ/WRITE COAX
SELECTED MODULE	WF011	NOTE 4	EDGE CONN		YB001	FD101	SELECTED MODULE
FILE TO FILE TO FCU							
GATED ATTENTION 0	WF011		SIG - x	SIG - y	YB001		GATED ATTENTION 0
GATED ATTENTION 1	WF011		SIG - z	SIG - AA	YB001		GATED ATTENTION 1
GATED ATTENTION 2	WF011		SIG - AB	SIG - AC	YB001		GATED ATTENTION 2
GATED ATTENTION 3	WF011		SIG - AD	SIG - AE	YB001		GATED ATTENTION 3
GATED ATTENTION 4	WF011		SIG - AF	SIG - AH	YB001		GATED ATTENTION 4
GATED ATTENTION 5	WF011		SIG - AJ	SIG - AK	YB001		GATED ATTENTION 5
GATED ATTENTION 6	WF011		SIG - AL	SIG - AM	YB001		GATED ATTENTION 6
GATED ATTENTION 7	WF011		SIG - AN	SIG - AP	YB001		GATED ATTENTION 7
GATED ATTENTION SPARE MOD	WF011		SIG - AR	SIG - AS	YB001		GATED ATTENTION SPARE MOD
NOTE 6				SIG - AW			
CYLINDER ADDR REG 1	WF011		SIG - AX	SIG - AY	FU/FL026	FD101	-2.5* +1.5* CYL ADDR REG 1
CYLINDER ADDR REG 2	WF011		SIG - AZ	SIG - BA	FU/FL026	FD101	-2.5* +1.5* CYL ADDR REG 2
CYLINDER ADDR REG 4	WF011		SIG - BB	SIG - BC	FU/FL026	FD101	-2.5* +1.5* CYL ADDR REG 4
CYLINDER ADDR REG 8	WF011		SIG - BD	SIG - BE	FU/FL026	FD101	-2.5* +1.5* CYL ADDR REG 8
CYLINDER ADDR REG 16	WF011		SIG - BF	SIG - BH	FU/FL026	FD101	-2.5* +1.5* CYL ADDR REG 16
CYLINDER ADDR REG 32	WF011		SIG - BJ	SIG - BK	FU/FL026	FD101	-2.5* +1.5* CYL ADDR REG 32
CYLINDER ADDR REG 64	WF011		SIG - BL	SIG - BM	FU/FL026	FD101	-2.5* +1.5* CYL ADDR REG 64
CYLINDER ADDR REG 128	WF011		SIG - BN		FU/FL026	FD101	-2.5* +1.5* CYL ADDR REG 128
SELECTED FILE BUSY	WF011		SIG - BR	SIG - BS	FU/FL025	FD104	-2.5* +1.5* SEL FILE BUSY
SELECTED ON LINE	WF011		SIG - BT	SIG - BU	FU/FL025	FD104	-2.5* +1.5* SEL ON LINE
SELECTED INDEX	WF011		SIG - BV	SIG - BW	FU/FL025	FD104	-2.5* +1.5* SEL INDEX
FILE UNSAFE	WF011		SIG - BX	SIG - BY	FU/FL025	FD104	-2.5* +1.5* FILE UNSAFE
SELECTED SEEK INCOMP	WF011		SIG - BZ	SIG - CA	FU/FL025	FD104	-2.5* +1.5* SEL SK INCOMP
SELECTED END OF CYL	WF011		SIG - CB	SIG - CC	FU/FL025	FD104	-2.5* +1.5* SEL END OF CYL
SELECTED PACK CHANGE	WF011		SIG - CD	SIG - CE	FU/FL025	FD104	-2.5* +1.5* SEL PACK CHG
WRITE CURRENT SENSE	WF011		SIG - CF	SIG - CH	FU/FL025		-2.5* +1.5* WR CURRENT SNS
HEADS EXTENDED	WF011		SIG - CJ	-	YB001		HEADS EXTENDED
			SIG - CM	-	YB001		SEQUENCE PICK (OUTGOING)
							(TO NEXT FILE FRAME)
NOTE 6			SIG - CS	-			
* -3V	WF011				YB003		-3V
* +6V	WF011				YB003		+6V
* -3V	WF011	NOT USED			YB003		-3V
* -ENABLE A	WF011	WITH REMOTE			YB003		-ENABLE A
* -DISABLE A	WF011	ATTACHMENT			YB003		-DISABLE A
* -ENABLE B	WF011	SWITCH			YB003		-ENABLE B
* -DISABLE B	WF011	FEATURE			YB003		-DISABLE B
* +6 TO -3 MULTI-TAG SW	WF011				YB003		+6 TO -3 MULTI-TAG SW

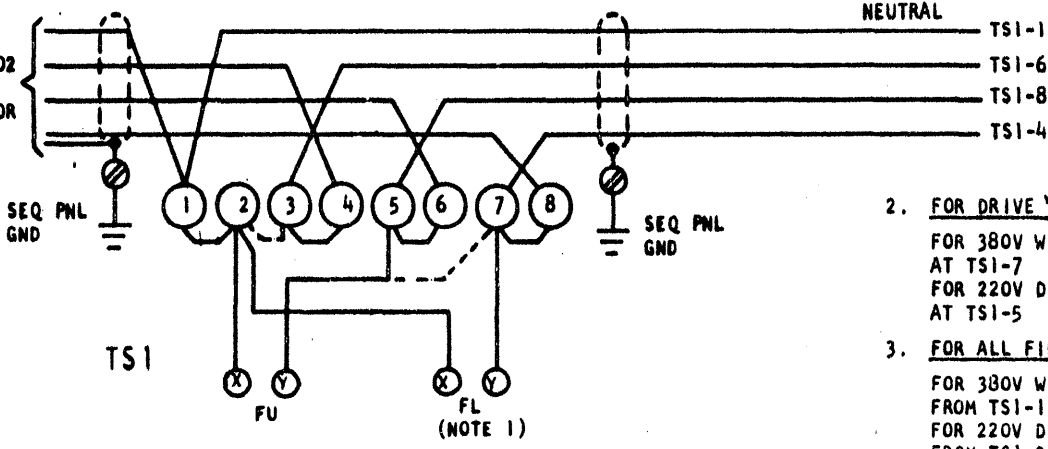
DATE	EC NUMBER	DATE	EC NUMBER
APR 66 416034	42094C	AUG 68	
JUN 66 416124			
AUG 66 416128		REDRAWN	
DEC 66 420637			
JAN 68 422947			

P/N	221833Z
TYPE	
DATE	
IBM	WF002

- NOTES:
- FOR CABLE INTERFACE LAYOUT SEE LOGIC PAGE WF001
 - THE "INT" CONNECTOR CARRIES ALL THE SIGNALS THAT THE "SIG" CONNECTORS CARRY PLUS TWO +3V DC LINES FOR THE FILE TERMINATOR PLUG.
 - SEQUENCE PICK (INCOMING) MAY BE FROM THE FCU OR FROM "SIG-CH" - SEQUENCE PICK OUTGOING OF THE PRECEDING FILE FRAME.
 - THESE LINES OCCUR NINE (9) TIMES, ONCE TO EACH FILE DRIVE.
 - OPTIONAL FEATURE TWO CHANNEL SWITCH
 - JUMPERS WITH MALE PINS BETWEEN AW AND CS IN FEMALE CONNECTORS ARE NON-FUNCTIONAL - TO ENSURE CORRECT PLUGGING ONLY

50 CYCLE AC PWR DISTRIBUTION

220VΔ/380VY
3 PHASE FROM WFO02
FOR SINGLE DRIVE
FRAME OR YA001 FOR
A 4 DRIVE FRAME

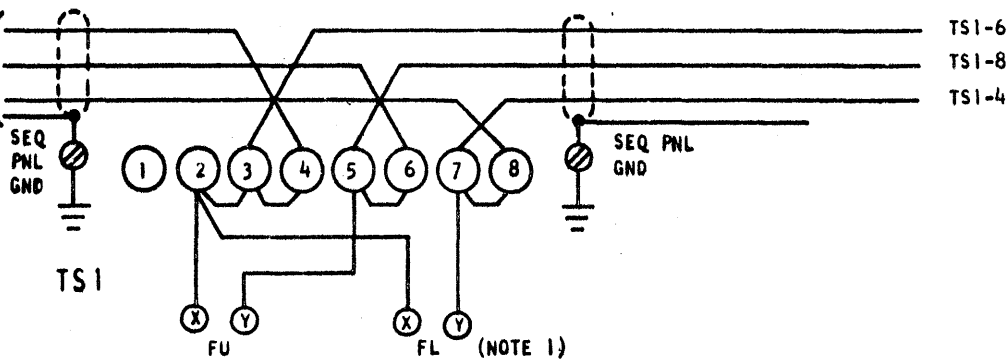


220VΔ/380VY 3 PHASE TO
YA001 OF NEXT FRAME
IF APPLICABLE

2. FOR DRIVE "A" ONLY:
FOR 380V WYE: WIRE IS CONN.
AT TS1-7
FOR 220V DELTA: WIRE IS CONN.
AT TS1-5
3. FOR ALL FILES:
FOR 380V WYE: JUMPER IS CONN
FROM TS1-1 TO TS1-2
FOR 220V DELTA: JUMPER IS CONN
FROM TS1-2 TO TS1-3

60 CYCLE AC PWR DISTRIBUTION

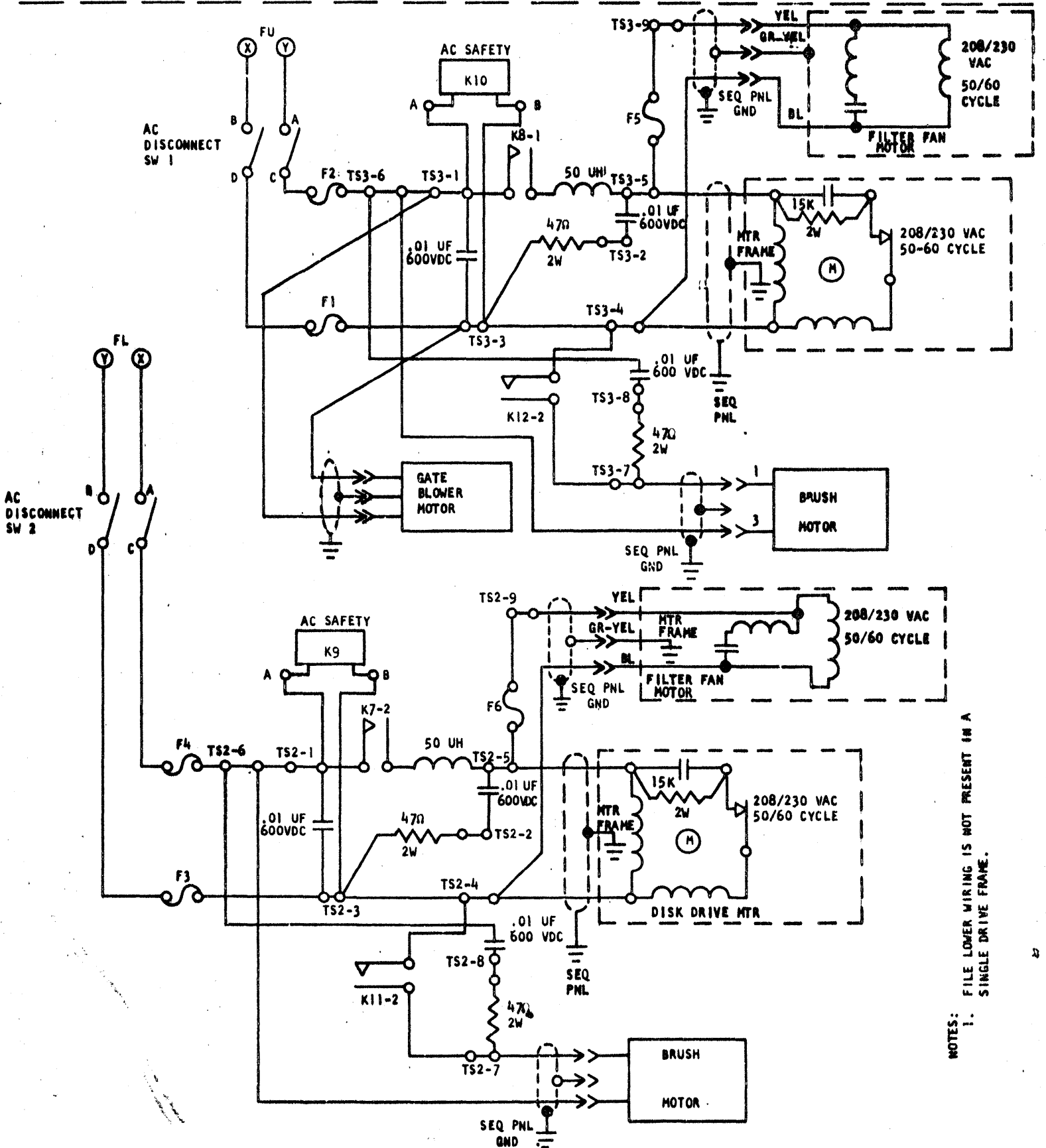
208/230 VAC 3 PHASE
FROM WFO02 FOR
SINGLE DRIVE FRAME
OR YA001 FOR A 4
DRIVE FRAME



208/230 VAC 3 PHASE TO
YA001 OF NEXT FRAME
IF APPLICABLE

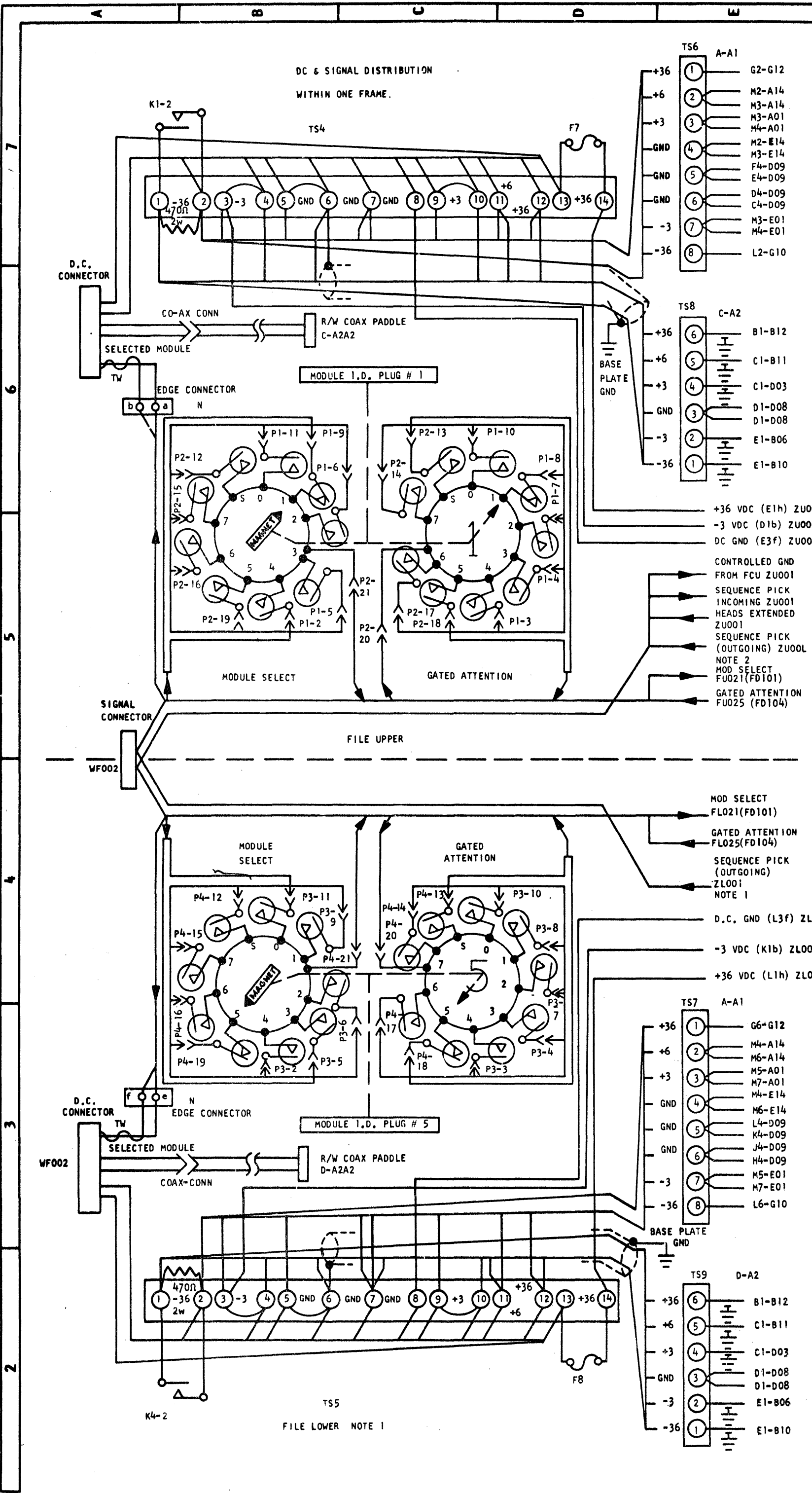
AC POWER CONTROL		P/N		TYPE		YA001	
FC NUMBER	DATE	DATE					
416034	APR66	2218333					
420834	SEP66						
420926	JAY 67						

FILE
UPPER



FILE
LOWER
NOTE 1

NOTES:
1. FILE LOWER WIRING IS NOT PRESENT IN A
SINGLE DRIVE FRAME.



DATE		EC NUMBER		DATE		DATE		D.C. & SIGNAL DISTRIBUTION	
APR 66	416034								
JUN 66	416091								
SEP 66	420832								
OCT 66	420843								
MAR 68	422947								

NOTES:
1. FILE LOWER WIRING IS NOT PRESENT IN A SINGLE DRIVE FRAME.
2. THIS LINE IS IN A SINGLE DRIVE FRAME ONLY.

YBOOI

IBM

P/N 2218334

TYPE

DATE

EC NUMBER

7
6
5
4
3
2

2

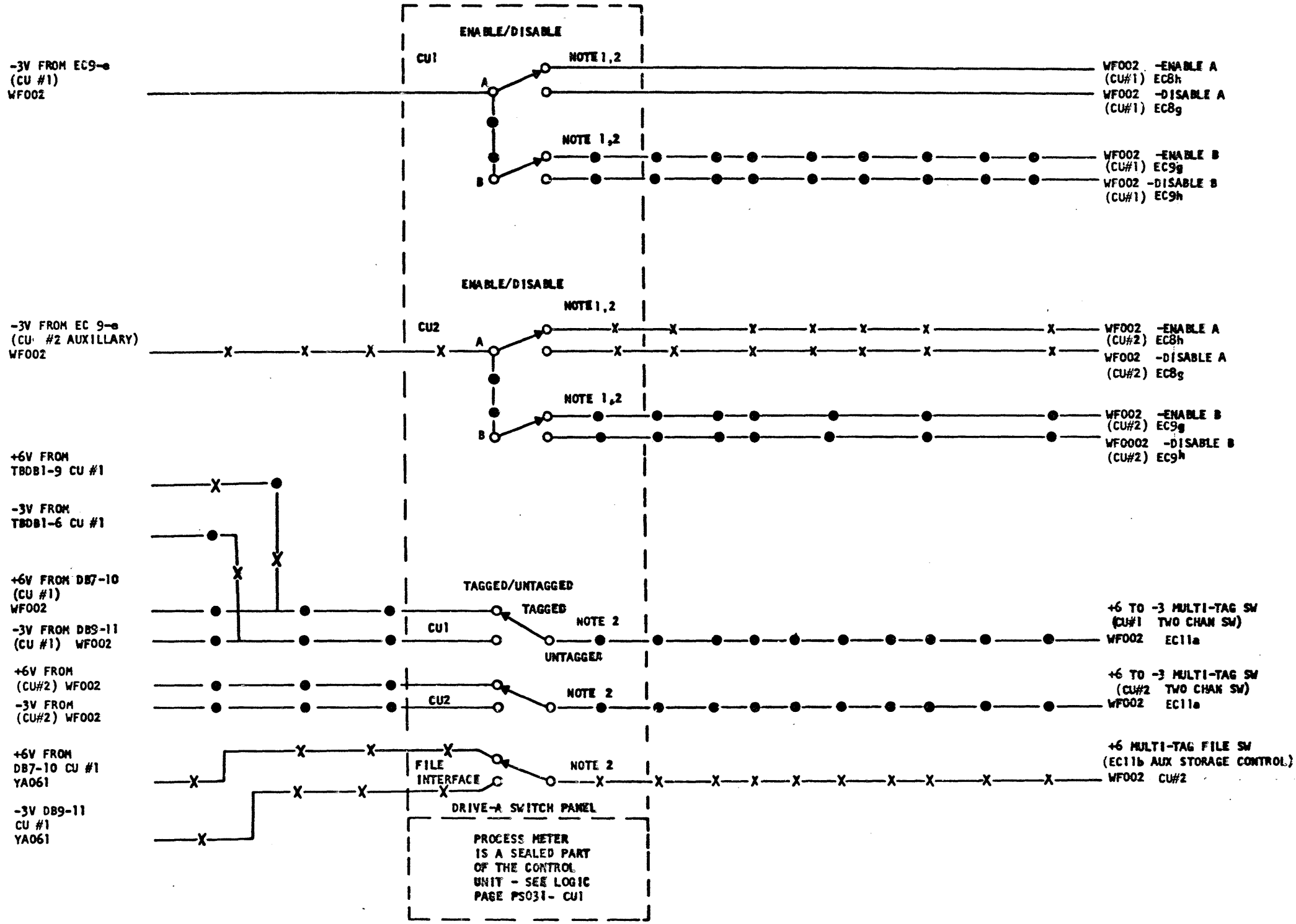
3

4

5

6

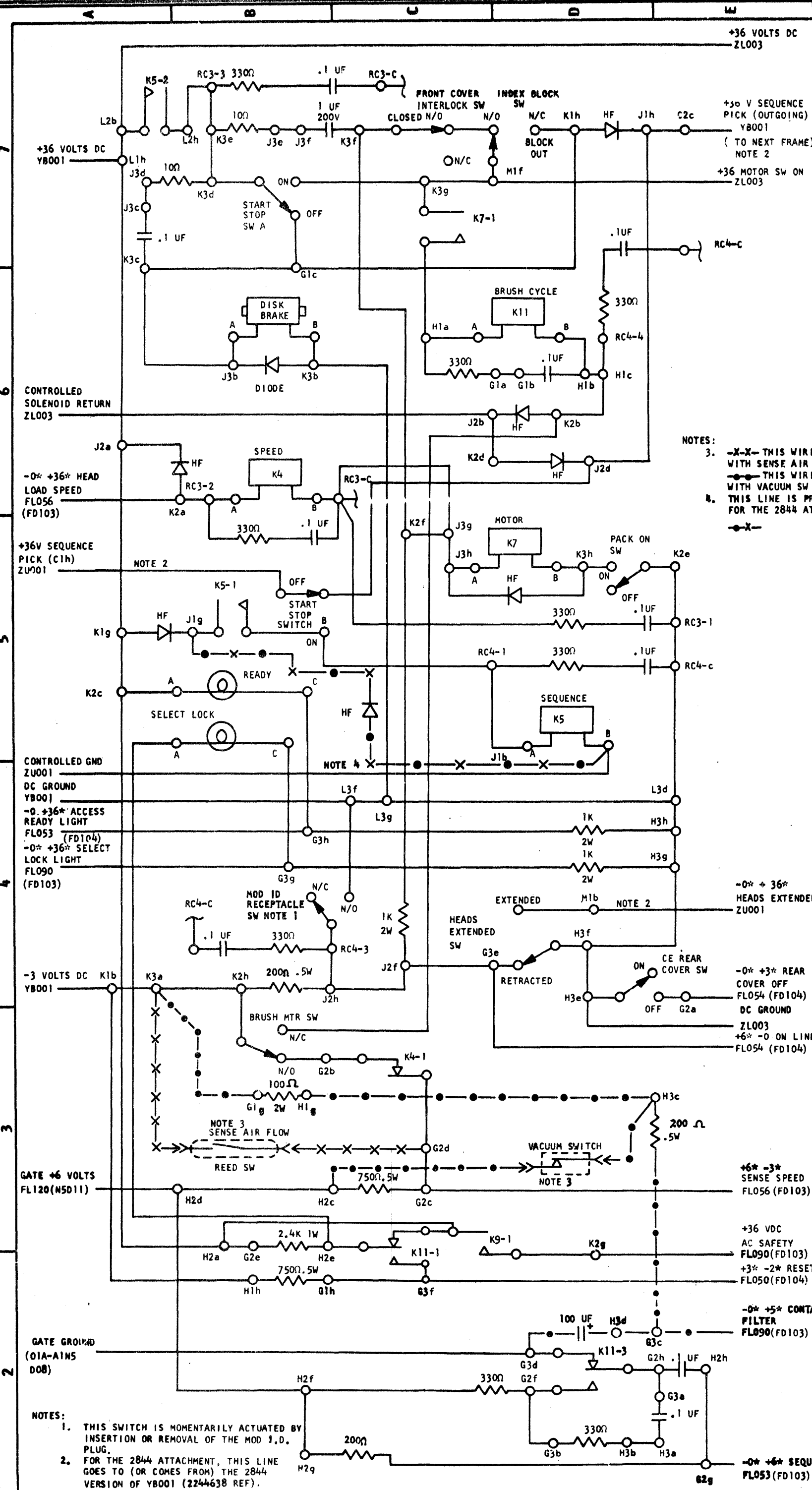
7



- TWO CHANNEL SWITCH FEATURE WIRING
- X—X— AUX STORAGE CONTROL FEATURE WIRING
- X— TWO CHANNEL SWITCH & AUX STORAGE CONTROL FEATURE WIRING ONLY

NOTES:
 1. WIRES ARE TRAP-BACK WHEN REMOTE SWITCH ATTACHMENT FEATURE IS INSTALLED.
 2. UNUSED SWITCHES ARE REPLACED WITH BLANK PLUGS.

DATE	EC NUMBER	DATE	EC NUMBER	ENABLE/DISABLE, MULTI-TAG			
JUN 66	416124			SWITCHES - SINGLE DRIVE FRAME			
JUL 66	416097A			DATE	JUL 66	P/N	2239071
JAN 67	420637					TYPE	2314
MAR 68	422947			IDM		YB003	
1AUG68	420946						

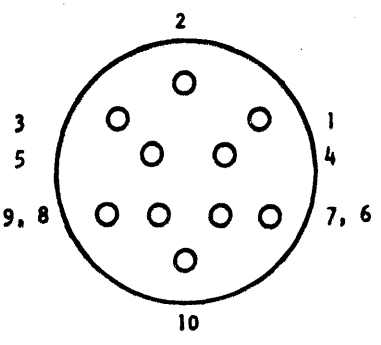
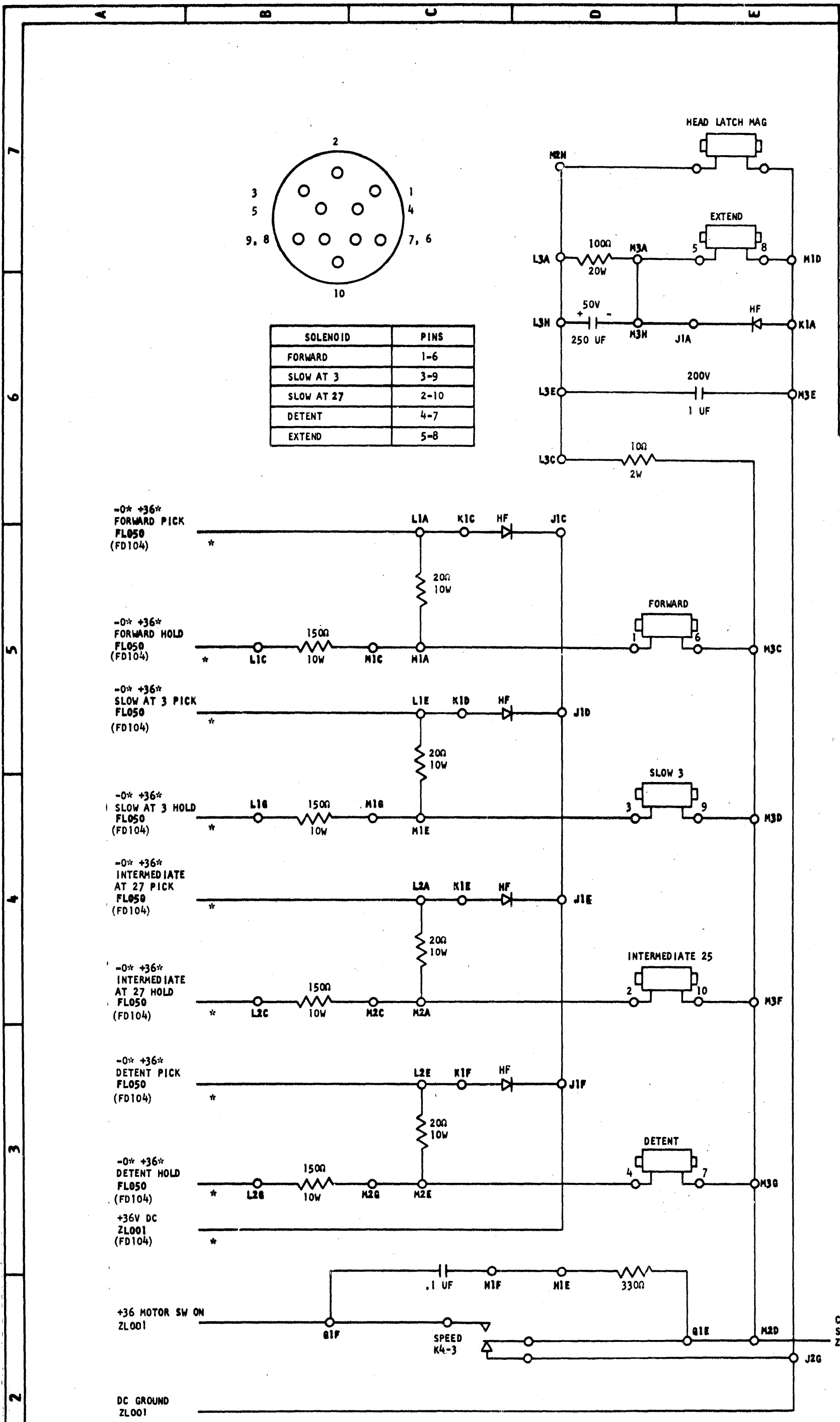


POWER ON/OFF SEQUENCING FILE		P/N		ZL001	
EC NUMBER	DATE	DATE	TYPE	DATE	TYPE
416091	DEC 66	420852	LOWER	420841	2218335
416097	FEB 67	420841	DATE	420925	
416097A	MAR 67	420925		420926	
420832	OCT 66	420926		422947	
420843	NOV 66	422947			

NOTES:
 3. -X-X- THIS WIRING ON MACH. WITH SENSE AIR FLOW SW ONLY.
 -●- THIS WIRING ON MACH. WITH VACUUM SW ONLY.
 4. THIS LINE IS PRESENT ONLY FOR THE 2844 ATTACHMENT
 -●-X-

NOTES:
 1. THIS SWITCH IS MOMENTARILY ACTUATED BY INSERTION OR REMOVAL OF THE MOD I.D. PLUG.
 2. FOR THE 2844 ATTACHMENT, THIS LINE GOES TO (OR COMES FROM) THE 2844 VERSION OF YB001 (2244638 REF).

-0* +6* SEQUENCE START PULSE FLO53(FD103)



SOLENOID	PINS
FORWARD	1-6
SLOW AT 3	3-9
SLOW AT 27	2-10
DETENT	4-7
EXTEND	5-8

SOLENOIDS-FILE LOWER	
DATE	EC NUMBER
APR 66	416034
MAR 67	420925
MAY 67	420926
MAR 68	422947

DATE	P/N	TYPE
MAR 67	2218336	

IBM	ZL003

7
6
5
4
3
2

-0* +36*
FORWARD PICK
FL050
(FD104)

-0* +36*
FORWARD HOLD
FL050
(FD104)

-0* +36*
SLOW AT 3 PICK
FL050
(FD104)

-0* +36*
SLOW AT 3 HOLD
FL050
(FD104)

-0* +36*
INTERMEDIATE
AT 27 PICK
FL050
(FD104)

-0* +36*
INTERMEDIATE
AT 27 HOLD
FL050
(FD104)

-0* +36*
DETENT PICK
FL050
(FD104)

-0* +36*
DETENT HOLD
FL050
(FD104)

+36V DC
ZL001
(FD104)

+36 MOTOR SW ON
ZL001

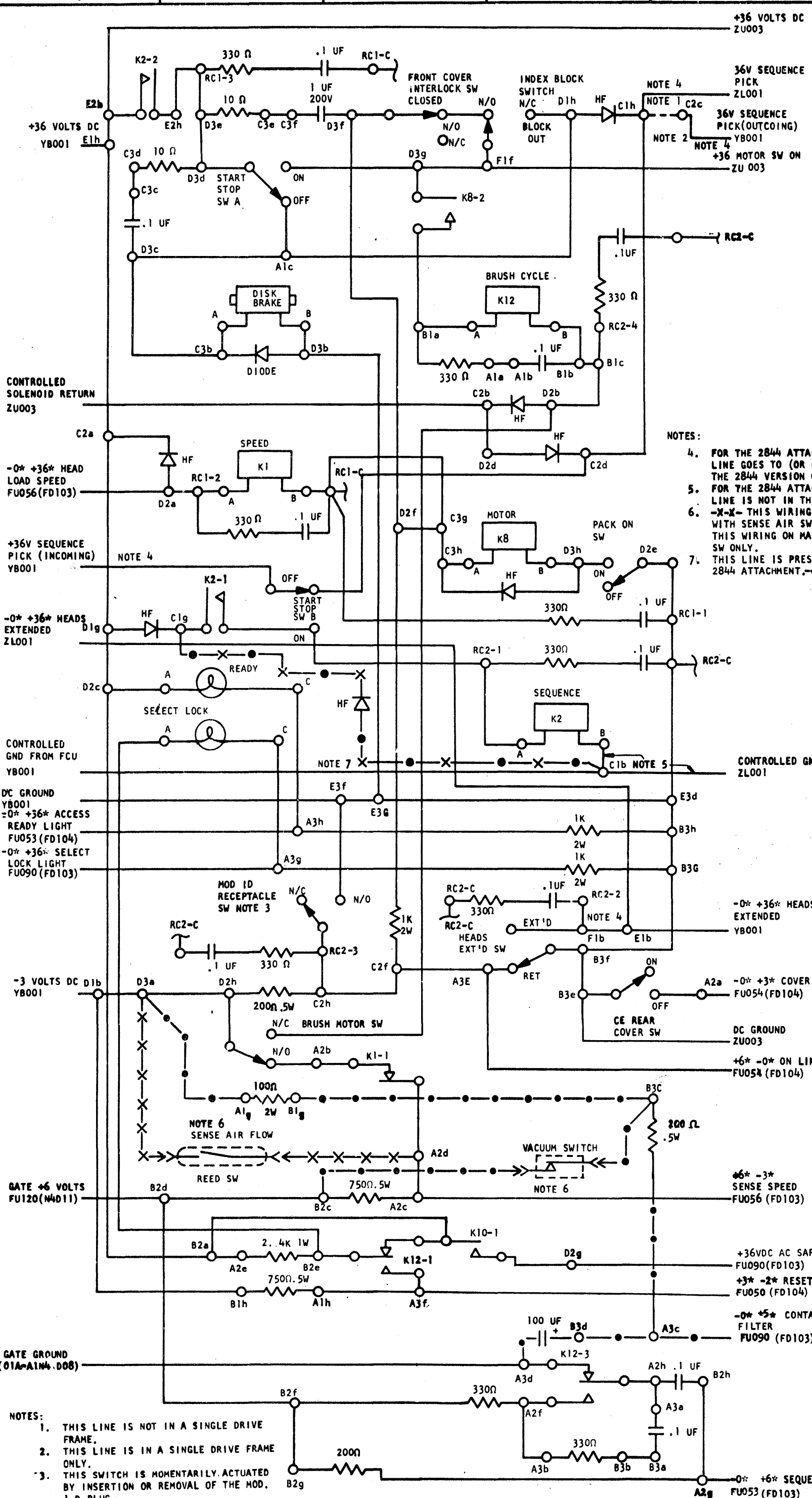
DC GROUND
ZL001

CONTROLLED
SOLENOID RETURN
ZL001

* TWISTED PAIR - GROUNDED WIRE CONNECTED ONLY AT GATE END ON CONNECTOR GROUND STRIP.

RED

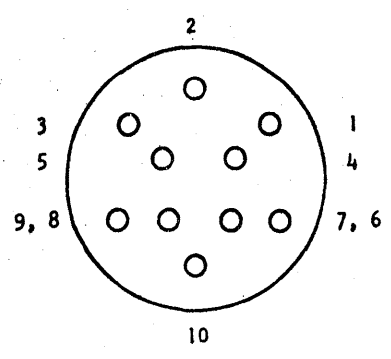
POWER ON/OFF SEQUENCING FILE		UPPER		ZU001	
DATE	EC NUMBER	DATE	EC NUMBER	P/N	TYPE
JUN 66	416091	DEC 66	420852		
JUL 66	416097	FEB 67	420841	2218337	
AUG 66	416098A	MAR 67	420925		
OCT 66	420832	MAY 67	420926		
NOV 66	420843	MAR 68	422947		



- NOTES:
1. THIS LINE IS NOT IN A SINGLE DRIVE FRAME.
 2. THIS LINE IS IN A SINGLE DRIVE FRAME ONLY.
 3. THIS SWITCH IS MOMENTARILY ACTUATED BY INSERTION OR REMOVAL OF THE MOD. 1.D PLUG.
 4. FOR THE 2844 ATTACHMENT, THIS LINE GOES TO (OR COMES FROM) THE 2844 VERSION OF YB001.
 5. FOR THE 2844 ATTACHMENT, THIS LINE IS NOT IN THE MACHINE.
 6. -X-X- THIS WIRING ON MACH. WITH SENSE AIR SW ONLY. -•-•- THIS WIRING ON MACH. WITH VACUUM SW ONLY.
 7. THIS LINE IS PRESENT ONLY FOR THE 2844 ATTACHMENT. -•-•-

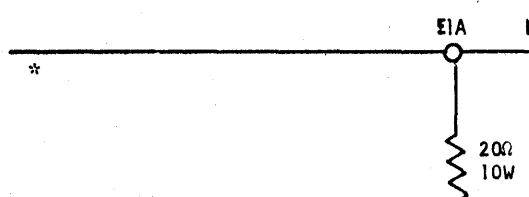
- NOTES:
1. THIS LINE IS NOT IN A SINGLE DRIVE FRAME.
 2. THIS LINE IS IN A SINGLE DRIVE FRAME ONLY.
 3. THIS SWITCH IS MOMENTARILY ACTUATED BY INSERTION OR REMOVAL OF THE MOD. 1.D PLUG.

7
6
5
4
3
2

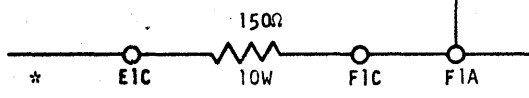


SOLENOID	PINS
FORWARD	1-6
SLOW AT 3	3-9
SLOW AT 27	2-10
DETENT	4-7
EXTEND	5-8

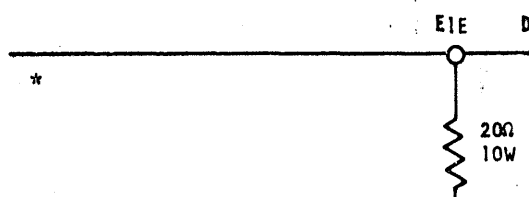
-0* +36*
FORWARD PICK
FU050
(FD104)



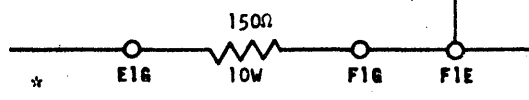
-0* +36*
FORWARD HOLD
FU050
(FD104)



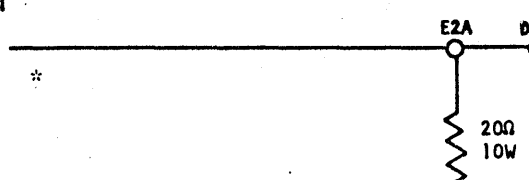
-0* +36*
SLOW AT 3 PICK
FU050
(FD104)



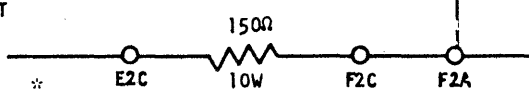
-0* +36*
SLOW AT 3 HOLD
FU050
(FD104)



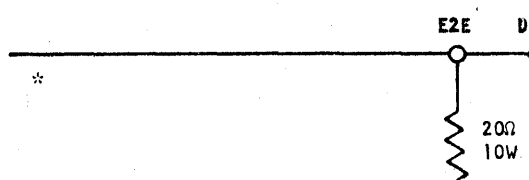
-0 +36*
INTERMEDIATE AT
27 PICK
FU050
(FD104)



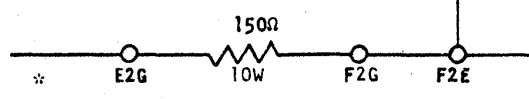
-0* +36*
INTERMEDIATE AT
27 HOLD
FU050
(FD104)



-0* +36*
DETENT PICK
FU050
(FD104)

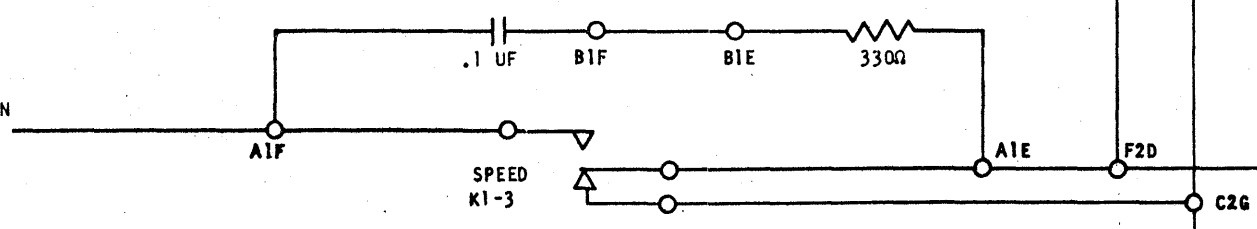


-0* +36*
DETENT HOLD
FU050
(FD104)



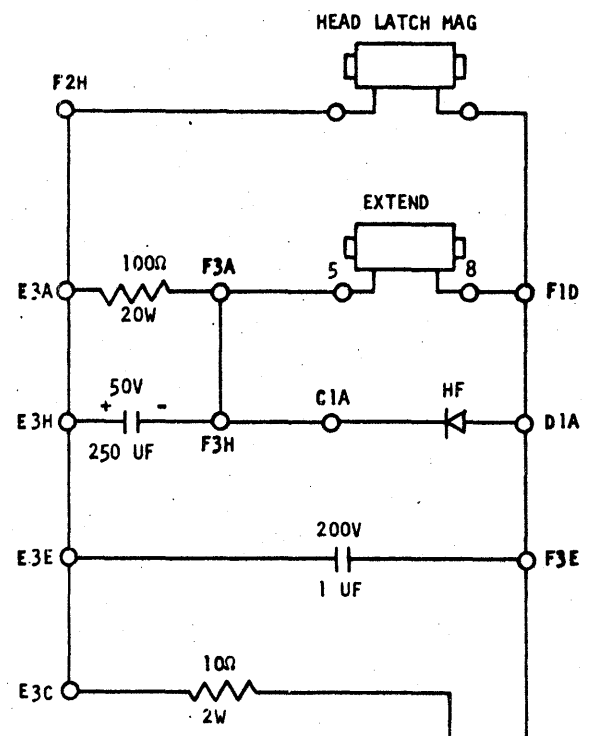
+36V DC
ZU001

+36 MOTOR SW ON
ZU001



DC GROUND
ZU001

* TWISTED PAIR - GROUNDED WIRE CONNECTED ONLY AT GATE END ON CONNECTOR GROUND STRIP.



SOLENOIDS-FILE UPPER		P/N		ZU003	
DATE	EC NUMBER	DATE	TYPE	DATE	TYPE
APR 66	416034	MAR 67	420925	MAR 67	2218338
MAR 67	420925	MAY 67	420926		
MAR 68	422947				

RED

IBM

FILE SEQUENCE PANEL LOCATION CHARTS

EDGE CONNECTOR LOCATIONS

ZU00X - UPPER DRIVE							ZL00X - LOWER DRIVE						
	A	B	C	D	E	F	G	H	J	K	L	M	N
1a	001/D6	001/C6	003/E6	003/E6	003/C6	003/C5	001/D6	001/C6	003/E6	003/E6	003/C6	003/C5	YB001/A6
b	001/D6	001/D6	001/D5	001/A4	001/D4	001/D4	001/D6	001/D6	001/D5	001/A4	003/C6	001/D4	YB001/A6
c	001/B7	001/D6	003/D6	003/C6	003/B5	003/C5	001/B7	001/D6	003/D6	003/C6	003/B5	003/C5	
d			003/D5	003/C5		003/E7			003/D5	003/C5		003/E7	
e	003/E2	003/D3	003/D4	003/C4	003/C5	003/C4	003/E2	003/D3	003/D4	003/C4	003/C5	003/C4	YB001/A3
f	003/B2	003/D3	003/D3	003/C3	003/C3	001/D7	003/B2	003/D3	003/D3	003/C3	003/C3	001	YB001/A3
g	001/B3	001/B3	001/B5	001/A5	003/B4	003/C4	001/B3	001/B3	001/B5	001/A5	003/B4	003/C4	
h	001/B2	001/B2	001/D7	001/D7	001/A7		001/B2	001/B2	001/D7	001/D7	001/A7		
2a	001/E4	001/B3	001/A6	001/B6	003/C4	003/C4	001/E4	001/B3	001/A6	001/A6	003/C4	003/C4	
b	001/C3		001/D6	001/D6	001/A7		001/C3		001/D6	001/D6	001/A7		
c	001/C3	001/B3	NOTE 1	001/A5	003/B4	003/C4	001/C3	001/B3	001/A5	001/A5	003/B4	003/C4	
d	001/C3	001/A3	001/D6	001/D6		003/E2	001/C3	001/A3	001/D6	001/D6		003/E2	
e	001/B3	001/B3		001/E5	003/C3	003/C3	001/B3	001/B3		001/E5	003/C3	003/C3	
f	001/D2	001/B2	001/C4	001/C5			001/D2	001/B2	001/C4	001/C5			
g	001/E2	001/B2	003/E2	001/D3	003/B3	003/C3	001/E2	001/B2	003/E2	001/D3	003/B3	003/C3	
h	001/E2	001/E2	001/B4	001/B4	001/B7	003/D7	001/E2	001/E2	001/B4	001/B4	001/B7	003/D7	
3a	001/D2	001/D2		001/A4	003/D7	003/D7	001/D2	001/D2		001/A4	003/D7	003/D7	
b	001/D2	001/D2	001/B6	001/B6			001/D2	001/D2	001/B6	001/B6			
c	001/D2	001/E3	001/A7	001/A7	003/D6	003/E5	001/E2	001/E3	001/A7	001/A7	003/D6	003/E5	
d	001/D2	001/C2	001/A7	001/B7	001/E4	003/E4	001/D2	001/D2	001/A7	001/B7	001/E4	003/E4	
e	001/D4	001/D4	001/B7	001/B7	003/D6	003/E6	001/D4	001	001/B7	001/B7	003/D6	003/E6	
f	001/C2	001/D4	001/B7	001/B7	001/C4	003/E4	001/C2	001/D4	001/C5	001/C7	001/C4	003/E4	
g	001/B4	001/E4	001/C5	001/C7	001/C4	003/E3	001/B4	001/E4	001/C5	001/C7	001/C4	003/E3	
h	001/B4	001/E4	001/C5	001/C5	003/D6	003/D6	001/B4	001/E4	001/C5	001/D5	003/D6	003/D6	

NOTE 1: EDGE CONNECTOR C2c IS ON LP ZU001 FOR SINGLE DRIVE FRAME OR ZL001 ON A FOUR DRIVE FRAME.

COMPONENT LOCATIONS			
DATE	EC NUMBER	DATE	EC NUMBER
APR 66	416034	MAY 67	420926
JUL 66	416097A	MAR 68	422947
SEP 66	420832		
OCT 66	420843		
MAR 67	420925		

RELAY LOCATIONS

RELAY	NAME	COIL	CONTACT		
			1	2	3
K1	SPEED	ZU001/B6	ZU001/C3	YB001/D6	ZU003/D2
K2	SEQUENCE	ZU001/D5	ZU001/B5	ZU001/A7	
K4	SPEED	ZL001/B6	ZL001/C3	YB001/D2	ZL003/D2
K5	SEQUENCE	ZL001/D5	ZL001/B5	ZL001/A7	
K11	BRUSH CYC	ZL001/D6	ZL001/C2	YA001/C2	ZL001/D2
K7	MOTOR	ZL001/D5	ZL001/C7	YA001/C3	-
K8	MOTOR	ZU001/D5	YA001/D5	ZU001/C7	-
K10	AC SAFETY	YA001/C5	ZU001/D2	-	-
K12	BRUSH CYC	ZU001/D6	ZU001/C2	YA001/D4	ZU001/D2
K9	AC SAFETY	YA001/C3	ZL001/D2	-	-

SWITCH LOCATIONS

SWITCH	PAGE NO	
	UPPER FILE	LOWER FILE
START/STOP SW (SIDE A)	ZU001/B7	ZL001/B7
START/STOP SW (SIDE B)	ZU001/B5	ZL001/B5
INDEX BLOCK SW	ZU001/D7	ZL001/D7
BRUSH MOTOR	ZU001/B3	ZL001/B3
PACK ON SW	ZU001/D5	ZL001/D5
HEADS EXTENDED SW	ZU001/D4	ZL001/D4
MODULE I.D. SW.	ZU001/C4	ZL001/C4
CE REAR COVER SW	ZU001/E3	ZL001/E3
AC DISCONNECT SW 1	YA001/B5	-
AC DISCONNECT SW 2	-	YA001/B4
FRONT COVER INTERLOCK	ZU001/C7	ZL001/C7

FUSE LOCATIONS

FUSE	RATING	CIRCUIT	PAGE NO	PART NUMBER	TYPE
F1	8 AMP SLO BLO	208 AC	YA001/C4	107668	FNM 8
F2	8 AMP SLO BLO	208 AC	YA001/C5	107668	FNM 8
F3	8 AMP SLO BLO	208 AC	YA001/B2	107668	FNM 8
F4	8 AMP SLO BLO	208 AC	YA001/B3	107668	FNM 8
F5	1.5A SLO BLO	208 AC	YA001/D5	505077	313 3AG
F6	1.5A SLO BLO	208 AC	YA001/D3	505077	313 3AG
F7	4A FAST FLO	+36 DC	YB001/D7	111257	MTH 4
F8	4A FAST BLO	+36 DC	YB001/D2	111257	MTH 4

RC BLOCK LOCATIONS

	RC1	RC2	RC3	RC4
1	ZU001/E5	ZU001/D5	ZL001/E5	ZL001/D5
2	ZU001/B6	ZU001/D4	ZL001/B6	
3	ZU001/B7	ZU001/C4	ZL001/B7	ZL001/C4
4		ZU001/D6		ZL001/D6
C	ZU001/C7	ZU001/E7	ZL001/C7	ZL001/E7

TERMINAL STRIP LOCATIONS

	TS1	TS2	TS3	TS4	TS5	TS6	TS7	TS8	TS9
1	YA001/B6	YA001/C3	YA001/C5	YB001/B7	YB001/B2	YB001/E7	YB001/E3	YB001/E6	YB001/E2
2	YA001/B6	YA001/D3	YA001/D5	YB001/B7	YB001/B2	YB001/E7	YB001/E3	YB001/E6	YB001/E2
3	YA001/B6	YA001/C3	YA001/C4	YB001/B7	YB001/B2	YB001/E7	YB001/E3	YB001/E6	YB001/E2
4	YA001/B6	YA001/C2	YA001/D4	YB001/B7	YB001/B2	YB001/E7	YB001/E3	YB001/E6	YB001/E2
5	YA001/B6	YA001/C3	YA001/D5	YB001/B7	YB001/B2	YB001/E7	YB001/E3	YB001/E6	YB001/E2
6	YA001/C6	YA001/C3	YA001/C5	YB001/C7	YB001/C2	YB001/E7	YB001/E3	YB001/E6	YB001/E2
7	YA001/C6	YA001/C2	YA001/D4	YB001/C7	YB001/C2	YB001/E7	YB001/E3	-	-
8	YA001/C6	YA001/C2	YA001/D4	YB001/C7	YB001/C2	YB001/E7	YB001/E3	-	-
9	-	YA001/D3	YA001/D5	YB001/C7	YB001/C2	-	-	-	-
10	-	-	-	YB001/D7	YB001/D2	-	-	-	-
11	-	-	-	YB001/D7	YB001/D2	-	-	-	-
12	-	-	-	YB001/D7	YB001/D2	-	-	-	-
13	-	-	-	YB001/D7	YB001/D2	-	-	-	-
14	-	-	-	YB001/D7	YB001/D2	-	-	-	-

RED