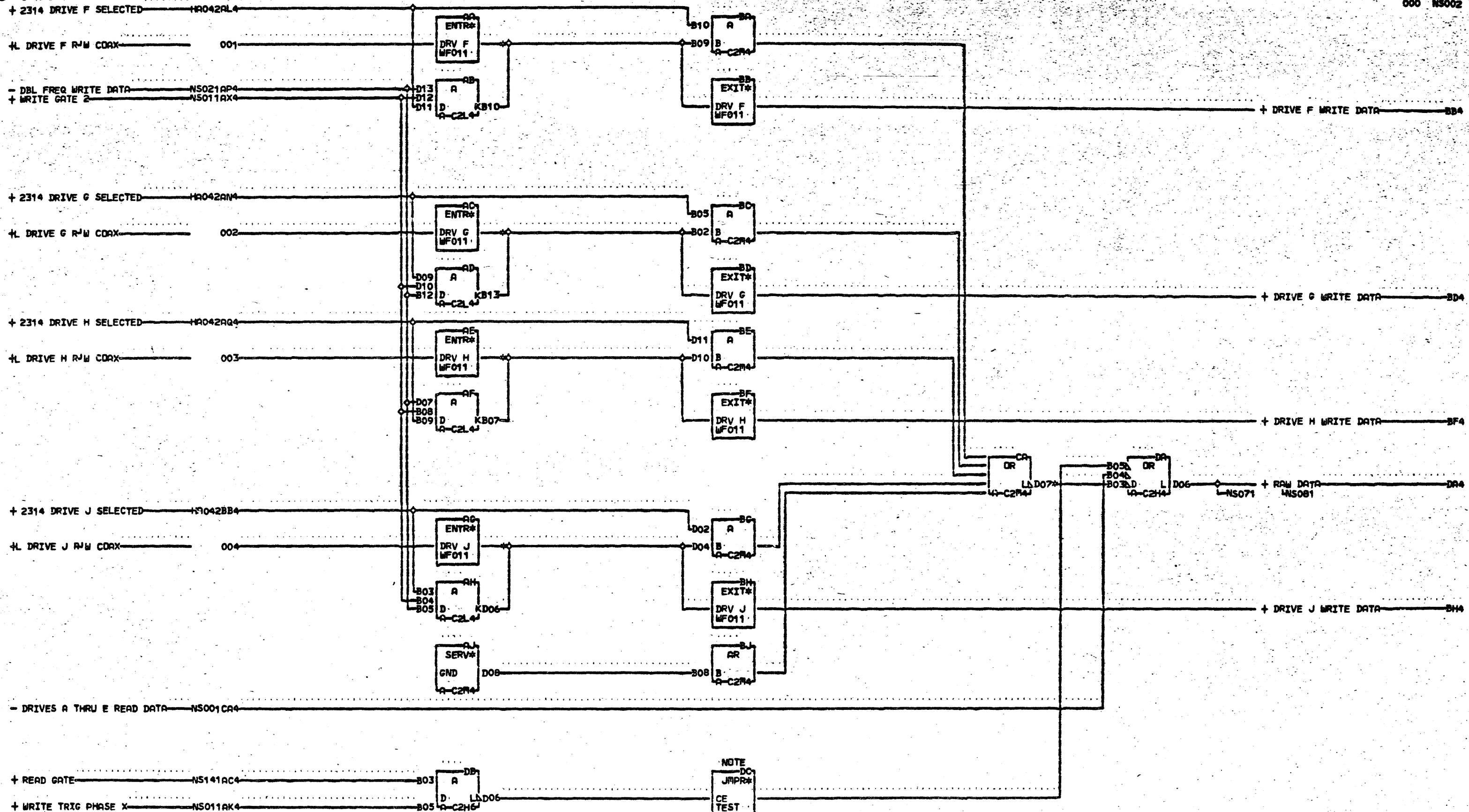


AA4 A-C2N5D02
 AC4 A-C2N5D04
 AE4 A-C2N5D05
 AG4 A-C2N5D07
 AJ4 A-C2N5D09
 AK4 RESISTOR
 A-C2R5D06

LOC. TYPE
 A-C2L5 0135
 A-C2R5 0499

| | | | |
|-----------------|---------|-----------------|---------|
| READ WRITE DATA | | DRIVES A THRU E | |
| E-C-HISTORY | | MACH#2314-FCU | |
| 416120 | | FRAME | 01 |
| 416123 | | IBM CORP. SDD | |
| DATE | LAST EC | P/N# | 2209456 |
| 01-17-67 | 420637 | | |



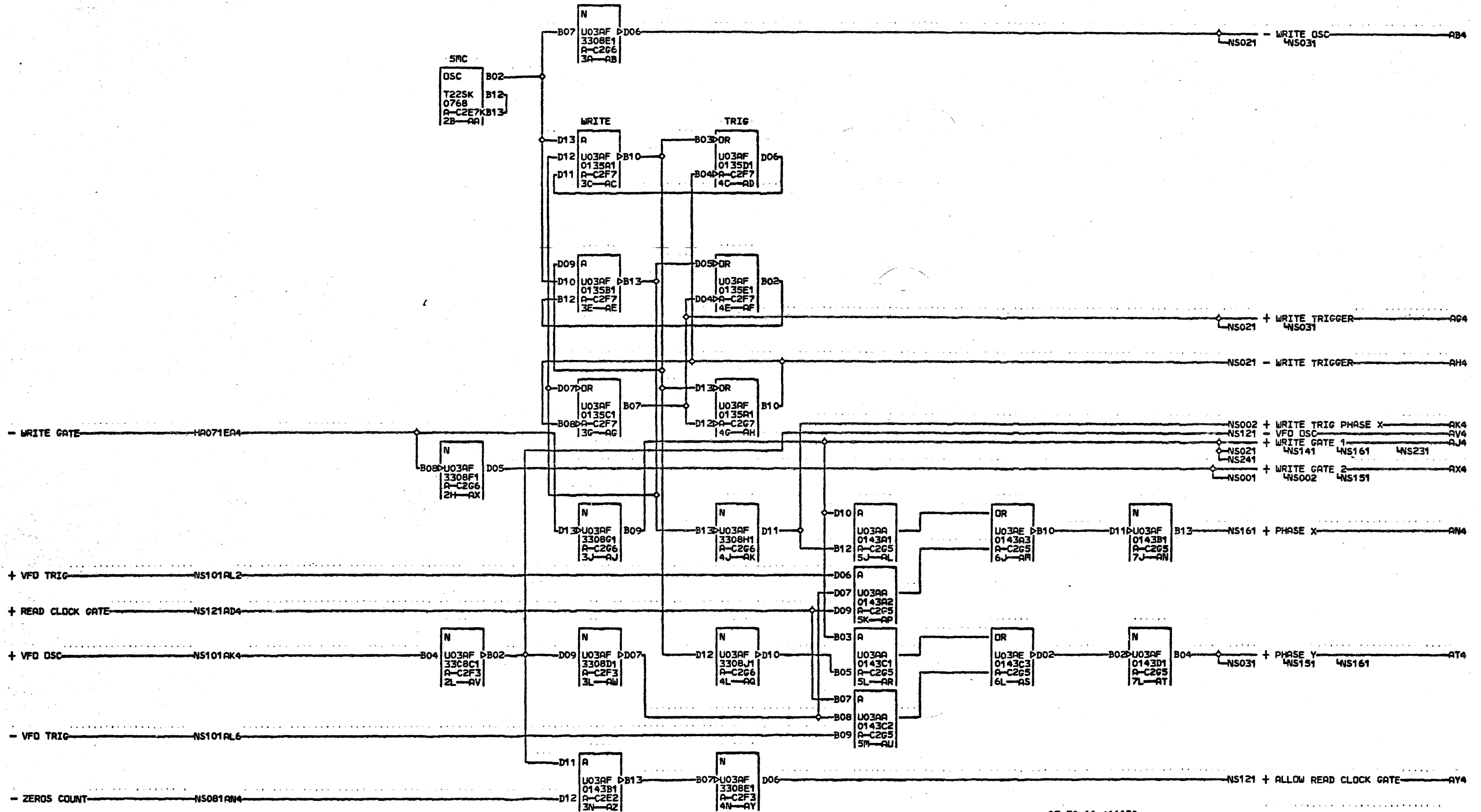
NOTE: JUMPER ADDED FOR VFO ADJUSTMENT ONLY

- AA4 R-C2N3D09
- AC4 R-C2N3D10
- AE4 R-C2N3D12
- AG4 R-C2N3D13
- CA4 RESISTOR
- R-C2A4D06

NOTE
DC
JUMPR*
CE
TEST

| LOC. | TYPE |
|--------|------|
| A-C2H4 | 0135 |
| A-C2H6 | 0135 |
| A-C2L4 | 0135 |
| A-C2M4 | 0499 |

| READ WRITE DATA | | DRIVES F THRU J | |
|-----------------|----------|-----------------|---------|
| E.C. HISTORY | 416120 | FRAME | 01 |
| | 416123 | IBN CORP. SDD | |
| DATE | 01-17-67 | LAST EC | 420637 |
| | | P.No | 2209510 |

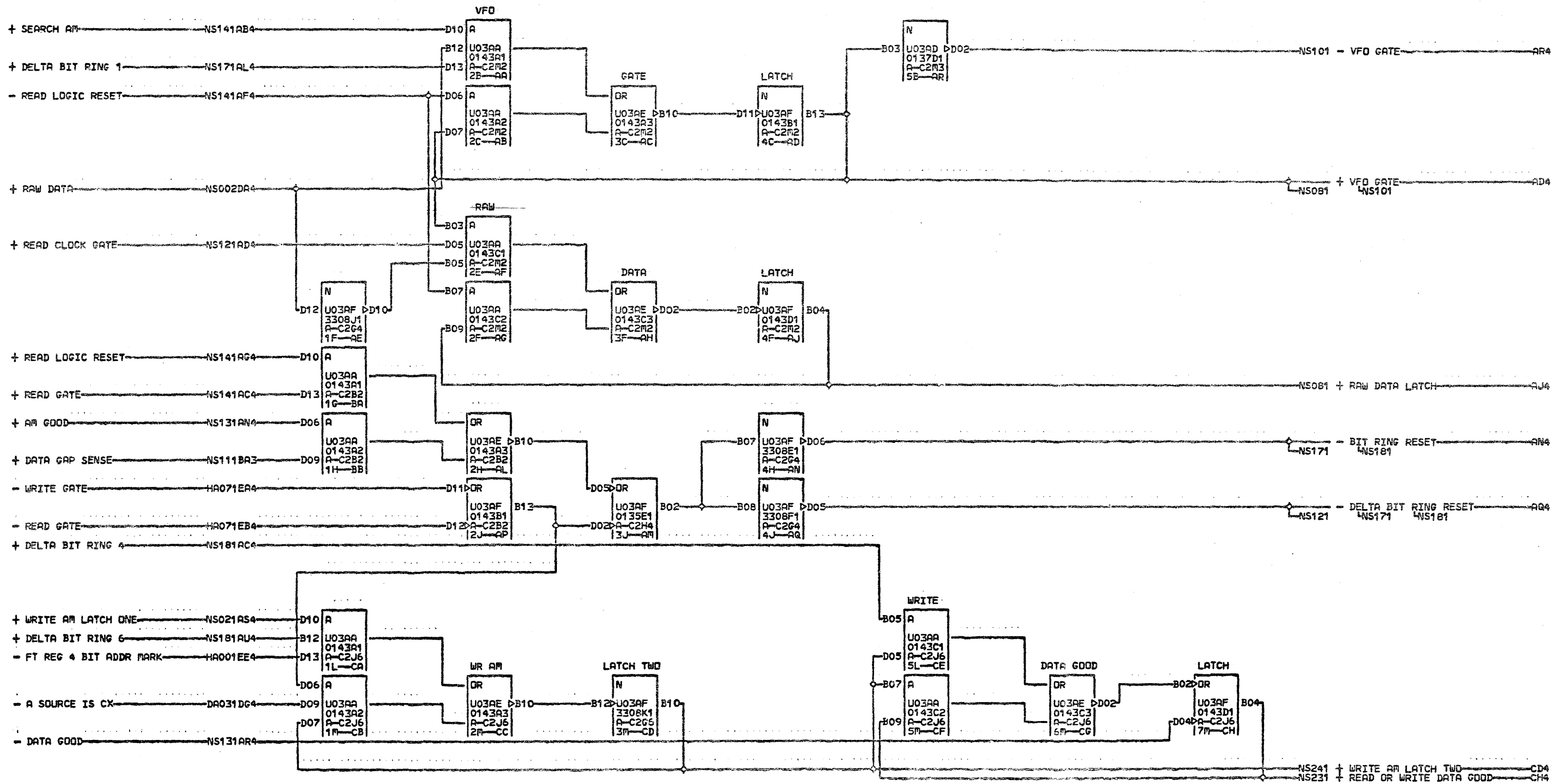


03-30-66 416120
 10-14-68 420949

| WRITE CLOCK AND CONTROLS | | | |
|--------------------------|----------|-------|----------|
| DATE | 10-31-68 | MACH. | 2314-FCU |
| LOG | 2906 | FRAME | 01 |
| | | P.N. | 2209457 |
| IBM CORP. | SDD BLK. | | DC |

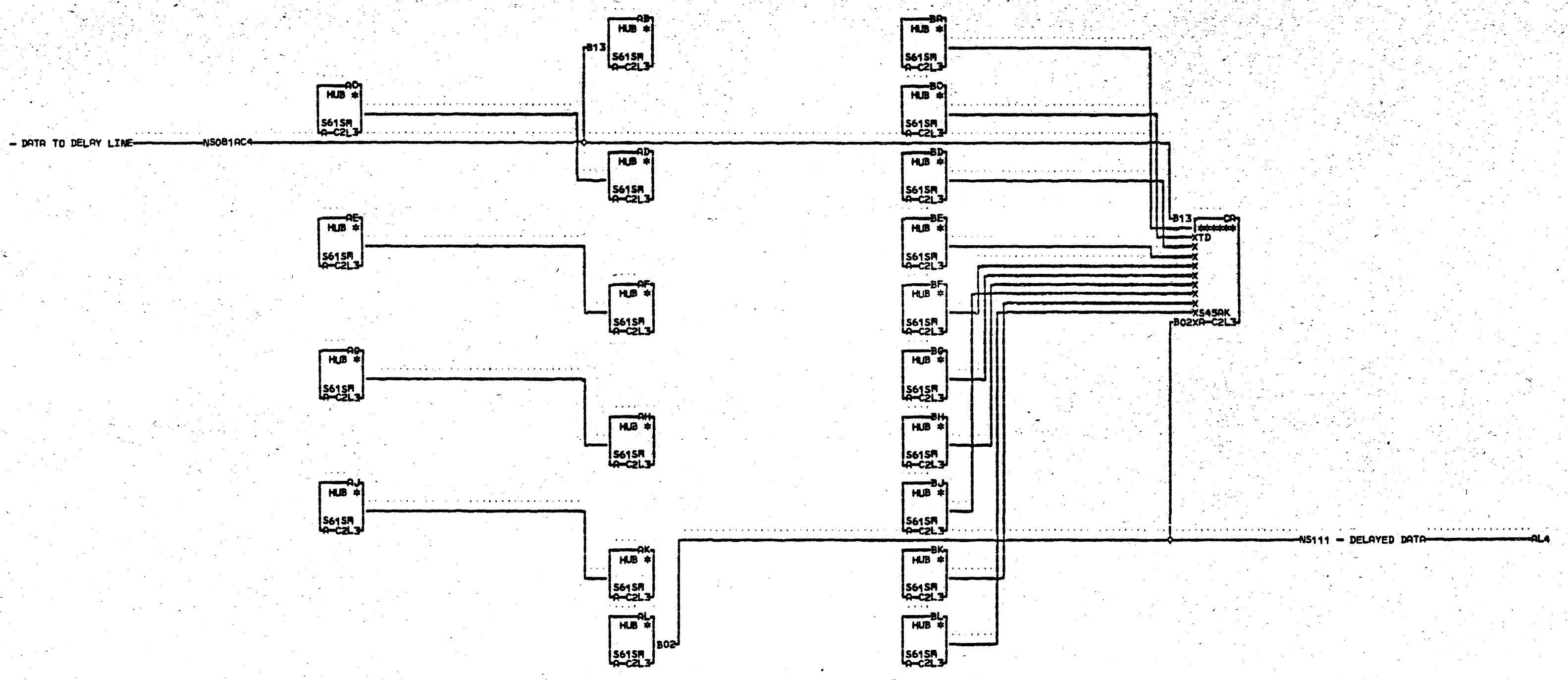
NS011
 000

NS011
 000



03-30-66 416120
 09-06-66 416126
 03-27-67 420901
 08-14-67 420912
 10-14-68 420949

| | | |
|------------------------------|------------|----------------|
| VFD GATE AND RD-WR DATA GOOD | | |
| DATE | 10-31-68 | MACH. 2314-FCU |
| LOG | 288P FRAME | 01 |
| | PcNo | 2209465 |
| ISM CORP. | SDD BLK | CJ |



- DATA TO DELAY LINE NS081RC4

NS111 - DELAYED DATA AL4

DELAY LINE IS TO BE JUMPERED
 FOR THE REQUIRED DELAY TO
 SEPERATE DATA. SEE VPO
 ADJUSTMENT PROCEDURE.

NS
 0
 9
 1

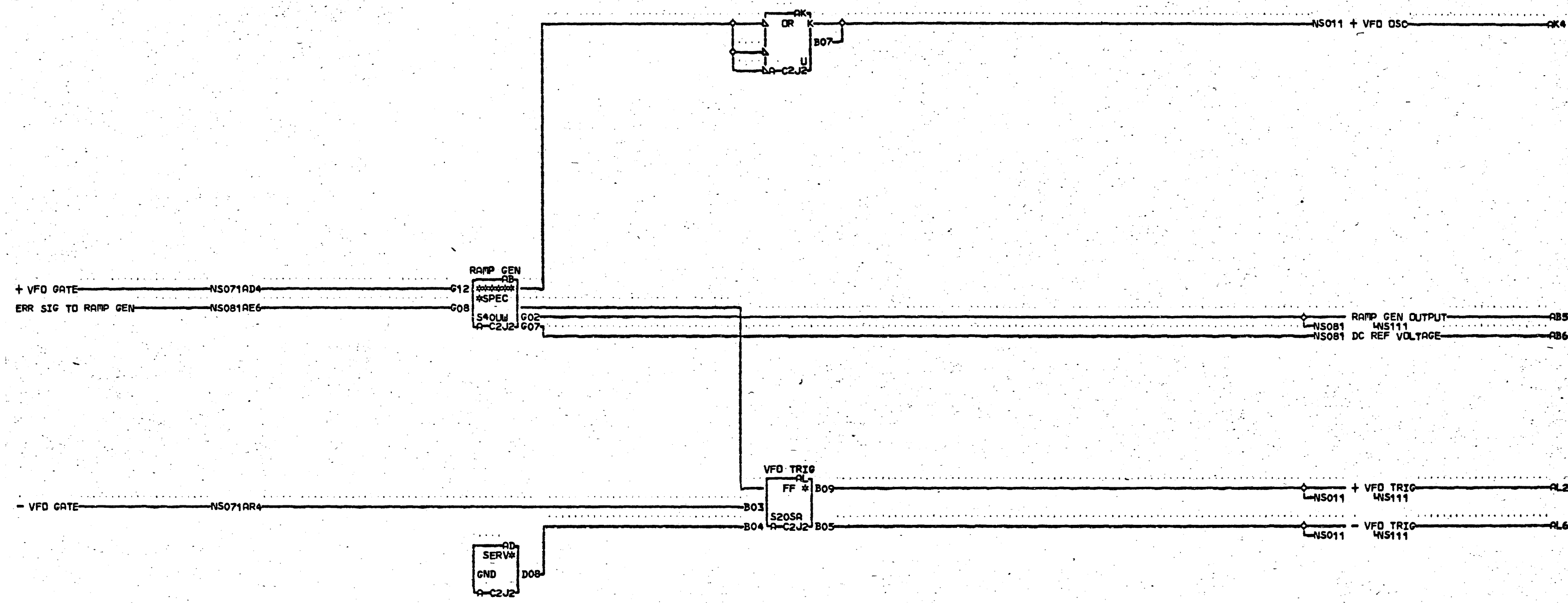
000

LOC. TYPE
 A-C2L3 3500

| DATA DELAY LINE | |
|-----------------|---------------|
| E.C. HISTORY | RACH.2314-FCU |
| DATE | FRAME 01 |
| LAST EC | IBM CORP. GPD |
| 03-30-66 416120 | P.No. 2209467 |

NS
 0
 9
 1

000

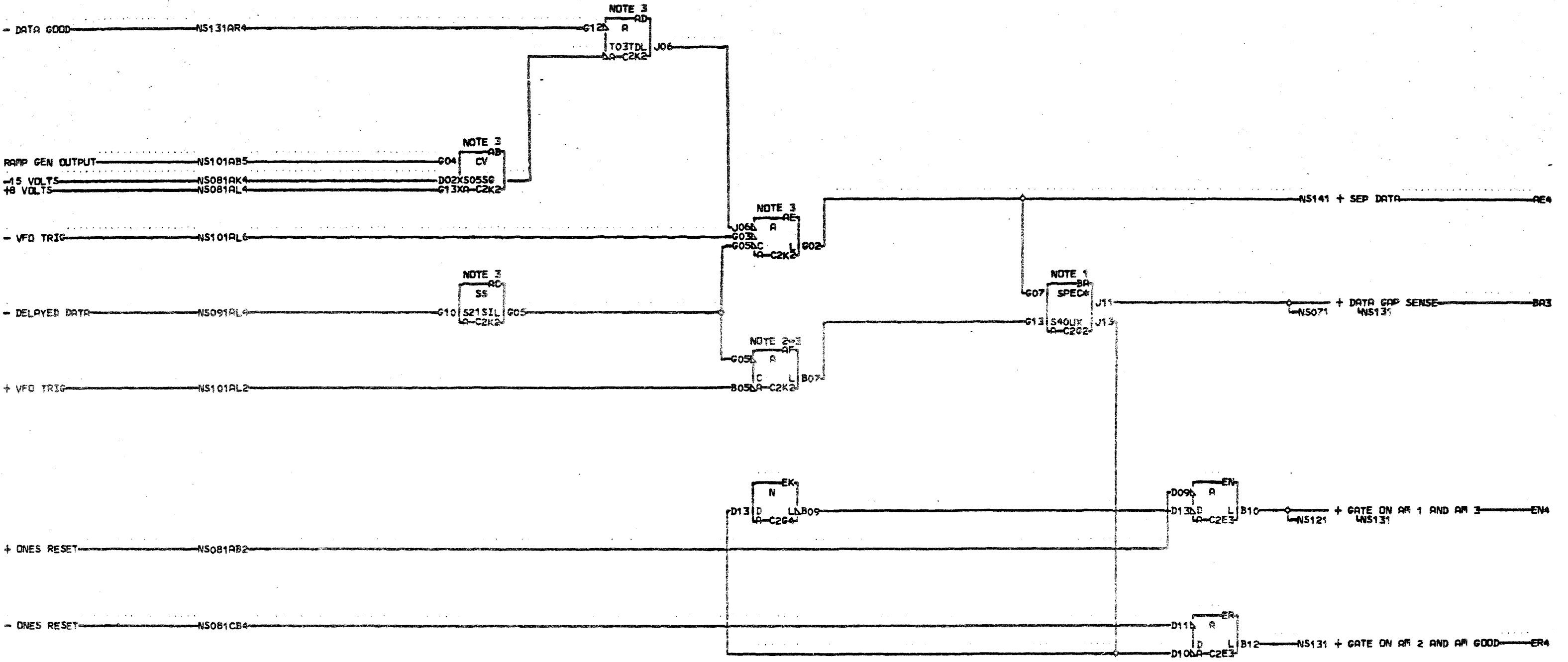


NS101
000

LOC. TYPE
A-C2J2 0879

| | |
|--------------------------------|----------------|
| RAMP GENERATOR AND VFD TRIGGER | |
| E-C-HISTORY | MACH. 2314-FCU |
| DATE | LAST EC |
| 03-30-66 | 416120 |
| FRAME | 01 |
| IBB CORP. GPD | |
| P. No. | 2209468 |

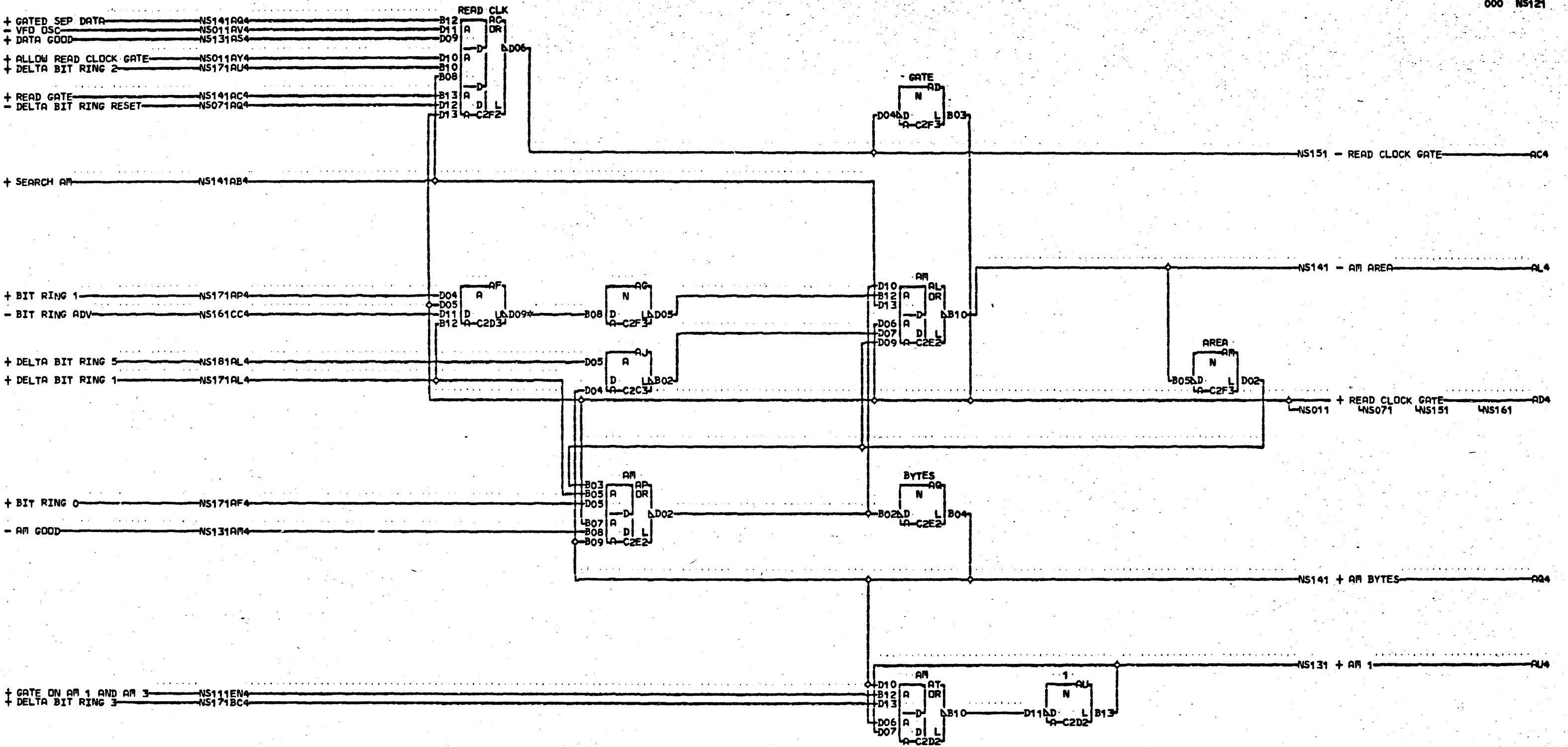
NS101
000



NOTE 1: THE SIGNAL ON G2J13 IS + CLOCK GAP SENSE
 N NOTE 2: THE SIGNAL ON K2B07 IS + SEPERATED CLOCK PULSES
 1 NOTE 3: P/N 5807527 OR 5800875 MAY BE USED IN THIS LOCATION

LOC. TYPE
 A-C2E3 0141
 A-C2G2 1251
 A-C2G4 3308
 A-C2K2 7527

| DATA SEPARATION AND GAP SENSE | | | |
|-------------------------------|----------|---------------|---------|
| E-C-HISTORY | 416120 | MACH.2314-FCU | 01 |
| DATE | 03-27-67 | IBR CORP. GPD | 000 |
| LAST EC | 420901 | PaNo | 2209469 |



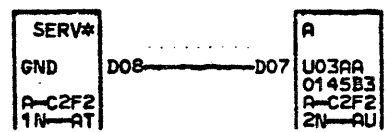
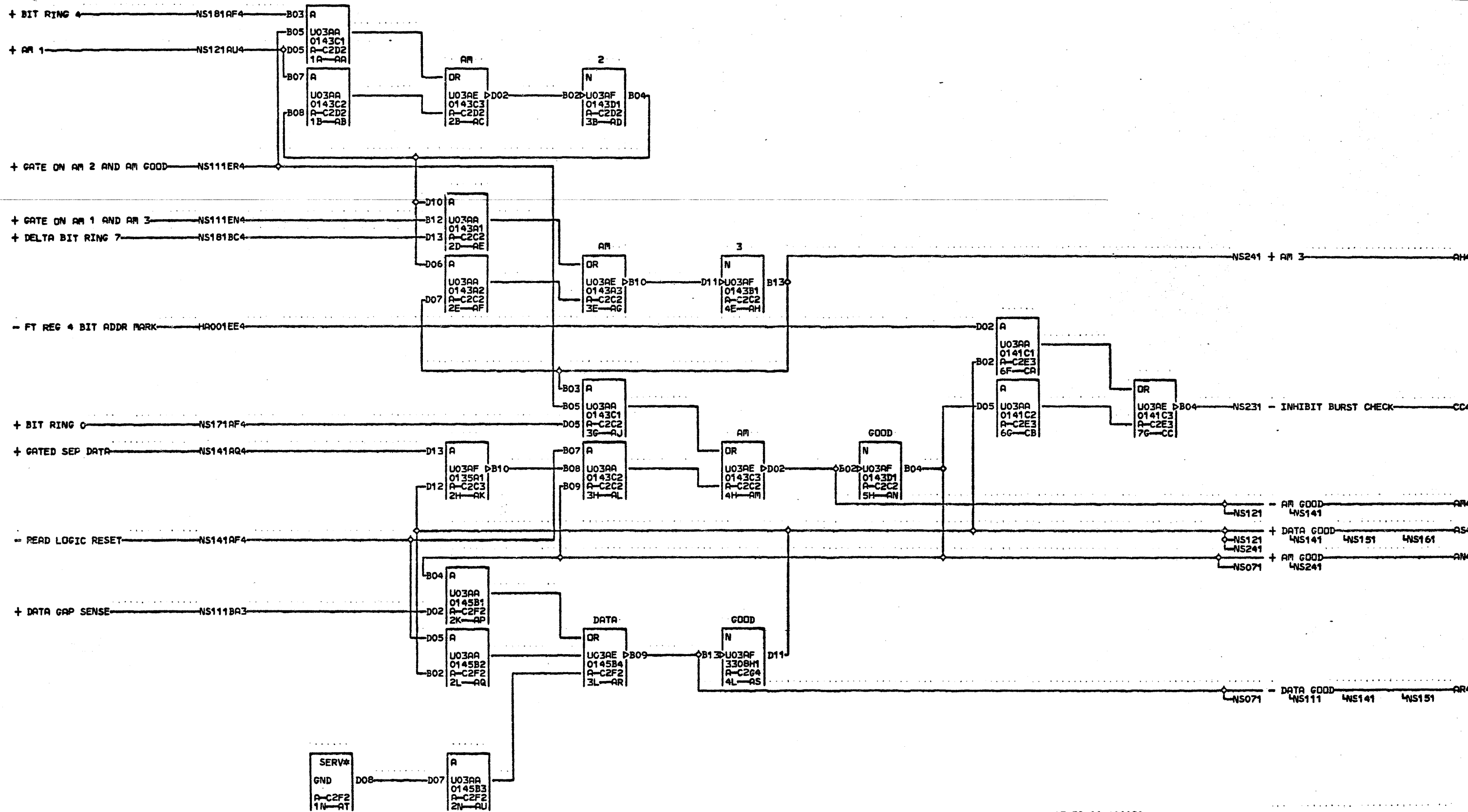
AF4 RESISTOR
A-C2D3D13

- LDC TYPE
- A-C2C3 0135
- A-C2D2 0143
- A-C2D3 0147
- A-C2E2 0143
- A-C2F2 0145
- A-C2F3 3308

| | |
|---------------------|---------------|
| AM DETECTION PAGE 1 | |
| E.C. HISTORY | MACH#2314-FCU |
| 416120 | FRAME 01 |
| 420901 | IBM CORP. SDD |
| DATE | LAST EC |
| 08-14-67 | 420912 |
| | Po# 2209470 |

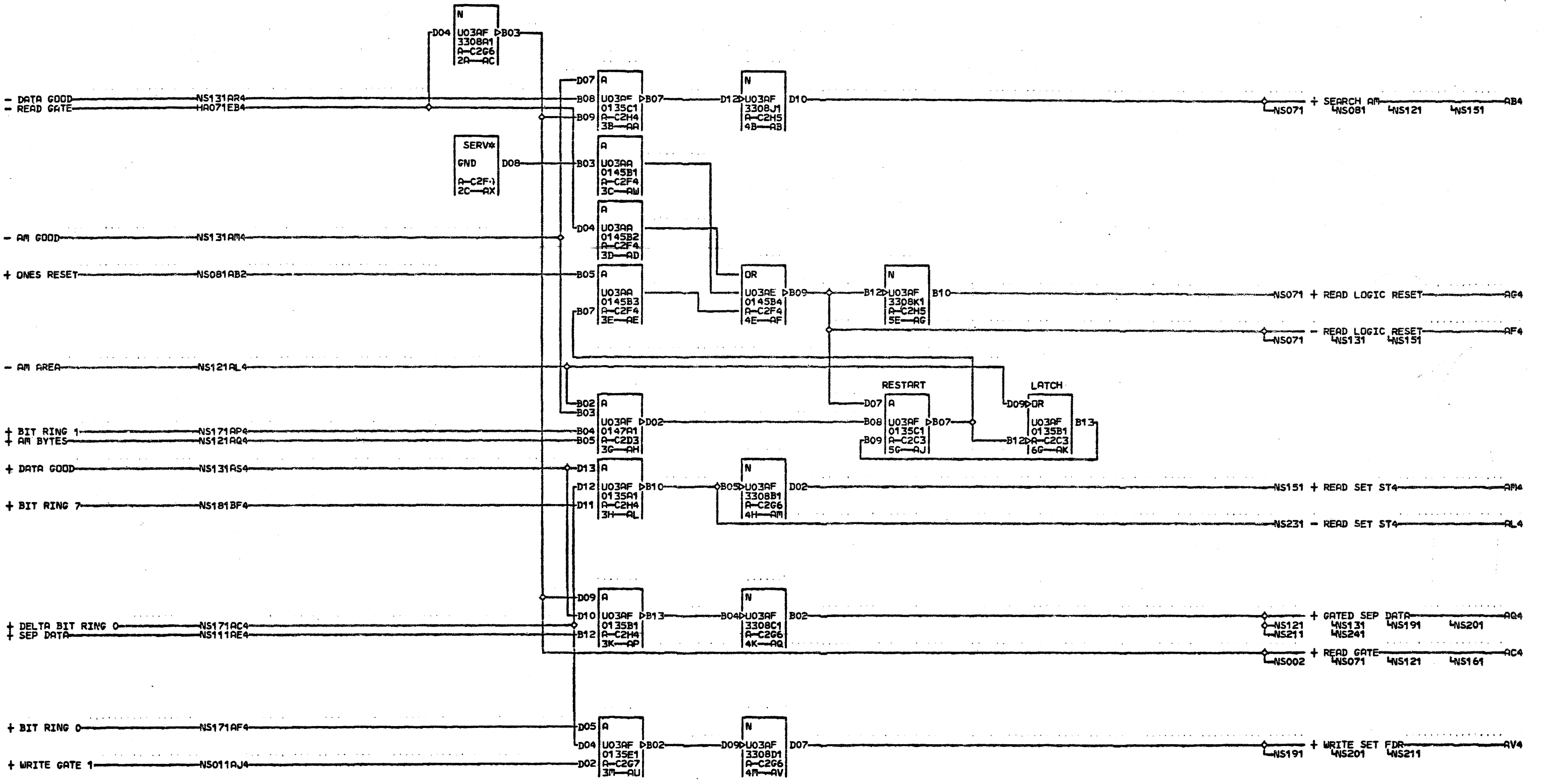
NS121

NS121



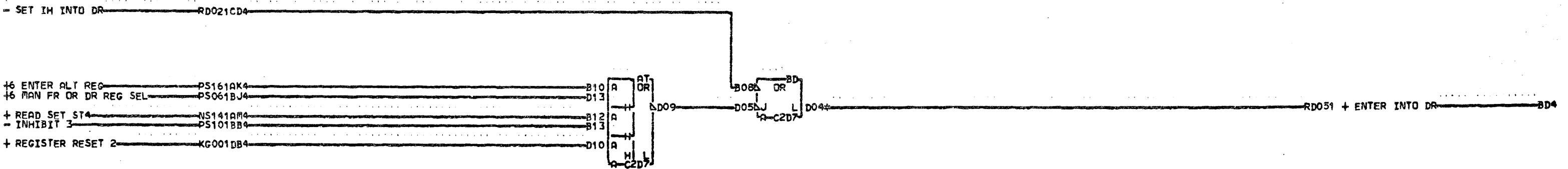
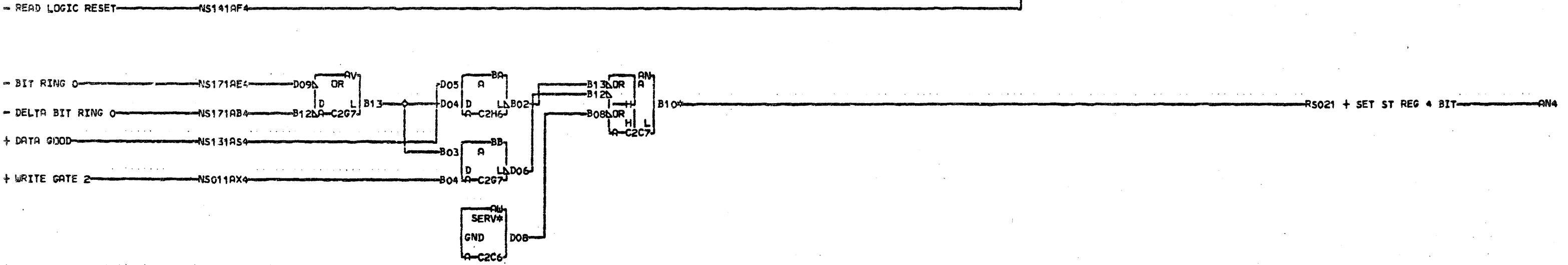
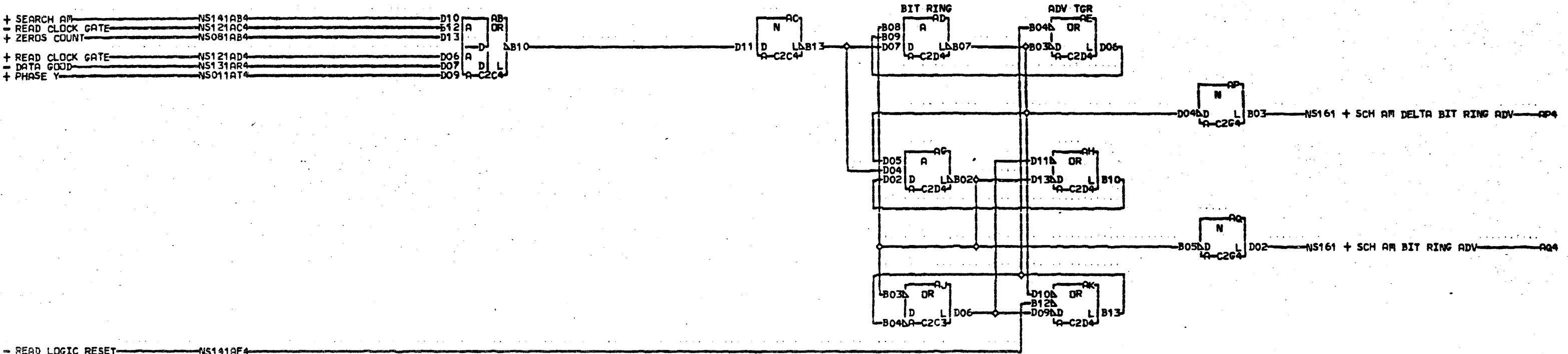
03-30-66 416120
 04-29-66 416122
 03-27-67 420901
 10-14-68 420949

AM DETECTION PAGE 2
 DATE 10-31-68 MACH. 2314-FCU
 LOG 288P FRAME 01
 P.No 2209471
 IBM CORP. SDD BLK. CD



03-30-66 416120
 10-07-66 416130
 12-22-66 420637
 03-27-67 420901
 10-14-68 420949

| | | | |
|----------------------|----------|----------------|-----|
| READ LOGIC-SEARCH AM | | | N |
| SET FDR-SET DR | | | |
| DATE | 10-31-68 | MACH. 2314-FCU | 5 |
| LDR | 2906 | FRAME 01 | 4 |
| P. No. | | 2209472 | 1 |
| IBM CORP. | SDD BLK. | FZ | 000 |

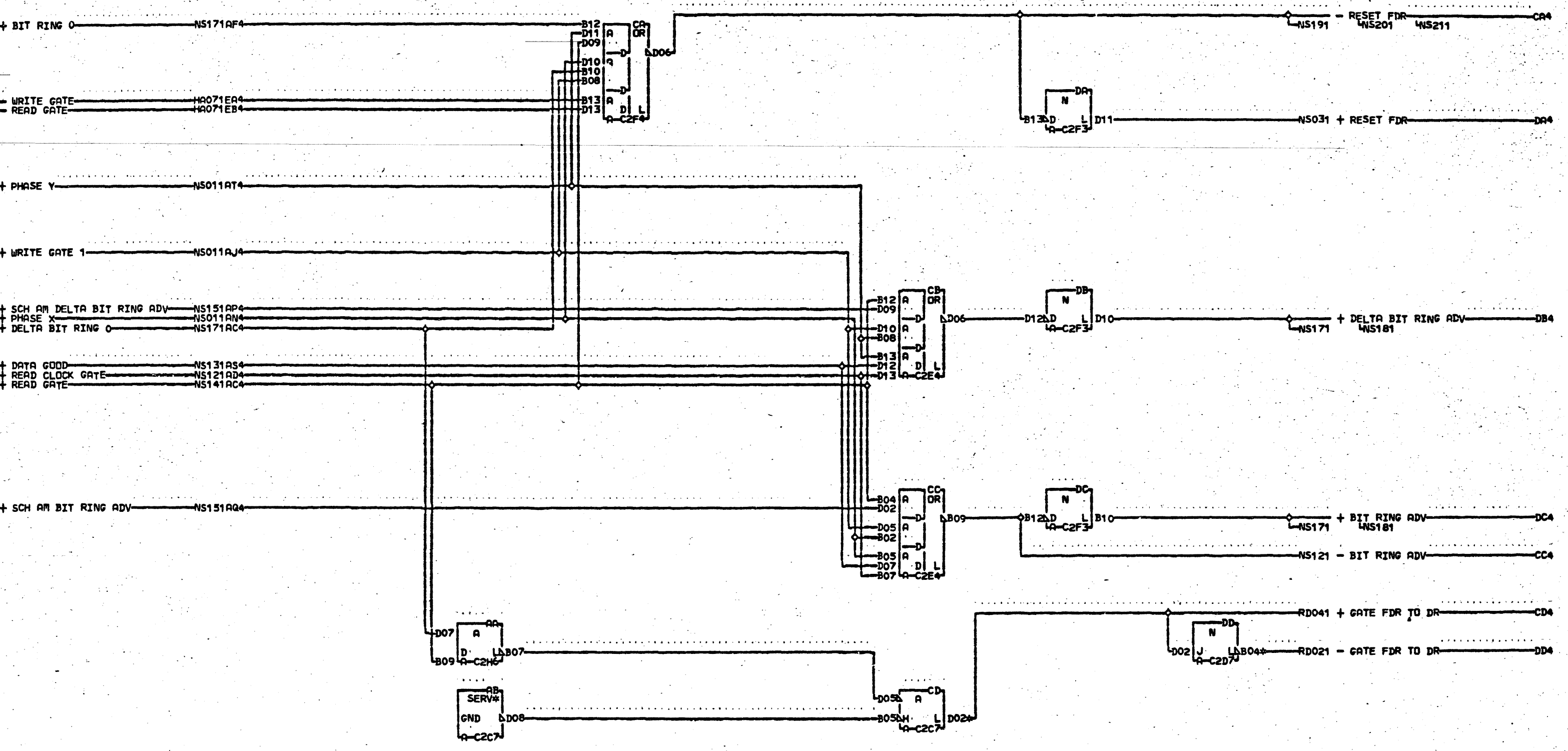


NS151
 AN4 A-C2A6B02
 01A-B3A6B02
 01A-B3A7B02
 01A-B1N6B02
 BD4 A-C2A6B07
 01A-B3A6B07

LOC. TYPE
 A-C2C3 0135
 A-C2C4 0143
 A-C2C7 0006
 A-C2D4 0135
 A-C2D7 0212
 A-C2G4 3308
 A-C2G7 0135
 A-C2H6 0135

| | | | |
|---|---------|---------------|---------|
| BIT RING ADV TRIG STH AND DR REG SETS -E.C.-HISTORY | | MACH-2314-FCU | |
| DATE | LAST EC | FRAME | 01 |
| 03-30-66 | 416120 | IBM CORP. SDD | |
| | | P.No | 2209473 |

NS151
 000



NS161

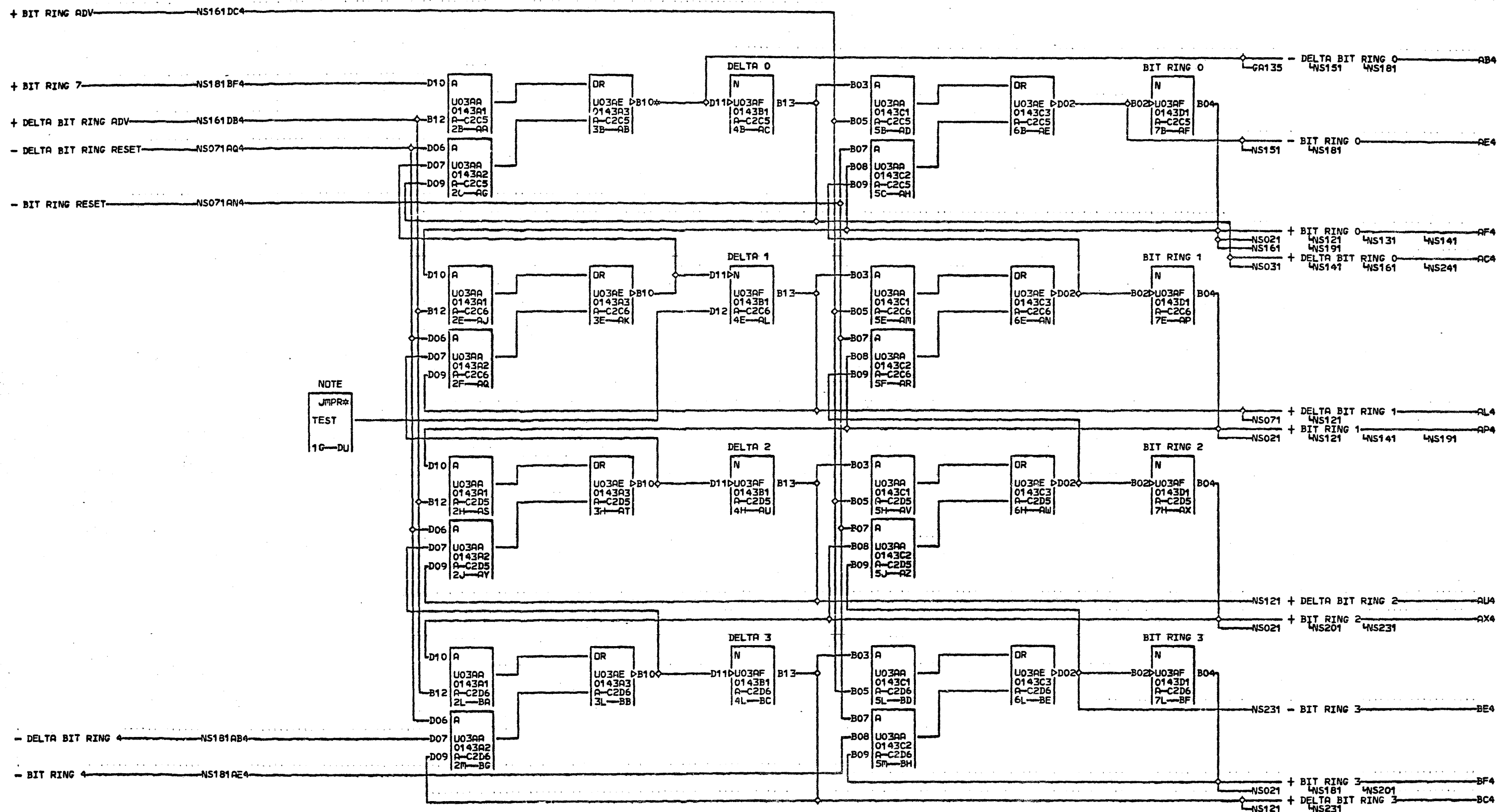
CD4 A-C2A7D12
 01A-B3A2D12
 DD4 A-C2A6B08
 01A-B3A6B08

LOC. TYPE
 A-C2C7 0006
 A-C2D7 0212
 A-C2E4 0145
 A-C2F3 3308
 A-C2F4 0145
 A-C2H6 0135

| RESET FDR-RING ADV | |
|--------------------|----------------|
| E.C. HISTORY | MACH. 2314-FCU |
| 416120 | FRAME 01 |
| DATE | LAST EC |
| 06-16-67 | 420908 |
| IBN CORP. SDD | PoN 2209474 |

NS161

000



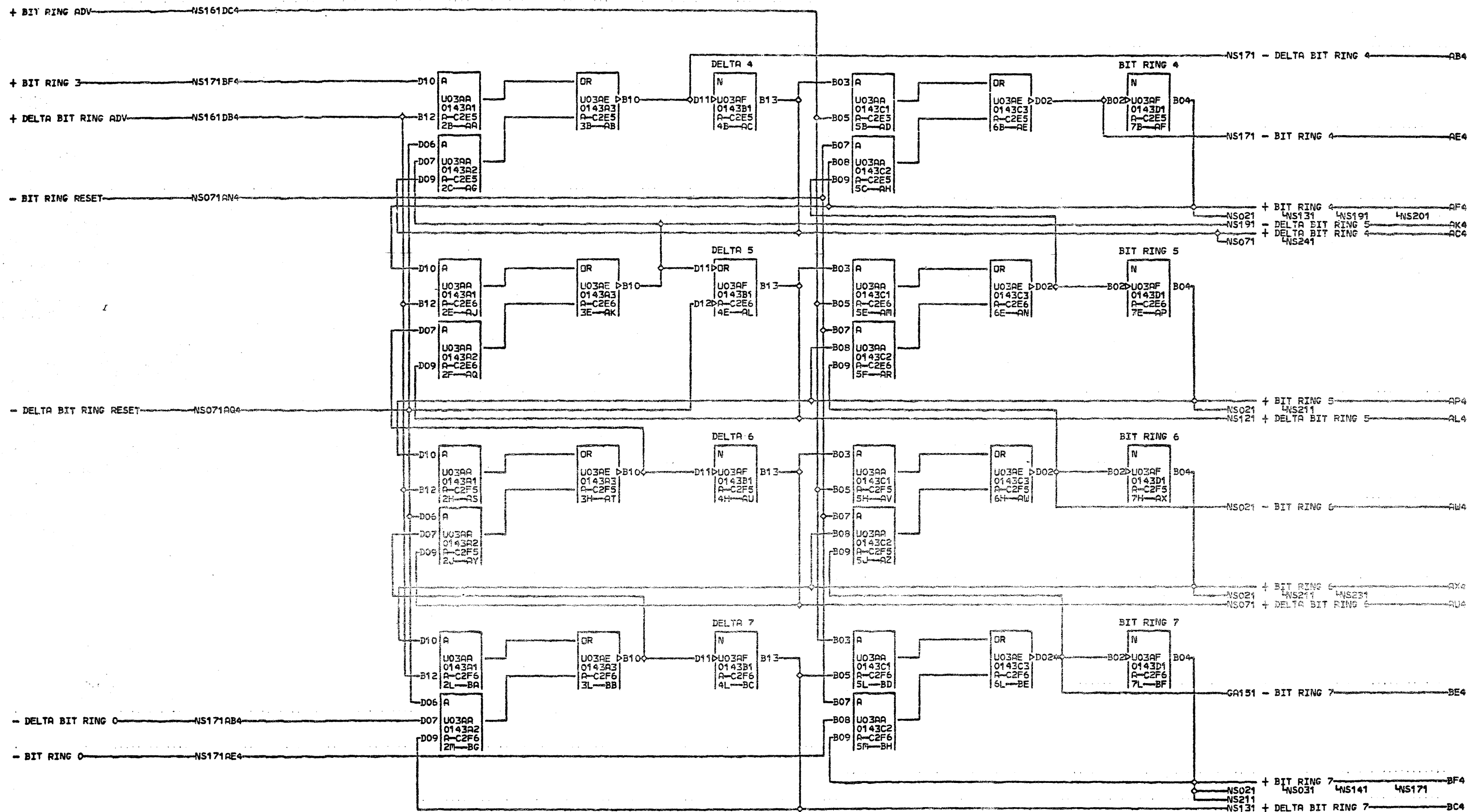
NOTE
JMPR*
TEST
1G-DU

NOTE: C6D12 IS JUMPERED TO GND ONLY WHEN ADJUSTING THE VFO.

AB4 A-C2C9A06
01A-C3C1A11

03-30-66 416120
07-05-66 416125
10-07-66 416130
10-24-66 416131
04-26-68 420946
10-14-68 420949

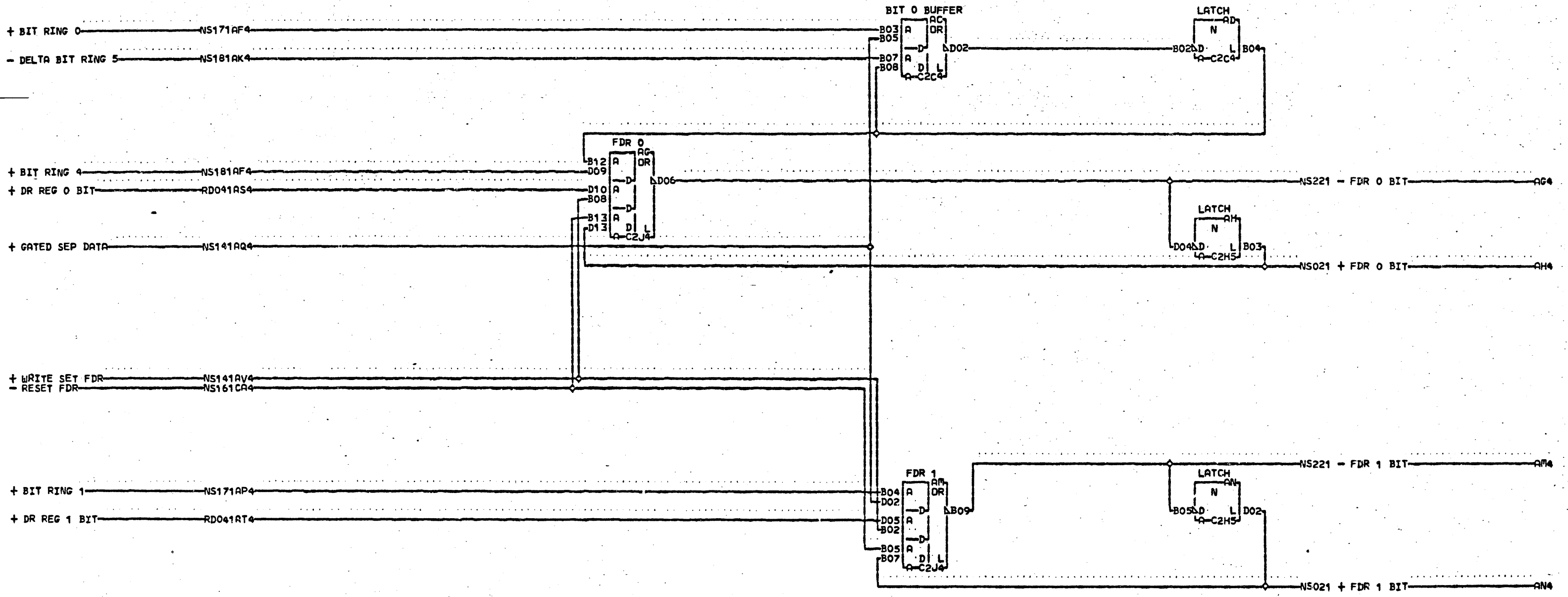
| | | | |
|-----------------------------|----------|----------------|--------------------------|
| BIT RING POSITIONS 0 THRU 3 | | | NS 1 7 1 000 |
| DATE | 10-31-68 | MACH. 2314-FCU | |
| LOG | 288P | FRAME 01 | |
| | | P.No. 2209475 | |
| IBM CORP. | SDD BLK. | | DV |



BE4 A-C2C8B04
01A-C3C1B09

03-30-66 416120
04-26-68 420946
10-14-68 420949

| | | |
|--------------------|-------------------------|-----|
| BIT RING | | NS |
| POSITIONS 4 THRU 7 | | |
| DATE | 10-31-68 MACH. 2314-FCU | 1 |
| LOG | 288P FRAME | 01 |
| | P.No. 2209476 | 1 |
| IBM CORP. | SDD BLK. | 000 |
| | FG | |

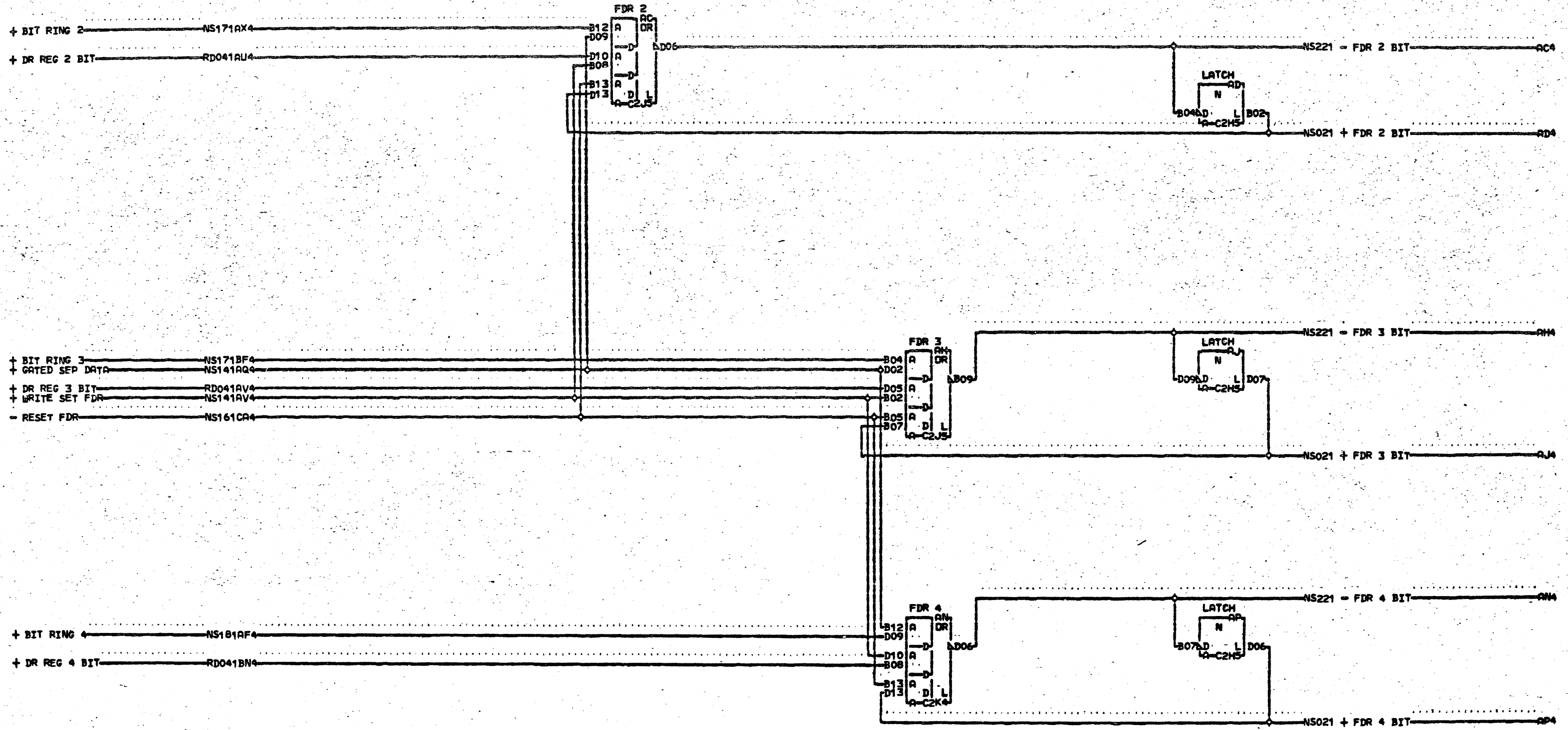


LOC. TYPE
 A-C2C4 0143
 A-C2H5 3308
 A-C2J4 0145

| FDR REG BITS 0-1 | |
|------------------|----------------|
| E.C. HISTORY | MACH. 2314-FCU |
| | FRAME 01 |
| | IBM CORP. SDD |
| DATE 03-30-66 | LAST EC 416120 |
| | P.No. 2209477 |

NS191-000

NS191-000

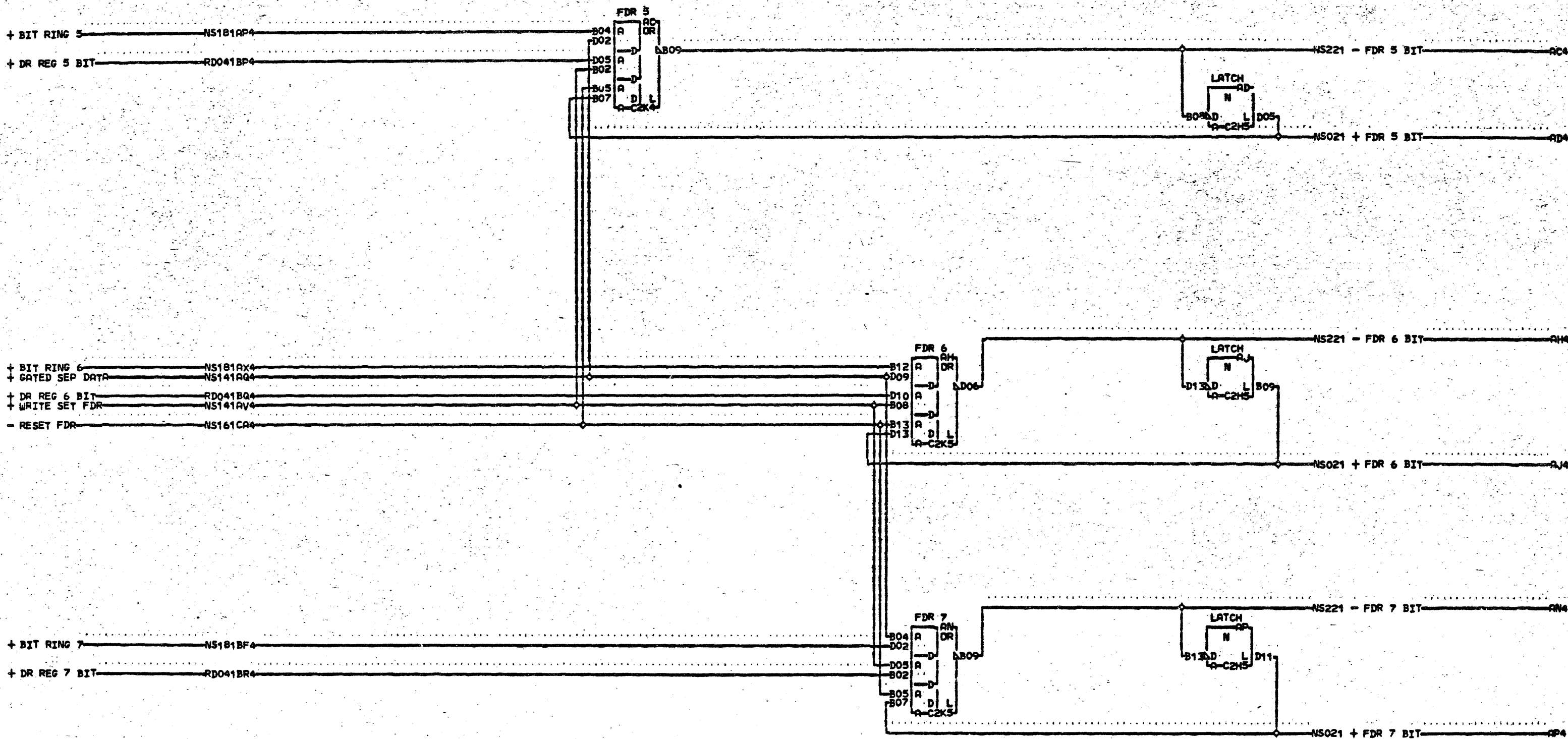


000

LOC. TYPE
 R-C2H5 3308
 R-C2J5 0145
 R-C2K4 0145

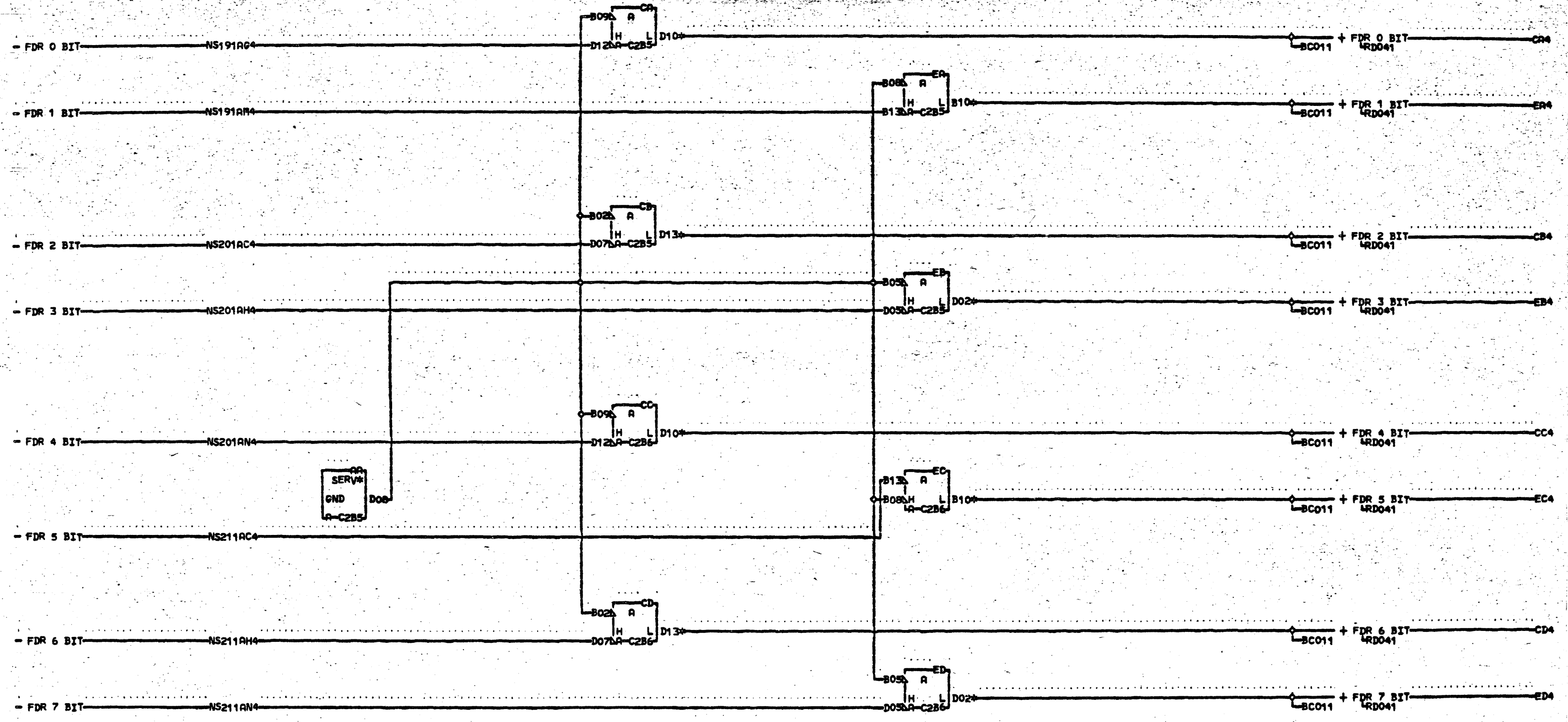
| FDR REG BITS 2 THRU 4 | |
|-----------------------|---------------|
| E-C-HISTORY | FRAC#2314-FCU |
| DATE | FRAME 01 |
| LAST EC | IBA CORP. SDD |
| 03-30-66 416120 | PN# 2209511 |

000



LOC. TYPE
 A-C2H5 3308
 A-C2K4 0145
 A-C2K5 0145

| | |
|-----------------------|---------------|
| FDR REG BITS 5 THRU 7 | |
| Eco-HISTORY | MACH#2314-FCU |
| DATE | FRAME 01 |
| LAST EC | IBM CORP. SDD |
| 03-30-66 416120 | P.No 2209478 |



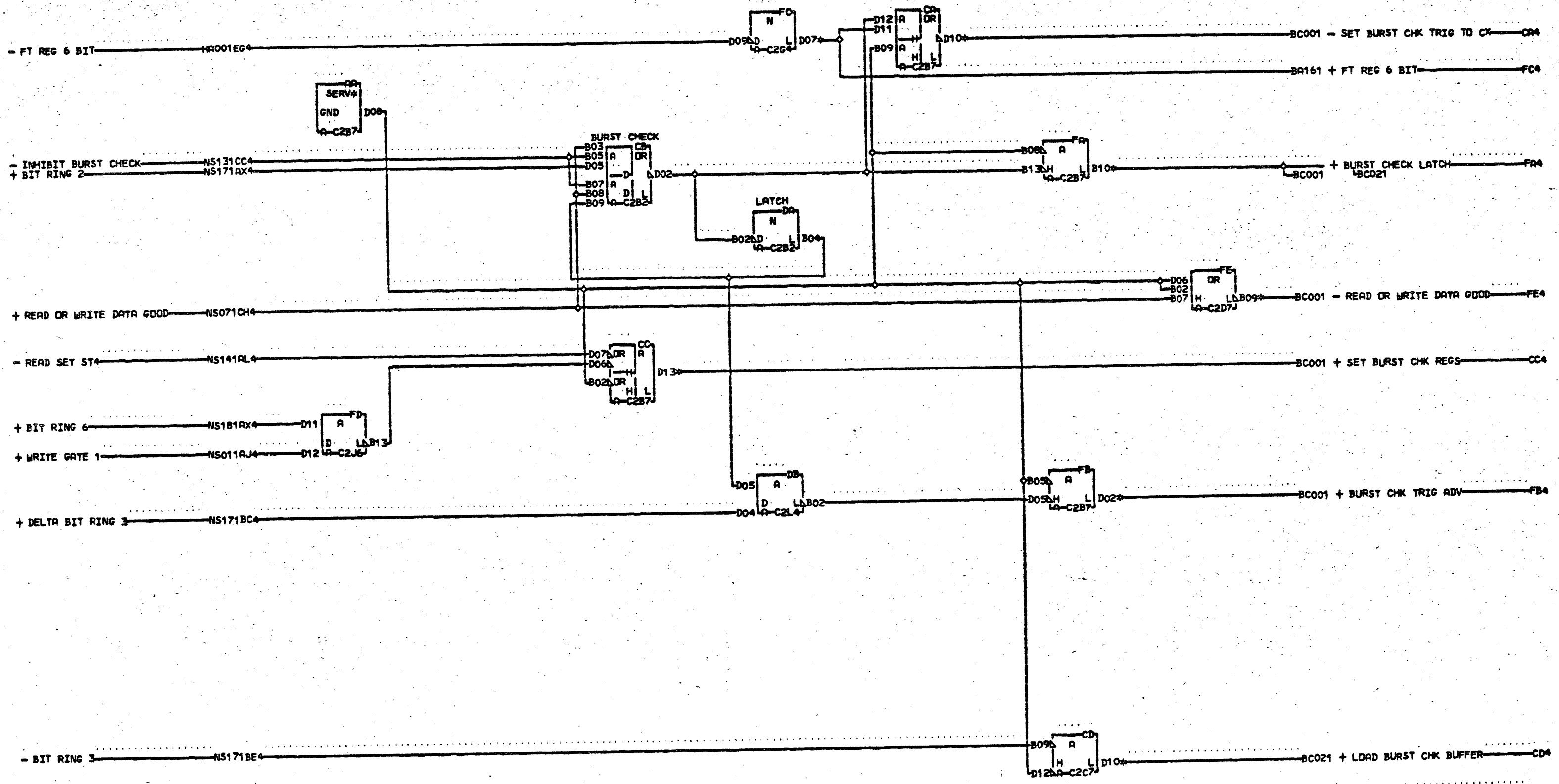
CA4 A-C2A7B02 01A-B3A2D02
 01A-B3A2B02 EB4 A-C2A7B04
 CB4 A-C2A7B03 01A-B3A2B04
 01A-B3A2B03 EC4 A-C2A7B05
 CC4 A-C2A7D04 01A-B3A2B05
 01A-B3A2D04 ED4 A-C2A7D06
 CD4 A-C2A7D05 01A-B3A2D06
 01A-B3A2D05
 EA4 A-C2A7D02

LOC. TYPE
 A-C2B5 0006
 A-C2B6 0006

| FILE DATA REGISTER CONVERSION | |
|-------------------------------|---------------|
| E.C. HISTORY | RACH-2314-FCU |
| DATE | LAST EC |
| 03-30-66 | 416120 |
| IBR CORP. SDD | P.No 2209479 |

000

000



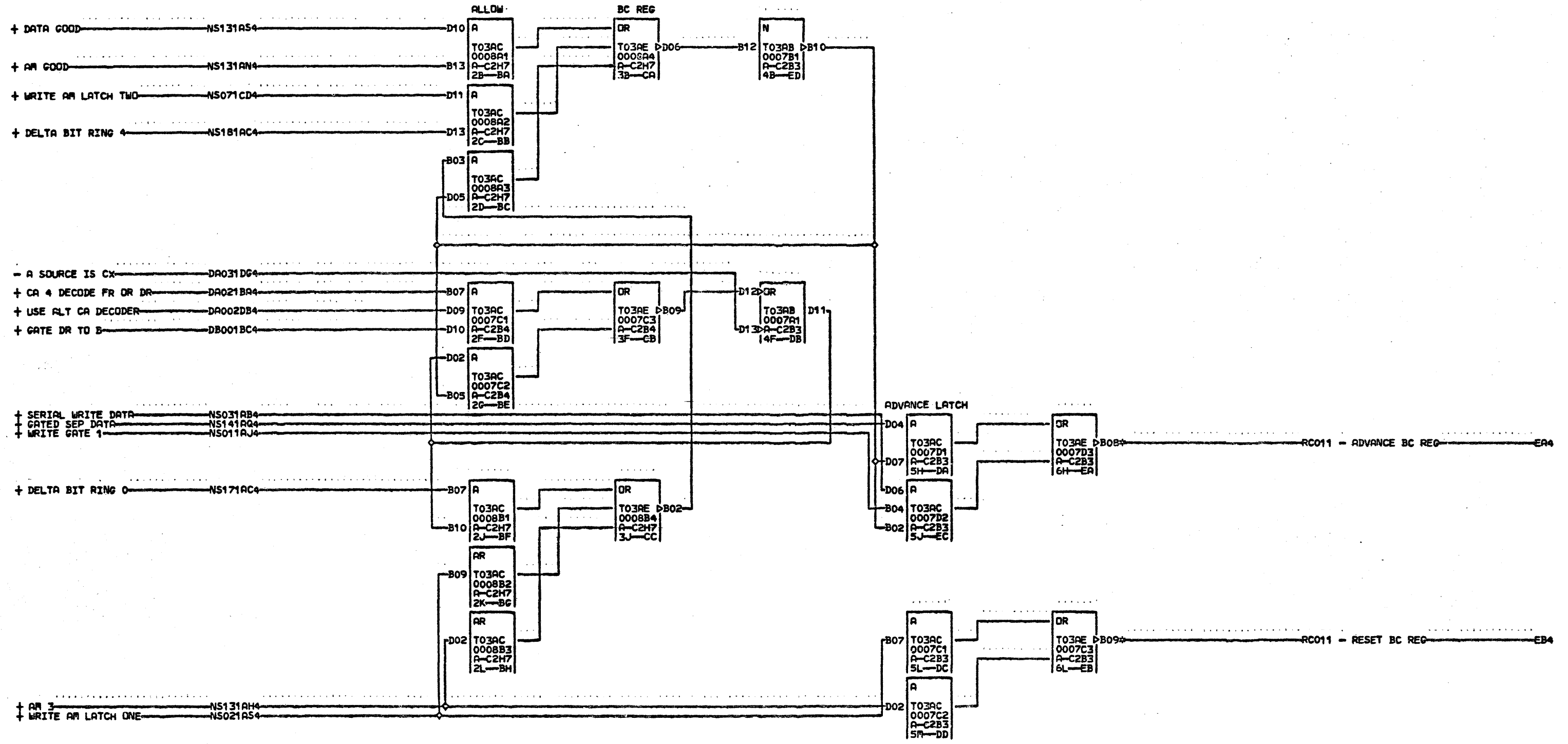
CA4 A-C2A6B10 01A-B3A6D12
 01A-B3A6B10 FC4 A-C2A6D06
 CC4 A-C2A6B12 01A-B3A6D06
 01A-B3A6B12 FE4 A-C2A6D11
 CD4 A-C2A6B13 01A-B3A6D11
 01A-B3A6B13
 FA4 A-C2A6D10
 01A-B3A6D10
 FB4 A-C2A6D12

LDC. TYPE
 A-C2B2 0143
 A-C2B7 0006
 A-C2C7 0006
 A-C2D7 0212
 A-C2G4 3308
 A-C2J6 0143
 A-C2L4 0135

BURST CHECK CONTROLS
 E.C. HISTORY RACH.2314-FCU
 416120 FRAME 01
 416122
 416126 IBM CORP. SDD
 DATE LAST EC P.No. 2209480
 10-24-66 416131

000

000



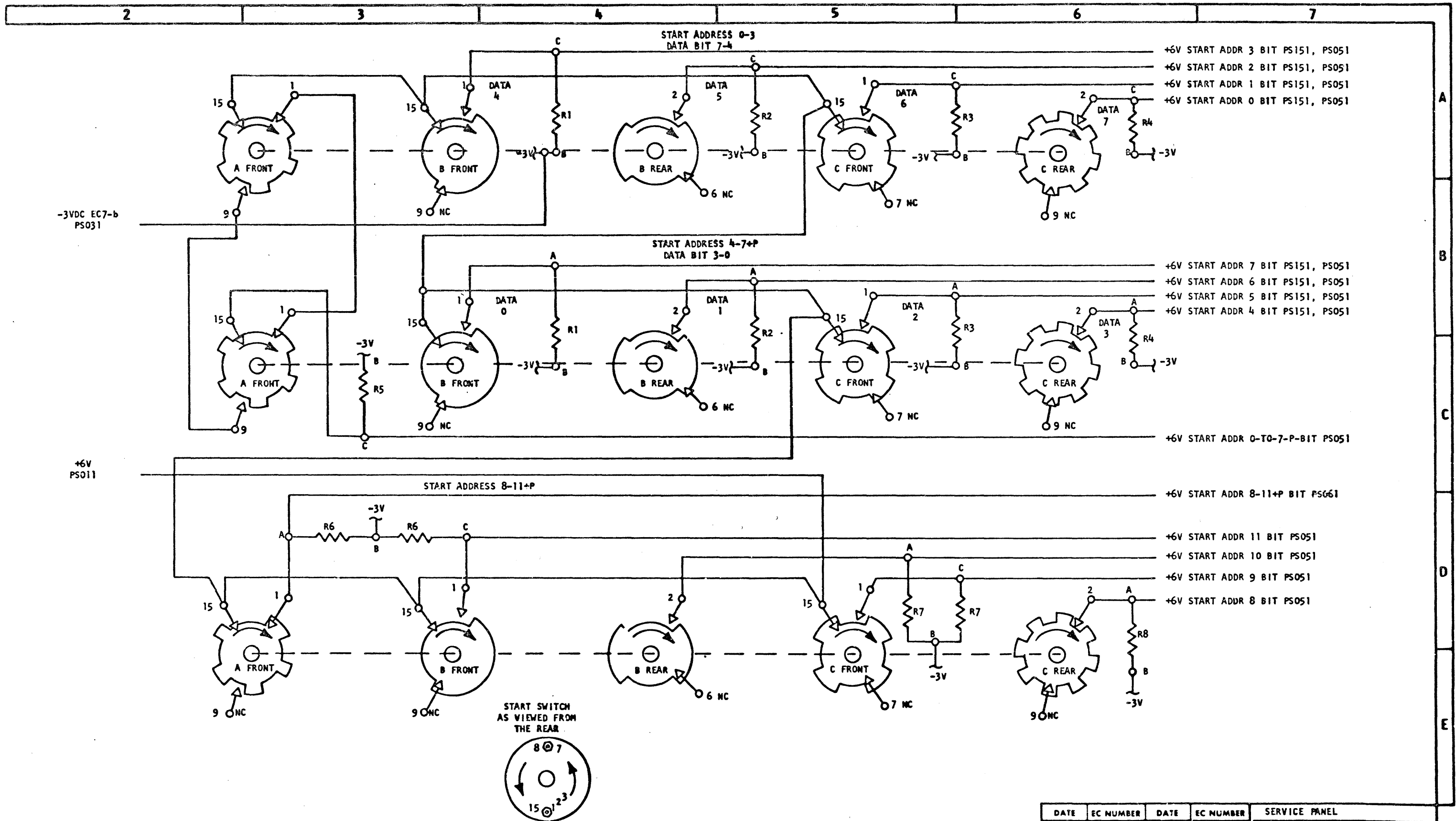
NS241
000

EA4 A-C2A5D07
 01A-B2N5D07
 01A-B2A2D11
 01A-B1A2D11
 EB4 A-C2A5D09
 01A-B2N5D09
 01A-B2A2D12
 01A-B1A2D12

10-14-68 420949

| | | |
|---------------------------|------------|----------------|
| ADVANCE/RESET BC REGISTER | | |
| DATE | 10-31-68 | MACH. 2314-FCU |
| LOG | A17G FRAME | 01 |
| | P.N. | 2261323 |
| IBM CORP. | SDD BLK. | EE |

NS241
000

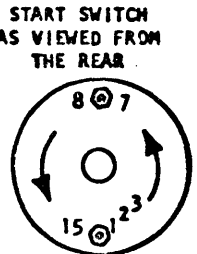


-3VDC EC7-b
PS031

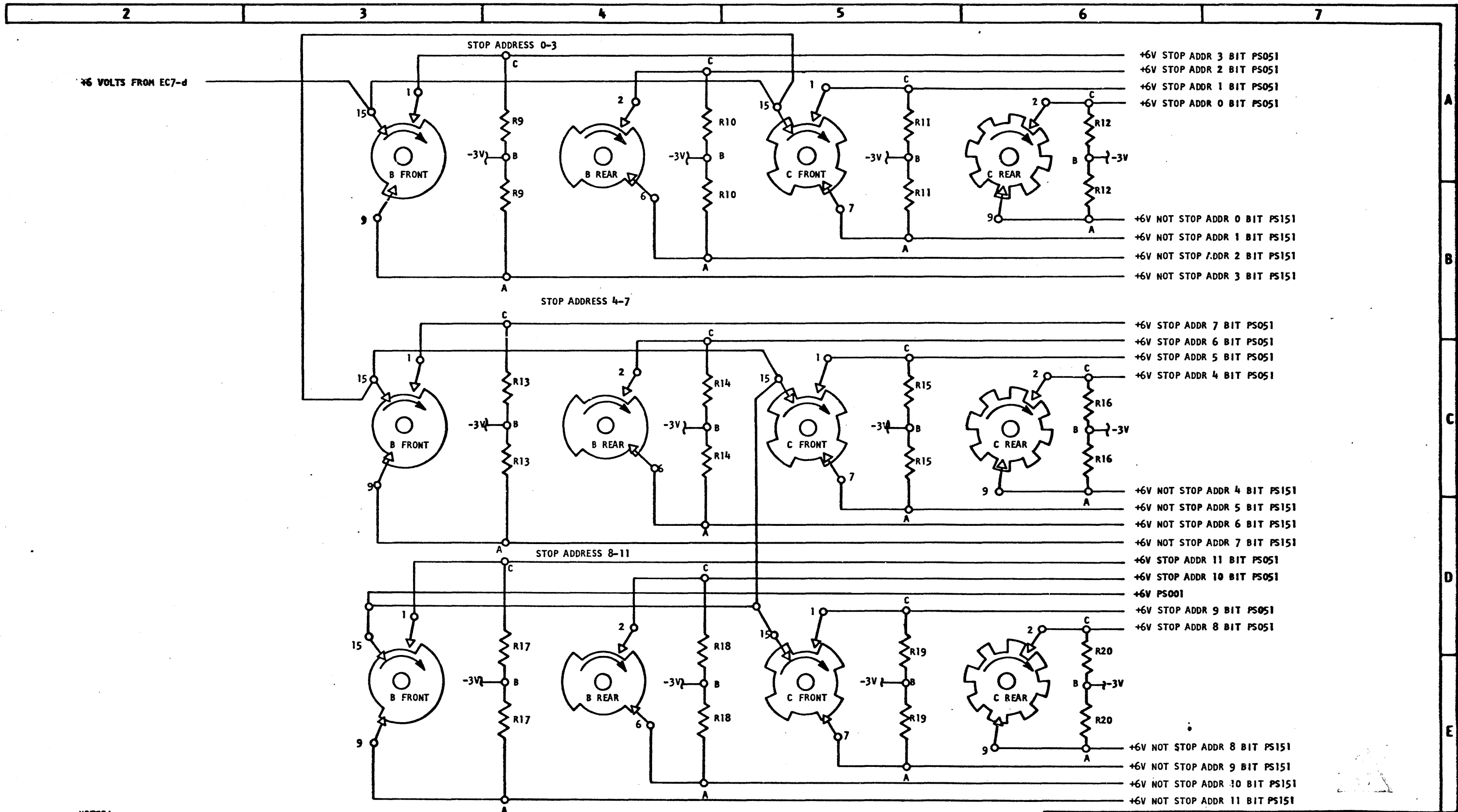
+6V
PS011

NOTES:

1. ALL RESISTORS 180Ω 1 WATT UNLESS OTHERWISE NOTED. ROTORS ON FRONT AND REAR OF WAFERS B & C CONNECTED INTERNALLY. SWITCHES SHOWN AS VIEWED FROM KNOB END AND IN POSITION ZERO. WAFER "A" IS CLOSEST TO PANEL. CLOCKWISE ROTATION SHOWN BY ARROW.



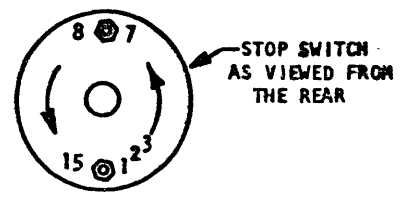
| DATE | EC NUMBER | DATE | EC NUMBER | SERVICE PANEL | |
|---------|-----------|------|-----------|---------------|---------------------|
| APR 66 | 416034 | | | DATE | 4-28-66 P/N 2205801 |
| SEPT 66 | 416126 | | | TYPE | 2314 |
| | | | | IBM | PS001 |



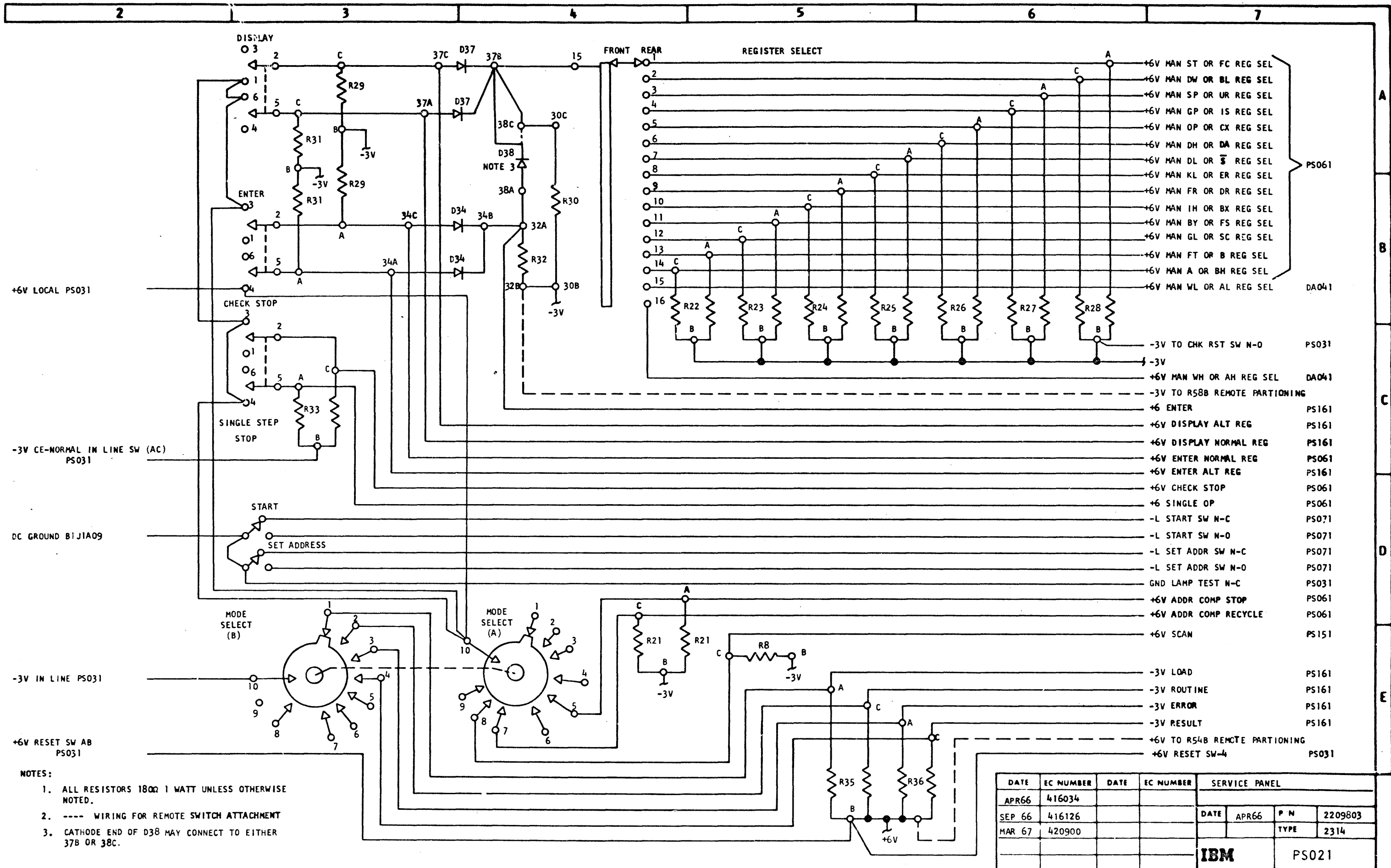
- +6V STOP ADDR 3 BIT PS051
- +6V STOP ADDR 2 BIT PS051
- +6V STOP ADDR 1 BIT PS051
- +6V STOP ADDR 0 BIT PS051
- +6V NOT STOP ADDR 0 BIT PS151
- +6V NOT STOP ADDR 1 BIT PS151
- +6V NOT STOP ADDR 2 BIT PS151
- +6V NOT STOP ADDR 3 BIT PS151
- +6V STOP ADDR 7 BIT PS051
- +6V STOP ADDR 6 BIT PS051
- +6V STOP ADDR 5 BIT PS051
- +6V STOP ADDR 4 BIT PS051
- +6V NOT STOP ADDR 4 BIT PS151
- +6V NOT STOP ADDR 5 BIT PS151
- +6V NOT STOP ADDR 6 BIT PS151
- +6V NOT STOP ADDR 7 BIT PS151
- +6V STOP ADDR 11 BIT PS051
- +6V STOP ADDR 10 BIT PS051
- +6V PS001
- +6V STOP ADDR 9 BIT PS051
- +6V STOP ADDR 8 BIT PS051
- +6V NOT STOP ADDR 8 BIT PS151
- +6V NOT STOP ADDR 9 BIT PS151
- +6V NOT STOP ADDR 10 BIT PS151
- +6V NOT STOP ADDR 11 BIT PS151

NOTES:

1. ALL RESISTORS 180Ω 1 WATT UNLESS OTHERWISE NOTED. ROTORS ON FRONT AND REAR OF WAFERS B & C CONNECTED INTERNALLY. SWITCHES SHOWN AS VIEWED FROM KNOB END AND IN POSITION ZERO. WAFER "A" IS CLOSEST TO PANEL. CLOCKWISE ROTATION SHOWN BY ARROW.



| DATE | EC NUMBER | DATE | EC NUMBER | SERVICE PANEL | |
|--------|-----------|------|-----------|---------------|---------|
| APR 66 | 416034 | | | DATE | 4-28-66 |
| SEP 66 | 416126 | | | P/N | 2209802 |
| | | | | TYPE | |
| | | | | IBM | PS011 |



+6V LOCAL PS031

-3V CE-NORMAL IM LINE SW (AC) PS031

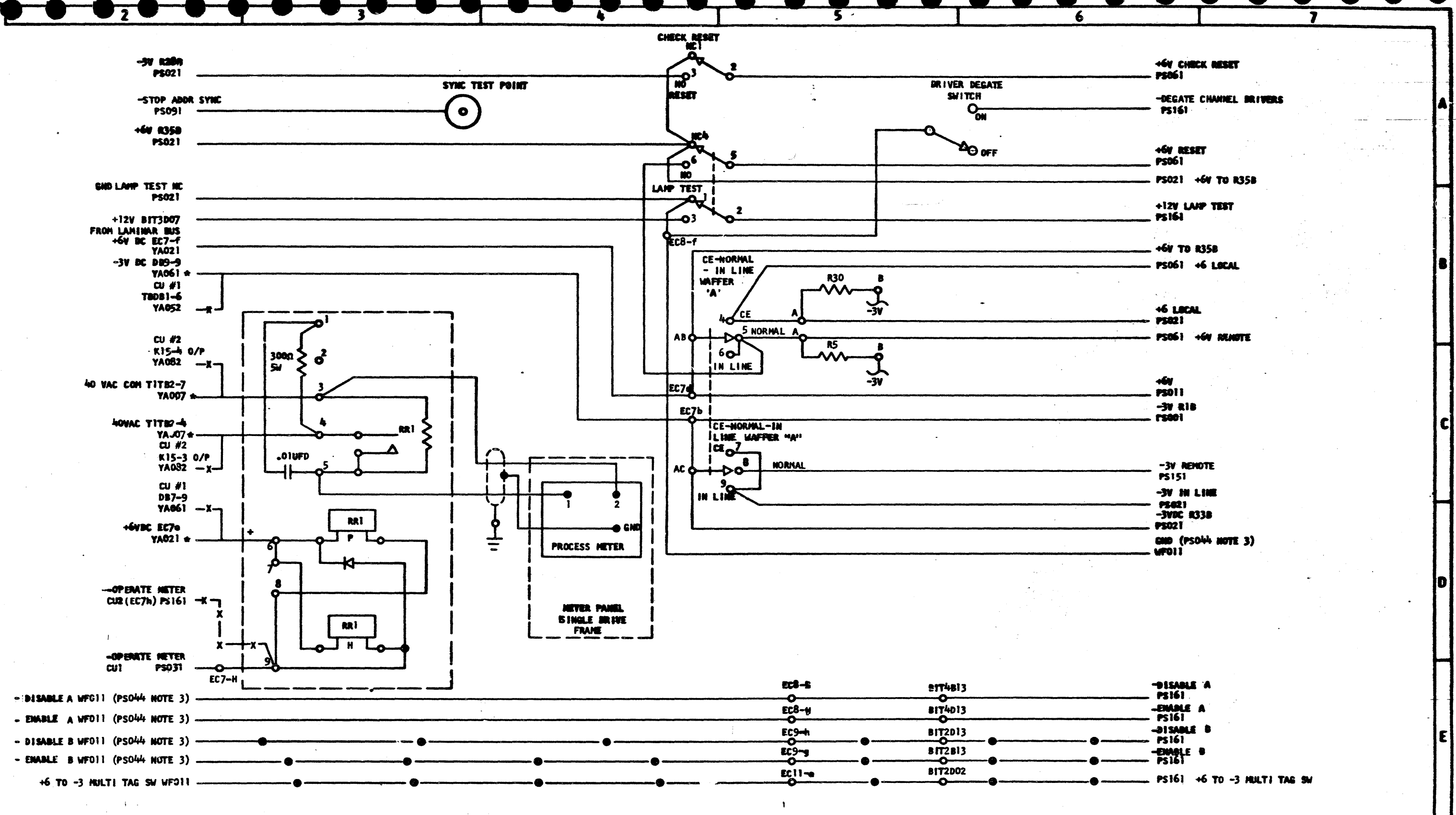
DC GROUND BIJA09

-3V IN LINE PS031

+6V RESET SW AB PS031

- NOTES:
1. ALL RESISTORS 180Ω 1 WATT UNLESS OTHERWISE NOTED.
 2. ---- WIRING FOR REMOTE SWITCH ATTACHMENT
 3. CATHODE END OF D38 MAY CONNECT TO EITHER 37B OR 38C.

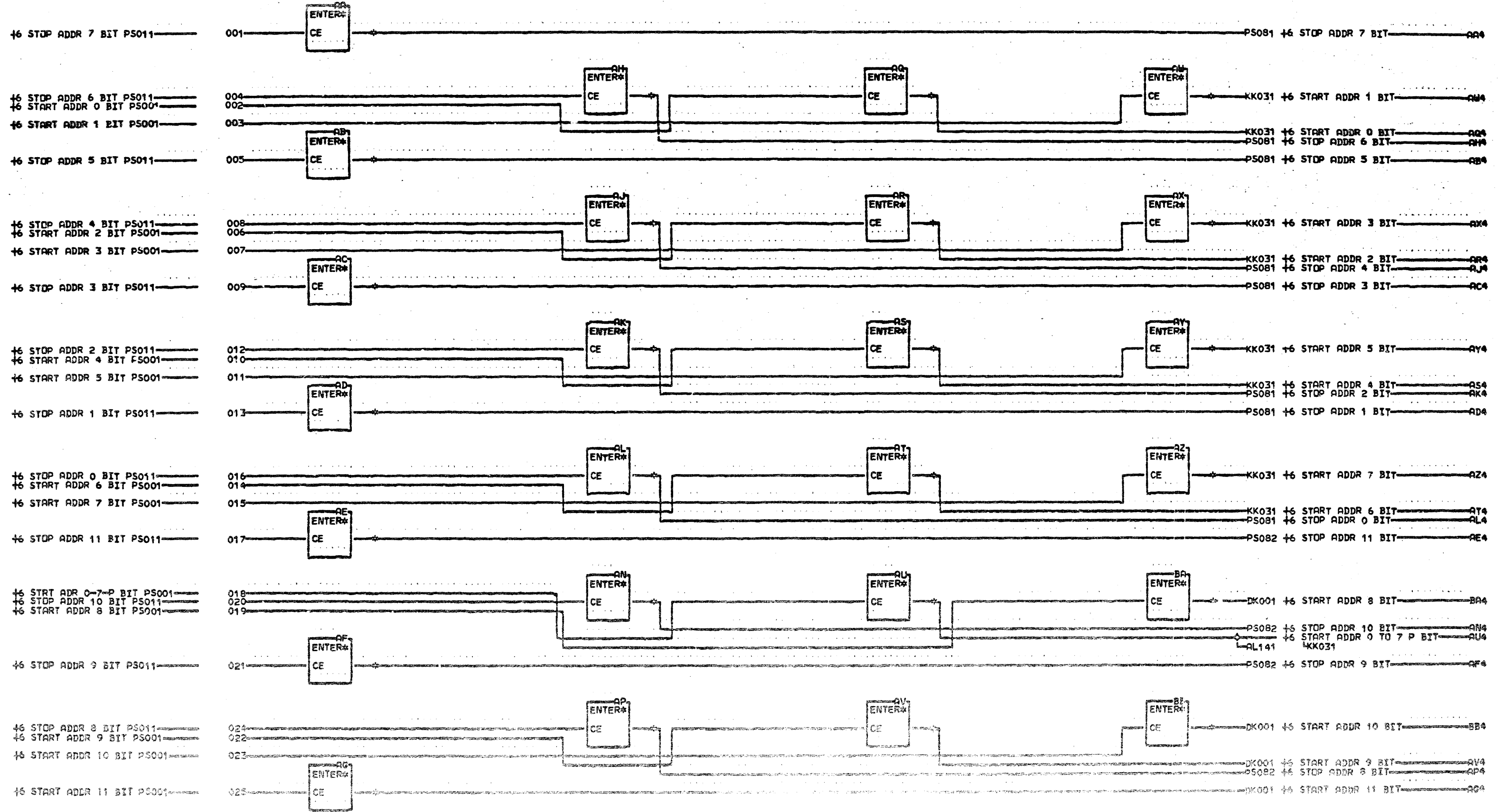
| DATE | EC NUMBER | DATE | EC NUMBER | SERVICE PANEL | | |
|--------|-----------|------|-----------|---------------|--------|-------------|
| APR 66 | 416034 | | | DATE | APR 66 | P N 2209803 |
| SEP 66 | 416126 | | | | | TYPE 2314 |
| MAR 67 | 420900 | | | | | |
| | | | | IBM | | PS021 |



NOTES:

1. —●— 2 CHANNEL SWITCH FEATURE AND REMOTE SWITCH FEATURE WIRING.
2. —X— AUX STORAGE CONTROL FEATURE
3. THIS LINE GOES TO PS044 AND NOT WFO11 IF THE REMOTE SWITCH ATTACHMENT FEATURE IS INSTALLED.

| DATE | EC NUMBER | DATE | EC NUMBER | SERVICE PANEL & PROC. | | | |
|---------|-----------|---------|-----------|-----------------------|--------|-------|---------|
| APR 66 | 416034 | MAY 67 | 420668 | METER | | | |
| JUNE 66 | 416124 | SEPT 67 | 420907 | DATE | NOV 65 | P/N | 2209804 |
| JUL 66 | 416125A | JAN 68 | 420919 | | | TYPE | 2314 |
| SEP 66 | 416126 | | | IBM | | PS031 | |
| JAN 67 | 420637 | | | | | | |

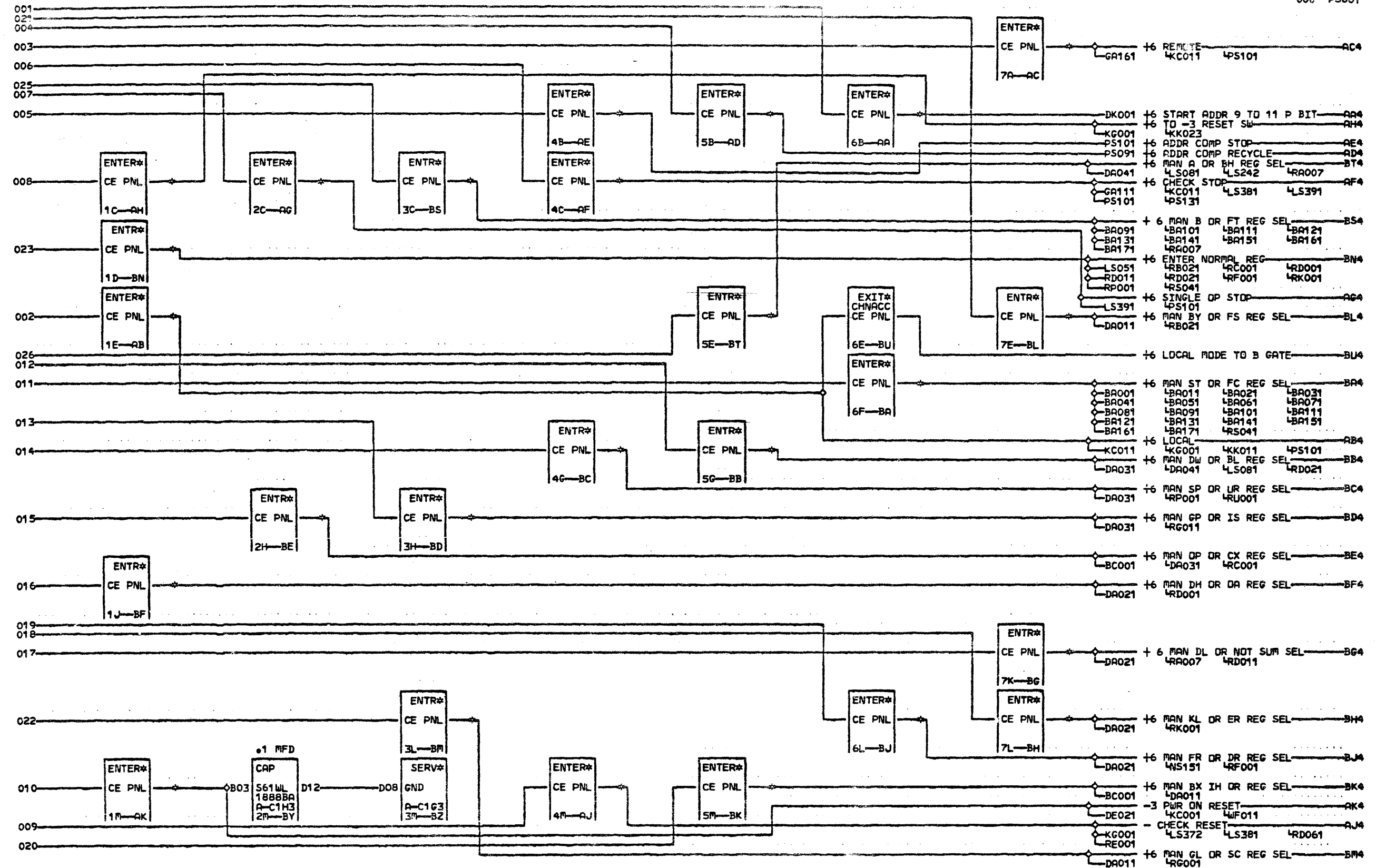


004 A-C1E1E11 AK4 A-C1E1E11 010-C1N7802
 004 A-C1E1E09 AL4 A-C1E1E09 01A-B2N3E02
 004 A-C1E1E09 AN4 A-C1E1E11 AV4 A-C1C1B11
 004 A-C1E1A11 AP4 A-C1E1E09 AX4 A-C1B1R11
 004 A-C1E1E09 AQ4 A-C1E1E09 AY4 A-C1B1E09
 004 A-C1E1A11 AR4 A-C1E1E11 AZ4 A-C1B1C09
 004 A-C1C1C11 AS4 A-C1E1C11 BA4 A-C1B1E11
 004 A-C1E1E09 AT4 A-C1E1E09 BB4 A-C1C1A11
 004 A-C1E1C11 AU4 A-C1E1E09 BB4 A-C1C1B09

| CE PANEL FEED THRU | |
|--------------------|-----------------|
| DATE | MACH. 2.314-FCU |
| 416120 | FRAME 01 |
| 416123 | IBR CORP. OPD |
| 420904 | DATE |
| 420905 | LAST EC |
| 00-02-67 420912 | P.N. 2209468 |

000

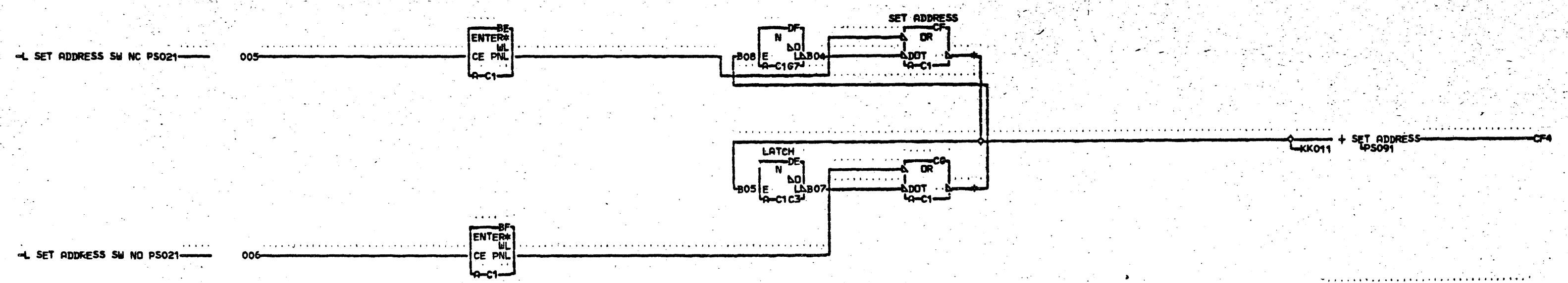
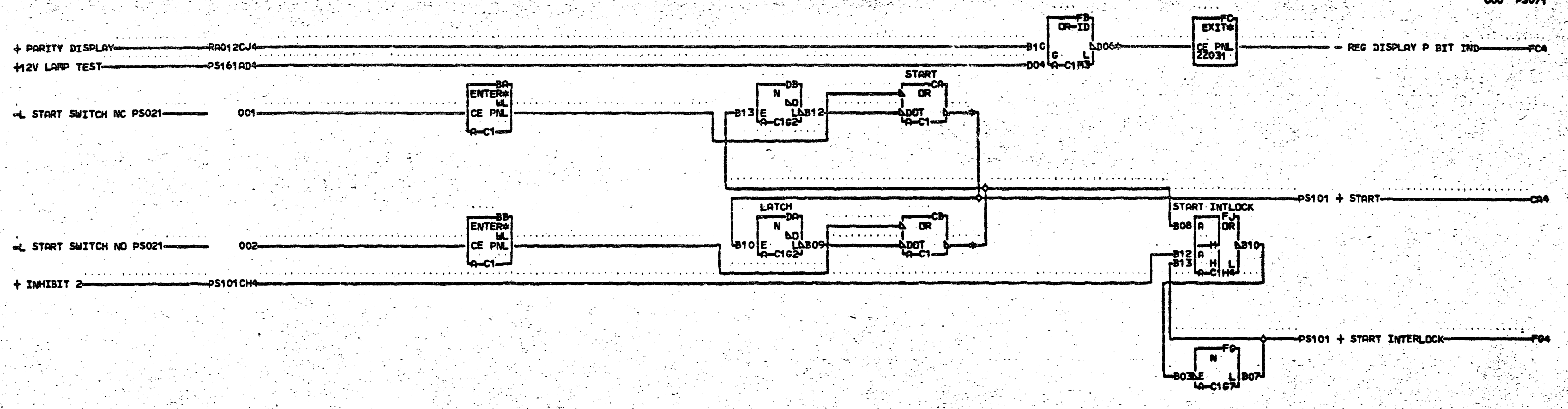
- +6 START ADDR 8-114P BIT PS001
- +6 MAN BY DR FS REG SEL PS021
- +6 ADDR COMP RECYCLE PS021
- +6 REMOTE PS031
- +6 CHECK STOP PS021
- +6 MAN FT REG SEL PS021
- +6 SINGLE OP PS021
- +6 ADDR COMP STDP PS021
- +6V RESET PS031
- +6 ENTER NORMAL REG PS021
- +6 LOCAL PS031
- +6 MAN A OR BH REG SEL PS021
- +6 MAN DW REG SEL PS021
- +6 MAN ST OR FC REG SEL PS021
- +6 MAN GP OR IS REG SEL PS021
- +6 MAN SP OR UR REG SEL PS021
- +6 MAN OP OR CX REG SEL PS021
- +6 MAN DH OR DA REG SEL PS021
- +6 MAN FR OR DR REG SEL PS021
- +6 MAN KL OR ER REG SEL PS021
- +6 MAN DL OR IE REG SEL PS021
- +6 MAN GL OR SC REG SEL PS021
- 3 PWR ON RESET YA021
- +6V CHECK RESET PS031
- +6 MAN IH OR BX REG SEL PS021



CE PNL FEED
THRU PAGE
P
S
0
6
1
000

| | | | | | | | | | | | |
|---------------|---------------|---------------|---------------|---------------|---------------|---------------|---------------|---------------|-------------|-----------------|-----------------|
| AA4 A-C1C1C09 | 01A-C3A3D12 | C1B-21F1B11 | 01A-C1A4D12 | 01A-B2G8A04 | 01A-B1A2D10 | BE4 A-B1L1C11 | 01A-B1A5B02 | BN4 A-B1M1C09 | 01A-B2F8A06 | 03-30-66 416120 | 10-04-68 420948 |
| AB4 A-C1C1E11 | AD4 A-C1C1E09 | AG4 A-C1J1D09 | 01A-B1N4D12 | 01A-B3G1A09 | 01A-B2A2D10 | 01A-B1A5B07 | 01A-C3A4B02 | 01A-B1B1C09 | 01A-B2F8A06 | 04-28-66 416122 | 10-14-68 420949 |
| 01A-C1A3D12 | AE4 A-C1D1A11 | 01A-B1C1B11 | 01A-B1E8C04 | 01A-B3N6B12 | 01A-B2N5B08 | 01A-B3A3B07 | 01A-C3B1D09 | 01B-A1G1A09 | 01A-B2E1E09 | 05-09-66 416123 | |
| 01A-B1N3D12 | AF4 A-C1K1A09 | 01B-A1F1A11 | 01A-B2E1C09 | 01A-C1N5D13 | 01A-C2A5B08 | BF4 A-B1L1C09 | 01A-C2B5D04 | 01B-A1G8A04 | 01A-B1E8E04 | 06-24-66 416125 | |
| 01A-B1B1E11 | 01A-C1A6D10 | 01A-C1A7D07 | 01A-B1B1E09 | BA4 A-B1K1E09 | 01E-A1E1B09 | EG4 A-B1L1D09 | BK4 A-B1M1A11 | 01B-A2G1A09 | 01A-B1B1B09 | 08-29-66 416128 | |
| AC4 A-C1C1D09 | 01A-C3A3D10 | 01A-B1N7D07 | 01B-A1F1B09 | 01A-B1A5B02 | 01B-A1E8B04 | 01A-B1E8E06 | 01A-B1A4D13 | BS4 A-B1M1C11 | 01A-A1E1B11 | 09-06-66 416126 | |
| 01A-C1A7D06 | 01A-C1A2D06 | AH4 A-C1J1E09 | AK4 A-C1K1A11 | 01A-B3A3B02 | 01B-A2E1B09 | 01A-B2E1E11 | 01A-B3A4D13 | 01A-B1A4B10 | 01E-A1E8B06 | 10-24-66 416131 | |
| 01A-B1N7D06 | 01A-B1N2D06 | 01A-C1A6D09 | 01A-C1N7B13 | BB4 A-B1L1A11 | BC4 A-B1L1B11 | BH4 A-B1L1E11 | BL4 A-B1M1B11 | 01A-B3A4B10 | 01B-A2E1B11 | 06-19-67 420903 | |
| 01A-C1A6D12 | 01A-B1C1A11 | AJ4 A-C1J1E11 | 01A-B2N3B13 | 01A-B1B1C11 | BD4 A-B1L1B09 | BJ4 A-B1L1E09 | B74 A-B1M1B09 | 01A-B3F1A11 | | 08-06-68 420946 | |

CE PANEL FEED THRU B1
DATE 10-31-68 MACH. 2314-FCU
LOG 288P FRAME 01
P
S
0
6
1
000
IBM CORP. GPD BLK. CA



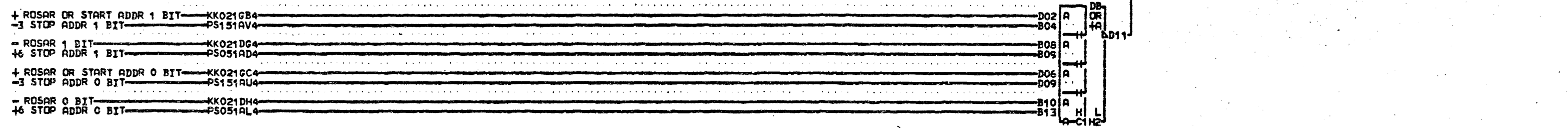
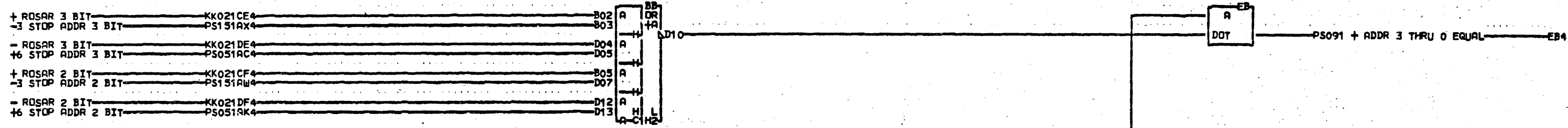
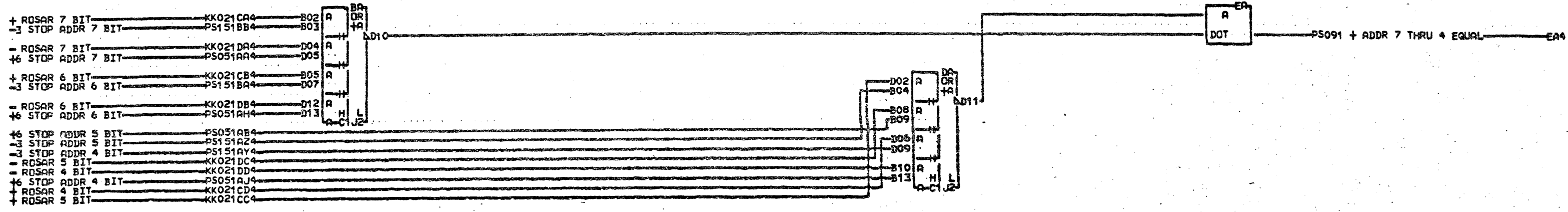
- CB4 R-C1F1C09
- CF4 R-C1F1D09
- CG4 R-C1G1R11
- CG4 R-C1G1R09
- FB4 R-C1F1C11

| LOC. | TYPE |
|--------|------|
| R-C1C3 | 4281 |
| R-C1G2 | 0347 |
| R-C1G7 | 0347 |
| R-C1H4 | 0006 |
| R-C1R3 | 0730 |

| CE START AND SET ADDRESS SWITCHES | |
|-----------------------------------|-------------------------------|
| E.C.-HISTORY 416120 | MACH.2314-FCU FRAME 01 |
| DATE 05-10-66 | LAST EC 416123 |
| | IBR CORP. GPD PoNo 2209490 |

PS071
000

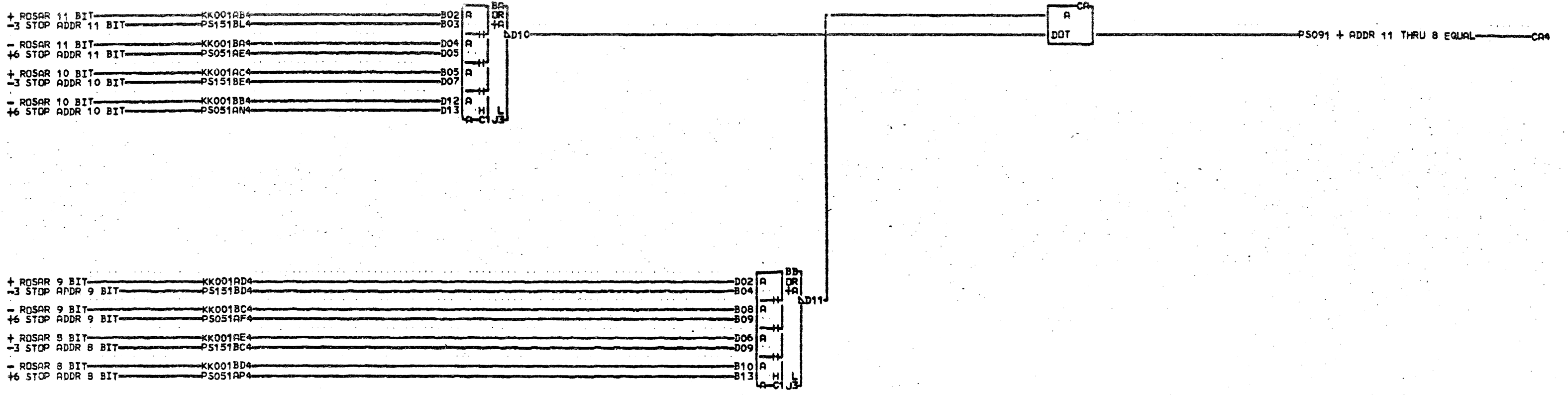
PS071
000



SIGNALS FROM CE PANEL SWITCHES
 ARE DIRECTLY CONNECTED TO
 POWER SUPPLY VOLTAGES. USE
 CAUTION IN THESE AREAS.
 0
 8
 1
 000

LOC. TYPE
 A-C1H2 0064
 A-C1J2 0064

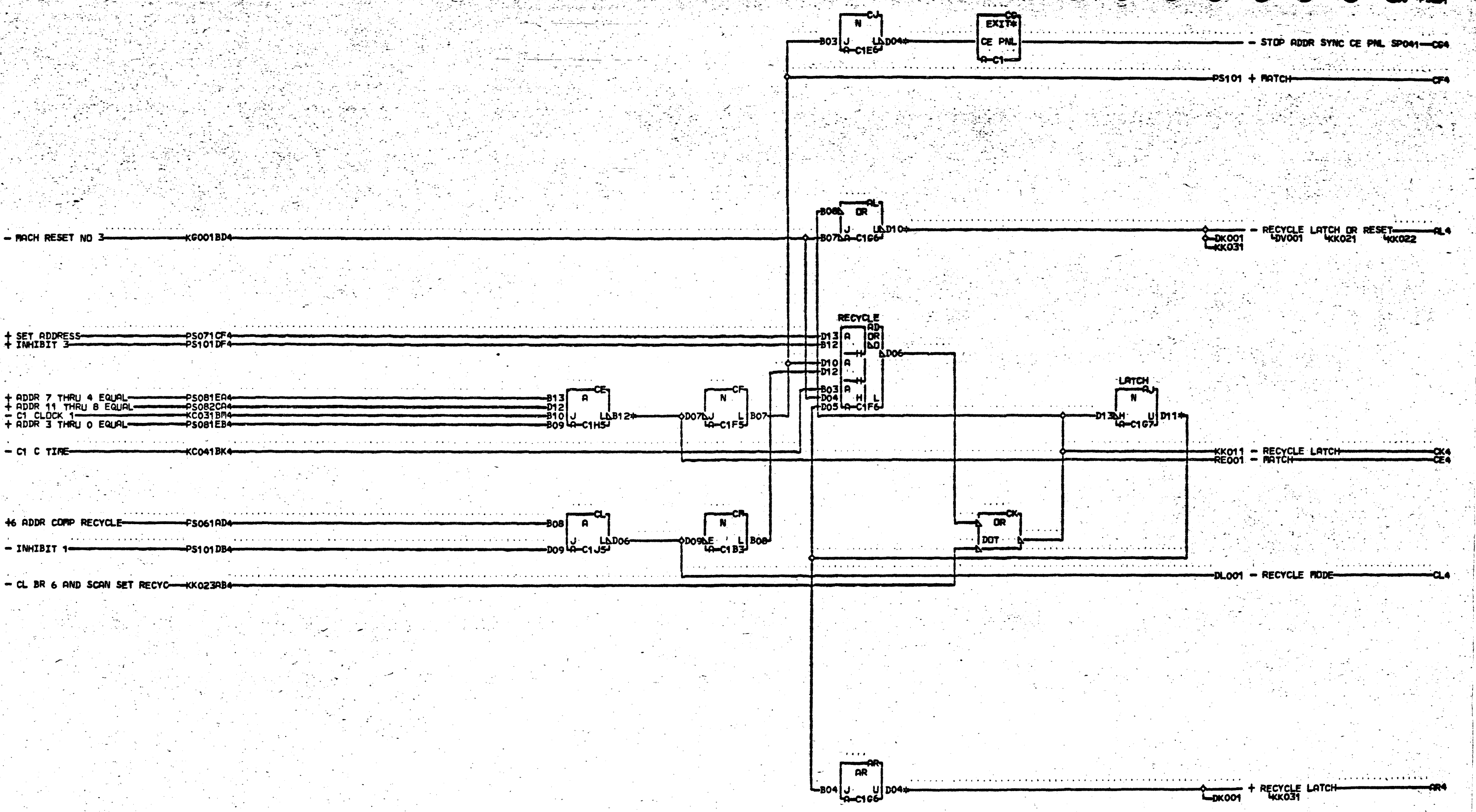
STOP ADDRESS COMPARE CE PNL
 BITS 7 THRU 0
 E-C-HISTORY MACH-2314-FCU
 FRAME 01
 IBM CORP. SDD
 DATE LAST EC
 04-06-66 416120 P.No 2209491
 P 508 1 000



SIGNALS FROM CE PANEL SWITCHES
 ARE DIRECTLY CONNECTED TO
 POWER SUPPLY VOLTAGES. USE
 CAUTION IN THESE AREAS.

LOC. TYPE
 A-C1J3 0064

| | | | |
|-----------------------------|---------|----------------|-------|
| STOP ADDRESS COMPARE CE PML | | MACH. 2314-FCU | ASSON |
| BITS 11 THRU 8 | | | |
| DATE | LAST EC | FRAME | 01 |
| 05-09-66 | 415123 | IBR CORP. 5DD | 000 |
| | | PeN# 2209481 | |



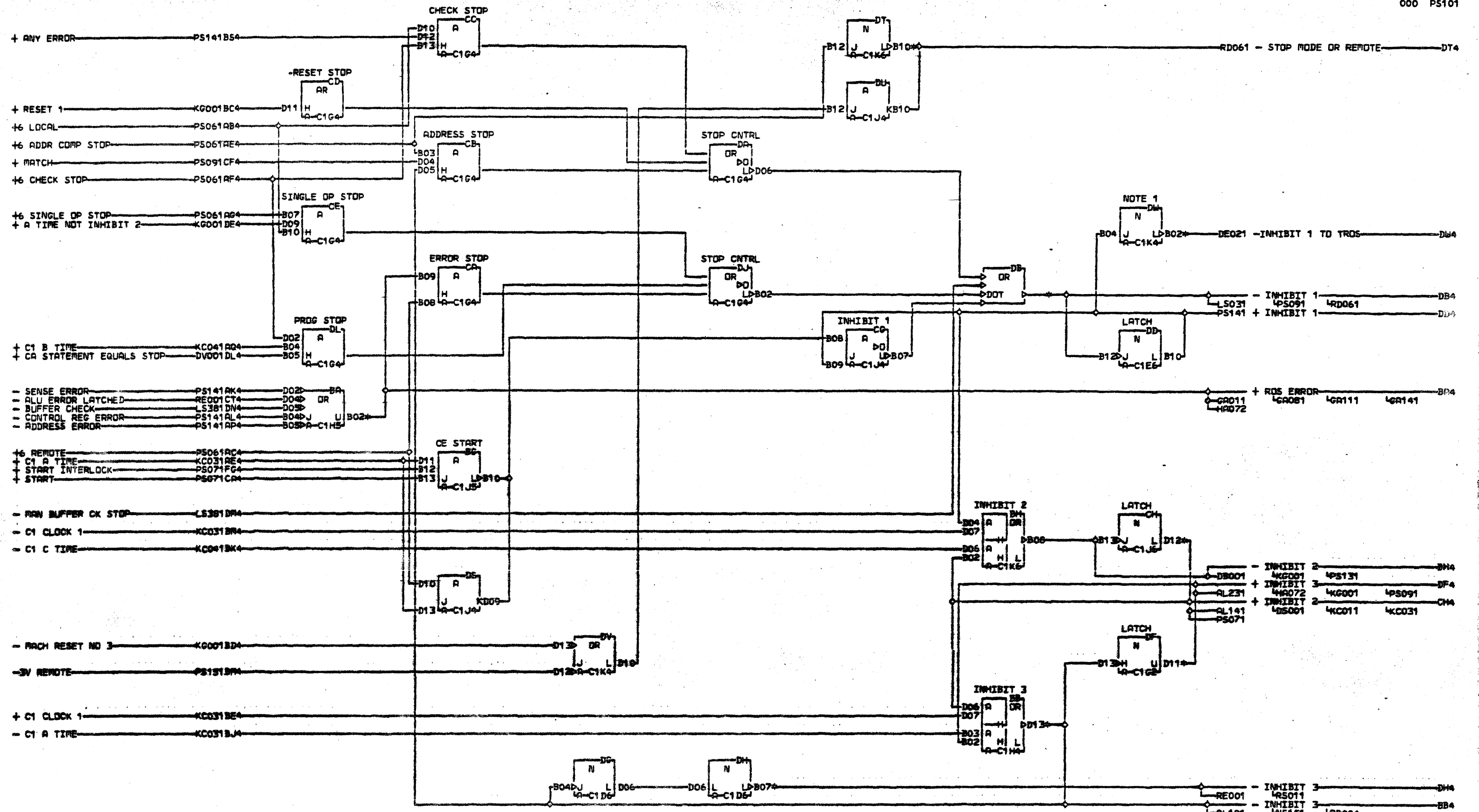
416120
1
000

AJ4 RESISTOR 01A-B1N5B12
 A-C167D12 CJ4 A-C1D1A09
 AL4 A-C1A5B06
 01A-B1N5B06
 RESISTOR
 A-C166D06
 AR4 RESISTOR
 A-C166D02
 CE4 A-C1A5B12

LDC TYPE
 A-C1B3 4281
 A-C1E6 0199
 A-C1F5 0000
 A-C1F6 0008
 A-C166 4061
 A-C167 0347
 A-C1H5 0229
 A-C1J5 0000

| | | |
|--------------------------------|---------------------------|-------------------------------|
| STOP ADDRESS COMPARE AND RECYC | | P 5 0 9 1 |
| E-C-HISTORY 416120 | MACH#2314-FCU FRAME 01 | |
| DATE 04-28-66 | LAST EC 416122 | IBM CORP. GPD P.No 2209492 |

000

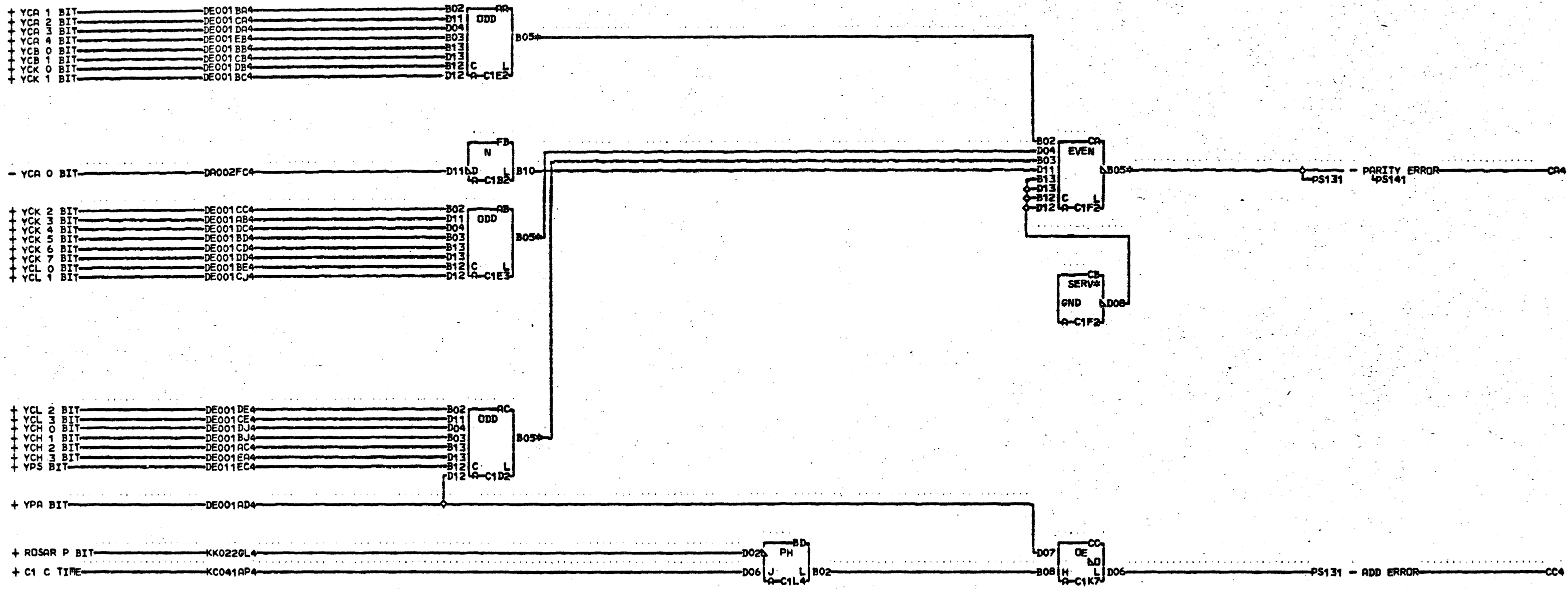


NOTE 1. THIS NOTE APPLIES TO ALL MACHINES WITH PANEL 02A-A1 P/N 5374270. EDGE CONNECTOR 5 01A-C1NSD12 SHOWN AT DW4 IS 1 ACTUALLY AT 01A-C1E6B10 DD4 0 AND THE SIGNAL IS + INHIBIT 1 GOING TO THE TROS UNIT.

| | | | | |
|---------------|---------------|---------------|---------------|---------------|
| BA4 A-C1C6E04 | 01A-B2N3B05 | 01B-A2A2B12 | 01A-B3A6D09 | 01A-B1N3B13 |
| 01A-C2C1E05 | 01A-C1DBA04 | 01A-B1A7B12 | 01A-C2A5D04 | 01A-B1A2D06 |
| 01A-C2B8E04 | 01A-C2D1A09 | 01A-B1A8B04 | 01A-B2N5D04 | 01A-B2A2D06 |
| 01A-C3B1E09 | CH4 A-C1A2D05 | 01A-B2A1B09 | 01A-C1A6B07 | DW4 A-C1NSD12 |
| 01A-C3A2D12 | 01A-B1N2D05 | 01A-B1N4B13 | RESISTOR | |
| 01A-B3N2D12 | 01A-B1A2D09 | 01A-C1A4B13 | A-C1G2D12 | |
| RESISTOR | 01A-B2A2D09 | DF4 A-C1C8C06 | DH4 A-C1A5D02 | |
| A-C1H5B03 | DB4 B-A1F8C06 | 01A-C2C1C11 | 01A-B1N5D02 | |
| BB4 A-C1N7B05 | 01B-A2F1C11 | 01A-C2A6D09 | DT4 A-C1A3B13 | |

| LOC. | TYPE | LOC. | TYPE |
|--------|------|--------|------|
| A-C1D6 | 0015 | A-C1K4 | 0199 |
| A-C1E6 | 0199 | A-C1K6 | 0007 |
| A-C1G2 | 0347 | | |
| A-C1G4 | 0008 | | |
| A-C1H4 | 0006 | | |
| A-C1H5 | 0229 | | |
| A-C1J4 | 0238 | | |
| A-C1J5 | 0000 | | |
| A-C1J6 | 3575 | | |

| INHIBIT CONTROL | | | |
|-----------------|---------|-----------|----------|
| E.C. | HISTORY | MACH. | 2314-FCU |
| 416124 | 420637 | FRAME | 01 |
| 416126 | 420901 | IBM CORP. | GPD |
| 416129 | 420908 | DATE | LAST EC |
| 416131 | 424042 | DATE | LAST EC |
| | | P.No. | 2209493 |



P
S
1
1
1

AA4 RESISTOR
A-C1E2D02
AB4 RESISTOR
A-C1E3D02
AC4 RESISTOR
A-C1D2D02
CA4 RESISTOR
A-C1F2D02

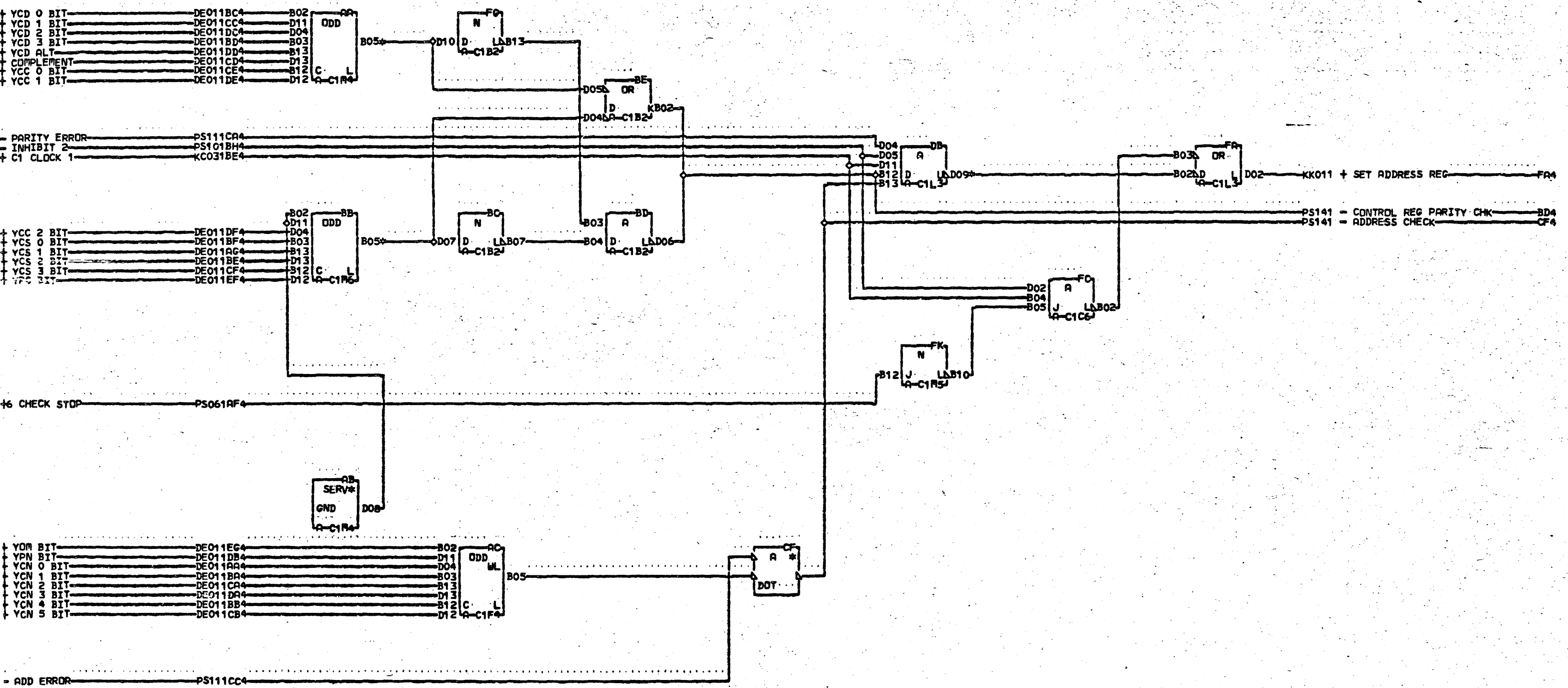
LDC TYPE
P-C1B2 0135
P-C1D2 0511
P-C1E2 0511
P-C1E3 0511
P-C1F2 0511
P-C1K7 0243
P-C1L4 0813

| SAL PARITY CHECK | |
|------------------|---------------|
| E-C-HISTORY | MACH#2314-FCU |
| | FRAME 01 |
| | IBR CORP. SDD |
| DATE LAST EC | P.N. 2209494 |
| 03-30-66 416120 | |

P
S
1
1
1

000

000



AA4 RESISTOR
A-C1R4D02
BB4 RESISTOR
A-C1R6D02
DB4 RESISTOR
A-C1L3D13

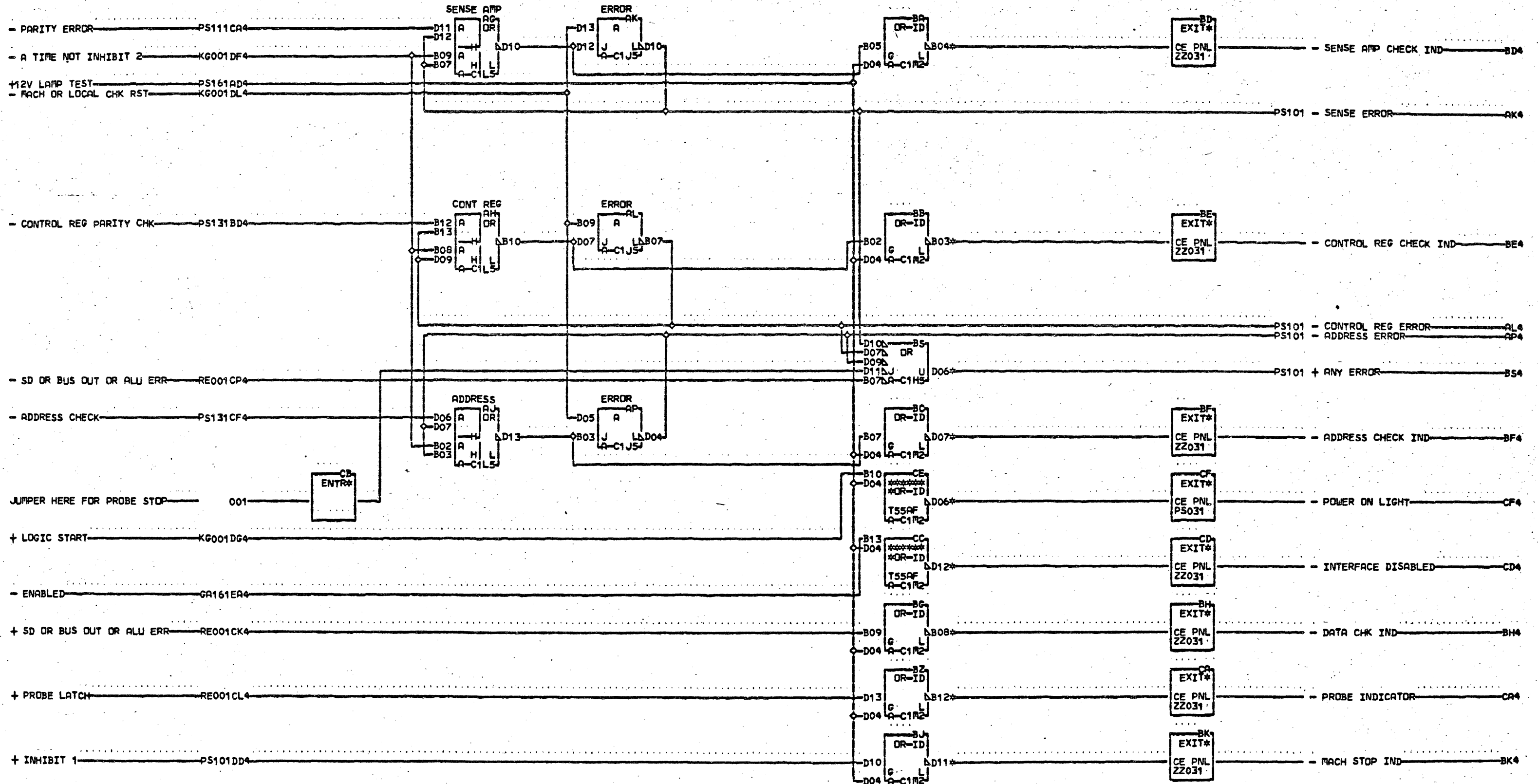
LDC TYPE
A-C1B2 0135
A-C1C6 0199
A-C1F4 0511
A-C1L3 0147
A-C1R4 0511
A-C1R5 3575
A-C1R6 0511

| CONTROL REG PARITY CHECK | | |
|--------------------------|---------|---------------|
| E.C. HISTORY | | MACH#2314-FCU |
| 416120 | | FRAME 01 |
| 416121 | | |
| 420637 | | |
| DATE | LAST EC | IBM CORP. SDD |
| 05-09-67 | 420905 | P.No 2209496 |

PS131

PS131

000

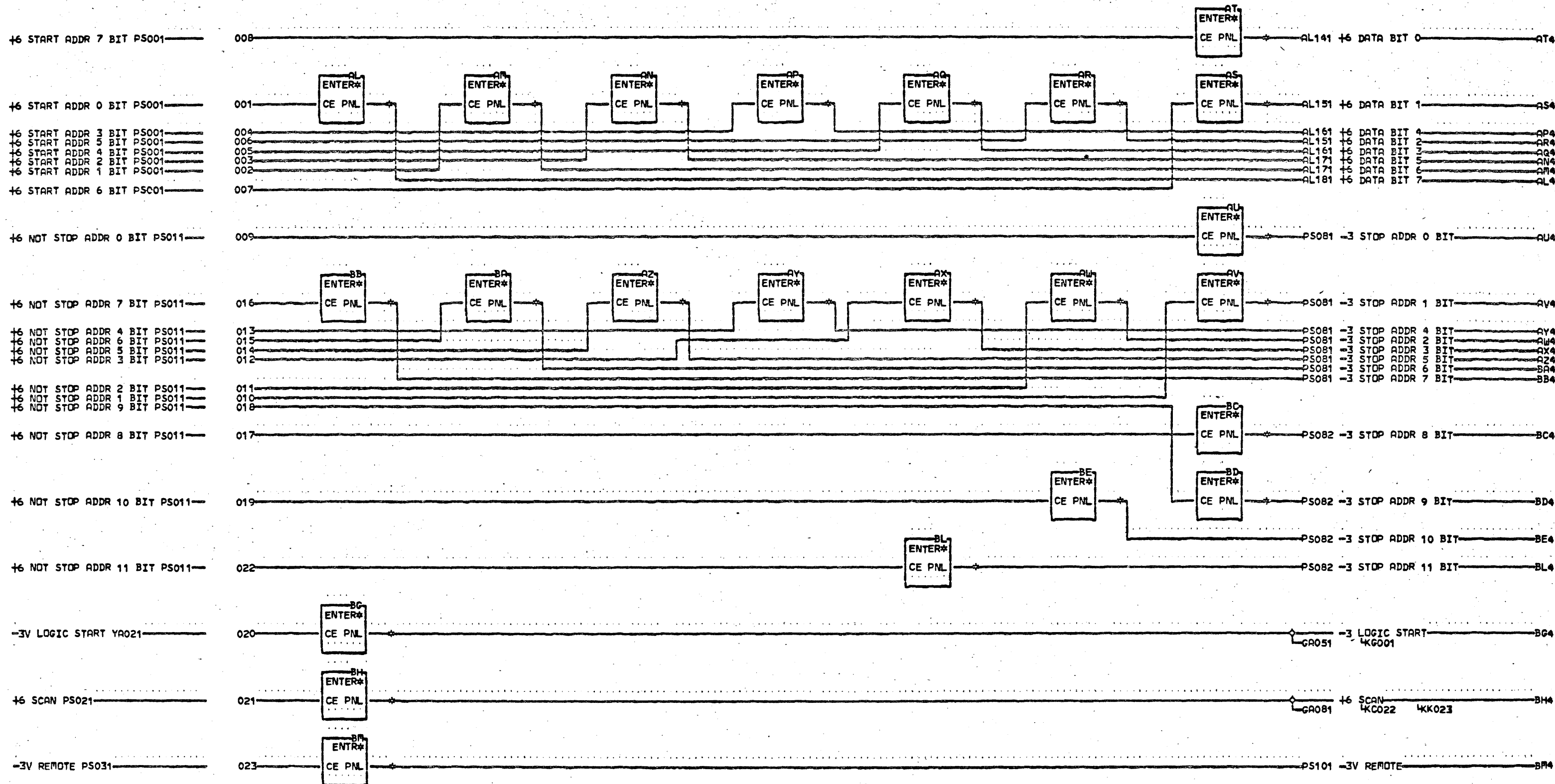


NOTE: MOST CE PANEL SIGNALS CONNECT DIRECTLY TO POWER SUPPLY VOLTAGES. USE CAUTION IN THESE AREAS.

- BA4 R-C1M1D09 CE4 R-C1F1E09
- BB4 R-C1M1E11
- BC4 R-C1M1E09
- BC4 R-C1M1A11
- BJ4 R-C1M1A09
- B54 RESISTOR
- P-C1H5B08
- B24 R-C1K1E11
- CC4 R-C1L1E09

- LDC TYPE
- R-C1H5 0229
- R-C1J5 0000
- R-C1L5 0006
- R-C1M2 0730

| ERROR LATCHES | | P |
|---------------|---------------|-----|
| E-C-HISTORY | MACH#2314-FCU | 5 |
| 416120 | FRAME | 1 |
| 416121 | IBM CORP. GPD | 4 |
| 416122 | | 1 |
| 416123 | | |
| DATE | LAST EC | 000 |
| 08-07-67 | 420912 | |
| | P.No 2209497 | |

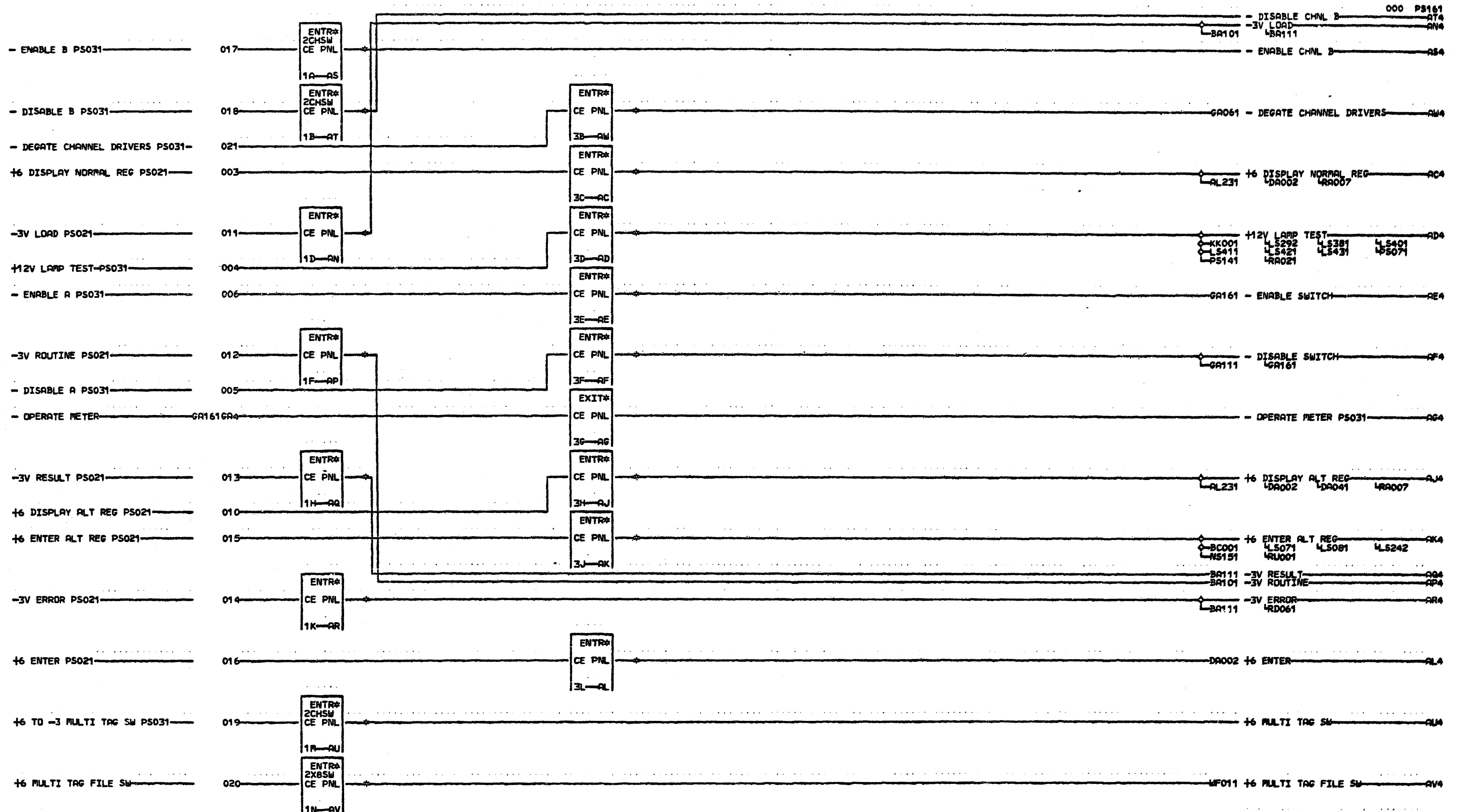


PS151
000

| | | | | |
|---------------|---------------|---------------|---------------|---------------|
| AL4 A-B1J1A11 | AP4 A-B1J1C11 | AS4 A-B1J1E11 | AX4 A-C1H1B09 | 01A-C1A6D06 |
| 01A-B1C8A06 | 01A-B1C8C06 | 01A-B1C8E06 | AY4 A-C1H1C11 | 01A-C3A3D06 |
| 01A-B2C1A11 | 01A-B2C1C11 | 01A-B2C1E11 | AZ4 A-C1H1C09 | BH4 A-C1A1E11 |
| AM4 A-B1J1B11 | AQ4 A-B1J1C09 | AT4 A-B1J1E09 | BA4 A-C1H1D09 | 01A-C1A6D05 |
| 01A-B1C8B06 | 01A-B1C8C04 | 01A-B1C8E04 | BB4 A-C1H1E11 | 01A-C3A3D05 |
| 01A-B2C1B11 | 01A-B2C1C09 | 01A-B2C1E09 | BC4 A-C1H1E09 | BL4 A-C1J1B09 |
| AN4 A-B1J1B09 | AR4 A-B1J1D09 | AU4 A-C1G1E09 | BD4 A-C1J1A11 | B74 A-C1J1C09 |
| 01A-B1C8B04 | 01A-B1C8D04 | AV4 A-C1H1A11 | BE4 A-C1J1B11 | |
| 01A-B2C1B09 | 01A-B2C1D09 | AW4 A-C1H1B11 | BG4 A-C1J1C11 | |

| CE PANEL FEED THRU A1 | |
|-----------------------|---------------|
| E-C-HISTORY | MACH#2314-FCU |
| 416120 | |
| 416122 | FRAME 01 |
| 416123 | |
| 416124 | IBM CORP. GPD |
| DATE | LAST EC |
| 08-02-67 | 420912 |
| | P.No 2209498 |

PS151
000



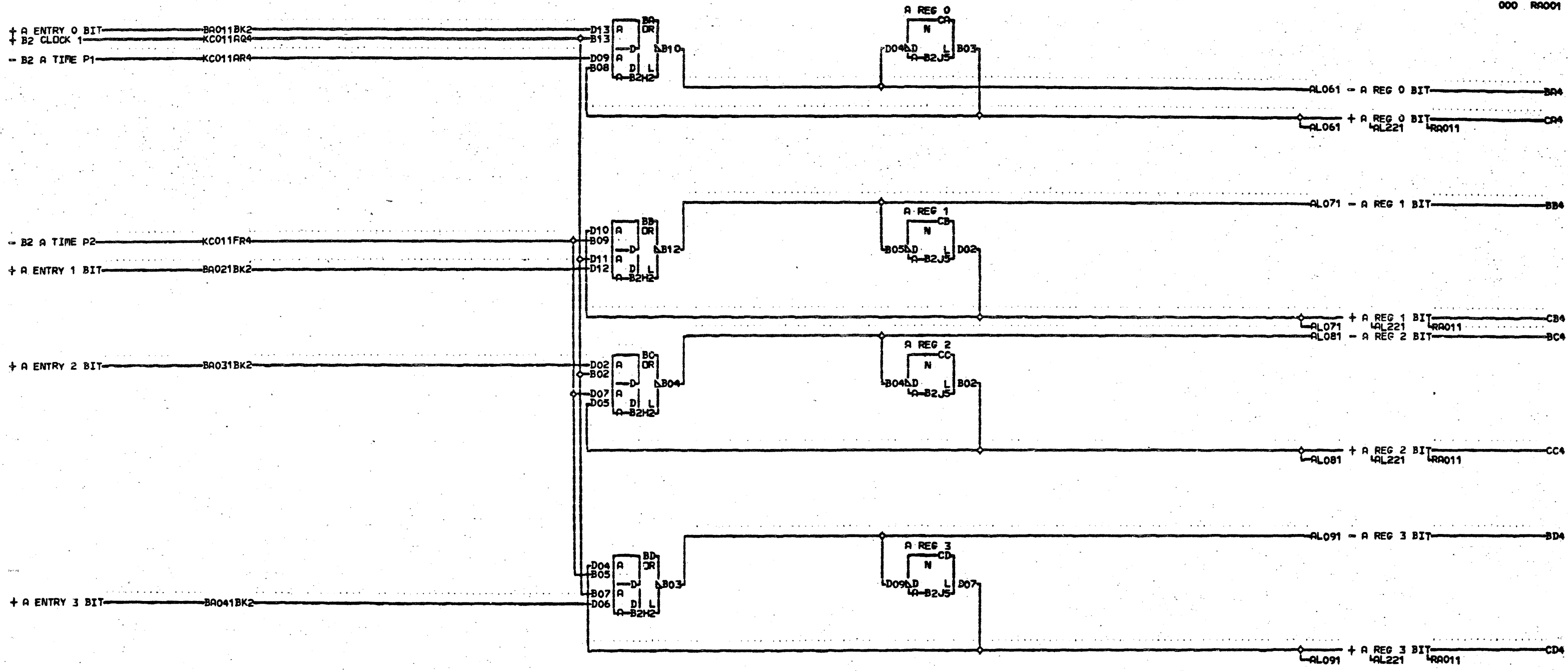
SIGNALS FROM CE PANEL SWITCHES ARE DIRECTLY CONNECTED TO THE SUPPLY VOLTAGES. USE CAUTION IN THESE AREAS.

| | | | | | | | |
|---------------|---------------|---------------|---------------|---------------|---------------|---------------|-------------|
| AC4 A-B1M1E11 | 01A-B1B1D09 | 01A-C3A4B13 | 01A-B3A6D13 | AR4 A-B1F1B09 | AR4 A-B1F1D09 | AU4 A-B1D1E09 | 01A-C1A6D02 |
| 01A-B1M1E11 | 01B-A1F1C11 | AJ4 A-B1E1B09 | 01A-C2A6D13 | 01A-B1N6B04 | 01A-B1A2D02 | 01A-B1A3D13 | 01A-C3A3D02 |
| 01A-B1M8E04 | AE4 A-B1N1A09 | 01A-B1M8B06 | 01A-B1B1B11 | 01A-B3A7B04 | 01A-B2A2D02 | AV4 A-B1F1E11 | |
| 01A-B2M1E09 | 01A-B1B2B13 | 01A-B2M1B11 | 01B-A1G1A11 | AP4 A-B1F1C09 | 01A-B2F8B06 | 01A-B1A2B09 | |
| AD4 A-B1M1E09 | 01A-B1A6D13 | 01A-B2N5B07 | 01B-A1G8A06 | 01A-B1N6B03 | 01A-B2F1B11 | 01A-B2A2B09 | |
| 01A-B1M8C04 | 01A-C3A4D13 | 01A-C2A5B07 | 01B-A2G1A11 | 01A-B3A7B03 | AS4 A-B1G1A11 | 01A-B2F8E06 | |
| 01A-B2M1C09 | AF4 A-B1N1A11 | AK4 A-B1E1C09 | AL4 A-B1E1D09 | AQ4 A-B1F1E09 | 01A-B1B2D11 | 01A-B3F1E11 | |
| 01A-B1N3B12 | 01A-B1B2D13 | 01A-B1A5D13 | 01A-B1K8E06 | 01A-B1N6B05 | AT4 A-B1G1A09 | 01A-B3N5B05 | |
| 01A-C1A3B12 | 01A-B1A6B13 | 01A-B3A3D13 | 01A-B2K1E11 | 01A-B3A7B05 | 01A-B1B2B12 | AW4 A-C1F1E11 | |

03-30-66 416120
 04-28-66 416122
 05-09-66 416123
 06-08-66 416124
 07-01-66 416125
 03-27-67 420901
 08-03-67 420912
 10-14-68 420949

| | | | |
|-----------------------|----------|-------|----------|
| CE PANEL FEED THRU A1 | | | |
| DATE | 10-31-68 | MACH. | 2314-FCU |
| LOG | 29SK | FRAME | 01 |
| | | P.No. | 2209499 |
| IBM CORP. | GPD | BLK. | AX |

000

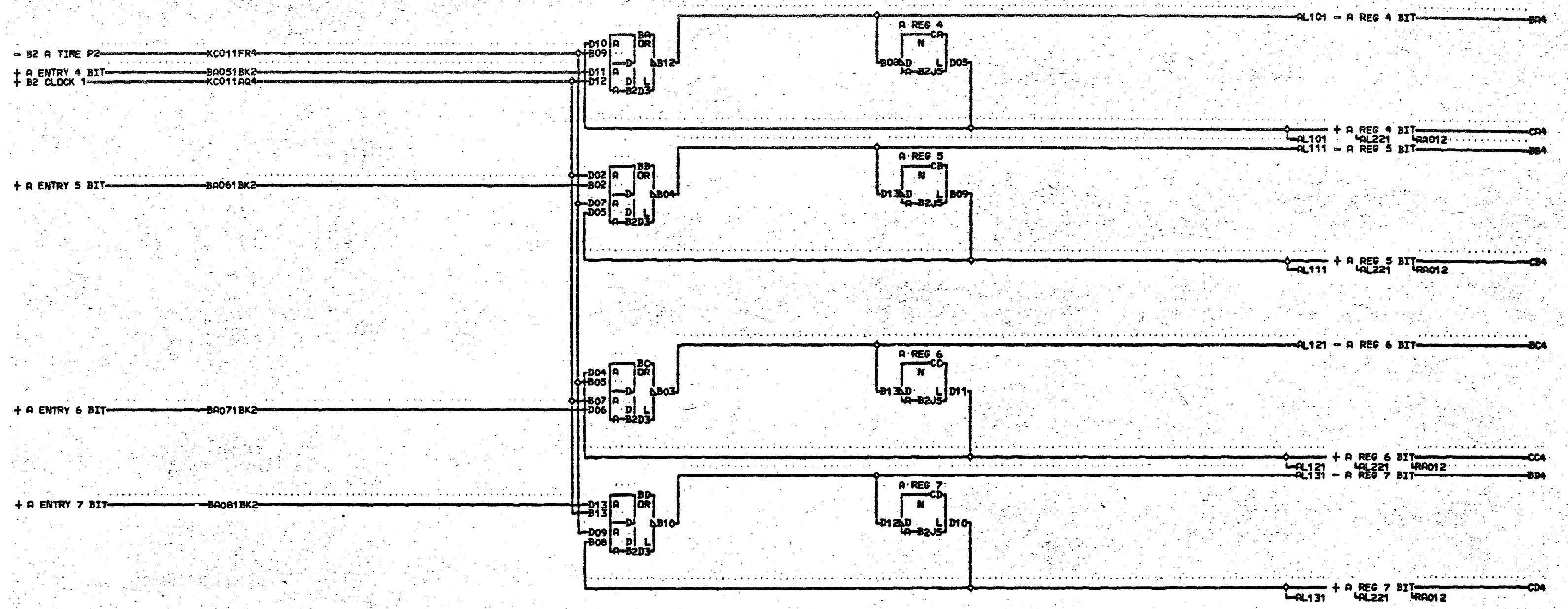


RA001
000

LOC. TYPE
A-82H2 0141
A-82J5 3308

| | |
|---------------------|----------------|
| A REG BITS 0 THRU 3 | |
| E.C. HISTORY | MACH. 2314-FCU |
| | FRAME 01 |
| | IBM CORP. SDD |
| DATE LAST EC | P. No. 2209433 |
| 03-30-66 416120 | |

RA001
000

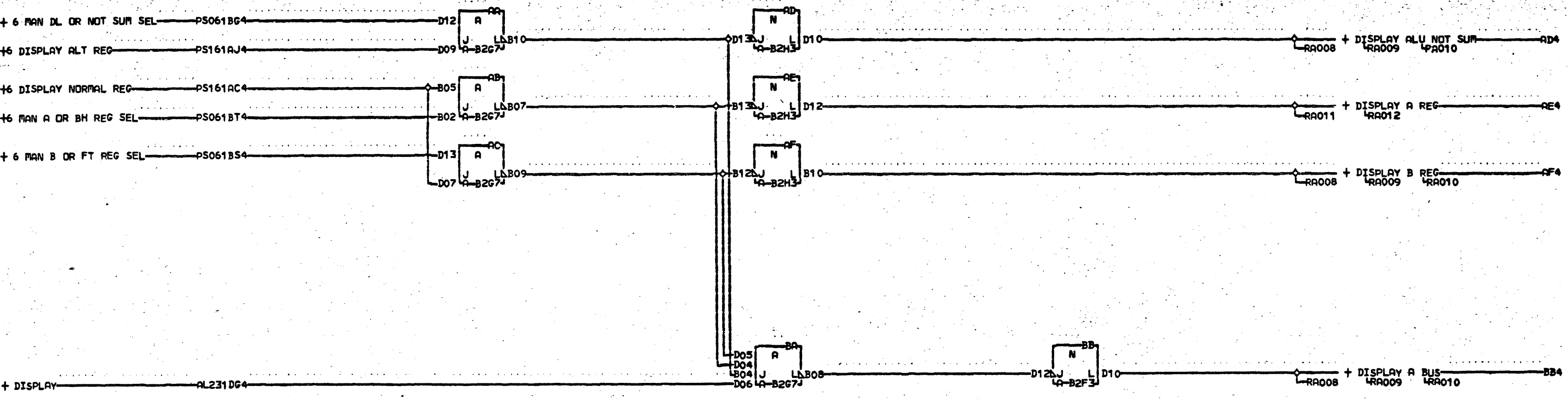


000

LOC. TYPE
 A-B2D3 0141
 A-B2J5 3308

| | |
|---------------------|----------------|
| A REG BITS 4 THRU 7 | |
| E.C. HISTORY | MACH. 2314-FCU |
| DATE | FRAME 01 |
| LAST EC | IBM CORP. SDD |
| 03-30-66 416120 | P.No. 2209517 |

RA002

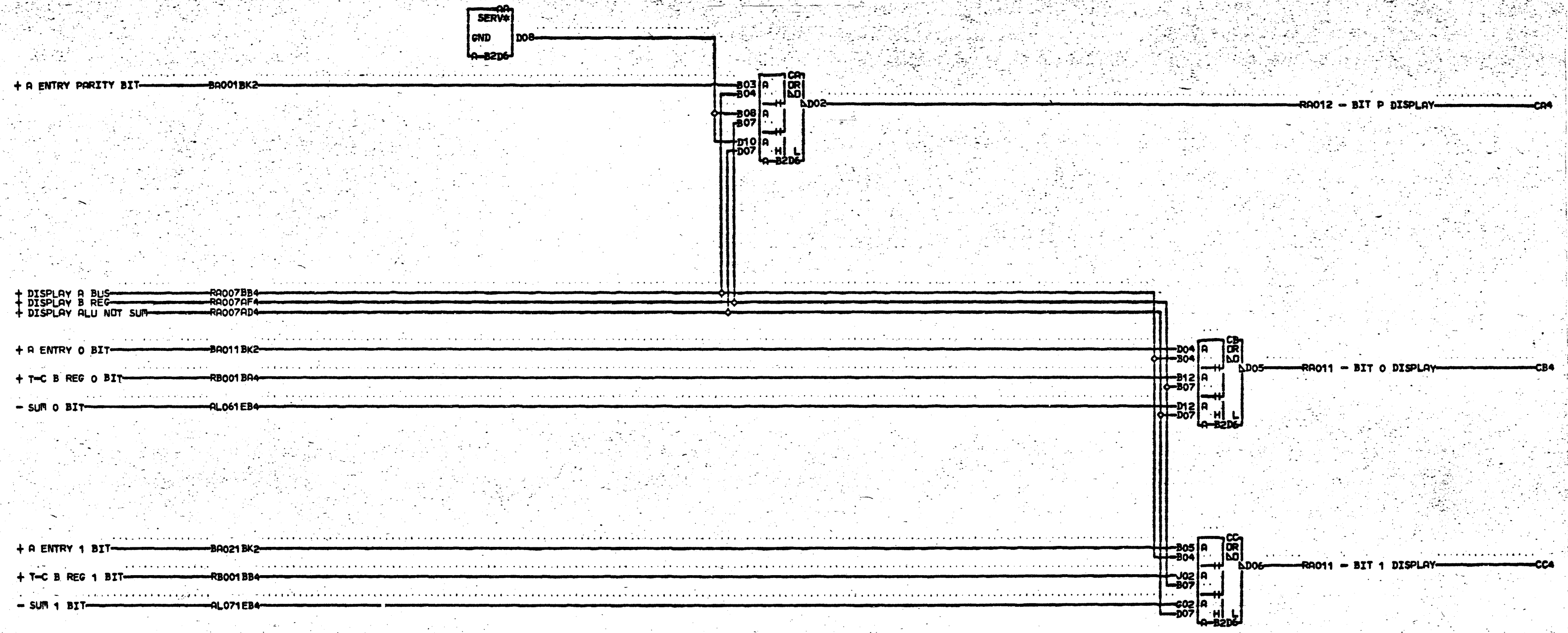


000

LOC. TYPE
 A-B2F3 0199
 A-B2G7 0531
 A-B2H3 3575

| | |
|-------------------------------|---------------|
| DISPLAY NOT SUM A-B REG-A BUS | |
| E.C. HISTORY | MACH#2314-FCU |
| DATE | FRAME 01 |
| LAST EC | IBM CORP. SDD |
| 04-06-66 416120 | P.No 2209482 |

0007

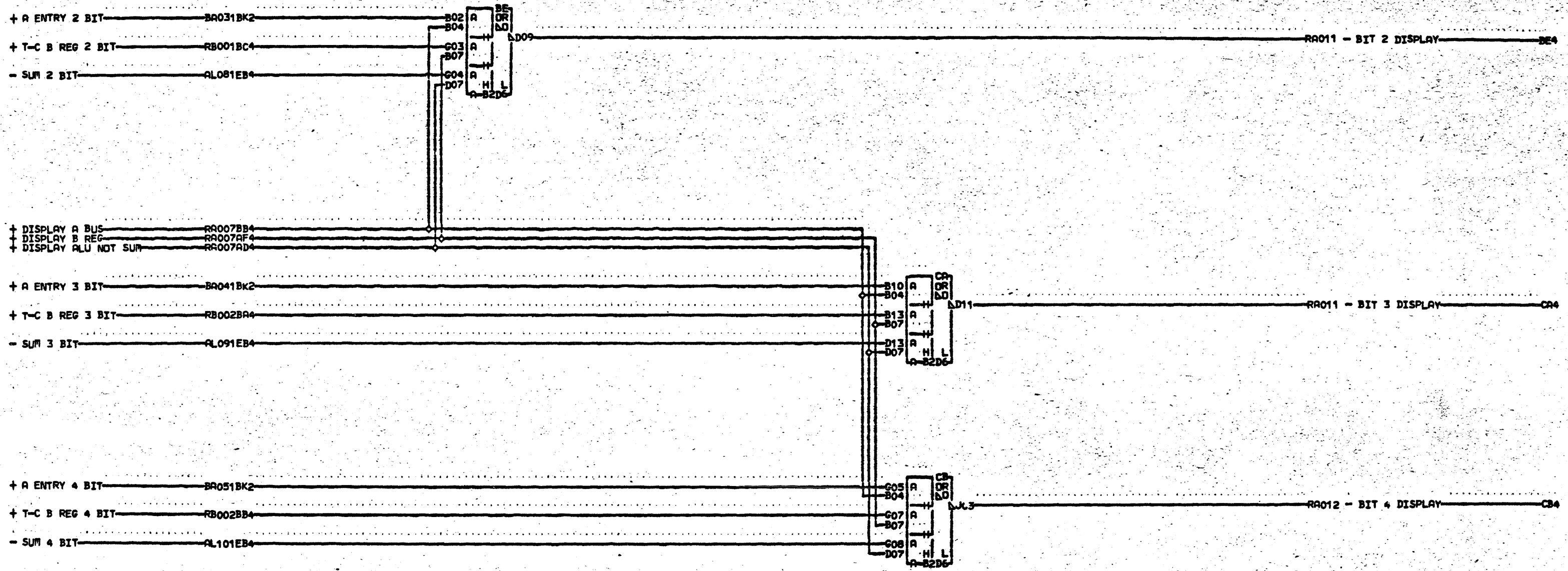


00000

LOC. TYPE
A-82D6 4280

| | |
|--------------------------|---------------|
| DISPLAY ASSEM P 0 1 BITS | |
| E-C-HISTORY | RACH-2314-FCU |
| DATE | FRAME 01 |
| LAST EC | IBM CORP. SDD |
| 04-06-66 416120 | P.No 2209483 |

00000

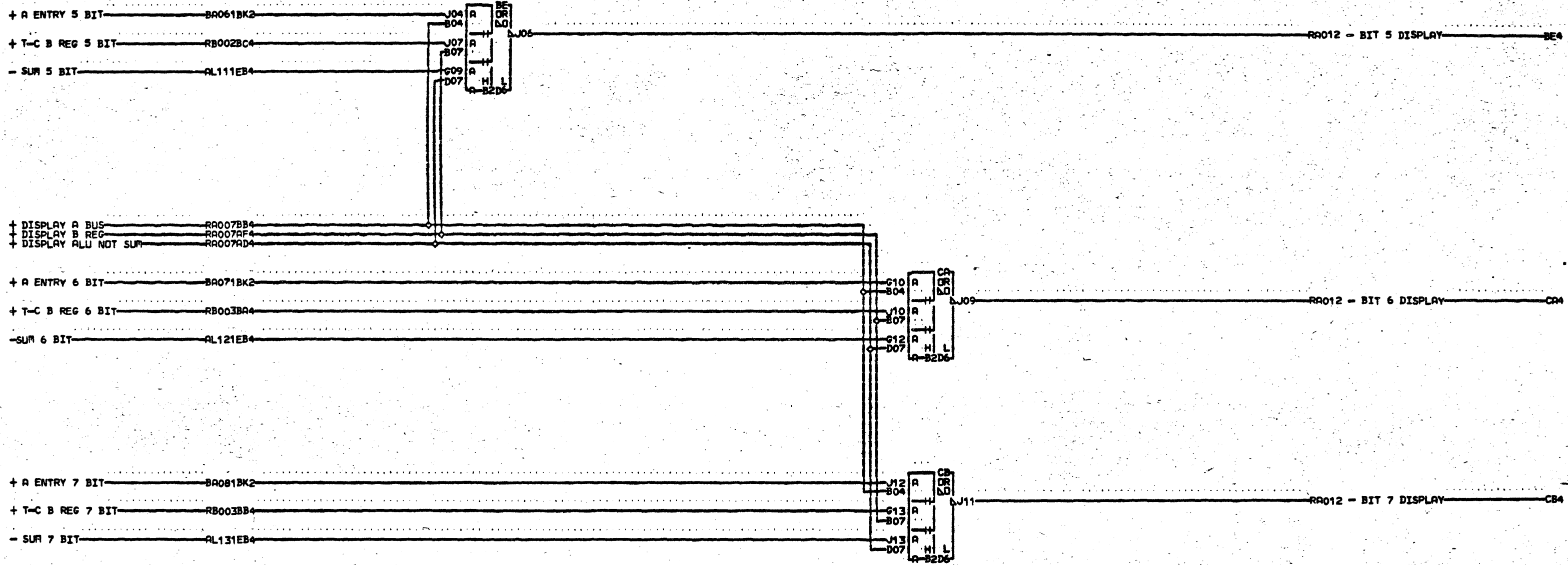


LOC. TYPE
A-82D6 4280

| | |
|--------------------------|------------------|
| DISPLAY ASSEM 2 3 4 BITS | |
| E-C-HISTORY | RACH-2314-FCU |
| DATE | FRAME 01 |
| LAST EC | IBM CORP. SDD |
| 04-06-66 416120 | Part No. 2209484 |

000009

000009



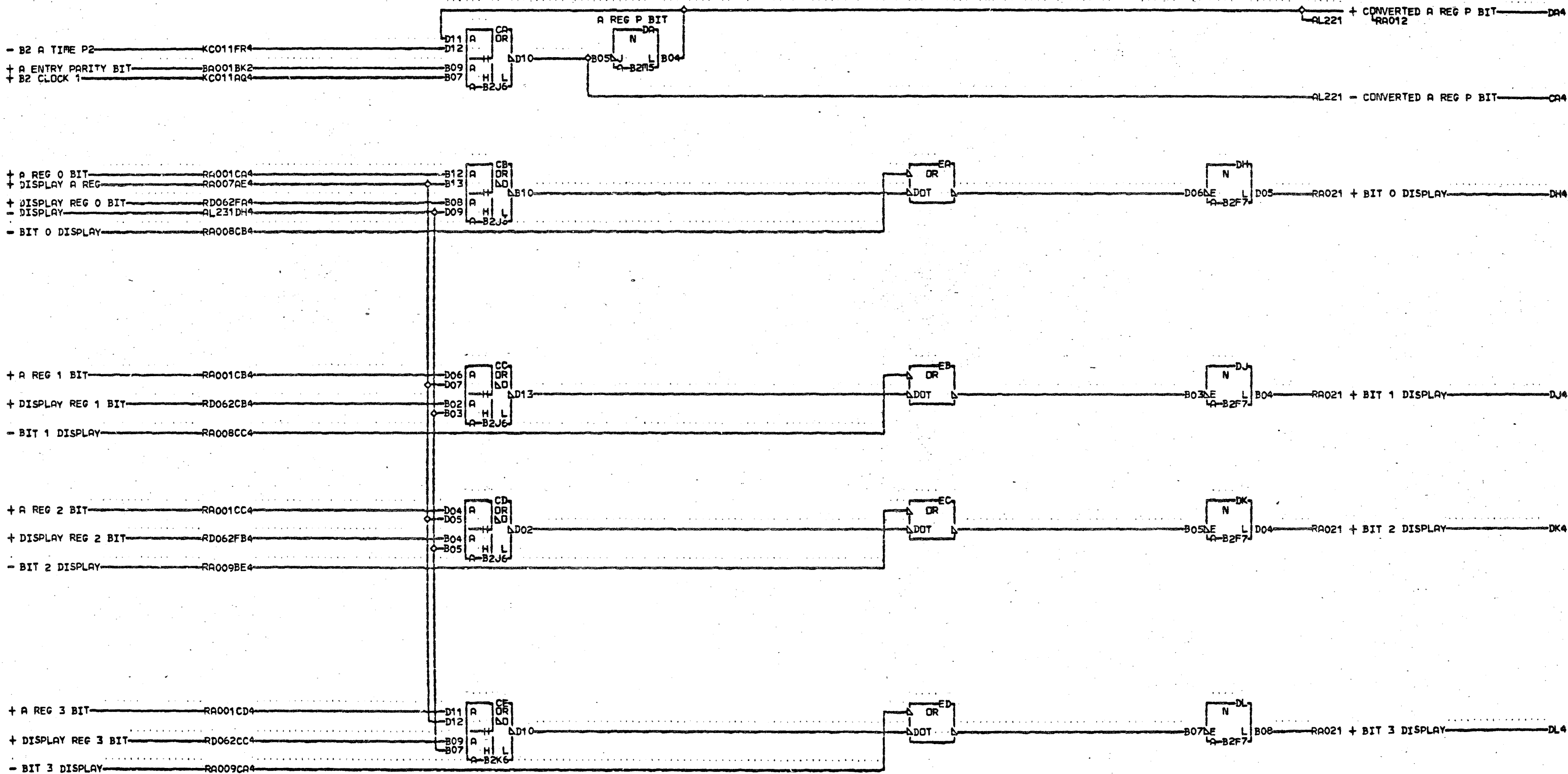
LOC. TYPE
A-B2D6 4280

| | |
|--------------------------|---------------|
| DISPLAY ASSEM 5 6 7 BITS | |
| E.C. HISTORY | RACH.2314-FCU |
| | FRAME 01 |
| | IBM CORP. SDD |
| DATE LAST EC | P.N. 2209485 |
| 04-06-66 416120 | |

RA010

010DR

000

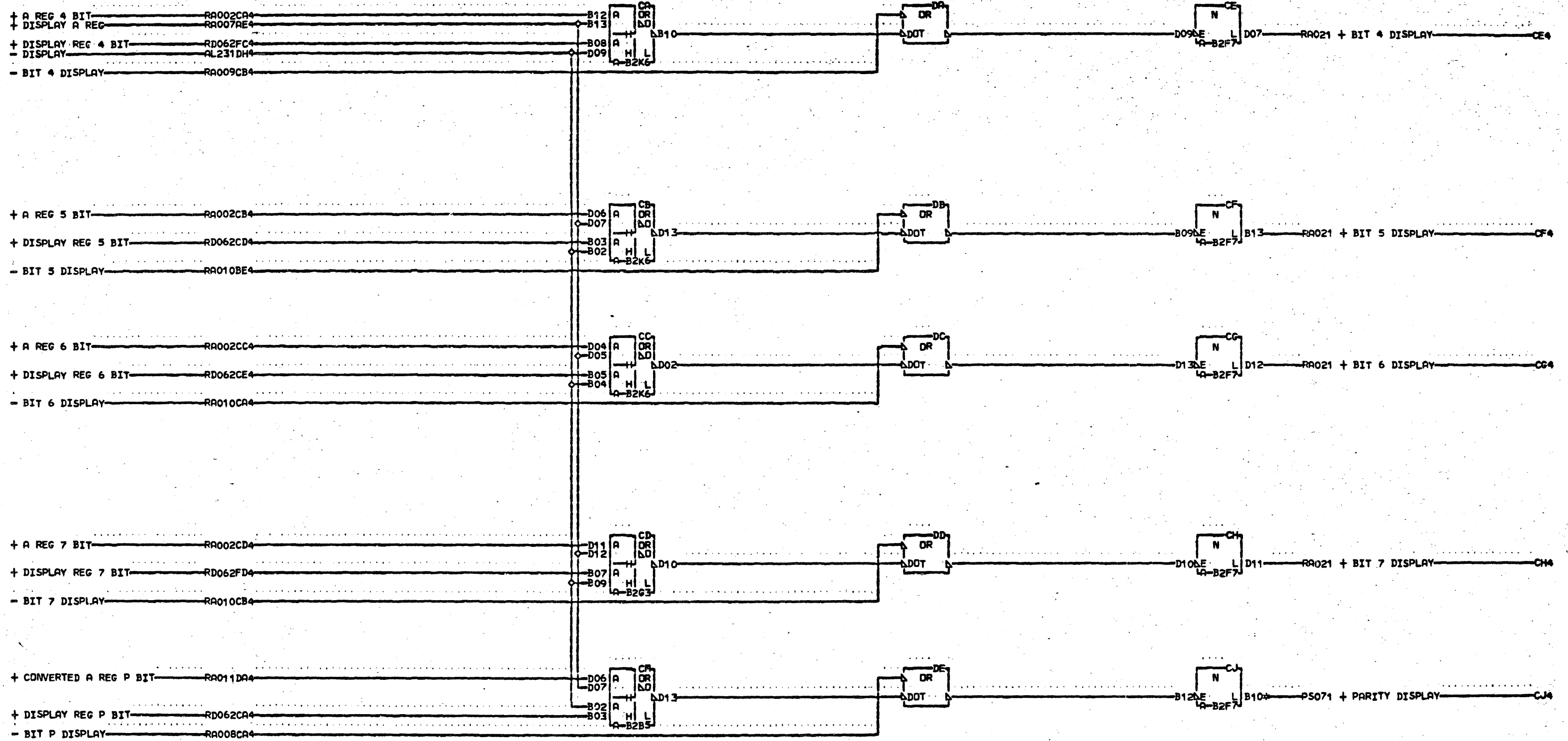


000

LOC. TYPE
 A-B2F7 0359
 A-B2J6 0006
 A-B2K6 0006
 A-B2M5 3575

| | |
|--|---------------|
| A REG 10 TO 30 NS CONVERSION PARITY AND BITS 1 THRU 3 | |
| E.C.-HISTORY | MACH#2314-FCU |
| DATE | LAST EC |
| 04-06-66 | 416120 |
| FRAME | 01 |
| IBM CORP. SDD | |
| P.No | 2209434 |

000



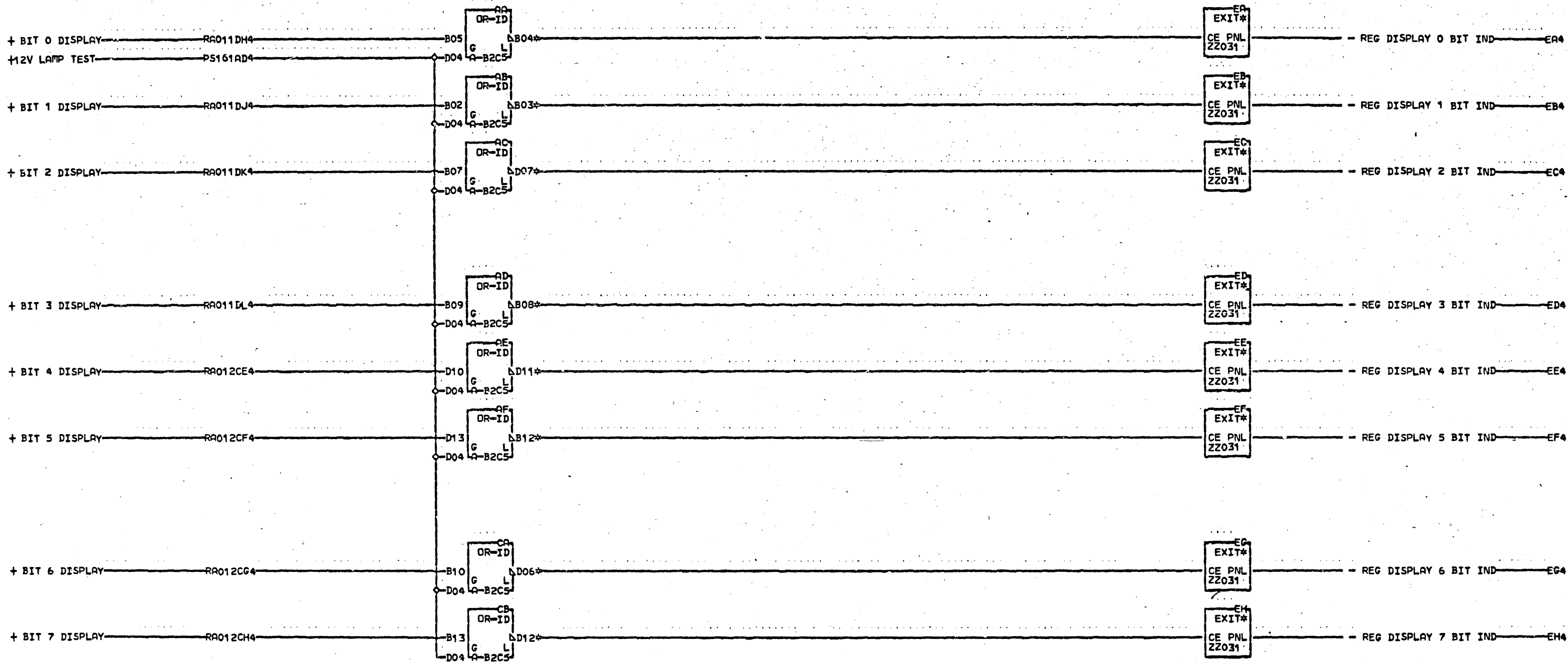
CJ4 A-B2N3B03
01A-C1N7B03

LDC. TYPE
 P-B2B5 0006
 P-B2F7 0359
 P-B2G3 0006
 P-B2K6 0006

| | |
|------------------------------|----------------|
| A REG 10 TO 30 NS CONVERSION | |
| BITS 4 THRU 7 | |
| E-C-HISTORY | MACH-2314-FCU |
| FRAME | 01 |
| IBM CORP. SDD | |
| DATE 03-30-66 | LAST EC 416120 |
| P.No 2209518 | |

RA012

000

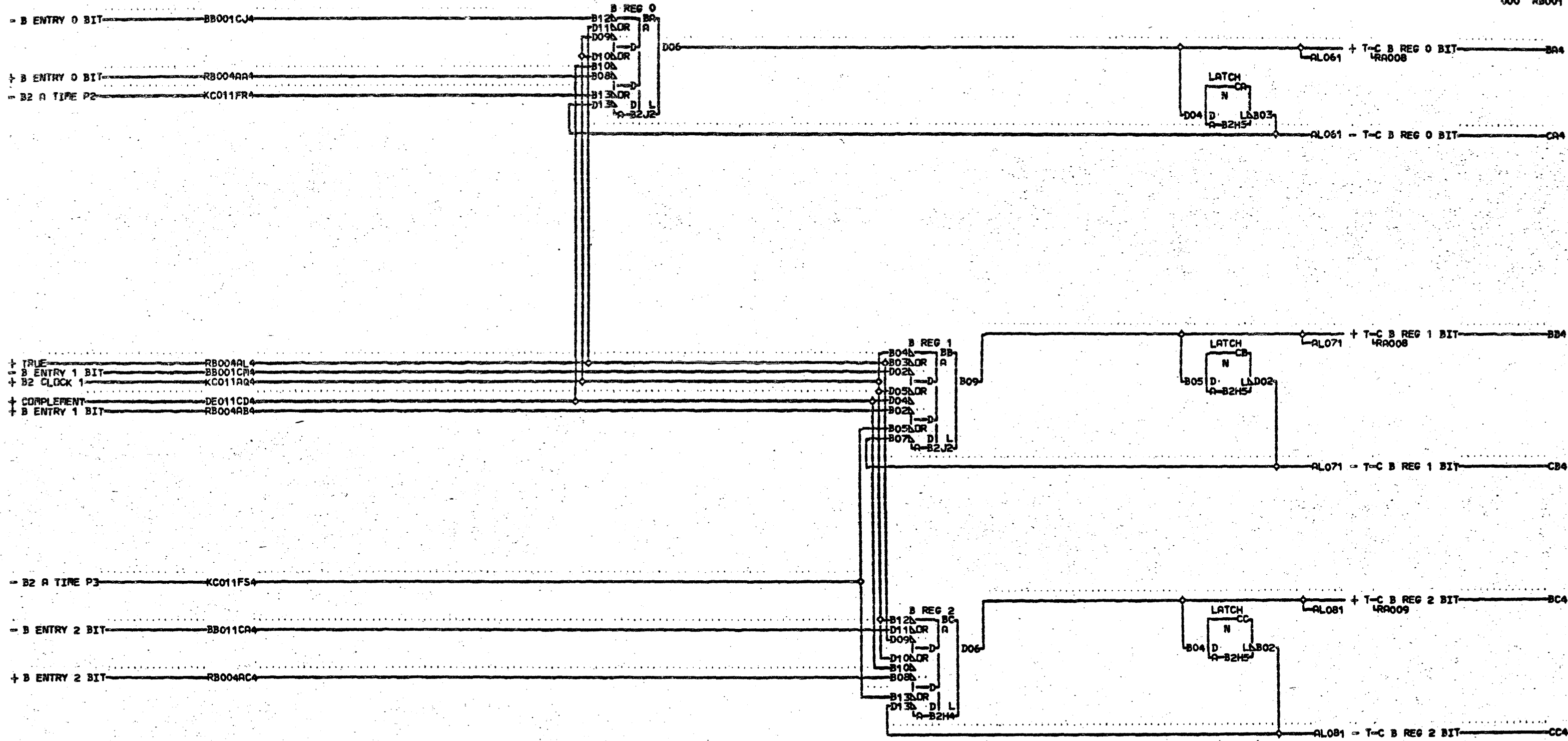


NOTE. MOST CE PANEL SIGNALS TERMINATE DIRECTLY TO POWER SUPPLY VOLTAGES. USE CAUTION IN THESE AREAS

| | | |
|---------------|---------------|---------------|
| AA4 A-B2A1E09 | AD4 A-B2B1B09 | CA4 A-B2B1D09 |
| 01A-B1A8E04 | 01A-B1B8B04 | 01A-B1B8D04 |
| 01A-B1C1E09 | 01A-B1H1B09 | 01A-B1H1D09 |
| AB4 A-B2B1A11 | AE4 A-B2B1C11 | CB4 A-B2B1E11 |
| 01A-B1B8A06 | 01A-B1B8C06 | 01A-B1B8E06 |
| 01A-B1H1A11 | 01A-B1H1C11 | 01A-B1H1E11 |
| AC4 A-B2B1B11 | AF4 A-B2B1C09 | |
| 01A-B1B8B06 | 01A-B1B8C04 | |
| 01A-B1H1B11 | 01A-B1H1C09 | |

LOC. TYPE
A-B2C5 0730

| A REGISTER INDICATOR DRIVERS | |
|------------------------------|---------------|
| E-C-HISTORY | MACH#2314-FCU |
| 416120 | FRAME 01 |
| 416123 | IBM CORP. GPD |
| DATE LAST EC | P#N# 2209435 |
| 08-03-67 420912 | |

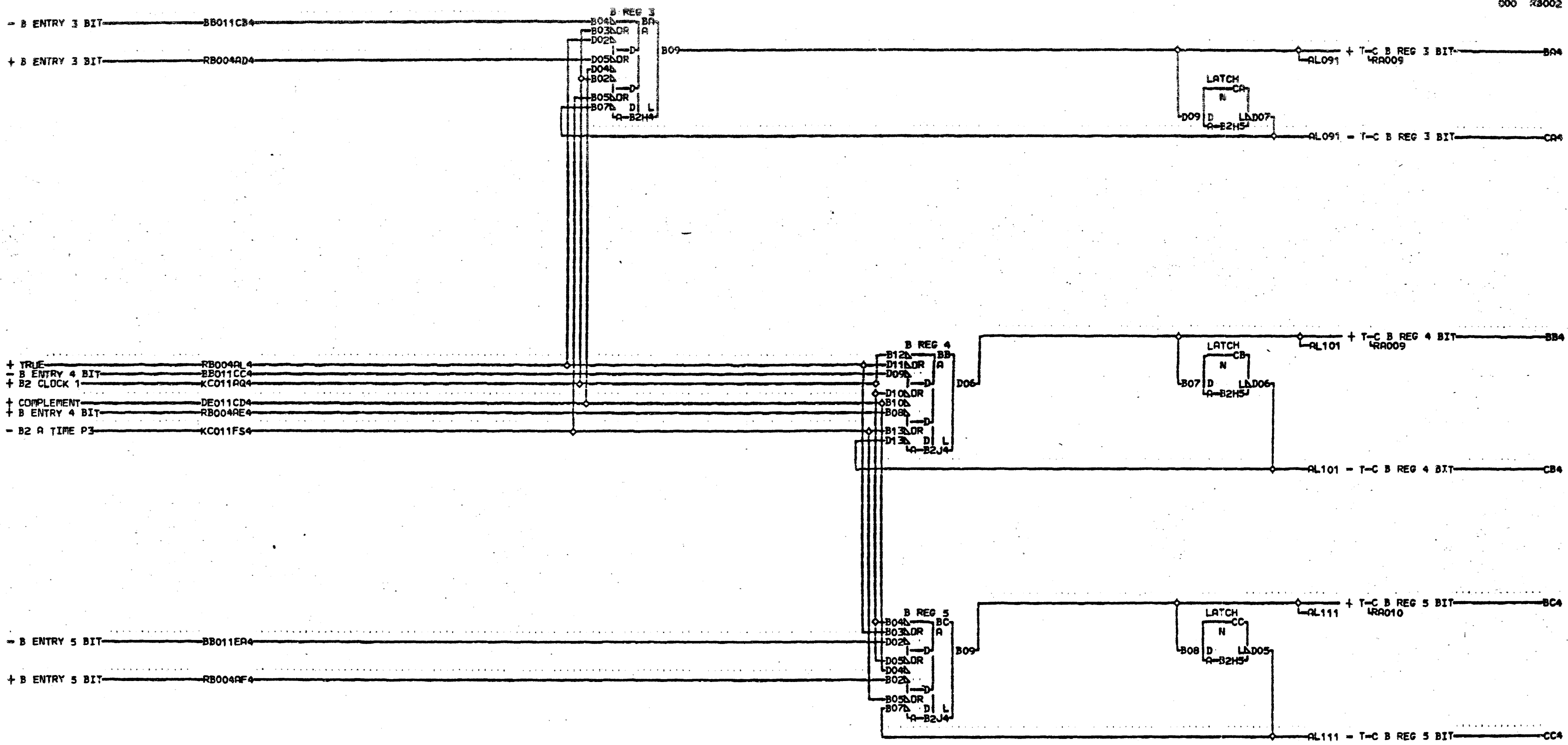


10000
000

LOC. TYPE
 P-B2H4 0145
 P-B2H5 3308
 P-B2J2 0145

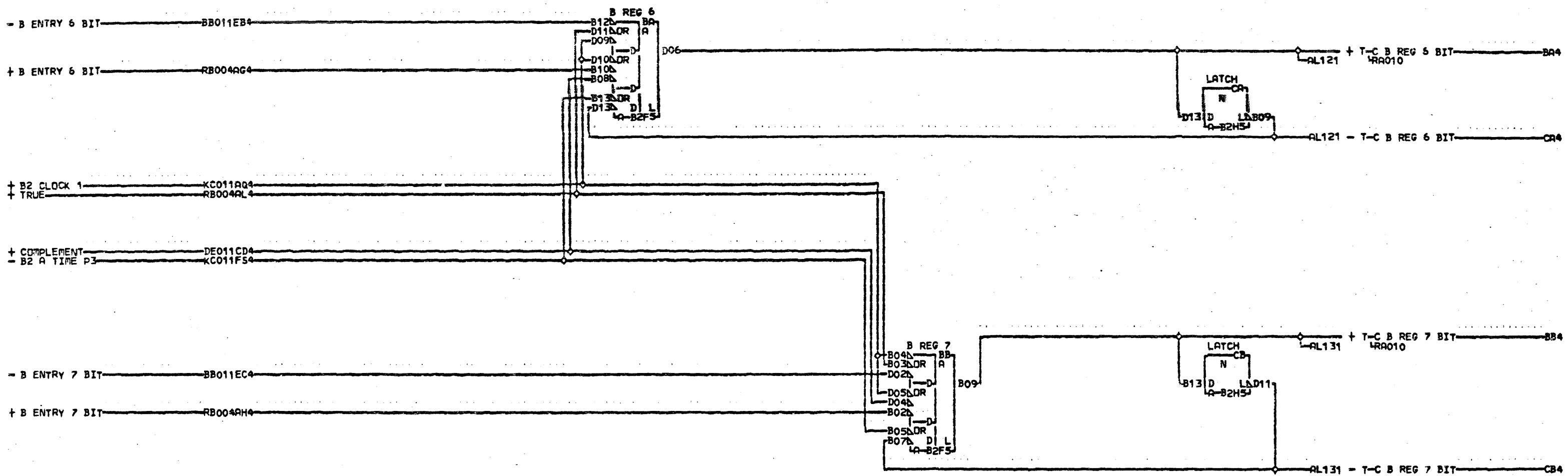
| | |
|-------------------------|---------------|
| T-C B REG BITS 0 THRU 2 | |
| E-C-HISTORY | PACH.2314-FCU |
| FRAME | 01 |
| IBM CORP. SDD | |
| DATE LAST EC | PoN: 2209436 |
| 03-30-66 416120 | |

R001
000



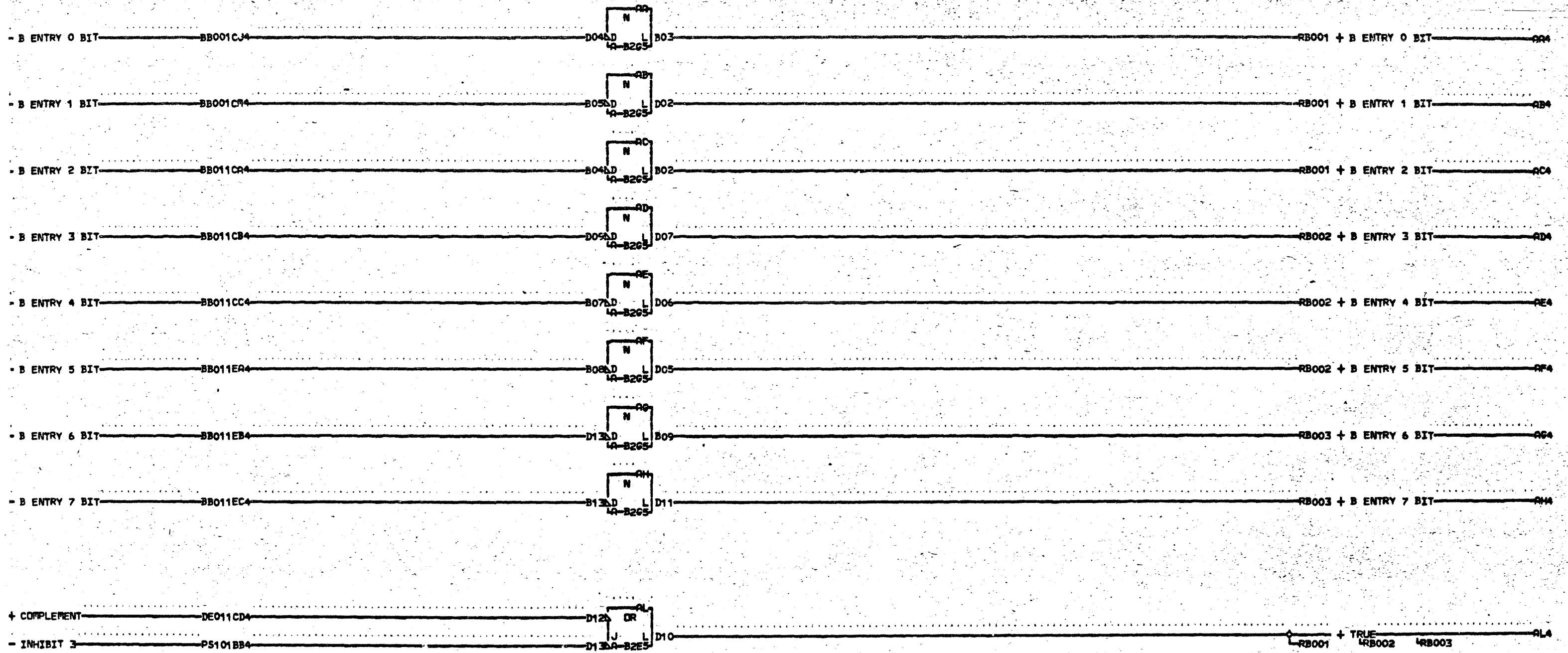
LDC. TYPE
 A-B2H4 0145
 A-B2H5 3308
 A-B2J4 0145

T-C B REG BITS 3 THRU 5
 E.C. HISTORY MACH. 2314-FCU
 FRAME 01
 IBM CORP. SDD
 P.N. 2209519
 DATE LAST EC
 03-30-66 416120



LOC. TYPE
 Q-32F5 0145
 R-B2H5 3308

| | |
|------------------------|----------------|
| T-C B REG BITS 6 AND 7 | |
| E.C. HISTORY | MACH. 2314-FCU |
| | FRAME 01 |
| | IBM CORP. SDD |
| DATE LAST EC | P.N. 2209520 |
| 03-30-66 416120 | |



LOC. TYPE
 A-82E5 0199
 A-82G5 3308

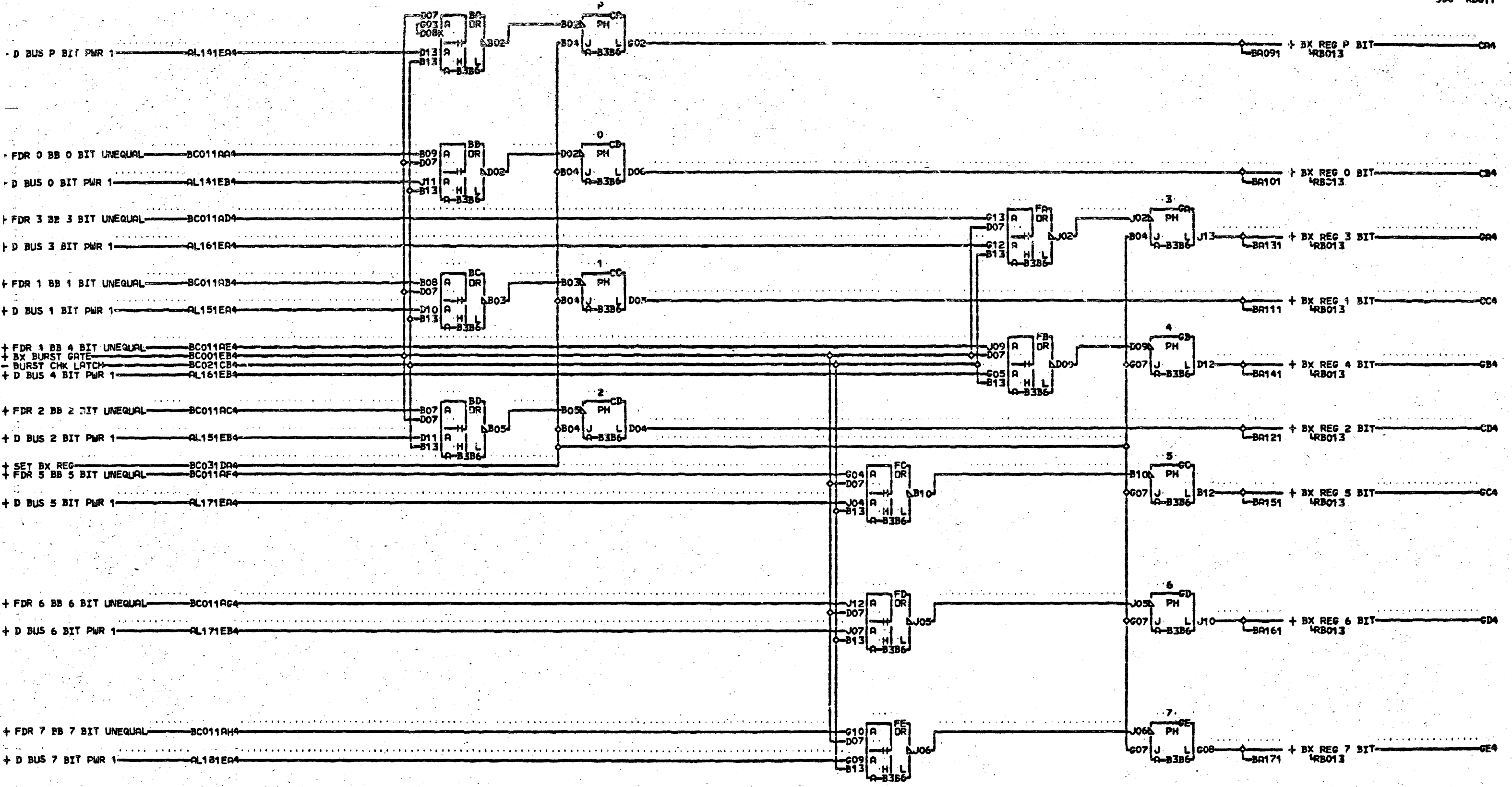
| | |
|-------------------------------------|----------------|
| B ENTRY INVERSION AND YCV INVERSION | |
| E-C-HISTORY | MACH. 2314-FCU |
| FRAME | 01 |
| DATE | LAST EC |
| 03-30-66 | 416120 |
| IBN CORP. SDD | PoN. 2209521 |

RB004

000

RB004

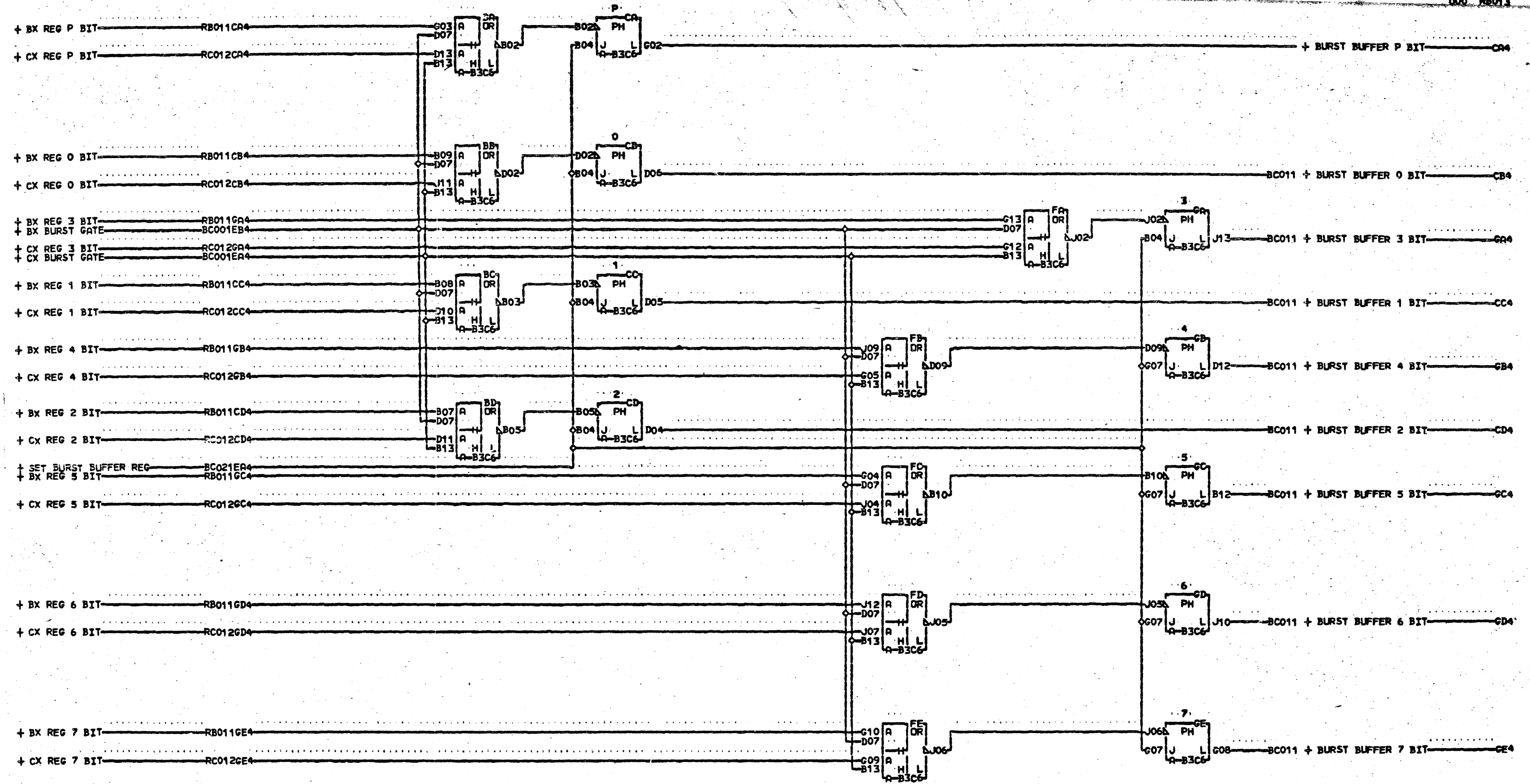
000



LOC. TYPE
A-B3B6 4067

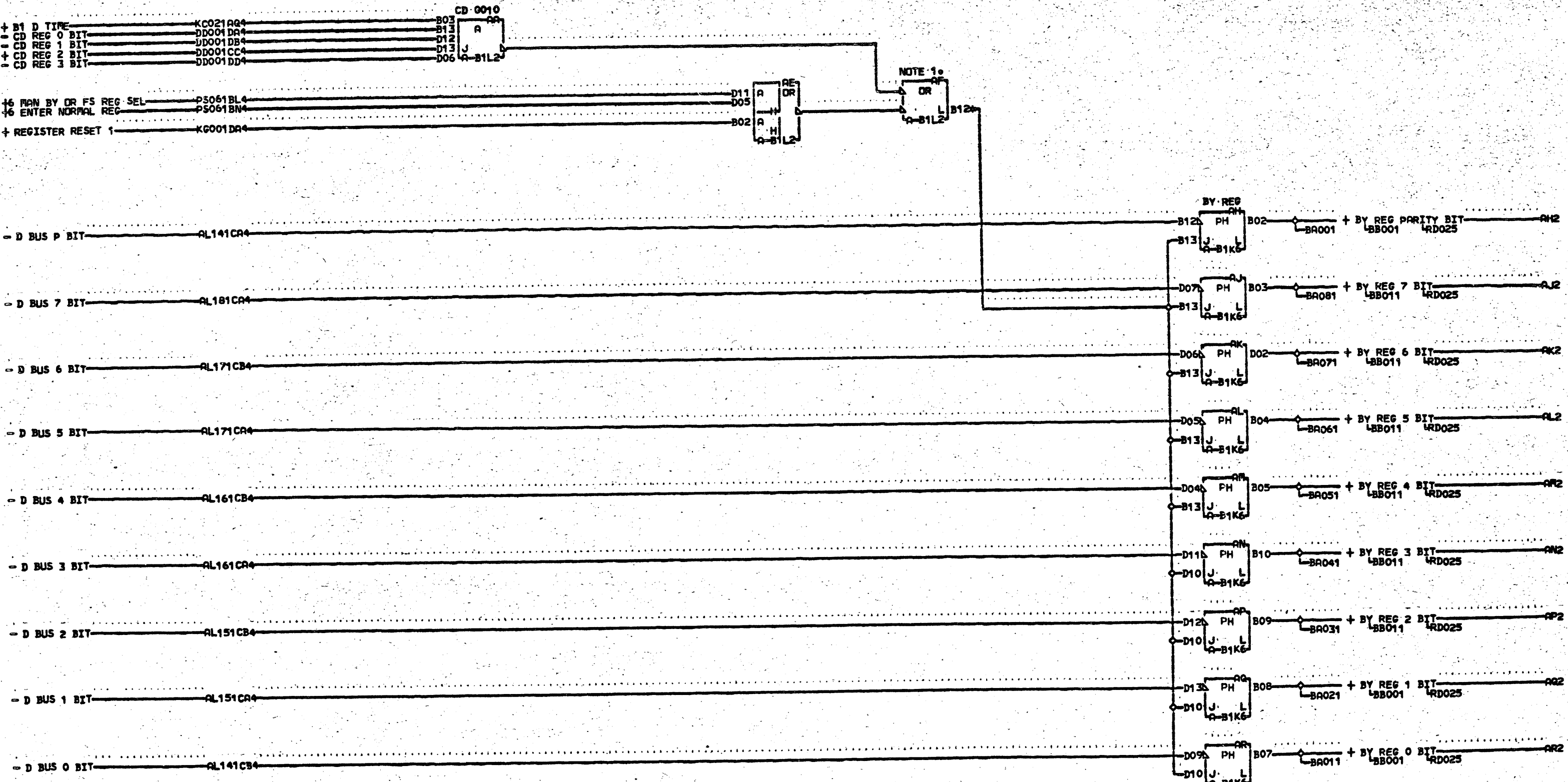
| | | |
|------------------|---------------|-----------------------|
| BX ASSEM AND REG | | R B O 1 1 |
| E-C-HISTORY | MACH#2314-FCU | |
| DATE | LAST EC | 01 |
| 03-30-66 | 416120 | 000 |
| IBM CORP. SDD | | |
| P.No. 2209437 | | |

1-10BR
000



LDC. TYPE
A-B3C6 4067

| | | |
|----------------------------|---------------|-----------------------|
| BURST BUFFER ASSEM AND REG | | R B 0 1 3 |
| E-C-HISTORY | PACH.2314-FCU | |
| DATE | LAST EC | 01 |
| 03-30-66 | 416120 | 000 |
| IBM CORP. SDD | | |
| P.No 2209506 | | |



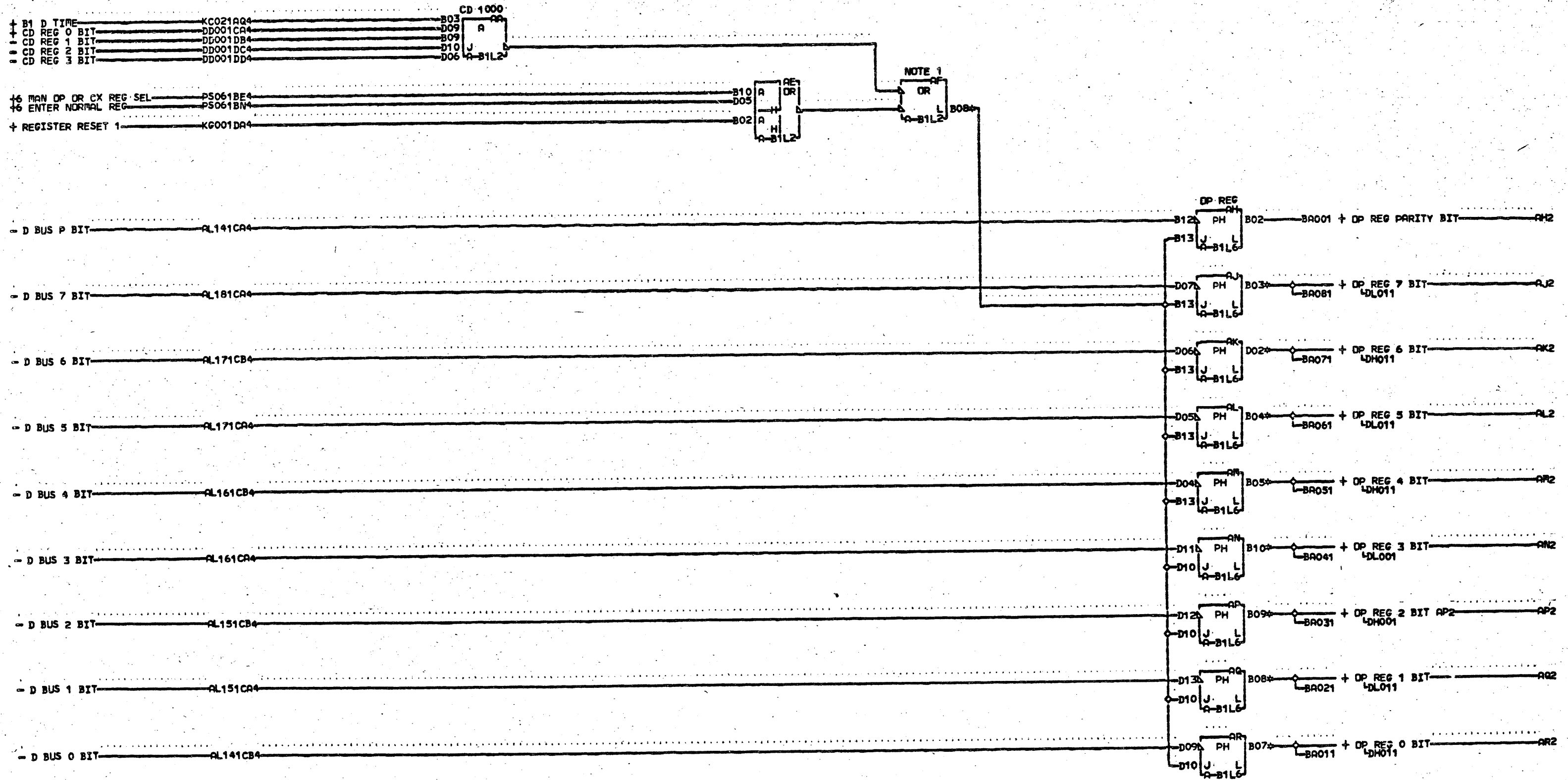
NOTE 1. INTERNAL WIRING ON PINS B020 B030 D050 D06. SEE RB0110 RG001.

AF4 RESISTOR A-81L2B12

LOC. TYPE
A-81K6 4007
A-81L2 3572

| | |
|-----------------|---------------|
| BY REGISTER | |
| E-C-HISTORY | MACH#2314-FCU |
| DATE | FRAME 01 |
| LAST EC | IBR CORP. GPD |
| 03-30-66 416120 | PoNo 2209438 |

RB021



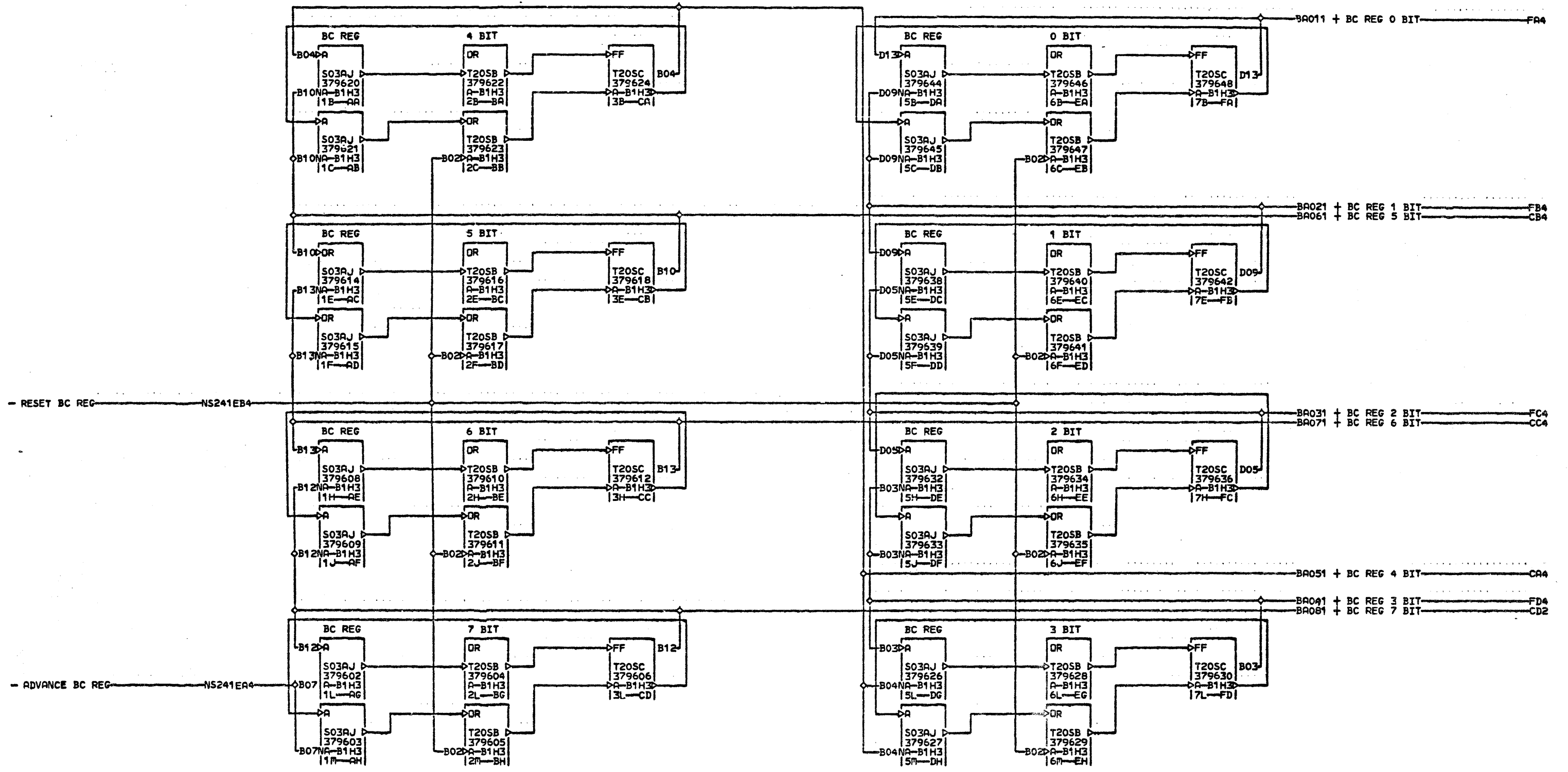
NOTE 1. INTERNAL WIRING ON PINS B020 B030 D050 D060. SEE RD0110 RU001.

| | |
|--------------|---------------------------|
| AF4 RESISTOR | 01A-C1A4D04 |
| AJ2 | A-B1L2B08 AN2 A-B1N4B05 |
| AK2 | A-B1N4D02 01A-C1A4B05 |
| AL2 | 01A-C1A4D02 AP2 A-B1N4D03 |
| AM2 | 01A-B1N4B03 01A-C1A4D05 |
| | 01A-C1A4B03 AQ2 A-B1N4D06 |
| | 01A-B1N4B04 01A-C1A4D06 |
| | 01A-C1A4B04 AR2 A-B1N4B07 |
| | AR2 A-B1N4D04 01A-C1A4B07 |

LOC. TYPE
A-B1L2 3572
A-B1L6 4007

| OP REGISTER | |
|-----------------|----------------|
| E.C. HISTORY | FRACH.2314-FCU |
| DATE | FRAME 01 |
| LAST EC | IBM CORP. GPD |
| 03-30-66 416120 | PeNo 2209439 |

RC001

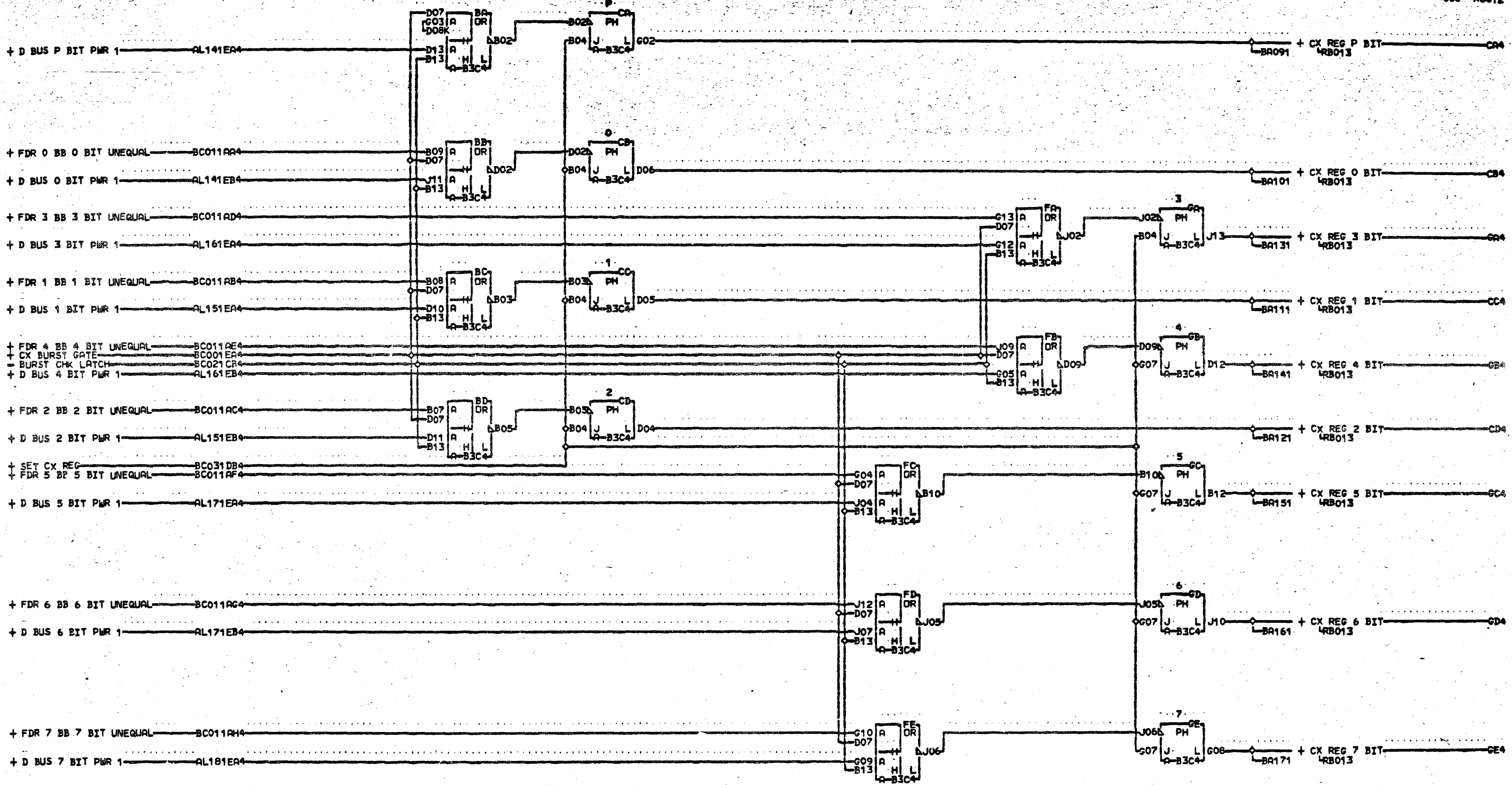


10-31-68 420949

| | | |
|----------------------|--------------|----------------|
| BC REGISTER | | |
| 8 BIT BINARY COUNTER | | |
| DATE | 10-31-68 | MACH. 2314-FCU |
| LOG | 305M FRAME | 01 |
| | P.N. 2261324 | |
| IBM CORP. | SDD BLK. | FF |

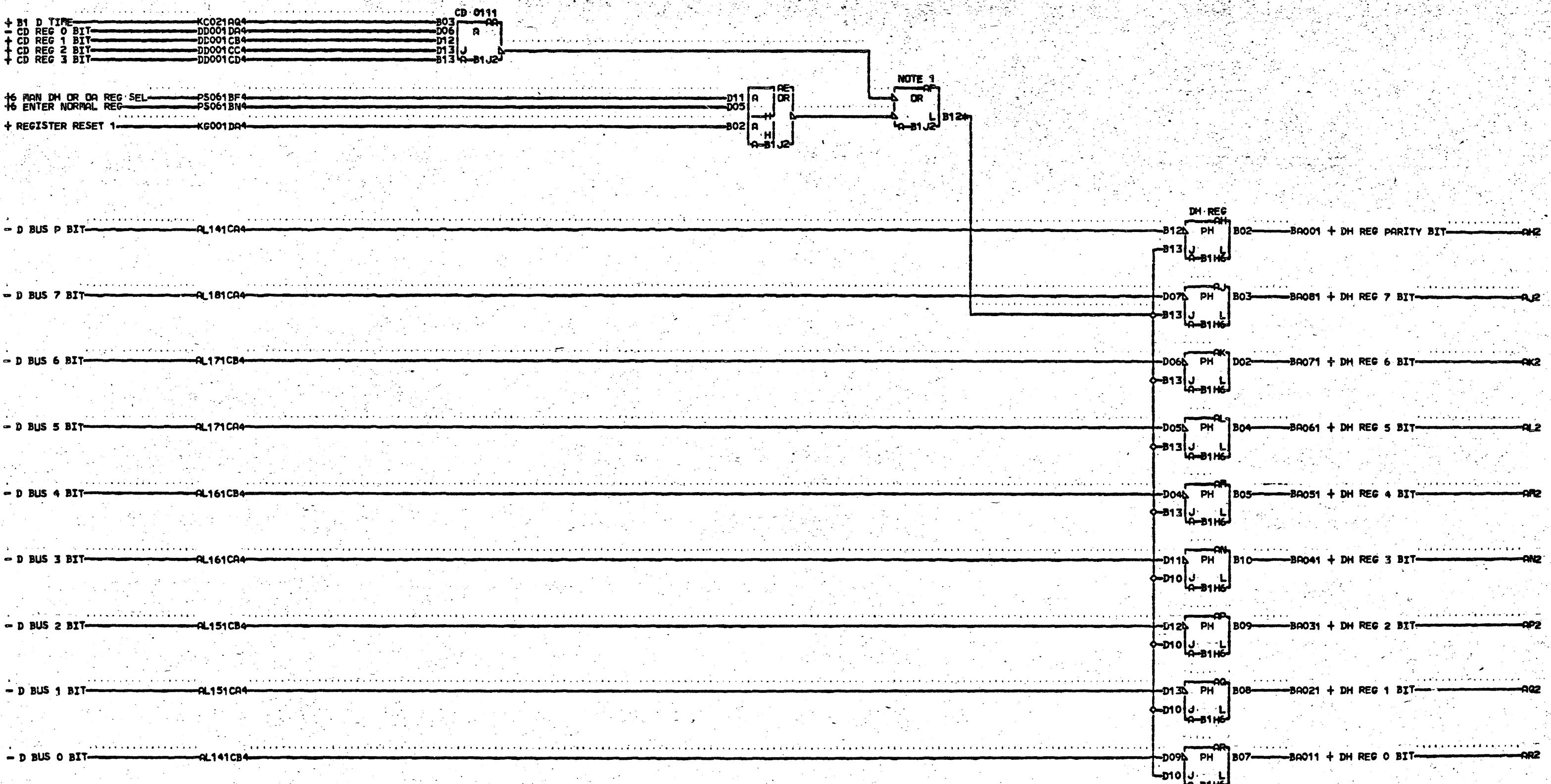
RC011
000

RC011
000



LOC. TYPE
A-B3C4 4067

| CX ASSEM AND REG | |
|------------------|---------------|
| E.C. HISTORY | PACH.2314-FCU |
| 416120 | FRAME 01 |
| DATE LAST EC | IBM CORP. SDD |
| 04-14-66 416121 | P.No 2209507 |

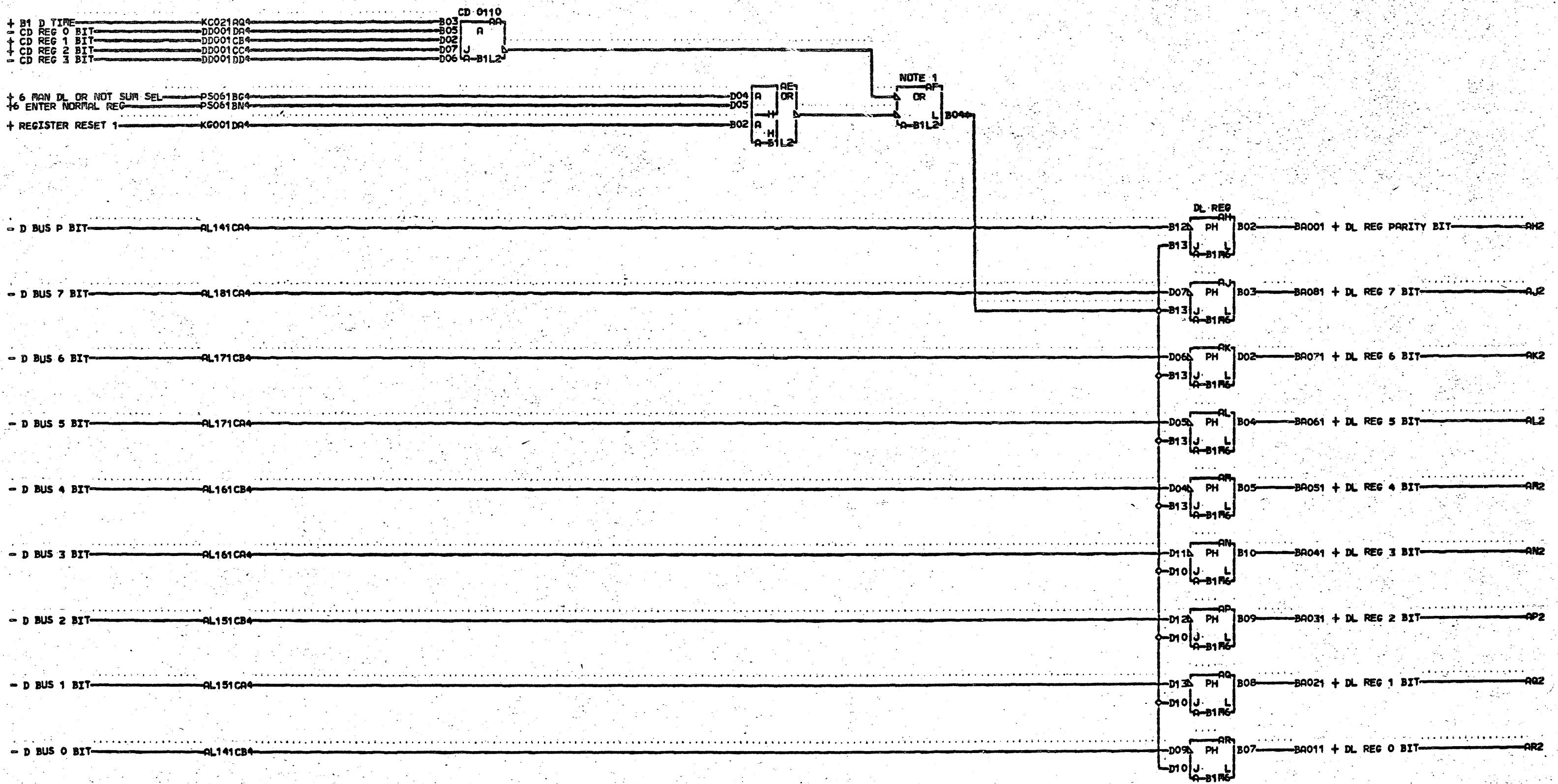


NOTE 1. INTERNAL WIRING ON PINS R B020 B030 D050 D060. SEE RF0010 RK0010.

RF4 RESISTOR R-B1J2B12

LOC. TYPE R-B1H6 4007 R-B1J2 3572

| DH REGISTER | |
|-----------------|---------------|
| E.C.-HISTORY | MACH-2314-FCU |
| DATE | FRAME 01 |
| LAST EC | IBM CORP. GPD |
| 03-30-66 416120 | P.No 2209440 |

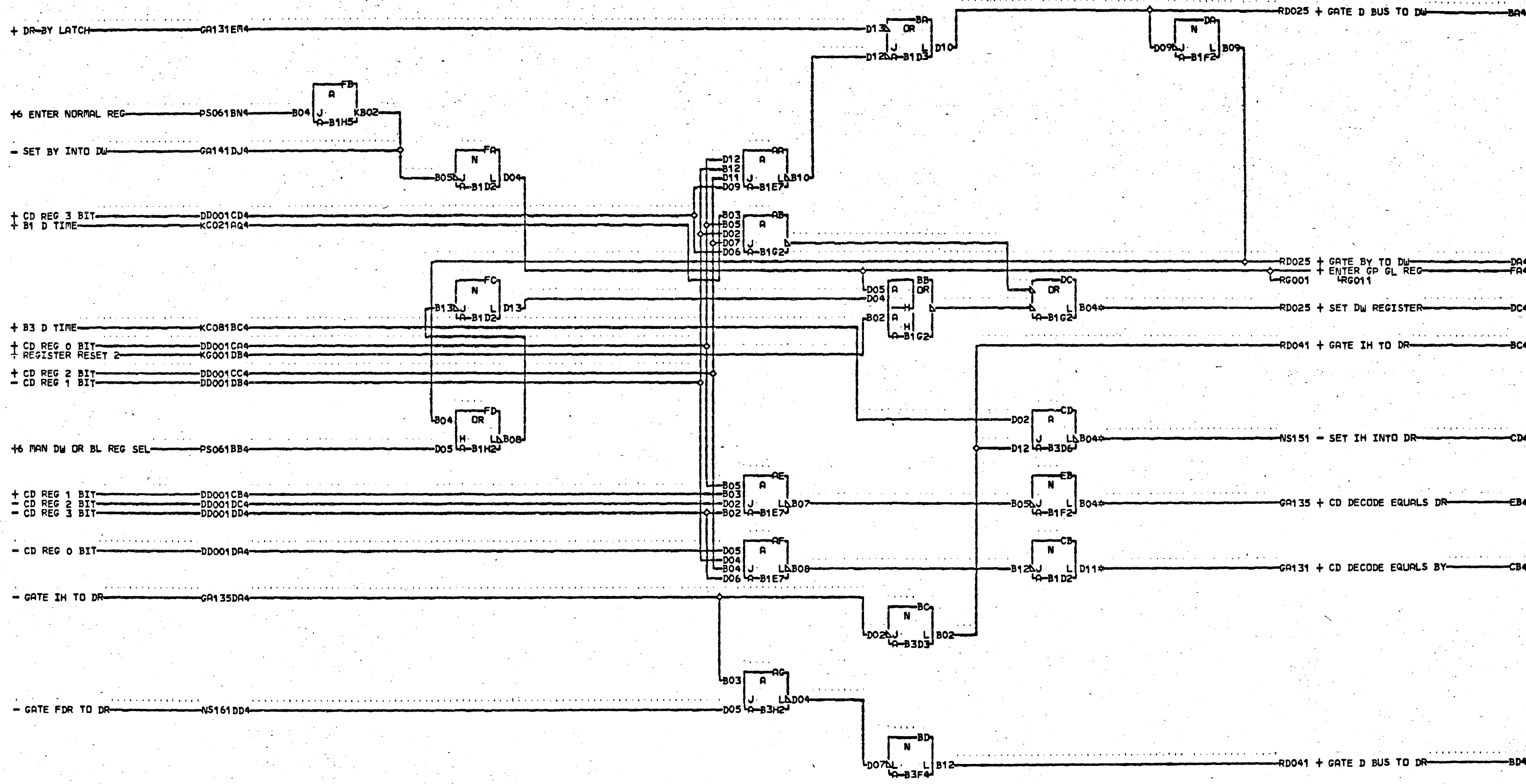


NOTE 1. INTERNAL WIRING ON PINS
 R B02 B03 D05 D06
 D SEE RC001 RU 001

AF4 RESISTOR
 A-B1L2B04

LDC TYPE
 A-B1L2 3572
 A-B1R6 4007

| DL REGISTER | |
|---------------|---------------|
| E-C-HISTORY | MACH#2314-FCU |
| DATE | LAST EC |
| 03-30-66 | 416120 |
| IBR CORP. CPD | P#N# 2209441 |
| FRAME | 01 |



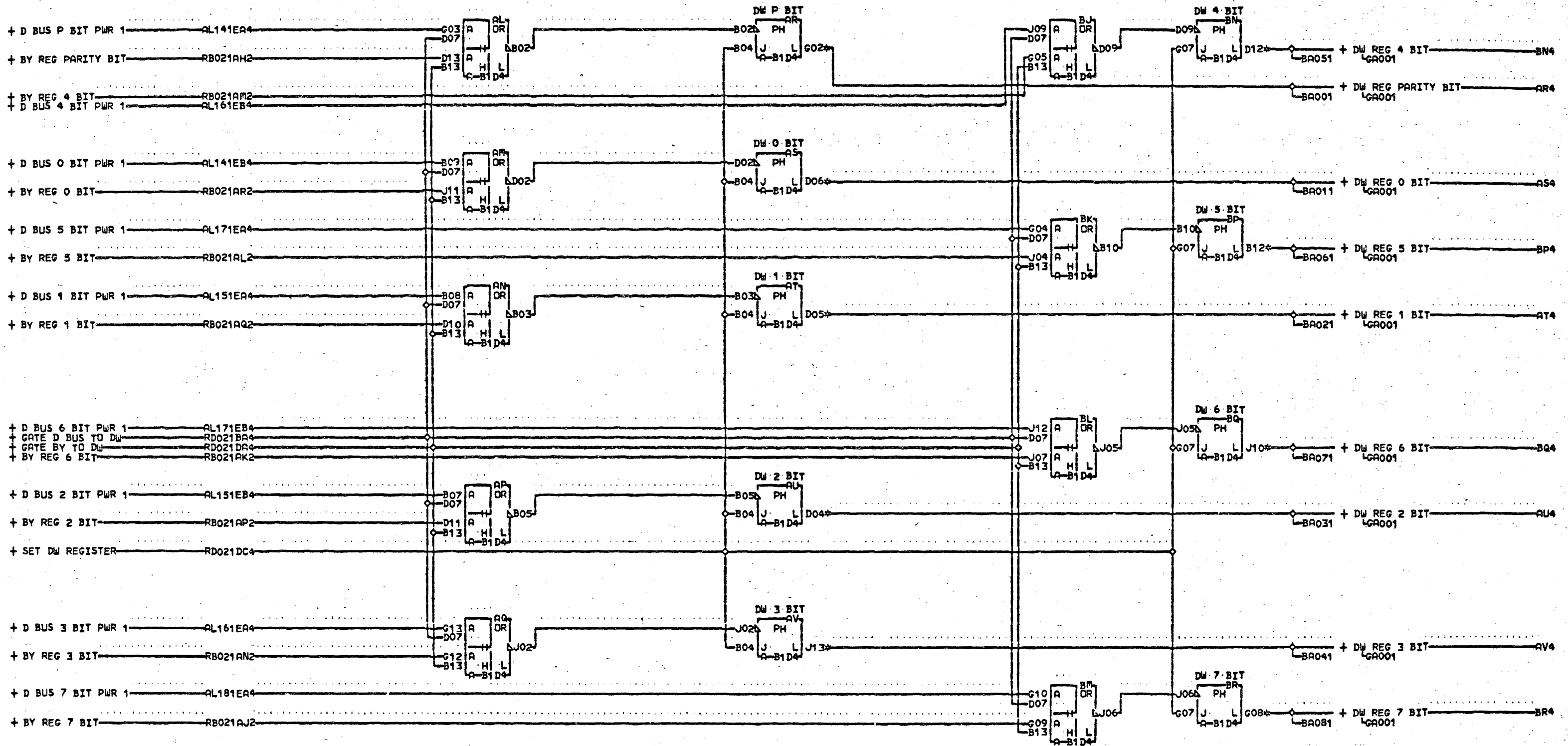
RD021

000

- CB4 A-C3A5D10
- O1A-B1A3D10
- CD4 A-B1A6B09
- O1A-C2A6B09
- DC4 RESISTOR
- A-B1G2B04
- EB4 A-B1A3D11
- O1A-C3A5D11

- | | | | |
|--------|------|--------|------|
| LOC. | TYPE | LOC. | TYPE |
| A-B1D2 | 3016 | A-B3F4 | 0346 |
| A-B1D3 | 0199 | A-B3H2 | 0000 |
| A-B1E7 | 0531 | | |
| A-B1F2 | 3575 | | |
| A-B1G2 | 3572 | | |
| A-B1H2 | 0007 | | |
| A-B1H5 | 0238 | | |
| A-B3D3 | 0199 | | |
| A-B3D6 | 0212 | | |

| | | |
|---------------------------|----------------|-----------------------|
| DW REGISTER | | R D 0 2 1 |
| SET PULSE AND DATA GATING | | |
| E.C. HISTORY | MACH. 2314-FCU | O 1 1 |
| 416120 | FRAME 01 | |
| DATE | LAST EC | O 0 0 |
| 08-30-66 | 416126 | |
| P.No. 2209442 | | |



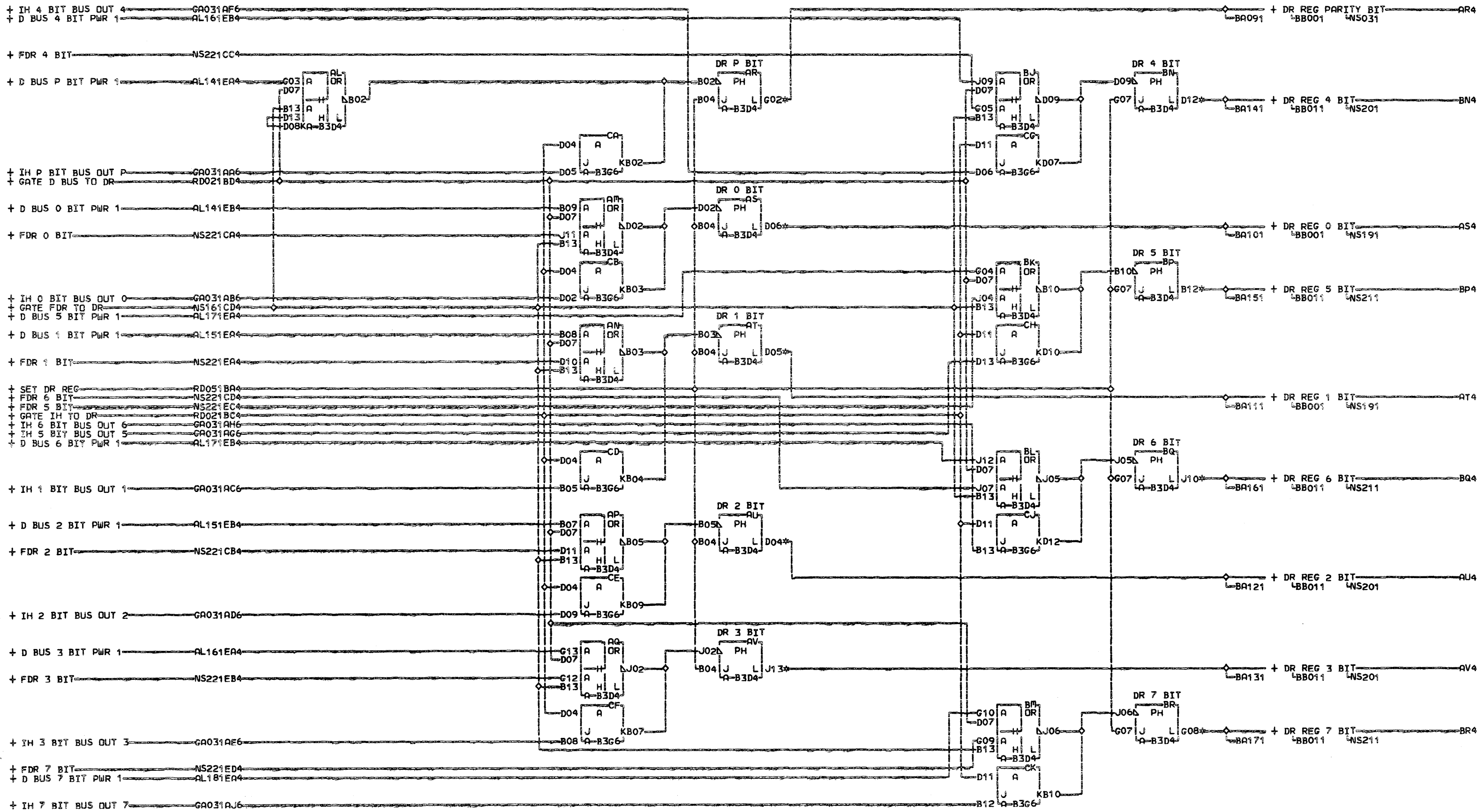
AR4 A-B1A6D02 01A-C3A4D03
 01A-C3A4D02 BN4 A-B1A6B05
 AS4 A-B1A6D07 01A-C3A4B05
 01A-C3A4D07 BP4 A-B1A6D04
 AT4 A-B1A6B07 01A-C3A4D04
 01A-C3A4B07 BQ4 A-B1A6B04
 AU4 A-B1A6D06 01A-C3A4B04
 01A-C3A4D06 BR4 A-B1A6B03
 AV4 A-B1A6D05 01A-C3A4B03

LOC. TYPE
 A-B1D4 4067

| DW ASSEM AND REG | |
|------------------|---------------|
| E.C. HISTORY | MACH#2314-FCU |
| DATE | LAST EC |
| 03-30-66 | 416120 |
| FRAME | 01 |
| IBM CORP. GPD | |
| P.# | 2209460 |

UNDR
 000

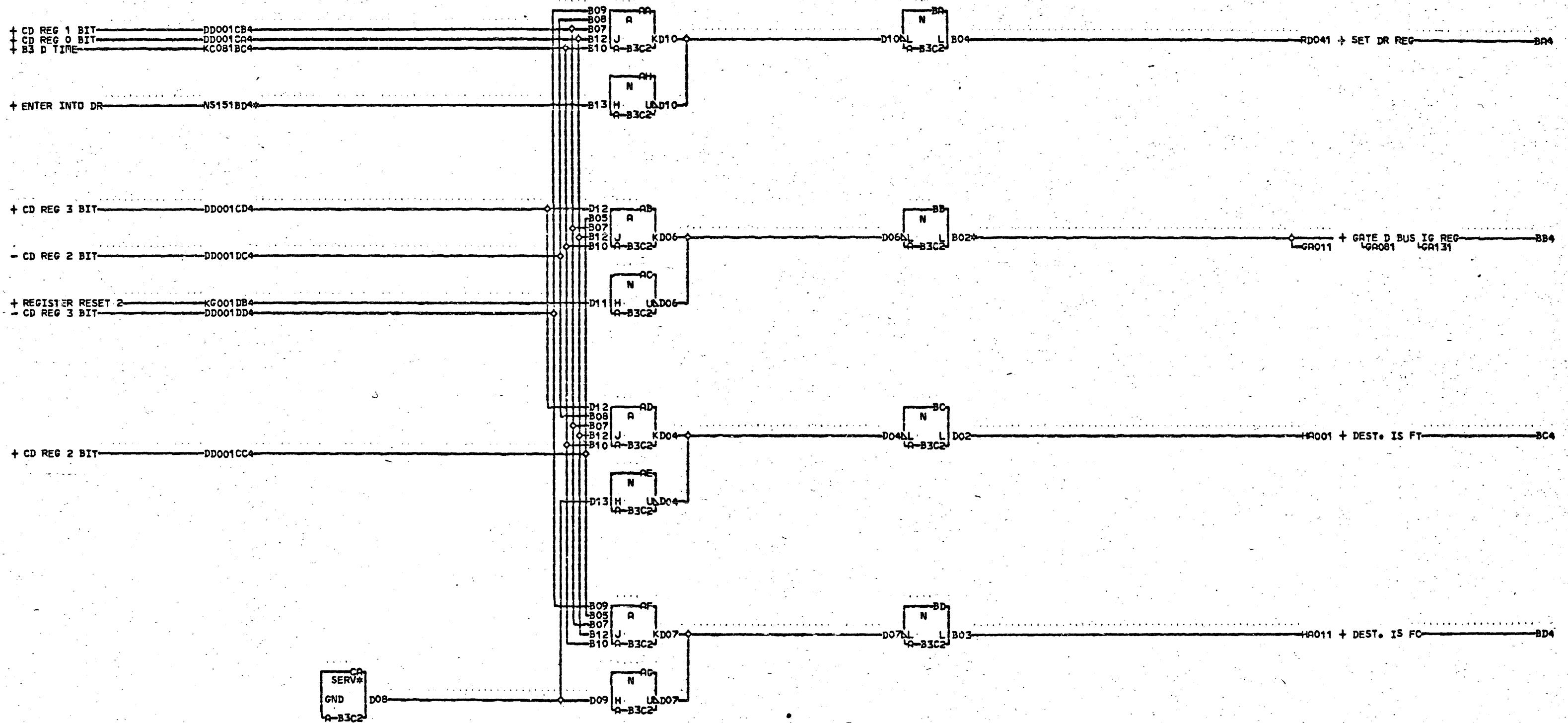
RD025
 000



| | | | | | | | | | | |
|---|---|---|---|-----|---------------|---------------|---------------|---------------|---------------|---------------|
| R | 0 | 4 | 1 | 000 | AR4 A-B3A2B12 | 01A-C1C8A06 | AU4 A-B3A2B10 | 01A-C1C8D04 | BP4 A-B3A2B08 | 01A-C1C8B04 |
| | | | | | 01A-C2A7B12 | 01A-C1A5D10 | 01A-C2A7B10 | 01A-C1A7B12 | 01A-C2A7B08 | 01A-C1A7D09 |
| | | | | | 01A-C2B1D09 | 01A-B1N5D10 | 01A-C2C1C09 | 01A-B1N7B12 | 01A-C2B1E09 | 01A-B1N7D09 |
| | | | | | 01A-C1B8D04 | AT4 A-B3A2B09 | 01A-C1C8C04 | BN4 A-B3A2D07 | 01A-C1B8E04 | BR4 A-B3A2D11 |
| | | | | | 01A-C1A5B03 | 01A-C2A7B09 | 01A-C1A7B10 | 01A-C2A7D07 | 01A-C1A7B02 | 01A-C2A7D11 |
| | | | | | 01A-B1N5B03 | 01A-C2C1B11 | 01A-B1N7B10 | 01A-C2A1E11 | 01A-B1N7B02 | 01A-C2C1E11 |
| | | | | | AS4 A-B3A2B07 | 01A-C1C8B06 | AV4 A-B3A2D10 | 01A-C1A8E06 | BQ4 A-B3A2D09 | 01A-C1C8E06 |
| | | | | | 01A-C2A7B07 | 01A-C1A7B03 | 01A-C2A7D10 | 01A-C1A5B10 | 01A-C2A7D09 | 01A-C1A7D13 |
| | | | | | 01A-C2C1A11 | 01A-B1N7B03 | 01A-C2C1D09 | 01A-B1N5B10 | 01A-C2C1B09 | 01A-B1N7D13 |

LOC. TYPE
A-B3D4 4067
A-B3G6 3575

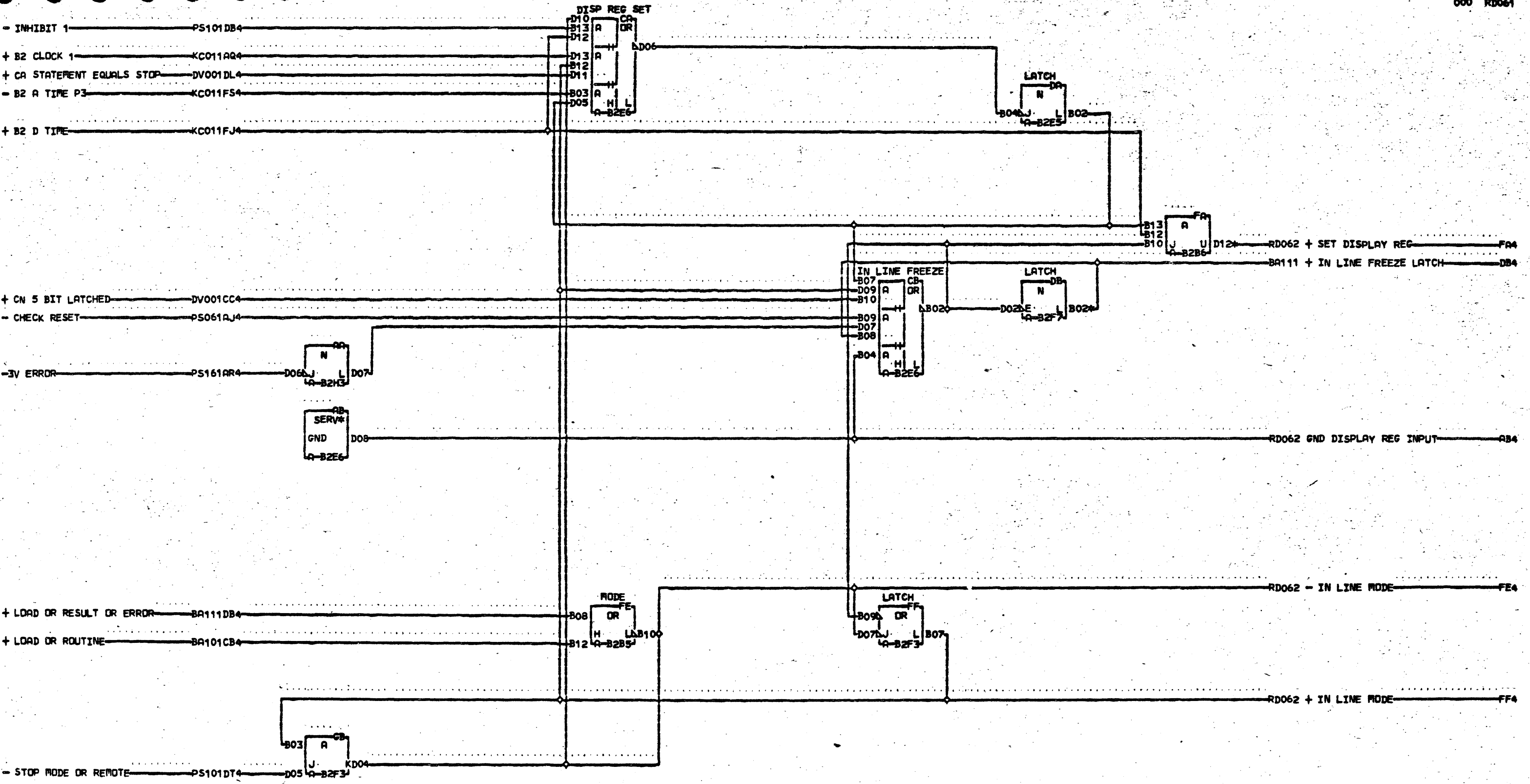
| | | |
|------------------|---------------|-----------------------|
| DR ASSEM AND REG | | R D O 4 1 |
| E-C-HISTORY | MACH-2314-FCU | |
| DATE | LAST EC | IBM CORP. GPD |
| 03-30-66 | 416120 | |
| P.No 2209444 | | 000 |



NS151BD4
RESISTOR
A-B3B3D05
BB4 A-B3N2D11
01A-C3A2D11

LDC. TYPE
A-B3B3 4061
A-B3C2 3487

| | |
|---------------------------------|--------------------------------|
| DR FT FC IG DESTINATION DECODE | |
| E.C. HISTORY 416120 | MACH. 2314-FCU FRAME 01 |
| DATE LAST EC 04-14-66 416121 | IBM CORP. SDD P.No. 2209459 |



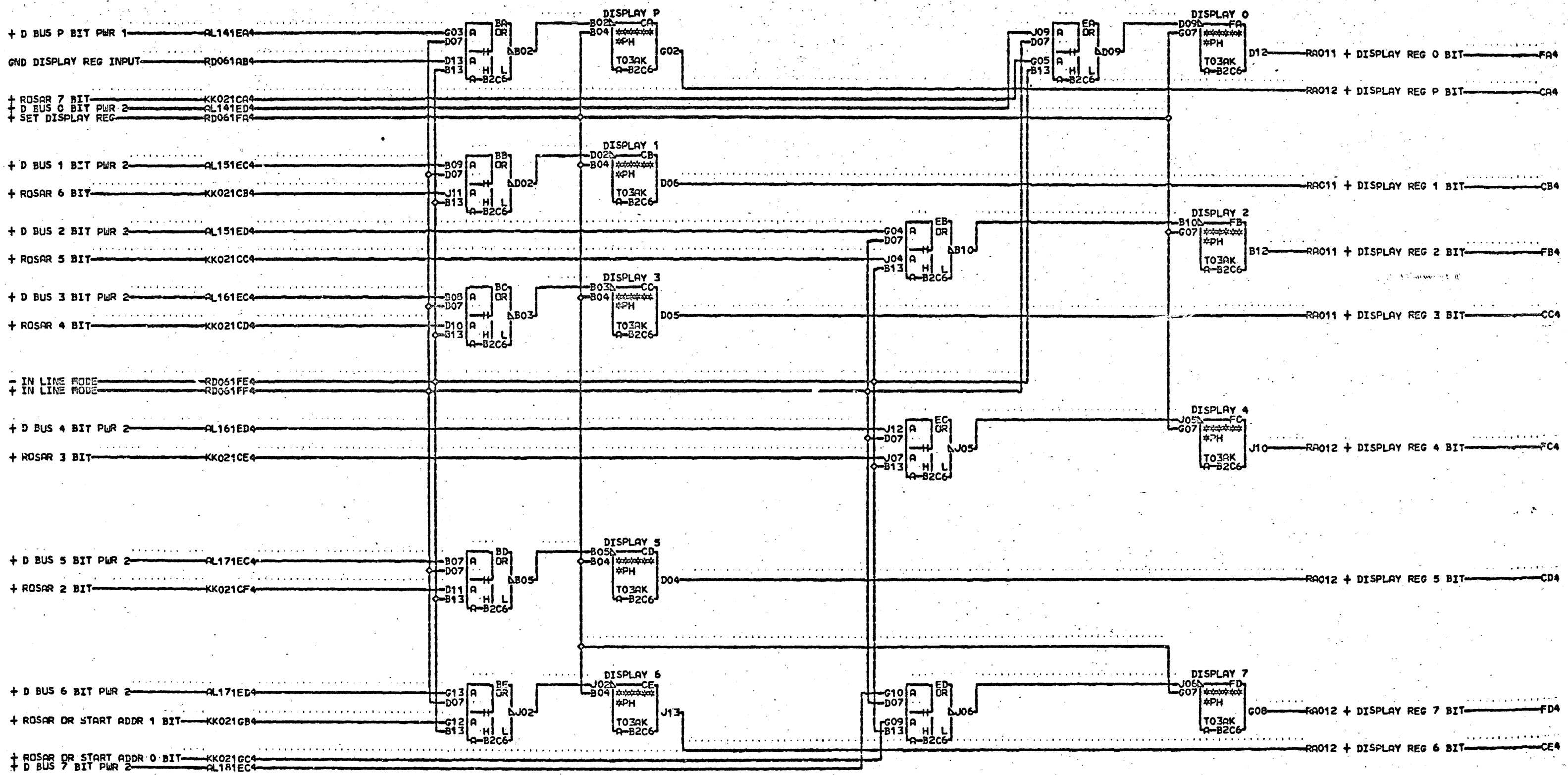
DB4 A-82F8C04
 O1A-83F1C09
 FA4 RESISTOR
 A-82B6D13

LDC. TYPE
 P-82B5 0006
 P-82B6 4061
 P-82E5 0199
 P-82E6 0008
 P-82F3 0199
 P-82F7 0359
 P-82H3 3575

| DISPLAY REG CONTROLS | |
|----------------------|-----------------|
| E.C. HISTORY | MACH#2314-FCU |
| 416120 | FRAME 01 |
| 416122 | IBR CORP. SDD |
| 416123 | DATE LAST EC |
| 416124 | 01-10-67 420637 |
| | P.No 2209462 |

RD061

RD061

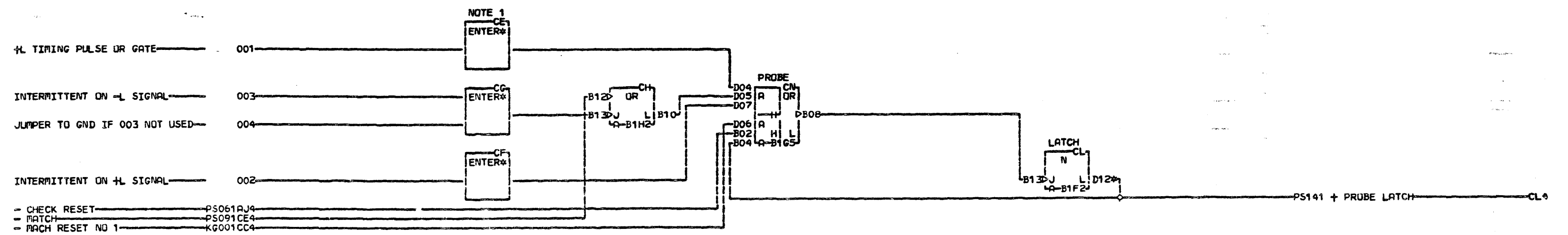
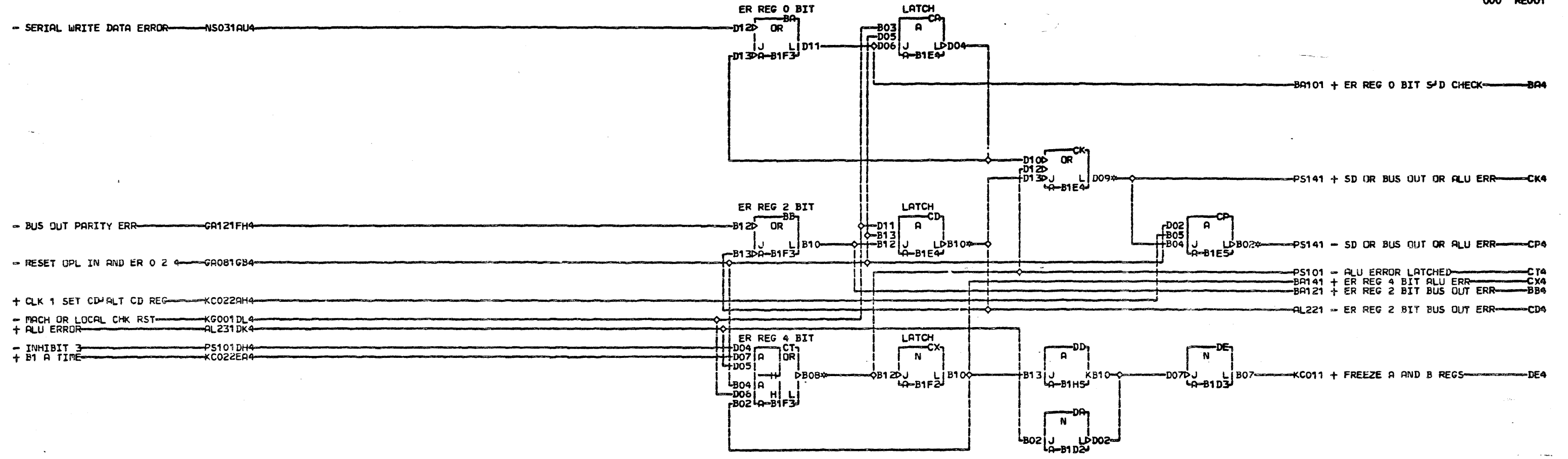


LOC. TYPE
A-B2C6 4067

| | |
|------------------|----------------|
| DISPLAY REGISTER | |
| E.C. HISTORY | MACH. 2314-FCU |
| DATE | FRAME 01 |
| LAST EC | IBA CORP. SDD |
| 04-06-66 416120 | P.No 2209463 |

RD062

RD062



NOTE 1 SEE KCO21 FOR B1 CLOCK

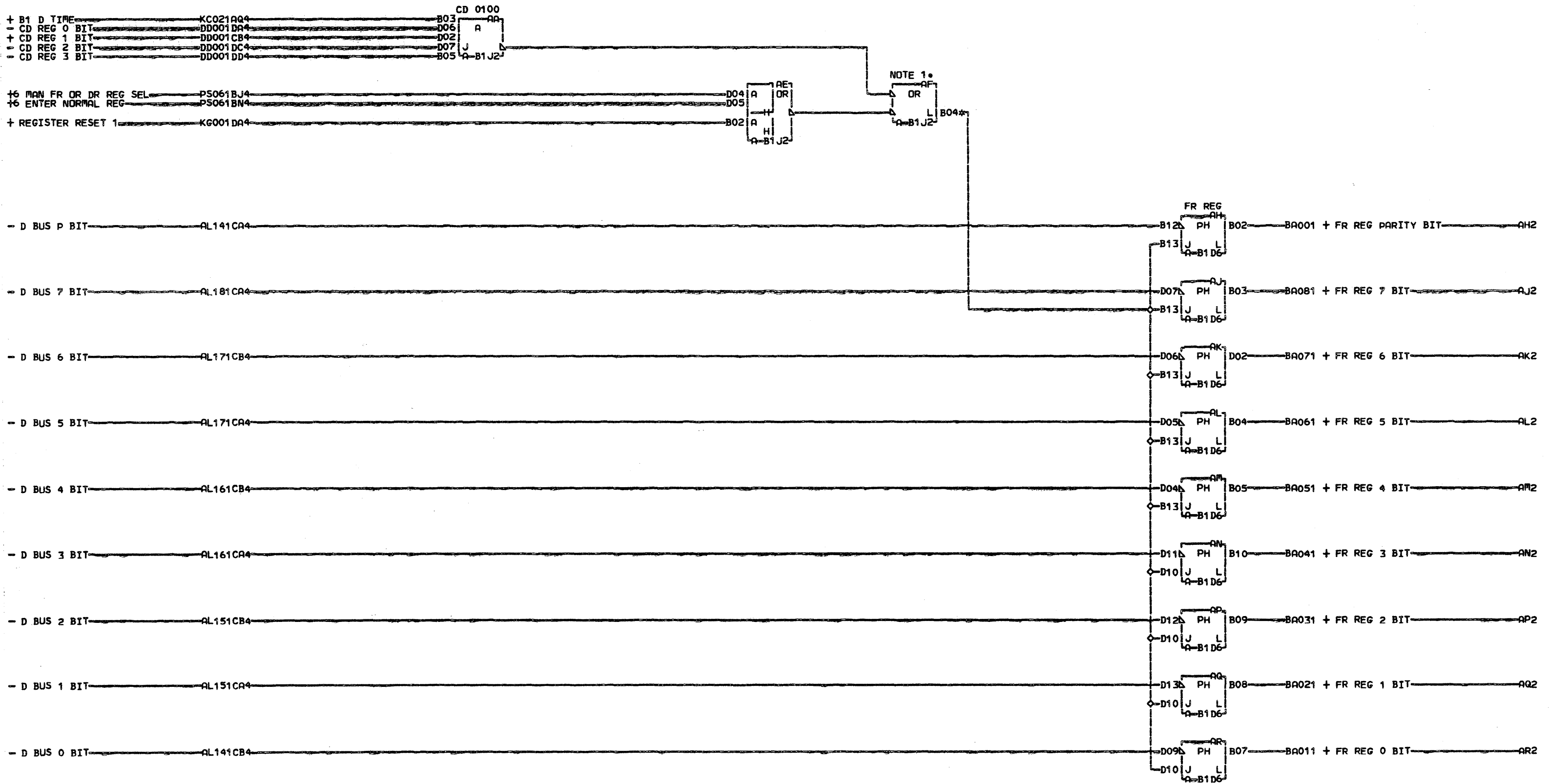
R USE ONLY + D OR + A
E TIME OR + CLOCK 4.
0
0
1
000

| | | |
|-----|-----------|-------------|
| CD4 | A-B1A2B03 | 01A-C1A7D12 |
| 01A | B2A2B03 | |
| CK4 | A-B1N5B13 | |
| 01A | C1A5B13 | |
| CL4 | A-B1N5D13 | |
| 01A | C1A5D13 | |
| CP4 | A-B1N5D12 | |
| 01A | C1A5D12 | |
| CT4 | A-B1N7D12 | |

| LJC. | TYPE |
|--------|------|
| P-B1D2 | 3016 |
| P-B1D3 | 0199 |
| P-B1E4 | 0002 |
| P-B1E5 | 0002 |
| P-B1F3 | 3575 |
| P-B1F5 | 0007 |
| P-B1G5 | 0007 |
| P-B1H2 | 0007 |
| P-B1H5 | 0238 |

| ER REGISTER | | MACH.2314-FCU | FRAME 01 | IBM CORP. GFD | P.No. 2209445 |
|---------------|---------|---------------|----------|---------------|---------------|
| -E.C.-HISTORY | | | | | |
| 416120 | | | | | |
| 416130 | | | | | |
| 416131 | | | | | |
| DATE | LAST EC | | | | |
| 01-22-68 | 420919 | | | | |

REO 01



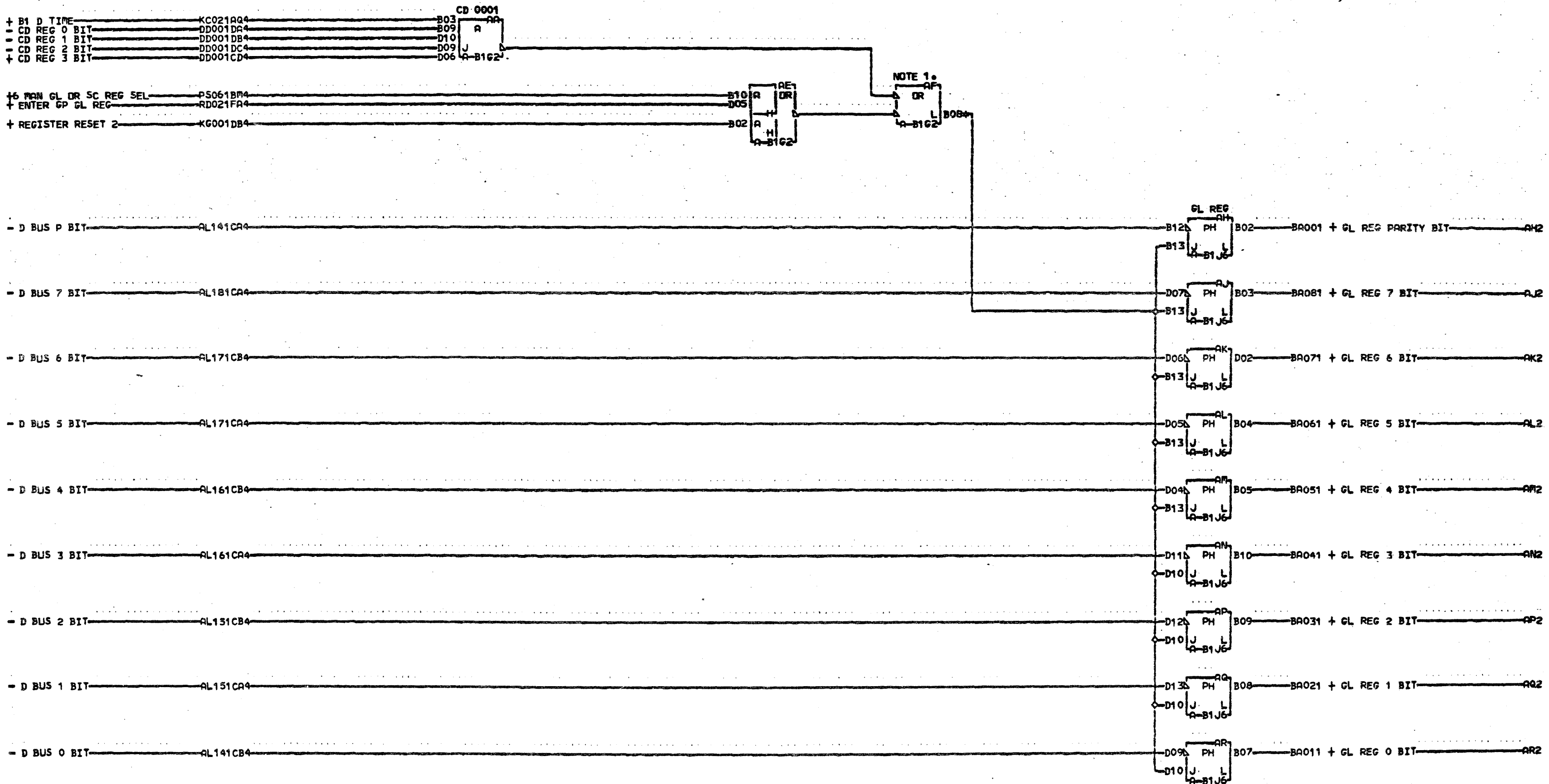
NOTE 1. INTERNAL WIRING ON PINS
 R B02, B03, D05, D06.
 F SEE RD001, RK001.
 0
 0
 1
 000

AF4 RESISTOR
 A-B1J2B04

LDC. TYPE
 A-B1D6 4007
 A-B1J2 3572

| FR REGISTER | |
|---------------|---------------|
| E-C-HISTORY | MACH.2314-FCU |
| FRAME | 01 |
| DATE | LAST EC |
| 03-30-66 | 416120 |
| IBM CORP. GPD | PoN. 2209446 |

RF001
000



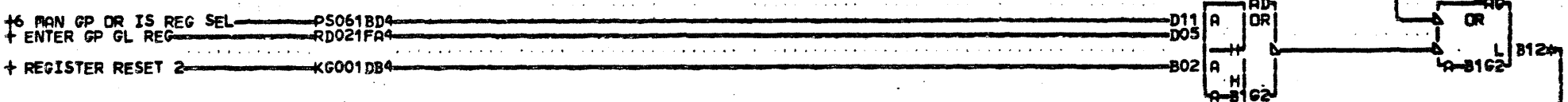
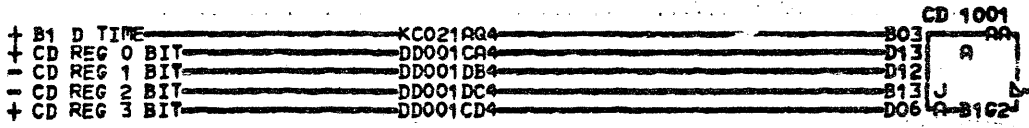
NOTE 1. INTERNAL WIRING ON PINS B02, B03, D05, D06. SEE RB011, RB021.

AF4 RESISTOR A-162B08

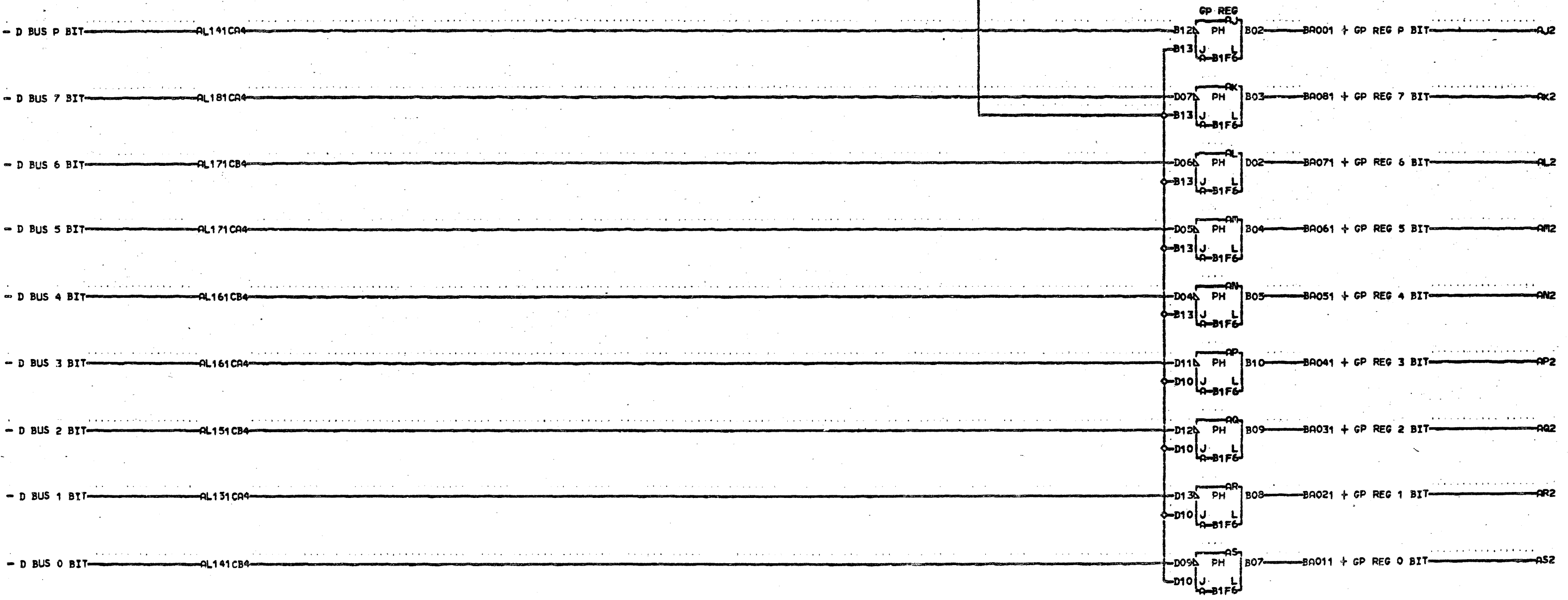
LOC. TYPE A-162 3572 A-162B08 4007

| GL REGISTER | |
|-------------|----------------|
| E-C-HISTORY | MACH. 2314-FCU |
| | FRAME 01 |
| | IBM CORP. GPD |
| DATE | LAST EC |
| 03-30-66 | 416120 |
| | P.No. 2209447 |

RG001



NOTE 1
OR
A-B1G2

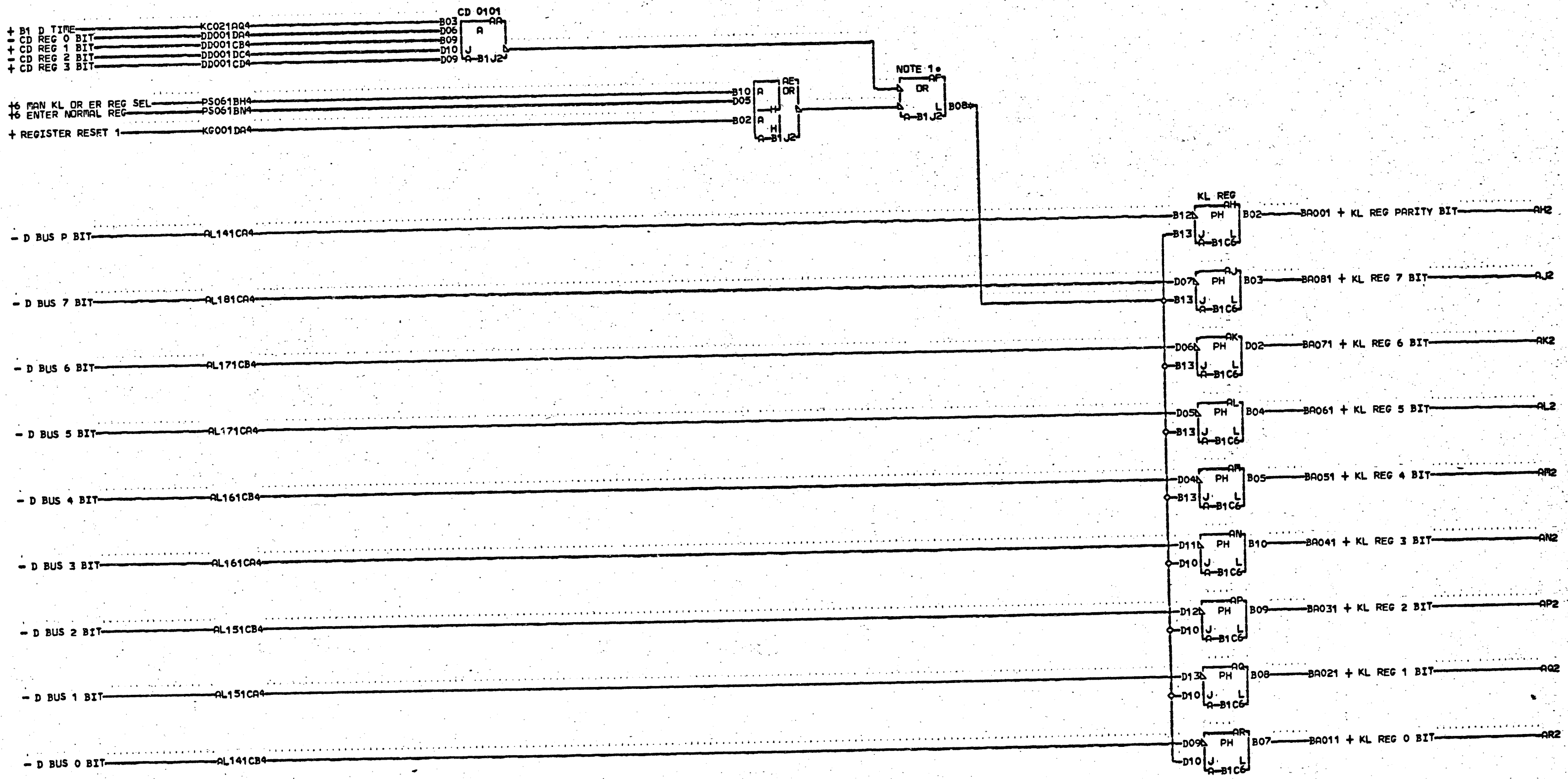


NOTE 1. INTERNAL WIRING ON PINS B020 B030 D050 D060. SEE R5041.

AG4 RESISTOR A-B1G2B12

LDC. TYPE
A-B1F6 4007
A-B1G2 3572

| GP REGISTER | |
|-----------------|----------------|
| E.C. HISTORY | PACH. 2314-FCU |
| | FRAME 01 |
| | IBM CORP. GPD |
| DATE LAST EC | P.No. 220J448 |
| 03-30-66 416120 | |



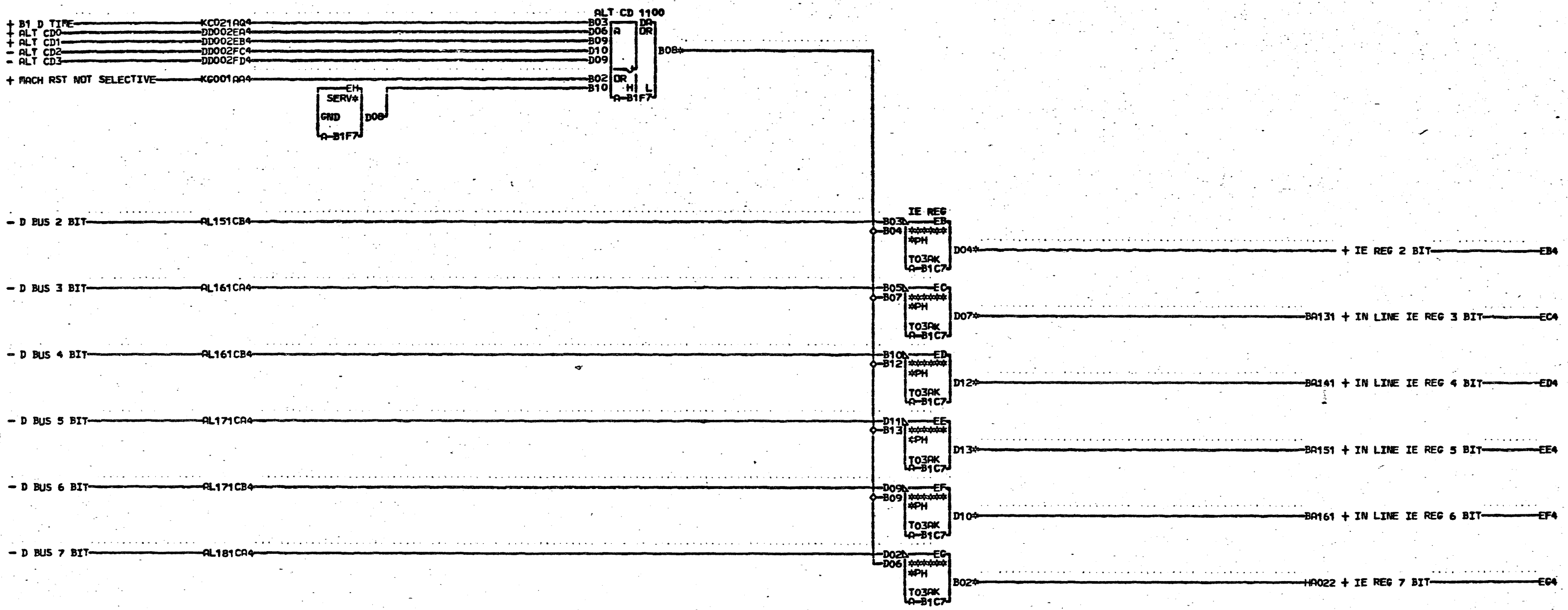
NOTE 1. INTERNAL WIRING ON PINS
 R B02 B03 D05 D06
 K SEE RD001 RF001

AF4 RESISTOR
 A-B1J2B08

LOC. TYPE
 A-B1C6 4007
 A-B1J2 3572

| KL REGISTER | |
|-----------------|---------------|
| E.C. HISTORY | MACH#2314-FCU |
| DATE | FRAME 01 |
| LAST EC | IBM CORP. GPD |
| 03-30-66/416120 | P.No 2209449 |

R
K
0
0
1
000



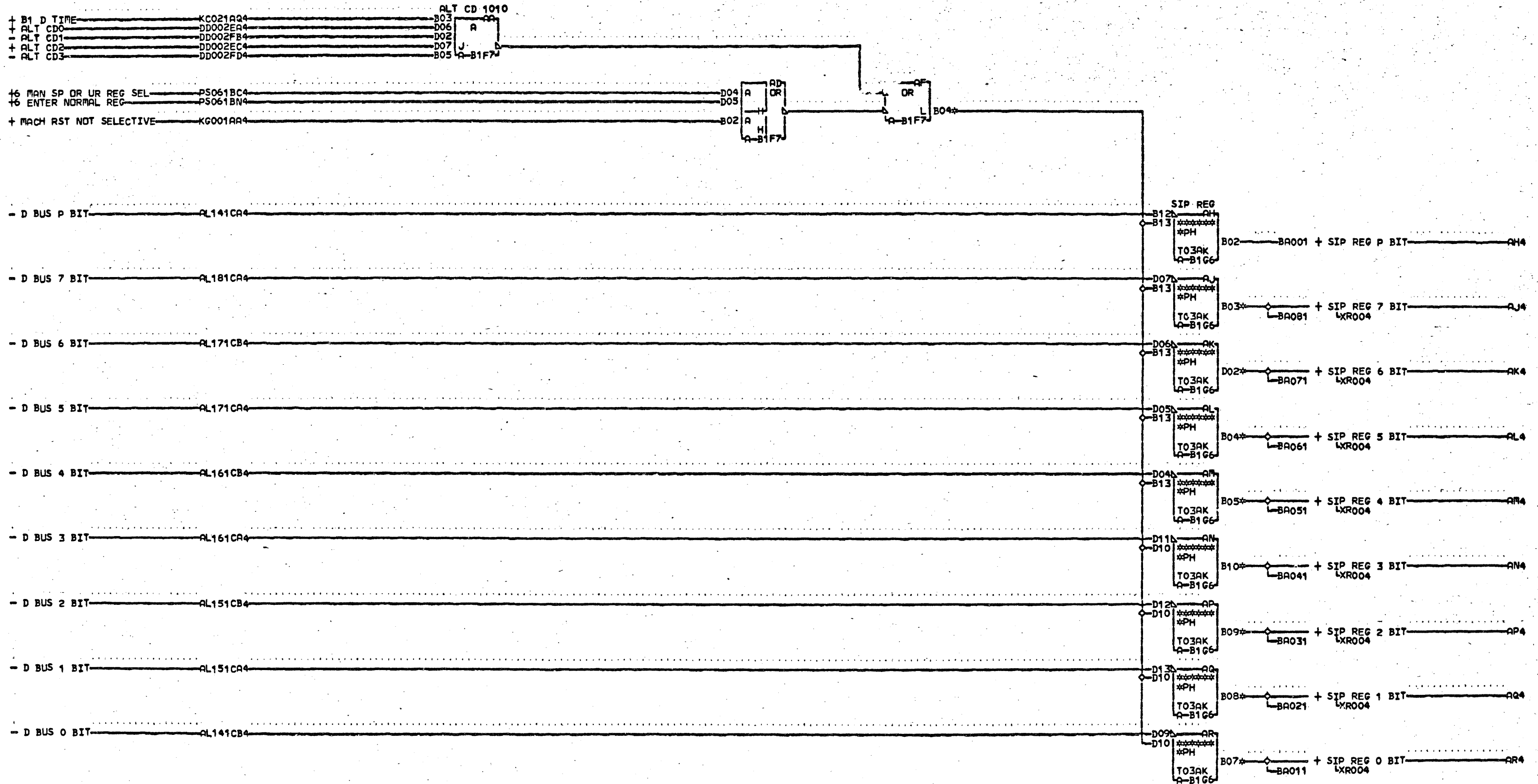
RL001
000

| | |
|---------------|---------------|
| DA4 RESISTOR | 01A-B3A4B07 |
| A-B1F7B08 | EF4 A-B1A5D05 |
| EB4 A-B1A3B09 | 01A-B3A3D05 |
| 01A-A3A5B09 | EG4 A-B1A2B13 |
| EC4 A-B1A4D05 | 01A-B2A2B13 |
| 01A-B3A4D05 | 01A-B2F8E04 |
| ED4 A-B1A4D06 | 01A-B3F1E09 |
| 01A-B3A4D06 | |
| EE4 A-B1A4B07 | |

LDC. TYPE
A-B1C7 0813
A-B1F7 3572

| IE CONTROL REGISTER | |
|---------------------|----------------|
| E.C. HISTORY | MACH#2314-FCU |
| 416129 | FRAME 01 |
| 416130 | IBR CORP. SDD |
| 420901 | P.No. 2244842 |
| DATE 06-26-67 | LAST EC 420908 |

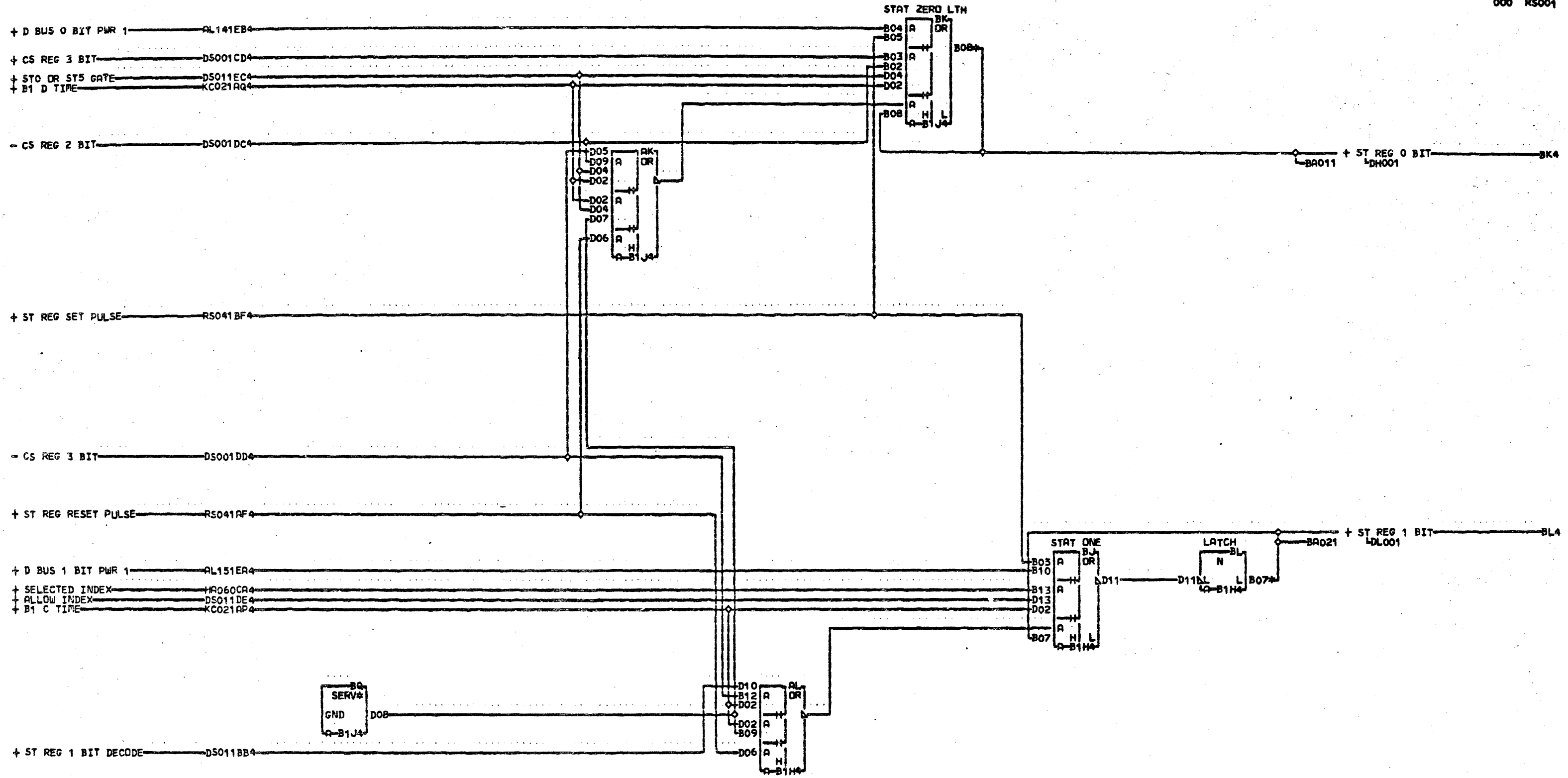
RL001
000



| | |
|--------------|---------------|
| AF4 RESISTOR | 01A-C3B6D07 |
| A-B1F7B04 | AN4 A-B1M5D06 |
| A-B1M5D11 | 01A-C3B6D06 |
| 01A-C3B6D11 | AP4 A-B1M5B05 |
| A-B1M5B10 | 01A-C3B6B05 |
| 01A-C3B6B10 | AQ4 A-B1M5B04 |
| A-B1M5B09 | 01A-C3B6B04 |
| 01A-C3B6B09 | AR4 A-B1M5D02 |
| A-B1M5D07 | 01A-C3B6D02 |

LDC TYPE
 A-B1F7 3572
 A-B1G6 4007

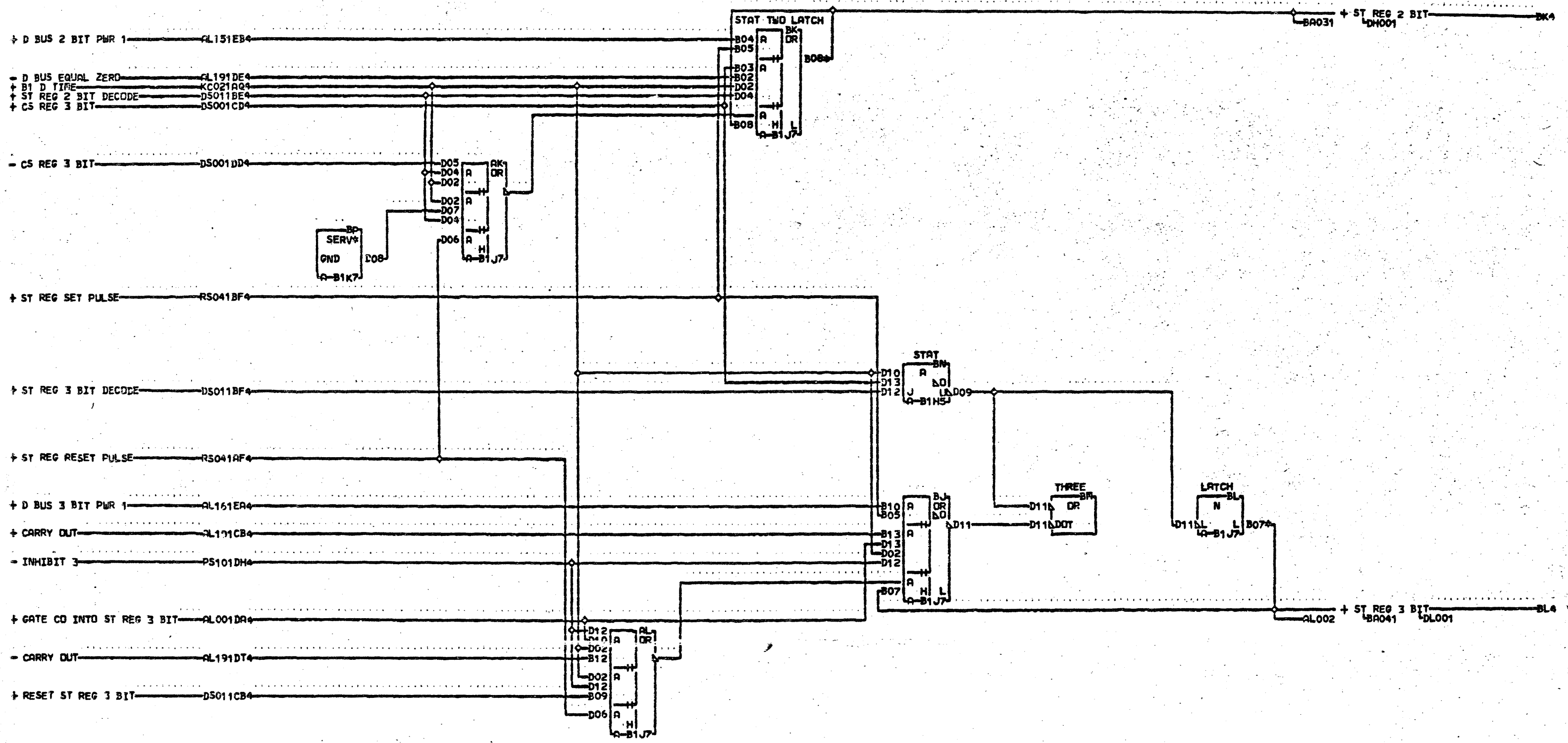
| SEEK IN PROGRESS REGISTER | |
|---------------------------|---------------|
| E.C. HISTORY | MACH.2314-FCU |
| 416120 | |
| 416122 | FRAME 01 |
| 416125 | |
| DATE | LAST EC |
| 09-21-66 | 416129 |
| | IBM CORP. SDD |
| | PaNo 2209425 |



BK4 A-B1N4D07
 01A-C1A4D07
 BL4 A-B1N4B08
 01A-C1A4B08

LOC. TYPE
 A-B1H4 3574
 A-B1JA 3574

| STATUS REGISTER | |
|-----------------|---------------|
| BITS 0 1 | |
| E-C-HISTORY | MACH-2314-FCU |
| 415120 | FRAME 01 |
| DATE LAST EC | ISA CORP. GPD |
| 06-01-66 416124 | P-N: 2209450 |



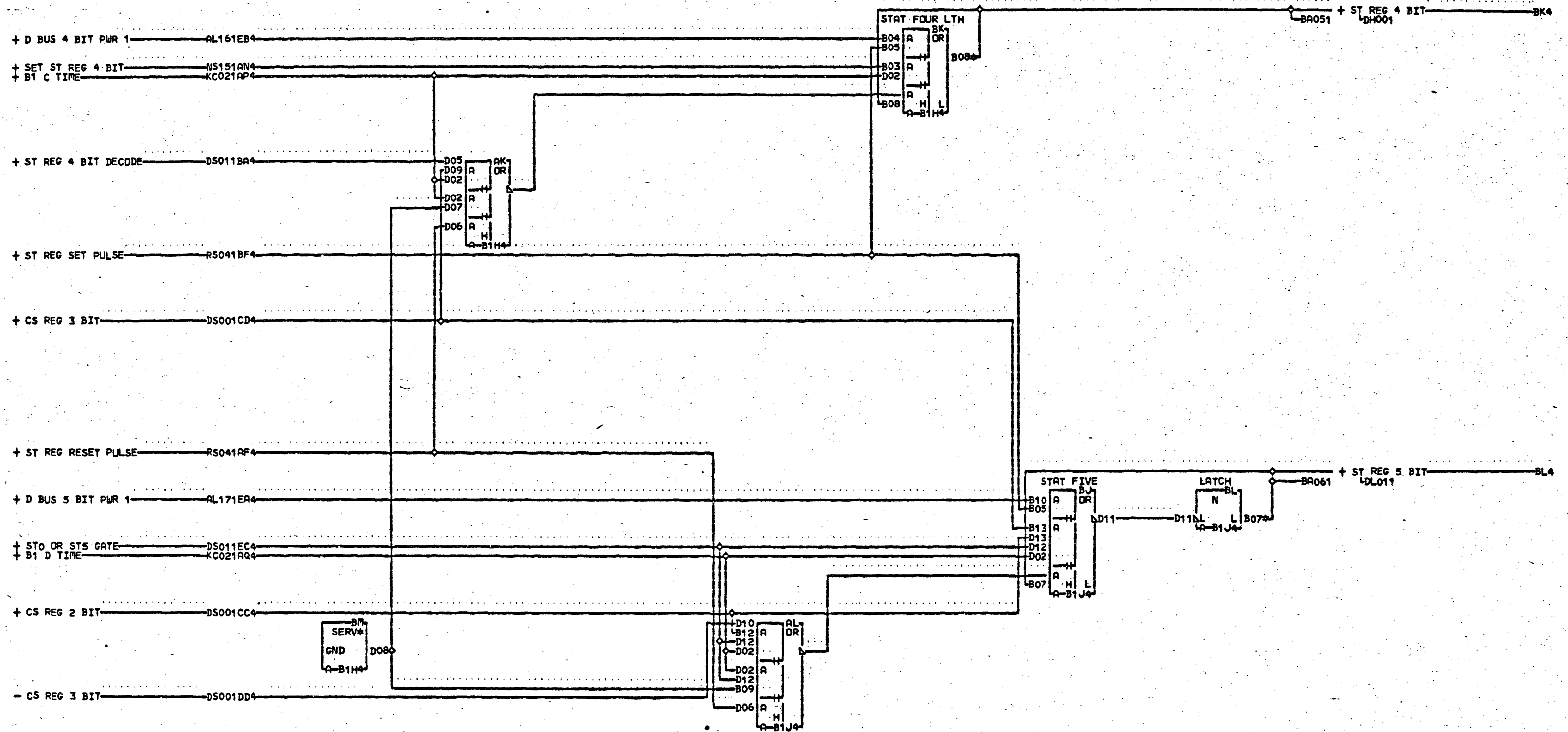
R
5
0
1
1

BK4 A-B1N4B09
 O1A-C1A4B09
 BL4 A-B1N4D09
 O1A-C1A4D09
 O1A-B1R8D04
 O1A-B2R1D09

LOC. TYPE
 A-B1H5 0238
 A-B1J7 3574

| STATUS REGISTER | |
|-----------------|---------------|
| BITS 2 3 | |
| E.C. HISTORY | RACH#2314-FCU |
| DATE | FRAME 01 |
| LAST EC | IBM CORP. GPD |
| 03-30-66 416120 | P.No 2209451 |

R
5
0
1
1



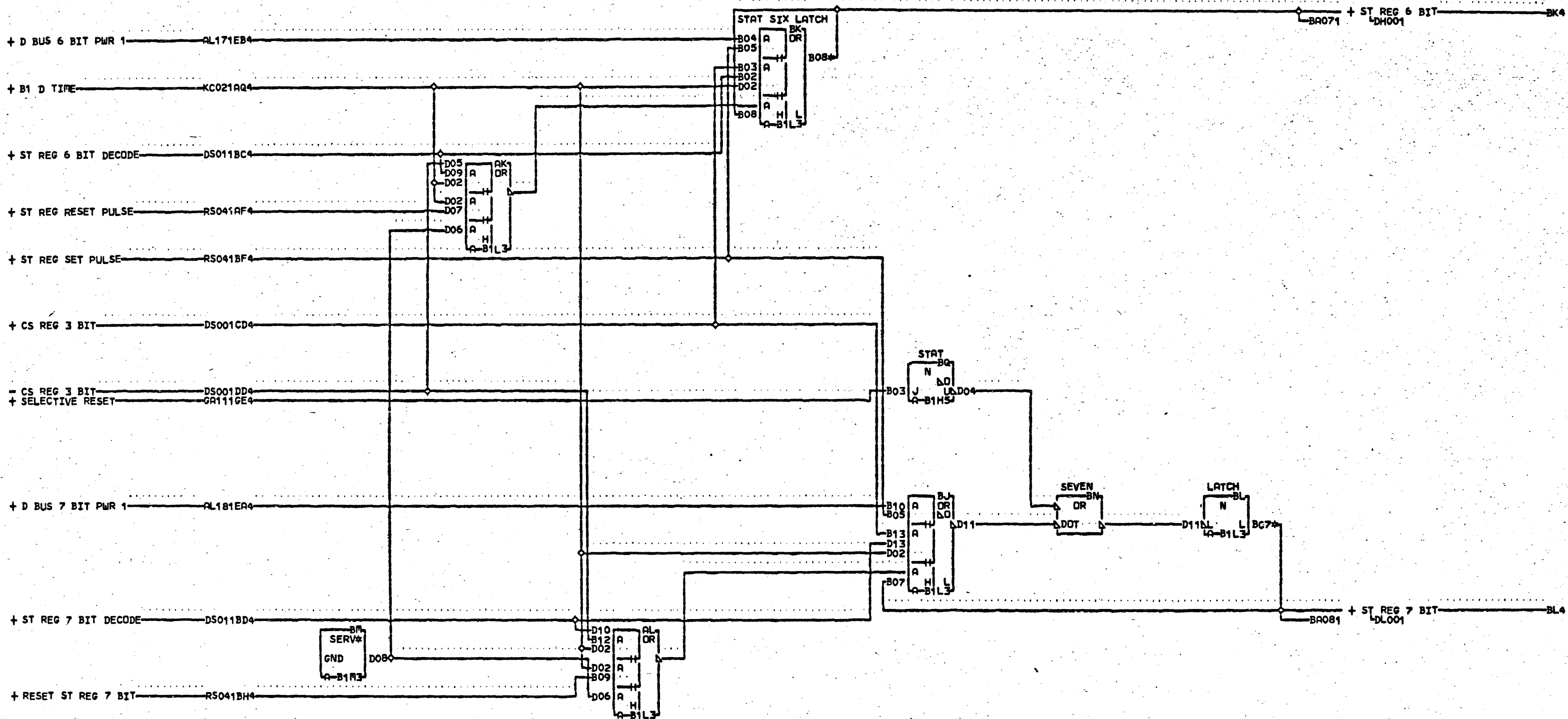
BK4 A-B1N4B10
 01A-C1A4B10
 BL4 A-B1N4D10
 01A-C1A4D10

LDC TYPE
 A-B1H4 3574
 A-B1J4 3574

| STATUS REGISTER BITS 4 5 | |
|-----------------------------|---------------|
| E-C-HISTORY | MACH-2314-FCU |
| | FRAME 01 |
| | IBM CORP. GPD |
| DATE LAST EC | P.No 2209452 |
| 03-30-66 416120 | |

R5021
 000

R5021
 000



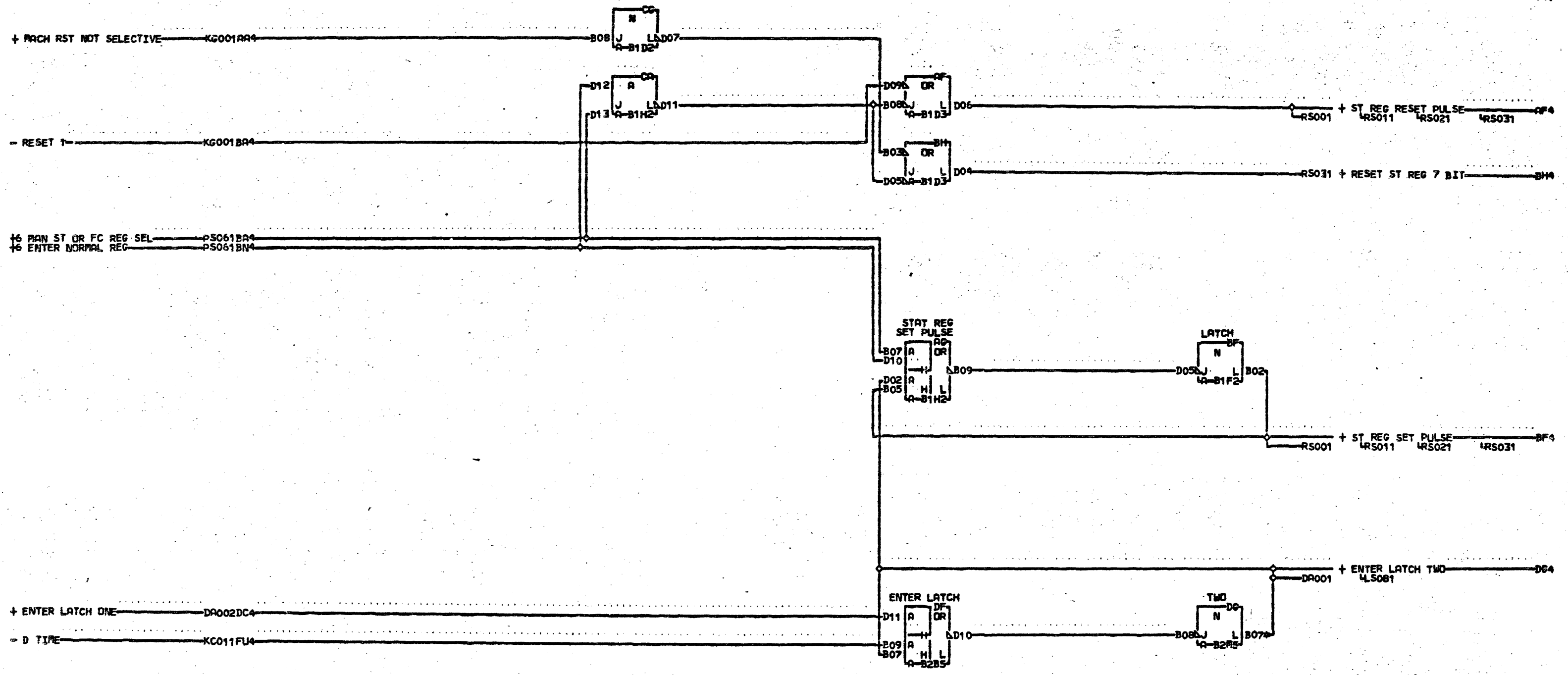
BK4 A-B1N4D11
 O1A-C1A4D11
 BL4 A-B1N4B12
 O1A-C1A4B12

LOC. TYPE
 A-B1H5 0238
 A-B1L3 3574

| STATUS REGISTER | |
|-----------------|---------------|
| BITS 6 7 | |
| E-C-HISTORY | MACH#2314-FCU |
| DATE | LAST EC |
| 03-30-66 | 416120 |
| FRAME | 01 |
| IBM CORP. GPD | |
| P.No. | 2209453 |

R 5031

R 5031



RS041

000

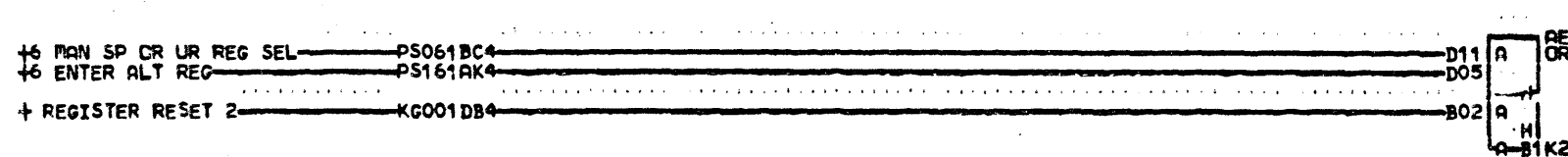
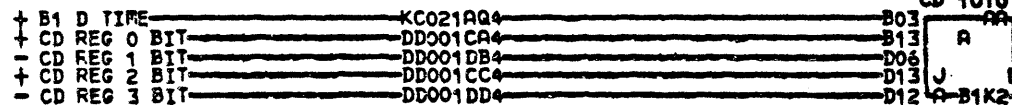
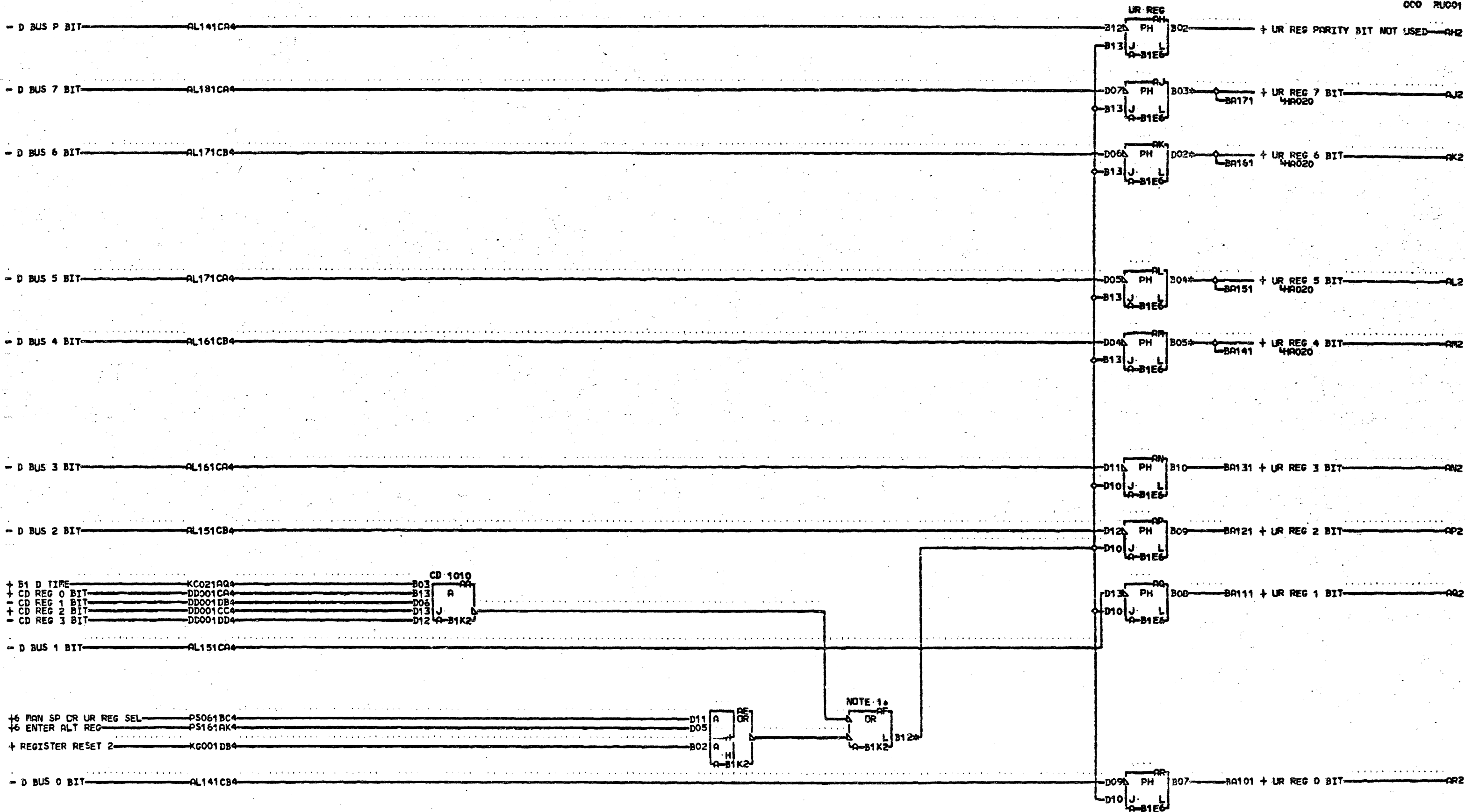
DG4 A-B2M1A09
 01A-B1N8A04
 01A-B1A7D10
 01B-A2A2D10

LOC. TYPE
 A-B1D2 3016
 A-B1D3 0199
 A-B1F2 3575
 A-B1H2 0007
 A-B2B5 0006
 A-B2M5 3575

| | |
|--|---------------|
| STATUS REGISTER SET AND RESET PULSE DRIVER | |
| E.C. HISTORY 416120 | MACH.2314-FCU |
| FRAME 01 | IBN CORP. SDD |
| DATE LAST EC 04-21-66 416122 | PeNo 2209454 |

RS041

000



NOTE 1. INTERNAL WIRING ON PINS
 R B02, B03, D05, D06.
 U SEE RCO01, RD011.
 0
 0
 000

AF4 RESISTOR 01A-B3A4B05
 AJ2 A-B1A4D02
 01A-B3A4D02
 AK2 A-B1A4B03
 01A-B3A4B03
 AL2 A-B1A4B04
 01A-B3A4B04
 AM2 A-B1A4B05

LDC TYPE
 A-B1E6 4007
 A-B1K2 3572

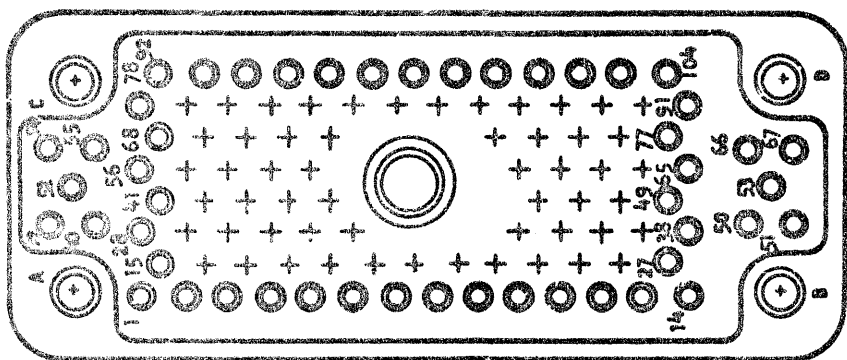
| UR REGISTER | |
|-----------------|-----------------|
| E-C-HISTORY | FRAMCH.2314-FCU |
| 416120 | FRAME 01 |
| 416122 | IBM CORP. SPD |
| 416126 | PoN. 2209455 |
| DATE LAST EC | |
| 09-20-66 416129 | |

RU001

| TESTER CONN 'A' PIN NO. | LAMP NO. | LAMP NAME | SAL BIT NO. | LATCH OUTPUT PIN | O2A2 INDICATOR CONN. PIN | O2A2 LOGIC CONN. PIN |
|-------------------------------|-------------|--------------|----------------|---------------------|--------------------------------|----------------------------|
| 1 | 1 | CA0 | 17 | J4B13 | M2D12 | N2D12 |
| 2 | 2 | CA1 | 19 | J4D13 | M2D13 | N2D13 |
| 3 | 3 | CA2 | 21 | J5B03 | M4D02 | N4D02 |
| 4 | 4 | CA3 | 23 | J5B02 | M4B04 | N4B04 |
| 5 | 5 | CA4 | 25 | K4B13 | M4B05 | N4B05 |
| 6 | 6 | CB0 | 27 | K4D13 | M4D06 | N4D06 |
| 7 | 7 | CB1 | 29 | K5B03 | M4D07 | N4D07 |
| 8 | 8 | CK0 | 31 | K5B02 | M4B09 | N4B09 |
| 9 | 9 | CK1 | 33 | L4B13 | M4B10 | N4B10 |
| 10 | 10 | CK2 | 35 | L4D13 | M4D11 | N4D11 |
| 11 | 11 | CK3 | 37 | L5B03 | M4D12 | N4D12 |
| 12 | 12 | CK4 | 39 | L5B02 | M4D13 | N4D13 |
| 13 | 13 | CK5 | 41 | J6B13 | M6D02 | N6D02 |
| 14 | 14 | CK6 | 43 | J6D13 | M6B04 | N6B04 |
| 15 | 15 | CK7 | 45 | J7B03 | M6B05 | N6B05 |
| 16 | 16 | CH0 | 01 | J2B13 | M2D02 | N2D02 |
| 17 | 17 | CH1 | 03 | J2D13 | M2B04 | N2B04 |
| 18 | 18 | CH2 | 05 | J3B03 | M2B05 | N2B05 |
| 19 | 19 | CH3 | 07 | J3B02 | M2D06 | N2D06 |
| 20 | 20 | CL0 | 09 | K2B13 | M2D07 | N2D07 |
| 21 | 21 | CL1 | 11 | K2D13 | M2B09 | N2B09 |
| 22 | 22 | CL2 | 13 | K3B03 | M2B10 | N2B10 |
| 23 | 23 | CL3 | 15 | K3B02 | M2D11 | N2D11 |
| 25 | 25 | PA | 47 | J7B02 | M6D06 | N6D06 |
| 27 | 27 | PS | 42 | J6D12 | M6B03 | N6B03 |
| 31 | 31 | CN0 | 00 | J2B12 | M2B02 | N2B02 |
| 32 | 32 | CN1 | 02 | J2D12 | M2B03 | N2B03 |
| 33 | 33 | CN2 | 04 | J3D02 | M2D04 | N2D04 |
| 34 | 34 | CN3 | 06 | J3B04 | M2D05 | N2D05 |
| 35 | 35 | CN4 | 08 | K2B12 | M2B07 | N2B07 |
| 36 | 36 | CN5 | 10 | K2D12 | M2B08 | N2B08 |
| 38 | 38 | PN | 12 | K3D02 | M2D09 | N2D09 |
| NOT USED | NOT USED | | 44 | J7D02 | M6D04 | N6D04 |
| 46 | 46 | CD0 | 22 | J5B04 | M4B03 | N4B03 |
| 47 | 47 | CD1 | 14 | K3B04 | M2D10 | N2D10 |
| 48 | 48 | CD2 | 16 | J4B12 | M2B12 | N2B12 |
| 49 | 49 | CD3 | 18 | J4D12 | M2B13 | N2B13 |
| 50 | 50 | CD4 | 20 | J5D02 | M4B02 | N4B02 |
| 51 | 51 | CV0 | 24 | K4B12 | M4D04 | N4D04 |
| 52 | 52 | CC0 | 26 | K4D12 | M4D05 | N4D05 |
| 53 | 53 | CC1 | 28 | K5D02 | M4B07 | N4B07 |
| 54 | 54 | CC2 | 30 | K5B04 | M4B08 | N4B08 |
| 55 | 55 | CS0 | 32 | L4B12 | M4D09 | N4D09 |
| 56 | 56 | CS1 | 34 | L4D12 | M4D10 | N4D10 |
| 57 | 57 | CS2 | 36 | L5D02 | M4B12 | N4B12 |
| 58 | 58 | CS3 | 38 | L5B04 | M4B13 | N4B13 |
| 59 | 59 | DM | 46 | J7B04 | M6D05 | N6D05 |
| 60 | 60 | PC | 40 | J6B12 | M6B02 | N6B02 |
| 81 | 81 | CHASSIS GND | | | MOUNTING BKT | |
| * 83 | * 83 | SIGNAL GND | | | M2D08 | |
| * 85 | * 85 | SIGNAL GND | | | M4D08 | |
| * 98 | * 98 | SIGNAL GND | | | M6D08 | GATE 'A' BUS 3 |
| * 99 | * 99 | +12V DC | | | M6B07 | GATE 'A' BUS 4 |
| X 103 | X 103 | +3V DC | | | M2D03 | |
| X 103 | X 103 | +3V DC | | | M4D03 | |
| X 103 | X 103 | +3V DC | | | M6D03 | |

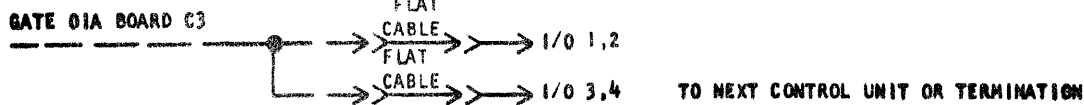
NOTES:

1. * COMMON WITHIN CABLE-83, 85, & 98.
2. X COMMON WITHIN CABLE.

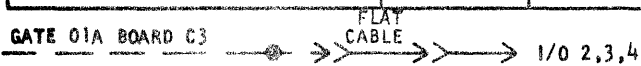


P/N 740549
WIRING SIDE

| I/O TESTER INTERFACE (TRO5) | | EC NUMBER | | DATE | |
|--------------------------------|-----------|-----------|--------|---------------|--|
| P/N | 2250858 | DATE | FEB 67 | DATE | |
| TYPE | 2314/2844 | DATE | | DATE | |
| | | | | IBM | |
| | | | | SP 201 | |



| LINE TITLE | LOGIC PAGE | | I/O 1,3 PIN NUMBER | I/O 2,4 PIN NUMBER |
|-----------------------------|-------------------|-------------|-----------------------|-----------------------|
| | WITH 2 CH. SW. | W/O 2 CH SW | | |
| BUS IN P CABLE CHNL A | GB001 | GA001 | G03 | |
| BUS IN O CABLE CHNL A | GB001 | GA001 | J04 | |
| BUS IN 1 CABLE CHNL A | GB001 | GA001 | G05 | |
| BUS IN 2 CABLE CHNL A | GB001 | GA001 | J06 | |
| BUS IN 3 CABLE CHNL A | GB001 | GA001 | G08 | |
| BUS IN 4 CABLE CHNL A | GB001 | GA001 | J09 | |
| BUS IN 5 CABLE CHNL A | GB001 | GA001 | G10 | |
| BUS IN 6 CABLE CHNL A | GB001 | GA001 | J11 | |
| BUS IN 7 CABLE CHNL A | GB001 | GA001 | G12 | |
| BUS OUT P CABLE CHNL A | GB031 | GA031 | B03 | |
| BUS OUT O CABLE CHNL A | GB031 | GA031 | D04 | |
| BUS OUT 1 CABLE CHNL A | GB031 | GA031 | B05 | |
| BUS OUT 2 CABLE CHNL A | GB031 | GA031 | D06 | |
| BUS OUT 3 CABLE CHNL A | GB031 | GA031 | B08 | |
| BUS OUT 4 CABLE CHNL A | GB031 | GA031 | D09 | |
| BUS OUT 5 CABLE CHNL A | GB031 | GA031 | B10 | |
| BUS OUT 6 CABLE CHNL A | GB031 | GA031 | D11 | |
| BUS OUT 7 CABLE CHNL A | GB031 | GA031 | B12 | |
| OPERATIONAL IN CABLE CHNL A | GB012 | GA011 | | B03 |
| STATUS IN CABLE CHNL A | GB012 | GA011 | | D04 |
| ADDRESS IN CABLE CHNL A | GB012 | GA011 | | B05 |
| SERVICE IN CABLE CHNL A | GB012 | GA011 | | D06 |
| ADDRESS OUT CABLE CHNL A | GB021 | GA021 | | B10 |
| COMMAND OUT CABLE CHNL A | GB021 | GA021 | | D11 |
| SUPPRESS OUT CABLE CHNL A | GB021 | GA021 | | B12 |
| SERVICE OUT CABLE CHNL A | GB021 | GA021 | | D13 |
| CLOCK OUT CABLE CHNL A | GB021 | GA021 | | G03 |
| METERING OUT CABLE CHNL A | GB021 | GA021 | | J04 |
| METERING IN CABLE CHNL A | GB012 | GA021 | | G05 |
| REQUEST IN CABLE CHNL A | GB012 | GA011 | | J06 |
| HOLD OUT CABLE CHNL A | GB021 | GA021 | | G12 |
| OPERATIONAL OUT CHNL A | GB021 | GA021 | | J13 |



| LINE TITLE | LOGIC PAGE | | I/O 2 PIN NUMBER | I/O 3 PIN NUMBER | I/O 4 PIN NUMBER |
|--------------------------|-------------------|-------------|---------------------|---------------------|---------------------|
| | WITH 2 CH. SW. | W/O 2 CH SW | | | |
| SELECT OUT CABLE CHNL A | GB021 | GA021 | D09 | | |
| SEL IN OUT CABLE A | GB061 | GA061 | | | B08 |
| OUTGOING SEL OUT CABLE A | GB061 | GA061 | | | D09 |
| SELECT IN CABLE CHNL A | GB061 | GA061 | B08 | | |

| | LOGIC PAGE | | CONNECTOR (EPO CHANNEL A) | | |
|--------------|------------|--|---------------------------|--|--|
| | | | | | |
| 24 VAC | YA007 | | PC1-1 | | |
| EPO CTR | YA021 | | PC1-2 | | |
| PWR COMP IN | YA031 | | PC1-3 | | |
| PWR COMP OUT | YA031 | | PC1-4 | | |
| PWR CTR HOLD | YA021 | | PC1-5 | | |
| PWR CTR PICK | YA021 | | PC1-6 | | |

| | | | |
|----------------|------|-----------|-------|
| I/O CONNECTORS | | CHANNEL A | |
| EC NUMBER | DATE | P N | TYPE |
| 416125 | | 2209808 | |
| JUL 66 | | | |
| SEPT 66 | | | |
| JUN 67 | | | |
| IBM | | | WCO11 |

7
6
5
4
3
2

SIGNAL CABLES - FCU TO FILE DRIVES

| FROM/TO FCU LINE TITLE | FCU LOGIC PAGE | FILE LOGIC PAGE | TO WF002 LINE TITLE |
|---------------------------|-------------------|--------------------|---------------------------------------|
| BUS 0 OR WRITE GATE | HA021 | WF002 | FILE BUS 0 |
| BUS 1 OR READ GATE | HA021 | WF002 | FILE BUS 1 |
| BUS 2 OR SEEK START | HA021 | WF002 | FILE BUS 2 |
| BUS 3 OR HEAD RST | HA021 | WF002 | FILE BUS 3 |
| BUS 4 OR ERASE GATE | HA021 | WF002 | FILE BUS 4 |
| BUS 5 OR SEL HEAD | HA021 | WF002 | FILE BUS 5 |
| BUS 6 OR RET TO 00 | HA021 | WF002 | FILE BUS 6 |
| BUS 7 OR HEAD ADV | HA021 | WF002 | FILE BUS 7 |
| SET DIFF | HA021 | WF002 | SET DIFFERENCE |
| SET CYL | HA021 | WF002 | SET CYLINDER |
| SET SIGN HEAD | HA021 | WF002 | SET HEAD & DIRECTION |
| CONTROL | HA021 | WF002 | CONTROL |
| | | | |
| | | | |
| CYLINDER ADDR REG 1 | HA051 | WF002 | CYLINDER ADDR REG 1 |
| CYLINDER ADDR REG 2 | HA051 | WF002 | CYLINDER ADDR REG 2 |
| CYLINDER ADDR REG 4 | HA051 | WF002 | CYLINDER ADDR REG 4 |
| CYLINDER ADDR REG 8 | HA051 | WF002 | CYLINDER ADDR REG 8 |
| CYLINDER ADDR REG 16 | HA051 | WF002 | CYLINDER ADDR REG 16 |
| CYLINDER ADDR REG 32 | HA051 | WF002 | CYLINDER ADDR REG 32 |
| CYLINDER ADDR REG 64 | HA051 | WF002 | CYLINDER ADDR REG 64 |
| CYLINDER ADDR REG 128 | HA051 | WF002 | CYLINDER ADDR REG 128 |
| SELECTED FILE BUSY | HA060 | WF002 | SELECTED BUSY |
| SELECTED ON LINE | HA060 | WF002 | SELECTED ON LINE |
| SELECTED INDEX | HA060 | WF002 | SELECTED INDEX |
| SELECTED UNSAFE | HA060 | WF002 | FILE UNSAFE |
| SELECTED SEEK INC | HA060 | WF002 | SELECTED SEEK INCOMP |
| SELECTED END OF CYL | HA060 | WF002 | SELECTED END OF CYL |
| PACK CHANGE | HA060 | WF002 | PACK CHANGE |
| WRITE CURRENT SENSE | HA072 | WF002 | WRITE CURRENT SENSE |
| MOD 0 SELECT | HA022 | WF002 | SELECT MOD 0 |
| MOD 1 SELECT | HA022 | WF002 | SELECT MOD 1 |
| MOD 2 SELECT | HA022 | WF002 | SELECT MOD 2 |
| MOD 3 SELECT | HA022 | WF002 | SELECT MOD 3 |
| MOD 4 SELECT | HA022 | WF002 | SELECT MOD 4 |
| MOD 5 SELECT | HA022 | WF002 | SELECT MOD 5 |
| MOD 6 SELECT | HA022 | WF002 | SELECT MOD 6 |
| MOD 7 SELECT | HA022 | WF002 | SELECT MOD 7 |
| SPARE MOD SELECT | HA022 | WF002 | SPARE MOD SELECT |
| GATED ATTENTION 0 | HA061 | WF002 | GATED ATTENTION 0 |
| GATED ATTENTION 1 | HA061 | WF002 | GATED ATTENTION 1 |
| GATED ATTENTION 2 | HA061 | WF002 | GATED ATTENTION 2 |
| GATED ATTENTION 3 | HA061 | WF002 | GATED ATTENTION 3 |
| GATED ATTENTION 4 | HA061 | WF002 | GATED ATTENTION 4 |
| GATED ATTENTION 5 | HA061 | WF002 | GATED ATTENTION 5 |
| GATED ATTENTION 6 | HA061 | WF002 | GATED ATTENTION 6 |
| GATED ATTENTION 7 | | WF002 | GATED ATTENTION 7 |
| GATED ATTENTION SPARE MOD | HA061 | WF002 | GATED ATTENTION SPARE MOD |
| -3 PWR ON RESET | PS061 | WF002 | -3 PWR ON + C.E. RESET SELECT LOCK |

DC + DATA CABLES - FCU TO FILE DRIVES

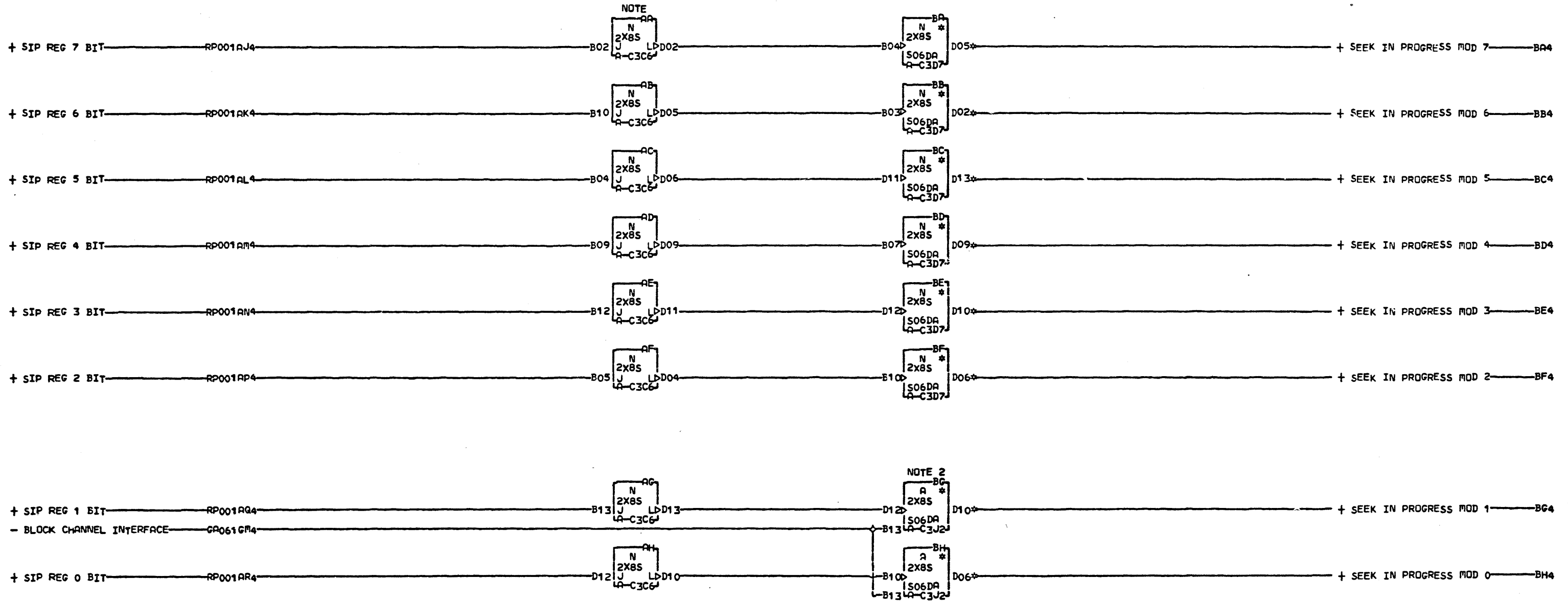
| FCU LINE TITLE | FCU LOGIC PAGE | FILE LOGIC PAGE | FILE DRIVES LINE TITLE |
|-----------------------------|-------------------|--------------------|---------------------------|
| +3 FILE TERMINATOR | YA051 | WF002 | +3 FILE TERMINATOR |
| HEADS EXTENDED | YA021 | WF002 | HEADS EXTENDED |
| CONTROLLED GND | YA021 | WF002 | CONTROLLED GND FROM FCU |
| +36 SEQUENCE PICK | YA051 | WF002 | SEQUENCE PICK IN |
| +36 | YA051 | WF002 | +36 |
| -36 | YA051 | WF002 | -36 |
| +6 | YA061 | WF002 | +6 |
| +3 | YA051 | WF002 | +3 |
| -3 | YA061 | WF002 | -3 |
| GND | YA051/YA061 | WF002 | GND |
| READ/WRITE COAX | NS001/2 | WF002 | READ/WRITE COAX |
| DRIVE A/B → /J SELECTED (9) | HA042 | WF002 | SELECTED MODULE |
| AC POWER | YA005 | WF002 | AC POWER |
| * -3V | YA061 | WF002 | -3V |
| * +6V | YA061 | WF002 | +6V |
| * GND | YA031 | WF002 | GND |
| * -ENABLE A | PS031 | WF002 | -ENABLE A |
| * -DISABLE A | PS031 | WF002 | -DISABLE A |
| * -ENABLE B | PS031 | WF002 | -ENABLE B |
| * -DISABLE B | PS031 | WF002 | -DISABLE B |
| * +6 TO -3 MULTI-TAG SW | PS031 | WF002 | +6 TO -3 MULTI-TAG SW |

* OPTIONAL FEATURE TWO CHANNEL SWITCH

NOTE: FOR GENERAL CABLE SCHEMATIC SEE WF001

| | | | | | |
|-----------------------|-----------|---------|-----------|---------|-------|
| FCU TO FILE FEED THRU | | P/N | | 2209827 | |
| DATE | EC NUMBER | DATE | EC NUMBER | TYPE | WF011 |
| APR 66 | 416034 | 4-28-66 | | | |
| JUNE 66 | 416124 | | | | |
| AUG 66 | 416128 | | | | |
| SEP 66 | 416126 | | | | |





NOTE. PLUG SLT CARDS IN C3C6 A
 C3D7 ONLY IF 2X8 FILE SWITCH
 X FEATURE AND NOT 2 CHANNEL SW
 R INSTALLED.
 O NOTE 2. A MINUS INPUT AT B13
 O PIN WILL DEGATE THESE CIRCUITS

| | |
|-----|-----------|
| BA4 | A-C3B7B07 |
| BB4 | A-C3B7D06 |
| BC4 | A-C3B7D05 |
| BD4 | A-C3B7B05 |
| BE4 | A-C3B7D04 |
| BF4 | A-C3B7B04 |
| BG4 | A-C3B7B03 |
| BH4 | A-C3B7D02 |

000

LOC. TYPE
 A-C3C6 3016
 A-C3D7 1443
 A-C3J2 1443

| | |
|------------------------------|----------------|
| SEEK IN PROGRESS MODS 0 TO 7 | |
| BASIC 2314 TO 2X8 SWITCH | |
| E.C. HISTORY | MACH. 2314-FCU |
| 416125 | |
| 416130 | FRAME 01 |
| 420906 | |
| 420912 | IBM CORP. SDD |
| DATE | LAST EC |
| 08-28-67 | 420907 |
| P.No. 2209192 | |

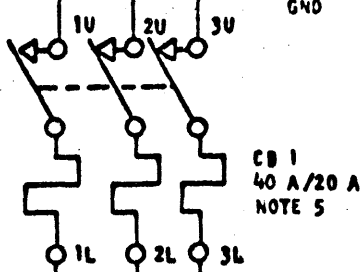
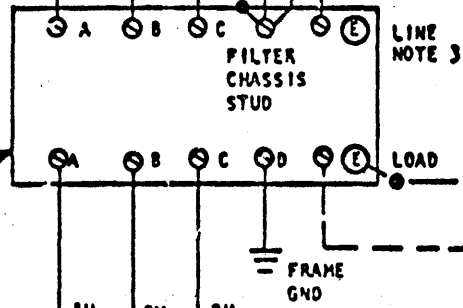
X
R
0
0
4

000

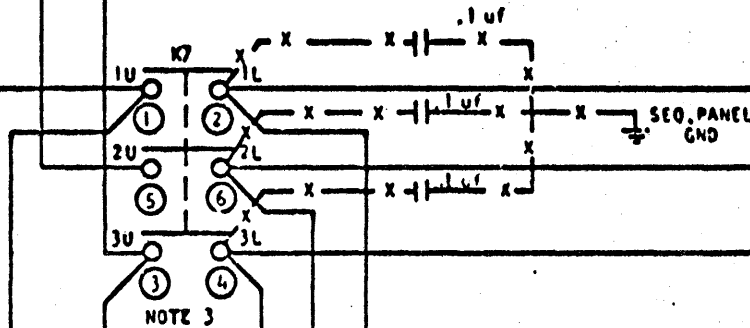
3 PHASE INPUT FROM WALL RECEPTACLE OR YA005 (NOTE 4)
 NEUTRAL
 GND
 PHASE 3
 PHASE 2
 PHASE 1

195V
 220/380V 206/230 VAC
 235/400V 60 CPS
 50 CPS

F1 LINE FILTER
 CASE ISOLATED FROM FRAME



CB 1
 40 A / 20 A
 NOTE 5



PHASE 1
 TB2-1
 YA011
 PHASE 2
 TB2-3
 YA011
 PHASE 3
 TB2-6
 YA011

NEUTRAL
 WT-TB-Y
 YA011

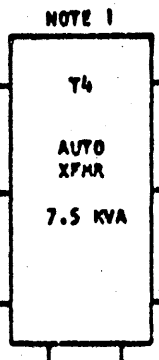
PHASE 1
 K14-1U CU 2
 YA005

PHASE 2
 K14-2U CU 2
 YA005

PHASE 3
 K14-3U CU 2
 YA005

T4 PRIMARY TERM. CONN.

| INPUT VOLTAGE | LINE CONNECTIONS | | |
|---------------|------------------|-------|-------|
| | 01 | 02 | 03 |
| 408V | TB-1 | TB-6 | TB-11 |
| 235V | TB-3 | TB-9 | TB-13 |
| 195V | TB-5 | TB-10 | TB-15 |



NOTE 1
 T4
 AUTO XFMR
 7.5 KVA

THERM SENSE
 EC20C CU#2
 YA082

THERM SENSE
 EC4B
 YA031

THERM SENSE
 EC4C
 YA031

THERM SENSE
 K17-1 OP CU#2
 YA082

PHASE 3
 TB1-6
 YA007
 PHASE 3
 TB1-6
 YA007
 PHASE 1
 TB1-8
 YA007
 PHASE 1
 WT-TB-2
 YA011

NOTES:

1. AUTO TRANSFORMER AND WIRING INSTALLED FOR 50~195 VAC OR 235/408 VAC INPUT ONLY. SEE TABLE FOR PRIMARY CONNECTIONS.
2. REMOVE JUMPERS BETWEEN K7-1L, 2L, 3L AND TB1-1, 2, 3 WHEN AUTO TRANSFORMER T4 OR 2844 IS INSTALLED.

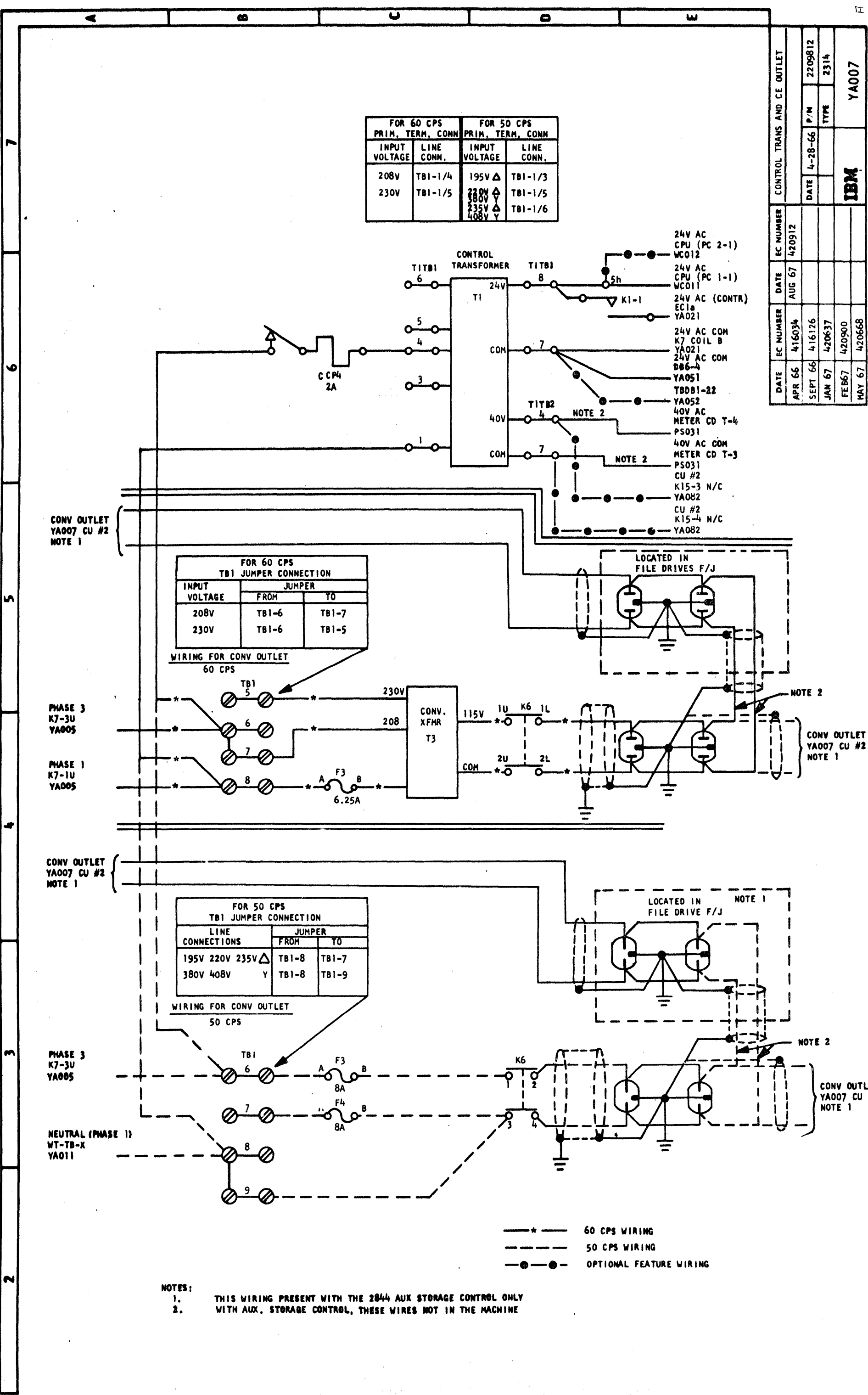
3. (X) CIRCLED NUMBERS ARE TERMINAL NUMBERS FOR 50~MACHINES ONLY.
4. INCOMING POWER COMES FROM YA005 OF 2ND CONTROL UNIT ON 2314'S HAVING 2 CONTROL UNITS
5. FOR 2844 AUX. STORAGE CONTROL 20 A IS INSTALLED

| DATE | EC NUMBER | DATE | AC POWER CONTROL |
|--------|-----------|---------------|------------------|
| APR 66 | 416034 | | |
| SEP 66 | 416126 | DATE: 4-28-66 | P W 2209B11 |
| JAN 67 | 420637 | TYPE | 2314 |
| MAY 67 | 420668 | | |
| JAN 68 | 422939 | | |

IBI
 YAC05

REA 73-01776.19 DEC. 67

TO FILES



| FOR 60 CPS | | FOR 50 CPS | |
|---------------|------------|---------------|------------|
| INPUT VOLTAGE | LINE CONN. | INPUT VOLTAGE | LINE CONN. |
| 208V | TB1-1/4 | 195V Δ | TB1-1/3 |
| 230V | TB1-1/5 | 220V Δ | TB1-1/5 |
| | | 380V Δ | TB1-1/6 |
| | | 235V Δ | |
| | | 408V Y | |

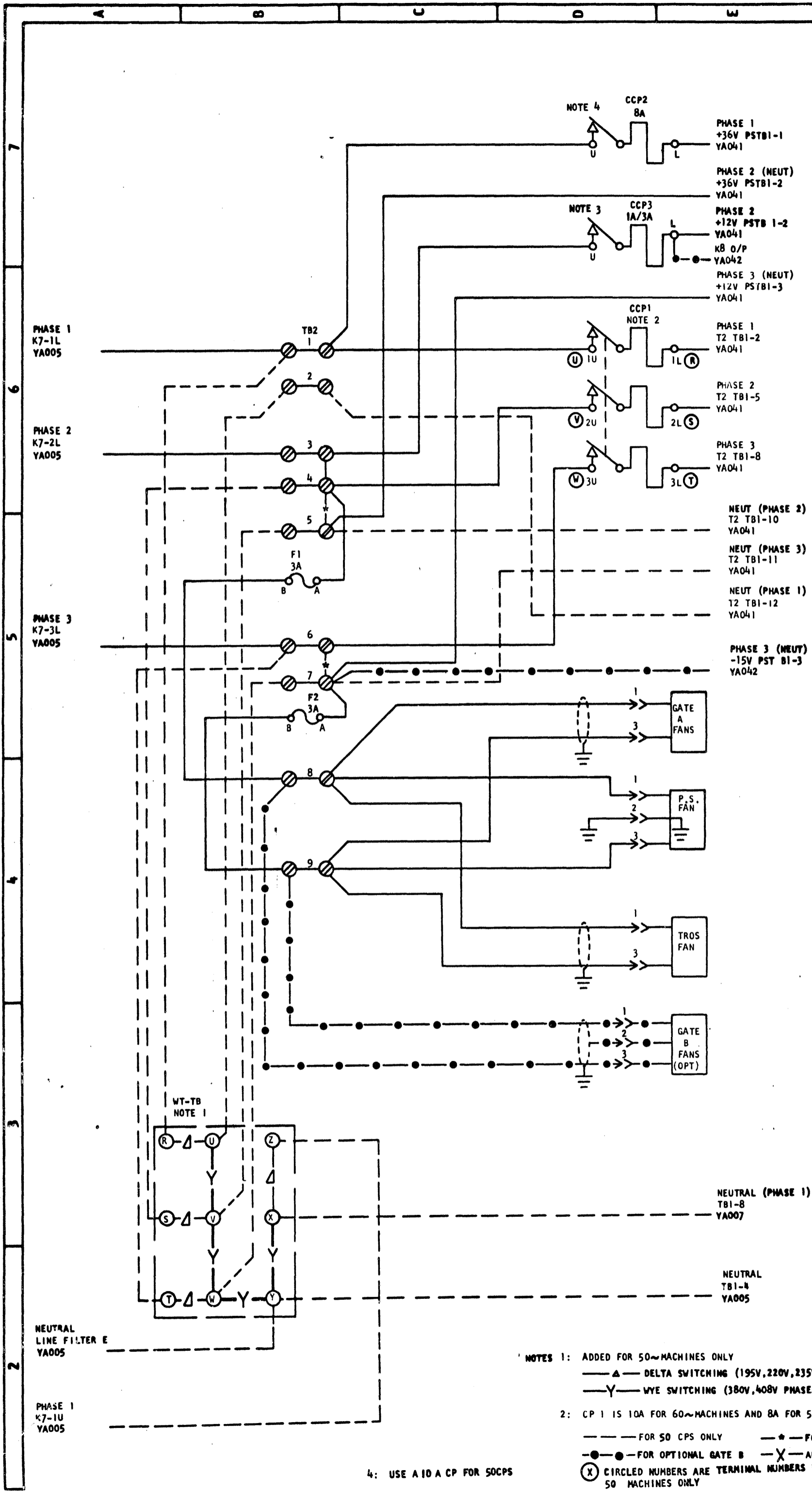
| CONTROL TRANS AND CE OUTLET | |
|-----------------------------|-----------|
| DATE | EC NUMBER |
| APR 66 | 416034 |
| SEPT 66 | 416126 |
| JAN 67 | 420637 |
| FEB 67 | 420900 |
| MAY 67 | 420668 |
| DATE | EC NUMBER |
| AUG 67 | 420912 |
| DATE | P/N |
| 4-28-66 | 2209812 |
| TYPE | 2314 |
| IBM | |
| YA007 | |

| FOR 60 CPS | | |
|---------------|-----------------------|-------|
| INPUT VOLTAGE | TB1 JUMPER CONNECTION | |
| | FROM | TO |
| 208V | TB1-6 | TB1-7 |
| 230V | TB1-6 | TB1-5 |

| FOR 50 CPS | | |
|------------------|--------|-------|
| LINE CONNECTIONS | JUMPER | |
| | FROM | TO |
| 195V 220V 235V Δ | TB1-8 | TB1-7 |
| 380V 408V Y | TB1-8 | TB1-9 |

NOTES:
 1. THIS WIRING PRESENT WITH THE 2844 AUX STORAGE CONTROL ONLY
 2. WITH AUX. STORAGE CONTROL, THESE WIRES NOT IN THE MACHINE

— * — 60 CPS WIRING
 - - - 50 CPS WIRING
 - ● - ● - OPTIONAL FEATURE WIRING



| AC POWER DISTRIBUTION | | DATE | | P/N | | TYPE | |
|-----------------------|--------|---------|---------|--------|--------|------|-------|
| EC NUMBER | | 4-28-66 | 2209813 | | | | |
| DATE | | | | | | | |
| EC NUMBER | 416034 | 416125A | 416126 | 420637 | 420900 | | |
| DATE | APR 66 | JUL 66 | SEPT 66 | JAN 67 | MAR 67 | | |
| | | | | | | | IBM |
| | | | | | | | YAO11 |



NEUTRAL (PHASE 1)
TB1-8
YAO07

NEUTRAL
TB1-4
YAO05

- NOTES 1: ADDED FOR 50~MACHINES ONLY
- Δ— DELTA SWITCHING (195V, 220V, 235V PHASE/PHASE)
 - Y— WYE SWITCHING (380V, 408V PHASE/PHASE)
- 2: CP 1 IS 10A FOR 60~MACHINES AND 8A FOR 50~MACHINES.
- — — FOR 50 CPS ONLY
 - *— FOR 60 CPS ONLY
 - FOR OPTIONAL GATE B
 - X— AUX STOR. CNTL
- 3: USE A 3 AMP C.P. WHEN MACHINE HAS GATE B (OPTIONAL FEATURE)
- 4: USE A 10 A CP FOR 50CPS

7
6
5
4
3
2

PHASE 1
K7-1L
YAO05

PHASE 2
K7-2L
YAO05

PHASE 3
K7-3L
YAO05

NEUTRAL
LINE FILTER E
YAO05

PHASE 1
K7-1U
YAO05

WT-TB
NOTE 1

NOTE 4

CCP2
8A

PHASE 1
+36V PSTB1-1
YAO41

PHASE 2 (NEUT)
+36V PSTB1-2
YAO41

PHASE 2
+12V PSTB 1-2
YAO41
K8 O/P
YAO42

PHASE 3 (NEUT)
+12V PSTB1-3
YAO41

PHASE 1
T2 TB1-2
YAO41

PHASE 2
T2 TB1-5
YAO41

PHASE 3
T2 TB1-8
YAO41

NEUT (PHASE 2)
T2 TB1-10
YAO41

NEUT (PHASE 3)
T2 TB1-11
YAO41

NEUT (PHASE 1)
T2 TB1-12
YAO41

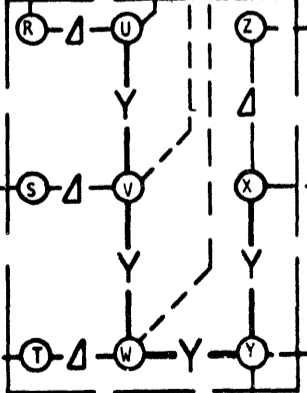
PHASE 3 (NEUT)
-15V PST B1-3
YAO42

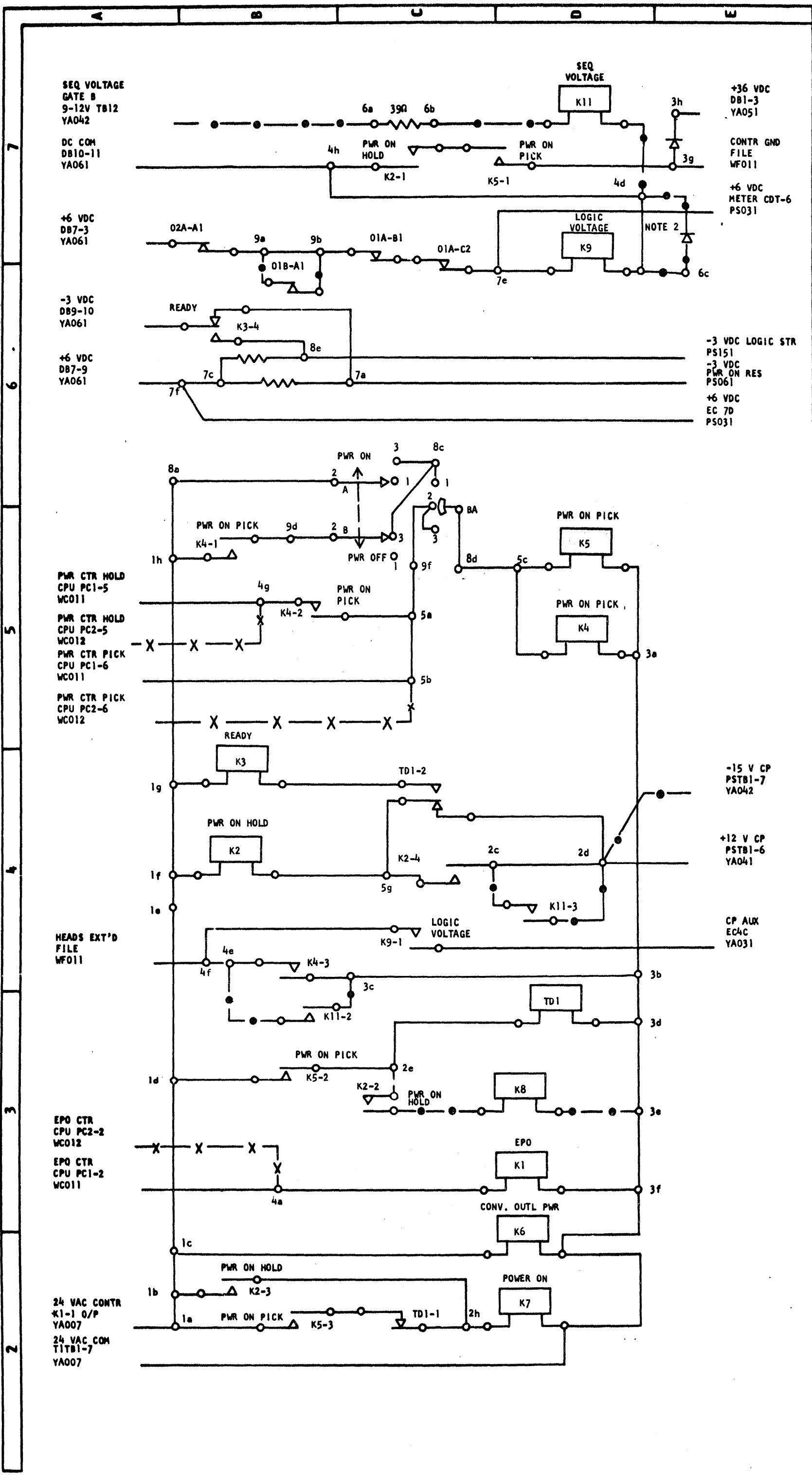
GATE
A
FANS

P.S.
FAN

TROS
FAN

GATE
B
FANS
(OPT)





SEQ VOLTAGE
GATE B
9-12V TB12
YA042

DC COM
DB10-11
YA061

+6 VDC
DB7-3
YA061

-3 VDC
DB9-10
YA061

+6 VDC
DB7-9
YA061

+36 VDC
DB1-3
YA051

CONTR GND
FILE
WF011

+6 VDC
METER CDT-6
PS031

-3 VDC LOGIC STR
PS151
-3 VDC
PWR ON RES
PS061
+6 VDC
EC 7D
PS031

PWR CTR HOLD
CPU PC1-5
WC011

PWR CTR HOLD
CPU PC2-5
WC012

PWR CTR PICK
CPU PC1-6
WC011

PWR CTR PICK
CPU PC2-6
WC012

HEADS EXT'D
FILE
WF011

EPO CTR
CPU PC2-2
WC012

EPO CTR
CPU PC1-2
WC011

24 VAC CONTR
K1-1 O/P
YA007

24 VAC COM
T1TB1-7
YA007

-15 V CP
PSTB1-7
YA042

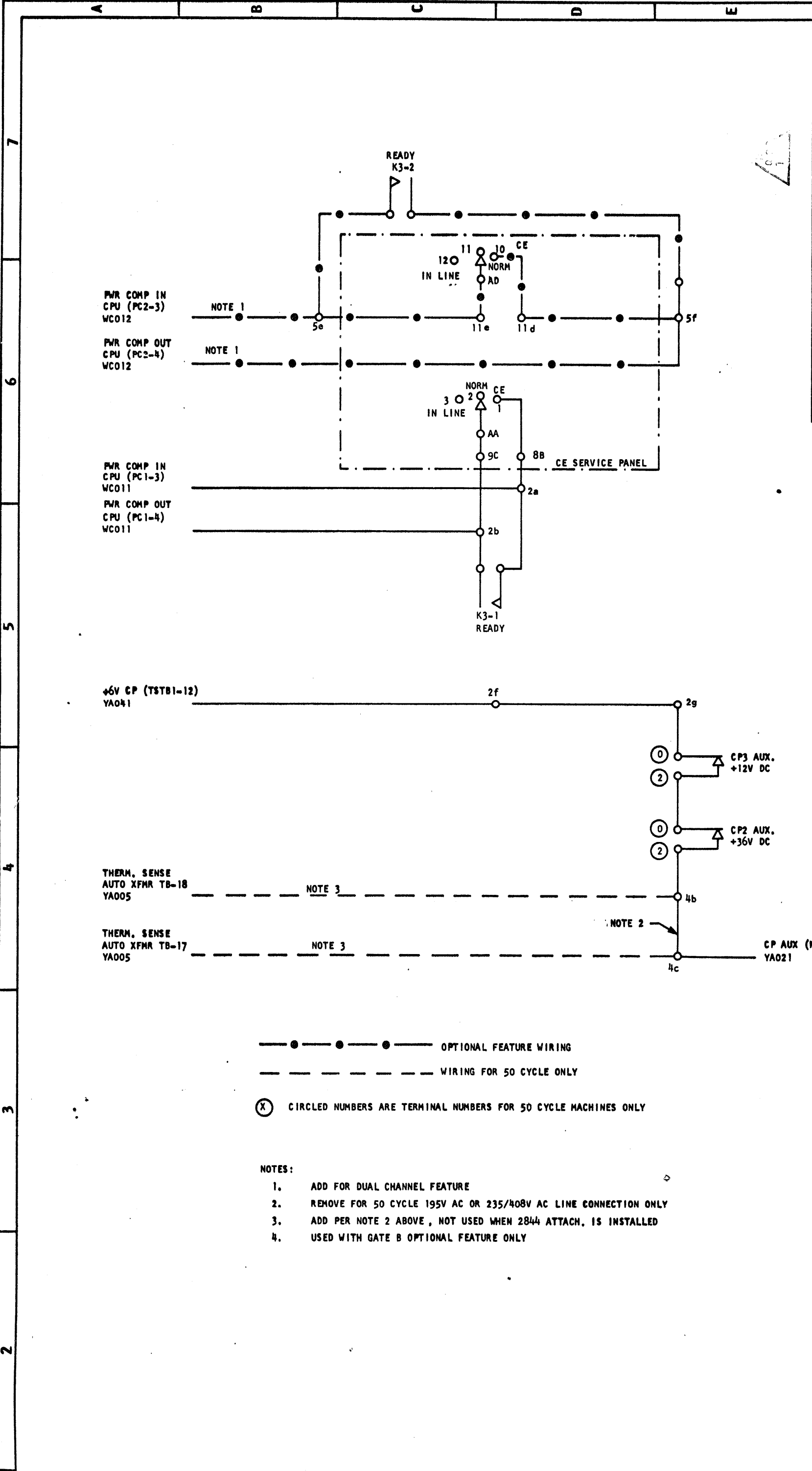
+12 V CP
PSTB1-6
YA041

CP AUX
EC4C
YA031

| POWER SEQUENCE CONTROL | |
|------------------------|------|
| EC NUMBER | DATE |
| | |
| | |
| | |
| | |
| | |
| | |
| | |
| | |
| | |

| DATE | EC NUMBER | DATE | P/N | TYPE | YA021 |
|--------|-----------|--------|---------|------|-------|
| JAN 67 | 420637 | MAY 67 | 2209814 | 2314 | |
| MAR 67 | 420900 | | | | |
| MAY 67 | 420668 | | | | |

RED



| POWER SEQUENCE | |
|----------------|-----------|
| DATE | EC NUMBER |
| APR 66 | 416034 |
| JUL 66 | 416125A |
| AUG 66 | 416127 |
| SEPT 66 | 416126 |
| JAN 67 | 420637 |

| DATE | P/N | TYPE |
|--------|---------|------|
| NOV 66 | 2209815 | 2314 |

| | |
|------------|-------|
| IBM | YA031 |
|------------|-------|

- - - - - OPTIONAL FEATURE WIRING
 - - - - - WIRING FOR 50 CYCLE ONLY
 (X) CIRCLED NUMBERS ARE TERMINAL NUMBERS FOR 50 CYCLE MACHINES ONLY

- NOTES:
1. ADD FOR DUAL CHANNEL FEATURE
 2. REMOVE FOR 50 CYCLE 195V AC OR 235/408V AC LINE CONNECTION ONLY
 3. ADD PER NOTE 2 ABOVE, NOT USED WHEN 2844 ATTACH. IS INSTALLED
 4. USED WITH GATE B OPTIONAL FEATURE ONLY

| +36V P.S. PRIMARY CONN. | | | | +12V P.S. PRIMARY CONN. | | | | |
|---------------------------|-----------|---------------------------|-----------|------------------------------|-----------|---------------------------|---------------|-----------|
| FOR 60 CPS PRIM TERM CONN | | FOR 50 CPS PRIM TERM CONN | | FOR 60 CPS PRIM TERM CONNECT | | FOR 50 CPS PRIM TERM CONN | | |
| INPUT VOLTAGE | LINE CONN | INPUT VOLTAGE | LINE CONN | INPUT VOLTAGE | LINE CONN | JUMPER | INPUT VOLTAGE | LINE CONN |
| 208V | 1-2 | 195V | 1-2 | 208V | 2-3 | 1-4 | 195V | 1-2 |
| 230V | 1-3 | 220V | 1-3 | 230V | 2-3 | 1-5 | 220V | 1-3 |
| | | 235V | 1-4 | | | | 235V | 1-4 |

7
6
5
4
3
2

PHASE 2
CP 3-L
YA011

PHASE 3 (NEUT)
TB2-7
YA011

+12V CP (EC2d)
YA021

9-12V CP (TSTB1-6)
YA042

PHASE 1
CP2-L
YA011

PHASE 2 (NEUT)
TB2-5
YA011

PHASE 1
CPI-1L
YA011

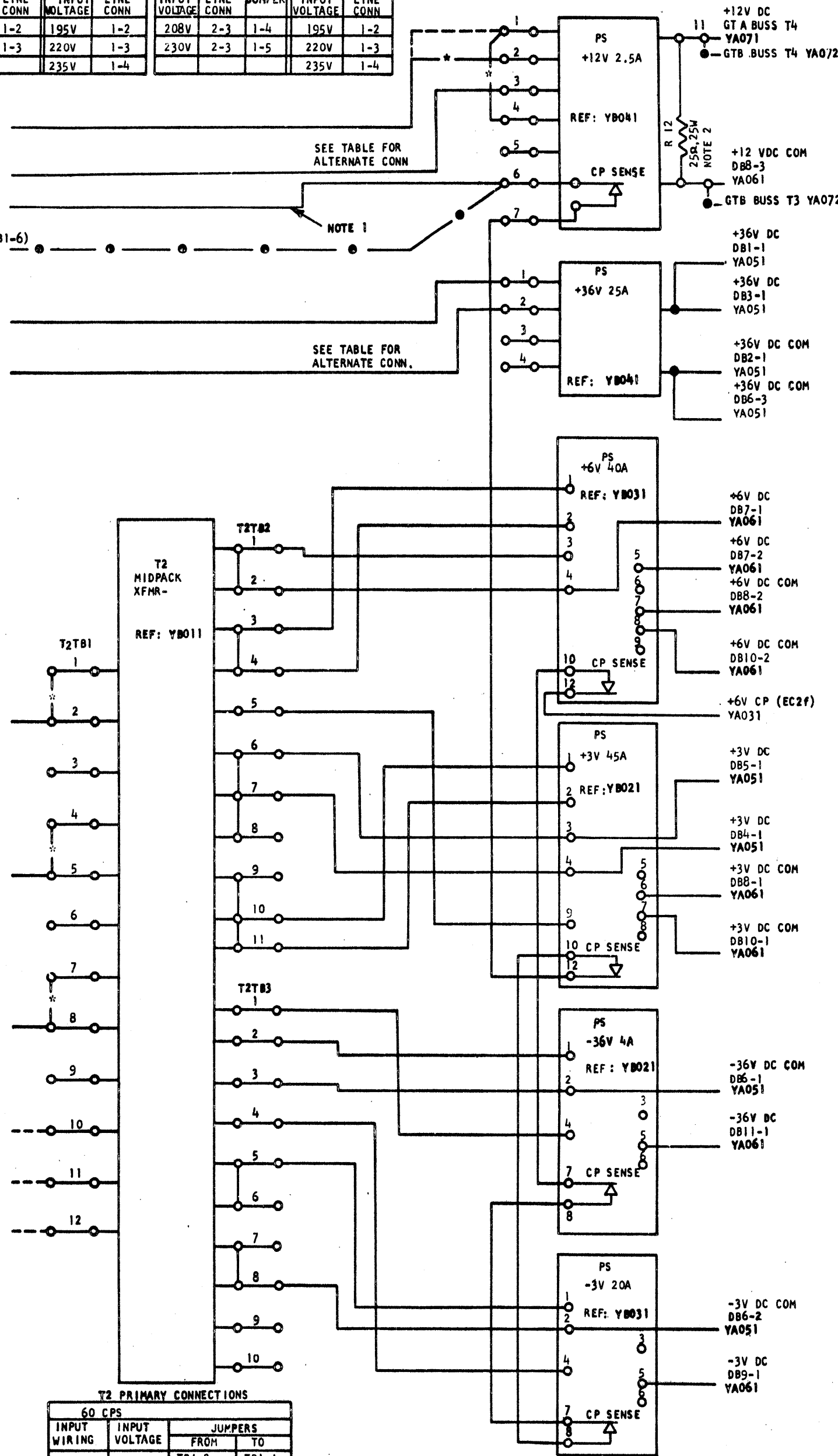
PHASE 2
CPI-2L
YA011

PHASE 3
CPI-3L
YA011

NEUT (PHASE 2)
TB2-5
YA011

NEUT (PHASE 3)
TB2-7
YA011

NEUT (PHASE 1)
TB2-2
YA011



T2 PRIMARY CONNECTIONS

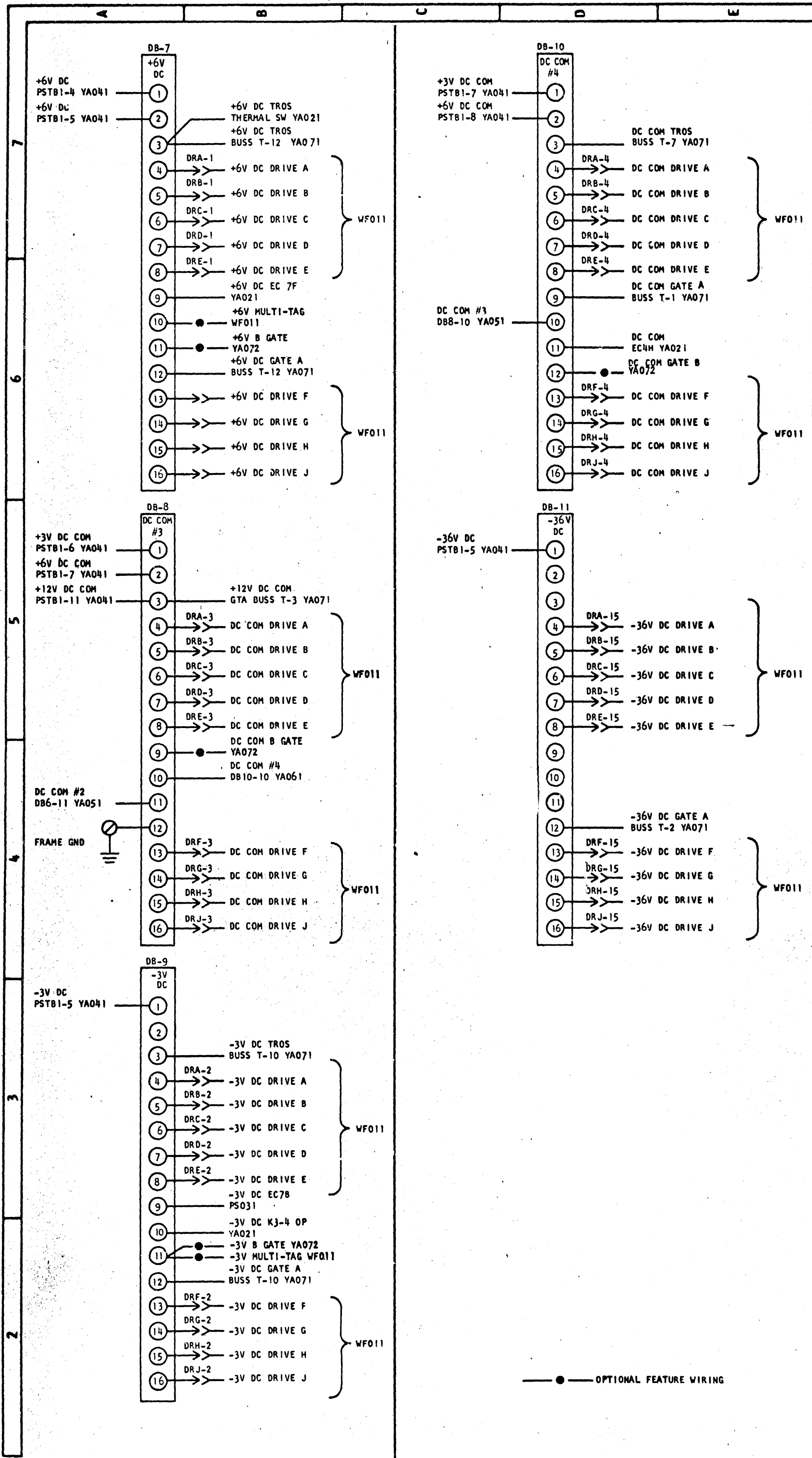
| 60 CPS | | | |
|---------------|---------------|---------|--------|
| INPUT WIRING | INPUT VOLTAGE | JUMPERS | |
| | | FROM | TO |
| TB1-2 | 230V | TB1-2 | TB1-1 |
| | | TB1-5 | TB1-4 |
| | | TB1-8 | TB1-7 |
| TB1-5 | 208V | TB1-2 | TB1-3 |
| | | TB1-5 | TB1-6 |
| | | TB1-8 | TB1-9 |
| 50 CPS | | | |
| INPUT VOLTAGE | | | |
| INPUT WIRING | 195V | TB1-1 | TB1-2 |
| | 220V | TB1-4 | TB1-5 |
| | 235V | TB1-7 | TB1-8 |
| | | TB1-10 | TB1-9 |
| | | TB1-11 | TB1-11 |
| | | TB1-12 | TB1-12 |

—●— OPTIONAL FEATURE WIRING
 —*— 60~ MACHINES ONLY
 - - - 50~ MACHINES ONLY

NOTE: 1. REMOVE FOR GATE B OPTIONAL FEATURE
 2. THIS RESISTOR IS LOCATED NEAR THE EDGE CONNECTORS IN THE POWER SEQUENCE BOX.

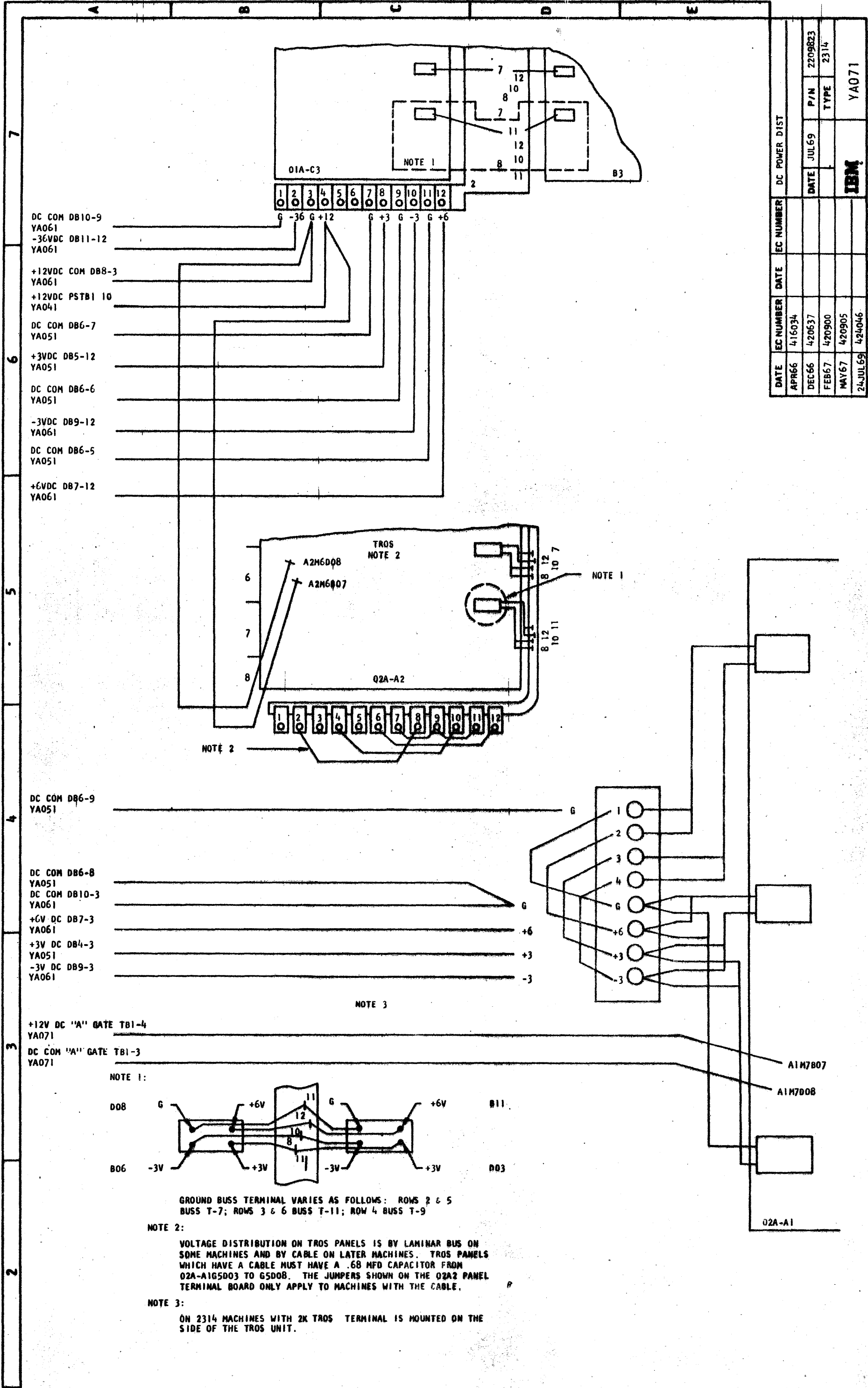
| POWER SUPPLIES WIRING | | | |
|-----------------------|-----------|---------|---------|
| DATE | EC NUMBER | DATE | P/N |
| APR 66 | 416034 | 4-28-66 | 2209816 |
| JUL 66 | 416125A | | 2314 |
| SEPT 66 | 416126 | | |
| DEC 66 | 420637 | | |
| MAY 67 | 420905 | | |

IBM
YA041

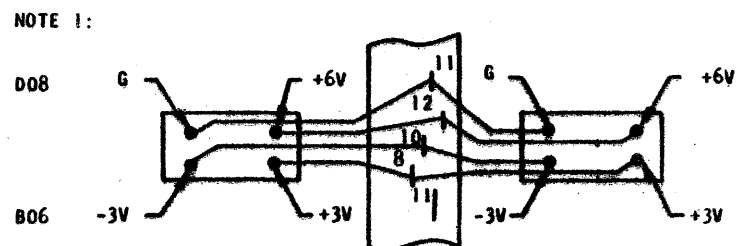


| DC DISTRIBUTION BUSS | | P/N | | TYPE | | YA061 | |
|----------------------|-----------|---------|--------|------|------|-------|-----|
| DATE | EC NUMBER | DATE | P/N | DATE | TYPE | DATE | P/N |
| APR 66 | 416034 | 4-28-66 | 220918 | | | | |
| JUL 66 | 416125A | | | | | | |
| SEPT 66 | 416126 | | | | | | |
| MAR 67 | 420900 | | | | | | |
| JAN 68 | 420919 | | | | | | |

IBM



| DC POWER DIST | | P/N | | TYPE | |
|---------------|-----------|------|--------|------|-------|
| DATE | EC NUMBER | DATE | JUL 69 | | YA071 |
| APR 66 | 416034 | | | | |
| DEC 66 | 420637 | | | | |
| FEB 67 | 420900 | | | | |
| MAY 67 | 420905 | | | | |
| 24 JUL 69 | 424046 | | | | |



GROUND BUSS TERMINAL VARIES AS FOLLOWS: ROWS 2 & 5 BUSS T-7; ROWS 3 & 6 BUSS T-11; ROW 4 BUSS T-9

NOTE 2:
 VOLTAGE DISTRIBUTION ON TROS PANELS IS BY LAMINAR BUS ON SOME MACHINES AND BY CABLE ON LATER MACHINES. TROS PANELS WHICH HAVE A CABLE MUST HAVE A .68 MFD CAPACITOR FROM Q2A-A1G5D03 TO G5D08. THE JUMPERS SHOWN ON THE Q2A2 PANEL TERMINAL BOARD ONLY APPLY TO MACHINES WITH THE CABLE.

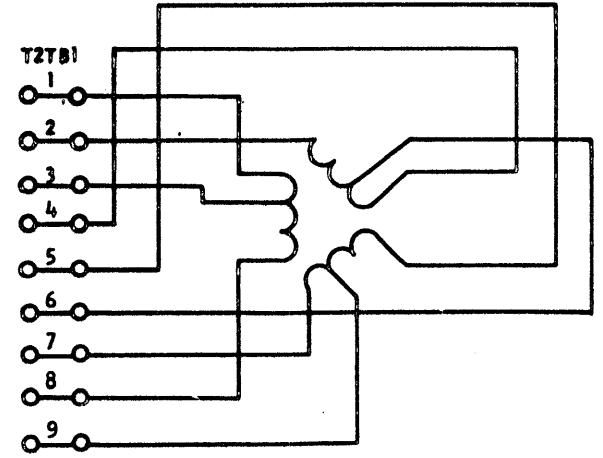
NOTE 3:
 ON 2314 MACHINES WITH 2K TROS TERMINAL IS MOUNTED ON THE SIDE OF THE TROS UNIT.

| | | | | |
|------------------|---------|-------------|--------|-------|
| T2 TFMR-RECT ASH | | P/N 2209841 | | YBOII |
| DATE | 4-28-66 | TYPE | 2314 | |
| EC NUMBER | 416734 | DATE | MAY 67 | IBM |
| DATE | APR 66 | EC NUMBER | 420905 | |

T2 TFMR-RECT ASSEMBLY

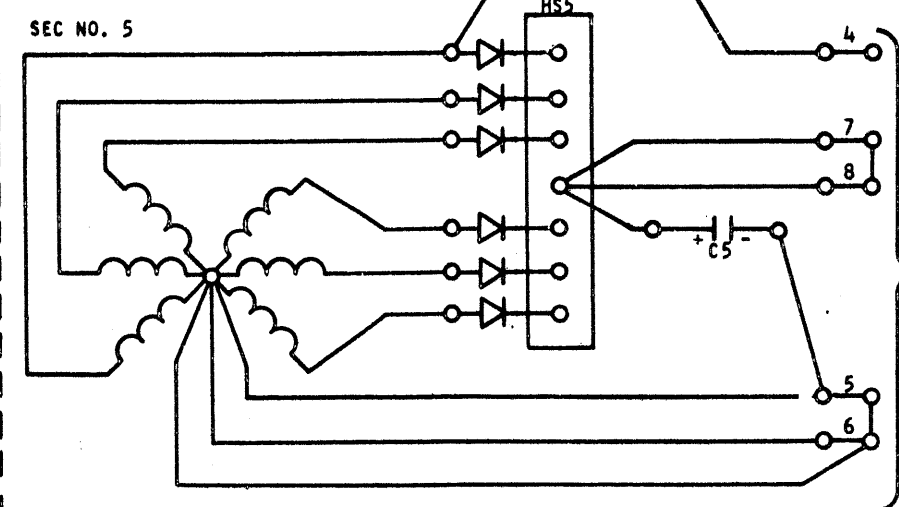
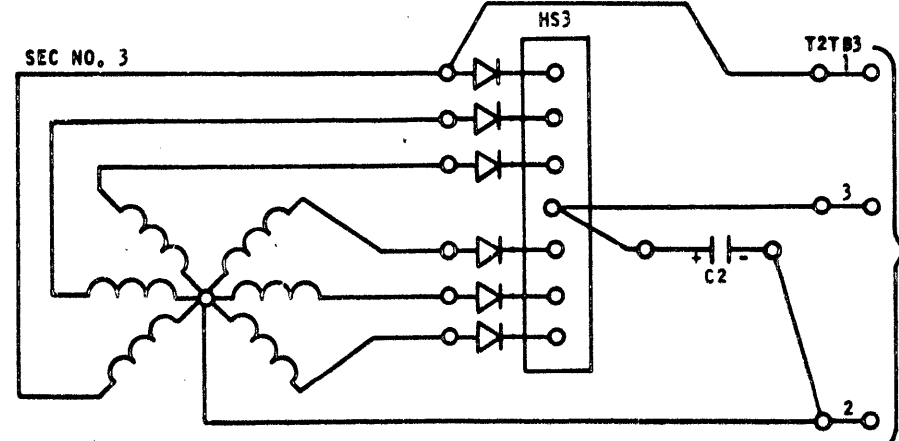
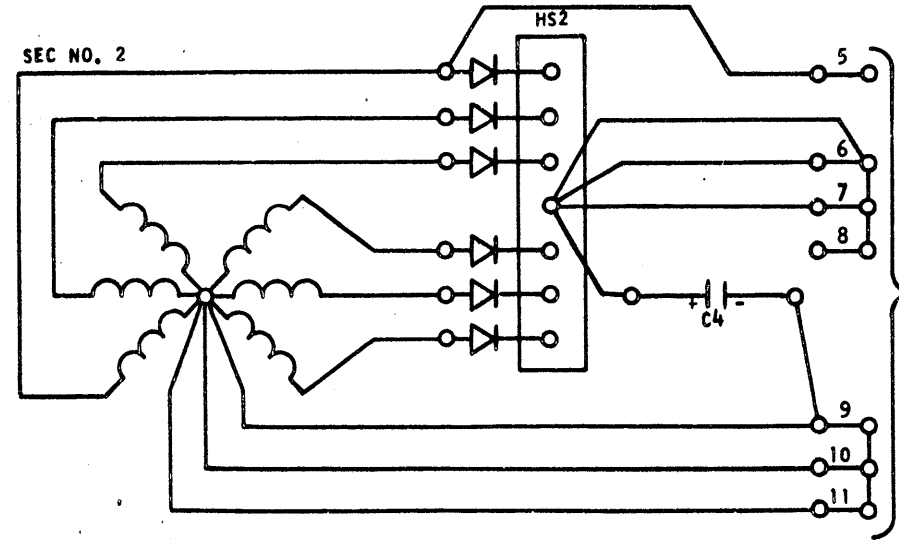
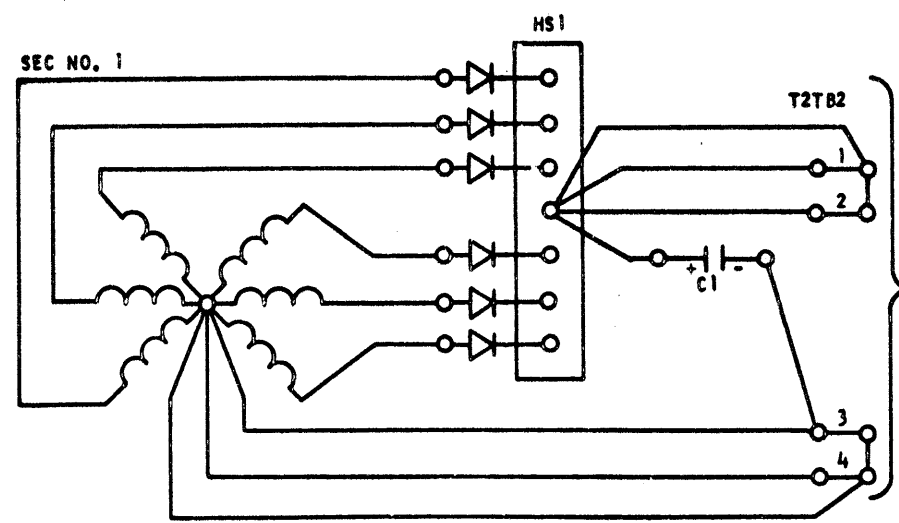
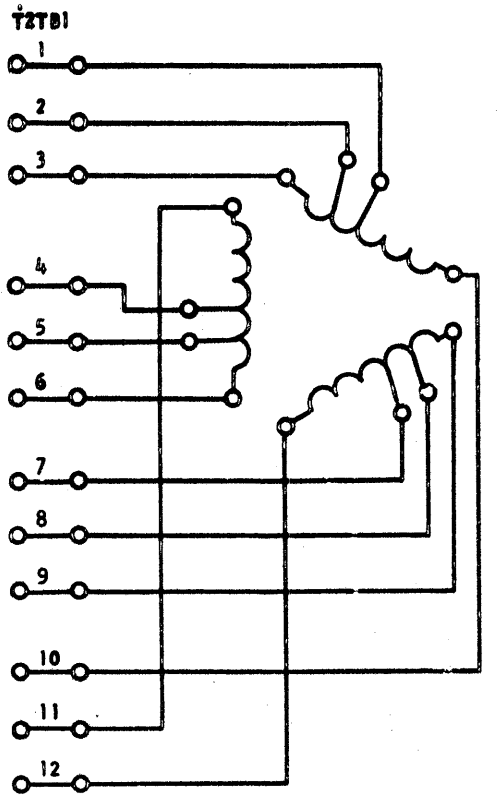
60~PRIMARY - 30

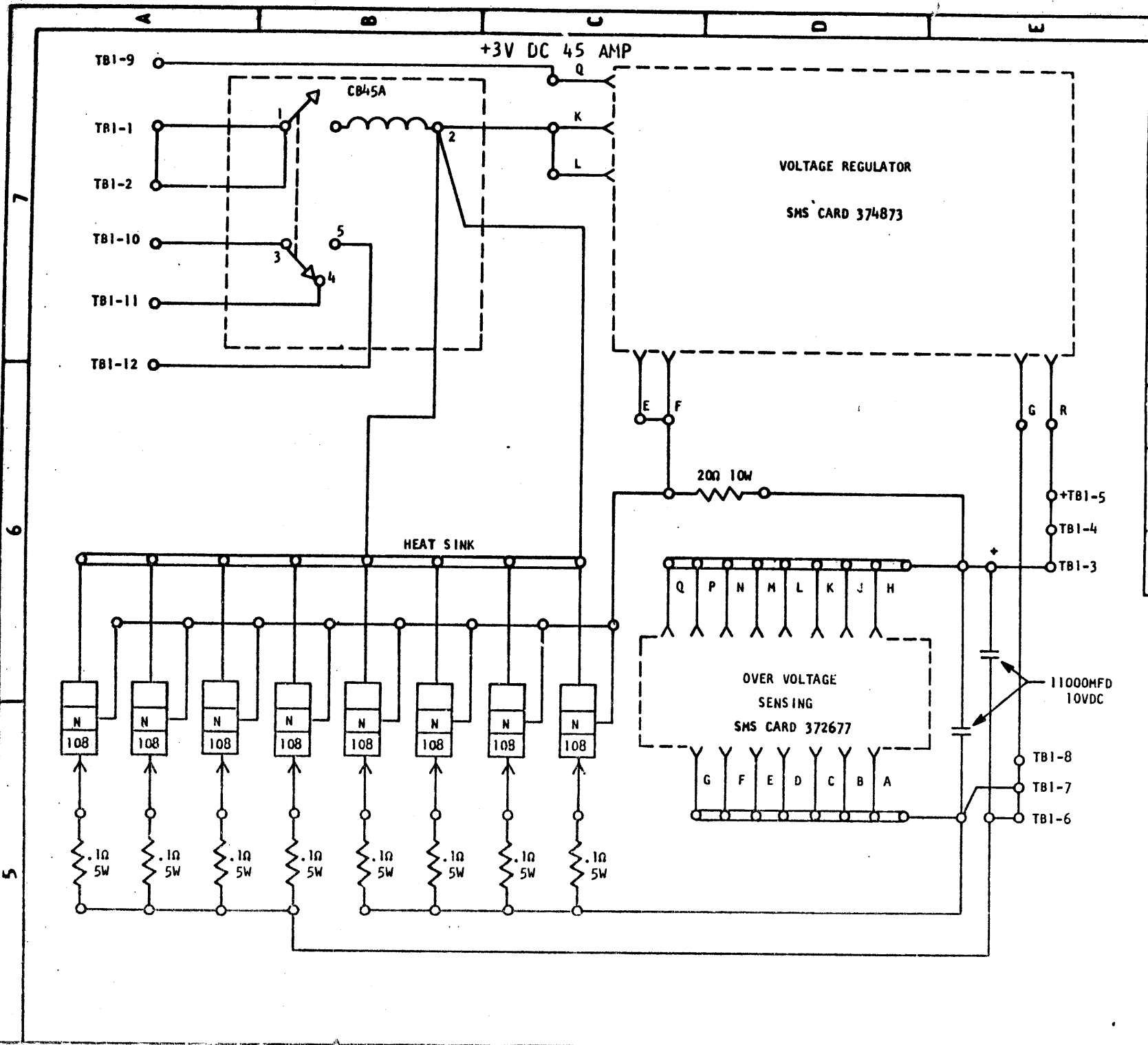
| 60 CPS PRIMARY CONN. | | | |
|----------------------|---------------|---------|-------|
| INPUT WIRING | INPUT VOLTAGE | JUMPERS | |
| | | FROM | TO |
| TBI-2 | 230V | TBI-2 | TBI-1 |
| | | TBI-5 | TBI-4 |
| | | TBI-8 | TBI-7 |
| TBI-5 | 208V | TBI-2 | TBI-3 |
| TBI-8 | | TBI-6 | |
| TBI-8 | | TBI-9 | |



50~PRIMARY - 30

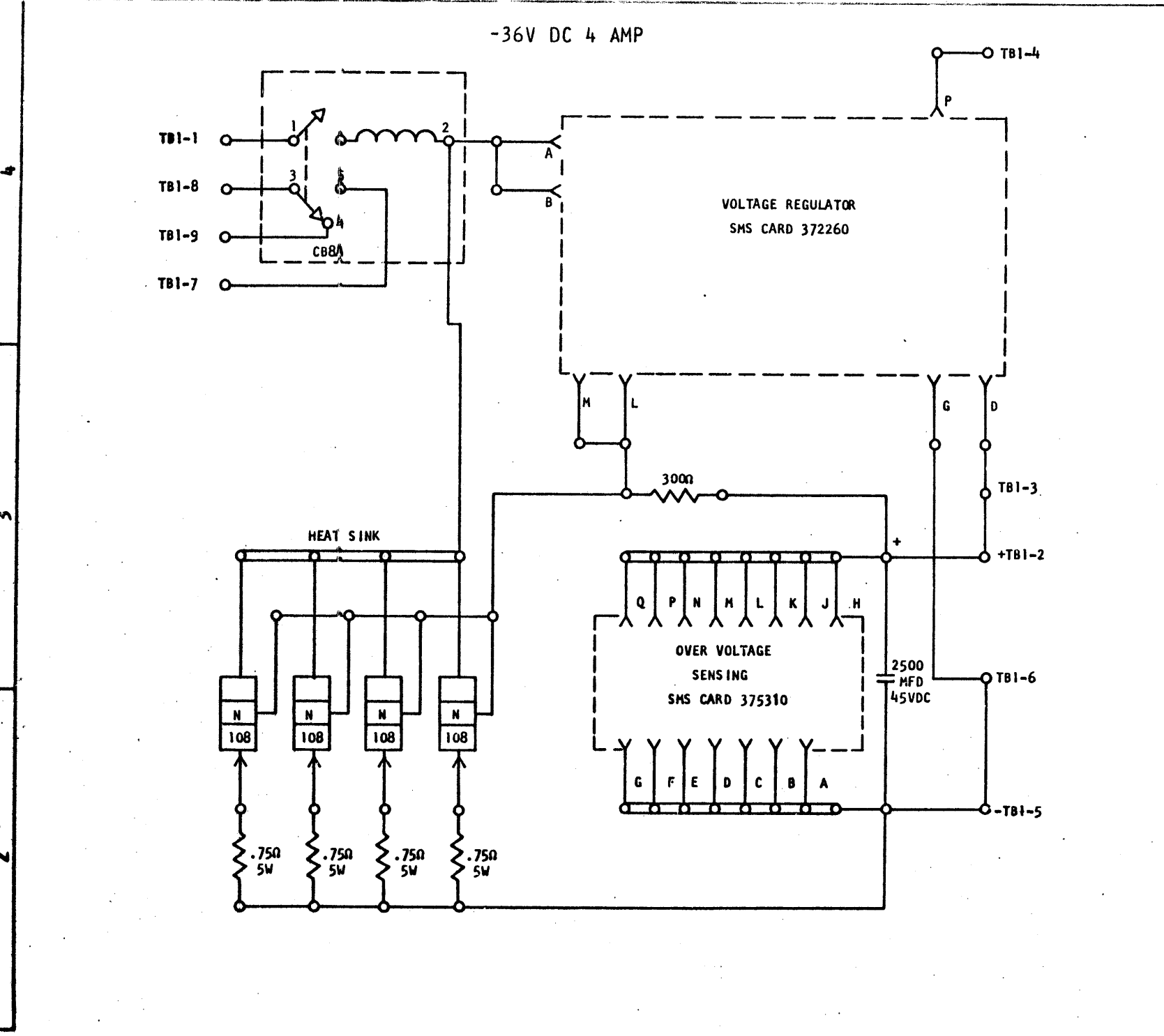
| 50 CPS PRIMARY CONN. | | | |
|----------------------|---------------|--------|------|
| INPUT WIRING | INPUT VOLTAGE | | |
| | 195V | 220V | 235V |
| TBI-1 | TBI-2 | TBI-3 | |
| TBI-4 | TBI-5 | TBI-6 | |
| TBI-7 | TBI-8 | TBI-9 | |
| TBI-10 | TBI-10 | TBI-10 | |
| TBI-11 | TBI-11 | TBI-11 | |
| TBI-12 | TBI-12 | TBI-12 | |

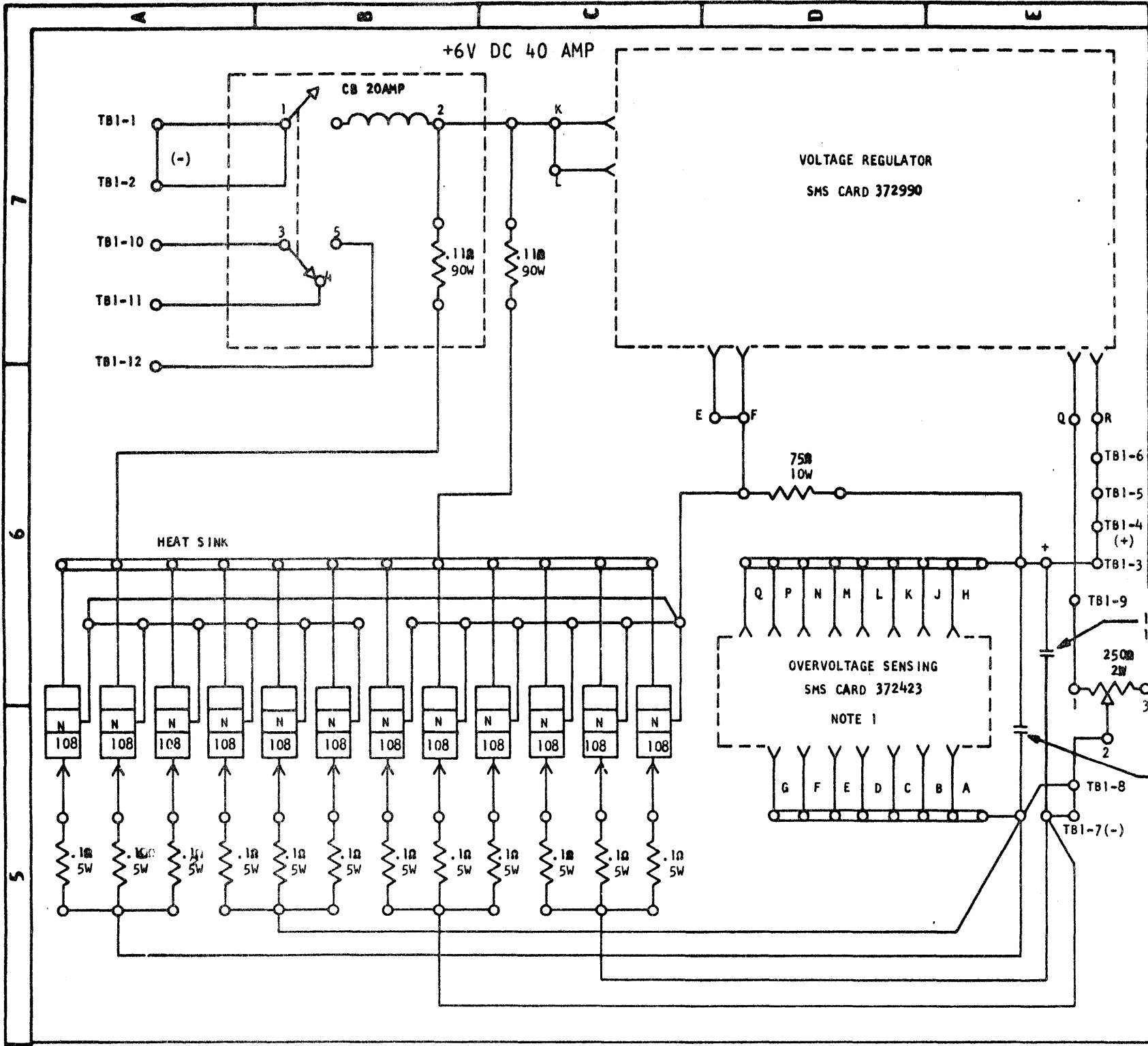




| DATE | | EC NUMBER | | DATE | | P/N | | TYPE | | YB021 | |
|---------|--------|-----------|--|---------|--|---------|--|------|--|-------|--|
| APR 66 | 416034 | | | 4-28-66 | | 2209830 | | | | | |
| MAY 67 | 420905 | | | | | | | | | | |
| 05APR68 | 422936 | | | | | | | | | | |

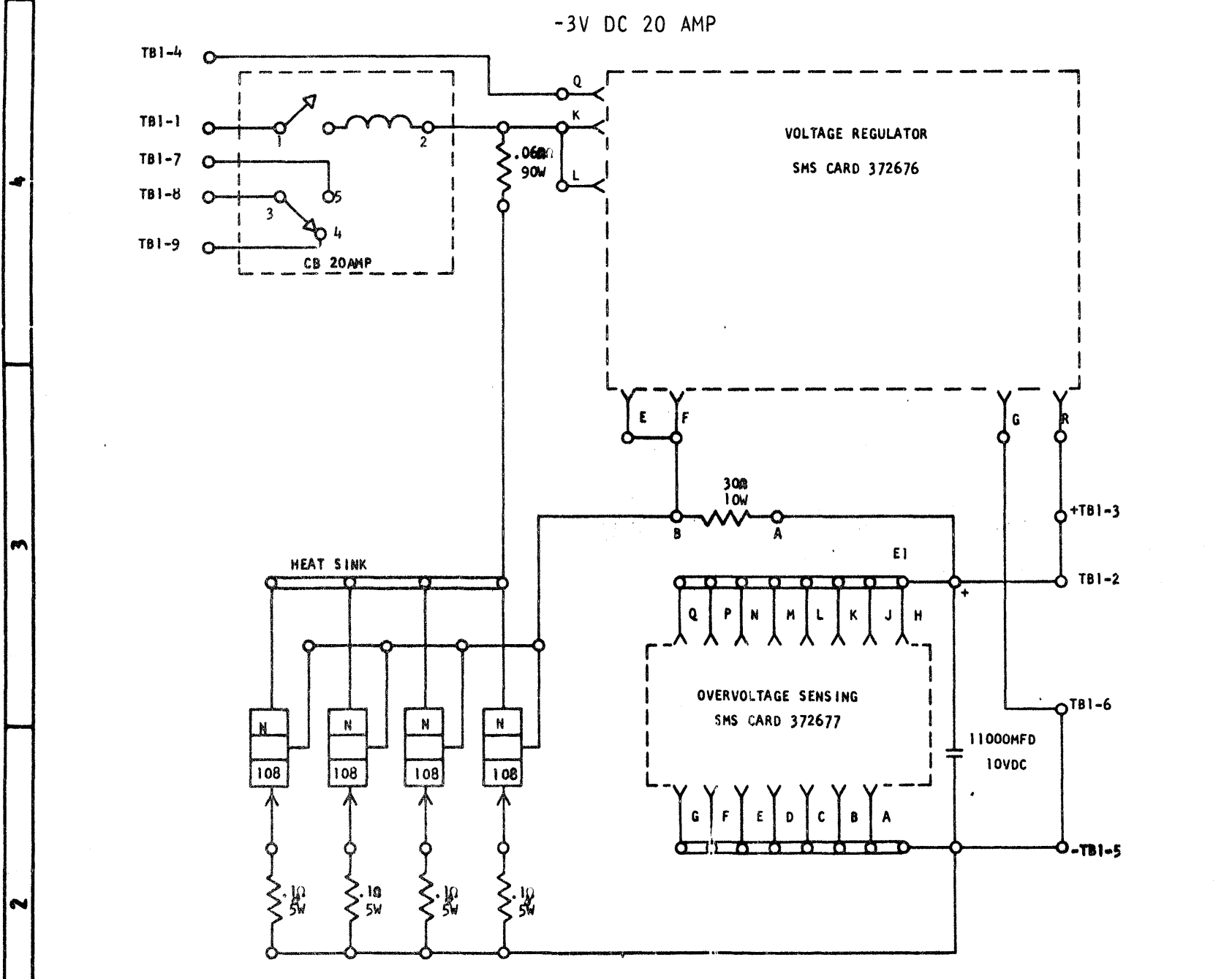
IBM



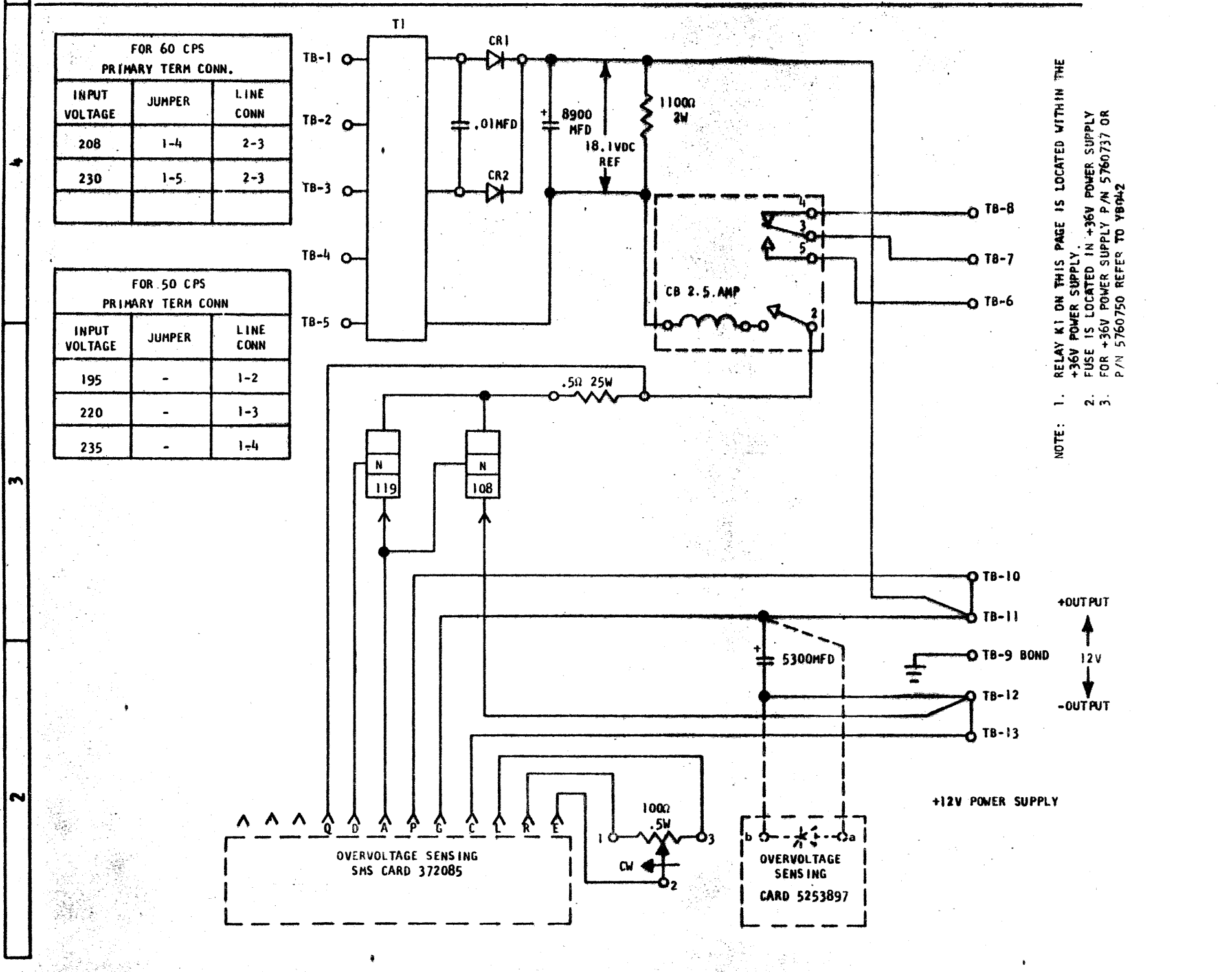
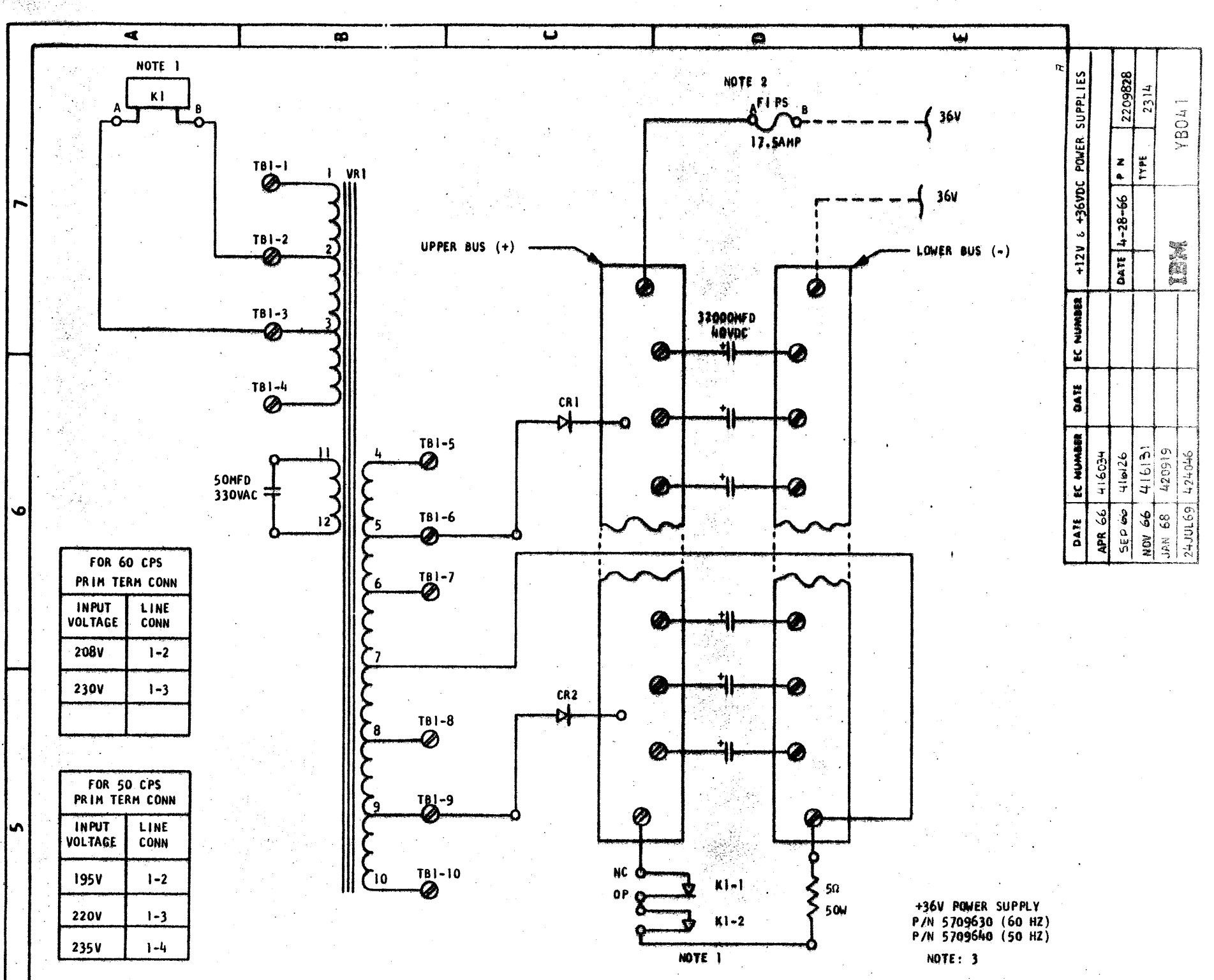


| +6 & -3VDC POWER SUPPLIES | |
|---------------------------|---------|
| DATE | P/N |
| 4-28-66 | 2209831 |
| | TYPE |
| | YB031 |

| DATE | EC NUMBER | DATE | EC NUMBER |
|--------|-----------|------|-----------|
| APR 66 | 416034 | | |
| SEP 66 | 416126 | | |
| NOV 66 | 416131 | | |
| AUG 67 | 420912 | | |

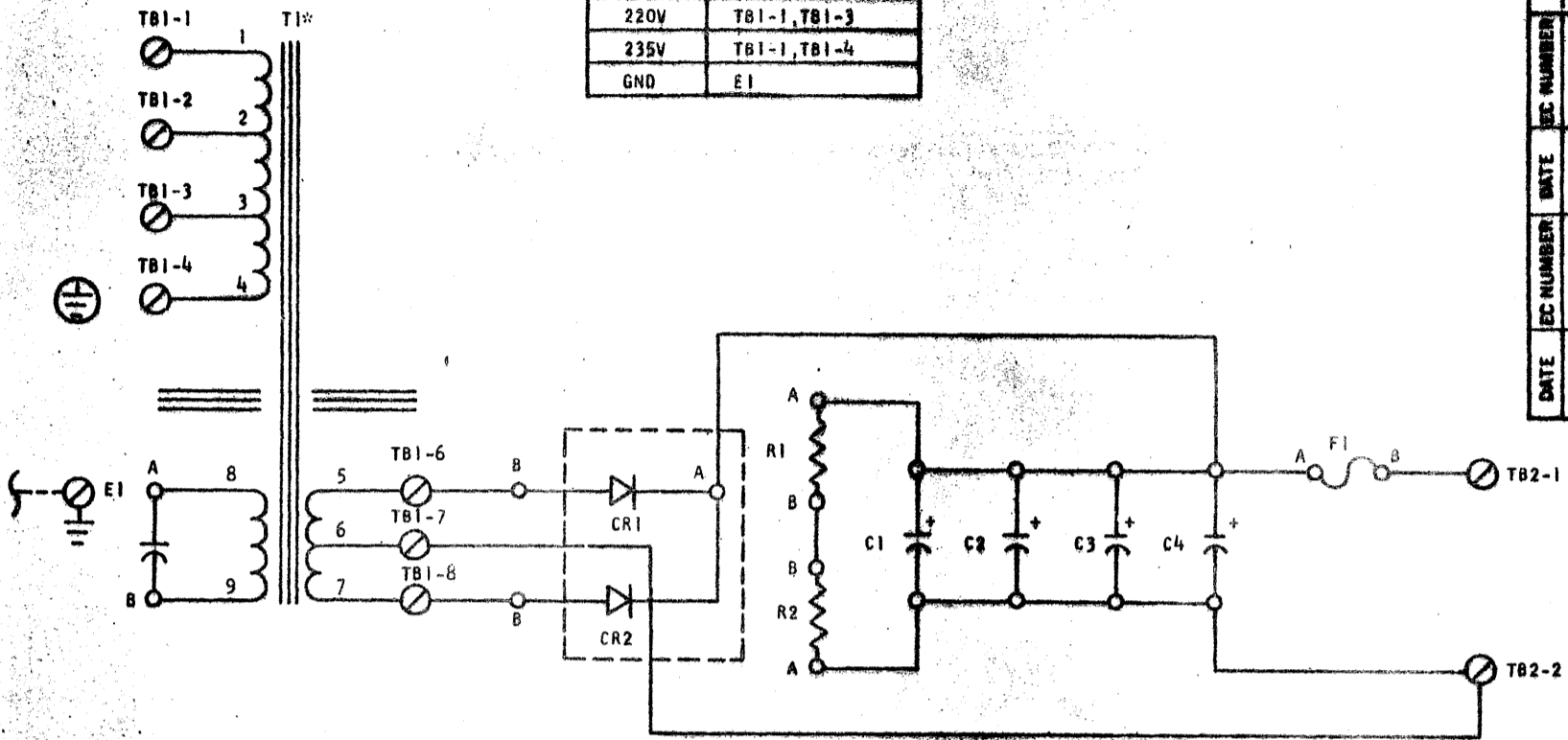


NOTES:
1. SMS CARD 372423 IS REPLACED BY SMS CARD 375162 FOR 2844 AND 2314 WITH 2844 ATTACHMENT.



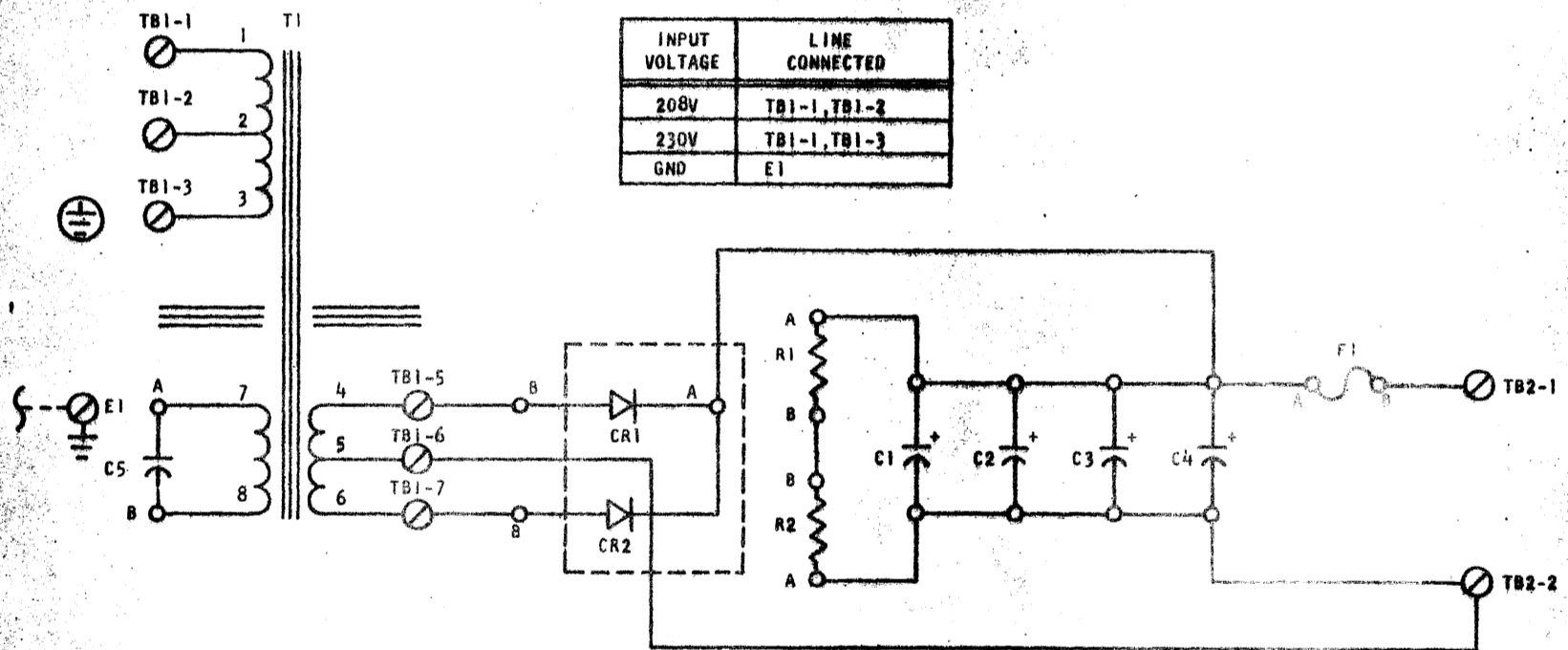
| | | | | | | | | | |
|------|-----------|-----------|--------|------|--|-----------|--|--------------|-------------|
| DATE | 24 JUL 69 | EC NUMBER | 424046 | DATE | | EC NUMBER | | POWER SUPPLY | +36V DC 15A |
| | | | | | | | | DATE | |
| | | | | | | | | P/N | 2261833 |
| | | | | | | | | TYPE | YB042 |

| INPUT VOLTAGE | LINE CONNECTED |
|---------------|----------------|
| 200V | TB1-1, TB1-2 |
| 220V | TB1-1, TB1-3 |
| 235V | TB1-1, TB1-4 |
| GND | E1 |



+36V-15A (50 HZ) P/N 5760750

| INPUT VOLTAGE | LINE CONNECTED |
|---------------|----------------|
| 208V | TB1-1, TB1-2 |
| 230V | TB1-1, TB1-3 |
| GND | E1 |

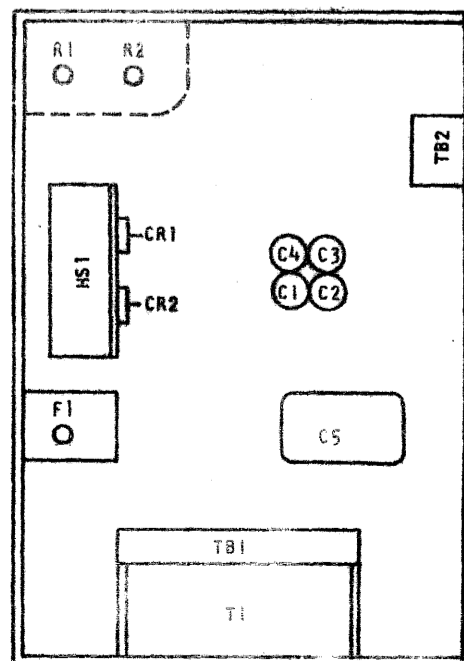


+36V-15A (60 HZ) P/N 5760737

PARTS LIST

| SYMBOL | DESCRIPTION | QTY | PART NUMBER |
|----------|-------------------------------|-----|-------------|
| C1-C4 | CAPACITOR -32K μ F 40V DC | 4 | 5214073 |
| C5 | CAPACITOR -40 μ F 330V DC | 1 | 5319839 |
| CR1, CR2 | DIODE 30A @ 150V | 2 | 127324 |
| R1, R2 | RESISTOR 10 Ω @ 100W | 2 | 317317 |
| T1 | FERRO-REGULATOR | 1 | 5760742 |
| T1* | FERRO-REGULATOR | 1 | 4118422 |
| F1 | FUSE - 15A | 1 | 596676 |

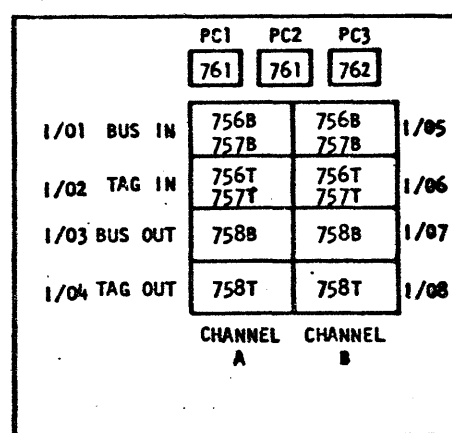
COMPONENTS LOCATION FRONT VIEW



NOTE: FOR +36V POWER SUPPLY P/N 5709630 OR P/N 5709640 REFER TO YB041

2314/2844 CABLE ROUTINE & IDENTIFICATION CHART

CABLES FOR CHANNEL SIGNALS PLUG INTO THE UPPER TWO POSITIONS, WHEN THE CONTROL UNIT IS IN SERIES WITH OTHER UNITS, CABLES TO NEXT UNIT WILL PLUG INTO THE LOWER TWO POSITIONS. IF THE CONTROL UNIT IS THE LAST I/O UNIT OF THE SERIES THE LINES MUST BE TERMINATED BY LINE TERMINATORS PLUGGED INTO THE LOWER TWO POSITIONS AS SHOWN ON CHART.



BOTH UNITS
2314 AND 2844

| | | | |
|--------|---|--------------------|---|
| TYPE B | D | BUS IN BLACK | J |
| TYPE B | B | | G |
| TYPE A | D | TAG IN BLACK | J |
| TYPE A | B | | G |
| TYPE A | D | BUS * OUT GRAY | J |
| TYPE A | B | | G |
| TYPE A | D | TAG ** OUT GRAY | J |
| TYPE A | B | | G |

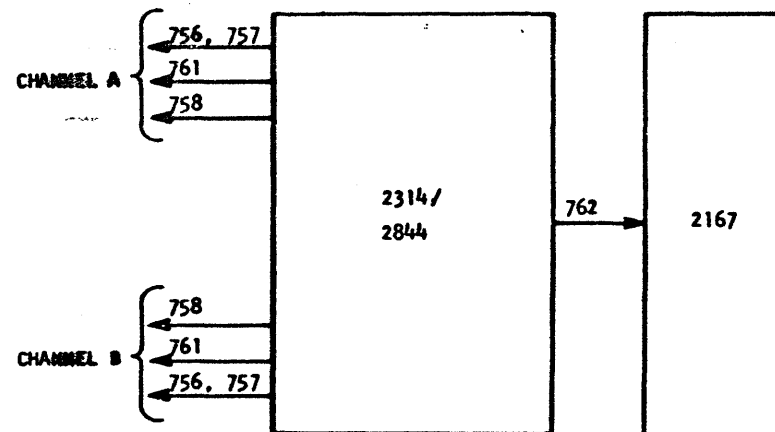
LINE TERMINATORS COMPONENTS FACE UP

* 5440649 BUS OUT

** 5440650 TAG OUT

TABLE A

| GROUP \ UNIT | 756 | 757 | 758 | 761 |
|--------------|-----|-------|------|-----|
| | SC | CH-CH | CTRL | PCR |
| 2030 | 30 | 30 | | |
| 2040 | 36 | 48 | | |
| 2044 | - | - | | |
| 2050 | 24 | 64 | | |
| 2860 | 30 | 60 | | 30 |
| 2870 | 54 | - | | 30 |
| CTRL | | | 30 | |



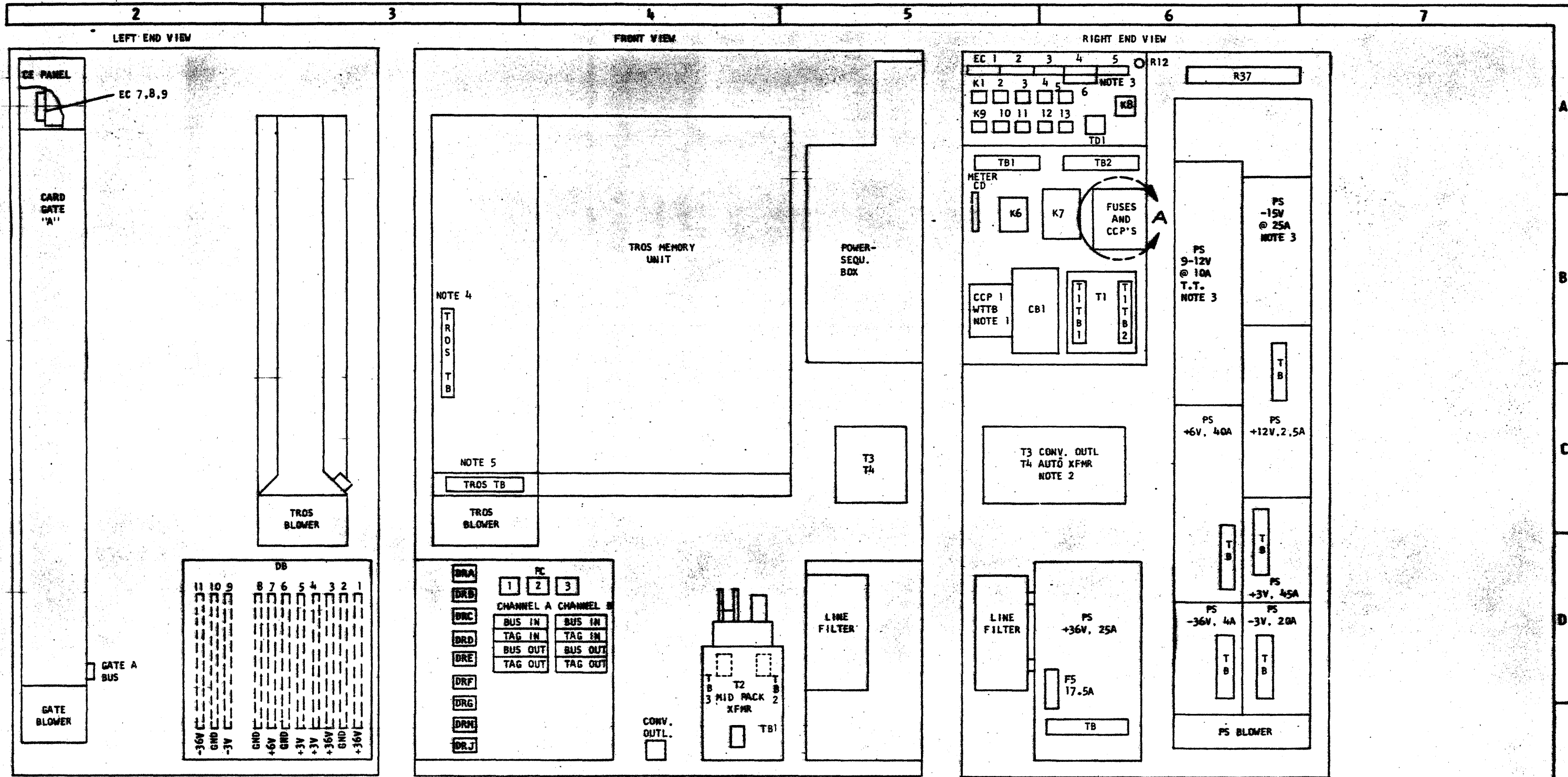
| CABLE GROUP | NO OF CA | KEY NO | PART NUMBERS | FROM | | | | TO | | | | X MAX | B/M | NOTES |
|-------------|----------|--------|--------------|---------------|--------------|-------|-----------|----------------|----------|-------|-------|---------|---------|-------|
| | | | | UNIT | CONN LOC | Y DIM | Z DIM | UNIT | CONN LOC | Y DIM | Z DIM | | | |
| 756 | 2 | 756B | 5353920 | 2844/ 2314 | BUS IN A | | 18 | SEL CH | | * | | 100' | 5373074 | 3 |
| | | 756T | 5353920 | 2844/ 2314 | TAG IN A | | 18 | SEL CH | | * | | 100' | 5373074 | 3 |
| 756 | 2 | 756B | 5353920 | 2844/ 2314 | BUS IN B | | 18 | SEL CH | | * | | 100' | 5373074 | 1 & 3 |
| | | 756T | 5353920 | 2844/ 2314 | TAG IN B | | 18 | SEL CH | | * | | 100' | 5373074 | 1 & 3 |
| 757 | 2 | 757B | 5353920 | 2844/ 2314 | BUS IN A | | 18 | CH-CH ADAPT | | * | | 100' | 5373074 | 3 |
| | | 757T | 5353920 | 2844/ 2314 | TAG IN A | | 18 | CH-CH ADAPT | | * | | 100' | 5373074 | 3 |
| 757 | 2 | 757B | 5353920 | 2844/ 2314 | BUS IN B | | 18 | CH-CH ADAPT | | * | | 100' | 5373074 | 1 & 3 |
| | | 757T | 5353920 | 2844/ 2314 | TAG IN B | | 18 | CH-CH ADAPT | | * | | 100' | 5373074 | 1 & 3 |
| 758 | 2 | 758B | 5353920 | 2844/ 2314 | BUS OUT A | | 18 | CONTROL | | * | | 100' | 5373074 | 3 |
| | | 758T | 5353920 | 2844/ 2314 | TAG OUT A | | 18 | CONTROL | | * | | 100' | 5373074 | 3 |
| 758 | 2 | 758B | 5353920 | 2844/ 2314 | BUS OUT B | | 18 | CONTROL | | * | | 100' | 5373074 | 1 & 3 |
| | | 758T | 5353920 | 2844/ 2314 | TAG OUT B | | 18 | CONTROL | | * | | 100' | 5373074 | 1 & 3 |
| 761 | 1 | 761A | 5351178 | 2844/ 2314 | PC-1 | 18 | EPO CTRL | | | 30 | 100' | 5397821 | 3 | |
| 761 | 1 | 761A | 5351178 | 2844/ 2314 | PC-2 | 24 | EPO CTRL | | | 30 | 100' | 5397821 | 1 & 3 | |
| 762 | 1 | 762A | 5351178 | 2844/ 2314 | PC-3 | 30 | 2167/2065 | | | 65 | 100' | 5397821 | 2 & 3 | |

* SEE TABLE "A"

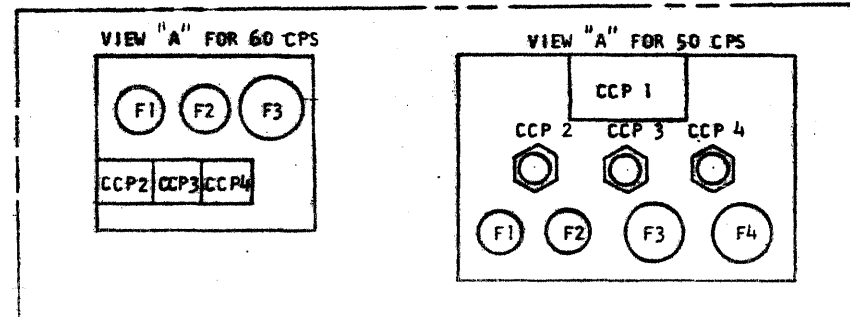
NOTES:

1. TO BE USED WHEN THE TWO-CHANNEL SWITCH FEATURE IS INSTALLED.
2. TO BE USED WHEN SF-6148 (REMOTE SWITCH) FEATURE IS INSTALLED.
3. WHEN ATTACHED TO MOD'S 30 OR 40 X MAX IS 75.FT.

| DATE | EC NUMBER | DATE | EC NUMBER | 2314/2844 CABLE ROUTING AND IDENTIFICATION CHART | | |
|---------|-----------|------|-----------|--|------|---------|
| JUNE 66 | 416124 | | | DATE | P/N | 2209838 |
| JUL 66 | 416125A | | | | TYPE | |
| AUG 67 | 420912 | | | | | |
| JAN 68 | 420919 | | | IBM | | ZA011 |



- NOTES:
1. CCP 1 MOUNTED HERE IN 60 CPS; WT-TB MOUNTED HERE IN 50 CPS.
 2. T3 MOUNTED HERE IN 60 CPS; (CONV. OUTL. XFMR) T4 MOUNTED HERE IN 50 CPS (AUTO XFMR FOR FILES DRIVE) AT 195V, 235V OR 408V LINE CONN. ONLY.
 3. FOR GATE B OPTIONAL FEATURE.
 4. TB LOCATION ON 2K-TROS
 5. TB LOCATION ON 4K-TROS



| DATE | EC NUMBER | DATE | EC NUMBER | COMPONENT LOCATION CHART | |
|-----------|-----------|------|-----------|--------------------------|---------|
| SEPT 66 | 416126 | | | | |
| NOV 66 | 416131 | DATE | 4-28-66 | P/N | 2209834 |
| 24 JUL 69 | 424046 | | | TYPE | 2314 |
| | | | | IBM | ZZ 011 |

| POINTS | EDGE CONNECTOR - SEQUENCE BOX | | | | | | CE PANEL | | | | |
|--------|-------------------------------|-------|-------|-------|-------|-------|----------|-------|-------|-------|-------|
| | EC1 | EC2 | EC3 | EC4 | EC5 | EC6 | EC7 | EC8 | EC9 | EC10 | EC11 |
| a | YA021 | YA031 | YA021 | YA021 | YA021 | YA021 | YA021 | YA021 | YA021 | PS045 | PS044 |
| b | YA021 | YA031 | YA021 | YA031 | YA021 | YA021 | PS001 | YA031 | YA021 | PS045 | PS044 |
| c | YA021 | YA021 | YA021 | YA031 | YA021 | | YA021 | YA021 | YA031 | PS045 | |
| d | YA021 | YA021 | YA021 | YA021 | YA021 | YA021 | PS011 | YA021 | YA021 | | YA031 |
| e | YA021 | YA021 | YA021 | YA021 | YA031 | YA021 | YA021 | YA021 | | PS045 | YA031 |
| f | YA021 | YA031 | YA021 | YA021 | YA031 | | YA021 | PS031 | YA021 | PS045 | |
| g | YA021 | YA031 | YA021 | YA021 | YA021 | YA021 | ZZ031 | PS031 | PS031 | PS045 | |
| h | YA021 | YA021 | YA021 | YA021 | YA007 | YA021 | PS031 | PS031 | PS031 | ZZ031 | |

NOTE 3 NOTE 4

| CIRCUIT BREAKER CIRCUIT PROTECT FUSES | CIRCUIT NAME | PRIMARY CONTACTS | | AUXILIARY CONTACTS | |
|---|----------------------------------|------------------|----------|--------------------|----------|
| | | RATING | PAGE NO. | RATING | PAGE NO. |
| CB1 | MAIN LINE BREAKER | 40A | YA005 | | |
| CCP1 | INPUT TO MID PACK XFMR | 10A (8A) | YA011 | | |
| CCP2 | INPUT TO +36V, 25A PS | 8A (10A) | YA011 | 1A | YA031 |
| CCP3 | INPUT TO +12V, 2, 5A PS | 1A | YA011 | 1A | YA031 |
| CCP4 | INPUT TO T1 CONTR. XFMR | 2A | YA007 | | |
| | OPTION - 15V @ 2.5A, 9-12VTT@10A | 1A (3A) | YA011 | 1A | YA031 |
| F1 | BLOWERS | 3A | YA011 | | |
| F2 | BLOWERS | 3A | YA011 | | |
| F3 | CONV. OUTLET | 5A (8A) | YA007 | | |
| F4 | CONV. OUTLET | 8A | YA007 | | |

NOTE 6

NOTE 2

NOTE 2

NOTE 3

NOTE 2

NOTE 1

| RELAYS CONTACTORS | COIL | CONTACT | | | | NAME |
|----------------------|-------|---------|-------|-------|-------|---------------------|
| | | 1 | 2 | 3 | 4 | |
| K1 | YA021 | YA007 | | | | EMERGENCY POWER OFF |
| K2 | YA021 | YA021 | YA021 | YA021 | YA021 | POWER ON HOLD |
| K3 | YA021 | YA031 | YA031 | YA021 | YA021 | READY |
| K4 | YA021 | YA021 | YA021 | YA021 | | POWER ON PICK |
| K5 | YA021 | YA021 | YA021 | YA021 | | POWER ON PICK |
| K6 | YA021 | YA007 | YA007 | | | CONV. OUTLET POWER |
| K7 | YA021 | YA005 | YA005 | YA005 | | POWER ON |
| K8 | YA021 | YA042 | | | | SEQUENCE POWER |
| K9 | YA021 | YA021 | | | | LOG. VOLTAGE |
| K10 | YA021 | YA021 | YA021 | | | PWR REQUEST |
| K11 | YA021 | | YA021 | YA021 | | SEQUENCE VOLTAGE |
| | | | | | | |
| | | | | | | |
| TD1 | YA021 | YA021 | YA021 | | | TIME DELAY RELEASE |

NOTE 3

NOTE *5

NOTE 3

| * TB'S DC BUSES | POINTS | | | | | | | | | | | | | | | | | |
|--------------------|--------|-------|-------|-------|-------|-------|-------|-------|-------|-------|-------|-------|-------|-------|-------|-------|----|----|
| | 1 | 2 | 3 | 4 | 5 | 6 | 7 | 8 | 9 | 10 | 11 | 12 | 13 | 14 | 15 | 16 | 17 | 18 |
| TB1 | YA005 | YA005 | YA005 | YA005 | YA007 | YA007 | YA007 | YA007 | YA007 | | | | | | | | | |
| TB2 | YA011 | YA011 | YA011 | YA011 | YA011 | YA011 | YA011 | YA011 | YA011 | | | | | | | | | |
| T1TB1 | YA007 | | | YA007 | | | YA007 | YA007 | | | | | | | | | | |
| T1TB2 | | | | YA004 | | | YA007 | | | | | | | | | | | |
| | | | | | | | | | | | | | | | | | | |
| DB1 | YA051 | | | YA051 | YA051 | YA051 | YA051 | YA051 | | | | YA051 | YA051 | YA051 | YA051 | | | |
| DB2 | YA051 | | | YA051 | YA051 | YA051 | YA051 | YA051 | | | | YA051 | YA051 | YA051 | YA051 | | | |
| DB3 | YA051 | | | YA051 | YA051 | YA051 | YA051 | YA051 | | | YA051 | | YA051 | YA051 | YA051 | YA051 | | |
| DB4 | YA051 | YA051 | YA051 | YA051 | YA051 | YA051 | YA051 | YA051 | YA051 | YA051 | | | YA051 | YA051 | YA051 | YA051 | | |
| DB5 | YA051 | | | YA051 | YA051 | YA051 | YA051 | YA051 | | | | YA051 | YA051 | YA051 | YA051 | YA051 | | |
| DB6 | YA051 | YA051 | YA051 | YA051 | YA051 | YA051 | YA051 | YA051 | YA051 | | YA051 | YA051 | | | | | | |
| DB7 | YA061 | YA061 | YA061 | YA061 | YA061 | YA061 | YA061 | YA061 | YA061 | | | YA061 | YA061 | YA061 | YA061 | YA061 | | |
| DB8 | YA061 | YA061 | YA061 | YA061 | YA061 | YA061 | YA061 | YA061 | | YA061 | YA061 | YA061 | YA061 | YA061 | YA061 | YA061 | | |
| DB9 | YA061 | | YA061 | YA061 | YA061 | YA061 | YA061 | YA061 | YA061 | | | YA061 | YA061 | YA061 | YA061 | YA061 | | |
| DB10 | YA061 | YA061 | YA061 | YA061 | YA061 | YA061 | YA061 | YA061 | YA061 | YA061 | | | YA061 | YA061 | YA061 | YA061 | | |
| DB11 | YA061 | | | YA061 | YA061 | YA061 | YA061 | YA061 | | | | YA061 | YA061 | YA061 | YA061 | YA061 | | |

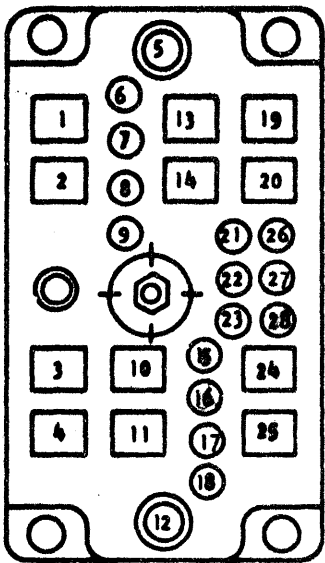
* FOR TBDB TAB, INSTALLED WITH 2844, SEE ZZ021 CU2.

NOTES:

1. ADDED ON 50 CPS MACHINES ONLY
2. ITEMS IN PARENTHESIS PERTAIN TO 50 CPS MACHINES.
3. ADDED FOR OPTIONAL FEATURES, GATE "B" ONLY
4. ADDED FOR OPTIONAL FEATURE - TWO CHANNEL SWITCH.(EC11 REF)
5. ADDED FOR 2844 ONLY
6. CB1 IS 20A IF THERE IS A 2844 ATTACHED.

| LOCATION CHARTS | | | | | |
|-----------------|-----------|--------|-----------|---------|-----------|
| DATE | EC NUMBER | DATE | EC NUMBER | DATE | EC NUMBER |
| APR 66 | 416034 | MAR 67 | 420900 | 4-28-66 | 2209836 |
| JUL 66 | 416125A | MAY 67 | 420905 | P/N | 2314 |
| SEP 66 | 416126 | | | TYPE | ZZ021 |
| NOV 66 | 416131 | | | | |
| JAN 67 | 420637 | | | | |

IBM



WIRING SIDE

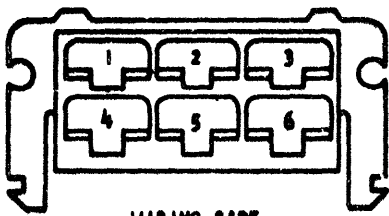
NOTE 1
NOTE 1
NOTE 1
NOTE 1

PANEL OF POWER

| PIN | SIGNAL | PAGE | PIN | SIGNAL | PAGE |
|-----|-----------------|----------------|-----|--------------|-------|
| 1 | +6VDC | YA051 | 15 | -36VDC | YA051 |
| 2 | -3VDC | YA051 | 16 | | |
| 3 | DC GND | YA051 | 17 | | |
| 4 | DC GND | YA051 | 18 | | |
| 5 | | | 19 | +36 VDC | YA061 |
| 6 | SEQ PK - IN | | 20 | +36 VDC | YA061 |
| 7 | HEAD EXTD | | 21 | PWR ON RESET | WF012 |
| 8 | CNTLD GND | | 22 | SELECTED MOD | MA041 |
| 9 | SEQ PK - OUT | | 23 | | |
| 10 | DC GND | YA051 | 24 | | |
| 11 | DC GND | YA051 | 25 | FRAME GND | |
| 12 | READ/WRITE DATA | NS001 NS002 | 26 | | |
| 13 | +3VDC | YA051 | 27 | | |
| 14 | +3VDC | YA051 | 28 | | |

NOTE 1
NOTE 2

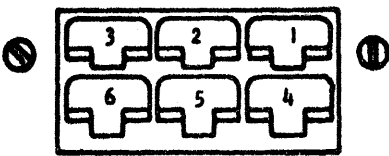
| CONNECTOR PIN REF. AND | | |
|--------------------------|-----------|-------|
| SERVICE PANEL INDICATORS | | |
| DATE | BC NUMBER | |
| APR 66 | 416024 | |
| SEP 66 | 416126 | |
| NOV 66 | 416131 | |
| AUG 67 | 420912 | |
| JAN 68 | 420919 | |
| | | IBOM |
| | | 22081 |



WIRING SIDE

PCI CONNECTOR - CHANNEL

| PIN | SIGNAL | PAGE | PIN | SIGNAL | PAGE |
|-----|-----------------|-------|-----|------------------|-------|
| 1 | 24 VAC CPU | YA007 | 4 | PWR COMPLETE OUT | YA031 |
| 2 | EPO CTRL CPU | YA021 | 5 | PWR CONT, HOLD | YA021 |
| 3 | PWR COMPLETE IN | YA031 | 6 | PWR CONT, PICK | YA021 |



PIN SIDE

| CONNECTOR | DRIVER LOGIC | LAMP TITLE |
|-----------|--------------|----------------------|
| CI FI C11 | PS071 | - REG DISPLAY P BIT |
| BI BI E09 | RA021 | - REG DISPLAY 0 BIT |
| BI HI A11 | RA021 | - REG DISPLAY 1 BIT |
| BI HI B11 | RA021 | - REG DISPLAY 2 BIT |
| BI HI B09 | RA021 | - REG DISPLAY 3 BIT |
| BI HI C11 | RA021 | - REG DISPLAY 4 BIT |
| BI HI C09 | RA021 | - REG DISPLAY 5 BIT |
| BI HI D09 | RA021 | - REG DISPLAY 6 BIT |
| BI HI E11 | RA021 | - REG DISPLAY 7 BIT |
| CI MI C09 | KK001 | - ROSAR P BIT |
| CI MI C11 | KK001 | - ROSAR 11 BIT |
| CI MI B09 | KK001 | - ROSAR 10 BIT |
| CI MI B11 | KK001 | - ROSAR 9 BIT |
| CI MI A11 | KK001 | - ROSAR 8 BIT |
| CI MI D09 | PS141 | - SENSE AMP CHECK |
| CI MI E11 | PS141 | - CONTROL REG CHECK |
| CI MI E09 | PS141 | - ADDRESS CHECK |
| CI LI E11 | KK001 | - ROSAR 7 BIT |
| CI LI D09 | KK001 | - ROSAR 6 BIT |
| CI LI C09 | KK001 | - ROSAR 5 BIT |
| CI LI C11 | KK001 | - ROSAR 4 BIT |
| CI LI B09 | KK001 | - ROSAR 3 BIT |
| CI LI B11 | KK001 | - ROSAR 2 BIT |
| CI LI A11 | KK001 | - ROSAR 1 BIT |
| CI KI E09 | KK001 | - ROSAR 0 BIT |
| CI NI A11 | PS141 | - DATA CHECK |
| CI NI A09 | PS141 | - MACHINE STOP |
| CI KI E11 | PS141 | - TEST PROBE |
| CI FI E09 | PS141 | - POWER ON |
| CI LI E09 | PS141 | - INTERFACE DISABLED |

NOTES:
1. AUX STORAGE CNFL FEATURE ONLY
2. NOT USED WITH AUX STORAGE CNTL FEATURE
3. —◇— FEATURE WIRING
EC10h USED WITH B GATE OPTIONAL FEATURE

