

MST CARD LOCATION LIST

LOGIC PAGE AA010
 PAGE P/N 4517147
 PAGE E/C 446711
 SHEET 1

RELEASED FOR MACHINE TYPE 3350

PRESENT BOARD P/N 2757440
 RUN DATE 01/04/79
 PRIME BOARD LOCATION 01A-A1

PRESENT BOARD EC 446711
 PREVIOUS BOARD EC 446710
 VERSION 000

SOCKET	CARD PT NO.	TYPE	ACC	-----ALD REFERENCES-----
A2	5863806	P806		KA100 WL100 WL110 WL120 WL130 WL140 WL150 WL160 WL170
B3	8250634	BC39		KA100 WL180
C2	5864498 5864484*	BC49		KA100 KC100 (also 5864494* or 5864496*, in WT)
C4	5864489	BC50		KA100 KC500 KC510
D2	5864493 5864491*	BC51		KA100 KD100
D4	8250728 8250716*	BC46		KD500 KD510 KD520 KD530 KD540 KD550 KD560 KD570
E2	8250675	BC45		KE100 KE110 KE120 KE130 KE140 KE150 KE160 KE170
F2	8250737 8250729* 8250720*	BC44		KA100 KF100 KF110 KF120 KF130 KF140 KF150 KF160 KF170 KF180 KF190 KF200 KF210 KF220 KF230 KF240 KF250 KF260
G2	8250731 8250701*	BC42		KA100 KG100 KG110 KG120 KG130 KG140 KG150 KG160 KG170 KG180 KG190 KG200 KG210 KG220
H2	8250739 8250735* 8250722*	BC48		KA100 KH100 KH110 KH120 KH130 KH140 KH150 KH160 KH170 KH180 KH190 KH200 KH210 KH220
J2	8250726 8250711*	BC40		KA100 KJ100
J4	8250718	BC43		KJ500 KJ510 KJ520 KJ530 KJ540
K2	8250697	BC41		KA100 KK100 KK110 KK120 KK130 KK140 KK150 KK160 KK170 KK180 KK190
L2	8250697	BC41		KL100 KL110 KL120 KL130 KL140 KL150 KL160 KL170 KL180 KL190 KV100
M2	8250726 8250711*	BC40		KM100 KV100
M4	8250718	BC43		KM500 KM510 KM520 KM530 KM540
N2	8250739 8250735* 8250722*	BC48		KN100 KN110 KN120 KN130 KN140 KN150 KN160 KN170 KN180 KN190 KN200 KN210 KN220 KV100
P2	8250731 8250701*	BC42		KP100 KP110 KP120 KP130 KP140 KP150 KP160 KP170 KP180 KP190 KP200 KP210 KP220 KV100
Q2	8250737 8250729* 8250720*	BC44		KQ100 KQ110 KQ120 KQ130 KQ140 KQ150 KQ160 KQ170 KQ180 KQ190 KQ200 KQ210 KQ220 KQ230 KQ240 KQ250 KQ260 KV100
R2	8250675	BC45		KR100 KR110 KR120 KR130 KR140 KR150 KR160 KR170
S2	5864493 5864491*	BC51		KS100 KV100
S4	8250728 8250716*	BC46		KS500 KS510 KS520 KS530 KS540 KS550 KS560 KS570
T2	5864498 5864484*	BC49		KT100 KV100 (also 5864494* or 5864496*, in WT)
T4	5864489	BC50		KT500 KT510 KV100

****END OF LIST****

* This card may exist in some machines, and is acceptable if operating properly. Any field replacement should use the first number listed.

MST CARD LOCATION LIST

LOGIC PAGE AA020
 PAGE P/N 4517148
 PAGE E/C 446711
 SHEET 1

RELEASED FOR MACHINE TYPE 3350

PRESENT BOARD P/N 2758450 PRESENT BOARD EC 446711
 RUN DATE 01/04/79 PREVIOUS BOARD EC 446707
 PRIME BOARD LOCATION 01A-A2 VERSION 000

SOCKET	CARD PT NO.	TYPE	ACC	-----ALD REFERENCES-----
D2	8250706	AA53	SSW	BM100 BM110 BM120 BM130 BM140 BM150 BM160 BM170 BM180 BV100
E2	8250706	AA53	SSW	BN100 BN110 BN120 BN130 BN140 BN150 BN160 BN170 BN180 BV100
F2	8251093	Z473		BA100 BA110 BA120 BA130 BA140 BA150 BA160 BV100
G2	8250733 or 8250734**	Z709		BF100 BF110 BF120 BF130 BF140 BF150 BF160 BF170 BF180 BF190 BF200 BF210
H2	8250707	AA54	SSW	BP100 BP110 BP120 BP130 BP140 BP150 BP160 BP170 BP180 BP190 BP200 BP210
J2	8250707	AA54	SSW	BQ100 BQ110 BQ120 BQ130 BQ140 BQ150 BQ160 BQ170 BQ180 BQ190 BQ200 BQ210
K2	8239753	Z475		BE100 BE110 BE120 BE130 BE140 BE150 BE160 BV100
L2	8239785	Z474		BD100 BD110 BD120 BD130 BD140 BD150 BD160 BD170 BD180 BD190 BD200 BD210 BD220 BD230 BV100
M2	8250690	AA50	ALTC	BR200 BV100
M2	8250691*	AA55	SSW & ALTC	BR100 BR110 BR120 BR130 BR140 BR150 BR160 BR170 BR180 BR190 BR200 BV100
N2	8251103 or 8251097**	Z467		BK100 BK110 BK120 BK130 BK140 BK150 BK160 BK170 BK180 BK190 BK200 BK210
P2	8251100 or 8251098**	Z463		BG100 BG110 BG120 BG130 BG140 BG150 BG160 BG170 BG180
Q2	8251099 or 8251095**	Z010		BH100 BH110 BH120 BH130 BH140 BH150 BH160 BH170
R2	8239755	Z698		BL100 BL110 BL120 BL130 BL140
R4	8239722	Z465		BB100 BB110 BB120 BB130 BB140 BB150 BB160 BB170
S2	8251094	Z466		BC100 BC110 BC120 BC130 BC140 BC150 BC160 BC170 BC180 BV100
T2	8251096	Z464		BJ100 BJ110 BJ120 BJ130 BV100

*****END OF LIST*****

* Machines with String Switch Feature, or Machines with both String Switch Feature, and Alternate Controller Feature.

** This card may exist in some machines, and is acceptable if operating properly. Any field replacement should use the first number listed.

V3	B13	WL130AD4
	D02	WL160AA4
	D03	WL160AB4
	D05	WL160AC4
	D06	WL160AD4
	D07	WL170AA4
	D09	WL170AB4
	D13	WL170AC4
<hr/>		
V4	CONNECTOR	
	B10	KT100BJ2
	D02	KT500GK4
	D10	KT500FJ2
<hr/>		
V5	CONNECTOR	
	B02	KQ100AJ4
	B03	KL180AA4
	B07	KQ100AD4
	B12	KQ260AE4
	B13	KQ260AY4
	D02	KR150BF4
	D07	KR150BG4
	D10	KQ100AB4
	D11	KQ100AC4
	D12	KQ260AP4

PLUG LIST

PART NO	ACC	TYPE	SOCKETS	TOTAL
5863806		P806	A2	01
5864489		BC50	C4 T4	02
5864493		BC51	D2 S2	02
5864498		BC49	C2 T2	02
8250634		BC39	B3	01
8250675		BC45	E2 R2	02
8250697		BC41	K2 L2	02
8250718		BC43	J4 M4	02
8250726		BC40	J2 M2	02
8250728		BC46	D4 S4	02
8250731		BC42	G2 P2	02
8250737		BC44	F2 Q2	02
8250739		BC48	H2 N2	02
	CONN	A4 A5	B2 H1	15
		J1 K1	L1 M1	
		M1 U2	U3 V2	
		V3 V4	V5	

00100

SOCKET LISTING	
DATE 12-18-78	MACH. 3350
LOG 6341	BOARD 01A-A1
PREV. ENGR. 12-16-77	446710
PRES. ENGR. 01-05-79	446711
P.N. 4291600	
IBM CORP.	SDD ELK.

A
1
0
0
000

BC110 1E
 BC120 1F
 BC170 1H 1J
 BC120 1K
 BC170 1L 1M
 BC180 1N 1P 1Q
 BC100 1R 1S
 BC190 1T
 BC100 1U 1V
 BC150 1W 1X 1Y 1Z 20
 BC140 21
 BC170 22
 BC140 23 24
 BC130 25
 BC180 26
 BC160 27
 BC100 28
 BC140 29
 BC180 2A 2C 2D
 BC190 2F 2G
 BC150 2G
 BC170 2H
 BC130 2J
 BC180 2K
 BC110 2L 2M
 BC160 2N 2P
 BC100 2Q 2R
 BC180 2S
 BC100 2T 2U 2V 2W 2X 2Y
 BC180 31
 BC130 32 33
 BC100 34 35 36 37 38
 BC110 39 3A
 BC130 3B
 BC140 3C
 BC120 3D
 BC130 3E 3F
 BC120 3G 3H
 BC130 3J 3K
 BC180 3L
 BC150 3M
 BC120 3N
 BC130 3P 3Q 3R 3S
 BC150 3T
 BC140 3U
 BC110 3V
 BC160 3W
 BC140 3X 3Y
 BC130 3Z 40
 BC150 41
 BC170 42
 BC120 43 44 45 46 47 48
 BC140 49
 BC140 4A
 BC120 4B 4C 4D 4E 4F 4G
 BC100 4H
 BC100 4J
 BC120 4K
 BC130 4M
 BC180 4N 4P
 BC160 4Q
 BC150 4R 4S
 BC160 4T
 BC150 4U
 BC190 4V
 BC180 4W 4X
 BC170 4Y
 BC190 4Z
 BC120 50 51 52 53 54
 BC160 55
 BC150 56
 BC120 57
 BC140 58 5A
 BC170 5B
 BC130 5C
 BC190 5D 5E 5F
 BC130 5G
 BC150 5H
 BC160 5J
 BC130 5K
 BC190 5L
 BC120 5M 5N 5P
 BC170 5Q
 BC130 5R 5S
 BC110 5T
 BC130 5U 5V
 BC170 5W
 BC120 5X
 BC130 5Y
 BC160 5Z 60
 BC140 61
 BC130 62
 BC190 63
 BC100 64
 BC170 65
 BC100 66
 BC170 67 68
 BC100 69 6A
 BC160 6B

***** V4
 T2 DOUBLE CARD
 T3 8251096 Z464
 BJ100 00 01 03 04 05 06
 07 08 09
 BJ120 0E 0F 0L 0M 0N 0P
 0Q 0R 0S 0T 0U 0V
 0W 16
 BJ100 17 18
 BJ110 1A 1B 1C
 BJ130 1D 1E 1F 1G 1H 1J
 1K 1L 1M 1N
 BJ120 1P 1Q
 BJ110 1S 1T 1V 1W 1X 1Y
 1Z
 BJ100 22 23
 BJ110 27 28
 BJ120 2A
 BJ130 2B 2C
 BJ100 2L 2M 2N
 BJ110 2P
 BJ130 2Q 2R 2S
 BJ120 2T
 BJ130 2U
 BJ120 3G 3H 3J 3K
 BJ130 3L
 BJ120 3M 3N 3P 3Q
 BJ130 3R 3S

 U3 CONNECTOR
 B02 BR200AJ4
 B05 BR200AB6
 B06 WK300AA4
 B07 BE150AN4
 B08 BR200AJ2
 B09 BR200AE6
 B10 WK300AB4
 B13 WK300AC4
 D02 WK300AE4
 D03 WK300AF4
 D11 WK300AG4
 D12 WK300AD4
 D13 WK300AH4

 U4 CONNECTOR
 B02 BD200AA4
 B04 BD200AC4
 B05 BD200AE4
 B08 BD200AG4
 B09 BD200AP4
 B10 BD200AR4
 B12 BD200AT4
 B13 BD200AV4
 D02 BD210AA4
 D03 BD210AC4
 D05 BD210AE4
 D06 BD210AG4
 D07 BD210AP4
 D09 BD210AR4
 D10 BD210AT4
 D11 BD210AV4
 D13 BD210BA4

 U5 CONNECTOR
 B02 BU100AU4
 B04 BU100AV4
 B05 BU100AW4
 B08 BU100AX4
 B09 BU100AY4
 B10 BU100AZ4
 B12 BU100BA4
 B13 BU100BB4
 D02 BU100BC4
 D03 BU100BP4
 D05 BU100BQ4
 D10 BD210BD4
 D11 BD210BG4
 D13 BD210BK4

 V2 CONNECTOR
 B12 BU300ED2
 B13 BU300ED6
 D02 BU300EC2
 D03 BU300EC6

 V3 CONNECTOR
 B02 WK200BH4
 B05 WK210BH4
 B08 WK200BA4
 B10 WK210BA4
 D02 WK300AE4
 D03 WK300AF4
 D11 WK300AG4
 D12 WK300AD4
 D13 WK300AH4

 V4 CONNECTOR
 B02 BU300AB4
 B04 BU300AC4

B05 BU300AD4
 B06 BU300AE4
 B08 BU300AF4
 B09 BU300BK4
 B10 BU300AQ4
 B12 BU300BE4
 B13 BU300AP4
 D02 BU300AU4
 D03 BU300AV4
 D05 BU300AW4
 D06 BU300AX4
 D07 BU300AY4
 D09 BU300AZ4
 D10 BU300BA4
 D11 BU300BB4
 D13 BU300BC4

 V5 CONNECTOR
 B02 BA110AJ4
 B04 BA110AK4
 B05 BA110AL4
 B06 BA110AM4
 B08 BA110AN4
 B09 BA110AP4
 B10 BA110AQ4
 B12 BA110AR4
 B13 BA110AS4
 D02 BD220AA4
 D03 BD220AG4
 D05 BD220AN4
 D06 BD220AU4
 D07 BD220AV4
 D09 BD230AA4
 D13 BU300AR4

PLUG LIST

PART NO	ACC	TYPE	SOCKETS	TOTAL
8239722		Z465	R4	01
8239753		Z475	K2	01
8239755		Z698	R2	01
8239785		Z474	L2	01
8250691	SWFE	AA55	M2	01
8250706	SWFE	AA53	D2 E2	02
8250707	SWFE	AA54	H2 J2	02
8250733		Z709	G2	01
8251093		Z473	F2	01
8251094		Z466	S2	01
8251096		Z464	T2	01
8251099		Z010	Q2	01
8251100		Z463	P2	01
8251103		Z467	N2	01
	CONN	A2 A3 A4 A5		19
		B2 B3 B4 B5		
		C2 C3 C4 C5		
		U3 U4 U5 V2		
		V3 V4 V5		

COND

SOCKET LISTING
 DATE 01-03-79 MACH. 3350
 LOG 3920 BOARD 01A-A2
 PREV. ENGR. 01-21-77 446707
 PRES. ENGR. 01-05-79 446711
 P.N. 1710182
 IBM CORP. SDD BLK.

A
 A
 2
 0
 0
 000

-ASSM BUS BIT 7 - BE110AH7

IBM

CONFIDENTIAL

UNTIL 04-01-76

- UNCLASSIFIED

THEREAFTER

000 BA100

-ASSM BUS BIT 0 - BE110AB2
-BUS IN BIT 0 MOD - BA130AB6
-SEL BUS BIT 7 - BF190AB2

-ASSM BUS BIT 1 - BE110AB7
-DEVICE BUS IN BIT 1 - BA160AB2
-SEL BUS BIT 1 - BF190AB7
-ASSM BUS BIT 6 - BE110AH2
-DEVICE BUS IN BIT 6 - BA160AH2
-DEVICE BUS IN BIT 7 - BA160AM2
-SEL BUS BIT 6 - BF190AH2

-ASSM BUS BIT 2 - BE110AD2
-DEVICE BUS IN BIT 2 - BA160AC2
-SEL BUS BIT 2 - BF190AD2

-ASSM BUS BIT 3 - BE110AD7
-DEVICE BUS IN BIT 3 - BA160AF2
-SEL BUS BIT 3 - BF190AD7

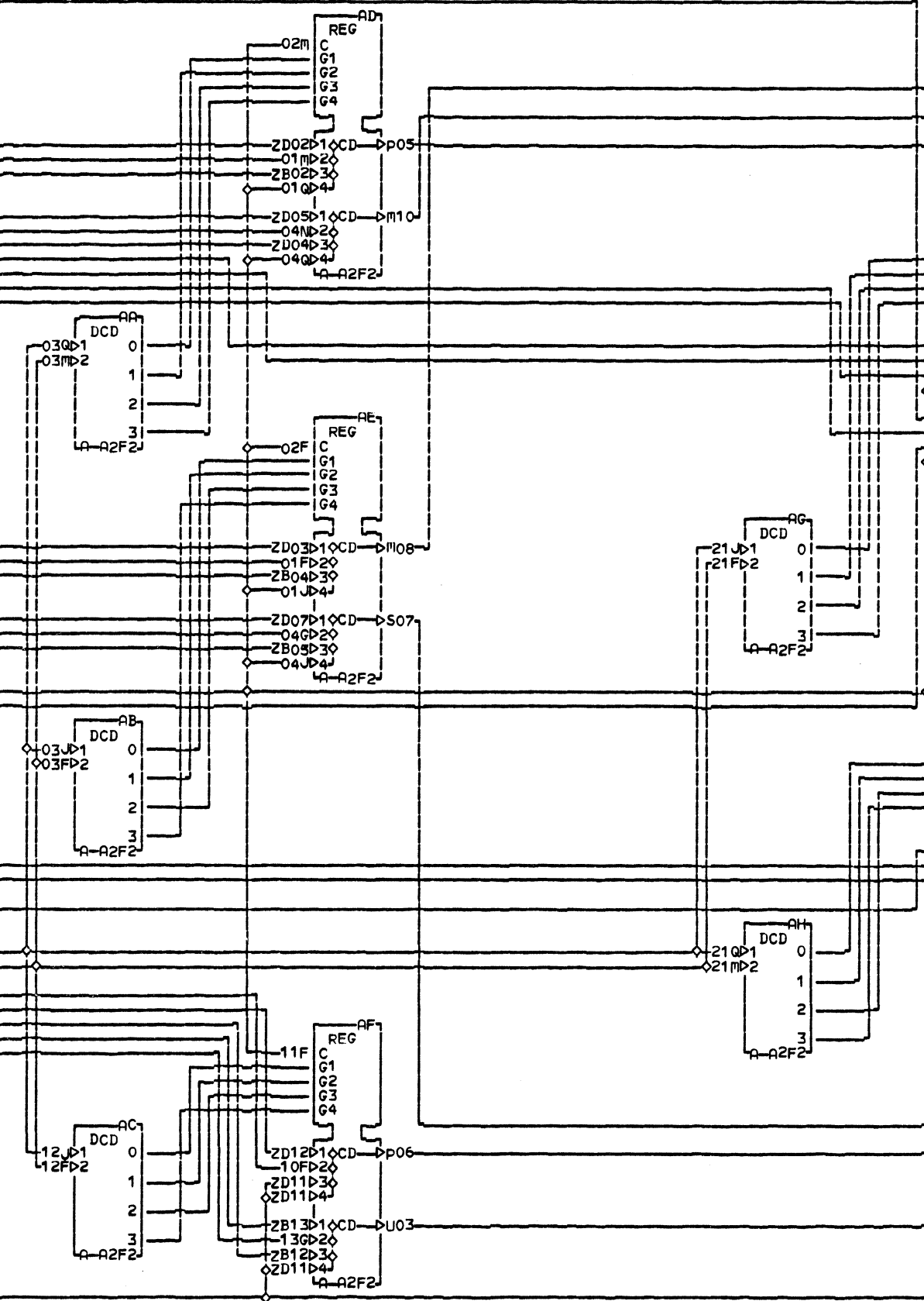
TIE UP - BA120AR4
-SEL BUS BIT 7 - BF190AH7

-BUS IN PAR MOD - BA130AB6
-SEL BUS BIT P - BF190AJ6
-ASSM BUS BIT P - BE110AK2

-GATED BI SEL Y - BA130CD6
-GATED BI SEL X - BA130CC6

-DEVICE BUS IN BIT 4 - BA160AG2
-ASSM BUS BIT 4 - BE110AF2
-SEL BUS BIT 5 - BF190AF7
-ASSM BUS BIT 5 - BE110AF7
-DEVICE BUS IN BIT 5 - BA160AH2

-SEL BUS BIT 4 - BF190AF2



CONTR BUS IN BIT 2 - AF2
 BA120 BA150 BP200 BQ200
 CONTR BUS IN BIT 1 - AD7
 BA120 BA150 BP200 BQ200
 CONTR BUS IN BIT 0 - AD2
 BA120 BA150 BP200 BQ200

CONTR BUS IN BIT 6 - AL2
 BA120 BA150 BP200 BQ200

CONTR BUS IN BIT 7 - AL7
 BA120 BA150 BP200 BQ200

BA120 - CONTR BUS IN BIT P - AN2

CONTR BUS IN BIT 3 - AF7
 BA120 BA150 BP200 BQ200
 CONTR BUS IN BIT 4 - AH2
 BA120 BA150 BP200 BQ200

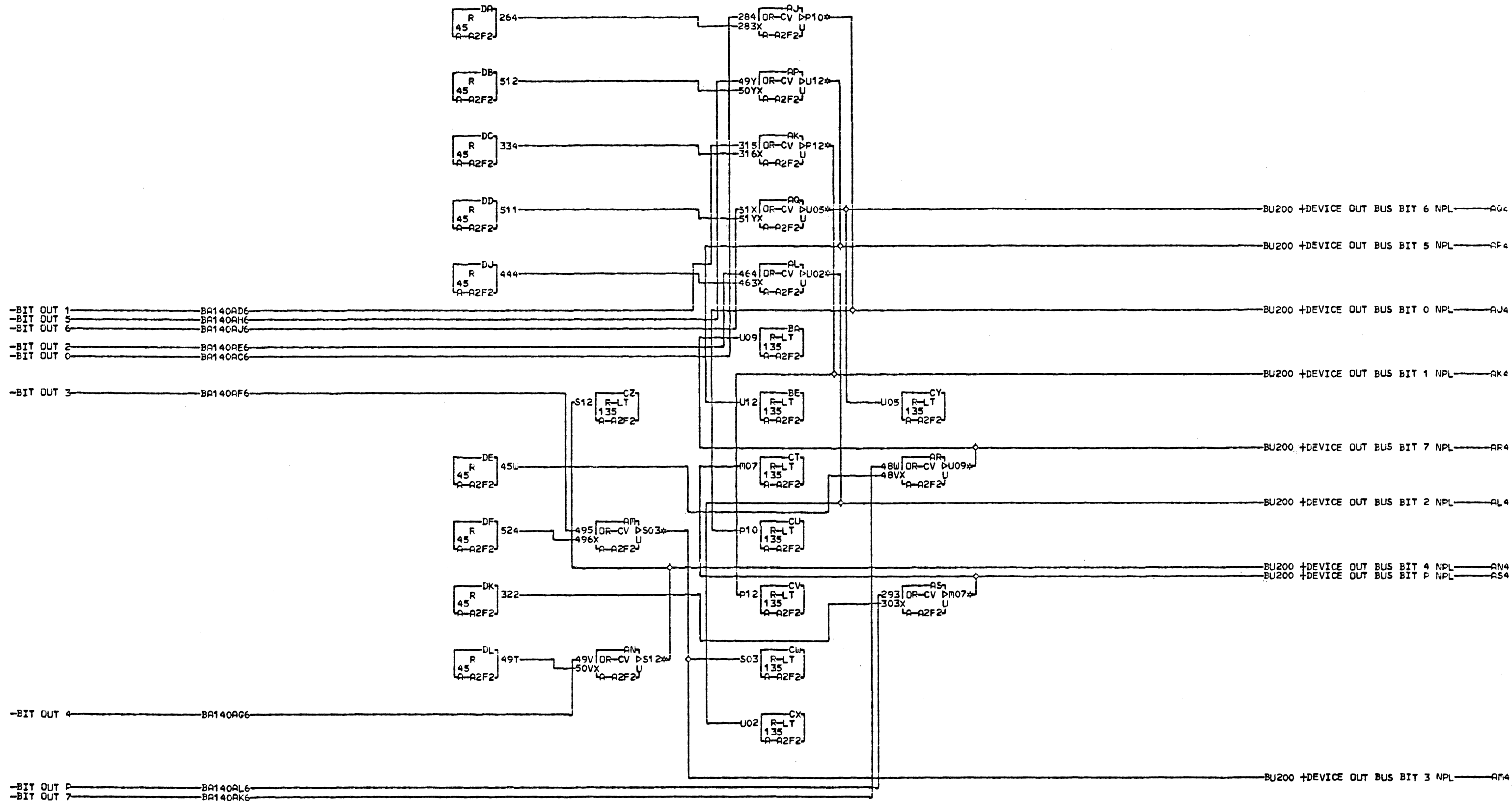
CONTR BUS IN BIT 5 - AH7
 BA120 BA150 BP200 BQ200

LOC. TYPE
A-A2F2 2473

BUS IN * BUS OUT CARD	
BUS IN ASSM	
E.C. HISTORY 446703	MACH. 3350
DATE 10-01-76	LAST EC 446706
FRAME 01	IBM CORP. SDD
P.No. 1710187	

B
A
1
0
0

B
A
1
0
0



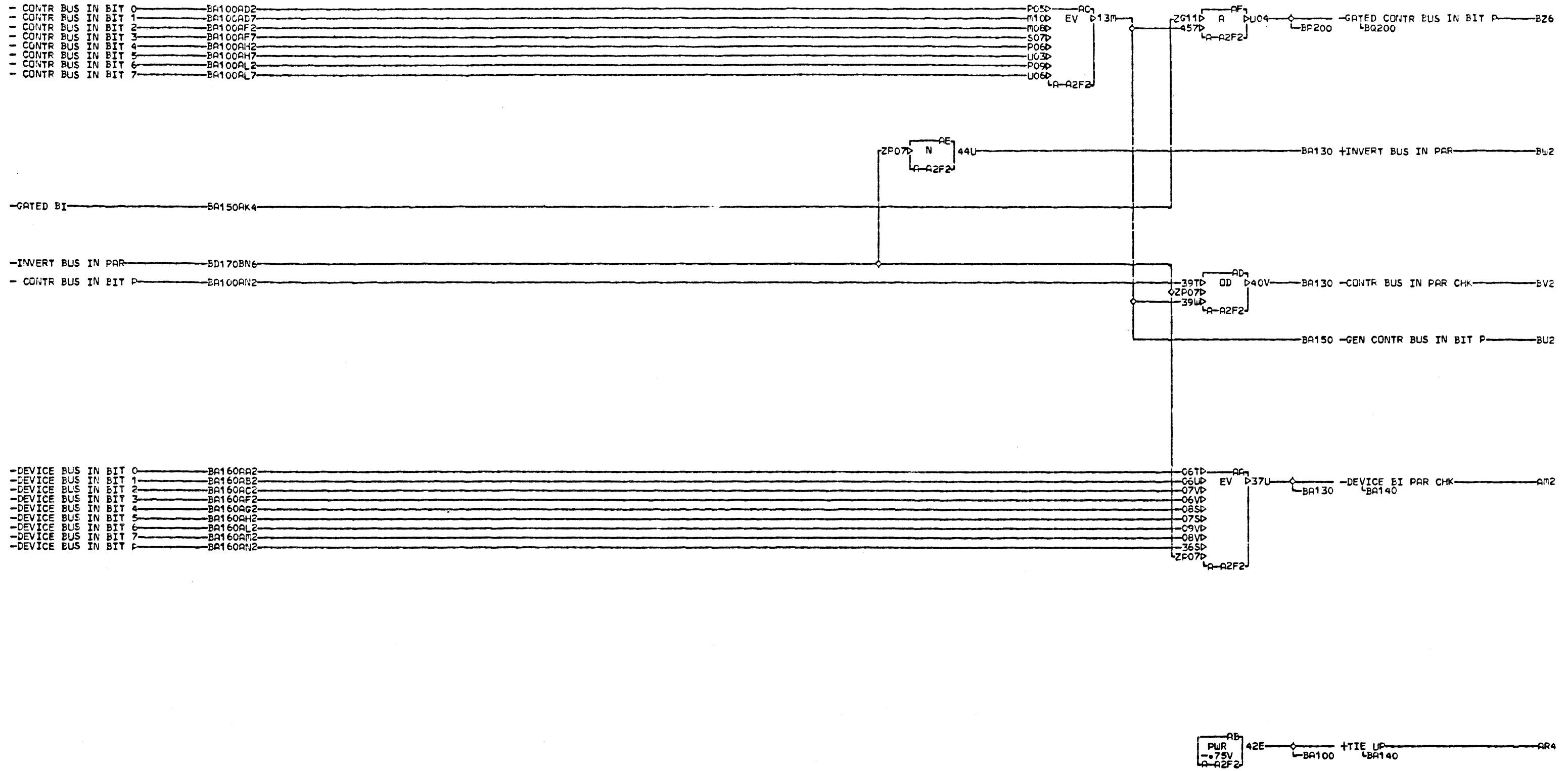
B
A
1
1
0

000COPYRIGHT IBM CORP 1976

AJ2 A-A2V5B02
AK2 A-A2V5B04
AL2 A-A2V5B05
AM2 A-A2V5B06
AN2 A-A2V5B08
AP2 A-A2V5B09
AQ2 A-A2V5B10
AR2 A-A2V5B12
AS2 A-A2V5B13

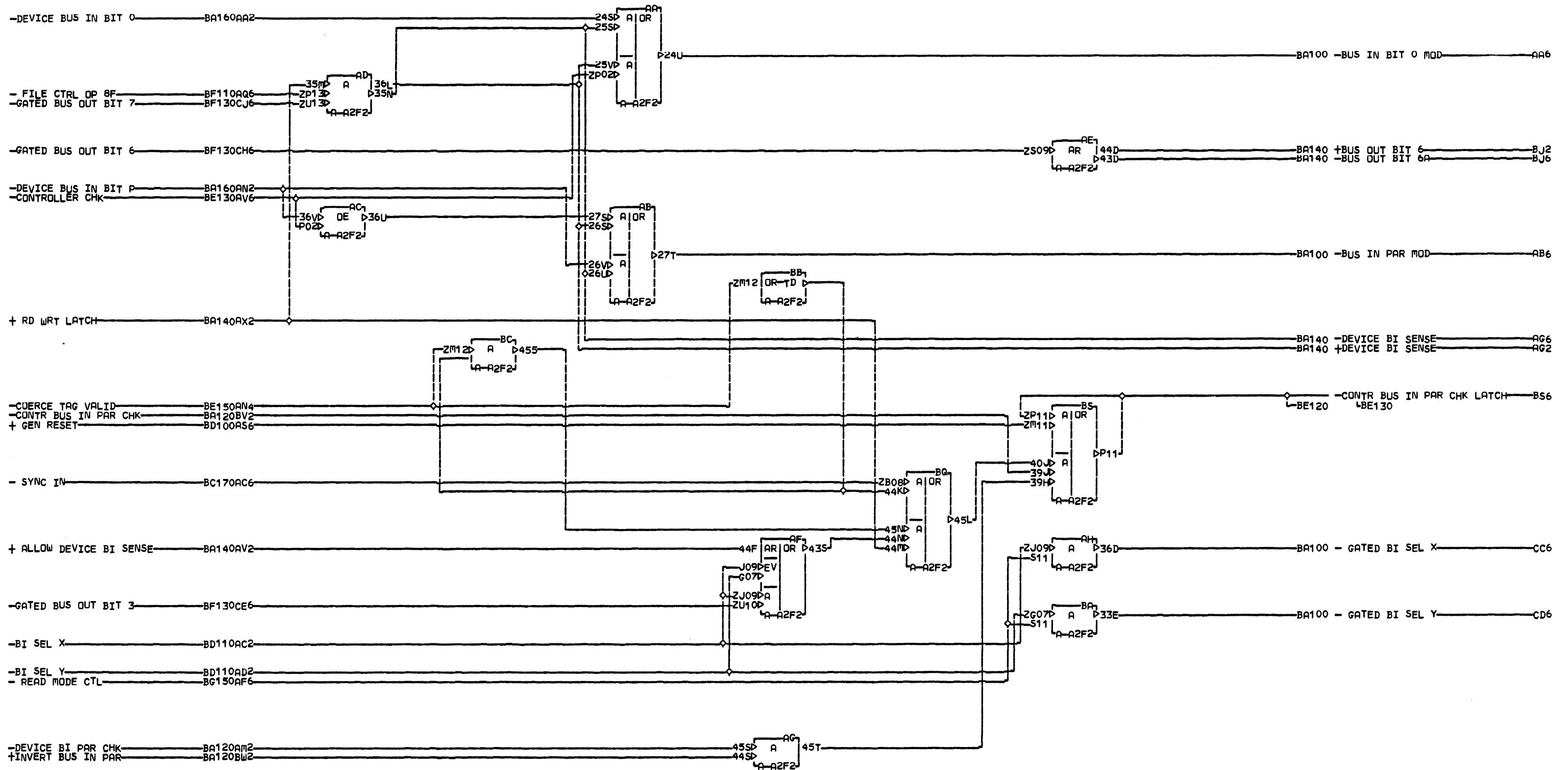
LOC. TYPE
A-A2F2 2473

BUS IN * BUS OUT CARD		B
BO NPL CS		A
E.C.-HISTORY	MACH.3350	1
	FRAME 01	C
	IBM CORP. SDD	
DATE	LAST EC	000
01-16-76	446703	
	F.No. 1710184	



LOC. TYPE
A-A2F2 2473

BUS IN * BUS OUT CARD		E A 1 2 0
BUS PAR CHK		
E.C. HISTORY		MACH. 3350
FRAME		
DATE LAST EC		IBM CORP. SDD
01-16-76 446703		P.N. 1710185

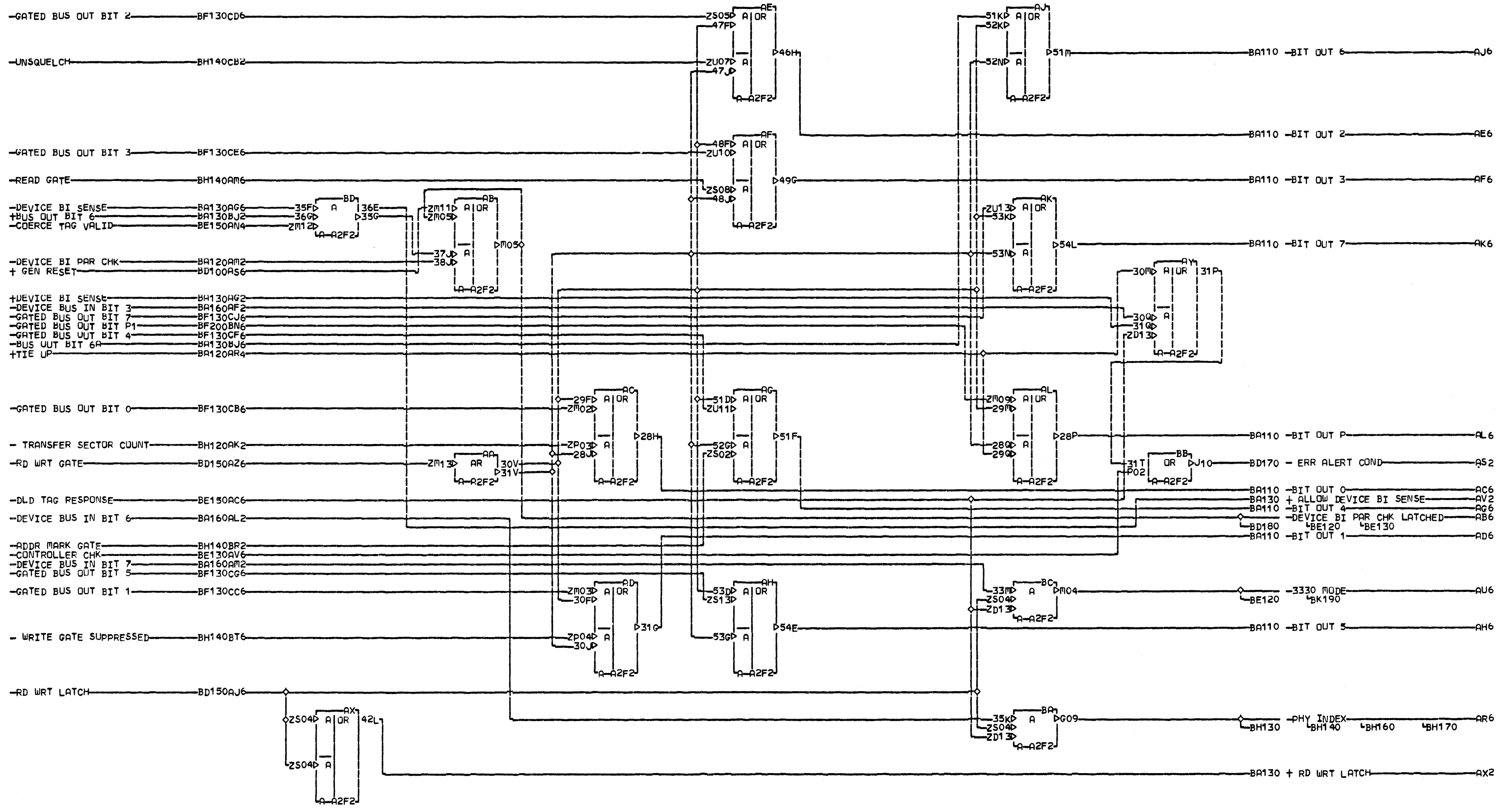


LOC. TYPE
A-A2F2 2473

BUS IN * BUS OUT CARD		BO NPL RCVR	
E.C. HISTORY	446703	MACH. 3350	
DATE	LAST EC	FRAME	01
110-01-76	446706	IBM CORP. SDD	
		P.N. 1710186	

B
A
1
3
0

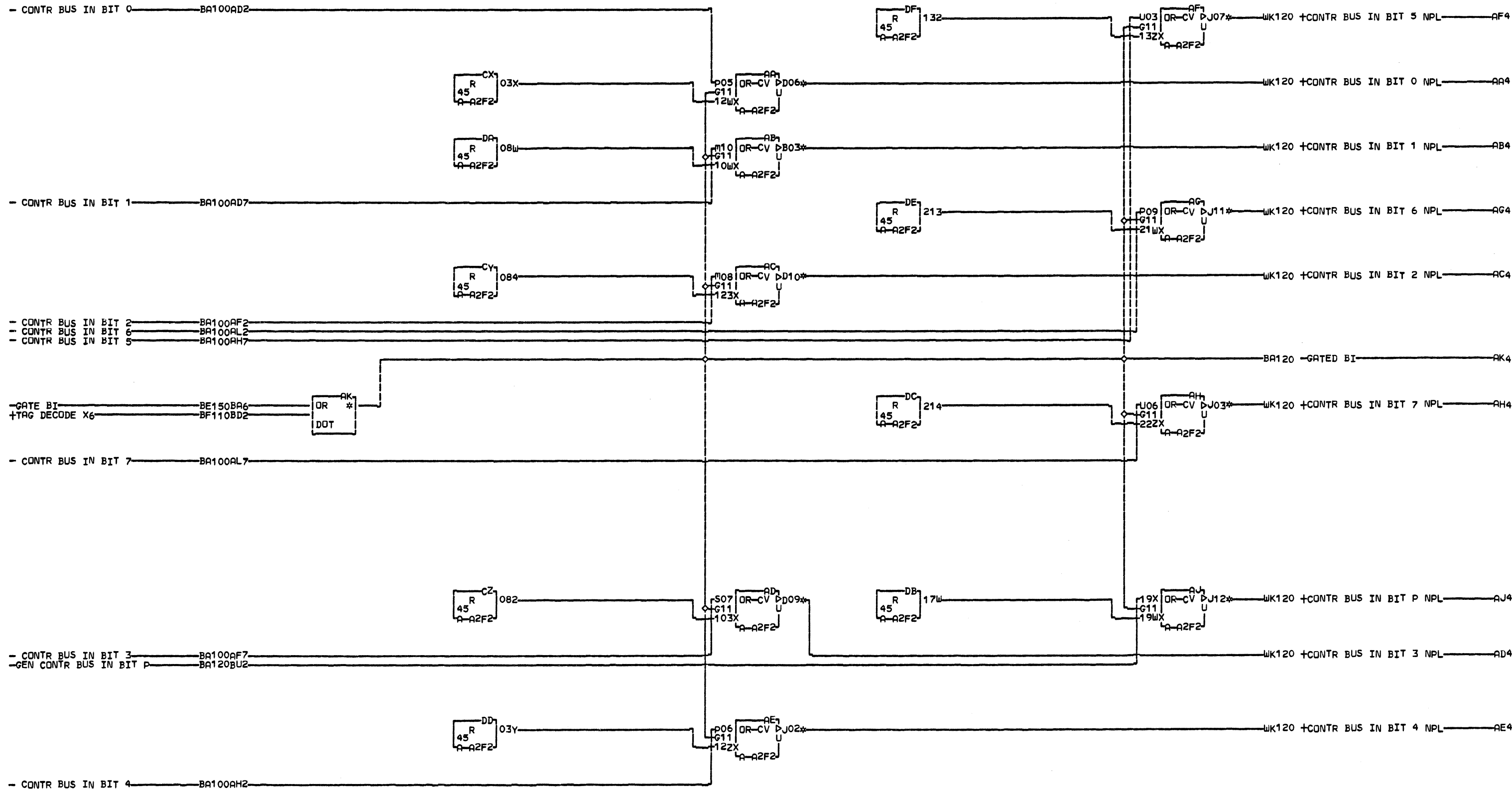
B
A
1
3
0



B
A
1
4
0

LOC. TYPE
A-A2F2 2473

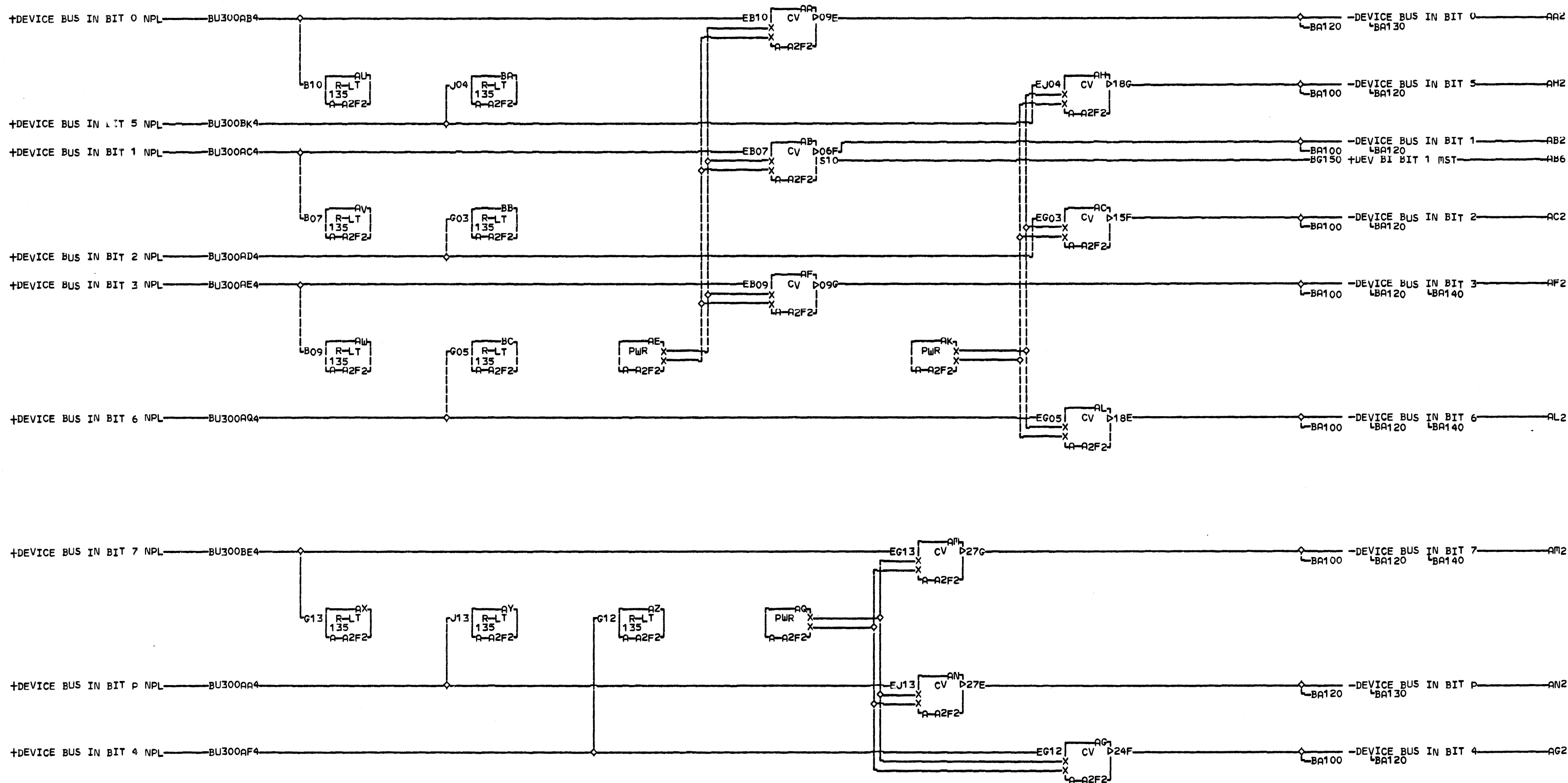
BUS IN * BUS OUT CARD		B
BO CTRL		A
E.C. HISTORY	MACH. 3350	1
446703	FRAME 01	4
DATE LAST EC	IBM CORP. SDD	0
10-01-76 446706	P.N. 1710187	000



- AA2 A-A2C3D05 AH2 A-A2C3B12
- AB2 A-A2C3B05 AJ2 A-A2C3B02
- AC2 A-A2C3D06
- AD2 A-A2C3B08
- 01A A-A2C3B09
- AE2 A-A2C3D09
- 01A A-A2C3D10
- AF2 A-A2C3B10
- AG2 A-A2C3D11

LOC. TYPE
A-A2F2 2473

BUS IN #	BUS OUT	CARD
BI NPL CS		
E.C. HISTORY		B MACH. 3350
446703		FRAME 01
DATE	LAST EC	IBM CORP. SDD
10-01-76	446706	P.No. 1710188

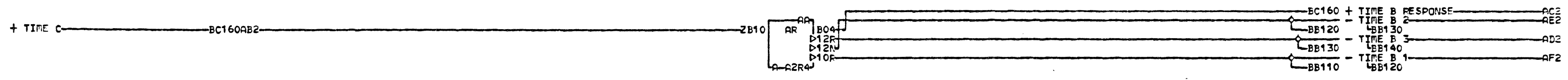
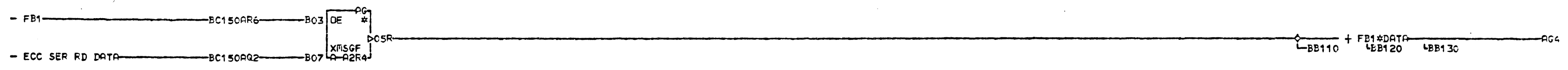


LOC. TYPE
A-A2F2 2473

BUS IN * BUS OUT CARD	
BI NPL TERMINATORS*RCVRS	
E.C. HISTORY	MACH. 3350
446703	
DATE	LAST EC
11-01-76	446706
FRAME	01
IBM CORP. SDD	
P.No.	1710189

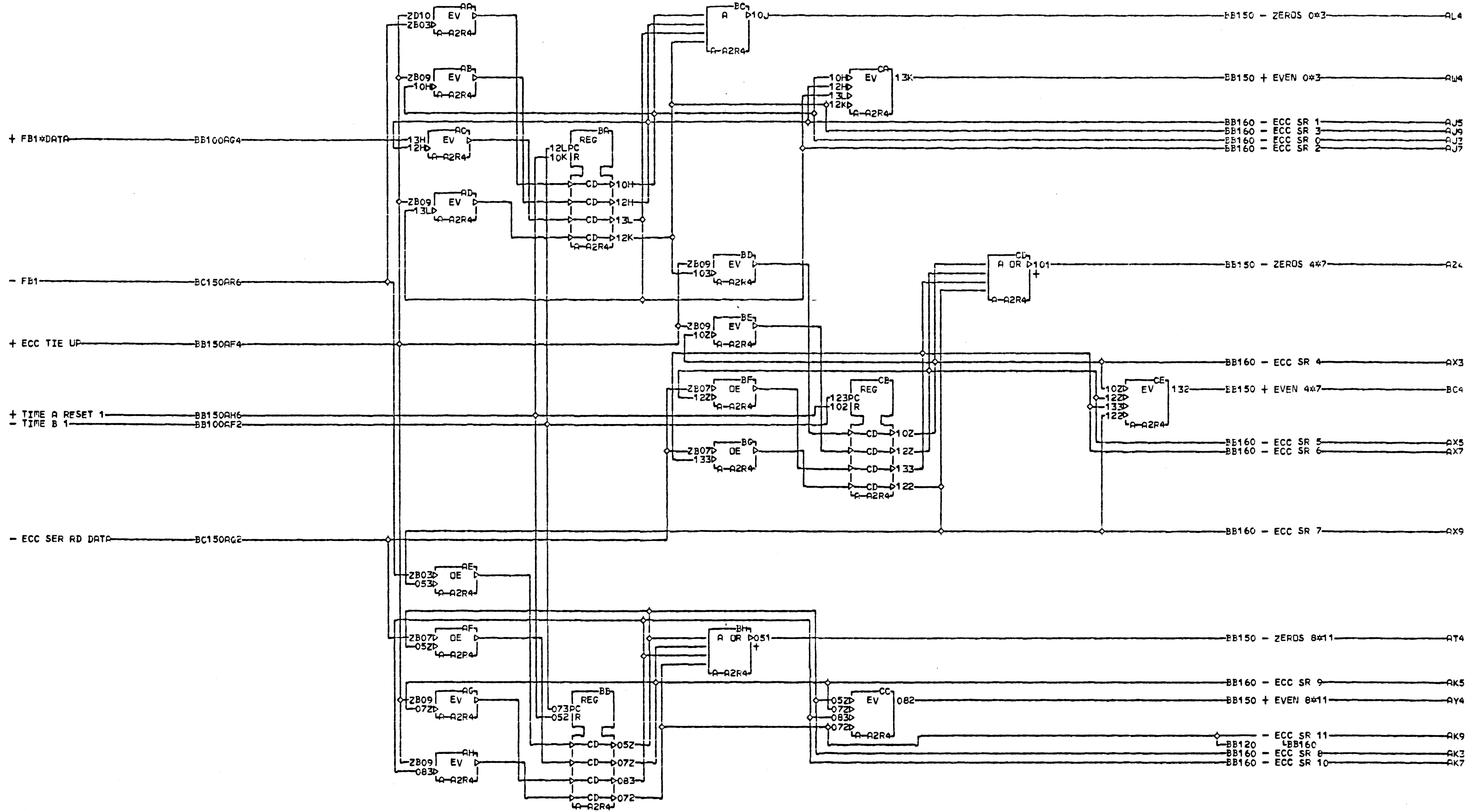
B
A
1
6
0

B
A
1
6
0



LDC. TYPE
A-2R4 2465

ERROR CORRECTION CARD	
E.C. HISTORY	MACH. 3350
	FRAME 01
DATE LAST EC	IBM CORP. SDD
01-16-76 446703	P.No. 171019C

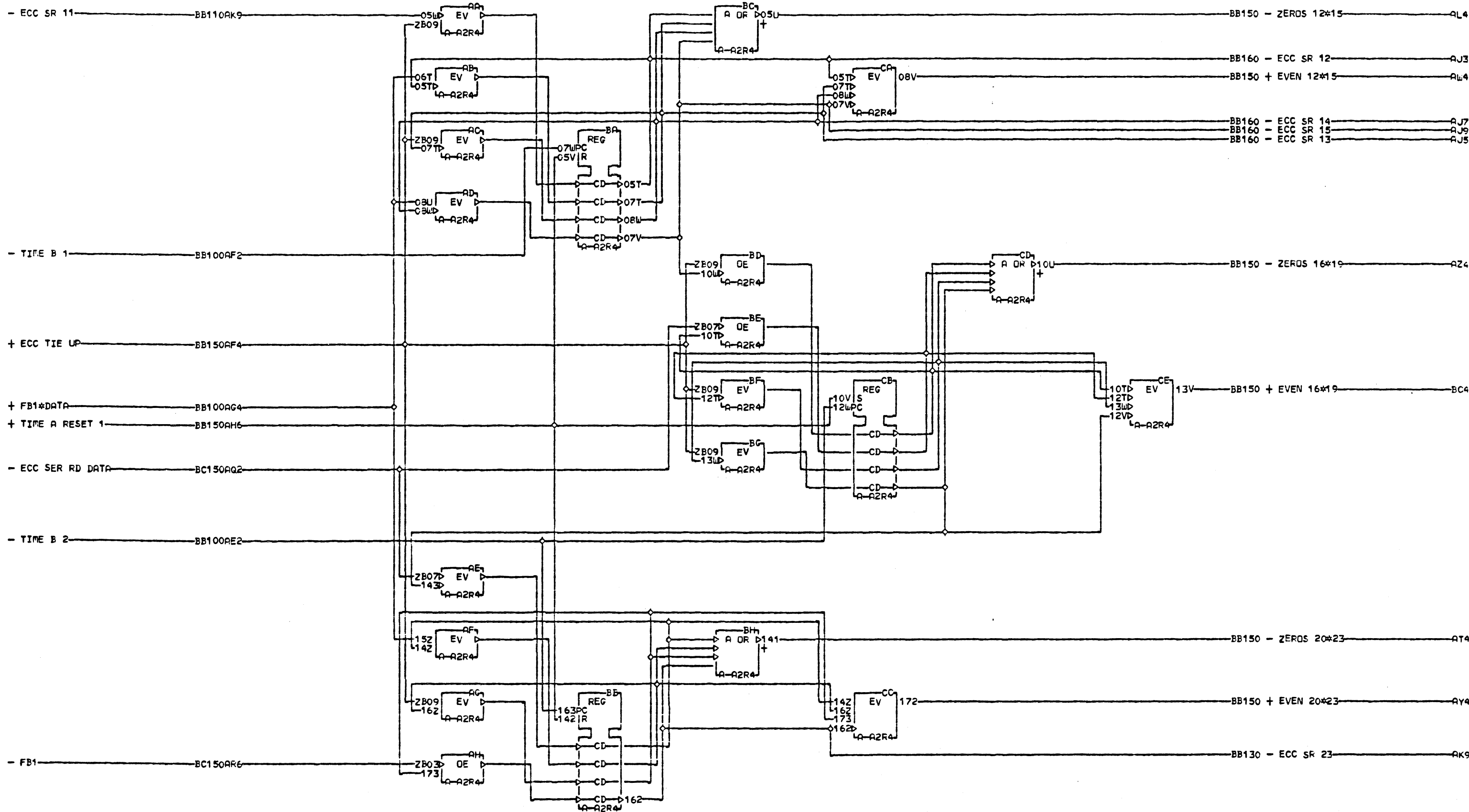


LOC. TYPE
A-A2R4 Z465

ERROR CORRECTION CARD	
E.C. HISTORY	B-MACH. 3350
DATE LAST EC	FRAME 01
01-16-76 446703	IBM CORR. SEC
	Pa. No. 1710191

B
1
1
0

E
1
1
0

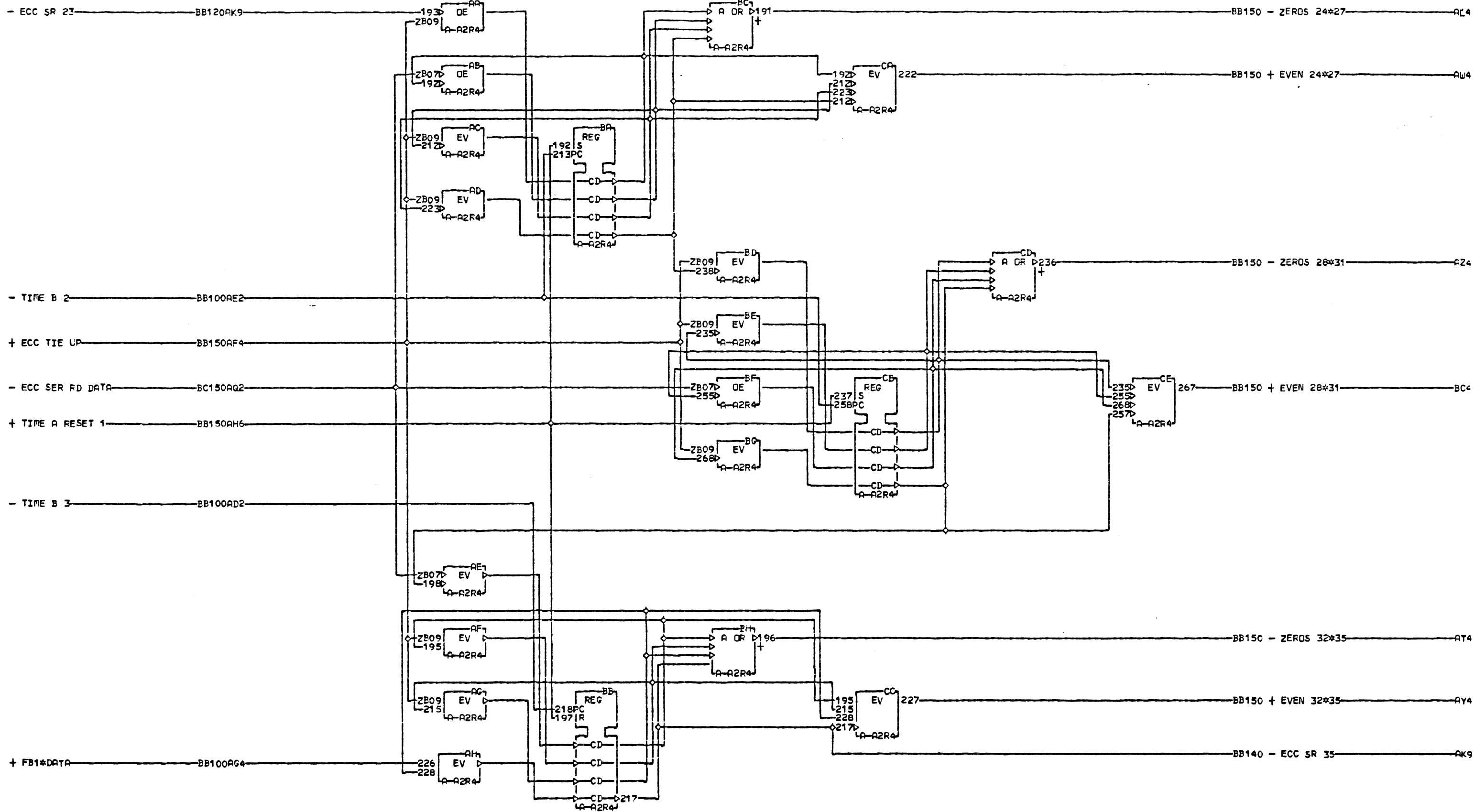


LOC. TYPE
A-A2R4 Z465

ERROR CORRECTION CARD	
E.C. HISTORY	MACH. 3350
DATE LAST EC	FRAME 01
01-16-76 446703	IBM CORP. GPD
	P.N. 1710192

BB120

BB120

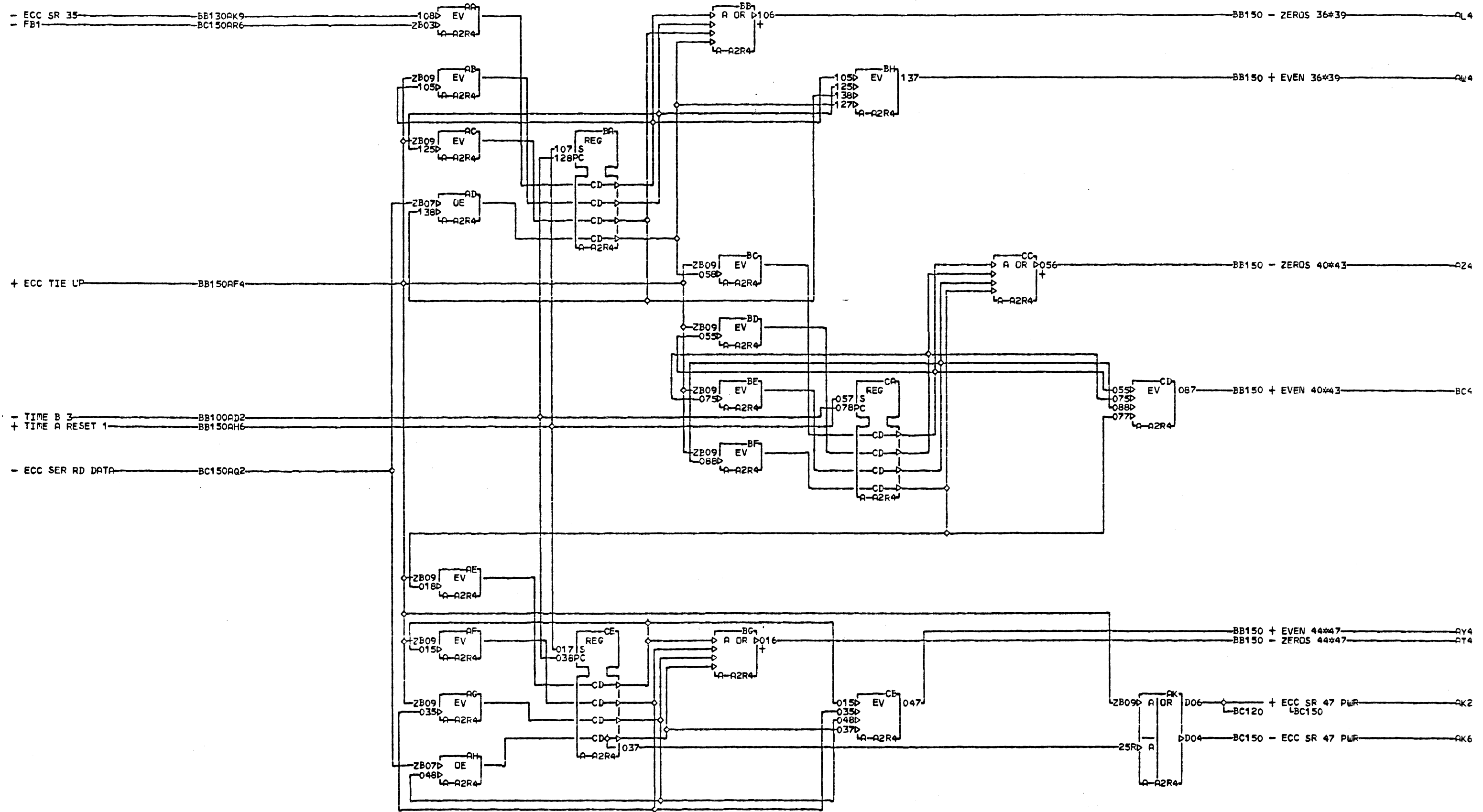


LOC. TYPE
A-A2R4 Z465

ERROR CORRECTION CARD	
E.C. HISTORY	B MACH. 3350
DATE	FRAME 01
LAST EC	IBM CORP. GPD
01-16-76 446703	P.N. 1710193

BB130

BB130

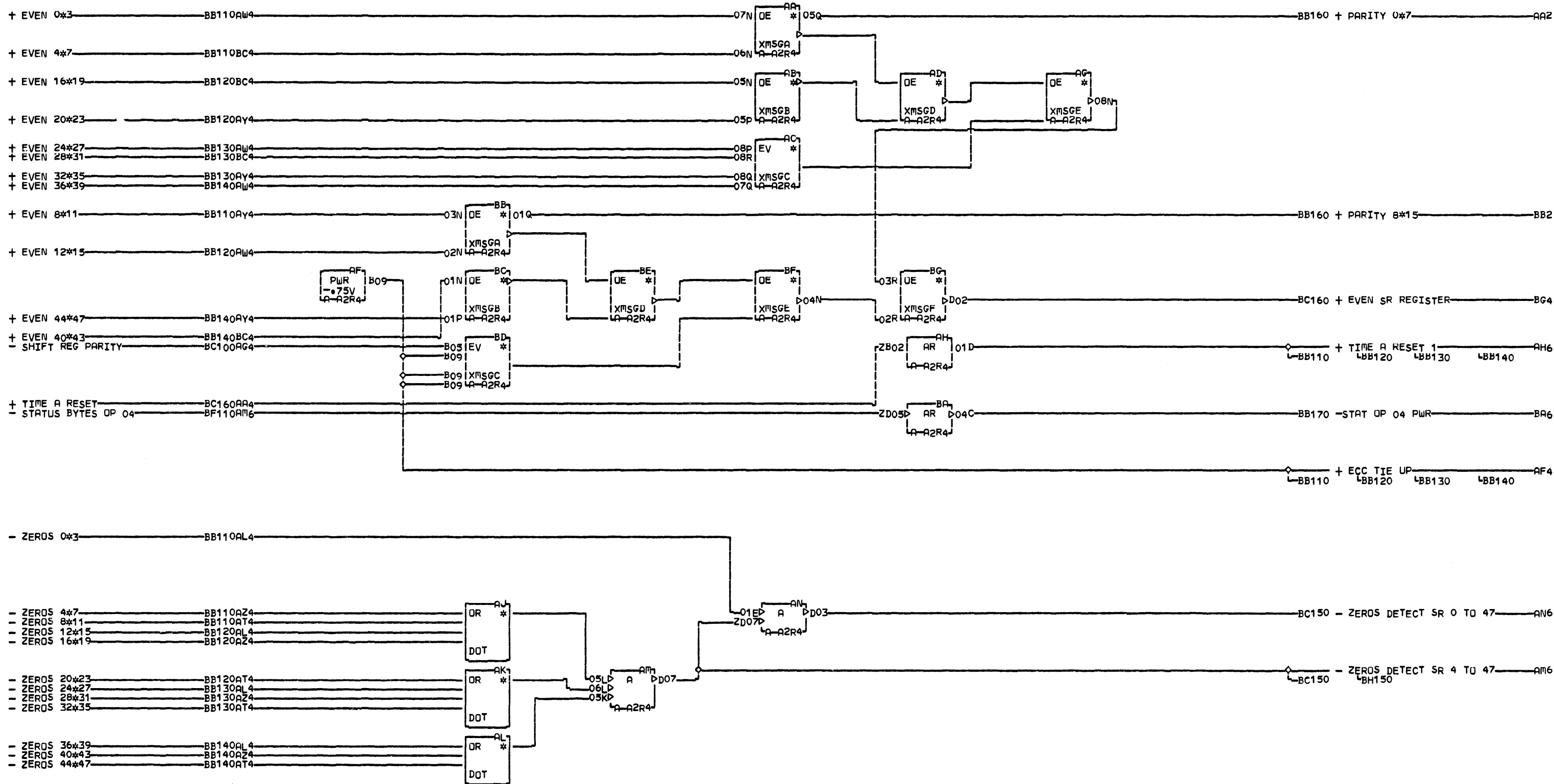


LOC. TYPE
A-A2R4 2465

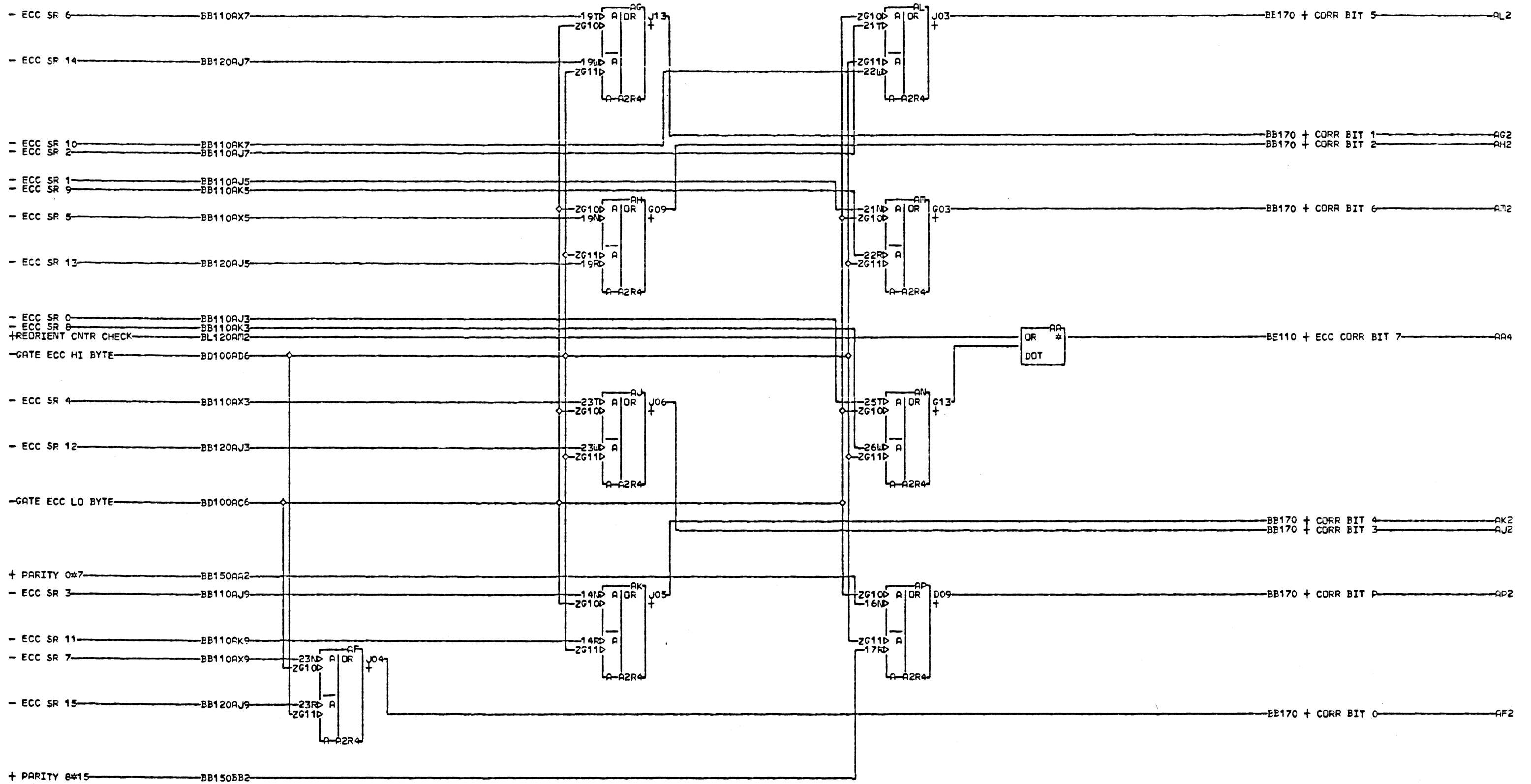
ERROR CORRECTION CARD	
-E.C.-HISTORY-	B MACH. 3350
	FRAME 01
	IBM CORP. GPD
DATE LAST EC	P.No. 1710194
01-16-76 446703	

B
B
1
4
0

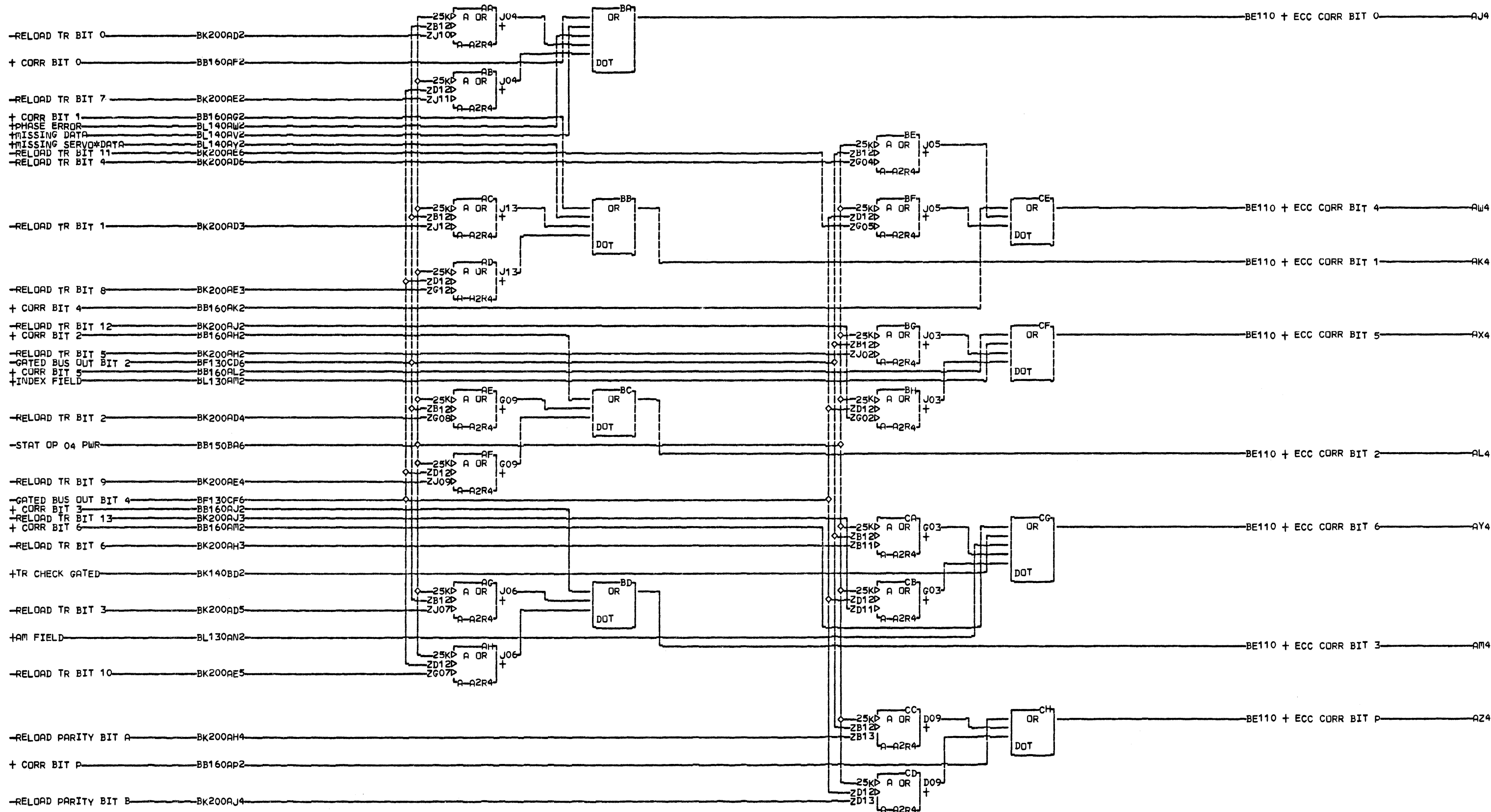
B
B
1
4
0



ERROR CORRECTION CARD	
E.C. HISTORY 446703	MACH. 3350 FRAME 01
DATE LAST EC 10-01-76 446706	IBM CORP. GPD P.N. 1710195



ERROR CORRECTION CARD	
E.C. HISTORY	B MACH. 3350
DATE	LAST EC
01-16-76	446703
FRAME	01
IBM CORP. SDD	
P.N.	1710196



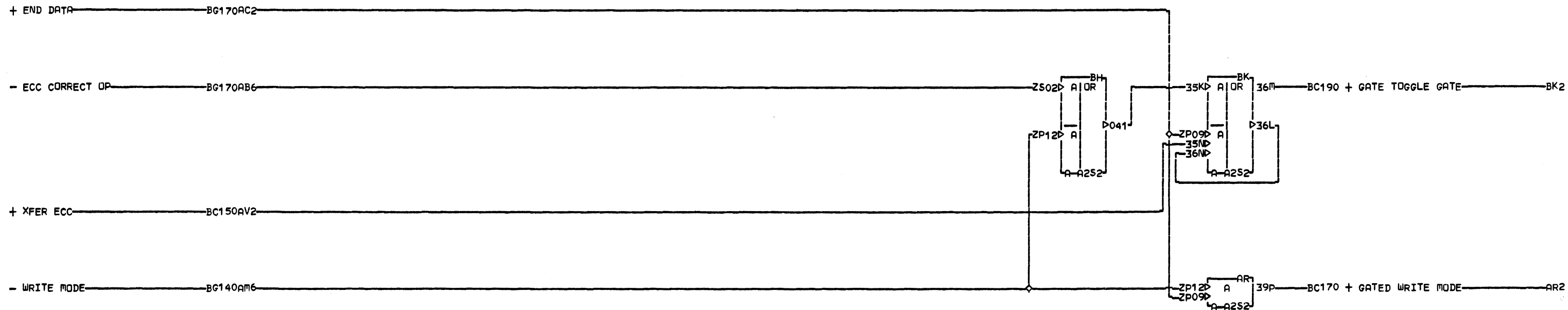
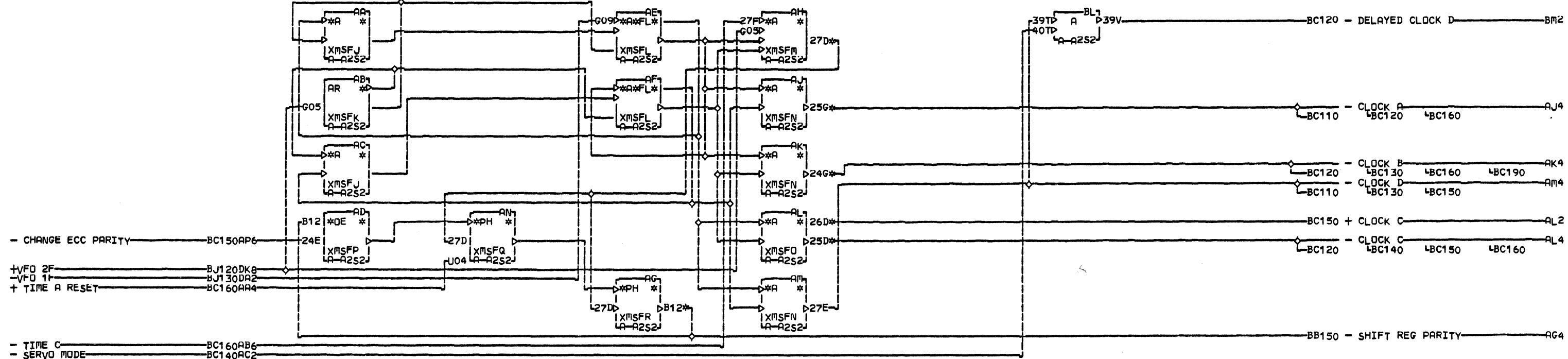
B
1
7
0

LDC TYPE
A-A2R4 2465

ERROR CORRECTION CARD	
E.C. HISTORY 446703	MACH. 3350 FRAME 01
DATE 10-01-76	IBM CORP. SDD P.No. 1710197

B
1
7
0

** IBM CONFIDENTIAL UNTIL 04-01-76 - UNCLASSIFIED THEREAFTER **



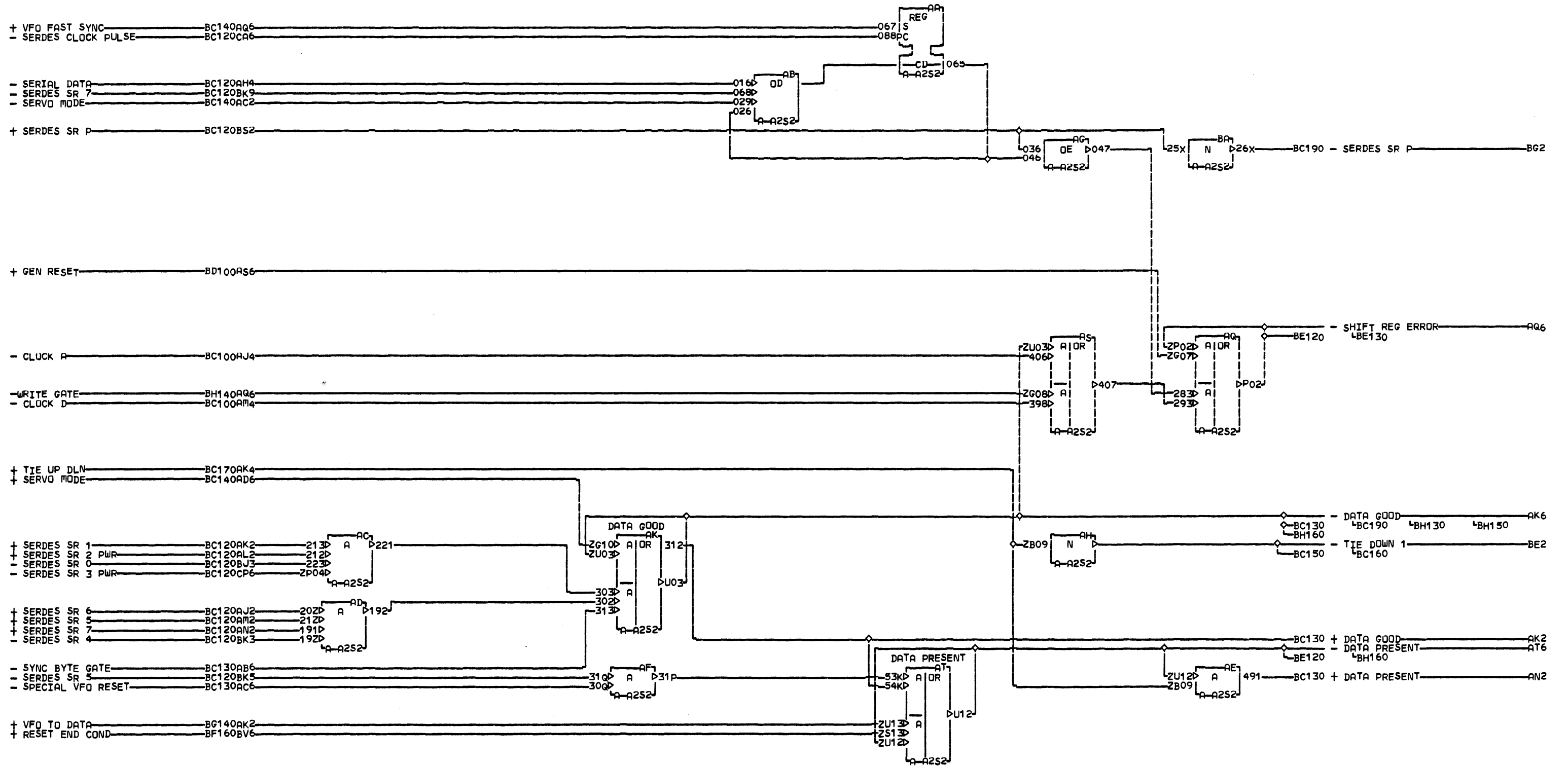
B
C
1
0
0

- AG4 RESISTOR A-A2S2
- A-A2S2B12 AL4 RESISTOR A-A2S2
- AH4 RESISTOR A-A2S2
- AJ4 RESISTOR A-A2S2
- AK4 RESISTOR A-A2S2
- AL2 RESISTOR A-A2S2

LOC. TYPE
A-A2S2 2466

SERDES	
E.C. HISTORY	MACH. 3350
446703	FRAME 01
DATE	IBM CORP. SDD
10-01-76	IP.No. 1710198
LAST EC	446706

B
C
1
0
0

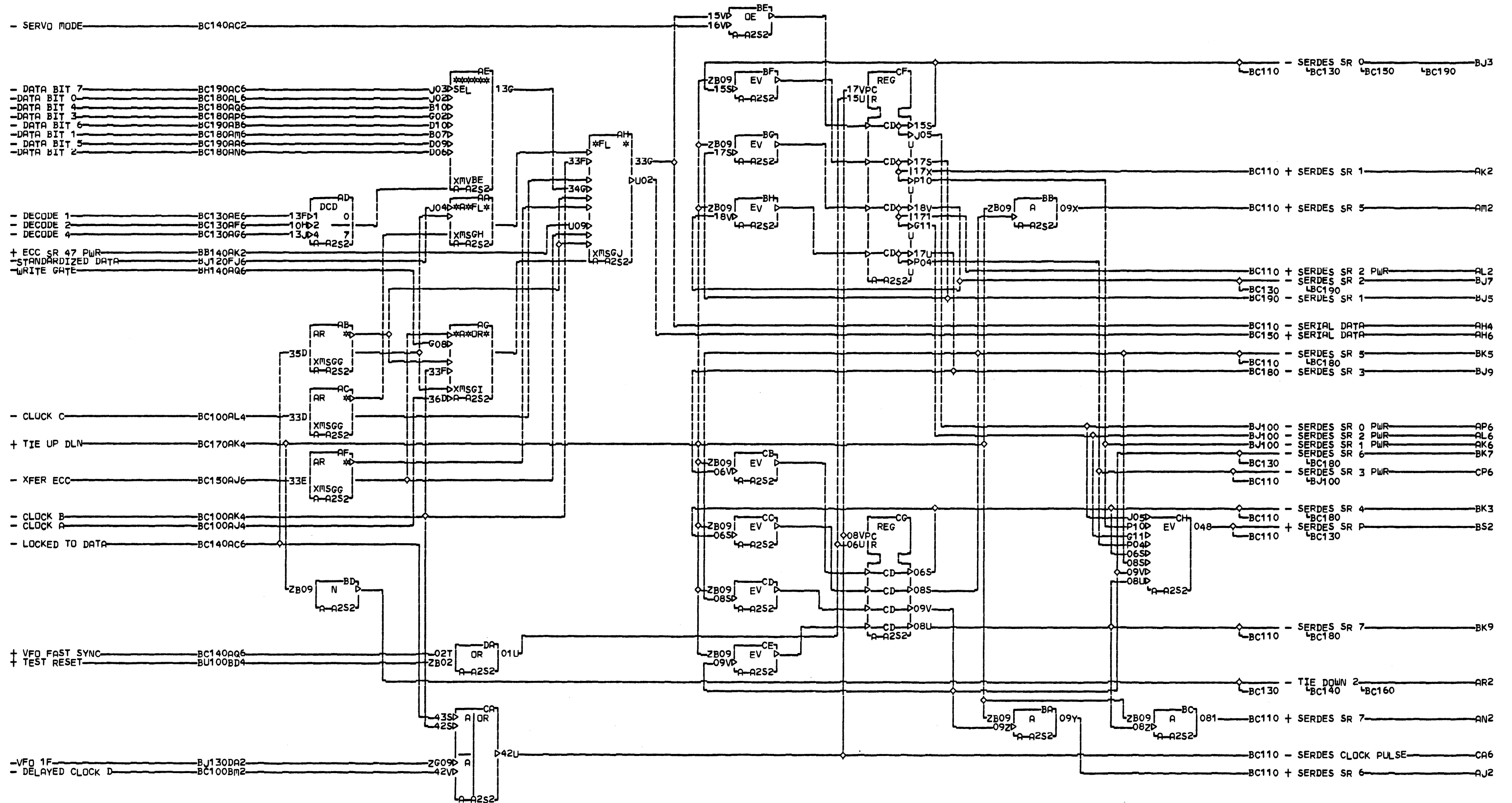


BC110

LOC. TYPE
A-A2S2 2466

SERDES	
E.C. HISTORY	B1 MACH. 3350
446703	FRAME 01
DATE LAST EC	IBM CORP. SDD
110-01-76 446706	IP.No. 1710199

BC110

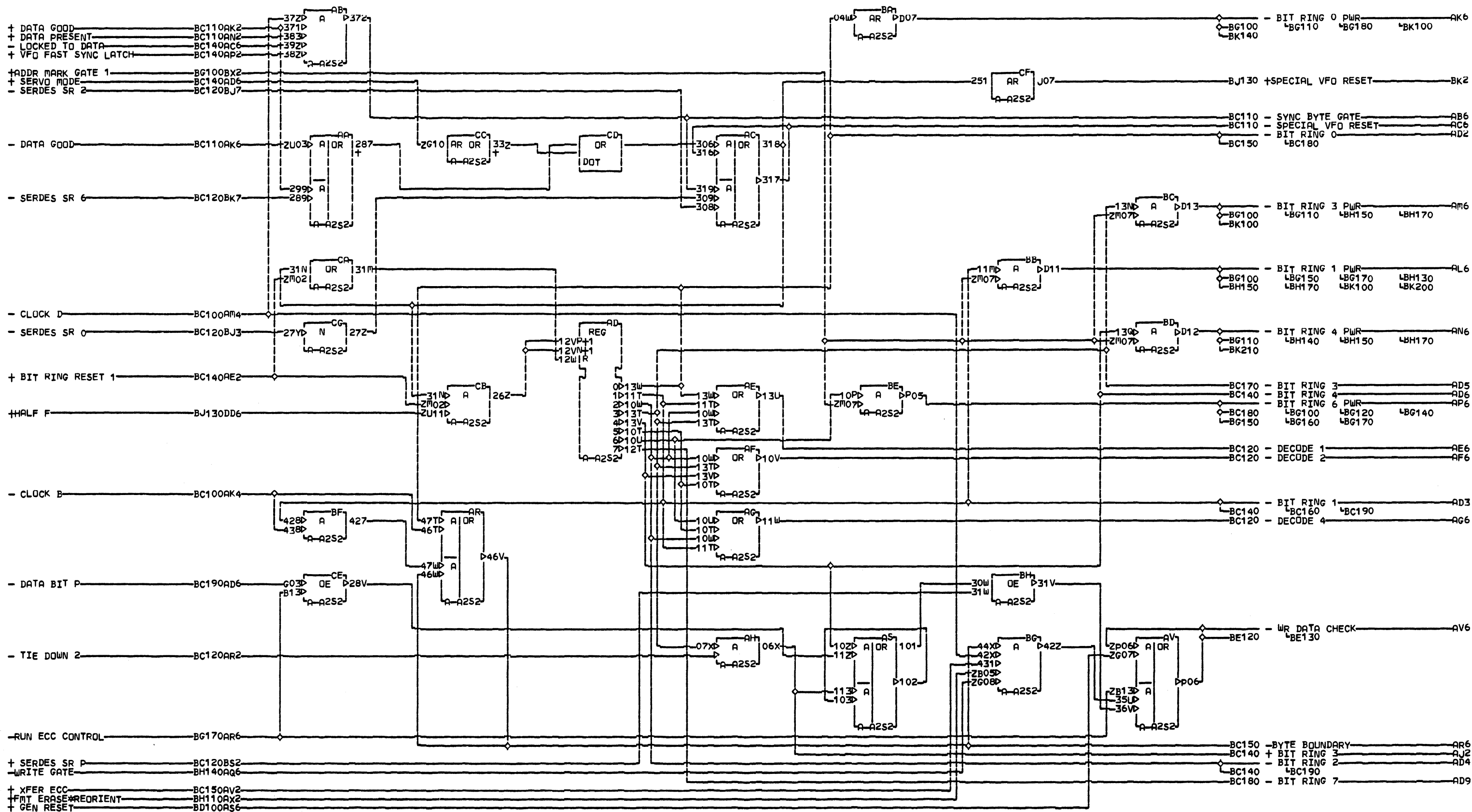


LOC. TYPE
A-A2S2 2466

SERDES	
E-C-HISTORY	B-MACH-3350
446703	FRAME 01
DATE LAST EC	IBM CORP. SDD
10-01-76 446706	P.No. 1710200

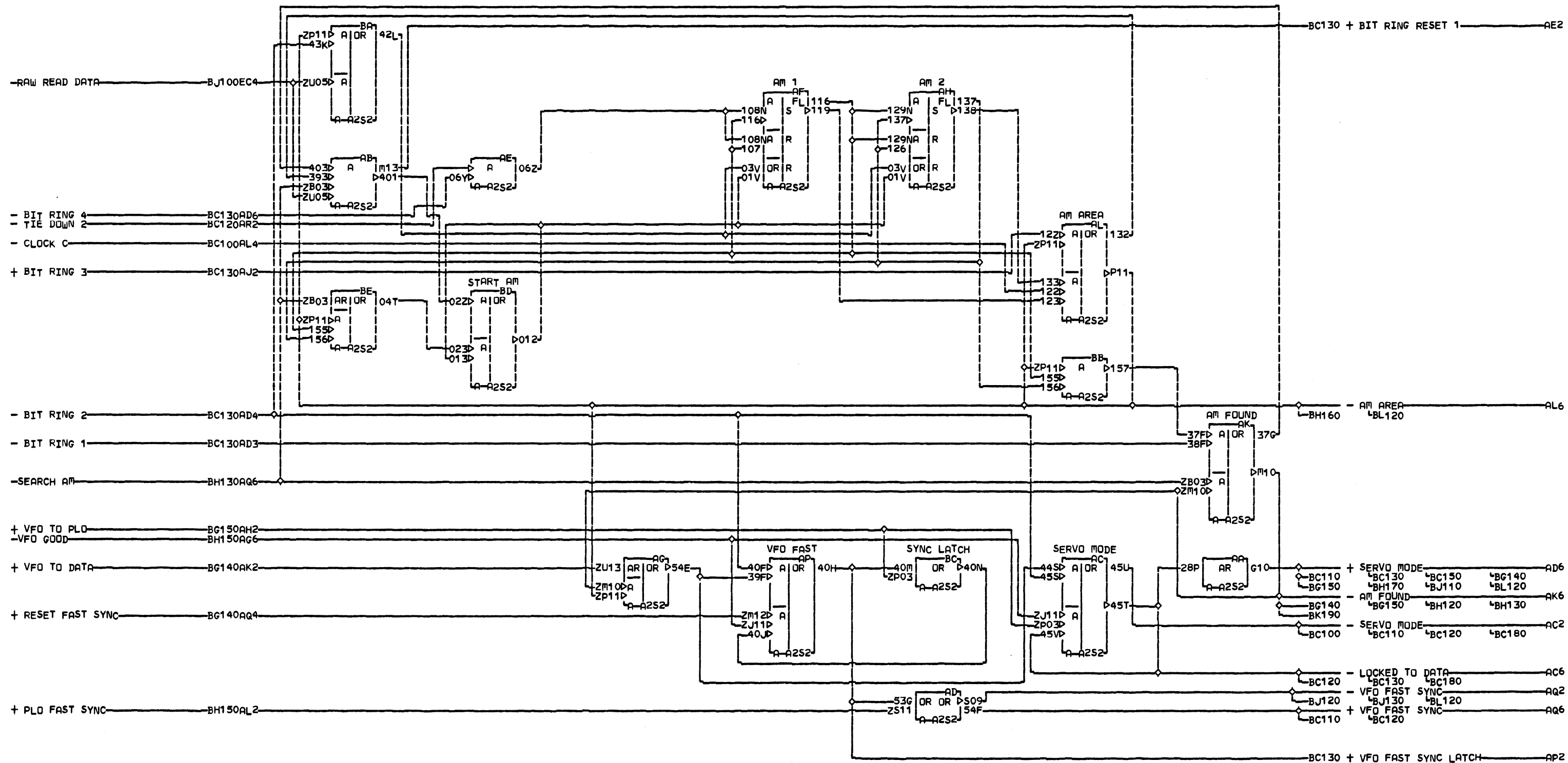
BC120

BC120



LQC TYPE
A-A252 2466

SERDES	
E.C. HISTORY	B-MACH-3350
446703	FRAME 01
446704	IBM CORP. SDD
DATE LAST EC	P.No. 1710201
10-01-76 446706	

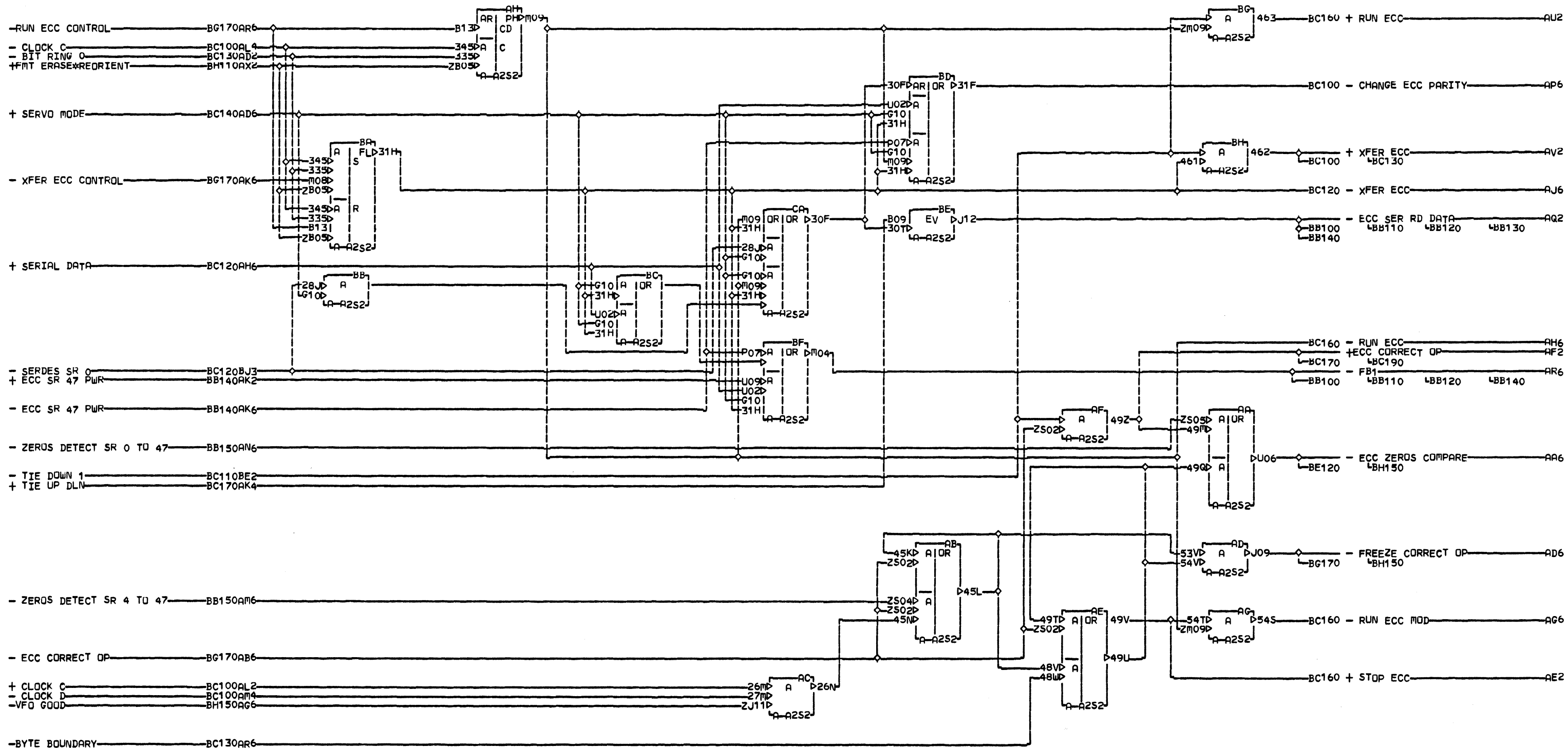


LOC. TYPE
A-A2S2 2466

SERDES	
E.C. HISTORY	MACH. 3350
446703	FRAME 01
DATE LAST EC	IBM CORP. SDD
10-01-76 446706	P.No. 1710202

B
C
1
4
0

B
C
1
4
0

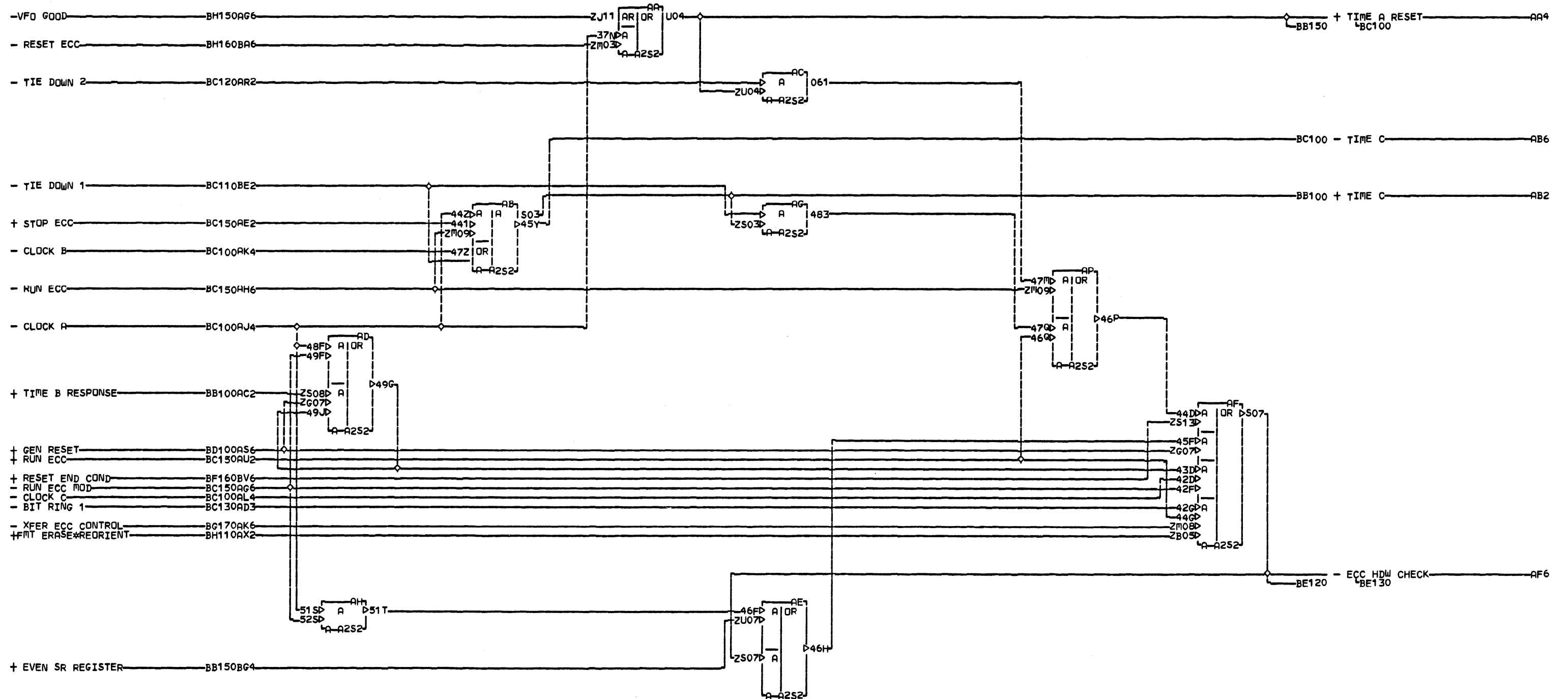


B
C
1
5
0

LOC. TYPE
A-A2S2 2466

SERDES	
E.C. HISTORY 446703	B MACH. 3350
DATE 10-01-76	FRAME 01
LAST EC 446706	IBM CORP. SDD
	P.No. 1710203

B
C
1
5
0
000

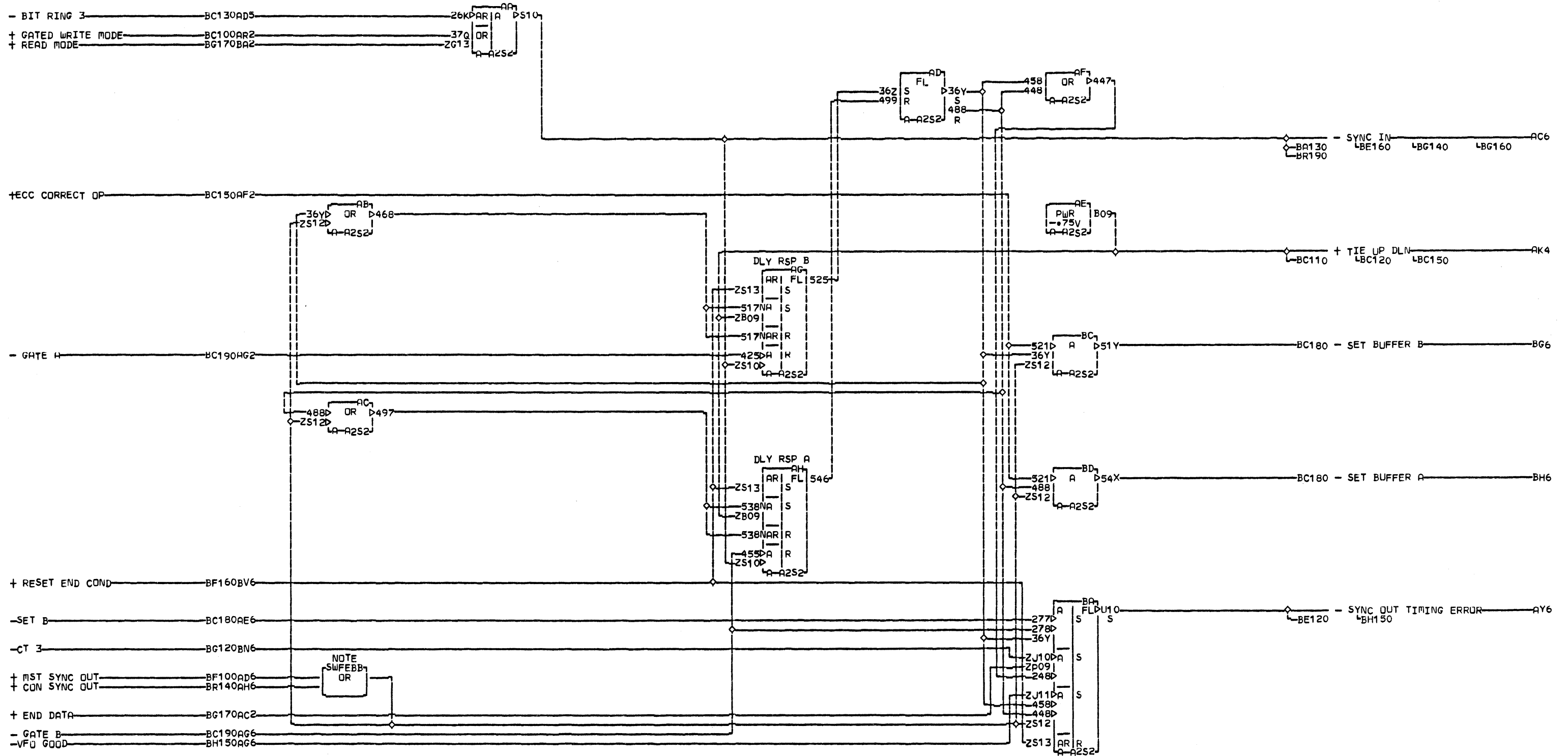


B
C
1
6
0

LOC. TYPE
A-A2S2 Z466

SERDES	
E.C. HISTORY	MACH. 3350
446703	FRAME 01
	IBM CORP. SDD
DATE	LAST EC
10-01-76	446706
	P.N. 1710204

B
C
1
6
0



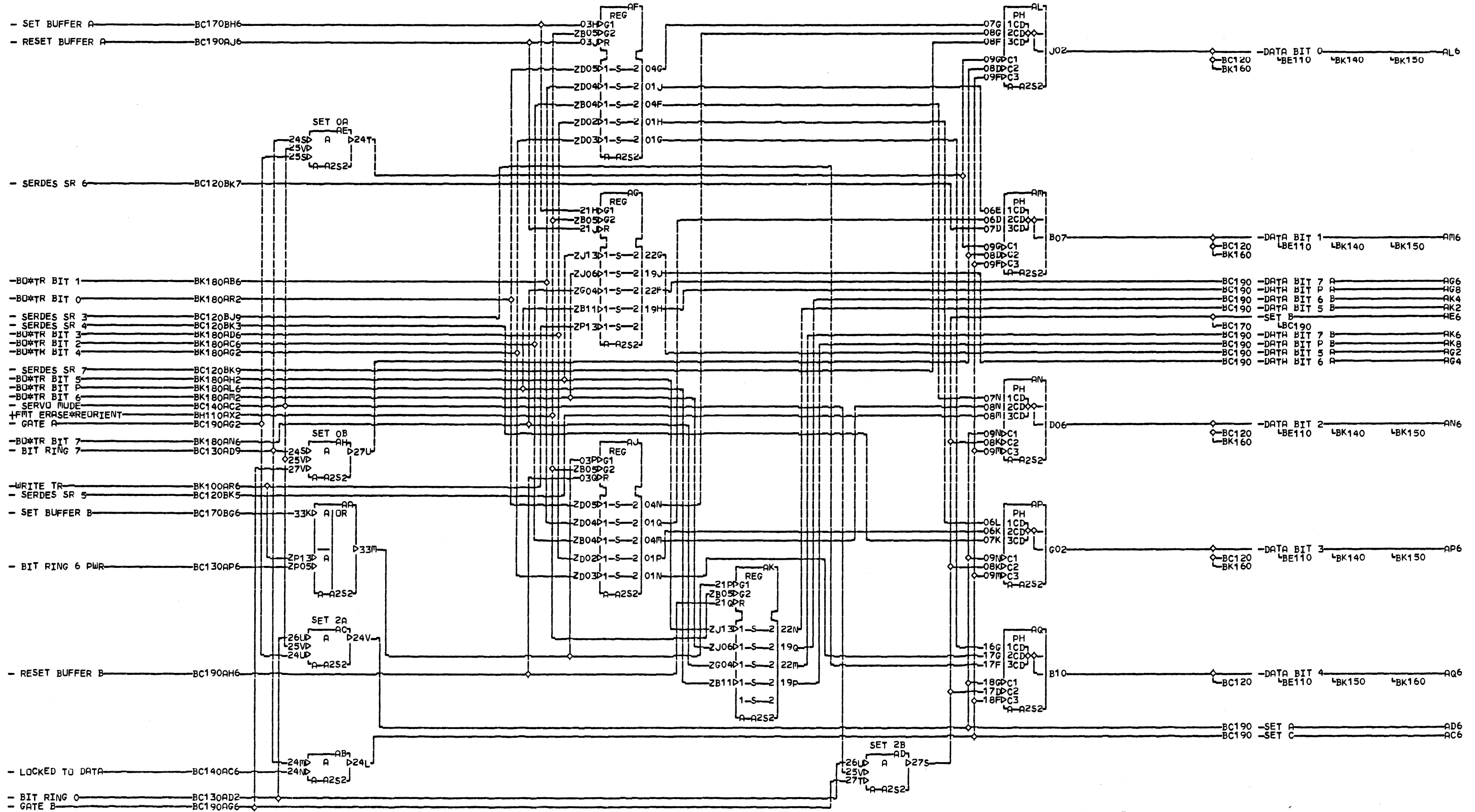
NOTE THE DOT IS PRESENT ONLY IF THE STRING SWITCH FEATURE IS PRESENT. IF NOT S2S12 IS TIED DIRECTLY TO BF100AD6.

B
C
1
7
0

LOC. TYPE
A-A2S2 Z466

SERDES	
E.C. HISTORY	B MACH. 3350
446703	FRAME 01
DATE LAST EC	IBM CORP. GPD
10-01-76 446706	P.N. 1710205

B
C
1
7
0
000

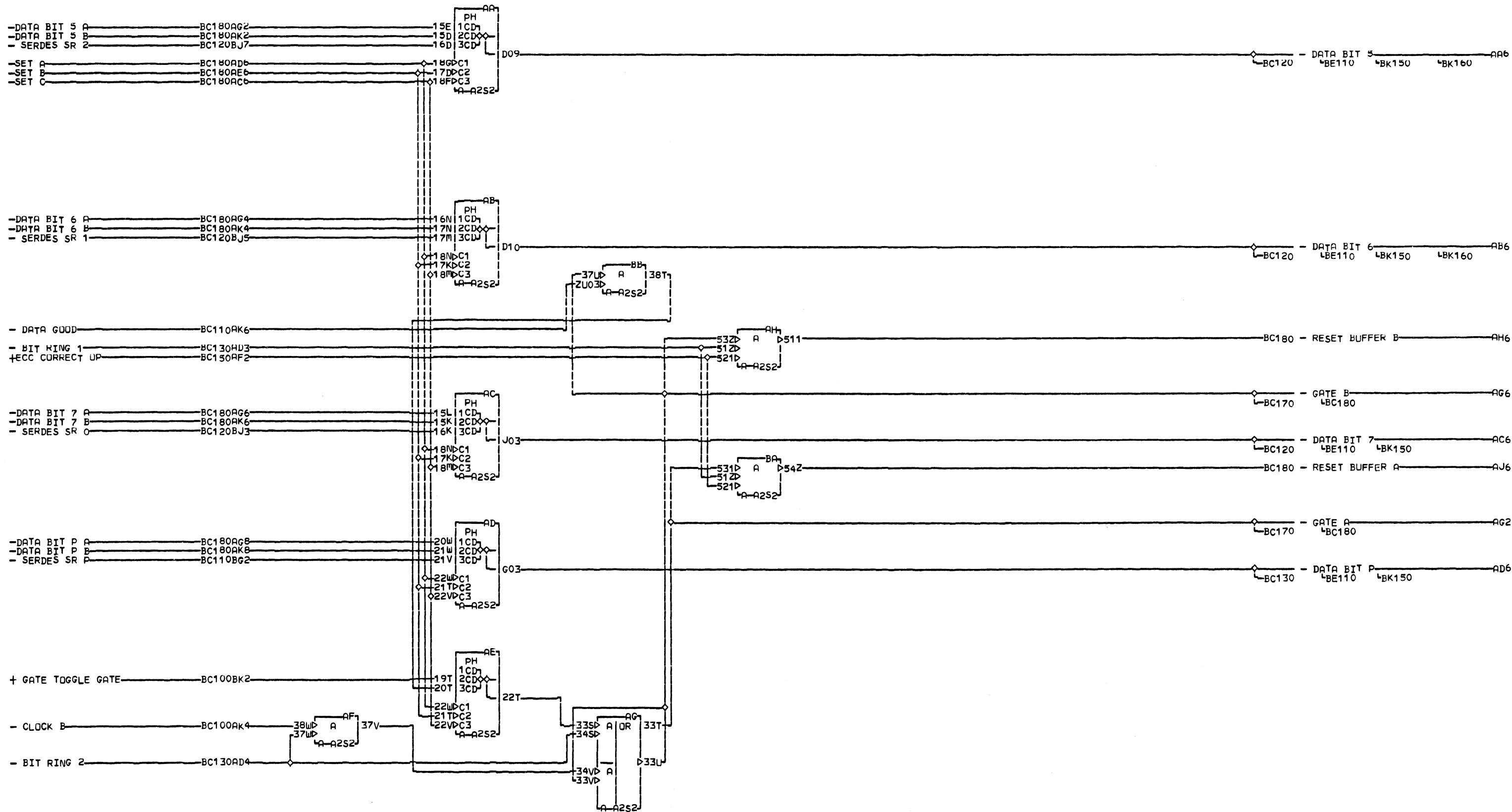


LDC TYPE
A-A2S2 Z466

SERDES	
E.C. HISTORY	MACH. 3350
446703	FRAME 01
DATE LAST EC	IBM CORP. GPD
10-01-76 446706	P.N. 1710206

B
C
1
8
0

B
C
1
8
0



B
C
1
9
0

LOC. TYPE
A-252 2466

SERDES	
E.C. HISTORY 446703	B. MACH. 3350 FRAME 01
DATE 10-01-76	IBM CORP. SDD P.N. 1710342
LAST EC 446706	

B
C
1
9
0

** IBM

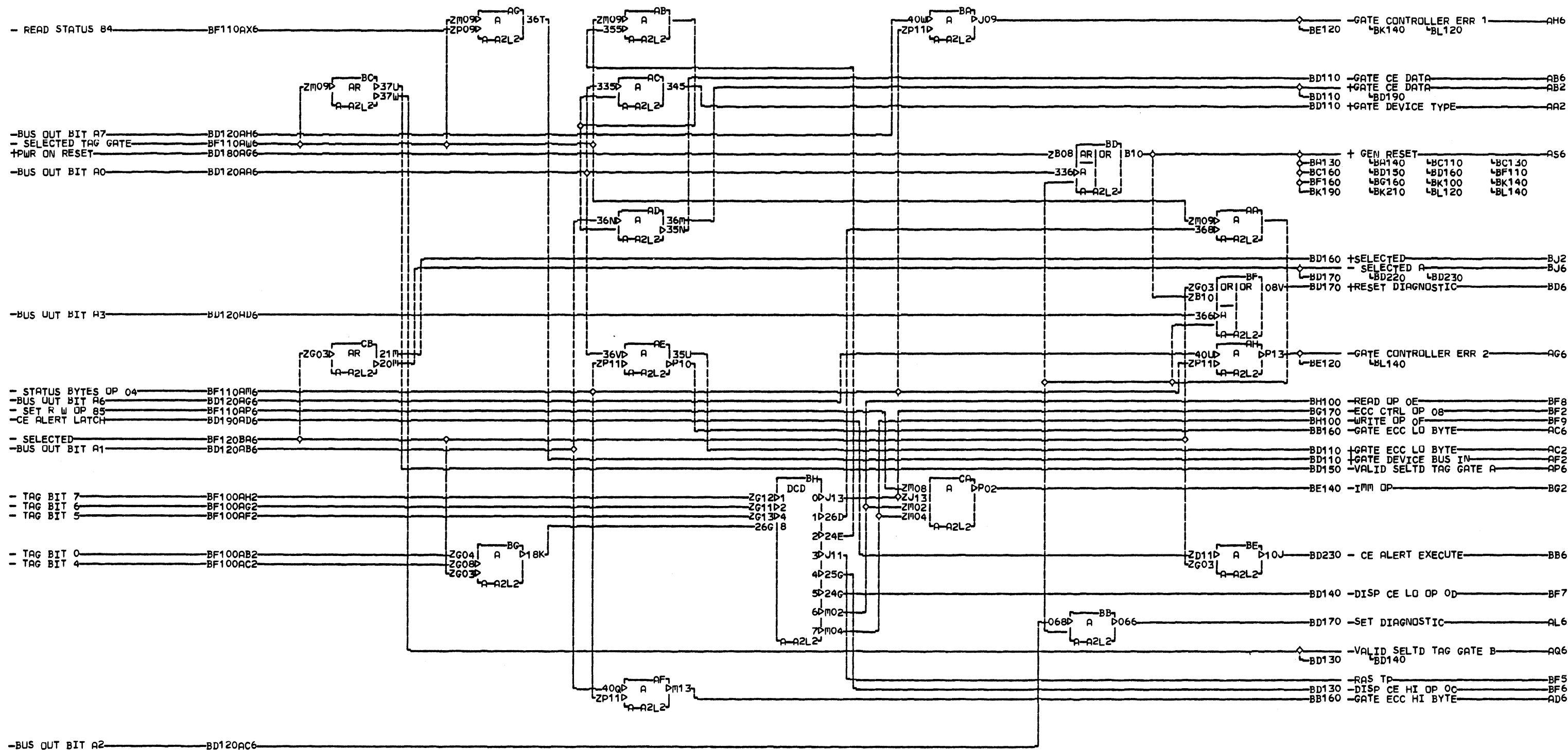
CONFIDENTIAL

UNTIL 04-01-76

- UNCLASSIFIED

THEREAFTER **

000 BD100

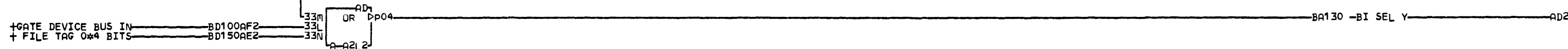
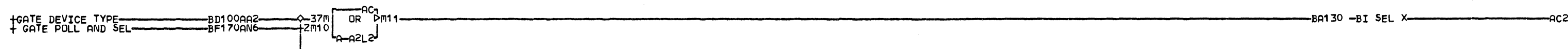
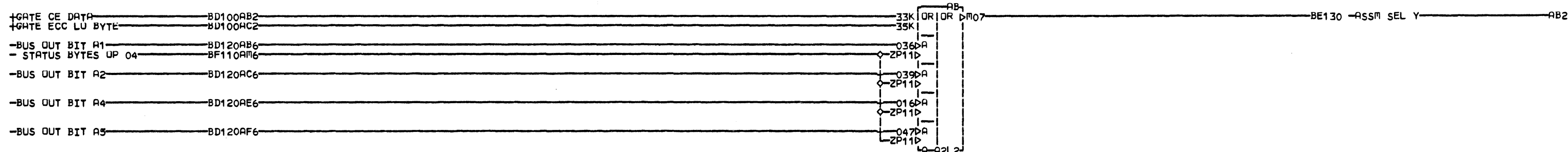
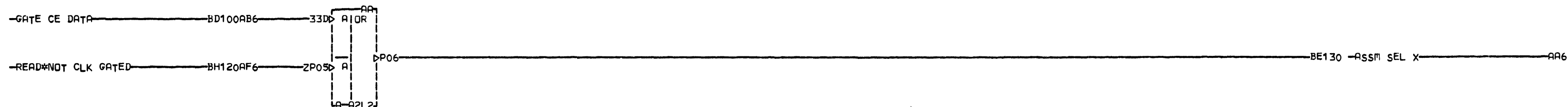


B
D
1
0
0

LOC. TYPE
A-A2L2 2474

BUS*OP	CTRLS	#	CE	DISP	CARD
	OP				
E.C.	HISTORY	B	MACH.	3350	
446703			FRAME	01	
			IBM CORP.	SDD	
DATE	LAST EC				
10-01-76	446706		P.N.	1710207	

B
D
1
0
0



B
D
1
1
0

LOC. TYPE
A-A2L2 2474

BUS*OP CTRLS # CE DISP CARD		B D 1 1 0
BUS CTRLS		
E.C. HISTORY	MACH. 3350	000
446703	FRAME 01	
DATE	LAST EC	IBM CORP. SDD
10-01-76	446706	
IP.No. 1710208		

** IBM

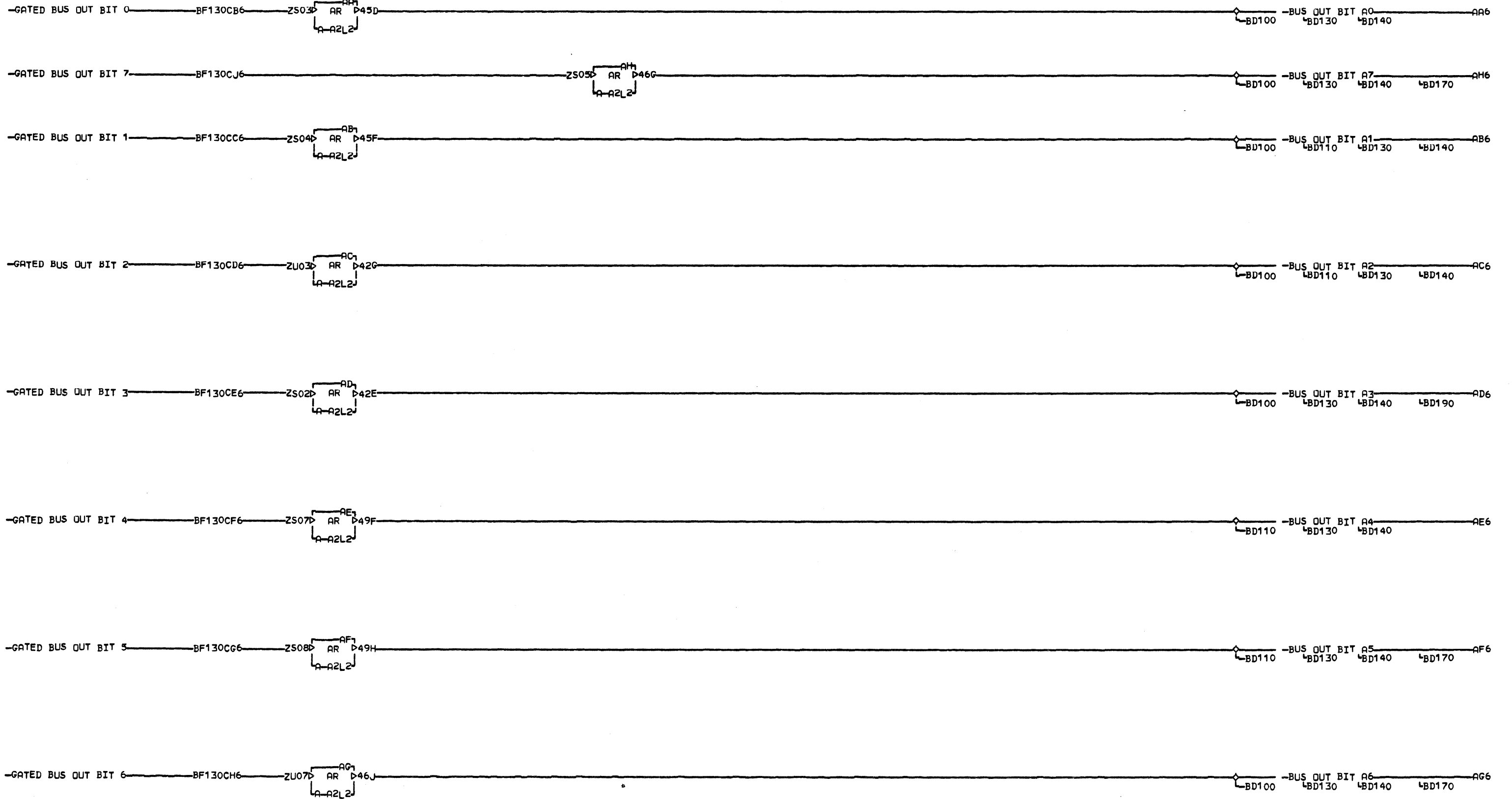
CONFIDENTIAL

UNTIL 04-01-76

- UNCLASSIFIED

THEREAFTER **

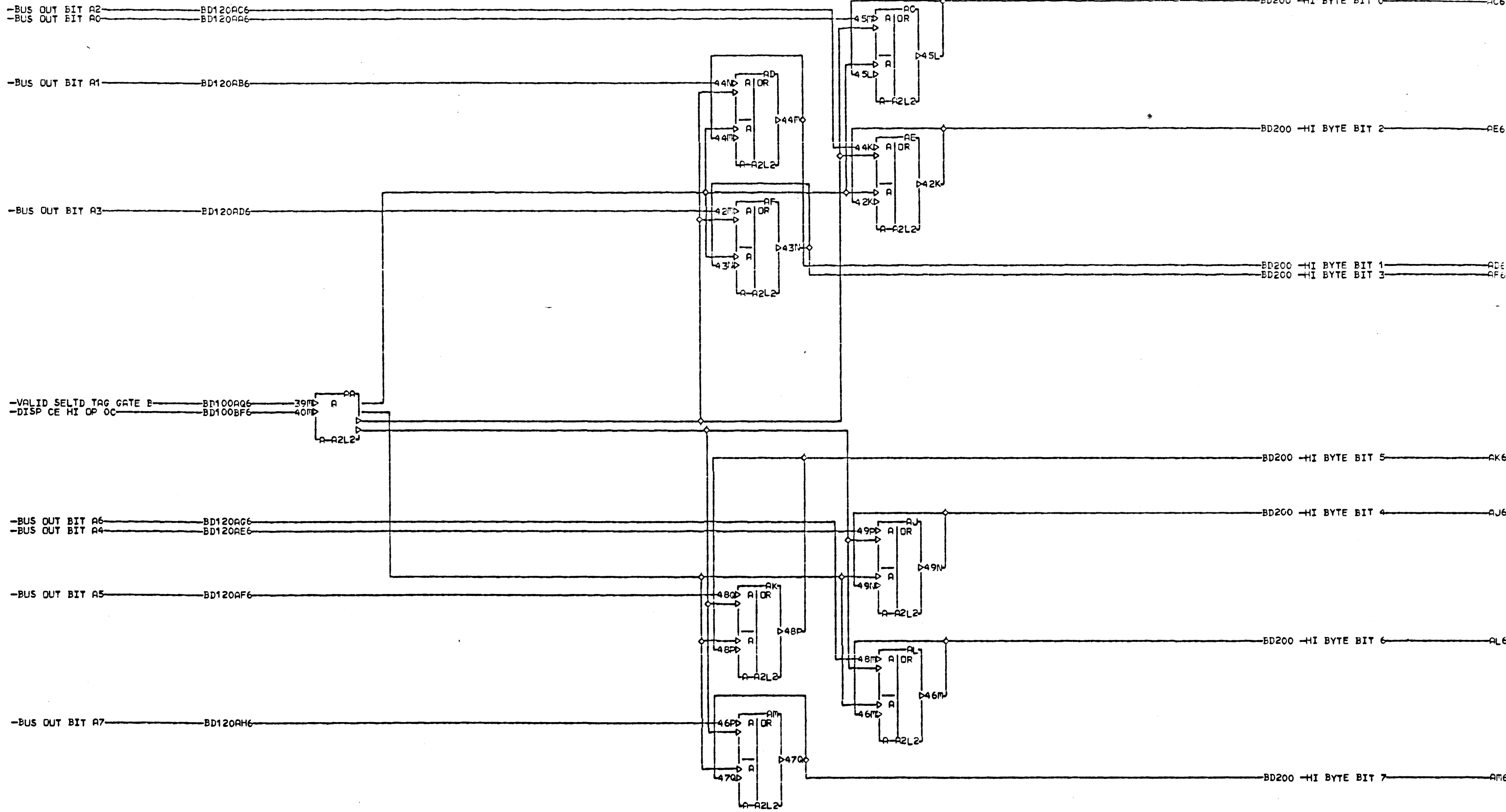
000 BD120



LOC. TYPE
A-A2L2 2474

B
D
1
2
0

BUS#OP CTRLS * CE DISP CARD		B D 1 2 0
BUS OUT		
E.C. HISTORY 446703	MACH. 3350	000
DATE 10-01-76	LAST EC 446706	
FRAME 01	IBM CORP. SDD	
	P.N. 1710209	



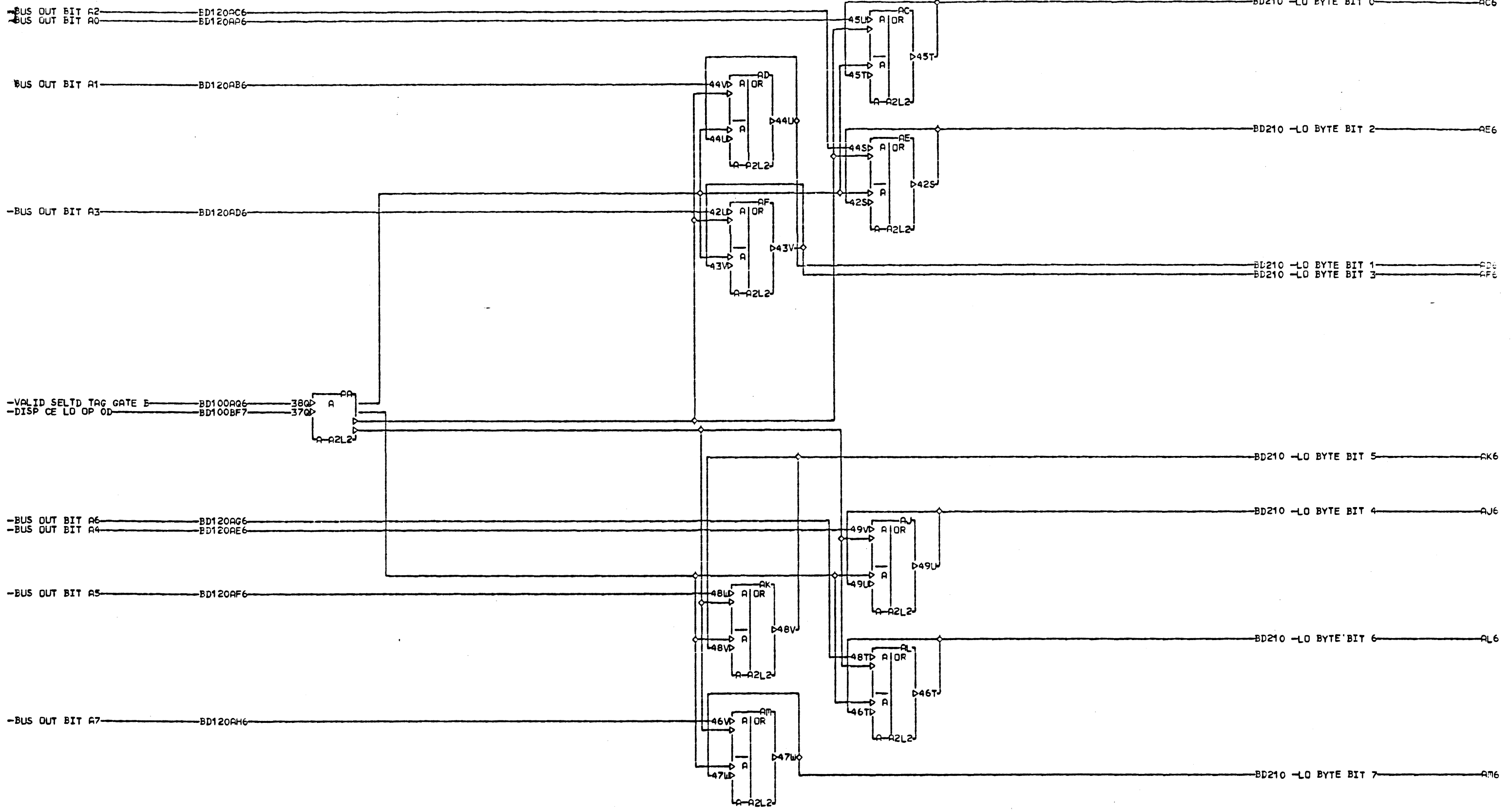
-VALID SELTD TAG GATE B — BD100AQ6 — 39M — A —
 -DISP CE HI OP OC — BD100BF6 — 40M — A —
 A — A2L2

LOC. TYPE
A-A2L2 2474

BUS*OP CTRLS #	CE DISP CARD
—E.C.—HISTORY—	B-MACH. 3350
	FRAME 01
	IBM CORP. SDC
DATE LAST EC	PoNo 1710210
01-16-76 446703	

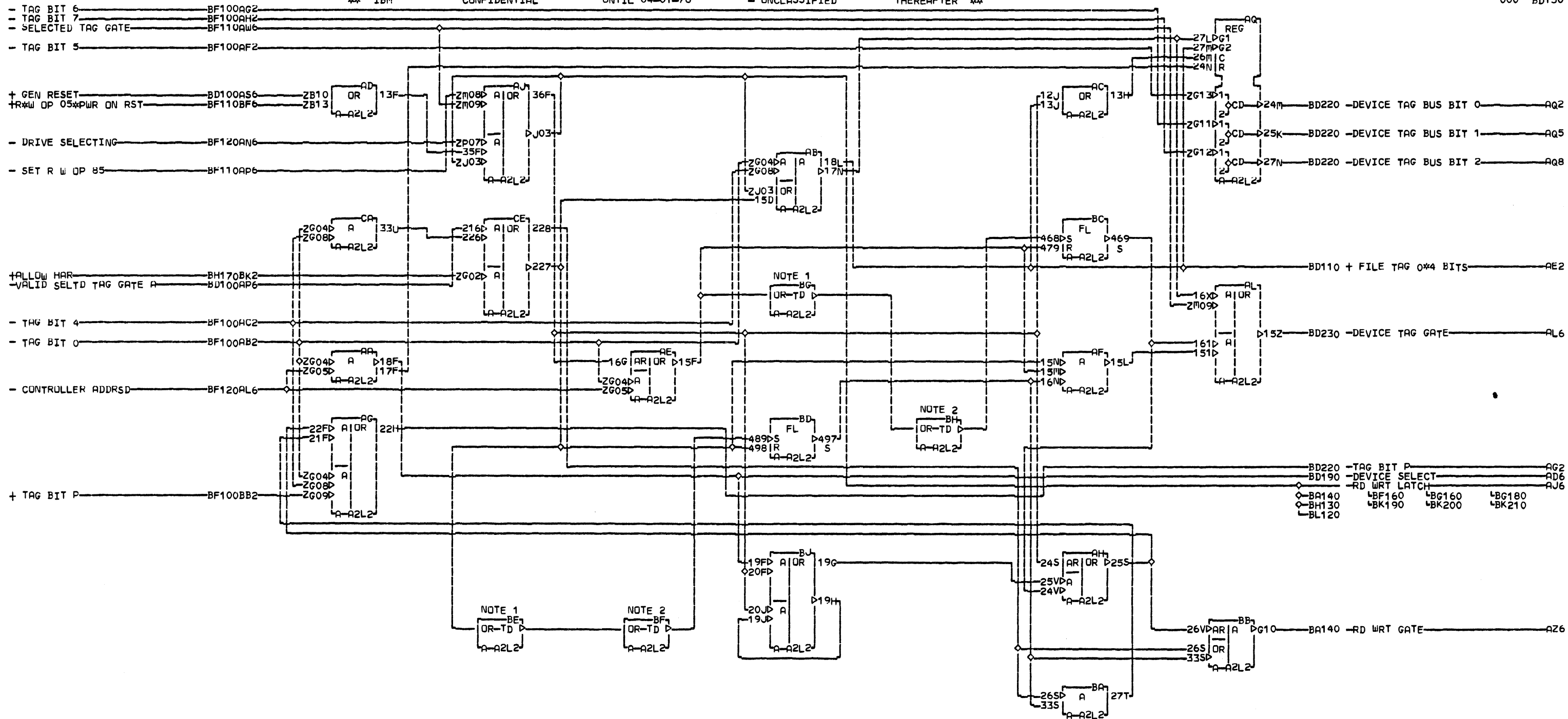
BD130

BD130



LOC. TYPE
A-A2L2 2474

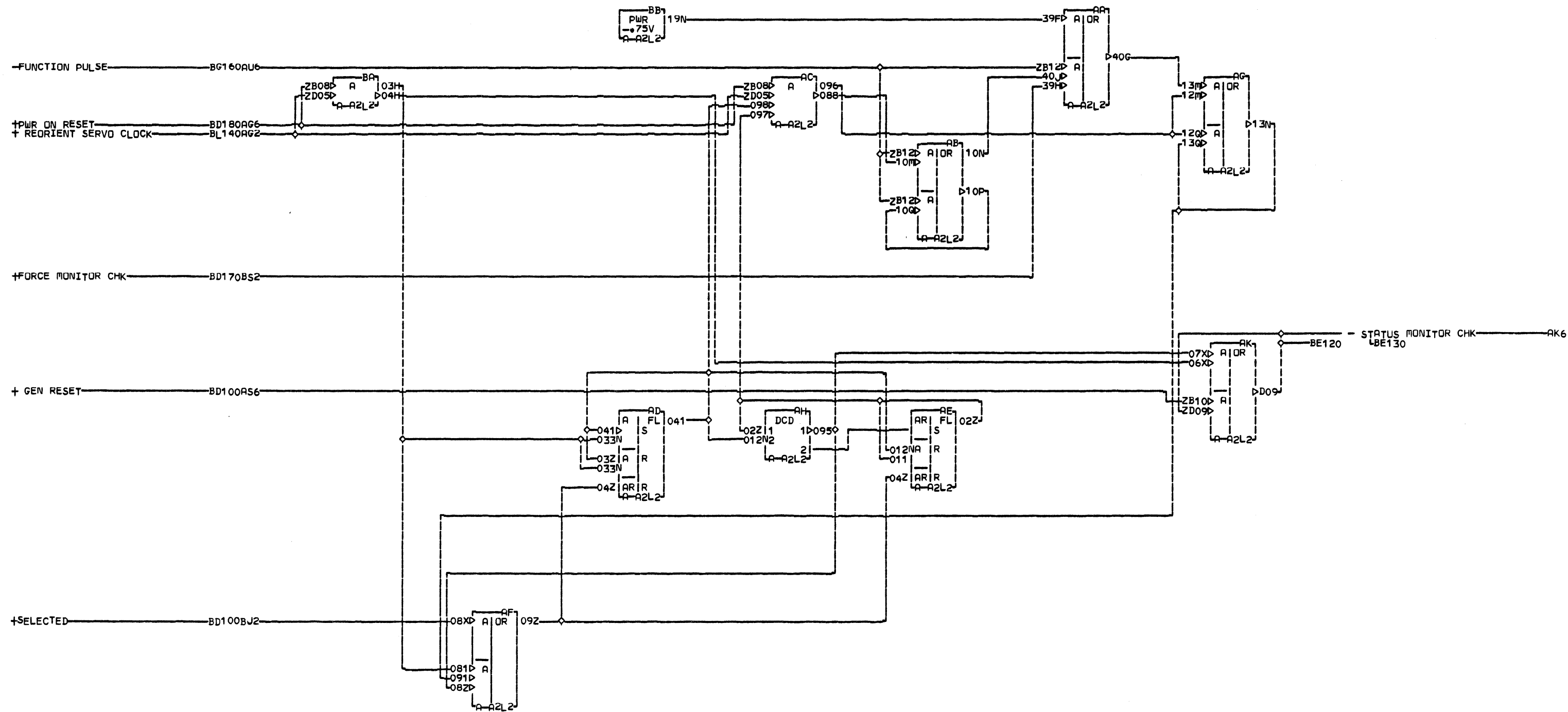
BUS#OP	CTRLS	* CE DISP	CARD	B D 1 4 0 000
E.C.	HISTORY	B	MACH.3350	
FRAME			01	000
DATE	LAST EC		IBM CORP. SDD	
01-16-76	446703		P.No. 1710211	

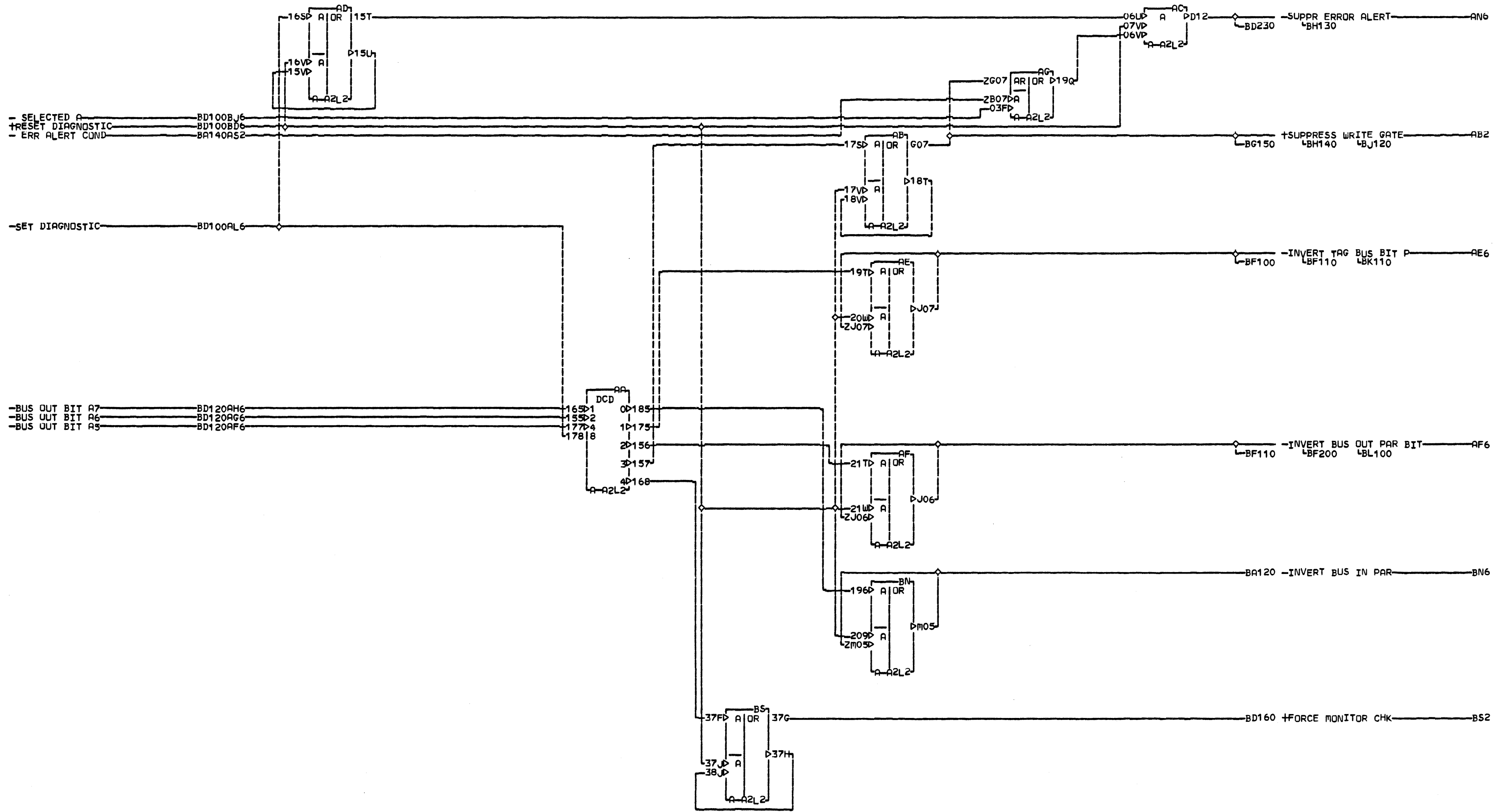


NOTE 1 OFF DELAY 150 NS.
 2 ON DELAY 150 NS.

LOC. TYPE
 A-A2L2 2474

BUS*OP CTRLS * CE DISP CARD		FRAME 01
TAG BUS AND R W CTRLS		
E.C. HISTORY - B MACH. 3350		IBM CORP. SDD
446703		
DATE	LAST EC	P.N. 1710212
10-01-76	446706	

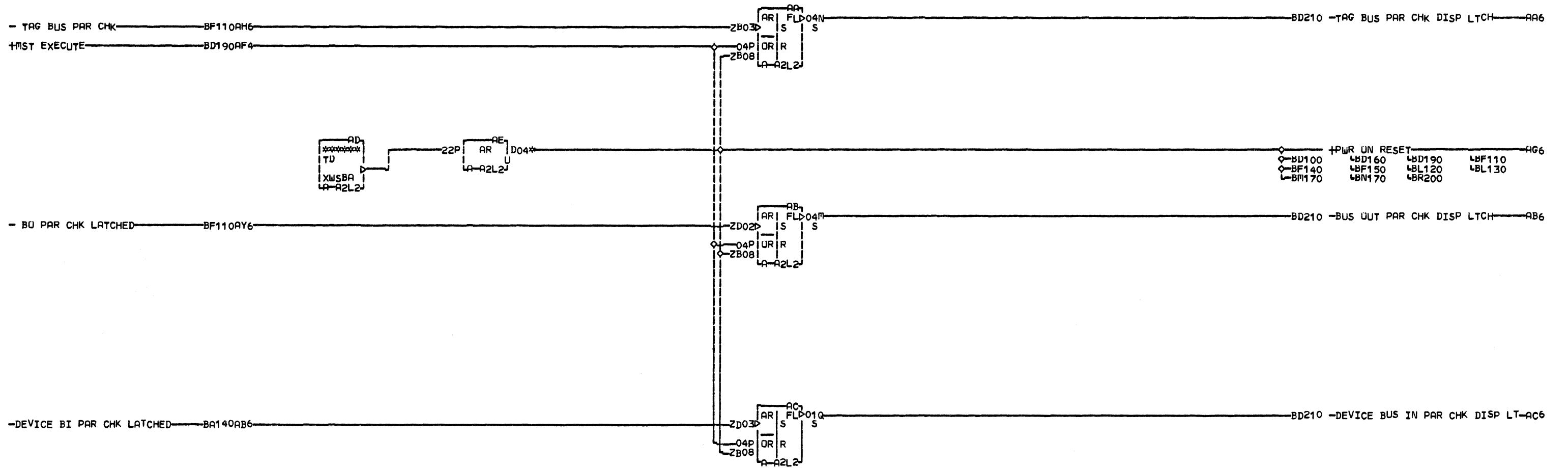




B
D
1
7
0

LOC. TYPE
A-A2L2 2474

BUS*OP CTRLS * CE DISP CARD		B
SET DIAGNOSTIC		D
-E.C.-HISTORY-446703	B-MACH.3350	1
	FRAME 01	7
	IBM CORP. SDD	0
DATE 10-01-76	LAST EC 446706	000
	P.N. 1710214	

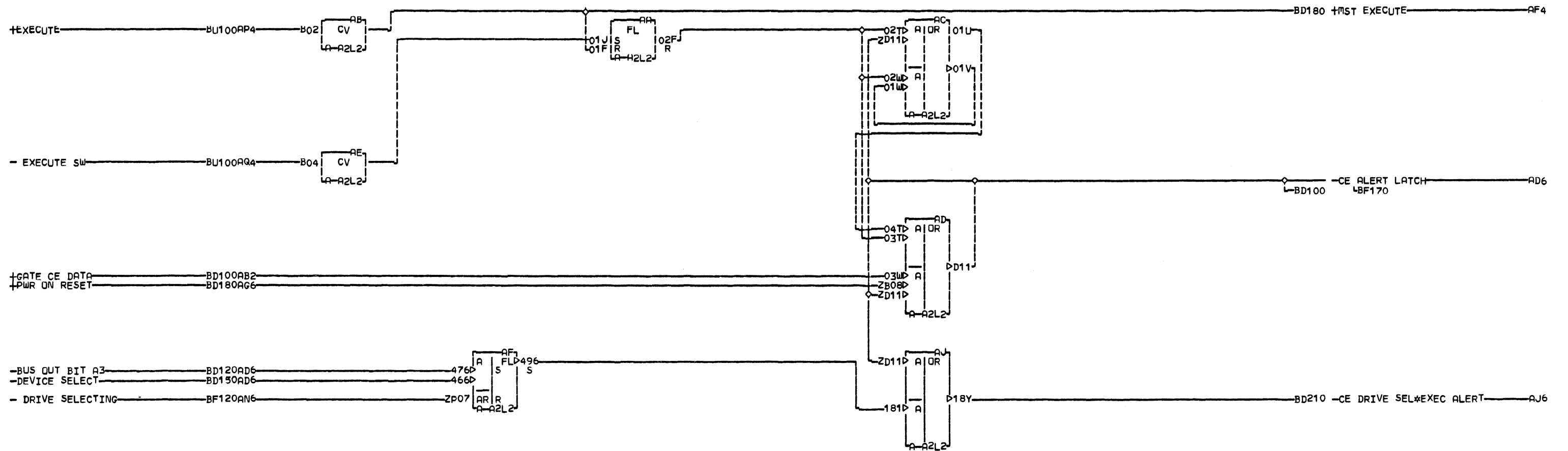


B
D
1
8
0

AE2 RESISTOR
A-A2L2B08

LOC. TYPE
A-A2L2 2474

BUS*OP CTRLS * CE DISP CARD		B D 1 8 0
BUS CHECK DISP		
-E.C.-HISTORY-B MACH.3350		000
446703	FRAME 01	
DATE LAST EC		000
10-01-76	446706	
P.N. 1710215		

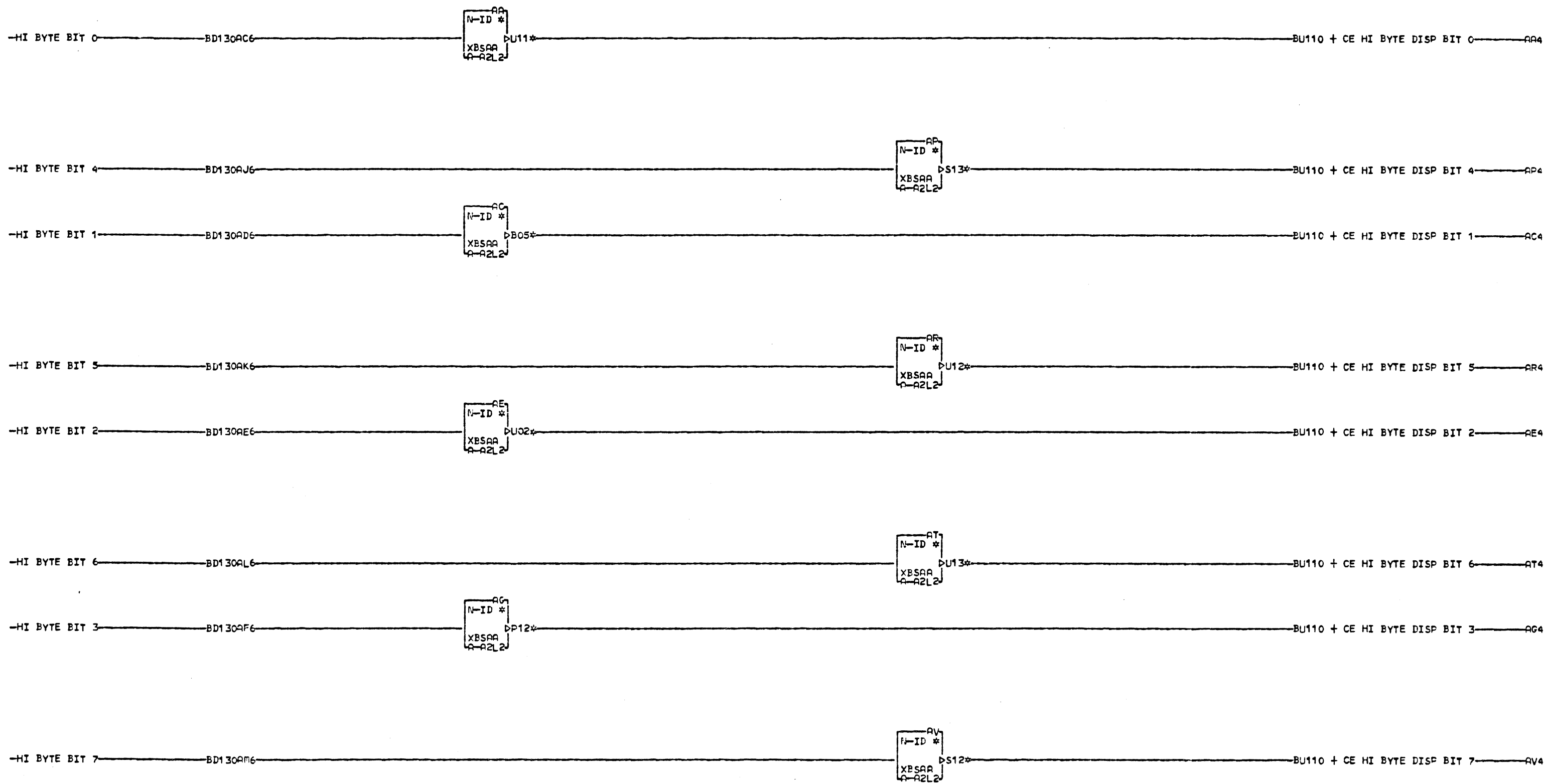


LOC. TYPE
A-A2L2 2474

BUS*OP CTRLS * CE DISP CARD		
CE ALERT		
-E.C.-HISTORY	MACH#3350	
446703		
	FRAME	01
	IBM CORP. SDD	
DATE	LAST EC	
10-01-76	446706	
	P.No.	1710216

B
D
1
9
0

B
D
1
9
0

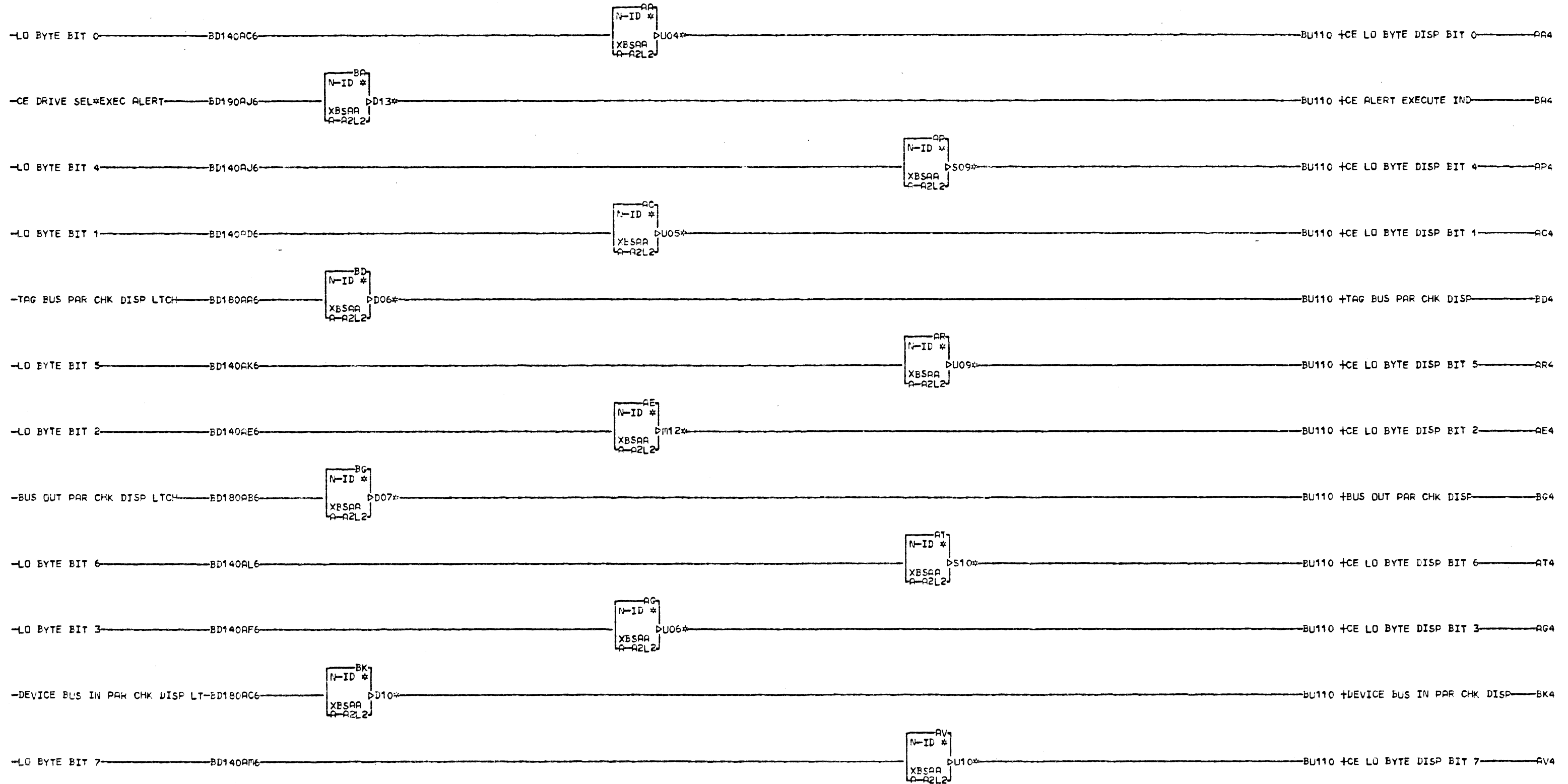


B
D
Z
O
O
000COPYRIGHT IBM CORP 1976

AA4 A-A2U4E02
AC4 A-A2U4B04
AE4 A-A2U4B05
AG4 A-A2U4B08
AP4 A-A2U4B09
AR4 A-A2U4E10
AT4 A-A2U4E12
AV4 A-A2U4B13

LOC. TYPE
A-A2L2 2474

BUS*OP CTRLS # CE DISP CARD		B D Z O C
CE HI BYTE DISP		
-E.C.-HISTORY-		000
MACH. 3350		
FRAME	01	IBM CORP. SDD
DATE	LAST EC	
01-16-76	446703	P.No. 1710217



B
D
2
1
0

000COPYRIGHT IBM CORP 1976

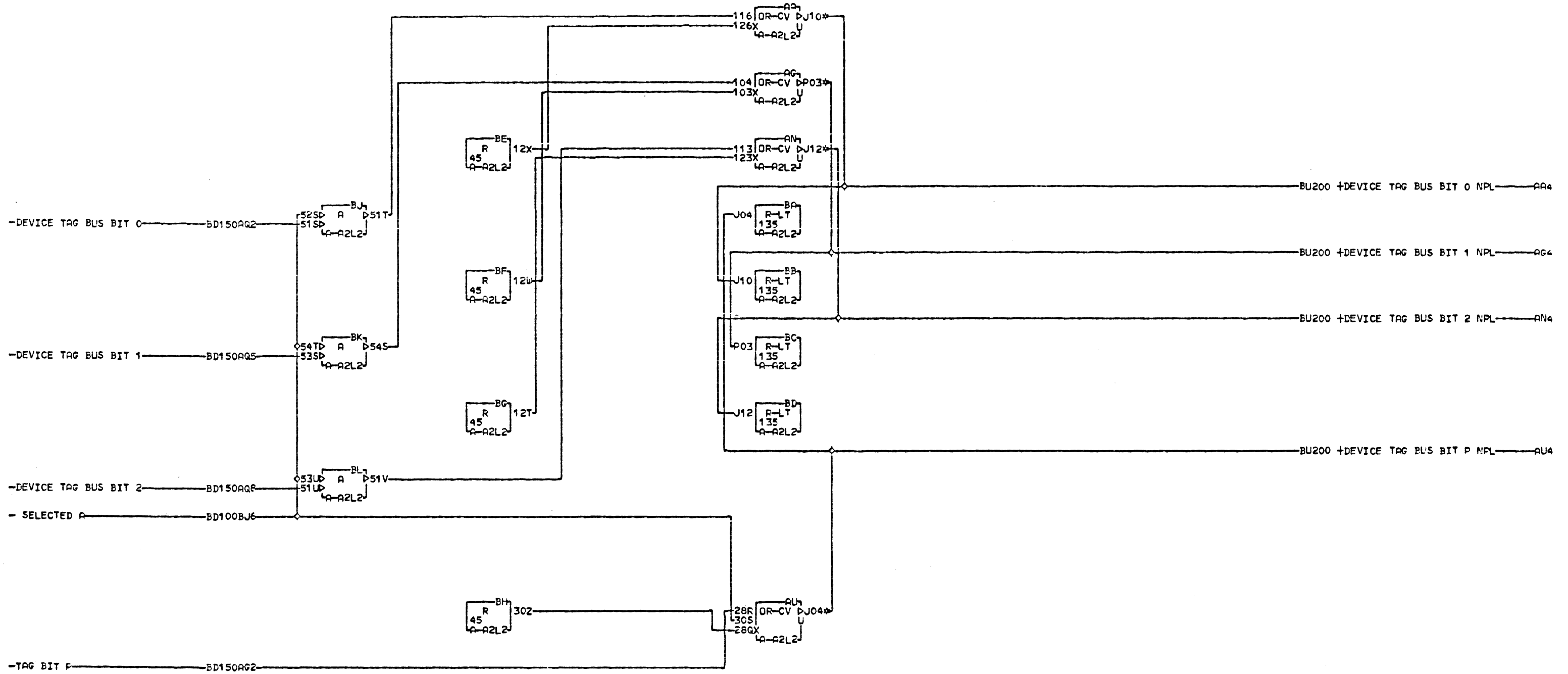
AA4	A-A2U4D02	BD4	A-A2U5D10
AC4	A-A2U4D03	EG4	A-A2U5D11
AE4	A-A2U4D05	BK4	A-A2U5D13
AG4	A-A2U4D06		
AP4	A-A2U4D07		
AR4	A-A2U4D09		
AT4	A-A2U4D10		
AV4	A-A2U4D11		
BA4	A-A2U4D13		

LOC. TYPE
A-A2L2 2474

BUS*OP CTRLS * CE DISP CARD	
CE LO BYTE*BUS CHK DISP	
E.C.-HISTORY-B MACH.3350	
FRAME	01
IBM CORP. SDD	
DATE	LAST EC
101-16-76 446703	P.No. 1710218

B
D
2
1
0

000



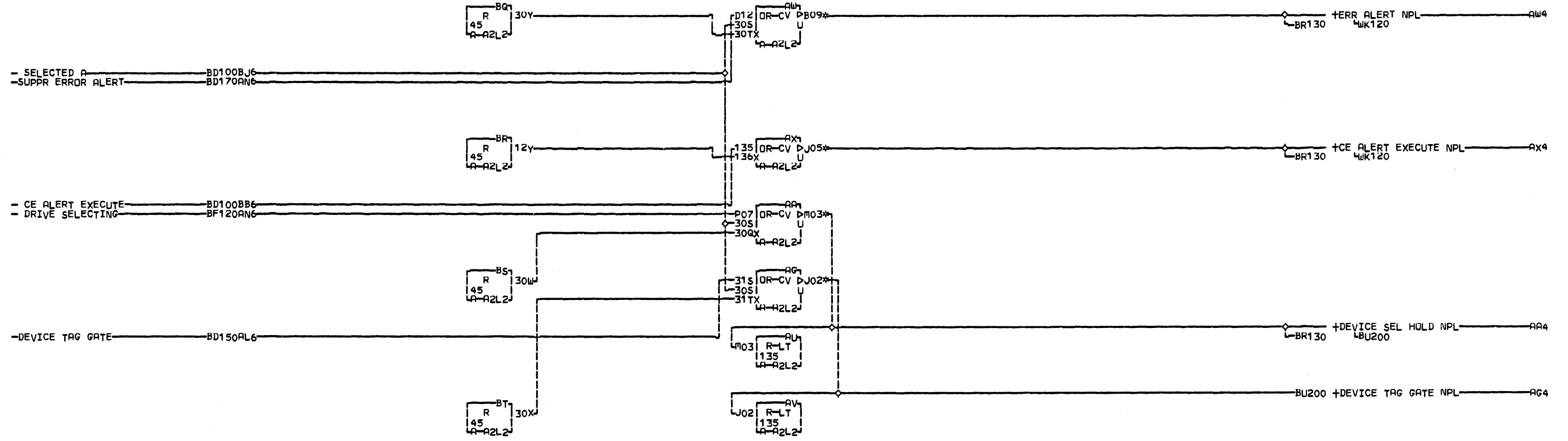
B
D
N
O

AA2 A A2V5D02
 AG2 A A2V5D03
 AN2 A A2V5D05
 AU2 A A2V5D06

LOC. TYPE
A-A2L2 2474

BUS#OP CTRLS * CE DISP CARD	
DEVICE TAG BUS DRVRS	
-E.C.-HISTORY-B MACH.335C	
FRAME	01
IBM CORP. SDD	
DATE LAST EC	P.No. 1710219
01-16-76 446703	

B
D
N
O
C

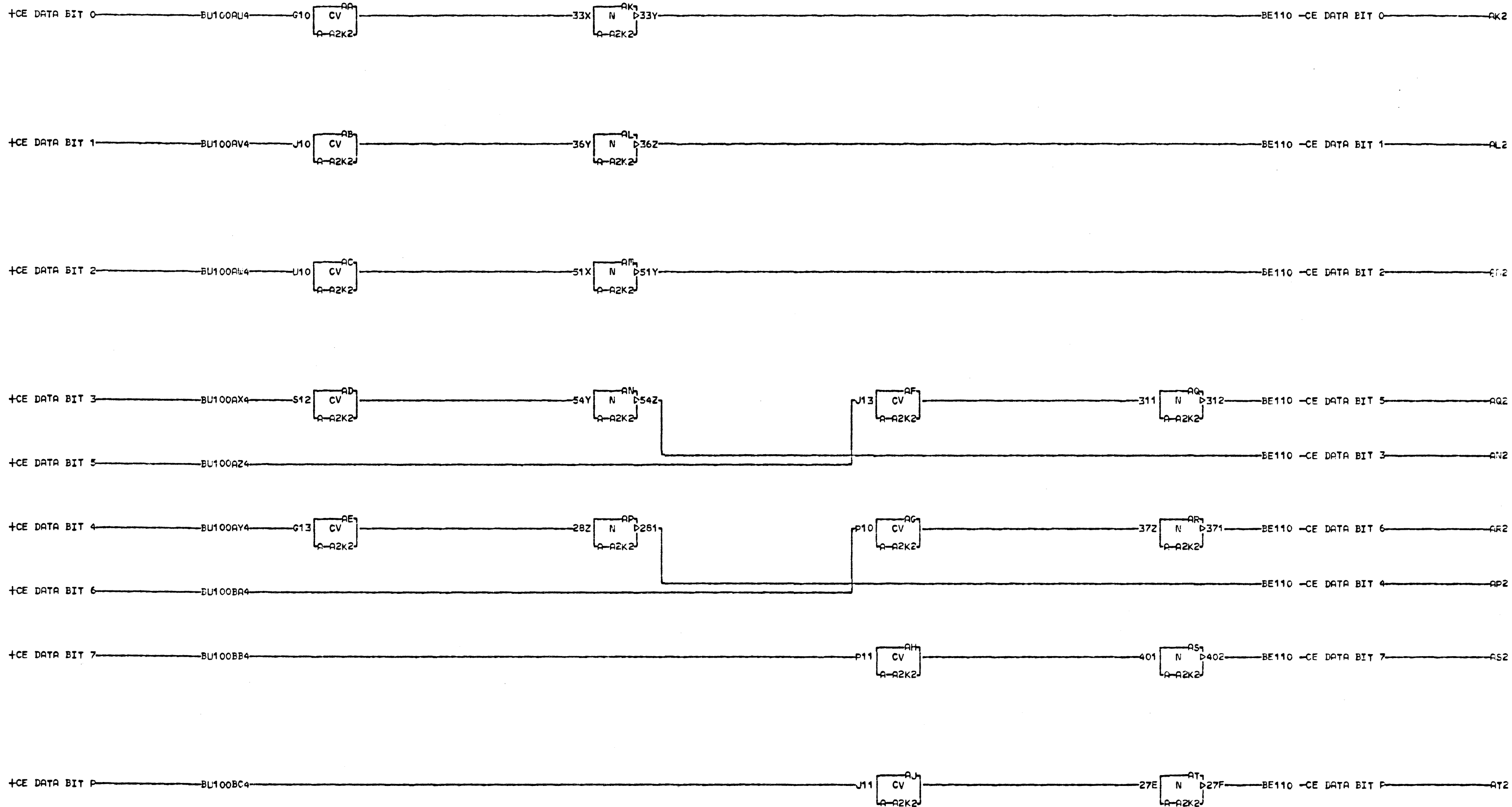


B
D
N
O

AA2 A-A2V5D09
 AG2 A-A2V5D07
 AW2 A-A2C2B08
 01A-A2C2B09
 AX2 A-A2C2B12

LOC. TYPE
 A-A2L2 2474

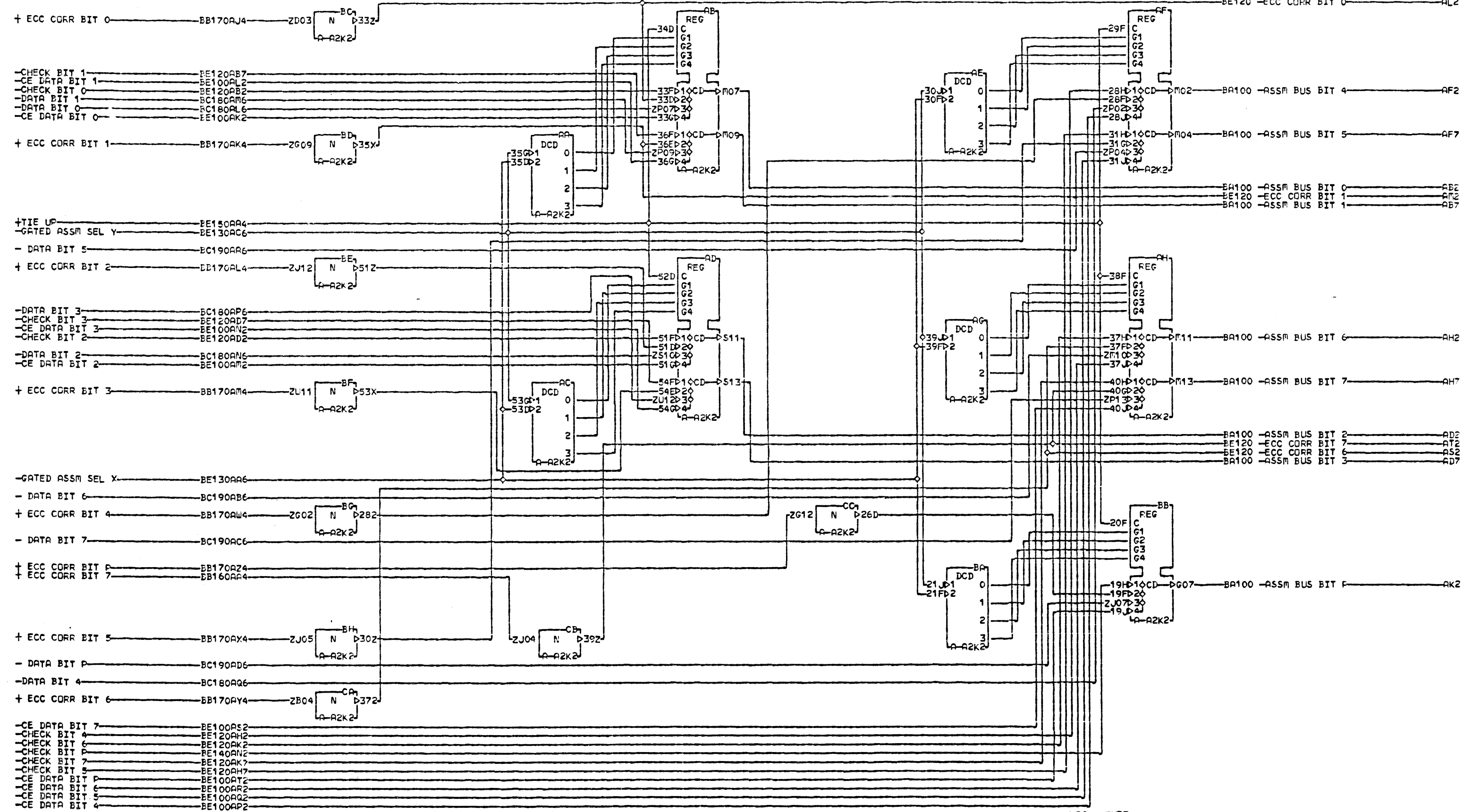
BUS*OP CTRLS * CE DISP CARD		B D 2 3 0
DEVICE TAG GATE AND SEL HOLD		
E.C. HISTORY		MACH. 3350
446703		
DATE	LAST EC	IBm CORP. SDD
10-01-76	446706	
P.N. 1710220		000



BE100

LOC. TYPE
A-A2K2 2475

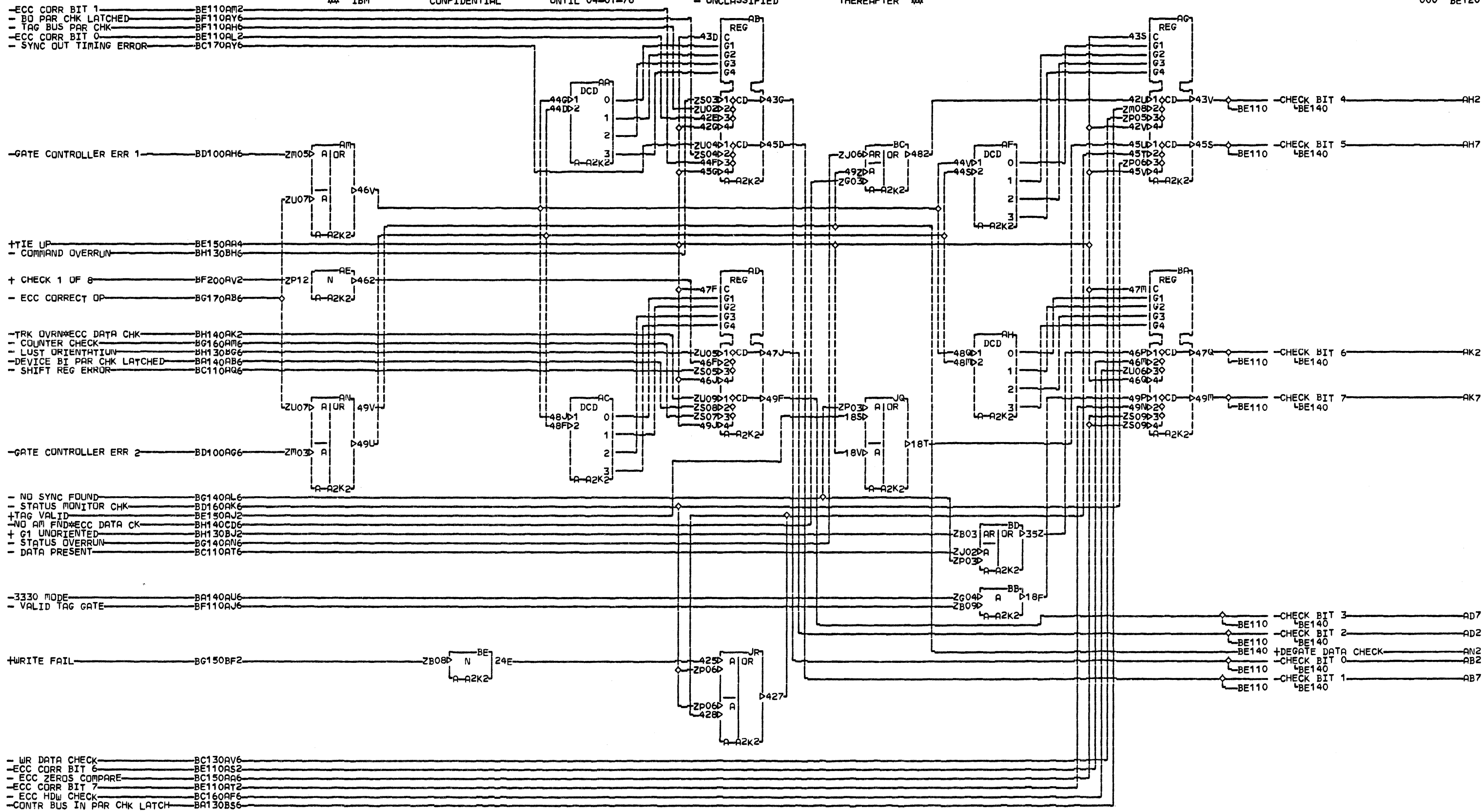
ASSM BUS AND RESPONSE		B
CE DATA BUS		
E.C.-HISTORY	MACH. 3350	E
FRAME	01	
DATE	LAST EC	O
101-16-76	446703	
	P.N. 1710221	000



LOC. TYPE
A-A2K2 2475

ASSM BUS AND RESPONSE ASSEMBLY BUS		B
E.C. HISTORY - MACH. 3350		E
FRAME	01	1
IBM CORP. SDD		0
DATE LAST EC	01-16-76 446703	000
P.O. No. 1710222		

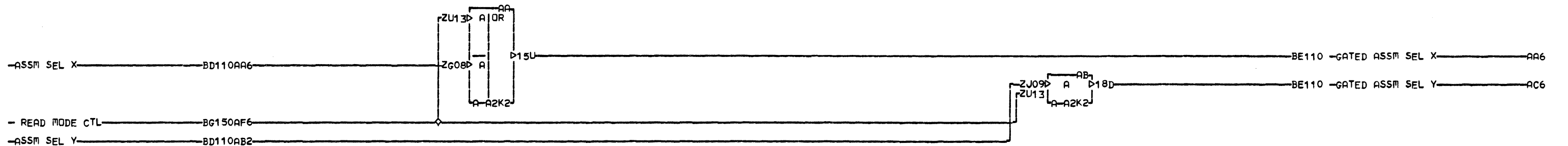
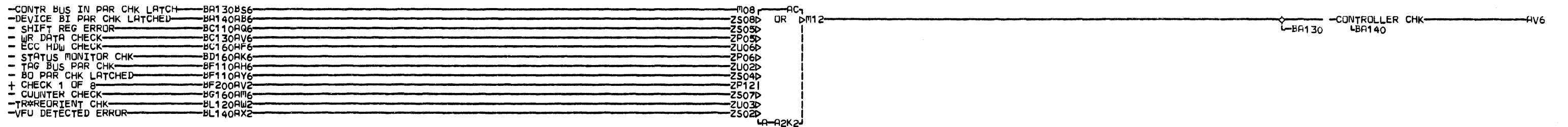
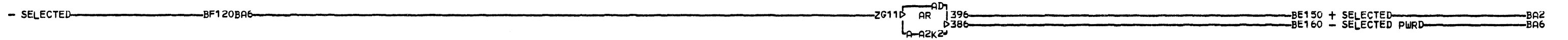
B
E
1
1
0



- WR DATA CHECK - BC130AV6
- ECC CORR BIT 6 - BE110AS2
- ECC ZEROS COMPARE - BC150AA6
- ECC CORR BIT 7 - BE110AT2
- ECC HDW CHECK - BC160AF6
- CONTR BUS IN PAR CHK LATCH - BA130BS6

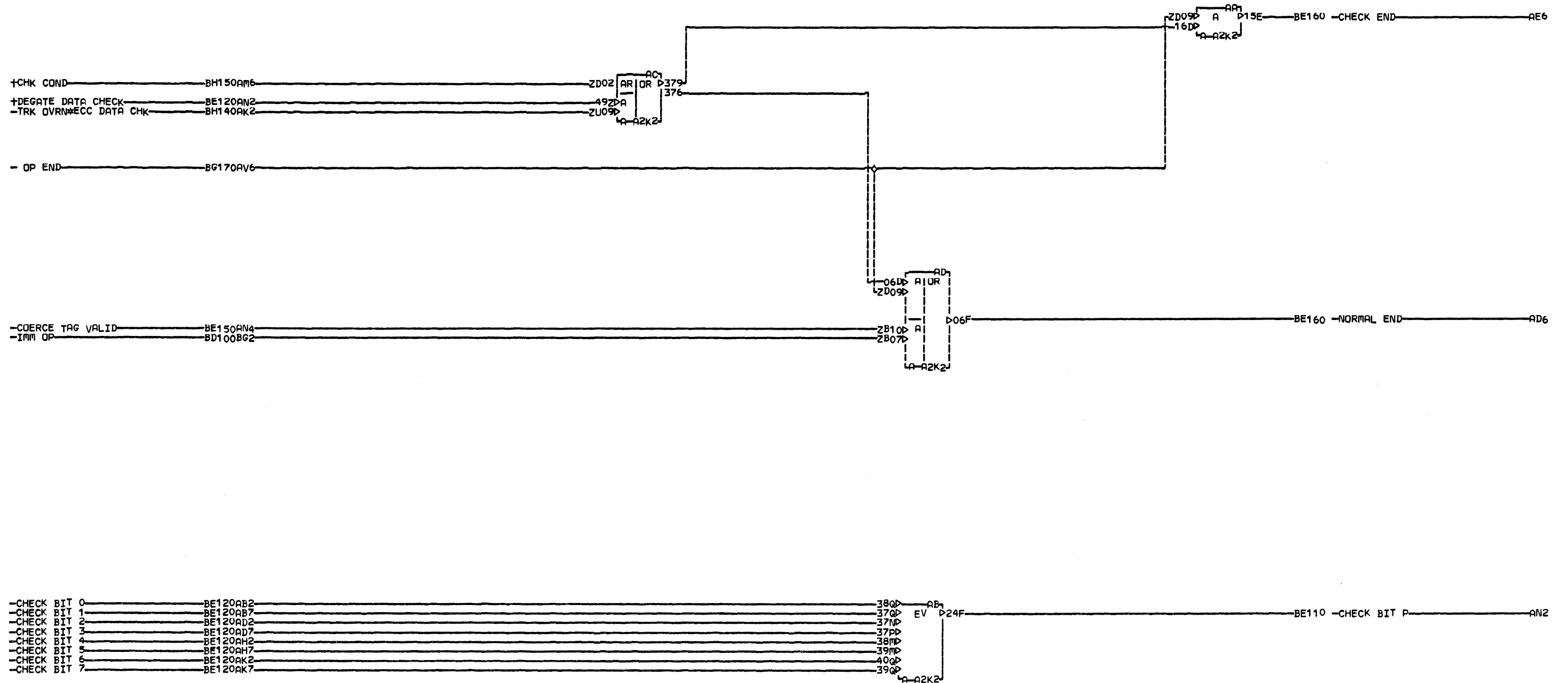
LOC. TYPE
A-A2K2 2475

ASSM BUS AND RESPONSE		B E 1 2 0
CHECK BUS		
-E.C.-HISTORY	B1 MACH. 3350	000
446703	FRAME 01	
DATE LAST EC	IBM CORP. SDD	000
10-01-76 446706	P.No. 1710223	



LOC. TYPE
 A-A2K2 2475

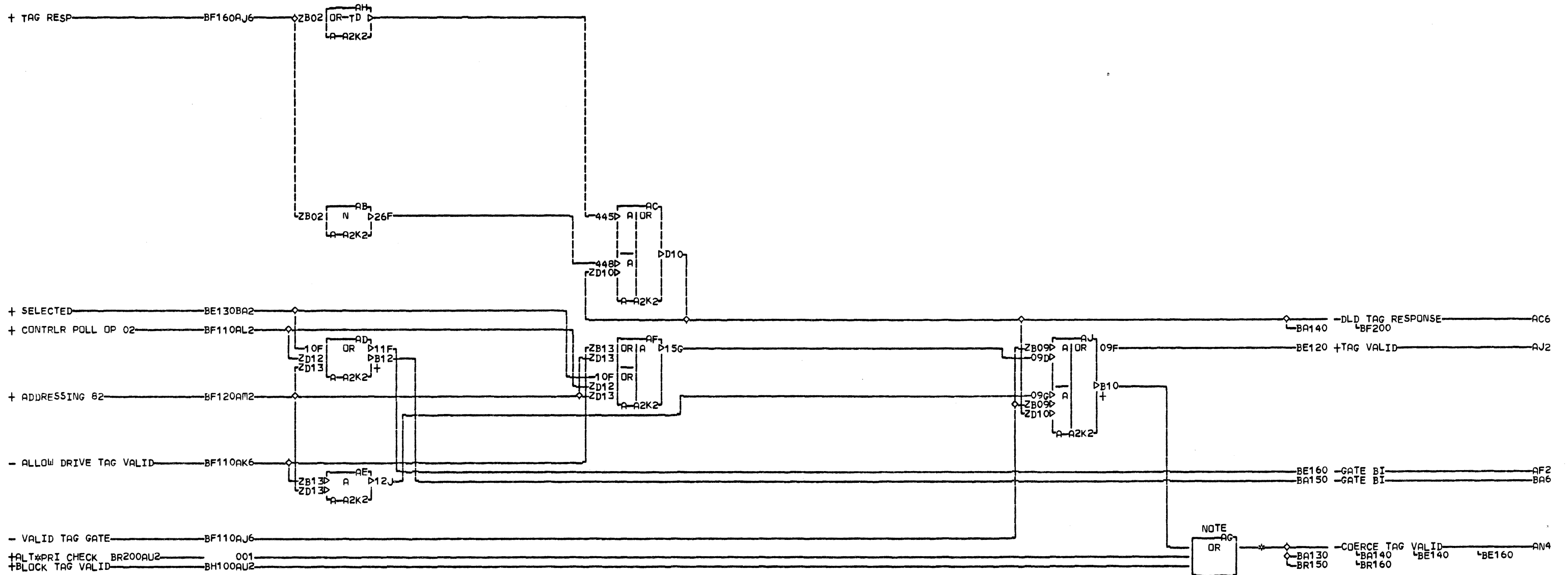
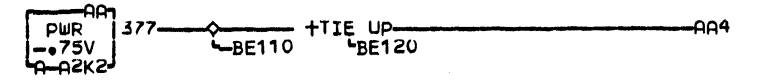
ASSM BUS AND RESPONSE ERROR ALERT	
E.C. HISTORY 446703	MACH. 3350
DATE 10-01-76	LAST EC 446706
FRAME IBM CORP. SDD	01
P.N. 1710224	000



BE140

LOC. TYPE
A-A2K2 2475

ASSM BUS AND RESPONSE		B E 1 4 0
END RESPONSE		
E.C. HISTORY	MACH. 3350	000
446703	FRAME 01	
DATE	LAST EC	IBM CORP. SDD
110-01-76	446706	
	P.N. 1710225	



NOTE REFERENCE TO BR200AU2
 ONLY PRESENT FOR
 ALT*PRI CTRL FEATURE.
 SEE WK310 FOR JMPR.

AG2 A-A2U3B07

000COPYRIGHT IBM CORP 1976

LOC. TYPE
 A-A2K2 2475

ASSM BUS AND RESPONSE		TAG VALID	
E.C. HISTORY	446703	MACH. 3350	01
DATE	10-01-76	IBN CORP. SDD	000
LAST EC	446706	P.N. 1710226	

** IBM

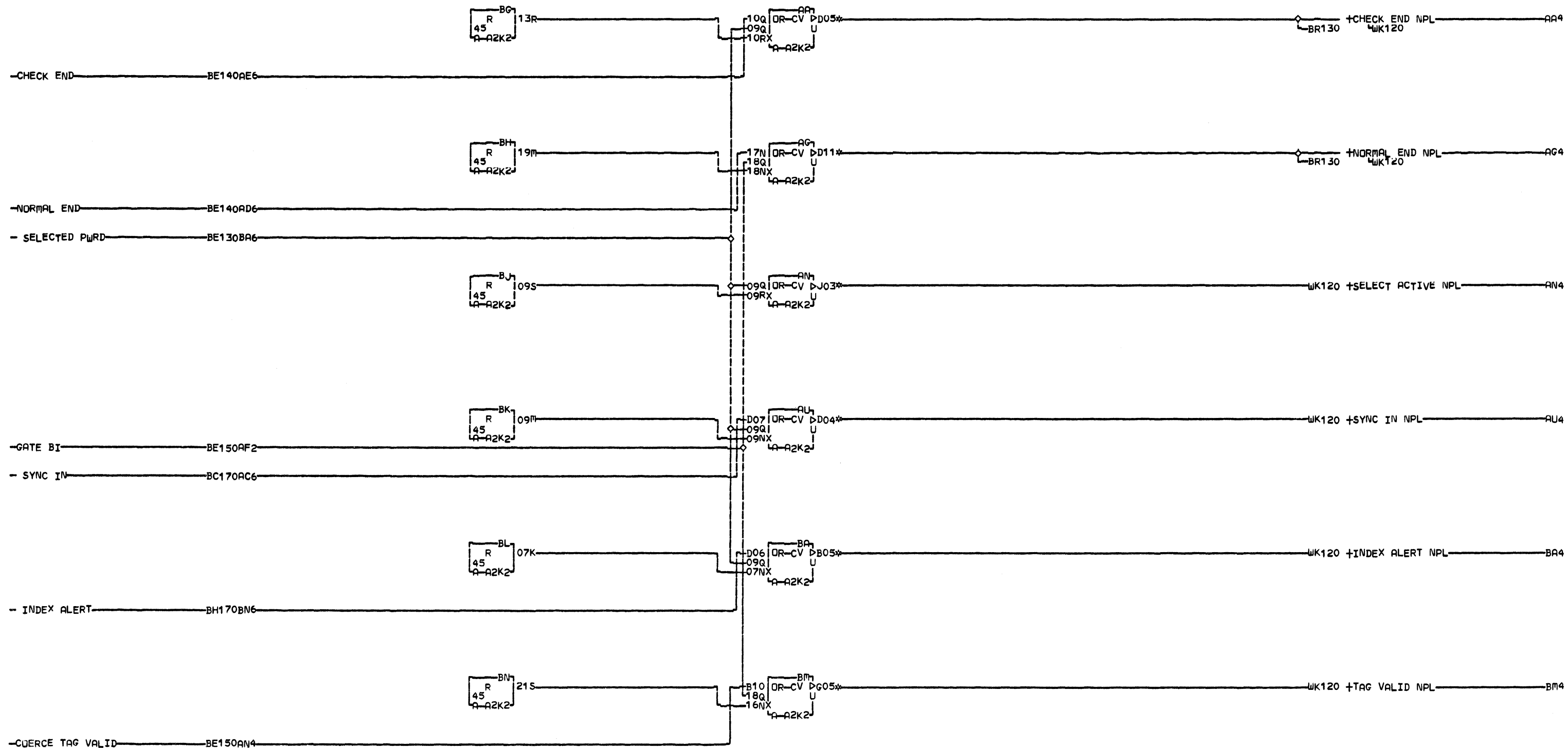
CONFIDENTIAL

UNTIL 04-01-76

- UNCLASSIFIED

THEREAFTER **

000 BE160



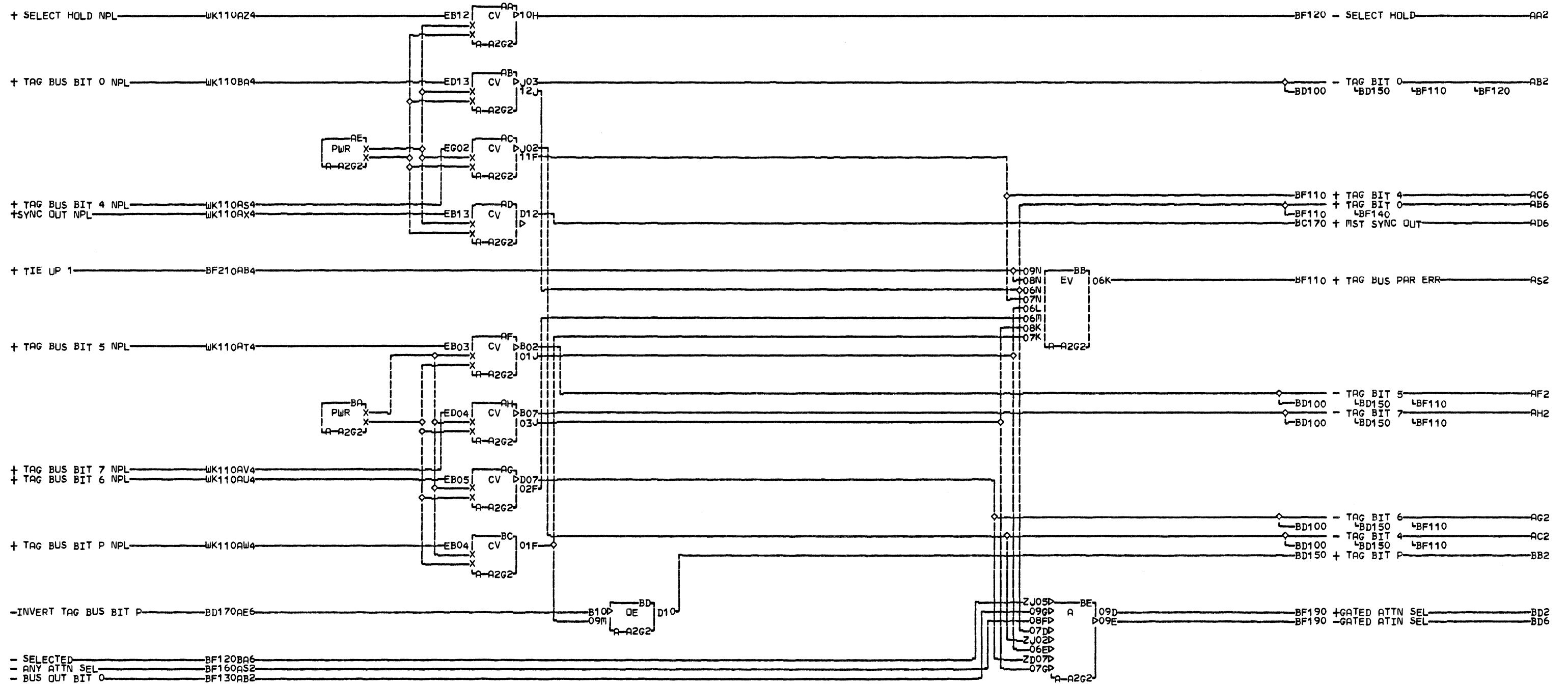
BE160

AA2 A-A2C2D06
 AG2 A-A2C2B05
 AN2 A-A2C2B02
 AU2 A-A2C3D13
 BA2 A-A2C2D09
 01A A-A2C2D10
 BM2 A-A2C2D05

000COPYRIGHT IBM CORP 1976

LOC. TYPE
A-A2K2 2475

ASSM BUS AND RESPONSE		MACH. 3350	BE160
NPL DRVS			
E.C. HISTORY		FRAME 01	0
446703			
DATE LAST EC		IBM CORP. SDD	000
10-01-76 446706			
P.No. 1710227			

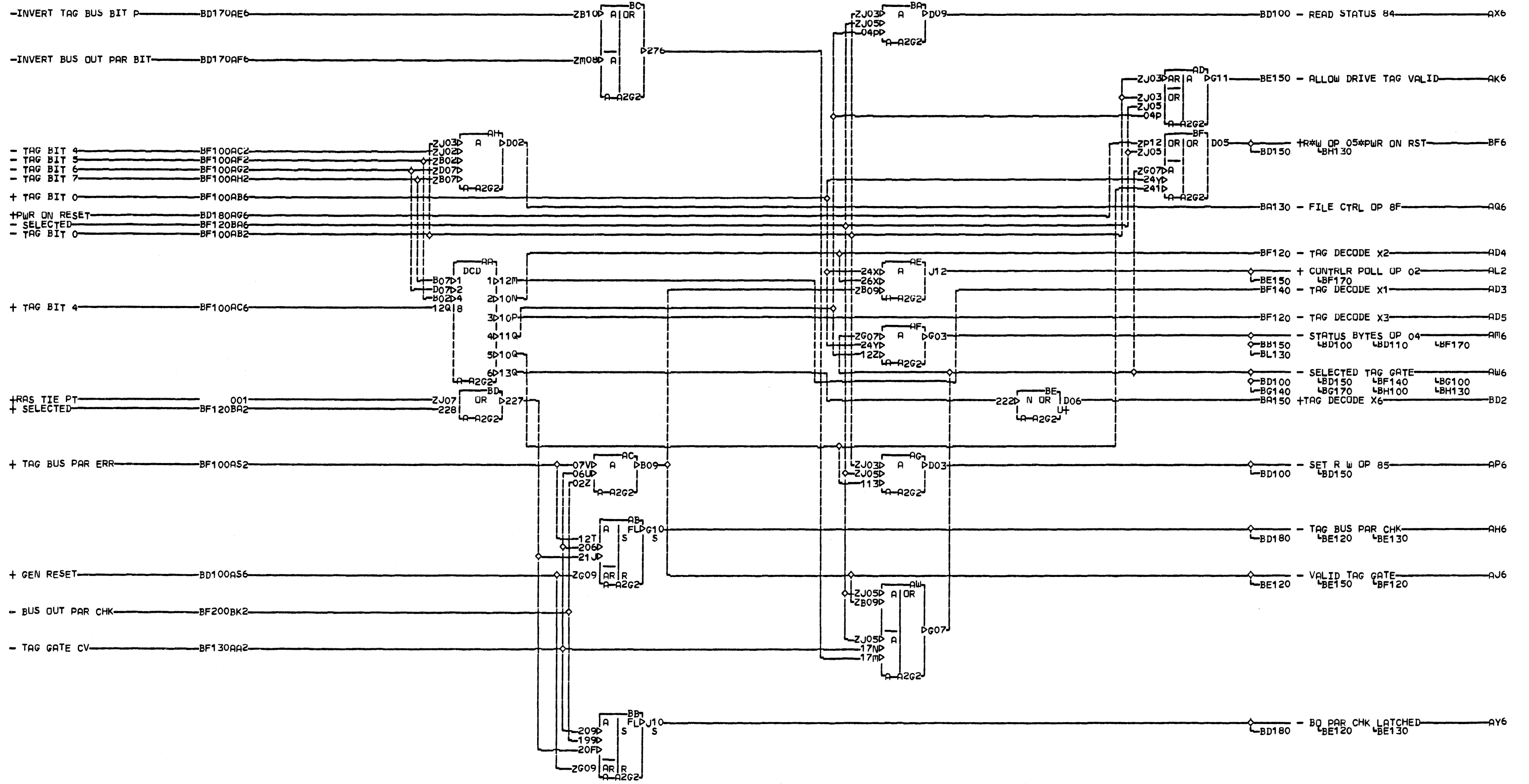


BF100

LOC. TYPE
A-A2G2 Z709

POLLING AND SELECTION			
E.C.	HISTORY	B	MACH. 3350
		FRAME	01
		IBM CORP.	SDD
DATE	LAST EC	P.N.	1710228
10-01-76	446706		

BF100

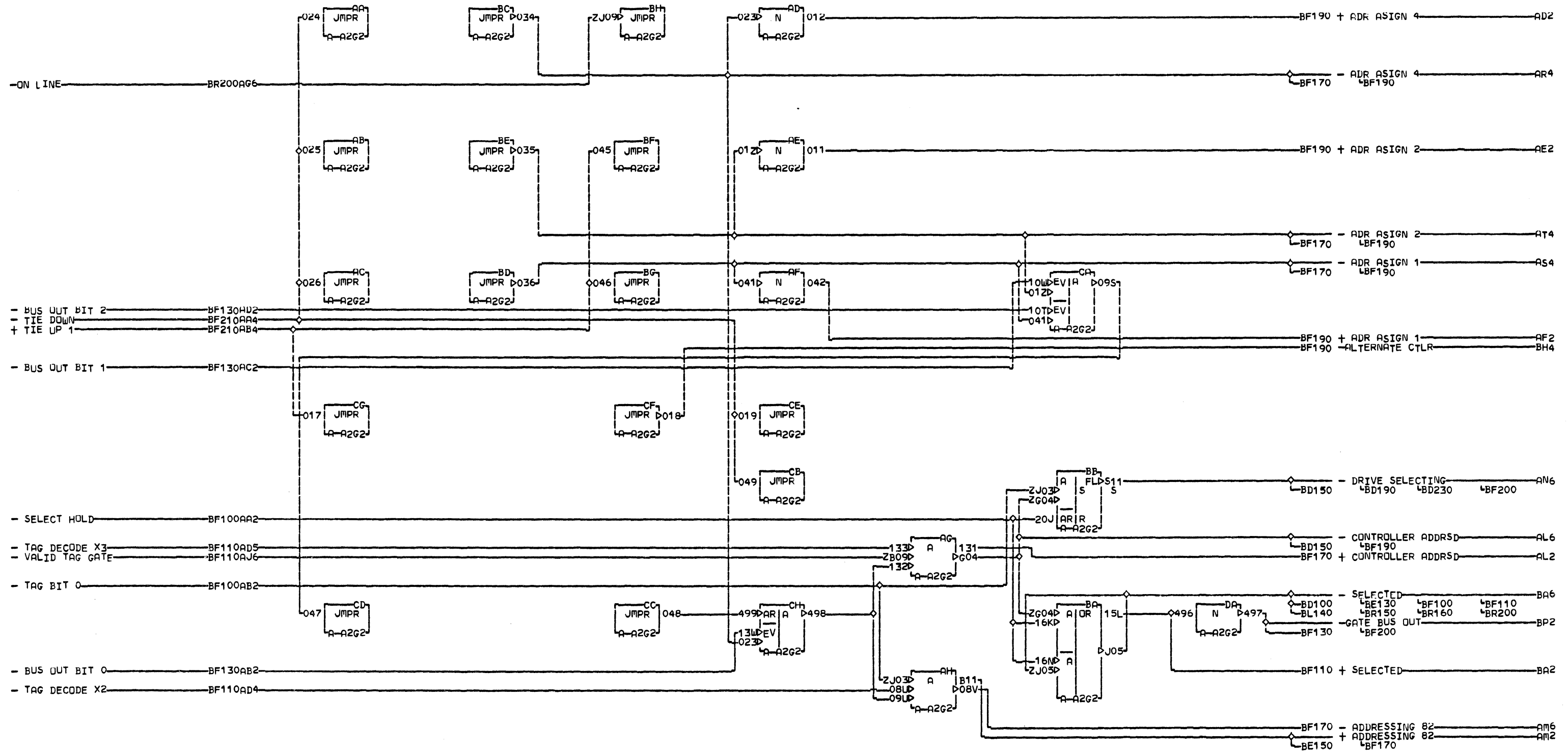


BF110

LOC. TYPE
A-A2G2 Z709

POLLING AND SELECTION	
E.C. HISTORY	B MACH. 3350
DATE LAST EC	FRAME 01
10-01-76 446706	IBM CORP. SDD
	P.No. 1710229

BF110
000

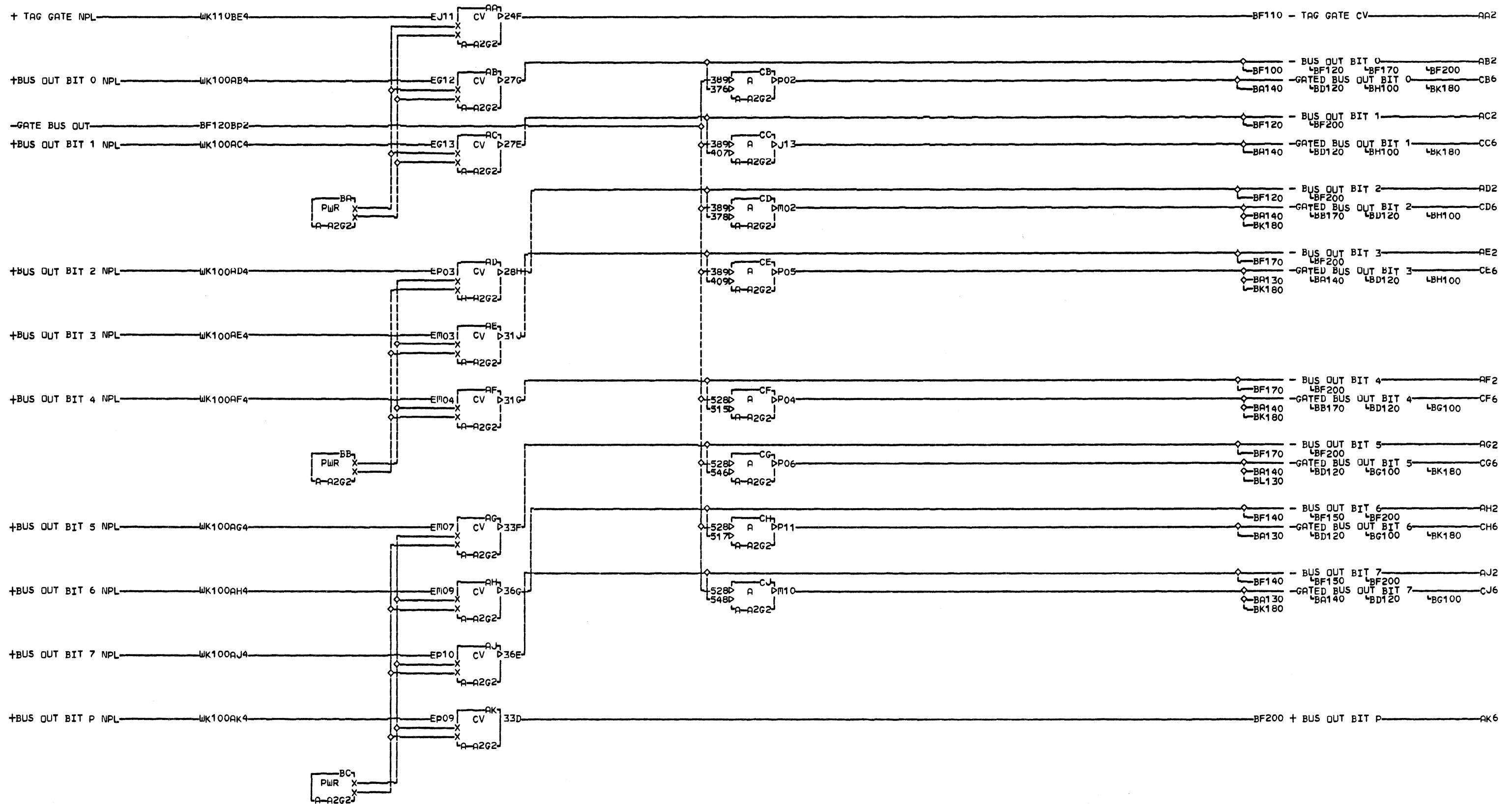


LOC. TYPE
A-A2G2 2709

POLLING AND SELECTION		
E.C. HISTORY	B	MACH. 3350
	FRAME	01
	IBM CORP. SDD	
DATE	LAST EC	
10-01-76	446706	IP. N. 1710230

B
F
1
2
0

B
F
1
2
0
000

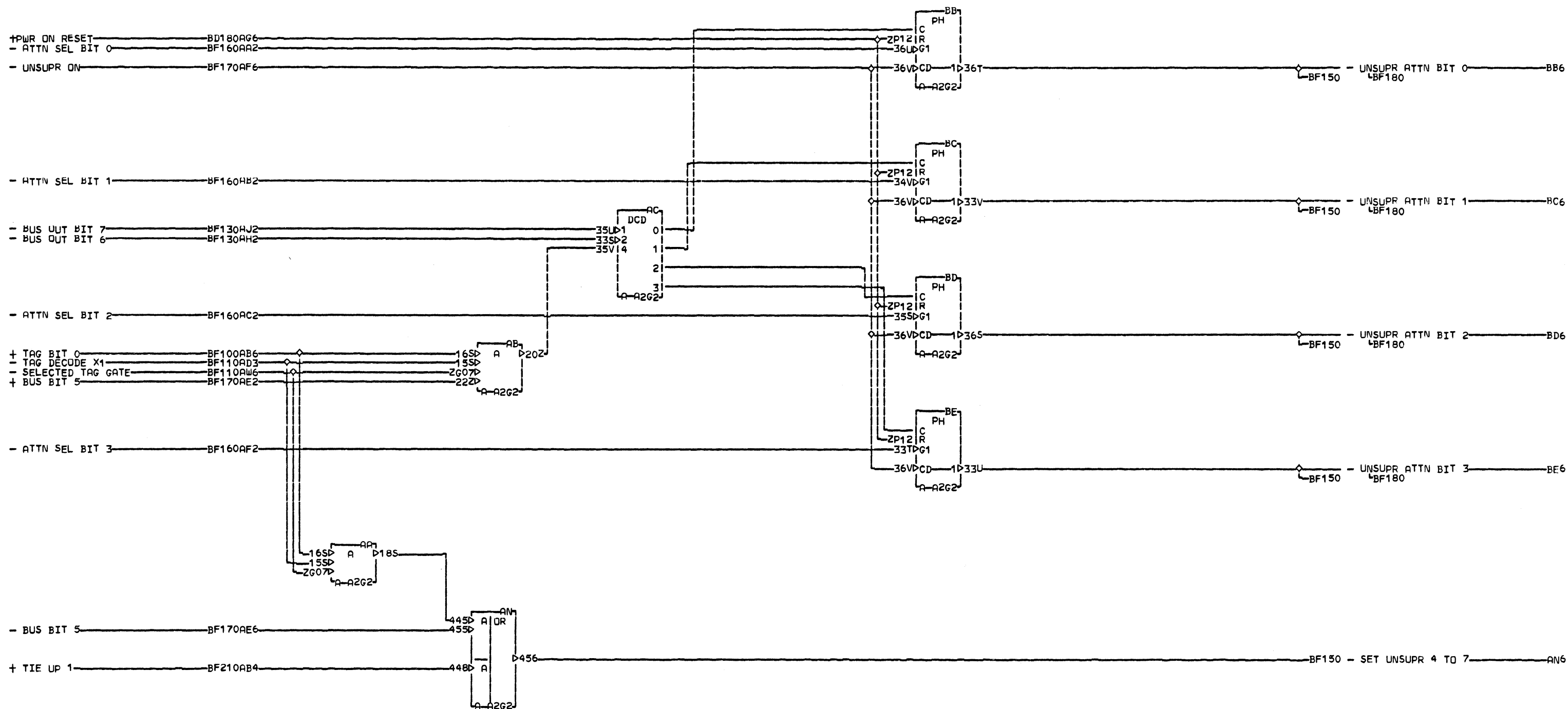


LOC. TYPE
A-A2G2 2709

POLLING AND SELECTION	
E.C. HISTORY	B. MACH. 3350
	FRAME 01
	IBM CORP. SDD
DATE LAST EC	P.No. 1710231
10-01-76 446706	

B
F
1
3
0

B
F
1
3
0

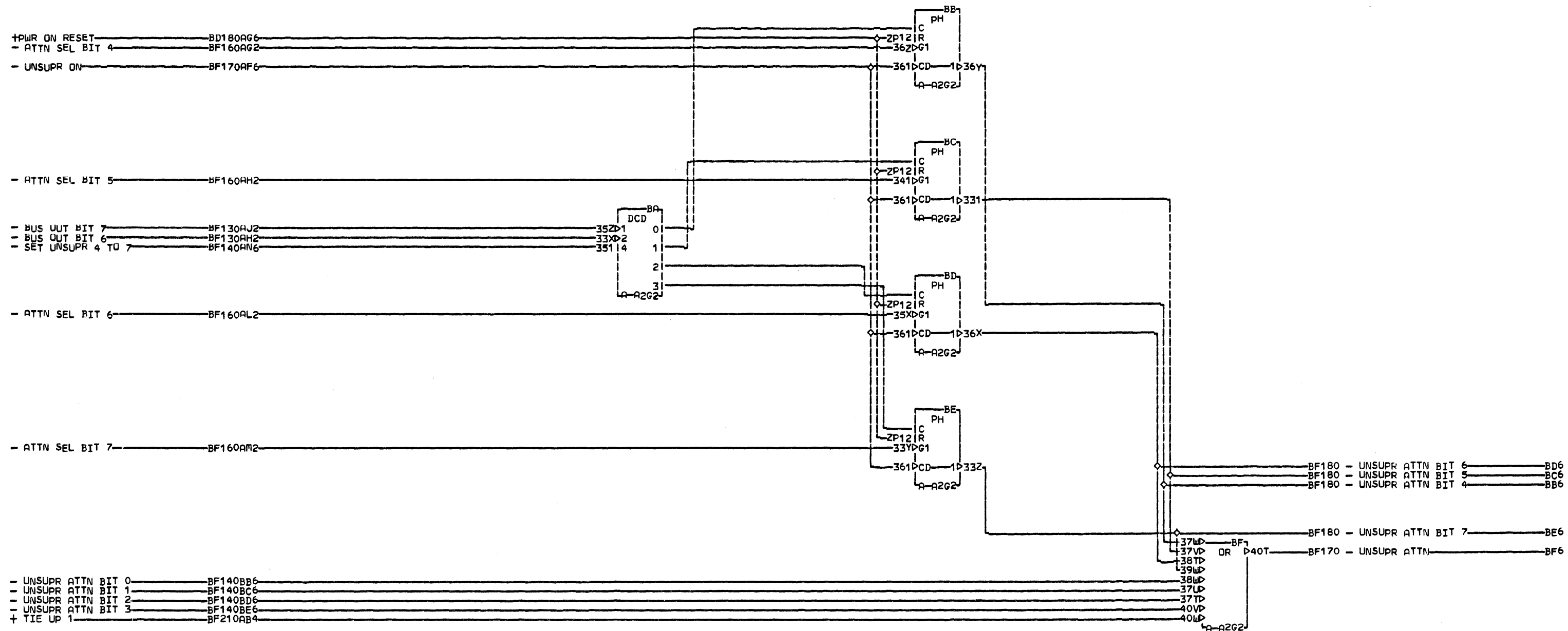


BF140

LOC. TYPE
A-A2G2 2709

POLLING AND SELECTION	
-E.C.-HISTORY-	B1MACH.3350
	FRAME 01
	IBM CORP. SDD
DATE LAST EC	P.N. 1710232
10-01-76 446706	

BF140

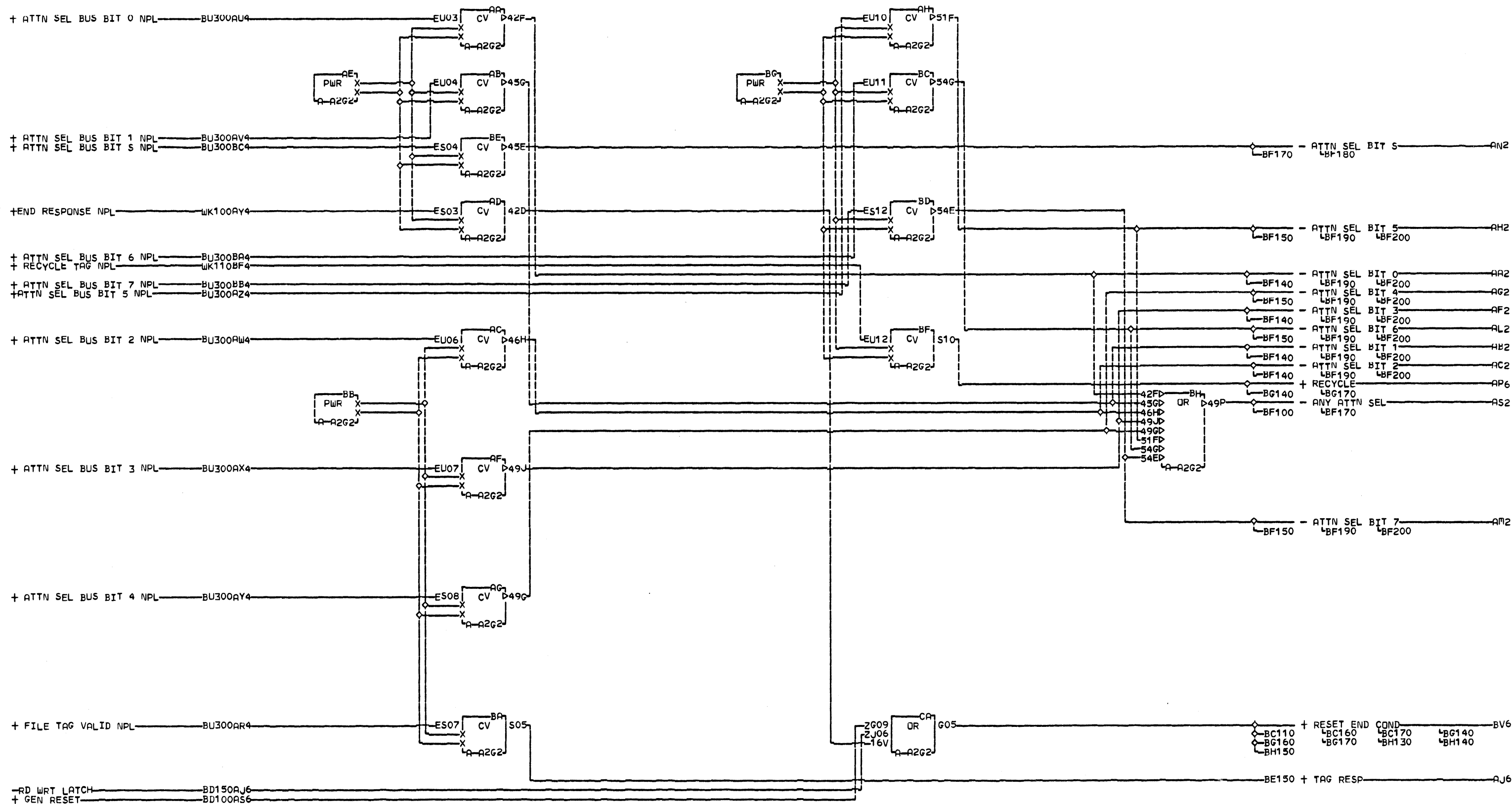


BF150

LOC. TYPE
A-A2G2 2709

POLLING AND SELECTION	
-E.C.-HISTORY-	MACH.3350
	FRAME 01
	IBM CORP. SDD
DATE LAST EC	PoN. 1710233
10-01-76 446706	

BF150

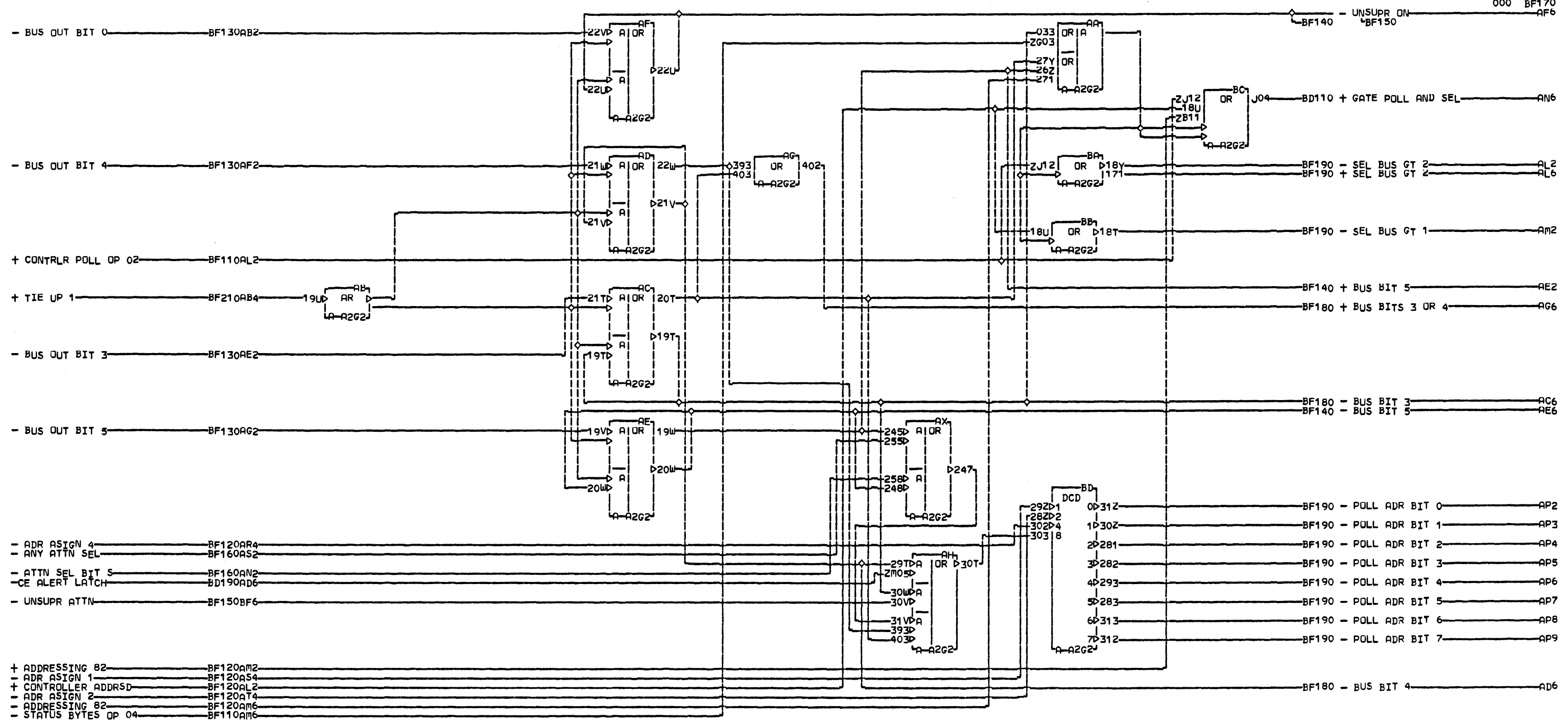


B
F
1
6
0

LOC. TYPE
A-A2G2 2709

POLLING AND SELECTION	
E.C. HISTORY	B MACH. 3350
DATE	LAST EC
10-01-76	446706
FRAME	01
IBM CORP. SDD	000
P.No.	1710234

B
F
1
6
0

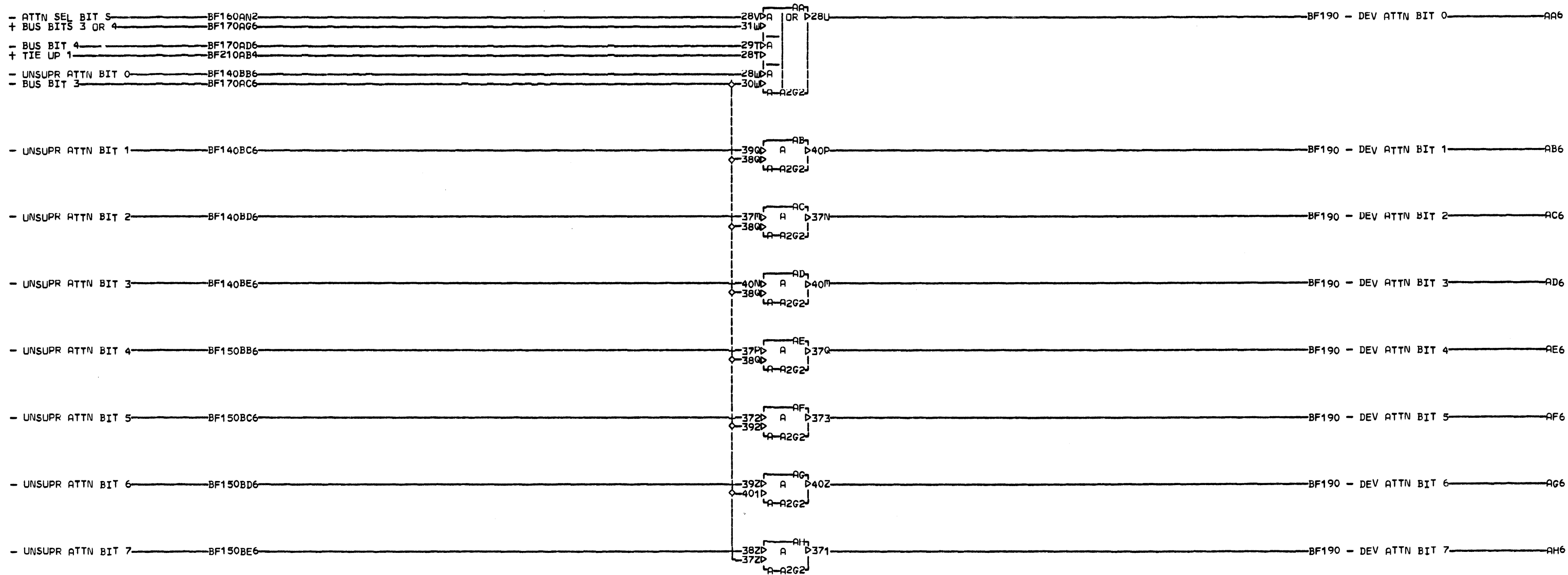


LOC. TYPE
A-A2G2 2709

POLLING AND SELECTION	
E.C. HISTORY	MACH. 3350
FRAME	01
DATE	LAST EC
10-01-76	446706
IBM CORP. SDD	P.No. 1710235

B
1
7
0

B
1
7
0

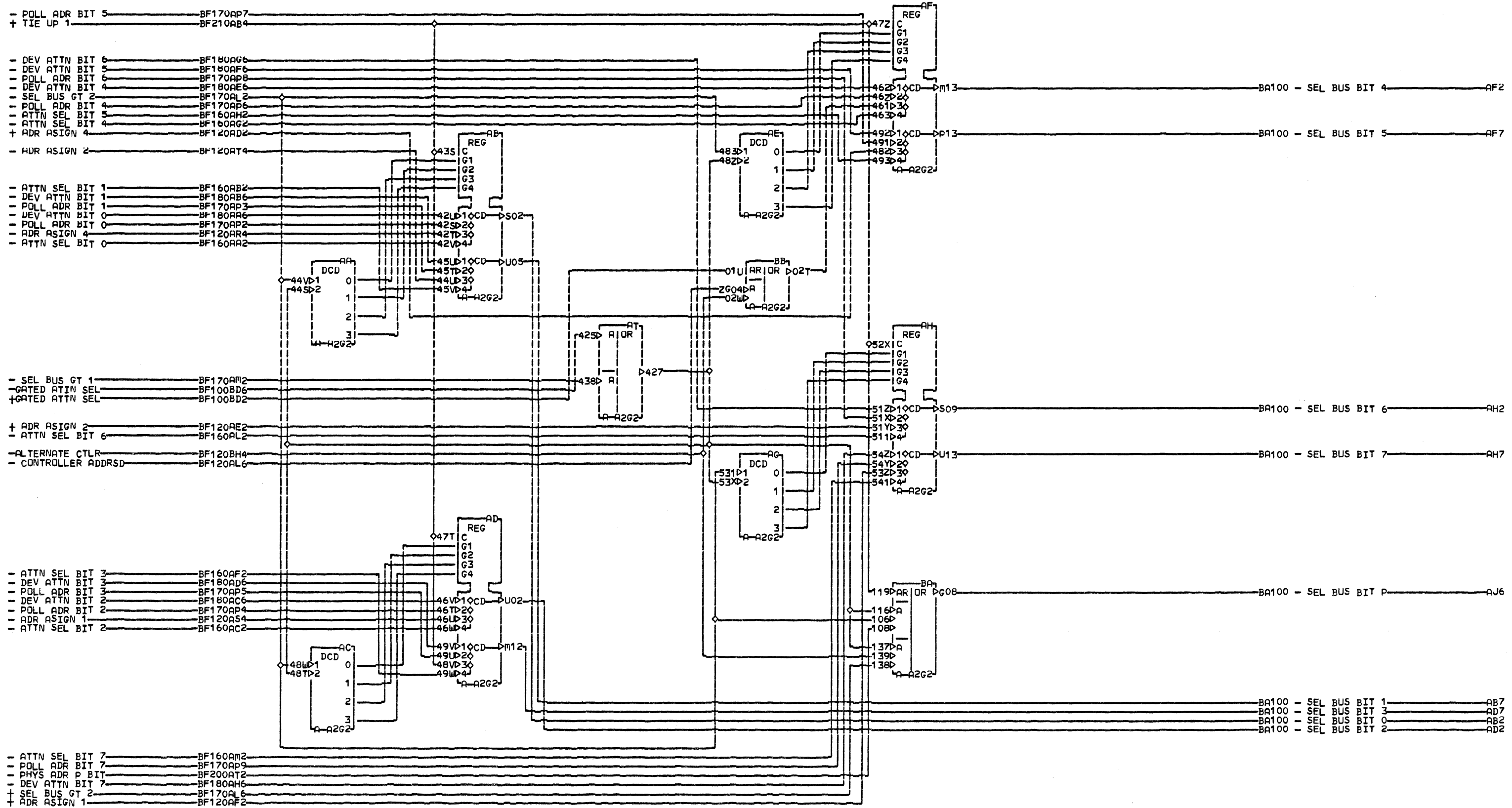


BF180

LOC. TYPE
A-A2G2 2709

POLLING AND SELECTION	
E.C.-HISTORY	MACH.3350
DATE	LAST EC
10-01-76	446706
FRAME	01
IBM CORP. SDD	
P.N.	1710236

BF180
000

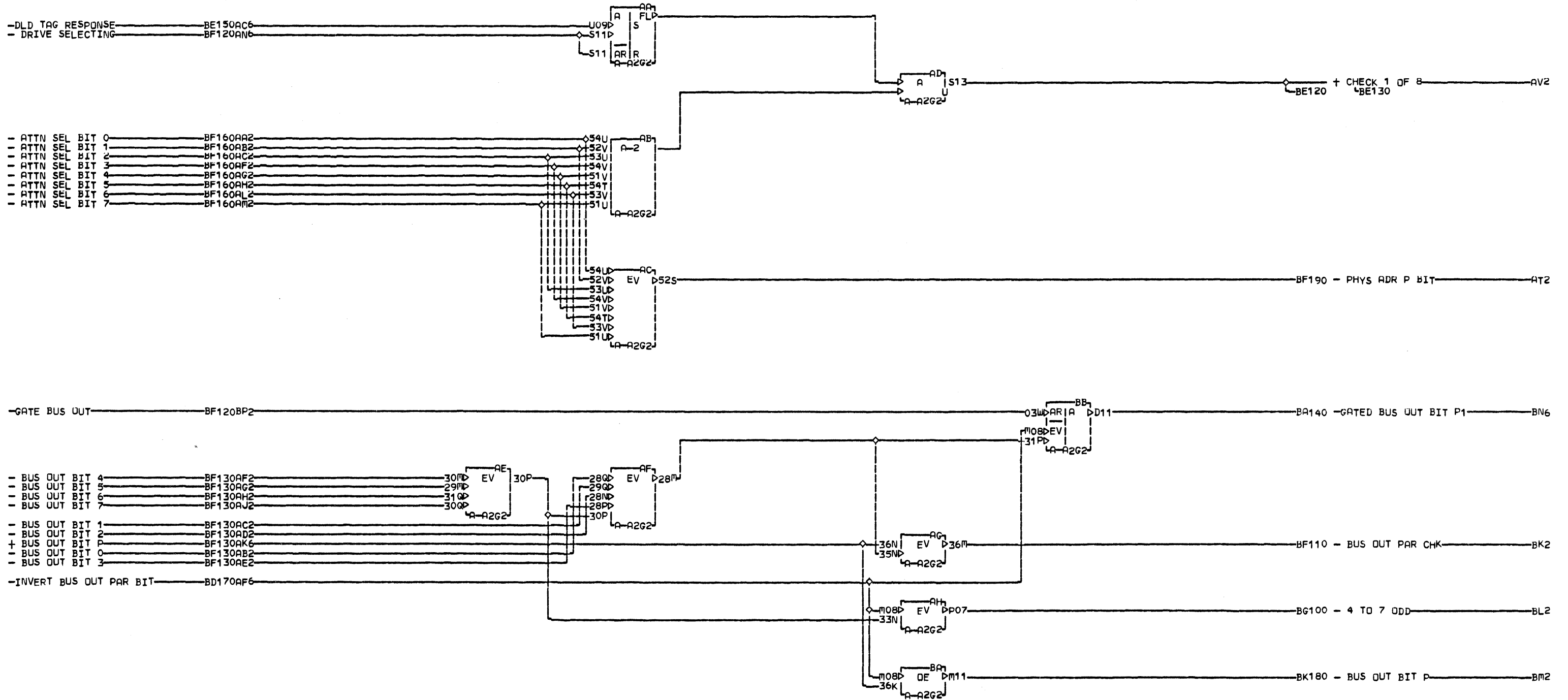


B
F
1
9
0

LOC. TYPE
A-A2G2 2709

PULLING AND SELECTION	
E.C. HISTORY	B MACH. 3350
DATE	LAST EC
10-01-76	446706
FRAME	01
IBM CORP. SDD	
P.N.	1710237

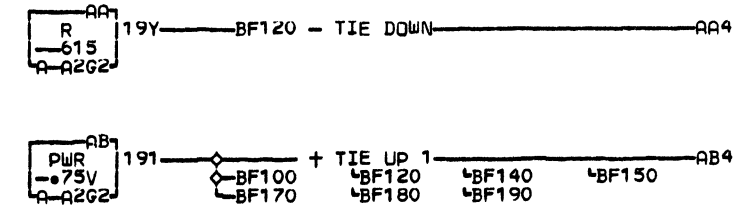
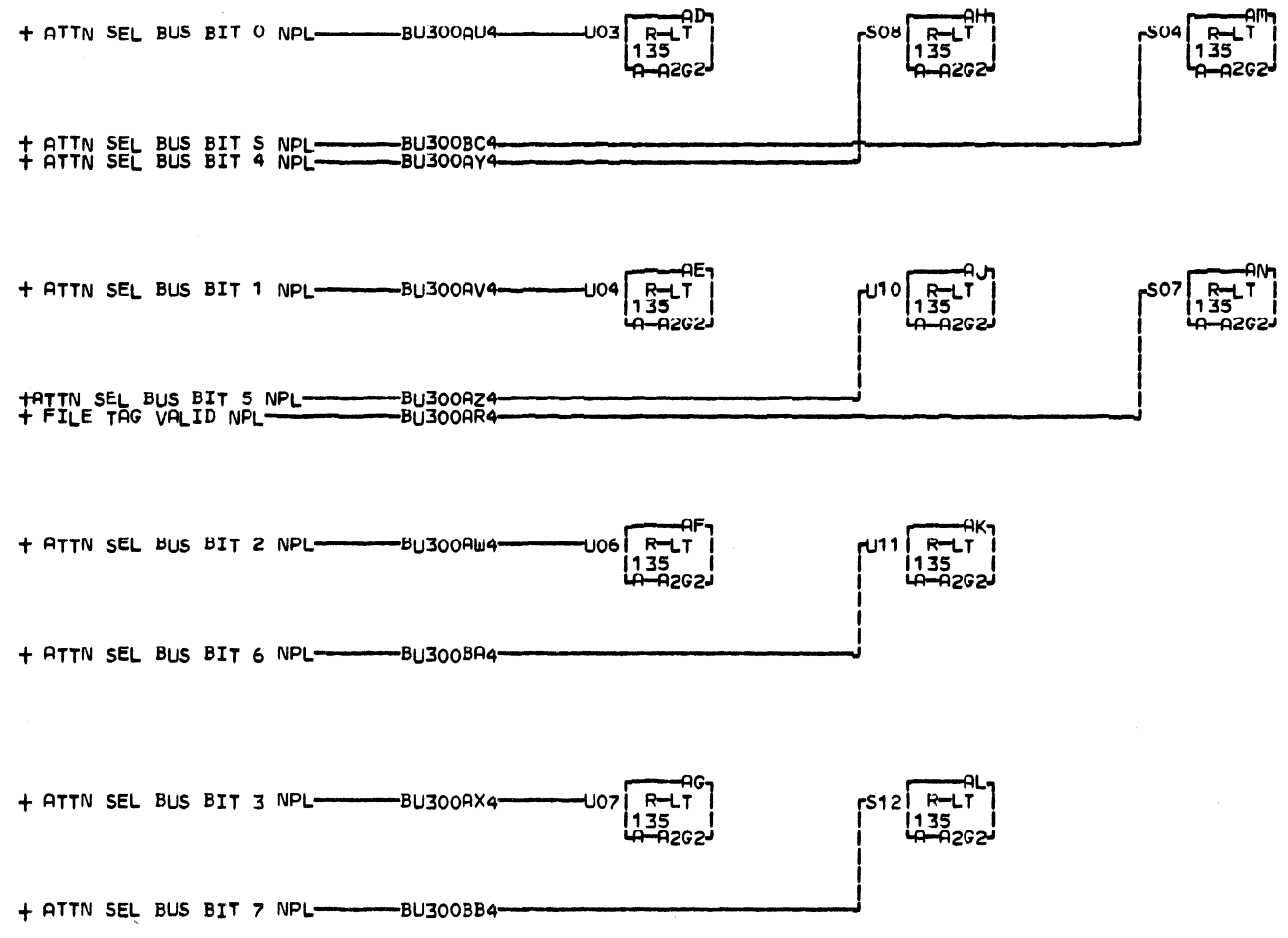
B
F
1
9
0



BF200

LOC. TYPE
A-A2G2 2709

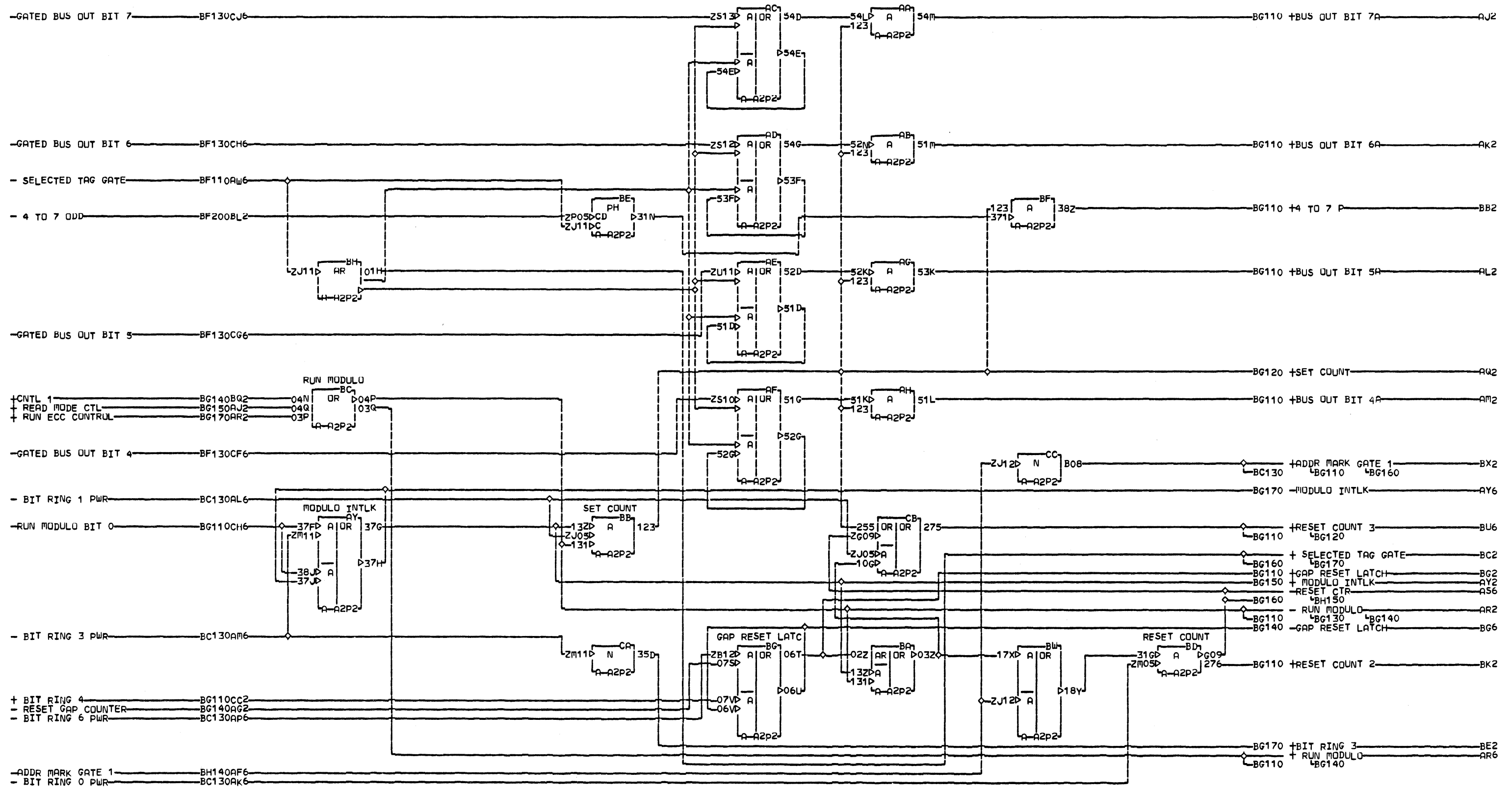
POLLING AND SELECTION	
E.C. HISTORY	B MACH. 3350
FRAME	01
DATE	LAST EC
10-01-76	446706
P.N.	1710238
	000



LOC. TYPE
 A-A2G2 2709

POLLING AND SELECTION	
E.C.—HISTORY	MACH.3350
FRAME	01
DATE LAST EC	IBM CORP. SDD
10-01-76 446706	P.N. 1710239

B
F
2
1
0
000

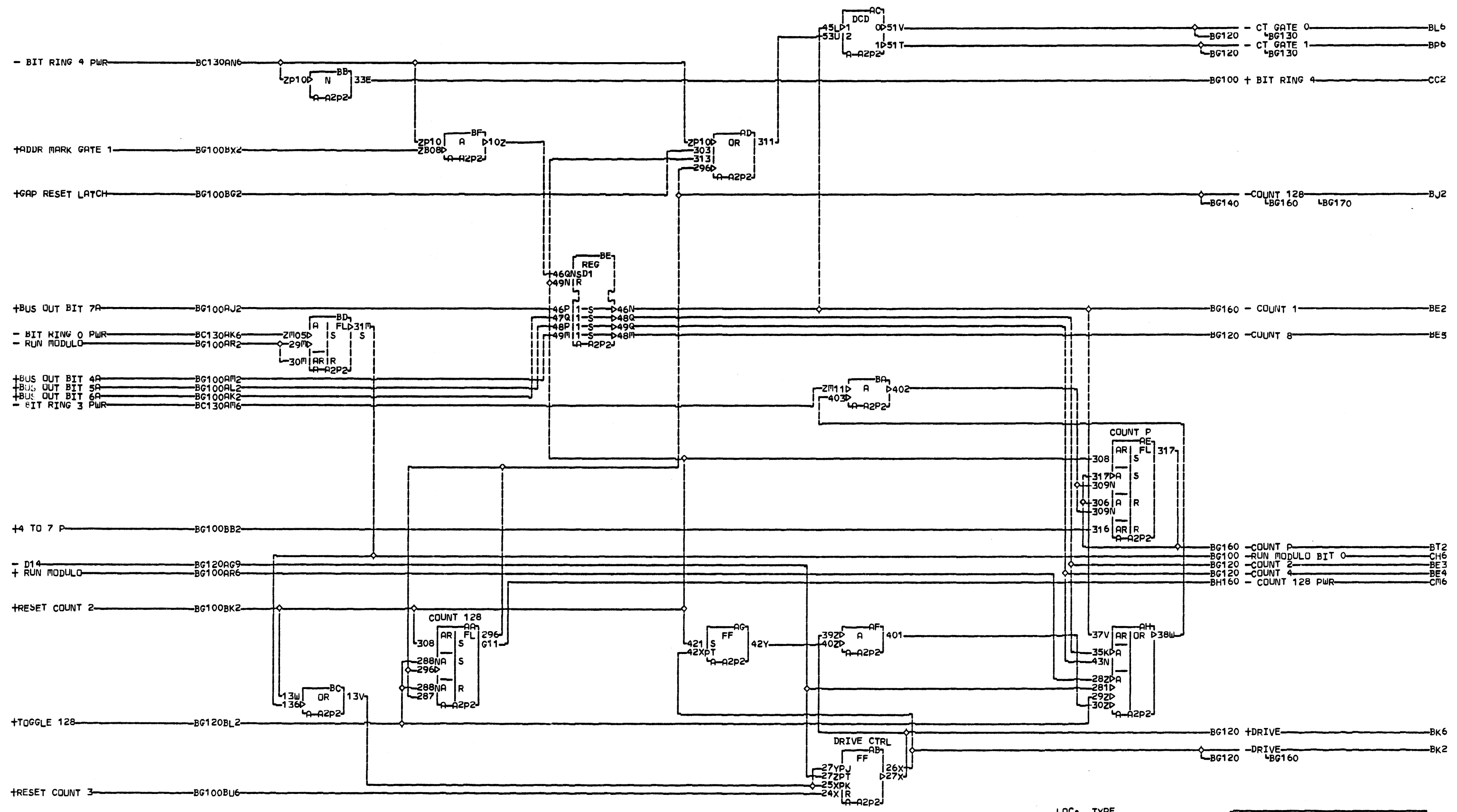


LOC. TYPE
A-A2P2 2463

GAP COUNTER		COUNT CONTROLS	
-E.C.-HISTORY	-MACH-	B-MACH-	3350
		FRAME	01
		IBM CORP.	SDD
DATE	LAST EC		
10-01-76	446706	P.No.	1710240

B
G
1
0
0

B
G
1
0
0

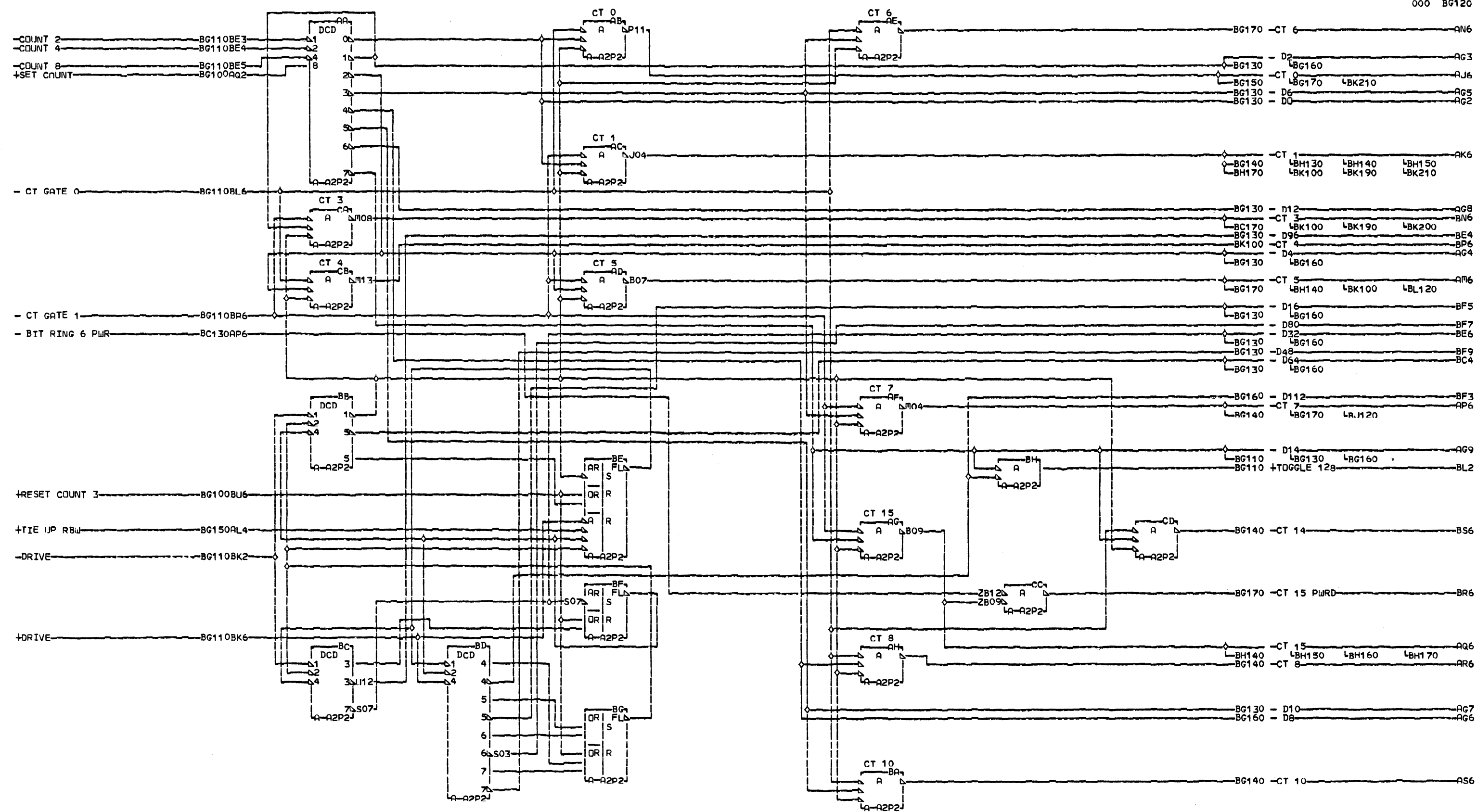


LOC. TYPE
A-A2P2 2463

GAP COUNTER	
CTRS 1*2*4*8*16*32*64*128	
E.C.-HISTORY-B MACH.3350	
FRAME	01
IBM CORP. SDD	
DATE LAST EC	
10-01-76 446706	P.No. 1710241

B
G
1
1
0

B
G
1
1
0

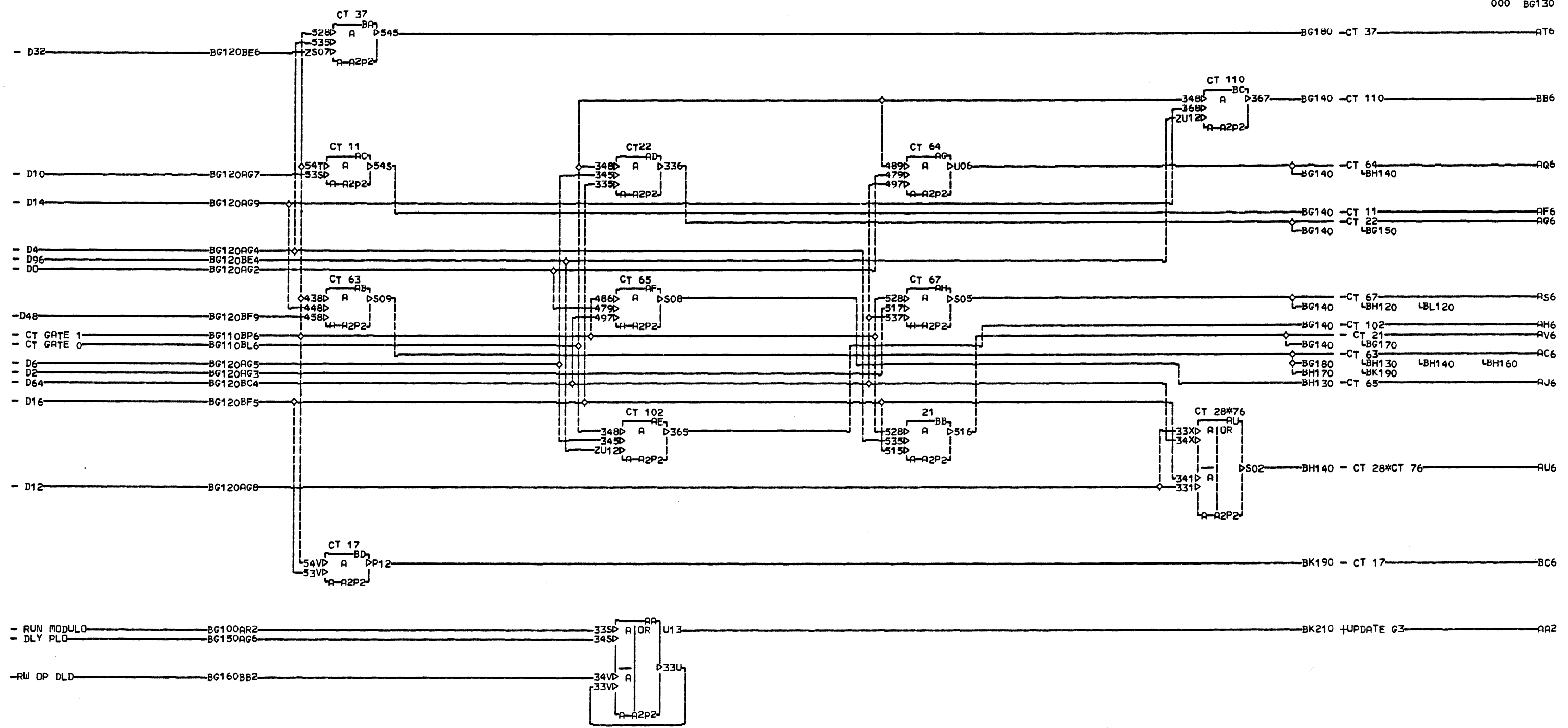


LOC. TYPE
A-A2P2 2463

GAP COUNTER	
COUNT DECODES 0 THRU 10	
E.C. HISTORY	D. MACH. 3350
446706	FRAME 01
IBM CORP. SDD	
DATE LAST EC	P.N. 1710242
01-05-79 446711	

B
G
1
2
0

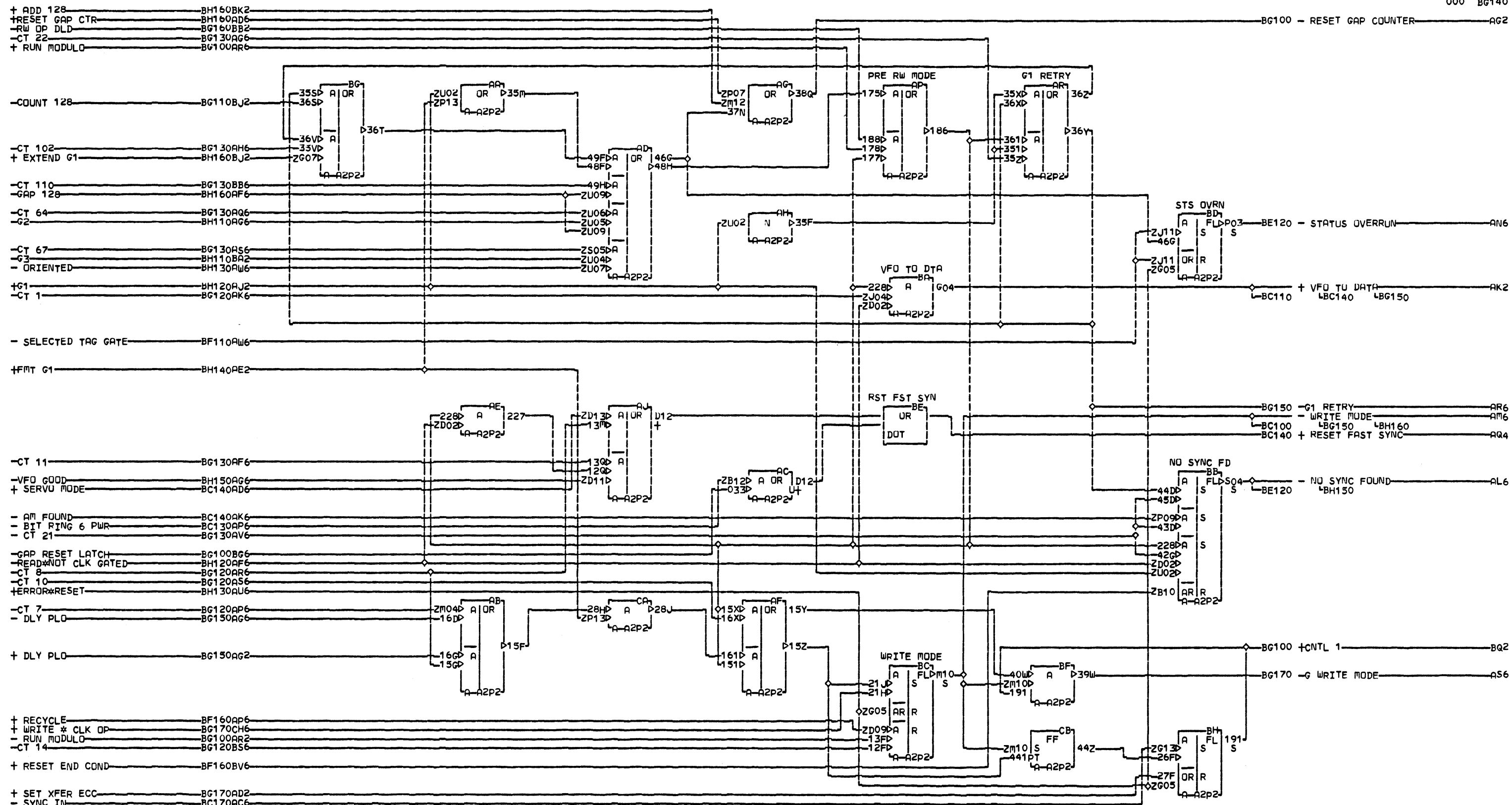
B
G
1
2
0



B
G
1
3
0

LUC TYPE
A-A2P2 2463

GAP COUNTER		B
COUNT DECODES 12 THRU 176		G
E.C. HISTORY	MACH. 3350	1
FRAME	01	3
DATE LAST EC	IBM CORP. SDD	0
10-01-76 446706	P.N. 1710243	000

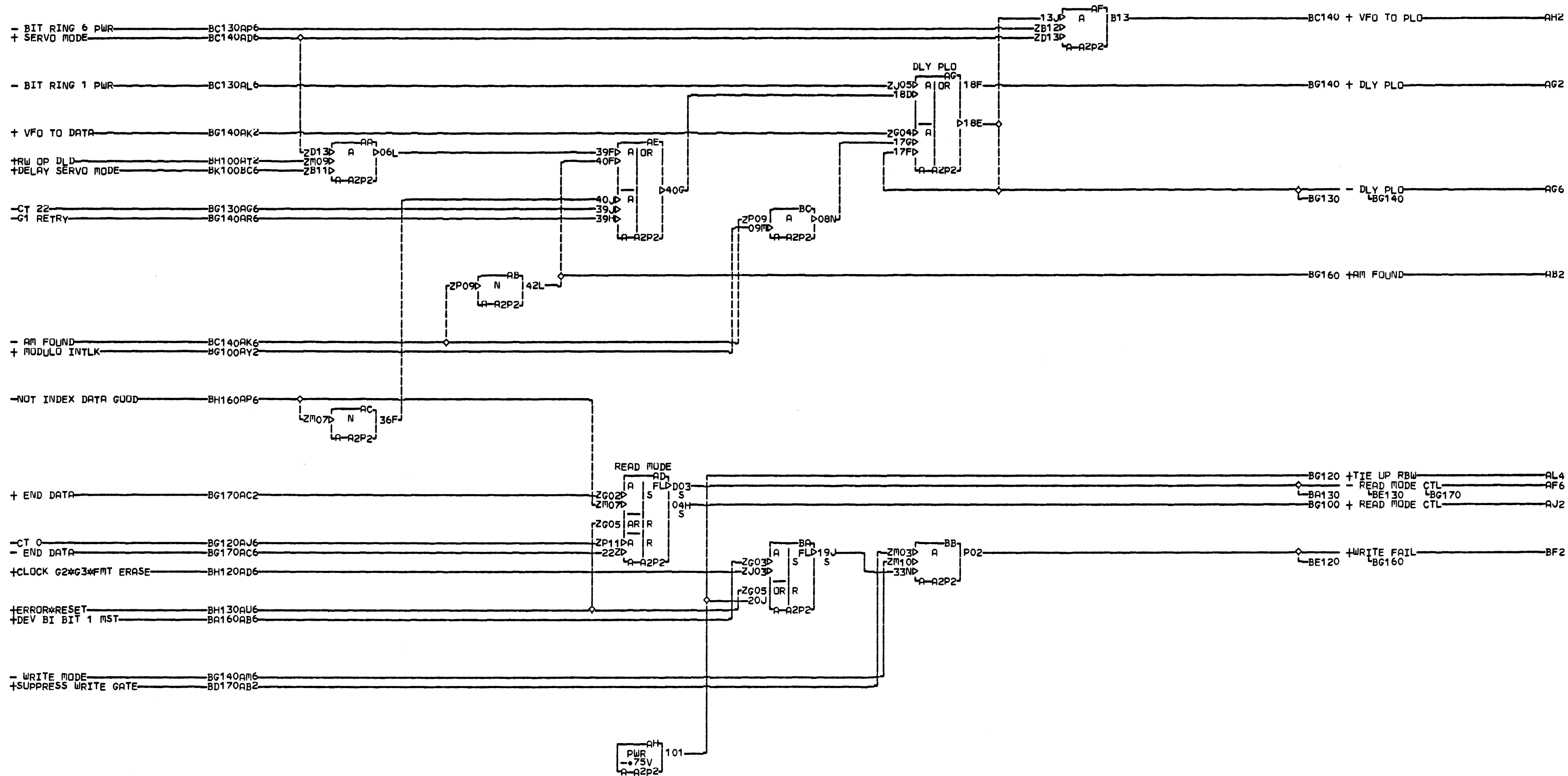


LOC. TYPE
A-A2P2 2463

READ WRITE MODE CTL	
E.C.-HISTORY	MACH.3350
	FRAME 01
	IBM CORP. SDD
DATE LAST EC	P.No. 1710244
10-01-76 446706	

B
G
1
4
0

B
G
1
4
0
000

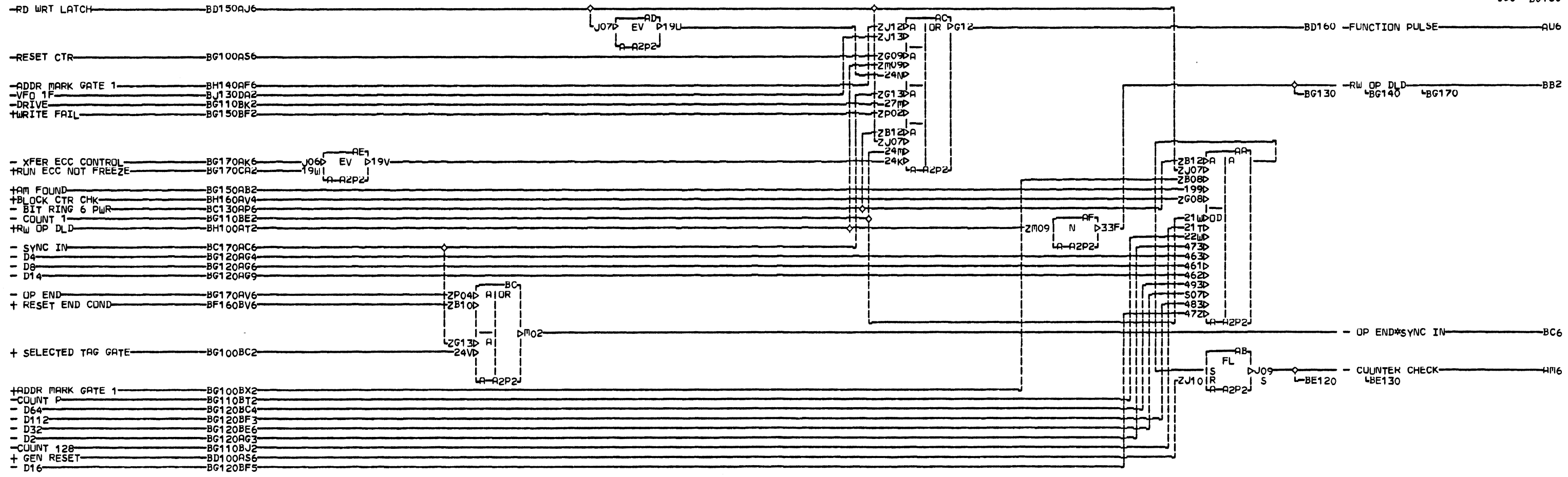


B
G
1
5
0

LOC. TYPE
A-A2P2 2463

DLY PLO	
E.C. HISTORY	MACH. 3350
DATE LAST EC	FRAME 01
110-01-76 446706	IBM CORP. SDD
	P.N. 1710245

B
G
1
5
0

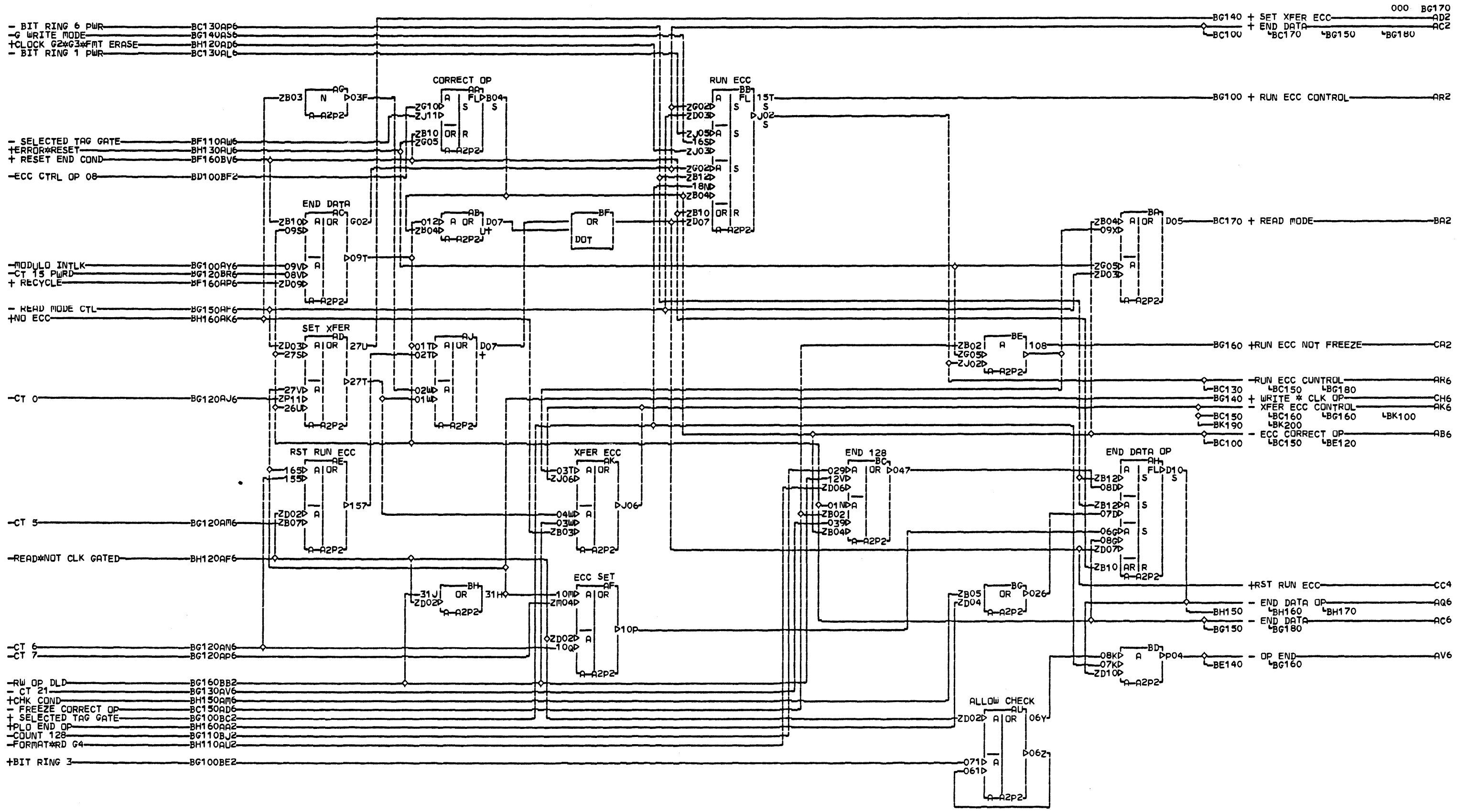


B
G
1
6
0

LOC. TYPE
A-A2P2 Z463

COUNTER CHECK	
-E.C.-HISTORY-	MACH.3350
	FRAME 01
	IBM CORP. SDD
DATE LAST EC	P.N. 1710246
10-01-76 446706	

B
G
1
6
0



- BIT RING 6 PWR BC130AP6
 - G WRITE MODE BG140AS6
 + CLOCK G2*G3*FMT ERASE BH120AD6
 - BIT RING 1 PWR BC130AL6

 - SELECTED TAG GATE BF110AW6
 + ERROR*RESET BH130AU6
 + RESET END COND BF160BV6
 - ECC CTRL OP 08 BD100BF2

 - MODULO INTLK BG100AY6
 - CT 15 PWRD BG120BR6
 + RECYCLE BF160AP6

 - READ MODE CTL BG150AF6
 + NO ECC BH160AK6

 - CT 0 BG120AV6

 - CT 5 BG120AM6

 - READ*NOT CLK GATED BH120AF6

 - CT 6 BG120AN6
 - CT 7 BG120AP6

 - RW OP DLD BG160BB2
 - CT 21 BG130AV6
 + CHK COND BH150AM6
 - FREEZE CORRECT OP BC150AD6
 + SELECTED TAG GATE BG100BC2
 + PLO END OP BH160AA2
 - COUNT 128 BG110BJ2
 - FORMAT*RD G4 BH110AU2
 + BIT RING 3 BG100BE2

000 BG170
 + SET XFER ECC AD2
 - END DATA AC2
 - BC170 - BG150 - BG180

- BG100 + RUN ECC CONTROL AR2

- BC170 + READ MODE BA2

- BG160 + RUN ECC NOT FREEZE CA2

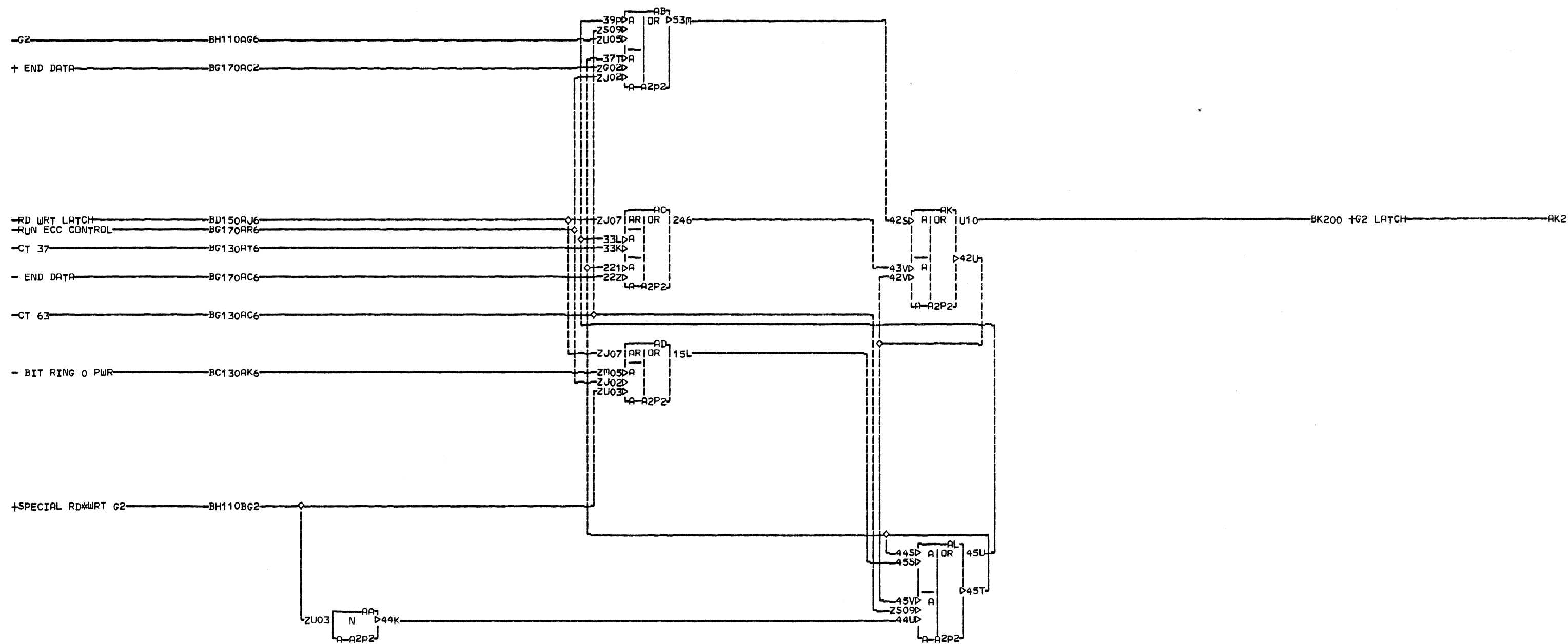
- RUN ECC CONTROL AR6
 - BC130 - BC150 - BG180
 + WRITE * CLK OP CH6
 - XFER ECC CONTROL AK6
 - BC150 - BC160 - BG160 - BK100
 - ECC CORRECT OP AB6
 - BC100 - BC150 - BE120

+ RST RUN ECC CC4
 - END DATA OP AQ6
 - BH150 - BH160 - BH170
 - END DATA AC6
 - BG150 - BG180
 - OP END AV6
 - BE140 - BG160

LOC. TYPE
 A-A2P2 2463

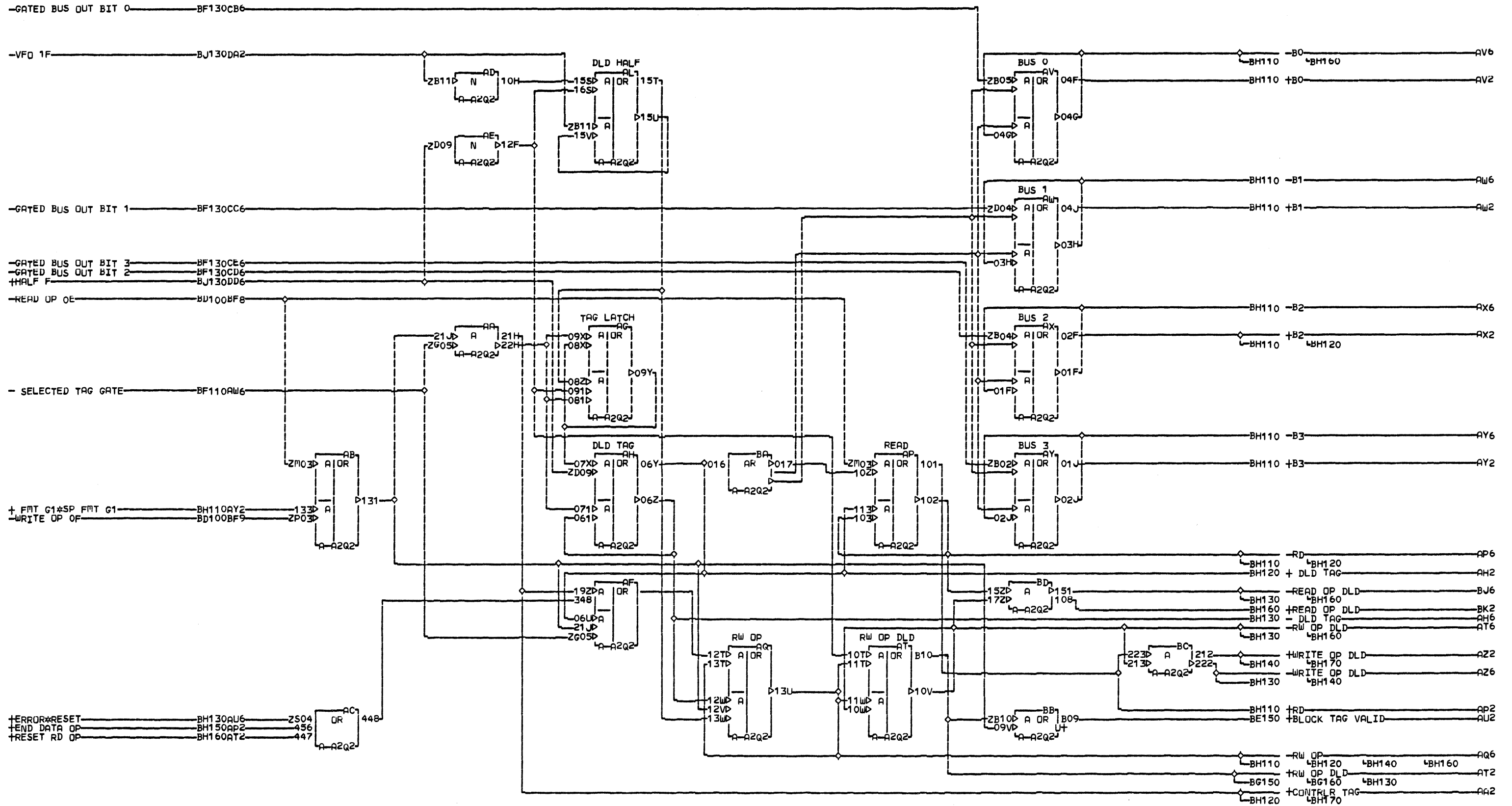
ECC CONTROL AND END OP	
-E.C.-HISTORY	B-MACH-3350
	FRAME 01
	IBM CORP. SDD
DATE LAST EC	IP.No. 1710247
110-01-76 446706	

B
 G
 1
 7
 0



LOC. TYPE
A-A2P2 2463

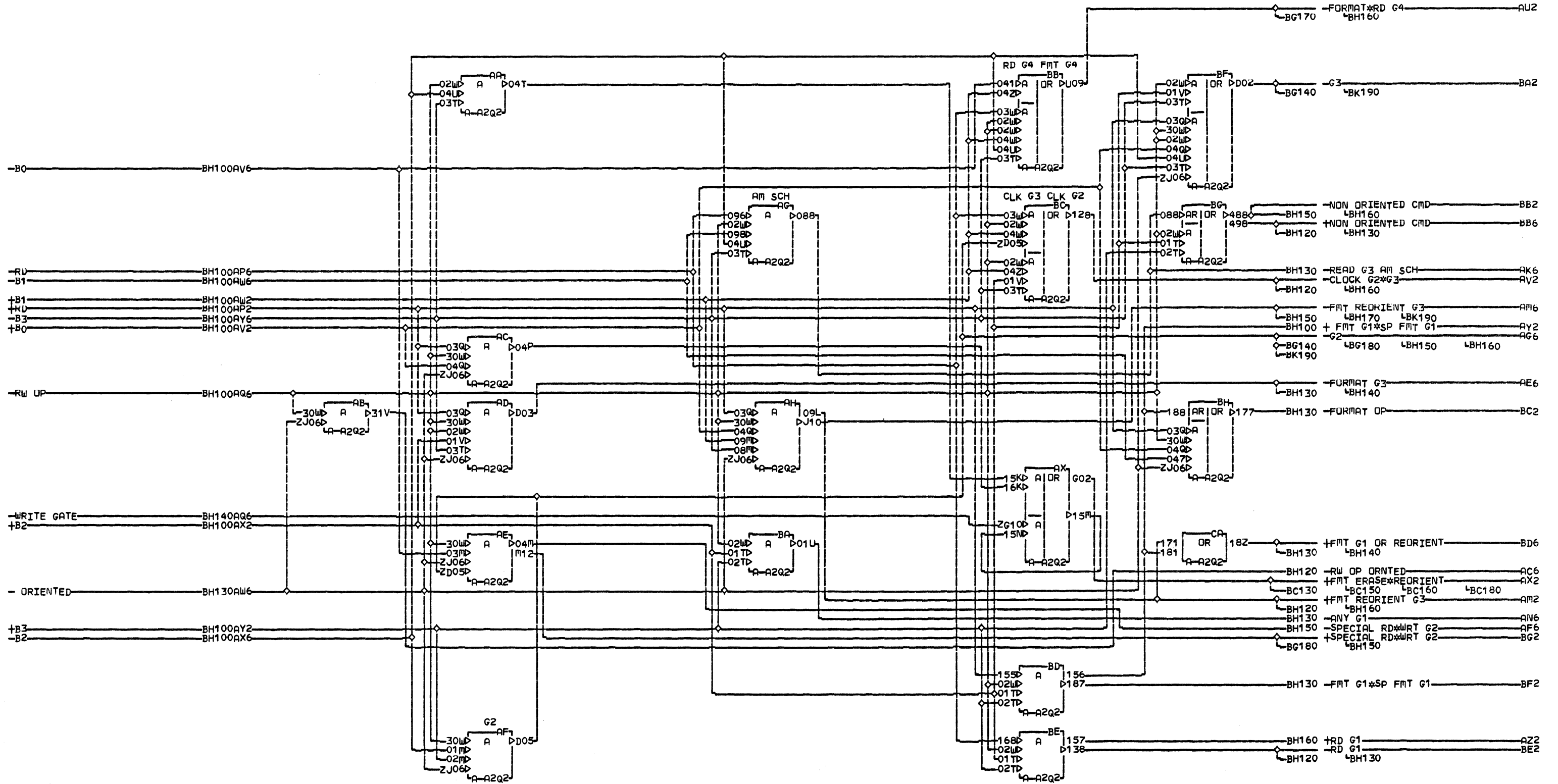
GAP COUNTER DECODES		B
-E.C.-HISTORY	MACH.3350	G
	FRAME 01	1
	IBM CORP. SDD	8
DATE 10-01-76	LAST EC 446706	0
	P.N. 1710248	000



LOC. TYPE
A-A2Q2 2010

MACROS		B
-E.C.-HISTORY	B-MACH-3350	H
	FRAME	01
	IBM CORP. SDD	0
DATE	LAST EC	000
10-01-76	446706	
	IP.N. 1710249	

B
H
1
0
0

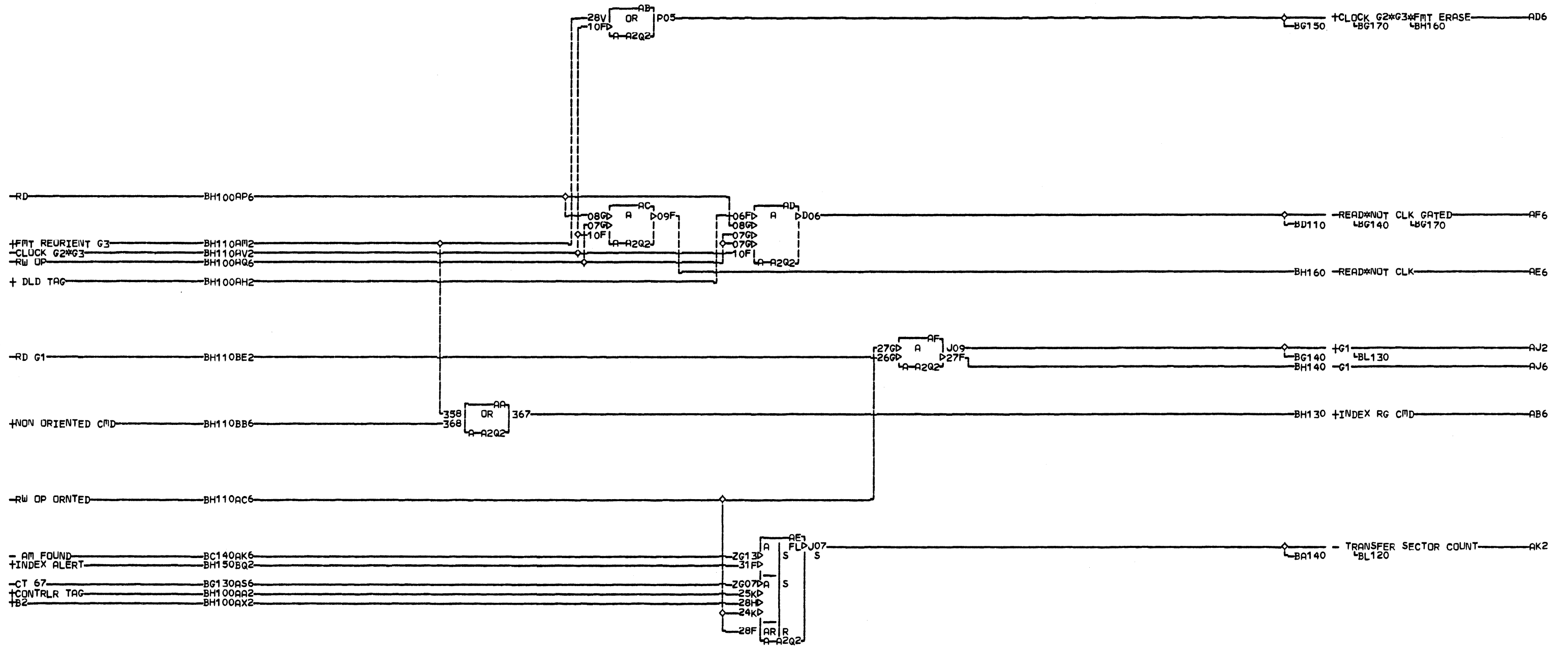


LOC. TYPE
A-A2Q2 2010

MACROS	
-E.C.-HISTORY	B MACH.3350
	FRAME 01
	IBM CORP. SDD
DATE	LAST EC
10-01-76	446706
	PoN. 1710250

B
H
1
1
0

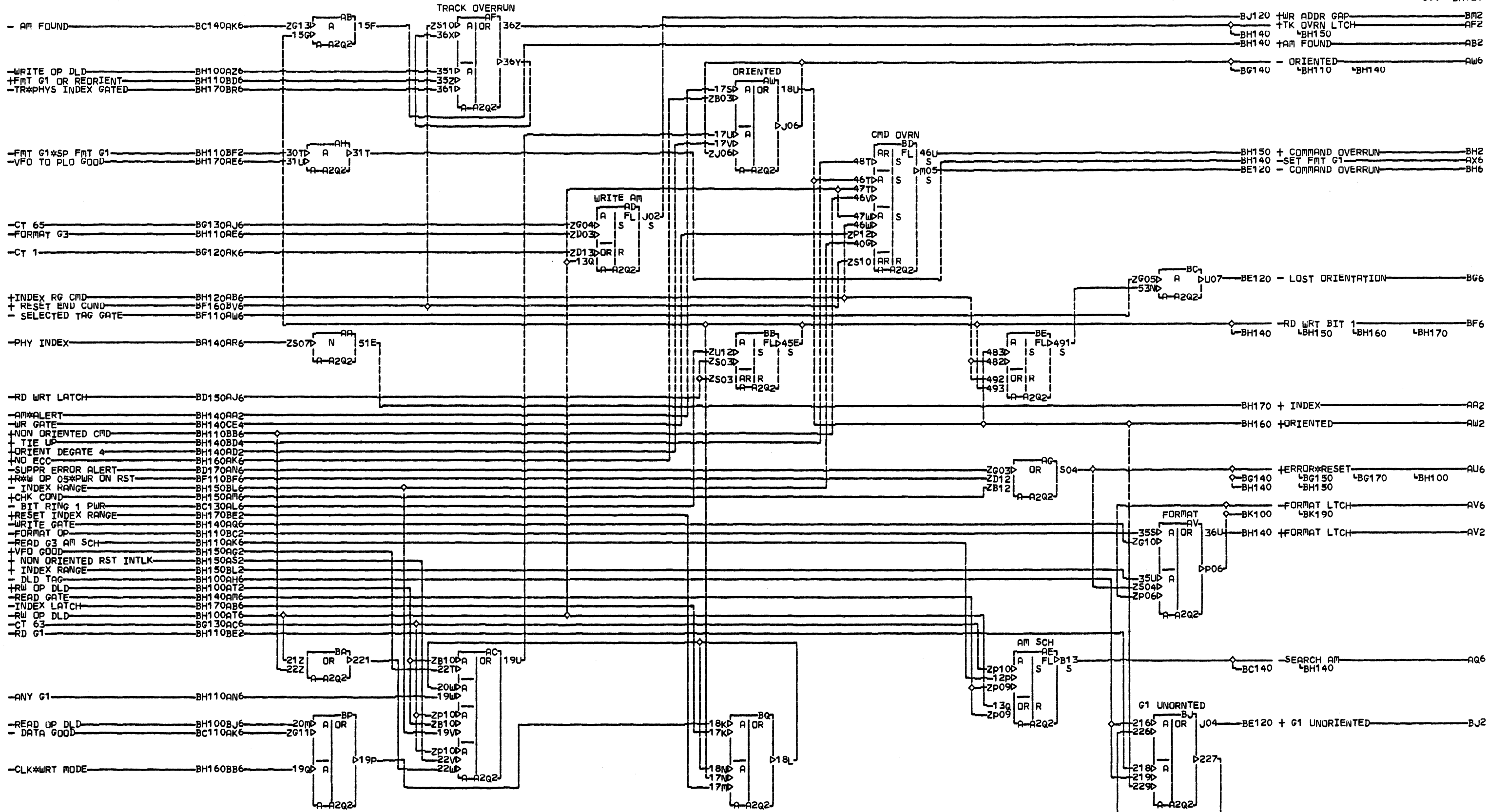
B
H
1
1
0
000



BH120

LOC. TYPE
A-A2Q2 2010

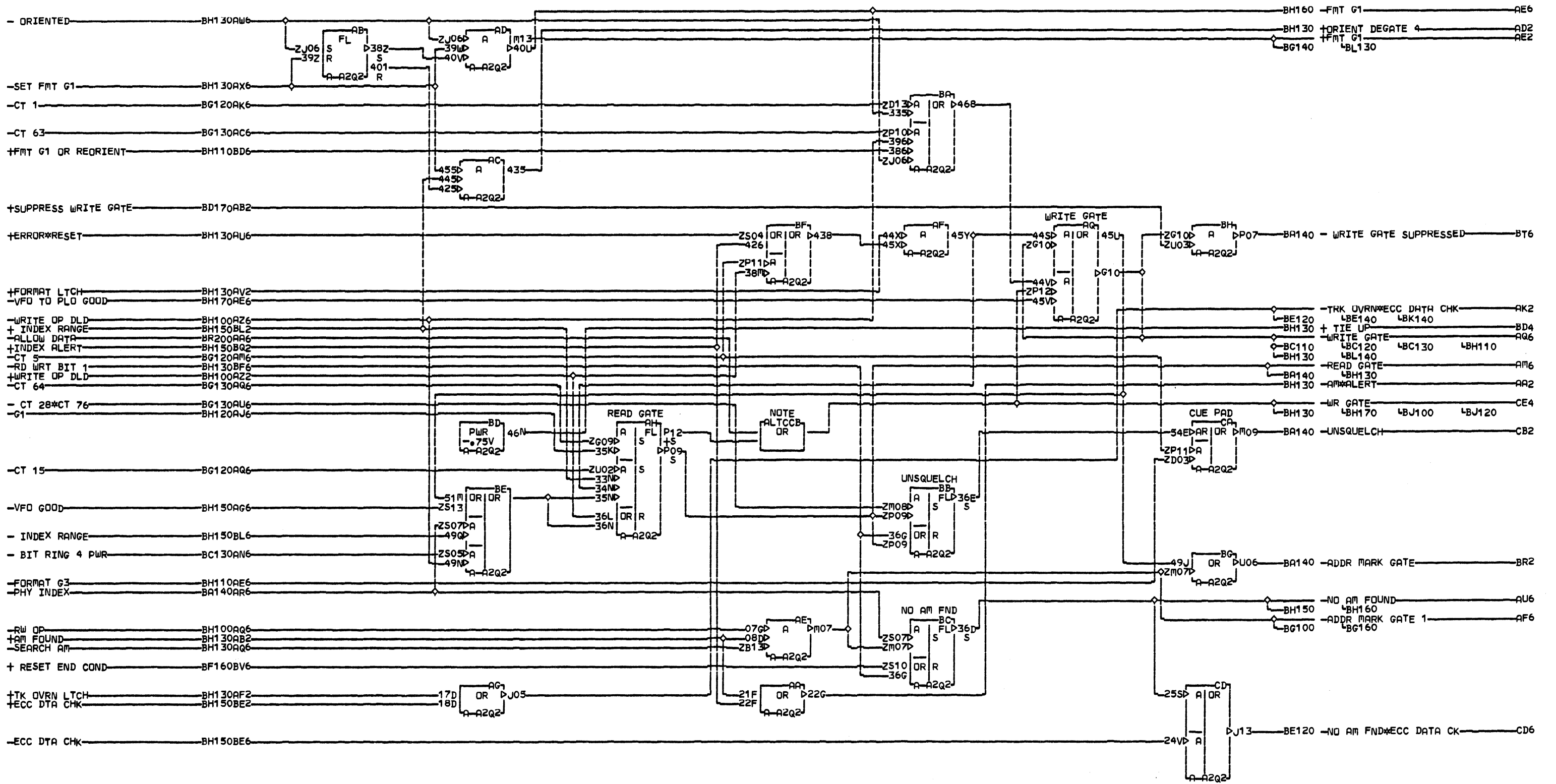
MACROS		BH120
-E.C.-HISTORY	B MACH.3350	01
	FRAME	01
	IBM CORP. SDD	000
DATE	LAST EC	
10-01-76	446706	
	IP.No. 1710251	



LDC TYPE
A-A2Q2 Z010

MACRUS		B
E.C. HISTORY	B MACH.3350	H
	FRAME 01	1
	IBM CORP. SDD	3
DATE 10-01-76	LAST EC 446706	0
	P.No. 1710252	000

B
H
1
3
0



NOTE DOT IS ONLY PRESENT WITH ALT CTRL FEATURE.

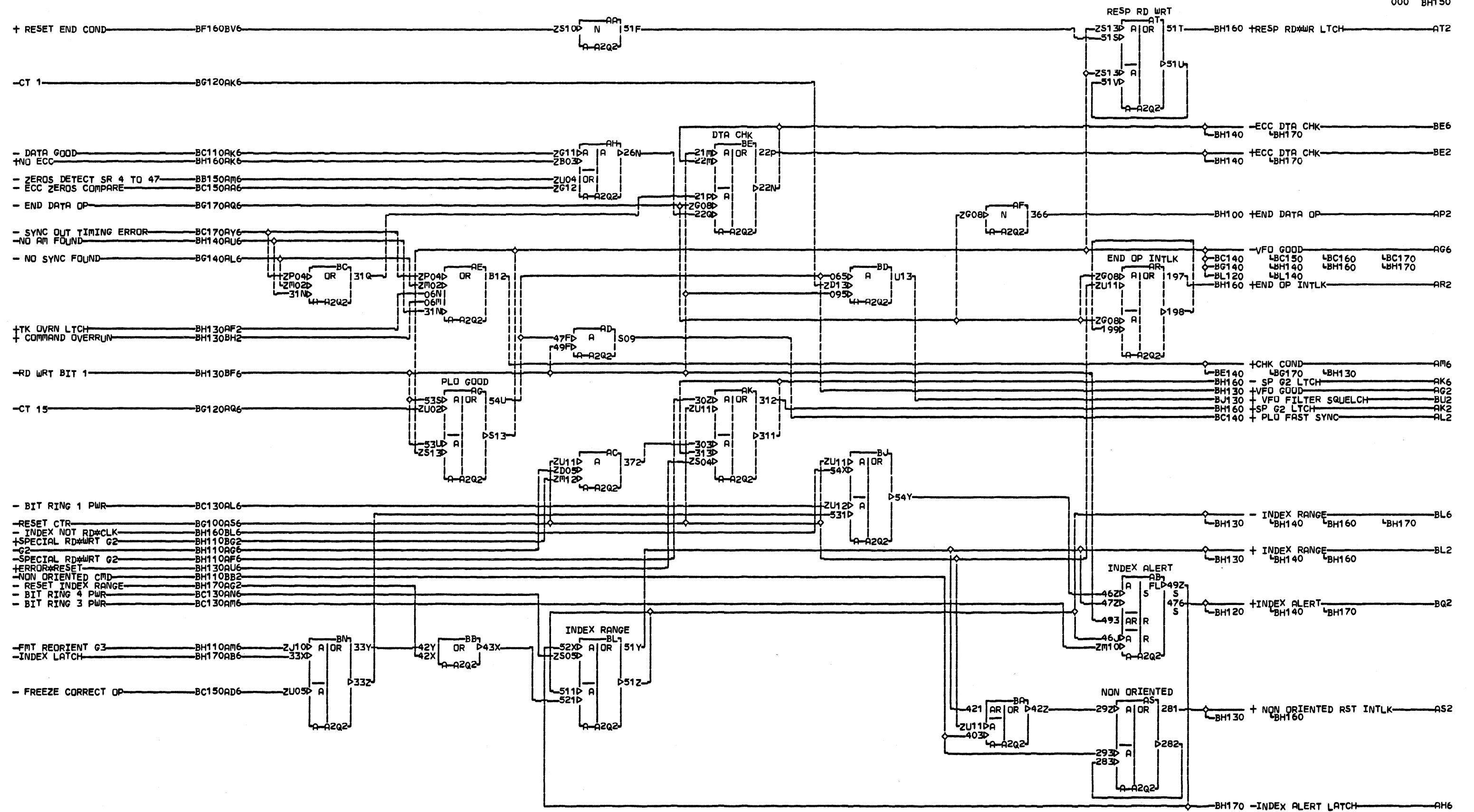
B
H
1
4
0

000COPYRIGHT IBM CORP 1976

LOC. TYPE
A-A2Q2 2010

MACROS	
E.C.-HISTORY	MACH.3350
DATE	LAST EC
10-01-76	446706
FRAME	01
IBN CORP. SDD	
PoN.	1710253

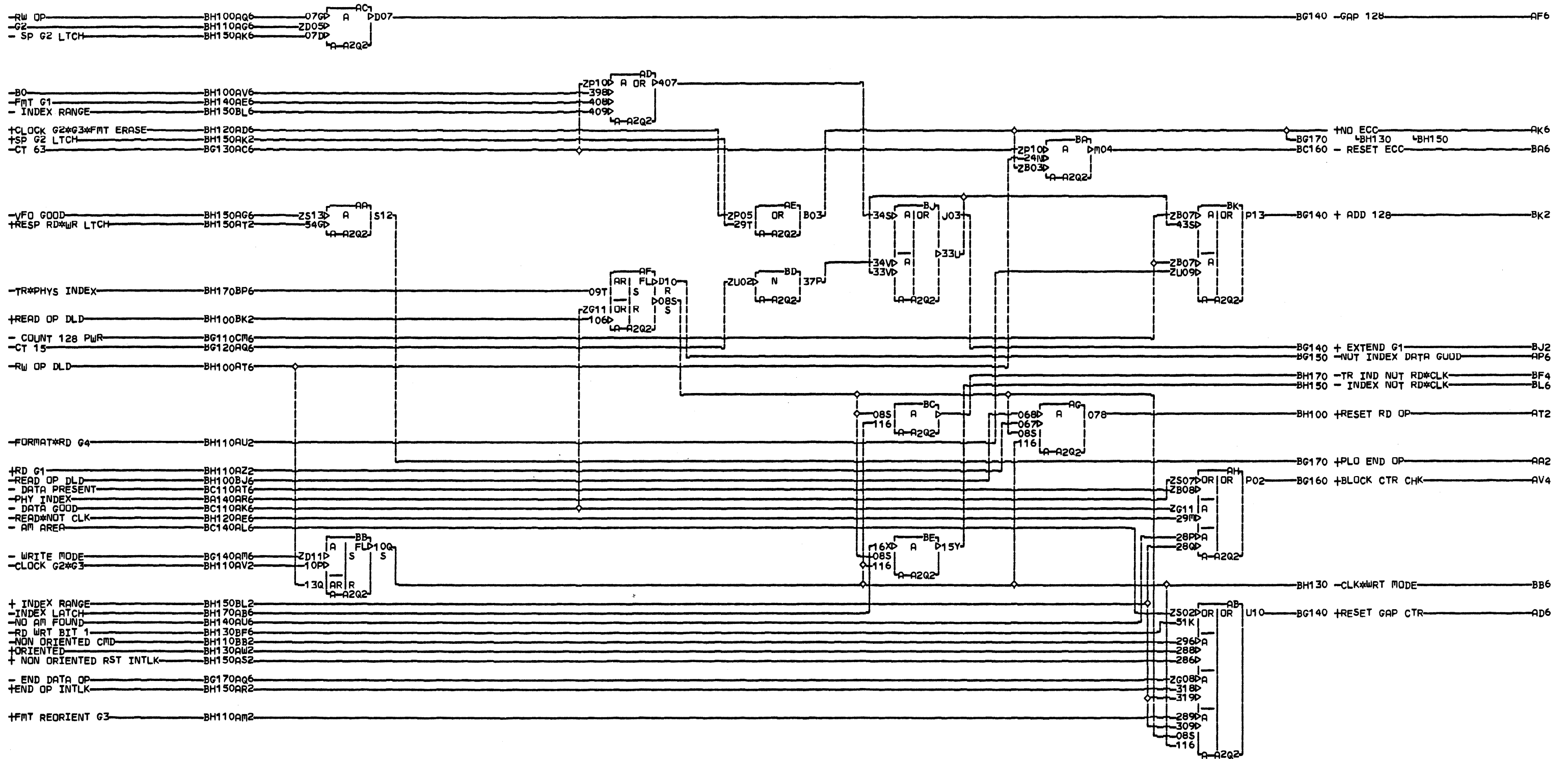
B
H
1
4
0
000



LOC. TYPE
A-A2Q2 2010

MACROS		B
E.C. HISTORY	MACH#3350	H
	FRAME 01	1
	IBM CORP. SDD	5
		0
DATE LAST EC	IP# 1710254	000
10-01-76 446706		

B
H
1
5
0

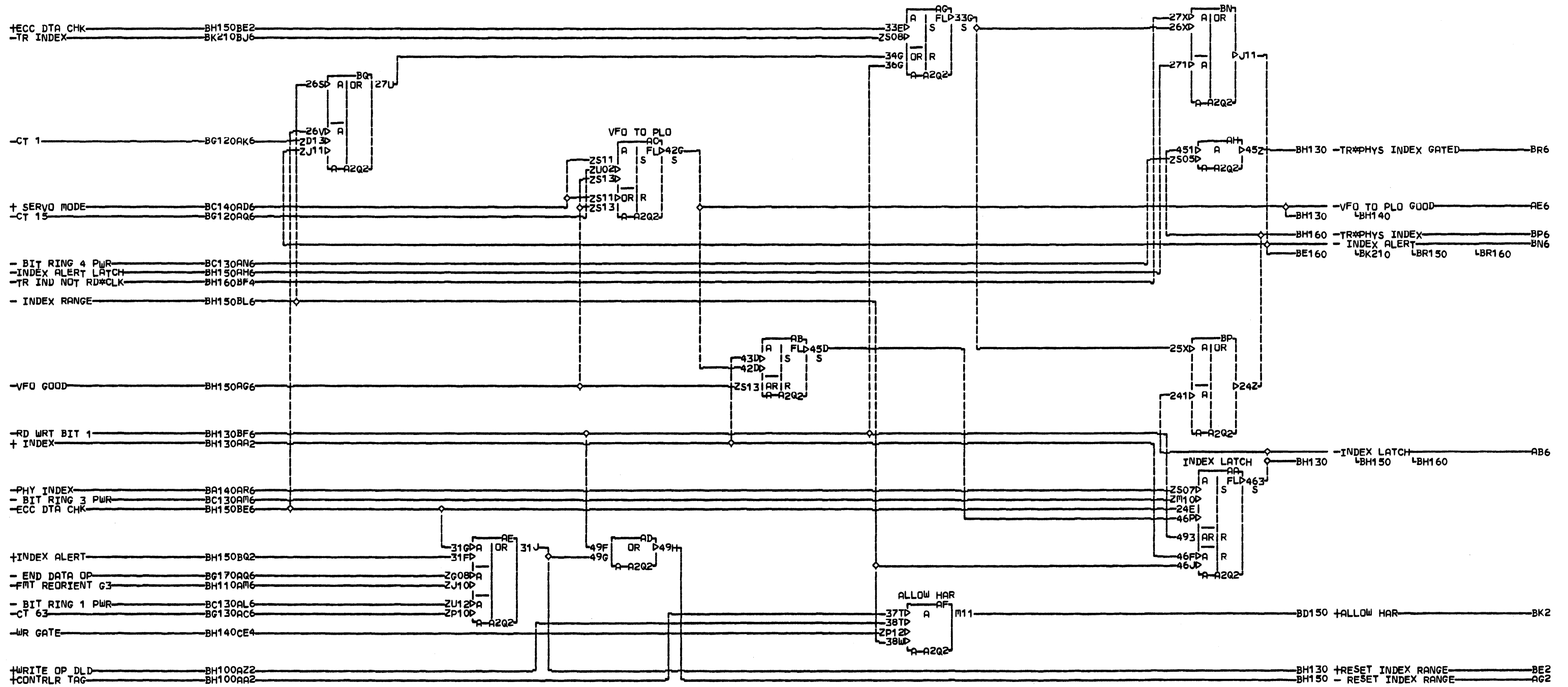


LOC. TYPE
A-A2Q2 2010

B
H
1
6
0

MACROS	
E.C.-HISTORY	B MACH.3350
	FRAME 01
	IBM CORP. SDD
DATE LAST EC	10-01-76 446706
	P.No. 1710255

B
H
1
6
0

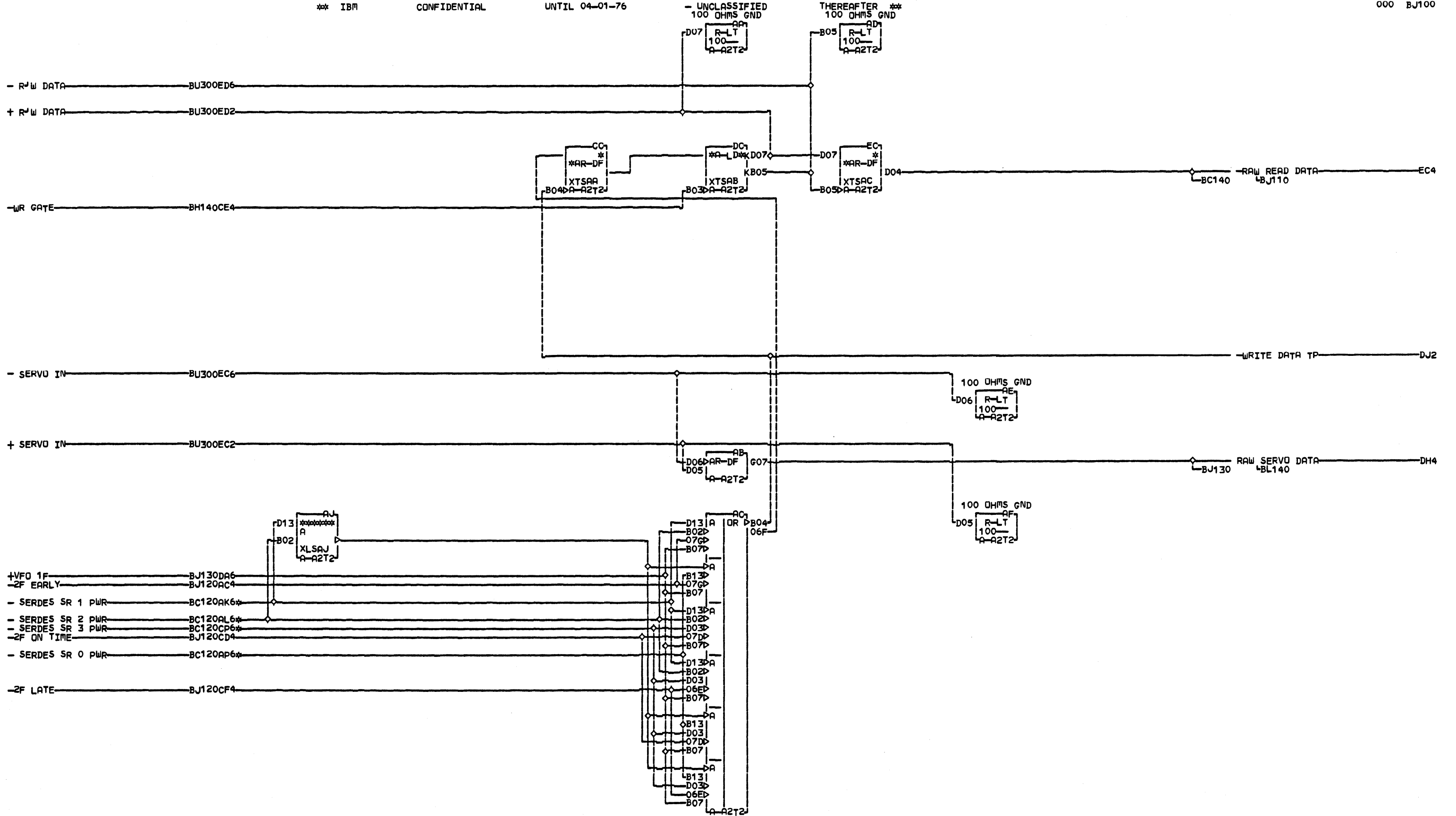


B
H
1
7
0

LOC. TYPE
A-A2Q2 2010

MACROS	
E.C. HISTORY	B MACH.3350
	FRAME 01
	IBM CORP. SDD
DATE LAST EC	P.N. 1710256
10-01-76 446706	

B
H
1
7
0



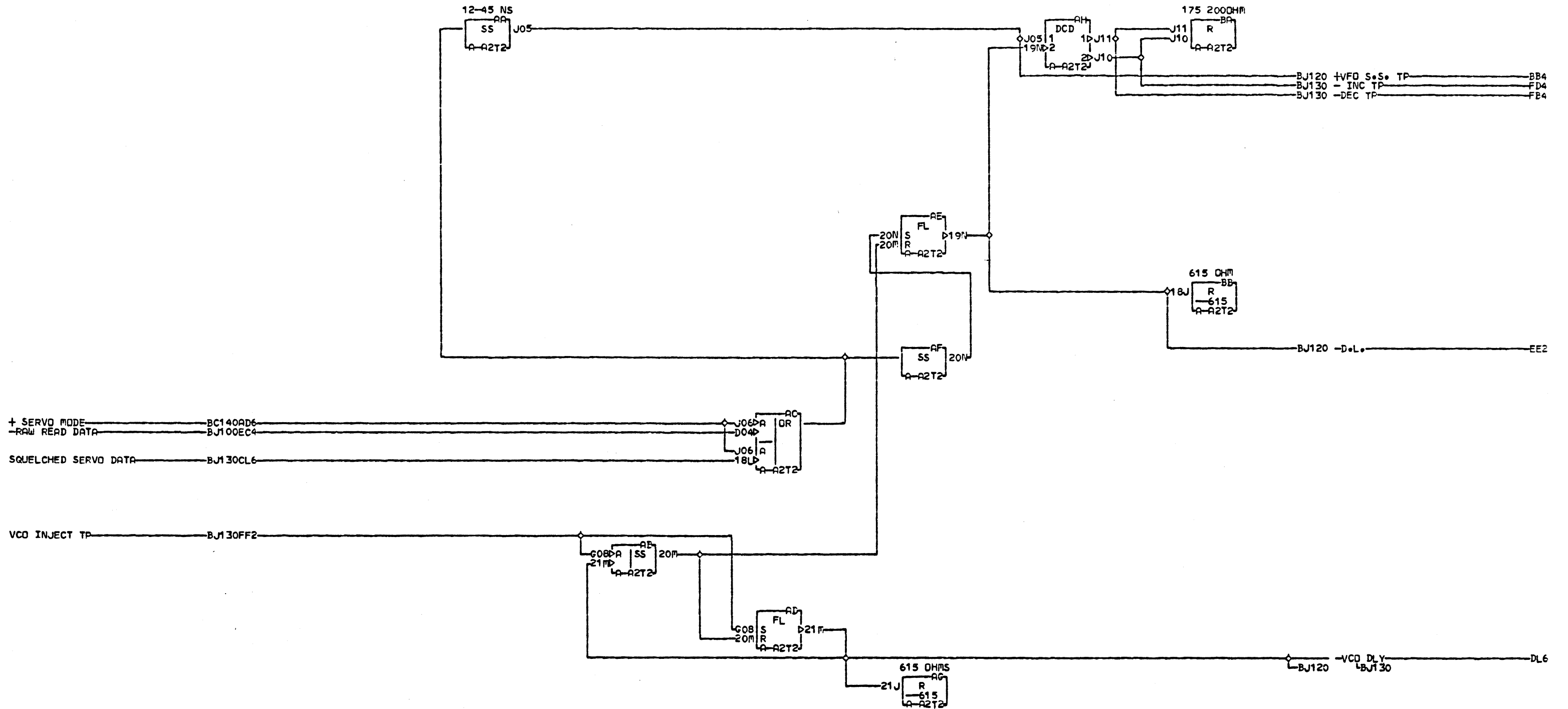
B
J
1
0
0

BC120AK6 RESISTOR A-A2T2D13
BC120AL6 RESISTOR A-A2T2B02
BC120AP6 RESISTOR A-A2T2B13
BC120CP6 RESISTOR A-A2T2D03

LOC. TYPE
A-A2T2 2464

VFO-1m/2m	
E.C. HISTORY	B MACH. 3350
446703	FRAME 01
	IBM CORP. GPD
DATE	LAST EC
10-01-76	446706
	P.N. 1710257

B
J
1
0
0
000



+ SERVO MODE — BC140AD6
 - RAW READ DATA — BJ100EC4
 SQUELCHED SERVO DATA — BJ130CL6
 VCO INJECT TP — BJ130FF2

BJ120 +VFD S.S. TP — BB4
 BJ130 - INC TP — FD4
 BJ130 -DEC TP — FB4

BJ120 -D.L. — EE2

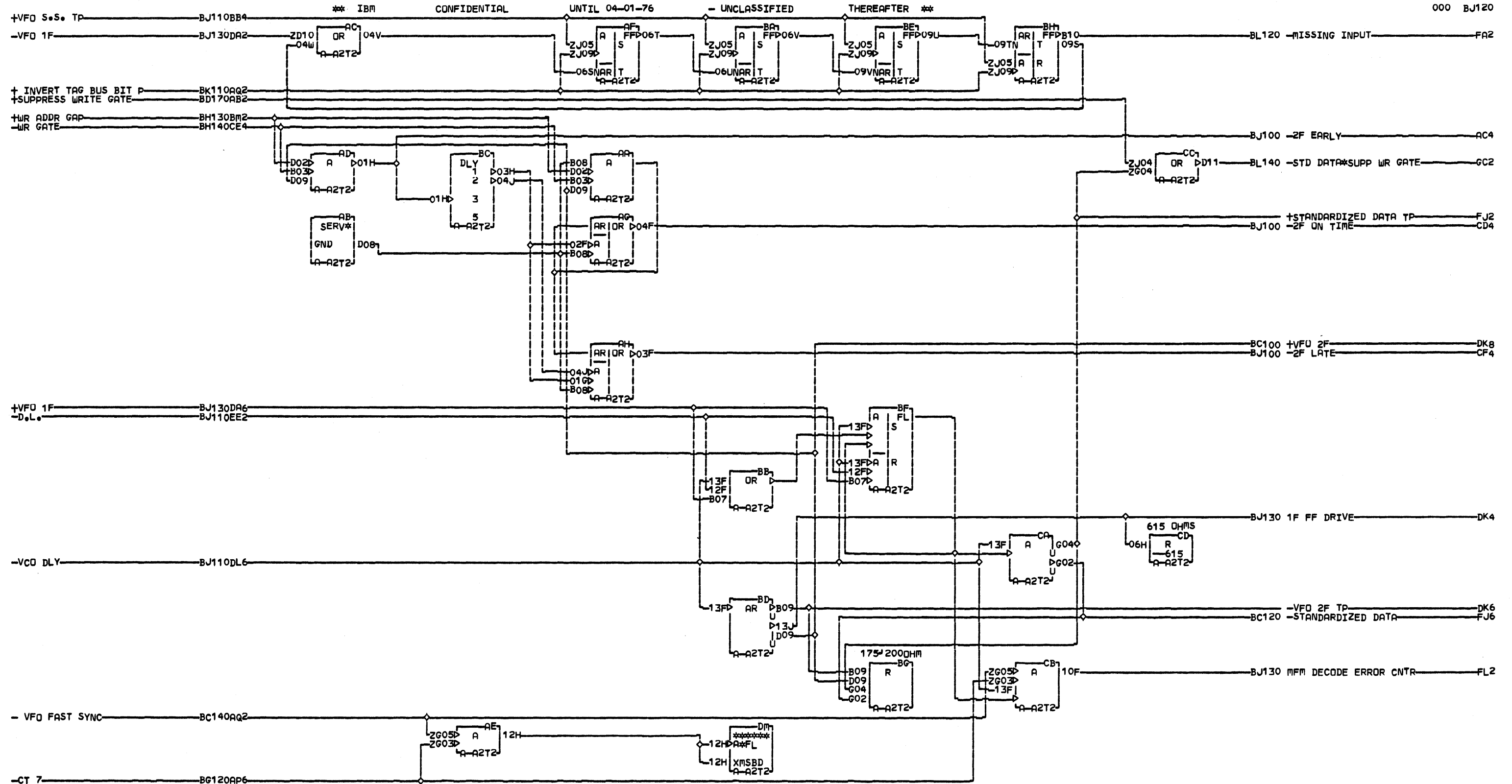
BJ120 -VCO DLY — DL6
 BJ130

LOC. TYPE
 A-A2T2 2464

VFD-1PW2M	
E.C. HISTORY	B MACH. 3350
DATE	FRAME 01
LAST EC	IBM CORP. GPI
01-16-76 446703	P.N. 1710258

0-1-C

B
 J
 1
 1
 0
 000



000 BJ120

** IBM CONFIDENTIAL UNTIL 04-01-76 - UNCLASSIFIED THEREAFTER **

LOC. TYPE
A-A2T2 2464

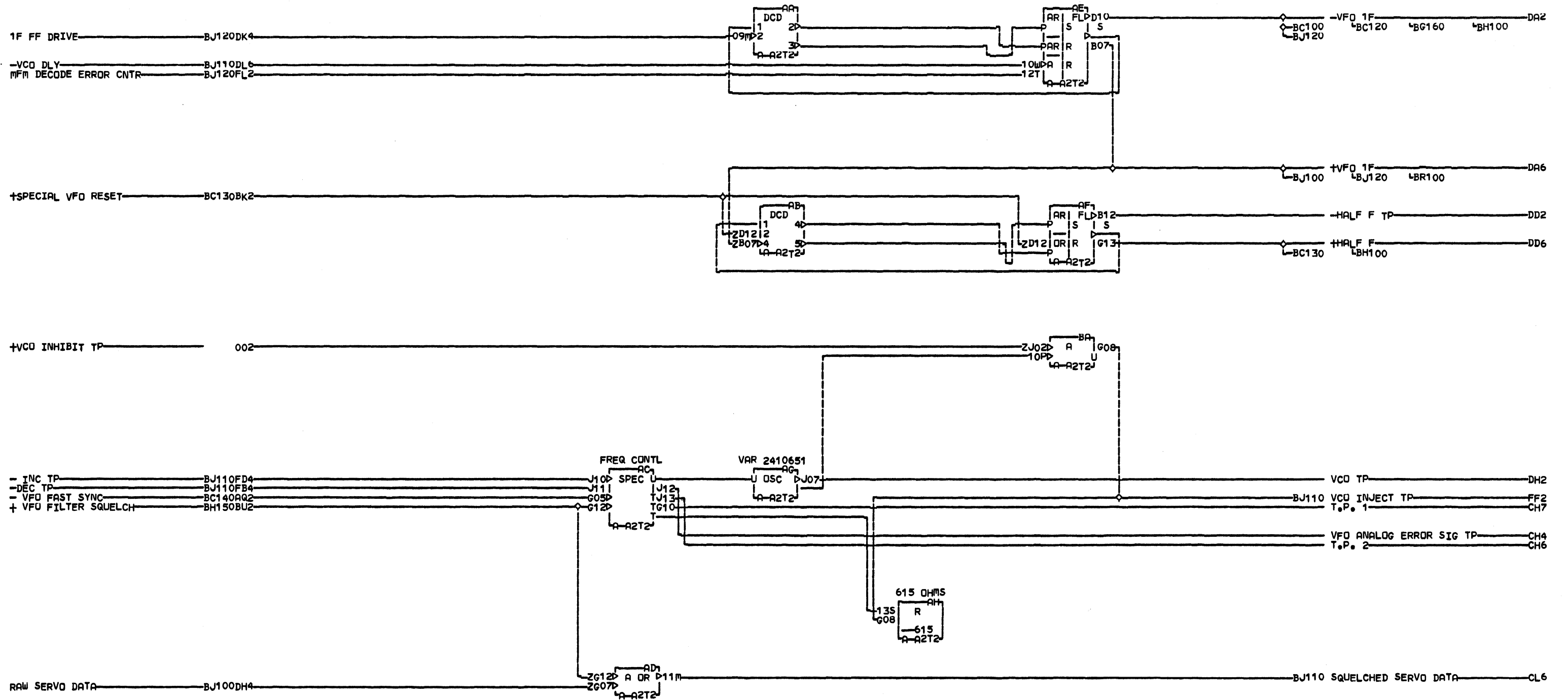
VFO-1M2M			
E.C. HISTORY	446703	B1	MACH. 3350
	446705		FRAME 01
DATE	10-01-76	LAST EC	446706
		IBM CORP.	GPD
			P.No. 1710259

000COPYRIGHT IBM CORP 1976

B
J
2
0

B
J
2
0

000



BU
Y
E
O

LOC. TYPE
A-A2T2 2464

VFD-1 (P. 2)	
EoC-HISTORY 446703	MACH. 3350 FRAME 01
DATE 10-01-76	IBM CORP. GPD P.No. 1710260

B
J
1
3
0
000