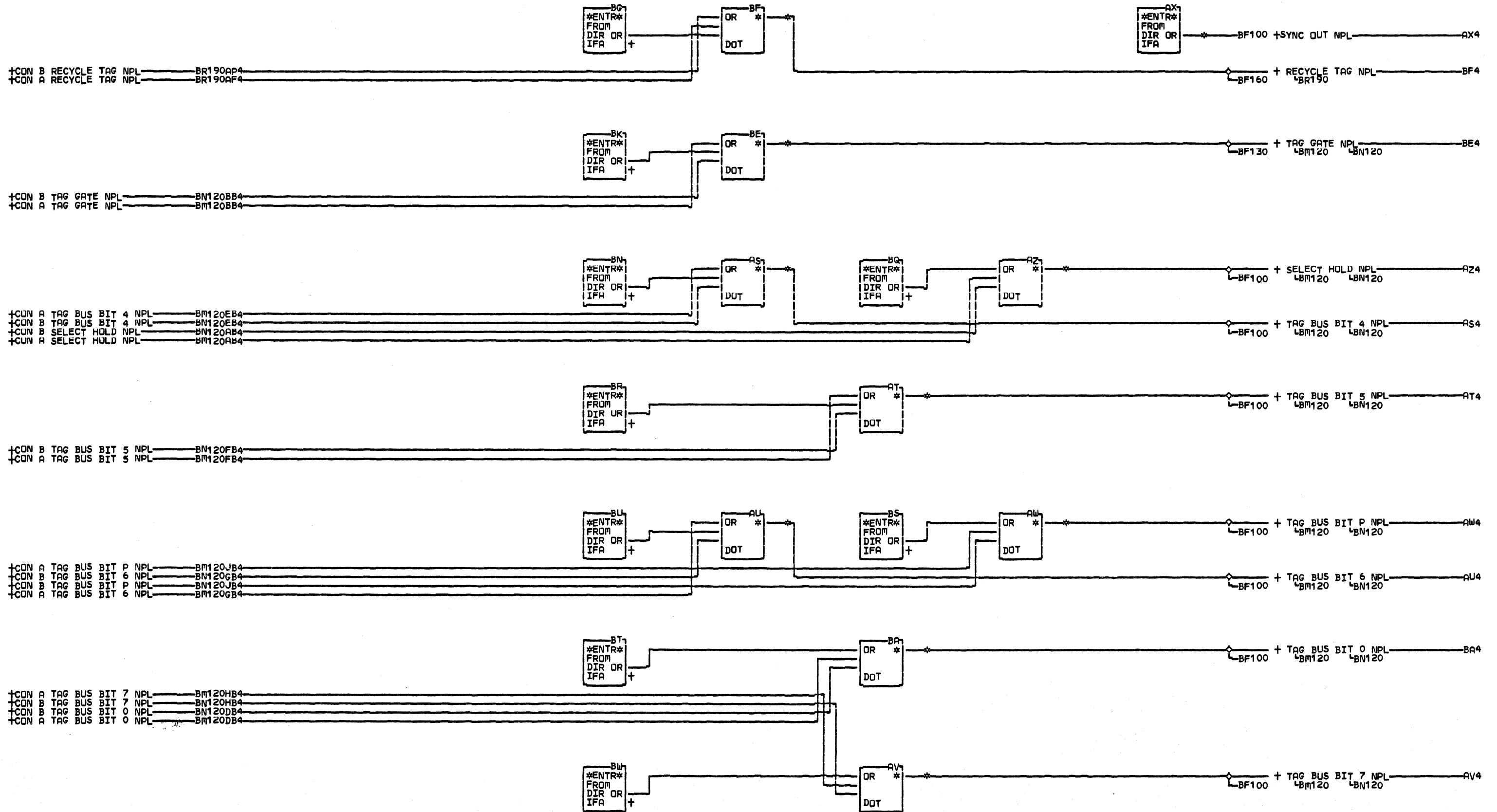


THE OR DOT
 IS FUNCTIONAL ONLY
 WHEN THE SWITCH
 FEATURE IS INSTALLED
 1
 0
 0
 000COPYRIGHT IBM CORP 1976

AA4	A	A2C4B06	AH2	A	A2C4D11
AB2	A	A2C4D05	AJ2	A	A2C4B12
AC2	A	A2C4B05	AK2	A	A2C4B02
AD2	A	A2C4D06	AL4	A	A2C5B06
AE2	A	A2C4B08	AM4	A	A2C5D02
01A	A	A2C4B09	AY2	A	A2C5B12
AF2	A	A2C4D09			
01A	A	A2C4D10			
AG2	A	A2C4B10			

LOC. TYPE

DIR OR IFA TO CTLR	
WITH OR WITHOUT SW FEA OPTION	
E.C. HISTORY	B MACH.3350
446703	
FRAME	01
IBM CORP. GPD	
DATE LAST EC	
10-01-76 446706	P.N. 1710335

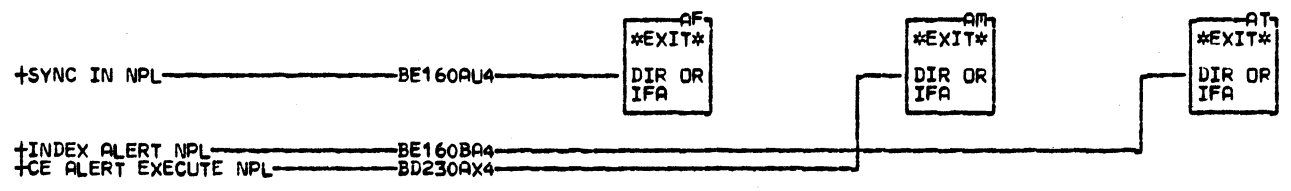
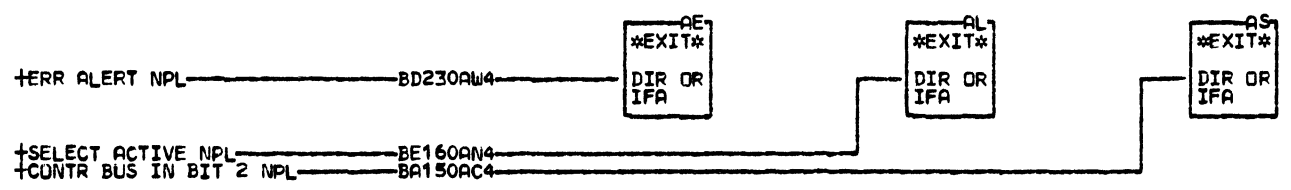
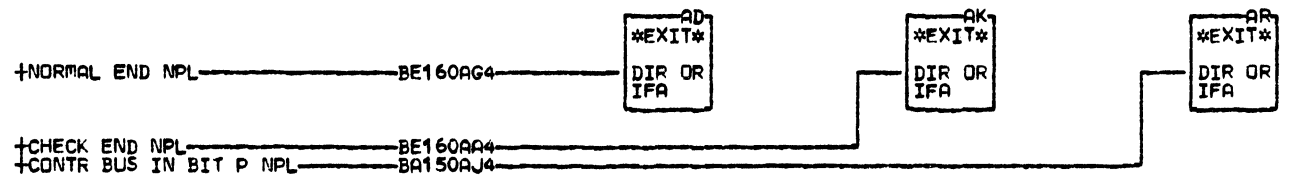
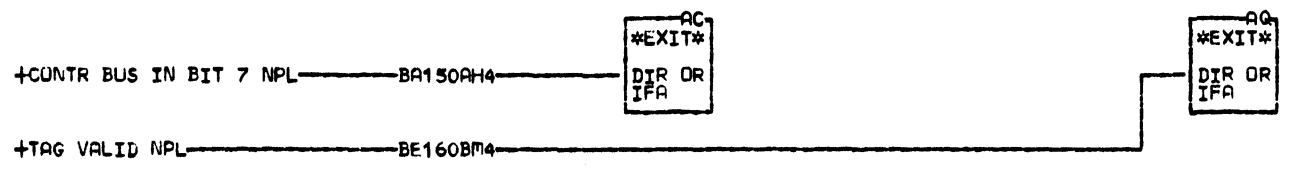
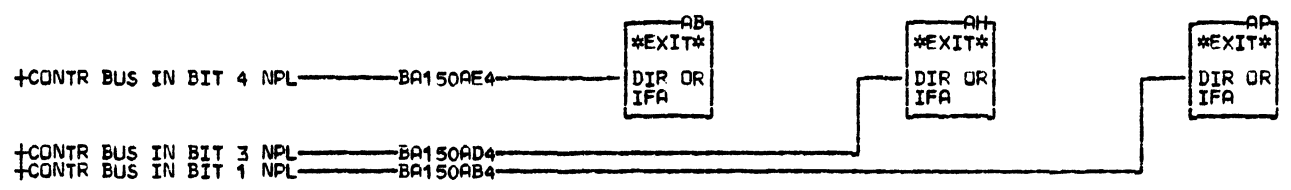
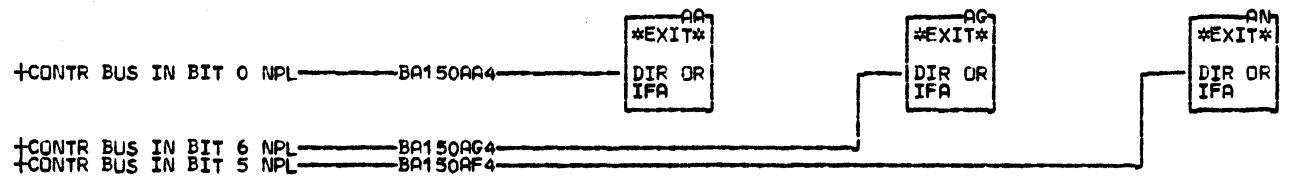


THE OR DOT IS
 FUNCTIONAL ONLY
 WHEN THE SWITCH
 FEATURE IS INSTALLED

AS2 A-A2C5B05 BA2 A-A2C5B02
 AT2 A-A2C5D05 BE2 A-A2C5B10
 AU2 A-A2C5B08 BF2 A-A2C5D13
 01A A-A2C5B09
 AV2 A-A2C5D06
 AW2 A-A2C5D09
 01A A-A2C5D10
 AX4 A-A2C4D13
 AZ2 A-A2C5D11

LOC. TYPE

DIR OR IFA TO CTLR	W
WITH OR WITHOUT SW FEA OPTION	K
E.C. HISTORY	1
446703	1
FRAME	01
IBM CORP. GPD	0
DATE LAST EC	000
10-01-76 446706	
P.No. 1710336	

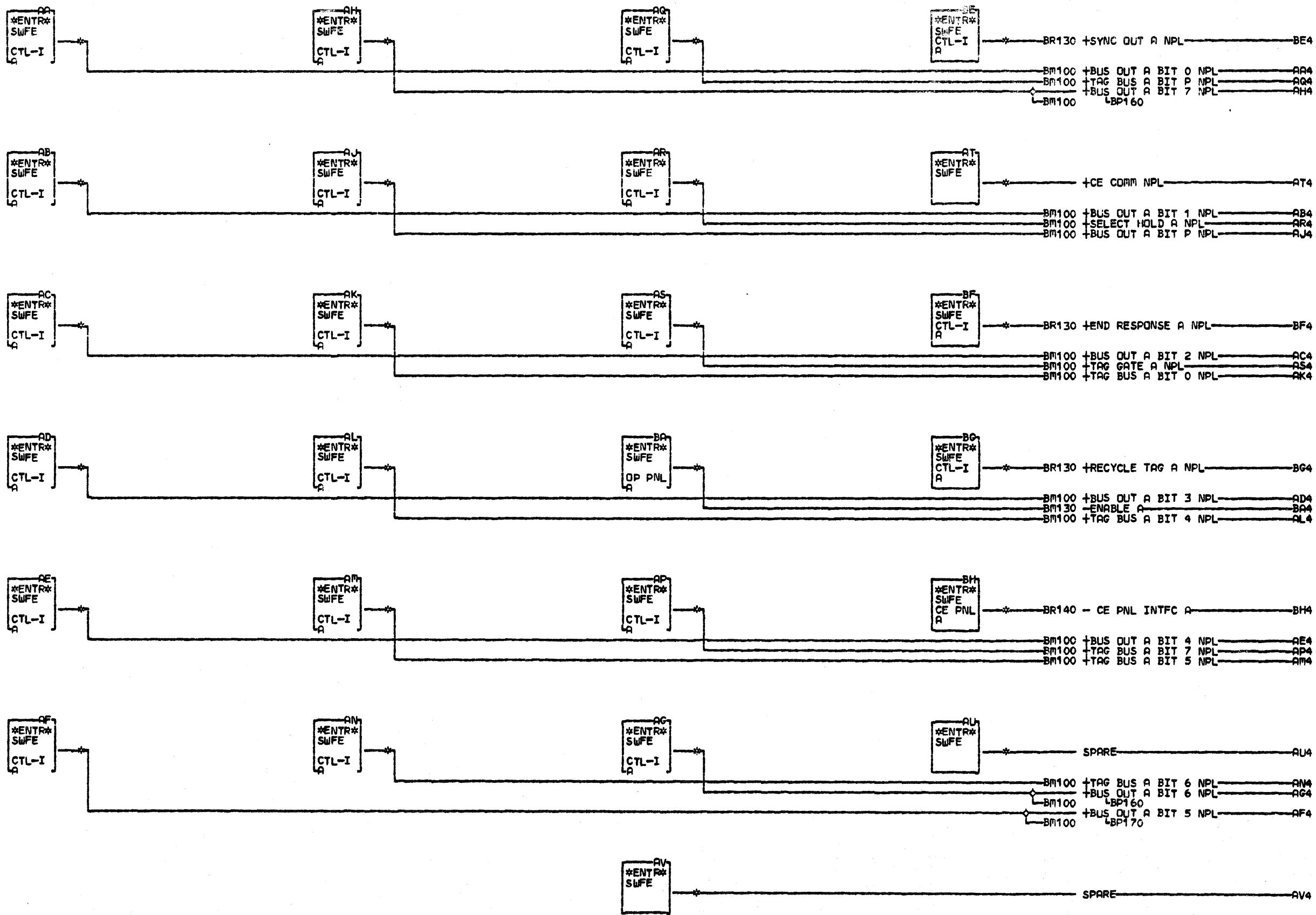


LOC. TYPE

W
K
1
2
0

CONTROLLER TO	
IFA OR DIR	
E.C.—HISTORY—	B MACH.3350
DATE	LAST EC
01-16-76	446703
FRAME	01
IBM CORP. GPD	
P.No.	1710337

W
K
1
2
0



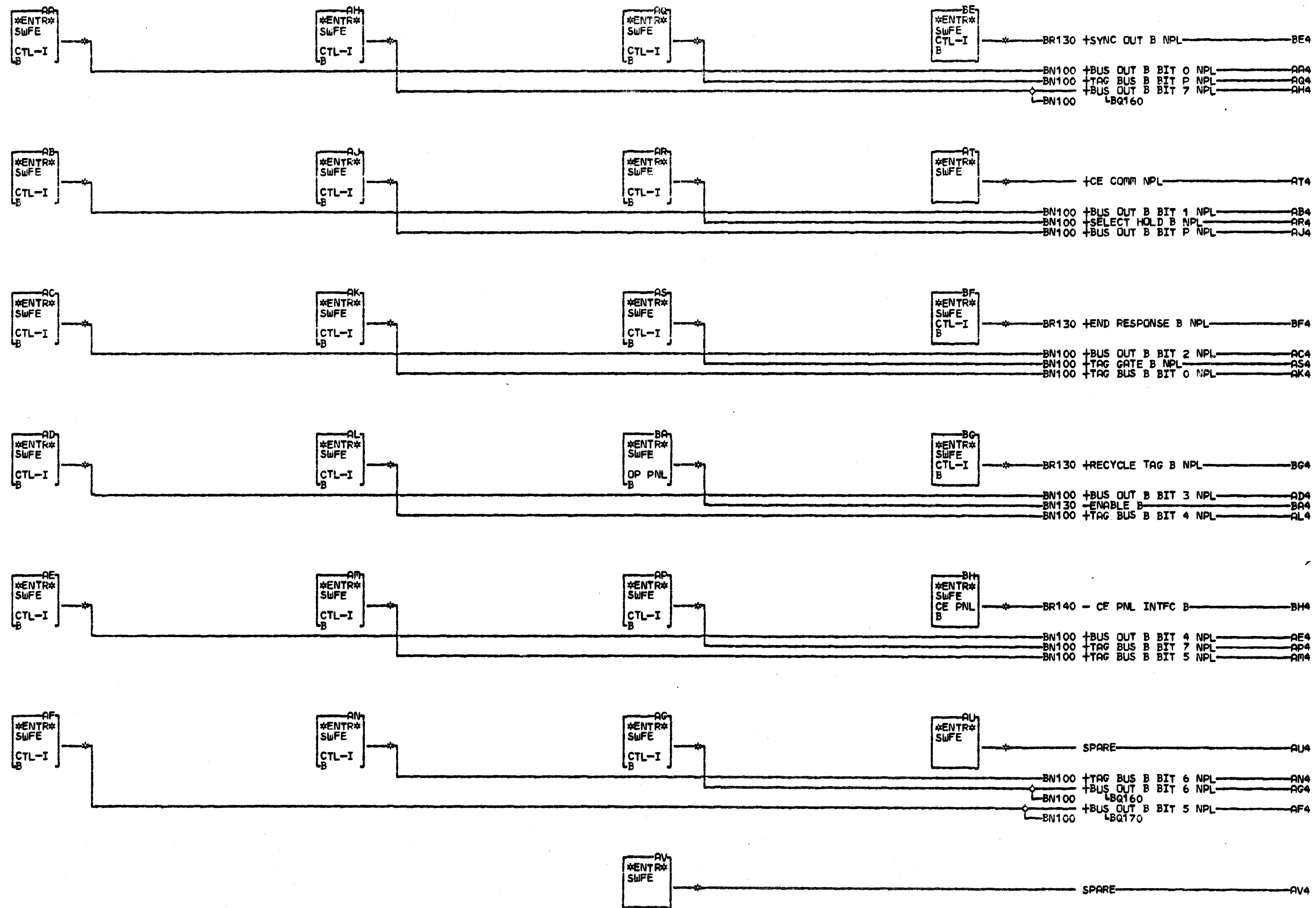
AA4	A-A2A4D05	AH4	A-A2A4B12	01A	A-A2A5D10	BG4	A-A2A5D13
AB4	A-A2A4B05	AJ4	A-A2A4B02	AR4	A-A2A5D11	BH4	A-A2V3B02
AC4	A-A2A4D06	AK4	A-A2A5B02	AS4	A-A2A5B10		
AD4	A-A2A4B08	AL4	A-A2A5B03	AT4	A-A2A4B06		
AE4	A-A2A4B09	AM4	A-A2A5D05	AU4	A-A2A5B06		
AF4	A-A2A4D09	AN4	A-A2A5B08	AV4	A-A2A5D02		
AG4	A-A2A4D10	AO4	A-A2A5B09	BA4	A-A2V3B08		
AH4	A-A2A4B10	AP4	A-A2A5D06	BE4	A-A2A4D13		
AI4	A-A2A4D11	AQ4	A-A2A5D09	BF4	A-A2A5B12		

LOC. TYPE

DIR OR IFA TO CTLR	SW A
E.C. HISTORY	MACH. 3350
DATE LAST EC	FRAME Q1
01-16-76 446703	IBM CORP. GPD
	P.N. 1710338

WK 200

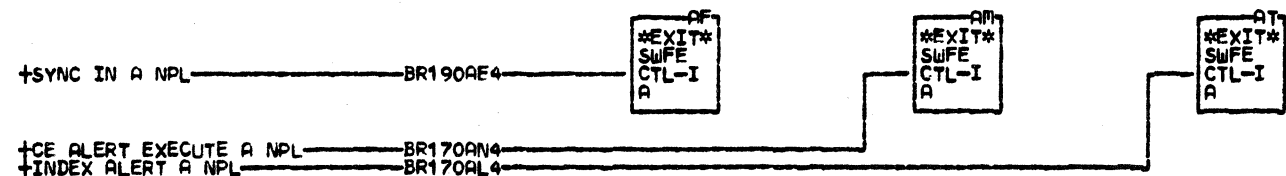
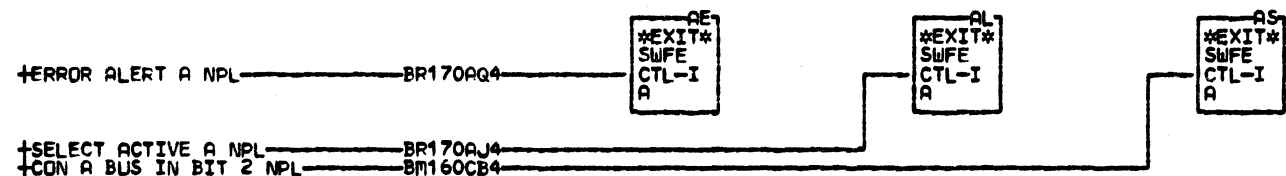
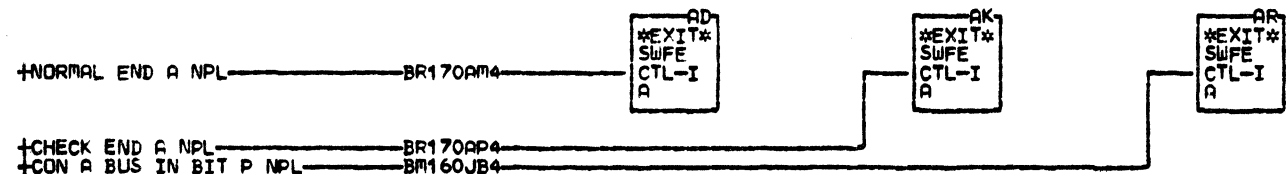
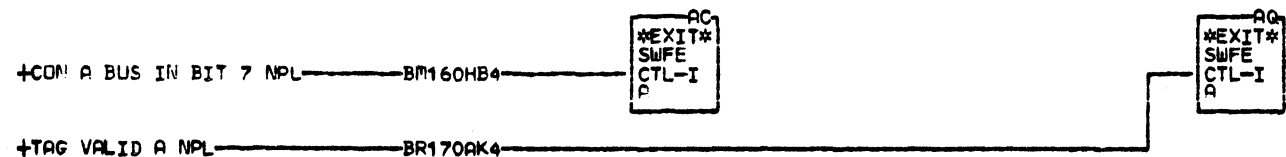
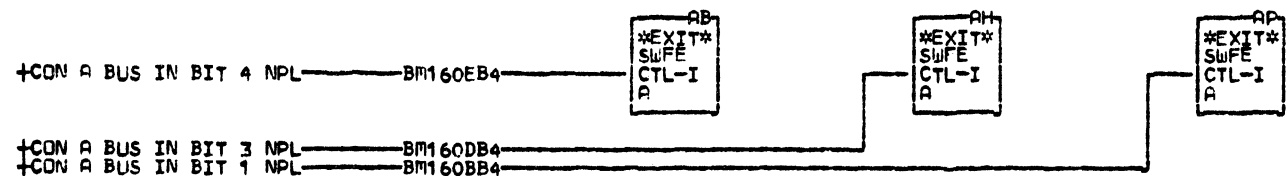
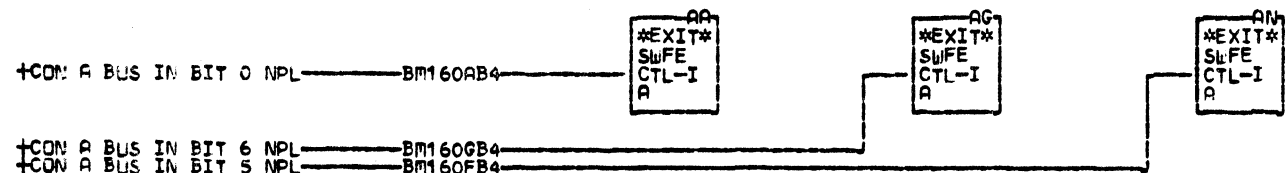
CONNKE



AA4	P-A2B4D05	AH4	P-A2B4B12	O1A	P-A2B5D10	BG4	P-A2B5D13
AB4	P-A2B4B05	AJ4	P-A2B4B02	AR4	P-A2B5D11	BH4	P-A2V3B05
AC4	P-A2B4D06	AK4	P-A2B5B02	AS4	P-A2B5B10		
AD4	P-A2B4B08	AL4	P-A2B5B05	AT4	P-A2B4B06		
	O1A	P-A2B4B09	AM4	P-A2B5D05	AU4	P-A2B5B06	
AE4	P-A2B4D09	AN4	P-A2B5B08	AV4	P-A2B5D02		
	O1A	P-A2B4D10	AO4	P-A2B5B09	BA4	P-A2V3B10	
AF4	P-A2B4B10	AP4	P-A2B5D06	BE4	P-A2B4D13		
AG4	P-A2B4D11	AQ4	P-A2B5D09	BF4	P-A2B5B12		

LOC. TYPE

DIR OR IFA TO CTLR		WK 210
E.C. - HISTORY	SW B MACH. 3350	
DATE	LAST EC	000
01-16-76	446703	
FRAME 01		
IBM CORP. GPD		
P.No. 1710339		



WK220

LOC. TYPE

SWITCH TO CTL-I EXIT A	
E.C.-HISTORY	B MACH. 3350
	FRAME 01
	IBM CORP. GPD
DATE LAST EC	P.No. 1710340
01-16-76 446703	

ON/KE

** IBM

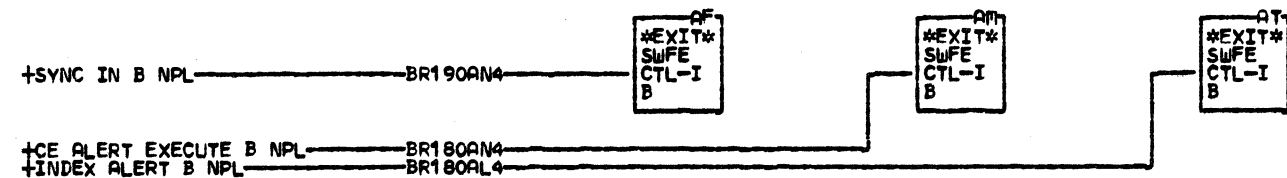
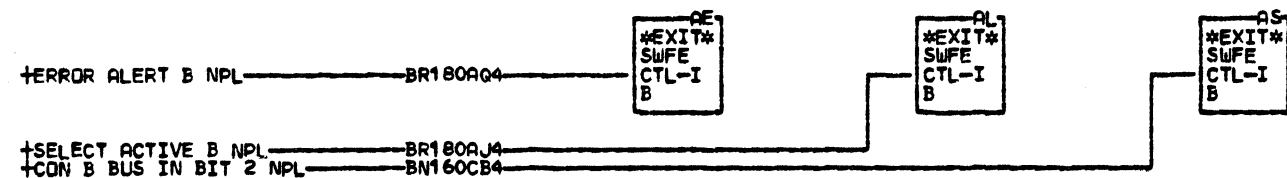
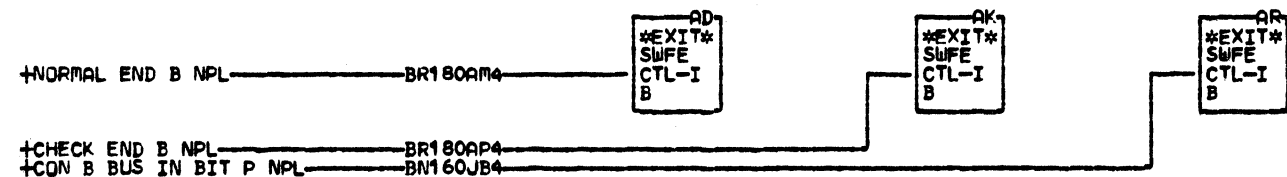
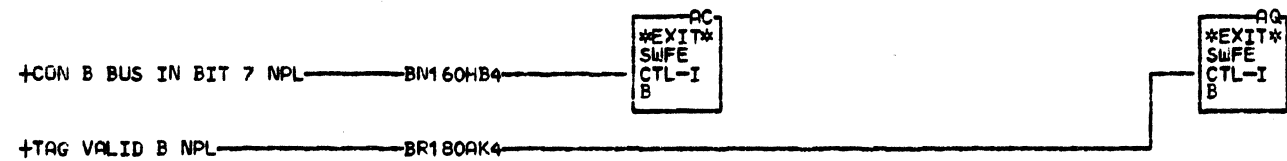
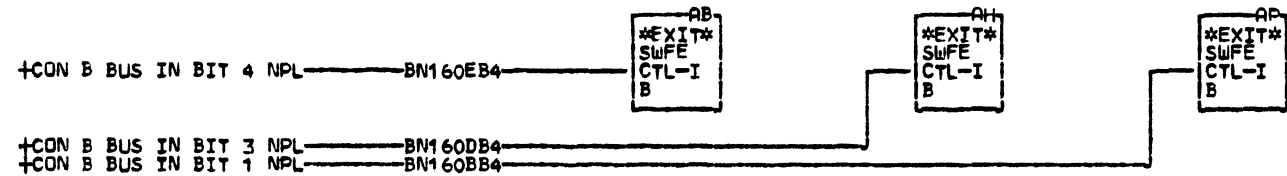
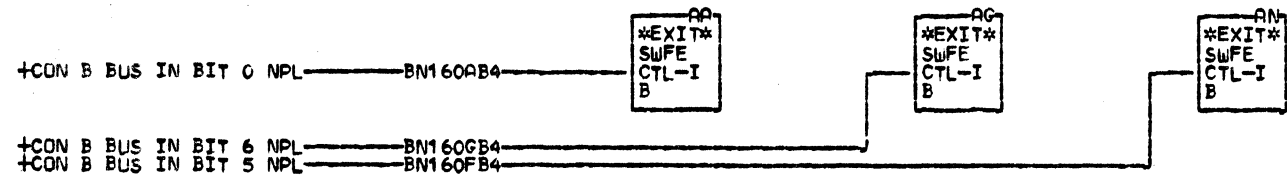
CONFIDENTIAL

UNTIL 04-01-76

- UNCLASSIFIED

THEREAFTER **

000 WK230

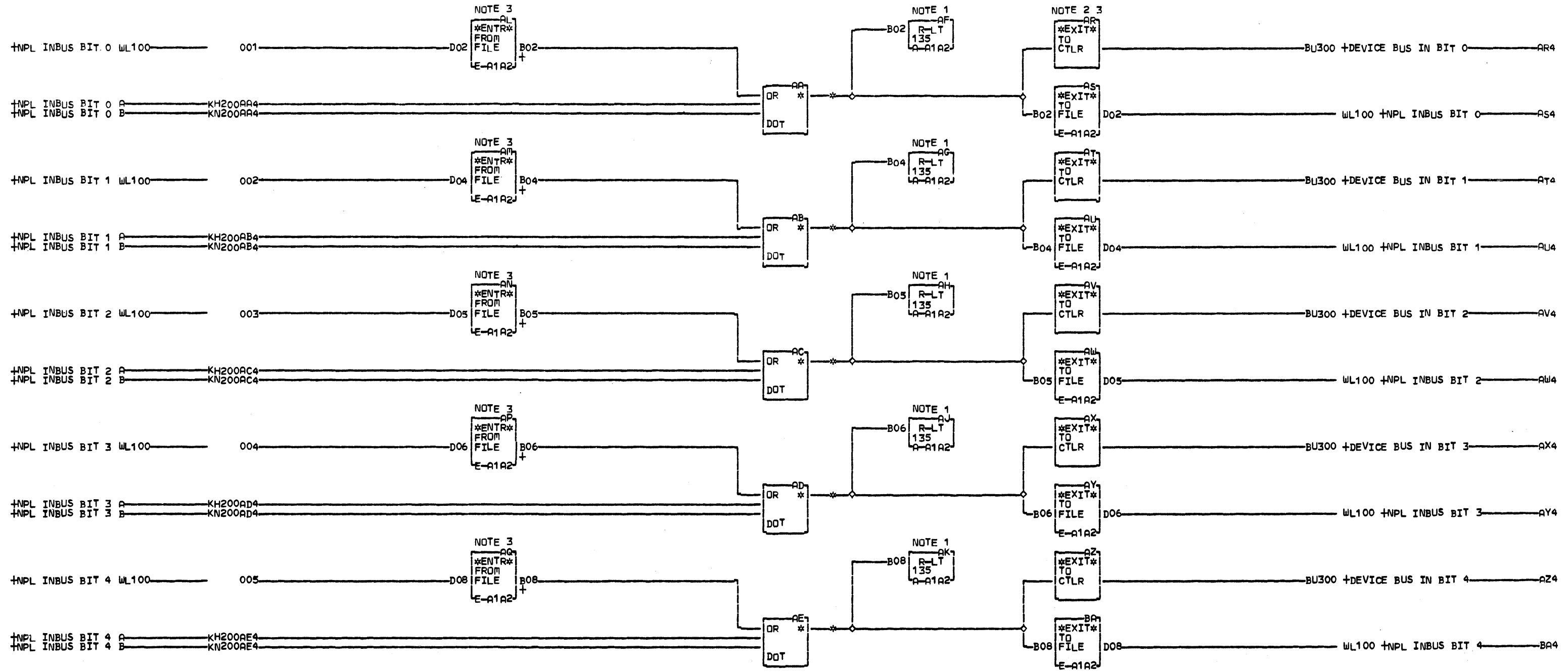


LOC. TYPE

000000

SWITCH TO CTL-I EXIT B	
-E.C.-HISTORY-	B-MACH.3350
DATE	LAST EC
01-16-76	446703
FRAME	01
IBM CORP. GPD	
P.No.	1710341

000000



NOTE 1 EOL TERMINATOR IN LAST MACHINE ON STRING ONLY.
 NOTE 2 A BOX EXITS TO CONTROLLER. B BOX EXITS TO NEXT FILE.
 NOTE 3 LOCATION E-A1 IS INTERFRAME CONN.

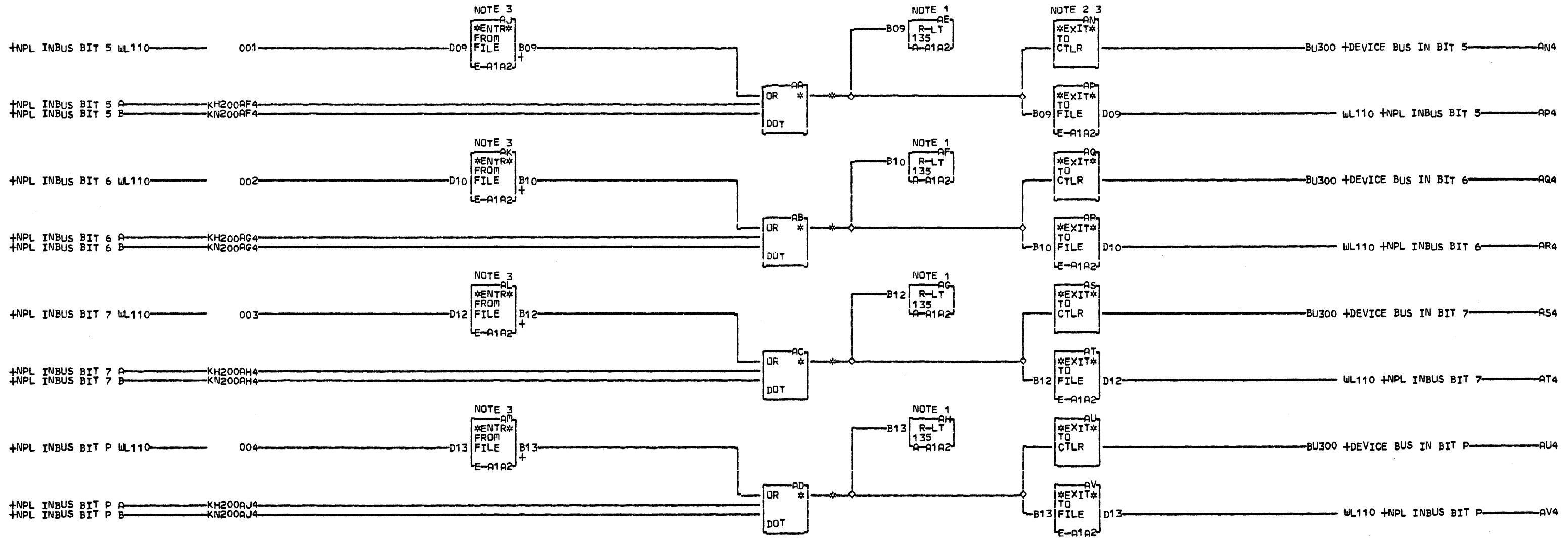
AA2 A-A1V2B02
 AB2 A-A1V2B04
 AC2 A-A1V2B05
 AD2 A-A1V2B06
 AE2 A-A1V2B08

000COPYRIGHT IBM CORP 1976

LOC. TYPE
 A-A1A2 P806

INBUS INTERFACE	
E.C.-HISTORY	B-MACH.3350
435460	FRAME 01
446701	IBM CORP. GPD
DATE LAST EC	P.N. 4291765
03-05-76 446704	

WL 100



NOTE 1 EOL TERMINATOR IN LAST MACHINE ON STRING ONLY.
 NOTE 2 A BOX EXITS TO CONTROLLER. B BOX EXITS TO NEXT FILE.
 NOTE 3 LOCATION E-A1 IS INTERFRAME CONN.

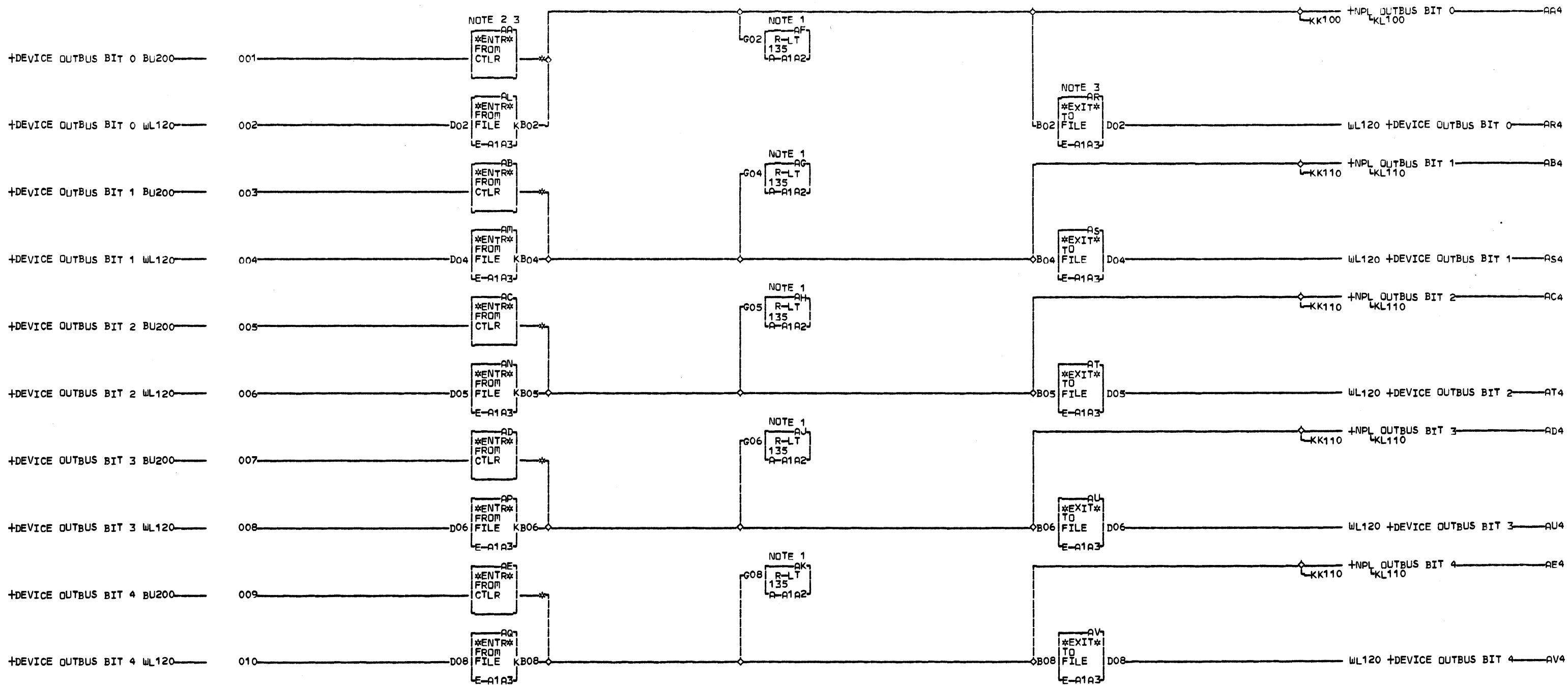
LOC. TYPE
 A-A1A2 P806

AL A-A1V2B09
 AB2 A-A1V2B10
 AC2 A-A1V2B12
 AD2 A-A1V2B13

000COPYRIGHT IBM CORP 1976

INBUS INTERFACE	
E.C. HISTORY	B1 MACH. 3350
435460	FRAME 01
446701	IBM CORP. GPD
DATE LAST EC	P.No. 4291766
03-05-76 446704	

WL110



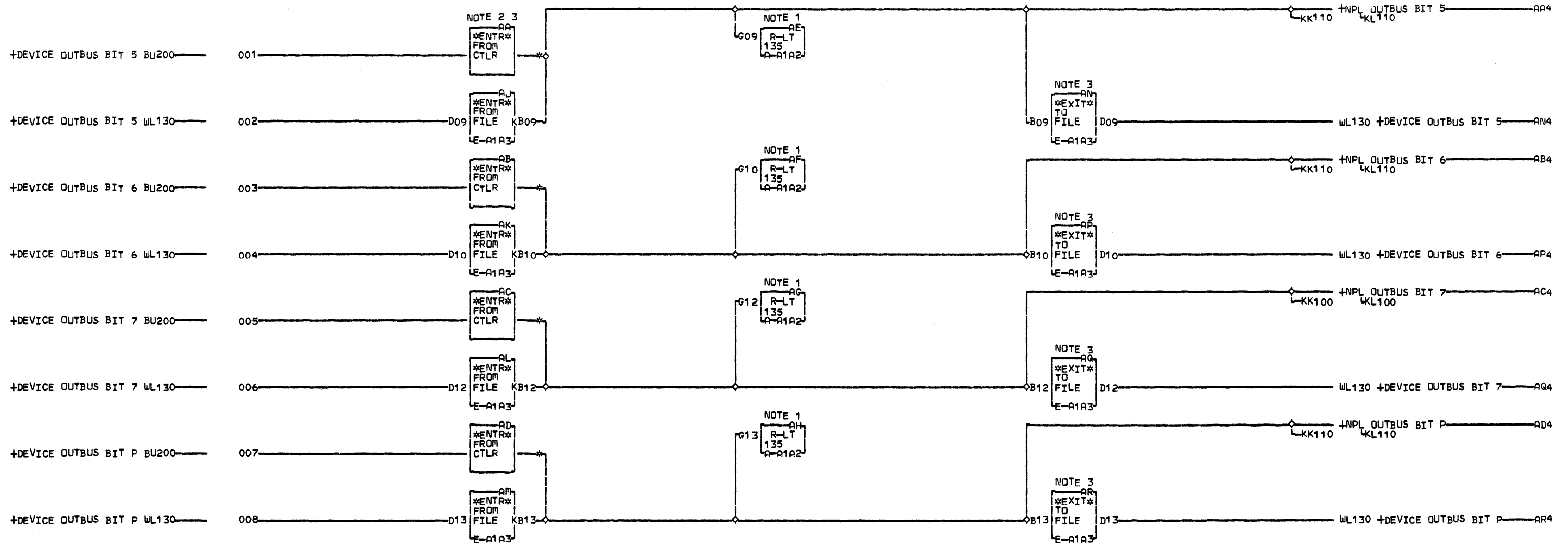
NOTE 1 EOL TERMINATOR IN LAST MACHINE ON STRING ONLY.
 NOTE 2 A BOX FROM CTRL. B BOX FROM PREV FILE.
 NOTE 3 LOCATION E-A1 IS INTERFRAME CONN.

AA4 A-A1V3B02
 AB4 A-A1V3B04
 AC4 A-A1V3B05
 AD4 A-A1V3B06
 AE4 A-A1V3B08

LCC. TYPE A-A1A2 P806

OUTBUS INTERFACE	
E-C-HISTORY	B-MACH#3350
435460	FRAME 01
446701	IBM CORP. GPD
DATE LAST EC	P.No. 4291767
03-05-76 446704	

WL
1
2
0
000



NOTE 1 EOL TERMINATOR
IN LAST MACHINE ON
STRING ONLY.
NOTE 2 A BOX FROM CTLR.
B BOX FROM PREV FILE
NOTE 3 LOCATION E-A1 IS
INTERFRAME CONN.

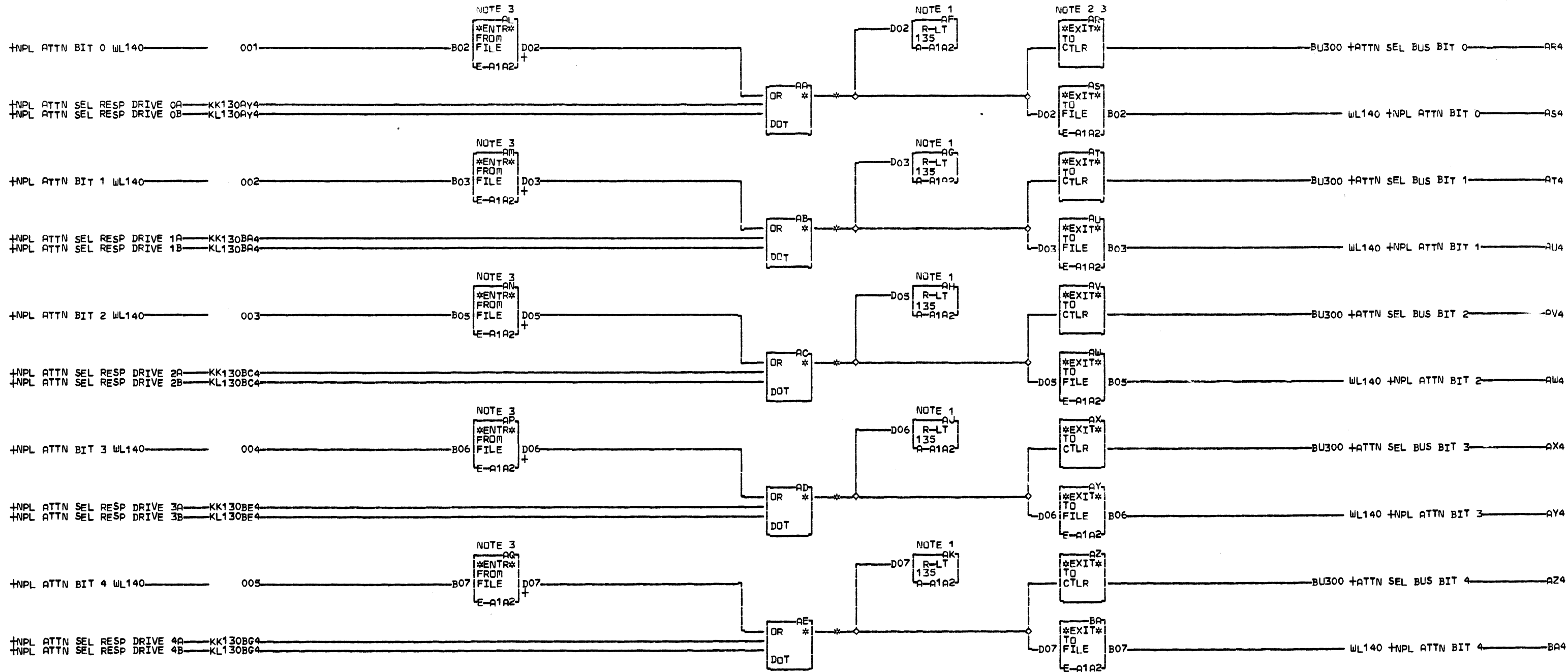
AA4 A-A1V3B09
AB4 A-A1V3B10
AC4 A-A1V3B12
AD4 A-A1V3B13

000COPYRIGHT IBM CORP 1976

LOC. TYPE
A-A1A2 P806

OUTBUS INTERFACE	
E.C. HISTORY 435460 446701	MACH#3350 FRAME 01 IBM CORP. GPD P.N. 4291768
DATE 03-05-76	LAST EC 446704

WL
1
3
0
000



NOTE 1 EOL TERMINATOR IN LAST MACHINE ON STRING ONLY.
 NOTE 2 A BOX EXITS TO CONTROLLER. B BOX EXITS TO NEXT FILE.
 NOTE 3 LOCATION E-A1 IS INTERFRAME CONN.

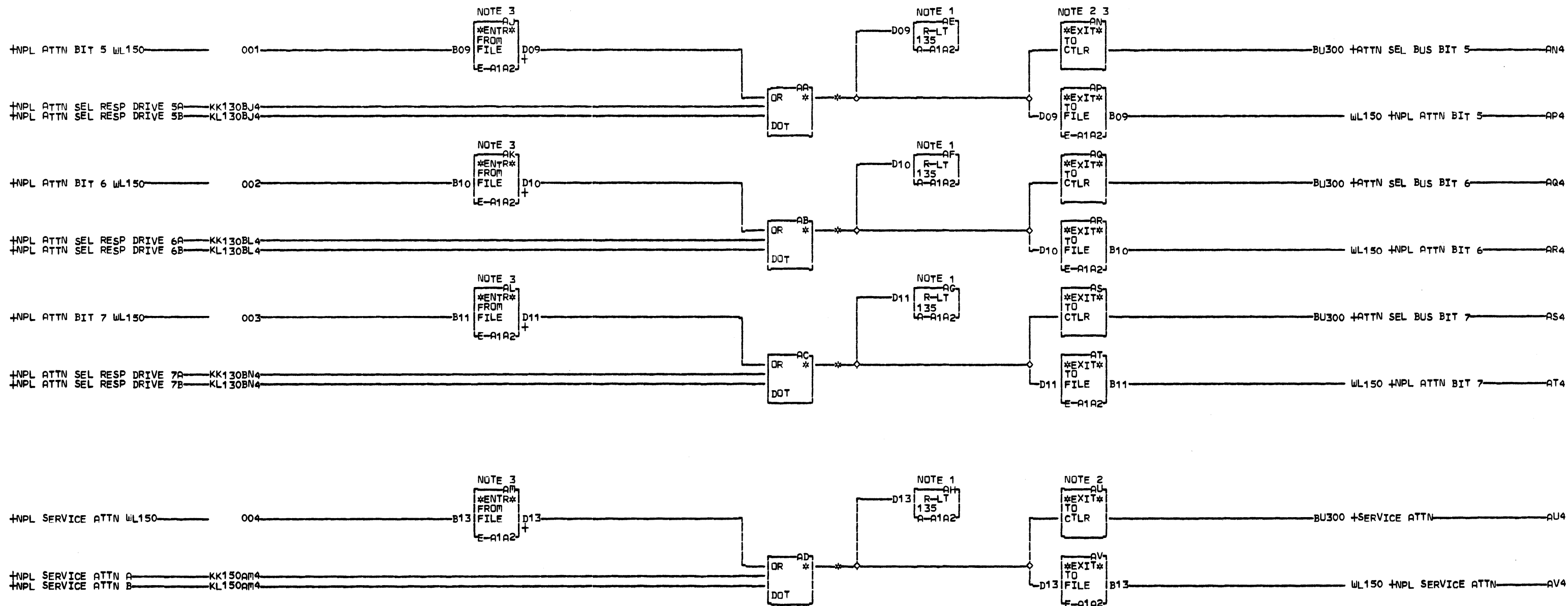
AA2 A-A1V2D02
 AB2 A-A1V2D03
 AC2 A-A1V2D05
 AD2 A-A1V2D06
 AE2 A-A1V2D07

000COPYRIGHT IBM CORP 1976

LDC. TYPE
 A-A1A2 P806

ATTENTION INTERFACE	
E.C. HISTORY	MACH. 3350
435460	FRAME 01
446701	IBM CORP. GPD
DATE LAST EC	P.N. 4291769
03-05-76 446704	

WL140

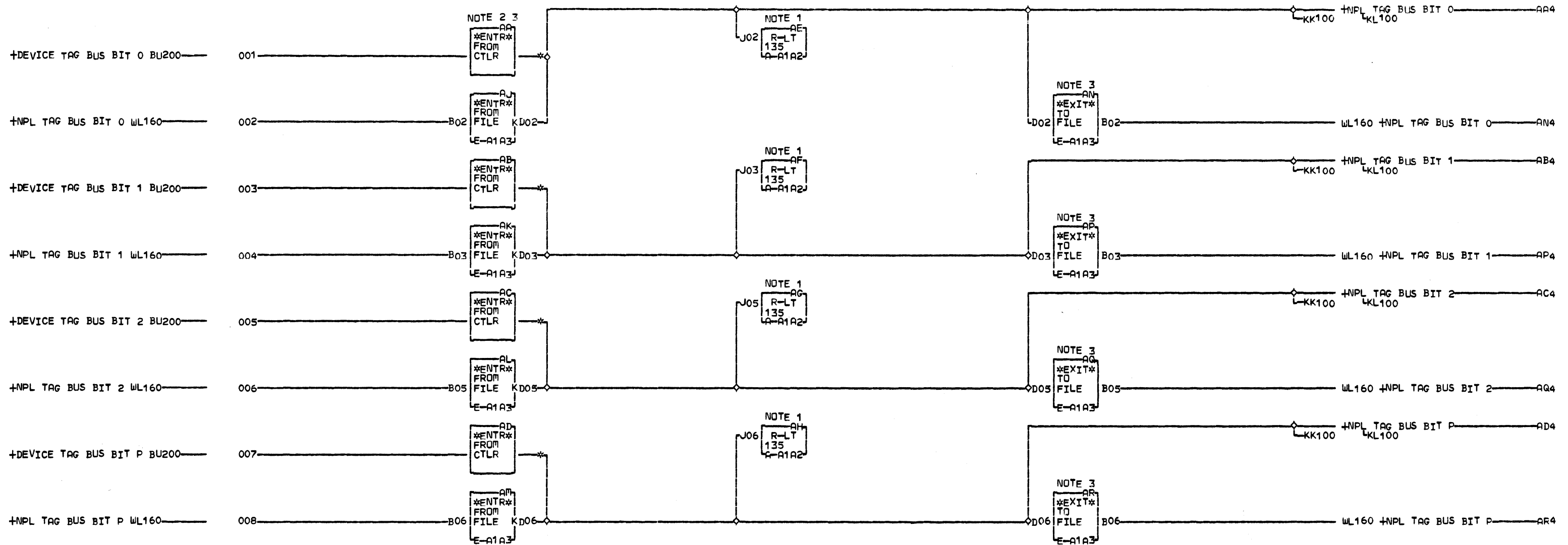


NOTE 1 EQL TERMINATOR
IN LAST MACHINE ON
LINE ONLY. AA2 A-A1V2D09
NOTE 2 A BOX EXITS TO AB2 A-A1V2D10
CONTROLLER, B BOX AC2 A-A1V2D11
EXITS TO NEXT FILE. AD2 A-A1V2D13
NOTE 3 LOCATION E-A1 IS
INTERFRAME CONN.
000COPYRIGHT IBM CORP 1976

LOC. TYPE
A-A1A2 P806

ATTENTION INTERFACE	
E.C.-HISTORY	B-MACH.3350
435460	FRAME 01
446701	IBM CORP. GPD
DATE LAST EC	P.No. 4291770
03-05-76 446704	

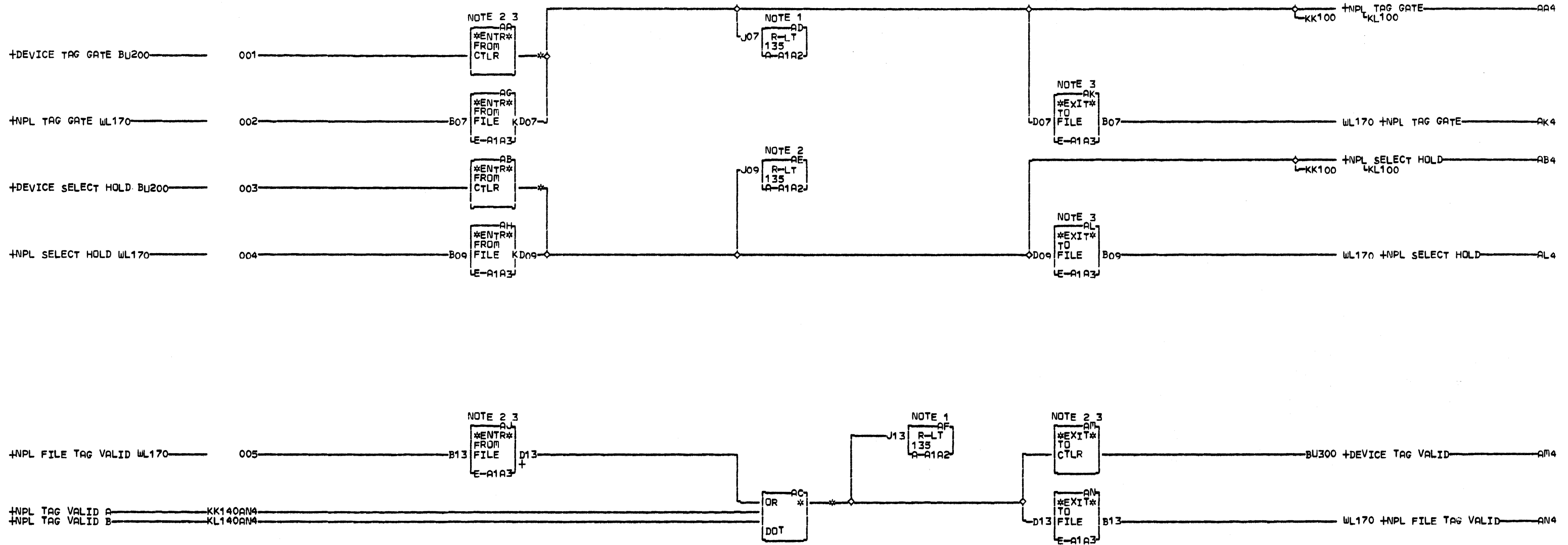
WL150
000



NOTE 1 EQL TERMINATOR
 IN LAST MACHINE ON
 STRING ONLY. AA4 A-A1V3D02
 AB4 A-A1V3D03
 L NOTE 2 A BOX FROM CTRL. AC4 A-A1V3D05
 B BOX FROM PREV FILE. AD4 A-A1V3D06
 1
 6 NOTE 3 LOCATION E-A1 IS
 0 INTERFRAME CONN.

LOC. TYPE
A-A1A2 P806

TAG BUS INTERFACE	
E.C. HISTORY	MACH. 3350
435460	FRAME 01
446701	IBM CORP. GPD
DATE	LAST EC
03-05-76	446704
P.No.	4291771



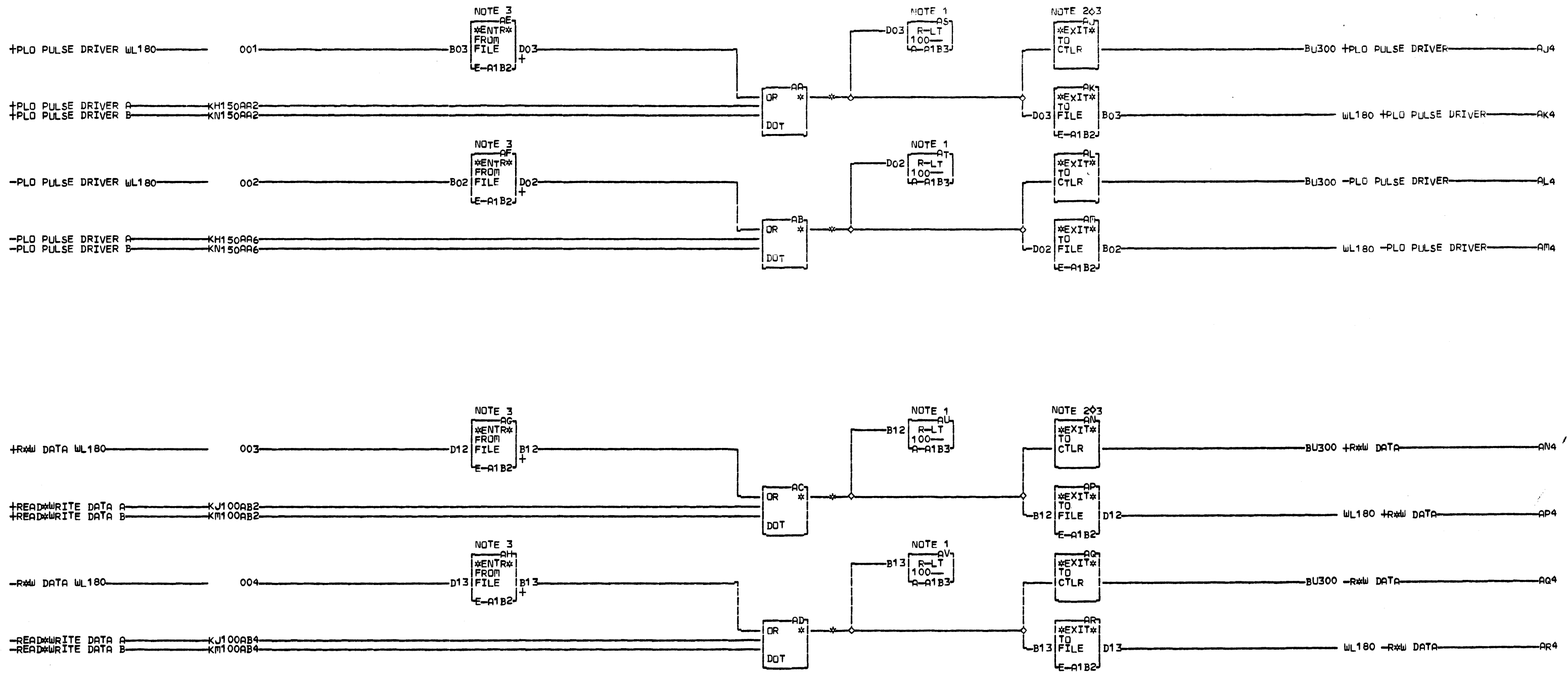
NOTE 1 EOL TERMINATOR
IN LAST MACHINE ON
STRING ONLY. AA4 A-A1V3D07
NOTE 2 A BOX TO CTRL. AB4 A-A1V3D09
1 B BOX NEXT FILE. AC2 A-A1V3D13
7 NOTE 3 LOCATION E-A1 IS
0 INTERFRAME CONN.

000COPYRIGHT IBM CORP 1976

LOC. TYPE
A-A1A2 P806

TAG BUS INTERFACE	
E.C. HISTORY 435460 446701	MACH.3350 FRAME 01 IBM CORP. GPD P.N. 4291772
DATE 03-05-76	LAST EC 446704

WL170
000

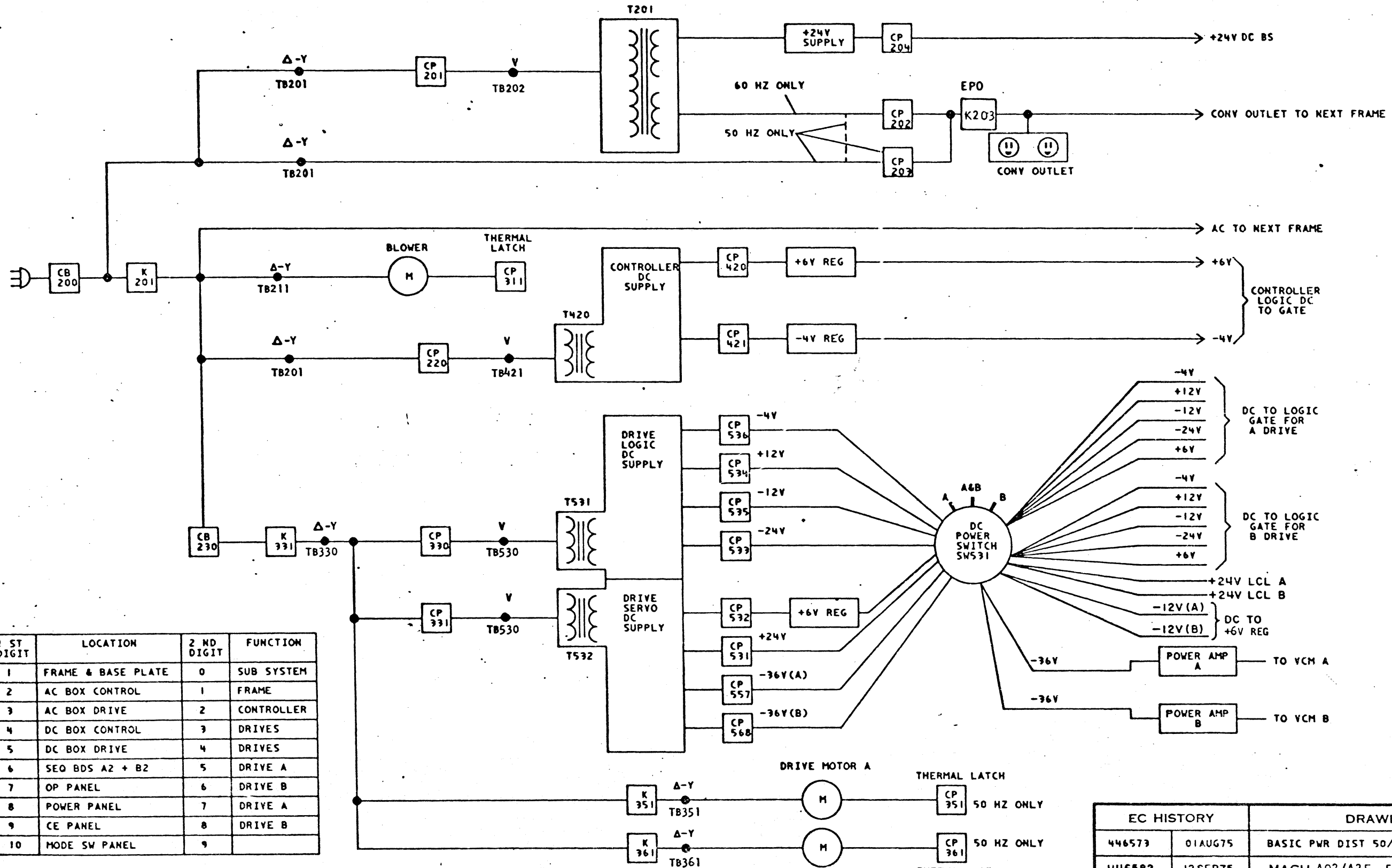


NOTE 1 EDL TERMINATOR IN LAST MACHINE ON STRING ONLY.
 NOTE 2 A BOX TO CTLR. B BOX TO NEXT FILE.
 NOTE 3 LOCATION E-A1 IS INTERFRAME CONN.

AA2 A-A1U3D03
 AB2 A-A1U3D02
 AC2 A-A1U3B12
 AD2 A-A1U3B13

LOC. TYPE
 A-A1B3 BC39

R#W DATA AND PLO PULSE INTERFACE	
E.C. HISTORY	MACH. 3350
435460	FRAME 01
446701	IBM CORP. GPD
DATE LAST EC	P.No. 4291773
03-05-76 446704	



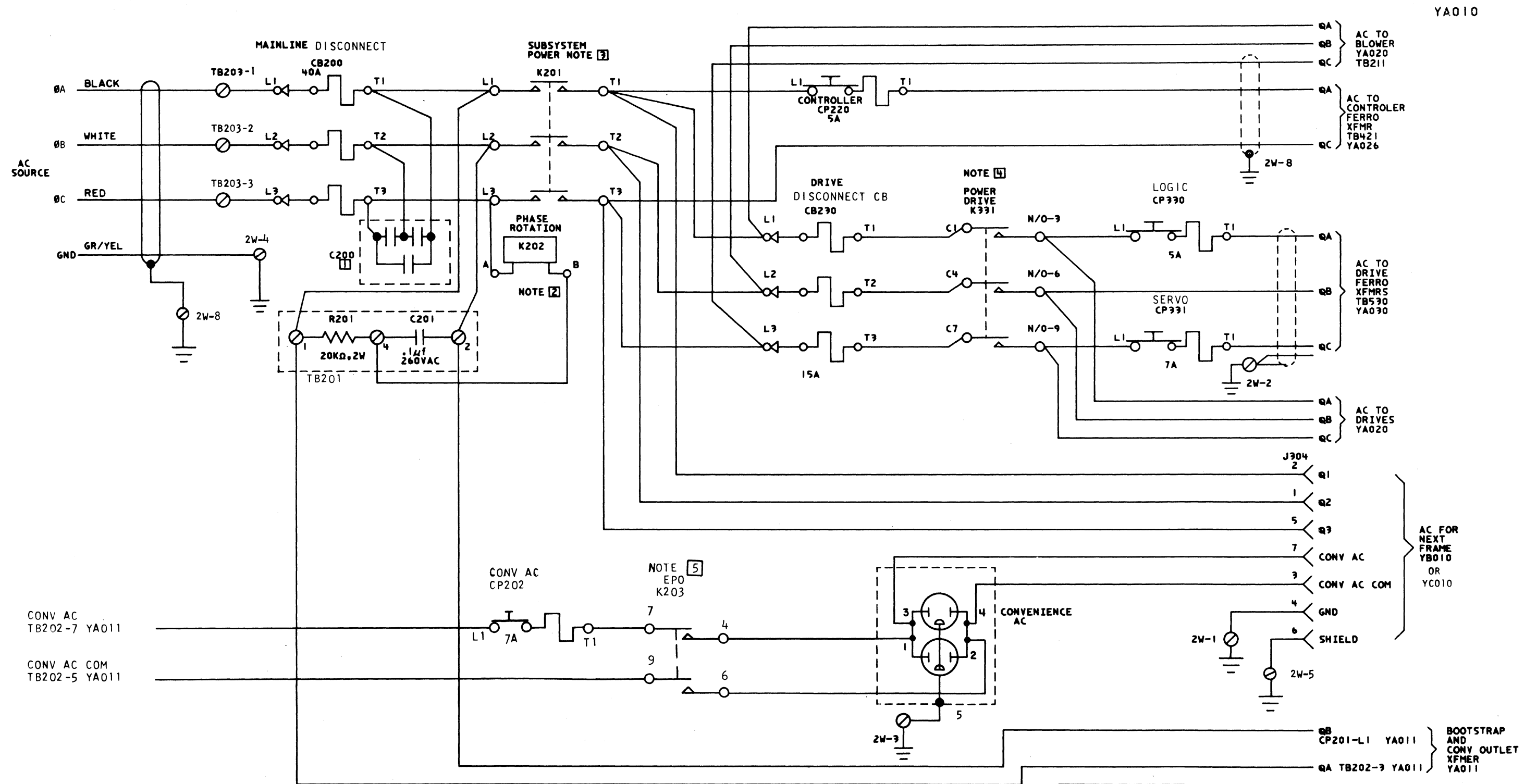
1 ST DIGIT	LOCATION	2 ND DIGIT	FUNCTION
1	FRAME & BASE PLATE	0	SUB SYSTEM
2	AC BOX CONTROL	1	FRAME
3	AC BOX DRIVE	2	CONTROLLER
4	DC BOX CONTROL	3	DRIVES
5	DC BOX DRIVE	4	DRIVES
6	SEO BDS A2 + B2	5	DRIVE A
7	OP PANEL	6	DRIVE B
8	POWER PANEL	7	DRIVE A
9	CE PANEL	8	DRIVE B
10	MODE SW PANEL	9	

NOTES: 1 Δ-Y DESIGNATES A DELTA-WYE SWITCHING POINT - 50 HZ ONLY
 2 V DESIGNATES A VOLTAGE SWITCHING POINT - 50/60 HZ

EC HISTORY		DRAWING TITLE	
446573	01AUG75	BASIC PWR DIST 50/60HZ	
446582	12SEP75	MACH A02/A2F 50/60 HZ	
446607	30DEC75	PART NO 2757640	
446615	18MAY76	CLASSIFICATION	IBM CORP
451070	21OCT76	DFS 5DEC75	

YA000

YA000



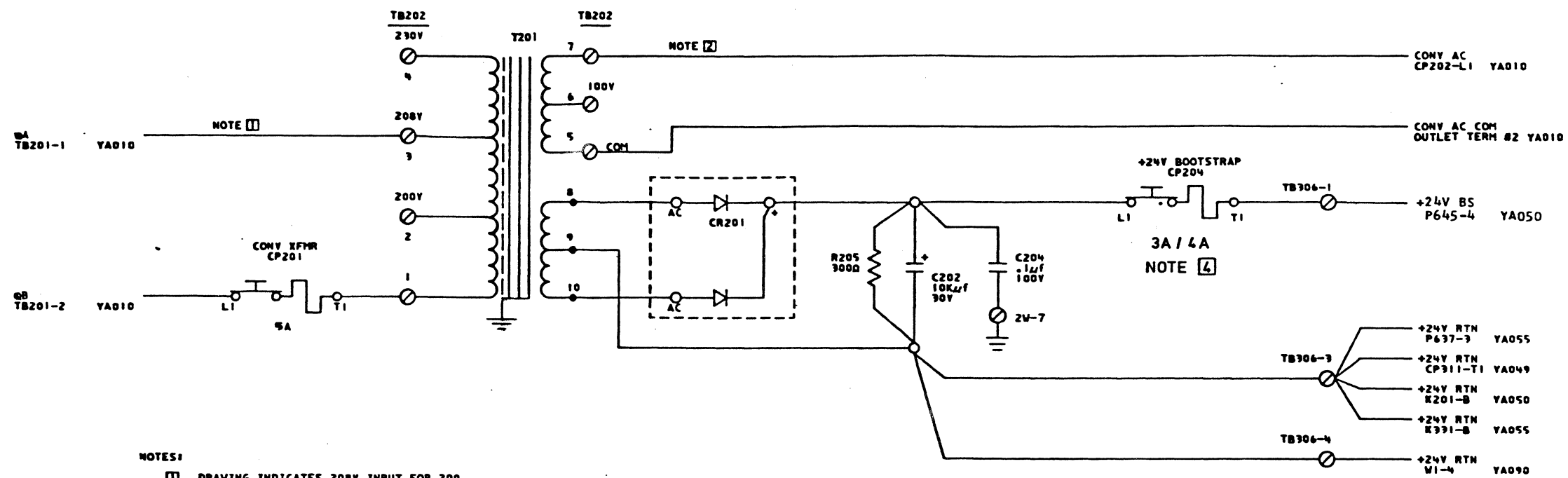
NOTES:

- [1] CAPACITOR ASM P/N 2757147
- [2] RELAY CONTACTS SHOWN ON YA048
- [3] PICK COIL SHOWN ON YA050
- [4] PICK COIL SHOWN ON YA055
- [5] PICK COIL SHOWN ON YA050

EC HISTORY		DRAWING TITLE	
SEE EC HISTORY		PRIME POWER DISTRIBUTION	
451070	21OCT76	MACH A02/A2F	60 HZ
		PART NO 2757641	
C	CLASSIFICATION		IBM CORP
	DFS	SDEC75	

YA010

YA010



- NOTES:
- 1 DRAWING INDICATES 208V INPUT, FOR 200 AND 230V INPUT CONNECT LEAD TO THE APPROPRIATE POSITION ON TB202
 - 2 FOR JAPAN-IF REQUIRED, MOVE LEAD TO TB202-6
 - 3 ALL COMPONENTS ARE LOCATED IN PRIMARY COMPARTMENT
 - 4 CP204 ON LATE MACHINES WITH PCA FEATURE MAY USE A 4 AMP CIRCUIT PROTECTOR P/N 2758751

© COPYRIGHT IBM CORP. 1976

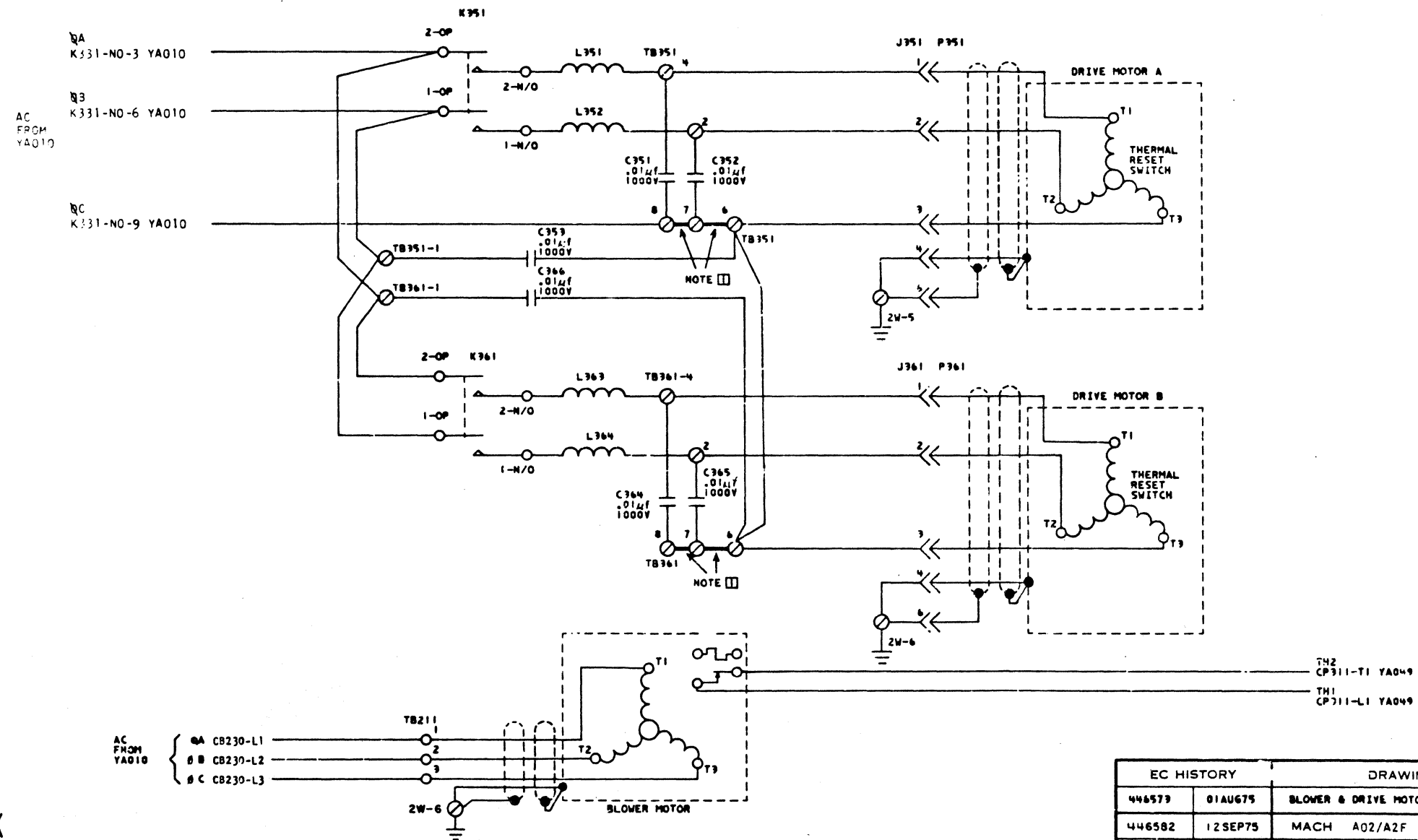
EC HISTORY		DRAWING TITLE	
SEE E/C HISTORY		BOOTSTRAP AND CONV. POWER	
451070	21OCT76	MACH A02/A2F	60HZ
451131	13APR78	PART NO 2757693	
C	451238	17OCT78	CLASSIFICATION
			DFS 05DEC75

IBM CORP

YA011

YA011

YA020



AC FROM YA010

- ⊙ A CB230-L1
- ⊙ B CB230-L2
- ⊙ C CB230-L3

NOTE 1 JUMPER P/N 367115

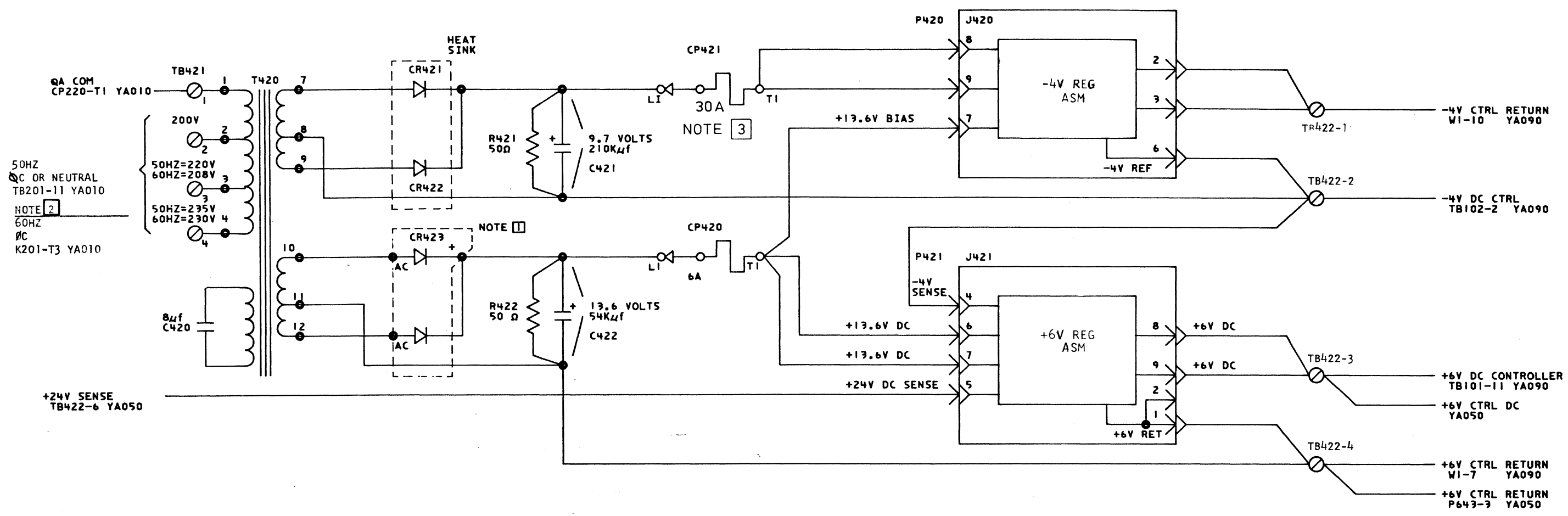
T42 CP311-T1 YA049
T41 CP311-L1 YA049

© COPYRIGHT IBM CORP. 1976

EC HISTORY		DRAWING TITLE	
446579	01AUG75	BLOWER & DRIVE MOTOR AC	
446582	12SEP75	MACH A02/A2F 60HZ	
446587	24OCT75	PART NO 2757642	
C	446615	18MAY76	CLASSIFICATION
			DFS 95DEC75
			IBM CORP

YA020

YA020



50HZ
 60HZ OR NEUTRAL
 TB201-11 YA010
 NOTE 2
 50HZ=235V
 60HZ=230V
 DC
 K201-T3 YA010

QA COM
 CP220-T1 YA010

+24V SENSE
 TB422-6 YA050

-4V CTRL RETURN
 W1-10 YA090

-4V DC CTRL
 TB102-2 YA090

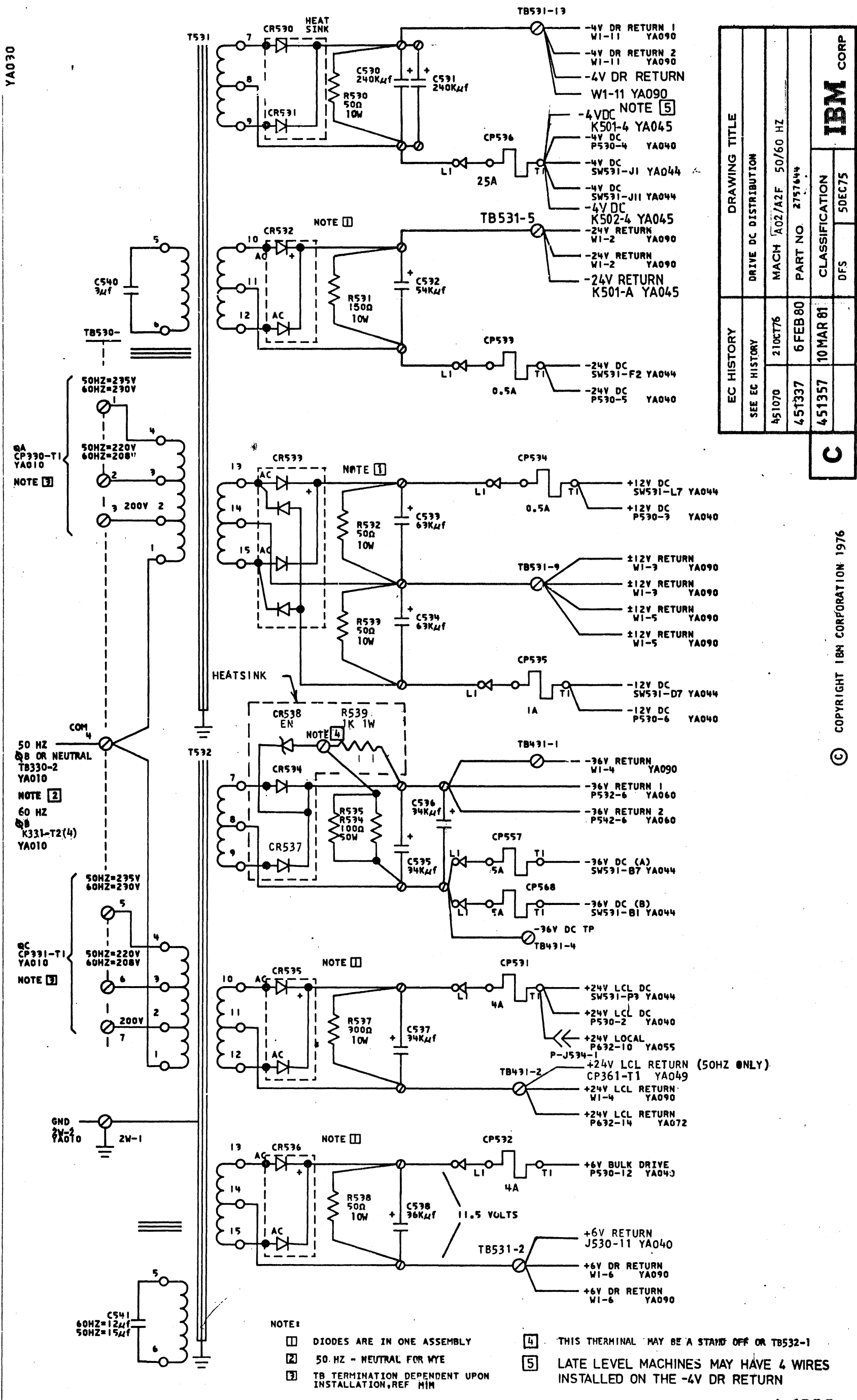
+6V DC CONTROLLER
 TB101-11 YA090
 +6V CTRL DC
 YA050

+6V CTRL RETURN
 W1-7 YA090
 +6V CTRL RETURN
 P643-3 YA050

- NOTE:
- 1 BOTH DIODES IN ONE ASSEMBLY
 - 2 50HZ - NEUTRAL FOR WYE
 - 3 CP421 MAY BE 25A ON EARLY MACHINES WITHOUT STRING SWITCH FEATURE

EC HISTORY		DRAWING TITLE	
446573	01AUG75	CONTROLLER DC DISTR	
446587	24OCT75	MACH A02/AZF 50/60 HZ	
446615	18MAY76	PART NO 2757643	
451070	21OCT76	CLASSIFICATION	IBM CORP
451333	18 JAN 80	DF3 05DEC75	

YA030



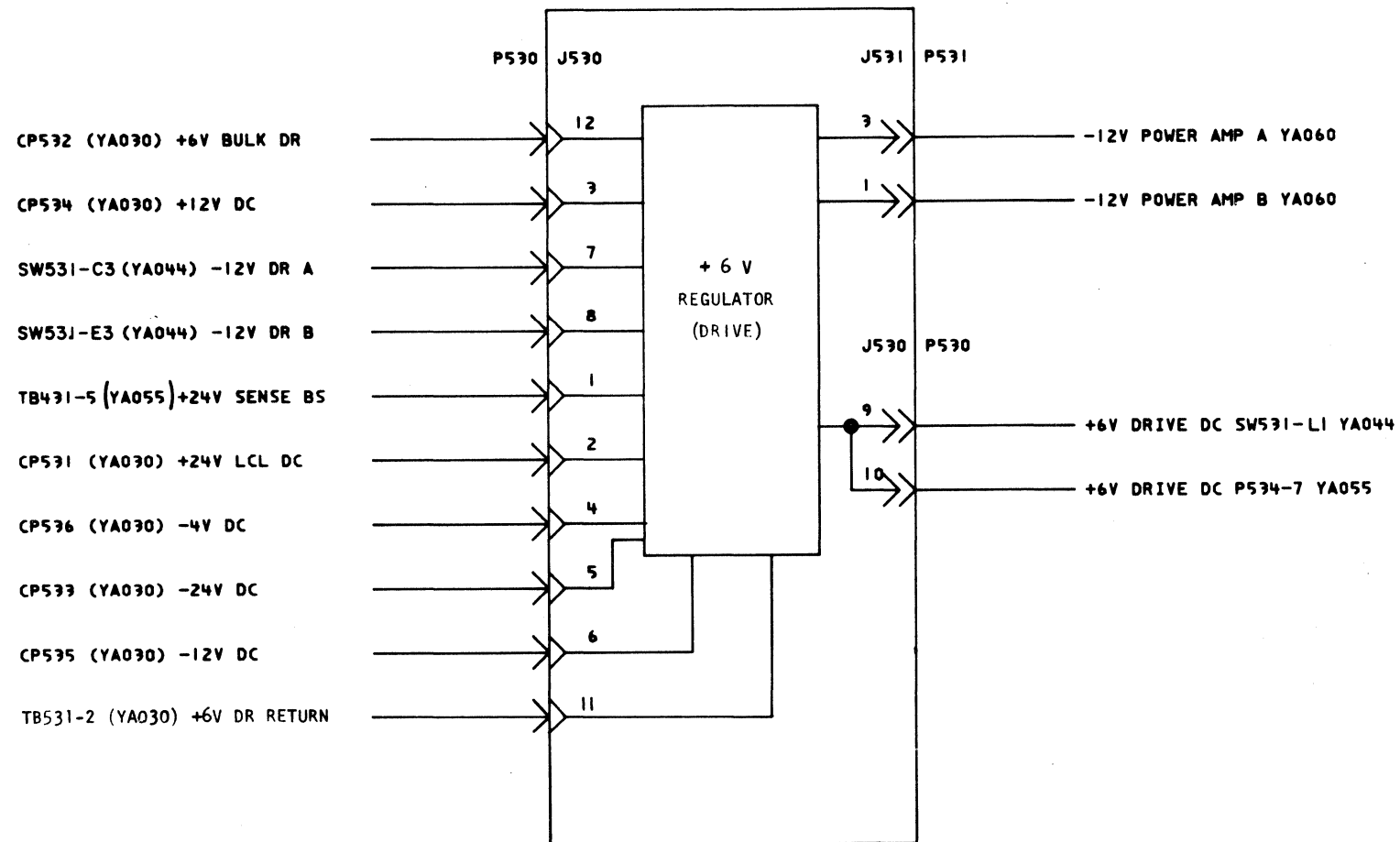
EC HISTORY	DRAWING TITLE			CLASSIFICATION
	SEE EC HISTORY	DRIVE DC DISTRIBUTION		
451070	21OCT76	MACH A02/A2F	50/60 HZ	50ECT/5
451337	6 FEB 80	PART NO 2757444		
451357	10 MAR 81			

IBM CORP

C

© COPYRIGHT IBM CORPORATION 1976

- NOTES:
- 1 DIODES ARE IN ONE ASSEMBLY
 - 2 50. HZ - NEUTRAL FOR WYE
 - 3 TB TERMINATION DEPENDENT UPON INSTALLATION, REF HIM
 - 4 THIS TERMINAL MAY BE A STAND OFF OR TB532-1
 - 5 LATE LEVEL MACHINES MAY HAVE 4 WIRES INSTALLED ON THE -4V DR RETURN

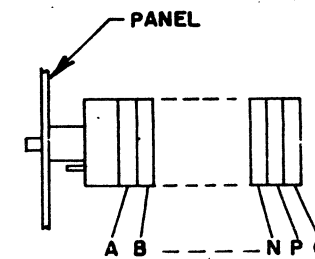
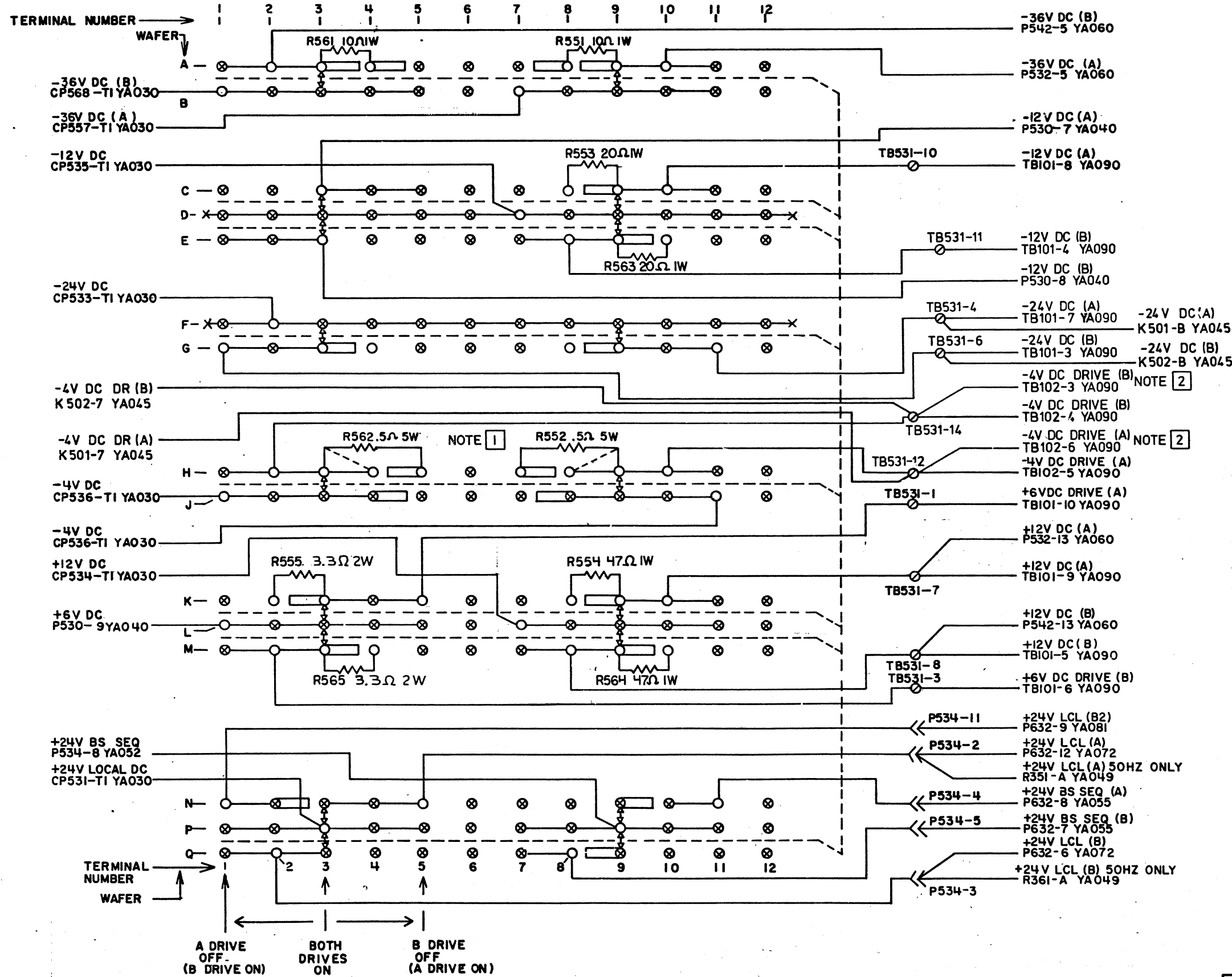


© COPYRIGHT IBM CORP. 1976

EC HISTORY		DRAWING TITLE	
446573	01AUG75	+6V REGULATOR DRIVE	
446582	12SEP75	MACH A02/A2F 50/60HZ	
446587	24OCT75	PART NO 2757645	
C	446615	18MAY76	CLASSIFICATION
	451070	21OCT76	DFS 05DEC75
			IBM CORP

YA040

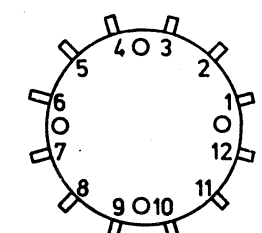
YA040



WAFERS

- - TERMINAL
- ⊗ - NO TERMINAL
- —○ - MAKE BEFORE BREAK WITH CUT ADJ. TO TERMINAL ON LEFT
- —○ - MAKE BEFORE BREAK WITH CUT ADJ. TO TERMINAL ON RIGHT

- NOTES:
- 1 R562 & R552 MAY BE INSTALLED AS SHOWN BY - - - -.
 - 2 LATE LEVEL MACHINES MAY HAVE 2 WIRES INSTALLED ON EACH OF THE -4V DC DRIVE VOLTAGES



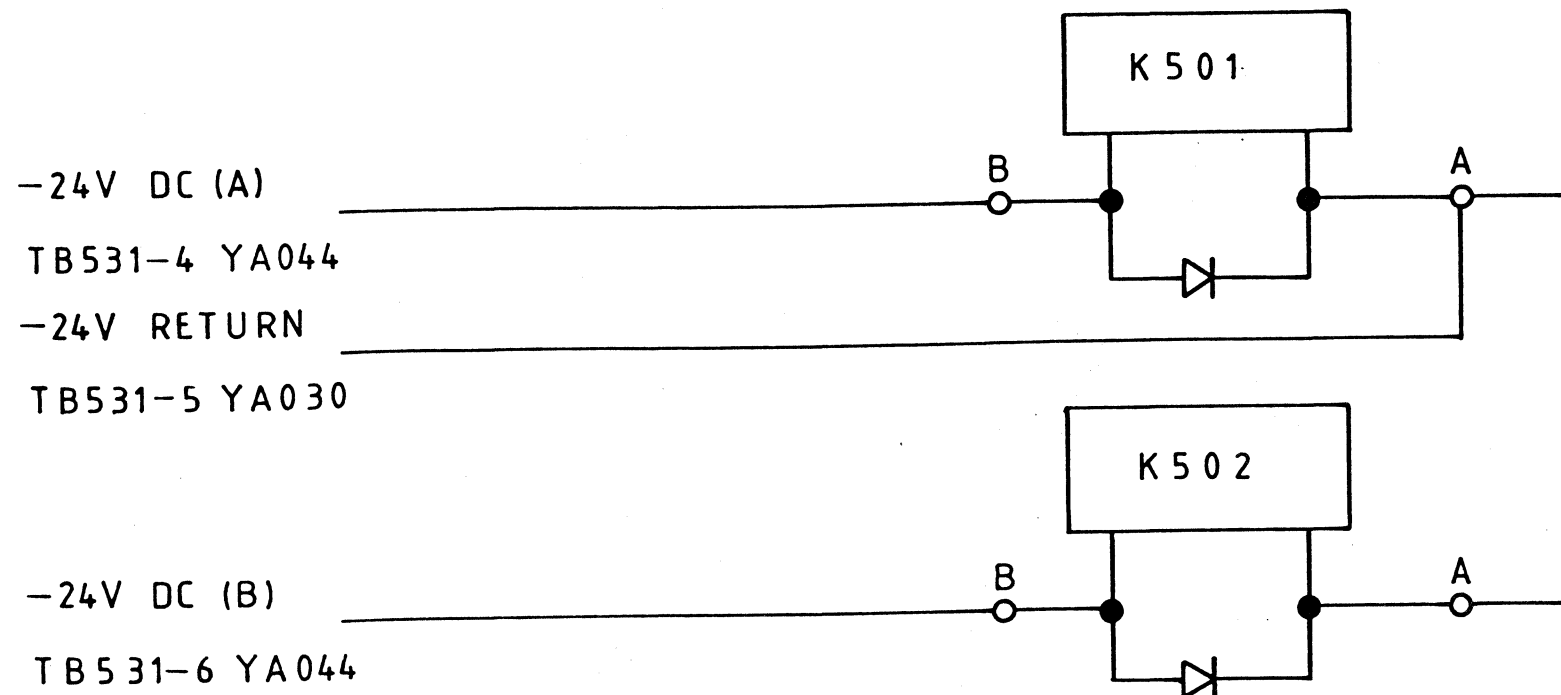
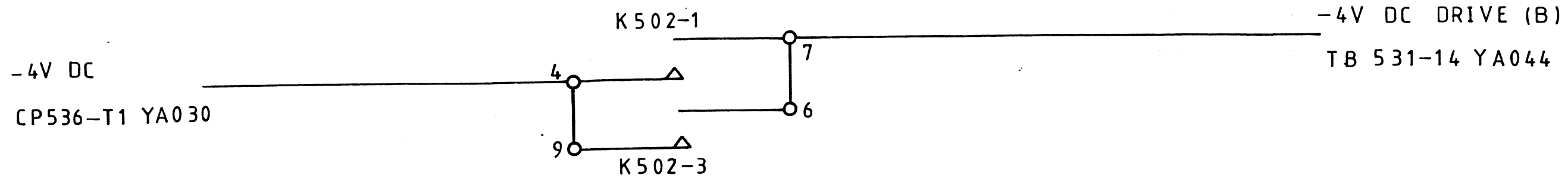
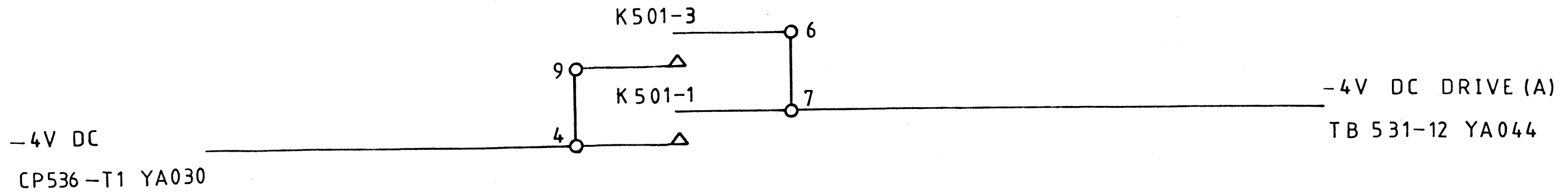
TERMINAL LOCATIONS REAR VIEW

©COPYRIGHT IBM CORP. 1976

SEE E/C HISTORY	DRAWING TITLE
451070 21OCT 76	DRIVE DC POWER - S531
451337 6 FEB 80	MACH A02/A2F 50/60HZ
451357 10MAR81	PART NO 2757646
CLASSIFICATION	
DES 5 DEC 75	IBM CORP

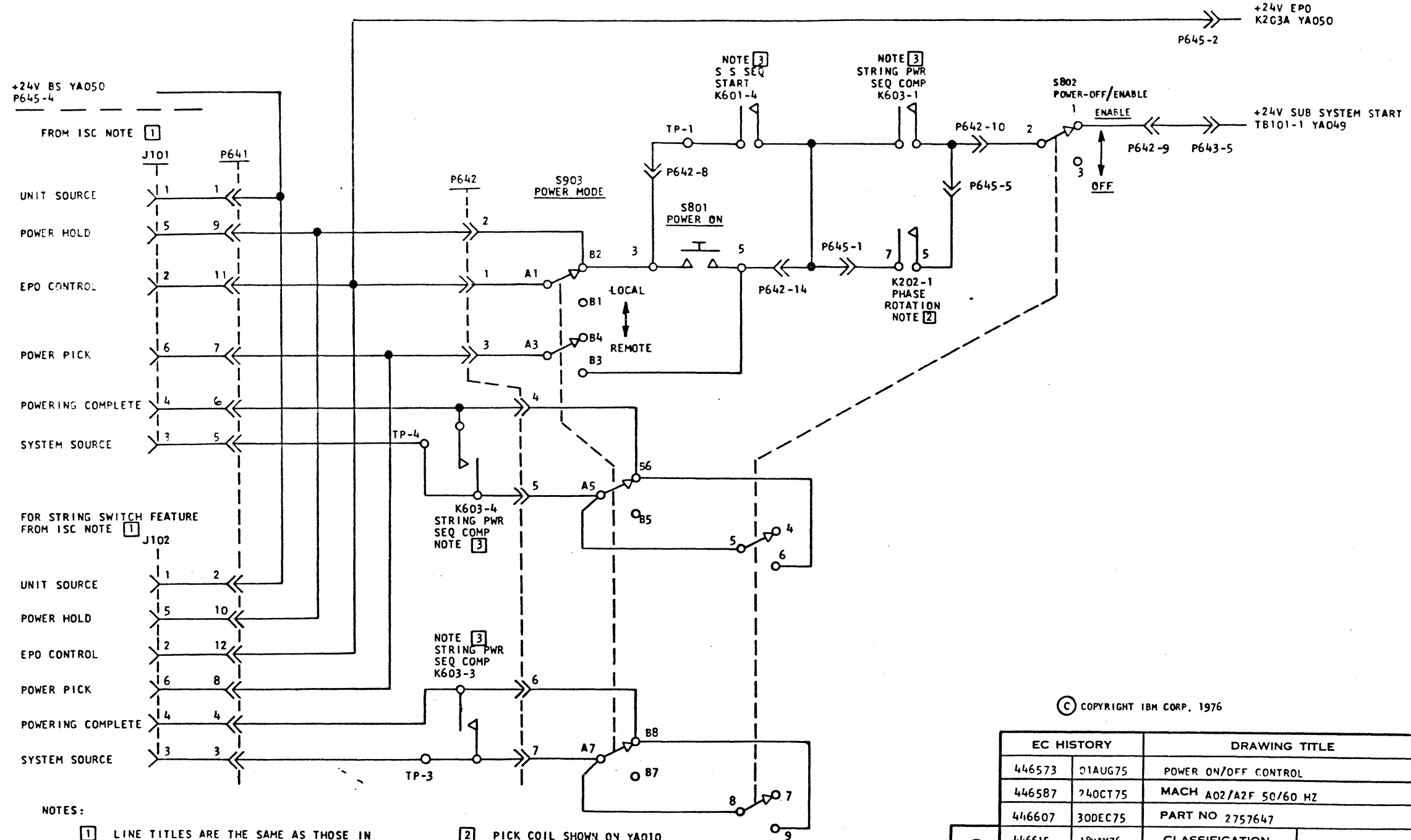
YA044

YA044



EC HISTORY		DRAWING TITLE	
6 MAR 81	4 513 57	DRIVE -4V BYPASS	
		MACH A02/A2F 50/60 HZ	
		PART NO 2354589	
B		CLASSIFICATION	
		A AU	6 MAR 81
		IBM CORP	

YA045



NOTES:

1 LINE TITLES ARE THE SAME AS THOSE IN THE "IBM SYSTEM/360 AND SYSTEM/370 POWER CONTROL INTERFACE ORIGINAL EQUIPMENT INFORMATION MANUAL," DATED 1971.

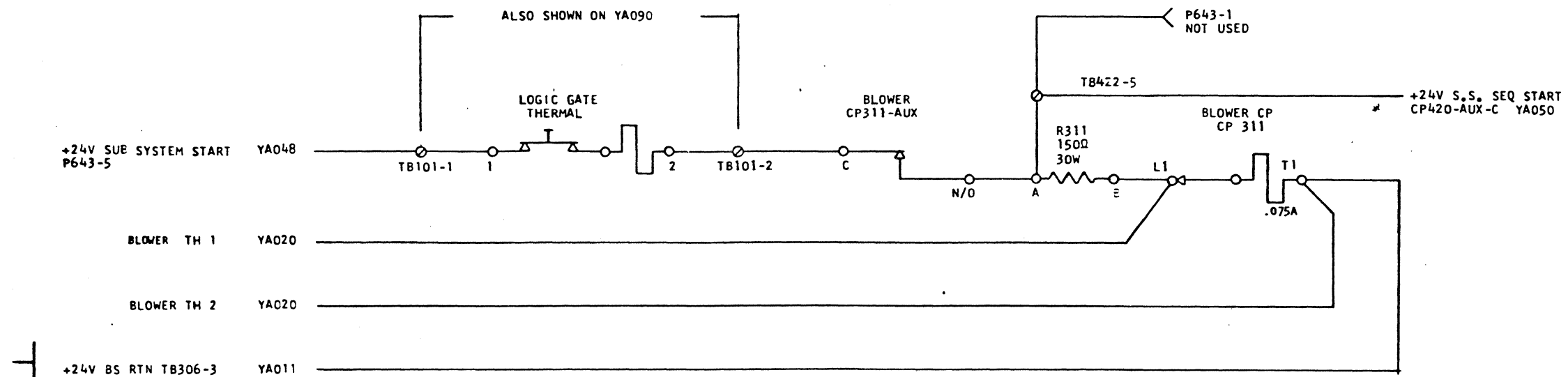
2 PICK COIL SHOWN ON YA010
 3 PICK COIL SHOWN ON YA050

© COPYRIGHT IBM CORP. 1976

EC HISTORY		DRAWING TITLE	
446573	01AUG75	POWER ON/OFF CONTROL	
446587	24OCT75	MACH A02/A2F 50/60 HZ	
446607	30DEC75	PART NO 2757647	
446615	18MAY76	CLASSIFICATION	IBM CORP
446711	30 NOV 78	DFS 5DEC75	

YA048

YA048



Y
A
0
4
9

© COPYRIGHT IBM CORP. 1976

EC HISTORY		DRAWING TITLE	
446573	01AUG75	BLOWER THERM PROTECTION	
446587	24OCT75	MACH A02/A2F 60HZ	
446615	18MAY76	PART NO 2757648	
C	446711	30 NOV 78	CLASSIFICATION
			DFS 05DEC75

IBM CORP

Y
A
0
4
9

+24V EPO
P645-2 YA048
+24V S S SEQ START
TB422-5 YA049

+24V BOOT STRAP
TB306-1 YA011

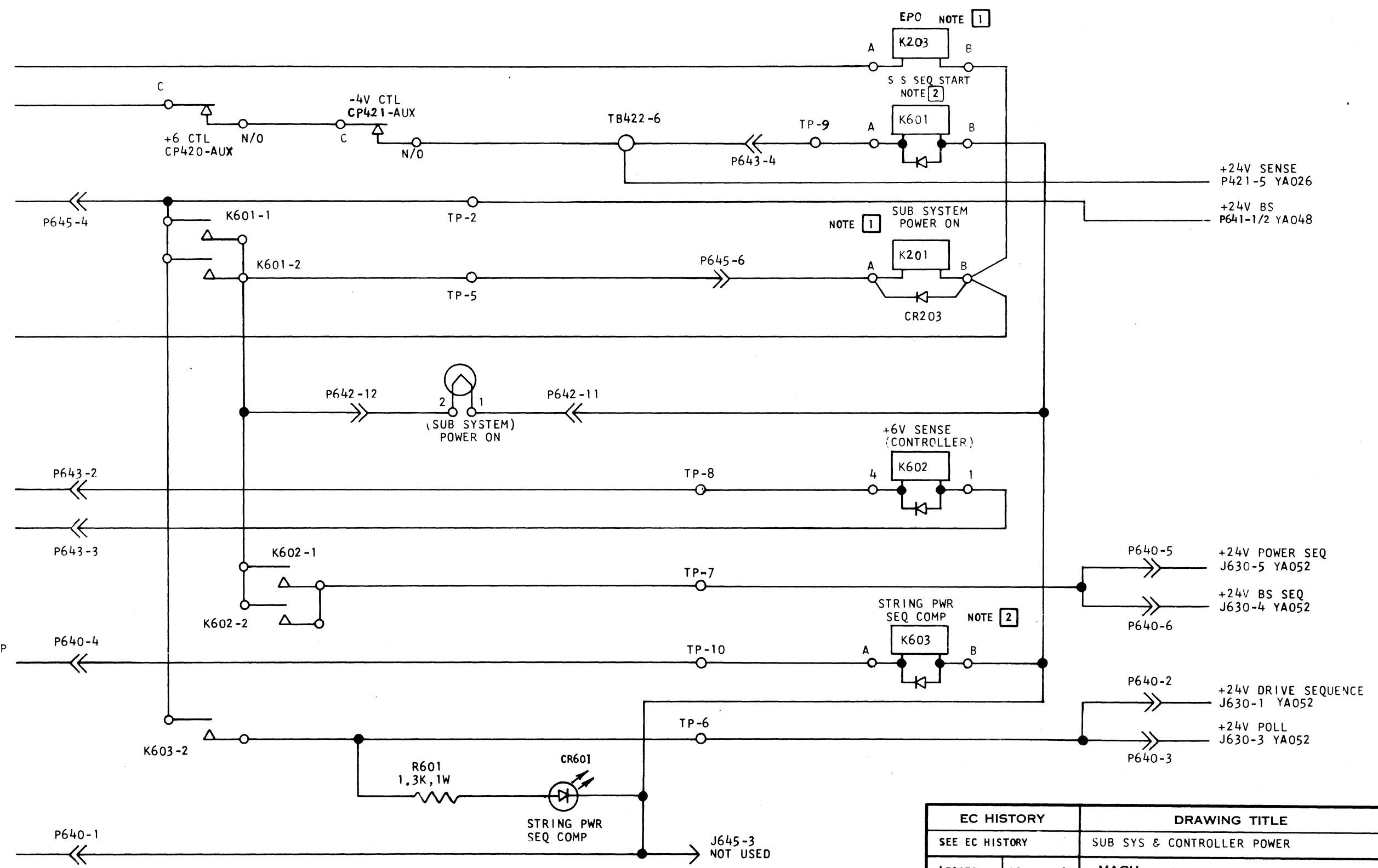
+24V BS RTN
TB306-3 YA011

+6V CTRL DC
TB422-3 YA026

+6V CTRL RETURN
TB422-4 YA026

+24V POWER SEQ COMP
J630-8 YA052

+24V BS RTN
J630-6 YA052



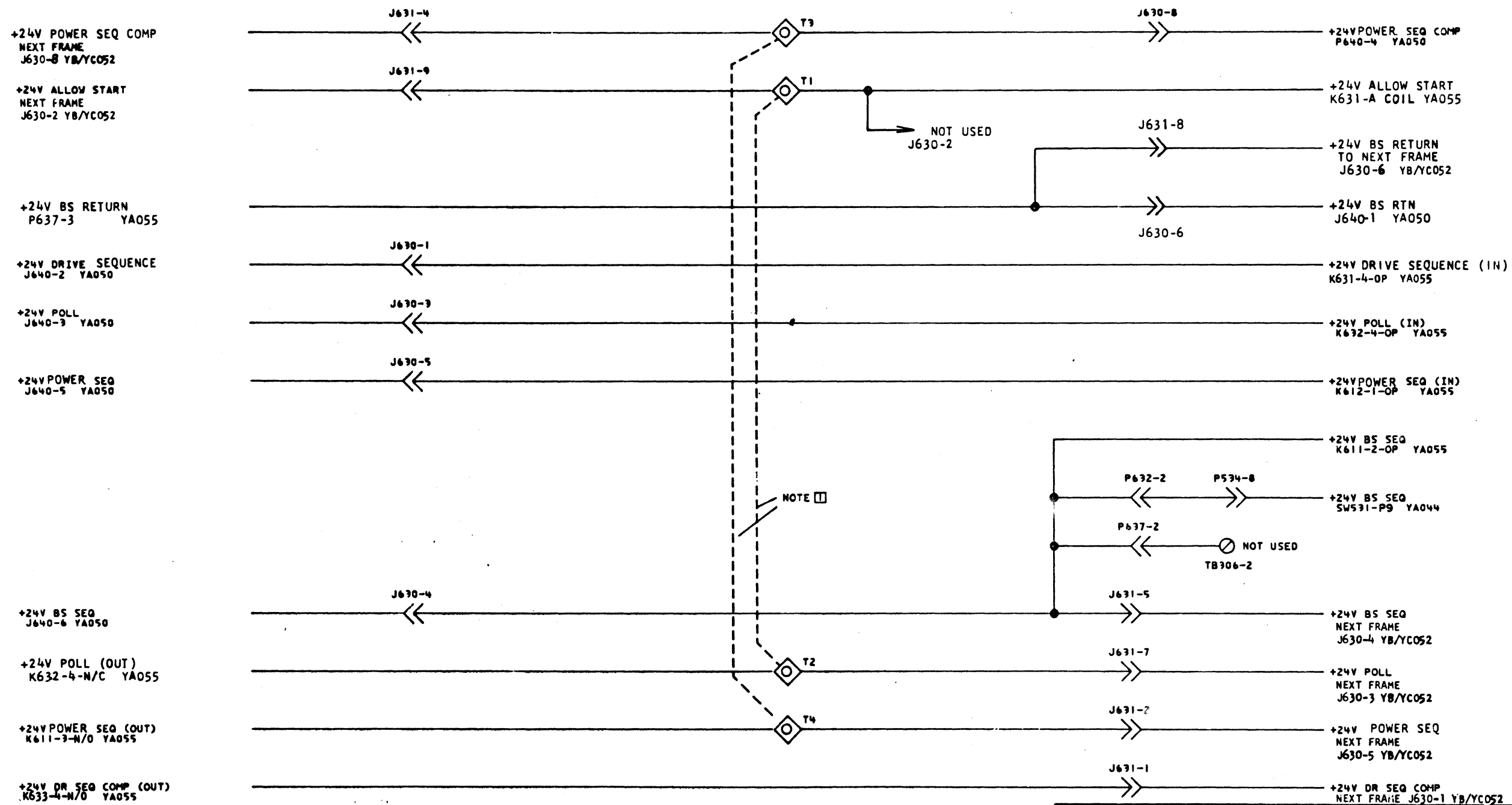
- NOTES: **1** CONTACTS SHOWN ON YA010
2 CONTACTS ALSO SHOWN ON YA048



© COPYRIGHT IBM CORP. 1976

EC HISTORY		DRAWING TITLE	
SEE EC HISTORY		SUB SYS & CONTROLLER POWER	
451070	21 OCT 76	MACH A02/A2F 50/60 HZ	
		PART NO 2757649	
		CLASSIFICATION	
		DFS	12DEC75
		IBM CORP	

YA052



- NOTE 1
- 1 INSTALL JUMPER T1 TO T2 AND T3 TO T4 IF LAST FRAME
 - 2 NEXT FRAME = ADJ FRAME AWAY FROM CONTROLLER

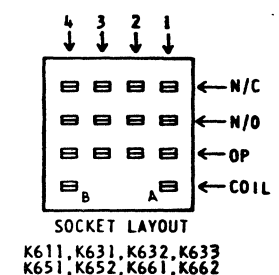
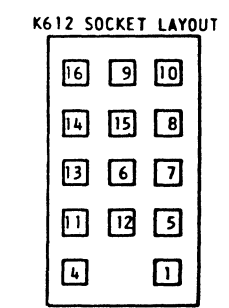
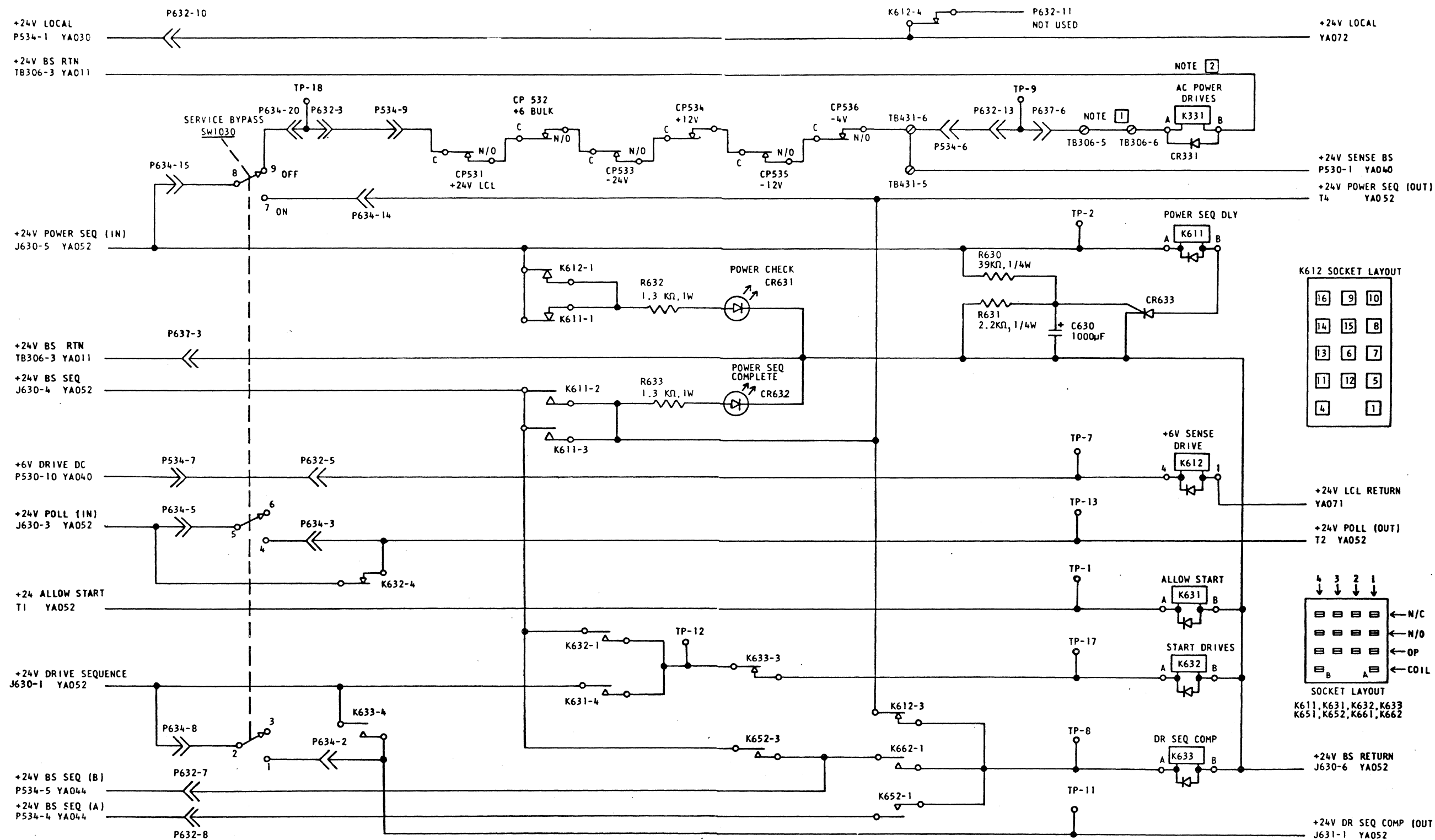
© COPYRIGHT IBM CORP. 1976

EC HISTORY		DRAWING TITLE	
446573	01AUG75	POWER SEQ INTERFACE	
446582	12SEP75	MACH A02/A2F 50/60 HZ	
446587	24OCT75	PART NO 2757690	
C	446615	18MAY76	CLASSIFICATION
	451070	21OCT76	DFS 05DEC75

IBM CORP

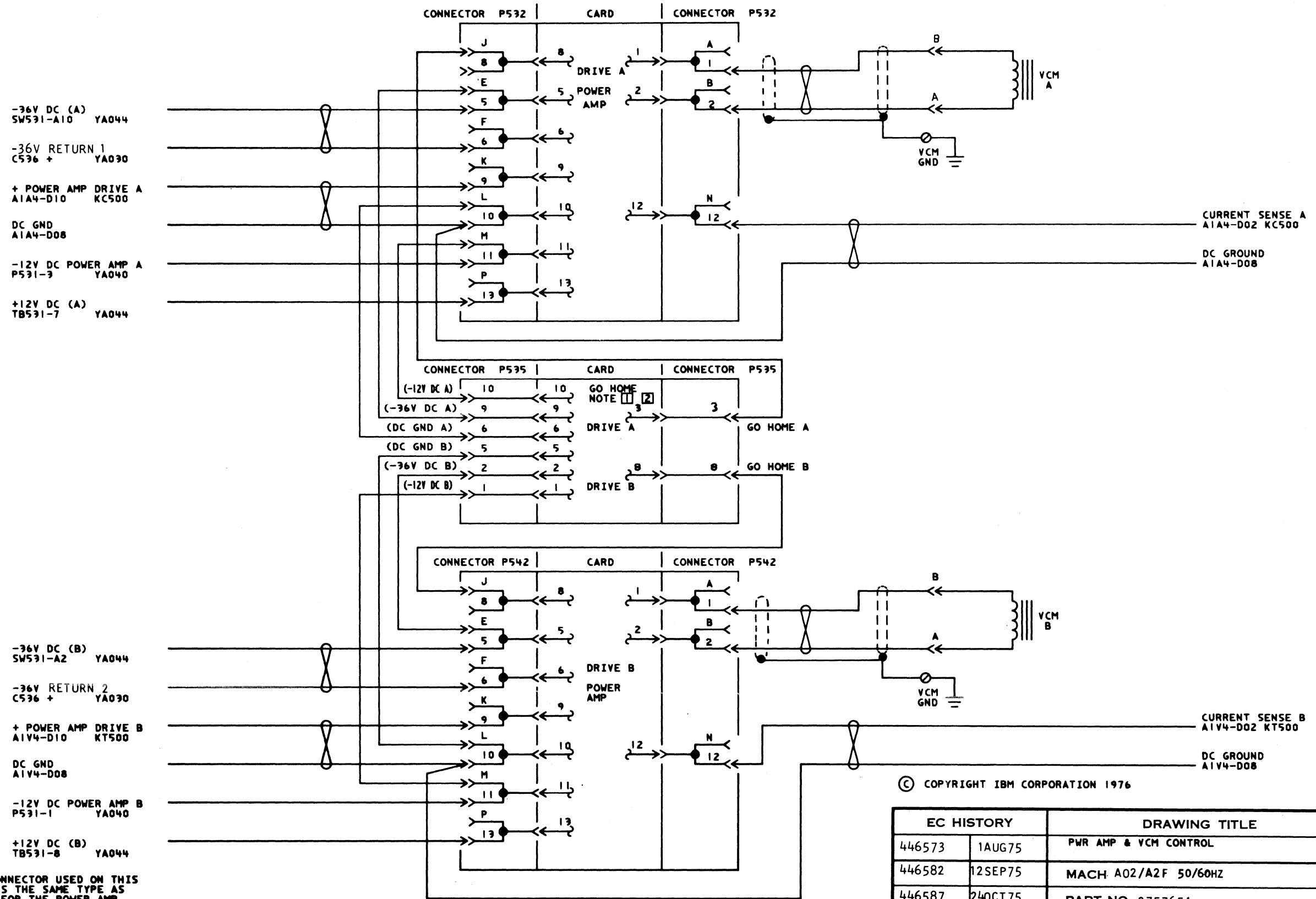
YA052

YA052



- NOTES
- JUMPER P/N 2744877
 - CONTACTS SHOWN ON YA010
 - DIODE SHOWN IS INTERNAL TO THE RELAY

EC HISTORY		DRAWING TITLE	
SEE E/C HISTORY		FRAME & DRIVE POWER CONT	
451070	21OCT76	MACH A02/A2F	60 HZ
451131	13APR78	PART NO 2757650	
4 46711	30 NOV 78	CLASSIFICATION	
		DFS 05DEC75	IBM CORP



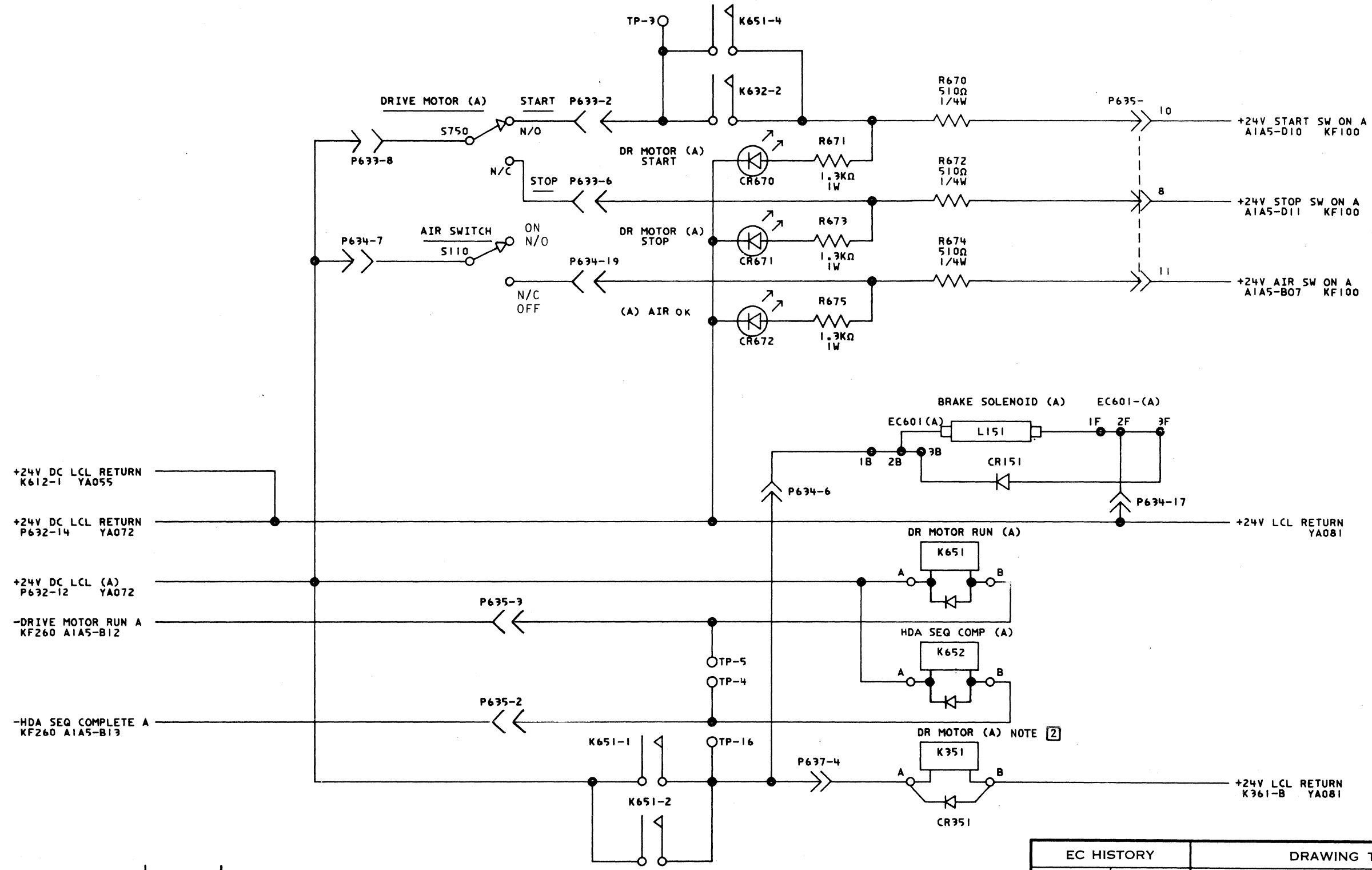
- NOTES [1] THE CONNECTOR USED ON THIS CARD IS THE SAME TYPE AS SHOWN FOR THE POWER AMP CONNECTORS P532 & P542
- [2] THIS CARD IS DESIGNED SO THAT IT WILL OPERATE WITH THE CONNECTOR REVERSED

© COPYRIGHT IBM CORPORATION 1976

EC HISTORY		DRAWING TITLE	
446573	1AUG75	PWR AMP & VCM CONTROL	
446582	12SEP75	MACH A02/A2F 50/60HZ	
446587	24OCT75	PART NO 2757651	
C	446612	24 FEB 76	CLASSIFICATION
	451070	21OCT76	DFS 5DEC75
			IBM CORP

YA060

YA060



- NOTES: 1 DIODE SHOWN IS INTERNAL TO THE RELAY
- 2 CONTACTS SHOWN ON YA020

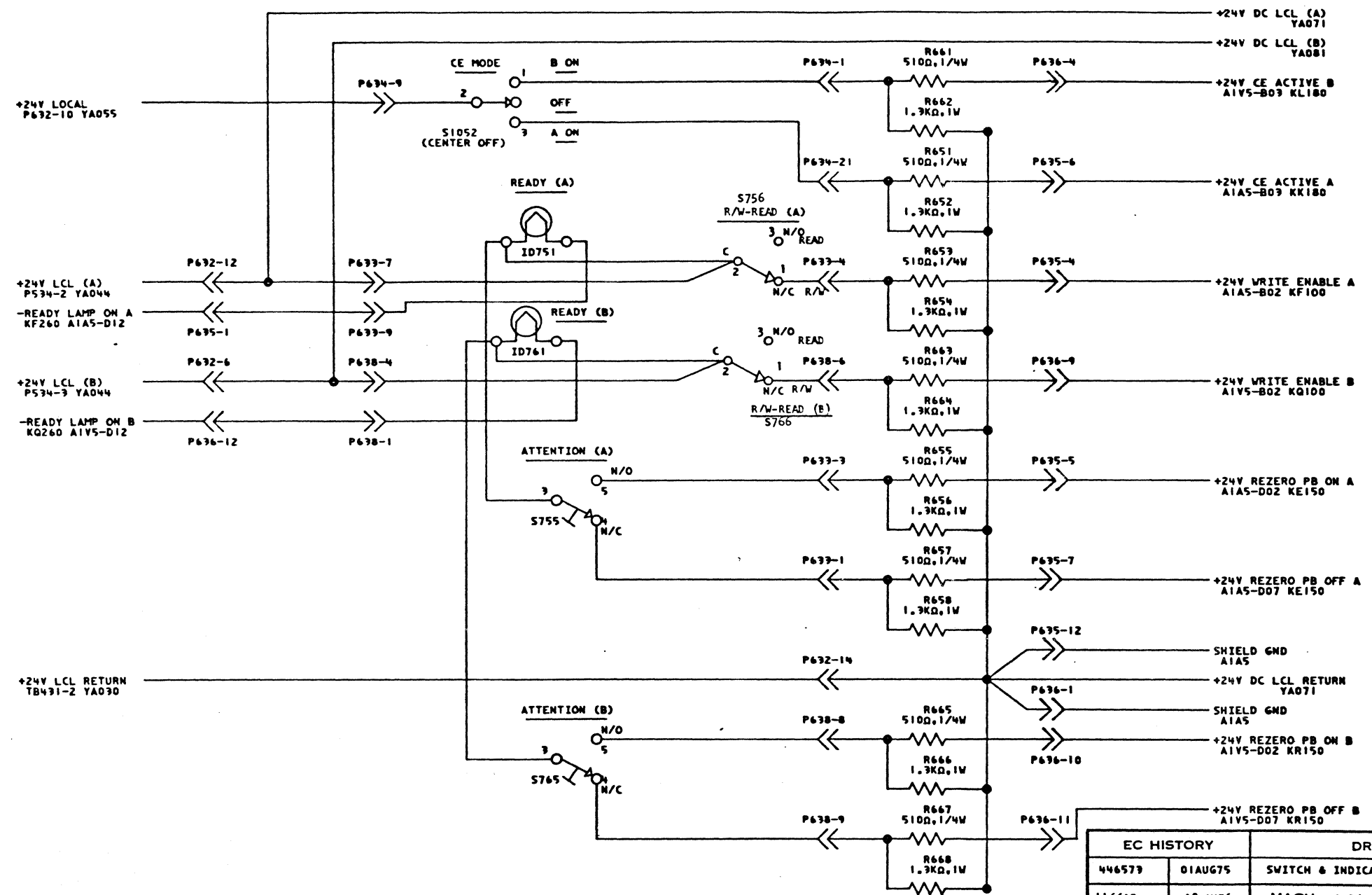
© COPYRIGHT IBM CORP. 1976

EC HISTORY		DRAWING TITLE	
446573	01AUG75	DRIVE MOTOR A SEQUENCE	
446587	24OCT75	MACH A02/A2F 60HZ	
446615	18MAY76	PART NO 2757652	
C	451070	21OCT76	CLASSIFICATION
			DFS 05DEC75
			IBM CORP

YA071

YA071

YA072

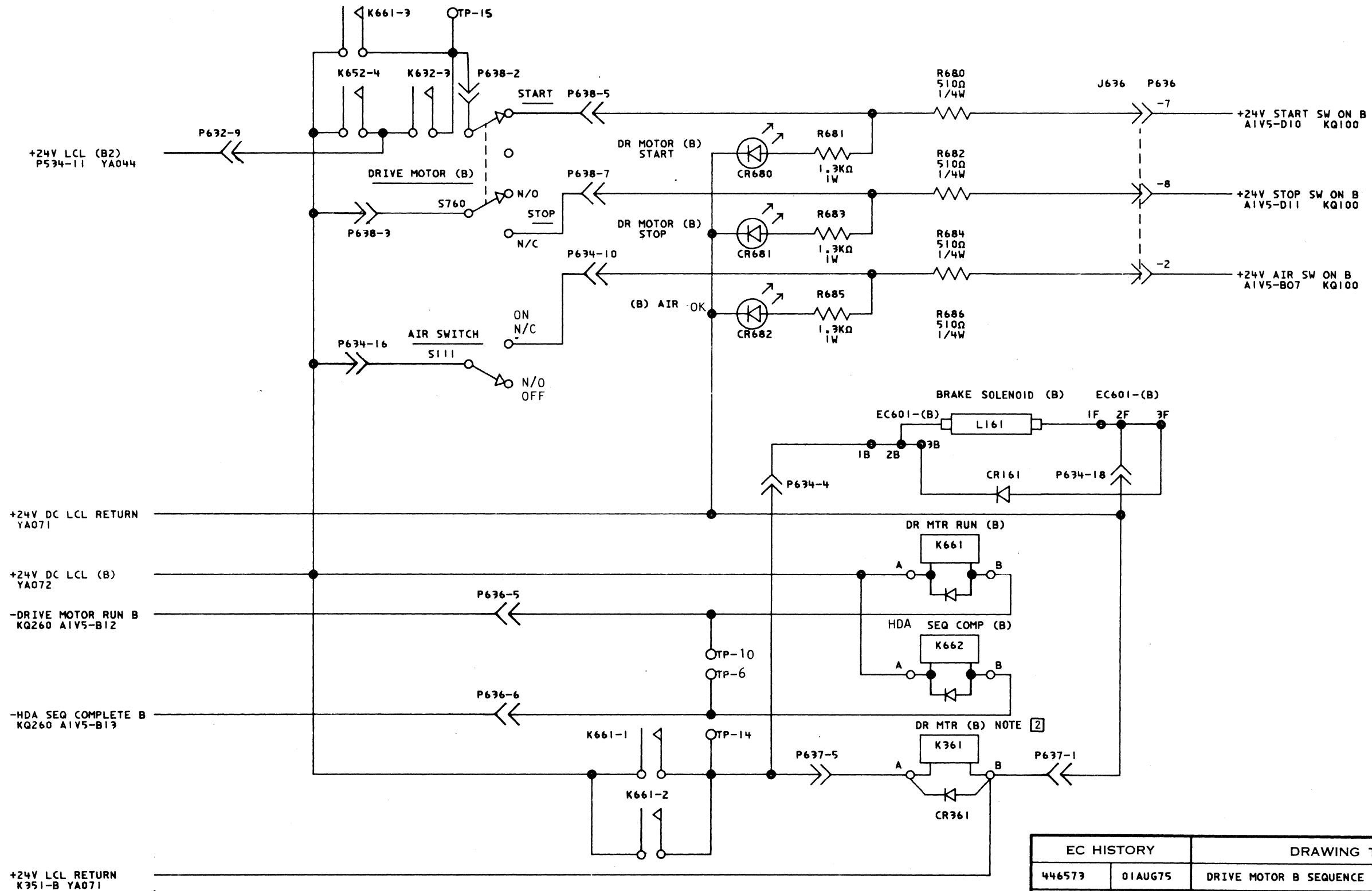


EC HISTORY		DRAWING TITLE	
446579	01AUG75	SWITCH & INDICATOR CONT	
446615	18MAY76	MACH A72/A2F 50/60 HZ	
451070	21OCT76	PART NO 2757653	
446711	30 NOV 78	CLASSIFICATION	IBM CORP
		DFS 05:EC75	

© COPYRIGHT IBM CORP. 1976

YA072

YA072

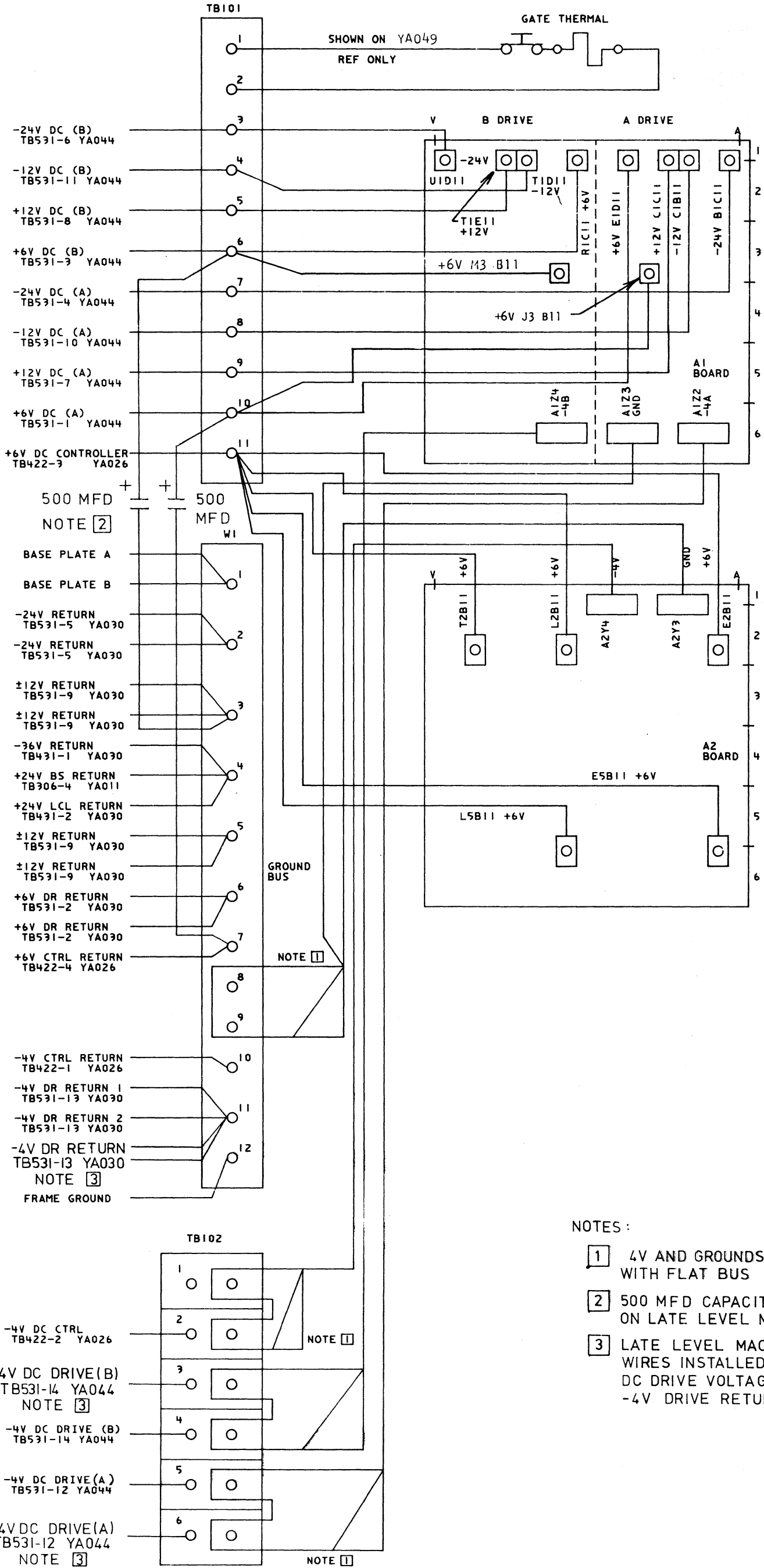


- NOTES: 1 DIODE SHOWN IS INTERNAL TO THE RELAY
- 2 CONTACTS SHOWN ON YA020

EC HISTORY		DRAWING TITLE	
446573	01AUG75	DRIVE MOTOR B SEQUENCE	
446587	24OCT75	MACH A02/A2F 60 HZ	
446607	30DEC75	PART NO 2757654	
446615	18MAY76	CLASSIFICATION	IBM CORP
451070	21OCT76	DFS 5DEC75	

© COPYRIGHT IBM CORP. 1976

YA090



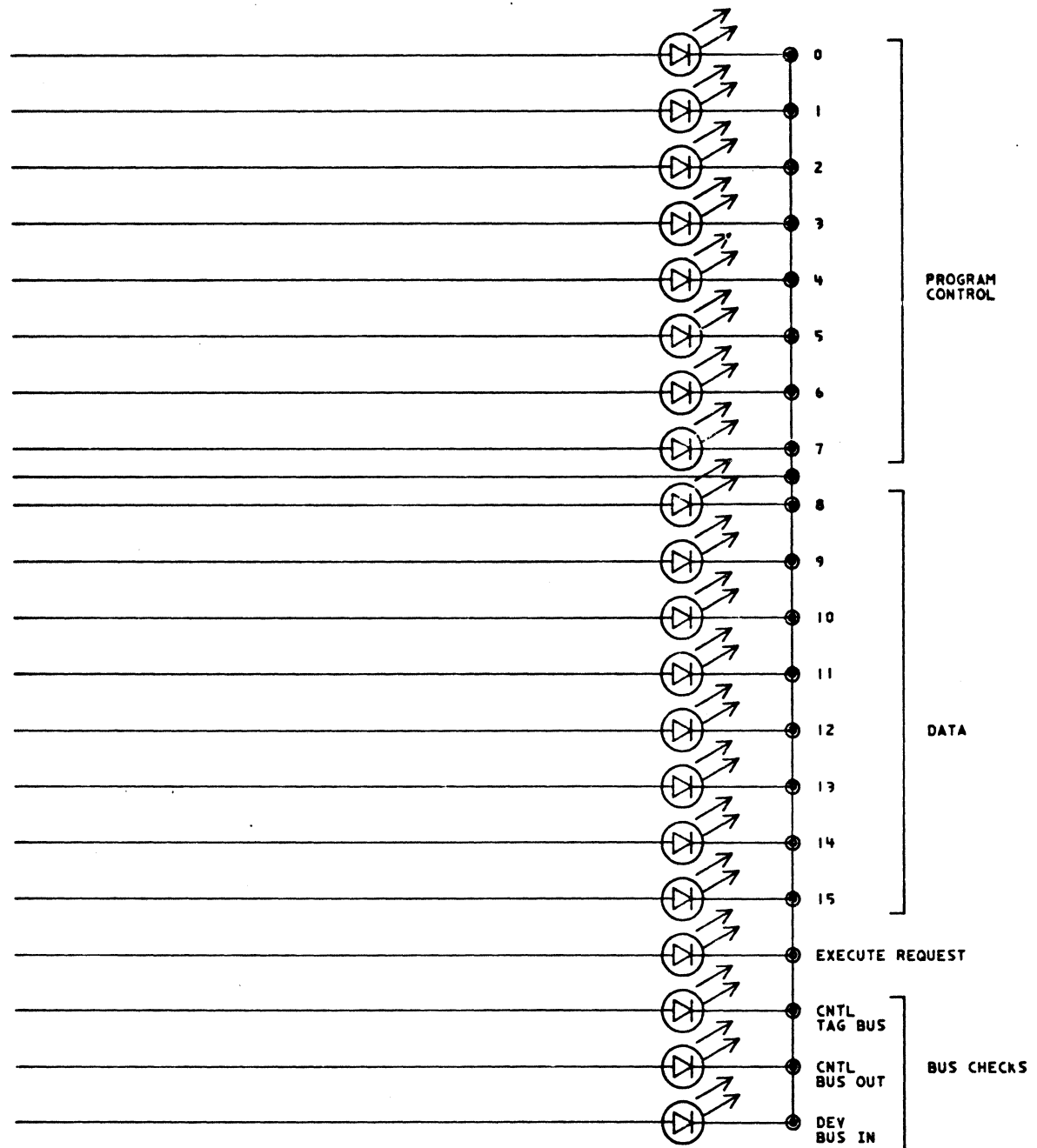
NOTES :

- 1 4V AND GROUNDS ARE DISTRIBUTED WITH FLAT BUS
- 2 500 MFD CAPACITORS MAY BE INSTALLED ON LATE LEVEL MACHINES
- 3 LATE LEVEL MACHINES MAY HAVE 2 WIRES INSTALLED ON EACH OF THE -4V DC DRIVE VOLTAGES AND 4 WIRES ON THE -4V DRIVE RETURN

SEE E/C HISTORY	DRAWING TITLE
451070	LOGIC GATE VOLTAGE DIST
451335	MACH A02/A2'
	50/60 HZ
	PART NO 2757655
	CLASSIFICATION
	IBM CORP
	05DEC75

ZA030

+CE HI BYTE DISPLAY BIT 0 BU110
 +CE HI BYTE DISPLAY BIT 1 BU110
 +CE HI BYTE DISPLAY BIT 2 BU110
 +CE HI BYTE DISPLAY BIT 3 BU110
 +CE HI BYTE DISPLAY BIT 4 BU110
 +CE HI BYTE DISPLAY BIT 5 BU110
 +CE HI BYTE DISPLAY BIT 6 BU110
 +CE HI BYTE DISPLAY BIT 7 BU110
 +CE PNL DISP DC GND BU110
 +CE LO BYTE DISPLAY BIT 0 BU110
 +CE LO BYTE DISPLAY BIT 1 BU110
 +CE LO BYTE DISPLAY BIT 2 BU110
 +CE LO BYTE DISPLAY BIT 3 BU110
 +CE LO BYTE DISPLAY BIT 4 BU110
 +CE LO BYTE DISPLAY BIT 5 BU110
 +CE LO BYTE DISPLAY BIT 6 BU110
 +CE LO BYTE DISPLAY BIT 7 BU110
 +CE ALERT EXECUTE IND BU110
 +TAG BUS PAR CHK DISPLAY BU110
 +BUS OUT PAR CHK DISPLAY BU110
 +DEVICE BUS IN PAR CHK DISPLAY BU110



PROGRAM CONTROL

DATA

BUS CHECKS

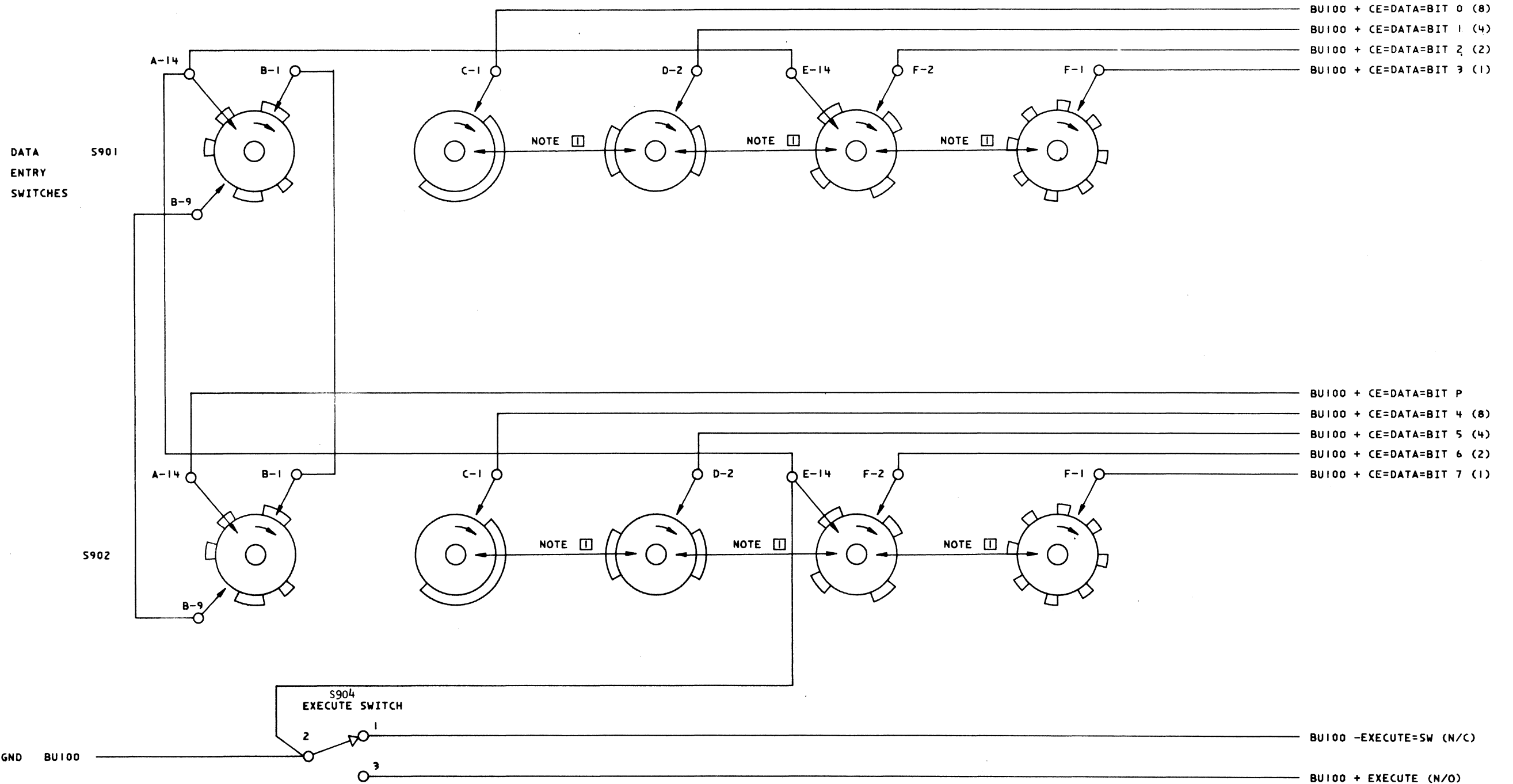
EXECUTE REQUEST
 CNTL TAG BUS
 CNTL BUS OUT
 DEV BUS IN

ZA030

© COPYRIGHT IBM CORP. 1976

EC HISTORY		DRAWING TITLE	
446573	01AUG75	CE PNL INDICATORS50/60HZ	
446615	18MAY76	MACH A02/A2F 50/60 HZ	
		PART NO 2757656	
C		CLASSIFICATION	
		DFS	05DEC75
		IBM CORP	

ZA030



NOTES:
 □ LINES INDICATED ARE INTERNAL TO SWITCH

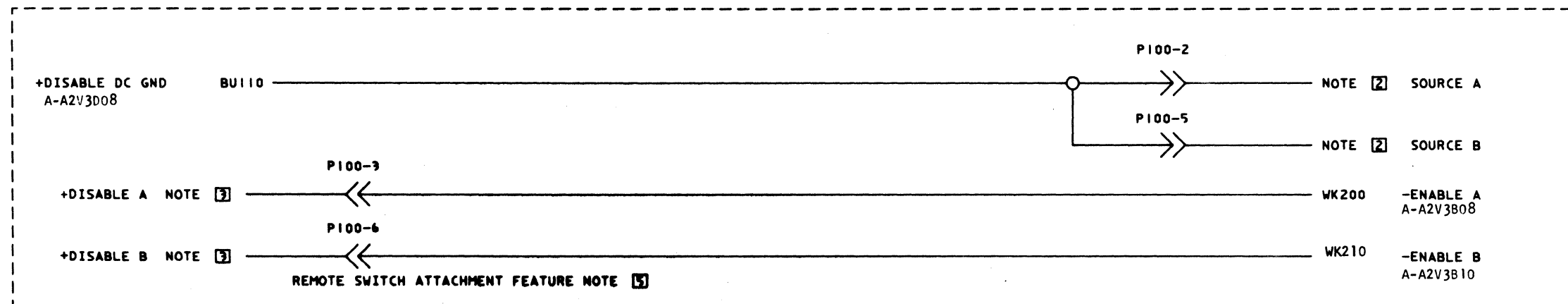
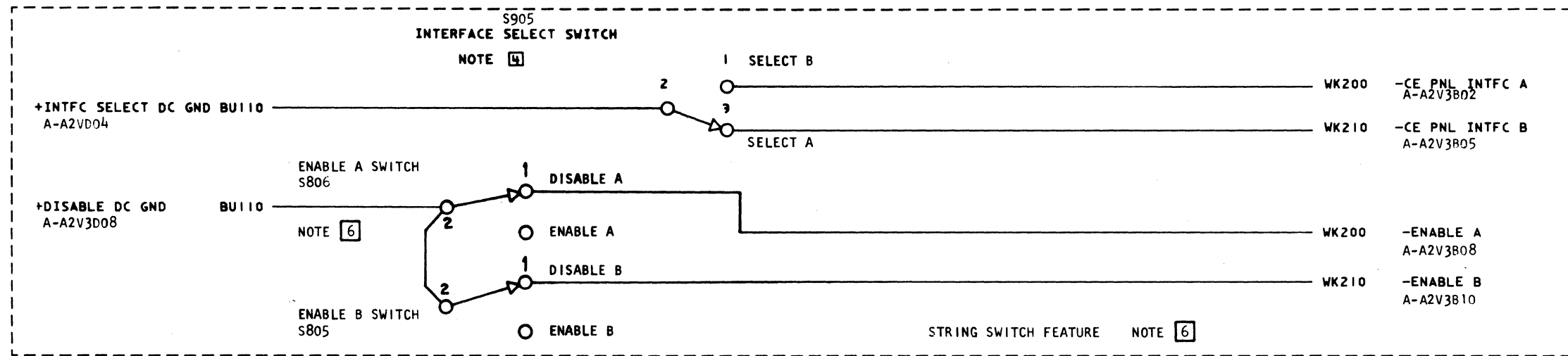
SHEET 1 OF 2

© COPYRIGHT IBM CORP. 1976

EC HISTORY		DRAWING TITLE	
446573	01AUG75	CE PANEL SWITCH 50/60HZ	
446615	18MAY76	MACH A02/A2F 50/60 HZ	
451070	21OCT76	PART NO 2757657	
C	CLASSIFICATION		IBM CORP
	DFS	05DEC75	

ZA040

ZA040



- NOTES:
- [2] "TO" HOST SYSTEM
 - [3] "FROM" HOST SYSTEM
 - [4] PRESENT ONLY IN MACHINES WITH STRING SWITCH FEATURE
 - [5] PRESENT ONLY IN MACHINES WITH REMOTE SW ATTACH FEATURE
 - [6] PRESENT ONLY IN MACHINES WITH STRING SWITCH FEATURE AND WITHOUT REMOTE SW ATTACH FEATURE

© COPYRIGHT IBM CORP. 1976

EC HISTORY		DRAWING TITLE	
446573	01AUG75	CE PNL SWITCHES 50/60 HZ	
446615	26MAY76	MACH A02/A2F 50/60 HZ	
451070	21OCT76	PART NO 2757657	
C	CLASSIFICATION		IBM CORP
	DFS	05DEC75	

ZA040

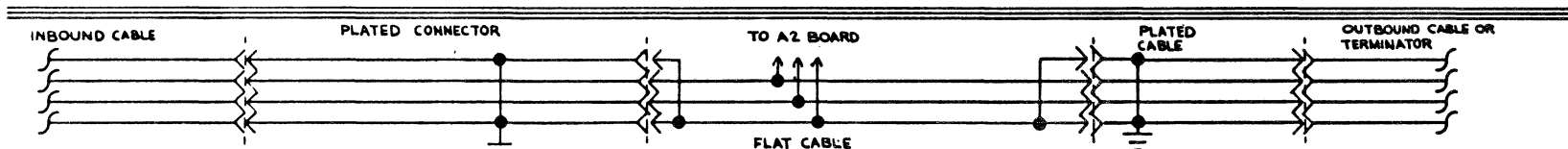
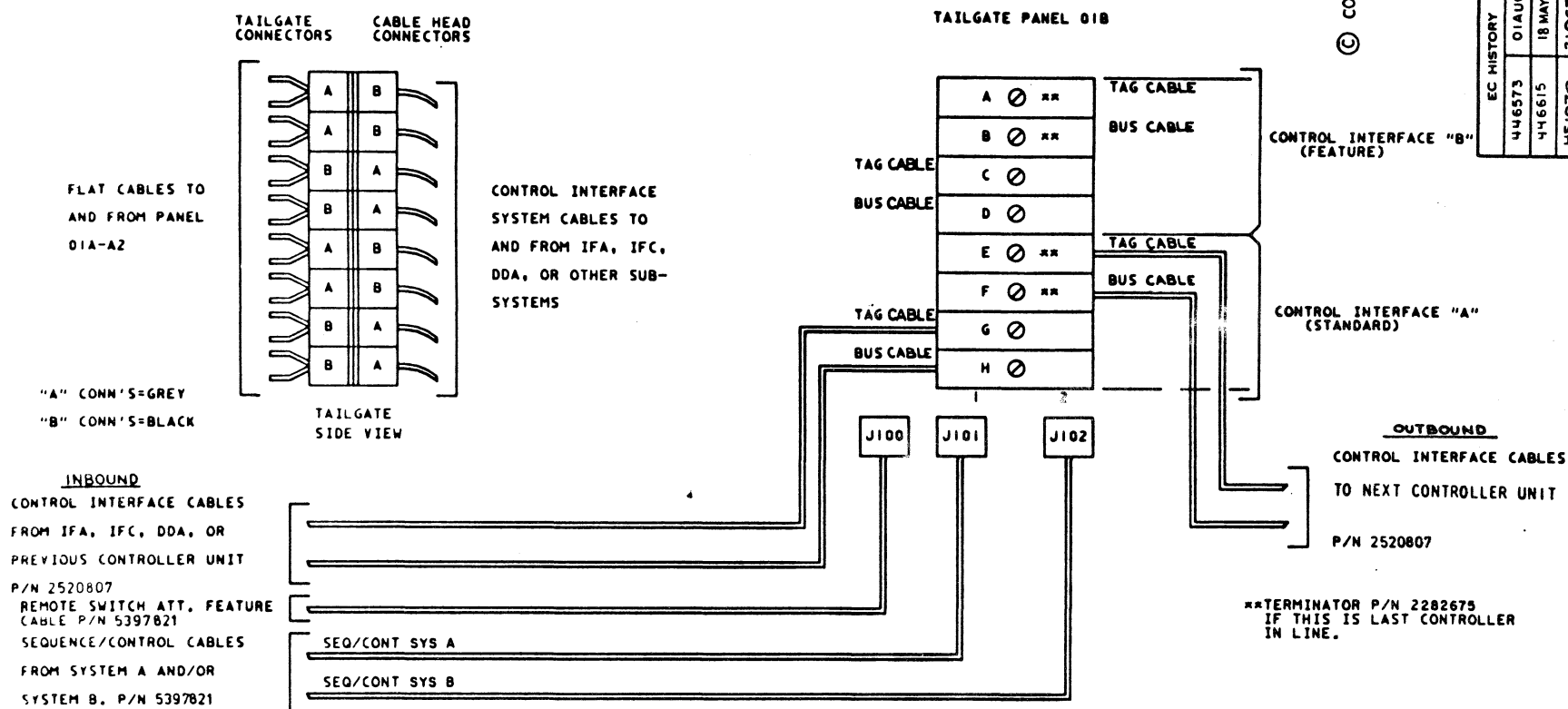
ZA040

CONTROL INTERFACE CONNECTORS

© COPYRIGHT IBM CORP. 1976

SHT 1 OF 4

DRAWING TITLE		CONTROL INTERFACE "A"	
EC HISTORY	01AUG75	MACH A02/A2F	50/60 HZ
446573	18 MAY 76	PART NO	2757658
446615	21 OCT 76	CLASSIFICATION	DFS 5DEC75
451070	30 NOV 78		
446711			
			IBM CORP



CONTROL INTERFACE LINE NAME	INBOUND INTERFACE CONNECTOR LOC 01B		INBOUND TAILGATE FLAT CABLE LOC 01B		LOGIC BOARD 01A - A2 (NON-STRING SWITCH)		LOGIC BOARD 01A - A2 (WITH STRING SWITCH)		OUTBOUND TAILGATE FLAT CABLE LOC 01B		OUTBOUND INTERFACE CONNECTOR LOC 01B		INTERFACE TERMINATOR IN LAST MOD A2 TAILGATE P/N 2282675
	PIN NO.	PIN NO.	PIN NO.	GRD NET	PIN NO.	LOGIC PAGE	PIN NO.	LOGIC PAGE	GRD NET	PIN NO.	PIN NO.		
GND	G1B02	G1D02			C5B02	WK110	A5B02	WK200		E1B02	E1B02		
+ TAG BUS A BIT 0 +3.0	G1B03	G1D03			C5B03	BY100	A5B03	#		E1B03	E1B03		
GND	G1B04	G1D04			C5B04	WK110	A5B04	WK200		E1B04	E1B04		
+ TAG BUS A BIT 4 +3.0	G1B05	G1D05			C5B05	WK110	A5B05	WK200		E1B05	E1B05		
+ TAG BUS A BIT 2 +3.0	G1B06	G1D06			C5B06	(NOT USED)	A5B06	(NOT USED)		E1B06	E1B06		
GND	G1B07	G1D07			C5B07	BY100	A5B07	#		E1B07	E1B07		
+ TAG BUS A BIT 6 +3.0	G1B08	G1D08			C5B08	WK100	A5B08	WK200		E1B08	E1B08		
+ TAG BUS BIT 6 (TO NEXT)	G1B09	G1D09			C5B09	WK100	A5B09	WK200		E1B09	E1B09		
GND	G1B10	G1D10			C5B10	WK110	A5B10	WK200		E1B10	E1B10		
+ TAG GATE A +3.0	G1B11	G1D11			C5B11	BY100	A5B11	#		E1B11	E1B11		
+ END RESPONSE A +3.0	G1B12	G1D12			C5B12	WK100	A5B12	WK200		E1B12	E1B12		
GND	G1B13	G1D13			C5B13	WK110	A5B13	WK200		E1B13	E1B13		
+ TAG BUS A BIT 1 +3.0	G1D02	G1B02			C5D02	(NOT USED)	A5D02	(NOT USED)		E1D02	E1D02		
GND	G1D03	G1B03			C5D03	BY100	A5D03	#		E1D03	E1D03		
+ TAG BUS A BIT 5 +3.0	G1D04	G1B04			C5D04	WK110	A5D04	WK200		E1D04	E1D04		
GND	G1D05	G1B05			C5D05	WK110	A5D05	WK200		E1D05	E1D05		
+ TAG BUS A BIT 7 +3.0	G1D06	G1B06			C5D06	WK110	A5D06	WK200		E1D06	E1D06		
GND	G1D07	G1B07			C5D07	BY100	A5D07	#		E1D07	E1D07		
+ TAG BUS A BIT P +3.0	G1D08	G1B08			C5D08	BY100	A5D08	#		E1D08	E1D08		
+ TAG BUS BIT P (TO NEXT)	G1D09	G1B09			C5D09	WK110	A5D09	WK200		E1D09	E1D09		
GND	G1D10	G1B10			C5D10	WK110	A5D10	WK200		E1D10	E1D10		
+ SELECT HOLD A +3.0	G1D11	G1B11			C5D11	WK110	A5D11	WK200		E1D11	E1D11		
GND	G1D12	G1B12			C5D12	BY100	A5D12	#		E1D12	E1D12		
+ RECYCLE TAG A +3.0	G1D13	G1B13			C5D13	WK110	A5D13	WK200		E1D13	E1D13		
GND	G1G02	G2D02			C2B02	BE160	A2B02	BR170		E2B02	E1G02		
+ SELECT ACTIVE A +3.0	G1G03	G2D03			C2B03	BY100	A2B03	#		E2B03	E1G03		
GND	G1G04	G2D04			C2B04	BE160	A2B04	BR170		E2B04	E1G04		
+ NORMAL END A +3.0	G1G05	G2D05			C2B05	BE160	A2B05	BR170		E2B05	E1G05		
+ METERING IN A +3.0	G1G06	G2D06			C2B06	(NOT USED)	A2B06	(NOT USED)		E2B06	E1G06		
GND	G1G07	G2D07			C2B07	BY100	A2B07	#		E2B07	E1G07		
+ ERROR ALERT A +3.0	G1G08	G2D08			C2B08	BD230	A2B08	BR170		E2B08	E1G08		
+ ERROR ALERT (TO NEXT)	G1G09	G2D09			C2B09	BD230	A2B09	BR170		E2B09	E1G09		
GND	G1G10	G2D10			C2B10	(NOT USED)	A2B10	(NOT USED)		E2B10	E1G10		
+ SELECTED ALERT 3 +3.0	G1G11	G2D11			C2B11	BY100	A2B11	#		E2B11	E1G11		
GND	G1G12	G2D12			C2B12	BD230	A2B12	BR170		E2B12	E1G12		
+ CE ALERT EXEC A +3.0	G1G13	G2D13			C2B13	WK110	A2B13	WK200		E2B13	E1G13		
(NOT USED)	G1J02	G2B02			C2D02	(NOT USED)	A2D02	(NOT USED)		E2D02	E1J02		
GND	G1J03	G2B03			C2D03	BY100	A2D03	#		E2D03	E1J03		
+ TAG VALID A +3.0	G1J04	G2B04			C2D04	BE160	A2D04	BR170		E2D04	E1J04		
GND	G1J05	G2B05			C2D05	BE160	A2D05	BR170		E2D05	E1J05		
+ CHECK END A +3.0	G1J06	G2B06			C2D06	BE160	A2D06	BR170		E2D06	E1J06		
GND	G1J07	G2B07			C2D07	BY100	A2D07	#		E2D07	E1J07		
+ INDEX ALERT A +3.0	G1J08	G2B08			C2D08	BE100	A2D08	#		E2D08	E1J08		
+ INDEX ALERT (TO NEXT)	G1J09	G2B09			C2D09	BE160	A2D09	BR170		E2D09	E1J09		
GND	G1J10	G2B10			C2D10	BE160	A2D10	BR170		E2D10	E1J10		
+ METERING IN B +3.0	G1J11	G2B11			C2D11	(NOT USED)	A2D11	(NOT USED)		E2D11	E1J11		
GND	G1J12	G2B12			C2D12	BY100	A2D12	#		E2D12	E1J12		
+ UNSELECT ALERT 2 +3.0	G1J13	G2B13			C2D13	(NOT USED)	A2D13	(NOT USED)		E2D13	E1J13		

*ADJACENT PINS ARE JUMPERED ON 01A-A2 BOARD

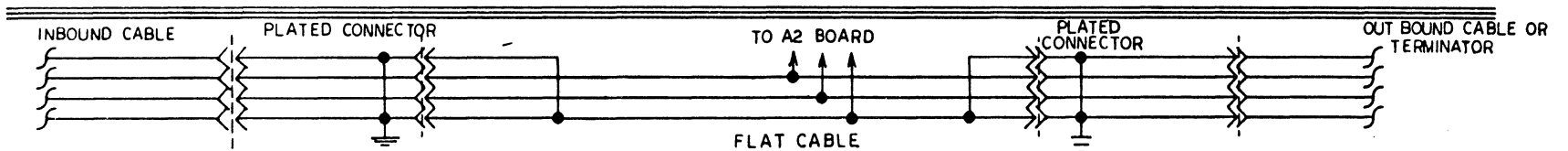
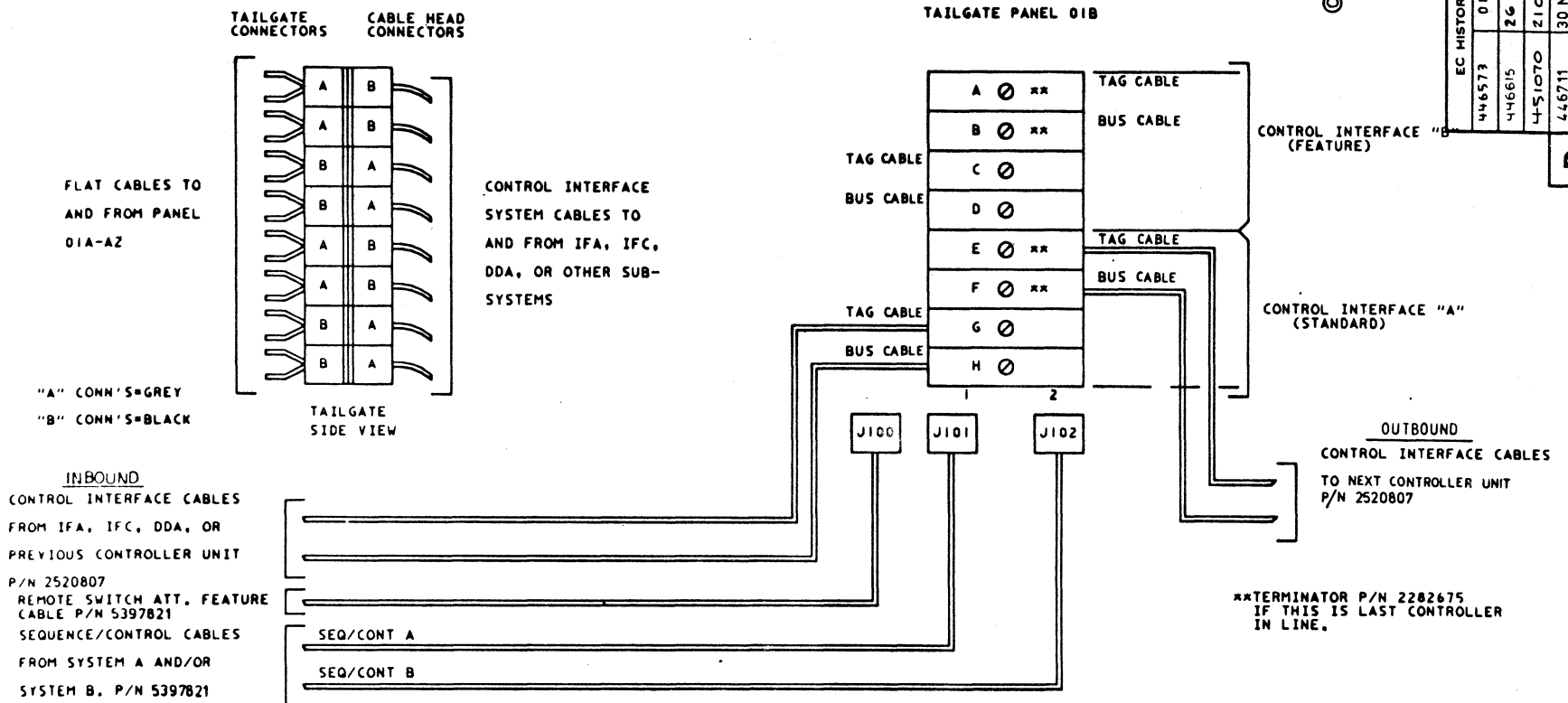
IMBEDDED GROUND PLANE

CONTROL INTERFACE CONNECTORS

© COPYRIGHT IBM CORPORATION 1976

SHT 2 OF 4

DRAWING TITLE		CONTROL INTERFACE "A"	
EC HISTORY	01 AUG 75	CONTROL INTERFACE "A"	50/60HZ
	446573	MACH A02/A2F	
	446615	PART NO 2757658	
	4451070	CLASSIFICATION	DFS
	446711	30 NOV 78	5 DEC 75
			IBM CORP



CONTROL INTERFACE LINE NAME	INBOUND INTERFACE CONNECTOR LOC 01B		INBOUND TAILGATE FLAT CABLE LOC 01B		LOGIC BOARD 01A - A2 (NON-STRING SWITCH)		LOGIC BOARD 01A - A2 (WITH STRING SWITCH)		OUTBOUND TAILGATE FLAT CABLE LOC 01B		OUTBOUND INTERFACE CONNECTOR LOC 01B		INTERFACE TERMINATOR IN LAST MOD A2 TAILGATE P/N 2282675
	PIN NO.	PIN NO.	PIN NO.	GRD NET	PIN NO.	LOGIC PAGE	PIN NO.	LOGIC PAGE	GRD NET	PIN NO.	PIN NO.		
GND	H1B02	H1D02			C4B02	WK100	A4B02	WK200		F1B02	F1B02		
+ BUS OUT A BIT P +3.0	H1B03	H1D03			C4B03	BV100	A4B03	#		F1B03	F1B03		
GND	H1B04	H1D04			C4B05	WK100	A4B05	WK200		F1B04	F1B04		
+ BUS OUT A BIT 1 +3.0	H1B05	H1D05			C4B06	WK100	A4B06	WK200		F1B05	F1B05		
+ =CE=COMM A +3.0	H1B06	H1D06			C4B07	BV100	A4B07	#		F1B06	F1B06		
GND	H1B07	H1D07			C4B08*	WK100	A4B08*	WK200		F1B07	F1B07		
+ BUS OUT A BIT 3 +3.0	H1B08	H1D08			C4B09*	WK100	A4B09*	WK200		F1B08	F1B08		
+BUS OUT BIT 3(TO NEXT)										F1B09	F1B09		
GND	H1B09	H1D09			C4B10	WK100	A4B10	WK200		F1B10	F1B10		
+ BUS OUT A BIT 5 +3.0	H1B10	H1D10			C4B11	BV100	A4B11	#		F1B11	F1B11		
GND	H1B11	H1D11			C4B12	WK100	A4B12	WK200		F1B12	F1B12		
+ BUS OUT A BIT 7 +3.0	H1B12	H1D12			C4B13	WK110	A4B13	WK200		F1B13	F1B13		
GND	H1B13	H1D13								F1B13	F1B13		
+ TAG BUS A BIT 3 +3.0	H1D02	H1B02			C4D02	(NOT USED)	A4D02	(NOT USED)		F1D02	F1D02		
GND	H1D03	H1B03			C4D04	BV100	A4D04	#		F1D03	F1D03		
+ BUS OUT A BIT 0 +3.0	H1D04	H1B04			C4D05	WK100	A4D05	WK200		F1D04	F1D04		
GND	H1D05	H1B05			C4D06	WK100	A4D06	WK200		F1D05	F1D05		
+ BUS OUT A BIT 2 +3.0	H1D06	H1B06			C4D08	BV100	A4D08	#		F1D06	F1D06		
GND	H1D07	H1B07			C4D09*	WK100	A4D09*	WK200		F1D07	F1D07		
+ BUS OUT A BIT 4 +3.0	H1D08	H1B08			C4D10*	WK100	A4D10*	WK200		F1D08	F1D08		
+BUS OUT BIT 4(TO NEXT)										F1D09	F1D09		
GND	H1D10	H1B10			C4D11	WK100	A4D11	WK200		F1D10	F1D10		
+ BUS OUT A BIT 6 +3.0	H1D11	H1B11			C4D12	BV100	A4D12	#		F1D11	F1D11		
GND	H1D12	H1B12			C4D13	WK110	A4D13	WK200		F1D12	F1D12		
+ SYNC OUT A +3.0	H1D13	H1B13								F1D13	F1D13		
GND	H1G02	H2D02			C3B02	BA150	A3B02	BM160		F2B02	F1602		
+CON A BUS IN BIT P +3.0	H1G03	H2D03			C3B03	BV100	A3B03	#		F2B03	F1603		
GND	H1G04	H2D04			C3B05	BA150	A3B05	BM160		F2B04	F1604		
+CON A BUS IN BIT 1 +3.0	H1G05	H2D05			C3B06	(NOT USED)	A3B06	(NOT USED)		F2B05	F1605		
(NOT USED)	H1G06	H2D06			C3B07	BV100	A3B07	#		F2B06	F1606		
GND	H1G07	H2D07			C3B08*	BA150	A3B08*	BM160		F2B07	F1607		
+CON A BUS IN BIT 3 +3.0	H1G08	H2D08			C3B09*	BA150	A3B09*	BM160		F2B08	F1608		
+CON BUS IN BIT 3(TO NEXT)										F2B09	F1609		
GND	H1G09	H2D09			C3B10	BA150	A3B10	BM160		F2B10	F1610		
+CON A BUS IN BIT 5 +3.0	H1G10	H2D10			C3B11	BV100	A3B11	#		F2B11	F1611		
GND	H1G11	H2D11			C3B12	BA150	A3B12	BM160		F2B12	F1612		
+CON A BUS IN BIT 7 +3.0	H1G12	H2D12								F2B13	F1613		
GND	H1G13	H2D13								F2B13	F1613		
(NOT USED)	H1J02	H2B02			C3D02	(NOT USED)	A3D02	(NOT USED)		F2D02	F1J02		
GND	H1J03	H2B03			C3D04	BV100	A3D04	#		F2D03	F1J03		
+CON A BUS IN BIT 0 +3.0	H1J04	H2B04			C3D05	BA150	A3D05	BM160		F2D04	F1J04		
GND	H1J05	H2B05			C3D06	BA150	A3D06	BM160		F2D05	F1J05		
+CON A BUS IN BIT 2 +3.0	H1J06	H2B06			C3D08	BV100	A3D08	#		F2D06	F1J06		
GND	H1J07	H2B07			C3D09*	BA150	A3D09*	BM160		F2D07	F1J07		
+CON A BUS IN BIT 4 +3.0	H1J08	H2B08			C3D10*	BA150	A3D10*	BM160		F2D08	F1J08		
+CON BUS IN BIT 4(TO NEXT)										F2D09	F1J09		
GND	H1J10	H2B10			C3D11	BA150	A3D11	BM160		F2D10	F1J10		
+CON A BUS IN BIT 6 +3.0	H1J11	H2B11			C3D12	BV100	A3D12	#		F2D11	F1J11		
GND	H1J12	H2B12			C3D13	BE160	A3D13	BR190		F2D12	F1J12		
+SYNC IN A +3.0	H1J13	H2B13								F2D13	F1J13		

*ADJACENT PINS ARE JUMPED ON 01A-A2 BOARD

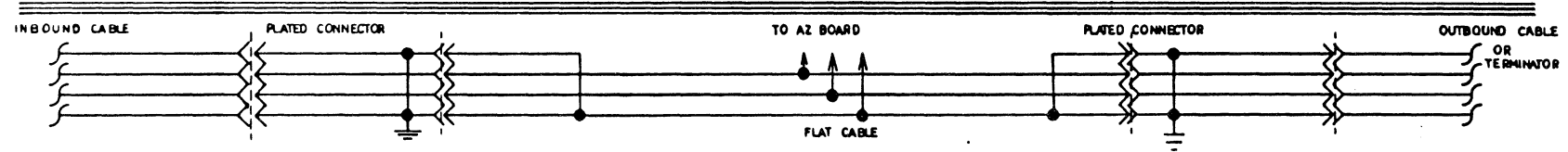
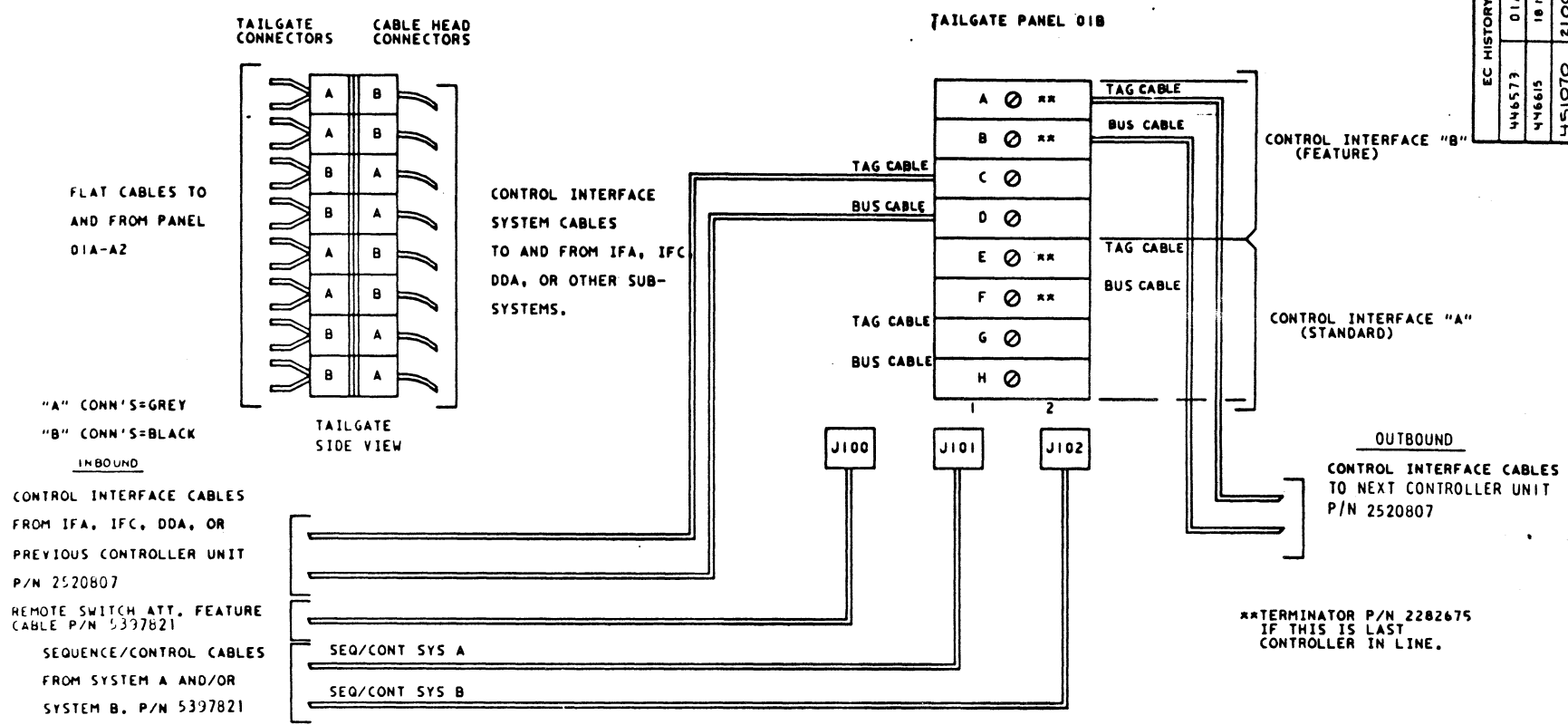
IMBEDDED GROUND PLANE

CONTROL INTERFACE CONNECTORS

© COPYRIGHT IBM CORPORATION 1976

SHT 3 OF 4

DRAWING TITLE		CONTROL INTERFACE "B"	
EC HISTORY	D1AUG75	MACH A02/A2F	50/60 ME
446573	18 MAY 76	PART NO 2757658	CLASSIFICATION
446615	21 OCT 76	DF5	5 DEC 75
446711	30 NOV 78	IBM CORP	

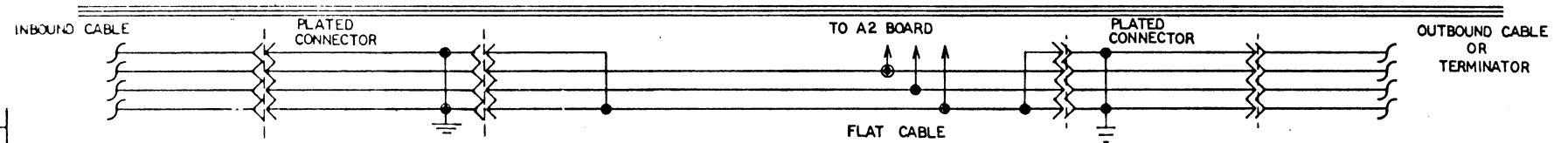
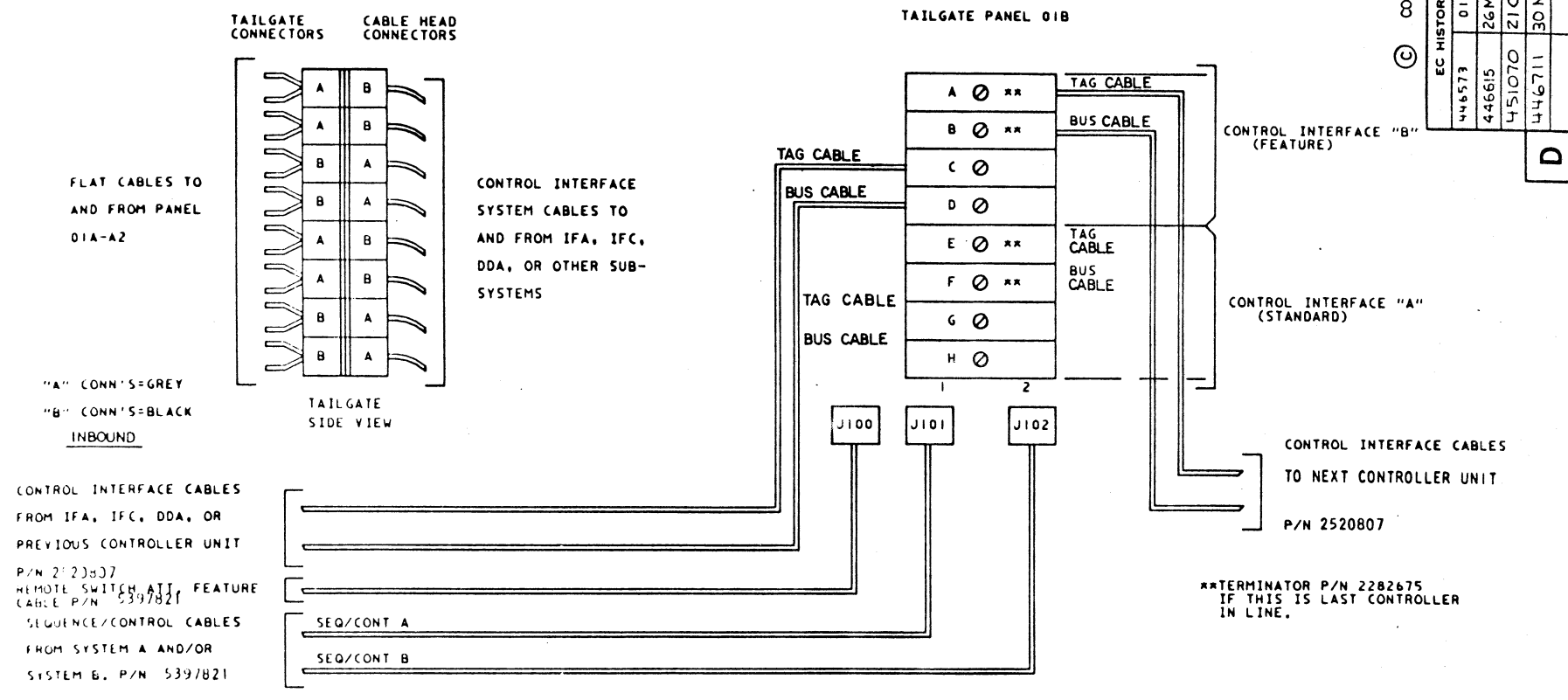


CONTROL INTERFACE LINE NAME	INBOUND INTERFACE CONNECTOR LOC 01B		INBOUND TAILGATE FLAT CABLE LOC 01B		LOGIC BOARD 01A - A2 (NON-STRING SWITCH)		LOGIC BOARD 01A - A2 (WITH STRING SWITCH)		OUTBOUND TAILGATE FLAT CABLE LOC 01B		OUTBOUND INTERFACE CONNECTOR LOC 01B	INTERFACE TERMINATOR IN LAST MOD A2 TAILGATE
	PIN NO.	PIN NO.	GRD NET	PIN NO.	NET NO.	PIN NO.	LOGIC PAGE	GRD NET	PIN NO.	PIN NO.	P/N 2282675	
GND	C1B02	C1D02	●	C1B02	C1D02	B5B02	WK210	●	A1B02	A1B02	[Resistor]	
+ TAG BUS B BIT 0 +3.0	C1B03	C1D03				B5B03	BV100		A1B03	A1B03		
GND	C1B04	C1D04				B5B05	WK210		A1B04	A1B04		
+ TAG BUS B BIT 4 +3.0	C1B05	C1D05				B5B06	(NOT USED)		A1B05	A1B05		
+ TAG BUS B BIT 2 +3.0	C1B06	C1D06				B5B07	BV100		A1B06	A1B06		
GND	C1B07	C1D07				B5B08*	WK210		A1B07	A1B07		
+ TAG BUS B BIT 6 +3.0	C1B08	C1D08				B5B09*	WK210		A1B08	A1B08		
+TAG BUS BIT 6(TO NEXT)	C1B09	C1D09				B5B10	WK210		A1B09	A1B09		
GND	C1B10	C1D10	B5B11	BV100	A1B10	A1B10						
+ TAG GATE B +3.0	C1B11	C1D11	B5B12	WK210	A1B11	A1B11						
GND	C1B12	C1D12	●	C1B12	C1D12	B5D02	(NOT USED)	●	A1D02	A1D02	[Resistor]	
+ TAG BUS B BIT 1 +3.0	C1D02	C1B02				B5D04	BV100		A1D03	A1D03		
GND	C1D03	C1B03				B5D05	WK210		A1D04	A1D04		
+ TAG BUS B BIT 5 +3.0	C1D04	C1B04				B5D06	WK210		A1D05	A1D05		
GND	C1D05	C1B05				B5D08	BV100		A1D06	A1D06		
+ TAG BUS B BIT 7 +3.0	C1D06	C1B06				B5D09*	WK210		A1D07	A1D07		
GND	C1D07	C1B07				B5D10*	WK210		A1D08	A1D08		
+TAG BUS B BIT P +3.0	C1D08	C1B08				B5D11	WK210		A1D09	A1D09		
+TAG BUS BIT P(TO NEXT)	C1D09	C1B09				B5D12	BV100		A1D10	A1D10		
GND	C1D10	C1B10				B5D13	WK210		A1D11	A1D11		
+ SELECT HOLD B +3.0	C1D11	C1B11				B2B02	BR180		A1D12	A1D12		
+ RECYCLE TAG B +3.0	C1D12	C1B12				B2B03	BV100		A1D13	A1D13		
GND	C1D13	C1B13				B2B05	BR180		A2B02	A1G02		
+ SELECT ACTIVE B +3.0	C1G02	C2D02	B2B06	BV100	A2B03	A1G03						
GND	C1G03	C2D03	B2B07	BR180	A2B04	A1G04						
+ NORMAL END B +3.0	C1G04	C2D04	B2B08*	(NOT USED)	A2B05	A1G05						
+ METERING IN A +3.0	C1G05	C2D05	B2B09*	BV100	A2B06	A1G06						
GND	C1G06	C2D06	B2B10	BR180	A2B07	A1G07						
+ ERROR ALERT B +3.0	C1G07	C2D07	B2B11	(NOT USED)	A2B08	A1G08						
+ERROR ALERT (TO NEXT)	C1G08	C2D08	B2B12	BV100	A2B09	A1G09						
GND	C1G09	C2D09	B2B13	BR180	A2B10	A1G10						
+SELECTED ALERT 3 +3.0	C1G10	C2D10	B2D02	(NOT USED)	A2B11	A1G11						
GND	C1G11	C2D11	B2D04	BV100	A2B12	A1G12						
+CE ALERT EXEC B +3.0	C1G12	C2D12	B2D05	BR180	A2B13	A1G13						
GND	C1G13	C2D13	B2D06	BR180	A2D02	A1J02						
(NOT USED)	C1J02	C2B02	B2D08	BV100	A2D03	A1J03						
GND	C1J03	C2B03	B2D09*	BR180	A2D04	A1J04						
+ TAG VALID B +3.0	C1J04	C2B04	B2D10*	BR180	A2D05	A1J05						
GND	C1J05	C2B05	B2D11	(NOT USED)	A2D06	A1J06						
+ CHECK END B +3.0	C1J06	C2B06	B2D12	BV100	A2D07	A1J07						
GND	C1J07	C2B07	B2D13	(NOT USED)	A2D08	A1J08						
+ INDEX ALERT B +3.0	C1J08	C2B08	B2D11	(NOT USED)	A2D09	A1J09						
+INDEX ALERT (TO NEXT)	C1J09	C2B09	B2D12	BV100	A2D10	A1J10						
GND	C1J10	C2B10	B2D13	(NOT USED)	A2D11	A1J11						
+ METERING IN B +3.0	C1J11	C2B11			A2D12	A1J12						
GND	C1J12	C2B12			A2D13	A1J13						
+UNSELECT ALERT 2 +3.0	C1J13	C2B13										

*ADJACENT PINS ARE JUMPERED ON 01A-A2 BOARD # IMBEDDED GROUND PLANE

CONTROL INTERFACE CONNECTORS

DRAWING TITLE		CONTROL INTERFACE "B"	
EC HISTORY	01AUG75	CONTROL INTERFACE "B"	
446573	26MAY76	MACH A02/A2F	50/60HZ
446615	21OCT76	PART NO 2757658	
451070	30NOV78	CLASSIFICATION	
446711		DFS	5DEC75
			IBM CORP



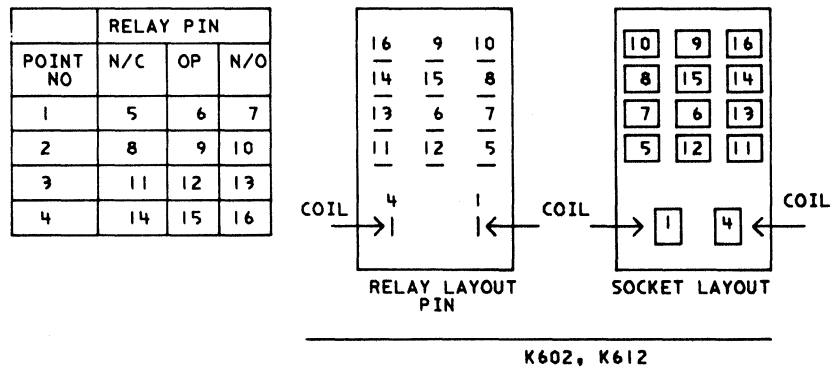
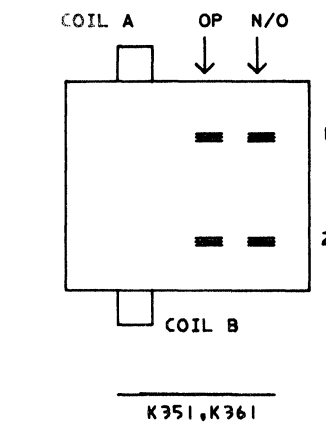
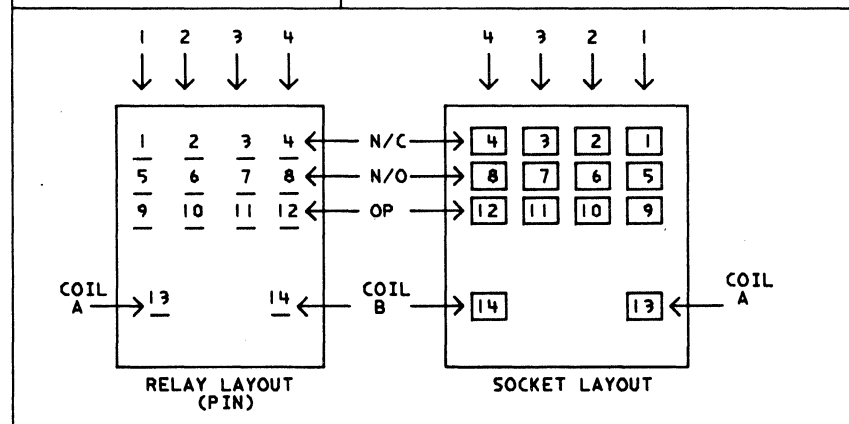
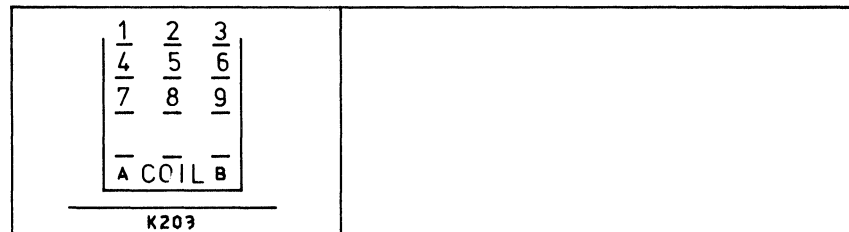
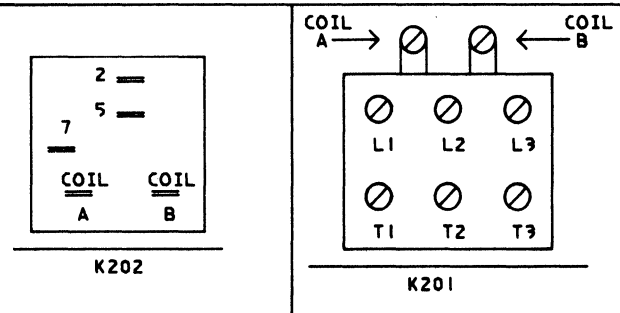
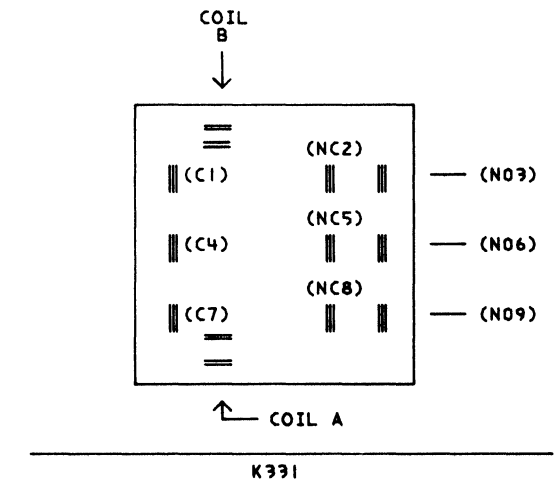
CONTROL INTERFACE LINE NAME	INBOUND INTERFACE CONNECTOR LOC 01B		INBOUND TAILGATE FLAT CABLE LOC 01B		LOGIC BOARD 01A - A2 (NON-STRING SWITCH)		LOGIC BOARD 01A - A2 (WITH STRING SWITCH)		OUTBOUND TAILGATE FLAT CABLE LOC 01B		OUTBOUND INTERFACE CONNECTOR LOC 01B		INTERFACE TERMINATOR IN LAST MOD A2 TAILGATE P/N 2282675
	PIN NO.	PIN NO.	PIN NO.	GRD NET	PIN NO.	NET NO.	PIN NO.	LOGIC PAGE	GRD NET	PIN NO.	PIN NO.		
+ BUS OUT B BIT P GND	D1B02	D1D02					B4B02	WK210		B1B02	B1B02	[Terminator symbol]	
+ BUS OUT B BIT 1 +3.0	D1B03	D1D03					B4B03	BV100		B1B03	B1B03		
+ BUS OUT B BIT 2 +3.0	D1B04	D1D04					B4B05	WK210		B1B04	B1B04		
+ CE=COMM B +3.0	D1B05	D1D05					B4B06	WK210		B1B05	B1B05		
+ BUS OUT B BIT 3 +3.0	D1B06	D1D06					B4B07	BV100		B1B06	B1B06		
+ BUS OUT B BIT 3 (TO NEXT) GND	D1B07	D1D07					B4B08*	WK210		B1B07	B1B07		
+ BUS OUT B BIT 4 +3.0	D1B08	D1D08					B4B09*	WK210		B1B08	B1B08		
+ BUS OUT B BIT 5 +3.0	D1B09	D1D09					B4B10	WK210		B1B09	B1B09		
+ BUS OUT B BIT 6 +3.0	D1B10	D1D10					B4B11	BV100		B1B10	B1B10		
+ BUS OUT B BIT 7 +3.0	D1B11	D1D11					B4B12	WK210		B1B11	B1B11		
+ SYNC OUT B +3.0	D1B12	D1D12					B4B13	WK210		B1B12	B1B12		
	D1B13	D1D13								B1B13	B1B13		
+ TAG BUS B BIT 3 +3.0	D1D02	D1B02					B4D02	(NOT USED)		B1D02	B1D02		[Terminator symbol]
+ BUS OUT B BIT 0 +3.0	D1D03	D1B03					B4D04	BV100		B1D03	B1D03		
+ BUS OUT B BIT 2 +3.0	D1D04	D1B04					B4D05	WK210		B1D04	B1D04		
+ BUS OUT B BIT 2 +3.0	D1D05	D1B05					B4D06	WK210		B1D05	B1D05		
+ BUS OUT B BIT 4 +3.0	D1D06	D1B06					B4D08	BV100		B1D06	B1D06		
+ BUS OUT BIT 4 (TO NEXT) GND	D1D07	D1B07					B4D09*	WK210		B1D07	B1D07		
+ BUS OUT B BIT 6 +3.0	D1D08	D1B08					B4D10*	WK210		B1D08	B1D08		
+ BUS OUT B BIT 7 +3.0	D1D09	D1B09					B4D11	WK210		B1D09	B1D09		
+ SYNC OUT B +3.0	D1D10	D1B10					B4D12	BV100		B1D10	B1D10		
	D1D11	D1B11					B4D13	WK210		B1D11	B1D11		
	D1D12	D1B12								B1D12	B1D12		
	D1D13	D1B13								B1D13	B1D13		
+ CON B BUS IN BIT P GND	D1G02	D2D02					B3B02	BN160		B2B02	B1G02	[Terminator symbol]	
+ CON B BUS IN BIT 1 +3.0	D1G03	D2D03					B3B03	BV100		B2B03	B1G03		
+ CON B BUS IN BIT 1 (NOT USED) GND	D1G04	D2D04					B3B05	BN160		B2B04	B1G04		
+ CON B BUS IN BIT 3 +3.0	D1G05	D2D05					B3B06	(NOT USED)		B2B05	B1G05		
+ CON BUS IN BIT 3 (TO NEXT) GND	D1G06	D2D06					B3B07	BV100		B2B06	B1G06		
+ CON B BUS IN BIT 5 +3.0	D1G07	D2D07					B3B08*	BN160		B2B07	B1G07		
+ CON BUS IN BIT 5 (TO NEXT) GND	D1G08	D2D08					B3B09*	BN160		B2B08	B1G08		
+ CON B BUS IN BIT 7 +3.0	D1G09	D2D09					B3B10	BN160		B2B09	B1G09		
+ CON B BUS IN BIT 7 +3.0	D1G10	D2D10					B3B11	BV100		B2B10	B1G10		
+ SYNC IN B +3.0	D1G11	D2D11					B3B12	BN160		B2B11	B1G11		
	D1G12	D2D12								B2B12	B1G12		
	D1G13	D2D13								B2B13	B1G13		
(NOT USED) GND	D1J02	D2B02					B3D02	(NOT USED)		B2D02	B1J02		[Terminator symbol]
+ CON B BUS IN BIT 0 +3.0	D1J03	D2B03					B3D04	BV100		B2D03	B1J03		
+ CON B BUS IN BIT 2 +3.0	D1J04	D2B04					B3D05	BN160		B2D04	B1J04		
+ CON B BUS IN BIT 2 +3.0	D1J05	D2B05					B3D06	BN160		B2D05	B1J05		
+ CON B BUS IN BIT 4 +3.0	D1J06	D2B06					B3D08	BV100		B2D06	B1J06		
+ CON BUS IN BIT 4 (TO NEXT) GND	D1J07	D2B07					B3D09*	BN160		B2D07	B1J07		
+ CON B BUS IN BIT 6 +3.0	D1J08	D2B08					B3D10*	BN160		B2D08	B1J08		
+ CON B BUS IN BIT 6 +3.0	D1J09	D2B09					B3D11	BN160		B2D09	B1J09		
+ SYNC IN B +3.0	D1J10	D2B10					B3D12	BV100		B2D10	B1J10		
	D1J11	D2B11					B3D13	BR190		B2D11	B1J11		
	D1J12	D2B12								B2D12	B1J12		
	D1J13	D2B13								B2D13	B1J13		

*ADJACENT PINS ARE JUMPED ON 01A-A2 BOARD # IMBEDDED GROUND PLANE

NOTE 1

COMPONENT	DESCRIPTION	MAIN	AUX
CB200	40A, MAINLINE DISCONNECT	010	-
CP201	5A PRIMARY T201	011	-
CP202	7A, CONVENIENCE OUTLET	010	-
CP204	3A,+24V BOOTSTRAP	011	-
CP220	5A,PRIMARY T420	010	-
CB230	15A DRIVE DISCONNECT (AC)	010	-
CP311	.075A BLOWER THERMAL LATCH	049	049
CP330	5A PRIMARY T531	010	-
CP331	7A PRIMARY T532	010	-
CP420	6A,+6V BULK CONTROLLER	026	050
CP421	30A -4V BULK CONTROLLER 2	026	050
CP531	4A,+24V LOCAL DC	030	055
CP532	4A,+6V BULK	030	055
CP533	0.5A,-24V DC	030	055
CP534	0.5A,+24V DC	030	055
CP535	1A,-12V DC	030	055
CP536	25A,-4V DC	030	055
CP557	5A,-36V (A) DC	030	-
CP568	5A,-36V (B) DC	030	-
	LOGIC GATE THERMAL	049	-

RELAY POINT LOGIC LOCATION NOTE 1							
COMPONENT	CIRCUIT	COIL	SECTION				
			1	2	3	4	
K201	SUBSYSTEM POWER	050	010	010	010	-	-
K202	PHASE ROTATION	010	048	-	-	-	-
K203	EPO	050	010	SP	010	-	-
K331	POWER DRIVE	055	010	010	010	-	-
K351	DRIVE MOTOR (A)	071	020	020	-	-	-
K361	DRIVE MOTOR (B)	081	020	020	-	-	-
K601	S.S. SEQ START	050	050	050	SP	048	-
K602	+6V SENSE CONTROLLER	050	050	050	SP	SP	-
K603	STRING PWR SEQ COMP	050	048	050	048	048	-
K611	POWER SEQ DLY	055	055	055	055	SP	-
K612	+6V SENSE (DRIVE)	055	055	SP	055	055	-
K631	ALLOW START	055	SP	SP	SP	055	-
K632	START DRIVES	055	055	071	081	SP	-
K633	DRIVE SEQ COMPLETE	055	SP	SP	055	055	-
K651	DRIVE MOTOR RUN (A)	071	071	071	SP	071	-
K652	HDA SEQ COMP (A)	071	SP	SP	055	081	-
K661	DRIVE MOTOR RUN (B)	081	081	081	081	SP	-
K662	HDA SEQ COMP (B)	081	055	SP	SP	SP	-



RELAY PIN				
POINT NO	N/C	OP	N/O	
1	5	6	7	
2	8	9	10	
3	11	12	13	
4	14	15	16	

NOTES:

- 1 ALL PAGE NUMBERS PREFIXED WITH YA. EXAMPLE: 055 SHOULD READ YA055
- 2 CP421 MAY BE 25A ON EARLY MACHINES WITHOUT STRING SWITCH FEATURE

© COPYRIGHT IBM CORP. 1976

EC HISTORY		DRAWING TITLE	
SEE EC	HISTORY	RELAY & CP LOC CHART	
446711	30 NOV 78	MACH	A02/A2F 60HZ
451333	18 JAN 80	PART NO	2757659
C	CLASSIFICATION		IBM CORP
	DFS	05DEC75	

TB AND GROUND TERMINAL LOGIC LOCATION CHART

TB NO	NOTE 3														LOGIC PAGE NOTE 1										TB NO	TERM NO	FRAME GROUND TERM	LOGIC PAGE
	101	102	50HZ 201	60HZ 201	202	203	50HZ 204	50HZ 211	60HZ 211	306	50HZ 330	351	361	421	422	431	530	531	532	WI								
1	049	090	010	010	011	010	010	020	020	011	010	020	020	026	026	030	030	044	030	090	1	2W-1	010					
2	049	090	010	010	011	010	010	020	020	052	010	020	020	026	026	030	030	030	SP	090	2	2W-2	010					
3	090	090	010	SP	011	010		020	020	011	010	020	020	026	026	SP	030	044		090	3	2W-3	010					
4	090	090	010	010	011	010		020		011*	010	020*	020*	026	026	030	030	044		090	4	2W-4	010					
5	090	090	010		011	010*		020		055		020	020*		049	055	030	030		090	5	2W-5	020					
6	090	090	010		011	010*		020		055		020	020		050	055	030	044		090	6	2W-6	020					
7	090		010		011							020	020				030	044		090	7	2W-7	011					
8	090		010									020*	020					044		090	8	2W-8	010*					
9	090		010															030		090	9							
10	090		010															044		090	10	5W-1	030					
11	090		010															044		090	11							
12			010															044		090	12							
13																		030			13							
14																		044			14							
15																					15							
16																					16							

- NOTES:
- 1 LOGIC PAGE NUMBERS ARE TO BE PREFIXED WITH YA. EXAMPLE 010 = YAG10
 - 2 TERMINAL NUMBERS WITH * ARE USED ON 50HZ MACHINES ONLY. EXAMPLE TB306-4.010*
 - 3 TB202-6,7&8 AND TB203-2 NOT USED ON 60 HZ
 - 4 MACHINES WITHOUT PRIMARY CONTROLLER ADAPTOR FEATURE. A* INDICATES POSITION NOT USED BUT IS NOT A SPARE POSITION
 - 5 MACHINES WITH PRIMARY CONTROLLER ADAPTOR FEATURE. A* INDICATES POSITION NOT USED BUT IS NOT A SPARE POSITION.
 - 6 TB532 IS NOT PRESENT ON EARLY MACHINES

CONNECTOR LOGIC LOCATION CHART

LOGIC PAGE NOTE 1

CONN J/P NO	NOTE 4																				NOTE 5			CONN J/P NO	TERM NO							
	101	304	351	361	420	421	530	531	532	534	535	542	630	631	632	633	634	635	636	637	638	640	641			642	643	645	640	641	642	643
1	048	010	020	020	SP	026	040	040	060	030	060	060	052	052	SP	072	072	072	072	072	072	050	048	048	049	048	050	048	048	050	048	1
2	048	010	020	020	026	026	040	SP	060	044	060	060	052	052	052	071	055	071	071	052	081	050	048	048	050	048	050	048	048	048	2	
3	048	010	020	020	026	SP	040	040	SP	044	060	SP	052	SP	055	072	055	071	SP	055	071	050	048	048	050	050	050	048	050	-	3	
4	048	010	020	020	SP	026	040		SP	044	SP	SP	052	052	SP	072	081	072	072	071	072	050	048	048	050	050	050	048	-	048	4	
5	048	010	020*	020*	SP	026	040		060	044	060	060	052	052	055	SP	055	072	071	081	081	050	048	048	048	048	050	048	048	048	5	
6	048	010	020	020	026	026	040		060	055	060	060	052	SP	072	071	071	072	081	055	072	050	048	048		050	050	048	050	6		
7		010	020*	020*	026	026	040		SP	055	SP	SP	SP	052	055	072	071	072	081		081	SP	048	048		SP		048		7		
8			020*	020*	026	026	040		060	052	060	060	052	052	055	071	055	071	081		072	-	048	048		055	048			8		
9			SP	SP	026	026	040		060	055	060	060	SP	052	081	072	SP	072		072	-	048	048		055	048				9		
10			SP	SP			040		060	SP	060	060		055		071	072					048	048					048		10		
11			SP	SP			040		060	044		060		055		SP	071	072				048	050				048	050		11		
12			SP	SP			040		060	SP		060		072		SP	072	072				050					050			12		
13									060			060		055		SP							SP				SP			13		
14									SP			SP		072		055							048				048			14		
15									SP			SP		055																15		
16									060			060				081															16	
17									SP			SP				071															17	
18									SP			SP				081															18	
19																071															19	
20																055															20	
21																072															21	
22																SP															22	

© COPYRIGHT IBM CORPORATION 1976

EC HISTORY		DRAWING TITLE	
446607	30DEC75	CONN & TB LOGIC LOC CHART	
446612	24FEB76	MACH A02/A2F 50/60HZ	
446615	20MAY76	PART NO 2757660	
D	451070	21 OCT 76	CLASSIFICATION
		DFS	5DEC75

IBM CORP

Z
A
1
1
0

Z
A
1
1
0

CAPACITOR, DIODE, INDUCTOR, RESISTOR AND TRANSFORMER LOGIC LOCATION CHART

COMPONENT	VALUE/TYPE	LOGIC PAGE
C200	ASM P/N 2757147	010
C201	.1 μ f 440VAC	010
C202	10K μ f 30VDC	011
C204	.1 μ f 100V	011
C351-353	.01 μ f 1000V	020
C364-366	.01 μ f 1000V	020
C420	8 μ f	026
C421	210K μ f 15V DC	026
C422	54K μ f 15V DC	030
C530-531	240K μ f 7.5V DC	030
C532	54K μ f 30V DC	030
C533-534	63K μ f 15V DC	030
C535-536	34K μ f 55V DC	030
C537	34K μ f 30V DC	030
C538	36K μ f 15V DC	030
C540	3 μ f 600V	030
C541	12 μ f 660V	030
C630	1000 μ f 8V DC	055
CR151	AM	071
CR161	AM	081
CR201	QC	011
CR203	AM	050
CR331	AM	055
CR351	AM	071
CR361	AM	081
CR421-422	ASM P/N 2757388	026
CR423	QC	026
CR530-531	ASM P/N 2757388	030
CR532	QC	030
CR533	QC	030
CR534, CR537	ASM P/N 2757302	030

NOTES

- 1 ALL PAGE NUMBERS PREFIXED WITH YA EXCEPT THOSE SHOWN WITH ZA EXAMPLE 010 SHOULD READ YA010
- 2 STRING SWITCH FEATURE

ZA120

COMPONENT	VALUE/TYPE	LOGIC PAGE
CR535	QC	030
CR536	QC	030
CR538	EN	030
CR633	QC	055
L151	BRAKE SOLENOID (A)	071
L161	BRAKE SOLENOID (B)	081
L351-352	5 μ H	020
L363-364	5 μ H	020
R201	20K Ω 2W	010
R205	300 Ω 10W	011
R311	150 Ω 30W	049
R421	50 Ω 10W	026
R422	50 Ω 10W	026
R530	50 Ω 10W	030
R531	150 Ω 10W	030
R532	50 Ω 10W	030
R533	50 Ω 10W	030
R534	100 Ω 50W	030
R535	100 Ω 50W	030
R537	300 Ω 10W	030
R538	50 Ω 10W	030
R539	1K Ω 1W	030
R551	1 Ω 1W	044
R552	5 Ω 5W	044
R553	20 Ω 1W	044
R554	47 Ω 1W	044
R555	3.3 2W	044
R561	1 Ω 1W	044
R562	.5 Ω 5W	044
R563	20 Ω 1W	044
R564	47 Ω 1W	044
R565	3.3 Ω 2W	044
R601	1.3K Ω 1W	050
R630	39K Ω .25W	055
R631	2.2K Ω .25W	055
R632	1.3K Ω 1W	055
R633	1.3K Ω 1W	055
R651	510 Ω .25W	072

INDICATOR AND SWITCH LOGIC LOCATION CHART

COMPONENT	VALUE/TYPE	LOGIC PAGE
R652	1.3K Ω 1W	072
R653	510 Ω .25W	072
R654	1.3K Ω 1W	072
R655	510 Ω .25W	072
R656	1.3K Ω 1W	072
R657	510 Ω .25W	072
R658	1.3K Ω 1W	072
R661	510 Ω .25W	072
R662	1.3K Ω 1W	072
R663	510 Ω .25W	072
R664	1.3K Ω 1W	072
R665	510 Ω .25W	072
R666	1.3K Ω 1W	072
R667	510 Ω .25W	072
R668	1.3K Ω 1W	072
R670	510 Ω .25W	071
R671	1.3K Ω 1W	071
R672	510 Ω .25W	071
R673	1.3K Ω 1W	071
R674	510 Ω .25W	071
R675	1.3K Ω 1W	071
R680	510 Ω .25W	081
R681	1.3K Ω 1W	081
R682	510 Ω .25W	081
R683	1.3K Ω 1W	081
R684	510 Ω .25W	081
R685	1.3K Ω 1W	081
T201	24V BOOTSTRAP	011
T420	CTL -4,+6 BULK	026
T531	DR -4,-24 1Z BULK	030
T532	DR -36,+6+24 BULK	030

FUNCTION	COMPONENT	LOGIC PAGE
(A) AIR OK	CR672	071
(B) AIR OK	CR682	081
CE PANEL INDICATORS	-	ZA090
DR MOTOR (A) START	CR670	071
DR MOTOR (A) STOP	CR671	071
DR MOTOR (B) START	CR680	081
DR MOTOR (B) STOP	CR681	081
POWER CHECK	CR631	055
POWER SEQ COMP	CR632	055
POWER ON (SUB SYSTEM)	ID701	050
READY (A)	ID751	072
READY (B)	ID752	072
STRING PWP SEQ COMP	CR601	050
AIR SWITCH (A)	S110	071
AIR SWITCH (B)	S111	081
ATTENTION (A)	S755	072
ATTENTION (B)	S765	072
CE MODE	S1052	072
DATA ENTRY	S901	ZA040-1
DATA ENTRY	S902	ZA040-1
DRIVE DC POWER	S531	044
DR MOTOR (A) START/STOP	S750	071
DR MOTOR (B) START/STOP	S760	081
ENABLE SW A NOTE 2	S896	ZA040-2
ENABLE SW B NOTE 2	S805	ZA040-2
EXECUTE SW	S904	ZA040-1
INTERFACE SELECT NOTE 2	S905	ZA040-2
POWER OFF/ENABLE	S892	048
POWER MODE	S903	048
POWER ON	S801	048
SERVICE BY PASS	S1030	055
READ ONLY (A)	S756	072
READ ONLY (B)	S766	072

- COMPONENT CODING
FIRST DIGIT LOCATION
- 1 FRAME & BASE PLATE
 - 2 AC BOX CONTROL
 - 3 AC BOX DRIVE
 - 4 DC BOX CONTROL
 - 5 DC BOX DRIVE
 - 6 SEQ BDS A2+B2
 - 7 OP PANEL
 - 8 POWER PANEL
 - 9 CE PANEL
 - 0 MODE SW PANEL

EC HISTORY		DRAWING TITLE	
SEE EC HISTORY		COMP-INDIC-SW LOC CHART	
451070	21OCT76	MACH A02/A2F 60HZ	
446711	30 NOV 78	PART NO 2757661	
C	CLASSIFICATION		IBM CORP
	DFS	SDEC75	

ZA120

DATE 05-08-79

MST-1 BOARD DISCRETE WIRE EQUIVALENT LIST SEQUENCED BY NET NUMBER

PAGE 1

PART NO. 2757440 E.C. NO. 446711 VERSION 000 SIZE SINGLE MACHINE 3350 LOCATION 01A-A1

PIN ID: #-I/O PIN *-I/O & LOGIC T-TERMINATING RES. V-VOLTAGE/GROUND PLANES: 1-CARD SIDE SHALLOW 2-PROBE SIDE SHALLOW W-DISCRETE OVERFLOW 3-PROBE SIDE SHALLOW 4-PROBE SIDE SHALLOW WIRE TYPES: YEL-YELLOW, 30, AG TWL-TWIN LEAD WRAP TW-TWIST PR CONNECT FTR-50 OHM TRI-LEAD NTR-90 OHM TRI-LEAD FTW-50 OHM TWIN LEAD NTW-90 OHM TWIN HEAD CX-COAX CONNECTOR

NOTES: WIRE LENGTH IS IN TENTHS OF AN INCH. YELLOW WIRE LENGTH INCLUDES WIRE FOR WRAP.

Table with columns: NET NO., FROM PIN, P, TO PIN, P, WIRE L TYP, WIRE LNPTH. Contains multiple columns of wire connection data including part numbers like KA100AA2, KC100BJ2, KE110AS6, etc.

DATE 05-08-79

MST-1

BOARD DISCRETE WIRE EQUIVALENT LIST SEQUENCED BY NET NUMBER

PAGE 2

PART NO. 2757440 E.C. NO. 446711 VERSION 000 SIZE SINGLE MACHINE 3350 LOCATION 01A-A1

PIN ID: #-I/O PIN PLANES: 1-CARD SIDE SHALLOW 3-PROBE SIDE SHALLOW WIRE TYPES: YEL-YELLOW, .30, AG NTR-90 OHM TRI-LEAD
*-I/O & LOGIC 2-PROBE SIDE SHALLOW 4-PROBE SIDE SHALLOW TWL-TWIN LEAD WRAP FTW-50 OHM TWIN LEAD
T-TERMINATING RES. W-DISCRETE OVERFLOW TW-TWIST PR CONNECT NTW-90 OHM TWIN HEAD
V-VOLTAGE/GROUND FTR-50 OHM TRI-LEAD CX-COAX CONNECTOR
NOTES: WIRE LENGTH IS IN TENTHS OF AN INCH. YELLOW WIRE LENGTH INCLUDES WIRE FOR WRAP.

Table with columns: NET NO., FROM PIN, P, TO PIN, P, WIRE TYP, WIRE LENGTH, FROM PIN, P, TO PIN, P, WIRE TYP, WIRE LENGTH, FROM PIN, P, TO PIN, P, WIRE TYP, WIRE LENGTH. Contains multiple columns of wire connection data.

DATE 05-08-79

MST-1

BOARD DISCRETE WIRE EQUIVALENT LIST SEQUENCED BY NET NUMBER

PAGE 3

PART NO. 2757440 E.C. NO. 446711 VERSION 000 SIZE SINGLE MACHINE 3350 LOCATION 01A-A1

PIN ID: #-I/O PIN *-I/O & LOGIC T-TERMINATING RES. V-VOLTAGE/GROUND PLANES: 1-CARD SIDE SHALLOW 2-PROBE SIDE SHALLOW 3-PROBE SIDE SHALLOW 4-PROBE SIDE SHALLOW WIRE TYPES: YEL-YELLOW, 30, AG TWL-TWIN LEAD WRAP TW-TWIST PR CONNECT FTR-50 OHM TRI-LEAD NTR-90 OHM TRI-LEAD FTW-50 OHM TWIN LEAD NTW-90 OHM TWIN HEAD CX-COAX CONNECTOR

NOTES: WIRE LENGTH IS IN TENTHS OF AN INCH. YELLOW WIRE LENGTH INCLUDES WIRE FOR WRAP.

Table with columns: NET NO., FROM PIN, P L, TO PIN, P L, WIRE TYP, WIRE LNPTH, FROM PIN, P L, TO PIN, P L, WIRE TYP, WIRE LNPTH, FROM PIN, P L, TO PIN, P L, WIRE TYP, WIRE LNPTH. It lists wire connections for various components like KL110AC2, KL110AF2, etc.

DATE 05-08-79

MST-1

BOARD DISCRETE WIRE EQUIVALENT LIST SEQUENCED BY NET NUMBER

PAGE 4

PART NO. 2757440 E.C. NO. 446711 VERSION 000 SIZE SINGLE MACHINE 3350 LOCATION 01A-A1

PIN ID: #-I/O PIN PLANES: 1-CARD SIDE SHALLOW 3-PROBE SIDE SHALLOW WIRE TYPES: YEL-YELLOW, 30, AG NTR-90 OHM TRI-LEAD
*-I/O & LOGIC 2-PROBE SIDE SHALLOW 4-PROBE SIDE SHALLOW TWL-TWIN LEAD WRAP FTW-50 OHM TWIN LEAD
T-TERMINATING RES. W-DISCRETE OVERFLOW TW-TWIST PR CONNECT NTW-90 OHM TWIN HEAD
V-VOLTAGE/GROUND FTR-50 OHM TRI-LEAD CX-COAX CONNECTOR

NOTES: WIRE LENGTH IS IN TENTHS OF AN INCH. YELLOW WIRE LENGTH INCLUDES WIRE FOR WRAP.

Table with columns: NET NO., FROM PIN, P, TO PIN, P, WIRE TYP, WIRE LNTH. It lists wire connections between various components like KR100AE6, KR100AJ4, etc., and their respective wire types and lengths.

MST-1 BOARD DISCRETE WIRE EQUIVALENT LIST SEQUENCED BY NET NUMBER

DATE 05-08-79

PAGE 5

PART NO. 2757440 E.C. NO. 446711 VERSION 000 SIZE SINGLE MACHINE 3350 LOCATION 01A-A1

PIN ID: #-I/O PIN PLANES: 1-CARD SIDE SHALLOW 3-PROBE SIDE SHALLOW WIRE TYPES: YEL-YELLOW, 30, AG NTR-90 OHM TRI-LEAD
 *-I/O & LOGIC 2-PROBE SIDE SHALLOW 4-PROBE SIDE SHALLOW TWL-TWIN LEAD WRAP FTW-50 OHM TWIN LEAD
 T-TERMINATING RES. W-DISCRETE OVERFLOW TW-TWIST PR CONNECT NTW-90 OHM TWIN HEAD
 V-VOLTAGE/GROUND FTR-50 OHM TRI-LEAD CX-COAX CONNECTOR

NOTES: WIRE LENGTH IS IN TENTHS OF AN INCH. YELLOW WIRE LENGTH INCLUDES WIRE FOR WRAP.

NET NO.	FROM PIN	P L	TO PIN	P L	WIRE TYP	WIRE LNPTH	FROM PIN	P L	TO PIN	P L	WIRE TYP	WIRE LNPTH	FROM PIN	P L	TO PIN	P L	WIRE TYP	WIRE LNPTH	
WL110AC4	N2B02	1	H2B02	1	YEL	7.0	WL160AA4	L2B10	2	K2B10	2	YEL	4.5						
	V2B12#	W	A2B12	W	YEL	16.0		A3D02	2	K3D05	2	YEL	10.0						
	A2B12	2	N2D06	2	YEL	13.0		V3D02#	2	L3D05	2	YEL	10.0						
	N2D06	1	H2D06	2	YEL	9.0		K3D05	2	L3D05	2	YEL	4.5						
WL110AD4	A2B13	2	V2B13#	2	YEL	16.0	WL160AB4	A3D03	2	K3B03	2	YEL	9.0						
	A2B13	2	N2B07	2	YEL	12.0		K3B03	2	L3B03	2	YEL	4.5						
	N2B07	2	H2B07	2	YEL	7.0		L3B03	2	V3D03#	2	YEL	10.0						
WL120AA4	A3B02	2	K4B07	2	YEL	12.0	WL160AC4	A3D05	2	K3B05	2	YEL	9.0						
	V3B02#	2	L4B07	2	YEL	12.0		L3B05	2	K3B05	1	YEL	5.0						
	K4B07	2	L4B07	2	YEL	4.5		V3D05#	2	L3B05	1	YEL	10.0						
WL120AB4	A3B04	1	K5D11	1	YEL	13.0	WL160AD4	A3D06	2	K3B04	2	YEL	9.0						
	L5D11	1	V3B04#	1	YEL	13.0		L3B04	2	V3D06#	2	YEL	10.0						
	L5D11	2	K5D11	2	YEL	4.5		K3B04	2	L3B04	2	YEL	4.5						
WL120AC4	A3B05	2	K5D12	2	YEL	13.0	WL170AA4	A3D07	2	K4D09	2	YEL	11.0						
	V3B05#	1	L5D12	1	YEL	13.0		V3D07#	2	L4D09	2	YEL	12.0						
	K5D12	2	L5D12	2	YEL	4.5		K4D09	2	L4D09	2	YEL	4.5						
WL120AD4	A3B06	2	K5B11	2	YEL	13.0	WL170AB4	A3D09	2	K4B08	2	YEL	11.0						
	V3B06#	2	L5B11	2	YEL	13.0		V3D09#	2	L4B08	2	YEL	11.0						
	K5B11	2	L5B11	2	YEL	4.5		K4B08	2	L4B08	2	YEL	4.5						
WL120AE4	A3B08	2	K5D04	2	YEL	13.0	WL170AC4	A3D13	1	V3D13#	1	YEL	16.0						
	L5D04	2	V3B08#	2	YEL	12.0		A3D13	1	L2B07	1	YEL	12.0						
	K5D04	2	L5D04	2	YEL	4.5		L2B07	2	K2B07	2	YEL	4.5						
WL130AA4	A3B09	2	K5B04	2	YEL	12.0	WL180AA4	H2B03	2	B3D03	2	YEL	9.0						
	V3B09#	2	L5B04	2	YEL	12.0		U3D03#	2	N2B03	2	YEL	9.0						
	K5B04	2	L5B04	2	YEL	4.5		N2B03	2	H2B03	2	YEL	7.0						
WL130AB4	A3B10	1	K5B02	1	YEL	12.0	WL180AB4	H2B04	2	B3D02	2	YEL	9.0						
	L5B02	2	V3B10#	2	YEL	12.0		N2B04	1	H2B04	2	YEL	7.0						
	K5B02	2	L5B02	2	YEL	4.5		N2B04	2	U3D02#	2	YEL	9.0						
WL130AC4	A3B12	2	K4B09	2	YEL	11.0	WL180AC4	B3B12	2	J2D13	2	YEL	10.0						
	V3B12#	2	L4B09	2	YEL	11.0		M2D13	2	U3B12#	2	YEL	9.0						
	K4B09	2	L4B09	2	YEL	4.5		M2D13	2	J2D13	2	YEL	5.5						
WL130AD4	A3B13	2	K5D03	2	YEL	12.0	WL180AD4	J2D12	2	B3B13	2	YEL	10.0						
	V3B13#	2	L5D03	2	YEL	11.0		M2D12	2	U3B13#	2	YEL	10.0						
	K5D03	2	L5D03	2	YEL	4.5		M2D12	2	J2D12	2	YEL	5.5						
WL140AA4	A2D02	2	V2D02#	2	YEL	16.0													
	A2D02	2	L2D10	2	YEL	11.0													
	L2D10	2	K2D10	2	YEL	4.5													
WL140AB4	A2D03	W	L2D07	W	YEL	10.0													
	V2D03#	W	A2D03	W	YEL	16.0													
	L2D07	1	K2D07	1	YEL	5.5													
WL140AC4	V2D05#	W	A2D05	W	YEL	16.0													
	A2D05	2	L2B13	2	YEL	11.0													
	L2B13	1	K2B13	1	YEL	4.5													
WL140AD4	V2D06#	W	A2D06	W	YEL	16.0													
	A2D06	1	L2D12	1	YEL	11.0													
	K2D12	1	L2D12	2	YEL	5.0													
WL140AE4	A2D07	2	V2D07#	2	YEL	16.0													
	A2D07	2	L2D13	2	YEL	11.0													
	L2D13	2	K2D13	2	YEL	4.5													
WL150AA4	A2D09	2	V2D09#	2	YEL	16.0													
	A2D09	2	L2D11	2	YEL	10.0													
	L2D11	2	K2D11	2	YEL	4.5													
WL150AB4	A2D10	W	L2D06	W	YEL	10.0													
	K2D06	1	L2D06	2	YEL	5.5													
	V2D10#	W	A2D10	W	YEL	16.0													
WL150AC4	A2D11	2	V2D11#	2	YEL	16.0													
	A2D11	2	L2B12	2	YEL	10.0													
	L2B12	2	K2B12	2	YEL	4.5													
WL150AD4	A2D13	W	L2B10	W	YEL	10.0													
	A2D13	1	V2D13#	1	YEL	16.0													

END OF LIST

DATE 05-08-79

PART NO. 2757440

E.C. NO. 446711

VERSION 000

SIZE SINGLE

MACHINE 3350

LOCATION 01A-A1

PIN ID: #-I/O PIN
*-I/O & LOGIC
V-VOLTAGE/GROUND

NOTE: 'T' FOLLOWING PIN LOCATION INDICATES TERMINATING RESISTOR

PIN	NET NO.	PIN	NET NO.	PIN	NET NO.	PIN	NET NO.	PIN	NET NO.	PIN	NET NO.	PIN	NET NO.
A2B02	WL100AA4	A4D08	KA100AD4	C2D02	KC100AV2	D2B03	KD100EK2	D5B03	KD520AC6	E3D13	KF220AG2	F2D11	KF210AF2
A2B03	KA100AA2	A4D10#	KC500FJ2	C2D03	KA100AL4	D2B04	KD100GE2	D5B04	KD500AF6	E4B02	KE130AA2	F2D12	KF120AG2
A2B04	WL100AB4	A5B02#	KF100AG4	C2D04	KC100AQ6	D2B07	KG130AB2	D5B05	KD550AE2	E4B03	KE150BG4	F2D13	KF100AE6
A2B05	WL100AC4	A5B03#	KK180AA4	C2D05	KA100AG4	D2B08	KC100BC2	D5B07	KD530AK2	E4B04	KC500GG2	F3B02	KE120BB6
A2B06	WL100AD4	A5B07#	KF100AD4	C2D06	KA100AH4	D2B09	KG130AD2	D5B08	KD530AK2	E4B05	KE150AL4	F3B03	KF100AV6
A2B07	KA100AA4	A5B12#	KF260AE4	C2D07	KD540AQ4	D2B10	KC100BJ2	D5B09	KD560AH6	E4B07	KF220AX2	F3B05	KF140AF2
A2B08	WL100AE4	A5B13#	KF260AY4	C2D12	KC100AV6	D2B11	KA100AK4	D5B10	KC100AV6	E4B08	KF150AG6	F3B08	KF120001
A2B09	WL110AA4	A5D02#	KE150BF4	C2D13	KD540AR4	D2B12	KG130AG2	D5B11	KD560AH6	E4B09	KH210BA2	F3B09	KF170AS6
A2B10	WL110AB4	A5D07#	KE150BG4	C3B04	KC100AV5	D2B13	KD100EC2	D5B12	KD560ANO	E4B10	KC500GA2	F3B11	KF180BF2
A2B11	KA100AA5	A5D10#	KF100AB4	C3B07	KD560AM0	D2D02	KD100DK2	D5B13	KD510ACO	E4B11	KE170AE6	F3B12	KF150AD2
A2B12	WL110AC4	A5D11#	KF100AC4	C3B08	KC100AY4	D2D05	KA100AG4	D5D02	KD500AX2	E4B12	KE110AC2	F3D02	KF100AQ6
A2B13	WL110AD4	A5D12#	KF260AP4	C3B10	KC100AX4	D2D06	KA100AH4	D5D03	KD560AJ2	E4B13	KH020AD4	F3D03	KH020AC4
A2C03	KA100AA2	B1C11 V	KA100AL4	C3B12	KC100BE2	D2D07	KG130AH2	D5D04	KD500AF2	E4D02	KE150BF4	F3D04	KK170AL2
A2C04	KA100AA3	B2B02#	KG170AB4	C3B13	KC100AA4	D2D09	KG130AC2	D5D05	KD520AH2	E4D04	KE120BD2	F3D07	KH020AB4
A2C06	KA100AE4	B2B03#	KJ100AA5	C3D04	KD560ANO	D2D10	KG130AF2	D5D06	KD530AJ6	E4D05	KE140BB6	F3D11	KH020AD4
A2C07	KA100AA4	B2B04#	KG210AA2	C3D07	KC100AC5	D2D11	KG130AE2	D5D07	KD530AJ6	E4D06	KJ510BC2	F3D12	KH020AA4
A2C11	KA100AA5	B2B05	KA100AE4	C3D09	KC100004	D2D12	KG130AA6	D5D09	KD530AJ2	E4D07	KD100BF6	F3D13	KF180BF4
A2C12	KA100AA6	B2B06	KA100AE4	C3D10	KC100003	D2D13	KC500BE2	D5D10	KD550AH2	E4D09	KE110AF6	F4B02	KF150AG6
A2D02	WL140AA4	B2B07	KA100AE4	C3D11	KC100BD2	D3B02	KD100BF6	D5D11	KD550AN2	E4D10	KK170AC6	F4B03	KF120AG6
A2D03	WL140AB4	B2B08#	KG170AY6	C3D12	KC100BD2	D3B03	KC510BF2	D5D12	KD510AB0	E4D11	KD520AN2	F4B04	KF180BF2
A2D04	KA100AA3	B2B09#	KG200BR4	C3D13	KC100AB4	D3B04	KG130AK2	D5D13	KC100AW4	E4D12	KE120AD2	F4B05	KF170AS6
A2D05	WL140AC4	B2B11	KA100AF4	C4B02	KE110AC2	D3B07	KC500GK4	E1D11 V	KA100AK4	E4D13	KH020AB4	F4B07	KF180BF6
A2D06	WL140AD4	B2B12#	KC100AA4	C4B03	KC500AM3	D3B08	KC510BE2	E2B04	KG120AV6	E5B03	KH100AA2	F4B08	KF120002
A2D07	WL140AE4	B2B13#	KC100BH2	C4B04	KC500AM4	D3B09	KE110AC2	E2B05	KK140AH2	E5B04	KH020AC4	F4B13	KF250BC2
A2D09	WL150AA4	B2C06	KA100AM4	C4B05	KC500BG2	D3B10	KG120AV6	E2B07	KK120AA4	E5B05	KE160001	F4D02	KF250BC2
A2D10	WL150AB4	B2C11	KA100AF4	C4B07	KC500BE2	D3B12	KE100AV6	E2B09	KE110AS6	E5B07	KK170AF6	F4D05	KK140AH2
A2D11	WL150AC4	B2D02#	KG170AA4	C4B08	KC100BC2	D3B13	KC100BD2	E2B10	KE120AA2	E5B08	KK170AE6	F4D06	KF180BF7
A2D12	KA100AA6	B2D03#	KJ100AA5	C4B09	KD100GF4	D3D02	KD100AG2	E2B11	KK110AL2	E5B09	KE120BG4	F4D07	KF180BF4
A2D13	WL150AD4	B2D04#	KG200BS4	C4B10	KC100BJ2	D3D04	KD100CE2	E2B12	KF250BC2	E5B10	KH010AC4	F4D10	KE130AA2
A3B02	WL120AA4	B2D05	KA100AM4	C4B11	KA100AK4	D3D05	KD100AB5	E2B13	KE150AR0	E5B11	KE110AK6	F4D12	KF250BC6
A3B03 V	KA100AB2	B2D06	KA100AM4	C4B12	KC510CB2	D3D06	KC500BH2	E2D02	KE140BK4	E5B12	KK170AG6	F5B02	KF260AY4
A3B04	WL120AB4	B2D07#	KG210AH4	C4B13	KC500GG2	D3D07	KD100GF4	E2D03	KK170AM6	E5B13	KH010AD4	F5B03	KF110AB4
A3B05	WL120AC4	B2D09#	KG170AX6	C4D02	KC500GA2	D3D09	KD100AB2	E2D04	KE100AV6	E5D02	KK170AC5	F5B04	KE150AB2
A3B06	WL120AD4	B2D10#	KG210AH4	C4D04	KC500GK4	D3D10	KC500AM4	E2D05	KK170AC3	E5D03	KE150AB2	F5B08	KF110002
A3B07 V	KA100AB4	B2D11	KA100AF4	C4D05	KA100AG4	D3D11	KE110AS6	E2D06	KG190BG6	E5D04	KH020AA4	F5B09	KF100AK6
A3B08	WL120AE4	B2D12#	KC100AB4	C4D06	KA100AH4	D3D12	KC500AM3	E2D07	KD520AL6	E5D05	KK140AA2	F5B10	KF100AD4
A3B09	WL130AA4	B2D13#	KC100BH2	C4D07	KE150AT2	D3D13	KC100BE2	E2D10	KC510CB2	E5D07	KJ510AC2	F5B11	KF100AQ6
A3B10	WL130AB4	B3B03	KA100AC2	C4D09	KE140BK4	D4B02	KD510AE2	E2D11	KE130AQ6	E5D09	KE120AR6	F5B13	KF260AP4
A3B11 V	KA100AB5	B3B07	KA100AC4	C4D10	KD100EC2	D4B03	KD560AM0	E2D12	KK100AG2	E5D10	KH010AA4	F5D02	KF200AG2
A3B12	WL130AC4	B3B11	KA100AC5	C4D11	KE120BD2	D4B04	KD520AK2	E2D13	KE150AT2	E5D11	KD520AM6	F5D03	KD570AF2
A3B13	WL130AD4	B3B12	WL180AC4	C4D12	KE110AF6	D4B05	KD530AX2	E3B02	KD100AB2	E5D12	KK140AC6	F5D04	KF100AK6
A3C03 V	KA100AB2	B3B13	WL180AD4	C4D13	KC500BD2	D4B07	KD550AH2	E3B03	KC510BK2	E5D13	KH010AB4	F5D05	KF100AG4
A3C04 V	KA100AB3	B3C03	KA100AC2	C5B02	KD500AX2	D4B08	KJ540AB2	E3B04	KC510BJ2	F2B02	KH010AC4	F5D06	KF100AV6
A3C07 V	KA100AB4	B3C04	KA100AC3	C5B03	KC500BH2	D4B09	KD520AL6	E3B05	KC510BM2	F2B03	KF160AP6	F5D07	KF260AD4
A3C11 V	KA100AB5	B3C07	KA100AC4	C5B04	KE120BA6	D4B10	KD510AD0	E3B07	KE130BG6	F2B04	KK170AF6	F5D08	KF260AD4
A3C12 V	KA100AB6	B3C11	KA100AC5	C5B05	KE100AW2	D4B11	KC100BK4	E3B09	KE150AL4	F2B05	KH010AA4	F5D10	KF100AC4
A3D02	WL160AA4	B3C12	KA100AC6	C5B07	KC510BF2	D4B12	KK170AC5	E3B10	KE120BH4	F2B07	KF190AJ2	F5D11	KF100AE6
A3D03	WL160AB4	B3D02	WL180AB4	C5B08	KC500BC2	D4B13	KD520AJ6	E3B11	KD520AK2	F2B09	KF220AX2	F5D12	KF100AB4
A3D04 V	KA100AB3	B3D03	WL180AA4	C5B09	KC510BM2	D4D02	KD540AR4	E3B12	KF150AD2	F2B10	KF220AG2	F5D13	KF260AE4
A3D05	WL160AC4	B3D04	KA100AC3	C5B10	KC510BJ2	D4D03	KE150AR0	E3B13	KJ510BQ6	F2B11	KA100AK4	G2B02	KK120AA6
A3D06	WL160AD4	B3D12	KA100AC6	C5B12	KD100EK2	D4D04	KD520AN2	E3D02	KE110AS6	F2B12	KF160AP2	G2B03	KK120AA4
A3D07	WL170AA4	C1B11 V	KA100AH4	C5B13	KC100BD2	D4D05	KD540AQ4	E3D03	KE100AW2	F2B13	KE140BB6	G2B04	KK120AA5
A3D09	WL170AB4	C1C11 V	KA100AG4	C5D02	KE100AY2	D4D06	KD520AM6	E3D04	KD500AX2	F2D02	KH010AB4	G2B05	KK150AQ2
A3D12 V	KA100AB6	C2B02	KC100BH2	C5D04	KE100AV6	D4D07	KE570AF2	E3D05	KG100AS2	F2D03	KK170AE6	G2B07	KK110AF2
A3D13	WL170AC4	C2B03	KC100AW4	C5D07	KC510BE2	D4D09	KD510AA0	E3D06	KD100CE2	F2D04	KK170AD6	G2B09	KK110AL2
A4B10#	KC100BJ2	C2B04	KC100AQ2	C5D09	KC500FJ2	D4D10	KD550AE2	E3D07	KE100AY2	F2D05	KH010AD4	G2B13	KK100AL2
A4D02#	KC500GK4	C2B05	KC100BK4	C5D10	KC510BK2	D4D11	KK140AR2	E3D09	KE150AK4	F2D06	KA100AH4	G2D02	KK120AA9
A4D05	KA100AG4	C2B08	KC100BC2	C5D12	KD100FE2	D4D12	KK140AH2	E3D10	KE150AK4	F2D07	KK170AC5	G2D03	KE110AK6
A4D06	KA100AH4	C2B10	KC100BJ2	C5D13	KC100BE2	D4D13	KC100AQ6	E3D11	KE120BB6	F2D09	KF200AG2	G2D04	KE130BG6
A4D07	KA100AD4	C2B11	KA100AK4	D2B02	KD100FE2	D5B02	KH100AA2	E3D12	KE120BA6	F2D10	KF130001	G2D05	KK150AR6

PART NO. 2757440 E.C. NO. 446711 VERSION 000 SIZE SINGLE MACHINE 3350 LOCATION 01A-A1

PIN ID: #-I/O PIN
*-I/O & LOGIC
V-VOLTAGE/GROUND

NOTE: 'T' FOLLOWING PIN LOCATION INDICATES TERMINATING RESISTOR

Table with 14 columns: PIN, NET NO., PIN, NET NO., PIN, NET NO., PIN, NET NO., PIN, NET NO., PIN, NET NO., PIN, NET NO. It lists various component part numbers and their corresponding pin locations.

DATE 05-08-79

MST-1

BOARD DISCRETE WIRE EQUIVALENT LIST SEQUENCED BY PIN NUMBER

PAGE 3

PART NO. 2757440

E.C. NO. 446711

VERSION 000

SIZE SINGLE

MACHINE 3350

LOCATION 01A-A1

PIN ID: #-I/O PIN
*-I/O & LOGIC
V-VOLTAGE/GROUND

NOTE: 'T' FOLLOWING PIN LOCATION INDICATES TERMINATING RESISTOR

PIN	NET NO.	PIN	NET NO.	PIN	NET NO.	PIN	NET NO.	PIN	NET NO.	PIN	NET NO.	PIN	NET NO.
M1C13#	KP170BE6	M5B05	KNO20AB4	N3D02	KN160AA2	P2D04	KR130BG6	P5D03	KNO10AA4	Q5B08	KQ110002	R4B07	KQ220AX2
M1D11#	KP170BD6	M5B07	KNO20AD4	N3D03	KL170AK6	P2D05	KL150AR6	P5D04	KNO10AB4	Q5B09	KQ100AK6	R4B08	KQ150AG6
M1E13#	KP170BC6	M5B08	KM530BK2	N3D04	KS500AF2	P2D06	KL120AA8	P5D05	KN100AN2	Q5B10	KQ100AD4	R4B09	KN210BA2
M2B02	KP200AF2	M5B09	KNO10AD4	N3D05	KP200AN2	P2D07	KP170AY6	P5D06	KP200AF2	Q5B11	KQ100AQ6	R4B10	KT500GA2
M2B03	KM100AB6	M5B10	KL100AL2	N3D06	KT100AQ6	P2D09	KL110AB2	P5D07	KN160AH6	Q5B13	KQ260AP4	R4B11	KR170AE6
M2B04	KM100AB0	M5B11	KL110AC2	N3D07	KN130AC2	P2D10	KP170AX6	P5D09	KP200BS4	Q5D02	KQ200AG2	R4B12	KR110AC2
M2B05	KM100AB3	M5B12	KL110AG2	N3D09	KP210AQ2	P2D11	KL100AG2	P5D10	KP170BC6	Q5D03	KS570AF2	R4B13	KNO20AD4
M2B07	KM100AB5	M5B13	KL170AD6	N3D10	KN100AQ6	P2D12	KL110AC2	P5D11	KP170BE6	Q5D04	KQ100AK6	R4D02	KR150BF4
M2B08	KV100AJ4	M5D02	KM500AV6	N3D12	KM500AV6	P2D13	KL110AG2	P5D12	KP170BD6	Q5D05	KQ100AJ4	R4D04	KR120BD2
M2B09	KN170AK6	M5D03	KM510001	N3D13	KN160BS2	P3B02	KP100AZ2	Q2B02	KNO10AC4	Q5D06	KQ100AV6	R4D05	KR140BB6
M2B10	KN160AV6	M5D04	KM500BE4	N4B02	KN210AZ2	P3B03	KN100AA2	Q2B03	KQ160AP6	Q5D07	KQ260AD4	R4D06	KM510BC2
M2B11	KV100AK4	M5D05	KNO20AA4	N4B03	KP190BL7	P3B04	KP210AG6	Q2B04	KL170AF6	Q5D08	KQ260AD4	R4D07	KS100BF6
M2D02	KP170AX6	M5D06	KNO10AC4	N4B04	KN100AJ6	P3B05	KP210AG2	Q2B05	KNO10AA4	Q5D10	KQ100AC4	R4D09	KR110AF6
M2D04	KM100AA7	M5D07	KNO10AA4	N4B05	KL140AH2	P3B07	KP210AH4	Q2B07	KQ190AJ2	Q5D11	KQ100AE6	R4D10	KL170AC6
M2D05	KN170AE2	M5D09	KNO10AB4	N4B08	KP210AG2	P3B08	KP210AA2	Q2B09	KQ220AX2	Q5D12	KQ100AB4	R4D11	KS520AN2
M2D06	KN160AA2	M5D10	KNO20AC4	N4B09	KL110AL2	P3B09	KP120AV6	Q2B10	KQ220AG2	Q5D13	KQ260AE4	R4D12	KR120AD2
M2D10	KN130AY2	M5D11	KM500BE4	N4B10	KM100AA0	P3B10	KNO20AC4	Q2B11	KV100AK4	R1C11 V	KV100AK4	R4D13	KNO20AB4
M2D11	KM100AB7	M5D12	KM500BE4	N4B11	KN170AHC	P3B11	KP130AG2	Q2B12	KQ160AP2	R2B04	KP120AV6	R5B03	KN100AA2
M2D12	WL180AD4	M5D13	KL110AF2	N4B12	KN100AK2	P3B12	KNO20AB4	Q2B13	KR140BB6	R2B05	KL140AH2	R5B04	KN020AC4
M2D13	WL180AC4	N1A11#	KP210AA2	N4B13	KN100AN2	P3B13	KP130AF2	Q2D02	KNO10AB4	R2B07	KL120AA4	R5B05	KR160001
M3B02	KM100AA8	N1A13#	KQ110AB4	N4D02	KL110AC2	P3D02	KP100AS2	Q2D03	KL170AE6	R2B09	KR110AS6	R5B07	KL170AF6
M3B03	KM100AB8	N1B11#	KP170AB0	N4D03	KN210BJ2	P3D05	KP210AQ2	Q2D04	KL170AD6	R2B10	KR120AA2	R5B08	KL170AE6
M3B04	KP210AA2	N1B13#	KP170AB9	N4D04	KN210AU2	P3D06	KL110AA2	Q2D05	KNO10AD4	R2B11	KL110AL2	R5B09	KR120BG4
M3B05	KM100AA0	N1C11#	KP170AB8	N4D05	KN210BA2	P3D07	KP190BL7	Q2D06	KV100AH4	R2B12	KQ250BC2	R5B10	KNO10AC4
M3B07	KM100AA2	N1D13#	KP170AB7	N4D06	KN100AB2	P3D10	KNO20AD4	Q2D07	KL170AC5	R2B13	KR150AR0	R5B11	KR110AK6
M3B09	KV100AH4	N1E11#	KP170AB6	N4D09	KL110AA2	P3D11	KP170AA4	Q2D09	KQ200AG2	R2D02	KR140BK4	R5B12	KL170AG6
M3B10	KP170BK6	N1E13#	KP170AB5	N4D10	KN170AD2	P3D12	KNO20AA4	Q2D10	KQ130001	R2D03	KL170AM6	R5B13	KN010AD4
M3B11	KV100AK4	N2B02	WL110AB4	N4D11	KL170AM6	P3D13	KP130AE2	Q2D11	KQ210AF2	R2D04	KR100AV6	R5D02	KL170AC5
M3B12	KM100AA4	N2B03	WL180AA4	N4D12	KN170AE2	P4B02	KP170AB8	Q2D12	KQ120AG2	R2D05	KL170AC3	R5D03	KR150AB2
M3D02	KM100AA9	N2B04	WL180AB4	N4D13	KN210AW2	P4B03	KP170AB5	Q2D13	KQ100AE6	R2D06	KP190BG6	R5D04	KNO20AA4
M3D05	KN160BS2	N2B05	WL100AA4	N5B02	KS520AJ6	P4B04	KP170AB7	Q3B02	KR120BB6	R2D07	KS520AL6	R5D05	KL140AA2
M3D06	KM100AA5	N2B07	WL110AD4	N5B03	KN180AK2	P4B05	KP170AB0	Q3B03	KQ100AV6	R2D10	KT510CB2	R5D07	KM510AC2
M3D07	KM100AA1	N2B08	KN140BK6	N5B04	KP170BK6	P4B07	KP130AB2	Q3B05	KQ140AF2	R2D11	KR130AQ6	R5D09	KR120AR6
M3D09	KM100AB9	N2B09	WL100AC4	N5B05	KP170AX6	P4B08	KP130AC2	Q3B08	KQ120001	R2D12	KL100AG2	R5D10	KNO10AA4
M3D12	KM100AA3	N2B10	KNO20AA4	N5B07	KN130AY2	P4B09	KP130AD2	Q3B09	KQ170AS6	R2D13	KR150AT2	R5D11	KS520AM6
M4B02	KL140AR2	N2B11	KV100AK4	N5B08	KN220AB6	P4B10	KP130AK2	Q3B11	KQ180BF2	R3B02	KS100AB2	R5D12	KL140AC6
M4B03	KM510BQ6	N2B12	KNO10AA4	N5B09	KN180AE2	P4B11	KS500AF6	Q3B12	KQ150AD2	R3B03	KT510BK2	R5D13	KN010AB4
M4B04	KL150AR6	N2B13	KNO20AC4	N5B10	KL120AA4	P4B12	KP200AN2	Q3D02	KQ100AQ6	R3B04	KT510BJ2	S2B02	KS100FE2
M4B05	KL100AG2	N2D02	WL110AA4	N5B11	KL140AC6	P4D02	KP170AB4	Q3D03	KNO20AC4	R3B05	KT510BM2	S2B03	KS100EK2
M4B07	KM540AB2	N2D03	KN110BE4	N5B12	KL170AC8	P4D03	KP170AB9	Q3D04	KL170AL2	R3B07	KR130BG6	S2B04	KS100GE2
M4B08	KM540AB2	N2D04	KN180AX6	N5B13	KL170AL2	P4D04	KP170AB6	Q3D07	KNO20AB4	R3B09	KR150AL4	S2B07	KP130AB2
M4B09	KP190BL5	N2D05	WL100AB4	N5D02	KS530AJ2	P4D05	KP190BG6	Q3D11	KNO20AD4	R3B10	KR120BH4	S2B08	KT100BC2
M4B10	KL170AL2	N2D06	WL110AC4	N5D03	KM530BK2	P4D06	KP130AH2	Q3D12	KNO20AA4	R3B11	KS520AK2	S2B09	KP130AD2
M4B11	KM520BG2	N2D07	WL100AE4	N5D04	KN170AK6	P4D07	KP130AA6	Q3D13	KQ180BF4	R3B12	KQ150AD2	S2B10	KT100BJ2
M4B12	KM520BG2	N2D09	KNO10AB4	N5D05	KN180001	P4D09	KL170AK6	Q4B02	KQ150AG6	R3B13	KM510BQ6	S2B11	KV100AK4
M4B13	KM500BE4	N2D10	WL100AD4	N5D06	KN210BC4	P4D10	KP170BK6	Q4B03	KQ120AG6	R3D02	KR110AS6	S2B12	KP130AG2
M4D02	KM510AC2	N2D11	KNO20AB4	N5D07	KN140AK4	P4D11	KL170AB6	Q4B04	KQ180BF2	R3D03	KR100AW2	S2B13	KS100EC2
M4D03	KM510BC2	N2D12	KNO10AC4	N5D09	KL110AB2	P4D12	KP170AW2	Q4B05	KQ170AS6	R3D04	KS500AX2	S2D02	KS100DK2
M4D04	KL120AA7	N2D13	KNO10AD4	N5D11	KN140AL4	P5B02	KL140AH2	Q4B07	KQ180BF6	R3D05	KP100AS2	S2D05	KV100AG4
M4D05	KS530AJ6	N3B02	KNO20AD4	N5D12	KL140AR2	P5B03	KNO10AC4	Q4B08	KQ120002	R3D06	KS100CE2	S2D06	KV100AH4
M4D06	KL140AH2	N3B03	KL170AD6	N5D13	KL170AC5	P5B04	KL140AR2	Q4B13	KQ250BC2	R3D07	KR100AY2	S2D07	KP130AH2
M4D07	KL170AC5	N3B04	KT100AQ6	P2B02	KL120AA6	P5B05	KNO10AD4	Q4D02	KQ250BC2	R3D09	KR150AK4	S2D09	KP130AC2
M4D09	KS520AJ6	N3B05	KN100AA2	P2B03	KL120AA4	P5B07	KN160BD2	Q4D05	KL140AH2	R3D10	KR150AK4	S2D10	KP130AF2
M4D10	KL170AM6	N3B07	KN130AE2	P2B04	KL120AA5	P5B08	KP200BR4	Q4D06	KQ180BF7	R3D11	KR120BB6	S2D11	KP130AE2
M4D11	KM510BN2	N3B08	KN160AV6	P2B05	KL150AQ2	P5B09	KP170BH6	Q4D07	KQ180BF4	R3D12	KR120BA6	S2D12	KP130AA6
M4D12	KM500BE4	N3B09	KN100AD4	P2B07	KL110AF2	P5B10	KP170BJ6	Q4D10	KR130AA2	R3D13	KQ220AG2	S2D13	KT500BE2
M4D13	KS550AH2	N3B10	KQ100AV6	P2B09	KL110AL2	P5B11	KV100AK4	Q4D12	KQ250BC6	R4B02	KR130AA2	S3B02	KS100BF6
M5B02	KL110AL2	N3B11	KN210BN2	P2B13	KL100AL2	P5B12	KP190BL5	Q5B02	KQ260AY4	R4B03	KR150BG4	S3B03	KT510BF2
M5B03	KL110AB2	N3B12	KN160AH6	P2D02	KL120AA9	P5B13	KP190BL6	Q5B03	KQ110AB4	R4B04	KT500GG2	S3B04	KP130AK2
M5B04	KL110AA2	N3B13	KR150AB2	P2D03	KR110AK6	P5D02	KS100CE2	Q5B04	KR150AB2	R4B05	KR150AL4	S3B07	KT500GK4

PART NO. 2757440

E.C. NO.

446711

VERSION 000

SIZE SINGLE

MACHINE 3350

LOCATION 01A-A1

				VOLTAGE PINS					
A1E13	GND	A2C03	GND	A2C04	GND	A2C07	GND	A2C11	GND
A2C12	GND	A2D08	GND	A3C03	GND	A3C04	GND	A3C07	GND
A3C11	GND	A3C12	GND	A3D08	GND	A4C03	GND	A4C04	GND
A4C07	GND	A4C11	GND	A4C12	GND	A4D08	GND	A5C03	GND
A5C04	GND	A5C07	GND	A5C11	GND	A5C12	GND	A5D08	GND
A6E04	GND	B1A11	GND	B1D13	GND	B1E11	GND	B2C03	GND
B2C04	GND	B2C07	GND	B2C11	GND	B2C12	GND	B2D08	GND
B3C03	GND	B3C04	GND	B3C07	GND	B3C11	GND	B3C12	GND
B3D08	GND	B4C03	GND	B4C04	GND	B4C07	GND	B4C11	GND
B4C12	GND	B4D08	GND	B5C03	GND	B5C04	GND	B5C07	GND
B5C11	GND	B5C12	GND	B5D08	GND	B6A02	GND	B6D04	GND
B6E02	GND	C1C13	GND	C1D11	GND	C2D08	GND	C3D08	GND
C4D08	GND	C5D08	GND	C6C04	GND	C6D02	GND	D2D08	GND
D3D08	GND	D4D08	GND	D5D08	GND	E1A13	GND	E1B11	GND
E1E13	GND	E2D08	GND	E3D08	GND	E4D08	GND	E5D08	GND
E6A04	GND	E6B02	GND	E6E04	GND	F1A11	GND	F1D13	GND
F1E11	GND	F2D08	GND	F3D08	GND	F4D08	GND	F5D08	GND
F6A02	GND	F6D04	GND	F6E02	GND	G2D08	GND	G3D08	GND
G4D08	GND	G5D08	GND	H1B13	GND	H1C11	GND	H2D08	GND
H3D08	GND	H4D08	GND	H5D08	GND	H6B04	GND	H6C02	GND
H6C03	GND	H6D03	GND	H6E03	GND	J1A13	GND	J1B11	GND
J1E13	GND	J2D08	GND	J3D08	GND	J4D08	GND	J5D08	GND
J6A03	GND	J6A04	GND	J6B02	GND	J6B03	GND	J6C03	GND
J6D03	GND	J6E03	GND	J6E04	GND	K1A11	GND	K2D08	GND
K3D08	GND	K4D08	GND	K5D08	GND	K6A02	GND	L1E13	GND
L2D08	GND	L3D08	GND	L4D08	GND	L5D08	GND	L6E04	GND
M1A11	GND	M1D13	GND	M1E11	GND	M2D08	GND	M3D08	GND
M4D08	GND	M5D08	GND	M6A02	GND	M6D04	GND	M6E02	GND
N1C13	GND	N1D11	GND	N2D08	GND	N3D08	GND	N4D08	GND
N5D08	GND	N6C04	GND	N6D02	GND	P2D08	GND	P3D08	GND
P4D08	GND	P5D08	GND	Q1A13	GND	Q1B11	GND	Q1E13	GND
Q2D08	GND	Q3D08	GND	Q4D08	GND	Q5D08	GND	Q6A04	GND
Q6B02	GND	Q6B03	GND	Q6C03	GND	Q6D03	GND	Q6E03	GND
Q6E04	GND	R1A11	GND	R1D13	GND	R1E11	GND	R2D08	GND
R3D08	GND	R4D08	GND	R5D08	GND	R6A02	GND	R6A03	GND
R6B03	GND	R6C03	GND	R6D03	GND	R6D04	GND	R6E02	GND
S2D08	GND	S3D08	GND	S4D08	GND	S5D08	GND	T1B13	GND
T1C11	GND	T2D08	GND	T3D08	GND	T4D08	GND	T5D08	GND
T6B04	GND	T6C02	GND	U1A13	GND	U1B11	GND	U1E13	GND
U2C03	GND	U2C04	GND	U2C07	GND	U2C11	GND	U2C12	GND
U2D08	GND	U3C03	GND	U3C04	GND	U3C07	GND	U3C11	GND
U3C12	GND	U3D08	GND	U4C03	GND	U4C04	GND	U4C07	GND
U4C11	GND	U4C12	GND	U4D08	GND	U5C03	GND	U5C04	GND
U5C07	GND	U5C11	GND	U5C12	GND	U5D08	GND	U6A04	GND
U6B02	GND	U6E04	GND	V1A11	GND	V2C03	GND	V2C04	GND
V2C07	GND	V2C11	GND	V2C12	GND	V2D08	GND	V3C03	GND
V3C04	GND	V3C07	GND	V3C11	GND	V3C12	GND	V3D08	GND
V4C03	GND	V4C04	GND	V4C07	GND	V4C11	GND	V4C12	GND
V4D08	GND	V5C03	GND	V5C04	GND	V5C07	GND	V5C11	GND
V5C12	GND	V5D08	GND	V6A02	GND				
A2C06	-4.0	A3C06	-4.0	A4C06	-4.0	A5C06	-4.0	B2C06	-4.0
B3C06	-4.0	B4C06	-4.0	B5C06	-4.0	C2B06	-4.0	C3B06	-4.0
C4B06	-4.0	C5B06	-4.0	D2B06	-4.0	D3B06	-4.0	D4B06	-4.0
D5B06	-4.0	E2B06	-4.0	E3B06	-4.0	E4B06	-4.0	E5B06	-4.0
E6B03	-4.0	E6C03	-4.0	E6D03	-4.0	E6E03	-4.0	F2B06	-4.0
F3B06	-4.0	F4B06	-4.0	F5B06	-4.0	F6A03	-4.0	F6B03	-4.0
F6C03	-4.0	F6D03	-4.0	G2B06	-4.0	G3B06	-4.0	G4B06	-4.0
G5B06	-4.0	H2B06	-4.0	H3B06	-4.0	H4B06	-4.0	H5B06	-4.0
J2B06	-4.0	J3B06	-4.0	J4B06	-4.0	J5B06	-4.0	K2B06	-4.0
K3B06	-4.0	K4B06	-4.0	K5B06	-4.0				

DATE 05-08-79

PAGE 6

PART NO. 2757440 E.C. NO. 446711 VERSION 000 SIZE SINGLE MACHINE 3350 LOCATION 01A-A1

								VOLTAGE PINS			
L2B06	-4.0	L3B06	-4.0	L4B06	-4.0	L5B06	-4.0	M2B06	-4.0		
M3B06	-4.0	M4B06	-4.0	M5B06	-4.0	M6A03	-4.0	M6B03	-4.0		
M6C03	-4.0	M6D03	-4.0	M6E03	-4.0	N2B06	-4.0	N3B06	-4.0		
N4B06	-4.0	N5B06	-4.0	N6A03	-4.0	N6B03	-4.0	N6C03	-4.0		
P2B06	-4.0	P3B06	-4.0	P4B06	-4.0	P5B06	-4.0	Q2B06	-4.0		
Q3B06	-4.0	Q4B06	-4.0	Q5B06	-4.0	R2B06	-4.0	R3B06	-4.0		
R4B06	-4.0	R5B06	-4.0	S2B06	-4.0	S3B06	-4.0	S4B06	-4.0		
S5B06	-4.0	T2B06	-4.0	T3B06	-4.0	T4B06	-4.0	T5B06	-4.0		
U2C06	-4.0	U3C06	-4.0	U4C06	-4.0	U5C06	-4.0	V2C06	-4.0		
V3C06	-4.0	V4C06	-4.0	V5C06	-4.0						

FOR ANY VOLTAGE PIN NOT INDICATED IN THE VOLTAGE PIN LIST, USE THE NET NUMBER TO LOCATE THE ALD PAGE FOR DETERMINING THE VOLTAGE INFORMATION

END OF LIST

DATE 05-08-79

MST-1

BOARD DISCRETE WIRE EQUIVALENT LIST SEQUENCED BY NET NUMBER

PAGE 1

PART NO. 2758450 E.C. NO. 446711 VERSION 000 SIZE SINGLE MACHINE 3350 LOCATION 01A-A2

PIN ID: #-I/O PIN PLANES: 1-CARD SIDE SHALLOW 3-PROBE SIDE SHALLOW WIRE TYPES: YEL-YELLOW, 30, AG NTR-90 OHM TRI-LEAD
*-I/O & LOGIC 2-PROBE SIDE SHALLOW 4-PROBE SIDE SHALLOW TWL-TWIN LEAD WRAP FTW-50 OHM TWIN LEAD
T-TERMINATING RES. W-DISCRETE OVERFLOW TW-TWIST PR CONNECT NTW-90 OHM TWIN HEAD
V-VOLTAGE/GROUND FTR-50 OHM TRI-LEAD CX -COAX CONNECTOR

NOTES: WIRE LENGTH IS IN TENTHS OF AN INCH. YELLOW WIRE LENGTH INCLUDES WIRE FOR WRAP.

Table with columns: NET NO., FROM PIN, P L, TO PIN, P L, WIRE TYP, WIRE LNPTH, FROM PIN, P L, TO PIN, P L, WIRE TYP, WIRE LNPTH, FROM PIN, P L, TO PIN, P L, WIRE TYP, WIRE LNPTH. It lists wire connections for various components like BA100AD2, BB170AK4, BC170AY6, etc.

DATE 05-08-79

MST-1

BOARD DISCRETE WIRE EQUIVALENT LIST SEQUENCED BY NET NUMBER

PAGE 2

PART NO. 2758450 E.C. NO. 446711 VERSION 000 SIZE SINGLE MACHINE 3350 LOCATION 01A-A2

PIN ID: #-I/O PIN PLANES: 1-CARD SIDE SHALLOW 3-PROBE SIDE SHALLOW WIRE TYPES: YEL-YELLOW, 30, AG NTR-90 OHM TRI-LEAD
*-I/O & LOGIC 2-PROBE SIDE SHALLOW 4-PROBE SIDE SHALLOW TWL-TWIN LEAD WRAP FTW-50 OHM TWIN LEAD
T-TERMINATING RES. W-DISCRETE OVERFLOW TW-TWIST PR CONNECT NTW-90 OHM TWIN HEAD
V-VOLTAGE/GROUND FTR-50 OHM TRI-LEAD CX-COAX CONNECTOR

NOTES: WIRE LENGTH IS IN TENTHS OF AN INCH. YELLOW WIRE LENGTH INCLUDES WIRE FOR WRAP.

Table with columns: NET NO., FROM PIN, P, TO PIN, P, WIRE L TYP, WIRE LNPTH. It lists wire connections for various components like BD180AG6, BD190AD6, BE160AA4, etc., with their respective pin numbers and wire types/lengths.

DATE 05-08-79

MST-1

BOARD DISCRETE WIRE EQUIVALENT LIST SEQUENCED BY NET NUMBER

PAGE 3

PART NO. 2758450 E.C. NO. 446711 VERSION 000 SIZE SINGLE MACHINE 3350 LOCATION 01A-A2

PIN ID: #-I/O PIN PLANES: 1-CARD SIDE SHALLOW 3-PROBE SIDE SHALLOW WIRE TYPES: YEL-YELLOW, 30, AG NTR-90 OHM TRI-LEAD
*-I/O & LOGIC 2-PROBE SIDE SHALLOW 4-PROBE SIDE SHALLOW TWL-TWIN LEAD WRAP FTW-50 OHM TWIN LEAD
T-TERMINATING RES. W-DISCRETE OVERFLOW TW-TWIST PR CONNECT NTW-90 OHM TWIN HEAD
V-VOLTAGE/GROUND FTR-50 OHM TRI-LEAD CX-COAX CONNECTOR
NOTES: WIRE LENGTH IS IN TENTHS OF AN INCH. YELLOW WIRE LENGTH INCLUDES WIRE FOR WRAP.

Table with columns: NET NO., FROM PIN, P, TO PIN, P, WIRE L TYP, WIRE LNPTH, FROM PIN, P, TO PIN, P, WIRE L TYP, WIRE LNPTH, FROM PIN, P, TO PIN, P, WIRE L TYP, WIRE LNPTH. Contains multiple columns of wire connection data.

DATE 05-08-79

PART NO. 2758450 E.C. NO. 446711 VERSION 000 SIZE SINGLE MACHINE 3350 LOCATION 01A-A2

PIN ID: #-I/O PIN PLANES: 1-CARD SIDE SHALLOW 3-PROBE SIDE SHALLOW WIRE TYPES: YEL-YELLOW, 30, AG NTR-90 OHM TRI-LEAD
*-I/O & LOGIC 2-PROBE SIDE SHALLOW 4-PROBE SIDE SHALLOW TWL-TWIN LEAD WRAP FTW-50 OHM TWIN LEAD
T-TERMINATING RES. W-DISCRETE OVERFLOW TW-TWIST PR CONNECT NTW-90 OHM TWIN HEAD
V-VOLTAGE/GROUND FTR-50 OHM TRI-LEAD CX-COAX CONNECTOR

NOTES: WIRE LENGTH IS IN TENTHS OF AN INCH. YELLOW WIRE LENGTH INCLUDES WIRE FOR WRAP.

Table with columns: NET NO., FROM PIN, P L, TO PIN, P L, WIRE TYP, WIRE LNPTH, FROM PIN, P L, TO PIN, P L, WIRE TYP, WIRE LNPTH, FROM PIN, P L, TO PIN, P L, WIRE TYP, WIRE LNPTH. Contains multiple columns of wire connection data.

DATE 05-08-79

MST-1

BOARD DISCRETE WIRE EQUIVALENT LIST SEQUENCED BY NET NUMBER

PAGE 5

PART NO. 2758450 E.C. NO. 446711 VERSION 000 SIZE SINGLE MACHINE 3350 LOCATION 01A-A2

PIN ID: #-I/O PIN PLANES: 1-CARD SIDE SHALLOW 3-PROBE SIDE SHALLOW WIRE TYPES: YEL-YELLOW, 30, AG NTR-90 OHM TRI-LEAD
*-I/O & LOGIC 2-PROBE SIDE SHALLOW 4-PROBE SIDE SHALLOW TWL-TWIN LEAD WRAP FTW-50 OHM TWIN LEAD
T-TERMINATING RES. W-DISCRETE OVERFLOW TW-TWIST PR CONNECT NTW-90 OHM TWIN HEAD
V-VOLTAGE/GROUND FTR-50 OHM TRI-LEAD CX-COAX CONNECTOR

NOTES: WIRE LENGTH IS IN TENTHS OF AN INCH. YELLOW WIRE LENGTH INCLUDES WIRE FOR WRAP.

Table with columns: NET NO., FROM PIN, P L, TO PIN, P L, WIRE TYP, WIRE LNPTH, FROM PIN, P L, TO PIN, P L, WIRE TYP, WIRE LNPTH, FROM PIN, P L, TO PIN, P L, WIRE TYP, WIRE LNPTH. It lists wire connections between various components like BV100CD4, BV100CE4, BV100CF4, BV100CM4, BV100CT4, BV100CZ4, WK100AB4, WK100AC4, WK100AD4, WK100AE4, WK100AF4, WK100AG4, WK100AH4, WK100AJ4, WK100AK4, WK100AY4, WK110AS4, WK110AT4, WK110AU4, WK110AV4, WK110AW4, WK110AX4, WK110AZ4, WK110BA4, WK110BE4, WK110BF4, WK200AA4, WK200AB4, WK200AC4, WK200AD4, WK200AE4, WK200AF4, WK200AG4, WK200AH4, WK200AJ4, WK200AK4, WK200AL4, WK200AM4, WK200AN4, WK200AP4, WK200AQ4, WK200AR4, WK200AS4, WK200BA4, WK200BE4, WK200BF4, WK200BG4, WK200BH4, WK210AA4, WK210AB4, WK210AC4, WK210AD4, WK210AE4, WK210AF4, WK210AG4, WK210AH4, WK210AJ4, WK210AK4, WK210AL4, WK210AM4, WK210AN4, WK210AP4, WK210AQ4, WK210AR4, WK210AS4, WK210BA4, WK210BE4, WK210BF4, WK210BG4, WK210BH4, WK210AA4, WK210AB4, WK210AC4, WK210AD4, WK210AE4, WK210AF4, WK210AG4, WK210AH4, WK210AJ4, WK210AK4, WK210AL4, WK210AM4, WK210AN4, WK210AP4, WK210AQ4, WK210AR4, WK210AS4, WK210BA4, WK210BE4, WK210BF4, WK210BG4, WK210BH4.

END OF LIST

DATE 05-08-79

MST-1 BOARD DISCRETE WIRE EQUIVALENT LIST SEQUENCED BY PIN NUMBER

PAGE 1

PART NO. 2758450 E.C. NO. 446711 VERSION 000 SIZE SINGLE MACHINE 3350 LOCATION 01A-A2

PIN ID: #-I/O PIN
*-I/O & LOGIC
V-VOLTAGE/GROUND

NOTE: 'T' FOLLOWING PIN LOCATION INDICATES TERMINATING RESISTOR

Table with 14 columns: PIN, NET NO., PIN, NET NO., PIN, NET NO., PIN, NET NO., PIN, NET NO., PIN, NET NO., PIN, NET NO. It lists wire equivalents for various components like resistors, capacitors, and diodes.

MST-1 BOARD DISCRETE WIRE EQUIVALENT LIST SEQUENCED BY PIN NUMBER

DATE 05-08-79

PAGE 2

PART NO. 2758450 E.C. NO. 446711 VERSION 000 SIZE SINGLE MACHINE 3350 LOCATION 01A-A2

PIN ID: #-I/O PIN
 *-I/O & LOGIC
 V-VOLTAGE/GROUND

NOTE: 'T' FOLLOWING PIN LOCATION INDICATES TERMINATING RESISTOR

PIN	NET NO.	PIN	NET NO.	PIN	NET NO.	PIN	NET NO.	PIN	NET NO.	PIN	NET NO.	PIN	NET NO.
F4D09	BA100AL2	G3D03	BF100AB2	H2B11	BP200AJ2	H5B13	BQ140BH4	J4D05	BU300AV4	K3D05	BB170AX4	L2B11	BV100AD4
F4D10	BA110AJ4	G3D04	BF170AN6	H2B13	BP200AJ7	H5D02	BP140BC4	J4D06	BM100AR2	K3D06	BG140AN6	L2B12	BG160AU6
F4D11	BA130BS6	G3D05	BF120BA6	H2D02	BA100AL2	H5D03	BP140BB4	J4D07	BM100AS2	K3D07	BC190AD6	L2B13	BF110BF6
F4D12	BA110AK4	G3D06	BD150AJ6	H2D03	BU300BB4	H5D04	BP140BA4	J4D09	BM100AM2	K3D09	BD110AB2	L2D02	BF110AY6
F4D13	BF110AQ6	G3D07	BF110001	H2D04	BU300AZ4	H5D09	BQ140BD4	J4D10	BP110AF6	K3D10	BU100AV4	L2D03	BA140AB6
F5B02	BH140BR2	G3D09	BR200AG6	H2D05	BU300BA4	H5D10	BQ140BG4	J4D12	BQ140BD4	K3D11	BU100BC4	L2D04	BD180AG6
F5B03	BA110AM4	G3D10	BF110AY6	H2D06	BA100AH2	H5D11	BQ140BE4	J4D13	BQ140BG4	K3D12	BB170AL4	L2D05	BL140AG2
F5B04	BD150AJ6	G3D11	WK110BE4	H2D07	BM100AA2	H5D12	BQ140BA4	J5B02	BQ140BF4	K3D13	BU100AZ4	L2D06	BD210BD4
F5B05	BF130CD6	G3D12	BF110AL2	H2D09	BM170AS6	H5D13	BP180AD3	J5B03	BQ140BE4	K4B02	BE110AF2	L2D07	BD210BG4
F5B07	BA100AF7	G3D13	BF130CC6	H2D10	BA100AH7	J2B03	BQ200AN2	J5B04	BQ160AV2	K4B03	BD100AG6	L2D09	BD160AK6
F5B08	BH140AM6	G4B02	BF130CD6	H2D11	BA100AF2	J2B04	BQ200AN7	J5B05	BP140BC4	K4B04	BE110AF7	L2D10	BD210BK4
F5B09	BF130CH6	G4B03	WK100AE4	H2D12	BP200AP6	J2B05	BA100AL7	J5B09	BP140BB4	K4B05	BD100AH6	L2D11	BD190AD6
F5B10	BA160AB6	G4B04	WK100AF4	H2D13	BA100AF7	J2B07	BQ200AL2	J5B10	BN100AG2	K4B07	BE110AB2	L2D12	BD170AN6
F5B11	BG150AF6	G4B05	BD190AD6	H3B02	BA100AD2	J2B09	BP190AF4	J5B11	BP140BF4	K4B08	BA130BS6	L2D13	BD210BA4
F5B12	BA110AN4	G4B07	WK100AG4	H3B03	BP200AG2	J2B10	BQ200AL7	J5B12	BN150AZ6	K4B09	BE110AB7	L3B02	BH170BK2
F5B13	BF130CG6	G4B08	BD170AF6	H3B04	BM150AK2	J2B11	BQ200AJ2	J5B13	BP140BH4	K4B10	BC190AB6	L3B03	BF120BA6
F5D02	BA110AL4	G4B09	WK100AH4	H3B05	BA100AD7	J2B13	BQ200AJ7	J5D02	BQ140BC4	K4B11	BE110AH2	L3B04	BF100AB2
F5D03	BA100AH7	G4B10	BF130CJ6	H3B07	BP190BN4	J2D02	BA100AL2	J5D03	BQ140BB4	K4B12	BE130AV6	L3B05	BF120AL6
F5D04	BA120BZ6	G4B11	BF200BM2	H3B08	BN170AJ4	J2D03	BU300BB4	J5D04	BQ140BA4	K4B13	BE110AH7	L3B07	BD170AB2
F5D05	BA110AQ4	G4B12	BF190AD7	H3B09	WK200AF4	J2D04	BU300AZ4	J5D09	BP140BD4	K4D02	BC180AQ6	L3B08	BF100AC2
F5D06	BA100AL7	G4B13	BF190AF2	H3B10	WK200AG4	J2D05	BU300BA4	J5D10	BP140BG4	K4D03	BG140AL6	L3B09	BF100BB2
F5D07	BH140CB2	G4D02	BF130CB6	H3B11	WK200AH4	J2D06	BA100AH2	J5D11	BP140BE4	K4D04	BC190AA6	L3B10	BD150AZ6
F5D09	BA110AR4	G4D03	WK100AD4	H3B12	BA120BZ6	J2D07	BN100AA2	J5D12	BP140BA4	K4D05	BC130AV6	L3B11	BF100AG2
F5D10	BF130CE6	G4D04	BF130CF6	H3B13	BM100AR2	J2D09	BN170AS6	J5D13	BQ180AD3	K4D06	BD160AK6	L3B12	BF100AH2
F5D11	BF130CF6	G4D05	BF130CE6	H3D02	BP190AB2	J2D10	BA100AH7	K2B02	BF160AJ6	K4D07	BC180AL6	L3B13	BF100AF2
F5D12	BA110AP4	G4D06	BF130CG6	H3D04	BP200AG7	J2D11	BA100AF2	K2B03	BH130BJ2	K4D09	BC180AM6	L3D02	BD230AG4
F5D13	BF130CJ6	G4D07	BF200BL2	H3D05	BR110AQ6	J2D12	BQ200AP6	K2B04	BB170AY4	K4D10	BU100BA4	L3D03	BD150AJ6
G2B02	BF100AF2	G4D09	WK100AK4	H3D09	BP190AC6	J2D13	BA100AF7	K2B05	BE160BA4	K4D11	BU100BB4	L3D04	BD220AU4
G2B03	WK110AT4	G4D10	WK100AJ4	H3D10	BM150AH6	J3B02	BA100AD2	K2B07	BD100BG2	K4D12	BF200AV2	L3D05	BD230AX4
G2B04	WK110AW4	G4D11	BF130CH6	H3D11	BM150ER6	J3B03	BQ200AG2	K2B08	BG150BF2	K4D13	BC190AC6	L3D06	BD170AF6
G2B05	WK110AU4	G4D12	BD180AG6	H3D12	BM100AM2	J3B04	BN150AK2	K2B09	BF110AJ6	K5B02	BL140AX2	L3D07	BD170AE6
G2B07	BF100AH2	G4D13	BF190AF7	H3D13	BM100AS2	J3B05	BA100AD7	K2B10	BE150AN4	K5B03	BH130BH6	L3D09	BD100AH6
G2B09	BF110AJ6	G5B02	BF190AB2	H4B02	BP110AF6	J3B07	BQ190BN4	K2B11	BV100AD4	K5B04	BF110AY6	L3D10	BD220AA4
G2B10	BD170AE6	G5B03	WK100AY4	H4B03	BM150AK6	J3B08	BM170AJ4	K2B12	BA150AK4	K5B05	BC110AQ6	L3D11	BD100BF5
G2B11	BF120AM2	G5B04	BU300BC4	H4B04	BM100AF2	J3B09	WK210AF4	K2B13	BF110AK6	K5B07	BG160AM6	L3D12	BD220AN4
G2B12	WK110AZ4	G5B05	BF160AJ6	H4B05	BU300AW4	J3B10	WK210AG4	K2D02	BH150AM6	K5B08	BA140AB6	L3D13	BD100BF2
G2B13	WK110AX4	G5B07	BU300AR4	H4B07	BP160AW4	J3B11	WK210AH4	K2D03	BB170AJ4	K5B09	BC150AA6	L4B02	BD100BF8
G2D02	BF110AQ6	G5B08	BU300AY4	H4B08	BM150ER2	J3B12	BA120BZ6	K2D04	BE160AU4	K5B10	BC180AN6	L4B03	BD230AA4
G2D03	BF110AP6	G5B09	BF190AH2	H4B09	BU300AX4	J3B13	BN100AR2	K2D05	BE160AA4	K5B11	BE110AD2	L4B04	BD100BF9
G2D04	WK110AV4	G5B10	BF160AP6	H4B10	BN150AK6	J3D02	BQ190AB2	K2D06	BH170BN6	K5B12	BU100AX4	L4B05	BD170BN6
G2D05	BF110BF6	G5B11	BF120AN6	H4B12	BU300AY4	J3D04	BQ200AG7	K2D07	BC170AC6	K5B13	BE110AD7	L4B07	BD110AB2
G2D06	BA150AK4	G5B12	BU300BB4	H4B13	BP140BH4	J3D05	BR110AR6	K2D09	BG170AV6	K5D02	BF110AH6	L4B08	BF110AP6
G2D07	BF100AG2	G5B13	BF200AV2	H4D02	BU300AU4	J3D09	BQ190AC6	K2D10	BE150AC6	K5D03	BL120AW2	L4B09	BF110AW6
G2D09	BF110AX6	G5D02	BF190AD2	H4D03	BM150AM6	J3D10	BN150AH6	K2D11	BE160AG4	K5D04	BC170AY6	L4B10	BF170AN6
G2D10	BF100BB2	G5D03	BU300AU4	H4D04	BM100AB2	J3D11	BN150ER6	K2D12	BF110AL2	K5D05	BH130BG6	L4B11	BD110AC2
G2D11	BF200BN6	G5D04	BU300AV4	H4D05	BU300AV4	J3D12	BN100AM2	K2D13	BF120AM2	K5D06	BC160AF6	L4B12	BD210AE4
G2D12	BC170BD4	G5D05	BF190AB7	H4D06	BN100AR2	J3D13	BN100AS2	K3B02	BB170AW4	K5D07	BG170AB6	L4B13	BD100AD6
G2D13	WK110BA4	G5D06	BU300AW4	H4D07	BN100AS2	J4B02	BQ110AF6	K3B03	BH140CD6	K5D09	BH140AK2	L4D02	BD100BG2
G3B02	WK110AS4	G5D07	BU300AX4	H4D09	BN100AM2	J4B03	BN150AK6	K3B04	BA140AU6	K5D10	BU100AW4	L4D03	BD220AG4
G3B03	BF110AM6	G5D09	BE150AC6	H4D10	BQ110AF6	J4B04	BN100AF2	K3B05	BE160BM4	K5D11	BB170AM4	L4D04	BD110AD2
G3B04	BF120AL6	G5D10	BU300AZ4	H4D12	BP140BD4	J4B05	BU300AW4	K3B07	BE110AK2	K5D12	BC180AP6	L4D05	BH120AF6
G3B05	BF160BV6	G5D11	BU300BA4	H4D13	BP140BG4	J4B07	BQ160AW4	K3B08	BD110AA6	K5D13	BG150AF6	L4D06	BD110AA6
G3B07	BF110AN6	G5D12	WK110BF4	H5B02	BP140BF4	J4B08	BN150ER2	K3B09	BB170AK4	L2B02	BU100AP4	L4D07	BF120AN6
G3B08	BF190AJ6	G5D13	BF190AH7	H5B03	BP140BE4	J4B09	BU300AX4	K3B10	BU100AU4	L2B03	BF110AH6	L4D09	BF110AX6
G3B09	BD100AS6	H2B03	BP200AN2	H5B04	BP160AV2	J4B10	BM150AK6	K3B11	BF120BA6	L2B04	BU100AQ4	L4D10	BD100AC6
G3B10	BF110AH6	H2B04	BP200AN7	H5B05	BQ140BC4	J4B12	BU300AY4	K3B12	BB170AZ4	L2B05	BD200AC4	L4D11	BF110AM6
G3B11	BF110AK6	H2B05	BA100AL7	H5B09	BQ140BB4	J4B13	BQ140BH4	K3B13	BU100AY4	L2B07	BA140AS2	L4D12	BD200AG4
G3B12	WK100AB4	H2B07	BP200AL2	H5B10	BM100AG2	J4D02	BU300AU4	K3D02	BC110AT6	L2B08	BD180AG6	L4D13	BD100AG6
G3B13	WK100AC4	H2B09	BP190AF4	H5B11	BQ140BF4	J4D03	BN150AM6	K3D03	BE160AN4	L2B09	BD230AW4	L5B02	BF130CE6
G3D02	BF100AC2	H2B10	BP200AL7	H5B12	BM150AZ6	J4D04	BN100AB2	K3D04	BB160AA4	L2B10	BD100AS6	L5B03	BF130CB6

DATE 05-08-79

MST-1

BOARD DISCRETE WIRE EQUIVALENT LIST SEQUENCED BY PIN NUMBER

PAGE 3

PART NO. 2758450

E.C. NO. 446711

VERSION 000

SIZE SINGLE

MACHINE 3350

LOCATION 01A-A2

PIN ID: #-I/O PIN
*-I/O & LOGIC
V-VOLTAGE/GROUND

NOTE: 'T' FOLLOWING PIN LOCATION INDICATES TERMINATING RESISTOR

PIN	NET NO.	PIN	NET NO.	PIN	NET NO.	PIN	NET NO.	PIN	NET NO.	PIN	NET NO.	PIN	NET NO.
L5B04	BF130CC6	M3D11	WK110BF4	N2D05	BD100AH6	N5D09	BH170BN6	P4D02	BG150BF2	Q3B10	BH140AQ6	R2B04	BL130AS2
L5B05	BF130CJ6	M3D12	BR110AS6	N2D06	BD100AS6	N5D10	BH110BA2	P4D03	BG140AN6	Q3B11	BC110AK6	R2B05	BG130AS6
L5B07	BF130CF6	M3D13	BR100AY6	N2D07	BK180AH2	N5D11	BK180AB6	P4D04	BG170AV6	Q3B12	BC150AA6	R2B07	BD150AJ6
L5B08	BF130CG6	M4B02	BN140AA6	N2D09	BK200AA2	N5D12	BC180AM6	P4D05	BF200BL2	Q3B13	BC140AK6	R2B09	BL120AC2
L5B09	BD210AP4	M4B03	BR160AK6	N2D10	BC130AK6	N5D13	BK180AD6	P4D07	BH160AD6	Q3D02	BH130BM2	R2B10	BL120AC6
L5B10	BD210AT4	M4B04	WK100AY4	N2D11	BK180AG2	P2B02	BC150AD6	P4D09	BC140AK6	Q3D03	BH160BJ2	R2B11	BL100AV2
L5B11	BV100CD4	M4B05	BR180AJ4	N2D12	BK100AR6	P2B03	BH160AK6	P4D10	BC130AN6	Q3D04	BH130BJ2	R2B12	BH140AE2
L5B12	BD200AV4	M4B07	BM150EC6	N2D13	BG180AK2	P2B04	BG170AB6	P4D11	BG120AJ6	Q3D05	BH140AK2	R2B13	BD100AS6
L5B13	BD200AP4	M4B08	BN150EC6	N3B02	BC190AB6	P2B05	BH150AM6	P4D12	BG130BC6	Q3D06	BH130AW6	R2D02	BL130AK6
L5D02	BD200AE4	M4B09	BR120AN6	N3B03	BH110AM6	P2B07	BG120AM6	P4D13	BH140AE2	Q3D07	BH120AK2	R2D03	BC140AD6
L5D03	BF130CD6	M4B10	BM150AP4	N3B04	BC190AA6	P2B08	BG100BX2	P5B02	BG130AU6	Q3D09	BH120AJ2	R2D04	BJ120GC2
L5D04	BD210AA4	M4B11	WK300AA4	N3B05	BG130AA2	P2B09	BG120AQ6	P5B03	BG120BF7	Q3D10	BH110AM6	R2D05	BJ120FA2
L5D05	BD210AC4	M4B12	BN170AQ6	N3B07	BK180AN6	P2B10	BF160BV6	P5B04	BG140AL6	Q3D11	BH170BN6	R2D06	BF120BA6
L5D06	BD210AG4	M4B13	BN150AP4	N3B08	BK110AQ2	P2B11	BK100BC6	P5B05	BG130AS6	Q3D13	BH140CD6	R2D07	BB170AJ4
L5D07	BF130CH6	M4D02	BM140AA6	N3B09	ED150AJ6	P2B12	BC130AP6	P5B07	BG120BE6	Q4B02	BG140AL6	R2D09	BL120AC2
L5D09	BD210AR4	M4D03	WK300AB4	N3B10	BG120AJ6	P2B13	BG150AH2	P5B08	BG130AJ6	Q4B03	BD100BF8	R2D10	BG120AM6
L5D10	BD210AV4	M4D04	BR180AK4	N3B11	BK200AE3	P2D02	BH120AF6	P5B09	BG130AC6	Q4B04	BH160BA6	R2D11	BL110AV2
L5D11	BD200AA4	M4D05	BR100BB6	N3B12	BK200AE4	P2D03	BG150AF6	P5B10	BF130CF6	Q4B05	BH130BH6	R2D12	BL120AC6
L5D12	BD200AR4	M4D06	BN150AN6	N3B13	BC130AL6	P2D04	BH160AA2	P5B12	BF130CH6	Q4B07	BH140AF6	R2D13	BL140AG4
L5D13	BD200AT4	M4D07	BR180AM4	N3D02	BC130AN6	P2D05	BG170BA2	P5B13	BF130CJ6	Q4B08	BG130AU6	R3B02	BB170AY4
M2B02	WK210BG4	M4D09	BR100BA6	N3D03	BA140AU6	P2D06	BH110AU2	P5D02	BH120AJ2	Q4B09	BH140CB2	R3B03	BD100AG6
M2B03	WK210BH4	M4D10	BM150AN6	N3D04	BC180AQ6	P2D07	BG170CC4	P5D03	BH110BG2	Q4B10	BC130AM6	R3B04	BB160AA4
M2B04	BD230AX4	M4D11	BM170AQ6	N3D05	BC190AD6	P2D09	BF160AP6	P5D04	BH110BA2	Q4B11	BH170BK2	R3B05	BL140AX2
M2B05	WK210BF4	M4D12	BR150AK6	N3D06	BL130AS2	P2D10	BG170AQ6	P5D05	BH110AG6	Q4B12	BH110BG2	R3B07	BB170AK4
M2B07	BH140CE4	M4D13	BR180AL4	N3D07	BH140AK2	P2D11	BH150AG6	P5D06	BG130AQ6	Q4B13	BH140AE2	R3B08	BC140AL6
M2B09	BR200AG6	M5B02	BR200AE6	N3D09	BD170AE6	P2D12	BG140AQ4	P5D07	BH130AW6	Q4D02	BH160AV4	R3B09	BG120AM6
M2B10	BM170AJ4	M5B03	WK200BE4	N3D10	BK210BJ6	P2D13	BC140AD6	P5D09	BH160AF6	Q4D03	BD100BF9	R3B10	BJ100DH4
M2B11	BV100AD4	M5B04	WK200BF4	N3D11	BK200AE5	P3B02	BG170AC2	P5D10	BG180AK2	Q4D04	BC170AY6	R3B11	BC140AQ2
M2B12	BR120AP6	M5B05	BE150AN4	N3D12	BC140AK6	P3B03	BA160AB6	P5D11	BF130CG6	Q4D05	BH120AD6	R3B12	BD180AG6
M2B13	BR180AN4	M5B07	BD230AA4	N4B03	BK200AJ4	P3B04	BG140AK2	P5D12	BH130BE4	Q4D06	BH130AV6	R3B13	BH150AG6
M2D02	BR140AC6	M5B08	BR200AU2	N4B04	BK200AJ2	P3B05	BH130AU6	P5D13	BG130AA2	Q4D07	BH140BT6	R3D02	BD170AF6
M2D03	WK210BE4	M5B09	BE160AA4	N4B05	BG130BC6	P3B07	BH160BJ2	Q2B02	BF130CE6	Q4D09	BH140AM6	R3D03	BL140AG2
M2D04	BR140AB6	M5B10	BF120BA6	N4B07	BK200AE6	P3B08	BH160AV4	Q2B03	BH160AK6	Q4D10	BG130AC6	R3D04	BB170AX4
M2D05	WK200BH4	M5B11	BV100CD4	N4B08	BF130CJ6	P3B09	BG100AS6	Q2B04	BF130CD6	Q4D11	BG120AM6	R3D05	BF110AM6
M2D06	WK100AY4	M5B12	BR170AL4	N4B09	BK200AE2	P3B10	BD100BF2	Q2B05	BF130CB6	Q4D12	BH140CE4	R3D06	BH120AJ2
M2D07	BR200AB6	M5B13	BR200AJ4	N4B10	BF200BM2	P3B11	BG110CM6	Q2B07	BG110CM6	Q4D13	BH160BK2	R3D07	BH120AK2
M2D09	BR170AN4	M5D02	WK200BG4	N4B11	BK200AD3	P3B12	BG160AU6	Q2B08	BC110AT6	Q5B02	BC140AL6	R3D10	BL120AW2
M2D10	BR110AQ6	M5D03	BD180AG6	N4B13	BG120BN6	P3B13	BC170AC6	Q2B09	BE150AN4	Q5B03	BD150AJ6	R3D11	BF130CG6
M2D11	WK110BF4	M5D04	WK300AC4	N4D02	BK200AJ3	P3D02	BG170AR6	Q2B10	BH100AT2	Q5B04	BH130AU6	R3D12	BD100AH6
M2D12	BN170AJ4	M5D05	BR170AK4	N4D03	BG120AK6	P3D03	BH120AD6	Q2B11	BJ130DA2	Q5B05	BC130AN6	R3D13	BK140BC2
M2D13	BR110AR6	M5D06	BD230AW4	N4D04	BF130CB6	P3D04	BG120AK6	Q2B12	BH150AM6	Q5B07	BA140AR6	R4B02	BC160AA4
M3B02	BR180AP4	M5D07	BR170AJ4	N4D05	BK200AH2	P3D05	BC130AL6	Q2B13	BH130AQ6	Q5B08	BK210BJ6	R4B03	BC150AR6
M3B03	BC170BD4	M5D09	BE160AG4	N4D06	BF130CC6	P3D06	BG170AK6	Q2D02	BH110BA2	Q5B09	BH150AL2	R4B04	BB100AC2
M3B04	BR180AQ4	M5D10	BH170BN6	N4D07	BF130CD6	P3D07	BD150AJ6	Q2D03	BH110AE6	Q5B10	BF160BV6	R4B05	BC100AG4
M3B05	BN170AU6	M5D11	BR160AA6	N4D09	BF130CE6	P3D09	BG160AM6	Q2D04	BF130CC6	Q5B11	BC140AD6	R4B07	BC150AQ2
M3B07	BC170AC6	M5D12	BR150AA6	N4D10	BF130CF6	P3D10	BD100AS6	Q2D05	BH110AG6	Q5B12	BH160AA2	R4B09	BB150AF4
M3B08	BN170AS6	M5D13	BR170AM4	N4D11	BF130CG6	P3D11	BF110AW6	Q2D06	BH120AF6	Q5B13	BH150AG6	R4B10	BC160AB2
M3B09	BM170AU6	N2B02	BG120BP6	N4D12	BK200AH4	P3D12	BH140AF6	Q2D07	BH160AF6	Q5D02	BG120AQ6	R4B11	BK200AH3
M3B10	BR170AP4	N2B03	BH130AV6	N4D13	BF130CH6	P3D13	BJ130DA2	Q2D09	BJ130DD6	Q5D03	BD170AB2	R4B12	BF130CD6
M3B11	BR100AZ6	N2B04	BB170AY4	N5B02	BK200AD4	P4B02	BG160BC6	Q2D10	BH160AP6	Q5D04	BB150AM6	R4B13	BK200AH4
M3B12	BQ180AD3	N2B05	BG170AK6	N5B05	BC180AL6	P4B03	BD170AB2	Q2D11	BG140AM6	Q5D05	BC150AD6	R4D02	BB150BG4
M3B13	BP180AD3	N2B07	BK100BC6	N5B07	BK200AD6	P4B04	BG120AP6	Q2D12	BF110BF6	Q5D06	BH140BR2	R4D03	BB150AN6
M3D02	BR110AL4	N2B09	BG120AM6	N5B10	BK180AC6	P4B05	BC130AK6	Q2D13	BG120AK6	Q5D07	BH130BG6	R4D04	BB140AK6
M3D03	BR170AQ4	N2B10	BK140BC2	N5B11	BK180AR2	P4B07	BH160AP6	Q3B02	BH110AX2	Q5D09	BH110AU2	R4D05	BF110AM6
M3D04	BJ130DA6	N2B11	BK180AM2	N5B12	BC180AN6	P4B08	BG120BN6	Q3B03	BD170AN6	Q5D10	BH160AD6	R4D06	BB140AK2
M3D05	BP190BN4	N2B12	BC190AC6	N5B13	BK180AL6	P4B09	BH100AT2	Q3B04	BG130AJ6	Q5D11	BG100AS6	R4D07	BB150AM6
M3D06	BR190AE4	N2B13	BH110AG6	N5D02	BK200AD5	P4B10	BG140AM6	Q3B05	BF110AW6	Q5D12	BC130AL6	R4D09	BB170AZ4
M3D07	BR190AN4	N2D02	BC130AM6	N5D04	BK200AH3	P4B11	BC130AM6	Q3B07	BG130AS6	Q5D13	BH150BU2	R4D10	BB150AF4
M3D09	BM170AS6	N2D03	BC130AL6	N5D05	BC180AP6	P4B12	BH160BK2	Q3B08	BG170AQ6	R2B02	BL130AL6	R4D11	BK200AJ3
M3D10	BQ190BN4	N2D04	BG130AC6	N5D06	BK200AD2	P4B13	BG120BP6	Q3B09	BG130AQ6	R2B03	BH140AQ6	R4D12	BF130CF6

MST-1

BOARD DISCRETE WIRE EQUIVALENT LIST SEQUENCED BY PIN NUMBER

DATE 05-08-79

PART NO. 2758450

E.C. NO. 446711

VERSION 000

SIZE SINGLE

MACHINE 3350

LOCATION 01A-A2

PIN ID: #-I/O PIN
*-I/O & LOGIC
V-VOLTAGE/GROUND

NOTE: 'T' FOLLOWING PIN LOCATION INDICATES TERMINATING RESISTOR

PIN	NET NO.	PIN	NET NO.	PIN	NET NO.	PIN	NET NO.	PIN	NET NO.	PIN	NET NO.	PIN	NET NO.
R4D13	BK200AJ4	S3D06	BK180AM2	T2B13	BC120AP6	U4D09#	BD210AR4	V5D05#	BD220AN4				
R5B02	BK200AJ2	S3D07	BC130BK2	T2D02	BH130BM2	U4D10#	BD210AT4	V5D06#	BD220AU4				
R5B03	BB170AY4	S3D09	BC150AD6	T2D03	BC120CP6	U4D11#	BD210AV4	V5D07#	BD230AG4				
R5B04	BK200AD6	S3D10	BG120BN6	T2D04	BJ100EC4	U4D13#	BD210BA4	V5D09#	BD230AA4				
R5B05	BK200AE6	S3D11	BH150AG6	T2D05	BU300EC2	U5B02#	BU100AU4	V5D13#	BU300AR4				
R5B07	BK200AE5	S3D12	BC150AQ2	T2D06	BU300EC6	U5B04#	BU100AV4						
R5B08	BK200AD4	S3D13	BK180AH2	T2D07	BU300ED2	U5B05#	BU100AW4						
R5B09	BB170AL4	S4B02	BC140AE2	T2D08	BJ120AB4	U5B08#	BU100AX4						
R5B10	BD100AC6	S4B03	BH160BA6	T2D09	BJ120DK8	U5B09#	BU100AY4						
R5B11	BD100AD6	S4B04	BC150AR6	T2D10	BJ130DA2	U5B10#	BU100AZ4						
R5B12	BK200AE3	S4B07	BG100BX2	T2D11	BJ120GC2	U5B12#	BU100BA4						
R5B13	BB160AA4	S4B08	BG170AK6	T2D12	BC130BK2	U5B13#	BU100BB4						
R5D02	BK200AH2	S4B09	BC150AH6	T2D13	BC120AK6	U5D02#	BU100BC4						
R5D03	BB170AX4	S4B10	BC140AK6	T3B02	BJ120FJ6	U5D03#	BU100AP4						
R5D04	BB170AJ4	S4B12	BG140AQ4	T3B03	BG120AP6	U5D05#	BU100AQ4						
R5D05	BB170AW4	S4B13	BC140AE2	T3B04	BJ120FJ2	U5D10#	BD210BD4						
R5D06	BB170AM4	S4D02	BC110AQ6	T3B05	BC140AQ2	U5D11#	BD210BG4						
R5D07	BK200AD5	S4D03	BG150AH2	T3B06	BV100AP4	U5D13#	BD210BK4						
R5D09	BK200AE4	S4D04	BC120CP6	T3B07	BJ100DH4	V2B12#	BU300ED2						
R5D10	BK200AJ2	S4D05	BC130AP6	T3B08	BJ130FF2	V2B13#	BU300ED6						
R5D11	BK200AE2	S4D06	BC130AV6	T3B10	BJ130CH7	V2D02#	BU300EC2						
R5D12	BK200AD3	S4D07	BB140AK6	T3B11	BV100AA4	V2D03#	BU300EC6						
R5D13	BB170AK4	S4D09	BG170AC2	T3B12	BH150BU2	V3B02#	WK200BH4						
S2B02	BU100BD4	S4D10	BC120AK6	T3B13	BJ130DD6	V3B05#	WK210BH4						
S2B03	BH130AQ6	S4D11	BC140AL6	T3D02	BJ130002	V3B08#	WK200BA4						
S2B04	BK180AC6	S4D12	BG140AM6	T3D04	BD170AB2	V3B10#	WK210BA4						
S2B05	BH110AX2	S4D13	BK100AR6	T3D05	BJ110BB4	V3D02#	WK300AE4						
S2B06	BV100AM4	S5B02	BG170AB6	T3D06	BC140AD6	V3D03#	WK300AF4						
S2B07	BC180AM6	S5B03	BC160AB2	T3D07	BJ130DH2	V3D11#	WK300AG4						
S2B09	BC170AK4	S5B04	BB150AM6	T3D09	BK110AQ2	V3D12#	WK300AD4						
S2B10	BC180AQ6	S5B05	BB150AN6	T3D10	BJ110FD4	V3D13#	WK300AH4						
S2B11	BK180AL6	S5B07	BC160AF6	T3D11	BJ110FB4	V4B02#	BU300AB4						
S2B12	BC100AG4	S5B08	BB100AC2	T3D12	BJ130CH4	V4B04#	BU300AC4						
S2B13	BG170AR6	S5B09	BC140AQ2	T3D13	BJ130CH6	V4B05#	BU300AD4						
S2D02	BK180AD6	S5B10	BC170AC6	U3B02#	BR200AJ4	V4B06#	BU300AE4						
S2D03	BK180AG2	S5B11	BH150AL2	U3B05#	BR200AB6	V4B08#	BU300AF4						
S2D04	BK180AB6	S5B12	BC170BD4	U3B06#	WK300AA4	V4B09#	BU300BK4						
S2D05	BK180AR2	S5B13	BF160BV6	U3B07#	BE150AN4	V4B10#	BU300AQ4						
S2D06	BC180AN6	S5D02	BC120AH6	U3B08#	BR200AU2	V4B12#	BU300BE4						
S2D07	BC130AK6	S5D03	BC110AK6	U3B09#	BR200AE6	V4B13#	BU300AA4						
S2D09	BC190AA6	S5D04	BC160AA4	U3B10#	WK300AB4	V4D02#	BU300AU4						
S2D10	BC190AB6	S5D05	BJ100EC4	U3B13#	WK300AC4	V4D03#	BU300AV4						
S2D11	BC130AL6	S5D06	BC150AA6	U3D02#	WK300AE4	V4D05#	BU300AW4						
S2D12	BC130AN6	S5D07	BB150BG4	U3D03#	WK300AF4	V4D06#	BU300AX4						
S2D13	BC130AM6	S5D09	BB140AK2	U3D11#	WK300AG4	V4D07#	BU300AY4						
S3B02	BC180AP6	S5D10	BC170AY6	U3D12#	WK300AD4	V4D09#	BU300AZ4						
S3B03	BC190AD6	S5D11	BJ130DD6	U3D13#	WK300AH4	V4D10#	BU300BA4						
S3B04	BK180AN6	S5D12	BC110AT6	U4B02#	BD200AA4	V4D11#	BU300BB4						
S3B05	BJ120DK8	S5D13	BG140AK2	U4B04#	BD200AC4	V4D13#	BU300BC4						
S3B06	BV100AP4	T2B02	BC120AL6	U4B05#	BD200AE4	V5B02#	BA110AJ4						
S3B07	BD100AS6	T2B03	BH140CE4	U4B08#	BD200AG4	V5B04#	BA110AK4						
S3B08	BH140AQ6	T2B04	BJ100DJ2	U4B09#	BD200AP4	V5B05#	BA110AL4						
S3B09	BJ130DA2	T2B05	BU300ED6	U4B10#	BD200AR4	V5B06#	BA110AM4						
S3B10	BC140AD6	T2B06	BV100AM4	U4B12#	BD200AT4	V5B08#	BA110AN4						
S3B11	BC120AL6	T2B07	BJ130DA6	U4B13#	BD200AV4	V5B09#	BA110AP4						
S3B13	BG170BA2	T2B08	BJ120AB4	U4D02#	BD210AA4	V5B10#	BA110AQ4						
S3D02	BC180AL6	T2B09	BJ120DK6	U4D03#	BD210AC4	V5B12#	BA110AR4						
S3D03	BC190AC6	T2B10	BJ120FA2	U4D05#	BD210AE4	V5B13#	BA110AS4						
S3D04	BJ120FJ6	T2B11	BV100AA4	U4D06#	BD210AG4	V5D02#	BD220AA4						
S3D05	BC120AP6	T2B12	BJ130DD2	U4D07#	BD210AP4	V5D03#	BD220AG4						

PART NO. 2758450 E.C. NO. 446711 VERSION 000 SIZE SINGLE MACHINE 3350 LOCATION 01A-A2

								VOLTAGE PINS			
A1E13	GND	A2B03	GND	A2B07	GND	A2B11	GND	A2D04	GND	A2D04	GND
A2D08	GND	A2D12	GND	A3B03	GND	A3B07	GND	A3B11	GND	A3B11	GND
A3D04	GND	A3D08	GND	A3D12	GND	A4B03	GND	A4B07	GND	A4B07	GND
A4B11	GND	A4D04	GND	A4D08	GND	A4D12	GND	A5B03	GND	A5B03	GND
A5B07	GND	A5B11	GND	A5D04	GND	A5D08	GND	A5D12	GND	A5D12	GND
A6E04	GND	B1A11	GND	B1D13	GND	B1E11	GND	B2C03	GND	B2C03	GND
B2C04	GND	B2C07	GND	B2C11	GND	B2C12	GND	B2D08	GND	B2D08	GND
B2E14	GND	B3A01	GND	B3C03	GND	B3C04	GND	B3C07	GND	B3C07	GND
B3C11	GND	B3C12	GND	B3D08	GND	B3E14	GND	B4A01	GND	B4A01	GND
B4C03	GND	B4C04	GND	B4C07	GND	B4C11	GND	B4C12	GND	B4C12	GND
B4D08	GND	B4E14	GND	B5A01	GND	B5C03	GND	B5C04	GND	B5C04	GND
B5C07	GND	B5C11	GND	B5C12	GND	B5D08	GND	B6A02	GND	B6A02	GND
B6A03	GND	B6B03	GND	B6C03	GND	B6D03	GND	B6D04	GND	B6D04	GND
B6E02	GND	B6E03	GND	C1C13	GND	C1D11	GND	C2C03	GND	C2C03	GND
C2C04	GND	C2C07	GND	C2C11	GND	C2C12	GND	C2D08	GND	C2D08	GND
C3C03	GND	C3C04	GND	C3C07	GND	C3C11	GND	C3C12	GND	C3C12	GND
C3D08	GND	C4C03	GND	C4C04	GND	C4C07	GND	C4C11	GND	C4C11	GND
C4C12	GND	C4D08	GND	C5C03	GND	C5C04	GND	C5C07	GND	C5C07	GND
C5C11	GND	C5C12	GND	C5D08	GND	C6A03	GND	C6B03	GND	C6B03	GND
C6C03	GND	C6C04	GND	C6D02	GND	D1B10	GND	D1C13	GND	D1C13	GND
D2D08	GND	D3D08	GND	D4D08	GND	D5D08	GND	D6B02	GND	D6B02	GND
D6C05	GND	E1A13	GND	E1B11	GND	E1E13	GND	E2D08	GND	E2D08	GND
E3D08	GND	E4D08	GND	E5D08	GND	E6A04	GND	E6B02	GND	E6B02	GND
E6E04	GND	F1A11	GND	F1D13	GND	F1E11	GND	F2D08	GND	F2D08	GND
F3D08	GND	F4D08	GND	F5D08	GND	F6A02	GND	F6D04	GND	F6D04	GND
F6E02	GND	G1C10	GND	G1D13	GND	G2D08	GND	G3D08	GND	G3D08	GND
G4D08	GND	G5D08	GND	G6C02	GND	G6D05	GND	H1B13	GND	H1B13	GND
H1C11	GND	H1C12	GND	H1D12	GND	H1E12	GND	H2D08	GND	H2D08	GND
H3D08	GND	H4D08	GND	H5D08	GND	H6B04	GND	H6C02	GND	H6C02	GND
H6C03	GND	H6D03	GND	H6E03	GND	J1A12	GND	J1A13	GND	J1A13	GND
J1B11	GND	J1B12	GND	J1C12	GND	J1D12	GND	J1E12	GND	J1E12	GND
J1E13	GND	J2D08	GND	J3D08	GND	J4D08	GND	J5D08	GND	J5D08	GND
J6A03	GND	J6A04	GND	J6B02	GND	J6B03	GND	J6C03	GND	J6C03	GND
J6D03	GND	J6E03	GND	J6E04	GND	K1A11	GND	K1E10	GND	K1E10	GND
K2D08	GND	K3D08	GND	K4D08	GND	K5D08	GND	K6A02	GND	K6A02	GND
K6E02	GND	L1A13	GND	L1E13	GND	L2D08	GND	L3D08	GND	L3D08	GND
L4D08	GND	L5D08	GND	L6A05	GND	L6E04	GND	M1A11	GND	M1A11	GND
M1D13	GND	M1E11	GND	M2D08	GND	M3D08	GND	M4D08	GND	M4D08	GND
M5D08	GND	M6A02	GND	M6D04	GND	M6E02	GND	N1C13	GND	N1C13	GND
N1D11	GND	N2D08	GND	N3D08	GND	N4D08	GND	N5D08	GND	N5D08	GND
N6C04	GND	N6D02	GND	P1B10	GND	P1C13	GND	P2D08	GND	P2D08	GND
P3D08	GND	P4D08	GND	P5D08	GND	P6B02	GND	P6C05	GND	P6C05	GND
Q1A13	GND	Q1B11	GND	Q1E13	GND	Q2D08	GND	Q3D08	GND	Q3D08	GND
Q4D08	GND	Q5D08	GND	Q6A04	GND	Q6B02	GND	Q6E04	GND	Q6E04	GND
R1A11	GND	R1D13	GND	R1E11	GND	R2D08	GND	R3D08	GND	R3D08	GND
R4D08	GND	R5D08	GND	R6A02	GND	R6D04	GND	R6E02	GND	R6E02	GND
S1C10	GND	S1D13	GND	S2D08	GND	S3D08	GND	S4D08	GND	S4D08	GND
S5D08	GND	S6C02	GND	S6D05	GND	T1B13	GND	T1C11	GND	T1C11	GND
T1C12	GND	T1D12	GND	T1E12	GND	T2C03	GND	T2C04	GND	T2C04	GND
T2C07	GND	T2C11	GND	T2C12	GND	T2D08	GND	T3C03	GND	T3C03	GND
T3C04	GND	T3C07	GND	T3C11	GND	T3C12	GND	T3D08	GND	T3D08	GND
T4C03	GND	T4C04	GND	T4C07	GND	T4C11	GND	T4C12	GND	T4C12	GND
T4D08	GND	T5C03	GND	T5C04	GND	T5C07	GND	T5C11	GND	T5C11	GND
T5C12	GND	T5D08	GND	T6B04	GND	T6C02	GND	U1A12	GND	U1A12	GND
U1A13	GND	U1B11	GND	U1B12	GND	U1C12	GND	U1D12	GND	U1D12	GND
U1E12	GND	U1E13	GND	U2C03	GND	U2C04	GND	U2C07	GND	U2C07	GND
U2C11	GND	U2C12	GND	U2D08	GND	U2E14	GND	U3A01	GND	U3A01	GND
U3C03	GND	U3C04	GND	U3C07	GND	U3C11	GND	U3C12	GND	U3C12	GND
U3D08	GND	U3E14	GND	U4A01	GND	U4C03	GND	U4C04	GND	U4C04	GND
U4C07	GND	U4C11	GND	U4C12	GND	U4D08	GND	U4E14	GND	U4E14	GND

PART NO.	2758450	E.C. NO.	446711	VERSION 000	SIZE SINGLE	MACHINE 3350	LOCATION 01A-A2		
U5A01	GND	U5C03	GND	U5C04	GND	U5C07	GND	U5C11	GND
U5C12	GND	U5D08	GND	U6A04	GND	U6B02	GND	U6E04	GND
V1A11	GND	V2B03	GND	V2B07	GND	V2B11	GND	V2D04	GND
V2D08	GND	V2D12	GND	V3B03	GND	V3B07	GND	V3B11	GND
V3D04	GND	V3D08	GND	V3D12	GND	V4B03	GND	V4B07	GND
V4B11	GND	V4D04	GND	V4D08	GND	V4D12	GND	V5B03	GND
V5B07	GND	V5B11	GND	V5D04	GND	V5D08	GND	V5D12	GND
V6A02	GND								
B2A14	-4.0	B2C06	-4.0	B3A14	-4.0	B3C06	-4.0	B3E01	-4.0
B4A14	-4.0	B4C06	-4.0	B4E01	-4.0	B5C06	-4.0	B5E01	-4.0
C2C06	-4.0	C3C06	-4.0	C4C06	-4.0	C5C06	-4.0	D1B13	-4.0
D1C10	-4.0	D2B06	-4.0	D3B06	-4.0	D4B06	-4.0	D5B06	-4.0
D6B05	-4.0	D6C02	-4.0	E2B06	-4.0	E3B06	-4.0	E4B06	-4.0
E5B06	-4.0	F2B06	-4.0	F3B06	-4.0	F4B06	-4.0	F5B06	-4.0
G1C13	-4.0	G1D10	-4.0	G2B06	-4.0	G3B06	-4.0	G4B06	-4.0
G5B06	-4.0	G6C05	-4.0	G6D02	-4.0	H2B06	-4.0	H3B06	-4.0
H4B06	-4.0	H5B06	-4.0	J2B06	-4.0	J3B06	-4.0	J4B06	-4.0
J5B06	-4.0	K1E13	-4.0	K2B06	-4.0	K3B06	-4.0	K4B06	-4.0
K5B06	-4.0	K6E05	-4.0	L1A10	-4.0	L2B06	-4.0	L3B06	-4.0
L4B06	-4.0	L5B06	-4.0	L6A02	-4.0	M1A12	-4.0	M1B12	-4.0
M1C12	-4.0	M1D12	-4.0	M1E12	-4.0	M2B06	-4.0	M3B06	-4.0
M4B06	-4.0	M5B06	-4.0	M6A03	-4.0	M6B03	-4.0	M6C03	-4.0
M6D03	-4.0	M6E03	-4.0	N1A12	-4.0	N1B12	-4.0	N1C12	-4.0
N2B06	-4.0	N3B06	-4.0	N4B06	-4.0	N5B06	-4.0	N6A03	-4.0
N6B03	-4.0	N6C03	-4.0	P1B13	-4.0	P1C10	-4.0	P2B06	-4.0
P3B06	-4.0	P4B06	-4.0	P5B06	-4.0	P6B05	-4.0	P6C02	-4.0
Q2B06	-4.0	Q3B06	-4.0	Q4B06	-4.0	Q5B06	-4.0	R2B06	-4.0
R3B06	-4.0	R4B06	-4.0	R5B06	-4.0	S1C13	-4.0	S1D10	-4.0
S2B06	-4.0	S3B06	-4.0	S4B06	-4.0	S5B06	-4.0	S6C05	-4.0
S6D02	-4.0	T2C06	-4.0	T3C06	-4.0	T4C06	-4.0	T5C06	-4.0
U2A14	-4.0	U2C06	-4.0	U3A14	-4.0	U3C06	-4.0	U3E01	-4.0
U4A14	-4.0	U4C06	-4.0	U4E01	-4.0	U5C06	-4.0	U5E01	-4.0

FOR ANY VOLTAGE PIN NOT INDICATED IN THE VOLTAGE PIN LIST, USE THE NET NUMBER TO LOCATE THE ALD PAGE FOR DETERMINING THE VOLTAGE INFORMATION

END OF LIST