

S134-0034-1

IBM Series/1
4963 Disk Subsystem
Parts Catalog



S134-0034-1

IBM Series/1
4963 Disk Subsystem
Parts Catalog

Second Edition (October 1979)

This publication is only for the purpose of ordering replaceable assemblies, subassemblies, and detail parts for the 4963 Disk Subsystem.

This Parts Catalog (PC) contains listings and illustrations of all replaceable assemblies, subassemblies, and detail parts released on or before October 1, 1979 for the Series/1.

Changes that affect this catalog are made periodically; any such changes will be reported in subsequent revisions.

It is possible that this material may contain reference to, or information about IBM products (machines and programs), programming, or services which are not announced in your country. Such references or information must not be construed to mean that IBM intends to announce such IBM products, programming, or services in your country.

Requests for copies of IBM publications should be made to your IBM representative or the IBM branch office serving your locality.

This publication could contain technical inaccuracies or typographical errors. A form for readers' comments is provided at the back of this publication. If the form has been removed, send your comments to IBM Corporation, Systems Publications, Department 27T, P.O. Box 1328, Boca Raton, Florida 33432. IBM may use and distribute any of the information you supply in any way it believes appropriate without incurring any obligation whatever. You may, of course, continue to use the information you supply.

©Copyright International Business Machines Corporation 1979

Contents

HOW TO USE A PARTS CATALOG	iv
VISUAL INDEX	viii
CATALOG SECTION	1
Figure 1. Final Assembly - Sheet 1 of 3	2
Figure 1. Final Assembly - Sheet 2 of 3	4
Figure 1. Final Assembly - Sheet 3 of 3	6
Figure 2. Power Supply Assembly	8
Figure 3. Basic-Disk Control Unit - Model A	10
Figure 4. Fan Expansion Assembly - Model B	12
Figure 5. Disk Storage Unit - Sheet 1 of 3	14
Figure 5. Disk Storage Unit - Sheet 2 of 3	16
Figure 5. Disk Storage Unit - Sheet 3 of 3	18
Figure 6. Cable and Jumper Component Parts	20
NUMERICAL INDEX	X-1

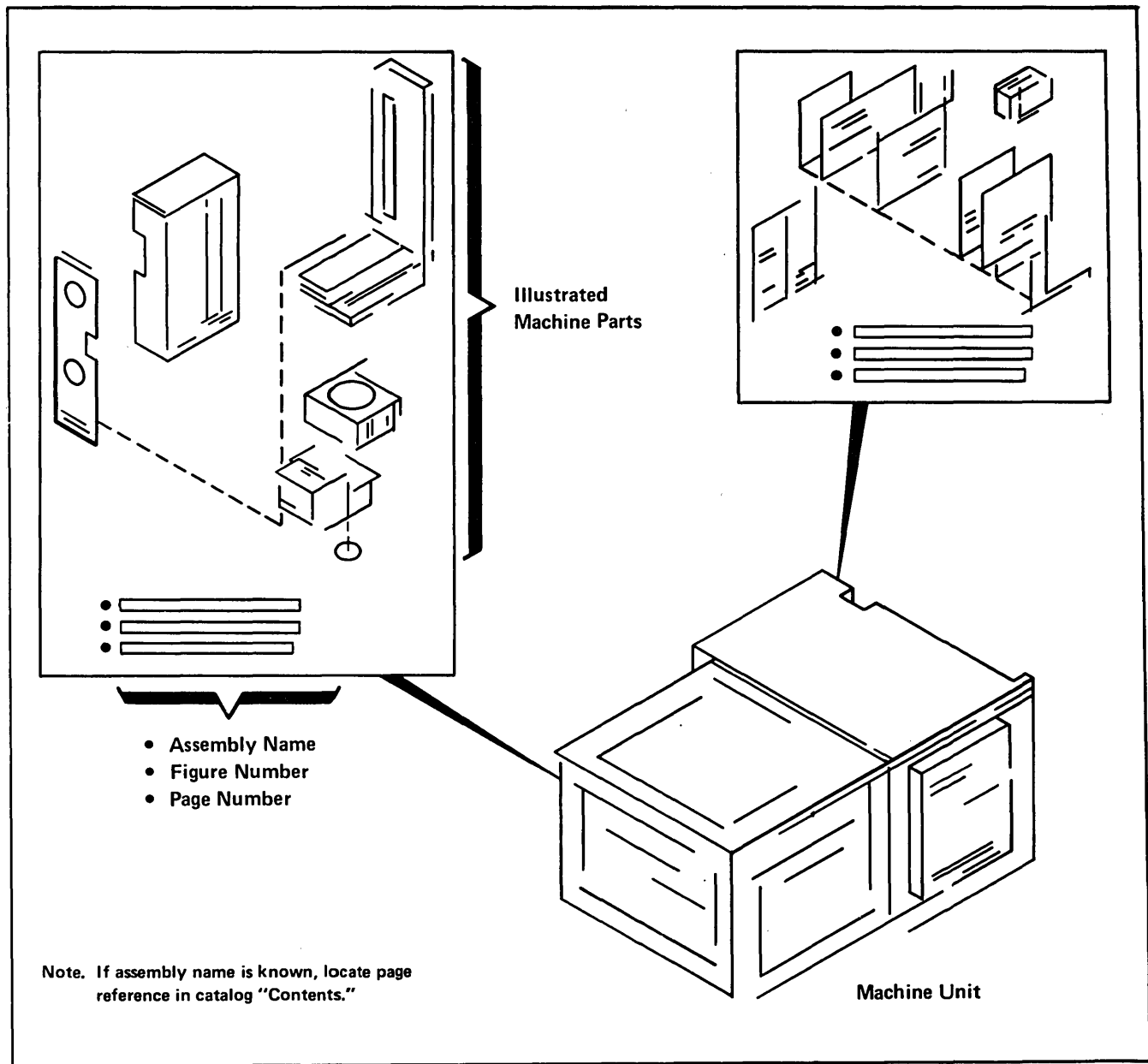
How to Use a Parts Catalog

PARTS CATALOG STRUCTURE

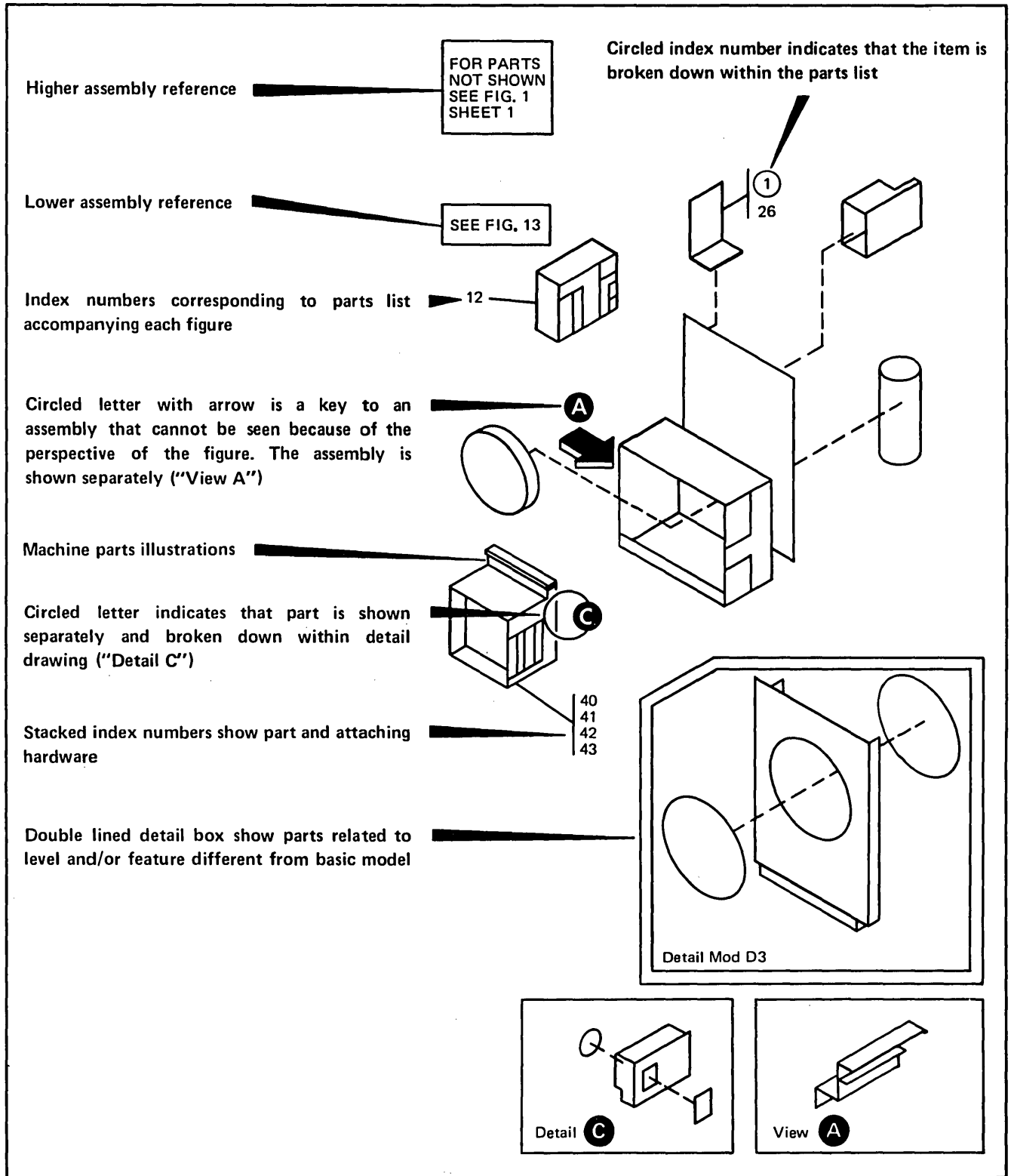
To find parts quickly, you should have a general understanding of the three major sections of this catalog:

- 1** Visual Index (machine assembly illustrations and page locations within the Catalog Section)
- 2** Catalog Section (assembly illustrations with accompanying parts lists)
- 3** Numerical Index (parts listed in numerical order with cross-references to applicable figure numbers within the Catalog Section)

1 VISUAL INDEX This is a starting point for locating a part in the Catalog Section



2 CATALOG SECTION (illustrated parts breakdown)



POWER SUPPLY

FIGURE- INDEX NUMBER	PART NUMBER	UNITS PER ASM.	DESCRIPTION				
			1	2	3	4	
3 -	5892856	1	REF	POWER SUPPLY ASM,NO.1-	110V 50 AND 60 HZ		
-	5892858	1	REF	POWER SUPPLY ASM,NO.1-	208V 50 AND 60 HZ		
-	1553193	7	REF	POWER SUPPLY ASM,NO.1 AND 3-	60 HZ LV		
-	1553194	1	REF	POWER SUPPLY ASM,NO.1 AND 3-	60 HZ HV		
-	1553195 NP	2	REF	POWER SUPPLY ASM,NO.1 AND 3-	50 HZ LV		
-	1553196 NP	1	REF	POWER SUPPLY ASM,NO.1 AND 3-	50 HZ HV		
-	1631389	1	REF	PWR SPLY ASM,NO.1 AND 3-50 HZ	LV-UK ONLY		
-	1631390	3	REF	PWR SPLY ASM,NO.1 AND 3-50 HZ	HV-UK ONLY		
				FOR NEXT HIGHER ASM SEE LIST 2-21 AND 23 AND FOR ILLUSTRATION FIG. 3			
- 1	NO NO.	4	1	LABEL			
- 2	845762	1	1	LABEL			
- 3	5891299	1	1	COVER			
- 4	"COMM"	5	4	SCREW,MACH BIND HD 8-32 NC-2A X .250 LG			
- 5	1632336	1	1	FUSE,7A-USED ON 208V POWER SUPPLY NC. 1			
				NO FUSE REQUIRED ON 110V POWER SUPPLY			
- 6	512137	1	1	FUSE,5A-USED ON 110V POWER SUPPLY NC. 1			
- 6	1632336	1	1	FUSE,7A-USED ON 208V POWER SUPPLY NO. 1			
- 7	5130278 NR	6	1	LABEL-USED ON 208V POWER SUPPLY NO. 1			
- 8	5130277	1	1	LABEL-USED ON 110V POWER SUPPLY NC. 1			
- 8	5130278	1	1	LABEL-USED ON 208V POWER SUPPLY NC. 1			
- 9	1553738	1	1	POWER INPUT ASM			
				FOR DETAIL BREAKDOWN SEE LIST 4			
- 10	58207	AR	1	SCREW,MACH BIND HD 8-32 NC-2A X .250 LG		ATT PT	8
- 11	5130276	1	1	BRACKET			
- 12	58207	9	3	SCREW,MACH BIND HD 8-32 NC-2A X .250 LG		ATT PT	
- 13	2546652	5	1	TIE,CABLE			
- 14	2100264	2	1	RELIEF,CABLE STRAIN			
- 15	55901	3	1	WASHER,LOCK EXT T .176DIA			
- 16	58207	3	1	SCREW,MACH BIND HD 8-32 NC-2A X .250 LG			

ITEM	MEANING
1 Similar Assemblies	Two assemblies having majority of identical parts are broken down on same list (common parts have same index number).
2 NP	Nonprocurable — parts not available separately; order next higher assembly.
3 Indenture	Shows the relationship of a part to its next higher assembly. For example: <i>Indenture</i> 1 2 3 4 MAIN ASSEMBLY • Detail parts of main assembly • Assembly within main assembly • • Detail part of one-dot assembly • • • Assembly within one-dot assembly • • • • Detail parts of two-dot assembly
4 NO NO.	No number — order detail parts separately.
5 "COMM"	Commercial hardware — order from commercial hardware source, not IBM.
6 NR	Not recommended — not recommended for field replacement; order next higher assembly.
7 REF	Reference — see complete assembly on a previous drawing for parts quantities.
8 ATT PT	Attaching parts — used to attach two-dot assembly to one-dot assembly. They are listed following part to be attached.
9 AR	As required — use quantity as required.

3 NUMERICAL INDEX

NUMERICAL INDEX

The numerical index follows the catalog section. Use it to locate a part when you know the part number only. The index lists part numbers in numerical order along with all applicable figures and parts lists.

Part numbers in numerical order

References to figure, parts list, and part index number

PART NO.	LIST AND INDEX NO.	PART NO.	LIST AND INDEX NO.	PART NO.	LIST AND INDEX NO.	PART NO.	LIST AND INDEX NO.
453	6 - 77	6935-CONT	12 - 4	10170-CONT	8 - 18	25627	6 - 17
	6 - 83		14 - 127		9 - 41		8 - 15
	6 - 93		14 - 132		9 - 84		15 - 93
455	11 - 31		15 - 77		10 - 42		15A- 75
845	1 - 89		15 - 81		11 - 2		24 - 8
2032	7 - 8		15 - 85		11 - 9	25891	2 - 49
3550	1 - 28		15A- 66		13 - 11		2 - 101
	1 - 55		15A- 70		14 - 1H	26380	14 - 110

ORDERING PARTS

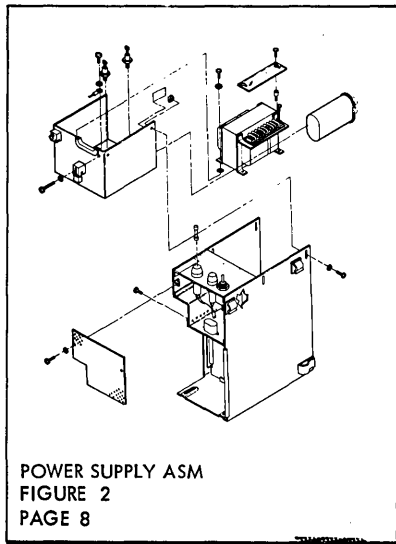
Refer to the Catalog Section when ordering parts. The example shown here should help guide you through a typical situation.

FIGURE-INDEX NUMBER	PART NUMBER	UNITS PER ASM.	DESCRIPTION			
			1	2	3	4
5 -	5891860 A	REF	POWER SUPPLY, NO. 3, 60 HZ			
-	5892846	REF	POWER SUPPLY, NO. 3, 50 HZ			
-	1631386	REF	POWER SUPPLY, NO. 3, 50 HZ-UK ONLY			
			FOR NEXT HIGHER ASM SEE LIST 3-25 AND FOR ILLUSTRATION FIG. 5			
- 1	475124	1	• CLAMP, CAPACITOR			
- 2	58207	2	• SCREW, MACH BIND HD 8-32 NC-2A X .250 LG ATT PT			
- 3	5252807	1	• CAPACITOR, C3			
- 4	526378	2	• CAP			
- 5	2701001	1	• TRANSFORMER, 60HZ			
- 5	2701011	1	• TRANSFORMER, 50HZ			
- 5	5130347 B	1	• TRANSFORMER, 50 HZ-UK ONLY			
- 6	236849	4	• SCREW, MACH BIND HD 10-32 X .250LG ATT PT			
- 7	56079	1	• WASHER, LOCK EXT T .204ID .41000 ATT PT			
- 8	351237	1	• SHIELD			
- 9	10170	2	• SCREW, MACH-BIND HD 6-32 X 1/4 LG ATT PT			
- 10	322766	1	• TERMINAL BOARD- 8 DRL SCREW TERMINAL			

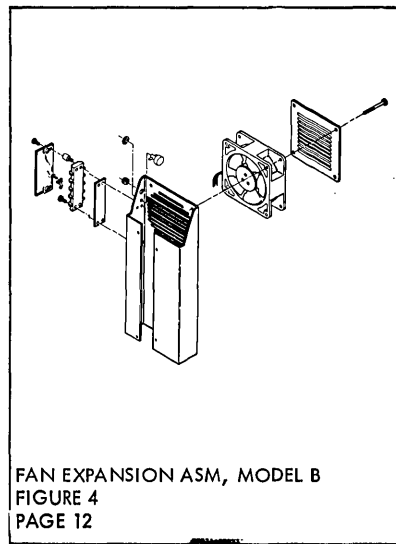
If, for example, you need the *power supply, no. 3, 60 HZ*, order part number 5891860 **A** (all one-dot items will also be received). See the explanation of the Catalog Section for information on how the leading dots are used in the parts listings. If you need the *transformer, 50 HZ-UK only*, order part number 5130347 **B** (all two-dot items will also be received). Each part may also be ordered separately except in the following cases:

- Many detail parts are unavailable if they are part of an inseparable assembly or if they are part of an assembly that is ordered as a unit. In such cases they are noted "Assembly components are not replaceable."
- Parts found on purchased assemblies may not have IBM part numbers. These parts are noted "Assembly components not available."

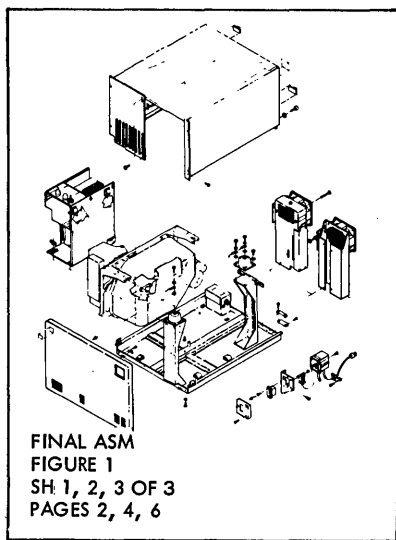
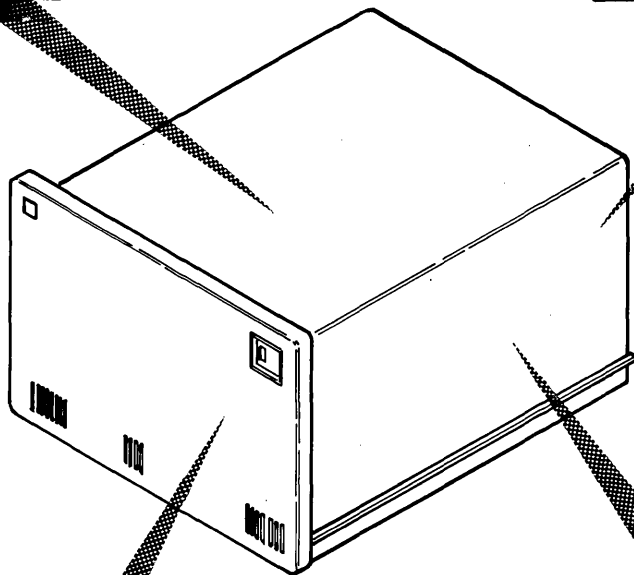
In either case, order the assembly rather than the detail parts.



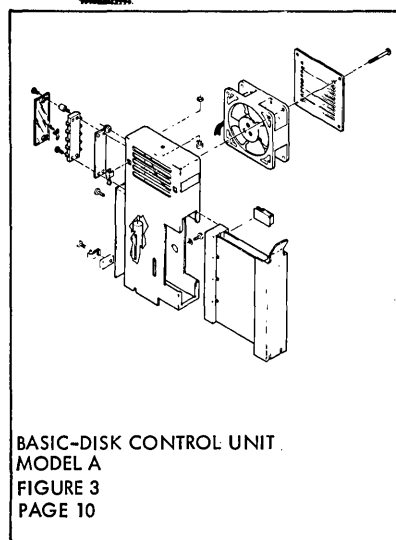
POWER SUPPLY ASM
FIGURE 2
PAGE 8



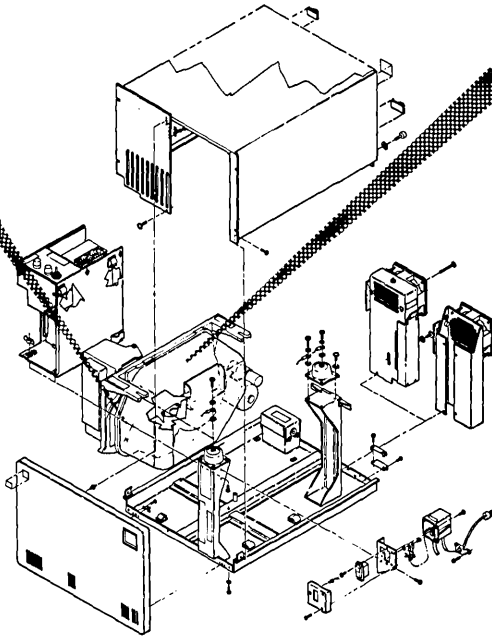
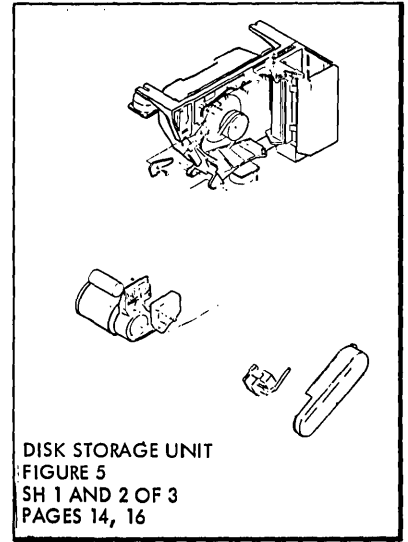
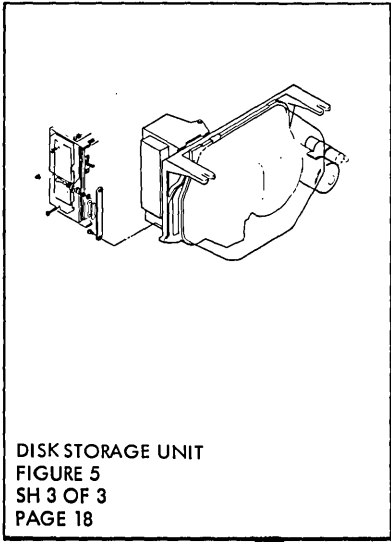
FAN EXPANSION ASM, MODEL B
FIGURE 4
PAGE 12



FINAL ASM
FIGURE 1
SH 1, 2, 3 OF 3
PAGES 2, 4, 6



BASIC-DISK CONTROL UNIT,
MODEL A
FIGURE 3
PAGE 10



THIS PAGE INTENTIONALLY LEFT BLANK



CATALOG SECTION

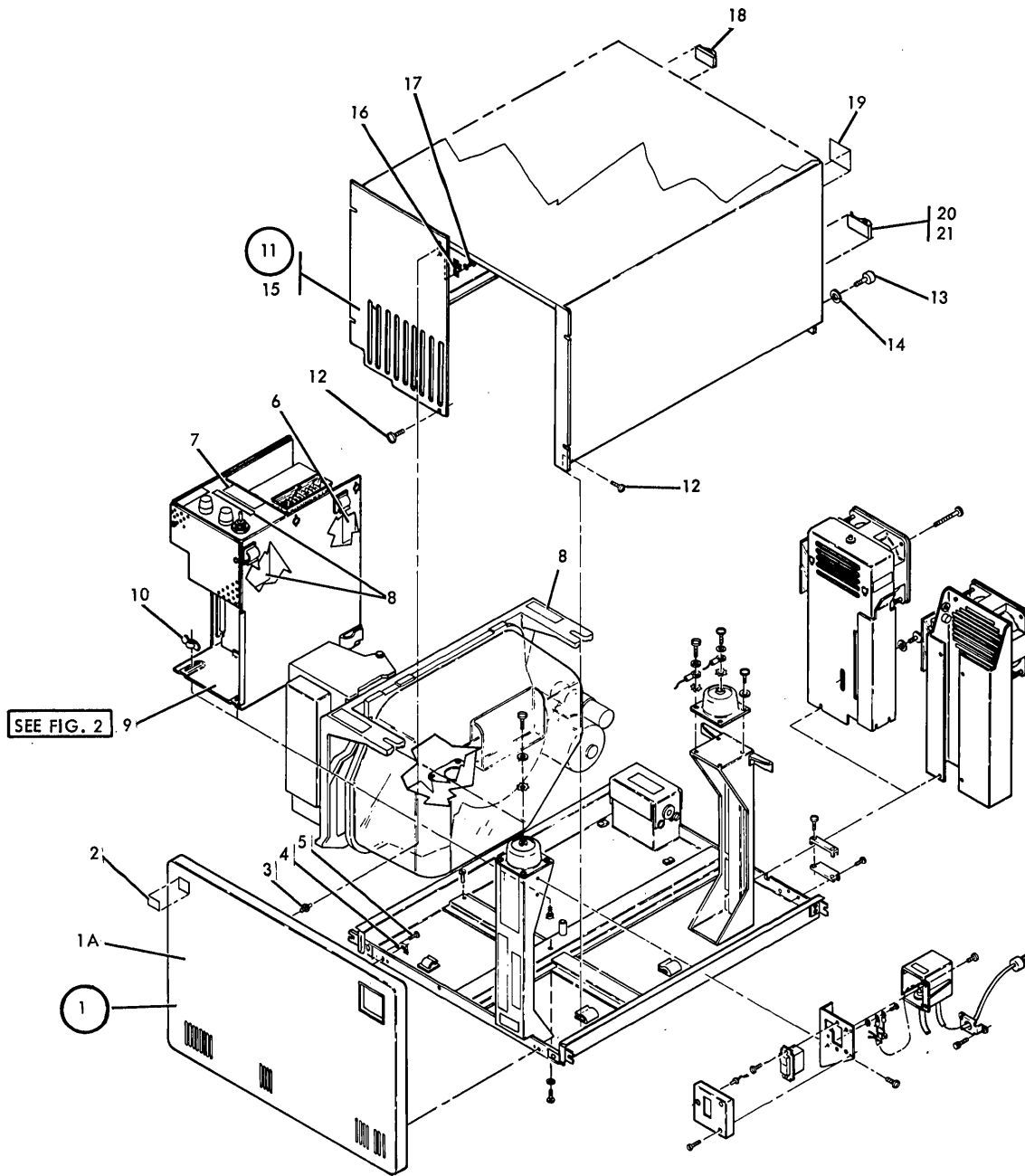


FIGURE 1. FINAL ASM. SHEET 1 OF 3. INDEX NOS. 1-21. SEE LIST 1.

FIGURE- INDEX NUMBER	PART NUMBER		UNITS PER ASM.	DESCRIPTION			
	NO NO.	NP		1	2	3	4
1 -			REF	FINAL ASM FOR ILLUSTRATION SEE FIGURE 1			
- 1	6837361		1	. COVER ASM			
- 1A	4412783		1	. . COVER ASM, FRONT			
- 2	4413809		1	. . NAMEPLATE			
- 3	220839		3	. . STUD			
- 4	313453		2	. LATCH			
- 5	48594		4	. SCREW, MACH-BIND HD 4-40 X 3/16 LG			
- 6	124828		1	. LABEL, WARNING-ENGLISH			
- 6	6826862		1	. LABEL, WARNING-FRENCH			
- 6	984113		1	. LABEL, WARNING-CANADIAN			
- 6	6826863		1	. LABEL, WARNING-GERMAN			
- 6	6826864		1	. LABEL, WARNING-ITALIAN			
- 6	6826866		1	. LABEL, WARNING-JAPANESE			
- 6	6826865		1	. LABEL, WARNING-SPANISH			
- 6	6826868		1	. LABEL, WARNING-FINISH			
- 7	1149781		1	. LABEL, WARNING-ENGLISH			
- 7	6825829		1	. LABEL, WARNING-FRENCH			
- 7	6825806		1	. LABEL, WARNING-CANADIAN			
- 7	6825824		1	. LABEL, WARNING-GERMAN			
- 7	6825825		1	. LABEL, WARNING-ITALIAN			
- 7	6825841		1	. LABEL, WARNING-JAPANESE			
- 7	6825827		1	. LABEL, WARNING-SPANISH			
- 7	6825826		1	. LABEL, WARNING-FINISH			
- 8	124943		3	. LABEL, HAZARDOUS AREA-ENGLISH			
- 8	8326722		3	. LABEL, HAZARDOUS AREA-FRENCH			
- 8	8326799		3	. LABEL, HAZARDOUS AREA-FR/CANADIAN			
- 8	8326802		3	. LABEL, HAZARDOUS AREA-GERMAN			
- 8	8326800		3	. LABEL, HAZARDOUS AREA-ITALIAN			
- 8	8326797		3	. LABEL, HAZARDOUS AREA-JAPANESE			
- 8	8326798		3	. LABEL, HAZARDOUS AREA-SPANISH			
- 8	8326801		3	. LABEL, HAZARDOUS AREA-FINNISH			
- 9	6825370		1	. POWER SUPPLY ASM, 60 HZ			
- 9	6825380		1	. POWER SUPPLY ASM, 50 HZ			
- 9	4411343		1	. POWER SUPPLY ASM, 60 HZ			
- 9	4411342		1	. POWER SUPPLY ASM, 50 HZ			
				FOR DETAIL BREAKDOWN SEE FIGURE 2 LABELS NOT WITH POWER SUPPLY ASM. ORDER APPROPRIATE LABELS-INDEX NOS. 6,7,8			
- 10	184522		2	. NUT, WING			
- 11	6827342		1	. COVER ASM			
- 12	34512		3	. SCREW, MACH-BIND HD 8-32 X 3/8 LG			
- 13	1151331		2	. THUMB SCREW			
- 14	22478		2	. WASHER, FL- 0.170 ID 0.375 OD 0.032 THK			
- 15	4412782		1	. . COVER			
- 16	313453		1	. . LATCH			
- 17	48594		2	. . SCREW, MACH-BIND HD 4-40 X 3/16 LG			
- 18	2596291		1	. . CLAMP			
- 19	4413818		1	. . LABEL, AIR EXHAUST			
- 20	4412993		1	. . FOAM			
- 21	4412994		1	. . CLIP			
				ATT PT			
				ATT PT			
				ATT PT			
				ATT PT			
				ATT PT			
				ATT PT			

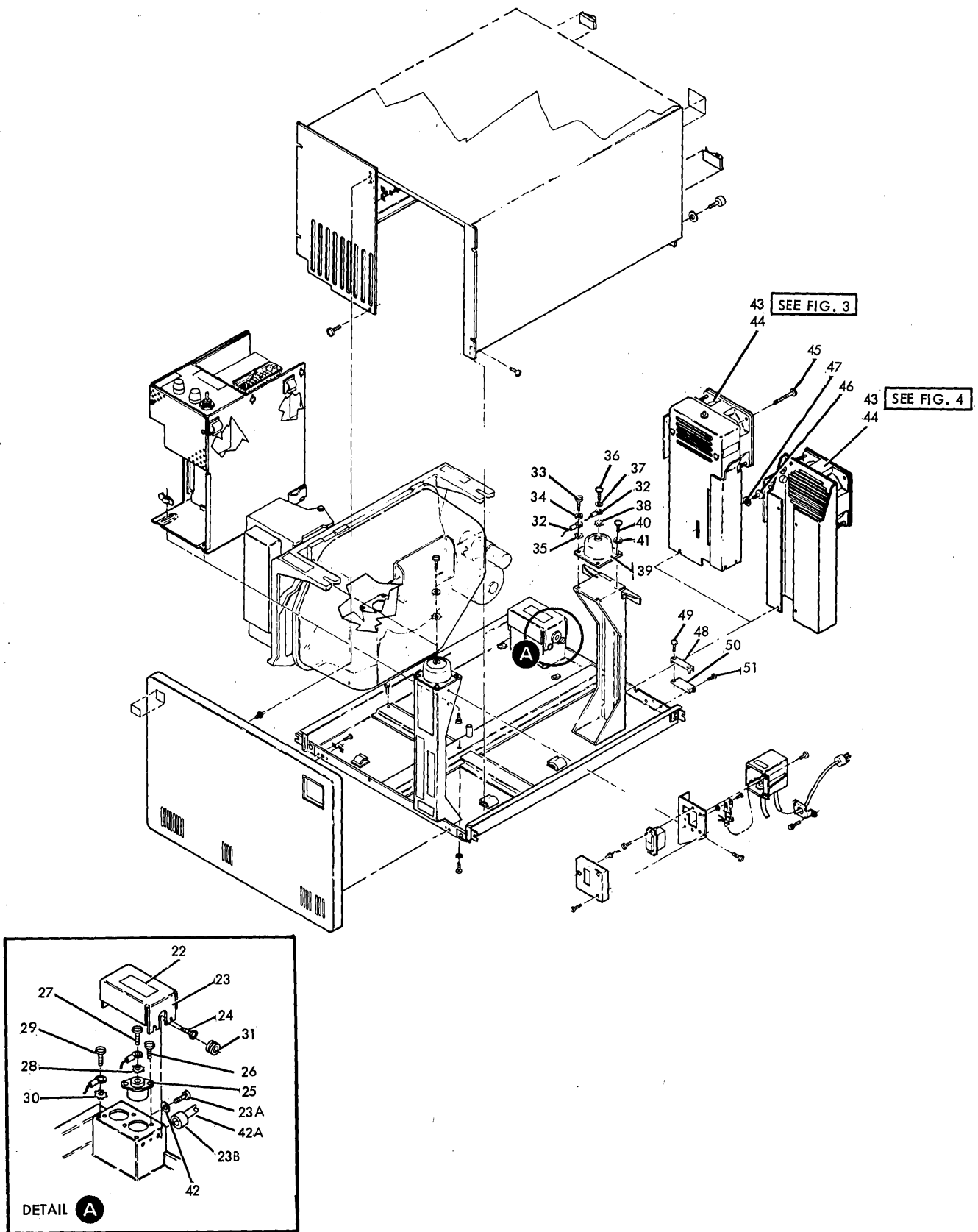


FIGURE 1. FINAL ASM. SHEET 2 OF 3. INDEX NOS. 22-51. SEE LIST 1.

FIGURE- INDEX NUMBER	PART NUMBER	UNITS PER ASM.	DESCRIPTION			
			1	2	3	4
1 - 22	138754	2	. LABEL,WARNING-ENGLISH			
- 22	6825828	2	. LABEL,WARNING-FRENCH			
- 22	984123	2	. LABEL,WARNING-CANADIAN			
- 22	6812832	2	. LABEL,WARNING-GERMAN			
- 22	6812830	2	. LABEL,WARNING-ITALIAN			
- 22	6825840	2	. LABEL,WARNING-JAPANESE			
- 22	6812829	2	. LABEL,WARNING-SPANISH			
- 22	6825818	2	. LABEL,WARNING-FINISH			
			THESE LABELS NOT SHIPPED WITH ASM MUST BE ORDERED SEPARATELY			
- 23	4412784	1	. COVER			
- 23A	1151331	1	. THUMB SCREW			
- 23B	22478	1	. WASHER,FLAT 0.170 ID X 3/8 OD X 1/32 THK			
- 24	58207	3	. SCREW,MACH BIND HD 8-32 NC-2A X .250 LG			
- 25	4236662	2	. FILTER			
- 26	10170	4	. SCREW,MACH-BIND HD 6-32 X 1/4 LG			
- 27	236849	4	. SCREW, MACH BIND HD 10-32 X .250LG			
- 28	56079	4	. WASHER,LOCK EXT T .204ID .4100D			
- 29	58207	4	. SCREW,MACH BIND HD 8-32 NC-2A X .250 LG			
- 30	55901	4	. WASHER,LOCK EXT T .176DIA			
- 31	265059	1	. GROMMET			
- 32	8333773	1	. CABLE ASM,AC DISTRIBUTION			
- 33	34512	1	. SCREW,MACH-BIND HD 8-32 X 3/8 LG			
- 34	1622346	1	. WASHER,LOCK-EXT T 4.3 ID X 8 OD			
- 35	55901	1	. WASHER,LOCK EXT T .176DIA			
- 36	36844	2	. SCREW,MACH-HEX HD 1/4-20 X 5/8 LG			
- 37	3550	2	. WASHER,FL- 1/4 X 9/16 OD X 0.05Q THK			
- 38	76574	1	. WASHER,LOCK EXT T 1/4 ID X 1/2 OD			
- 39	5145345	2	. SHOCKMOUNT			
			SUPPLIED WITH DISK SUBSYSTEM			
- 40	34512	7	. SCREW,MACH-BIND HD 8-32 X 3/8 LG			
- 41	1622346	7	. WASHER,LOCK-EXT T 4.3 ID X 8 OD			
- 42	2462353	1	. BUSHING			
- 42A	4413618	1	. LINE CORD,110V U.S. AND CANADA			
- 42A	4413619	1	. LINE CORD,220V U.S. AND CANADA			
- 42A	8326719	1	. LINE CORD,100/200V WTC			
- 42A	8326720	1	. LINE CORD,100/200V JAPAN			
- 43	NO NO. NP	1	. BASIC DISK UNIT CONTROL,MODEL A FOR DETAIL BREAKDOWN SEE FIGURE 3			
- 43	NO NO. NP	1	. FAN EXPANSION ASM,MODEL B FOR DETAIL BREAKDOWN SEE FIGURE 4			
- 44	34512	1	. SCREW,MACH-BIND HD 8-32 X 3/8 LG			
- 44	34512	4	. SCREW,MACH-BIND HD 8-32 X 3/8 LG			
- 45	438571	4	. SCREW,BIND HD 6-32 NC X 1.75 LG			
- 46	1159651	1	. SCREW			
- 47	675858	1	. WASHER			
- 48	2194940	1	. CLAMP			
- 49	322551	2	. SCREW,MACH BIND HD 6-32 X 3/4 LG			
- 50	989883	1	. CLAMP ADJ			
- 51	55726	2	. SCREW, MACH BIND HD 6-32 X .188 LG			

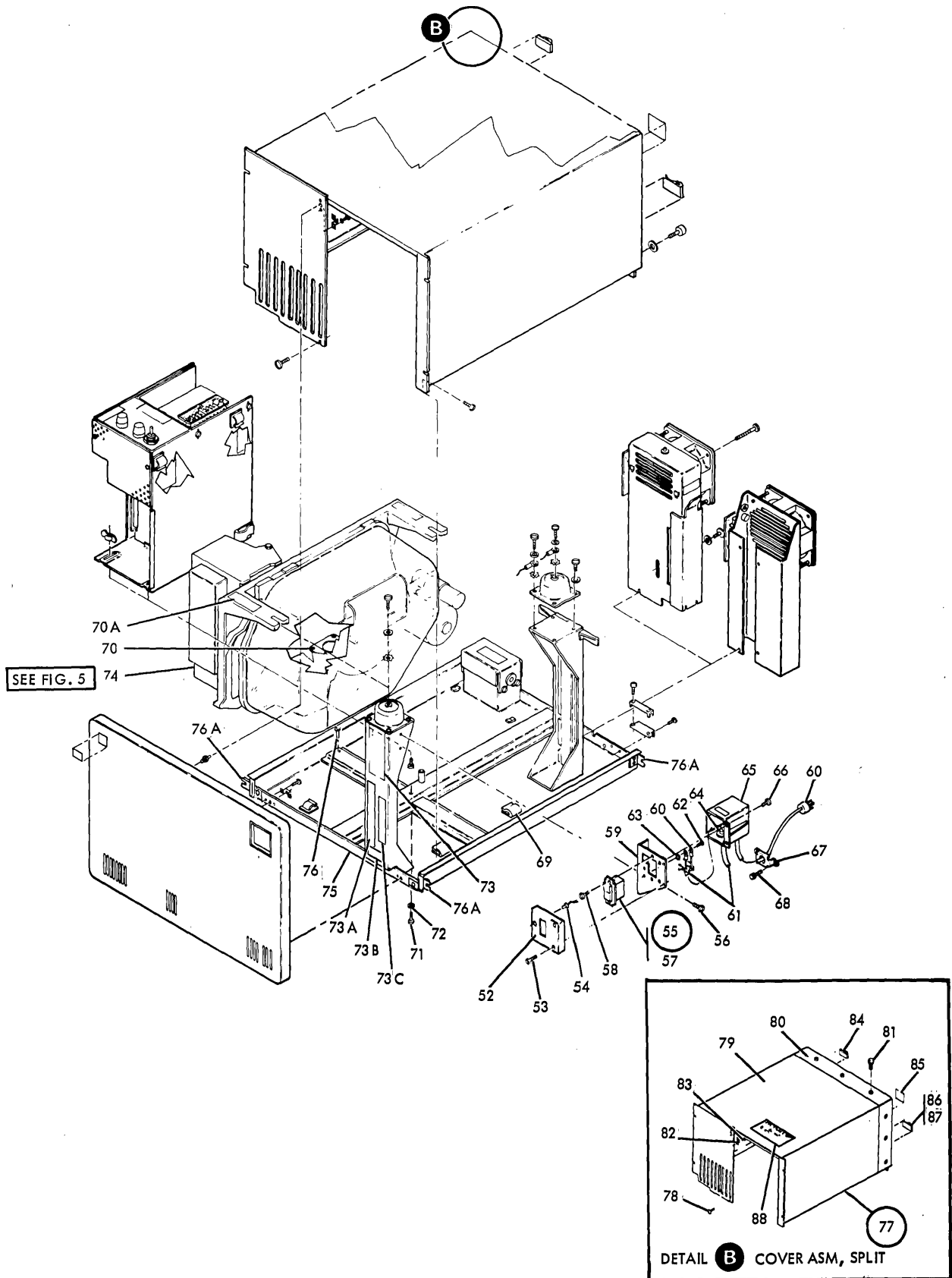


FIGURE 1. FINAL ASM. SHEET 3 OF 3. INDEX NOS. 52-88. SEE LIST 1.

FIGURE- INDEX NUMBER	PART NUMBER	UNITS PER ASM.	DESCRIPTION			
			1	2	3	4
1 - 52	5562343	1
- 53	38447	2	.	.	.	ATT PT
- 54	1582631	1	.	.	.	
- 55	4412786	1	.	.	.	
- 55	4412787	1	.	.	.	
- 55	4412788	1	.	.	.	
- 55	4413810	1	.	.	.	
- 56	186759	2	.	.	.	ATT PT
- 57	1634668	1	.	.	.	
- 57	1634990	1	.	.	.	
- 57	1634989	1	.	.	.	
- 58	10170	1	.	.	.	ATT PT
- 59	4412794	1	.	.	.	
- 60	4411704	1	.	.	.	
- 60	4413862	1	.	.	.	
- 61	4411703	1	.	.	.	
- 61	4413896	1	.	.	.	
- 62	58207	1	.	.	.	ATT PT
- 63	55901	1	.	.	.	ATT PT
- 64	4411494	2	.	.	.	
- 65	4412793	1	.	.	.	
- 66	58207	2	.	.	.	ATT PT
- 67	2704110	1	.	.	.	
- 68	2704107	2	.	.	.	ATT PT
- 69	2596291	5	.	.	.	
- 70	5145346	1	.	.	.	
- 70A	6826933	1	.	.	.	
- 71	438622	1	.	.	.	ATT PT
- 72	6935	1	.	.	.	ATT PT
- 73	6838526	1	.	.	.	
- 73	6826869	1	.	.	.	
- 73	6826870	1	.	.	.	
- 73	6826871	1	.	.	.	
- 73	6826872	1	.	.	.	
- 73	6826873	1	.	.	.	
- 73	6826875	1	.	.	.	
- 73	6826876	1	.	.	.	
- 73A	855260	1	.	.	.	
- 73B	845762	1	.	.	.	
- 73C	6839042	1	.	.	.	
- 74	5145748	1	.	.	.	
- 74	5145754	1	.	.	.	
- 74	5145745	1	.	.	.	
- 74	5145751	1	.	.	.	
- 74	5145747	1	.	.	.	
- 74	5145753	1	.	.	.	
- 74	5145744	1	.	.	.	
- 74	5145750	1	.	.	.	
- 74	1884510	1	.	.	.	
- 74	5145760	1	.	.	.	
- 74	1884508	1	.	.	.	
- 74	5145757	1	.	.	.	
- 74	1884509	1	.	.	.	
- 74	5145759	1	.	.	.	
- 74	1884507	1	.	.	.	
- 74	5145756	1	.	.	.	
- 75	4412781	1	.	.	.	
- 76	129147	1	.	.	.	
- 76A	4201687	2	.	.	.	
- 77	6839064	1	.	.	.	
- 78	34512	3	.	.	.	ATT PT
- 79	6839062	1	.	.	.	
- 80	6839063	1	.	.	.	
- 81	221790	9	.	.	.	ATT PT
- 82	313453	1	.	.	.	
- 83	48594	2	.	.	.	ATT PT
- 84	2596291	1	.	.	.	
- 85	4413818	1	.	.	.	
- 86	4412993	1	.	.	.	
- 87	4412994	1	.	.	.	
- 88	6839065	1	.	.	.	

FOR PARTS
NOT SHOWN
SEE FIG. 1

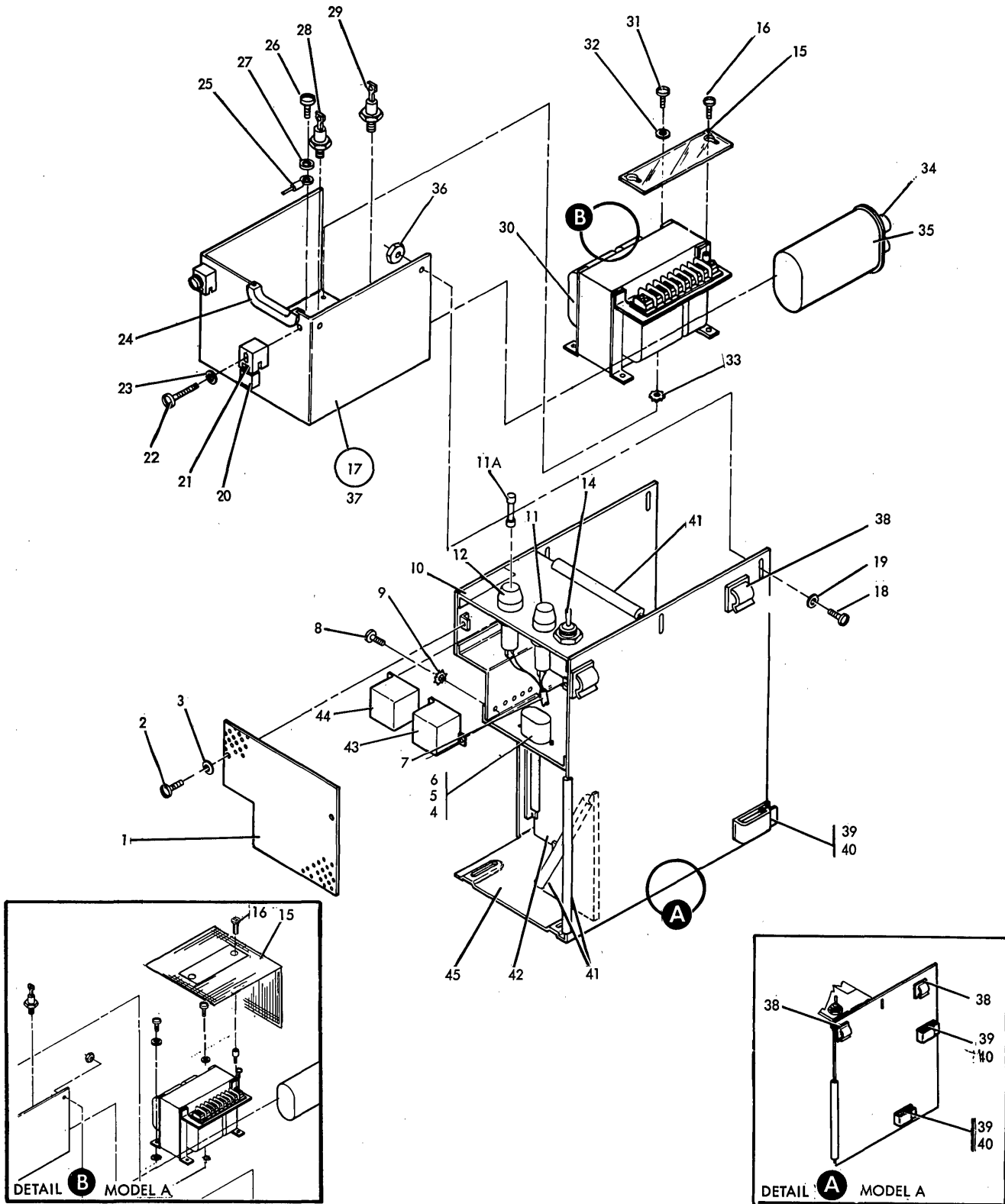


FIGURE 2. POWER SUPPLY ASM. SEE LIST 2.

FIGURE- INDEX NUMBER	PART NUMBER	UNITS PER ASM.	DESCRIPTION			
			1	2	3	4
2 -	6825370	REF	POWER SUPPLY ASM, 60 HZ-MODEL A			
-	6825380	REF	POWER SUPPLY ASM, 50 HZ-MODEL A			
-	4411343	REF	POWER SUPPLY ASM, 60 HZ-MODEL B			
-	4411342	REF	POWER SUPPLY ASM, 50 HZ-MODEL B			
			FOR NEXT HIGHER ASM SEE FIGURE 1-9 AND FOR ILLUSTRATION FIGURE 2			
- 1	4411332	1	. COVER			
- 2	10170	2	. SCREW, MACH-BIND HD 6-32 X 1/4 LG			
- 3	257986	2	. WASHER, FLAT-NO. 6 X 5/16 OD X .035 THK			
- 4	4406541	1	. RECEPTACLE, 3 PRONG POWER			
- 5	2704109	2	. STUD			
- 6	338169	2	. WASHER, LOCK EXT T 1/8 ID X 1/4 OD			
- 7	4411336	1	. CABLE ASM, INTERNAL PRIMARY			
- 8	10170	5	. SCREW, MACH-BIND HD 6-32 X 1/4 LG			
- 9	56722	5	. WASHER, LOCK EXT T .150ID			
- 10	845762	1	. LABEL			
- 11	5214456	1	. FUSE, 6A 250V			
- 11A	1632336	1	. FUSE, 7A-SLOW BLOW			
- 12	4412938	2	. FUSEHOLDER			
- 14	5404423	1	. SWITCH, TOGGLE DPST			
- 15	6825374	1	. COVER, MODEL A			
- 15	351237	1	. SHIELD, MODEL B			
- 16	10170	2	. SCREW, MACH-BIND HD 6-32 X 1/4 LG			
- 17	6825371	1	. TRANSFORMER TUB ASM, 60 HZ-MODEL A			
- 17	6825372	1	. TRANSFORMER TUB ASM, 50 HZ-MODEL A			
- 17	4411331	1	. TRANSFORMER TUB ASM, 60 HZ-MODEL B			
- 17	4411337	1	. TRANSFORMER TUB ASM, 50 HZ-MODEL B			
- 18	38235	4	. SCREW, MACH-BIND HD 6-32 X 5/16 LG			
- 19	257986	4	. WASHER, FLAT-NO. 6 X 5/16 OD X .035 THK			
- 20	4411340	1	. . BLOCK			
- 21	4411335	2	. . RETAINER, CARD			
- 22	322551	2	. . SCREW, MACH BIND HD 6-32 X 3/4 LG			
- 23	257986	2	. . WASHER, FLAT-NO. 6 X 5/16 OD X .035 THK			
- 24	471672	AR	. . CHANNEL, RUBBER			
- 25	5759324	1	. . JUMPER ASM			
- 26	10170	1	. . SCREW, MACH-BIND HD 6-32 X 1/4 LG			
- 27	56722	1	. . WASHER, LOCK EXT T .150ID			
- 28	598353	2	. . DIODE, CR3 AND CR4			
- 29	598355	2	. . DIODE, CR1 AND CR2			
- 30	6825363	1	. . TRANSFORMER, 60 HZ-MODEL A			
- 30	6825364	1	. . TRANSFORMER, 50 HZ-MODEL A			
- 30	4411333	1	. . TRANSFORMER, 60 HZ-MODEL B			
- 30	4411334	1	. . TRANSFORMER, 50 HZ-MODEL B			
- 31	236849	2	. . SCREW, MACH BIND HD 10-32 X .250LG			
- 32	45690	1	. . WASHER, FLAT NO. 10 X 7/16OD X 1/32THK			
- 33	56079	1	. . WASHER, LOCK EXT T .204ID .4100D			
- 34	526378	2	. . COVER			
- 35	8279051	1	. . CAPACITOR			
- 36	257187	1	. . NUT, HEX 6-32			
- 37	4411338	1	. . TUB, TRANSFORMER			
- 38	2596291	2	. . CLAMP			
- 39	4412993	AR	. . FOAM			
- 40	4412994	2	. . CLIP			
- 41	471672	AR	. . CHANNEL, RUBBER			
- 42	6825366	1	. . CARD ASM			
- 43	2278766	1	. . RELAY, 24VDC			
- 44	4411079	1	. . RELAY, TIME DELAY			
- 45	4411328	1	. . CHASSIS, POWER SUPPLY			

FOR PARTS
NOT SHOWN
SEE FIG. 1

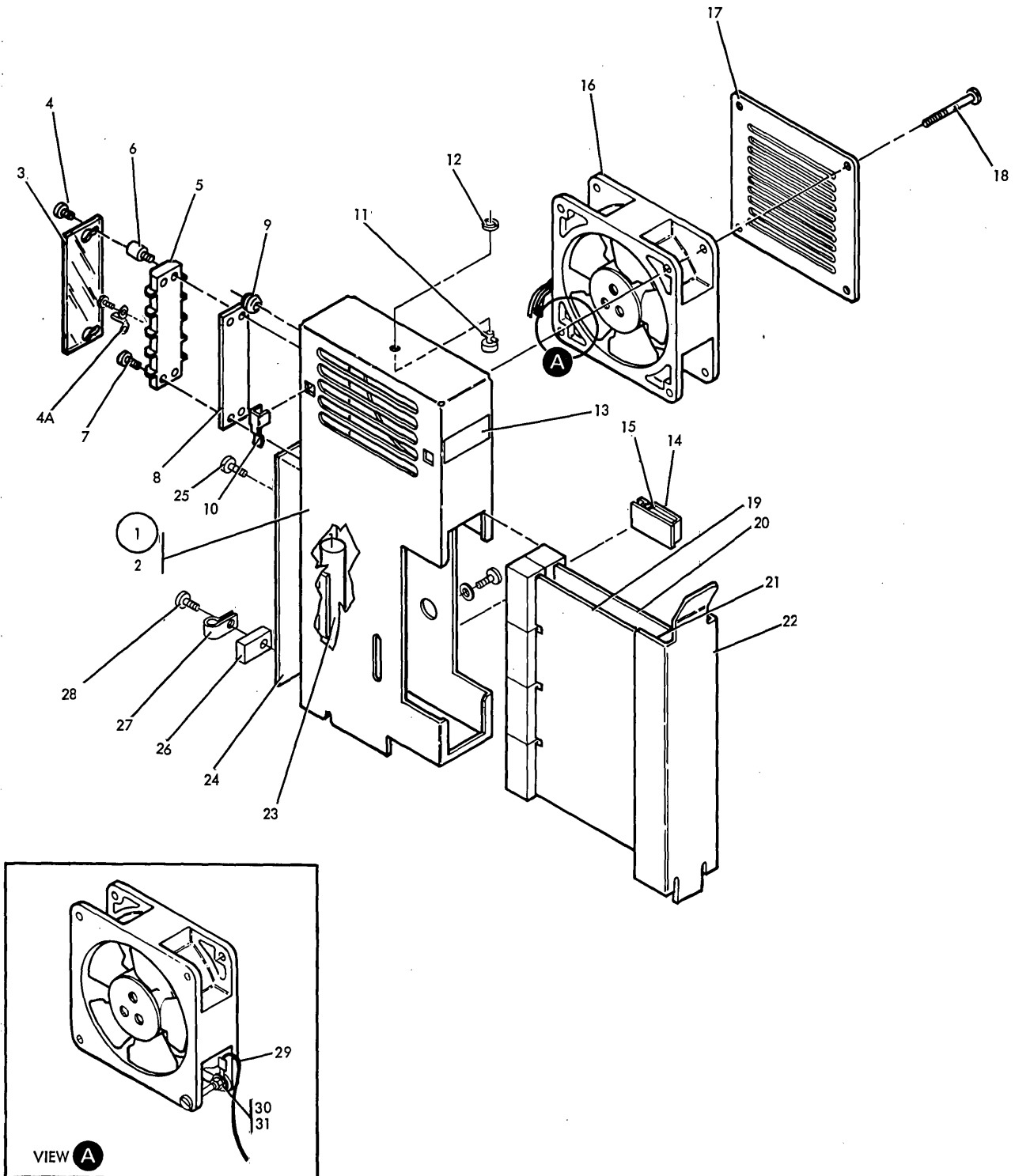


FIGURE 3. BASIC-DISK CONTROL UNIT, MODEL A. SEE LIST 3.

FIGURE- INDEX NUMBER	PART NUMBER		UNITS PER ASM.	DESCRIPTION				
	NO	NP		1	2	3	4	
3 -	NO NO.	NP	REF	BASIC-DISK UNIT CONTROL, MODEL A FOR NEXT HIGHER ASM SEE FIGURE 1-43 AND FOR ILLUSTRATION FIGURE 3				
- 1	4411398		1	. BASIC, COMMON ADAPTER-ASM				
- 2	4412792		1	. . HOUSING, FAN				
- 3	350966		1	. . SHIELD				
- 4	10170		2	. . SCREW, MACH-BIND HD 6-32 X 1/4 LG				ATT PT
- 4A	367115		1	. . JUMPER				
- 5	317485		1	. . TERMINAL BLOCK ASM				
- 6	210883		2	. . STUD, SHIELD MTG TAPPED 6-32				ATT PT
- 7	35739		2	. . SCREW, MACH-BIND HD 6-32 X 7/16 LG				ATT PT
- 8	527916		1	. . MARKER STRIP				
- 9	220690		1	. . GROMMET				
- 10	4413820		2	. . CLIP MOUNTING				
- 11	5428337		1	. THERMAL SWITCH				
- 12	2588053		1	. . CLIP				ATT PT
- 13	4413816		1	. . LABEL, CARD FACING				
- 14	4412993		2	. CLAMP				
- 15	4412994		2	. SPACER				
- 16	8327164		1	. FAN				
- 17	2455733		1	. GUARD, FAN				
- 18	438571		4	. SCREW, BIND HD 6-32 NC X 1.75 LG				ATT PT
- 19	NO NO.		1	. FILE CARD SEE MLD FOR PART NUMBER				
- 20	NO NO.		1	. CHANNEL CARD SEE MLD FOR PART NUMBER				
- 21	4138209		4	. CONNECTOR ASM-TOP CARD CONNECTOR				
- 22	4413811		1	. COVER, CARD-FAN ASM				
- 23	816954		1	. CAPACITOR ASM				
- 24	8326973		1	. BOARD ASM				
- 25	34512		1	. SCREW, MACH-BIND HD 8-32 X 3/8 LG				ATT PT
- 26	6837417		1	. SPACER				
- 27	2102366		1	. CLAMP, CABLE				
- 28	19944		1	. SCREW, MACH BIND HD 8-32 X .755LG				ATT PT
- 29	5759500		1	. JUMPER ASM				
- 30	257187		1	. NUT, HEX 6-32				ATT PT
- 31	56722		1	. WASHER, LOCK EXT T 0.150ID				ATT PT

FOR PARTS
NOT SHOWN
SEE FIG. 1

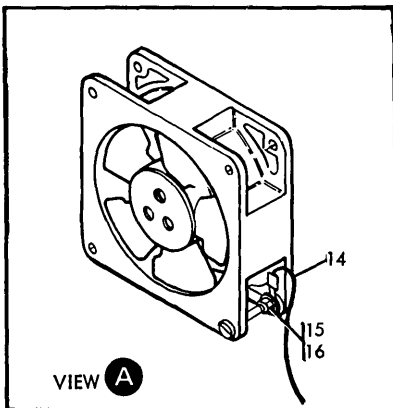
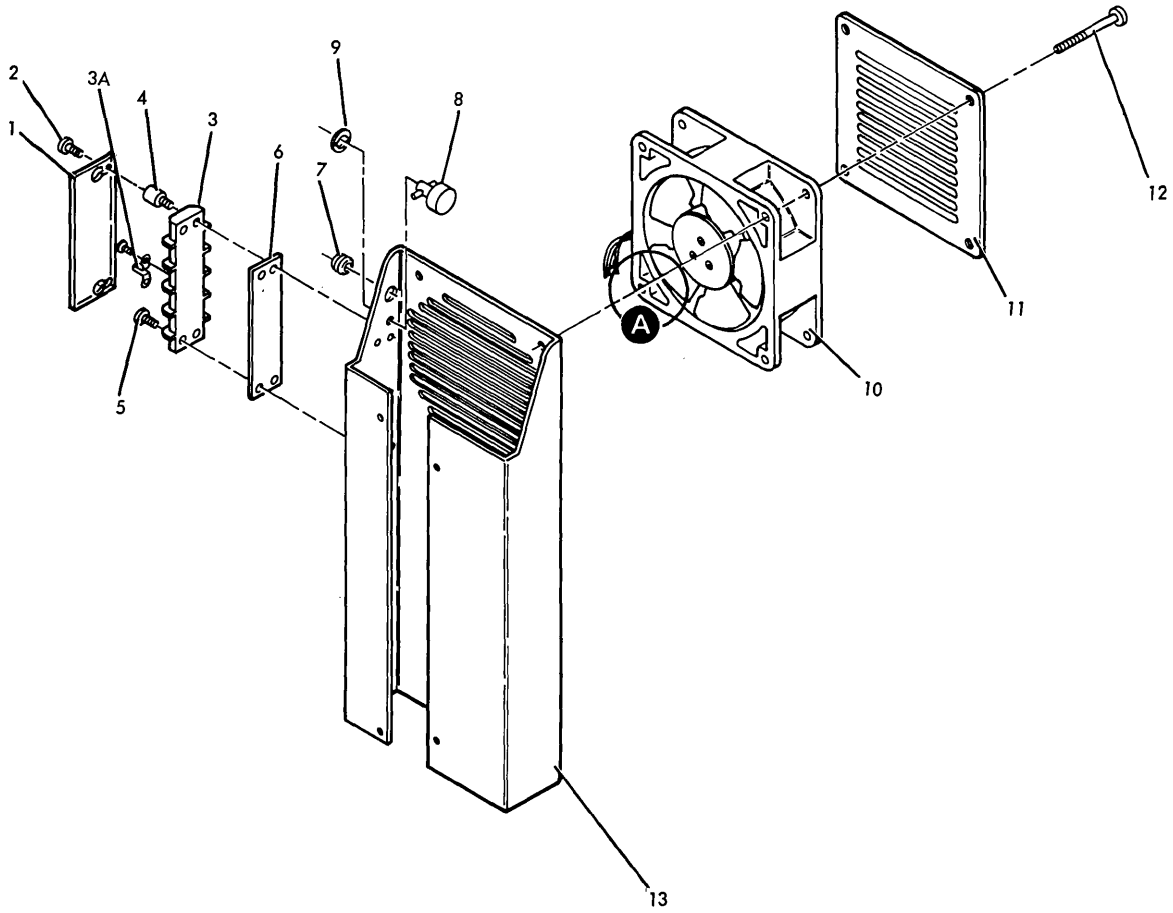


FIGURE 4. FAN EXPANSION ASM. MODEL B. SEE LIST 4.

FIGURE- INDEX NUMBER	PART NUMBER	UNITS PER ASM.	DESCRIPTION			
			1	2	3	4
4 -	4412790	REF	FAN EXPANSION ASM, MODEL B FOR NEXT HIGHER ASM SEE FIGURE 1-43 AND FOR ILLUSTRATION FIGURE 4			
- 1	350966	1	. SHIELD			
- 2	10170	2	. SCREW, MACH-BIND HD 6-32 X 1/4 LG			
- 3	317485	1	. TERMINAL BLOCK			
- 3A	367115	1	. JUMPER			
- 4	210883	2	. STUD, SHIELD MTG TAPPED 6-32			
- 5	35739	2	. SCREW, MACH-BIND HD 6-32 X 7/16 LG			
- 6	527916	1	. MARKER STRIP			
- 7	220690	1	. GROMMET			
- 8	5428337	1	. THERMAL SWITCH			
- 9	2588053	1	. CLIP			
- 10	8327164	1	. FAN USED ON 100-200V 50 AND 60HZ MACHINES			
- 11	2455733	1	. GUARD, FAN			
- 12	438571	4	. SCREW, BIND HD 6-32 NC X 1.75 LG			
- 13	4412791	1	. BRACKET, MOUNTING			
- 14	5759500	1	. JUMPER ASM			
- 15	257187	1	. NUT, HEX 6-32			
- 16	56722	1	. WASHER, LOCK EXT T 0.150ID			

FOR PARTS
NOT SHOWN
SEE FIG. 1

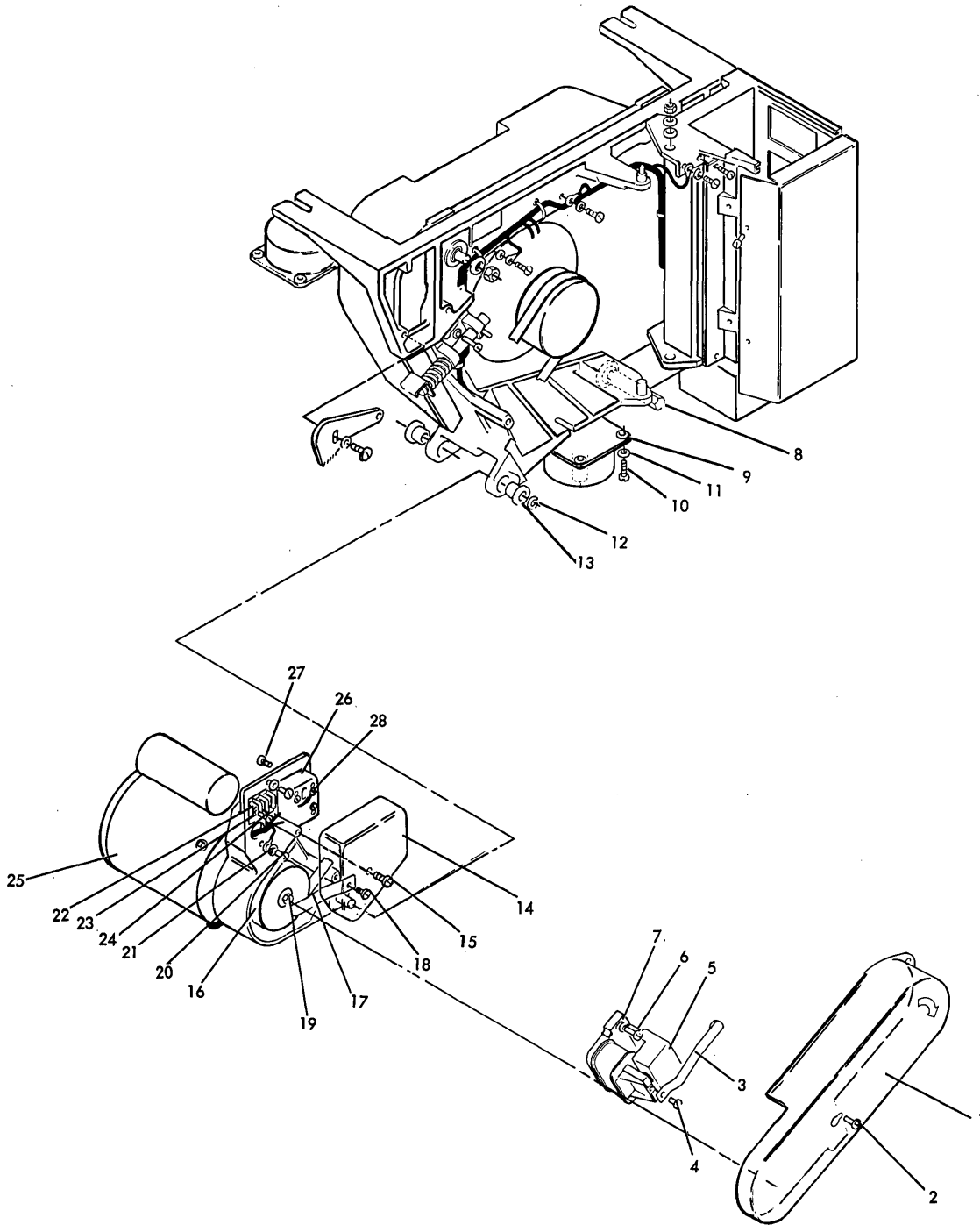


FIGURE 5. DISK STORAGE UNIT. SHEET 1 OF 3. INDEX NOS. 1-28. SEE LIST 5.

FIGURE- INDEX NUMBER	PART NUMBER	UNITS PER ASM.	DESCRIPTION			
			1	2	3	4
5 -	5145748	REF	DISK STORAGE UNIT,100V 60 HZ 23MB			
-	5145754	REF	DISK STORAGE UNIT,200V 60 HZ 23MB			
-	5145745	REF	DISK STORAGE UNIT,100V 60 HZ 29MB			
-	5145751	REF	DISK STORAGE UNIT,200V 60 HZ 29MB			
-	5145747	REF	DISK STORAGE UNIT,100V 60 HZ 58MB			
-	5145753	REF	DISK STORAGE UNIT,200V 60 HZ 58MB			
-	5145744	REF	DISK STORAGE UNIT,100V 60 HZ 64MB			
-	5145750	REF	DISK STORAGE UNIT,200V 60 HZ 64MB			
-	1884510	REF	DISK STORAGE UNIT,100V 50 HZ 23MB			
-	5145760	REF	DISK STORAGE UNIT,200V 50 HZ 23MB			
-	1884508	REF	DISK STORAGE UNIT,100V 50 HZ 29MB			
-	5145757	REF	DISK STORAGE UNIT,200V 50 HZ 29MB			
-	1884509	REF	DISK STORAGE UNIT,100V 50 HZ 58MB			
-	5145759	REF	DISK STORAGE UNIT,200V 50 HZ 58MB			
-	1884507	REF	DISK STORAGE UNIT,100V 50 HZ 64MB			
-	5145756	REF	DISK STORAGE UNIT,200V 50 HZ 64MB			
			FOR NEXT HIGHER ASM SEE FIGURE 1-74 AND FOR ILLUSTRATION FIGURE 5			
- 1	5145472	1	. GUARD,BELT			
- 2	5146021	2	. SCREW,PAN HD M6 X 8MM LG			
- 3	5145451	1	. BRUSH ASM			
- 4	1621191	1	. SCREW,MACH-PAN HD M4 X 10MM LG			
- 5	5145414	1	. BRAKE ASM			
- 6	1621232	2	. SCREW			
- 7	1622306	2	. WASHER,FLAT 6.6 ID X 12.5 OD X 1.6 THK			
- 8	1884427	1	. NUT,HEX M8 X 65MM LG			
- 9	5145346	1	. SHOCKMOUNT			
- 10	1621191	4	. SCREW,MACH-PAN HD M4 X 10MM LG			
- 11	1622346	4	. WASHER,LOCK-EXT T 4.3 ID X 8 OD			
- 12	5145347	1	. RING			
- 13	5145279	2	. BUSHING			
- 14	1884440	1	. COVER			
- 15	5146021	1	. SCREW,PAN HD M6 X 8MM LG			
- 16	5145349	1	. BELT			
- 16	5145348	1	. BELT			
			USED ON 60 HZ MACHINES			
- 17	5145725	1	. BRUSH ASM ANTISTATIC			
- 18	1621170	1	. SCREW,MACH-PAN HD M3 X 6MM LG			
- 19	1884282	1	. SCREW,ANTISTATIC			
- 20	1884520	2	. SCREW,PAN HD M6 X 6MM LG			
- 21	1622348	2	. WASHER,LOCK-EXT T 6.4 ID X 11 OD			
- 22	323836	1	. TERMINAL BLOCK			
- 23	5318920	1	. MARKER STRIP			
- 24	1621172	2	. SCREW,MACH-PAN HD M3 X 10MM LG			
- 25	1884483	1	. DRIVE ASM			
- 25	1884482	1	. DRIVE ASM			
			USED ON 110V 60 HZ MACHINES			
- 25	1884421	1	. DRIVE ASM			
			USED ON 220V 60 HZ MACHINES			
- 26	2175165	1	. RELAY,110V 60 HZ			
- 26	2410082	1	. RELAY,220V 60 HZ			
- 26	5616573	1	. RELAY,220V 50 HZ			
- 27	1621170	2	. SCREW,MACH-PAN HD M3 X 6MM LG			
- 28	1884442	1	. JUMPER			

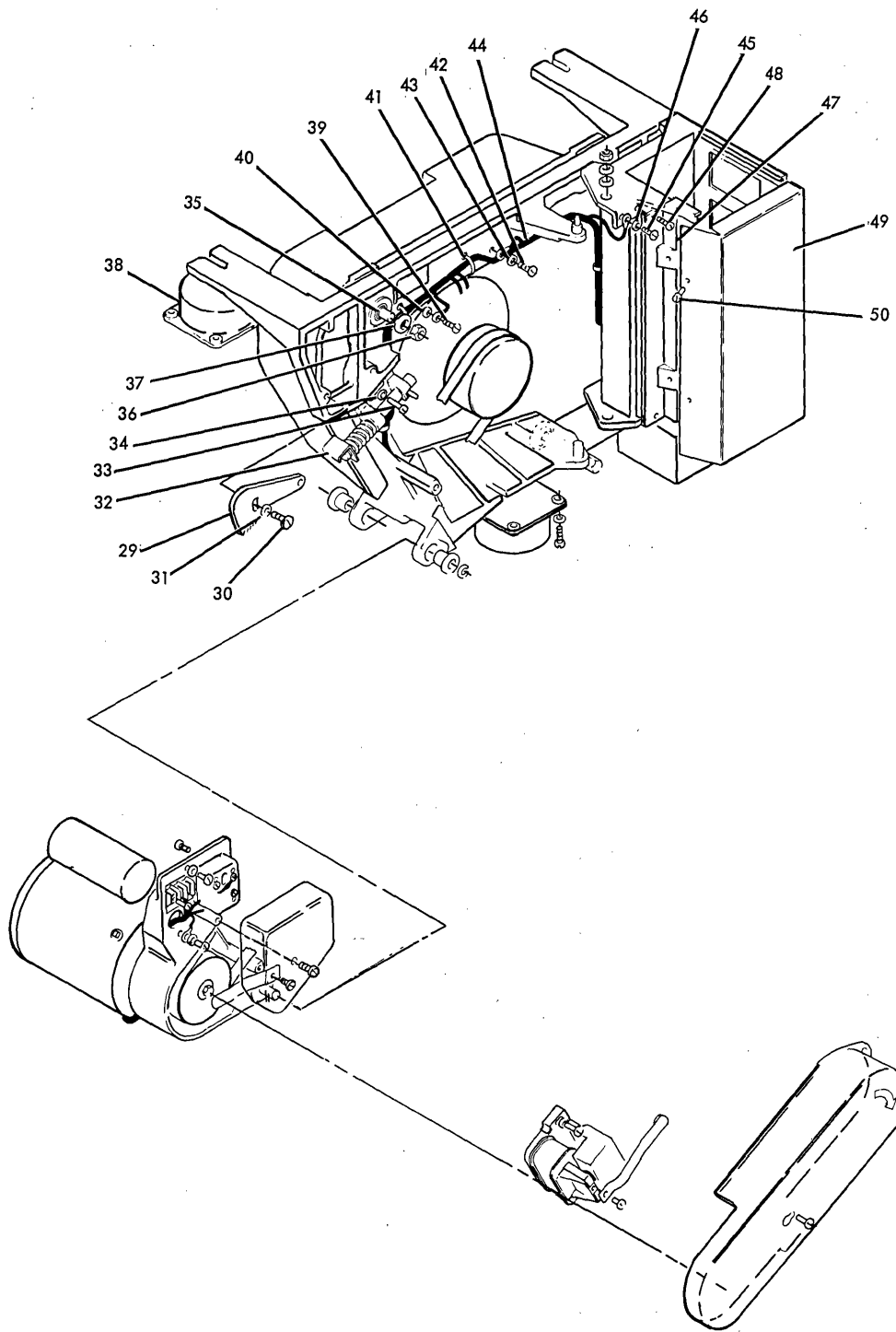


FIGURE 5. DISK STORAGE UNIT. SHEET 2 OF 3. INDEX NOS. 29-50. SEE LIST 5.

FIGURE- INDEX NUMBER	PART NUMBER	UNITS PER ASM.	DESCRIPTION			
			1	2	3	4
5 - 29	1884287	1	. LOCK, MOTOR SHIP WITH DISK STORAGE UNIT ONLY			
- 30	1621231	2	. SCREW ATT PT			
- 31	1622306	2	. WASHER, FLAT 6.6 ID X 12.5 OD X 1.6 THK ATT PT			
- 32	5145447	1	. TENSIONER ASM			
- 33	1621192	2	. SCREW, MACH-PAN HD M4 X 12MM LG ATT PT			
- 34	1622304	2	. WASHER, FLAT 4.3 ID X 9 OD X 0.8 THK ATT PT			
- 35	1884425	3	. BUSHING			
- 36	1622406	2	. NUT, HEX M8 X 13 PL WSHR ATT PT			
- 37	1884426	3	. WASHER, 8.3 ID X 20 OD X 3MM THK ATT PT			
- 38	5145345	2	. SHOCKMOUNT			
- 39	1621197	1	. SCREW, MACH-PAN HD M4 X 6MM LG ATT PT			
- 40	1622346	1	. WASHER, LOCK-EXT T 4.3 ID X 8 OD ATT PT			
- 41	5420242	AR	. TIE, CABLE			
- 42	1621197	1	. SCREW, MACH-PAN HD M4 X 6MM LG ATT PT			
- 43	1622346	1	. WASHER, LOCK-EXT T 4.3 ID X 8 OD ATT PT			
- 44	1884381	1	. CABLE ASM			
- 45	1621197	1	. SCREW, MACH-PAN HD M4 X 6MM LG ATT PT			
- 46	1622346	1	. WASHER, LOCK-EXT T 4.3 ID X 8 OD ATT PT			
- 47	5145799	1	. RETAINER ASM, CABLE			
- 48	1621192	2	. SCREW, MACH-PAN HD M4 X 12MM LG ATT PT			
- 49	5145422	1	. COVER ASM			
- 50	1621197	2	. SCREW, MACH-PAN HD M4 X 6MM LG			

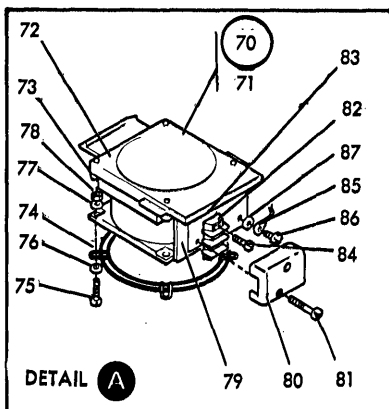
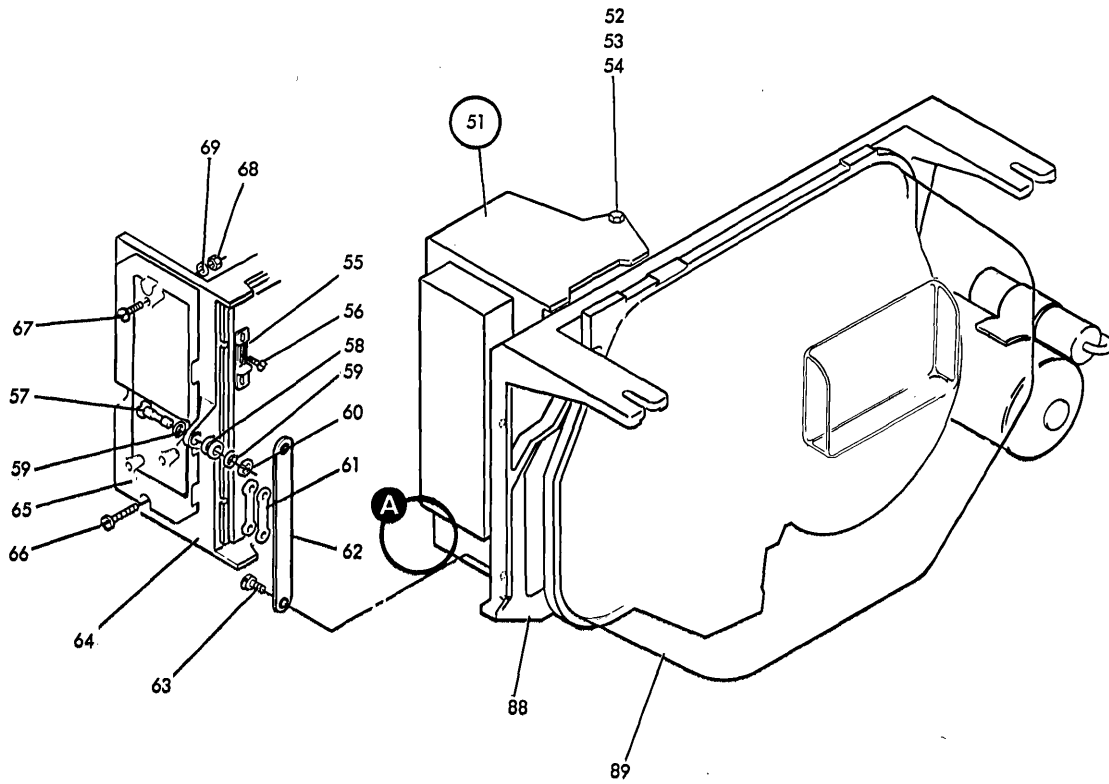


FIGURE 5. DISK STORAGE UNIT. SHEET 3 OF 3. INDEX NOS. 51-89. SEE LIST 5.

FIGURE- INDEX NUMBER	PART NUMBER	UNITS PER ASM.	DESCRIPTION			
			1	2	3	4
5 - 51	5145795	1	.	GATE ASM		
- 52	1622419	1	.	NUT, LOCK	ATT PT	
- 53	150390	1	.	WASHER, FLAT 1/4 ID X 5/8 OD X 1/16 THK	ATT PT	
- 54	1884271	1	.	WASHER, RUBBER 10 ID X 16 OD X 3.1MM THK	ATT PT	
- 55	5145994	4	.	CLAMP		
- 56	1621185	4	.	SCREW, MACH-PAN HD M3.5 X 16MM LG	ATT PT	
- 57	5145712	1	.	SCREW, SHLDR CH HD M4 X 22MM LG	ATT PT	
- 58	5145713	1	.	BUSHING		
- 59	150390	2	.	WASHER, FLAT 1/4 ID X 5/8 OD X 1/16 THK	ATT PT	
- 60	5145649	1	.	RING, RETAINING		
- 61	811427	6	.	CLAMP, CABLE		
- 62	1884419	1	.	STRAIN RELIEF		
- 63	1621190	2	.	SCREW, MACH-PAN HD M4 X 8MM LG	ATT PT	
- 64	5145798	1	.	GATE		
- 65	5145718	1	.	COVER		
- 66	1621194	2	.	SCREW, MACH-PAN HD M4 X 20MM LG	ATT PT	
- 67	1621174	3	.	SCREW, MACH-PAN HD M3 X 16MM LG	ATT PT	
- 68	1622401	1	.	NUT, HEX M3 X 5.5 FL WSHR	ATT PT	
- 69	1622316	1	.	WASHER, LOCK-SPRING 3.1 ID X 6.2 OD	ATT PT	
- 70	5145615	1	.	FAN ASM		
				USED ON 100V 50 AND 60HZ MACHINES		
- 70	5145639	1	.	FAN ASM		
				USED ON 220V 50 AND 60HZ MACHINES		
- 71	5145956	1	.	FAN		
				USED ON 100-200V 50 AND 60HZ MACHINES		
- 71	1884222	1	.	FAN		
				USED ON 200-240V 50 AND 60HZ MACHINES		
- 72	5145515	1	.	PLATE, MOUNTING		
- 73	811417	4	.	SCREW, CAP-SOC HD 6-32 X 1/2 LG	ATT PT	
- 74	768661	1	.	GUARD		
- 75	1621191	4	.	SCREW, MACH-PAN HD M4 X 10MM LG	ATT PT	
- 76	1622304	4	.	WASHER, FLAT 4.3 ID X 9 OD X 0.8 THK	ATT PT	
- 77	1622346	4	.	WASHER, LOCK-EXT T 4.3 ID X 8 OD	ATT PT	
- 78	1622403	4	.	NUT, HEX M4 X 7 FL WSHR	ATT PT	
- 79	5145727	1	.	BRACKET		
- 80	5145684	1	.	SHIELD		
- 81	1621175	2	.	SCREW, MACH-PAN HD M3 X 20MM LG	ATT PT	
- 82	323836	1	.	TERMINAL BLOCK		
- 83	5318920	1	.	MARKER STRIP		
- 84	1621172	2	.	SCREW, MACH-PAN HD M3 X 10MM LG	ATT PT	
- 85	5146027	1	.	JUMPER		
- 86	5146021	1	.	SCREW, PAN HD M6 X 8MM LG	ATT PT	
- 87	1622348	1	.	WASHER, LOCK-EXT T 6.4 ID X 11 OD	ATT PT	
- 88	1884265	1	.	FRAME ASM		
- 89	5563753	1	.	DISK ENCLOSURE		
				23MB U.S.		
- 89	5563754	1	.	DISK ENCLOSURE		
				29MB U.S.		
- 89	5563755	1	.	DISK ENCLOSURE		
				58 MB U.S.		
- 89	5563756	1	.	DISK ENCLOSURE		
				64 MB U.S.		
- 89	5145766	1	.	DISK ENCLOSURE		
				23MB WTC		
- 89	5145763	1	.	DISK ENCLOSURE		
				29MB WTC		
- 89	5145765	1	.	DISK ENCLOSURE		
				58 MB WTC		
- 89	5145762	1	.	DISK ENCLOSURE		
				64 MB WTC		

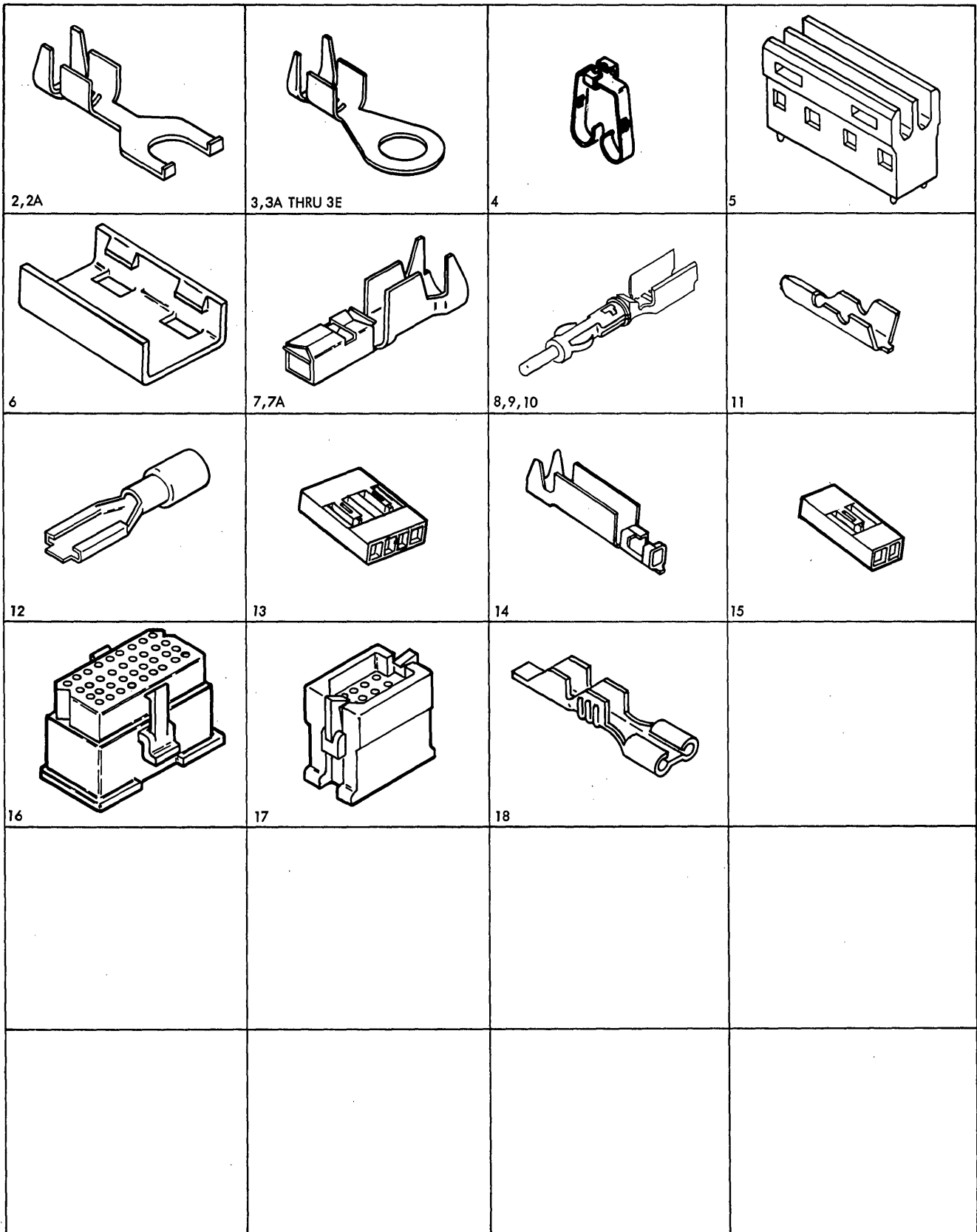


FIGURE 6. CABLE AND JUMPER COMPONENT PARTS. SEE LIST 6.

FIGURE- INDEX NUMBER	PART NUMBER		UNITS PER ASM.	DESCRIPTION
	NO	NP		
6 -	NO NO.	NP	REF	CABLE AND JUMPER ASM COMPONENT PARTS FOR ILLUSTRATION SEE FIGURE 6
- 1	4411327			JUMPER ASM FOR COMPONENT PARTS SEE INDEX NO. 11
- 1	4411336			CABLE ASM, INTERNAL PRIMARY FOR COMPONENT PARTS SEE INDEX NOS. 3, 9, 12, 17
- 1	4411701			CORD ASM, ATTACHMENT 115V
- 1	4411702			CORD ASM, ATTACHMENT 250V
- 1	4411703			CABLE ASM, 50/60 HZ LINE CORD FOR COMPONENT PARTS SEE INDEX NOS. 2, 3A, 3C
- 1	4411704			POWER CABLE, SHIELD
- 1	4411705			CABLE ASM, AC DISTRIBUTION FOR COMPONENT PARTS SEE INDEX NOS. 2, 3A, 3D, 8, 17
- 1	4411706			CABLE ASM, WITH DE BOARD ONLY FOR COMPONENT PARTS SEE INDEX NOS. 3A, 4, 5, 6, 8, 10, 13, 14, 15, 16, 18
- 1	4411707			CABLE ASM, WITH DE AND CA BOARD FOR COMPONENT PARTS SEE INDEX NOS. 3A, 4, FOR COMPONENT PARTS SEE INDEX NOS. 2, 2A 3A, 3C
- 1	4413887			CABLE ASM, LINE CORD FOR COMPONENT PARTS SEE INDEX NOS. 2, 2A, 3A, 3C
- 1	5759500			JUMPER ASM
- 1	4413896			CABLE ASM, 50 HZ LINE CORD FOR COMPONENT PARTS SEE INDEX NOS. 2, 3A, 3C
- 1	6826733			CABLE ASM, DC DIST FOR COMPONENT PARTS SEE INDEX NOS. 2, 3A, 3D, 8, 17
- 1	8326945			JUMPER ASM, C. E. TOOL FOR COMPONENT PARTS SEE INDEX NO. 7
- 1	8333773			CABLE ASM, AC DISTRIBUTION FOR COMPONENT PARTS SEE INDEX NOS. 3B, 3E
- 2	483649		AR	. TERMINAL, SPADE 18-20 AWG MOL 6 STUD
- 2A	483664		AR	. TERMINAL, FLANGE NO. 6 STUD 14-16 AWG
- 3	483677		AR	. TERMINAL, RING NO. 6 STUD 18-20AWG
- 3A	483681		AR	. TERMINAL, RING NO. 8 STUD 18-20AWG
- 3B	483682		AR	. TERMINAL, RING NO. 8 STUD 14-16AWG
- 3C	483685		AR	. TERMINAL, RING NO. 10 STUD 18-20AWG
- 3D	483688		AR	. TERMINAL, NO. 1/4 STUD 18-20AWG
- 3E	483689		AR	. TERMINAL, RING 1/4 STUD 14-16 AWG
- 4	813681		AR	. CONTACT, MINI-BUS, VOLTAGE CROSSOVER
- 5	813801		AR	. HOUSING, VOLTAGE CROSSOVER
- 6	813802		AR	. COVER, VOLTAGE CROSSOVER
- 7	815933		AR	. CONNECTOR, DISCRETE WIRE
- 7A	815934		AR	. CONNECTOR, DISCRETE WIRE 22-36AWG
- 8	1550524		AR	. PIN, CONTACT
- 9	1637762		AR	. SOCKET, CONNECTOR
- 10	1637952		AR	. PIN CONTACT, 24-26 AWG
- 11	2114526		AR	. PIN, RECEPTACLE
- 12	2158688		AR	. TERMINAL, 18-20AWG
- 13	2637680		AR	. HOUSING 1X4
- 14	2637682		AR	. PIN, CONTACT 22-26 AWG
- 15	2731397		AR	. HOUSING 1X2
- 16	4411804		AR	. CONNECTOR HOUSING, 36 POS
- 17	5131382		AR	. CONNECTOR, PLUG- 12 PIN
- 18	5412817		AR	. TERMINAL, 24-20 AWG

THIS PAGE INTENTIONALLY LEFT BLANK

NUMERICAL INDEX

PART NO.	LIST AND INDEX NO.	PART NO.	LIST AND INDEX NO.	PART NO.	LIST AND INDEX NO.	PART NO.	LIST AND INDEX NO.
3550	1 - 37	323836	5 - 22	1622346	1 - 34	4411333	2 - 30
6935	1 - 72		5 - 82		1 - 41	4411334	2 - 30
10170	1 - 26	338169	2 - 6		5 - 11	4411335	2 - 21
	1 - 58	350966	3 - 3		5 - 40	4411336	2 - 7
	2 - 2		4 - 1		5 - 43		6 - 1
	2 - 8	351237	2 - 15		5 - 46	4411337	2 - 17
	2 - 16	367115	3 - 4A		5 - 77	4411338	2 - 37
	2 - 26		4 - 3A	1622348	5 - 21	4411340	2 - 20
	3 - 4	438571	1 - 45		5 - 87	4411342	1 - 9
	4 - 2		3 - 18	1622401	5 - 68		2 - REF
19944	3 - 28		4 - 12	1622403	5 - 78	4411343	1 - 9
22478	1 - 14	438622	1 - 71	1622406	5 - 36		2 - REF
	1 - 23B	471672	2 - 24	1622419	5 - 52	4411398	3 - 1
34512	1 - 12		2 - 41	1632336	2 - 11A	4411494	1 - 64
	1 - 33	483649	6 - 2	1634668	1 - 57	4411701	6 - 1
	1 - 40	483664	6 - 2A	1634989	1 - 57	4411702	6 - 1
	1 - 44	483677	6 - 3	1634990	1 - 57	4411703	1 - 61
	1 - 44	483681	6 - 3A	1637762	6 - 9		6 - 1
	1 - 78	483682	6 - 3B	1637952	6 - 10	4411704	1 - 60
	3 - 25	483685	6 - 3C	1884222	5 - 71		6 - 1
35739	3 - 7	483688	6 - 3D	1884265	5 - 88	4411705	6 - 1
	4 - 5	483689	6 - 3E	1884271	5 - 54	4411706	6 - 1
36844	1 - 36	526378	2 - 34	1884282	5 - 19	4411707	6 - 1
38235	2 - 18	527916	3 - 8	1884287	5 - 29	4411804	6 - 16
38447	1 - 53		4 - 6	1884381	5 - 44	4412781	1 - 75
45690	2 - 32	598353	2 - 28	1884419	5 - 62	4412782	1 - 15
48594	1 - 5	598355	2 - 29	1884421	5 - 25	4412783	1 - 1A
	1 - 17	675858	1 - 47	1884425	5 - 35	4412784	1 - 23
	1 - 83	768661	5 - 74	1884426	5 - 37	4412786	1 - 55
55726	1 - 51	811417	5 - 73	1884427	5 - 8	4412787	1 - 55
55901	1 - 30	811427	5 - 61	1884440	5 - 14	4412788	1 - 55
	1 - 35	813681	6 - 4	1884442	5 - 28	4412790	4 - REF
	1 - 63	813801	6 - 5	1884482	5 - 25	4412791	4 - 13
56079	1 - 28	813802	6 - 6	1884483	5 - 25	4412792	3 - 2
	2 - 33	815933	6 - 7	1884507	1 - 74	4412793	1 - 65
56722	2 - 9	815934	6 - 7A		5 - REF	4412794	1 - 59
	2 - 27	816954	3 - 23	1884508	1 - 74	4412938	2 - 12
	3 - 31	845762	1 - 73B		5 - REF	4412993	1 - 20
	4 - 16		2 - 10	1884509	1 - 74		1 - 86
58207	1 - 24	855260	1 - 73A		5 - REF		2 - 39
	1 - 29	984113	1 - 6	1884510	1 - 74		3 - 14
	1 - 62	984123	1 - 22		5 - REF	4412994	1 - 21
	1 - 66	989883	1 - 50	1884520	5 - 20		1 - 87
76574	1 - 38	1149781	1 - 7	2102366	3 - 27		2 - 40
124828	1 - 6	1151331	1 - 13	2114526	6 - 11		3 - 15
124943	1 - 8		1 - 23A	2158688	6 - 12	4413618	1 - 42A
129147	1 - 76	1159651	1 - 46	2175165	5 - 26	4413619	1 - 42A
138754	1 - 22	1550524	6 - 8	2194940	1 - 48	4413809	1 - 2
150390	5 - 53	1582631	1 - 54	2278766	2 - 43	4413810	1 - 55
	5 - 59	1621170	5 - 18	2410082	5 - 26	4413811	3 - 22
184522	1 - 10		5 - 27	2455733	3 - 17	4413816	3 - 13
186759	1 - 56	1621172	5 - 24		4 - 11	4413818	1 - 19
210883	3 - 6		5 - 84	2462353	1 - 42		1 - 85
	4 - 4	1621174	5 - 67	2588053	3 - 12	4413820	3 - 10
220690	3 - 9	1621175	5 - 81		4 - 9	4413862	1 - 60
	4 - 7	1621185	5 - 56	2596291	1 - 18	4413887	6 - 1
220839	1 - 3	1621190	5 - 63		1 - 69	4413896	1 - 61
221790	1 - 81	1621191	5 - 4		1 - 84		6 - 1
236849	1 - 27		5 - 10		2 - 38	5131382	6 - 17
	2 - 31		5 - 75	2637680	6 - 13	5145279	5 - 13
257187	2 - 36	1621192	5 - 33	2637682	6 - 14	5145345	1 - 39
	3 - 30		5 - 48	2704107	1 - 68		5 - 38
	4 - 15	1621194	5 - 66	2704109	2 - 5	5145346	1 - 70
257986	2 - 3	1621197	5 - 39	2704110	1 - 67		5 - 9
	2 - 19		5 - 42	2731397	6 - 15	5145347	5 - 12
	2 - 23		5 - 45	4138209	3 - 21	5145348	5 - 16
265059	1 - 31		5 - 50	4201687	1 - 76A	5145349	5 - 16
313453	1 - 4	1621231	5 - 30	4236662	1 - 25	5145414	5 - 5
	1 - 16	1621232	5 - 6	4406541	2 - 4	5145422	5 - 49
	1 - 82	1622304	5 - 34	4411079	2 - 44	5145447	5 - 32
317485	3 - 5		5 - 76	4411327	6 - 1	5145451	5 - 3
	4 - 3	1622306	5 - 7	4411328	2 - 45	5145472	5 - 1
322551	1 - 49		5 - 31	4411331	2 - 17	5145515	5 - 72
	2 - 22	1622316	5 - 69	4411332	2 - 1	5145615	5 - 70

PART NO.	LIST AND INDEX NO.	PART NO.	LIST AND INDEX NO.	PART NO.	LIST AND INDEX NO.	PART NO.	LIST AND INDEX NO.
5145639	5 - 70	6825380	1 - 9				
5145649	5 - 60		2 - REF				
5145684	5 - 80	6825806	1 - 7				
5145712	5 - 57	6825818	1 - 22				
5145713	5 - 58	6825824	1 - 7				
5145718	5 - 65	6825825	1 - 7				
5145725	5 - 17	6825826	1 - 7				
5145727	5 - 79	6825827	1 - 7				
5145744	1 - 74	6825828	1 - 22				
	5 - REF	6825829	1 - 7				
5145745	1 - 74	6825840	1 - 22				
	5 - REF	6825841	1 - 7				
5145747	1 - 74	6826733	6 - 1				
	5 - REF	6826862	1 - 6				
5145748	1 - 74	6826863	1 - 6				
	5 - REF	6826864	1 - 6				
5145750	1 - 74	6826865	1 - 6				
	5 - REF	6826866	1 - 6				
5145751	1 - 74	6826868	1 - 6				
	5 - REF	6826869	1 - 73				
5145753	1 - 74	6826870	1 - 73				
	5 - REF	6826871	1 - 73				
5145754	1 - 74	6826872	1 - 73				
	5 - REF	6826873	1 - 73				
5145756	1 - 74	6826875	1 - 73				
	5 - REF	6826876	1 - 73				
5145757	1 - 74	6826933	1 - 70A				
	5 - REF	6827342	1 - 11				
5145759	1 - 74	6837361	1 - 1				
	5 - REF	6837417	3 - 26				
5145760	1 - 74	6838526	1 - 73				
	5 - REF	6839042	1 - 73C				
5145762	5 - 89	6839062	1 - 79				
5145763	5 - 89	6839063	1 - 80				
5145765	5 - 89	6839064	1 - 77				
5145766	5 - 89	6839065	1 - 88				
5145795	5 - 51	8279051	2 - 35				
5145798	5 - 64	8326719	1 - 42A				
5145799	5 - 47	8326720	1 - 42A				
5145956	5 - 71	8326722	1 - 8				
5145994	5 - 55	8326797	1 - 8				
5146021	5 - 2	8326798	1 - 8				
	5 - 15	8326799	1 - 8				
	5 - 86	8326800	1 - 8				
5146027	5 - 85	8326801	1 - 8				
5214456	2 - 11	8326802	1 - 8				
5318920	5 - 23	8326945	6 - 1				
	5 - 83	8326973	3 - 24				
5404423	2 - 14	8327164	3 - 16				
5412817	6 - 18		4 - 10				
5420242	5 - 41	8333773	1 - 32				
5428337	3 - 11		6 - 1				
	4 - 8						
5562343	1 - 52						
5563753	5 - 89						
5563754	5 - 89						
5563755	5 - 89						
5563756	5 - 89						
5616573	5 - 26						
5759324	2 - 25						
5759500	3 - 29						
	4 - 14						
	6 - 1						
6812829	1 - 22						
6812830	1 - 22						
6812832	1 - 22						
6825363	2 - 30						
6825364	2 - 30						
6825366	2 - 42						
6825370	1 - 9						
	2 - REF						
6825371	2 - 17						
6825372	2 - 17						
6825374	2 - 15						

READER'S COMMENT FORM

S134-0034-1

IBM Series/1 4963 Disk Storage Unit Parts Catalog

Your comments assist us in improving the usefulness of our publications; they are an important part of the input used in preparing updates to the publications. IBM may use and distribute any of the information you supply in any way it believes appropriate without incurring any obligation whatever. You may, of course, continue to use the information you supply.

Please do not use this form for technical questions about the system or for requests for additional publications; this only delays the response. Instead, direct your inquiries or requests to your IBM representative or the IBM branch office serving your locality.

Corrections or clarifications needed:

Page	Comment
------	---------

Cut or Fold Along Line

Please indicate your name and address in the space below if you wish a reply.

Thank you for your cooperation. No postage stamp necessary if mailed in the U.S.A.
(Elsewhere, an IBM office or representative will be happy to forward your comments.)

Cut Along Line

Fold

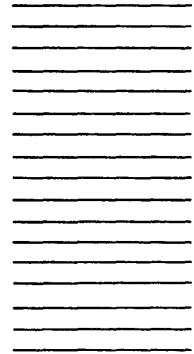
Fold



First Class
Permit 40
Armonk
New York

Business Reply Mail

No postage stamp necessary if mailed in the U.S.A.



IBM Corporation
Systems Publications, Dept 27T
P.O. Box 1328
Boca Raton, Florida 33432

Fold

Fold

IBM

S134-0034-1
Printed in U.S.A.

