



Maintenance Library

**2213 Printer Model 2 (Stage II)
Serial Numbers 21001 and Above**
**5213 Printer Model 2 (Stage II)
Serial Numbers 21001 and Above**
**5213 Printer Model 3 (Stage II)
Serial Numbers 31001 and Above**
Parts Catalog

PREFACE

This Parts Catalog (PC) contains listing and illustrations of all replaceable assemblies, sub-assemblies and detail parts released on or before March, 1973.

Second Edition (March, 1973)

This is a major revision of, and obsoletes S124-0121-0. Changes that affect this catalog are made periodically; any such changes will be reported in subsequent revisions or Technical Newsletters.

Requests for copies of IBM publications should be made to your IBM representative or to the IBM branch office serving your locality.

This manual has been prepared by the IBM System Products Division, Product Publications, Dept. K10, P.O. Box 6, Endicott, N.Y. 13760

A form is provided at the back of this publication for reader's comments. If the form has been removed, comments may be sent to the above address. Comments become the property of IBM.

HOW TO USE THIS PARTS CATALOG . . . ii
VISUAL INDEX iv

Figure Page

COVER AND PANEL ASSEMBLIES

1 Cover Assembly with
Forms Stacker 1
3 Control Panel Assembly
with Buttons 7

FINAL ASSEMBLY

2 Final Assembly 4
8 Margin Bar Assembly 25
9 7 Position Print Head Assembly . 26

CARRIAGE ASSEMBLY

4 Carriage Assembly (3 sheets) . . 9
5 Magnet Support Assembly 20
6 Tractor Assembly 22
7 R/C Component Plate Assembly . 24

BASE AND FRAME

10 Base and Frame Assembly. 27
11 Ribbon Drive Assembly 29
12 Stepper Motor/Transducer
Assembly 31
13 Tab Bar Assembly - 2213 32
14 Lever and Switch Assembly -
2213. 34
15 Base Assembly 35

CABLE ASSEMBLIES

16 Cable Assemblies with
Component Parts (2 sheets) 37

NUMERICAL INDEX X-1

HOW TO USE THIS ILLUSTRATED PARTS CATALOG (IPC)

PART I

To find parts quickly, a general understanding of the structure of this catalog is necessary. The catalog is divided into three major sections:

- The Visual Index, containing overall views of the machine, with call-outs pointing to detailed figures.
- The Catalog Section, containing a pictorial breakdown of assemblies and subassemblies.
- The Numerical Index, which is a numerical list of all parts used in the machine, with cross-references to the figure on which the part is found.

VISUAL INDEX

The Visual Index, located before the Catalog Section, contains a reduced illustration of every figure in the Catalog Section. The reduced illustrations are tied together with flow arrows to form a natural progression from large assemblies to small assemblies and possibly subassemblies. In effect, a visual table of contents is formed by the Visual Index illustrations.

CATALOG SECTION

The Catalog Section contains the full-sized illustrations previously noted in the Visual Index. Index numbers on figures refer to corresponding entries in the Group Assembly Parts List accompanying each figure. Refer to part II for explanation of terms used in the Group Assembly Parts List.

NUMERICAL INDEX

The Numerical Index is located after the Catalog Section and contains a complete list, in numerical order, of all part numbers used on the machine. Listed with the part number is the index and figure number on which the part is illustrated. The numerical index makes it possible to locate a part when only the part number is known.

STACKED INDEX NUMBERS

Stacked Index numbers are used when showing a part and its attaching hardware. The sequence of a typical stack is shown at the right. The circled index number indicates the assembly is broken down within the figure.

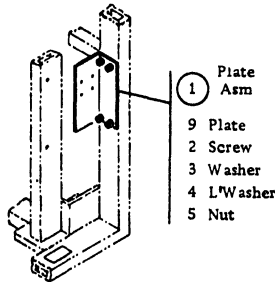


ILLUSTRATION NOTES

Cross-reference notes are directly on the illustration. The illustration's next higher assembly reference, normally located in the upper left corner of the page will read: "For Parts Not Shown See Figure X". If an assembly is referenced to a lower level figure, the note located next to the index number will read: "See Figure X".

DOUBLE LINED DETAIL BOX

The double lined box differentiates between parts shown on the basic model and parts related to a level and/or feature difference. An explanation of the level or feature difference is given in the double lined box.

FINDING A PART

The Visual Index is the starting point for locating a part. The illustrations in the Visual Index are reduced versions of all illustrations in the Catalog Section; therefore, the illustrations can be used to find the assembly containing the desired part. Use references to the detailed figure in the Catalog Section, or to another Visual Index illustration, to determine location of part number.

Once the detailed figure in the catalog section is determined, finding the part on the figure and referring to the listing for the part number and description is all that is required in most cases. If the first catalog section figure referenced shows the assembly containing the required part, the index number for the assembly will reference a lower-level figure where the assembly is broken down to its component parts. If the figure referenced by the Visual Index contains neither the part nor an assembly containing the part, it is then necessary to go to the next higher assembly figure. This figure should then contain the part or an assembly containing the part; if not, an even higher level figure must be used. Refer back to the Visual Index for some other figure that could show the desired part.

Note: Many detailed parts are unavailable, because they are part of an inseparable assembly (two or more parts welded or bonded together), or because they are part of an assembly purchased as a unit. If parts are found on a welded or bonded assembly, the following note follows the description of the assembly: "Assembly components are not replaceable." If the part is found on a purchased assembly, and the detail parts of this assembly do not have IBM part numbers, the note following the assembly description will read: "Assembly components are not available." In either case, you need to obtain the part number of the assembly, rather than the detailed part.

EXAMPLE FOR ORDERING PARTS

4 -	5726422	FAN ASM-P/S ENCLOSURE			
		FOR NEXT HIGHER ASSEMBLY SEE FIGURE 1-18*			
		FOR ILLUSTRATION SEE FIGURE 4			
- 1	314921	TERMINAL RING- 18 22 AWG, #6 HOLE, INS			2
- 2	187854	SHIELD, TERMINAL BLOCK- 2 POS			1
- 3	210984	SCREW, RD HD MACH-6-32 X .250 LG	ATT PT		1
- 4	5357050	FAN ASM-NO CONNECTOR			2
- 5	32042	SCREW, MACH BIND. HD 10-32 X .375 LG	ATT PT		1
- 6	5357066	BLADE			1
- 7	5357067	MOTOR 208V/230V 60CY 220V 50CY			1
- 8	130434	SCREW, MACH-SLOTTED HEX HD 10-32 X .375 LG	ATT PT		2
- 9	56079	WASHER, LOCK-EXT T .195ID .410 OD	ATT PT		2
- 10	5726436	HEADER-POWER SUPPLY FAN			1

If the entire fan is required, part number 5726422 should be ordered (all one dot items will be received). If only the subassembly is required, part number 5357050 should be ordered (all two dot items will be received). Each part may be ordered individually.

HOW TO USE THIS ILLUSTRATED PARTS CATALOG (IPC)

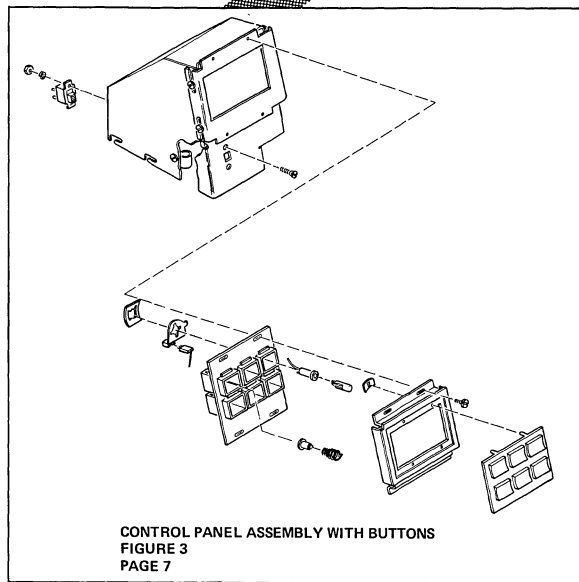
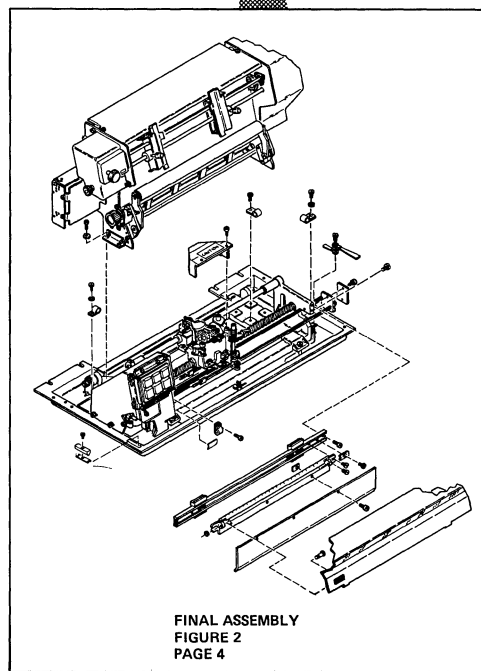
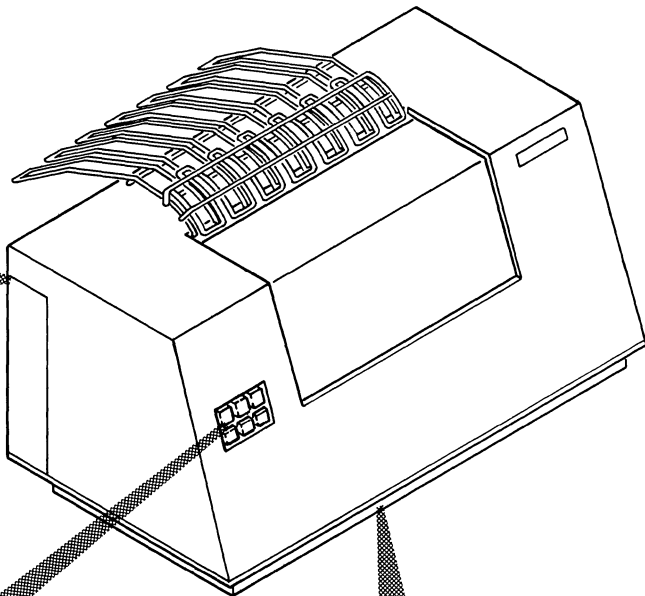
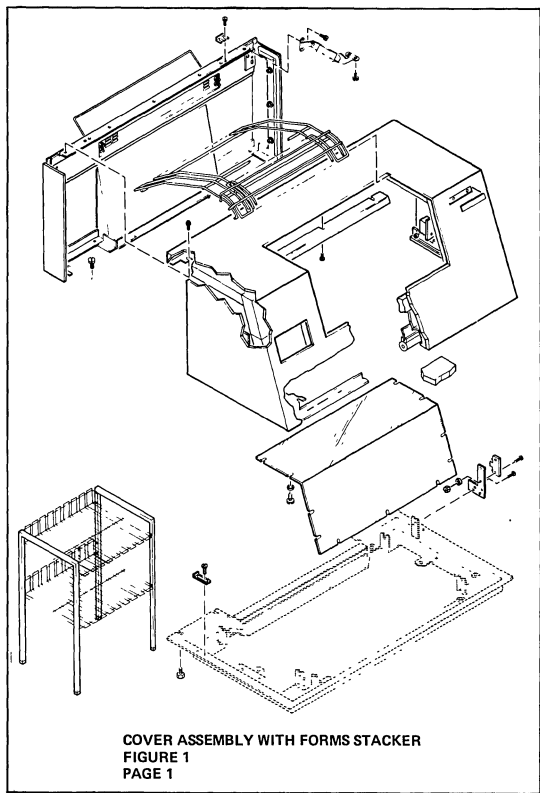
PART II

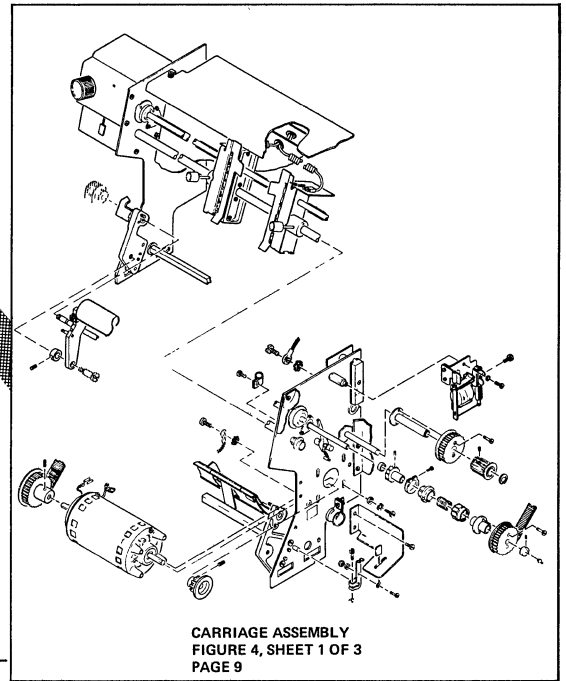
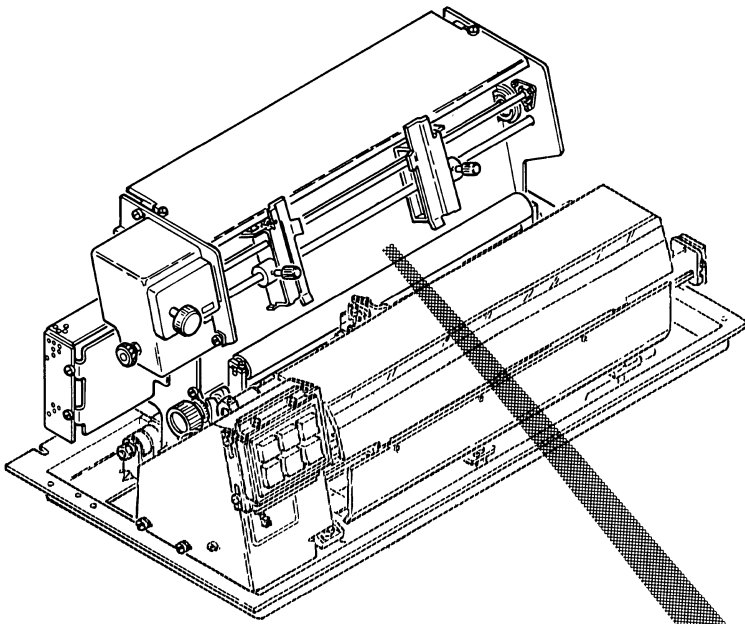
- ① AR
As Required (AR) in the units per assembly column denotes that the quantity is used as required.
- ② ATT PT
Attaching Parts: These parts are used to attach a subassembly to an assembly. The attaching parts are listed immediately following the part to be attached.
- ③ "COMM"
Commercial hardware: When this indication appears in the part number column, it denotes hardware procurable from normal commercial sources and not identified by an IBM part number.
- ④ INDENTURE
The relationship of a part to its next higher assembly is indicated by indentures. For example:

1	2	3	4
Unit			
. Assemblies and Detail Parts of Unit			
. Attaching Parts for Assemblies & Detail Parts			
. . Subassemblies			
. . Attaching Parts for Subassemblies			
. . . Detail Parts for Subassemblies, etc.			
- ⑤ NR
The entry NR in the part number column denotes the part is procurable but not recommended for field replacement, and that the next higher assembly should be ordered.
- ⑥ NP
The entry NP in the part number column denotes the assembly is non-procurable and the detail parts should be ordered separately.
- ⑦ NO NO.
When this indication appears in the part number column, it denotes a group of parts for which no assembly part number has been assigned, and the detail parts should be ordered separately.
- ⑧ REF
This entry in the units per assembly column denotes an assembly which is completely assembled on a preceding illustration. Quantities for such items are found in its next higher assembly.
- ⑨ SIMILAR ASSEMBLIES
If two assemblies contain a majority of identical parts, they are broken down on the same list. Common parts are shown by one index number. Parts peculiar to one or the other of the assemblies are listed separately and identified by Usable On Code.
- ⑩ USABLE ON CODE
Part application and interchangeability is indicated by the usable on code. If this column is blank, the parts pertain to all equipment(s) covered. Two types of codes are used. The alphabetic code denotes similar assemblies and/or features; the numeric code denotes level. Refer to the beginning of each list for the explanation of the code(s).
- ⑪ SUFFIX CODE
The suffix code indicates the month (alphabetic) and the year (numeric) of the engineering change which affected interchangeability of the part.

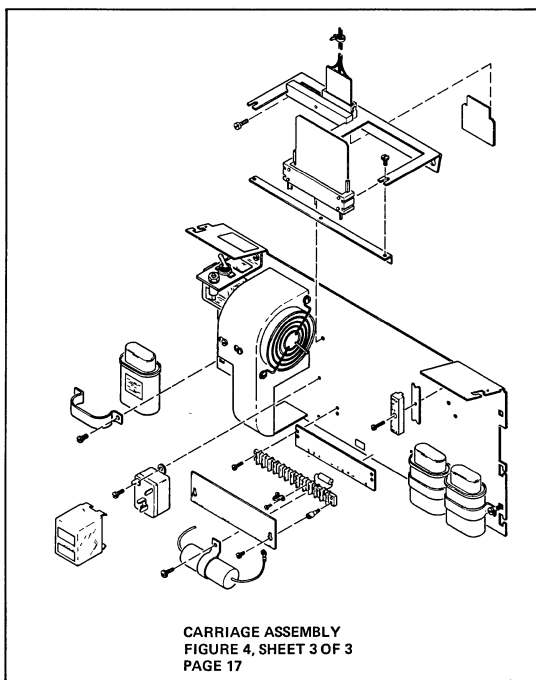
EXAMPLE OF PARTS LIST

LIST AND INDEX NO.	PART NO.	DESCRIPTION	UNITS PER ASM.	USABLE ON CODE
		1 2 3 4		
		DRIVE MOTOR ASSEMBLY		
2-	⑨	⑩ CODE A USED ON 60 HZ ONLY CODE B USED ON 50 HZ ONLY CODE 1 USED ON ASM PRIOR TO B6 SUFFIX		⑩
-	2199376 NP ⑥	MOTOR ASM,DRIVE-115/220 VOLTS 60 HZ	⑧	1A
-	2199386 NP	MOTOR ASM,DRIVE-220 VOLTS 50 HZ	REF	1B
		FOR NEXT HIGHER ASM SEE FIGURE 1-92 FOR ILLUSTRATION SEE FIGURE 2		
- 1	2204176 ④	. PULLEY,60 HZ	①	A
- 1	2199255	. PULLEY,50 HZ	1	B
- 2	79842	. SETSCREW,SPLINE DR CUP PT 8-32 X 3/8 LG	②	
- 3	2204116 ⑦	. MOTOR ASM,220V AC 60 HZ	1	A
- 4	NO NO. ⑦	. MOTOR ASM,220V AC 50 HZ	1	B
- 5	5526	. SCREW,MACH BIND HD 8-32 X 0.625 LG	ATT PT	
- 6	2204082 ③	. . FERRULE,OUTER	1	
- 7	2204033	. . FERRULE,INNER	1	
- 8	"COMM"	. . MOTOR,1/12 HP-220V 60 HZ	1	
- 8	2199258 ⑤	. . MOTOR,DRIVE - 220V 50 HZ	1	
- 9	2199401 NR	. PLATE,MOTOR MT-115/220 VOLTS 60 HZ	1	A
- 9	2199402 NR	. PLATE,MOTOR MT-220 VOLTS 50 HZ	1	B

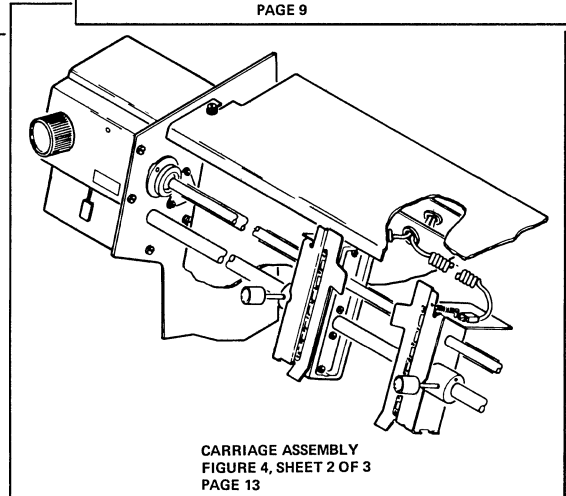




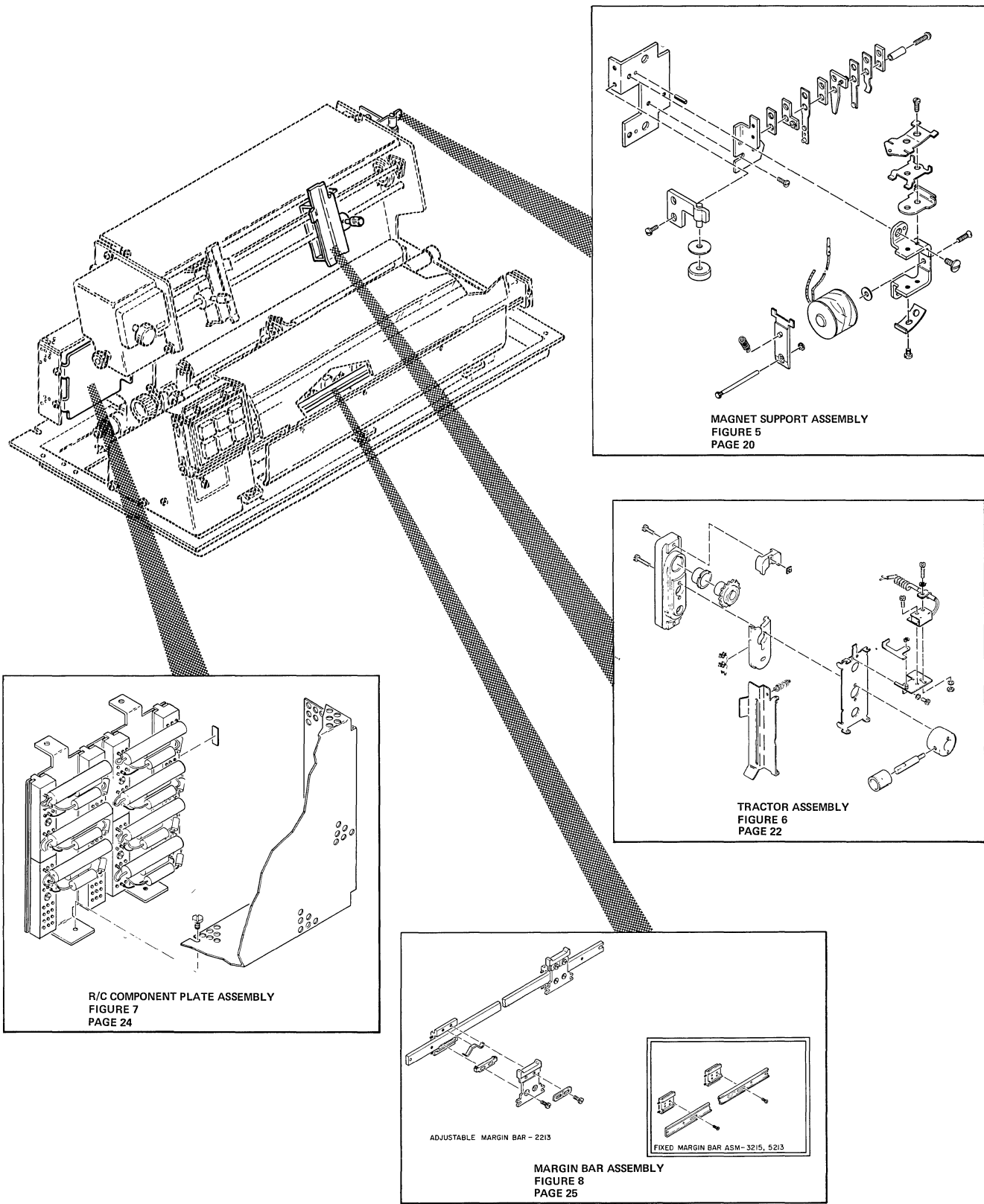
CARRIAGE ASSEMBLY
FIGURE 4, SHEET 1 OF 3
PAGE 9

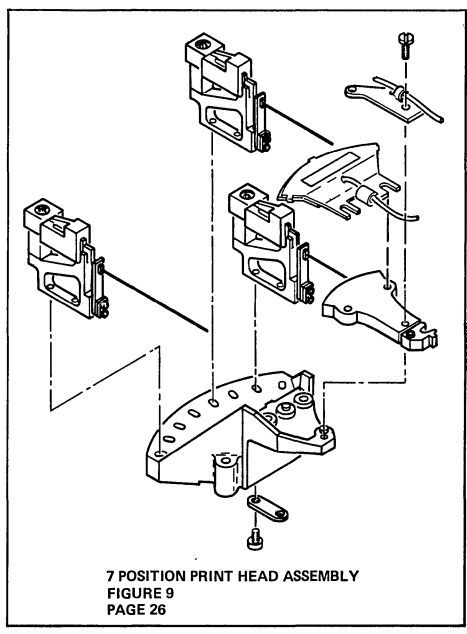


CARRIAGE ASSEMBLY
FIGURE 4, SHEET 3 OF 3
PAGE 17

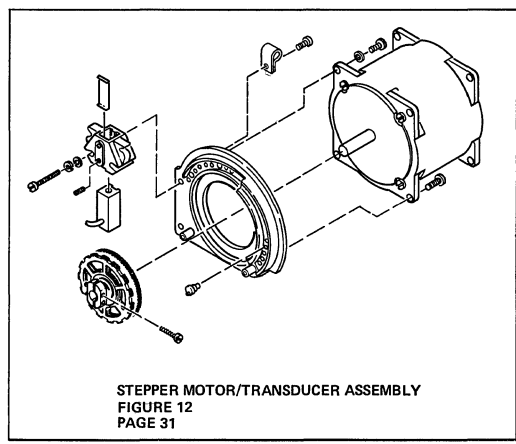


CARRIAGE ASSEMBLY
FIGURE 4, SHEET 2 OF 3
PAGE 13

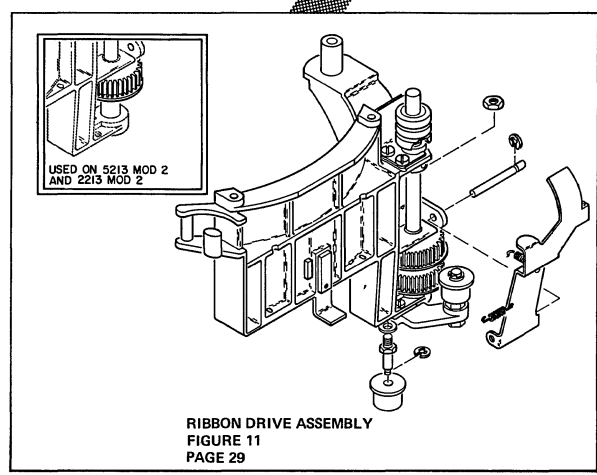




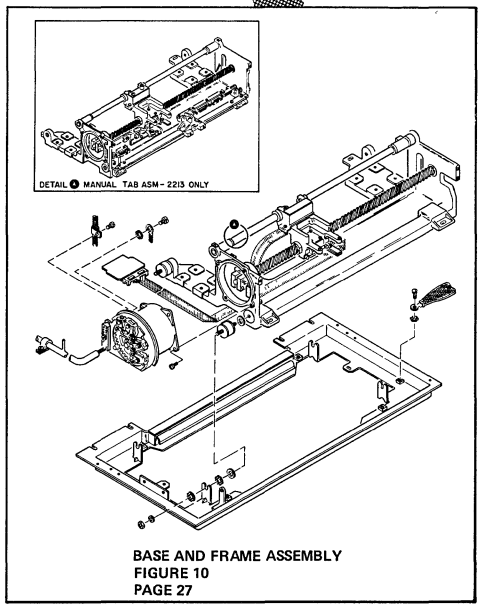
7 POSITION PRINT HEAD ASSEMBLY
FIGURE 9
PAGE 26



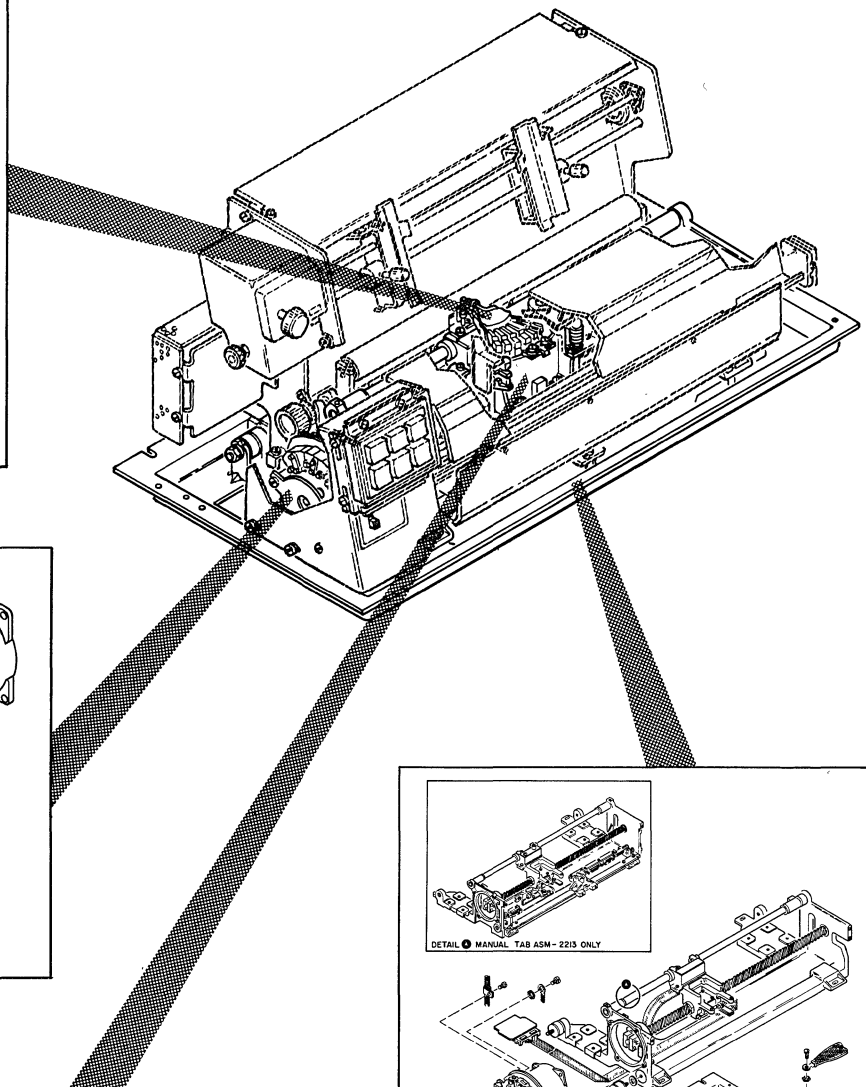
STEPPER MOTOR/TRANSDUCER ASSEMBLY
FIGURE 12
PAGE 31

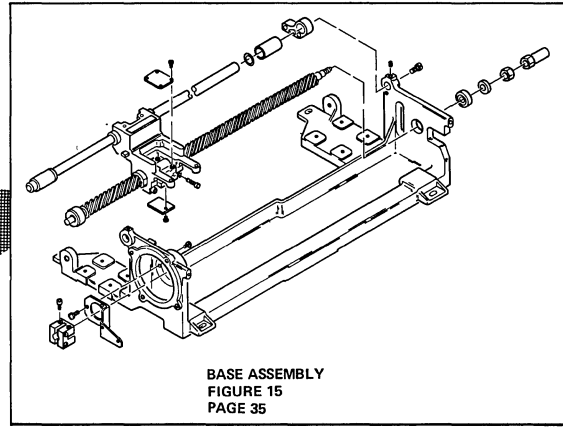
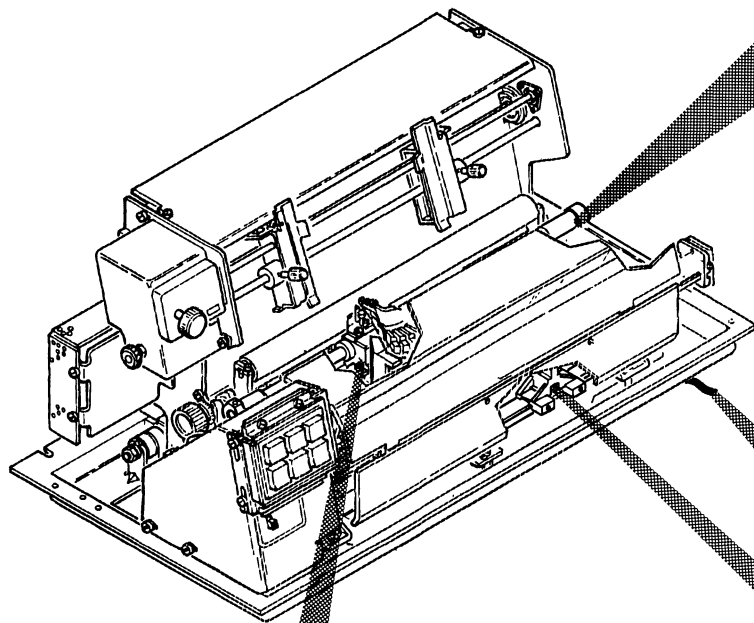


RIBBON DRIVE ASSEMBLY
FIGURE 11
PAGE 29



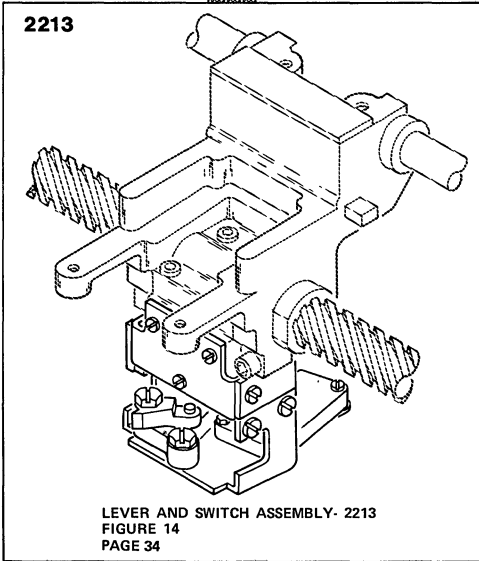
BASE AND FRAME ASSEMBLY
FIGURE 10
PAGE 27





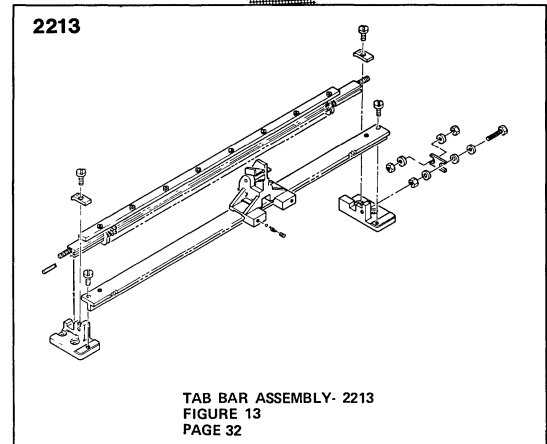
BASE ASSEMBLY
FIGURE 15
PAGE 35

CABLE ASSEMBLIES WITH COMPONENT PARTS
FIGURE 16
PAGE 37



2213

LEVER AND SWITCH ASSEMBLY- 2213
FIGURE 14
PAGE 34



2213

TAB BAR ASSEMBLY- 2213
FIGURE 13
PAGE 32

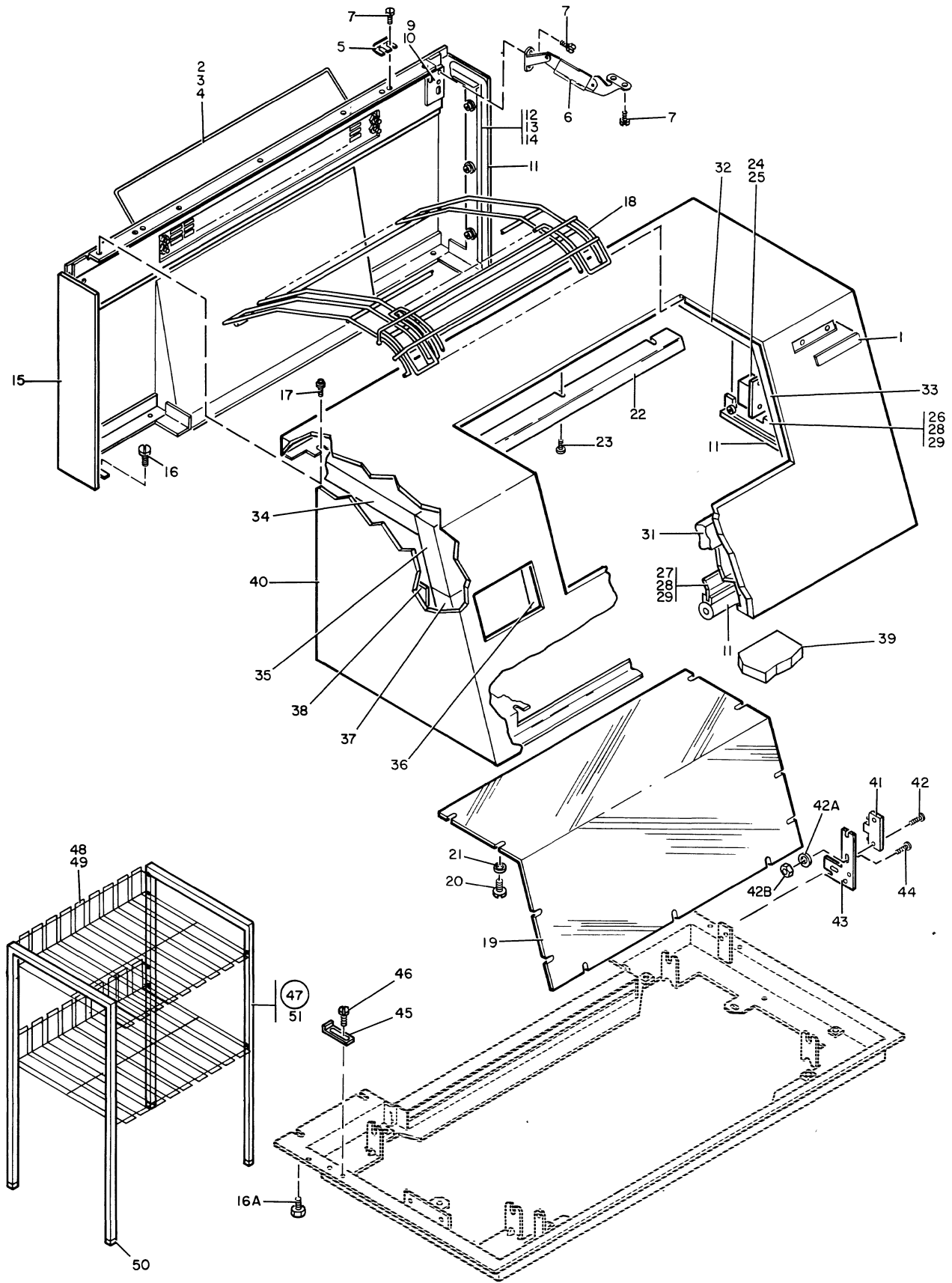


FIGURE 1. COVER ASSEMBLY WITH FORMS STACKER. SEE LIST 1.

LIST AND INDEX NUMBER	PART NUMBER	DESCRIPTION				UNITS PER ASM.	USABLE ON CODE
		1	2	3	4		
		COVER ASSEMBLY WITH FORMS STACKER					
1 -	NO NO.	COVER ASSEMBLY WITH FORMS STACKER FOR ILLUSTRATION, SEE FIGURE 1					
- 1	2525933	. NAMEPLATE, ENGLISH- 2213 MOD 2				1	
- 1	2529063	. NAMEPLATE, FRENCH- 2213 MOD 2				1	
- 1	2529062	. NAMEPLATE, GERMAN- 2213 MOD 2				1	
- 1	2529064	. NAMEPLATE, ITALIAN- 2213 MOD 2				1	
- 1	2529084	. NAMEPLATE, JAPANESE- 2213 MOD 2				1	
- 1	2529072	. NAMEPLATE, ENGLISH- 5213 MOD 3				1	
- 1	2529073	. NAMEPLATE, FRENCH- 5213 MOD 3				1	
- 1	2529074	. NAMEPLATE, GERMAN- 5213 MOD 3				1	
- 1	2529075	. NAMEPLATE, ITALIAN- 5213 MOD 3				1	
- 1	2529086	. NAMEPLATE, JAPANESE- 5213 MOD 3				1	
- 1	2629747	. NAMEPLATE, SPANISH- 5213 MOD 3				1	
- 1	2629741	. NAMEPLATE, ENGLISH- 5213 MOD 2				1	
- 1	2629742	. NAMEPLATE, FRENCH- 5213 MOD 2				1	
- 1	2629743	. NAMEPLATE, GERMAN- 5213 MOD 2				1	
- 1	2629744	. NAMEPLATE, ITALIAN- 5213 MOD 2				1	
- 1	2629746	. NAMEPLATE, JAPANESE- 5213 MOD 2				1	
- 1	2629745	. NAMEPLATE, SPANISH- 5213 MOD 2				1	
- 2	2526802	. RACK, PAPER GUIDE				1	
- 3	1208320	. WASHER, FL- 0.191 ID X 0.449 ID 0.020 THK				4	
- 4	257187	. NUT, HEX DBL CHAMFERED 6-32 X 0.3125 FL W				4	
- 5	2526340	. PLATE, ALIGNING				2	
- 6	2525846	. STAY ARM-LEFT				1	
- 6	2525847	. STAY ARM-RIGHT				1	
- 7	5347761	. SCREW, MACH BD HD- 6-32 X 0.312 LG				12	
- 9	2525848	. BRACKET				2	
- 10	509772	. SCREW, MACH BD HD- 10-32 X 0.437 LG				4	
- 11	2526535	. SEAL, DUAL DUROMETER- 72 INCHES LG				AR	
- 12	2617994	. PLATE				2	
- 13	58207	. SCREW, MACH BD HD- 6-32 X 0.250 LG				6	
- 14	811879	. SPACER				6	
- 15	2525833	. COVER ASM, REAR				1	
- 16	509722	. SCREW, MACH BD HD- 10-32 X 0.438 LG				2	
- 16A	2526550	. STUD, HEX HD- 10-32 X 0.031 LG				4	
- 17	652280	. SCREW, ASMD WASHER HEX HD- 10-32 X 0.375 LG				5	
- 18	2526767	. FORM GUIDE, TOP				1	
- 19	2525842	. WINDOW, COVER				1	
- 20	81693	. SCREW, MACH BD HD- 6-32 X 0.375 LG				11	
- 21	80714	. WASHER, FL NO. 6 X 0.400 OD X 0.025 THK				11	
- 22	2525841	. GUIDE, FORMS EXIT				1	
- 23	55726	. SCREW, MACH BD HD- 6-32 X 0.188 LG				3	
- 24	2525943	. MAGNET				1	
- 25	251970	. SCREW, MACH BD HD- 4-40 X 0.250 LG				2	
- 26	2617996	. PLATE, RH				1	
- 26	2617997	. PLATE, LH				1	
- 27	2617995	. PLATE				1	
- 28	58207	. SCREW, MACH BD HD- 6-32 X 0.250 LG				11	
- 29	811879	. SPACER				11	
- 31	2632669	. FOAM, SOUND ABSORBING- 18 INCHES LG				1	
- 32	2495672	. PAD, ACOUSTICAL				1	
- 33	2495671	. PAD, ACOUSTICAL				1	
- 34	2495614	. PAD				1	
- 35	2632589	. FOAM, SOUND ABSORBING 6 INCHES LG USED ON 2213 ONLY				1	
- 35	2495671	. PAD, ACOUSTICAL				1	
- 36	2632624	. FOAM, SOUND ABSORBING- 4.620 INCHES LG USED ON 2213 ONLY				1	
- 37	2632634	. FOAM, SOUND ABSORBING- 5.750 INCHES LG USED ON 2213 ONLY				1	
- 38	2526585	. LABEL				1	
- 39	2632668	. FOAM, SOUND ABSORBING- 14.750 INCHES LG				1	
- 40	2525834	. COVER, TOP- 2213				1	
- 40	2525854	. COVER, TOP- 5213				1	
- 41	2525948	. INTERLOCK, COVER				1	
- 42	438551	. SCREW, MACH BD HD- 4-40 X 0.500 LG				2	
- 42A	257985	. WASHER, PLAIN- 0.125 ID X 0.250 OD				2	
- 42B	37913	. NUT, JAH HEX- 4-40 X 0.250 FL W				2	
- 43	2525946	. BRACKET, SWITCH				1	
- 44	10170	. SCREW, MACH BD HD- 6-32 X 0.250 LG				2	
- 45	2526339	. PLATE, ALIGNING				1	
- 46	5347761	. SCREW, MACH BD HD- 6-32UNC-2A X 0.312 LG				4	
- 47	2526750	. STAND, FORMS STACKER				1	
- 48	2526782	. TRAY, PAPER STACKING				2	
- 49	738378	. SCREW, THD- FORMING PAN HD 8-32 X 0.250 LG				12	

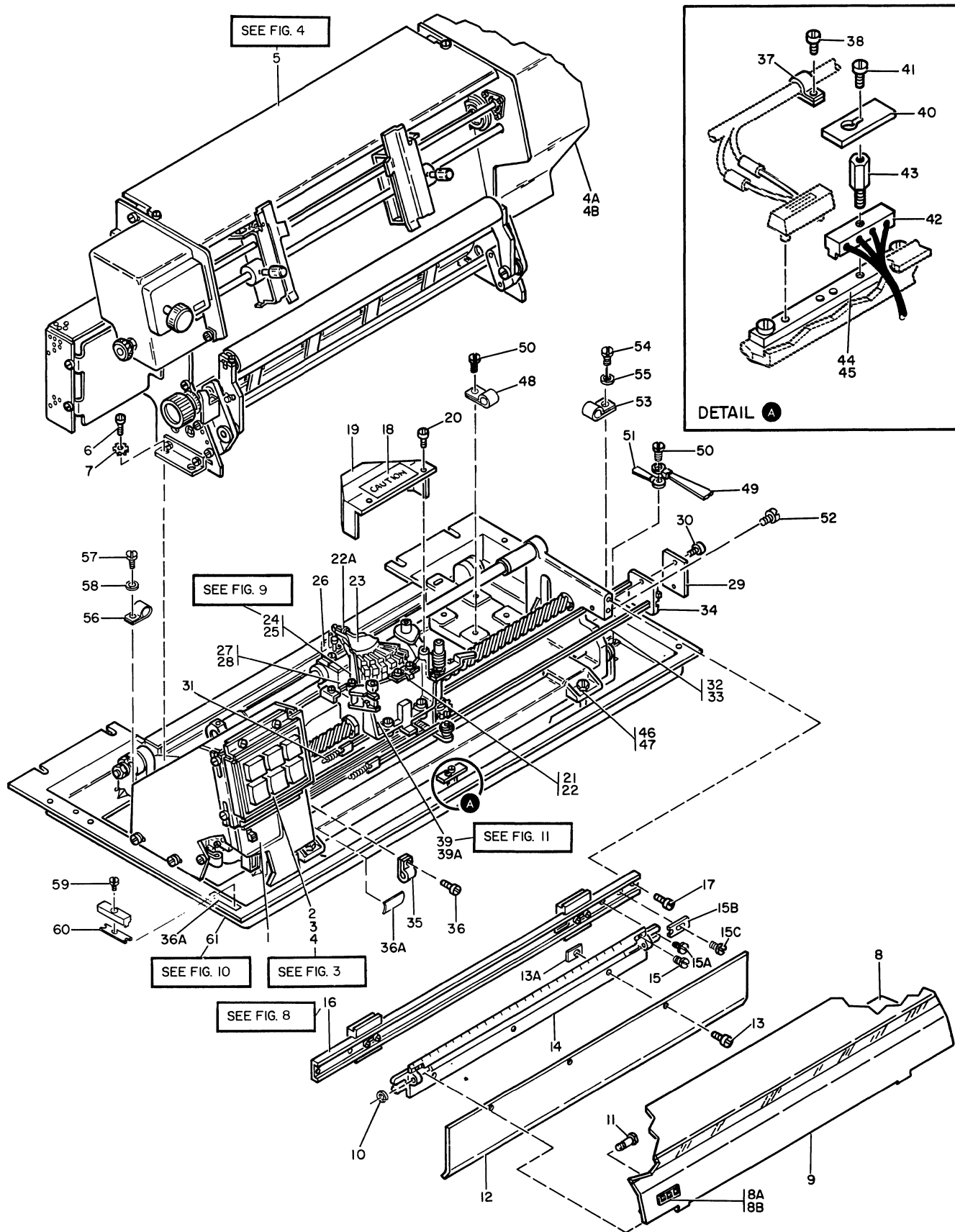


FIGURE 2. FINAL ASSEMBLY. SEE LIST 2.

LIST AND INDEX NUMBER	PART NUMBER	DESCRIPTION				UNITS PER ASM.	USABLE ON CODE
		1	2	3	4		
		FINAL ASSEMBLY					
2 -	2495774 NP	FINAL ASSEMBLY- 2213 MOD 2					
-	2495554 NP	FINAL ASSEMBLY- 5213 MOD 2					
-	2495775 NP	FINAL ASSEMBLY- 5213 MOD 3					
- 1	2525899	FOR ILLUSTRATION,SEE FIGURE 2					
- 1	2529065	. LABEL,PRINT TEST				1	
- 1	2529066	. LABEL,TEST-DRUCK				1	
- 1	2529067	. LABEL,VERIF IMPRESSION				1	
- 1	2529067	. LABEL,PROVA STAMPA				1	
- 2	NO NO.	. CONTROL PANEL WITH BUTTONS- 2213					
- 3	32042	FOR DETAIL BREAKDOWN,SEE FIGURE 3					
- 4	45690	. SCREW,MACH BD HD- 10-32 X 0.375 LG				ATT PT	3
- 4A	2526516	. WASHER,FL NO.10 X 0.437 OD X 0.031 THK				ATT PT	3
- 4B	221790	. COVER					1
- 5	2495580	. SCREW,MACH BD HD- 8-32 X 0.187 LG				ATT PT	2
- 5	2495581	. CARRIAGE ASSEMBLY- 2213 MOD 2					1
- 5	2495581	. CARRIAGE ASSEMBLY- 5213 MOD 2 AND 3					1
- 6	104673	FOR DETAIL BREAKDOWN,SEE FIGURE 4					
- 7	56079	. SCREW,MACH BD HD- 10-32 X 0.750 LG				ATT PT	4
- 8	2640767	. LOCKWASHER,EXT TEETH- 0.204 ID X 0.410 OD				ATT PT	4
- 8A	5756324	. LABEL					1
- 8B	5756348	. LABEL					1
- 9	2632593	. HOLDER					1
- 10	2632625	. COVER,SAFETY- UPPER					1
- 11	1073418	. PIN,HINGE				ATT PT	2
- 12	2632594	. RETAINER,CRANK				ATT PT	2
- 13	5312043	. COVER,SAFETY- LOWER					1
- 13A	325496	. SCREW,MACH BD HD- 6-32 X 0.250 LG				ATT PT	3
- 14	2495513	. NUT,SPEED				ATT PT	3
- 14	2495513	. COVER					1
- 14	2495757	USED ON 2213 ONLY					
- 15	34512	. COVER,MARGIN BAR					1
- 15A	473423	USED ON 5213 MOD 2 AND 3					
- 15B	2642573	. SCREW,MACH BD HD- 8-32 X 0.375 LG				ATT PT	2
- 15C	186759	. BLOCK,LOCATING				ATT PT	1
- 16	2495515	. SCREW,MACH BD HD- 8-32 X 0.312 LG				ATT PT	1
- 16	2495514	. ADJUSTABLE MARGIN BAR ASM- 2213 MOD 2					1
- 16	2632659	. FIXED MARGIN BAR ASM- 5213 MOD 2					1
- 17	34512	. FIXED MARGIN BAR ASM- 5213 MOD 3					1
- 18	889372	FOR DETAIL BREAKDOWN,SEE FIGURE 8					
- 19	2495583	. SCREW,MACH BD HD- 8-32 X 0.375 LG				ATT PT	2
- 20	811426	. LABEL					1
- 21	2495517	. COVER					1
- 22	474423	. SCREW,MACH PAN HD- 6-32 X 0.375 LG				ATT PT	2
- 23	2525807	. INDICATOR					1
- 24	2495630	. SCREW,MACH BD HD- 6-32 X 0.250 LG				ATT PT	2
- 25	38359	. WICK AND TUBE ASSEMBLY					1
- 25A	257986	. PRINT HEAD ASSEMBLY,7 POSITION					1
- 26	2642581	FOR DETAIL BREAKDOWN,SEE FIGURE 9					
- 27	2629705	. SCREW,MACH FL HD- 6-32 X 0.875 LG				ATT PT	2
- 28	251970	. WASHER,FL- 0.156 ID X 0.312 OD				ATT PT	2
- 29	2632605	. GUIDE ASM,RIBBON					1
- 30	5528	. GUIDE ASM,RIBBON					1
- 31	141052	. SCREW,MACH BD HD- 4-40 X 0.250 LG				ATT PT	2
- 32	2495679	. PLATE,RACK COVER					1
- 33	2495681	. SCREW,MACH BD HD 8-32 X 0.625 LG				ATT PT	2
- 34	2632604	. SPRING,EXT- 0.203 OD X 1.056 LG					1
- 35	5213276	. RACK					1
- 36	34512	. CLIP,BELT EYE				ATT PT	1
- 36A	2525939	. PLATE,RACK					1
- 37	357433	. CLAMP					2
- 38	236530	. SCREW,MACH BD HD- 8-32 X 0.375 LG				ATT PT	2
- 39	2632583	. LABEL,ELECTRICAL COMPONENTS					AR
- 39	2632657	. CLAMP					1
- 39A	25627	. SCREW					1
- 40	2495756	. RIBBON DRIVE ASM- 2213, 5213 MOD 2					
- 41	38235	. RIBBON DRIVE ASM- 5213 MOD 3					
- 42	2495747	FOR DETAIL BREAKDOWN SEE FIGURE 11					
- 43	2638124	. SCREW,MACH BD HD- 8-32 X 0.500 LG				ATT PT	2
- 44	2632655	. COVER,TERMINAL BLOCK					1
- 45	186759	. SCREW,MACH BD HD- 6-32 X 0.312 LG				ATT PT	1
- 46	38688	. SCREW,MACH BD HD- 6-32 X 0.312 LG				ATT PT	1
- 46	38688	. SCREW,MACH HEX HD 1/4-20 X 0.625 LG				ATT PT	4

FOR PARTS
NOT SHOWN
SEE FIG. 2

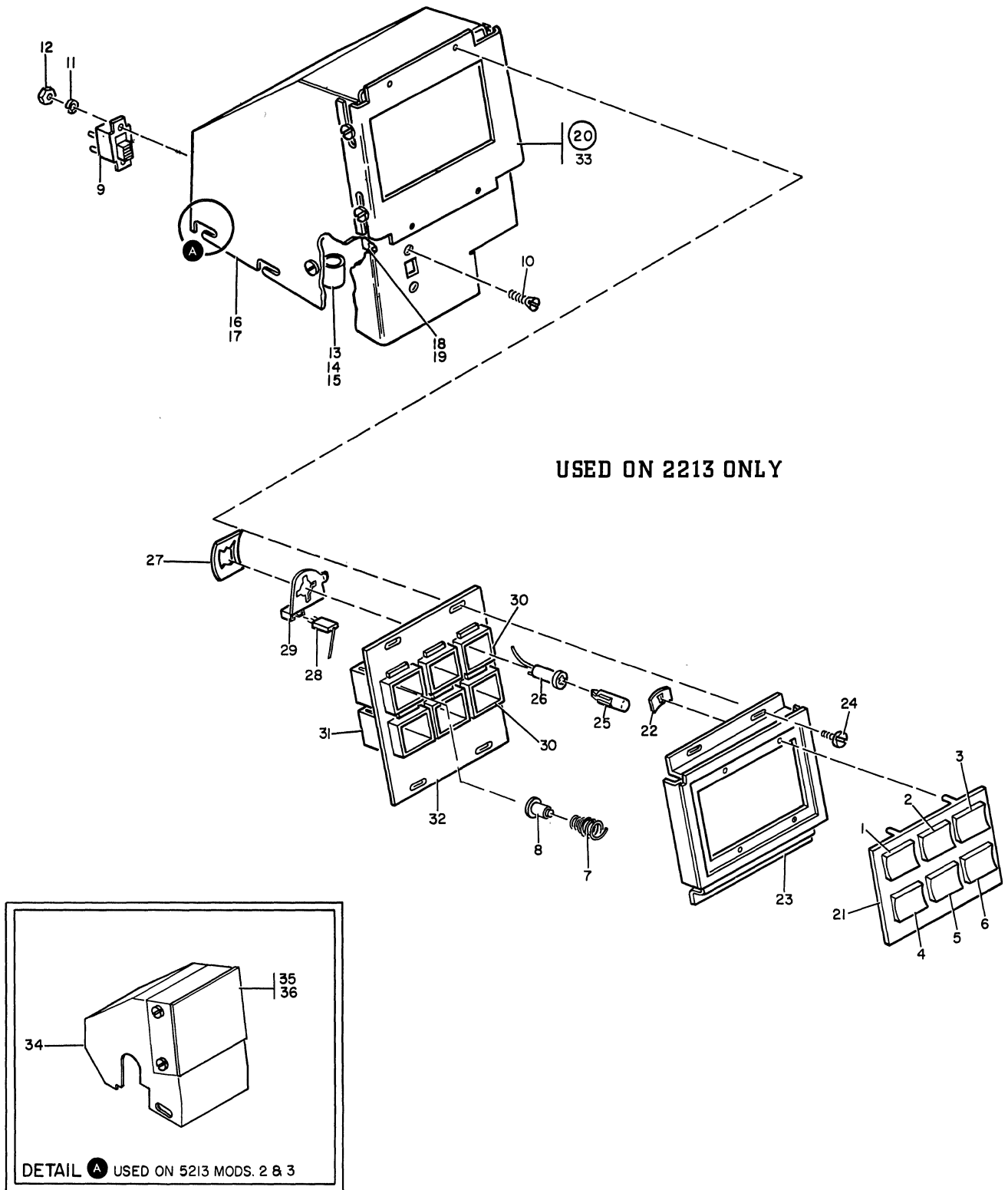


FIGURE 3. CONTROL PANEL ASSEMBLY WITH BUTTONS. SEE LIST 3.

LIST AND INDEX NUMBER	PART NUMBER	DESCRIPTION				UNITS PER ASM.	USABLE ON CODE
		1	2	3	4		
		CONTROL PANEL ASSEMBLY WITH BUTTONS					
3 -	NO NO.	CONTROL PANEL ASSEMBLY WITH BUTTONS USED ON 2213 ONLY				REF	
		FOR NEXT HIGHER ASM,SEE FIGURE 2-2 AND FOR ILLUSTRATION,SEE FIGURE 3					
- 1	749033	. BUTTON,STOP- ENGLISH,FRENCH,GERMAN,JAPANESE				1	
- 1	483968	. BUTTON,ARRESTO STAMPATR- ITALIAN				1	
- 2	749035	. BUTTON,CARRIAGE RESTORE- ENGLISH,JAPANESE				1	
- 2	738515	. BUTTON,RESTAUR CHAR.- FRENCH				1	
- 2	5352150	. BUTTON,GRUNDSTELLG- GERMAN				1	
- 2	483969	. BUTTON,RIPRISTINO CARRELLO- ITALIAN				1	
- 3	827859	. LENS,PRINT CHECK- ENGLISH,JAPANESE				1	
- 3	838658	. LENS,CONTRL IMPR- GREENCH				1	
- 3	838659	. LENS,DRUCK PRUFUNG- GERMAN				1	
- 3	483966	. LENS,CONTROLLO STAMPATR- ITALIAN				1	
- 4	483866	. BUTTON,NEW LINE- ENGLISH,JAPANESE				1	
- 4	483973	. BUTTON,RETIOUR- FRENCH				1	
- 4	483965	. BUTTON,NEVE ZEILE- GERMAN				1	
- 4	483970	. BUTTON,A CAPO- ITALIAN				1	
- 5	483804	. BUTTON,TAB				1	
- 6	853510	. LENS,CARRIAGE CHECK- ENGLISH,JAPANESE				1	
- 6	483971	. LENS,CONTROLLO CHARIOT- FRENCH				1	
- 6	483964	. LENS,NAGENPRFG- GERMAN				1	
- 6	483967	. LENS,CONTROLLO CARRELLO- ITALIAN				1	
- 7	2495487	. SPRING,PLUNGER				4	
- 8	2495488	USED WITH BUTTONS,INDEX NOS. 1,2,4 AND 5 . PLUNGER				4	
- 9	1177116	. SWITCH				1	
- 10	52522	. SCREW,MACH FH- 4-40 X 0.312 LG ATT PT				2	
- 11	257984	. WASHER,SPLIT RING- 0.115 ID X 0.212 OD ATT PT				2	
- 12	37913	. NUT,JAM HEX- 4-40 X 0.250 FL W ATT PT				2	
- 13	101922	. CLAMP,0.500 DIA X 0.171 MTG HOLE				1	
- 14	34512	. SCREW,MACH BD HD- 8-32 X 0.375 LG ATT PT				1	
- 15	257189	. NUT,HEX 8-32 THD ATT PT				1	
- 16	2632667	. HOUSING,SWITCH				1	
- 17	811426	. SCREW,MACH PAN HD- 6-32 X 0.375 INCHES LG ATT PT				4	
- 18	2495760	. PAD,ACOUSTIC				AR	
- 19	2638123	. BACKING,FOAM				AR	
- 20	2632666	. PANEL ASM,CONTROL				1	
- 21	2526222	. . PANEL				1	
- 22	80716	. . SPEEDNUT,SPRING STEEL FOR 0.093 STUD ATT PT				4	
- 23	2526251	. . PLATE				1	
- 24	811426	. . SCREW,MACH PAN HD- 6-32 X 0.375 INCHES LG ATT PT				4	
- 25	2391121	. . LAMP,INCANDESCENT 4.5V 200 MA				2	
- 26	2122035	. . SOCKET				2	
- 27	2122038	. . CLIP				2	
- 28	2526409	. . MODULE ASM				2	
- 29	641594	. . HOLDER				2	
- 30	827841	. . HOUSING,SWITCH AND LIGHT				2	
- 31	2495491	. . SWITCH AND HOUSING ASM				4	
- 32	2525728	. . PLATE				1	
- 33	2525730	. . PLATE				1	
		THE FOLLOWING PARTS ARE USED ON 5213 MOD 2 AND 3					
- 34	2632667	. HOUSING SWITCH				1	
- 35	2525794	. COVER				1	
- 36	811426	. SCREW,PAN HD- 6-32 X 0.375 LG ATT PT				4	

FOR PARTS
NOT SHOWN
SEE FIG. 2

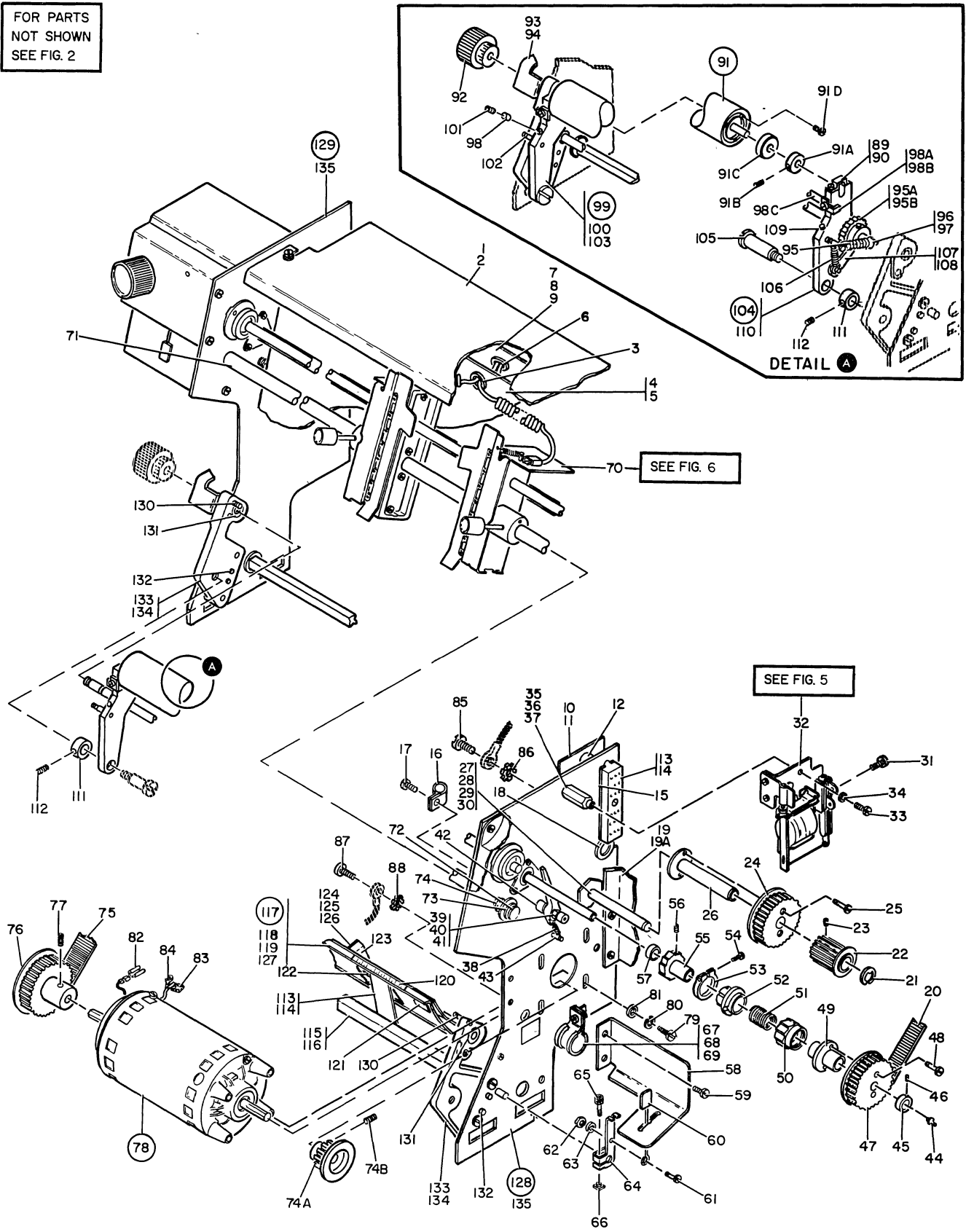


FIGURE 4. CARRIAGE ASSEMBLY. SHEET 1 OF 3. INDEX NOS. 1-135. SEE LIST 4.

LIST AND INDEX NUMBER	PART NUMBER	DESCRIPTION	UNITS PER ASM.	USABLE ON CODE
		CARRIAGE ASSEMBLY		
4 -	2495580	CARRIAGE ASSEMBLY- 2213 MOD 2	REF	
-	2495581	CARRIAGE ASSEMBLY- 5213 MOD 2 AND 3	REF	
		FOR NEXT HIGHER ASM, SEE FIGURE 2-7 AND FOR ILLUSTRATION, SEE FIGURE 4		
- 1	2525895	. COVER	1	
- 2	856523	. SCREW, MACH BD HD- 8-32 X 0.360 LG	2	ATT PT
- 3	220690	. GROMMET USED ON 2213 ONLY	1	
- 4	2525875	. PLATE ASM	1	
- 5	1161166	. SCREW, SHEET METAL	4	ATT PT
- 6	99174	. GROMMET USED ON 2213 ONLY	1	
- 7	2526506	. PLATE	1	
- 8	25627	. SCREW, MACH BD HD- 8-32 X 0.500 LG	6	ATT PT
- 9	2525929	. NUT, SLOTTED- 8-32 THD	6	ATT PT
- 10	5800397	. CARD ASM	1	
- 11	322552	. SCREW, MACH BD HD- 5-40 X 0.130 LG	2	ATT PT
- 12	856023	. SLEEVE	2	
- 13	302090	. BLOCK, TERMINAL	1	
- 14	438550	. SCREW, MACH BD HD- 4-40 X 0.500 LG	1	ATT PT
- 15	302141	. INSULATOR, BLOCK	1	
- 16	356742	. CLAMP, LOOP 0.250 ID 0.177 DIA MTG HOLE	1	
- 17	58207	. SCREW, MACH BD HD- 8-32 X 0.250 LG	1	ATT PT
- 18	265059	. GROMMET, RUB-FOR 0.625 HOLE	2	
- 19	2525855	. COVER	1	
- 19A	221790	. SCREW, MACH BD HD- 8-32 X 0.187 LG	2	ATT PT
- 20	609100	. BELT, CARRIAGE DRIVE	2	
- 21	237245	. RING, RETAINING EXT 0.300 ID X 0.035 THK	1	
- 22	2525819	. PULLEY ASM	1	
- 23	1100523	. SETSCREW, SPLINE DR CUP PT 6-32 X 0.187 LG	2	ATT PT
- 24	2526689	. PULLEY	1	
- 25	322065	. SCREW, MACH BD HD- 6-32 X 0.625 LG	2	ATT PT
- 26	2526745	. HUB ASM	1	
- 27	2526746	. STUD	1	
- 28	3960	. NUT, PLAIN HEX 1/4-20 X 0.438 FL W	1	ATT PT
- 29	6935	. LOCKWASHER, SPLIT 0.250 X 0.493 OD	1	ATT PT
- 30	3550	. WASHER, FL 0.250 X 9/16 OD X 0.050 THK	1	ATT PT
- 31	196299	. SCREW, MACH BD HD- 5-40 X 0.500 LG	2	
- 32	2526819	. MAGNET SUPPORT ASSEMBLY FOR DETAIL BREAKDOWN, SEE FIGURE 5	1	
- 33	186759	. SCREW, MACH BD HD- 8-32 X 0.312 LG	2	ATT PT
- 34	22478	. WASHER, FL 0.170 ID 0.375 OD 0.032 THK	2	ATT PT
- 35	2529002	. LOCATOR	2	
- 36	11598	. NUT, PLAIN HEX 10/32	2	ATT PT
- 37	9092	. LOCKWASHER, SPLIT RING- 0.194 ID X 0.337 OD	2	ATT PT
- 38	150676	. SPRING	1	
- 39	2526958	. DETENT	1	
- 40	149898	. SCREW, MACH SOC HD- 8-32 X 1 INCH LG	1	ATT PT
- 41	2528442	. ECCENTRIC	1	
- 42	112123	. SPACER	1	
- 43	802388	. STUD	1	
- 44	171059	. FITTING	1	
- 45	1128524	. COLLAR	1	
- 46	257956	. SCREW, FLU- 4-40 X 0.125 LG	2	ATT PT
- 47	2526689	. PULLEY	1	
- 48	322065	. SCREW, MACH BD HD- 6-32 X 0.625 LG	2	ATT PT
- 49	2526549	. HUB ASM	1	
- 50	2526955	. SLEEVE ASM	1	
- 51	2629770	. SPRING, 0.925 LG X 0.690 OD	1	
- 52	2526990	. SLEEVE	1	
- 53	2629853	. CLAMP	1	
- 54	186928	. SCREW, CAP SOC HD- 6-32 X 0.625 LG	1	ATT PT
- 55	2526957	. DETENT	1	
- 56	195	. SETSCREW, 6-FLUTE 10-32 X 1.875 LG	2	ATT PT
- 57	602279	. SPACER	1	
- 58	2525787	. BRACKET	1	
- 59	221790	. SCREW, MACH BD HD- 8-32 X 0.187 LG	2	ATT PT
- 60	4254307	. LEVER ASM, 6-8 LINE SELECT	1	
- 61	10170	. SCREW, MACH BD HD- 6-32 X 0.250 LG	1	ATT PT
- 62	257187	. NUT, HEX DBL CHAMFERED 6-32 X 0.3125 FL W	1	ATT PT
- 63	6364	. LOCKWASHER, SPLIT NO. 6 X 0.250 OD	1	ATT PT
- 64	2525786	. CLAMP	1	
- 65	251820	. SCREW, CAP SOC HD- 6-32 X 0.500 LG	1	ATT PT
- 66	1134829	. NUT, SQUARE- 6-32 THD	1	ATT PT
- 67	2526639	. CLAMP, CABLE	2	
- 68	25627	. SCREW, MACH BD HD- 8-32 X 0.500 LG	2	ATT PT

LIST AND INDEX NUMBER	PART NUMBER	DESCRIPTION	UNITS PER ASM.	USABLE ON CODE
4 - 69	257189	. NUT,HEX 8-32 THD	2	
- 70	2525756	. TRACTOR ASSEMBLY,RIGHT- 2213 MOD 2	1	
- 70	2525757	. TRACTOR ASSEMBLY,LEFT- 2213 MOD 2	1	
- 70	2526940	. TRACTOR ASSEMBLY,RIGHT- 5213 MOD 2 AND 3	1	
- 70	2526939	. TRACTOR ASSEMBLY,LEFT- 5213 MOD 2 AND 3	1	
- 71	2525716	FOR DETAIL BREAKDOWN,SEE FIGURE 6	1	
- 72	219743	. SHAFT,TRACTOR	2	
- 73	2526738	. RING,RETAINING EXT 0.392 ID X 0.042 THK	1	
- 74	25262	. SPRING	1	
- 74A	2529032	. SPACER	1	
		. PULLEY	1	
- 74A	2526702	USED ON 50 HZ ONLY	1	
		. PULLEY	1	
		USED ON 60 HZ ONLY		
- 74B	1100523	. SETSCREW,SPLINE DR CUP 6-32 X 0.187 LG	2	
- 75	611126	. BELT	1	
- 76	2525917	. PULLEY ASM	1	
- 77	1100523	. SETSCREW,SPLINE DR CUP PT 6-32 X 0.187 LG	2	
- 78	2526778	. MOTOR ASSEMBLY	1	
- 79	845	. SCREW,MACH FIL HD- 8-32 X 0.500 LG	4	
- 80	1090873	. LOCKWASHER,SPLIT 0.168 ID X 0.296 OD	4	
- 81	22478	. WASHER,FL 0.170 ID 0.375 OD 0.032 THK	4	
- 82	5352211	. . TERMINAL,RECEPTACLE	1	
- 83	517913	. . CLIP,TERMINAL	2	
- 84	334921	. . TERMINAL,LUG NO.22 THRU NO.18 WIRE INSUL	2	
- 85	10170	. SCREW,MACH BD HD- 6-32 X 0.250 LG	1	
- 86	56722	. LOCKWASHER,EXT TEETH- 0.150 ID	1	
- 87	221790	. SCREW,MACH BD HD- 8-32 X 0.187 LG	1	
- 88	55901	. LOCKWASHER,EXTERNAL TOOTH 0.176 ID	1	
- 89	386945	. CLAMP	2	
- 90	438548	. SCREW,MACH BD HD- 4-40 X 0.188 LG	2	
- 91	2526923	. PLATEN ASM	1	
- 91A	197853	. . COLLAR	2	
- 91B	165556	. . SETSCREW,FLU- 5-40 X 0.125 LG	2	
- 91C	835206	. . TYPE	2	
- 91D	438548	. . SCREW,MACH BD HD- 4-40 X 0.188 LG	6	
- 92	2526727	. KNOB ASM	1	
- 93	2526877	. POINTER	1	
- 94	10170	. SCREW,MACH BD HD- 6-32 X 0.250 LG	2	
- 95	209180	. SPRING	2	
- 95A	2526298	. WHEEL,DETENT	1	
- 95B	151720	. SETSCREW,SPLINE DR CUP PT 8-32 X 0.187 LG	1	
- 96	2526875	. SHAFT,VERNIER	1	
- 97	251015	. CLIP	2	
- 98	2526376	. PLUG,PLATEN ADJUSTMENT	2	
- 98A	2629821	. RETAINER,0.120 DIA MTG HOLE- RH	1	
- 98A	2629822	. RETAINER,0.120 DIA MTG HOLE- LH	1	
- 98B	438548	. SCREW,MACH BD HD- 4-40 X 0.188 LG	2	
- 98C	2629823	. ELIMINATOR	1	
- 99	2526447	. ARM ASM,PLATEN- LH	1	
-100	474377	. STUD	1	
-101	2101924	. . SETSCREW,FLU- 8-32 X 0.375 LG	1	
-102	802388	. . STUD	1	
-103	2526446	. . ARM,PLATEN SUPPORT	1	
-104	2526449	. ARM ASM,PLATEN- RH	1	
-105	2526852	. STUD	1	
-106	2174339	. . SPRING	1	
-107	2526296	. . ARM ASM,PIVOT	1	
-108	257701	. . CLIP	1	
-109	2101924	. . SETSCREW,FLU- 8-32 X 0.375 LG	1	
-110	2526448	. . ARM ASM- RH	1	
-111	9299	. COLLAR	2	
-112	173937	. SETSCREW,SPLINE DR CUP PT 8-32 X 0.125 LG	4	
-113	2526515	. SPRING	4	
-114	438548	. SCREW,MACH BD HD- 4-40 X 0.188 LG	8	
-115	2525788	. SHAFT	1	
-116	237245	. RING,RETAINING EXT 0.300 ID X 0.035 THK	1	
-117	2526512	. GUIDE ASM	1	
-118	252627	. SCREW,MACH BD HD- 8-32 X 0.500 LG	4	
-119	2525923	. NUT,SLOTTED- 8-32 THD	4	
-120	2526558	. . SCALE	1	
-121	2525885	. . STRIP	1	
-122	694416	. . ACTUATOR,SWITCH	1	
-123	829728	. . SWITCH	1	
-124	2526511	. . GUIDE	1	
-125	1161166	. . SCREW,SHEET METAL	4	
-126	2525920	. . NUT,EXPANSION	4	
-127	2526509	. . GUIDE	1	
-128	2495767	. FRAME ASM- RH CARRIAGE	1	

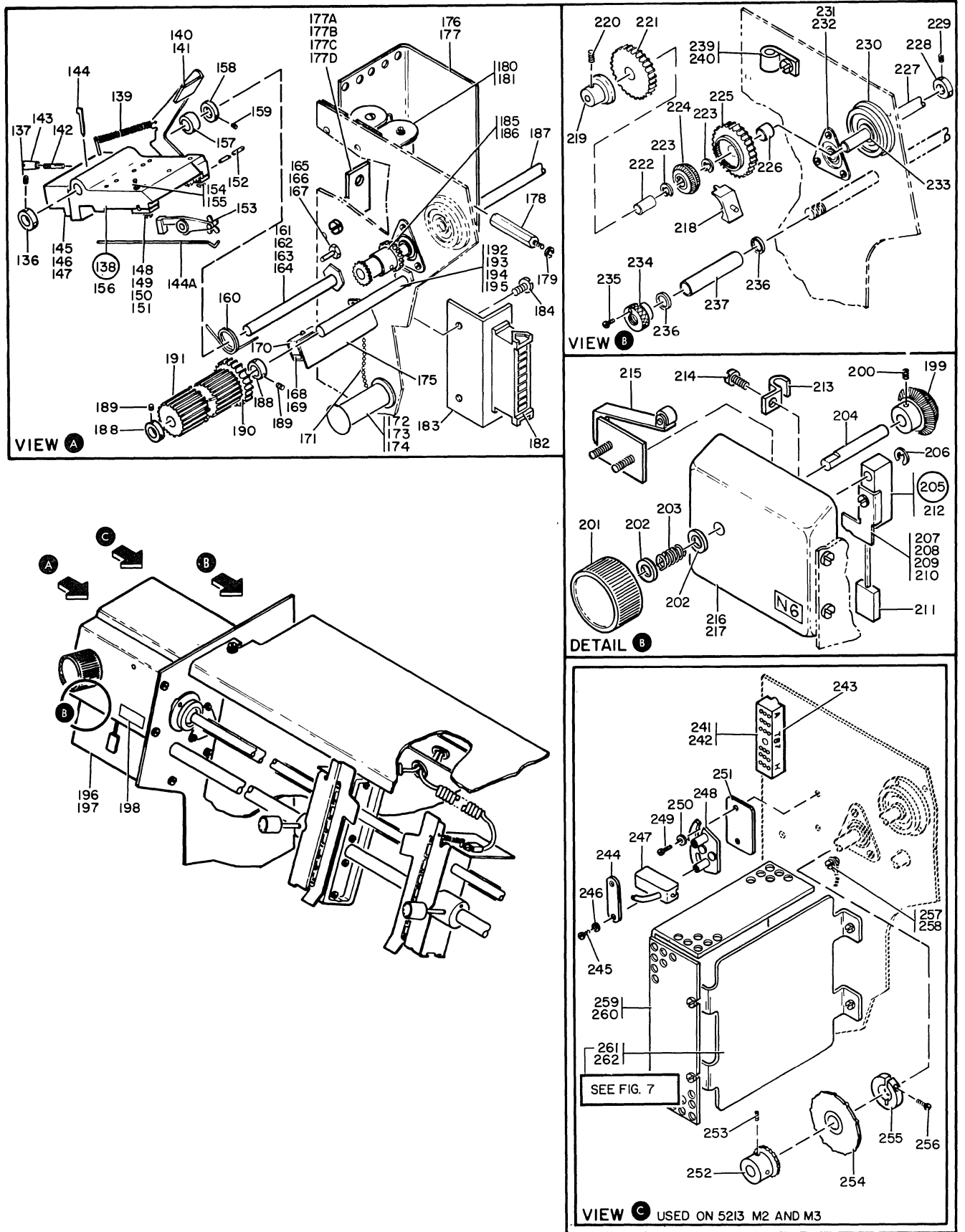


FIGURE 4. CARRIAGE ASSEMBLY. SHEET 2 OF 3. INDEX NOS. 136-262. SEE LIST 4.

LIST AND INDEX NUMBER	PART NUMBER	DESCRIPTION	UNITS PER ASM.	USABLE ON CODE
4 -136	1128524	. COLLAR USED ON 2213 ONLY	1	
-137	257956	. SETSCREW,SPLINE DR- 4-40 X 0.125 LG	2	ATT PT
-138	2525719	. HEAD ASM USED ON 2213 ONLY	1	
-139	126572	. . . SPRING	1	
-140	2529047	. . . ARM ASM	1	
-141	1073418	. . . RETAINER,CRANK	1	ATT PT
-142	12970	. . . SCREW,CLAMPING- 3-48 X 0.437 LG	12	
-143	154404	. . . NUT,CLAMPING- 3-48 THD	12	
-144	2525717	. . . BAR	12	
-144A	2529048	. . . WIRE,CONTACT	24	
-145	1145157	. . . BLOCK	1	
-146	11598	. . . NUT,PLAIN HEX 10-32 THD	2	ATT PT
-147	56121	. . . LOCKWASHER,INT TEETH NO. 10 X 0.381 OD	2	ATT PT
-148	1145297	. . . RETAINER	1	
-149	1145296	. . . RETAINER	1	
-150	38262	. . . SCREW,MACH FIL HD- 4-40 X 0.250 LG	2	ATT PT
-151	257984	. . . LOCKWASHER,RING- 0.115 ID 0.212 OD	2	ATT PT
-152	250734	. . . SHAFT	1	
-153	250733	. . . WHEEL ASM	12	
-154	438552	. . . SCREW,MACH BD HD- 4-40 X 0.750 LG	1	
-155	38214	. . . NUT,PLAIN HEX- 4-40 X 0.250 FL W	1	
-156	2525718	. . . BLOCK	1	
-157	306806	. SPACER USED ON 2213 ONLY	1	
-158	1128524	. COLLAR USED ON 2213 ONLY	1	
-159	257956	. SCREW,FLU- 4-40 X 0.125 LG	2	ATT PT
-160	2525809	. SPRING USED ON 2213 ONLY	1	
-161	2526735	. STANDOFF	1	
-162	3960	. NUT,PLAIN HEX 1/4-20 X 0.437 FL W	1	ATT PT
-163	6935	. LOCKWASHER,SPLIT 0.250 X 0.493 OD	1	ATT PT
-164	3550	. WASHER,FL- 0.250 ID X 0.562 OD 0.050 THK	1	ATT PT
-165	2526736	. ECCENTRIC USED ON 2213 ONLY	1	
-166	11598	. NUT,PLAIN HEX 10-32 THD	1	ATT PT
-167	9092	. LOCKWASHER,SPLIT RING- 0.194 ID X 0.337 OD	1	ATT PT
-168	473762	. COVER	1	
-169	438550	. SCREW,MACH BD HD- 4-40 X 0.500 LG	2	ATT PT
-170	829728	. SWITCH	1	
-171	1146422	. CHAIN USED ON 2213 ONLY	1	
-172	1146421	. ROLL ASM USED ON 2213 ONLY	1	
-173	338238	. SCREW,MACH BD HD- 4-40 X 0.3125 LG	2	ATT PT
-174	257985	. WASHER,PLAIN 0.125 ID X 0.250 OD	2	ATT PT
-175	2526698	. BRACKET USED ON 2213 ONLY	1	
-176	2529099	. GUARD,RESISTOR	1	
-177	55726	. SCREW,MACH BD HD- 6-32 X 0.188 LG	1	ATT PT
-177A	2629854	. BRACKET	1	
-177B	438623	. SCREW,BD HD- 1/4-20 X 0.625 LG	1	ATT PT
-177C	3960	. NUT,PLAIN HEX- 1/4-20 X 0.437 FL W	1	ATT PT
-177D	6935	. LOCKWASHER,SPLIT- 0.250 ID X 0.493 OD	1	ATT PT
-178	609380	. STUD	1	
-179	9092	. LOCKWASHER,SPLIT RING- 0.194 ID X 0.337 OD	1	ATT PT
-180	2391623	. RESISTOR,FXD PWR 13 OHMS 60W	2	
-181	221790	. SCREW,MACH BD HD- 8-32 X 0.187 LG	4	ATT PT
-182	216076	. TERMINAL BLOCK AND CONTACT ASSEMBLY	1	
-183	2495676	. BRACKET,CENTER	1	
-184	221790	. SCREW,MACH BD HD- 8-32 X 0.187 LG	2	ATT PT
-185	2525702	. GEAR USED ON 2213 ONLY	1	
-186	195	. SETSCREW, 6-FLUTE 10-32 X 1.875 LG	2	ATT PT
-187	2526443	. SHAFT	1	
-188	1128524	. COLLAR USED ON 2213 ONLY	2	
-189	257956	. SETSCREW,SPLINE DR- 4-40 X 0.125 LG	4	ATT PT
-190	2529001	. DRUM	1	
-191	2526993	. DRUM USED ON 2213 ONLY	1	
-192	2526735	. STANDOFF USED ON 2213 ONLY	1	

LIST AND INDEX NUMBER	PART NUMBER	DESCRIPTION	UNITS PER ASM.	USABLE ON CODE
4 -193	3960	. NUT,PLAIN HEX 1/4-20 X 0.437 FL W	ATT PT	1
-194	6935	. LOCKWASHER,SPLIT- 0.250 X 0.493 OD	ATT PT	1
-195	3550	. WASHER,FL- 0.250 X 0.562 OD 0.050 THK	ATT PT	1
-196	2525714	. COVER- LH		1
-197	221790	. SCREW,MACH BD HD- 8-32 X 0.187 LG	ATT PT	2
-198	2526472	. DECAL USED ON 5213 MOD 2 AND 3		1
-199	2526685	. GEAR		1
-200	1100523	. SETSCREW,SPLINE DR CUP PT 6-32 X 0.187 LG	ATT PT	2
-201	2526697	. KNOB ASM		1
-202	131306	. SPACER,FL- 0.255 ID X 0.406 OD		2
-203	170993	. SPRING		1
-204	2525713	. SHAFT,VERTICAL VERNIER		1
-205	2525701	. SELECTOR ASM USED ON 2213 ONLY		1
-205	2629711	. SELECTOR ASM USED ON 5213 MOD 2 AND 3		1
-206	1092125	. CLIP	ATT PT	1
-207	2525707	. . CAM,SWITCH SELECTOR USED ON 2213 ONLY		1
-207	2629710	. . CAM,SWITCH SELECTOR USED ON 5213 MOD 2 AND 3		1
-208	438550	. . SCREW,MACH BD HD- 4-40 X 0.500 LG	ATT PT	1
-209	150209	. . LOCKWASHER,INT TEETH- 0.123 ID X 0.270 OD	ATT PT	1
-210	37913	. . NUT,JAM HEX- 4-40 X 0.250 FL W	ATT PT	1
-211	4254307	. . LEVER ASM,6-8 LINE SELECT		1
-212	4254305	. . BLOCK,LINE SELECT SHIPT		1
-213	191986	. CLAMP		2
-214	438548	. SCREW,MACH BD HD- 4-40 X 0.188 LG	ATT PT	2
-215	2174935	. ACTUATOR,SWITCH		1
-216	2525708	. HOUSING ASM		1
-217	58207	. SCREW,MACH BD HD- 6-32 X 0.250 LG	ATT PT	2
-218	4253978	. GUIDE		1
-219	2526686	. GEAR		1
-220	1100523	. SETSCREW,SPLINE DR CUP PT 6-32 X 0.187 LG	ATT PT	1
-221	2525706	. GEAR ASM,SPUR USED ON 2213 ONLY		1
-222	365613	. SPACER		1
-223	237245	USED ON 5213 MOD 2 AND 3 . RING,RETAINING EXT 0.300 ID X 0.035 THK USED ON 2213 ONLY		2
-224	2525709	. CLUTCH ASM		1
-225	2525705	. GEAR ASM		1
-226	638775	. SPACER		1
-227	2525715	. SHAFT,TRACTOR		1
-228	1128524	. COLLAR		1
-229	257956	. SCREW,FLU- 4-40 X 0.125 LG	ATT PT	2
-230	227775	. HOUSING,CAMSHAFT BEARING		4
-231	227779	. PLATE,CAMSHAFT BEARING RETAINER		4
-232	196299	. SCREW,MACH BD HD- 5-40 X 0.500 LG	ATT PT	12
-233	156364	. BEARING,BALL ANNULAR 0.375 ID 0.875 OD		4
-234	2526614	. KNOB		1
-235	371	. SCREW,ROUND HD- 10-32 X 0.250 LG	ATT PT	1
-236	442470	. SPACER		2
-237	638378	. SPACER		1
-239	5213276	. CLAMP		1
-240	58207	. SCREW,MACH BD HD- 6-32 X 0.250 LG	ATT PT	1
-241	2526592	. CABLE ASM,TRANSDUCER USED ON 5213 MOD 2 AND 3		1
-242	438550	. SCREW,MACH BD HD- 4-40 X 0.500 LG	ATT PT	1
-243	302131	. STRIP,INSULATOR 2.094 LG X 0.062 THK USED ON 5213 MOD 2 AND 3		1
-244	2525805	. CLAMP		1
-245	265195	. SCREW,MACH HEX HD- 6-32 X 0.218 LG	ATT PT	2
-246	6364	. LOCKWASHER,SPLIT NO. 6 X 0.250 OD	ATT PT	2
-247	854610	. TRANSDUCER ASM		1
-248	2526861	. PLATE ASM,TRANSDUCER		1
-249	338238	. SCREW,MACH BD HD- 4-40 X 0.312 LG	ATT PT	2
-250	45640	. WASHER,FL- 0.125 ID X 0.312 OD X 0.016 T	ATT PT	2
-251	2525814	. SPACER		1
-252	2526947	. GEAR		1
-253	195	. SETSCREW, 6-FLUTE 10-32 X 1.875 LG	ATT PT	2
-254	2525813	. DISC ASM		1
-255	2526874	. CLAMP,HUB 0.4375 ID X 0.937 OD		1
-256	357820	. SCREW,CAP SOC HD 4-40 X 0.500 LG	ATT PT	1
-257	58207	. SCREW,MACH BD HD- 6-32 X 0.250 LG		1
-258	55901	. LOCKWASHER,EXT TOOTH- 0.176 ID X 0.300 OD		1
-259	2529090	. COVER		1
-260	55726	. SCREW,MACH BD HD- 6-32 X 0.188 LG	ATT PT	2

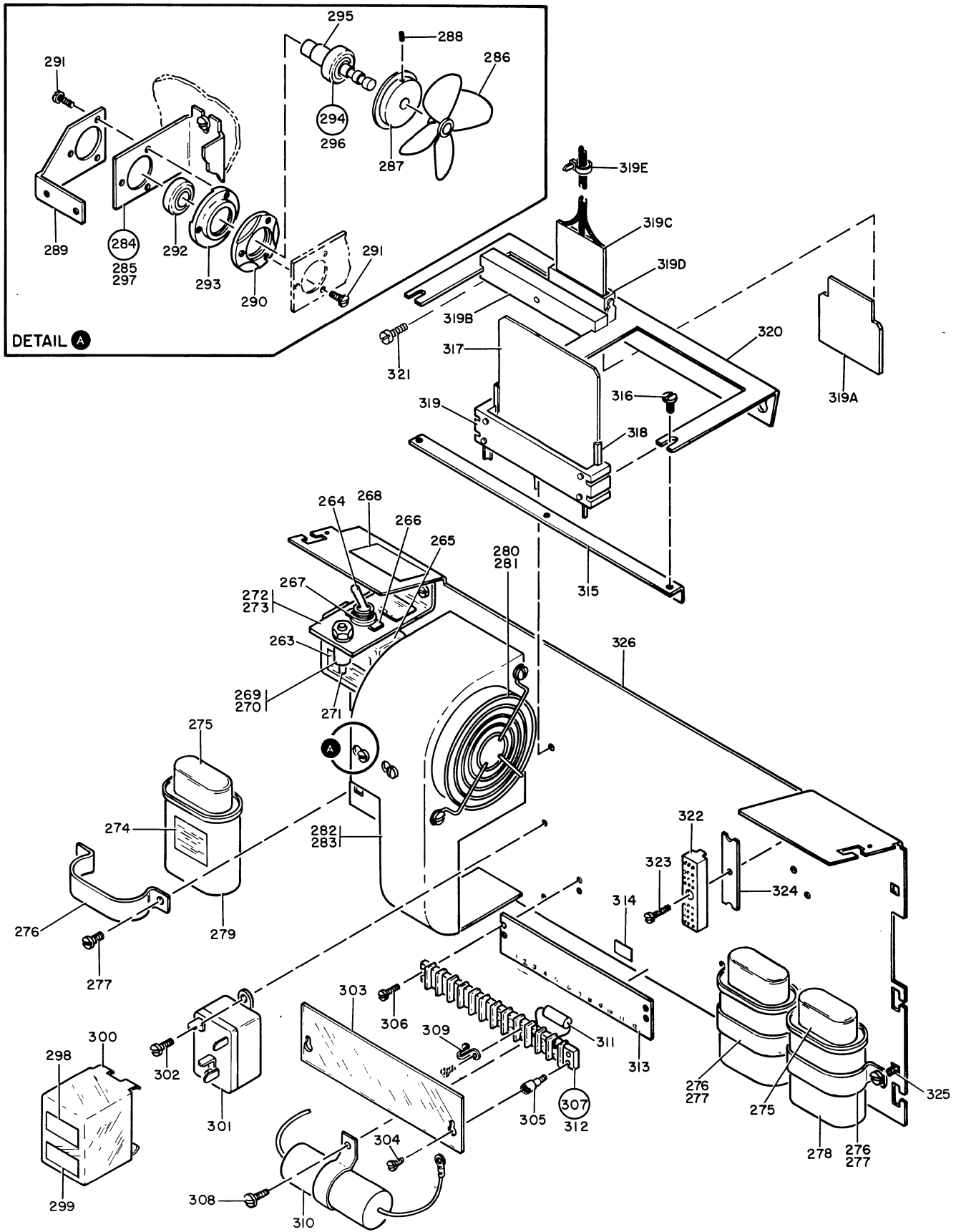


FIGURE 4. CARRIAGE ASSEMBLY. SHEET 3 OF 3. INDEX NOS. 263-326. SEE LIST 4.

LIST AND INDEX NUMBER	PART NUMBER	DESCRIPTION	UNITS	USABLE
			PER ASM.	ON CODE
4 -263	138754	. DECAL, INST LINE V PRESENT W/MACH PWR OFF	1	
-264	2525907	. CABLE ASM, EXTERNAL AC	1	
		USED ON 2213 ONLY		
		FOR COMPONENT PARTS SEE FIGURE 16		
-264	2525914	. CABLE ASM, EXTERNAL AC	1	
		USED ON 5213 MOD 2 AND 3		
		FOR COMPONENT PARTS SEE FIGURE 16		
-265	847035	. INSULATION, SWITCH	1	
-266	122685	. PLATE	1	
-267	334635	. LOCKWASHER, INT TEETH 0.476 ID X 0.600 OD	1	
-268	2525903	. LABEL, CARRIAGE MOTOR POWER	1	
-269	433566	. FUSEHOLDER	1	
-270	53436	. FUSE, LAG TYPE 0.200 AMPERES 250V RATING	1	
-271	253570	. SLEEVING	1	
-272	2617960	. BRACKET, SWITCH	1	
-273	221790	. SCREW, MACH BD HD- 8-32 X 0.187 LG ATT PT	2	
-274	138747	. LABEL, VOLTAGE	1	
-275	363001	. BOOT	3	
-276	2122114	. BRACKET, CAPACITOR	3	
-277	186759	. SCREW, MACH BD HD- 8-32 X 0.312 LG ATT PT	3	
-278	725009	. CAPACITOR, 330VAC 3MFD PAPER	2	
-279	2195276	. CAPACITOR, FIXED PAPER 2 MFD 330 VAC	1	
-280	2525889	. COVER	1	
-281	185052	. SCREW, BD HD SELF TAPPING- 0.375 LG ATT PT	3	
-282	2525928	. COVER	1	
-283	55726	. SCREW, MACH BD HD- 6-32 X 0.188 LG ATT PT	2	
-284	2529093	. BLOWER ASM	1	
-285	221790	. SCREW, MACH BD HD- 8-32 X 0.187 LG ATT PT	2	
-286	2526508	. . IMPELLER	1	
-287	629345	. . PULLEY	1	
-288	257971	. . SETSCREW, SPLINE DR CUP PT 6-32 X 0.250 LG ATT PT	1	
-289	2529096	. . BRACKET, COVER	1	
-290	227779	. . PLATE, CAMSHAFT BEARING RETAINER	1	
-291	196698	. . SCREW, MACH BD HD- 5-40 X 0.312 LG ATT PT	6	
-292	156364	. . BEARING, BALL ANNULAR 0.375 ID 0.875 OD	1	
-293	227775	. . HOUSING, CAMSHAFT BEARING	2	
-294	2525990	. . SHAFT ASM	1	
-295	156364	. . . BEARING, BALL ANNULAR 0.375 ID 0.875 OD	1	
-296	2525934	. . . SHAFT	1	
-297	2526627	. . BRACKET, BLOWER SHAFT	1	
-298	138754	. DECAL, INST LINE V PRESENT W/MACH PWR OFF	1	
		USED ON 2213 ONLY		
-299	2495633	. LABEL, RELAY	1	
		USED ON 2213 ONLY		
-300	2617908	. COVER	1	
		USED ON 2213 ONLY		
-301	2526805	. RELAY	1	
		USED ON 2213 ONLY		
-302	55726	. SCREW, MACH BD HD- 6-32 X 0.188 LG ATT PT	2	
-303	352825	. SHIELD	1	
-304	55726	. SCREW, MACH BD HD- 6-32 X 0.188 LG ATT PT	2	
-305	210883	. STUD, SHIELD MTG TAPPED NO. 6-32	2	
-306	322065	. SCREW, MACH BD HD- 6-32 X 0.625 LG	2	
-307	2526699	. DC DISTRIBUTION CABLE- 2213 ONLY	1	
-307	2617945	. DC DISTRIBUTION CABLE- 5213 MOD 2 AND 3	1	
-308	35739	. SCREW, MACH BD HD- 6-32 X 0.438 LG ATT PT	1	
-309	367115	. . JUMPER, TERMINAL STRIP	1	
-310	2525880	. . CAPACITOR ASSEMBLY, 1000 MFD 25 VDCW	1	
-311	345909	. . RESISTOR ASM- 390 OHM 1W 5%	1	
-312	323839	. . TERMINAL BOARD- 12 DBL SCREW TERMINALS	1	
-313	806569	. STRIP	1	
-314	2525939	. LABEL, ELECTRICAL COMPONENTS	1	
-315	2526514	. BAR	1	
-316	55726	. SCREW, MACH BD HD- 6-32 X 0.188 LG ATT PT	3	
-317	5801836	. CARD ASM, RC NETWORK	AR	
		USED ON 2213 ONLY		
-317	5800811	. CARD ASM, 2.2A DRIVER +12V CLOSED	AR	
		USED ON 2213 ONLY		
-317	5861753	. CARD ASM	AR	
		USED ON 5213 MOD 2 AND 3		
-318	811804	. GUIDE, CARD 12 PAC	AR	
		USED ON 2213 ONLY		
-319	813392	. INTERFACE ASSEMBLY, I/O	AR	
-319A	375517	. CARD ASM, DIODE	1	
-319B	2629874	. BLOCK ASM	1	
-319C	2629824	. CABLE ASM, MOTOR DIODE	1	
-319D	216320	. CONNECTOR ASM	1	
-319E	524519	. TIE, CABLE	1	
-320	2526513	. BRACKET, CARD	1	

FOR PARTS
NOT SHOWN
SEE FIG. 4
SHEET 1

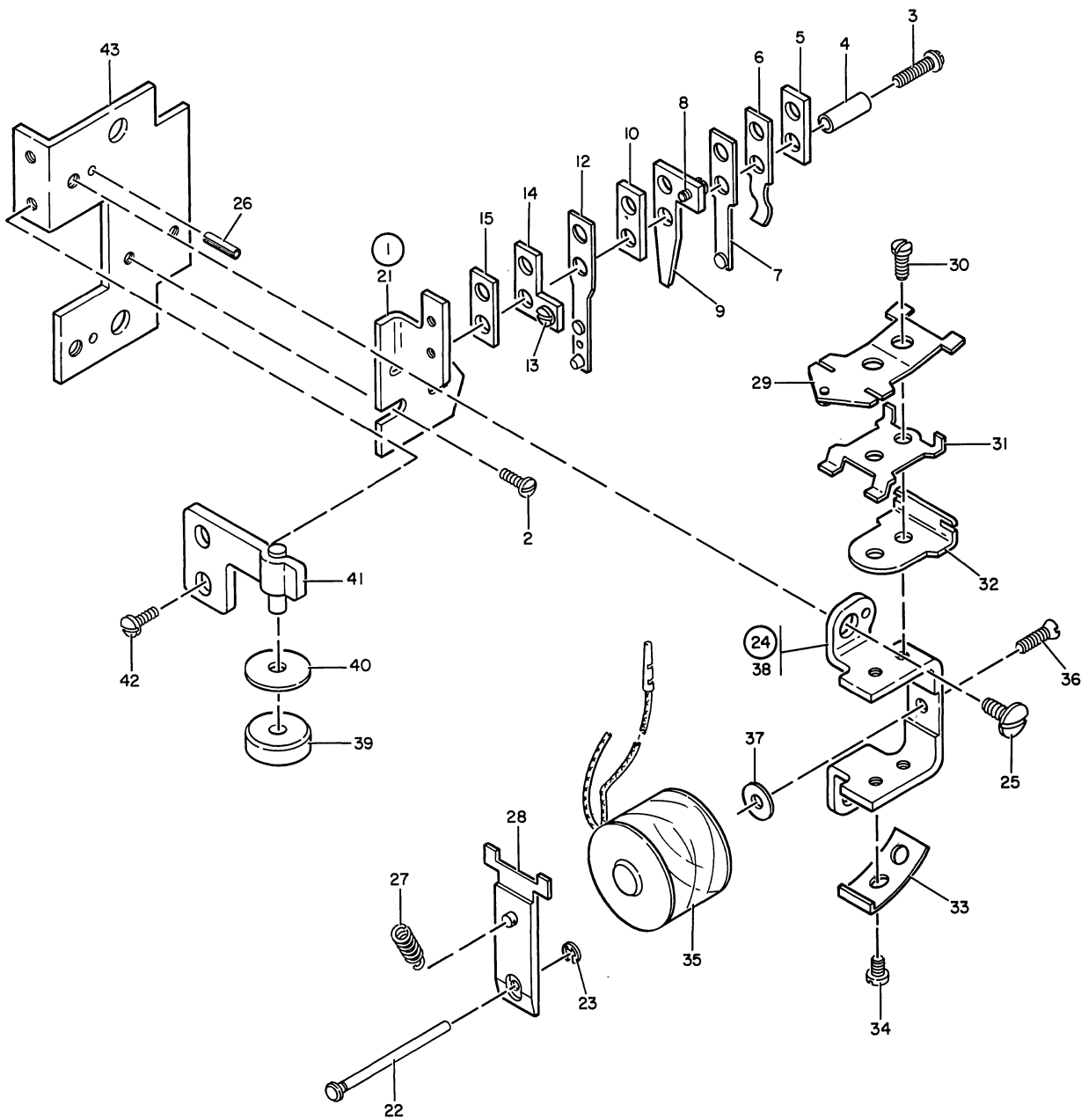


FIGURE 5. MAGNET SUPPORT ASSEMBLY. SEE LIST 5.

LIST AND INDEX NUMBER	PART NUMBER	DESCRIPTION				UNITS PER ASM.	USABLE ON CODE
		1	2	3	4		
		MAGNET SUPPORT ASSEMBLY					
5 -	2526819	SUPPORT ASSEMBLY, MAGNET FOR NEXT HIGHER ASM, SEE FIGURE 4-32 AND FOR ILLUSTRATION, SEE FIGURE 5				REF	
- 1	2526815	. CONTACT ASM				1	
- 2	38235	. SCREW, MACH BD HD- 6-32 X 0.312 LG ATT PT				2	
- 3	173202	. . SCREW, ASMD WSHR RH- 5-40 X 0.469 LG				2	
- 4	100133	. . INSULATION, SPACER				2	
- 5	37435	. . INSULATOR				4	
- 6	1145588	. . SPRING, BACKUP				1	
- 7	2526811	. . CONTACT ASM				1	
- 8	114818	. . SCREW, RND HD- 5-40 THD				1	
- 9	339107	. . TERMINAL				1	
- 10	37435	. . INSULATOR				1	
- 12	2526813	. . CONTACT ASM, COMMON				1	
- 13	118418	. . SCREW, RND HD- 5-40 X 0.156 LG				1	
- 14	339109	. . TERMINAL				1	
- 15	37435	. . INSULATOR				1	
- 21	1144138 NR	. . BRACKET				1	
- 22	1144151	. STUD				1	
- 23	219633	. RING, RETAINING EXT 0.073 ID X 0.015 THK				1	
- 24	2526683	. MAGNET ASM				1	
- 25	58207	. SCREW, MACH BD HD- 6-32 X 0.250 LG ATT PT				2	
- 26	264998	. ROLL PIN- 0.250 LG ATT PT				2	
- 27	328904	. . SPRING, EXTENSION				1	
- 28	1144148	. . ARMATURE ASM				1	
- 29	328903	. . PLATE ASM				1	
- 30	38271	. . SCREW, MACH FIL HD- 5-40 X 0.188 LG ATT PT				2	
- 31	344117	. . RETAINER				1	
- 32	344123	. . PLATE				1	
- 33	305269	. . RESIDUAL				1	
- 34	305270	. . SCREW, FL HD- 5-40 X 0.130 LG				1	
- 35	2526723	. . COIL ASM				1	
- 36	163	. . SCREW, MACH FL HD- 5-40 X 0.312 LG ATT PT				1	
- 37	305271	. . SPACER				AR	
- 38	228152 NR	. . YOKE				1	
- 39	342900	. WASHER, RUBBER- 0.156 ID X 0.620 OD				1	
- 40	344059	. WASHER, BUMPER				1	
- 41	2526817	. BRACKET				1	
- 42	38235	. SCREW, MACH BD HD- 6-32 X 0.312 LG ATT PT				2	
- 43	2526818 NR	. SUPPORT				1	

FOR PARTS
NOT SHOWN
SEE FIG. 4
SHEET 1

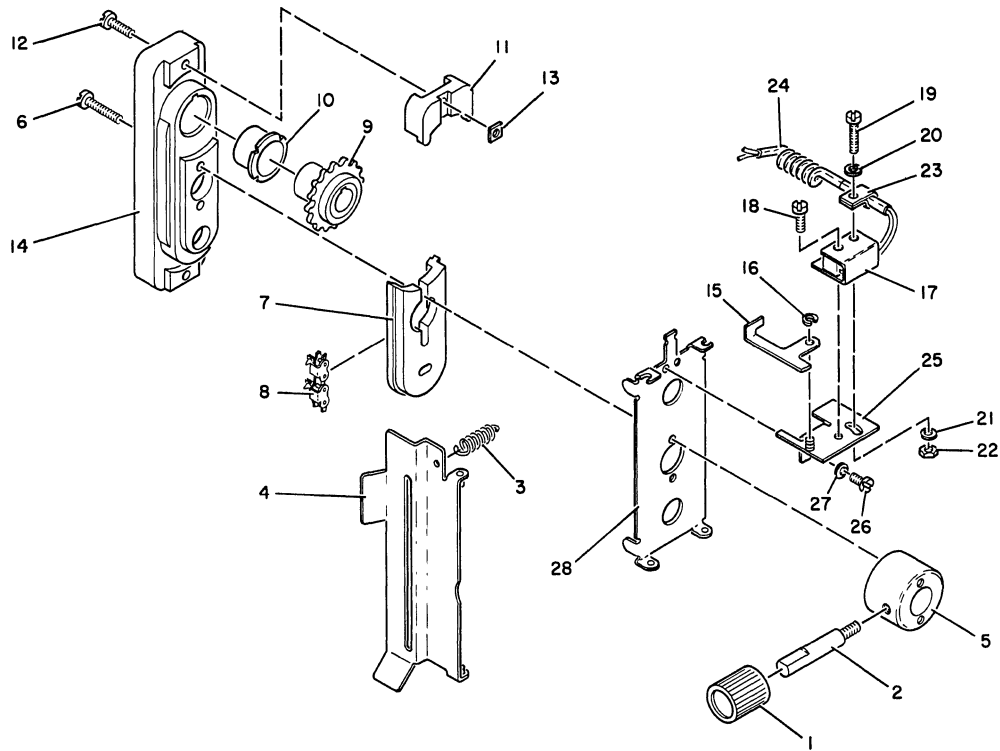


FIGURE 6. TRACTOR ASSEMBLY. SEE LIST 6.

LIST AND INDEX NUMBER	PART NUMBER	DESCRIPTION				UNITS PER ASM.	USABLE ON CODE
		1	2	3	4		
		TRACTOR ASSEMBLY					
6 -	2525756	TRACTOR ASSEMBLY, RIGHT- 2213 MOD 2				REF	
-	2525757	TRACTOR ASSEMBLY, LEFT- 2213 MOD 2				REF	
-	2526940	TRACTOR ASSEMBLY, RIGHT- 5213 M2, M3				REF	
-	2526939	TRACTOR ASSEMBLY, LEFT- 5213 M2, M3 FOR NEXT HIGHER ASM, SEE FIGURE 4-70 AND FOR ILLUSTRATION, SEE FIGURE 6				REF	
- 1	2526979	. KNOB ASM				1	
- 2	2526568	. SHAFT, TRACTOR KNOB				1	
- 3	250580	. SPRING, HELICAL EXT- 12 TURNS				1	
- 4	2526934	. PLATE ASM-RIGHT				1	
- 4	2526935	. PLATE ASM-LEFT				1	
- 5	2526936	. BUSHING, GUIDE				1	
- 6	322551	. SCREW, BD HD- 6-32 X 0.750 LG				ATT PT	2
- 7	2526932	. GUIDE, CHAIN				1	
- 8	236538	. CHAIN ASM				1	
- 9	2526468	. INSERT ASM, SPROCKET				1	
- 10	2526465	. INSERT				1	
- 11	2526930	. FRAME, END				2	
- 12	438550	. SCREW, MACH BD HD- 4-40 X 0.500 LG				ATT PT	2
- 13	602229	. NUT, LOCKING CARD GUIDE				ATT PT	2
- 14	2526931	. FRAME, TRACTOR				1	
- 15	2525762	. LEVER, SWITCH-RH				1	
- 15	2525763	. LEVER, SWITCH-LH				1	
		USED ON 2213 ONLY					
- 16	219633	. RING, RETAINING EXT 0.073 ID X 0.015 THK				ATT PT	1
- 17	475656	. INSULATOR				1	
		USED ON 2213 ONLY					
- 18	438541	. SCREW, MACH BD HD- 2-56 X 0.437 LG				ATT PT	1
- 19	438543	. SCREW, MACH BD HD- 2-56 X 0.625 LG				ATT PT	1
- 20	807842	. WASHER, FLAT ALIGNER WHEEL				ATT PT	1
- 21	150804	. SPACER				ATT PT	1
- 22	47987	. NUT, PLAIN HEX- 2-56 X 0.187 FL W				ATT PT	1
- 23	216362	. CLAMP				1	
		USED ON 2213 ONLY					
- 24	2525764	. SWITCH ASM, CABLE				1	
		USED ON 2213 ONLY					
- 25	2525758	. PLATE, SWITCH-RH				1	
- 25	2525759	. PLATE, SWITCH-LH				1	
		USED ON 2213 ONLY					
- 26	438548	. SCREW, MACH BD HD- 4-40 X 0.188 LG				ATT PT	2
- 27	257985	. WASHER, PLAIN 0.125 ID X 0.250 OD				ATT PT	2
- 28	2526933	. PLATE				1	

FOR PARTS
NOT SHOWN
SEE FIG. 4
SHEET 2

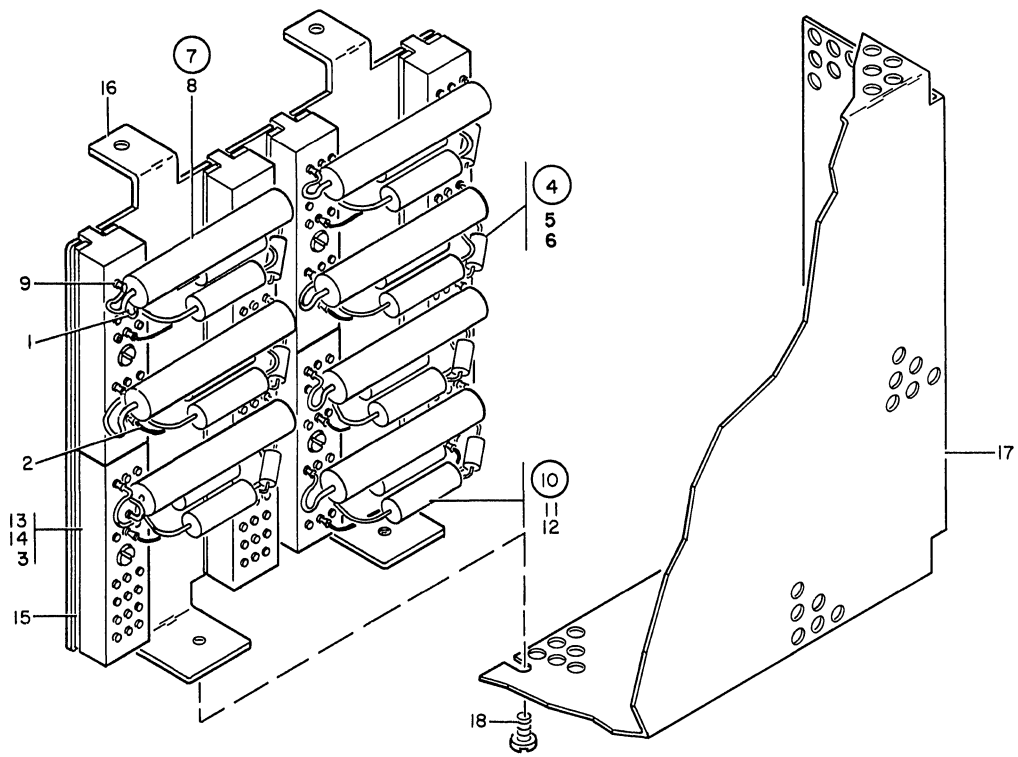


FIGURE 7. R/C COMPONENT PLATE ASSEMBLY. SEE LIST 7.

LIST AND INDEX NUMBER	PART NUMBER	DESCRIPTION				UNITS PER ASM.	USABLE ON CODE
		1	2	3	4		
		R/C COMPONENT PLATE ASSEMBLY					
7 -	2529091	PLATE ASSEMBLY, R/C COMPONENT FOR NEXT HIGHER ASM, SEE FIGURE 4-261 AND FOR ILLUSTRATION, SEE FIGURE 7				REF	
- 1	205331	. JUMPER, RELAY GATES UNIT 1/8 BRASS				28	
- 2	301541	. JUMPER ASM				7	
- 3	2525939	. LABEL, ELECTRICAL COMPONENTS				1	
- 4	849096	. DIODE ASM, SEMICONDUCTOR TYPE AM				7	
- 5	2111232	. . DIODE, SEMICONDUCTOR TYPE AM				1	
- 6	320167	. . PLUG, TAPER				2	
- 7	2526739	. RESISTOR ASM, 15 OHMS 10W				7	
- 8	2391629	. . RESISTOR, 15 OHMS 10W				1	
- 9	187243	. . TERMINAL, SMALL TAPER				2	
- 10	2526741	. CAPACITOR ASM, TANTALUM- 22MG 35 VDC				14	
- 11	222080	. . CAPACITOR- 22MF 35 VDC				1	
- 12	187243	. . TERMINAL, SMALL TAPER				2	
- 13	302090	. BLOCK, TERMINAL				8	
- 14	438549	. SCREW, MACH BD HD- 4-40 X 0.437 LG ATT PT				8	
- 15	302131	. STRIP, INSULATOR- 2.094 LG X 0.062 THK				8	
- 16	2529087	. PLATE				1	
- 17	2529090	COVER				1	
- 18	55726	PART OF FINAL ASM SCREW, MACH BD HD- 6-32 X 0.188 LG ATT PT				2	
		PART OF FINAL ASM					

FOR PARTS
NOT SHOWN
SEE FIG. 2

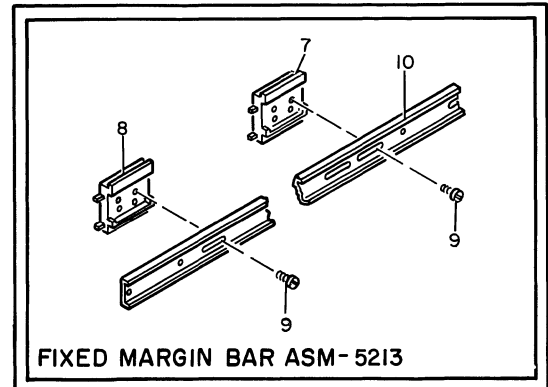
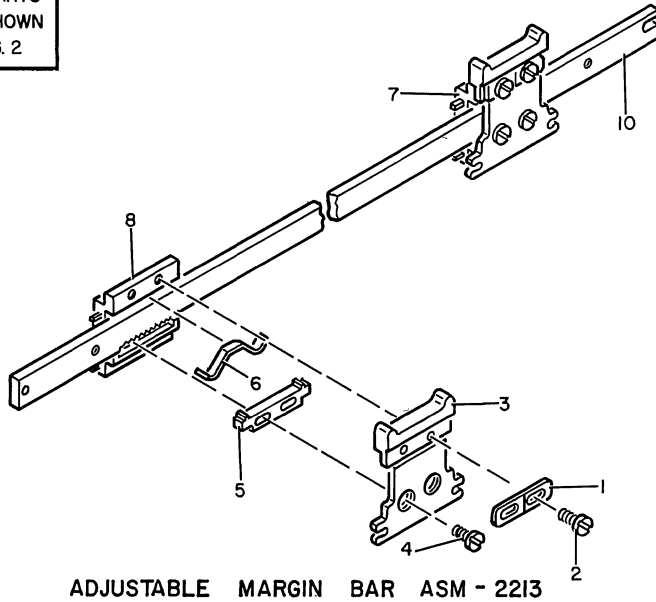
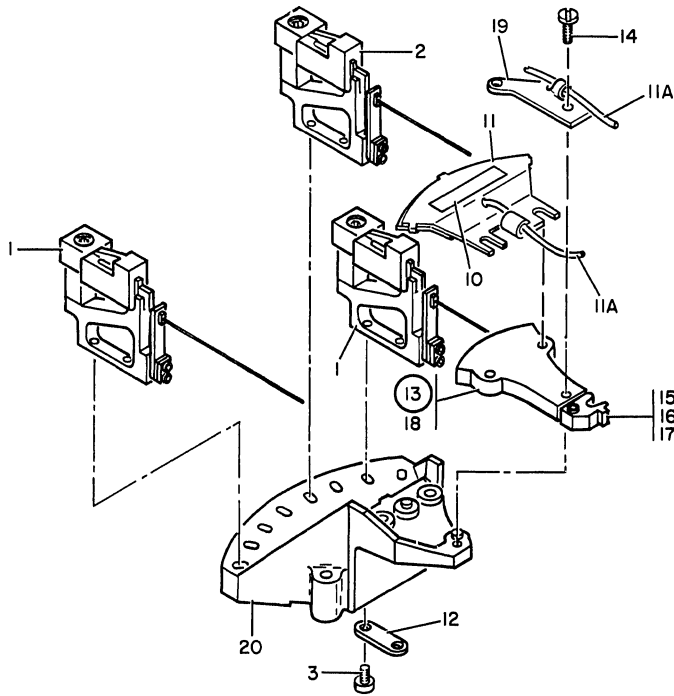


FIGURE 8. MARGIN BAR ASSEMBLY. SEE LIST 8.

LIST AND INDEX NUMBER	PART NUMBER	DESCRIPTION				UNITS PER ASM.	USABLE ON CODE
		1	2	3	4		
		MARGIN BAR ASSEMBLY					
8 -	2495515	ADJUSTABLE MARGIN BAR ASM- 2213 MOD 2				REF	
-	2495514	FIXED MARGIN BAR ASM- 5213 MOD 2				REF	
-	2632659	FIXED MARGIN BAR ASM- 5213 MOD 3				REF	
		FOR NEXT HIGHER ASM,SEE FIGURE 2-16 AND FOR ILLUSTRATION,SEE FIGURE 8					
- 1	2495527	• INDICATOR USED ON 2213 ONLY				2	
- 2	81693	• SCREW,MACH BD HD- 6-32 X 0.375 LG ATT PT				4	
- 3	2495549	• CAP USED ON 2213 ONLY				2	
- 4	322550	• SCREW,MACH BD HD- 6-32 X 0.500 LG ATT PT				4	
- 5	2495516	• DETENT,MARGIN ADJUSTABLE USED ON 2213 ONLY				2	
- 6	2495548	• SPRING USED ON 2213 ONLY				2	
- 7	2495540	• MARGIN SWITCH ASM,RIGHT HAND USED ON 2213 AND 5213 MOD 2 ONLY				1	
- 7	2632658	• SWITCH ASM,MARGIN- RH USED ON 5213 MOD 3 ONLY				1	
- 8	2495539	• MARGIN SWITCH ASM,LEFT HAND				1	
- 9	81693	• SCREW,MACH BD HD- 6-32 X 0.375 LG ATT PT				4	
- 10	2495550	• BAR,ADJUSTABLE USED ON 2213 ONLY				1	
- 10	2495546	• BAR,FIXED USED ON 5213 MOD 2 AND 3 ONLY				1	



FOR PARTS
NOT SHOWN
SEE FIG. 2
SHEET 1

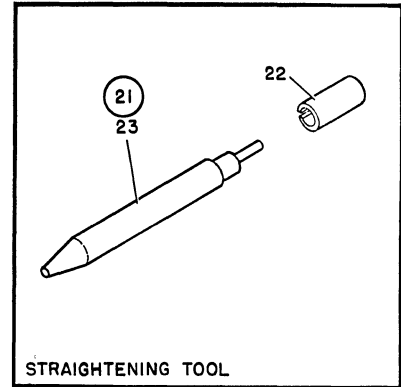


FIGURE 9. PRINT HEAD ASSEMBLY. SEE LIST 9.

LIST AND INDEX NUMBER	PART NUMBER	DESCRIPTION	1 2 3 4				UNITS PER ASM.	USABLE ON CODE
		PRINT HEAD ASSEMBLY						
9 -	2495630	PRINT HEAD ASSEMBLY, 7 POSITION FOR NEXT HIGHER ASM, SEE FIGURE 2-24 AND FOR ILLUSTRATION, SEE FIGURE 9				REF		
- 1	2495578	. MAGNET AND HAMMER ASM, END POSITION				2		
- 2	2495586	. MAGNET AND HAMMER ASM, MIDDLE POSITION				5		
- 3	2161452	. SCREW, CAP SOC HD- 4-40 X 0.312 LG			ATT PT	14		
- 10	2642598	. LABEL				1		
- 11	2642587	. PLATE ASM, CORE OILER				1		
- 11A	2629844	. WICK ASM, TUBE				1		
- 12	2495579	. SPACER				7		
- 13	2495588 NR	. WIRE GUIDE ASM				1		
- 14	438550	. SCREW, MACH BD HD- 4-40 X 0.500 LG			ATT PT	3		
- 15	2495669 NR	. . . TIP				1		
- 16	438538 NR	. . . SCREW, MACH BD HD- 2-56 X 0.250 LG			ATT PT	1		
- 17	47987 NR	. . . NUT, PLAIN HEX- 2-56 X 0.187 FL W			ATT PT	1		
- 18	2495668 NR	. . . BODY, WIRE GUIDE				1		
- 19	2495506	. BRACKET				1		
- 20	2495587	. SUPPORT				1		
		FOLLOWING PARTS NOT PART OF ABOVE ASM						
- 21	2617969	TOOL ASM				1		
- 22	2617968	. CAP				1		
- 23	2617959	. TOOL				1		

FOR PARTS
NOT SHOWN
SEE FIG. 2

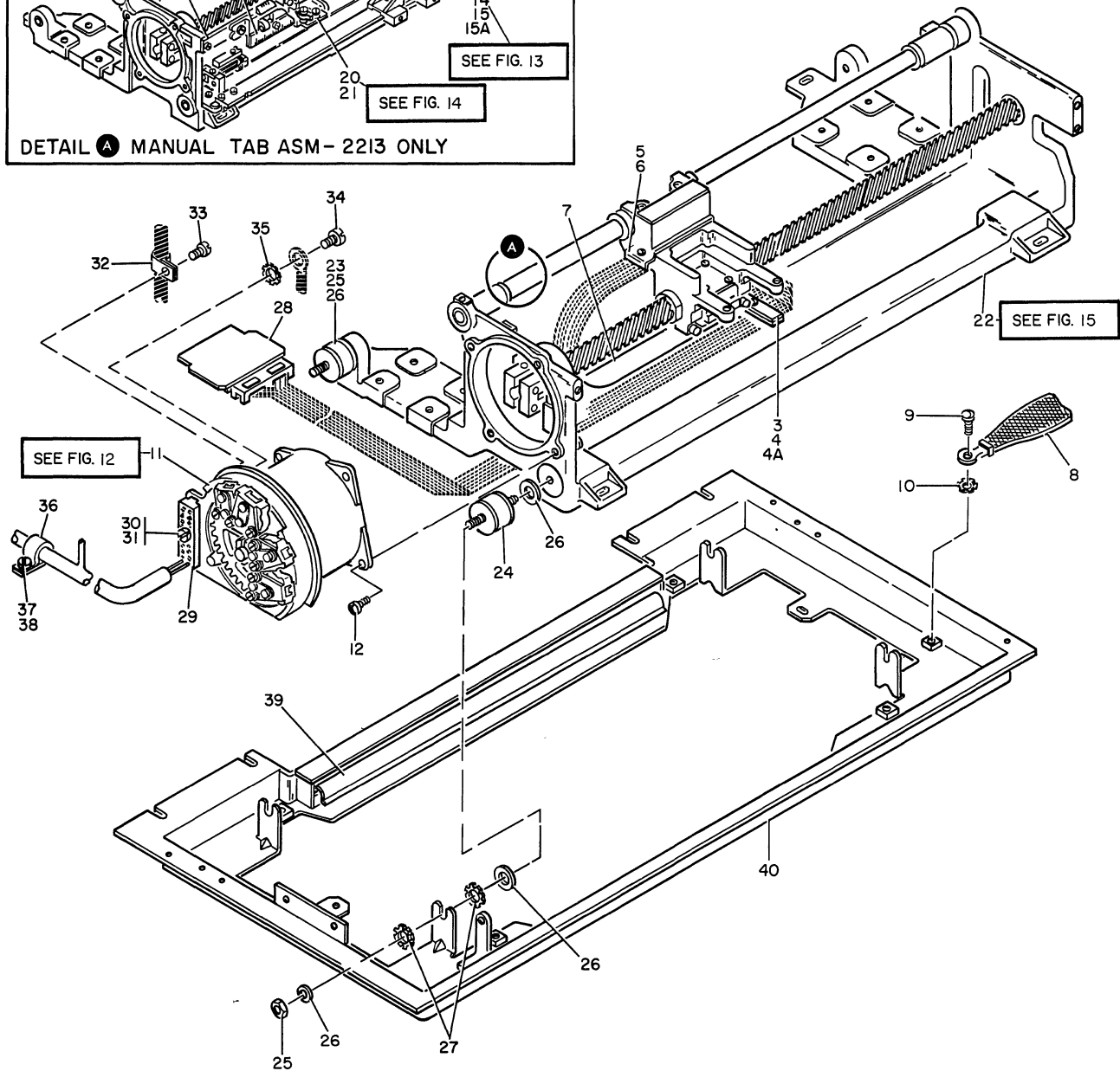
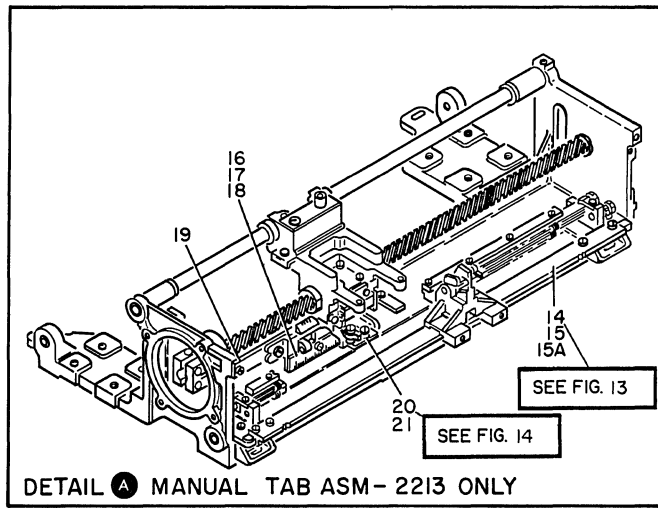
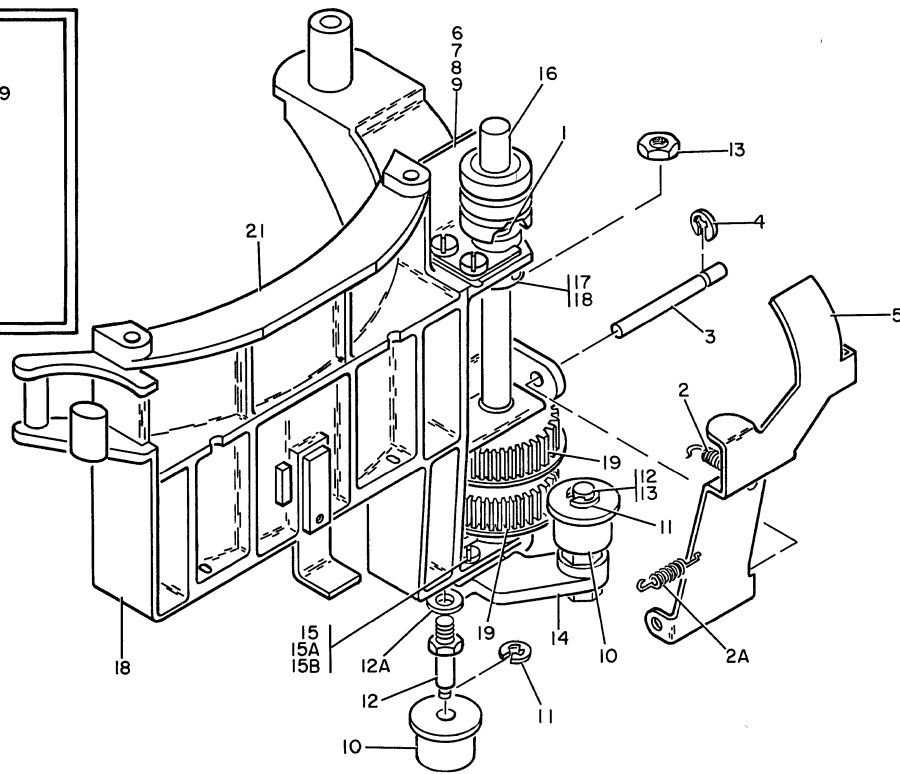
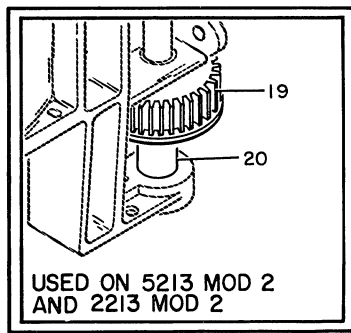


FIGURE 10. BASE AND FRAME ASSEMBLY. SEE LIST 10.

LIST AND INDEX NUMBER	PART NUMBER	DESCRIPTION				UNITS PER ASM.	USABLE ON CODE
		1	2	3	4		
		BASE AND FRAME ASSEMBLY					
10 -	2632652	BASE AND FRAME ASSEMBLY- 2213 MOD 2				REF	
-	2632653	BASE AND FRAME ASSEMBLY- 5213 MOD 2				REF	
-	2632654	BASE AND FRAME ASSEMBLY- 5213 MOD 3 FOR NEXT HIGHER ASM,SEE FIGURE 2-61 AND FOR ILLUSTRATION,SEE FIGURE 10				REF	
- 3	2495541	. CLAMP,PRINT HD- 0.220 MTG HOLE				1	
- 4	332620	. SCREW,MACH BD HD- 10-32 X 0.500 LG				1	ATT PT
- 4A	216233	. SPACER				1	
- 5	2495784	. BRACKET				1	
- 6	38350	. SCREW,MACH FIL HD- 6-32 X 0.250 LG				1	ATT PT
- 7	2640794	. STRAP				1	
- 8	518611	. JUMPER ASM,GROUND				1	
- 9	32042	. SCREW,MACH BD HD- 10-32 X 0.375 LG				2	ATT PT
- 10	56079	. LOCKWASHER,EXT TEETH- 0.204 ID X 0.210 OD				2	ATT PT
- 11	2642563	. STEPPER MOTOR/TRANSDUCER ASM- 2213 MOD 2				1	
- 11	2642565	. STEPPER MOTOR/TRANSDUCER ASM- 5213 MOD 2				1	
- 11	2642564	. STEPPER MOTOR/TRANSDUCER ASM- 5213 MOD 3				1	
- 12	55711	FOR DETAIL BREAKDOWN,SEE FIGURE 12 . SCREW,MACH HEX HD- 10-32 X 0.562 LG				4	ATT PT
- 14	NO NO.	. TAB BAR ASSEMBLY- 2213 MOD 2				1	
- 15	104613	PART OF 2213 MOD 2 FINAL ASSEMBLY FOR DETAIL BREAKDOWN,SEE FIGURE 13 . SCREW,HEX SOC HD- 8-32 X 0.562 LG				4	ATT PT
- 15A	22478	. WASHER,FL- 0.170 ID X 0.375 OD				4	ATT PT
- 16	2495524	. SCALE,TAB				1	
- 17	38348	. SCREW,FIL HD- 6-32 X 0.187 LG				3	ATT PT
- 18	325496	. NUT,SPEED				3	ATT PT
- 19	2495550	. BAR				1	
- 20	2642525	. LEVER AND SWITCH ASSEMBLY- 2213 MOD 2				1	
- 21	234319	FOR DETAIL BREAKDOWN,SEE FIGURE 14 . SCREW,MACH FIL HD- 8-32 X 0.438 LG				2	ATT PT
- 22	2495500	. BASE ASSEMBLY				1	
- 23	2495768	FOR DETAIL BREAKDOWN,SEE FIGURE 15 . MOUNT,REAR				2	
- 23	308081	. MOUNT,FRONT				2	
- 24	308081	. STUD,RUBBER MOUNTED- 1/4-20 THD				2	
- 25	3960	. NUT,PLAIN HEX- 1/4-20 X 0.437 FL W				4	ATT PT
- 26	3550	. WASHER,FL- 0.250 X 0.562 OD 0.050 THK				4	ATT PT
- 27	76574	. LOCKWASHER,EXT TEETH 0.256 ID X 0.510				AR	ATT PT
- 28	2632617	. CABLE ASM,PRINT HEAD- 2213 MOD 2				1	
- 28	2495746	. CABLE ASM,PRINT HEAD- 5213 MOD 2 AND 3				1	
- 29	2525906	FOR COMPONENT PARTS- SEE FIGURE 16 . CABLE ASM,TRANSDUCER- 2213 MOD 2				1	
- 29	2526592	. CABLE ASM,TRANSDUCER- 5213 MOD 2 AND 3				1	
- 30	438550	FOR COMPONENT PARTS SEE FIGURE 16 . SCREW,MACH BD HD- 4-40 X 0.500 LG				1	ATT PT
- 31	37913	. NUT,HEX- 4-40 X 0.250 FL W				1	ATT PT
- 32	2102365	. CLAMP				1	
- 33	34512	. SCREW,MACH BD HD- 8-32 X 0.375 LG				1	ATT PT
- 34	55711	. SCREW,MACH HEX HD- 10-32 X 0.562 LG				1	
- 35	56079	. LOCKWASHER,EXT- 0.204 ID X 0.410 OD				1	
- 36	101922	. CLAMP				1	
- 37	58207	. SCREW,MACH BD HD- 8-32 X 0.250 LG				1	ATT PT
- 38	22478	. WASHER,FL- 0.170 ID X 0.375 OD				1	ATT PT
- 39	2525844	. GUIDE				1	
- 40	2495740	. BASE,FRAME COVER				1	



FOR PARTS
NOT SHOWN
SEE FIG. 10

FIGURE 11. RIBBON DRIVE ASSEMBLY. SEE LIST 11.

LIST AND INDEX NUMBER	PART NUMBER	DESCRIPTION				UNITS PER ASM.	USABLE ON CODE
		1	2	3	4		
		RIBBON DRIVE ASSEMBLY					
11 -	2632583	RIBBON DRIVE ASM- 2213,5213 MOD 2				REF	
-	2632657	RIBBON DRIVE ASM- 5213 MOD 3 FOR NEXT HIGHER ASM,SEE FIGURE 2-39 AND FOR ILLUSTRATION,SEE FIGURE 11				REF	
- 1	2632608	. WASHER,THRUST				1	
- 2	151045	. SPRING,EXTENSION				1	
- 2A	183833	. SPRING				1	
- 3	2632673	. SHAFT				1	
- 4	1073418	. RETAINER,CRANK				ATT PT	1
- 5	2632671	. LEVER					1
- 6	2632609	. ALIGNER,CASSETTE					1
- 7	38351	. SCREW,MACH FIL HD- 6-32 X 0.312 LG				ATT PT	AR
- 8	6364	. LOCKWASHER,EXT TEETH- 0.150 ID X 0.250 OD				ATT PT	AR
- 9	2642583	. NUTPLATE				ATT PT	AR
- 10	2632600	. ROLL,BELT RETAINING					1
- 11	1073418	. RETAINER,CRANK				ATT PT	1
- 12	2632601	. SHAFT					1
- 12A	125145	. WASHER,FLAT- 0.140 ID X 0.500 OD					1
- 13	38051	. NUT,PLAIN HEX- 6-32 X 0.250 FL W				ATT PT	AR
- 13	257187	. NUT,HEX DBL CHAMFERED 6-32 X 0.3125 FL W				ATT PT	AR
- 14	2632602	. BRACKET					1
		USED ON 5213 MOD 3 ONLY					
- 15	38352	. SCREW,MACH FIL HD- 6-32 X 0.375 LG				ATT PT	2
- 15A	6364	. LOCKWASHER,SPLIT- 0.250 OD				ATT PT	2
- 15B	38051	. NUT,PLAIN HEX- 6-32 X 0.250 FL W				ATT PT	2
- 16	2632584	. SHAFT ASM					1
- 17	113692	. COLLAR					1
- 18	173937	. SETSCREW-SPLINE DR CUP PT 8-32 X 0.125 LG				ATT PT	1
- 19	2632586	. PULLEY ASM,CLUTCH					AR
- 20	2495675	. SPACER					1

LIST AND INDEX NUMBER	PART NUMBER	1 2 3 4 DESCRIPTION	UNITS PER ASM.	USABLE ON CODE
11 - 21	2632619	. BRACKET ASM, GUIDE RIBBON	1	

FOR PARTS
NOT SHOWN
SEE FIG. 10

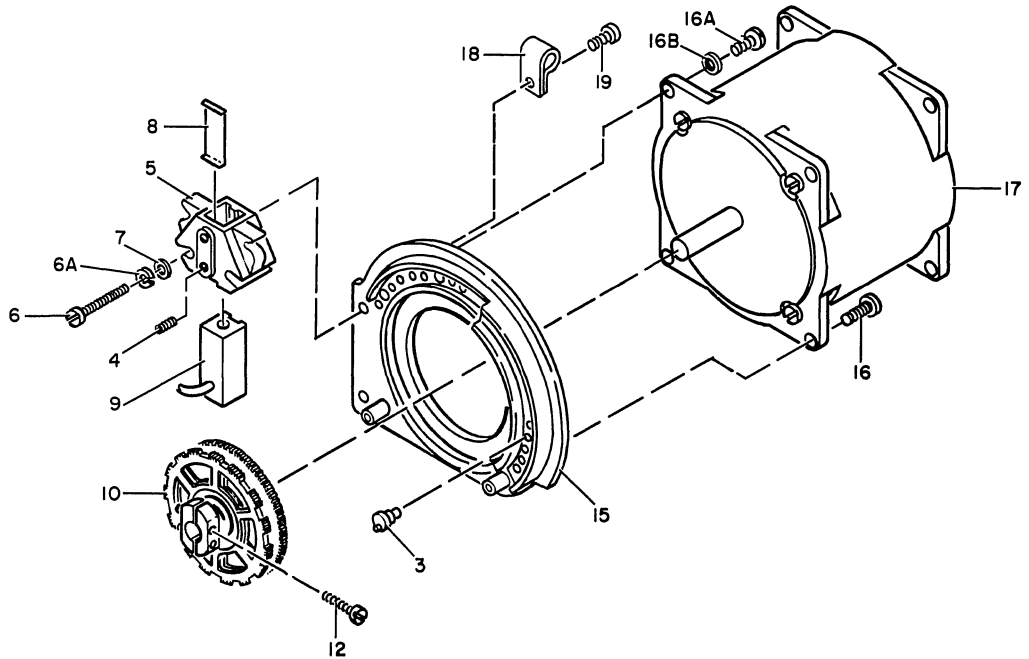


FIGURE 12. STEPPER MOTOR/TRANSDUCER ASSEMBLY. SEE LIST 12.

LIST AND INDEX NUMBER	PART NUMBER	1 2 3 4				DESCRIPTION	UNITS PER ASM.	USABLE ON CODE
						STEPPER MOTOR/TRANSDUCER ASSEMBLY		
12 -	2642563					STEPPER MOTOR/TRANSDUCER ASM- 2213 MOD 2	REF	
-	2642565					STEPPER MOTOR/TRANSDUCER ASM- 5213 MOD 2	REF	
-	2642564					STEPPER MOTOR/TRANSDUCER ASM- 5213 MOD 3 FOR NEXT HIGHER ASM,SEE FIGURE 10-11 AND FOR ILLUSTRATION,SEE FIGURE 12	REF	
- 3	2495533					• ECCENTRIC	AR	
- 4	1073462					• SETSCREW,FL POINT- 6-32 X 0.188 LG ATT PT	AR	
- 5	2495532					• BLOCK	AR	
- 6	438567					• SCREW,MACH BD HD- 6-32 X 1.000 LG ATT PT	AR	
- 7	24327					• WASHER,FLAT- 0.156 ID X 0.312 OD 0.035 THK ATT PT	AR	
- 8	837537					• SPACER	3	
- 9	854610					• TRANSDUCER ASM	3	
- 10	2495574					• DISC ASM,TIMING- 2213 MOD 2	1	
- 10	2495570					• DISC ASM,TIMING- 5213	1	
- 12	251820					• SCREW,MACH HEX HD- 10-32 X 0.562 LG	2	
- 15	2642562					• BASE	1	
- 16	7327					• SCREW,MACH HEX HD- 10-32 X 0.562 LG ATT PT	3	
- 16A	130434					• SCREW,MACH HEX HD- 10-32 X 0.375	1	
- 16B	53370					• WASHER,FLAT ATT PT	1	
- 17	2485529					• MOTOR		
- 18	2102364					• CLAMP,CABLE		
- 19	58207					• SCREW,BD HD- 8-32 X 0.250		

FOR PARTS
NOT SHOWN
SEE FIG. 10

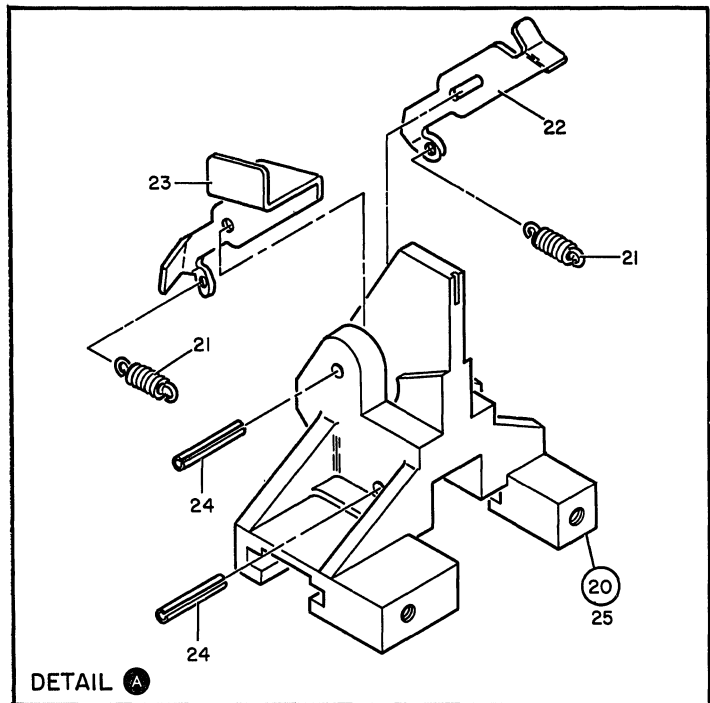
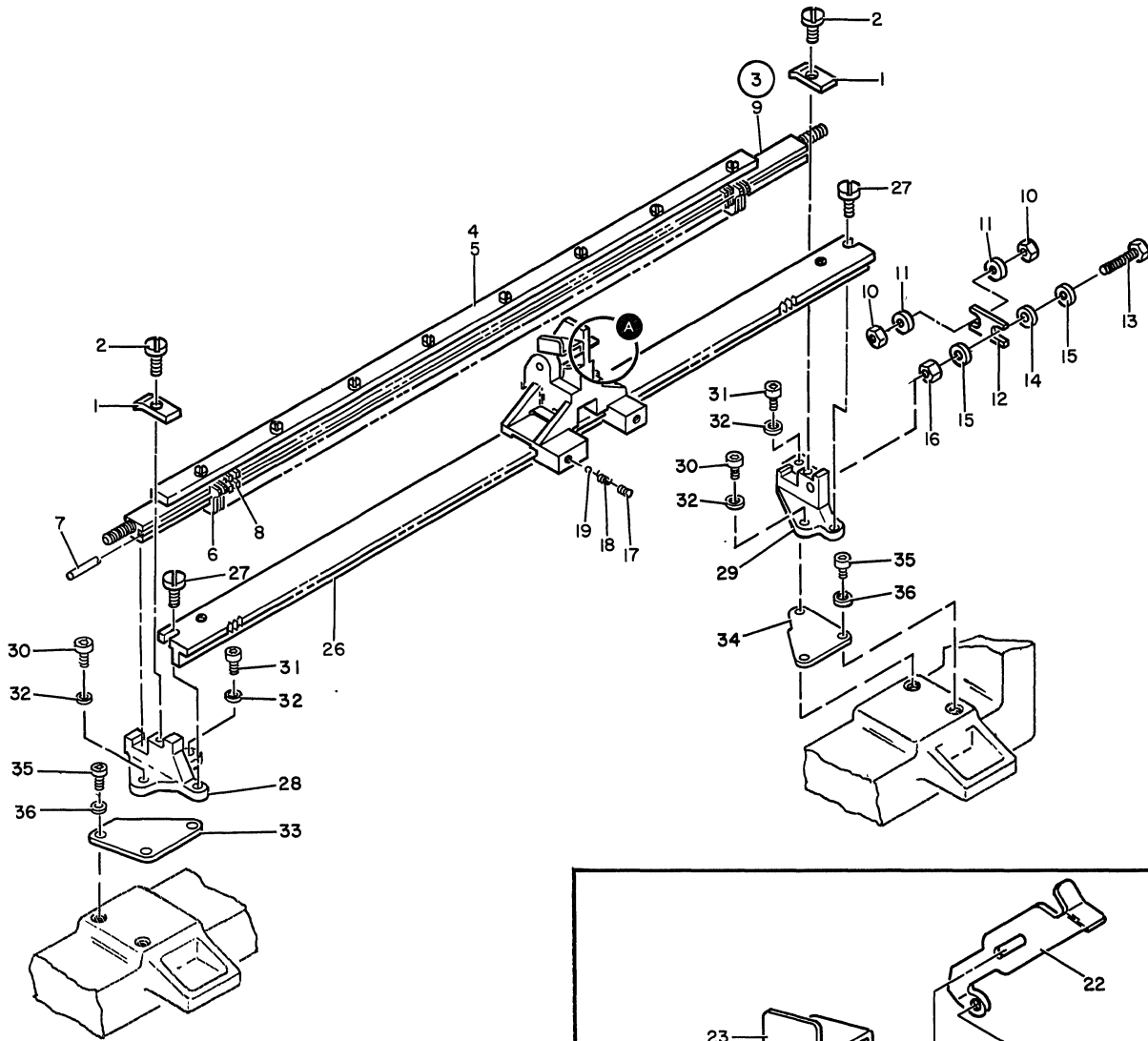


FIGURE 13. TAB BAR ASSEMBLY- 2213. SEE LIST 13.

LIST AND INDEX NUMBER	PART NUMBER	DESCRIPTION				UNITS PER ASM.	USABLE ON CODE
		1	2	3	4		
		TAB BAR ASSEMBLY- 2213 MOD 2					
13 -	NO NO.	TAB BAR ASSEMBLY- 2213 MOD 2 FOR NEXT HIGHER ASM,SEE FIGURE 10-14 AND FOR ILLUSTRATION,SEE FIGURE 13				REF	
- 1	2617963	. CLAMP,TAB BAR				2	
- 2	81693	. SCREW,MACH BD HD- 6-32 X 0.375 LG ATT PT				2	
- 3	2495556	. RACK ASM,TAB				1	
- 4	2629761	. . BAR				1	
- 5	120367	. . SCREW,MACH BD HD- 3-48 X 0.375 LG ATT PT				8	
- 6	1115563	. . SPRING,STOP SWITCH				7	
- 7	1154491	. . WIRE				1	
- 8	1115148	. . STOP				13	
- 9	2526451	. . BAR				1	
- 10	1090550	. NUT,HEX- 12-28 THD				2	
- 11	93483	. WASHER,FL- 0.2195 ID X 0.375 OD 0.031 TH				2	
- 12	2617962	. PLATE,ADJUSTING TAB BAR				1	
- 13	355369	. SCREW,SOC HD- 6-32 X 0.750 LG ATT PT				1	
- 14	475106	. SPACER ATT PT				1	
- 15	1090622	. WASHER,FL- 0.145 ID X 0.375 OD ATT PT				2	
- 16	257187	. NUT,HEX DBL CHAMFERED 6-32 X 0.3125 FL W ATT PT				1	
- 17	257969	. SETSCREW,FLUTED SOC- 6-32 X 0.125 CUP PT				2	
- 18	204551	. SPRING,COMPRESSION- 0.073 OD X 0.266 LG				2	
- 19	249482	. BALL				2	
- 20	2495528	. TAB SET ASM,DETENT				1	
- 21	2525935	. . SPRING,EXT- 0.128 OD X 0.478 LG				2	
- 22	2495557	. . KEY,TAB SET				1	
- 23	2495558	. . KEY,TAB RESTORE				1	
- 24	1109824	. . ROLL PIN- 0.094 DIA X 0.750 LG ATT PT				2	
- 25	2495563	. . BLOCK,TAB- RH				1	
- 26	2495564	. BAR				1	
- 27	81693	. SCREW,MACH BD HD- 6-32 X 0.375 LG ATT PT				2	
- 28	2495562 NP	. SUPPORT,TAB-LEFT (USED W/DIE CASTING BASE)				1	
- 28	2642473 NP	. SUPPORT,TAB-LEFT (USED W/SAND CASTING BASE)				1	
- 29	2495561 NP	. SUPPORT,TAB-RIGHT (USED W/DIE CASTING BASE)				1	
- 29	2642474 NP	. SUPPORT,TAB-RIGHT (USED W/SAND CASTING BASE)				1	
- 30	149897	. SCREW,SOC HD- 8-32 X 0.375 LG ATT PT				2	
- 31	104613	. SCREW,SOC HD- 8-32 X 0.500 LG ATT PT				2	
- 32	22478	. WASHER,FL- 0.170 ID X 0.375 OD ATT PT				4	
- 33	2642463	. PLATE,TAB-LEFT (USED W/SAND CASTING BASE)				1	
- 34	2642464	. PLATE,TAB-RIGHT (USED W/SAND CASTING BASE)				1	
- 35	149897	. SCREW,SOC HD- 8-32 X 0.375 LG ATT PT				2	
- 36	22478	. WASHER,FL- 0.170 ID X 0.375 OD ATT PT				2	
- 37	771446	. SEALANT				AR	
		TO BE USED TO FILL THE SOCKETS OF SOCKET HEAD SCREWS PART NUMBERS 149897 AND 104613					

FOR PARTS
NOT SHOWN
SEE FIG. 10

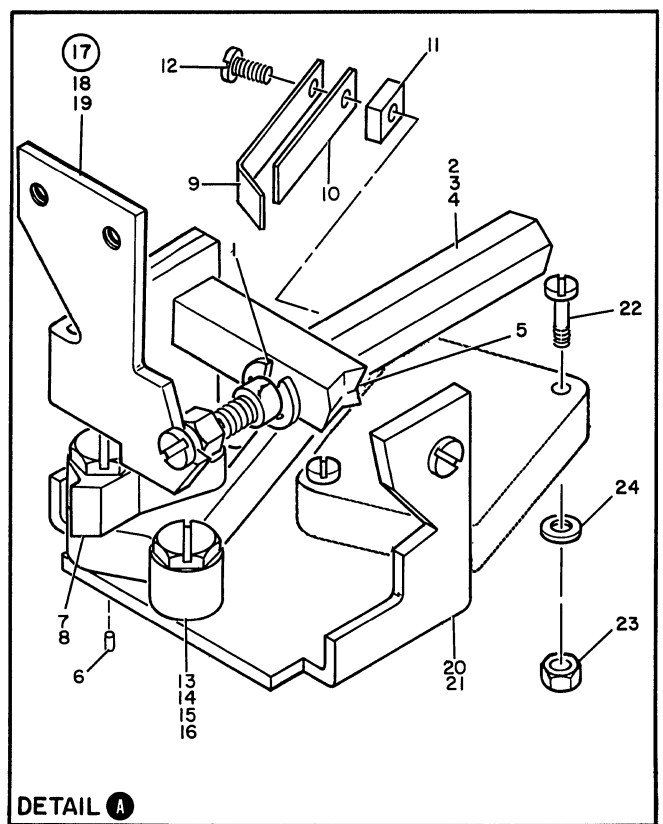
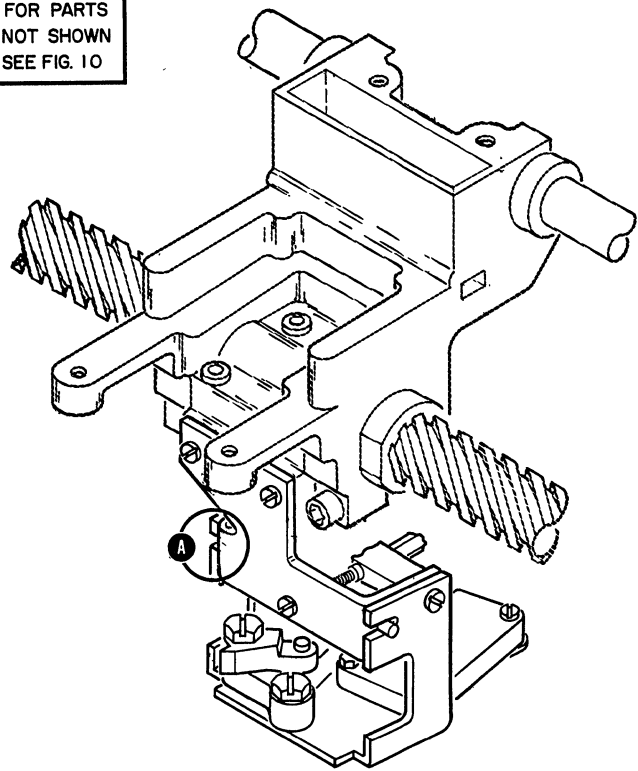


FIGURE 14. LEVER AND SWITCH ASSEMBLY. SEE LIST 14.

LIST AND INDEX NUMBER	PART NUMBER	DESCRIPTION	UNITS PER ASM.	USABLE ON CODE
		LEVER AND SWITCH ASSEMBLY- 2213		
14 -	2642525	LEVER AND SWITCH ASSEMBLY- 2213 MOD 2 FOR NEXT HIGHER ASM,SEE FIGURE 10-20 AND FOR ILLUSTRATION,SEE FIGURE 14	REF	
- 1	1092125	. CLIP	1	
- 2	2617965	. STUD,ADJUSTMENT- 4-40 X 1.250 LG	1	
- 3	438552	. SCREW,MACH BD HD- 4-40 X 0.750 LG	1	ATT PT
- 4	37913	. NUT,JAM HEX- 4-40 X 0.250 FL W	1	ATT PT
- 5	2617964	. BAR,TIE	1	
- 6	101086	. PIN,STRAIGHT- 0.094 OD X 0.375	1	
- 7	2526609	. LEVER ASM	1	
- 8	2526601	. SCREW,TAB SHOULDER	1	ATT PT
- 9	2526605	. SPRING,LEAF	1	
- 10	2526604	. SPRING,FLAT	1	
- 11	2526603	. SPACER	1	
- 12	251970	. SCREW,MACH BD HD- 4-40 X 0.250 LG	1	ATT PT
- 13	2526606	. LEVER	1	
- 14	2526601	. SCREW,TAB SHOULDER	1	ATT PT
- 15	444166	. WASHER,FL- 0.110 ID X 0.375 OD 0.010 THK	1	ATT PT
- 16	37913	. NUT,JAM HEX- 4-40 X 0.250 FL W	1	ATT PT
- 17	2642523	. BRACKET ASM	1	
- 18	2642522	. . BRACKET	1	
- 19	23094	. . PIN	2	
- 20	2526610	. BRACKET	1	
- 21	438549	. SCREW,MACH BD HD- 4-40 X 0.437 LG	2	ATT PT
- 22	438542	SCREW,MACH BD HD- 2-56 X 0.500 LG	2	
- 23	47987	NUT,PLAIN HEX- 2-56 X 0.187 FL W	2	
- 24	45624	WASHER,FL- 0.093 ID X 0.219 OD X 0.020	1	

FOR PARTS
NOT SHOWN
SEE FIG. 10

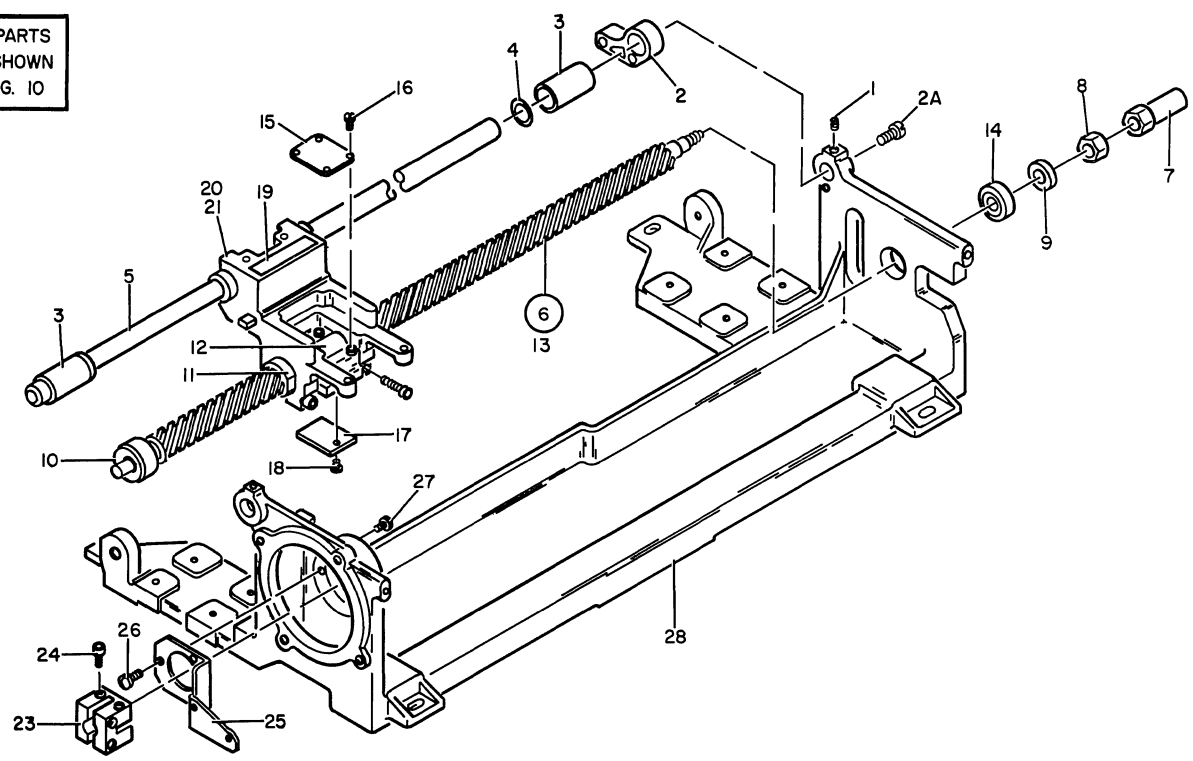


FIGURE 15. BASE ASSEMBLY. SEE LIST 15.

LIST AND INDEX NUMBER	PART NUMBER	DESCRIPTION				UNITS PER ASM.	USABLE ON CODE
		1	2	3	4		
		BASE ASSEMBLY					
15 -	2495500	BASE ASSEMBLY FOR NEXT HIGHER ASM, SEE FIGURE 10-22 AND FOR ILLUSTRATION, SEE FIGURE 15				REF	
- 1	81404	. SETSCREW, FLU SOC HD- 8-32 X 0.250 LG				1	
- 2	2495520	. BLOCK				1	
- 2A	2181002	. SCREW, HEX HD- 8-32 X 0.750 LG				1	ATT PT
- 3	2495523	. BUSHING- 0.500 ID X 0.690 OD 1.250 LG				1	
- 4	231083	. GASKET				2	
- 5	2495521	. SHAFT				1	
- 6	2495510	. SCREW ASM				1	
- 7	2495503	. NUT, 1/2-20 THD				1	ATT PT
- 8	3960	. NUT, PLAIN HEX 1/4-20 X 0.437 FL W				1	ATT PT
- 9	27760	. WASHER, PL- 0.255 ID X 0.500 OD				1	ATT PT
- 10	437387	. BEARING, BALL- 0.393 ID X 1.181 OD				1	
- 11	2526911 NR	. NUT, DRIVE SCREW- SPECIAL				2	
- 12	2525921	. BUSHING				1	
- 13	2495511	. SCREW, LEAD				1	
- 14	156364 NR	. BEARING, BALL ANNULAR 0.375 ID 0.875 OD				1	
- 15	2526341	. PLATE, GUIDE BUSHING				1	
- 16	236550	. SCREW, MACH BD HD- 4-40 X 0.375 LG				4	ATT PT
- 17	2526347	. SPRING, CARRIER				1	
- 18	58207	. SCREW, MACH BD HD- 6-32 X 0.250 LG				1	ATT PT
- 19	2642443	. BAG ASM, OIL				1	
- 20	2495509	. BASE CARRIER				1	
- 21	256106	. SCREW, SOC HD- 8-32 X 0.875 LG				2	ATT PT
- 23	2495512	. COUPLING				1	
- 24	256106	. SCREW, SOC HD- 8-32 X 0.875 LG				4	ATT PT
- 25	2632606	. RETAINER, BEARING				1	
- 26	236849	. SCREW, MACH BD HD- 10-32 X 0.250 LG				3	ATT PT
- 27	28413	. SCREW, MACH BD HD- 10-32 X 0.312 LG				3	ATT PT

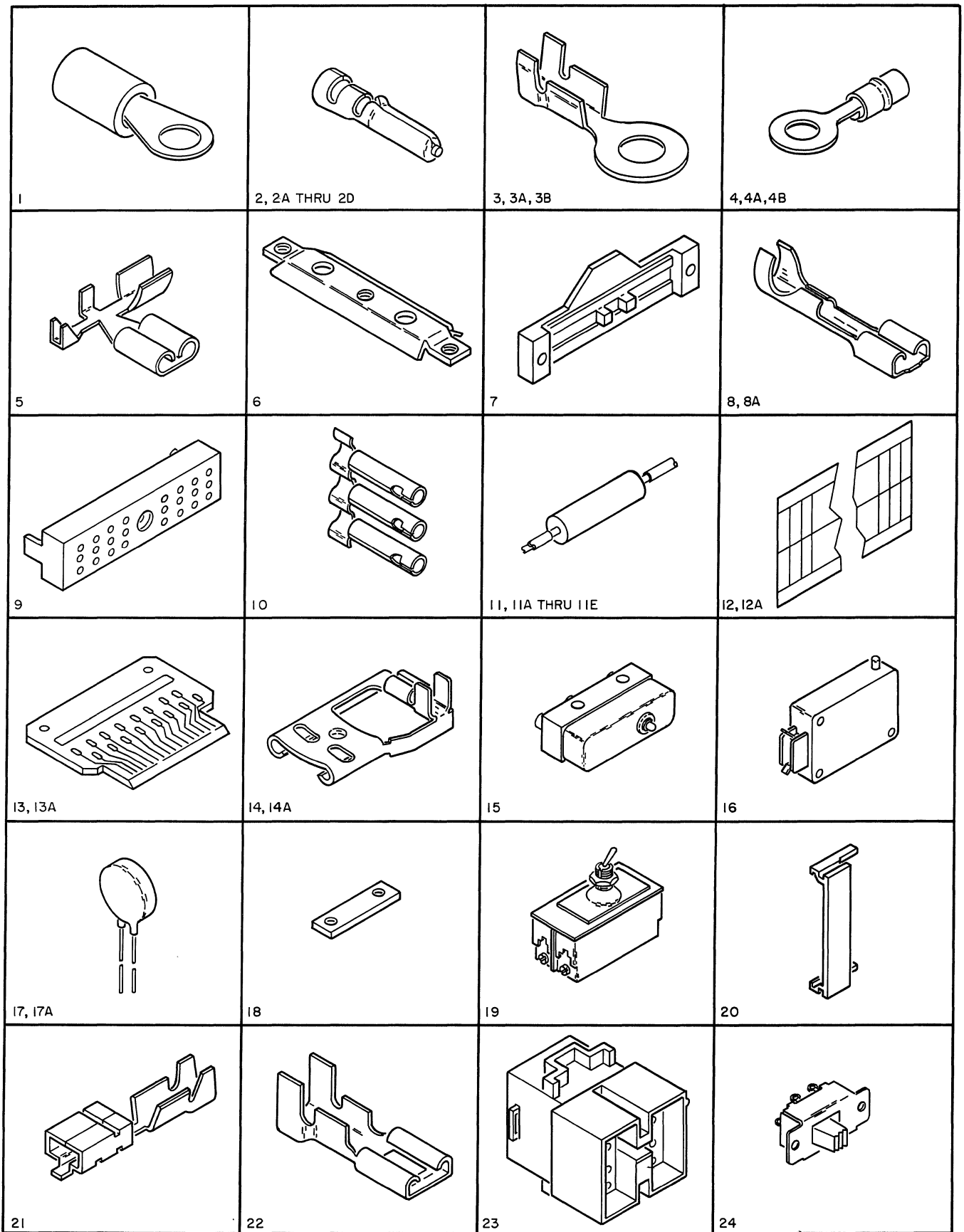


FIGURE 16. CABLE COMPONENT PARTS. SHEET 1 OF 2. INDEX NOS. 1-24. SEE LIST 16.

LIST AND INDEX NUMBER	PART NUMBER	DESCRIPTION				UNITS PER ASM.	USABLE ON CODE
		1	2	3	4		
		CABLE ASSEMBLIES WITH COMPONENT PARTS					
16 -	2495677	CABLE ASM,MARGIN SWITCH FOR COMPONENT PARTS,SEE INDEXES 2B,2D				1	
-	2495745	CABLE ASM,SIG INTL FOR COMPONENT PARTS,SEE INDEXES 2A,2D,6,7,8,8A,9,10,11B,11C,11D,12A,13,13A,16,18,21,28,32,35,39,40,41				1	
-	2495746	CABLE ASM,PRINT HD 5213 MOD 2 AND 3 FOR COMPONENT PARTS,SEE INDEXES 2A,21				1	
-	2495747	CABLE ASM,SIG INT FOR COMPONENT PARTS,SEE INDEXES 2A,2D,3B,8,9,10,11B,13A,14A,15,20,21,33,39				1	
-	2525906	CABLE ASM,TRANSDUCER FOR COMPONENT PARTS,SEE INDEXES 2A,9,10,27,28,38				1	
-	2525907	CABLE ASM,EXT AC- 2213 FOR COMPONENT PARTS,SEE INDEXES 3,3C,4A,4B,14,17,17A,19,22,34				1	
-	2525908	CABLE ASM,EXT DC POWER FOR COMPONENT PARTS SEE INDEXES 2D,3A,25,37				1	
-	2525914	CABLE ASM,EXT AC- 5213 MOD 2 AND 3 FOR COMPONENT PARTS,SEE INDEXES 2D,3,4,4A,4B,14,17,17A,19,22,23				1	
-	2525984	CABLE ASM,DC DISTRIBUTION FOR COMPONENT PARTS,SEE INDEXES 2B,4B,13A,18,20,32,33				1	
-	2526575	CABLE ASM,EXT DC POWER FOR COMPONENT PARTS SEE INDEXES 2D,3A,25,37				1	
-	2526592	CABLE ASM,TRANSDUCER FOR COMPONENT PARTS,SEE INDEXES 1,2A,2B,4,9,10,27,38				1	
-	2526699	CABLE ASM,DC DISTRIBUTION FOR COMPONENT PARTS SEE INDEXES 2B,2D,3A,4B,11,11A,11E,13A,18,20,21,25,26,31,33,37				1	
-	2526787	CABLE ASM,MARGIN- RIGHT FOR COMPONENT PARTS SEE INDEX 2B				1	
-	2526849	CABLE ASM,DC DISTRIBUTION FOR COMPONENT PARTS SEE INDEXES 4B,13A,18,20,21,26,33				1	
-	2526974	CABLE ASM,INT SIG FOR COMPONENT PARTS SEE INDEXES 2,2A,3B,4B,5,8,9,10,13A,14,14A,15,18,20,21,24,29,30,33,35,39				1	
-	2617945	CABLE ASM,DC DISTRIBUTION FOR COMPONENT PARTS,SEE INDEXES 2B,2D,3A,4B,11A,11E,13A,18,20,25,32,33,37				1	
-	2629824	CABLE ASM,MOTOR DIODE FOR COMPONENT PARTS,SEE INDEXES 6,7,13 AND 43				1	
-	2632617	CABLE ASM,PRINT HD 2213 MOD 2 FOR COMPONENT PARTS,SEE INDEXES 2A,13A,16,18,20,21,33				1	
-	2632618	CABLE ASM,INTERNAL SIGNAL- 2213 FOR COMPONENT PARTS,SEE INDEXES 2C,5,8,13A,14,14A,15,18,20,21,33,35,39,42				1	
-	2526754	JUMPER ASM,MALE- GRAY FOR COMPONENT PARTS SEE INDEX 8B				1	
-	2526755	JUMPER ASM MALE- BLACK FOR COMPONENT PARTS SEE INDEX 8B				1	
-	1	92784	. TERMINAL,LUG INS 18-20AWG NO.8 MTG HOLE			AR	
-	2	179007	. TERMINAL			AR	
-	2A	187243	. TERMINAL,SMALL TAPER			AR	
-	2B	216324	. TERMINAL,SMALL TAPER			AR	
-	2C	596255	. TERMINAL,SLIP-ON			AR	
-	2D	5412642	. PIN TERMINAL			AR	
-	3	186959	. TERMINAL,RING NO. 8 STUD 14-16 AWG			AR	
-	3A	186961	. TERMINAL,RING NO.6 STUD NON INSULATED			AR	
-	3B	186962	. TERMINAL,RING 6 STUD 0.145 ID X 0.250 OD			AR	
-	4	186968	. TERMINAL,LUG-INS 10/12 AWG NO 8 MTG HOLE			AR	
-	4A	334910	. TERMINAL,LUG NO.16 THRU NO.14 WIRE			AR	
-	4B	334921	. TERMINAL,LUG NO.22 THRU NO.18 WIRE INSUL			AR	
-	5	209486	. TERMINAL			AR	
-	6	216208	. CLAMP,CABLE CONNECTOR			AR	
-	7	216209	. SUPPORT,CABLE CONNECTOR CARD			AR	
-	8	236916	. TERMINAL,CONTACT- FEMALE 24-22 AWG			AR	

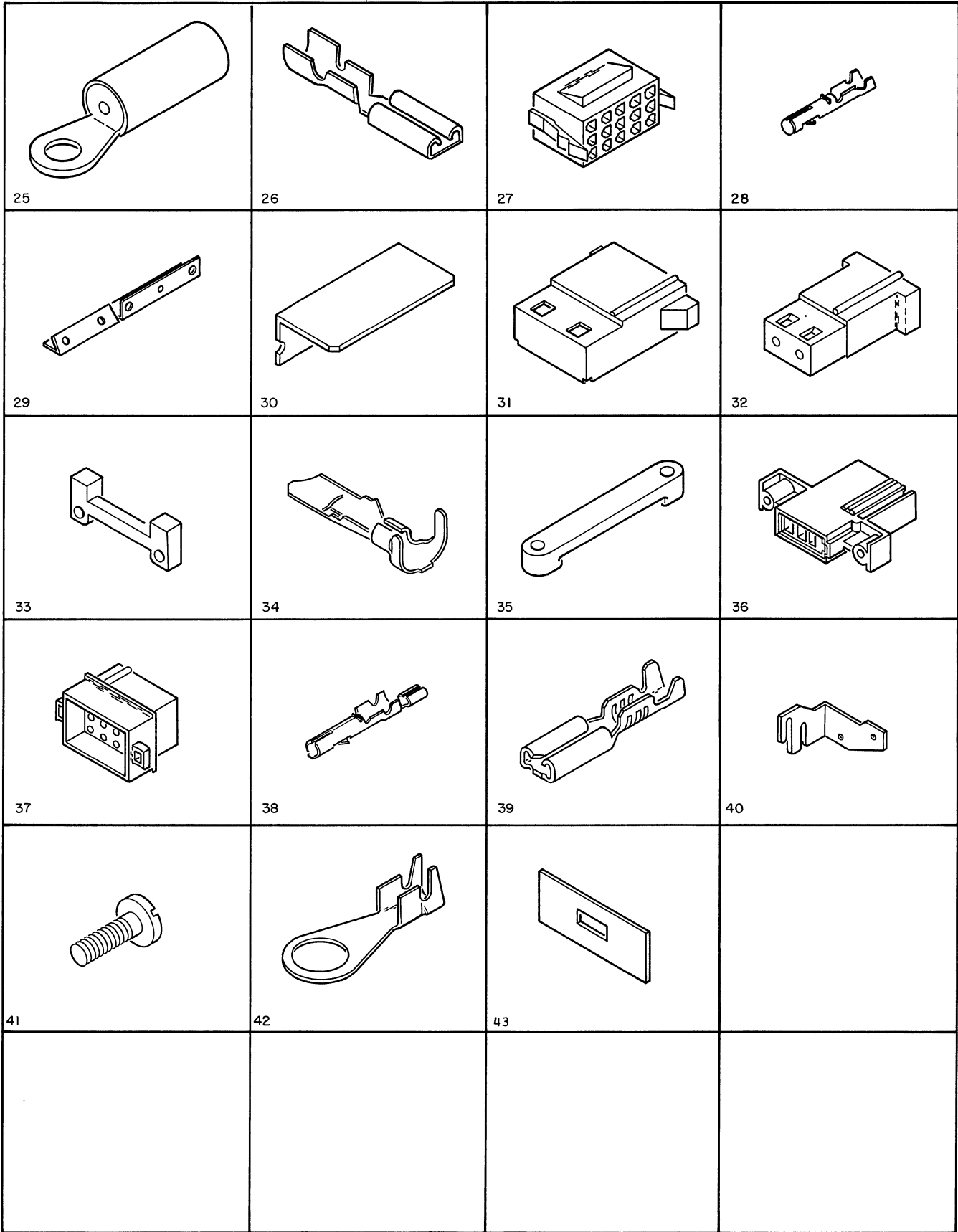


FIGURE 16. CABLE COMPONENT PARTS. SHEET 2 OF 2. INDEX NOS. 25-43. SEE LIST 16.

NUMERICAL INDEX

PART NO.	LIST AND INDEX NO.	PART NO	LIST AND INDEX NO.	PART NO	LIST AND INDEX NO	PART NO.	LIST AND INDEX NO.
163	5 - 36	38235-CONT	5 - 2	138747	4 -274	231083	15 - 4
195	4 - 56		5 - 42	138754	4 -263	234319	10 - 21
	4 -186	38262	4 -150		4 -298	236530	2 - 38
	4 -253	38271	5 - 30	141052	2 - 31	236538	6 - 8
371	4 -235	38348	10 - 17	149898	4 - 40	236550	2 - 59
845	4 - 79	38350	10 - 6	150209	4 -209		15 - 16
3550	2 - 47	38351	11 - 7	150676	4 - 38	236849	15 - 26
	4 - 30	38352	11 - 15	150804	6 - 21	236916	16 - 8
	4 -164	38359	2 - 25	151045	11 - 2	237245	4 - 21
	4 -195	38688	2 - 46	151720	4 - 95B		4 -116
3960	10 - 26	45624	14 - 24	154404	4 -143		4 -223
	4 - 28	45640	4 -250	156364	4 -233	249482	13 - 19
	4 -162	45690	2 - 4		4 -292	250580	6 - 3
	4 -177C	47987	6 - 22		4 -295	250733	4 -153
	4 -193		9 - 17		15 - 14	250734	4 -152
	10 - 25		14 - 23	165556	4 - 91B	251015	4 - 97
	15 - 8	52522	3 - 10	170993	4 -203	251820	4 - 65
5528	2 - 30	53370	12 - 16B	171059	4 - 44		12 - 12
6364	4 - 63	53436	4 -270	173202	5 - 3	251970	1 - 25
	4 -246	55711	10 - 12	173937	4 -112		2 - 28
	11 - 8		10 - 34		11 - 18		2 - 54
	11 - 15A	55726	1 - 23	179007	16 - 2		14 - 12
6935	4 - 29		4 -177	183833	11 - 2A	253570	4 -271
	4 -163		4 -260	185052	4 -281	256106	15 - 21
	4 -177D		4 -283	186759	2 - 15C		15 - 24
	4 -194		4 -302		2 - 45	257187	1 - 4
7327	12 - 16		4 -304		2 - 52		4 - 62
9092	4 - 37		4 -316		4 - 33		11 - 13
	4 -167		7 - 18		4 -277		13 - 16
	4 -179	55901	4 - 88	186928	4 - 54	257189	3 - 15
9299	4 -111		4 -258	186959	16 - 3		4 - 69
10170	1 - 44	56079	2 - 7	186961	16 - 3A	257701	4 -108
	4 - 61		10 - 10	186962	16 - 3B	257956	4 - 46
	4 - 85		10 - 35	186968	16 - 4		4 -137
	4 - 94	56121	4 -147	187243	7 - 9		4 -159
11598	4 - 36	56722	4 - 86		7 - 12		4 -189
	4 -146	58207	1 - 13		16 - 2A		4 -229
	4 -166		1 - 28	191986	4 -213	257969	13 - 17
12970	4 -142		2 - 57	196299	4 - 31	257971	4 -288
22478	2 - 58		4 - 17		4 -232	257984	3 - 11
	4 - 34		4 -217	196698	4 -291		4 -151
	4 - 81		4 -240	197853	4 - 91A	257985	1 - 42A
	10 - 15A		4 -257	204551	13 - 18		2 - 55
	10 - 38		5 - 25	205331	7 - 1		4 -174
23094	14 - 19		10 - 37	209180	4 - 95		6 - 27
24327	12 - 7		12 - 19	209486	16 - 5	257986	2 - 25A
25262	4 - 74		15 - 18	210883	4 -305	264998	5 - 26
25627	2 - 39A	76574	10 - 27	216076	4 -182	265059	4 - 18
	4 - 8	80714	1 - 21	216208	16 - 6	265195	4 -245
	4 - 68	80716	3 - 22	216209	16 - 7	301541	7 - 2
	4 -118	81404	15 - 1	216210	16 - 43	302088	16 - 9
	4 -134	81693	1 - 20	216233	10 - 4A	302089	16 - 10
27760	15 - 9		8 - 2	216320	4 -319D	302090	4 - 13
28413	15 - 27		8 - 9	216324	16 - 2B		4 -322
32042	2 - 3		13 - 2	216362	6 - 23		7 - 13
	2 - 50		13 - 27	219633	5 - 23	302131	2 - 60
	10 - 9	92784	16 - 1		6 - 16		4 -243
34512	2 - 15	93483	13 - 11	219743	4 - 72		4 -324
	2 - 17	99174	4 - 6	220690	4 - 3		7 - 15
	2 - 36	100133	5 - 4	221790	2 - 4B	302141	4 - 15
	3 - 14	101086	14 - 6		4 - 19A	305269	5 - 33
	10 - 33	101922	2 - 56		4 - 59	305270	5 - 34
35739	4 -308		3 - 13		4 - 87	305271	5 - 37
37435	5 - 5		10 - 36		4 -181	306806	4 -157
	5 - 10	104613	10 - 15		4 -184	308081	10 - 23
	5 - 15	104673	2 - 6		4 -197		10 - 24
37913	1 - 42B	112123	4 - 42		4 -262	311463	4 -132
	3 - 12	113692	11 - 17		4 -273	320167	7 - 6
	4 -210	114818	5 - 8		4 -285		16 - 8A
	10 - 31	118418	5 - 13		4 -321	322065	4 - 25
	14 - 4	120367	13 - 5	222080	7 - 11		4 - 48
	14 - 16	122685	4 -266	227775	4 -230		4 -306
38051	11 - 13	125145	11 - 12A		4 -293	322550	8 - 4
	11 - 15B	126572	4 -139	227779	4 -231	322551	6 - 6
38214	4 -155	130434	12 - 16A		4 -290	322552	4 - 11
38235	2 - 41	131306	4 -202	228152	5 - 38	323839	4 -312

PART NO.	LIST AND INDEX NO.	PART NO.	LIST AND INDEX NO.	PART NO.	LIST AND INDEX NO.	PART NO.	LIST AND INDEX NO.
325496	2 - 13A	483968	3 - 1	1073418-CONT	11 - 11	2495516	8 - 5
	10 - 18	483969	3 - 2	1073462	12 - 4	2495517	2 - 21
328903	5 - 29	483970	3 - 4	1090550	13 - 10	2495520	15 - 2
328904	5 - 27	483971	3 - 6	1090622	13 - 15	2495521	15 - 5
332620	10 - 4	483973	3 - 4	1090873	4 - 80	2495523	15 - 3
334635	4 - 267	483999	16 - 8B	1092125	4 - 206	2495524	10 - 16
334910	16 - 4A	491349	16 - 13		14 - 1	2495527	8 - 1
334921	4 - 84	509722	1 - 16	1100523	4 - 23	2495528	13 - 20
	16 - 4B	509772	1 - 10		4 - 74B	2495532	12 - 5
338238	4 - 173	517913	4 - 83		4 - 77	2495533	12 - 3
	4 - 249		16 - 14		4 - 200	2495539	8 - 8
339107	5 - 9	518611	2 - 51		4 - 220	2495540	8 - 7
339109	5 - 14		10 - 8	1109824	13 - 24	2495541	10 - 3
342900	5 - 39	524519	4 - 319E	1115148	13 - 8	2495546	8 - 10
344059	5 - 40	528324	16 - 15	1115563	13 - 6	2495548	8 - 6
344117	5 - 31	596255	16 - 2C	1127037	16 - 22	2495549	8 - 3
344123	5 - 32	602229	6 - 13	1128524	4 - 45	2495550	8 - 10
345909	4 - 311	602279	4 - 57		4 - 136		10 - 19
	16 - 11	603555	16 - 11B		4 - 158	2495554	2 - REF
350665	2 - 48	609100	4 - 20		4 - 188	2495556	13 - 3
352825	4 - 303	609380	4 - 178		4 - 228	2495557	13 - 22
355369	13 - 13	611126	4 - 75	1134829	4 - 66	2495558	13 - 23
356742	2 - 53	627017	4 - 131	1144138	5 - 21	2495561	13 - 29
	4 - 16	629345	4 - 287	1144148	5 - 28	2495562	13 - 28
357433	2 - 37	638378	4 - 237	1144151	5 - 22	2495563	13 - 25
357820	4 - 256	638775	4 - 226	1145157	4 - 145	2495564	13 - 26
363001	4 - 275	641594	3 - 29	1145296	4 - 149	2495570	12 - 10
365613	4 - 222	652280	1 - 17	1145297	4 - 148	2495574	12 - 10
367115	4 - 309	694416	4 - 122	1145588	5 - 6	2495578	9 - 1
375517	4 - 319A	725009	4 - 278	1146421	4 - 172	2495579	9 - 12
386945	4 - 89	736535	16 - 16	1146422	4 - 171	2495580	2 - 5
433566	4 - 269	737805	16 - 17	1154491	13 - 7		4 - REF
437387	15 - 10	737806	16 - 17A	1160983	16 - 23	2495581	2 - 5
438538	9 - 16	737967	1 - 50	1161166	4 - 5		4 - REF
438540	16 - 41	738378	1 - 49		4 - 125	2495583	2 - 19
438541	6 - 18	738515	3 - 2	1177116	3 - 9	2495586	9 - 2
438542	14 - 22	740459	16 - 18		16 - 24	2495587	9 - 20
438543	6 - 19	749033	3 - 1	1208320	1 - 3	2495588	9 - 13
438548	4 - 90	749035	3 - 2	2101924	4 - 101	2495614	1 - 34
	4 - 91D	802388	4 - 43		4 - 109	2495630	2 - 24
	4 - 98B		4 - 102	2102364	12 - 18		9 - REF
	4 - 114		4 - 130	2102365	10 - 32	2495633	4 - 299
	4 - 214	804707	16 - 19	2111232	7 - 5	2495643	16 - 12A
	6 - 26	806569	4 - 313	2111292	16 - 11D	2495659	16 - 40
438549	7 - 14	807842	6 - 20	2114849	16 - 25	2495668	9 - 18
	14 - 21	811426	2 - 20	2122016	16 - 26	2495669	9 - 15
438550	4 - 14		3 - 17	2122035	3 - 26	2495671	1 - 33
	4 - 169		3 - 24	2122038	3 - 27		1 - 35
	4 - 208		3 - 36	2122114	4 - 276	2495672	1 - 32
	4 - 242	811802	16 - 20	2161452	9 - 3	2495675	11 - 20
	4 - 323	811804	4 - 318	2162590	16 - 14A	2495676	4 - 183
	6 - 12	811879	1 - 14	2174339	4 - 106	2495677	16 - REF
	9 - 14		1 - 29	2174935	4 - 215	2495679	2 - 32
	10 - 30	813392	4 - 319	2181002	15 - 2A	2495681	2 - 33
438551	1 - 42	815934	16 - 21	2195276	4 - 279	2495740	10 - 40
438552	4 - 154	825927	2 - 49	2391121	3 - 25	2495745	16 - REF
	14 - 3	827841	3 - 30	2391623	4 - 180	2495746	10 - 28
438567	12 - 6	827859	3 - 3	2391629	7 - 8		16 - REF
438623	4 - 177B	829728	4 - 123	2485529	12 - 17	2495747	2 - 42
442470	4 - 236		4 - 170	2495446	16 - 27		16 - REF
444166	14 - 15	835206	4 - 91C	2495487	3 - 7	2495756	2 - 40
473423	2 - 15A	837537	12 - 8	2495488	3 - 8	2495757	2 - 14
473762	4 - 168	838658	3 - 3	2495491	3 - 31	2495760	3 - 18
474377	4 - 100	838659	3 - 3	2495500	10 - 22	2495762	4 - 135
474423	2 - 22	847035	4 - 265		15 - REF	2495763	4 - 135
475106	13 - 14	849096	7 - 4	2495503	15 - 7	2495764	4 - 133
475656	6 - 17		16 - 11C	2495506	9 - 19	2495766	4 - 129
482490	16 - 11A	853510	3 - 6	2495509	15 - 20	2495767	4 - 128
483677	16 - 42	854610	4 - 247	2495510	15 - 6	2495768	10 - 23
483704	16 - 12		12 - 9	2495511	15 - 13	2495774	2 - REF
483804	3 - 5	856023	4 - 12	2495512	15 - 23	2495775	2 - REF
483866	3 - 4	856523	4 - 2	2495513	2 - 14	2495784	10 - 5
483964	3 - 6	889372	2 - 18	2495514	2 - 16	2513254	16 - 28
483965	3 - 4	1073418	2 - 11		8 - REF	2525701	4 - 205
483966	3 - 3		4 - 141	2495515	2 - 16	2525702	4 - 185
483967	3 - 6		11 - 4		8 - REF	2525705	4 - 225

PART NO.	LIST AND INDEX NO.	PART NO.	LIST AND INDEX NO.	PART NO.	LIST AND INDEX NO.	PART NO.	LIST AND INDEX NO.
2525706	4 -221	2526222	3 - 21	2526783	1 - 51	2629705	2 - 27
2525707	4 -207	2526251	3 - 23	2526787	16 - REF	2629710	4 -207
2525708	4 -216	2526296	4 -107	2526802	1 - 2	2629711	4 -205
2525709	4 -224	2526298	4 - 95A	2526805	4 -301	2629741	1 - 1
2525713	4 -204	2526339	1 - 45	2526811	5 - 7	2629742	1 - 1
2525714	4 -196	2526340	1 - 5	2526813	5 - 12	2629743	1 - 1
2525715	4 -227	2526341	15 - 15	2526815	5 - 1	2629744	1 - 1
2525716	4 - 71	2526347	15 - 17	2526817	5 - 41	2629745	1 - 1
2525717	4 -144	2526376	4 - 98	2526818	5 - 43	2629746	1 - 1
2525718	4 -156	2526409	3 - 28	2526819	4 - 32	2629747	1 - 1
2525719	4 -138	2526443	4 -187		5 - REF	2629748	16 - 30
2525728	3 - 32	2526446	4 -103	2526849	16 - REF	2629761	13 - 4
2525730	3 - 33	2526447	4 - 99	2526852	4 -105	2629770	4 - 51
2525756	4 - 70	2526448	4 -110	2526861	4 -248	2629821	4 - 98A
	6 - REF	2526449	4 -104	2526874	4 -255	2629822	4 - 98A
2525757	4 - 70	2526451	13 - 9	2526875	4 - 96	2629823	4 - 98C
	6 - REF	2526465	6 - 10	2526877	4 - 93	2629824	4 -319C
2525758	6 - 25	2526468	6 - 9	2526911	15 - 11		16 - REF
2525759	6 - 25	2526472	4 -198	2526923	4 - 91	2629844	9 - 11A
2525762	6 - 15	2526506	4 - 7	2526930	6 - 11	2629853	4 - 53
2525763	6 - 15		4 -326	2526931	6 - 14	2629854	4 -177A
2525764	6 - 24	2526508	4 -286	2526932	6 - 7	2629874	4 -319B
2525786	4 - 64	2526509	4 -127	2526933	6 - 28	2632583	2 - 39
2525787	4 - 58	2526511	4 -124	2526934	6 - 4		11 - REF
2525788	4 -115	2526512	4 -117	2526935	6 - 4	2632584	11 - 16
2525794	3 - 35	2526513	4 -320	2526936	6 - 5	2632586	11 - 19
2525805	4 -244	2526514	4 -315	2526939	4 - 70	2632589	1 - 35
2525807	2 - 23	2526515	4 -113		6 - REF	2632593	2 - 9
2525809	4 -160	2526516	2 - 4A	2526940	4 - 70	2632594	2 - 12
2525813	4 -254	2526535	1 - 11		6 - REF	2632600	11 - 10
2525814	4 -251	2526549	4 - 49	2526947	4 -252	2632601	11 - 12
2525819	4 - 22	2526550	1 - 16A	2526955	4 - 50	2632602	11 - 14
2525833	1 - 15	2526558	4 -120	2526957	4 - 55	2632604	2 - 34
2525834	1 - 40	2526568	6 - 2	2526958	4 - 39	2632605	2 - 29
2525841	1 - 22	2526575	16 - REF	2526974	16 - REF	2632606	15 - 25
2525842	1 - 19	2526585	1 - 38	2526979	6 - 1	2632608	11 - 1
2525844	10 - 39	2526592	4 -241	2526990	4 - 52	2632609	11 - 6
2525846	1 - 6		10 - 29	2526993	4 -191	2632617	10 - 28
2525847	1 - 6		16 - REF	2528442	4 - 41		16 - REF
2525848	1 - 9	2526601	14 - 8	2529001	4 -190	2632618	16 - REF
2525854	1 - 40		14 - 14	2529002	4 - 35	2632619	11 - 21
2525855	4 - 19	2526603	14 - 11	2529032	4 - 74A	2632624	1 - 36
2525875	4 - 4	2526604	14 - 10	2529047	4 -140	2632625	2 - 10
2525880	4 -310	2526605	14 - 9	2529048	4 -144A	2632634	1 - 37
	16 - 11E	2526606	14 - 13	2529062	1 - 1	2632652	2 - 61
2525885	4 -121	2526609	14 - 7	2529063	1 - 1		10 - REF
2525889	4 -280	2526610	14 - 20	2529064	1 - 1	2632653	2 - 61
2525894	16 - 29	2526614	4 -234	2529065	2 - 1		10 - REF
2525895	4 - 1	2526627	4 -297	2529066	2 - 1	2632654	2 - 61
2525899	2 - 1	2526639	4 - 67	2529067	2 - 1		10 - REF
2525903	4 -268	2526683	5 - 24	2529072	1 - 1	2632655	2 - 44
2525906	10 - 29	2526685	4 -199	2529073	1 - 1	2632657	2 - 39
	16 - REF	2526686	4 -219	2529074	1 - 1		11 - REF
2525907	4 -264	2526689	4 - 24	2529075	1 - 1	2632658	8 - 7
	16 - REF		4 - 47	2529084	1 - 1	2632659	2 - 16
2525908	16 - REF	2526697	4 -201	2529086	1 - 1		8 - REF
2525914	4 -264	2526698	4 -175	2529087	7 - 16	2632666	3 - 20
	16 - REF	2526699	4 -307	2529090	4 -259	2632667	3 - 16
	4 - 76		16 - REF		7 - 17		3 - 34
2525917	4 -126	2526702	4 - 74A	2529091	4 -261	2632668	1 - 39
2525920	4 -325	2526723	5 - 35		7 - REF	2632669	1 - 31
	15 - 12	2526727	4 - 92	2529093	4 -284	2632671	11 - 5
2525921	4 -119	2526735	4 -161	2529096	4 -289	2632673	11 - 3
2525928	4 -282		4 -192	2529099	4 -176	2638123	3 - 19
2525929	4 - 9	2526736	4 -165	2617908	4 -300	2638124	2 - 43
2525933	1 - 1	2526738	4 - 73	2617945	4 -307	2640767	2 - 8
2525934	4 -296	2526739	7 - 7		16 - REF	2640794	10 - 7
2525935	13 - 21	2526741	7 - 10	2617960	4 -272	2642443	15 - 19
2525939	2 - 36A	2526745	4 - 26	2617962	13 - 12	2642522	14 - 18
	4 -314	2526746	4 - 27	2617963	13 - 1	2642523	14 - 17
	7 - 3	2526750	1 - 47	2617964	14 - 5	2642525	10 - 20
2525943	1 - 24	2526754	16 - REF	2617965	14 - 2		14 - REF
2525946	1 - 43	2526755	16 - REF	2617994	1 - 12	2642562	12 - 15
2525948	1 - 41	2526767	1 - 18	2617995	1 - 27	2642563	10 - 11
2525984	16 - REF	2526778	4 - 78	2617996	1 - 26		12 - REF
2525990	4 -294	2526782	1 - 48	2617997	1 - 26	2642564	10 - 11

PART NO.	LIST AND INDEX NO.	PART NO.	LIST AND INDEX NO.	PART NO.	LIST AND INDEX NO.	PART NO.	LIST AND INDEX NO.
2642564-CONT	12 - REF						
2642565	10 - 11						
	12 - REF						
2642567	15 - 28						
2642573	2 - 15B						
2642581	2 - 26						
2642583	11 - 9						
2642587	9 - 11						
2642598	9 - 10						
4253978	4 -218						
4254305	4 -212						
4254307	4 - 60						
	4 -211						
5213276	2 - 35						
	4 -239						
5214143	16 - 31						
5214572	16 - 32						
5312043	2 - 13						
5347761	1 - 7						
	1 - 46						
5352150	3 - 2						
5352211	4 - 82						
5352958	16 - 33						
5353854	16 - 34						
5353922	16 - 35						
5357138	16 - 36						
5412609	16 - 37						
5412642	16 - 2D						
5412643	16 - 38						
5412817	16 - 39						
5756324	2 - 8A						
5756348	2 - 8B						
5800397	4 - 10						
5800634	16 - 13A						
5800811	4 -317						
5801836	4 -317						
5861753	4 -317						

READER'S COMMENT FORM

2213 Printer Model 2, 5213 Printer Models 2
and 3 Stage II (PC)

S124-0121-1

- Did you find the part you needed in the catalog?
- If you *did not* find the part in the catalog, how did you obtain the correct part number?
- What parts were you unable to find? (Include numbers if you were able to determine them by alternate means.)
- If you *did* find the part you needed in the catalog, but had unusual difficulty locating it, please send us the part number and page number. Include a description of your difficulty if you wish.

We would appreciate your comments. If you wish a reply, be sure to include your name and address.

Reply Requested?

Yes

No

NAME
STREET
CITY
STATE ZIP CODE

YOUR COMMENTS, PLEASE

Your answers to the questions on the back of this form, together with your comments, will help us produce better publications for your use. Each reply will be carefully reviewed by the persons responsible for writing and publishing this material. All comments and suggestions become the property of IBM.

Please note: Requests for copies of publications and for assistance in utilizing your IBM system should be directed to your IBM representative or to the IBM branch office serving your locality.

Cut Along Line

Fold

Fold

FIRST CLASS
PERMIT NO. 170
ENDICOTT, N.Y.

BUSINESS REPLY MAIL
NO POSTAGE STAMP NECESSARY IF MAILED IN THE UNITED STATES



POSTAGE WILL BE PAID BY

IBM Corporation
Product Publications, K10
P.O. Box 6
Endicott, N. Y. 13760

Fold

Fold

2213 Printer Model 2, 5213 Printer Models 2 and 3 Stage II (PC) Printed in U.S.A. S124-0121-1



International Business Machines Corporation
Data Processing Division
1133 Westchester Avenue, White Plains, New York 10604
(U.S.A. only)

IBM World Trade Corporation
821 United Nations Plaza, New York, New York 10017
(International)

2213, 5213

2213, 5213

TAB INSERT FOR FRONT COVER

S124-0121-1

2213 Printer Model 2, 5213 Printer Models 2 and 3 Stage II (PC) Printed in U.S.A. S124-0121-1

IBM

**International Business Machines Corporation
Data Processing Division
1133 Westchester Avenue, White Plains, New York 10604
(U.S.A. only)**

**IBM World Trade Corporation
821 United Nations Plaza, New York, New York 10017
(International)**