

SOLID LOGIC DESIGN AUTOMATION - SOCKET LISTING

CONNECTOR	1C 1D	
B02 W401AA1	FM191 1E 1F 1G 1H	
B03 W401AA2	FM192 1J 1K 1L 1M	
B04 W401AA3	DOUBLE CARD 8239479 Y658	
B05 W401AA4	FM188 02 03 04 05 06 07	
B07 W401AA5	FM189 08 09 0A 0B 0C 0D	
B08 W401AA6	FM188 0E 0F 0G 0H 0I 0J	
B09 FM184AA4	FM188 0K 0L 0M 0N 0O 0P	
B10 FM182AA4	FM189 0Q 0R 0S 0T 0U 0V	
B12 FM186AA4	FM188 0W 0X 0Y 0Z 10 11	
B13 FM186AL4	FM188 13 14 15	
D02 W401AA2	FM189 16 17 18 19 1A 1B	
D04 W401AA3	1C 1D	
D05 FM185AA4	FM188 1E 1F 1G 1H	
D06 FM184AA4	FM189 1J 1K 1L 1M	
D07 FM185AU4	DOUBLE CARD 8239480 Y659	
D09 FM184AC4	FM184 00 02 04 05	
D10 FM184AR4	FM186 06 07 08 09	
D11 FM184AJ4	FM184 0A 0B 0C 0D 0E 0F	
D12 FM185AA4	FM186 0G 0H 0I 0J 0K 0L	
D13 FM184AR4	FM186 0M 0N 0O 0P	

CONNECTOR	1C 1D	
B02 W401AD1	FM184 00 02 04 05	
B03 W401AD2	FM186 06 07 08 09	
B04 W401AD3	FM184 0A 0B 0C 0D 0E 0F	
B05 W401AD5	FM186 0G 0H 0I 0J 0K 0L	
B07 W401AK1	FM186 0M 0N 0O 0P	
B08 W401AK2	FM185 0Q 0R 0S 0T 0U 0V	
B09 W401AK3	FM186 0W 0X 0Y 0Z 10 11	
B10 W401AK5	FM185 13 14 15 16 17	
B12 W401AK6	18 19 1A 1B 1C 1D	
B13 W401AK7	1E 1F 1G 1H 1J 1K	
D02 W401AD4	1N	
D04 W401AD4	DOUBLE CARD 8239480 Y659	
D05 W401AD6	FM180 00 02 04 05	
D06 W401AD5	FM182 06 07 08 09	
D07 FM184AA4	FM180 0A 0B 0C 0D 0E 0F	
D09 FM181AC4	FM180 0G 0H 0I 0J 0K 0L	
D10 FM181AA4	FM180 0M 0N 0O 0P	
D11 FM180AU4	FM182 0Q 0R	
D12 FM181AU4	FM181 0T 0U 0V 0W 0X	
D13 FM181AA4	FM181 0Y 11 14 15 16 17	

CONNECTOR	1C 1D	
B02 W401AG4	FM182 0J 0K 0L 0M 0N 0P	
B03 W401AG5	FM180 0Q 0R 0S 0T 0U 0V	
B04 W401AF1	FM181 0T 0U 0V 0W 0X	
B05 W401AF2	FM181 0Y 11 14 15 16 17	
B07 W401AF3	18 19 1A 1B 1C 1D	
B08 W401AF4	1E 1F 1G 1H 1J 1K	
B09 W401AF5	1N	
B10 W401AF1	DOUBLE CARD 8234543 Y656	
B12 W401AG2	FM150 00 01 02 03 04 05	
B13 W401AG3	FM150 06 07 08 09 0A 0B	
D02 FM181AA4	FM150 0C 0D 0E 0F 0G 0H	
D04 FM180AK4	FM151 0J 0K	
D05 FM180AX4	FM151 0L 0M 0N 0O 0P 0Q 0R 0S 0T	
D06 FM180AR4	FM151 0U 0V 0W 0X 0Y 0Z	
D07 FM180AA4	FM151 10 11 12 13 14 15	
D09 FM180AA4	FM152 16 18 19 1A 1B 1C	
D10 FM180AC4	FM152 1D 1E 1F 1G 1H 1J 1K	
D11 FM180AD4	FM150 1L 1M 1N 1O 1P	
D12 FM180AD4	FM152 1Q 1R 1S 1T 1U 1V 1W 1X	
D13 W401AE4	FM150 1Y 1Z 20 21 22 23 24 25 26	

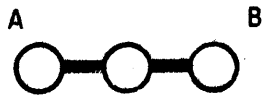
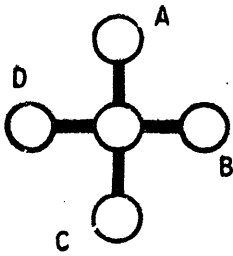
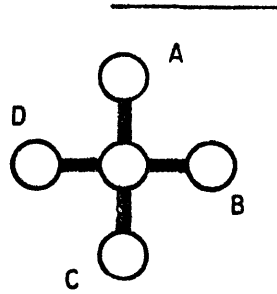
CONNECTOR	1C 1D
B02 W401AG4	FM172 00 01 02 03 04 05
B03 W401AG5	FM173 06 07 08 09 0A 0B
B04 W401AF1	FM170 0C 0D 0E 0F 0G 0H
B05 W401AF2	FM170 0I 0J 0K 0L 0M 0N 0O
B07 W401AF3	FM171 0P 0Q 0R 0S 0T 0U 0V
B08 W401AF4	FM170 0W 0X 0Y 0Z 10 11
B09 W401AF5	FM171 12 13 14 15 16 17 18 19 1A
B10 W401AF1	FM174 1B 1C 1D 1E
B12 W401AG2	FM172 1F 1G 1H 1J
B13 W401AG3	FM171 1K 1L 1M 1N
D02 FM181AA4	FM170 1O 1P 1Q 1R
D04 FM180AK4	FM174 1S 1T 1U 1V 1W 1X
D05 FM180AX4	FM170 23 24 25 26
D06 FM180AR4	FM171 27
D07 FM180AA4	FM170 28
D09 FM180AA4	FM171 29 2B
D10 FM180AC4	FM170 2C
D11 FM180AD4	FM171 2D 2E
D12 FM180AD4	FM170 2F 2G
D13 W401AE4	FM171 2H 2I 2J 2K 2L 2M 2N 2P 2Q 2R 2S 2T 2U 2V 2W 2X 2Y 2Z 30 31 32 33 34 35 36 37

CONNECTOR	1C 1D
B02 W401AG4	FM172 00 01 02 03 04 05
B03 W401AG5	FM173 06 07 08 09 0A 0B
B04 W401AF1	FM170 0C 0D 0E 0F 0G 0H
B05 W401AF2	FM170 0I 0J 0K 0L 0M 0N 0O
B07 W401AF3	FM171 0P 0Q 0R 0S 0T 0U 0V
B08 W401AF4	FM170 0W 0X 0Y 0Z 10 11
B09 W401AF5	FM171 12 13 14 15 16 17 18 19 1A
B10 W401AF1	FM174 1B 1C 1D 1E
B12 W401AG2	FM172 1F 1G 1H 1J
B13 W401AG3	FM171 1K 1L 1M 1N
D02 FM181AA4	FM170 1O 1P 1Q 1R
D04 FM180AK4	FM174 1S 1T 1U 1V 1W 1X
D05 FM180AX4	FM170 23 24 25 26
D06 FM180AR4	FM171 27
D07 FM180AA4	FM170 28
D09 FM180AA4	FM171 29 2B
D10 FM180AC4	FM170 2C
D11 FM180AD4	FM171 2D 2E
D12 FM180AD4	FM170 2F 2G
D13 W401AE4	FM171 2H 2I 2J 2K 2L 2M 2N 2P 2Q 2R 2S 2T 2U 2V 2W 2X 2Y 2Z 30 31 32 33 34 35 36 37

CONNECTOR	1C 1D
B02 W401AG4	FM172 00 01 02 03 04 05
B03 W401AG5	FM173 06 07 08 09 0A 0B
B04 W401AF1	FM170 0C 0D 0E 0F 0G 0H
B05 W401AF2	FM170 0I 0J 0K 0L 0M 0N 0O
B07 W401AF3	FM171 0P 0Q 0R 0S 0T 0U 0V
B08 W401AF4	FM170 0W 0X 0Y 0Z 10 11
B09 W401AF5	FM171 12 13 14 15 16 17 18 19 1A
B10 W401AF1	FM174 1B 1C 1D 1E
B12 W401AG2	FM172 1F 1G 1H 1J
B13 W401AG3	FM171 1K 1L 1M 1N
D02 FM181AA4	FM170 1O 1P 1Q 1R
D04 FM180AK4	FM174 1S 1T 1U 1V 1W 1X
D05 FM180AX4	FM170 23 24 25 26
D06 FM180AR4	FM171 27
D07 FM180AA4	FM170 28
D09 FM180AA4	FM171 29 2B
D10 FM180AC4	FM170 2C
D11 FM180AD4	FM171 2D 2E
D12 FM180AD4	FM170 2F 2G
D13 W401AE4	FM171 2H 2I 2J 2K 2L 2M 2N 2P 2Q 2R 2S 2T 2U 2V 2W 2X 2Y 2Z 30 31 32 33 34 35 36 37

CONNECTOR	1C 1D
B02 W401AG4	FM172 00 01 02 03 04 05
B03 W401AG5	FM173 06 07 08 09 0A 0B
B04 W401AF1	FM170 0C 0D 0E 0F 0G 0H
B05 W401AF2	FM170 0I 0J 0K 0L 0M 0N 0O
B07 W401AF3	FM171 0P 0Q 0R 0S 0T 0U 0V
B08 W401AF4	FM170 0W 0X 0Y 0Z 10 11
B09 W401AF5	FM171 12 13 14 15 16 17 18 19 1A
B10 W401AF1	FM174 1B 1C 1D 1E
B12 W401AG2	FM172 1F 1G 1H 1J
B13 W401AG3	FM171 1K 1L 1M 1N
D02 FM181AA4	FM170 1O 1P 1Q 1R
D04 FM180AK4	FM174 1S 1T 1U 1V 1W 1X
D05 FM180AX4	FM170 23 24 25 26
D06 FM180AR4	FM171 27
D07 FM180AA4	FM170 28
D09 FM180AA4	FM171 29 2B
D10 FM180AC4	FM170 2C
D11 FM180AD4	FM171 2D 2E
D12 FM180AD4	FM170 2F 2G
D13 W401AE4	FM171 2H 2I 2J 2K 2L 2M 2N 2P 2Q 2R 2S 2T 2U 2V 2W 2X 2Y 2Z 30 31 32 33 34 35 36 37

SOCKET LISTING  
DATE 09-15-75 NAME LANCELLA  
LUC 3278 BURNH DUGAN  
MKE30 ENRNG 05-21-75 SC507  
MKE30 ENRNG 09-05-75 SC5077  
PART NO ACC TYPE SOCKETS TOTAL  
5858517 2582 L2 01  
8210780 2666 54 01  
8234543 V658 NA 01  
8239479 V658 CA D4 02  
8239480 V658 EA F4 02  
8239481 V660 F2 01  
8239482 V661 R2 01  
8239483 V662 S2 01  
8250665 V657 T2 01  
CONN R4 R5 R6 R7  
R2 R3 R4 R5 R6

NEW  
SYNCRATE  
SELECT

DTR



SCTE

NEW SYNC

- JUMPER A - THE LINE IS TIED OFF (NEW SYNC LINE NOT USED),
- JUMPER B - 1) NEW SYNC LINE CONTROLLED BY THE DATA TERMINAL ONLY WITH MULTIPOINT CONTROL STATION (NEW SYNC INSTALLED).  
2) SERIAL BLOCK RECEIVE PULSES ARE PROVIDED BY THIS JUMPER WHEN THE EIA LOCAL ATTACHMENT, ICA OR LCA FEATURE IS INSTALLED.
- NO JUMPER - IF GERMAN PTT MODEM D 1200 S IS USED.

RATE SELECT

- JUMPER A - THE LINE IS TERMINATED BY A RESISTOR TO GROUND.
- JUMPER B - THE LINE IS CONTROLLED BY THE SWITCH ON THE BSCA PANEL.
- JUMPER C - 1) THE LINE IS TIED ON FOR 1200 BAUD RATE.  
2) THE LINE IS TIED ON TO PROVIDE 'RECEIVE LINE SIG DETECTOR' FOR THE EIA LOCAL ATTACHMENT, ICA OR LCA FEATURE.
- JUMPER D - THE LINE IS TIED OFF FOR 600 BAUD RATE.

DTR

- JUMPER A - MODEM IS A 201BI (TIES REMOTE RELEASE AND READY TO DTR - PINS 19, 20 AND 21).
- JUMPER B - THE LINE IS TIED OFF FOR ALTERNATE VOICE OPERATION WITH DATEL I M5 OR GH2002B.
- JUMPER C - THE LINE IS TIED ON FOR ALTERNATE VOICE OPERATION WITH THE IBM 3976 III.
- JUMPER D - THE LINE IS CONTROLLED BY:  
ENABLE BSCA OR CALLING INDICATOR OR DATA SET READY.  
ALSO USED FOR LCA OR ICA FEATURE.

SCTE

- JUMPER A - THE LINE IS TERMINATED BY A RESISTOR TO GROUND (SCTE NOT USED)
- JUMPER B - SERIAL CLOCK TRANSMIT PULSES ARE PROVIDED BY THIS JUMPER WHEN THE EIA LOCAL ATTACHMENT, ICA OR LCA FEATURE IS INSTALLED.

	A	B	C	D	E	F	G	H	J	K	L	M	N	P	Q	R	S	T	U	V
1	CONN: NOTE 5	HD310																		
2	NOTE 4	2122 8 2 1 2 5 2 2	2123 8 2 1 2 5 2 3	3044 5 8 3 0 4 4	2090 8 2 1 8 2 1 3	5797 5 8 5 8 8 7 8	SEE TABLE 1	5792 5 8 5 5 8 5 6	5798 5 8 5 8 8 7 3	5796 5 8 5 9 3 3	3054 5 8 5 8 8 7 4	3053 5 8 5 7 6 3 3	3058 5 8 5 7 6 3 8	SEE TABLE 1	SEE TABLE 1	2121 8 2 1 2 5 2 1	3060 5 8 5 7 6 4 0	CONN CHAN OUT 7	CONN CHAN IN	
3	NOTE 1	3576 5 8 0 3 5 7 6	3576 5 8 0 3 5 7 6	3576 5 8 0 3 5 7 6	NOTE 6	HF310 HF320	HC310 HC330	HE520	HF210	HB110 HB120									CONN CHAN OUT 7	CONN CHAN IN
4	NOTE 2	3576 5 8 0 3 5 7 6	3576 5 8 0 3 5 7 6	3576 5 8 0 3 5 7 6	6758 5 8 5 7 6 5 1														CONN CHAN OUT 7	CONN CHAN IN
5	NOTE 3	3576 5 8 0 3 5 7 6	3576 5 8 0 3 5 7 6	3576 5 8 0 3 5 7 6															CONN CHAN OUT 7	CONN CHAN IN
6		HE652	HE651	HE651	HE651	HE610													HA110 HA510 HA520 HA540 HB110	HA110 HA510 HA520 HA540 HB110
		HE654	HE653	HE653	HE653	HE630													HA110 HA440 HA450 HB120	HA110 HA440 HA450 HB120
		HE656	HE655	HE655	HE655					HE110 HE160	HC210 HC240	HC110 HC150	HB210 HB240	HB310 HB370	HA510 HA570	HA410 HA470	HA310 HA340			

TABLE 1

SOCKET	TYPE	CARD P/N	FEATURE	LOGIC VER
H2	5793	5855855	NON-SW*	32, 37
H2	5795	5857645	SW DTR	34, 39
Q2	3052	5857632	ASCII	37, 39
Q2	3055	5857635	EBC DIC	32, 34
R2	3056	5858872	ASCII	37, 39
R2	3057	5857637	EBC DIC	32, 34

\* USED WITH PT-TO-PT NON-SW OR M.P. MASTER STATION

NOTES

- 1 I/O CABLE AND CARDS ARE ONLY PLUGGED WHEN REMOTE IS INSTALLED WITH LOCAL 1 AND/OR LOCAL 2
- 2 I/O CABLE AND CARDS ARE ONLY PLUGGED WHEN LOCAL 1 IS INSTALLED WITH REMOTE AND/OR LOCAL 2
- 3 I/O CABLE AND CARDS ARE ONLY PLUGGED WHEN LOCAL 2 IS INSTALLED WITH REMOTE AND/OR LOCAL 1
- 4 I/O CABLE IS PLUGGED WHEN ONLY 1 INTERFACE IS INSTALLED (REMOTE OR LOCAL 1 OR LOCAL 2)
- 5 DISPLAY SELECT CABLE IS ONLY INSTALLED WHEN ICA AND BSCA ARE BOTH INSTALLED
- 6 CARD IS PLUGGED WHEN LOCAL 1 AND/OR LOCAL 2 ARE INSTALLED
- 7 WHEN ICA (B-A3) IS THE ONLY FEATURE ON CHANNEL 3, CARD ASM 5808279 ARE PLUGGED INTO SOCKET U2 AND U3. U4 AND U5 ARE VACANT. WHEN THERE ARE OTHER BOARDS (B-A4 OR B-B4) ON CHANNEL 3, CHANNEL CABLES WILL BE PLUGGED IN U2, U3, U4, AND U5

EC HISTORY		DRAWING TITLE	
827754	24 JUN 75	PLUG CHAR	OIB-A3, ICA
		MACH	5412
		PART NO	4247341
C	CLASSIFICATION		IBM CORP
	mjr	6-5-75	

A2030

A2030

1

4247432

A6010

THE FOLLOWING BLACK WIRES P/N 811695 ARE ADDED  
WHEN SPECIFIED FEATURES ARE INSTALLED

<u>FEATURE</u>	<u>PIN LOC</u>		<u>PIN LOC</u>
* WTC ANS TONE	B-A3N2J13	TO	B-A3L2G09
** TIE OFF 20 SEC TIME OUT	B-A3G2D13	TO	B-A3T2J03

IF TWO OR MORE DATA LINK INTERFACES ARE INSTALLED NO JUMPERS ARE REQUIRED.  
IF ONLY ONE DATA LINK INTERFACE IS INSTALLED THEN JUMPERS ARE REQUIRED FOR  
THAT FEATURE PLUS "ANY DATA LINK INTERFACE".

ANY DATA LINK INTERFACE	B-A3H3D10	TO	B-A3S5D06
SYNCHRONOUS LINE MED SPEED (REMOTE)	B-A3H3D07 B-A3H3D02	TO TO	B-A3L4B07 B-A3L2D07
8000 BPS LOCAL ATTCH (LOCAL 1)	B-A3F2B07 B-A3E2B09 B-A3F2D07	TO TO TO	B-A3M2G10 B-A3F2B03 B-A3F2B05
2400 BPS LOCAL ATTCH (LOCAL 2)	B-A3F2B07 B-A3E2B09 B-A3F2D04	TO TO TO	B-A3M2G10 B-A3F2B03 B-A3F2B05
LAST BOARD ON CH LAST BOARD ON CH	B-A3S2B06 B-A3S3B06	TO TO	B-A3U2B07 B-A3U3B07
NOT LAST BOARD NOT LAST BOARD	B-A3S2D08 B-A3S3D08	TO TO	B-A3U2B07 B-A3U3B07

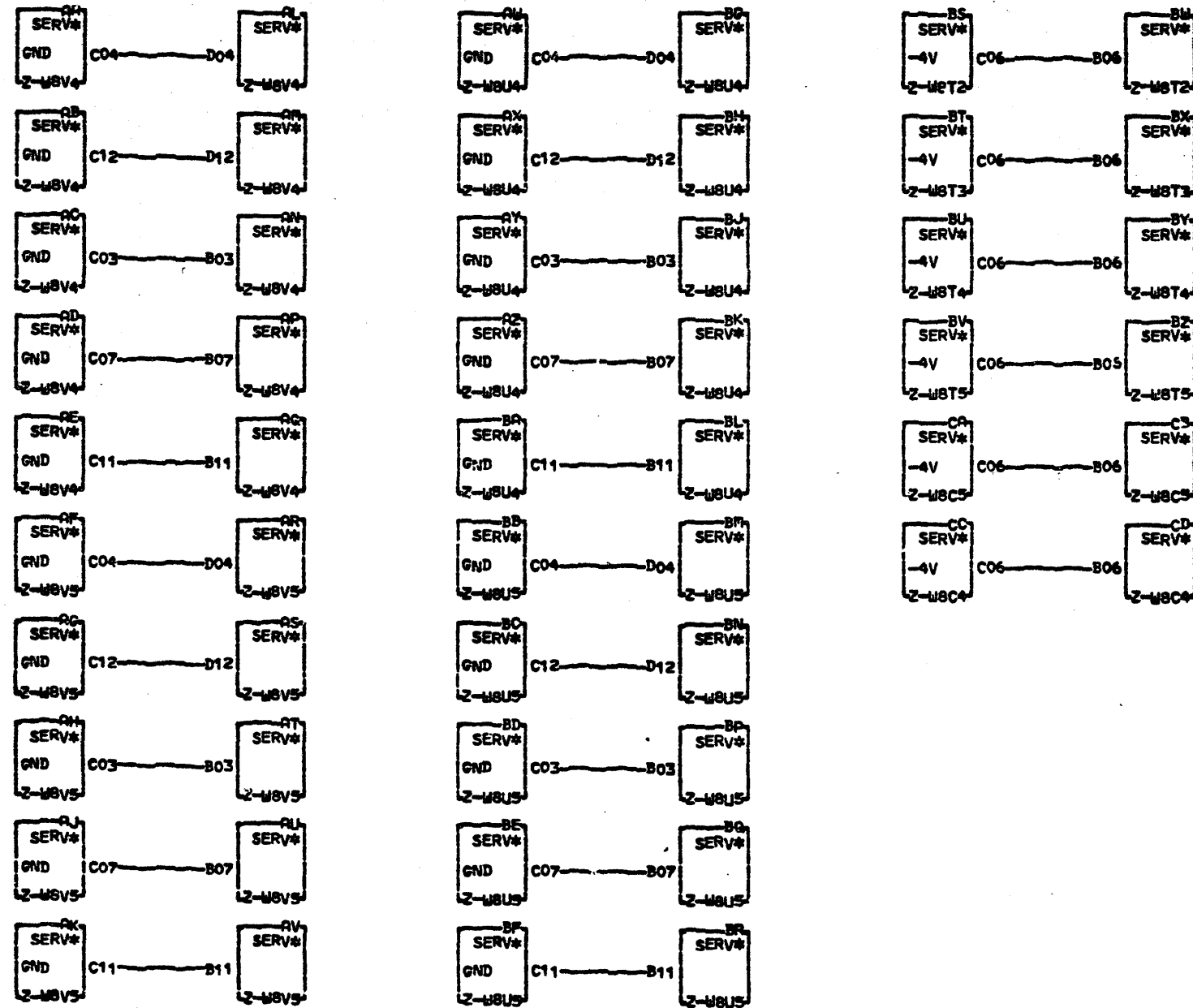
\*THIS FEATURE IS USED WITH DATEL, GH2011 MODEMS.

\*\*SYSTEMS WHICH USE THE REMOTE JOB ENTRY PROGRAM  
WILL HAVE THE 20 SECOND TIME OUT DISABLED.

EC HISTORY		DRAWING TITLE	
827754	24JUN75	ICA FEATURE WIRES	
827888	24MAR76	MACI	5412
		PART NO	4247432
C		CLASSIFICATION	
		MJR	6-5-75
		IBM CORP	

A  
6010

A  
6010



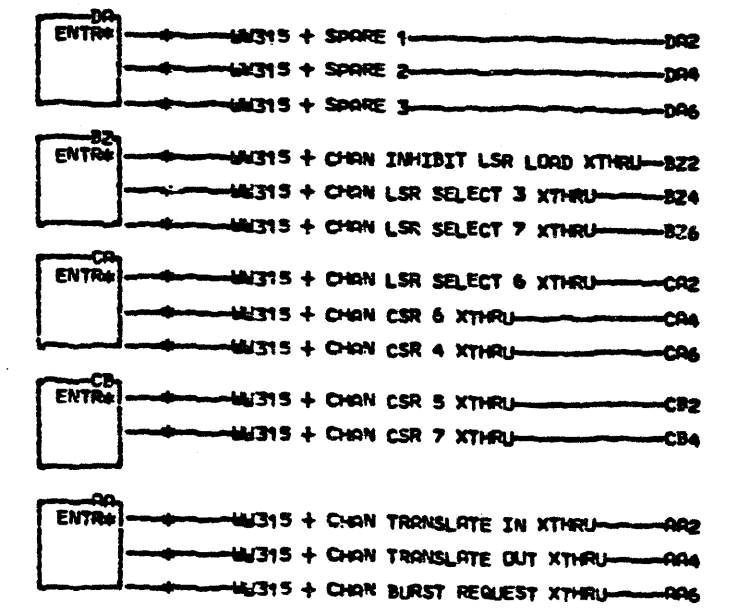
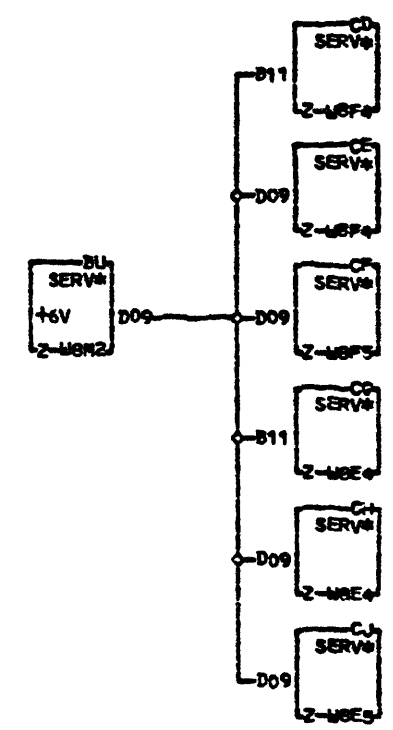
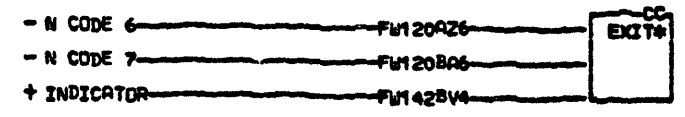
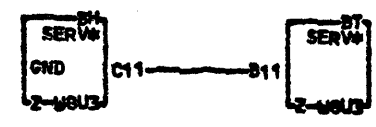
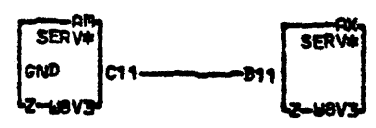
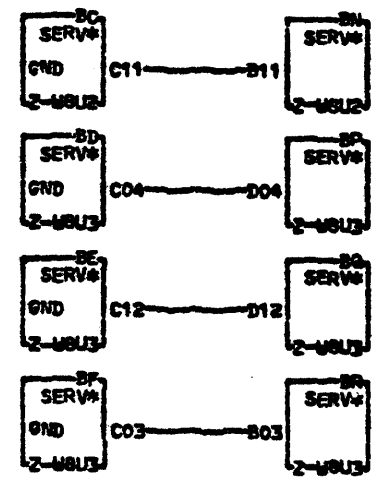
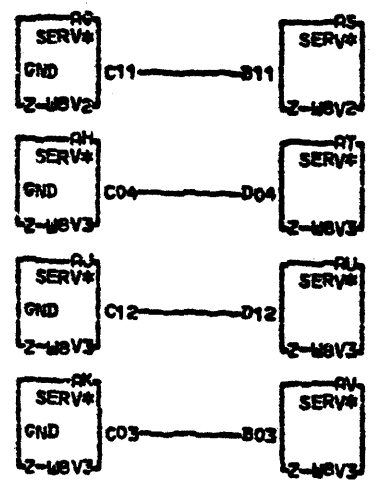
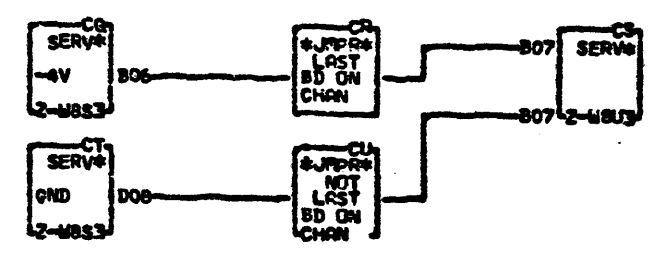
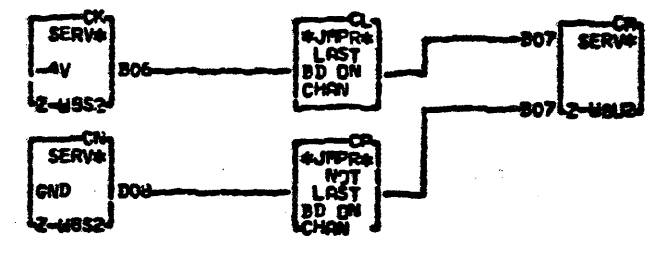
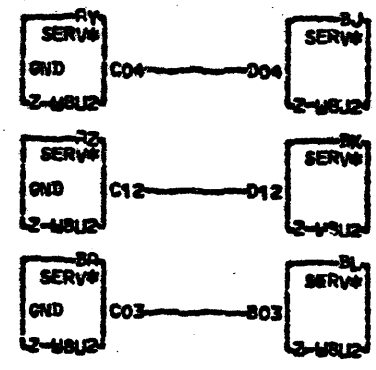
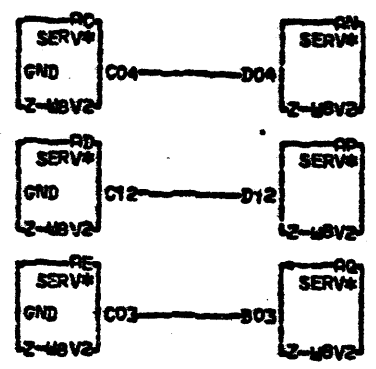
#502-48 IS 01B-04 DN 5415B  
 #502-48 IS 01B-04 DR 01A-03  
 \* DN 5412

F M 1 0 8

LOC. TYPE

SERVICE CONNECTIONS	
E-C-HISTORY 824925	C-RACH-CARDLESS FRARE 50
DATE 08-08-75	IBR CORP. 6SD
LAST EC 825074	PoN 4234220

F M 1 0 8



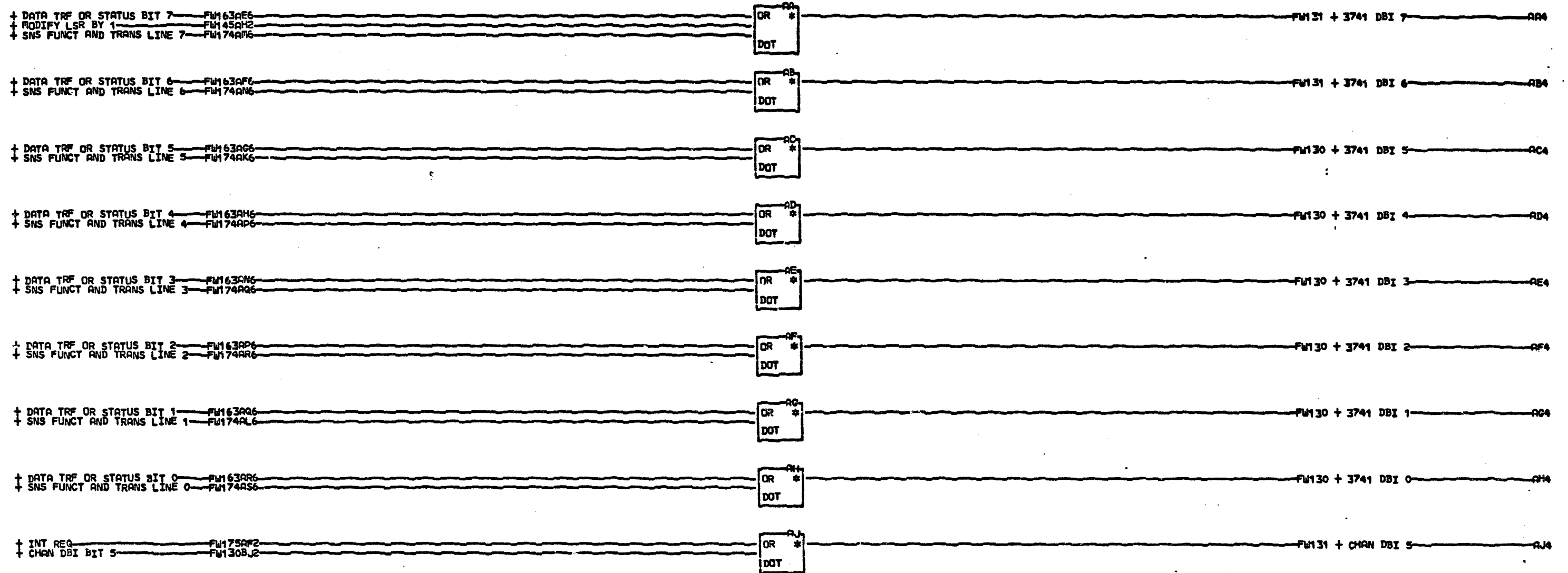
90457  
000

\*502-WR IS 01B-A4 DN S415B  
\*502-WB IS 01B-A4 OR 01A-A3  
\* ON 5412

AA2 2-WBV5D11 502-WBU4B08 CB2 2-WBV5D05 502-WBU5B12  
 AA4 2-WBV5D13 502-WBU4B13 502-WBU5D05  
 AA6 2-WBV5D13 502-WBU4B13 CB4 2-WBV5D07  
 AA8 2-WBV5D13 CA2 2-WBV4B12 502-WBU5D07  
 AA8 2-WBV5B08 502-WBU4B12 DA2 2-WBV5B09  
 B22 2-WBV4B06 CA4 2-WBV5D06 502-WBU5B09  
 B22 2-WBV4B06 502-WBU5D06 DA4 2-WBV5B10  
 B24 2-WBV4B06 CA6 2-WBV5D03 502-WBU5B10  
 B24 2-WBV4B06 502-WBU5D03 DA6 2-WBV5B12

LDC TYPE

SERVICE CONNECTIONS AND I-O CHANNEL OUTPUT LINES		FRAME 50	F M 1 0 9
E.C.-HISTORY 824925 825074	FRAME 50		
DATE LAST EC 109-C5-75 825077	IBN CORP. GSD P.O.N. 4234221	9	000



\*50Z-UB IS 01B-A4 ON 5415B  
 \*50Z-UB IS 01B-A4 OR 01A-A3  
 \* ON 5412

F  
 1  
 1  
 9

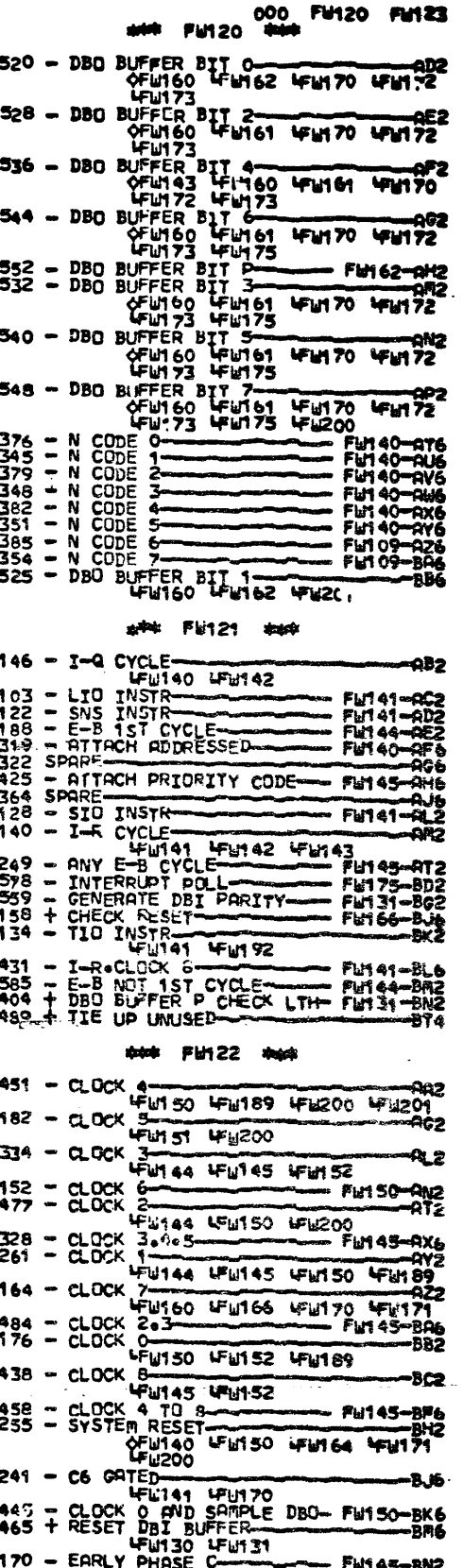
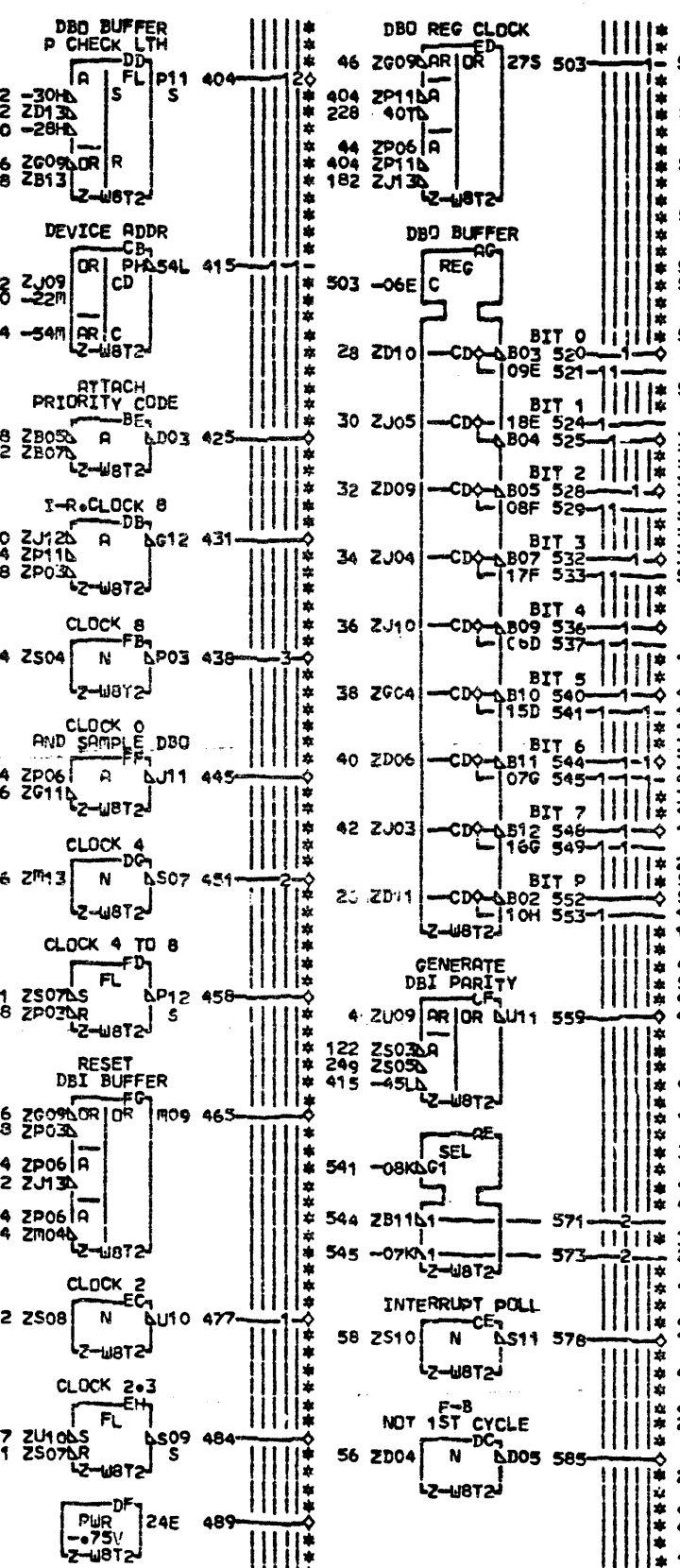
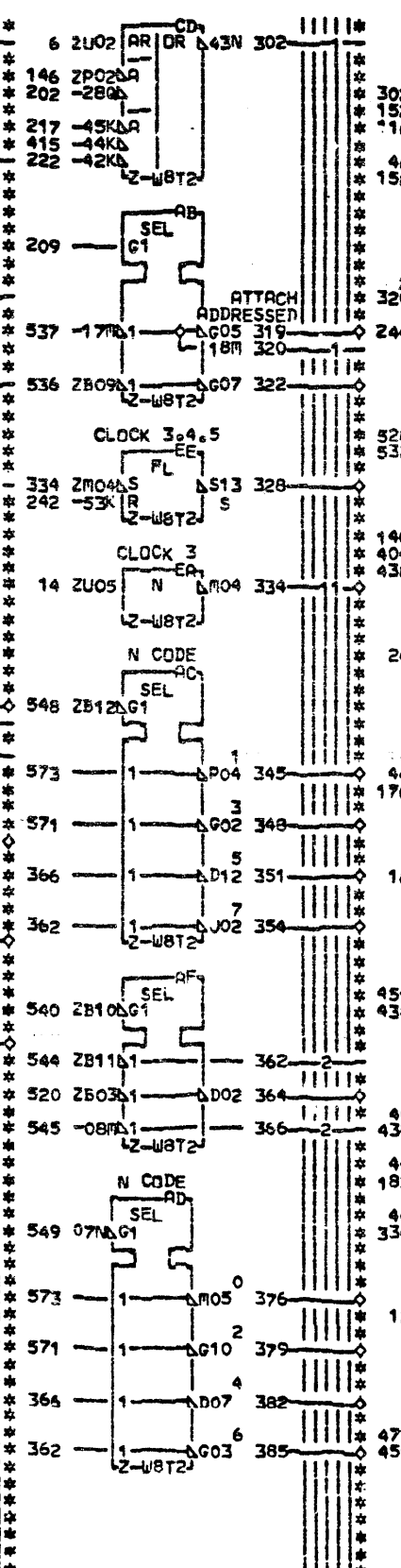
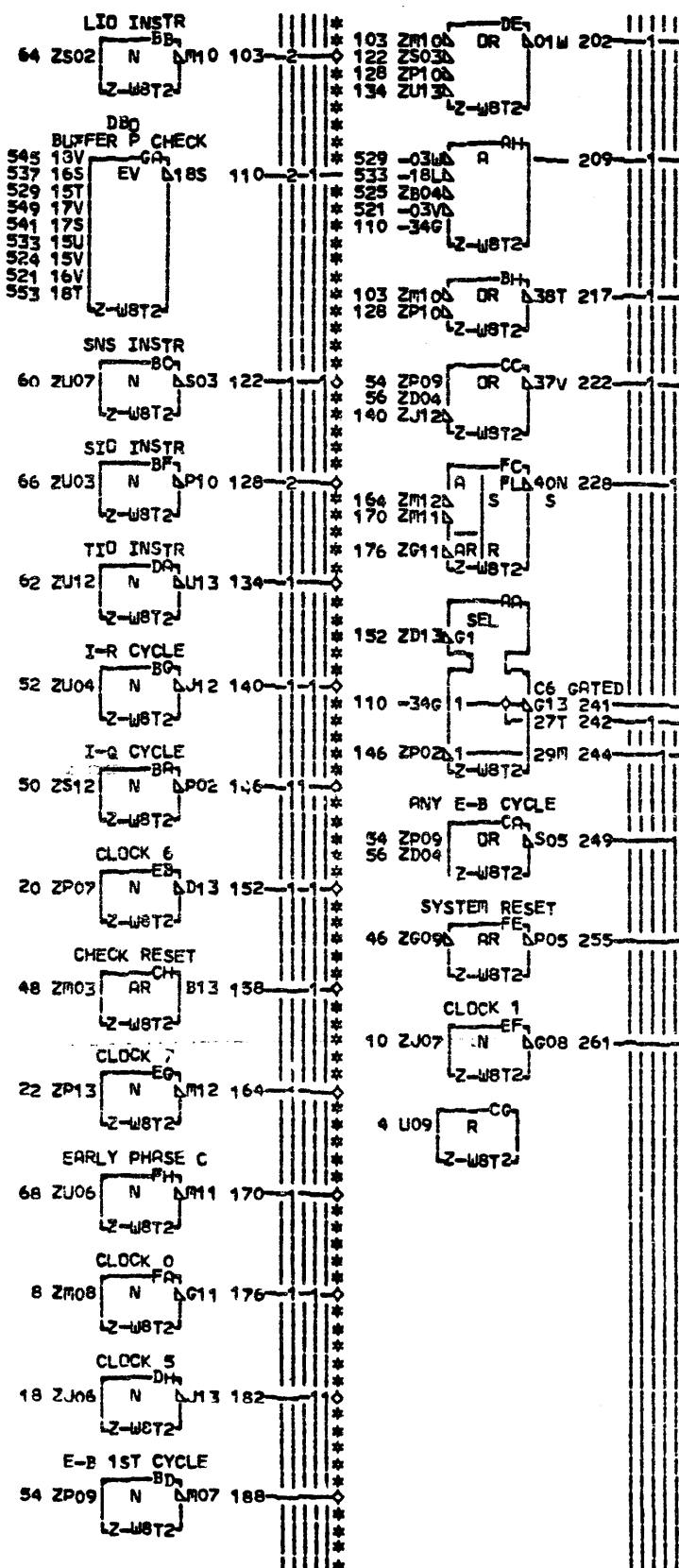
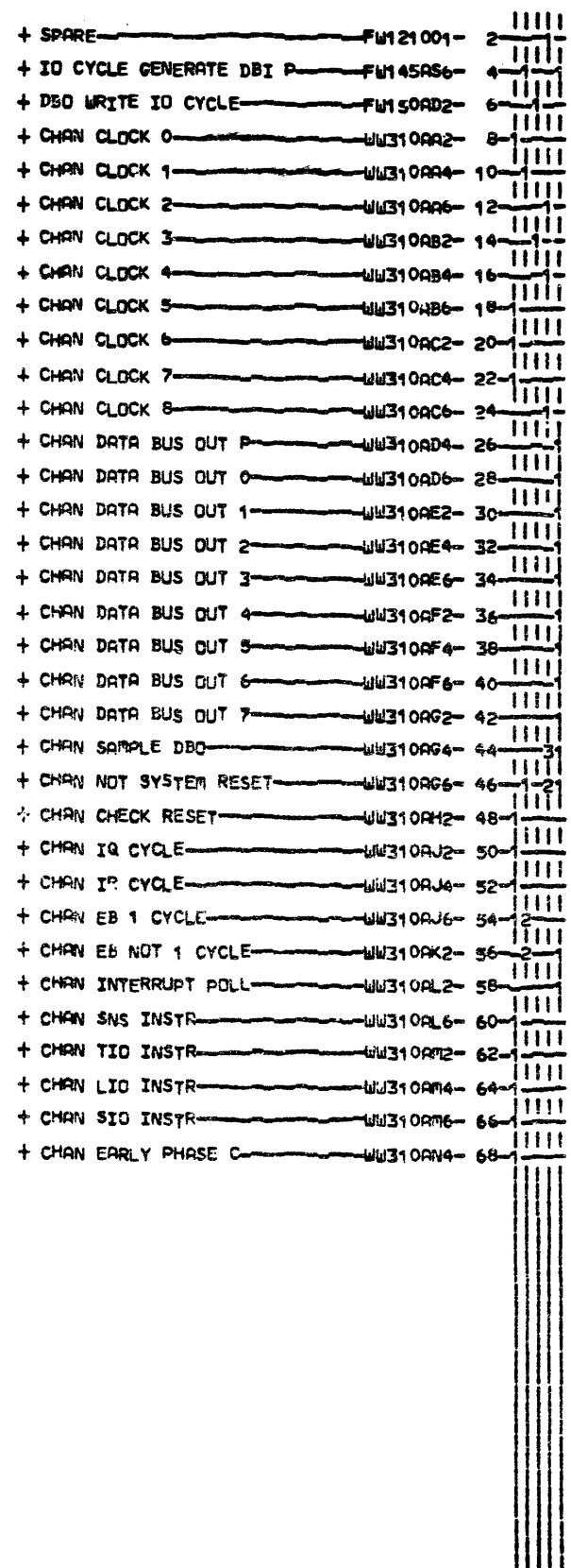
000

LOC. TYPE

DBI GATING	
E.C. HISTORY 824925	MACH. CARDLESS FRAME 50
DATE LAST EC 08-08-75 825074	IBN CORP. GSD P.N. 4234222

F  
 1  
 1  
 9

000



A.\*502-W8 IS 01B-A4 DN 5415B  
 \*502-W8 IS 01B-A4 DR 01A-A3  
 \* DN 5412  
 B.\*502-W8 IS 01B-A4 DN 5415B  
 \*502-W8 IS 01B-A4 DR 01A-A3  
 \* DN 5412  
 C.\*502-W8 IS 01B-A4 DN 5415B  
 \*502-W8 IS 01B-A4 DR 01A-A3  
 \* DN 5412  
 D.\*502-W8 IS 01B-A4 DN 5415B

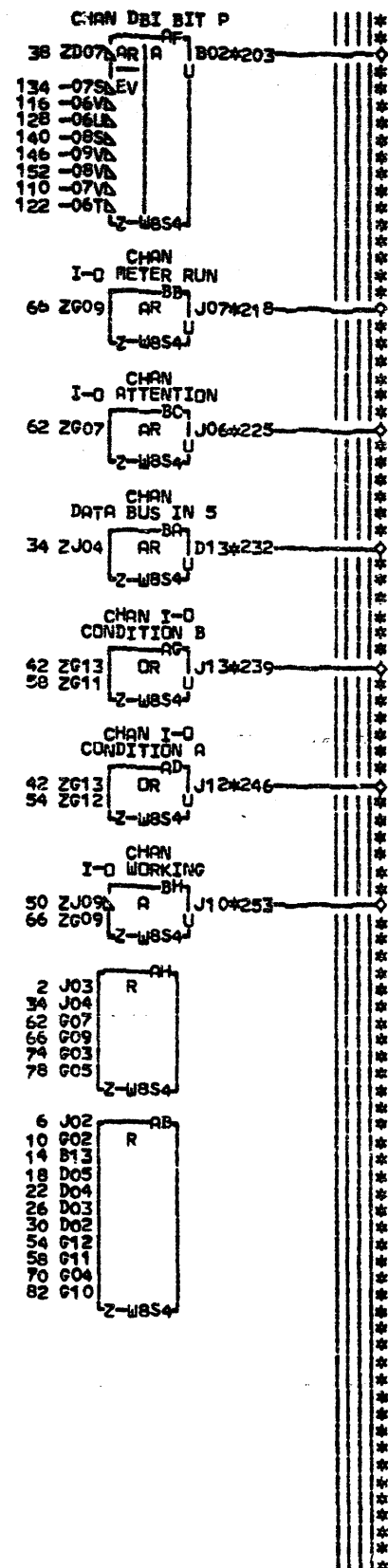
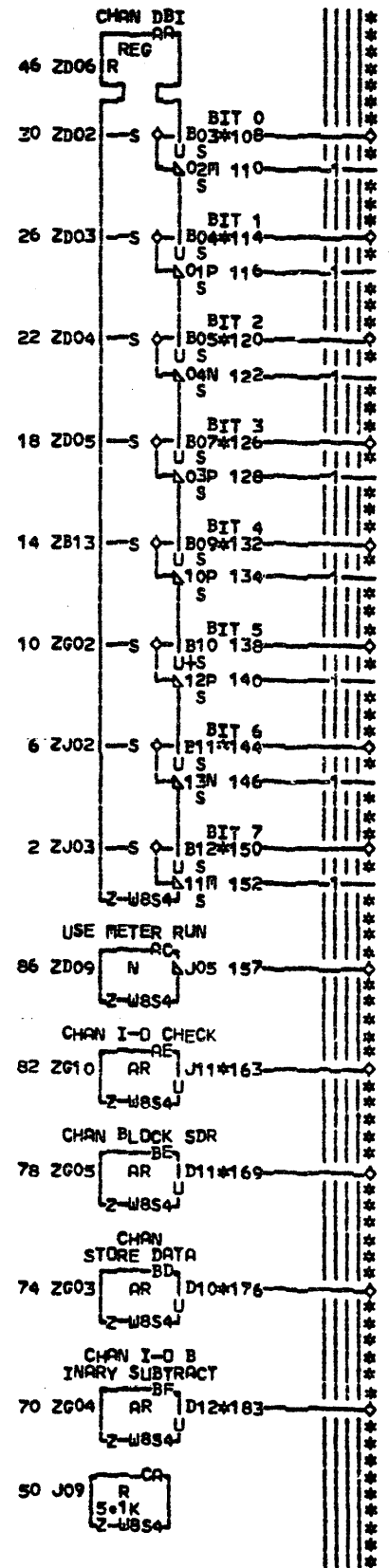
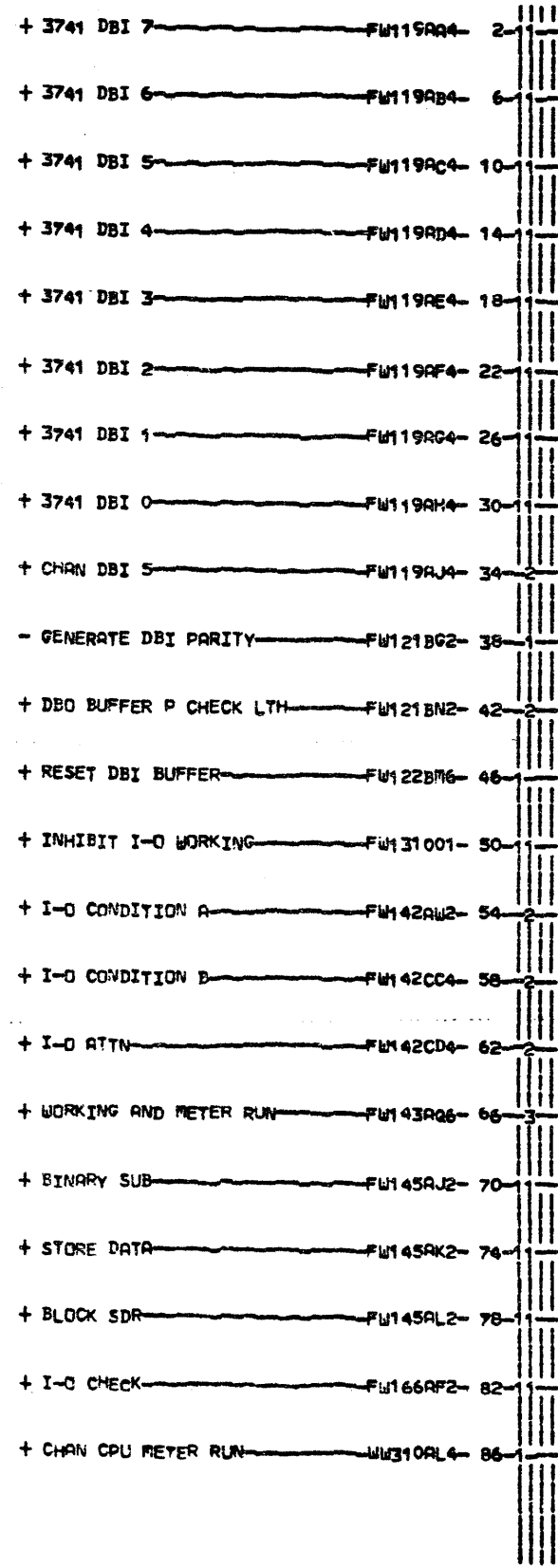
\*502-W8 IS 01B-A4 DR 01A-A3  
 \* DN 5412

LOC. TYPE  
 Z-W8T2 Y657

PAGE VER EC LEV  
 FW120 000 825074  
 FW121 000 825074  
 FW122 000 825074  
 FW123 000 825074

CHANNEL OUT INTERFACE  
 E-C-HISTORY C-MACH-CARDLESS  
 824925 FRAME 30 FW120  
 825049  
 DATE LAST EC IBA CORP.GSD FW123  
 08-08-75 825074 P.No. 4234223 000





-BLANK COLUMN-

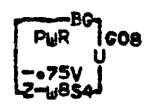
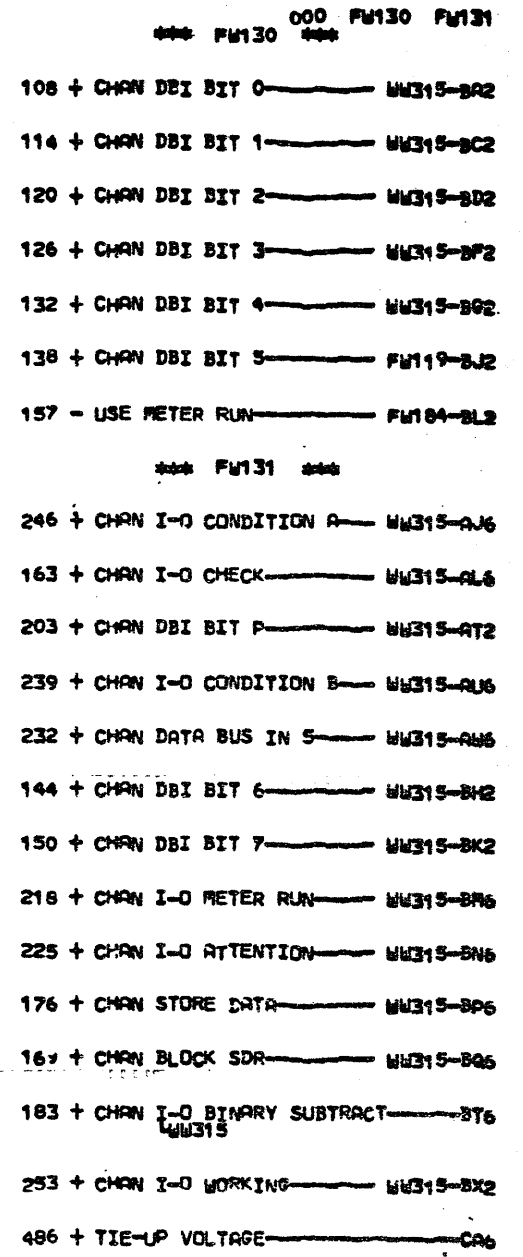
A\*50Z-W8 YS 01B-A4 ON 5415B  
 \*50Z-W8 IS 01B-A4 OR 01A-A3  
 \* 0V 5412  
 B\*50Z-W8 IS 01B-A4 ON 5415B  
 \*50Z-W8 IS 01B-A4 OR 01A-A3  
 FW130 \* ON 5412  
 FW131  
 000

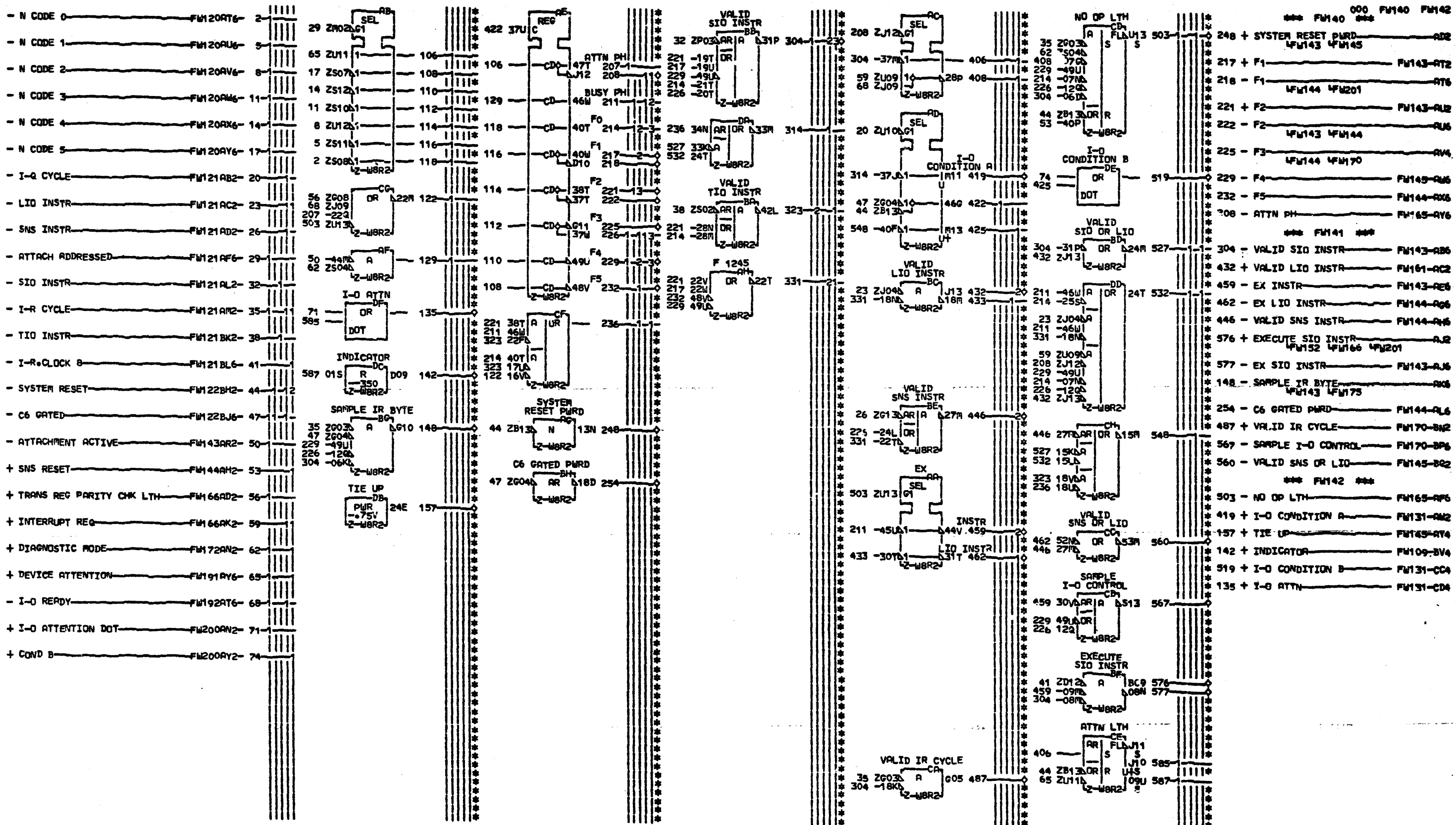
EDGE CONN. 50Z-W8U4D09 50Z-W8U4B02 50Z-W8U4D10  
 108 Z-W8V4D03 144 Z-W8V4D11 183 Z-W8V4B05 239 Z-W8V4D10  
 50Z-W8U4D03 50Z-W8U4D11 50Z-W8U4B05 50Z-W8U5D10  
 114 Z-W8V4D05 150 Z-W8V4D13 203 Z-W8V4D02 246 Z-W8V5D09  
 50Z-W8U4D05 50Z-W8U4D13 50Z-W8U4D02 50Z-W8U5D09  
 120 Z-W8V4D06 163 Z-W8V5B06 218 Z-W8V5B04 253 Z-W8V5B05  
 50Z-W8U4D06 50Z-W8U5B06 50Z-W8U5B04 50Z-W8U5B05  
 126 Z-W8V4D07 169 Z-W8V4B04 225 Z-W8V5B02  
 50Z-W8U4D07 50Z-W8U4B04 50Z-W8U5B02  
 132 Z-W8V4D09 176 Z-W8V4B02 232 Z-W8V4D10

LOC. TYPE  
 Z-W8S4 2666

PAGE VER EC LEV  
 FW130 000 825074  
 FW131 000 825074

DBI BUFFER AND CHANNEL IN  
 E.C. HISTORY 824925  
 MACH. CARDLESS  
 FRAME 50 FW130  
 IBM CORP. GSD FW131  
 DATE LAST EC 08-08-75 825074  
 P.No 4234224 000



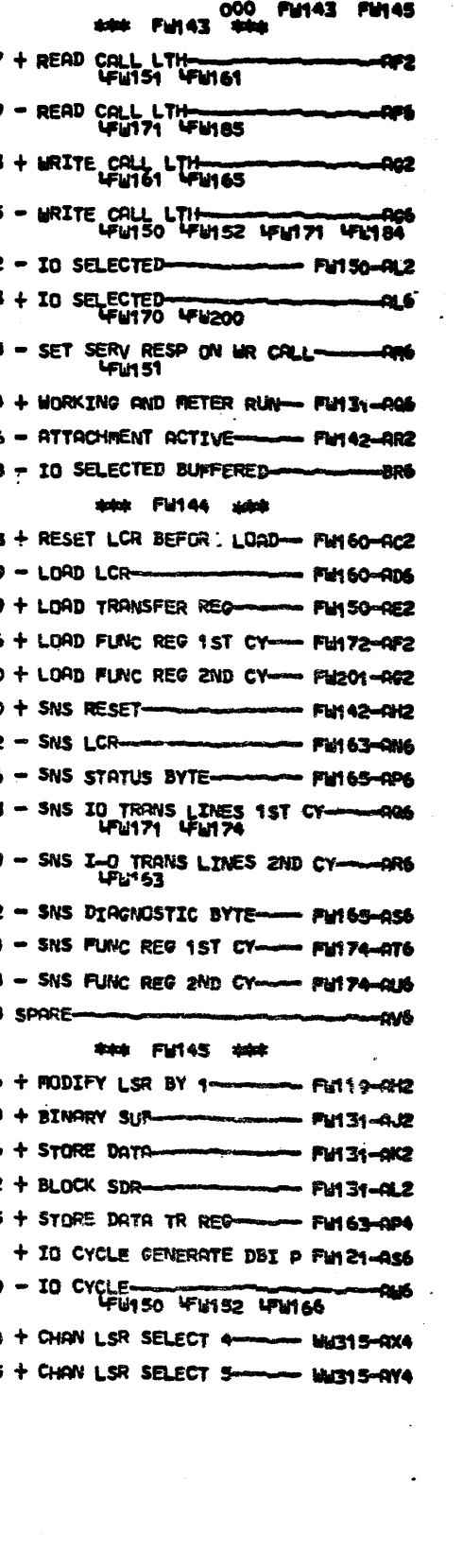
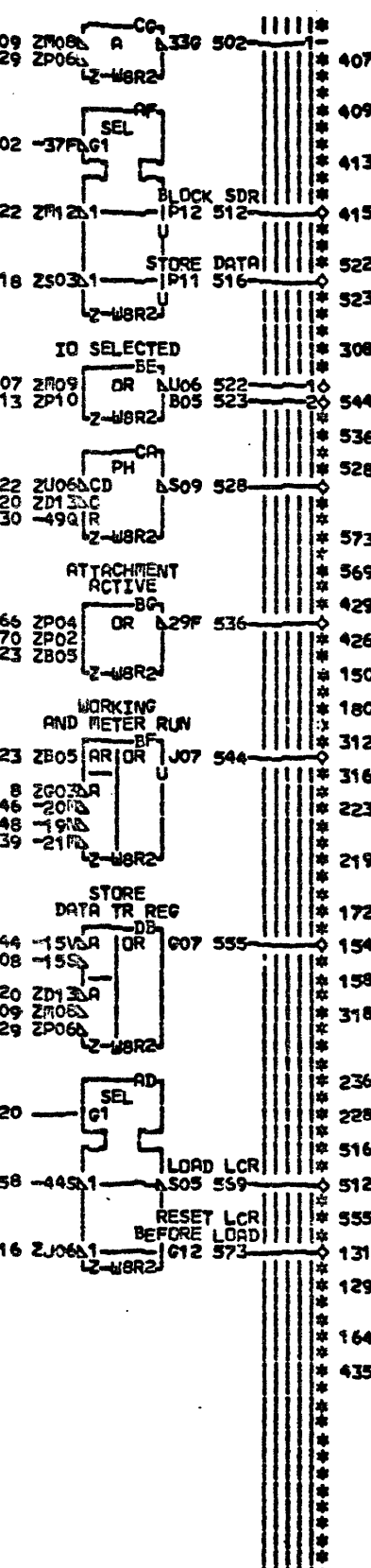
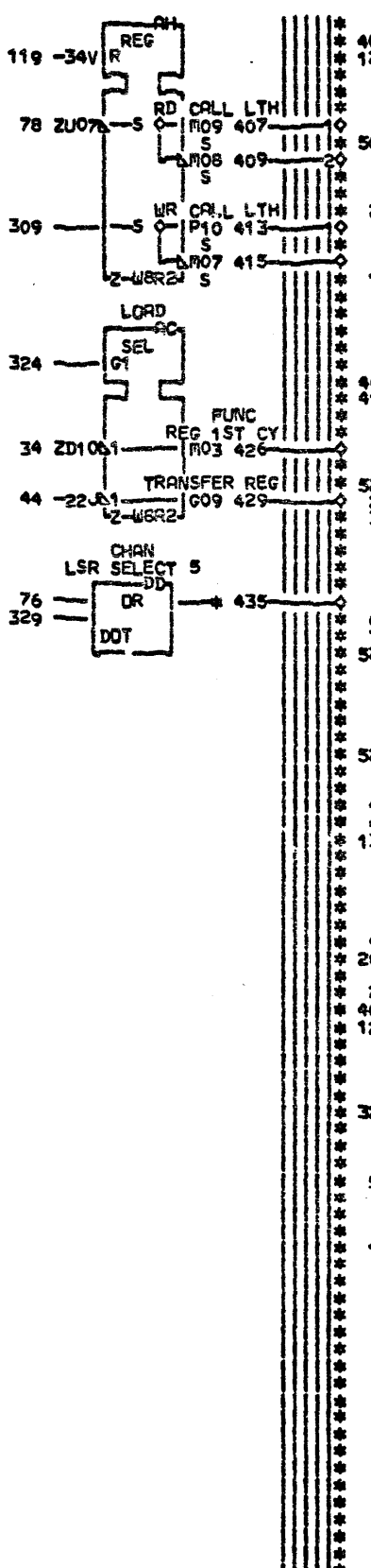
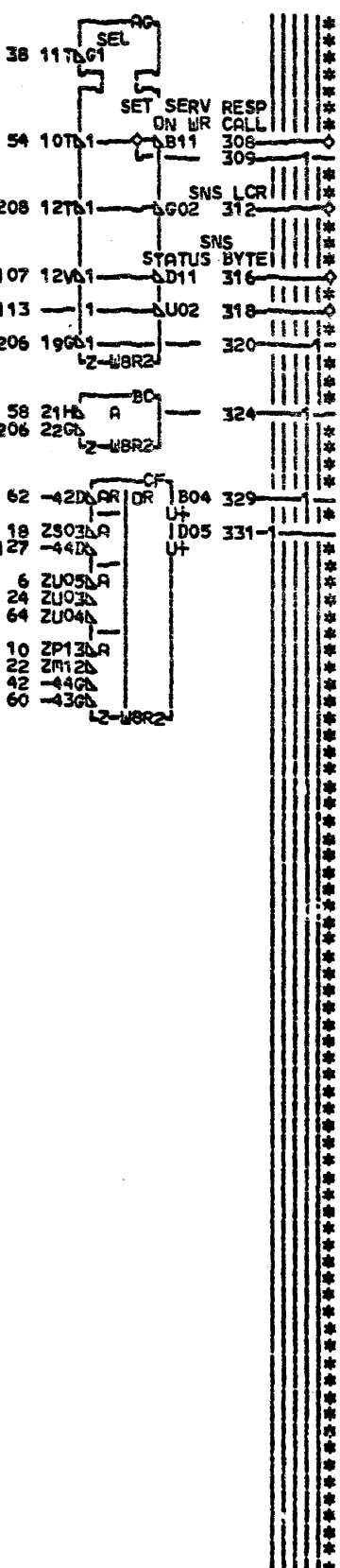
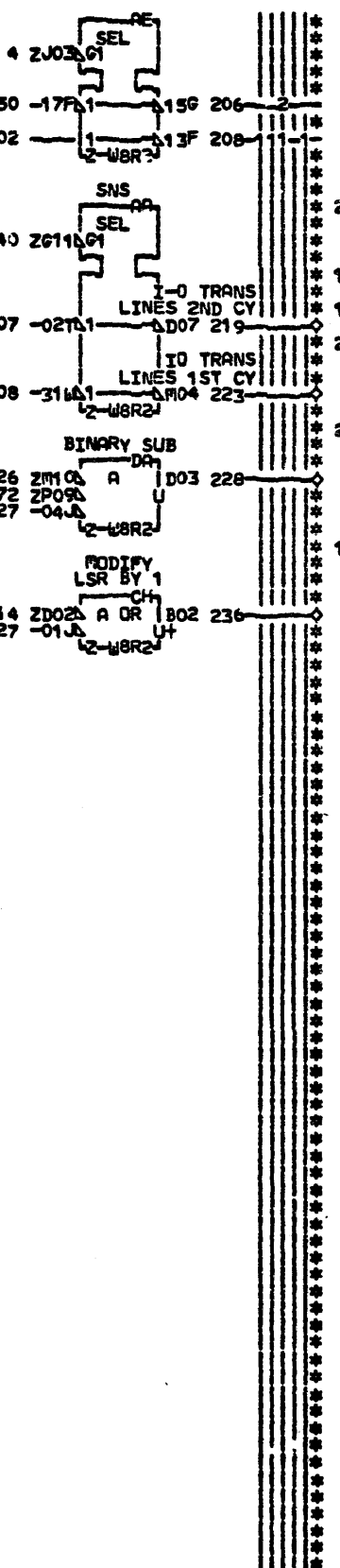
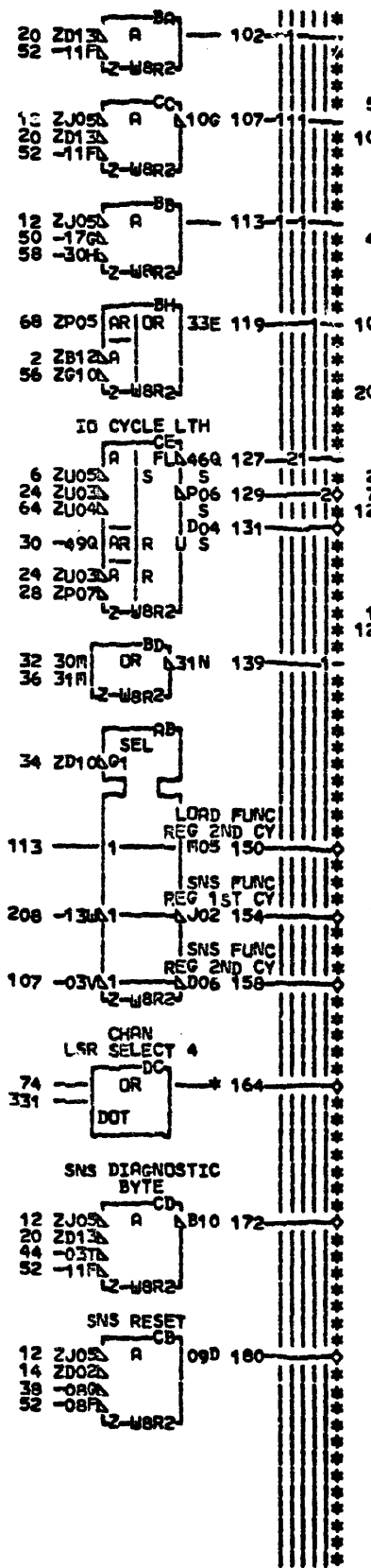
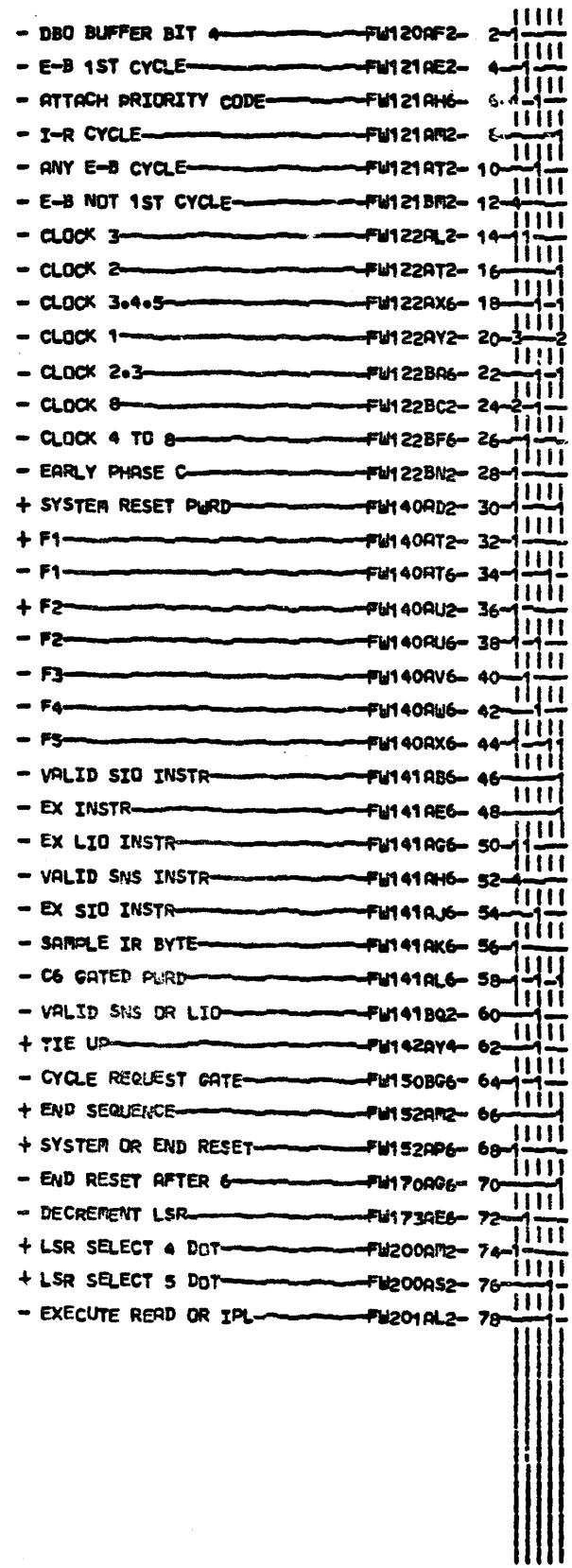


A.\*50Z-W8 IS 01B-A4 DN 5415B  
 \*50Z-W8 IS 01B-A4 OR 01A-A3  
 \* DN 5412  
 B.\*50Z-W8 IS 01B-A4 DN 5415B  
 \*50Z-W8 IS 01B-A4 OR 01A-A3  
 \* DN 5412  
 C.\*50Z-W8 IS 01B-A4 DN 5415B  
 \*50Z-W8 IS 01B-A4 OR 01A-A3  
 \* DN 5412  
 FW140  
 FW142  
 000

LOC. TYPE  
 Z-W8R2 Y661

PAGE VER EC LEV  
 FW140 000 825074  
 FW141 000 825074  
 FW142 000 825074

ADDRESS SELECTION AND INSTRUCTION DECODE		
E.C. HISTORY	C. MACH. CARDLES	824925
FRAME	50	FW140
DATE	LAST EC	IBR CORP. OSD FW142
08-08-75	825074	P. No. 4234225 000



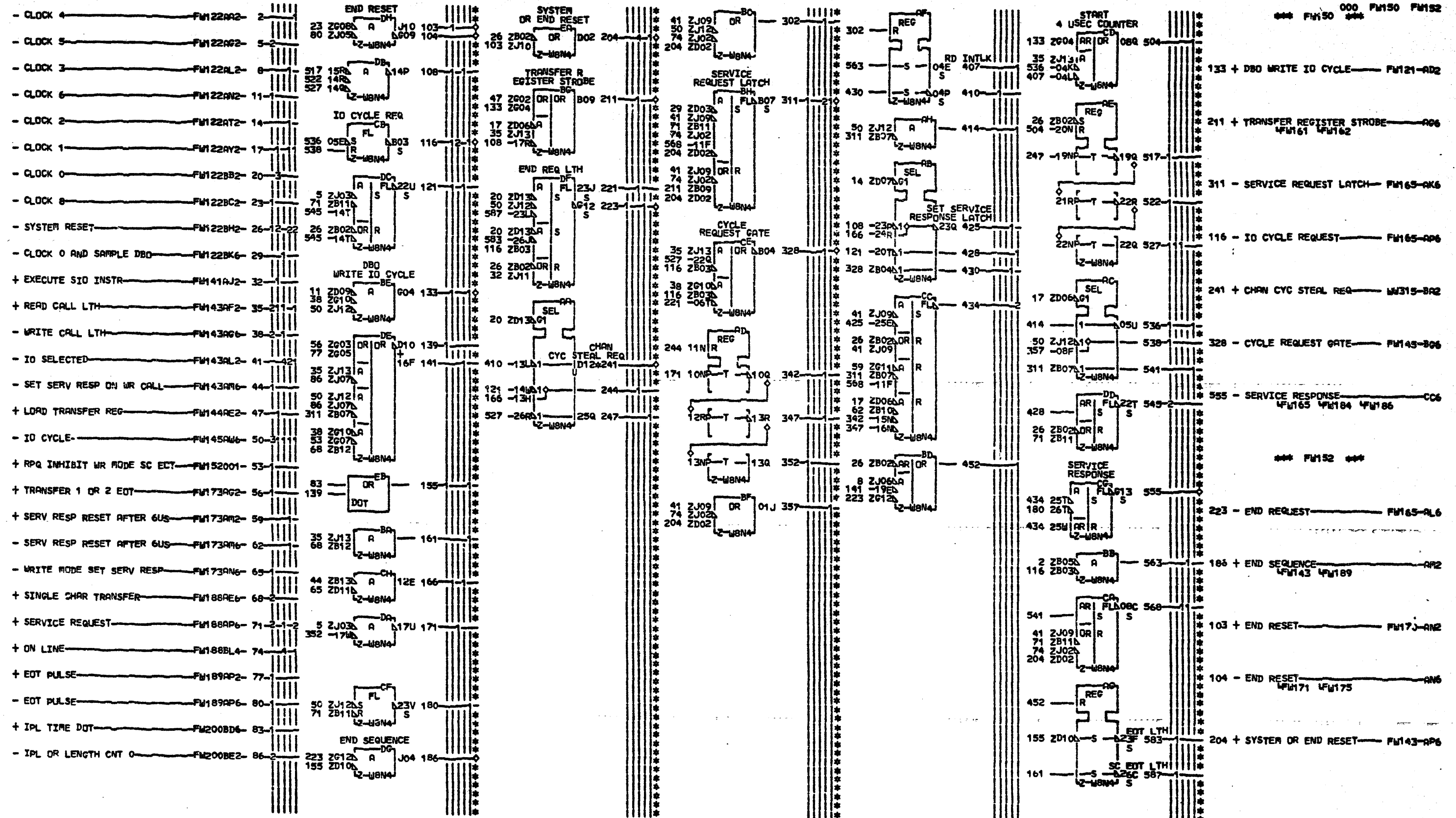
A.\*502-W8 IS 01B-A4 ON 5415B  
 \*502-W8 IS 01B-A4 OR 01A-A3  
 \* ON 5412  
 B.\*502-W8 IS 01B-A4 ON 5415B  
 \*502-W8 IS 01B-A4 OR 01A-A3  
 \* ON 5412  
 C.\*502-W8 IS 01B-A4 ON 5415B  
 \*502-W8 IS 01B-A4 OR 01A-A3  
 \* ON 5412  
 FW143  
 FW145  
 000

EDGE CONN.  
 164 2-UBV4B09  
 502-UBU4B09  
 435 2-UBV4B10  
 502-UBU4B10

LOC. TYPE  
 Z-W8P2 Y661

PAGE VER EC LEV  
 FW143 000 825074  
 FW144 000 825074  
 FW145 000 825074

ADDRESS SELECTION AND INSTRUCTION DECODE  
 E.C.-HISTORY C. PACH-CARDLESS  
 824925  
 DATE LAST EC 08-08-75 825074  
 FRAME 50 FW143  
 IBA CORP-GSD FW145  
 P.No. 4234226 000



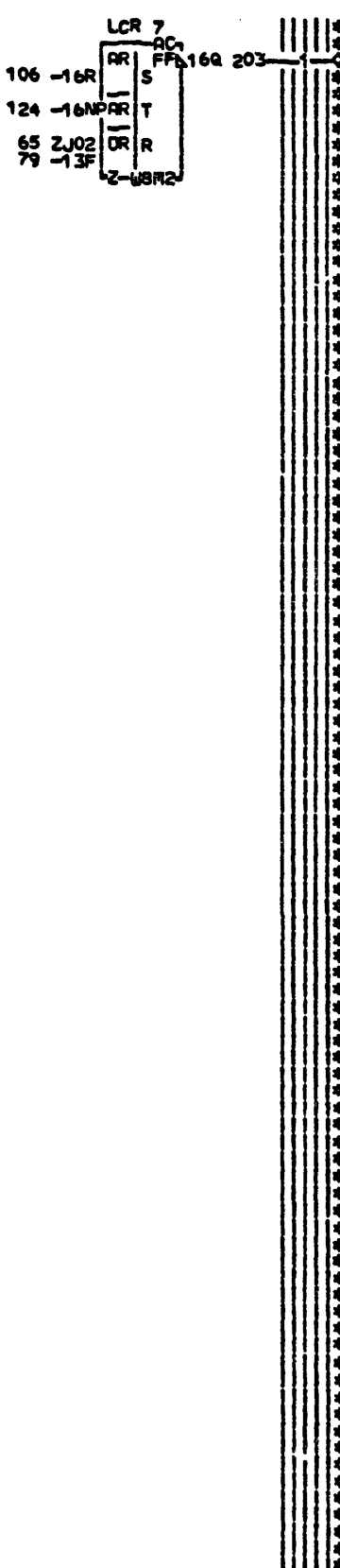
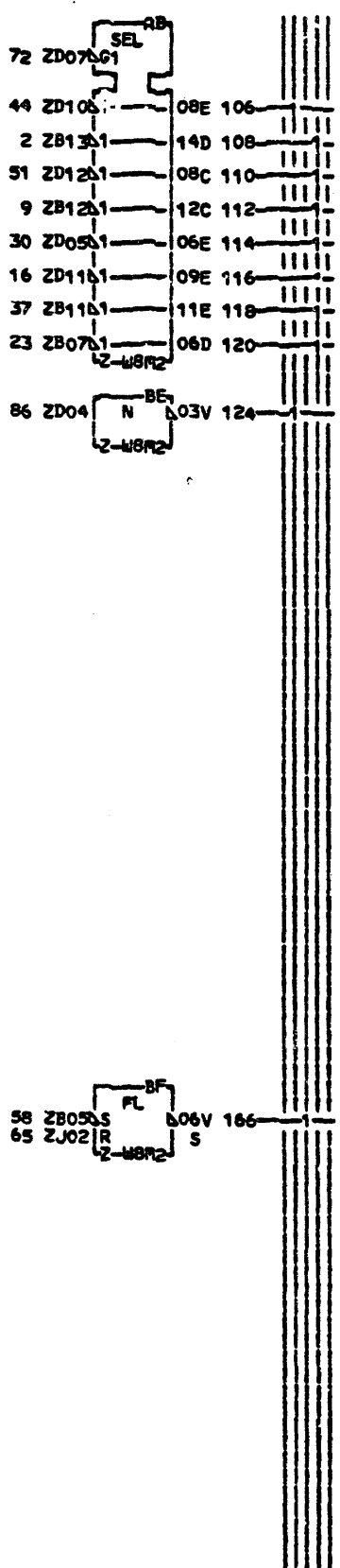
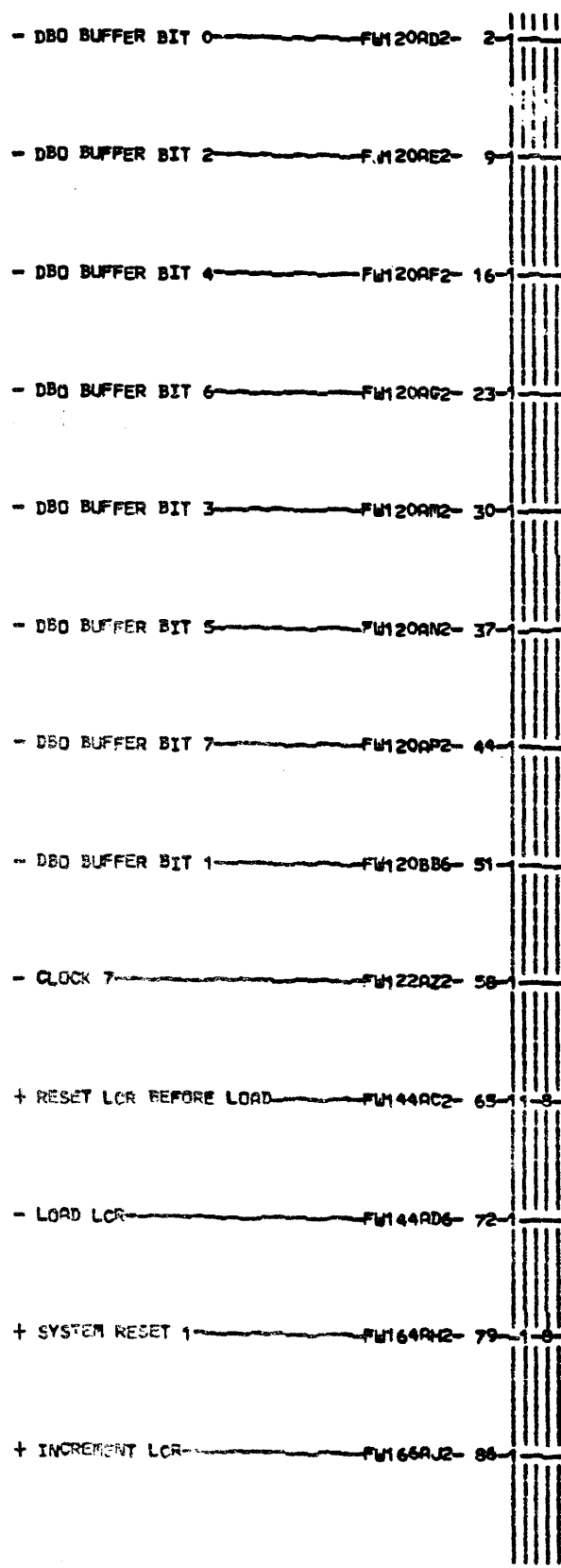
A-#502-48 IS 01B-A4 ON 5415B  
 #502-48 IS 01B-A4 OR 01A-A3  
 \* ON 5412  
 B-#502-48 IS 01B-A4 ON 5415B  
 #502-48 IS 01B-A4 OR 01A-A3  
 \* ON 5412  
 C-#502-48 IS 01B-A4 ON 5415B  
 #502-48 IS 01B-A4 OR 01A-A3  
 \* ON 5412  
 FM150  
 FM152  
 000

EDGE CONN.  
 241 Z-W8V5D02  
 502-W8V5D02

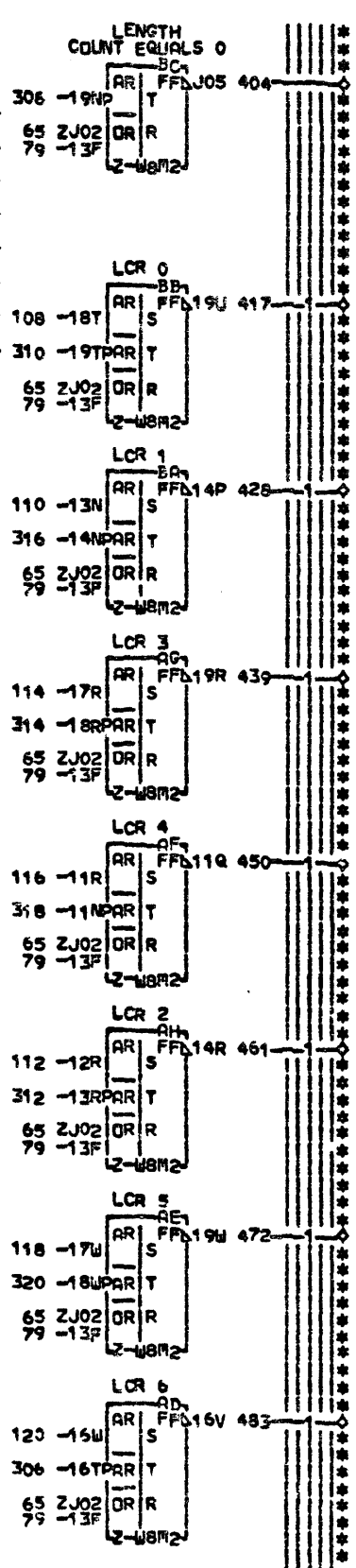
LOC. TYPE  
 Z-W8N4 Y656

PAGE VER EC LEV  
 FM150 000 825074  
 FM151 000 825074  
 FM152 000 825074

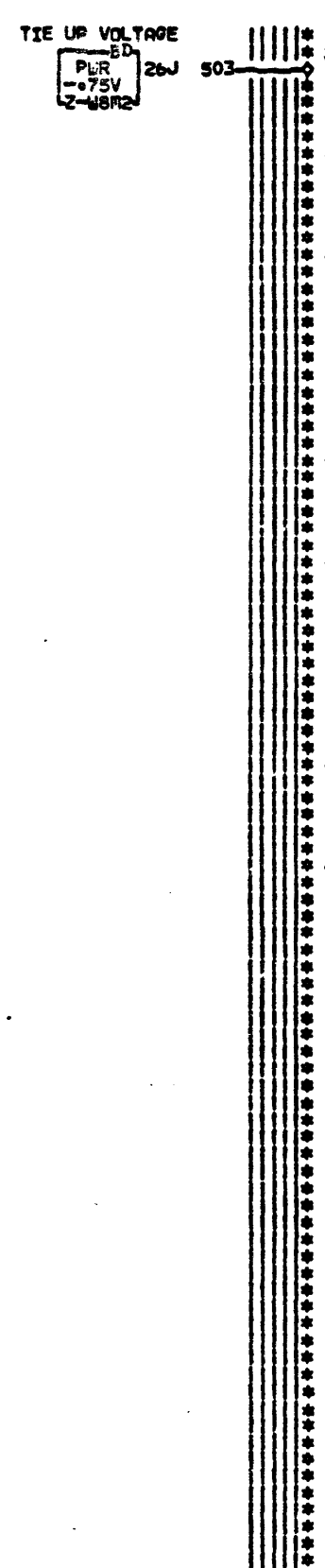
CYCLE STEAL CONTROL			
E-C-HISTORY	C	RACH-CARDLESS	
824925		FRAME	50 FM150
825057		IBN CORP-CSD	FM152
DATE	LAST EC	IP-N.	4234227 000
08-08-75	825074		



LOC. TYPE  
Z-W8R2 Y660



PAGE VER EC LEV  
FW160 000 825074

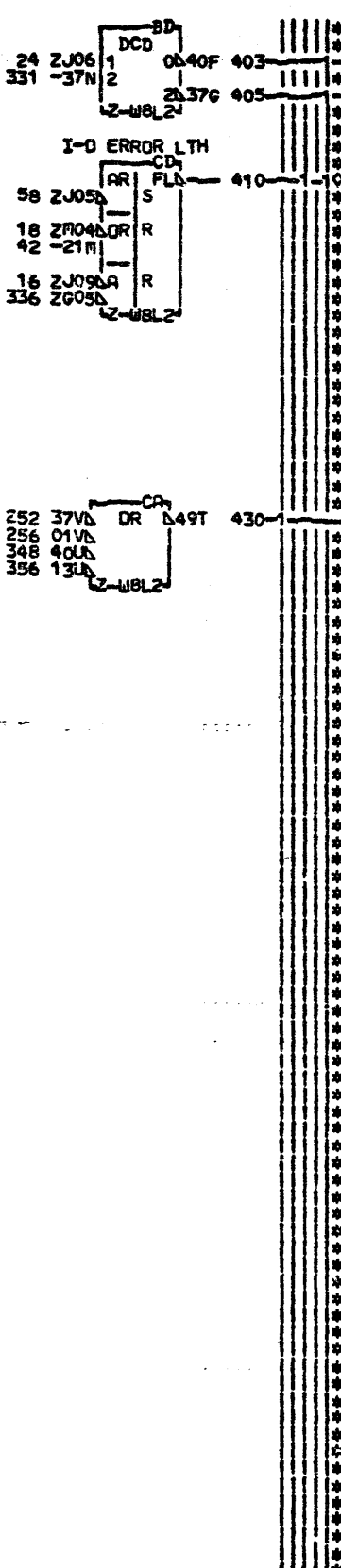
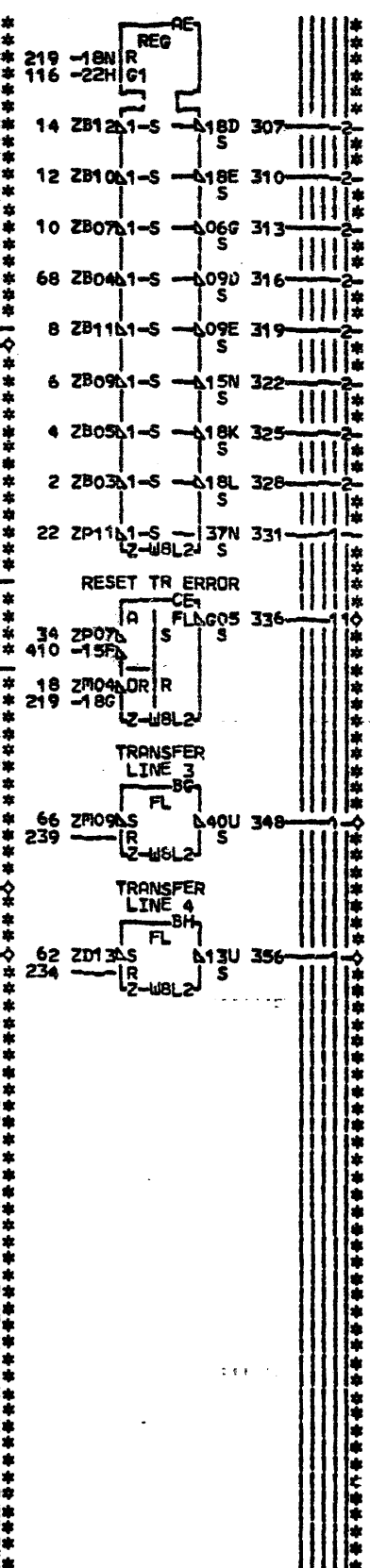
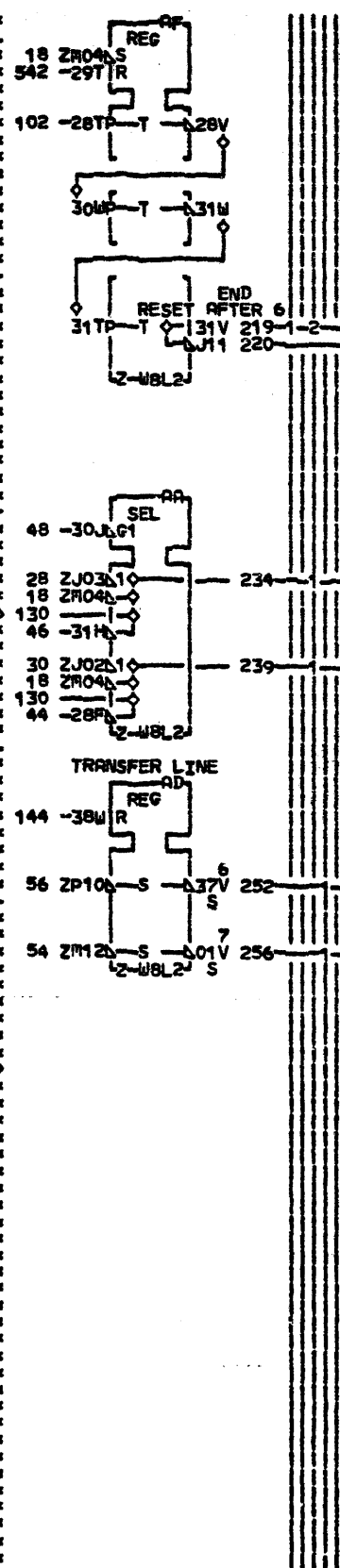
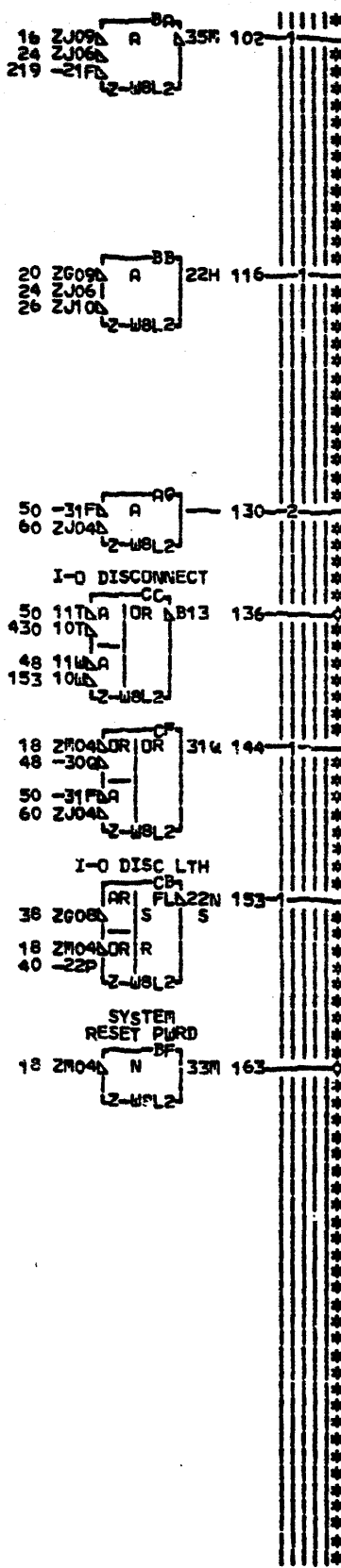


DATA TRANSFER REGISTER AND DBI  
 GATING  
 E.C. HISTORY - C.MACH. CARDLESS  
 824925  
 FRAME 50 FW160  
 DATE LAST EC IBA CORP. GSD FW160  
 08-08-75 825074 IP.No. 4234228 000

FW160  
FW160  
000



- DBD BUFFER BIT 0 - FM120AD2 2  
 - DBD BUFFER BIT 2 - FM120AE2 4  
 - DBD BUFFER BIT 4 - FM120AF2 6  
 - DBD BUFFER BIT 6 - FM120AG2 8  
 - DBD BUFFER BIT 3 - FM120AN2 10  
 - DBD BUFFER BIT 5 - FM120AP2 12  
 - DBD BUFFER BIT 7 - FM120AR2 14  
 - CLOCK 7 - FM122AZ2 16  
 - SYSTEM RESET - FM122BH2 18-33  
 - C6 GATED - FM122BJ6 20  
 - F3 - FM140AV6 22  
 + VALID IR CYCLE - FM141BN2 24  
 - SAMPLE I-O CONTROL - FM141BP6 26  
 - READ CALL LTH - FM143AF6 28  
 - WRITE CALL LTH - FM143AG6 30  
 + ID SELECTED - FM143AL6 32  
 - SNS ID TRANS LINES 1ST CY - FM144AG6 34  
 + END RESET - FM152AN2 36  
 - END RESET - FM152AN6 38  
 + RESEY DISCONNECT IN - FM172AE2 40  
 - LATCH TRANSFER LINE 1 - FM172AG6 42  
 + LATCH TRANSFER LINE 3 - FM172AK2 44  
 + LATCH TRANSFER LINE 4 - FM172AL2 46  
 + SLAVE - FM173AC2 48  
 - SLAVE - FM173AC6 50  
 - LATCH ID SELECT 1 - FM173AD6 52  
 - I-O TRANSFER 7 - FM189AD2 54  
 - I-O TRANSFER 6 - FM189AE2 56  
 - I-O TRANSFER 1 - FM191BQ2 58  
 - I-O TRANSFER 5 - FM191BH2 60  
 - I-O TRANSFER 4 - FM191BJ2 62  
 - I-O TRANSFER 2 - FM192AD2 64  
 - I-O TRANSFER 3 - FM192AE2 66  
 - I-O SELECT 1 SET - FM201AG2 68



000 FM170 FM171  
 220 - END RESET AFTER 6 - FM143 FM172  
 504 - I-O SELECT 1 - FM181-AR6  
 520 - I-O SELECT 14 - FM185-AT6  
 517 - I-O SELECT 13 - FM185-AU6  
 514 - I-O SELECT 12 - FM185-AV6  
 511 - I-O SELECT 11 - FM185-AW6  
 508 - I-O SELECT 10 - FM181-AX6  
 523 - I-O SELECT 9 - FM181-AY6  
 530 - I-O UNIT 2 SELECT - FM185-AZ6  
 526 - I-O UNIT 1 SELECT - FM185-BB6  
 577 - I-O SELECT 8 - FM181-BC6  
 574 - I-O SELECT 7 - FM181-BD6  
 571 - I-O SELECT 6 - FM181-BE6  
 568 - I-O SELECT 5 - FM181-BF6  
 565 - I-O SELECT 4 - FM181-BG6  
 562 - I-O SELECT 3 - FM180-BH6  
 559 - I-O SELECT 2 - FM181-BJ6  
 536 - I-O SELECT - FM165 FM185  
 \*\*\* FM171 \*\*\*  
 163 + SYSTEM RESET PURD - FM173-AR6  
 348 - TRANSFER LINE 3 - FM172 FM174  
 356 - TRANSFER LINE 4 - FM174-AR6  
 252 - TRANSFER LINE 6 - FM174-AQ6  
 256 - TRANSFER LINE 7 - FM174-AR6  
 136 - I-O DISCONNECT - FM165 FM174  
 410 - TRANSFER LINE 1 - FM174-AR6  
 336 - RESET TRANSFER ERROR - FM184-AQ6

A.\*50Z-48 IS 01B-A4 DN 5415B  
 \*50Z-48 IS 01B-A4 OR 01A-A3  
 \* DN 5412  
 B.\*50Z-48 IS 01B-A4 DN 5415B  
 \*50Z-48 IS 01B-A4 OR 01A-A3  
 \* DN 5412

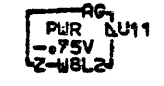
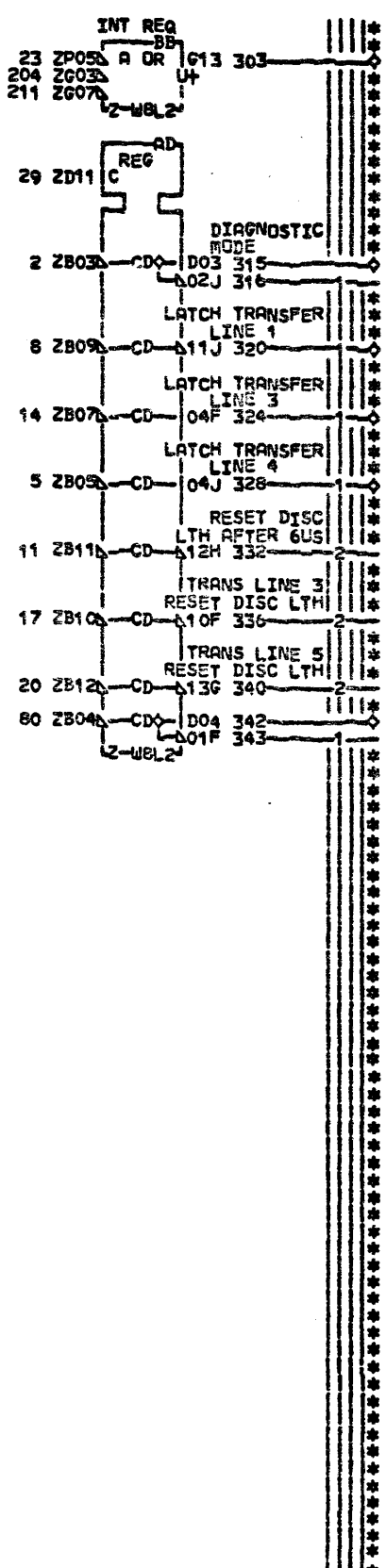
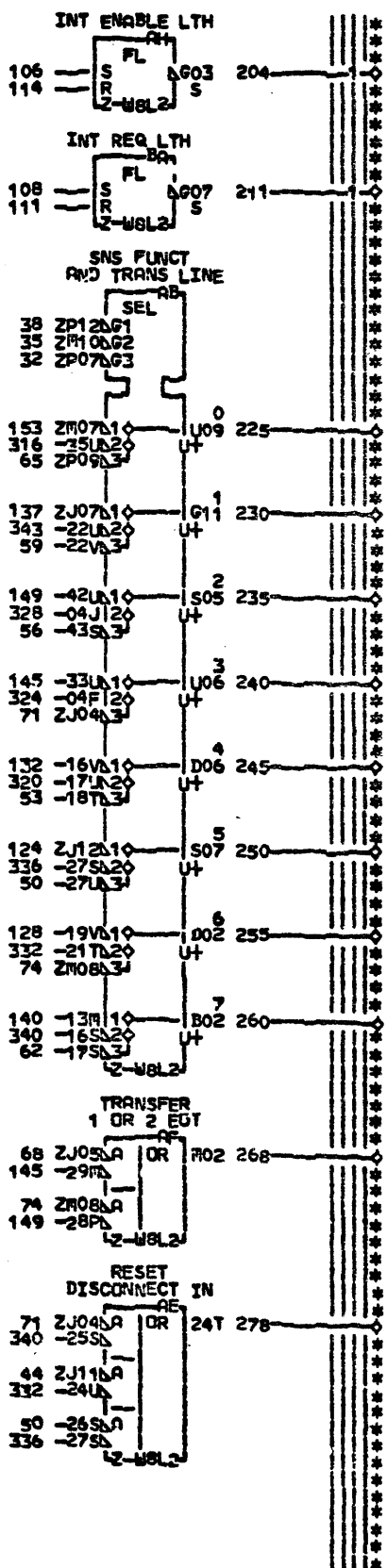
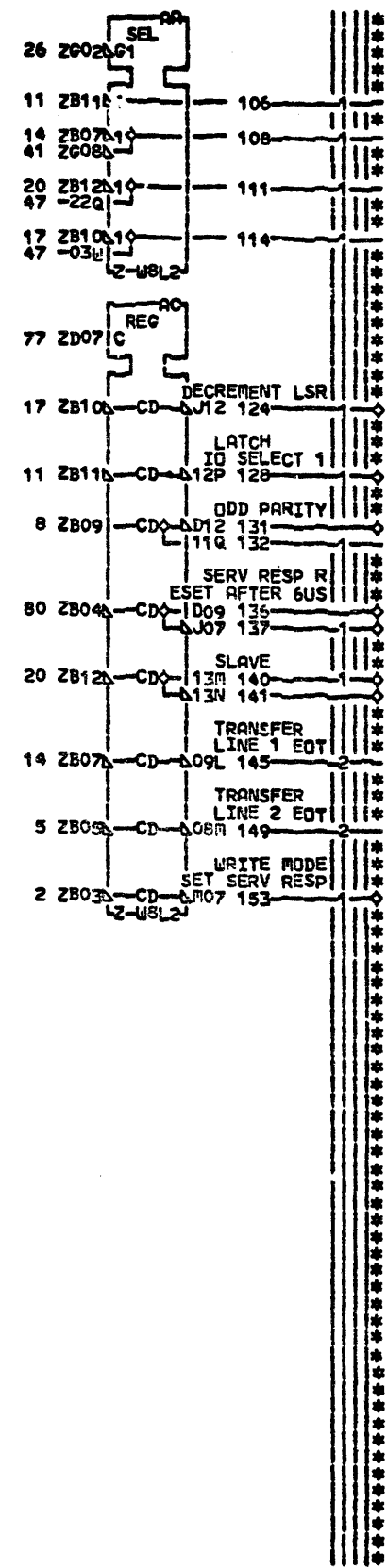
FM170  
 FM171  
 000

LOC. TYPE  
 Z-WBL2 2592

PAGE VER EC LEV  
 FM170 000 825074  
 FM171 000 825074

I-O SELECT FUNCTION AND  
 TRANSFER LINE REGISTER  
 E-C-HISTORY C-RACH-CARDLESS  
 824925  
 DATE LAST EC  
 06-08-75 825074  
 FRAME 50 FM170  
 IBM CORP. GSD FM171  
 P.No. 4234230 000

- DBO BUFFER BIT 0 - FW120AD2- 2-1  
 - DBO BUFFER BIT 2 - FW120AE2- 5-1  
 - DBO BUFFER BIT 4 - FW120AF2- 8-1  
 - DBO BUFFER BIT 6 - FW120AG2- 11-2  
 - DBO BUFFER BIT 3 - FW120AM2- 14-2  
 - DBO BUFFER BIT 5 - FW120AN2- 17-2  
 - DBO BUFFER BIT 7 - FW120AP2- 20-2  
 - INTERRUPT POLL - FW121BD2- 23-1  
 - SAMPLE IR BYTE - FW141AK6- 26-1  
 + LOAD FUNC REG 1ST CY - FW144AF2- 29-1  
 - SNS ID TRANS LINES 1ST CY - FW144AG6- 32-1  
 - SNS FUNC REG 1ST CY - FW144AT6- 35-1  
 - SNS FUNC REG 2ND CY - FW144AU6- 38-1  
 - END RESET - FW152AN6- 41-1  
 - END RESET AFTER 6 - FW170AG6- 44-1  
 + SYSTEM RESET PLRD - FW171AA2- 47-2  
 - TRANSFER LINE 3 - FW171AE6- 50-2  
 - TRANSFER LINE 4 - FW171AF6- 53-2  
 - TRANSFER LINE 6 - FW171AG6- 56-2  
 - TRANSFER LINE 7 - FW171AH6- 59-2  
 - TRANSFER LINE 1 - FW171AN4- 62-2  
 - I-O TRANSFER 8 - FW188BG2- 65-2  
 - I-O TRANSFER 1 - FW191BH2- 68-2  
 - I-O TRANSFER 5 - FW191BH2- 71-2  
 - I-O TRANSFER 2 - FW192AD2- 74-2  
 + LOAD FCN REG 2ND CYL OR IPL - FW201AD6- 77-1  
 - I-O SELECT 1 SET - FW201AG2- 80-1



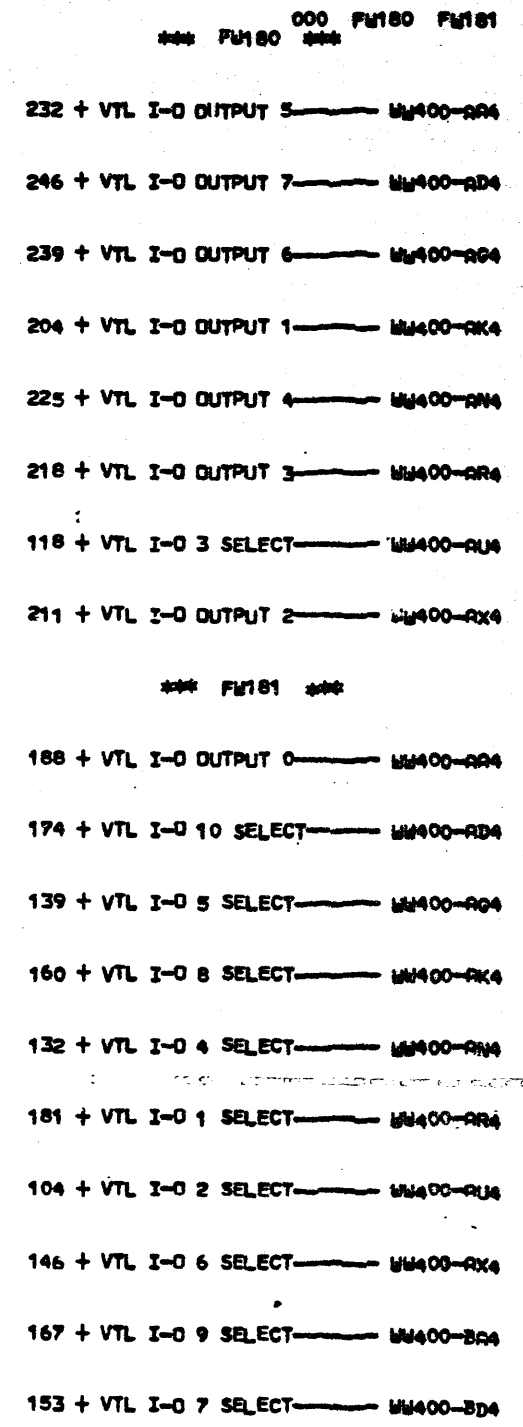
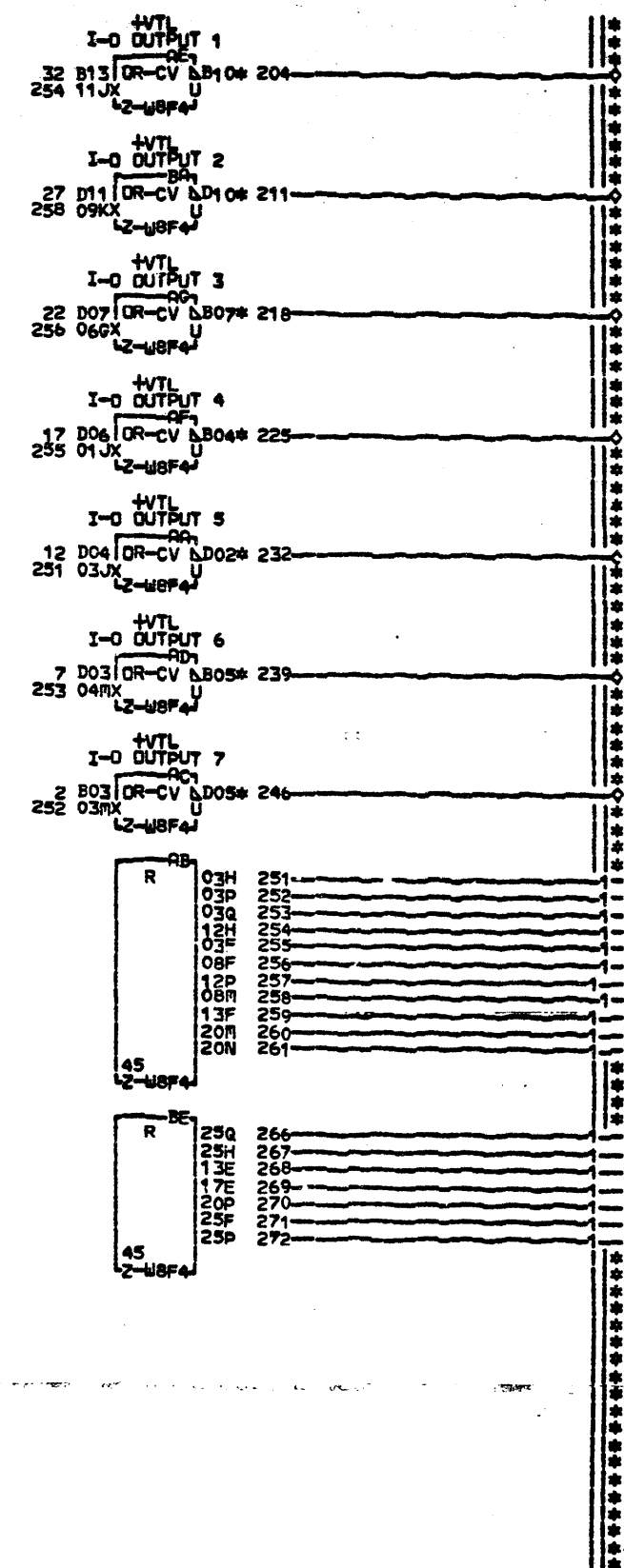
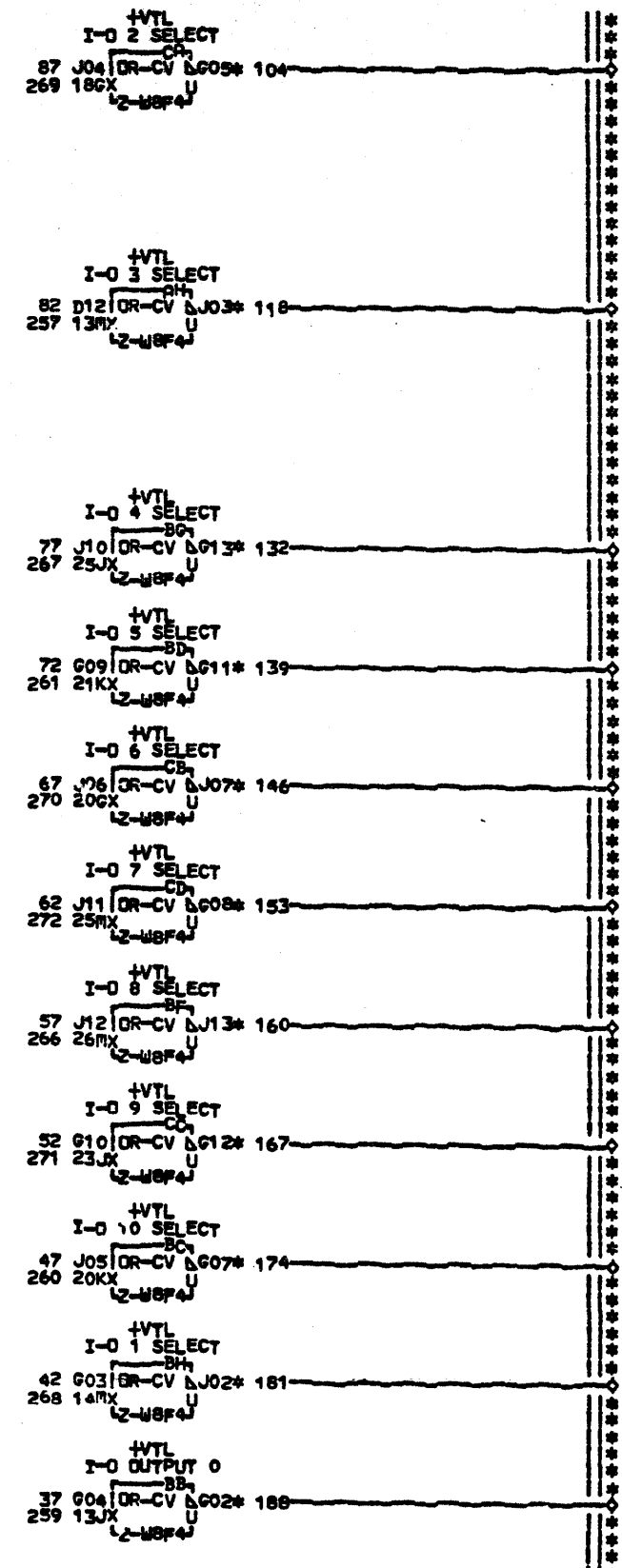
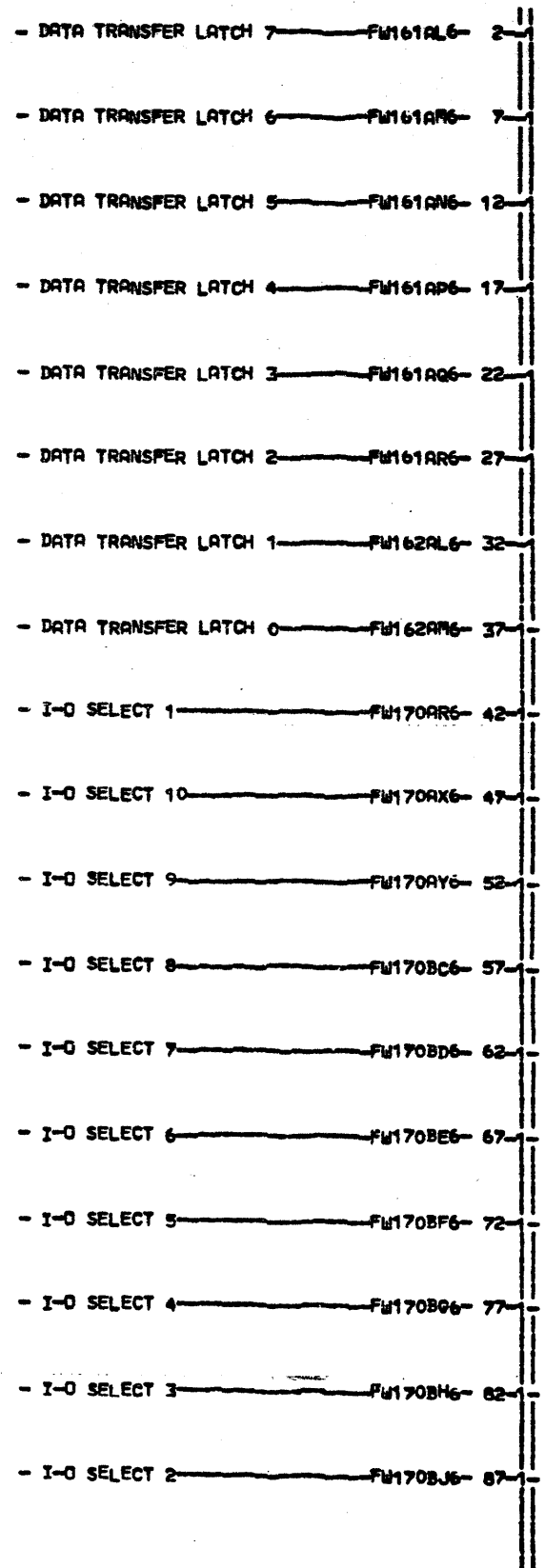
000 FW172 FW175  
 \*\*\* FW172 \*\*\*  
 278 + RESET DISCONNECT IN - FW171-AE2  
 320 - LATCH TRANSFER LINE 1 - FW171-AG6  
 324 + LATCH TRANSFER LINE 3 - FW171-AK2  
 328 + LATCH TRANSFER LINE 4 - FW171-AL2  
 342 + SPARE - AM2  
 315 + DIAGNOSTIC MODE - FW142-AM2  
 \*\*\* FW173 \*\*\*  
 140 + SLAVE - FW171-ACZ  
 141 - SLAVE - FW171-AC6  
 128 - LATCH IO SELECT 1 - FW171-AD6  
 124 - DECREMENT LSR - FW145-AE6  
 131 - ODD PARITY - FW162-AF2  
 268 + TRANSFER 1 OR 2 EOT - FW152-AG2  
 136 + SERV RESP RESET AFTER 6US - AM2  
 FW150  
 137 - SERV RESP RESET AFTER 6US - AM6  
 FW150  
 153 - WRITE MODE SET SERV RESP - AM6  
 FW151  
 444 - TIE DOWN VOLTAGE - AQ2  
 \*\*\* FW174 \*\*\*  
 250 + SNS FUNCT AND TRANS LINE 5 - AK6  
 FW119  
 230 + SNS FUNCT AND TRANS LINE 1 - AL6  
 FW119  
 260 + SNS FUNCT AND TRANS LINE 7 - AM6  
 FW119  
 255 + SNS FUNCT AND TRANS LINE 6 - AM6  
 FW119  
 245 + SNS FUNCT AND TRANS LINE 4 - AP6  
 FW119  
 240 + SNS FUNCT AND TRANS LINE 3 - AQ6  
 FW119  
 235 + SNS FUNCT AND TRANS LINE 2 - AR6  
 FW119  
 225 + SNS FUNCT AND TRANS LINE 0 - AS6  
 FW119  
 \*\*\* FW175 \*\*\*  
 204 - INTERRUPT ENABLE - AC6  
 FW165 FW166  
 211 - INTERRUPT PENDING - AD6  
 FW165 FW166  
 303 + INT REQ - FW119-AF2

A.\*502-W8 IS 01B-A4 ON 5415B  
 \*502-W8 IS 01B-A4 OR 01A-A3  
 \* ON 5412  
 B.\*502-W8 IS 01B-A4 ON 5415B  
 \*502-W8 IS 01B-A4 OR 01A-A3  
 \* ON 5412  
 FW172 C.\*502-W8 IS 01B-A4 ON 5415B  
 \*502-W8 IS 01B-A4 OR 01A-A3  
 \* ON 5412  
 FW175 000 D.\*502-W8 IS 01B-A3 ON 5415B

LOC. TYPE  
 Z-WBL2 2592  
 PAGE VER EC LEV  
 FW172 000 825074  
 FW173 000 825074  
 FW174 000 825074  
 FW175 000 825074

I-O SELECT FUNCTION AND  
 TRANSFER LINE REGISTER  
 -E-C-HISTORY- MACH-CARDLESS  
 824925  
 DATE LAST EC  
 06-08-75 825074  
 P/N. 4234231 000  
 FRAME 50 FW172  
 IBA CORP-GSD FW175





A.\*50Z-W8 IS 01B-A4 ON 5415B  
 \*50Z-W8 IS 01B-A4 OR 01A-A3  
 \* ON 5412  
 B.\*50Z-W8 IS 01B-A4 ON 5415B  
 \*50Z-W8 IS 01B-A4 OR 01A-A3  
 FW180 \* ON 5412  
 FW181  
 000

EDGE CONN.

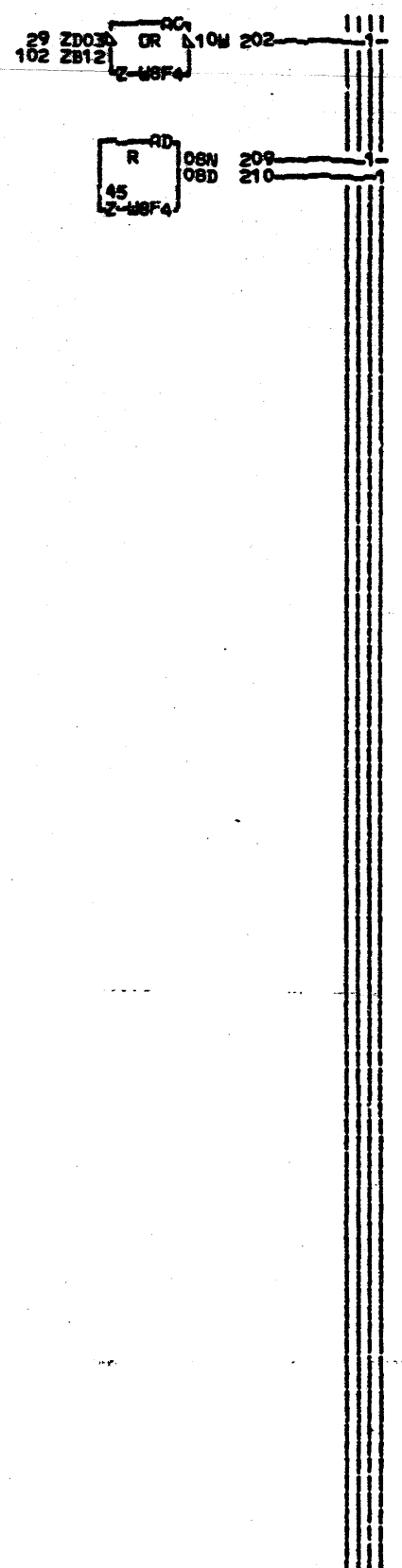
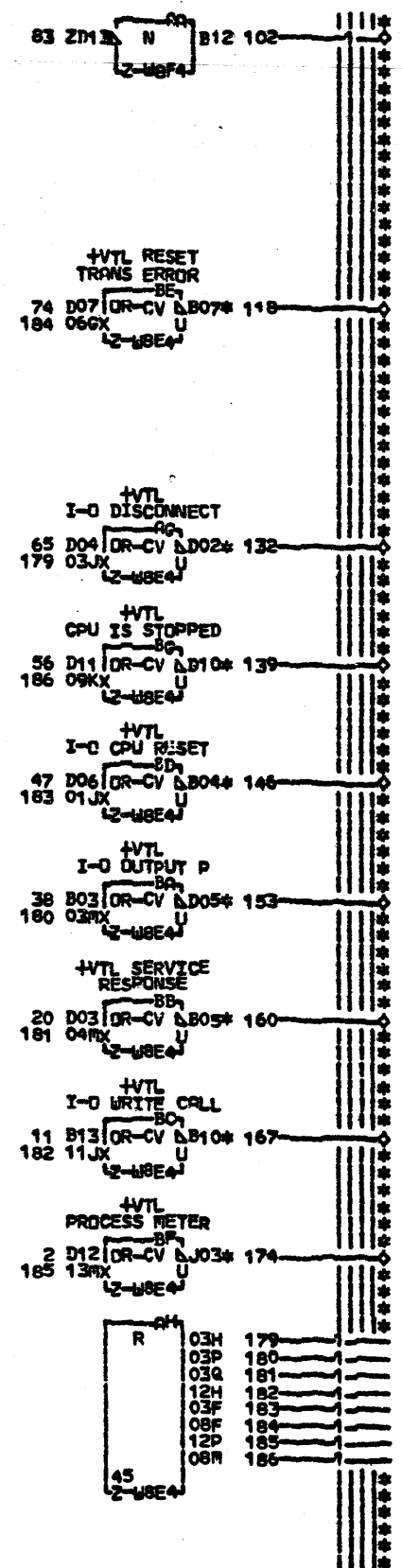
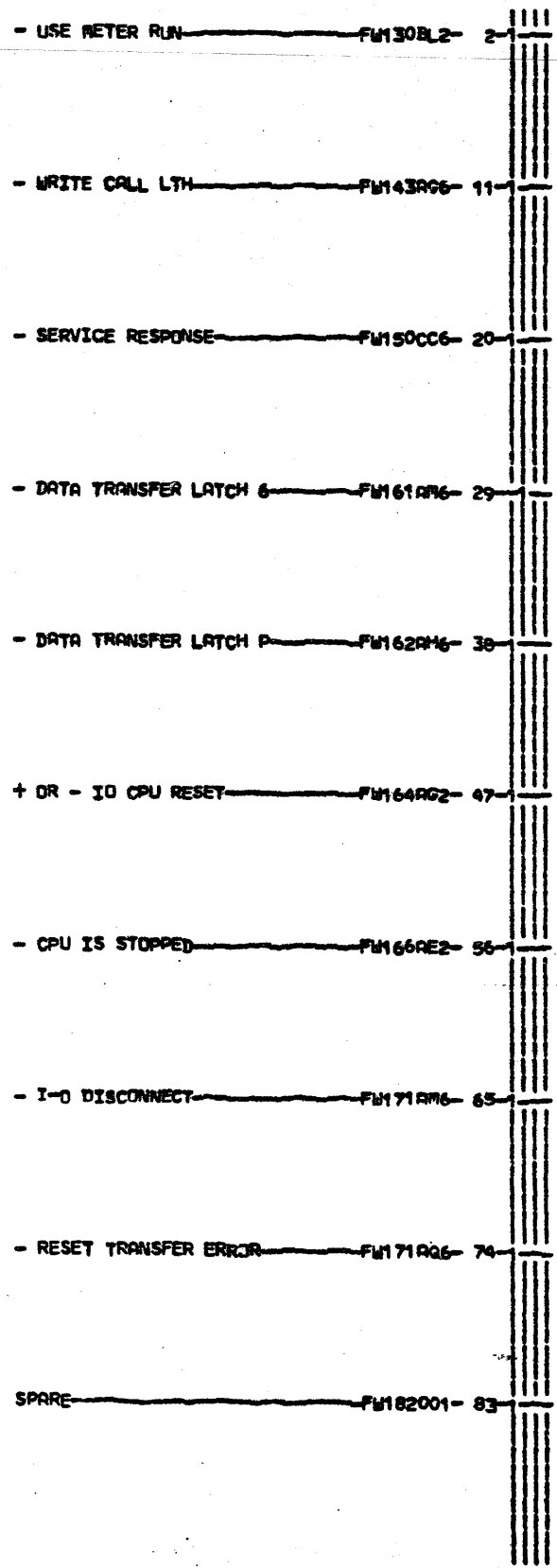
104	2-W8A5D12	188	2-W8B4D02
118	2-W8A5D11	204	2-W8B4D04
132	2-W8A5D10	211	2-W8B4D05
139	2-W8A5D09	218	2-W8B4D06
146	2-W8B5B13	225	2-W8B4D07
153	2-W8B5B12	232	2-W8B4D09
160	2-W8B5B10	239	2-W8B4D10
167	2-W8B5B09	246	2-W8B4D11
174	2-W8B5B08		

LOC. TYPE  
 Z-W8F4 Y659

PAGE VER EC LEV  
 FW180 000 825074  
 FW181 000 825074

R1ST 1 TO VTL CONVERTER

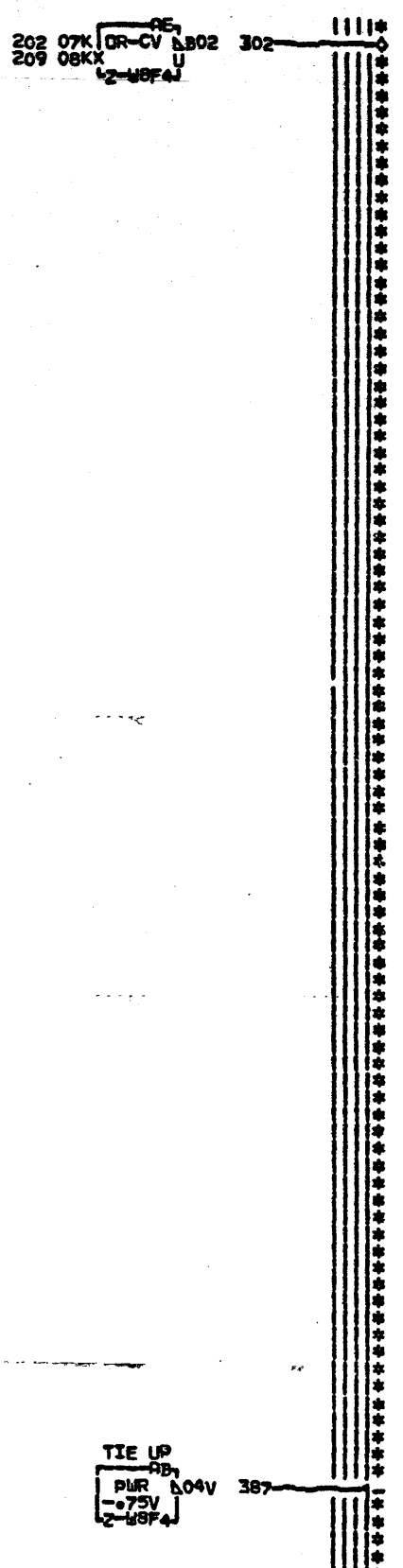
E-C-HISTORY	C-RACH-CARDLES			
824925				
DATE	LAST EC	FRAME	50	FW180
08-08-75	825074	IBN CORP-GSD		FW181
		PO#	4234232	000



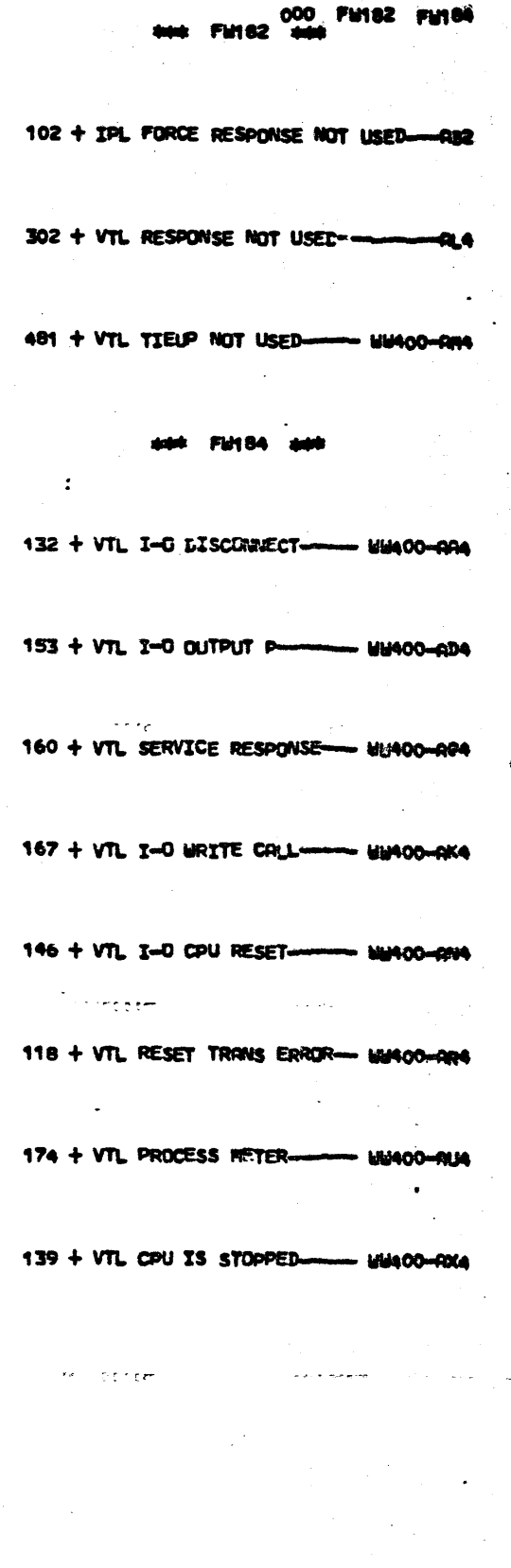
A-#502-48 IS 01B-04 ON 54158  
 #502-48 IS 01B-04 DR 01A-03  
 \* ON 5412  
 B-#502-48 IS 01B-04 ON 54158  
 #502-48 IS 01B-04 DR 01A-03  
 FM182 \* ON 5412  
 FM184  
 000

EDGE CONN.  
 118 Z-48A4D10  
 132 Z-48A3D07  
 139 Z-48A4D13  
 146 Z-48A4B09  
 153 Z-48A4D12  
 160 Z-48A4D09  
 167 Z-48A4D06  
 174 Z-48A4D11  
 481 Z-48A4B10

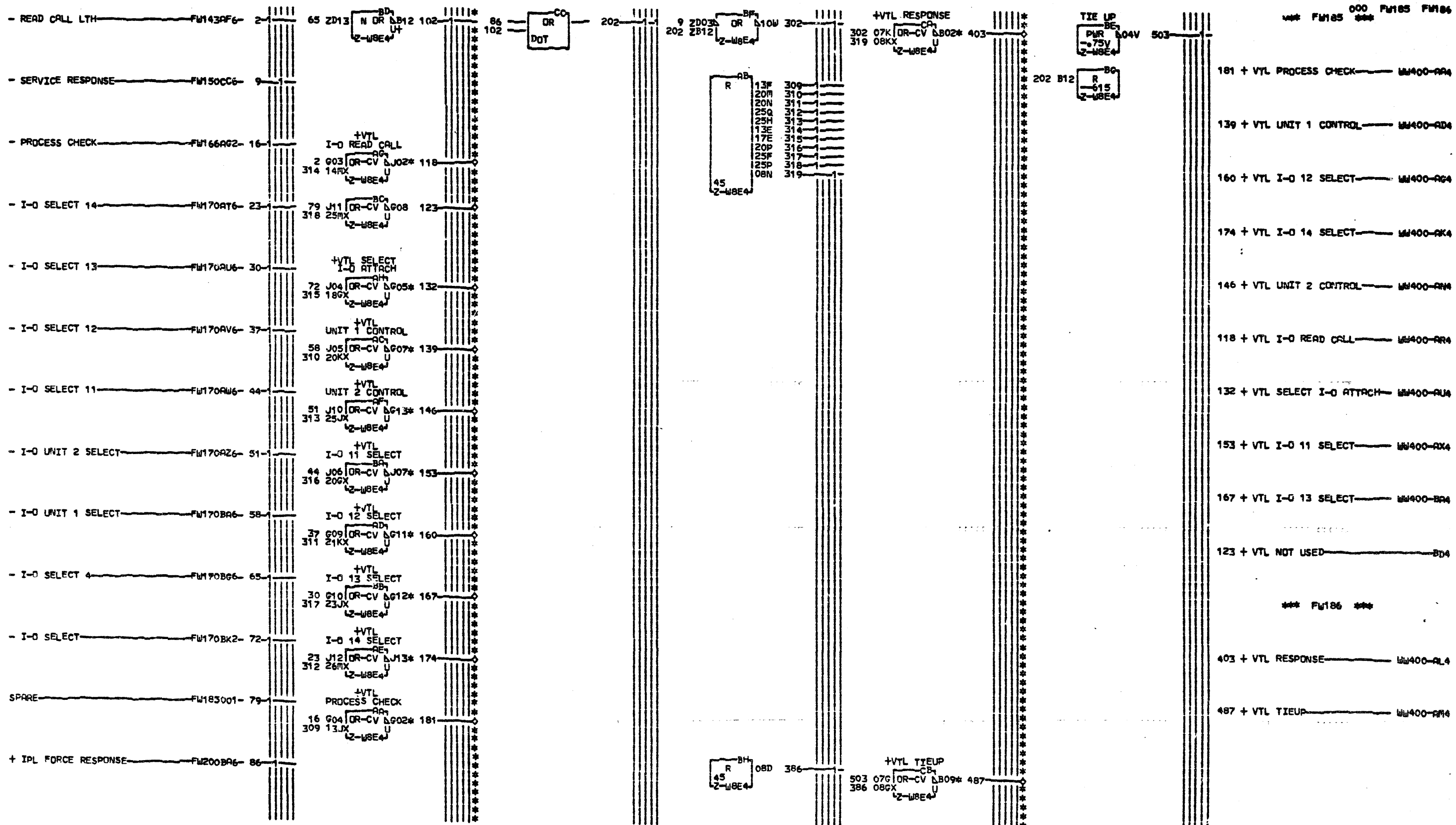
L3C TYPE  
 Z-48E4 Y659  
 Z-48F4 Y659



PAGE VER EC LEV  
 FM182 000 825074  
 FM184 000 825074



RST 1 TO VTL CONVERTER  
 E.C. HISTORY 824925 825057  
 O. MACH. CARDLESS  
 FRAME 50  
 IBM CORP. 6SD  
 DATE 08-08-75  
 LAST EC 825074  
 P.O.N. 4234233  
 000



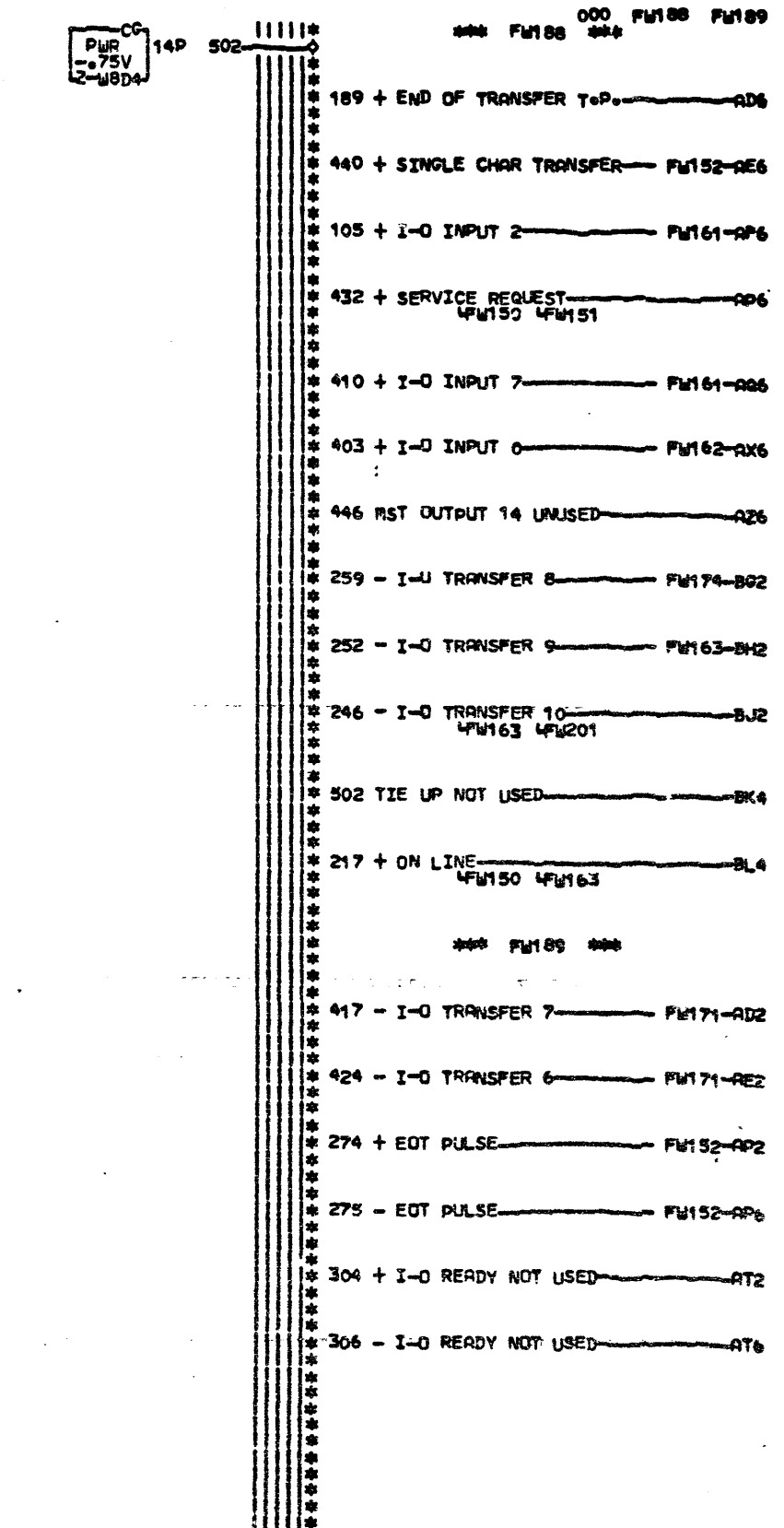
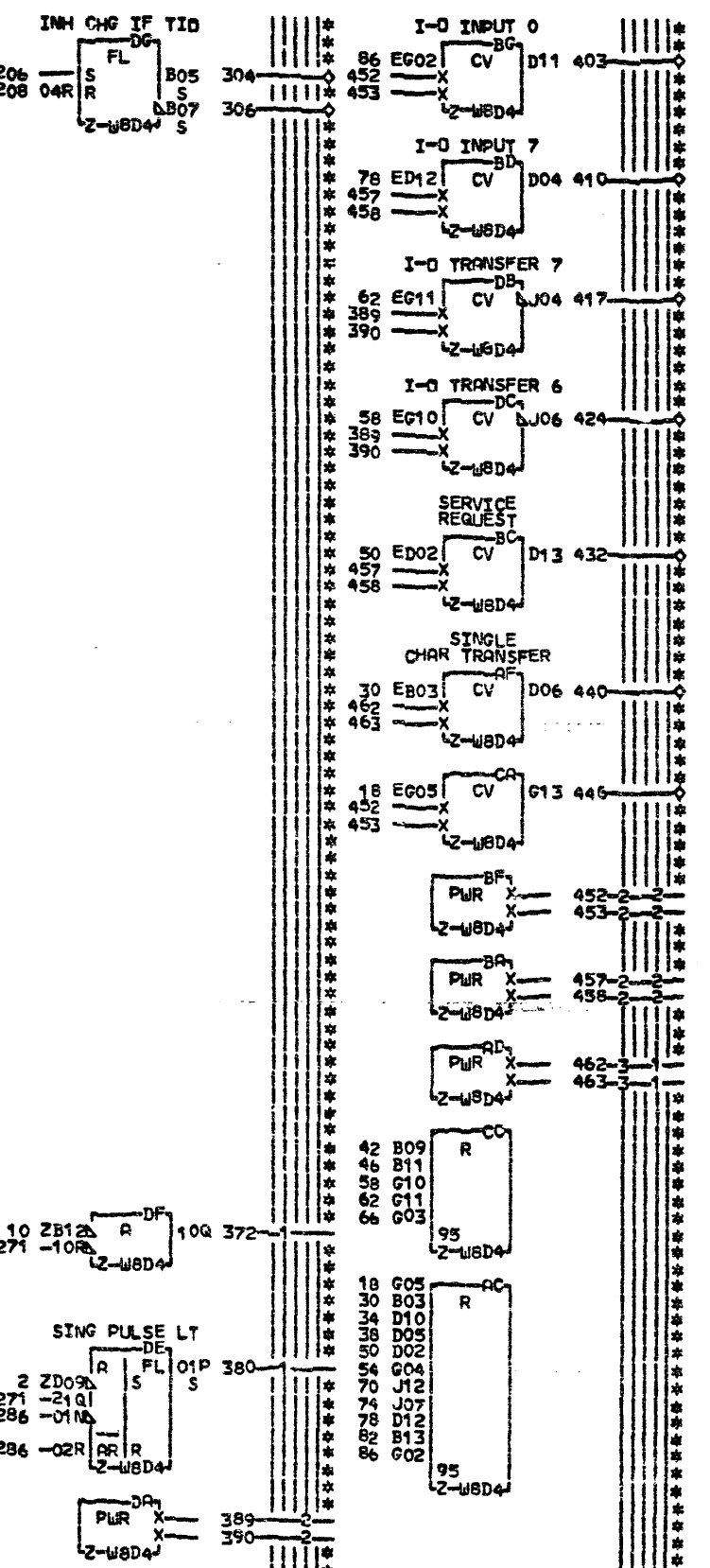
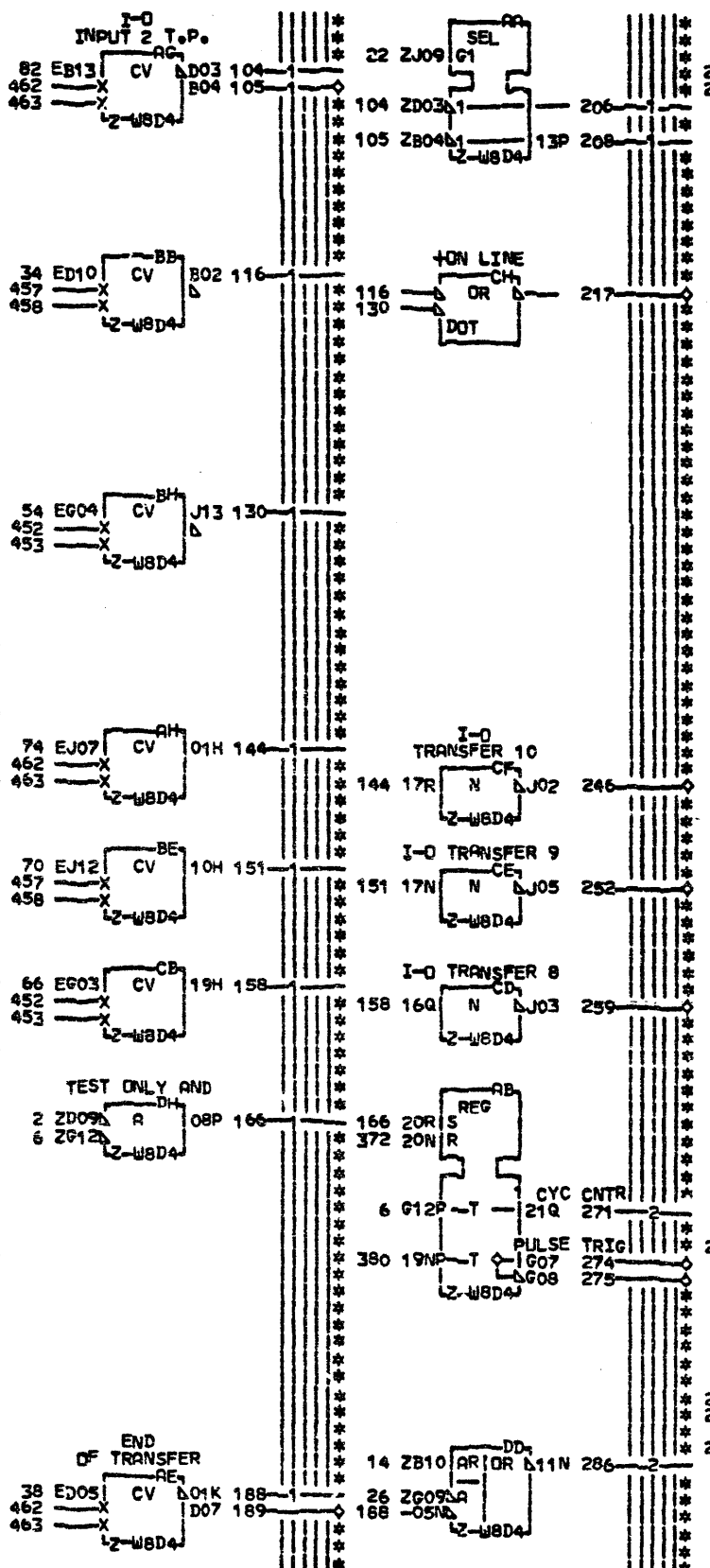
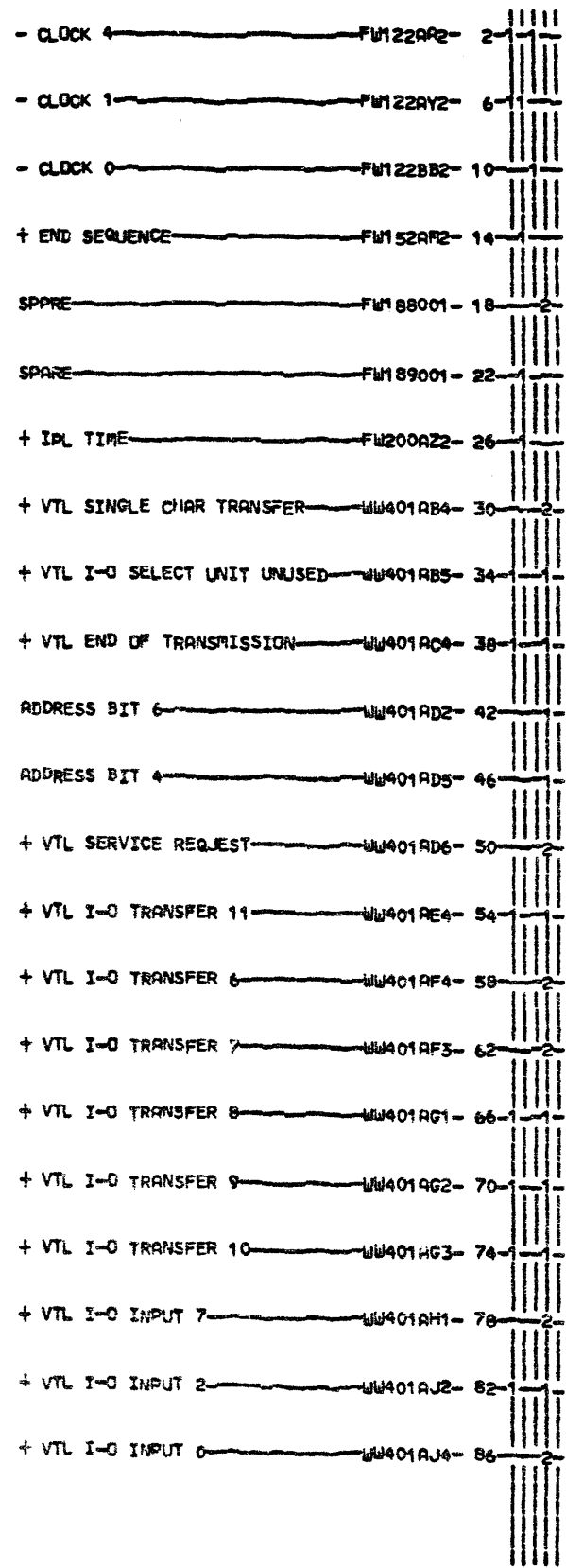
A.\*50Z-W8 IS 01B-A4 ON 5415B  
 \*50Z-W8 IS 01B-A4 OR 01A-A3  
 \* DN 5412  
 B.\*50Z-W8 IS 01B-A4 ON 5415B  
 \*50Z-W8 IS 01B-A4 OR 01A-A3  
 \* DN 5412  
 FW185  
 FW186  
 000

EDGE CONN. 403 Z-W8A4B13  
 118 Z-W8A4D05 487 Z-W8A4B12  
 132 Z-W8A4D07  
 139 Z-W8B5D02  
 146 Z-W8B5B02  
 153 Z-W8B5B07  
 160 Z-W8B5B05  
 167 Z-W8B5B04  
 174 Z-W8B5B03  
 181 Z-W8A4D12

LDC TYPE  
 Z-W8E4 V659

PAGE VER EC LEV  
 FW185 000 825074  
 FW186 000 825074

RST 1 TO VTL CONVERTER			
E.C. HISTORY	0	FRAME	50
824925		IBR CORP. 65D	FW186
825057		P.No. 4234234	000
DATE	LAST EC		
08-08-75	825074		

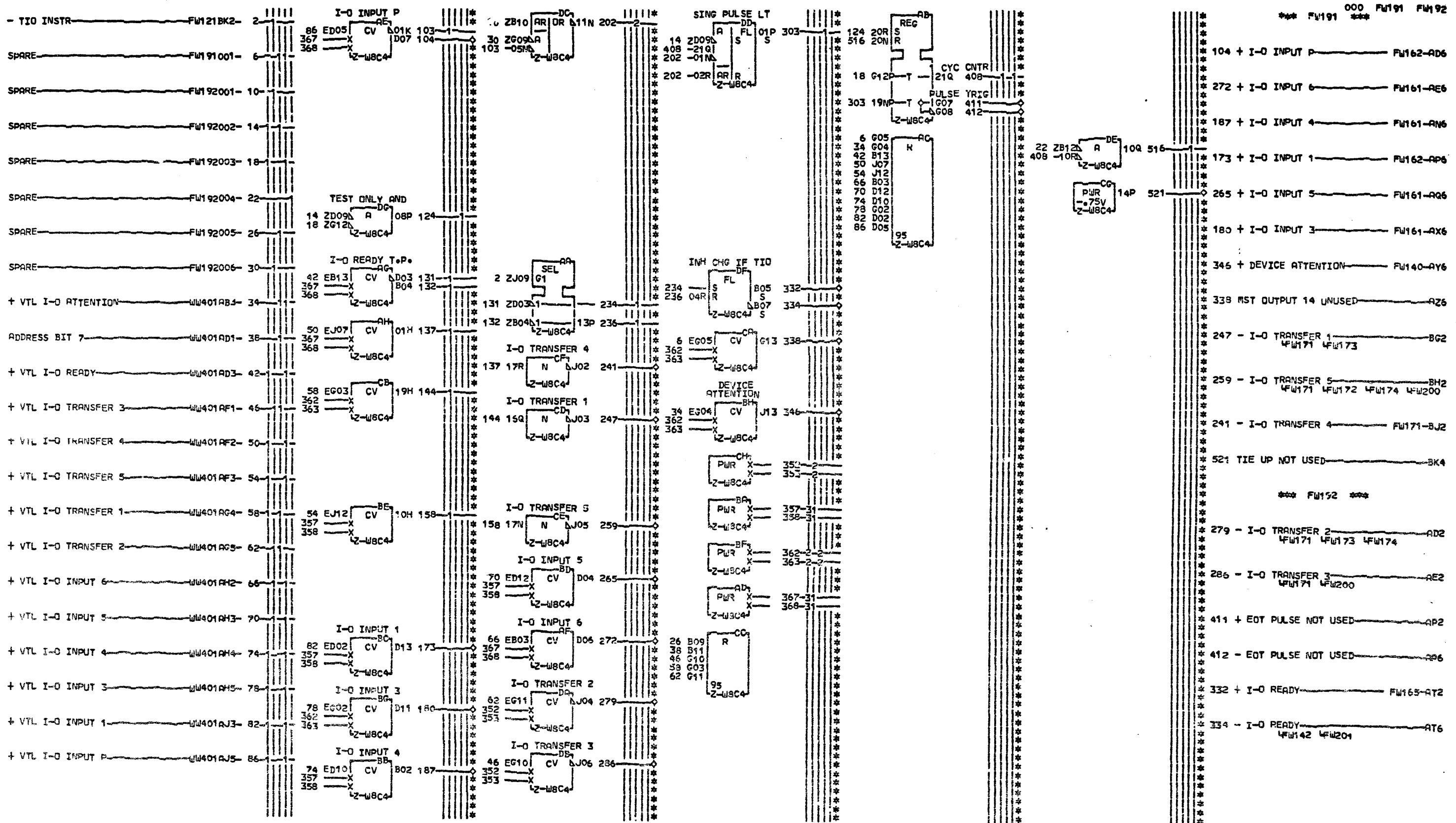


A. 4502-W8 IS 01B-A4 ON 5415B  
 4502-W8 IS 01B-A4 OR 01A-A3  
 \* ON 5412  
 B. 4502-W8 IS 01B-A4 ON 5415B  
 \* 502-W8 IS 01B-A4 OR 01A-A3  
 \* ON 5412  
 FW188  
 FW189  
 000

LOC. TYPE  
 Z-W8D4 Y658

PAGE VER EC LEV  
 FW188 000 825074  
 FW189 000 825074

VTL TO RST CONVERTER			
E.C. HISTORY	C. MACH. CARDLESS	FRAME	50 FW188
824925		IBN CORP. GSD	FW189
DATE	LAST EC	P.No.	4234235 000
08-08-75	825074		



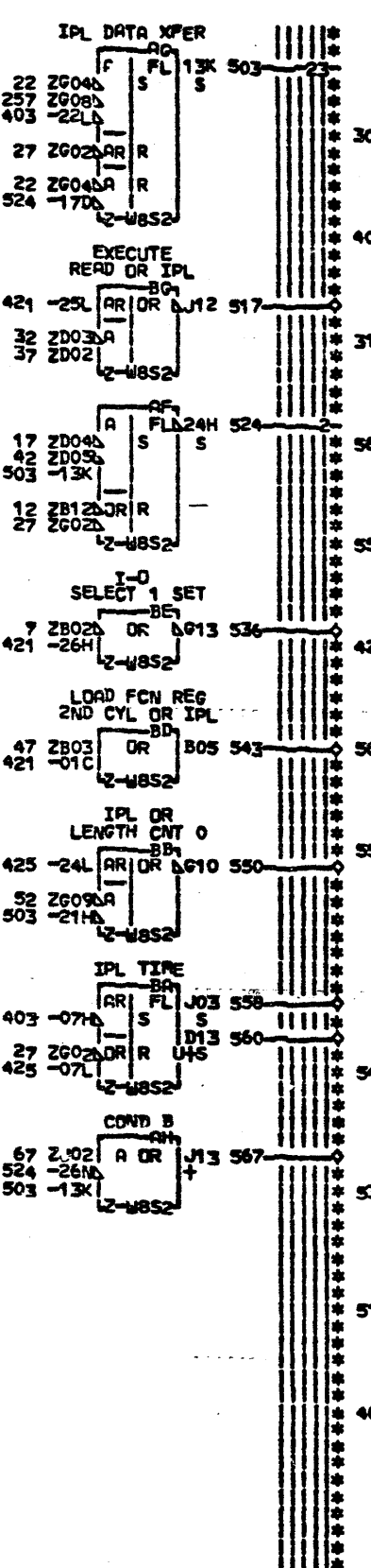
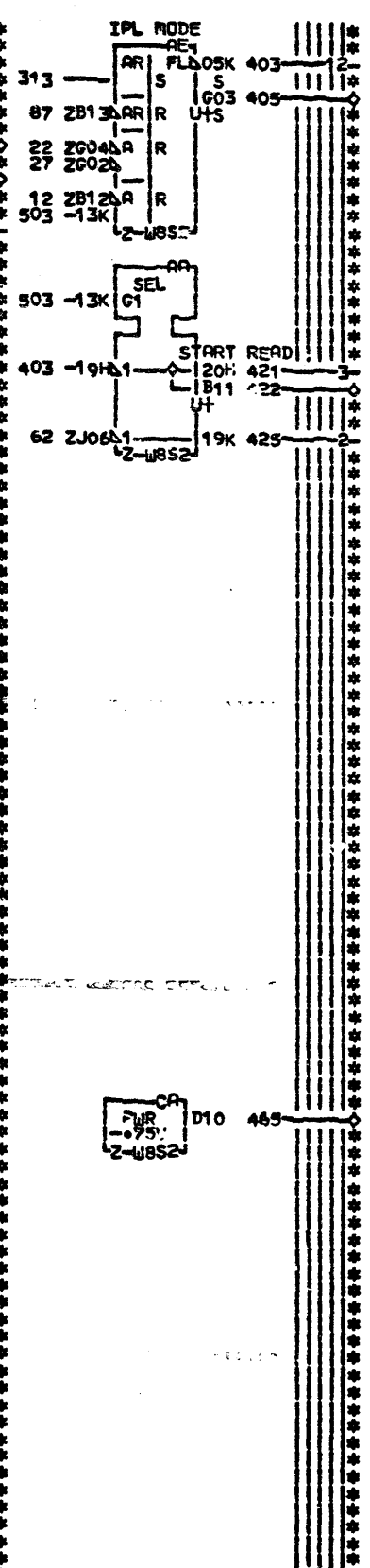
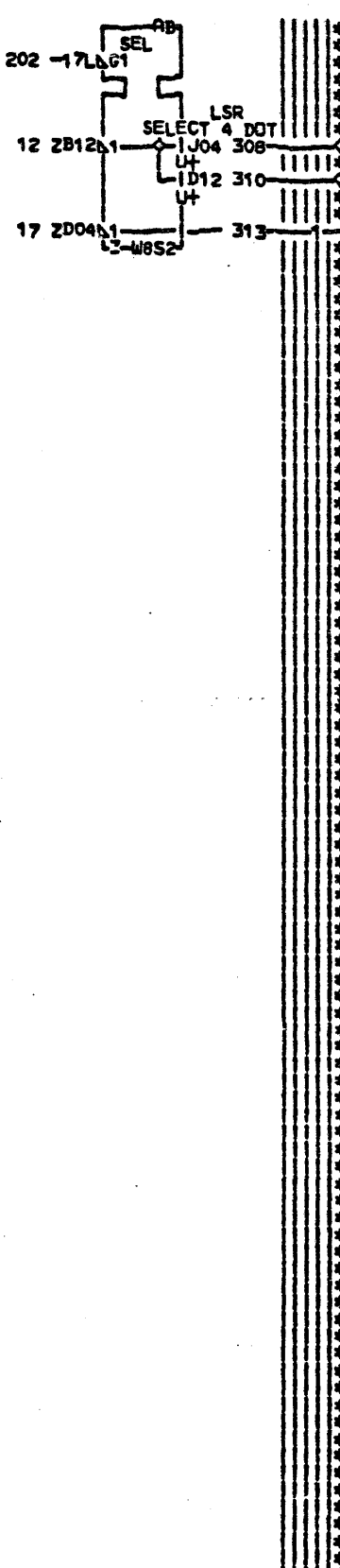
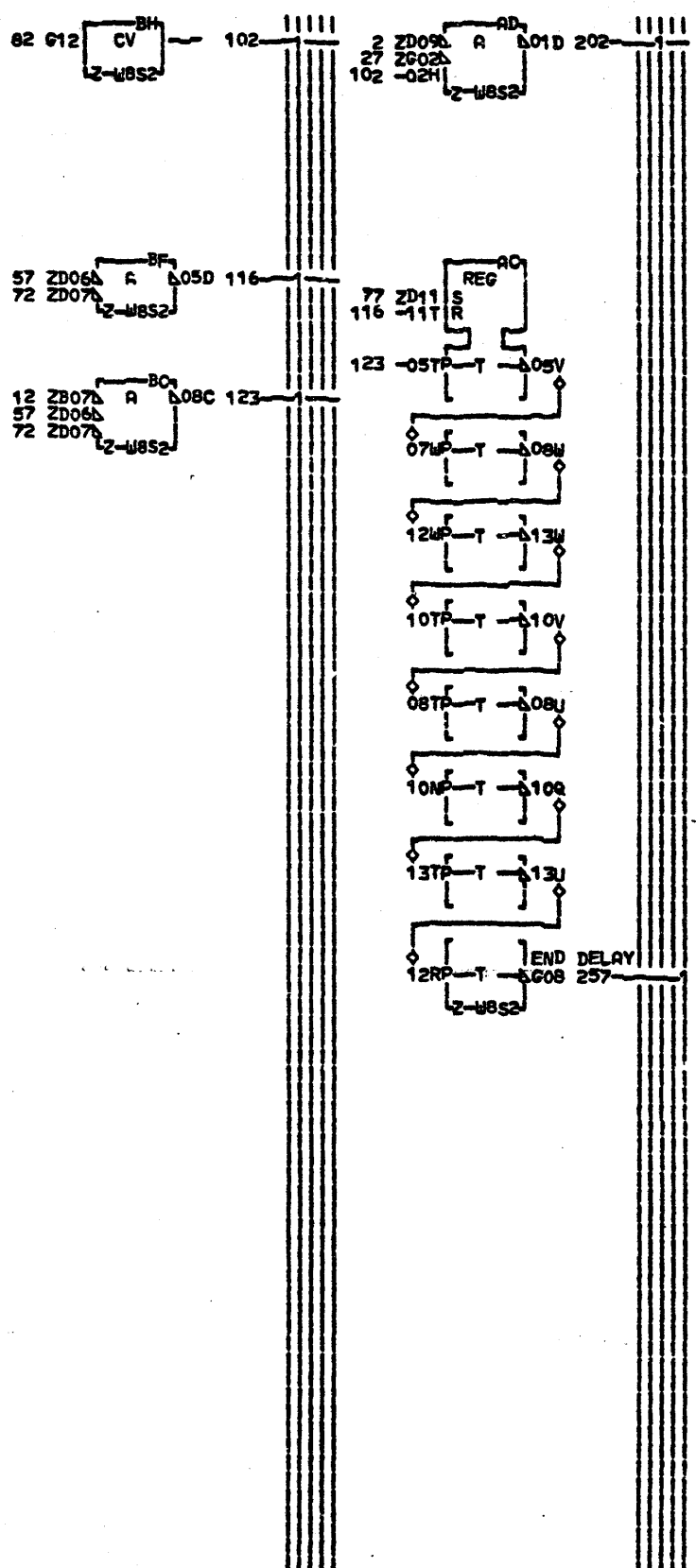
P.\*502-WB IS 01B-A4 DN 5415B  
 \*502-WB IS 01B-A4 DR 01A-A3  
 \* DN 5412  
 B.\*502-WB IS 01B-A4 DN 5415B  
 \*502-WB IS 01B-A4 DR 01A-A3  
 \* DN 5412  
 FW191  
 FW192  
 000

LOC. TYPE  
 Z-W8C4 Y659

PAGE VER EC LEV  
 FW191 000 825074  
 FW192 000 825074

VTL TO MST CONVERTER			
E.C. HISTORY	C. MACH. CARDLESS	FRAME	50 FW191
824925		IBR CORP. GSD	FW192
DATE	LAST EC	P.No.	4234236 000
08-08-75	825074		

- DBD BUFFER BIT 7 - FM120AP2- 2  
 - DBD BUFFER BIT 1 - FM120BB6- 7  
 - CLOCK 4 - FM122AP2- 12  
 - CLOCK 5 - FM122AG2- 17  
 - CLOCK 2 - FM122AT2- 22  
 - SYSTEM RESET - FM122BH2- 27  
 - F1 - FM140AT6- 32  
 + EXECUTE SID INSTR - FM141AJ2- 37  
 + IO SELECTED - FM143AL6- 42  
 + LOAD FUNC REG 2ND CY - FM144AG2- 47  
 - LENGTH COUNT EQUALS 0 - FM160AU6- 52  
 - I-O TRANSFER 10 - FM166BJ2- 57  
 - I-O TRANSFER 9 - FM191BH2- 62  
 - I-O TRANSFER 3 - FM192AE2- 67  
 - I-O READY - FM192AT6- 72  
 + RESET - FM201001- 77  
 + 3741 IPL ENABLE SW - FM201002- 82  
 + CHAN NOT POWER ON RESET - FM310AH4- 87



\*\*\* FM200 \*\*\*  
 000 FM200 FM201  
 308 + LSR SELECT 4 DOT - FM145-AR2  
 405 + I-O ATTENTION DOT - FM142-AR2  
 310 + LSR SELECT 5 DOT - FM145-AS2  
 567 + COND B - FM142-AY2  
 558 + IPL TIME - FM189-AZ2  
 422 + IPL FORCE RESPONSE - FM186-BA6  
 560 + IPL TIME DOT - FM152-BD6  
 550 - IPL OR LENGTH CNT 0 - BE2  
 FM152 FM165  
 \*\*\* FM201 \*\*\*  
 543 + LOAD FCN REG 2ND CYL OR IPL - AD6  
 FM173  
 536 - I-O SELECT 1 SET - AG2  
 FM170 FM172 FM173  
 517 - EXECUTE READ OR IPL - FM143-AL2  
 465 + TIE UP - RM4

A.\*502-UB IS 01B-04 ON 5415B  
 \*502-UB IS 01B-04 OR 01A-03  
 \* ON 5412  
 B.\*502-UB IS 01B-04 ON 5415B  
 \*502-UB IS 01B-04 OR 01A-03  
 \* ON 5412  
 FM200  
 FM201  
 000

LOC. TYPE  
 Z-W8S2 Y662

PAGE VER EC LEV  
 FM200 000 825074  
 FM201 000 825074

IPL		
E.C. HISTORY	C. MACH. CARDLESS	
824925		
DATE	LAST EC	FRAME 50 FM200
08-08-75	825074	IBR CORP. RD FM201
		P.No. 4234237 000

PART NO. 5554842

E.C. NO. 825077

VERSION 000

SIZE SINGLE

MACHINE CARDLESS

LOCATION 50Z-W8

PIN ID: #-I/O PIN

PLANES: 1-CARD SIDE SHALLOW

3-PROBE SIDE SHALLOW

WIRE TYPES: YEL-YELLOW, 30, AG

NTR-90 OHM TRI-LEAD

\*-I/O & LOGIC

2-PROBE SIDE SHALLOW

4-PROBE SIDE SHALLOW

TWL-TWIN LEAD WRAP

FTW-50 OHM TWIN LEAD

T-TERMINATING RES.

W-DISCRETE OVERFLOW

TW-TWIST PR CONNECT

NTW-90 OHM TWIN HEAD

V-VOLTAGE/GROUND

NOTES: WIRE LENGTH IS IN TENTHS OF AN INCH. YELLOW WIRE LENGTH INCLUDES WIRE FOR WRAP.

FTR-50 OHM TRI-LEAD

CX-COAX CONNECTOR

NET NO.	FROM PIN	P L	TO PIN	P L	WIRE TYP	LNGLTH	FROM PIN	P L	TO PIN	P L	WIRE TYP	LNGLTH	FROM PIN	P L	TO PIN	P L	WIRE TYP	LNGLTH		
FW108AA4	V4D04	2	V4C04	2	YEL	4.0	FW109DA4	V5B10#	1	U5B10#	1	YEL	5.0	FW121BL6	T3B12	2	R2D12	2	YEL	6.0
FW108AB4	V4D12	2	V4C12	2	YEL	4.0	FW109DA6	V5B12#	2	U5B12#	2	YEL	4.5	FW121BM2	T2D05	2	R3D05	2	YEL	6.0
FW108AC4	V4C03	2	V4B03	2	YEL	4.0	FW119AA4	L2B02	1	R2B02	1	YEL	7.0	FW121BN2	T4D11	1	S5B13	2	YEL	6.0
FW108AD4	V4C07	2	V4B07	2	YEL	4.0		R2B02	2	M5B02	2	YEL	11.0	FW122AA2	N4B05	2	S2B07	2	YEL	10.0
FW108AE4	V4C11	2	V4B11	2	YEL	4.0		S5D03	2	M5B02	2	YEL	7.0		S2B12	1	S2B07	2	YEL	5.0
FW108AF4	V5D04	2	V5C04	2	YEL	4.0	FW119AB4	M5B07	2	L2D02	2	YEL	10.0		D4D09	W	T5B07	W	YEL	13.0
FW108AG4	V5D12	2	V5C12	2	YEL	4.0		S5D02	2	M5B07	2	YEL	8.0	FW122AG2	N4B05	W	D4D09	W	YEL	9.0
FW108AH4	V5C03	2	V5B03	2	YEL	4.0	FW119AC4	M4D13	2	L5B07	2	YEL	5.5		S2D04	1	T3D13	2	YEL	7.0
FW108AJ4	V5C07	2	V5B07	2	YEL	4.0		S5B02	2	L5B07	2	YEL	8.0	FW122AL2	N5D03	W	S2D04	W	YEL	10.0
FW108AK4	V5C11	2	V5B11	2	YEL	4.0	FW119AD4	M4B13	2	L2D06	1	YEL	8.0		T4B04	2	R2D02	2	YEL	8.0
FW108AW4	U4D04	2	U4C04	2	YEL	4.0		S4B13	2	M4B13	2	YEL	7.0	FW122AN2	R2D02	2	N5D06	2	YEL	11.0
FW108AX4	U4D12	2	U4C12	2	YEL	4.0	FW119AE4	M5B04	2	L5D06	2	YEL	4.0	FW122AT2	N4D09	2	T2D13	2	YEL	8.0
FW108AY4	U4C03	2	U4B03	2	YEL	4.0		S4D05	2	L5D06	2	YEL	9.0		S3B04	2	R3D06	2	YEL	8.0
FW108AZ4	U4C07	2	U4B07	2	YEL	4.0	FW119AF4	M5B03	2	L5B05	2	YEL	4.5		N4D07	1	R3D06	2	YEL	8.0
FW108BA4	U4C11	2	U4B11	2	YEL	4.0		S4D04	2	L5B05	2	YEL	10.0	FW122AX6	S3B04	W	T5D10	W	YEL	9.0
FW108BB4	U5D04	2	U5C04	2	YEL	4.0	FW119AG4	M5B05	2	L3B11	2	YEL	7.0	FW122AY2	T5B13	2	R5B03	2	YEL	9.0
FW108BC4	U5D12	2	U5C12	2	YEL	4.0		S4D03	2	M5B05	2	YEL	9.0		D5B12	1	N4D06	2	YEL	12.0
FW108BD4	U5C03	2	U5B03	2	YEL	4.0	FW119AH4	M5D07	2	L5D09	2	YEL	4.5		N4D06	2	R2D13	2	YEL	7.0
FW108BE4	U5C07	2	U5B07	2	YEL	4.0		S4D02	2	L5D09	2	YEL	10.0	FW122AZ2	T3B08	2	R2D13	2	YEL	9.0
FW108BF4	U5C11	2	U5B11	2	YEL	4.0	FW119AJ4	S4B10	2	L3B13	2	YEL	9.0		T4B12	2	L3D09	2	YEL	6.0
FW108BS4	T2C06	V	T2B06	V	YEL	4.0		S5D04	2	T2B03	2	YEL	8.0	FW122BA6	M2B05	2	L3D09	2	YEL	6.0
FW108BT4	T3C06	V	T3B06	V	YEL	4.0	FW120AD2	L2B03	2	T2B03	2	YEL	8.0	FW122BB2	R4B12	2	T5B09	2	YEL	5.0
FW108BU4	T4C06	V	T4B06	V	YEL	4.0		M2B13	2	M2B03	2	YEL	5.0		D4B12	W	N4D13	W	YEL	10.0
FW108BV4	T5C06	V	T5B06	V	YEL	4.0	FW120AE2	L2B05	2	M2B12	2	YEL	5.0	FW122BC2	N4D13	2	T3B11	2	YEL	6.0
FW108CA4	C5C06	V	C5B06	V	YEL	4.0		L2B05	2	R2B05	2	YEL	8.0		R5D03	2	T4D03	2	YEL	6.0
FW108CC4	C4C06	V	C4B06	V	YEL	4.0	FW120AF2	T2B09	2	T2B12	2	YEL	5.0	FW122BF6	N5B08	2	R5D03	2	YEL	6.0
FW109AA2	V5D11#	2	U5D11#	2	YEL	4.5		R2B12	2	M2D11	2	YEL	6.0	FW122BH2	T4D12	2	R4B10	2	YEL	6.0
FW109AA4	V5D13#	2	U5D13#	2	YEL	4.5	FW120AG2	M2D11	2	L2B09	2	YEL	4.5		S3B02	2	R2B13	2	YEL	4.5
FW109AA6	V5B08#	2	U5B08#	2	YEL	4.5		T2B11	2	M2B07	2	YEL	8.0		L4B04	2	M4B10	2	YEL	4.5
FW109AC4	V2D04	2	V2C04	2	YEL	4.0	FW120AH2	M2B07	2	L2B11	2	YEL	4.5		L4B04	2	N4B02	2	YEL	9.0
FW109AD4	V2D12	2	V2C12	2	YEL	4.0		T2B02	2	M2D13	2	YEL	8.0	FW122BJ6	N4B02	1	R2B13	1	YEL	9.0
FW109AE4	V2C03	2	V2B03	2	YEL	4.0	FW120AM2	L2B07	2	M2D05	2	YEL	4.5		S3B02	W	T4D05	W	YEL	6.0
FW109AG4	V2C11	2	V2B11	2	YEL	4.0		T2B07	2	M2D05	2	YEL	8.0		T3B13	2	R3B04	2	YEL	5.5
FW109AH4	V3D04	2	V3C04	2	YEL	4.0	FW120AN2	L2B10	2	M2B11	2	YEL	4.5	FW122BK6	R3B04	2	L3B09	2	YEL	7.0
FW109AJ4	V3D12	2	V3C12	2	YEL	4.0		M2B11	W	T2B10	W	YEL	8.0	FW122BM6	T3D11	2	N4D03	2	YEL	7.0
FW109AK4	V3C03	2	V3B03	2	YEL	4.0	FW120AP2	S2D09	2	M2D10	2	YEL	7.0	FW122BN2	T4B09	2	S4D06	2	YEL	4.5
FW109AM4	V3C11	2	V3B11	2	YEL	4.0		S2D09	2	T2B12	2	YEL	4.5	FW122BN2	T4B11	2	R4D07	2	YEL	5.0
FW109AY4	U2D04	2	U2C04	2	YEL	4.0	FW120AT6	L2B12	W	M2D10	W	YEL	4.5	FW130BA2	S4B03	2	U4D03	2	YEL	5.0
FW109AZ4	U2D12	2	U2C12	2	YEL	4.0		T4B05	2	R5B08	2	YEL	6.0		V4D03	2	S4B03	2	YEL	7.0
FW109BA4	U2C03	2	U2B03	2	YEL	4.0	FW120AU6	T4D04	1	R5B11	2	YEL	7.0	FW130BC2	S4B04	2	U4D05	2	YEL	5.0
FW109BC4	U2C11	2	U2B11	2	YEL	4.0		R5D12	1	T3B10	1	YEL	8.0		V4D05	2	S4B04	2	YEL	5.0
FW109BD4	U3D04	2	U3C04	2	YEL	4.0	FW120AV6	T3B02	W	R5B10	W	YEL	9.0	FW130BD2	V4D06	2	S4B05	2	YEL	6.0
FW109BE4	U3D12	2	U3C12	2	YEL	4.0		T2D07	W	R5B12	W	YEL	10.0		S4B05	2	U4D06	2	YEL	5.0
FW109BF4	U3C03	2	U3B03	2	YEL	4.0	FW120AX6	T2D12	W	R5B07	W	YEL	9.0	FW130BF2	V4D07	W	S4B07	W	YEL	6.0
FW109BH4	U3C11	2	U3B11	2	YEL	4.0		T2D12	W	R5B07	W	YEL	9.0		S4B07	W	U4D07	W	YEL	6.0
FW109BU4	E5D09	V	F5D09	V	YEL	4.5	FW120BB6	S2B02	1	M2D12	2	YEL	7.0	FW130BG2	V4D09	W	S4B09	W	YEL	7.0
	E4D09	W	F4B11	W	YEL	4.5		S2B02	1	T2B04	1	YEL	4.5		U4D09	W	S4B09	W	YEL	6.0
	F4D09	W	F4B11	W	YEL	4.5	FW121AB2	T4D02	1	R5D10	1	YEL	7.0	FW130BL2	U4D09	2	S4B09	2	YEL	5.0
	E5D09	V	F4B11	V	YEL	4.5	FW121AC2	T4B10	2	R3D04	2	YEL	7.0	FW131AJ6	S5D05	2	F4D12	2	YEL	1.5
	F4D11	W	E4D09	W	YEL	4.0	FW121AD2	R3B13	1	T5B03	2	YEL	7.0		S5D12	2	V5D09	2	YEL	5.0
	M2D09	W	F4D09	W	YEL	1.0	FW121AE2	T4B07	2	R3D03	2	YEL	6.0	FW131AL6	S5D12	2	U5D09	2	YEL	5.0
FW109BZ2	U4B06	W	V4B06	W	YEL	4.5	FW121AF6	T3B05	2	R4B02	2	YEL	5.5		S5D11	2	V5B06	2	YEL	7.0
FW109BZ4	V4B08	W	U4B08	W	YEL	4.5	FW121AH6	T2D03	2	R5D05	2	YEL	10.0	FW131AT2	U5B06	1	S5D11	1	YEL	5.0
FW109BZ6	V4B13	W	U4B13	W	YEL	4.5	FW121AL2	T4D10	2	R4D03	2	YEL	5.5		U4D02	2	S4B02	2	YEL	5.0
FW109CA2	V4B12	W	U4B12	W	YEL	4.5	FW121AM2	T3D12	2	R3B03	2	YEL	5.5	FW131AU6	S4B02	2	V4D02	2	YEL	6.0
FW109CA4	V5D06	W	U5D06	W	YEL	4.5	FW121AT2	T5B05	2	R4D13	2	YEL	6.0		V5D10	W	S5D13	W	YEL	5.0
FW109CA6	V5D03	W	U5D03	W	YEL	4.5		L4D05	W	T5B11	W	YEL	9.0	FW131AW6	S5D13	2	U5D10	2	YEL	5.0
FW109CB2	V5D05	W	U5D05	W	YEL	4.5	FW121BD2	S4D07	W	T5B11	W	YEL	6.0		U4D10	W	S4D13	W	YEL	5.0
FW109CB4	V5D07	W	U5D07	W	YEL	4.5	FW121BG2	T2B13	W	M2B10	W	YEL	8.0		S4D13	2	V4D10	2	YEL	5.0
FW109DA2	V5B09	W	U5B09	W	YEL	5.0	FW121BJ6	C5D09	W	R5B02	W	YEL	12.0	FW131BH2	V4D11	2	S4B11	2	YEL	5.0
							FW121BK2	R5B02	1	T5D13	1	YEL	7.0		U4D11	2	S4B11	2	YEL	5.0

PART NO. 5554842 E.C. NO. 825077 VERSION 000 SIZE SINGLE MACHINE CARDLESS LOCATION 50Z-W8

PIN ID: #-I/O PIN \*-I/O & LOGIC T-TERMINATING RES. V-VOLTAGE/GROUND PLANES: 1-CARD SIDE SHALLOW 2-PROBE SIDE SHALLOW 3-PROBE SIDE SHALLOW 4-PROBE SIDE SHALLOW W-DISCRETE OVERFLOW WIRE TYPES: YEL-YELLOW, 30, AG TWL-TWIN LEAD WRAP TW-TWIST PR CONNECT FTR-50 OHM TRI-LEAD NTR-90 OHM TRI-LEAD FTW-50 OHM TWIN LEAD NTW-90 OHM TWIN HEAD CX-CCAX CONNECTOR

NOTES: WIRE LENGTH IS IN TENTHS OF AN INCH. YELLOW WIRE LENGTH INCLUDES WIRE FOR WRAP.

Table with 4 main sections of wire connections. Each section has columns for NET NO., FROM PIN, P, TO PIN, P, WIRE TYP, WIRE LENGH. The sections are: 1) FW131BK2 to FW141AJ2, 2) FW145AW6 to FW170BG6, 3) FW171AM6, and 4) FW188BJ2.



DATE 10-23-75

MST-1

BOARD DISCRETE WIRE EQUIVALENT LIST SEQUENCED BY NET NUMBER

PAGE 3

PART NO. 5554842 E.C. NO. 825077 VERSION 000 SIZE SINGLE MACHINE CARDLESS LOCATION 502-W8

PIN ID: #-I/O PIN PLANES: 1-CARD SIDE SHALLOW 3-PROBE SIDE SHALLOW WIRE TYPES: YEL-YELLOW, 30, AG NTR-90 OHM TRI-LEAD
\*-I/O & LOGIC 2-PROBE SIDE SHALLOW 4-PROBE SIDE SHALLOW TWL-TWIN LEAD WRAP FTW-50 OHM TWIN LEAD
T-TERMINATING RES. W-DISCRETE OVERFLOW TH-TWIST PR CONNECT NTW-90 OHM TWIN HEAD
V-VOLTAGE/GROUND FTR-50 OHM TRI-LEAD CX-COAX CONNECTOR

NOTES: WIRE LENGTH IS IN TENTHS OF AN INCH. YELLOW WIRE LENGTH INCLUDES WIRE FOR WRAP.

Table with columns: NET NO., FROM PIN, P L, TO PIN, P L, WIRE TYP, WIRE LENGH, FROM PIN, P L, TO PIN, P L, WIRE TYP, WIRE LENGH, FROM PIN, P L, TO PIN, P L, WIRE TYP, WIRE LENGH. Contains multiple rows of wire connections for various components like FW188BL4, FW189AD2, etc.

END OF LIST

PART NO. 5554842 E.C. NO. 825077 VERSION 000 SIZE SINGLE MACHINE CARDLESS LOCATION 50Z-W8

PIN ID: #-I/O PIN
\*-I/O & LOGIC
V-VOLTAGE/GROUND

NOTE: \*T\* FOLLOWING PIN LOCATION INDICATES TERMINATING RESISTOR

Table with 14 columns: PIN, NET NO., PIN, NET NO., PIN, NET NO., PIN, NET NO., PIN, NET NO., PIN, NET NO., PIN, NET NO. It lists various component identifiers and their corresponding net numbers across multiple rows.

PART NO. 5554842

E.C. NO. 825077

VERSION 000

SIZE SINGLE

MACHINE CARDLESS

LOCATION 50Z-W8

PIN ID: #-I/O PIN  
\*-I/O & LOGIC  
V-VOLTAGE/GROUND

NOTE: 'T' FOLLOWING PIN LOCATION INDICATES TERMINATING RESISTOR

PIN	NET NO.	PIN	NET NO.	PIN	NET NO.	PIN	NET NO.	PIN	NET NO.	PIN	NET NO.	PIN	NET NO.
N4D09	FW122AN2	R3D05	FW121BM2	S2D02	FW141AJ2	S5D02	FW119AB4	T4B05	FW120AT6	U2D02#	WW310AC4	U4D09#	FW130BG2
N4D10	FW152AV4	R3D06	FW122AT2	S2D03	FW140AT6	S5D03	FW119AA4	T4B06 V	FW108BU4	U2D03#	WW310AD6	U4D10#	FW131AH6
N4D11	FW173AN6	R3D07	FW143AQ6	S2D04	FW122AG2	S5D04	FW119AJ4	T4B07	FW121AE2	U2D04#	FW109AY4	U4D11#	FW131BH2
N4D12	FW150BA2	R3D09	FW192AT6	S2D05	FW143AL6	S5D05	FW130BL2	T4B08	WW310AA2	U2D05#	WW310AE2	U4D12#	FW108AX4
N4D13	FW122BB2	R3D10	FW142CD4	S2D06	FW188BJ2	S5D06	FW131BN6	T4B09	FW122BM6	U2D06#	WW310AE4	U4D13#	FW131BK2
N5B02	FW144AE2	R3D11	FW142AG6	S2D07	FW192AT6	S5D07	FW131BM6	T4B10	FW121AC2	U2D07#	WW310AE6	U5B02#	FW131BN6
N5B03	FW173AG2	R3D12	FW140AY6	S2D08	FW109CN4	S5D09	FW131001	T4B11	FW122BN2	U2D09#	WW310AF2	U5B03#	FW108BC4
N5B04	FW150AD2	R3D13	FW141AC2	S2D09	FW120AP2	S5D10	FW131BX2	T4B12	FW122AZ2	U2D10#	WW310AF4	U5B04#	FW131BM6
N5B05	FW189AP2	R4B02	FW121AF6	S2D10	FW201AW4	S5D11	FW131AL6	T4B13	WW310AB4	U2D11#	WW310AF6	U5B05#	FW131BX2
N5B07	FW152001	R4B03	FW144AF2	S2D11	FW201001	S5D12	FW131AJ6	T4C06 V	FW108BU4	U2D12#	FW109AZ4	U5B06#	FW131AL6
N5B08	FW122BC2	R4B04	FW144AQ6	S2D12	FW145AY4	S5D13	FW131AU6	T4D02	FW121AB2	U2D13#	WW310AG2	U5B07#	FW108BE4
N5B09	FW152AN6	R4B05	FW144AG2	S2D13	FW152AV4	T2B02	FW120AH2	T4D03	FW122BC2	U3B02#	WW310AD2	U5B08#	FW109AA6
N5B10	FW143AG6	R4B07	FW143AG6	S3B02	FW122BH2	T2B03	FW120AD2	T4D04	FW120AU6	U3B03#	FW109BF4	U5B09#	FW109CA2
N5B11	FW173AM2	R4B08	FW143AF6	S3B03	FW142CD4	T2B04	FW120BB6	T4D05	FW122BH2	U3B04#	WW310AH6	U5B10#	FW109CA4
N5B12	FW152AL6	R4B09	FW143AF2	S3B04	FW122AT2	T2B05	FW120AE2	T4D06	WW310AG4	U3B05#	WW310AL2	U5B11#	FW108BF4
N5B13	FW150CC6	R4B10	FW122BF6	S3B06 V	FW109CQ4	T2B06	FW108BS4	T4D07	WW310AC2	U3B06#	WW310AG6	U5B12#	FW109CA6
N5D02	FW188BL4	R4B11	FW142AW2	S3B08	FW201AQ6	T2B07	FW120AM2	T4D09	FW120AJ6	U3B08#	WW310AH2	U5B13#	FW109CA4
N5D03	FW122AG2	R4B12	FW122BA6	S3B09	FW160AU6	T2B09	FW120AF2	T4D10	FW121AL2	U3B09#	WW310AH4	U5C03	FW108BC4
N5D04	FW152AM2	R4B13	FW142CC4	S3B10	FW200BE2	T2B10	FW120AN2	T4D11	FW121BN2	U3B10#	WW310AK4	U5C04	FW108BB4
N5D05	FW189AP6	R4D02	FW170AG6	S3B12	FW201002	T2B11	FW120AG2	T4D12	FW122BF6	U3B11#	FW109BH4	U5C07	FW108BE4
N5D06	FW122AL2	R4D03	FW121AL2	S3B13	FW201AG2	T2B12	FW120AP2	T4D13	WW310AC4	U3B12#	WW310AK6	U5C11	FW108BF4
N5D07	FW200BE2	R4D04	FW152AM2	S3D02	FW192AE2	T2B13	FW121BJ6	T5B02	FW121AD2	U3C03	FW109BF4	U5C12	FW108BC4
N5D09	FW143AL2	R4D05	FW152AP6	S3D03	FW200AZ2	T2C06	FW108RS4	T5B03	FW121AD2	U3C04	FW109BD4	U5D02#	FW150BA2
N5D10	FW152AN2	R4D06	FW145AW6	S3D04	FW145AX4	T2D02	FW121AJ6	T5B04	WW310AC6	U3C04	FW109BD4	U5D03#	FW109CA6
N5D11	FW141AJ2	R4D07	FW122BN2	S3D06	FW191BH2	T2D03	FW121AH6	T5B05	FW121AT2	U3C11	FW109BH4	U5D04	FW108BB4
N5D12	FW145AW6	R4D09	FW173AE6	S3D08 V	FW109CT4	T2D04	WW310AK2	T5B06 V	FW108BV4	U3C12	FW109BE4	U5D05#	FW109CA2
N5D13	FW143AF2	R4D10	FW143AG2	S3D12	FW201AL2	T2D05	FW121BM2	T5B07	FW122AA2	U3D02#	WW310AA2	U5D06#	FW109CA4
R2B02	FW119AA4	R4D11	FW145AK2	S3D13	FW142CC4	T2D06	WW310AF6	T5B08	WW310AA6	U3D03#	WW310AA4	U5D07#	FW109CB4
R2B04	FW145AY4	R4D12	FW145AL2	S4B02	FW131AT2	T2D07	FW120AX6	T5B09	FW122BA6	U3D04	FW109BD4	U5D09#	FW131AJ6
R2B05	FW143AL6	R4D13	FW121AT2	S4B03	FW130BA2	T2D09	WW310AE4	T5B10	WW310AL2	U3D05#	WW310AA6	U5D10#	FW131AU6
R2B09	FW141AJ2	R5B02	FW121BK2	S4B04	FW130BC2	T2D10	WW310AD6	T5B11	FW121BD2	U3D06#	WW310AB2	U5D11#	FW109AA2
R2B10	FW144AS6	R5B03	FW122AX6	S4B05	FW130BF2	T2D11	WW310AD4	T5B12	WW310AJ2	U3D07#	WW310AB4	U5D12#	FW108BC4
R2B11	FW143AM6	R5B04	FW172AN2	S4B07	FW130BF2	T2D12	FW120AY6	T5B13	FW122AX6	U3D09#	WW310AB6	U5D13#	FW109AA4
R2B12	FW120AF2	R5B05	FW144AD6	S4B09	FW130BG2	T2D13	FW122AN2	T5C06 V	FW108BV4	U3D10#	WW310AC2	V2B02#	FW109AG4
R2B13	FW122BH2	R5B07	FW120AY6	S4B10	FW119AJ4	T3B02	FW120AW6	T5D02	FW150AD2	U3D11#	WW310AC4	V2B03	FW109AE4
R2D02	FW122AL2	R5B08	FW120AT6	S4B11	FW131BH2	T3B03	FW120AZ6	T5D03	WW310AM6	U3D12#	FW109BE4	V2B04#	WW310AJ2
R2D03	FW145AJ2	R5B09	FW143BR6	S4B12	FW131BK2	T3B04	WW310AF4	T5D04	WW310AJ4	U3D13#	WW310AC6	V2B05#	WW310AJ6
R2D04	FW145AS6	R5B10	FW120AW6	S4B13	FW119AD4	T3B05	FW121AF6	T5D05	WW310AB2	U4B02#	FW131BP6	V2B06#	WW310AJ6
R2D05	FW145AX4	R5B11	FW120AU6	S4D02	FW119AH4	T3B06 V	FW108BT4	T5D06	WW310AN4	U4B03	FW108AY4	V2B08#	WW310AK2
R2D06	FW144AU6	R5B12	FW120AX6	S4D03	FW119AG4	T3B07	FW121AG6	T5D07	WW310AL6	U4B04#	FW131BQ6	V2B09#	WW310AL6
R2D07	FW144AR6	R5B13	FW141BP6	S4D04	FW119AF4	T3B08	FW122AY2	T5D09	FW145AS6	U4B05#	FW131BT6	V2B10#	WW310AM2
R2D09	FW142BV4	R5D02	FW144AV6	S4D05	FW119AE4	T3B09	WW310AG6	T5D10	FW122AT2	U4B06#	FW109BZ2	V2B11	FW109AG4
R2D10	FW140AT6	R5D03	FW122BC2	S4D06	FW122BM6	T3B10	FW120AV6	T5D11	FW121BG2	U4B07	FW108AZ4	V2B12#	WW310AM4
R2D11	FW144AP6	R5D04	FW150BG6	S4D07	FW121BG2	T3B11	FW122BB2	T5D12	WW310AM2	U4B08#	FW109BZ4	V2B13#	WW310AM6
R2D12	FW121BL6	R5D05	FW121AH6	S4D09	WW310AL4	T3B12	FW121BL6	T5D13	FW121BK2	U4B09#	FW145AX4	V2C03	FW109AE4
R2D13	FW122AY2	R5D06	FW143AL2	S4D10	FW131BP6	T3B13	FW122BJ6	U2B02#	WW310AG4	U4B10#	FW145AY4	V2C04	FW109AC4
R3B02	FW144AN6	R5D07	FW201AL2	S4D11	FW131BQ6	T3C06 V	FW108BT4	U2B03	FW109BA4	U4B11	FW108BA4	V2C11	FW109AG4
R3B03	FW121AM2	R5D09	FW166AK2	S4D12	FW131BT6	T3D02	FW120BA6	U2B04#	WW310AJ2	U4B12#	FW109CA2	V2C12	FW109AC4
R3B04	FW122BJ6	R5D10	FW121AB2	S4D13	FW131AW6	T3D03	WW310AG2	U2B05#	WW310AJ4	U4B13#	FW109BZ6	V2D02#	WW310AC4
R3B05	FW141BN2	R5D11	FW191AY6	S5B02	FW119AC4	T3D04	WW310AE6	U2B06#	WW310AJ6	U4C03	FW108AY4	V2D03#	WW310AD6
R3B07	FW145AP4	R5D12	FW120AV6	S5B03	FW145AK2	T3D05	WW310AE2	U2B08#	WW310AK2	U4C04	FW108AW4	V2D04	FW109AE2
R3B08	FW166AD2	R5D13	FW142AF6	S5B04	FW145AJ2	T3D06	WW310AB6	U2B09#	WW310AL6	U4C07	FW108AZ4	V2D05#	WW310AE2
R3B09	FW144AE2	S2B02	FW120BB6	S5B05	FW145AL2	T3D07	WW310AA4	U2B10#	WW310AM2	U4C11	FW108BA4	V2D06#	WW310AE4
R3B10	FW141AK6	S2B03	FW144AG2	S5B07	FW142CD4	T3D09	FW121001	U2B11#	FW109BC4	U4C12	FW108AX4	V2D07#	WW310AE6
R3B11	FW140AV6	S2B05	FW201AD6	S5B08	FW131CA6	T3D10	WW310AF2	U2B12#	WW310AM4	U4D02#	FW131AT2	V2D09#	WW310AF2
R3B12	FW144AC2	S2B06	FW109CK4	S5B09	FW143AQ6	T3D11	FW122BK6	U2B13#	WW310AM6	U4D03#	FW130BA2	V2D10#	WW310AF4
R3B13	FW121AD2	S2B07	FW122AA2	S5B10	FW166AF2	T3D12	FW121AM2	U2C03	FW109BA4	U4D04	FW108AW4	V2D11#	WW310AF6
R3D02	FW144AT6	S2B11	FW186AN4	S5B11	FW142CC4	T3D13	FW122AG2	U2C04	FW109AY4	U4D05#	FW130BC2	V2D12#	FW109AD4
R3D03	FW121AE2	S2B12	FW122AA2	S5B12	FW142AW2	T4B03	WW310AH2	U2C11	FW109BC4	U4D06#	FW130BC2	V2D13#	WW310AG2
R3D04	FW121AC2	S2B13	WW310AH4	S5B13	FW121BN2	T4B04	FW122AL2	U2C12	FW109AZ4	U4D07#	FW130BF2	V3B02#	WW310AD2



PART NO. 5554842

E.C. NO.

825077

VERSION 000

SIZE SINGLE

MACHINE CARDLESS

LOCATION 502-W8

A2C06 -4.0  
 B2C06 -4.0  
 B4C06 -4.0  
 C3C06 -4.0  
 D2B06 -4.0  
 D6C02 -4.0  
 F2B06 -4.0  
 G1D10 -4.0  
 G6C05 -4.0  
 H5B06 -4.0  
 K1E13 -4.0  
 K6E05 -4.0  
 L5B06 -4.0  
 M5B06 -4.0  
 P1B13 -4.0  
 P5B06 -4.0  
 Q4B06 -4.0  
 R5B06 -4.0  
 S4B06 -4.0  
 T3C06 -4.0  
 U3A14 -4.0  
 U4E01 -4.0  
 V4C06 -4.0  
 A1E13 GND  
 A2C12 GND  
 A3C11 GND  
 A4C07 GND  
 A5C04 GND  
 A6E04 GND  
 B2C04 GND  
 B2E14 GND  
 B3C11 GND  
 B4C02 GND  
 B4D08 GND  
 B5C07 GND  
 B6D04 GND  
 C2C04 GND  
 C3C03 GND  
 C3D08 GND  
 C4C12 GND  
 C5C11 GND  
 D1B10 GND  
 D5D08 GND  
 E1E13 GND  
 E6A04 GND  
 F1E11 GND  
 F6A02 GND  
 G2D08 GND  
 G6D05 GND  
 H4D08 GND  
 J1B11 GND  
 J5D08 GND  
 K1E10 GND  
 K6A02 GND  
 L3D08 GND  
 M1A11 GND  
 M4D08 GND  
 N1C13 GND  
 N5D08 GND  
 P2D08 GND

A3C06 -4.0  
 B3A14 -4.0  
 B4E01 -4.0  
 C4C06 -4.0  
 D3B06 -4.0  
 E2B06 -4.0  
 F3B06 -4.0  
 G2B06 -4.0  
 G6D02 -4.0  
 J2B06 -4.0  
 K2B06 -4.0  
 L1A10 -4.0  
 L6A02 -4.0  
 N2B06 -4.0  
 P1C10 -4.0  
 P6B05 -4.0  
 Q5B06 -4.0  
 S1C13 -4.0  
 S5B06 -4.0  
 T4C06 -4.0  
 U3C06 -4.0  
 U5C06 -4.0  
 V5C06 -4.0  
 A2C03 GND  
 A2D08 GND  
 A3C12 GND  
 A4C11 GND  
 A5C07 GND  
 B1A11 GND  
 B2C07 GND  
 B3A01 GND  
 B3C12 GND  
 B4C04 GND  
 B4E14 GND  
 B5C11 GND  
 B6E02 GND  
 C2C07 GND  
 C3C04 GND  
 C4C03 GND  
 C4D08 GND  
 C5C12 GND  
 D1C13 GND  
 D6B02 GND  
 E2D08 GND  
 E6B02 GND  
 F2D08 GND  
 F6D04 GND  
 G3D08 GND  
 H1B13 GND  
 H5D08 GND  
 J1E13 GND  
 J6A04 GND  
 K2D08 GND  
 K6E02 GND  
 L4D08 GND  
 M1D13 GND  
 M5D08 GND  
 N1D11 GND  
 N6C04 GND  
 P3D08 GND

VOLTAGE PINS  
 A4C06 -4.0  
 B3C06 -4.0  
 B5C06 -4.0  
 C5C06 -4.0  
 D4B06 -4.0  
 E3B06 -4.0  
 F4B06 -4.0  
 G3B06 -4.0  
 H2B06 -4.0  
 J3B06 -4.0  
 K3B06 -4.0  
 L2B06 -4.0  
 M2B06 -4.0  
 N3B06 -4.0  
 P2B06 -4.0  
 P6C02 -4.0  
 R2B06 -4.0  
 S1D10 -4.0  
 S6C05 -4.0  
 T5C06 -4.0  
 U3E01 -4.0  
 U5E01 -4.0  
 A2C04 GND  
 A3C03 GND  
 A3D08 GND  
 A4C12 GND  
 A5C11 GND  
 B1D13 GND  
 B2C11 GND  
 B3C03 GND  
 B3D08 GND  
 B4C07 GND  
 B5A01 GND  
 B5C12 GND  
 C1C13 GND  
 C2C11 GND  
 C3C07 GND  
 C4C04 GND  
 C5C03 GND  
 C5D08 GND  
 D2D08 GND  
 D6C05 GND  
 E3D08 GND  
 E6E04 GND  
 F3D08 GND  
 F6E02 GND  
 G4D08 GND  
 H1C11 GND  
 H6B04 GND  
 J2D08 GND  
 J6B02 GND  
 K3D08 GND  
 L1A13 GND  
 L5D08 GND  
 M1E11 GND  
 M6A02 GND  
 N2D08 GND  
 N6D02 GND  
 P4D08 GND

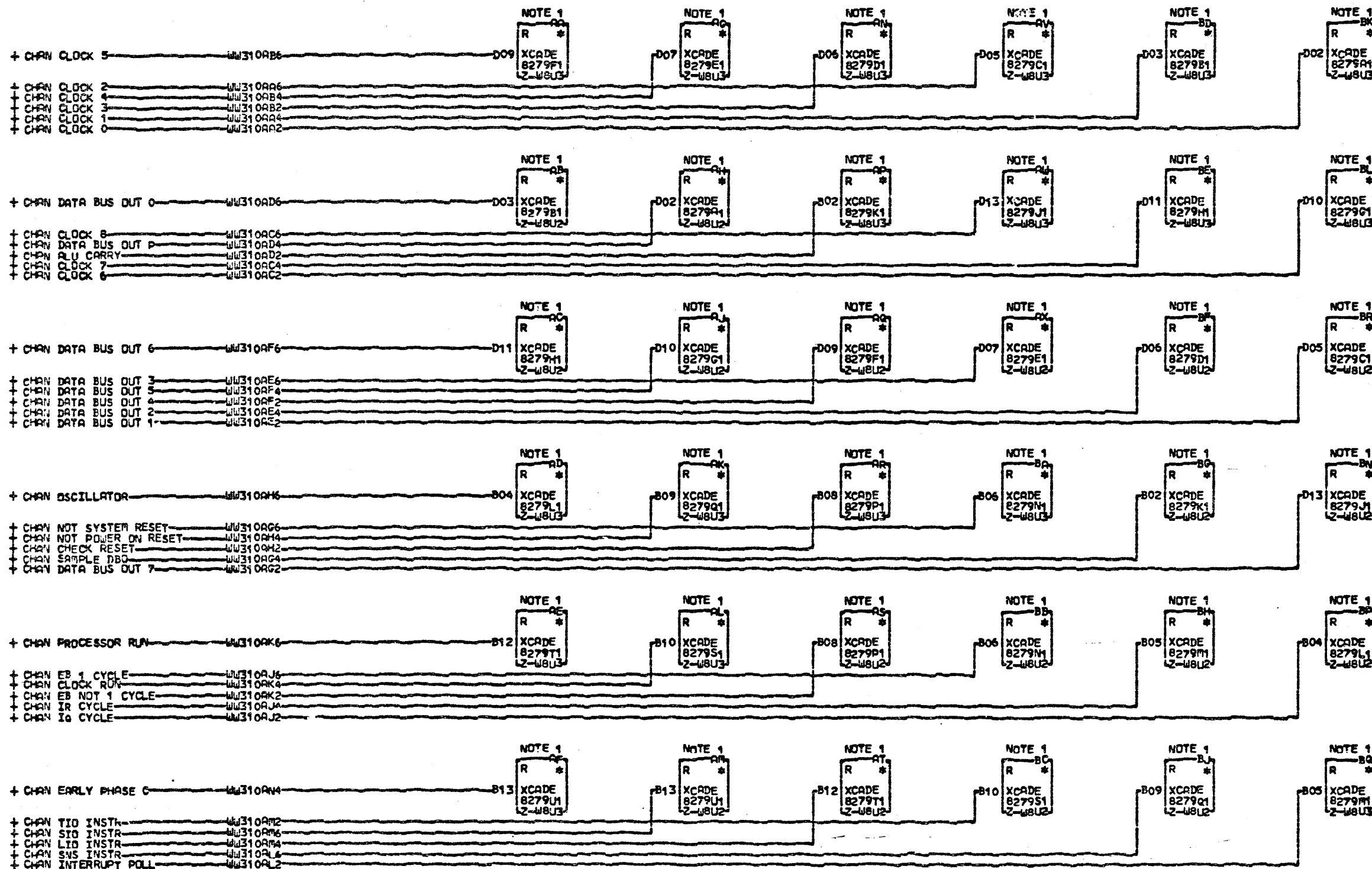
A5C06 -4.0  
 B3E01 -4.0  
 B5E01 -4.0  
 D1B13 -4.0  
 D5B06 -4.0  
 E4B06 -4.0  
 F5B06 -4.0  
 G4B06 -4.0  
 H3B06 -4.0  
 J4B06 -4.0  
 K4B06 -4.0  
 L3B06 -4.0  
 M3B06 -4.0  
 N4B06 -4.0  
 P3B06 -4.0  
 Q2B06 -4.0  
 R3B06 -4.0  
 S2B06 -4.0  
 S6D02 -4.0  
 U2A14 -4.0  
 U4A14 -4.0  
 V2C06 -4.0  
 A2C07 GND  
 A3C04 GND  
 A4C03 GND  
 A4D08 GND  
 A5C12 GND  
 B1E11 GND  
 B2C12 GND  
 B3C04 GND  
 B3E14 GND  
 B4C11 GND  
 B5C03 GND  
 B5D08 GND  
 C1D11 GND  
 C2C12 GND  
 C3C11 GND  
 C4C07 GND  
 C5C04 GND  
 C6C04 GND  
 D3D08 GND  
 E1A13 GND  
 E4D08 GND  
 F1A11 GND  
 F4D08 GND  
 G1C10 GND  
 G5D08 GND  
 H2D08 GND  
 H6C02 GND  
 J3D08 GND  
 J6E04 GND  
 K4D08 GND  
 L1E13 GND  
 L6A05 GND  
 M2D08 GND  
 M6D04 GND  
 N3D08 GND  
 P1B10 GND  
 P5D08 GND

B2A14 -4.0  
 B4A14 -4.0  
 C2C06 -4.0  
 D1C10 -4.0  
 D6B05 -4.0  
 E5B06 -4.0  
 G1C13 -4.0  
 G5B06 -4.0  
 H4B06 -4.0  
 J5B06 -4.0  
 K5B06 -4.0  
 L4B06 -4.0  
 M4B06 -4.0  
 N5B06 -4.0  
 P4B06 -4.0  
 Q3B06 -4.0  
 R4B06 -4.0  
 S3B06 -4.0  
 T2C06 -4.0  
 U2C06 -4.0  
 U4C06 -4.0  
 V3C06 -4.0  
 A2C11 GND  
 A3C07 GND  
 A4C04 GND  
 A5C03 GND  
 A5D08 GND  
 B2C03 GND  
 B2D08 GND  
 B3C07 GND  
 B4A01 GND  
 B4C12 GND  
 B5C04 GND  
 B6A02 GND  
 C2C03 GND  
 C2D08 GND  
 C3C12 GND  
 C4C11 GND  
 C5C07 GND  
 C6D02 GND  
 D4D08 GND  
 E1B11 GND  
 E5C08 GND  
 F1D13 GND  
 F5D08 GND  
 G1D13 GND  
 G6C02 GND  
 H3D08 GND  
 J1A13 GND  
 J4D08 GND  
 K1A11 GND  
 K5D08 GND  
 L2D08 GND  
 L6E04 GND  
 M3D08 GND  
 M6E02 GND  
 N4D08 GND  
 P1C13 GND  
 P6B02 GND

PART NO.	5554842	E.C. NO.	825077	VERSION 000	SIZE SINGLE	MACHINE CARDLESS	LOCATION 50Z-W8
P6C05	GND	Q1A13	GND	Q1B11	VOLTAGE PINS	Q1E13	GND
Q3D08	GND	Q4D08	GND	Q5D08	GND	Q6A04	GND
Q6E04	GND	R1A11	GND	R1D13	GND	R1E11	GND
R3D08	GND	R4D08	GND	R5D08	GND	R6A02	GND
R6E02	GND	S1C10	GND	S1D13	GND	S2D08	GND
S4D08	GND	S5D08	GND	S6C02	GND	S6D05	GND
T1C11	GND	T2C03	GND	T2C04	GND	T2C07	GND
T2C12	GND	T2D08	GND	T3C03	GND	T3C04	GND
T3C11	GND	T3C12	GND	T3D08	GND	T4C03	GND
T4C07	GND	T4C11	GND	T4C12	GND	T4D08	GND
T5C04	GND	T5C07	GND	T5C11	GND	T5C12	GND
T6B04	GND	T6C02	GND	U1A13	GND	U1B11	GND
U2C03	GND	U2C04	GND	U2C07	GND	U2C11	GND
U2D08	GND	U2E14	GND	U3A01	GND	U3C03	GND
U3C07	GND	U3C11	GND	U3C12	GND	U3D08	GND
U4A01	GND	U4C03	GND	U4C04	GND	U4C07	GND
U4C12	GND	U4D08	GND	U4E14	GND	U5A01	GND
U5C04	GND	U5C07	GND	U5C11	GND	U5C12	GND
U6A04	GND	U6B02	GND	U6E04	GND	V1A11	GND
V2C04	GND	V2C07	GND	V2C11	GND	V2C12	GND
V3C03	GND	V3C04	GND	V3C07	GND	V3C11	GND
V3D08	GND	V4C03	GND	V4C04	GND	V4C07	GND
V4C12	GND	V4D08	GND	V5C03	GND	V5C04	GND
V5C11	GND	V5C12	GND	V5D08	GND	V6A02	GND
							Q2D08
							Q6B02
							R2C08
							R6D04
							S3D08
							T1B13
							T2C11
							T3C07
							T4C04
							T5C03
							T5D08
							U1E13
							U2C12
							U3C04
							U3E14
							U4C11
							U5C03
							U5D08
							V2C03
							V2D08
							V3C12
							V4C11
							V5C07

FOR ANY VOLTAGE PIN NOT INDICATED IN THE VOLTAGE PIN LIST, USE THE NET NUMBER TO LOCATE THE AID PAGE FOR DETERMINING THE VOLTAGE INFORMATION

END OF LIST

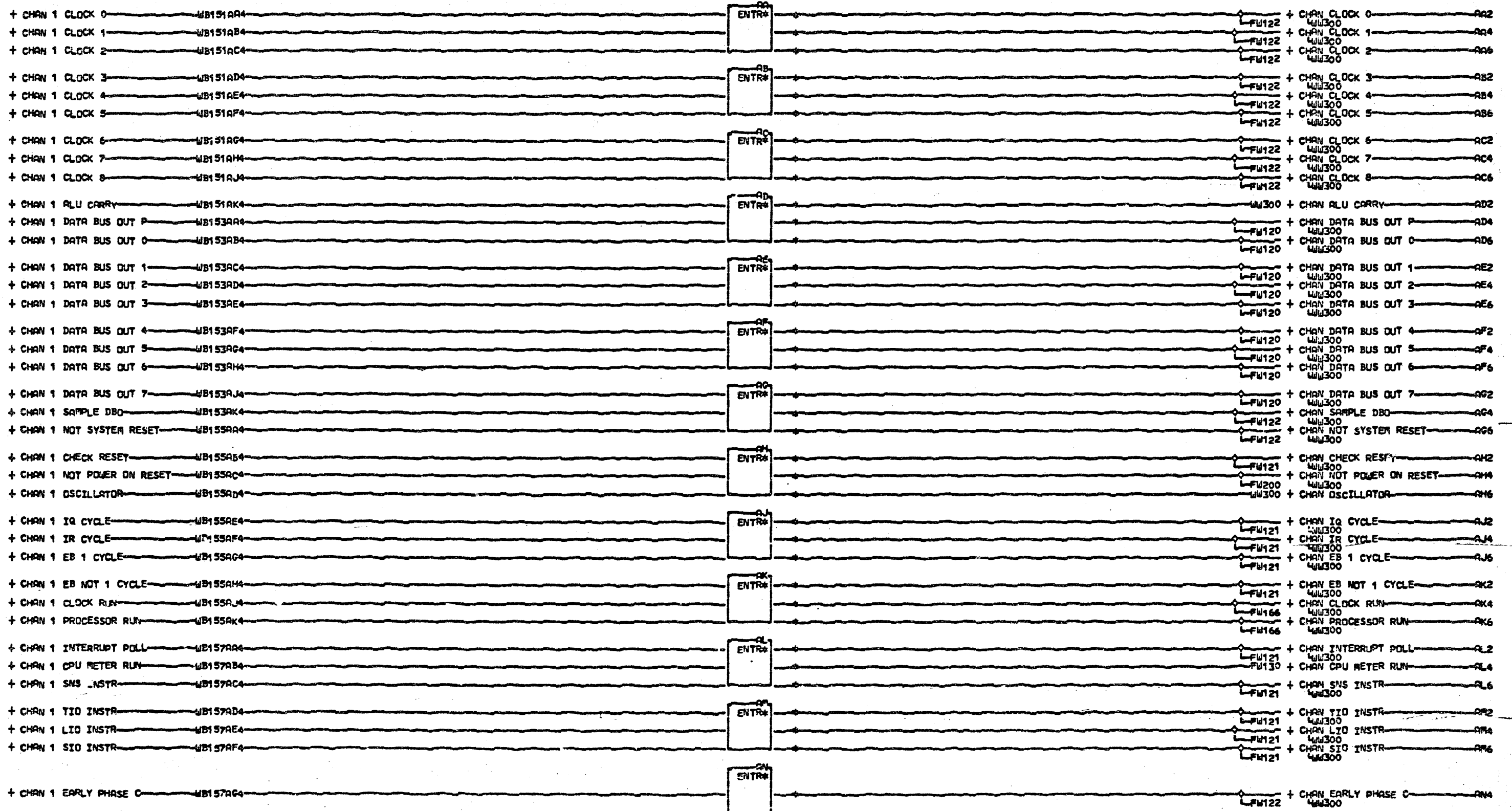


NOTE 1 CARD 5808279 WILL BE IN SOCKET U2 AND U3 WHEN 3741 IS THE LAST FEAT ON CHAN 1 OR 3 WHEN 3741 IS NOT THE LAST FEAT ON CHAN 1 OR 3 THERE WILL BE CABLES IN SOCKETS U2 AND U3.  
 \*502-W8 IS 01B-A4 OR 01A-A3  
 001\* ON 5412  
 SIM TO PN EC 825074

LOC. TYPE

CHANNEL BANK 3 TERMINATORS	
E.C. HISTORY	5412
FRAME	SO
DATE LAST EC	08-08-75 827795
IBR CORP. GSD	P.O. No. 4247980

001 W300



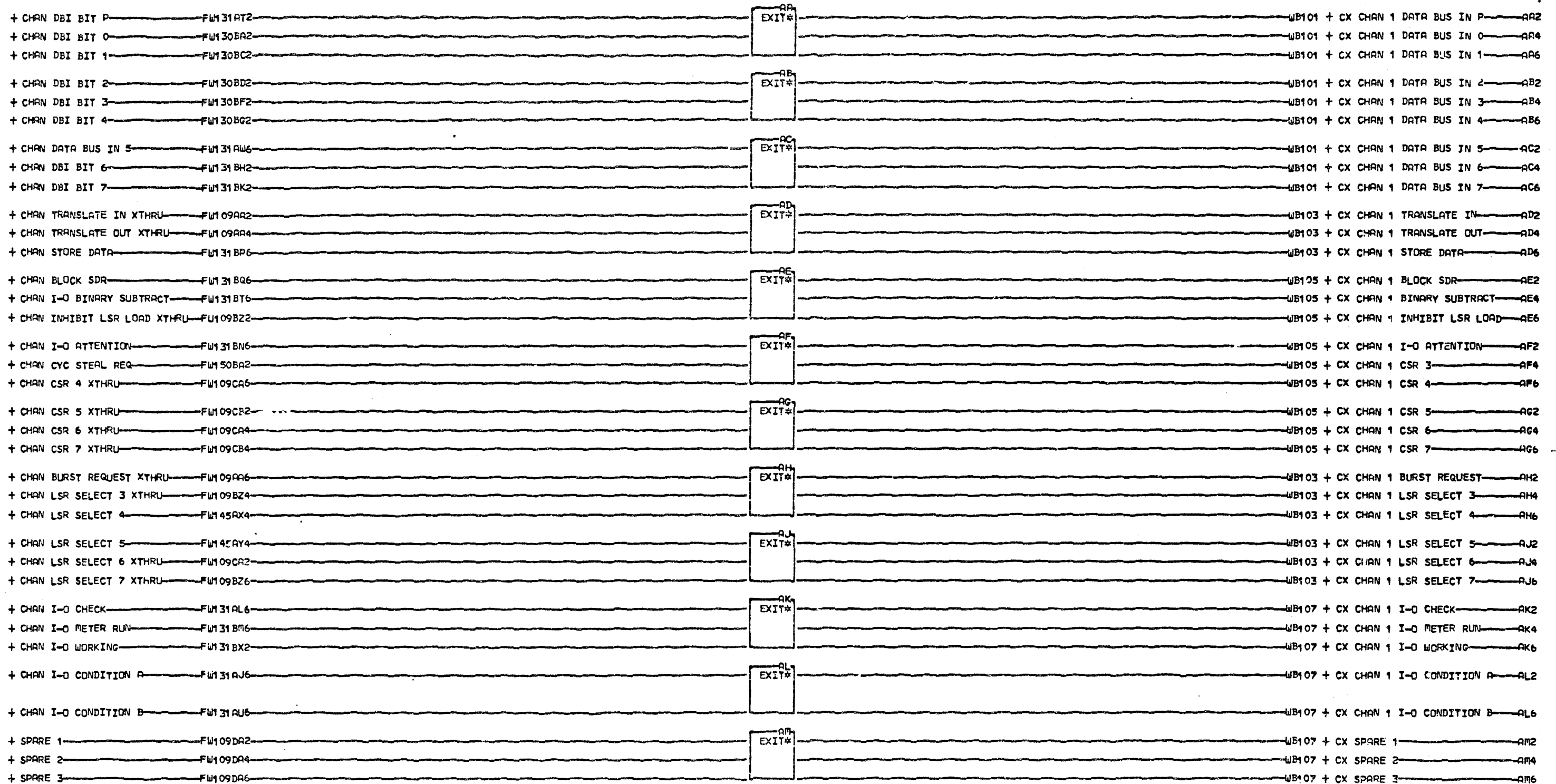
#502-WB IS 01B-A4 DN 5415B  
 #502-WB IS 01B-A4 DR 01A-A3  
 \* DN 5412

AA2 2-WB13D02	502-WB13D07	AD2 2-WB13B02	502-WB12D06	AG2 2-WB12D13	502-WB13B09	AK2 2-WB12B08	502-WB15B13	AM4 2-WB13B13
502-WB17D02	AB6 2-WB13D09	507-WB13A02	AE6 2-WB12D07	502-WB12D13	AM6 2-WB13B04	502-WB12B08	AL6 2-WB12B09	502-WB13B13
AA4 2-WB13D03	502-WB13D09	ADA 2-WB12D02	502-WB12D07	AG4 2-WB12B02	502-WB13B04	AK4 2-WB13B10	502-WB12B09	
502-WB13D03	AC2 2-WB13D10	502-WB12D02	AF2 2-WB12D09	502-WB12B02	AJ2 2-WB12B04	502-WB13B10	AM2 2-WB12B10	
AA6 2-WB13D05	502-WB13D10	AD6 2-WB12D03	502-WB12D09	AG6 2-WB13B06	502-WB12B04	AK6 2-WB13B12	502-WB12B10	
502-WB13D05	AC4 2-WB13D11	502-WB12D03	AF4 2-WB12D10	502-WB13B06	AJ4 2-WB12B05	502-WB13B12	AM4 2-WB12B12	
AB2 2-WB13D06	502-WB13D11	AE2 2-WB12D05	502-WB12D10	AK2 2-WB13B08	502-WB12B05	AL2 2-WB13B05	502-WB12B12	
502-WB13D06	AC6 2-WB13D13	502-WB12D05	AF6 2-WB12D11	502-WB13B08	AJ6 2-WB12B06	502-WB13B05	AM6 2-WB12B13	
AB4 2-WB13D07	502-WB13D13	AE4 2-WB12D06	502-WB12D11	AM4 2-WB13B09	502-WB12B06	AL4 2-WB15B13	502-WB12B13	

LOC. TYPE

CHANNEL ENTRY PAGE 3741		5412	W 3 1 0
E.C. HISTORY	FRAME	50	
DATE	LAST EC	IBN CORP. GSD	001
08-08-75	827795	P.No. 4247981	



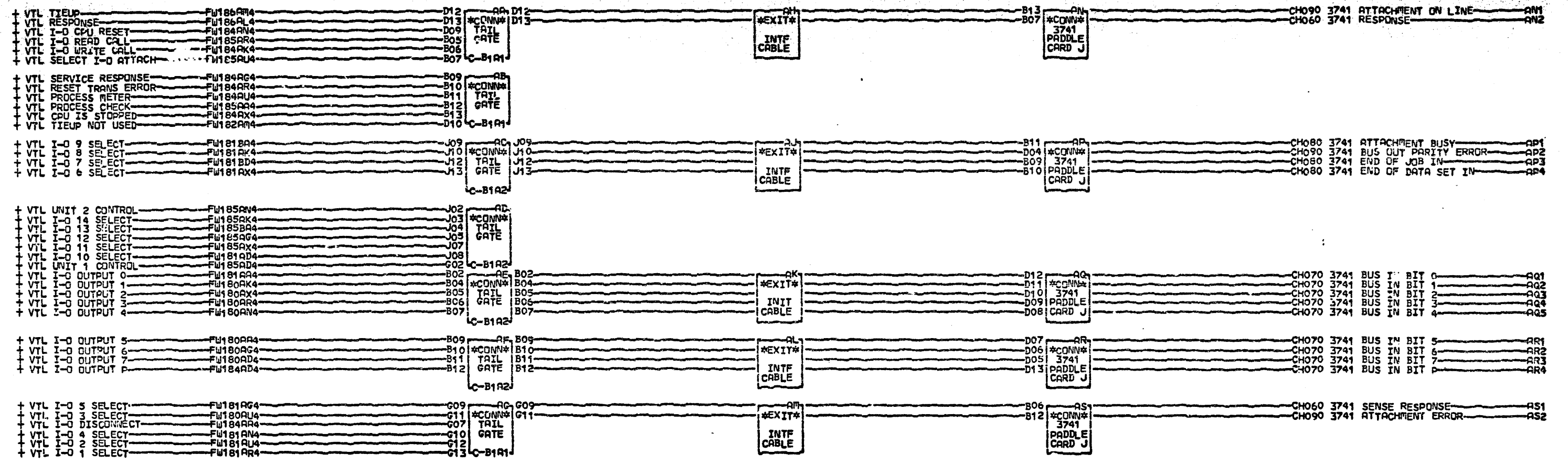


#502-WB IS 01B-A4 ON 5415B  
 #502-WB IS 01B-A4 OR 01A-A3  
 \* ON 5412

5415E

LGC. TYPE

CHANNEL EXIT PAGE 3741		5412	W
E.C. HISTORY	827795	MACH. CARDLESS	3
DATE	09-05-75	FRAME	50
LAST EC	827820	IBM CORP. GSD	1
		P.N. 4247982	5
			001



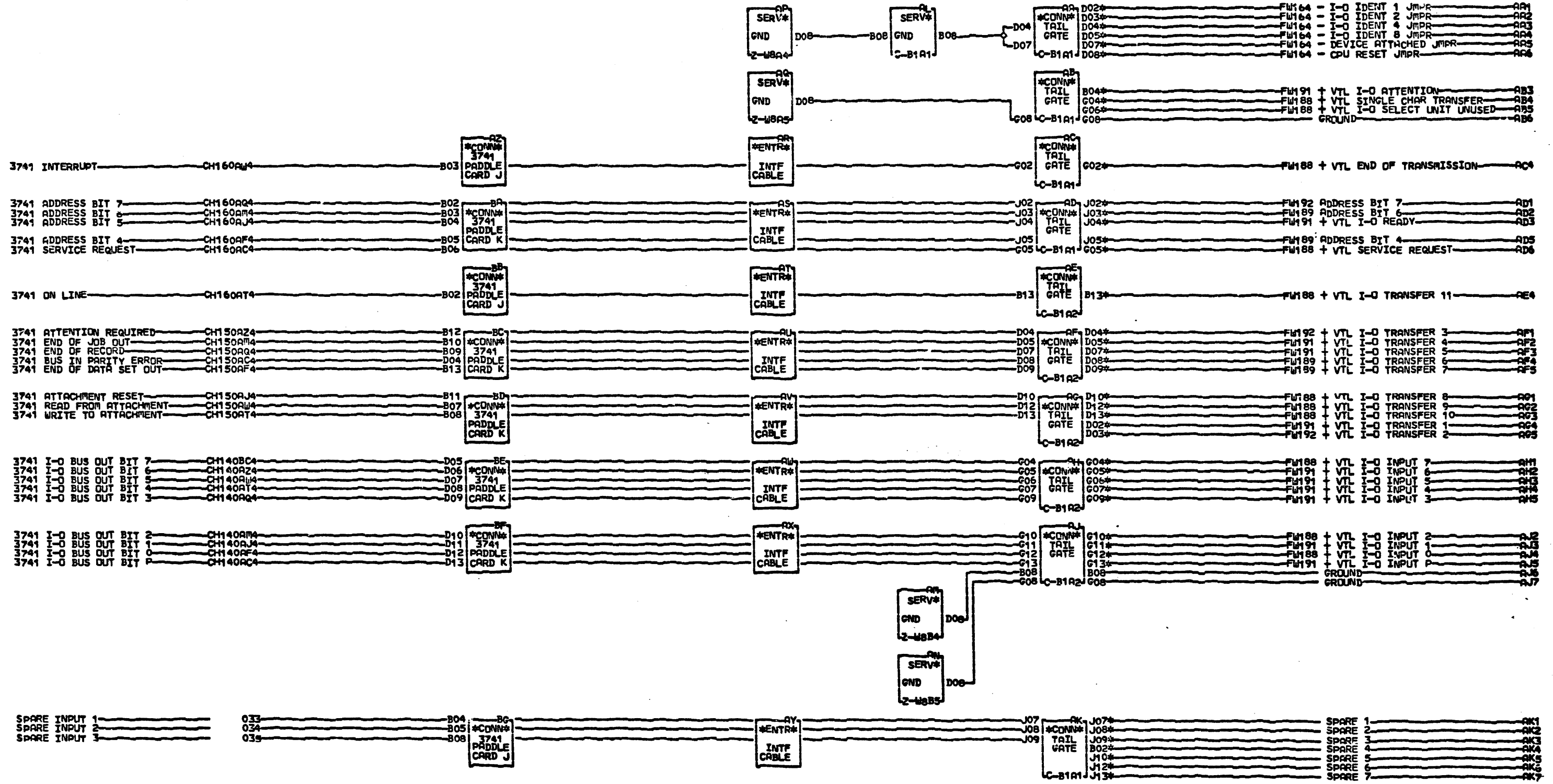
\*502-UB IS 01B-A4 ON 54158  
 \*502-UB IS 01B-A4 OR 01A-A3  
 \* ON 5412

000

LOC. TYPE

DEVICE INTERFACE OUTGOING	
E.C. HISTORY 824925	MACH. CARDLESS FRAME 50
DATE LAST EC 108-08-75 825074	IBM CORP. GSD P.N. 4234241

MM400



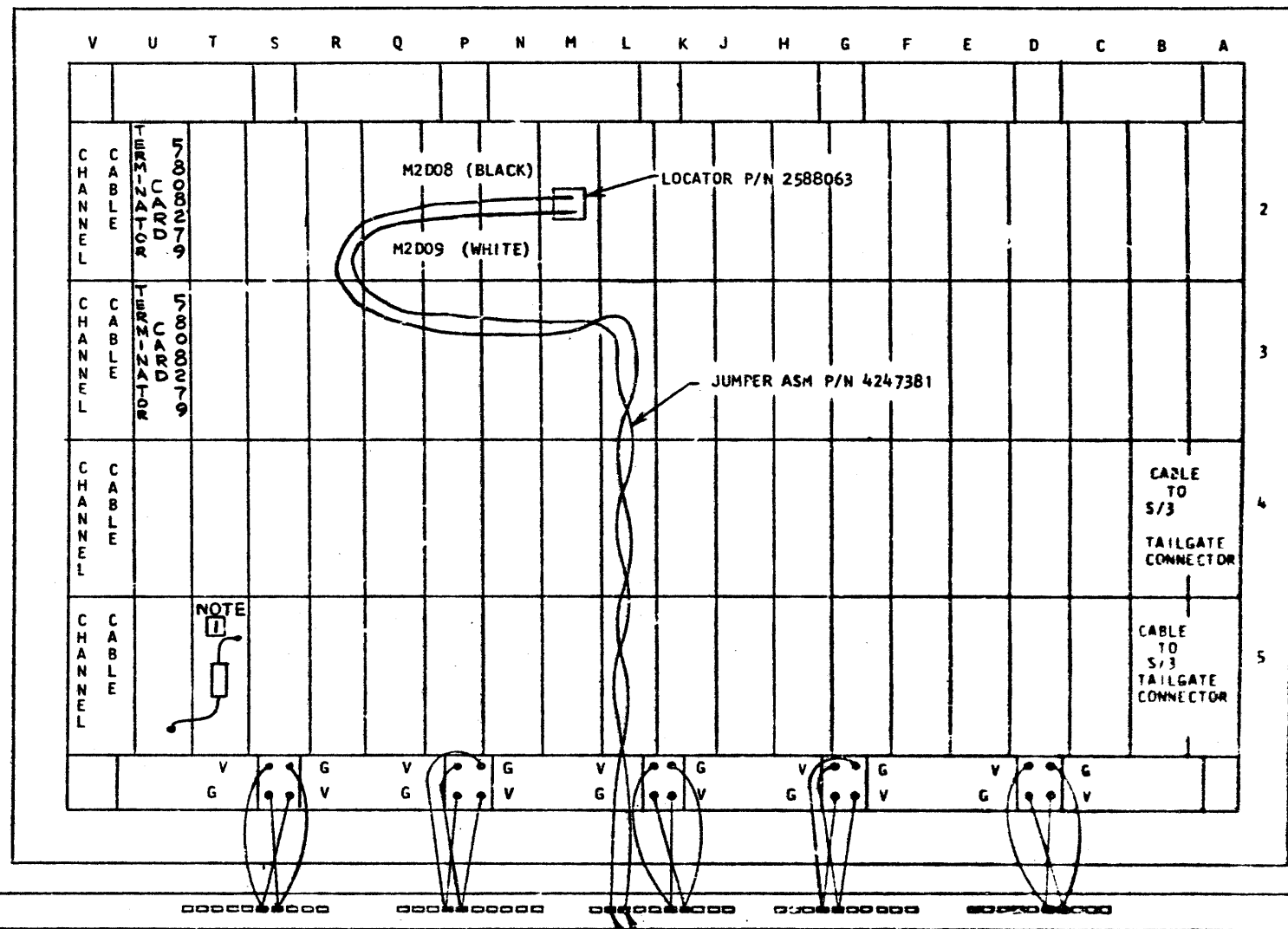
\*502-WB IS 01B-A4 ON 5415B  
 \*502-WB IS 01B-A4 OR 01A-A3  
 \* ON 5412

AA1	Z-W8A4B02	AC4	Z-W8A5D02	AF3	Z-W8B4B07	AK2	Z-W8B5D05	AK2	Z-W8A5B08
AA2	Z-W8A4B03	AD1	Z-W8A5B02	AF4	Z-W8B4B08	AK3	Z-W8B5D06	AK3	Z-W8A5B09
AA3	Z-W8A4B04	AD2	Z-W8A5B03	AF5	Z-W8B4B09	AK4	Z-W8B5D07	AK4	Z-W8A4D02
AA4	Z-W8A4B05	AD3	Z-W8A5B04	AF6	Z-W8B4B10	AK5	Z-W8B5D09	AK5	Z-W8A5B10
AA5	Z-W8A4B07	AD5	Z-W8A5B05	AF2	Z-W8B4B12	AK2	Z-W8B5D10	AK6	Z-W8A5B12
AA6	Z-W8A4B08	AD6	Z-W8A5D05	AF3	Z-W8B4B13	AK3	Z-W8B5D11	AK7	Z-W8A5B13
AB3	Z-W8A4D04	AE4	Z-W8B4D13	AF4	Z-W8B4B02	AK4	Z-W8B5D12		
AB4	Z-W8A5D04	AF1	Z-W8B4B04	AF5	Z-W8B4B03	AK5	Z-W8B5D13		
AB5	Z-W8A5D06	AF2	Z-W8B4B05	AF1	Z-W8B5D04	AK1	Z-W8B5B07		

LOC. TYPE

DEVICE INTERFACE INCOMING		
E-C-HISTORY	C-MACH	CARDLESS
824925		
DATE	LAST EC	IBA CORP. GSD
08-08-75	825074	P.O. No. 4234242

000



NOTES  
 1 5132697 RESISTOR, 620Ω, 1/4 W FROM O1A-A3U5B13 (CPU METER RUN) TO O1A-A3T5B06 (-4V)

EC HISTORY		DRAWING TITLE	
30JUN75	527759	CONNECT CABLE FOR O1A-A3	
23OCT75	827799	MACH	
26FEB76	827880	PART NO 4247382	
11NOV76	571955	CLASSIFICATION	IBM COMP
23JUN77	571698	MJE 6-11-75	

Z A 1 3