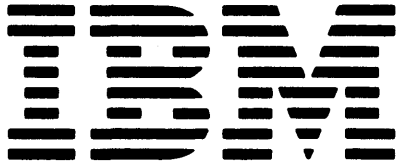


S131-0632-3

IBM System/34  
5340 System Unit  
Parts Catalog



S131-0632-3

IBM System/34  
5340 System Unit  
Parts Catalog

## **Preface**

The purpose of this publication is to list and to show illustrations of all replaceable assemblies, subassemblies, and detail parts released to Production Control on or before 1 December 1981 of the IBM System/34 5340 System Unit. This publication is for the use of an IBM customer engineer or a service representative.

### **Fourth Edition (December 1981)**

This is a major revision of, and obsoletes S131-0632-2. Because the changes and additions are extensive, this publication should be reviewed in its entirety.

Changes are periodically made to the information herein; before using this publication in connection with the operation of IBM systems, be sure you have the latest edition.

Use this publication only for the purposes stated in the Preface.

This publication could contain technical inaccuracies or typographical errors. Use the Reader's Comment Form at the back of this publication. If the form has been removed, address your comments to IBM Corporation, Department 245, Rochester, Minnesota 55901. IBM may use and distribute any of the information you supply in any way it believes appropriate without incurring any obligation whatever. You may, of course, continue to use the information you supply.

## CONTENTS

FIGURE	TITLE	PAGE
	HOW TO USE THIS PARTS CATALOG . . .	ii
	VISUAL INDEXES . . . . .	iv
	CATALOG SECTION . . . . .	1
1	Cover, Mounting Hardware, and Frame Asm . . . . .	2
2	Bezel Asm, 33FD, and 53FD . . . . .	6
2A	Bezel Asm, 72MD . . . . .	8
3	Mechanical Asm . . . . .	10
3A	72MD Mounting Asm . . . . .	14
4	Mechanical Asm . . . . .	16
4A	Mechanical Asm . . . . .	20
5	62EH Disk Drive Mounting Asm . . . . .	24
6	62EH Disk Drive Asm . . . . .	26
7	62EH Disk Drive Asm . . . . .	28
8	62EH Disk Drive Asm (old style) . . . . .	32
8A	62PC Mounting Asm . . . . .	34
8B	62PC Final Asm . . . . .	36
8C	62PC Final Asm . . . . .	40
8D	Gate Asm . . . . .	42
9	33FD and 53FD Mounting Asm . . . . .	44
10	33FD Asm . . . . .	46
11	33FD Baseplate Asm . . . . .	48
12	33FD Clamping Plate Asm . . . . .	50
13	53FD Asm . . . . .	52
14	53FD Baseplate Asm . . . . .	56
16	53FD Cover Asm . . . . .	58
16A	72MD Diskette Storage Drive Asm . . . . .	60
16B	72MD Carriage Bed Asm . . . . .	64
16C	72MD Drive Asm . . . . .	66
16D	72MD Drive Asm . . . . .	68
16E	72MD Drive Asm . . . . .	70
16F	72MD Picker/Cam Asm . . . . .	72
16G	72MD Picker/Cam Asm . . . . .	74
16H	72MD Picker/Cam Bezel Asm (old style) . . . . .	76
16J	72MD Base Casting Asm (old style) . . . . .	78
17	CE Panel Asm and STOP/START Panel Asm . . . . .	80
18	Operators Panel Asm . . . . .	82
19	Panel Asm, 2400 BPS Modem . . . . .	84
19A	Panel Asm, 4800 BPS Modem (MLCA) . . . . .	86
20	A-Gate Asm . . . . .	88
21	Blower Asm . . . . .	92
22	B-Gate Asm . . . . .	94
23	Power Logic C-Gate Asm . . . . .	96
24	AC Box Asm . . . . .	98
25	Line Filter Asm . . . . .	102
26	Distribution Asm . . . . .	103
26A	Feature Distribution Asm . . . . .	104
27	Multilevel Filter Asm . . . . .	106
28	Control Power Supply Asm . . . . .	108
29	Fan Asm . . . . .	110
30	5V Filter Asm . . . . .	112
31	Power Supply-A Asm . . . . .	114
31A	Power Supply-B Asm . . . . .	116
31B	Power Supply-C Asm . . . . .	118
31C	Power Supply-D Asm . . . . .	120
32	Trailer Covers and Hardware Asm . . . . .	122
33	Trailer 62PC Mounting Asm . . . . .	124
34	Feature Power G . . . . .	126
34A	Filter Asm C-B1 Board . . . . .	128
34B	Feature AC Box . . . . .	130
35	Trailer, 62PC Mounting Hardware, and Frame Asm . . . . .	132
36	Cable and Jumper Component Parts . . . . .	134
	NUMERICAL INDEX . . . . .	X-1

**HOW TO USE THIS PARTS CATALOG**

**PART 1**

To find parts quickly, a general understanding of the structure of this catalog is necessary. The catalog is divided into three major sections:

- The Visual Index, containing overall views of the machine, with call-outs pointing to detailed figures.
- The Catalog Section, containing a pictorial breakdown of assemblies and subassemblies.
- The Numerical Index, which is a numerical list of all parts used in the machine, with cross-references to the figure on which the part is found.

**VISUAL INDEX**

The Visual Index, located before the Catalog Section, contains a reduced illustration of every figure in the Catalog Section. The reduced illustrations are tied together with flow arrows to form a natural progression from large assemblies to small assemblies and possibly subassemblies. In effect, a visual table of contents is formed by the Visual Index illustrations.

**CATALOG SECTION**

The Catalog Section contains the full-sized illustrations previously noted in the Visual Index. Index numbers on figures refer to corresponding entries in the Group Assembly Parts List accompanying each figure. Refer to part II for explanation of terms used in the Group Assembly Parts List.

**ATTACHING PARTS LIST**

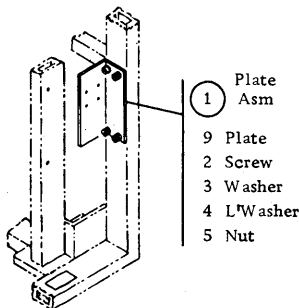
The Attaching Parts List contains common screws, nuts, washers, etc. that are used in the machine. Index numbers for attaching parts are on the illustration, and the description is in the Attaching Parts List.

**NUMERICAL INDEX**

The Numerical Index is located after the Catalog Section and contains a complete list, in numerical order, of all part numbers used on the machine. Listed with the part number is the index and figure number on which the part is illustrated. The numerical index makes it possible to locate a part when only the part number is known.

**STACKED INDEX NUMBERS**

Stacked Index numbers are used when showing a part and its attaching hardware. The sequence of a typical stack is shown at the right. The circled index number indicates the assembly is broken down within the figure.



**ILLUSTRATION NOTES**

Cross-reference notes are directly on the illustration. The illustration's next higher assembly reference, normally located in the upper left corner of the page will read: "For Parts Not Shown See Figure X". If an assembly is referenced to a lower level figure, the note located next to the index number will read: "5 See Figure X."

**DOUBLE LINED DETAIL BOX**

The double lined box differentiates between parts shown on the basic model and parts related to a level and/or feature difference. An explanation of the level or feature difference is given in the double lined box.

**FINDING A PART**

The Visual Index is the starting point for locating a part. The illustrations in the Visual Index are reduced versions of all illustrations in the Catalog Section; therefore, the illustrations can be used to find the assembly containing the desired part. Use references to the detailed figure in the Catalog Section, or to another Visual Index illustration, to determine location of part number.

Once the detailed figure in the catalog section is determined, finding the part on the figure and referring to the listing for the part number and description is all that is required in most cases. If the first catalog section figure referenced shows the assembly containing the required part, the index number for the assembly will reference a lower-level figure where the assembly is broken down to its component parts. If the figure referenced by the Visual Index contains neither the part nor an assembly containing the part, it is then necessary to go to the next higher assembly figure. This figure should then contain the part or an assembly containing the part; if not, an even higher level figure must be used. Refer back to the Visual Index for some other figure that could show the desired part.

*Note:* Many detailed parts are unavailable, because they are part of an inseparable assembly (two or more parts welded or bonded together), or because they are part of an assembly purchased as a unit. If parts are found on a welded or bonded assembly, the following note follows the description of the assembly: "Assembly components are not replaceable." If the part is found on a purchased assembly, and the detail parts of this assembly do not have IBM part numbers, the note following the assembly description will read: "Assembly components are not available." In either case, you need to obtain the part number of the assembly, rather than the detailed part.

**EXAMPLE FOR ORDERING PARTS**

FIGURE-INDEX NUMBER	PART NUMBER	UNITS PER ASM.	DESCRIPTION FOR FIGURE 25			
			1	2	3	4
25	2592881		FAN ASM. 60 HZ FOR NEXT HIGHER ASM SEE LIST 23 AND FOR ILLUSTRATION SEE FIG. 25			
- 1	2172166	1	+	+	+	+
- 2	2591483	AR	+	+	+	+
- 3	2592892	1	+	+	+	+
- 4	2591431	1	+	+	+	+
- 5	334932	1	+	+	+	+
- 6	1166117	1	+	+	+	+
- 7	1166114	3	+	+	+	+
- 8	2591402	1	+	+	+	+
FOR ATTACHING PARTS, INDEX NOS. 151 AND ABOVE, SEE LIST 76						

If the entire fan is required, part number 2592881 should be ordered (all one dot items will be received). If only the subassembly is required, part number 2591431 should be ordered (all two dot items will be received). Each part may be ordered individually.

*Note:* If you order a part that requires a label, make sure you order the label in the correct language. For example: A part of a Quebec machine should have a French Canadian language label rather than a French language label.

HOW TO USE THIS PARTS CATALOG

Part II

**A** *AR*  
As Required (AR) in the units per assembly column denotes that the quantity is used as required.

**B** *ATT PT*  
Attaching Parts: These parts are used to attach a subassembly to an assembly. The attaching parts are listed in the last list just before the numeric index. Special attaching parts are listed with the figure.

**C** *INDENTURE*  
The relationship of a part to its next higher assembly is indicated by indentures. For example:

- 1 2 3 4
- Unit
  - . Assemblies and Detail Parts of Unit
  - . Attaching Parts for Assemblies & Detail Parts
  - . . Subassemblies
  - . . Attaching Parts of Subassemblies
  - . . . Detail Parts for Subassemblies, etc.

**D** *NR*  
The NR in the part number column denotes the part is procurable but not recommended for field replacement, and that the next higher assembly should be ordered.

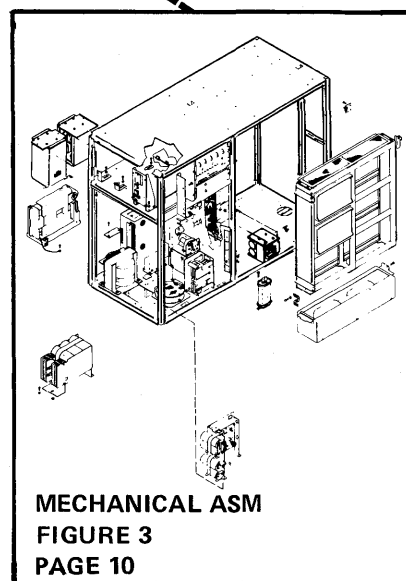
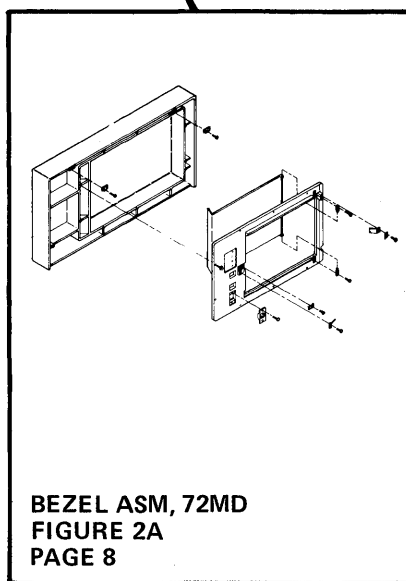
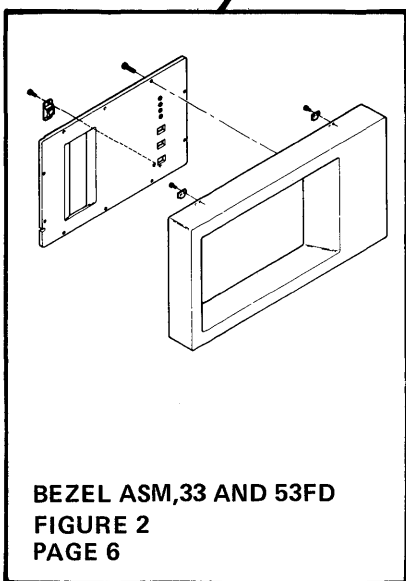
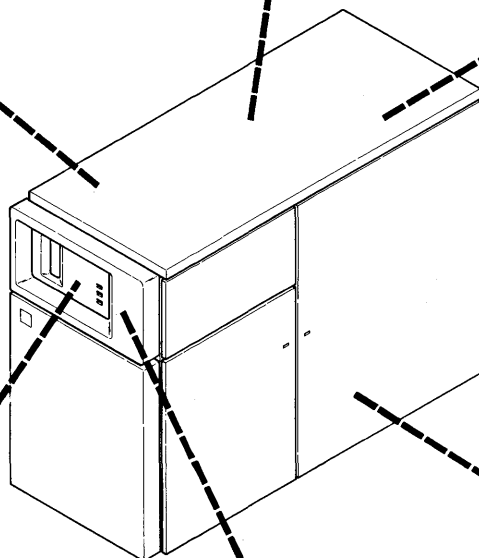
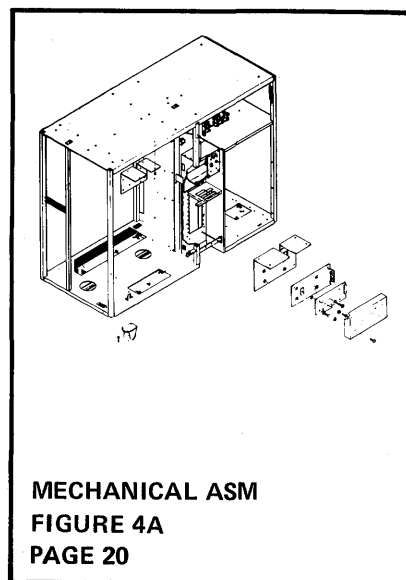
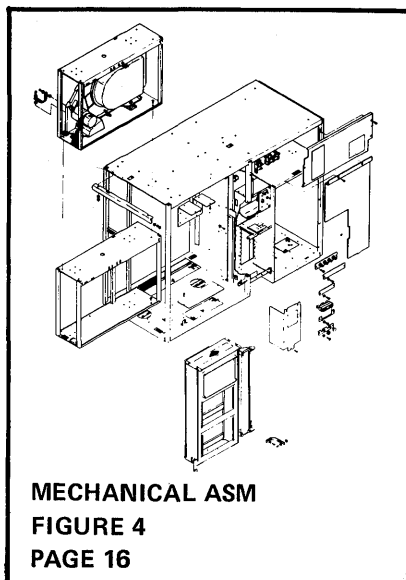
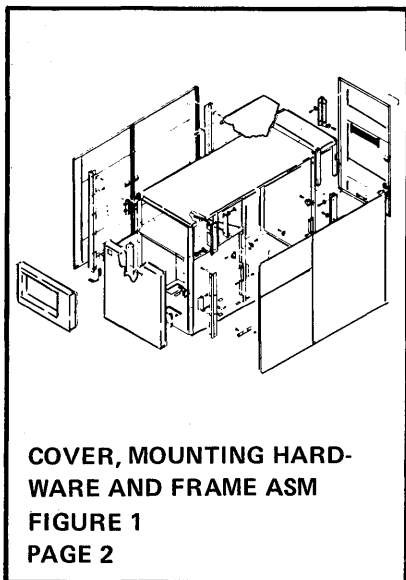
**E** *NP*  
The entry NP in the part number column denotes the assembly is non-procurable and the detail parts should be ordered separately.

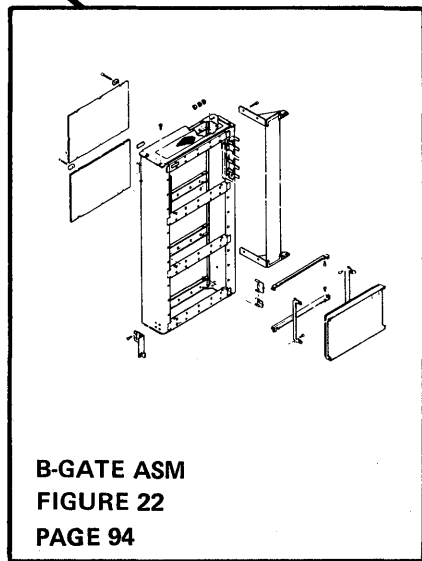
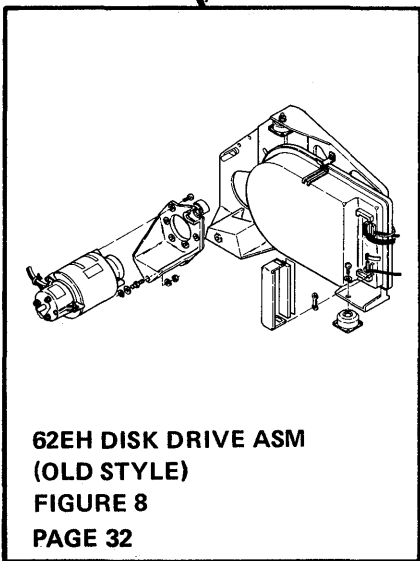
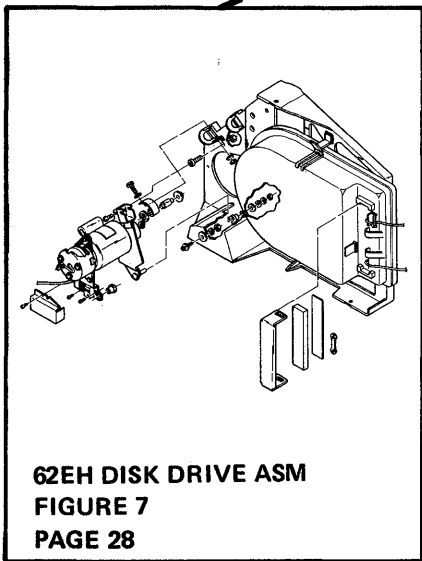
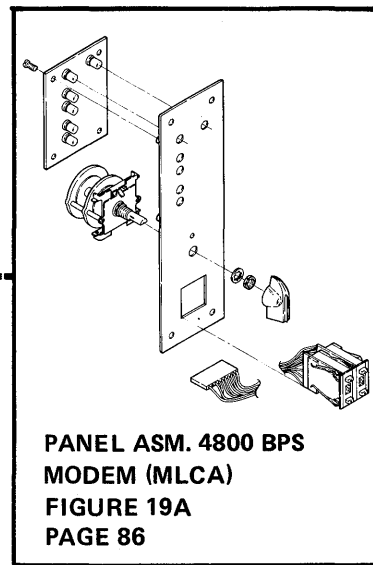
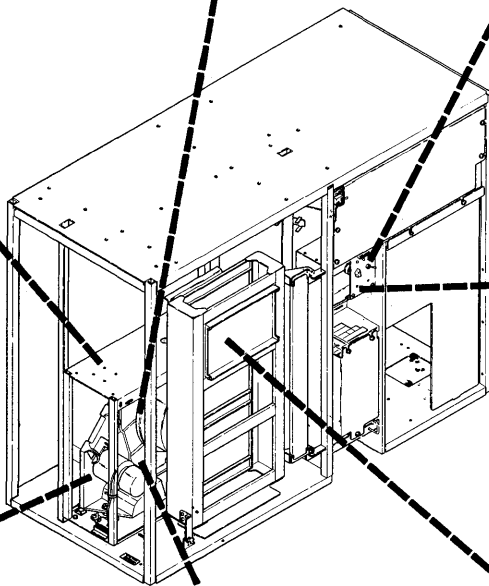
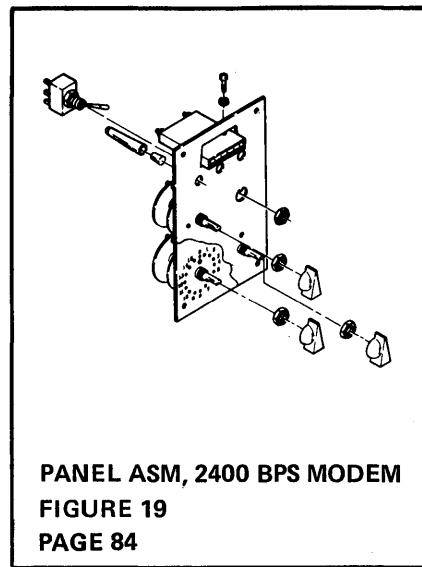
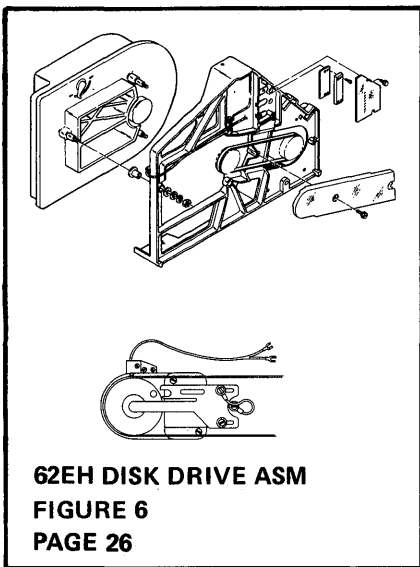
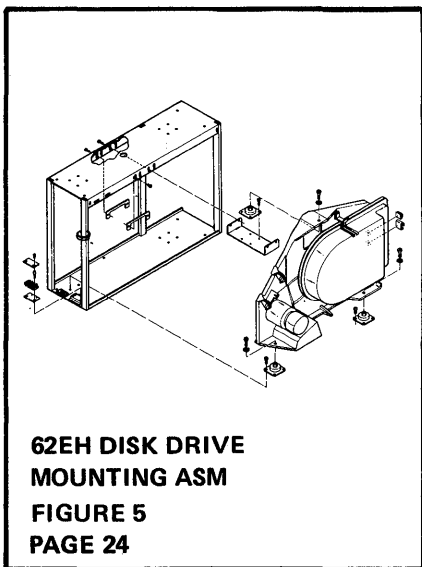
**F** *NO NO.*  
When this indication appears in the part number column, it denotes a group of parts for which no assembly part number has been assigned, and the detail parts should be ordered separately.

EXAMPLE OF PARTS LIST

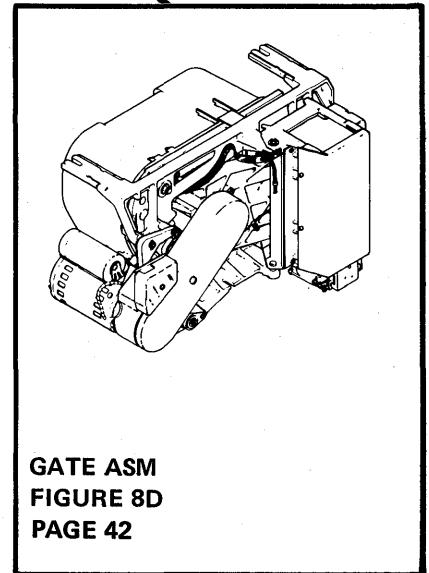
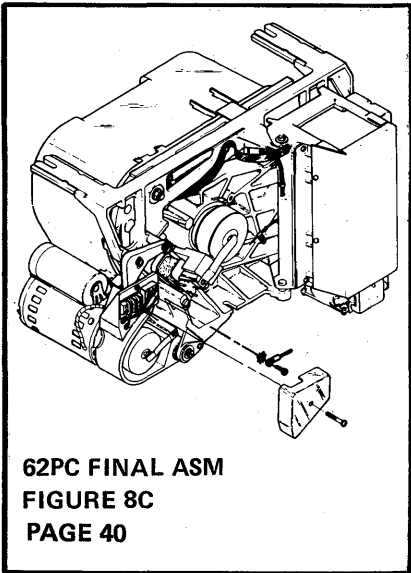
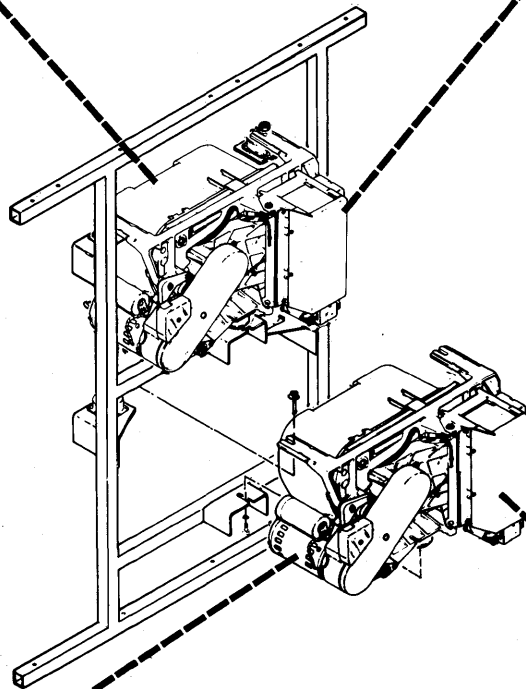
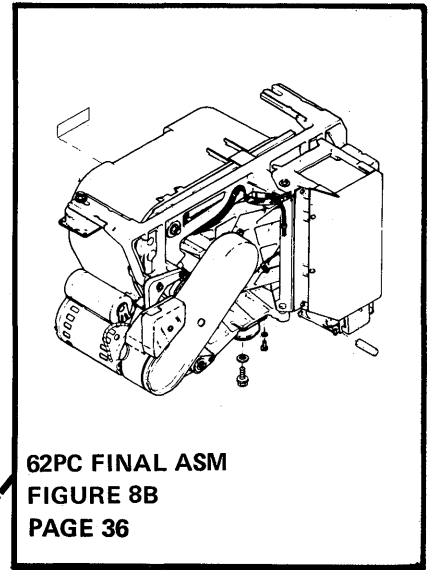
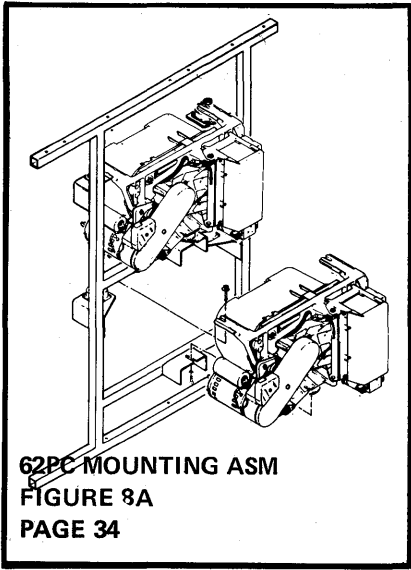
FIGURE-INDEX NUMBER	PART NUMBER	UNITS PER ASM.	DESCRIPTION FOR FIGURE 5			
			1	2	3	4
5	NO NO.		BEZEL AND OPERATOR PANEL ASM FOR NEXT HIGHER ASM SEE FIGURE 1-4 AND FOR ILLUSTRATION FIGURE 5			
- 1	7362008	1	• BRACKET, LED AND SWITCH			
- 2	2767289 NR	1	• POTENTIOMETER			
- 3	7362248	1	• POTENTIOMETER			
- 4	7362263	2	• KNOB ASM			
- 5	2397045	5	• LED, LIGHT			
- 6	7362200	1	• BLOCK, LED			
- 7	2632773	AR	• CLIP			
- 8	1608427	2	• SCREW, THD FORM-HEX WSHR HD 6-19 X 1/2 LG			
- 9	7362158	1	• CABLE ASM, CE DIAG IND AND SWITCH			
- 10	7361265	1	• CABLE ASM, AC DISTRIBUTION			
- 11	1608571	1	• SWITCH			
- 12	7362254 NP	1	• BEZEL, ENGLISH			
- 12	7362255 NP	1	• BEZEL, FRENCH			
- 12	7362256 NP	1	• BEZEL, JAPANESE			
- 12	7362257 NP	1	• BEZEL, SPANISH			
- 12	7362258 NP	1	• BEZEL, GERMAN			
- 12	7362259 NP	1	• BEZEL, ITALIAN			

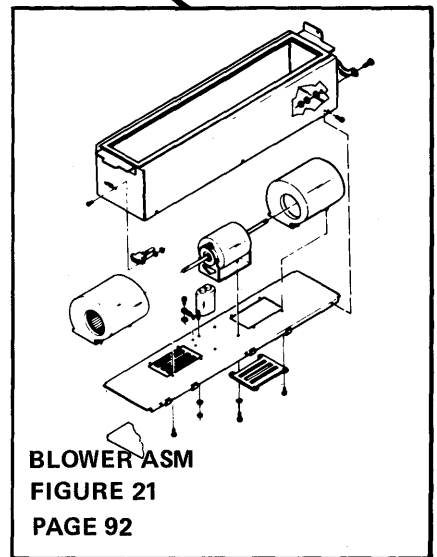
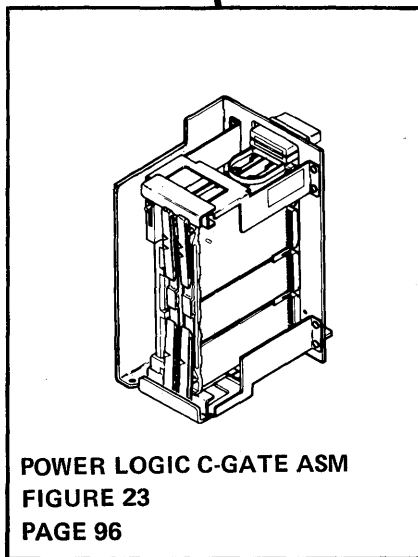
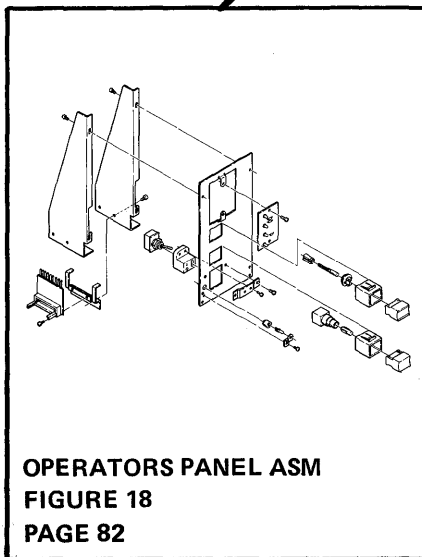
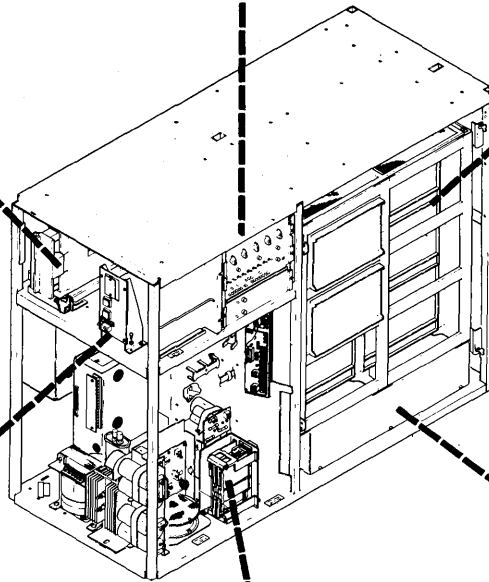
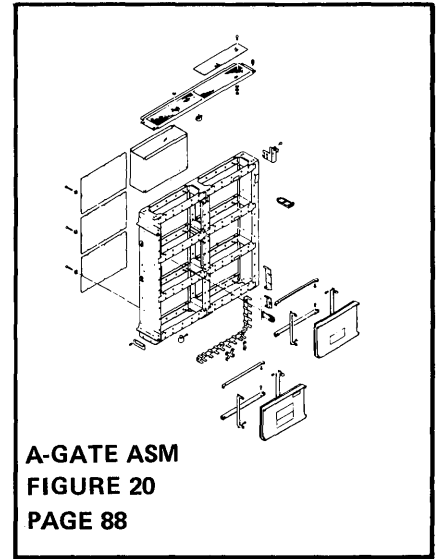
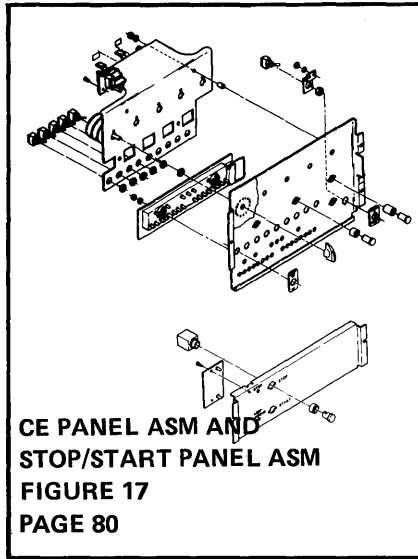
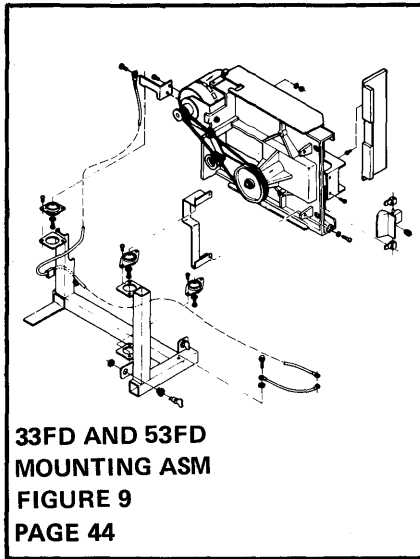
**E**

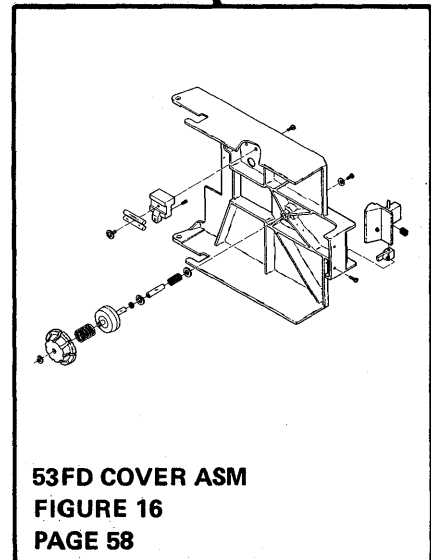
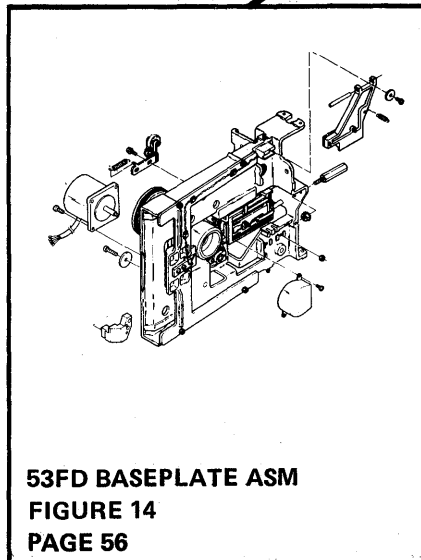
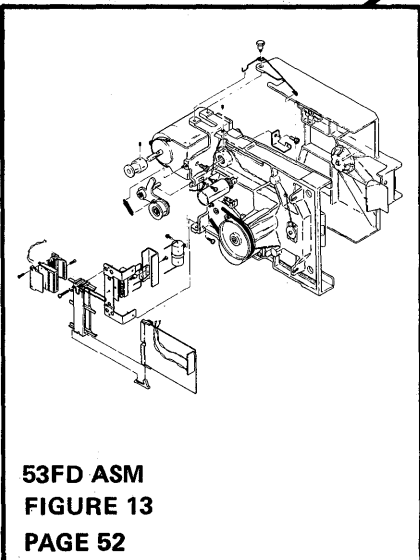
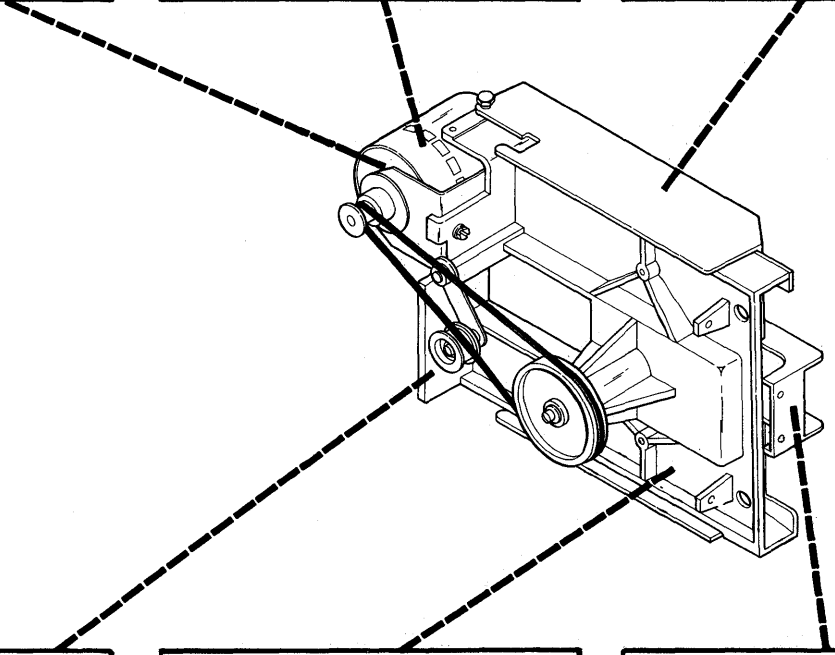
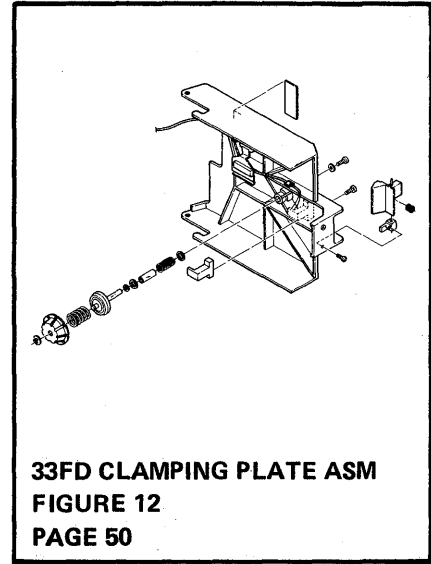
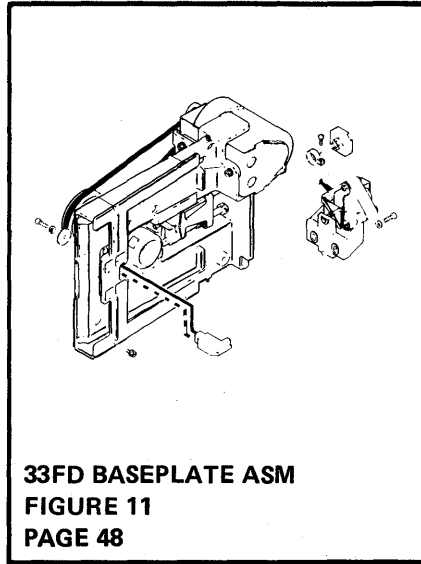
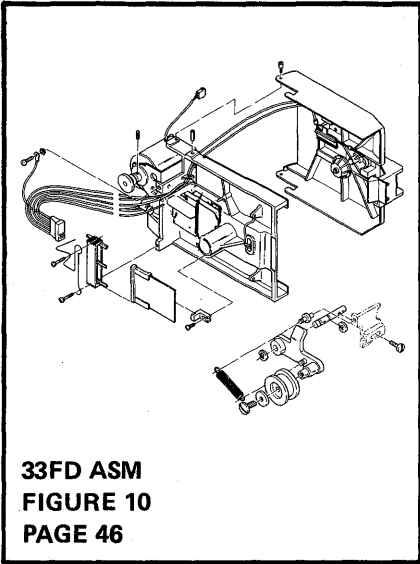


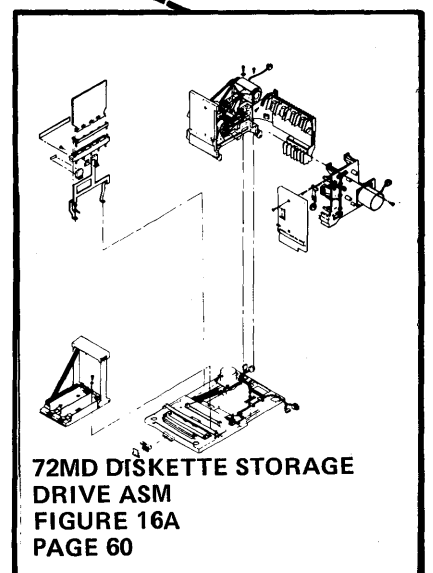
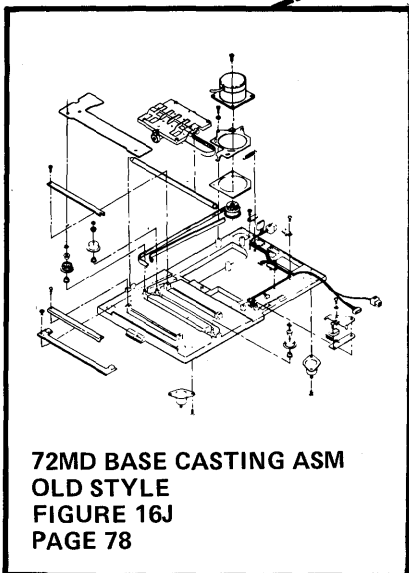
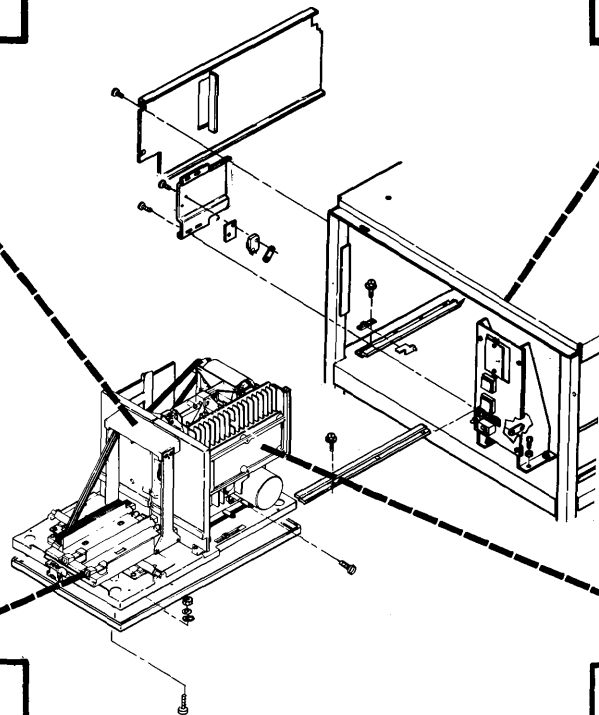
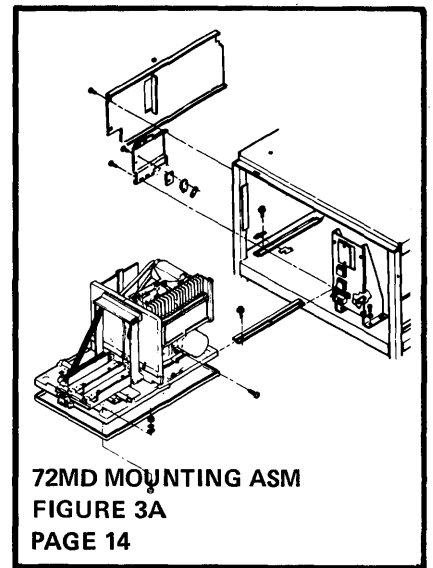
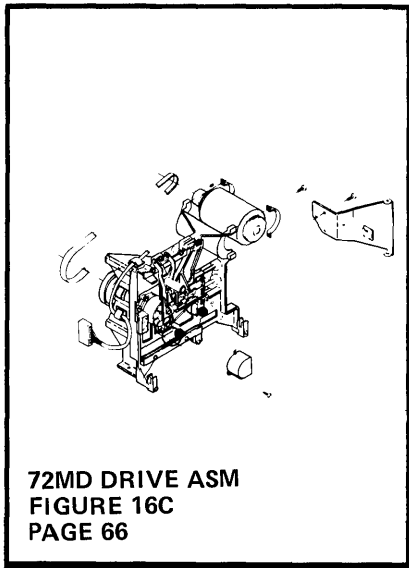


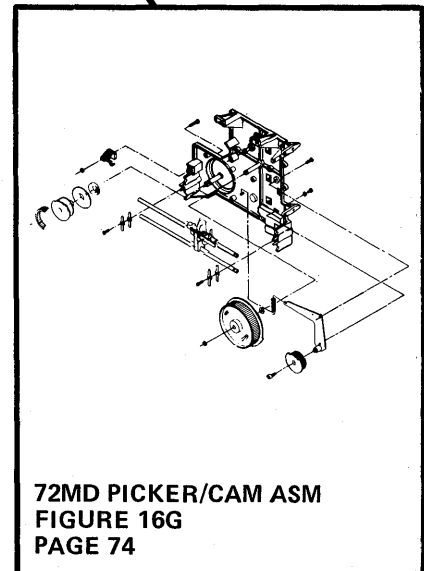
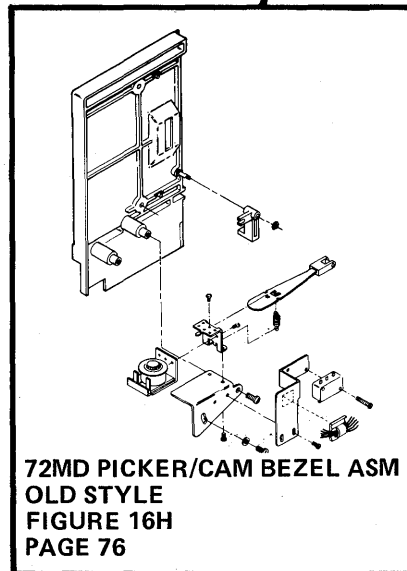
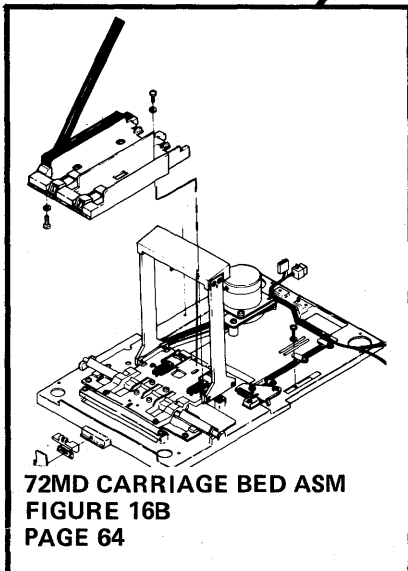
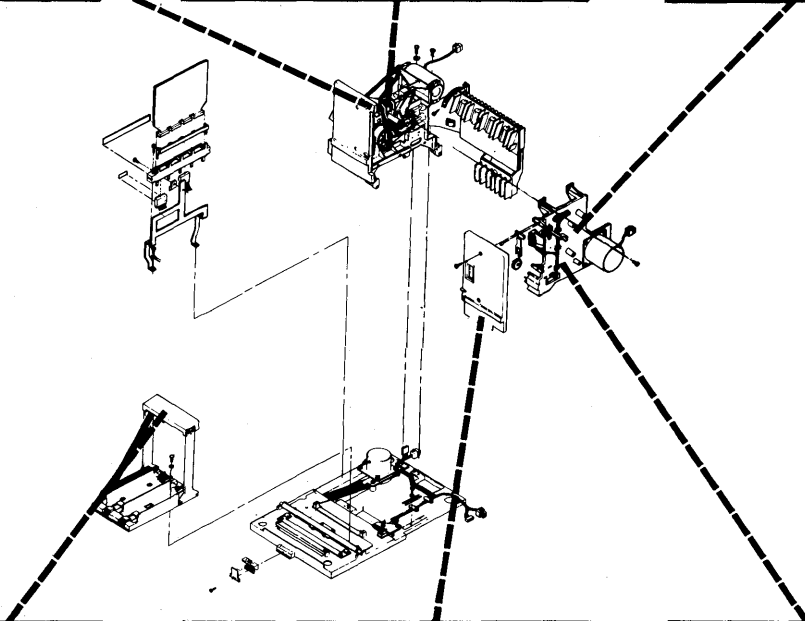
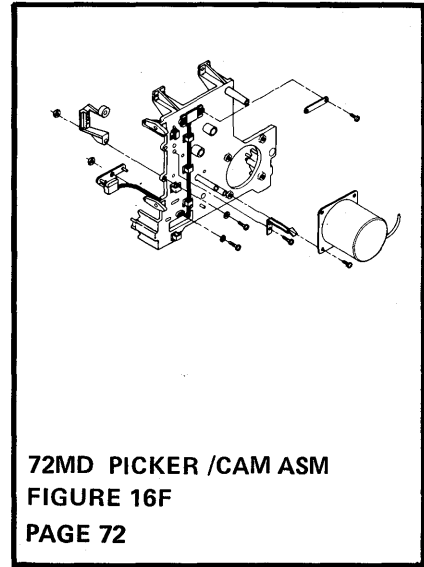
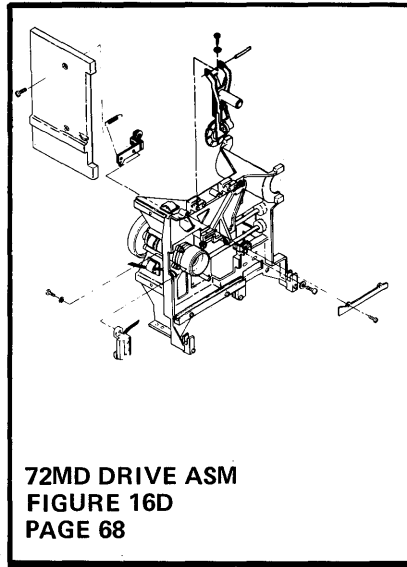
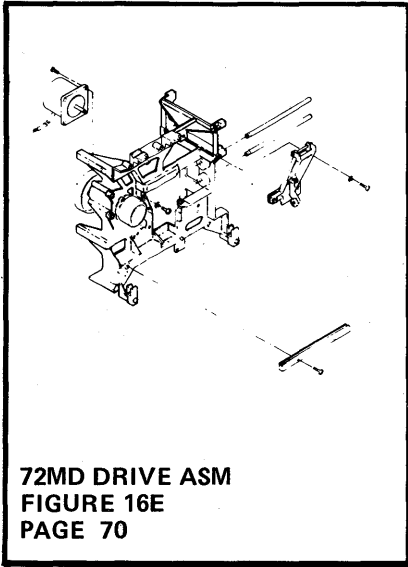


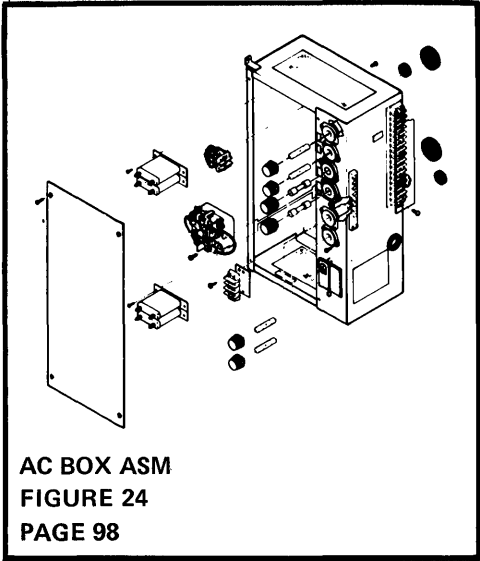




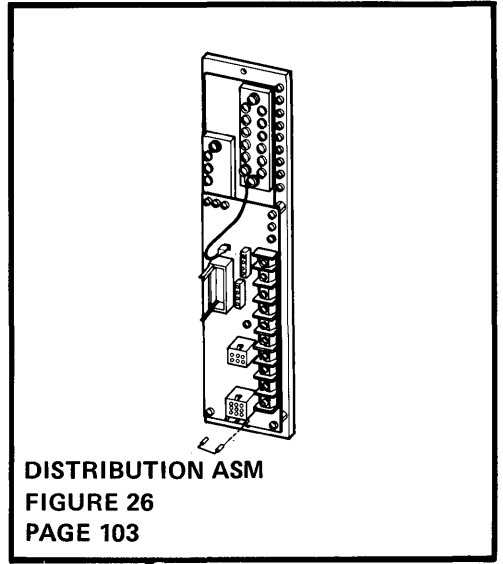




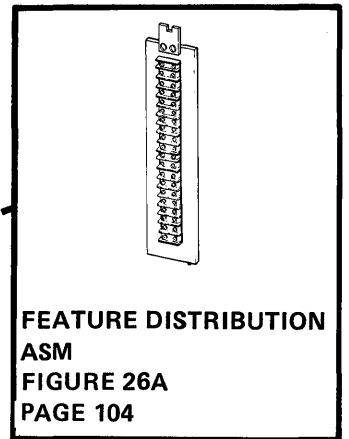
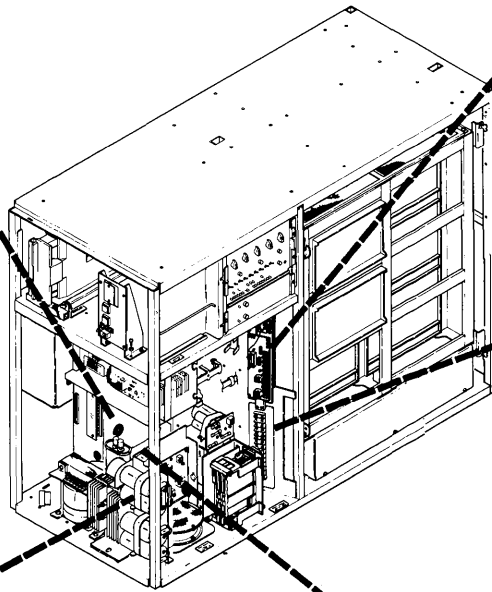




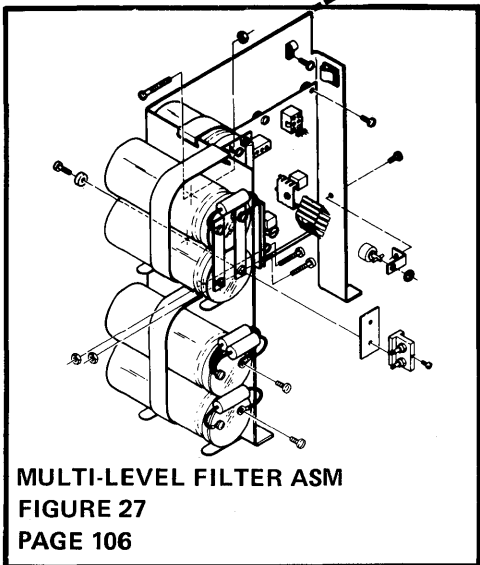
**AC BOX ASM**  
**FIGURE 24**  
**PAGE 98**



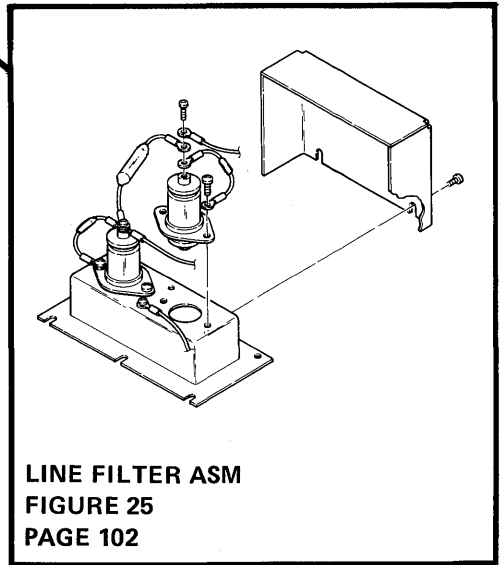
**DISTRIBUTION ASM**  
**FIGURE 26**  
**PAGE 103**



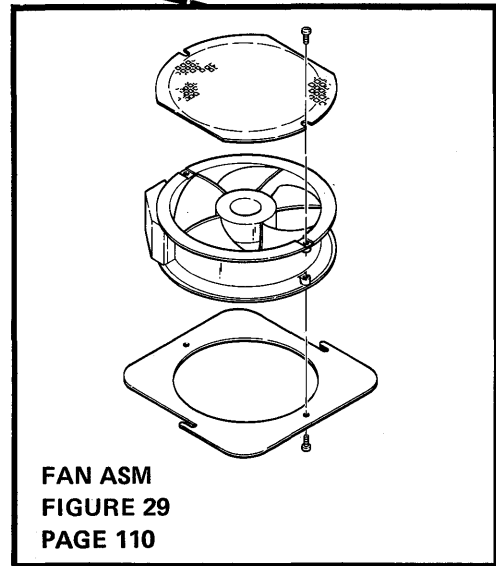
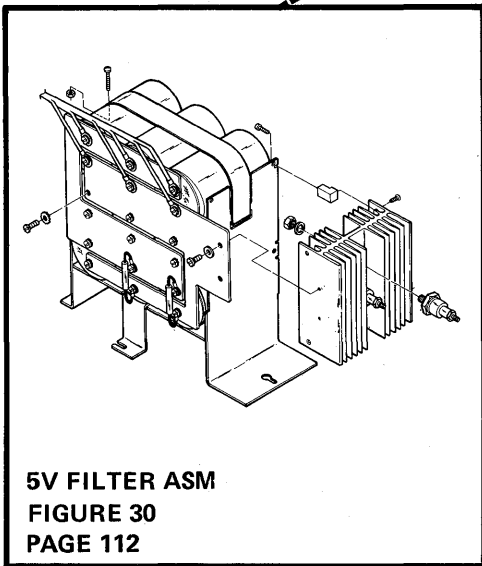
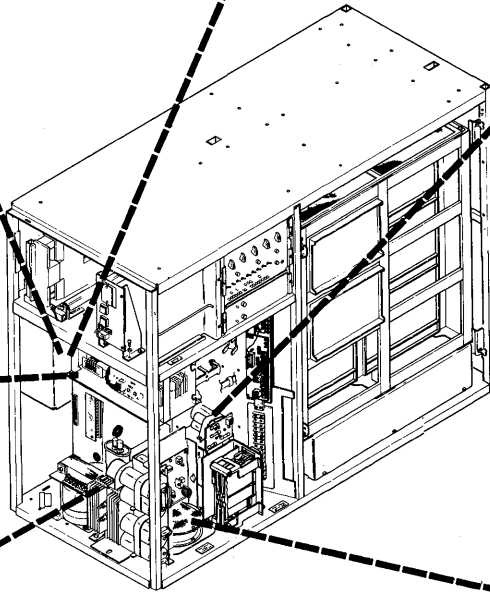
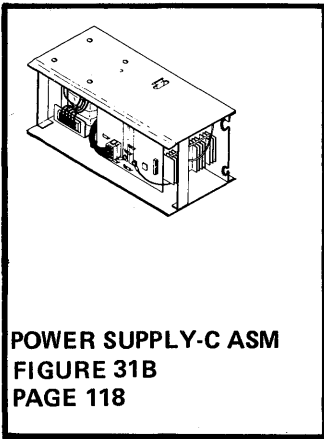
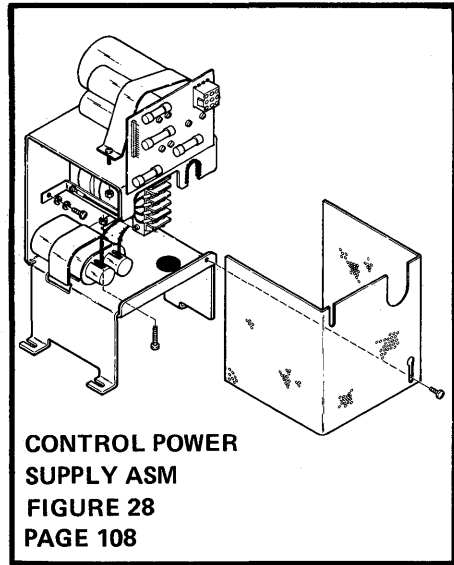
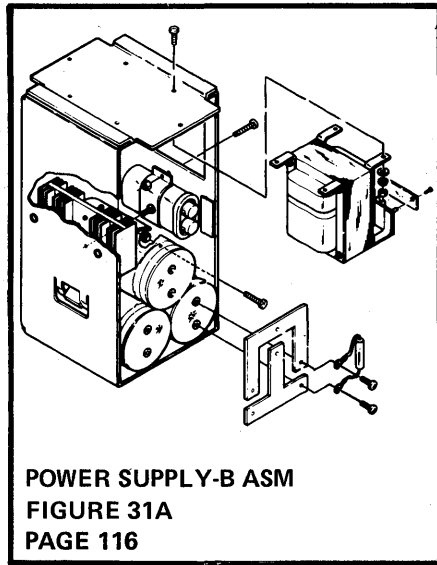
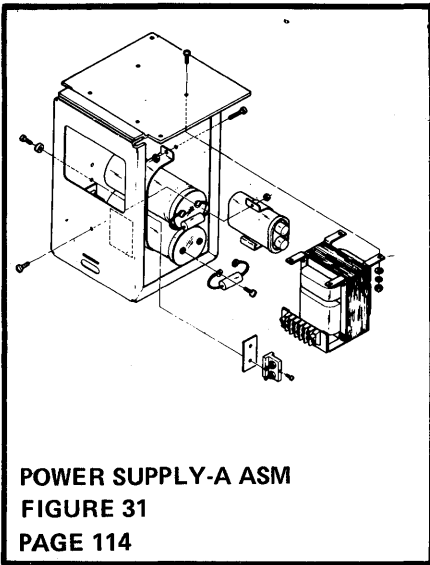
**FEATURE DISTRIBUTION ASM**  
**FIGURE 26A**  
**PAGE 104**

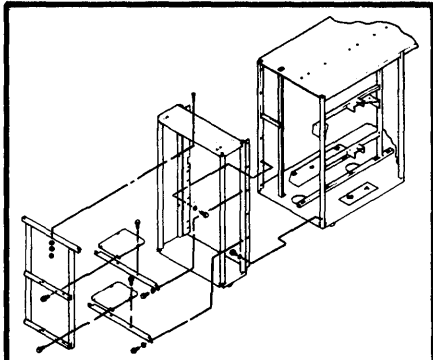


**MULTI-LEVEL FILTER ASM**  
**FIGURE 27**  
**PAGE 106**

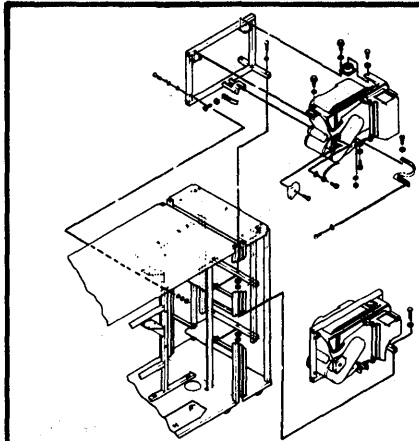


**LINE FILTER ASM**  
**FIGURE 25**  
**PAGE 102**

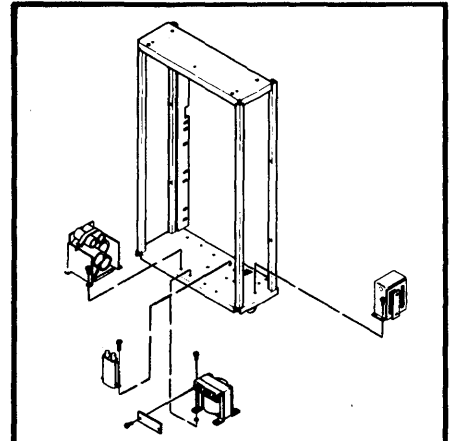




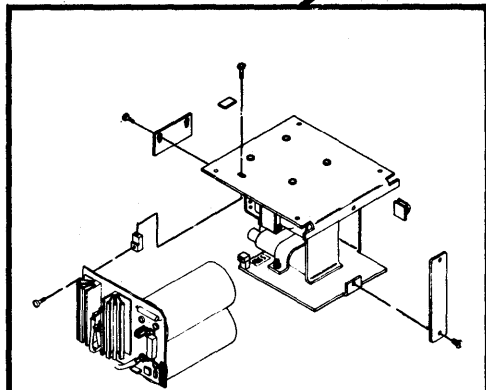
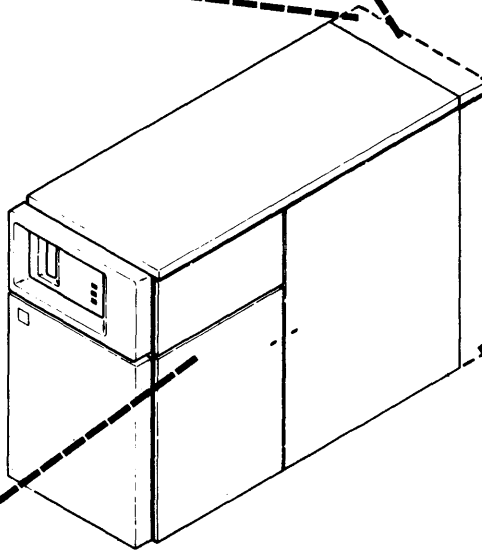
TRAILER, 62PC MOUNTING  
HARDWARE AND FRAME ASM  
FIGURE 35  
PAGE 132



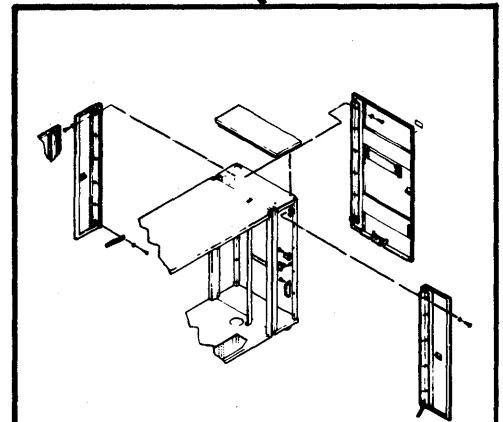
TRAILER 62PC  
MOUNTING ASM  
FIGURE 33  
PAGE 124



FEATURE POWER G  
FIGURE 34  
PAGE 126

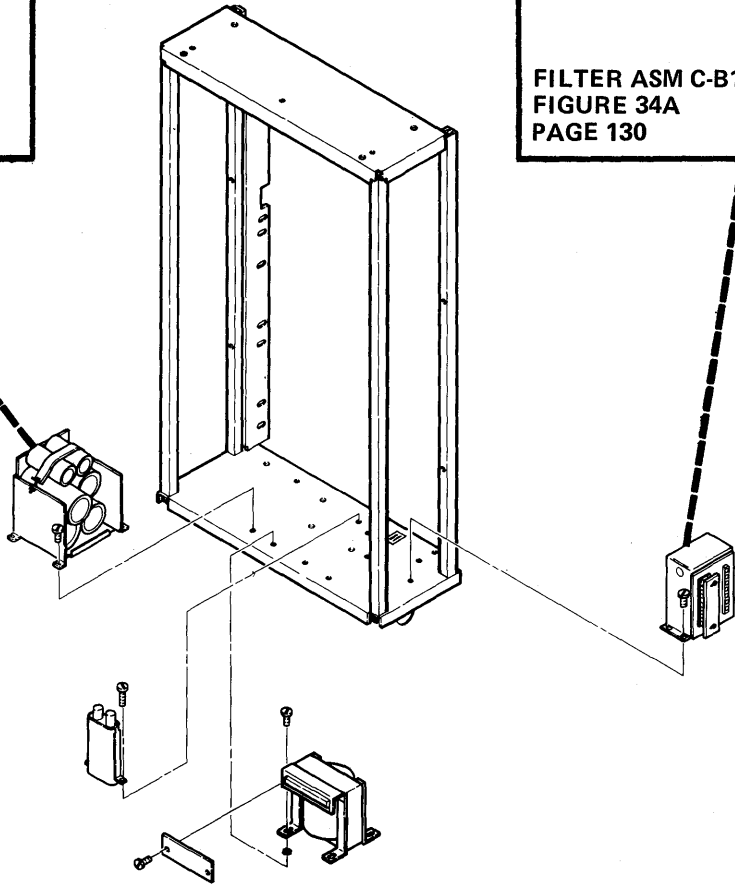
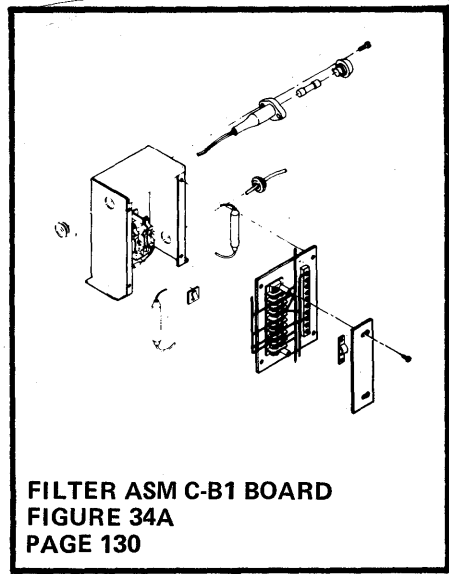
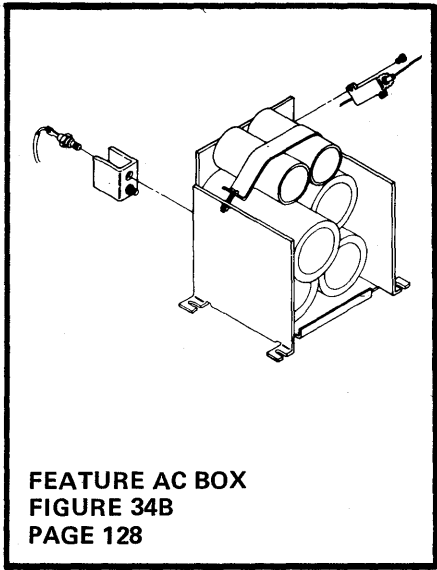


POWER SUPPLY-D ASM  
FIGURE 31C  
PAGE 120



TRAILER COVERS AND  
HARDWARE ASM  
FIGURE 32  
PAGE 122





5340

CATALOG SECTION

5340

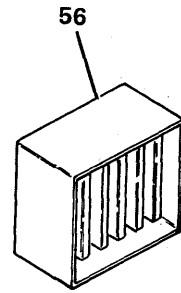
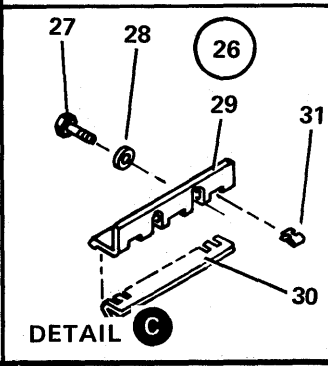
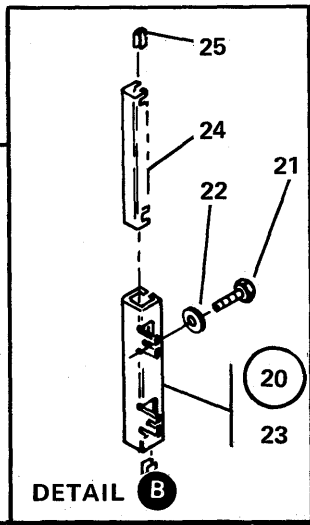
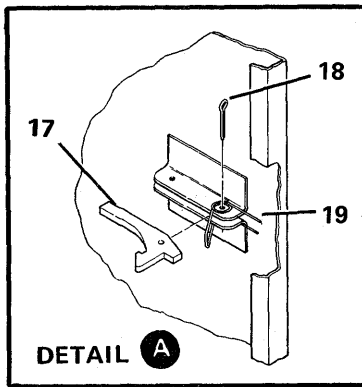
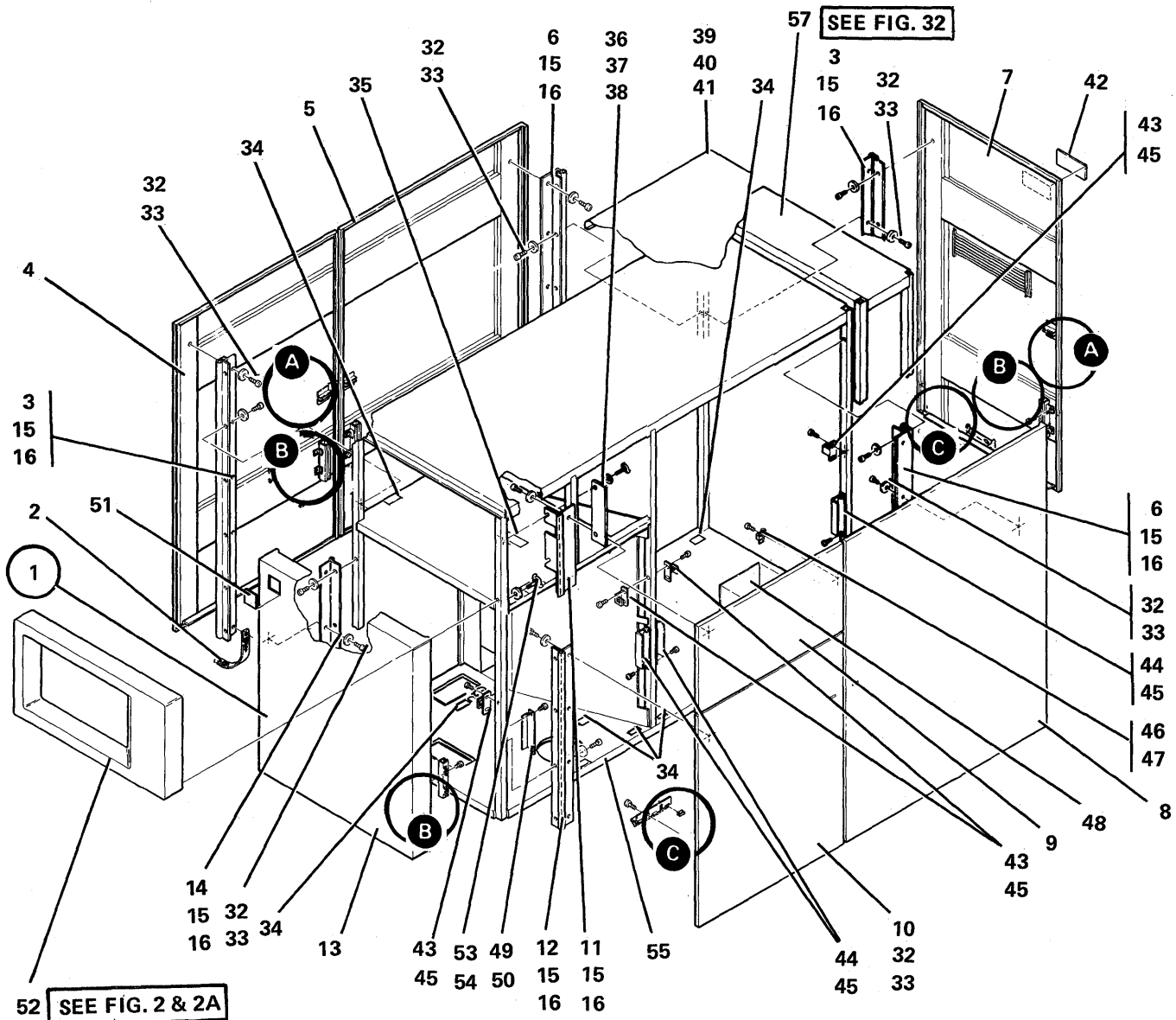


FIGURE 1. COVERS, MOUNTING HARDWARE AND FRAME ASM. SEE LIST 1.

FIGURE- INDEX NUMBER	PART NUMBER	UNITS PER ASM.	DESCRIPTION FOR FIGURE 1			
			1	2	3	4
1	NO NO. NP		COVERS, MOUNTING HARDWARE AND FRAME ASM FOR ILLUSTRATION SEE FIGURE 1			
- 1	8265150	1	• Cover Kit			
- 2	2101089	6	• • Strap,Ground			
- 3	4236283	2	• • Hinge,Left Front And Rear Cover			
- 4	4236296	1	• • Cover,Left Front			
- 5	4236295	1	• • Cover,Left Rear			
- 6	4236284	2	• • Hinge,Left Rear Cover			
- 7	4236294	1	• • Cover,Rear			
- 8	4236293	1	• • Cover,Right Rear			
- 9	4236524	1	• • Cover,CE Panel			
- 10	4236292	1	• • Cover,Right Front			
- 11	4236535	1	• • Hinge,CE Panel Cover			
- 12	4236533	1	• • Hinge,Right Front Cover			
- 13	4236291	1	• • Cover,Front			
- 14	4236282	1	• • Hinge,Front Cover			
- 15	4236318	36	• • Screw,Thd-Form Hex Wshr Hd M5 x 12 Lg			
- 16	600395	36	• • Washer,Flat 13/64 ID x 3/4 OD x 3/32			
- 17	2546367	5	• • Latch			
- 17	8265098	1	• • Latch,Used With Cover P/N 4236296			
- 18	35868	6	• • Pin,Cotter .120 Dia x 3/4 Lg			
- 19	2546384	6	• • Spring			
- 20	4236752	6	• • Bracket Asm			
- 21	1621811	12	• • Screw,Thd-Form Hex Wshr Hd M4 x 10 Lg			
- 22	45690	12	• • Washer,Flat No. 10 x 7/16 OD x 1/32 Thk			
- 23	4236693	1	• • • Bracket			
- 24	2537028	1	• • • Finger Stock			
- 25	2590081	2	• • • Clip			
- 26	2546721	6	• • Finger Stock Asm			
- 27	1621811	12	• • Screw,Thd-Form Hex Wshr Hd M4 x 10 Lg			
- 28	45690	12	• • Washer,Flat No. 10 x 7/16 OD x 1/32 Thk			
- 29	2546720	1	• • • Bracket			
- 30	2596625	1	• • • Finger Stock			
- 31	2590081	2	• • • Clip			
- 32	4236318	34	• Screw,Thd-Form Hex Wshr Hd M5 x 12 Lg			
- 33	600395	36	• Washer,Flat 13/64 ID x 3/4 OD x 3/32 Thk			
- 34	4236722	AR	• Label,English			
- 34	4236730	AR	• Label,French			
- 34	4236731	AR	• Label,German			
- 34	4236732	AR	• Label,Italian			
- 34	4236733	AR	• Label,Spanish			
- 34	4236734	AR	• Label,Japan/Katakanna			
- 34	4236735	AR	• Label,French/Canadian			
- 34	4236777	AR	• Label,Finland			
- 34	4236878	AR	• Label,Sweden			
- 35	4236697	1	• Label			
- 36	4236743	1	• Plate			
- 37	4236696	2	• Screw,Wing M5 x 12.7 Lg			
- 38	600395	2	• Washer,Flat 13/64 ID x 3/4 OD x 3/32 Thk			
- 39	4236297	1	• Cover,Top			
- 40	1622404	6	• Nut,Hex M5 x 8 Fl W			
- 41	600395	6	• Washer,Flat 13/64 ID x 3/4 OD x 3/32 Thk			
- 42	8112302	1	• Plate-Chile,Mexico,Peru			
- 42	8112301	1	• Plate-Guatemala			
- 43	2546385	6	• Catch			
- 44	4236750	5	• Bracket			
- 45	4236318	22	• Screw,Thd-Form Hex Wshr Hd M5 x 12 Lg			
- 46	5319035	1	• Catch			
- 47	1621170	2	• Screw,Mach-Slotted Pan Hd M3 x 6 Lg			

5340

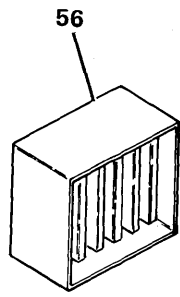
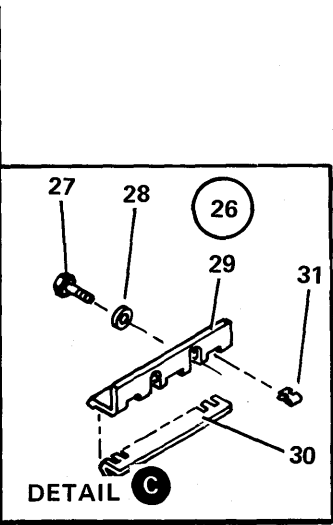
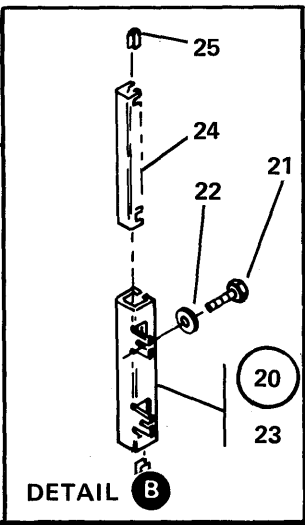
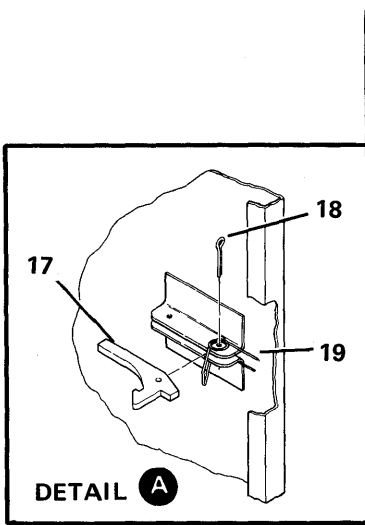
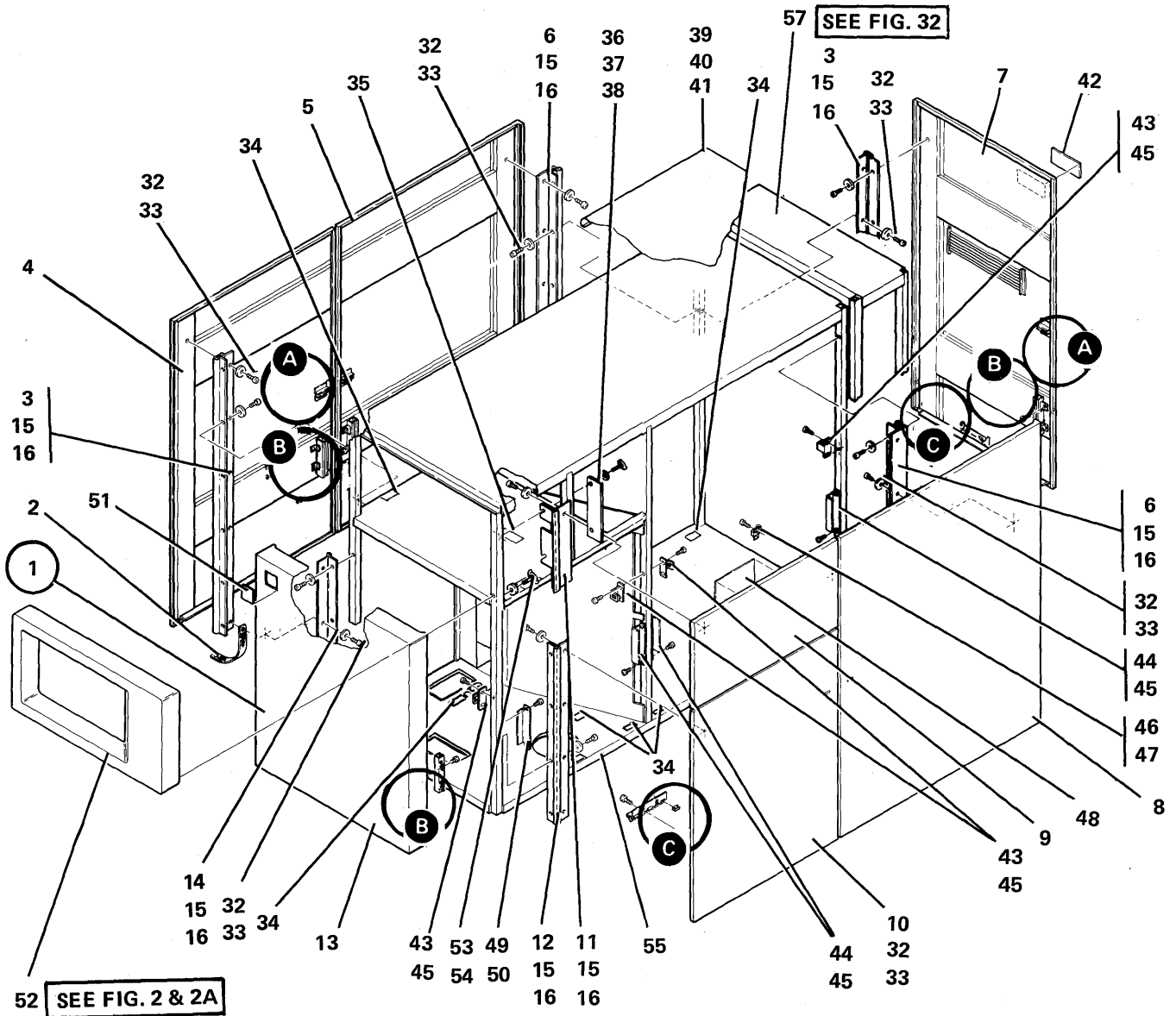


FIGURE 1. COVERS, MOUNTING HARDWARE AND FRAME ASM. SEE LIST 1.

FIGURE- INDEX NUMBER	PART NUMBER	UNITS PER ASM.	DESCRIPTION FOR FIGURE 1			
			1	2	3	4
1 - 48	4236697	1	• Decal			
- 49	4236751	1	• Bracket			
- 50	4236318	2	• Screw,Thd-Form Hex Wshr Hd M5 x 12 Lg			
- 51	4236661	1	• Nameplate,English,Brazil,Port,Germany			
- 51	4236674	1	• Nameplate,French,French/Canadian			
- 51	4236675	1	• Nameplate,Italian,Spanish			
- 52	NO NO.	1	• Bezel Asm,33FD And 53FD			
- 52			For Detail Breakdown See List 2			
- 52	NO NO.	1	• Bezel Asm,72MD			
- 52			For Detail Breakdown See List 2A			
- 53	4236461	2	• Screw,Wing M5 x 40 Lg			
- 54	23141	2	• Washer,Flat No. 10 x 9/16 OD x 1/16 Thk			
- 55	4236256	1	• Frame			
- 56	7354916	1	• Container,Manuals			
- 57	NO NO.	1	• Trailer Covers and Mounting Hardware			
- 57			For Detail Breakdown See List 32			

FOR PARTS  
NOT SHOWN  
SEE FIG. 1

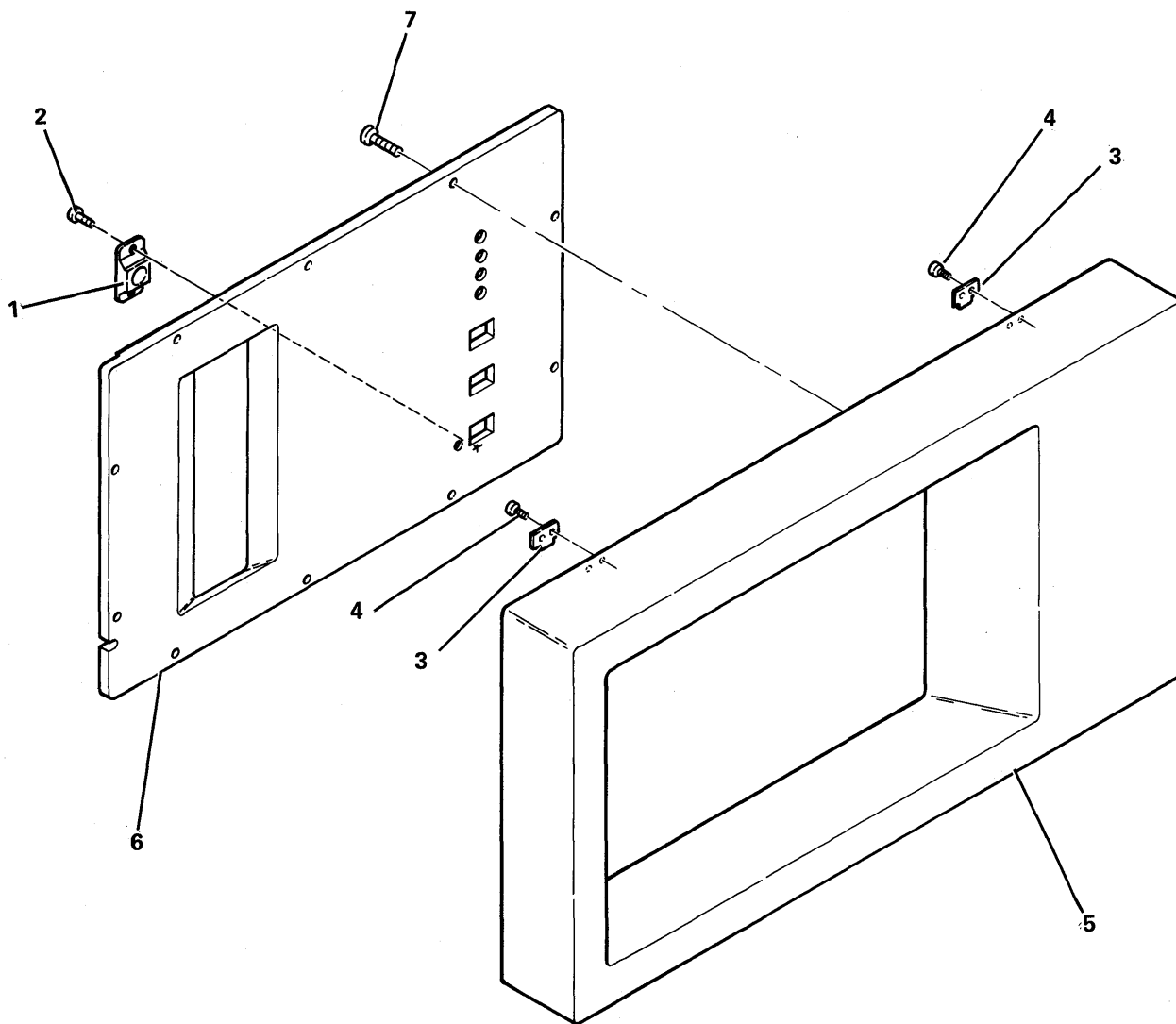


FIGURE 2. BEZEL ASM, 33 AND 53FD. SEE LIST 2.

FIGURE- INDEX NUMBER	PART NUMBER	UNITS PER ASM.	DESCRIPTION FOR FIGURE 2			
			1	2	3	4
2	NO NO.		BEZEL ASM, 33FD AND 53FD FOR NEXT HIGHTER ASM SEE LIST 1-52 FOR ILLUSTRATION SEE FIGURE 2			
- 1	4236370	1	• Housing			
- 2	1608429	2	• Screw,Thd-Form Hex Wshr Hd			
- 3	4236386	2	• Retainer			
- 4	4236454	4	• Screw,Thd-Form Fil Hd M3 x 8 Lg			
- 5	4236348	1	• Bezel			
- 6	4236360	1	• Panel,English			
- 6	4236362	1	• Panel,French			
- 6	4236364	1	• Panel,German			
- 6	4236366	1	• Panel,Italian			
- 6	4236368	1	• Panel,Spanish			
- 6	4236540	1	• Panel,French Canadian			
- 6	4236654	1	• Panel,Japanese			
- 7	2461889	8	• Screw,Slot-Hex Wshr Hd 8-16 x 19.05 Lg			



FOR PARTS  
NOT SHOWN  
SEE FIG. 1

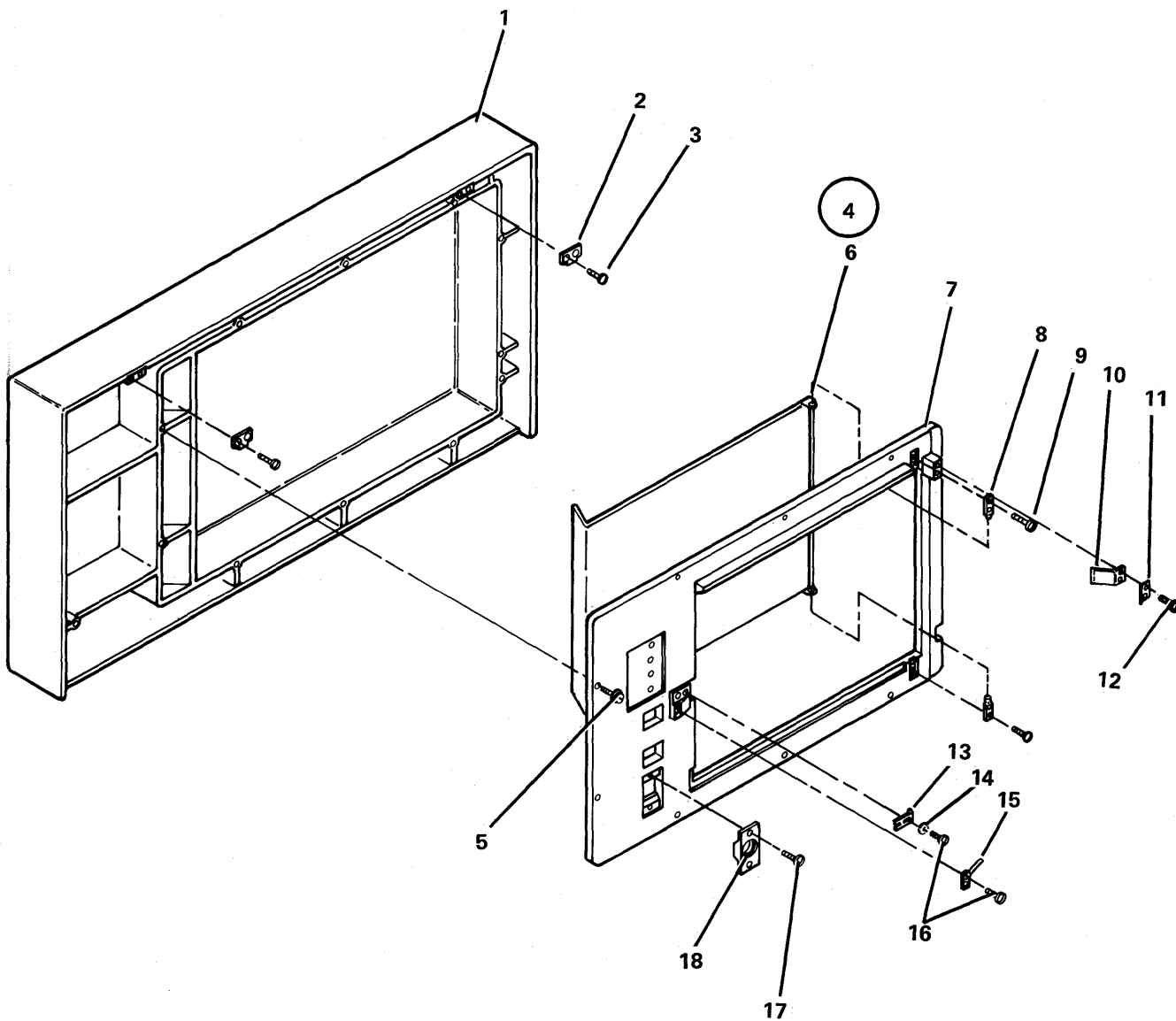


FIGURE 2A. BEZEL ASM, 72MD. SEE LIST 2A.

FIGURE- INDEX NUMBER	PART NUMBER	UNITS PER ASM.	DESCRIPTION FOR FIGURE 2A			
			1	2	3	4
2A	NO NO.		BEZEL ASM, 72MD FOR NEXT HIGHTER ASM SEE LIST 1-52 FOR ILLUSTRATION SEE FIGURE 2A			
- 1	4236348	1	• Bezel			
- 2	4236386	2	• Retainer			
- 3	4236454	4	• Screw,Thd-Form Fil Hd M3 x 8mm Lg			
- 4	4236607	1	• Panel And Door Asm,English			
- 4	4236608	1	• Panel And Door Asm,French			
- 4	4236609	1	• Panel And Door Asm,German			
- 4	4236610	1	• Panel And Door Asm,Italian			
- 4	4236611	1	• Panel And Door Asm,Spanish			
- 4	4236613	1	• Panel And Door Asm,French Canadian			
- 4	4236767	1	• Panel And Door Asm,Japanese			
- 5	2461889	8	• Screw,Slot-Hex Wshr Hd 8-16 x 19.05 Lg			
- 6	4236596	1	• • Door Asm			
- 7	4236597	1	• • Panel,English			
- 7	4236601	1	• • Panel,French			
- 7	4236602	1	• • Panel,German			
- 7	4236603	1	• • Panel,Italian			
- 7	4236604	1	• • Panel,Spanish			
- 7	4236606	1	• • Panel,French Canadian			
- 7	4236779	1	• • Panel,Japanese			
- 8	4236587	2	• • Pivot			
- 9	1608429	4	• • Screw,Thd-Form Hex Wshr Hd			
- 10	4236593	1	• • Spring			
- 11	4236591	1	• • Retainer, Spring			
- 12	1608429	2	• • Screw,Thd-Form Hex Wshr Hd			
- 13	4236748	1	• • Spring			
- 14	1622303	1	• • Washer,Flat 3.7 ID x 8 OD x .5 Thk			
- 15	4236652	1	• • Spring			
- 16	1608429	4	• • Screw,Thd-Form Hex Wshr Hd			
- 17	1608429	2	• Screw,Thd-Form Hex Wshr Hd			
- 18	4236370	1	• Housing			

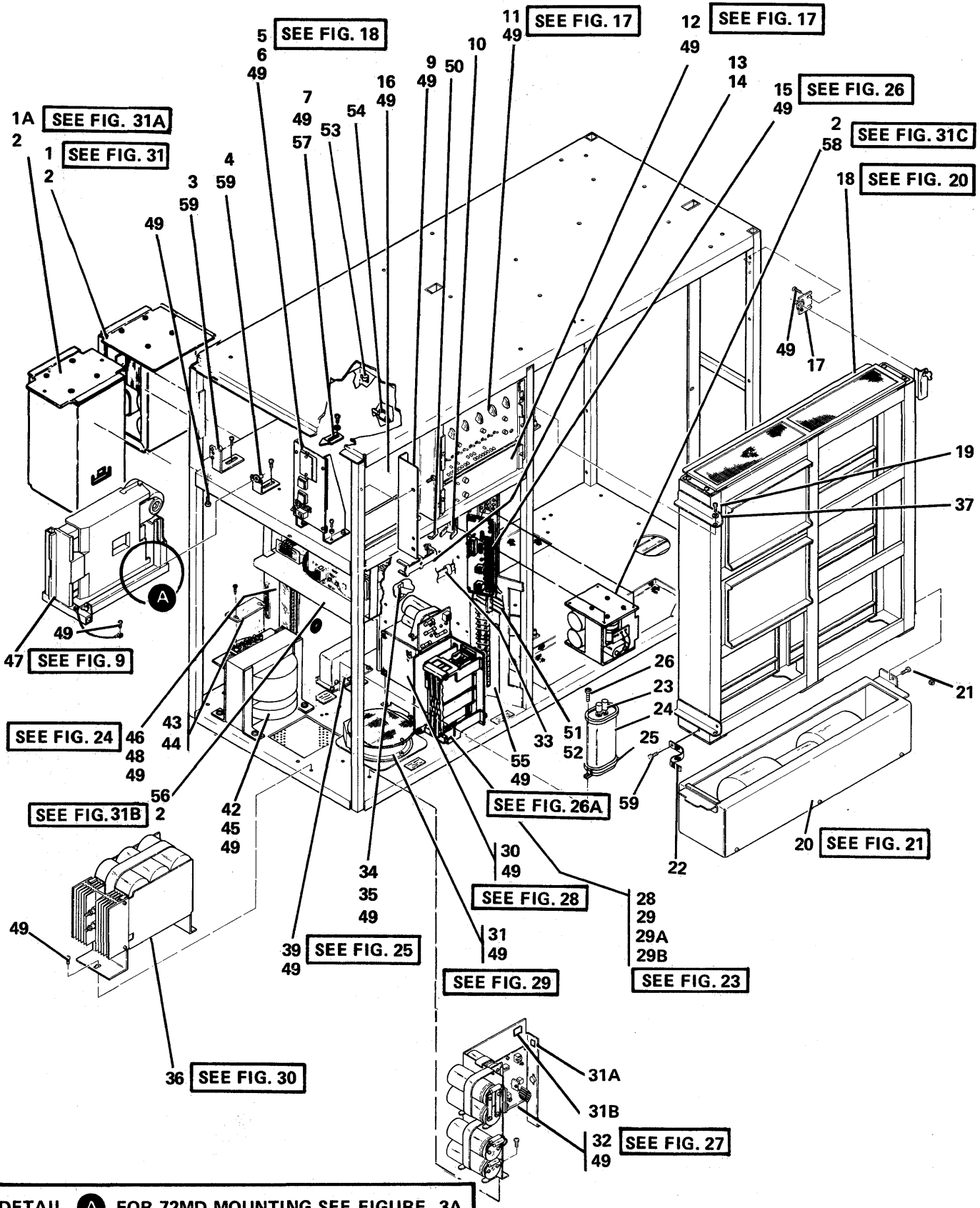
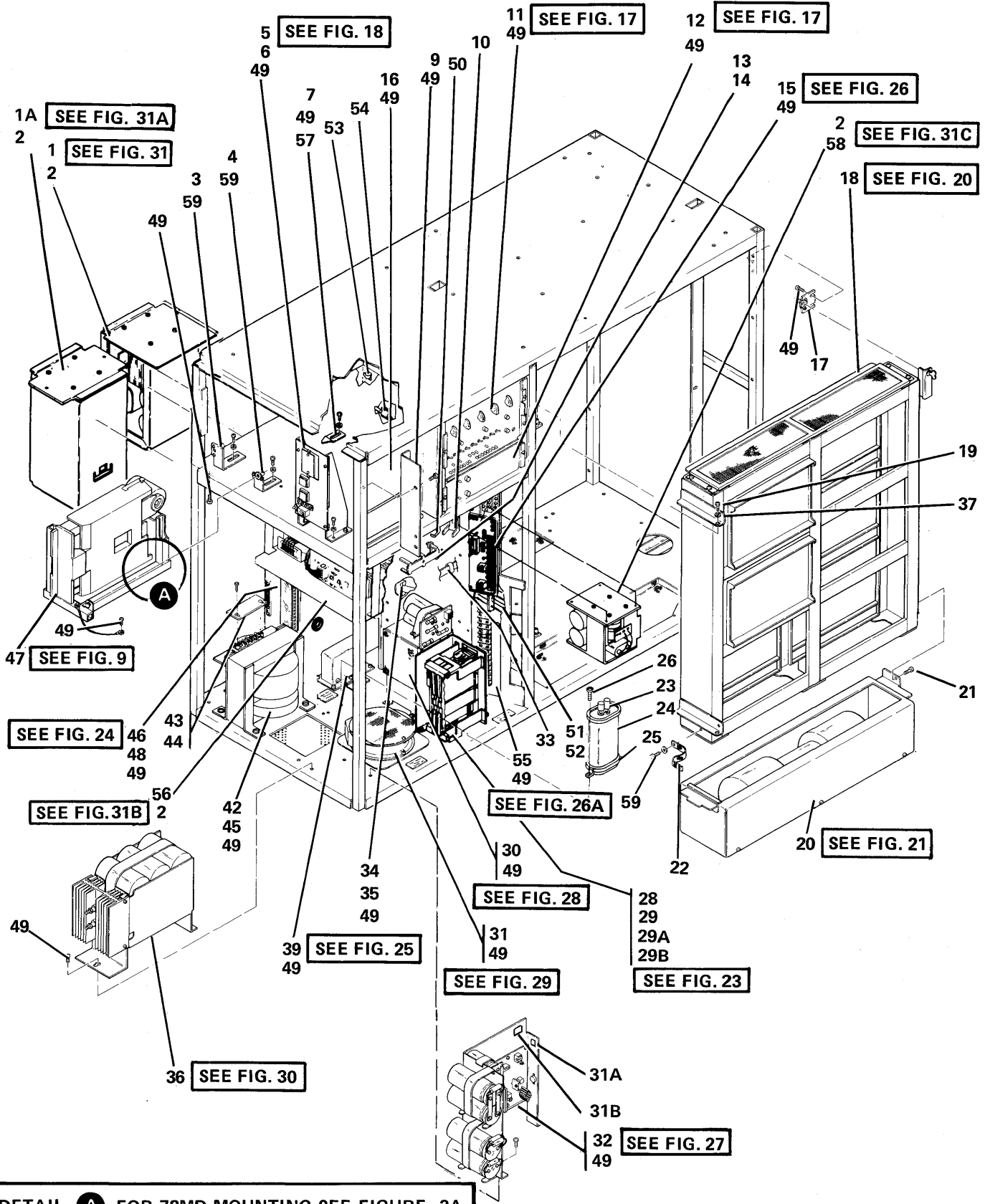


FIGURE 3. MECHANICAL ASM. SEE LIST 3.

FIGURE- INDEX NUMBER	PART NUMBER	UNITS PER ASM.	DESCRIPTION FOR FIGURE 3			
			1	2	3	4
3	NO NO.		MECHANICAL ASM FOR ILLUSTRATION SEE FIGURE 3			
- 1	4176670	1	• Power Supply-A Asm,60 Hz			
- 1	4176675	1	• Power Supply-A Asm,50 Hz			
- 1			For Detail Breakdown See List 31			
- 1 A	4176680	1	• Power Supply-B Asm,60 Hz			
- 1 A	4176685	1	• Power Supply-B Asm,50 Hz			
- 1 A			For Detail Breakdown See List 31A			
- 2	1621210	16	• Screw,Mach-Slotted Pan Hd M5 x .8 x 10 Lg			
- 3	4236377	1	• Bracket Asm			
- 4	4236378	1	• Bracket Asm			
- 5	4236345	1	• Operators Panel Asm Without Security			
- 5	4236665	1	• Operators Panel Asm With Security			
- 5			For Detail Breakdown See List 18			
- 6	1622306	4	• Washer,Flat 6.6 ID x 12.5 OD x 1.6 Thk			
- 7	4236446	1	• Bracket			
- 9	4236536	1	• Plate			
- 10	2590010	1	• Trough			
- 11	4236335	1	• Ce Panel Asm			
- 11			For Detail Breakdown See List 17			
- 12	4236555	1	• Stop/Start Panel Asm			
- 12			For Detail Breakdown See List 17			
- 13	2588303	1	• Trough			
- 14	811427	7	• Strap			
- 15	4176660	1	• Distribution Asm			
- 15			For Detail Breakdown See List 26			
- 16	4236553	1	• Cover			
- 17	4236287	1	• Latch Asm			
- 18	NO NO.	1	• A-gate Asm			
- 18			For Detail Breakdown See List 20			
- 19	1621191	2	• Screw,Mach-Slotted Pan Hd M4 x .7 x 8 Lg			
- 20	4236333	1	• Blower Asm,60 Hz			
- 20			For Detail Breakdown See List 21			
- 20	4236534	1	• Blower Asm,50 Hz			
- 20			For Detail Breakdown See List 21			
- 21	1621230	1	• Screw,Mach-Slotted Pan Hd M6 x 1 x 12 Lg			
- 22	2101089	2	• Strap			
- 23	526378	2	• Insulator Cap			
- 24	6814313	1	• Capacitor,AC-60 Hz			
- 24	5252843	1	• Capacitor,AC 50 Hz			
- 25	2449882	1	• Bracket			
- 26	1621811	2	• Screw,Thd-Form Hx-Wshr Hd M4 x .7 x 10 Lg			
- 28	4176697	1	• Power Logic C-Gate Asm			
- 28			For Detail Breakdown See List 23			
- 29	4236318	2	• Screw,Thd-Form Hex Wshr Hd M5-.8 x 12 Lg			
- 29 A	4236583	4	• Clamp,Board			
- 29 B	4236584	2	• Screw			
- 30	4176690	1	• Control Power Supply Asm,60 Hz			
- 30	4176694	1	• Control Power Supply Asm,50 Hz			
- 30			For Detail Breakdown See List 28			
- 31	5565056	1	• Fan Asm			
- 31			For Detail Breakdown See List 29			
- 31 A	2596291	1	• Clamp			
- 31 B	2596293	1	• Clamp			
- 32	4176655	1	• Multi-Level Filter Asm			
- 32			For Detail Breakdown See List 27			
- 33	2588079	1	• Clamp			
- 34	853288	2	• Core			
- 35	2588046	1	• Spring			



DETAIL A FOR 72MD MOUNTING SEE FIGURE 3A.

FIGURE 3. MECHANICAL ASM. SEE LIST 3.

FIGURE- INDEX NUMBER	PART NUMBER	UNITS PER ASM.	DESCRIPTION FOR FIGURE 3			
			1	2	3	4
3 - 36	4176665	1	• 5 V Filter Asm For Detail Breakdown See List 30			
- 36						
- 37	600395	3	• Washer,Flat 13/64 ID x 3/4 OD x 3/32 Thk			
- 39	5565197	1	• Line Filter Asm For Detail Breakdown See List 25			
- 39						
- 42	4176663	1	• Transformer Asm,60 Hz			
- 42	4176664	1	• Transformer Asm,50 Hz			
- 43	5236656	1	• Shield,Terminal Block			
- 44	10170	2	• Screw,Mach-Bind Hd No. 6-32 x 1/4 Lg			
- 45	1622348	1	• Washer,Lock-Ext Star 6.4 ID x 11 OD x .7			
- 46	5565160	1	• AC Box Asm			
- 46	5565195	1	• AC Box Asm, CEE 50 Hz			
- 46			For Detail Breakdown See List 24			
- 47	4236577	1	• 33FD Mounting Asm,60 Hz			
- 47	4236578	1	• 33FD Mounting Asm,50 Hz			
- 47			For Detail Breakdown See List 9			
- 47	4236579	1	• 53FD Mounting Asm,60 Hz			
- 47	4236580	1	• 53FD Mounting Asm,50 Hz			
- 47			For Detail Breakdown See List 9			
- 48	1622347	4	• Washer,Lock-Ext Star 5.3 ID x 10 OD x .6			
- 49	4236318	49	• Screw,Thd-Form Hex Wshr Hd M5-.8 x 12-.8			
- 50	2588303	1	• Trough			
- 51	524519	2	• Clamp			
- 52	4236753	1	• Spacer			
- 53	2596275	1	• Clamp			
- 54	2596291	2	• Clamp			
- 55	5565190	1	• Feature Distribution Asm.			
- 55			For Detail Breakdown See List 26A			
- 56	5565223	1	• Power Supply-C Asm, 60 Hz			
- 56	5565224	1	• Power Supply-C Asm, 50 Hz			
- 56			For Detail Breakdown See List 31B			
- 57	23141	1	• Washer,Flat-No. 10 x 9/16 OD x 1/16 Thk			
- 58	5565050	1	• Power Supply-D Asm, 60 Hz			
- 58	5565095	1	• Power Supply-D Asm, 50 Hz			
- 58			For Detail Breakdown See List 31C			
- 59	8265370	7	• Screw,Thd-Form Hex Hd M5 x .8 x 12-.8 Lg			

FOR PARTS  
NOT SHOWN  
SEE FIG. 3

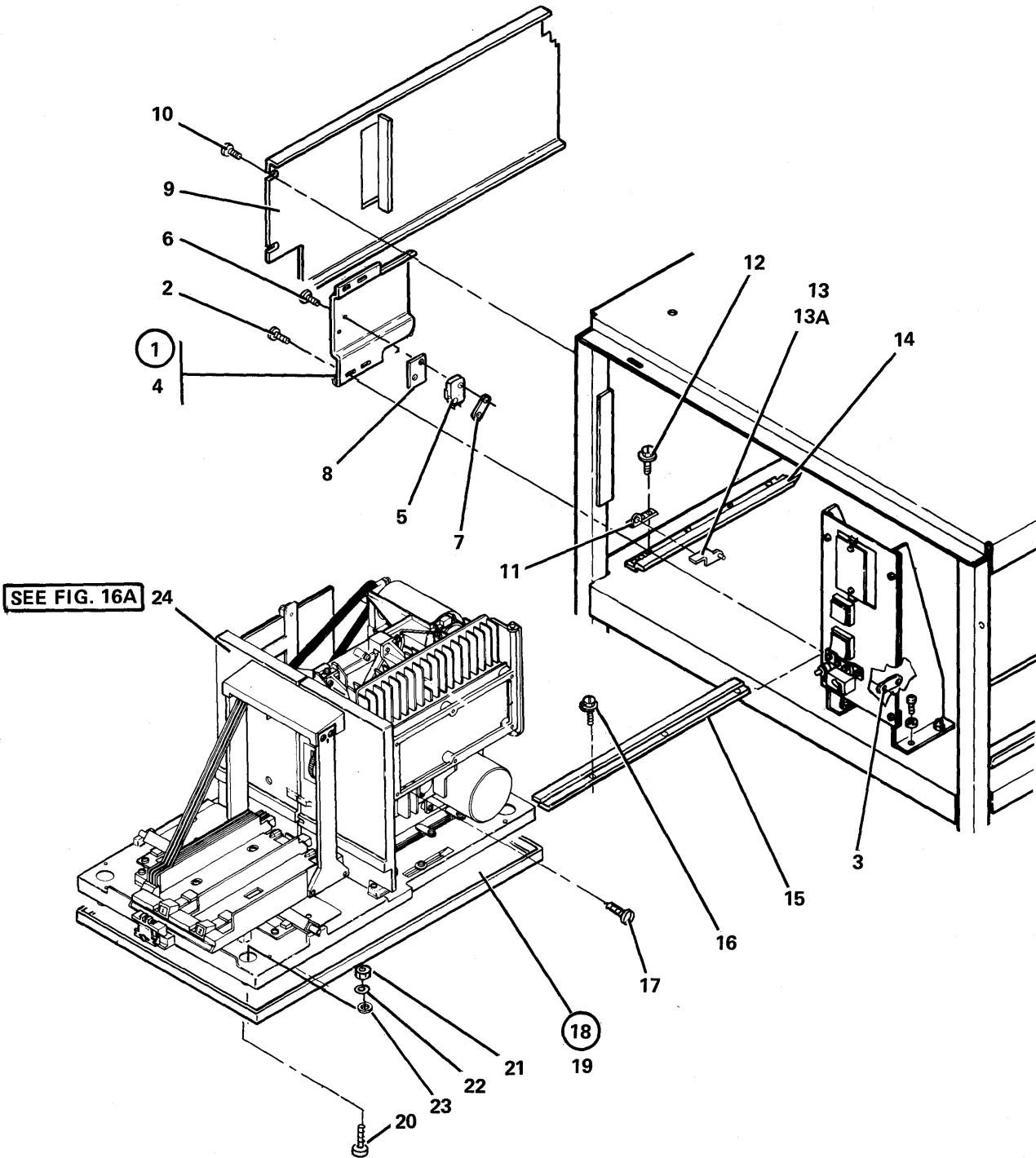


FIGURE 3A. 72MD MOUNTING ASM. SEE LIST 3A.

FIGURE- INDEX NUMBER	PART NUMBER	UNITS PER ASM.	DESCRIPTION FOR FIGURE 3A			
			1	2	3	4
3A	4236144 4236145		72MD MOUNTING ASM, 60 HZ 72MD MOUNTING ASM, 50 HZ FOR NEXT HIGHTER ASM SEE LIST 3 FOR ILLUSTRATION SEE FIGURE 3A			
- 1	4236768	1	• Shroud Asm			
- 2	1621170	4	• Screw,Mach-Slot Pan Hd M3 x 6mm Lg			
- 3	4236758	1	• Nut Plate			
- 4	4236747	1	• • Shroud			
- 5	4164710	1	• • Switch			
- 6	1621174	2	• • Screw,Mach-Slot Pan Hd M3 x 16mm Lg			
- 7	4236759	1	• • Nut Plate			
- 8	627764	1	• • Insulator			
- 9	4236784	1	• Cover			
- 10	4236318	4	• Screw,Thd-Form Hex Wshr Hd M5 x 12mm Lg			
- 11	4236708	1	• Bracket			
- 12	4236318	2	• Screw,Thd-Form Hex Wshr Hd M5 x 12mm Lg			
- 13	4236738	1	• Latch Asm			
- 13 A	4236707	1	• • Stud			
- 14	4236705	1	• Rail,Left			
- 15	4236704	1	• Rail,Right			
- 16	4236318	7	• Screw,Thd-Form Hex Wshr Hd M5 x 12mm Lg			
- 17	7362382	2	• Bolt,Shipping			
- 18	4236598	1	• Disk Device Asm,60 Hz			
- 18	4236621	1	• Disk Device Asm,50 Hz			
- 19	4236590	1	• • Panel			
- 20	1621339	4	• • Screw,Slot-Flat Hd M6 x 40 Lg			
- 21	1622405	4	• • Nut,Hex M6 x 10 FI W x 5 Thk			
- 22	1622306	4	• • Washer Flat 6.6 ID x 12.5 OD x 1.6 Thk			
- 23	2462137	4	• • Limiter			
- 24	2462401	1	• • Diskette Storage Drive Asm, 220 V 60 Hz			
- 24	2462403	1	• • Diskette Storage Drive Asm, 220 V 50 Hz			
- 24			For Detail Breakdown See List 16A			



5340

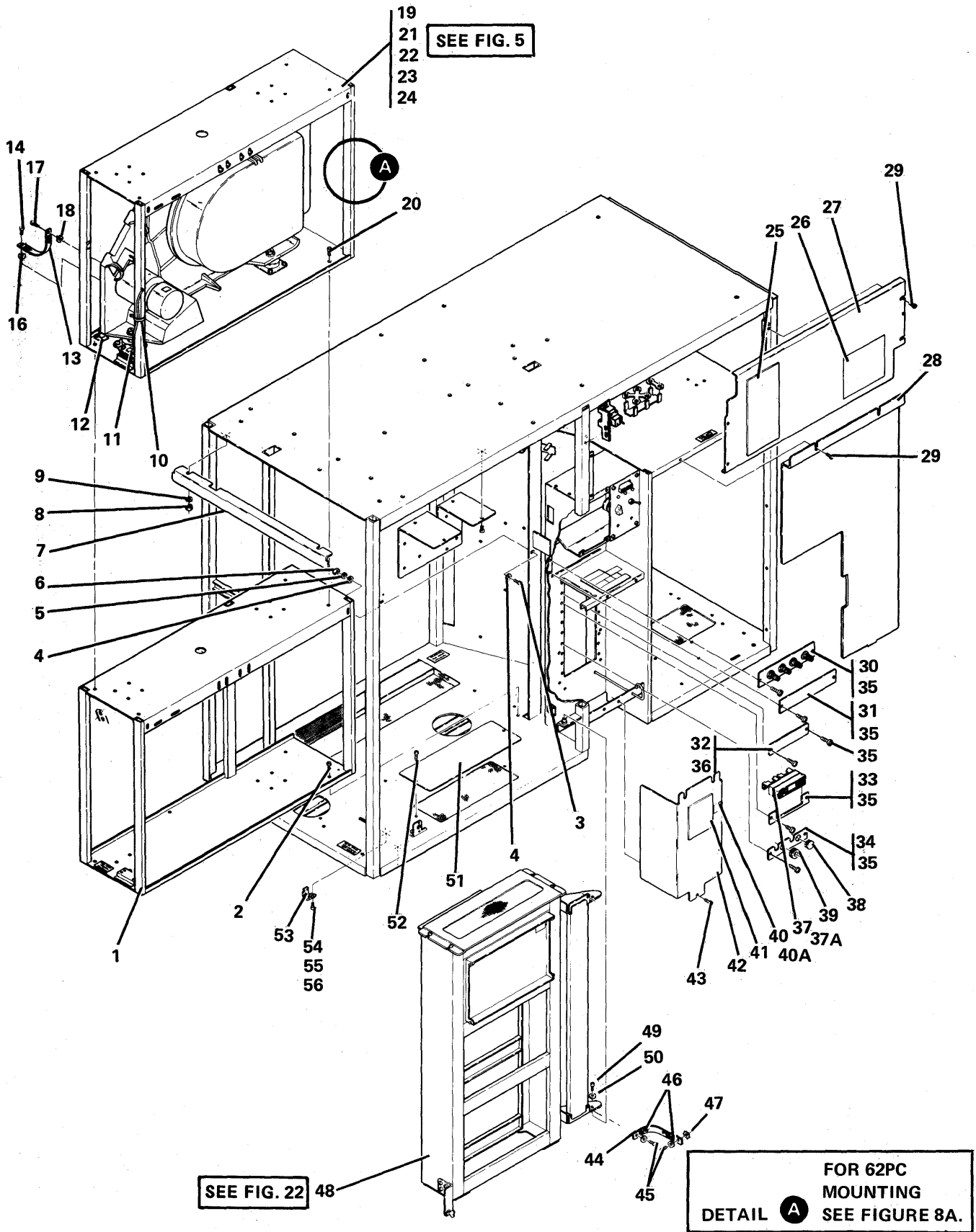


FIGURE 4. MECHANICAL ASM. SEE LIST 4.

FIGURE- INDEX NUMBER	PART NUMBER	UNITS PER ASM.	DESCRIPTION FOR FIGURE 4			
			1	2	3	4
4	NO NO. NP		MECHANICAL ASM FOR ILLUSTRATION SEE FIGURE 4			
- 1	4236786	1	• 62EH Disk Drive Mounting, No File			
- 2	4236318	4	• Screw, Thd-Form Hex Wshr Hd M5 x 12mm Lg			
- 3	1621232	2	• Screw, Mach-Slotted Pan Hd M6 x 20mm Lg			
- 4	1622306	4	• Washer, Flat 6.6 ID x 12.5 OD x 1.6 Thk			
- 5	1622320	2	• Washer, Lock-Split 6.1 ID x 11.8 OD x 1.6 Thk			
- 6	1622405	2	• Nut, Hex M6 x 10 Fl W x 5 Thk			
- 7	4236320	1	• Bracket			
- 8	1622405	2	• Nut, Hex M6 x 10 Fl W x 5 Thk			
- 9	1622306	2	• Washer, Flat 6.6 ID x 12.5 OD x 1.6 Thk			
- 10	533783	1	• Clamp			
- 11	2596275	1	• Clamp			
- 12	2596293	4	• Clamp			
- 13	2101089	1	• Strap, Ground			
- 14	8265370	1	• Screw, Thd-Form Hex Hd M5 x .8 x 12-.8 Lg			
- 16	600560	1	• Washer, Lock 3/16 ID x 37/64 OD x 1/32 Thk			
- 17	5349929	1	• Screw, Thd-Form Hex Wshr Hd 8-32 x 1/2 Lg			
- 18	1622347	1	• Washer, Lock-Ext T 53 ID x 10 OD x .6 Thk			
- 19	4236322	1	• 62EH Drive Mounting Asm, 220 V 60 Hz			
- 19	4236323	1	• 62EH Drive Mounting Asm, 220 V 50 Hz			
- 19			For Detail Breakdown See List 5			
- 20	4236318	4	• Screw, Thd-Form Hex Wshr Hd M5 x 12mm Lg			
- 21	1621232	2	• Screw, Mach-Slotted Pan Hd M6 x 20mm Lg			
- 22	1622306	4	• Washer, Flat 6.6 ID x 12.5 OD x 1.6 Thk			
- 23	1622320	2	• Washer, Lock-Split 6.1 ID x 11.8 OD x 1.6			
- 24	1622405	2	• Nut, Hex M6 x 10 Fl W x 5 Thk			
- 25	4236760	1	• Label			
- 26	4236996	1	• Label			
- 27	4236633	1	• Cover			
- 28	4236382	1	• Cover			
- 29	4236318	6	• Screw, Thd-Form Hex Wshr Hd M5 x 12mm Lg			
- 30	4236479	1	• Cable Asm			
- 31	4236632	2	• Plate			
- 32	4236631	10	• Cover			
- 33	4236629	AR	• Plate			
- 34	4236635	1	• Plate			
- 34	8265315	1	• Plate (MLCA)			
- 35	4236318	16	• Screw, Thd-Form Hex Wshr Hd M5 x 12mm Lg			
- 36	8265370	10	• Screw, Thd-Form Hex Hd M5 x .8 x 12-.8 Lg			
- 37	5362304	AR	• Connector			
- 37	813392	AR	• Connector Asm (MLCA)			
- 37 A	2546928	AR	• Retainer (MLCA)			
- 38	602664	1	• Plug			
- 39	5311905	1	• Grommet			
- 40	4236744	1	• Label			
- 40 A	4236976	1	• Label (MLCA)			
- 41	4236721	1	• Label			
- 42	4236636	1	• Cover			
- 43	4236318	3	• Screw, Thd-Form Hex Wshr Hd M5 x 12mm Lg			
- 44	2101089	2	• Strap, Ground			
- 45	4236318	4	• Screw, Thd-Form Hex Wshr Hd M5 x 12mm Lg			
- 46	600395	4	• Washer, Flat 13/64 ID x 3/4 OD x 3/32 Thk			
- 47	1622347	2	• Washer, Lock Ext T 5.3 ID x 10 OD x .6 Thk			
- 48	NO NO. NP	1	• B-Gate Asm			
- 48			For Detail Breakdown See List 22			
- 49	1621191	2	• Screw, Mach-Slotted Pan Hd M4 x 10mm Lg			
- 50	600395	2	• Washer, Flat 13/64 ID x 3/4 OD x 3/32 Thk			
- 51	4236316	1	• Cover			

5340

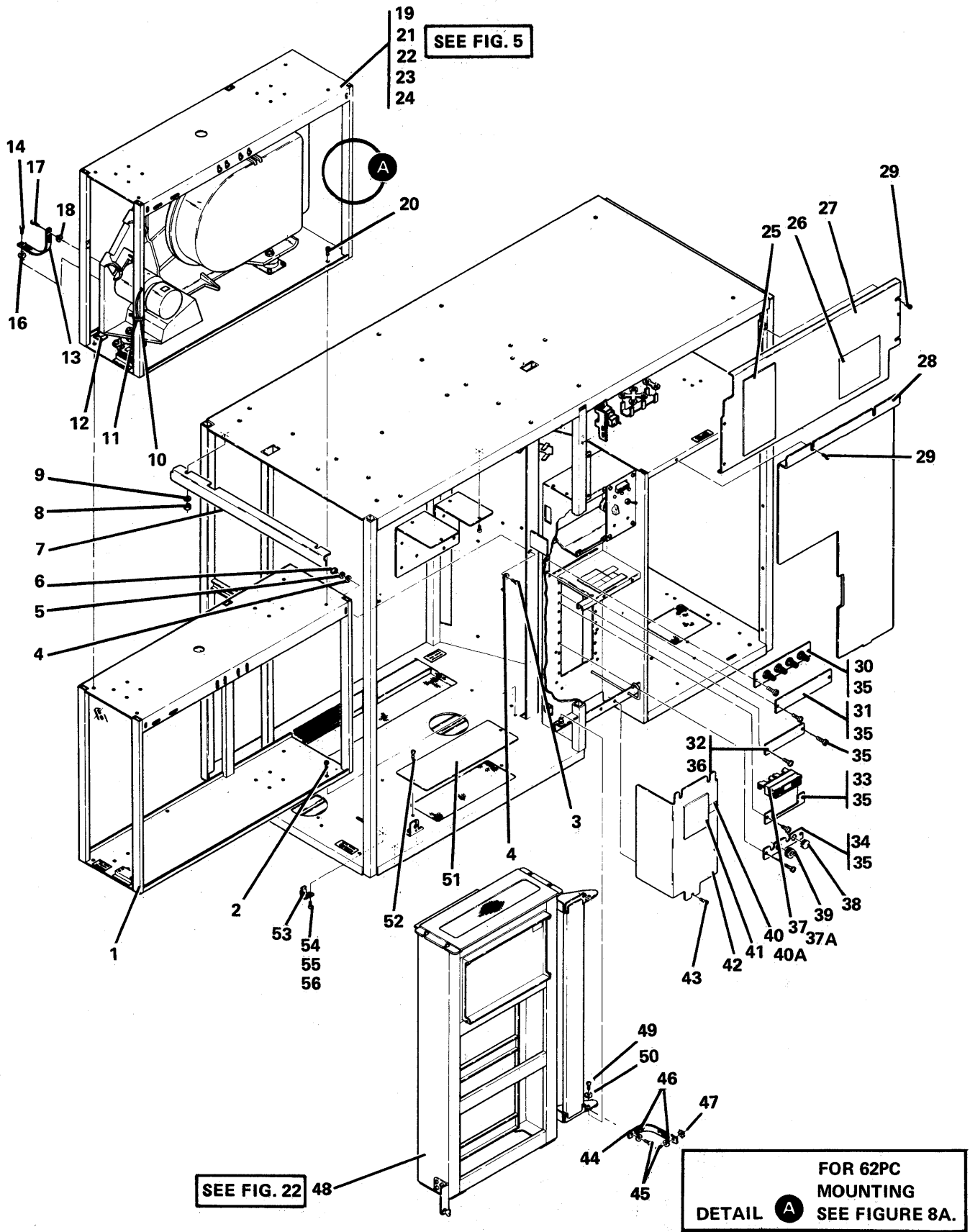


FIGURE 4. MECHANICAL ASM. SEE LIST 4.

FIGURE- INDEX NUMBER	PART NUMBER	UNITS PER ASM.	DESCRIPTION FOR FIGURE 4					
			1	2	3	4		
4	- 51	4236316	1					• Cover
	- 52	4236318	2					• Screw,Thd-Form Hex Wshr Hd M5 x 12mm Lg
	- 53	4236388	1					• Clamp
	- 53	8265079	2					• Clamp, CEE
	- 54	1621212	1					• Screw,Mach-Slotted Pan Hd M5 x 16mm Lg
	- 54	1621600	2					• Screw,Cap-Hex Hd M6 x 10mm Lg
	- 54							Used On CEE Machines
	- 55	1622306	2					• Washer,Flat 6.6 ID x 12.5 OD x 1.6 Thk
	- 55							Used On CEE Machines
	- 56	1622419	2					• Nut,Hex Lock M6
	- 56							Used On CEE Machines

5340

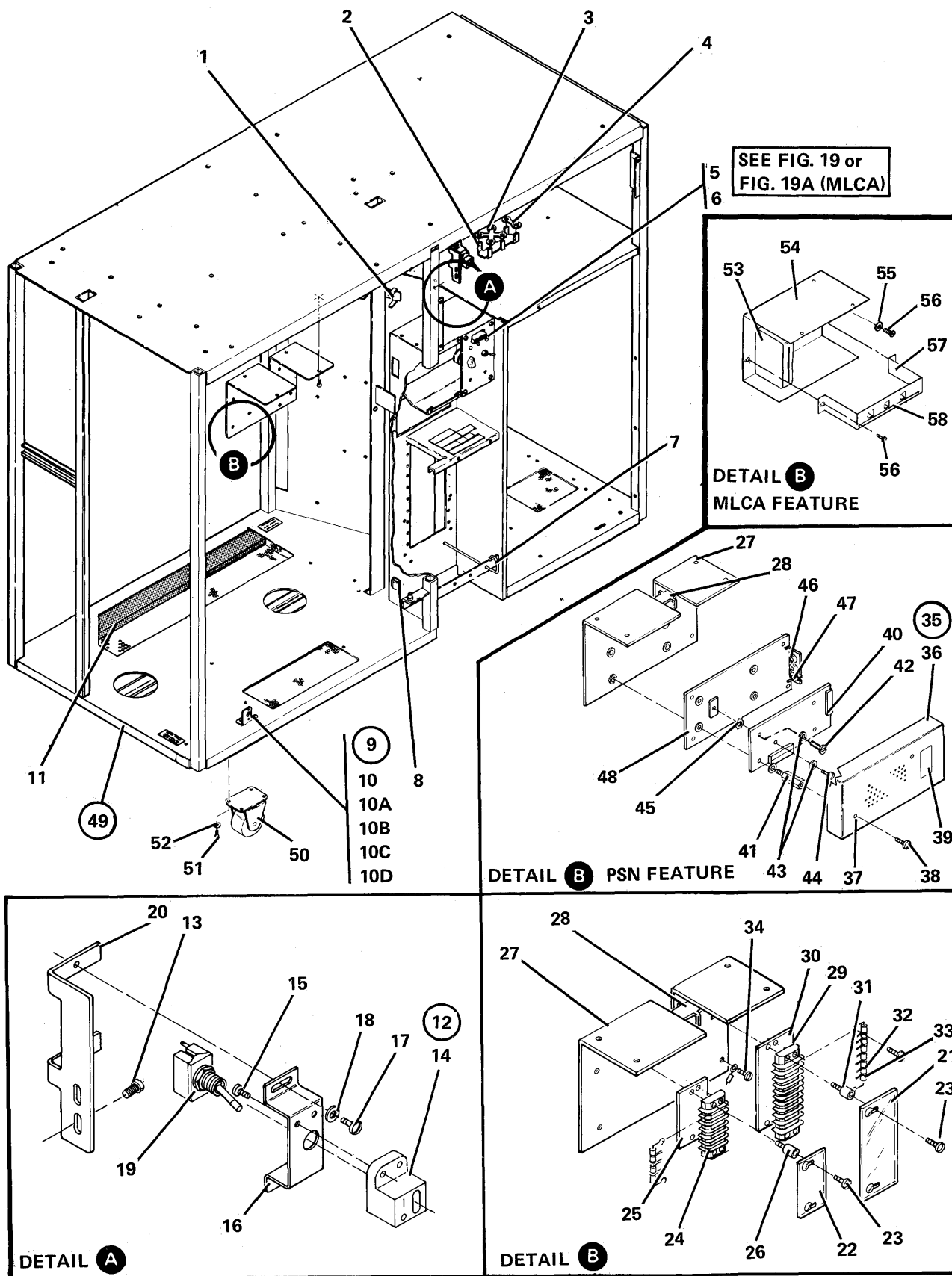


FIGURE 4A. MECHANICAL ASM. SEE LIST 4A.

FIGURE- INDEX NUMBER	PART NUMBER	UNITS PER ASM.	DESCRIPTION FOR FIGURE 4A			
			1	2	3	4
4A	NO NO. NP		MECHANICAL ASM FOR ILLUSTRATION SEE FIGURE 4A			
- 1	2590011	3	• Trough			
- 2	2588303	2	• Trough			
- 3	813519	3	• Strap,Cross			
- 4	811427	23	• Strap			
- 5	4236464	1	• Panel Asm,2400 BPS Modem-English			
- 5	4236465	1	• Panel Asm,2400 BPS Modem-French			
- 5	4236466	1	• Panel Asm,2400 BPS Modem-German For Detail Breakdown See List 19			
- 5	4236985	1	• Panel Asm, 4800 BPS Modem (MLCA)			
- 6	1621811 NP	4	• Screw,Thd-Form Hex Wshr Hd M4 x 10mm Lg			
- 7	5554530	1	• Pin			
- 8	2596275	2	• Clamp			
- 9	4236380	1	• Latch Asm			
- 10	4236318	2	• Screw,Thd-Form Hex Wshr Hd M5 x 12mm Lg			
- 10 A	4236379	1	• • Bracket			
- 10 B	312571	1	• • Receptacle			
- 10 C	1621287	2	• • Screw,Slot Flat Hd M3 x .5 x 10 Lg			
- 10 D	1622415	2	• • Nut,Hex Lock-M3			
- 11	4236647	1	• Foam			
- 12	4236384	1	• Switch Asm, IPO			
- 13	4236318	2	• Screw,Thd-Form Hex Wshr Hd M5 x 12mm Lg			
- 14	2546314	1	• • Block			
- 15	81693	2	• • Screw,Mach-Bind Hd 6-32 x 3/8 Lg			
- 16	4236783	1	• • Spring			
- 17	1621190	2	• • Screw,Mach-Slotted Pan Hd M4 x 8mm Lg			
- 18	1622304	2	• • Washer,Flat 4.3 ID x 9 OD x .8 Thk			
- 19	738826	1	• • Switch			
- 20	4236782	1	• • Bracket			
- 21	361537	1	• Shield			
- 22	5236656	1	• Shield			
- 23	10170	2	• Screw,Mach-Bind Hd 6-32 x 1/4 Lg			
- 24	317310	1	• Terminal Block			
- 25	740554	1	• Marker Strip			
- 26	210883	2	• Stud			
- 27	4236659	1	• Plate			
- 28	2590010	1	• Trough			
- 29	522850	1	• Terminal Block			
- 30	522849	1	• Marker Strip			
- 31	210883	2	• Stud			
- 32	2730082	6	• Diode			
- 33	2730081	6	• Resistor			
- 34	1621190	2	• Screw,Mach-Slotted Pan Hd M4 x 8mm Lg			
- 35	1780955	1	• Public Switched Network Asm			
- 36	1621190	4	• Screw,Mach-Slotted Pan Hd M4 x 8mm Lg			
- 37	1780957	1	• • Cover			
- 38	10170	2	• • Screw,Mach-Bind Hd 6-32 x 1/4 Lg			
- 39	737858	1	• • Label			
- 40	1783982	1	• • Line Plate Asm			
- 41	1778098	2	• • Spacer			
- 42	10170	2	• • Screw,Mach-Bind Hd 6-32 x 1/4 Lg			
- 43	303361	4	• • Washer			
- 44	58207	1	• • Screw,Mach-Bind Hd 8-32 x 1/4 Lg			
- 45	55901	1	• • Washer,Lock-Ext T 11/64 ID x 3/8 OD			
- 46	1138167	2	• • Strain Relief			
- 47	317138	1	• • Grommet			
- 48	1781109	1	• • Plate Asm			
- 49	4236256	1	• Frame Asm			

5340

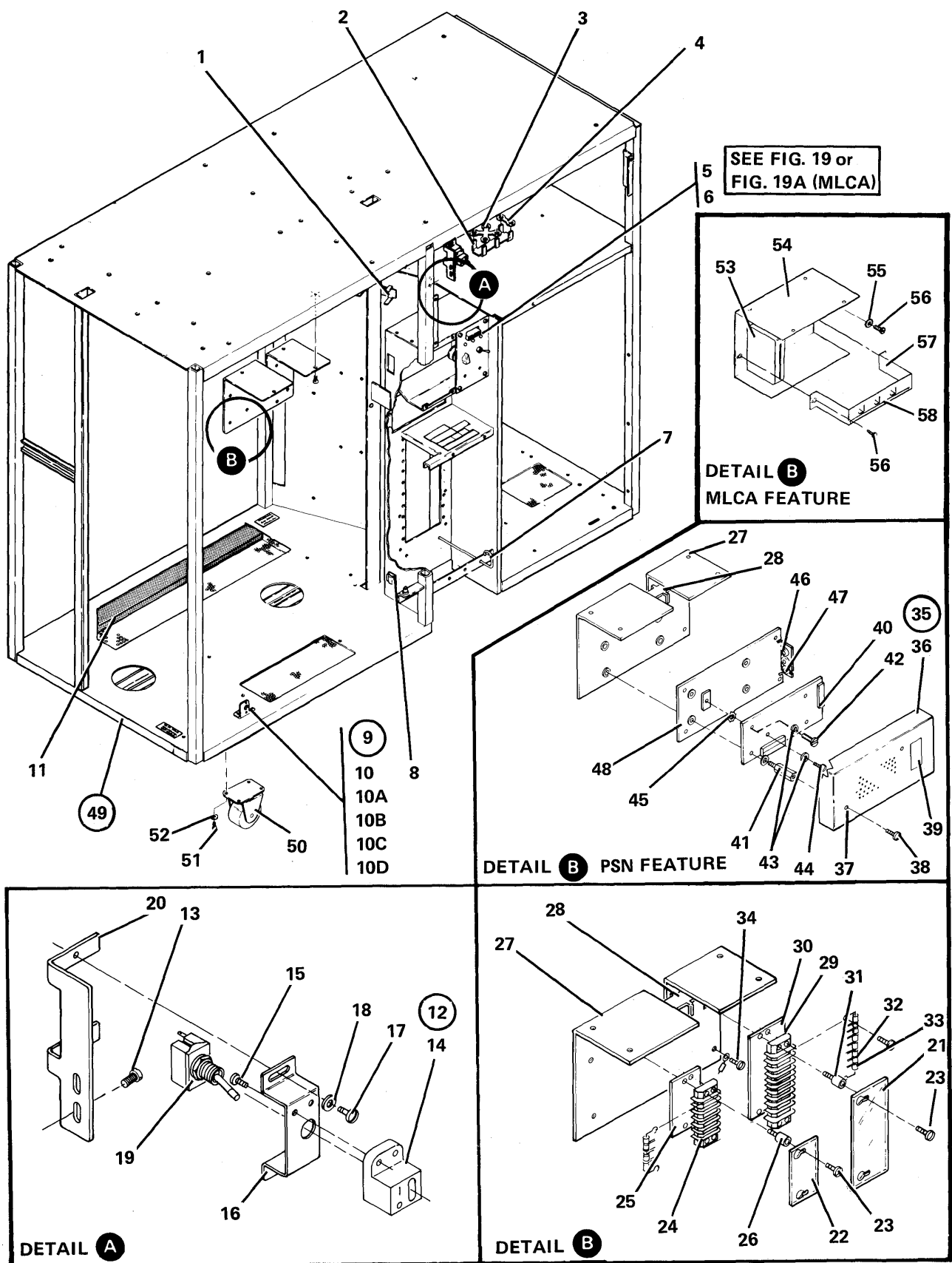


FIGURE 4A. MECHANICAL ASM. SEE LIST 4A.

FIGURE- INDEX NUMBER	PART NUMBER	UNITS PER ASM.	DESCRIPTION FOR FIGURE 4A			
			1	2	3	4
4A - 50	4236492	4				• • Caster
- 51	4236317	16				• • Screw, Mach-Slotted Pan Hd M8 x 14mm Lg
- 52	1622321	16				• • Washer, Lock-Split 8.1 ID x 14.2 OD x 2
- 53	1731492	AR				• Coupler Adapter (MLCA)
- 53	1734234	AR				• Public Switch Connector (MLCA)
- 53	1736016	AR				• World Trade Coupler (MLCA)
- 53	8547070	AR				• Incorporated Protective Coupler (MLCA)
- 54	4236968	1				• Bracket
- 55	1622346	4				• Washer, Lock Ext T 4.3 ID x 8 OD x .5 Thk
- 56	1621060	4				• Screw, Mach-Slot Fil Hd M4 x .7 x 8 Lg
- 57	4236969	1				• Clamp
- 58	4236976	2				• Label



FOR PARTS  
NOT SHOWN  
SEE FIG. 4

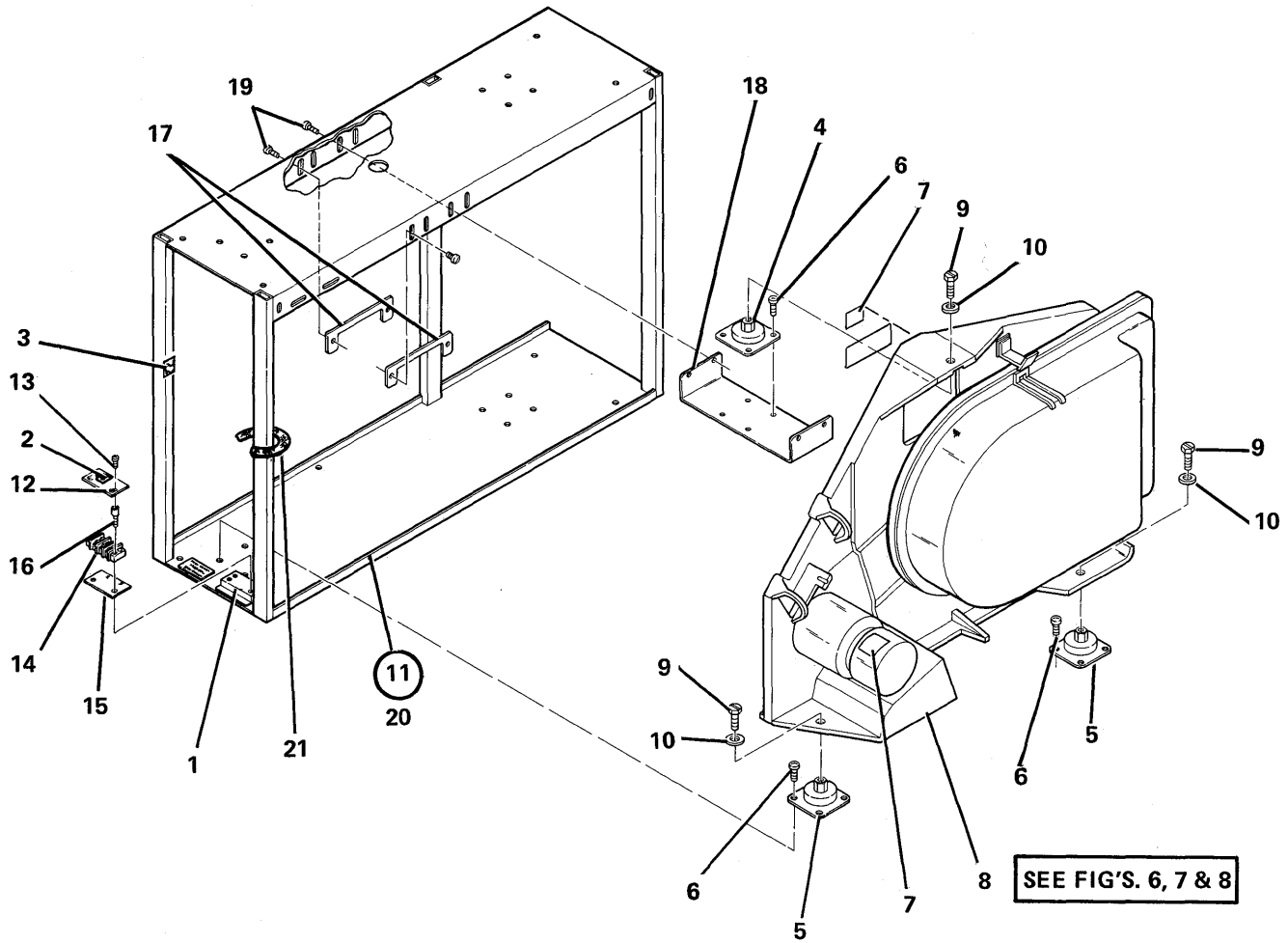


FIGURE 5. 62EH DISK DRIVE MOUNTING ASM. SEE LIST 5.

FIGURE- INDEX NUMBER	PART NUMBER	UNITS PER ASM.	DESCRIPTION FOR FIGURE 5			
			1	2	3	4
5	4236322 4236323		62EH DISK DRIVE MOUNTING ASM, 220 V 60 HZ 62EH DISK DRIVE MOUNTING ASM, 220 V 50 HZ FOR NEXT HIGHER ASM SEE LIST 4-19			
			FOR ILLUSTRATION SEE FIGURE 5			
- 1	4236721	1	• Label			
- 2	2596275	1	• Clamp,Cable			
- 3	2596291	1	• Clamp,Cable			
- 4	2590957	1	• Shockmount			
- 5	5145088	2	• Shockmount			
- 6	1621811	12	• Screw,Thd-Form Hex Wshr Hd M4 x 10 Lg			
- 7	4236722	AR	• Label,English			
- 7	4236730	AR	• Label,French			
- 7	4236731	AR	• Label,German			
- 7	4236732	AR	• Label,Italian			
- 7	4236733	AR	• Label,Spanish			
- 7	4236734	AR	• Label,Japan/Katakanna			
- 7	4236735	AR	• Label,French/Canadian			
- 7	4236777	AR	• Label,Finland			
- 7	4236778	AR	• Label,Sweden			
- 8	5144683	1	• 62EH Disk Drive Asm, 220 V 60 Hz			
- 8	5144682	1	• 62EH Disk Drive Asm, 220 V 50 Hz			
- 8			For Detail Breakdown See List 6,7,8			
- 9	36844	3	• Screw,Mach-Hex Hd 1/4-20 x 5/8 Lg			
- 10	6935	3	• Washer,Lock-Split 1/4 ID x 1/2 OD			
- 11	4236786	1	• Frame Asm			
- 12	352827	1	• • Shield			
- 13	10170	2	• • Screw,Mach-Bind Hd 6-32 x 1/4 Lg			
- 14	323841	1	• • Terminal Block			
- 15	323681	1	• • Marker Strip			
- 16	210883	2	• • Stud			
- 17	4236266	2	• • Locator			
- 18	4236265	1	• • Support			
- 19	1621811	4	• • Screw,Thd-Form Hex Wshr Hd M4 x 10 Lg			
- 20	4236263		• • Frame			
- 21	533783	AR	• Clamp			

5340

FOR PARTS  
NOT SHOWN  
SEE FIG. 5

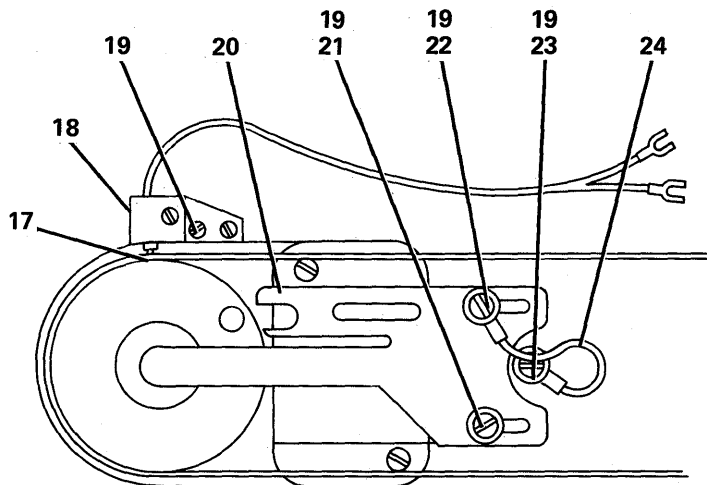
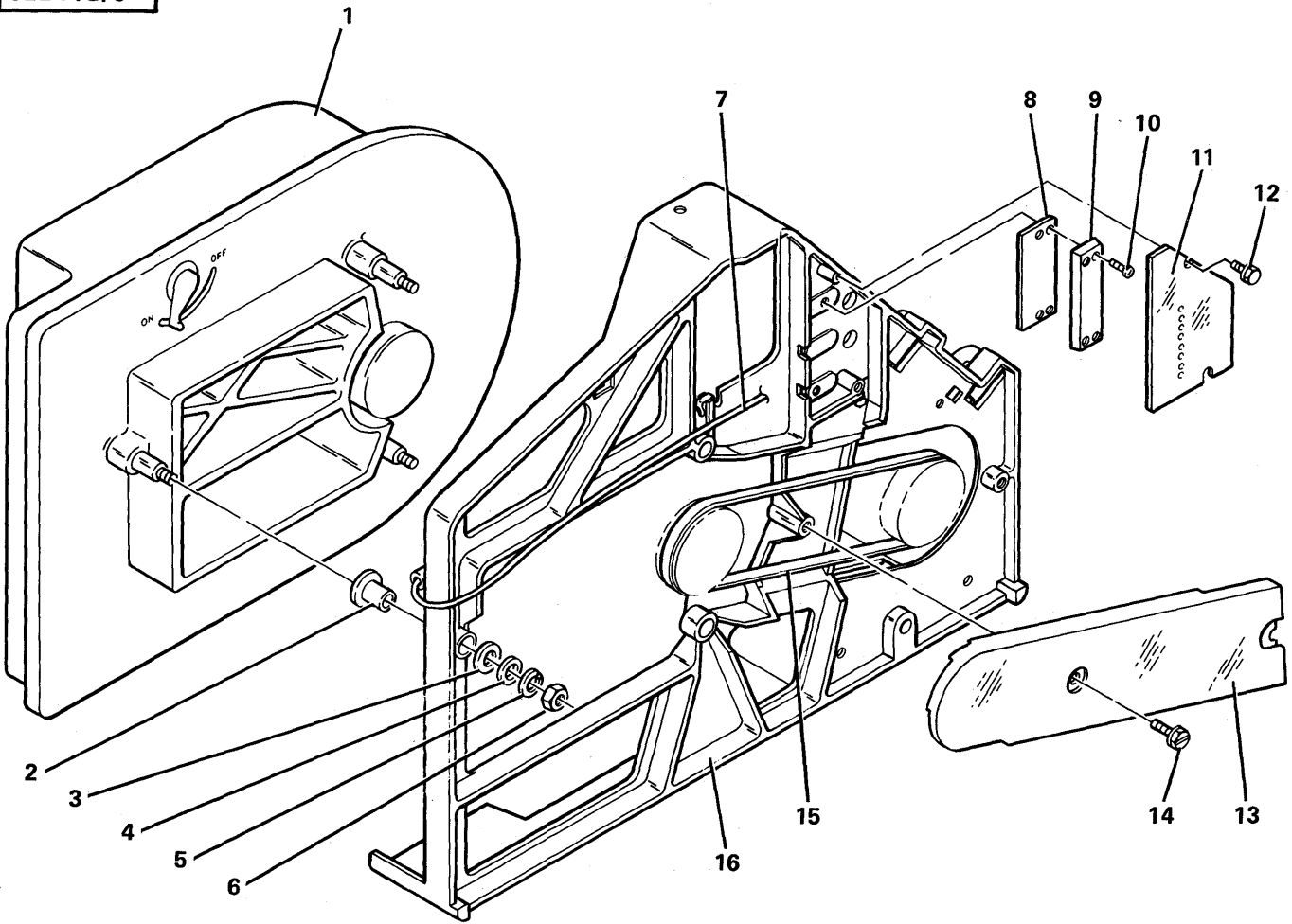


FIGURE 6. 62EH DISK DRIVE ASM. SEE LIST 6.

FIGURE- INDEX NUMBER	PART NUMBER	UNITS PER ASM.	DESCRIPTION FOR FIGURE 6			
			1	2	3	4
6	5144683 5144682		62EH DISK DRIVE ASM, 220 V 60 HZ 62EH DISK DRIVE ASM, 220 V 50 HZ FOR NEXT HIGHER ASM SEE LIST 5-8			
			FOR ILLUSTRATION SEE FIGURE 6			
- 1	5144681	1	• Disk Enclosure Asm			
- 2	2775958	3	• Bushing,			
- 3	2775957	3	• Washer,25/64 ID x 15 OD x 3/16 Thk			
- 4	5144922	3	• Washer,Flat 1/4 ID x 3/4 OD x 1/8 Thk			
- 5	5145050	3	• Washer,Spring 9/32 ID x 1/2 OD x 3/16 Thk			
- 6	36109	3	• Nut,Plain Hex-1/4-20 x 7/16 Fl W			
- 7	5145818	1	• Cable Asm			
- 8	5729723	1	• Marker Strip			
- 9	322766	1	• Terminal Block			
- 10	81693	2	• Screw,Mach-Bind Hd 6-32 x 3/8 Lg			
- 11	2775950	1	• Cover			
- 12	2181005	2	• Screw,Thd-Form Hex Wshr Hd 6-32 x 3/8 Lg			
- 13	5144874	1	• Guard,Belt			
- 14	5319854	2	• Screw,Thd-Form Hex Wshr Hd 8-32 x 3/8 Lg			
- 15	5145875	1	• Belt			
- 15	5144802	1	• Belt,50 Hz - EMEA Machines Only			
- 16	2775949	1	• Frame			
- 17	5144794	1	• Transducer Asm			
- 18	5144829	1	• Block			
- 19	35739	6	• Screw,Mach-Bind Hd 6-32 x 7/16 Lg			
- 20	5145582	1	• Brush Asm			
- 21	257986	1	• Washer,Flat 5/32 ID x 5/16 OD x 1/32 Thk			
- 22	5145051	1	• Washer,Lock 5/32 ID x 9/32 OD x 1/64 Thk			
- 23	56722	1	• Washer,Lock-Ext Teeth 9/64 ID			
- 24	5144886	1	• Jumper Asm			

5340

FOR PARTS  
NOT SHOWN  
SEE FIG. 5

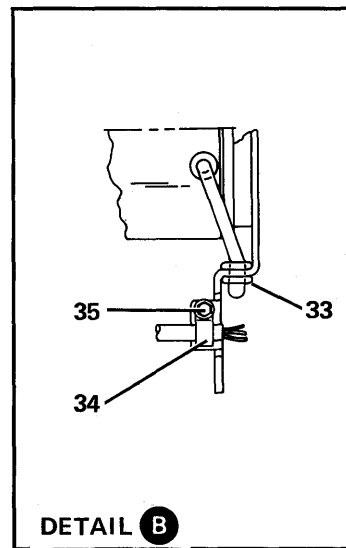
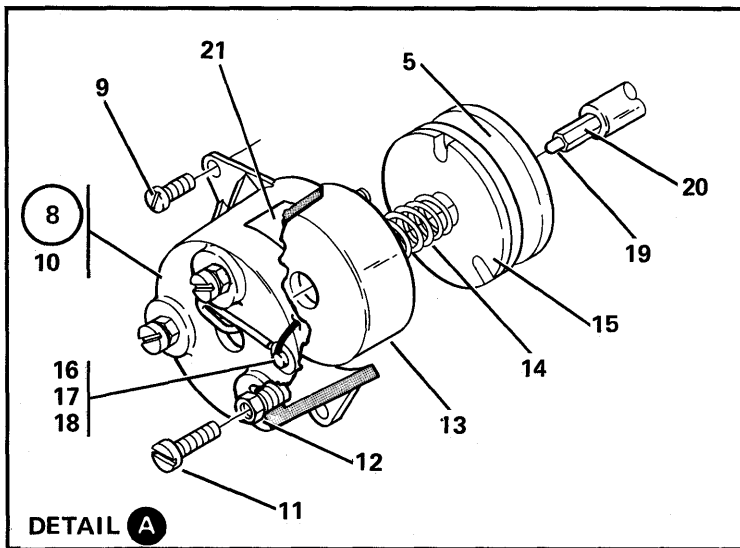
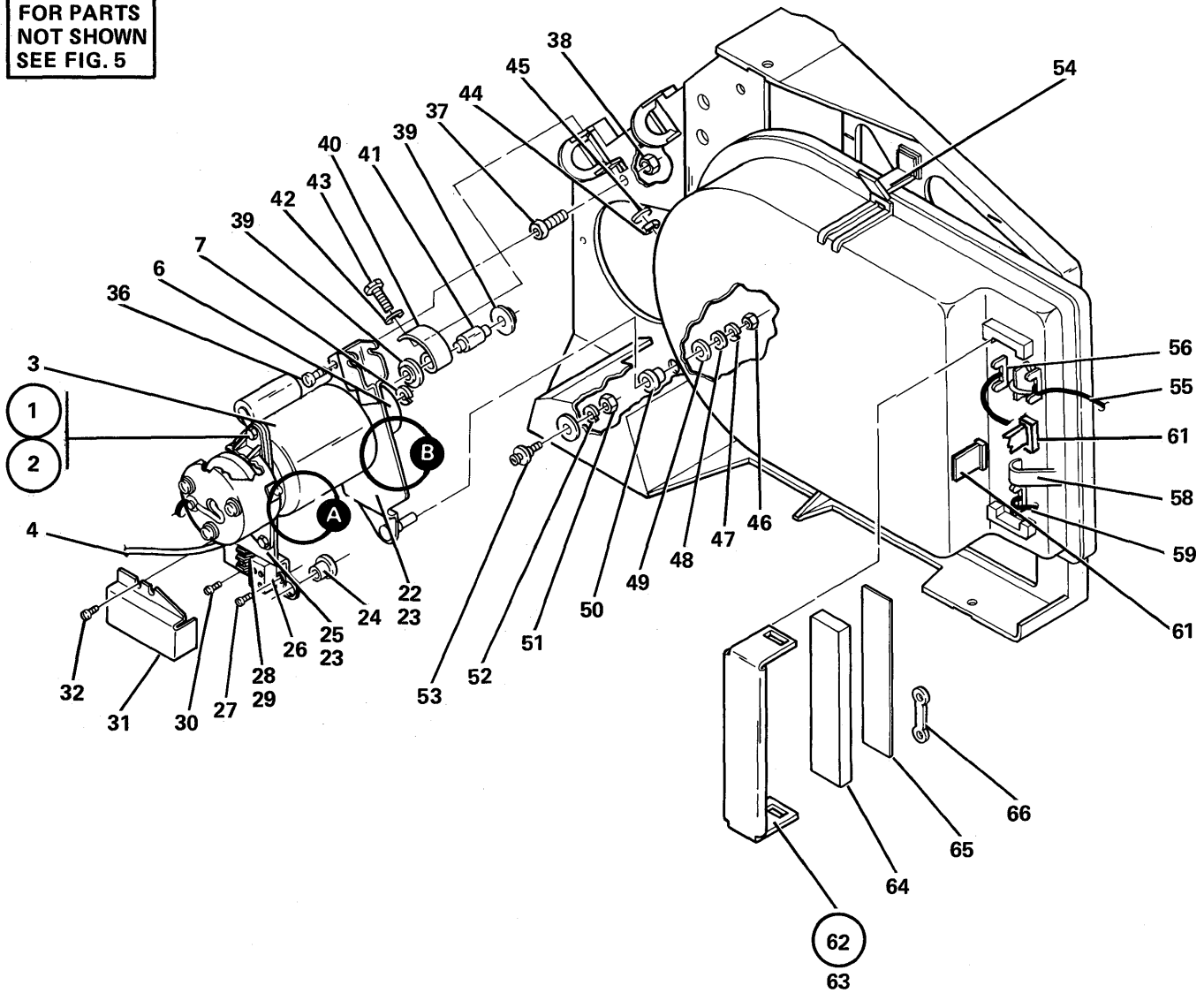


FIGURE 7. 62EH DISK DRIVE ASM. SEE LIST 7.

FIGURE- INDEX NUMBER	PART NUMBER	UNITS PER ASM.	DESCRIPTION FOR FIGURE 7			
			1	2	3	4
7	5144683 5144682		62EH DISK DRIVE ASM, 220 V 60 HZ NEW STYLE 62EH DISK DRIVE ASM, 220 V 50 HZ NEW STYLE FOR NEXT HIGHER ASM SEE LIST 5-8			
			FOR ILLUSTRATION SEE FIGURE 7			
- 1	2451018	1	• Motor And Mounting Asm,220 V 60 Hz			
- 1	2451019	1	• Motor And Mounting Asm,220 V 50 Hz			
- 2	2451010	1	• • Motor Asm,220 V 60 Hz			
- 2	2451011	1	• • Motor Asm,220 V 50 Hz			
- 3	2451006	1	• • • Motor And Cable Asm,220 V 60 Hz			
- 3	2451007	1	• • • Motor And Cable Asm,220 V 50 Hz			
- 4	2775967	1	• • • Cable Asm			
- 5	4201657 NP	1	• • • Plate,Brake			
- 6	4201671	1	• • • Pulley,220/110 V 60 Hz			
- 6	4201710	1	• • • Pulley,220 V 50 Hz			
- 7	4201666	1	• • • Ring			
- 8	5144660	1	• Brake Asm			
- 9	5353301	3	• • Screw,Thd-Form Hx Wshr Hd 1/4-20 x 5/8 Lg			
- 10	5145052	1	• • • Bracket,Brake Mounting			
- 11	438568	3	• • • Screw,Mach-Bind Hd 6-32 x 1-1/8 Lg			
- 12	4201639	3	• • • Bushing,Threaded			
- 13	5144917	1	• • • Coil			
- 14	5144913	1	• • • Spring			
- 15	5144916	1	• • • Armature Asm			
- 16	5145057	1	• • • Brush Asm			
- 17	58207	1	• • • Screw,Mach-Bind Hd 8-32 x 1/4 Lg			
- 18	55901	1	• • • Washer,Lock-Ext Teeth 11/64 ID x 3/8 OD			
- 19	5145086	1	• • Stud			
- 20	11598	1	• • Nut,Plain-Hex 10-32			
- 21	5145814	1	• • Label			
- 22	2775962	1	• • Plate Asm,Front			
- 23	186759	3	• • Screw,Mach-Bind Hd 8-32 x 5/16 Lg			
- 24	2775966	1	• • Bushing			
- 25	2451028	1	• • Plate,Rear			
- 26	2451041	1	• • Relay,220 V 50/60 Hz			
- 26	2451042	1	• • Relay,110 V 60 Hz			
- 27	38350	2	• • Screw,Mach-Fil Hd 6-32 x 1/4 Lg			
- 28	323836	1	• • Terminal Block			
- 29	5318920	1	• • Marker Strip			
- 30	35739	2	• • Screw,Mach-Bind Hd 6-32 x 7/16 Lg			
- 31	2775964	1	• • Cover			
- 32	10170	2	• • Screw,Mach-Bind Hd No 6-32 x 1/4 Lg			
- 33	123071	1	• • Grommet			
- 34	2102365	1	• • Clamp			
- 35	5319854	1	• • Screw,Thd-Form Hex Wshr Hd 8-32 x 3/8 Lg			
- 36	6282	1	• Screw,Mach-Flat Hd 10-32 x 1 Lg			
- 37	5145098	1	• Screw,Hex Hd .50-13 Unc 1.0 Lg Int Thread			
- 38	186950	1	• Nut,Plain-Hex 1/2-13 x 3/4 Fl W			
- 39	2775963	2	• Washer,Spring Insulating .242 ID .890 OD			
- 40	5144813	1	• Spring			
- 41	5145085	1	• Roller			
- 42	25263	1	• Washer,Flat 11/64 ID x 7/8 OD x 1/16 Thk			
- 43	321483	1	• Screw,Mach-Bind Hd 8-32 x 1 Lg			
- 44	257189	1	• Nut,Hex 8-32 Unc Thd			
- 45	55901	1	• Washer,Lock-Ext Teeth 11/64 ID x 3/8 OD			
- 46	336766	1	• Nut,Hex 1/4-20 x 7/16 Fl W			
- 47	5145050	1	• Washer,Spring 9/32 ID x 1/2 OD x 3/16 Thk			
- 48	3550	1	• Washer,Fl-1/4 x 9/16 OD x 1/16 Thk			
- 49	5145820	1	• Washer,17/64 ID x 57/64 OD x 1/8 Thk			
- 50	5145804	1	• Bushing			

5340

FOR PARTS  
NOT SHOWN  
SEE FIG. 5

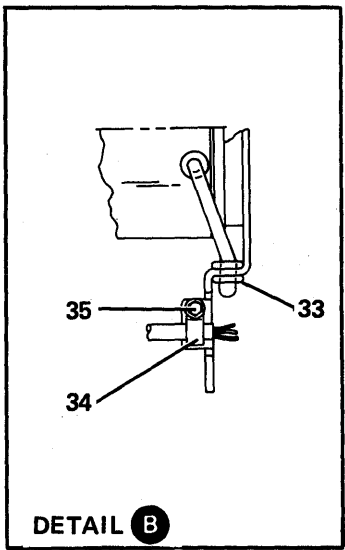
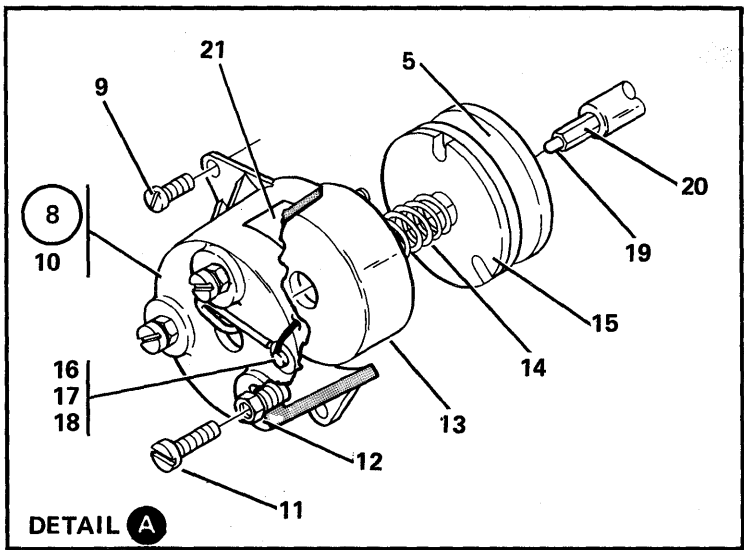
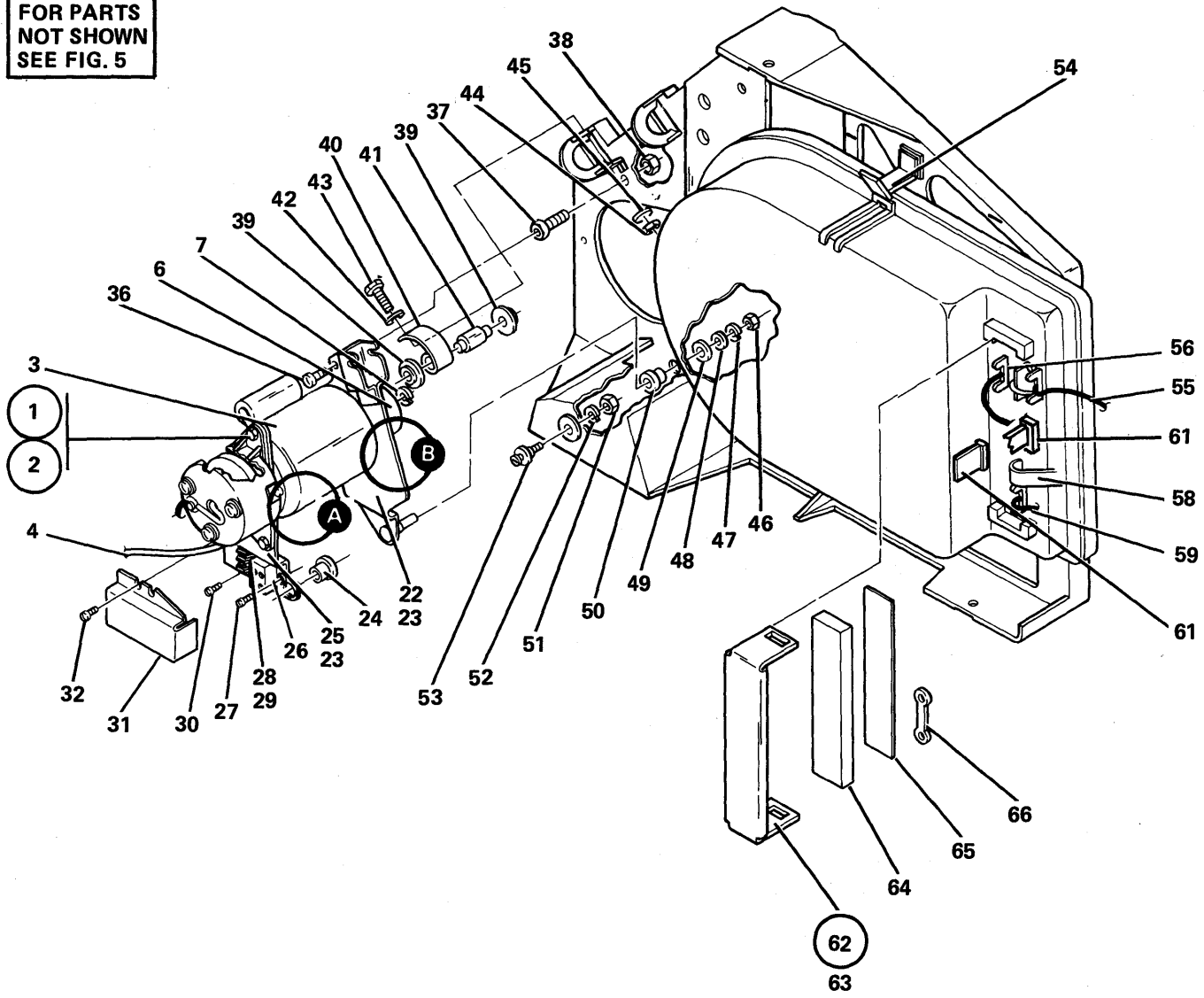


FIGURE 7. 62EH DISK DRIVE ASM. SEE LIST 7.

FIGURE- INDEX NUMBER	PART NUMBER	UNITS PER ASM.	DESCRIPTION FOR FIGURE 7					
			1	2	3	4		
7	- 51	22349	1					• Nut, Plain Hex-3/8-16 x 9/16 FI W
	- 52	10309	1					• Washer, Lock-Split 3/8 ID x 5/8 OD
	- 53	5144810	1					• Pivot
	- 54	2775951	1					• Clip
	- 55	4236416	1					• Cable Asm, Servo
	- 56	5145818	1					• Cable Asm
	- 58	4236417	1					• Cable Asm, (Read/Write) Tape Cable
	- 59	4236415	1					• Cable Asm, Data
	- 61	811064	2					• Card, Dummy
	- 62	5144803	1					• Card Clamp Asm
	- 63	5144804	1					• • Clamp
	- 64	5144850	1					• • Pad
	- 65	5144896	1					• • Pad
	- 66	811427	1					• Retainer



FOR PARTS  
NOT SHOWN  
SEE FIG. 5

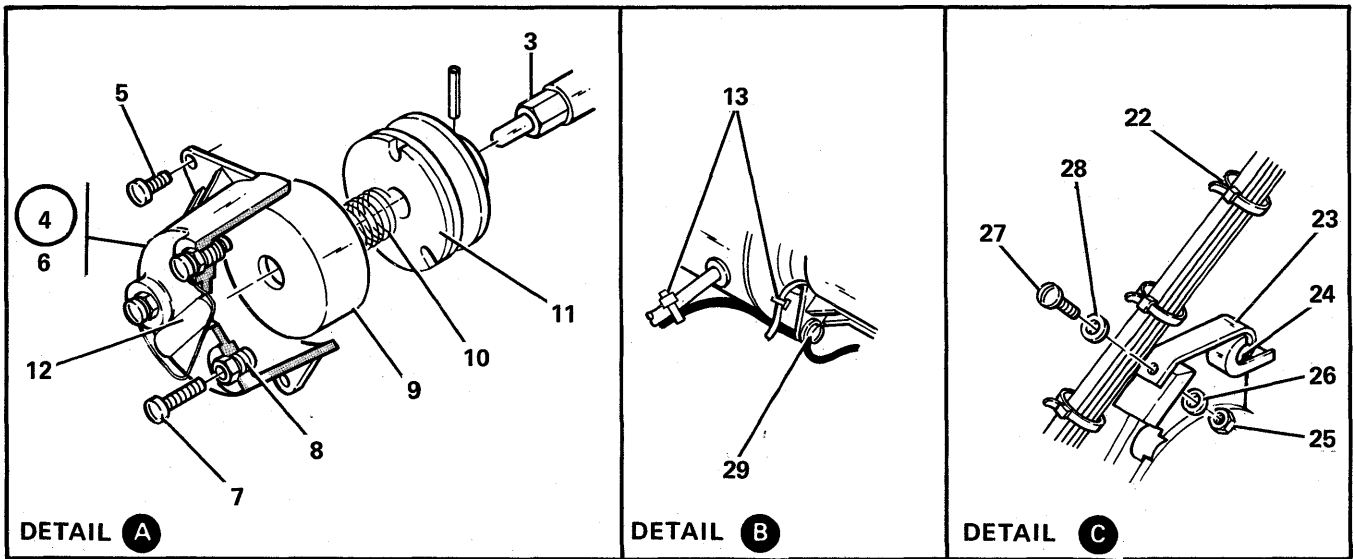
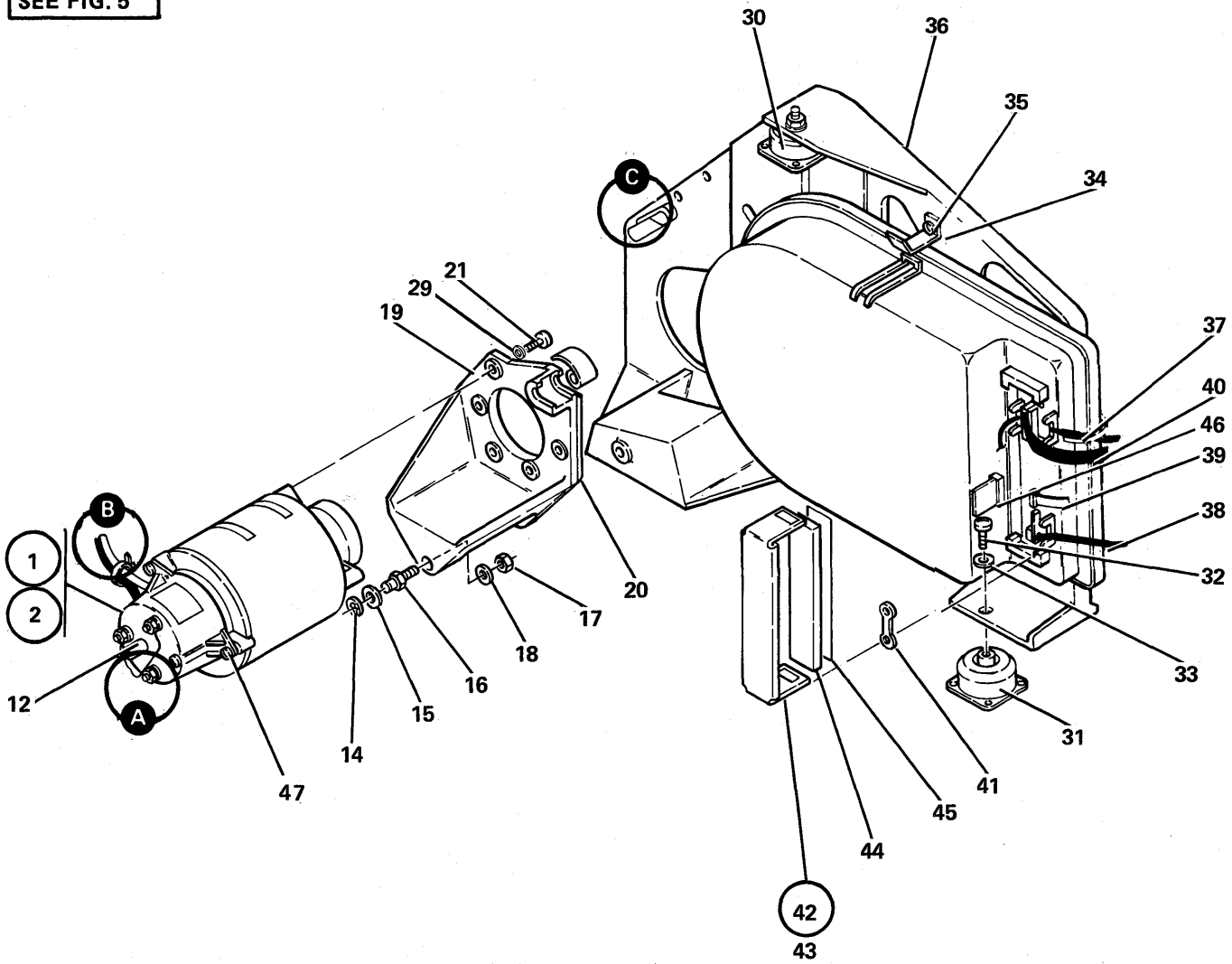


FIGURE 8. 62EH DISK DRIVE ASM. (OLD STYLE) SEE LIST 8.

FIGURE- INDEX NUMBER	PART NUMBER	UNITS PER ASM.	DESCRIPTION FOR FIGURE 8			
			1	2	3	4
8	5144683 5144682		62EH DISK DRIVE ASM, 220 V 60 HZ OLD STYLE 62EH DISK DRIVE ASM, 220 V 50 HZ OLD STYLE FOR NEXT HIGHER ASM SEE LIST 5-8			
			FOR ILLUSTRATION FIGURE 8			
- 1	5144645	1	• Motor Brake Asm,220 V 60 Hz			
- 1	5144644	1	• Motor Brake Asm,220 V 50 Hz			
- 2	5144650	1	• • Motor Asm,220 V 60 Hz			
- 2	5144687	1	• • Motor Asm,220 V 50 Hz			
- 3	5145056 NR	1	• • • Shaft Threaded,60 Hz			
- 3	5145055 NR	1	• • • Shaft Threaded,50 Hz			
- 4	5144660	1	• • Brake Asm			
- 5	322028	3	• • Screw,Mach-Bind Hd 1/4-20 x 3/4 Lg			
- 6	5145052	1	• • • Bracket,Brake Mtg			
- 7	438567	3	• • • Screw,Mach-Bind Hd 6-32 x 1 Lg			
- 8	5144925	3	• • • Bushing,Threaded			
- 9	5144917	1	• • • Coil Asm			
- 10	5144913	1	• • • Spring			
- 11	5144916	1	• • • Armature Asm			
- 12	5145057	1	• • • Spring Asm			
- 13	5420242	2	• • • Tie,Cable			
- 14	5144811	1	• Clip,Retaining			
- 15	5144820	1	• Washer,Flat 41/64 ID x 1-1/8 OD x 1/8 Thk			
- 16	5144810	1	• Pivot			
- 17	22349	1	• Nut,Plain-Hex 3/8-16 x 9/16 Fl W			
- 18	10309	1	• Washer,Lock-Split 3/8 ID x 5/8 OD			
- 19	5144815	1	• Bracket,Motor Mtg			
- 20	5145099	1	• Plate			
- 21	322028	5	• Screw,Mach-Bind Hd 1/4-20 x 3/4 Lg			
- 22	532393	3	• Cable Tie			
- 23	5144813	1	• Spring			
- 24	5145085	1	• Roller			
- 25	257189	1	• Nut,Hex 8-32 Unc Thd			
- 26	55901	1	• Washer,Lock-Ext Teeth 11/64 ID x 3/8 OD			
- 27	321483	1	• Screw,Mach-Bind Hd 8-32 x 1 Lg			
- 28	25263	1	• Washer,Flat 11.64 ID x 7/8 OD x 1/16 Thk			
- 29	76574	4	• Lockwasher,Ext Teeth 1/4 ID x 1/2 OD			
- 30	2590957	1	• Shockmount,Upper			
- 31	5145088	2	• Shockmount,Lower			
- 32	36844	3	• Screw,Mach-Hex Hd 1/4-20 x 5/8 Lg			
- 33	6935	3	• Washer,Lock-Split 1/4 x 1/2 OD			
- 34	5144921	1	• Clip			
- 35	5319854	1	• Screw,Thd-Form Hex Wshr Hd 8-32 x 3/8 Lg			
- 36	5144812	1	• Sub Frame			
- 37	4236416	1	• Cable Asm,Servo			
- 38	4236415	1	• Cable Asm,Data			
- 39	4236417	1	• Flat Cable			
- 40	5145818	1	• Cable Asm			
- 41	811427	1	• Retainer			
- 42	5144803	1	• Card Clamp Asm			
- 43	5144804	1	• • Clamp			
- 44	5144850	1	• • Pad			
- 45	5144898	1	• • Pad			
- 46	811064	2	• Card,Dummy			
- 47	322028	3	• Screw,Mach-Bind Hd 1/4-20 x 3/4 Lg			

FOR PARTS  
NOT SHOWN  
SEE FIG. 4

5340

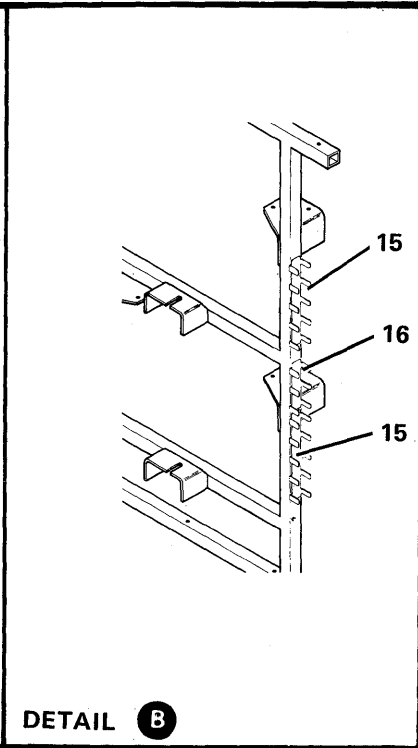
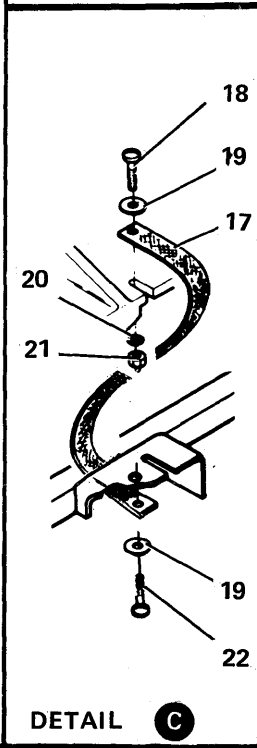
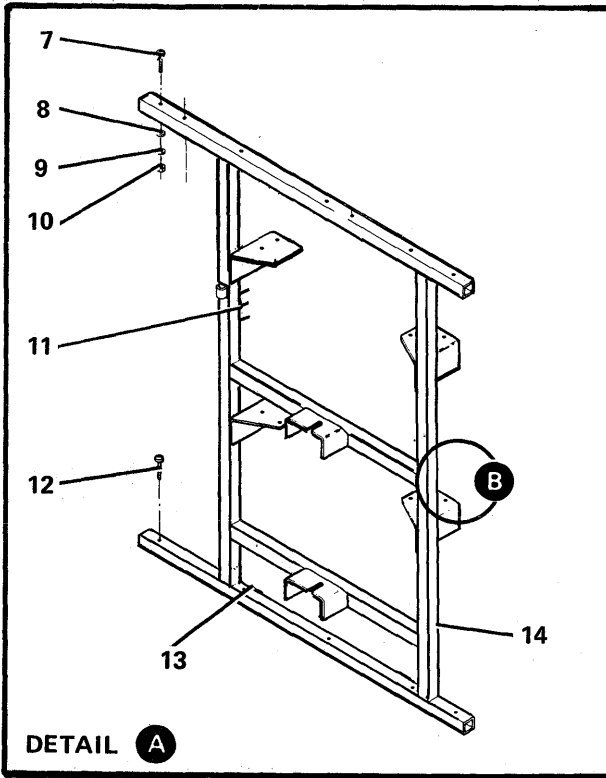
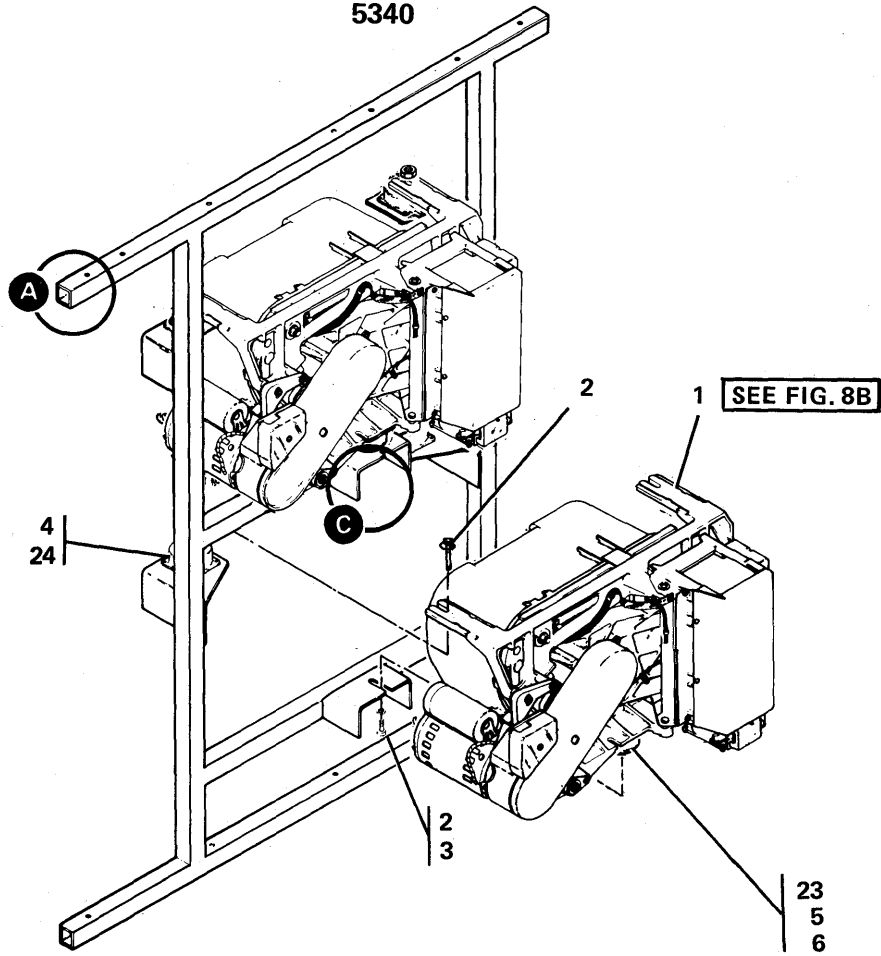


FIGURE 8A. 62 PC MOUNTING ASM. SEE LIST 8A.

FIGURE-INDEX NUMBER	PART NUMBER	UNITS PER ASM.	DESCRIPTION FOR FIGURE 8A			
			1	2	3	4
8A	NO NO. NP		62PC MOUNTING FOR NEXT HIGHTER ASM SEE LIST 4 FOR ILLUSTRATION FIGURE 8A			
- 1	5145750 NR	1	• 62PC Disk Drive Asm, 220 V 60 Hz 64 MB			
- 1	5145756 NR	1	• 62PC Disk Drive Asm, 220 V 50 Hz 64 MB			
- 1			For Detail Breakdown See List 8B			
- 2	234341	3	• Screw And Wshr,Hex Hd 1/4-20 x 5/8 Lg			
- 3	3550	1	• Washer,Flat 1/4 ID x 9/16 OD x 1/16 Thk			
- 4	5145345	3	• Shockmount			
- 5	1621191	2	• Screw,Mach-Slotted Pan Hd M4 x 10mm Lg			
- 6	1622346	2	• Washer,Lock Ext T 4.3 ID x 8 OD x .5 Thk			
- 7	1621339	5	• • Screw,Slot-Flat Hd M6 x 40 Lg			
- 8	1622306	5	• Washer,Flat 6.6 ID x 12.5 OD x 1.6 Thk			
- 9	1622320	5	• Washer,Lock-Split 6.1 ID x 11.8 OD x 1.6			
- 10	1622405	5	• Nut,Hex M6 x 10 FI W			
- 11	2588303	2	• Trough			
- 12	4236725	5	• Screw,Thd-Form M5 x 35 Lg			
- 13	2596291	AR	• Clip,Cable			
- 14	4236494	1	• Frame			
- 15	2590010	2	• Trough			
- 16	2588303	1	• Trough			
- 17	2101089	1	• Strap			
- 18	1621232	1	• Screw,Mach-Slot Pan Hd M6 x 1 x 20 Lg			
- 19	3550	2	• Washer,Flat 1/4 ID x 9/16 OD x 1/16 Thk			
- 20	1622348	1	• Washer,Lock-Ext Star 6.4 ID x 11 OD x .7 Thk			
- 21	1622405	1	• Nut,Hex M6 x 10 FI W			
- 22	1621230	1	• Screw,Mach-Slot Pan Hd M6 x 1 x 12 Lg			
- 23	5145346	1	• Shockmount			
- 24	1621811	8	• Screw,Thd-Form Hex-Wshr Hd M4 x 10 Lg			

FOR PARTS  
NOT SHOWN  
SEE FIG. 8A

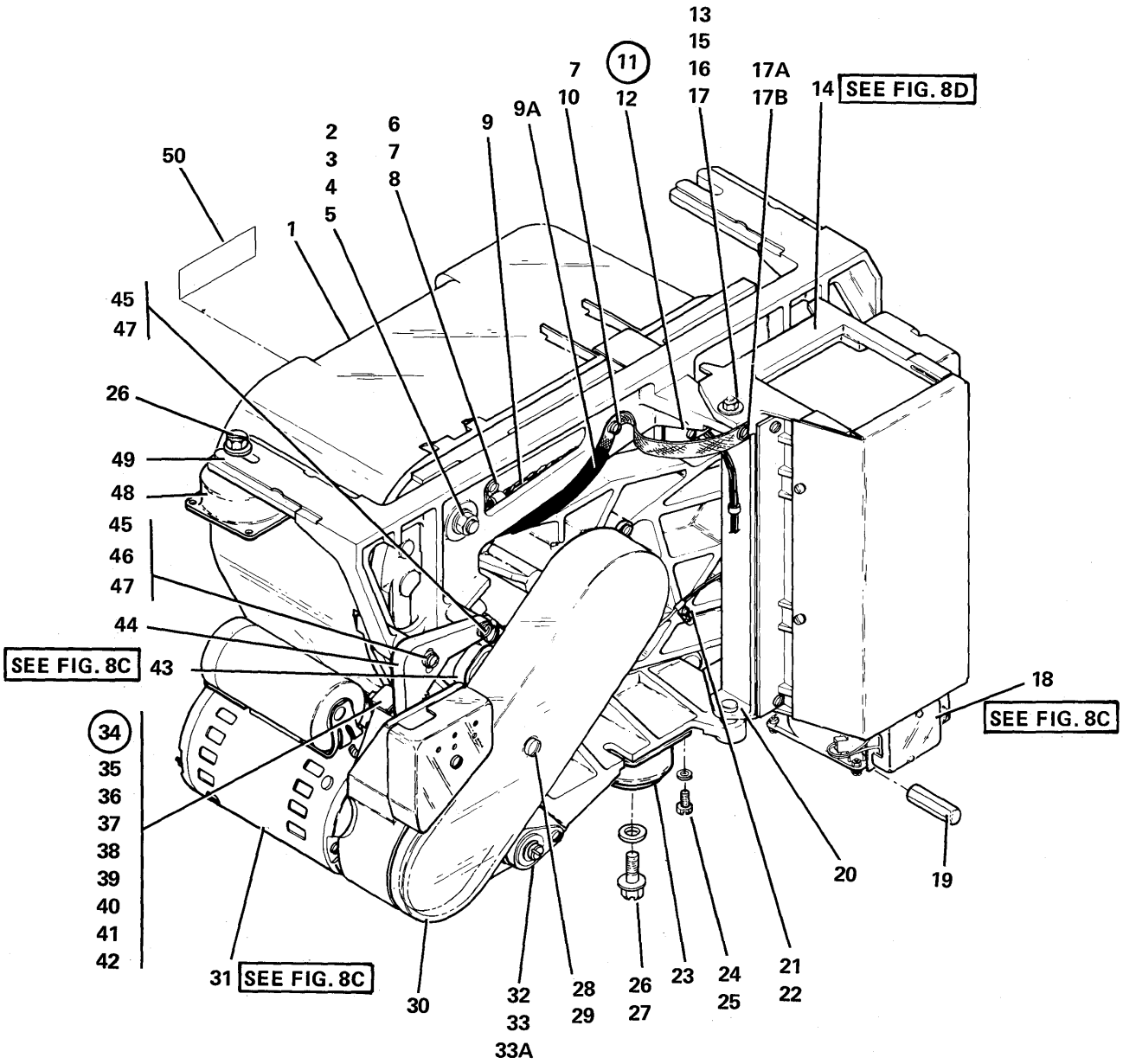


FIGURE 8B. 62PC FINAL ASSEMBLY. SEE LIST 8B.

FIGURE- INDEX NUMBER	PART NUMBER	UNITS PER ASM.	DESCRIPTION FOR FIGURE 8B			
			1	2	3	4
8B	5145750 NR 5145756 NR		62PC DISK DRIVE ASM, 220 V 60 HZ 64 MB 62PC DISK DRIVE ASM, 220 V 50 HZ 64 MB FOR NEXT HIGHER ASM SEE LIST 8A-1			
			FOR ILLUSTRATION SEE FIGURE 8B			
- 1	5563756	1	• Disk Enclosure 64 MB, U.S.			
- 1	5145762	1	• Disk Enclosure 64 MB, WTC			
- 1	2420889	1	• Disk Enclosure 64 MB, WTC			
- 2	1884425	3	• Bushing			
- 3	1884424	3	• Stud			
- 4	1884426	3	• Washer,8.3 ID x 20 OD x 3 Thk			
- 5	1622406	2	• Nut,Hex ID			
- 6	5420242	AR	• Cable Tie			
- 7	1622346	1	• Lcwasher,Ext-T 4.3 ID x 8 OD x .5 Thk			
- 8	1621197	1	• Screw,Pan Hd M4 x 6 Lg			
- 9	1884381	1	• Cable Asm			
- 9 A	1884555	1	• Jumper,Ground			
- 10	1621197	1	• Screw,Pan Hd M4 x 6 Lg			
- 11	5145458	1	• Clamp Asm			
- 12	1621194	2	• • Screw,Pan Hd M4 x 10 Lg			
- 13	1884272	1	• Stud			
- 14	5145795	1	• Gate Asm			
- 14			For Detail Breakdown See List 8D			
- 15	1622419	1	• Nut,Hex,Lock M6			
- 16	156390	1	• Washer,6.4 ID x 16 OD x 1.6 Thk			
- 17	1884271	1	• Washer,Rubber 10 ID x 16 OD x 3.1 Thk			
- 17 A	1621197	1	• Screw,Pan Hd M4 x 6 Lg			
- 17 B	1622346	1	• L'washer,Ext T 4.3 ID x 8 OD x .5 Thk			
- 18	5145639	1	• Fan Asm,220 V 60/50 Hz			
- 18	5145615	1	• Fan Asm,110 V 60 Hz			
- 18			For Detail Breakdown See List 8C			
- 19	1884427	1	• Nut,Hex M8 x 65 Lg			
- 20	1884266	1	• Pivot			
- 21	5213276	1	• Clip			
- 22	5145968	1	• Screw,Pan Hd M4 x 6 Lg			
- 23	5145346	1	• Shockmount			
- 24	1621191	2	• Screw,Pan Hd M4 x 10 Lg			
- 25	1622346	2	• L Washer,Ext T 4.3 ID x 8 OD x .5 Thk			
- 26	234341	3	• Screw & Wshr,Hex Hd 1/4-20 x 5/8 Lg			
- 27	3550	1	• Washer,6.4 ID x 16 OD x 1.5 Thk			
- 28	5145472	1	• Guard,Belt A and B Drives			
- 28	8265252	1	• Guard,Belt C and D Drives			
- 29	5146021	2	• Screw,Pan Hd M6 x 8 Lg			
- 30	5145349	1	• Belt,60 Hz			
- 30	5145348	1	• Belt,50 Hz			
- 31	xxxxxxx	1	• Motor Asm,			
- 31			For Detail Breakdown See List 8C			
- 32	5145279	2	• Bushing,With Press Fit Pivot Pin			
- 32	1884589	1	• Pivot Pin,Front			
- 32	1884588	1	• Pivot Pin,Rear			
- 33	5145347	1	• Ring,With Press Fit Pivot Pin			
- 33	1622419	2	• Nut,Hex Lock M6			
- 33 A	1622306	2	• Washer,Flat 6.6 ID x 12.5 OD x 1.6 Thk			
- 34	5145447	1	• Tensioner Asm			
- 35	1622304	2	• Washer,4.3 ID x 9 OD x .8 Thk			
- 36	1621192	2	• Screw,Pan Hd M4 x 12 Lg			
- 37	5145347	1	• • Retaining Ring			
- 38	5145423	1	• • Latch			
- 39	5145344	1	• • Spring			
- 40	5145448	1	• • Guide			

FOR PARTS  
NOT SHOWN  
SEE FIG. 8A

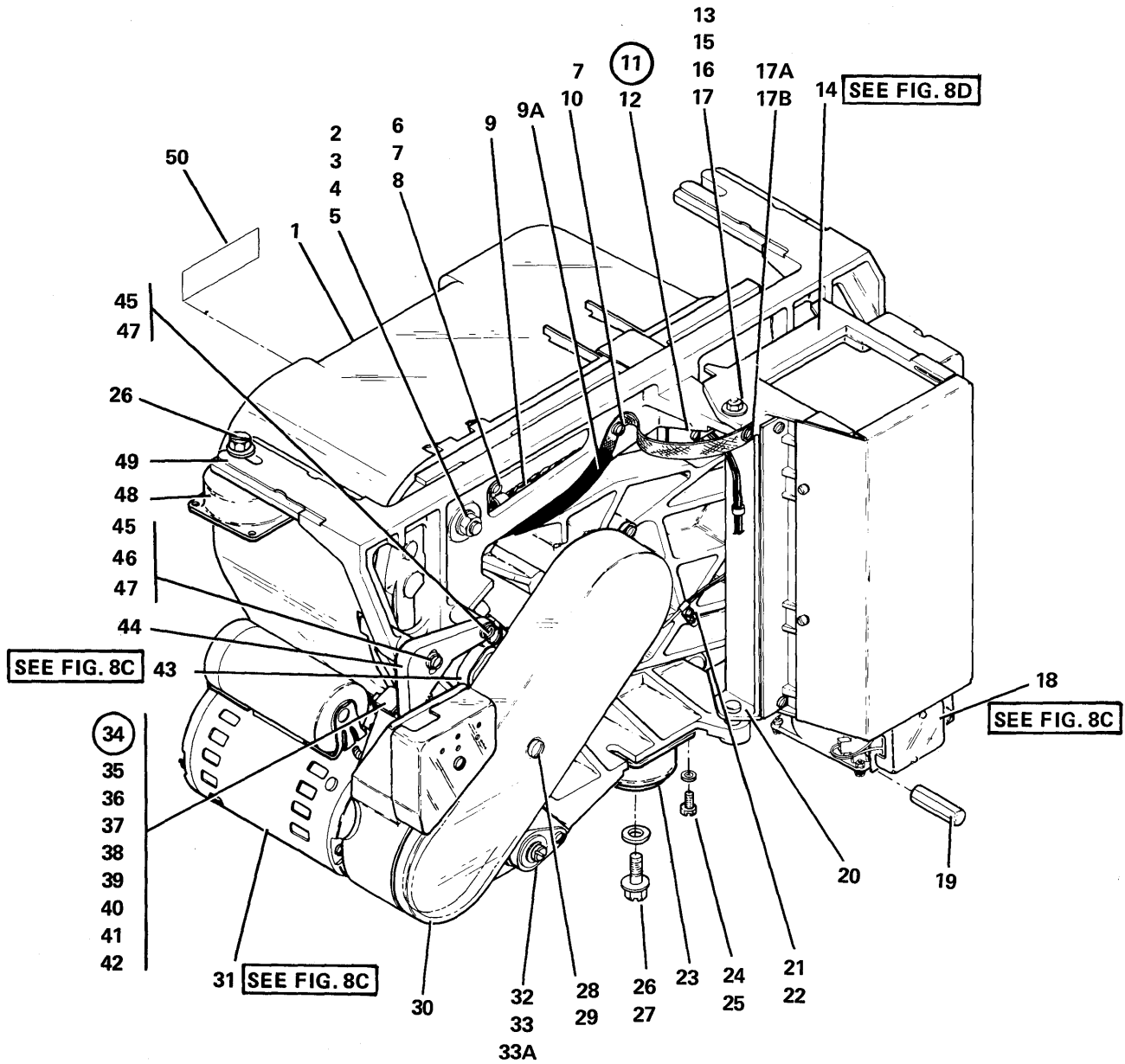


FIGURE 8B. 62PC FINAL ASSEMBLY. SEE LIST 8B.

FIGURE- INDEX NUMBER	PART NUMBER	UNITS PER ASM.	DESCRIPTION FOR FIGURE 8B			
			1	2	3	4
8B - 41	5145667	1	• • Shaft			
- 42	5145669	1	• • Pin			
- 43	1884626	1	• Brake Asm			
- 43			For Detail Breakdown See List 8C			
- 44	1884287	1	• Lock, Motor			
- 45	1621231	2	• Screw, Mach-Slot Pan Hd M6 x 16 Lg			
- 46	1622320	1	• Washer, Lock-Spring 6.1 ID x 11.8 OD x 1.6			
- 47	1622306	2	• Washer, Flat 6.6 ID x 12.5 OD x 1.6 Thk			
- 48	5145345	2	• Shockmount			
- 49	1884265	1	• Sub Frame			
- 50	5563765	1	• Label			



FOR PARTS  
NOT SHOWN  
SEE FIG. 8B

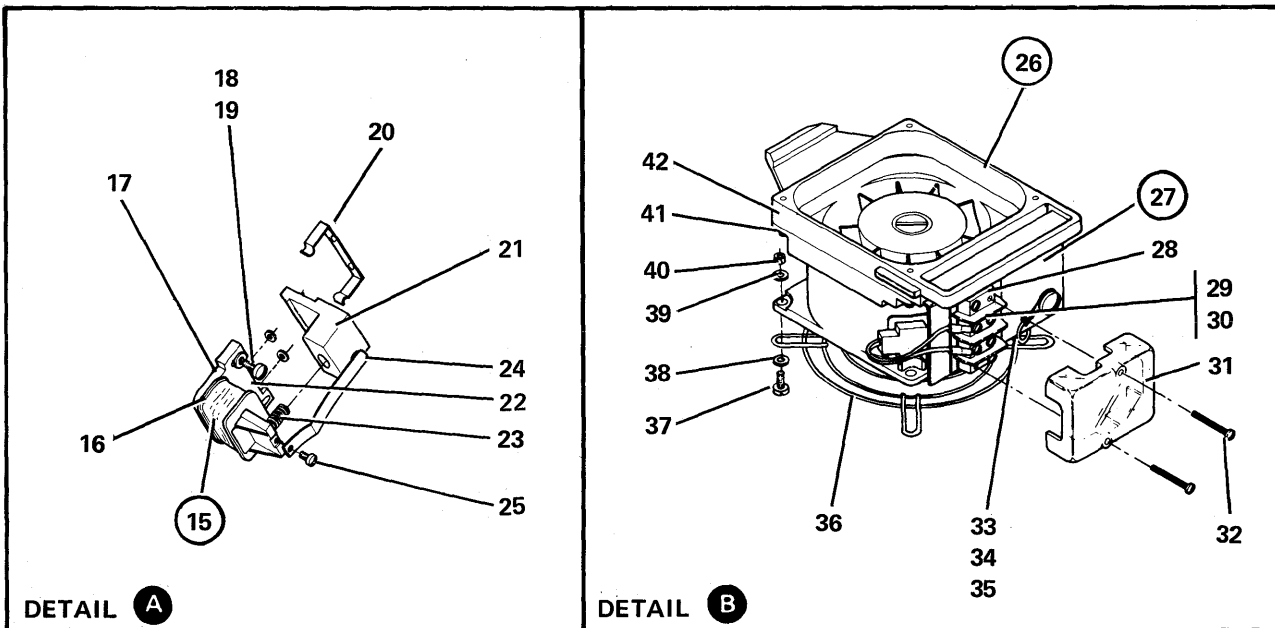
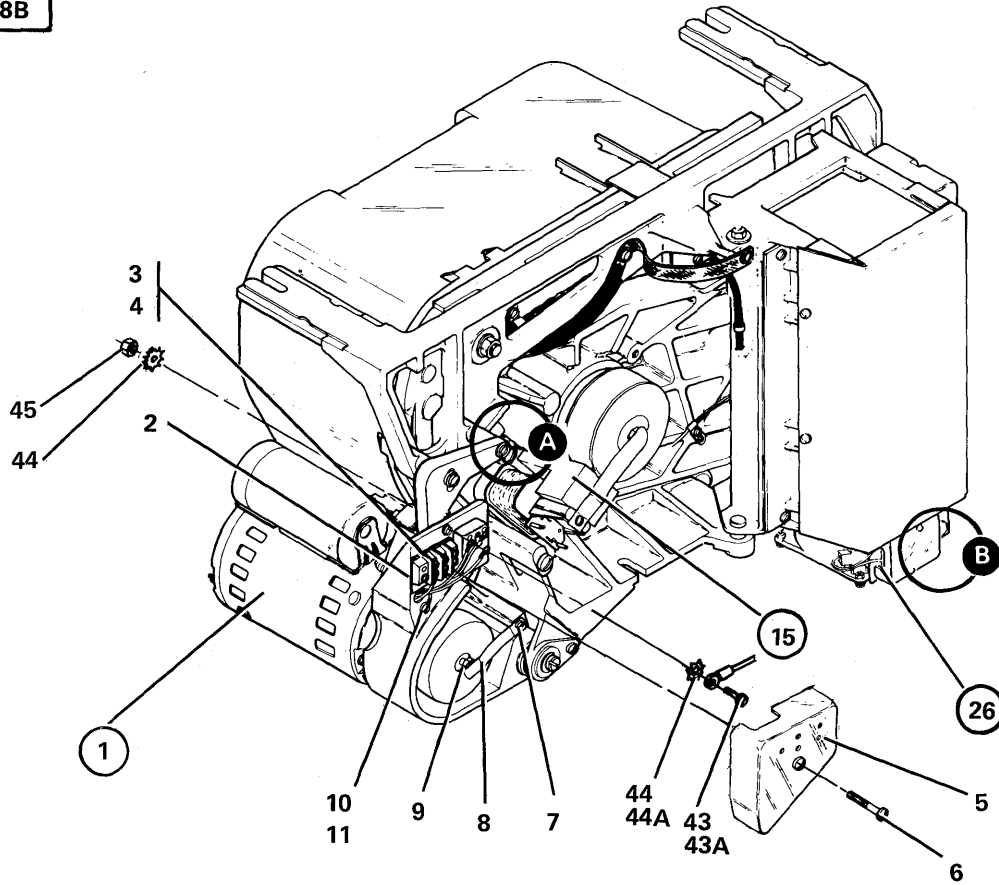


FIGURE 8C. 62PC FINAL ASSEMBLY. SEE LIST 8C.

FIGURE- INDEX NUMBER	PART NUMBER	UNITS PER ASM.	DESCRIPTION FOR FIGURE 8C			
			1	2	3	4
8C	NO NO.		62PC FINAL ASM FOR NEXT HIGHER ASM SEE LIST 8B-18 FOR ILLUSTRATION SEE FIGURE 8C			
- 1	1884482	1	• Motor Asm,220V 60 Hz			
- 1	1884421	1	• Motor Asm,220V 50 Hz			
- 1	1884580	1	• Motor Asm,127V 60 Hz W/T			
- 1	1884624	1	• Motor Asm,100-120V 50 Hz W/T			
- 2	5318920	1	• • Marker Strip			
- 3	323836	1	• • Terminal Block			
- 4	1621172	2	• • Screw,Pan Hd M3 x 10 Lg			
- 5	1884440	1	• • Shield			
- 6	5146021	1	• • Screw,Pan Hd M4 x 8 Lg			
- 7	1621170	1	• • Screw,Pan Hd M3 x 6 Lg			
- 8	1884583	1	• • Brush Asm			
- 9	1884292	1	• • Screw			
- 10	1622349	1	• • L Washer,Est T 6.4 ID x 11 OD x .7 Thk			
- 11	1884520	1	• • Screw,Pan Hd M6 x 8 Lg			
- 15	1884626	1	• Brake Asm			
- 16	2426398	1	• • Coil Asm			
- 17	5145728	1	• • Base			
- 18	1621232	2	• • Screw,Pan Hd M6 x 6 Lg			
- 19	1622306	2	• • Washer,6.6 ID x 12.5 OD x 1.6 Thk			
- 20	5145734	1	• • Clip			
- 21	5145730	1	• • Arm Asm			
- 22	5563767	2	• • Spacer, 4.78 ID x 9.52 OD x .305 Thk			
- 23	5145318	1	• • Spring			
- 24	5145451	1	• Brush Asm			
- 25	1621191	1	• Screw,Pan Hd M4 x 10 Lg			
- 26	5145639	1	• Fan Asm,220V 60/50 Hz			
- 26	5145615	1	• Fan Asm,110V 60 Hz			
- 27	5145727	1	• • Bracket			
- 28	5318920	1	• • • Marker Strip			
- 29	823836	1	• • • Terminal Block			
- 30	1621172	2	• • • Screw,M3 x 10 Lg			
- 31	5145684	1	• • • Shield			
- 32	1621175	2	• • • Screw,M3 x 20 Lg			
- 33	5146027	1	• • Jumper			
- 34	1622348	1	• • L Washer, 6.4 ID x 11 OD x .7 Thk			
- 35	5146021	1	• • Screw,Pan Hd M6 x 8 Lg			
- 36	768661	1	• • Guard			
- 37	1621191	4	• • Screw,M4 x 10 Lg			
- 38	1622304	4	• • Washer,4.3 ID x 9 OD x .8 Thk			
- 39	1622346	4	• • L Washer,4.3 ID x 8 OD x 5 Thk			
- 40	1622403	4	• • Nut,Hex M4			
- 41	811417	4	• • Screw,Soc Hd 6-32 x 1/2 Lg			
- 42	5145515	1	• • Mounting Plate			
- 43	322550	1	• Screw,Mach-Bind Hd 6-32 x 1/2 Lg			
- 43 A	1884520	1	• Screw,Pan Hd M6 x 8 Lg			
- 43 A			Used Only With Large (M6) Gnd Lead			
- 44	55901	2	• Washer,Lock-Ext Teeth 11/64 ID x 3/8 OD			
- 44 A	1622348	1	• Washer,Lock-Ext Star 6.4 ID x 11 OD x .7			
- 44 A			Used With Screw 1884520 (43A)			
- 45	257187	1	• Nut,Hex No. 6-32			

FOR PARTS  
NOT SHOWN  
SEE FIG. 8B

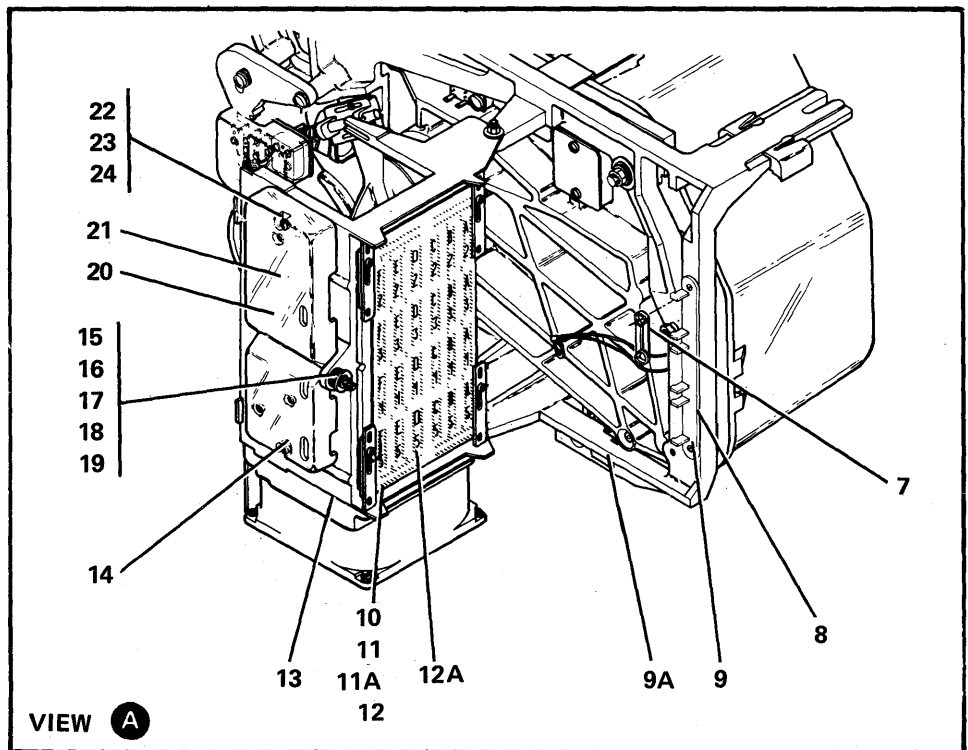
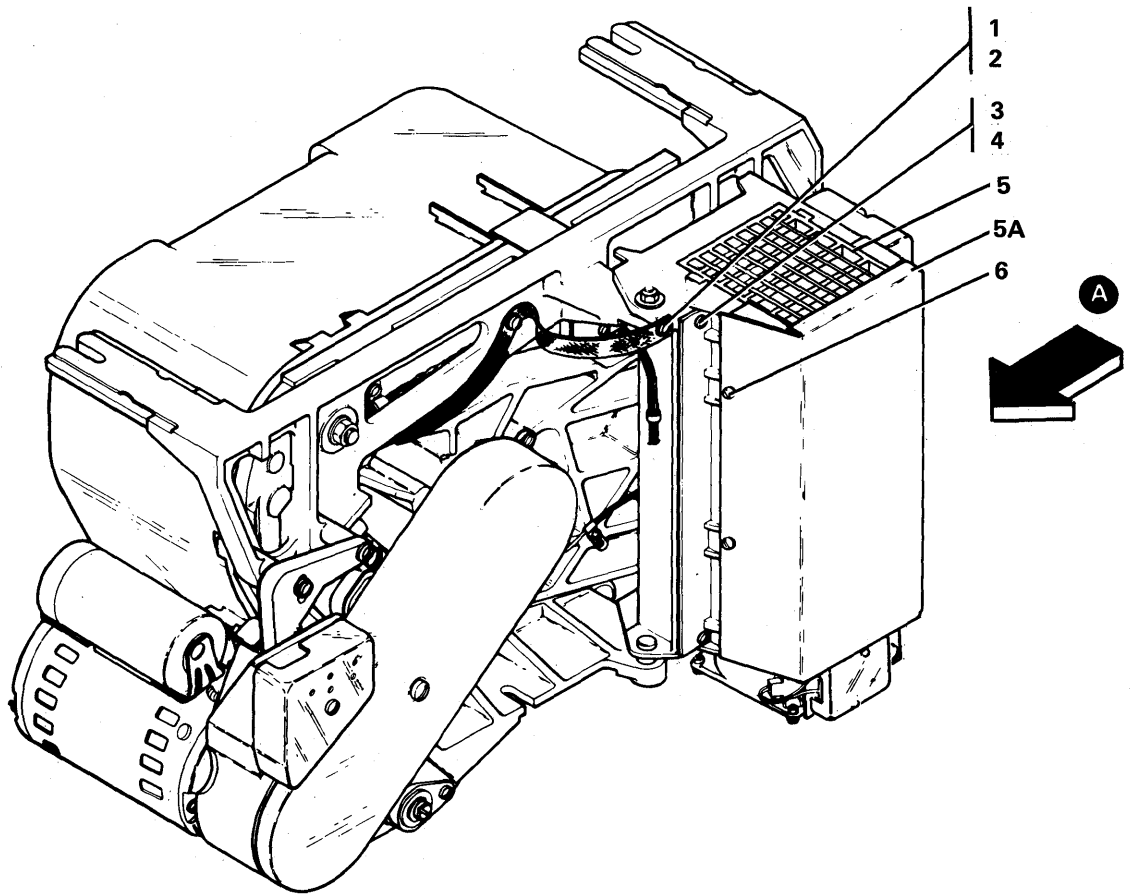


FIGURE 8D. GATE ASSEMBLY. SEE LIST 8D.

FIGURE- INDEX NUMBER	PART NUMBER	UNITS PER ASM.	DESCRIPTION FOR FIGURE 8D			
			1	2	3	4
8D	5145795		GATE ASM FOR NEXT HIGHER ASM SEE LIST 8B-14 FOR ILLUSTRATION SEE FIGURE 8D			
- 1	1621197	1	• Screw, Pan Hd M4 x 6 Lg			
- 2	1622346	1	• L Washer, Ext T 4.3 ID x 8 OD x .5 Thk			
- 3	5145799	1	• Retainer Asm			
- 4	1621192	2	• Screw, Pan Hd M4 x 12 Lg			
- 5	1884614	1	• Cover			
- 5 A	5145422	1	• Cover Asm			
- 6	1621197	2	• Screw, Pan Hd M4 x 6 Lg			
- 7	811427	6	• Strap			
- 8	1884419	1	• Strain Relief			
- 9	1621190	2	• Screw, Pan Hd M6 x 12 Lg			
- 9 A	5563761	1	• Label			
- 10	5145994	4	• Clamp			
- 11	1622345	1	• Washer, Lock-Ext Star 3.7 ID x 7 OD x .4 Thk			
- 11 A	1884556	4	• Jumper			
- 12	1621185	4	• Screw, M3 x 12 Lg			
- 12 A	5882184	1	• A1 - Board			
- 13	5145798	1	• Gate			
- 14	1621194	2	• Screw, Pan Hd M4 x 20 Lg			
- 15	5145712	1	• Screw, Shoulder M5 x 22 Lg			
- 16	150390	2	• Washer, 6.4 ID x 16 OD x 1.6 Thk			
- 17	5145713	1	• Bushing			
- 18	150390	2	• Washer, 6.4 ID x 16 OD x 1.6 Thk			
- 19	5145649	1	• Ring, Retaining			
- 20	5145718	1	• Cover			
- 21	5145307	1	• Voice Coil Card			
- 22	1621174	3	• Screw, Pan Hd M3 x 16 Lg			
- 23	1622316	1	• L Washer, Spring 3.1 ID x 6.2 OD x .8 Thk			
- 24	1622401	1	• Nut, Hex M3			

FOR PARTS  
NOT SHOWN  
SEE FIG. 3

SEE FIG. 10, 11 & 12 (33 FD)  
SEE FIG. 13, 14, 15 & 16 (53 FD)

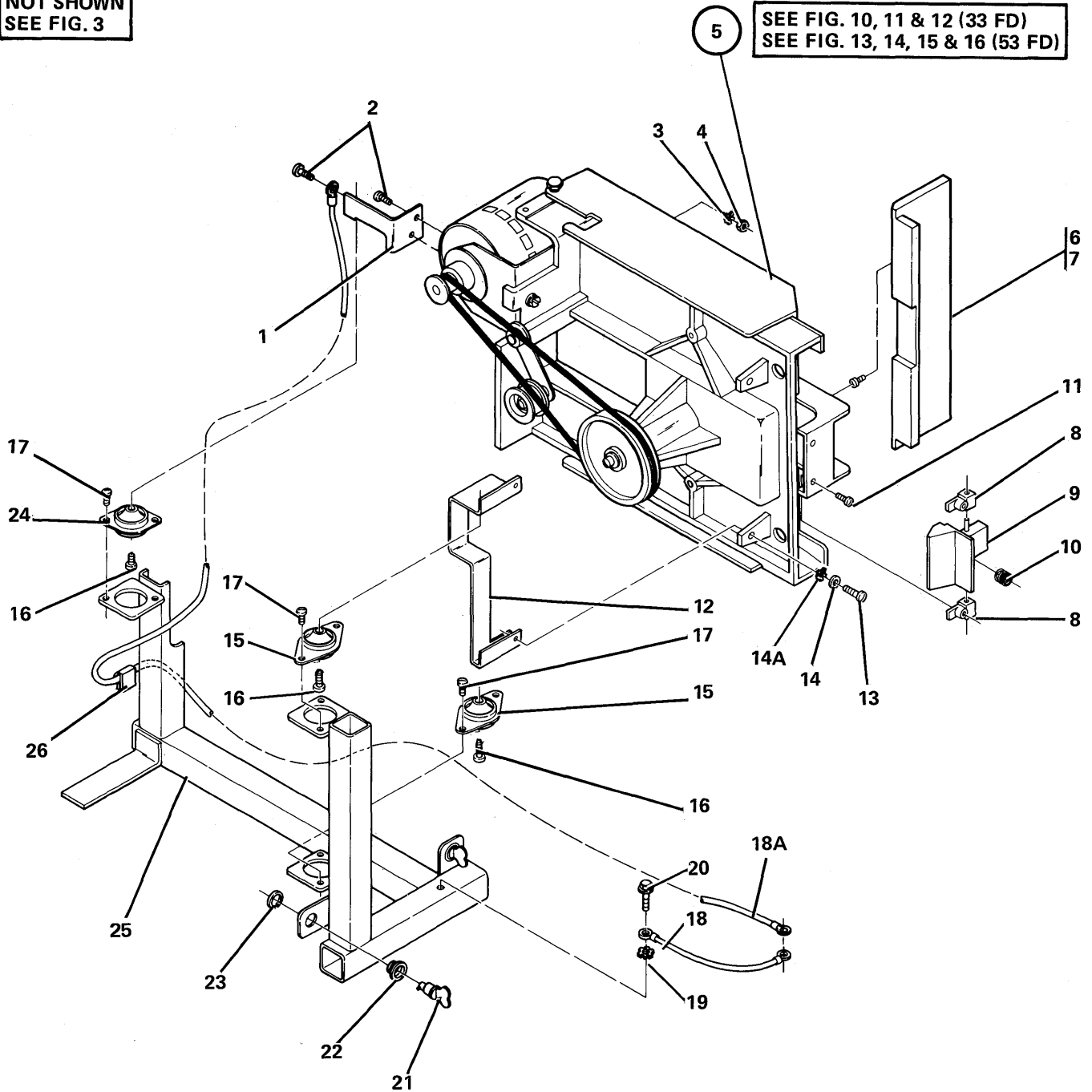


FIGURE 9. 33FD AND 53FD MOUNTING ASM. SEE LIST 9.

FIGURE- INDEX NUMBER	PART NUMBER	UNITS PER ASM.	DESCRIPTION FOR FIGURE 9			
			1	2	3	4
9	4236577 4236578 4236579					33FD MOUNTING ASM, 60 HZ 33FD MOUNTING ASM, 50 HZ 53FD MOUNTING ASM, 60 HZ
	4236580					53FD MOUNTING ASM, 50 HZ FOR NEXT HIGHER ASM SEE LIST 3-47 FOR ILLUSTRATION SEE FIGURE 9
- 1	4236351	1				• Bracket
- 2	1621212	2				• Screw,Mach Pan Hd M5 x 16mm Lg
- 3	1622347	2				• Washer,Lock-Ext Star 5.3 ID x 10 OD
- 4	1622404	2				• Nut,Hex M5 x 8 Fl W
- 5	2305475	1				• 33FD Asm,60 Hz
- 5	2305476	1				• 33FD Asm,50 Hz For Detail Breakdown See Lists 10-12
- 5	4178004	1				• 53FD Asm,60 Hz
- 5	4178006	1				• 53FD Asm,50 Hz For Detail Breakdown See Lists 13-16
- 5						
- 6	5562348	1				• Door
- 7	81693	2				• Screw,Mach-Bind Hd 6-32 x 3/8 Lg
- 8	2305523	2				• Block
- 9	4236352	1				• Latch Asm
- 10	736822	1				• Spring
- 11	322550	2				• Screw,Mach-Bind Hd 6-32 x 1/2 Lg
- 12	4236350	1				• Bracket
- 13	1621191	2				• Screw,Mach-Slotted Pan Hd M4 x .7 x 10 Lg
- 14	1622304	2				• Washer,Flat 4.3 ID x 9 OD x .8 Thk
- 14 A	1622347	2				• Washer,Lock-Ext Star 5.3 ID x 10 OD x .6 Thk
- 15	2455575	2				• Shockmount
- 16	1621193	3				• Screw,Mach-Slotted Pan Hd M4 x .7 x 16 Lg
- 17	1621170	4				• Screw,Mach-Slotted Pan Hd M3 x .5 x 6 Lg
- 18	2546957	2				• Ground Wire
- 18 A	8265104	1				• Ground Wire
- 19	1622347	2				• Washer,Lock-Ext Star 5.3 ID x 10 OD x .6
- 20	4236318	2				• Screw,Thd-Form Hex Wshr Hd M5 x .8 x 12 x .8 Lg
- 21	315912	2				• Stud
- 22	312573	2				• Grommet
- 23	312575	2				• Snap Ring
- 24	2455576	1				• Shockmount
- 25	4236349	1				• Frame
- 26	2596275	1				• Clamp

FOR PARTS  
NOT SHOWN  
SEE FIG. 9

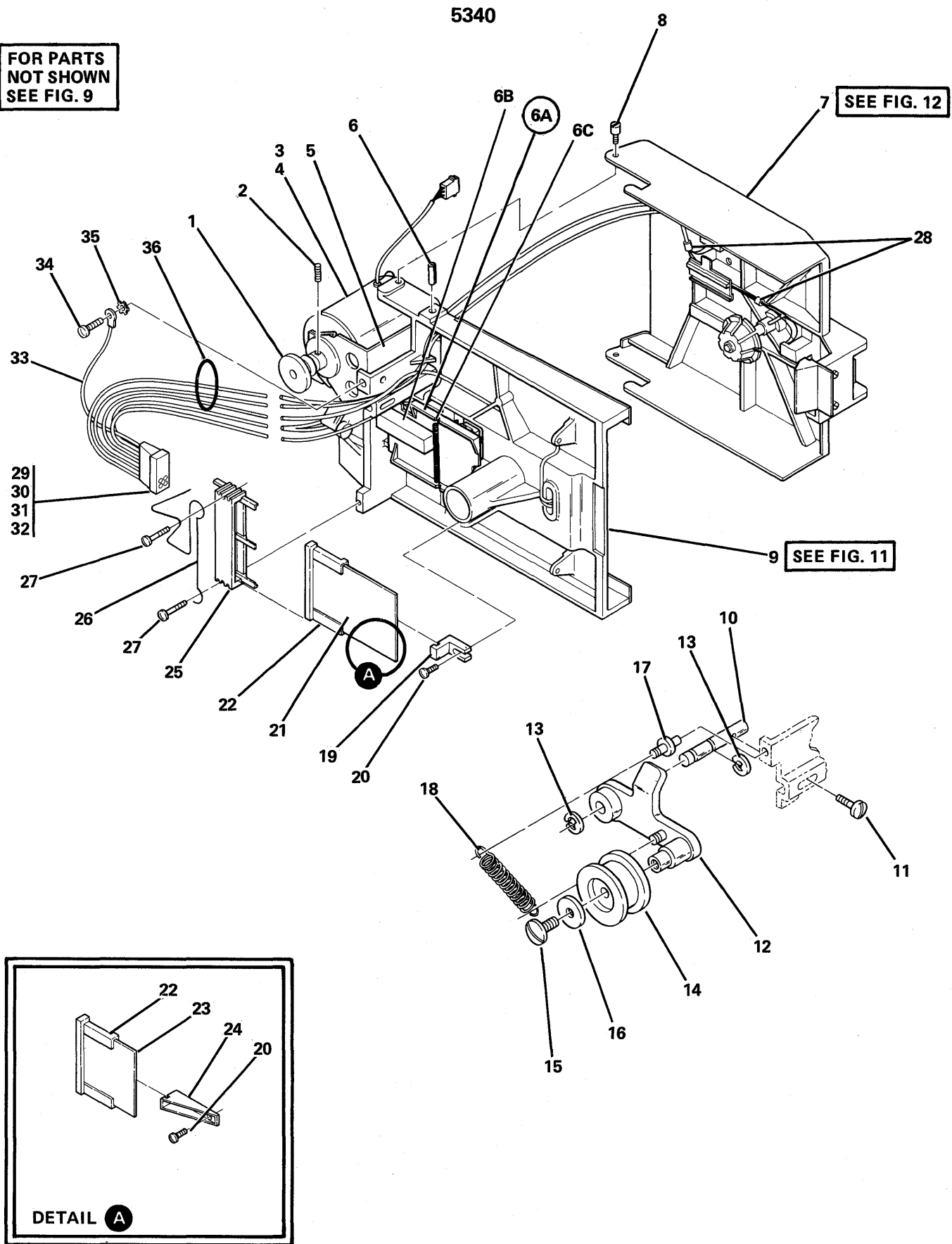


FIGURE 10. 33FD ASM. SEE LIST 10.

FIGURE- INDEX NUMBER	PART NUMBER	UNITS PER ASM.	DESCRIPTION FOR FIGURE 10			
			1	2	3	4
10	2305475 2305476		33FD ASM, 60 HZ 33FD ASM, 50 HZ FOR NEXT HIGHER ASM SEE LIST 9-5 FOR ILLUSTRATION SEE FIGURE 10			
- 1	2305631	1	• Pulley,60 Hz			
- 1	2305708	1	• Pulley,50 Hz			
- 2	257970	1	• Setscrew,6 Flute Hd Fl Pt 6-32 x 1/4 Lg			
- 3	4178053	1	• Motor,60 Hz 200/235 V			
- 4	4178057	1	• Motor,50 Hz 200/235 V			
- 5	2305632	1	• Bracket,Motor			
- 6	257922	1	• Pin,Split Roll			
- 6 A	2594695	1	• Shield Asm			
- 6 B	2594694	1	• Seal			
- 6 C	2772892	1	• Spring			
- 7	2305477	1	• 33FD Clamping Plate Asm For Detail Breakdown See List 12			
- 7						
- 8	2305649	1	• Pin			
- 9	2305484	1	• 33FD Baseplate For Detail Breakdown See List 11			
- 9						
- 10	2305725	1	• Shaft			
- 11	81693	1	• Screw,Mach-Bind Hd 6-32 x 3/8 Lg			
- 12	2305718	1	• Arm Asm			
- 13	257982	2	• Ring,Retaining-E Type 3/16 Groove Dia			
- 14	2305720	1	• Roller			
- 15	58207	1	• Screw,Mach-Bind Hd 8-32 x 1/4 Lg			
- 16	22478	1	• Washer,Flat 11/64 ID x 3/8 OD x 1/32 Thk			
- 17	2305722	1	• Stud			
- 18	2305726	1	• Spring			
- 19	2280297	1	• Holder,Card			
- 20	2181005	1	• Screw,Thd Form-Hex Wshr Hd 6-32 x 3/8 Lg			
- 21	8524194	1	• Logic Card, VTL			
- 22	811804	1	• Card Guide			
- 23	8528202	1	• Logic Card-2 x 2			
- 24	2305474	1	• Holder,Card-2 x 2			
- 25	2274833	1	• Connector			
- 26	2305555	1	• Guide,Head Cable			
- 27	2181006	2	• Screw,Thd Form-Hex Wshr Hd 6-32 x 1 Lg			
- 28	2596275	2	• Clip			
- 29	5447741	1	• Housing			
- 30	5466397	1	• Strain Relief			
- 31	5466393	1	• Clamp			
- 32	109918	1	• Screw,Flat Hd Self Tap No.4 x 1/2 Lg			
- 33	2305598	1	• Jumper Asm-VTL			
- 34	5350006	1	• Screw,Thd Ctg-Hex Wshr Hd 6-32 x 1/4 Lg			
- 35	56722	1	• Washer,Lock-Ext Teeth 9/64 ID			
- 36	2305599	1	• Cable Asm-VTL			



5340

FOR PARTS  
NOT SHOWN  
SEE FIG. 10

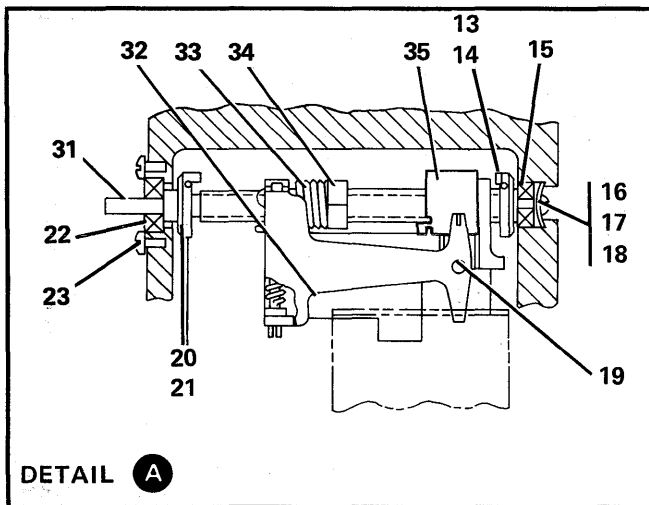
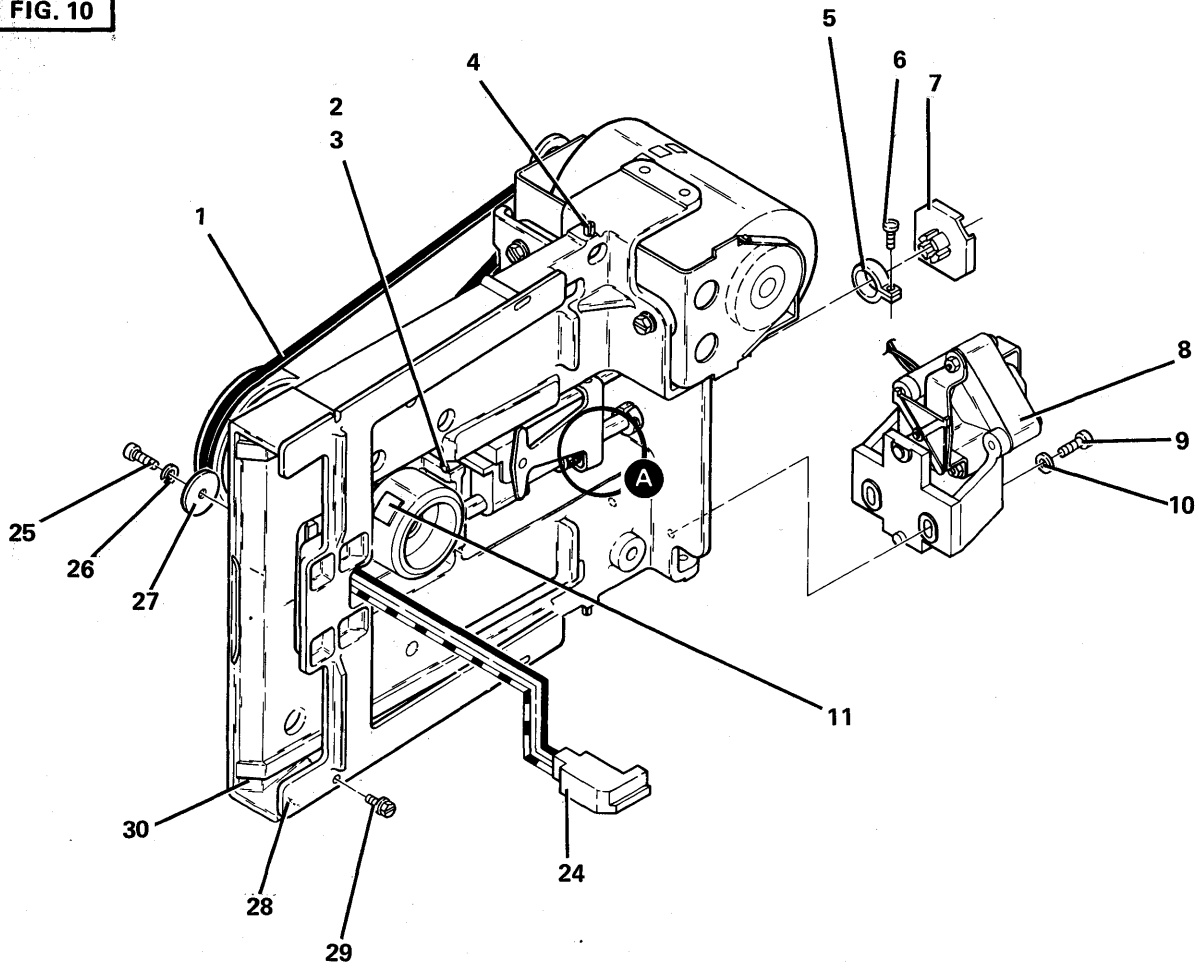


FIGURE 11. 33FD BASEPLATE ASM. SEE LIST 11.

FIGURE- INDEX NUMBER	PART NUMBER	UNITS PER ASM.	DESCRIPTION FOR FIGURE 11			
			1	2	3	4
11	2305484		33FD BASEPLATRE ASM FOR NEXT HIGHER ASM SEE LIST 10-9 FOR ILLUSTRATION SEE FIGURE 11			
- 1	2305616	1	• Belt			
- 2	2305629	1	• Shaft			
- 3	2305564	1	• Screw,Socket Hd Cap 4-40 x 1/2 Lg			
- 4	257922	1	• Pin,Roll 3/16 Dia x 1/2 Lg			
- 5	2305689	1	• Clamp			
- 6	186925	1	• Screw,Mach-Flute Soc Hd 4-40 x 5/8 Lg			
- 7	2305544	1	• Wheel,Black			
- 7	2305617	1	• Wheel,White			
- 8	2305545	1	• Step Motor Asm,Steel Pins			
- 9	2195400	2	• Screw,Thd Form-Hex Wshr Hd 8-32 x 5/8 Lg			
- 10	22478	2	• Washer,Flat 11/64 ID x 3/8 OD x 1/32 Thk			
- 11	2305572	1	• Label			
- 13	2305618	1	• Stop,Top			
- 14	38250	1	• Screw,Mach-Fil Hd 2-56 x 3/8 Lg			
- 15	2305538	1	• Bearing,Upper			
- 16	338238	1	• Screw,Mach-Bind Hd 4-40 Nc x 5/16 Lg			
- 17	2305663	1	• Washer,Spring 21/64 ID x 1/2 OD x 1/64 Thk			
- 18	2305530	1	• Spacer			
- 19	2200751	1	• Pressure Pad Replacement Kit			
- 20	2305528	1	• Stop,Bottom			
- 21	52523	1	• Screw,Mach-Fil Hd 4-40 x 5/8 Lg			
- 22	2305537	1	• Bearing,Lower			
- 23	2195400	2	• Screw,Thd Form-Hex Wshr Hd 8-32 x 5/8 Lg			
- 24	2305604	1	• Phototransistor Asm			
- 25	344299	1	• Screw,Mach-Slotted Hex Hd 6-32 x 3/8 Lg			
- 26	6364	1	• Washer,Lock-Split No. 6 x 1/4 OD			
- 27	2130285	1	• Washer,Flat 5/32 ID x 7/8 OD x 3/64 Thk			
- 28	2305659	1	• Guide			
- 29	5700484	4	• Screw,Thd Form-Hex Wshr Hd 4-40 x 3/8 Lg			
- 30	2305549	1	• Casting Asm			
- 31	2305626	1	• Lead Screw			
- 32	2743540	1	• Read/Write Head			
- 33	2305628	1	• Spring, Preload			
- 34	2305627	1	• Nut, Carriage Loading			
- 35	2305559	1	• Shield			

FOR PARTS  
NOT SHOWN  
SEE FIG. 10

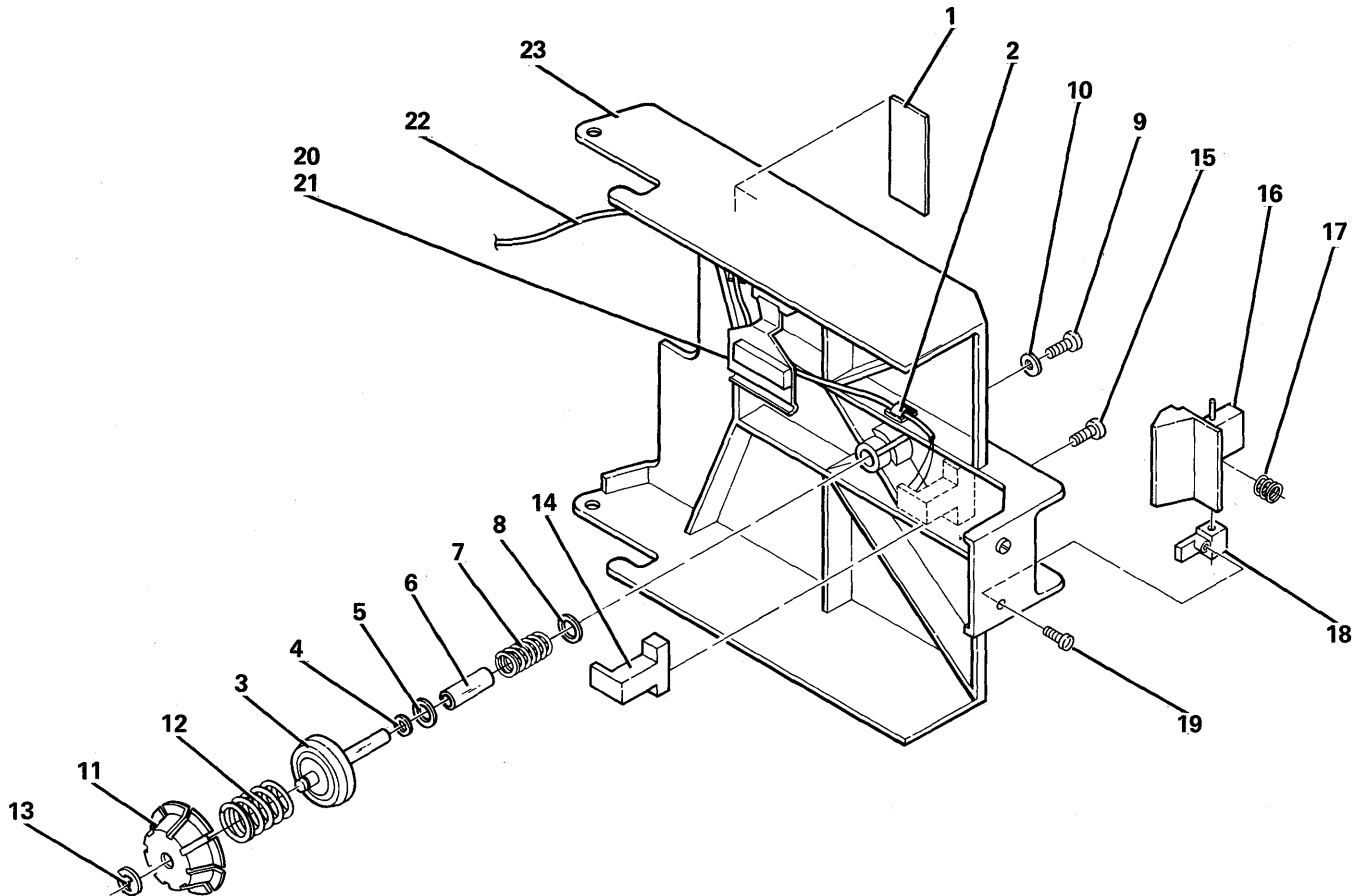
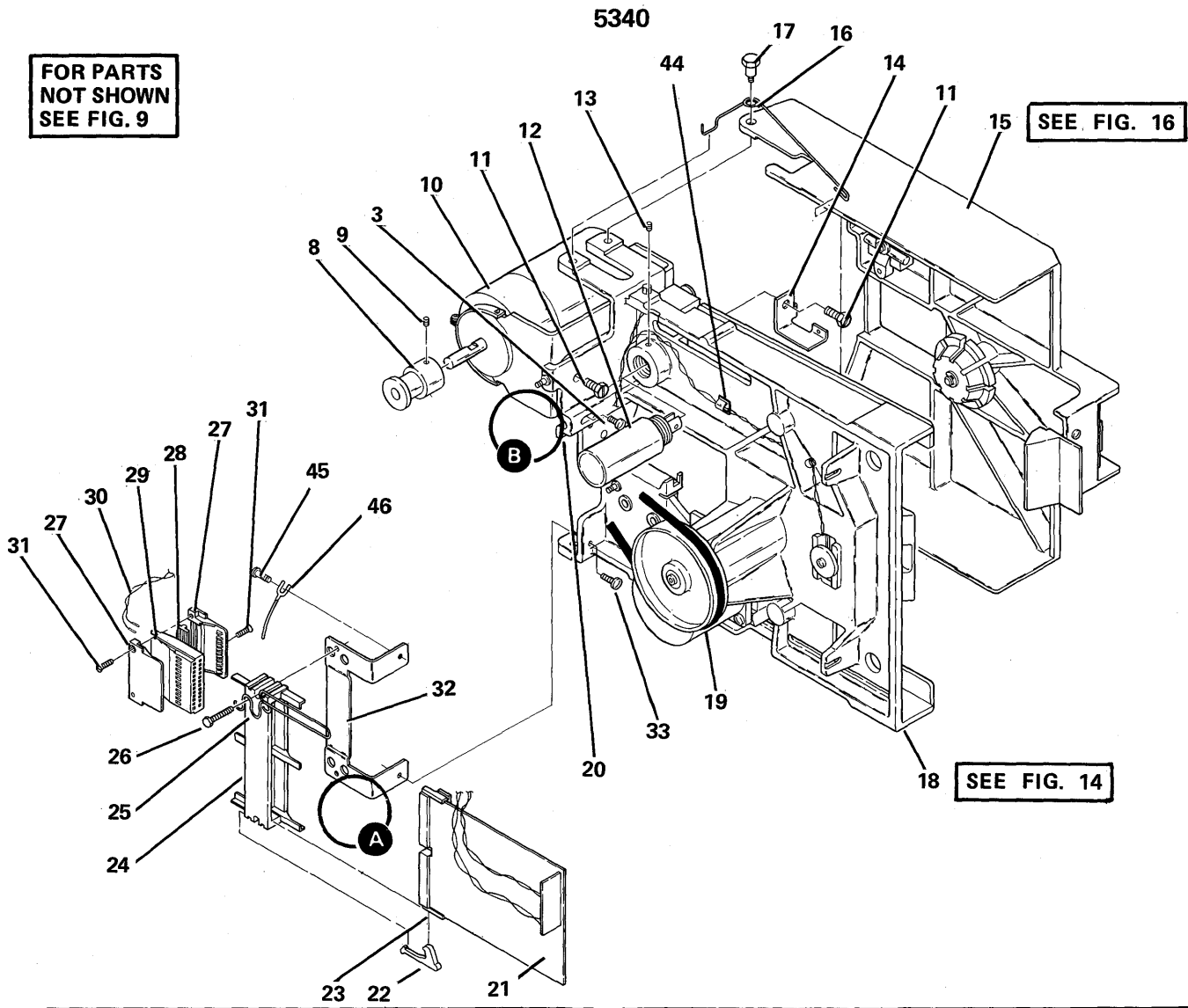


FIGURE 12. 33FD CLAMPING PLATE ASM. SEE LIST 12.

FIGURE- INDEX NUMBER	PART NUMBER	UNITS PER ASM.	DESCRIPTION FOR FIGURE 12			
			1	2	3	4
12	2305477		33FD CLAMPING PLATE ASM FOR NEXT HIGHER ASM SEE LIST 10-7 FOR ILLUSTRATION FIGURE 12			
- 1	2305693	1	• Label			
- 2	2596275	2	• Clip			
- 3	2305526	1	• Cone And Shaft Asm			
- 4	555427	1	• Shim			
- 5	25018	1	• Washer,Flat 1/4 ID x 1/2 OD x 3/64 Thk			
- 6	2305462	1	• Sleeve			
- 7	2305646	1	• Spring			
- 8	120571	1	• Washer,Flat 1/4 ID x 5/8 OD x 1/16 Thk			
- 9	34512	1	• Screw,Bind-Hd 8-32 x 3/8 Lg			
- 10	2903	1	• Washer,Flat-No. 6 x 1/2 OD x 1/32 Thk			
- 11	2305644	1	• Collet			
- 12	2305647	1	• Spring			
- 13	332747	1	• Ring,Retaining-Ext 7/32 ID x 1/32 Thk			
- 14	2305656	1	• Led Asm			
- 15	81693	2	• Screw,Mach-Bind Hd 6-32 x 3/8 Lg			
- 16	4236352	1	• Latch			
- 17	736822	1	• Spring			
- 18	2305523	2	• Pivot			
- 19	322550	2	• Screw,Mach-Bind Hd 6-32 x 1/2 Lg			
- 20	2305609	1	• Head Load Asm			
- 21	10170	2	• Screw,Mach-Bind Hd No. 6-32 x 1/4 Lg			
- 22	2305599	1	• Cable Asm			
- 23	5562062	1	• Clamping Plate			
- 23	2305648	1	• Clamping Plate-Used On World Trade Only			

FOR PARTS  
NOT SHOWN  
SEE FIG. 9



SEE FIG. 16

SEE FIG. 14

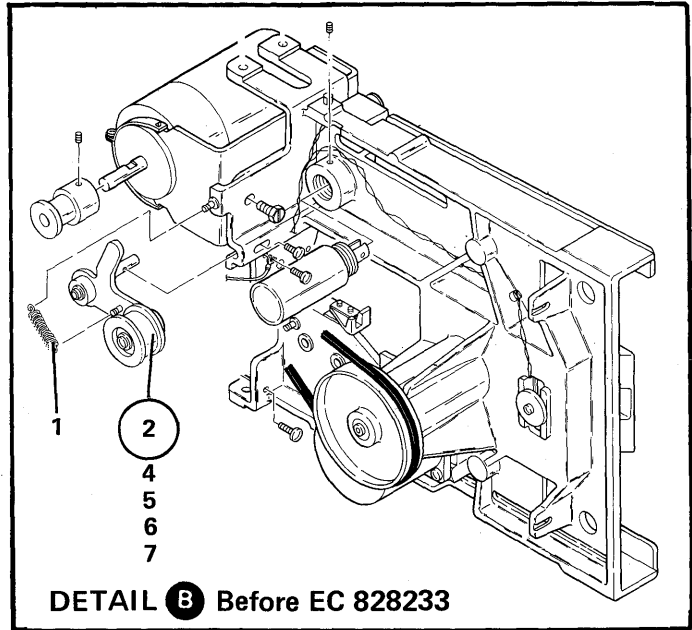
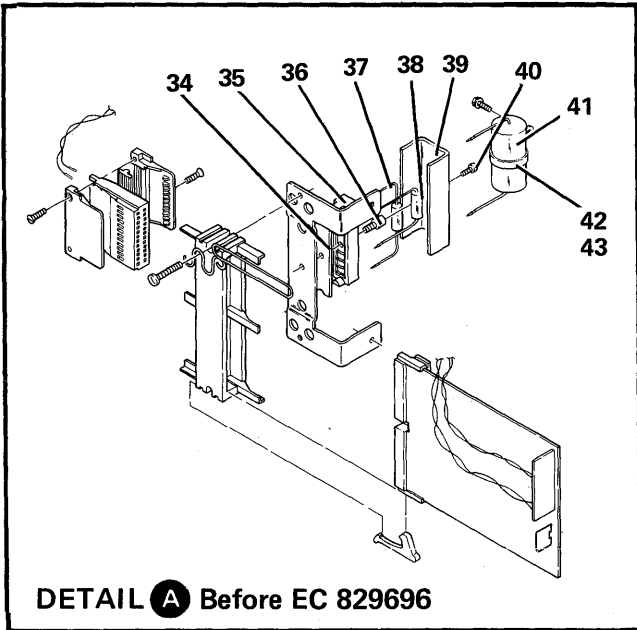
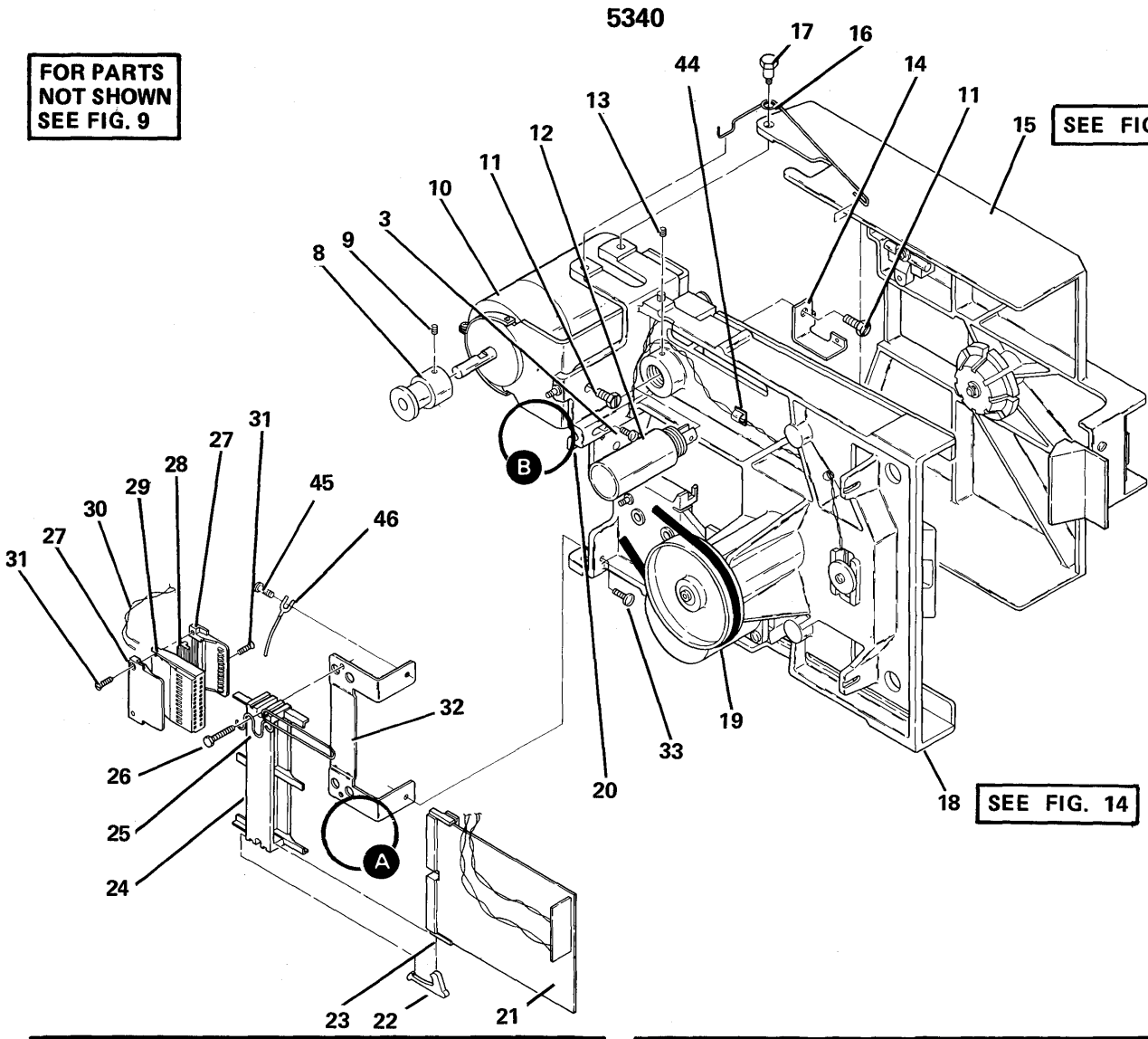


FIGURE 13. 53FD ASM. SEE LIST 13.

FIGURE- INDEX NUMBER	PART NUMBER	UNITS PER ASM.	DESCRIPTION FOR FIGURE 13			
			1	2	3	4
13	4178004 4178006		53FD ASM, 60 HZ 53FD ASM, 50 HZ FOR NEXT HIGHER ASM SEE LIST 9-5 FOR ILLUSTRATION SEE FIGURE 13			
- 1	2305726	1	• Spring, Before EC 828233			
- 2	2305720	1	• Belt Idler Asm, Before EC 828233			
- 3	81693	1	• Screw, Mach-Bind Hd 6-32 x 3/8 Lg Before Ec 828233			
- 4	2305720	1	• • Roll Asm, Before EC 828233			
- 5	22478	1	• • Washer, Flat 11/64 ID x 3/8 OD x 1/32 Thk Before EC 828233			
- 6	58207	1	• • Screw, Mach-Bind Hd 8-32 x 1/4 Lg Before EC 828233			
- 6						
- 7	5562022	1	• • Arm Asm, Before EC 828233			
- 8	2305631	1	• Pulley, 60 Hz			
- 8	2305708	1	• Pulley, 50 Hz			
- 9	257970	1	• Setscrew, 6 Flute Hd Fl Pt 6-32 x 1/4 Lg			
- 10	4178053	1	• Motor Asm, 60 Hz 200/208/230 V			
- 10	4178057	1	• Motor Asm, 50 Hz 200/235 V			
- 11	234341	2	• Screw And Washer, Hex-Hd 1/4-20 x 5/8 Lg			
- 12	5562064	1	• Solenoid, Before EC 829696			
- 12	4178047	1	• Solenoid, After EC 829696			
- 13	5562115	1	• Setscrew-Special			
- 14	5562046	1	• Bracket, Bail Spring			
- 15	4178027	1	• 53FD Cover Asm For Detail Breakdown See List 16			
- 16	5562313	1	• Spring			
- 17	2305553	2	• Screw, Pivot			
- 18	NO NO.	1	• 53FD Baseplate Asm For Detail Breakdown See Lists 14			
- 18						
- 19	2305616	1	• Belt, Before EC 828233			
- 19	2462593	1	• Belt, 60 Hz After EC 828233			
- 19	5562034	1	• Belt, 50 Hz After EC 828233			
- 20	2305598	1	• Jumper, Ground			
- 21	1794401	1	• Jumper Asm			
- 22	5562116	2	• Retainer			
- 23	811804	1	• Card Guide			
- 24	2274833	1	• Connector			
- 25	5562102	1	• Guide, Cable			
- 26	438567	2	• Screw, Mach-Bind Hd 6-32 x 1 Lg Before EC 828234			
- 26	2181006	2	• Screw, Thd-Form Hex Wshr Hd 6-32 x 1 Lg After EC 828234			
- 26						
- 27	5466397	2	• Strain Relief			
- 28	5466393	2	• Clamp, Rubber			
- 29	5447741	1	• Housing			
- 30	5562077	1	• Cable, Solenoid			
- 30			Used On Machines Without EC 829696			
- 31	109918	2	• Screw, Flat Hd-Self Tap No.4 x 1/2 Lg			
- 32	5562066	1	• Bracket			
- 33	81693	2	• Screw, Mach-Bind Hd 6-32 x 3/8 Lg			
- 33			The Following Parts Are Only Used On Machines Without EC 829696			
- 33						
- 34	302131	1	• Insulator, Before EC 829696			
- 35	302090	1	• Block, Terminal, Before EC 829696			
- 36	2592384	1	• Stud, Before EC 829696			
- 37	2127635	1	• Resistor Asm, Before EC 829696			

FOR PARTS  
NOT SHOWN  
SEE FIG. 9

SEE FIG. 16



SEE FIG. 14

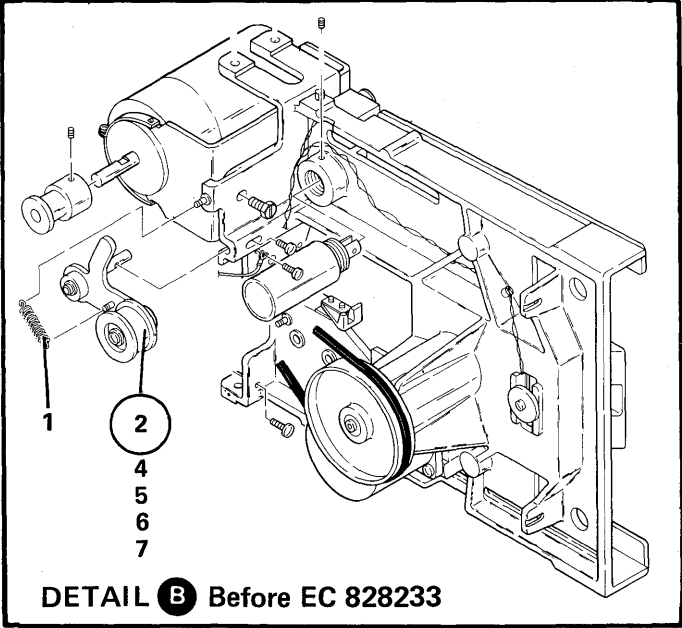
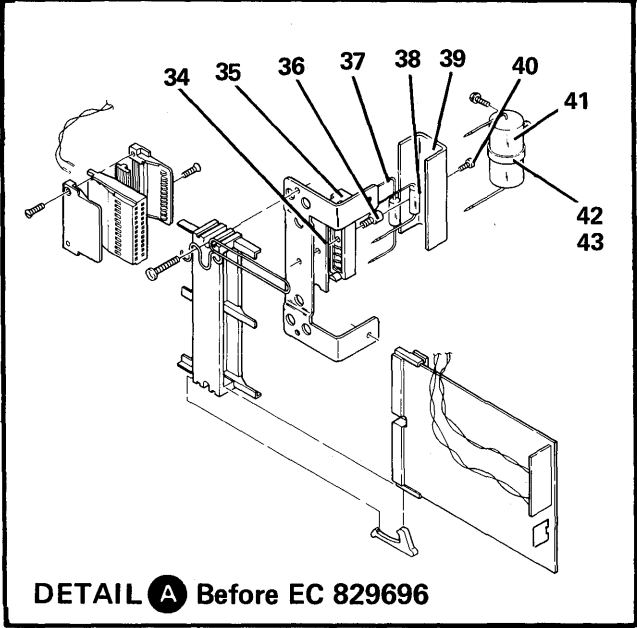


FIGURE 13. 53FD ASM. SEE LIST 13.

FIGURE- INDEX NUMBER	PART NUMBER	UNITS PER ASM.	DESCRIPTION FOR FIGURE 13				
			1	2	3	4	
13	- 38	5562096	1				• Resistor Asm, Before EC 829696
	- 39	4178058	1				• Shield, Before EC 829696
	- 40	38235	1				• Screw, Mach-Bind Hd 6-32 x 5/16 Lg
	- 41	2103010	1				• Capacitor Asm-When Replacing Capacitor Also Order Cable Tie P/N 532393
	- 41		1				Before EC 828234
	- 42	532393	1				• Cable Tie, Before EC 829696
	- 43	5349929	1				• Screw, Mach-Hex Wshr-Hd 8-32 x 1/2 Lg
	- 43						Before EC 829696
	- 44	2596275	1				• Clamp
	- 45	2305598	1				• Jumper Ground
	- 46	2181005	2				• Screw, Thd-Form Hex Wshr Hd 6-32 x 3/8 Lg
	- 46						After EC 828234



5340

FOR PARTS  
NOT SHOWN  
SEE FIG. 13

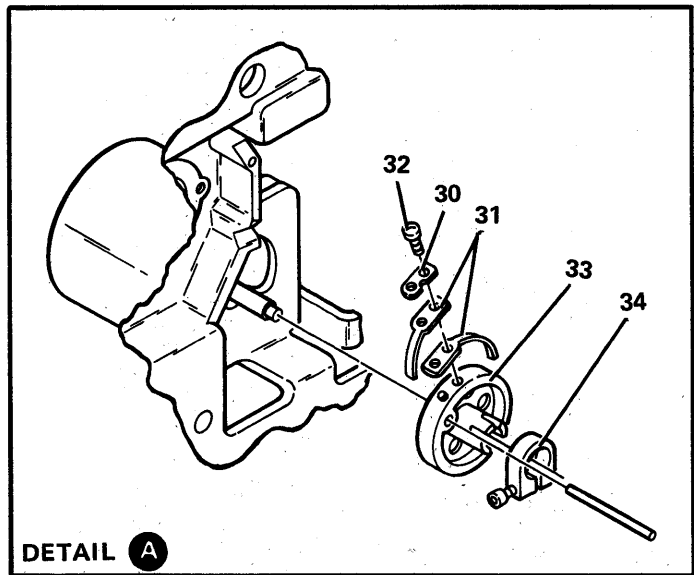
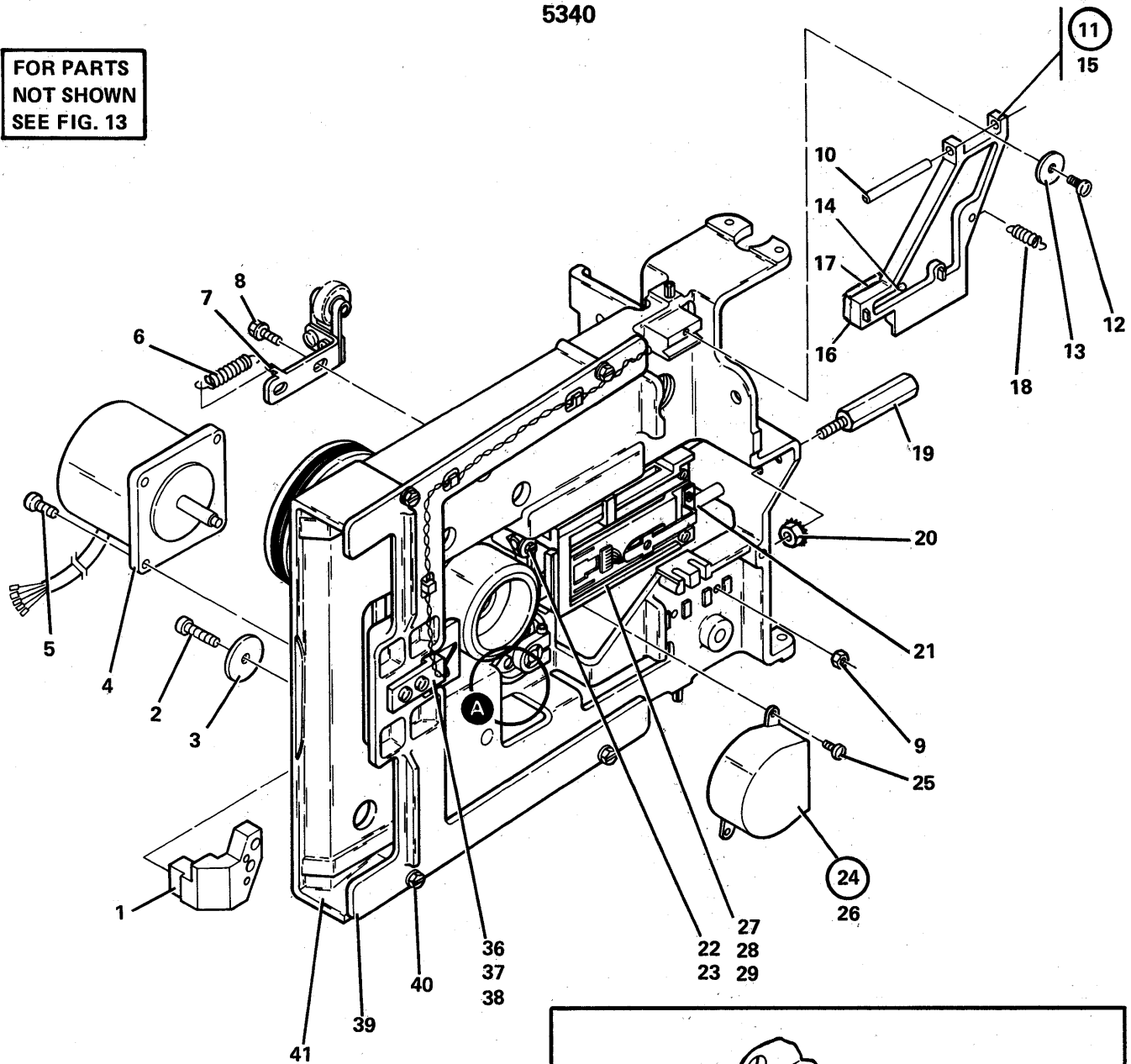


FIGURE 14. 53FD BASEPLATE ASM. SEE LIST 14.

FIGURE- INDEX NUMBER	PART NUMBER	UNITS PER ASM.	DESCRIPTION FOR FIGURE 14			
			1	2	3	4
14	NO NO.		53FD BASEPLATE ASM FOR NEXT HIGHER ASM SEE LIST 13-18 FOR ILLUSTRATION SEE FIGURE 14			
- 1	5562083	1	• Phototransistor Asm			
- 2	170241	1	• Screw And Washer,6-32 x 3/4 Lg			
- 3	2130285	1	• Washer,Flat 5/32 ID x 7/8 OD x 3/64 Thk			
- 4	2462606	1	• Stepper Motor			
- 5	81693	3	• Screw,Mach-Bind Hd 6-32 x 3/8 Lg			
- 6	5562051	1	• Spring			
- 7	5562085	1	• Pulley			
- 8	5562103	2	• Screw,Shoulder 8-32 x 10 Lg			
- 8			Before EC 828234			
- 8	32042	2	• Screw,Mach-Bind Hd 10-32 x 3/8 Lg			
- 8			After EC 828234			
- 8	45690	2	• Washer,Flat No 10 x 7/16 OD x 1/32 Thk			
- 8			After EC 828234			
- 9	257189	2	• Nut,Hex 8-32- Before EC 828234			
- 10	5562098	1	• Pin			
- 11	4178060	1	• Bail Asm			
- 12	10170	1	• Screw,Mach-Bind Hd 6-32 x 1/4 Lg			
- 13	110029	1	• Washer,Flat No. 8 x 5/8 OD x 1/16 Thk			
- 14	651858	1	• • Bumper			
- 15	4178061	1	• • Bail			
- 16	4178063	1	• • Spring			
- 17	4178062	1	• • Shoe			
- 18	150676	1	• Spring			
- 18			Used On Machines Without EC 829696			
- 18	4178067	1	• Spring			
- 18			Used On Machines With EC 829696			
- 19	2305697	1	• Standoff			
- 20	602721	1	• Nut,Lock 10-32			
- 21	5562038	2	• Rod,Guide			
- 22	2181011	2	• Screw,Thd-Form Hex Wshr Hd 6-32 x 1/2 Lg			
- 23	1591469	2	• Washer,			
- 24	5562088	1	• Cover/Wiper Asm			
- 25	55726	2	• Screw,Mach-Bind Hd 6-32 x 3/16 Lg			
- 26	5562035	1	• • Wiper			
- 27	4178035	1	• Head Carriage Asm			
- 28	236550	2	• Screw,Mach-Bind Hd 4-40 x 3/8 Lg			
- 29	5562041	1	• Clamp			
- 30	5562037	1	• Clamp			
- 31	5562044	1	• Band			
- 32	438548	1	• Screw,Mach-Bind Hd 4-40 x 3/16 Lg			
- 33	5562086	1	• Pulley,Drive			
- 34	2305493	1	• Clamp And Screw Asm,6 Fl 4-40 x 5/8 Lg			
- 36	5562081	1	• Led Asm			
- 37	81693	2	• Screw,Mach-Bind Hd 6-32 x 3/8 Lg			
- 38	257187	2	• Nut,Hex 6-32			
- 39	5562061	1	• Guide,Goal Post			
- 40	5700484	4	• Screw,Thd-Form Hex Wshr Hd 4-40 x 3/8 Lg			
- 41	NO NO. NP	1	• Casting Asm			

FOR PARTS  
NOT SHOWN  
SEE FIG. 13

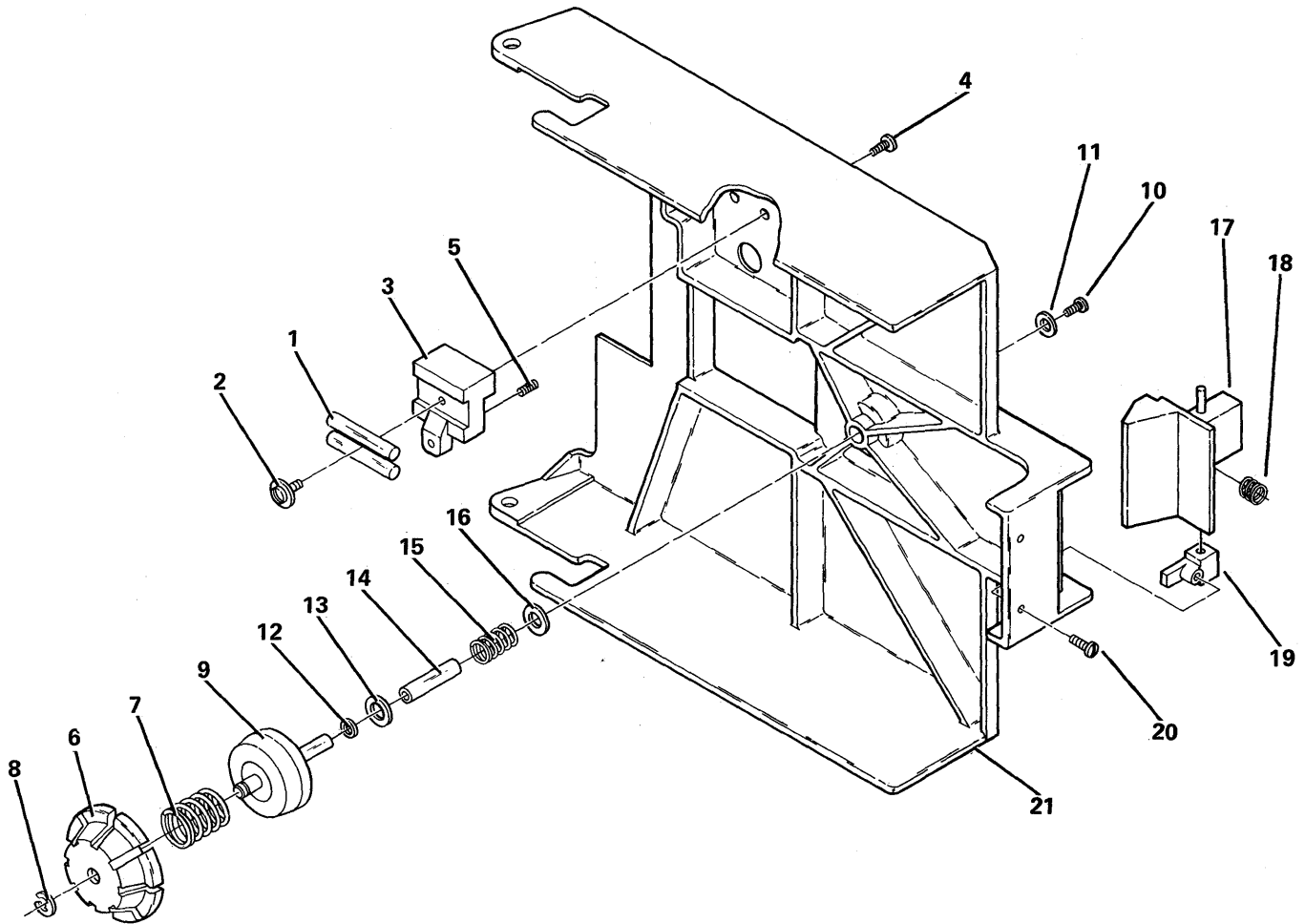


FIGURE 16. 53FD COVER ASM. SEE LIST 16.

FIGURE- INDEX NUMBER	PART NUMBER	UNITS PER ASM.	DESCRIPTION FOR FIGURE 16				
			1	2	3	4	
16	4178027		53FD COVER ASM FOR NEXT HIGHER ASM SEE LIST 13-15 FOR ILLUSTRATION SEE FIGURE 16				
-	1	5562019	2	• Timing Pin			
-	2	1164265	1	• Screw And Washer,6-32 x 3/8 Lg			
-	3	5562084	1	• Backstop			
-	4	81693	2	• Screw,Mach-Bind Hd 6-32 x 3/8 Lg			
-	5	311167	1	• Setscrew,Self-Lock 10-32 x 3/8 Lg			
-	6	2305644	1	• Collet			
-	7	2305647	1	• Spring			
-	8	332747	1	• Ring,Retaining-Ext 7/32 ID x 1/32 Thk			
-	9	2305526	1	• Shaft Asm			
-	10	34512	1	• Screw,Bind-Hd 8-32 x 3/8 Lg			
-	11	2903	1	• Washer,Flat No. 6 x 1/2 OD x 1/32 Thk			
-	12	555427	1	• Shim			
-	13	25018	1	• Washer,Flat 1/4 ID x 1/2 OD x 3/64 Thk			
-	14	2305462	1	• Sleeve,Collet			
-	15	2305646	1	• Spring			
-	16	120571	1	• Washer,Flat 1/4 ID x 5/8 OD x 1/16 Thk			
-	17	4236352	1	• Latch			
-	18	736822	1	• Spring			
-	19	2305523	1	• Pivot			
-	20	322550	2	• Screw,Mach-Bind Hd 6-32 x 1/2 Lg			
-	21	5562062	1	• Cover			

5340

FOR PARTS  
NOT SHOWN  
SEE FIG. 3A

SEE FIG. 16C, 16D, 16E

SEE FIG. 16F, 16G

SEE FIG. 16H

SEE FIG. 16J

SEE FIG. 16B

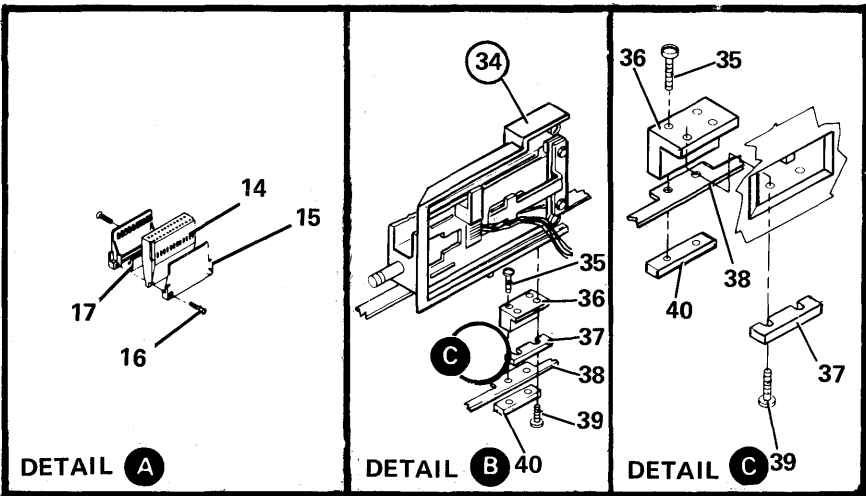
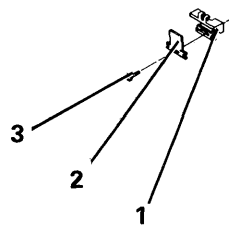
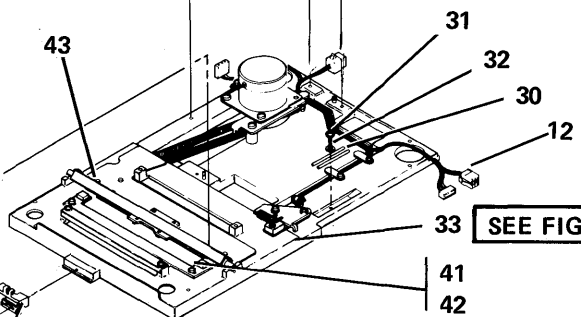
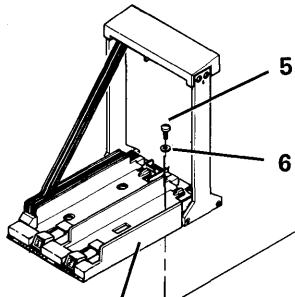
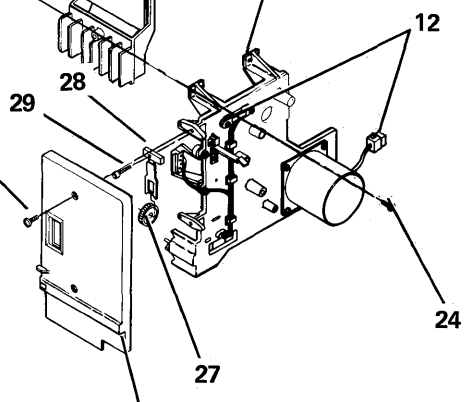
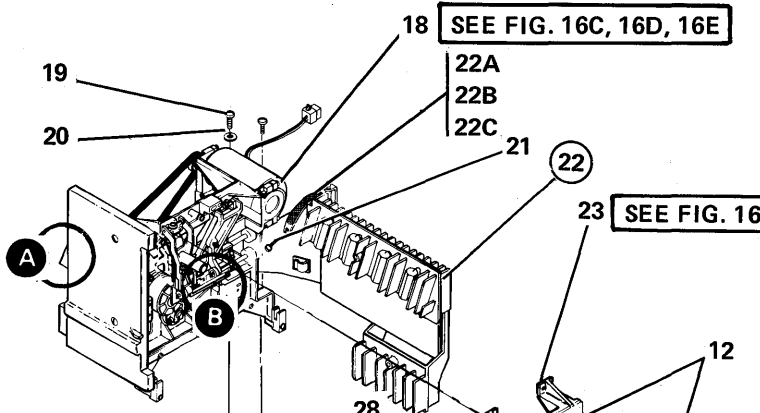
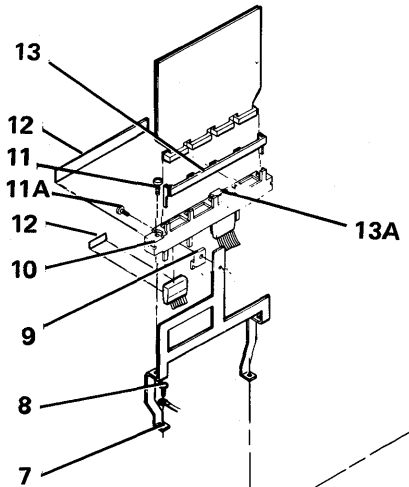


FIGURE 16A. 72MD DISKETTE STORAGE DRIVE ASM. SEE LIST 16A.

FIGURE- INDEX NUMBER	PART NUMBER	UNITS PER ASM.	DESCRIPTION FOR FIGURE 16A			
			1	2	3	4
16A	2462401 2462403		DISKETTE STORAGE DRIVE ASM, 220 V 60 HZ DISKETTE STORAGE DRIVE ASM, 200 V 50 HZ FOR NEXT HIGHER ASM SEE LIST 3A-23			
			FOR ILLUSTRATION FIGURE 16A			
- 1	2462646	1	• Interlock			
- 2	2462647	1	• Stop			
- 3	1621192	1	• Screw,Mach-Pan Hd M4 x 12mm Lg			
- 4	2462526	1	• Carriage Bed Asm,Old Style			
- 4	xxxxxxx	1	• Carriage Bed Asm,New Style Tray For P/N, See List 16B For Detail Breakdown See List 16B			
- 4						
- 4						
- 5	1621192	4	• Screw,Mach-Pan Hd M4 x 12mm Lg (Old Style Bed)			
- 5	1621190	4	• Screw,Mach-Slot Pan Hd M4 x 8mm Lg (New Style Bed)			
- 5						
- 6	366155	4	• Washer,Flat 5/32 ID x 5/16 OD x 1/32 Thk (New Style Bed)			
- 6						
- 7	2462539	1	• Bracket			
- 8	2462685	2	• Screw,Thd-Form M4 x 10mm Lg			
- 9	2280297	1	• Card Holder			
- 10	818039	1	• Connector			
- 11	1621194	2	• Screw,Mach-Slot Pan Hd M4 x 20 Lg			
- 11 A	1621182	1	• Screw,Mach-Slot Pan Hd M3.5 x 12 Lg			
- 12	2462609	1	• Label			
- 13	813590	1	• Card Guide			
- 13 A	2469295	1	• Clip			
- 14	2462615	1	• Cable Asm			
- 15	5466397	2	• Strain Relief			
- 16	109918	2	• Guide,Pin			
- 17	5466393	2	• Clamp			
- 18	2462602	1	• Drive Asm For Detail Breakdown See Lists 16C,16D,16E			
- 18						
- 19	2462687	4	• Screw,Thd-Form M5 x 16.4mm Lg			
- 20	1622347	1	• Washer,Lock-Ext T 5.3 ID x 10 OD x .6 Thk			
- 21	2462685	1	• Screw,Thd-Form M4 x 10mm Lg			
- 22	2462545	1	• Circuit Board,Driver			
- 22 A	523022	1	• • Strap, Ground			
- 22 B	2462685	1	• • Screw,Thd-Form M4 x .7 x 10 Lg			
- 22 C	1622346	1	• • Washer,Lock-Ext Star 4.3 ID x 8 OD x .5 Thk			
- 23	2462415	1	• Picker/Cam Asm For Detail Breakdown See List 16F, 16G			
- 23						
- 24	1621191	2	• Screw,Mach,Slot Pan Hd M4 x 10mm Lg			
- 25	2462684	1	• Picker Cam Bezel Asm,Old Style For Detail Breakdown Of Old Style Bezel See List 16H			
- 25						
- 25						
- 25	2462586	1	• Bezel,New Style			
- 26	1621190	2	• Screw,Mach-Slot Pan Hd M4 x 8mm Lg			
- 27	2462482	1	• Jam Wheel			
- 28	2462481	1	• Bracket			
- 29	1621190	1	• Screw,Mach-Slot Pan Hd M4 x 8mm Lg			
- 30	2462574	2	• Pin			
- 31	2462686	1	• Screw-Thd Form M4 x 16mm Lg			
- 32	45690	1	• Washer,Flat No. 10 x 7/16 OD x 1/32 Thk			
- 33	2462416	1	• Base Casting Asm For Detail Breakdown See 16J			
- 33						
- 34	2462650	1	• Head			
- 35	1621172	2	• • Screw,Mach-Pan Hd M3 x 10mm Lg			
- 36	2462536	1	• • Block			
- 37	2462538	1	• • Retainer			
- 38	5562044	1	• • Stainless Band			

FOR PARTS  
NOT SHOWN  
SEE FIG. 3A

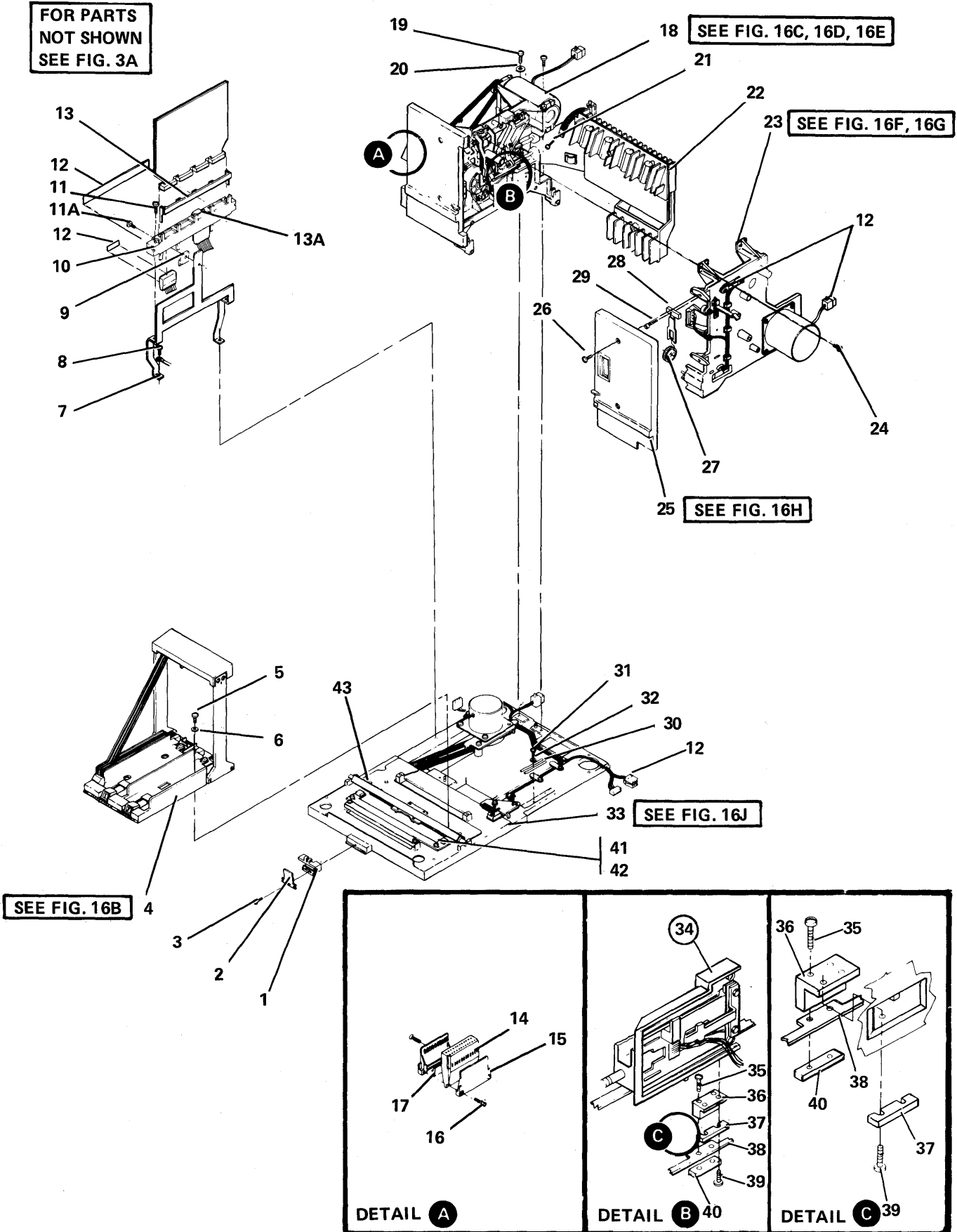


FIGURE 16A. 72MD DISKETTE STORAGE DRIVE ASM. SEE LIST 16A.

FIGURE-INDEX NUMBER	PART NUMBER	UNITS PER ASM.	DESCRIPTION FOR FIGURE 16A			
			1	2	3	4
16A - 40	2462537	1	•	•	Nut Plate	
- 41	2462439	2	•	•	Stabilizer	
- 42	1621308	4	•	•	Screw. Mach-Flat Hd M4 x 8mm Lg	
- 43	2462438	1	•	•	Guide Way	



FOR PARTS  
NOT SHOWN  
SEE FIG. 16A

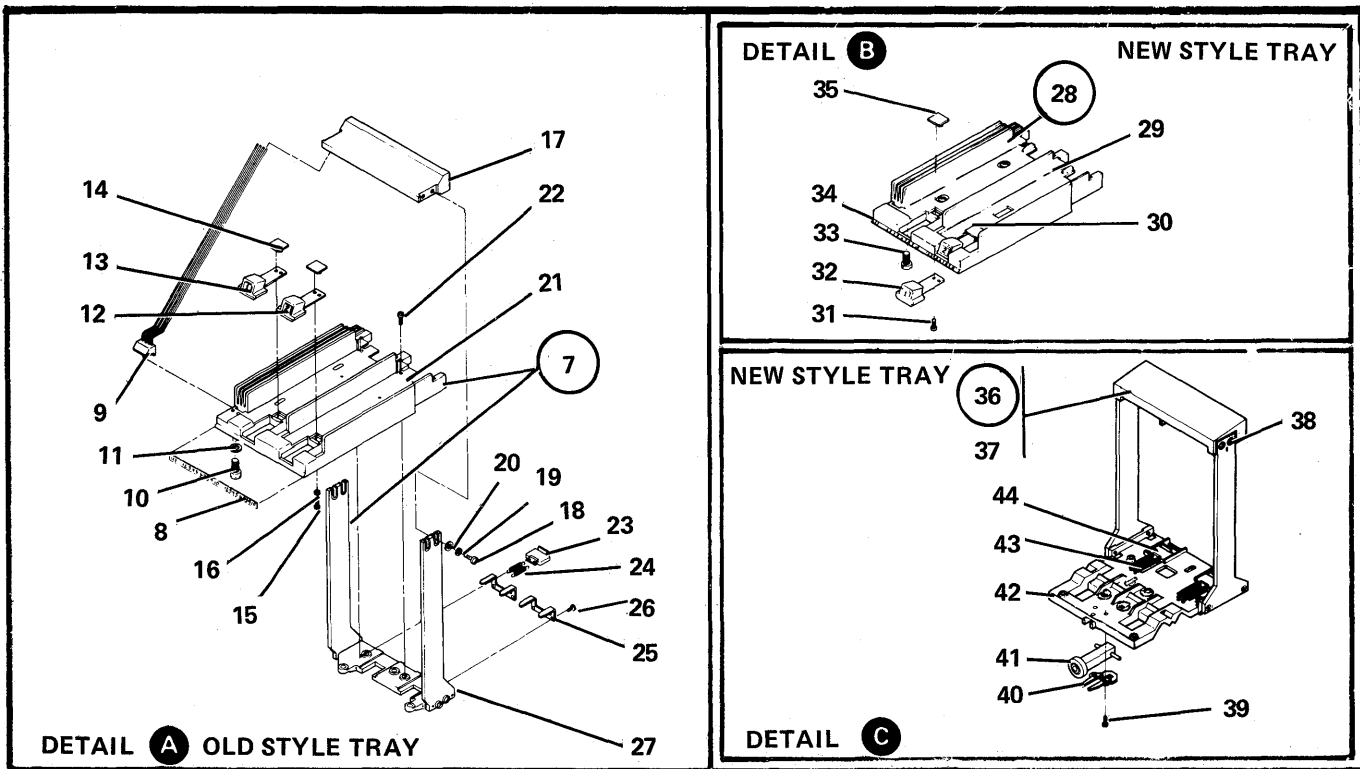
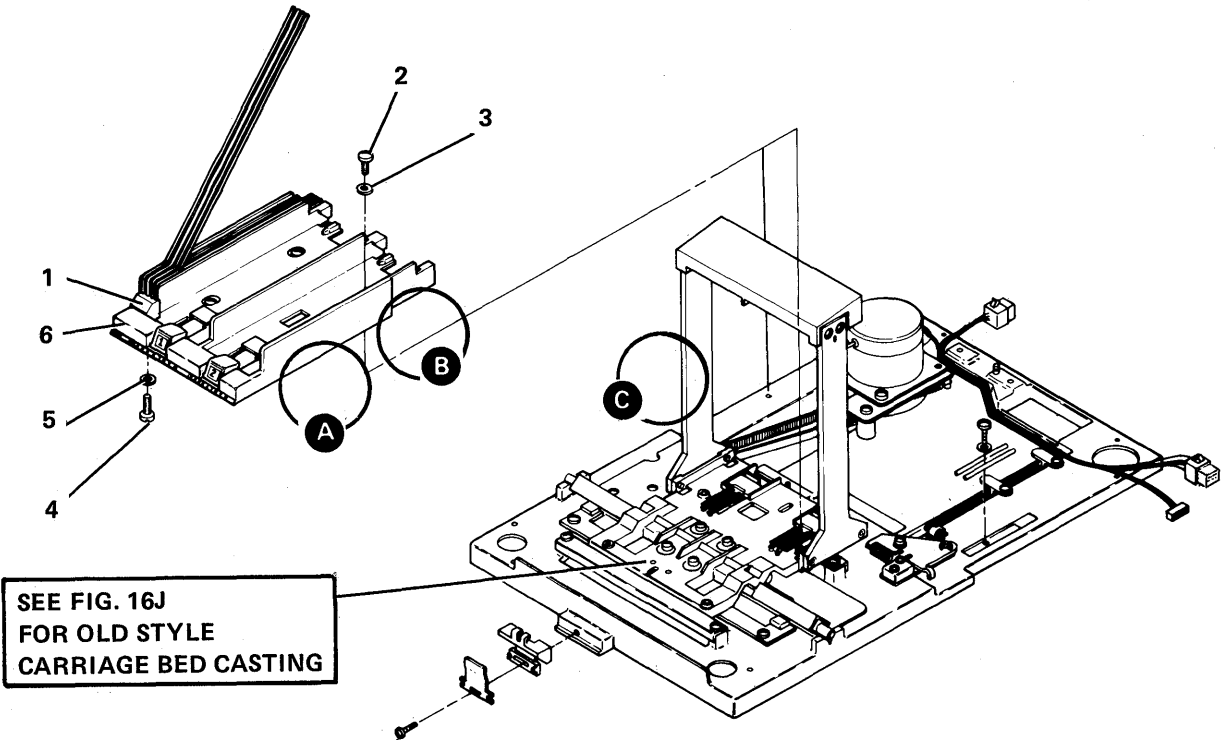


FIGURE 16B. 72MD CARRIAGE BED ASM. SEE LIST 16B.

FIGURE- INDEX NUMBER	PART NUMBER	UNITS PER ASM.	DESCRIPTION FOR FIGURE 16B			
			1	2	3	4
16B	NO NO. NP		CARRIAGE BED ASM FOR NEXT HIGHER ASM SEE LIST 16A-4 FOR ILLUSTRATION FIGURE 16B			
- 1	2462514	1	• Support Asm, New Style			
- 2	1621190	4	• Screw, Mach-Slot Pan Hd M4 x 8mm Lg			
- 3	366155	4	• Washer, Flat 5/32 ID x 5/16 OD x 1/32 Thk			
- 4	1621172	2	• Screw, Mach-Pan Hd M3 x 10mm Lg			
- 5	1622316	2	• Washer, Lock-Split 3.1 ID x 6.2 OD x .8			
- 6	2462541	1	• Tray Asm, New Style			
- 7	2462526	1	• Carriage Bed Asm, Old Style Tray			
- 8	2462649	1	• • Label			
- 9	2462514	1	• • Support Asm			
- 10	1621021	2	• • Screw, Mach-Slot Fil Hd M3 x 8mm Lg			
- 11	1622316	2	• • Washer, Lock-Split 3.1 ID x 6.2 OD			
- 12	2462517	1	• • Retainer			
- 13	2462516	1	• • Retainer			
- 14	2462519	2	• • Nut Bar			
- 15	5563671	4	• • Screw, Mach-Slot Pan Hd M3 x 8mm Lg			
- 16	1622302	4	• • Washer, Flat 3.2 ID x 7 OD x .5 Thk			
- 17	2462633	1	• • Housing Asm			
- 18	1621172	4	• • Screw, Mach-Pan Hd M3 x 10mm Lg			
- 19	1622316	4	• • Washer, Lock-Split 3.1 ID x 6.2 OD			
- 20	1622302	4	• • Washer, Flat 3.2 ID x 7 OD x .5 Thk			
- 21	2462525	1	• • Tray			
- 22	1621297	4	• • Screw, Mach-Flat Hd M3.5 x 10mm Lg			
- 23	2462515	2	• • Ejector			
- 24	35247	4	• • Spring			
- 25	2462527	2	• • Plate, Aligner			
- 26	1621286	4	• • Screw, Mach-Flat Hd M3 x 8mm Lg			
- 27	2463641	1	• • Support Asm			
- 28	2462541	1	• Tray Asm, New Style			
- 29	2462570	1	• • Tray			
- 30	2462517	1	• • Retainer			
- 31	5563671	4	• • Screw, Mach-Slot Pan Hd M3 x 8mm Lg			
- 32	2462516	1	• • Retainer			
- 33	651858	4	• • Bumper			
- 34	2462649	1	• • Label			
- 35	2462519	2	• • Nut Bar			
- 36	2462547	1	• Carriage Asm, New Style			
- 37	2462546	1	• • Housing			
- 38	1621846	4	• • Screw, Thd-Form Slot Pan Hd M3.5 x 10mm			
- 39	1621852	2	• • Screw, Thd-Form Slot Pan Hd M4 x 10mm			
- 40	2462488	1	• • Spring			
- 41	2462490	1	• • Arm Asm			
- 42	2462548	1	• • Carriage And Support Asm			
- 43	35247	4	• • Spring			
- 44	2462515	2	• • Ejector			

FOR PARTS  
NOT SHOWN  
SEE FIG. 16A

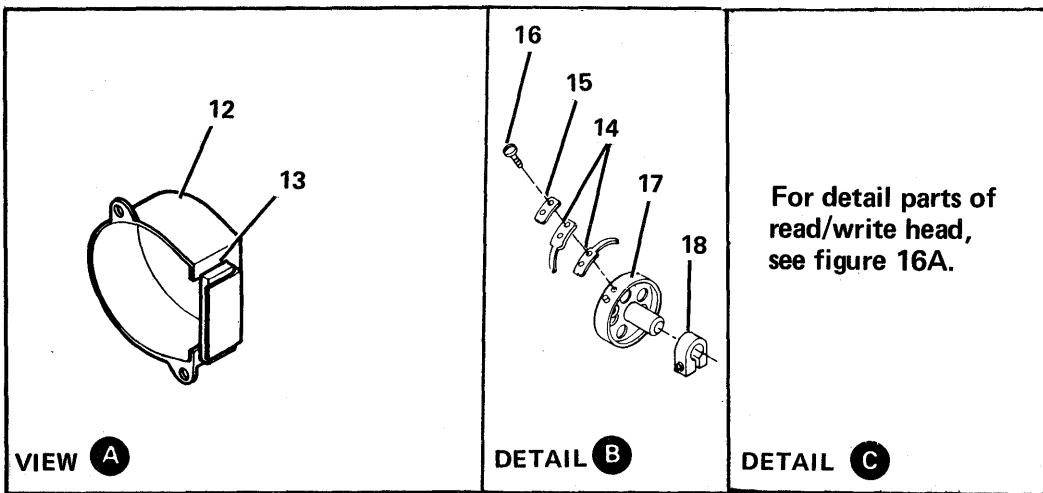
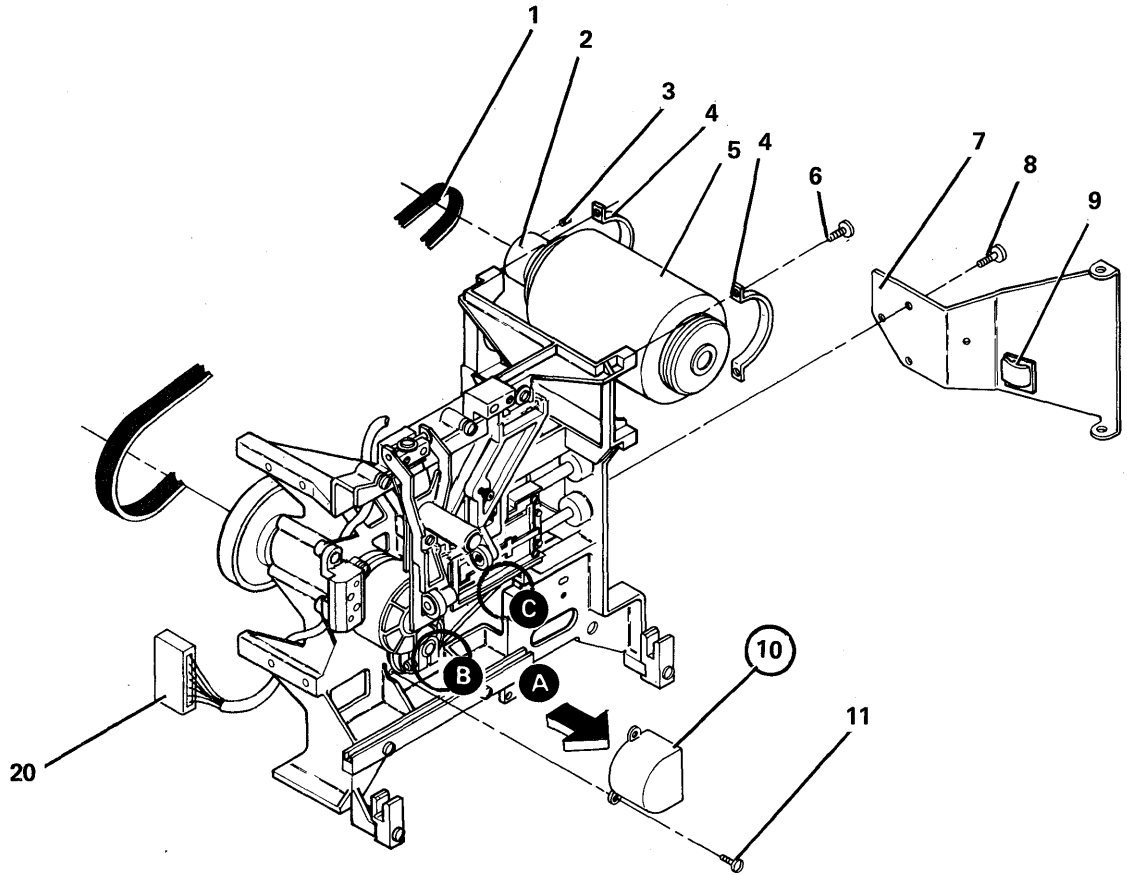


FIGURE 16C. 72MD DRIVE ASM. SEE LIST 16C.

FIGURE- INDEX NUMBER	PART NUMBER	UNITS PER ASM.	DESCRIPTION FOR FIGURE 16C			
			1	2	3	4
16C	2462602 NR		DRIVE ASM, (DOES NOT INCLUDE READ/WRITE HEAD) SEE FIGURE 16A FOR NEXT HIGHER ASM SEE LIST 16A-18 FOR ILLUSTRATION FIGURE 16C			
- 1	2462593	1	• Belt,60 Hz			
- 1	5563653	1	• Belt,50 Hz			
- 2	2462590	1	• Pulley,60 Hz			
- 2	2462594	1	• Pulley,50 Hz			
- 3	1621769	1	• Setscrew,M4 x 5mm Lg			
- 4	2462534	2	• Clamp			
- 5	4178052	1	• Motor,220 V 60 Hz			
- 5	4178056	1	• Motor,200 V 50 Hz			
- 6	2462685	4	• Screw,Thd-Form M4 x 10mm Lg			
- 7	2462551	1	• Bracket			
- 8	2462685	3	• Screw,Thd-Form M4 x 10mm Lg			
- 9	2596291	1	• Clamp			
- 10	5562088	1	• Wiper Asm			
- 11	1621181	2	• Screw,Mach-Slot Pan Hd M3.5 x 6mm Lg			
- 12	5562059	1	• • Cover			
- 13	5562035	1	• • Wiper			
- 14	5562044	1	• Stainless Band			
- 15	5562037	1	• Clamp			
- 16	438548	1	• Screw,Mach-Bind Hd 4-40 x 3/16 Lg			
- 17	5562086	1	• Pulley			
- 18	2305493	1	• Clamp And Screw			
- 20	2462615	1	• Cable Asm			

5340

FOR PARTS  
NOT SHOWN  
SEE FIG. 16A

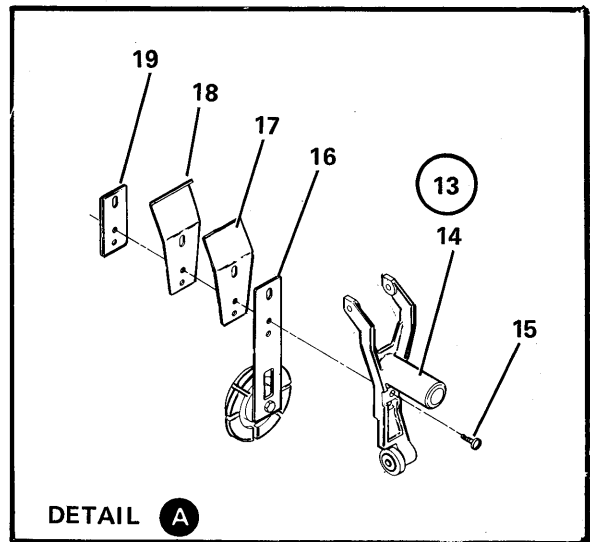
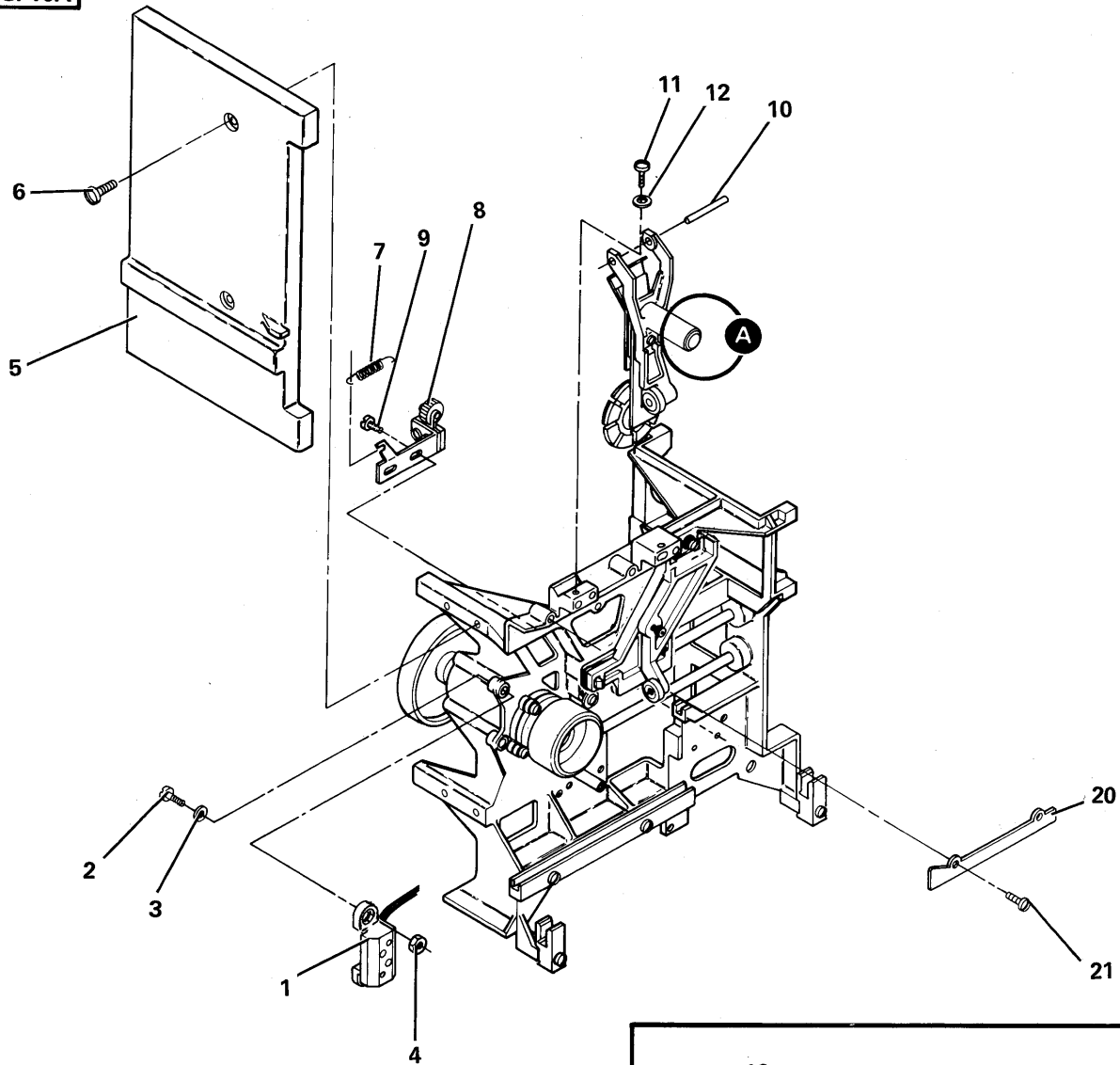


FIGURE 16D. 72MD DRIVE ASM. SEE LIST 16D.

FIGURE- INDEX NUMBER	PART NUMBER	UNITS PER ASM.	DESCRIPTION FOR FIGURE 16D			
			1	2	3	4
16D	2462602		DRIVE ASM FOR NEXT HIGHER ASM SEE LIST 16A-18 FOR ILLUSTRATION FIGURE 16D			
- 1	2462600	1	• Photo Detector			
- 2	1621193	2	• Screw, Mach-Slot Pan Hd M4 x 16mm Lg			
- 3	1622304	2	• Washer, Flat 4.3 ID x 9 OD x .8 Thk			
- 4	1622403	2	• Nut, Hex M4			
- 5	2462472	1	• Bezel			
- 6	1621194	2	• Screw, Mach-Slot Pan Hd M4 x 20mm Lg			
- 7	5562051	1	• Spring			
- 8	5562085	1	• Idler Asm			
- 9	2549781	2	• Screw,			
- 10	5562098	1	• Pin			
- 11	2462685	1	• Screw, Thd-Form M4 x 10mm Lg			
- 12	110029	1	• Washer, Flat No 8 x 5/8 OD x 1/16 Thk			
- 13	2462683	1	• Collet Asm			
- 14	2462499	1	• • Arm			
- 15	1621192	1	• • Screw, Mach-Slot Pan Hd			
- 16	2462582	1	• • Collet			
- 17	2462553	1	• • Spring			
- 18	2462581	1	• • Spring			
- 19	2462575	1	• • Plate			
- 20	2462435	1	• Guide			
- 21	2462685	2	• Screw, Thd-Form M4 x 10mm Lg			

FOR PARTS  
NOT SHOWN  
SEE FIG. 16A

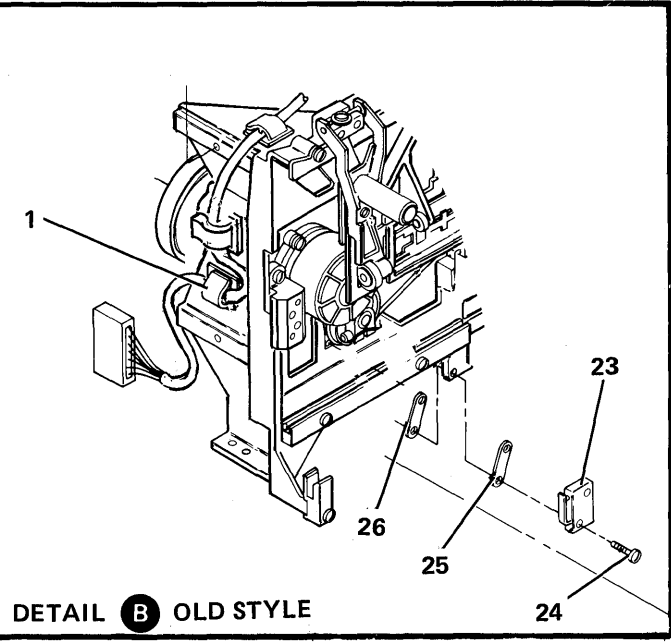
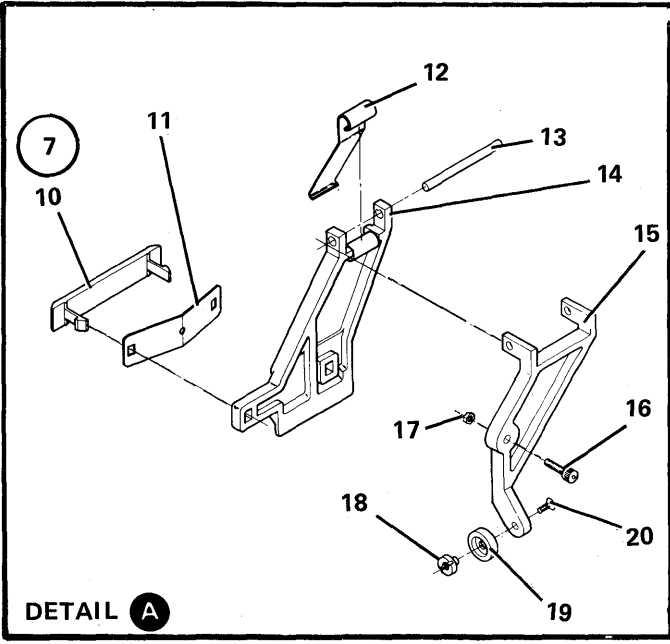
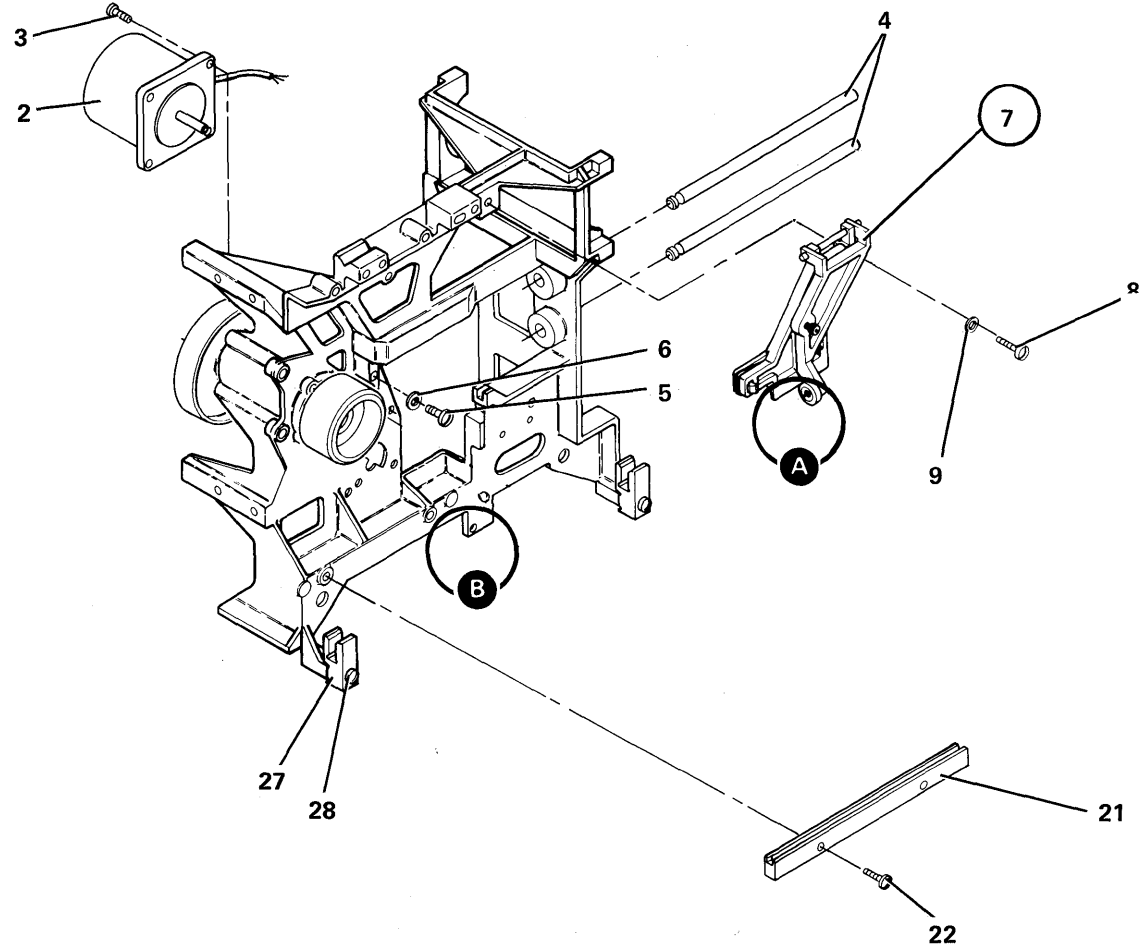


FIGURE 16E. 72MD DRIVE ASM. SEE LIST 16E.

FIGURE- INDEX NUMBER	PART NUMBER	UNITS PER ASM.	DESCRIPTION FOR FIGURE 16E			
			1	2	3	4
16E	2462602		DRIVE ASM FOR NEXT HIGHER ASM SEE LIST 16A-18 FOR ILLUSTRATION FIGURE 16A			
- 1	2596291	3	• Clamp,Old Style			
- 2	2462606	1	• Motor,Stepper			
- 3	1621183	3	• Screw,Mach-Pan Hd M3.5 x 10mm Lg			
- 4	5562038	2	• Rod,Guide			
- 5	2462686	2	• Screw,Thd-Form M4 x .7 x 16 Lg			
- 6	2462690	2	• Washer,4.4 ID x 11 OD x 1.5 Thk			
- 7	5563692	1	• Head Load Bail Asm			
- 8	2462686	1	• Screw,Thd-Form M4 x 16 Lg			
- 9	110029	1	• Washer,Flat No. 8 x 5/8 OD x 1/16 Thk			
- 10	4178062	1	• • Shoe			
- 11	4178063	1	• • Spring,Shoe			
- 12	2462588	1	• • Spring,Actuator Return			
- 13	5563693	1	• • Pin,Pivot			
- 14	5563690	1	• • Bail,Head Load			
- 15	5563691	1	• • Arm,Cam Follower			
- 16	1621511	1	• • Screw,Adjustment			
- 17	1622417	1	• • Locknut,Adjustment			
- 18	2462629	1	• • Stud			
- 19	2462674	1	• • Roller			
- 20	1621286	1	• • Screw,Mach-Slot Flat Hd M3 x 8 Lg			
- 21	2462432	1	• Guide			
- 22	2462686	2	• Screw,Thd-Form M4 x .7 x 16-.8 Lg			
- 23	5616469	1	• Switch,Old Style			
- 24	1621175	2	• Screw,Mach-Pan Hd M3 x 20mm Lg			
- 25	2598038	1	• Plate,Old Style			
- 26	2462543	1	• Nut Plate,Old Style			
- 27	2462433	2	• Bracket			
- 28	2462688	2	• Screw,Thd-Form M4 x .7 x 25-1.2 Lg			



5340

FOR PARTS  
NOT SHOWN  
SEE FIG. 16A

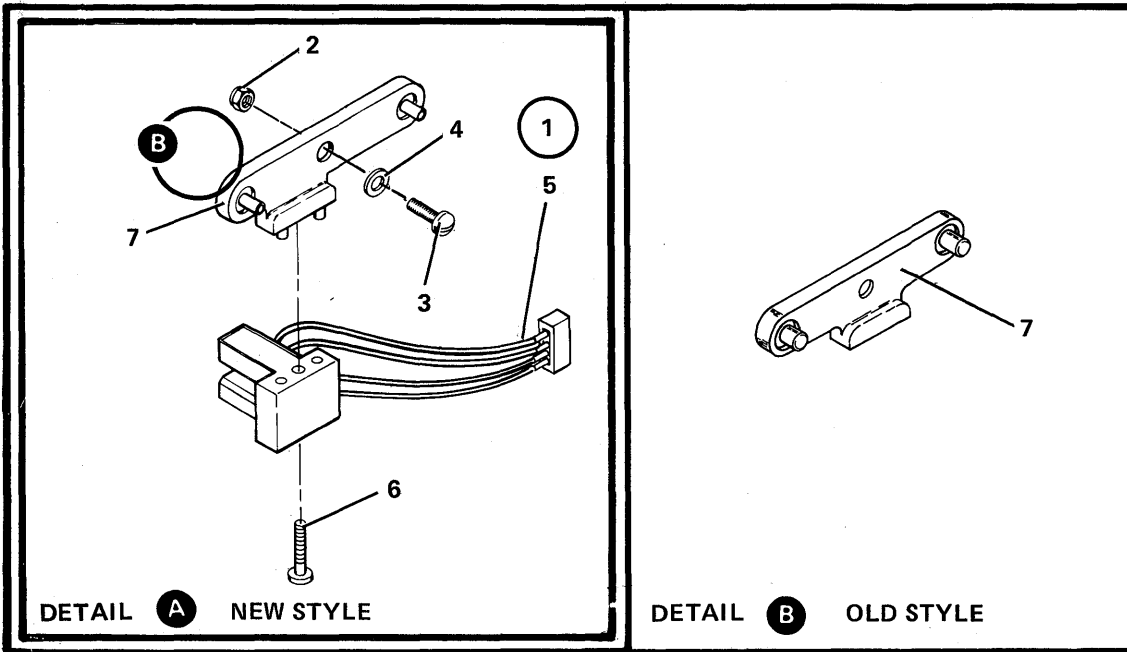
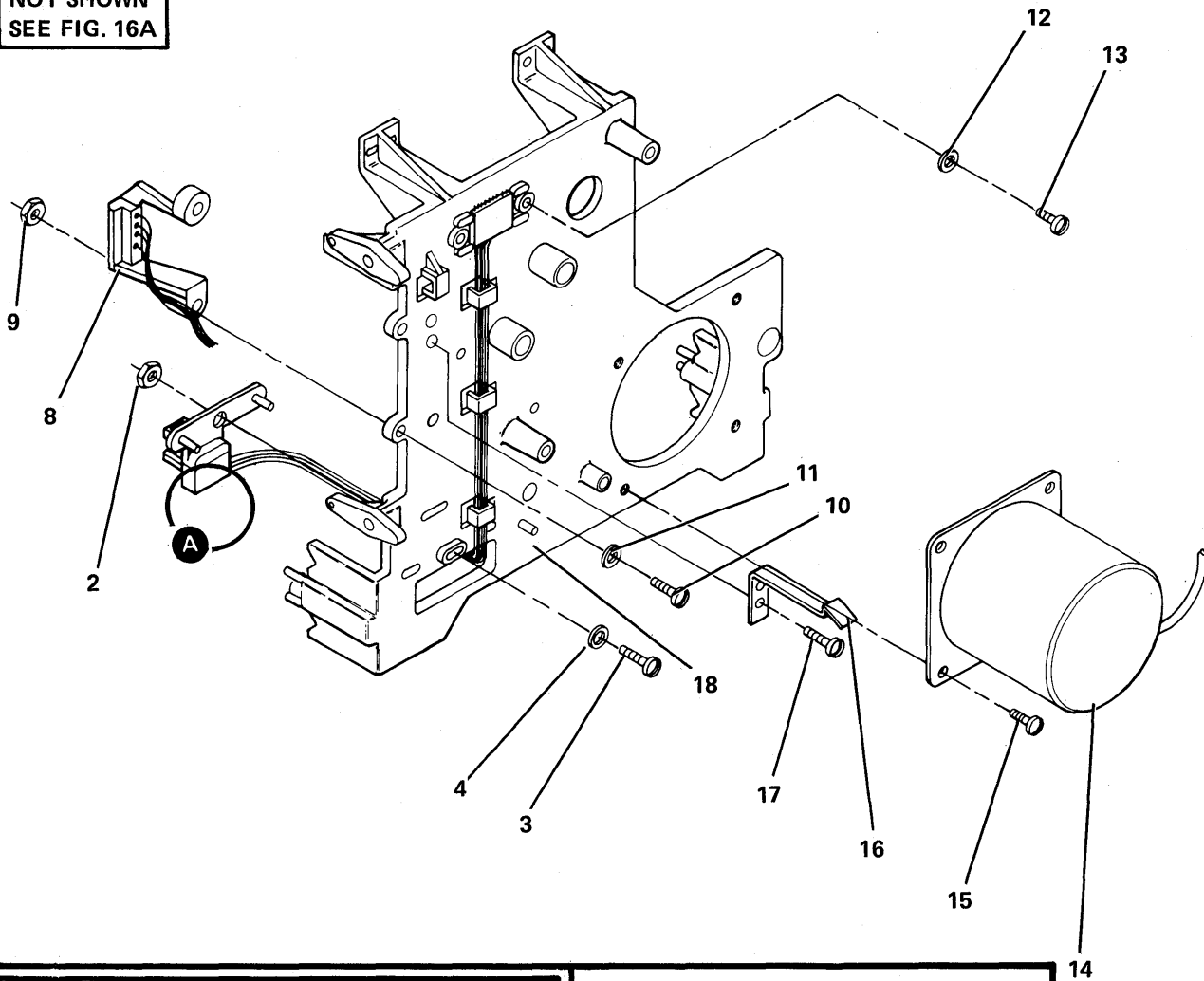


FIGURE 16F. 72MD PICKER/CAM ASM. SEE LIST 16F.

FIGURE- INDEX NUMBER	PART NUMBER	UNITS PER ASM.	DESCRIPTION FOR FIGURE 16F			
			1	2	3	4
16F	2462415		PICKER/CAM ASM FOR NEXT HIGHER ASM SEE LIST 16A-23 FOR ILLUSTRATION FIGURE 16F			
- 1	5563660	1	• Sensor Asm,New Picker			
- 1	1462680	1	• Sensor Asm,Old Stripper			
- 2	1622403	1	• Nut,Hex M4 x 7 Fl Wshr			
- 3	1621193	1	• Screw,Mach-Pan Hd M4 x 16mm Lg			
- 4	35229	1	• Washer,11/64 ID x 7/16 OD			
- 5	2462598	1	• • Sensor			
- 6	1621175	1	• • Screw,Mach-Pan Hd M3 x 20mm Lg			
- 7	2462567	1	• • Mounting,New Picker			
- 7	2462466	1	• • Mounting,Old Stripper			
- 8	2462573	1	• Led Asm			
- 9	1622403	2	• Nut,Hex M4 x 7 Fl Wshr			
- 10	1621194	2	• Screw,Mach-Pan Hd M4 x 20mm Lg			
- 11	1622304	2	• Washer,Flat 4.3 ID x 9 OD x .8 Thk			
- 12	110029	2	• Washer,Flat No. 8 5/8 OD x 1/16 Thk			
- 13	2462685	2	• Screw,Thd-Form M4 x 10mm Lg			
- 14	2462561	1	• Motor			
- 15	2462686	4	• Screw,Thd-Form M4 x 16mm Lg			
- 16	2462625	1	• Spring,Gate			
- 17	2462685	2	• Screw,Thd-Form M4 x 10mm Lg			
- 18	2462459	1	• Casting,Picker Cam			

5340

FOR PARTS  
NOT SHOWN  
SEE FIG. 16A

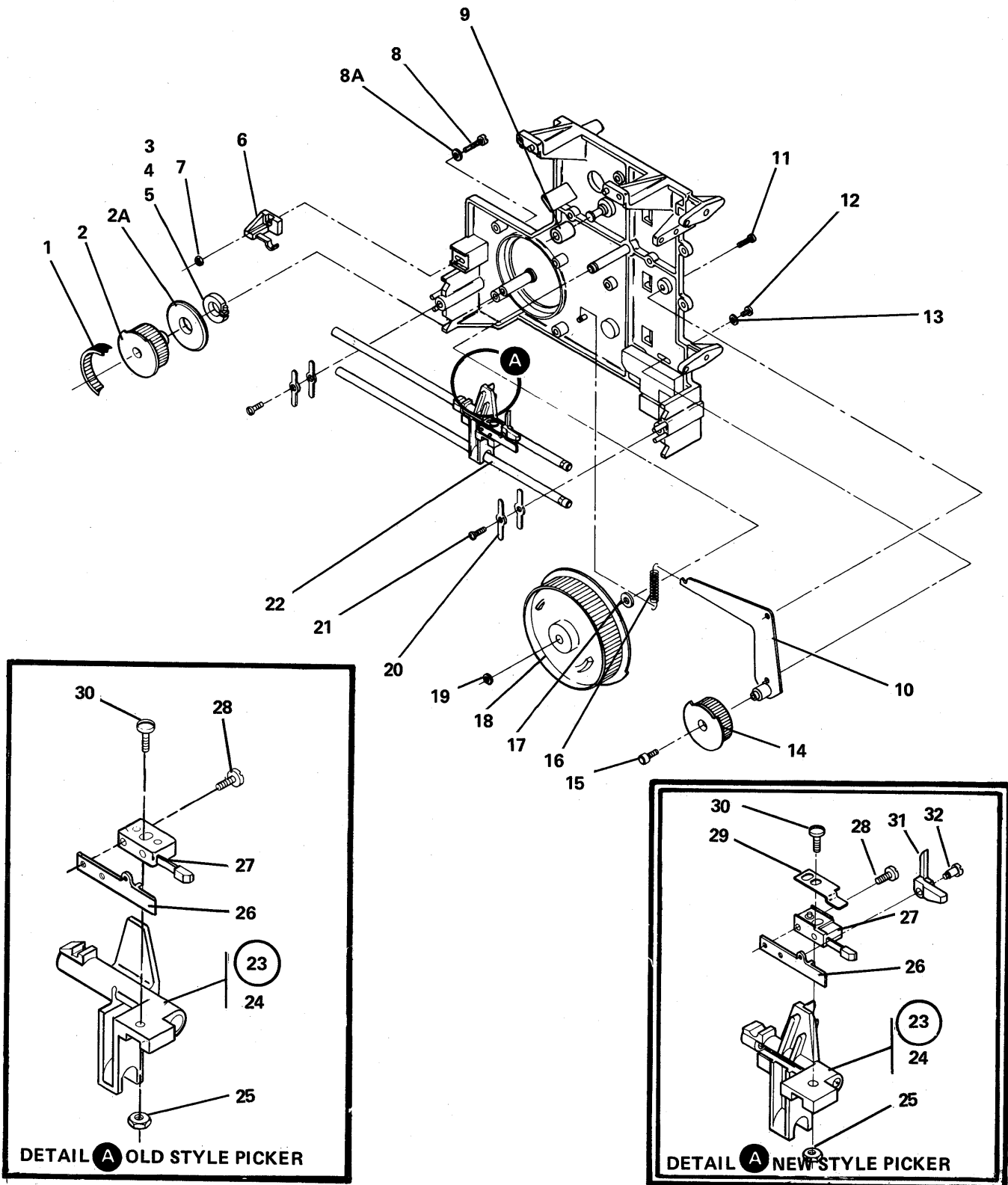


FIGURE 16G. 72MD PICKER/CAM ASM. SEE LIST 16G.

FIGURE- INDEX NUMBER	PART NUMBER	UNITS PER ASM.	DESCRIPTION FOR FIGURE 16G			
			1	2	3	4
<b>16G</b>	2462415		PICKER/CAM ASM FOR NEXT HIGHER ASM SEE LIST 16A-23 FOR ILLUSTRATION FIGURE 16G			
- 1	2462448	1	• Belt			
- 2	2462451	1	• Pulley			
- 2 A	5563687	1	• Flange			
- 3	2462452	1	• Clamp			
- 4	1621512	1	• Screw, Soc Cap Hd M4 x .7 x 16 Lg			
- 5	1622318	1	• Washer, Lock-Spring 4.1 ID x 7.5 OD			
- 6	2462474	1	• Detent			
- 7	1622403	1	• Nut, Hex M4 x 7 Fl Wshr			
- 8	1621192	1	• Screw, Mach-Pan Hd M4 x 12mm Lg			
- 8 A	35229	1	• Washer, Flat 11/64 ID x 7/16 OD			
- 9	2462479	1	• Bumper			
- 10	2462465	1	• Idler Asm			
- 11	1621192	1	• Screw, Mach-Pan Hd M4 x 12mm Lg			
- 12	1621193	1	• Screw, Mach-Pan Hd M4 x 16mm Lg			
- 13	35229	1	• Washer, 11/64 ID x 7/16 OD			
- 14	2462453	1	• Pulley			
- 15	1621190	1	• Screw, Mach-Pan Hd M4 x 8mm Lg			
- 16	2462456	1	• Spring			
- 17	2462462	1	• Washer, 10.5 ID x 16 OD x .8 Thk			
- 18	2462461	1	• Cam			
- 19	237245	1	• Ring, Retaining 0.30 ID x .035 Thk			
- 20	2462434	4	• Clamp			
- 21	2462685	2	• Screw, Thd-Form M4 .7 x 10-.8 Lg			
- 22	2462436	2	• Rod			
- 23	2462682	1	• Picker Asm, Old Style			
- 23	2462616	1	• Picker Asm, New Style			
- 24	2462468	1	• • Carriage			
- 25	1622403	1	• • Nut, Hex M4 x 7 Fl Wshr			
- 26	2462495	1	• • Finger, Stationary			
- 27	2462497	1	• • Finger, Spring			
- 28	1621174	2	• • Screw, Mach-Pan Hd M3 x 16mm Lg			
- 29	2462569	1	• • Spring			
- 30	1621193	1	• • Screw, Mach-Pan Hd M4 x 16mm Lg			
- 31	2462568	1	• • Ejector			
- 32	2462571	1	• • Screw, Shoulder, M3 x 14 Lg			

FOR PARTS  
NOT SHOWN  
SEE FIG. 16A

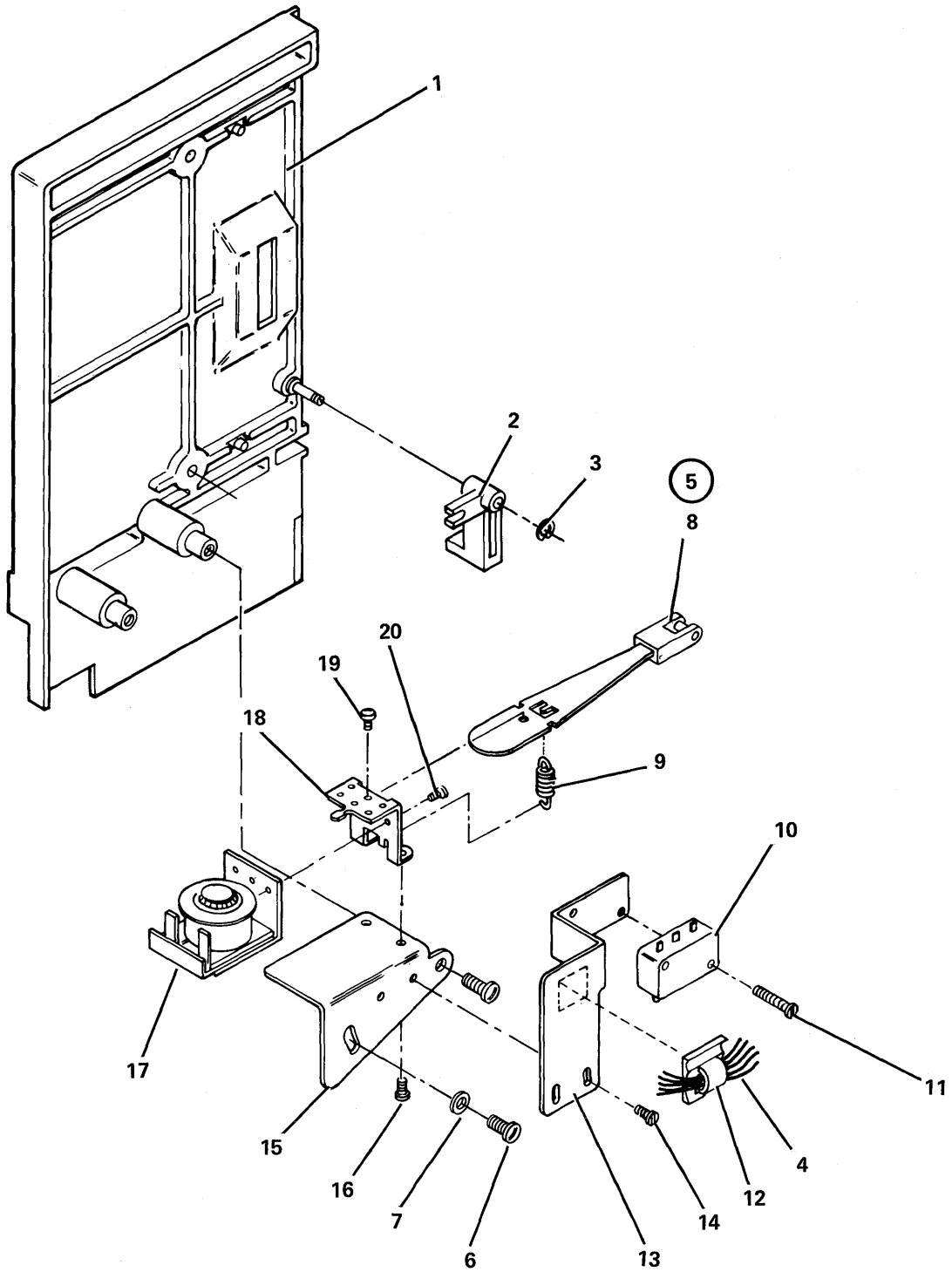
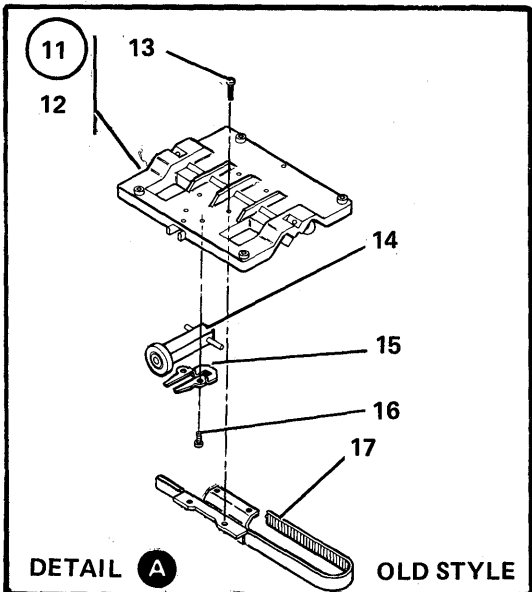
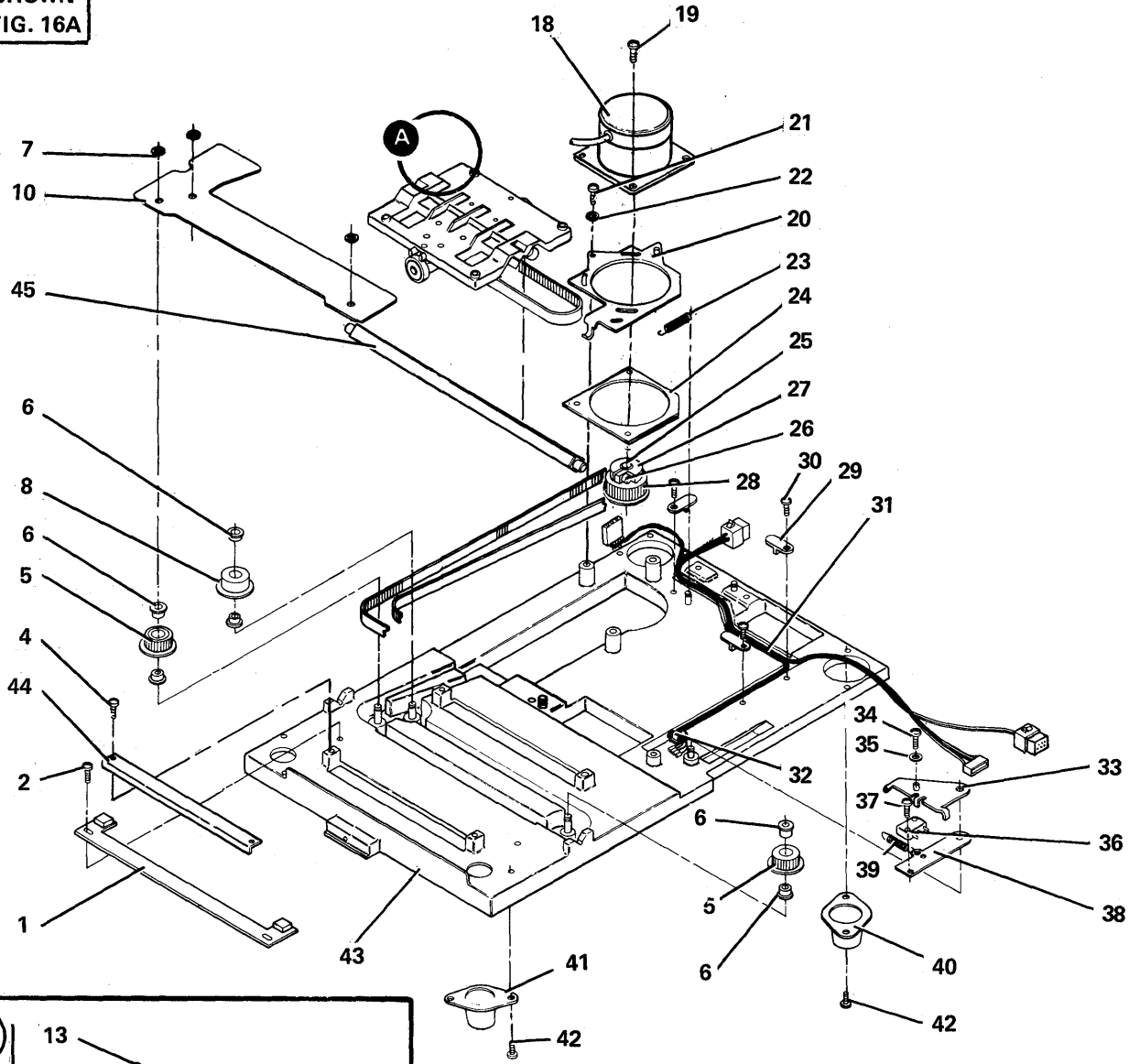


FIGURE 16H. PICKER/CAM BEZEL ASM. OLD STYLE. SEE LIST 16H.

FIGURE- INDEX NUMBER	PART NUMBER	UNITS PER ASM.	DESCRIPTION FOR FIGURE 16H			
			1	2	3	4
16H	2462684		PICKER CAM BEZEL ASM, OLD STYLE FOR NEXT HIGHER ASM SEE LIST 16A-25 FOR ILLUSTRATION FIGURE 16H			
- 1	2462471	1	• Bezel			
- 2	2462425	1	• Stripper			
- 3	219633	1	• Ring, Retaining			
- 4	2462557	1	• Cable Asm, Stripper			
- 5	2462431	1	• Stripper Asm			
- 6	1621190	2	• Screw, Mach-Pan Hd M4 x 8mm Lg			
- 7	35229	1	• Washer, 11/64 ID x 7/16 OD			
- 8	2462428	1	• • Armature Asm			
- 9	340002	1	• • Spring			
- 10	5616743	1	• • Switch			
- 11	1621173	2	• • Screw, Mach-Pan Hd M3 x 12mm Lg			
- 12	2596275	1	• • Clamp			
- 13	2462430	1	• • Bracket			
- 14	1621170	2	• • Screw, Mach-Pan Hd M3 x 6mm Lg			
- 15	2462429	1	• • Bracket			
- 16	10170	2	• • Screw, Mach-Bind Hd 6-32 x 1/4 Lg			
- 17	2305542	1	• • Coil			
- 18	2278172	1	• • Bracket			
- 19	15887	1	• • Screw, Mach-Bind Hd 2-56 x 1/8 Lg			
- 20	196298	2	• • Screw, Mach-Bind Hd 5-40 x 3/16 Lg			

FOR PARTS  
NOT SHOWN  
SEE FIG. 16A



FOR DETAIL PARTS OF NEW  
STYLE CARRIAGE BED CASTING,  
SEE FIGURE 16B.  
DETAIL A NEW STYLE  
CARRIAGE BED CASTING

FIGURE 16J. 72MD BASE CASTING ASM. OLD STYLE. SEE LIST 16J.

FIGURE- INDEX NUMBER	PART NUMBER	UNITS PER ASM.	DESCRIPTION FOR FIGURE 16J			
			1	2	3	4
16J	2462416		BASE CASTING ASM FOR NEXT HIGHER ASM SEE LIST 16A-23 FOR ILLUSTRATION FIGURE 16J			
- 1	2462492	1	• Carriage, Stop			
- 2	1621190	2	• Screw, Mach-Pan Hd M4 x 8mm Lg			
- 4	1621308	4	• Screw, Mach-Flat Hd M4 x 8mm Lg			
- 5	2462475	2	• Pulley			
- 6	2462441	6	• Bushing			
- 7	1092125	3	• Clip, Retaining			
- 8	2462440	1	• Pulley			
- 10	5563654	1	• Shield, Belt			
- 11	2462681	1	• Carriage Bed Casting Asm, Old Style			
- 12	2462486	1	• • Carriage			
- 13	1621193	4	• • Screw, Mach-Pan Hd M4 x 16mm Lg			
- 14	2462490	1	• • Arm			
- 15	2462488	1	• • Spring			
- 16	1621190	2	• • Screw, Mach-Pan Hd M4 x 8mm Lg			
- 17	2462494	1	• • Belt			
- 18	2462561	1	• Motor			
- 19	1621192	3	• Screw, Mach-Pan Hd M4 x 12mm Lg			
- 20	2462445	1	• Bracket			
- 21	2462686	3	• Screw, Thd-Form M4 x .7 x 16-.8 Lg			
- 22	35229	3	• Washer, 11/64 ID x 7/16 OD			
- 23	2462455	1	• Spring			
- 24	2462622	1	• Plate			
- 25	2462452	1	• Clamp			
- 26	1621512	1	• Screw, Soc Cap Hd M4 x .7 x 16 Lg			
- 27	1622318	1	• Washer, Lock-Spring 4.1 ID x 7.5 OD			
- 28	2462450	1	• Pulley			
- 29	2462444	3	• Retainer			
- 30	2462685	3	• Screw, Thd-Form M4 x .7 x 10-.8 Lg			
- 31	2462587	1	• Cable Asm			
- 32	2596275	1	• Clamp			
- 33	2462699	1	• Bracket			
- 34	1621190	1	• Screw, Mach-Pan Hd M4 x 8mm Lg			
- 35	35229	1	• Washer, 11/64 ID x 7/16 OD			
- 36	5616743	1	• Switch			
- 37	1621173	2	• Screw, Mach-Pan Hd M3 x 12mm Lg			
- 38	2462698	1	• Bracket			
- 39	58853	1	• Spring			
- 40	2462604	2	• Shockmount, Rear			
- 41	2545982	2	• Shockmount, Front			
- 42	2462685	8	• Screw, Thd-Form Hex Wshr Hd M4 x 10mm Lg			
- 43	2462533	1	• Base			
- 43			The Following P/N's Are Not Part Of The Asm			
- 44	2462439	2	• Stabilizer			
- 45	2462438	1	• Guideway			



FOR PARTS  
NOT SHOWN  
SEE FIG. 3

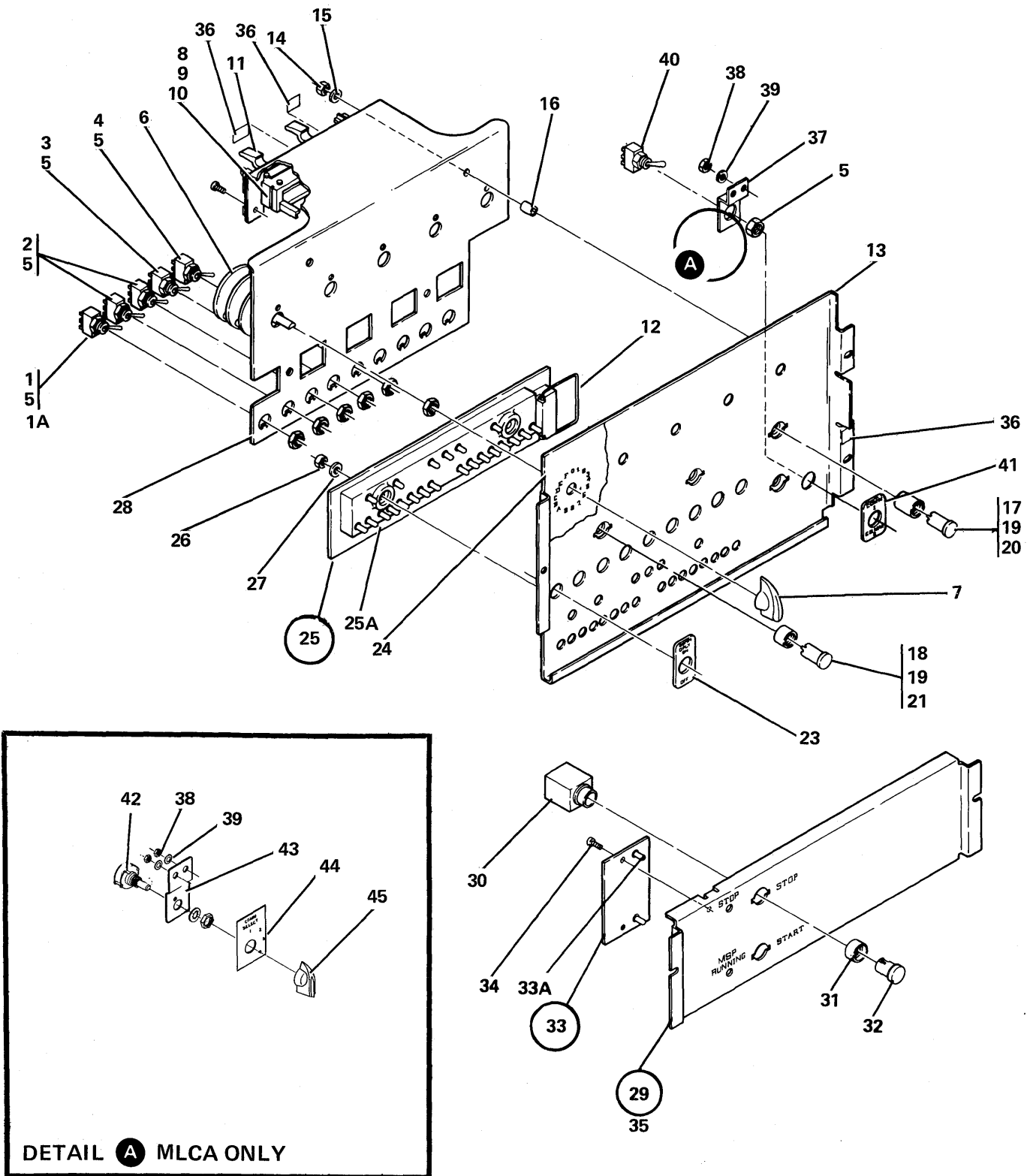


FIGURE 17. CE PANEL ASM AND STOP/START PANEL ASM. SEE LIST 17.

FIGURE- INDEX NUMBER	PART NUMBER	UNITS PER ASM.	DESCRIPTION FOR FIGURE 17			
			1	2	3	4
17	4236335 NR 4236555 NR		CE PANEL ASM STOP/START PANEL ASM FOR NEXT HIGHER ASM SEE LIST 3-11 AND 3-12 FOR ILLUSTRATION SEE FIGURE 17			
- 1	4236726	1	• Cable Asm And Switch			
- 1 A	4236792	1	• Switch Assembly, (MLCA)			
- 1 A	738827	1	• • Switch, (MLCA)			
- 2	738828	2	• Switch			
- 3	738825	5	• Switch			
- 4	738827	1	• Switch			
- 5	179743	10	• Nut, Plain-Hex 15/32-32 x 9/16 Fl W			
- 6	2546575	5	• Switch			
- 7	317173	5	• Knob			
- 8	813392	1	• Connector			
- 9	55726	2	• Screw, Mach-Bind Hd 6-32 x 3/16 Lg			
- 10	2546943	1	• Strap			
- 11	2546928	1	• Retainer			
- 12	2547843	1	• Retainer			
- 13	2546668	1	• Panel			
- 14	257189	4	• Nut, Hex 8-32 Unc Thd			
- 15	22478	4	• Washer, Flat 11/64 ID x 3/8 OD x 1/32 Thk			
- 16	2546936	4	• Spacer			
- 17	2447618	2	• Switch			
- 18	2546949	2	• Switch			
- 19	2588009	2	• Button			
- 20	2546827	2	• Spacer			
- 21	2546827	2	• Spacer			
- 23	2546712	1	• Label			
- 24	4236346	1	• Label			
- 25	2546940	1	• Board Asm			
- 25 A	2397045	22	• • Led			
- 26	257189	4	• Nut, Hex 8-32 Unc Thd			
- 27	22478	4	• Washer, Flat 11/64 ID x 3/8 OD x 1/32 Thk			
- 28	2546941	1	• Panel			
- 29	4236555	1	• Panel Asm, Stop/Start			
- 30	2447618	2	• • Switch			
- 31	2572878	2	• • Spacer			
- 32	2588009	2	• • Button			
- 33	4236545	1	• • Led Board			
- 33 A	2397045	2	• • • Led			
- 34	1621170	2	• • Screw, Mach-Slotted Pan Hd M3 x .5 x 6			
- 35	4236551	1	• • Panel			
- 36	4236721	1	• Label			
- 37	4236410	1	• Bracket, Communications Switch			
- 38	257187	2	• Nut, Hex 6-32			
- 39	510810	2	• Washer, Flat 3/16 ID x 7/16 OD x 1/16 Thk			
- 40	738826	1	• Switch, Communications			
- 41	4236411	1	• Label, Communications			
- 42	2544038	1	• Switch, (MLCA)			
- 43	4236977	1	• Bracket, (MLCA)			
- 44	4236794	1	• Label, (MLCA)			
- 45	317173	1	• Knob, (MLCA)			

FOR PARTS  
NOT SHOWN  
SEE FIG. 3

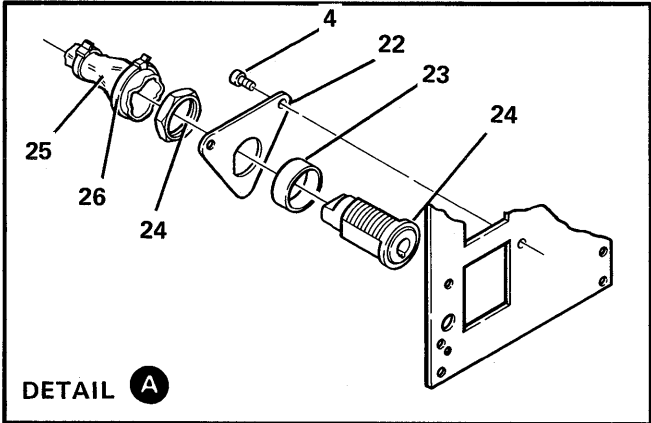
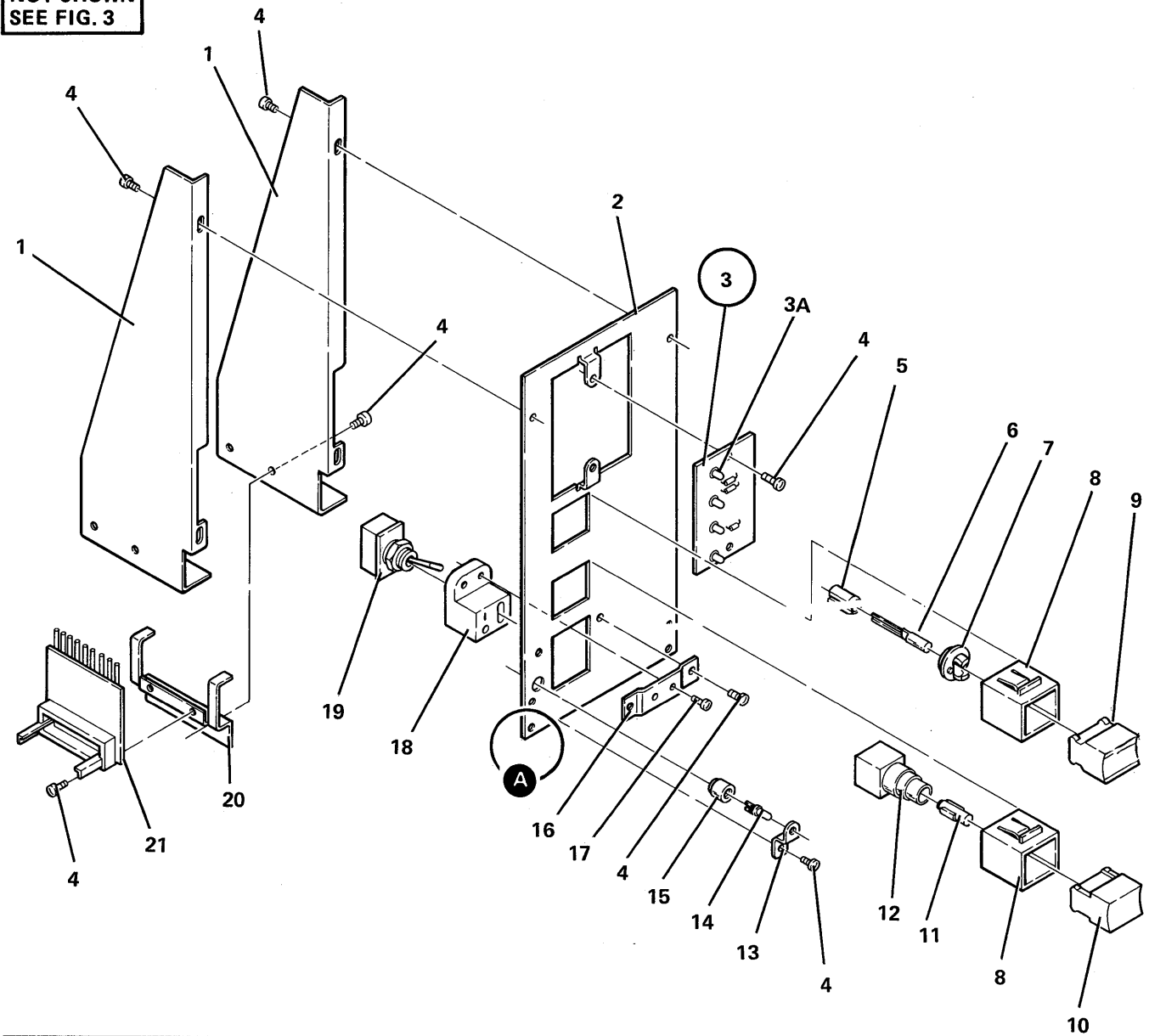


FIGURE 18. OPERATORS PANEL ASM. SEE LIST 18.

FIGURE- INDEX NUMBER	PART NUMBER	UNITS PER ASM.	DESCRIPTION FOR FIGURE 18			
			1	2	3	4
18	4236345 4236665		OPERATOR PANEL ASM, WITHOUT SECURITY OPERATOR PANEL ASM, WITH SECURITY FOR NEXT HIGHER ASM SEE LIST 3-5 FOR ILLUSTRATION SEE FIGURE A18			
- 1	4236549	2	• Bracket			
- 2	4236550	1	• Sub-Panel			
- 3	4236546	1	• Operator Panel Board Asm			
- 3 A	2397045	4	• • Led			
- 4	1621170	15	• Screw, Mach Slotted Pan Hd M3 x .5 x 6 Lg			
- 5	165010	1	• Plug Asm			
- 6	2391023	1	• Lamp			
- 7	648511	1	• Insert			
- 8	827841	2	• Housing			
- 9	827852	1	• Button, Green			
- 10	847923	1	• Button, Yellow			
- 11	2391121	1	• Lamp			
- 12	483550	1	• Switch			
- 13	4236650	1	• Retainer			
- 14	2397045	1	• Led			
- 15	4236649	1	• Block			
- 16	4236341	1	• Bracket			
- 17	38235	2	• Screw, Mach-Bind Hd 6-32 x 5/16 Lg			
- 18	2546314	1	• Housing			
- 19	738826	1	• Switch, Without Security			
- 19	2546576	1	• Switch, With Security			
- 20	4236552	1	• Bracket			
- 21	4236304	1	• Cable Asm			
- 22	4236343	1	• Retainer			
- 23	4236342	1	• Ring			
- 24	2546576	1	• Lock Asm			
- 25	631810	1	• Shrink Tubing			
- 26	524519	2	• Strap			

FOR PARTS  
NOT SHOWN  
SEE FIG. 4A

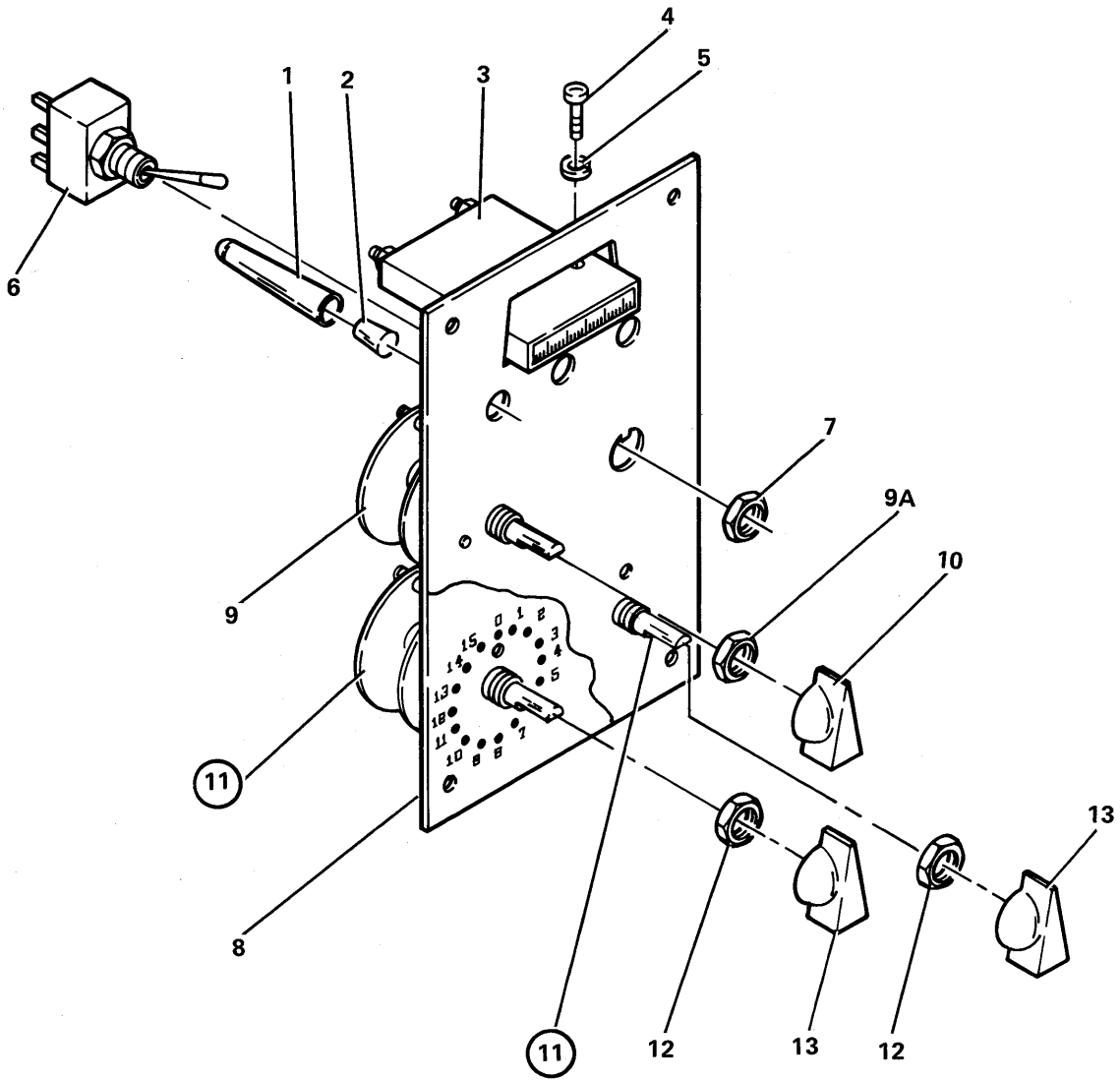


FIGURE 19. PANEL ASM., 2400 BPS MODEM. SEE LIST 19.

FIGURE- INDEX NUMBER	PART NUMBER	UNITS PER ASM.	DESCRIPTION FOR FIGURE 19			
			1	2	3	4
19	4236464		PANEL ASM, 2400 BPS MODEM-ENGLISH			
	4236465		PANEL ASM, 2400 BPS MODEM-FRENCH			
	4236466		PANEL ASM, 2400 BPS MODEM-GERMAN			
			FOR NEXT HIGHER ASM SEE LIST 4A-5 FOR ILLUSTRATION SEE FIGURE 19			
- 1	5353887	3	• Housing			
- 2	5362325	3	• Indicator Asm			
- 3	2784404	1	• Meter Asm			
- 4	1621005	2	• Screw, Mach Slotted Fil Hd M2 x .4 x 16lg			
- 5	1622330	2	• Washer, Lock-Int Star 2.2 ID x 4.5 OD x .3 Thk			
- 6	738826	1	• Switch Asm			
- 7	179743	1	• Nut, Plain-Hex 15/32-32 x 9/16 FI W			
- 8	4236289	1	• Modem Panel-English			
- 8	4236298	1	• Modem Panel-French			
- 8	4236290	1	• Modem Panel-German			
- 9	2730100	1	• Switch Asm			
- 9 A	824486	1	• Nut, Hex 3/8-32			
- 10	317173	1	• Knob			
- 11	4236718		• Cable Asm And Switch, Single			
- 11		1	Equalizer			
- 11	4236719		• Cable Asm And Switch, Double			
- 11		1	Equalizer			
- 12	824486	1	• • Nut, Hex 3/8-32			
- 13	5182435	1	• • Knob			

FOR PARTS  
NOT SHOWN  
SEE FIG. 4A

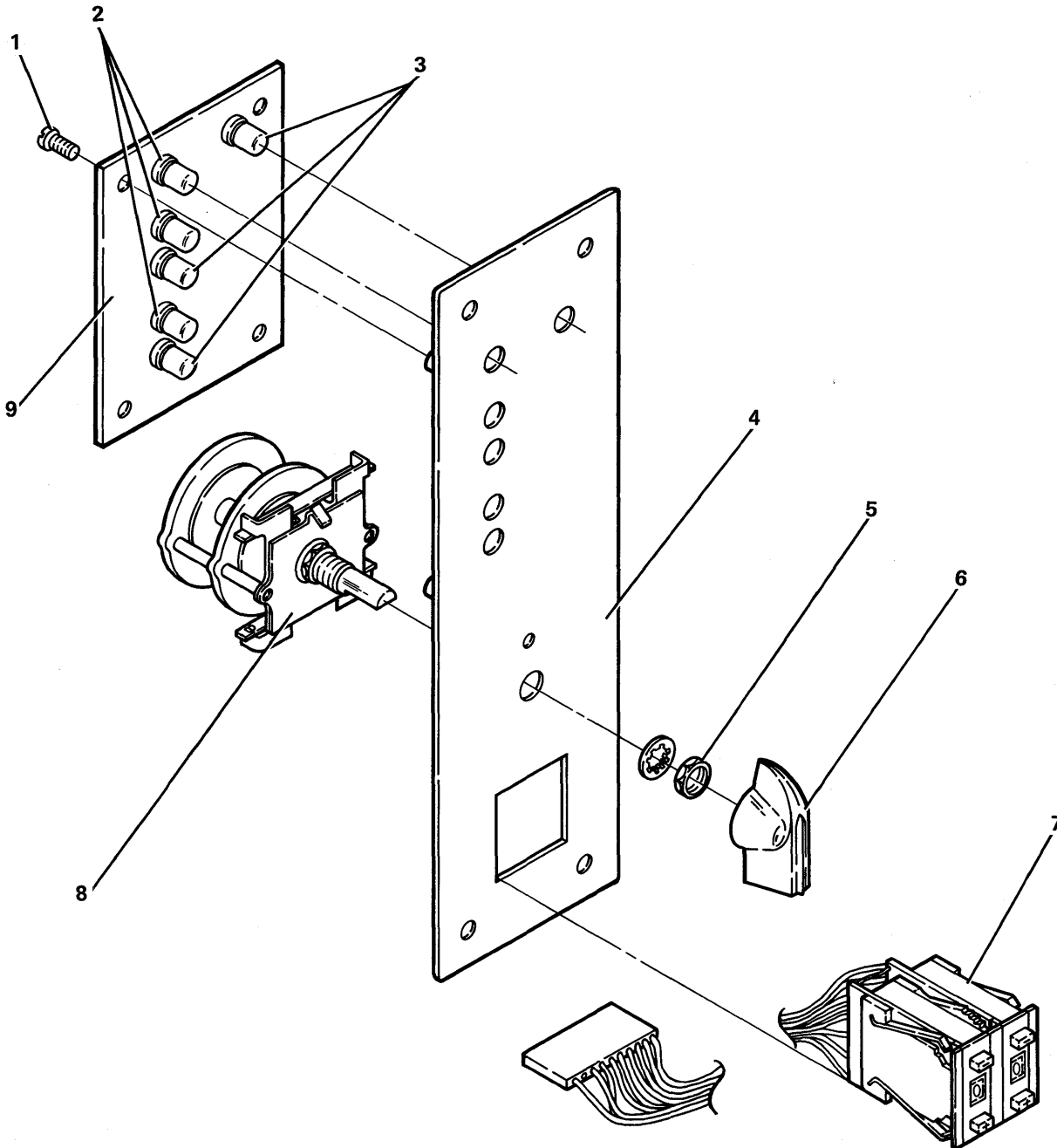


FIGURE 19A. PANEL ASM. 4800 BPS MODEM (MLCA). SEE LIST 19A

FIGURE- INDEX NUMBER	PART NUMBER	UNITS PER ASM.	DESCRIPTION FOR FIGURE 19A					
			1	2	3	4		
<b>19A</b>	4236985		PANEL ASM 4800 BPS MODEM (MLCA) FOR ILLUSTRATION SEE FIGURE 19A					
-	<b>1</b>	1621182	4					• Screw, Mach-Slot Pan Hd M3.5 x .6 x 8 Lg
-	<b>2</b>	1590007 NR	3					• Led-Green
-	<b>3</b>	1589880 NR	3					• Led-Red
-	<b>4</b>	8265122	1					• Modem Panel
-	<b>5</b>	1177351	1					• Hex Nut
-	<b>6</b>	317173	1					• Knob
-	<b>7</b>	8265123	1					• Hex Address Switch Asm
-	<b>8</b>	8547149	1					• Switch Asm
-	<b>9</b>	8265129	1					• Board Asm



FOR PARTS  
NOT SHOWN  
SEE FIG. 3

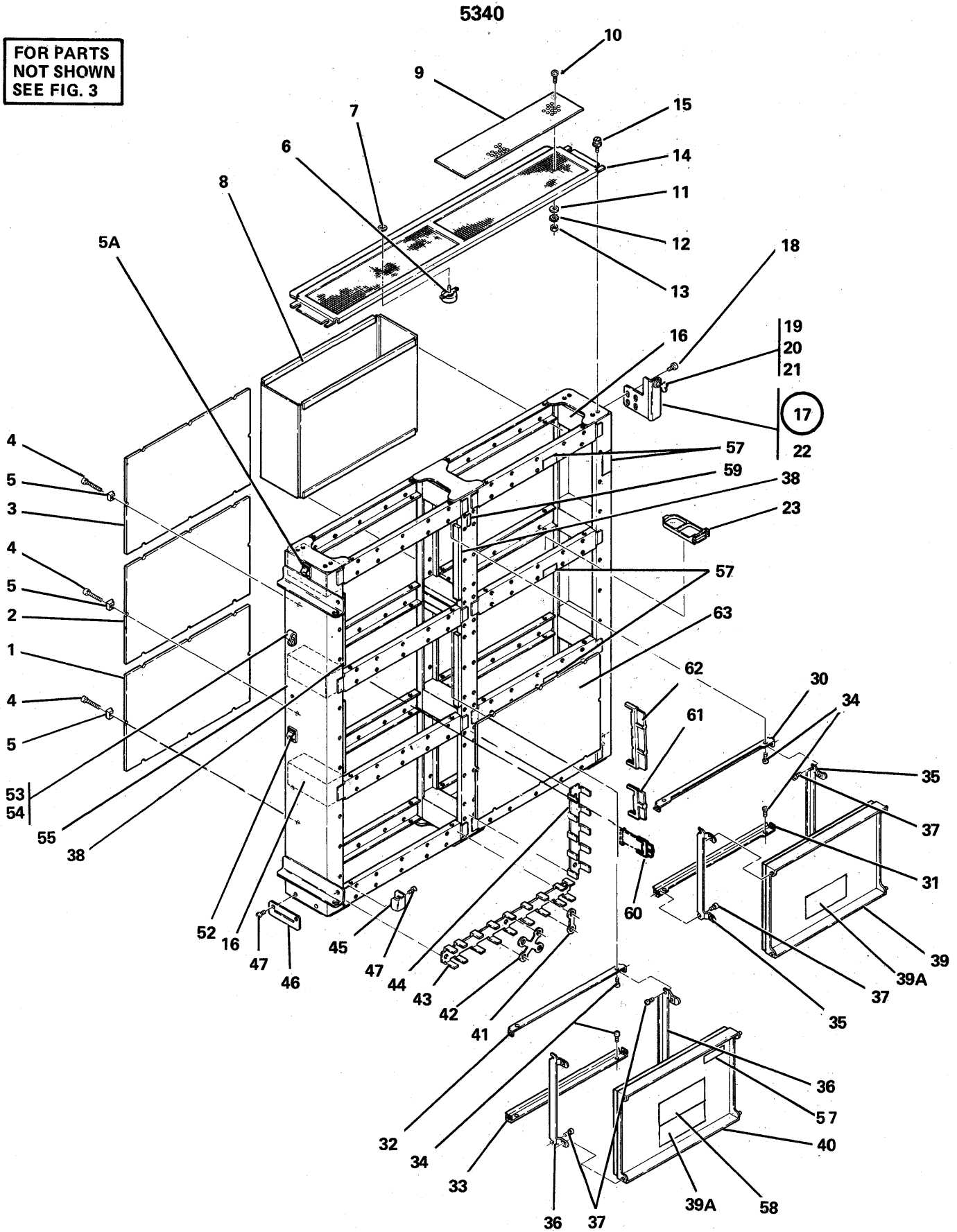


FIGURE 20. A-GATE ASM. SEE LIST 20.

FIGURE- INDEX NUMBER	PART NUMBER	UNITS PER ASM.	DESCRIPTION FOR FIGURE 20			
			1	2	3	4
20	NO NO.		A-GATE ASM FOR NEXT HIGHER ASM SEE LIST 3-18 FOR ILLUSTRATION SEE FIGURE 20			
- 1	8264454	1	• Board			
- 2	8265276	1	• Board,xx4-xx7,Without Workstation Exp. C			
- 2	8264452	1	• Board,xx1-xx3,Without Workstation Exp. C			
- 2	8265352	1	• Board,xx4-xx7,With Workstation Exp. C			
- 2	8265212	1	• Board,xx1-xx3,With Workstation Exp. C			
- 3	4236400	1	• Board, Level 1			
- 3	8265274	1	• Board, Level 2			
- 4	4236584	24	• Screw,Thd-Form Hex-Wshr Hd M3.5 x .6 x 17 Lg			
- 5	4236583	24	• Clamp			
- 5 A	2596275	AR	• Clamp			
- 6	5428337	1	• Thermal Switch			
- 7	2588053	1	• Clip,Speed 7/32 ID x 1/2 OD			
- 8	8265273	AR	• Chimney Asm			
- 9	4236695	1	• Screen			
- 10	1621170	2	• Screw,Mach-Slotted Pan Hd M3 x .5 x 6 Lg			
- 11	1622302	2	• Washer,Flat 3.2 ID x 7 OD x .5 Thk			
- 12	1622344	2	• Washer,Lock-Ext Star 3.2 ID x 6 OD x .4 Thk			
- 13	1622401	2	• Nut,Hex-Double Chamfer M3 x 5.5 Fl W x 2.4 Thk			
- 14	4236648	1	• Guard			
- 15	4236318	4	• Screw,Thd-Form Hex Wshr Hd M5 x .8 x 12 x .8 Lg			
- 16	4236694	10	• Foam			
- 17	4236286	1	• Bracket Asm,Top Gate Latch			
- 18	1621811	4	• Screw,Thd-Form Hex Wshr Hd M4 x .7 x 10 Lg			
- 19	312575	1	• • Ring,Retaining 7/16 ID x 3/64 Thk			
- 20	312573	1	• • Grommet			
- 21	315912	1	• • Stud			
- 22	4236271	1	• • Bracket			
- 23	4236299	AR	• Retainer,Cable Connector			
- 30	4236565	1	• Bracket,Cover Top			
- 31	4236566	1	• Bracket,Cover Bottom			
- 32	4236567	2	• Bracket,Cover Top			
- 33	4236568	2	• Bracket,Cover Bottom			
- 34	2548564	12	• Screw,Thd-Form Hex Wshr Hd M3.5 x .6 x 8 Lg			
- 35	4236561	2	• Retainer Asm			
- 36	4236563	4	• Retainer Asm			
- 37	1621170	12	• Screw,Mach-Slotted Pan Hd M3 x .5 x 6 Lg			
- 38	813482	6	• Seal			
- 39	4236953	1	• Cover Asm			
- 39 A	4236997	3	• Label			
- 40	4236954	2	• Cover Asm			
- 41	811427	AR	• Strap			
- 42	813519	AR	• Strap			
- 43	2590011	AR	• Trough			
- 44	2590010	AR	• Trough			
- 45	4236667	2	• Guard			
- 46	4236270	1	• Plate			
- 47	4236318	4	• Screw,Thd-Form Hex Wshr Hd M5 x .8 x 12 x .8 Lg			
- 52	2596293	AR	• Clamp			
- 53	356742	AR	• Clamp			
- 54	1621811	AR	• Screw,Thd-Form Hex Wshr Hd M4 x .7 x 10 Lg			
- 55	4236278	1	• Gate Asm			
- 57	4236721	AR	• Label			
- 58	4238216	3	• Label			
- 59	4236995	1	• Label			
- 60	4236586	AR	• Card Extender, 1 Wide, 1 High			
- 61	4236556	AR	• Card Extender, 2 Wide, 1 High			

5340

FOR PARTS  
NOT SHOWN  
SEE FIG. 3

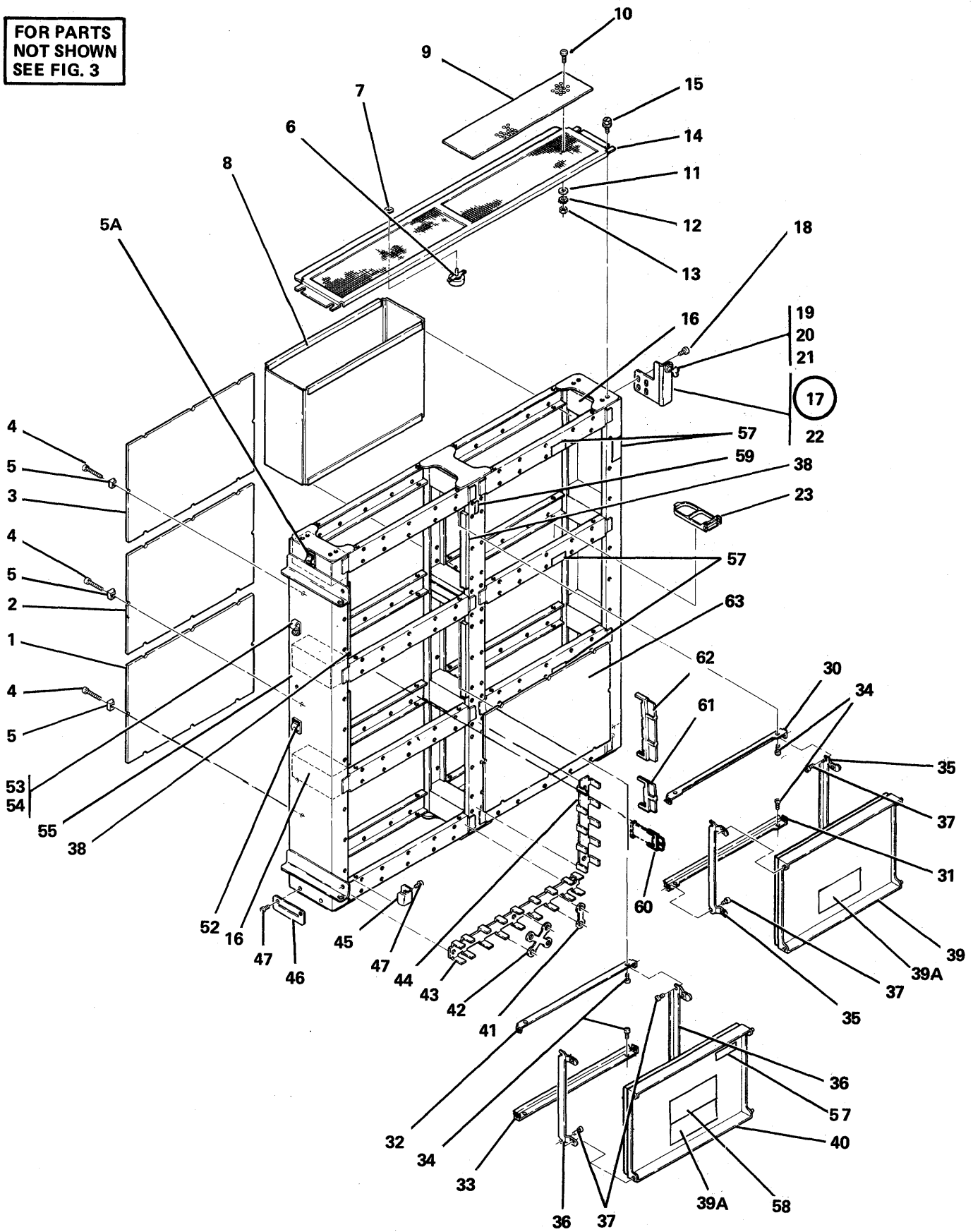


FIGURE 20. A-GATE ASM. SEE LIST 20.

FIGURE- INDEX NUMBER	PART NUMBER	UNITS PER ASM.	DESCRIPTION FOR FIGURE 20			
			1	2	3	4
20 - 62 - 63	4236557 8264450	AR 1	<ul style="list-style-type: none"> <li>• Card Extender, 4 Wide, 1 High</li> <li>• A-B3 Board</li> </ul>			

5340

FOR PARTS  
NOT SHOWN  
SEE FIG. 3

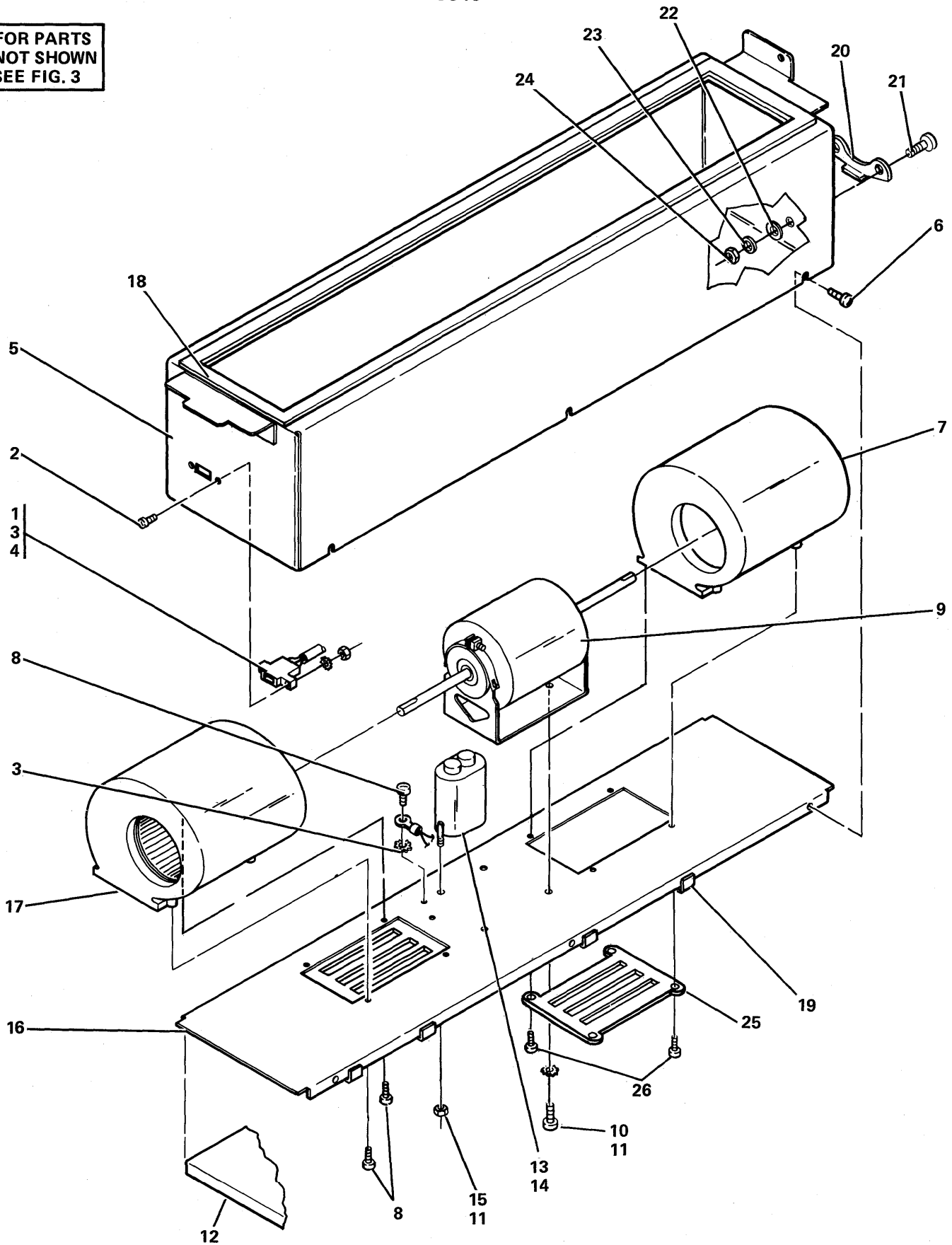


FIGURE 21. BLOWER ASM. SEE LIST 21.

FIGURE- INDEX NUMBER	PART NUMBER	UNITS PER ASM.	DESCRIPTION FOR FIGURE 21			
			1	2	3	4
21	4236333 4236534		BLOWER ASM, 60 HZ BLOWER ASM, 50 HZ FOR NEXT HIGHER ASM SEE LIST 3-20 FOR ILLUSTRATION SEE FIGURE 21			
- 1	5353853	1	• Connector			
- 2	322065	2	• Screw, Mach-Bind Hd 6-32 x 5/8 Lg			
- 3	56722	6	• Washer, Lock-Ext Teeth 9/64 ID			
- 4	257187	2	• Nut, Hex No. 6-32 Nc			
- 5	4236268	1	• Housing			
- 6	4236318	6	• Screw, Thd-Form Hex Wshr Hd M5 x .8 x 12 x .8 Lg			
- 7	5468387	1	• Scroll Asm, 60 Hz			
- 7	2561584	1	• Scroll Asm, 50 Hz Used On Machines Without EC 832946			
- 7	2561585	1	• Scroll Asm, 50 Hz			
- 7			Used On Machines With EC 832946			
- 8	35739	4	• Screw, Mach-Bind Hd 6-32 x 7/16 Lg			
- 9	5405152	1	• Motor Asm 60/50 Hz			
- 10	130434	2	• Screw, Mach Slotted Hex Hd 10-32 x 3/8 Lg			
- 11	56079	4	• Washer, Lock-Ext Teeth 3/16 x 11/32 OD			
- 12	4236646	1	• Foam			
- 13	5252824	1	• Capacitor			
- 14	526378	2	• Cover			
- 15	11598	2	• Nut, Plain Hex 10-32			
- 16	4236267	1	• Frame			
- 17	5468388	1	• Scroll Asm, 60 Hz			
- 17	2561585	1	• Scroll Asm, 50 Hz			
- 17			Used On Machines Without EC 832946			
- 17	2561584	1	• Scroll Asm, 50 Hz Used On Machines With EC 832946			
- 17			Used On Machines With EC 832946			
- 18	4236762	1	• Seal			
- 19	2590081	4	• Clip, 50 Hz Only			
- 19			Used On Machines With EC 832946			
- 20	4236785	1	• Guide Pad			
- 21	1621212	2	• Screw, Mach-Slotted Pan Hd M5 x 10mm Lg			
- 22	4569	2	• Washer, Flat No. 8 x 1/2 OD x 1/16 Thk			
- 23	1622319	2	• Washer, Lock-Split 5.1 ID x 9.2 OD x 1.2			
- 24	1622404	2	• Nut, Hex M5 x 8 Fl W x 4 Thk			
- 25	2591367	2	• Guard			
- 26	10170	4	• Screw, Mach-Bind Hd No. 6-32 x 1/4 Lg			

FOR PARTS  
NOT SHOWN  
SEE FIG. 4

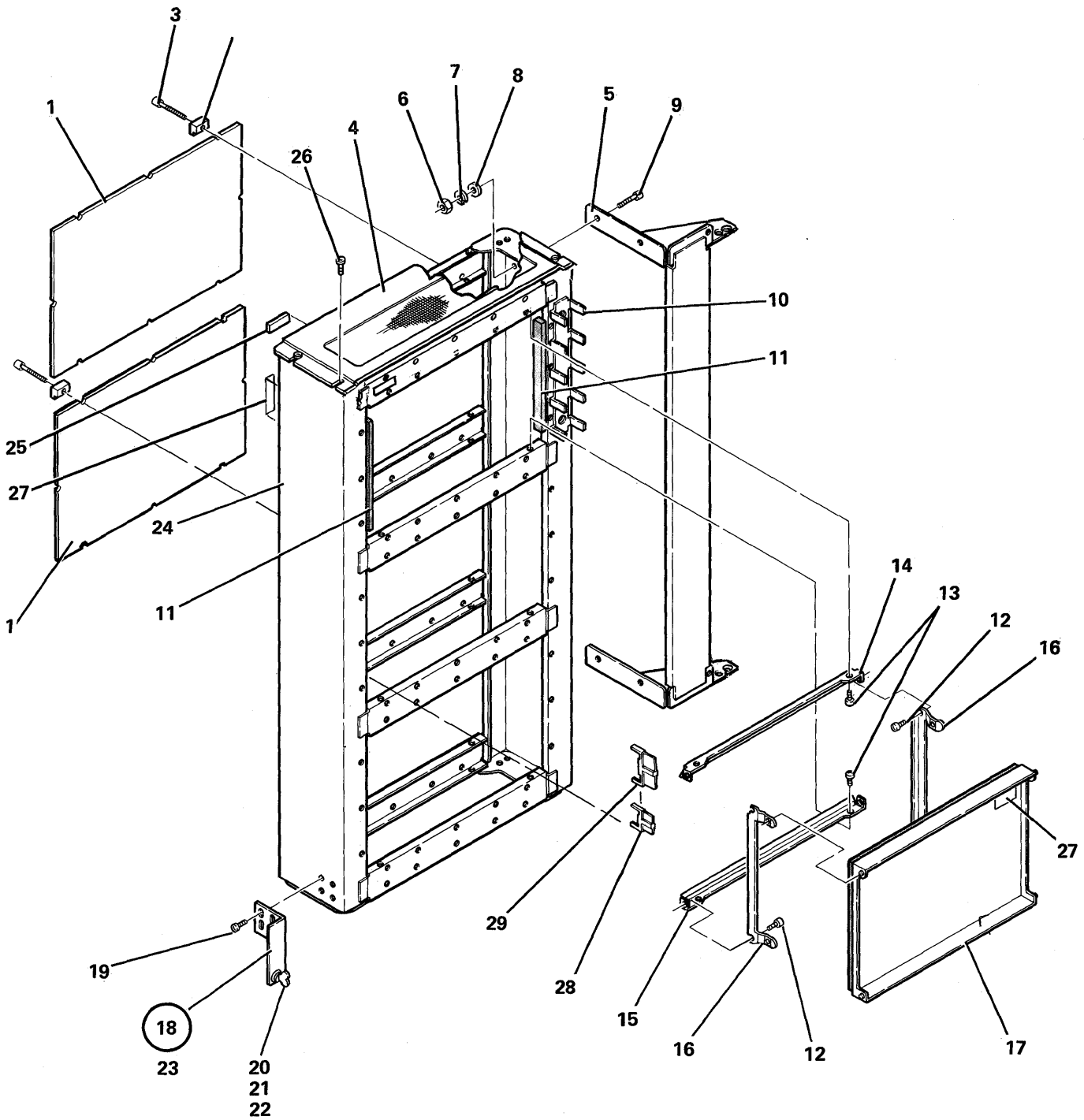


FIGURE 22. B-GATE ASM. SEE LIST 22.

FIGURE- INDEX NUMBER	PART NUMBER	UNITS PER ASM.	DESCRIPTION FOR FIGURE 22			
			1	2	3	4
22	NO NO.		B-GATE ASM FOR NEXT HIGHER ASM SEE LIST 4-48 FOR ILLUSTRATION SEE FIGURE 22			
- 1	2546838	2	• Board			
- 2	4236583	16	• Clamp			
- 3	4236584	16	• Screw,Thd-Form Hex Wshr Hd M3.5 x .6 x 17 Lg			
- 4	4236720	1	• Guard			
- 5	4236569	1	• Hinge			
- 6	1622405	4	• Nut,Hex-Double Chamfer M6 x 10 Fl W x 5			
- 7	1622320	4	• Washer,Lock-Spring 6.1 ID x 11.8 OD x 1.6			
- 8	1622306	4	• Washer,Flat 6.6 ID x 12.5 OD x 1.6 Thk			
- 9	1621231	4	• Screw,Mach-Slot Pan Hd M6 x 1 x 1 Lg			
- 10	2590010	2	• Trough			
- 11	813482	4	• Seal			
- 12	1621170	8	• Screw,Mach-Slot Pan Hd M3 x .5 x 6 Lg			
- 13	2548564	8	• Screw,Thd-Form Hex Wshr Hd M3.5 x .6 x 8 Lg			
- 14	4236565	2	• Bracket,Upper			
- 15	4236566	2	• Bracket,Lower			
- 16	4236561	4	• Retainer Asm			
- 17	4236954	2	• Cover			
- 18	4236653	1	• Bracket			
- 19	1621811	4	• Screw,Thd-Form Hex Wshr Hd M4 x .7 x 10 Lg			
- 20	312575	1	• • Ring,Retaining 7/16 ID x 3/64 Thk			
- 21	312573	1	• • Grommet			
- 22	315912	1	• • Stud			
- 23	4236634	1	• • Bracket			
- 24	4236285	1	• Gate Asm			
- 25	2588420	2	• Label			
- 26	4236318	2	• Screw,Thd-Form Hex Wshr Hd M5 x .8 x 12 Lg			
- 27	4236721	AR	• Label			
- 27	4236722	1	• Label,English			
- 27	4236730	1	• Label,French			
- 27	4236731	1	• Label,German			
- 27	4236732	1	• Label,Italian			
- 27	4236733	1	• Label,Spanish			
- 27	4236734	1	• Label,Japan/Katakana			
- 27	4236735	1	• Label,French/Canadian			
- 27	4236777	1	• Label,Finland			
- 27	4236778	1	• Label,Sweden			
- 28	813180	AR	• Card Extend, 1 Wide, 2 High			
- 29	813181	AR	• Card Extend, 2 Wide, 2 High			



FOR PARTS  
NOT SHOWN  
SEE FIG. 3

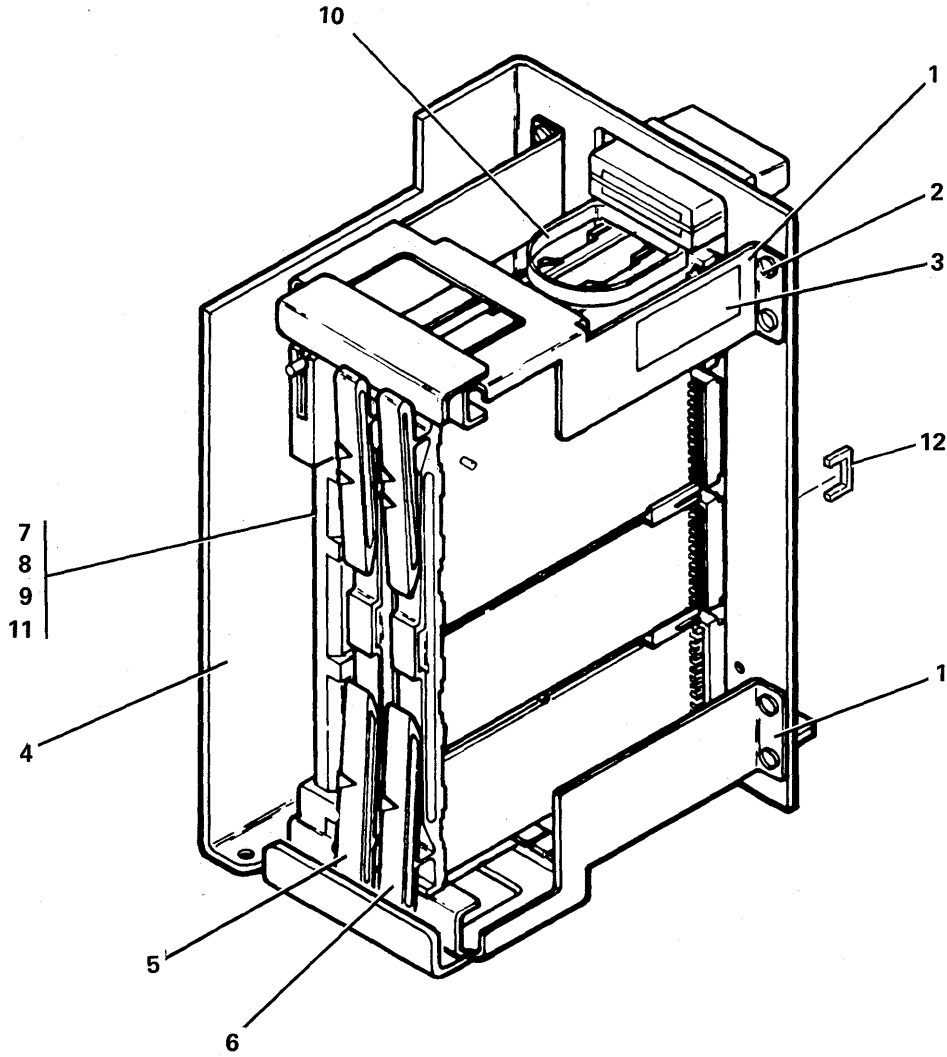


FIGURE 23. POWER LOGIC C-GATE ASM. SEE LIST 23.

FIGURE- INDEX NUMBER	PART NUMBER	UNITS PER ASM.	DESCRIPTION FOR FIGURE 23			
			1	2	3	4
23	4176697		POWER LOGIC C-GATE ASM FOR NEXT HIGHER ASM SEE LIST 3-28 FOR ILLUSTRATION SEE FIGURE 23			
- 1	4176699	2	• Retainer			
- 2	1621811	8	• Screw,Thd-Form Hex Wshr Hd M4 x .7 x 10 Lg			
- 3	4236721	1	• Label			
- 4	4176698	1	• Gate			
- 5	819408	AR	Holder,Card			
- 6	5565127	AR	Holder,Card			
- 7	819284	1	Bracket,Intermix			
- 8	811802	1	Holder,Cable			
- 9	819411	1	Extender,Cable Pull Guide			
- 10	819296	1	Holder,Pull Guide			
- 11	5565079	1	Holder, Half Cable			
- 12	815925	5	Jumper			

FOR PARTS  
NOT SHOWN  
SEE FIG. 3

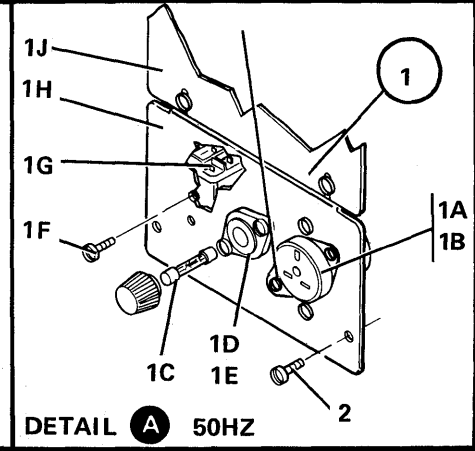
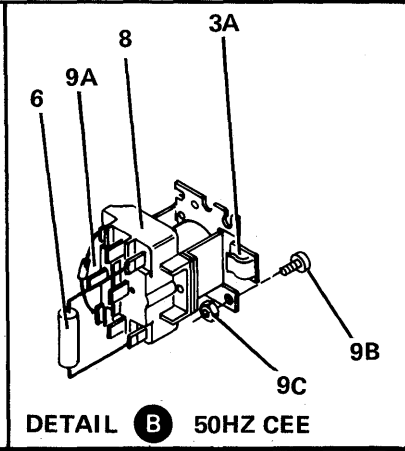
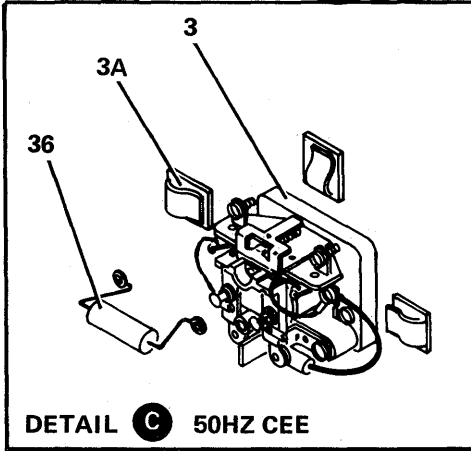
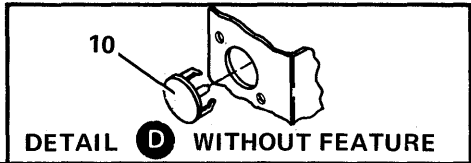
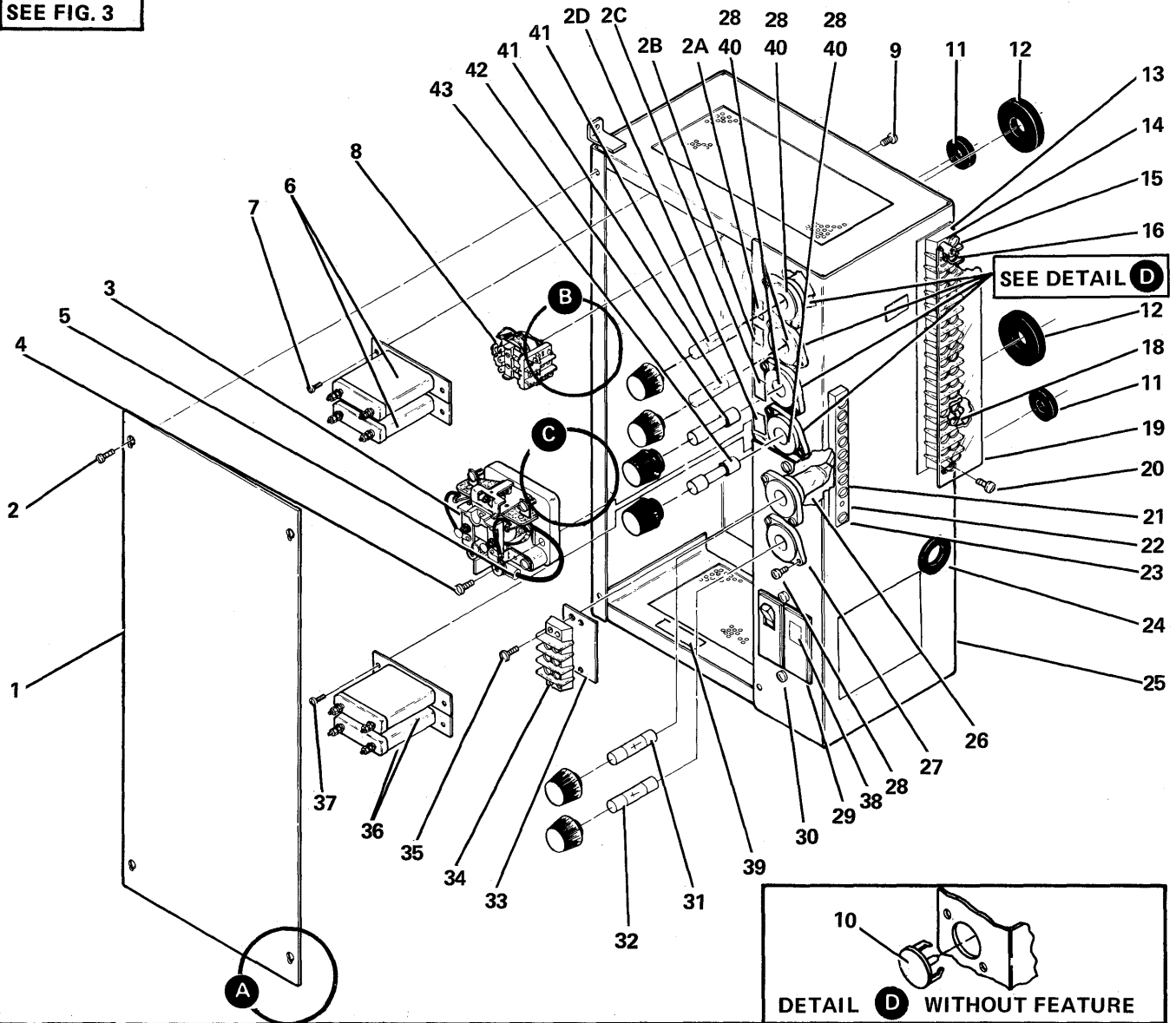


FIGURE 24. AC BOX ASM. SEE LIST 24.

FIGURE- INDEX NUMBER	PART NUMBER	UNITS PER ASM.	DESCRIPTION FOR FIGURE 24			
			1	2	3	4
24	5565160 5565195		AC BOX ASM AC BOX ASM, CEE 50 HZ FOR NEXT HIGHER ASM SEE LIST 3-46 FOR ILLUSTRATION SEE FIGURE 24			
- 1	5565163	1	• Cover,60 Hz			
- 1	5565162	1	• Cover Asm,50 Hz			
- 1 A	245923	1	• • Connector			
- 1 B	383364	2	• • Screw			
- 1 C	2495413	1	• • Fuse			
- 1 D	92752	1	• • Fuse Mount			
- 1 E	1621182	2	• • Screw,Mach-Slotted Pan Hd M3.5 x 8 Lg			
- 1 F	38235	1	• • Screw,Mach-Bind Hd 6-32 x 5/16 Lg			
- 1 G	2274372	1	• • Relay			
- 1 H	5565168	1	• • Cover			
- 1 J	5565159	1	• Cover,50 Hz			
- 1 K	4176689	1	• Shroud			
- 1 L	1621186	2	• Screw,Mach-Slot Pan Hd M3.5 x 20mm Lg			
- 2	1621181	4	• Screw,Mach-Slotted Hd M3.5 x .6 x 6 Lg			
- 2 A	5565228	1	• Label,Feature Supply A			
- 2 B	5565238	1	• Label,Feature Supply B			
- 2 C	5565237	1	• Label,Feature Supply C			
- 2 D	5565101	1	• Label,Feature Supply D			
- 3	2775241	1	• Relay			
- 3 A	2596275	5	• Clamp,Cable			
- 4	1621193	2	• Screw,Mach-Slotted Hd M4 x .7 x 16 Lg			
- 5	5565215	1	• Diode Asm			
- 6	5252800	2	• Supressor			
- 6	5565149	2	• Supressor,CEE 50 Hz			
- 7	1621197	4	• Screw,Mach-Slot Pan Hd M4 x .7 x 6 Lg			
- 8	2274372	1	• Relay			
- 8	2524713	1	• Relay,CEE 50 Hz			
- 9	38235	1	• Screw,Mach-Bind Hd 6-32 x 5/16 Lg			
- 9 A	5565216	1	• Diode Asm,CEE 50 Hz			
- 9 B	81693	2	• Screw,Mach-Bind Hd 6-32 x 3/8 Lg (CEE 50 Hz)			
- 9 C	257187	2	• Nut,Hex 6-32 (CEE 50 Hz)			
- 10	184380	4	• Cover,Without Features			
- 11	123072	2	• Grommet			
- 12	338327	2	• Grommet			
- 13	481192	1	• Marker Strip			
- 14	301731	1	• Terminal Block			
- 15	322550	2	• Screw,Mach-Bind Hd 6-32 x 1/2 Lg			
- 16	210883	2	• Stud,Shield Mtg Tap 6-32			
- 18	367115	7	• Jumper			
- 19	5762534	1	• Shield			
- 20	10170	2	• Screw,Mach-Bind Hd No. 6-32 x 1/4 Lg			
- 21	1621197	8	• Screw,Mach-Slotted Pan Hd M4 x .7 x 6 Lg			
- 22	5565167	1	• Ground Bus			
- 23	34512	2	• Screw,Bind Hd 8-32 x 3/8 Lg			
- 24	317367	1	• Grommet			
- 25	5565161	1	• Chassis			
- 26	2501330	2	• Tubing			
- 27	92752	2	• Fusemount			
- 28	1621182	AR	• Screw,Mach-Slotted Pan Hd M3.5 x .6 x 8 Lg			
- 29	5565214	1	• Circuit Breaker			
- 30	38235	2	• Screw,Mach-Bind Hd 6-32 x 5/16 Lg			
- 31	2495471	1	• Fuse			
- 32	254628	1	• Fuse			
- 33	323681	1	• Marker Strip			
- 34	323841	1	• Terminal Block			

FOR PARTS  
NOT SHOWN  
SEE FIG. 3

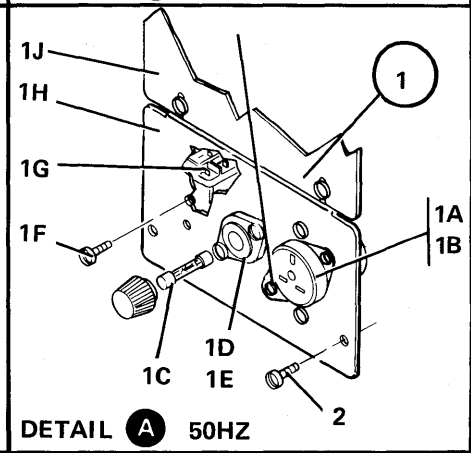
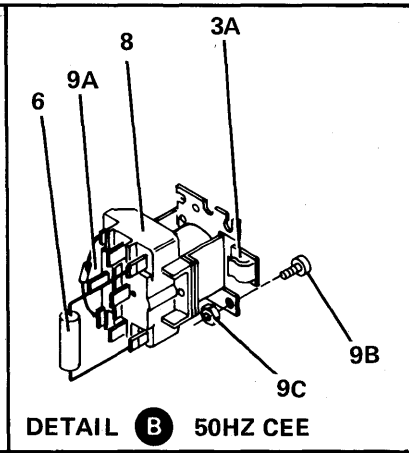
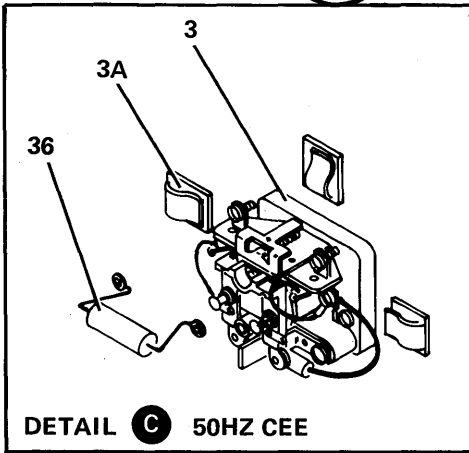
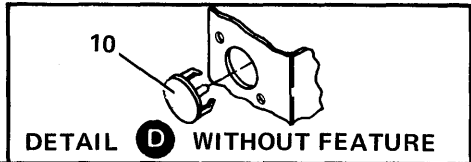
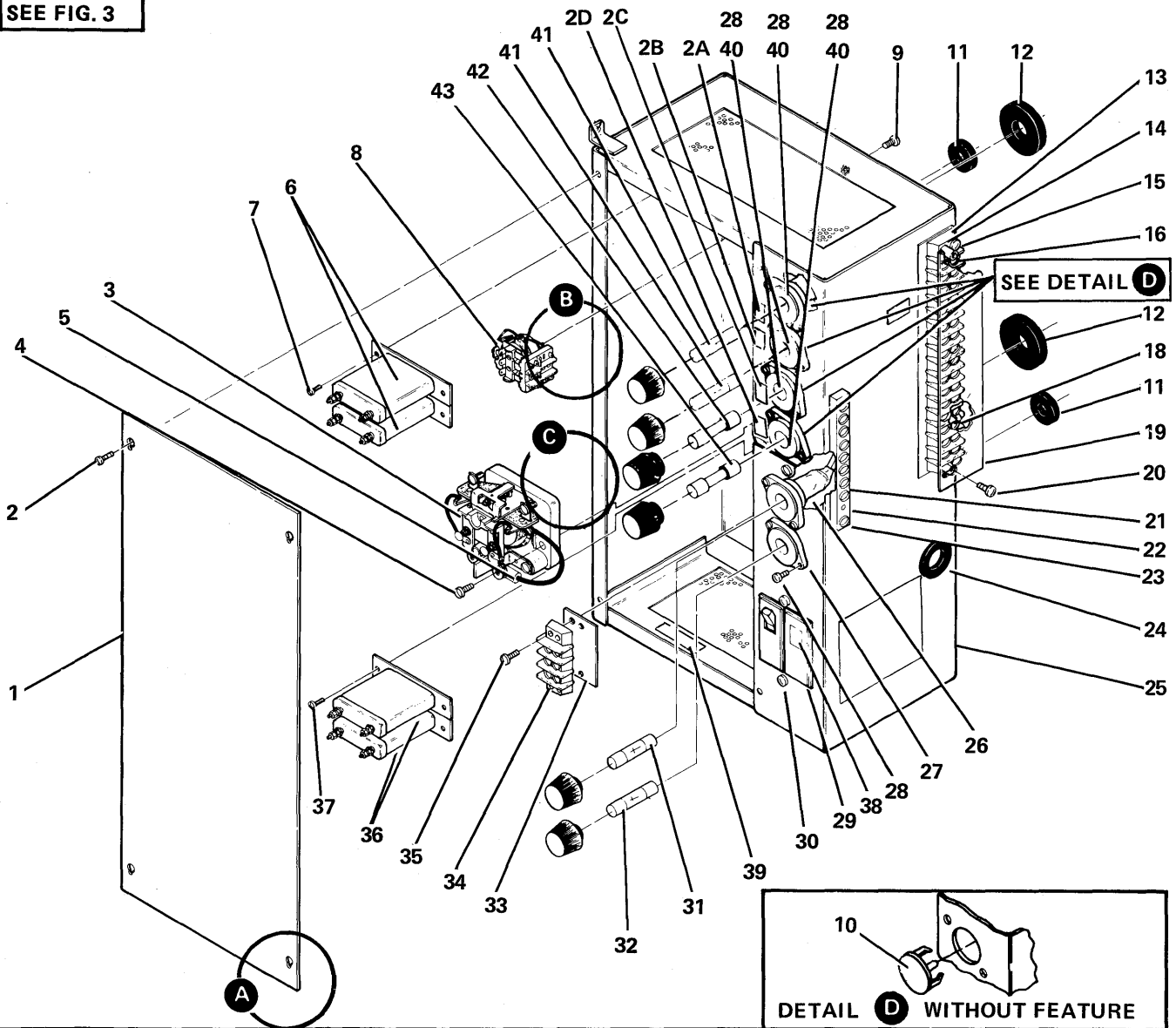


FIGURE 24. AC BOX ASM. SEE LIST 24.

FIGURE- INDEX NUMBER	PART NUMBER	UNITS PER ASM.	DESCRIPTION FOR FIGURE 24			
			1	2	3	4
<b>24</b>	- <b>35</b>	1621184	4	• Screw,Mach-Slotted Pan Hd M3.5 x .6 x 12 Lg		
	- <b>36</b>	5252801	2	• Supressor		
	- <b>36</b>	5565148	2	• Supressor,CEE 50 Hz		
	- <b>37</b>	1621197	4	• Screw,Mach-Slot Pan Hd M4 x .7 x 6 Lg		
	- <b>38</b>	4236721	AR	• Label		
	- <b>39</b>	4236722	AR	• Label,English		
	- <b>39</b>	4236730	AR	• Label,French		
	- <b>39</b>	4236731	AR	• Label,German		
	- <b>39</b>	4236732	AR	• Label,Italian		
	- <b>39</b>	4236733	AR	• Label,Spanish		
	- <b>39</b>	4236734	AR	• Label,Japan/Katakana		
	- <b>39</b>	4236735	AR	• Label,French/Canadian		
	- <b>39</b>	4236777	AR	• Label,Finland		
	- <b>39</b>	4236778	AR	• Label,Sweden		
	- <b>40</b>	5565173	4	• Fuseholder Asm,Feature A, B, C and D		
	- <b>41</b>	252592	2	• Fuse,Feature A And B		
	- <b>42</b>	92734	1	• Fuse,Feature C		
	- <b>43</b>	252592	1	• Fuse,Feature D		

FOR PARTS  
NOT SHOWN  
SEE FIG. 3

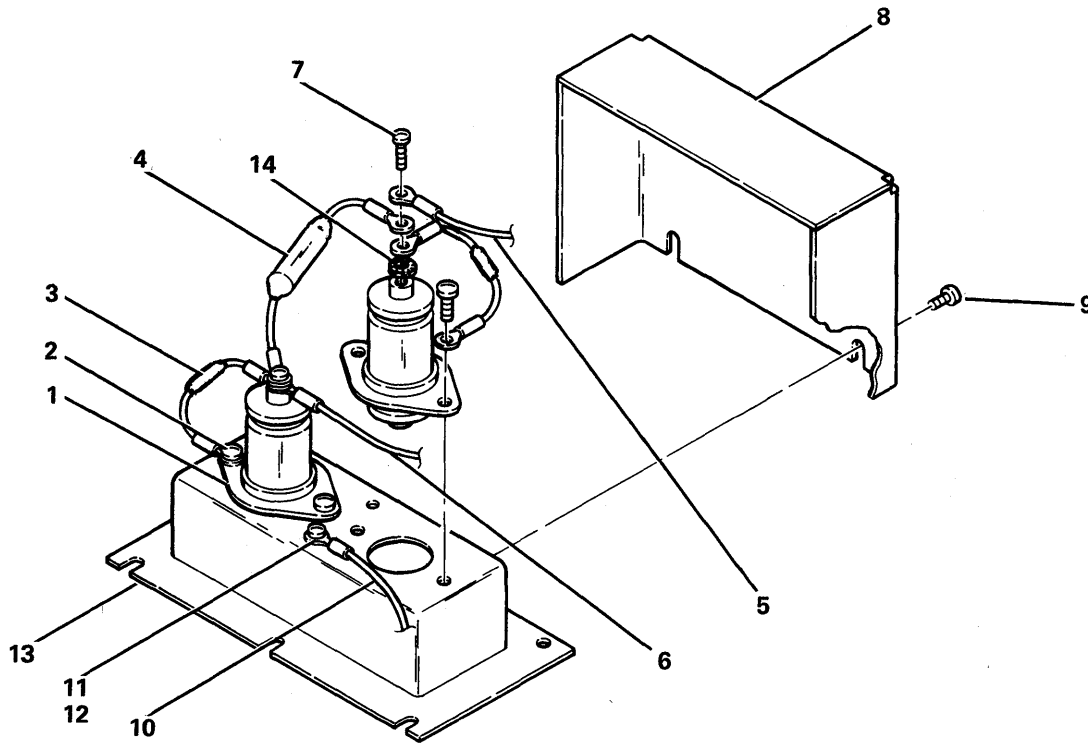


FIGURE 25. LINE FILTER ASM. SEE LIST 25.

FIGURE- INDEX NUMBER	PART NUMBER	UNITS PER ASM.	DESCRIPTION FOR FIGURE 25			
			1	2	3	4
25	5565197		LINE FILTER ASM FOR NEXT HIGHER ASM SEE LIST 3-39 FOR ILLUSTRATION SEE FIGURE 25			
-	1	4236662	2	• Capacitor, Feed Through		
-	2	1621181	4	• Screw, Mach-Slot Pan Hd M3.5 x .6 x 6 Lg		
-	3	5565198	2	• Resistor		
-	4	5565240	1	• Capacitor Asm		
-	5	5565158	1	• Jumper		
-	6	5565158	1	• Jumper		
-	7	32042	2	• Screw, Mach-Bind Hd 10-32 x 3/8 Lg		
-	8	5565174	1	• Cover		
-	9	7362385	2	• Screw, Thd-Form Wshr Hd M4 x .7 x 8 Lg		
-	10	5758961	1	• Jumper (G/Y)		
-	11	1621197	1	• Screw, Mach-Slotted Pan Hd M4 x .7 x 6 Lg		
-	12	1622346	1	• Washer, Lock-Ext Star 4.3 ID x 8 OD x .5 Thk		
-	13	5565171	1	• Chassis		
-	14	56121	2	• Washer, Lck-Int Star 4.95 ID x 9.68 OD x .64Thk		

FOR PARTS  
NOT SHOWN  
SEE FIG. 3

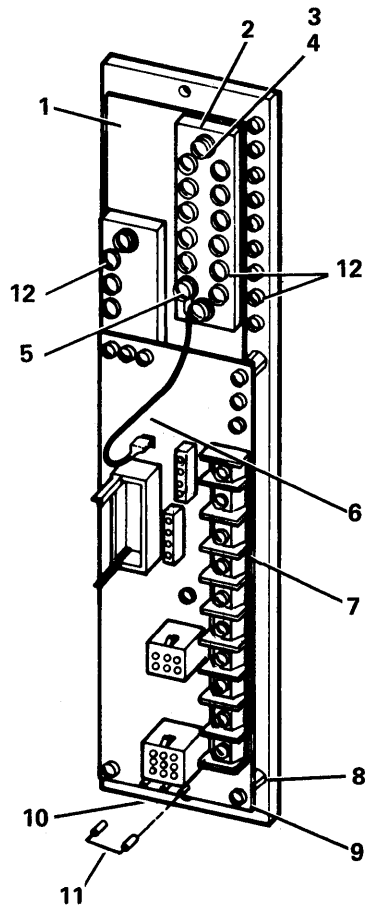


FIGURE 26. DISTRIBUTION ASM. SEE LIST 26.

FIGURE- INDEX NUMBER	PART NUMBER	UNITS PER ASM.	DESCRIPTION FOR FIGURE 26				
			1	2	3	4	
26	4176660		DISTRIBUTION ASM FOR NEXT HIGHER ASM SEE LIST 3-15 FOR ILLUSTRATION SEE FIGURE 26				
-	1	4176679	1	• Insulator			
-	2	4176661	1	• Plate			
-	3	333586	3	• Bushing			
-	4	332620	3	• Screw, Mach-Bind Hd 10-32 x 1/2 Lg			
-	5	236849	1	• Screw, Mach-Bind Hd 10-32 x 1/4 Lg			
-	6	5565281	1	• Jumper Asm			
-	7	4176658	1	• Board Asm			
-	8	565177	6	• Standoff			
-	9	58207	6	• Screw, Mach-Bind Hd 8-32 x 1/4 Lg			
-	10	4176678		• Plate			
-	11	4236756	1	• Jumper			
-	12	236849	23	• Screw, Mach-Bind Hd 10-32 x 1/4 Lg			



FOR PARTS  
NOT SHOWN  
SEE FIG. 3

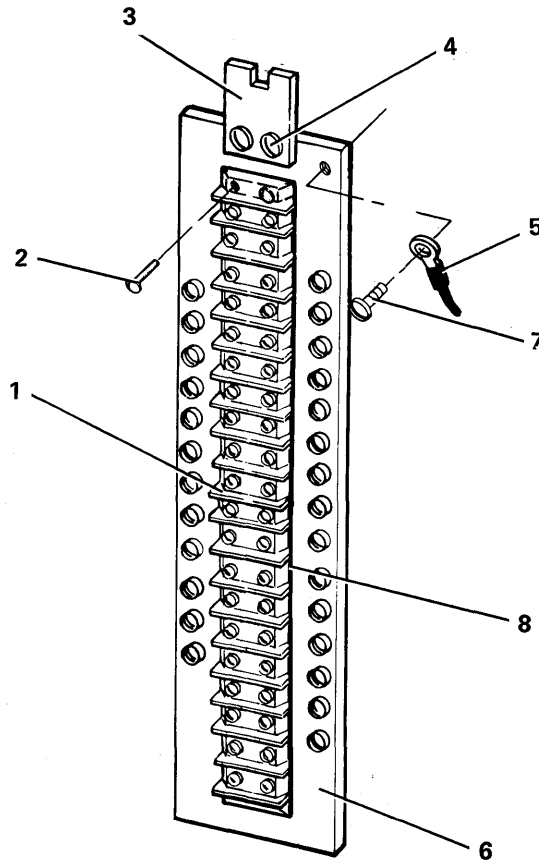


FIGURE 26A. FEATURE DISTRIBUTION ASM. SEE LIST 26A.

FIGURE- INDEX NUMBER	PART NUMBER	UNITS PER ASM.	DESCRIPTION FOR FIGURE 26A			
			1	2	3	4
26A	5565190		FEATURE DISTRIBUTION ASM FOR NEXT HIGHER ASM SEE LIST 3-15 FOR ILLUSTRATION SEE FIGURE 26A			
- 1	253220	1	• Terminal Block			
- 2	1621184	4	• Screw, Mach-Slotted PN Hd M3.5 x .6 x 12 Lg			
- 3	5565189	1	• Bracket			
- 4	1621197	2	• Screw, Pan Hd M4 x 6 Lg			
- 5	223486	1	• Jumper Asm			
- 6	5565191	1	• Ground Plate			
- 7	2549780	28	• Screw, Mach-Pan Hd M5 x .8 x 6 Lg			
- 8	365323	1	• Marker Strip			

THIS PAGE INTENTIONALLY LEFT BLANK

FOR PARTS  
NOT SHOWN  
SEE FIG. 3

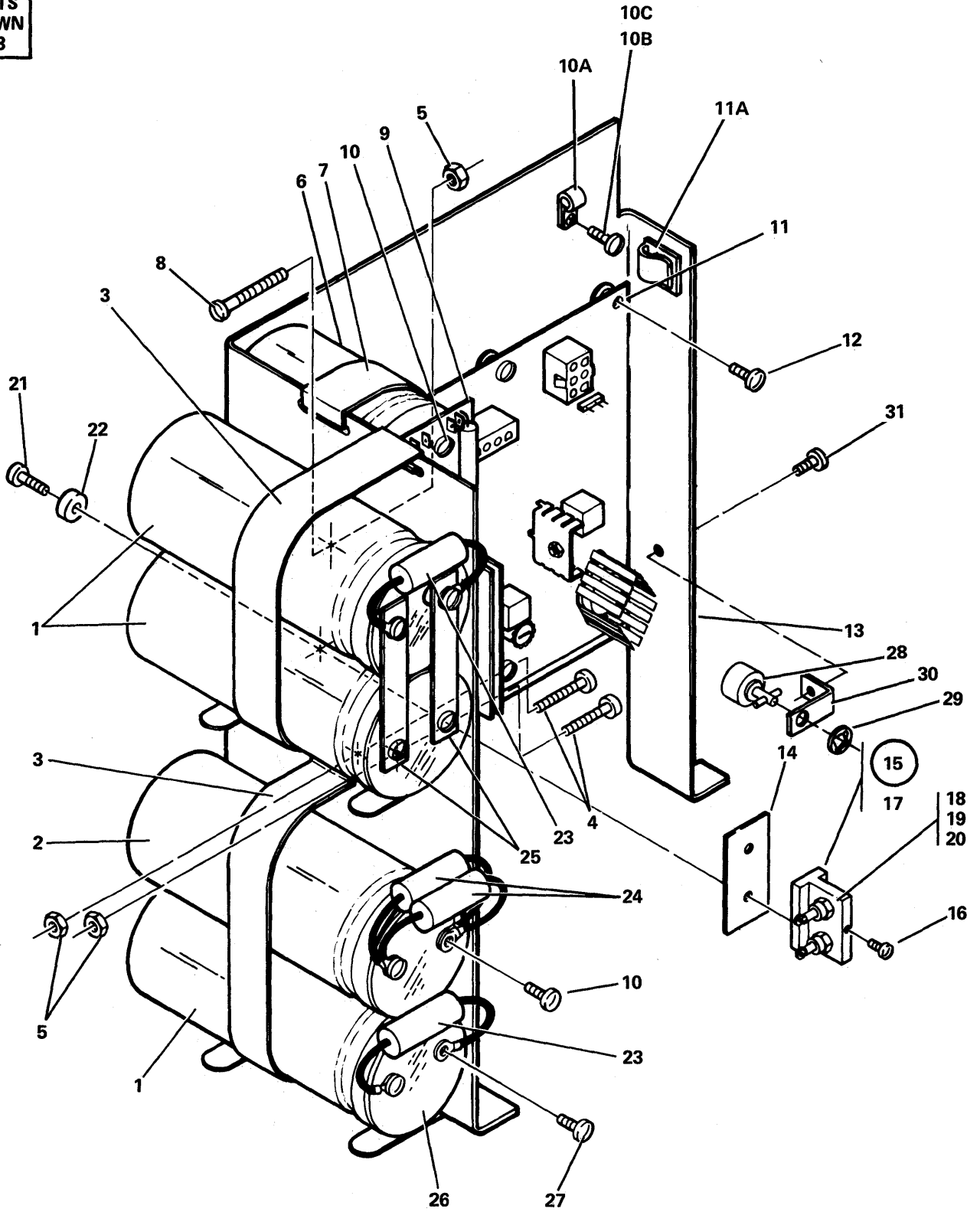


FIGURE 27. MULTI-LEVEL FILTER ASM. SEE LIST 27.

FIGURE- INDEX NUMBER	PART NUMBER	UNITS PER ASM.	DESCRIPTION FOR FIGURE 27			
			1	2	3	4
27	4176655		MULTI-LEVEL FILTER ASM FOR NEXT HIGHER ASM SEE LIST 3-32 FOR ILLUSTRATION SEE FIGURE 27			
- 1	5796430	3	• Capacitor			
- 2	5252740	1	• Capacitor			
- 3	5232806	2	• Strap			
- 4	438567	2	• Screw, Mach-Bind Hd 6-32 x 1 Lg			
- 5	5761943	3	• Nut And Lockwasher 6-32			
- 6	5214366	1	• Capacitor			
- 7	5761789	1	• Strap			
- 8	438570	1	• Screw, Mach-Bind Hd 6-32 x 1-1/2 Lg			
- 9	4176688	1	• Board Asm			
- 10	32042	8	• Screw, Mach-Bind Hd 10-32 x 3/8 Lg			
- 10 A	532393	1	• Tie, Cable			
- 10 B	186759	1	• Screw, Mach-Bind Hd 8-32 x 5/16 Lg			
- 10 C	600960	1	• Nut, Lock 8-32			
- 11	NO NO.	1	• Board Asm			
- 11 A	2596291	1	• Clip, Cable			
- 12	1621190	5	• Screw, Mach Slotted Pan Hd M4 x .7 x 8 Lg			
- 13	4176656	1	• Chassis			
- 14	5761979	3	• Insulator			
- 15	5565062	3	• Rectifier Asm			
- 16	10170	3	• Screw, Mach-Bind Hd No. 6-32 x 1/4 Lg			
- 17	5762383	1	• • Heatsink			
- 18	598479	2	• • Rectifier			
- 19	419131	2	• • Spacer			
- 20	602721	2	• • Nut, Lock-No. 10-32			
- 21	35739	6	• Screw, Mach-Bind Hd 6-32 x 7/16 Lg			
- 22	5232824	6	• Bushing			
- 23	589778	2	• Resistor Asm			
- 24	5565211	2	• Resistor Asm			
- 25	2572196	2	• Bus Bar			
- 26	631769	2	• Shield			
- 27	28413	2	• Screw, Mach-Bind Hd 10-32 x 5/16 Lg			
- 28	5428337	1	• Thermal Switch			
- 29	2588053	1	• Clip			
- 30	2449110	1	• Bracket			
- 31	221790	1	• Screw, Mach-Bind Hd 8-32 x 3/16 Lg			

FOR PARTS  
NOT SHOWN  
SEE FIG. 3

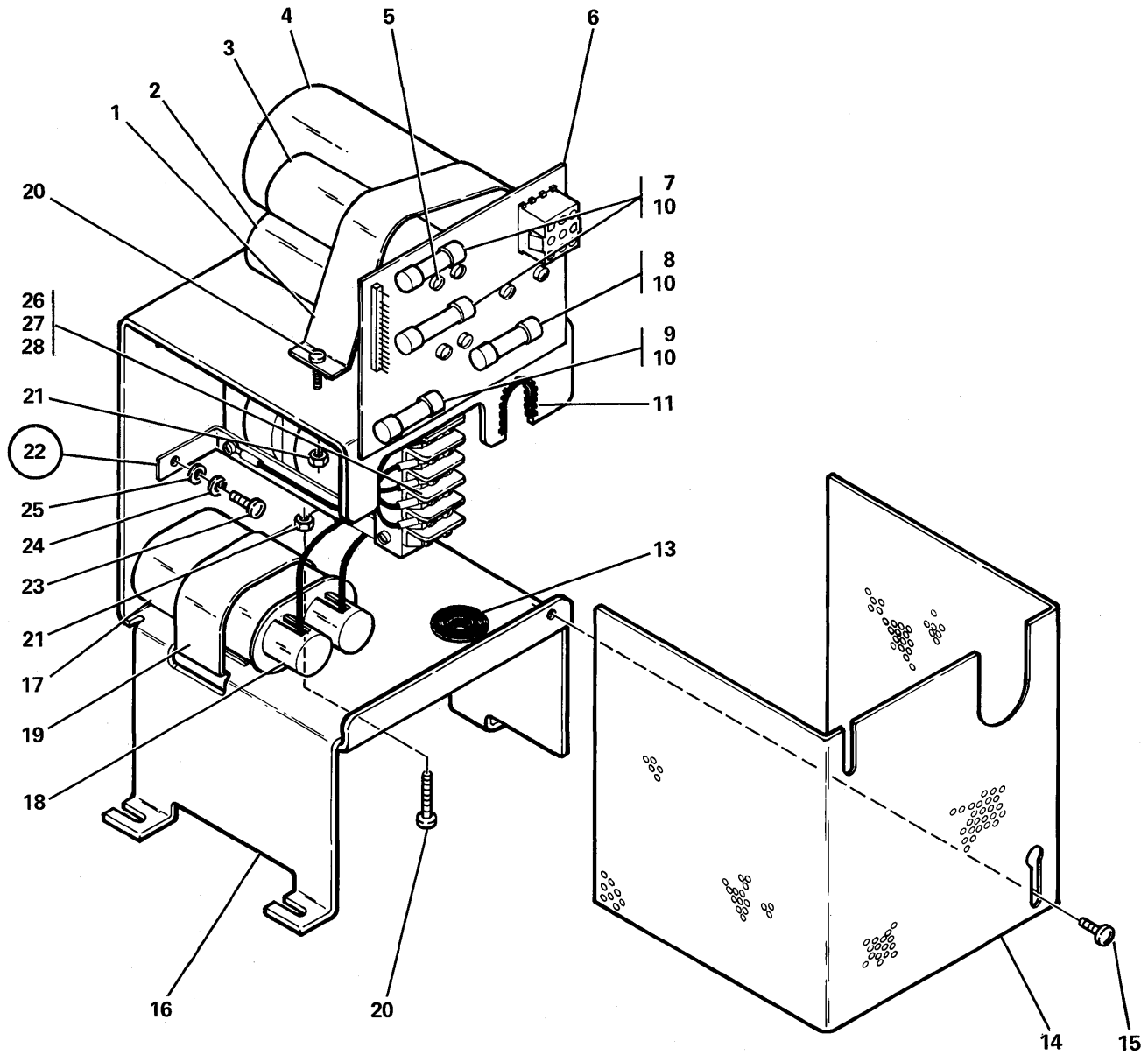


FIGURE 28. CONTROL POWER SUPPLY ASM. SEE LIST 28.

FIGURE- INDEX NUMBER	PART NUMBER	UNITS PER ASM.	DESCRIPTION FOR FIGURE 28			
			1	2	3	4
28	4176690	1	CONTROL POWER SUPPLY ASM, 60 HZ			
	4176694	1	CONTROL POWER SUPPLY ASM, 50 HZ FOR NEXT HIGHER ASM SEE LIST 3-30 FOR ILLUSTRATION SEE FIGURE 28			
- 1	5761784	1	• Strap			
- 2	5261370	1	• Capacitor,C4			
- 3	5252715	1	• Capacitor,C1			
- 4	5214966	1	• Capacitor,C3			
- 5	28413	6	• Screw,Mach-Bind Hd 10-32 x 5/16 Lg			
- 6	NO NO.	1	• Board, Asm			
- 7	855253	2	• Fuse, 1.0 Amp			
- 8	111257	1	• Fuse, 4.0 Amp			
- 9	855229	1	• Fuse, 0.3 Amp			
- 10	2517830	8	• Clip			
- 11	5565119	1	• Grommet			
- 13	123075	1	• Grommet			
- 14	5565114	1	• Cover			
- 15	1621190	2	• Screw,Mach-Slotted Pan Hd M4 x .7 x 8 Lg			
- 16	4176691	1	• Chassis			
- 17	5252837	1	• Capacitor,60 Hz-C5			
- 17	5252850	1	• Capacitor,50 Hz-C5			
- 18	526378	2	• Cover			
- 19	5565109	1	• Strap			
- 20	1621194	2	• Screw,Mach-Slotted Pan Hd M4 x .7 x 20 Lg			
- 21	1622403	2	• Nut,Hex Double Chamfer M4 x 7 Fl W x 3.2			
- 22	5565113	1	• Ferro Transformer,60 Hz-T1			
- 22	4119630	1	• Ferro Transformer,50 Hz-T1			
- 23	1621210	4	• Screw,Mach-Slotted Pan Hd M5 x .8 x 10 Lg			
- 24	1622319	4	• Washer,Lock-Spring 5.1 ID x 9.2 OD x 1.2			
- 25	1622305	4	• Washer,Flat 5.5 ID x 10 OD x 1 Thk			
- 26	317310	1	• • Terminal Block			
- 27	740554	1	• • Marker Strip			
- 28	35739	4	• • Screw,Mach-Bind Hd 6-32 x 7/16 Lg			

5340

FOR PARTS  
NOT SHOWN  
SEE FIG. 3

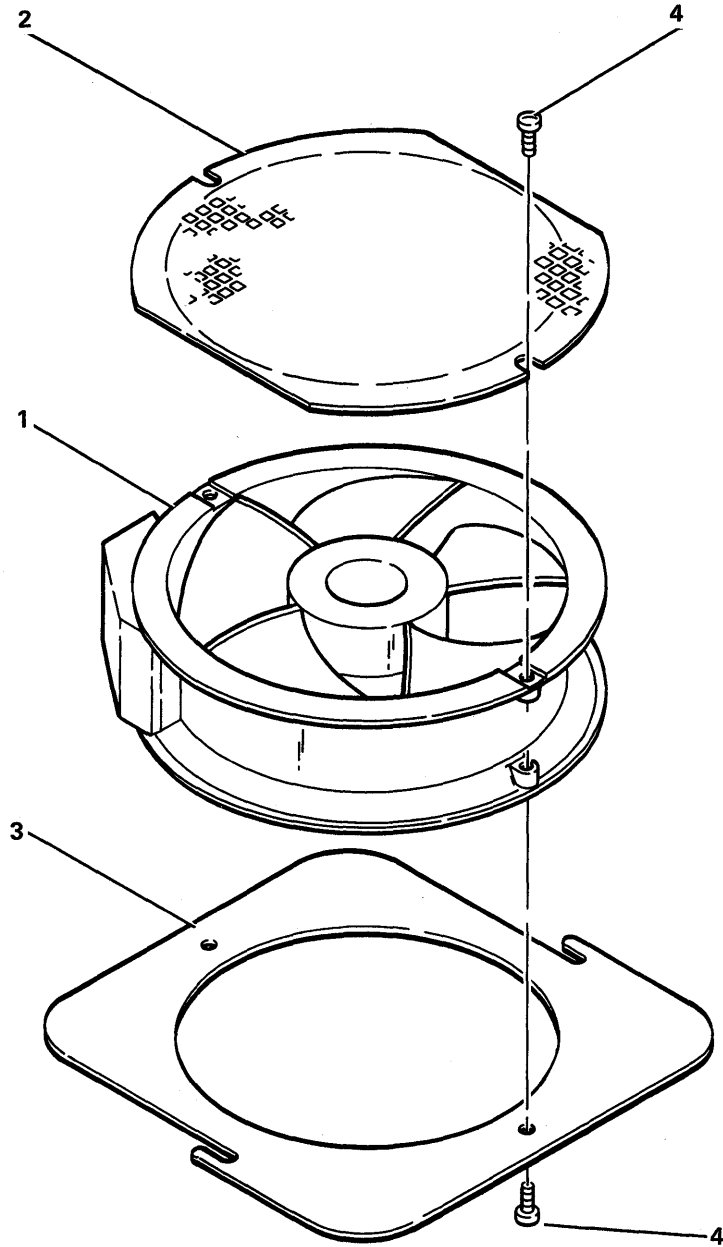


FIGURE 29. FAN ASM. SEE LIST 29.





FOR PARTS  
NOT SHOWN  
SEE FIG. 3

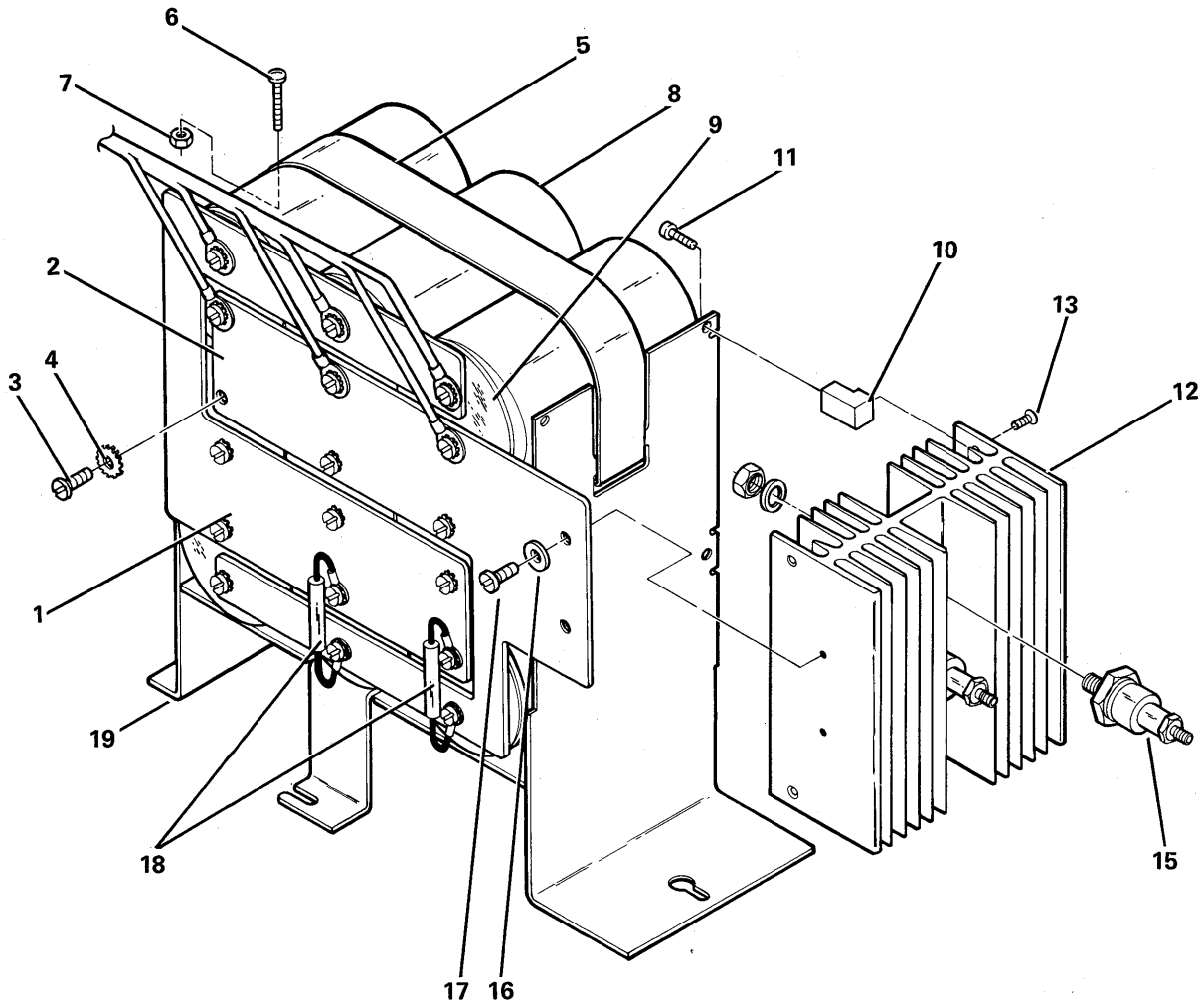


FIGURE 30. 5V FILTER ASM. SEE LIST 30.

FIGURE- INDEX NUMBER	PART NUMBER	UNITS PER ASM.	DESCRIPTION FOR FIGURE 30			
			1	2	3	4
30	4176665		5 V FILTER ASM FOR NEXT HIGHER ASM SEE LIST 3-36 FOR ILLUSTRATION SEE FIGURE 30			
- 1	4176667	1	• Bus Bar			
- 2	4176668	1	• Bus Bar			
- 3	32617	18	• Screw,Mach-Bind Hd 10-32 NF x 7/16 Lg			
- 4	56079	18	• Washer,Lock-Ext T 0.195 ID 0.410 OD			
- 5	2296324	1	• Strap			
- 6	438567	1	• Screw,Mach-Bind Hd 6-32 x 1 Lg			
- 7	5761943	1	• Nut And Lockwasher 6-32			
- 8	1646686	9	• Capacitor			
- 9	631769	9	• Shield			
- 10	5762034	4	• Insulator			
- 11	91610	4	• Screw,Thd Ctg-Bind Hd No. 6 x 1/2 Lg			
- 12	4176669	1	• Heatsink			
- 13	255629	4	• Screw,Thd Ctg-Flat Csk Hd No. 6 x 1.2 Lg			
- 15	5214179	2	• Rectifier			
- 16	45690	2	• Washer,Flat No. 10 x 7/16 OD x 1/32 Thk			
- 17	1621190	2	• Screw,Mach-Slotted Pan Hd M4 x .7 x 8lg			
- 18	5564735	2	• Resistor Asm			
- 19	4176666	1	• Chassis			

FOR PARTS  
NOT SHOWN  
SEE FIG. 3

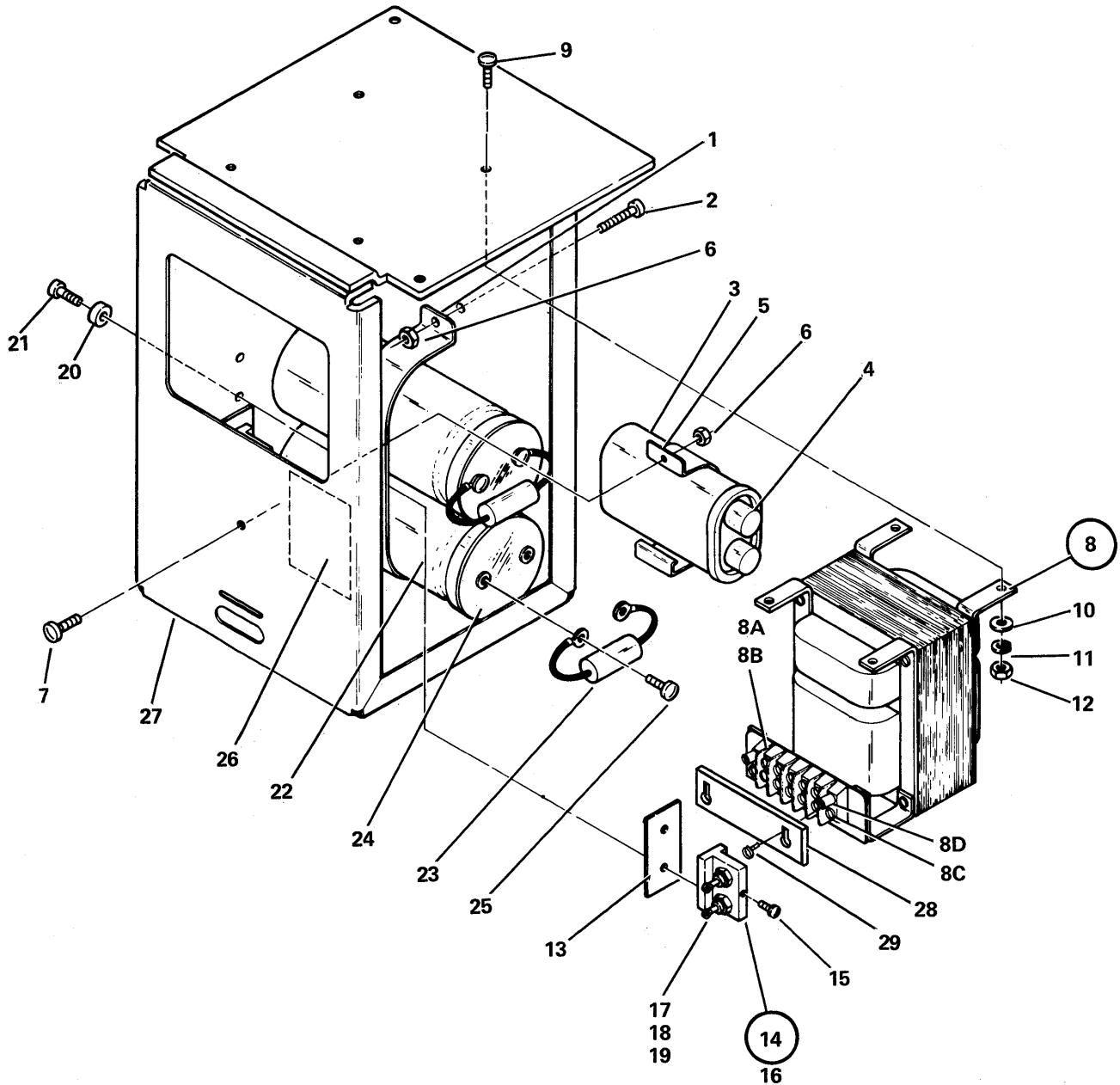


FIGURE 31. POWER SUPPLY-A ASM. SEE LIST 31.

FIGURE- INDEX NUMBER	PART NUMBER	UNITS PER ASM.	DESCRIPTION FOR FIGURE 31			
			1	2	3	4
31	4176670 4176675		POWER SUPPLY-A ASM, 60 HZ POWER SUPPLY-A ASM, 50HZ FOR NEXT HIGHER ASM SEE LIST 3-1			
			FOR ILLUSTRATION SEE FIGURE 31			
- 1	5761783	1	• Strap			
- 2	438570	1	• Screw,Mach-Bind Hd 6-32 x 1-1/2 Lg			
- 3	5252868	1	• Capacitor,C3			
- 4	526378	2	• Shield			
- 5	5565109	1	• Strap			
- 6	5761943	2	• Nut And Lockwasher 6-32			
- 7	322551	1	• Screw,Mach-Bind Hd 6-32 x 3/4 Lg			
- 8	4176673	1	• Transformer,60 Hz			
- 8	4176674	1	• Transformer,50 Hz			
- 8 A	317310	1	• • Terminal Block			
- 8 B	740554	1	• • Marker Strip			
- 8 C	35739	2	• • Screw,Mach-Bind Hd 6-32 x 7/16 Lg			
- 8 D	5261627	2	• • Stud			
- 9	1621211	4	• Screw,Mach-Slotted Pan Hd M5 x .8 x 12 Lg			
- 10	1622305	4	• Washer,Flat 5.5 ID x 10 OD x 1 Thk			
- 11	1622319	4	• Washer,Lock-Spring 5.1 ID x 9.2 OD x 1.2			
- 12	1622404	4	• Nut,Hex-Double Chamfer M5 x 8 FI W x 4			
- 13	5761979	2	• Insulator			
- 14	5565062	2	• Rectifier Asm			
- 15	10170	2	• Screw,Mach-Bind Hd No. 6-32 x 1/4 Lg			
- 16	5762383	1	• • Heatsink			
- 17	598479	2	• • Rectifier			
- 18	419131	2	• • Spacer			
- 19	602721	2	• • Nut,Lock-No. 10-32			
- 20	5232824	4	• Bushing			
- 21	35739	4	• Screw,Mach-Bind Hd 6-32 x 7/16 Lg			
- 22	5214963	2	• Capacitor,C1,C2			
- 23	589778	2	• Resistor Asm			
- 24	5240477	2	• Shield			
- 25	28413	4	• Screw,Mach-Bind Hd 10-32 x 5/16 Lg			
- 26	2582954	1	• Label,			
- 27	4176671	1	• Chassis			
			The Following Parts Are Not Part Of This Assembly			
- 28	5236656	1	• Shield			
- 29	10170	2	• Screw,Mach-Bind Hd 6-32 x 1/4 Lg			

FOR PARTS  
NOT SHOWN  
SEE FIG. 3

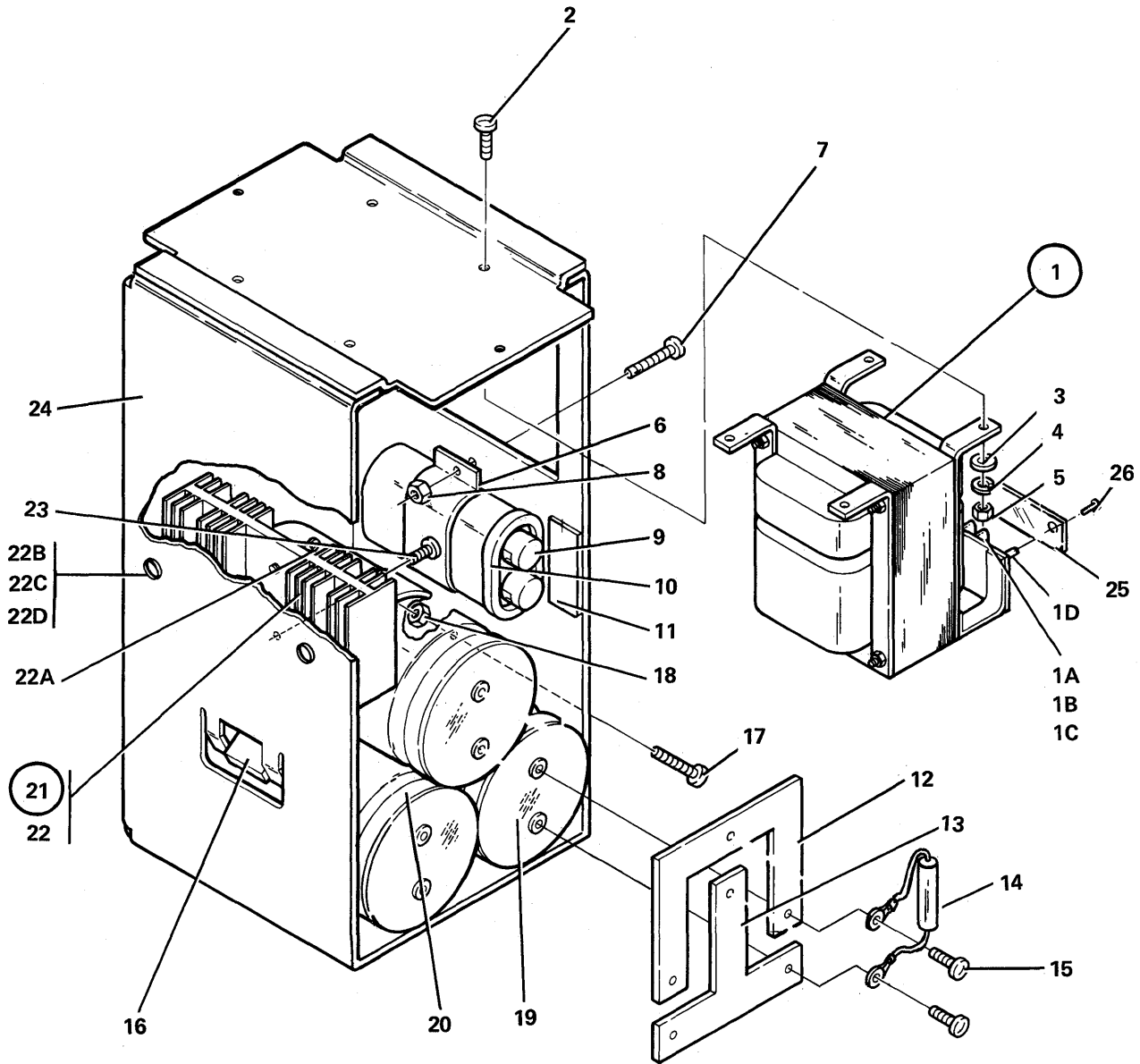


FIGURE 31A. POWER SUPPLY-B ASM. SEE LIST 31A.

FIGURE- INDEX NUMBER	PART NUMBER	UNITS PER ASM.	DESCRIPTION FOR FIGURE 31A			
			1	2	3	4
31A	4176680 4176685		POWER SUPPLY-B ASM, 60 HZ POWER SUPPLY-B ASM, 50 HZ FOR NEXT HIGHER ASM SEE LIST 3-1A			
			FOR ILLUSTRATION FIGURE 31A			
- 1	4176683	1	• Transformer,60 Hz			
- 1	4176684	1	• Transformer,50 Hz			
- 1 A	317310	1	• • Terminal Block			
- 1 B	740554	1	• • Marker Strip			
- 1 C	35739	2	• • Screw,Mach-Bind Hd 6-32 x 7/16 Lg			
- 1 D	5261627	2	• • Stud			
- 2	1621211	4	• Screw,Mach-Slotted Pan Hd M5 x 12mm Lg			
- 3	1622305	4	• Washer,Flat 5.5 ID x 10 OD x 1 Thk			
- 4	1622319	4	• Washer,Lock-Split 5.1 ID x 9.2 OD x 1.2 Thk			
- 5	1622404	4	• Nut,Hex M5 x 8 Fl W x 4 Thk			
- 6	5565109	1	• Strap			
- 7	322551	1	• Screw,Mach-Bind Hd 6-32 x 3/4 Lg			
- 8	5761943	1	• Nut And Lock Washer 6-32			
- 9	526378	2	• Shield			
- 10	5252868	1	• Capacitor			
- 11	2582954	1	• Label			
- 12	4176687	1	• Bus Bar			
- 13	4176686	1	• Bus Bar			
- 14	5564735	1	• Resistor Asm			
- 15	32042	6	• Screw,Mach-Bind Hd 10-32 x 3/8 Lg			
- 16	5761905	1	• Strap			
- 17	438570	1	• Screw,Mach-Bind Hd 6/32 x 1-1/2 Lg			
- 18	5761943	1	• Nut And Lock Washer 6-32			
- 19	631769	3	• Shield			
- 20	1646686	3	• Capacitor			
- 21	5565234	1	• Rectifier Asm			
- 22	5565235	1	• • Heatsink			
- 22 A	127324	2	• • Rectifier			
- 22 B	79779	2	• • Screw,Thd-Form.Bind Hd 6-32 x 3/4 Lg			
- 22 C	473531	2	• • Insulator			
- 22 D	91610	2	• Screw,Thd-Ctg Bd Hd No. 6 x 1/2 Lg			
- 23	28413	1	• Screw,Mach-Bind Hd 10-32 x 5/16 Lg			
- 24	4176681	1	• Chassis			
			The Following Parts Are Not Part Of This Assembly			
- 25	5236656	1	• Shield			
- 26	10170	2	• Screw,Mach-Bind Hd 6-32 x 1/4 Lg			

FOR PARTS  
NOT SHOWN  
SEE FIG. 3

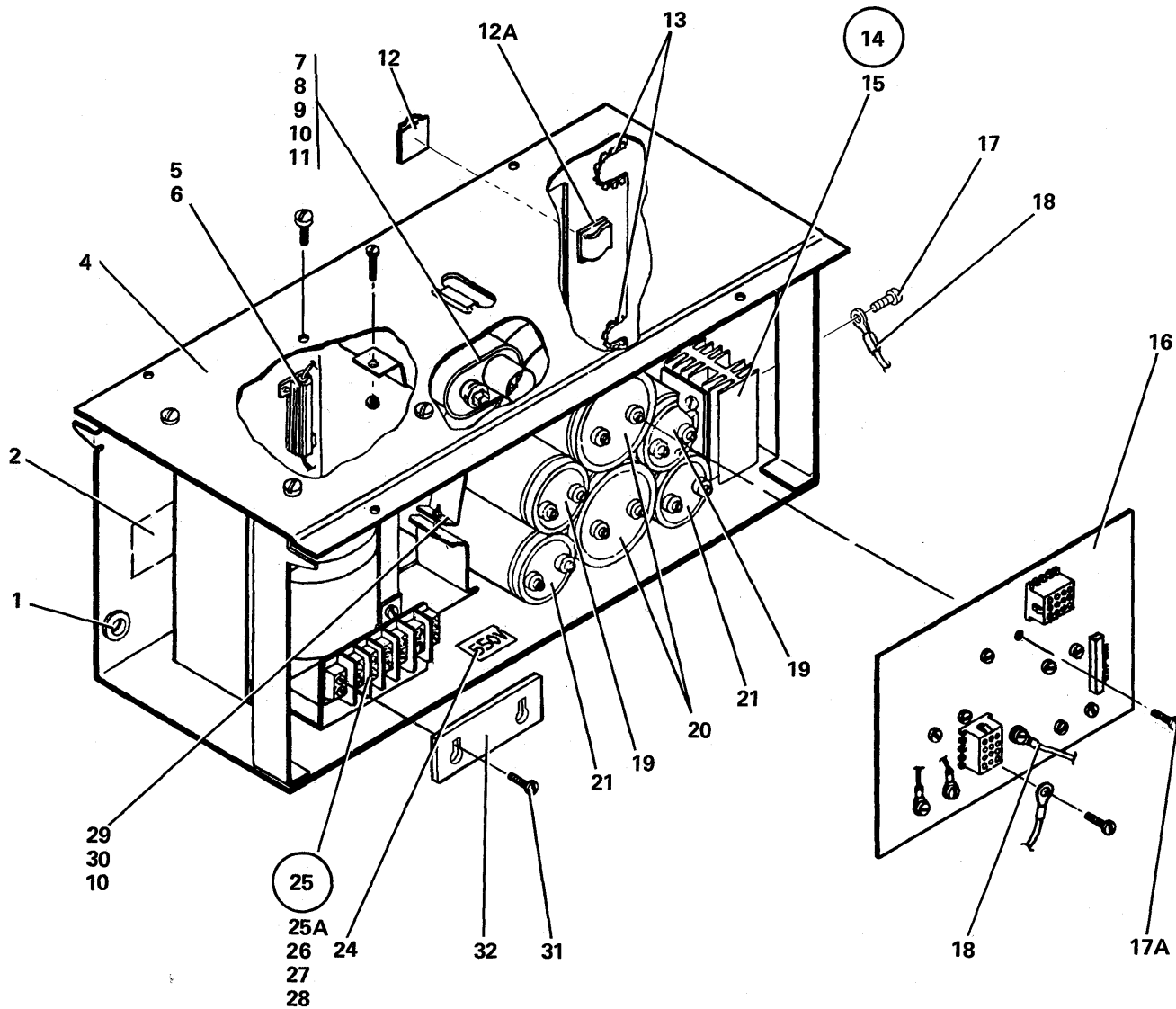


FIGURE 31B. POWER SUPPLY-C ASM.(MLCA) SEE LIST 31B.

FIGURE- INDEX NUMBER	PART NUMBER	UNITS PER ASM.	DESCRIPTION FOR FIGURE 31B			
			1	2	3	4
31B	5565223 5565224		POWER SUPPLY - C ASM, 60 HZ POWER SUPPLY - C ASM, 50 HZ FOR NEXT HIGHER ASM SEE LIST 3-56 FOR ILLUSTRATION FIGURE 31B			
- 1	123075	1	• Grommet			
- 2	5564498	1	• Label			
- 4	5565251	1	• Chassis			
- 5	5565087	1	• Resistor Asm.			
- 6	251970	2	• Screw, Mach-Bind Hd 4-40 x 1/4 Lg			
- 7	5252840	1	• Capacitor, 50 Hz			
- 7	8279051	1	• Capacitor, 60 Hz			
- 8	5761788	1	• Strap, 50 Hz			
- 8	5761786	1	• Strap, 60 Hz			
- 9	321483	1	• Screw, Mach-Bind Hd 8-32 x 1 Lg			
- 10	600960	2	• Nut, Lock-No. 8-32			
- 11	526378	2	• Insulator			
- 12	2596293	1	• Clamp			
- 12 A	2596291	1	• Clamp			
- 13	730432	2	• Grommet			
- 14	5565234	1	• Rectifier Asm			
- 14 A	5565235	1	• Heatsink			
- 14 B	127324	2	• Rectifier			
- 14 C	79779	2	• Screw, Thd-Form Bind Hd 6-32 x 3/4 Lg			
- 14 D	473531	2	• Insulator			
- 15	91610	2	• Screw, Thd Ctg-Bind Hd No. 6 x 1/2 Lg			
- 16	NO NO.	1	• Board Asm			
- 17	28413	1	• Screw, Mach-Bind Hd 10-32 x 5/16 Lg			
- 17 A	32042	12	• Screw, Mach-Bind Hd 10-32 x 3/8 Lg			
- 18	5565052	1	• Jumper Asm			
- 19	5252514	2	• Capacitor			
- 20	5616823	2	• Capacitor			
- 21	5214180	2	• Capacitor			
- 24	2767640	1	• Label			
- 25	5565253	1	• Transformer, 60 Hz			
- 25	5565254	1	• Transformer, 50 Hz			
- 25 A	317310	1	• Terminal Block			
- 26	740554	1	• Marker Strip			
- 27	35739	2	• Screw, Mach-Bind Hd 6-32 x 7/16 Lg			
- 28	5261627	2	• Stud			
- 28 A	1621211	4	• Screw, Mach-Slotted Pan Hd M5 x .8 x 12 Lg			
- 28 A	1622305	4	• Washer, Flat 5.5 ID x 10 OD x 1 Thk			
- 28 A	1622319	4	• Washer, Lock-Split 5.1 ID x 9.2 OD x 1.2			
- 28 A	1622404	4	• Nut, Hex M5 x 8 Fl W			
- 29	2296325	1	• Strap			
- 30	321483	1	• Screw, Mach-Bind Hd 8-32 x 1 Lg			
- 30			The Following Parts Are Not			
- 30			Part Of This Assembly			
- 31	10170	2	• Screw, Mach-Bind Hd 6-32 x 1/4 Lg			
- 32	5236656	1	• Shield			



FOR PARTS  
NOT SHOWN  
SEE FIG. 3

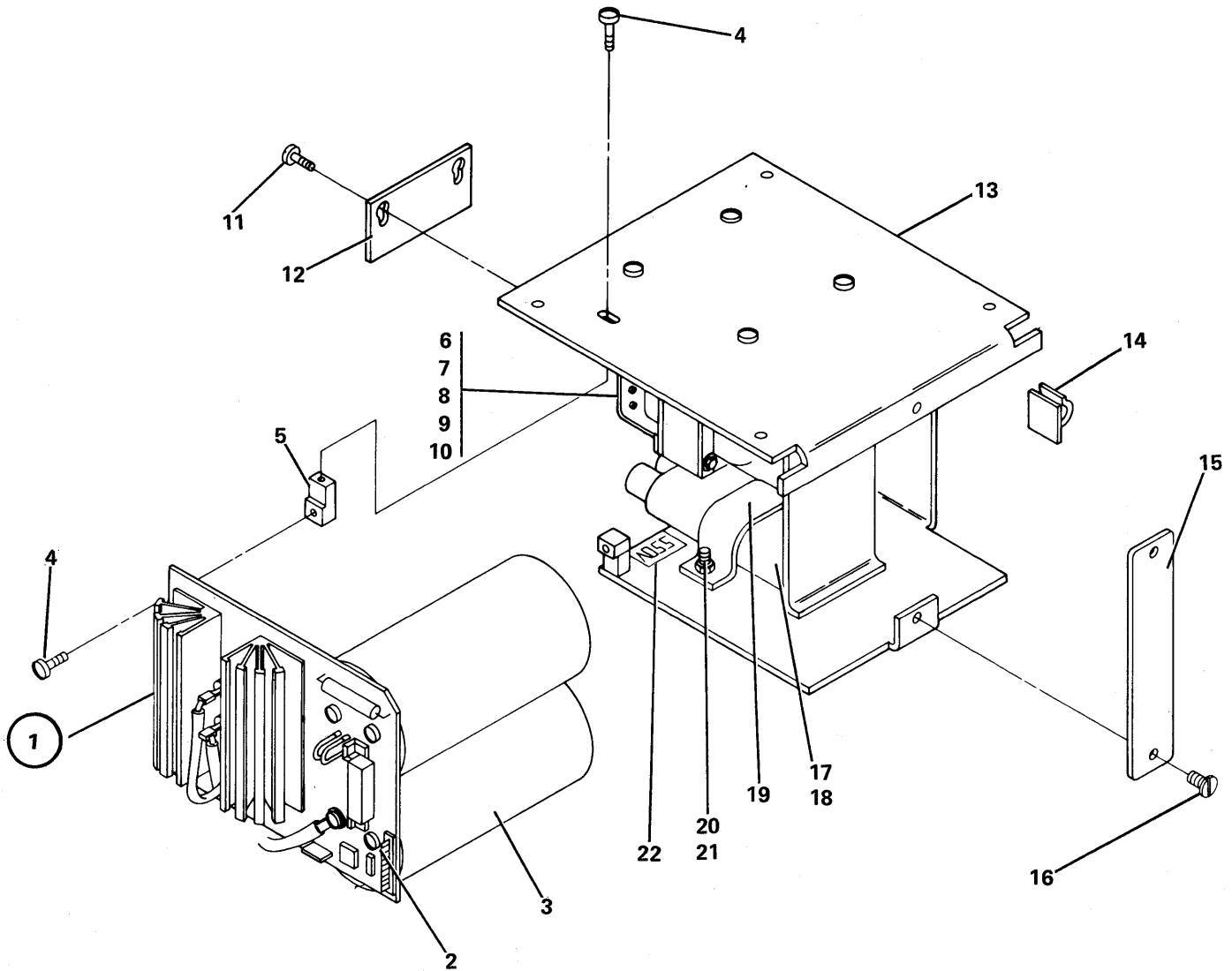


FIGURE 31C. POWER SUPPLY-D ASM. SEE LIST 31C.

FIGURE- INDEX NUMBER	PART NUMBER	UNITS PER ASM.	DESCRIPTION FOR FIGURE 31C			
			1	2	3	4
31C	5565050 5565095		POWER SUPPLY-D ASM, 60 HZ POWER SUPPLY-D ASM, 50 HZ FOR NEXT HIGHER ASM SEE LIST 3-58 FOR ILLUSTRATION FIGURE 31C			
- 1	5565092 NP	1	• Board Asm			
- 2	32617	2	• • Screw,Mach-Bind Hd 10-32 NF x 7/16 Lg			
- 3	5616823	2	• • Capacitor			
- 4	91610	4	• Screw,Thd-Form Bind Hd No.6 x 1/2 Lg			
- 5	5762034	2	• Insulator			
- 6	5565093	1	• Transformer, 60 Hz			
- 6	5565094	1	• Transformer, 50 Hz			
- 7	1621211	4	• Screw,Mach-Slot Pan Hd M5 x 12MM Lg			
- 8	1622305	4	• Washer,Flat 5.5 ID x 10 OD x 1 Thk			
- 9	1622319	4	• Washer,Lock-Spring 5.1 ID x 9.2 OD x 1.2 Thk			
- 10	1622404	4	• Nut,Hex-Double Chamfer M5 x 8 Fl W x 4 Thk			
- 13	5565091	1	• Chassis			
- 14	2596291	1	• Clamp			
- 15	5565098	1	• Bracket			
- 16	1621060	2	• Screw,Mach-Slot Fil Hd M4 x 8MM Lg			
- 17	5252868	1	• Capacitor, 3 Uf			
- 18	526378	2	• Insulator			
- 19	5564929	1	• Strap, Capacitor			
- 20	322065	1	• Screw,Mach-Bind Hd 6-32 x 5/8 Lg			
- 21	5761943	1	• Nut and Lockwasher 6-32			
- 22	2767640	1	• Label			
			The Following Parts Are Not Part of this Assembly			
- 11	5236656	1	• Shield			
- 12	10170	2	• Screw,Mach-Bind Hd 6-32 x 1/4 Lg			

FOR PARTS  
NOT SHOWN  
SEE FIG. 1

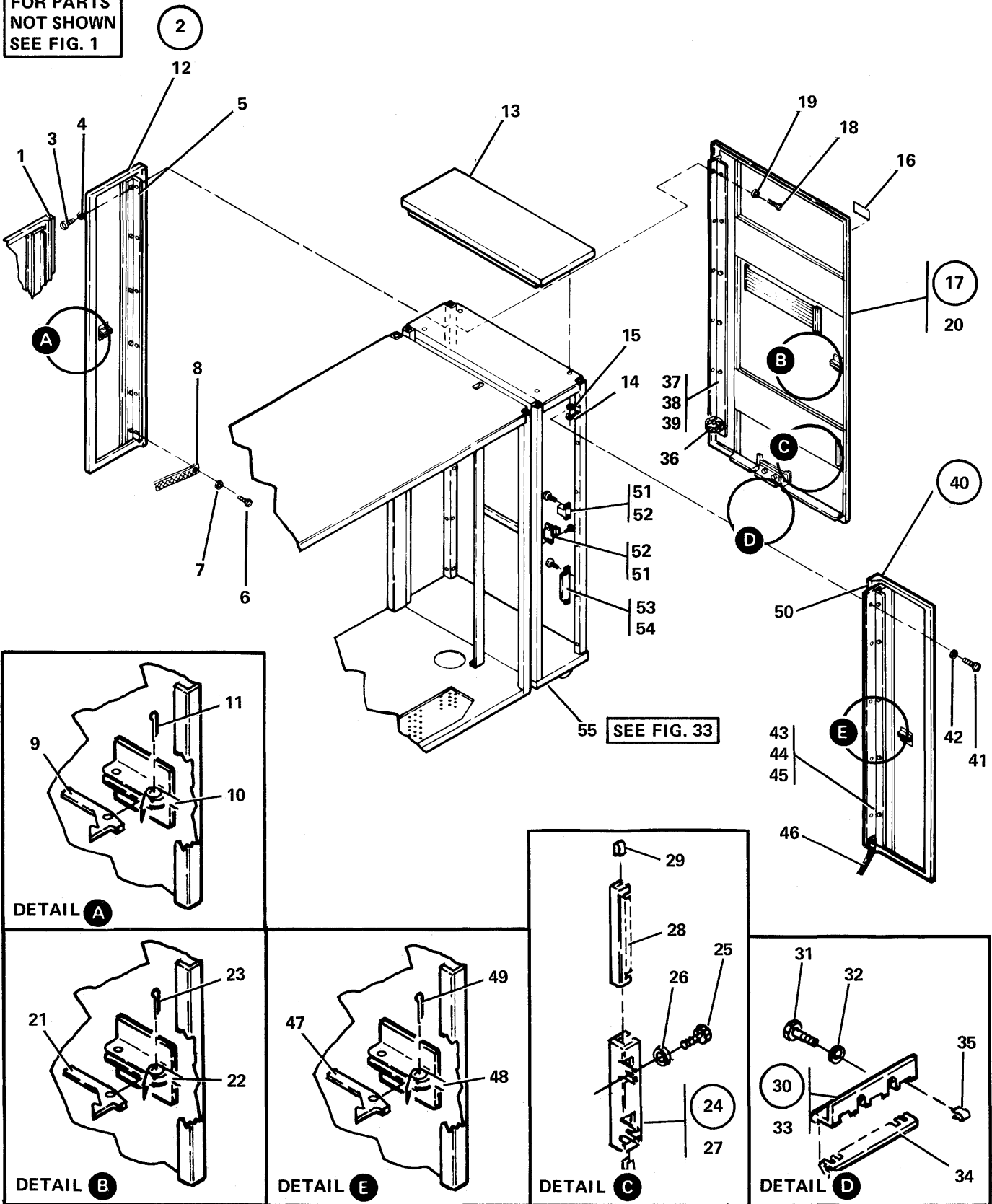


FIGURE 32. TRAILER COVERS AND HARDWARE ASM. SEE LIST 32.

FIGURE- INDEX NUMBER	PART NUMBER	UNITS PER ASM.	DESCRIPTION FOR FIGURE 32			
			1	2	3	4
32	NO NO. NP		TRAILER COVERS AND MOUNTING HARDWARE FOR NEXT HIGHER ASM SEE LIST 1-57 FOR ILLUSTRATION FIGURE 32			
- 1	8265272	2	• Guard			
- 2	8265232	1	• Cover Asm, Left Rear			
- 3	4236318	6	• Screw, Thd-Form Hex Wshr Hd M5 x .8 x 12-.8 Lg			
- 4	600395	6	• Washer, Flat 13/64 ID x 3/4 OD x 3/32 Thk			
- 5	4236284	1	• • Hinge			
- 6	4236318	6	• • Screw, Thd-Form Hex Wshr Hd M5 x 12 Lg			
- 7	600395	6	• • Washer, Flat 13/64 ID x 3/4 OD x 3/32 Thk			
- 8	2101089	1	• • Ground Strap			
- 9	8265098	1	• • Latch			
- 10	2546384	1	• • Spring			
- 11	35868	1	• • Pin, Cotter			
- 12	8265233	1	• • Cover, Left Rear			
- 13	8265236	1	• Cover, Top Rear			
- 14	1622404	4	• Nut, Hex-Dble Chamfer M5 x 8 Fl W 4 Thk			
- 15	600395	4	• Washer, Flat 13/64 ID x 3/4 OD x 3/32 Thk			
- 16	8112302	1	• Plate, Chile, Mexico, Peru			
- 16	8112301	1	• Plate, Guatemala			
- 17	8265147	1	• Cover Asm, Back			
- 18	4236318	6	• Screw, Thd-Form Hex Wshr Hd M5 x .8 x 12-.8 Lg			
- 19	600395	6	• Washer, Flat 13/64 ID x 3/4 OD x 3/32 Thk			
- 20	4236294	1	• • Cover, Back			
- 21	2546367	1	• • Latch			
- 22	2546384	1	• • Spring			
- 23	35868	1	• • Pin, Cotter			
- 24	4236752	1	• • Bracket Asm			
- 25	1621811	2	• • Screw, Thd-Form Hex Wshr Hd M4 x .7 x 10 Lg			
- 26	600395	2	• • Washer, Flat 13/64 ID x 3/4 OD x 3/32 Thk			
- 27	4236693	1	• • • Bracket			
- 28	2537028	1	• • • Finger Stock			
- 29	2590081	2	• • • Clip			
- 30	2546721	1	• • Finger Stock Asm			
- 31	4236318	2	• • Screw, Thd-Form Hex Wshr Hd M5 x .8 x 12-.8 Lg			
- 32	600395	2	• • Washer, Flat 13/64 ID x 3/4 OD x 3/32 Thk			
- 33	2546720	1	• • • Bracket			
- 34	2546625	1	• • • Finger Stock			
- 35	2590081	2	• • • Clip			
- 36	2101089	1	• • Ground Strap			
- 37	4236283	1	• • Hinge			
- 38	4236318	6	• • Screw, Thd-Form Hex Wshr Hd M5 x .8 x 12-.8 Lg			
- 39	600395	6	• • Washer, Flat 13/64 ID x 3/4 OD x 3/32 Thk			
- 40	8265234	1	• Cover Asm, Right Rear			
- 41	4236318	6	• Screw, Thd-Form Hex Wshr Hd M5 x .8 x 12-.8 Lg			
- 42	600395	6	• Washer, Flat 13/64 ID x 3/4 OD x 3/32 Thk			
- 43	4236284	1	• • Hinge			
- 44	4236318	6	• • Screw, Thd-Form Hex Wshr Hd M5 x .8 x 12-.8 Lg			
- 45	600395	6	• • Washer, Flat 13/64 ID x 3/4 OD x 3/32 Thk			
- 46	2101089	1	• • Ground Strap			
- 47	8265098	1	• • Latch			
- 48	2546384	1	• • Spring			
- 49	35868	1	• • Pin, Cotter			
- 50	8265235	1	• • Cover, Right Rear			
- 51	2546385	3	• Catch			
- 52	4236318	6	• Screw, Thd-Form Hex Wshr Hd M5 x .8 x 12-.8 Lg			
- 53	4236750	1	• Bracket			
- 54	4236318	2	• Screw, Thd-Form Hex Wshr Hd M5 x .8 x 12-.8 Lg			
- 55	NO NO. NP		• Trailer 62PC Mounting Asm			
- 55			For Detail Breakdown See List 33			

FOR PARTS  
NOT SHOWN  
SEE FIG. 32

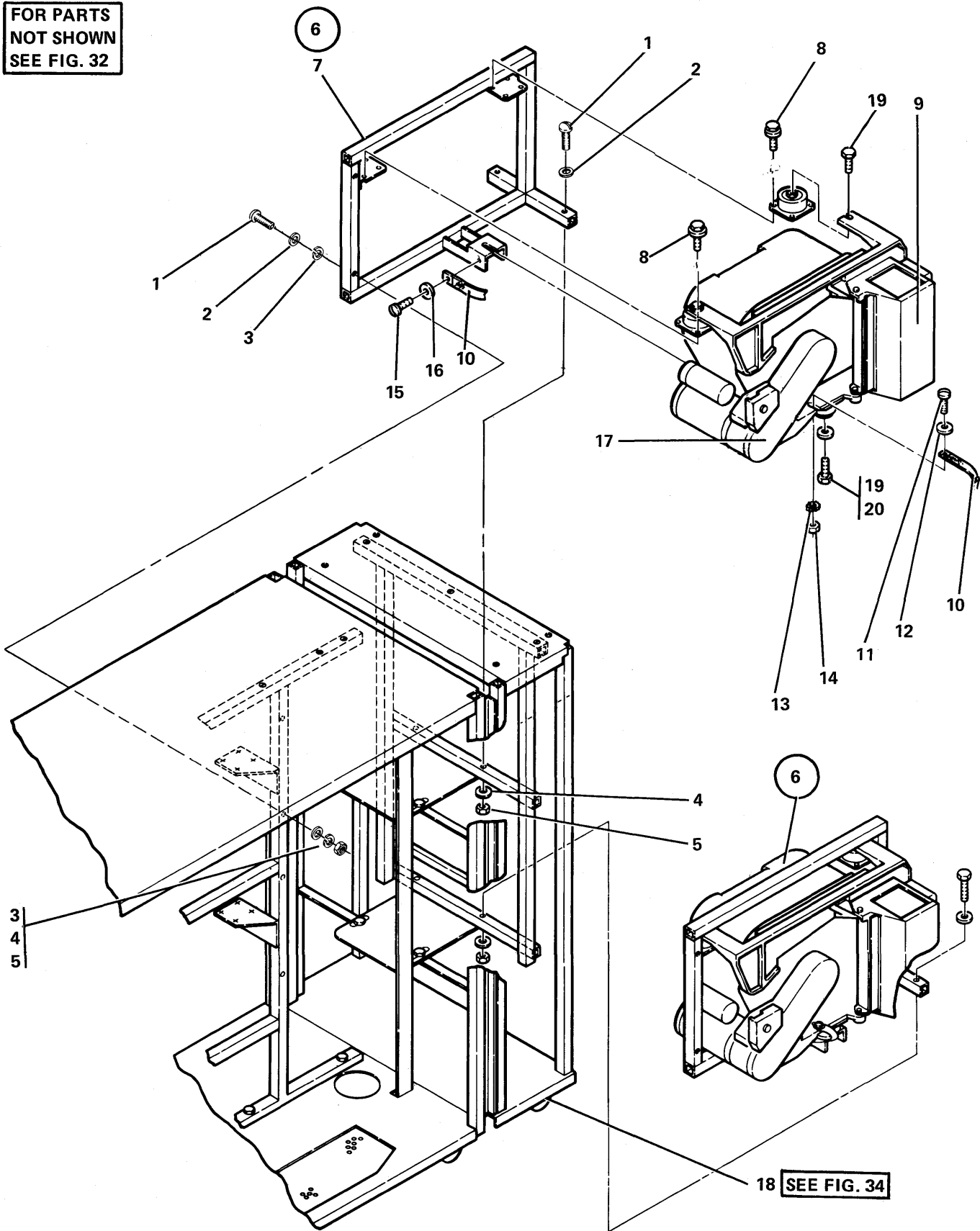


FIGURE 33. TRAILER 62PC MOUNTING ASM. SEE LIST 33.

FIGURE- INDEX NUMBER	PART NUMBER	UNITS PER ASM.	DESCRIPTION FOR FIGURE 33			
			1	2	3	4
33	NO NO. NP		TRAILER, 62PC MOUNTING FOR NEXT HIGHER ASM SEE LIST 32-55 FOR ILLUSTRATION FIGURE 33			
- 1	1621606	8	• Screw, Hex Cap Hd M6 x 1 x 65 Lg			
- 2	1622306	8	• Washer, Flat 6.6 ID x 12.5 OD x 1.6 Thk			
- 3	1622348	4	• Washer, Lock-Ext Star 6.4 ID x 11 OD x .7			
- 4	1622419	8	• Nut, Hex Lock M6			
- 5	1622306	8	• Washer, Flat 6.6 ID x 12.5 OD x 1.6 Thk			
- 6	8265226	2	• 62PC Sub Asm, 60 Hz			
- 6	8265241	2	• 62PC Sub Asm, 50 Hz			
- 7	8265227	1	• • Frame			
- 8	1621811	8	• • Screw, Thd-Form Hex Wshr Hd M4 x 10 Lg			
- 9	5145750	1	• • 62PC Disk Drive Asm, 60 Hz			
- 9	5145756	1	• • 62PC Disk Drive Asm, 50 Hz			
- 9			For Detail Breakdown See List 8B			
- 10	2101089	1	• • Ground, Strap			
- 11	1621596	1	• • Screw, Slot-Flat Hd M6 x 40 Lg			
- 12	3550	1	• • Washer, Flat 1/4 x 9/16 OD x 1/16 Thk			
- 13	1622348	1	• • Washer, Lock-Ext Star 6.4 ID x 11 OD x .7 Thk			
- 14	1622405	1	• • Nut, Hex M6 x 10 Fl W x 5 Thk			
- 15	4236318	1	• • Screw, Thd-Form Hex Wshr Hd M5 x 12 Lg			
- 16	600395	1	• • Washer, Flat 13/64 ID x 3/4 OD x 3/32 Thk			
- 17	8265252	1	• • Guard, Belt			
- 18	NO NO. NP	1	• Feature Power-G			
- 19	234341	3	• • Screw and Washer, Hex Hd 1/4-20 x 5/8 Lg			
- 20	3550	1	• • Washer, Flat 1/4 ID x 9/16 OD x 1/16 Thk			
- 20			For Detail Breakdown See List 34			

FOR PARTS  
NOT SHOWN  
SEE FIG. 33

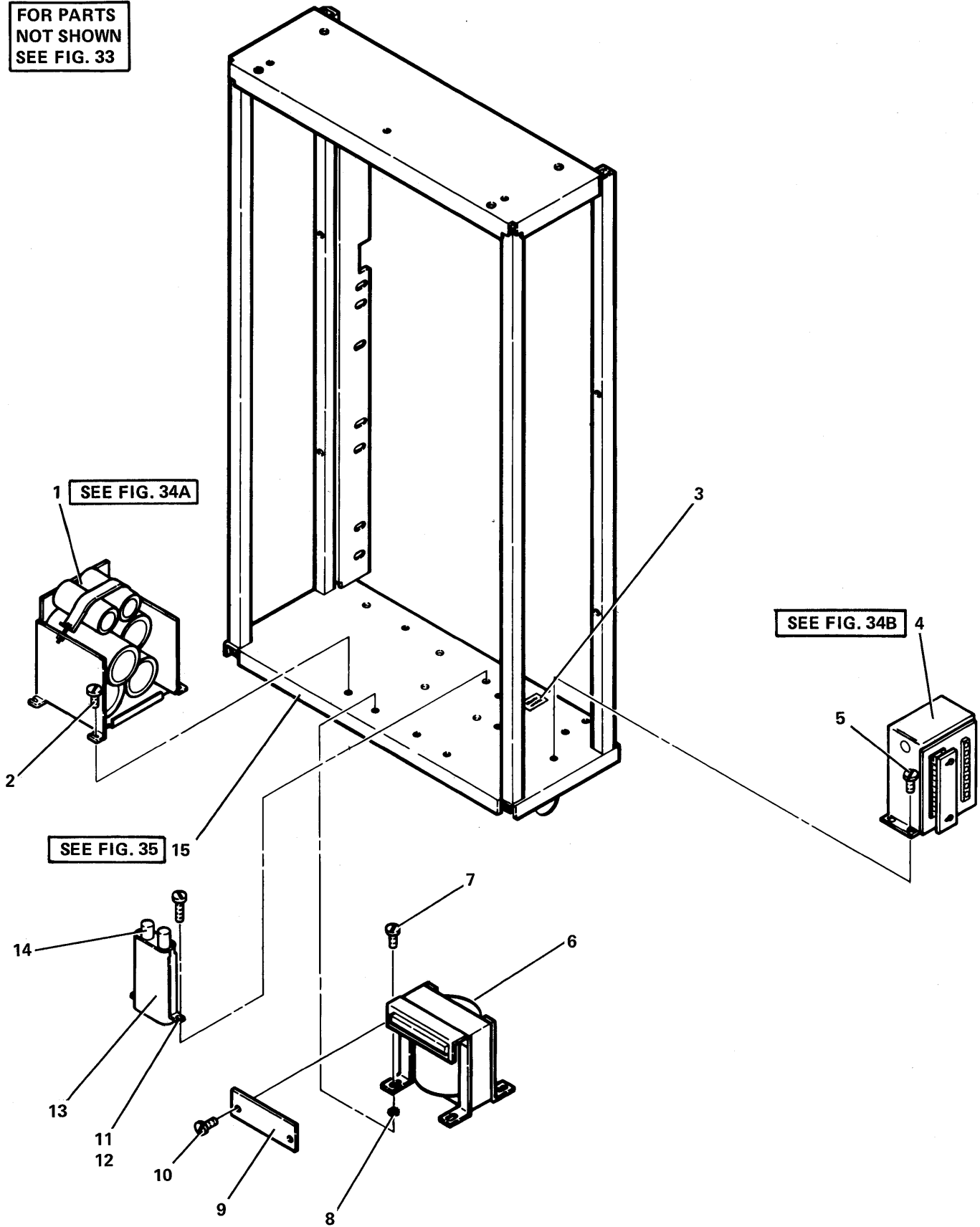


FIGURE 34. FEATURE POWER G. SEE LIST 34.

FIGURE- INDEX NUMBER	PART NUMBER	UNITS PER ASM.	DESCRIPTION FOR FIGURE 34			
			1	2	3	4
34			FEATURE POWER-G FOR NEXT HIGHER ASM SEE LIST 33-18 FOR ILLUSTRATION FIGURE 34			
- 1	5565105	1	• Filter Asm, C-B1 Board For Detail Breakdown See List 34A			
- 2	4236318	4	• Screw,Thd-Form Hex Wshr Hd M5 x 12 Lg			
- 3	2767640	1	• Label			
- 4	5565247	1	• Ac Box Asm, Feature			
- 4			For Detail Breakdown See List 34B			
- 5	1621811	4	• Screw,Thd-Form Hex Wshr Hd M4 x 10 Lg			
- 6	5565241	1	• Transformer, 60 Hz			
- 6	5565242	1	• Transformer, 50 Hz			
- 7	4236318	4	• Screw,Thd-Form Hex Wshr Hd M5 x 12 Lg			
- 8	1622347	1	• Washer,Lock Ext Star 5.3 ID x 10 OD x .6 Thk			
- 9	5236656	1	• Shield			
- 10	10170	2	• Screw,Mach-Bind Hd No. 6-32 x 1/4 Lg			
- 11	4176614	2	• Bracket, Capacitor			
- 12	1621813	2	• Screw,Thd-Form Hex Wshr Hd M4 x .7 x 16 Lg			
- 13	5252840	1	• Capacitor			
- 14	526378	2	• Insulator			
- 15	NO NO. NP	1	• Trailer, 62PC Frame and Mounting Hardware For Detail Breakdown See List 35			
- 15						



5340

FOR PARTS  
NOT SHOWN  
SEE FIG. 34

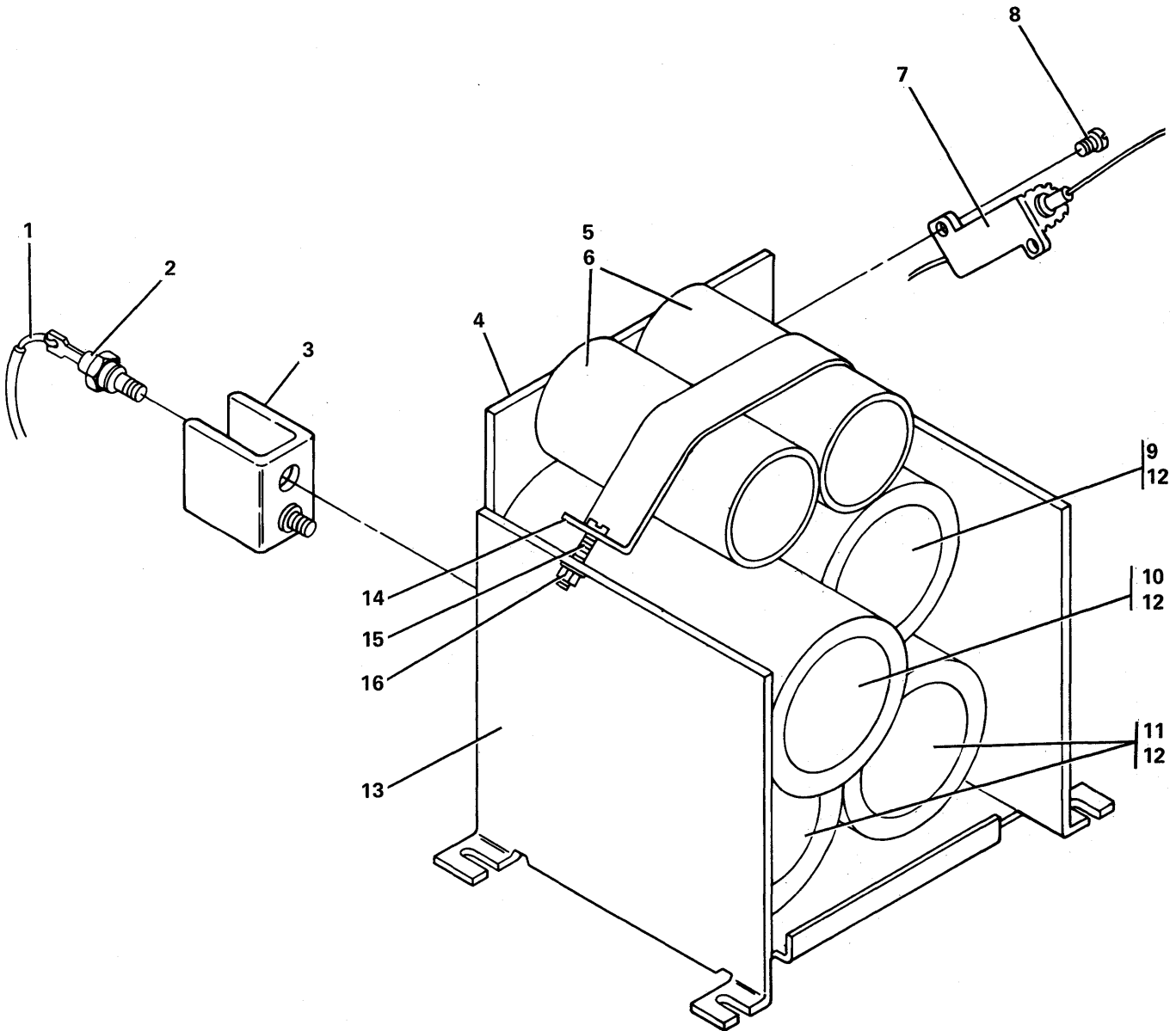


FIGURE 34A. FILTER ASM C-B1 BOARD. SEE LIST 34A.

FIGURE- INDEX NUMBER	PART NUMBER	UNITS PER ASM.	DESCRIPTION FOR FIGURE 34A			
			1	2	3	4
<b>34A</b>			FILTER ASM, C-B1 BOARD FOR NEXT HIGHER ASM SEE LIST 34-1 FOR ILLUSTRATION FIGURE 34A			
- 1	5759310	4	• Jumper			
- 2	598479	4	• Diode			
- 3	5564847	2	• Heatsink			
- 4	NO NO.	1	• Board Asm			
- 5	5214180	2	• Capacitor, C3 and C5			
- 6	32042	4	• Screw, Mach-Bind Hd 10-32 x 3/8 Lg			
- 7	5565104	1	• Resistor Asm			
- 8	251970	2	• Screw, Mach-Bind Hd 4-40 x 1/4 Lg			
- 9	1149210	1	• Capacitor, C2			
- 10	5616823	1	• Capacitor, C4			
- 11	1646686	2	• Capacitor, C6 and C7			
- 12	32042	8	• Screw, Mach-Bind Hd 10-32 x 3/8 Lg			
- 13	5564746	1	• Chassis			
- 14	5761785	1	• Strap, Capacitor			
- 15	1621194	1	• Screw, Mach-Slot Pan Hd M4 x .7 x 20 Lg			
- 16	1622403	1	• Nut, Hex-Dble Chamfer M4 x 7 Fl W x 3.2 Thk			

FOR PARTS  
NOT SHOWN  
SEE FIG. 34

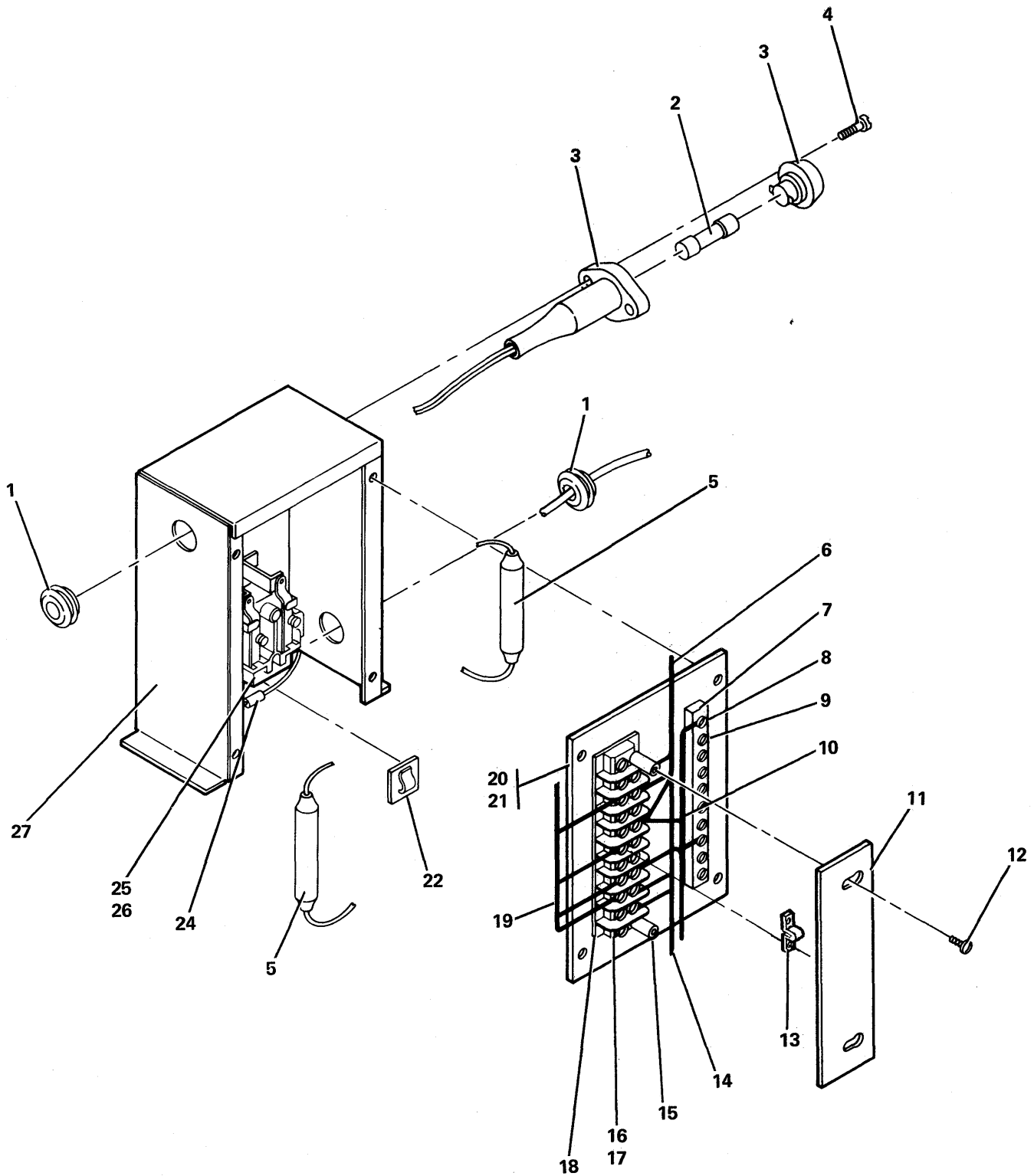


FIGURE 34B. FEATURE AC BOX. SEE LIST 34B.

FIGURE- INDEX NUMBER	PART NUMBER	UNITS PER ASM.	DESCRIPTION FOR FIGURE 34B			
			1	2	3	4
34B	5565247		AC BOX ASM, FEATURE-G FOR NEXT HIGHER ASM SEE LIST 34-4 FOR ILLUSTRATION FIGURE 34B			
- 1	123075	2	• Grommet			
- 2	92734	1	• Fuse, F207 2A 250V			
- 3	5565173	1	• Fuse Holder Asm			
- 4	1621190	2	• Screw, Mach-Slot Pan Hd M4 x .7 x 8 Lg			
- 5	4176568	2	• Resistor/Capacitor Asm			
- 6	8265262	1	• Cable Asm			
- 7	5565167	1	• Bus Bar			
- 8	1621191	2	• Screw, Mach-Slot Pan Hd M4 x .7 x 10 Lg			
- 9	1621197	8	• Screw, Mach-Slot Pan Hd M4 x .7 x 6 Lg			
- 10	8265263	1	• Cable Asm			
- 11	352850	1	• Shield			
- 12	10170	2	• Screw, Mach-Bind Hd No. 6-32 x 1/4 Lg			
- 13	472187	4	• Jumper			
- 14	8265265	1	• Cable Asm			
- 15	210883	2	• Stud			
- 16	526310	1	• Terminal Block			
- 17	38354	2	• Screw, Mach-Fil Hd 6-32 x 1/2 Lg			
- 18	563887	1	• Marker Strip			
- 19	8265289	1	• Cable Asm			
- 20	5565246	1	• Cover			
- 21	1621190	4	• Screw, Mach-Slot Pan Hd M4 x .7 x 8 Lg			
- 22	2596291	1	• Clip			
- 24	5565215	1	• Diode Asm			
- 25	2775241	1	• Relay, K4			
- 26	1621193	2	• Screw, Mach-Slot Pan Hd M4 x .7 x 16 Lg			
- 27	5565245	1	• Box			

FOR PARTS  
NOT SHOWN  
SEE FIG. 34

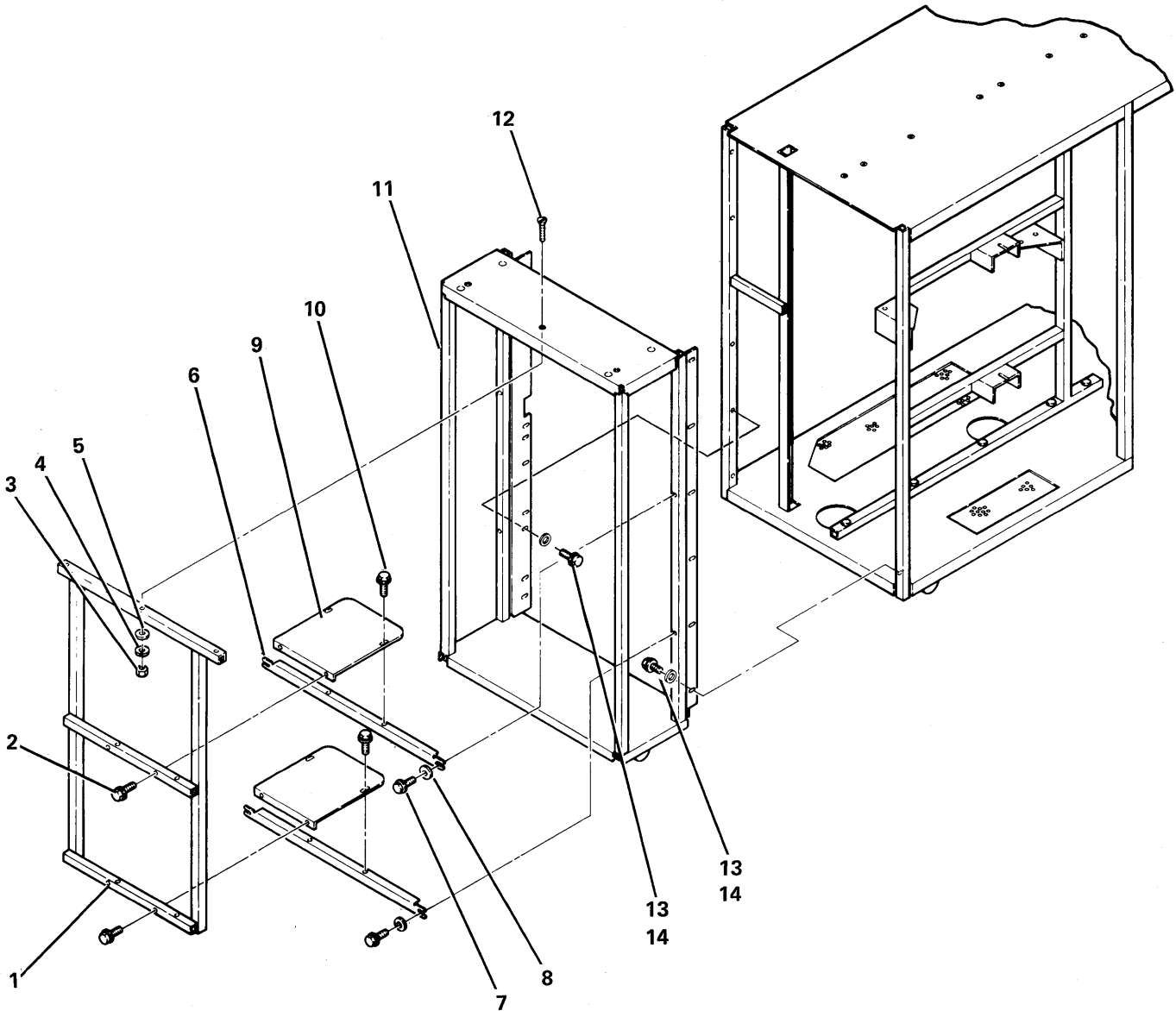


FIGURE 35. TRAILER, 62 PC MOUNTING HARDWARE AND FRAME ASM. SEE LIST 35.

FIGURE- INDEX NUMBER	PART NUMBER	UNITS PER ASM.	DESCRIPTION FOR FIGURE 35			
			1	2	3	4
35	NO NO. NP		TRAILER, 62PC FRAME AND MOUNTING HARDWARE ASM FOR NEXT HIGHER ASM SEE LIST 34-15 FOR ILLUSTRATION FIGURE 35			
- 1	8265229	1	• Frame			
- 2	4236725	4	• Screw,Thd-Form M5 x 35 Lg			
- 3	1622405	3	• Nut,Hex M6 x 10 Fl W x 5 Thk			
- 4	1622320	3	• Washer,Lock-Spring 6.1 ID x 11.8 OD x 1.6 Thk			
- 5	1622306	3	• Washer,Flat 6.6 ID x 12.5 OD x 1.6 Thk			
- 6	8265230	2	• Tie Bar			
- 7	4236318	4	• Screw,Thd-Form Hex Wshr Hd M5 x 12 Lg			
- 8	1622305	4	• Washer,Flat 5.5 ID x 10 OD x 1 Thk			
- 9	8265231	2	• Pan			
- 10	4236318	4	• Screw,Thd-Form Hex Wsher Hd M5 x 12 Lg			
- 11	8265216	1	• Frame			
- 12	1621339	3	• Screw,Slot-Flat Hd M6 x 40 Lg			
- 13	4236318	11	• Screw,Thd-Form Hex Wshr Hd M5 x 12 Lg			
- 14	600395	11	• Washer,Flat 13/64 ID x 3/4 OD x 3/32 Thk			

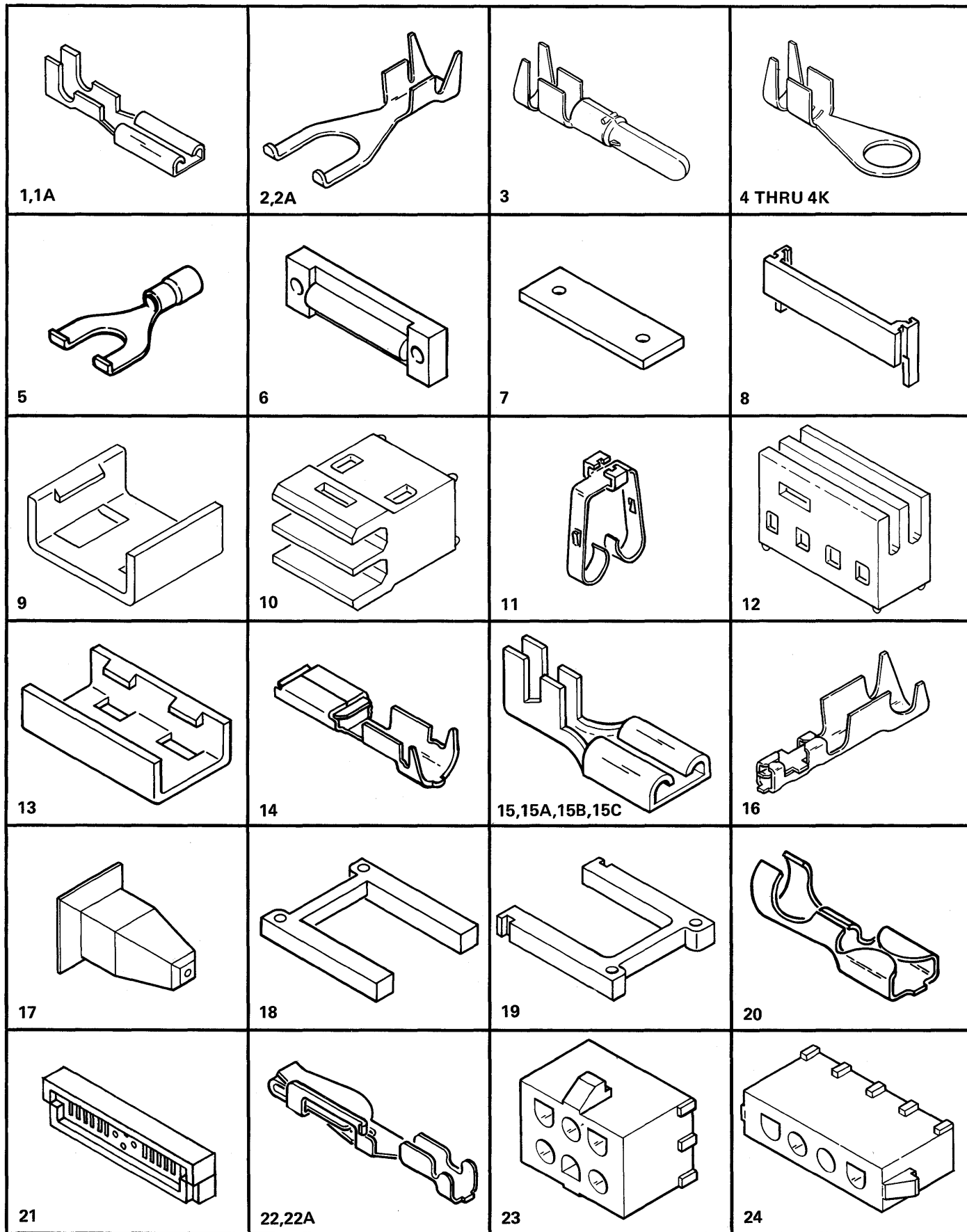


FIGURE 36. CABLE AND JUMPER COMPONENT PARTS. SEE LIST 36.

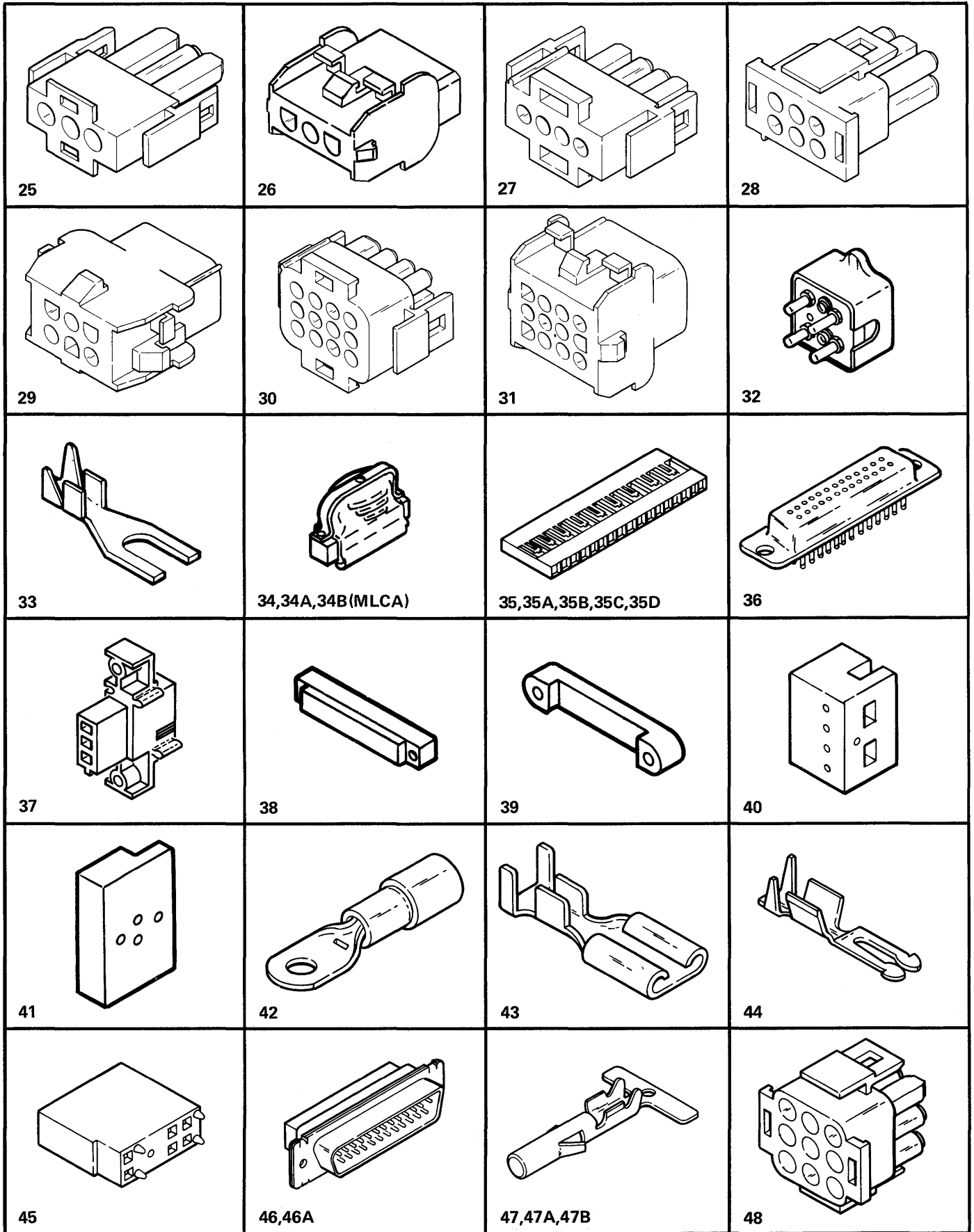


FIGURE 36. CABLE AND JUMPER COMPONENT PARTS. SEE LIST 36.



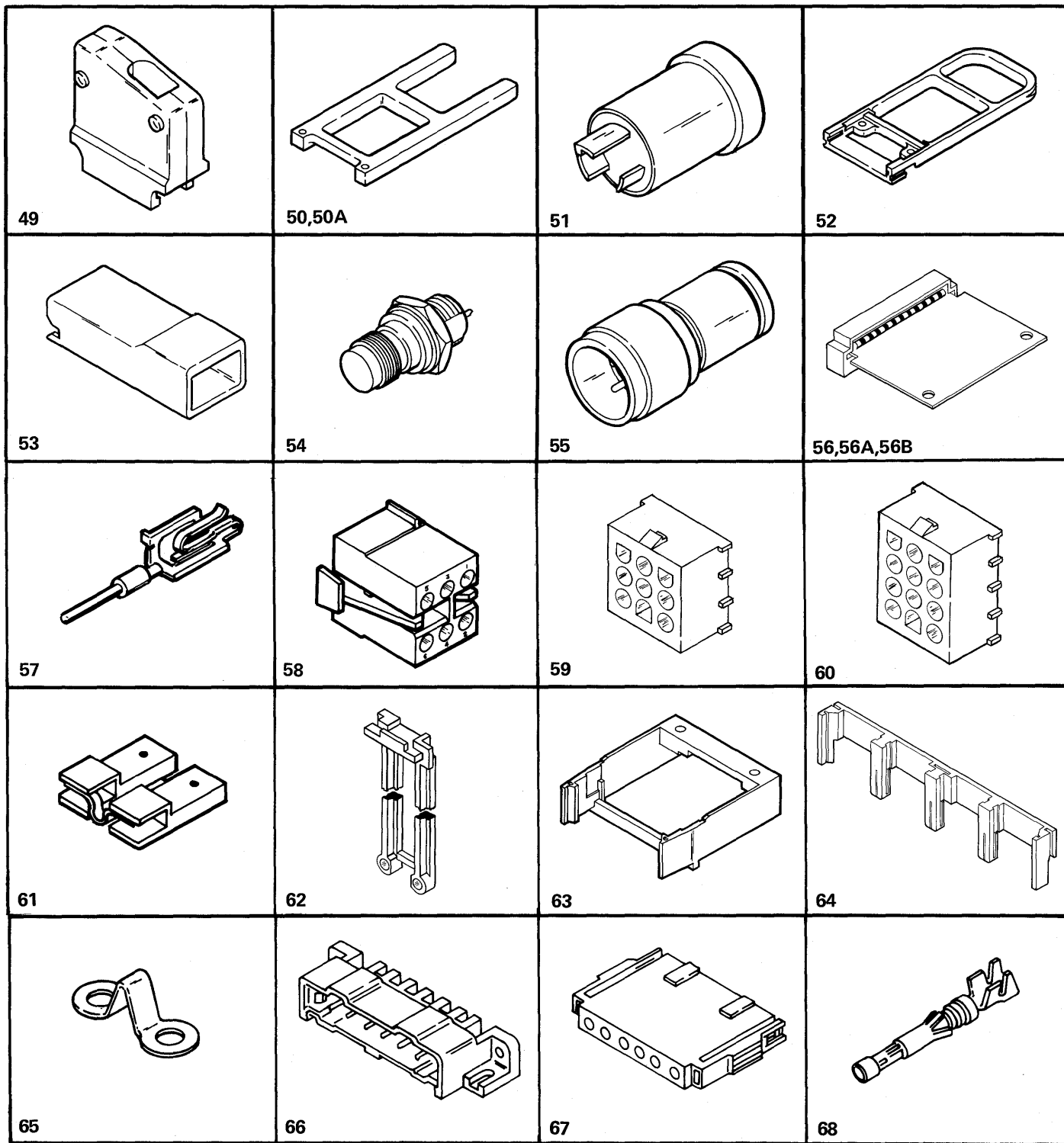


FIGURE 36. CABLE AND JUMPER COMPONENT PARTS. SEE LIST 36.

FIGURE- INDEX NUMBER	PART NUMBER	UNITS PER ASM.	DESCRIPTION FOR FIGURE 36			
			1	2	3	4
36	NO NO.		CABLE AND JUMPER COMPONENT PARTS			
	1620182 1727744 2722052		Cable Asm,D1200S Modem Adapter (MLCA) Cable Asm,Date1 600 Modem Adapter (MLCA) Cable Asm,Japan Wrap Adapter (MLCA)			
	4236303 4236304 4236307		Cable Asm,CE Panel Cable Asm,OP Panel Cable Asm,GV-Fan AC-Upper			
	4236308 4236310 4236311		Cable Asm,Removeable Disk Cable Asm,Flat Cable CPU To Op Panel Cable Asm,Flat Cable CPU To CE Panel			
	4236389 4236390 4236414		Cable Asm,12V Feature Supply Cable Asm,5V Feature Supply Cable Asm,AC Distribution			
	4236415 4236416 4236417		Cable Asm,Data-62EH Cable Asm,Servo-62EH Cable Asm,62EH Read/Write Flat Cable			
	4236419 4236420 4236421		Cable Asm,Line Cord-6 FT Domestic Cable Asm,Line Cord-8 FT Domestic Cable Asm,Line Cord-8 FT World Trade			
	4236422 4236423 4236472		Cable Asm,Line Cord-8 FT World Trade Cable Asm,AC Box Cable Asm,Gnd Jumper			
	4236476 4236477 4236478		Cable Asm,Flat Cable Printer Cable Asm,Fan To Fan Cable Asm,AC-Feature PS			
	4236479 4236481 4236482		Cable Asm,Work Station 1-4 Cable Asm,Feature Supply Volt. Dist. Cable Asm,Twinax-Indoor			
	4236483 4236484 4236485		Cable Asm,EIA (2-Line) Cable Asm,EIA (2-Line) Cable Asm,DDSA (2-Line)			
	4236486 4236495 4236496		Cable Asm,DDSA (2-Line) Cable Asm,Disk DC Distribution Cable Asm,ACTB To Fan			
	4236498 4236499 4236500		Cable Asm,I/O Board To Conn Cable Asm,A2 Board To Psn Line Plate (2-Line) Cable Asm,A2 Board To Modem 5 Pos TB (2-Line)			
	4236501 4236502 4236503		Cable Asm,Flat Cable Comm (2-Line) Cable Asm,Modem Board To Cable Tower (2-Line) Cable Asm,Modem Board To 5 Pos TB (2-Line)			
	4236504 4236505 4236506		Cable Asm,Conn To Auto Ans Coupler (2-Line) Cable Asm,Conn To Auto Ans Coupler (2-Line) Cable Asm,Line Plate To Line (2-Line)			
	4236507 4236508 4236509		Cable Asm,Line Plate To Line (2-Line) Cable Asm,TB To Coupler (2-Line) Cable Asm,TB To Coupler (2-Line)			
	4236510 4236511 4236520		Cable Asm,2400 Modem Caducee (2-Line) Cable Asm,2400 Modem Caducee (2-Line) Cable Asm,1255 Attachment			
	4236521 4236522 4236523		Cable Asm,1255 Attachment No. 1 Cable Asm,1255 Attachment No. 2 Cable Asm,1255 Attachment No. 3			
	4236525 4236529 4236531		Cable Asm,Flat Cable Comm (2-Line) Cable Asm,Flat Cable Crossover Feature Cable Asm,Twinax-Indoor			
	4236532 4236554 4236687		Cable Asm,Disk DC Distribution Cable Asm,Voltage Dist To Modem Bd Cable Asm,Multi-Supply			

FIGURE- INDEX NUMBER	PART NUMBER	UNITS PER ASM.	DESCRIPTION FOR FIGURE 36			
			1	2	3	4
36	4236688		Cable Asm, 5V Filter			
	4236689		Cable Asm,DC Control			
	4236690		Cable Asm,DC Distribution			
	4236691		Cable Asm,Flat Cable			
	4236692		Cable Asm,A3-distribution			
	4236699		Cable Asm,I/O Board To Conn			
	4236700		Cable Asm,A2 Board To Psn Line Plate			
	4236701		Cable Asm,I/O Board To Pos Tb			
	4236717		Cable Asm,Mode M Panel			
	4236718		Cable Asm,Equalizer			
	4236719		Cable Asm,Dual Equalizers			
	4236726		Cable Asm,Comm Display Switch			
	4236727		Cable Asm,Comm 1 / Comm 2 SW			
	4236757		Cable Asm,Logic (Power Supply C) (MLCA)			
	4236796		Cable Asm,Internal 1200 PSN World Trade (MLCA)			
	4236798		Cable Asm,Internal E1A, 1200LL, 1200SW, 4800LL, Analog Wideband (MLCA)			
	4236960		Cable Asm,Auto Call			
	4236964		Cable Asm,1200 LL, 4800 LL (U.S.,World Trade) (MLCA)			
	4236966		Cable Asm,1200 SW (U.S.) (MLCA)			
	4236967		Cable Asm,DDSA Local Attach-External (MLCA)			
	4236970		Cable Asm,X.21 Internal (MLCA)			
	4236971		Cable Asm,X.21 External (MLCA)			
	4236974		Cable Asm,Channel Cables-Group of 3 (A-A3 to A-B3)(MLCA)			
	4236975		Adapter Asm,			
	4236976		Cable Asm,1200 SW (U.S.)			
	4236981		Cable Asm,E1A External (MLCA)			
	4236982		Cable Asm,DDSA (MLCA)			
	4236983		Cable Asm,Analog Wide Band Modem External (MLCA)			
	4236984		Cable Asm,39SL PSN External (MLCA)			
	4236986		Cable Asm,External-38 LY Coupler Adapter			
	4236991		Cable Asm,DC Feature C To Distribution			
	4236992		Cable Asm,Control Cable-finish			
	4236993		Cable Asm,Control Cable-finish			
	4236994		Cable Asm,Disk AC Cable-lower			
	5145818		Cable Asm,62EH Actuator			
	8265155		Cable Asm,External Autocall (MLCA)			
	8265156		Cable Asm,External Incorporated Protective Coupler			
	8265157		Cable Asm,External Coupler Adapter (MLCA)			
	8265158		Cable Asm,External World Trade Coupler (MLCA)			
	8265164		Cable Asm,Channel Cables-Group of 3 A-A2 to A-B3 (MLCA)			
	8265165		Cable Asm,CE Indicator (A-A1Z2 to A-B3A5) (MLCA)			
	8265166		Cable Asm,D.C. Distribution to Board (A-B3) (MLCA)			
	8265262		Cable Asm,AC Box Input-Feature			
	8265262		Cable Asm,AC Box Input-Feature			
	8265264		Cable Asm,AC for File #3			
	8265265		Cable Asm,			
	8265266		Cable Asm,Control			
	8265267		Cable Asm,D.C. Dist Drive C			
	8265284		Cable Asm,D.C. Dist Drive D			
-	1	236915	• Terminal,Slip On 20-18 Awg			
-	1 A	236916	• Terminal,Slip On 24-22 Awg			
-	2	483648	• Terminal,Flanged 26-22 Awg No. 6 Stud			
-	2 A	483651	• Terminal,Spade Flange 20-18 Awg No. 8 Stud			
-	3	483658	• Terminal,Taper Pin 20-18 Awg			
-	4	483676	• Terminal,Ring 26-22 Awg No. 6 Stud			
-	4 A	483677	• Terminal,Ring 20-18 Awg No. 6 Stud			
-	4 B	483678	• Terminal,Ring 16-14 Awg No. 6 Stud			
-	4 C	483679	• Terminal,Ring 12-10 Awg No. 6 Stud			
-	4 D	483681	• Terminal,Ring 20-18 Awg No. 8 Stud			

FIGURE- INDEX NUMBER	PART NUMBER	UNITS PER ASM.	DESCRIPTION FOR FIGURE 36				
			1	2	3	4	
36	4 E	483682					• Terminal, Ring 16-14 Awg No. 8 Stud
-	4 F	483683					• Terminal, Ring 12-10 Awg No. 8 Stud
-	4 G	483685					• Terminal, Ring 20-18 Awg No. 10 Stud
-	4 H	483686					• Terminal, Ring 16-14 Awg No. 10 Stud
-	4 I	483687					• Terminal, Ring 12-10 Awg No. 10 Stud
-	4 J	483672					• Terminal, Ring 22-26 Awg No. 2 Stud
-	4 K	483688					• Terminal, Ring 20-18 Awg 1/4 Hole
-	5	603152					• Terminal, 16-14 Awg No. 6 Screw
-	6	652650					• Strain Relief
-	7	652683					• Filler, Strain Relief-rubber
-	8	811802					• Card Guide, 1 Socket
-	9	813549					• Cap, Miniature Bus
-	10	813550					• Housing, 2 Pin
-	11	813681					• Contact
-	12	813801					• Housing, 4 Pin
-	13	813802					• Cap, Voltage Crossover
-	14	815934					• Connector, Discrete Wire 26-22
-	15	430798					• Terminal, Receptacle 20-18 Awg
-	15 A	1127037					• Terminal, Receptacle 18-14 Awg
-	15 B	5351177					• Terminal, Receptacle 22-18 Awg
-	15 C	5412817					• Terminal, Receptacle 24-20 Awg
-	16	2637682					• Connector, Discrete Wire 26-22 Awg
-	17	2637689					• Insert, Polarization
-	18	5352960					• Strain Relief
-	19	5352967					• Strain Relief
-	20	5353852					• Terminal, Slip On 20-16 Awg
-	21	5353869					• Connector Block
-	22	5362301					• Contact, Serpent 26-22 Awg
-	22 A	5362302					• Contact, Serpent 32-28 Awg
-	23	1295112					• Header, PC Board, 6 Circuit
-	24	1473910					• Header, PC Board, 4 Circuit
-	25	1847526					• Plug, 3 Circuit
-	26	1847527					• Housing, 3 Circuit
-	27	1847528					• Plug, 4 Circuit
-	28	1847530					• Plug, 6 Circuit
-	29	1847531					• Housing, 6 Circuit
-	30	1847534					• Plug, 12 Circuit
-	31	1847535					• Housing, 12 Circuit
-	32	341200					• Plug
-	33	483695					• Terminal, Straight 26-22 Awg No. 6 Stud
-	34	765295					• Hood And Strain Relief Asm, 25 Pin
-	34 A	5342956					• Hood And Strain Relief Asm, 15 Position
-	34 B	1855555					• Hood And Strain Relief Asm, 25 Pin (MLCA)
-	35	2731836					• Housing, 1 x 8
-	35 A	2731839					• Housing, 1 x 16
-	35 B	2731392					• Housing, 2 x 8
-	35 C	2731397					• Housing, 1 x 2
-	35 D	2731850					• Housing, 1 x 4
-	36	5302662					• Connector, 25 Position Male
-	37	5353851					• Housing, Connector Receptacle 3 Position
-	38	5353896					• Strain Relief
-	39	5353922					• Strain Relief
-	40	5362306					• Cover, Connector Block
-	41	5353869					• Connector
-	42	335327					• Terminal, Lug Size 10
-	43	430799					• Terminal, Receptacle 24-18 Awg
-	44	816883					• Terminal, Connector 18-20 Awg
-	45	819562					• Housing, Crossover Connector
-	46	1655338					• Connector, 25 Position
-	46 A	5302660					• Connector, 15 Position Male

FIGURE- INDEX NUMBER	PART NUMBER	UNITS PER ASM.	DESCRIPTION FOR FIGURE 36			
			1	2	3	4
36	- 47	1847521				<ul style="list-style-type: none"> <li>• Socket, Universal</li> <li>• Pin, Universal Split</li> <li>• Socket, Universal</li> </ul>
	- 47 A	1847522				
	- 47 B	1847523				
	- 48	1847532				<ul style="list-style-type: none"> <li>• Plug, 9 Circuit</li> <li>• Housing Asm</li> <li>• Strain Relief, 3 Hi</li> </ul>
	- 49	1855555				
	- 50	2744813				
	- 50 A	2744814				<ul style="list-style-type: none"> <li>• Strain Relief, 3 Hi</li> <li>• Plug, 3 Wire</li> <li>• Retainer, Cable Connector</li> </ul>
	- 51	4236473				
	- 52	4236560				
	- 53	5761882				<ul style="list-style-type: none"> <li>• Housing, Receptacle</li> <li>• Cable Receptacle, Twinax</li> <li>• Cable Plug, Twinax</li> </ul>
	- 54	7362179				
	- 55	7362229				
	- 56	5800634				<ul style="list-style-type: none"> <li>• Card, 24 Pin</li> <li>• Card, Half Wide, 10 Pin</li> <li>• Card, 21 Pin</li> </ul>
	- 56 A	5805088				
	- 56 B	5800610				
	- 57	5362303				<ul style="list-style-type: none"> <li>• Contact</li> <li>• Connector, 6 Pin</li> <li>• Header, PC Board, 9 Circuit</li> </ul>
	- 58	1884287				
	- 59	1473911				
	- 60	1295545				<ul style="list-style-type: none"> <li>• Header, PC Board, 12 Circuit</li> <li>• Jumper</li> <li>• Strain Relief</li> </ul>
	- 61	815925				
	- 62	5565218				
	- 63	5564601				<ul style="list-style-type: none"> <li>• Retainer</li> <li>• Holder, Half Cable</li> <li>• Jumper</li> </ul>
	- 64	5565079				
	- 65	367115				
	- 66	2777212				<ul style="list-style-type: none"> <li>• Cable Connector, 6 Pin</li> <li>• Board Connector, 6 Pin</li> <li>• Connector, Discrete wire 14-18 AWG</li> </ul>
	- 67	2777213				
	- 68	2777216				

## NUMERICAL INDEX

PART NUMBER	LIST AND INDEX NO.	PART NUMBER	LIST AND INDEX NO.	PART NUMBER	LIST AND INDEX NO.	PART NUMBER	LIST AND INDEX NO.
2903	12 - 10	32042	31A - 15	56722	10 - 35	186759	27 - 10B
2903	16 - 11	32042	31B - 17A	56722	21 - 3	186925	11 - 6
3550	7 - 48	32042	34A - 6	58207	4A - 44	186950	7 - 38
3550	8A - 3	32042	34A - 12	58207	7 - 17	196298	16H - 20
3550	8A - 19	32617	30 - 3	58207	10 - 15	210883	4A - 26
3550	8B - 27	32617	31C - 2	58207	13 - 6	210883	4A - 31
3550	33 - 12	34512	12 - 9	58207	26 - 9	210883	5 - 16
3550	33 - 20	34512	16 - 10	58853	16J - 39	210883	24 - 16
4569	21 - 22	34512	24 - 23	76574	8 - 29	210883	34B - 15
6282	7 - 36	35229	16F - 4	79779	31A - 22B	219633	16H - 3
6364	11 - 26	35229	16G - 8A	79779	31B - 14C	221790	27 - 31
6935	5 - 10	35229	16G - 13	81693	4A - 15	223486	26A - 5
6935	8 - 33	35229	16H - 7	81693	6 - 10	234341	8A - 2
10170	3 - 44	35229	16J - 22	81693	9 - 7	234341	8B - 26
10170	4A - 23	35229	16J - 35	81693	10 - 11	234341	13 - 11
10170	4A - 38	35247	16B - 24	81693	12 - 15	234341	33 - 19
10170	4A - 42	35247	16B - 43	81693	13 - 3	236550	14 - 28
10170	5 - 13	35739	6 - 19	81693	13 - 33	236849	26 - 5
10170	7 - 32	35739	7 - 30	81693	14 - 5	236849	26 - 12
10170	12 - 21	35739	21 - 8	81693	14 - 37	236915	36 - 1
10170	14 - 12	35739	27 - 21	81693	16 - 4	236916	36 - 1A
10170	16H - 16	35739	28 - 28	81693	24 - 9B	237245	16G - 19
10170	21 - 26	35739	31 - 8C	91610	30 - 11	245923	24 - 1A
10170	24 - 20	35739	31 - 21	91610	31A - 22D	251970	31B - 6
10170	27 - 16	35739	31A - 1C	91610	31B - 15	251970	34A - 8
10170	31 - 15	35739	31B - 27	91610	31C - 4	252592	24 - 41
10170	31 - 29	35868	1 - 18	92734	24 - 42	252592	24 - 43
10170	31A - 26	35868	32 - 11	92734	34B - 2	253220	26A - 1
10170	31B - 31	35868	32 - 23	92752	24 - 1D	254628	24 - 32
10170	31C - 12	35868	32 - 49	92752	24 - 27	255629	30 - 13
10170	34 - 10	36109	6 - 6	109918	10 - 32	257187	8C - 45
10170	34B - 12	36844	5 - 9	109918	13 - 31	257187	14 - 38
10309	7 - 52	36844	8 - 32	109918	16A - 16	257187	17 - 38
10309	8 - 18	38235	13 - 40	110029	14 - 13	257187	21 - 4
11598	7 - 20	38235	18 - 17	110029	16D - 12	257187	24 - 9C
11598	21 - 15	38235	24 - 1F	110029	16E - 9	257189	7 - 44
15887	16H - 19	38235	24 - 9	110029	16F - 12	257189	8 - 25
22349	7 - 51	38235	24 - 30	111257	28 - 8	257189	14 - 9
22349	8 - 17	38250	11 - 14	120571	12 - 8	257189	17 - 14
22478	10 - 16	38350	7 - 27	120571	16 - 16	257189	17 - 26
22478	11 - 10	38354	34B - 17	123071	7 - 33	257922	10 - 6
22478	13 - 5	45690	1 - 22	123072	24 - 11	257922	11 - 4
22478	17 - 15	45690	1 - 28	123075	28 - 13	257970	10 - 2
22478	17 - 27	45690	14 - 8	123075	31B - 1	257970	13 - 9
23141	1 - 54	45690	16A - 32	123075	34B - 1	257982	10 - 13
23141	3 - 57	45690	30 - 16	127324	31A - 22A	257986	6 - 21
25018	12 - 5	52523	11 - 21	127324	31B - 14B	301731	24 - 14
25018	16 - 13	55726	14 - 25	130434	21 - 10	302090	13 - 35
25263	7 - 42	55726	17 - 9	150390	8D - 16	302131	13 - 34
25263	8 - 28	55901	4A - 45	150390	8D - 18	303361	4A - 43
28413	27 - 27	55901	7 - 18	150676	14 - 18	311167	16 - 5
28413	28 - 5	55901	7 - 45	156390	8B - 16	312571	4A - 10B
28413	31 - 25	55901	8 - 26	165010	18 - 5	312573	9 - 22
28413	31A - 23	55901	8C - 44	170241	14 - 2	312573	20 - 20
28413	31B - 17	56079	21 - 11	179743	17 - 5	312573	22 - 21
32042	14 - 8	56079	30 - 4	179743	19 - 7	312575	9 - 23
32042	25 - 7	56121	25 - 14	184380	24 - 10	312575	20 - 19
32042	27 - 10	56722	6 - 23	186759	7 - 23	312575	22 - 20

## NUMERICAL INDEX

PART NUMBER	LIST AND INDEX NO.	PART NUMBER	LIST AND INDEX NO.	PART NUMBER	LIST AND INDEX NO.	PART NUMBER	LIST AND INDEX NO.
315912	9 - 21	419131	27 - 19	565177	26 - 8	740554	31A - 1B
315912	20 - 21	419131	31 - 18	589778	27 - 23	740554	31B - 26
315912	22 - 22	430798	36 - 15	589778	31 - 23	765295	36 - 34
317138	4A - 47	430799	36 - 43	598479	27 - 18	768661	8C - 36
317173	17 - 7	438548	14 - 32	598479	31 - 17	811064	7 - 61
317173	17 - 45	438548	16C - 16	598479	34A - 2	811064	8 - 46
317173	19 - 10	438567	8 - 7	600395	1 - 16	811417	8C - 41
317173	19A - 6	438567	13 - 26	600395	1 - 33	811427	3 - 14
317310	4A - 24	438567	27 - 4	600395	1 - 38	811427	4A - 4
317310	28 - 26	438567	30 - 6	600395	1 - 41	811427	7 - 66
317310	31 - 8A	438568	7 - 11	600395	3 - 37	811427	8 - 41
317310	31A - 1A	438570	27 - 8	600395	4 - 46	811427	8D - 7
317310	31B - 25A	438570	31 - 2	600395	4 - 50	811427	20 - 41
317367	24 - 24	438570	31A - 17	600395	32 - 4	811802	23 - 8
321483	7 - 43	472187	34B - 13	600395	32 - 7	811802	36 - 8
321483	8 - 27	473531	31A - 22C	600395	32 - 15	811804	10 - 22
321483	31B - 9	473531	31B - 14D	600395	32 - 19	811804	13 - 23
321483	31B - 30	481192	24 - 13	600395	32 - 26	813180	22 - 28
322028	8 - 5	483550	18 - 12	600395	32 - 32	813181	22 - 29
322028	8 - 21	483648	36 - 2	600395	32 - 39	813392	4 - 37
322028	8 - 47	483651	36 - 2A	600395	32 - 42	813392	17 - 8
322065	21 - 2	483658	36 - 3	600395	32 - 45	813482	20 - 38
322065	31C - 20	483672	36 - 4J	600395	33 - 16	813482	22 - 11
322550	8C - 43	483676	36 - 4	600395	35 - 14	813519	4A - 3
322550	9 - 11	483677	36 - 4A	600560	4 - 16	813519	20 - 42
322550	12 - 19	483678	36 - 4B	600960	27 - 10C	813549	36 - 9
322550	16 - 20	483679	36 - 4C	600960	31B - 10	813550	36 - 10
322550	24 - 15	483681	36 - 4D	602664	4 - 38	813590	16A - 13
322551	31 - 7	483682	36 - 4E	602721	14 - 20	813681	36 - 11
322551	31A - 7	483683	36 - 4F	602721	27 - 20	813801	36 - 12
322766	6 - 9	483685	36 - 4G	602721	31 - 19	813802	36 - 13
323681	5 - 15	483686	36 - 4H	603152	36 - 5	815925	23 - 12
323681	24 - 33	483687	36 - 4I	627764	3A - 8	815925	36 - 61
323836	7 - 28	483688	36 - 4K	631769	27 - 26	815934	36 - 14
323836	8C - 3	483695	36 - 33	631769	30 - 9	816883	36 - 44
323841	5 - 14	510810	17 - 39	631769	31A - 19	818039	16A - 10
323841	24 - 34	522849	4A - 30	631810	18 - 25	819284	23 - 7
332620	26 - 4	522850	4A - 29	648511	18 - 7	819296	23 - 10
332747	12 - 13	523022	16A - 22A	651858	14 - 14	819408	23 - 5
332747	16 - 8	524519	3 - 51	651858	16B - 33	819411	23 - 9
333586	26 - 3	524519	18 - 26	652650	36 - 6	819562	36 - 45
335327	36 - 42	526310	34B - 16	652683	36 - 7	823836	8C - 29
336766	7 - 46	526378	3 - 23	730432	31B - 13	824486	19 - 9A
338238	11 - 16	526378	21 - 14	736822	9 - 10	824486	19 - 12
338327	24 - 12	526378	28 - 18	736822	12 - 17	827841	18 - 8
340002	16H - 9	526378	31 - 4	736822	16 - 18	827852	18 - 9
341200	36 - 32	526378	31A - 9	737858	4A - 39	847923	18 - 10
344299	11 - 25	526378	31B - 11	738825	17 - 3	853288	3 - 34
352827	5 - 12	526378	31C - 18	738826	4A - 19	855229	28 - 9
352850	34B - 11	526378	34 - 14	738826	17 - 40	855253	28 - 7
356742	20 - 53	532393	8 - 22	738826	18 - 19	xxxxxxx	8B - 31
361537	4A - 21	532393	13 - 42	738826	19 - 6	xxxxxxx	16A - 4
365323	26A - 8	532393	27 - 10A	738827	17 - 1A	NO NO.	33 - 18
366155	16A - 6	533783	4 - 10	738827	17 - 4	NO NO.	1 - 52
366155	16B - 3	533783	5 - 21	738828	17 - 2	NO NO.	1 - 52
367115	24 - 18	555427	12 - 4	740554	4A - 25	NO NO.	1 - 57
367115	36 - 65	555427	16 - 12	740554	28 - 27	NO NO.	3 - 18
383364	24 - 1B	563887	34B - 18	740554	31 - 8B	NO NO.	4 - 48

## NUMERICAL INDEX

PART NUMBER	LIST AND INDEX NO.	PART NUMBER	LIST AND INDEX NO.	PART NUMBER	LIST AND INDEX NO.	PART NUMBER	LIST AND INDEX NO.
NO NO.	13 - 18	1621182	16A - 11A	1621194	28 - 20	1621811	33 - 8
NO NO.	14 - 41	1621182	19A - 1	1621194	34A - 15	1621811	34 - 5
NO NO.	27 - 11	1621182	24 - 1E	1621197	8B - 8	1621813	34 - 12
NO NO.	28 - 6	1621182	24 - 28	1621197	8B - 10	1621846	16B - 38
NO NO.	31B - 16	1621183	16E - 3	1621197	8B - 17A	1621852	16B - 39
NO NO.	32 - 55	1621184	24 - 35	1621197	8D - 1	1622302	16B - 16
NO NO.	34 - 15	1621184	26A - 2	1621197	8D - 6	1622302	16B - 20
NO NO.	34A - 4	1621185	8D - 12	1621197	24 - 7	1622302	20 - 11
1092125	16J - 7	1621186	24 - 1L	1621197	24 - 21	1622303	2A - 14
1127037	36 - 15A	1621190	4A - 17	1621197	24 - 37	1622304	4A - 18
1138167	4A - 46	1621190	4A - 34	1621197	25 - 11	1622304	8B - 35
1149210	34A - 9	1621190	4A - 36	1621197	26A - 4	1622304	8C - 38
1164265	16 - 2	1621190	8D - 9	1621197	34B - 9	1622304	9 - 14
1177351	19A - 5	1621190	16A - 5	1621210	3 - 2	1622304	16D - 3
1295112	36 - 23	1621190	16A - 26	1621210	28 - 23	1622304	16F - 11
1295545	36 - 60	1621190	16A - 29	1621211	31 - 9	1622305	28 - 25
1462680	16F - 1	1621190	16B - 2	1621211	31A - 2	1622305	31 - 10
1473910	36 - 24	1621190	16G - 15	1621211	31B - 28A	1622305	31A - 3
1473911	36 - 59	1621190	16H - 6	1621211	31C - 7	1622305	31B - 28A
1589880	19A - 3	1621190	16J - 2	1621212	4 - 54	1622305	31C - 8
1590007	19A - 2	1621190	16J - 16	1621212	9 - 2	1622305	35 - 8
1591469	14 - 23	1621190	16J - 34	1621212	21 - 21	1622306	3 - 6
1608429	2 - 2	1621190	27 - 12	1621230	3 - 21	1622306	3A - 22
1608429	2A - 9	1621190	28 - 15	1621230	8A - 22	1622306	4 - 4
1608429	2A - 12	1621190	30 - 17	1621231	8B - 45	1622306	4 - 9
1608429	2A - 16	1621190	34B - 4	1621231	22 - 9	1622306	4 - 22
1608429	2A - 17	1621190	34B - 21	1621232	4 - 3	1622306	4 - 55
1621005	19 - 4	1621191	3 - 19	1621232	4 - 21	1622306	8A - 8
1621021	16B - 10	1621191	4 - 49	1621232	8A - 18	1622306	8B - 33A
1621060	4A - 56	1621191	8A - 5	1621232	8C - 18	1622306	8B - 47
1621060	31C - 16	1621191	8B - 24	1621286	16B - 26	1622306	8C - 19
1621170	1 - 47	1621191	8C - 25	1621286	16E - 20	1622306	22 - 8
1621170	3A - 2	1621191	8C - 37	1621287	4A - 10C	1622306	33 - 2
1621170	8C - 7	1621191	9 - 13	1621297	16B - 22	1622306	33 - 5
1621170	9 - 17	1621191	16A - 24	1621308	16A - 42	1622306	35 - 5
1621170	16H - 14	1621191	34B - 8	1621308	16J - 4	1622316	8D - 23
1621170	17 - 34	1621192	8B - 36	1621339	3A - 20	1622316	16B - 5
1621170	18 - 4	1621192	8D - 4	1621339	8A - 7	1622316	16B - 11
1621170	20 - 10	1621192	16A - 3	1621339	35 - 12	1622316	16B - 19
1621170	20 - 37	1621192	16A - 5	1621511	16E - 16	1622318	16G - 5
1621170	22 - 12	1621192	16D - 15	1621512	16G - 4	1622318	16J - 27
1621172	8C - 4	1621192	16G - 8	1621512	16J - 26	1622319	21 - 23
1621172	8C - 30	1621192	16G - 11	1621596	33 - 11	1622319	28 - 24
1621172	16A - 35	1621192	16J - 19	1621600	4 - 54	1622319	31 - 11
1621172	16A - 39	1621193	9 - 16	1621606	33 - 1	1622319	31A - 4
1621172	16B - 4	1621193	16D - 2	1621769	16C - 3	1622319	31B - 28A
1621172	16B - 18	1621193	16F - 3	1621811	1 - 21	1622319	31C - 9
1621173	16H - 11	1621193	16G - 12	1621811	1 - 27	1622320	4 - 5
1621173	16J - 37	1621193	16G - 30	1621811	3 - 26	1622320	4 - 23
1621174	3A - 6	1621193	16J - 13	1621811	4A - 6	1622320	8A - 9
1621174	8D - 22	1621193	24 - 4	1621811	5 - 6	1622320	8B - 46
1621174	16G - 28	1621193	29 - 4	1621811	5 - 19	1622320	22 - 7
1621175	8C - 32	1621193	34B - 26	1621811	8A - 24	1622320	35 - 4
1621175	16E - 24	1621194	8B - 12	1621811	20 - 18	1622321	4A - 52
1621175	16F - 6	1621194	8D - 14	1621811	20 - 54	1622330	19 - 5
1621181	16C - 11	1621194	16A - 11	1621811	22 - 19	1622344	20 - 12
1621181	24 - 2	1621194	16D - 6	1621811	23 - 2	1622345	8D - 11
1621181	25 - 2	1621194	16F - 10	1621811	32 - 25	1622346	4A - 55



## NUMERICAL INDEX

PART NUMBER	LIST AND INDEX NO.	PART NUMBER	LIST AND INDEX NO.	PART NUMBER	LIST AND INDEX NO.	PART NUMBER	LIST AND INDEX NO.
1622346	8A - 6	1622419	33 - 4	2101089	4 - 44	2305598	13 - 45
1622346	8B - 7	1646686	30 - 8	2101089	8A - 17	2305599	10 - 36
1622346	8B - 17B	1646686	31A - 20	2101089	32 - 8	2305599	12 - 22
1622346	8B - 25	1646686	34A - 11	2101089	32 - 36	2305604	11 - 24
1622346	8C - 39	1655338	36 - 46	2101089	32 - 46	2305609	12 - 20
1622346	8D - 2	1731492	4A - 53	2101089	33 - 10	2305616	11 - 1
1622346	16A - 22C	1734234	4A - 53	2102365	7 - 34	2305616	13 - 19
1622346	25 - 12	1736016	4A - 53	2103010	13 - 41	2305617	11 - 7
1622346	29 - 4	1778098	4A - 41	2127635	13 - 37	2305618	11 - 13
1622347	3 - 48	1780955	4A - 35	2130285	11 - 27	2305626	11 - 31
1622347	4 - 18	1780957	4A - 37	2130285	14 - 3	2305627	11 - 34
1622347	4 - 47	1781109	4A - 48	2181005	6 - 12	2305628	11 - 33
1622347	9 - 3	1783982	4A - 40	2181005	10 - 20	2305629	11 - 2
1622347	9 - 14A	1794401	13 - 21	2181005	13 - 46	2305631	10 - 1
1622347	9 - 19	1847521	36 - 47	2181006	10 - 27	2305631	13 - 8
1622347	16A - 20	1847522	36 - 47A	2181006	13 - 26	2305632	10 - 5
1622347	34 - 8	1847523	36 - 47B	2181011	14 - 22	2305644	12 - 11
1622348	3 - 45	1847526	36 - 25	2195400	11 - 9	2305644	16 - 6
1622348	8A - 20	1847527	36 - 26	2195400	11 - 23	2305646	12 - 7
1622348	8C - 34	1847528	36 - 27	2200751	11 - 19	2305646	16 - 15
1622348	8C - 44A	1847530	36 - 28	2274372	24 - 1G	2305647	12 - 12
1622348	33 - 3	1847531	36 - 29	2274372	24 - 8	2305647	16 - 7
1622348	33 - 13	1847532	36 - 48	2274833	10 - 25	2305648	12 - 23
1622349	8C - 10	1847534	36 - 30	2274833	13 - 24	2305649	10 - 8
1622401	8D - 24	1847535	36 - 31	2278172	16H - 18	2305656	12 - 14
1622401	20 - 13	1855555	36 - 34B	2280297	10 - 19	2305659	11 - 28
1622403	8C - 40	1855555	36 - 49	2280297	16A - 9	2305663	11 - 17
1622403	16D - 4	1884265	8B - 49	2296324	30 - 5	2305689	11 - 5
1622403	16F - 2	1884266	8B - 20	2296325	31B - 29	2305693	12 - 1
1622403	16F - 9	1884271	8B - 17	2305462	12 - 6	2305697	14 - 19
1622403	16G - 7	1884272	8B - 13	2305462	16 - 14	2305708	10 - 1
1622403	16G - 25	1884287	8B - 44	2305474	10 - 24	2305708	13 - 8
1622403	28 - 21	1884287	36 - 58	2305475	9 - 5	2305718	10 - 12
1622403	29 - 4	1884292	8C - 9	2305476	9 - 5	2305720	10 - 14
1622403	34A - 16	1884381	8B - 9	2305477	10 - 7	2305720	13 - 2
1622404	1 - 40	1884419	8D - 8	2305484	10 - 9	2305720	13 - 4
1622404	9 - 4	1884421	8C - 1	2305493	14 - 34	2305722	10 - 17
1622404	21 - 24	1884424	8B - 3	2305493	16C - 18	2305725	10 - 10
1622404	31 - 12	1884425	8B - 2	2305523	9 - 8	2305726	10 - 18
1622404	31A - 5	1884426	8B - 4	2305523	12 - 18	2305726	13 - 1
1622404	31B - 28A	1884427	8B - 19	2305523	16 - 19	2391023	18 - 6
1622404	31C - 10	1884440	8C - 5	2305526	12 - 3	2391121	18 - 11
1622404	32 - 14	1884482	8C - 1	2305526	16 - 9	2397045	17 - 25A
1622405	3A - 21	1884520	8C - 11	2305528	11 - 20	2397045	17 - 33A
1622405	4 - 6	1884520	8C - 43A	2305530	11 - 18	2397045	18 - 3A
1622405	4 - 8	1884555	8B - 9A	2305537	11 - 22	2397045	18 - 14
1622405	4 - 24	1884556	8D - 11A	2305538	11 - 15	2420889	8B - 1
1622405	8A - 10	1884580	8C - 1	2305542	16H - 17	2426398	8C - 16
1622405	8A - 21	1884583	8C - 8	2305544	11 - 7	2447618	17 - 17
1622405	22 - 6	1884588	8B - 32	2305545	11 - 8	2447618	17 - 30
1622405	33 - 14	1884589	8B - 32	2305549	11 - 30	2449110	27 - 30
1622405	35 - 3	1884614	8D - 5	2305553	13 - 17	2449882	3 - 25
1622406	8B - 5	1884624	8C - 1	2305555	10 - 26	2451006	7 - 3
1622415	4A - 10D	1884626	8B - 43	2305559	11 - 35	2451007	7 - 3
1622417	16E - 17	1884626	8C - 15	2305564	11 - 3	2451010	7 - 2
1622419	4 - 56	2101089	1 - 2	2305572	11 - 11	2451011	7 - 2
1622419	8B - 15	2101089	3 - 22	2305598	10 - 33	2451018	7 - 1
1622419	8B - 33	2101089	4 - 13	2305598	13 - 20	2451019	7 - 1

## NUMERICAL INDEX

PART NUMBER	LIST AND INDEX NO.	PART NUMBER	LIST AND INDEX NO.	PART NUMBER	LIST AND INDEX NO.	PART NUMBER	LIST AND INDEX NO.
2451028	7 - 25	2462495	16G - 26	2462609	16A - 12	2546384	32 - 22
2451041	7 - 26	2462497	16G - 27	2462615	16A - 14	2546384	32 - 48
2451042	7 - 26	2462499	16D - 14	2462615	16C - 20	2546385	1 - 43
2455575	9 - 15	2462514	16B - 1	2462616	16G - 23	2546385	32 - 51
2455576	9 - 24	2462514	16B - 9	2462622	16J - 24	2546575	17 - 6
2461889	2 - 7	2462515	16B - 23	2462625	16F - 16	2546576	18 - 19
2461889	2A - 5	2462515	16B - 44	2462629	16E - 18	2546576	18 - 24
2462137	3A - 23	2462516	16B - 13	2462633	16B - 17	2546625	32 - 34
2462401	3A - 24	2462516	16B - 32	2462646	16A - 1	2546668	17 - 13
2462403	3A - 24	2462517	16B - 12	2462647	16A - 2	2546712	17 - 23
2462415	16A - 23	2462517	16B - 30	2462649	16B - 8	2546720	1 - 29
2462416	16A - 33	2462519	16B - 14	2462649	16B - 34	2546720	32 - 33
2462425	16H - 2	2462519	16B - 35	2462650	16A - 34	2546721	1 - 26
2462428	16H - 8	2462525	16B - 21	2462674	16E - 19	2546721	32 - 30
2462429	16H - 15	2462526	16A - 4	2462681	16J - 11	2546827	17 - 20
2462430	16H - 13	2462526	16B - 7	2462682	16G - 23	2546827	17 - 21
2462431	16H - 5	2462527	16B - 25	2462683	16D - 13	2546838	22 - 1
2462432	16E - 21	2462533	16J - 43	2462684	16A - 25	2546928	4 - 37A
2462433	16E - 27	2462534	16C - 4	2462685	16A - 8	2546928	17 - 11
2462434	16G - 20	2462536	16A - 36	2462685	16A - 21	2546936	17 - 16
2462435	16D - 20	2462537	16A - 40	2462685	16A - 22B	2546940	17 - 25
2462436	16G - 22	2462538	16A - 37	2462685	16C - 6	2546941	17 - 28
2462438	16A - 43	2462539	16A - 7	2462685	16C - 8	2546943	17 - 10
2462438	16J - 45	2462541	16B - 6	2462685	16D - 11	2546949	17 - 18
2462439	16A - 41	2462541	16B - 28	2462685	16D - 21	2546957	9 - 18
2462439	16J - 44	2462543	16E - 26	2462685	16F - 13	2547843	17 - 12
2462440	16J - 8	2462545	16A - 22	2462685	16F - 17	2548564	20 - 34
2462441	16J - 6	2462546	16B - 37	2462685	16G - 21	2548564	22 - 13
2462444	16J - 29	2462547	16B - 36	2462685	16J - 30	2549540	29 - 1
2462445	16J - 20	2462548	16B - 42	2462685	16J - 42	2549780	26A - 7
2462448	16G - 1	2462551	16C - 7	2462686	16A - 31	2549781	16D - 9
2462450	16J - 28	2462553	16D - 17	2462686	16E - 5	2561584	21 - 7
2462451	16G - 2	2462557	16H - 4	2462686	16E - 8	2561584	21 - 17
2462452	16G - 3	2462561	16F - 14	2462686	16E - 22	2561585	21 - 7
2462452	16J - 25	2462561	16J - 18	2462686	16F - 15	2561585	21 - 17
2462453	16G - 14	2462567	16F - 7	2462686	16J - 21	2572196	27 - 25
2462455	16J - 23	2462568	16G - 31	2462687	16A - 19	2572878	17 - 31
2462456	16G - 16	2462569	16G - 29	2462688	16E - 28	2582954	31 - 26
2462459	16F - 18	2462570	16B - 29	2462690	16E - 6	2582954	31A - 11
2462461	16G - 18	2462571	16G - 32	2462698	16J - 38	2588009	17 - 19
2462462	16G - 17	2462573	16F - 8	2462699	16J - 33	2588009	17 - 32
2462465	16G - 10	2462574	16A - 30	2463641	16B - 27	2588046	3 - 35
2462466	16F - 7	2462575	16D - 19	2469295	16A - 13A	2588053	20 - 7
2462468	16G - 24	2462581	16D - 18	2495413	24 - 1C	2588053	27 - 29
2462471	16H - 1	2462582	16D - 16	2495471	24 - 31	2588079	3 - 33
2462472	16D - 5	2462586	16A - 25	2501330	24 - 26	2588303	3 - 13
2462474	16G - 6	2462587	16J - 31	2517830	28 - 10	2588303	3 - 50
2462475	16J - 5	2462588	16E - 12	2524713	24 - 8	2588303	4A - 2
2462479	16G - 9	2462590	16C - 2	2537028	1 - 24	2588303	8A - 11
2462481	16A - 28	2462593	13 - 19	2537028	32 - 28	2588303	8A - 16
2462482	16A - 27	2462593	16C - 1	2544038	17 - 42	2588420	22 - 25
2462486	16J - 12	2462594	16C - 2	2545982	16J - 41	2590010	3 - 10
2462488	16B - 40	2462598	16F - 5	2546314	4A - 14	2590010	4A - 28
2462488	16J - 15	2462600	16D - 1	2546314	18 - 18	2590010	8A - 15
2462490	16B - 41	2462602	16A - 18	2546367	1 - 17	2590010	20 - 44
2462490	16J - 14	2462604	16J - 40	2546367	32 - 21	2590010	22 - 10
2462492	16J - 1	2462606	14 - 4	2546384	1 - 19	2590011	4A - 1
2462494	16J - 17	2462606	16E - 2	2546384	32 - 10	2590011	20 - 43

## NUMERICAL INDEX

PART NUMBER	LIST AND INDEX NO.	PART NUMBER	LIST AND INDEX NO.	PART NUMBER	LIST AND INDEX NO.	PART NUMBER	LIST AND INDEX NO.
2590081	1 - 25	2775949	6 - 16	4178052	16C - 5	4236318	3 - 49
2590081	1 - 31	2775950	6 - 11	4178053	10 - 3	4236318	3A - 10
2590081	21 - 19	2775951	7 - 54	4178053	13 - 10	4236318	3A - 12
2590081	32 - 29	2775957	6 - 3	4178056	16C - 5	4236318	3A - 16
2590081	32 - 35	2775958	6 - 2	4178057	10 - 4	4236318	4 - 2
2590957	5 - 4	2775962	7 - 22	4178057	13 - 10	4236318	4 - 20
2590957	8 - 30	2775963	7 - 39	4178058	13 - 39	4236318	4 - 29
2591367	21 - 25	2775964	7 - 31	4178060	14 - 11	4236318	4 - 35
2592384	13 - 36	2775966	7 - 24	4178061	14 - 15	4236318	4 - 43
2594694	10 - 6B	2775967	7 - 4	4178062	14 - 17	4236318	4 - 45
2594695	10 - 6A	2777212	36 - 66	4178062	16E - 10	4236318	4 - 52
2596275	3 - 53	2777213	36 - 67	4178063	14 - 16	4236318	4A - 10
2596275	4 - 11	2777216	36 - 68	4178063	16E - 11	4236318	4A - 13
2596275	4A - 8	2784404	19 - 3	4178067	14 - 18	4236318	9 - 20
2596275	5 - 2	4119630	28 - 22	4201639	7 - 12	4236318	20 - 15
2596275	9 - 26	4120598	29 - 1	4201657	7 - 5	4236318	20 - 47
2596275	10 - 28	4164710	3A - 5	4201666	7 - 7	4236318	21 - 6
2596275	12 - 2	4176568	34B - 5	4201671	7 - 6	4236318	22 - 26
2596275	13 - 44	4176614	34 - 11	4201710	7 - 6	4236318	29 - 4
2596275	16H - 12	4176655	3 - 32	4236256	1 - 55	4236318	32 - 3
2596275	16J - 32	4176656	27 - 13	4236256	4A - 49	4236318	32 - 6
2596275	20 - 5A	4176658	26 - 7	4236263	5 - 20	4236318	32 - 18
2596275	24 - 3A	4176660	3 - 15	4236265	5 - 18	4236318	32 - 31
2596291	3 - 31A	4176661	26 - 2	4236266	5 - 17	4236318	32 - 38
2596291	3 - 54	4176663	3 - 42	4236267	21 - 16	4236318	32 - 41
2596291	5 - 3	4176664	3 - 42	4236268	21 - 5	4236318	32 - 44
2596291	8A - 13	4176665	3 - 36	4236270	20 - 46	4236318	32 - 52
2596291	16C - 9	4176666	30 - 19	4236271	20 - 22	4236318	32 - 54
2596291	16E - 1	4176667	30 - 1	4236278	20 - 55	4236318	33 - 15
2596291	27 - 11A	4176668	30 - 2	4236282	1 - 14	4236318	34 - 2
2596291	31B - 12A	4176669	30 - 12	4236283	1 - 3	4236318	34 - 7
2596291	31C - 14	4176670	3 - 1	4236283	32 - 37	4236318	35 - 7
2596291	34B - 22	4176671	31 - 27	4236284	1 - 6	4236318	35 - 10
2596293	3 - 31B	4176673	31 - 8	4236284	32 - 5	4236318	35 - 13
2596293	4 - 12	4176674	31 - 8	4236284	32 - 43	4236320	4 - 7
2596293	20 - 52	4176675	3 - 1	4236285	22 - 24	4236322	4 - 19
2596293	31B - 12	4176678	26 - 10	4236286	20 - 17	4236323	4 - 19
2596625	1 - 30	4176679	26 - 1	4236287	3 - 17	4236333	3 - 20
2598038	16E - 25	4176680	3 - 1A	4236289	19 - 8	4236335	3 - 11
2637682	36 - 16	4176681	31A - 24	4236290	19 - 8	4236341	18 - 16
2637689	36 - 17	4176683	31A - 1	4236291	1 - 13	4236342	18 - 23
2730081	4A - 33	4176684	31A - 1	4236292	1 - 10	4236343	18 - 22
2730082	4A - 32	4176685	3 - 1A	4236293	1 - 8	4236345	3 - 5
2730100	19 - 9	4176686	31A - 13	4236294	1 - 7	4236346	17 - 24
2731392	36 - 35B	4176687	31A - 12	4236294	32 - 20	4236348	2 - 5
2731397	36 - 35C	4176688	27 - 9	4236295	1 - 5	4236348	2A - 1
2731836	36 - 35	4176689	24 - 1K	4236296	1 - 4	4236349	9 - 25
2731839	36 - 35A	4176690	3 - 30	4236297	1 - 39	4236350	9 - 12
2731850	36 - 35D	4176691	28 - 16	4236298	19 - 8	4236351	9 - 1
2743540	11 - 32	4176694	3 - 30	4236299	20 - 23	4236352	9 - 9
2744813	36 - 50	4176697	3 - 28	4236304	18 - 21	4236352	12 - 16
2744814	36 - 50A	4176698	23 - 4	4236316	4 - 51	4236352	16 - 17
2767640	31B - 24	4176699	23 - 1	4236317	4A - 51	4236360	2 - 6
2767640	31C - 22	4178004	9 - 5	4236318	1 - 15	4236362	2 - 6
2767640	34 - 3	4178006	9 - 5	4236318	1 - 32	4236364	2 - 6
2772892	10 - 6C	4178027	13 - 15	4236318	1 - 45	4236366	2 - 6
2775241	24 - 3	4178035	14 - 27	4236318	1 - 50	4236368	2 - 6
2775241	34B - 25	4178047	13 - 12	4236318	3 - 29	4236370	2 - 1

## NUMERICAL INDEX

PART NUMBER	LIST AND INDEX NO.	PART NUMBER	LIST AND INDEX NO.	PART NUMBER	LIST AND INDEX NO.	PART NUMBER	LIST AND INDEX NO.
4236370	2A - 18	4236577	3 - 47	4236697	1 - 48	4236758	3A - 3
4236377	3 - 3	4236578	3 - 47	4236704	3A - 15	4236759	3A - 7
4236378	3 - 4	4236579	3 - 47	4236705	3A - 14	4236760	4 - 25
4236379	4A - 10A	4236580	3 - 47	4236707	3A - 13A	4236762	21 - 18
4236380	4A - 9	4236583	3 - 29A	4236708	3A - 11	4236767	2A - 4
4236382	4 - 28	4236583	20 - 5	4236718	19 - 11	4236768	3A - 1
4236384	4A - 12	4236583	22 - 2	4236719	19 - 11	4236777	1 - 34
4236386	2 - 3	4236584	3 - 29B	4236720	22 - 4	4236777	5 - 7
4236386	2A - 2	4236584	20 - 4	4236721	4 - 41	4236777	22 - 27
4236388	4 - 53	4236584	22 - 3	4236721	5 - 1	4236777	24 - 39
4236400	20 - 3	4236586	20 - 60	4236721	17 - 36	4236778	5 - 7
4236410	17 - 37	4236587	2A - 8	4236721	20 - 57	4236778	22 - 27
4236411	17 - 41	4236590	3A - 19	4236721	22 - 27	4236778	24 - 39
4236415	7 - 59	4236591	2A - 11	4236721	23 - 3	4236779	2A - 7
4236415	8 - 38	4236593	2A - 10	4236721	24 - 38	4236782	4A - 20
4236416	7 - 55	4236596	2A - 6	4236722	1 - 34	4236783	4A - 16
4236416	8 - 37	4236597	2A - 7	4236722	5 - 7	4236784	3A - 9
4236417	7 - 58	4236598	3A - 18	4236722	22 - 27	4236785	21 - 20
4236417	8 - 39	4236601	2A - 7	4236722	24 - 39	4236786	4 - 1
4236446	3 - 7	4236602	2A - 7	4236725	8A - 12	4236786	5 - 11
4236454	2 - 4	4236603	2A - 7	4236725	35 - 2	4236792	17 - 1A
4236454	2A - 3	4236604	2A - 7	4236726	17 - 1	4236794	17 - 44
4236461	1 - 53	4236606	2A - 7	4236730	1 - 34	4236878	1 - 34
4236464	4A - 5	4236607	2A - 4	4236730	5 - 7	4236953	20 - 39
4236465	4A - 5	4236608	2A - 4	4236730	22 - 27	4236954	20 - 40
4236466	4A - 5	4236609	2A - 4	4236730	24 - 39	4236954	22 - 17
4236473	36 - 51	4236610	2A - 4	4236731	1 - 34	4236968	4A - 54
4236479	4 - 30	4236611	2A - 4	4236731	5 - 7	4236969	4A - 57
4236492	4A - 50	4236613	2A - 4	4236731	22 - 27	4236976	4 - 40A
4236494	8A - 14	4236621	3A - 18	4236731	24 - 39	4236976	4A - 58
4236524	1 - 9	4236629	4 - 33	4236732	1 - 34	4236977	17 - 43
4236533	1 - 12	4236631	4 - 32	4236732	5 - 7	4236985	4A - 5
4236534	3 - 20	4236632	4 - 31	4236732	22 - 27	4236995	20 - 59
4236535	1 - 11	4236633	4 - 27	4236732	24 - 39	4236996	4 - 26
4236536	3 - 9	4236634	22 - 23	4236733	1 - 34	4236997	20 - 39A
4236540	2 - 6	4236635	4 - 34	4236733	5 - 7	4238216	20 - 58
4236545	17 - 33	4236636	4 - 42	4236733	22 - 27	5144644	8 - 1
4236546	18 - 3	4236646	21 - 12	4236733	24 - 39	5144645	8 - 1
4236549	18 - 1	4236647	4A - 11	4236734	1 - 34	5144650	8 - 2
4236550	18 - 2	4236648	20 - 14	4236734	5 - 7	5144660	7 - 8
4236551	17 - 35	4236649	18 - 15	4236734	22 - 27	5144660	8 - 4
4236552	18 - 20	4236650	18 - 13	4236734	24 - 39	5144681	6 - 1
4236553	3 - 16	4236652	2A - 15	4236735	1 - 34	5144682	5 - 8
4236555	3 - 12	4236653	22 - 18	4236735	5 - 7	5144683	5 - 8
4236555	17 - 29	4236654	2 - 6	4236735	22 - 27	5144687	8 - 2
4236556	20 - 61	4236659	4A - 27	4236735	24 - 39	5144794	6 - 17
4236557	20 - 62	4236661	1 - 51	4236738	3A - 13	5144802	6 - 15
4236560	36 - 52	4236662	25 - 1	4236743	1 - 36	5144803	7 - 62
4236561	20 - 35	4236665	3 - 5	4236744	4 - 40	5144803	8 - 42
4236561	22 - 16	4236667	20 - 45	4236747	3A - 4	5144804	7 - 63
4236563	20 - 36	4236674	1 - 51	4236748	2A - 13	5144804	8 - 43
4236565	20 - 30	4236675	1 - 51	4236750	1 - 44	5144810	7 - 53
4236565	22 - 14	4236693	1 - 23	4236750	32 - 53	5144810	8 - 16
4236566	20 - 31	4236693	32 - 27	4236751	1 - 49	5144811	8 - 14
4236566	22 - 15	4236694	20 - 16	4236752	1 - 20	5144812	8 - 36
4236567	20 - 32	4236695	20 - 9	4236752	32 - 24	5144813	7 - 40
4236568	20 - 33	4236696	1 - 37	4236753	3 - 52	5144813	8 - 23
4236569	22 - 5	4236697	1 - 35	4236756	26 - 11	5144815	8 - 19

## NUMERICAL INDEX

PART NUMBER	LIST AND INDEX NO.	PART NUMBER	LIST AND INDEX NO.	PART NUMBER	LIST AND INDEX NO.	PART NUMBER	LIST AND INDEX NO.
5144820	8 - 15	5145649	8D - 19	5252840	31B - 7	5468388	21 - 17
5144829	6 - 18	5145667	8B - 41	5252840	34 - 13	5554530	4A - 7
5144850	7 - 64	5145669	8B - 42	5252843	3 - 24	5562019	16 - 1
5144850	8 - 44	5145684	8C - 31	5252850	28 - 17	5562022	13 - 7
5144874	6 - 13	5145712	8D - 15	5252868	31 - 3	5562034	13 - 19
5144886	6 - 24	5145713	8D - 17	5252868	31A - 10	5562035	14 - 26
5144896	7 - 65	5145718	8D - 20	5252868	31C - 17	5562035	16C - 13
5144898	8 - 45	5145727	8C - 27	5261370	28 - 2	5562037	14 - 30
5144913	7 - 14	5145728	8C - 17	5261627	31 - 8D	5562037	16C - 15
5144913	8 - 10	5145730	8C - 21	5261627	31A - 1D	5562038	14 - 21
5144916	7 - 15	5145734	8C - 20	5261627	31B - 28	5562038	16E - 4
5144916	8 - 11	5145750	8A - 1	5302660	36 - 46A	5562041	14 - 29
5144917	7 - 13	5145750	33 - 9	5302662	36 - 36	5562044	14 - 31
5144917	8 - 9	5145756	8A - 1	5311905	4 - 39	5562044	16A - 38
5144921	8 - 34	5145756	33 - 9	5318920	7 - 29	5562044	16C - 14
5144922	6 - 4	5145762	8B - 1	5318920	8C - 2	5562046	13 - 14
5144925	8 - 8	5145795	8B - 14	5318920	8C - 28	5562051	14 - 6
5145050	6 - 5	5145798	8D - 13	5319035	1 - 46	5562051	16D - 7
5145050	7 - 47	5145799	8D - 3	5319854	6 - 14	5562059	16C - 12
5145051	6 - 22	5145804	7 - 50	5319854	7 - 35	5562061	14 - 39
5145052	7 - 10	5145814	7 - 21	5319854	8 - 35	5562062	12 - 23
5145052	8 - 6	5145818	6 - 7	5342956	36 - 34A	5562062	16 - 21
5145055	8 - 3	5145818	7 - 56	5349929	4 - 17	5562064	13 - 12
5145056	8 - 3	5145818	8 - 40	5349929	13 - 43	5562066	13 - 32
5145057	7 - 16	5145820	7 - 49	5350006	10 - 34	5562077	13 - 30
5145057	8 - 12	5145875	6 - 15	5351177	36 - 15B	5562081	14 - 36
5145085	7 - 41	5145968	8B - 22	5352960	36 - 18	5562083	14 - 1
5145085	8 - 24	5145994	8D - 10	5352967	36 - 19	5562084	16 - 3
5145086	7 - 19	5146021	8B - 29	5353301	7 - 9	5562085	14 - 7
5145088	5 - 5	5146021	8C - 6	5353851	36 - 37	5562085	16D - 8
5145088	8 - 31	5146021	8C - 35	5353852	36 - 20	5562086	14 - 33
5145098	7 - 37	5146027	8C - 33	5353853	21 - 1	5562086	16C - 17
5145099	8 - 20	5182435	19 - 13	5353869	36 - 21	5562088	14 - 24
5145279	8B - 32	5213276	8B - 21	5353869	36 - 41	5562088	16C - 10
5145307	8D - 21	5214179	30 - 15	5353887	19 - 1	5562096	13 - 38
5145318	8C - 23	5214180	31B - 21	5353896	36 - 38	5562098	14 - 10
5145344	8B - 39	5214180	34A - 5	5353922	36 - 39	5562098	16D - 10
5145345	8A - 4	5214366	27 - 6	5362301	36 - 22	5562102	13 - 25
5145345	8B - 48	5214963	31 - 22	5362302	36 - 22A	5562103	14 - 8
5145346	8A - 23	5214966	28 - 4	5362303	36 - 57	5562115	13 - 13
5145346	8B - 23	5232806	27 - 3	5362304	4 - 37	5562116	13 - 22
5145347	8B - 33	5232824	27 - 22	5362306	36 - 40	5562313	13 - 16
5145347	8B - 37	5232824	31 - 20	5362325	19 - 2	5562348	9 - 6
5145348	8B - 30	5236656	3 - 43	5405152	21 - 9	5563653	16C - 1
5145349	8B - 30	5236656	4A - 22	5412817	36 - 15C	5563654	16J - 10
5145422	8D - 5A	5236656	31 - 28	5420242	8 - 13	5563660	16F - 1
5145423	8B - 38	5236656	31A - 25	5420242	8B - 6	5563671	16B - 15
5145447	8B - 34	5236656	31B - 32	5428337	20 - 6	5563671	16B - 31
5145448	8B - 40	5236656	31C - 11	5428337	27 - 28	5563687	16G - 2A
5145451	8C - 24	5236656	34 - 9	5447741	10 - 29	5563690	16E - 14
5145458	8B - 11	5240477	31 - 24	5447741	13 - 29	5563691	16E - 15
5145472	8B - 28	5252514	31B - 19	5466393	10 - 31	5563692	16E - 7
5145515	8C - 42	5252715	28 - 3	5466393	13 - 28	5563693	16E - 13
5145582	6 - 20	5252740	27 - 2	5466393	16A - 17	5563756	8B - 1
5145615	8B - 18	5252800	24 - 6	5466397	10 - 30	5563761	8D - 9A
5145615	8C - 26	5252801	24 - 36	5466397	13 - 27	5563765	8B - 50
5145639	8B - 18	5252824	21 - 13	5466397	16A - 15	5563767	8C - 22
5145639	8C - 26	5252837	28 - 17	5468387	21 - 7	5564498	31B - 2

## NUMERICAL INDEX

PART NUMBER	LIST AND INDEX NO.	PART NUMBER	LIST AND INDEX NO.	PART NUMBER	LIST AND INDEX NO.	PART NUMBER	LIST AND INDEX NO.
5564601	36 - 63	5565171	25 - 13	5758961	25 - 10	8265098	32 - 47
5564735	30 - 18	5565173	24 - 40	5759310	34A - 1	8265104	9 - 18A
5564735	31A - 14	5565173	34B - 3	5761783	31 - 1	8265122	19A - 4
5564746	34A - 13	5565174	25 - 8	5761784	28 - 1	8265123	19A - 7
5564847	34A - 3	5565189	26A - 3	5761785	34A - 14	8265129	19A - 9
5564929	31C - 19	5565190	3 - 55	5761786	31B - 8	8265147	32 - 17
5565050	3 - 58	5565191	26A - 6	5761788	31B - 8	8265150	1 - 1
5565052	31B - 18	5565195	3 - 46	5761789	27 - 7	8265212	20 - 2
5565053	29 - 2	5565197	3 - 39	5761882	36 - 53	8265216	35 - 11
5565056	3 - 31	5565198	25 - 3	5761905	31A - 16	8265226	33 - 6
5565058	29 - 3	5565211	27 - 24	5761943	27 - 5	8265227	33 - 7
5565062	27 - 15	5565214	24 - 29	5761943	30 - 7	8265229	35 - 1
5565062	31 - 14	5565215	24 - 5	5761943	31 - 6	8265230	35 - 6
5565079	23 - 11	5565215	34B - 24	5761943	31A - 8	8265231	35 - 9
5565079	36 - 64	5565216	24 - 9A	5761943	31A - 18	8265232	32 - 2
5565087	31B - 5	5565218	36 - 62	5761943	31C - 21	8265233	32 - 12
5565091	31C - 13	5565223	3 - 56	5761979	27 - 14	8265234	32 - 40
5565092	31C - 1	5565224	3 - 56	5761979	31 - 13	8265235	32 - 50
5565093	31C - 6	5565228	24 - 2A	5762034	30 - 10	8265236	32 - 13
5565094	31C - 6	5565234	31A - 21	5762034	31C - 5	8265241	33 - 6
5565095	3 - 58	5565234	31B - 14	5762383	27 - 17	8265252	8B - 28
5565098	31C - 15	5565235	31A - 22	5762383	31 - 16	8265252	33 - 17
5565101	24 - 2D	5565235	31B - 14A	5762534	24 - 19	8265262	34B - 6
5565104	34A - 7	5565237	24 - 2C	5796430	27 - 1	8265263	34B - 10
5565105	34 - 1	5565238	24 - 2B	5800610	36 - 56B	8265265	34B - 14
5565109	28 - 19	5565240	25 - 4	5800634	36 - 56	8265272	32 - 1
5565109	31 - 5	5565241	34 - 6	5805088	36 - 56A	8265273	20 - 8
5565109	31A - 6	5565242	34 - 6	5882184	8D - 12A	8265274	20 - 3
5565113	28 - 22	5565245	34B - 27	6814313	3 - 24	8265276	20 - 2
5565114	28 - 14	5565246	34B - 20	7354916	1 - 56	8265289	34B - 19
5565119	28 - 11	5565247	34 - 4	7362179	36 - 54	8265315	4 - 34
5565127	23 - 6	5565251	31B - 4	7362229	36 - 55	8265352	20 - 2
5565148	24 - 36	5565253	31B - 25	7362382	3A - 17	8265370	3 - 59
5565149	24 - 6	5565254	31B - 25	7362385	25 - 9	8265370	4 - 14
5565158	25 - 5	5565281	26 - 6	8112301	1 - 42	8265370	4 - 36
5565158	25 - 6	5616469	16E - 23	8112301	32 - 16	8265380	29 - 4
5565159	24 - 1J	5616743	16H - 10	8112302	1 - 42	8279051	31B - 7
5565160	3 - 46	5616743	16J - 36	8112302	32 - 16	8524194	10 - 21
5565161	24 - 25	5616823	31B - 20	8264450	20 - 63	8528202	10 - 23
5565162	24 - 1	5616823	31C - 3	8264452	20 - 2	8547070	4A - 53
5565163	24 - 1	5616823	34A - 10	8264454	20 - 1	8547149	19A - 8
5565167	24 - 22	5700484	11 - 29	8265079	4 - 53		
5565167	34B - 7	5700484	14 - 40	8265098	1 - 17		
5565168	24 - 1H	5729723	6 - 8	8265098	32 - 9		

**THIS PAGE INTENTIONALLY LEFT BLANK**

**Please use this form only to identify publication errors or to request changes in publications.** Direct any requests for additional publications, technical questions about IBM systems, changes in IBM programming support, and so on, to your IBM representative or to your nearest IBM branch office.

If your comment does not need a reply (for example, pointing out a typing error) check this box and do not include your name and address below. If your comment is applicable, we will include it in the next revision of the manual.

If you would like a reply, check this box. Be sure to print your name and address below.

Page number(s):

Comment(s):

**Please contact your nearest IBM branch office to request additional publications.**

Name \_\_\_\_\_

Company or  
Organization \_\_\_\_\_

Address \_\_\_\_\_  
\_\_\_\_\_

IBM may use and distribute any of the information you supply in any way it believes appropriate without incurring any obligation whatever. You may, of course, continue to use the information you supply.

No postage necessary if mailed in the U.S.A.

City

State

Zip Code



Fold and tape

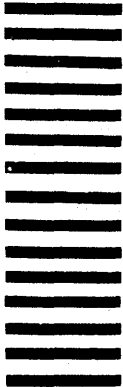
Please do not staple

Fold and tape



NO POSTAGE  
NECESSARY IF  
MAILED IN THE  
UNITED STATES

**BUSINESS REPLY MAIL**  
FIRST CLASS      PERMIT NO. 40      ARMONK, N. Y.



POSTAGE WILL BE PAID BY . . .

IBM CORPORATION  
General Systems Division  
Development Laboratory  
Publications, Dept. 245  
Rochester, Minnesota 55901

Fold and tape

Please do not staple

Fold and tape



**International Business Machines Corporation**

**General Systems Division  
4111 Northside Parkway N.W.  
P.O. Box 2150  
Atlanta, Georgia 30055  
(U.S.A. only)**

**General Business Group/International  
44 South Broadway  
White Plains, New York 10601  
U.S.A.  
(International)**



**International Business Machines Corporation**

**General Systems Division  
4111 Northside Parkway N.W.  
P.O. Box 2150  
Atlanta, Georgia 30055  
(U.S.A. only)**

**General Business Group/International  
44 South Broadway  
White Plains, New York 10601  
U.S.A.  
(International)**