

DATE 162072 BY PVA

REV	DESCRIPTION	BY	CHK	DATE	APPROVED
A	ECO 14-0480	PVA	PVA	12/28/81	[Signature]

REFERENCE DESIGNATOR	TYPE	QTY	15V	12V	-12V
UB4	74LS62	7	14		
U73	74LS04	7	14		
U78,79	7416	7	14		
U52	74LS08	7	14		
U75	74LS10	7	14		
U76	74LS11	7	14		
U71	74LS14	7	14		
U66,72,85	74LS32	7	14		
U39,53	74LS85	8	16		
U26,51	74LS138	8	16		
U67	74LS139	8	16		
U40,55,74,77	74LS161	8	16		
U80,81,82	74LS164	7	14		
U38	74S138	8	16		
U42,86	74LS244	16	20		
U83	74LS279	8	16		
U69,70	74LS367	8	16		
U8,17	74LS373	10	20		
U9,16,18,25,30-37,43-50	2114AL	9	18		
U61,62	2141-S	9	18		
U59,60	2737A	12	24		
U7	8031	20	40		
U41	8041A	20	40		
U64	8155-2	20	40		
U54	8243	12	24		
U29	8251A	4	26		
U65	8304	10	20		
U27	75188	7	14	1	
U28	75185A	7	14		
U87	LM324	11	4		
U63	3622A-2	8	16		

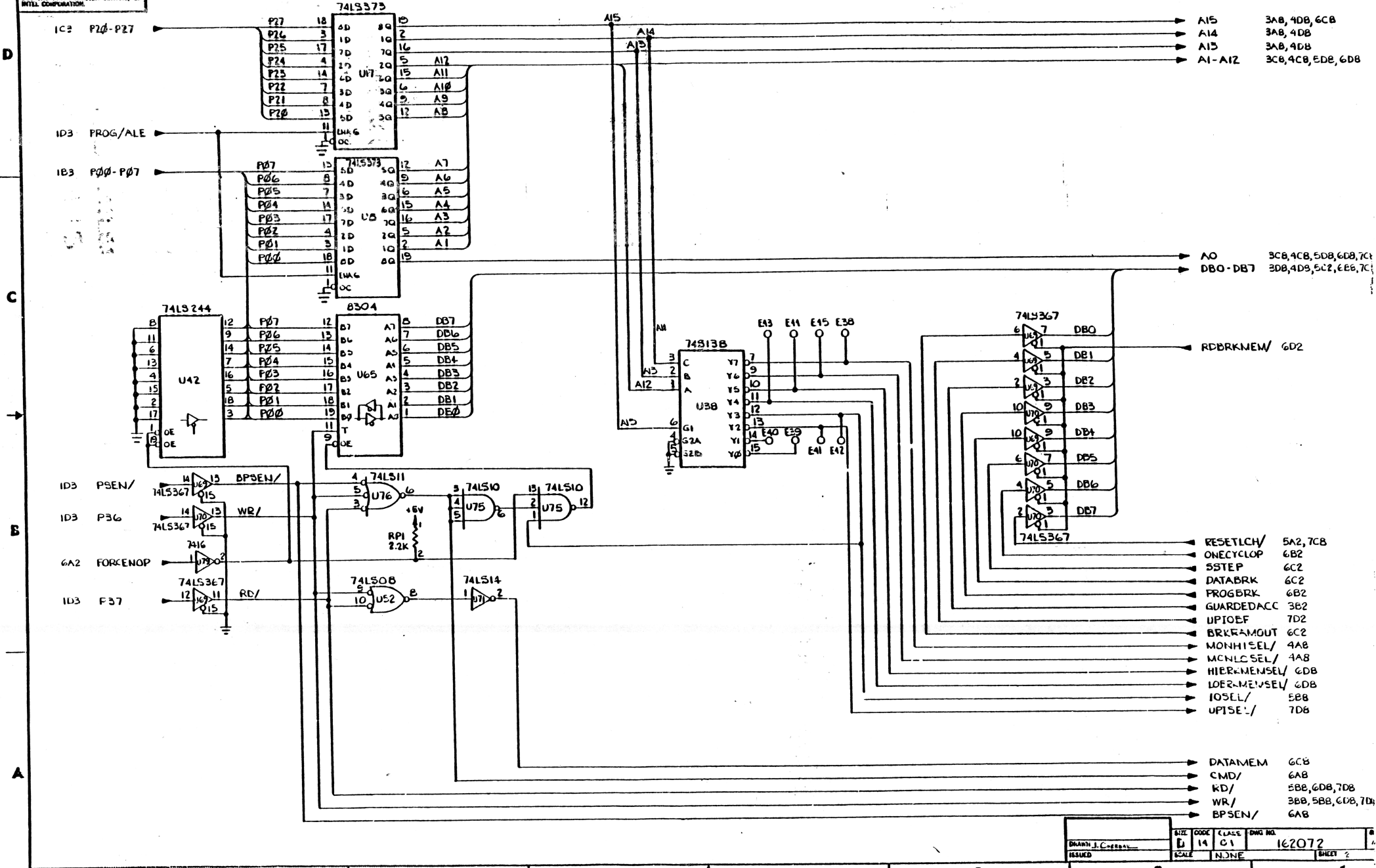
4. THE FOLLOWING REF DESIG'S ARE NOT TO BE ASSIGNED TO THIS SCHEMATIC: C1-5, D51-3, J1, R1-20, U1-6. THEY ARE ASSIGNED TO THE DISPLAY BD - SCHEMATIC NO. 162075.
- 3 DEVICES INDICATED WITH AN ASTERISK (\*) ARE NOT SHIPPED WITH MINIMUM CONFIGURATION KIT.
2. ALL CAPACITANCE VALUES ARE IN MICROFARADS.
1. ALL RESISTANCE VALUES ARE IN OHMS.
- NOTES: UNLESS OTHERWISE SPECIFIED

D34 C62 CR5 E55 J42 R48 R74 U87 W59 Y2	D51-3 C1-C5	USED ON ASSY NR 162073	QUANTITY PER DASH NO.	ITEM NO.	PART NUMBER	DESCRIPTION
J1 R1-R20, R41 U1-U6						
LAST USED	NOT USED	SDK 51				
REFERENCE DESIG	RECY ALST	MFG OR				

SIGNATURE		DATE		396 BOWERS AVE. BANGOR, CALIF. 96001
DRN BY: J. C. HADLEY		5-4-80		
CHK BY: [Signature]		11-22-81	TITLE	
APVD: D. O. [Signature]		12-21-81	CPU BOARD SDK 51	
REV	CODE	CLASS	DATE	REV
D	14	01	162072	A
SCALE	NONE			SHEET 1 OF 1

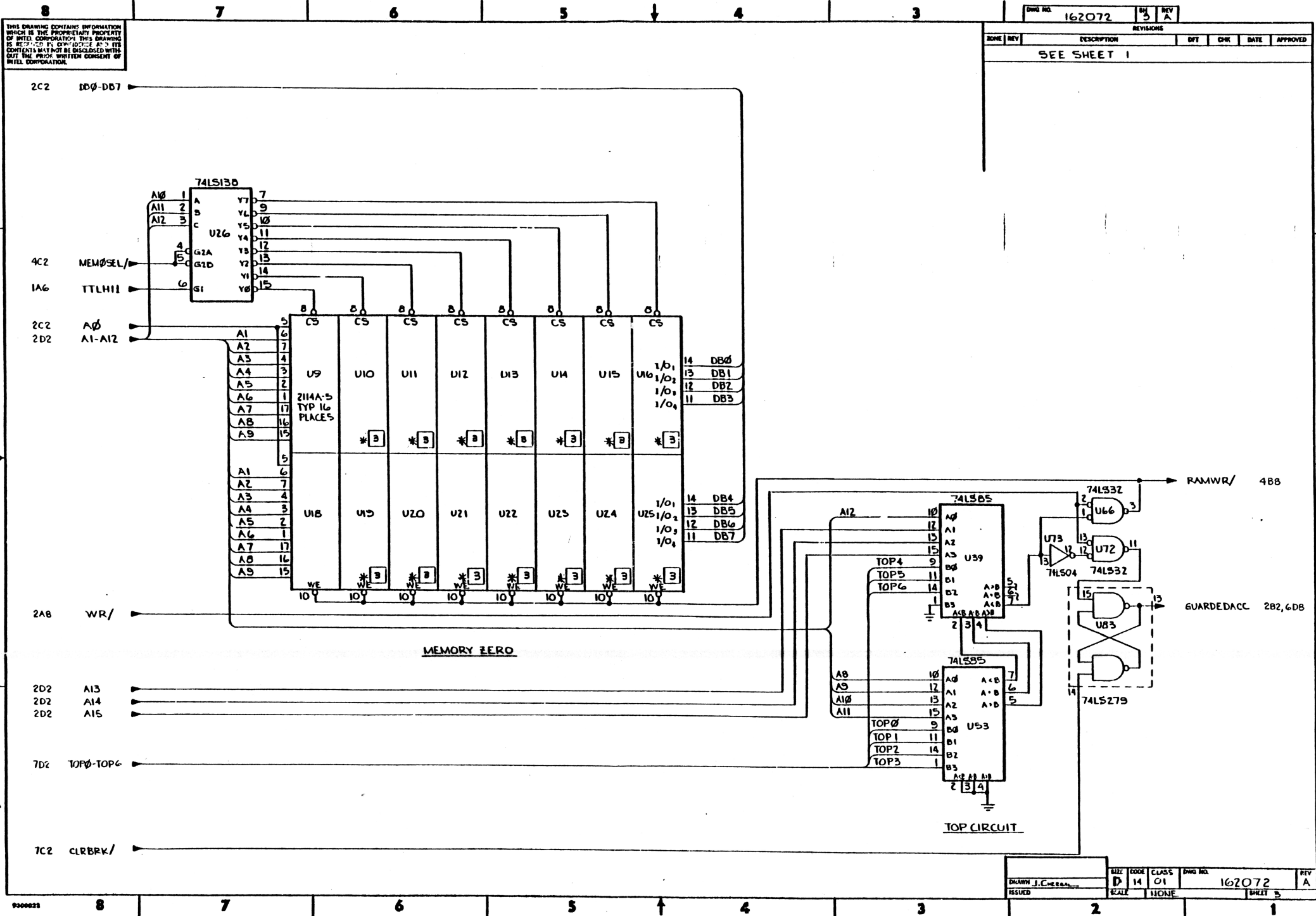
THIS DRAWING CONTAINS INFORMATION WHICH IS THE PROPRIETARY PROPERTY OF INTEL CORPORATION. THIS DRAWING IS RECEIVED IN CONFIDENCE AND ITS CONTENTS ARE NOT TO BE DISCLOSED WITHOUT THE PRIOR WRITTEN CONSENT OF INTEL CORPORATION.

DWG NO. 162072		REV. 2	REV. A
ZONE	REV.	DESCRIPTION	DATE
		SEE SHEET 1	



9300023

ISSUED	SCALE	NONE	SHEET 2
BLANCH, J. C.	DATE	14	DWG NO. 162072
CLASS	CODE	C1	REV. 2

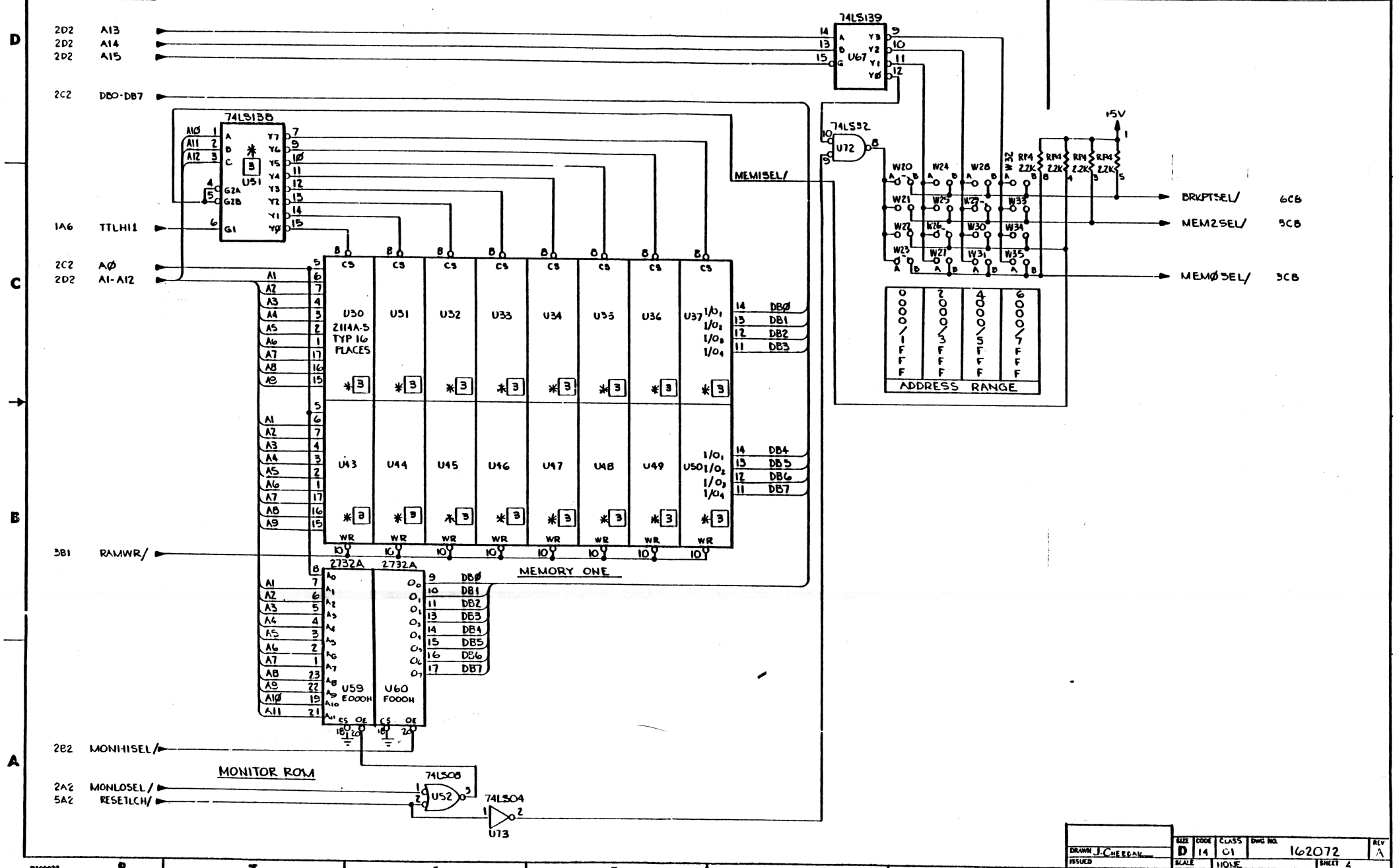


ISSUED	SCALE	CLASS	DWG NO.	REV
BRANN J. Cheema	NONE	01	162072	A

THIS DRAWING CONTAINS INFORMATION WHICH IS THE PROPRIETARY PROPERTY OF INTEL CORPORATION. THIS DRAWING IS REPRODUCED IN CONFIDENCE AND ITS CONTENTS MUST BE KEPT CONFIDENTIAL AND NOT DISCLOSED TO ANY OTHER PARTY WITHOUT THE PRIOR WRITTEN CONSENT OF INTEL CORPORATION.

DWG NO. 162072 SH 4 REV A

ZONE	REV	DESCRIPTION	DFT	CHK	DATE	APPROVED
SEE SHEET 1						



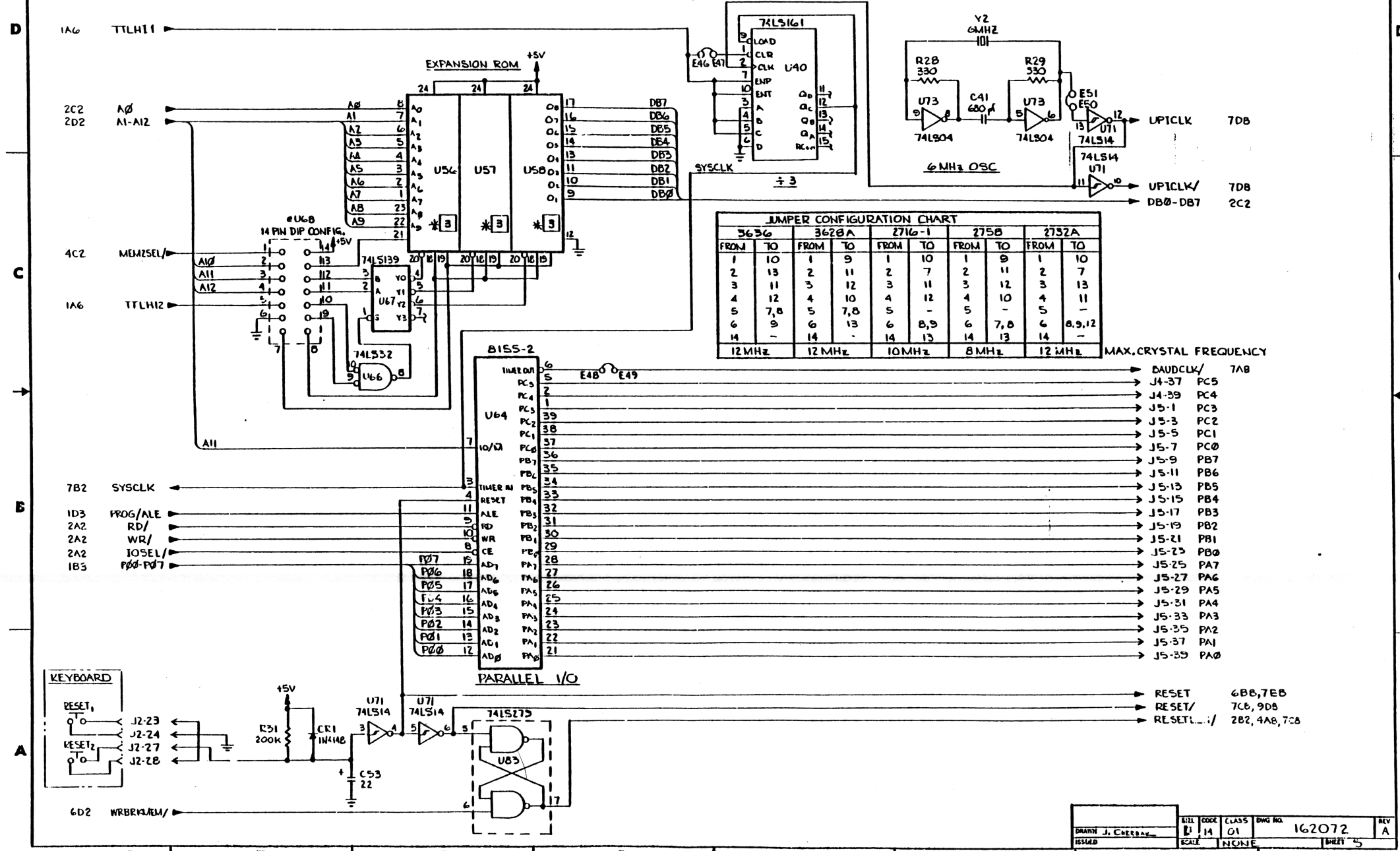
SIZE	CODE	CLASS	DWG NO.	REV
D	14	01	162072	A

ISSUED	SCALE	HOLE	SHEET	4

THIS DRAWING CONTAINS INFORMATION WHICH IS THE PROPRIETARY PROPERTY OF INTEL CORPORATION. THIS DRAWING IS ISSUED IN CONFIDENCE AND ITS CONTENTS MAY NOT BE DISCLOSED WITHOUT THE PRIOR WRITTEN CONSENT OF INTEL CORPORATION.

DWG NO. 162072 REV 5 BY A

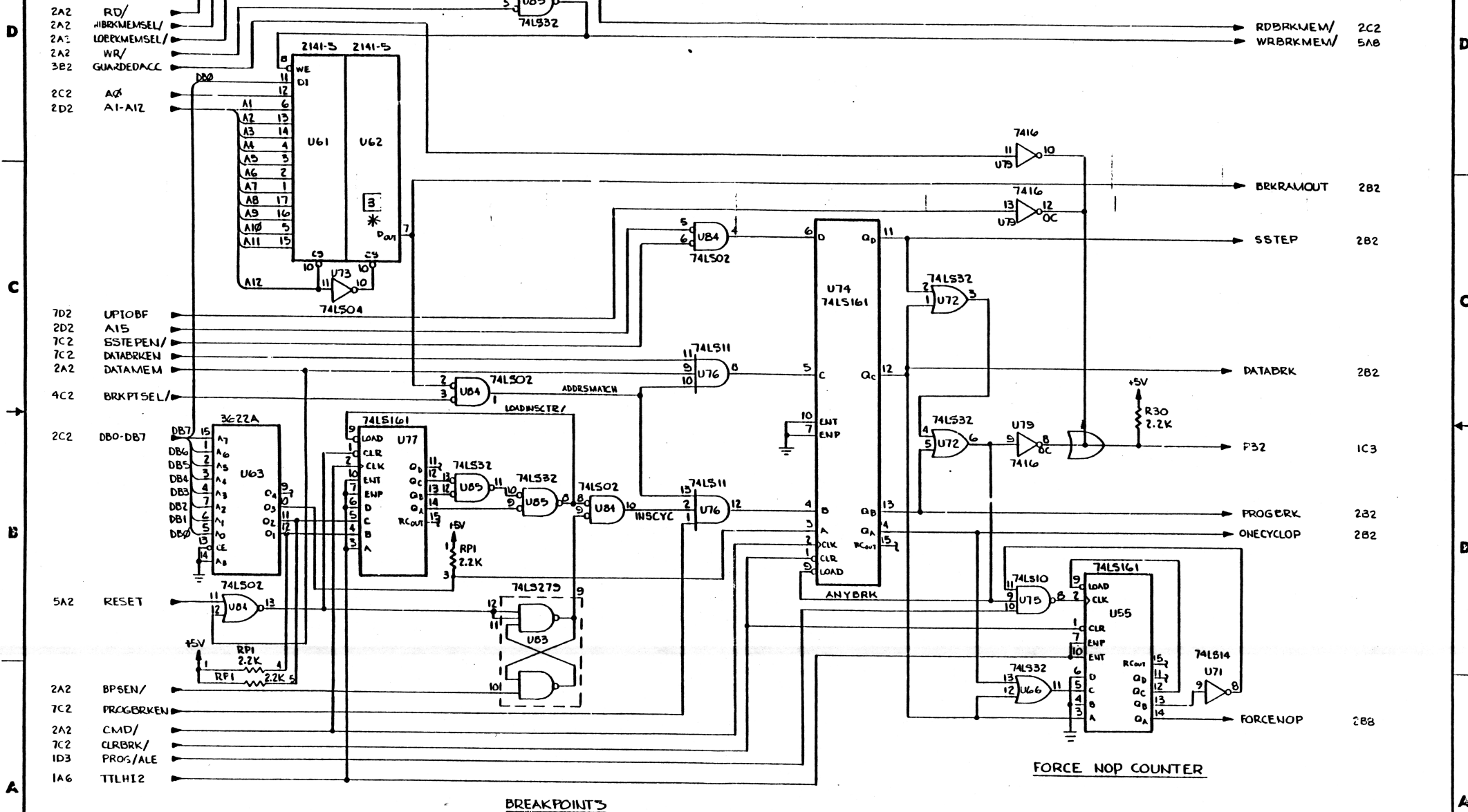
ZONE	REV	DESCRIPTION	BY	CHK	DATE	APPROVED
		SEE SHEET 1				



DRAWN	CHKD	CLASS	DWG NO.	REV
J. COOPER	RJ	14	162072	A
ISSUED	SCALE	NONE	SHEET	5

THIS DRAWING CONTAINS INFORMATION WHICH IS THE PROPRIETARY PROPERTY OF INTEL CORPORATION. THIS DRAWING IS NOT TO BE REPRODUCED, COPIED, OR TRANSMITTED IN ANY FORM OR BY ANY MEANS, ELECTRONIC OR MECHANICAL, INCLUDING PHOTOCOPYING, RECORDING, OR BY ANY INFORMATION STORAGE AND RETRIEVAL SYSTEM, WITHOUT THE PRIOR WRITTEN CONSENT OF INTEL CORPORATION.

DWG NO.	162072	REV	A
REVISIONS			
DATE	CHK	DFT	APPROVED
SEE SHEET 1			



D  
C  
B  
A

D  
C  
B  
A

2A2 RD/  
2A2 HBRKMEMSEL/  
2A2 LBRKMEMSEL/  
2A2 WR/  
3B2 GUARDEDACC  
2C2 A0  
2D2 A1-A12  
7D2 UPTOBF  
2D2 A15  
7C2 SSTEPEN/  
7C2 DATBRKEN  
2A2 DATAMEM  
4C2 BRKPTSEL/  
2C2 DB0-DB7  
5A2 RESET  
2A2 BPSEN/  
7C2 PROGCRKEN  
2A2 CMD/  
7C2 CLRBRK/  
1D3 PROG/ALE  
1A6 TTLHI2

RDBRKMEV/ 2C2  
WRBRKMEV/ 5A8

BRKRAMOUT 2B2

SSTEP 2B2

DATADRK 2B2

P32 IC3

PROGCRK 2B2

ONECYCLOP 2B2

FORCENOP 2B8

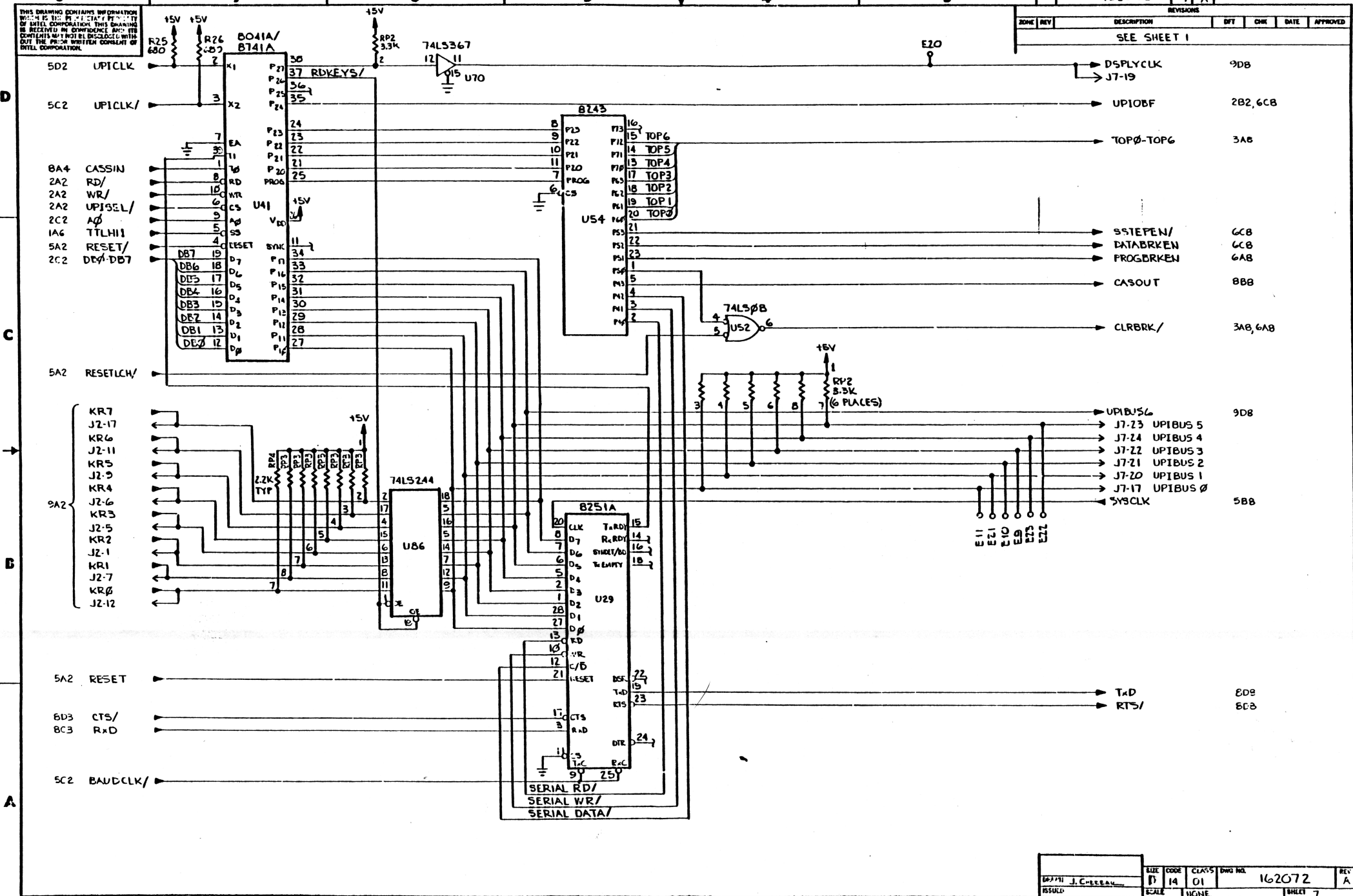
BREAKPOINT'S

FORCE NOP COUNTER

THIS DRAWING CONTAINS INFORMATION WHICH IS THE PROPERTY OF INTEL CORPORATION. THIS DRAWING IS RECEIVED IN CONFIDENCE AND ITS CONTENTS MAY NOT BE DISCLOSED WITHOUT THE PRIOR WRITTEN CONSENT OF INTEL CORPORATION.

DWG NO. 162072 REV 7 A

ZONE	REV	DESCRIPTION	DFT	CHK	DATE	APPROVED
SEE SHEET 1						



ISSUED	SCALE	CODE	CLASS	DWG NO.	REV
J. CHEBEAU	NONE	14	01	162072	A







