

**INTELLEC PROMPT™ 48**

Manual Order Number: 9800408B

**schematic  
drawings**

**intel®**



# INTELLEC PROMPT™ 48

Manual Order Number: 9800408B

NUMBER	TITLE	PAGE
2001573	Schematic, Keyboard Display .....	1
1001011	PWA, Keyboard Display .....	7
4000728	Harness Assembly, A.C. Power .....	8
4500725	Power Supply Assembly .....	9
2000960	Schematic, Power Supply, V/C AA (Power One) .....	10
2001041	Schematic, Power Supply, V/C AB (XENTEK).....	11
4001009	Front Panel Assembly .....	12
4001016	Harness Assembly, D.C. Power .....	13
2001102	Wiring Diagram, A.C./D.C. Power .....	14
4001008	Assembly, Main Frame .....	15
4001124	Cable Assembly, User Interface .....	17
4001373	Cable Assembly, User Interface (Alternate) .....	18

The information in this document is subject to change without notice.

Intel Corporation makes no warranty of any kind with regard to this material, including, but not limited to, the implied warranties of merchantability and fitness for a particular purpose. Intel Corporation assumes no responsibility for any errors that may appear in this document. Intel Corporation makes no commitment to update nor to keep current the information contained in this document.

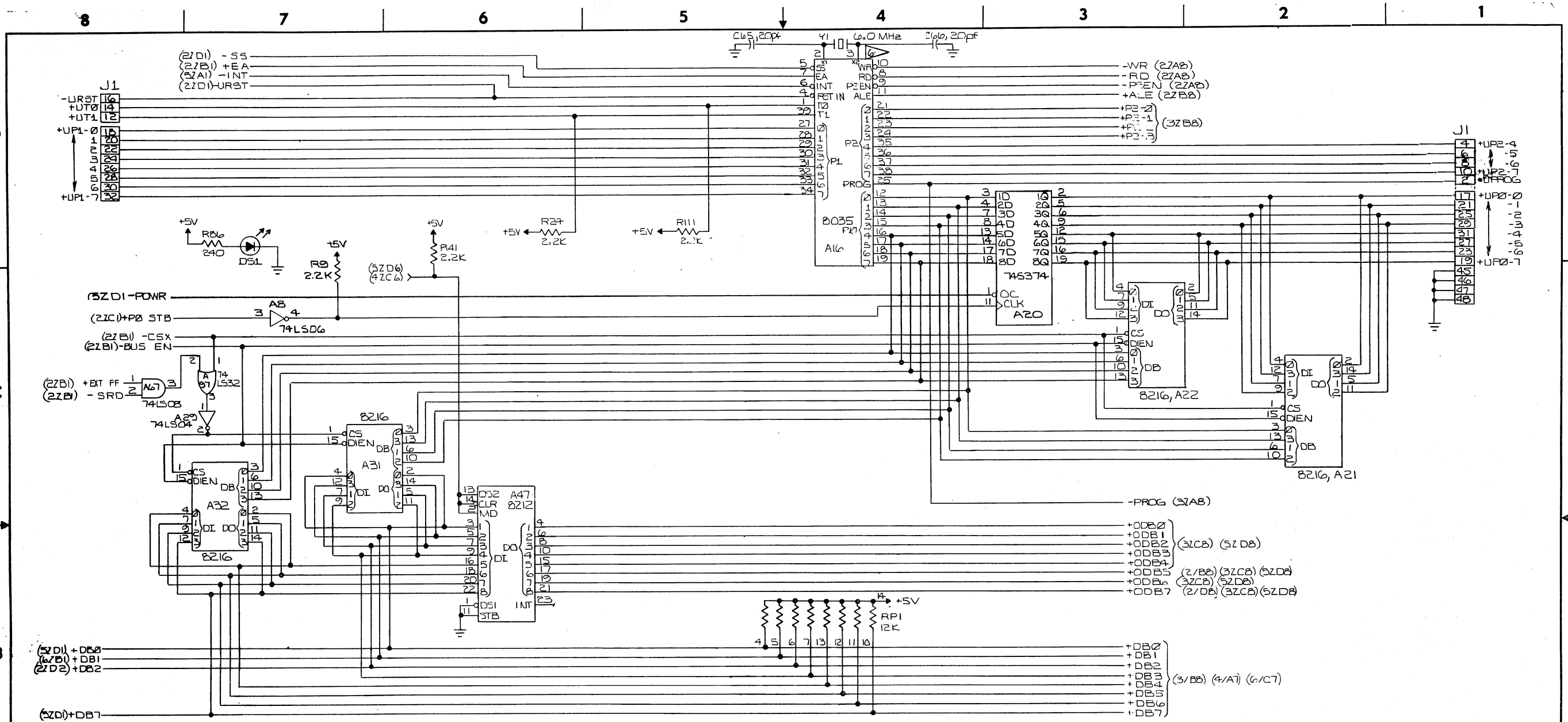
No part of this document may be copied or reproduced in any form or by any means without the prior written consent of Intel Corporation.

The following are trademarks of Intel Corporation and may be used only to describe Intel products:

ICE  
INSITE  
INTEL  
INTELLEC  
ISBC

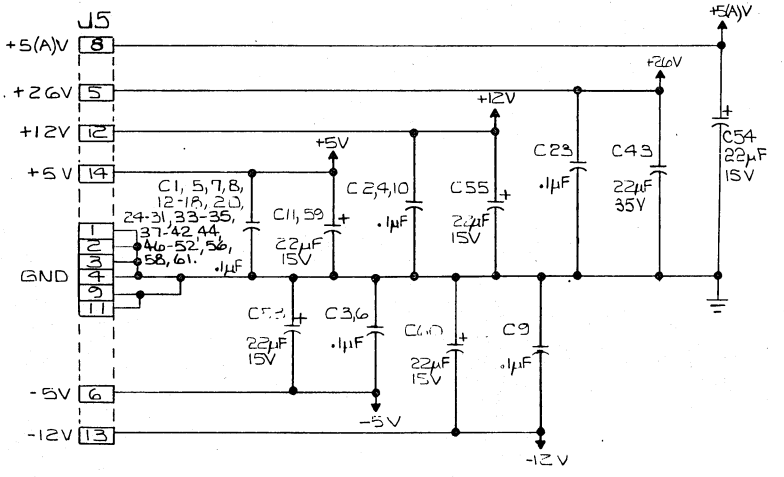
LIBRARY MANAGER  
MCS  
MEGACHASSIS  
MICROMAP  
MULTIBUS

PROMPT  
RMX  
UPI  
μSCOPE



- NOTES: UNLESS OTHERWISE SPECIFIED,  
 1. ALL RESISTANCE VALUES ARE IN OHMS, ±5%, 1/4W.  
 2. ALL CAPACITANCE VALUES ARE IN UF, UFF, PF.  
 3. ALL TRANSISTORS ARE 2N3644.  
 4. ALL DIODES ARE IN4148.  
 5. REMOVED

⚠ PWA 1001011-13 AND-14 USE 6.0 MHz CRYSTAL. PWA 1001011-15 AND-16 USE 3.0 MHz CRYSTAL.



REF DESIGNATIONS		SPARE GATES				VOLTAGE & GND SUPPLY							
LAST USED	NOT USED	TYPE	REF DESG	QTY	TYPE	REF DES	QTY	TYPE	-5V	+5V	+12V	GND	-12V
A103	A3,10,37-66	74LS02			7414	A92	1	8748	26	40		20	
C64		74LS02			7414			8212	24			12	
C67		74LS04	A38, A7, A58	5	74LS74	A102, A103	2	8251	26			4	
Q28		7406	AB	3	74125			1488			14	7	1
CR14	CR18,10	7407			7404	A91	4	8255	26			7	
R122	R67, R25	74LS08	A98, A67	1	1488	A11	1	2113	18			9	
Y2	R70-R77	74LS10	A68	1	1489			2114	18			9	
J5	R10, R11	74LS11	A97, A94	3	82K RP	RPI	4	8224	16	9		8	
RF6		74LS11	A95	2				8708	21	24	19	12	
VR2													
DS9													

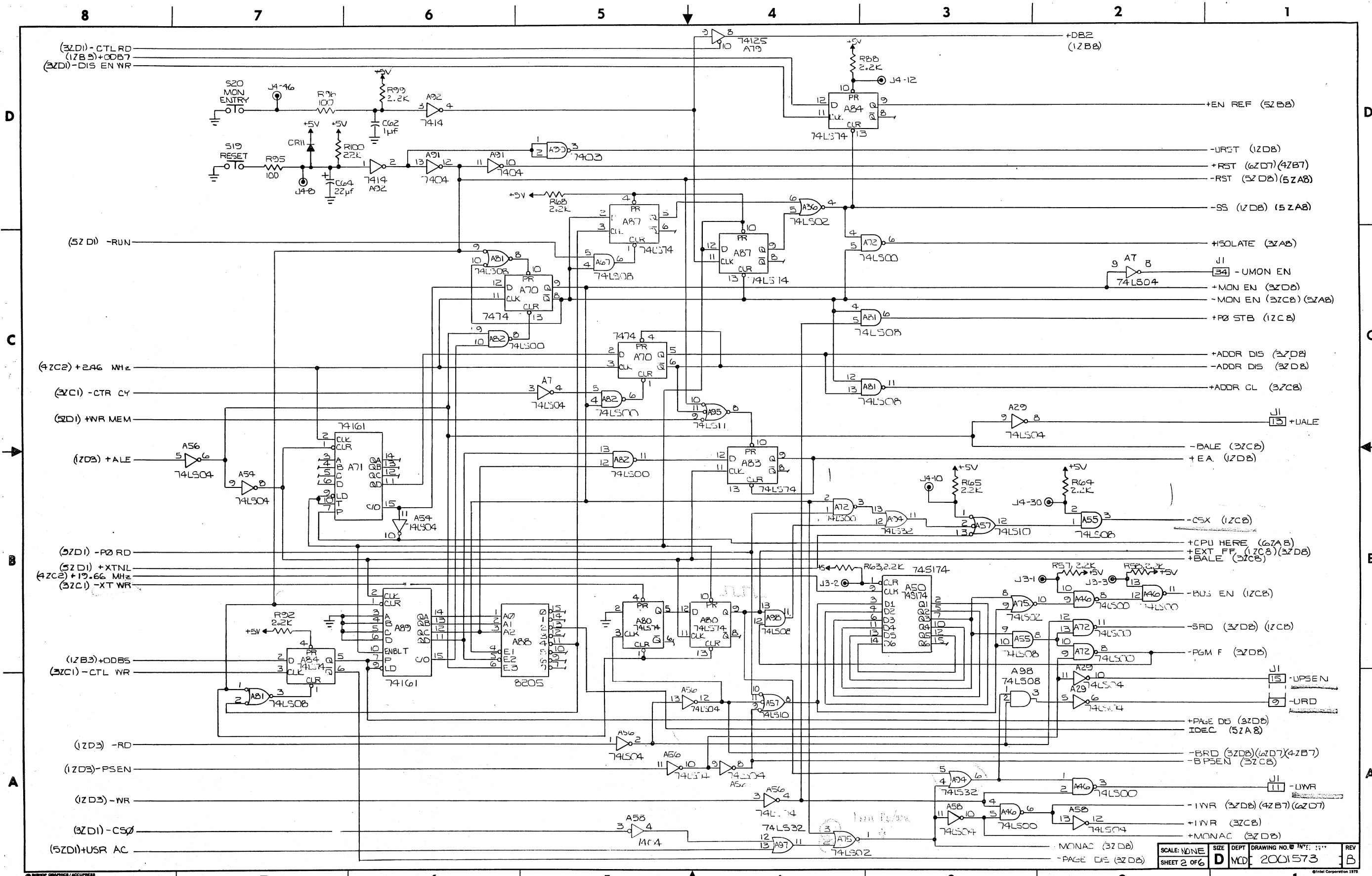
SCALE: NONE
TOL: 2 PLC 3 PLC ANGLE
MATERIAL:
FINISH:
1001011 PROMPT-4A
NEXT ASSY USED ON

**intel** 3065 BOWERS AVE. SANTA CLARA CALIF. 95051

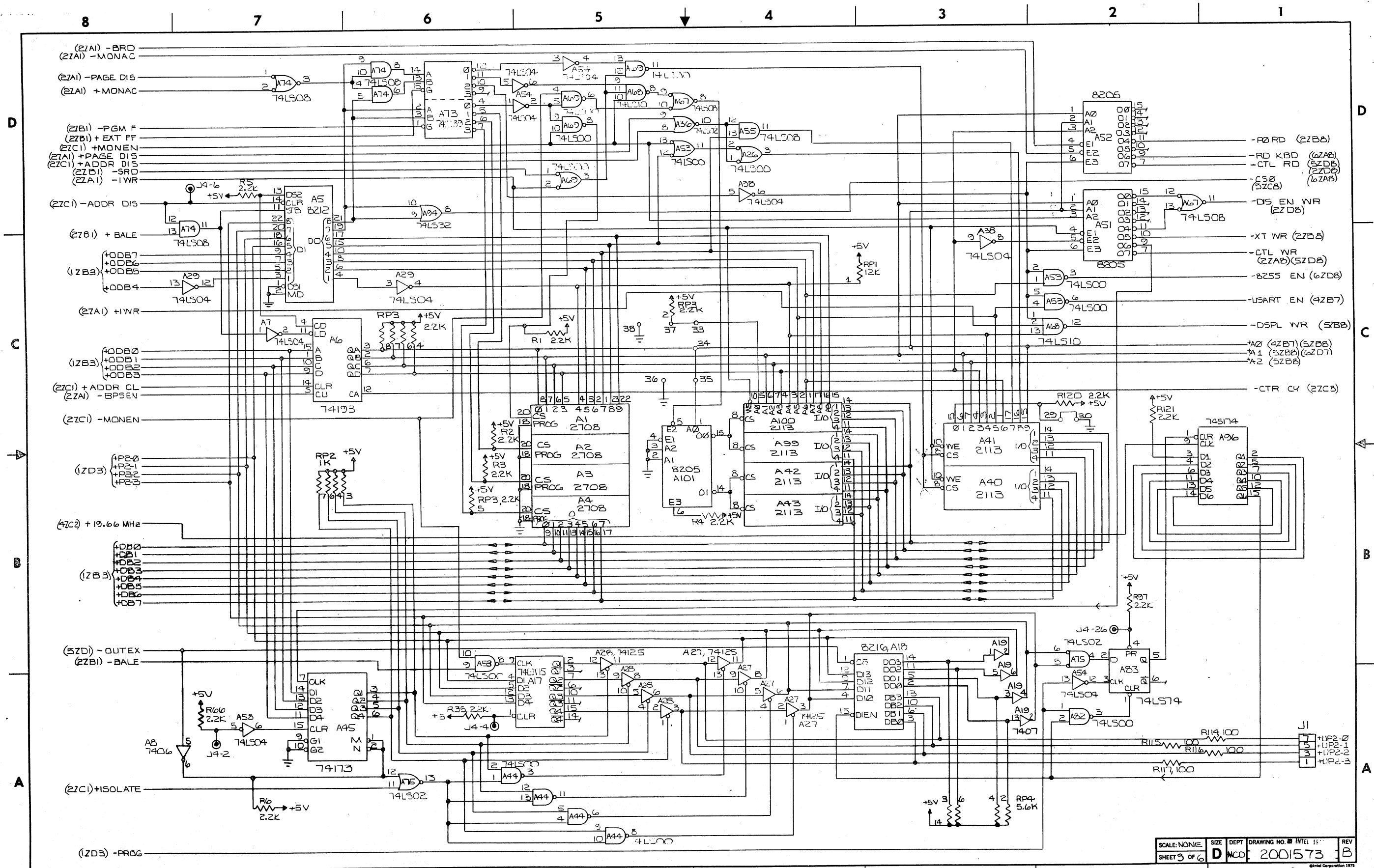
TITLE: SCHEMATIC  
KEYBOARD DISPLAY

SIZE: D DEPT: MCD DRAWING NO.: 2001573 REV: B

CODE: SHEET 1 OF 6

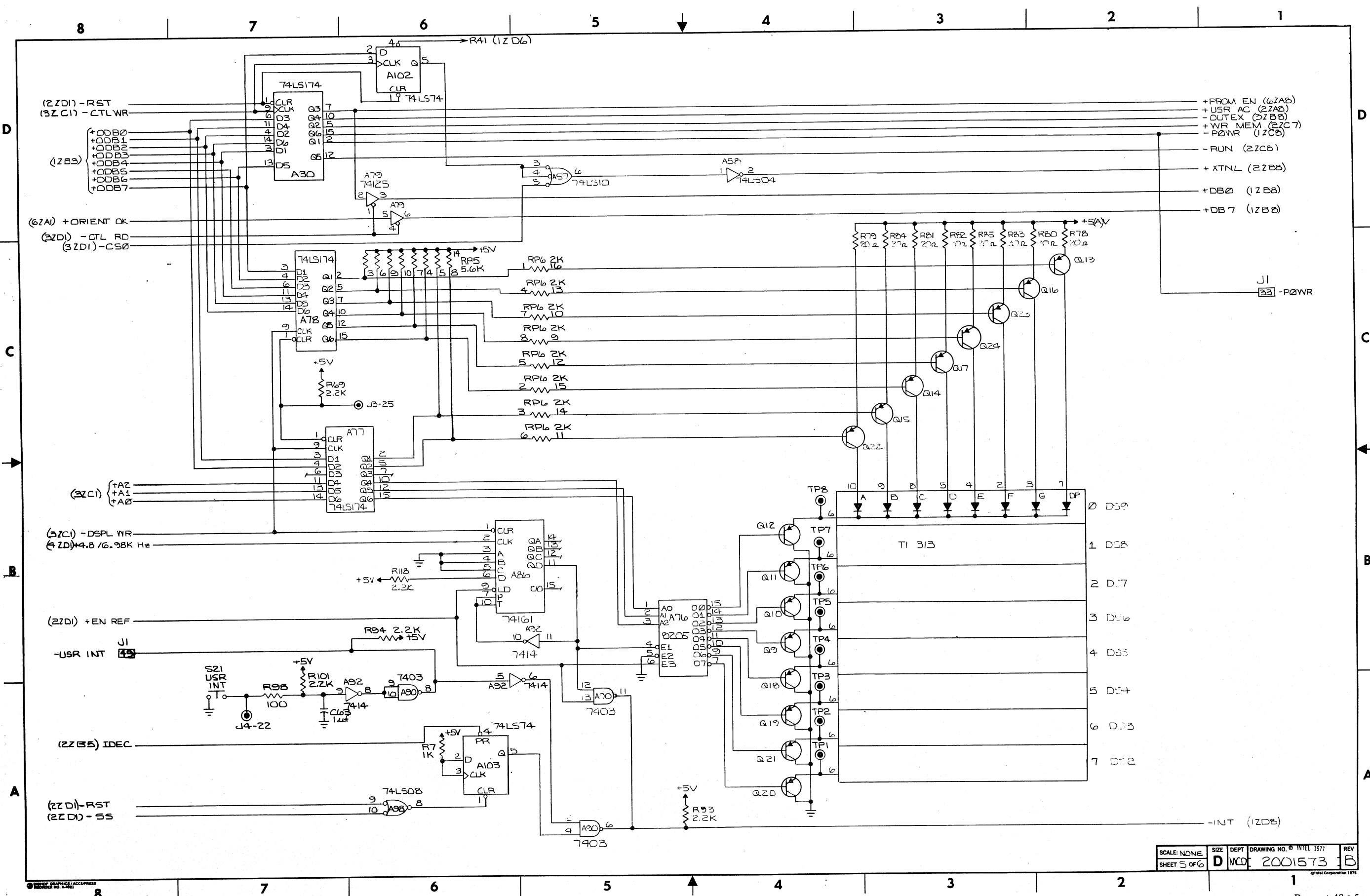


SCALE: NONE	SIZE: D	DEPT: MCD	DRAWING NO. 2001573	REV: B
SHEET 2 OF 6				

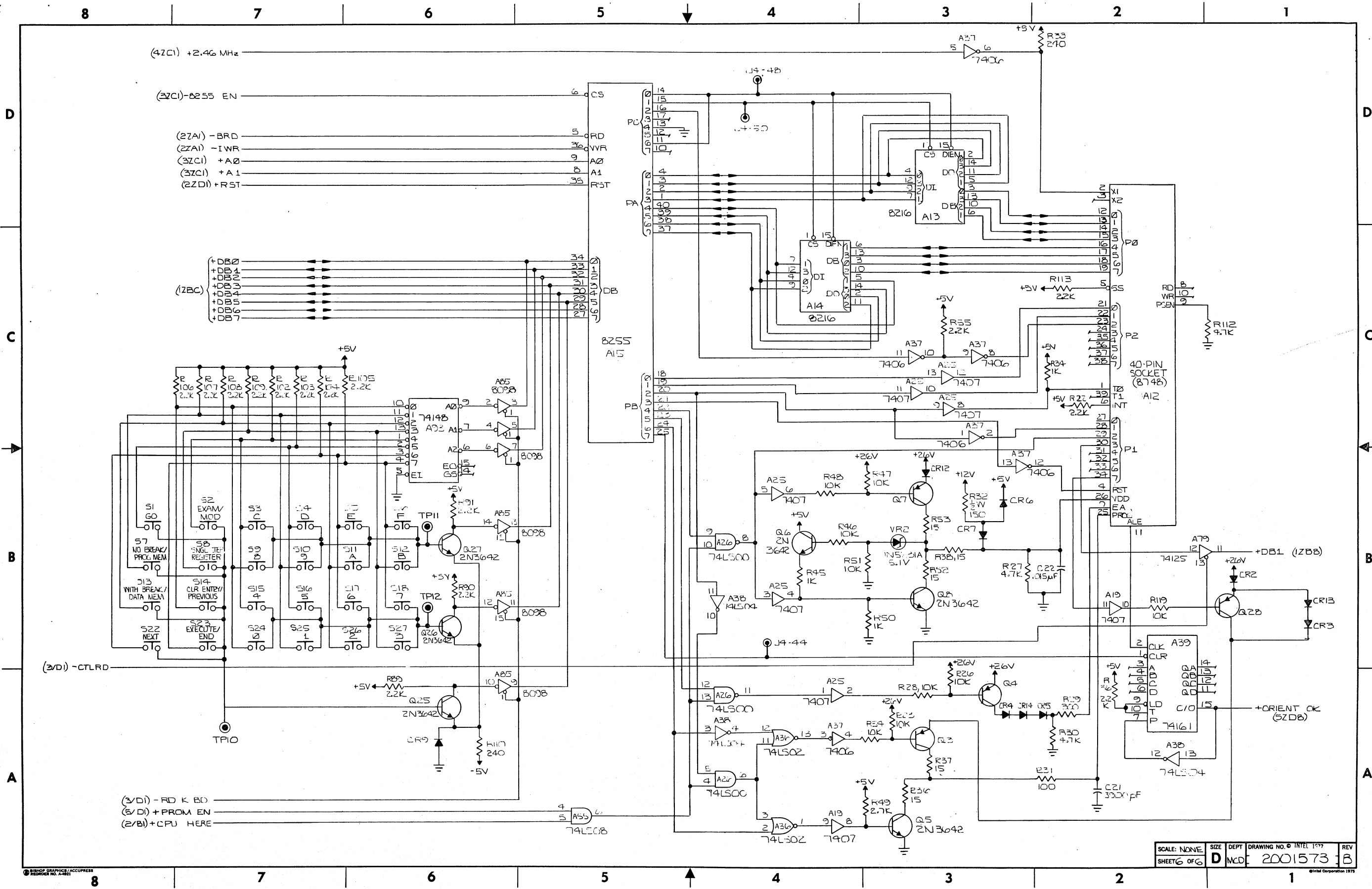


SCALE: NONE SIZE: D DEPT: MCD DRAWING NO.: 2001573 REV: B  
 SHEET 3 OF 6





SCALE: NONE SIZE: D DEPT: WCD DRAWING NO. 2001573 REV: B SHEET 5 OF 6

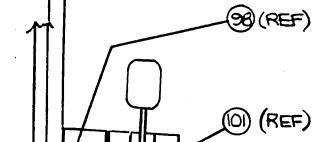


SCALE: NONE	SIZE: D	DEPT: MCD	DRAWING NO. INTEL 1077	REV: B
SHEET 6 OF 6			2001573	



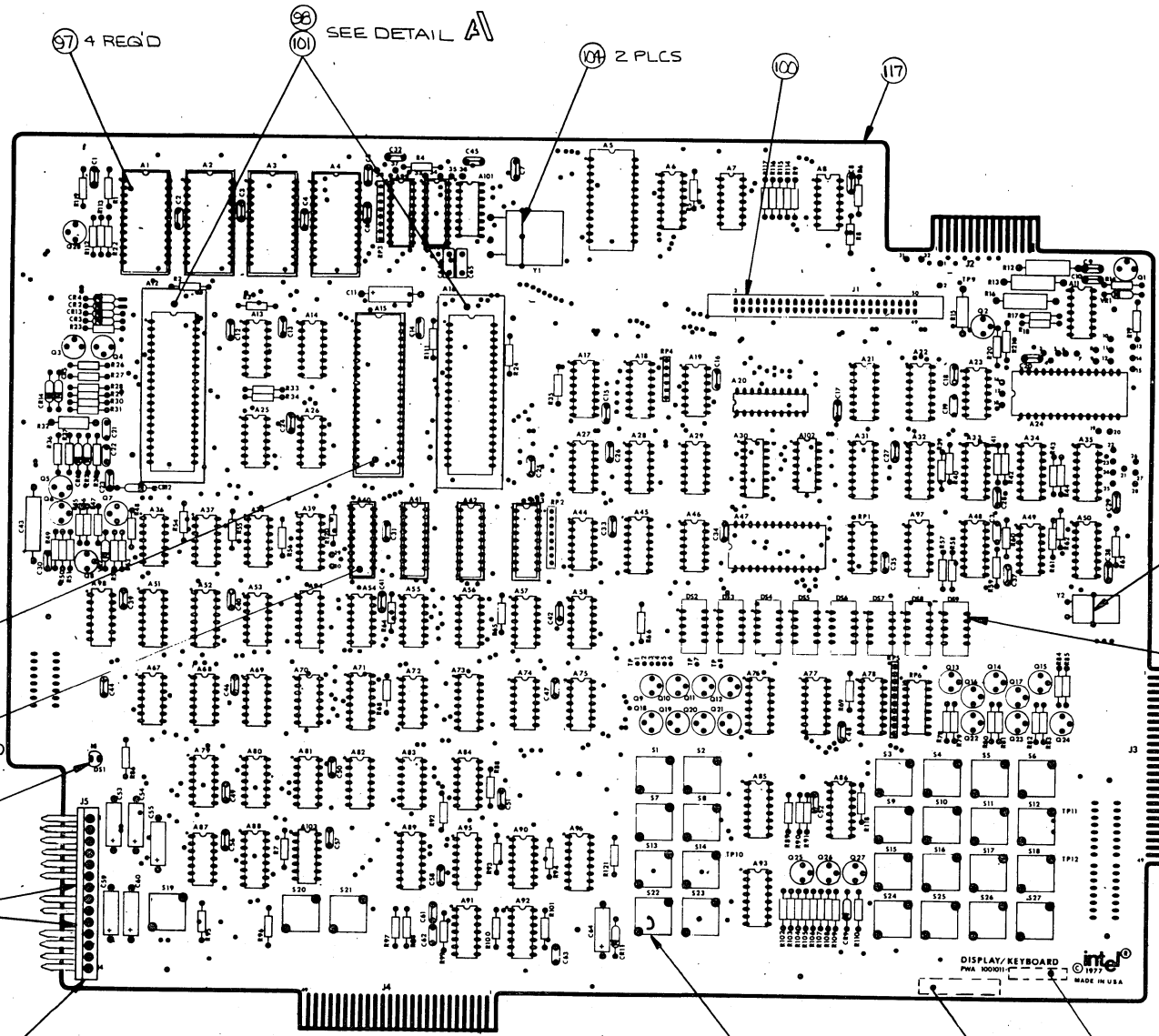
8 7 6 5 4 3 2 1

.100 SPACE



- 1. LOOK FOR THIS CUT-IN TO BE IN PIN 1 POSITION SO CONN. ENDS WILL BE FLUSH WITH SOCKET ENDS WHEN INSTALLED.
- 2. DISCARD SMALL SCREWS THAT ACCOMPANY ITEM 101 AND USE THE LARGER THAT ACCOMPANY ITEM 98 TO SECURE BOTH ITEMS TOGETHER.

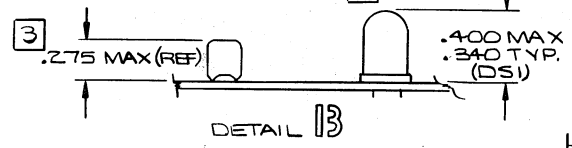
DETAIL A (SCALE: 2/1)



NOTES: UNLESS OTHERWISE SPECIFIED,

- 1. ASSY NO. IS 1001011-XX. ASSY AND PL ARE TRACKING DOCUMENTS.
- 2. MARK DASH NO. AND REV LEVEL WITH CONTRASTING PERM COLOR, NON-CONDUCTIVE, .12 INCH HIGH APPROX WHERE SHOWN.
- 3. MAX HEIGHT FOR COMPONENTS (OTHER THAN CONNECTORS, LED'S, SOCKETS, SWITCHES, C65, C66, C43 AND Y1) TO BE .275.
- 4. THIS ASSY TO BE A 3-STAGE OPERATION
  - 1) WAVE SOLDER OTHER THAN ITEM 76 (7-SEG, L.E.D), ITEM 94 (SWITCH SET) AND THEN CLEAN.
  - 2) HAND SOLDER ITEMS 76 & 94 IN PLACE AND CLEAN WITH ALCOHOL. DO NOT IMMERSSE EITHER OF THESE ITEMS INTO A FLUID.
- 5. MARK ASSY VENDOR ID WITH CONTRASTING PERM COLOR. NON-CONDUCTIVE, APPROX WHERE SHOWN.

- 6. SWITCHES (ITEM 94), L.E.D. LAMP (ITEM 77), AND 7-SEG (ITEM 76) TO BE INSTALLED ALIGNED AND FLUSH ON THE BOARD.
- 7. ASSEMBLY MUST CONFORM TO MCD STD QA WS 007.
- 8. CAUTION: BEFORE ASSY, CHECK INDICATOR ITEM 76 FOR SAME BRIGHTNESS INTENSITY GRADE VALUE WHICH APPEARS ON PART
- 9. WORKMANSHIP PER MCSD QA WS 99-0007-001.

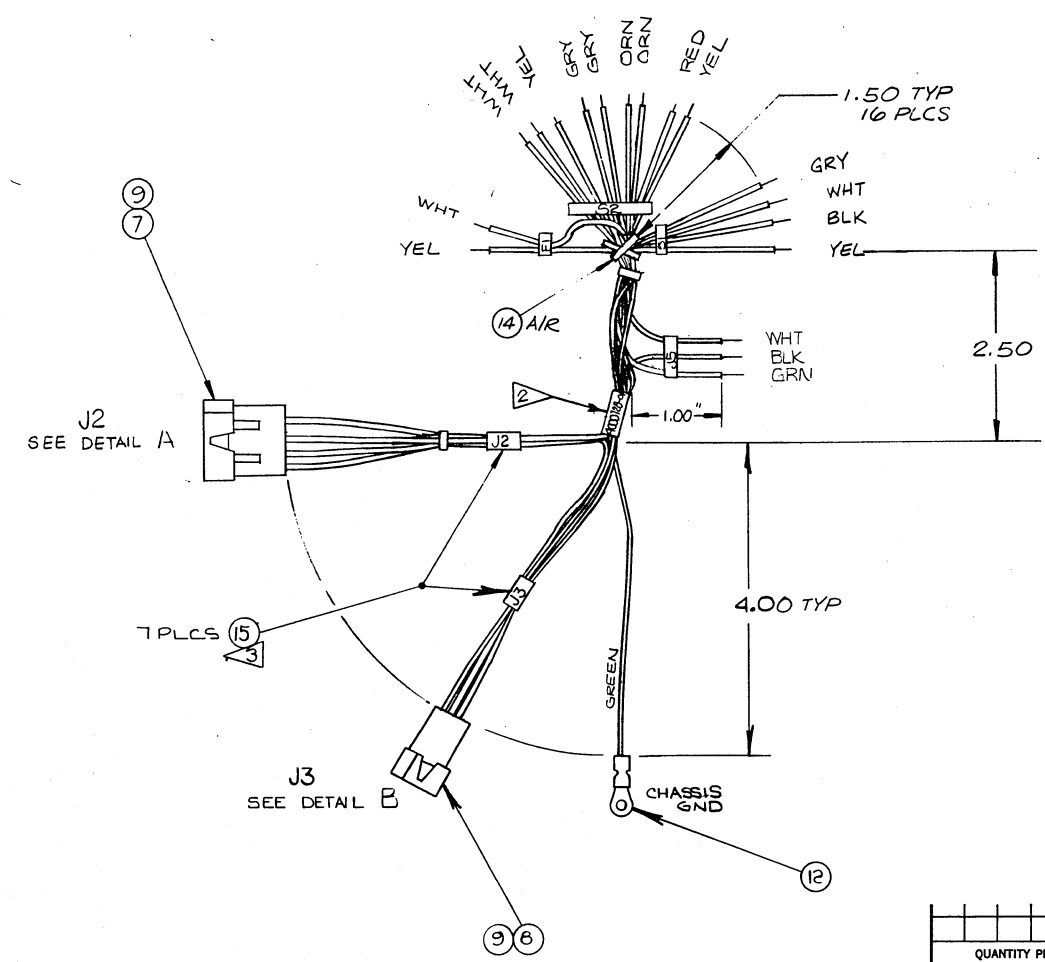
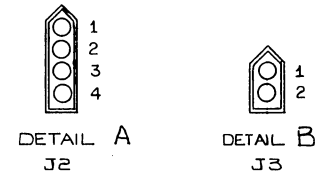


-SEE SEPARATE PARTS LIST-

QUANTITY PER DASH NO.		ITEM NO.	PART NUMBER	DESCRIPTION
SCALE: 1:1		PARTS LIST		
TOL =	2 PLC	3 PLC	ANGLE	3065 BOWERS AVE. SANTA CLARA CALIF. 95051 TITLE P.W.A. KEYBOARD DISPLAY SIZE DEPT DRAWING NO. REV D MCSD 1001011 G
MATERIAL: SEE PARTS LIST				
FINISH:		CODE: SHEET 1 OF 1		
NEXT ASSY	USED ON			

8 7 6 5 4 3 2 1

D  
C  
B  
A



NOTES:  
UNLESS OTHERWISE SPECIFIED,  
1. ASSY NO IS 4000728-01  
2. INK STAMP ASSY NO AND REV LEVEL ONTO (ITEM 15) LABEL TIE WRAP.  
3. IDENTIFY TERMINATION GROUPS BY INK STAMPING ONTO LABEL TIE WRAPS AS SHOWN.  
A. DIMENSIONS ARE IN INCHES.

QUANTITY PER DASH NO.		ITEM NO.	PART NUMBER	DESCRIPTION
SCALE:	1/1			
TOL.	2 PLC 3 PLC ANGLE			
	.25			
MATERIAL:		SEE PARTS LIST		
FINISH:				
4000917	PROMPT80			
NEXT ASSY	USED ON			
CODE:		SHEET 1	OF 1	
PARTS LIST		<b>intel</b> 3065 BOWERS AVE. SANTA CLARA CALIF. 95051 TITLE: HARNESS ASSY A.C. POWER SIZE: D DEPT: MCD DRAWING NO.: 4000728 REV: D		

8 7 6 5 4 3 2 1

**ELECTRICAL SPECS:**

**INPUT:** 115 OR 230 VAC,  $\pm 10\%$ , 47-63 Hz.  
 PRIMARY WINDINGS OF THE TRANSFORMER  
 MUST BE ABLE TO ACCOMODATE A 115V  
 20 WATT FAN WHEN THE WINDINGS ARE  
 CONNECTED IN SERIES AND THE FAN IS  
 CONNECTED IN PARALLEL WITH ONLY  
 ONE OF THE WINDINGS.  $I_{AC} \leq 1.8$  AMP @ 125V.

**OUTPUT:** 1.) +5V 6A WITH FIXED OVP AT  $6.4V \pm 5\%$   
 2.) +12V, 1.2A  
 3.) -12V, 300mA  
 4.) -5V, 300mA  
 5.) +26.5V 100mA

**LINE AND LOAD REGULATION:** 0.1% ON  
 OUTPUT 1, AND 2; 1% ON OUTPUTS 3, 4, AND 5

**RIPPLE:** 50 MV PEAK TO PEAK ON ALL OUTPUTS

**CURRENT LIMIT:** 110% TO 125% OF RATED  
 CURRENT ON OUTPUT 1 AND 2.

**ADJUSTMENT RANGE:**  $\pm 5\%$  OF NOMINAL  
 VOLTAGE ON OUTPUT 1 AND 2.

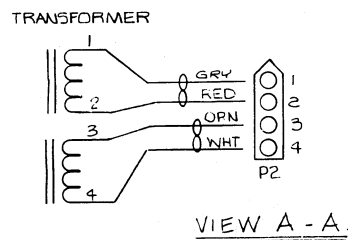
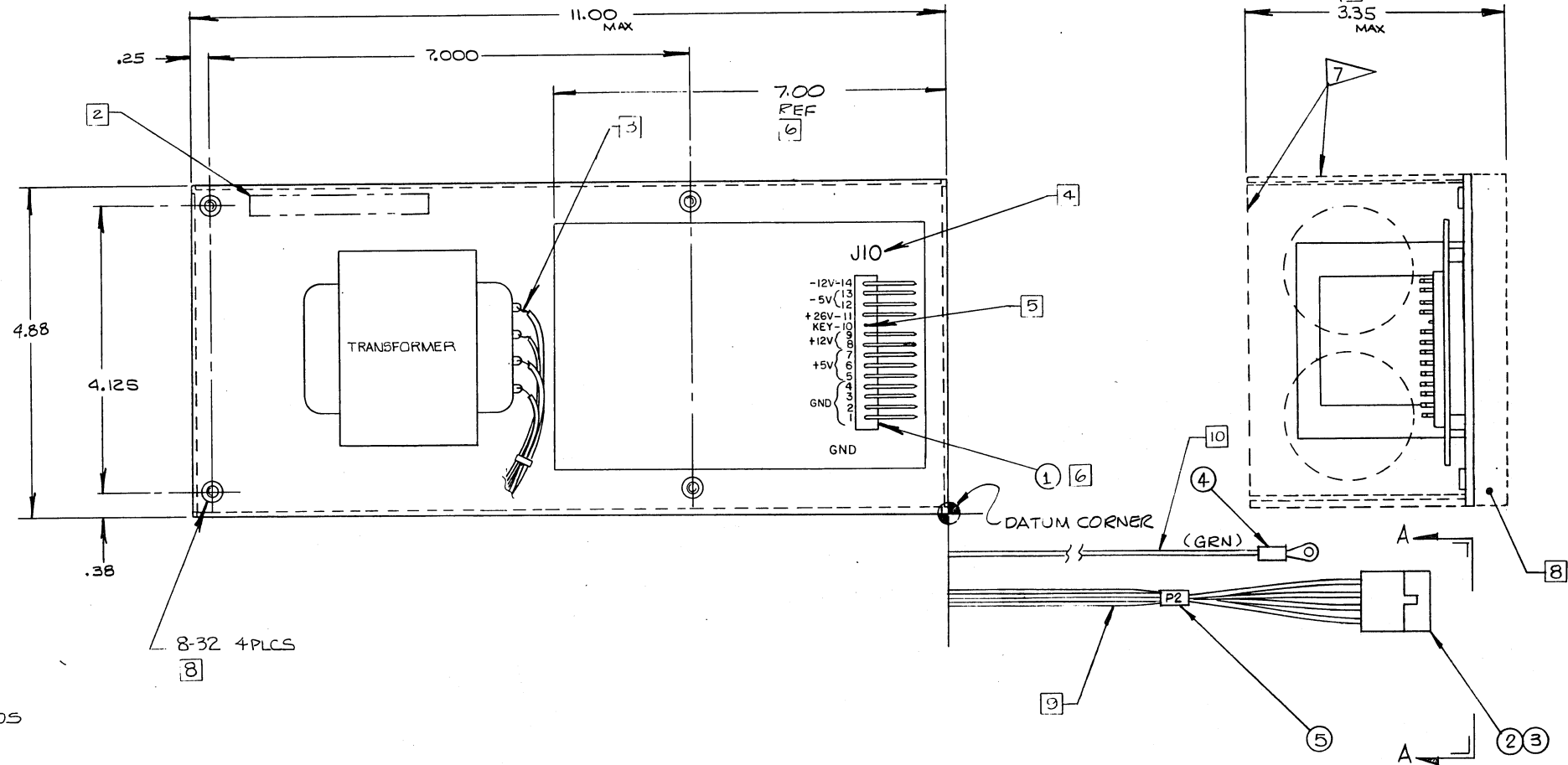
**VOLTAGE VARIATION RANGE**  
 $\pm 5\%$  ON OUTPUTS 3 AND 4  
 $\pm 0.5$  VOLT ON OUTPUT 5, IF ADJUSTABLE SET, TO 26.5 VOLT,  
 THEN SEAL ADJUSTMENT.

**OPERATING TEMP:**  $0^\circ$  TO  $55^\circ$  AMBIENT

**NOTES:**

UNLESS OTHERWISE SPECIFIED,

1. ASSY NO IS 4500725-01.
2. INK STAMP ASSY NO., REV LEVEL AND VENDOR CODE  
 APPROX WHERE SHOWN. NO VENDOR LABELS OR LOGOS  
 ARE TO BE PLACED ON THE ASSY.
3. INSULATE EXPOSED TERMINALS
4. INDICATE REF DESIG 'J10' NEAR  
 CONNECTOR (ITEM 1) APPROX AS SHOWN.
5. REMOVE PIN # 10.
6. LOCATION OF CONNECTOR (ITEM 1)  
 OPTIONAL TO VENDOR WITHIN AREA  
 INDICATED ( $7.00 \times 4.88 \times 3.25$ ).
7. VENTED SIDES ARE OPTIONAL.
8. STANDOFFS ARE REQ'D IN LIEU OF PEM NUTS  
 WHEN ANY COMPONENTS PERTRAUDE BELOW  
 THE POWER SUPPLY CHASSIS.
9. A.C. INPUT HARNESS TO BE 6.00" LONG  
 FROM THE DATUM CORNER AS INDICATED.
10. 18 AWG CHASSIS GND WIRE TO BE 8.00" LONG  
 FROM THE DATUM CORNER AS INDICATED.
11. FOR PROCUREMENT SEE LV 4500725.
12. THIS DIMENSION WILL INCLUDE SPACER HEIGHT.

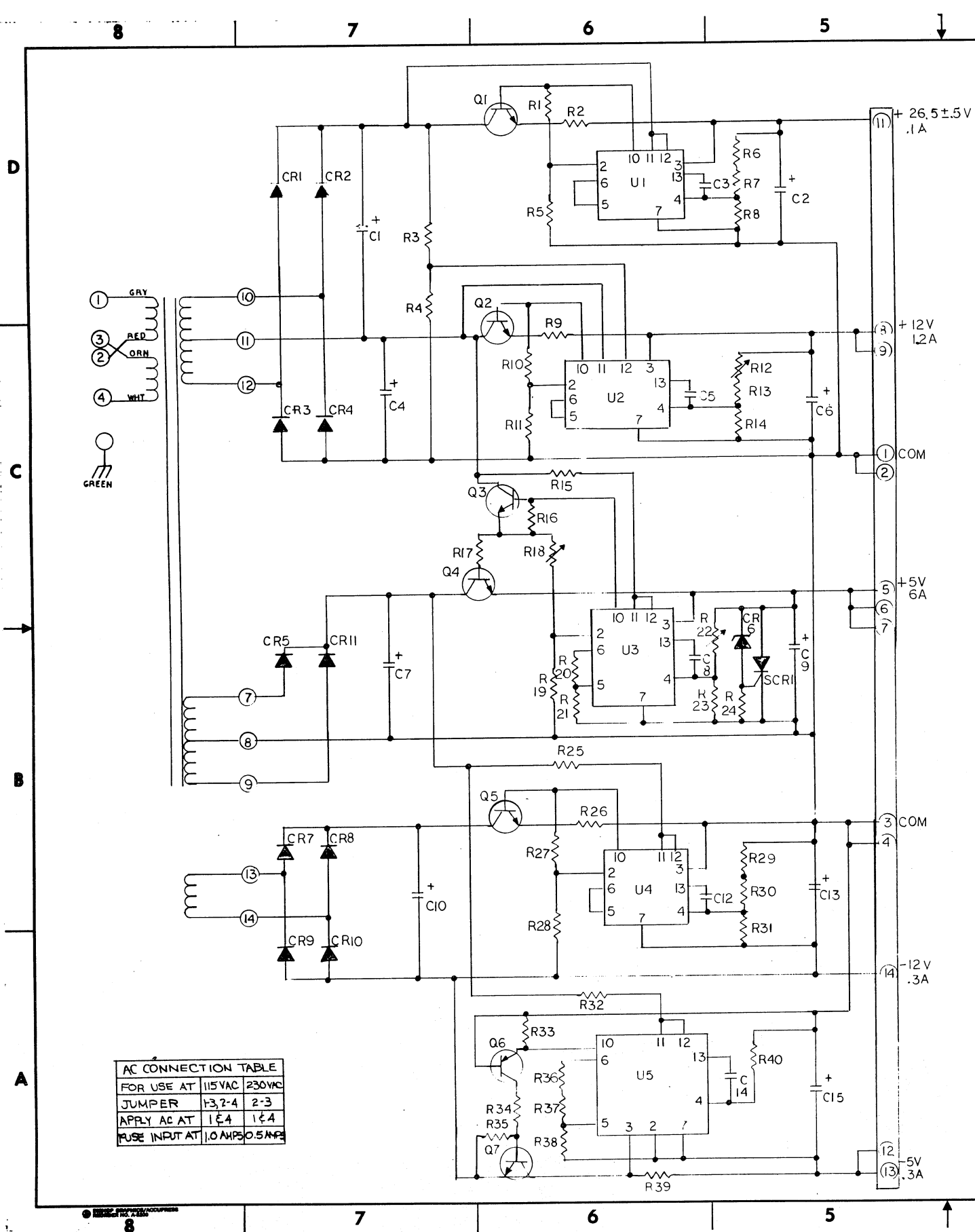


PARTS LIST		DESCRIPTION	
ITEM NO.	PART NUMBER	DESCRIPTION	REVISION
1	5	CABLE TIE MARKER	
1	4	TERM LUG #6-32	
1	3	CONN, MOLEX 03-09-2042	
4	2	PIN, MOLEX 02-09-2118	
1	1	CONN, MOLEX 09-75-1141	

4001008	PROMPT 48		
4000720	PROMPT 80		
NEXT ASSY USED ON			

SCALE: NONE		
TOL. ±	2 PLC	3 PLC ANGLE
	.03	.010 -
MATERIAL: 1/8 THK ALUM		
FINISH: CLEAR ALODINE		
CODE:	SHEET 1 OF 1	

TITLE: POWER SUPPLY			
SIZE	DEPT	DRAWING NO.	REV
D	MCD	4500725	E

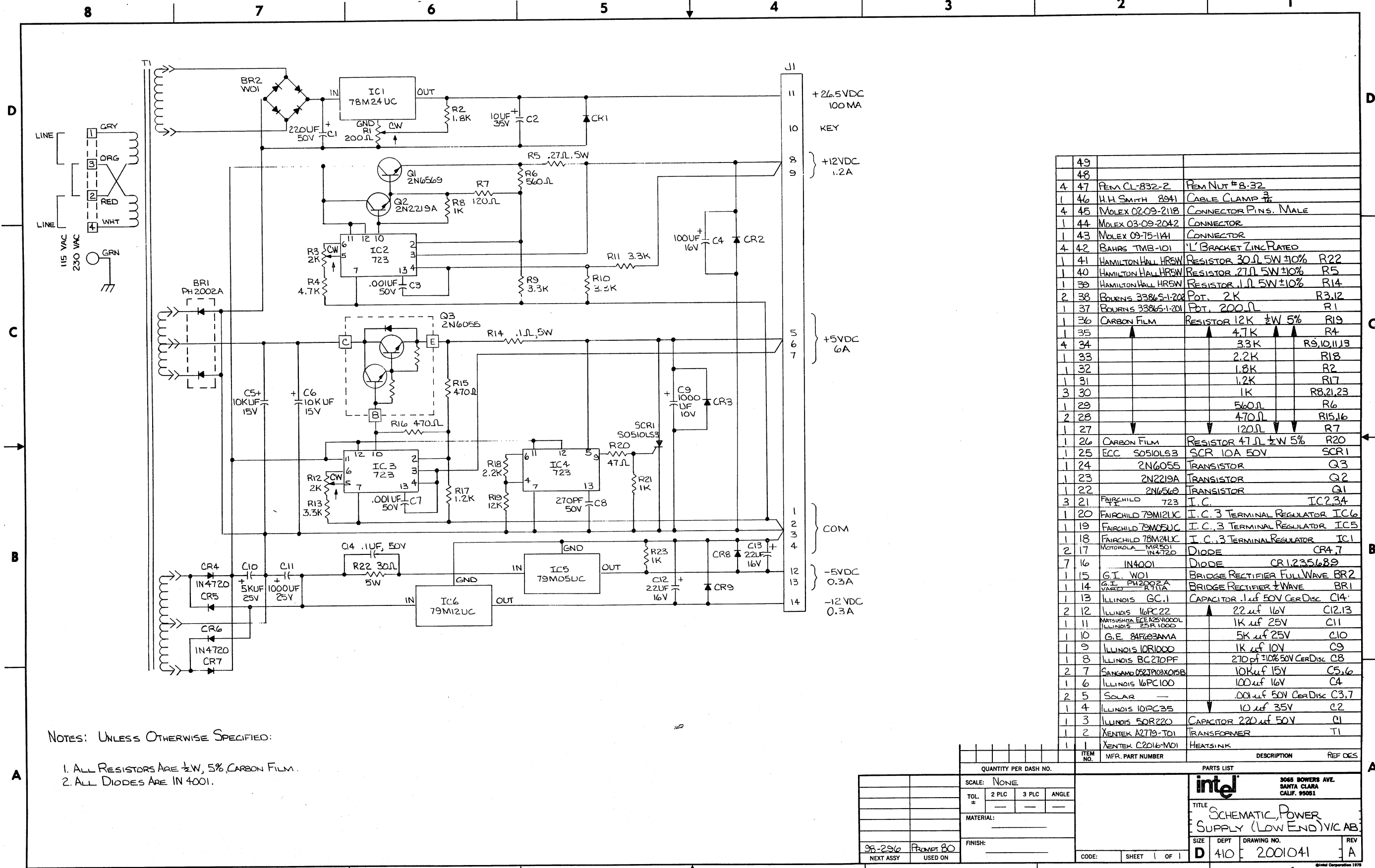


AC CONNECTION TABLE	
FOR USE AT	115VAC 230VAC
JUMPER	1-3, 2-4 2-3
APPLY AC AT	1 & 4 1 & 4
FUSE INPUT AT	1.0 AMP/0.5 AMP

RES DES	CF181	DESCRIPTION
C1	330/55 OR 470/25	CAPACITOR, ELECT
C2,6,13	100/35	
C4,10	2400/35	
C7	16000/15	
C9,15	220/16	
C3,5,12	.001/100	ELECT MYLAR
C8	.0039/100	
C14	.01/100	CAPACITOR, MYLAR
CR1,2,7,8,9,10	AE1C	DIODE, 1A, 200V
CR3,4	AE3P	3A, 100 V
CR5,11	MR750	6A, 50V
CR6	IN752A	DIODE ZENER
SCR1	50508LS3	SCR, 8A
Q1,3	2N6551	TRANSISTOR, POWER NPN
Q2,7,5	12500-4	NPN
Q6	2N2907	TRANSISTOR, SIGNAL PNP
Q4	12505-2	TRANSFORMER
R1,3,16,25,37,30,33,37	270 Ω	RESISTOR, 1/2W, 5%, CF
R2,17	39 Ω	
R4,5,11,28	10K	
R6	510 Ω S.I.T.	
R7,14,23,19	2.2K	
R8,13,21,38,40	1K	
R10	750 Ω	
R15,32,34	47 Ω	
R20,31	750 Ω	
R24	47 Ω	
R29,36	270 Ω S.I.T.	
R39	15 Ω	1/2W, 5%, CF
R9,26	.39 Ω	RESISTOR, 2W, WW, BWH
R12,18,22	1.5k	POT. CTS 4274
R27	330 Ω	RESISTOR, 1/2W, 5%, CF
U1,2,3,4,5	UA 723	IC VOLTAGE REGULATOR
P.C.B	13287	PRINTED CIRCUIT BOARD
T1	13253	TRANSFORMER
CHASSIS	12439	CHASSIS
J1	# 09 65 1141	P.C.B. CONNECTOR MOLEX

THE INFORMATION AND DESIGN CONTAINED HEREIN ARE LICENSED TO INTEL FOR THE PURPOSE OF REPAIR AND MAINTENANCE ONLY. USERS OF THIS DOCUMENTATION MAY REPRODUCE IT AS REQUIRED ONLY FOR REPAIR AND MAINTENANCE. NO OTHER RIGHTS ARE GRANTED AND THE DESIGNS, CIRCUITS, AND TECHNIQUES AND ALL OTHER RIGHTS ARE RESERVED.

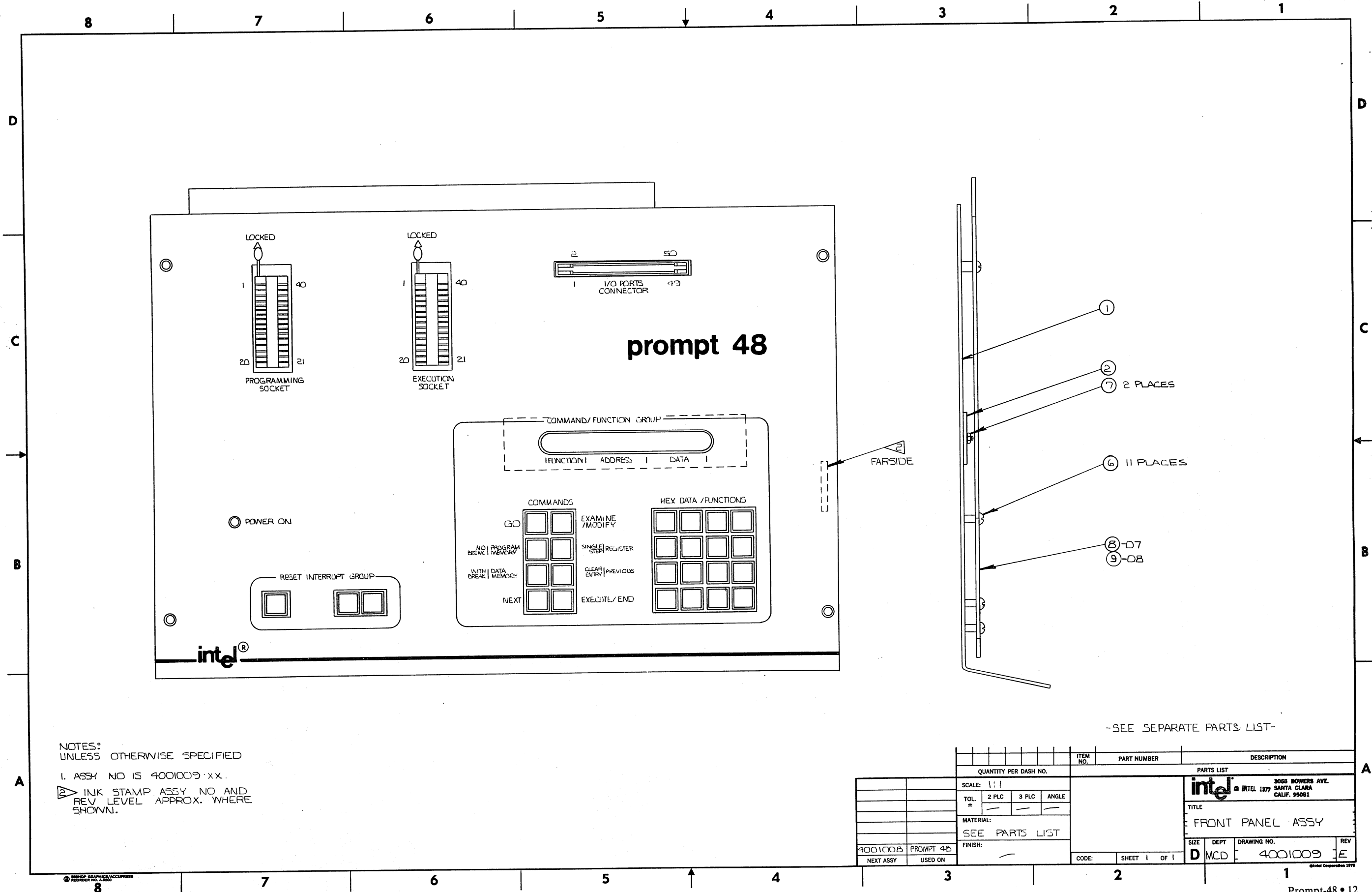
QUANTITY PER DASH NO.		ITEM NO.	PART NUMBER	DESCRIPTION
SCALE: NONE		PARTS LIST		
TOL ±	2 PLC 3 PLC ANGLE	 3065 BOWERS AVE. SANTA CLARA CALIF. 95051		
MATERIAL:		TITLE SCHEMATIC POWER SUPPLY V/C AA		
FINISH:		SIZE	DEPT	DRAWING NO.
98-296 P.C. MPT 80		D	410	2000960
NEXT ASSY USED ON		CODE:	SHEET 1 OF 1	REV A



NOTES: UNLESS OTHERWISE SPECIFIED:  
 1. ALL RESISTORS ARE 1/2W, 5% CARBON FILM.  
 2. ALL DIODES ARE IN 4001.

49		
48		
4 47	FEM CL-832-2	FEM NUT #8-32
1 46	H.H. SMITH 8941	CABLE CLAMP #
4 45	MOLEX 02-09-2118	CONNECTOR PINS, MALE
1 44	MOLEX 03-09-2042	CONNECTOR
1 43	MOLEX 09-75-144	CONNECTOR
4 42	BAHRS TMB-101	'L' BRACKET ZINC PLATED
1 41	HAMILTON HALL HRSW	RESISTOR 30Ω 5W ±10% R22
1 40	HAMILTON HALL HRSW	RESISTOR 27Ω 5W ±10% R5
1 39	HAMILTON HALL HRSW	RESISTOR 1Ω 5W ±10% R14
2 38	BOURNS 3386S-1201	POT. 2K R3,12
1 37	BOURNS 3386S-1201	POT. 200Ω R1
1 36	CARBON FILM	RESISTOR 12K ±W 5% R19
1 35		4.7K R4
4 34		3.3K R9,10,11,13
1 33		2.2K R18
1 32		1.8K R2
1 31		1.2K R17
3 30		1K R8,21,23
1 29		560Ω R6
2 28		470Ω R15,16
1 27		120Ω R7
1 26	CARBON FILM	RESISTOR 47Ω ±W 5% R20
1 25	ECC S0510LS3	SCR 10A 50V SCR1
1 24	2N6055	TRANSISTOR Q3
1 23	2N2219A	TRANSISTOR Q2
1 22	2N6569	TRANSISTOR Q1
3 21	FAIRCHILD 723	I.C. IC2,3,4
1 20	FAIRCHILD 79M12UC	I.C. 3 TERMINAL REGULATOR IC6
1 19	FAIRCHILD 79M05UC	I.C. 3 TERMINAL REGULATOR IC5
1 18	FAIRCHILD 78M24UC	I.C. 3 TERMINAL REGULATOR IC1
2 17	MOTOROLA M1R501 IN4720	DIODE CR4,7
7 16	IN4001	DIODE CR1,2,3,5,6,8,9
1 15	G.I. WOI	BRIDGE RECTIFIER FULL WAVE BR2
1 14	G.I. PH2002A VARIO R11A	BRIDGE RECTIFIER 1/2 WAVE BR1
1 13	ILLINOIS GC.1	CAPACITOR .1uf 50V CER DISC C14
2 12	ILLINOIS 16PC22	22uf 16V C12,13
1 11	MATSHITA ECEA25N000L ILLINOIS 25R1000	1K uf 25V C11
1 10	G.E. 84F03AMA	5K uf 25V C10
1 9	ILLINOIS 10R1000	1K uf 10V C9
1 8	ILLINOIS BC270PF	270pf ±10% 50V CER DISC C8
2 7	SANGAM 082103X015B	10K uf 15V C5,6
1 6	ILLINOIS 16PC100	100uf 16V C4
2 5	SOLAR	.001uf 50V CER DISC C3,7
1 4	ILLINOIS 10PC35	10 uf 35V C2
1 3	ILLINOIS 50R220	CAPACITOR 220uf 50V C1
1 2	XENTEK A2719-T01	TRANSFORMER T1
1 1	XENTEK C2016-M01	HEATSINK

QUANTITY PER DASH NO.		PARTS LIST	
SCALE: NONE	TOL. * 2 PLC 3 PLC ANGLE	intel 3065 BOWERS AVE. SANTA CLARA CALIF. 95051	
MATERIAL:	FINISH:	TITLE SCHEMATIC, POWER SUPPLY (LOW END) VIC AB	
98-296 PROMET 80 NEXT ASSY USED ON		SIZE DEPT D 410	DRAWING NO. 2001041
CODE:	SHEET 1 OF 1	REV A	



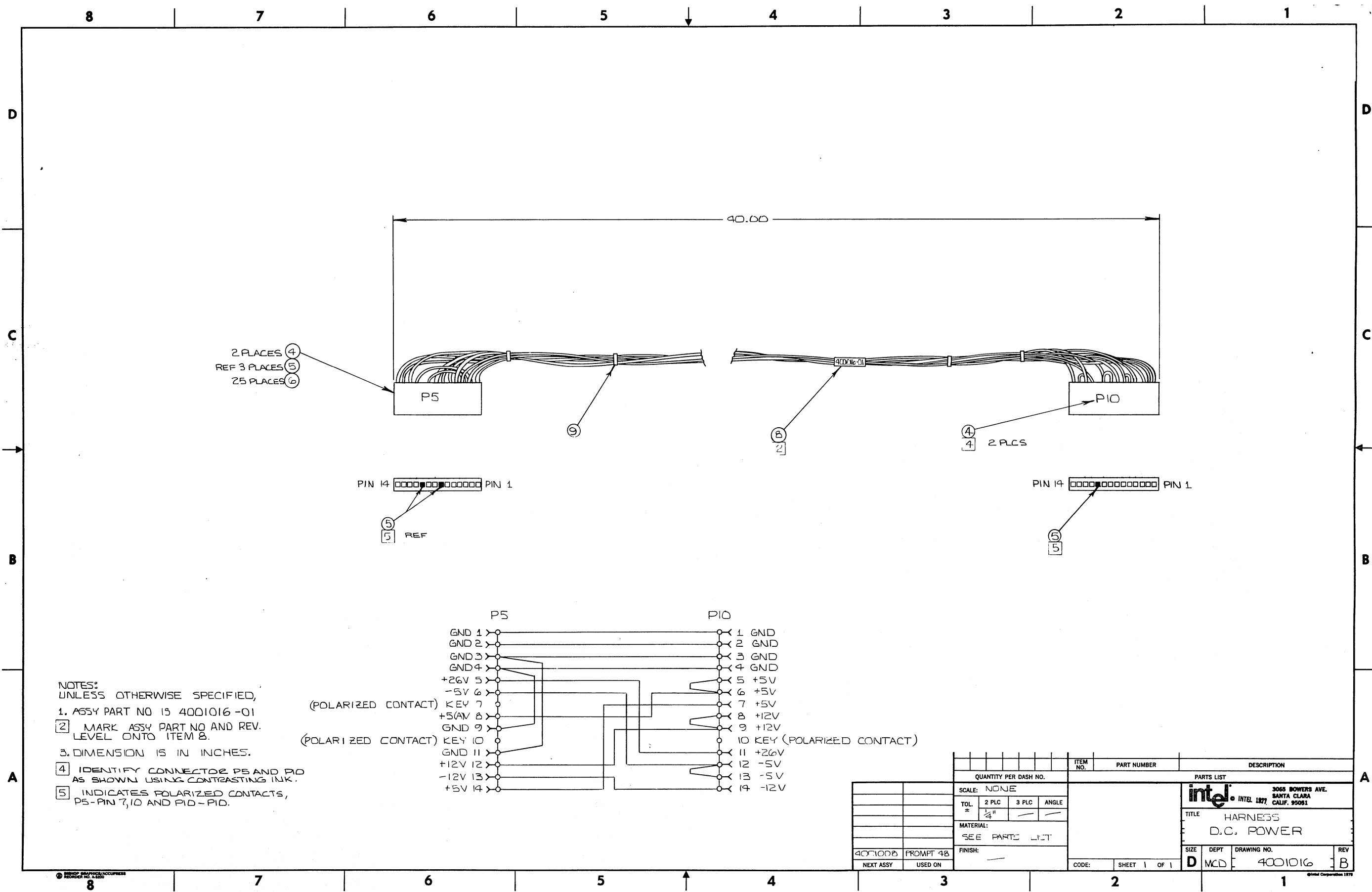
NOTES:  
UNLESS OTHERWISE SPECIFIED

1. ASSY NO IS 4001009-xx.

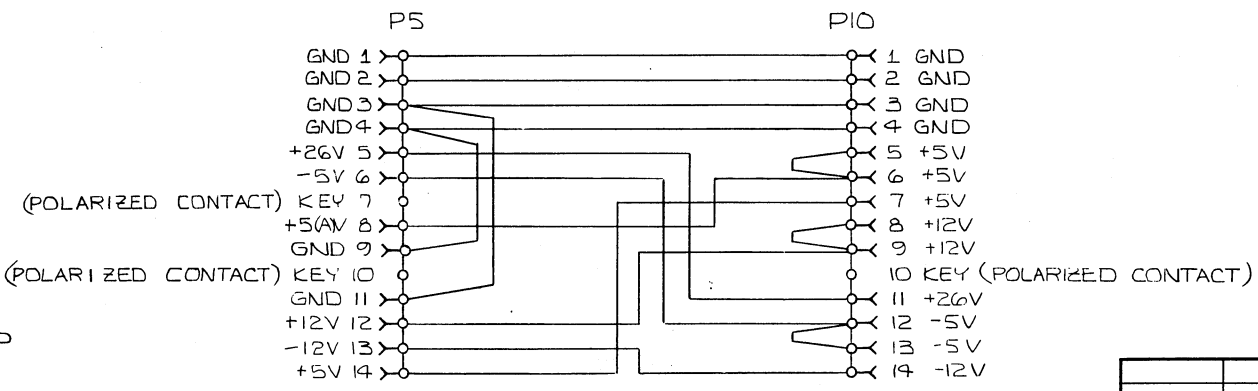
2. INK STAMP ASSY NO AND REV LEVEL APPROX. WHERE SHOWN.

-SEE SEPARATE PARTS LIST-

QUANTITY PER DASH NO.		ITEM NO.	PART NUMBER	DESCRIPTION
SCALE: 1:1	TOL. ±			
	2 PLC			
	3 PLC			
	ANGLE			
MATERIAL: SEE PARTS LIST				<b>intel</b> 3065 BOWERS AVE. SANTA CLARA CALIF. 95051 TITLE: FRONT PANEL ASSY
FINISH:				
4001008	PROMPT 48			SIZE DEPT DRAWING NO. REV
NEXT ASSY	USED ON		CODE: SHEET 1 OF 1	D MCD 4001009 E

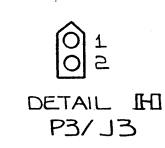
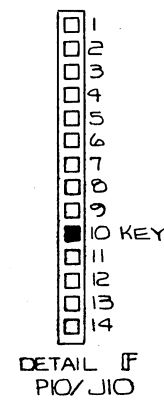
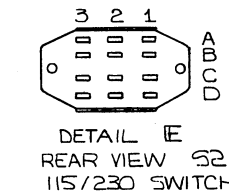
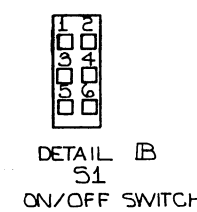
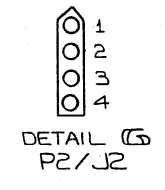
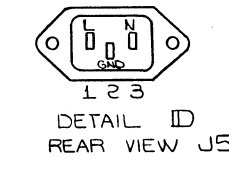
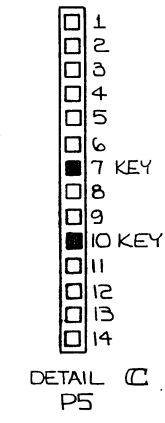
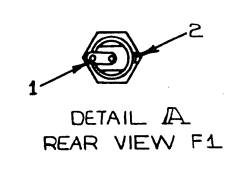
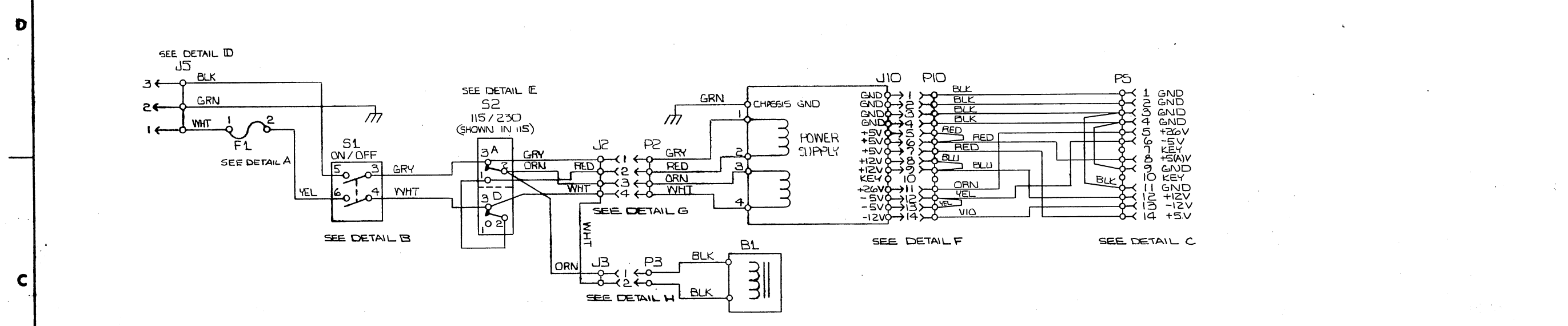


NOTES:  
UNLESS OTHERWISE SPECIFIED,  
1. ASSY PART NO IS 4001016-01  
2. MARK ASSY PART NO AND REV. LEVEL ONTO ITEM 8.  
3. DIMENSION IS IN INCHES.  
4. IDENTIFY CONNECTOR P5 AND P10 AS SHOWN USING CONTRASTING INK.  
5. INDICATES POLARIZED CONTACTS, P5-PIN 7, 10 AND P10-PIN 10.



4001000		PROMPT 48		NEXT ASSY		USED ON		ITEM NO.		PART NUMBER		DESCRIPTION	
SCALE: NONE				TOL. 2 PLC 3 PLC ANGLE				MATERIAL: SEE PARTS LIST		FINISH:		PARTS LIST	
INTEL		INTEL 1877		3065 BOWERS AVE.		SANTA CLARA		CALIF. 95061		TITLE		HARNESS	
D		MCD		DRAWING NO.		4001016		REV		B		REV	

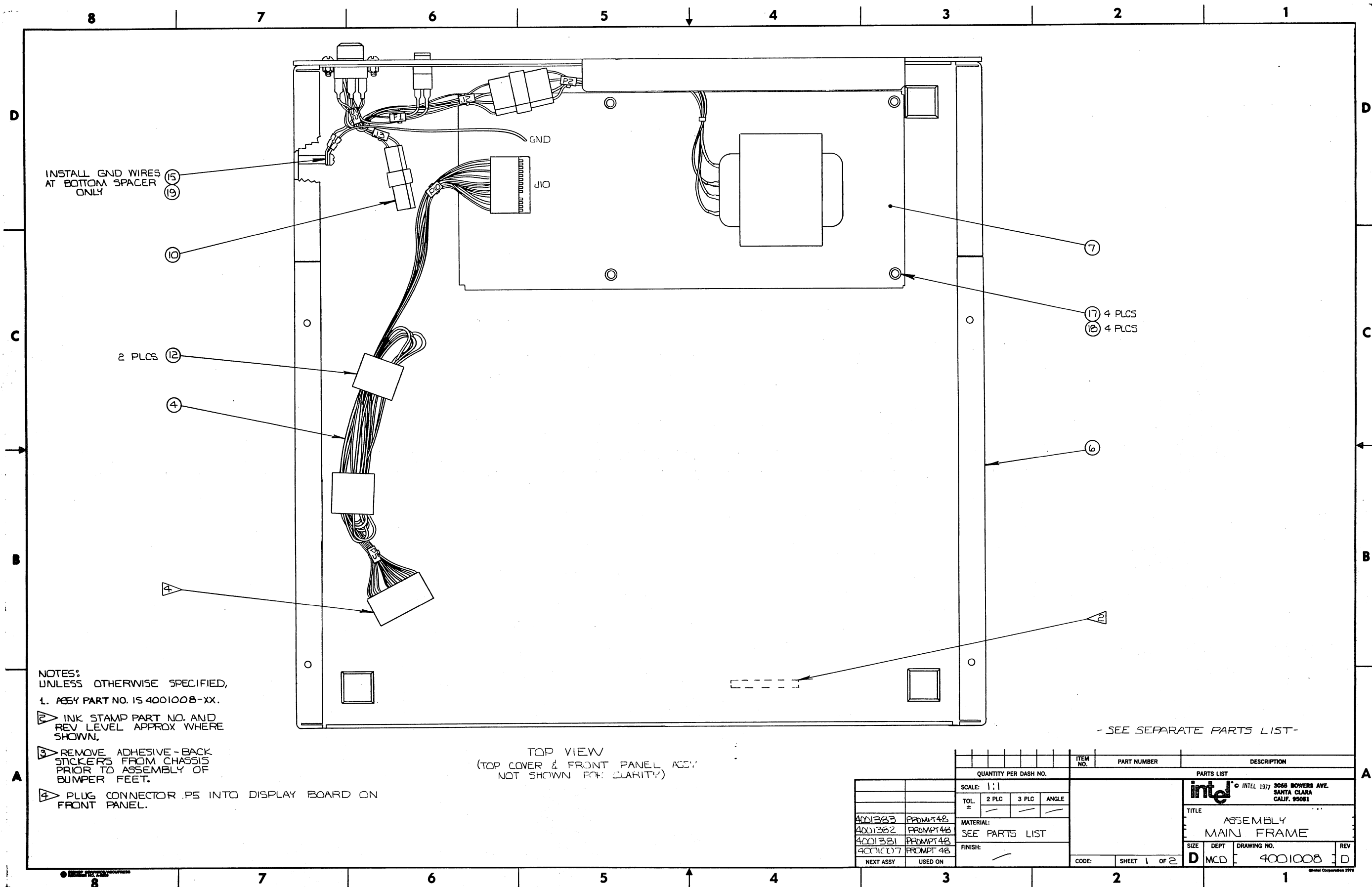
8 7 6 5 4 3 2 1



NOTES: UNLESS OTHERWISE SPECIFIED  
1. 'P' DESIGNATION INDICATES A NON-STATIONARY CONNECTOR.  
2. 'J' DESIGNATION INDICATES A FIXED CONNECTOR.

QUANTITY PER DASH NO.				ITEM NO.	PART NUMBER	DESCRIPTION
SCALE: NONE	TOL. #	2 PLC	3 PLC	ANGLE	PARTS LIST	
MATERIAL:	3065 BOWERS AVE. SANTA CLARA CALIF. 95051					
FINISH:	TITLE WIRING DIAGRAM A.C. / D.C. POWER					
4001007	PROMPT 4B	SIZE	DEPT	DRAWING NO.	REV	
NEXT ASSY	USED ON	D	MCD	2001102	B	
CODE:	SHEET	OF				





INSTALL GND WIRES AT BOTTOM SPACER ONLY

- NOTES:  
UNLESS OTHERWISE SPECIFIED,  
1. ASSY PART NO. IS 4001008-XX.
- ▶ INK STAMP PART NO. AND REV LEVEL APPROX WHERE SHOWN.
  - ▶ REMOVE ADHESIVE-BACK STICKERS FROM CHASSIS PRIOR TO ASSEMBLY OF BUMPER FEET.
  - ▶ PLUG CONNECTOR .PS INTO DISPLAY BOARD ON FRONT PANEL.

TOP VIEW  
(TOP COVER & FRONT PANEL ASSY NOT SHOWN FOR CLARITY)

- SEE SEPARATE PARTS LIST -

QUANTITY PER DASH NO.		ITEM NO.	PART NUMBER	DESCRIPTION
SCALE: 1:1	TOL. 2 PLC 3 PLC ANGLE			
4001383	PROMPT48			
4001382	PROMPT48			
4001381	PROMPT48			
4001007	PROMPT 48			
NEXT ASSY	USED ON			

MATERIAL: SEE PARTS LIST		FINISH: /	
CODE: SHEET 1 OF 2		SIZE D	DEPT MCD
DRAWING NO. 4001008		REV D	



TITLE ASSEMBLY MAIN FRAME

8

7

6

5

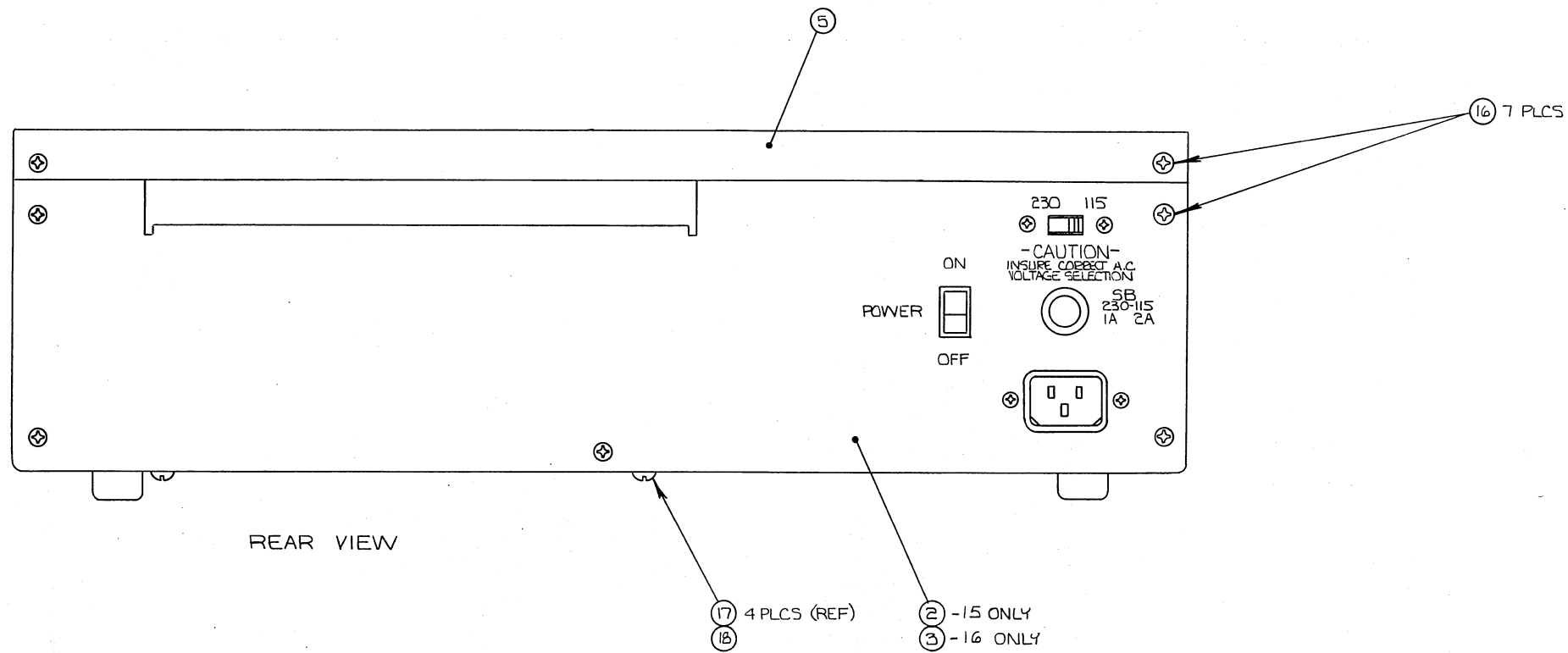
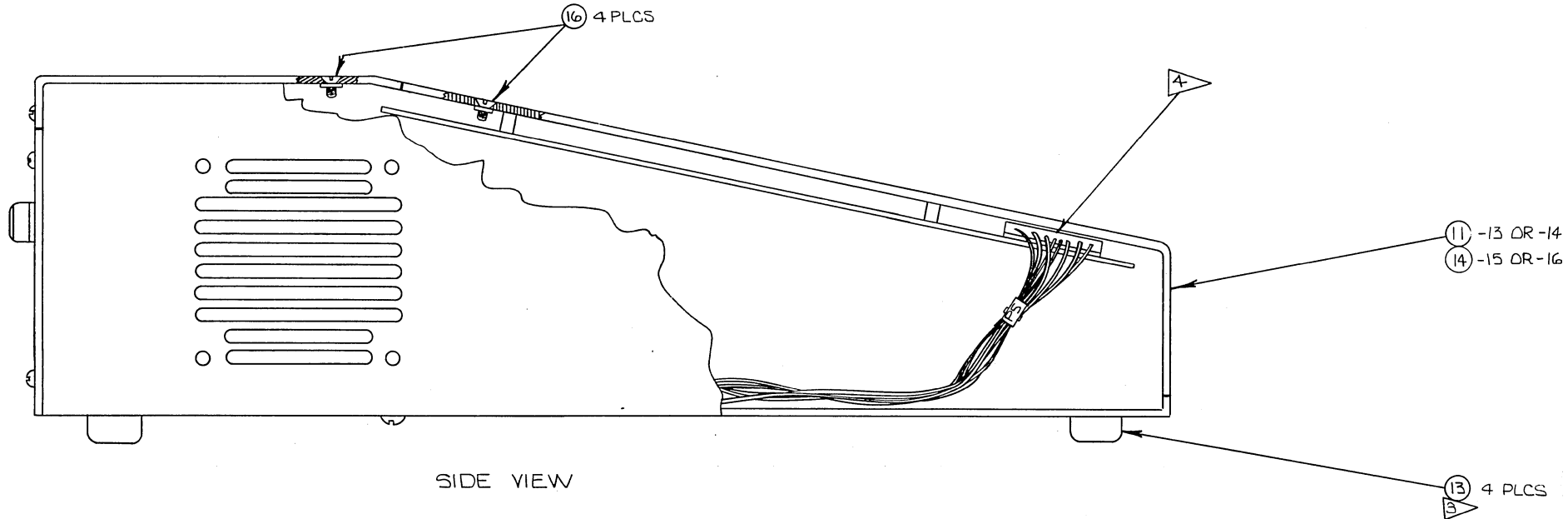
4

3

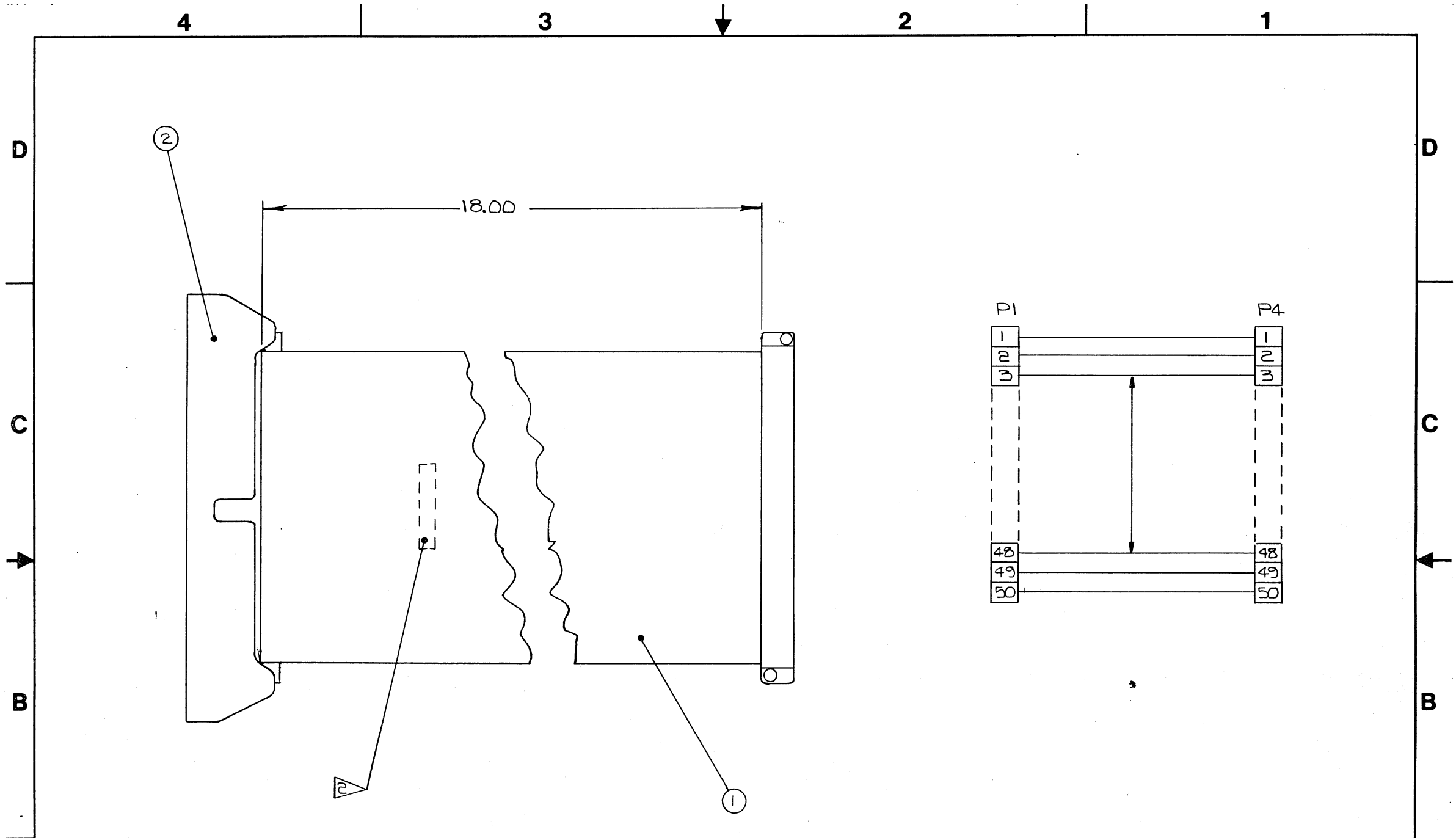
2

1

REVISIONS				
LTR	DESCRIPTION	DFT	CHK	ENGR
✓	SEE SHEET ONE	✓	✓	✓



SCALE: 1:1	SIZE: D	DEPT: MCD	DRAWING NO.: 4001008	REV: D
SHEET 2 OF 2		© Intel Corporation 1975		



NOTES:  
 UNLESS OTHERWISE SPECIFIED,  
 1. ASSY PART NO IS 4001124-01  
 2. INK STAMP ASSY PART NO AND REV LEVEL APPROX WHERE SHOWN.  
 3. DIMENSIONS ARE IN INCHES.

ITEM NO.	QUANTITY PER DASH NO.	PART NUMBER	DESCRIPTION
1	2	68-217	CONN, 50 PIN HEADER
1	1	80-048	FLAT CABLE ASSY 18.5" COND 28AWG

SCALE:	TOL.	MATERIAL:	FINISH:
2/1	± 1/4"	SEE ABOVE	

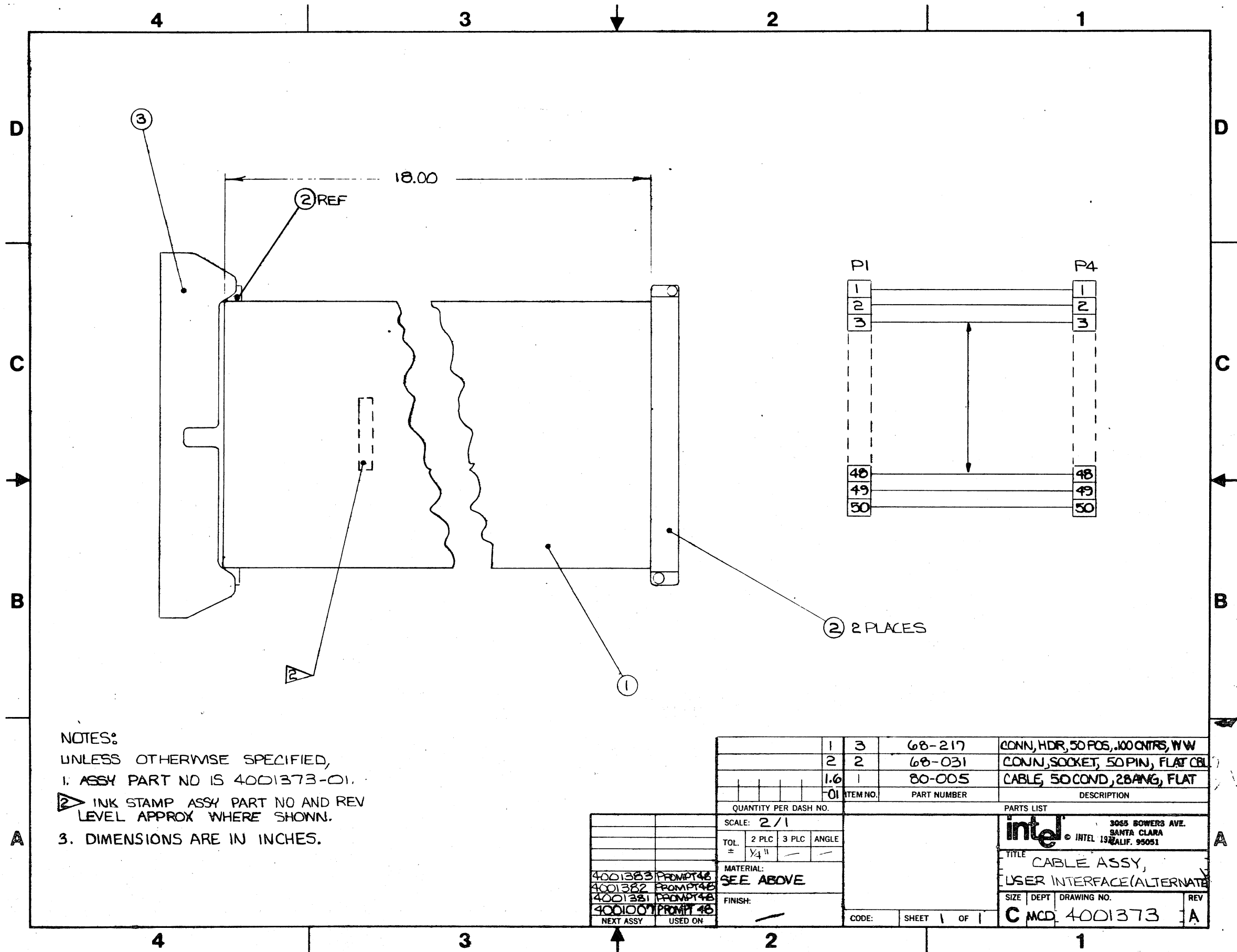
SIZE	DEPT	DRAWING NO.	REV
C	MCD	4001124	A

NEXT ASSY	USED ON
4001383	PROMPT 48
4001382	PROMPT 48
4001381	PROMPT 48
4001007	PROMPT 48

**intel** 3065 BOWERS AVE.  
 SANTA CLARA CALIF. 95051

TITLE: CABLE ASSY USER INTERFACE

CODE: SHEET 1 OF 1



NOTES:  
 UNLESS OTHERWISE SPECIFIED,  
 1. ASSY PART NO IS 4001373-01.  
 2. INK STAMP ASSY PART NO AND REV LEVEL APPROX WHERE SHOWN.  
 3. DIMENSIONS ARE IN INCHES.

ITEM NO.	QUANTITY PER DASH NO.	PART NUMBER	DESCRIPTION
1	3	68-217	CONN, HDR, 50 POS, .100 CNTRS, WW
2	2	68-031	CONN, SOCKET, 50 PIN, FLAT CBL
1.6	1	80-005	CABLE, 50 COND, 28 AWG, FLAT
01			

4001383 PROMPT 48	
4001382 PROMPT 48	
4001381 PROMPT 48	
4001001 PROMPT 48	
NEXT ASSY	USED ON

SCALE: 2/1		
TOL.	2 PLC	3 PLC
±	1/4"	
MATERIAL: SEE ABOVE		
FINISH: —		

PARTS LIST		3065 BOWERS AVE. SANTA CLARA CALIF. 95051	
TITLE: CABLE ASSY, USER INTERFACE (ALTERNATE)			
SIZE	DEPT	DRAWING NO.	REV
C	MCD	4001373	A



INTEL CORPORATION, 3065 Bowers Avenue, Santa Clara, California 95051

Printed in U.S.A.