
Storage Technology Corporation

**2920
Tape
Subsystem**

**Illustrated Parts
Catalog**

PN 95522

Information contained in this publication is subject to change. In the event of changes, the publication will be revised. Comments concerning the contents of this manual should be directed to Technical Illustration at the address below. A prepaid Reader's Comment Form is provided at the back of the manual.

This publication was prepared by Storage Technology Corporation, Technical Illustration, MD 97, 2270 South 88th Street, Louisville, Colorado 80028.

Warning: For the purpose of designing a system that complies with FCC Rules and Regulations, Volume II, Part 15, Subpart J, this product is considered to be a component within the total system configuration. It is the customer's responsibility to take such action as necessary (shielded cabling, cabinet considerations, etc.) while integrating this product into his system so as to comply with the above rules. Contact StorageTek Corporation for technical assistance in this matter.

Copyright © 1984

by

Storage Technology Corporation
All Rights Reserved

EC 49830

Kit PN 97967

LIST OF EFFECTIVE PAGES

Publication No. 95522

Issue Date: AUGUST 1983 EC NO. 49288

Change Date: MARCH 1985 Change 24 KIT PN 97967

Incorporates ECs: 49830, 49813, 49662M

Total number of pages in this document is 40, consisting of the following pages:

PAGE	EC NO.	KIT PN	DISPOSITION
Cover	EC 49830	97967	REPLACE
Copyright	EC 49830	97967	REPLACE
iii	EC 49830	97967	REPLACE
iv	EC 49339	NONE	
v	EC 49773	97841	
vi	EC 49339	NONE	
vii thru ix	EC 49288	NONE	
x	EC 49288	NONE	
1	EC 49288	NONE	
2	EC 49773	97841	
3	EC 49662M	97801	REPLACE
4	EC 49639	97714	
5	EC 49520	97806	
6	EC 49830	97967	REPLACE
7	EC 49670	97885	
8	EC 49830	97967	REPLACE
9	EC 49830	97967	REPLACE
10	EC 49830	97967	REPLACE
11	EC 49520	97806	
12	EC 49520	97806	
13	EC 49830	97967	REPLACE
14	EC 49830	97967	REPLACE
15	EC 49464	94962	
16	EC 49813	97966	REPLACE
17	EC 49617	97671	
18 thru 19	EC 49617	97671	
20 thru 21	EC 49676	97765	
22 thru 23	EC 49663	97866	
24 thru 25	EC 49773	97841	
26	EC 49830	97967	REPLACE
27	EC 49830	97967	REPLACE
28	EC 49773	97841	
Reader's Comment Form			
Business Reply Mailer			

(INTENTIONALLY LEFT BLANK)

TABLE OF CONTENTS

Figure	Title	Page
	HOW TO USE ILLUSTRATED PARTS CATALOG	vii
1	Cover Group.	2
2	Basic Assembly, 292X Tape Subsystem.	4
3	Fan Assembly	15
4	Blower Assembly.	16
5	File Hub Subassembly, Manual	18
6	Cover Assembly, Threading	20
7	Swing Arm Assembly	22
8	Center of Gravity Mounting Kit	24
	NUMERICAL INDEX.	26
	Reader's Comment Form	
	Business Reply Mailer	

(INTENTIONALLY LEFT BLANK)

HOW TO USE THE ILLUSTRATED PARTS CATALOG

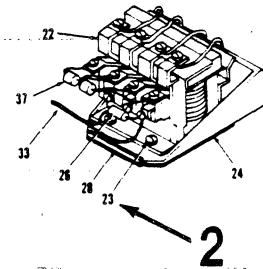
GENERAL

Illustrations always precede their parts lists and when possible, appear on the facing page; multipage illustrations and parts lists are exceptions. Blank pages are numbered on the printed side only.

The first number in each list identifies the figure in which the listed parts are shown (Arrow 1). The index numbers (Arrow 2) key the parts in the figures to the related information in the list. On subsequent pages of the same list, the first line repeats the figure number and gives the index of the next item listed (Arrow 3).

Figure Index Number	Part Number	Description			
		1	2	3	4
12-REF	300262905-7	FACEPLATE ASSEMBLY, 60 HZ			
12-REF	300691301-1	FACEPLATE ASSEMBLY, 50 HZ (REFER TO FIGURE 11-1 FOR NHA)			

Figure Index Number	Part Number	Description			
		1	2	3	4
9-REF	300303806-8	OP PANEL ASSY, DUAL DIRECTOR			
9-REF	300654505-1	OP PANEL ASSY, QUAD DIRECTOR (REFER TO FIGURE 2-12 FOR NHA)			
-32	300262706-9	CHASSIS ASSEMBLY, 60 HZ			



The figure numbers and assemblies follow a logical sequence of breakdown. If an assembly is further detailed elsewhere in this catalog, the figure is referenced in the description column (Arrow 4).

Figure Index Number	Part Number	Description				Usable on Code	Qty per Asm
		1	2	3	4		
11-REF	300201007-6	AC POWER SUPPLY ASSY, 60 HZ				A	1
11-REF	300201102-5	AC POWER SUPPLY ASSY, 50 HZ (REFER TO FIGURE 2-10 FOR NHA)				B	1
-1	300262905-7	FACEPLATE ASSY, 60 HZ				A	1
-1	300691301-0	FACEPLATE ASSY, 50 HZ (REFER TO FIGURE 12 FOR DETAILS)				B	1

Detailed figures refer back to the next higher overall view or next higher assembly (NHA) (Arrow 5). Assemblies that are not detailed can be ordered only as complete assemblies.

A detail part may be unlisted for several reasons; it is part of a matched set, part of an assembly that is purchased as a unit, or part of a welded or bonded assembly. If you need an unlisted part, you must order the assembly that contains it, and not the detailed part.

LEVEL OF ASSEMBLY

The indented parts list indicates the subordination of major assemblies, subassemblies and detail parts. Attaching hardware normally follows the detail part. The top assembly (figure number) in each parts list is level 1 (Arrow 6). Descriptions preceded by a single dot (.) (Arrow 7) are second level assemblies or details which are subordinate to those not preceded by a dot. Descriptions for levels 3 and 4 are preceded by two dots "...", are subordinate to level 2, or those preceded by one dot (Arrow 8).

Figure Index Number	Part Number	Description	Usable on Code	Qty per Asm
7-REF	510252202-5	CARD CAGE ASSY,CACHE MEM	A	1
-1	510205602-4	CARD CAGE SUB ASM-CACHE MEM	B	1
-2	510209202-9	...COVER,CD CAGE ASSY,CACHE	A	1
-3	510236902-7	...B/P,TAPE & TRAY ASSY,CACHE	A	1
-4	10075080-1	...CA-CLP,P,RT ANGLE TIE MOUNT	B	1
-5	10011026-1	...SCREW,MACH,SBNC,6-32 X 3/8, PS	A	12
-6	10092020-6	...WSHR,FLAT,N,.156 ID X .312 X .032T		11

USABLE ON CODE

Usable On Code identifies all related parts (Arrow 9). The code relationships are explained at the beginning of each list (Arrow 10). If there is no code identified, the specific part is interchangeable with all codes.

NUMERICAL INDEX

The numerical index lists all part numbers in numerical order. The part number is cross referenced to each figure and index number where the part can be found in the catalog. For example (Arrow 11): Part No. 10073244-5 can be found on Figure 24, Index No. 41.

FIGURE & INDEX NUMBER	PART NUMBER	FIGURE & INDEX NUMBER	PART NUMBER	FIGURE & INDEX NUMBER	PART NUMBER
16-8	10030526-8	18-1	10054146-5	24-41	10073244-5
20-4	10037012-1	19-35	10056010-1	24-49	10073267-6
4-5	10037013-9	19-36	10056014-3	24-44	10073278-3
5-2	10037013-9	19-30	10056023-4	24-67	10073282-5

11

CHANGE BARS

A Change Bar (Arrow 12) indicates latest revision of a parts list. These are changes that have occurred since the last issue date of the IPC.

12

-5	10077118-7	.CIRCUIT BREAKER, T, 1P, PO, 3A, 277V	A	1
-6	10077117-9	.CIRCUIT BREAKER, T, 2P, PO, 6A, 277V		5
-7	10077130-2	.CIRCUIT BREAKER, T, 5A, PO, 250 VAC	A	1

PART NUMBER COMPATIBILITY LIST

Whenever (PN COMP) (Arrow 13) appears in the part number column, refer to the machine part number compatibility list for the latest part number.

1.2-12	62001098-3	.. SHOULDER WASHER PHEN NO. 10	4
1.2-13	(PN COMP)	.. CARD SET, FE	1
1.2-14	10013061-6	.. SCREW, MACH, SBNH, 10-32 X .312	4
1.2-15	62001058-7	.. SLIDE, FD, 2 PHASE	1

13

(INTENTIONALLY LEFT BLANK)

2920 ILLUSTRATED PARTS CATALOG
1983

PN 95522

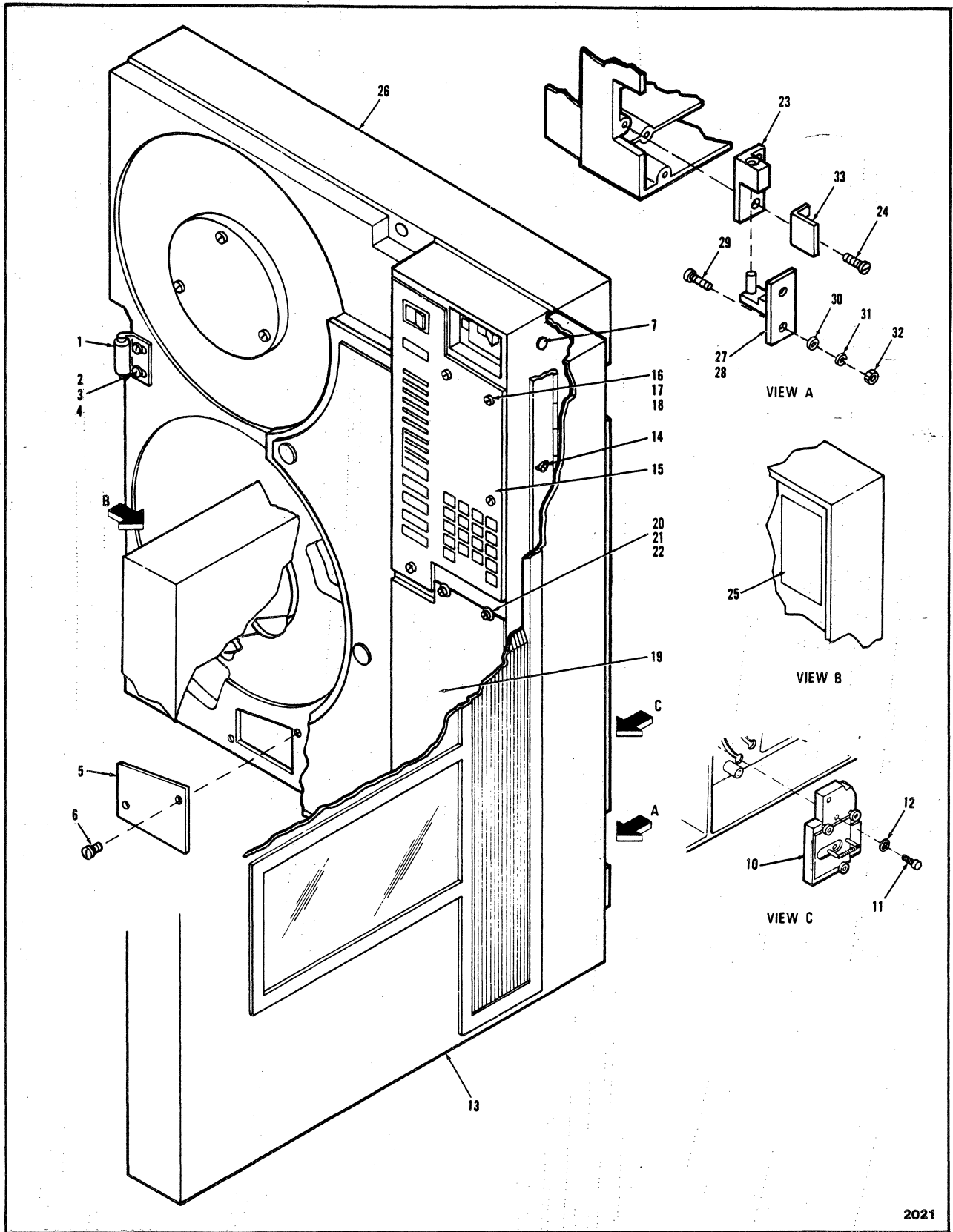
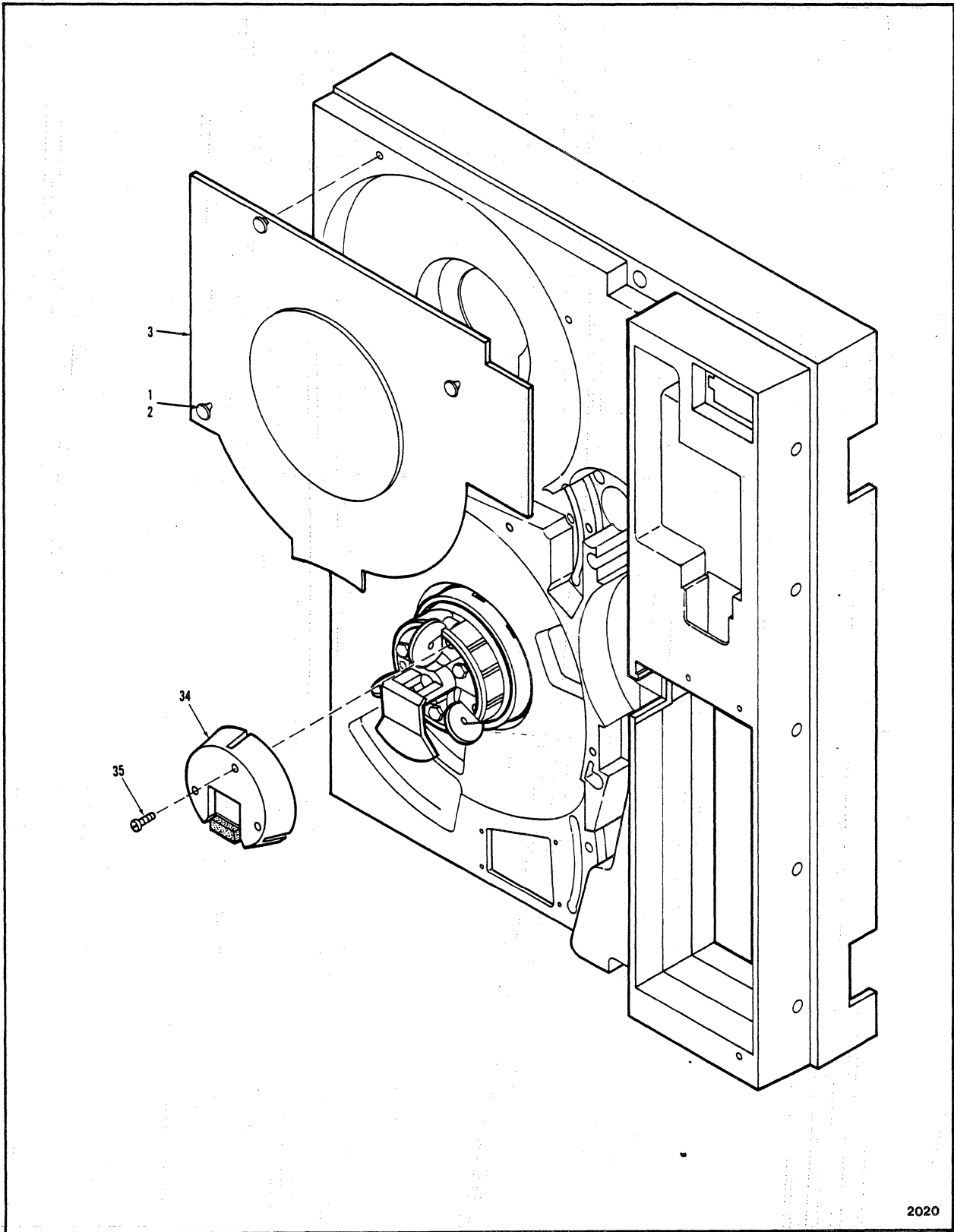


FIGURE 1. COVER GROUP

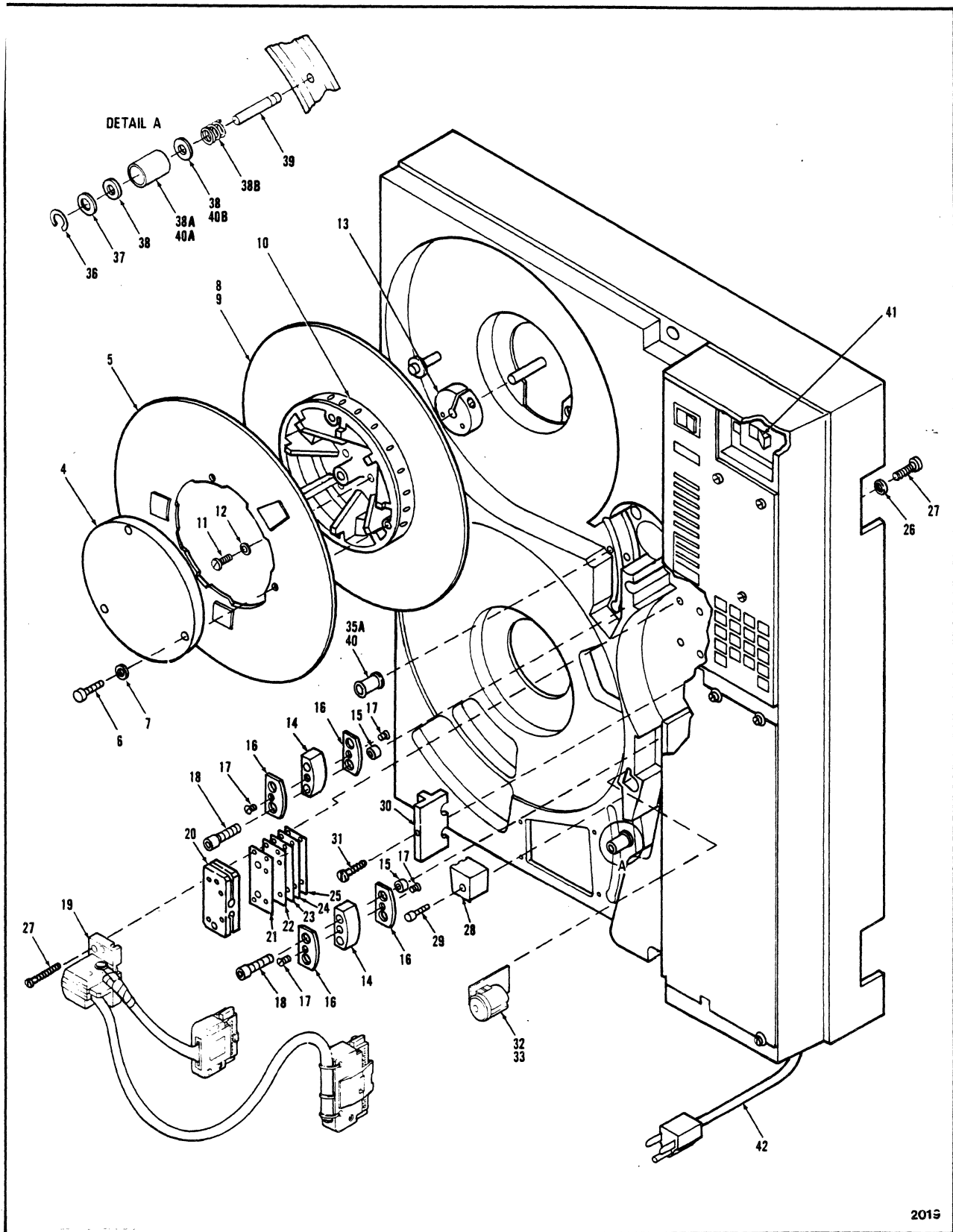
EC 49773
KIT PN 97841

Figure Index Number	Part Number	Description	Usable	Qty per Asm
			on Code	
1-	403470301	COVER GROUP,BASIC,V	A	1
	403467401	HORIZONTAL MOUNTING GROUP	B	1
	403468901	VERTICAL MOUNTING GROUP	C	1
-1	403484601	.CATCH,DOOR	A	1
-2	10096022	.SCREW,MACH,SBNH,4-40 X .437,PS	A	2
-3	10096009	.WASHER,LOCK,NO. 4,BO	A	2
-4	10096052	.WASHER,FLAT,NO 4,BO	A	2
-5	403482501	.SENSOR HOLE COVER	B	1
-6	10096018	.SCREW,MACHINE,SFHC,6-32X.375	B	2
-7	403455001	.CLIP, SNAP IN	B	5
-8		.DELETED		
-9	402336905	..COVER ASSEMBLY,THREAD,VERT.	C	1
	403440103	..COVER ASSEMBLY,THREAD HORIZ (SEE FIGURE 6 FOR DETAILS)	B	1
	403440901	..VERTICAL VACUUM SEAL	C	1
-10	402624902	...MUD FLAP ASSEMBLY	C	1
-11	10007028	...SCREW,SHC,6-32 X .625	C	3
-12	10030514	...WASHER,LOCK,INT NO.6	C	3
-13	403437702	.DOOR ASSY,FRONT	A	1
-14	10203008	.SCREW,RF,TXPH,SEM,6-32 X .37		5
-15	403420201	.OPERATOR PANEL ASSEMBLY		1
-15A	402337203	.OPERATOR PANEL ASSEMBLY	C	1
-16	10096028	.SCREW,MACH,SBNH,6-32 X .437,BO (SPR)		4
-17	10096070	.WASHER,LOCK,SPLIT,NO. 6,BO (SPR)		4
-18	10096055	.WASHER,FLAT,NO. 6		4
-19	402341104	.PLATE ASSEMBLY,CARD CAGE		1
-20	10096028	.SCREW,MACH,SBNH,6-32 X .437,BO (SPR)		4
-21	10096070	.WASHER,LOCK,SPLIT,NO. 6,BO		4
-22	10096055	.WASHER,FLAT,NO. 6		4
	403420101	.HINGE GROUP,BASIC		1
-23	403478001	..HINGE,HALF,DECK		2
-24	10203024	..SCREW,RF,TXPH,SEM,10-32 X .625		4
-25	403482601	.LABEL,TAPE PATH		1
-26	403467301	BASIC ASSEMBLY,292X MTS (SEE FIG 2 FOR DETAILS)		1
	403665001	HARDWARE, 2920	C	1
-27	403477801	.HINGE HALF, RACK BOTTOM		1
-28	403477901	.HINGE HALF, RACK TOP		1
-29	10021063	..SCREW,MACH,SHWH,10-32X.5		4
-30	10026006	..WASHER,FLAT,A,NO.10		4
-31	10030505	..WASHER,LK,HEL,MED,PS,10		4
-32	10028006	..NUT,HEX,10-32		4
-33	403440701	.BRACKET KEEPER CLOSURE		1



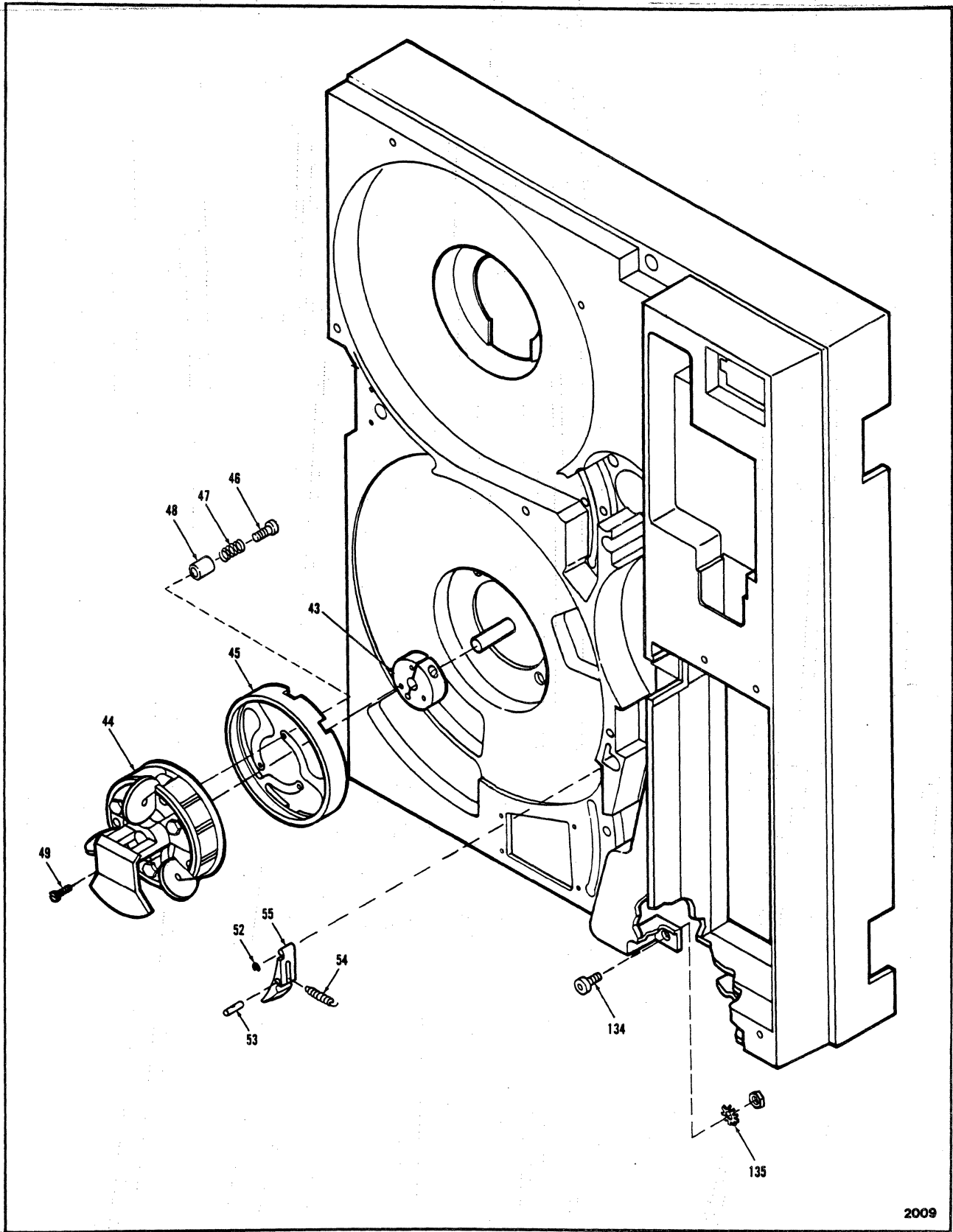
2020

FIGURE 2. BASIC ASSEMBLY, 292X TAPE SUBSYSTEM (SHEET 1 OF 7)



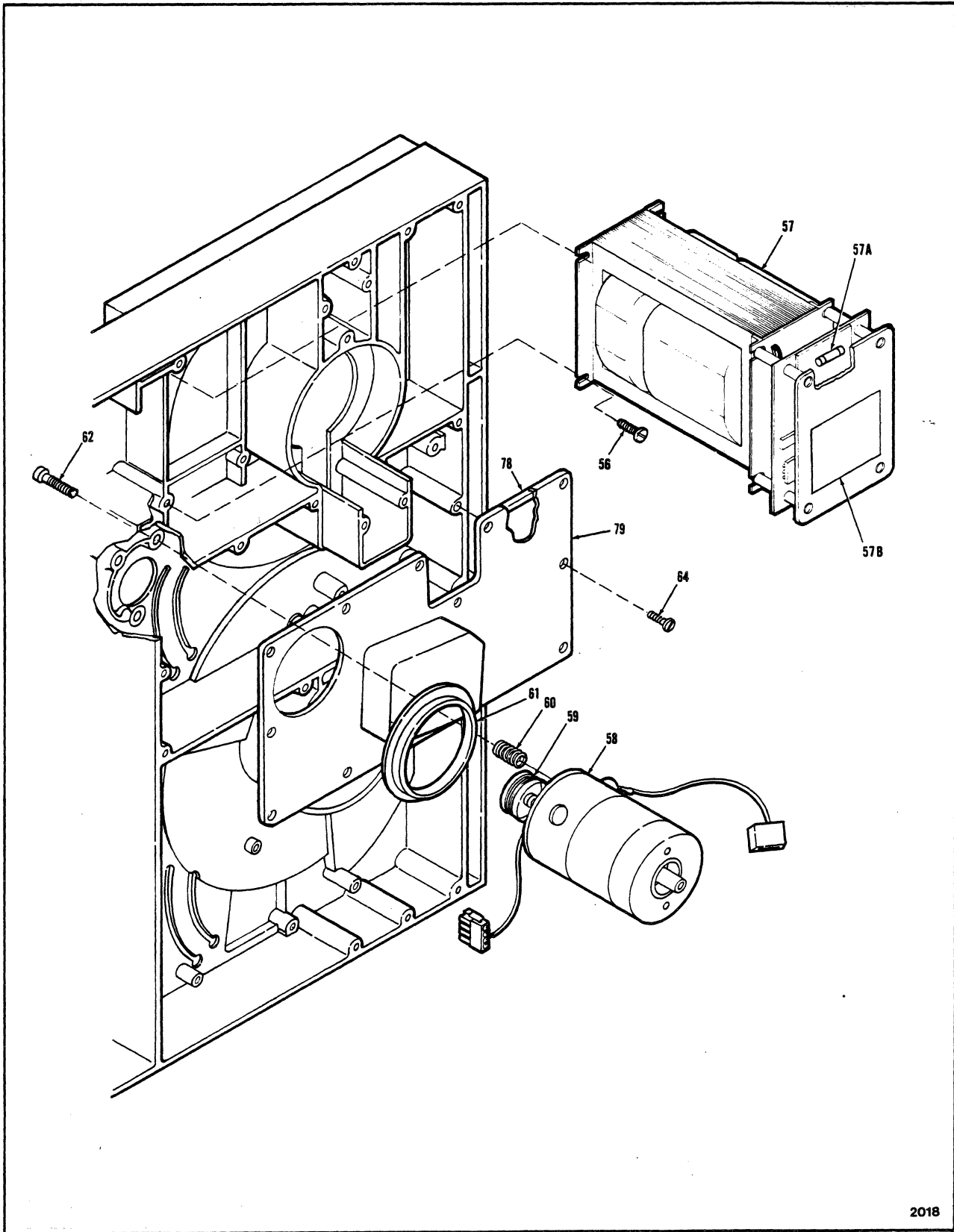
2019

FIGURE 2. BASIC ASSEMBLY, 292X TAPE SUBSYSTEM (Sheet 2 of 7)



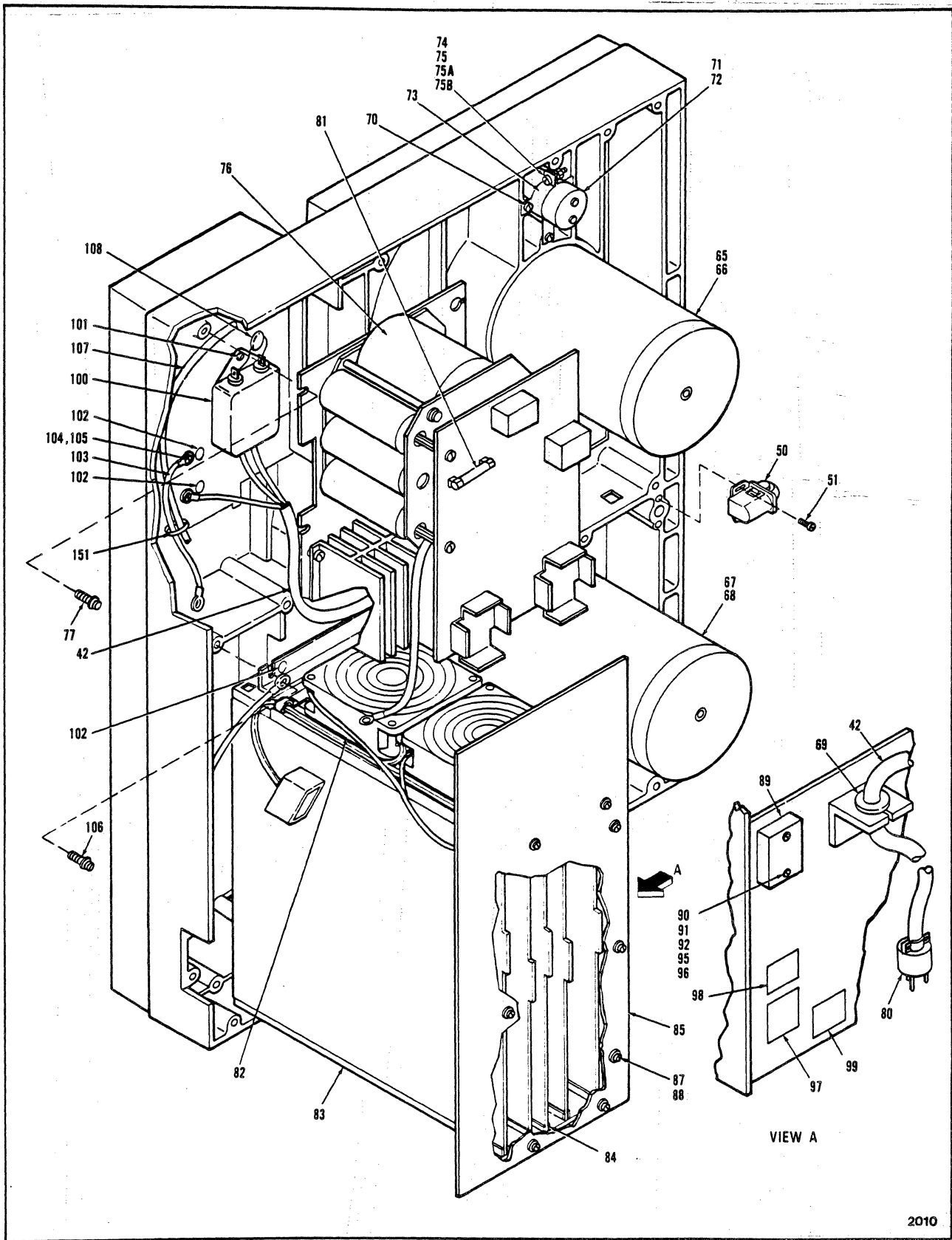
2009

FIGURE 2. BASIC ASSEMBLY, 292X TAPE SUBSYSTEM (SHEET 3 OF 7)



2018

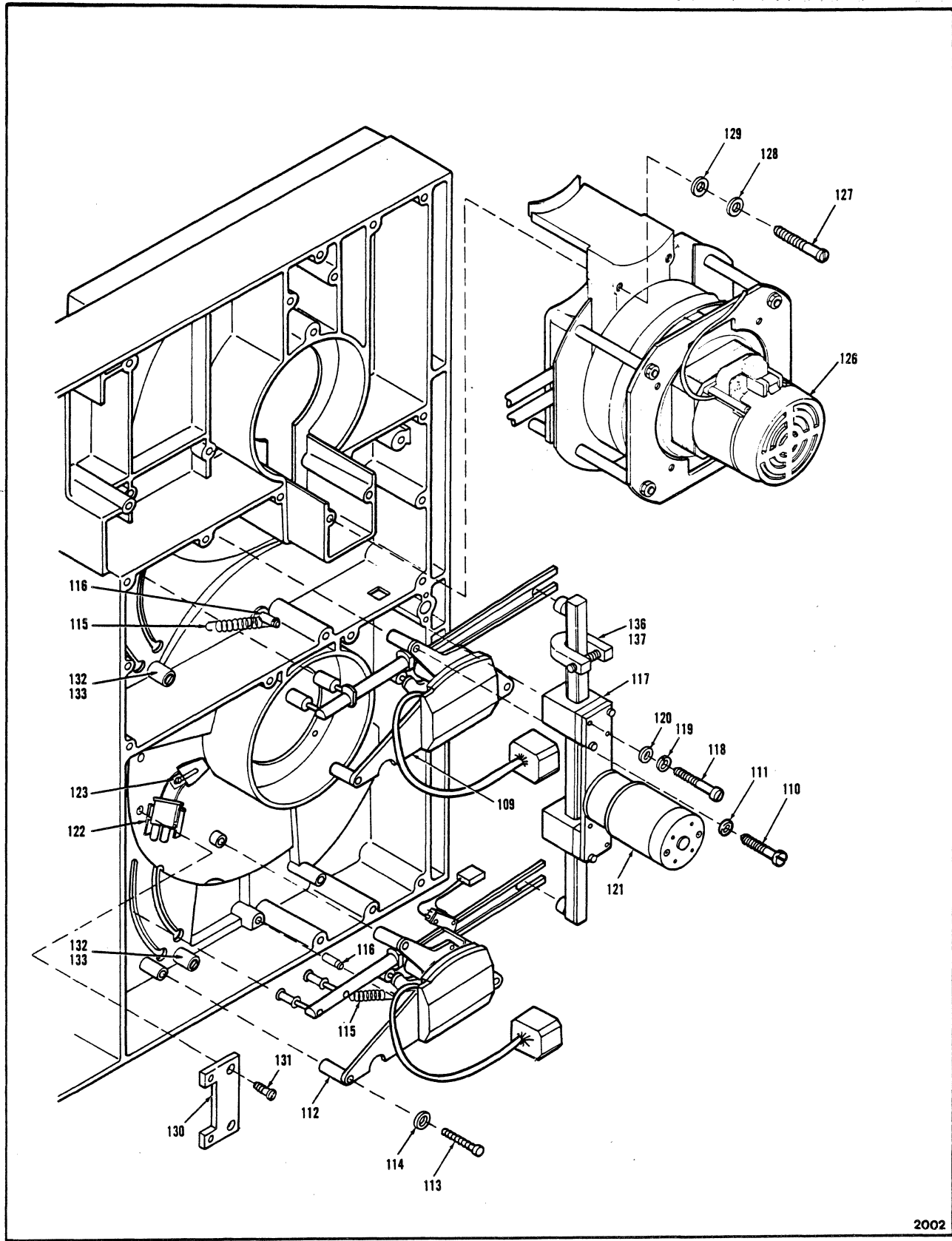
FIGURE 2. BASIC ASSEMBLY, 292X TAPE SUBSYSTEM (SHEET 4 OF 7)



2010

FIGURE 2. BASIC ASSEMBLY, 292X TAPE SUBSYSTEM (SHEET 5 OF 7)

EC 49830
KIT PN 97967



2002

FIGURE 2. BASIC ASSEMBLY, 292X TAPE SUBSYSTEM (SHEET 6 OF 7)

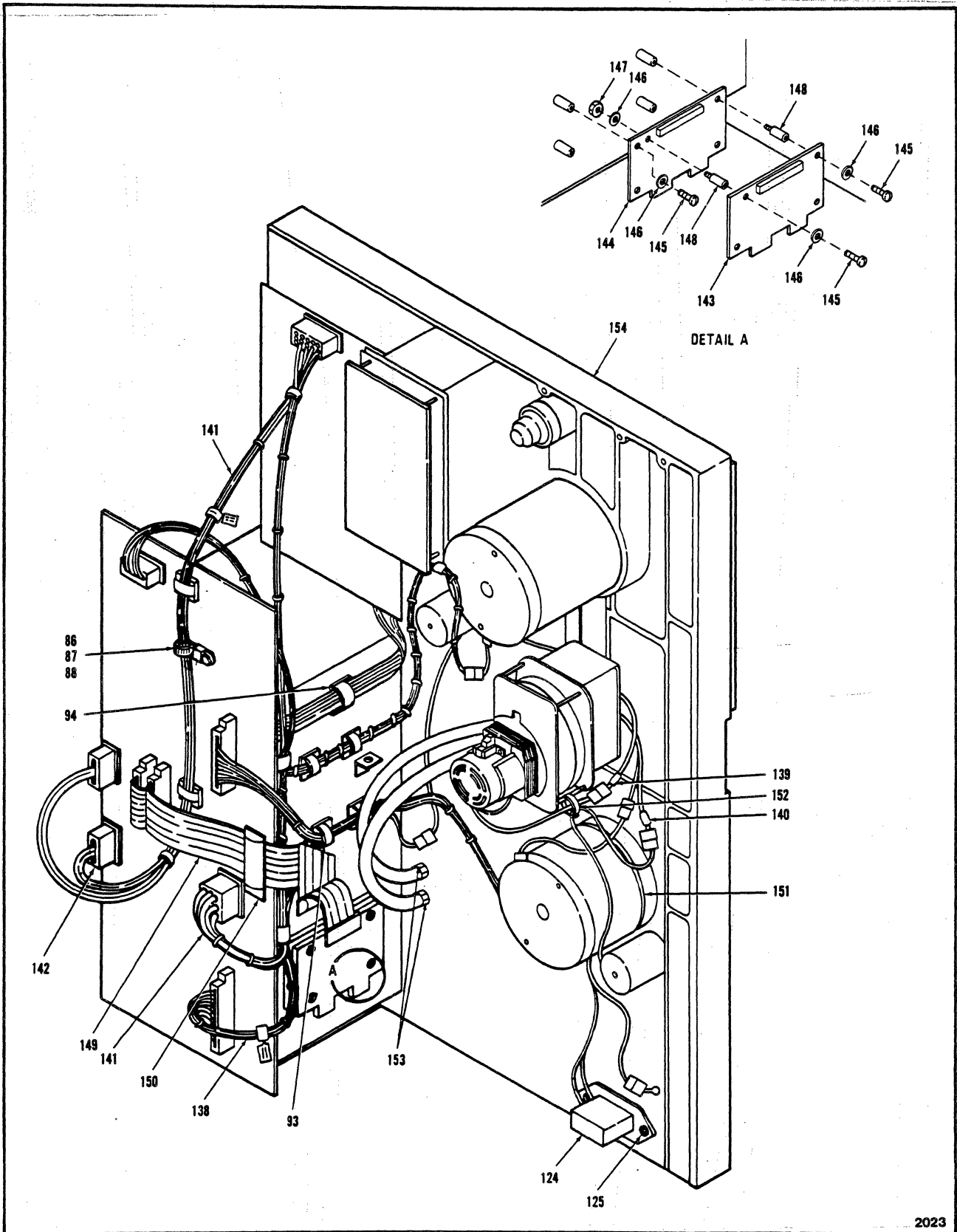


FIGURE 2. BASIC ASSEMBLY, 292X TAPE SUBSYSTEM (SHEET 7 OF 7)

Figure Index Number	Part Number	Description	Usable on Code	Qty per Asm
2-	403467301	BASIC ASSEMBLY, 292X MTS (SEE FIGURE 1-26 FOR NHA)		1
	402370902	.COVER ASSEMBLY, SEAL		1
-1	10097221	..FASTENER		3
-2	10097222	..FASTENER		3
-3	402339907	..COVER, SEAL		1
-4	42420324	.CAP, HUB		1
-5	403442802	.FLANGE, FRONT, AUTO LOAD		1
-6	10096304	.SCREW, MACHINE, SHC, 10-32X.625		3
-7	10030505	.WASHER, LOCK, NO. 10		3
-8	403488601	.FLANGE, REAR, 2920		1
-9	10013012	.SCREW, MACH, SBNH, 4-40 X .250		6
-10	402339303	.HUB, TAKEUP REEL		1
-11	10007027	.SCREW, MACH, SHC, 6-32 X.500, PS		3
-12	10030503	.WASHER, LOCK, HEL, MED, PS, NO.6		3
-13	402573701	.COLLAR, MOUNTING		1
-14	402338907	.BEARING, GUIDE		2
-15	403012302	.BUSHING, GUIDE BEARING		4
-16	402339006	.FLANGE, GUIDE BEARING		4
-17	10011024	.SCREW, MACH, BHC, PS, 6-32X.250		4
-18	403391101	.SCREW, SHOULDER GUIDE		4
-19	402606603	.CERAMIC R/W HEAD ASSY		1
-20	402603703	.SKEW BLOCK ASSEMBLY		1
-21	402390702	.SHIM, SKEW, .001		1
-22	402390802	.SHIM, SKEW, .002		1
-23	402390902	.SHIM, SKEW, .004		1
-24	402391002	.SHIM, SKEW, .006		1
-25	402390002	.SHIM, SKEW, .010		1
-26	10030503	.WASHER, LOCK, HEL, MED, PS, NO.6		4
-27	10007026	.SCREW, MACH, SBNH, 6-32 X .375, PS		7
-28	00002708	.CLEANER ASSEMBLY		1
-29	10008031	.SCREW, SCH, 6-32 X 1.0		1
-30	403491804	.FILLER, BLOCK ASSEMBLY		1
-31	10007202	.SCREW, MACHINE, SHC, 4-40 X 1.00, PS		1
-32	(PN COMP)	.EOT/BOT ASSEMBLY		1
-33	10007202	.SCREW, MACH, SHC, 4-40 X 1.00, PS		2
-34	403375701	.HUB CAP, HIGH SPEED HUB		1
-35	10007202	.SCREW, MACH, SHC 4-40 X 1		3
-35A	402552003	.ROLLER ASSEMBLY, CROWNED		1
-36	10090033	..RING, RETAINING		1
-37	403069302	..WASHER, ROLLER		1
	403540701	..ROLLER SUBASSEMBLY, CROWNED		1
-38	403071001	...BEARING, BALL		2
-38A	402545207	...ROLLER, CROWNED		1
-38B	403137601	..SPRING, ROLLER		1
-39	402340506	..POST, FIXED ROLLER		1

Figure Index Number	Part Number	Description				Usable on Code	Qty per Asm
		1	2	3	4		
2 -							
-40	402336703	.ROLLER ASSEMBLY, FLAT					2
	403469801	..ROLLER SUBASSEMBLY, FLAT					1
-40A	402545207	...ROLLER, CROWNED					1
-40B	403071001	...BEARING, BALL					2
-41	403245602	.CIRCUIT BREAKER ASSY, 10AMP					1
	403245601	.CIRCUIT BREAKER ASSY, 7.5AMP					1
-42	402339803	.CORD, POWER					1
-43	402573701	.COLLAR, MOUNTING					1
	403375301	.FILE PROTECT ASSEMBLY					1
-44	401292309	..FILE HUB SUBASSY, MANUAL (SEE FIGURE 5 FOR DETAILS)					1
-45	403376601	..RING, FILE PROTECT					1
-46	10204013	..SCREW, TXPH, 6-19 X .625					3
-47	403375201	..SPRING, FILE PROTECT					3
-48	403376502	..BUSHING, FILE PROTECT					3
-49	10007202	.SCREW, MACHINE, SHC, 4-40X1					3
-50	403076702	.LATCH, DECK, MOD					1
-51	10203009	.SCREW, TF, TXPH, SEM, 6-32 X .50					2
	403479703	.DIVERter ASSEMBLY, THREADING					1
-52	10090005	.RING, RETAINING, EXT, .125					1
-53	10025014	..PIN, DOWEL					1
-54	10308401	..SPRING, EXT					1
-55	403479603	..DIVERter, THREADING					1
	402573505	.TRANSFORMER, PK ASSY, 60 Hz					1
	403255503	.TRANSFORMER, PK ASSY, 50 Hz					1
	403615301	.TRANSFORMER, PK ASSY, 50 Hz, DG					1
-56	10203030	.SCREW, TF, TXPH, SEM, 1/4-20 X .50					4
-57	402329604	..TRANSFORMER, POWER SUPPLY, 60 Hz					1
	402329405	..TRANSFORMER, POWER SUPPLY, 50 Hz					1
	403625901	.TRANSFORMER, PWR SUPPLY, 50 HZ, DG					1
-57A	10080120	..FUSE, 1A, 250V, SLO-BLO					1
-57B	403193502	..LABEL, INPUT VOLTAGE, 60HZ					1
	403193703	..LABEL, INPUT VOLTAGE, 50HZ					1
	403444801	..LABEL, INPUT VOLTAGE, 50HZ, DG					1
	402271201	.MOTOR ASSEMBLY, CAPSTAN					1
-58	402338302	..MOTOR, CAPSTAN					1
-59	402338401	..WHEEL, CAPSTAN					1
-60	403199301	.SPRING, MOTOR					3
-61	402383102	.SEAL, CAPSTAN MOTOR					1
-62	403125302	.SCREW, SOCKET HEAD CAP					3
-63		.DELETED					
-64	10203024	.SCREW, TF, TXPH, SEM, 10-32 X .62					12
-65	402271403	.MOTOR ASSEMBLY, REEL					1
-66	10203024	.SCREW, TF, TXPH, SEM, 10-32 X .62					4
-67	402271301	.MOTOR ASSEMBLY, FILE REEL					1
-68	10203024	.SCREW, TF, TXPH, SEM, 10-32 X .62					4
-69	10097203	.BUSHING, STRAIN RELIEF					1

Figure Index Number	Part Number	Description	Usable on Code				Qty per Asm
			1	2	3	4	
2 -	403257203	.CAPACITOR, INSULATED, 6-UF, 660V					1
-70	10203009	.SCREW, TF, TXPH, SEM, 6-32X.500					3
-71	10049017	..CAP, OIL, 6%, 660V, 6UF, NON PCB					1
-72	10057075	..TUBE, EL, SHRINK, 2100/1.00, IEC					AR
-73	403370503	..BRACKET, CAPACITOR					1
-74	10203009	..SCREW, TF, TXPH, SEM, 6-32X.500					1
-75	10027019	..WASHER, FLAT, B, NO.6, N					1
-75A	10030503	..WASHER, LOCK, HEL, MED, PS, NO.6					1
-75B	10028003	..NUT, HEX, 6-32					1
-76	402337102	.REGULATOR ASSEMBLY					1
-77	10203024	.SCREW, TF, TXPH, SEM, 10-32X.625					4
	402553003	.COVER ASSEMBLY, REAR					1
-78	403231001	..GASKET, REAR COVER					1
-79	402340005	..COVER, REAR					1
-80	10041365	.CONNECTOR, POWER, 250V, 15A					1
-81	10080078	.FUSE, 20A, 60V					1
-82	403777502	.FAN ASSEMBLY					1
		(SEE FIGURE 3 FOR DETAILS)					
	403629403	.CARD CAGE ASSEMBLY					1
	402336806	..CARD CAGE SUBASSEMBLY					1
-83	402340607	...CARD CAGE					1
-84	402340701	...GUIDE, CARD, SNAP IN					10
-85	(PN COMP)	..CKT CD, MBD, PCC ASSEMBLY					1
-86	10075022	..CA-CLP, T, 1.75, NO.10					1
-87	10026006	..WASHER, FLAT, A, NO. 10					8
-88	10028061	..NUT, HEX 10-32					8
-89	10078177	..RELAY, SS, PHOTO ISOL, 1P 1T, SA, 80					1
-90	10026004	..WASHER, FLAT, A, NO.6					2
-91	10030503	..WASHER, LK, HEL, MED, PS, 6					2
-92	10028003	..NUT, HEX, 6-32					2
-93	10075063	..CA-ADJ/REL, 3/16-11/16					4
-94	10075105	..CA-CLP, FLAT, ADH BACK, 1.0" MAX					1
-95	10030514	..WASHER, LK, INT, MED, PS, 6					2
-96	10030515	..WASHER, LK, INT, MED, PS, 8					2
-97	42420904	..LABEL, UL, HIPOT TEST					1
-98	50050023	..MODIFICATION STICKER, V1 AND V2					1
-99	401599101	..LABEL, CONFIGURATION					1
	402336806	.CARD CAGE SUBASSEMBLY					1
-100	10058118	.FILTER, LINE, 10A, 250V					1
-101	10203008	.SCREW, TF, TXPH, SEM, 6-32X.375					3
-102	00029526	.DECAL, GROUND LOCATION					3
-103	403198201	.CABLE ASSY, GROUND DECK TO FRAME					1
-104	10203024	.SCREW, TF, TXPH, SEMS, 10-32 X .625					1
-105	10030522	.WASHER, LOCK, EXT, MED, PS, NO.10					1
-106	10203024	.SCREW, TF, TXPH, SEM, 10-32 X .625					4
-107	403215501	.CABLE HARNESS, AC					1
-108	402584501	.VARISTOR ASSEMBLY					1

Figure Index Number	Part Number	Description				Usable on Code	Qty per Asm
		1	2	3	4		
2-							
-109	402560106	. SWING ARM ASSEMBLY, UPPER (SEE FIGURE 7 FOR DETAILS)					1
-110	10007032	. SCREW, MACH, SHC, 6-32 X .250					3
-111	10030503	. WASHER, LOCK, HEL, MED, PS, NO. 6					3
-112	402560206	. SWING ARM ASSEMBLY, LOWER (SEE FIGURE 7 FOR DETAILS)					1
-113	10007032	. SCREW, MACH, SHC, 6-32 X .250					3
-114	10030503	. WASHER, LOCK, HEL, MED, PS, NO. 6					3
-115	403156501	. SPRING, TENSION					2
-116	10109515	. SPRING, POST, .187 DIA X .375					2
-117	403123802	. RETRACTOR ASSEMBLY					1
-118	10007035	. SCREW, MACHINE, SHC, 6-32X2.0					4
-119	10030503	. WASHER, LOCK, HEL, MED, PS, NO. 6					4
-120	10027019	. WASHER, FLAT, B, NO. 6, N					4
-121	403123501	. RETRACT MOTOR					1
-122	402637801	. SENSE ASSEMBLY, FILE PROTECT					1
-123	10013014	. SCREW, MACH, SBNH, 4-40 X .375, PS					1
-124	403376303	. SWITCH ASSEMBLY, INTERLOCK					1
-125	10203008	. SCREW, TF, TXPH, 6-32 X .375					2
-126	403219205	. BLOWER ASSEMBLY (SEE FIGURE 4 FOR DETAILS)					1
-127	10007070	. SCREW, MACH, SHC, 10-32 X 1.75, PS					4
-128	10030505	. WASHER, LOCK, HEL, MED, NO. 10, PS					4
-129	10026006	. WASHER, FLAT, A, NO. 10					4
-130	403096302	. PLATE, MTG, EOT/BOT CONNECTOR					1
-131	10203008	. SCREW, TF, TXPH, SEM, 6-32 X .37					2
-132	403225601	. BUMPER, SWING ARM					2
-133	10203011	. SCREW, TF, TXPH, SEM, 6-32 X .75					2
-134	10410198	. CONNECTOR, BANANA PLUG, LOW PROFILE					1
-135	10030523	. WASHER, LOCK, EXT, MED, PS, .250					1
-136	403224702	. COLLAR, STOP					1
-137	10007067	. SCREW, MACH, SHC, 10-32 X 1					1
-138	402339603	. CABLE HARNESS SENSOR					1
	402375503	. CABLE HARNESS MOTORS					1
-139	10080118	. . FUSE, .75A, 250V, SLO-BLO					1
-140	10080132	. . FUSE, 4A, 250V, SLO-BLO					1
-141	402375602	. CABLE HARNESS POWER					1
-142	403514001	. PA/PB INTERFACE ASSEMBLY					
-143	(PN COMP)	. . CKT CD, PA, ASSEMBLY					1
-144	(PN COMP)	. . CKT CD, PB, PC ASSEMBLY					1
-145	10203008	. . SCREW, RF, TXPH, SEM, 6-32 x .37					5
-146	10092020	. . WASHER, FLAT, N, .156 ID x.312 x.032 T					6
-147	10028058	. . NUT, HEX, 6-32					1
-148	403619501	. . STDF, MF, H, 6-32x.38, S, ZINC PLT					4

Figure Index Number	Part Number	Description				Usable on Code	Qty per Asm
		1	2	3	4		
2 -							
-149	403521001				..CABLE ASSY,60 P/N PERTEC		2
-150	10075107				..CA-CLP,FLAT,ADH BACK,3.0" MAX		2
-151	10075047				.CABLE CLAMP,T		1
-152	10075020				.CABLE TIE		2
-153	10111033				.FITTING		2
-154	403458802				.DECK DIE, 2920		1

(INTENTIONALLY LEFT BLANK)

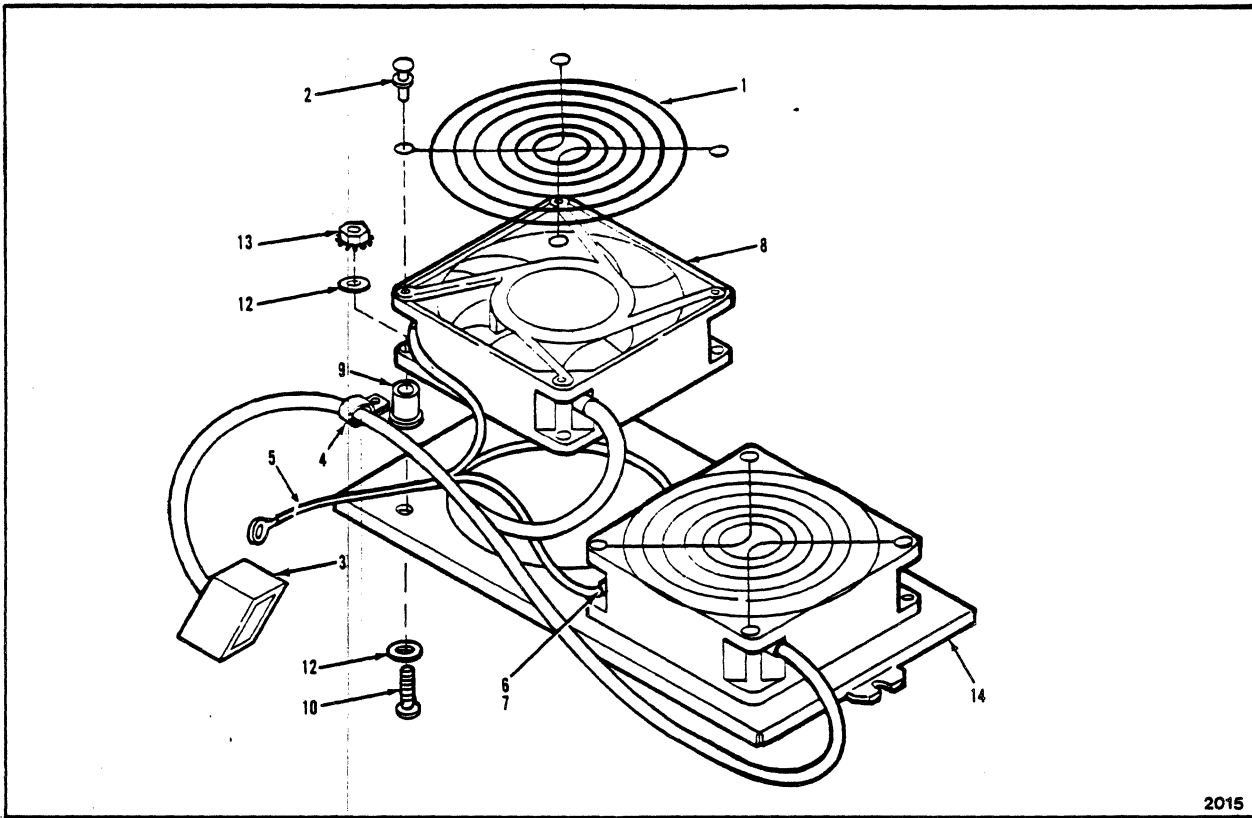


FIGURE 3. FAN ASSEMBLY

Figure Index Number	Part Number	Description	Usable on Code				Qty per Asm
			1	2	3	4	
3	403777502-2	FAN ASSEMBLY (SEE FIGURE 2-82 FOR NHA)					1
-1	10037062-6	.GUARD, FINGER					2
-2	403022502-5	.RIVET, SNAP					6
-3	403281602-9	.CABLE, POWER, FAN					1
-4	10075109-8	.CLAMP, CABLE					1
-5	403198301-0	.CABLE, GROUND					1
-6	10031010-3	.SCREW, SELF-TAP, SBNH, NO. 8					2
-7	10030515-0	.WASHER, LOCK, INT, STAR, NO. 8					2
-8	10037026-1	.FAN, AXIAL, 40CFM, 3.625, 115V					2
-9	403076801-6	.MOUNT, ISOLATOR					6
-10	10021029-3	.SCREW, HWH, 6-32 X .750, PS					6
-11		.DELETED					
-12	10026004-1	.WASHER, FLOAT, NO. 6					12
-13	10028058-5	.NUT, HEX, 6-32, KEPS					6
-14	402341004-8	.BRACKET, FAN MOUNTING					1

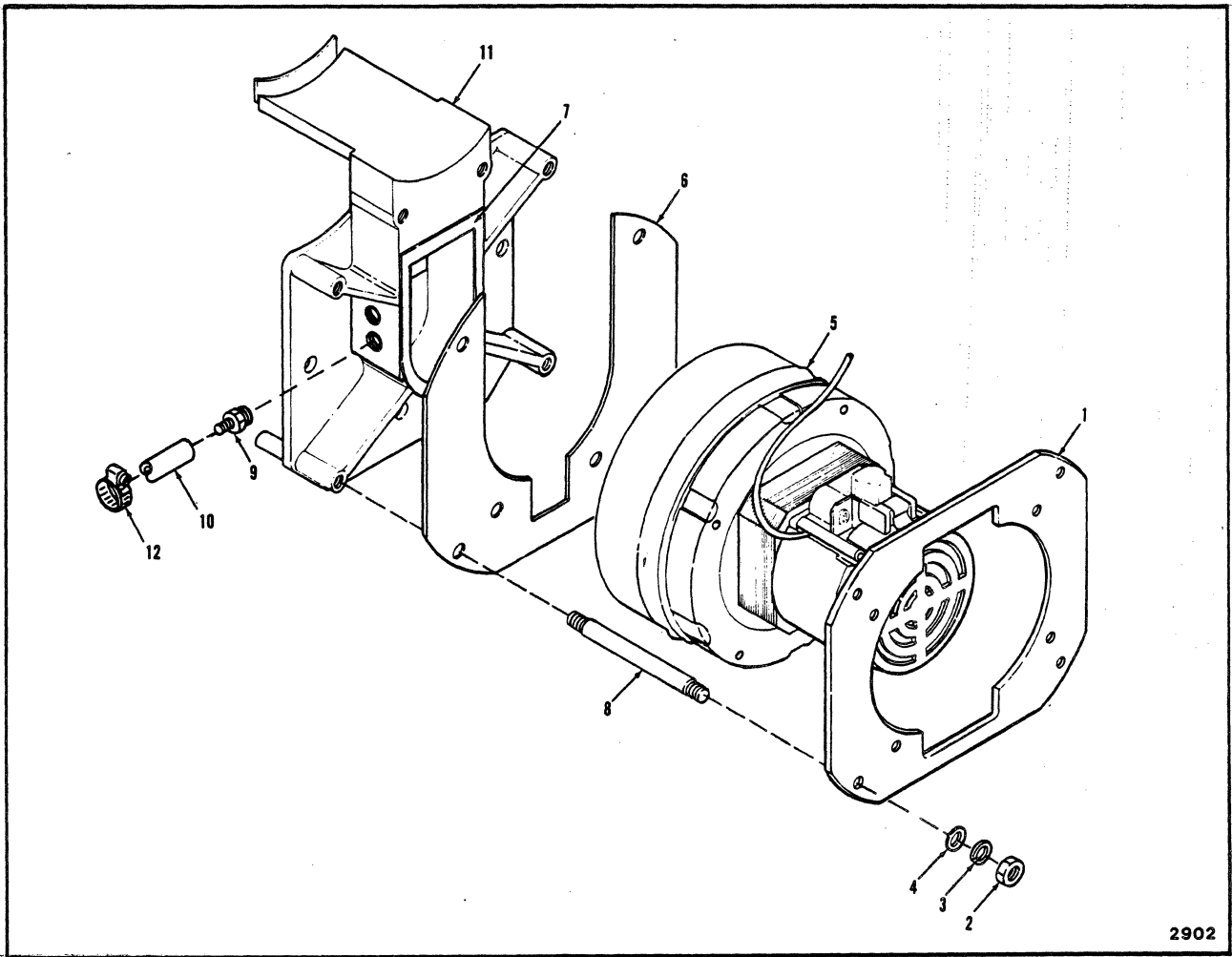


FIGURE 4. BLOWER ASSEMBLY

Figure Index Number	Part Number	Description	Usable	Qty per Asm
			on Code	
4 -	403219205	BLOWER ASSEMBLY (SEE FIGURE 2-112 FOR NHA)		1
- 1	402365501	.PLATE, BLOWER MOUNTING		1
- 2	10028006	.NUT, HEX, 10-32		4
- 3	10030505	.WASHER, LOCK, HEL, MED, NO. 10, PS		4
- 4	10026006	.WASHER, FLAT, A, NO. 10		4
- 5	403778201	.BLOWER SUBASSEMBLY, VACUUM		1
- 6	403287401	.PLATE, ADAPTER		1
- 7	402545304	.GASKET, BLOWER		1
- 8	403219101	.STUD, BLOWER ASSEMBLY		4
- 9	403496001	.MALE, CONN FITTING		1
- 10	403495913	.TUBING, BLOWER, 13 IN.		1
- 11	402340107	.ADAPTER, BLOWER		1
- 12	10096316	.CLAMP, HOSE, .38/.87		1

(INTENTIONALLY LEFT BLANK)

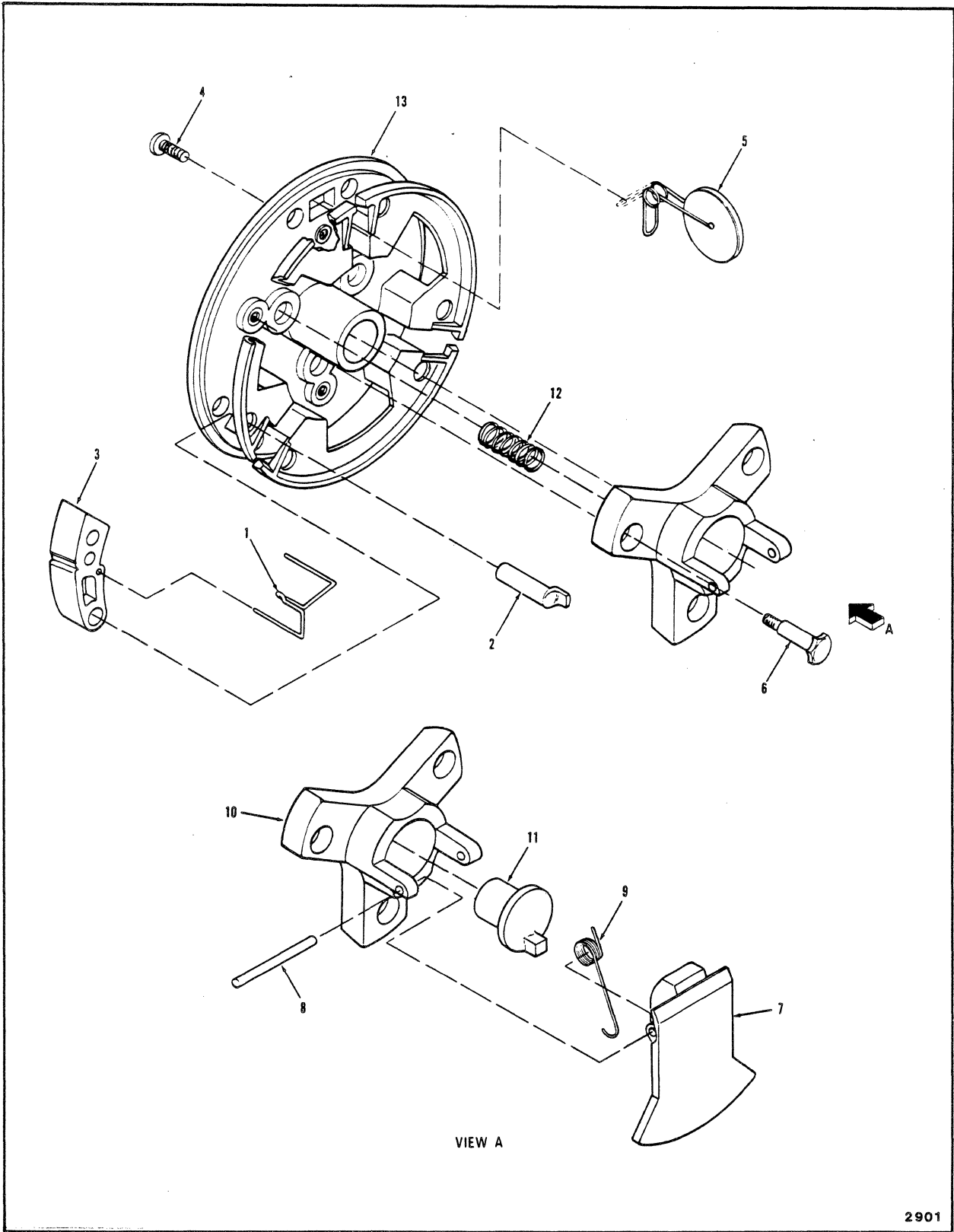


FIGURE 5. FILE HUB SUBASSEMBLY, MANUAL

Figure Index Number	Part Number	Description				Usable on Code	Qty per Asm
		1	2	3	4		
5 -	401292309	FILE HUB SUBASSEMBLY, MANUAL (SEE FIGURE 2-44 FOR NHA)					1
- 1	401259301	.SPRING, CAM RETAINING					3
- 2	401259402	.PIN, CAM RETAINING					3
- 3	401353302	.GROUND ASSEMBLY, CAM PAD					6
- 4	10013027	.SCREW, MACHINE, SBNH, 6-32 X .50 PS					3
- 5	402586801	.SPRING DETENT ASSEMBLY					3
- 6	401215401	.SCREW, SHOULDER					3
	401600001	.CONE ASSEMBLY, HSH					1
- 7	401290802	. LATCH, HIGH SPEED HUB					1
- 8	401259601	. .PIN, LATCH					1
- 9	401290901	. .SPRING, LATCH RETURN					1
-10	401211702	. .CONE, HIGH SPEED HUB					1
-11	401215505	.BUTTON, HIGH SPEED HUB					1
-12	00000006	.SPRING, CONE					3
-13	402205502	.HUB, HIGH SPEED					1

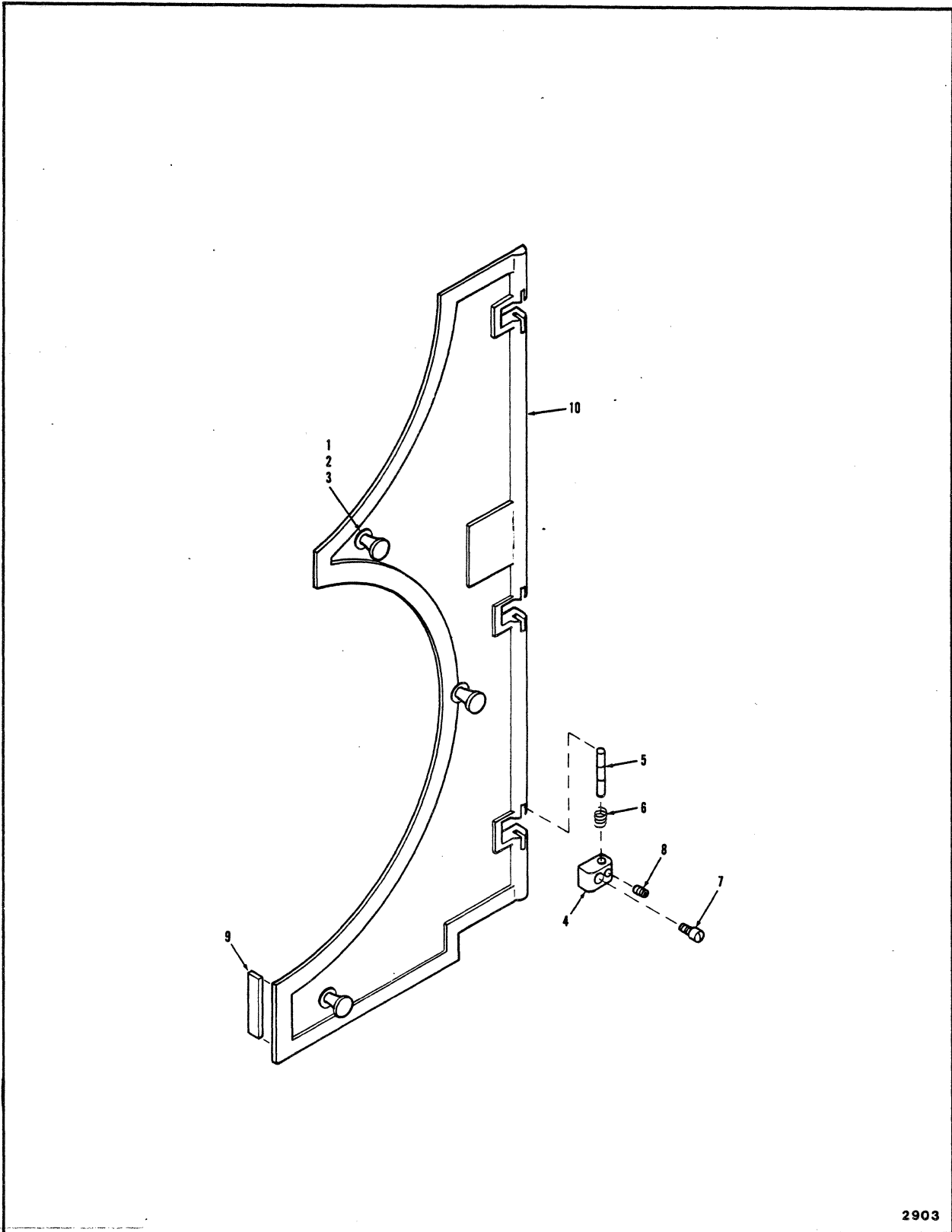
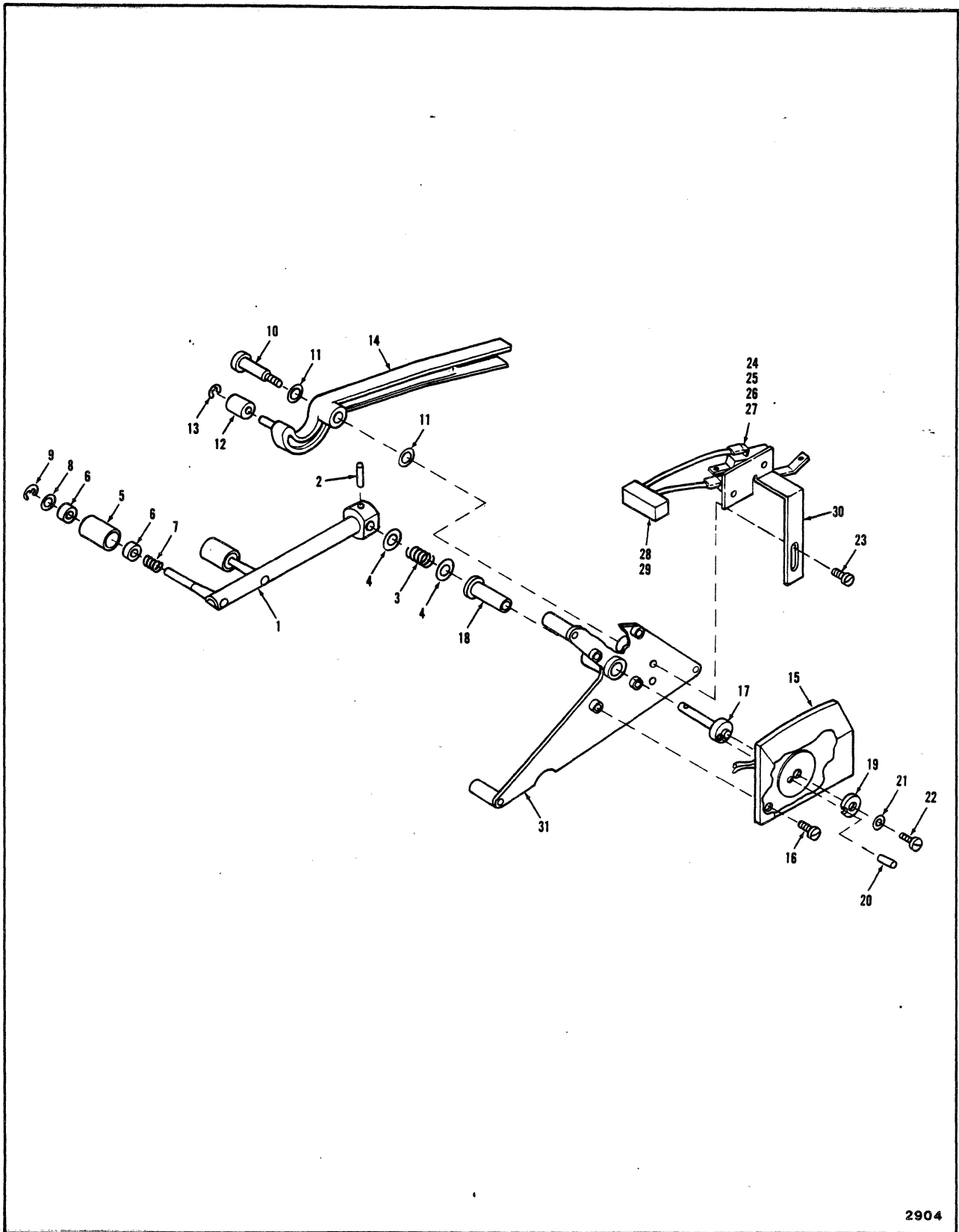


FIGURE 6. COVER ASSEMBLY, THREADING

Figure Index Number	Part Number	Description				Usable on Code	Qty per Asm
		1	2	3	4		
6 -	402336905	COVER ASSEMBLY, THREADING VERTICAL				A	1
	403440103	COVER ASSEMBLY, THREADING HORIZONTAL (SEE FIGURE 1-9 FOR NHA)				B	1
-1	10097221	.FASTENER, GROMMET				A	3
						B	2
-2	10097222	.FASTENER, GROMMET				A	3
						B	2
-3	403389302	.WASHER, DOOR				A	3
						B	2
-4	402365602	.BLOCK, HINGE					3
-5	402554102	.PIN, HINGE					3
-6	10308202	.SPRING, COMPRESSION					3
-7	10501250	.SCREW, SHOULDER .25L, .12DIA, SS, BO					3
-8	10401013	.SCREW, SET, SCP, 4-40 X .125, BO					3
-9	42420169	.EXTRUSION, FRONT DOOR					AR
-10	403458902	.THREADING COVER, VERTICAL				A	1
	403441002	.THREADING COVER, HORIZONTAL				B	1

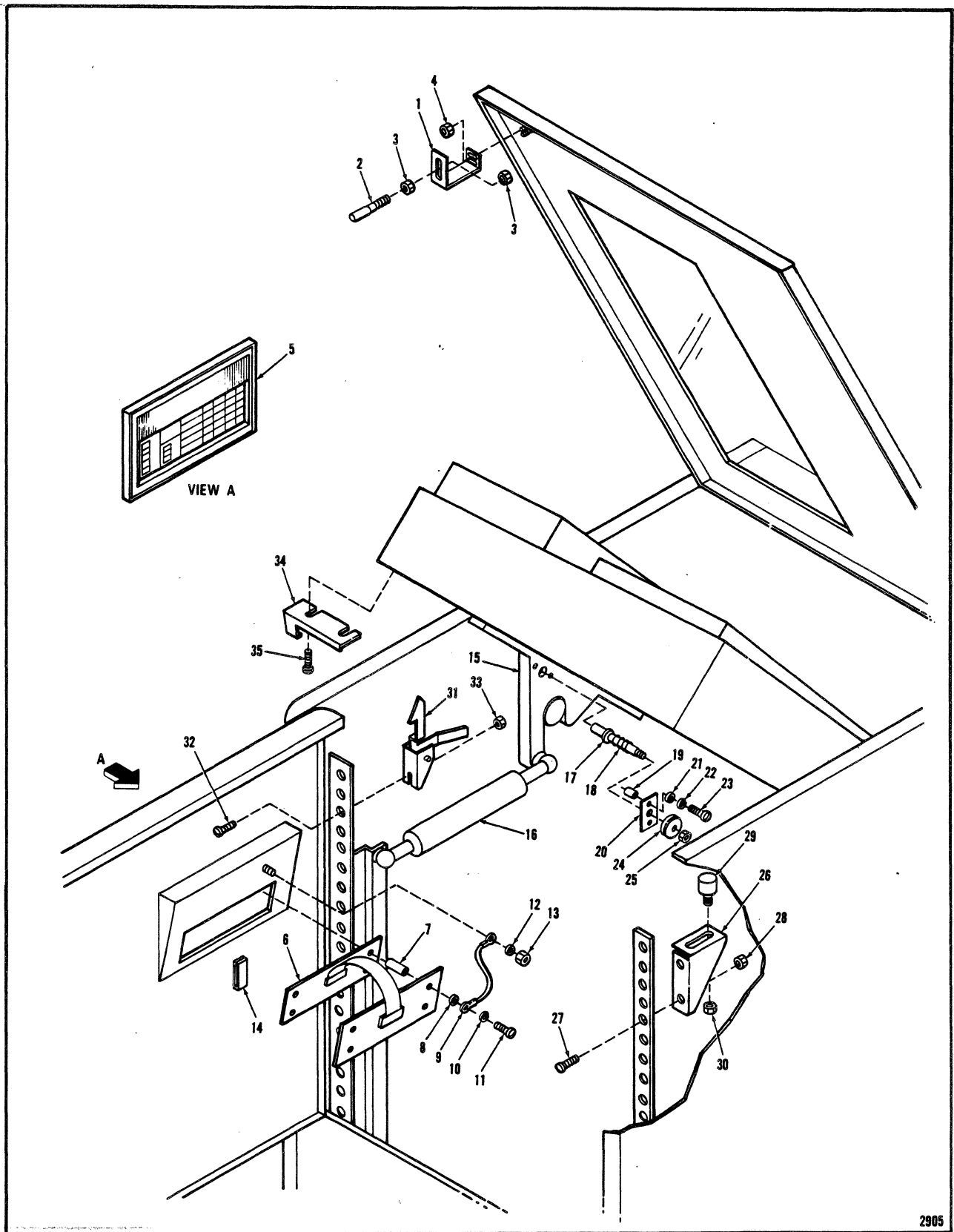


2904

FIGURE 7. SWINGARM ASSEMBLY, UPPER

EC 49663
KIT PN 97866

Figure Index Number	Part Number	Description 1 2 3 4	Usable on Code	Qty per Asm
7 -	402560106	SWINGARM ASSEMBLY, UPPER (SEE FIGURE 2-95 FOR NHA)	A	1
	402560206	SWINGARM ASSEMBLY, LOWER (SEE FIGURE 2-98 FOR NHA)	B	1
-1	403078405	.SWINGARM ASSEMBLY		1
-2	10190504	.PIN, ROLL, .125 DIA X.625LG		1
-3	10308203	.SPRING, COMPRESSION		1
-4	10026069	.WASHER		2
-5	403540801	.ROLLER SUBASSEMBLY, FLANGED	B	2
-5A	402545207	.ROLLER, CROWNED	A	2
-6	403071001	.BEARING, BALL		4
	402552003	.ROLLER ASSEMBLY, CROWNED (SEE FIGURE 2-35A FOR DETAILS)		1
	402336703	.ROLLER ASSEMBLY, FLAT (SEE FIGURE 2-40 FOR DETAILS)		1
-7	403137601	.SPRING, ROLLER		2
-8	403069302	.WASHER, ROLLER		2
-9	10090033	.RING, RETAINING		2
	403123904	.RETRACTOR ARM ASSEMBLY		1
-10	403114101	.SCREW, SHOULDER		1
-11	403116002	.WASHER, TEFLON		2
-12	403116101	..ROLLER, NYLON		1
-13	10090027	..RING, RETAINING		1
-14	403443901	..ARM, RETRACTOR		1
-15	402339403	.ENCODER, SWINGARM		1
-16	10008027	.SCREW, MACHINE, SHC, 6-32X.500, SS		4
-17	402500103	.SHAFT, SWINGARM PIVOT		1
-18	402388504	.BUSHING, SHAFT-PIVOT		1
-19	403247801	.WASHER, ENCODER		1
-20	10025001	.PIN, DOWEL, 1.062 X .187		1
-21	10027014	.WASHER, FLAT, B, NO. 4		1
-22	10005011	.SCREW, MACHINE, SPH, 4-40X.187, PS		1
	403156904	.RETRACTOR SWITCH ASSEMBLY	B	1
-23	10203009	.SCREW, TF, TXPH, SEM, 6-32X.500	B	2
-24	400394301	..SWITCH	B	1
-25	10005016	..SCREW, MACHINE, SPH, 4-40X.625, PS	B	2
-26	10030502	..WASHER, LOCK, HEL, MED, NO. 4	B	2
-27	10026003	..WASHER, FLAT, A, NO. 4	B	2
-28	10410056	..CONNECTOR	B	1
-29	10073181	..CONTACT	B	2
-30	403156804	..BRACKET, SWITCH	B	1
-31	403744702	.PIVOT, PLATE, SWINGARM		1



2905

FIGURE 8. CENTER OF GRAVITY MOUNTING KIT

Figure Index Number	Part Number	Description				Usable on Code	Qty per Asm
		1	2	3	4		
8 -	403528003	CENTER OF GRAVITY MOUNTING KIT					1
	403526501	.KIT, INTERLOCK					1
-1	403494001	..BRACKET, INTERLOCK PIN					1
-2	403523801	..PIN, INTERLOCK ACTUATOR					1
-3	10028006	..NUT, HEX, 10-32					2
-4	10028061	..NUT, HEX, 10-32					2
	403526302	.OPERATOR PANEL KIT					1
-5	403491901	..TRIM OP-PANEL C/G (MACH)					1
-6	403376701	..CABLE ASSEMBLY KEYBOARD, HORIZ					1
-7	10200098	..STDF, CH, .115ID, .25DIA, .31K, NY					4
-8	10092019	..WASHER, NYLON, NO. 4R					4
-9	403495701	..CABLE, GROUND, OP-PANEL TO DOOR					1
-10	10030502	..WASHER, LK, HEL, MED, PS, 4					4
-11	10005016	..SCRW, MACH, SPH, 4-40X5/8, PS					4
-12	10030514	..WSHR, LK, INT, MED, PS, 6					1
-13	10028003	..NUT, HEX, 6-32					1
-14	10075105	..CA-CLP, FLAT, ADH BACK, 1.0" MAX					1
	403526401	.PIVOT PLATE KIT					1
-15	403492001	..C/G PIVOT BRACKET					2
-16	403493901	..DAMPER, VERTICAL					1
-17	403492101	..PIN, DETENT					1
-18	403523901	..SPRING, DETENT PIN					1
-19	10200001	..SPCR, CH, R, .194 ID X 3/16, P					2
-20	403492201	..PLATE, DETENT					1
-21	10027023	..WASHER, FLAT, B, NO. 8					2
-22	10030504	..WSHR, LK, HEL, MED, PS, 8					2
-23	10005040	..SCREW, SPH, 8-32X5/8, PS					2
-24	403520901	..KNOB, DETENT PIN					1
-25	10028006	..NUT, HEX, 10-32					1
	403526602	.HORIZ. BUMPER KIT					1
-26	403493601	..BRACKET, HORIZ BUMPER					1
-27	10005064	..SCREW, MACH, SPH, 10-32X5/8, PS					2
-28	10028006	..NUT, HEX, 10-32					2
-29	403493801	..BUMPER, HORIZ					1
-30	10028006	..NUT, HEX, 10-32					1
-31	403566801	..C/G LATCH ASSEMBLY					1
-32	10005064	..SCREW, MACH, SPH, 10-32X5/8, PS					1
-33	10028006	..NUT, HEX, 10-32					1
-34	403578801	..STRIKER PLATE					1
-35	10005064	..SCREW, MACH, SPH, 10-32X5/8, PS					2

NUMERICAL INDEX

FIGURE & INDEX NUMBER	PART NUMBER	FIGURE & INDEX NUMBER	PART NUMBER	FIGURE & INDEX NUMBER	PART NUMBER
5-12	00000006	5-11	401215505	7-18	402388504
2-28	00002708	5-1	401259301	2-25	402390002
2-102	00029526	5-2	401259402	2-21	402390702
7-20	10025001	5-8	401259601	2-22	402390802
2-53	10025014	5-7	401290802	2-23	402390902
7-21	10027014	5-9	401290901	2-24	402391002
3-8	10037026	5-REF	401292309	7-17	402500103
3-1	10037062	2-44	401292309	2-38A	402545207
2-80	10041365	5-3	401353302	2-40A	402545207
2-71	10049017	2-99	401599101	7-5A	402545207
2-72	10057075	5-REF	401600001	4-7	402545304
2-100	10058118	5-13	402205502	2-35A	402552003
7-29	10073181	2-REF	402271201	7-REF	402552003
2-152	10075020	2-67	402271301	6-5	402554102
2-151	10075047	2-65	402271403	7-REF	402560106
3-4	10075109	2-57	402329405	2-109	402560106
2-89	10078177	2-57	402329604	7-REF	402560206
2-81	10080078	2-40	402336703	2-112	402560206
2-139	10080118	7-REF	402336703	2-REF	402573505
2-57A	10080120	2-REF	402336806	2-13	402573701
2-140	10080132	6-REF	402336905	2-43	402573701
2-52	10090005	1-9	402336905	2-108	402584501
7-13	10090027	2-76	402337102	5-5	402586801
2-36	10090033	1-15A	402337203	2-20	402603703
4-12	10096316	2-58	402338302	2-19	402606603
7-9	10090033	2-59	402338401	1-10	402624902
2-69	10097203	2-14	402338907	2-122	402637801
6-1	10097221	2-16	402339006	2-15	403012302
6-2	10097222	2-10	402339303	3-2	403022502
2-116	10109515	7-15	402339403	7-8	403069302
2-153	10111033	2-138	402339603	2-37	403069302
7-2	10190504	2-42	402339803	2-38	403071001
8-19	10200001	2-3	402339907	2-40B	403071001
8-7	10200098	2-79	402340005	7-6	403071001
6-6	10308202	4-11	402340107	2-50	403076702
7-3	10308203	2-39	402340506	3-9	403076801
2-54	10308401	2-83	402340607	7-1	403078405
7-28	10410056	2-84	402340701	2-130	403096302
2-134	10410198	3-14	402341004	7-10	403114101
6-9	42420169	1-19	402341104	7-11	403116002
2-4	42420324	4-1	402365501	7-12	403116101
2-97	42420904	6-4	402365602	2-121	403123501
2-98	50050023	2-REF	402370902	2-117	403123802
7-24	400394301	2-REF	402375503	7-REF	403123904
5-10	401211702	2-141	402375602	2-62	403125302
5-6	401215401	2-61	402383102	7-7	403137601

NUMERICAL INDEX

FIGURE & INDEX NUMBER	PART NUMBER	FIGURE & INDEX NUMBER	PART NUMBER	FIGURE & INDEX NUMBER	PART NUMBER
2-38B	403137601	2-154	403458802	2-REF	403629403
2-115	403156501	6-10	403458902	1-REF	403665001
7-30	403156804	1-26	403467301	7-31	403744702
7-REF	403156904	2-REF	403467301	3-REF	403777502
2-57B	403193502	1-REF	403467401	2-82	403777502
2-57B	403193703	1-REF	403468901	4-5	403778201
2-103	403198201	2-40	403469801		
3-9	403198301	1-REF	403470301		
2-60	403199301	1-27	403477801		
2-107	403215501	1-28	403477901		
4-8	403219101	1-23	403478001		
2-126	403219205	2-55	403479603		
4-REF	403219205	2-REF	403479703		
2-136	403224702	1-5	403482501		
2-132	403225601	1-25	403482601		
2-78	403231001	1-1	403484601		
2-41	403245601	2-8	403488601		
2-41	403245602	2-30	403491804		
7-19	403247801	8-5	403491901		
2-REF	403255503	8-15	403492001		
2-REF	403257203	8-17	403492101		
3-3	403281602	8-20	403492201		
4-6	403287401	8-26	403493601		
2-73	403370503	8-29	403493801		
2-47	403375201	8-16	403493901		
2-REF	403375301	8-1	403494001		
2-34	403375701	8-9	403495701		
2-124	403376303	4-10	403495913		
2-48	403376502	4-9	403496001		
2-45	403376601	2-142	403514001		
8-6	403376701	8-24	403520901		
6-3	403389302	2-149	403521001		
2-18	403391101	8-2	403523801		
1-REF	403420101	8-18	403523901		
1-15	403420201	8-REF	403526302		
1-13	403437702	8-REF	403526401		
2-145	403437804	8-REF	403526501		
1-9	403440103	8-REF	403526602		
6-REF	403440103	8-REF	403528003		
1-33	403440701	2-REF	403540701		
1-REF	403440901	7-5	403540801		
6-10	403441002	8-31	403566801		
2-5	403442802	8-34	403578801		
7-14	403443901	2-55	403615301		
2-57B	403444801	2-148	403619501		
1-7	403455001	2-57	403625901		

(INTENTIONALLY LEFT BLANK)

**READER'S
COMMENT
FORM**

PLEASE GIVE US YOUR COMMENTS ON THIS MANUAL

Your constructive criticism can help us produce better publications in the future. Give specific page and line references (where appropriate), EC number and Kit part number.

Page No. _____ EC No. _____ Kit No. _____

Note: Staples can cause problems with automated mail sorting equipment. Please use pressure sensitive or other gummed tape to seal this form. If you would like a reply, please supply your name and address on the reverse side of this form.

Thank you for your cooperation. No postage stamp necessary if mailed in the U.S.A.

FOLD AND TAPE

DO NOT STAPLE

FOLD AND TAPE



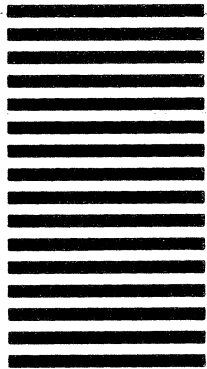
NO POSTAGE
NECESSARY
IF MAILED
IN THE
UNITED STATES

BUSINESS REPLY CARD
FIRST CLASS PERMIT NO. 2 LOUISVILLE, CO U.S.A.

POSTAGE WILL BE PAID BY ADDRESSEE

Storage Technology Corporation
2270 South 88th Street
Louisville, Colorado 80028

Attn: Technical Publications MD 97



DLD

DO NOT STAPLE

FOLD AND TAPE

If you would like a reply, please print:

Your Name: _____

Company Name: _____ Department: _____

Street Address: _____

City: _____

State: _____ Zip Code: _____

STORAGE TECHNOLOGY CORPORATION
2270 South 88th Street
Louisville, Colorado 80028