

TM
SYSGEN SC4000
INTELLIGENT TAPE CONTROLLER

INSTALLATION PROCEDURE

NOTE: All specifications are subject to change
without notice.

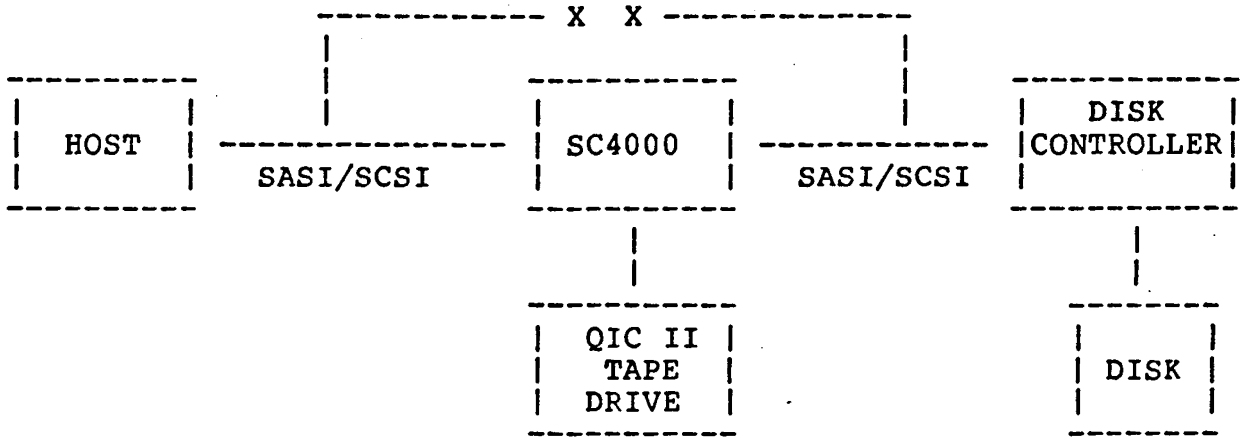
REV	DESCRIPTION	DATE	CHNG	APPV
	RELEASE	6/11/83	NL	

DOC. NO. 4000-530-00

0.0 SCOPE

This document outlines the installation procedures of using SC4000 intelligent tape controller.

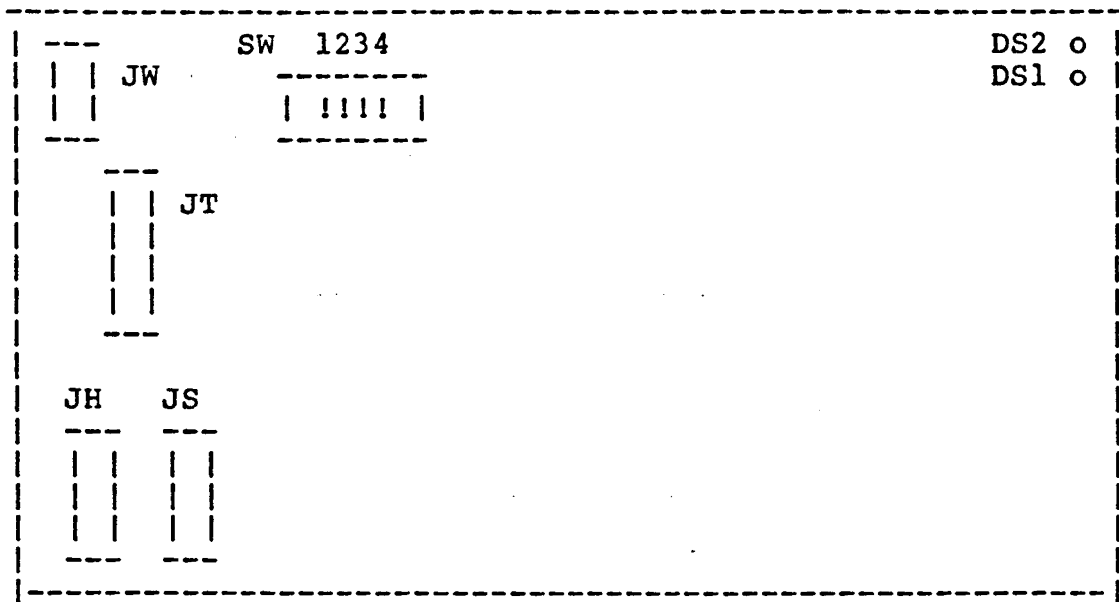
SYSTEM CONFIGURATION



The broken path shown might have been the original system set up before installing SC4000 and QIC II tape drive.

1.0 USER GUIDE FOR HARDWARE SETUP

1.1 SC4000 board layout



- JW 4 pin power connector to power cable
 where pin 1 is not connected
 pins 2,3 are grounded
 pin 4 connected to +5V
- JT 50 pin 0.10" spacing connector to QIC II drive
- JS 50 pin 0.10" spacing connector to DK controller
- JH 50 pin 0.10" spacing connector to Host cable
- DS1 ON to indicate there is an error condition
 detected either by SC4000 or QIC II drive.
- DS2 ON to indicate SC4000 is busy in processing a
 command.

On-board switch setting is to define the controller selection mode that the user chooses.

LUN MODE

For older SASI host adaptors not capable of selecting different Controller IDs, this mode allows the host computer to direct commands to the SC4000 by using an LUN between 4 and 7. To choose this mode of operation, set Key 1 on the Dip Switch to ON. The LUN for SC4000 can be set as follows:

LUN	Key 1	Key 2	Key 3	Key 4
----	-----	-----	-----	-----
4	ON	ON	OFF	OFF
5	ON	ON	OFF	ON
6	ON	ON	ON	OFF
7	ON	ON	ON	ON

ID MODE

For host adaptors capable of selecting different Bus Devices (a maximum of 8 under SCSI), this mode allows the host to select the SC4000 controller by asserting the corresponding Data Bus line in the Device Selection Phase. To choose this mode of operation, set Key 1 on the Dip Switch to OFF. The Controller ID for the SC4000 can be set as follows:

Controller ID	Key 1	Key 2	Key 3	Key 4
-----	-----	-----	-----	-----
0	OFF	OFF	OFF	OFF
1	OFF	OFF	OFF	ON
2	OFF	OFF	ON	OFF
3	OFF	OFF	ON	ON
4	OFF	ON	OFF	OFF
5	OFF	ON	OFF	ON
6	OFF	ON	ON	OFF
7	OFF	ON	ON	ON

1.2 INSTALLATION ON QIC II TAPE DRIVE

Make sure the tape drive is always strapped as #0 .
See tape drive product specification for such strapping.

1.3 CONTROLLER ID ADDRESS ON DISK CONTROLLER

If ID mode is chosen, the user should make sure ID address for the disk controller does not conflict with either SC4000 or other devices on the SASA/SCSI bus.

If LUN mode is chosen, the disk controller and SC4000 both have the same ID address.

See disk controller product specification for ID address alternation if such need arises.

1.4 ADD SC4000 IN AN EXISTING DISK ONLY SYSTEM

- 1) Disconnect the original connection between the disk controller and the host.
- 2) Connect JH to the host.
- 3) Connect JS to the disk controller.
- 4) Connect JT to the QIC II tape drive.

2.0 HINTS FOR COMMON ERRORS ENCOUNTERED IN INSTALLATION

- 1) After power-up, the two LED's on SC4000 should always be cleared.
 - If not cleared, check host bus reset signal and input +5 to the board.
- 2) SC4000 is not responsive to any command from the host.
 - Check RESET, SELECTION, DBx, BUSY sequencing and timing requirement. (as shown in Product Specification 4000-500- section 7.0)
 - Check DBx in the selection reflects the exact controller ID address on SC4000 or disk controller depending what is to be chosen.
 - Check cable connection to host.
 - Check cable connection to disk controller.
 - Check cable connection to QIC II drive.