

# **CUSTOMER ENGINEERING DIVISION**

## **MODEL 928 SYSTEMS 10/20/30**

### **FIELD-LEVEL MAINTENANCE MANUAL**

#### **PRELIMINARY VOLUME 2**

© Wang Laboratories, Inc., 1977

**NOTICE:**

This document is the property of Wang Laboratories, Inc., Information contained herein is considered company proprietary information and its use is restricted solely to the purpose of assisting you in servicing Wang products. Reproduction of all or any part of this document is prohibited without the consent of Wang Laboratories.

**WANG**

LABORATORIES, INC.

ONE INDUSTRIAL AVENUE, LOWELL, MASSACHUSETTS 01851. TEL. (617) 851-4111, TWX 710 343-6769, TELEX 94-7421

## TABLE OF CONTENTS

### SECTION 1

#### INTRODUCTION

1.1	SCOPE	1-1
1.2	VOLUME II MANUAL ORGANIZATION	1-2
1.3	MECHANICAL AND ELECTRICAL DRAFTING NUMBER ASSIGNMENT (928 NOMENCLATURE)	1-2

### SECTION 2

#### EXPLODED VIEWS OF UNIT CHASSIS AND 928 FURNITURE WITH PARTS LISTINGS

2.1	INTRODUCTION	2-1
2.2	MASTER CPU	2-4
2.3	WORK STATION	2-10
2.4	PRINTER DAISY	2-24
2.5	ACCESSORIES (FURNITURE)	2-31

### SECTION 3

#### BILL OF MATERIALS

3.1	MULTI DETAILED PARTS LISTINGS FOR 928 SYSTEM ELECTRONIC UNITS	3-1
3.1.1	MODEL 5520 - MASTER CPU/DUAL FLOPPY (928M1)	3-3
3.1.2	MODEL 5530 - MASTER CPU (928M2)	3-25
3.1.3	MODEL 5526 - WORK STATION (928W2)	3-49
3.1.4	MODEL 5581 - DAISY PRINTER (928P1)	3-62
3.1.5	10 MEGABYTE DISK DRIVE (928D)	3-74
3.2	SUMMARIZED PARTS LISTINGS FOR 928 SYSTEM ACCESSORY ASSEMBLIES (FURNITURE)	3-75
3.2.1	MODEL 5590-3 TABLE FOR WORK STATION (928S1)	3-75
3.2.2	MODEL 5590-2 TABLE FOR SYSTEM 20/30 (928S2)	3-76
3.2.3	MODEL 5590-4 TABLE FOR PRINTER (928S3)	3-78
3.2.4	MODEL 5590-6 TABLE FOR STORAGE/WORK (928S6)	3-79
3.2.5	928 CONSOLE EXTENSION (WEDGE SHAPE) (928S7)	3-80
3.2.6	928D DISK TOP FOR DIABLO 44B	3-80
3.2.7	928D STAND FOR DIABLO 44B	3-81

SECTION 4  
SCHEMATIC AND CABLE ASSEMBLY DRAWINGS

4.1	SCHEMATIC DRAWINGS	4-1
4.1.1	MASTER CPU (MODELS 5520 AND 5530)	4-1
4.1.2	WORK STATION (MODEL 5526)	4-2
4.1.3	DAISY PRINTER, DIABLO HY-TYPE II	4-2
4.1.3.1	WANG ELECTRONICS SECTION	4-2
4.1.3.2	DIABLO LOGIC DIAGRAMS - PCBs FOR MODEL 1355 WP	4-2
4.1.3.3	INTERCONNECTION DIAGRAMS	4-3
4.2	CABLE ASSEMBLY DRAWINGS	4-3
4.2.1	MASTER CABLE ASSEMBLIES (FOR MODELS 5520, 5530)	4-3
4.2.2	WORK STATION CABLE ASSEMBLIES (FOR MODEL 5526)	4-4
4.2.3	PRINTER CABLE ASSEMBLIES (5581)	4-4
4.2.4	928 SYSTEM CABLE ASSEMBLIES	4-4
4.3	INDEX OF SCHEMATICS, CABLE DRAWINGS AND ACCESSORIES	4-5
4.3.1	SCHEMATICS	4-5
4.3.2	DIABLO LOGIC DIAGRAMS FOR DAISY PRINTER	4-5
4.3.3	WANG POWER INTERCONNECTION DRAWINGS	4-6
4.3.4	CABLE ASSEMBLY DRAWINGS & ACCESSORIES	4-6
4.4	928 SYSTEM MNEMONICS LISTING	5-65

SECTION 5  
ELECTRONIC CHANGE NOTICES

5.1	INTRODUCTION	5-1
5.2	"INFORMATION ONLY" AND "TO BE EXECUTED" ECNS	5-1
5.3	"INFORMATION ONLY" ECNS	5-5
5.4	"TO BE EXECUTED" ECNS	5-7

APPENDIX A A-1

1)	I.C. CONVERSION CHART FROM DIABLO TO WANG PART NUMBERS	A-2
2)	DIABLO SERIES 1300 HY-TYPE II PRINTER PARTS CONVERSION CHART TO WANG PART NUMBERS	A-3

**SECTION**

**1**

**INTRO-**

**DUCTION**

SECTION 1  
INTRODUCTION

1.1 SCOPE

Preliminary Volume II of Wang's 928 Word Processing Systems 10, 20 and 30 contains information that will be current at the time it goes into printing.

The recent delivery of System 30 units has opened the door for new information that will be included in this Volume. System 10 is still in its development stage and information is not available at this printing. Volume II contains the following information which will supplement and aid the service personnel in the field.

SECTION 2 - Exploded views of unit chassis and 928 furniture with parts listings.

SECTION 3 - A Bill Of Materials (BOM) listings for the following units:

928 ELECTRONIC ASSEMBLIES

- a) Model 5520 - Master CPU/Dual Floppy  
Wang Part #177-9201 (System 20)
- b) Model 5530 - Master CPU/10 Megabyte Disk and Single Diskette  
Wang Part #177-9202 (System 30)
- c) Model 5526 - Work Station (928 W2)  
Wang Part #177-9204 (Systems 20 and 30)
- d) Model 5581 - Daisy Printer (W/EL) (928 P1)  
Wang Part #177-9207 (Systems 20 and 30)
- e) 10 MEG Disk Drive (928D)  
Wang Part #177-9210 (System 30)

FURNITURE ASSEMBLIES

- a) 928W Stand (928S1) Assy. Part #279-8011
- b) 928 M1/M2/W2 Stand (928S2) Assy. Part #279-8012

- c) 928 P1/P2 Stand (928S3) Assy. Part #279-8013
- d) 928 Storage/Work Table (928S6) Assy. Part #279-8016
- e) 928 Console Extension (928S7) Assy. Part #279-8017
- f) 928 Disk Stand (928D) Assy. Part #279-8019

SECTION 4 - Schematic drawings of all Wang Printed Circuit Boards (PCBs) utilized in the Master, Work Station, and Diablo Daisy Printer. Included are the Diablo PCBs that perform the controls required to operate the printer. Mnemonics listings and inter-connection diagrams which include (Motherboards, Power Supplies and Cable Assemblies).

SECTION 5 - 928 Electronic Change Notices (ECNs).

APPENDIX A - Contains I.C. conversion chart for Diablo printer to Wang part numbers and additional conversions for parts listed in the Diablo Series 1300 HY-TYPE II Printer Parts Catalog.

## 1.2 VOLUME II MANUAL ORGANIZATION

The organization plan for this preliminary manual is intended to better assist the technician to quickly locate, identify, repair or replace defective parts, assemblies, cables, etc. The arrangement is such that mechanical drawings (sketches) and exploded views of the major units in company with parts listings (Section 2) will help to identify the Wang Part # in the Bill Of Materials listings in Section 3. Section 4 will include all the available electrical drawings for PCBs, cable assemblies, and interconnecting diagrams. Section 5 contains a complete listing of all critical and compatibility ECNs required to bring the 928 Systems 20 and 30 up to their required E-REV levels.

## 1.3 MECHANICAL AND ELECTRICAL DRAFTING NUMBER ASSIGNMENT (928 NOMENCLATURE)

Table #I contains a list of BASE numbers assigned for the 928 models listed. BASE numbers 6840, 6841 and 6843 have been assigned to the Master, Work Station and Daisy Printer respectively. Base #6846 has been assigned to all 928 furniture (accessories). A typical number would be:

B6840-XXX

B = Drawing size

6840 = Base # for Master CPU

-XXX = A specific assembly/part

TABLE I

Mfg. Model Name and Number	Description	Base No.
928M1 (5520)	System 20 Master	6840
928M2 (5530)	System 30 Master	6840
928W1 (5516)	System 10 W.S. and CPU (BOM Not Avail.)	6841
928W2 (5526)	System 20/30 W.S.	6841
928F	System 10 Dual Floppy (BOM Not Avail.)	6842
928P1 (5581)	Diablo Printer With Diablo Case	6843
928DPW	Diablo Printer With Wang Case	6843
928WPW	Wang Daisy Printer and Case (BOM Not Avail.)	6843
928D	System 30 10 Meg Disk	6845
928S1 (5590-3)	30 x 32 W.S. Table for System 20/30	6846
928S0	30 x 32 W.S. Table for System 10 (No Info.)	6846
928S2 (5590-2)	30 x 45 Table System 20/30	6846
928S3 (5590-4)	30 x 26 Stand for 928P1	6846
928S5 (5590-5)	30 x 26 Cover for 928 Disk (BOM Not Avail.)	6846
928S6 (5590-6)	Storage Table for System 10/20/30	6846
928S7 (5590-7)	Wedge for System 10/20/30	6846

**SECTION**

**2**

**EXPLODED VIEWS**

**OF**

**UNIT CHASSIS &**

**928 FURNITURE W/**

**PARTS LISTINGS**



## SECTION 2

### EXPLODED VIEWS OF UNIT CHASSIS AND 928 FURNITURE WITH PARTS LISTINGS

#### 2.1 INTRODUCTION

This section contains orthographic projection drawings of the 928 major basic units and the associated furniture used with these units. Some of the furniture is required and some is optional. For example, the Master CPU 5530 is housed in Table Model 5590-2 and attached to Table stand 5590-5 which houses the 10 megabyte hard disk drive.

Exploded views of the unit chassis and furniture sections are included to help the serviceman assemble and disassemble these units as well as identify parts and subassemblies. Associated with these drawings are parts lists for easy identification when assembling or replacing defective parts. The individual parts listings for each assembly have an ITEM number which corresponds to a Wang Part # for identification. See BOM listings for a double check in Section 3.

The drawings are arranged in the following order:

#### 2.2 MASTER CPU

Master CPU/Dual Floppy (928 M1) Chassis Assembly with cover removed (Model 5520) Figure 2-1.

Master CPU/Dual Floppy Chassis Assembly 928 M1/M2 (Exploded view) Figure 2-2.

Master CPU/Dual Floppy Chassis Assembly - Parts Listing.

#### 2.3 WORK STATION

Work Station (928 W2) Cover (Model 5526) Figure 2-3

Work Station Cover (928 W2) - Parts Listing

Work Station (928 W2) Base Assembly Figure 2-4

Work Station Base Assembly - Parts Listing

Work Station (928 W2) Chassis Assembly (Exploded view) Figure 2-5  
Work Station Chassis Assembly - Parts Listing

Work Station (928 W2) Keyboard Bearing Plate Assembly Figure 2-6  
Work Station Keyboard Bearing Plate Assembly - Parts Listing

#### 2.4 PRINTER DAISY

Daisy Printer (928 P1) Wang Bottom Pan Assembly Figure 2-7  
Daisy Printer Base Mechanical Assembly Figure 2-8

Daisy Printer (928 P1) Keyboard Mechanical Assembly Figure 2-9  
Daisy Printer Mechanical Assembly - Parts Listing

#### 2.5 ACCESSORIES (FURNITURE)

Furniture accessories are included in this manual for the purpose of assembling furniture that has been shipped in kit form. Identification of parts in the assembly process are included on the parts listings. The master table for System 20 and 30 Model (5590-2) is shown with two different exploded views in Figures 2-11 and 2-12. The Printer table Model (5590-4) is shown in an exploded view with table top and paper racks (Figure 2-4). The Work Station table Model (5590-3) is not included, however, it is similarly assembled with many of the same parts used for the printer. (Refer to BOMs Section 3 for the complete list of parts required to assemble each of these models.)

Table for System 20/30 Master CPU/Work Station (Model #5590-2) -  
shown with Dual Floppy Figure 2-10

Master CPU/Work Station (928 M1/M2/W2) Furniture (Exploded)  
Mechanical Assembly (Model #5590-2) Figure 2-11

Master CPU/Work Station (928 M1/M2/W2) Furniture (Exploded)  
Mechanical Assembly (Model #5590-2) - Master Chassis Slides  
Figure 2-12

**Master CPU/Work Station Table (5590-2) - Parts Listing**

**Daisy Printer (928 S3) Furniture Mechanical Assembly (Exploded)  
(Model 5590-4) Figure 2-13**

**Daisy Printer Table Model 5590-4 - Parts Listing**

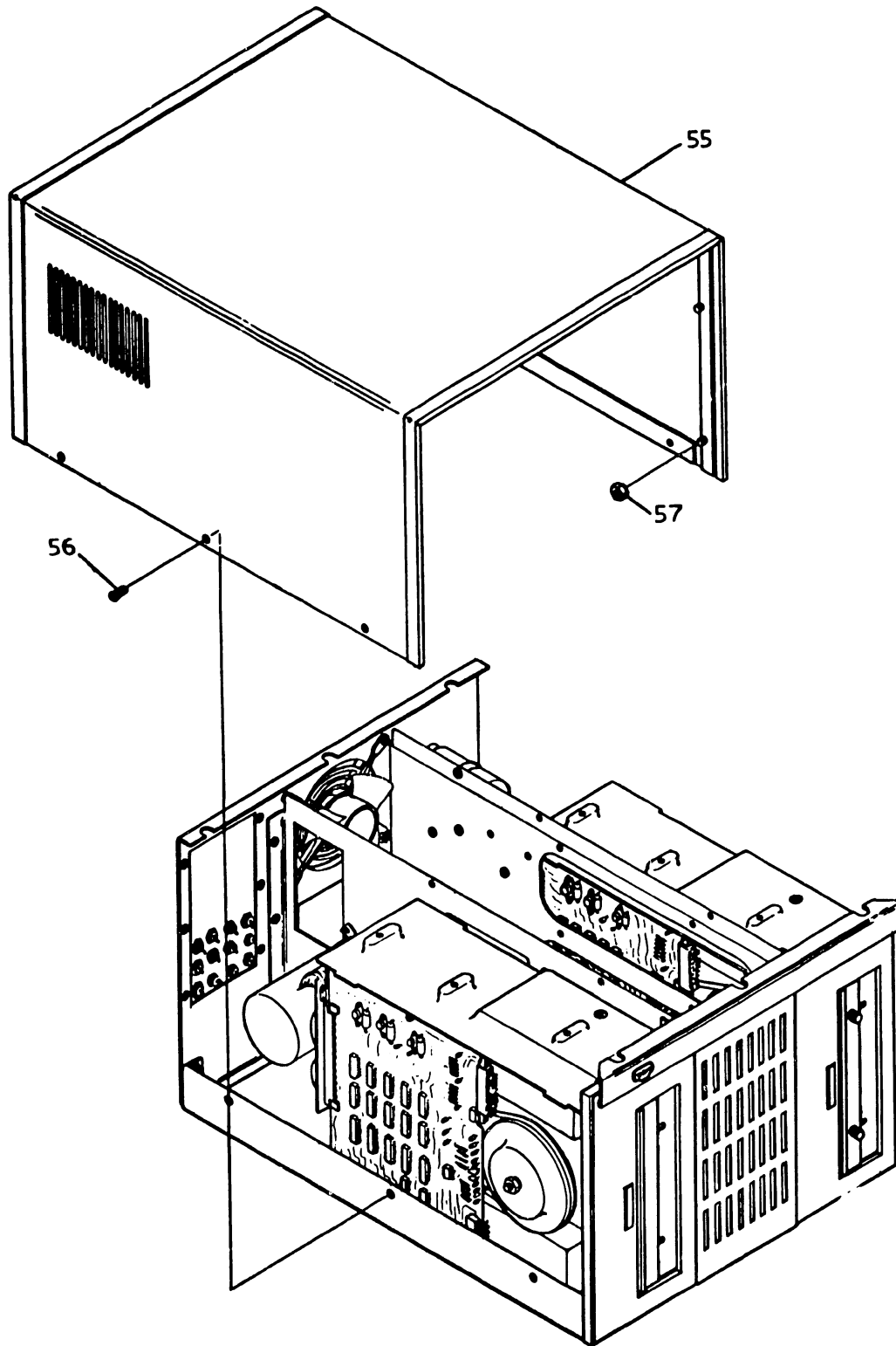


FIGURE 2-1 MASTER CPU/DUAL FLOPPY (928 M1/M2)

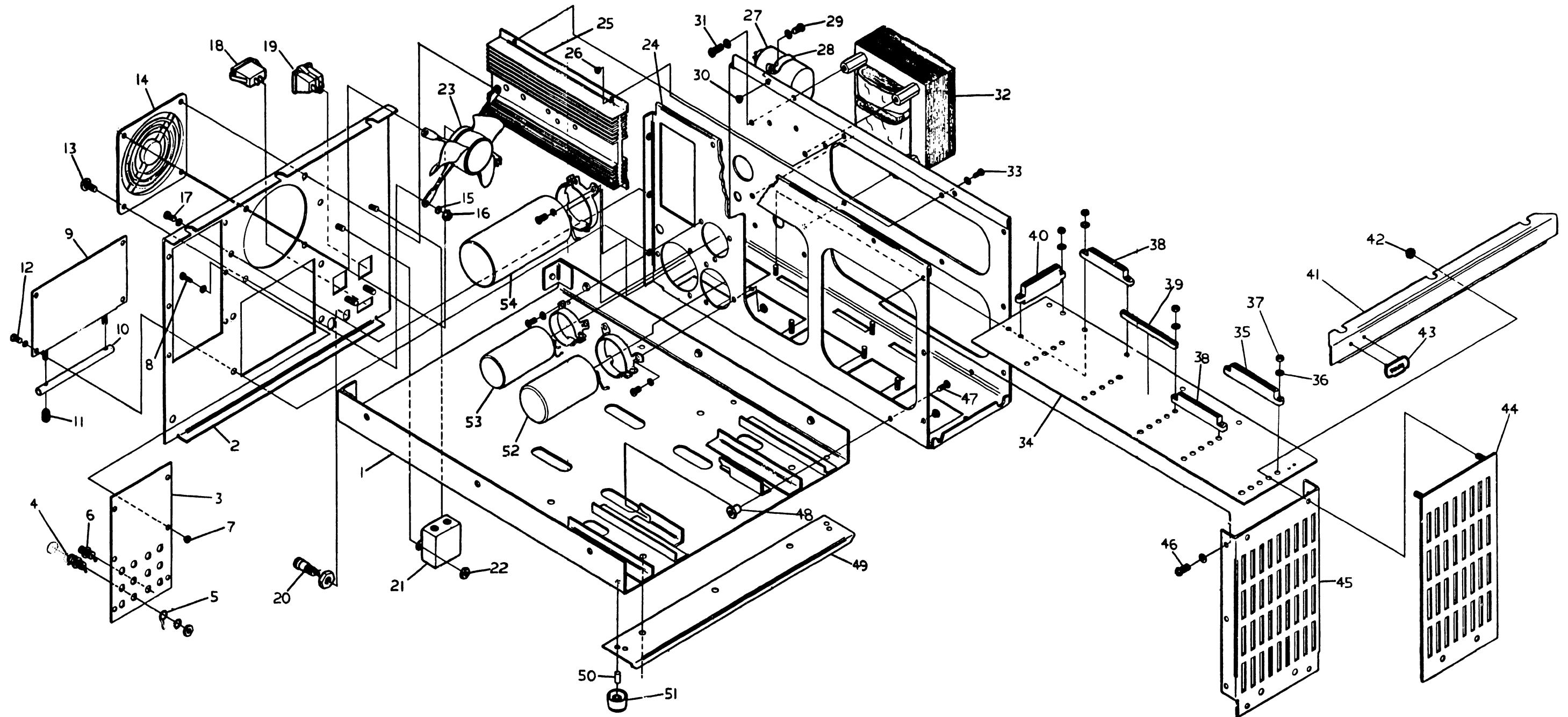


FIGURE 2-2 MASTER CPU/DUAL FLOPPY CHASSIS ASSY.  
(928 M1/M2) EXPLODED VIEW

MASTER CPU/DUAL FLOPPY CHASSIS ASSEMBLY  
(FIGURES 2-1 & 2-2)

ITEM NO.	PART NO.	DESCRIPTION	QTY. PER ASSEMBLY
- 1	451-1226 (6840-119)	BOTTOM PAN (928 M1/M2)	1
- 2	451-2146 (6840-115)	REAR COVER (928 M1/M2)	1
- 3	452-2159 (6840-104)	PLATE, CONN REAR 6 PAIR	1
- 4	350-1036	BNC SOCKET (F) CONN UG1094A	6
- 5	654-1011	3/8" GROUND LUG HH SMITH 1497	12
- 6	350-2078	TNC BULKHEAD CONN (F) (PANEL) BW311403	6
- 7	652-0010	NUT, #4-40 PEM CLS440-2	6
- 8	650-2120	SCREW, #4-40 x 3/8 PAN HD PHL MS SS SEMS	6
- 9	452-2569 (6840-100)	PLATE, CLAMP (928 M1/M2)	1
-	651-1024	STUD, PEM 6-32 x 3/4 (FHS 632-12)	2
-10	461-3273 (6840-101)	ROD, CLAMP (928 M1/M2)	1
-11	478-0061 (5900-27)	700 PROGRAM CLAMP NUTS	2
-12	650-3120	SCREW, #6-32 x 3/8 PAN HD PHL MS SS SEMS	4
-13	650-3246	SCREW, #6-32 x 3/4 PANEL SCREW WANG GRAY	4
-14	449-0101 (5300-1085)	FAN GUARD 4" (BLACK)	1
-15	653-3000	WASHER, #6 FLAT	4
-16	652-0032	NUT, #6-32 LOCK KEPS 511-061800-00	4
-17	650-3120	SCREW, #6-32 x 3/8 PAN HD PHL MS SS SEMS	2
-18	325-0021	SWITCH, ON-OFF ROCKER SPOT TB201 TW-B	1

ITEM NO.	PART NO.	DESCRIPTION	QTY. PER ASSEMBLY
-19	654-0074	A.C. RECEPTACLE F1540MS	2
-20	360-0001	FUSE HOLDER STR CONTACT	1
-	360-9000	WASHER, RUBBER (FOR 360-0000/ 360-0001)	1
-	360-9003	WASHER, LOCK LF #905023 (FOR 360-0000/360-0001)	1
-	360-9002	NUT, HEX (FOR 360-0000/360-0001)	
-21	410-2005	FILTER, LINE 5 AMP CORCOM 5K1	1
-22	652-2000	NUT, #4-40 HEX SS	2
-23	400-1011	FAN, SKELETON (105CFM) ROTRON MU2A2	1
-24	451-1103 (6840-118)	CHASSIS (928 M1/M2)	1
-25	478-0327 (6840-107)	HEATSINK (928 MASTER)	1
-26	652-0008	NUT, #6-32 PEM #CL 632-2	4
-27	300-3058	CAPACITOR, 2000 UF 20V ELECTROLYTIC	1
-28	300-9021	CAPACITOR CLAMP C TYPE 2 INCH 2 LUG W OFF 74	1
-29	650-3120	SCREW, #6-32 x 3/8 PAN HD PHL MS SS SEMS	2
-30	652-0008	NUT, #6-32 PEM #CL632-2	2
-31	650-6160	SCREW, #10-32 x 1/2 PAN HD PHL MS SS SEMS	4
-32	410-0111	TRANSFORMER, POWER MMC 5855 CVT 60 Hz (M1/M2)	1
-33	650-3120	SCREW, #6-32 x 3/8 PAN HD PHL MS SS SEMS	4
-34	210-7205 (6840-111)	MOTHERBOARD MODULE 7205 (PRELIMINARY)	1
-35	350-0021	CONNECTOR, 225-22221-110 SOL. TYPE W/OFF-74	10
-36	653-2002	WASHER, #4 INT T LK	12

ITEM NO.	PART NO.	DESCRIPTION	QTY. PER ASSEMBLY
-37	652-2004	NUT, #4-40 HEX SMALL PATTERN SS	12
-38	350-0011	CONNECTOR, 225-21521-110 PC SOLDER TYPE	8
-39	350-0039	CONNECTOR, 44 POS P.C. SOLDER TYPE (CINCH)	5
-40	350-0027S	CONNECTOR, (SHORT) P.C. 261-10022-2	2
-41	451-3076 (6840-112)	PANEL, FRONT DRESS (928 M1/M2)	1
-42	652-3006	NUT, #6-32 WING CAD PLATE	2
-43	450-0061 (5300-1049)	WANG NAME TAG	1
-44	451-3077 (6840-113)	PANEL, OUTER FRONT (928 M1)	1
-45	451-3078 (6840-114)	PANEL, INNER FRONT (928 M1/M2)	1
-46	650-3120	SCREW, #6-32 x 3/8 PAN HD PHL MS SS SEMS	6
-	652-0008	NUT, #6-32 PEM #CL632-2	6
-47	651-1020	STUD, #10-32 x 3/8 PEM FHS 10-32-6	2
-48	461-3274 (6840-102)	STUD, LOCKING	2
-49	452-2558 (6840-104)	STIFFENER, CHASSIS (ASSEMBLED TO BOTTOM PAN (451-1226))	
-50	651-0402	RIVET AVDEL 11210615 3/16 x 7/16 LG	4
-51	655-0205	BUMPER, WHITE #2096SW	4
-52	300-3069	CAPACITOR, 27000 UF 30V ELECTROLYTIC	1
-	300-9022	CLAMP, CAPACITOR 2 1/16" 3 LUG	1
-	650-3120	SCREW, #6-32 x 3/8 PAN HD PHL MS SS SEMS	3
-	652-0008	NUT, #6-32 PEM #CL632-2	3
-	650-3240	SCREW, #6-32 x 3/4 PAN HD PHL MS SS	1



ITEM NO.	PART NO.	DESCRIPTION	QTY. PER ASSEMBLY
-	652-0032	NUT, LOCK KEPS 511-061800-00	1
-53	300-3067	CAPACITOR, 11K UF 25V ELECTROLYTIC	1
-	300-9004	CLAMP, CAPACITOR 1 3/4" 3 LUG	1
-	650-3120	SCREW, #6-32 x 3/8 PAN HD PHL MS SS SEMS	3
-	652-0008	NUT, #6-32 PEM #CL632-2	3
-	650-3240	SCREW, #6-32 x 3/4 PAN HD PHL MS SS	1
-	652-0032	NUT, LOCK KEPS 511-061800-00	1
-54	300-3050	CAPACITOR, 124K UF 15V ELECTROLYTIC	1
-	300-9006	CLAMP, CAPACITOR 2 1/2" 3 LUG	1
-	650-3120	SCREW, #6-32 x 3/8 PAN HD PHL MS SS SEMS	3
-	652-0008	NUT, #6-32 PEM #CL632-2	3
-	650-3240	SCREW, #6-32 x 3/4 PAN HD PHL MS SS	1
-	652-0032	NUT, LOCK KEPS 511-061800-00	1
-55	451-2145 (6840-117)	TOP COVER (928 M1/M2)	1
-56	650-4161	SCREW, #8-32 x 1/2 FL HD PHL MS (BLACK)	6
-57	652-0032	NUT, #6-32 LOCK KEPS 511-061800-00	14

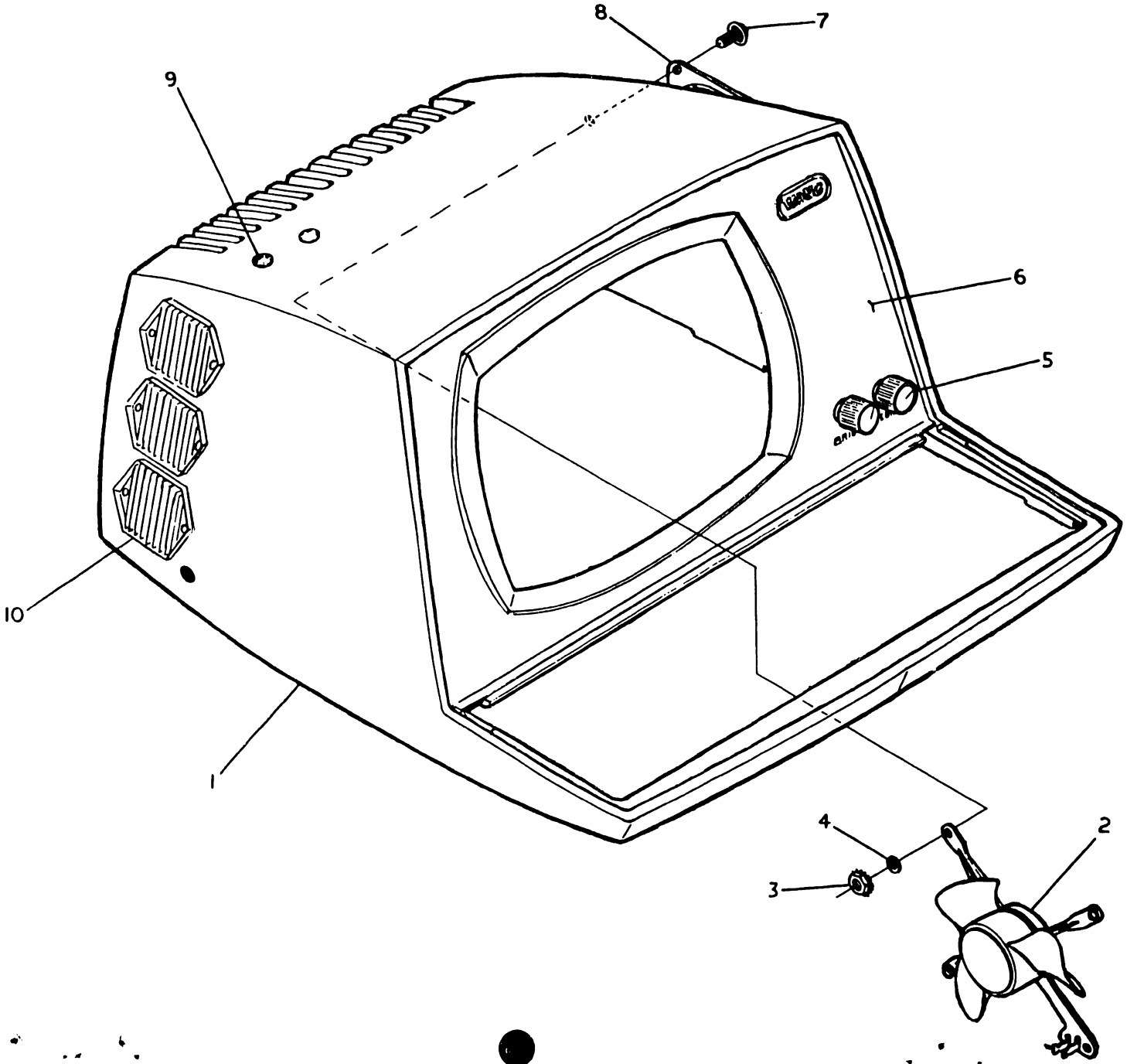


FIGURE 2-3 WORK STATION (928W2) COVER

WORK STATION (928 W2) COVER  
(FIGURE 2-3)

ITEM NO.	PART NO.	DESCRIPTION	QTY. PER ASSEMBLY
- 1	449-0143 (6829-125)	COVER, 2200 E/F (MOLDED)	1
- 2	400-1010	FAN, SKELETON (75 CFM) ROTRON WRZHZ	1
- 3	652-0032	NUT, #6-32 LOCK KEPS 511-061800-00	4
- 4	653-3000	WASHER, #6 FLAT	4
- 5	655-0157	KNOB, ALCO 612/712 KN700BA	2
- 6	449-0111 9 (6646-104)	BEZEL, 12" CRT (WHITE)	1
- 7	650-3246	SCREW, #6-32 x 3/4 PANEL (WHITE)	4
- 8	449-0101 9 (5300-1085)	FAN GUARD 4" (WHITE)	1
- 9	655-0009 9 (6841-108)	PLUG, BUTTON (WHITE)	2
-10	655-0012 (6815-17)	VENT, AIR	3

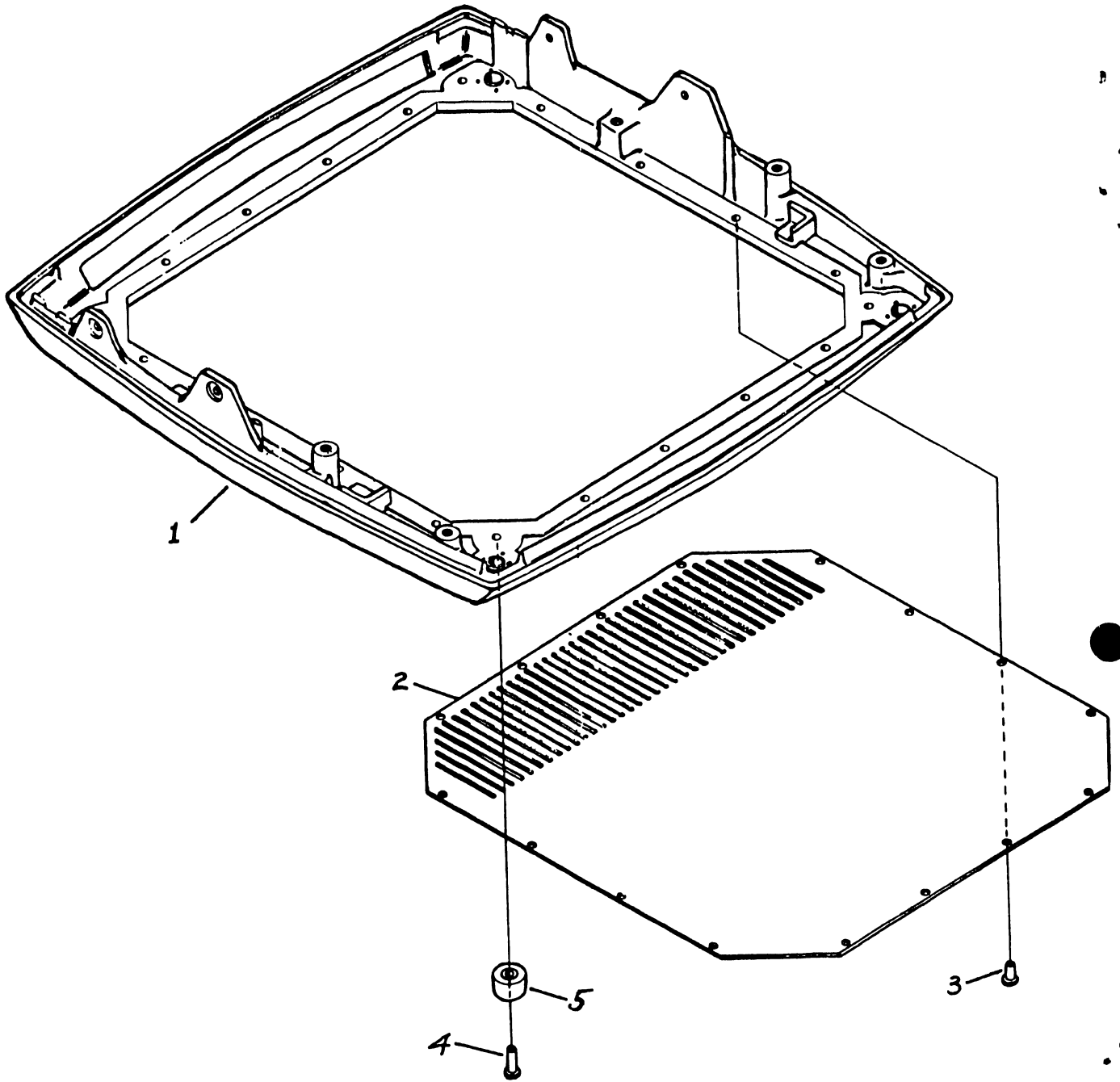


FIGURE 2-4 WORK STATION (928W2) BASE ASSY.

WORK STATION (928 W2) BASE ASSEMBLY  
(FIGURE 2-4)

ITEM NO.	PART NO.	DESCRIPTION	QTY. PER ASSEMBLY
-	279-1012 (6829-12)	BASE ASSEMBLY 2200 E/F	REF
- 1	449-0095 (5900-147)	BASE, MACHINING & FINISHING	1
- 2	451-2134 (6829-122)	BOTTOM COVER 2200 E & F	1
- 3	651-0400	RIVET, AVDEL 11250412 1/8 x 3/8 LG	16
- 4	651-0402	RIVET, AVDEL 11210615 3/16 x 7/16 LG	4
- 5	655-0205	BUMPER, WHITE #20965W	4

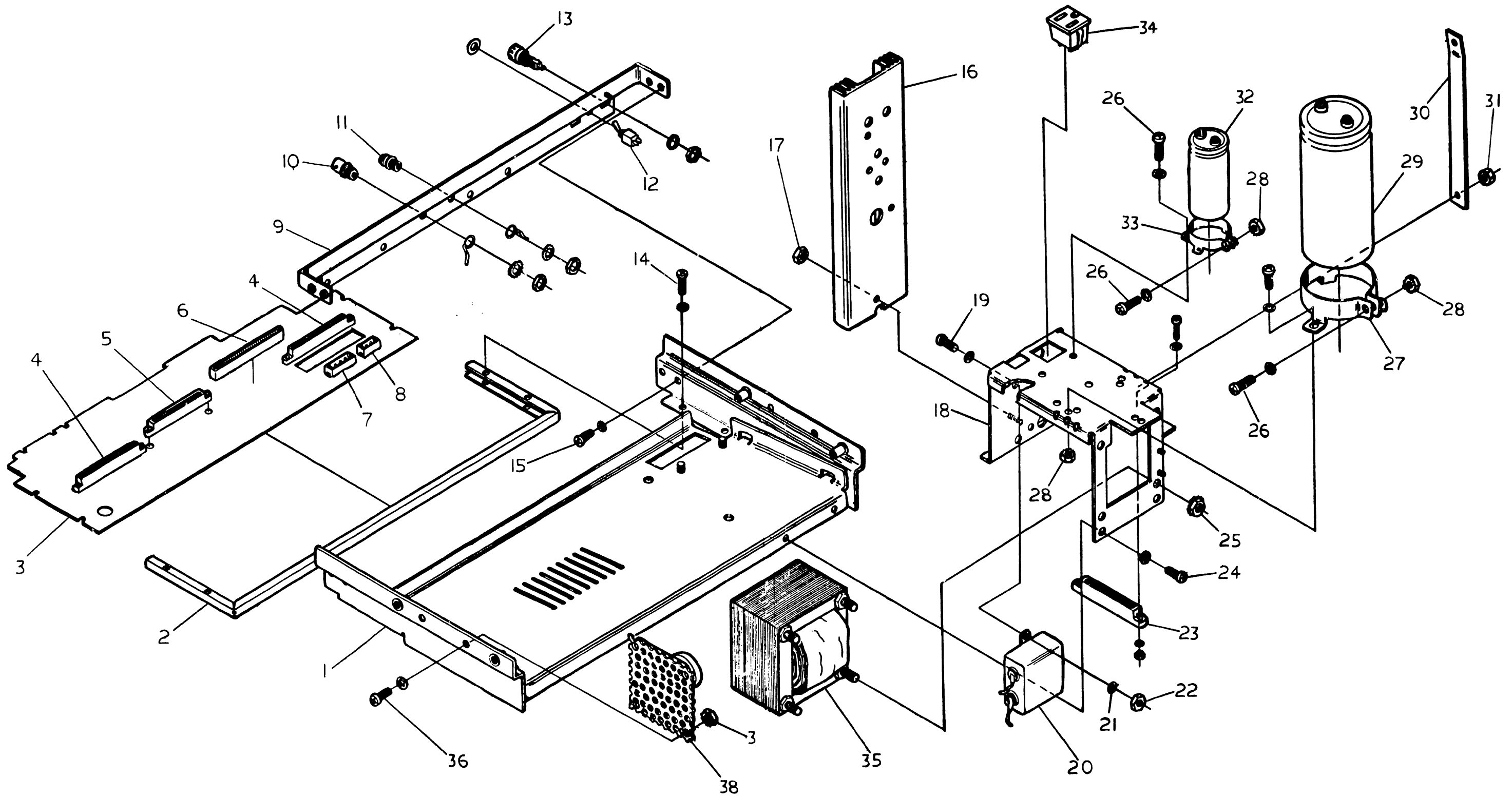


FIGURE 2-5 WORK STATION (928W2) CHASSIS ASSY.

WORK STATION (928 W2) CHASSIS ASSEMBLY  
(FIGURE 2-5)

ITEM NO.	PART NO.	DESCRIPTION	QTY. PER ASSEMBLY
-	270-0345 (6841-25)	CHASSIS ASSEMBLY	REF
- 1	451-1100 (6829-106)	CHASSIS, CRT (F)	1
- 2	452-2562 (6829-119)	STIFFENER, MOTHERBOARD	1
- 3	210-7228	MOTHERBOARD MODULE 7228	1
- 4	350-0021	CONNECTOR, P.C. SOLDER TYPE (225-22221-110)	6
- 5	350-0011	CONNECTOR, P.C. SOLDER TYPE (225-21521-110)	4
- 6	350-0039	CONNECTOR, 44 POS. P.C. SOLDER TYPE (CINCH)	4
- 7	654-1194	HEADER ASSEMBLY AMP, 4 POS P.C. (350211-1)	1
- 8	654-1193	HEADER ASSEMBLY AMP, 3 POS P.C. (350210-1)	1
- 9	451-3627 (6841-103)	PANEL, REAR (928W)	1
-10	350-2078	TNC BULKHEAD CONNECTOR (F) (PANEL) BW311403	1
-	654-1011	3/8" GROUND LUG HH SMITH 1497	1
-11	350-1036	BNC SOCKET CONNECTOR (F) UG1094A	1
-	654-1011	3/8" GROUND LUG HH SMITH 1497	1
-12	325-0033	SWITCH, TOGGLE (SPDT) C & K U11P3YZQ	1
-13	360-0000	FUSE HOLDER, 90 DEGREE CONTACT	1
-	360-9000	WASHER, RUBBER (FOR 360-0000/360-0001)	1
-	360-9003	WASHER, LOCK LF #905023 (FOR 360-0000/ 360-0001)	

ITEM NO.	PART NO.	DESCRIPTION	QTY. PER ASSEMBLY
-	360-9002	NUT, HEX (FOR 360-0000/360-0001)	1
-14	650-2200	SCREW, #4-40 x 5/8 PAN HD PHL MS SS SEMS	4
-15	650-3120	SCREW, #6-32 x 3/8 PAN HD PHL MS SS SEMS	4
-16	478-0315 (6829-144)	HEATSINK, POWER SUPPLY	1
-17	652-0032	NUT, #6-32 KEPS' LOCK 511-061800-00	2
-18	451-1101 (6829-137)	CHASSIS, POWER SUPPLY	1
-19	650-3120	SCREW, #6-32 x 3/8 PAN HD PHL MS SS SEMS	2
-20	410-2005	FILTER, LINE 5 AMP CORCOM 5K1	1
-21	653-3001	WASHER, #6 INT T LK	2
-22	652-0032	NUT, #6-32 KEPS LOCK (511-061800-00)	2
-23	350-0008	CONNECTOR, 30 PIN P.C. SOLDER TYPE (C J/AMP)	1
-24	650-4120	SCREW, #8-32 x 3/8 PAN HD PHL MS SS SEMS	2
-25	652-0029	NUT, #8-32 KEPS LOCK (511-081800-50)	4
-26	650-3160	SCREW, #6-32 x 1/2 PAN HD PHL MS SS SEMS	10
-27	300-9006	CLAMP, CAPACITOR 2 1/2" 3 LUG	1
-28	652-0032	NUT, #6-32 KEPS LOCK (511-061800-00)	10
-29	300-3050	CAPACITOR, 124K UF 15V ELECTROLYTIC	1
-30	451-4436 (6829-246)	BRACKET, P.C. BOARD RETAINER (F)	1
-31	652-0032	NUT, #6-32 KEPS LOCK (511-061800-00)	1
-32	300-3068	CAPACITOR, 8.2K UF 25V ELECTROLYTIC	2
-33	300-9009	CLAMP, CAPACITOR 1 1/4" 2 LUG CMC-22	2



ITEM NO.	PART NO.	DESCRIPTION	QTY. PER ASSEMBLY
-34	654-0074	A.C. RECEPTACLE F 154OMS	1
-35	410-0106 (5068-103)	TRANSFORMER, MMC 5734-2 (E & F) D5068103	1
-36	650-3120	SCREW, #6-32 x 3/8 PAN HD PHL MS SS SEMS	2
-	653-3000	WASHER, #6 FLAT	2
-37	652-0032	NUT, #6-32 KEPS LOCK 511-061800-00	2
-38	320-0300	SPEAKER, 3" RECTANGULAR FILMOR TS-27	1
-	452-0035 (6634-121)	PLATE, SPEAKER GRILLE (-70)	1

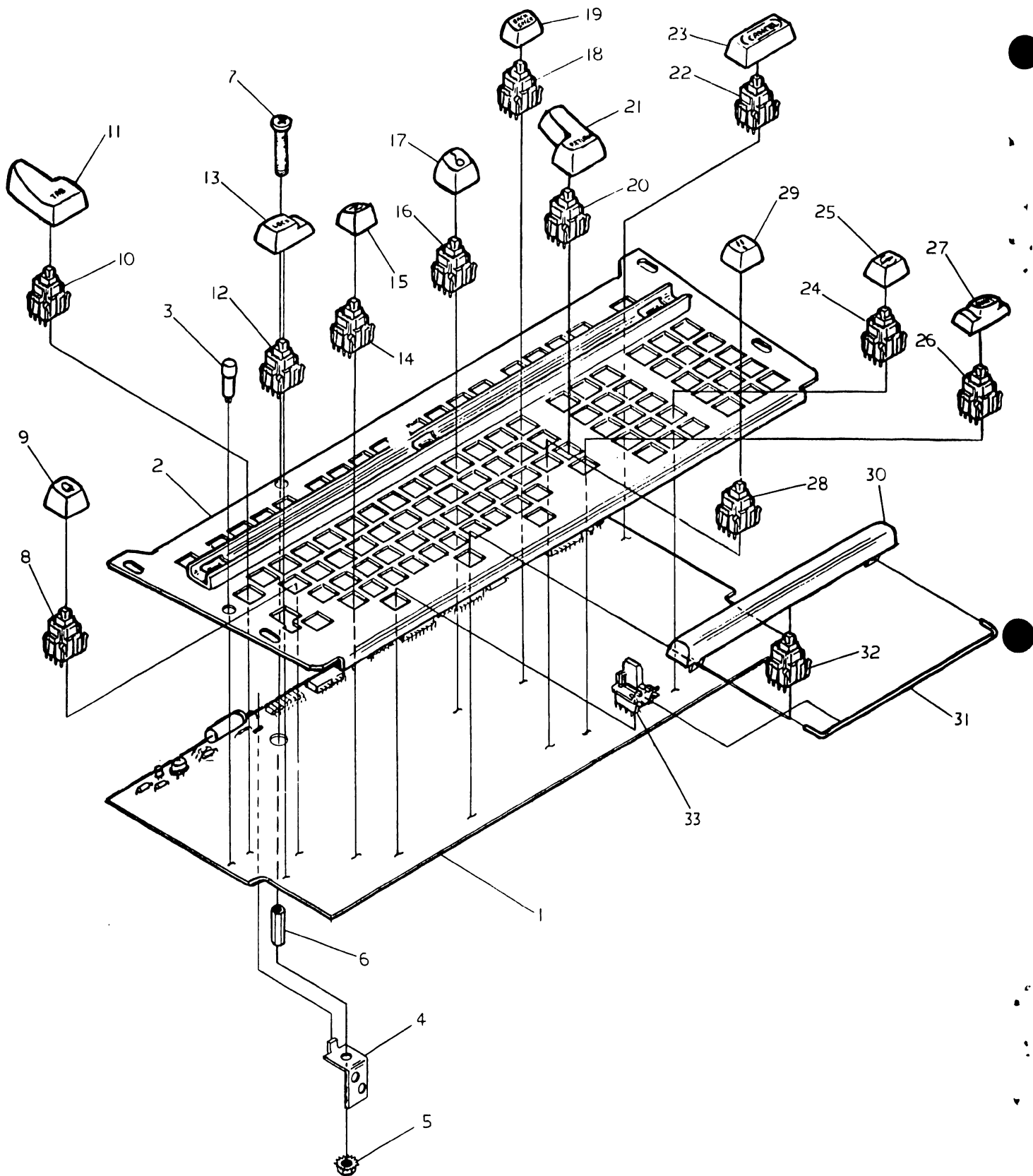


FIGURE 2-6 WORK STATION (928W2) KEYBOARD BEARING PLATE ASSY.

WORK STATION (928 W2) KEYBOARD BEARING PLATE ASSEMBLY  
(FIGURE 2-6)

ITEM NO.	PART NO.	DESCRIPTION	QTY. PER ASSEMBLY
-	271-1122 (6841-10)	KEYBOARD/BEARING PLATE ASSEMBLY	REF
- 1	510-7229	PRINTED CIRCUIT BOARD (7229)	1
-	210-7229 (7229)	BASIC KEYBOARD	REF
- 2	452-1052 (6841-104)	BEARING PLATE (WELDMENT)	1
- 3	370-0004	LAMP, WHITE 1762	1
- 4	451-4456 (6841-100)	BRACKET, CLICKER MTG	1
- 5	652-0032	NUT, #6-32 KEPS LOCK 511-081800-50	1
- 6	462-0274	SPACER, HEX 6-32 x 1/4 x 9/16 LG SMITH #8833	1
- 7	650-3243	SCREW, #6-32 x 3/4 PAN HD PHL MS SS	1
- 8	325-2450	SWITCH, HALL EFFECT 1001SD4A2B	1
- 9	550-0213	KEYBUTTON (Q) 2SW105	1
-10	325-2450	SWITCH, HALL EFFECT 1001SD4A2B	1
-11	550-0246	KEYBUTTON (TAB) 2SW259 SL-01	1
-12	325-2455	SWITCH, HALL EFFECT 1001SD4B3A	1
-13	550-0249	KEYBUTTON (LOCK) 2SW273 S1-1	1
-14	325-2450	SWITCH, HALL EFFECT 1001SD4A2B	1
-15	550-0232	KEYBUTTON (Z) 2SW109 P-02	1
-16	325-2450	SWITCH, HALL EFFECT 1001SD4A2B	1
-17	550-0210	KEYBUTTON ( )0) 2SW101-M-25	1
-18	325-2450	SWITCH, HALL EFFECT 1001SD4A2B	1
-19	550-0251	KEYBUTTON (BACK SPACE) 2SW255 K-01	1
-20	325-2450	SWITCH, HALL EFFECT 1001SD4A2B	1

ITEM NO.	PART NO.	DESCRIPTION	QTY. PER ASSEMBLY
-21	550-0250	KEYBUTTON (RETURN) 2SW311 LX-1	1
-22	325-	SWITCH, HALL EFFECT 1001SD4A2B	1
-23	550-0267	KEYBUTTON (CANCEL)	1
-24	325-2452	SWITCH, HALL EFFECT 1001SD4A2K	1
-25	550-0273	KEYBUTTON ARROW	1
-26	325-2455	SWITCH, HALL EFFECT 1001SD4B3A	1
-27	550-0248	KEYBUTTON (SHIFT) 3SD279 SF-1	1
-28	325-2450	SWITCH, HALL EFFECT 1001SD4A2B	1
-29	550-0245	KEYBUTTON (") 2SW1 1848	1
-30	550-0252	KEYBUTTON SPACE BAR	1
-31	458-0185	ROD, SPACE BAR TORSION SD10009	1
-32	325-2450	SWITCH, HALL EFFECT 1001SD4A2B	1
-33	325-9051	MODULE, SPACE BAR SD10378	2

OTHER KEYBUTTONS AND SWITCHES RESPECTIVELY

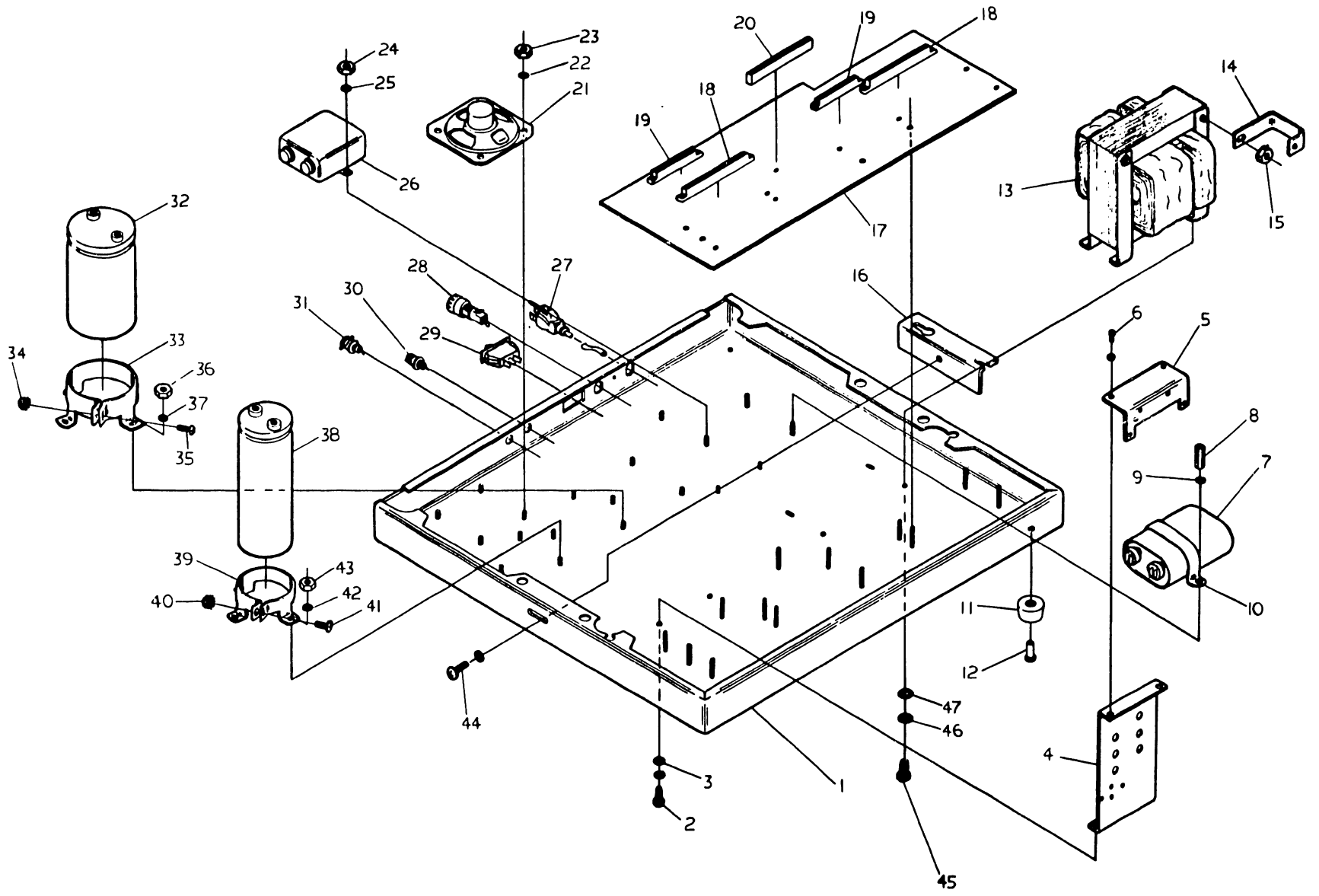
550-0200	KEYBUTTON BLANK	2
325-2450	SWITCH, HALL EFFECT 1001SD4A2B	1
550-0201	KEYBUTTON (!1) 2SW101-M01	
325-2450	SWITCH, HALL EFFECT 1001SD4A2B	1
550-0202	KEYBUTTON (@2) 2SW101-M-19	1
325-2450	SWITCH, HALL EFFECT 1001SD4A2B	1
550-0203	KEYBUTTON (#3) 2SW101-M-03	1
325-2450	SWITCH, HALL EFFECT 1001SD4A2B	1
550-0204	KEYBUTTON (\$4) 2SW101-M-04	1
325-2450	SWITCH, HALL EFFECT 1001SD4A2B	1
550-0205	KEYBUTTON (%5) 2SW101-M-05	1
325-2450	SWITCH, HALL EFFECT 1001SD4A2B	1
550-0206	KEYBUTTON (ç6) 2SW101-M-21	1
325-2450	SWITCH, HALL EFFECT 1001SD4A2B	1
550-0207	KEYBUTTON (&7) 2SW101-M-22	1
325-2450	SWITCH, HALL EFFECT 1001SD4A2B	1

ITEM NO.	PART NO.	DESCRIPTION	QTY. PER ASSEMBLY
	550-0208	KEYBUTTON (*8) 2SW101-M-23	1
	325-2450	SWITCH, HALL EFFECT 1001SD4A2B	1
	550-0209	KEYBUTTON ((9) 2SW101-M-24	1
	325-2450	SWITCH, HALL EFFECT 1001SD4A2B	1
	550-0211	KEYBUTTON (_-) 2SW101-M-26	1
	325-2450	SWITCH, HALL EFFECT 1001SD4A2B	1
	550-0212	KEYBUTTON (+-) 2SW101-M-27	1
	325-2450	SWITCH, HALL EFFECT 1001SD4A2B	1
	550-0214	KEYBUTTON (W) 2SW105 0-03	1
	325-2450	SWITCH, HALL EFFECT 1001SD4A2B	1
	550-0215	KEYBUTTON (E) 2SW105 0-04	1
	325-2450	SWITCH, HALL EFFECT 1001SD4A2B	1
	550-0216	KEYBUTTON (R) 2SW105 0-05	1
	325-2450	SWITCH, HALL EFFECT 1001SD4A2B	1
	550-0217	KEYBUTTON (T) 2SW105 0-06	1
	325-2450	SWITCH, HALL EFFECT 1001SD4A2B	1
	550-0218	KEYBUTTON (Y) 2SW105 0-07	1
	325-2450	SWITCH, HALL EFFECT 1001SD4A2B	1
	550-0219	KEYBUTTON (U) 2SW105 0-08	1
	325-2450	SWITCH, HALL EFFECT 1001SD4A2B	1
	550-0220	KEYBUTTON (I) 2SW105 0-09	1
	325-2450	SWITCH, HALL EFFECT 1001SD4A2B	1
	550-0221	KEYBUTTON (O) 2SW105 0-10	1
	325-2450	SWITCH, HALL EFFECT 1001SD4A2B	1
	550-0222	KEYBUTTON (P) 2SW105 0-11	1
	325-2450	SWITCH, HALL EFFECT 1001SD4A2B	1
	550-0223	KEYBUTTON (A) 2SW1 01	1
	325-2450	SWITCH, HALL EFFECT 1001SD4A2B	1
	550-0224	KEYBUTTON (S) 2SW1 54	1
	325-2450	SWITCH, HALL EFFECT 1001SD4A2B	1
	550-0225	KEYBUTTON (D) 2SW1 09	1
	325-2450	SWITCH, HALL EFFECT 1001SD4A2B	1
	550-0226	KEYBUTTON (F) 2SW1 16	1
	325-2450	SWITCH, HALL EFFECT 1001SD4A2B	1
	550-0227	KEYBUTTON (G) 2SW1 19	1
	325-2450	SWITCH, HALL EFFECT 1001SD4A2B	1

ITEM NO.	PART NO.	DESCRIPTION	QTY. PER ASSEMBLY
	550-0228	KEYBUTTON (H) 2SW1 22	1
	325-2450	SWITCH, HALL EFFECT 1001SD4A2B	1
	550-0229	KEYBUTTON (J) 2SW1 27	1
	325-2450	SWITCH, HALL EFFECT 1001SD4A2B	1
	550-0230	KEYBUTTON (K) 2SW1 31	1
	325-2450	SWITCH, HALL EFFECT 1001SD4A2B	1
	550-0231	KEYBUTTON (L) 2SW1 32	1
	325-2450	SWITCH, HALL EFFECT 1001SD4A2B	1
	550-0233	KEYBUTTON (X) 2SW109 P-03	1
	325-2450	SWITCH, HALL EFFECT 1001SD4A2B	1
	550-0234	KEYBUTTON (C) 2SW109 P-04	1
	325-2450	SWITCH, HALL EFFECT 1001SD4A2B	1
	550-0235	KEYBUTTON (V) 2SW109 P-05	1
	325-2450	SWITCH, HALL EFFECT 1001SD4A2B	1
	550-0236	KEYBUTTON (B) 2SW109 P-06	1
	325-2450	SWITCH, HALL EFFECT 1001 SD4A2B	1
	550-0237	KEYBUTTON (N) 2SW109 P-07	1
	325-2450	SWITCH, HALL EFFECT 1001SD4A2B	1
	550-0238	KEYBUTTON (M) 2SW109 P-08	1
	325-2450	SWITCH, HALL EFFECT 1001SD4A2B	1
	550-0239	KEYBUTTON (,,) 2SW109 P-43	1
	325-2450	SWITCH, HALL EFFECT 1001SD4A2B	1
	550-0240	KEYBUTTON (..) 2SW109 P-44	1
	325-2451	SWITCH, HALL EFFECT 1001SD4B2K	1
	550-0241	KEYBUTTON (?/) 2SW109 P-11	1
	325-2450	SWITCH, HALL EFFECT 1001SD4A2B	1
	550-0242	KEYBUTTON ( ) BRKTS 2SW105 0-70	1
	325-2450	SWITCH, HALL EFFECT 1001SD4A2B	1
	550-0243	KEYBUTTON (GL) 2SW105	1
	325-2450	SWITCH, HALL EFFECT 1001SD4A2B	1
	550-0244	KEYBUTTON (:;) 2SW1 490	1
	325-2450	SWITCH, HALL EFFECT 1001SD4A2B	1
	550-0253	KEYBUTTON (INDENT)	1
	325-2450	SWITCH, HALL EFFECT 1001SD4A2B	1
	550-0254	KEYBUTTON (PAGE)	1
	325-2450	SWITCH, HALL EFFECT 1001SD4A2B	1

ITEM NO.	PART NO.	DESCRIPTION	QTY. PER ASSEMBLY
	550-0255	KEYBUTTON (CENTER)	1
	325-2450	SWITCH, HALL EFFECT 1001SD4A2B	1
	550-0256	KEYBUTTON (DEC TAB)	1
	325-2450	SWITCH, HALL EFFECT 1001SD4A2B	1
	550-0257	KEYBUTTON (FORMAT)	1
	325-2450	SWITCH, HALL EFFECT 1001SD4A2B	1
	550-0258	KEYBUTTON (MERGE)	1
	325-2450	SWITCH, HALL EFFECT 1001SD4A2B	1
	550-0259	KEYBUTTON (NOTE)	1
	325-2450	SWITCH, HALL EFFECT 1001SD4A2B	1
	550-0260	KEYBUTTON (STOP)	1
	325-2450	SWITCH, HALL EFFECT 1001SD4A2B	1
	550-0261	KEYBUTTON (SEARCH)	1
	325-2450	SWITCH, HALL EFFECT 1001SD4A2B	1
	550-0262	KEYBUTTON (REPLACE)	1
	325-2450	SWITCH, HALL EFFECT 1001SD4A2B	1
	550-0263	KEYBUTTON (COPY)	1
	325-2450	SWITCH, HALL EFFECT 1001SD4A2B	1
	550-0264	KEYBUTTON (MOVE)	1
	325-2450	SWITCH, HALL EFFECT 1001SD4A2B	1
	550-0265	KEYBUTTON (COMMAND)	1
	325-2450	SWITCH, HALL EFFECT 1001SD4A2B	1
	550-0266	KEYBUTTON (GO TO PAGE)	1
	325-2450	SWITCH, HALL EFFECT 1001SD4A2B	1
	550-0268	KEYBUTTON (EXECUTE) 2SW33	1
	325-2450	SWITCH, HALL EFFECT 1001SD4A2B	1
	550-0269	KEYBUTTON (INSERT) 2SW1	1
	325-2450	SWITCH, HALL EFFECT 1001SD4A2B	1
	550-0270	KEYBUTTON (PREV SCRN) 2SW1	1
	325-2450	SWITCH, HALL EFFECT 1001SD4A2B	1
	550-0271	KEYBUTTON (DELETE) 2SW1	1
	325-2450	SWITCH, HALL EFFECT 1001SD4A2B	1
	550-0272	KEYBUTTON (NEXT SCRN) 2SW1	1
	325-2450	SWITCH, HALL EFFECT 1001SD4A2B	1

FIGURE 2-7 DAISY PRINTER (928P1) WANG BOTTOM PAN ASSY.





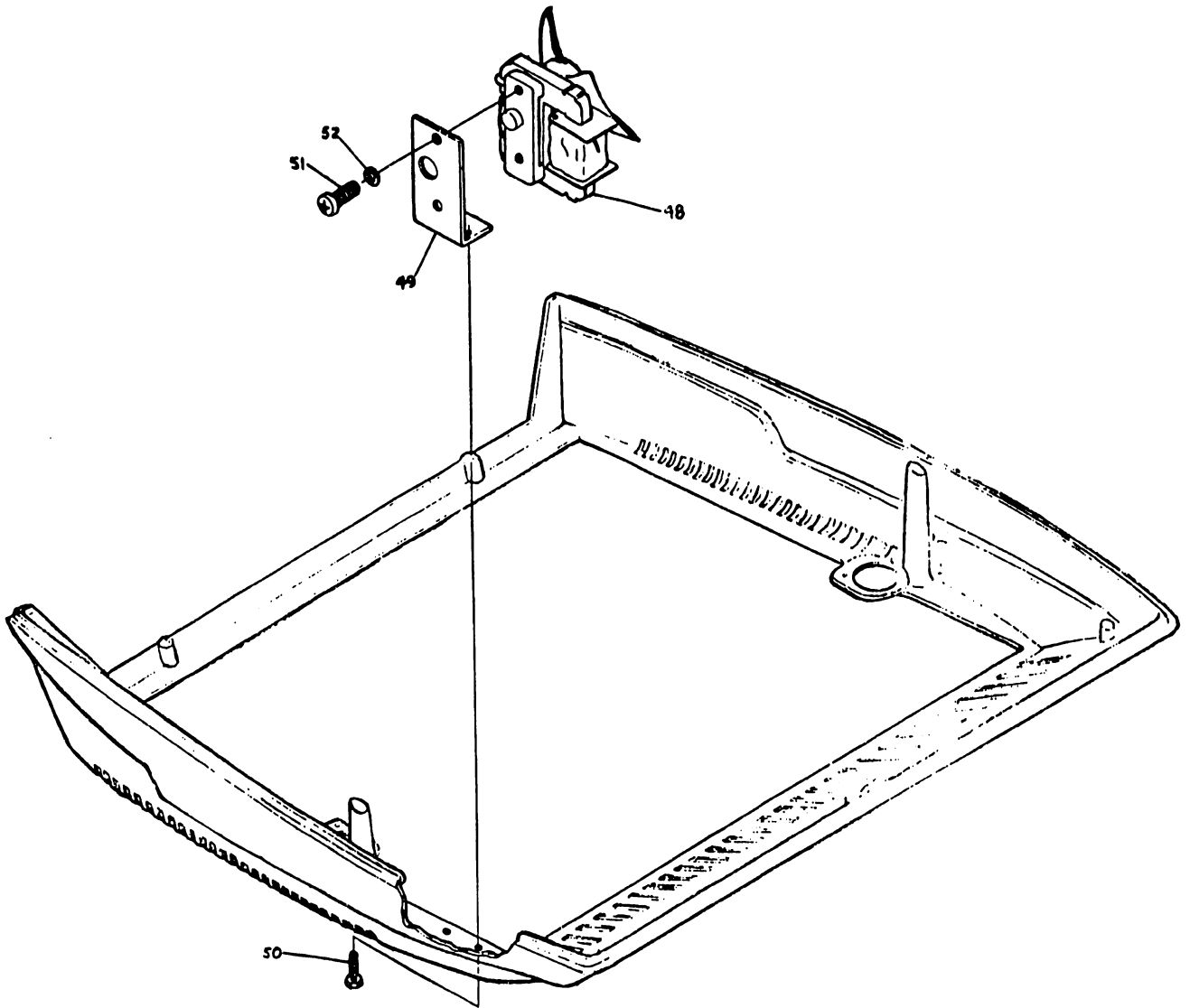


FIGURE 2-8 DAISY PRINTER (928P1 ) BASE ASSY.

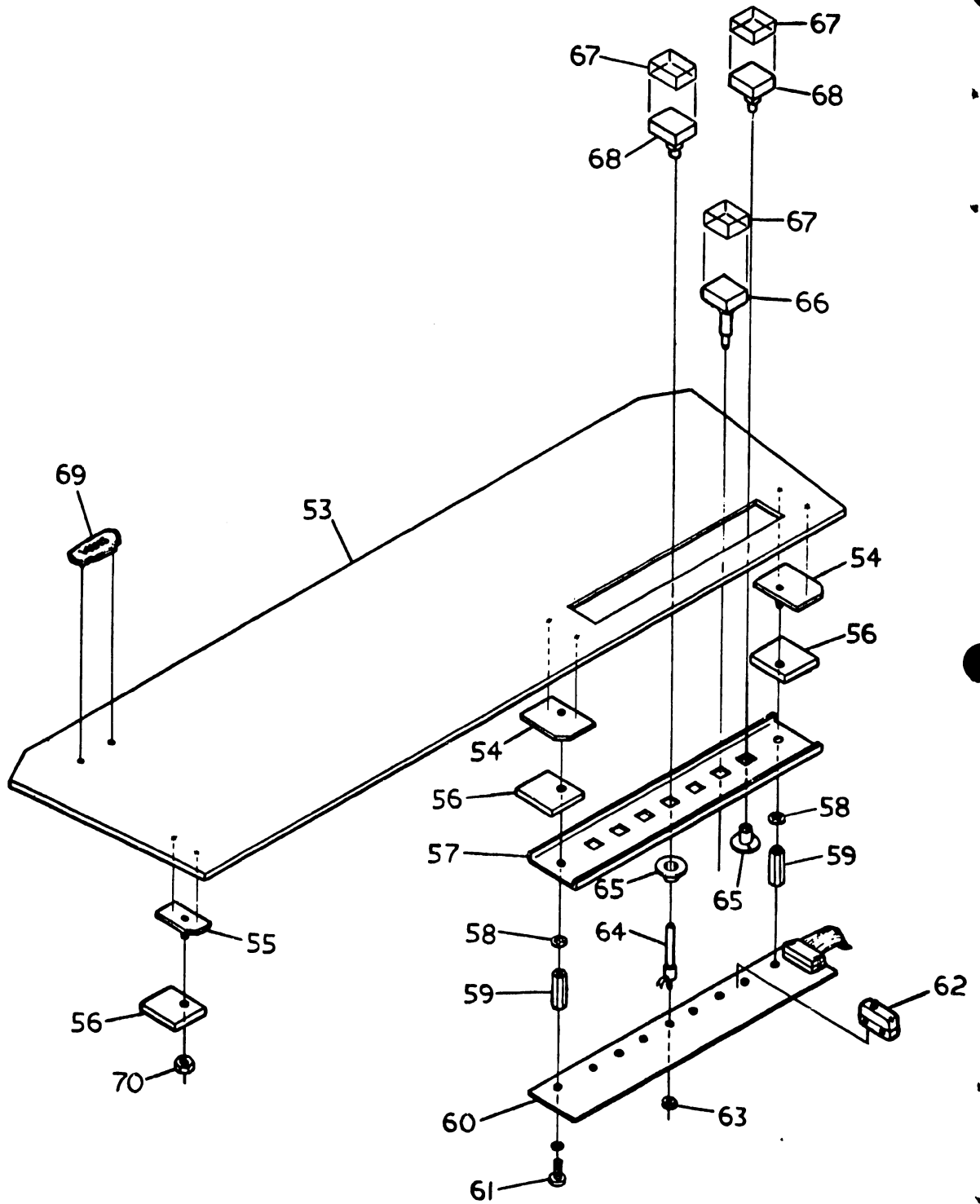


FIGURE 2-9 DAISY PRINTER (928P1) DEYBOARD ASSY.

DAISY PRINTER (928 P1) MECHANICAL ASSEMBLY  
(INCLUDES FIGURES 2-7, 2-8 & 2-9)

ITEM NO.	PART NO.	DESCRIPTION	QTY. PER ASSEMBLY
- 1	451-1227 (6843-116)	BOTTOM PAN, ELECTRONIC TYPE	1
- 2	650-2160	SCREW, #4-40 x 1/2 PAN HD PHL MS SS SEMS	2
- 3	653-2000	WASHER, #4 FLAT	2
- 4	478-0328 (6843-110)	HEATSINK	1
- 5	451-4460 (6843-109)	BRACKET, TRANSISTOR	1
- 6	650-2060	SCREW, #4-40 x 3/16 PAN HD PHL MS SS SEMS	2
- 7	300-3078	CAPACITOR, 8.2K UF 25V (AXIAL) ELECTROLYTIC	1
- 8	462-0277	SPACER, 1/4 HEX 6-32 x 11/16 SM #8839	2
- 9	653-3001	WASHER, #6 INT T LK	2
-10	300-9021	CLAMP, CAPACITOR C TYPE 2" 2 LUG WOFF 74	1
-11	655-0205	BUMPER, WHITE #2096 SW	4
-12	651-0405	RIVET, POP 3/16 x 3/8	4
-13	410-0108 (5068-105)	TRANSFORMER, MMC 5838-1 XFMR (928 PRTR)	1
-14	451-4455 (6843-118)	BRACKET, P.C. BOARD RIGHT	1
-15	652-0032	NUT, #6-32 LOCK KEPS 511-061800-00	4
-16	451-4458 (6843-105)	BRACKET, LATCH R.H.	1
-	451-4457 (6843-105)	BRACKET, LATCH L.H.	1
-17	210-7243 (7243)	MOTHERBOARD, PRINTER	1

ITEM NO.	PART NO.	DESCRIPTION	QTY. PER ASSEMBLY
-18	350-0021	CONNECTOR, SOLDER TYPE 225-22221-110	6
-19	350-0011	CONNECTOR, SOLDER TYPE P.C. 225-21521-110	4
-20	350-0039	CONNECTOR, 44 POS P.C. SOLDER TYPE (CINCH)	3
-21	320-0300	SPEAKER 3" RECTANGULAR FILMOR TS-27	1
-22	653-3001	WASHER, #6 INT T LK	4
-23	652-3004	NUT, #6-32 PATTERN SM NAS 671-C6	4
-24	652-3004	NUT, #6-32 PATTERN SM NAS 671-C6	2
-25	653-3001	WASHER, #6 INT T LK	2
-26	410-2005	FILTER, LINE 5 AMP CORCOM 5K1	1
-27	420-1000	CORD, POWER 3 COND	1
-28	360-0001	FUSE HOLDER STR CONTACT	1
-	360-9000	WASHER, RUBBER (FOR 360-0000/ 360-0001)	1
-	360-9002	NUT, HEX (FOR 360-0000/360-0001)	1
-	360-9003	WASHER, LOCK LF #905023 (FOR 360-0000/360-0001)	1
-29	325-0021	SWITCH, ON-OFF ROCKER SPPT TB201 TW-13	1
-30	350-2078	CONNECTOR, (F) TNC BULK HEAD (PANEL) BW311403	1
-31	350-1036	CONNECTOR, (F) BNC SOCKET UG1094A	1
-32	300-3070	CAPACITOR, 53000 UF 25V ELECTROLYTIC	2
-33	300-9006	CLAMP, CAPACITOR 2 1/2 INCH 3 LUG	2
-34	652-0032	NUT, #6-32 LOCK KEPS 511-061800-00	2

ITEM NO.	PART NO.	DESCRIPTION	QTY. PER ASSEMBLY
-35	650-3200	SCREW, #6-32 x 5/8 PAN HD PHL MS SS	2
-36	652-3004	NUT, #6-32 PATTERN SM NAS 671-C6	6
-37	653-3001	WASHER, #6 INT T LK	6
-38	300-3049	CAPACITOR, 77000 UF 15V ELECTROLYTIC	1
-39	300-9022	CLAMP, CAPACITOR 2 1/16 INCH 3 LUG	1
-40	652-0032	NUT, #6-32 LOCK KEP 511-061800-00	1
-41	650-3200	SCREW, #6-32 x 5/8 PAN HD PHL MS SS	1
-42	653-3001	WASHER, #6 INT T LK	3
-43	652-3004	NUT, #6-32 PATTERN SM NAS 671-C6	3
-44	650-6162	SCREW, #10-32 x 1/2 TRUSS HD PHL MS SS	2
-45	650-6120	SCREW, #10-32 x 3/8 PAN HD PHL MS SS	
-46	653-6001	WASHER, #10 INT T LK	4
-47	653-6000	WASHER, #10 FLAT	4
-48	279-0247 (6843-11)	FAN, PRINTER ASSEMBLY	1
-49	451-4461 (6843-112)	BRACKET, FAN	1
-50	650-4132	SCREW, #8-32 x 3/8 HEX HD MS SS	2
-51	650-6120	SCREW, #10-32 x 3/8 PAN HD PHL MS SS	2
-52	653-6001	WASHER, #10 INT T LK	2
-53	452-2338 (6843-100)	PLATE, FINISHING WELDMENT	REF
-54	452-2338(REF) (6843-103)	PLATE, KEYBOARD STUD R.H.	1
-	452-2338(REF) (6843-103)	PLATE, KEYBOARD STUD L.H.	1

ITEM NO.	PART NO.	DESCRIPTION	QTY. PER ASSEMBLY
-55	452-2338(REF) (6843-102)	PLATE, CLAMPING STUD	3
-56	452-2570 (6843-104)	CLAMP, FINISHING PLATE	5
-57	452-1053 (6843-115)	PLATE, BEARING KEYBOARD	1
-58	653-3003	WASHER, #6 SPLIT LOCK MED	2
-59	462-0277	SPACER, 1/4 HEX 6-32 x 11/16 SM #8839	2
-60	210-7245	MODULE, KEYBOARD 7245	1
-61	650-3160	SCREW, #6-32 x 1/2 PAN HD PHL MS SS SEMS	2
-62	325-2305	SWITCH, MICRO FOR CP-1 11SM1	2
-63	652-3002	NUT, #6-32 NYLON	6
-64	370-1020 (5776-895)	LAMP HOLDER, 1200	6
-	370-0015	LAMP, CLEAR CMB-820 (NBR 9)	6
-65	550-0013	KEY RETAINER	7
-66	550-0005	SM WHT KEY STEM	1
-67	550-0006-5	SM GRN KEY CAP	7
-68	550-0068 (6815-14)	KEY STEM, SMALL LIGHTED	6
-69	450-0061 (5300-1049)	WANG TAG (BLANK)	1
-70	652-4000	NUT, #8-32 HEX SS	3

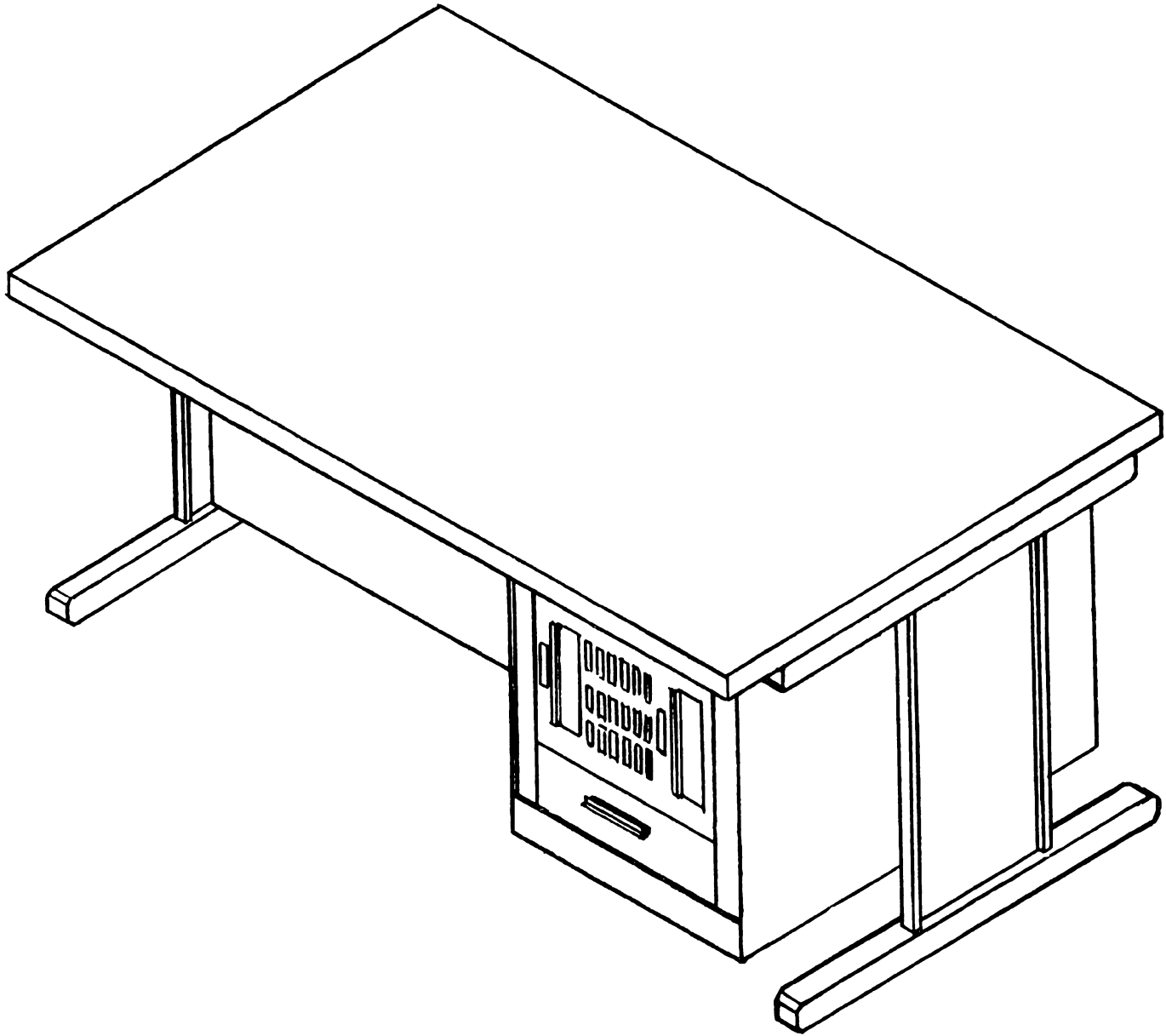


FIGURE 2-10 MODEL 5590-2 - TABLE FOR SYSTEM 20/30  
MASTER WORK STATION

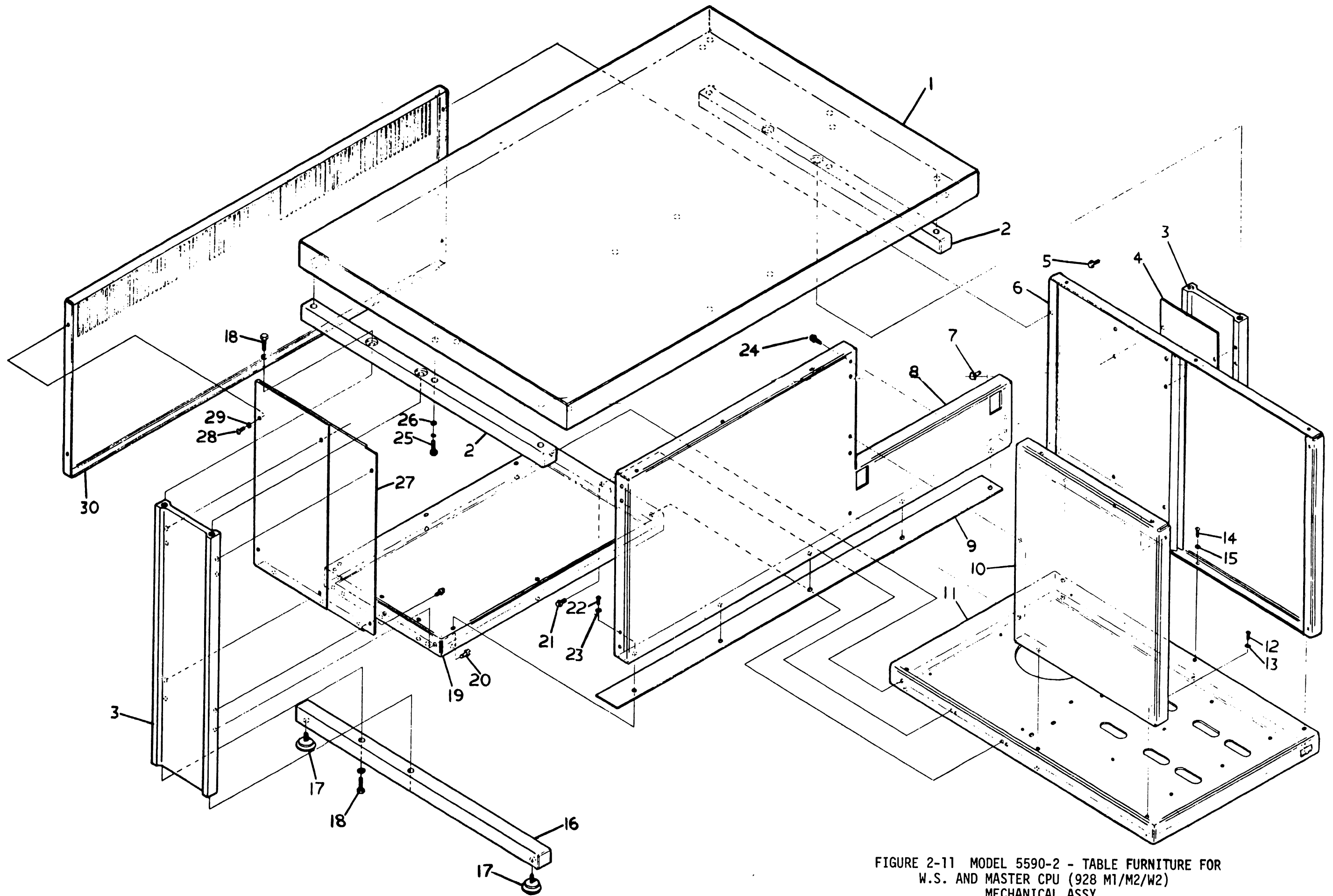
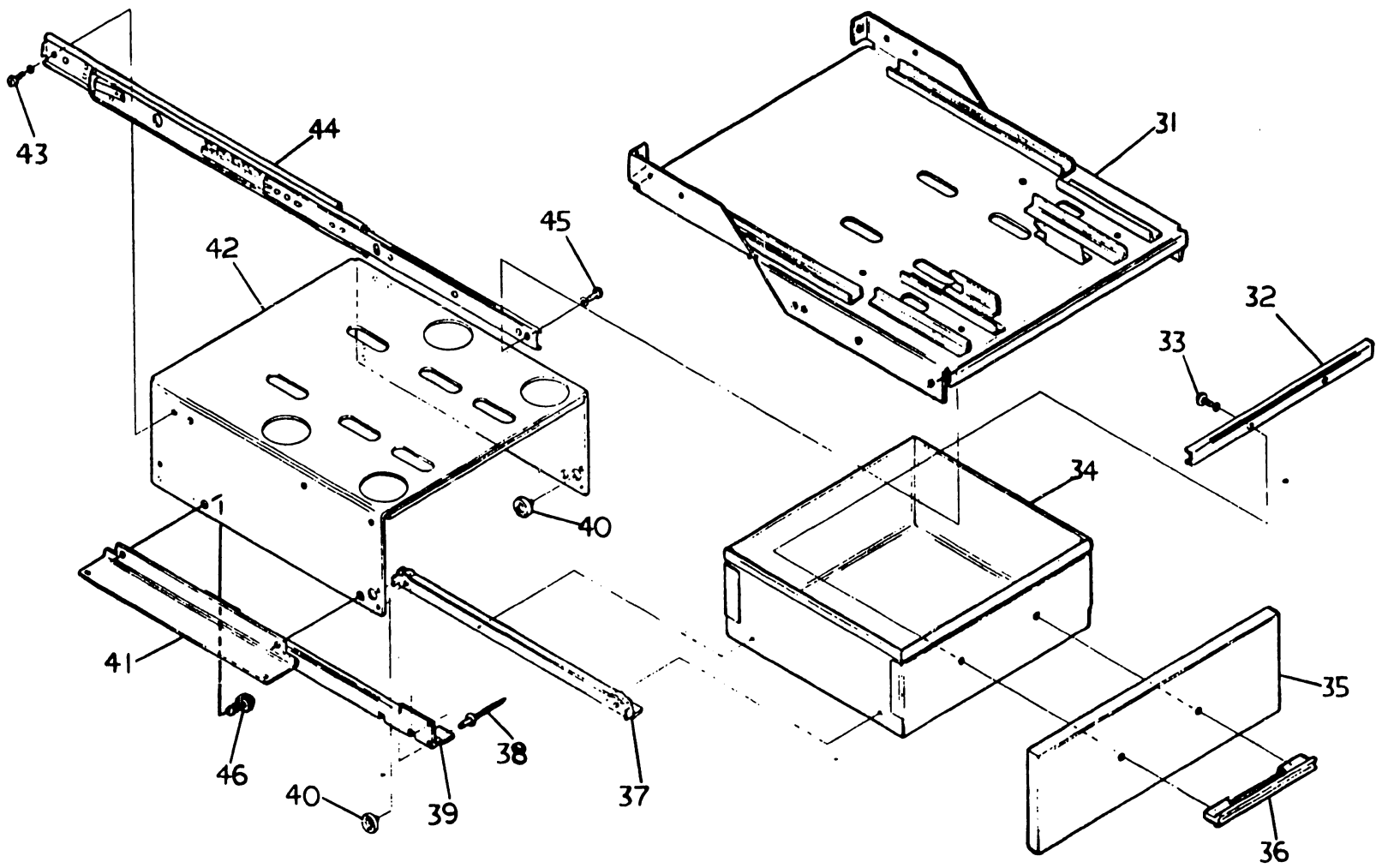


FIGURE 2-11 MODEL 5590-2 - TABLE FURNITURE FOR  
W.S. AND MASTER CPU (928 M1/M2/W2)  
MECHANICAL ASSY.



FIGURE 2-12 MODEL 5590-2 - TABLE FURNITURE FOR  
W.S. AND MASTER CPU (928 M1/M2/W2)  
MECHANICAL ASSY.



WORK STATION AND MASTER/CPU (928 M1/M2/W2)

FURNITURE MECHANICAL ASSEMBLY

(FIGURES 2-10, 2-11, 2-12)

ITEM NO.	PART NO.	DESCRIPTION	QTY. PER ASSEMBLY
-	279-8012	(928 M1/M2/W2) STAND ASSEMBLY	REF
- 1	451-0128 (6846-200)	TABLE TOP (30 x 45) (WHT) 928 S2	1
- 2	451-0203 (6422-102)	LEG SUPPORT (UPPER) #2290	2
- 3	451-0228 (6643-113)	LEG, VERTICAL	2
- 4	462-0271 (6643-126)	SHIM (SPACER) SIDE (FS28)	1
- 5	650-9013	SCREW, #1/4-20 x 1/2 FLANGE WHIZ-LOCK MS ZINC	8
- 6	451-3851 (6643-102)	PANEL, SIDE WELDMENT (FS28)	1
- 7	650-9013	SCREW, #1/4-20 x 1/2 FLANGE WHIZ-LOCK MS ZINC	1
- 8	451-3853 (6643-123)	PANEL, MODESTY (RH) (FS28)	1
- 9	462-0272 (6643-127)	SHIM (SPACER) BOTTOM (FS28)	1
-10	451-3850 (6643-121)	PANEL, BOX SIDE (FS28)	1
-11	451-1223 (6643-124)	BOTTOM PAN, POWER (FS28)	1
-12	650-6162	SCREW, #10-32 x 1/2 TRUSS HD PHL SS	2
-13	653-6001	WASHER, #NO. 10 INT TOOTH LK	2
-14	650-6162	SCREW, #10-32 x 1/2 TRUSS HD PHL SS	3
-15	653-6001	WASHER, NO. 10 INT T LK	3
-16	451-0204 (6422-103)	LEG SUPPORT (LOWER) #2290	2
-17	655-0010	CASTER GLIDE #1/4-20 CG293LD7746	4
-18	650-9007	BOLT #5/16-18 x 1 1/2 HEX HD STOVE	8
-	653-6008	WASHER, 5/16 SPLIT LOCK	8

ITEM NO.	PART NO.	DESCRIPTION	QTY. PER ASSEMBLY
-19	451-1222 (6643-125)	BOTTOM PAN (FS28)	1
-20	650-9012	SCREW, #1/4-20 x 3/4 FLANGE WHIZ-LOCK MS ZINC	3
-21	650-9013	SCREW, #1/4-20 x 1/2 FLANGE WHIZ-LOCK MS ZINC	3
-22	650-6162	SCREW, #10-32 x 1/2 TRUSS HD PHL MS SS	5
-23	653-6001	WASHER, 5/16 SPLIT LOCK	5
-24	650-9013	SCREW, #1/4-20 x 1/2 FLANGE WHIZ-LOCK MS ZINC	3
-25	650-6560	SCREW, #10-32 x 1 3/4 PAN HD PHL SS	6
-26	653-6000	WASHER, NO. 10 FLAT	6
-	653-6001	WASHER, NO. 10 INT T LK	6
-27	451-3848 (6643-122)	PANEL, END SMALL LEFT (FS28)	1
-28	650-4120	SCREW, #8-32 x 3/8 PAN HD PHL MS SS SEMS	4
-29	653-4000	WASHER, NO. 8 FLAT	4
-30	451-3629 (6346-265)	PANEL, REAR	1
-31	451-2921 (6846-263)	SHELF, CHASSIS SLIDE (928 S2)	1
-32	451-2919(REF) (6846-250)	STIFFENER, DRAWER FRONT	1
-33	650-6162	SCREW, #10-32 x 1/2 TRUSS HD PHL MS SS	2
-	653-6001	WASHER, #10 INT T LK	2
-34	451-2919(REF) (6846-253)	DRAWER, FABRICATION	1
-35	451-3075 (6846-256)	DRAWER, FRONT	1
-36	655-0123 (6620-37)	DRAWER HANDLE, FABRICATION	1

ITEM NO.	PART NO.	DESCRIPTION	QTY. PER ASSEMBLY
-37	451-2919(REF) (6846-252)	RAIL GUIDE, DRAWER	2
-38	651-0401	RIVET, POP 1/8 x 3/16 AD42ABS	8
-39	451-2918(REF) (6846-254)	RAIL, GUIDE SHELL	2
-40	655-0226	DRAWER ROLLER .88 DIA STEVENSON #15	4
-41	451-4452 (6846-255)	BRACKET, MOUNTING SHELL	2
-42	451-2918(REF) (6846-262)	SHELL DRAWER, INNER	1
-43	650-4120	SCREW, #8-32 x 3/8 PAN HD PHL MS SS SEMS	8
-44	451-1941	SLIDE, ACCURIDE C307-18 LR	2
-45	650-4120	SCREW, #8-32 x 3/8 PAN HD PHL MS SS SEMS	8
-46	650-6247	SCREW, #10-32 x 3/4 TRUSS HD PHL BLACK PARK	4
-	653-6001	WASHER, #10 INT T LK	2

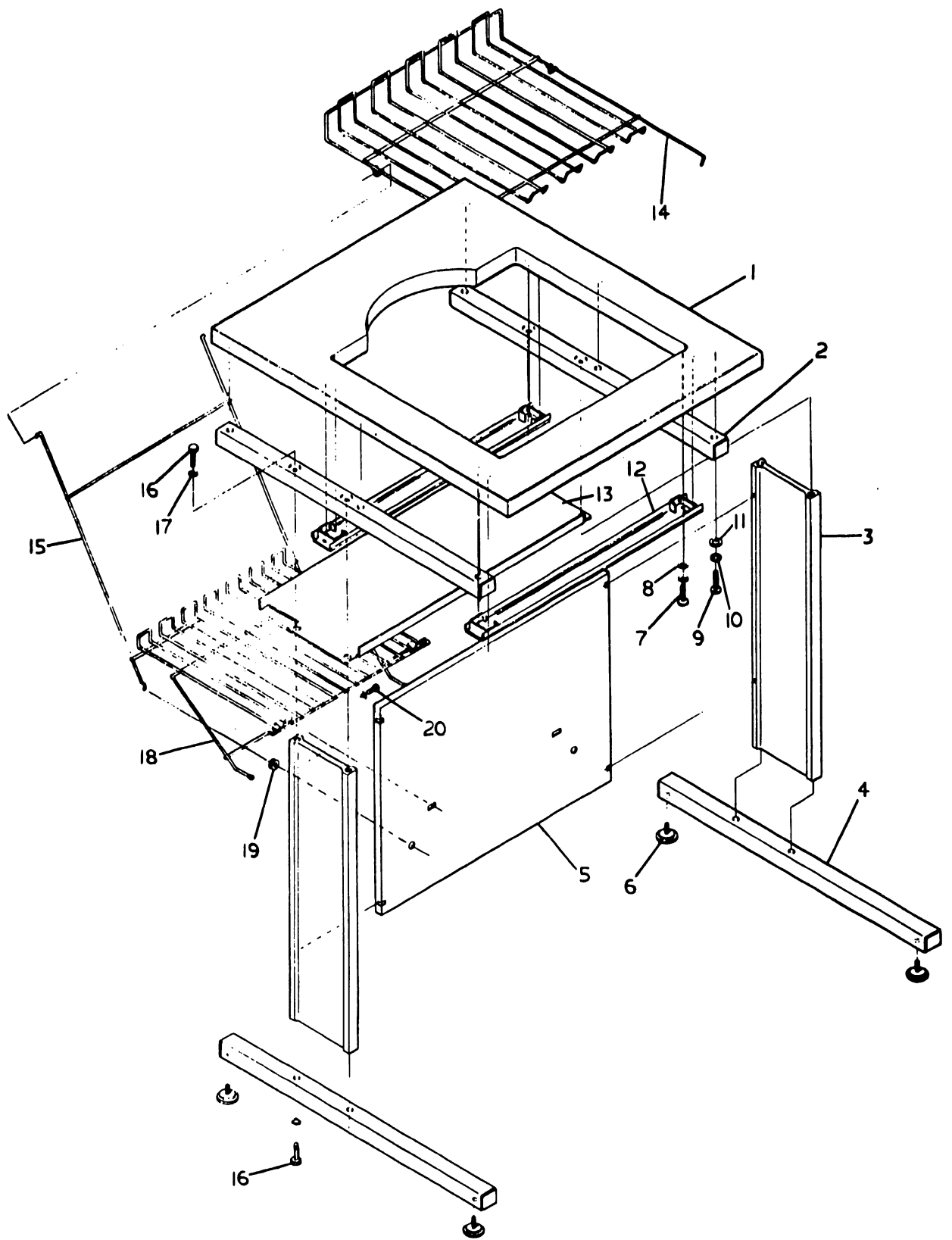


FIGURE 2-13 DAISY PRINTER (928S3) TABLE FURNITURE MECHANICAL ASSY.

DAISY PRINTER (928 S3) FURNITURE MECHANICAL ASSEMBLY  
(FIGURE 2-13)

ITEM NO.	PART NO.	DESCRIPTION	QTY. PER ASSEMBLY
- 1	451-0129 (6846-300)	TABLE TOP (26 x 30) 928 S3	1
- 2	451-0203 (6422-102)	SUPPORT, LEG (UPPER) #2290	2
- 3	451-0228 (6643-113)	LEG, VERTICAL	2
- 4	451-0204 (6422-103)	SUPPORT, LEG (LOWER) #2290	2
- 5	451-3855 (6846-303)	PANEL, MODESTY (928S3)	1
- 6	655-0010	CASTER GLIDE 1/4-20 CG293LD7746	4
- 7	650-6400	SCREW, #10-32 x 1 1/4 PAN HD PHL SS	8
	653-6001	WASHER, #10 LOCK INT TOOTH	8
- 8	653-6000	WASHER, #10 FLAT	8
- 9	650-6560	SCREW, #10-32 x 1 3/4 PAN HD PHL SS	6
-10	653-6001	WASHER, #10 LOCK INT TOOTH	6
-11	653-6000	WASHER, #10 FLAT	6
-12	451-1940 (6846-301)	CHANNEL-SUPPORT (928 S3)	2
-13	452-2571 (6846-302)	STIFFENER, LEG WELDMENT (928 S3)	1
-14	458-0343 (6636-811)	RACK, PAPER (OUTPUT)	1
-15	458-0368 (6846-304)	SUPPORT, LOWER (PAPER RACK)	1
-16	650-9007	BOLT, 5/16-18 x 1 1/2 HEX HD	8
-17	653-6008	WASHER, LOCK 5/16 SPLIT	8
-18	458-0117 (5776-356)	PAPER RACK	1
-19	654-1201	GROMMET 1/4 ID FOR 3/8 HOLE	2
-20	650-9035	SCREW, #1/4-20 x 1/2 ALLEN HD CAP	4

**SECTION**

**3**

**BILL**

**OF**

**MATER-**

**IALS**

SECTION 3  
BILL OF MATERIALS

3.1 MULTI DETAILED PARTS LISTINGS FOR 928 SYSTEM ELECTRONIC UNITS

A Bill Of Materials (BOM) which is a multi-detailed list of parts used to assemble the electronic units that make up a 928 System are included in Section 3. Five separate listings are presently available. Models 5520 and 5530 consist of two listings (Masters with Cabinet Styles).

3.1.1 MODEL 5520 - MASTER CPU/DUAL FLOPPY (928M1) ASSY PART #177-9201  
AND 5520 MASTER CPU (CABINET STYLE) ASSY PART #177-9201A

3.1.2 MODEL 5530 - MASTER CPU/10 MEGABYTE DISK AND SINGLE DISKETTE  
(928M2) ASSY PART #177-9202 AND 5530 MASTER C U (CABINET STYLE)  
ASSY PART #177-9202A

3.1.3 MODEL 5526 - WORK STATION (928 W2) ASSY PART #177-9207

3.1.4 MODEL 5581 - DAISY PRINTER (W/EL) (928 P1) ASSY PART #177-9207

3.1.5 10 MEGABYTE DISK DRIVE (928 D) ASSY PART #177-9210

The part numbers for each listing are in numerical sequence. Drawing numbers are also available on the BOM for the major parts and assemblies. A part number for each basic unit will be found at the top of the first page of each listing.

3.2 SUMMARIZED PARTS LISTINGS FOR 928 SYSTEM ACCESSORY ASSEMBLIES  
(FURNITURE)

Section 2 includes illustrations for assembly of 928 furniture accessories. Sketches for all the Table/Stand accessories are not yet available. However, the Bill Of Materials (BOMs) are listed in this section for all the accessories. They include the following:

3.2.1 MODEL 5590-3 - TABLE FOR WORK STATION (928 W2 STAND) ASSEMBLY  
PART #279-8011 (928 S1)



- 3.2.2 MODEL 5590-2 - TABLE FOR SYSTEM 20 OR 30 MASTER AND WORK STATION  
(928 M1/M2/W2 STAND) ASSEMBLY PART #279-8012 (928 S2)
- 3.2.3 MODEL 5590-4 - TABLE FOR 5581 PRINTER OR 5511 PRINTER (928 P1/P2  
STAND) (928 S3) ASSEMBLY PART #279-8013
- 3.2.4 MODEL 5590-6 - TABLE FOR STORAGE/WORK (928 S6) ASSEMBLY PART  
#279-8016
- 3.2.5 928 CONSOLE EXTENSION (WEDGE SHAPE) (928 S7) ASSEMBLY PART  
#279-8017
- 3.2.6 928 D DISK TOP FOR DIABLO 44B - ASSEMBLY PART #279-8018
- 3.2.7 928 D STAND FOR DIABLO 44B - ASSEMBLY PART #279-8019

ASSEMBLY PART NUMBER 177 9201  
ASSEMBLY DESCRIPTION 5520 MASTER CPU/DUAL FLOPPY (92RM1)LEGEND  
\* = KIT TAG # = STATUS ITEM ### = FRACTIONAL QTY

PART NUMBER	DESCRIPTION	QUANTITY	
000 0003	LABOR CALCULATING SYSTEMS	0.75	###
000 0011	LABOR QUALITY CONTROL	1.05	###
210 7201 A * #	7201-A MODULE(A/I)	1.00	
000 0003	LABOR CALCULATING SYSTEMS	2.00	
000 0011	LABOR QUALITY CONTROL	.40	###
200 7201	# 7201 W/UNLOADED SOCKETS(A/I)	1.00	
000 0001	LABOR SUB-SYSTEMS	3.06	###
000 0011	LABOR QUALITY CONTROL	.61	###
300 1270	270 PF 10% CERAMIC CAPACITOR	4.00	9F2248
300 1400	.05 UF 12V +80-20% CERAMIC CAP	34.00	PCBFNL
300 1430	.1 UF 50V +80-20% CERAMIC CAP(HIERO)	32.00	
300 1931	1 UF CERAMIC CAPACITOR(HIGH FREQ)	23.00	
300 4022	15 UF 20V 10% TANT CAPACITOR (B)	10.00	
370 1011	10 OHM 1/4W 5% .4 RESISTOR	1.00	PCBFNL
330 1011 R *	10 OHM 1/4 W 5% -R RESISTOR	8.00	PCBFNL
370 2022 R *	220 OHM 1/4 W 10% -R RESISTOR	3.00	PCBFNL
330 3022 R *	2.2K OHM 1/4 W 10% -R RESISTOR	45.00	PCBFNL
375 1050	TRANSISTOR SPS6551	4.00	
376 0002	7400N INTEGRATED CIRCUIT	2.00	
376 0005	7474N INTEGRATED CIRCUIT	6.00	EC6329
376 0006	7442N INTEGRATED CIRCUIT	2.00	
376 0010	7404N INTEGRATED CIRCUIT	3.00	
376 0011	7497N INTEGRATED CIRCUIT	2.00	
376 0016	7402 INTEGRATED CIRCUIT	2.00	
376 0041	N8266R INTEGRATED CIRCUIT	2.00	
376 0049	74153 INTEGRATED CIRCUIT	2.00	
376 0049	74155 INTEGRATED CIRCUIT	1.00	
376 0091	7408 INTEGRATED CIRCUIT	2.00	
376 0083	74197 INTEGRATED CIRCUIT	2.00	
376 0097	7432 INTEGRATED CIRCUIT	2.00	
376 0125	7427 INTEGRATED CIRCUIT	1.00	
376 0171	74148 I.C.	1.00	
376 0178	75322 I.C.	2.00	
376 0179	74368 / 8098 I.C.	14.00	EC5833
376 0183	74173 I.C.	4.00	
376 0194	7411 I.C.	1.00	
376 0197	74504 I.C.	1.00	
376 0200	74508 I.C.	1.00	
376 0202	74574 I.C.	3.00	EC6320
376 0229	74500 I.C.	1.00	
376 0234	74510 I.C.	1.00	
376 0001	14 PIN IC SOCKET (SOLDER TAIL)	2.00	

ASSEMBLY PART NUMBER 177 9201  
ASSEMBLY DESCRIPTION 5520 MASTER CPU/DUAL FLOPPY (928MI)

LEGEND  
\* = KIT TAG # = STATUS ITEM ### = FRACTIONAL QTY

PART NUMBER	DESCRIPTION	QUANTITY
376 9003	24 PIN IC SOCKET ROUNDY	4.00
376 9014	18 PIN IC SOCKET	36.00
510 7201	# 7201 PRINTED CIRCUIT BOARD	1.00
377 0314	# TMS4050 RAM 4K (18 PIN)	36.00
377 0317	# 2708 INTEL PROM	4.00
210 7202 A * #	7202-A MODULE (A/1)	1.00
209 7202	# 7202 W/UNLOADED SOCKETS (A/1)	1.00
000 0001	LABOR SUB-SYSTEMS	3.54
000 0011	LABOR QUALITY CONTROL	.71
300 1082	82 PF 10% CERAMIC CAPACITOR	1.00
300 1680	680 PF 10% CERAMIC CAPACITOR	1.00
300 1900	.05 UF 12V +80-20% CERAMIC CAP	31.00
300 1903	.01 UF 25V +80-20% CERAMIC CAP	1.00
300 1906	.001 UF 200V 10% CERAMIC CAPACITOR	1.00
300 4022	15 UF 20V 10% TANT CAPACITOR (B)	5.00
321 000P	10 MC .05% BRILEY BXW OSCILLATOR	1.00
321 0018	17.1 MHZ OSCILLATOR	1.00
325 1503	8 BANK ROCKER SWITCH	1.00
325 9047 *	8 BANK ROCKER SWITCH CAP (325-1503)	1.00
330 1011	10 OHM 1/4W 5% .4 RESISTOR	2.00
330 2033	330 OHM 1/4 W 10% .4 RESISTOR	2.00
330 2082	820 OHM 1/4 W 10% .4 RESISTOR	2.00
330 3010	1K OHM 1/4 W 10% .4 RESISTOR	3.00
330 3010 R *	1K OHM 1/4 W 10% -R RESISTOR	5.00
330 3022 R *	2.2K OHM 1/4 W 10% -R RESISTOR	40.00
330 3082 R *	8.2K OHM 1/4 W 10% -R RESISTOR	8.00
330 4010 R *	10K OHM 1/4 W 10% -R RESISTOR	9.00
375 1050	TRANSISTOR SPS6551	2.00
376 0002	7400N INTEGRATED CIRCUIT	3.00
376 0003	7410N INTEGRATED CIRCUIT	2.00
376 0004	7420N INTEGRATED CIRCUIT	2.00
376 0005	7473N INTEGRATED CIRCUIT	1.00
376 0006	7474N INTEGRATED CIRCUIT	11.00
376 0008	7442N INTEGRATED CIRCUIT	4.00
376 0010	7404N INTEGRATED CIRCUIT	4.00
376 0016	7402 INTEGRATED CIRCUIT	2.00
376 0036	7486N INTEGRATED CIRCUIT	1.00
376 0041	N9256B INTEGRATED CIRCUIT	2.00
376 0050	74180 INTEGRATED CIRCUIT	1.00
376 0053	74193 INTEGRATED CIRCUIT	2.00
376 0081	7408 INTEGRATED CIRCUIT	6.00
376 0083	74197 INTEGRATED CIRCUIT	1.00

3-4

ASSEMBLY PART NUMBER 177 9201  
ASSEMBLY DESCRIPTION 5520 MASTER CPU/DUAL FLOPPY (928M1)

LEGEND  
\* = KIT TAG # = STATUS ITEM ### = FRACTIONAL QTY

PART NUMBER	DESCRIPTION	QUANTITY
376 0093	7432 INTEGRATED CIRCUIT	3.00
376 0094	74161/9316 INTEGRATED CIRCUIT	6.00
376 0098	74174 INTEGRATED CIRCUIT	3.00
376 0119	74175 INTEGRATED CIRCUIT	2.00
376 0125	7427 INTEGRATED CIRCUIT	1.00
376 0139	7414 I.C.	1.00
376 0171	74148 I.C.	1.00
376 0176	74367 / 8097 I.C.	6.00
376 0178	75322 I.C.	1.00
376 0179	74368 / 8098 I.C.	4.00
376 0185	8T98 I.C.	2.00
376 0194	7411 I.C.	1.00
376 0197	74504 I.C.	2.00
376 0199	74502 I.C.	1.00
376 0205	74532 I.C.	1.00
376 0228	74500 I.C.	1.00
376 9011	40 PIN IC SOCKET BURNDY # DILRZ40P1	1.00
510 7202	# 7202 PRINTED CIRCUIT BOARD	1.00
377 0269	8080A MICROPROCESSOR	1.00
210 7203	* # 7203 MODULE(A/I)	1.00
000 0001	LABOR SUB-SYSTEMS	3.09 ###
000 0011	LABOR QUALITY CONTROL	.62 ###
300 1560	560 PF 10% CERAMIC CAPACITOR	2.00
300 1900	.05 UF 12V +80-20% CERAMIC CAP	36.00
300 1930	.1 UF 50V +80-20% CERAMIC CAP (HIFREQ)	1.00
300 2010	.001 UF 100V MYLAR CAPACITOR	1.00
300 2068	.0068 UF 100V MYLAR CAPACITOR	1.00
300 4022	15 UF 20V 10% TANT CAPACITOR (R)	2.00
330 2018	180 OHM 1/4 W 10% .4 RESISTOR	1.00
330 2022	220 OHM 1/4 W 10% .4 RESISTOR	1.00
330 2022 R *	220 OHM 1/4 W 10% -R RESISTOR	13.00
330 2033	330 OHM 1/4 W 10% .4 RESISTOR	5.00
330 2033 R *	330 OHM 1/4 W 10% -R RESISTOR	9.00
330 3010	1K OHM 1/4 W 10% .4 RESISTOR	1.00
330 3010 R *	1K OHM 1/4 W 10% -R RESISTOR	7.00
330 3022 R *	2.2K OHM 1/4 W 10% -R RESISTOR	26.00
330 3047	4.7K OHM 1/4 W 10% .4 RESISTOR	1.00
330 4010	10K OHM 1/4 W 10% .4 RESISTOR	2.00
375 1009	2N2270 SILICON TRANSISTOR	1.00
375 9001	TRANSIPAD 8977887-1 LARGE	1.00
376 0002	7400N INTEGRATED CIRCUIT	6.00
376 0003	7410N INTEGRATED CIRCUIT	5.00

3-5

ASSEMBLY PART NUMBER 177 9201  
ASSEMBLY DESCRIPTION 5620 MASTER CPU/DUAL FLOPPY (02AMI)

LEGEND  
\* = KIT TAG # = STATUS ITEM ### = FRACTIONAL QTY

PART NUMBER	DESCRIPTION	QUANTITY
376 0004	7420N INTEGRATED CIRCUIT	1.00
376 0006	7474N INTEGRATED CIRCUIT	17.00
376 0010	7404N INTEGRATED CIRCUIT	4.00
376 0011	7493N INTEGRATED CIRCUIT	2.00
376 0016	7402 INTEGRATED CIRCUIT	3.00
376 0040	NR242N INTEGRATED CIRCUIT	2.00
376 0045	74H04N INTEGRATED CIRCUIT	1.00
376 0048	74153 INTEGRATED CIRCUIT	4.00
376 0053	74193 INTEGRATED CIRCUIT	2.00
376 0081	7408 INTEGRATED CIRCUIT	8.00
376 0093	7432 INTEGRATED CIRCUIT	5.00
376 0094	74161/9316 INTEGRATED CIRCUIT	3.00
376 0097	74195/9300 INTEGRATED CIRCUIT	2.00
376 0104	9602 INTEGRATED CIRCUIT	1.00
376 0119	74175 INTEGRATED CIRCUIT	3.00
376 0128	7438 INTEGRATED CIRCUIT	8.00
376 0176	74367 / 8097 I.C.	2.00
376 0183	74173 I.C.	2.00
376 0194	7411 I.C.	7.00
376 0250	9401 I.C.	1.00
376 9001	14 PIN IC SOCKET (SOLDER TAIL)	1.00
380 2120	1N759A 12V ZENER DIODE	1.00
510 7207	# 7203 PRINTED CIRCUIT BOARD	1.00
210 7206	* # 7206 MODULE(A/I)	1.00
000 0001	LABOR SUB-SYSTEMS	2.41
000 0011	LABOR QUALITY CONTROL	.48
300 1100	100 PF 10% CERAMIC CAPACITOR	1.00
300 1330	330 PF 10% CERAMIC CAPACITOR	1.00
300 1900	.05 UF 12V +80-20% CERAMIC CAP	1.00
300 1906	.001 UF 200V 10% CERAMIC CAPACITOR	1.00
300 2147	.047UF 100V MYLAR CAPACITOR	1.00
300 3058	2000 UF 20V ELECTROLYTIC CAPACITOR	1.00
300 4022	15 UF 20V 10% TANT CAPACITOR (B)	3.00
300 4032	10 UF 35V 10% TANT CAPACITOR (C)	2.00
330 1027	27 OHM 1/4 W 10% .4 RESISTOR	1.00
330 2010	100 OHM 1/4 W 10% .4 RESISTOR	2.00
330 2022	220 OHM 1/4 W 10% .4 RESISTOR	1.00
330 2048 R *	470 OHM 1/4 W 5% -R RESISTOR	4.00
330 2068	680 OHM 1/4 W 10% .4 RESISTOR	2.00
330 3010	1K OHM 1/4 W 10% .4 RESISTOR	1.00
330 3019	1.8K OHM 1/4 W 10% .4 RESISTOR	2.00
330 3023 R *	2.2K OHM 1/4W 5% -R RESISTOR	4.00

RF226P

PC9FNL

FC5829

FC6513

FC5827

###  
###

9-6

ASSEMBLY PART NUMBER 177 9201  
ASSEMBLY DESCRIPTION 5520 MASTER CPU/DUAL FLOPPY (928M1)

LEGEND  
\* = KIT TAC # = STATUS ITEM \*\*\* = FRACTIONAL QTY

PART NUMBER	DESCRIPTION	QUANTITY
330 3028 UR	2.7K OHM 1/4 W 5% UR RESISTOR	2.00
330 3047	4.7K OHM 1/4 W 10% .4 RESISTOR	2.00
330 4010	10K OHM 1/4 W 10% .4 RESISTOR	2.00
330 4019	18K OHM 5% 1/4W .4 RESISTOR	1.00
331 0010	1 OHM 1/2W 10% RESISTOR	2.00
331 0022	2.2 OHM 1/2W RESISTOR 10%	1.00
331 3022	2.2K OHM 1/2 W 10% RESISTOR	1.00
332 2082	820 OHM 1 W 10% RESISTOR	1.00
332 3012	1.2K OHM 1 W 10% RESISTOR	1.00
332 3015	1.5K OHM 1 W 10% RESISTOR	1.00
334 0012	DISC 3 OHM 11 W RESISTOR	1.00
334 0025	7.5 OHM 7W 5% RESISTOR	1.00
336 1014	1K TRIMPOT 90 DEG MOUNT BECKMAN#72X	4.00
375 1052	TRANSISTOR 2N6387 (PLASTIC)	2.00
375 1053	TRANSISTOR 9CAR203A (PLASTIC)	2.00
375 9016	MICA INSUL#DF1038 FOR 375-1034/1035	4.00
376 0066	723 INTEGRATED CIRCUIT	3.00
376 0134	LM304 INTEGRATED CIRCUIT	1.00
376 0240	LM339 I.C.	1.00
380 0000 4B	.4B GERMANIUM DIODE	1.00
380 1001 R *	0035 SIL DIODE 30V, 100MA AT 1V T&R	3.00
380 2048	1N5230/.5MA.7Z52 4.7V 1/2W 2% ZENER	2.00
380 2111	1N5241/.5MA11Z52 11V 1/2W 2% ZENER	1.00
380 2112	1N4743A 13V ZENER DIODE	1.00
380 3002 B	1N4719 RECTIFIER	4.00
380 3008	A15A RECTIFIER	2.00
478 0326	HEATSINK,REG 3D(928M1/M2)C6840-105	1.00
510 7206	* 7206 PRINTED CIRCUIT BOARD	1.00
650 3080	6-32 X 1/4 PAN HD PHL MS SS SEMS	2.00
650 3131	6-32 X 3/8 NYLON COVERED FIL HD SLT	4.00
210 7214 A	7214A MODULE (PRELIMINARY)	1.00
209 7214	7214 W/UNLOADED SOCKETS	1.00
000 0001	LABOR SUR-SYSTEMS	4.00
000 0011	LABOR QUALITY CONTROL	.80
300 1900	.05 UF 12V +80-20% CERAMIC CAP	45.00
300 2115	.015 UF 100V MYLAR CAPACITOR	1.00
300 4022	15 UF 20V 10% TANT CAPACITOR (R)	7.00
300 5012	DISC .0022 UF 500V 5% MICA CAP	1.00
330 1092 R *	91 OHM 1/4 W 5% -R RESISTOR	6.00
330 2011 UR	100 OHM 1/4W 5% UR RESISTOR	6.00
330 2028 R *	270 OHM 1/4 W 5% -R RESISTOR	6.00
330 2040 R *	390 OHM 1/4 W 5% -R RESISTOR	6.00

3-7

\*\*\*

ASSEMBLY PART NUMBER 177 9201

LEGEND

ASSEMBLY DESCRIPTION 5520 MASTER CPU/DUAL FLOPPY (92BM1)

\*=KIT TAG #=STATUS ITEM ###=FRACTIONAL QTY

PART NUMBER	DESCRIPTION	QUANTITY
330 3010	1K OHM 1/4 W 10% .4 RESISTOR	1.00
330 3022 R *	2.2K OHM 1/4 W 10% -R RESISTOR	32.00
330 3047	4.7K OHM 1/4 W 10% .4 RESISTOR	1.00
330 4011	10K OHM 1/4 W 5% .4 RESISTOR	1.00
330 4047	47K OHM 1/4 W 10% .4 RESISTOR	1.00
350 0021	225-22221-110 SOL TYPE	1.00
376 0002	7400N INTEGRATED CIRCUIT	4.00
376 0003	7410N INTEGRATED CIRCUIT	3.00
376 0006	7474N INTEGRATED CIRCUIT	7.00
376 0008	7442N INTEGRATED CIRCUIT	1.00
376 0010	7404N INTEGRATED CIRCUIT	5.00
376 0016	7402 INTEGRATED CIRCUIT	4.00
376 0041	N8266B INTEGRATED CIRCUIT	1.00
376 0045	74HC04N INTEGRATED CIRCUIT	1.00
376 0047	74151 INTEGRATED CIRCUIT	1.00
376 0081	7408 INTEGRATED CIRCUIT	3.00
376 0082	74157/9322 I.C.	2.00
376 0093	7432 INTEGRATED CIRCUIT	7.00
376 0094	74161/9316 INTEGRATED CIRCUIT	6.00
376 0097	74195/9300 INTEGRATED CIRCUIT	4.00
376 0104	9602 INTEGRATED CIRCUIT	1.00
376 0138	74298 I.C.	2.00
376 0146	75107 I.C.	3.00
376 0176	74367 / 8097 I.C.	3.00
376 0179	74368 / 8098 I.C.	6.00
376 0183	74173 I.C.	2.00
376 0194	7411 I.C.	3.00
376 0199	74502 I.C.	1.00
376 0200	74508 I.C.	1.00
376 0202	74574 I.C.	3.00
376 0205	74532 I.C.	1.00
376 0217	745157 I.C.	2.00
376 0237	74511 I.C.	1.00
376 0238	74510 I.C.	2.00
376 0246	745280 I.C.	1.00
376 0256	75113 I.C.	6.00
376 9010	22 PIN IC SOCKET BURNBY # DILBZ22P1	2.00
377 0069	2102A-4 / 2102-1 / 9102B RAM	1.00
510 7214	7214 PRINTED CIRCUIT BOARD	1.00
377 0308	# 2101-1 RAM I.C.	2.00
270 0735	* # 92BM1 CHASSIS ASSY (60HZ)	1.00
000 0001	LABOR SUB-SYSTEMS	10.19

3-8

###

ASSEMBLY PART NUMBER 177 9201

LEGEND

ASSEMBLY DESCRIPTION 5520 MASTER CPU/DUAL FLOPPY(928M1)

\* = KIT TAG # = STATUS ITEM ### = FRACTIONAL QTY

PART NUMBER	DESCRIPTION	QUANTITY	
000 0011	LABOR QUALITY CONTROL	2.04	###
210 7205	* # 7205 MODULE(MB)(PRELIMINARY)	1.00	
000 0001	LABOR SUB-SYSTEMS	.67	###
000 0011	LABOR QUALITY CONTROL	.13	###
279 0301	PLUNGER GUIDE ASSEMBLY 6R15-51 FC6338	1.00	
	451 4066 301 MICRO-SW BRACKET C5933-116 (2	1.00	
	478 0068 301 PLUNGER GUIDE B5933-117 (2	1.00	
325 2305	11SM1 MICRO SWITCH FOR CP-1 FC6338	1.00	
325 9034	PUSH BUTTON RED ALCO#C12 EC6338	1.00	
350 0011	225-21521-110 PC CONN SOLDER TYPE EC6330	7.00	
350 0021	225-22221-110 SOL TYPE EC6330	8.00	
350 0027 S	261-10022-2 PC CONN (SHORT)	2.00	
350 0039	44 POS P.C.CONN SOLDER TYPE(CINCH) EC6330	4.00	
370 0027	LAMP,ORANGE(LFD)MV5154 RF2251	1.00	
380 4000	EM403 / IN4004 RECTIFIER RF2251	1.00	
461 3056	301 SWITCH PLUNGER B5933-114 EC6338	1.00	
510 7205	# 7205 PRINTED CIRCUIT BOARD	1.00	
650 0320	2-56 X 1 RD HD NYLON MS EC6338	2.00	
652 0991	2-56 NYLON HFX NUT EC6338	2.00	
654 1198	2 POS PIN HEADER ASSY AMP 350209-1 RF2251	1.00	
220 0117	740 AC CONN CABLE A6499-30 EC5927	2.00	
000 0001	LABOR SUB-SYSTEMS	.11	###
000 0011	LABOR QUALITY CONTROL	.02	###
420 1003	POWER CABLE 3 COND 18 GA W/SVT EC4968	2.92	###
654 1150	SOCKET HOUSING 1-480303-0	1.00	
654 1163 R	SOCKET 20-14 GA(REEL)AMP 61117-4 EC4968	3.00	
220 1042	P022 WIRE & LUG ASSY(2LCRT)D6482-12	2.00	
000 0001	LABOR SUB-SYSTEMS	.01	###
600 0054	WIRE 18 GA GREEN/YELLOW UL	.33	###
654 0050 R	#6 RING TONGUE RED BA16-6M(2K/REEL)	1.00	
654 0062 R	#4 FORK LUG RED BA16F-6M (2K/REEL)	1.00	
220 1094	P048 WIRE & LUG ASSY R	1.00	
000 0001	LABOR SUB-SYSTEMS	.02	###
600 0000	WIRE 18 GA BLACK UL	.90	###
654 0048 R	FASTON TERMINAL RED AMP 42599-4	1.00	
654 0084 R	FASTON TERMINAL(BLUE)RDY#PQ 14R258M	1.00	
220 1095	P049 WIRE & LUG ASSY(928M1)R6482-12	1.00	
000 0001	LABOR SUB-SYSTEMS	.01	###
600 7000	16 GA BLACK STRANDED WIRE	.29	###
654 0084 P	FASTON TERMINAL(BLUE)BDY#PQ 14R258M	1.00	
220 1096	P050 WIRE & LUG ASSY(928M1)R6482-12	1.00	
000 0001	LABOR SUB-SYSTEMS	.08	###



ASSEMBLY PART NUMBER 177 9201  
ASSEMBLY DESCRIPTION 5520 MASTER CPU/DUAL FLOPPY(928M1)      LEGEND  
\* = KIT TAG    # = STATUS ITEM    ### = FRACTIONAL QTY

PART NUMBER	DESCRIPTION	QUANTITY	
	000 0011      LABOR      QUALITY CONTROL	.02	###
	600 7000      16 GA BLACK STRANDED WIRE	.50	###
	654 0084 R      FASTON TERMINAL (BLUE)BDY#P0 14R258M EC6131	1.00	
220 1097	P051 WIRE & LUG ASSY(928M1)R6482-12	1.00	
	000 0001      LABOR      SUB-SYSTEMS	.01	###
	600 7000      16 GA BLACK STRANDED WIRE	1.10	###
	654 0084 R      FASTON TERMINAL (BLUE)BDY#P0 14R258M	1.00	
220 1098	P052 WIRE & LUG ASSY(928M1)R6482-12	1.00	
	000 0001      LABOR      SUB-SYSTEMS	.01	###
	600 7000      16 GA WHITE STRANDED WIRE	1.10	###
	654 0084 R      FASTON TERMINAL (BLUE)BDY#P0 14R258M	1.00	
220 1099	P053 WIRE & LUG ASSY(928M1)R6482-12	1.00	
	000 0001      LABOR      SUB-SYSTEMS	.02	###
	600 7004      16 GA YEL STRANDED WIRE	.58	###
	654 1163 R      SOCKET 20-14 GA(REEL)AMP 61117-4	1.00	
220 1100	POWER CORD CABLE(928M1)R6482-116	1.00	
	000 0001      LABOR      SUB-SYSTEMS	.19	###
	000 0011      LABOR      QUALITY CONTROL	.04	###
	420 1004      CORD POWER 10AMP BELDEN #17419-S	1.00	
	500 0009      WIRE 18 GA WHITE UL	.58	###
	554 0017      FASTON TERMINAL AMP 42844-1	1.00	
	654 0048 D      FASTON TERMINAL RED AMP 42599-4	1.00	
	654 0052 P      #6 RING TONGUE BLU BA14-6M(2K/REEL)	1.00	
	654 0084 R      FASTON TERMINAL (BLUE)BDY#P0 14R258M EC6131	2.00	
270 0336	62P CONN PLATE & CABLE ASSY D684011 EC6280	1.00	
	350 1036      BNC SOCKET (F) CONN UG1094A	6.00	
	350 2075      TNC BULKHEAD CONN(F)(PANEL)RW311403	6.00	
	452 2159      PLATE, CONN REAR 6 PAIR C6840-104	1.00	
	510 6703      6703 PRINTED CIRCUIT BOARD	1.00	
	600 2000      *      WIRE 24 GA BLACK UL	24.00	
	600 2002      *      WIRE 24 GA RED UL	12.00	
	600 2005      *      WIRE 24 GA GREEN UL      W/OFF-76	12.00	
	605 1004      *      CABLE TYE, PAN-TY PLTIM-M	10.00	
	652 0010      4-40 PEM NUT CL5440-2	6.00	
	654 1011      3/8" GROUND LUG HH SMITH 1497	12.00	
270 3063	HEATSINK HARNESS(928M1)D6482-117	1.00	
	000 0001      LABOR      SUB-SYSTEMS	.19	###
	000 0011      LABOR      QUALITY CONTROL	.04	###
	600 0002      WIRE 18 GA RED UL	1.75	###
	600 6009      14 GA WHITE STRANDED WIRE	1.75	###
	600 7004      16 GA YEL STRANDED WIRE	1.00	
	600 7006      16 GA BLUE STRANDED WIRE	1.59	###

3-10

ASSEMBLY PART NUMBER 177 9201  
ASSEMBLY DESCRIPTION 5520 MASTER CPU/DUAL FLOPPY (928M1)

LEGEND  
\* = KIT TAG # = STATUS ITEM ### = FRACTIONAL QTY

PART NUMBER	DESCRIPTION	QUANTITY
605 1004	CABLE TYE, PAN-TY PLTIM-M	3.00
654 1148	SOCKET HOUSING 1-480318-0	1.00
654 1149	PIN HOUSING 1-480305-0	1.00
654 1163 R	SOCKET 20-14 GA(REFL)AMP 61117-4	2.00
654 1164 R	PIN TERM 20-14 GA(REFL)AMP 61118-4	3.00
300 3050	124K UF 15V ELECTROLYTIC CAPACITOR	1.00
300 3067	11K UF 50V ELECTROLYTIC CAPACITOR	1.00
300 3069	27000 UF 30V ELECTROLYTIC CAP	1.00
300 9004	CAP CLAMP 1 3/4" 3 LUG SC#115-058-13	1.00
300 9006	CAP CLAMP 2 1/2 INCH 3 LUG	1.00
300 9010	CAP BOOT FOR 300-3042	1.00
300 9021	CAP CLAMP C TYPE 2 INCH 2 LUG W/OFF 74	1.00
300 9022	CAP CLAMP 2 1/16 INCH 3 LUG	1.00
310 0010	10 TERMINAL STRIP	1.00
325 0021	ON-OFF ROCKER SW SPDT TR201 TW-B	1.00
331 3012	1.2K OHM 1/2 W 10% RESISTOR	2.00
331 3022	2.2K OHM 1/2 W 10% RESISTOR	1.00
360 0001	FUSE HOLDER STR CONTACT	1.00
360 9000	RUBBER WSHR FOR 360-0000 / 360-0001	1.00
360 9002	HEX NUT FOR 360-0000 / 360-0001	1.00
360 9003	LOCK WSHR LF#905023(FOR 360-0000/1)	1.00
375 1048	TRANSISTOR 2N5301	1.00
375 9014	INSULATOR XTOR MOUNT WECKESSER TM-1	1.00
380 3000	IN1200A RECTIFIER	2.00
380 5000	130 VOLT VARISTOR V130LA10	EC6280
400 1011	FAN, SKELETON(105CFM)ROTRON MU2A2	1.00
410 0111	A MMC 5855 CVT 60HZ(M1/M2)C5068-107	1.00
410 2005	LINE FILTER 5 AMP COPCOM SK1	1.00
420 1005	POWER CORD ROTRON FAN 16415	EC6349
449 0101	FAN GUARD 4"(BLACK)D5300-1085	1.00
450 0061	WANG TAG (BLANK) C5300-1049	EC5927
451 1103	A CHASSIS(928M1/M2)E6840-118	1.00
451 2146	B REAR COVER(928M1/M2)D6840-115	1.00
451 3076	B PANEL, FRONT DESS(928M1/2)D6840-112	EC5927
451 3077	B PANEL, OUTER FRONT(928M1)D6840-113	EC5927
451 3078	B PANEL, INNER FRONT(928M1/2)D6840-114	EC5927
452 2569	PLATE, CLAMP(928M1/M2)C6840-100	1.00
461 3273	ROD, CLAMP(928M1/M2)B6840-101	1.00
461 3274	STUD, LOCKING(928M1/M2)B6840-102	2.00
462 0057	SPCR, FIBER #4 X 1/4 X 3/8L SM#2336	16.00
462 0063	CA SPACER SMITH 2321 6-32	EC5927
462 0141	SPCR, PHENOLIC CURRENT 4-250	4.00

3-11

ASSEMBLY PART NUMBER 177 9201  
ASSEMBLY DESCRIPTION 5520 MASTER CPU/DUAL FLOPPY (928M1)

LEGEND  
\* = KIT TAG # = STATUS ITEM ### = FRACTIONAL QTY

PART NUMBER	DESCRIPTION	QUANTITY
452 0173	TY SPACER, SHIM H5776-1A3	2.00
478 0061	700 PROGRAM CLAMP NUTS H5900-27 (2)	2.00
478 0327	HEATSINK (928 MASTER) C6840-107	1.00
605 0015	* #3 CLEAR TUBING	2.50 ###
605 1004	* CABLE TYE, PAN-TY PLTIM-M	15.00
650 2120	4-40 X 3/8 PAN HD PHL MS SS SEMS	6.00
650 2400	4-40 X 1 1/4 FL HD PHL MS SS	4.00
650 3120	6-32 X 3/8 PAN HD PHL MS SS SEMS	29.00
650 3240	6-32 X 3/4 PAN HD PHL MS SS	3.00
650 3246	6-32 X 3/4 PANEL SCREW WANG GRAY	4.00
650 6160	10-32 X 1/2 PAN HD PHL MS SS SEMS	4.00
651 1005	STUD SELF-CLINCH PEM FHS-440-6	2.00
651 1016	PEM STUD FHS-6-32-10	2.00
651 1020	10-32 X 3/8 PEM STUD FHS 10-32-6	2.00
651 1024	6-32 X 3/4 PEM STUD FHS 632-12	6.00
651 1038	THRED STUD 4-40X1" 77-16-104-13	12.00
652 0008	6-32 PEM NUT #CL 632-2	29.00
652 0032	6-32 LOCK-NUT KEPS 511-061800-00	11.00
652 2000	4-40 HEX NUT SS	2.00
652 2004	4-40 SMALL PATTERN HEX NUT SS	16.00
652 3004	6-32 SM PATTERN NUT, NAS 671-C6	5.00
653 0006	MICA WASHER (LARGE) FOR POWER XISTOR	1.00
653 2000	NO. 4 FLAT WASHER	16.00
653 2002	NO. 4 INT T LK WASHER	18.00
653 3000	NO. 6 FLAT WASHER	5.00
653 3001	NO. 6 INT T LK WASHER	1.00
653 3003	NO. 6 SPLIT LOCK MED WASHER	5.00
654 0048 R *	FASTON TERMINAL RED AMP 42599-4	2.00
654 0074	A.C. RECEPTACLE F 1540MS	2.00
654 1006	#5 GROUND LUG	3.00
654 1010	#10 GROUND LUG	9.00
654 1150	SOCKET HOUSING 1-420303-0	1.00
654 1163 R *	SOCKET 20-14 GA (REEL) AMP 61117-4	2.00
654 1214	GROMMET, HEYCO 623-4 (70,80,F)	1.00
654 1289	SNAP BUSHING SB-500-6 (1/2 HOLE 3/8 ID) F6290A	2.00
278 4000	* FLOPPY DISK DRIVE	2.00
000 0005	LABOR PRODUCTION SYSTEMS	2.50 ###
000 0011	LABOR QUALITY CONTROL	.50 ###
177 0063	DISKETTE (FLOPPY)	1.00
220 3011	FLOPPY DISK CABLE C6482-62	1.00
000 0001	LABOR SUB-SYSTEMS	.32 ###
* 000,0001,	LABOR QUALITY CONTROL	.06 ###

3-12

ASSEMBLY PART NUMBER 177 9201  
ASSEMBLY DESCRIPTION 5520 MASTER CPU/DUAL FLOPPY (928M1)

LEGEND  
\* = KIT TAG # = STATUS ITEM ### = FRACTIONAL QTY

3-13

PART NUMBER	DESCRIPTION	QUANTITY
350 0021	225-22221-110 SOL TYPE	1.00
350 0402 S	40 PIN FLAT CABLE CONNECTOR BOTTOM	2.00
350 0402 C	40 PIN FLAT CABLE CONNECTOR COVER	2.00
420 0045 *	40 COND FLAT CABLE	2.33 ###
510 6766	6766 PRINTED CIRCUIT BOARD	1.00
510 6767	6767 PRINTED CIRCUIT BOARD	1.00
452 4032	GUIDE, BOTTOM (FLOPPY) C6805-102	1.00
478 0294	CATCH (FLOPPY DRIVE) B6805-104	1.00
650 2081	4-40X1/4 FL HD PHL MS SS MAGNETIC	5.00
650 4320	8-32X1 PAN HD PHL MS SS	2.00
650 4401	8-32X1 1/4 FLAT HD PHL MS SS	1.00
650 9039	WING SCREW 1/4-20 X 1 1/8	2.00
652 0062	NUT, TFE 1/4-20 DOT SS58685	2.00
653 4001	NO. 8 INT T LK WASHER	2.00
653 4003	#8 FLAT WSHR (3/16 7/16 3/64) CAD PL	2.00
725 0053	# FLOPPY DISK (IBM COMPATIBLE) SHUGART	1.00
725 0053 91	DOOR, FLOPPY DISK (SHUGART)	1.00
279 0253	FLOPPY HANDLE ASSY (928M1) C6840-108	1.00
651 1019	6-32 X 1/2 PFM STUD FHS 632-8	2.00
725 0053 92	HANDLE, FLOPPY DISK (BLACK)	1.00
279 1014	BOTTOM PAN ASSY (928M1/M2) 6840-12	1.00
451 1226	A BOTTOM PAN (928M1/M2) F6840-119	1.00
452 2558	STIFFENER, CHASSIS (M1/M2) C6808-104	1.00
651 0402	RIVET AVDEL 11210615 3/16 X 7/16 LG	4.00
655 0205	BUMPER, WHITE #2096SW	4.00
360 1031 SH	3 AMP FUSE SLO 9L0 250V	1.00
451 2145 *	A TOP COVER (928M1/M2) D6840-117	1.00
451 4459	BRKT, DOOR LOCKING (928M1/2) C6840-106	1.00
451 4504	BRKT, STAT GND RH DISK DR 6840-129	1.00
451 4505	BRKT, STAT GND LH DISK DR 6840-128	1.00
461 3275	STUD, 6-32 X 3.75 66840-120	2.00
462 0265	SPACER, PC BOARD (F/F) C6815-13	8.00
478 0061	700 PROGRAM CLAMP NUTS 05900-27 (2)	2.00
615 1073 *	UNIVERSAL ID LABEL (LARGE) C5300-1066	1.00
650 4123	8-32X3/8 TRUSS HD PHL MS SS	4.00
650 4161 B	8-32X1/2 FL HD PHL MS (BLACK)	6.00
650 6121	10-32X3/8 TRUSS HD PHL MS SS	2.00
650 9012	1/4-20 X 3/4 FLANGE WHIT LOCK MS	4.00
652 0041	6-32 ACORN NUT NICKEL PLT.	2.00
652 3006	6-32 WING NUT CAD PLATE	2.00
653 4001	NO. 8 INT T LK WASHER	2.00
684 1274	CABLE CLAMP ADH. BACK DKLS0 021-0375	2.00

REVISED AS OF  
/ /

WANG LABORATORIES, INC.  
BILL OF MATERIALS

PAGE 1  
02/18/77

ASSEMBLY PART NUMBER 177 9201 A  
ASSEMBLY DESCRIPTION 5520 MASTER CPU (CABINET STYLE)

LEGEND  
\* = KIT TAG # = STATUS ITEM ### = FRACTIONAL QTY

PART NUMBER	DESCRIPTION	QUANTITY	
000 0003	LABOR CALCULATING SYSTEMS	9.75	###
000 0011	LABOR QUALITY CONTROL	1.95	###
210 7201 A * #	7201-A MODULE(A/I)	1.00	
000 0003	LABOR CALCULATING SYSTEMS	2.00	
000 0011	LABOR QUALITY CONTROL	.40	###
209 7201	# 7201 W/UNLOADED SOCKETS(A/I)	1.00	
000 0001	LABOR SUB-SYSTEMS	3.06	###
000 0011	LABOR QUALITY CONTROL	.61	###
300 1270	270 PF 10% CERAMIC CAPACITOR	4.00	RF2248
300 1900	.05 UF 12V +80-20% CERAMIC CAP	34.00	PCBFNL
300 1930	.1 U <sup>W</sup> 50V +80-20% CERAMIC CAP(HIFREQ)	32.00	
300 1931	1 UF CERAMIC CAPACITOR(HIGH FREQ)	23.00	
300 4022	15 UF 20V 10% TANT CAPACITOR (R)	10.00	
330 1011	10 OHM 1/4W 5% .4 RESISTOR	1.00	PCBFNL
330 1011 R *	10 OHM 1/4 W 5% -R RESISTOR	8.00	PCBFNL
330 2022 R *	220 OHM 1/4 W 10% -R RESISTOR	3.00	PCBFNL
330 3022 R *	2.2K OHM 1/4 W 10% -R RESISTOR	45.00	PCBFNL
375 1050	TRANSISTOR SPS6551	4.00	
376 0002	7400N INTEGRATED CIRCUIT	2.00	
376 0006	7474N INTEGRATED CIRCUIT	6.00	EC6320
376 0008	7442N INTEGRATED CIRCUIT	2.00	
376 0010	7404N INTEGRATED CIRCUIT	3.00	
376 0011	7493N INTEGRATED CIRCUIT	2.00	
376 0016	7402 INTEGRATED CIRCUIT	2.00	
376 0041	NS266B INTEGRATED CIRCUIT	2.00	
376 0048	74153 INTEGRATED CIRCUIT	2.00	
376 0049	74155 INTEGRATED CIRCUIT	1.00	
376 0081	7408 INTEGRATED CIRCUIT	2.00	
376 0083	74107 INTEGRATED CIRCUIT	2.00	
376 0093	7432 INTEGRATED CIRCUIT	2.00	
376 0125	7427 INTEGRATED CIRCUIT	1.00	
376 0171	74148 I.C.	1.00	
376 0178	75322 I.C.	2.00	
376 0179	74368 / 8098 I.C.	14.00	EC5833
376 0183	74173 I.C.	4.00	
376 0194	7411 I.C.	1.00	
376 0197	74504 I.C.	1.00	
376 0200	74508 I.C.	1.00	
376 0202	74574 I.C.	3.00	EC6320
376 0228	74500 I.C.	1.00	
376 0235	74510 I.C.	1.00	
376 9001	14 PIN IC SOCKET (SOCKET TAIL)	2.00	

3-14

ASSEMBLY PART NUMBER 177 9201 A  
ASSEMBLY DESCRIPTION 5520 MASTER CPU(CABINET STYLE)

LEGEND  
\* = KIT TAG # = STATUS ITEM ### = FRACTIONAL QTY

PART NUMBER	DESCRIPTION	QUANTITY
376 9003	24 PIN IC SOCKET BURNDY	4.00
376 9014	18 PIN IC SOCKET	36.00
510 7201	# 7201 PRINTED CIRCUIT BOARD	1.00
377 0314	# TMS4050 RAM 4K (18 PIN)	36.00
377 0317	# 2708 INTEL PROM	4.00
210 7202 A * # 7202-A MODULE(A/I)		1.00
209 7202	# 7202 W/UNLOADED SOCKETS(A/I)	1.00
000 0001	LABOR SUB-SYSTEMS	3.54
000 0011	LABOR QUALITY CONTROL	.71
300 1082	82 PF 10% CERAMIC CAPACITOR	1.00
300 1680	680 PF 10% CERAMIC CAPACITOR	1.00
300 1900	.05 UF 12V +80-20% CERAMIC CAP	31.00
300 1903	.01 UF 25V +80-20% CERAMIC CAP	1.00
300 1906	.001 UF 200V 10% CERAMIC CAPACITOR	1.00
300 4022	15 UF 20V 10% TANT CAPACITOR (R)	5.00
321 0008	10 MC .05% BRILLEY BXW OSCILLATOR	1.00
321 0018	17.1 MHZ OSCILLATOR	1.00
325 1503	8 BANK ROCKER SWITCH	1.00
325 9047 *	8 BANK ROCKER SWITCH CAP (325-1503)	1.00
330 1011	10 OHM 1/4W 5% .4 RESISTOR	2.00
330 2033	330 OHM 1/4 W 10% .4 RESISTOR	2.00
330 2082	820 OHM 1/4 W 10% .4 RESISTOR	2.00
330 3010	1K OHM 1/4 W 10% .4 RESISTOR	3.00
330 3010 R *	1K OHM 1/4 W 10% -R RESISTOR	5.00
330 3022 R *	2.2K OHM 1/4 W 10% -R RESISTOR	40.00
330 3082 R *	8.2K OHM 1/4 W 10% -R RESISTOR	8.00
330 4010 R *	10K OHM 1/4 W 10% -R RESISTOR	9.00
375 1050	TRANSISTOR SPS6551	2.00
376 0002	7400N INTEGRATED CIRCUIT	3.00
376 0003	7410N INTEGRATED CIRCUIT	2.00
376 0004	7420N INTEGRATED CIRCUIT	2.00
376 0005	7473N INTEGRATED CIRCUIT	1.00
376 0006	7474N INTEGRATED CIRCUIT	11.00
376 0008	7442N INTEGRATED CIRCUIT	4.00
376 0010	7404N INTEGRATED CIRCUIT	4.00
376 0016	7402 INTEGRATED CIRCUIT	2.00
376 0030	7486N INTEGRATED CIRCUIT	1.00
376 0041	NR2668 INTEGRATED CIRCUIT	2.00
376 0050	74180 INTEGRATED CIRCUIT	1.00
376 0053	74193 INTEGRATED CIRCUIT	2.00
376 0081	7408 INTEGRATED CIRCUIT	6.00
376 0083	74197 INTEGRATED CIRCUIT	1.00

3-15

ASSEMBLY PART NUMBER 177 9201 A  
ASSEMBLY DESCRIPTION 5520 MASTER CPU(CABINET STYLE)

LEGEND  
\* = KIT TAG # = STATUS ITEM ### = FRACTIONAL QTY

PART NUMBER	DESCRIPTION	QUANTITY
376 0093	7432 INTEGRATED CIRCUIT	3.00
376 0094	74161/9316 INTEGRATED CIRCUIT	6.00
376 0098	74174 INTEGRATED CIRCUIT	3.00
376 0119	74175 INTEGRATED CIRCUIT	2.00
376 0125	7427 INTEGRATED CIRCUIT	1.00
376 0139	7414 I.C.	1.00
376 0171	74149 I.C.	1.00
376 0176	74367 / 8097 I.C.	6.00
376 0178	75322 I.C.	1.00
376 0179	74368 / 8098 I.C.	4.00
376 0185	RT9P I.C.	2.00
376 0194	7411 I.C.	1.00
376 0197	74504 I.C.	2.00
376 0199	74502 I.C.	1.00
376 0205	74532 I.C.	1.00
376 0228	74500 I.C.	1.00
376 9011	40 PIN IC SOCKET RUPNDY # DILRZ40P1	1.00
510 7202	# 7202 PRINTED CIRCUIT BOARD	1.00
377 0269	8080A MICROPROCESSOR	1.00
210 7203	* # 7203 MODULE(A/I)	1.00
000 0001	LABOR SUB-SYSTEMS	3.09 ###
000 0011	LABOR QUALITY CONTROL	.62 ###
300 1560	560 PF 10% CERAMIC CAPACITOR	2.00
300 1900	.05 UF 12V +80-20% CERAMIC CAP	36.00
300 1930	.1 UF 50V +80-20% CERAMIC CAP(HIFRO	1.00
300 2010	.001 UF 100V MYLAR CAPACITOR	1.00
300 2068	.0068 UF 100V MYLAR CAPACITOR	1.00
300 4022	15 UF 20V 10% TANT CAPACITOR (R)	2.00
330 2018	180 OHM 1/4 W 10% .4 RESISTOR	1.00
330 2022	220 OHM 1/4 W 10% .4 RESISTOR	1.00
330 2022 R *	220 OHM 1/4 W 10% -R RESISTOR	13.00
330 2033	330 OHM 1/4 W 10% .4 RESISTOR	5.00
330 2033 R *	330 OHM 1/4 W 10% -R RESISTOR	9.00
330 3010	1K OHM 1/4 W 10% .4 RESISTOR	1.00
330 3010 R *	1K OHM 1/4 W 10% -R RESISTOR	7.00
330 3022 R *	2.2K OHM 1/4 W 10% -R RESISTOR	26.00
330 3047	4.7K OHM 1/4 W 10% .4 RESISTOR	1.00
330 4010	10K OHM 1/4 W 10% .4 RESISTOR	2.00
375 1009	2N2270 SILICON TRANSISTOR	1.00
375 9001	TRANSIPAD 8077887-1 LARGE	1.00
376 0002	7400N INTEGRATED CIRCUIT	6.00
376 0003	7410N INTEGRATED CIRCUIT	5.00

3-16

ASSEMBLY PART NUMBER 177 9201 A  
ASSEMBLY DESCRIPTION 5520 MASTER CPU(CABINET STYLE)

LEGEND  
\*=KIT TAG #=STATUS ITEM ###=FRACTIONAL QTY

PART NUMBER	DESCRIPTION		QUANTITY
376 0004	7420N INTEGRATED CIRCUIT		1.00
376 0006	7474N INTEGRATED CIRCUIT		17.00
376 0010	7404N INTEGRATED CIRCUIT		4.00
376 0011	7493N INTEGRATED CIRCUIT		2.00
376 0016	7402 INTEGRATED CIRCUIT		3.00
376 0040	N8242N INTEGRATED CIRCUIT		2.00
376 0045	74H04N INTEGRATED CIRCUIT		1.00
376 0048	74153 INTEGRATED CIRCUIT		4.00
376 0053	74193 INTEGRATED CIRCUIT		2.00
376 0081	7408 INTEGRATED CIRCUIT	RF226R	8.00
376 0093	7432 INTEGRATED CIRCUIT		5.00
376 0094	74161/9316 INTEGRATED CIRCUIT		3.00
376 0097	74195/9300 INTEGRATED CIRCUIT	PC9FNL	2.00
376 0104	9602 INTEGRATED CIRCUIT		1.00
376 0119	74175 INTEGRATED CIRCUIT		3.00
376 0128	7438 INTEGRATED CIRCUIT		8.00
376 0176	74367 / 8097 I.C.		2.00
376 0183	74173 I.C.		2.00
376 0194	7411 I.C.	EC5829	7.00
376 0250	9401 I.C.		1.00
376 9001	14 PIN IC SOCKET (SOLDER TAIL)	FC6513	1.00
380 2120	IN759A 12V ZENER DIODE		1.00
510 7203	* 7203 PRINTED CIRCUIT BOARD		1.00
210 7206	* * 7206 MODULE(A/I)		1.00
000 0001	LABOR SUB-SYSTEMS		2.41
000 0011	LABOR QUALITY CONTROL		.48
300 1100	100 PF 10% CERAMIC CAPACITOR		1.00
300 1330	330 PF 10% CERAMIC CAPACITOR		1.00
300 1900	.05 UF 12V +80-20% CERAMIC CAP		1.00
300 1906	.001 UF 200V 10% CERAMIC CAPACITOR		1.00
300 2147	.047UF 100V MYLAR CAPACITOR		1.00
300 3058	2000 UF 20V ELECTROLYTIC CAPACITOR		1.00
300 4022	15 UF 20V 10% TANT CAPACITOR (R)		3.00
300 4032	10 UF 35V 10% TANT CAPACITOR (C)		2.00
330 1027	27 OHM 1/4 W 10% .4 RESISTOR		1.00
330 2010	100 OHM 1/4 W 10% .4 RESISTOR		2.00
330 2022	220 OHM 1/4 W 10% .4 RESISTOR		1.00
330 2048 R *	470 OHM 1/4 W 5% -R RESISTOR		4.00
330 2068	680 OHM 1/4 W 10% .4 RESISTOR		2.00
330 3010	1K OHM 1/4 W 10% .4 RESISTOR	FC5827	1.00
330 3018	1.8K OHM 1/4 W 10% .4 RESISTOR		2.00
330 3023 R *	2.2K OHM 1/4W 5% -R RESISTOR		4.00

3-17

###  
###



ASSEMBLY PART NUMBER 177 9201 A  
ASSEMBLY DESCRIPTION 5520 MASTER CPU(CABINET STYLE)

LEGEND  
\* = KIT TAG # = STATUS ITEM ### = FRACTIONAL QTY

3-18

PART NUMBER	DESCRIPTION	QUANTITY
330 3028 UB	2.7K OHM 1/4 W 5% UB RESISTOR	2.00
330 3047	4.7K OHM 1/4 W 10% .4 RESISTOR	2.00
330 4010	10K OHM 1/4 W 10% .4 RESISTOR	2.00
330 4019	18K OHM 5% 1/4W .4 RESISTOR	1.00
331 0010	1 OHM 1/2W 10% RESISTOR	EC5849 2.00
331 0022	2.2 OHM 1/2W RESISTOR 10%	EC5849 1.00
331 3022	2.2K OHM 1/2 W 10% RESISTOR	1.00
332 2082	820 OHM 1 W 10% RESISTOR	1.00
332 3012	1.2K OHM 1 W 10% RESISTOR	1.00
332 3015	1.5K OHM 1 W 10% RESISTOR	1.00
334 0012	DISC 3 OHM 11 W RESISTOR	1.00
334 0025	7.5 OHM 7W 5% RESISTOR	1.00
336 1014	1K TRIMPOT 90 DEG MOUNT BECKMAN#72X	4.00
375 1052	TRANSISTOR 2N6387 (PLASTIC)	2.00
375 1053	TRANSISTOR 9CA8203A (PLASTIC)	2.00
375 9016	MICA INSUL#DF103B FOR 375-1034/1035	4.00
376 0066	723 INTEGRATED CIRCUIT	3.00
376 0134	LM304 INTEGRATED CIRCUIT	1.00
376 0240	LM339 I.C.	1.00
380 0000 4R	.4R GERMANIUM DIODE	1.00
380 1001 R *	D035 SIL DIODE 30V. 100MA AT 1V TCR	EC5849 3.00
380 2048	1N5230/.5M4.7752 4.7V 1/2W 2% ZENER	EC5775 2.00
380 2111	1N5241/.5M11752 11V 1/2W 2% ZENER	EC5775 1.00
380 2113	1N4743A 13V ZENER DIODE	1.00
380 3002 R	1N4719 RECTIFIER	4.00
380 3008	A15A RECTIFIER	2.00
478 0326	HEATSINK,REG RD(928M1/M2)C6840-105	1.00
510 7206	# 7206 PRINTED CIRCUIT BOARD	1.00
650 3080	6-32 X 1/4 PAN HD PHL MS SS SFMS	2.00
650 3131	6-32 X 3/8 NYLON COVERED FIL HD SLT	EC5827 4.00
210 7214 A	7214A MODULE(PRELIMINARY)	EC6313 1.00
209 7214	7214 W/UNLOADED SOCKETS	1.00
000 0001	LABOR SUR-SYSTEMS	4.00
000 0011	LABOR QUALITY CONTROL	.80
300 1900	.05 UF 12V +20-20% CERAMIC CAP	EC6503 45.00
300 2115	.015 UF 100V MYLAR CAPACITOR	EC6503 1.00
300 4022	15 UF 20V 10% TANT CAPACITOR (R)	EC6503 7.00
300 5012	DISC .0022 UF 500V 5% MICA CAP	EC6503 1.00
330 1092 R *	91 OHM 1/4 W 5% -R RESISTOR	EC6313 6.00
330 2011 UB	100 OHM 1/4W 5% UB RESISTOR	EC6313 6.00
330 2028 R *	270 OHM 1/4 W 5% -R RESISTOR	EC6313 6.00
330 2040 R *	390 OHM 1/4 W 5% -R RESISTOR	EC6313 6.00

###

ASSEMBLY PART NUMBER 177 9201 A  
ASSEMBLY DESCRIPTION 5520 MASTER CPU(CABINET STYLE)

LEGEND  
\* = KIT TAG # = STATUS ITEM ### = FRACTIONAL QTY

PART NUMBER	DESCRIPTION	QUANTITY
330 3010	1K OHM 1/4 W 10% .4 RESISTOR	1.00
330 3022 R *	2.2K OHM 1/4 W 10% -R RESISTOR	32.00
330 3047	4.7K OHM 1/4 W 10% .4 RESISTOR	1.00
330 4011	10K OHM 1/4 W 5% .4 RESISTOR	1.00
330 4047	47K OHM 1/4 W 10% .4 RESISTOR	1.00
350 0021	225-22221-110 SOL TYPE	1.00
376 0002	7400N INTEGRATED CIRCUIT	1.00
376 0003	7410N INTEGRATED CIRCUIT	3.00
376 0006	7474N INTEGRATED CIRCUIT	7.00
376 0008	7442N INTEGRATED CIRCUIT	1.00
376 0010	7404N INTEGRATED CIRCUIT	5.00
376 0016	7402 INTEGRATED CIRCUIT	4.00
376 0041	N8266B INTEGRATED CIRCUIT	1.00
376 0045	74H04N INTEGRATED CIRCUIT	1.00
376 0047	74151 INTEGRATED CIRCUIT	1.00
376 0081	7408 INTEGRATED CIRCUIT	3.00
376 0082	74157/9322 I.C.	2.00
376 0093	7432 INTEGRATED CIRCUIT	7.00
376 0094	74161/9316 INTEGRATED CIRCUIT	6.00
376 0097	74195/9300 INTEGRATED CIRCUIT	4.00
376 0104	9602 INTEGRATED CIRCUIT	1.00
376 0138	74298 I.C.	2.00
376 0146	75107 I.C.	3.00
376 0176	74367 / 8097 I.C.	3.00
376 0179	74368 / 8098 I.C.	6.00
376 0183	74173 I.C.	2.00
376 0194	7411 I.C.	3.00
376 0199	74S02 I.C.	1.00
376 0200	74S08 I.C.	1.00
376 0202	74S74 I.C.	3.00
376 0205	74S32 I.C.	1.00
376 0217	74S157 I.C.	2.00
376 0237	74S11 I.C.	1.00
376 0238	74S10 I.C.	2.00
376 0246	74S280 I.C.	1.00
376 0256	75113 I.C.	6.00
376 9010	22 PIN IC SOCKET ROUNDY # DILBZ22P1	2.00
377 0069	2102A-4 / 2102-1 / 9102B RAM	1.00
510 7214	7214 PRINTED CIRCUIT BOARD	1.00
377 0308	# 2101-1 RAM I.C.	2.00
270 0335	* # 92RM1 CHASSIS ASSY(60HZ)	1.00
000 0001	LAPOR SUB-SYSTEMS	10.19

###

3-19

ASSEMBLY PART NUMBER 177 9201 A  
ASSEMBLY DESCRIPTION 5520 MASTER CPU(CABINET STYLE)

LEGEND  
\* = KIT TAG # = STATUS ITEM ### = FRACTIONAL QTY

PART NUMBER	DESCRIPTION	QUANTITY	
000 0011	LABOR QUALITY CONTROL	2.04	###
210 7205	* # 7205 MODULE(MB)(PRELIMINARY)	1.00	
000 0001	LABOR SUB-SYSTEMS	.67	###
000 0011	LABOR QUALITY CONTROL	.13	###
279 0301	PLUNGER GUIDE ASSEMBLY 6815-51 EC6338	1.00	
451 4066	301 MICRO-SW BRACKET C5933-116 (2)	1.00	
478 0068	301 PLUNGER GUIDE B5933-117 (2)	1.00	
325 2305	115M1 MICRO SWITCH FOR CP-1 EC6338	1.00	
325 9034	PUSH BUTTON RED ALCONC12 EC6338	1.00	
350 0011	225-21521-110 PC CONN SOLDER TYPE EC6330	7.00	
350 0021	225-22221-110 SOL TYPE EC6330	8.00	
350 0027 S	261-10022-2 PC CONN (SHORT)	2.00	
350 0039	44 POS P.C.CONN SOLDER TYPE(CINCH) EC6330	4.00	
370 0027	LAMP,ORANGE(LED)MV5154 RF2251	1.00	
380 4000	FM403 / 1N4004 RECTIFIER RF2251	1.00	
461 3056	301 SWITCH PLUNGER B5933-114 EC6338	1.00	
510 7205	# 7205 PRINTED CIRCUIT BOARD	1.00	
650 0320	2-56 X 1 RD HD NYLON MS EC6338	2.00	
652 0991	2-56 NYLON HEX NUT EC6338	2.00	
654 1198	2 POS PIN HEADER ASSY AMP 350209-1 RF2251	1.00	
220 0117	740 AC CONN CABLE A6499-30 EC5927	2.00	
000 0001	LABOR SUB-SYSTEMS	.11	###
000 0011	LABOR QUALITY CONTROL	.02	###
420 1003	POWER CABLE 3 COND 18 GA W/SVT EC4968	2.92	###
654 1150	SOCKET HOUSING 1-480303-0	1.00	
654 1163 R	SOCKET 20-14 GA(REEL)AMP 61117-4 EC4968	3.00	
220 1042	P022 WIRE & LUG ASSY(2LCRT)D6482-12	2.00	
000 0001	LABOR SUB-SYSTEMS	.01	###
600 0054	WIRE 18 GA GREEN/YELLOW UL	.33	###
654 0050 R	#6 RING TONGUE RED BA16-6M(2K/REEL)	1.00	
654 0062 R	#4 FORK LUG RED BA16F-6M (2K/REEL)	1.00	
220 1094	P046 WIRE & LUG ASSY B	1.00	
000 0001	LABOR SUB-SYSTEMS	.02	###
600 0000	WIRE 18 GA BLACK UL	.90	###
654 0048 R	FASTON TERMINAL RED AMP 42599-4	1.00	
654 0084 R	FASTON TERMINAL(BLUE)RDY#DQ 14R258M	1.00	
220 1095	P049 WIRE & LUG ASSY(92RM1)B6482-12	1.00	
000 0001	LABOR SUB-SYSTEMS	.01	###
600 7000	16 GA BLACK STRANDED WIRE	.29	###
654 0084 R	FASTON TERMINAL(BLUE)RDY#DQ 14R258M	1.00	
220 1096	P050 WIRE & LUG ASSY(92RM1)B6482-12	1.00	
000 0001	LABOR SUB-SYSTEMS	.08	###

3-20

ASSEMBLY PART NUMBER 177 9201 A  
ASSEMBLY DESCRIPTION 5520 MASTER CPU(CABINET STYLE)

LEGEND  
\* = KIT TAG # = STATUS ITEM ### = FRACTIONAL QTY

PART NUMBER	DESCRIPTION	QUANTITY	
	000 0011 LABOR QUALITY CONTROL	.02	###
	600 7000 16 GA BLACK STRANDED WIRE	.50	###
	654 0084 R FASTON TERMINAL(BLUE)BDY#PQ 14R258M EC6131	1.00	
220 1097	P051 WIRE & LUG ASSY(928M1)R6482-12	1.00	
	000 0001 LABOR SUB-SYSTEMS	.01	###
	600 7000 16 GA BLACK STRANDED WIRE	1.10	###
	654 0084 R FASTON TERMINAL(BLUE)BDY#PQ 14R258M	1.00	
220 1098	P052 WIRE & LUG ASSY(928M1)R6482-12	1.00	
	000 0001 LABOR SUB-SYSTEMS	.01	###
	600 7009 16 GA WHITE STRANDED WIRE	1.10	###
	654 0084 R FASTON TERMINAL(BLUE)BDY#PQ 14R258M	1.00	
220 1099	P053 WIRE & LUG ASSY(928M1)R6482-12	1.00	
	000 0001 LABOR SUB-SYSTEMS	.02	###
	600 7004 16 GA YEL STRANDED WIRE	.58	###
	654 1163 R SOCKET 20-14 GA(REEL)AMP 61117-4	1.00	
220 1100	POWER CORD CABLE(928M1)R6482-116	1.00	
	000 0001 LABOR SUB-SYSTEMS	.19	###
	000 0011 LABOR QUALITY CONTROL	.04	###
	420 1004 CORD POWER 10AMP BELDEN #17419-5	1.00	
	600 0009 WIRE 18 GA WHITE UL	.58	###
	654 0017 FASTON TERMINAL AMP 42844-1	1.00	
	654 0048 R FASTON TERMINAL RED AMP 42599-4	1.00	
	654 0052 R #6 RING TONGUE BLU RA14-6M(2K/REEL)	1.00	
	654 0084 R FASTON TERMINAL(BLUE)BDY#PQ 14R258M EC6131	2.00	
270 0336	5PR CONN PLATE & CABLE ASSY D684011 EC6280	1.00	
	350 1036 HNC SOCKET (F) CONN UG1094A	6.00	
	350 2076 TNC BULKHEAD CONN(F)(PANEL)BW311403	6.00	
	452 2159 PLATE,CONN REAR 6 PAIR C6840-104	1.00	
	510 6703 6703 PRINTED CIRCUIT BOARD	1.00	
	600 2000 * WIRE 24 GA BLACK UL	24.00	
	600 2002 * WIRE 24 GA RED UL	12.00	
	600 2005 * WIRE 24 GA GREEN UL W/OFF-76	12.00	
	605 1004 * CABLE TYE, PAN-TY PLTIM-M	10.00	
	652 0010 4-40 PEM NUT CLS440-2	6.00	
	654 1011 3/8" GROUND LUG HH SMITH 1497	12.00	
270 3063	HEATSINK HARNESS(928M1)D6482-117	1.00	
	000 0001 LABOR SUB-SYSTEMS	.19	###
	000 0011 LABOR QUALITY CONTROL	.04	###
	600 0002 WIRE 18 GA RED UL	1.75	###
	600 6000 14 GA WHITE STRANDED WIRE	1.75	###
	600 7004 16 GA YEL STRANDED WIRE	1.00	
	600 7006 16 GA BLUE STRANDED WIRE	1.59	###

REVISED AS OF  
/ /

WANG LABORATORIES, INC.  
BILL OF MATERIALS

PAGE 9  
02/18/77

ASSEMBLY PART NUMBER 177 9201 A  
ASSEMBLY DESCRIPTION 5520 MASTER CPU(CABINET STYLE)

LEGEND  
\* = KIT TAG # = STATUS ITEM ### = FRACTIONAL QTY

PART NUMBER	DESCRIPTION	QUANTITY
605 1004	CABLE TYE, PAN-TY PLTJM-M	3.00
654 114P	SOCKET HOUSING 1-480318-0	1.00
654 1149	PIN HOUSING 1-480305-0	1.00
654 1163 R	SOCKET 20-14 GA(RFEL)AMP 61117-4	2.00
654 1164 R	PIN TERM 20-14 GA(RFEL)AMP 61118-4	3.00
300 3050	124K UF 15V ELECTROLYTIC CAPACITOR	1.00
300 3067	11K UF 50V ELECTROLYTIC CAPACITOR	1.00
300 3069	27000 UF 30V ELECTROLYTIC CAP	1.00
300 9004	CAP CLAMP 1 3/4" 3LUG SC#115-058-13	1.00
300 9006	CAP CLAMP 2 1/2 INCH 3 LUG	1.00
300 9010	CAP BOOT FOR 300-3042	1.00
300 9021	CAP CLAMP C TYPE 2 INCH 2 LUG W/OFF 74	1.00
300 9022	CAP CLAMP 2 1/16 INCH 3 LUG	1.00
310 0010	10 TERMINAL STRIP	1.00
325 0021	ON-OFF ROCKER SW SPDT TB201 TW-B	1.00
331 3012	1.2K OHM 1/2 W 10% RESISTOR	2.00
331 3022	2.2K OHM 1/2 W 10% RESISTOR	1.00
360 0001	FUSE HOLDER STR CONTACT	1.00
360 9000	RUBBER WSHR FOR 360-0000 / 360-0001	1.00
360 9002	HEX NUT FOR 360-0000 / 360-0001	1.00
360 9003	LOCK WSHR LF#905023(FOR 360-0000/1)	1.00
375 1048	TRANSISTOR 2N5301	1.00
375 9014	INSULATOR XTOP MOUNT WECKFESSER TM-1	1.00
380 3000	IN1200A RECTIFIER	2.00
380 5000	130 VOLT VARISTOR V130LA10	EC6280
400 1011	FAN, SKELETON(105CFM)ROTRON MU2A2	1.00
410 0111	A MMC 5855 CVT 60HZ(M1/M2)C5068-107	1.00
410 2005	LINE FILTER 5 AMP CORCOM SK1	1.00
420 1005	POWER CORD ROTRON FAN 16415	EC6349
440 0101	FAN GUARD 4"(BLACK)D5300-1085	1.00
450 0061	WANG TAG (BLANK) C5300-1049	EC5927
451 1103	A CHASSIS(928M1/M2)E6840-118	1.00
451 2146	R REAR COVER(928M1/M2)D6840-115	1.00
451 3076	R PANEL, FRONT DRESS(928M1/2)D6840-112	EC5927
451 3077	R PANEL, OUTER FRONT(928M1)D6840-113	EC5927
451 3078	R PANEL, INNER FRONT(928M1/2)D6840-114	EC5927
452 2569	PLATE, CLAMP(928M1/M2)C6840-100	1.00
461 3273	ROD, CLAMP(928M1/M2)R6840-101	1.00
461 3274	STUD, LOCKING(928M1/M2)R6840-102	2.00
462 0057	SPCR, FIBER #4 X 1/4 X 3/8L SM#2336	16.00
462 0063	CA SPACER SMITH 2321 6-32	EC5927
462 0141	SPCR, PHENOLIC CURRENT 4-250	2.00
		4.00

3-22

ASSEMBLY PART NUMBER 177 9201 A  
ASSEMBLY DESCRIPTION 5520 MASTER CPU(CABINET STYLE)

LEGEND  
\* = KIT TAG # = STATUS ITEM ### = FRACTIONAL QTY

PART NUMBER	DESCRIPTION	LEGEND	QUANTITY
462 0173	TY SPACER, SHIM R5776-143	EC5927	2.00
478 0061	700 PROGRAM CLAMP NUTS B5900-27 (2	EC5927	2.00
478 0327	HFATSINK(928 MASTER)C6840-107		1.00
605 0015	* #3 CLEAR TUBING	EC6445	2.50 ###
605 1004	* CABLE TYE, PAN-TY PLTIM-M		15.00
650 2120	4-40 X 3/8 PAN HD PHL MS SS SEMS		6.00
650 2400	4-40 X 1 1/4 FL HD PHL MS SS		4.00
650 3120	6-32 X 3/8 PAN HD PHL MS SS SEMS	EC5927	29.00
650 3240	6-32 X 3/4 PAN HD PHL MS SS		3.00
650 3246	6-32 X 3/4 PANEL SCREW WANG GRAY		4.00
650 6160	10-32 X 1/2 PAN HD PHL MS SS SEMS		4.00
651 1005	STUD SELF-CLINCH PEM FHS-440-6		2.00
651 1016	PEM STUD FHS-6-32-10	EC5927	2.00
651 1020	10-32 X 3/8 PEM STUD FHS 10-32-6		2.00
651 1024	6-32 X 3/4 PEM STUD FHS 632-12	EC5927	6.00
651 1038	THRED STUD 4-40X1" 77-16-104-13		12.00
652 0008	6-32 PEM NUT #CL 632-2		29.00
652 0032	6-32 LOCK-NUT KEPS 511-061800-00	EC5927	11.00
652 2000	4-40 HEX NUT SS	EC5927	2.00
652 2004	4-40 SMALL PATTERN HEX NUT SS		16.00
652 3004	6-32 SM PATTERN NUT, NAS 671-C6	EC5927	5.00
653 0006	MICA WASHER(LARGE)FOR POWER XISTOR		1.00
653 2000	NO. 4 FLAT WASHER		16.00
653 2002	NO. 4 INT T LK WASHER	EC5927	18.00
653 3000	NO. 6 FLAT WASHER	EC5927	5.00
653 3001	NO. 6 INT T LK WASHER	EC5927	1.00
653 3003	NO. 6 SPLIT LOCK MED WASHER		5.00
654 0048 R *	FASTON TERMINAL RED AMP 42599-4		2.00
654 0074	A.C.RECEPTACLE F 1540MS		2.00
654 1006	#6 GROUND LUG		3.00
654 1010	#10 GROUND LUG		9.00
654 1150	SOCKET HOUSING 1-480303-0		1.00
654 1163 R *	SOCKET 20-14 GA(REEL)AMP 61117-4		2.00
654 1214	GROMMET, HEYCO 6P3-4 (70,80,F		1.00
654 1289	SNAP BUSHING SR-500-6(1/2HOLE3/8ID) E6280A		2.00
278 4000 *	FLOPPY DISK DRIVE		2.00
000 0005	LABOR PRODUCTION SYSTEMS		2.50 ###
000 0011	LABOR QUALITY CONTROL		.50 ###
177 0063	DISKETTE (FLOPPY)		1.00
220 3011	FLOPPY DISK CABLE C6482-6?		1.00
000 0001	LABOR SUB-SYSTEMS		.32 ###
000 0011	LABOR QUALITY CONTROL		.06 ###

3-23

ASSEMBLY PART NUMBER 177 9201 A  
ASSEMBLY DESCRIPTION 5520 MASTER CPU(CABINET STYLE)

LEGEND  
\*=KIT TAG #=STATUS ITEM ###=FRACTIONAL QTY

PART NUMBER	DESCRIPTION	QUANTITY
350 0021	225-22221-110 SOL TYPE	1.00
350 0402 B	40 PIN FLAT CABLE CONNECTOR BOTTOM	2.00
350 0402 C	40 PIN FLAT CABLE CONNECTOR COVER	2.00
420 0045 *	40 COND FLAT CABLE	2.33 ###
510 6766	6766 PRINTED CIRCUIT BOARD	1.00
510 6767	6767 PRINTED CIRCUIT BOARD	1.00
452 4032	GUIDE,BOTTOM(FLOPPY)C6805-102	1.00
478 0294	CATCH(FLOPPY DRIVE)R6805-104	1.00
650 2081	4-40X1/4 FL HD PHL MS SS MAGNETIC	5.00
650 4320	8-32X1 PAN HD PHL MS SS	2.00
650 4401	8-32X1 1/4 FLAT HD PHL MS SS	1.00
650 9039	WING SCREW 1/4-20 X 1 1/8	2.00
652 0062	NUT,TFE 1/4-20 DOT SS58685	2.00
653 4001	NO. 8 INT T LK WASHER	2.00
653 4003	#8 FLAT WSHR (3/16 7/16 3/64)CAD PL	2.00
725 0053	# FLOPPY DISK(IBM COMPATIBLE)SHUGART	1.00
725 0053 91	DOOR,FLOPPY DISK (SHUGART)	1.00
279 0253	FLOPPY HANDLE ASSY(928M1)C6840-10R EC6211	1.00
651 1019	6-32 X 1/2 PEM STUD FHS 632-8	2.00
725 0053 92	HANDLE,FLOPPY DISK(BLACK)	1.00
360 1031 SR	3 AMP FUSE SLO BLO 250V	1.00
451 4459	BRKT,DOOR LOCKING(928M1/2)C6840-106	1.00
451 4504	BRKT,STAT GND RH DISK DR 96840-129 EC6465	1.00
451 4505	BRKT,STAT GND LH DISK DR 96840-128 EC6465	1.00
461 3275	STUD,6-32 X 3.75 96840-120	2.00
462 0265	SPACER,PC BOARD(E/F)C6815-13	8.00
478 0061	700 PROGRAM CLAMP NUTS 95900-27 (2	2.00
615 1073 *	UNIVERSAL ID LABEL(LARGE)C5300-1066	1.00
650 4123	8-32X3/8 TRUSS HD PHL MS SS EC6465	4.00
650 4161 B	8-32X1/2 FL HD PHL MS (BLACK)	6.00
650 6121	10-32X3/8 TRUSS HD PHL MS SS	2.00
650 9012	1/4-20 X 3/4 FLANGE WHIZ LOCK MS	4.00
652 0041	6-32 ACORN NUT NICKEL PLT.	2.00
652 3006	6-32 WING NUT CAD PLATE	2.00
653 4001	NO. 8 INT T LK WASHER	2.00
654 1274	CABLE CLAMP ADH.BACK DKLSR 021-0375	2.00

3-24

\*\*\*\*\*  
\*\*\*\*\*

ASSEMBLY PART NUMBER 177 9202  
ASSEMBLY DESCRIPTION 5530 MASTER

LEGEND  
\* = KIT TAG # = STATUS ITEM ### = FRACTIONAL QTY

PART NUMBER	DESCRIPTION	QUANTITY	
000 0003	LABOR CALCULATING SYSTEMS	9.75	###
000 0011	LABOR QUALITY CONTROL	1.95	###
177 9210 *	10 MEG DISK DRIVE(9280)	1.00	
220 0108 3	DISK CABLE ASSY(9280)06482-138	1.00	
000 0001	LABOR SUB-SYSTEMS	1.07	###
000 0011	LABOR QUALITY CONTROL	.21	###
210 7185 *	7185 MODULE (PRELIM 9280) EC6309	1.00	
300 4022	15 UF 20V 10% TANT CAPACITOR (B)	2.00	
330 2010 R *	100 OHM 1/4W 10% -R RESISTOR	19.00	
350 0401 R	36 PIN FLAT CABLE CONN BOTTOM 3378	2.00	
350 2057	50 PIN CONN BLOCK WIN# MRAC50S	1.00	
462 0200	1/4 RD X 1/2" L #4 SPCR RICHCO SS4-4	4.00	
510 7185	7185 PRINTED CIRCUIT BOARD	1.00	
650 2283	4-40 X 7/8 FILLISTER HD SS	4.00	
652 2001	4-40 HEX NUT NYLON	4.00	
654 1162	SOCKET PIN SOLDER WINCHESTER 8125	50.00	
350 0401 R	36 PIN FLAT CABLE CONN BOTTOM 3378	2.00	
350 0401 C	36 PIN FLAT CABLE CONN COVER 3378	4.00	
350 2057 HW	HARDWARE FOR 350-2057 WIN#JTC605	1.00	
420 0043	36 COND FLAT CABLE 3M 3405	12.00	
510 6587	# 6587 PRINTED CIRCUIT BOARD	2.00	
605 0133	CABLE JACKET, FLAT 3"W	5.66	###
660 0026	TAPE, COPPER FOIL 3 1/4"W #1181	11.32	###
725 0056	MODEL 44R 10 MEG DISK DRIVE(DIABLO)	1.00	
210 7201 A * #	7201-A MODULE(A/I)	1.00	
000 0003	LABOR CALCULATING SYSTEMS	2.00	
000 0011	LABOR QUALITY CONTROL	.40	###
209 7201	# 7201 W/UNLOADED SOCKETS(A/I)	1.00	
000 0001	LABOR SUB-SYSTEMS	3.06	###
000 0011	LABOR QUALITY CONTROL	.61	###
300 1270	270 PF 10% CERAMIC CAPACITOR RF 2248	4.00	
300 1900	.05 UF 12V +80-20% CERAMIC CAP PCBENL	34.00	
300 1930	.1 UF 50V +80-20% CERAMIC CAP(HIFREQ)	32.00	
300 1931	1 UF CERAMIC CAPACITOR(HIGH FREQ)	23.00	
300 4022	15 UF 20V 10% TANT CAPACITOR (B)	10.00	
330 1011	10 OHM 1/4W 5% .4 RESISTOR PCBENL	1.00	
330 1011 R *	10 OHM 1/4 W 5% -R RESISTOR PCBENL	8.00	
330 2022 R *	220 OHM 1/4 W 10% -R RESISTOR PCBENL	3.00	
330 3022 R *	2.2K OHM 1/4 W 10% -R RESISTOR PCBENL	45.00	
375 1050	TRANSISTOR SPS6551	4.00	
376 0002	7400N INTEGRATED CIRCUIT	2.00	
376 0006	7474N INTEGRATED CIRCUIT EC 6329	6.00	

3-25



ASSEMBLY PART NUMBER 177 9202  
ASSEMBLY DESCRIPTION 5530 MASTER

LEGEND  
\* = KIT TAG # = STATUS ITEM ### = FRACTIONAL QTY

PART NUMBER	DESCRIPTION	QUANTITY
376 0008	7442N INTEGRATED CIRCUIT	2.00
376 0010	7404N INTEGRATED CIRCUIT	3.00
376 0011	7493N INTEGRATED CIRCUIT	2.00
376 0016	7402 INTEGRATED CIRCUIT	2.00
376 0041	N9266B INTEGRATED CIRCUIT	2.00
376 0048	74153 INTEGRATED CIRCUIT	2.00
376 0049	74155 INTEGRATED CIRCUIT	1.00
376 0081	7408 INTEGRATED CIRCUIT	2.00
376 0083	74197 INTEGRATED CIRCUIT	2.00
376 0093	7432 INTEGRATED CIRCUIT	2.00
376 0125	7427 INTEGRATED CIRCUIT	1.00
376 0171	74148 I.C.	1.00
376 0178	75322 I.C.	2.00
376 0179	74368 / 8098 I.C.	14.00
376 0183	74173 I.C.	4.00
376 0194	7411 I.C.	1.00
376 0197	74S04 I.C.	1.00
376 0200	74S08 I.C.	1.00
376 0202	74S74 I.C.	3.00
376 0228	74S00 I.C.	1.00
376 0238	74S10 I.C.	1.00
376 9001	14 PIN IC SOCKET (SOLDER TAIL)	2.00
376 9003	24 PIN IC SOCKET BURNDY	4.00
376 9014	18 PIN IC SOCKET	36.00
510 7201	# 7201 PRINTED CIRCUIT BOARD	1.00
377 0314	# TMS4050 RAM 4K (18 PIN)	36.00
377 0317	# 2708 INTEL PROM	4.00
210 7202 A	* # 7202-A MODULE(A/I)	1.00
209 7202	# 7202 W/UNLOADED SOCKETS(A/I)	1.00
000 0001	LABOR SUB-SYSTEMS	3.54 ###
000 0011	LABOR QUALITY CONTROL	.71 ###
300 1082	82 PF 10% CERAMIC CAPACITOR	1.00
300 1680	680 PF 10% CERAMIC CAPACITOR	1.00
300 1900	.05 UF 12V +80-20% CERAMIC CAP	31.00
300 1903	.01 UF 25V +80-20% CERAMIC CAP	1.00
300 1906	.001 UF 200V 10% CERAMIC CAPACITOR	1.00
300 4022	15 UF 20V 10% TANT CAPACITOR (R)	5.00
321 0008	10 MC .05% RILEY BXW OSCILLATOR	1.00
321 0018	17.1 MHZ OSCILLATOR	1.00
325 1503	8 BANK ROCKER SWITCH	1.00
325 9047	* 8 BANK ROCKER SWITCH CAP (325-1503)	1.00
330 1011	10 OHM 1/4W 5% .4 RESISTOR	2.00

3-26

ASSEMBLY PART NUMBER 177 9202  
ASSEMBLY DESCRIPTION 5530 MASTER

LEGEND  
\*=KIT TAG #=STATUS ITEM ###=FRACTIONAL QTY

PART NUMBER	DESCRIPTION	QUANTITY
330 2033	330 OHM 1/4 W 10% .4 RESISTOR	2.00
330 2082	620 OHM 1/4 W 10% .4 RESISTOR	2.00
330 3010	1K OHM 1/4 W 10% .4 RESISTOR	3.00
330 3010 R *	1K OHM 1/4 W 10% -R RESISTOR	5.00
330 3022 R *	2.2K OHM 1/4 W 10% -R RESISTOR	40.00
330 3082 R *	8.2K OHM 1/4 W 10% -R RESISTOR	8.00
330 4010 R *	10K OHM 1/4 W 10% -R RESISTOR	9.00
375 1050	TRANSISTOR SPS6551	2.00
376 0002	7400N INTEGRATED CIRCUIT	3.00
376 0003	7410N INTEGRATED CIRCUIT	2.00
376 0004	7420N INTEGRATED CIRCUIT	2.00
376 0005	7473N INTEGRATED CIRCUIT	1.00
376 0006	7474N INTEGRATED CIRCUIT	11.00
376 0008	7442N INTEGRATED CIRCUIT	4.00
376 0010	7404N INTEGRATED CIRCUIT	4.00
376 0016	7402 INTEGRATED CIRCUIT	2.00
376 0036	7486N INTEGRATED CIRCUIT	1.00
376 0041	NR266B INTEGRATED CIRCUIT	2.00
376 0050	74180 INTEGRATED CIRCUIT	1.00
376 0053	74193 INTEGRATED CIRCUIT	2.00
376 0081	740R INTEGRATED CIRCUIT	6.00
376 0083	74197 INTEGRATED CIRCUIT	1.00
376 0093	7432 INTEGRATED CIRCUIT	3.00
376 0094	74161/9316 INTEGRATED CIRCUIT	6.00
376 0098	74174 INTEGRATED CIRCUIT	3.00
376 0119	74175 INTEGRATED CIRCUIT	2.00
376 0125	7427 INTEGRATED CIRCUIT	1.00
376 0130	7414 I.C.	1.00
376 0171	74148 I.C.	1.00
376 0176	74367 / 8097 I.C.	6.00
376 0178	75322 I.C.	1.00
376 0179	74368 / 8098 I.C.	4.00
376 0185	RT98 I.C.	2.00
376 0194	7411 I.C.	1.00
376 0197	74504 I.C.	2.00
376 0199	74502 I.C.	1.00
376 0205	74532 I.C.	1.00
376 0228	74500 I.C.	1.00
376 9011	40 PIN IC SOCKET BURNBY # DILB740P1	1.00
510 7202	# 7202 PRINTED CIRCUIT BOARD	1.00
377 0269	8060A MICROPROCESSOR	1.00
210 7203	* # 7203 MODULE(A/I)	1.00

3-27

ASSEMBLY PART NUMBER 177 9202  
ASSEMBLY DESCRIPTION 5530 MASTER

LEGEND  
\* = KIT TAG # = STATUS ITEM ### = FRACTIONAL QTY

PART NUMBER	DESCRIPTION	QUANTITY	
000 0001	LABOR SUB-SYSTEMS	3.09	###
000 0011	LABOR QUALITY CONTROL	.62	###
300 1560	560 PF 10% CERAMIC CAPACITOR	2.00	
300 1900	.05 UF 12V +80-20% CERAMIC CAP	36.00	PCBFNL
300 1930	.1 UF 50V +80-20% CERAMIC CAP (HIERO	1.00	EC6276
300 2010	.001 UF 100V MYLAR CAPACITOR	1.00	FC6276
300 2068	.0058 UF 100V MYLAR CAPACITOR	1.00	
300 4022	15 UF 20V 10% TANT CAPACITOR (R)	2.00	
330 2018	180 OHM 1/4 W 10% .4 RESISTOR	1.00	FC5829
330 2022	220 OHM 1/4 W 10% .4 RESISTOR	1.00	PCBFNL
330 2022 P *	220 OHM 1/4 W 10% -R RESISTOR	13.00	PCBFNL
330 2033	330 OHM 1/4 W 10% .4 RESISTOR	5.00	PCBFNL
330 2033 R *	330 OHM 1/4 W 10% -R RESISTOR	9.00	PCBFNL
330 3010	1K OHM 1/4 W 10% .4 RESISTOR	1.00	PCBFNL
330 3010 R *	1K OHM 1/4 W 10% -R RESISTOR	7.00	RF2268
330 3022 P *	2.2K OHM 1/4 W 10% -R RESISTOR	26.00	EC5829
330 3047	4.7K OHM 1/4 W 10% .4 RESISTOR	1.00	
330 4010	10K OHM 1/4 W 10% .4 RESISTOR	2.00	EC6276
375 1009	2N2270 SILICON TRANSISTOR	1.00	
375 9001	TRANSIPAD 8977887-1 LARGE	1.00	FC5829
376 0002	7400N INTEGRATED CIRCUIT	6.00	
376 0003	7410N INTEGRATED CIRCUIT	5.00	FC5835
376 0004	7420N INTEGRATED CIRCUIT	1.00	
376 0006	7474N INTEGRATED CIRCUIT	17.00	
376 0010	7404N INTEGRATED CIRCUIT	4.00	
376 0011	7493N INTEGRATED CIRCUIT	2.00	
376 0016	7402 INTEGRATED CIRCUIT	3.00	
376 0040	N8242N INTEGRATED CIRCUIT	2.00	
376 0045	74H04N INTEGRATED CIRCUIT	1.00	
376 0048	74153 INTEGRATED CIRCUIT	4.00	
376 0053	74193 INTEGRATED CIRCUIT	2.00	
376 0081	7408 INTEGRATED CIRCUIT	8.00	RF2268
376 0093	7432 INTEGRATED CIRCUIT	5.00	
376 0094	74161/9316 INTEGRATED CIRCUIT	3.00	
376 0097	74195/9300 INTEGRATED CIRCUIT	2.00	PCBFNL
376 0104	9602 INTEGRATED CIRCUIT	1.00	
376 0119	74175 INTEGRATED CIRCUIT	3.00	
376 0128	7438 INTEGRATED CIRCUIT	8.00	
376 0176	74367 / 8097 I.C.	2.00	
376 0183	74173 I.C.	2.00	
376 0194	7411 I.C.	7.00	FC5829
376 0250	7401 I.C.	1.00	

ASSEMBLY PART NUMBER 177 9202  
ASSEMBLY DESCRIPTION 5530 MASTER

LEGEND  
\*=KIT TAG #=STATUS ITEM ###=FRACTIONAL QTY

PART NUMBER	DESCRIPTION	QUANTITY
376 9001	14 PIN IC SOCKET (SOLDER TAIL)	1.00
380 2120	IN759A 12V ZENER DIODE	1.00
510 7203	# 7203 PRINTED CIRCUIT BOARD	1.00
210 7206	* # 7206 MODULE(A/I)	1.00
000 0001	LABOR SUB-SYSTEMS	2.41 ###
000 0011	LABOR QUALITY CONTROL	.48 ###
300 1100	100 PF 10% CERAMIC CAPACITOR	1.00
300 1330	330 PF 10% CERAMIC CAPACITOR	1.00
300 1900	.05 UF 12V +80-20% CERAMIC CAP	1.00
300 1906	.001 UF 200V 10% CERAMIC CAPACITOR	1.00
300 2147	.047UF 100V MYLAR CAPACITOR	1.00
300 3058	2000 UF 20V ELECTROLYTIC CAPACITOR	1.00
300 4022	15 UF 20V 10% TANT CAPACITOR (B)	3.00
300 4032	10 UF 35V 10% TANT CAPACITOR (C)	2.00
330 1027	27 OHM 1/4 W 10% .4 RESISTOR	1.00
330 2010	100 OHM 1/4 W 10% .4 RESISTOR	2.00
330 2022	220 OHM 1/4 W 10% .4 RESISTOR	1.00
330 2048 R *	470 OHM 1/4 W 5% -R RESISTOR	4.00
330 2068	680 OHM 1/4 W 10% .4 RESISTOR	2.00
330 3010	1K OHM 1/4 W 10% .4 RESISTOR	1.00
330 3018	1.8K OHM 1/4 W 10% .4 RESISTOR	2.00
330 3023 R *	2.2K OHM 1/4W 5% -R RESISTOR	4.00
330 3028 UR	2.7K OHM 1/4 W 5% UR RESISTOR	2.00
330 3047	4.7K OHM 1/4 W 10% .4 RESISTOR	2.00
330 4010	10K OHM 1/4 W 10% .4 RESISTOR	2.00
330 4019	18K OHM 5% 1/4W .4 RESISTOR	1.00
331 0010	1 OHM 1/2W 10% RESISTOR	2.00
331 0022	2.2 OHM 1/2W RESISTOR 10%	1.00
331 3022	2.2K OHM 1/2 W 10% RESISTOR	1.00
332 2082	820 OHM 1 W 10% RESISTOR	1.00
332 3012	1.2K OHM 1 W 10% RESISTOR	1.00
332 3015	1.5K OHM 1 W 10% RESISTOR	1.00
334 0012	DISC 3 OHM 11 W RESISTOR	1.00
334 0025	7.5 OHM 7W 5% RESISTOR	1.00
336 1014	1K TRIMPOT 90 DEG MOUNT BECKMAN#72X	4.00
375 1052	TRANSISTOR 2N6387 (PLASTIC)	2.00
375 1053	TRANSISTOR RCAR203A (PLASTIC)	2.00
375 9016	MICA INSUL#DF1038 FOR 375-1034/1035	4.00
376 0066	723 INTEGRATED CIRCUIT	3.00
376 0134	LM304 INTEGRATED CIRCUIT	1.00
376 0240	LM339 I.C.	1.00
380 0000 48	.48 GERMANIUM DIODE	1.00

3-29

ASSEMBLY PART NUMBER 177 9202  
ASSEMBLY DESCRIPTION 5530 MASTER

LEGEND  
\* = KIT TAG # = STATUS ITEM ### = FRACTIONAL QTY

PART NUMBER	DESCRIPTION	QUANTITY
380 1001 R *	D035 SIL DIODE 30V, 100MA AT 1V T&R EC5849	3.00
380 2048	1N5230/.5M4.7752 4.7V 1/2W 2% ZENER EC5775	2.00
380 2111	1N5241/.5M11252 11V 1/2W 2% ZENER EC5775	1.00
380 2113	1N4743A 13V ZENER DIODE	1.00
380 3002 R	1N4719 RECTIFIER	4.00
380 3008	A15A RECTIFIER	2.00
478 0326	HEATSINK, REG 8D(928M1/M2)C6P40-105	1.00
510 7206	# 7206 PRINTED CIRCUIT BOARD	1.00
650 3080	6-32 X 1/4 PAN HD PHL MS SS SEMS	2.00
650 3131	6-32 X 3/8 NYLON COVERED FIL HD SLT EC5827	4.00
210 7214 1A	7214-1 MODULE EC6313	1.00
209 7214 1 *	7214-1 W/UNLOADED SOCKETS (5520/30)	1.00
000 0001	LABOR SUB-SYSTEMS	4.00
000 0011	LABOR QUALITY CONTROL	.80 ###
300 1900	.05 UF 12V +80-20% CERAMIC CAP EC6502	58.00
300 2115	.015 UF 100V MYLAR CAPACITOR EC6502	1.00
300 4022	15 UF 20V 10% TANT CAPACITOR (H) EC6502	11.00
300 5012	DISC .0022 UF 500V 5% MICA CAP	2.00
330 1092 R	91 OHM 1/4 W 5% -R RESISTOR	14.00
330 2011 UR	100 OHM 1/4W 5% UR RESISTOR	14.00
330 2028 R	270 OHM 1/4 W 5% -R RESISTOR	14.00
330 2040 R	390 OHM 1/4 W 5% -R RESISTOR	14.00
330 3010	1K OHM 1/4 W 10% .4 RESISTOR EC6502	1.00
330 3022 R *	2.2K OHM 1/4 W 10% -R RESISTOR EC6502	44.00
330 3047	4.7K OHM 1/4 W 10% .4 RESISTOR EC6502	1.00
330 4011	10K OHM 1/4 W 5% .4 RESISTOR EC6502	1.00
330 4047	47K OHM 1/4 W 10% .4 RESISTOR EC6502	1.00
350 0021	225-22221-110 SOL TYPE	1.00
376 0002	7400N INTEGRATED CIRCUIT	4.00
376 0003	7410N INTEGRATED CIRCUIT EC6502	3.00
376 0006	7474N INTEGRATED CIRCUIT	7.00
376 0008	7442N INTEGRATED CIRCUIT	2.00
376 0010	7404N INTEGRATED CIRCUIT	5.00
376 0016	7402 INTEGRATED CIRCUIT	6.00
376 0041	NR266B INTEGRATED CIRCUIT EC6502	1.00
376 0045	74H04N INTEGRATED CIRCUIT	1.00
376 0047	74151 INTEGRATED CIRCUIT	2.00
376 0081	7408 INTEGRATED CIRCUIT EC6502	3.00
376 0082	74157/9322 I.C. EC6502	2.00
376 0092	7432 INTEGRATED CIRCUIT	9.00
376 0094	74161/9316 INTEGRATED CIRCUIT	6.00
376 0097	74195/9300 INTEGRATED CIRCUIT	4.00

ASSEMBLY PART NUMBER 177 9302  
ASSEMBLY DESCRIPTION 5530 MASTER

LEGEND  
\* = KIT TAG # = STATUS ITEM ### = FRACTIONAL QTY

PART NUMBER	DESCRIPTION	QUANTITY
376 0104	9602 INTEGRATED CIRCUIT	1.00
376 0138	74298 I.C.	2.00
376 0146	75107 I.C.	7.00
376 0176	74367 / 8097 I.C.	3.00
376 0179	74368 / 8098 I.C.	6.00
376 0183	74173 I.C.	2.00
376 0194	7411 I.C.	3.00
376 0199	74502 I.C.	1.00
376 0200	74508 I.C.	1.00
376 0202	74574 I.C.	3.00
376 0205	74532 I.C.	1.00
376 0217	745157 I.C.	2.00
376 0237	74511 I.C.	1.00
376 0238	74510 I.C.	2.00
376 0246	745280 I.C.	1.00
376 0256	75113 I.C.	14.00
376 9010	22 PIN IC SOCKET BURNDY # DILBZ22P1	2.00
377 0069	2102A-4 / 2102-1 / 9102B RAM	1.00
510 7214	7214 PRINTED CIRCUIT BOARD	1.00
377 0308	* 2101-1 RAM I.C.	2.00
270 0365	* 928M2 CHASSIS ASSY(50HZ)	1.00
000 0001	LABOR SUB-SYSTEMS	8.66 ###
000 0011	LABOR QUALITY CONTROL	1.73 ###
210 7205	* 7205 MODULE(MB)(PRELIMINARY)	1.00
000 0001	LABOR SUB-SYSTEMS	.67 ###
000 0011	LABOR QUALITY CONTROL	.13 ###
279 0301	PLUNGER GUIDE ASSEMBLY 6815-51	1.00
451 4066	301 MICRO-SW BRACKET C5933-116 (2	1.00
478 0068	301 PLUNGER GUIDE B5933-117 (2	1.00
325 2305	115M1 MICRO SWITCH FOR CP-1	1.00
325 9034	PUSH BUTTON RED ALCONC12	1.00
350 0011	225-21521-110 PC CONN SOLDER TYPE	7.00
350 0021	225-22221-110 SOL TYPE	8.00
350 0027	261-10022-2 PC CONN (SHORT)	2.00
350 0039	44 PDS P.C.CONN SOLDER TYPE(CINCH)	4.00
370 0027	LAMP,ORANGE(LED)MV5154	1.00
380 4000	EM403 / 1N4004 RECTIFIER	1.00
461 3056	301 SWITCH PLUNGER B5933-114	1.00
510 7205	* 7205 PRINTED CIRCUIT BOARD	1.00
650 0320	2-56 X 1 RD HD NYLON MS	2.00
652 0991	2-56 NYLON HEX NUT	2.00
654 1198	2 PDS PIN HEADER ASSY AMP 350209-1	1.00

3-31

ASSEMBLY PART NUMBER 177 9202  
ASSEMBLY DESCRIPTION 5530 MASTER

LEGEND  
\* = KIT TAG # = STATUS ITEM ### = FRACTIONAL QTY

PART NUMBER	DESCRIPTION	QUANTITY	
220 0117	740 AC CONN CABLE A6499-30	2.00	
000 0001	LABOR SUB-SYSTEMS	.11	###
000 0011	LABOR QUALITY CONTROL	.02	###
420 1003	POWER CABLE 3 COND 18 GA W/SVT	2.92	###
654 1150	SOCKET HOUSING 1-480303-0	1.00	
654 1163 R	SOCKET 20-14 GA (REEL) AMP 61117-4	3.00	EC496R
220 1042	P022 WIRE & LUG ASSY (2LCRT) B6482-12	2.00	
000 0001	LABOR SUB-SYSTEMS	.01	###
600 0054	WIRE 18 GA GREEN/YELLOW UL	.33	###
654 0050 R	#6 RING TONGUE RED BA16-6M (2K/REEL)	1.00	
654 0060 R	#4 FORK LUG RED BA16F-6M (2K/REEL)	1.00	
220 1094	P046 WIRE & LUG ASSY R	1.00	
000 0001	LABOR SUB-SYSTEMS	.02	###
600 0000	WIRE 18 GA BLACK UL	.90	###
654 0048 R	FASTON TERMINAL RED AMP 42599-4	1.00	
654 0084 R	FASTON TERMINAL (BLUE) BDY#PQ 14R258M	1.00	
220 1095	P049 WIRE & LUG ASSY (928M1) B6482-12	1.00	
000 0001	LABOR SUB-SYSTEMS	.01	###
600 7000	16 GA BLACK STRANDED WIRE	.29	###
654 0084 R	FASTON TERMINAL (BLUE) BDY#PQ 14R258M	1.00	
220 1096	P050 WIRE & LUG ASSY (928M1) B6482-12	1.00	
000 0001	LABOR SUB-SYSTEMS	.08	###
000 0011	LABOR QUALITY CONTROL	.02	###
600 7000	16 GA BLACK STRANDED WIRE	.50	###
654 0084 R	FASTON TERMINAL (BLUE) BDY#PQ 14R258M	1.00	EC6131
220 1097	P051 WIRE & LUG ASSY (928M1) B6482-12	1.00	
000 0001	LABOR SUB-SYSTEMS	.01	###
600 7000	16 GA BLACK STRANDED WIRE	1.10	###
654 0084 R	FASTON TERMINAL (BLUE) BDY#PQ 14R258M	1.00	
220 1098	P052 WIRE & LUG ASSY (928M1) B6482-12	1.00	
000 0001	LABOR SUB-SYSTEMS	.01	###
600 7000	16 GA WHITE STRANDED WIRE	1.10	###
654 0084 R	FASTON TERMINAL (BLUE) BDY#PQ 14R258M	1.00	
220 1099	P053 WIRE & LUG ASSY (928M1) B6482-12	1.00	
000 0001	LABOR SUB-SYSTEMS	.02	###
600 7004	16 GA YEL STRANDED WIRE	.58	###
654 1163 R	SOCKET 20-14 GA (REEL) AMP 61117-4	1.00	
220 1100	POWER CORD CABLE (928M1) B6482-116	1.00	
000 0001	LABOR SUB-SYSTEMS	.19	###
000 0011	LABOR QUALITY CONTROL	.04	###
420 1004	CORD POWER 10AMP SELDEN #17419-S	1.00	
600 0000	WIRE 18 GA WHITE UL	.58	###

ASSEMBLY PART NUMBER 177 9202  
ASSEMBLY DESCRIPTION 5530 MASTERLEGEND  
\* = KIT TAG # = STATUS ITFM ### = FRACTIONAL QTY

PART NUMBER	DESCRIPTION	QUANTITY	
654 0017	FASTON TERMINAL AMP 42844-1	1.00	
654 0048 R	FASTON TERMINAL RED AMP 42599-4	1.00	
654 0052 R	#6 RING TONGUE BLU BA14-6M(2K/REEL)	1.00	
654 0084 R	FASTON TERMINAL(BLUF)BDY#PQ 14R25RM EC6131	2.00	
270 0366	14PR CONN PLT & CABLE ASSY D6840-25 EC6280	1.00	
350 1036	BNC SOCKET (F) CONN UG1094A	14.00	
350 2078	TNC BULKHEAD CONN(F)(PANEL)BW311403	14.00	
452 2158	PLATE, CONN REAR 14 PAIR C6840-103	1.00	
510 6703	6703 PRINTED CIRCUIT BOARD	1.00	
600 2000	* WIRE 24 GA BLACK UL	63.00	
600 2002	* WIRE 24 GA RED UL	31.50	###
600 2005	* WIRE 24 GA GREEN UL W/OFF-76	31.50	###
605 1004	* CABLE TYE, PAN-TY PLTIM-M	25.00	
652 0010	4-40 PEM NUT CLS440-2	6.00	
654 1011	3/8" GROUND LUG HH SMITH 1497	28.00	
270 3063	HEATSINK HARNESS(92RM1)D6482-117	1.00	
000 0001	LABOR SUB-SYSTEMS	.19	###
000 0011	LABOR QUALITY CONTROL	.04	###
600 0002	WIRE 18 GA RED UL	1.75	###
600 6009	14 GA WHITE STRANDED WIRE	1.75	###
600 7004	16 GA YEL STRANDED WIRE	1.00	
600 7006	16 GA BLUE STRANDED WIRE	1.59	###
605 1004	CABLE TYE, PAN-TY PLTIM-M	3.00	
654 1148	SOCKET HOUSING 1-480318-0	1.00	
654 1149	PIN HOUSING 1-480305-0	1.00	
654 1163 R	SOCKET 20-14 GA(REEL)AMP 61117-4	2.00	
654 1164 R	PIN TERM 20-14 GA(REEL)AMP 61118-4	3.00	
300 3050	124K UF 15V ELECTROLYTIC CAPACITOR	1.00	
300 3067	11K UF 50V ELECTROLYTIC CAPACITOR	1.00	
300 3069	27000 UF 30V ELECTROLYTIC CAP	1.00	
300 9004	CAP CLAMP 1 3/4"3LUG SC#115-058-13	1.00	
300 9006	CAP CLAMP 2 1/2 INCH 3 LUG	1.00	
300 9010	CAP BOOT FOR 300-3042	1.00	
300 9021	CAP CLAMP C TYPE 2 INCH 2 LUGW/OFF74	1.00	
300 9022	CAP CLAMP 2 1/16 INCH 3 LUG	1.00	
310 0010	10 TERMINAL STRIP	1.00	
325 0021	ON-OFF ROCKER SW SPDT TR201 TW-R	1.00	
331 3012	1.2K OHM 1/2 W 10% RESISTOR	2.00	
331 3022	2.2K OHM 1/2 W 10% RESISTOR	1.00	
360 0001	FUSE HOLDER STR CONTACT	1.00	
360 9000	RUBBER WSHR FOR 360-0000 / 360-0001	1.00	
360 9002	HEX NUT FOR 360-0000 / 360-0001	1.00	



ASSEMBLY PART NUMBER 177 9202  
ASSEMBLY DESCRIPTION 5530 MASTER

LEGEND  
\* = KIT TAG W = STATUS ITEM ### = FRACTIONAL QTY

PART NUMBER	DESCRIPTION	QUANTITY
360 9003	LOCK WSHR LF#905023(FOR 360-0000/1)	1.00
375 1048	TRANSISTOR 2N5301	1.00
375 9014	INSULATOR XTOR MOUNT WECKESSEF TM-1	1.00
380 3000	IN1200A RECTIFIER	2.00
380 5000	130 VOLT VARISTOR V130LA10 EC6280	1.00
400 1011	FAN,SKELETON(105CFM)ROTRON MU2A2	1.00
410 0111	A MMC 5855 CVT 60HZ(M1/M2)C5068-107	1.00
410 2005	LINE FILTER 5 AMP CORCOM 5K1	1.00
420 1005	POWER CORD ROTRON FAN 16415 FC6349	1.00
449 0101	FAN GUARD 4"(BLACK)D5300-1085	1.00
450 0061	WANG TAG (BLANK) C5300-1049	1.00
451 1103	A CHASIS(928M1/M2)E6840-118	1.00
451 2146	B REAR COVER(928M1/M2)D6840-115	1.00
451 3076	B PANFL,FRONT DRESS(928M1/2)D6840-112	1.00
451 3078	B PANFL,INNER FRONT(928M1/2)D6840-114	1.00
451 3079	PANEL,OUTER FRONT(928M2)D6840-250	1.00
452 2569	PLATE,CLAMP(928M1/M2)C6840-100	1.00
461 3273	ROD,CLAMP(928M1/M2)B6840-101	1.00
461 3274	STUD,LOCKING(928M1/M2)B6840-102	2.00
462 0057	SPCR,FIBER #4 X 1/4 X 3/8L SM#2336	16.00
462 0063	CA SPACER SMITH 2321 6-32	2.00
462 0141	SPCR, PHENOLIC CURRENT 4-250	4.00
462 0173	TY SPACER,SHIM H5776-143	2.00
478 0061	700 PROGRAM CLAMP NUTS R5900-27 (2)	2.00
478 0327	HEATSINK(928 MASTER)C6840-107	1.00
605 0015	* #3 CLEAR TUBING	1.00
605 1004	* CABLE TYE, PAN-TY PLTJM-M	15.00
615 0383	BOARD,DUMMY FINGER(928M1)B6840-126	2.00
650 2120	4-40 X 3/8 PAN HD PHL MS SS SFMS	6.00
650 2400	4-40 X 1 1/4 FL HD PHL MS SS	4.00
650 3120	6-32 X 3/8 PAN HD PHL MS SS SFMS	29.00
650 3240	6-32 X 3/4 PAN HD PHL MS SS	3.00
650 3246	6-32 X 3/4 PANEL SCREW WANG GRAY	4.00
650 6160	10-32 X 1/2 PAN HD PHL MS SS SFMS	4.00
651 1005	STUD SELF-CLINCH PEM FHS-440-6	2.00
651 1016	PEM STUD FHS-6-32-10	2.00
651 1020	10-32 X 3/8 PEM STUD FHS 10-32-6	2.00
651 1024	6-32 X 3/4 PEM STUD FHS 6-32-12	6.00
651 1038	THRED STUD 4-40X1" 77-16-104-13	12.00
652 0008	6-32 PEM NUT NCL 632-2	29.00
652 0032	6-32 LOCK-NUT KEPS 611-061800-00	11.00
652 2000	4-40 HEX NUT SS	2.00

ASSEMBLY PART NUMBER 177 9202  
ASSEMBLY DESCRIPTION 5530 MASTER

LEGEND  
\* = KIT TAG # = STATUS ITEM ### = FRACTIONAL QTY

PART NUMBER	DESCRIPTION	QUANTITY	
652 2004	4-40 SMALL PATTERN HEX NUT SS	16.00	
652 3004	6-32 SM PATTERN NUT,NAS 671-C6	5.00	
653 0006	MICA WASHER(LARGE)FOR POWER XISTOR	1.00	
653 2000	NO. 4 FLAT WASHER	16.00	
653 2002	NO. 4 INT T LK WASHER	18.00	
653 3000	NO. 6 FLAT WASHER	5.00	
653 3001	NO. 6 INT T LK WASHER	1.00	
653 3003	NO. 6 SPLIT LOCK MED WASHER	5.00	
654 0048 R *	FASTON TERMINAL RED AMP 42599-4	2.00	
654 0074	A.C.RECEPTACLE F 1540MS	2.00	
654 1006	#6 GROUND LUG	3.00	
654 1010	#10 GROUND LUG	9.00	
654 1150	SOCKET HOUSING 1-480303-0	1.00	
654 1163 R *	SOCKET 20-14 GA(REEL)AMP 61117-4	2.00	
654 1214	GROMMET, HEYCO 6P3-4 (70.80.F	1.00	
654 1289	SNAP BUSHING SR-500-6(1/2HOLE3/8ID) E6280A	2.00	
3-35 278 4000 *	FLOPPY DISK DRIVE	1.00	
000 0005	LABOR PRODUCTION SYSTEMS	2.50	###
000 0011	LABOR QUALITY CONTROL	.50	###
177 0063	DISKETTE (FLOPPY)	1.00	
220 3011	FLOPPY DISK CABLE C6482-62	1.00	
000 0001	LABOR SUB-SYSTEMS	.32	###
000 0011	LABOR QUALITY CONTROL	.06	###
350 0021	225-22221-110 SOL TYPE	1.00	EC5323
350 0402 B	40 PIN FLAT CABLE CONNECTOR BOTTOM	2.00	EC5323
350 0402 C	40 PIN FLAT CABLE CONNECTOR COVER	2.00	
420 0045 *	40 COND FLAT CABLE	2.33	###
510 6766	6766 PRINTED CIRCUIT BOARD	1.00	EC5323
510 6767	6767 PRINTED CIRCUIT BOARD	1.00	EC5323
452 4032	GUIDE,BOTTOM(FLOPPY)C6805-102	1.00	EC5312
478 0294	CATCH(FLOPPY DRIVE)R6805-104	1.00	EC5312
650 2081	4-40X1/4 FL HD PHL MS SS MAGNETIC	5.00	FC5312
650 4320	8-32X1 PAN HD PHL MS SS	2.00	E5312A
650 4401	8-32X1 1/4 FLAT HD PHL MS SS	1.00	E5312A
650 9039	WING SCREW 1/4-20 X 1 1/8	2.00	
652 0062	NUT,TEE 1/4-20 DOT SS58685	2.00	EC5312
653 4001	NO. 8 INT T LK WASHER	2.00	EC5312
653 4003	#8 FLAT WSHP (3/16 7/16 3/64)CAD PL	2.00	EC5312
725 0053	* FLOPPY DISK(IBM COMPATIBLE)SHUGART	1.00	
725 0053 91	DOOR,FLOPPY DISK (SHUGART)	1.00	
279 1014	BOTTOM PAN ASSY(928M1/M2) 6840-12	1.00	EC6465
451 1226	A BOTTOM PAN(928M1/M2)E6840-119	1.00	

ASSEMBLY PART NUMBER 177 9202  
ASSEMBLY DESCRIPTION 5530 MASTER

LEGEND  
\* = KIT TAG # = STATUS ITEM ### = FRACTIONAL QTY

PART NUMBER	DESCRIPTION	QUANTITY
452 2558	STIFFENER, CHASSIS (M1/M2) C6808-104	1.00
651 0402	RIVET AVDFL 11210615 3/16 X 7/16 LG	4.00
655 0205	BUMPER, WHITE #2096SW	4.00
360 1031 SB	3 AMP FUSE SLO BLO 250V	1.00
451 2145	A TOP COVER (928M1/M2) D6840-117	1.00
451 4505	BRKT, STAT GND LH DISK DR B6840-128 EC6465	1.00
461 3275	STUD, 6-32 X 3.75 B6840-120	2.00
462 0265	SPACER, PC BOARD (E/F) C6815-13	8.00
615 1073 *	UNIVERSAL ID LABEL (LARGE) C5300-1066	1.00
650 4123	8-32X3/8 TRUSS HD PHL MS SS EC6465	3.00
650 4161 B	8-32X1/2 FL HD PHL MS (BLACK)	6.00
650 6121	10-32X3/8 TRUSS HD PHL MS SS	2.00
650 9012	1/4-20 X 3/4 FLANGE WHIZ LOCK MS	4.00
652 0041	6-32 ACORN NUT NICKEL PLT.	2.00
652 3006	6-32 WING NUT CAD PLATE	2.00
653 4001	NO. 8 INT T LK WASHER	2.00
654 1274	CABLE CLAMP ADH. BACK DKLSP 021-0375	2.00

3-36

\*\*\*\*\*  
\*\*\*\*\*

ASSEMBLY PART NUMBER 177 9202 A  
ASSEMBLY DESCRIPTION 5530 MASTER CPU(CABINET STYLE)

LEGEND  
\*=KIT TAG #=STATUS ITEM ###=FRACTIONAL QTY

PART NUMBER	DESCRIPTION	QUANTITY	
000 0003	LABOR CALCULATING SYSTEMS	9.75	###
000 0011	LABOR QUALITY CONTROL	1.95	###
177 9210 *	10 MEG DISK DRIVE(928D)	1.00	
220 0108 3	DISK CABLE ASSY(928D)D6482-138	1.00	
000 0001	LABOR SUB-SYSTEMS	1.07	###
000 0011	LABOR QUALITY CONTROL	.21	###
210 7185 *	7185 MODULE (PRELIM 928D) EC6309	1.00	
300 4022	15 UF 20V 10% TANT CAPACITOR (R)	2.00	
330 2010 R *	100 OHM 1/4W 10% -R RESISTOR	19.00	
350 0401 B	36 PIN FLAT CABLE CONN BOTTOM 3378	2.00	
350 2057	50 PIN CONN BLOCK WIN# MRAC505	1.00	
462 0200	1/4 RD X 1/2" L #4 SPCR RICHCO 554-4	4.00	
510 7185	7185 PRINTED CIRCUIT BOARD	1.00	
650 2283	4-40 X 7/8 FILLISTER HD SS	4.00	
652 2001	4-40 HEX NUT NYLON	4.00	
654 1162	SOCKET PIN SOLDER WINCHESTER 8125	50.00	
350 0401 B	36 PIN FLAT CABLE CONN BOTTOM 3378	2.00	
350 0401 C	36 PIN FLAT CABLE CONN COVER 3378	4.00	
350 2057 HW	HARDWARE FOR 350-2057 WIN#JTC605	1.00	
420 0043	36 COND FLAT CABLE 3M 3405	12.00	
510 6587	# 6587 PRINTED CIRCUIT BOARD	2.00	
605 0133	CABLE JACKET, FLAT 3"W	5.66	###
660 0026	TAPE, COPPER FOIL 3 1/4"W #1181	11.32	###
725 0056	MODFL 44B 10 MEG DISK DRIVE(DIARLO)	1.00	
210 7201 A * #	7201-A MODULE(A/I)	1.00	
000 0003	LABOR CALCULATING SYSTEMS	2.00	
000 0011	LABOR QUALITY CONTROL	.40	###
209 7201	# 7201 W/UNLOADED SOCKETS(A/I)	1.00	
000 0001	LABOR SUB-SYSTEMS	3.06	###
000 0011	LABOR QUALITY CONTROL	.61	###
300 1270	270 PF 10% CERAMIC CAPACITOR RF2248	4.00	
300 1900	.05 UF 12V +80-20% CERAMIC CAP PCBFNL	34.00	
300 1930	.1 UF 50V +80-20% CERAMIC CAP(HIFREQ)	32.00	
300 1931	1 UF CERAMIC CAPACITOR(HIGH FREQ)	23.00	
300 4022	15 UF 20V 10% TANT CAPACITOR (R)	10.00	
330 1011	10 OHM 1/4W 5% .4 RESISTOR PCBFNL	1.00	
330 1011 R *	10 OHM 1/4 W 5% -R RESISTOR PCBFNL	8.00	
330 2022 R *	220 OHM 1/4 W 10% -R RESISTOR PCBFNL	3.00	
330 3022 R *	2.2K OHM 1/4 W 10% -R RESISTOR PCBFNL	45.00	
375 1050	TRANSISTOR 9PS6551	4.00	
376 0002	7400N INTEGRATED CIRCUIT	2.00	
376 0006	7474N INTEGRATED CIRCUIT EC6320	6.00	

ASSEMBLY PART NUMBER 177 9202 A  
ASSEMBLY DESCRIPTION 5530 MASTER CPU (CABINET STYLE)

LEGEND  
\* = KIT TAG # = STATUS ITEM ### = FRACTIONAL QTY

PART NUMBER	DESCRIPTION	QUANTITY
376 0008	7442N INTEGRATED CIRCUIT	2.00
376 0010	7404N INTEGRATED CIRCUIT	3.00
376 0011	7493N INTEGRATED CIRCUIT	2.00
376 0016	7402 INTEGRATED CIRCUIT	2.00
376 0041	NR266B INTEGRATED CIRCUIT	2.00
376 004H	74153 INTEGRATED CIRCUIT	2.00
376 0049	74155 INTEGRATED CIRCUIT	1.00
376 0081	7408 INTEGRATED CIRCUIT	2.00
376 0083	74197 INTEGRATED CIRCUIT	2.00
376 0093	7432 INTEGRATED CIRCUIT	2.00
376 0125	7427 INTEGRATED CIRCUIT	1.00
376 0171	74148 I.C.	1.00
376 0178	75322 I.C.	2.00
376 0179	74368 / 8098 I.C.	EC5833 14.00
376 0183	74173 I.C.	4.00
376 0194	7411 I.C.	1.00
376 0197	74504 I.C.	1.00
376 0200	74508 I.C.	1.00
376 0202	74574 I.C.	EC6329 3.00
376 0228	74500 I.C.	1.00
376 0239	74510 I.C.	1.00
376 9001	14 PIN IC SOCKET (SOLDER TAIL)	2.00
376 9003	24 PIN IC SOCKET BURNDY	4.00
376 9014	18 PIN IC SOCKET	36.00
510 7201	# 7201 PRINTED CIRCUIT BOARD	1.00
377 0314	# TMS4050 RAM 4K (18 PIN)	36.00
377 0317	# 2708 INTEL PROM	4.00
210 7202 A	* # 7202-A MODULE(A/I)	1.00
209 7202	# 7202 W/UNLOADED SOCKETS(A/I)	1.00
000 0001	LABOR SUB-SYSTEMS	3.54 ###
000 0011	LABOR QUALITY CONTROL	.71 ###
300 1092	82 PF 10% CERAMIC CAPACITOR	RF2254 1.00
300 1680	680 PF 10% CERAMIC CAPACITOR	1.00
300 1900	.05 UF 12V +80-20% CERAMIC CAP	EC5832 31.00
300 1903	.01 UF 25V +80-20% CERAMIC CAP	1.00
300 1906	.001 UF 200V 10% CERAMIC CAPACITOR	EC6068 1.00
300 4022	15 UF 20V 10% TANT CAPACITOR (B)	5.00
321 0008	10 MC .05% HILLEY BXW OSCILLATOR	1.00
321 0018	17.1 MHZ OSCILLATOR	1.00
325 1503	8 BANK ROCKER SWITCH	1.00
325 4047	* 8 BANK ROCKER SWITCH CAP (325-1503)	EC5832 1.00
330 1011	10 OHM 1/4W 5% .4 RESISTOR	2.00

3-38

ASSEMBLY PART NUMBER 177 9202 A  
ASSEMBLY DESCRIPTION 5530 MASTER CPU(CABINET STYLE)

LEGEND  
\* = KIT TAG # = STATUS ITEM ### = FRACTIONAL QTY

PART NUMBER	DESCRIPTION	QUANTITY
330 2033	330 OHM 1/4 W 10% .4 RESISTOR	2.00
330 2082	820 OHM 1/4 W 10% .4 RESISTOR	2.00
330 3010	1K OHM 1/4 W 10% .4 RESISTOR	3.00
330 3010 R *	1K OHM 1/4 W 10% -R RESISTOR	5.00
330 3022 R *	2.2K OHM 1/4 W 10% -R RESISTOR	40.00
330 3082 R *	8.2K OHM 1/4 W 10% -R RESISTOR	8.00
330 4010 R *	10K OHM 1/4 W 10% -R RESISTOR	9.00
375 1050	TRANSISTOR SPS6551	2.00
376 0002	7400N INTEGRATED CIRCUIT	3.00
376 0003	7410N INTEGRATED CIRCUIT	2.00
376 0004	7420N INTEGRATED CIRCUIT	2.00
376 0005	7473N INTEGRATED CIRCUIT	1.00
376 0006	7474N INTEGRATED CIRCUIT	11.00
376 0008	7442N INTEGRATED CIRCUIT	4.00
376 0010	7404N INTEGRATED CIRCUIT	4.00
376 0016	7402 INTEGRATED CIRCUIT	2.00
376 0036	7486N INTEGRATED CIRCUIT	1.00
376 0041	N8266B INTEGRATED CIRCUIT	2.00
376 0050	74180 INTEGRATED CIRCUIT	1.00
376 0053	74193 INTEGRATED CIRCUIT	2.00
376 0081	7408 INTEGRATED CIRCUIT	6.00
376 0083	74197 INTEGRATED CIRCUIT	1.00
376 0093	7432 INTEGRATED CIRCUIT	3.00
376 0094	74161/9316 INTEGRATED CIRCUIT	6.00
376 0098	74174 INTEGRATED CIRCUIT	3.00
376 0119	74175 INTEGRATED CIRCUIT	2.00
376 0125	7427 INTEGRATED CIRCUIT	1.00
376 0139	7414 I.C.	1.00
376 0171	74148 I.C.	1.00
376 0176	74367 / 8097 I.C.	6.00
376 0178	75322 I.C.	1.00
376 0179	74368 / 8098 I.C.	4.00
376 0185	8T98 I.C.	2.00
376 0194	7411 I.C.	1.00
376 0197	74504 I.C.	2.00
376 0199	74502 I.C.	1.00
376 0205	74532 I.C.	1.00
376 0229	74500 I.C.	1.00
376 9011	40 PIN IC SOCKET ROUNDY # D1L9Z40P1	1.00
510 7202	# 7202 PRINTED CIRCUIT BOARD	1.00
377 0269	8080A MICROPROCESSOR	1.00
210 7203	* # 7203 MODULE(A/I)	1.00

3-39

ASSEMBLY PART NUMBER 177 9202 A  
ASSEMBLY DESCRIPTION 5530 MASTER CPU(CABINET STYLE)

LEGEND  
\* = KIT TAG # = STATUS ITEM ### = FRACTIONAL QTY

PART NUMBER	DESCRIPTION	QUANTITY	
000 0001	LABOR SUB-SYSTEMS	3.09	###
000 0011	LABOR QUALITY CONTROL	.62	###
300 1560	560 PF 10% CERAMIC CAPACITOR	2.00	
300 1900	.05 UF 12V +80-20% CERAMIC CAP	36.00	
300 1930	.1 UF 50V +90-20% CERAMIC CAP(HIERO	1.00	EC6276
300 2010	.001 UF 100V MYLAR CAPACITOR	1.00	EC6276
300 2068	.0068 UF 100V MYLAR CAPACITOR	1.00	
300 4022	15 UF 20V 10% TANT CAPACITOR (R)	2.00	
330 2018	180 OHM 1/4 W 10% .4 RESISTOR	1.00	EC5829
330 2022	220 OHM 1/4 W 10% .4 RESISTOR	1.00	PCBFNL
330 2022 R *	220 OHM 1/4 W 10% -R RESISTOR	13.00	PCBFNL
330 2033	330 OHM 1/4 W 10% .4 RESISTOR	5.00	PCBFNL
330 2033 P *	330 OHM 1/4 W 10% -P RESISTOR	9.00	PCBFNL
330 3010	1K OHM 1/4 W 10% .4 RESISTOR	1.00	PCBFNL
330 3010 R *	1K OHM 1/4 W 10% -R RESISTOR	7.00	RF2268
330 3022 P *	2.2K OHM 1/4 W 10% -P RESISTOR	26.00	EC5829
330 3047	4.7K OHM 1/4 W 10% .4 RESISTOR	1.00	
330 4010	10K OHM 1/4 W 10% .4 RESISTOR	2.00	EC6276
375 1009	2N2270 SILICON TRANSISTOR	1.00	
375 9001	TRANSIPAD H977887-1 LARGE	1.00	EC5829
376 0002	7400N INTEGRATED CIRCUIT	6.00	
376 0003	7410N INTEGRATED CIRCUIT	5.00	EC5835
376 0004	7420N INTEGRATED CIRCUIT	1.00	
376 0006	7474N INTEGRATED CIRCUIT	17.00	
376 0010	7404N INTEGRATED CIRCUIT	4.00	
376 0011	7493N INTEGRATED CIRCUIT	2.00	
376 0016	7402 INTEGRATED CIRCUIT	3.00	
376 0040	NE242N INTEGRATED CIRCUIT	2.00	
376 0045	74H04N INTEGRATED CIRCUIT	1.00	
376 0048	74153 INTEGRATED CIRCUIT	4.00	
376 0053	74193 INTEGRATED CIRCUIT	2.00	
376 0081	7408 INTEGRATED CIRCUIT	8.00	RF2268
376 0093	7432 INTEGRATED CIRCUIT	5.00	
376 0094	74151/9316 INTEGRATED CIRCUIT	3.00	
376 0097	74195/9300 INTEGRATED CIRCUIT	2.00	PCBFNL
376 0104	9602 INTEGRATED CIRCUIT	1.00	
376 0119	74175 INTEGRATED CIRCUIT	3.00	
376 0128	7438 INTEGRATED CIRCUIT	8.00	
376 0175	74367 / 8097 I.C.	2.00	
376 0183	74173 I.C.	2.00	
376 0194	7411 I.C.	7.00	EC5829
376 0250	9401 I.C.	1.00	

ASSEMBLY PART NUMBER 177 9202 A  
ASSEMBLY DESCRIPTION 5530 MASTER CPU(CABINET STYLE)LEGEND  
\* = KIT TAG # = STATUS ITEM ### = FRACTIONAL QTY

PART NUMBER	DESCRIPTION	QUANTITY
376 9001	14 PIN IC SOCKET (SOLDER TAIL)	1.00
380 2120	1N759A 12V ZENER DIODE	1.00
510 7203	# 7203 PRINTED CIRCUIT BOARD	1.00
210 7206	* # 7206 MODULE (A/I)	1.00
000 0001	LABOR SUB-SYSTEMS	2.41 ###
000 0011	LABOR QUALITY CONTROL	.48 ###
300 1100	100 PF 10% CERAMIC CAPACITOR	1.00
300 1330	330 PF 10% CERAMIC CAPACITOR	1.00
300 1900	.05 UF 12V +80-20% CERAMIC CAP	1.00
300 1906	.001 UF 200V 10% CERAMIC CAPACITOR	1.00
300 2147	.047UF 100V MYLAR CAPACITOR	1.00
300 3058	2000 UF 20V ELECTROLYTIC CAPACITOR	1.00
300 4022	15 UF 20V 10% TANT CAPACITOR (B)	3.00
300 4032	10 UF 35V 10% TANT CAPACITOR (C)	2.00
330 1027	27 OHM 1/4 W 10% .4 RESISTOR	1.00
330 2010	100 OHM 1/4 W 10% .4 RESISTOR	2.00
330 2022	220 OHM 1/4 W 10% .4 RESISTOR	1.00
330 2048 R *	470 OHM 1/4 W 5% -R RESISTOR	4.00
330 2068	680 OHM 1/4 W 10% .4 RESISTOR	2.00
330 3010	1K OHM 1/4 W 10% .4 RESISTOR	1.00
330 3018	1.8K OHM 1/4 W 10% .4 RESISTOR	2.00
330 3023 R *	2.2K OHM 1/4W 5% -R RESISTOR	4.00
330 3028 UR	2.7K OHM 1/4 W 5% UR RESISTOR	2.00
330 3047	4.7K OHM 1/4 W 10% .4 RESISTOR	2.00
330 4010	10K OHM 1/4 W 10% .4 RESISTOR	2.00
330 4019	18K OHM 5% 1/4W .4 RESISTOR	1.00
331 0010	1 OHM 1/2W 10% RESISTOR	2.00
331 0022	2.2 OHM 1/2W RESISTOR 10%	1.00
331 3022	2.2K OHM 1/2 W 10% RESISTOR	1.00
332 2082	820 OHM 1 W 10% RESISTOR	1.00
332 3012	1.2K OHM 1 W 10% RESISTOR	1.00
332 3015	1.5K OHM 1 W 10% RESISTOR	1.00
334 0012	DISC 3 OHM 11 W RESISTOR	1.00
334 0025	7.5 OHM 7W 5% RESISTOR	1.00
336 1014	1K TRIMPOT 90 DEG MOUNT BECKMAN#72X	4.00
375 1052	TRANSISTOR 2N6387 (PLASTIC)	2.00
375 1053	TRANSISTOR RCA8203A (PLASTIC)	2.00
375 9016	MICA INSUL#DF103B FOR 375-1034/1035	4.00
376 0066	723 INTEGRATED CIRCUIT	3.00
376 0134	LM304 INTEGRATED CIRCUIT	1.00
376 0240	LM339 I.C.	1.00
380 0000 4B	.48 GERMANIUM DIODE	1.00

3-41



ASSEMBLY PART NUMBER 177 9202 A  
ASSEMBLY DESCRIPTION 5530 MASTER CPU(CABINET STYLE)

LEGEND  
\* = KIT TAG # = STATUS ITEM ### = FRACTIONAL QTY

PART NUMBER	DESCRIPTION	QUANTITY
380 1001 R *	D035 SIL DIODE 30V, 100MA AT 1V TCR EC5849	3.00
380 2048	1N5230/.5M4.7Z52 4.7V 1/2W 2% ZENER EC5775	2.00
380 2111	1N5241/.5M11Z52 11V 1/2W 2% ZENER EC5775	1.00
380 2113	1N4743A 13V ZENER DIODE	1.00
380 3002 R	1N4719 RECTIFIER	4.00
380 3008	A15A RECTIFIER	2.00
478 0326	HEATSINK, REG 90(928M1/M2)C6840-105	1.00
510 7206	# 7206 PRINTED CIRCUIT BOARD	1.00
650 3080	6-32 X 1/4 PAN HD PHL MS SS SEMS	2.00
650 3131	6-32 X 3/8 NYLON COVERED FIL HD SLT EC5827	4.00
210 7214 1A	7214-1 MODULE EC6313	1.00
209 7214 1 *	7214-1 W/UNLOADED SOCKETS (5520/30)	1.00
000 0001	LABOR SUB-SYSTEMS	4.00
000 0011	LABOR QUALITY CONTROL	.80 ###
300 1900	.05 UF 12V +80-20% CERAMIC CAP EC6502	58.00
300 2115	.015 UF 100V MYLAR CAPACITOR EC6502	1.00
300 4022	15 UF 20V 10% TANT CAPACITOR (R) EC6502	11.00
300 5012	DISC .0022 UF 500V 5% MICA CAP	2.00
330 1092 R	91 OHM 1/4 W 5% -R RESISTOR	14.00
330 2011 UR	100 OHM 1/4W 5% US RESISTOR	14.00
330 2026 R	270 OHM 1/4 W 5% -R RESISTOR	14.00
330 2040 R	390 OHM 1/4 W 5% -R RESISTOR	14.00
330 3010	1K OHM 1/4 W 10% .4 RESISTOR EC6502	1.00
330 3022 R *	2.2K OHM 1/4 W 10% -R RESISTOR EC6502	44.00
330 3047	4.7K OHM 1/4 W 10% .4 RESISTOR EC6502	1.00
330 4011	10K OHM 1/4 W 5% .4 RESISTOR EC6502	1.00
330 4047	47K OHM 1/4 W 10% .4 RESISTOR EC6502	1.00
350 0021	225-22221-110 SOL TYPE	1.00
376 0002	7400N INTEGRATED CIRCUIT	4.00
376 0003	7410N INTEGRATED CIRCUIT EC6502	3.00
376 0006	7474N INTEGRATED CIRCUIT	7.00
376 0008	7402N INTEGRATED CIRCUIT	2.00
376 0010	7404N INTEGRATED CIRCUIT	5.00
376 0016	7402 INTEGRATED CIPCUIT	6.00
376 0041	NR266B INTEGRATED CIRCUIT EC6502	1.00
376 0045	74H04N INTEGRATED CIRCUIT	1.00
376 0047	74151 INTEGRATED CIRCUIT	2.00
376 0081	7408 INTEGRATED CIRCUIT EC6502	3.00
376 0082	74157/9322 I.C. EC6502	2.00
376 0093	7432 INTEGRATED CIRCUIT	9.00
376 0094	74161/9316 INTEGRATED CIRCUIT	6.00
376 0097	74195/9300 INTEGRATED CIRCUIT	4.00

3-42

ASSEMBLY PART NUMBER 177 9202 A  
ASSEMBLY DESCRIPTION 5530 MASTER CPU(CABINET STYLE)

LEGEND  
\* = KIT TAG # = STATUS ITEM ### = FRACTIONAL QTY

PART NUMBER	DESCRIPTION	QUANTITY
376 0104	9602 INTEGRATED CIRCUIT	1.00
376 0138	74298 I.C.	2.00
376 0146	75107 I.C.	7.00
376 0176	74367 / 8097 I.C.	3.00
376 0179	74368 / 8098 I.C.	6.00
376 0183	74173 I.C.	2.00
376 0194	7411 I.C.	3.00
376 0199	74S02 I.C.	1.00
376 0200	74S08 I.C.	1.00
376 0202	74S74 I.C.	3.00
376 0205	74S32 I.C.	1.00
376 0217	74S157 I.C.	2.00
376 0237	74S11 I.C.	1.00
376 0238	74S10 I.C.	2.00
376 0246	74S280 I.C.	1.00
376 0256	75113 I.C.	14.00
376 9010	22 PIN IC SOCKET RUNDY # DILRZ22P1	2.00
377 0060	2102A-4 / 2102-1 / 9102B RAM	1.00
510 7214	7214 PRINTED CIRCUIT BOARD	1.00
377 0308	# 2101-1 RAM I.C.	2.00
270 0365 *	928M2 CHASSIS ASSY(60HZ)	1.00
000 0001	LABOR SUB-SYSTEMS	8.66 ###
000 0011	LABOR QUALITY CONTROL	1.73 ###
210 7205	# 7205 MODULE(MB)(PRELIMINARY)	1.00
000 0001	LABOR SUB-SYSTEMS	.67 ###
000 0011	LABOR QUALITY CONTROL	.13 ###
279 0301	PLUNGER GUIDE ASSEMBLY 6815-51 EC6338	1.00
451 4066	301 MICRO-SW BRACKET C5933-116 (2)	1.00
478 0068	301 PLUNGER GUIDE B5933-117 (2)	1.00
325 2305	115M1 MICRO SWITCH FOR CP-1 EC6338	1.00
325 9034	PUSH BUTTON RED ALCO#C12 EC6338	1.00
350 0011	225-21521-110 PC CONN SOLDER TYPE EC6330	7.00
350 0021	225-22221-110 SOL TYPE EC6330	8.00
350 0027 S	261-10022-2 PC CONN (SHORT)	2.00
350 0030	44 POS P.C.CONN SOLDER TYPE(CINCH) FC6330	4.00
370 0027	LAMP,ORANGE(LED)MV5154 RF2251	1.00
380 4000	EM403 / 1N4004 RECTIFIER RF2251	1.00
461 3056	301 SWITCH PLUNGER B5933-114 EC6338	1.00
510 7205	# 7205 PRINTED CIRCUIT BOARD	1.00
650 0320	2-56 X 1 RD HD NYLON MS EC6338	2.00
652 0991	2-56 NYLON HEX NUT EC6338	2.00
654 1195	2 POS PIN HEADER ASSY AMP 350200-1 RF2251	1.00

3-43

ASSEMBLY PART NUMBER 177 9202 A  
ASSEMBLY DESCRIPTION 5530 MASTER CPU(CABINET STYLE)

LEGEND  
\* = KIT TAG # = STATUS ITEM ### = FRACTIONAL QTY

PART NUMBER	DESCRIPTION	QUANTITY	
220 0117	740 AC CONN CABLE A6499-30	2.00	
	000 0001 LABOR SUB-SYSTEMS	.11	###
	000 0011 LABOR QUALITY CONTROL	.02	###
	420 1003 POWER CABLE 3 COND 18 GA W/SVT EC496R	2.92	###
	654 1150 SOCKET HOUSING 1-480303-0	1.00	
	654 1163 R SOCKET 20-14 GA(REEL)AMP 61117-4 FC496R	3.00	
220 1042	P022 WIRE & LUG ASSY(PLCRT)D6482-12	2.00	
	000 0001 LABOR SUB-SYSTEMS	.01	###
	600 0054 WIRE 18 GA GREEN/YELLOW UL	.33	###
	654 0050 R #6 RING TONGUE RED BA16-6M(2K/REEL)	1.00	
	654 0062 R #4 FORK LUG RED BA16F-6M (2K/REEL)	1.00	
220 1094	P048 WIRE & LUG ASSY R	1.00	
	000 0001 LABOR SUB-SYSTEMS	.02	###
	600 0000 WIRE 18 GA BLACK UL	.90	###
	654 0048 R FASTON TERMINAL RED AMP 42599-4	1.00	
	654 0084 R FASTON TERMINAL(BLUE)RDY#PO 14R258M	1.00	
220 1095	P049 WIRE & LUG ASSY(Q28M1)B6482-12	1.00	
	000 0001 LABOR SUB-SYSTEMS	.01	###
	600 7000 16 GA BLACK STRANDED WIRE	.29	###
	654 0084 R FASTON TERMINAL(BLUE)RDY#PO 14R258M	1.00	
220 1096	P050 WIRE & LUG ASSY(Q28M1)B6482-12	1.00	
	000 0001 LABOR SUB-SYSTEMS	.08	###
	000 0011 LABOR QUALITY CONTROL	.02	###
	600 7000 16 GA BLACK STRANDED WIRE	.50	###
	654 0084 R FASTON TERMINAL(BLUE)RDY#PO 14R258M EC6131	1.00	
220 1097	P051 WIRE & LUG ASSY(Q28M1)B6482-12	1.00	
	000 0001 LABOR SUB-SYSTEMS	.01	###
	600 7000 16 GA BLACK STRANDED WIRE	1.10	###
	654 0084 R FASTON TERMINAL(BLUE)RDY#PO 14R258M	1.00	
220 1098	P052 WIRE & LUG ASSY(Q28M1)B6482-12	1.00	
	000 0001 LABOR SUB-SYSTEMS	.01	###
	600 7009 16 GA WHITE STRANDED WIRE	1.10	###
	654 0084 R FASTON TERMINAL(BLUE)RDY#PO 14R258M	1.00	
220 1099	P053 WIRE & LUG ASSY(Q28M1)B6482-12	1.00	
	000 0001 LABOR SUB-SYSTEMS	.02	###
	600 7004 16 GA YEL STRANDED WIRE	.58	###
	654 1163 R SOCKET 20-14 GA(REEL)AMP 61117-4	1.00	
220 1100	POWER CORD CABLE(Q28M1)B6482-116	1.00	
	000 0001 LABOR SUB-SYSTEMS	.19	###
	000 0011 LABOR QUALITY CONTROL	.04	###
	420 1004 CORD POWER 10AMP BELDEN #17410-S	1.00	
	600 0000 WIRE 18 GA WHITE UL	.58	###

3-44

ASSEMBLY PART NUMBER 177 9202 A  
ASSEMBLY DESCRIPTION 5530 MASTER CPU(CABINET STYLE)

LEGEND  
\*=KIT TAG #=STATUS ITEM ###=FRACTIONAL QTY

PART NUMBER	DESCRIPTION	QUANTITY	
654 0017	FASTON TERMINAL AMP 42844-1	1.00	
654 0048 R	FASTON TERMINAL RED AMP 42599-4	1.00	
654 0052 R	#6 RING TONGUE BLU BA14-6M(2K/REEL)	1.00	
654 0084 R	FASTON TERMINAL(BLUE)8DY#PO 14R258M EC6131	2.00	
270 0366	14PP CONN PLT & CABLE ASSY D6840-25 EC6280	1.00	
350 1036	BNC SOCKET (F) CONN UG1094A	14.00	
350 2078	TNC BULKHEAD CONN(F)(PANEL)RW311403	14.00	
452 2158	PLATE,CONN REAR 14 PAIR C6840-103	1.00	
510 6703	6703 PRINTED CIRCUIT BOARD	1.00	
600 2000	* WIRE 24 GA BLACK UL	63.00	
600 2002	* WIRE 24 GA RED UL	31.50	###
600 2005	* WIRE 24 GA GREEN UL W/OFF-76	31.50	###
605 1004	* CABLE TYE, PAN-TY PLTIM-M	25.00	
652 0010	4-40 PEM NUT CLS440-2	6.00	
654 1011	3/8" GROUND LUG HH SMITH 1497	28.00	
270 3063	HEATSINK HARNESS(928MI)D6482-117	1.00	
000 0001	LABOR SUB-SYSTEMS	.19	###
000 0011	LABOR QUALITY CONTROL	.04	###
600 0002	WIRE 18 GA RED UL	1.75	###
600 6009	14 GA WHITE STRANDED WIRE	1.75	###
600 7004	16 GA YEL STRANDED WIRE	1.00	
600 7006	16 GA BLUE STRANDED WIRE	1.59	###
605 1004	CABLE TYE, PAN-TY PLTIM-M	3.00	
654 1148	SOCKET HOUSING 1-480318-0	1.00	
654 1149	PIN HOUSING 1-480305-0	1.00	
654 1163 R	SOCKET 20-14 GA(REEL)AMP 61117-4	2.00	
654 1164 R	PIN TERM 20-14 GA(REEL)AMP 61118-4	3.00	
300 3050	124K UF 15V ELECTROLYTIC CAPACITOR	1.00	
300 3067	11K UF 50V ELECTROLYTIC CAPACITOR	1.00	
300 3069	27000 UF 30V ELECTROLYTIC CAP	1.00	
300 9004	CAP CLAMP 1 3/4"3LUG SC#115-058-13	1.00	
300 9006	CAP CLAMP 2 1/2 INCH 3 LUG	1.00	
300 9010	CAP ROOT FOR 300-3042	1.00	
300 9021	CAP CLAMP C TYPE 2 INCH 2 LUGW/OFF74	1.00	
300 9022	CAP CLAMP 2 1/16 INCH 3 LUG	1.00	
310 0010	10 TERMINAL STRIP	1.00	
325 0021	ON-OFF ROCKER SW SPDT TR201 TW-R	1.00	
331 3012	1.2K OHM 1/2 W 10% RESISTOR	2.00	
331 3022	2.2K OHM 1/2 W 10% RESISTOR	1.00	
360 0001	FUSE HOLDER STR CONTACT	1.00	
360 9000	RUBBER WSHR FOR 360-0000 / 360-0001	1.00	
360 9002	HEX NUT FOR 360-0000 / 360-0001	1.00	

3-45

ASSEMBLY PART NUMBER 177 9202 A  
ASSEMBLY DESCRIPTION 5530 MASTER CPU(CABINET STYLE)

LFGFND  
\* =KIT TAG # =STATUS ITEM ### =FRACTIONAL QTY

PART NUMBER	DESCRIPTION	QUANTITY
360 9003	LOCK WSHR LF#905023(FOR 360-0000/1)	1.00
375 1048	TRANSISTOR 2N5301	1.00
375 9014	INSULATOR XTOR MOUNT WECKESSER TM-1	1.00
380 3000	IN1200A RECTIFIER	2.00
380 5000	130 VOLT VARISTOR V130LA10	1.00
400 1011	FAN,SKELETON(105CFM)ROTRON MUI2A2	1.00
410 0111	A MMC 5855 CVT 50HZ(M1/M2)C5068-107	1.00
410 2005	LINE FILTER 5 AMP CORCOM 5K1	1.00
420 1005	POWER CORD ROTRON FAN 16415	1.00
449 0101	FAN GUARD 4"(BLACK)D5300-1085	1.00
450 0061	WANG TAG (BLANK) C5300-1049	1.00
451 1103	A CHASSIS(928M1/M2)E6840-118	1.00
451 2146	B REAR COVER(928M1/M2)D6840-115	1.00
451 3076	B PANEL,FRONT DRESS(928M1/2)D6840-112	1.00
451 3078	B PANEL,INNER FRONT(928M1/2)D6840-114	1.00
451 3079	PANEL,OUTER FRONT(928M2)D6840-250	1.00
452 2569	PLATE,CLAMP(928M1/M2)C6840-100	1.00
461 3273	ROD,CLAMP(928M1/M2)B6840-101	1.00
461 3274	STUD,LOCKING(928M1/M2)B6840-102	2.00
462 0057	SPCR,FIBER #4 X 1/4 X 3/8L SM#2336	16.00
462 0063	CA SPACER SMITH 2321 6-32	2.00
462 0141	SPCR, PHENOLIC CURRENT 4-250	4.00
462 0173	TY SPACER,SHIM B5776-143	2.00
478 0061	700 PROGRAM CLAMP NUTS B5900-27 (2	2.00
478 0327	HEATSINK(928 MASTER)C6840-107	1.00
605 0015	* #3 CLEAP TURING	1.00
605 1004	* CABLE TYE, PAN-TY PLTIM-M	15.00
615 0383	BOARD,DUMMY FINGER(928M1)B6840-126	2.00
650 2120	4-40 X 3/8 PAN HD PHL MS SS SEMS	6.00
650 2400	4-40 X 1 1/4 FL HD PHL MS SS	4.00
650 3120	6-32 X 3/8 PAN HD PHL MS SS SEMS	29.00
650 3240	6-32 X 3/4 PAN HD PHL MS SS	3.00
650 3246	6-32 X 3/4 PANEL SCREW WANG GRAY	4.00
650 6160	10-32 X 1/2 PAN HD PHL MS SS SEMS	4.00
651 1005	STUD SELF-CLINCH PEM FHS-440-6	2.00
651 1016	PEM STUD FHS-6-32-10	2.00
651 1020	10-32 X 3/8 PEM STUD FHS 10-32-6	2.00
651 1024	6-32 X 3/4 PEM STUD FHS 632-12	6.00
651 1038	THRED STUD 4-40X1" 77-16-104-13	12.00
652 0008	6-32 PEM NUT #CL 632-2	29.00
652 0032	6-32 LOCK-NUT KEPS 511-061800-00	11.00
652 2000	4-40 HEX NUT SS	2.00

ASSEMBLY PART NUMBER 177 9202 A  
ASSEMBLY DESCRIPTION 5530 MASTER CPU (CABINET STYLE)

LEGEND  
\* = KIT TAG # = STATUS ITEM ### = FRACTIONAL QTY

PART NUMBER	DESCRIPTION	QUANTITY	
652 2004	4-40 SMALL PATTERN HEX NUT SS	16.00	
652 3004	6-32 SM PATTERN NUT,NAS 671-C6	5.00	
653 0006	MICA WASHER (LARGE) FOR POWER XISTOR	1.00	
653 2000	NO. 4 FLAT WASHER	16.00	
653 2002	NO. 4 INT T LK WASHER	18.00	
653 3000	NO. 6 FLAT WASHER	5.00	
653 3001	NO. 6 INT T LK WASHER	1.00	
653 3003	NO. 6 SPLIT LOCK MFD WASHER	5.00	
654 0048 R *	FASTON TERMINAL RED AMP 42599-4	2.00	
654 0074	A.C. RECEPTACLE F 1540MS	2.00	
654 1006	#6 GROUND LUG	3.00	
654 1010	#10 GROUND LUG	9.00	
654 1150	SOCKET HOUSING 1-480303-0	1.00	
654 1163 R *	SOCKET 20-14 GA (REFL) AMP 61117-4	2.00	
654 1214	GROMMET, HEYCO 6P3-4 (70,R0,F	1.00	
654 1289	SNAP BUSHING SB-500-6 (1/2 HOLE 3/8 ID) E6280A	2.00	
278 4000 *	FLOPPY DISK DRIVE	1.00	
000 0005	LABOR PRODUCTION SYSTEMS	2.50	###
000 0011	LABOR QUALITY CONTROL	.50	###
177 0063	DISKETTE (FLOPPY)	1.00	
220 3011	FLOPPY DISK CABLE C6482-62	1.00	
000 0001	LABOR SUB-SYSTEMS	.32	###
000 0011	LABOR QUALITY CONTROL	.06	###
350 0021	225-22221-110 SOL TYPE	1.00	EC5323
350 0402 R	40 PIN FLAT CABLE CONNECTOR BOTTOM	2.00	EC5323
350 0402 C	40 PIN FLAT CABLE CONNECTOR COVER	2.00	
420 0045 *	40 COND FLAT CABLE	2.33	###
510 6766	6766 PRINTED CIRCUIT BOARD	1.00	EC5323
510 6767	6767 PRINTED CIRCUIT BOARD	1.00	EC5323
452 4032	GUIDE, BOTTOM (FLOPPY) C6805-102	1.00	EC5312
478 0294	CATCH (FLOPPY DRIVE) B6805-104	1.00	EC5312
650 2081	4-40X1/4 FL HD PHL MS SS MAGNETIC	5.00	EC5312
650 4320	8-32X1 PAN HD PHL MS SS	2.00	E5312A
650 4401	8-32X1 1/4 FLAT HD PHL MS SS	1.00	E5312A
650 9039	WING SCREW 1/4-20 X 1 1/8	2.00	
652 0062	NUT, TEE 1/4-20 DOT SS 58685	2.00	EC5312
653 4001	NO. 8 INT T LK WASHER	2.00	EC5312
653 4003	#8 FLAT WSHR (3/16 7/16 3/64) CAD PL	2.00	EC5312
725 0053	* FLOPPY DISK (IBM COMPATIBLE) SHUGART	1.00	
725 0053 01	DOOR, FLOPPY DISK (SHUGART)	1.00	
360 1031 SR	3 AMP FUSE SLO BLD 250V	1.00	
451 4505	BRKT, STAT GND LH DISK DR B6840-128 EC6465	1.00	

3-47

REVISED AS OF  
/ /

WANG LABORATORIES, INC.  
BILL OF MATERIALS

PAGE 12  
02/18/77

ASSEMBLY PART NUMBER 177 9202 A  
ASSEMBLY DESCRIPTION 5530 MASTER CPU(CABINET STYLE)

LEGEND  
\* = KIT TAG # = STATUS ITEM ### = FRACTIONAL QTY

PART NUMBER	DESCRIPTION	QUANTITY
461 3275	STUD, 6-32 X 3.75 96840-120	2.00
462 0265	SPACER, PC BOARD (F/F) C6815-13	8.00
615 1073 *	UNIVERSAL ID LABEL (LARGE) C5300-1066	1.00
650 4123	8-32X3/8 TRUSS HD PHL MS SS EC6465	3.00
650 4161 B	8-32X1/2 FL HD PHL MS (BLACK)	6.00
650 6121	10-32X3/8 TRUSS HD PHL MS SS	2.00
650 9912	1/4-20 X 3/4 FLANGE WHITZ LOCK MS	4.00
652 0041	6-32 ACORN NUT NICKEL PLT.	2.00
652 3006	6-32 WING NUT CAD PLATE	2.00
653 4001	NO. 8 INT T LK WASHER	2.00
654 1274	CABLE CLAMP ADH. BACK DKLSP 021-0375	2.00

3-48

\*\*\*\*\*  
\*\*\*\*\*

ASSEMBLY PART NUMBER 177 9204  
ASSEMBLY DESCRIPTION 5526 WORK STATION(92RW2)

LEGEND  
\* = KIT TAG # = STATUS ITEM ### = FRACTIONAL QTY

PART NUMBER	DESCRIPTION	QUANTITY	
000 0003	LABOR CALCULATING SYSTEMS	9.75	###
000 0011	LABOR QUALITY CONTROL	1.95	###
210 7067	* # 7067 MODULE(AUTO-INSERTED)	1.00	
000 0001	LABOR SUB-SYSTEMS	1.19	###
000 0011	LABOR QUALITY CONTROL	.24	###
300 2010	.001 UF 100V MYLAR CAPACITOR	4.00	
300 2022	.0022 UF 100V MYLAR CAPACITOR	2.00	
300 3010	50 UF 50V ELECTROLYTIC CAPACITOR	1.00	
300 4018	18 UF 15V 10% TANT CAPACITOR (B)	1.00	
300 4032	10 UF 35V 10% TANT CAPACITOR (C)	3.00	
330 1027	27 OHM 1/4 W 10% .4 RESISTOR	2.00	
330 2068	680 OHM 1/4 W 10% .4 RESISTOR	1.00	
330 3015	1.5K OHM 1/4 W 10% .4 RESISTOR	3.00	EC6381
330 3022 R *	2.2K OHM 1/4 W 10% -R RESISTOR	6.00	EC6381
330 3027	2.7K OHM 1/4 W 10% .4 RESISTOR	1.00	PCBFNL
330 3033	3.3K OHM 1/4 W 10% .4 RESISTOR	2.00	RF2152
330 3039	3.9K OHM 1/4 W 10% .4 RESISTOR	1.00	PCBFNL
332 1022	22 OHM 1 W 10% RESISTOR	1.00	
333 0088	5.11K OHM 1/8W 1% RESISTOR	1.00	EC5876
336 1014	1K TRIMPOT 90 DEG MOUNT BECKMAN#72X	2.00	EC6381
336 1022	2K OHM TRIMPOT 90 DEG MT BECKMN#72X	2.00	EC6381
375 1024	2N4234 TRANSISTOR	1.00	
375 1052	TRANSISTOR 2N6387 (PLASTIC)	2.00	
375 1053	TRANSISTOR RCA8203A (PLASTIC)	1.00	
375 9016	MICA INSUL#DF103B FOR 375-1034/1035	3.00	PCRFNL
376 0010	7404N INTEGRATED CIRCUIT	1.00	
376 0066	723 INTEGRATED CIRCUIT	2.00	
376 0134	LM304 INTEGRATED CIRCUIT	2.00	
380 3008	A15A RECTIFIER	4.00	EC6165
478 0316	HEATSINK,(F)REGULATOR BD R6R29-145	1.00	PCBFNL
510 7067	* # 7067 PRINTED CIRCUIT BOARD	1.00	
650 3131	6-32 X 3/8 NYLON COVERED FIL HD SLT	3.00	PCBFNL
660 0123	* THERMAL COMPOUND DOW#340(14 OZ TUBE	.01	###
210 7225 A	* # 7225-A MODULE(A/I)	1.00	
000 0003	LABOR CALCULATING SYSTEMS	1.50	###
000 0011	LABOR QUALITY CONTROL	.30	###
209 7225	* # 7225 W/UNLOADED SOCKETS(A/I)	1.00	
000 0001	LABOR SUB-SYSTEMS	4.97	###
000 0011	LABOR QUALITY CONTROL	.99	###
220 1103	CRT BRD (W2)(COAX)R6482-122	1.00	EC5897
000 0001	LABOR SUB-SYSTEMS	.16	###
000 0011	LABOR QUALITY CONTROL	.03	###

3-49



ASSEMBLY PART NUMBER 177 9204  
ASSEMBLY DESCRIPTION 5526 WORK STATION(92RW2)

LEGEND  
\* = KIT TAG # = STATUS ITEM ### = FRACTIONAL QTY

PART NUMBER	DESCRIPTION	QUANTITY
	420 0061 RG-174/U COAXIAL CABLE	.88 ###
	654 1150 SOCKET HOUSING 1-490303-0	1.00
	654 1165 B SOCKET 30-22 GA(REEL)AMP 350007R-4	2.00
300 1047	47 PF 10% CERAMIC CAPACITOR	3.00
300 1150	150 PF 10% CERAMIC CAPACITOR	1.00
300 1220	220 PF 10% CERAMIC CAPACITOR EC582R	1.00
300 1680	680 PF 10% CERAMIC CAPACITOR	1.00
300 1900	.05 UF 12V +80-20% CERAMIC CAP	46.00
300 1903	.01 UF 25V +80-20% CERAMIC CAP	1.00
300 1930	.1 UF 50V +90-20% CERAMIC CAP(HIFRO)	14.00
300 4002	.1 UF 35V 10% TANT CAPACITOR (A)	1.00
300 4016	3.3 UF 15V 10% TANT CAPACITOR (A)	1.00
300 4018	1R UF 15V 10% TANT CAPACITOR (B)	1.00
300 4020	47 UF 15V 10% TANT CAPACITOR (C)	1.00
300 4022	15 UF 20V 10% TANT CAPACITOR (B) EC6067	8.00
300 4024	33 UF 10V 5% TANT CAPACITOR (B)	1.00
300 4030	3.3 UF 35V 5% TANT CAPACITOR (B) EC6067	1.00
321 0018	17.1 MHZ OSCILLATOR	1.00
330 1011	10 OHM 1/4W 5% .4 RESISTOR	2.00
330 2018	110 OHM 1/4 W 10% .4 RESISTOR RF2249	1.00
330 2022	220 OHM 1/4 W 10% .4 RESISTOR EC6067	1.00
330 2033	330 OHM 1/4 W 10% .4 RESISTOR	2.00
330 2039	390 OHM 1/4 W 10% .4 RESISTOR EC582R	1.00
330 2047	470 OHM 1/4 W 10% .4 RESISTOR RF2249	4.00
330 2056	560 OHM 1/4 W 10% .4 RESISTOR EC6067	1.00
330 3010	1K OHM 1/4 W 10% .4 RESISTOR EC6067	16.00
330 3022	2.2K OHM 1/4 W 10% .4 RESISTOR EC6067	55.00
330 3047	4.7K OHM 1/4 W 10% .4 RESISTOR	1.00
330 3082	8.2K OHM 1/4 W 10% .4 RESISTOR	1.00
330 4010	10K OHM 1/4 W 10% .4 RESISTOR EC6067	13.00
330 4018	18K OHM 1/4 W 10% .4 RESISTOR	1.00
330 4027	27K OHM 1/4 W 10% .4 RESISTOR	1.00
330 4033	33K OHM 1/4 W 10% .4 RESISTOR EC6067	1.00
330 4047	47K OHM 1/4 W 10% .4 RESISTOR EC6067	2.00
330 5010	100K OHM 1/4 W 10% .4 RESISTOR	1.00
331 1010	10 OHM 1/2 W 10% RESISTOR	1.00
331 1076	75 OHM 1/2 W 5% RESISTOR	1.00
336 1014	1K TRIMPOT 90 DEG MOUNT BECKMAN#72X EC6067	1.00
375 1021	2N5199 SILICON TRANSISTOR	1.00
375 1050	TRANSISTOR SP56551	2.00
375 9001	TRANSIPAD 89778R7-1 LARGE EC582R	1.00
376 0002	7400N INTEGRATED CIRCUIT	2.00

3-50

ASSEMBLY PART NUMBER 177 9204  
ASSEMBLY DESCRIPTION 5526 WORK STATION(928W2)

LEGEND  
\* = KIT TAG # = STATUS ITEM ### = FRACTIONAL QTY

PART NUMBER	DESCRIPTION		QUANTITY
376 0003	7410N INTEGRATED CIRCUIT	EC6067	3.00
376 0004	7420N INTEGRATED CIRCUIT	EC6067	2.00
376 0006	7474N INTEGRATED CIRCUIT	FC5828	6.00
376 0007	7476N INTEGRATED CIRCUIT	EC5828	1.00
376 0008	7442N INTEGRATED CIRCUIT		1.00
376 0010	7404N INTEGRATED CIRCUIT		4.00
376 0012	7451N INTEGRATED CIRCUIT		1.00
376 0016	7402 INTEGRATED CIRCUIT		2.00
376 0031	7430 INTEGRATED CIRCUIT		1.00
376 0032	7445 INTEGRATED CIRCUIT	EC6067	1.00
376 0049	74155 INTEGRATED CIRCUIT		1.00
376 0050	74180 INTEGRATED CIRCUIT		1.00
376 0059	7495 INTEGRATED CIRCUIT		2.00
376 0081	7408 INTEGRATED CIRCUIT		3.00
376 0082	74157/9322 I.C.		3.00
376 0093	7432 INTEGRATED CIRCUIT		4.00
376 0094	74161/9316 INTEGRATED CIRCUIT		5.00
376 0098	74174 INTEGRATED CIRCUIT		4.00
376 0104	9602 INTEGRATED CIRCUIT		3.00
376 0119	74175 INTEGRATED CIRCUIT		1.00
376 0125	7427 INTEGRATED CIRCUIT		1.00
376 0126	555 SIGNETICS I.C.		3.00
376 0139	7414 I.C.		1.00
376 0160	74LS175 I.C.		3.00
376 0176	74367 / 8097 I.C.	EC5828	5.00
376 0178	75322 I.C.		1.00
376 0179	74368 / 8098 I.C.	EC5828	4.00
376 0183	74173 I.C.		4.00
376 0185	8T98 I.C.	EC5828	2.00
376 0194	7411 I.C.	EC6067	1.00
376 0197	74504 I.C.		2.00
376 0199	74502 I.C.	EC6067	2.00
376 0200	74508 I.C.		2.00
376 0202	74574 I.C.	RF2249	2.00
376 0205	74532 I.C.	EC6067	2.00
376 0228	74500 I.C.		1.00
376 0230	74520 I.C.	EC6067	2.00
376 0237	74511 I.C.	EC6067	1.00
376 0238	74510 I.C.	EC6067	1.00
376 9002	16 PIN IC SOCKET ROUNDY	EC6067	24.00
376 9003	24 PIN IC SOCKET ROUNDY	EC5828	1.00
376 9011	40 PIN IC SOCKET ROUNDY # DIL9740P1		1.00

3-51

ASSEMBLY PART NUMBER 177 9204  
ASSEMBLY DESCRIPTION 5426 WORK STATION(92RW2)

LEGEND  
\* = KIT TAG # = STATUS ITEM ### = FRACTIONAL QTY

PART NUMBER	DESCRIPTION	QUANTITY
510 7225	# 7225 PRINTED CIRCUIT BOARD	1.00
605 1004	* CABLE TYE, PAN-TY PLTIM-M	1.00
377 0069	2102A-4 / 2102-1 / 9102B RAM EC6067	24.00
377 0269	8080A MICROPROCESSOR	1.00
377 0317	# 270B INTEL PROM	2.00
210 7226 A	* # 7226-A MODULE(A/I)	1.00
000 0003	LABOR CALCULATING SYSTEMS	2.00
000 0011	LABOR QUALITY CONTROL	.40 ###
209 7226	# 7226 W/UNLOADED SOCKETS(A/I)	1.00
000 0001	LABOR SUB-SYSTEMS	3.00
000 0011	LABOR QUALITY CONTROL	.60 ###
300 1270	270 PF 10% CERAMIC CAPACITOR	4.00
300 1900	.05 UF 12V +80-20% CERAMIC CAP	17.00
300 1930	.1 UF 50V +80-20% CERAMIC CAP(HIFREQ)	23.00
300 1931	1 UF CERAMIC CAPACITOR(HIGH FREQ)	22.00
300 4022	15 UF 20V 10% TANT CAPACITOR (R) EC5831	10.00
330 1011	10 OHM 1/4W 5% .4 RESISTOR	8.00
330 3022	2.2K OHM 1/4 W 10% .4 RESISTOR RF2247	18.00
375 1050	TRANSISTOR SPS6551	4.00
376 0002	7400N INTEGRATED CIRCUIT EC5836	2.00
376 0003	7410N INTEGRATED CIRCUIT	1.00
376 0004	7420N INTEGRATED CIRCUIT	1.00
376 0006	7474N INTEGRATED CIRCUIT	2.00
376 0008	7442N INTEGRATED CIRCUIT	1.00
376 0010	7404N INTEGRATED CIRCUIT	1.00
376 0012	7451N INTEGRATED CIRCUIT	1.00
376 0082	74157/9322 I.C.	4.00
376 0119	74175 INTEGRATED CIRCUIT	2.00
376 0178	75322 I.C.	2.00
376 0179	74368 / 8098 I.C. EC5831	11.00
376 0183	74173 I.C.	4.00
376 0189	8T97 I.C.	1.00
376 0194	7411 I.C.	1.00
376 0202	74574 I.C.	2.00
376 0228	74500 I.C. EC5836	1.00
376 9001	14 PIN IC SOCKET (SOLDER TAIL)	2.00
376 9003	24 PIN IC SOCKET BURNDY	1.00
376 9014	18 PIN IC SOCKET	36.00
510 7226	# 7226 PRINTED CIRCUIT BOARD	1.00
377 0314	# TMS4050 RAM 4K (18 PIN)	36.00
210 7227	* # 7227 MODULE(AUTO-INSERTED)	1.00
000 0001	LABOR SUB-SYSTEMS	12.32 ###

3-52

ASSEMBLY PART NUMBER 177 9204  
ASSEMBLY DESCRIPTION 5526 WORK STATION (92RW2)LEGEND  
\*=KIT TAG #=STATUS ITEM ###=FRACTIONAL QTY

PART NUMBER	DESCRIPTION	QUANTITY	
000 0011	LABOR QUALITY CONTROL	.46	###
300 1100	100 PF 10% CERAMIC CAPACITOR	1.00	
300 1220	220 PF 10% CERAMIC CAPACITOR	1.00	
300 1900	.05 UF 12V +80-20% CERAMIC CAP	46.00	EC5810
300 1907	.0015 UF 200V 20% CERAMIC CAPACITOR	1.00	
300 1913	.002 UF 200V 20% CERAMIC CAPACITOR	1.00	
300 4022	15 UF 20V 10% TANT CAPACITOR (B)	4.00	EC5868
330 1092 R *	91 OHM 1/4 W 5% -R RESISTOR	1.00	EC5868
330 2011 R *	100 OHM 1/4 W 5% -R RESISTOR	1.00	EC5868
330 2028 R *	270 OHM 1/4 W 5% -R RESISTOR	1.00	EC5868
330 2040 R *	390 OHM 1/4 W 5% -R RESISTOR	1.00	EC5868
330 3022	2.2K OHM 1/4 W 10% .4 RESISTOR	1.00	
330 3022 R *	2.2K OHM 1/4 W 10% -R RESISTOR	33.00	EC5868
330 4022	22K OHM 1/4 W 10% .4 RESISTOR	1.00	
330 4033	33K OHM 1/4 W 10% .4 RESISTOR	1.00	
330 4039	39K OHM 1/4 W 10% .4 RESISTOR	1.00	
376 0002	7400N INTEGRATED CIRCUIT	2.00	
376 0003	7410N INTEGRATED CIRCUIT	2.00	
376 0004	7420N INTEGRATED CIRCUIT	1.00	
376 0006	7474N INTEGRATED CIRCUIT	7.00	
376 0010	7404N INTEGRATED CIRCUIT	3.00	
376 0011	7493N INTEGRATED CIRCUIT	2.00	
376 0012	7451N INTEGRATED CIRCUIT	1.00	
376 0016	7402 INTEGRATED CIRCUIT	1.00	
376 0031	7430 INTEGRATED CIRCUIT	1.00	
376 0036	7486N INTEGRATED CIRCUIT	1.00	
376 0050	74180 INTEGRATED CIRCUIT	1.00	
376 0081	7408 INTEGRATED CIRCUIT	4.00	
376 0082	74157/9322 I.C.	4.00	
376 0083	74197 INTEGRATED CIRCUIT	1.00	
376 0092	7425 INTEGRATED CIRCUIT	1.00	
376 0093	7432 INTEGRATED CIRCUIT	4.00	
376 0094	74161/9316 INTEGRATED CIRCUIT	5.00	
376 0097	74195/9300 INTEGRATED CIRCUIT	3.00	
376 0098	74174 INTEGRATED CIRCUIT	2.00	
376 0104	9602 INTEGRATED CIRCUIT	2.00	
376 0119	74175 INTEGRATED CIRCUIT	2.00	
376 0146	75107 I.C.	1.00	EC5868
376 0194	7411 I.C.	1.00	
376 0197	74504 I.C.	1.00	
376 0199	74502 I.C.	1.00	
376 0200	74508 I.C.	1.00	

ASSEMBLY PART NUMBER 177 9204  
ASSEMBLY DESCRIPTION 5526 WORK STATION(928W2)

LEGEND  
\* = KIT TAG # = STATUS ITEM ### = FRACTIONAL QTY

PART NUMBER	DESCRIPTION	QUANTITY	
376 0202	74574 I.C.	3.00	
376 0229	74500 I.C.	2.00	
376 0237	74511 I.C.	2.00	
376 0239	74510 I.C.	1.00	
376 0256	75113 I.C.	1.00	
510 7227	* # 7227 PRINTED CIRCUIT BOARD	1.00	
220 1104	CABLE,COT(COAX) B6482-123 FC5997	1.00	
000 0001	LABOR SUB-SYSTEMS	.14	###
000 0011	LABOR QUALITY CONTROL	.03	###
420 0061	BG-174/U COAXIAL CABLE	.66	###
654 1149	PIN HOUSING 1-480305-0	1.00	
654 1166 R	PIN TERM 30-22 GA(REEL)AMP3500079-4	2.00	
270 0345	* # 928W2 CHASSIS ASSY 6841-25	1.00	
000 0001	LABOR SUB-SYSTEMS	6.07	###
000 0011	LABOR QUALITY CONTROL	1.21	###
210 7228	* # 7228 MODULE(MR)(PRELIMINARY)	1.00	
000 0001	LABOR SUB-SYSTEMS	.28	###
000 0011	LABOR QUALITY CONTROL	.06	###
220 3014	24 COND 14"FLAT CABLE C-6482-79	1.00	
000 0001	LABOR SUB-SYSTEMS	.06	###
000 0011	LABOR QUALITY CONTROL	.01	###
350 0403	24 PIN FLAT CABLE PLUG	2.00	
420 0050	24 COND FLAT CABLE 3M 3365/24	1.17	###
350 0011	225-21521-110 PC CONN SOLDER TYPE	4.00	
350 0021	225-22221-110 SOL TYPE	6.00	
350 0039	44 POS P.C.CONN SOLDER TYPE(CINCH)	4.00	
376 9017	24 POS ANTI-WICKING WAFER	1.00	
510 7228	* # 7228 PRINTED CIRCUIT BOARD	1.00	
654 1193	3 POS P.C.HEADER ASSY AMP 350210-1	1.00	
654 1194	4 POS P.C.HEADER ASSY AMP 350211-1	1.00	
220 1001	6 1/2" BLACK WIRE + LUG D6482-12 FC6094	2.00	
000 0001	LABOR SUB-SYSTEMS	.01	###
600 0000	WIRE 18 GA BLACK UL	.54	###
654 0062 R	#4 FORK LUG RED BA16F-6M (2K/REEL)	1.00	
220 1042	PO22 WIRE 6 LUG ASSY(2LCRT)D6482-12 FC5998	1.00	
000 0001	LABOR SUB-SYSTEMS	.01	###
600 0054	WIRE 18 GA GREEN/YELLOW UL	.33	###
654 0050 R	#6 RING TONGUE RED BA16-6M(2K/REEL)	1.00	
654 0062 R	#4 FORK LUG RED BA16F-6M (2K/REEL)	1.00	
220 1074	CABLE P5/MD(F CHASSIS)B6482-91	1.00	
000 0001	LABOR SUB-SYSTEMS	.13	###
000 0011	LABOR QUALITY CONTROL	.03	###

3-54

ASSEMBLY PART NUMBER 177 9204  
ASSEMBLY DESCRIPTION 5526 WORK STATION(928W2)

LEGEND  
\*=KIT TAG #=STATUS ITEM ###=FRACTIONAL QTY

PART NUMBER	DESCRIPTION	QUANTITY	
600 0000	WIRE 18 GA BLACK UL	.79	RF2277 ###
600 0002	WIRE 18 GA RED UL	.79	RF2277 ###
600 0003	WIRE 18 GA ORANGE UL	.75	###
600 0004	WIRE 18 GA YELLOW UL	.75	###
600 0006	WIRE 18 GA BLUE UL	.75	###
600 0008	WIRE 18 GA GRAY UL	.75	###
600 0009	WIRE 18 GA WHITE UL	.75	###
605 0102	TUBING 5/16 BLACK	.56	###
605 1004	CABLE TYE, PAN-TY PLTIM-M	2.00	
654 1150	SOCKET HOUSING 1-480303-0	1.00	
654 1163 R	SOCKET 20-14 GA(REEL)AMP 61117-4	7.00	
654 1195	4 POS SOCKET HOUSING AMP 1-480424-0	1.00	
220 1076	POWER CORD ASSY(F CHAS)96482-95	1.00	
000 0001	LABOR SUB-SYSTEMS	.21	###
000 0011	LABOR QUALITY CONTROL	.04	###
420 1000	CORD POWER 3 COND	1.00	
600 0000	WIRE 18 GA BLACK UL	.38	RF2279 ###
600 0054	WIRE 18 GA GREEN/YELLOW UL	.62	###
605 0101	TUBING 1/4 BLACK	.54	###
605 1004	CABLE TYE, PAN-TY PLTIM-M	1.00	
654 0048 R	FASTON TERMINAL RED AMP 42599-4	3.00	
654 0052 R	#6 RING TONGUE BLU BA14-6M(2K/REEL)	1.00	
220 1077	P043 WIRE & LUG ASSY(F CHAS)B648296	1.00	
000 0001	LABOR SUB-SYSTEMS	.02	###
600 0009	WIRE 18 GA WHITE UL	.75	###
654 0048 R	FASTON TERMINAL RED AMP 42599-4	1.00	
654 0084 R	FASTON TERMINAL(BLUE)RDY#PQ 14R258M	1.00	
220 1094	P048 WIRE & LUG ASSY R	1.00	
000 0001	LABOR SUB-SYSTEMS	.02	###
600 0000	WIRE 18 GA BLACK UL	.90	###
654 0048 R	FASTON TERMINAL RED AMP 42599-4	1.00	
654 0084 R	FASTON TERMINAL(BLUE)RDY#PQ 14R258M	1.00	
220 1101	P054 WIRE&LUG ASSY(E CHAS)6482-12 EC6094	2.00	
000 0001	LABOR SUB-SYSTEMS	.01	###
600 0054	WIRE 18 GA GREEN/YELLOW UL	.25	###
654 0050 R	#6 RING TONGUE RED BA16-6M(2K/REEL) EC5924	1.00	
300 3050	124K UF 15V ELECTROLYTIC CAPACITOR	1.00	
300 3068	8.2K UF 25V ELECTROLYTIC CAP	2.00	
300 9006	CAP CLAMP 2 1/2 INCH 3 LUG	1.00	
300 9009	CAP CLAMP 1 1/4 INCH 2 LUG CMC-22	2.00	
320 0300	SPEAKER 3" RECTANGULAR FILMOR TS-27	1.00	
325 0033	TOGGLE SWITCH(SPDT)C&K U11P3Y20 EC5425	1.00	

3-55

ASSEMBLY PART NUMBER 177 9204  
ASSEMBLY DESCRIPTION 5526 WORK STATION(928W2)

LEGEND  
\* = KIT TAG # = STATUS ITEM ### = FRACTIONAL QTY

PART NUMBER	DESCRIPTION	QUANTITY
325 2112	SLIDE SW.115/230 VAC	1.00
331 3011	1K OHM 1/2W 5% RESISTOR	2.00
332 2010	100 OHM 1 W 10% RESISTOR	1.00
336 0033	100 OHM 2W	1.00
336 0034	250 OHM 2W 20% POT(1/2"SHAFT)	1.00
350 0008	30 PIN PC CONN.SOLDER TYPE (CJ/AMP)	1.00
350 1036	BNC SOCKET (F) CONN UG1094A	1.00
350 2078	TNC BULKHEAD CONN(F)(PANEL)RW311403	1.00
360 0000	FUSE HOLDER 90 DEGREE CONTACT	1.00
360 1150	15 AMP FUSE 32V	1.00
360 9000	RUBBER WSHR FOR 360-0000 / 360-0001	1.00
360 9002	HEX NUT FOR 360-0000 / 360-0001	1.00
360 9003	LOCK WSHR LF#905023(FOR 360-0000/1)	1.00
375 1048	TRANSISTOR 2N5301	1.00
375 9014	INSULATOR XTOR MOUNT WECKESSER TM-1	1.00
380 3000	IN1200A RECTIFIER	2.00
380 5001	250 VOLT VARISTOR V250LA20	1.00
410 0106	A MMC 5734-2 TRANSFORMER(E&F)D5068103	1.00
410 2005	LINE FILTER 5 AMP CORCOM SK1	1.00
420 1005	POWER CORD ROTRON FAN 16415	1.00
451 1100	A CHASSIS,CRT (F)F6829-106	1.00
451 1101	B CHASSIS,PWR SUPPLY(F)D6829-137	1.00
451 3627	B PANFL,REAR(928W)D6841-103	1.00
451 4436	BRKT,PC RD RETAINER(F)B6829-246	1.00
451 4446	SUPPT BRKT,MOTHER RD(E/F)C6829-153	1.00
452 2562	STIFFENER,MOTHER RD(E&F)C6829-119	1.00
461 1544	SUPPORT BLOCK,LARGE(928W2)B6841-250	1.00
461 1545	SUPPORT BLOCK,SMALL(928W2)B6841-251	1.00
462 0141	SPCR, PHENOLIC CURRENT 4-250	5.00
462 0193	INSULATED STANDOFF (FORKED)	1.00
478 0315	HEATSINK,(F)POWER SUPPLY R6829-144	1.00
510 6749	6749 PRINTED CIRCUIT BOARD	1.00
600 0054	* WIRE 18 GA GREEN/YELLOW UL	1.00
600 3000	* WIRE 26 GA BLACK	1.25
600 3005	* WIRE 26 GA GREEN	.67
605 0006	* TUBING NBR 12 CLEAR	.30
605 0015	#3 CLEAR TUBING	1.50
650 2123	4-40 X 3/8 RND HD PHL MS BK OX	4.00
650 2200	4-40 X 5/8 PAN HD PHL MS SS SEMS	6.00
650 2240	4-40 X 3/4 PAN HD PHL MS SS SEMS	5.00
650 3080	6-32 X 1/4 PAN HD PHL MS SS SEMS	1.00
650 3120	6-32 X 3/8 PAN HD PHL MS SS SEMS	15.00

3-56

###  
###  
###  
###

ASSEMBLY PART NUMBER 177 9204  
ASSEMBLY DESCRIPTION 5526 WORK STATION(928W2)

LEGEND  
\*=KIT TAG #=STATUS ITEM ###=FRACTIONAL QTY

PART NUMBER	DESCRIPTION	QUANTITY
650 3160	6-32 X 1/2 PAN HD PHL MS SS SEMS	5.00
650 4120	8-32 X 3/8 PAN HD PHL MS SS SEMS	2.00
651 0401	RIVET,POP 1/8 X 3/16 AD42ABS	4.00
651 0455	10-32 RIVNUT A10-130 70014	4.00
651 1006	STUD SFLC CLINCH PEM FHS 632-6	6.00
651 1008	8-32 PEM STUD #FH-8-32-6	2.00
652 0007	PEM NUT CL R32-2	6.00
652 0008	6-32 PEM NUT #CL 632-2	4.00
652 0010	4-40 PEM NUT CLS440-2	4.00
652 0029	8-32 LOCK-NUT KEPS 511-081800-50	6.00
652 0032	6-32 LOCK-NUT KEPS 511-061800-00	12.00
652 2000	4-40 HEX NUT SS	2.00
652 3004	6-32 SM PATTERN NUT,NAS 671-C6	6.00
653 0006	MICA WASHER(LARGE)FOR POWER XISTOR	1.00
653 2000	NO. 4 FLAT WASHER	6.00
653 2002	NO. 4 INT T LK WASHER	2.00
653 3000	NO. 6 FLAT WASHER	2.00
653 3001	NO. 6 INT T LK WASHER	2.00
653 3003	NO. 6 SPLIT LOCK MED WASHER	3.00
654 0074	A.C.RECEPTACLE F 1540MS	1.00
654 1006	#6 GROUND LUG	2.00
654 1010	#10 GROUND LUG	6.00
654 1011	3/8" GROUND LUG HH SMITH 1497	2.00
654 1238	HEYCO STRAIN RELIEF SR5P-4	1.00
271 1122	* # 928 KEYBOARD & BP ASSY 6841-10	1.00
000 0001	LABOR SUB-SYSTEMS	3.18
000 0011	LABOR QUALITY CONTROL	.64
300 1900	.05 UF 12V +80-20% CERAMIC CAP	4.00
300 1906	.001 UF 200V 10% CERAMIC CAPACITOR	1.00
300 3010	50 UF 50V ELECTROLYTIC CAPACITOR	1.00
300 4022	15 UF 20V 10% TANT CAPACITOR (R)	1.00
320 0049	KEYBD CLICKER ASSY F-8600-40-016	1.00
325 2450	* SWITCH,HALL EFFECT 1001SD4A2B	22.00
325 2451	* SWITCH,HALL EFFECT 1001SD4B2K	3.00
325 2452	* SWITCH,HALL EFFECT 1001SD4A2K	4.00
325 2453	* SWITCH,HALL EFFECT 1001SD4B2B	45.00
325 2454	* SWITCH,HALL EFFECT 1001SD4B3K	1.00
325 2455	* SWITCH,HALL EFFECT 1001SD4B3A	3.00
325 9051	SPACE BAR MODULE SD1037P	2.00
325 9053	SPACE BAR FELT PAD SW10117	1.00
330 1082	82 OHM 1/4 W 10% .4 RESISTOR	1.00
330 2027	270 OHM 1/4 W 10% .4 RESISTOR	1.00

3-57

###  
###



ASSEMBLY PART NUMBER 177 9204  
ASSEMBLY DESCRIPTION 5526 WORK STATION(928W2)

LEGEND  
\*=KIT TAG #=STATUS ITEM ###=FRACTIONAL QTY

PART NUMBER	DESCRIPTION	QUANTITY
330 2039	390 OHM 1/4 W 10% .4 RESISTOR	1.00
330 2056	560 OHM 1/4 W 10% .4 RESISTOR	1.00
330 3010	1K OHM 1/4 W 10% .4 RESISTOR	1.00
330 3015	1.5K OHM 1/4 W 10% .4 RESISTOR	1.00
330 3022	2.2K OHM 1/4 W 10% .4 RESISTOR	1.00
330 3068	6.8K OHM 1/4 W 10% .4 RESISTOR	25.00
330 3082	8.2K OHM 1/4 W 10% .4 RESISTOR	1.00
370 0004	1762 WHITE LAMP	1.00
375 0017	2N3014 SILICON TRANSISTOR	1.00
375 1016	USE 375-1017 (REF ECN 5644)	1.00
375 1027	2N3725 TRANSISTOR	1.00
376 0081	7408 INTEGRATED CIRCUIT	1.00
376 0171	74148 I.C.	3.00
376 9016	24 PIN IC SOCKET (CAMBION)	1.00
376 9017	24 PDS ANTI-WICKING WAFFER	1.00
380 4000	EM403 / 1N4004 RECTIFIER	1.00
451 4456	BRKT,CLICKER MTG(928W)B6841-100	1.00
452 1052	A BEARING PLATE(928W)D6841-104	1.00
458 0185	722 LEVELING ROD 36409-59	1.00
462 0274	SPACER,HEX 6-32X1/4X9/16 LG SM#8833	1.00
478 0323	PLUG,KEYBOARD(928W)B6841-105	1.00
510 7229	# 7229 PRINTED CIRCUIT BOARD	1.00
550 0200	* KEYBUTTON NO LEGEND 2SW3	2.00
550 0201	* KEYBUTTON 1 2SW101 M-01	1.00
550 0202	* KEYBUTTON @ 2 2SW101 M-19	1.00
550 0203	* KEYBUTTON # 3 2SW101 M-03	1.00
550 0204	* KEYBUTTON \$ 4 2SW101 M-04	1.00
550 0205	* KEYBUTTON % 5 2SW101 M-05	1.00
550 0206	* KEYBUTTON & 6 2SW101 M-21	1.00
550 0207	* KEYBUTTON ^ 7 2SW101 M-22	1.00
550 0208	* KEYBUTTON * 8 2SW101 M-23	1.00
550 0209	* KEYBUTTON ( 9 2SW101 M-24	1.00
550 0210	* KEYBUTTON ) 0 2SW101 M-25	1.00
550 0211	* KEYBUTTON _ - 2SW101 M-26	1.00
550 0212	* KEYBUTTON + = 2SW101 M-27	1.00
550 0213	* KEYBUTTON O 2SW105 0-02	1.00
550 0214	* KEYBUTTON W 2SW105 0-03	1.00
550 0215	* KEYBUTTON E 2SW105 0-04	1.00
550 0216	* KEYBUTTON R 2SW105 0-05	1.00
550 0217	* KEYBUTTON T 2SW105 0-06	1.00
550 0218	* KEYBUTTON Y 2SW105 0-07	1.00
550 0219	* KEYBUTTON U 2SW105 0-08	1.00

3-58

EC5922

ASSEMBLY PART NUMBER 177 9204  
ASSEMBLY DESCRIPTION 5526 WORK STATION(928W2)

LEGEND  
\* = KIT TAG # = STATUS ITEM ### = FRACTIONAL QTY

PART NUMBER	DESCRIPTION	QUANTITY
550 0220	* KEYBUTTON I 2SW105 0-09	1.00
550 0221	* KEYBUTTON O 2SW105 0-10	1.00
550 0222	* KEYBUTTON P 2SW105 0-11	1.00
550 0223	* KEYBUTTON A 2SW1 01	1.00
550 0224	* KEYBUTTON S 2SW1 54	1.00
550 0225	* KEYBUTTON D 2SW1 09	1.00
550 0226	* KEYBUTTON F 2SW1 16	1.00
550 0227	* KEYBUTTON G 2SW1 19	1.00
550 0228	* KEYBUTTON H 2SW1 22	1.00
550 0229	* KEYBUTTON J 2SW1 27	1.00
550 0230	* KEYBUTTON K 2SW1 31	1.00
550 0231	* KEYBUTTON L 2SW1 32	1.00
550 0232	* KEYBUTTON Z 2SW109 P-02	1.00
550 0233	* KEYBUTTON X 2SW109 P-03	1.00
550 0234	* KEYBUTTON C 2SW109 P-04	1.00
550 0235	* KEYBUTTON V 2SW109 P-05	1.00
550 0236	* KEYBUTTON B 2SW109 P-06	1.00
550 0237	* KEYBUTTON N 2SW109 P-07	1.00
550 0238	* KEYBUTTON M 2SW109 P-08	1.00
550 0239	* KEYBUTTON . . 2SW109 P-43	1.00
550 0240	* KEYBUTTON . . 2SW109 P-44	1.00
550 0241	* KEYBUTTON ? / 2SW109 P-11	1.00
550 0242	* KEYBUTTON LT+RT BRKTS 2SW105 0-70	1.00
550 0243	* KEYBUTTON GL 2SW105	1.00
550 0244	* KEYBUTTON : : 2SW1 490	1.00
550 0245	* KEYBUTTON " " 2SW1 1848	1.00
550 0246	* KEYBUTTON TAB 3SD259 SL-01	1.00
550 0247	* KEYBUTTON SHIFT 3SD283 SG-1	1.00
550 0248	* KEYBUTTON SHIFT 3SD279 SF-1	1.00
550 0249	* KEYBUTTON LOCK 3SD273 SY-1	1.00
550 0250	* KEYBUTTON RETURN 2SW311 LX-1	1.00
550 0251	* KEYBUTTON BACKSPACE 2SW255 K-01	1.00
550 0252	* KEYBUTTON SPACEBAR	1.00
550 0253	* KEYBUTTON INDENT	1.00
550 0254	* KEYBUTTON PAGE	1.00
550 0255	* KEYBUTTON CFNTER	1.00
550 0256	* KEYBUTTON DEC TAB	1.00
550 0257	* KEYBUTTON FORMAT	1.00
550 0258	* KEYBUTTON MERGE	1.00
550 0259	* KEYBUTTON NOTE	1.00
550 0260	* KEYBUTTON STOP	1.00
550 0261	* KEYBUTTON SRCH	1.00

3-59

ASSEMBLY PART NUMBER 177 9204  
ASSEMBLY DESCRIPTION 5526 WORK STATION(928W2)

LEGEND  
\* = KIT TAG # = STATUS ITEM ### = FRACTIONAL QTY

3-60

PART NUMBER	DESCRIPTION	QUANTITY
550 0262	* KEYBUTTON REPLC	1.00
550 0263	* KEYBUTTON COPY	1.00
550 0264	* KEYBUTTON MOVE	1.00
550 0265	* KEYBUTTON COMMAND	1.00
550 0266	* KEYBUTTON GO TO PAGE	1.00
550 0267	* KEYBUTTON CANCEL	1.00
550 0268	* KEYBUTTON EXECUTE 2SW33	1.00
550 0269	* KEYBUTTON INSERT 2SW1	1.00
550 0270	* KEYBUTTON PREV SCR N 2SW1	1.00
550 0271	* KEYBUTTON DELETE 2SW1	1.00
550 0272	* KEYBUTTON NEXT SCR N 2SW1	1.00
550 0273	* KEYBUTTON ARROW	4.00
650 3243	6-32 X 3/4 PAN HD MS SS	1.00
651 0023	SCR#2X3/16 PLASTITE PAN HD PHIL EC5922	27.00
652 0032	6-32 LOCK-NUT KEPS 511-061800-00	1.00
652 0066	10-32 NUT RETAINER	3.00
660 0005	ELECTRICAL TAPE VINYL 3/4" BLACK EC5922	.50 ###
660 0085	SPONGE TAPE 1/2 X 3/4 NFOPRENE EC5922	.08 ###
279 1012 C *	BASE ASSY 928W2(COPPER COAT)6841-27 EC6396	1.00
449 0095 C	BASE,928W2 (COPPER COATED E5900-147	1.00
451 2134	A COVER,BOTTOM(E&F)D6829-122	1.00
458 0392	GROUND,STATIC CRT(928WS)B6841-110	2.00
651 0400	RIVET AVDEL 11250412 1/8 X 3/8 LG	16.00
651 0401	RIVET,POP 1/8 X 3/16 AD42ABS	4.00
651 0402	RIVET AVDEL 11210615 3/16 X 7/16 LG	4.00
651 1010	SONIC SERT POLMAN #313132	4.00
655 0205	BUMPER,WHITE #2096SW	4.00
360 1030	3 AMP FUSE 250 V	1.00
400 1010	FAN,SKELETON(75CFM)POTRON WR2H2	1.00
449 0101 9	FAN GUARD 4"(WHITE)D5300-1085	1.00
449 0111 9	A BEZEL,12"CRT(WHITE)D6646-104	1.00
449 0143 C	COVER,928W2 (COPPER COATED)6829-125 EC6396	1.00
452 2337	A FINISH PLATE(928W)D6841-102	1.00
452 2517	700 PROGRAM CLAMPS B5900-39 (2)	2.00
452 3518	2200 CRT CHASSIS SHIELD B6422-143	1.00
462 0265	SPACER,PC BOARD(E/F)C6815-13	6.00
478 0061	700 PROGRAM CLAMP NUTS B5900-27 (2)	2.00
478 0323	PLUG,KEYBOARD(928W)B6841-105	1.00
615 0378	PROGRAM STRIP(928W)C6841-107	1.00
615 1073 *	UNIVERSAL ID LABEL(LARGE)C5300-1066	1.00
615 1304	LABEL,CONN ID(F)(20/POLL)C6829-136 EC6396	.05 ###
650 1380	6-32 X 2 1/8 PAN HD PHIL MS SS	2.00

ASSEMBLY PART NUMBER 177 9204  
ASSEMBLY DESCRIPTION 5526 WORK STATION(928W2)

LEGEND  
\*=KIT TAG #=STATUS ITEM ###=FRACTIONAL QTY

3-61

PART NUMBER	DESCRIPTION	QUANTITY	
650 4133	8-32 X 3/8 FLANGE WHI7-LOCK MS ZINC	4.00	
650 4243 W	8-32 X 3/4 PAN HD PHL(OYSTER WHITE)	4.00	
650 6121	10-32X3/8 TRUSS HD PHL MS SS	4.00	
650 6241	10-32 X 3/4 FL HD PHL MS SS	2.00	
650 6243	10-32 X 3/4 TR. HD. PH. MS. SS.	2.00	
650 6360 W	10-32X1 1/8 TRUSS HD PHL SS(WHITE) FC6396	2.00	
651 0021 W	SCR.#8X1/2 SELF TAP TRUSS HD(WHITE)	6.00	
651 0222	STAPLE 3/16" LONG (AIR GUN) EC6396	10.00	
652 0029	8-32 LOCK-NUT KEPS 511-081800-50	4.00	
652 3006	6-32 WING NUT CAD PLATE	2.00	
653 3000	NO. 6 FLAT WASHER	2.00	
653 3001	NO. 6 INT T LK WASHER	2.00	
653 6002	#10 FLAT WSHR (7/32X1/2X1/16ZINC PL	4.00	
654 1274	CABLE CLAMP ADH.BACK DKLSP 021-0375	2.00	
655 0009 9	PLUG BUTTON(WHITE)B6841-108	2.00	
655 0012	VENT,AIR D6815-17	8.00	
655 0157	612/712 KNOB ALCO KN7009A	2.00	
660 0058	* NEOPRENE SPONGE TP GREENE 2218 3/8"	.34	###
660 0076	* HOOK TAPE (ADH.BACK)	.34	###
660 0077	* LOOP TAPE (ADH.BACK)	.34	###
725 0033	* # 12"CRT DISPLAY	1.00	

\*\*\*\*\*  
\*\*\*\*\*

ASSEMBLY PART NUMBER 177 9207  
ASSEMBLY DESCRIPTION 5581 DAISY PRINTER(W/FL)(928P1)

LEGEND  
\* = KIT TAG # = STATUS ITEM ### = FRACTIONAL QTY

PART NUMBER	DESCRIPTION	QUANTITY	
000 0011	LABOR QUALITY CONTROL	2.52	###
000 0021	LABOR PERIPHERAL SYSTEMS	12.61	###
210 7245	* # 7245 MODULE(KR)	1.00	
000 0001	LABOR SUB-SYSTEMS	.39	###
000 0011	LABOR QUALITY CONTROL	.08	###
220 3020	14PIN PRINTER KYBD CABLE C6482-14	1.00	
000 0001	LABOR SUB-SYSTEMS	.05	###
000 0011	LABOR QUALITY CONTROL	.01	###
350 0000	14 PIN FLAT CABLE PLUG 3M 3406	2.00	
420 0042	14 COND FLAT CABLE 3M 3365/14	1.25	###
325 2305	115M1 MICRO SWITCH FOR CP-1	2.00	
370 0015	CMB-820 CLEAR LAMP (NBR 9)	6.00	
370 1020	1200 LAMPHOLDER B5776-895	6.00	
376 9008	IC PAD 16 PIN TEKNA #4330	1.00	PCBFNL
510 7245	# 7245 PRINTED CIRCUIT BOARD	1.00	
652 3002	6-32 NYLON NUT	6.00	
210 7246	# 7246 MODULE(A/I)	1.00	
000 0001	LABOR SUB-SYSTEMS	1.81	###
000 0011	LABOR QUALITY CONTROL	.36	###
300 1220	220 PF 10% CERAMIC CAPACITOR	1.00	
300 1470	470 PF 10% CERAMIC CAPACITOR	2.00	EC5856
300 1900	.05 UF 12V +-80-20% CERAMIC CAP	26.00	EC5856
300 1901	.1 UF 10V +-20% CERAMIC CAPACITOR	1.00	
300 1906	.001 UF 200V 10% CERAMIC CAPACITOR	9.00	
300 4018	1R UF 15V 10% TANT CAPACITOR (R)	1.00	
300 4020	47 UF 15V 10% TANT CAPACITOR (C)	1.00	
300 4022	15 UF 20V 10% TANT CAPACITOR (R)	2.00	EC5856
330 2022 R *	220 OHM 1/4 W 10% -R RESISTOR	5.00	
330 3010	1K OHM 1/4 W 10% .4 RESISTOR	1.00	
330 3022	2.2K OHM 1/4 W 10% .4 RESISTOR	1.00	
330 3022 R *	2.2K OHM 1/4 W 10% -R RESISTOR	16.00	
330 3082	8.2K OHM 1/4 W 10% .4 RESISTOR	1.00	
330 4018	18K OHM 1/4 W 10% .4 RESISTOR	1.00	
376 0002	7400N INTEGRATED CIRCUIT	3.00	EC5856
376 0003	7410N INTEGRATED CIRCUIT	2.00	
376 0004	7420N INTEGRATED CIRCUIT	1.00	
376 0006	7474N INTEGRATED CIRCUIT	3.00	
376 0008	7442N INTEGRATED CIRCUIT	2.00	
376 0010	7404N INTEGRATED CIRCUIT	4.00	
376 0031	7430 INTEGRATED CIRCUIT	1.00	
376 0055	7406 INTEGRATED CIRCUIT	2.00	
376 0081	7408 INTEGRATED CIRCUIT	42.00	EC5856

3-62

ASSEMBLY PART NUMBER 177 9207  
ASSEMBLY DESCRIPTION 5581 DAISY PRINTER(W/FL)(928P1)

LEGEND  
\* = KIT TAG # = STATUS ITEM ### = FRACTIONAL QTY

PART NUMBER	DESCRIPTION	QUANTITY
376 0093	7432 INTEGRATED CIRCUIT	2.00
376 0098	74174 INTEGRATED CIRCUIT	2.00
376 0104	9602 INTEGRATED CIRCUIT	1.00
376 0119	74175 INTEGRATED CIRCUIT	2.00
376 0126	555 SIGNETICS I.C.	1.00
376 0137	8T10 I.C.	3.00
376 0179	74368 / 8098 I.C.	3.00
376 0194	7411 I.C.	1.00
376 0197	74S04 I.C.	1.00
376 0238	74S10 I.C.	1.00
510 7246	# 7246 PRINTED CIRCUIT BOARD	1.00
210 7247 A * #	7247-A MODULE	1.00
209 7247	# 7247 W/UNLOADED SOCKETS(A/I)	1.00
000 0001	LABOR SUB-SYSTEMS	2.32 ###
000 0011	LABOR QUALITY CONTROL	.46 ###
300 1270	270 PF 10% CERAMIC CAPACITOR EC5857	2.00
300 1903	.01 UF 25V +80-20% CERAMIC CAP EC5857	17.00
300 1930	.1 UF 50V +80-20% CERAMIC CAP(HIFREQ EC5857	12.00
300 1931	1 UF CERAMIC CAPACITOR(HIGH FREQ)	9.00
300 4022	15 UF 20V 10% TANT CAPACITOR (B) EC5857	5.00
330 1011	10 OHM 1/4W 5% .4 RESISTOR	4.00
330 2022 R *	220 OHM 1/4 W 10% -R RESISTOR	4.00
330 3022 R *	2.2K OHM 1/4 W 10% -R RESISTOR	24.00
375 1050	TRANSISTOR SPS6551	2.00
376 0002	7400N INTEGRATED CIRCUIT EC5857	1.00
376 0003	7410N INTEGRATED CIRCUIT	1.00
376 0004	7420N INTEGRATED CIRCUIT	1.00
376 0006	7474N INTEGRATED CIRCUIT	4.00
376 0008	7442N INTEGRATED CIRCUIT	1.00
376 0010	7404N INTEGRATED CIRCUIT	1.00
376 0012	7451N INTEGRATED CIRCUIT	1.00
376 0082	74157/9322 I.C. EC5857	4.00
376 0094	74161/9316 INTEGRATED CIRCUIT EC5857	4.00
376 0119	74175 INTEGRATED CIRCUIT	4.00
376 0176	74367 / 8097 I.C.	1.00
376 0178	75322 I.C.	1.00
376 0179	74368 / 8098 I.C.	10.00
376 0183	74173 I.C.	4.00
376 0228	74S00 I.C. EC5857	1.00
376 0237	74S11 I.C. EC5857	1.00
376 9001	14 PIN IC SOCKET (SOLDER TAIL) EC5857	1.00
376 9003	24 PIN IC SOCKET BURNDY EC5857	1.00

3-63

ASSEMBLY PART NUMBER 177 9207  
ASSEMBLY DESCRIPTION 5581 DAISY PRINTER(W/EL)(928P1)

LEGEND  
\* = KIT TAG # = STATUS ITEM ### = FRACTIONAL QTY

PART NUMBER	DESCRIPTION	QUANTITY
376 9014	18 PIN IC SOCKET	18.00
510 7247	# 7247 PRINTED CIRCUIT BOARD	1.00
377 0314	# TMS4050 RAM 4K (16 PIN)	18.00
210 7248 A * # 7248-A	MODULE(A/I)	1.00
209 7248	# 7248 W/UNLOADED SOCKETS(A/I)	1.00
000 0001	LABOR SUB-SYSTEMS	2.82
000 0011	LABOR QUALITY CONTROL	.56
300 1100	100 PF 10% CERAMIC CAPACITOR EC5938	2.00
300 1680	680 PF 10% CERAMIC CAPACITOR	1.00
300 1900	.05 UF 12V +P0-20% CERAMIC CAP FC5858	26.00
300 1907	.0015 UF 200V 20% CERAMIC CAPACITOR	1.00
300 1913	.002 UF 200V 20% CERAMIC CAPACITOR PCBFL	1.00
300 4020	47 UF 15V 10% TANT CAPACITOR (C)	1.00
300 4022	15 UF 20V 10% TANT CAPACITOR (B) EC5867	6.00
321 0018	17.1 MHZ OSCILLATOR	1.00
330 1011	10 OHM 1/4W 5% .4 RESISTOR	2.00
330 1092 R *	91 OHM 1/4 W 5% -R RESISTOR EC5867	1.00
330 2011 R *	100 OHM 1/4 W 5% -R RESISTOR EC5867	1.00
330 2028 R *	270 OHM 1/4 W 5% -R RESISTOR EC5867	1.00
330 2033	330 OHM 1/4 W 10% .4 RESISTOR	2.00
330 2040 R *	390 OHM 1/4 W 5% -R RESISTOR EC5867	1.00
330 3022 R *	2.2K OHM 1/4 W 10% -R RESISTOR EC5867	53.00
330 3033	3.3K OHM 1/4 W 10% .4 RESISTOR	1.00
330 4010 R *	10K OHM 1/4 W 10% -R RESISTOR	9.00
330 4022	22K OHM 1/4 W 10% .4 RESISTOR FC5946	1.00
330 4033	33K OHM 1/4 W 10% .4 RESISTOR PCBFL	1.00
330 4039	39K OHM 1/4 W 10% .4 RESISTOR	1.00
375 1050	TRANSISTOR SPS6551	2.00
376 0002	7400N INTEGRATED CIRCUIT	1.00
376 0003	7410N INTEGRATED CIRCUIT	2.00
376 0005	7473N INTEGRATED CIRCUIT	1.00
376 0006	7474N INTEGRATED CIRCUIT	7.00
376 0010	7404N INTEGRATED CIRCUIT EC5858	2.00
376 0012	7451N INTEGRATED CIRCUIT	1.00
376 0016	7402 INTEGRATED CIRCUIT PCBFL	1.00
376 0036	7486N INTEGRATED CIRCUIT	1.00
376 0050	74180 INTEGRATED CIRCUIT EC5858	2.00
376 0081	7408 INTEGRATED CIRCUIT EC5858	4.00
376 0082	74157/9322 I.C.	4.00
376 0092	7425 INTEGRATED CIRCUIT	1.00
376 0093	7432 INTEGRATED CIRCUIT	2.00
376 0094	74161/9316 INTEGRATED CIRCUIT EC5858	4.00

3-64

ASSEMBLY PART NUMBER 177 9207  
ASSEMBLY DESCRIPTION 5581 DAISY PRINTER(W/FL)(928P1)

LEGEND  
\* = KIT TAG # = STATUS ITFM ### = FRACTIONAL QTY

PART NUMBER	DESCRIPTION	QUANTITY
376 0097	74195/9300 INTEGRATED CIRCUIT	3.00
376 0098	74174 INTEGRATED CIRCUIT	2.00
376 0104	9602 INTEGRATED CIRCUIT	2.00
376 0139	7414 I.C.	1.00
376 0146	75107 I.C.	FC5867 1.00
376 0176	74367 / 8097 I.C.	EC5858 4.00
376 0178	75322 I.C.	1.00
376 0179	74368 / 8098 I.C.	EC5858 3.00
376 0185	8T98 I.C.	EC5858 2.00
376 0194	7411 I.C.	1.00
376 0197	74504 I.C.	2.00
376 0199	74502 I.C.	1.00
376 0200	74508 I.C.	1.00
376 0202	74574 I.C.	4.00
376 0205	74532 I.C.	1.00
376 0228	74500 I.C.	1.00
376 0237	74511 I.C.	1.00
376 0256	75113 I.C.	1.00
376 9011	40 PIN IC SOCKET BURNDY # D1LBZ40P1	1.00
380 1001 4B	D035 SIL DIODE 30V, 100MA AT IV .4B	1.00
510 7246	# 7248 PRINTED CIRCUIT BOARD	1.00
377 0269	8080A MICROPROCESSOR	1.00
210 7249	* # 7249 MODULE	1.00
000 0001	LABOR SUB-SYSTEMS	1.05 ###
000 0011	LABOR QUALITY CONTROL	.21 ###
300 1330	330 PF 10% CERAMIC CAPACITOR	1.00
300 1900	.05 UF 12V +80-20% CERAMIC CAP	1.00
300 1903	.01 UF 25V +80-20% CERAMIC CAP	1.00
300 3078	8.2K UF 25V ELECTROLYTIC CAP(AXIAL)	1.00
300 4022	15 UF 20V 10% TANT CAPACITOR (R)	3.00
330 0047	4.7 OHM 1/4 W 10% .4 RESISTOR	1.00
330 2048 UB	470 OHM 1/4W 5% UB RESISTOR	1.00
330 2068	680 OHM 1/4 W 10% .4 RESISTOR	1.00
330 3018	1.8K OHM 1/4 W 10% .4 RESISTOR	1.00
330 3023 R	2.2K OHM 1/4W 5% -R RESISTOR	EC5848 5.00
330 3028	2.7K OHM 1/4W 5% .4 RESISTOR	1.00
331 0010	1 OHM 1/2W 10% RESISTOR	EC5866 1.00
331 2010	100 OHM 1/2 W 10% RESISTOR	1.00
336 1014	1K TRIMPOT 90 DEG MOUNT BECKMAN#72X EC5848	3.00
375 1026	2N3467 TRANSISTOR	1.00
375 1052	TRANSISTOR 2N6387 (PLASTIC)	2.00
375 9001	TRANSIPAD 8977887-1 LARGE	1.00

3-65



ASSEMBLY PART NUMBER 177 9207  
ASSEMBLY DESCRIPTION 58P1 DAISY PRINTER(W/CL)(928P1)

LEGEND  
\* = KIT TAG # = STATUS ITEM ### = FRACTIONAL QTY

PART NUMBER	DESCRIPTION	QUANTITY	
375 9016	MICA INSUL#DF103R FOR 375-1034/1035	2.00	
376 0066	723 INTEGRATED CIRCUIT	2.00	
376 0134	LM304 INTEGRATED CIRCUIT	1.00	
380 3008	A15A RECTIFIER	2.00	EC6165
451 4460	BRKT, TRANSISTOR(928P1)C6843-109	1.00	
451 4464	BRKT, PC BD LEFT(928P1)C6843-117	1.00	EC5921
510 7249	* 7249 PRINTED CIRCUIT BOARD	1.00	
605 1004	* CABLE TYE, PAN-TY PLTIM-M	2.00	EC5848
650 3061	6-32 X 3/16 PAN HD PHL MS SS SEMS	3.00	
650 3131	6-32 X 3/8 NYLON COVERED FIL HD SLT	2.00	EC5848
220 0148	25'DUAL COAXIAL CABLE C6482-109	1.00	EC6111
000 0001	LABOR SUB-SYSTEMS	.57	###
000 0011	LABOR QUALITY CONTROL	.11	###
350 2074	TNC CABLE CONNECTOR BW261122	2.00	
350 2075	BNC CABLE CONNECTOR BW161119	2.00	
420 0057	DUAL COAXIAL CABLE BELDEN #9246	2.00	
270 0340	* # 928P1 PRINTER CHASSIS ASSY	1.00	EC6111
000 0001	LABOR SUB-SYSTEMS	.50	###
000 0011	LABOR QUALITY CONTROL	7.91	###
210 7243	* # 7243 MODULE(M.B.)(PRELIMINARY)	1.58	###
000 0001	LABOR SUB-SYSTEMS	1.00	
000 0011	LABOR QUALITY CONTROL	.36	###
220 3019	50 POS FLAT CABLE B6482-119(928P1)	.07	###
000 0001	LABOR SUB-SYSTEMS	1.00	E5923A
000 0011	LABOR QUALITY CONTROL	.11	###
350 0404	50 PIN FLAT CABLE SOCKET CONNECTOR	.02	###
350 0405 B	50 PIN FLAT CABLE CONNECTOR BOTTOM	1.00	
350 0405 C	50 PIN FLAT CABLE CONNECTOR COVER	1.00	
420 0056	50 COND FLAT CABLE 3M 3365/50	1.00	
350 0011	225-21521-110 PC CONN SOLDER TYPE	2.00	RF2261
350 0021	225-22221-110 SOL TYPE	4.00	
350 0039	44 POS P.C.CONN SOLDER TYPE(CINCH)	6.00	
376 9012	14 PIN IC SOCKET CAMBION	3.00	
510 7243	* 7243 PRINTED CIRCUIT BOARD	1.00	RF2261
654 1194	4 POS P.C.HEADER ASSY AMP 350211-1	1.00	EC5869
654 1198	2 POS PIN HEADER ASSY AMP 350209-1	1.00	RF2261
220 0154	PWR SUPPLY CABLE(928P1)C6482-118	2.00	EC5923
000 0001	LABOR SUB-SYSTEMS	1.00	
000 0011	LABOR QUALITY CONTROL	1.19	###
350 2079	14 POS(F)CONN WITH HOOD	.24	###
600 0003	* WIRE 18 GA ORANGE UL	1.00	EC6232
600 0007	* WIRE 18 GA VIOLET UL	.63	###
		.63	###

3-66

ASSEMBLY PART NUMBER 177 9207  
ASSEMBLY DESCRIPTION 5581 DAISY PRINTER(W/EL)(928P1)

LEGEND  
\* = KIT TAG # = STATUS ITEM ### = FRACTIONAL QTY

PART NUMBER	DESCRIPTION	QUANTITY	
600 6000	14 GA BLACK STRANDED WIRE	6.66	###
600 6002	* 14 GA RED STRANDED WIRE	4.78	###
600 6003	14 GA ORANGE STRANDED WIRE	3.25	###
600 6009	14 GA WHITE STRANDED WIRE	3.08	###
600 7003	16 GA ORANGE STRANDED WIRE	3.25	###
600 7009	16 GA WHITE STRANDED WIRE	3.08	###
605 0104	TUBING 1/2 BLACK	2.00	
654 0087	SOCKET CONTACT SOLDER TYPE	7.00	
654 1163 R	* SOCKET 20-14 GA(REEL)AMP 61117-4	4.00	EC6232
654 1195	4 POS SOCKET HOUSING AMP 1-480424-0	1.00	EC6232
270 3064	TRANSFORMER HARNESS(P1 60HZ)6482120	1.00	EC5923
000 0001	LABOR SUB-SYSTEMS	.46	###
000 0011	LABOR QUALITY CONTROL	.09	###
410 0108	A MMC 5838-1 XFMR(928 PRTR)C5068-105	1.00	
451 4463	* BKKT, TRANSFORMER(928P1)C6843-114	4.00	VENDOR
600 0000	WIRE 18 GA BLACK UL	4.00	
600 6000	14 GA BLACK STRANDED WIRE	2.76	###
605 0015	#3 CLEAR TUBING	2.84	###
605 0132	* TUBING, 3/8 ID HEATSHRINK	.17	###
654 0048 R	FASTON TERMINAL RED AMP 42599-4	2.00	
654 0084 R	FASTON TERMINAL (BLUE)RDY#PQ 14R25RM	2.00	
654 1148	SOCKET HOUSING 1-480318-0	1.00	
654 1163 R	SOCKET 20-14 GA(REEL)AMP 61117-4	6.00	
654 1195	4 POS SOCKET HOUSING AMP 1-480424-0	1.00	
300 3049	77000 UF 15V ELECTROLYTIC CAPACITOR	1.00	
300 3070	53000 UF 25V ELECTROLYTIC CAP	2.00	
300 9006	CAP CLAMP 2 1/2 INCH 3 LUG	2.00	EC5923
300 9010	CAP BOOT FOR 300-3042	1.00	EC5923
300 9021	CAP CLAMP C TYPE 2 INCH 2 LUG W/OFF 74	1.00	
300 9022	CAP CLAMP 2 1/16 INCH 3 LUG	1.00	
320 0300	SPEAKER 3" RECTANGULAR FILMOR TS-27	1.00	
325 0021	ON-OFF ROCKER SW SPDT TR201 TW-B	1.00	
331 3010	1K OHM 1/2 W 10% RESISTOR	2.00	EC5923
332 2010	100 OHM 1 W 10% RESISTOR	1.00	EC5923
350 1036	BNC SOCKET (F) CONN UG1094A	1.00	
350 2078	TNC BULKHEAD CONN(F)(PANEL)BW311403	1.00	
360 0001	FUSE HOLDER STR CONTACT	1.00	
360 9000	RUBBER WSHR FOR 360-0000 / 360-0001	1.00	
360 9002	HEX NUT FOR 360-0000 / 360-0001	1.00	
360 9003	LOCK WSHR LF#905023(FOR 360-0000/1)	1.00	
375 1048	TRANSISTOR 2N5301	1.00	
375 9014	INSULATOR XTOR MOUNT WECKFESSER TM-1	1.00	

ASSEMBLY PART NUMBER 177 9207  
ASSEMBLY DESCRIPTION 5581 DAISY PRINTER(W/EL)(928P1)

LEGEND  
\*=KIT TAG #=STATUS ITEM ###=FRACTIONAL QTY

PART NUMBER	DESCRIPTION	QUANTITY	
380 3000	IN1200A RECTIFIER	6.00	
380 5000	130 VOLT VARISTOR V130LA10	1.00	
410 2005	LINE FILTER 5 AMP CORCOM 5K1	1.00	
420 1000	CORD POWER 3 COND	2.00	EC5923
451 1227	A BOTTOM PAN, FLEC(928P1)E6843-116	1.00	
451 4457	BRKT,LATCH(928P1)C6843-105	1.00	
451 4458	BRKT,LATCH(928P1)C6843-105	1.00	
451 4465	BRKT,PC 50 RIGHT(928P1)C6843-118	1.00	
458 0406	GRND,STATIC BOTTOM PAN B6843-124	2.00	EC6355
458 0407	GRND,ST HOT COV,PTR C6843-125	2.00	EC6355
462 0088	SPACER 1/4 OD X 1/8 L SMITH 8880	18.00	EC5923
478 0328	C HEATSINK(928P1)C6843-110	1.00	
600 0000	* WIRE 18 GA BLACK UL	.80	EC5923 ###
600 0007	* WIRE 18 GA VIOLET UL	.50	EC5923 ###
600 3000	* WIRE 26 GA BLACK	2.50	EC5923 ###
600 3002	* WIRE 26 GA RED	1.25	EC5923 ###
600 3004	* WIRE 26 GA YELLOW	1.25	EC5923 ###
600 3005	* WIRE 26 GA GREEN	1.25	EC5923 ###
600 3006	* WIRE 26 GA BLUE	1.25	EC5923 ###
600 6000	* 14 GA BLACK STRANDED WIRE	.42	EC5923 ###
600 6002	* 14 GA RED STRANDED WIRE	.50	EC5923 ###
600 6003	* 14 GA ORANGE STRANDED WIRE	1.68	EC5923 ###
600 6004	* 14 GA YELLOW STRANDED WIRE	1.68	EC5923 ###
600 6054	* 14 GA GRN/YEL STRANDED WIRE	1.25	EC5923 ###
600 7003	* 16 GA ORANGE STRANDED WIRE	.75	EC5923 ###
600 7009	* 16 GA WHITE STRANDED WIRE	1.50	EC5923 ###
600 9015	* 14 GA TINNED COPPER BUS WIRE (UL)	.50	EC5923 ###
605 0012	* TUBING #4 CLEAR	.50	EC5923 ###
605 1004	* CABLE TIE, PAN-TV PLTIM-M	10.00	EC5923
650 2160	4-40 X 1/2 PAN HD PHL MS SS SEMS	2.00	EC5923
650 3160	6-32 X 1/2 PAN HD PHL MS SS SEMS	2.00	EC5923
650 3200	6-32 X 5/8 PAN HD PHL MS SS	3.00	EC5923
650 6120	10-32X3/8 PAN HD PHL MS SS	3.00	EC5923
650 6160	10-32 X 1/2 PAN HD PHL MS SS SEMS	1.00	EC5923
650 6162	10-32X1/2 TRUSS HD PHL MS SS	2.00	EC5923
651 0405	3/16 X 3/8 POP RIVET	4.00	EC5923
651 1005	STUD SELF-CLINCH PEM FHS-440-6	2.00	EC5923
651 1006	STUD SELF CLINCH PEM FHS 632-6	19.00	EC5923
651 1016	PEM STUD FHS-6-32-10	2.00	EC5923
651 1027	4-40 X 3/4 PEM STUD FHS 440-12	19.00	EC5923
652 0010	4-40 PEM NUT CLS440-2	4.00	EC5923
652 0017	10-32 PEM NUT SS-032-2	6.00	EC5923

ASSEMBLY PART NUMBER 177 9207  
ASSEMBLY DESCRIPTION 5581 DAISY PRINTER(W/EL)(928P1)

LEGEND  
\* = KIT TAG # = STATUS ITEM ### = FRACTIONAL QTY

PART NUMBER	DESCRIPTION	QUANTITY
652 0032	6-32 LOCK-NUT KEPS 511-061800-00	EC5923 3.00
652 2004	4-40 SMALL PATTERN HEX NUT SS	FC5923 9.00
652 3004	6-32 SM PATTERN NUT,NAS 671-C6	EC5923 25.00
652 6002	10-32 LOCK NUT KEPS #511-101800-50	EC5923 1.00
653 0006	MICA WASHER(LARGE)FOR POWER XISTOR	1.00
653 2000	NO. 4 FLAT WASHER	EC5923 11.00
653 2002	NO. 4 INT T LK WASHER	EC5923 11.00
653 3000	NO. 6 FLAT WASHER	2.00
653 3001	NO. 6 INT T LK WASHER	EC5923 18.00
653 3003	NO. 6 SPLIT LOCK MED WASHER	EC5923 2.00
653 6000	NO. 10 FLAT WASHER	EC5923 4.00
653 6001	NO. 10 INT T LK WASHER	EC5923 6.00
654 1006	#6 GROUND LUG	FC5923 3.00
654 1010	#10 GROUND LUG	EC5923 11.00
654 1011	3/8" GROUND LUG HH SMITH 1497	2.00
654 123R	HFYCD STRAIN RELIEF SR5P-4	1.00
654 1256	CLAMP, CABLE 1/2 INCH	EC5923 1.00
655 0205	BUMPER,WHITE #2096SW	4.00
270 0340 1	928P1 PRINTER CHASSIS ASSY(50 HZ)	EC6111 .50 ###
000 0001	LABOR SUB-SYSTEMS	7.91 ###
000 0011	LABOR QUALITY CONTROL	1.58 ###
210 7243	* # 7243 MODULE(M.B.)(PRELIMINARY)	1.00
000 0001	LABOR SUB-SYSTEMS	.36 ###
000 0011	LABOR QUALITY CONTROL	.07 ###
220 3019	50 POS FLAT CABLE B6482-119(928P1)	E5923A 1.00
000 0001	LABOR SUB-SYSTEMS	.11 ###
000 0011	LABOR QUALITY CONTROL	.02 ###
350 0404	50 PIN FLAT CABLE SOCKET CONNECTOR	1.00
350 0405 B	50 PIN FLAT CABLE CONNECTOR BOTTOM	1.00
350 0405 C	50 PIN FLAT CABLE CONNECTOR COVER	1.00
420 0056	50 COND FLAT CABLE 3M 3365/50	2.00
350 0011	225-21521-110 PC CONN SOLDER TYPE	RF2261 4.00
350 0021	225-22221-110 SOL TYPE	6.00
350 0039	44 POS P.C.CONN SOLDER TYPE(CINCH)	3.00
376 9012	14 PIN IC SOCKET CAMBION	RF2261 1.00
510 7243	# 7243 PRINTED CIRCUIT BOARD	1.00
654 1194	4 POS P.C.HEADER ASSY AMP 350211-1	EC5869 1.00
654 1198	2 POS PIN HEADER ASSY AMP 350209-1	RF2261 2.00
220 0154	PWR SUPPLY CABLE(928P1)C6482-118	EC5923 1.00
000 0001	LABOR SUB-SYSTEMS	1.19 ###
000 0011	LABOR QUALITY CONTROL	.24 ###
350 2079	14 POS(F)CONN WITH HOOD	1.00

3-69

ASSEMBLY PART NUMBER 177 9207  
ASSEMBLY DESCRIPTION 5581 DAISY PRINTER(W/FL)(928P1)

LEGEND  
\* = KIT TAG # = STATUS ITEM ### = FRACTIONAL QTY

PART NUMBER	DESCRIPTION	QUANTITY	
600 0003	* WIRE 18 GA ORANGE UL	.63	###
600 0007	* WIRE 18 GA VIOLET UL	.63	###
600 6000	14 GA BLACK STRANDED WIRE	6.66	###
600 6002	* 14 GA RED STRANDED WIRE	4.78	###
600 6003	14 GA ORANGE STRANDED WIRE	3.25	###
600 6009	14 GA WHITE STRANDED WIRE	3.08	###
600 7003	16 GA ORANGE STRANDED WIRE	3.25	###
600 7009	16 GA WHITE STRANDED WIRE	3.08	###
605 0104	TUBING 1/2 BLACK	2.00	
654 0087	SOCKET CONTACT SOLDER TYPE	7.00	
654 1163 R	* SOCKET 20-14 GA(REEL)AMP 61117-4	4.00	EC6232
654 1195	4 POS SOCKET HOUSING AMP 1-480424-0	1.00	EC6232
220 1066	FAN CABLE,LPD R6482-78	1.00	EC5985
000 0001	LABOR SUB-SYSTEMS	.22	###
000 0011	LABOR QUALITY CONTROL	.04	###
600 0006	WIRE 18 GA BLUE UL	4.48	###
605 0012	TUBING #4 CLEAR	2.00	
654 1148	SOCKET HOUSING 1-480318-0	1.00	
654 1163 R	SOCKET 20-14 GA(REEL)AMP 61117-4	2.00	
220 1102	P055 WIRE/LUG ASY(28P1 50HZ)D648212	2.00	
000 0001	LABOR SUB-SYSTEMS	.08	###
000 0011	LABOR QUALITY CONTROL	.02	###
600 6000	14 GA BLACK STRANDED WIRE	1.33	###
654 1163 R	SOCKET 20-14 GA(REEL)AMP 61117-4	1.00	
300 3049	77000 UF 15V ELECTROLYTIC CAPACITOR	1.00	
300 3070	53000 UF 25V ELECTROLYTIC CAP	2.00	
300 9006	CAP CLAMP 2 1/2 INCH 3 LUG	2.00	EC5923
300 9010	CAP BOOT FOR 300-3042	1.00	EC5923
300 9021	CAP CLAMP C TYPE 2 INCH 2 LUG W/FF74	1.00	
300 9022	CAP CLAMP 2 1/16 INCH 3 LUG	1.00	
310 0006	6 TERMINAL STRIP	1.00	EC5985
320 0300	SPEAKER 3" RECTANGULAR FILMOR TS-27	1.00	
325 0021	ON-OFF ROCKER SW SPDT TR201 TW-R	1.00	
331 3010	1K OHM 1/2 W 10% RESISTOR	2.00	EC5923
332 2010	100 OHM 1 W 10% RESISTOR	1.00	EC5923
350 1036	BNC SOCKET (F) CONN UG1094A	1.00	
350 2078	TNC BULKHEAD CONN(F)(PANEL)RW311403	1.00	
360 0001	FUSE HOLDER STR CONTACT	1.00	
360 9000	RUBBER WSHR FOR 360-0000 / 360-0001	1.00	
360 9002	HEX NUT FOR 360-0000 / 360-0001	1.00	
360 9003	LOCK WSHR LF#905023(FOR 360-0000/1)	1.00	
375 1048	TRANSISTOR 2N5301	1.00	

ASSEMBLY PART NUMBER 177 9207  
ASSEMBLY DESCRIPTION 5581 DAISY PRINTER(W/EL)(928P1)

LEGEND  
\*=KIT TAG #=STATUS ITEM ###=FRACTIONAL QTY

PART NUMBER	DESCRIPTION		QUANTITY	
375 9014	INSULATOR XTOR MOUNT WECKESSER TM-1		1.00	
380 3000	IN1200A RECTIFIER		6.00	
380 5001	250 VOLT VARISTOR V250LA20	E5923A	1.00	
410 0109	B MMC 5839-1 XFMR(50 HZ)C5068-109		1.00	
410 2005	LINE FILTER 5 AMP CORCOM 5K1		1.00	
420 1000	CORD POWER 3 COND	FC5923	2.00	
451 1227	A BOTTOM PAN,ELEC(928P1)E6843-116		1.00	
451 4457	BRKT,LATCH(928P1)C6843-105		1.00	
451 4458	BRKT,LATCH(928P1)C6843-105		1.00	
451 4461	BRKT,FAN(928P1)C6843-112		1.00	
451 4463	* BRKT,TRANSFORMER(928P1)C6843-114	VENDOR	4.00	
451 4465	BRKT,PC BD RIGHT(928P1)C6843-118		1.00	
458 0406	GRND,STATIC BOTTOM PAN R6843-124	EC6355	2.00	
458 0407	GRND,ST BOT CONV,PTR C6843-125	EC6355	2.00	
452 0088	SPACER 1/4 OD X 1/8 L SMITH 8880	EC5923	18.00	
478 0328	C HEATSINK(928P1)C6843-110		1.00	
600 0000	* WIRE 18 GA BLACK UL	EC5923	.80	###
600 0007	* WIRE 18 GA VIOLET UL	FC5923	.50	###
600 3000	* WIRE 26 GA BLACK	EC5923	2.50	###
600 3002	* WIRE 26 GA RED	EC5923	1.25	###
600 3004	* WIRE 26 GA YELLOW	EC5923	1.25	###
600 3005	* WIRE 26 GA GREEN	EC5923	1.25	###
600 3006	* WIRE 26 GA BLUE	EC5923	1.25	###
600 6000	* 14 GA BLACK STRANDED WIRE	FC5923	.42	###
600 6002	* 14 GA RED STRANDED WIRE	EC5923	.50	###
600 6003	* 14 GA ORANGE STRANDED WIRE	EC5923	1.68	###
600 6004	* 14 GA YELLOW STRANDED WIRE	EC5923	1.68	###
600 6054	* 14 GA GRN/YEL STRANDED WIRE	EC5923	1.25	###
600 7003	* 16 GA ORANGE STRANDED WIRE	EC5923	.75	###
600 7009	* 16 GA WHITE STRANDED WIRE	FC5923	1.50	###
600 9015	* 14 GA TINNED COPPER BUS WIRE (UL)	EC5923	.50	###
605 0012	* TUBING #4 CLEAR	EC5923	.50	###
605 0015	* #3 CLEAR TUBING	EC5985	1.00	
605 1004	* CARLE TYE, PAN-TY PLTIM-M	EC5923	10.00	
650 2160	4-40 X 1/2 PAN HD PHL MS SS SEMS	EC5923	2.00	
650 3160	6-32 X 1/2 PAN HD PHL MS SS SEMS	EC5923	2.00	
650 3200	6-32 X 5/8 PAN HD PHL MS SS	EC5923	3.00	
650 6120	10-32X3/8 PAN HD PHL MS SS	EC5923	3.00	
650 6160	10-32 X 1/2 PAN HD PHL MS SS SEMS	EC5923	1.00	
650 6162	10-32X1/2 TRUSS HD PHL MS SS		2.00	
651 0405	3/16 X 3/8 POP RIVET	EC5923	4.00	
651 1005	STUD SELF-CLINCH PEM FHS-440-6		2.00	

ASSEMBLY PART NUMBER 177 9207  
ASSEMBLY DESCRIPTION 5581 DAISY PRINTER(W/FL)(928P1)

LEGEND  
\* = KIT TAG # = STATUS ITEM ### = FRACTIONAL QTY

PART NUMBER	DESCRIPTION	QUANTITY
651 1006	STUD SELF CLINCH PEM FHS 632-6	19.00
651 1016	PEM STUD FHS-6-32-10	2.00
651 1027	4-40 X 3/4 PEM STUD FHS 440-12	19.00
652 0010	4-40 PEM NUT CLS440-2	4.00
652 0017	10-32 PEM NUT SS-032-2	6.00
652 0032	6-32 LOCK-NUT KEPS 511-061800-00	3.00
652 2004	4-40 SMALL PATTERN HEX NUT SS	9.00
652 3004	6-32 SM PATTERN NUT,NAS 671-C6	27.00
652 6002	10-32 LOCK NUT KEPS #511-101800-50	1.00
653 0006	MICA WASHER(LARGE)FOR POWER XISTOR	1.00
653 2000	NO. 4 FLAT WASHER	11.00
653 2002	NO. 4 INT T LK WASHER	11.00
653 3000	NO. 6 FLAT WASHER	2.00
653 3001	NO. 6 INT T LK WASHER	20.00
653 3003	NO. 6 SPLIT LOCK MED WASHER	2.00
653 6000	NO. 10 FLAT WASHER	4.00
653 6001	NO. 10 INT T LK WASHER	6.00
654 0048 R	EASTON TERMINAL RED AMP 42599-4	2.00
654 1006	#6 GROUND LUG	3.00
654 1010	#10 GROUND LUG	11.00
654 1011	3/8" GROUND LUG HH SMITH 1497	2.00
654 1163 R	SOCKET 20-14 GA(REEL)AMP 61117-4	2.00
654 1195	4 POS SOCKET HOUSING AMP 1-480424-0	1.00
654 1238	HEYCO STRAIN RELIEF SR5P-4	1.00
654 1256	CLAMP, CABLE 1/2 INCH	1.00
655 0205	BUMPER,WHITE #2096SW	4.00
271 1127	PRINTER KEYBOARD ASSY 6843-14	1.00
452 1053	C BEARING PLATE(5581/928P1)B6843-115	1.00
550 0005	SM WHT KEY STEM	1.00
550 0006 5	SM GRN KEY CAP	7.00
550 0013	KEY RETAINER 95900-32	7.00
550 0068	KEY STEM,SMALL LIGHTED R6P15-14	6.00
550 0740	NO 40 INSERT GROUP(928P1)B6843-10P	1.00
654 1209	GROMMET 1/4ID FOR 3/8HOLE 1/8PNL	5.00
279 0247	FAN ASSEMBLY(928P1)C6843-11	1.00
000 0001	LABOR SUB-SYSTEMS	.09
000 0011	LABOR QUALITY CONTROL	.02
400 100P	FAN(NO GUARD)HOWARD 3-90-8221	1.00
451 4461	BRKT,FAN(928P1)C6843-112	1.00
605 0012 *	TUBING #4 CLEAR	.50
650 6120	10-32X3/8 PAN HD PHL MS SS	2.00
653 6001	NO. 10 INT T LK WASHER	2.00

3-72

###  
###  
###

ASSEMBLY PART NUMBER 177 9207  
ASSEMBLY DESCRIPTION 5581 DAISY PRINTER(W/EL)(928P1)

LEGEND  
\*=KIT TAG #=STATUS ITEM ###=FRACTIONAL QTY

PART NUMBER	DESCRIPTION	QUANTITY
654 1147	PIN HOUSING 1-480319-0	1.00
654 1164 R *	PIN TERM 20-14 GA(REEL)AMP 61118-4	2.00
654 1251	CLAMP, CABLE 3/16 INCH	1.00
340 1025 SB	2-1/2 AMP FUSE SLO BLD	1.00
450 0061	WANG TAC (BLANK) C5300-1049	1.00
451 2150	COVER, PROTECTIVE FLEC(928P1)6843120 EC5941	1.00
452 2338	A FINISH PLATE(928P1/P2)D6843-100	1.00
452 2570	CLAMP, FINISH PLATE(928P1)B6843-104	5.00
452 3516	CABLE SHIELD, POLYMER B5776-2066 EC5906	3.00
458 0403	GRND, ST PTR TOP COV L.H.C6843-126 EC6355	1.00
458 0404	GRND, ST PTR TOP COV R.H.C6843-123 EC6355	1.00
461 0107	NUT PLATE, LH(928P1)C6843-106	1.00
461 0108	NUT PLATE, RH(928P1)	1.00
461 3272	STUD, LATCH(928P1)B6843-107	4.00
462 0265	SPACER, PC BOARD(E/F)C6815-13	6.00
462 0277	SPACER, 1/4 HEX 6-32X11/16 SM#8839 EC5906	2.00
615 0380	FISH PAPER, DIARLO PRTR, BD, B6843-119 EC5906	1.00
650 3080	6-32 X 1/4 PAN HD PHL MS SS SEMS EC6296	1.00
650 3640	6-32 X 2 PAN HD PHL MS SS EC6111	2.00
650 4133	8-32 X 3/8 FLANGE WHIZ-LOCK MS ZINC EC6111	2.00
651 0223	"S" CLIP (C2181-025-4) EC6355	2.00
652 4000	8-32 HEX NUT SS EC6111	3.00
653 4001	NO. 8 INT T LK WASHER EC6111	3.00
725 0054 * #	HYTYPE PRINTER 11 DIARLO 1355WP	1.00
725 0054 P1 *	FRICION PLATEN 24075	1.00
725 0054 R1 *	CLOTH RIBBON BLACK 24150	1.00
725 0054 T1 *	FORMS TRACTOR 24345	1.00
725 0054 W6 *	PRINT WHEEL PICA 10 #38310 AUTENC	1.00
725 0054 W7 *	PRINT WHEEL VINTAGE 12 #38302 AUTENC	1.00

3-73

\*\*\*\*\*  
\*\*\*\*\*



REVISED AS OF  
/ /

WANG LABORATORIES, INC.  
HILL OF MATERIALS

PAGE 1  
02/18/77

ASSEMBLY PART NUMBER 177 9210  
ASSEMBLY DESCRIPTION 10 MEG DISK DRIVE(9280)

LEGEND  
\*=KIT TAG #=STATUS ITFM ###=FRACTIONAL QTY

PART NUMBER	DESCRIPTION	QUANTITY	
220 0108 3	DISK CABLE ASSY(9280)D6482-138	1.00	
000 0001	LABOR SUB-SYSTEMS	1.07	###
000 0011	LABOR QUALITY CONTROL	.21	###
210 7185	* 7185 MODULE (PRELIM 9280) EC6309	1.00	
300 4022	15 UF 20V 10% TANT CAPACITOR (R)	2.00	
330 2010 R *	100 OHM 1/4W 10% -R RESISTOR	19.00	
350 0401 R	36 PIN FLAT CABLE CONN BOTTOM 3378	2.00	
350 2057	50 PIN CONN BLOCK WIN# MRAC50S	1.00	
462 0200	1/4 RD X 1/2"L #4 SPCR RICHCO S54-4	4.00	
510 7185	7185 PRINTED CIRCUIT BOARD	1.00	
650 2283	4-40 X 7/8 FILLISTER HD SS	4.00	
652 2001	4-40 HEX NUT NYLON	4.00	
654 1162	SOCKET PIN SOLDER WINCHESTER R125	50.00	
350 0401 B	36 PIN FLAT CABLE CONN BOTTOM 3378	2.00	
350 0401 C	36 PIN FLAT CABLE CONN COVER 3378	4.00	
350 2057 HW	HARDWARE FOR 350-2057 WIN#JTC605	1.00	
420 0043	36 COND FLAT CABLE 3M 3405	12.00	
510 6587	# 6587 PRINTED CIRCUIT BOARD	2.00	
605 0133	CABLE JACKET,FLAT 3"W	5.66	###
660 0026	TAPE,COPPER FOIL 3 1/4"W #1181	11.32	###
725 0056	MODEL 44B 10 MEG DISK DRIVE(DIABLO)	1.00	

3-74

\*\*\*\*\*  
\*\*\*\*\*

MODEL 5590-3

ASSEMBLY PART NUMBER 279 8011  
 ASSEMBLY DESCRIPTION 928W STAND(928S1)

PART NUMBER	DESCRIPTION	QUANTITY
000 0011	LABOR QUALITY CONTROL	.51
000 0020	LABOR PREP ARFA	2.55
220 1051	P030 WIRE & LUG ASSY D6482-12	3.00
220 1052	P031 WIRE & LUG ASSY D6482-12	3.00
220 1059	P037 WIRE & LUG ASSY D6482-12	3.00
220 1063	P039 WIRE & LUG ASSY D6482-12	1.00
220 1093	POWER CORD ASSY T-7 B6482-108	1.00
325 0021	ON-OFF ROCKER SW SPDT TR201 TW-B	1.00
360 0005	FUSE HOLDER LITTLEFUSE #341001AL	1.00
360 1100	10 AMP FUSE 250V	1.00
451 0127	# TABLE TOP(30X32)WHT(928S1)E6846-100	1.00
451 0203	# 2290 LFG SUPPORT (UPPER) B6422-102	2.00
451 0204	# 2290 LEG SUPPORT (LOWER) B6422-103	2.00
451 0228	# LEG,VERTICAL C6643-113	2.00
451 1218	# BOTTOM PAN,POWER(FS-1B)D6645-101	1.00
451 2128	# COVER,POWER PAN(FS-1B)C6645-102	1.00
451 2140	# COVER,POWER SWITCH(928S1)C6645-107	1.00
451 3630	DRESS PANEL,REAR(928S1)D6846-109 EC5968	1.00
451 3836	# PANEL END SMALL LEFT D6643-102	1.00
451 3837	# PANEL END SMALL RIGHT D6643-102	1.00
451 3845	# PANEL,MODESTY(FS-1B)D6645-103	1.00
650 4169	8-32 X 1/2 TRUSS HD PHIL PARK SCREW EC5968	4.00
650 6162	10-32X1/2 TRUSS HD PHL MS SS	9.00
650 6601	SCR,10-32 X 1 7/8 RND HD PHL MS SS	6.00
650 9007	5/16-18 X 1 1/2 HEX HD STOVE BOLT	8.00
650 9012	1/4-20 X 3/4 FLANGE WHIZ LOCK MS	12.00
652 0032	6-32 LOCK-NUT KFPS 511-061800-00	6.00
652 0068	8-32 PEM NUT CLS 832-1 EC5968	4.00
652 3000	6-32 HEX NUT SS	2.00
653 3003	NO. 6 SPLIT LOCK MED WASHER	2.00
653 6000	NO. 10 FLAT WASHER	6.00
653 6001	NO. 10 INT T LK WASHER	15.00
653 6008	5/16 SPLIT LOCK WASHER	8.00
654 0064	A.C.CONV.OUTLET(SCRFW TERM)F#2538.9	4.00
654 1214	GROMMET, HEYCO 6P3-4 (70,80,F	1.00
654 1226	HEYCO GROMMET #7P-2	2.00
654 1274	CABLE CLAMP ADH.BACK DKLSP 021-0375	2.00
655 0010	CASTER GLIDE 1/4-20 CG293LD7746	4.00

MODEL 5590-2 (PG. 1)

ASSEMBLY PART NUMBER 279 8012  
 ASSEMBLY DESCRIPTION 928M1/M2/W2 STAND(928S2)

PART NUMBER	DESCRIPTION	QUANTITY
000 0011	LABOR QUALITY CONTROL	.58
000 0020	LABOR PRFP AREA	2.88
220 1051	P030 WIRE & LUG ASSY D6482-12	3.00
220 1052	P031 WIRE & LUG ASSY D6482-12	3.00
220 1059	P037 WIRE & LUG ASSY D6482-12	3.00
220 1063	P039 WIRE & LUG ASSY D6482-12	1.00
220 1064	POWER CORD ASSY (T-6)(FS-2)B6482-77	1.00
325 0021	ON-OFF ROCKER SW SPDT TB201 TW-B	1.00
360 0005	FUSE HOLDER LITTLEFUSE #34100IAL	1.00
360 1100	10 AMP FUSE 250V	1.00
451 0128	# TABLE TOP(30X45)(WHT)928S2 E6846200	1.00
451 0203	# 2290 LFG SUPPORT (UPPER) B6422-102	2.00
451 0204	# 2290 LEG SUPPORT (LOWER) B6422-103	2.00
451 0228	# LEG,VERTICAL C6643-113	2.00
451 1222	# BOTTOM PAN(FS28)D6643-125	1.00
451 1223	# BOTTOM PAN,POWER(FS2P)D6643-124	1.00
451 1941	SLIDE,ACCURIDE C307-18LR	2.00
451 2117	COVER,POWER PAN B6643-105	1.00
451 2918	# DRAWER SHELL ASSY(S2)E6846-26	1.00
451 2919	# DRAWER,WELDMT ASSY(S2)D6846-252	1.00
451 2921	SHELF,CHASSIS SLIDE(928S2)E6846-263	1.00
451 3075	# DRAWER FRONT(928S2)C6482-256	1.00
451 3629	PANEL,REAR(928S2)D6846-265 EC5969	1.00
451 3848	# PANEL,END SM LEFT(FS28)D6643-122	1.00
451 3850	# PANEL,BOX SIDE(FS28)D6643-121	1.00
451 3851	# PANEL,SIDE WELDMT(FS28)F6643-120	1.00
451 3853	# PANEL,MODESTY(RH)(FS28)D6643-123	1.00
451 4452	BRKT,MOUNTING SHELL(928S2)C6846-255	2.00
452 3532	SHIFLD,SWITCH B6643-112	1.00
452 3533	GUARD,SWITCH(OUTER CAB.)B6650-108	1.00
461 3180	* 1222ST STOP PIN B6620-44	2.00
462 0271	SHIM(SPCR)SIDE(FS28)C6643-126	1.00
462 0272	SHIM(SPCR)BOTTOM(FS28)B6643-127	1.00
650 2083	4-40 X 1/4 PAN HD PHL MS BK OX	2.00
650 3120	6-32 X 3/8 PAN HD PHL MS SS SEMS EC5969	2.00
650 4120	8-32 X 3/8 PAN HD PHL MS SS SFMS	12.00
650 4169	8-32 X 1/2 TRUSS HD PHIL PARK SCREW EC5969	2.00
650 6127	SCR,10-32 X 3/8 FLAT HD PHL SS	8.00
650 6162	10-32X1/2 TRUSS HD PHL MS SS	13.00
650 6247	10-32 X 3/4 TRUSS HD PHL BLACK PARK	11.00
650 6400	DISC 10-32 X 1 1/4 PAN HD PHL MS	2.00
650 6560	10-32 X 1 3/4 PAN HD PHIL MS	6.00

MODEL 5590-2 (PG. 2)

ASSEMBLY PART NUMBER 279 8012  
 ASSEMBLY DESCRIPTION 928M1/M2/W2 STAND(928S2)

PART NUMBER	DESCRIPTION	QUANTITY
650 9007	5/16-18 X 1 1/2 HEX HD STOVE BOLT	8.00
650 9012	1/4-20 X 3/4 FLANGE WHIZ LOCK MS	3.00
650 9013	1/4-20X 1/2 FLANGE WHIZ-LOCK MS ZNC	18.00
650 9039	WING SCREW 1/4-20 X 1 1/8	1.00
651 0401	RIVET,POP 1/8 X 3/16 AD42ABS	8.00
652 0029	8-32 LOCK-NUT KEPS 511-081800-50	12.00
652 0068	8-32 PEM NUT CLS B32-1 EC5969	2.00
652 0069	10-32 CAP NUT DELRIN,SELF LOCKING EC5969	2.00
652 2000	4-40 HEX NUT SS	3.00
652 3000	6-32 HEX NUT SS	2.00
653 2002	NO. 4 INT T LK WASHER	3.00
653 3003	NO. 6 SPLIT LOCK MED WASHER	2.00
653 6000	NO. 10 FLAT WASHER	6.00
653 6001	NO. 10 INT T LK WASHER	30.00
653 6008	5/16 SPLIT LOCK WASHER	8.00
654 0064	A.C.CONV.OUTLET(SCREW TERM)F#2538.9	4.00
654 1203	GROMMET 1/2 ID FOR 5/8 HOLE	1.00
654 1214	GROMMET, HEYCO 6P3-4 (70.80,F	2.00
654 1247	GROMMET 2 1/2"ID FOR 3"HOLE FC5931	1.00
654 1274	CABLE CLAMP ADH.BACK DKLSP 021-0375	1.00
655 0010	CASTER GLIDE 1/4-20 CG293LD7746	4.00
655 0123	DRAWER HANDLE(1222ST)(EXTR)B6620-37	1.00
655 0226 *	DRAWER ROLLER .88 DIA STEVENSON #15	4.00
655 0240 M	CAP.STOP(MODIFIED 928S2)B6846-264	1.00

MODEL 5590-4

ASSEMBLY PART NUMBER 279 8013  
 ASSEMBLY DESCRIPTION 928P1/P2 STAND(928S3)

PART NUMBER	DESCRIPTION	QUANTITY
000 0011	LABOR QUALITY CONTROL	.30
000 0020	LABOR PREP AREA	1.50
451 0129	TABLE TOP(26X30)928S3 E6846-300	1.00
451 0203	# 2290 LEG SUPPORT (UPPER) R6422-102	2.00
451 0204	# 2290 LEG SUPPORT (LOWER) R6422-103	2.00
451 0228	# LFG,VERTICAL C6643-113	2.00
451 1940	CHANNEL-SUPPORT(928S3)D6846-301	2.00
451 3855	PANEL,MODESTY(928S3)D6846-303	1.00
452 2571	STIFFENER,LFG WELDMY(928S3)D6846302	1.00
458 0117	702 PAPER RACK D5776-356 EC5975	1.00
458 0343	RACK,PAPER(OUTPUT)D6636-811 EC5975	1.00
458 0368	SUPPORT,LOWER(RACK OP)(S3)D6846-304	1.00
650 6400	DISC 10-32 X 1 1/4 PAN HD PHL MS	8.00
650 6560	10-32 X 1 3/4 PAN HD PHIL MS	6.00
650 9007	5/16-18 X 1 1/2 HEX HD STOVE BOLT	8.00
650 9035	1/4-20X1/2 ALLEN HEAD CAP SCREW	4.00
653 0034	WASHER BLK 5/8 OD 11/32 ID 1/16 THK	4.00
653 6000	NO. 10 FLAT WASHER	14.00
653 6001	NO. 10 INT T LK WASHER	14.00
653 6008	5/16 SPLIT LOCK WASHER	8.00
654 1201	GROMMET 1/4 ID FOR 3/8 HOLE	2.00
655 0010	CASTER GLIDE 1/4-20 CG293LD7746	4.00
655 0228	BUMPER,PAPER RACK GREENE #6202 EC5975	2.00
655 0239	BUMPER,BLACK GREENE #308	2.00

MODEL 5590-6

ASSEMBLY PART NUMBER 279 8016  
 ASSEMBLY DESCRIPTION 928 STORAGE/WORK TABLE(928S6)

PART NUMBER	DESCRIPTION	QUANTITY
000 0011	LABOR QUALITY CONTROL	.30
000 0020	LABOR PREP ARFA	1.50
451 0029	STORAGE TABLE(BOX)(928S6)F6846-601	1.00
451 0130	TABLE TOP STORAGE TABLE(S6)F6846600	1.00
451 0233	LOWER LEG SUPPORT(928S6)C6846-602	2.00
451 1931	1222ST DRAWER & GUIDE RAIL D6620-48	3.00
451 1932	1222ST FILE SUPPORT RAIL C6620-45	1.00
451 1933	1222ST CABINET GUIDE RAIL C6620-49	6.00
451 3069	# 1222ST DRAWER FRONT (LARGE)D6620-41	1.00
451 3070	# 1222ST DRAWER FRONT (SMALL)D6620-42	2.00
452 2137	1222ST FILE SUPPORT PLATE C6620-46	1.00
452 2550	STIFFENER,DRAWER FRONT B6620-69	3.00
462 0227	1222ST LEG SPACER B6620-65	4.00
650 4170	8-32 X 1/2 ROUND HEAD WOOD SCREW	2.00
650 6121	10-32X3/8 TRUSS HD PHL MS SS	4.00
650 6321	10-32 X 1 PAN HD PHL MS	4.00
650 6400	DISC 10-32 X 1 1/4 PAN HD PHL MS	6.00
650 9007	5/16-18 X 1 1/2 HEX HD STOVE BOLT	4.00
650 9024	5/16-18 X 3/4 HEX HD BOLT CAD PLT	4.00
651 0401	RIVET,POP 1/8 X 3/16 AD42ABS	24.00
653 6001	NO. 10 INT T LK WASHER	4.00
653 6011	5/16 INT T LK WASHER STEEL ZINC PI	8.00
655 0010	CASTER GLIDE 1/4-20 CG293LD7746	4.00
655 0123	DRAWER HANDLE(1222ST)(EXTR)B6620-37	4.00
655 0226	DRAWER ROLLER .88 DIA STEVENSON #15	12.00
660 0533	PAD,FOAM 1/8 X 3/8 X 1/2 B6620-70	12.00

ASSEMBLY PART NUMBER 279 8017  
 ASSEMBLY DESCRIPTION 928 CONSOLE EXTENSION(928S7)

PART NUMBER	DESCRIPTION	QUANTITY
451 0131	TABLE TOP,WEDGE(928S7)E6846-702	1.00
451 0203	# 2290 LEG SUPPORT (UPPER) B6422-102	1.00
451 0204	# 2290 LEG SUPPORT (LOWER) B6422-103	1.00
451 0228	# LEG,VERTICAL C6643-113	1.00
451 1942	WEDGE SUPPORT(928S7)E6846-701	1.00
451 4491	BRACKET,WEDGE(928S7)E6846-703	2.00
650 6240	10-32X3/4 PAN HD PHL MS SS	4.00
650 6560	10-32 X 1 3/4 PAN HD PHIL MS	3.00
650 9007	5/16-18 X 1 1/2 HEX HD STOVE BOLT	4.00
650 9034	1/4-20 X 3/8 BTN HD CAP SCREW BK OX	2.00
653 6000	NO. 10 FLAT WASHER	7.00
653 6001	NO. 10 INT T LK WASHER	7.00
653 6008	5/16 SPLIT LOCK WASHER	4.00

ASSEMBLY PART NUMBER 279 8018  
 ASSEMBLY DESCRIPTION 928D DISK TOP (448)

PART NUMBER	DESCRIPTION	QUANTITY
451 0132	TABLE TOP,HINGED E6846-500	1.00
451 2119	# COVER(FS-3)D6640-106	1.00
451 2120	# MAIN COVER(FS-3)E6640-111	1.00
458 0320	SPRING STOP(FS-3)B6640-107	2.00
458 0321	COUNTERWEIGHT ARM(FS-3)C6640-109	2.00
461 0058	702 NUT PLATE OHIO TP1716 ZINC PL	2.00
461 3122	730 GUIDE PEG B6472-28	6.00
461 3226	COUNTERWEIGHT(FS-3)B6640-108	2.00
465 0821	HINGE(FS-3)C6640-105	1.00
478 0177	1220 MOUNTING PEG B6106-125	6.00
650 2082	4-40X1/4 FL HD PHL MS PARKERIZE	4.00
650 6124	10-32X3/8 PAN HD PHL MS PARKERIZE	10.00
650 6161	10-32X1/2 FL HD PHL MS SS	2.00
650 6321	10-32 X 1 PAN HD PHL MS	11.00
650 9035	1/4-20X1/2 ALLEN HEAD CAP SCREW	4.00
653 6001	NO. 10 INT T LK WASHER	15.00
653 6009	1/4 INTERNAL TOOTH LOCK WASHER	4.00
660 0530	5/8 DIA HOOK PAD	2.00
660 0531	5/8 DIA LOOP PAD	2.00

ASSEMBLY PART NUMBER 279 8019  
 ASSEMBLY DESCRIPTION 928D STAND

PART NUMBER	DESCRIPTION	QUANTITY
000 0011	LABOR QUALITY CONTROL	.17
000 0020	LABOR PREP ARFA	.83
451 0206	730 LEG SUPPORT CHANL LEFT B6472-33	1.00
451 0207	730 LEG SUPPORT CHANL RGHT B6472-34	1.00
451 0226	# LEG,(VERTICAL)B6472-64	2.00
451 0227	# LEG,(BOTTOM)B6472-65	2.00
451 2085	# 730 BOTTOM PAN D6472-13	1.00
451 3860	PANEL,MODESTY D6845-103	2.00
650 6124	10-32X3/8 PAN HD PHL MS PARKERIZE	6.00
650 9007	5/16-18 X 1 1/2 HEX HD STOVE BOLT	4.00
650 9013	1/4-20X 1/2 FLANGF WHIZ-LOCK MS ZNC	4.00
650 9030	5/16-18 X 3/4 ALLFN CAP SCREW	4.00
651 0405	3/16 X 3/8 POP RIVET	10.00
653 6000	NO. 10 FLAT WASHER	10.00
653 6011	5/16 INT T LK WASHER STEEL ZINC PI	8.00
654 1233	GROM.5/16 ID 7/16 HOLE A.I.#2538	2.00
654 1239	GROMMET 1/2 ID FOR 5/8 HOLE GRN#330	4.00
655 0010	CASTER GLIDF 1/4-20 CG293LD7746	4.00
660 0020	* 1 1/2" PROTECTIVE TAPE 3M 341	6.00
660 0078	* 1/16 TH X 1 1/2 W NFOPRN (NON ADH)	3.00



**SECTION**

**4**

**SCHEMATIC AND**

**CABLE**

**ASSEMBLY**

**DRAWINGS**

THE SCHEMATICS, WHEN AVAILABLE, ARE ON THE LAST FICHE IN THIS SET.

**SECTION**

**5**

**ELECTRONIC**

**CHANGE NOTICES**

SECTION 5  
ELECTRONIC CHANGE NOTICES

5.1 INTRODUCTION

Section 5 is dedicated to 928 Electronic Change Notices (ECNs). Because of ongoing changes to 928 Systems for updating and reliability purposes, it has been decided that Section 5 will be arranged for periodic updates. These updates will be sent to each and every area that has been issued a copy of the Preliminary 928 Volume II Manual. These updates will be in the form of an addendum that can be inserted by page numbers that will maintain the present arrangement of ascending ECN numbers that can be easily located by the user. Table 1 contains a complete listing of ECNs and the PCBs affected. Table 1 page will change each time the ECN listing is updated.

5.2 "INFORMATION ONLY" and "TO BE EXECUTED" ECNS

The ECNs included in this volume are republished from previous documents, ISN #127, WPNL #3, #11, and supplemented with the latest ECNs. The details of each ECN discussed fall into one of two categories "INFORMATION ONLY" and "TO BE EXECUTED".

TABLE 5-1

928 ECN LISTING WITH ELECTRONIC REVISION LEVELS

<u>PCB #</u>	<u>INFORMATION ONLY</u>	<u>TO BE EXECUTED</u>
<u>MASTER CPU</u>		
7201 [1]	5947, 6228	6535 [1]
7202 [2]		5948 [1], 6068 [2]
7203 [5]		5835 [1], 5877 [2], 6230 [3], 6276 [4], 6276A [5]
7204 [5]		5834 [1], 5874 [2], 5944 [3], 6060 [4], 6413A [5]
7205 [2]	6330 [2]	6128 [1]
7206 [1]	5775	5849 [1]
7214 [1]		6413 [1]
7214-1 [1]		6413 [1]
Master Chassis, Elec- tronic		6361
<u>WORK STATION</u>		
7067 [1]		5876 [1] (also used in 2200F)
7225 [6]		5845 [1], 5859 [2], 5873 [3], 6067 [4], 6067A [5], 6336 [6]
7226 [1]		5836 [1]
7227 [1]		6279 [1]
7228 [0]		
7229 [0]		
<u>DAISY PRINTER</u>		
7243 [0]		
7246 [0]		
7247 [0]		
7248 [3]		5867 [1], 5938 [2], 5946 [3]
7249 [1]		5866 [1]
Chassis, Printer		5941

### 5.3 "INFORMATION ONLY" ECNS

The following text describes all important "INFORMATION ONLY" ECN's on pc boards in the 928 System Work Station, Master, and Printer to date.

<u>ECN:</u>	<u>PCB #</u>	<u>DESCRIPTION:</u>
5775	7206	<p>Substitution of zeners with better tolerance specification (Master unit requires 2% tolerance).</p> <p>Delete: Two 380-2047 (1N750A, 4.7V zener) Add: Two 380-2048 (1N5250B, 4.7V, 1/2 W zener)</p> <p>Delete: One 380-2110 (1N4741, 11V, 1 W zener) Add: One 380-2111 (1N5241B, 11V, 1/2 W zener)</p> <p>See pc board figures on "TO BE EXECUTED" ECN 5849.</p>
5947	7201	<p>Change PROM IC from 378-2029 R2 to 378-2029 R3. This PROM must be used with Software 7.0 or above. ECN's 5944 (7204) and 5948 (7202) are required with this ECN. This change does not increment the electronic level of the board.</p>
6228	7201	<p>Change PROM from 378-2029 R4 to 378-2029 R5.</p>

#### REASON FOR CHANGE

- 1) Allows System 20 software to run on System 30 with minimal changes.
- 2) If the floppy door is open during disk operation, system will not hang-up.

NOTE: All System 30 units must have REV 5 chip.

ECN:

PCB #

DESCRIPTION:

6330

7205

This change will only be performed on future units and does not have to be done in the field on existing units.

2

REASON FOR CHANGE

To make System 20 and 30 master chassis universal.

END OF "INFORMATION ONLY" ECNS

5.4 "TO BE EXECUTED" ECNS

<u>ECN:</u>	<u>PCB #</u>	<u>DESCRIPTION:</u>
*5834	7204	Artwork/Loading Sketch/Schematic/Design Change.

1

\*This ECN is to be performed simultaneously with ECNs 5874 and 5944. See ECN 5944 for the complete procedure.

REASON FOR CHANGE

Design improvement.

*5835	7203	Artwork/Loading Sketch/Schematic/Design Change.
-------	------	---

1

This ECN will be installed simultaneously with ECN 5877.

\*See note on ECN 5877

REASON FOR CHANGE

Design improvement.

5836	7226	Artwork/Loading Sketch/Schematic/Design Change:
------	------	---

1

Delete: 7400 375-0002 (L57)

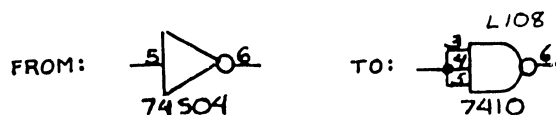
Add: 74S00 376-0228 (L57)

This board also has an etch error. L36 pin 6 must connect to L59 pin 12 (not to L59 pin 11).

5845	7225	Artwork/Loading Sketch/Schematic/Design Change:
------	------	---

1

1) Change gate L90-5&6



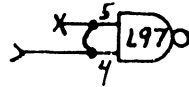


5845

7225

Cont.

- 2) Cut etch at pin 5 of L97 and tie pins 4 & 5 together.



5849

7206

1

Artwork>Loading Sketch/Schematic/Design Change.

Per schematic below, add two  $1\Omega$ , 1/2 W resistors to +5 VR regulator; also, add one  $2.2\Omega$  1/2 W resistor to the +12VR regulator. Change 3 silicon diodes from 380-1000R to 380-1001R. See Figure 5-1 and 5-2. Figure 5-3 is a photograph of the installed ECN 5849 on the 7206 PCB.

ECN 5849 must be installed on PCB 7206 R1 artwork (E-REV LEVEL goes from 0 to 1).

#### NON-COMPONENT SIDE

See Figure 5-2.

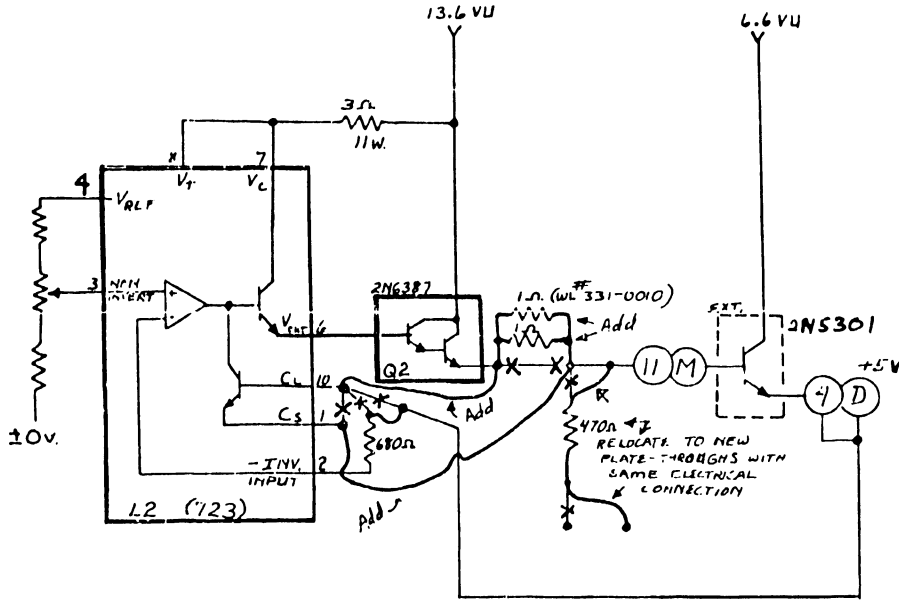
- 1) Cut etch close to BASE of Q3.
- 2) Cut etch close to EMITTER of Q2.
- 3) Cut etch close to BASE of Q1.
- 4) Cut etch on both sides of L1-1.
- 5) Cut etch between L2-1 and L2-10.
- 6) Cut etch close to L3-7.
- 7) Add wire jumper from BASE of Q1 to L1-1.
- 8) Add jumper wire from L1-10 to L1-6 (pin 10 should not connect to pad).
- 9) Add wire jumper from BASE of Q3 to etch below cut at L3-7.

#### COMPONENT SIDE

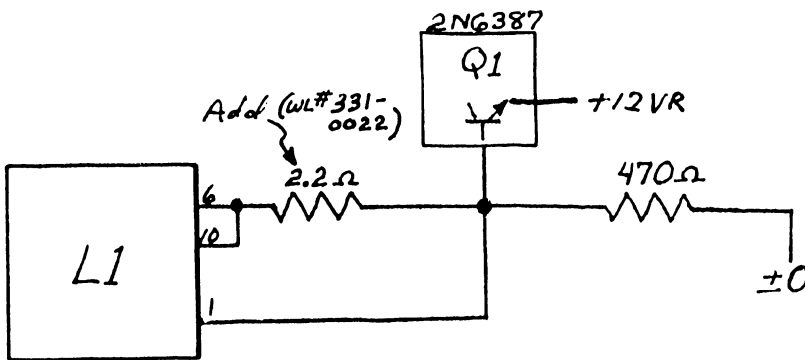
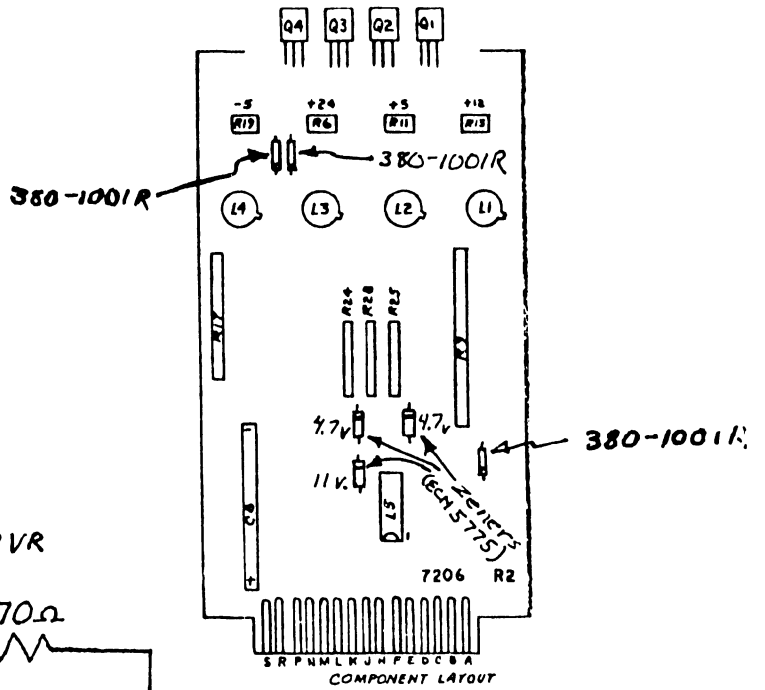
- 10) Drill hole to install  $1k\Omega$  resistor (Part #330-3010). (Do not damage etches on back of board.) See Figure 5-1.

11) Mount resistor, passing pigtail on one end through drilled hole. Solder resistor to Q3 BASE terminal on Comp. Side. On Non-Comp. Side cut pigtail to proper length and solder to Q3 BASE etch below cut.

Cont.



7206 PC  
ECN 5849



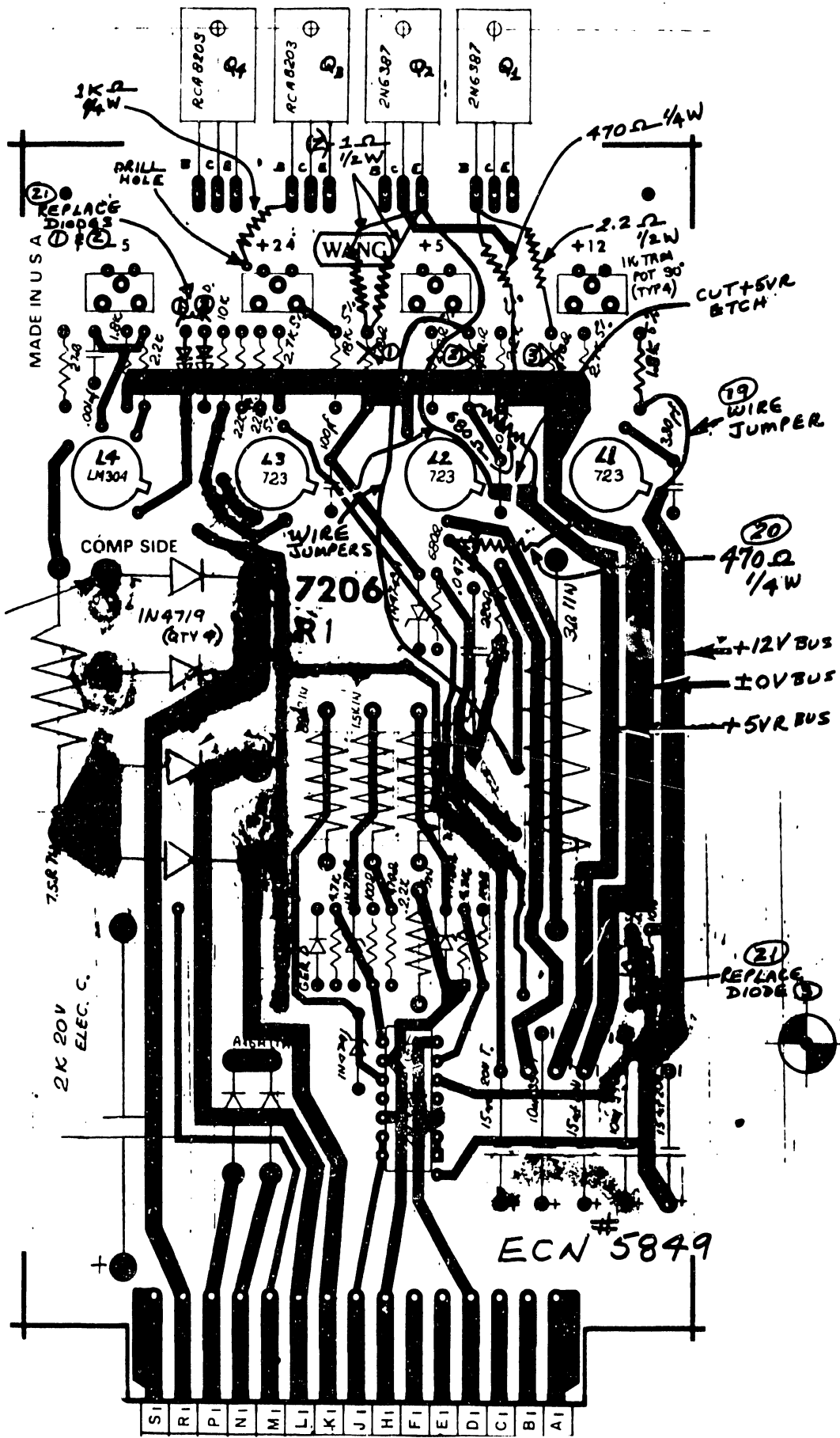


FIGURE 5-1

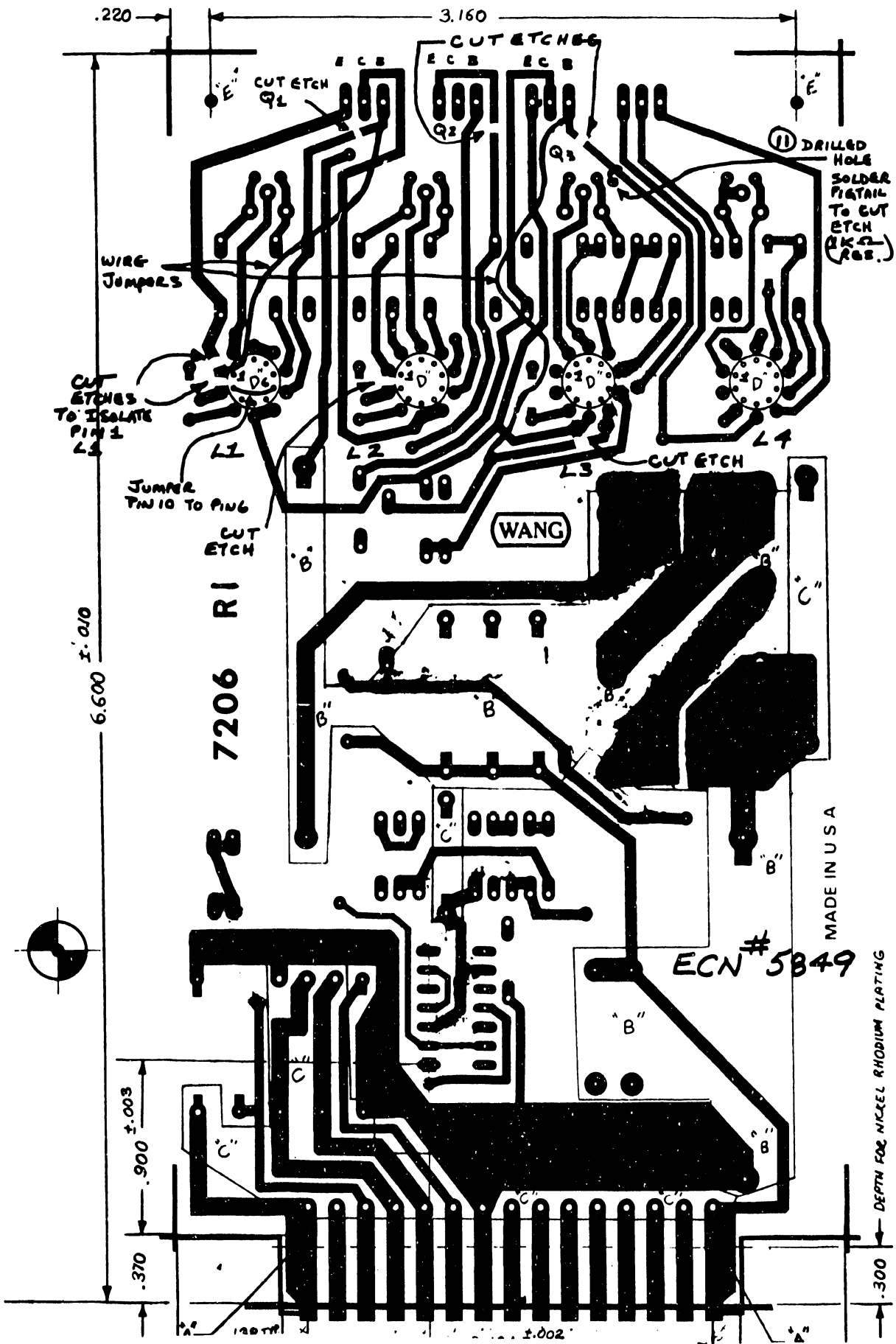


FIGURE 5-2

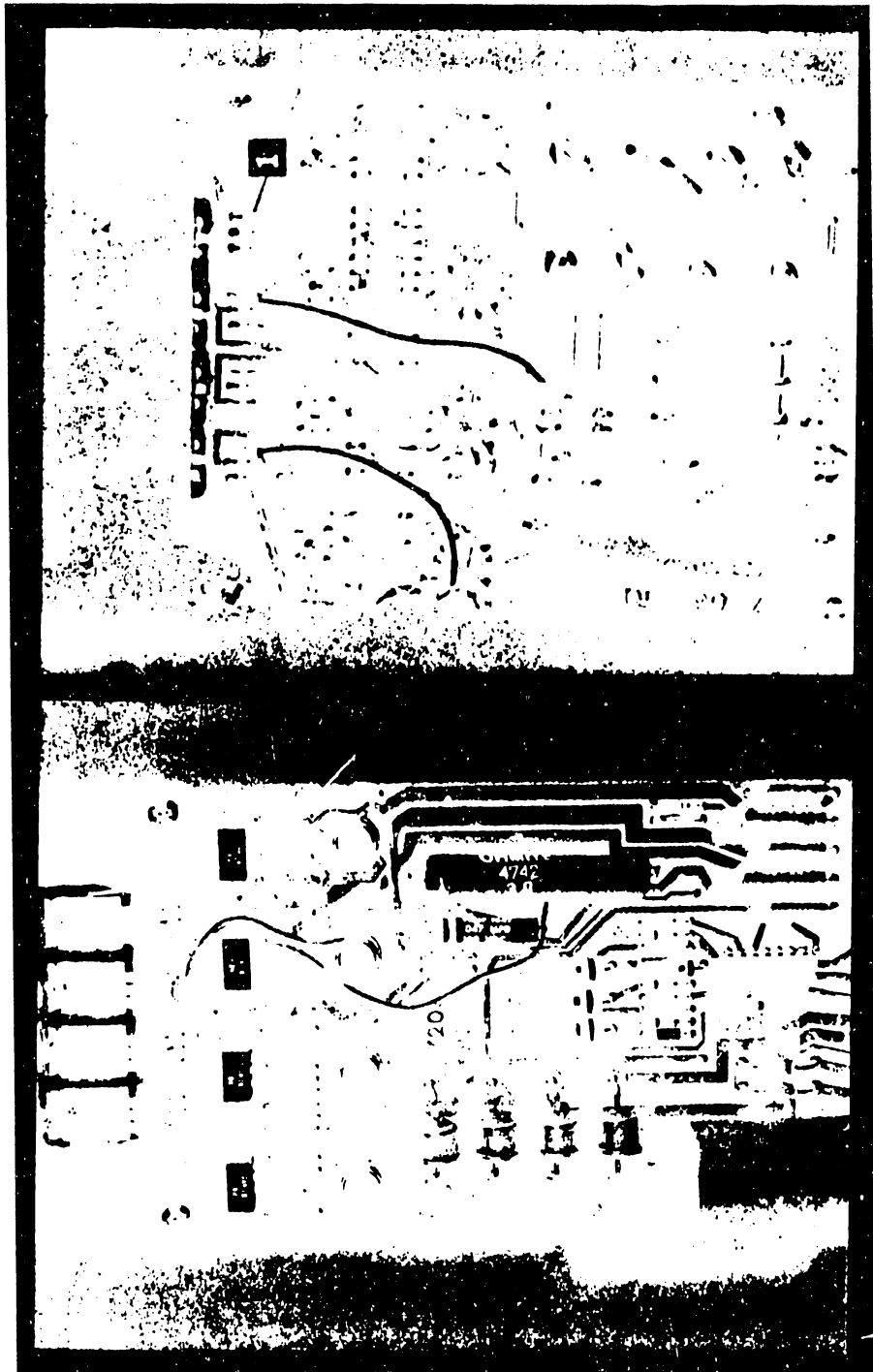


FIGURE 5-3

ECN:

PCB #

DESCRIPTION:

5849

7206

Cont.

- 12) Remove 3 resistors represented by (X) in Figure 5-1. Their values are 470 $\Omega$ , 680 $\Omega$  and 470 $\Omega$  reading left to right. (These resistors are numbered 1, 2 and 3 for reference.)
- 13) Install two new 1 $\Omega$  1/2W resistors in parallel (Part #331-0010) as shown. Solder resistors to Q2 emitter terminal. Thread one of the soldered pigtailed on the other end into the plate through that was used for the removed resistor 1 470 $\Omega$  and solder.
- 14) Cut etch on +5VR bus to the right of L2 key.
- 15) Install 680 $\Omega$  resistor (Part #330-2068) from +5VR bus to plate through where bottom of resistor 2 680 $\Omega$  was removed.
- 16) Add wire jumper from Q2 emitter terminal to plate through of +5VR bus severed etch (right of L2 key).
- 17) Solder one end of a 2.2 $\Omega$  1/2W resistor (Part #331-0022) and a sleeved 470 $\Omega$  1/4W resistor (Part #330-3023UB) to the Q1 BASE terminal. Solder the other end of the 470 $\Omega$  resistor to the +0V bus. Solder the pigtail of the other end of the 2.2 $\Omega$  resistor to the plate through of the removed 470 $\Omega$  resistor 3.
- 18) Add jumper wire from top plate through of removed 680 $\Omega$  resistor 2 to bottom of etch plate through shown in Figure 5-1.
- 19) Add jumper wire from 1.8K resistor to +12VR bus.
- 20) Install 470 $\Omega$  resistor (Part #330-3023UB) with sleeving on pigtail and solder to +0V bus. Connect other end of resistor to top end of etch plate through shown on Figure 5-1.

<u>ECN:</u>	<u>PCB #</u>	<u>DESCRIPTION:</u>
5849	7206	21) Remove 3 numbered 1, 2, 3 silicon diodes (Part #380-1000R) and replace them with Atom Diodes (Part #380-1001R). (Do not replace them upside down.)

Cont.

See Figure 5-3 which illustrates the installed ECN 5849.

REASON FOR CHANGE

To add current limiting +5VR and +12VR.

5859

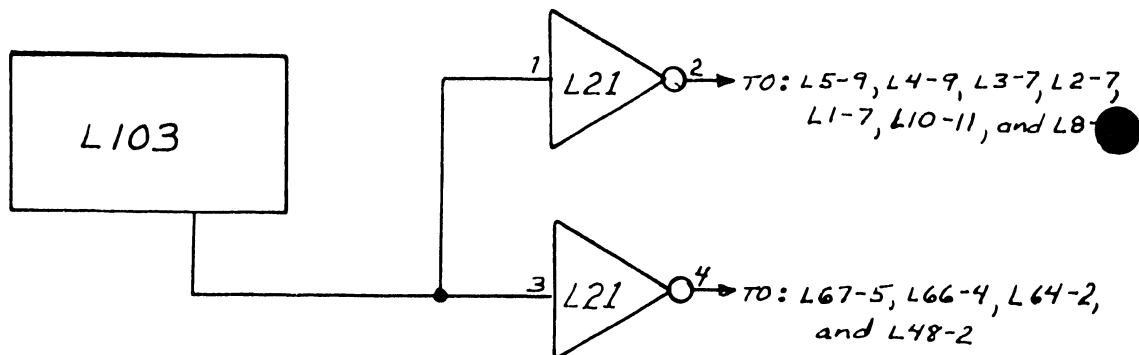
7225

Artwork/Schematic/Design Change:

2

From the output of L103-12, add gate L21-1 & 2 to divide load as shown below.

7225 PC  
ECN 5859



5866

7249

Artwork/Loading Sketch/Schematic/Design Change:

1

Add 1Ω, 1/2 W current limiting resistor as shown below:

5867

7248

Artwork/Loading Sketch/Schematic/Design Change:

1

1) Change artwork as follows:

a) L13-8 etch missing. (Jumper L13-8 to L13-6) +0V.

b) TP's 5 & 6 must move:

1) Y<sub>3</sub> to W<sub>3</sub> (TP6)

2) 21<sub>3</sub> to 19<sub>3</sub> (TP5)

5867

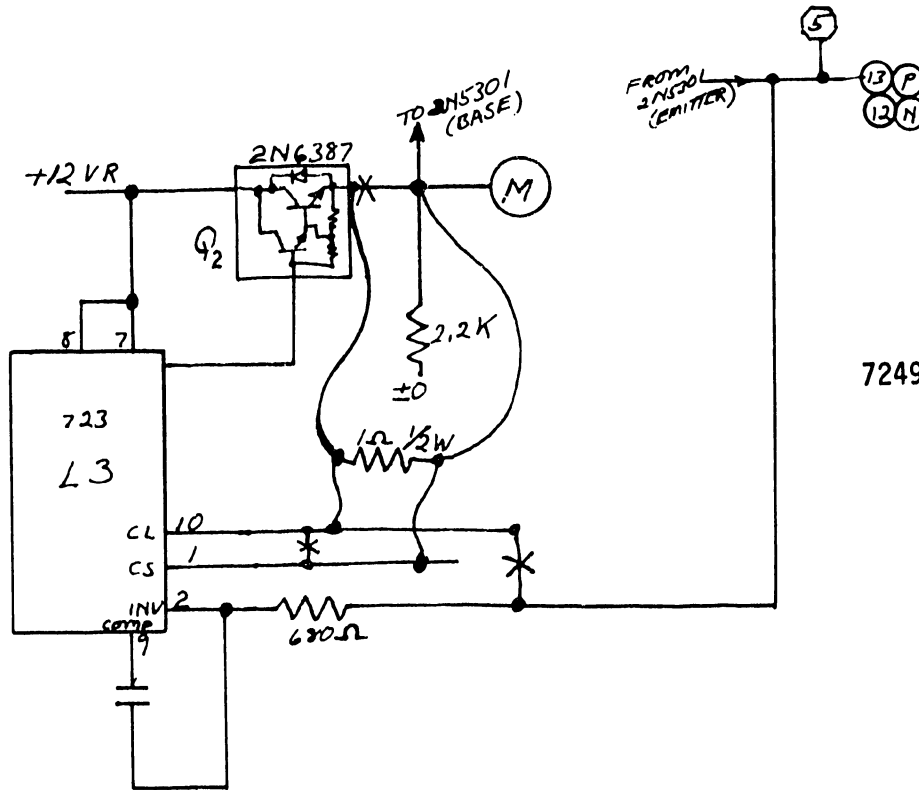
7248

- 2) Change 75182 to 75107A only for artwork rev board (R1 & up).
- 3) See additional changes below on illustration.

Cont.

REASON FOR CHANGE

- 1) Artwork Errors.
- 2) Design Change.



7249 PC - ECN 5866

ECN:

PCB #

DESCRIPTION:

5873

7225

Artwork/Schematic Change:

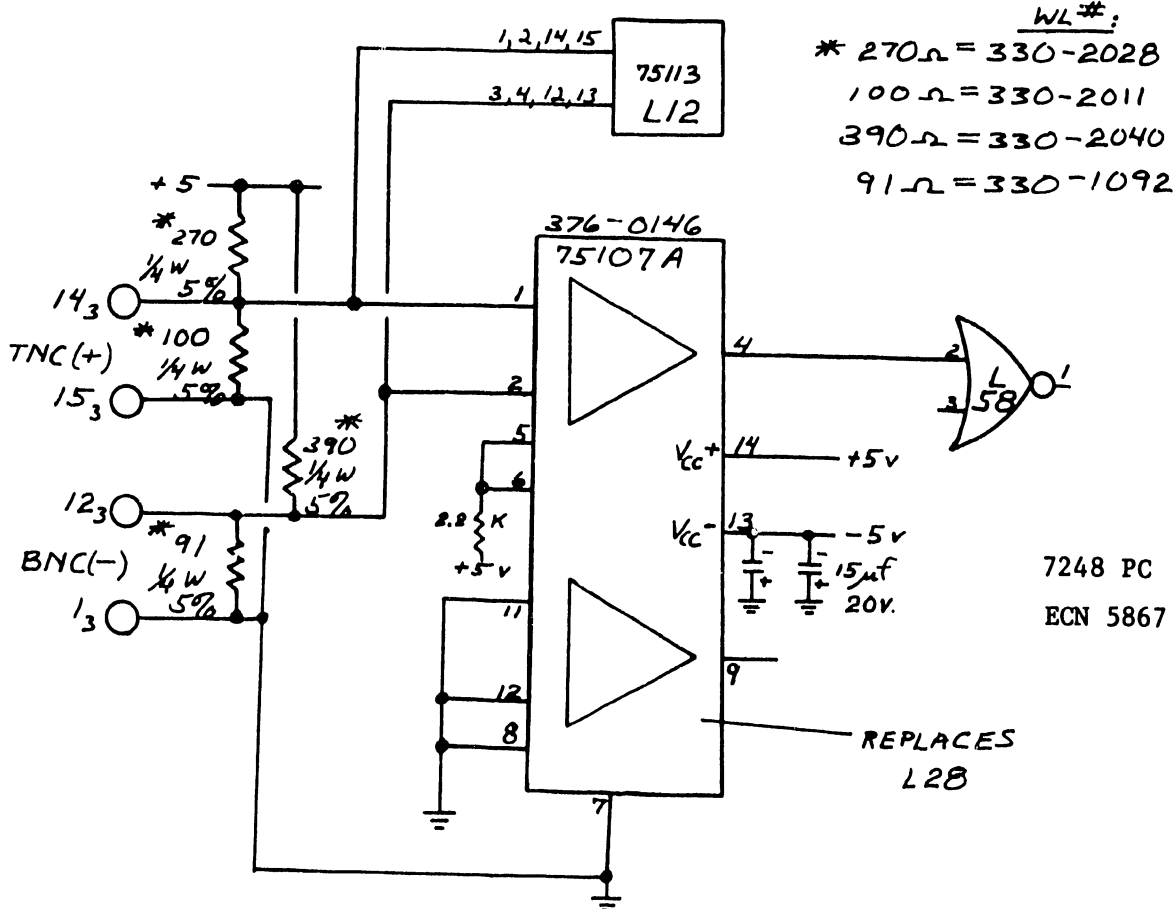
3

- 1) Etch on L39-3 must be moved to pin L39 pin 4.
- 2) Etch on L91-3 must be moved to L91 pin 1.

REASON FOR CHANGE

Etch errors on 50 Hz version.





\*5874

7204

Artwork>Loading Sketch/Schematic/Design Change.  
Add a jumper wire from pin 6<sub>1</sub> to L61 pin 10.

2

\*This ECN is to be performed simultaneously with ECNs 5834 and 5944. ECN 5874 duplicates the addition of a jumper that was to be performed on ECN 5834. This step is only performed once in the procedure listed with ECN 5944.

REASON FOR CHANGE

Design improvement.

5876

7067

PCB 7067 was originally designed for use in the display unit - Model 2200F. It was adopted for use in the 928 system Model 5526 (work station). ECN 5876 brings the board to E REV LEVEL 1 because of changes listed below:

1

5876 7067

Cont.

- 1) Change R16  
FROM: 1K $\Omega$  Potentiometer WL #336-1014  
TO: 2K $\Omega$  Potentiometer WL #336-1022
- 2) Change R17  
FROM: 5.6 K $\Omega$  Resistor WL #330-3056  
TO: 5.11 K $\Omega$  Resistor WL #333-0088

REASON FOR CHANGE

Because of resistor tolerances -12VR voltage adjustment is marginal.

5877 7203

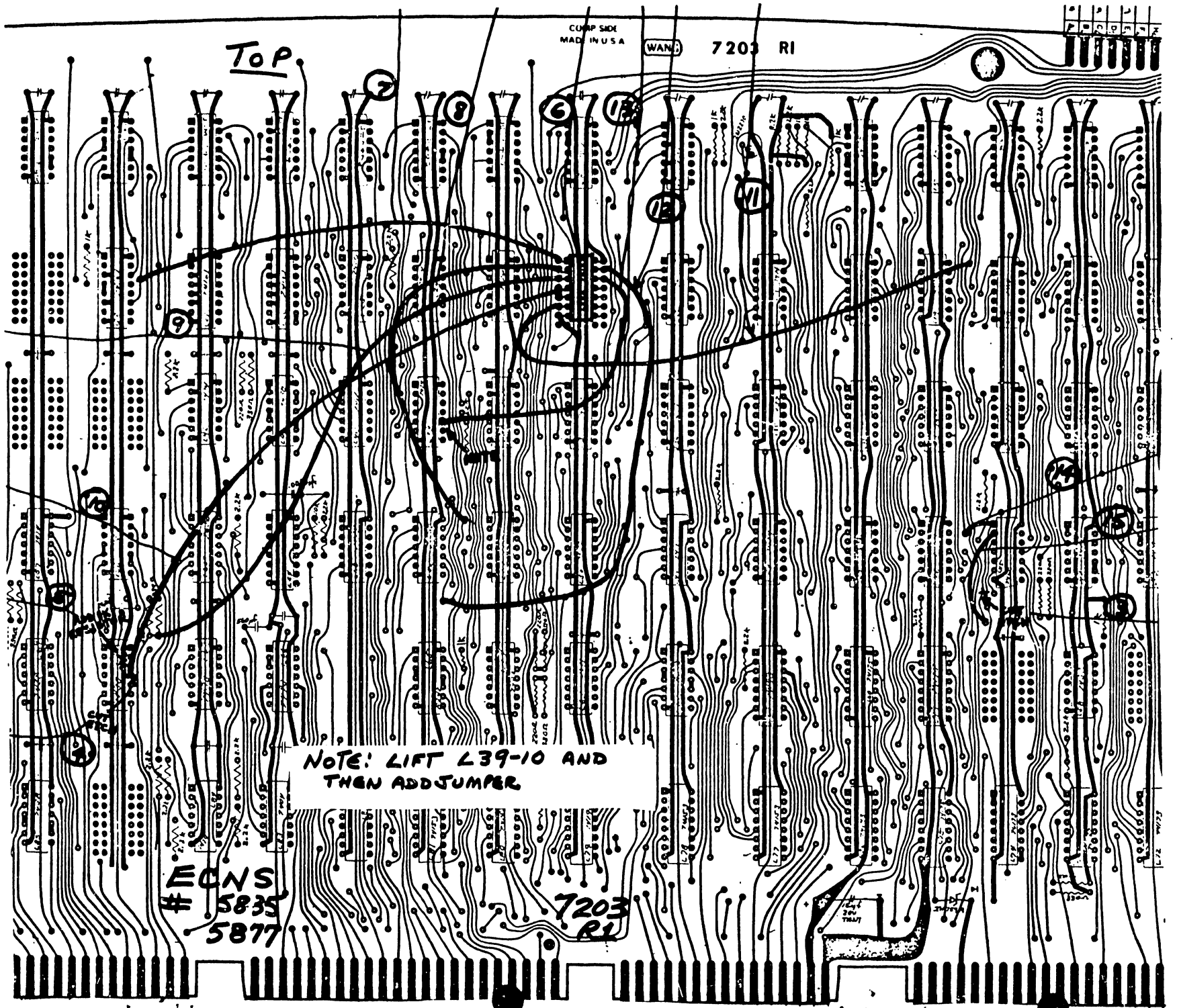
2

Artwork>Loading Sketch/Schematic/Design Change.

Perform the following operations on PCB 7203 to bring the board up to E-REV LEVEL 2. ECN #5835 will be installed with this change. Refer to Figures 5-4 and 5-5.

\*PCB 7203 ECN's  
5835 and 5877

- 1) Cut etch at location shown which runs between L73-10 and B<sub>4</sub>.
- 2) Cut etch between L45-2 and L46-13.
- 3) Cut etch between L45-1 and plate through.
- 4) Cut etch between L68-11 and B<sub>4</sub>.
- 5) Add 1K resistor between L68-11 and L68-14 (+5V).
- 6) Add IC 7410 (Part #376-0003) at location L22A making sure pin 7 is connected to +0V and pin 14 to +5V.
- 7) Add jumper wire between L22A-1 and plate through which goes to L28-11.
- 8) Add jumper between L22A-2 and L64-11 at plate through.
- 9) Add jumper between L22A-3 and B<sub>4</sub>.
- 10) Add jumper between L22A-4 and 5 and L68-11.
- 11) Add jumper between L22A-6 and L3-13 at plate through.
- 12) Add jumper between L22A-13 and L52-9.



CORP SIDE  
MADE IN U.S.A.

WANG

7203 RI

1	2	3	4	5	6	7	8	9	10	11	12
---	---	---	---	---	---	---	---	---	----	----	----

TOP

NOTE: LIFT L39-10 AND  
THEN ADD JUMPER

# C2S  
5835  
5877

7203  
RI

FIGURE 5-4

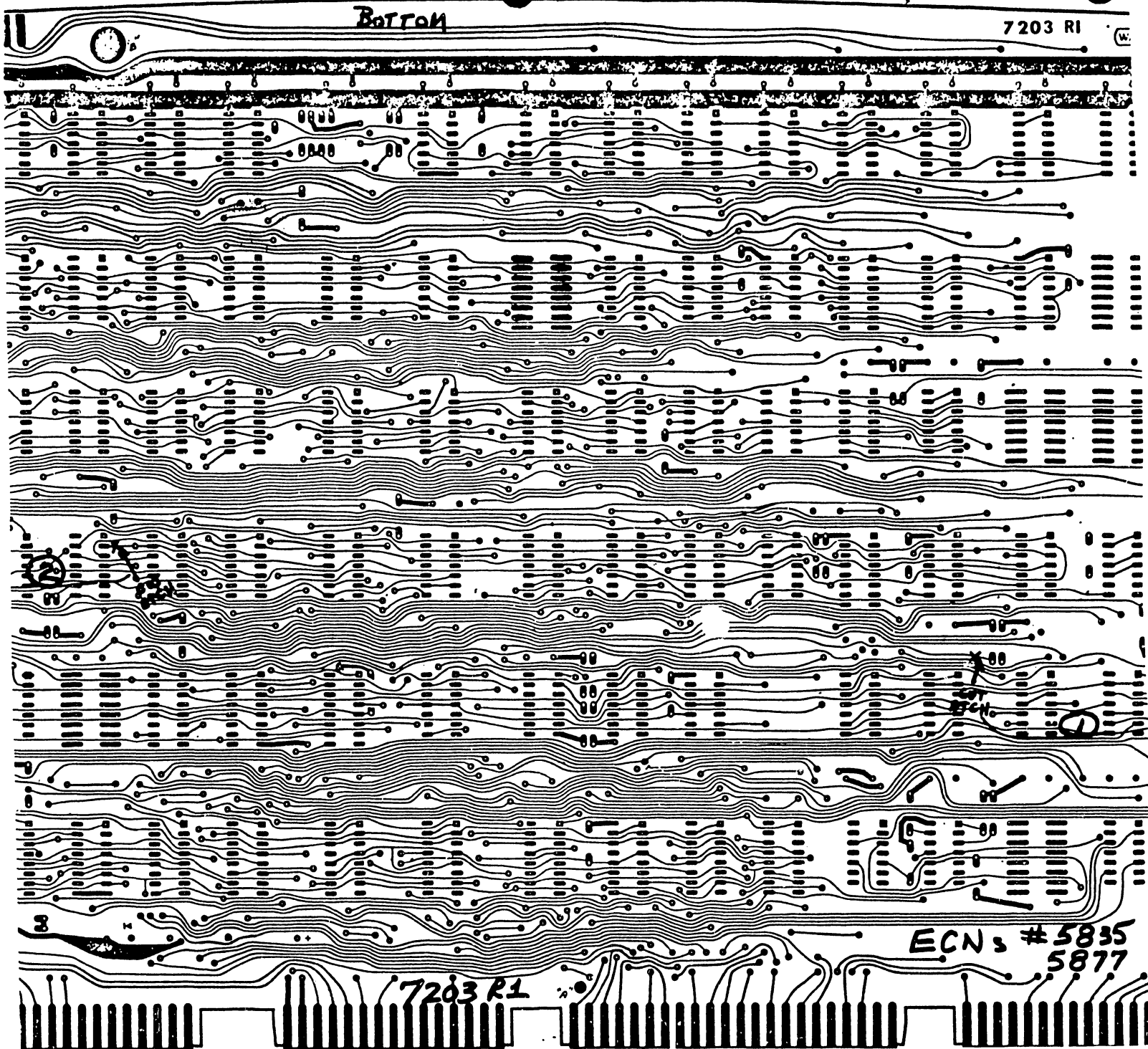


FIGURE 5-5

<u>ECN:</u>	<u>PCB #</u>	<u>DESCRIPTION:</u>
5877	7203	13) Add jumper between L22A-12 and L39-10. (Lift pin 10 on L39.)
Cont.		14) Add jumper between L45-1 and L3-13 at plate through.
		15) Add jumper between L45-2 and L73-10 at plate through.
		16) Change E-REV LEVEL sticker to 2 on back of PC board.

REASON FOR CHANGE

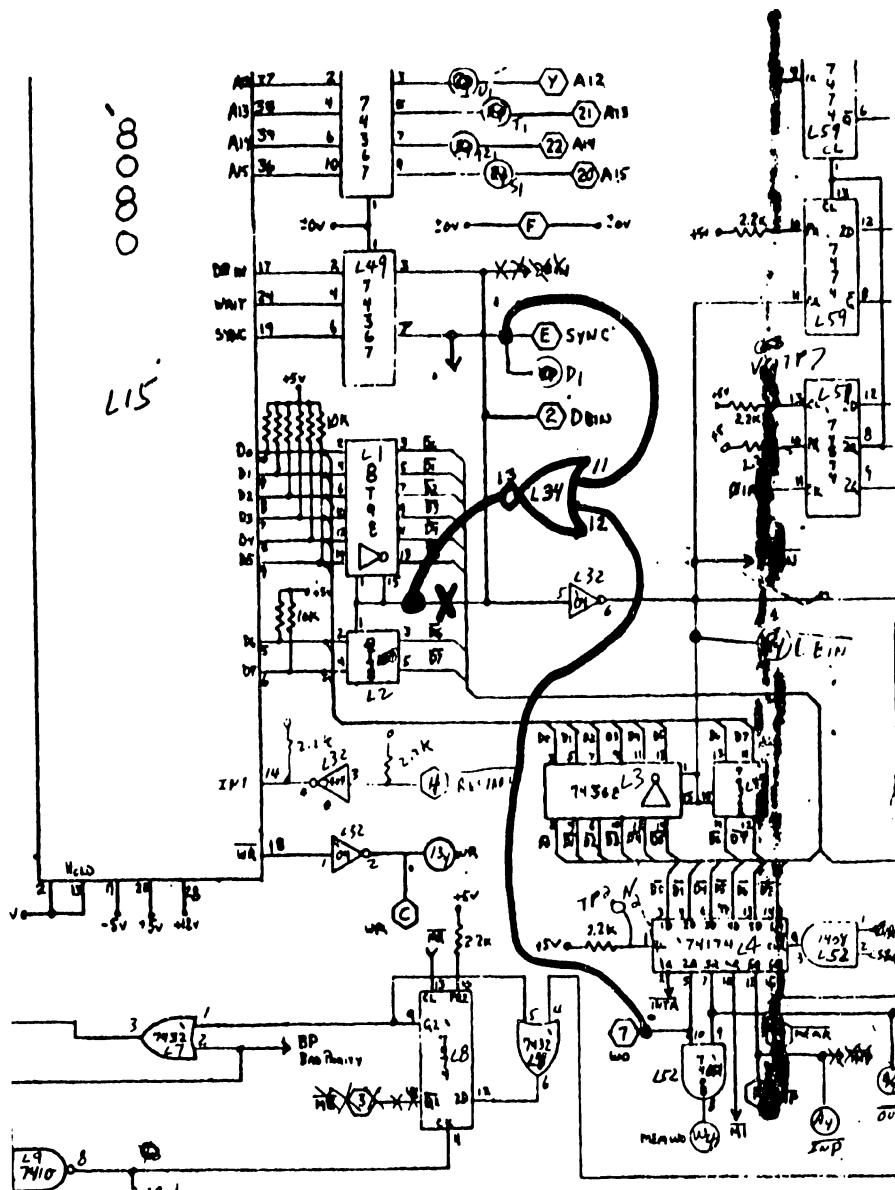
To improve design.

5938	7248	Artwork/Loading Sketch/Schematic/Design Change:
<span style="border: 1px solid black; padding: 2px;">2</span>		Add one 100 pf ceramic capacitor (WL #300-1100) between L38-6 and <u>+0</u> volts, and perform other changes shown below on indicated illustrations.

Listed below are bonded units that have ECN 5938 incorporated, which deals with the range problem on the 7248 printed circuit board.

Starting with serial number FC1085, all units will have this ECN incorporated.

FC1078	FC1046	FC1058	FC1060	FC1054
1073	1034	1026	1062	1053
1075	1020	1057	1064	1061
1016	1035	1056	1024	1081
1045	1036	1059	1048	1082
1077	1037	1042	1055	1083
1074				



7248 PC - ECN 5938  
(see next page, also)

5941

CHASSIS:  
(PRINTER)

Add a ground wire between motherboard and bottom casing using the following hardware and illustration shown below.

WL #	QTY.	DESCRIPTION
220-1042	1	Wire & Lug Assy.
220-1105	1	Wire & Lug Assy.
650-3080	2	SCR, 6-32 x 1/4 Pan Hd, Phl.
652-2000	2	#4-40 Hex Nut



<u>ECN:</u>	<u>PCB #</u>	<u>DESCRIPTION:</u>		
5941		653-2000	2	#4 Flat Washer
		653-3000	2	#6 Flat Washer
Cont.		451-2150	1	Cover, Protective Electrical

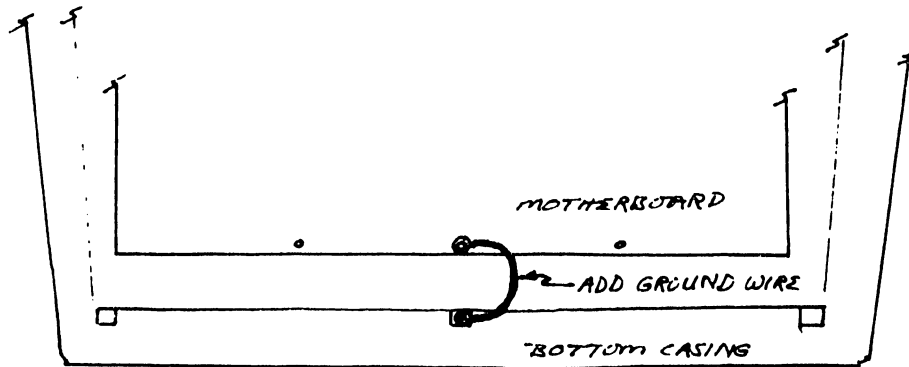
This prevents static interference.

Listed below are serial numbers of units in bonded that have ECN 5941 incorporated.

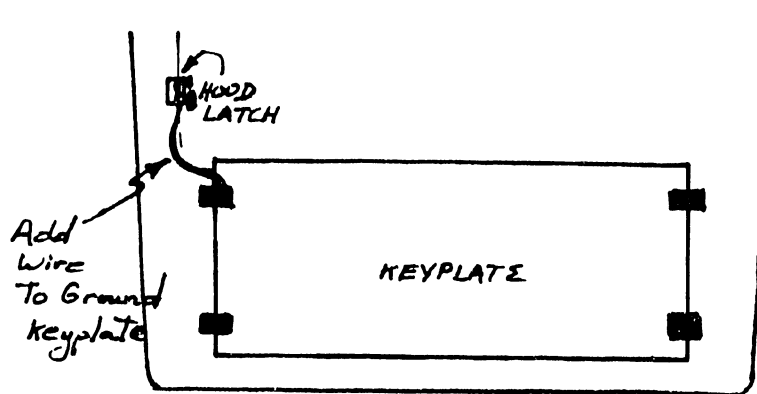
Starting with serial number FC1084, all units will have this update.

FC1048	FC1055	FC1037	FC1057
1064	1020	1026	1056
1060	1034	1058	1042
1024	1035	1059	1053
1054	1036		

DAISY PRINTER CHASSIS



(FRONT)



TOP COVER - UNDERSIDE



<u>ECN:</u>	<u>PCB #</u>	<u>DESCRIPTION:</u>
*5944 <span style="border: 1px solid black; padding: 2px;">3</span>	7204	Artwork>Loading Sketch/Schematic/Design changes per schematic below. ECNs 5948 (7202) and 5947 (7201) are required to be done prior to this ECN. See Figures 5-6 and 5-7.

\*Perform ECNs 5834, 5874 and 5944 simultaneously as outlined in the following procedure.

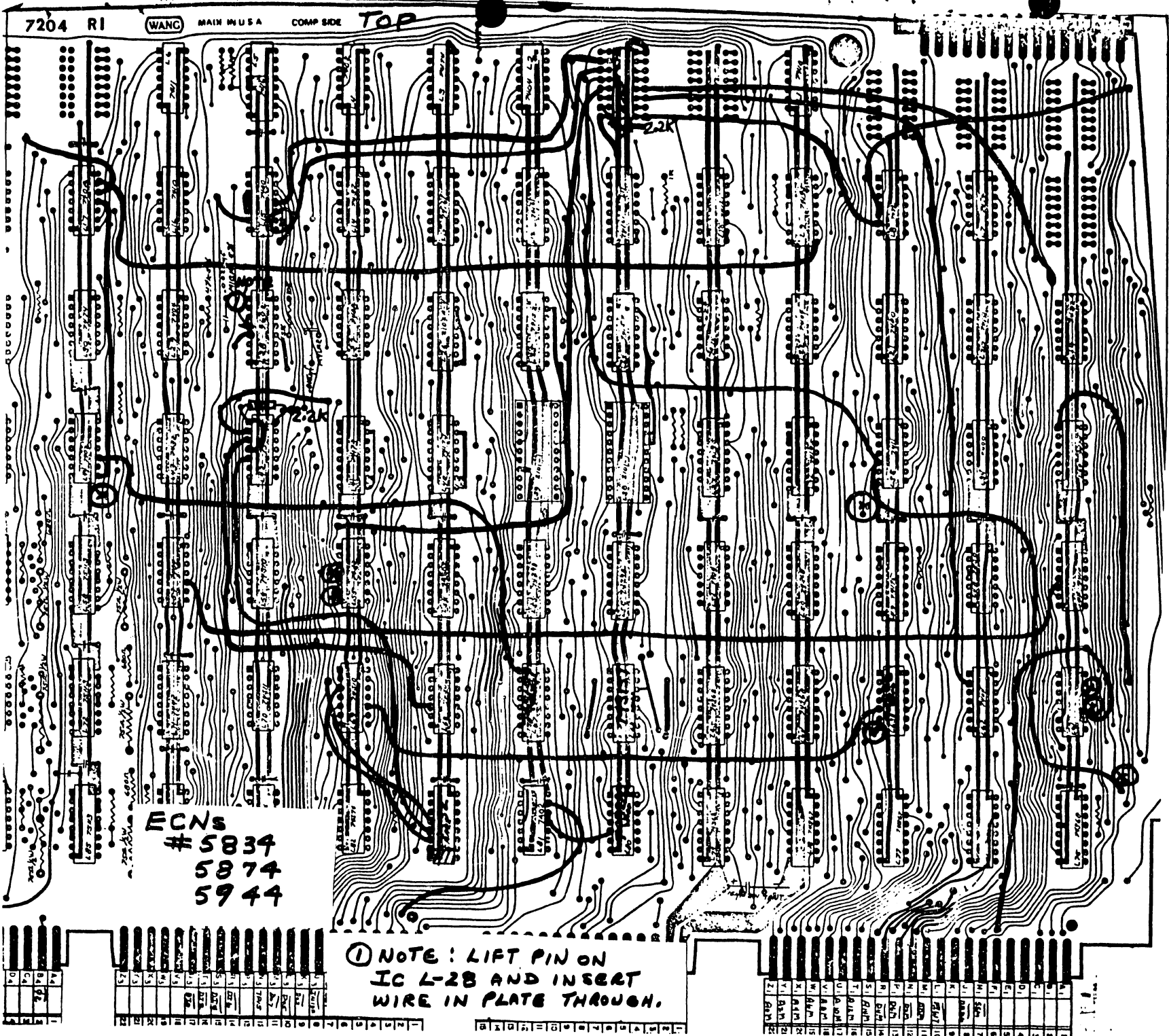
PCB 7204 ECN'S #5834, 5874 AND 5944

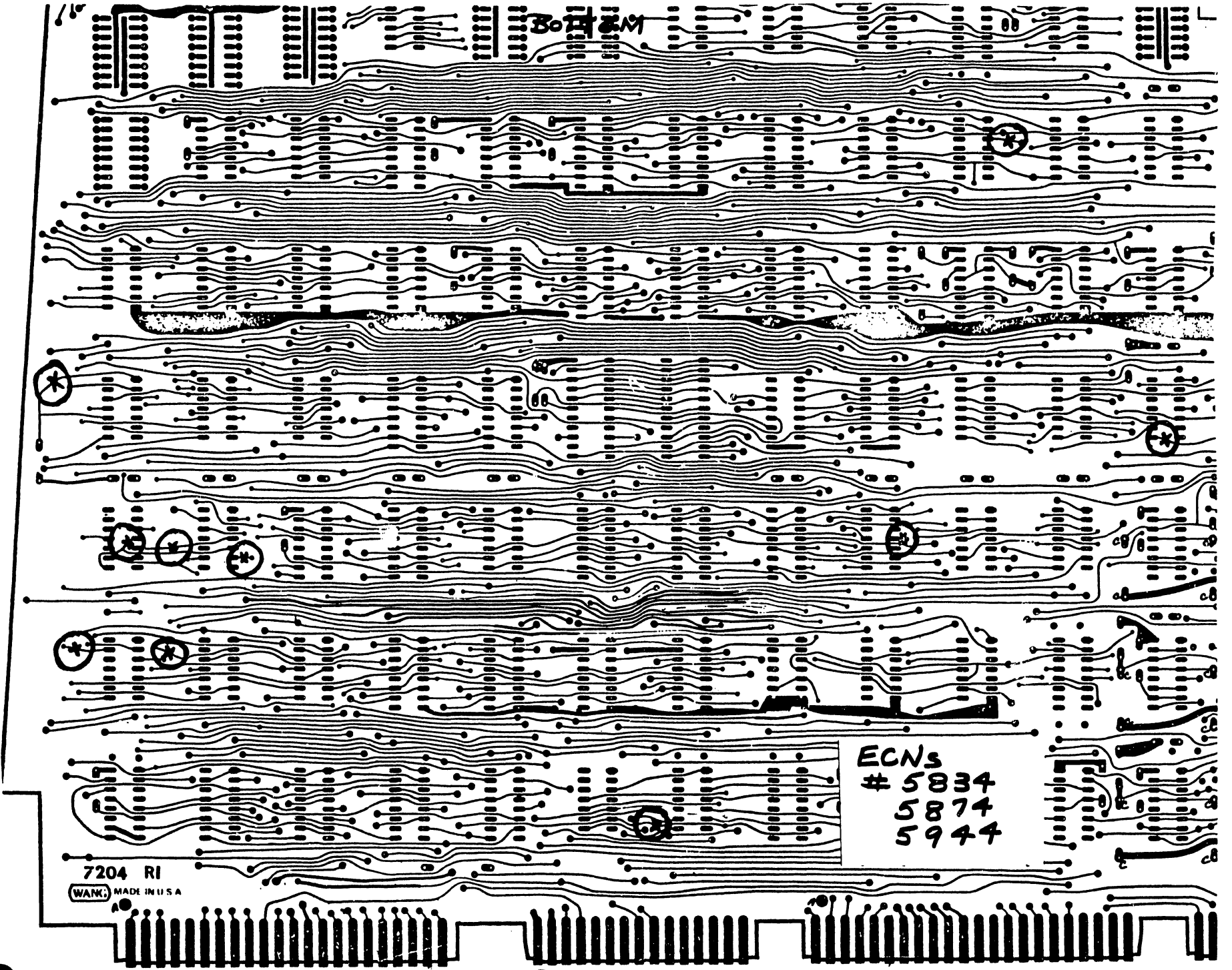
CUT AIR, ETCHES

- 1) Cut etch @ L33-1.
- 2) Cut etch @ L47-4.
- 3) Cut etch @ L47-5.
- 4) Cut etch @ L48-6.
- 5) Cut etch @ L61-13.
- 6) Cut etch @ L80-6 towards L81.
- 7) Cut etch @ L55-4.
- 8) Cut etch @ L44-8.
- 9) Cut etch @ L15-3.
- 10) Cut etch @ L15-11.
- 11) Cut etch @ L35-5.
- 12) Cut etch @ L44-10.
- 13) Cut etch @ L55-5.
- 14) Cut etch @ L55-6.
- 15) Cut etch @ L61-12.
- 16) Cut etch @ L61-11.
- 17) Cut etch @ L63-5.
- 18) Cut etch @ upper right side of L75.
- 19) Lift pin on IC L28-5 and insert into plate through @ left of IC as shown on diagram.

REMOVE, REPLACE, AND ADD COMPONENTS

- 1) Remove L63 (7408), replace with 74S08 WLI #376-0200.



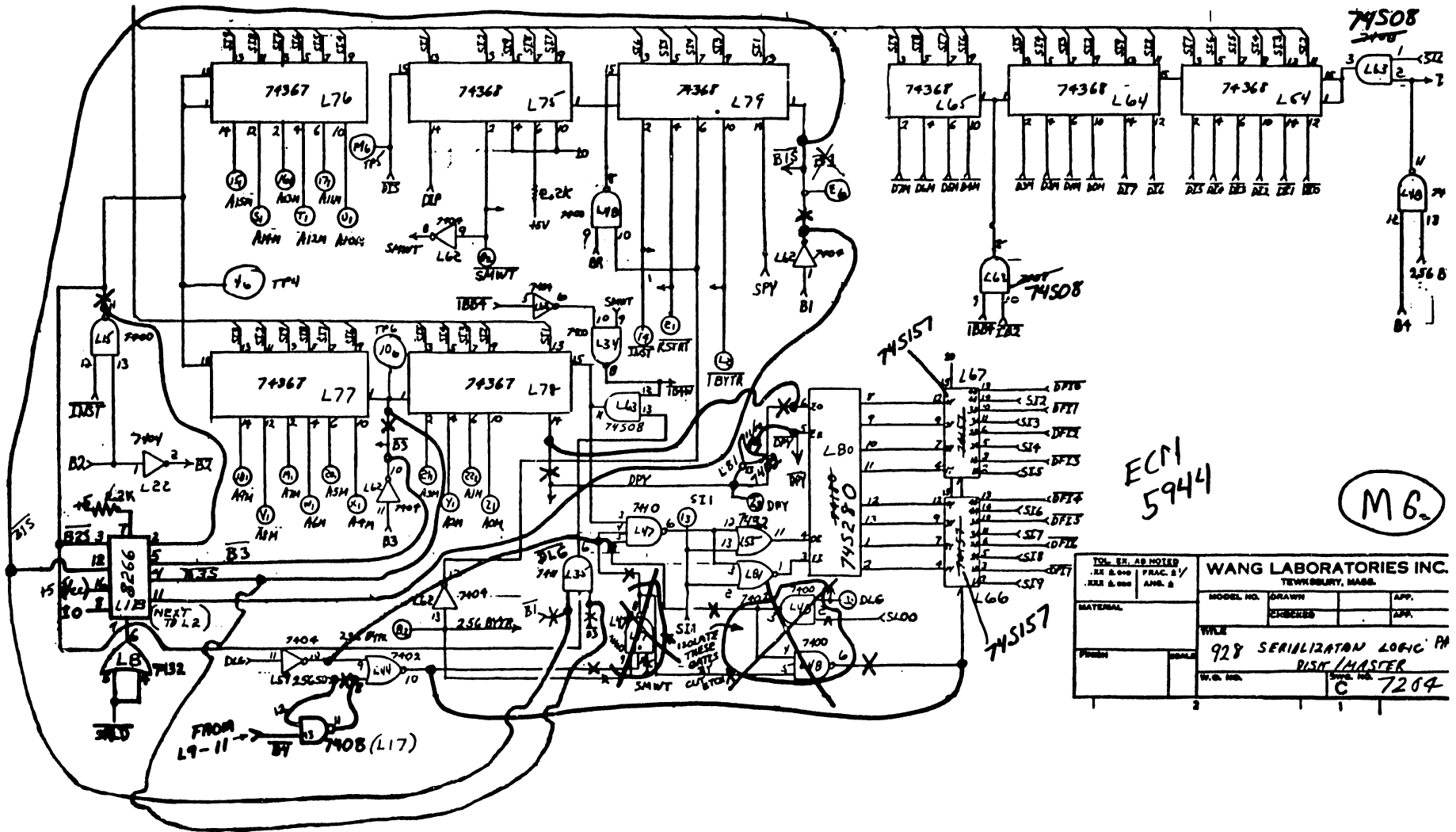


ECNs  
# 5834  
5874  
5944

7204 RI  
(WANK) MADE IN U.S.A.

FIGURE 5-7

5-27

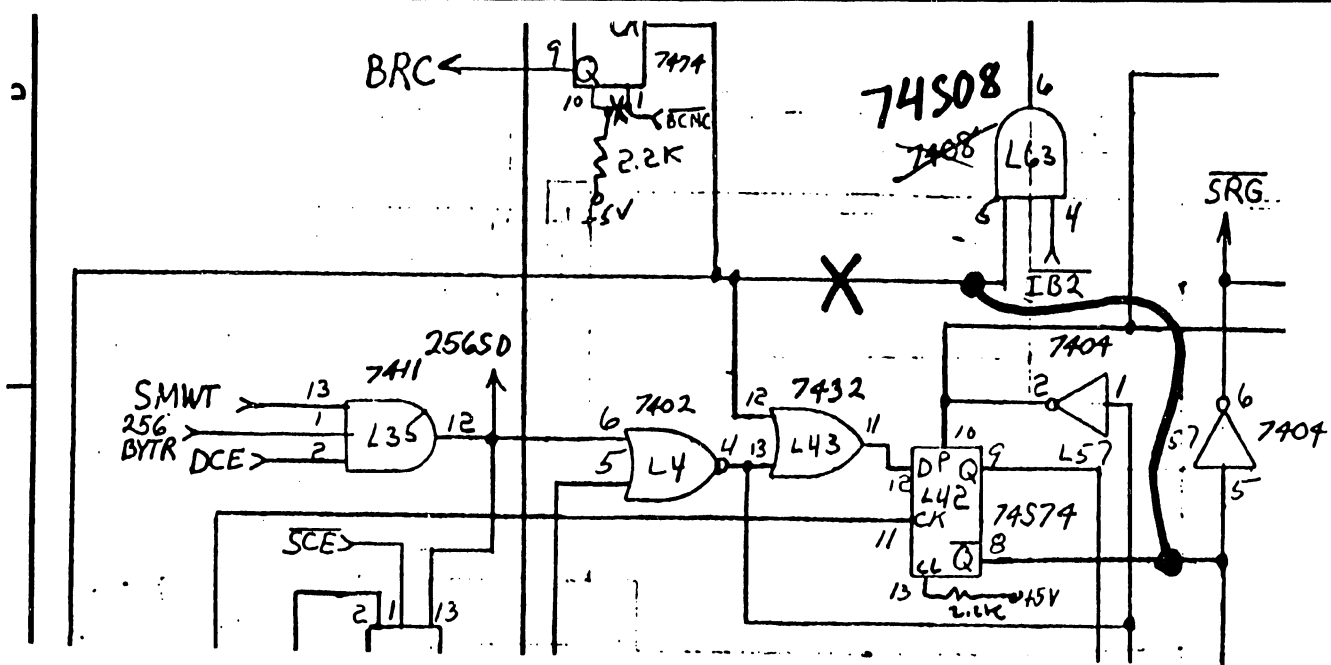


ECN 5944

M6

TOL. TR. AD. HOLES .015 & .001   FRAC. 1/16		WANG LABORATORIES INC. NEWBURY, MASS.	
MATERIAL	MODEL NO.	DRAWN	APP.
		ENGINEER	APP.
Part No.	TITLE 928 SERIALIZATION LOGIC PH DISK MASTER		
Rev. No.	DATE C 7204		

7204 PC - ECN 5944 (see next page, also)



7204 PC - ECN 5944 continued

5944

7204

Cont.

- 2) Remove L66 and L67 (74157), replace with 74S157 WLI #376-0217.
- 3) Remove L80 (74180), replace with 74S280 WLI #376-0246.
- 4) Add an 8266 WLI #376-0041 in location L1B. Add a jumper from L1B-16 to +5V etch. Add a jumper from L1B-8 to +0V etch. Add a 2.2K pull-up resistor from L1B-7 to +5V etch.
- 5) Add a 74S32 WLI #376-0205 in location L81A. Add a jumper from L81A-7 to +0V etch.
- 6) Add a 2.2K resistor between L42-14 and L42-1. Add a jumper between L42-1 and L42-4.

ADD THE FOLLOWING JUMPERS ON COMPONENT SIDE

- 1) From L1B-2 to L15-11.
- 2) From L1B-3 to plate through adjacent to L15-8.
- 3) From L1B-4 to L35-5.
- 4) From L1B-4 to plate through near upper right corner of L75.
- 5) From L1B-5 to L55-2.

ECN:

PCB #

DESCRIPTION:

5944

7204

Cont.

- 6) From L1B-9 to L8-6.
- 7) From L1B-11 to L62-2.
- 8) From L1B-12 to etch next to L19-1.
- 9) From L8-4 & 5 (jumper L8-4 and L8-5 together) to plate through at upper right corner of P.C. board.
- 10) From L9-9 to L17-13.
- 11) Jumper pins 3, 4, and 5 of L15 together.
- 12) Add jumper from L15-6 to plate through of etch to pin 10 of the connector.
- 13) From L17-12 to plate through @ upper right corner of L18.
- 14) From L17-11 to L44-8.
- 15) From L33-1 to plate through near right side of L61.
- 16) From L42-2 to plate through at upper left side of L41.
- 17) From L42-3 to L68-5.
- 18) From L42-5 to L81A-5.
- 19) From L44-10 to L67-1.
- 20) From L47-4 & 5 (jumper pins 4 & 5 together) to L57-10.
- 21) From L61-10 to plate through @ upper right side of L61.
- 22) From L61-10 to plate through of connector pin 6<sub>1</sub>.
- 23) From L63-5 to L69-10.
- 24) From L69-3 to L81A-6.
- 25) From L69-12 plate through to L81A-4.
- 26) From L80-5 to L81-11 & 12 (jumper pins 11 and 12).
- 27) From L81-13 to plate through of connector 3 pin 2.
- 28) Change E-REV LEVEL sticker to 3 on back of P.C. board.

<u>ECN:</u>	<u>PCB #</u>	<u>DESCRIPTION:</u>
5944	7204	<u>REASON FOR CHANGE</u>
Cont.		To clear data link PCB after a disk operation.

5946	7248	Change Loading Sketch and BOM. The resistor tied to L66-14 should be 22K $\Omega$ (not 2.2K $\Omega$ ).
------	------	---

3

DELETE: (1) 2.2K $\Omega$  330-3022

ADD: (1) 22K $\Omega$  330-4022

Listed below are bonded units that have ECN 5946 incorporated. Units starting with serial number FC1095 will have this ECN already installed.

FC1053	FC1071	FC1079	FC1037	FC1059
1065	1085	1057	1036	1034
1086	1094	1056	1026	1020
1092	1068	1042	1058	1035
1093	1080	1087		

5948	7202	Artwork/Loading Sketch/Schematic/Design change
1		Add a 2.2K (WL #330-3022) pull up to L53 pin 10. ECNs 5944 (7204) and 5947 (7201) are required to be done with this ECN.

1

Perform the following operations as listed while referring to Figures 5-8 and 5-9.

COMPONENT SIDE

- 1) Delete R14 (2.2K).
- 2) Change R18 from 1K to 2.2K.
- 3) Lift L63-13.
- 4) Lift L63-12.
- 5) Cut etch L53-10 to plate through.
- 6) Cut etch L52-9 to plate through

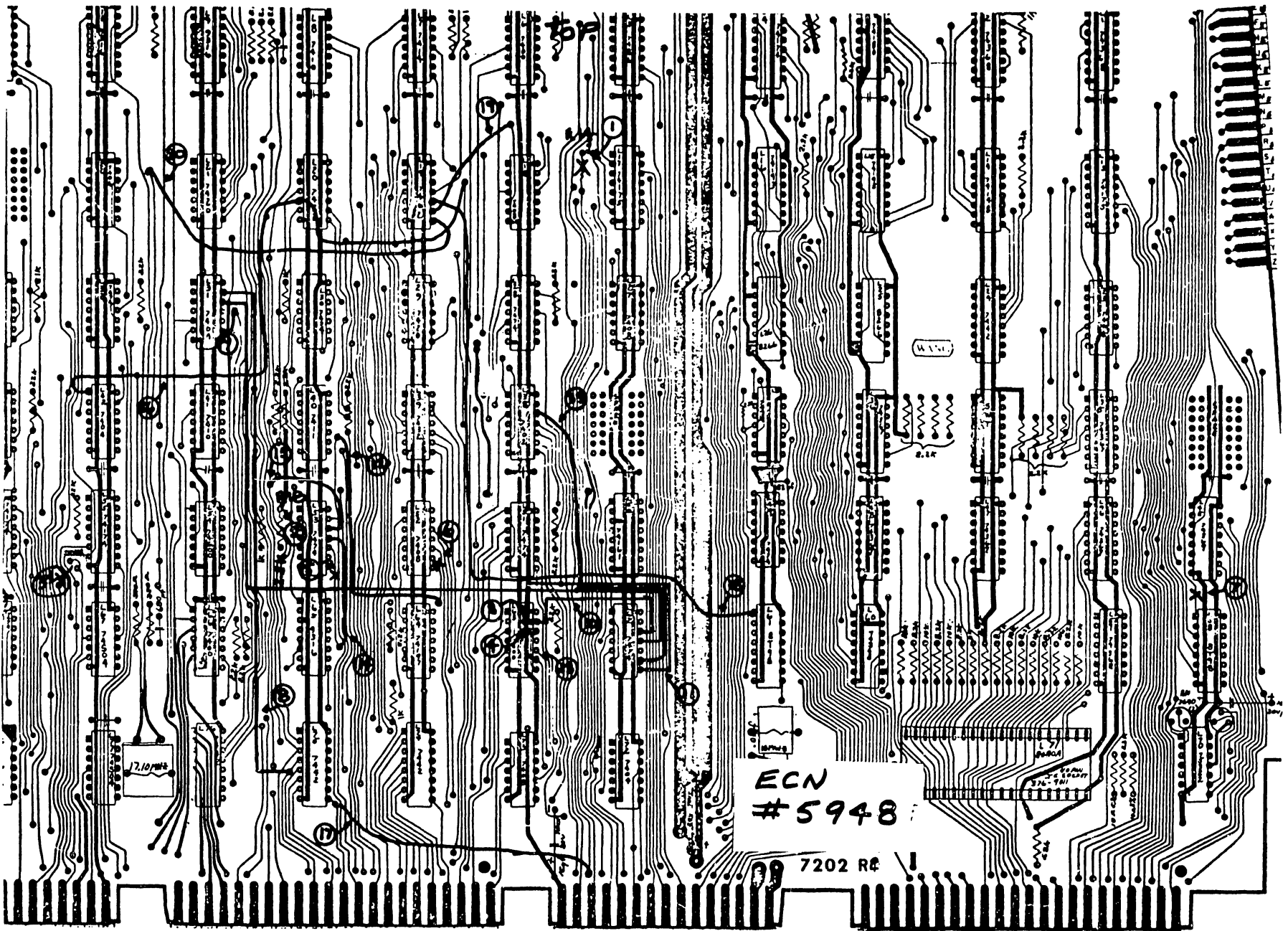


FIGURE 5-8



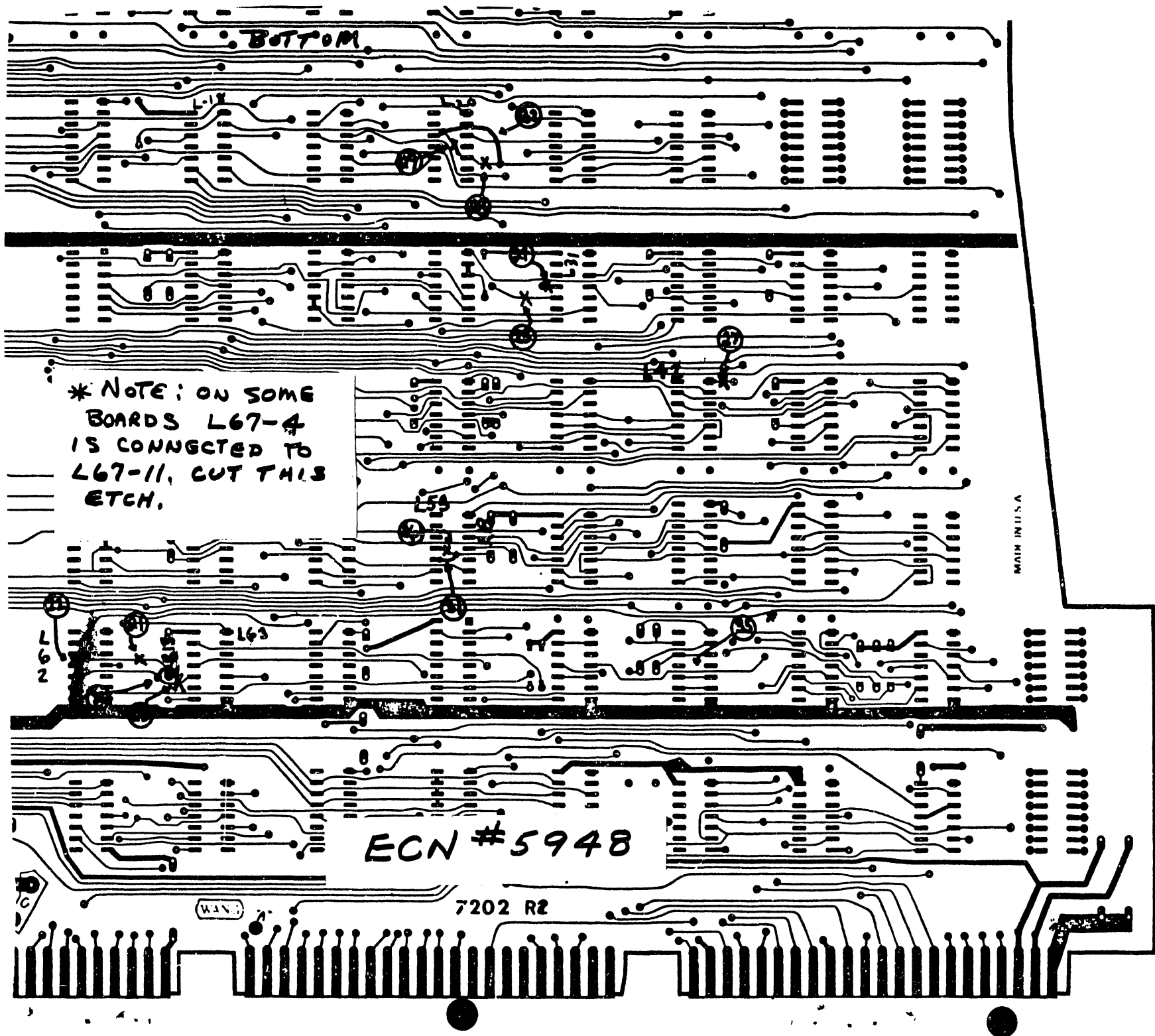


FIGURE 5-9

<u>ECN:</u>	<u>PCB #</u>	<u>DESCRIPTION:</u>
5948	7202	7) Cut etch L58-1 to plate through.
Cont.		8) Jumper L31-13 to L75-04
		9) Jumper L31-12 to L62-11.
		10) Jumper L62-12 to plate through.
		11) Jumper L62-8 to L63-13.
		12) Add jumper between plate through going to L53-13 and plate through which was going to L52-9.
		13) Add jumper L63-12 to L63-9.
		14) Add jumper L53-11 to plate through to L63-11.
		15) Add jumper L53-12 to plate through to L52-1.
		16) Add jumper L42-1 to L20-5 and to plate through.
		17) Add jumper L75-9 to plate through to conn. 2-13.
		18) Add jumper L61-1 to L19-10.
		19) Add jumper L19-9 to plate through to L18-5.
		20) Add jumper L19-8 to plate through to L22-13.
		33) Add jumper L62-9 to L38-12.
		34) Add jumper between L67-4 and L55-9.

NON-COMPONENT SIDE

- 21) Delete R13 to L62-10 and L62-11 & 12.
- 22) Cut etch L62-10 and L62-11.
- 23) Cut etch L31-10 to plate through.
- 24) Cut etch L31-11 to plate through.
- 25) Cut etch L62-10 to L63-10.
- 26) Cut etch L53-11 to R18.
- 27) Cut etch L42-1 to plate through.
- 28) Cut etch L20-5 to plate through.

<u>ECN:</u>	<u>PCB #</u>	<u>DESCRIPTION:</u>
5948	7202	29) Cut etch L20-5 to L18-2.
Cont.		30) Add R13 to L62-10.
		31) Add jumper L53-10 to R18.
		32) Add jumper L18-2 to plate through.
		35) Cut etch between L67-4 and L67-11.
		36) Change E-REV LEVEL sticker to 1 on back of PC board.

REASON FOR CHANGE

To clear data link PCB after a disk operation.

6060	7204	NOTE: The 7204 PCB should be E REV. LEVEL 3.
------	------	--

4

Loading Sketch/Schematic Change.

- 1) Change L57 from 7404 to 74H04 (Part #376-0045).
- 2) Increment E REV. LEVEL to 4.

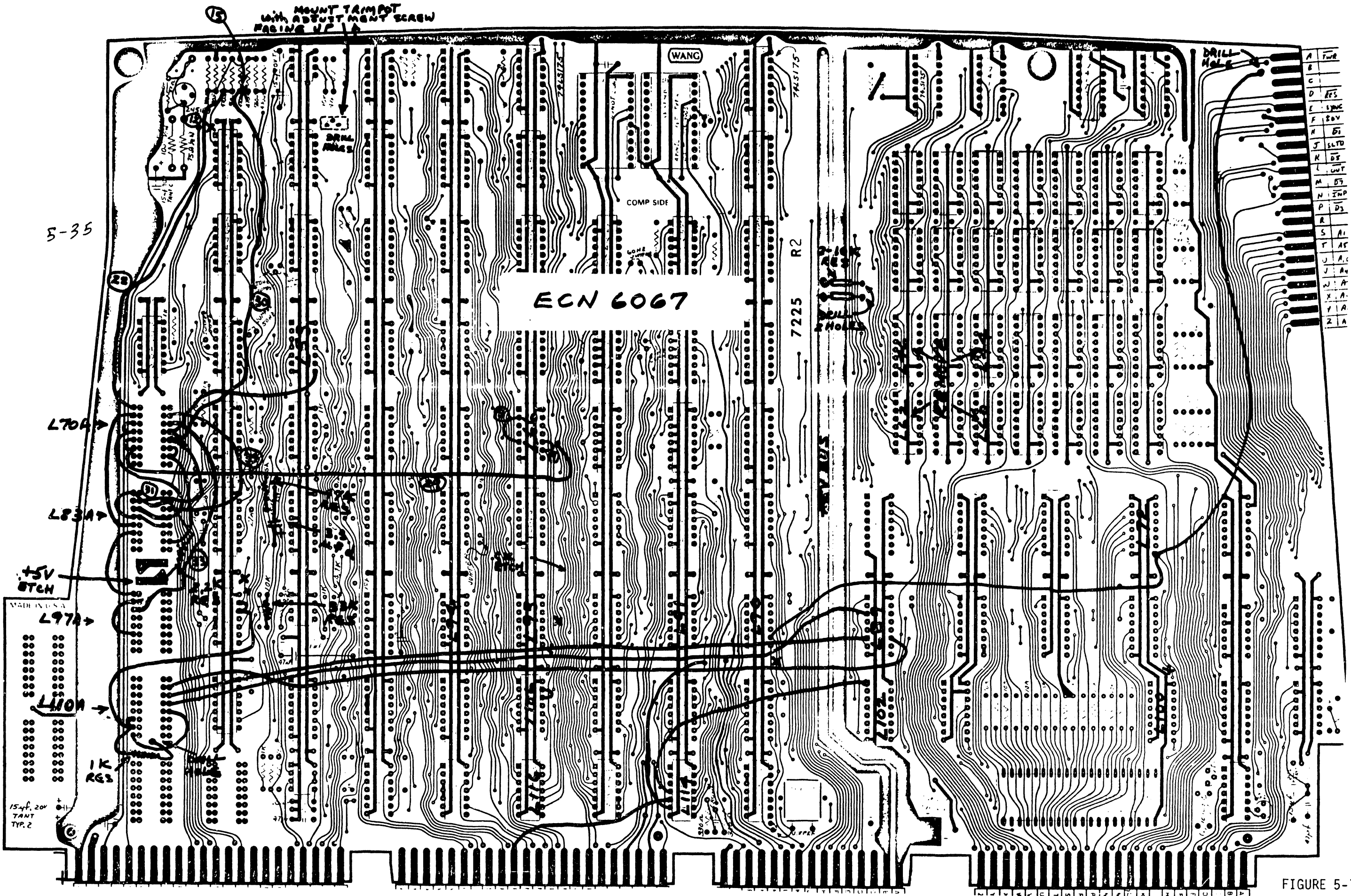
REASON FOR CHANGE

This change increases sink current and speed.

6067	7225	NOTE: The 7225 PCB should be updated to E REV. LEVEL 3 prior to the installation of this ECN. The complexity of this ECN requires that each step be checked carefully before proceeding to the next. It is recommended that only the Area Offices perform this ECN in the field. PCB 7225 will normally be recycled by the Home Office after implementation. Refer to Figures 5-10 and 5-11.
------	------	--

4

- 1) Remove CRT Memory ICs (2102A-4) at locations L44, L46, L60 and L62 by removing IC sockets from the board.



A	TUR
B	
C	
D	RES
E	SYMC
F	SDV
H	DS
J	SLTD
K	DB
L	OUT
M	DS
N	IMP
P	DS
R	
S	AI
T	AS
U	AC
V	A
W	A
X	A
Y	A
Z	A

FIGURE 5-10

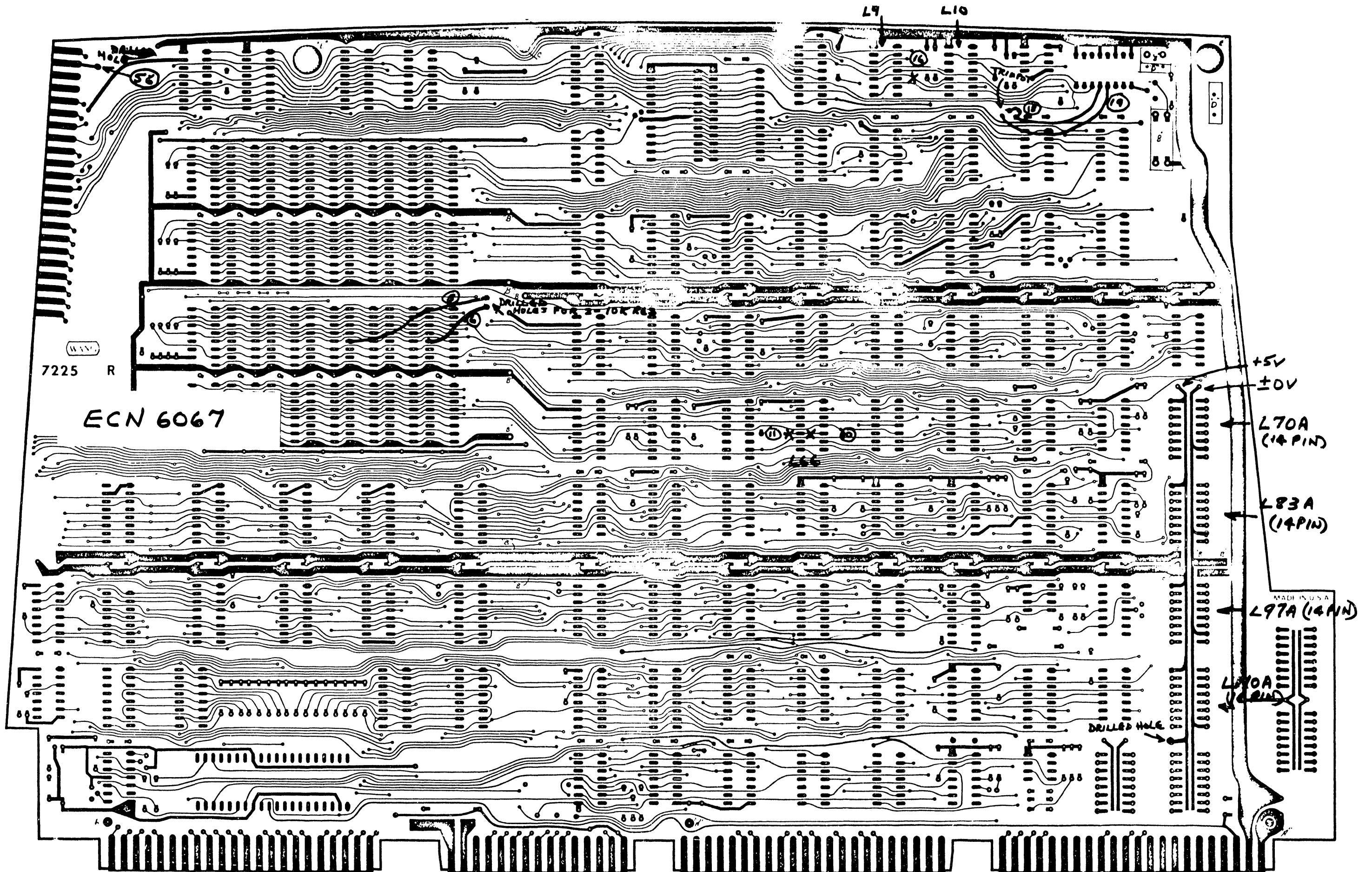


FIGURE 5-11

ECN:

PCB #

DESCRIPTION:

6067

7225

Cont.

- 2) Select a small drill size that will accommodate a pigtail on a  $10K\Omega$  1/4W 10% resistor (part #330-4010). Drill two holes approximately 1/8" between centers as shown on loading sketches-step 2, Figure 5-10.
- 3) Install one end of each resistor to +5V etch that extends from board connector pin B2 and solder.
- 4) Thread the pigtails on the other end of the resistors thru the drilled holes, bend and cut surplus pigtail (non-comp. side), Figure 5-11.
- 5) Solder wire to top resistor pigtail. Connect and solder other end to L44-12.
- 6) Solder wire to bottom resistor pigtail. Connect and solder other end to L46-12.
- 7)
  - a) Change IC L66 to a 74S20 (Part #376-0230).
  - b) Change IC L53 to a 74S11 (Part #376-0237).
  - c) Change IC L116 to a 74S10 (Part #376-0238).
- 8) Connect and solder wire between L66-2 and L66-5.
- 9) Solder wire jumper between L66-9 and L66-10.
- 10) Cut etch between L66-5 and L66-10.
- 11) Cut etch between L66-10 and plate through.
- 12) Cut etch between L24-2 and junction of resistor R79 and R84 (see Resistor Bank at step 15).
- 13) Replace R84 with a  $470\Omega$  1/4W 10% resistor (Part #330-2047).
- 14) Replace R85 with a  $220\Omega$  1/4W 10% resistor (Part #330-2022).

ECN:

PCB #

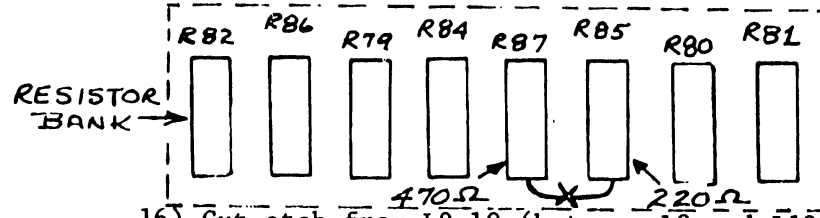
DESCRIPTION:

6067

7225

Cont.

15) Cut etch at junction of the new 220 $\Omega$  resistor (R85 and R87).



16) Cut etch from L9-10 (between L9 and L10) (non-comp. side).

17) Drill 3 small holes for terminals of a 1K TRIMPOT (90° mount). Mount the trimpot with the screwdriver adjustment facing top of PCB. (Trimpot Part #336-1014). Check Rear etches for proper clearance.

18) Solder a jumper wire across the two terminals of trimpot as shown on loading sketch. Solder wire to trimpot terminal jumper and the other end to the bottom of the 220 $\Omega$  resistor (originally R85).

19) Connect and solder wire from the other trimpot terminal to the bottom of resistor R87.

20) Install new ICs in the following locations shown on loading sketch.

- a) L70A [74S02 (Part #376-0199)]
- b) L83A [74S74 (Part #376-0202)]
- c) L97A [74S32 (Part #376-0205)]
- d) L110A [7445 (Part #376-0032)]

21) Connect and solder short stripped wire jumpers on rear of PCB at the following locations.

- a) L70A-14 to +5V bus
- b) L70A-7 to +0V bus
- c) L83A-14 to +5V bus
- d) L83A-7 to +0V bus
- e) L97A-14 to +5V bus

<u>ECN:</u>	<u>PCB #</u>	<u>DESCRIPTION:</u>
6067	7225	f) L97A-7 to +0V bus
Cont.		g) L110A-16 to +5V bus
		h) L110A-8 to +0V bus
		22) Connect wire from L70A-1 to junction of R79 and R84.
		NOTE: It is suggested that the soldering of the longer wires be done after laying out the connections.
		23) Connect and solder wire jumper between L70A-3 and L70A-4.
		24) Connect and solder wire jumper between L70A-5 and L70A-6.
		25) Connect and solder wire jumper between L70A-8 and L70A-9.
		26) Connect wire from L70A-4 to L83A-11.
		27) Connect wire from L70A-2 to L83A-5.
		28) Connect wire from L70A-8 to L83A-8.
		29) Connect wire from L70A-6 to etch that supplied signal CK to L66-10 (etch previously cut-step 11) (use plate through for wire connection).
		30) Connect wire from L70A-10 to the junction of R87 and the new TRIMPOT.
		31) Connect wire from L70A-11 to L83A-2.
		32) Connect wire from L70A-11 to L53-8.
		33) Connect wire from L70A-12 to L97A-3.
		34) Connect wire from L70A-13 to L83A-12.
		NOTE: Solder all connections on L70A.
		35) Connect and solder wire jumper from L83A-1 to L83A-13.



<u>ECN:</u>	<u>PCB #</u>	<u>DESCRIPTION:</u>
6067	7225	36) Connect and solder wire jumper between L83A-3 and L83A-11.
Cont.		37) Connect and solder wire jumper between L83A-4 and L83A-10.
		38) Connect and solder jumper wire from L83A-1 to L83A-4.
		39) Connect wire from L83A-6 to L97A-1.
		40) Connect resistor 2.2K $\Omega$ 1/4W 10% (Part #330-3022) between L83A-13 and +5V etch directly above L97A.

NOTE: Solder all wires on L83A.

- 41) Connect wire from L97A-2 to L94-6.
- 42) Connect and solder all wires between the following points.
  - a) L110A-13 to L89-3
  - b) L110A-14 to L89-6
  - c) L110A-15 to L89-11
  - d) L110A-12 to L110A-8
  - e) L110A-7 to L97-12
  - f) L110A-6 to L110A-7
- 43) Drill a small hole thru board and install a 1K resistor (Part #330-3010) sleeve pigtail and connect one end to L110A-7. Pass the other pigtail thru drilled hole and solder to +5V bus on rear.
- 44) Connect wire jumper between L97-12 and L97-13.
- 45) Cut etch between L97-13 and plate through.
- 46) Cut etch between L97-12 and plate through (cut close to L97-12).
- 47) Replace C19 (15 ufd capacitor) with a 3.3 ufd 35V 5% tantulum capacitor (Part #300-4039). Use same plate through for installation. Check polarity (+) pointing down toward board connectors.

<u>ECN:</u>	<u>PCB #</u>	<u>DESCRIPTION:</u>
6067 Cont.	7225	<p>48) Replace R36 15K resistor with a 47K 1/4W 10% resistor (Part #330-4047).</p> <p>49) Replace R37 10KΩ resistor with a 33KΩ 1/4W 10% resistor (Part #330-4033).</p> <p>50) Connect and solder wire from L114-5 to connector pin P3 (signal W0).</p> <p>51) Connect and solder wire from L114-6 to (sync) etch plate through (proximity of L91-8).</p> <p>52) Connect and solder wire from L114-4 to L102-1.</p> <p>53) Cut etch from L90-9 about 3/8" below the connection.</p> <p>54) Cut etch from plate through just above L100 pin 16.</p> <p>55) Connect and solder wire from L90-9 to L72-9.</p> <p>56) Drill small hole thru PCB at point indicated in loading sketch at Debug connector pin B. Connect and solder wire from L72-9 to drilled hole - cut and strip wire, insert and solder to Debug connector pin 2 (on non-comp. side).</p> <p>57) Add jumper between L106-12 and L106-13.</p> <p>58) Cut (CK) etch at the right of L93.</p>

REASON FOR CHANGE

- 1) To increase CRT contrast.
- 2) To increase keyboard repeat cycle.

6067A <span style="border: 1px solid black; padding: 2px;">5</span>	7225	<p>See Figure 5-12. ECN 6067A is to be installed on PCB 7225 with artwork Revision R2 or less. Prior ECN 6067 must be installed bringing board to REV. LEVEL 4.</p>
--	------	---

# ECN 6067A

(ECN 6067  
INSTALLED)

7225

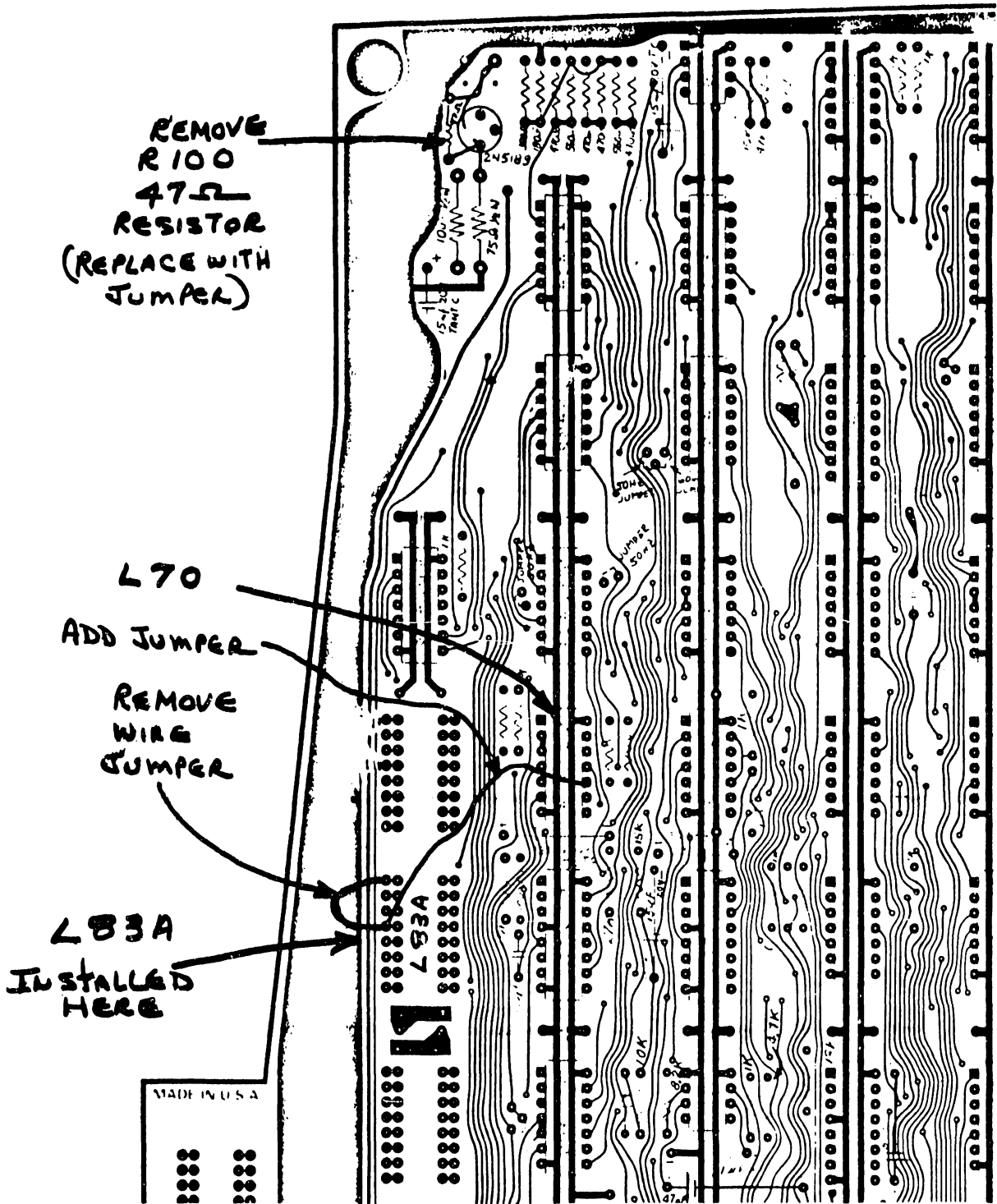


FIGURE 5-12

ECN:

PCB #

DESCRIPTION:

6067A

7225

Cont.

- 1) Remove yellow wire jumper from L83A-pin 1 and pin 4.
- 2) Add yellow wire jumper from L83A-pin 4 to L70-pin 10.
- 3) Remove R100-47 ohm resistor and replace with yellow wire jumper.
- 4) Increment E REV. LEVEL to 5.

NOTE: ECN 6067A indicates R100 is a 470 $\Omega$  resistor (Part #330-2047) - This information is in error - should be 47 $\Omega$  (#330-1047).

REASON FOR CHANGE

Separate the clear and preset lines on L83A.

6068

7202

2

NOTE: The 7202 PCB should be E REV. LEVEL 1 before this ECN is performed. If not, install ECN 5948.

- 1) Add a jumper from connector pin "X<sub>1</sub>" on the 7202 PCB to L36-pin 2 (pin 2 and R1 intersect) see Figure 5-13.
- 2) Cut the etch between the intersection of [L36-pin 2/R1 pull-up] and the top switch of SW1 (pin 16 of the program level switch bank). See Figure 5-14.
- 3) Add a .001  $\mu$ f capacitor (WLI #300-1906) between L36-pin 2 and  $\pm 0$  volts (etch above L36).
- 4) Cut the etch labeled "B" as indicated in Figure 5-14.
- 5) Add a jumper from plate thru near L27-pin 14 (plate thru is connected to L49-13 to the plate thru that is L30-pin 13).
- 6) Increment E-REV level to 2.

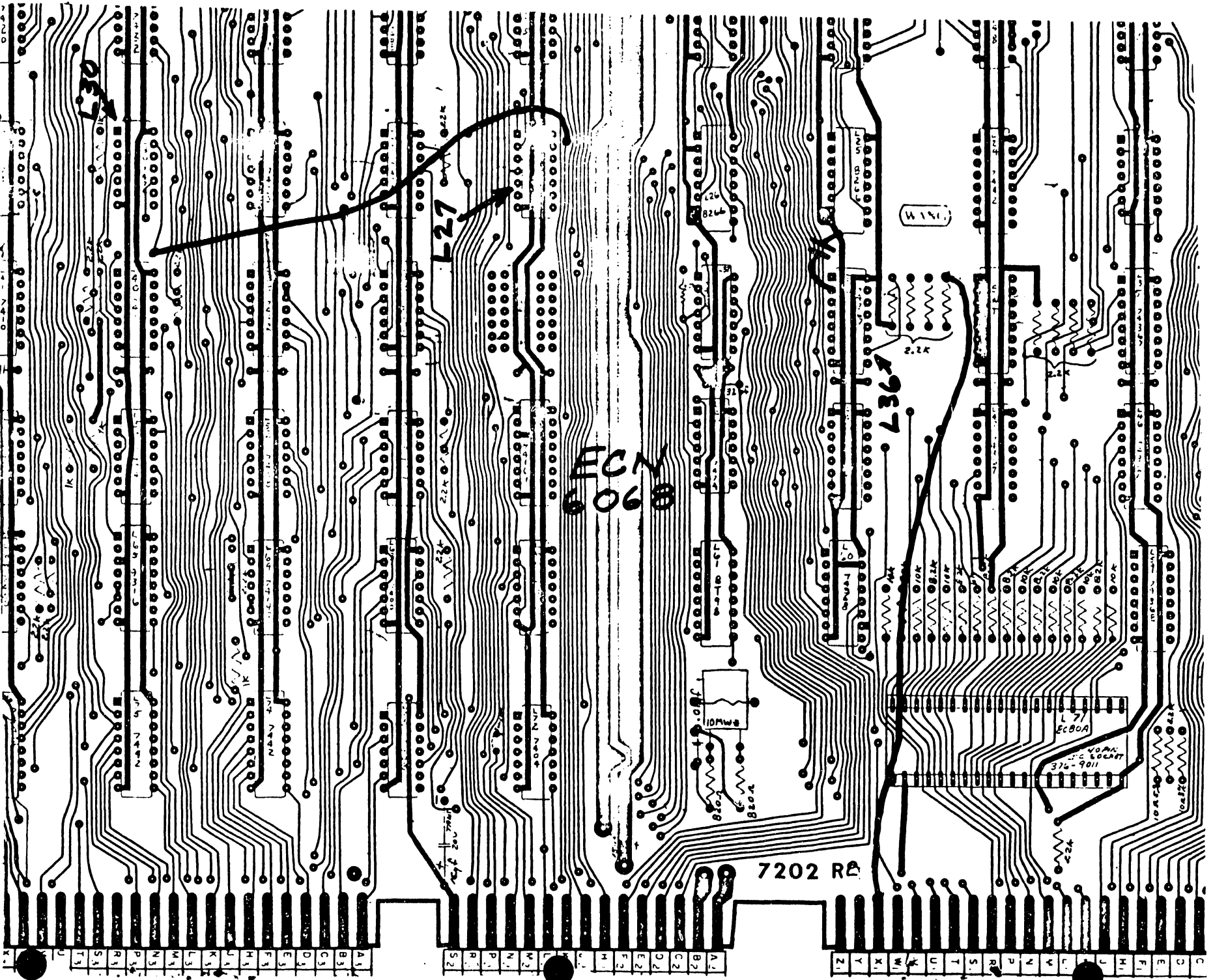
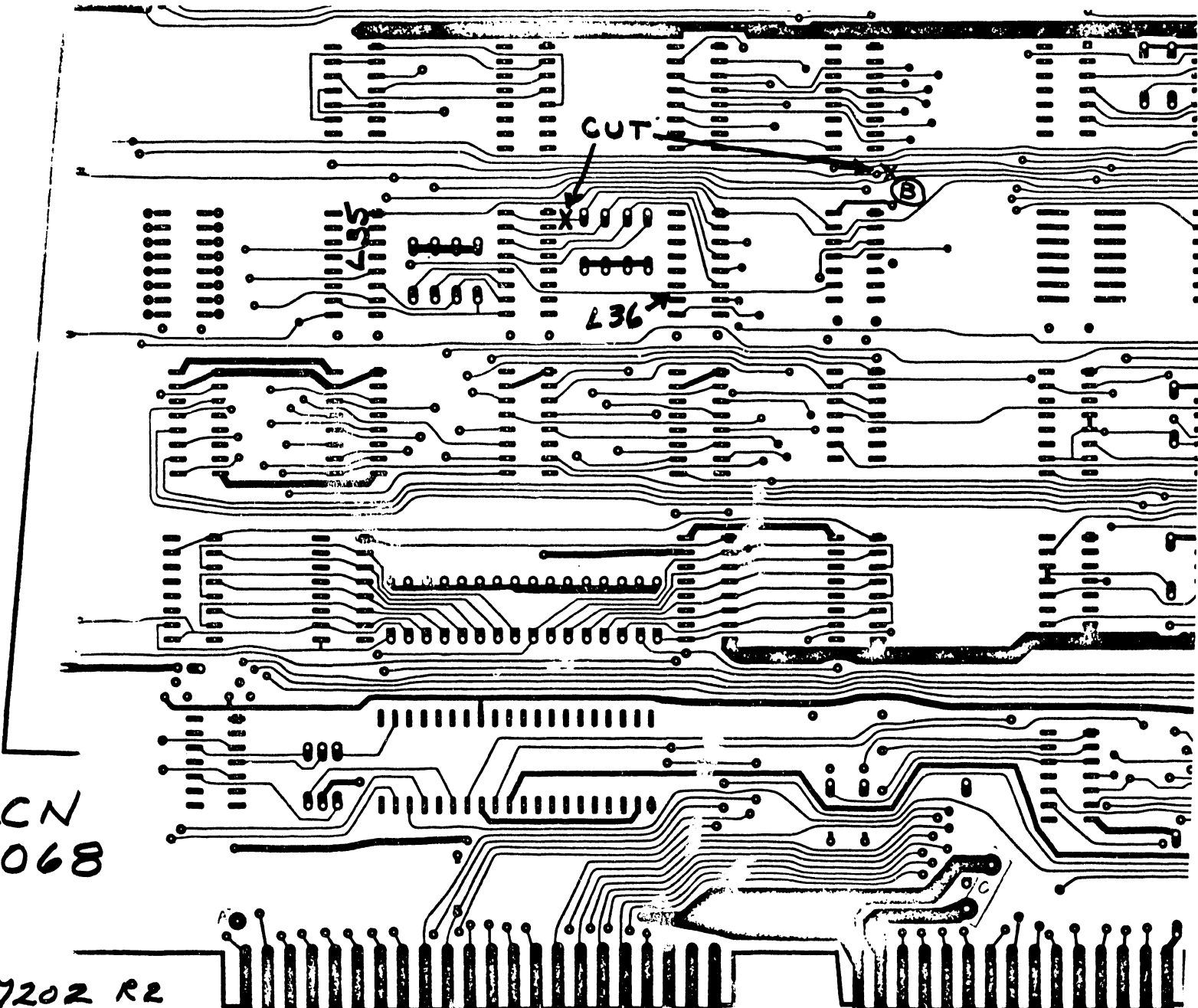


FIGURE 5-13



CUT

577

L36

ECN  
6068

7202 R2

FIGURE 5-14

<u>ECN:</u>	<u>PCB #</u>	<u>DESCRIPTION:</u>
6068	7202	<u>REASON FOR CHANGE</u>
Cont.		1) To add System 30 switch. 2) To clear Master Memory error F/F.
6128	7205	On both floppy disk drive connectors, tie pins A & 1 together. No BOM of Loading Sketch change required. This holds File Inoperable reset on Floppy Disk drives.
<span style="border: 1px solid black; padding: 2px;">1</span>		
6230	7203	ECN 6230 is VOID and was superseded by ECN 6276. All changes were caught in production, therefore automatically incrementing the electronic level to 3.
<span style="border: 1px solid black; padding: 2px;">3</span>		
6276	7203	NOTE: The 7203 PCB should be E REV. LEVEL 3 before these ECNs are performed.
<span style="border: 1px solid black; padding: 2px;">4</span>		

- 1) Add a jumper from L3-3 to L15-11.
- 2) Add a jumper from L15-10 to E<sub>2</sub>.
- 3) Cut the etch between L6-3 and E<sub>2</sub>, but do not cut between L6-3 and the pull-up resistor R51 (1K ohm).
- 4) Add a jumper from L6-3 to 11<sub>2</sub>. This requires drilling a small hole as indicated in Figures 5-15 and 5-16.
- 5) Add a capacitor (.1 μf @ 50V, WLI #300-1930) from the junction of the anode side of D<sub>1</sub> and R55 to +0V. This capacitor must be mounted as close to Q<sub>1</sub> as possible. See diagram. Increment E REV. LEVEL to 4.

REASON FOR CHANGE

- 1) To eliminate conflict between Diablo hard disk and floppy disk on Write Clock signal (System 30).

WANG

7203 R3

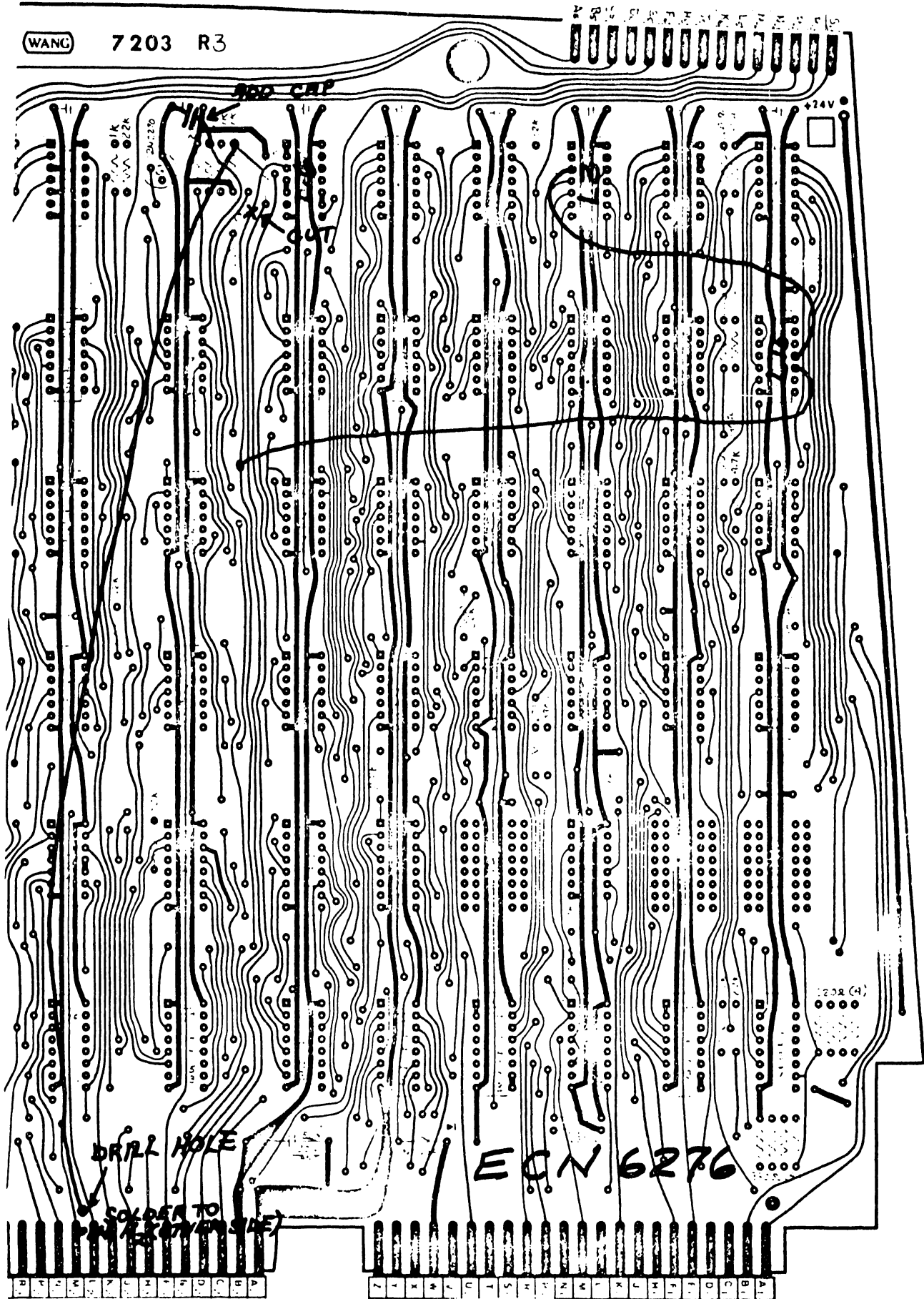


FIGURE 5-15



7203 R3

ECN  
6276

ECN  
6276A

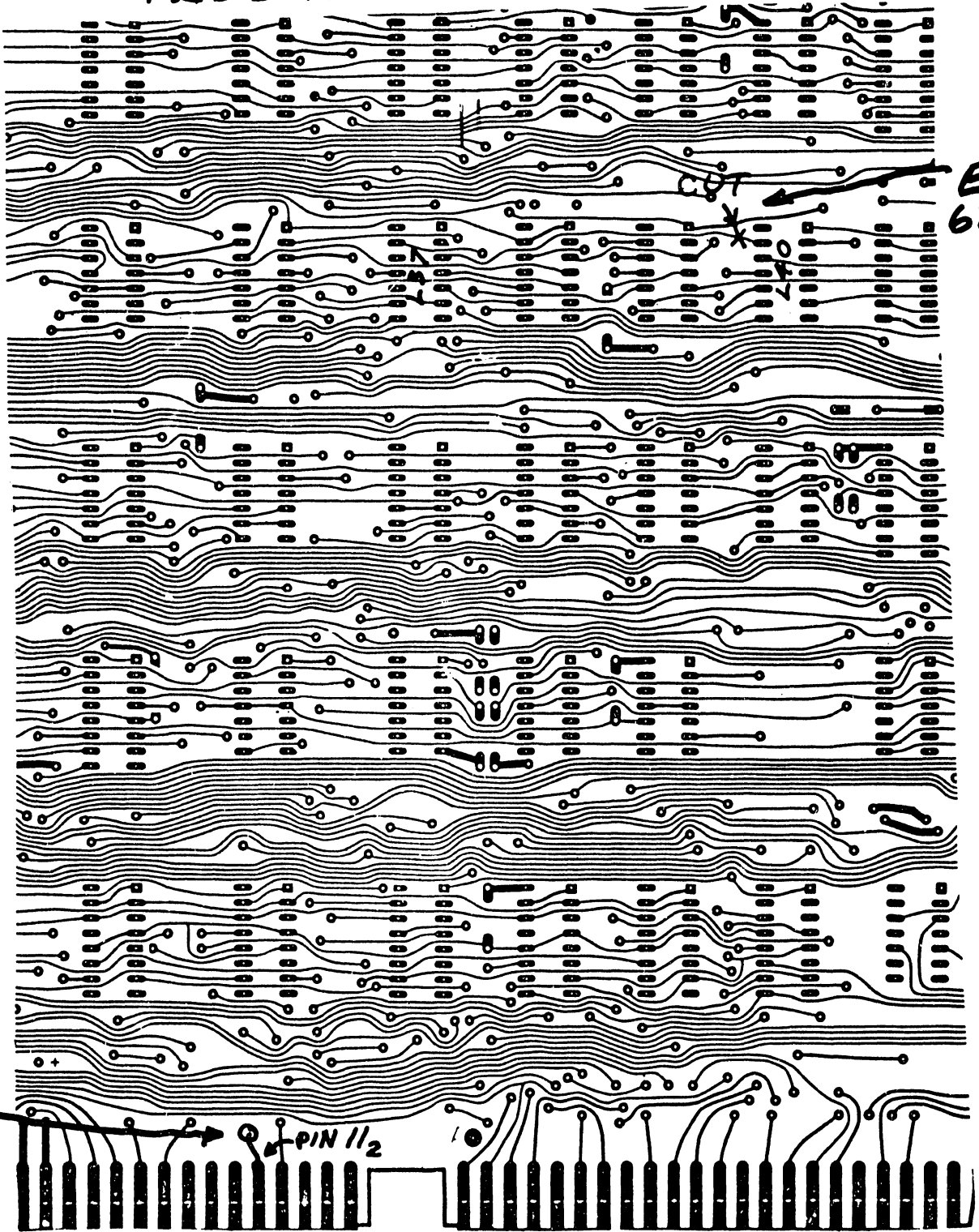


FIGURE 5-16

<u>ECN:</u>	<u>PCB #</u>	<u>DESCRIPTION:</u>
6276A 5	7203	<ol style="list-style-type: none"> <li>1) Remove L42 and cut etch (on component side) from pin 2 to +0V. Replace IC (this also isolates pin 12). See Figure 5-17.</li> <li>2) Cut etch from L55-2 to plate thru beside L42-6.</li> <li>3) Cut etch from L55-1 to the plate thru below L42-7.</li> <li>4) Cut etch from L55-3 to L42-6.</li> <li>5) Cut etch from L37-1 to the plate thru beside L50-7.</li> <li>6) Cut etch from L37-3 to L40-13 on non-component side of PCB. See Figure 5-16.</li> <li>7) Add a jumper from L42-2 to plate thru below L52-8.</li> <li>8) Add a jumper from L40-13 to L54-7.</li> <li>9) Add a jumper from L54 pins 11 and 13 to L54-3.</li> <li>10) Add a jumper from L54-10 to L54-5.</li> <li>11) Ground L54-4.</li> <li>12) Add a .001 <math>\mu</math>f capacitor (WLI #300-2010) between pins 1 and 2 of L-54.</li> <li>13) Add a 10K ohm resistor from L54-2 to +5V.</li> <li>14) Increment E REV. LEVEL to 5.</li> </ol>

REASON FOR CHANGE

This change prevents head strobe conflict between Diablo hard disk and floppy disk on all System 30 Master disk control boards.

6279 1	7227	<p>NOTE: PCB 7227 must be E REV. LEVEL 0 to perform this ECN. Due to the non-availability of 7227 R1 artwork, it was necessary to substitute 7227 R2 artwork for indicating the changes to</p>
-----------	------	--

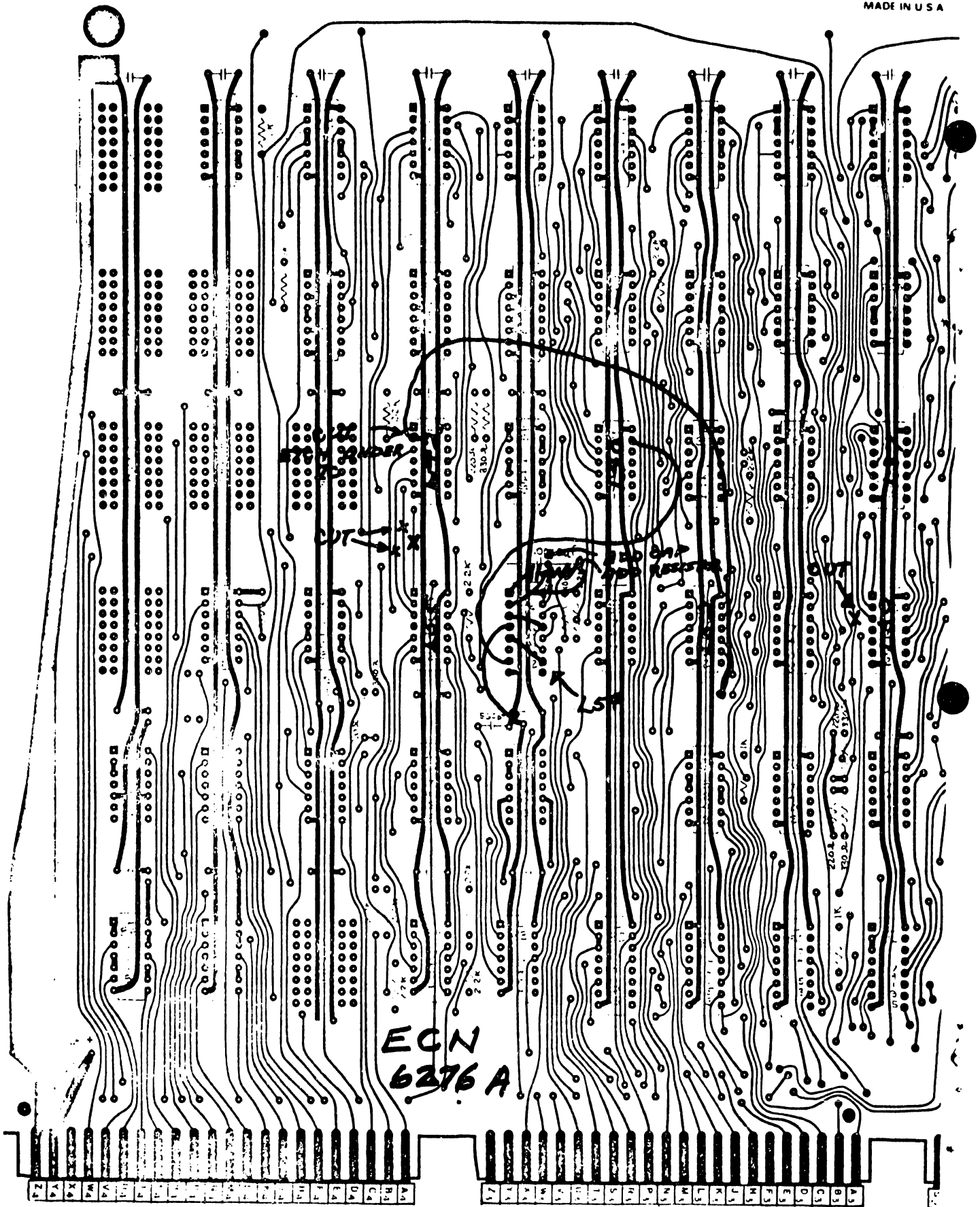


FIGURE 5-17

ECN:PCB #DESCRIPTION:

6279

7227

Cont.

be performed. Do only the steps listed below and insure that only 7227 R1 artwork boards are used for this ECN. See Figures 5-18 and 5-19.

- 1) Cut etch between L4A-1 and L4A-4 (comp. side).
- 2) Cut etch from L4A pin 2 (non-comp. side).
- 3) Jumper L4A-4 to plate through below L28-9.
- 4) Ground L4A-2 to +0V with jumper.
- 5) Cut etch from L21-9 (non-comp. side).
- 6) Cut etch from L49-6 at plate through above L59-1 (non-comp. side).
- 7) Jumper between plate through above L59-1 to plate through to right and below L24.
- 7a) A wire may be attached to plate through to the right of L24. If so, remove wire.
- 8) Install jumper from L21-9 to plate through between L22 & L23.
- 9) Install jumper from L49-12 to plate through between L55 & L56 which is connected to J2 connector pin (DIS).
- 10) Jumper L49-5 to L49-13.
- 11) Jumper L49-1 and L49-2 to L49-11.

REASON FOR CHANGE

Design Improvement.

6336

7225

6

Correct 7225 PCB revision R2 and R3 artwork.

- 1) Cut etch on rear that connects L91-pin 3 to L91-pin 12.
- 2) Add a jumper wire from L91-pin 2 to L91-pin 13 if etch is missing (R2 may have etch). See Figure 5-20.

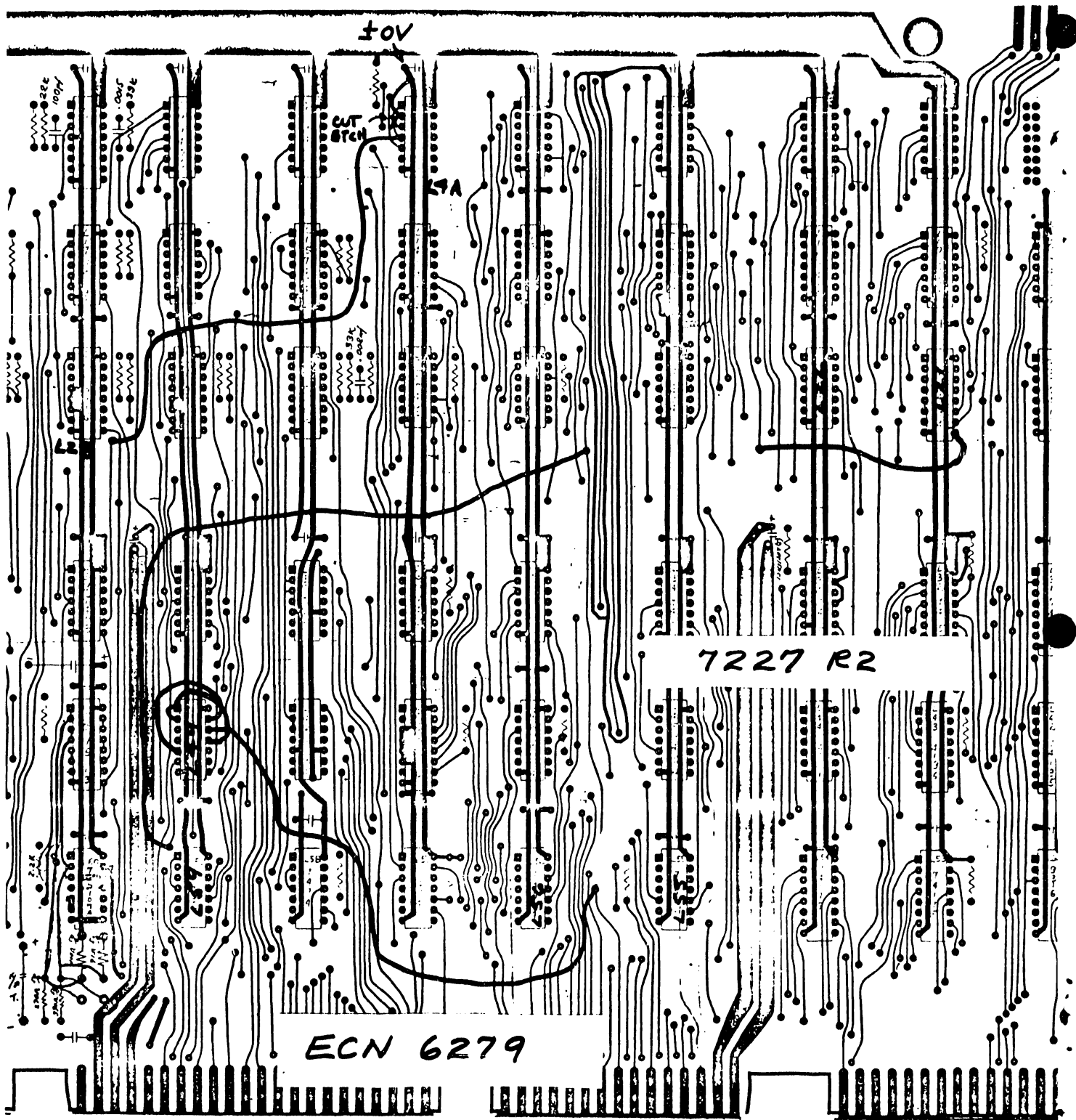


FIGURE 5-18

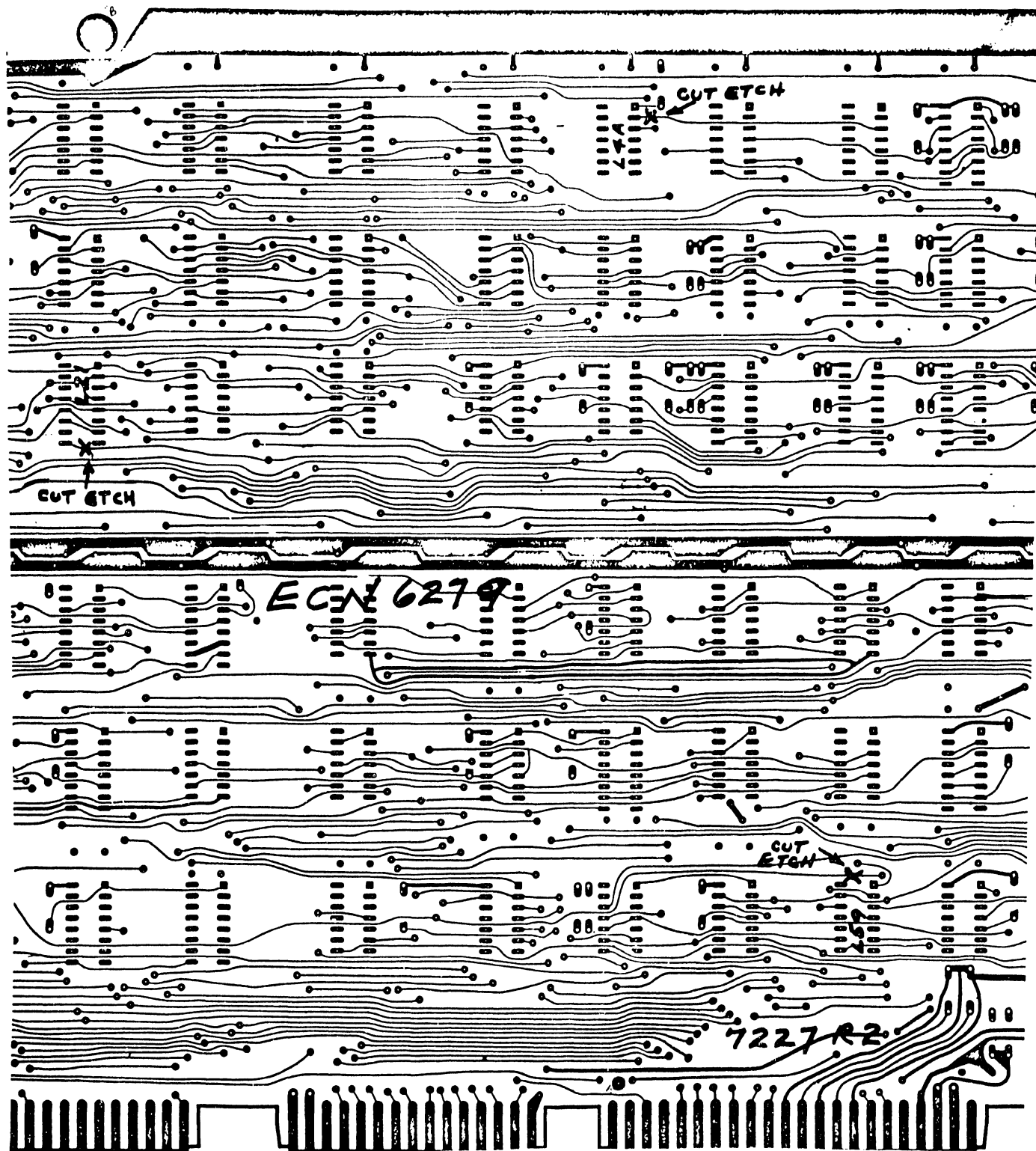
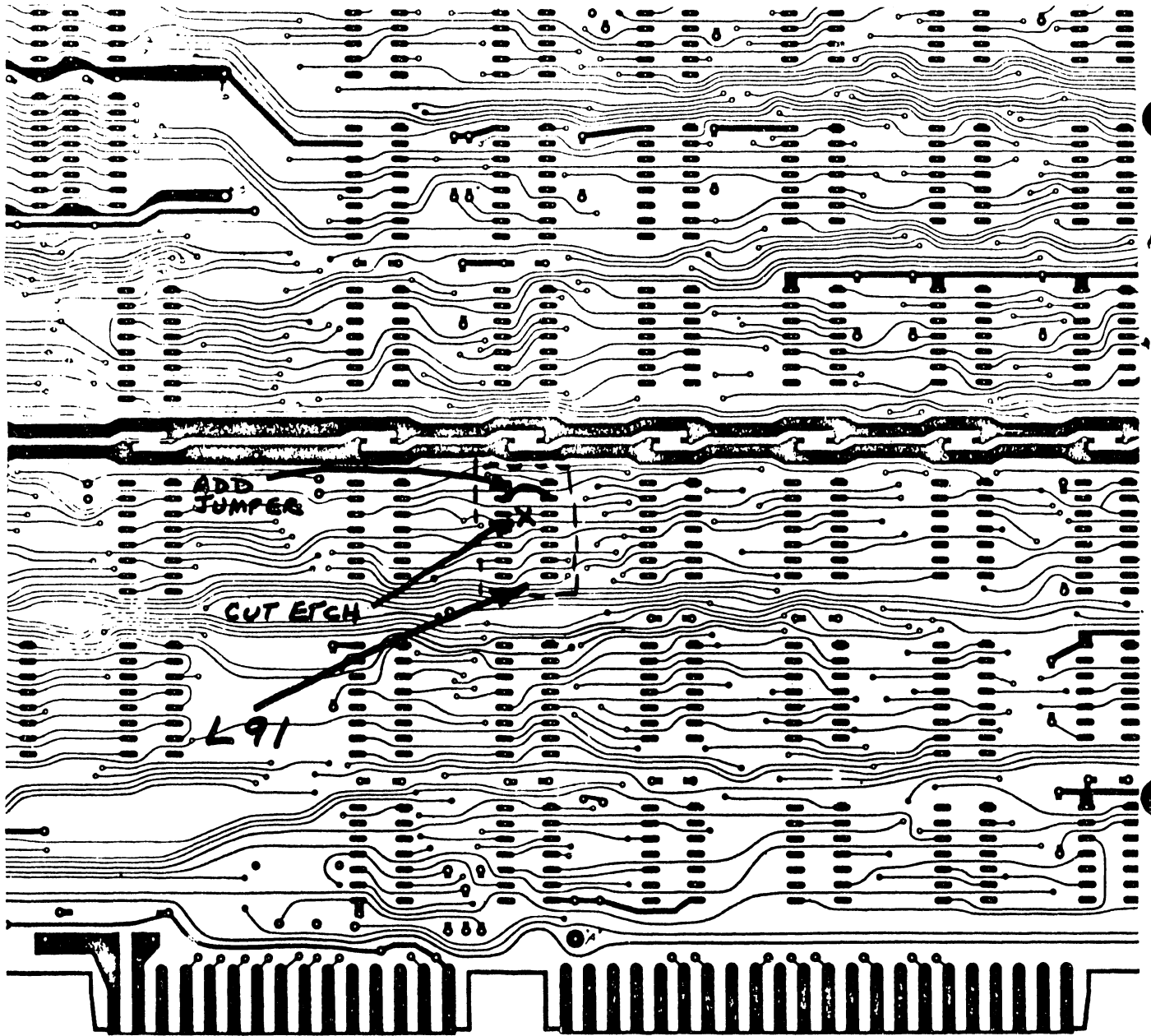


FIGURE 5-19



7225

ECN 6336

EN 10Z. COPPER BOTH SIDES.  
PER ARTWORK SUPPLIED.  
ON TERMINAL END.

FIGURE 5-20

<u>ECN:</u>	<u>PCB #</u>	<u>DESCRIPTION:</u>
6336 Cont.	7225	Change schematic 7225 by correcting signal names on L91-pin 12 and L91-pin 13. L91-pin 12 should read "A15" L91-pin 13 should read "A14".

Change schematic and loading sketch R48, 70, 72, 75, 78 and R90 should be 2.2K $\Omega$ .

Increment E REV. LEVEL to 6.

REASON FOR CHANGE

Request by Teradyne test and artwork error.

6361	Master Electronic Chassis	ECN 6361 provides a temporary solution to the interference problem described below until REV 6 Chassis are provided. A provisional cover plate has been designed as an interim solution until a new chassis can be made. Part #461-0114 (Dwg. #6841-113). Order and install panel as soon as possible.
------	---------------------------------	--

REASON FOR CHANGE

To eliminate electrical interference caused by radiation from the XTAL clock oscillator on PCB 7202 into the disk drive.

6413 <span style="border: 1px solid black; padding: 2px;">1</span>	7214 and 7214-1	Any Master CPU which has slave stations located at distances greater than 30 feet should install this ECN immediately. See Figures 5-21, 5-22 and 5-23.
---	-----------------------	---

- 1) Cut etch between L101-12 and L101-13.
- 2) Jumper from L101-13 to L101-2.
- 3) Cut etch from L101-8 (non-comp. side).



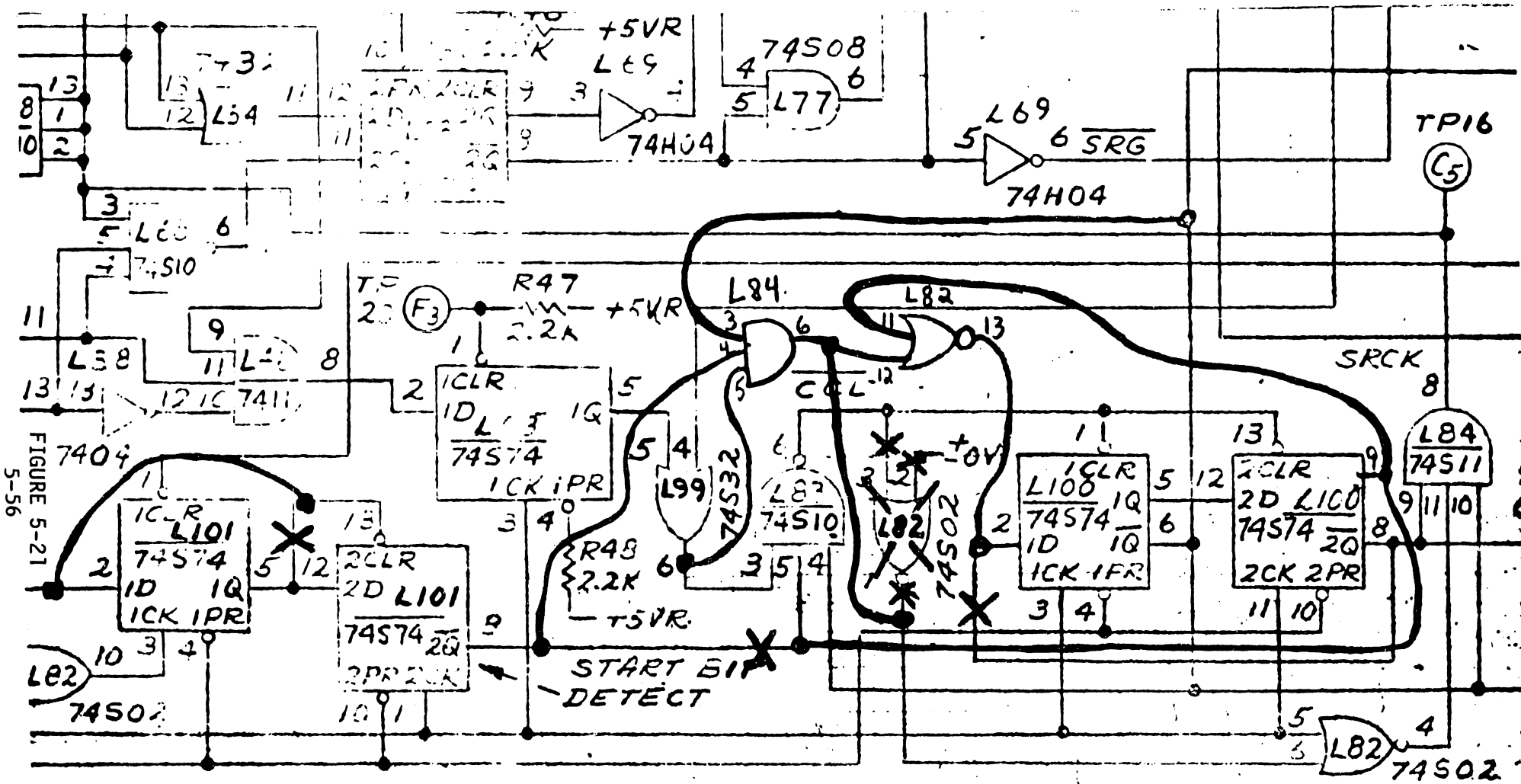
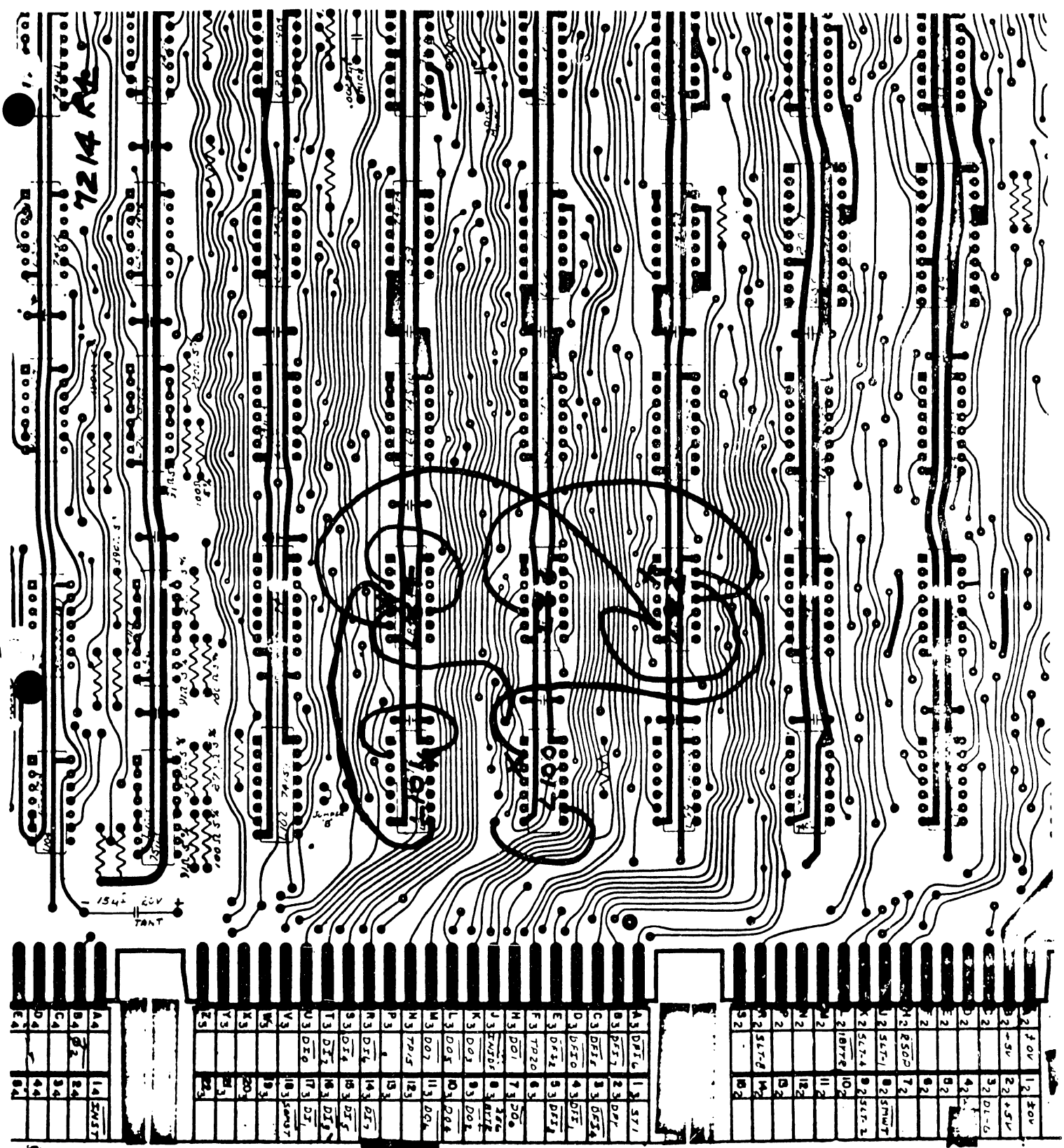


FIGURE 5-21  
5-56

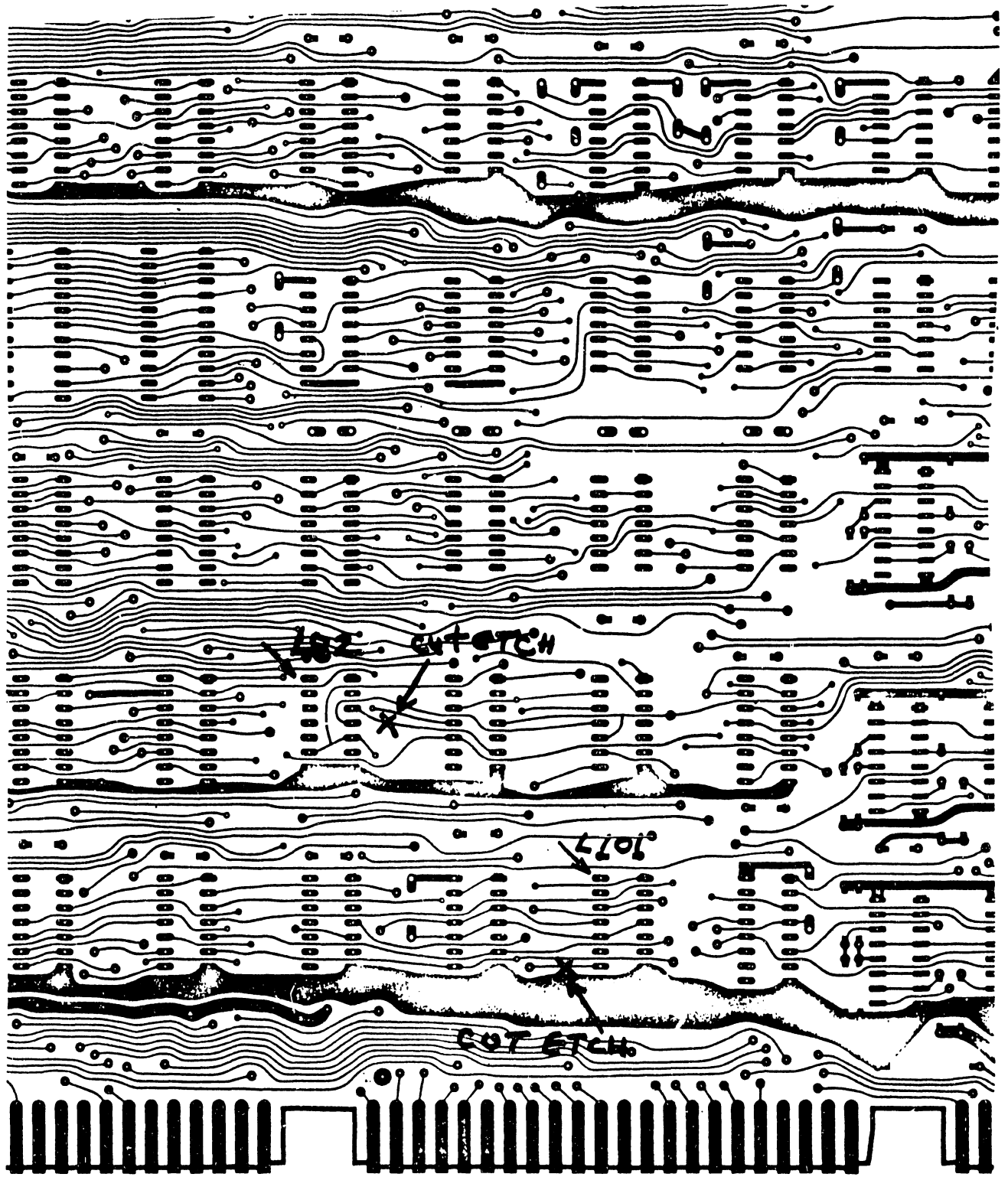
7214 ECN 6413



7214

ECN 6413

FIGURE 5-22



7214 ECN 6413

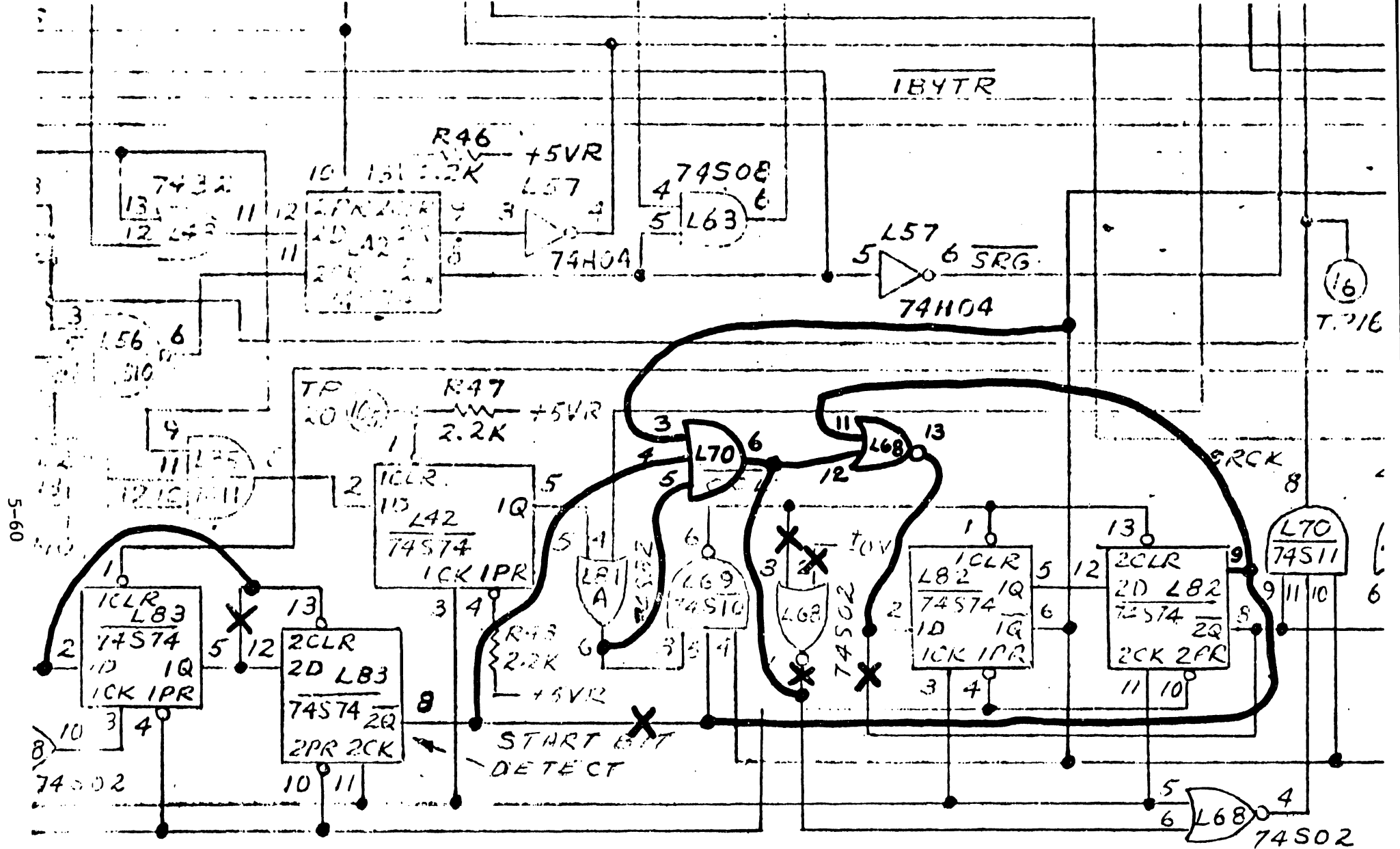
FIGURE 5-23

<u>ECN:</u>	<u>PCB #</u>	<u>DESCRIPTION:</u>
6413 Cont.	7214 and 7214-1	<ol style="list-style-type: none"> <li>4) Cut etch between L84-4 and L84-5 (comp. side).</li> <li>5) Jumper from L101-8 to L84-4.</li> <li>6) Jumper from L100-9 to plate through beside L100-7.</li> <li>7) Jumper from L83-5 to L82-11.</li> <li>8) Cut etch from L100-2 (comp. side).</li> <li>9) Jumper from L100-2 to L82-13.</li> <li>10) Jumper from L84-5 to plate through beside L100-1.</li> </ol>

REASON FOR CHANGE

To prevent parity errors when using dual coaxial cables 30 feet or longer.

6413A <span style="border: 1px solid black; padding: 2px;">5</span>	7204	<p>PCB 7204 must be at E REV. LEVEL 4 prior to installation of this ECN. See schematic diagram Figure 5-24 and loading sketches Figures 5-25 and 5-26.</p> <ol style="list-style-type: none"> <li>1) Cut etch between L83-12 and L83-13 (comp. side).</li> <li>2) Jumper from L83-13 to L83-2.</li> <li>3) Cut etch from L83-8 (non-comp. side).</li> <li>4) Cut etch between L70-4 and L70-5 (comp. side).</li> <li>5) Jumper from L83-8 to L70-4.</li> <li>6) Jumper from L82-9 to plate through beside L82-7.</li> <li>7) Jumper from L69-5 to L68-11.</li> <li>8) Cut etch from L82-2 (comp. side).</li> <li>9) Jumper from L82-2 to L68-13.</li> <li>10) Jumper from L70-5 to L69 pin 3.</li> <li>11) Jumper L70-10 to L70-3.</li> </ol>
--	------	---



5-60

# 7204 ECN 6413A

FIGURE 5-24

# 7204 ECN 6413A

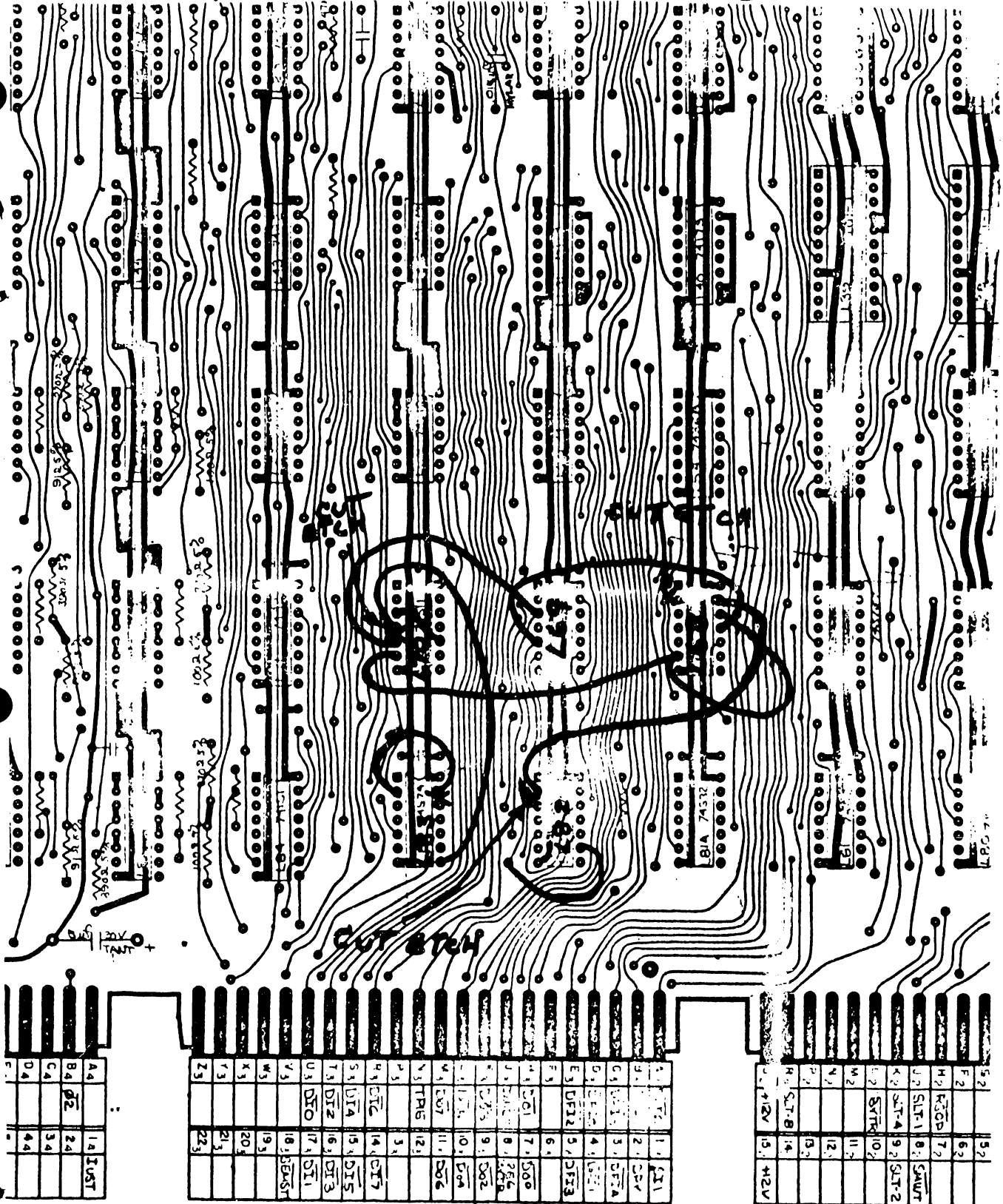


FIGURE 5-25

7204 ECN 6413 A

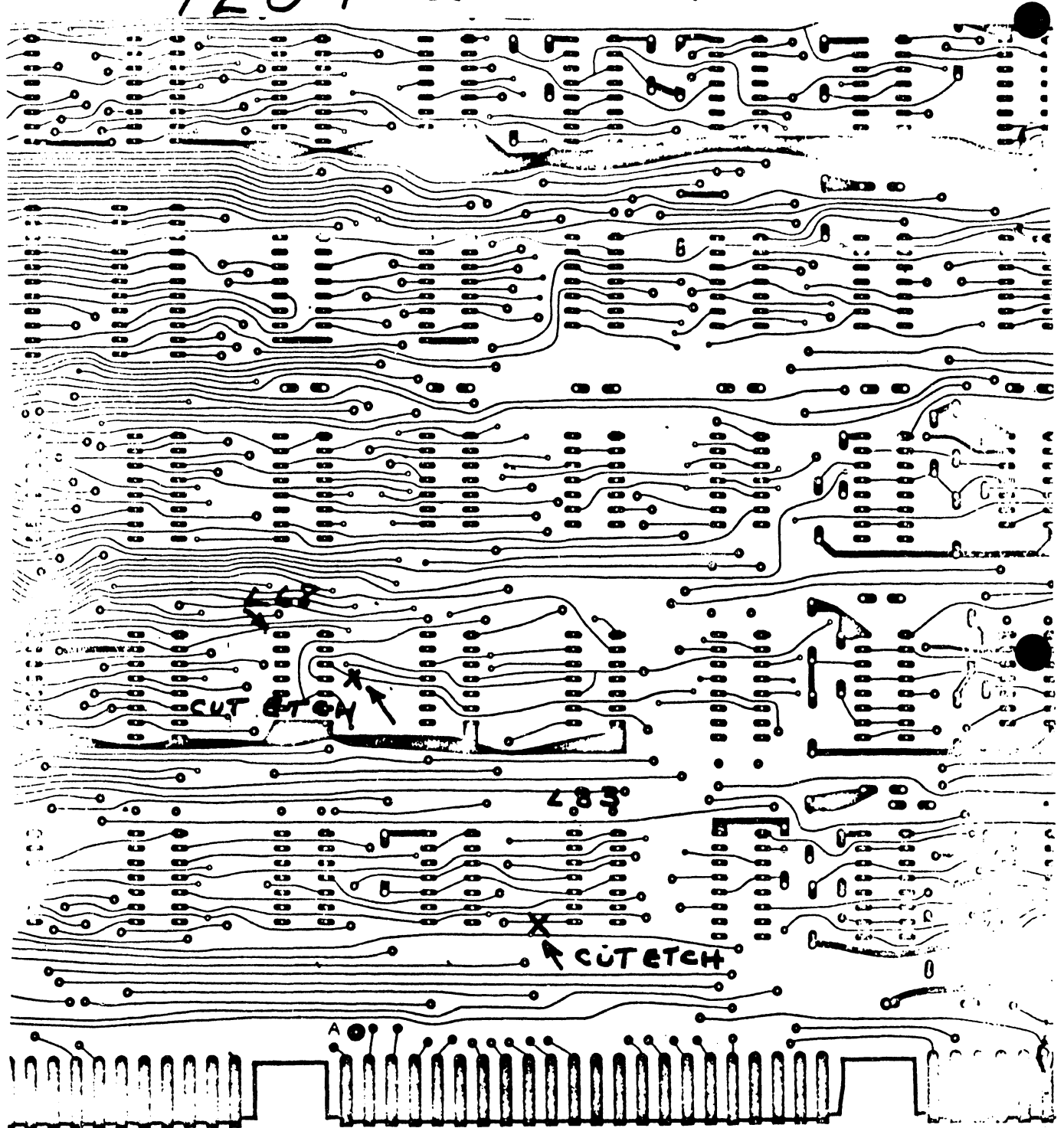


FIGURE 5-26

<u>EQN:</u>	<u>PCB #</u>	<u>DESCRIPTION:</u>
6413A Cont.	7204	12) Cut etch from L68-1 to L68-6 (comp. side). 13) Cut etch from L68 pin 3 (non-comp. side). 14) Jumper from L68-6 to L68-12 and L70-6.

REASON FOR CHANGE

To prevent parity errors when using coaxial cables 30 feet and over.

6535 <span style="border: 1px solid black; padding: 2px;">1</span>	7201	Change Artwork and Schematic.
---	------	-------------------------------

COMPONENT SIDE

- 1) Cut +12V etch to the left of L30. See Figure 5-27.
- 2) Cut the same +12V etch below Q4 (2N3640) emitter etch connection.
- 3) Add jumper between L14 transistors Q<sub>1</sub> and Q<sub>2</sub> (left etch) to right etch plate through near L14-11. USE 24 GAUGE WIRE OR LARGER.
- 4) Add jumper between L55 transistors Q<sub>3</sub> and Q<sub>4</sub> (left etch) to right etch plate through near L55-11. USE 24 GAUGE WIRE OR LARGER.

REASON FOR CHANGE

To eliminate a 20 nsec knee on the trailing edge of chip enable during REFRESH CYCLE.



ECN 6535

PCB 7201 R3

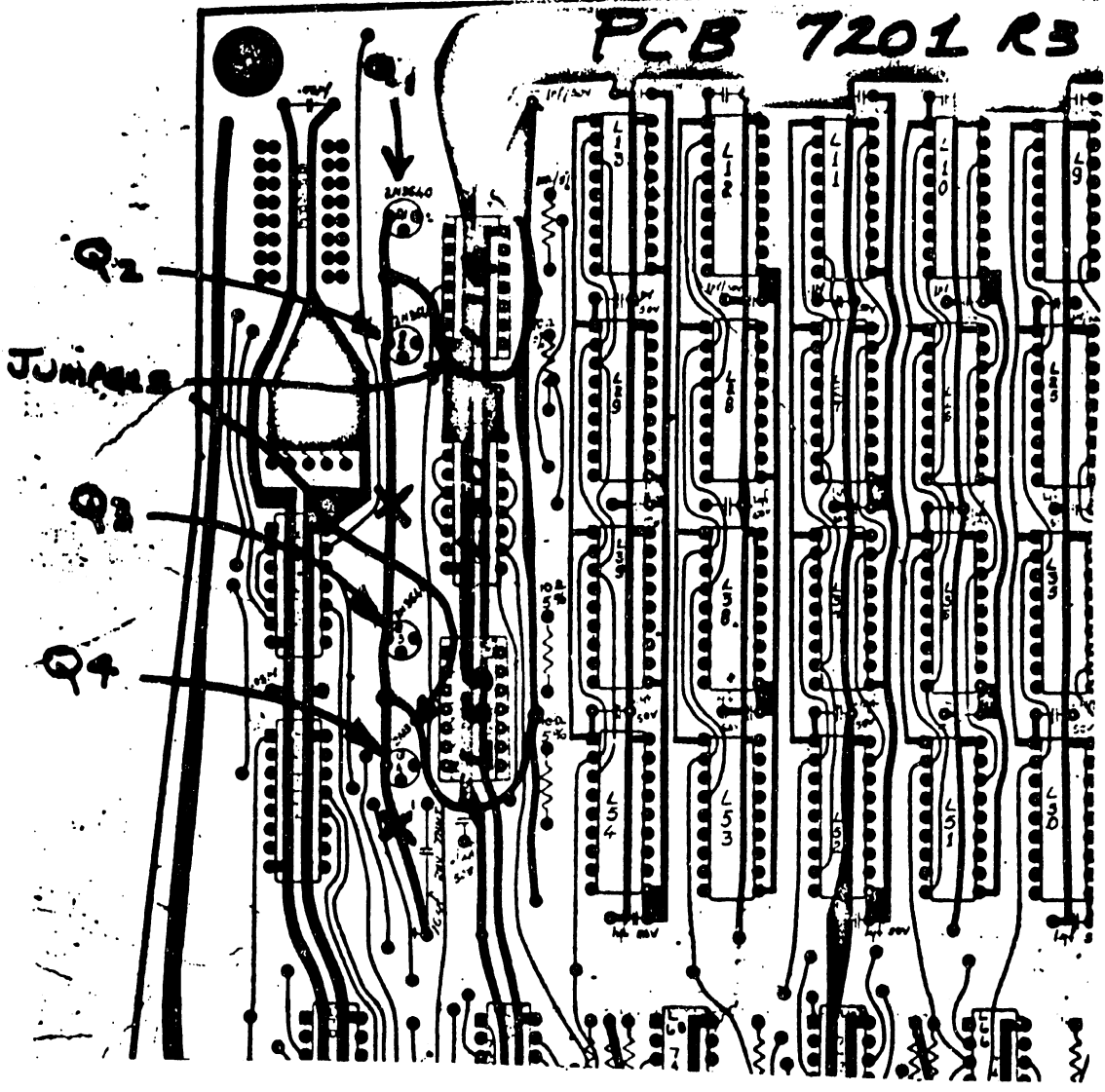


FIGURE 5-27

# **APPENDIX**

## **A**

## APPENDIX A

Appendix A contains conversion tables for many of the spares items used on the OEM Diablo Daisy Printer. Diablo part numbers are converted to WLI numbers. The conversion tables include Integrated Circuit part numbers, mechanical parts and assemblies, extracted from the Diablo Series 1300 HY-TYPE II Printer Parts Catalog (Publication #82404-01). Some of the parts listed on these tables are not yet included in the Customer Engineering Field Price Catalog (03-0022-2).

OEM (Diablo) conversion to WLI# is easily recognized by Wang's Parts Class number 726-XXXX and specifically by Vendor Class (VC) 20 in the Field Price Catalog. These sources afford an adequate cross reference with prices to expedite the ordering process for the Daisy Printer.

I.C. CONVERSION CHART FROM DIABLO  
TO WANG PART NUMBERS

<u>DIABLO #</u>	<u>WANG #</u>	<u>I.C. #</u>	<u>TYPE</u>
10306	376-0145	75452	LM75452/SN75452BP
10190	726-0331	8041	ITS7478/2170CJ002
10165	726-5017	747	747C/SN72747N
10166	726-5018	748	SN72748
13060	726-5019	1408	MC1408-6
10167	726-5020	7415	MC1741SCP1
10339	726-5036	74259	9334PC/SN74259N
10305	726-5022	74107	DM74107N/SN74107N
10198	726-5023	8837	DM8837
10168	726-5024	319	LM319M
13088	726-5025	74S289	SN74S289N
13085	376-0155	74LS74	N74LS74A
13096	376-0192	74LS367	SN74LS367N
13092	726-5026	74LS170	SN74LS170N
13083	376-0212	74LS42	SN74LS42N
13089	726-5027	74LS107	SN74LS107N
13093	376-0159	74LS174	SN74LS174N
13013	726-5028	2N4401	F2N4401
13070	726-5029	PN3644	NSPN3644
13050	726-5030	2N5322L	RCA2N5322
10443-01	726-5031	2N5320	F2N5320
10444-01	726-5032	2N5322	F2N5322
10445-01	375-1035	2N6103	F2N6103
13063	726-5033	TIP41A	TIP41A
13064	726-5034	TIP42A	TIP42A
13078	376-0180	74LS04	SN74LS04N
13086	726-5035	74LS83	SN74LS83N
13090	376-0158	74LS155	F9LS155/74LS155PC
13094	726-5021	74LS259	SN74LS259N
13065-33	726-5040	A43/F70	Prom
13067-35	726-5041	A58/C22	Prom
13066-35	726-5042	A73/A22	Prom
13044	726-5043	Res Pack 10K	Bourns
10239-01	726-5044	Res Pack 1K	Beckman

SECTION I.1 (DIABLO SERIES 1300 HY-TYPE II PRINTER PARTS CATALOG)

<u>ITEM</u>	<u>PART NO.</u>	<u>DESCRIPTION</u>	<u>WLI#</u>
17	20599	Oil Washer	726-5079
18	20452	Gear, 85-T Spur	726-5080
24	24144	Carriage End Stop	726-5081
25	24143-01	Cable, Carriage Drive	726-5000
31	24464-01	Switch and Harness Ass'y	726-5082
42	24304-01	Sensor Ass'y, Carriage Home	726-5011
51	24128	Washer, Felt	726-5077
52	24129	Wiper, Shaft	726-5078

SECTION I.2

17	24076-01	Bail Arm, Left	726-5003
18	24074-01	Bail Arm, Right	726-5004
28	24053	Lever, Manifold	726-5001
35	24046-01	Lever, Pressure Release	726-5002
36	24099-01	Lever Ass'y, Actuator	726-5083

SECTION I.3

40715-02 CARRIAGE MOTOR ASS'Y

17	70801-03	Cap, Motor Brush	726-5084
18	70802	Motor Brush/Spring Ass'y	726-5085

SECTION II.1

40750-04 CARRIAGE ASS'Y

2	24426-01	Pick-up, Magnetic	726-5086
8	24211-03	Hammer Guide	726-5087
9	40786	Print Hammer	726-5088
10	20353	Spring	726-5089
38	40694-01	Card Guide Bracket Ass'y	726-5090

SECTION III.1b

4	13015	Connector, PCB Female	726-5091
---	-------	-----------------------	----------

SECTION II.2

4	24115	Pad, Rubber	726-5063
5	40722	Grommet	726-5064
6	24120	Latch, Ribbon Cartridge	726-5065
10	40747	Gear, Ribbon Drive	726-5066
11	40775-01	Drive Key	726-5067
17	24118-01	Gear, Dual Idler	726-5068
21	40687	Stepper Motor, 30°	726-5069
27	24424-01	Coil Ass'y, Ribbon Lift	726-5070
30	13018-01	Limit Switch	726-5012

<u>ITEM</u>	<u>PART NO.</u>	<u>DESCRIPTION</u>	<u>WLI#</u>
SECTION II.3			
40700-02 PRINTWHEEL MOTOR ASS'Y			
10	40682	Motor Brush/Spring Ass'y	726-5071
SECTION II.46			
40770-02 HAMMER ARMATURE ASS'Y			
5	22793	Collar, Shock Absorbing	726-5005
9	20019	Cap	726-5072
10	70834	Needle Roller	726-5073
	22792	Eccentric	726-5050
SECTION II.5			
6	24055	Screw, Shoulder, Thread Forming	726-5074
8	24264	Spacer	726-5076
9	24128	Washer, Felt	726-5077
10	24129	Wiper, Shaft	726-5078
SECTION IV.1			
6	20498	Knob	726-5051
SECTION IV.6			
7	24338	Interlock, Pressure Roll	726-5052
10	40753	Tractor, L.H. 1/4 Sq. Drive	726-5053
11	40754	Tractor, R.H. 1/4 Sq. Drive	726-5054
16	22902	Tractor Leveler Assembly	726-5055
28	24339	Lever, Manifold	726-5056
SECTION V.4			
5	20778	Paper Scale Assembly	726-5057
8	40844	Catch, Right	726-5058
9	40844	Latch, Left	726-5059
13	20295	Spring	726-5060
26	70413-02	Speed Nut, Push-On	726-5061
27	22932	Scale Proportional	726-5062

NOTE: All item nos. and sections are in reference to the Diablo Printer parts manual.

**SECTION**

**4**

**SCHEMATIC AND**

**CABLE**

**ASSEMBLY**

**DRAWINGS**

SECTION 4  
SCHEMATIC AND CABLE ASSEMBLY DRAWINGS

4.1 SCHEMATIC DRAWINGS

4.1.1 MASTER CPU (MODELS 5520 AND 5530)

The Master units for WP systems 20 and 30, Models 5520 and 5530 respectively, each use the same Printed Circuit Boards (PCBs) with one exception - (The Master Data Link PCB). However, certain boards must contain certain ECNs to allow them to be interchangeable; these minimum electronic levels are listed below.

Interchangeable PCBs

7201 Master Memory 0  
7202 Master CPU 2  
7203 Master Disk Control 5  
7205 Motherboard 2  
7206 Master Power Supply Regulator 1

NOTE:

Section 5 contains all ECNs that were implemented to make the above listed PCBs compatible and interchangeable for use in both Systems 20 and 30.

Non-Interchangeable PCBs

7204 Master Data Link (used only with Model 5520)  
This PCB was produced for the early System 20 and is no longer in production - superseded by 7214.  
7214 New Master Data Link (6 Channel) (used only with Model 5520)  
(7214 is interchangeable with 7204 on Model 5520)  
7214-1 Master Data Link (14 Channel) (used only with Model 5530)  
(7214-1 is interchangeable with 7204 and 7214 for interim repair. Conversely 7204 and 7214 can serve for limited 6 channel operation in Model 5530)

NOTE:

The 7214-1 PCB is the 7214 plus the additional 8 channels. See schematic 7214 (sheet 5 of 7) for added ICs when used as 7214-1.



Master Rear Panel assemblies for 6 channel and 14 channel operation are wired with twisted pairs to finger board 6703. 6703 connects to the Data Link PCB internally. These two assemblies can be identified by part numbers listed under Master cable assemblies, paragraph 4.2.1.

Part #270-0336 (6 channel)

(Cable Assembly Drawings Not Yet Available)

Part #270-0366 (14 channel)

#### 4.1.2 WORK STATION (MODEL 5526)

The Work Station schematic drawings are listed below. Model 5526 Work Station is a standard model for Systems 20 and 30.

7067 Work Station Power Supply Regulator (also used in the 2200F)

7225 W.S. (80 x 24) CRT Control

7226 Work Station Memory

7227 Work Station Data Link

7228 Work Station Motherboard

7229-1 Basic Keyboard for Word Processing

#### 4.1.3 DAISY PRINTER, DIABLO HY-TYPE II

##### 4.1.3.1 Wang Electronics Section

The Wang electronics section for the Daisy Printer is located in the front section of the bottom pan which includes the following PCBs:

7243 Printer Motherboard

7246 Printer I/O & Data Link

7247 Printer Memory

7248 Printer CPU

7249 Printer P.S. Regulator

##### 4.1.3.2 Diablo Logic Diagrams - PCBs For Model 1355 WP

The following listed Diablo part numbers are for the printer operation PCBs. These boards control the carriage and print wheel servo

operations commanded by the Wang electronics section. Each part number is superseded by a (-XX) which indicates a modification number for each of the seven boards. These numbers change frequently and will not be included at this time.

Diablo Part #40500-XX Motherboard PC Assy., Standard  
Diablo Part #40505-XX Logic I PCB Assy., Standard (WLI #726-0448)  
Diablo Part #40510-XX Logic II PCB Assy., Standard (WLI #726-0447)  
Diablo Part #40515-XX Transducer PCB Assy., Standard (WLI #726-0449)  
Diablo Part #40520-XX Servo PCB Assy., Standard (WLI #726-0446)  
Diablo Part #40525-XX Carriage Power Amp PCB Assy., Standard  
(WLI #726-0445)  
Diablo Part #40730-XX Print Wheel Power Amp PCB Assy., (1355 WP)  
(WLI #726-0444)

#### 4.1.3.3 Interconnection Diagrams

The interconnection power drawings for each unit are listed below:

6840-999 Master Power Interconnection Drawing (M1/M2)  
6841-999 Work Station Power Interconnection Drawing (W2)  
6843-999 Interconnection Diagram for Model 928 (P1) Printer

#### 4.2 CABLE ASSEMBLY DRAWINGS

Cable assembly listings for all units include mainly those cables that are involved in the assembly and disassembly of units where damage or loss can occur. Harnesses are not included.

Cable assembly drawings for the 928 System only, are assigned the same BASE number as the unit in which it is installed. Other BASE numbers will be indicated such as 6482 which covers general cable, wire and lug assemblies, etc. See cable listing below:

##### 4.2.1 MASTER CABLE ASSEMBLIES (FOR MODELS 5520, 5530)

<u>Description</u>	<u>Drawing #</u>	<u>Part #</u>
AC CONN CABLE	B6499-30	220-0117
POWER CORD CABLE (928M1)	B6482-116	220-1100

FLOPPY DISK CABLE (RIBBON)	C6482-62	220-3011
HARD DISK 44B CABLE (RIBBON)	D6482-138	220-0108-3
6 PR CONN PLATE & CABLE ASSY.	D6840-11(5520)	270-0336
14 PR CONN PLATE & CABLE ASSY.	D6840-25(5530)	270-0366

#### 4.2.2 WORK STATION CABLE ASSEMBLIES (FOR MODEL 5526)

<u>Description</u>	<u>Drawing #</u>	<u>Part #</u>
POWER CORD ASSY.	B6482-95	220-1076
24 COND 14" FLAT CABLE	C6482-79	220-3014
CABLE CRT BOARD (COAX)	B6482-122	220-1103
CABLE CRT (COAX)	B6482-123	220-1104

#### 4.2.3 PRINTER CABLE ASSEMBLIES (5581)

<u>Description</u>	<u>Drawing #</u>	<u>Part #</u>
POWER SUPPLY CABLE (928P1)	C6482-118	220-0154
FAN CABLE, LPO	B6482-78	220-1066
50 POS FLAT CABLE (928P1)	B6482-119	220-3019
14 PIN PRINTER KYBD. CABLE(7245)	C6482-14	220-3020(15")

#### 4.2.4 928 SYSTEM CABLE ASSEMBLIES

<u>Description</u>	<u>Drawing #</u>	<u>Part #</u>
25' DUAL COAXIAL CABLE	C6482-109	220-0148
50' DUAL COAXIAL CABLE		120-2300
100' DUAL COAXIAL CABLE		120-2301
250' DUAL COAXIAL CABLE		120-2302
500' DUAL COAXIAL CABLE		120-2305
1000' DUAL COAXIAL CABLE		120-2310
2000' DUAL COAXIAL CABLE		120-2320

#### NOTE:

The above listed coaxial cable lengths furnished by Wang can be selected from Dwg. C6482-109 with appropriate part number.

#### 4.3 INDEX OF SCHEMATICS, CABLE DRAWINGS AND ACCESSORIES

All schematics, cable drawings and accessories are categorized and arranged in ascending numerical order. Page numbers are assigned to schematics and drawings for easier access.

##### 4.3.1 SCHEMATICS

<u>Wang Dwg. #</u>	<u>Description</u>	<u>Wang Part #</u>	<u>Page #</u>
D7067	Work Station P.S. Regulator	210-7067	4-7
E7201	Master Memory #1	210-7201	4-8,9
E7202	Master CPU	210-7202	4-10,11
E7203	Master Disk Control	210-7203	4-12,13
E7204	Master Data Link	210-7204	4-14,15
E7205	Master Motherboard	210-7205	4-16
D7206	Master P.S. Regulator	210-7206	4-17
E7214	Master Data Link (5520)	210-7214	4-18,19
E7214-1	Master Data Link (5530)	210-7214	4-18,19
E7225	Work Station (80 x 24) CRT Control	210-7225	4-20,21
E7226	Work Station Memory #1	210-7226	4-22
E7227	Work Station Data Link	210-7227	4-23,24
E7228	Work Station Motherboard	210-7228	4-25
E7229-1	Word Processing Keyboard	210-7229-1	4-26
E7243	Printer Motherboard	210-7243	4-27
C7245	Diablo Daisy Printer Keyboard	210-7245	4-28
E7246	Data Link and Daisy Printer	210-7246	4-29
E7247	Printer Memory	210-7247	4-30
E7248	Printer CPU	210-7248	4-31,32
C7249	Printer P.S. Regulator	210-7249	4-33

##### 4.3.2 *DIABLO LOGIC DIAGRAMS FOR DAISY PRINTER* (PCBs for Model 1355 WP)

40500-XX	Motherboard PC Assy., Standard	726-NA	4-34
40505-XX	Logic I PCB Assy., Standard	726-0448	4-35
40510-XX	Logic II PCB Assy., Standard	726-0447	4-36
40515-XX	Transducer PCB Assy., Standard	726-0449	4-37

40520-XX	Servo PCB Assy., Standard	726-0446	4-38
40525-XX	Carriage Power Amp PCB Assy., Standard	726-0445	4-39
40730-XX	Print Wheel Power Amp PCB Assy., (1355 WP)	726-0444	4-40

#### 4.3.3 WANG POWER INTERCONNECTION DRAWINGS

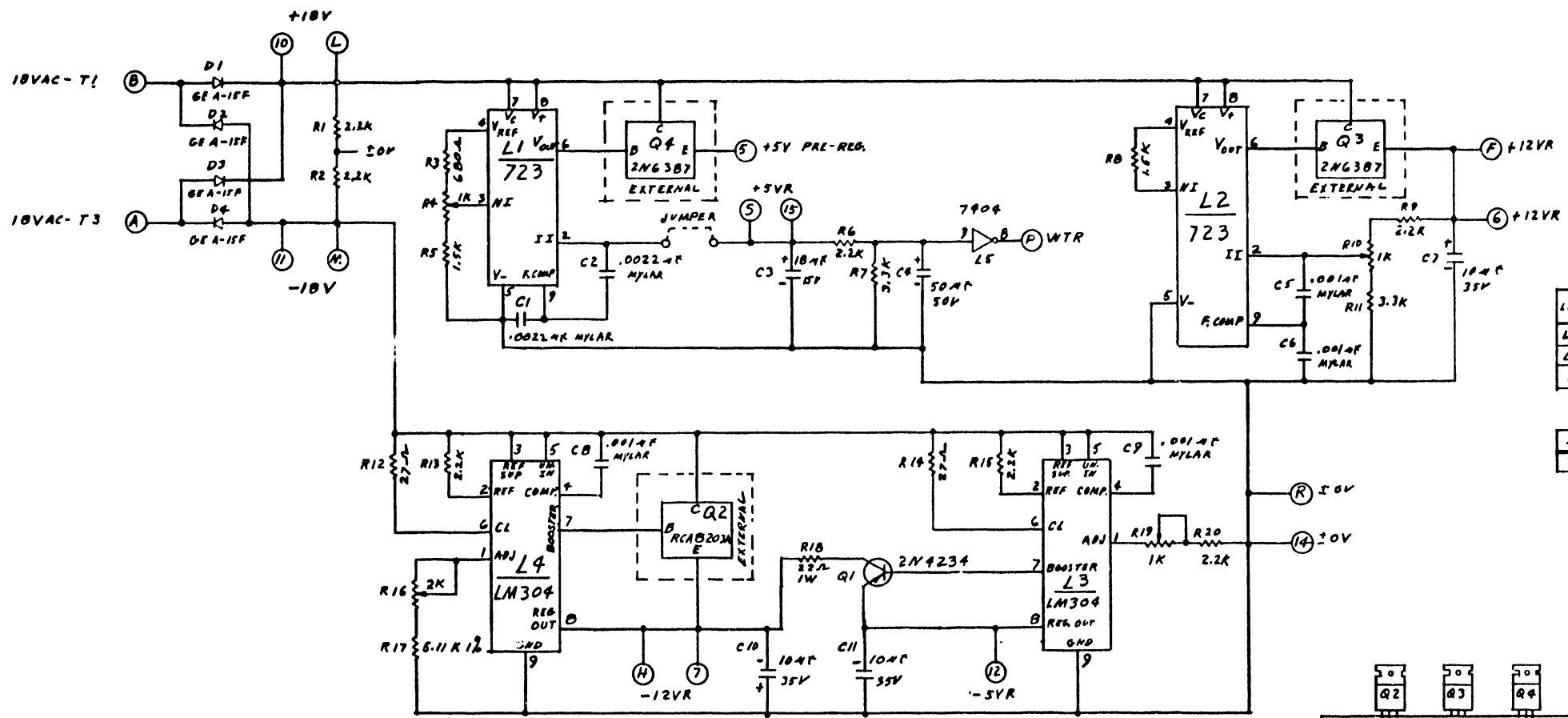
D6840-999	Master Interconnection Diagram		4-41
6841-999	Work Station Interconnection Diagram (N/A)		4-42
6843-999	Daisy Printer Interconnection Diagram		4-43

#### 4.3.4 CABLE ASSEMBLY DRAWINGS & ACCESSORIES

C6482-14	14 Pin Flat Cable Assy.	(See Chart on Dwg.)	4-44
C6482-62	Shugart Floppy Disk Cable	220-3011	4-45
B6482-78	Fan Cable, LPO	220-1066	4-46
C6482-91	P.S./MB Cable Assy.	220-1074	4-47
B6482-95	Power Cord Assy. (W.S.)	220-1076	4-48
C6482-109	Dual Coaxial Cable Extension	(See Chart on Dwg.)	4-49
B6482-116	Power Cord Assy. Type 8 (928 M1/M2)	220-1100	4-50
B6482-118	Power Supply Cable (928 P1)	220-0154	4-51
B6482-119	50 POS Flat Cable Assy.	220-3019	4-52
B6482-122	Cable CRT Board (Coax)	220-1103	4-53
B6482-123	Cable CRT (Coax)	220-1104	4-54
D6482-138	Hard Disk 44B Cable (Ribbon) (928 M2)	220-0108-3	4-55
B6499-30	AC Cable Assy.	220-0117	4-56
D6840-11	6 PR Conn. Plate & Cable Assy.(N/A)	270-0336	4-57
D6840-25	14 PR Conn. Plate & Cable Assy. (N/A)	270-0366	4-58
B6840-128	Bracket, Static Ground L.H. Disk Drive	451-4505	4-59
B6840-129	Bracket, Static Ground R.H. Disk Drive	451-4504	4-60
C6843-123	Ground, Static-Printer Cover, Rear	458-0405	4-61
B6843-124	Ground, Static-Bottom Pan (928 P1)	458-0406	4-62
C6843-125	Ground, Static-Bottom Cover, Printer	458-0407	4-63
C6843-126	Ground, Static-Printer Top Cover (L.H. & R.H.)	(See Chart on Dwg.)	4-64

THE INFORMATION CONTAINED IN THIS DRAWING IS THE PROPERTY OF WANG LABORATORIES, INC. AND IS CONFIDENTIAL AND PROPRIETARY TO WANG LABORATORIES, INC. IT MAY NOT BE COPIED, REPRODUCED OR USED IN WHOLE OR IN PART FOR ANY REASON.

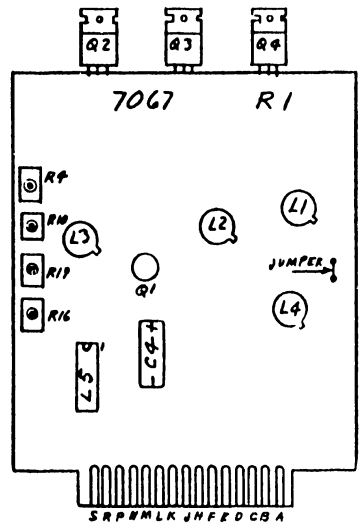
G MILLIMETERS IN PARENTHESES. TOLERANCES TO BE EQUIVALENT TO MICH DIMENSIONS.



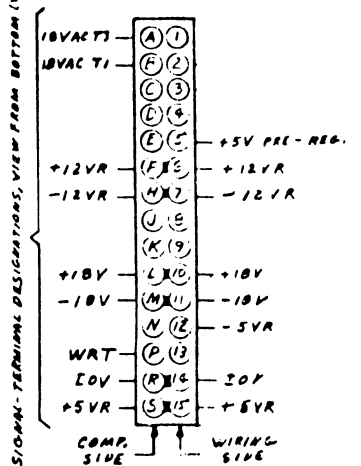
LOCATION	W.L. PART NO.	PIV. NO.	PIV. AM.
L1, 2	376-0066	5	
L3, 4	376-0134	9	
L5	376-0010	7	14

I.C. TYPE	LOCATION	SPARE
7404	L5	5

COMPONENT	W.L. PART NO.
R1, 2, 6, 9, 15, 20	330-3022
R3	330-2068
R4, 10, 19	336-1014
R5, 8	330-3015
R7, 11	330-3035
R16	336-1022
R12, 14	330-1027
R17	333-0088
R18	332-1023
C1, 2	300-2022
C3	300-8078
C4	300-3010
C5, 6, 8, 9	300-2010
C7, 10, 11	300-4032
D1, 2, 3, 4	380-3004
Q1	375-1024
Q2	375-1053
Q3, 4	375-1052
Q1 PAD	375-9001



HOLE LEGEND & TOLERANCES			
SIZE	DRILL DIA.	TOLERANCE	
1/16	.0625	±.003	Ø
1/8	.1250	±.004	Ø
3/16	.1875	±.005	Ø
1/4	.2500	±.006	Ø
5/16	.3125	±.008	Ø
3/8	.3750	±.010	Ø
1/2	.5000	±.012	Ø
5/8	.6250	±.015	Ø
3/4	.7500	±.018	Ø
7/8	.8750	±.020	Ø
1	1.0000	±.025	Ø



E-REV  
1

NO.	REVISION	DATE	BY	CHK.	APP'D.	DESCRIPTION
0	ORIG. DESIGNED	7-30-76	G.D.			
1	REVISED PER APP'D. WCR	8-11-76	G.D.			
2	REVISED PER APP'D. WCR	8-13-76	G.D.			
3	REVISED PER APP'D. WCR	8-27-76	G.D.			
4	REVISED PER APP'D. WCR	9-23-76	G.D.			

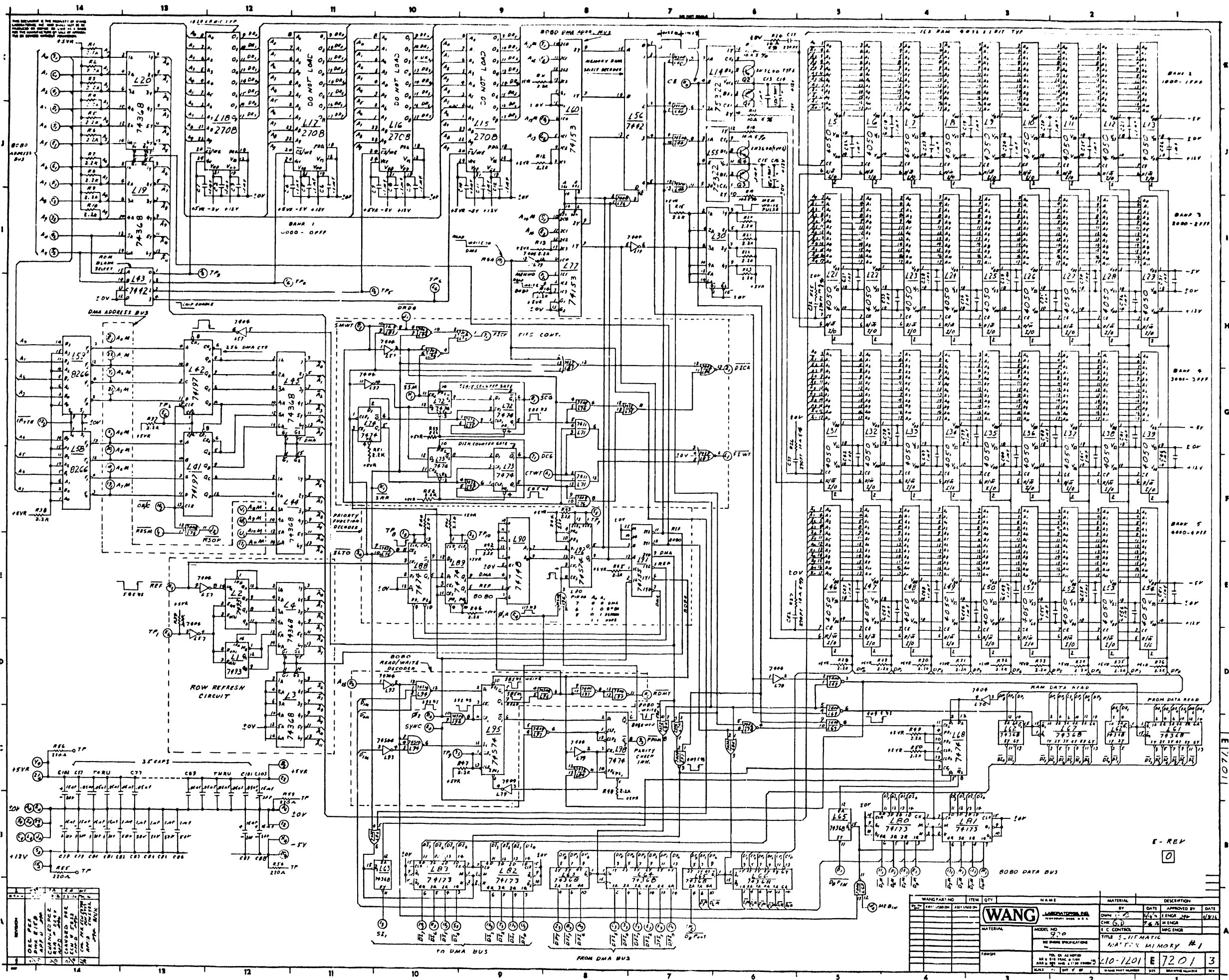
QTY.	ITEM	WANG PART NO.	DRAWING NO.	DESCRIPTION

BY	DATE	APPROVED BY	DATE
DWN	7/17/76	E ENGR	7/17/76
CHK	G.D.	M ENGR	7/17/76
		MFG ENGR	

TITLE	MODEL NO.	FINISH	SCALE	WANG PART NUMBER	SIZE	DRAWING NUMBER	REV.
SCHEMATIC POWER SUPPLY REGULATOR	2200F		1:1	210-7067	D	7067	3

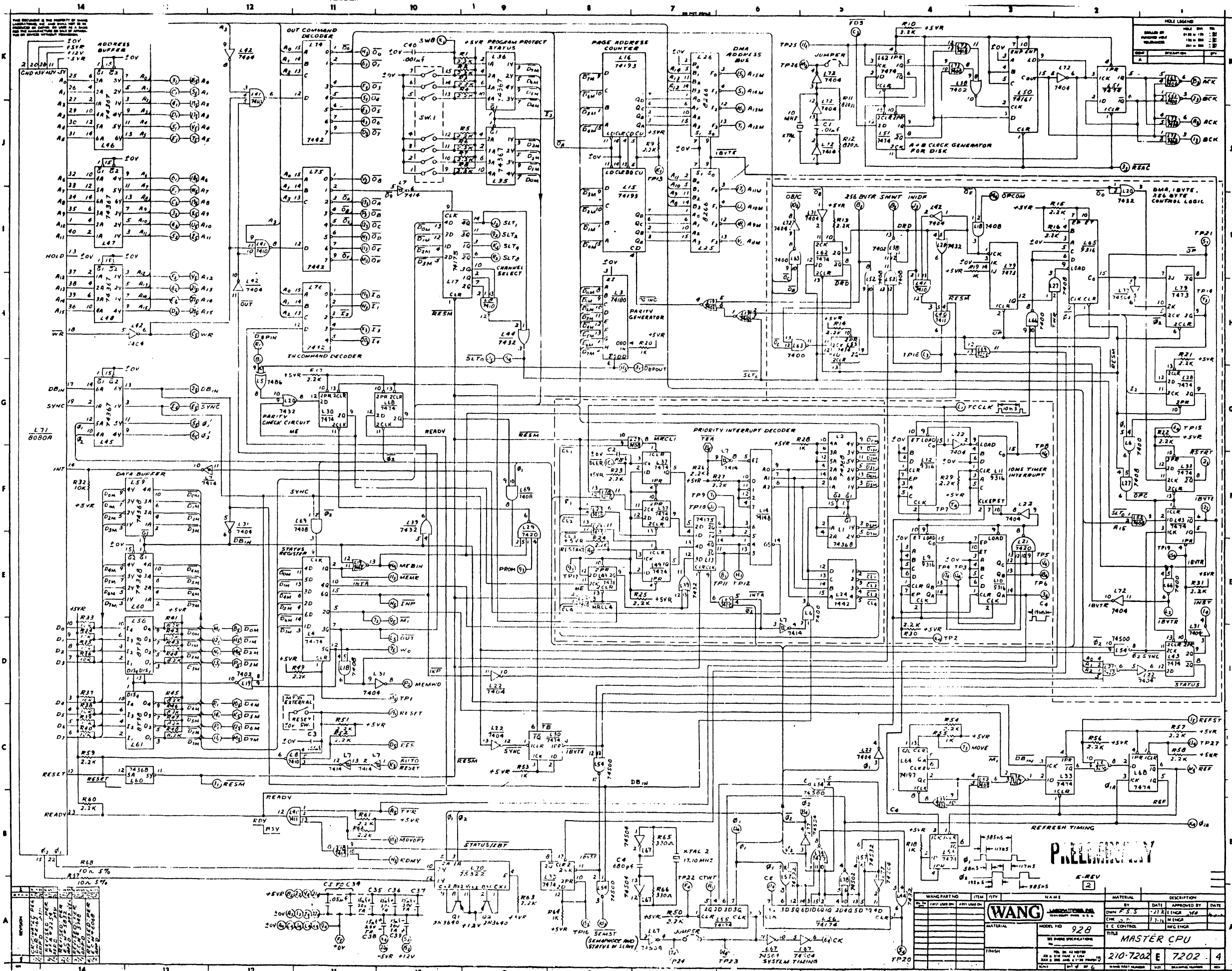


REV	DESCRIPTION
1	ISSUED FOR FAB
2	ISSUED FOR FAB
3	ISSUED FOR FAB
4	ISSUED FOR FAB
5	ISSUED FOR FAB
6	ISSUED FOR FAB
7	ISSUED FOR FAB
8	ISSUED FOR FAB
9	ISSUED FOR FAB
10	ISSUED FOR FAB
11	ISSUED FOR FAB
12	ISSUED FOR FAB
13	ISSUED FOR FAB
14	ISSUED FOR FAB

WANG PART NO	ITEM QTY	NAME	MATERIAL	DATE	APPROVED BY	DATE
7436B	1	7436B	7436B	11/22/71	WANG	11/22/71
7437B	1	7437B	7437B	11/22/71	WANG	11/22/71
7438B	1	7438B	7438B	11/22/71	WANG	11/22/71
7439B	1	7439B	7439B	11/22/71	WANG	11/22/71
7440B	1	7440B	7440B	11/22/71	WANG	11/22/71
7441B	1	7441B	7441B	11/22/71	WANG	11/22/71
7442B	1	7442B	7442B	11/22/71	WANG	11/22/71
7443B	1	7443B	7443B	11/22/71	WANG	11/22/71
7444B	1	7444B	7444B	11/22/71	WANG	11/22/71
7445B	1	7445B	7445B	11/22/71	WANG	11/22/71
7446B	1	7446B	7446B	11/22/71	WANG	11/22/71
7447B	1	7447B	7447B	11/22/71	WANG	11/22/71
7448B	1	7448B	7448B	11/22/71	WANG	11/22/71
7449B	1	7449B	7449B	11/22/71	WANG	11/22/71
7450B	1	7450B	7450B	11/22/71	WANG	11/22/71
7451B	1	7451B	7451B	11/22/71	WANG	11/22/71
7452B	1	7452B	7452B	11/22/71	WANG	11/22/71
7453B	1	7453B	7453B	11/22/71	WANG	11/22/71
7454B	1	7454B	7454B	11/22/71	WANG	11/22/71
7455B	1	7455B	7455B	11/22/71	WANG	11/22/71
7456B	1	7456B	7456B	11/22/71	WANG	11/22/71
7457B	1	7457B	7457B	11/22/71	WANG	11/22/71
7458B	1	7458B	7458B	11/22/71	WANG	11/22/71
7459B	1	7459B	7459B	11/22/71	WANG	11/22/71
7460B	1	7460B	7460B	11/22/71	WANG	11/22/71
7461B	1	7461B	7461B	11/22/71	WANG	11/22/71
7462B	1	7462B	7462B	11/22/71	WANG	11/22/71
7463B	1	7463B	7463B	11/22/71	WANG	11/22/71
7464B	1	7464B	7464B	11/22/71	WANG	11/22/71
7465B	1	7465B	7465B	11/22/71	WANG	11/22/71
7466B	1	7466B	7466B	11/22/71	WANG	11/22/71
7467B	1	7467B	7467B	11/22/71	WANG	11/22/71
7468B	1	7468B	7468B	11/22/71	WANG	11/22/71
7469B	1	7469B	7469B	11/22/71	WANG	11/22/71
7470B	1	7470B	7470B	11/22/71	WANG	11/22/71
7471B	1	7471B	7471B	11/22/71	WANG	11/22/71
7472B	1	7472B	7472B	11/22/71	WANG	11/22/71
7473B	1	7473B	7473B	11/22/71	WANG	11/22/71
7474B	1	7474B	7474B	11/22/71	WANG	11/22/71
7475B	1	7475B	7475B	11/22/71	WANG	11/22/71
7476B	1	7476B	7476B	11/22/71	WANG	11/22/71
7477B	1	7477B	7477B	11/22/71	WANG	11/22/71
7478B	1	7478B	7478B	11/22/71	WANG	11/22/71
7479B	1	7479B	7479B	11/22/71	WANG	11/22/71
7480B	1	7480B	7480B	11/22/71	WANG	11/22/71
7481B	1	7481B	7481B	11/22/71	WANG	11/22/71
7482B	1	7482B	7482B	11/22/71	WANG	11/22/71
7483B	1	7483B	7483B	11/22/71	WANG	11/22/71
7484B	1	7484B	7484B	11/22/71	WANG	11/22/71
7485B	1	7485B	7485B	11/22/71	WANG	11/22/71
7486B	1	7486B	7486B	11/22/71	WANG	11/22/71
7487B	1	7487B	7487B	11/22/71	WANG	11/22/71
7488B	1	7488B	7488B	11/22/71	WANG	11/22/71
7489B	1	7489B	7489B	11/22/71	WANG	11/22/71
7490B	1	7490B	7490B	11/22/71	WANG	11/22/71
7491B	1	7491B	7491B	11/22/71	WANG	11/22/71
7492B	1	7492B	7492B	11/22/71	WANG	11/22/71
7493B	1	7493B	7493B	11/22/71	WANG	11/22/71
7494B	1	7494B	7494B	11/22/71	WANG	11/22/71
7495B	1	7495B	7495B	11/22/71	WANG	11/22/71
7496B	1	7496B	7496B	11/22/71	WANG	11/22/71
7497B	1	7497B	7497B	11/22/71	WANG	11/22/71
7498B	1	7498B	7498B	11/22/71	WANG	11/22/71
7499B	1	7499B	7499B	11/22/71	WANG	11/22/71
7500B	1	7500B	7500B	11/22/71	WANG	11/22/71

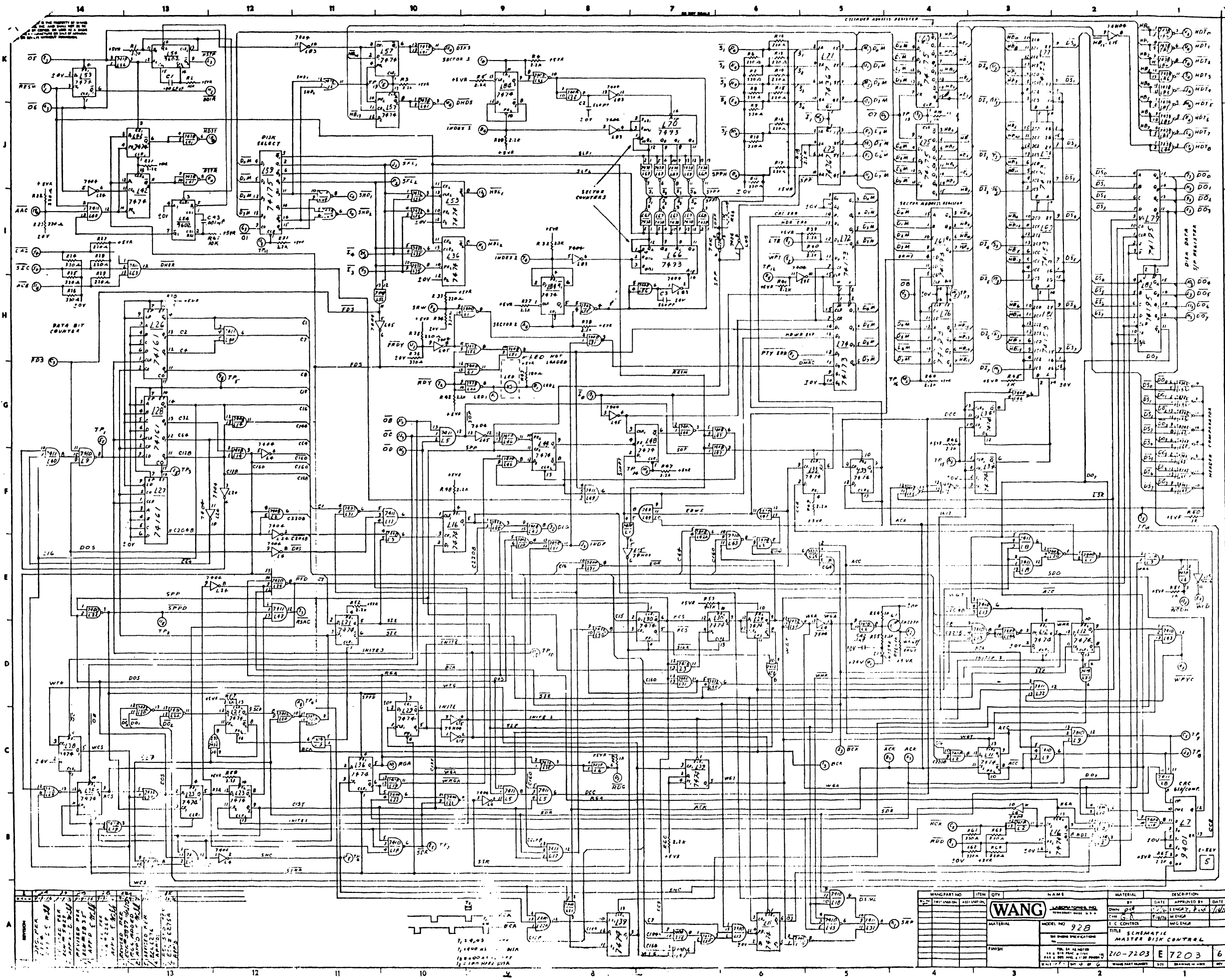






WANG PART NO.	ITEM	QTY	NAME	MATERIAL	DATE	DESCRIPTION
7400	7400	1	NAND	7400	7-11	7400
7401	7401	1	NOR	7401	7-11	7401
7402	7402	1	INVERTER	7402	7-11	7402
7403	7403	1	NAND	7403	7-11	7403
7404	7404	1	INVERTER	7404	7-11	7404
7405	7405	1	NAND	7405	7-11	7405
7406	7406	1	NAND	7406	7-11	7406
7407	7407	1	NAND	7407	7-11	7407
7408	7408	1	NAND	7408	7-11	7408
7409	7409	1	NAND	7409	7-11	7409
7410	7410	1	NAND	7410	7-11	7410
7411	7411	1	NAND	7411	7-11	7411
7412	7412	1	NAND	7412	7-11	7412
7413	7413	1	NAND	7413	7-11	7413
7414	7414	1	NAND	7414	7-11	7414
7415	7415	1	NAND	7415	7-11	7415
7416	7416	1	NAND	7416	7-11	7416
7417	7417	1	NAND	7417	7-11	7417
7418	7418	1	NAND	7418	7-11	7418
7419	7419	1	NAND	7419	7-11	7419
7420	7420	1	NAND	7420	7-11	7420
7421	7421	1	NAND	7421	7-11	7421
7422	7422	1	NAND	7422	7-11	7422
7423	7423	1	NAND	7423	7-11	7423
7424	7424	1	NAND	7424	7-11	7424
7425	7425	1	NAND	7425	7-11	7425
7426	7426	1	NAND	7426	7-11	7426
7427	7427	1	NAND	7427	7-11	7427
7428	7428	1	NAND	7428	7-11	7428
7429	7429	1	NAND	7429	7-11	7429
7430	7430	1	NAND	7430	7-11	7430
7431	7431	1	NAND	7431	7-11	7431
7432	7432	1	NAND	7432	7-11	7432
7433	7433	1	NAND	7433	7-11	7433
7434	7434	1	NAND	7434	7-11	7434
7435	7435	1	NAND	7435	7-11	7435
7436	7436	1	NAND	7436	7-11	7436
7437	7437	1	NAND	7437	7-11	7437
7438	7438	1	NAND	7438	7-11	7438
7439	7439	1	NAND	7439	7-11	7439
7440	7440	1	NAND	7440	7-11	7440
7441	7441	1	NAND	7441	7-11	7441
7442	7442	1	NAND	7442	7-11	7442
7443	7443	1	NAND	7443	7-11	7443
7444	7444	1	NAND	7444	7-11	7444
7445	7445	1	NAND	7445	7-11	7445
7446	7446	1	NAND	7446	7-11	7446
7447	7447	1	NAND	7447	7-11	7447
7448	7448	1	NAND	7448	7-11	7448
7449	7449	1	NAND	7449	7-11	7449
7450	7450	1	NAND	7450	7-11	7450
7451	7451	1	NAND	7451	7-11	7451
7452	7452	1	NAND	7452	7-11	7452
7453	7453	1	NAND	7453	7-11	7453
7454	7454	1	NAND	7454	7-11	7454
7455	7455	1	NAND	7455	7-11	7455
7456	7456	1	NAND	7456	7-11	7456
7457	7457	1	NAND	7457	7-11	7457
7458	7458	1	NAND	7458	7-11	7458
7459	7459	1	NAND	7459	7-11	7459
7460	7460	1	NAND	7460	7-11	7460
7461	7461	1	NAND	7461	7-11	7461
7462	7462	1	NAND	7462	7-11	7462
7463	7463	1	NAND	7463	7-11	7463
7464	7464	1	NAND	7464	7-11	7464
7465	7465	1	NAND	7465	7-11	7465
7466	7466	1	NAND	7466	7-11	7466
7467	7467	1	NAND	7467	7-11	7467
7468	7468	1	NAND	7468	7-11	7468
7469	7469	1	NAND	7469	7-11	7469
7470	7470	1	NAND	7470	7-11	7470
7471	7471	1	NAND	7471	7-11	7471
7472	7472	1	NAND	7472	7-11	7472
7473	7473	1	NAND	7473	7-11	7473
7474	7474	1	NAND	7474	7-11	7474
7475	7475	1	NAND	7475	7-11	7475
7476	7476	1	NAND	7476	7-11	7476
7477	7477	1	NAND	7477	7-11	7477
7478	7478	1	NAND	7478	7-11	7478
7479	7479	1	NAND	7479	7-11	7479
7480	7480	1	NAND	7480	7-11	7480
7481	7481	1	NAND	7481	7-11	7481
7482	7482	1	NAND	7482	7-11	7482
7483	7483	1	NAND	7483	7-11	7483
7484	7484	1	NAND	7484	7-11	7484
7485	7485	1	NAND	7485	7-11	7485
7486	7486	1	NAND	7486	7-11	7486
7487	7487	1	NAND	7487	7-11	7487
7488	7488	1	NAND	7488	7-11	7488
7489	7489	1	NAND	7489	7-11	7489
7490	7490	1	NAND	7490	7-11	7490
7491	7491	1	NAND	7491	7-11	7491
7492	7492	1	NAND	7492	7-11	7492
7493	7493	1	NAND	7493	7-11	7493
7494	7494	1	NAND	7494	7-11	7494
7495	7495	1	NAND	7495	7-11	7495
7496	7496	1	NAND	7496	7-11	7496
7497	7497	1	NAND	7497	7-11	7497
7498	7498	1	NAND	7498	7-11	7498
7499	7499	1	NAND	7499	7-11	7499



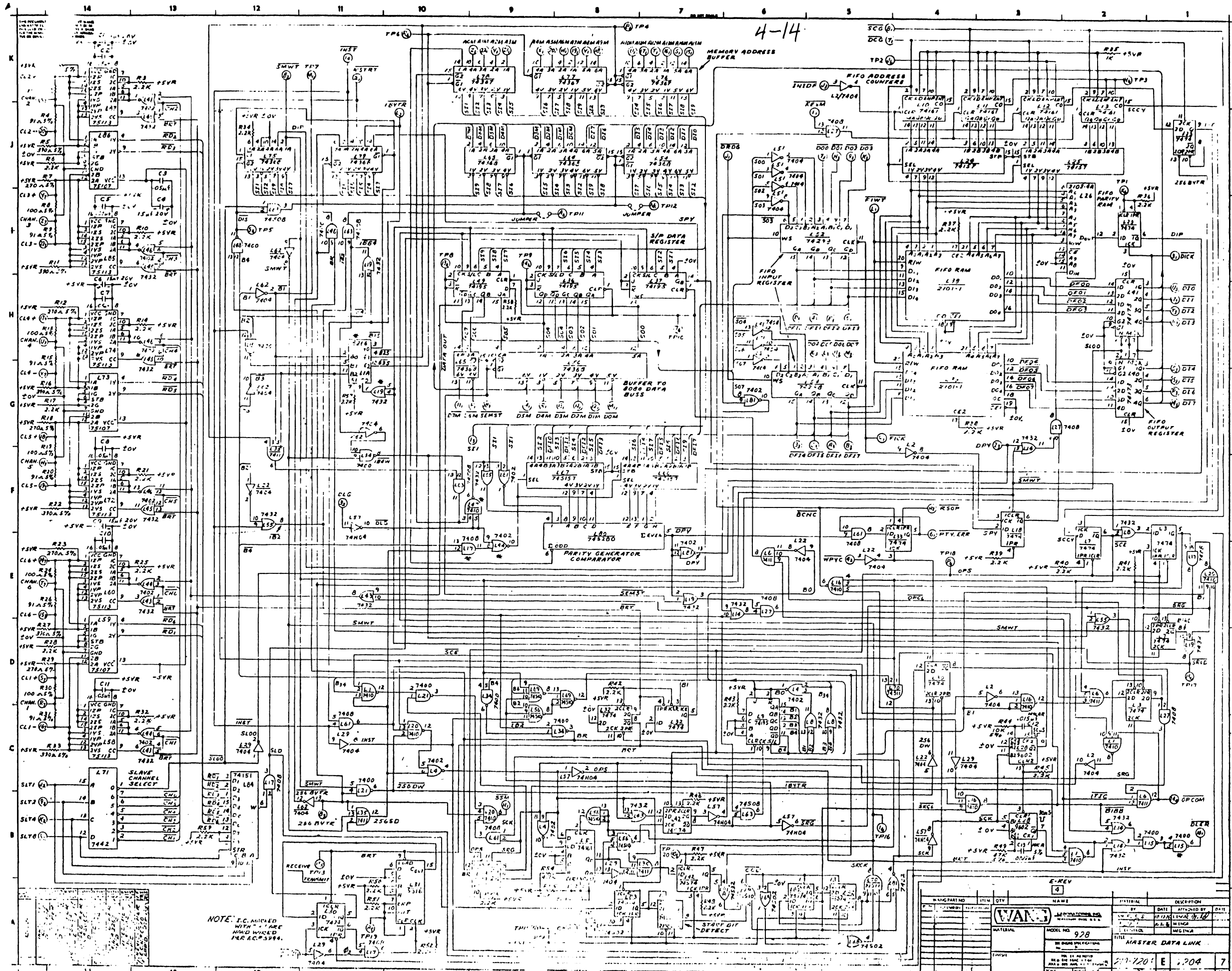


REVISION

NO.	DESCRIPTION	DATE	BY
1	ISSUED FOR FAB	11-14-60	WJG
2	REVISED PER	11-14-60	WJG
3	REVISED PER	11-14-60	WJG
4	REVISED PER	11-14-60	WJG
5	REVISED PER	11-14-60	WJG
6	REVISED PER	11-14-60	WJG
7	REVISED PER	11-14-60	WJG
8	REVISED PER	11-14-60	WJG
9	REVISED PER	11-14-60	WJG
10	REVISED PER	11-14-60	WJG
11	REVISED PER	11-14-60	WJG
12	REVISED PER	11-14-60	WJG
13	REVISED PER	11-14-60	WJG

WANGPART NO.	ITEM	QTY	NAME	MATERIAL	DATE	DESCRIPTION
7410	7410	1	7410	7410		
7411	7411	1	7411	7411		
7412	7412	1	7412	7412		
7413	7413	1	7413	7413		
7414	7414	1	7414	7414		
7415	7415	1	7415	7415		
7416	7416	1	7416	7416		
7417	7417	1	7417	7417		
7418	7418	1	7418	7418		
7419	7419	1	7419	7419		
7420	7420	1	7420	7420		
7421	7421	1	7421	7421		
7422	7422	1	7422	7422		
7423	7423	1	7423	7423		
7424	7424	1	7424	7424		
7425	7425	1	7425	7425		
7426	7426	1	7426	7426		
7427	7427	1	7427	7427		
7428	7428	1	7428	7428		
7429	7429	1	7429	7429		
7430	7430	1	7430	7430		
7431	7431	1	7431	7431		
7432	7432	1	7432	7432		
7433	7433	1	7433	7433		
7434	7434	1	7434	7434		
7435	7435	1	7435	7435		
7436	7436	1	7436	7436		
7437	7437	1	7437	7437		
7438	7438	1	7438	7438		
7439	7439	1	7439	7439		
7440	7440	1	7440	7440		
7441	7441	1	7441	7441		
7442	7442	1	7442	7442		
7443	7443	1	7443	7443		
7444	7444	1	7444	7444		
7445	7445	1	7445	7445		
7446	7446	1	7446	7446		
7447	7447	1	7447	7447		
7448	7448	1	7448	7448		
7449	7449	1	7449	7449		
7450	7450	1	7450	7450		
7451	7451	1	7451	7451		
7452	7452	1	7452	7452		
7453	7453	1	7453	7453		
7454	7454	1	7454	7454		
7455	7455	1	7455	7455		
7456	7456	1	7456	7456		
7457	7457	1	7457	7457		
7458	7458	1	7458	7458		
7459	7459	1	7459	7459		
7460	7460	1	7460	7460		
7461	7461	1	7461	7461		
7462	7462	1	7462	7462		
7463	7463	1	7463	7463		
7464	7464	1	7464	7464		
7465	7465	1	7465	7465		
7466	7466	1	7466	7466		
7467	7467	1	7467	7467		
7468	7468	1	7468	7468		
7469	7469	1	7469	7469		
7470	7470	1	7470	7470		
7471	7471	1	7471	7471		
7472	7472	1	7472	7472		
7473	7473	1	7473	7473		
7474	7474	1	7474	7474		
7475	7475	1	7475	7475		
7476	7476	1	7476	7476		
7477	7477	1	7477	7477		
7478	7478	1	7478	7478		
7479	7479	1	7479	7479		
7480	7480	1	7480	7480		
7481	7481	1	7481	7481		
7482	7482	1	7482	7482		
7483	7483	1	7483	7483		
7484	7484	1	7484	7484		
7485	7485	1	7485	7485		
7486	7486	1	7486	7486		
7487	7487	1	7487	7487		
7488	7488	1	7488	7488		
7489	7489	1	7489	7489		
7490	7490	1	7490	7490		
7491	7491	1	7491	7491		
7492	7492	1	7492	7492		
7493	7493	1	7493	7493		
7494	7494	1	7494	7494		
7495	7495	1	7495	7495		
7496	7496	1	7496	7496		
7497	7497	1	7497	7497		
7498	7498	1	7498	7498		
7499	7499	1	7499	7499		
7500	7500	1	7500	7500		





4-14

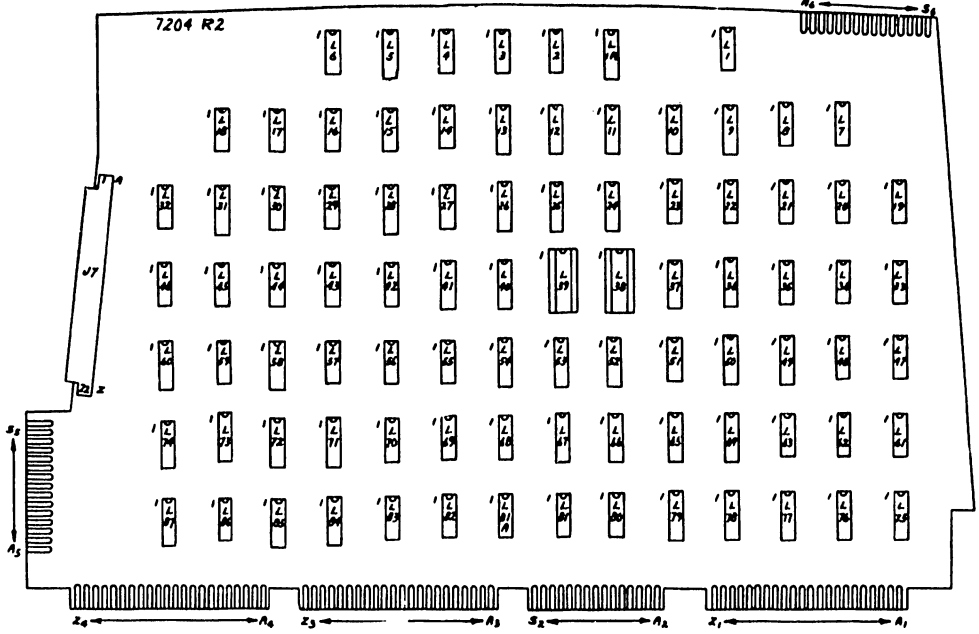
NOTE: ICs MOUNTED WITH CARE HAND WELDED PER AC-3994.

WARRANTY NO.	REV	DATE	DESCRIPTION
928	E	2004	MASTER DATA LINK
<p>WANG</p> <p>MODEL NO. 928</p> <p>REVISIONS</p> <p>REV. NO. DATE BY DESCRIPTION</p> <p>1 11/17/04 J. J. WANG</p> <p>2 11/17/04 J. J. WANG</p> <p>3 11/17/04 J. J. WANG</p> <p>4 11/17/04 J. J. WANG</p> <p>5 11/17/04 J. J. WANG</p> <p>6 11/17/04 J. J. WANG</p> <p>7 11/17/04 J. J. WANG</p>			

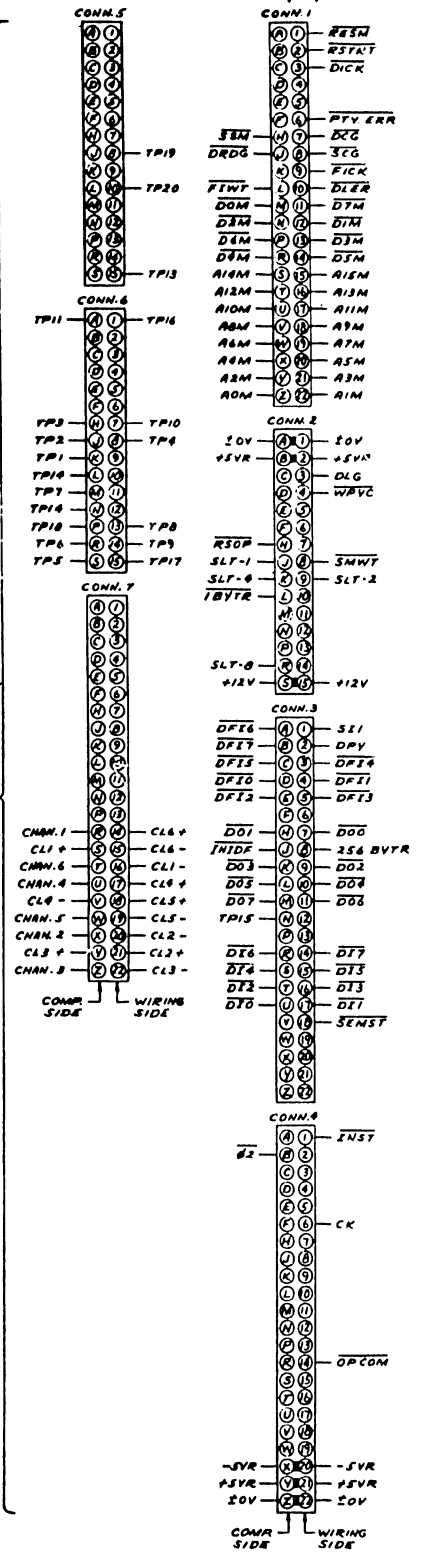
THIS DOCUMENT IS THE PROPERTY OF WANG LABORATORIES, INC. AND SHALL NOT BE REPRODUCED OR TRANSMITTED IN ANY FORM OR BY ANY MEANS, ELECTRONIC OR MECHANICAL, INCLUDING PHOTOCOPYING, RECORDING, OR BY ANY INFORMATION STORAGE AND RETRIEVAL SYSTEM, WITHOUT PERMISSION FROM WANG LABORATORIES, INC.

TYPE	I.C. LOCATION	QUANTITY
7404	L2	1
	L22	2
	L29	1
	L42	1
7402	L4	1
	L44	1
7432	L5	1
7400	L15	2
	L87	2
	L94	1
	L48	2
7408	L41	1
7474	L18	1
7410	L47	2
74882	L48	1
74511	L70	1
74522	L81a	3
74104	L57	1

I. C. LOCATION	W.L. NO.	TERM. FOR	TERM. FOR
L1,16,20,47	376-0003	7	14
L18	376-0041	0	14
L2,22,29,51,62	376-0010	7	14
L3,7,10,23,30,32,33	376-0006	7	14
L4,44,44,81	376-0016	7	14
L...10,11,12,13,31	376-0094	0	14
L6,35	376-0194	7	14
L8,14,15,43,45,55	376-0093	7	14
L9,36,37,49	376-0097	0	14
L15,21,34,48	376-0002	7	14
L17,27,61	376-0081	7	14
L24,25	376-0082	0	14
L26	377-0049	9	10
L28	376-0104	0	14
L30,39	377-0360	0	22
L40,41	376-0103	0	14
L42,43,44	376-0202	7	14
L50,54,64,65,75,79	376-0179	0	14
L52,53	376-0130	0	14
L56,49	376-0238	7	14
L58,40,72,74,85,87	376-0254	0	14
L59,73,84	376-0144	7	14
L63	376-0200	7	14
L64,47	376-0217	0	14
L68	376-0199	7	14
L70	376-0237	7	14
L71	376-0008	0	14
L76,77,78	376-0176	0	14
L80	376-0244	7	14
L81A	376-0225	7	14
L84	376-0047	0	14
L38,39 SOCKET	376-9010		
L57	376-0045	7	14



COMPONENT	W.L. NO.
R1,7,12,18,23,29	330-2028
R2,8,13,19,24,30	330-2011
R3,6,10,14,17,21,25,28,32,34,34+48,48+48,50-53,55-57	330-3022
R44	330-4011
R49,9,15,20,26,31	330-1092
R5,11,14,22,27,33	330-2040
R35	330-3010
R49	330-4048
R34	330-3047
C1,4,6,9,30	300-4022
C2,3,5,7,8,10,11,14-37	300-1900
C12	300-2115
C13	300-5012
J7	330-0022

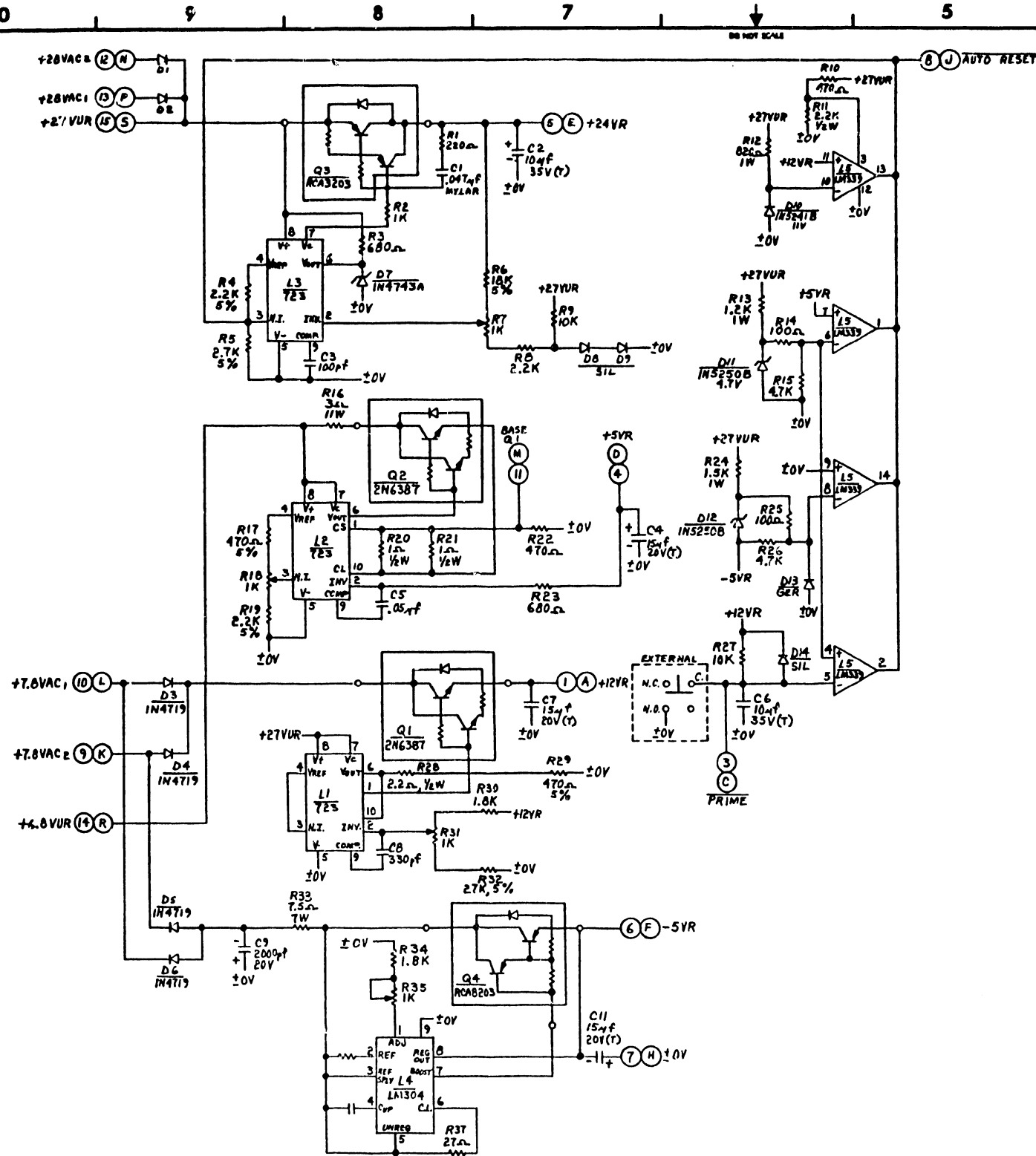


WANG PART NO.	ITEM	QTY	NAME	MATERIAL	DATE	DESCRIPTION
WANG PART NO.	ITEM	QTY	NAME	MATERIAL	DATE	DESCRIPTION
<b>WANG LABORATORIES, INC.</b>						
MODEL NO. 928						
TITLE: MASTER DATA LINK						
210-7204 E 7204 7						



THE INFORMATION CONTAINED IN THIS DRAWING IS THE PROPERTY OF WANG LABORATORIES, INC. AND IS CONFIDENTIAL AND PROPRIETARY TO WANG LABORATORIES, INC. IT MAY NOT BE COPIED, REPRODUCED OR USED IN WHOLE OR IN PART FOR ANY REASON.

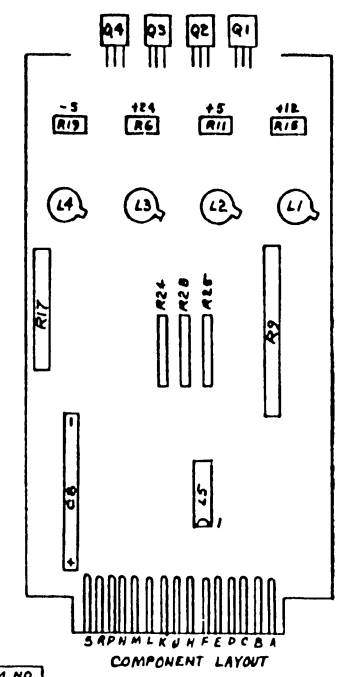
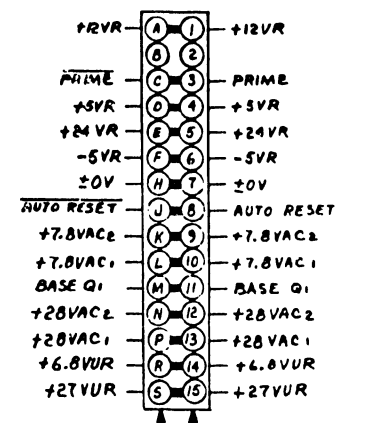
MILLIMETERS IN PARENTHESES. TOLERANCES TO BE EQUIVALENT TO SUCH DIMENSIONS.



COMPONENT	W.L. PART NO.
Q1,2	375-1082
Q3,4	375-1063
R1	330-2022
R2,7,31	330-3010
R3,23	330-2068
R4,8,17,36	330-3023
R5	330-3028
R6	330-4019
R9,27	330-4010
R10,17,22,29	330-2047
R12	330-2082
R13,38	332-3012
R14,25	330-2010
R15,26	330-3047
R16	334-001E
R20,21	331-0010
R24	332-3015
R28	331-0022
R30,34	330-3015
R32	330-4028
R33	334-0025
R37	330-1027
R11	331-3022
R18,35	336-3014
C1	300-2147
C2,6	300-4032
C3	300-1100
C4,7,11	300-4022
C5	300-1900
C8	300-1330
C9	300-3058
C10	300-1906
C12	300-3050
C13	300-3076
C14	300-3069
D1,2	380-3008
D3,4,5,6	380-3002
D7	380-2113
D8,9,14	380-1000
D10	380-2111
D11,12	380-2048
D13	380-0000
L1,2,3	376-0066
L4	376-0134
L5	376-0240

LOCATION	W.L. PART NO.	TERM. NO. +0V	TERM. NO. Vcc+5V
L1,2,3	376-0066	5	
L4	376-0134	9	
L5	376-0240	12	

HOLE LEGEND & TOLERANCES		
SIZE	DESCRIPTION	QTY
Ø .015	Ø .015	Ø .015
Ø .015	Ø .015	Ø .015
Ø .015	Ø .015	Ø .015



REV	DATE	DESCRIPTION
0	12-4-76	ORIGINATED PER DWR 2-102 RPPD

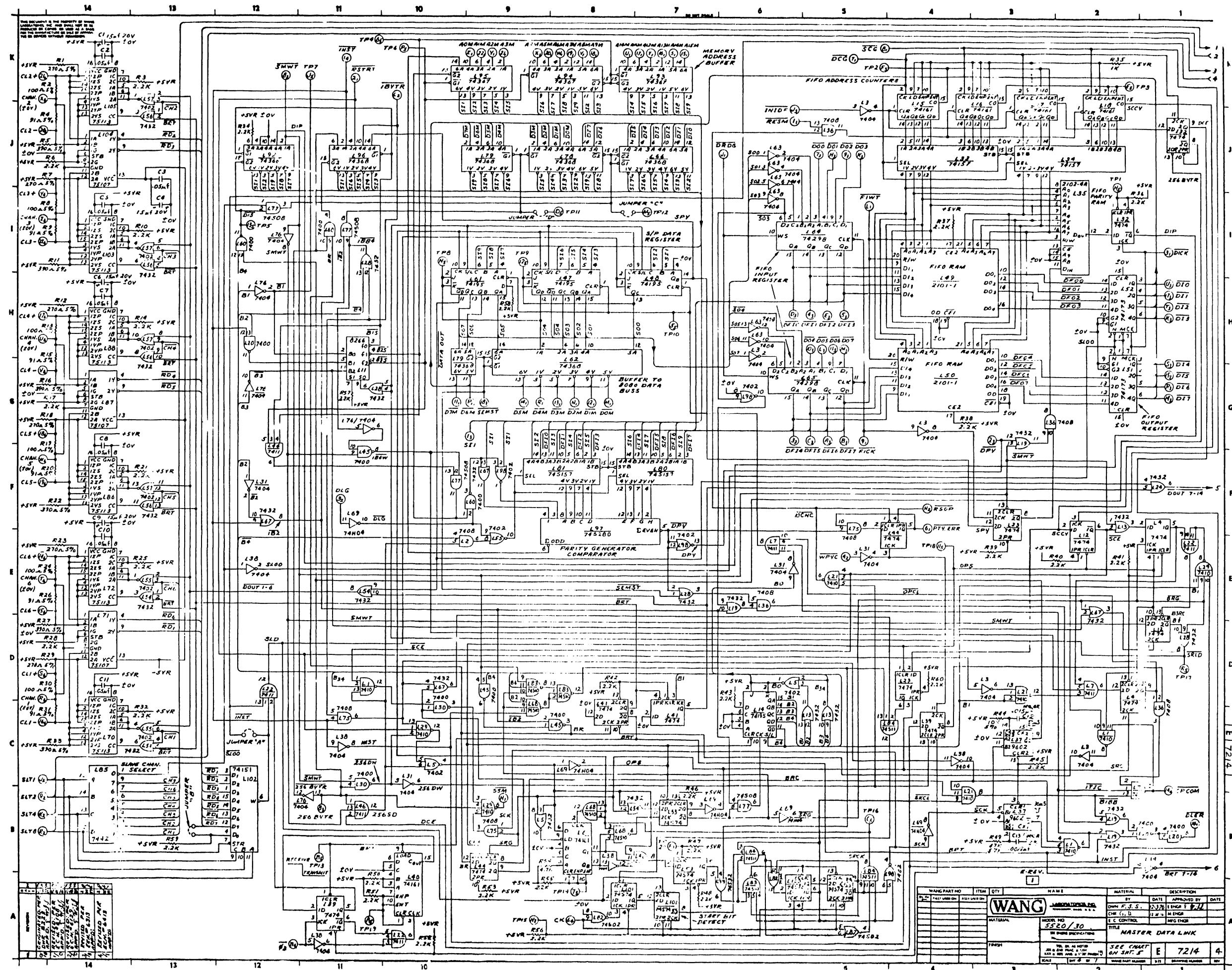
QTY.	ITEM	WANG PART NO.	DRAWING NO.	DESCRIPTION

BY	DATE	APPROVED BY	DATE
DWH	12-4-76	E ENGR	
CHK		M ENGR	
		MFG ENGR	

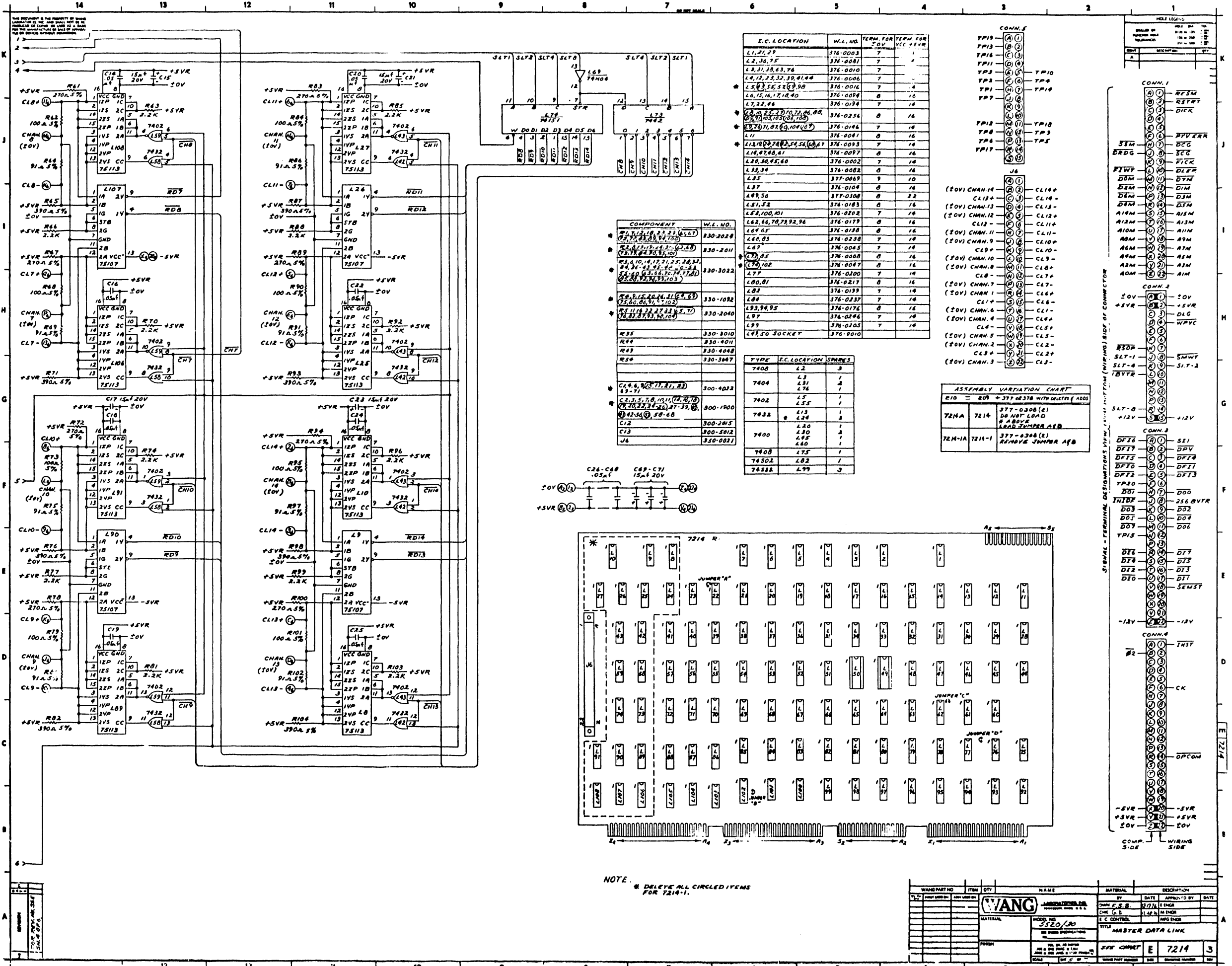
MATERIAL	MODEL NO.	TITLE
	928	SCHEMATIC LOGIBLOC REGULATOR FOR 928

SCALE	SMT	BY	DATE	SIZE	DRAWING NUMBER	REV
					210-7206	0





WANG PART NO.	ITEM	QTY	NAME	MATERIAL	DATE	APPROVED BY	DATE
7400	NAND	100	7400	7400	2-17-74	E. J. S.	2-17-74
7410	INVERTER	50	7410	7410	2-17-74	E. J. S.	2-17-74
7420	DECODER	20	7420	7420	2-17-74	E. J. S.	2-17-74
7432	OR	10	7432	7432	2-17-74	E. J. S.	2-17-74
7445	BCD	5	7445	7445	2-17-74	E. J. S.	2-17-74
7447	SEVEN SEG	5	7447	7447	2-17-74	E. J. S.	2-17-74
7450	NAND-NOR	10	7450	7450	2-17-74	E. J. S.	2-17-74
7455	COMPARATOR	5	7455	7455	2-17-74	E. J. S.	2-17-74
7460	DECODER	10	7460	7460	2-17-74	E. J. S.	2-17-74
7464	MUX	10	7464	7464	2-17-74	E. J. S.	2-17-74
7465	MUX	10	7465	7465	2-17-74	E. J. S.	2-17-74
7466	MUX	10	7466	7466	2-17-74	E. J. S.	2-17-74
7467	MUX	10	7467	7467	2-17-74	E. J. S.	2-17-74
7468	MUX	10	7468	7468	2-17-74	E. J. S.	2-17-74
7469	MUX	10	7469	7469	2-17-74	E. J. S.	2-17-74
7470	MUX	10	7470	7470	2-17-74	E. J. S.	2-17-74
7471	MUX	10	7471	7471	2-17-74	E. J. S.	2-17-74
7472	MUX	10	7472	7472	2-17-74	E. J. S.	2-17-74
7473	MUX	10	7473	7473	2-17-74	E. J. S.	2-17-74
7474	MUX	10	7474	7474	2-17-74	E. J. S.	2-17-74
7475	MUX	10	7475	7475	2-17-74	E. J. S.	2-17-74
7476	MUX	10	7476	7476	2-17-74	E. J. S.	2-17-74
7477	MUX	10	7477	7477	2-17-74	E. J. S.	2-17-74
7478	MUX	10	7478	7478	2-17-74	E. J. S.	2-17-74
7479	MUX	10	7479	7479	2-17-74	E. J. S.	2-17-74
7480	MUX	10	7480	7480	2-17-74	E. J. S.	2-17-74
7481	MUX	10	7481	7481	2-17-74	E. J. S.	2-17-74
7482	MUX	10	7482	7482	2-17-74	E. J. S.	2-17-74
7483	MUX	10	7483	7483	2-17-74	E. J. S.	2-17-74
7484	MUX	10	7484	7484	2-17-74	E. J. S.	2-17-74
7485	MUX	10	7485	7485	2-17-74	E. J. S.	2-17-74
7486	MUX	10	7486	7486	2-17-74	E. J. S.	2-17-74
7487	MUX	10	7487	7487	2-17-74	E. J. S.	2-17-74
7488	MUX	10	7488	7488	2-17-74	E. J. S.	2-17-74
7489	MUX	10	7489	7489	2-17-74	E. J. S.	2-17-74
7490	MUX	10	7490	7490	2-17-74	E. J. S.	2-17-74
7491	MUX	10	7491	7491	2-17-74	E. J. S.	2-17-74
7492	MUX	10	7492	7492	2-17-74	E. J. S.	2-17-74
7493	MUX	10	7493	7493	2-17-74	E. J. S.	2-17-74
7494	MUX	10	7494	7494	2-17-74	E. J. S.	2-17-74
7495	MUX	10	7495	7495	2-17-74	E. J. S.	2-17-74
7496	MUX	10	7496	7496	2-17-74	E. J. S.	2-17-74
7497	MUX	10	7497	7497	2-17-74	E. J. S.	2-17-74
7498	MUX	10	7498	7498	2-17-74	E. J. S.	2-17-74
7499	MUX	10	7499	7499	2-17-74	E. J. S.	2-17-74

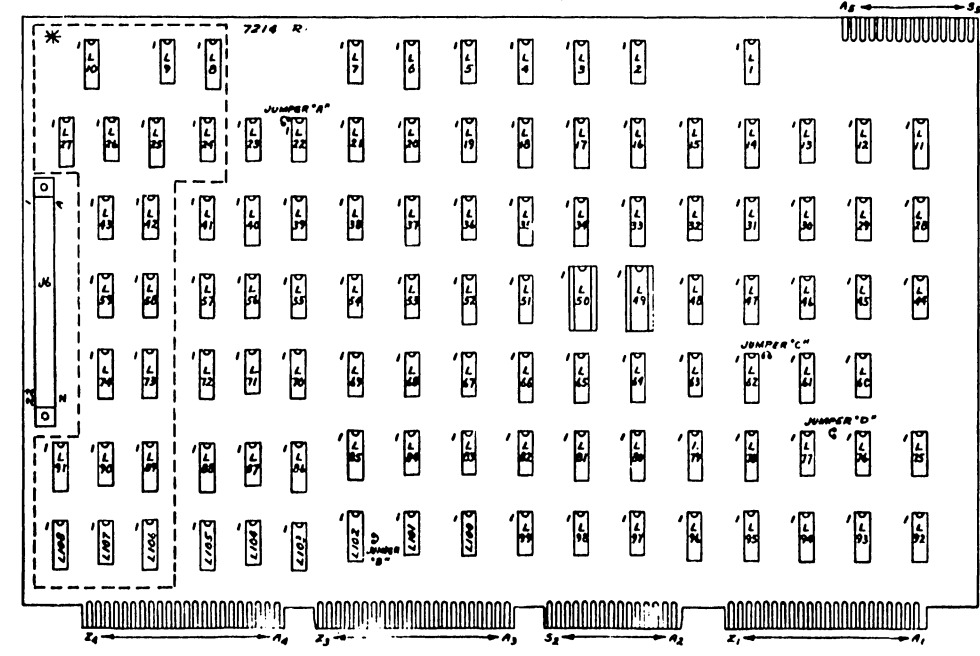


I.C. LOCATION	W.L. NO.	TERM. FOR	TERM. FOR
L1, 21, 27	374-0003	7	1
L2, 30, 75	374-0007	7	1
L3, 31, 33, 43, 74	374-0010	7	1
L4, 12, 23, 32, 39, 41, 44	374-0006	7	1
L5, 35, 52, 63, 99	374-0016	7	1
L6, 15, 16, 17, 18, 40	374-0074	8	16
L7, 22, 76	374-0199	7	18
L8, 10, 11, 12, 25, 26, 28, 29, 34, 35, 36, 37, 38, 42, 45, 46, 47, 48, 49, 50, 51, 52, 53, 54, 55, 56, 57, 58, 59, 60, 61, 62, 63, 64, 65, 66, 67, 68, 69, 70, 71, 72, 73, 74, 75, 76, 77, 78, 79, 80, 81, 82, 83, 84, 85, 86, 87, 88, 89, 90, 91, 92, 93, 94, 95, 96, 97, 98, 99, 100	374-0196	7	18
L11	374-0081	8	16
L12, 100, 101	374-0097	7	16
L22, 66, 70, 72, 92, 96	374-0179	8	16
L27	374-0188	8	16
L28, 50	377-0108	8	22
L31, 52	374-0183	8	16
L32, 100, 101	374-0202	7	16
L33, 34	374-0022	7	16
L35	377-0069	9	10
L37	374-0104	8	16
L39, 50	377-0108	8	22
L41, 52	374-0183	8	16
L42, 100, 101	374-0202	7	16
L43, 55	374-0188	8	16
L40, 85	374-0238	7	16
L49	374-0045	7	16
L50, 81	374-0217	8	16
L52	374-0199	7	16
L54	374-0237	7	16
L53, 94, 95	374-0176	8	16
L57	374-0246	7	16
L59	374-0205	7	16
L99, 50 SOCKET	374-9010		

COMPONENT	W.L. NO.
R1, 2, 18, 23, 27, 45, 57	330-3028
R2, 7, 9, 33, 34, 70	330-3011
R3, 10, 14, 17, 21, 25, 28, 32, 34, 36, 43, 45, 46, 50, 53, 54, 56, 58, 59, 60, 61, 62, 63, 64, 65, 66, 67, 68, 69, 70, 71, 72, 73, 74, 75, 76, 77, 78, 79, 80, 81, 82, 83, 84, 85, 86, 87, 88, 89, 90, 91, 92, 93, 94, 95, 96, 97, 98, 99, 100	330-3022
R35	330-3010
R44	330-4011
R47	330-4048
R50	330-3047
C19, 6, 8, 11, 21, 23, 25, 27, 29, 31, 33, 35, 37, 39, 41, 43, 47, 51, 53, 55, 57, 59, 61, 63, 65, 67, 69, 71, 73, 75, 77, 79, 81, 83, 85, 87, 89, 91, 93, 95, 97, 99	300-4022
C23, 5, 7, 9, 11, 13, 15, 17, 19, 21, 23, 25, 27, 29, 31, 33, 35, 37, 39, 41, 43, 45, 47, 49, 51, 53, 55, 57, 59, 61, 63, 65, 67, 69, 71, 73, 75, 77, 79, 81, 83, 85, 87, 89, 91, 93, 95, 97, 99	300-1900
C12	300-2015
C13	300-5012
J4	320-0011

TYPE	I.C. LOCATION	SPARES
7400	L2	3
7404	L3	1
7404	L31	1
7404	L76	1
7402	L5	1
7402	L25	1
7432	8	3
7400	L20	1
7400	L30	1
74502	L82	1
74522	L99	3

ASSEMBLY VARIATION CHART	
E10 = R09 + 377-0238 WITH DELETED (A05)	
7214	377-0308 (2)
DO NOT LOAD	
LOAD IMPROR AFB	
7214-1	377-0308 (2)
REMOVE JUMPER AFB	



NOTE: \* DELETE ALL CIRCLED ITEMS FOR 7214-1.

WANG PART NO.	ITEM	QTY	NAME	MATERIAL	DESCRIPTION
7214	7214	3	MASTER DATA LINK		



This document is the property of Wang Laboratories, Inc. and shall not be reproduced or used in any manner for the construction of any equipment without the written permission of Wang Laboratories, Inc.

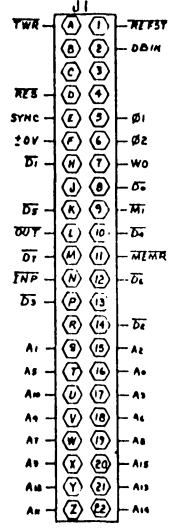
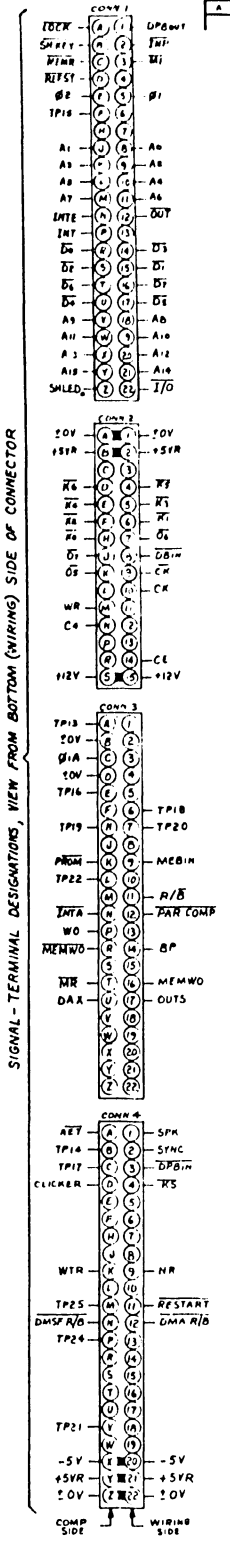
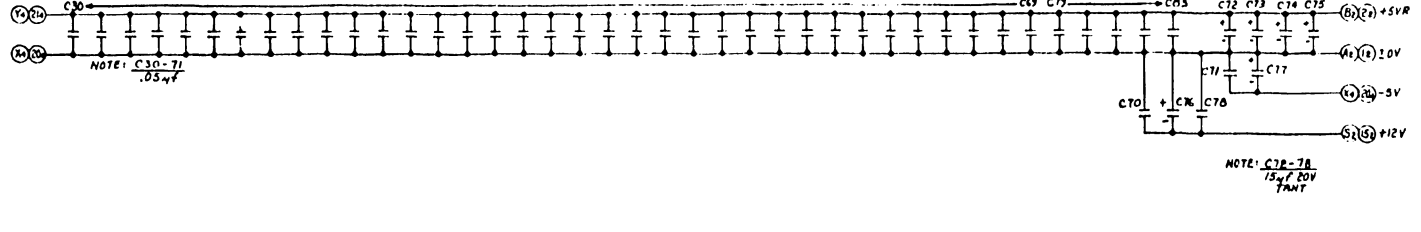
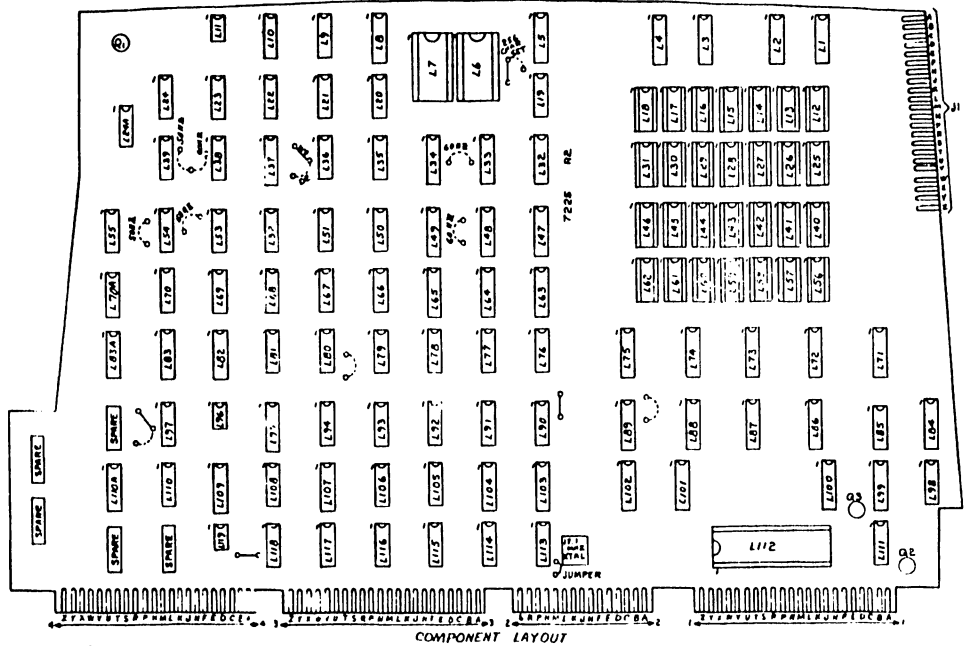
WANG LABS	
MODEL NO.	7225
REV.	1
DATE	7-77
BY	...
APPROVED BY	...
DATE	...

LOCATION	W.L. PART NO	QTY	TERMINAL
L1,2,3,8A	376-0143	8	16
L4,5,8	376-0140	1	16
L6,7	377-0317	12	24
L9,93	376-0016	7	14
L10,93,94	376-0004	7	14
L11,96,119	376-0126	1	8
L12-18,25-31,40-46,56-62	377-0069	9	10
L19	376-0012	7	14
L20,35	376-0089	7	14
L24,59,60	376-0010	7	14
L22	376-0031	7	14
L23,52,67,117	376-0093	7	14
L32,47,63	376-0082	8	16
L33,48,49,64,68	376-0094	8	16
L34	376-0049	8	16
L36,55,94	376-0007	7	14
L37	376-0007	13	5
L38,54,106	376-0003	7	14
L39,78	376-0004	7	14
L51,97	376-0002	7	14
L80	376-0194	7	14
L71-78,87	376-0176	8	16
L75	376-0008	8	16
L74,106	376-0200	7	14
L77,79,81,104	376-0202	7	14
L82,83,95	376-0104	8	16
L84,100,101,109	376-0179	8	16
L85	376-0050	7	14
L86,103,104,107	376-0098	8	16
L89	376-0119	8	16
L90,113	376-0197	7	14
L91,66	376-0230	7	14
L92	376-0125	7	14
L93,102	376-0185	8	16
L110	376-0139	7	14
L111	376-0178	7	14
L112	377-0267	2	20
L114,24A	376-0199	7	14
L115	376-0228	7	14
L105,83A	376-0205	7	14
L10A	376-0032	8	16
L21	376-0045	7	14
L53	376-0237	7	14
L116	376-0238	7	14

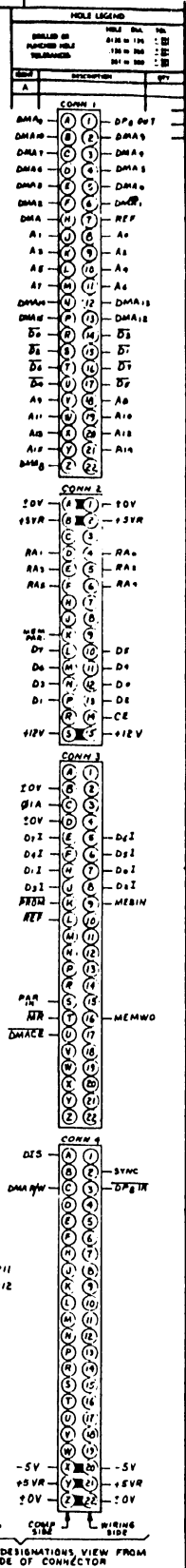
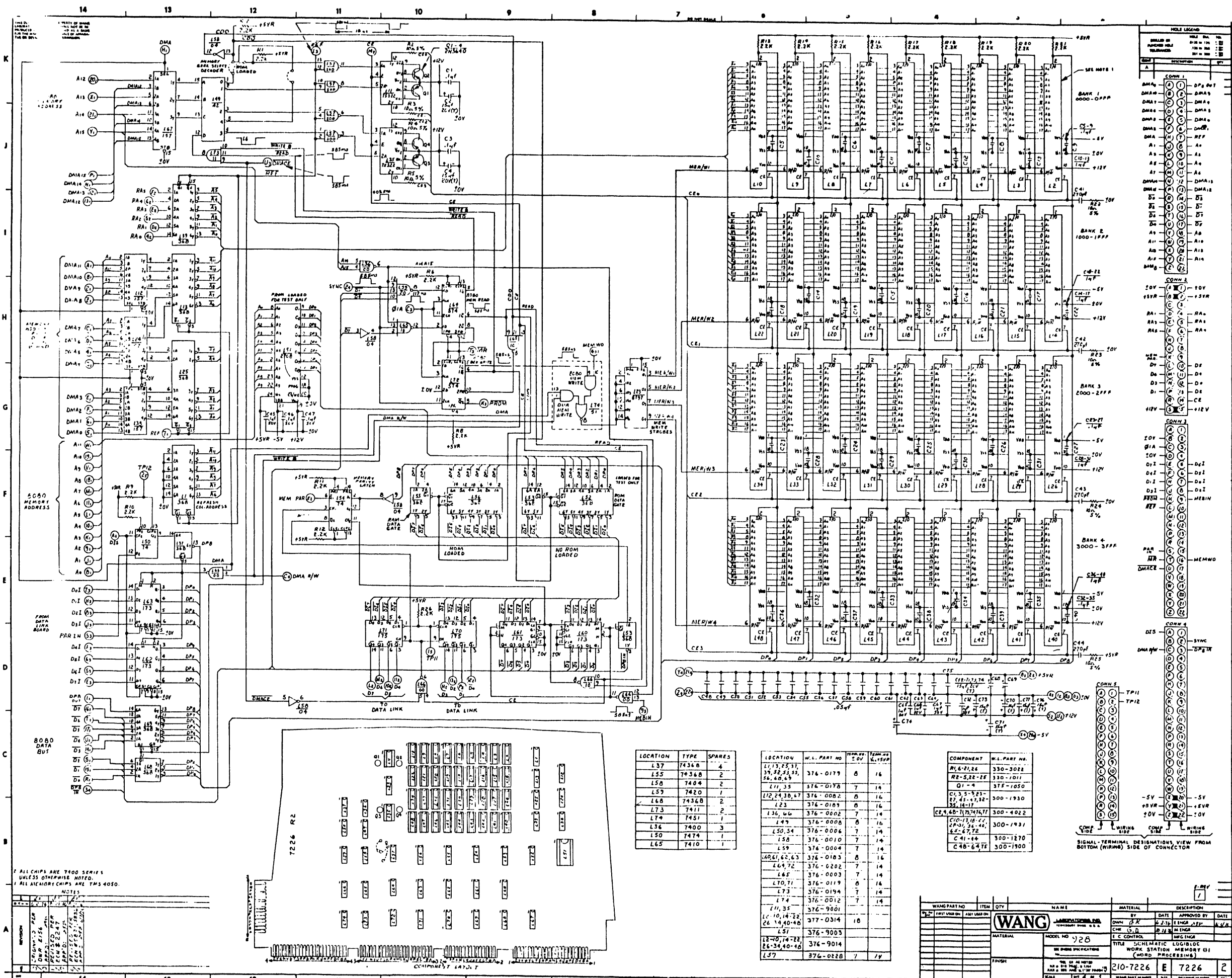
COMPONENT	W.L. PART NO
R13-24,25,26,30,41,42,43,45,46,47,48,49,50,51,52,53,54,55,56,57,58,59,60,61,62,63,64,65,66,67,68,69,70,71,72,73,74,75,76,77,78,79,80,81,82,83,84,85,86,87,88,89,90,91,92,93,94,95,96,97,98,99,100,101,102,103,104	330-3010
R60	330-2039
R61, R62, R63, R64, R65, R66, R67, R68, R69, R70, R71, R72, R73, R74, R75, R76, R77, R78, R79, R80, R81, R82, R83, R84, R85, R86, R87, R88, R89, R90, R91, R92, R93, R94, R95, R96, R97, R98, R99, R100	330-3022
R135, R136, R137, R138, R139, R140, R141, R142, R143, R144, R145, R146, R147, R148, R149, R150, R151, R152, R153, R154, R155, R156, R157, R158, R159, R160, R161, R162, R163, R164, R165, R166, R167, R168, R169, R170, R171, R172, R173, R174, R175, R176, R177, R178, R179, R180, R181, R182, R183, R184, R185, R186, R187, R188, R189, R190, R191, R192, R193, R194, R195, R196, R197, R198, R199, R200	330-4010
R12	330-3047
R13	330-4027
R16,36	330-4047
R61	330-4018
R64	330-3082
R1,2	330-2833
R97	330-5010
R88	331-1076
R86	330-2018
R71,74	330-1811
R83	331-1810
R79,81,87,84	330-2047
R80	330-2056
Q1	375-1021
Q2,3	375-1030
XTAL	321-0018
C1-14	300-1930
C15,27,28	300-1047
C16	300-1180
C17	300-4024
C18	300-4016
C24,72-78	300-4022
C20	300-1220
C21	300-4018
C22	300-4020
C23	300-4002
C19	300-4039
C26	300-1903
C29	300-1680
C25,34,79,83	300-1900
16 PIN SOCKET	376-9002
24 PIN SOCKET	376-9003
40 PIN SOCKET	376-9011
J1	REF
D1	380-1001
R37	330-4033
R85	330-2022
R100	336-1014

LOCATION	TYPE	SPARES
L21	7404	1
L90	74504	1
L52	7432	1
L27	7432	2
L76	74808	1
L93	7402	1
L95	9602	1
L97	7400	1
L98	7474	1
L108	7410	1
L50	7410	1
L110	7414	3
L9	7402	1
L53	74511	1
L54	7404	1
L48	7404	1
L24	7404	1
L87	74367	2
L99	8798	2
L100	74368	2
L182	8798	2
L85A	74552	3

NOTES:  
 1. REMOVE L44, L46, L60, L62 AND ADD TWO (2) 10KΩ RESISTORS FOR WORD PROCESSING VERSION, R103, 104  
 2. FOR DATA ENTRY VERSION, DELETE TWO (2) 10KΩ RESISTORS, R103, 104 AND ADD L44, L46, L60, L62



WANG PART NO	ITEM	QTY	NAME	MATERIAL	DESCRIPTION
...	...	...	...	...	...
<b>WANG</b> LABORATORIES, INC. MODEL NO. 7225 TITLE: PARTS LIST FOR W.S. (80 X 24) CRT. CONTROL DATE: 7-77 REV: 1 DRAWN BY: ... CHECKED BY: ... APPROVED BY: ... DATE: ... WANG PART NO: ... QTY: ... REV: ...					



LOCATION	TYPE	SPARES
L37	7436B	4
L35	7436B	2
L58	7404	2
L59	7420	1
L68	7436B	2
L73	7411	2
L74	7451	1
L36	7400	3
L50	7474	1
L65	7410	1

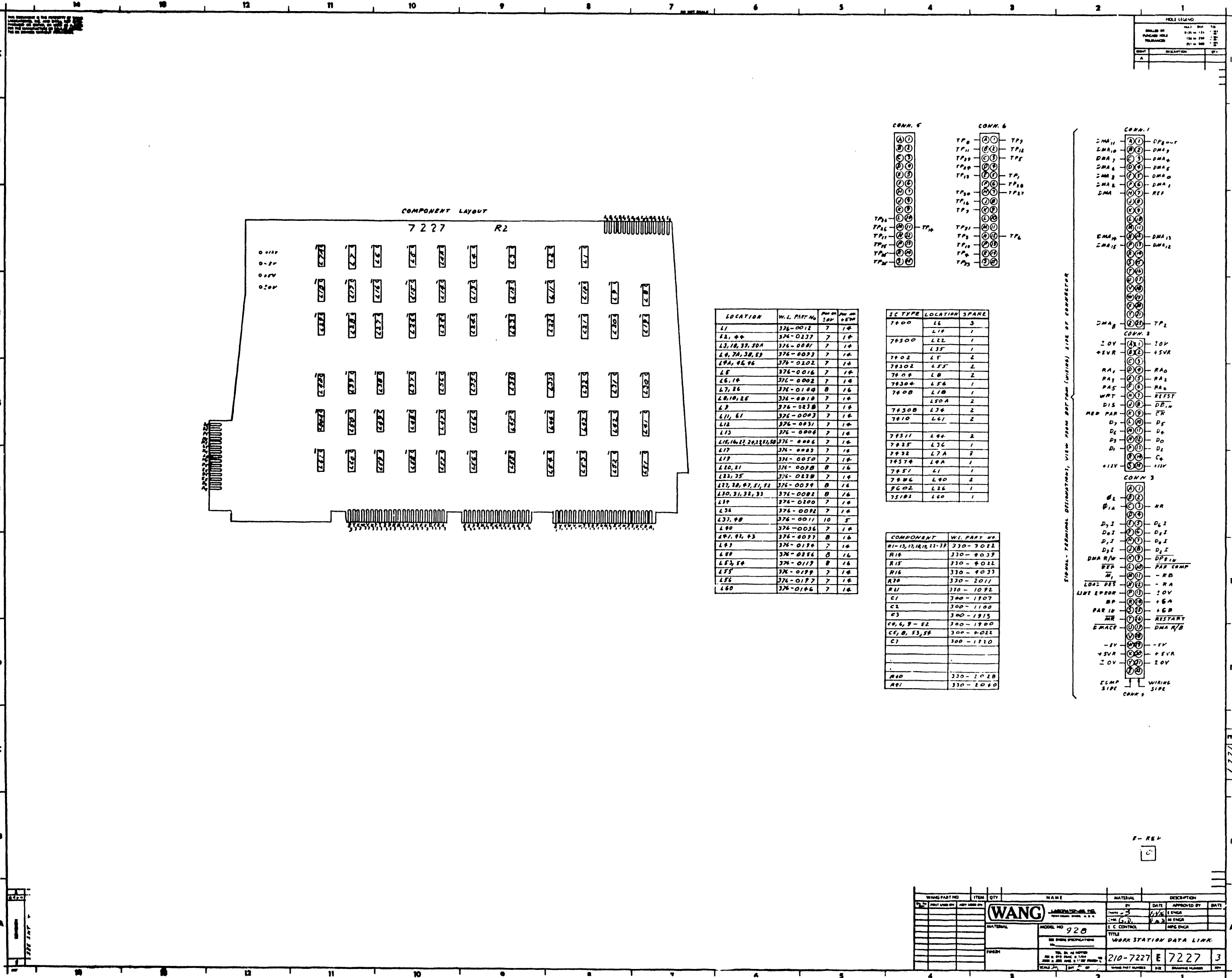
LOCATION	W.L. PART NO	QUANTITY	FORMER QUANTITY
L13, 25, 31	376-0179	8	16
L18, 22, 51, 54, 60, 63	376-0178	7	14
L11, 35	376-0082	8	16
L12, 24, 30, 67	376-0109	8	16
L23	376-0002	7	14
L36, 46	376-0004	8	16
L47	376-0006	7	14
L50, 54	376-0006	7	14
L58	376-0010	7	14
L59	376-0004	7	14
L60, 61, 62, 63	376-0185	8	16
L64, 72	376-0202	7	14
L65	376-0003	7	14
L70, 71	376-0119	8	16
L73	376-0194	7	14
L74	376-0012	7	14
L11, 35	376-9001	8	16
L10, 14, 23, 26, 14, 40, 40	377-0314	10	
L51	376-9003	8	16
L20, 14, 22, 26, 34, 40, 40	376-9014	8	16
L37	376-0228	7	14

COMPONENT	W.L. PART NO.
R16-R18	330-3022
RE-522-22	330-1011
Q1-4	375-1050
C1, 3, 5, 23, 27, 43, 47, 52, 53, 54, 57	300-1930
C10-13, 18, 21, 24, 25, 26, 42, 43, 44, 45, 46, 47, 48, 49, 50, 51, 52, 53, 54, 55, 56, 57, 58, 59, 60, 61, 62, 63, 64, 65, 66, 67, 68, 69, 70, 71, 72, 73, 74, 75, 76, 77, 78, 79, 80, 81, 82, 83, 84, 85, 86, 87, 88, 89, 90, 91, 92, 93, 94, 95, 96, 97, 98, 99, 100	300-4022
C10-13, 18, 21, 24, 25, 26, 42, 43, 44, 45, 46, 47, 48, 49, 50, 51, 52, 53, 54, 55, 56, 57, 58, 59, 60, 61, 62, 63, 64, 65, 66, 67, 68, 69, 70, 71, 72, 73, 74, 75, 76, 77, 78, 79, 80, 81, 82, 83, 84, 85, 86, 87, 88, 89, 90, 91, 92, 93, 94, 95, 96, 97, 98, 99, 100	300-1931
C41-44	300-1270
C48-64	300-1900

WANG PART NO	ITEM	QTY	NAME	MATERIAL	DESCRIPTION
210-7226	1	1	WANG 210-7226	210-7226	SCHEMATIC LOGIC BOARD

REV	DATE	BY	DESCRIPTION
1	11/15/68	...	...





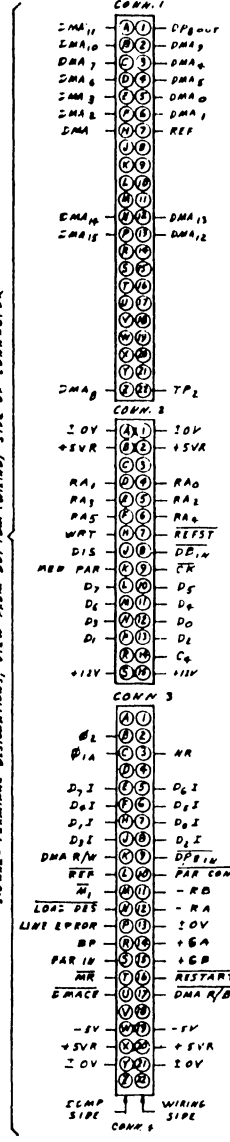
HOLE LEGEND

SYMBOL	DESCRIPTION	QTY
○	...	...
○	...	...

LOCATION	W.L. PART NO.	QTY	QTY
L1	376-0012	7	14
L2, 44	376-0237	7	14
L3, 18, 35, 50A	376-0081	7	14
L4, 7A, 38, 53	376-0033	7	14
L5A, 46, 46	376-0202	7	14
L6	376-0016	7	14
L6, 16	376-0002	7	14
L7, 26	376-0188	8	16
L8, 10, 28	376-0018	7	14
L9	376-0238	7	14
L11, 61	376-0083	7	14
L12	376-0231	7	14
L13	376-0004	7	14
L16, 16A, 21, 26, 28, 28A	376-0086	7	14
L17	376-0083	7	14
L18	376-0050	7	14
L20, 21	376-0078	8	16
L22, 25	376-0228	7	14
L27, 28, 47, 51, 51	376-0079	8	16
L30, 31, 32, 33	376-0082	8	16
L34	376-0200	7	14
L36	376-0082	7	14
L37, 48	376-0011	10	5
L40	376-0036	7	14
L41, 42, 43	376-0037	8	16
L47	376-0178	7	14
L48	376-0256	8	16
L53, 56	376-0177	8	16
L55	376-0189	7	14
L56	376-0177	7	14
L60	376-0166	7	14

IC TYPE	LOCATION	QTY
7400	L6	3
7400	L12	1
7400	L22	1
7402	L35	1
7402	L5	2
74302	L55	2
7409	L8	2
74306	L56	1
7400	L18	1
74308	L36	2
7410	L61	2
74311	L44	2
7425	L36	1
7432	L7A	2
74374	L4A	1
7451	L1	1
7486	L40	2
7402	L26	1
75102	L60	1

COMPONENT	W.L. PART NO.
R1-13, 14, 16, 21-23	330-7022
R14	330-4037
R15	330-4022
R16	330-4033
R20	330-2011
R21	330-1092
C1	300-1907
C2	300-1100
C3	300-1913
C4, 6, 9-12	300-1900
C5, 8, 53, 56	300-4022
C7	300-1210
R24	330-1028
R21	330-1060



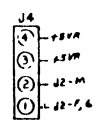
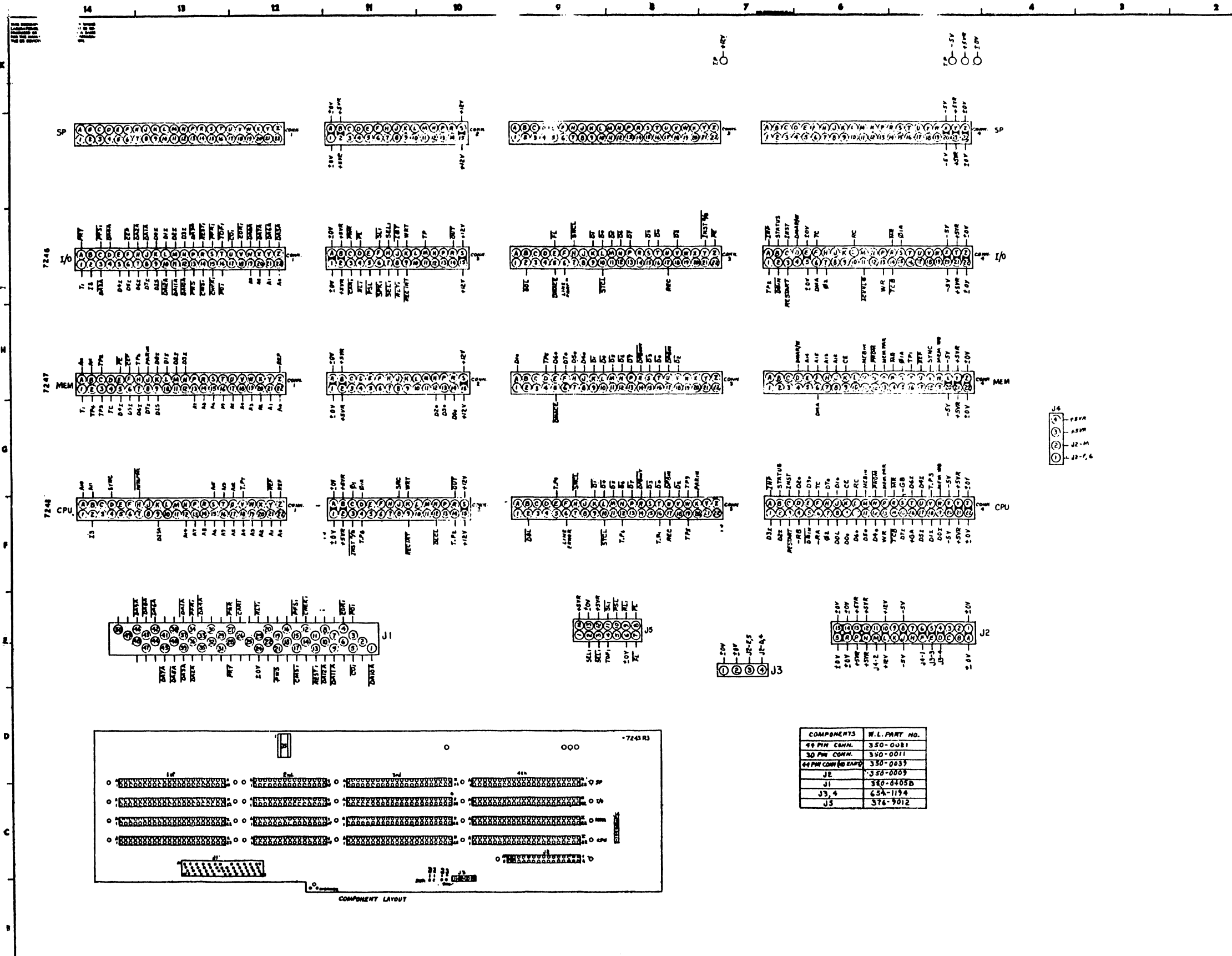
WANG PART NO.	ITEM	QTY	NAME	MATERIAL	DESCRIPTION
			<b>(WANG)</b>	DATE	APPROVED BY
			MODEL NO 928	DATE	APPROVED BY
			TITLE	DATE	APPROVED BY
			210-7227	E	7227
			3		



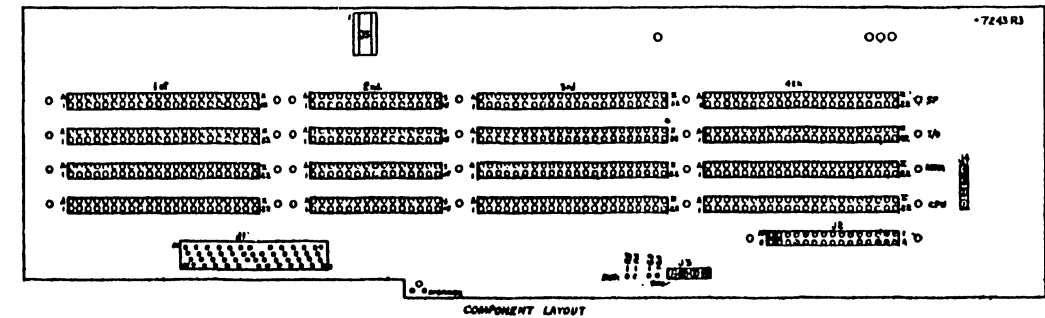




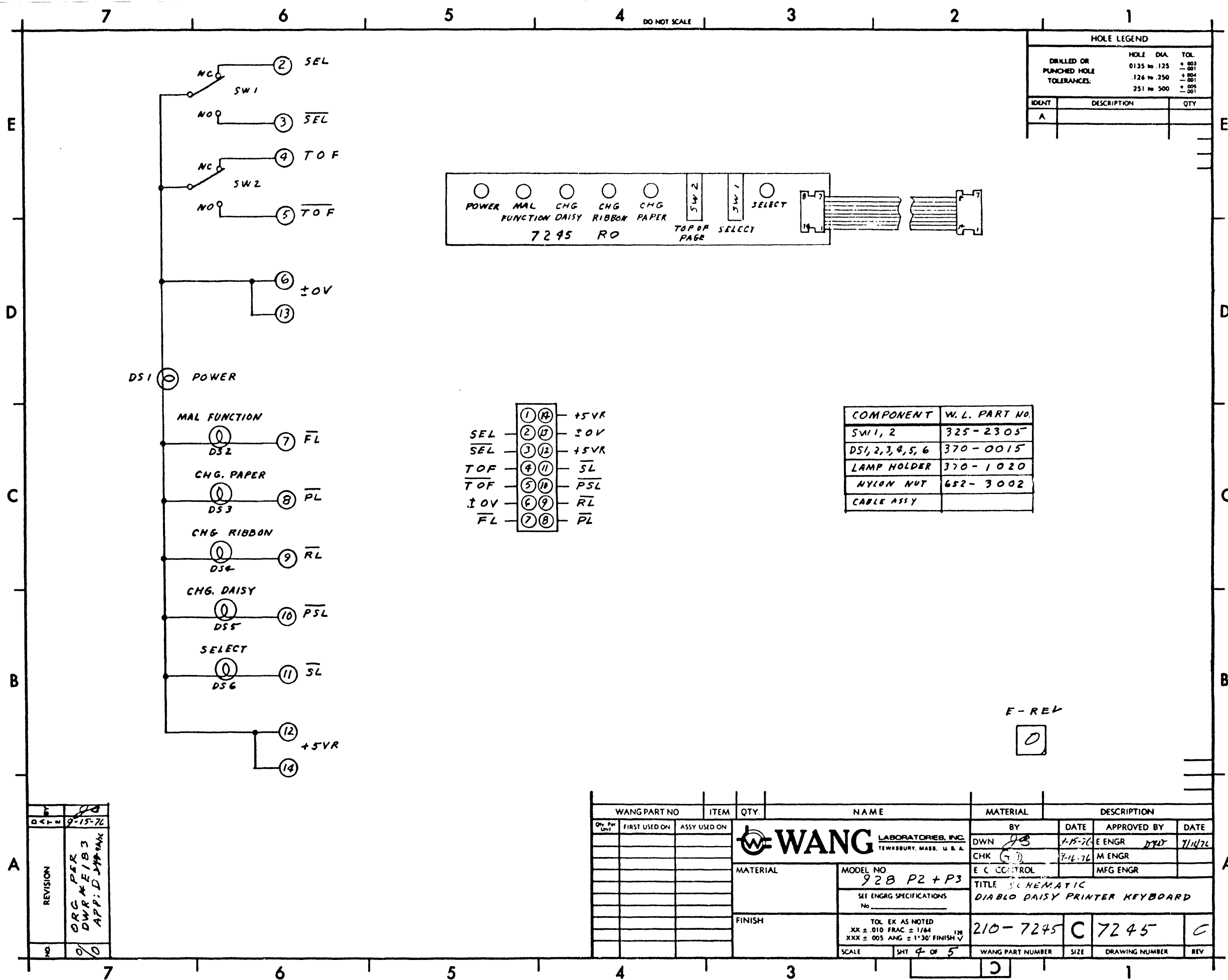
HOLE LEGEND	
①	Ø .063
②	Ø .075
③	Ø .087
④	Ø .100
⑤	Ø .112
⑥	Ø .125
⑦	Ø .137
⑧	Ø .150
⑨	Ø .162
⑩	Ø .175
⑪	Ø .187
⑫	Ø .200
⑬	Ø .212
⑭	Ø .225
⑮	Ø .237
⑯	Ø .250
⑰	Ø .262
⑱	Ø .275
⑲	Ø .287
⑳	Ø .300
㉑	Ø .312
㉒	Ø .325
㉓	Ø .337
㉔	Ø .350
㉕	Ø .362
㉖	Ø .375
㉗	Ø .387
㉘	Ø .400
㉙	Ø .412
㉚	Ø .425
㉛	Ø .437
㉜	Ø .450
㉝	Ø .462
㉞	Ø .475
㉟	Ø .487
㊱	Ø .500
㊲	Ø .512
㊳	Ø .525
㊴	Ø .537
㊵	Ø .550
㊶	Ø .562
㊷	Ø .575
㊸	Ø .587
㊹	Ø .600
㊺	Ø .612
㊻	Ø .625
㊼	Ø .637
㊽	Ø .650
㊾	Ø .662
㊿	Ø .675



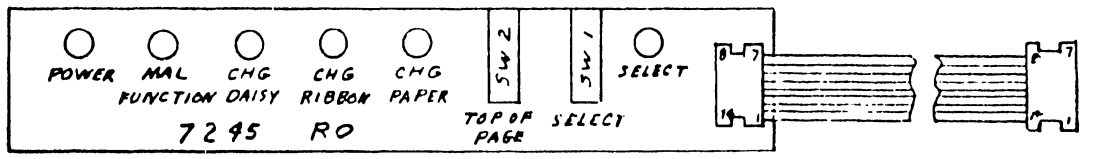
COMPONENTS	W. L. PART NO.
48 PIN CONN.	350-0081
30 PIN CONN.	350-0011
64 PIN CONN. (S&P)	350-0053
J2	350-0089
J1	346-6105B
J3, 4	65A-1194
J5	376-9012



REV.	DATE	BY	DESCRIPTION
1	12-15-64	J.S.	REVISED FOR
2	1-15-65	J.S.	REVISED FOR
3	2-15-65	J.S.	REVISED FOR
4	3-15-65	J.S.	REVISED FOR
5	4-15-65	J.S.	REVISED FOR
6	5-15-65	J.S.	REVISED FOR
7	6-15-65	J.S.	REVISED FOR
8	7-15-65	J.S.	REVISED FOR
9	8-15-65	J.S.	REVISED FOR
10	9-15-65	J.S.	REVISED FOR
11	10-15-65	J.S.	REVISED FOR
12	11-15-65	J.S.	REVISED FOR
13	12-15-65	J.S.	REVISED FOR
14	1-15-66	J.S.	REVISED FOR
15	2-15-66	J.S.	REVISED FOR
16	3-15-66	J.S.	REVISED FOR
17	4-15-66	J.S.	REVISED FOR
18	5-15-66	J.S.	REVISED FOR
19	6-15-66	J.S.	REVISED FOR
20	7-15-66	J.S.	REVISED FOR
21	8-15-66	J.S.	REVISED FOR
22	9-15-66	J.S.	REVISED FOR
23	10-15-66	J.S.	REVISED FOR
24	11-15-66	J.S.	REVISED FOR
25	12-15-66	J.S.	REVISED FOR
26	1-15-67	J.S.	REVISED FOR
27	2-15-67	J.S.	REVISED FOR
28	3-15-67	J.S.	REVISED FOR
29	4-15-67	J.S.	REVISED FOR
30	5-15-67	J.S.	REVISED FOR
31	6-15-67	J.S.	REVISED FOR
32	7-15-67	J.S.	REVISED FOR
33	8-15-67	J.S.	REVISED FOR
34	9-15-67	J.S.	REVISED FOR
35	10-15-67	J.S.	REVISED FOR
36	11-15-67	J.S.	REVISED FOR
37	12-15-67	J.S.	REVISED FOR
38	1-15-68	J.S.	REVISED FOR
39	2-15-68	J.S.	REVISED FOR
40	3-15-68	J.S.	REVISED FOR
41	4-15-68	J.S.	REVISED FOR
42	5-15-68	J.S.	REVISED FOR
43	6-15-68	J.S.	REVISED FOR
44	7-15-68	J.S.	REVISED FOR
45	8-15-68	J.S.	REVISED FOR
46	9-15-68	J.S.	REVISED FOR
47	10-15-68	J.S.	REVISED FOR
48	11-15-68	J.S.	REVISED FOR
49	12-15-68	J.S.	REVISED FOR
50	1-15-69	J.S.	REVISED FOR
51	2-15-69	J.S.	REVISED FOR
52	3-15-69	J.S.	REVISED FOR
53	4-15-69	J.S.	REVISED FOR
54	5-15-69	J.S.	REVISED FOR
55	6-15-69	J.S.	REVISED FOR
56	7-15-69	J.S.	REVISED FOR
57	8-15-69	J.S.	REVISED FOR
58	9-15-69	J.S.	REVISED FOR
59	10-15-69	J.S.	REVISED FOR
60	11-15-69	J.S.	REVISED FOR
61	12-15-69	J.S.	REVISED FOR
62	1-15-70	J.S.	REVISED FOR
63	2-15-70	J.S.	REVISED FOR
64	3-15-70	J.S.	REVISED FOR
65	4-15-70	J.S.	REVISED FOR
66	5-15-70	J.S.	REVISED FOR
67	6-15-70	J.S.	REVISED FOR
68	7-15-70	J.S.	REVISED FOR
69	8-15-70	J.S.	REVISED FOR
70	9-15-70	J.S.	REVISED FOR
71	10-15-70	J.S.	REVISED FOR
72	11-15-70	J.S.	REVISED FOR
73	12-15-70	J.S.	REVISED FOR
74	1-15-71	J.S.	REVISED FOR
75	2-15-71	J.S.	REVISED FOR
76	3-15-71	J.S.	REVISED FOR
77	4-15-71	J.S.	REVISED FOR
78	5-15-71	J.S.	REVISED FOR
79	6-15-71	J.S.	REVISED FOR
80	7-15-71	J.S.	REVISED FOR
81	8-15-71	J.S.	REVISED FOR
82	9-15-71	J.S.	REVISED FOR
83	10-15-71	J.S.	REVISED FOR
84	11-15-71	J.S.	REVISED FOR
85	12-15-71	J.S.	REVISED FOR
86	1-15-72	J.S.	REVISED FOR
87	2-15-72	J.S.	REVISED FOR
88	3-15-72	J.S.	REVISED FOR
89	4-15-72	J.S.	REVISED FOR
90	5-15-72	J.S.	REVISED FOR
91	6-15-72	J.S.	REVISED FOR
92	7-15-72	J.S.	REVISED FOR
93	8-15-72	J.S.	REVISED FOR
94	9-15-72	J.S.	REVISED FOR
95	10-15-72	J.S.	REVISED FOR
96	11-15-72	J.S.	REVISED FOR
97	12-15-72	J.S.	REVISED FOR
98	1-15-73	J.S.	REVISED FOR
99	2-15-73	J.S.	REVISED FOR
100	3-15-73	J.S.	REVISED FOR
101	4-15-73	J.S.	REVISED FOR
102	5-15-73	J.S.	REVISED FOR
103	6-15-73	J.S.	REVISED FOR
104	7-15-73	J.S.	REVISED FOR
105	8-15-73	J.S.	REVISED FOR
106	9-15-73	J.S.	REVISED FOR
107	10-15-73	J.S.	REVISED FOR
108	11-15-73	J.S.	REVISED FOR
109	12-15-73	J.S.	REVISED FOR
110	1-15-74	J.S.	REVISED FOR
111	2-15-74	J.S.	REVISED FOR
112	3-15-74	J.S.	REVISED FOR
113	4-15-74	J.S.	REVISED FOR
114	5-15-74	J.S.	REVISED FOR
115	6-15-74	J.S.	REVISED FOR
116	7-15-74	J.S.	REVISED FOR
117	8-15-74	J.S.	REVISED FOR
118	9-15-74	J.S.	REVISED FOR
119	10-15-74	J.S.	REVISED FOR
120	11-15-74	J.S.	REVISED FOR
121	12-15-74	J.S.	REVISED FOR
122	1-15-75	J.S.	REVISED FOR
123	2-15-75	J.S.	REVISED FOR
124	3-15-75	J.S.	REVISED FOR
125	4-15-75	J.S.	REVISED FOR
126	5-15-75	J.S.	REVISED FOR
127	6-15-75	J.S.	REVISED FOR
128	7-15-75	J.S.	REVISED FOR
129	8-15-75	J.S.	REVISED FOR
130	9-15-75	J.S.	REVISED FOR
131	10-15-75	J.S.	REVISED FOR
132	11-15-75	J.S.	REVISED FOR
133	12-15-75	J.S.	REVISED FOR
134	1-15-76	J.S.	REVISED FOR
135	2-15-76	J.S.	REVISED FOR
136	3-15-76	J.S.	REVISED FOR
137	4-15-76	J.S.	REVISED FOR
138	5-15-76	J.S.	REVISED FOR
139	6-15-76	J.S.	REVISED FOR
140	7-15-76	J.S.	REVISED FOR
141	8-15-76	J.S.	REVISED FOR
142	9-15-76	J.S.	REVISED FOR
143	10-15-76	J.S.	REVISED FOR
144	11-15-76	J.S.	REVISED FOR
145	12-15-76	J.S.	REVISED FOR
146	1-15-77	J.S.	REVISED FOR
147	2-15-77	J.S.	REVISED FOR
148	3-15-77	J.S.	REVISED FOR
149	4-15-77	J.S.	REVISED FOR
150	5-15-77	J.S.	REVISED FOR
151	6-15-77	J.S.	REVISED FOR
152	7-15-77	J.S.	REVISED FOR
153	8-15-77	J.S.	REVISED FOR
154	9-15-77	J.S.	REVISED FOR
155	10-15-77	J.S.	REVISED FOR
156	11-15-77	J.S.	REVISED FOR
157	12-15-77	J.S.	REVISED FOR
158	1-15-78	J.S.	REVISED FOR
159	2-15-78	J.S.	REVISED FOR
160	3-15-78	J.S.	REVISED FOR
161	4-15-78	J.S.	REVISED FOR
162	5-15-78	J.S.	REVISED FOR
163	6-15-78	J.S.	REVISED FOR
164	7-15-78	J.S.	REVISED FOR
165	8-15-78	J.S.	REVISED FOR
166	9-15-78	J.S.	REVISED FOR
167	10-15-78	J.S.	REVISED FOR
168	11-15-78	J.S.	REVISED FOR
169	12-15-78	J.S.	REVISED FOR
170	1-15-79	J.S.	REVISED FOR
171	2-15-79	J.S.	REVISED FOR
172	3-15-79	J.S.	REVISED FOR
173	4-15-79	J.S.	REVISED FOR
174	5-15-79	J.S.	REVISED FOR
175	6-15-79	J.S.	REVISED FOR
176	7-15-79	J.S.	REVISED FOR
177	8-15-79	J.S.	REVISED FOR
178	9-15-79	J.S.	REVISED FOR
179	10-15-79	J.S.	REVISED FOR
180	11-15-79	J.S.	REVISED FOR
181	12-15-79	J.S.	REVISED FOR
182	1-15-80	J.S.	REVISED FOR
183	2-15-80	J.S.	REVISED FOR
184	3-15-80	J.S.	REVISED FOR
185	4-15-80	J.S.	REVISED FOR
186	5-15-80	J.S.	REVISED FOR
187	6-15-80	J.S.	REVISED FOR
188	7-15-80	J.S.	REVISED FOR
189	8-15-80	J.S.	REVISED FOR
190	9-15-80	J.S.	REVISED FOR
191	10-15-80	J.S.	REVISED FOR
192	11-15-80	J.S.	REVISED FOR
193	12-15-80	J.S.	REVISED FOR
194	1-15-81	J.S.	REVISED FOR
195	2-15-81	J.S.	REVISED FOR
196	3-15-81	J.S.	REVISED FOR
197	4-15-81	J.S.	REVISED FOR
198	5-15-81	J.S.	REVISED FOR
199	6-15-81	J.S.	REVISED FOR
200	7-15-81	J.S.	REVISED FOR
201	8-15-81	J.S.	REVISED FOR
202	9-15-81	J.S.	REVISED FOR
203	10-15-81	J.S.	REVISED FOR
204	11-15-81	J.S.	REVISED FOR
205	12-15-81	J.S.	REVISED FOR
206	1-15-82	J.S.	REVISED FOR
207	2-15-82	J.S.	REVISED FOR
208	3-15-82	J.S.	REVISED FOR
209	4-15-82	J.S.	REVISED FOR
210	5-15-82	J.S.	REVISED FOR
211	6-15-82	J.S.	REVISED FOR
212	7-15-82	J.S.	REVISED FOR
213	8-15-82	J.S.	REVISED FOR
214	9-15-82	J.S.	REVISED FOR
215	10-15-82	J.S.	REVISED FOR
216	11-15-82	J.S.	REVISED FOR
217	12-15-82	J.S.	REVISED FOR
218	1-15-83	J.S.	REVISED FOR
219	2-15-83	J.S.	REVISED FOR
220	3-15-83	J.S.	REVISED FOR
221	4-15-83	J.S.	REVISED FOR
222	5-15-83	J.S.	REVISED FOR
223	6-15-83	J.S.	REVISED FOR
224	7-15-83	J.S.	REVISED FOR
225	8-15-83	J.S.	REVISED FOR
226	9-15-83	J.S.	REVISED FOR



HOLE LEGEND		
DRILLED OR	HOLE DIA.	TOL.
PUNCHED HOLE	0135 to .125	+ .003
	.126 to .250	+ .004
	.251 to .500	+ .005
		- .001
IDENT	DESCRIPTION	QTY
A		



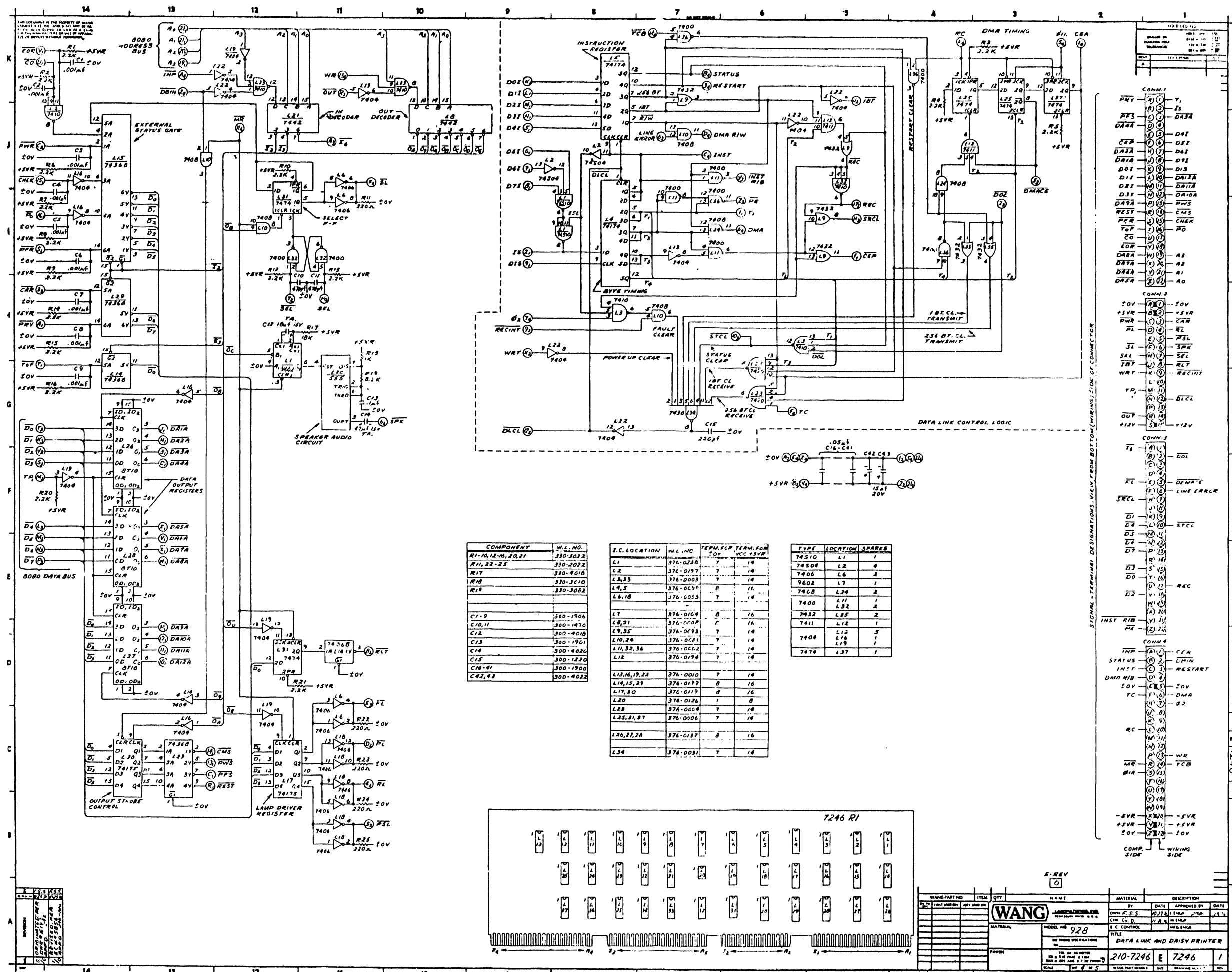
	1	12	+5V <sub>R</sub>
SEL	2	13	±0V
SSEL	3	12	+5V <sub>R</sub>
TOF	4	11	SL
TOLF	5	10	PSL
±0V	6	9	RL
FL	7	8	PL

COMPONENT	W. L. PART NO.
SW1, 2	325-2305
DS1, 2, 3, 4, 5, 6	370-0015
LAMP HOLDER	370-1020
NYLON NUT	652-3002
CABLE ASSY	

F-REV  
0

REVISION	DATE	BY
1	9-15-76	ORG PER DWR #E1B3 APP: D JH/ink
2	0/0	

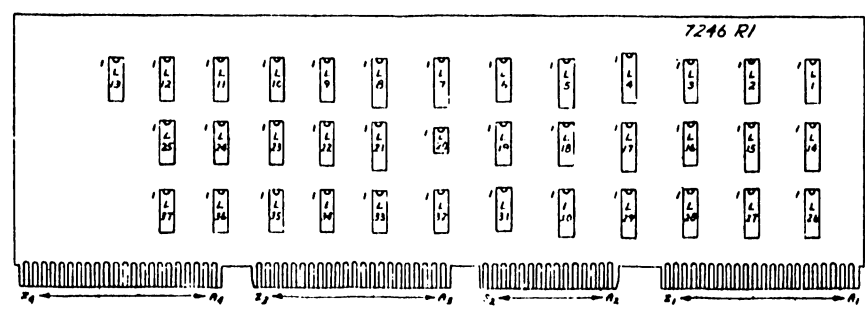
WANG PART NO	ITEM	QTY	NAME	MATERIAL	DESCRIPTION
			<b>WANG</b> LABORATORIES, INC. TEWKSBURY, MASS. U. S. A.	BY: DWN DATE: 7-15-76	APPROVED BY: DJT DATE: 7/14/76
				CHK: (initials) DATE: 7-16-76	E ENGR M ENGR
				MATERIAL: E C CONTROL	MFG ENGR
			MODEL NO: 928 P2 + P3	TITLE: SCHEMATIC DIABLO DAISY PRINTER KEYBOARD	
			FINISH: TOL EX AS NOTED XX ± .010 FRAC ± 1/64 XXX ± .005 ANG ± 1°30' FINISH V	210-7245	C 7245
			SCALE: SHT 4 OF 5	WANG PART NUMBER	SIZE: C
				DRAWING NUMBER	REV: C



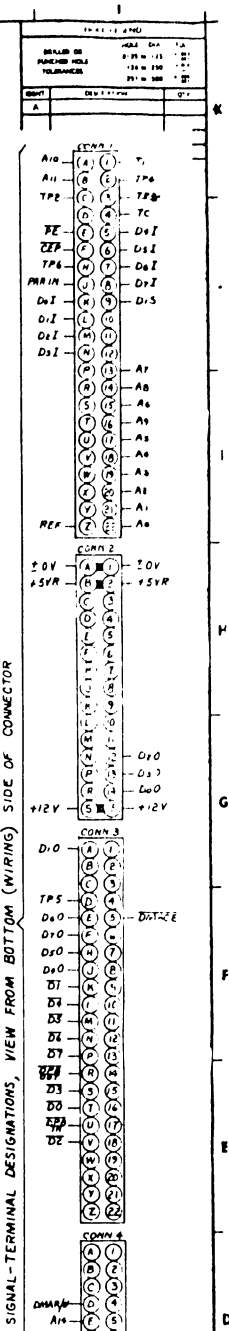
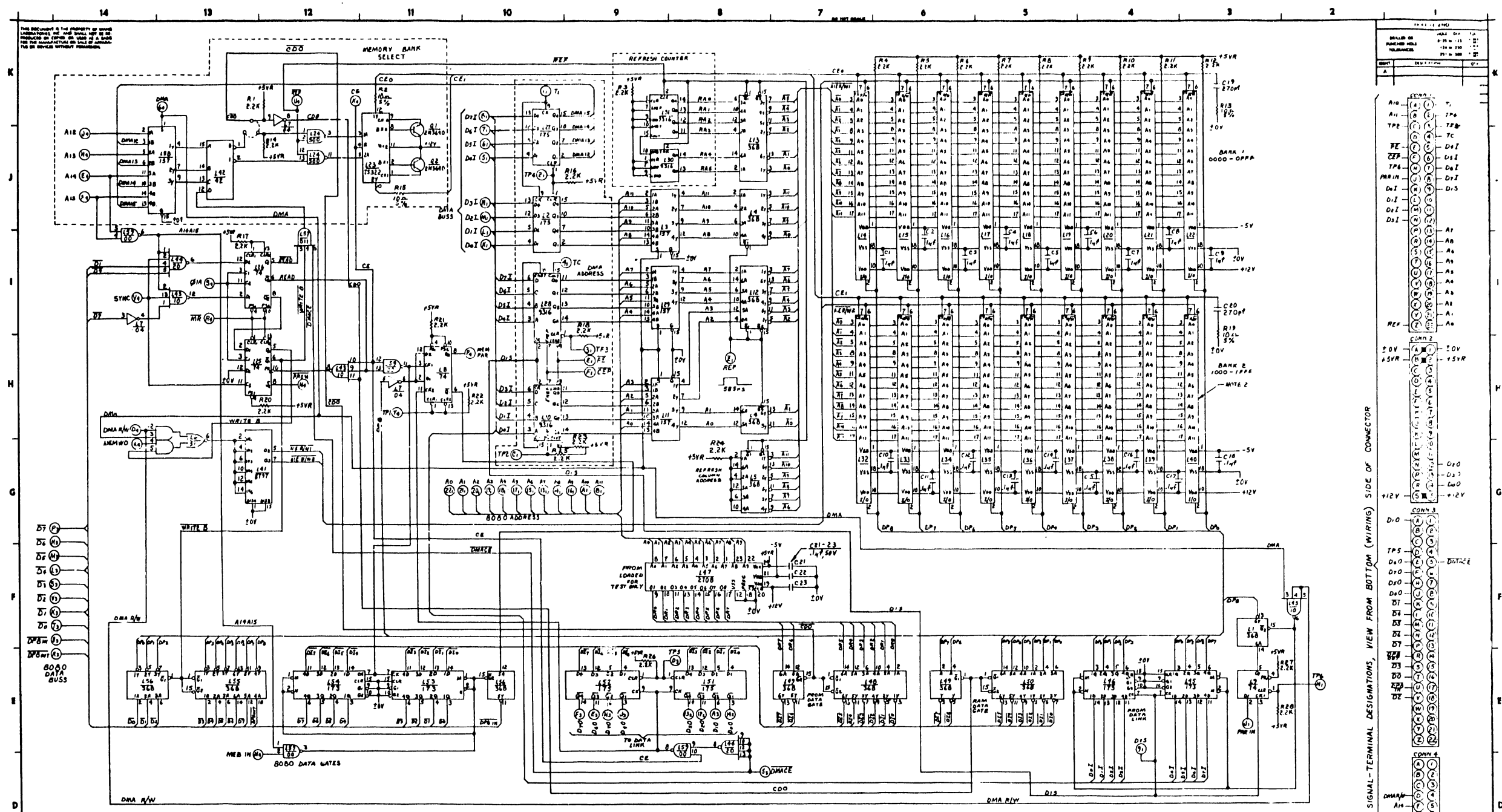
COMPONENT	W.L. NO.
R1, 10, 12, 14, 20, 31	310-3022
R11, 22-25	310-3022
R17	310-9018
R18	310-3010
R19	310-3022
CY-9	300-1906
C10, 11	300-1430
C12	300-4018
C13	300-1906
C16	300-9026
C15	300-1220
C18-41	300-1900
C42, 43	300-4022

I.C. LOCATION	W.L. NO.	IC PART NO.	TERMINAL	FOR
L1	376-0238	7	14	
L2	376-0197	7	14	
L3, 33	376-0003	7	14	
L4, 5	376-0054	8	16	
L6, 10	376-0055	7	14	
L7	376-0104	8	16	
L8, 21	376-0109	7	14	
L9, 35	376-0093	7	14	
L10, 24	376-0061	7	14	
L11, 32, 34	376-0062	7	14	
L12	376-0194	7	14	
L13, 14, 19, 22	376-0010	7	14	
L14, 15, 23	376-0179	8	16	
L17, 30	376-0119	8	16	
L20	376-0126	1	8	
L23	376-0004	7	14	
L25, 31, 37	376-0206	7	14	
L26, 27, 28	376-0137	8	16	
L34	376-0031	7	14	

TYPE	LOCATION	SPARES
74510	L1	1
74508	L2	4
7406	L6	2
9602	L7	1
7408	L24	2
7400	L11	2
7432	L35	2
7411	L12	1
7404	L16	1
7474	L37	1

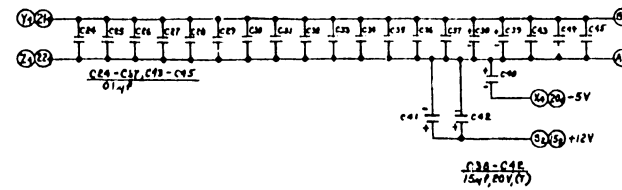
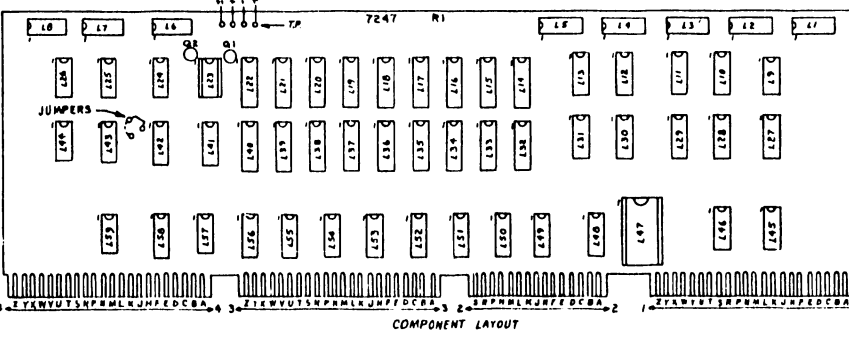
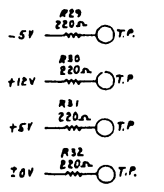


WANG PART NO.	ITEM	QTY	NAME	MATERIAL	DESCRIPTION
7246	1	1	DATA LINK AND DAISY PRINTER		



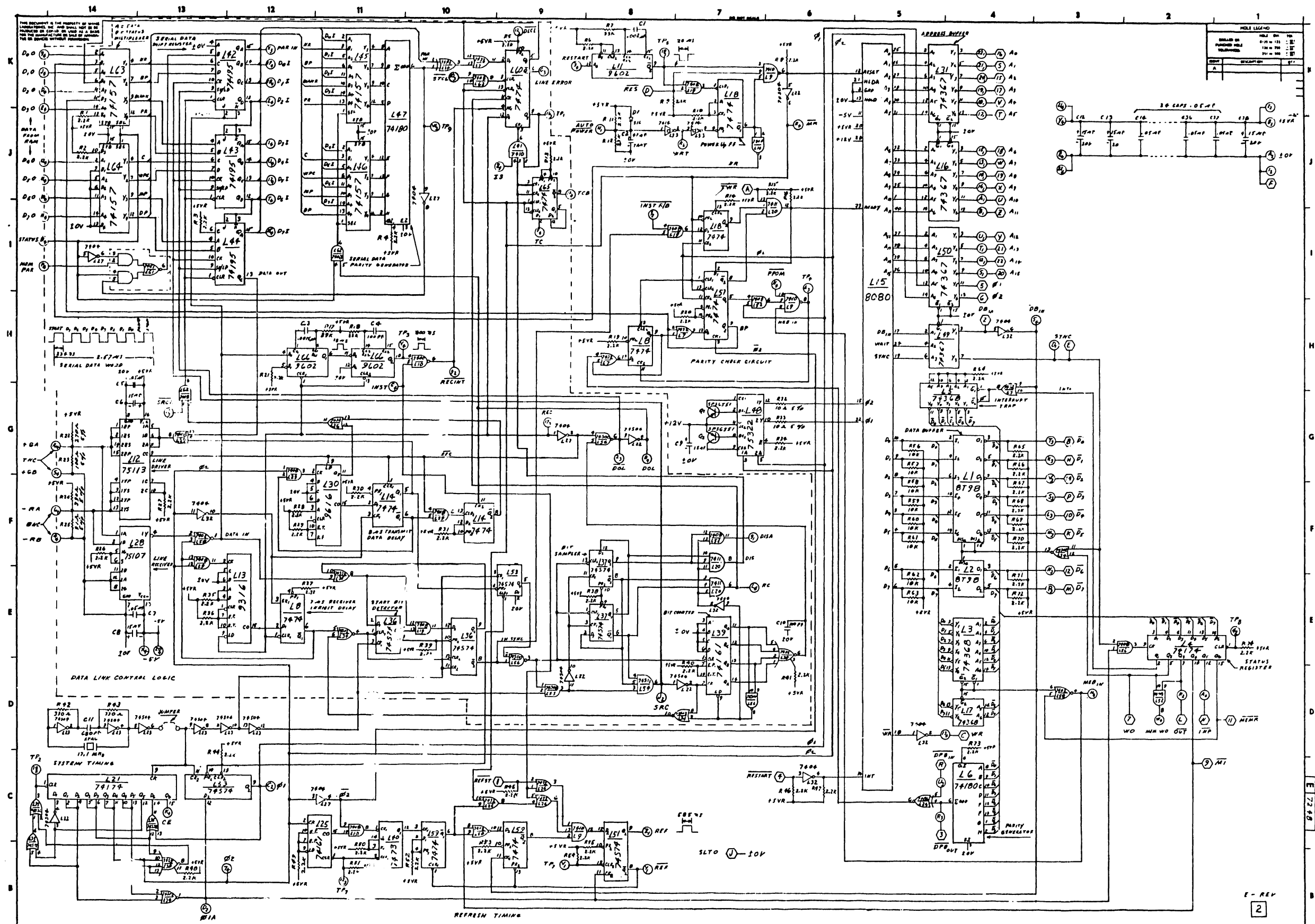
COMPONENT	W.L. PART NO.	LOCATION	W.L. PART NO.	TERMINAL	TERMINAL
R1, 3-12, 14, 16, 18, 20, 21, 22, 23, 24, 25, 26, 27, 28, 29, 30, 31, 32, 33, 34, 35, 36, 37, 38, 39, 40, 41, 42, 43, 44, 45, 46, 47, 48, 49, 50, 51, 52, 53, 54, 55, 56, 57, 58, 59, 60, 61, 62, 63, 64, 65, 66, 67, 68, 69, 70, 71, 72, 73, 74, 75, 76, 77, 78, 79, 80, 81, 82, 83, 84, 85, 86, 87, 88, 89, 90, 91, 92, 93, 94, 95, 96, 97, 98, 99, 100	330-3022	L1, 2, 3, 4, 5, 6, 7, 8, 9, 10, 11, 12, 13, 14, 15, 16, 17, 18, 19, 20, 21, 22, 23, 24, 25, 26, 27, 28, 29, 30, 31, 32, 33, 34, 35, 36, 37, 38, 39, 40, 41, 42, 43, 44, 45, 46, 47, 48, 49, 50, 51, 52, 53, 54, 55, 56, 57, 58, 59, 60, 61, 62, 63, 64, 65, 66, 67, 68, 69, 70, 71, 72, 73, 74, 75, 76, 77, 78, 79, 80, 81, 82, 83, 84, 85, 86, 87, 88, 89, 90, 91, 92, 93, 94, 95, 96, 97, 98, 99, 100	376-0179	8	16
R2, 13, 15, 17	330-1011	L2, 21, 21, 52	376-0119	8	16
C1 - 9	300-1931	L3, 1, 1, 29, 58	376-0082	8	16
C10-18, 21-23	300-1930	L4	376-0012	7	16
C19, 20	300-1270	L7	376-0010	7	14
C24-37, 43-45	300-1903	L8, 9, 25, 26	376-0004	7	14
C38-42	300-4022	L10, 23, 30, 31	376-0094	8	16
Q1, 2	375-1050	L4-23, 32-40	377-0314	16	24
R29-32	330-2022	L23	376-0178	7	14
		L24	376-0228	7	14
		L41	376-0176	8	16
		L42	376-0006	8	16
		L43	376-0003	7	14
		L44	376-0004	7	14
		L45, 46, 53, 54	376-0183	8	16
		L47	377-0317	12	24
		L57	376-0237	7	14
		L59	376-0002	7	14
		EM-22, 32-48	376-9014		
		L23	376-9001		
		L47	376-9005		

LOCATION	TYPE	SPARES
L1	7436B	4
L6	7451	1
L7	7404	3
L9	7474	1
L24	74500	2
L57	74511	2



WANG PART NO.	QTY	NAME	MATERIAL	DATE	APPROVED BY
210-7247	1	SCHEMATIC LOGIBLOC			
		PRINTER MEMORY			

2. ALL MEMORY CHIPS ARE 9080.  
 1. ALL IC CHIPS ARE 7400 SERIES UNLESS OTHERWISE SPECIFIED.  
 NOTES



REV	DATE	BY	DESCRIPTION
1	11-17-71	W. J. ...	...
2	11-17-71	W. J. ...	...
3	11-17-71	W. J. ...	...
4	11-17-71	W. J. ...	...
5	11-17-71	W. J. ...	...

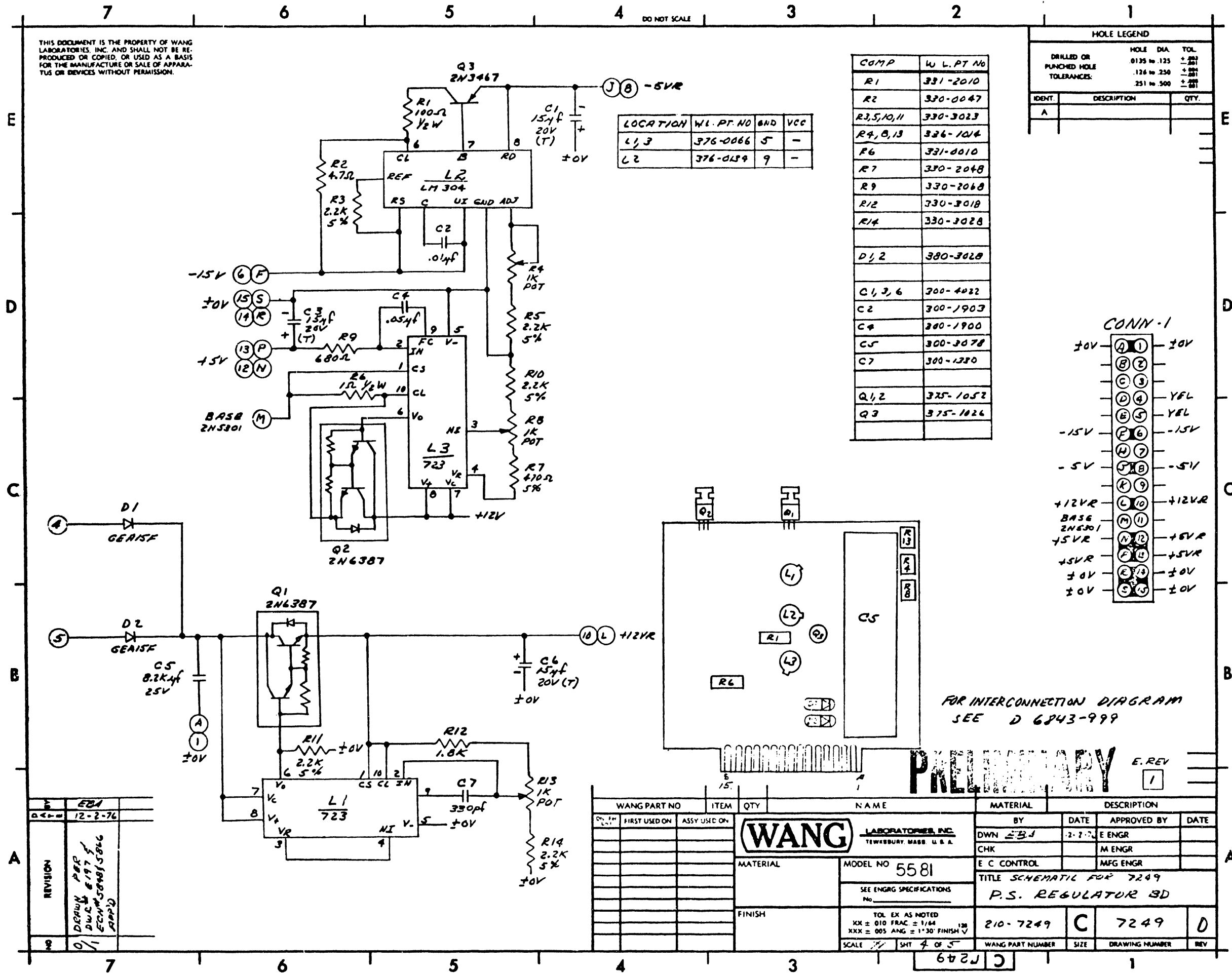
WANG PART NO.	ITEM	QTY	NAME	MATERIAL	DESCRIPTION
724B	...	...	...	...	...
...	...	...	...	...	...
...	...	...	...	...	...

<b>WANG</b>		DATE	APPROVED BY	DATE
MODEL NO.	92B	7/2/72	LENGE, J.P.	8/1/72
TITLE		SCHEMATIC PRINTER CPU		
210-724B	E 724B	3		



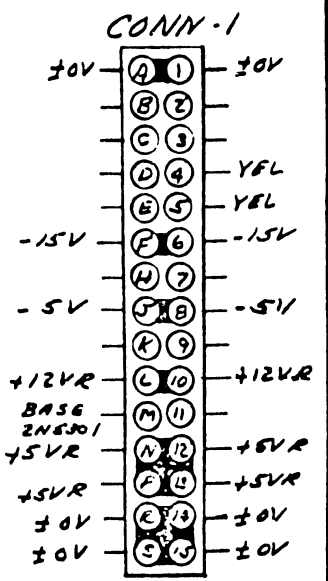
THIS DOCUMENT IS THE PROPERTY OF WANG LABORATORIES, INC. AND SHALL NOT BE REPRODUCED OR COPIED, OR USED AS A BASIS FOR THE MANUFACTURE OR SALE OF APPARATUS OR DEVICES WITHOUT PERMISSION.



LOCATION	WL. PT. NO	BND	VCC
L1,3	376-0066	5	-
L2	376-0154	9	-

COMP	WL. PT. No
R1	331-2010
R2	330-0047
R3,5,10,11	330-3023
R4,8,13	336-1014
R6	331-0010
R7	330-2048
R9	330-3068
R12	330-3018
R14	330-3028
D1,2	380-3028
C1,3,6	300-4022
C2	300-1903
C4	300-1900
C5	300-3078
C7	300-1380
Q1,2	325-1052
Q3	325-1026

HOLE LEGEND		
	HOLE DIA	TOL
DRILLED OR PUNCHED HOLE	0125 to .125	±.001
	.126 to .250	±.001
	.251 to .500	±.001



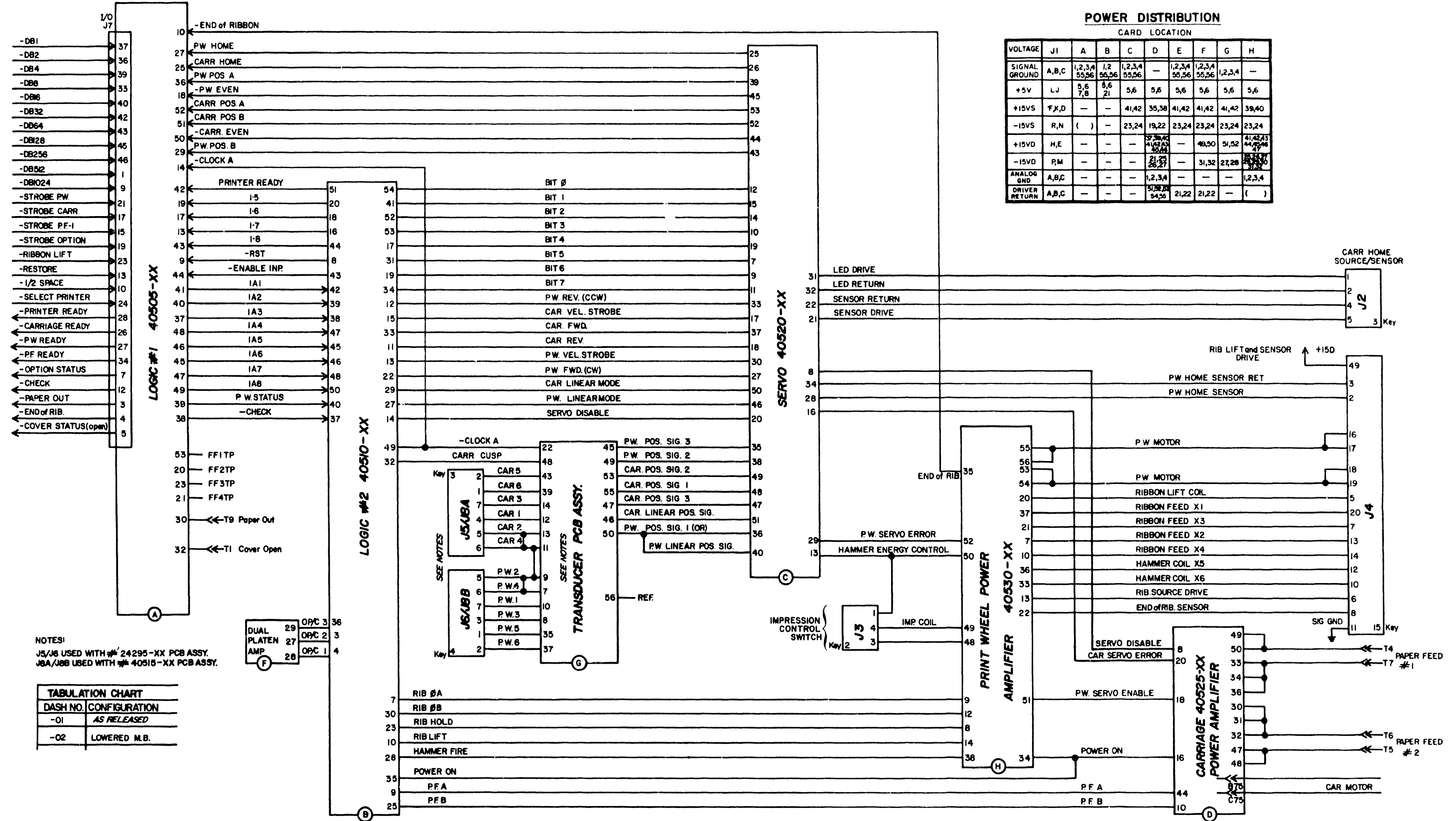
FOR INTERCONNECTION DIAGRAM SEE D 6243-999

**PRELIMINARY**

REVISION	DATE	BY
1	12-2-76	EBA
0		DESIGN PER DWG 81975 ECN 5881586

WANG PART NO	ITEM	QTY	NAME	MATERIAL	DESCRIPTION
	FIRST USED ON	ASSY USED ON			
			MATERIAL	MODEL NO	5581
			SEE ENGRG SPECIFICATIONS		
			FINISH	TOL EX AS NOTED	
				XX ± 010 FRAC = 1/64	
				XXX = 005 ANG = 1°30' FINISH	
			SCALE	SHT 4 OF 5	210-7249 C 7249 D
					WANG PART NUMBER SIZE DRAWING NUMBER REV



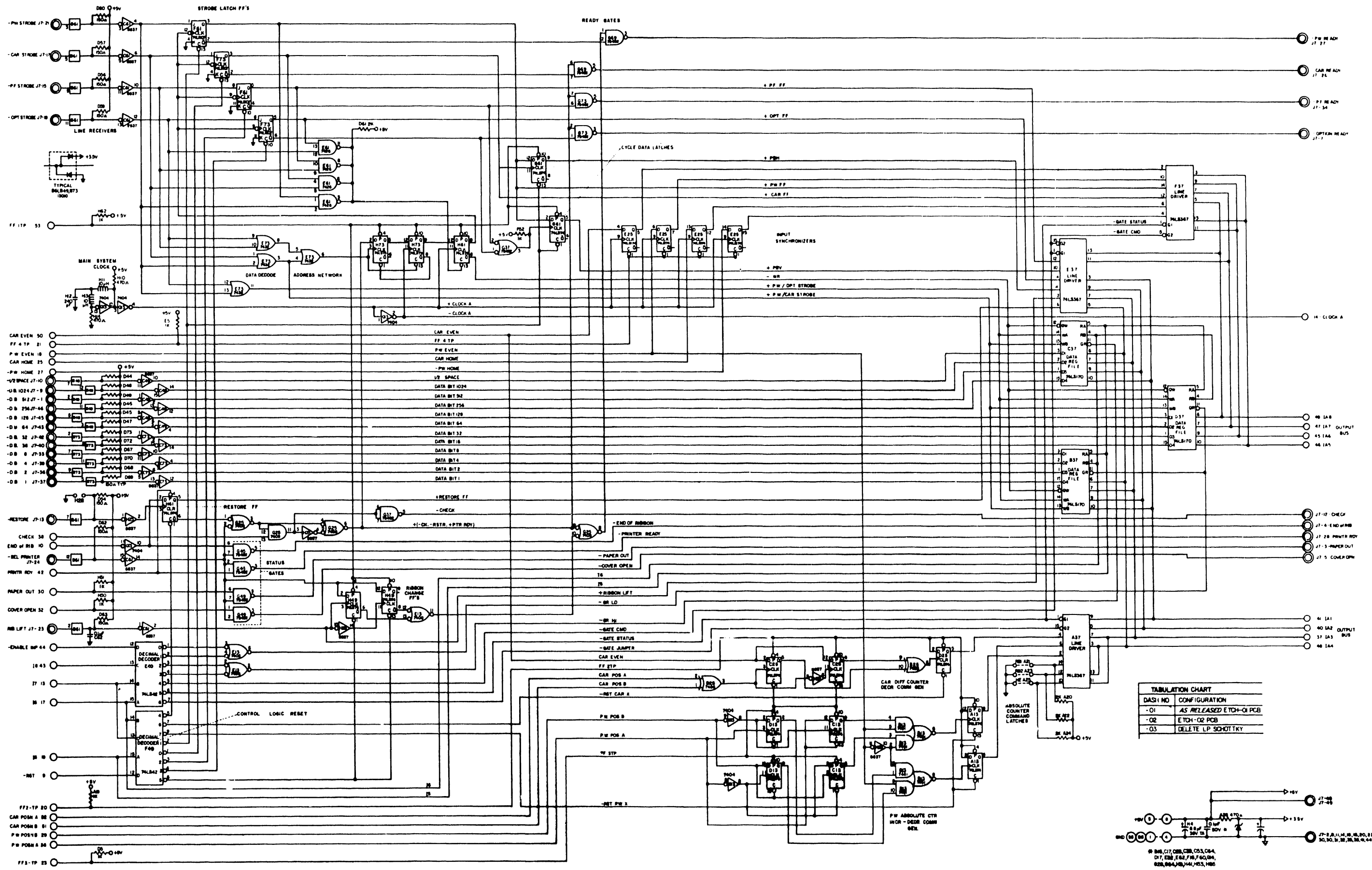


**POWER DISTRIBUTION**  
CARD LOCATION

VOLTAGE	J1	A	B	C	D	E	F	G	H
SIGNAL GROUND	A,B,C	1,2,3,4 55,56	1,2 55,56	1,2,3,4 55,56	-	1,2,3,4 55,56	1,2,3,4 55,56	1,2,3,4	-
+5V	LJ	5,6 7,8	5,6 21	5,6	5,6	5,6	5,6	5,6	5,6
+15V5	F,X,D	-	-	41,42	35,38	41,42	41,42	41,42	39,40
-15V5	R,N	( )	-	23,24	19,22	23,24	23,24	23,24	23,24
+15V0	H,E	-	-	-	37,38,40 41,42,43 55,56	-	49,50	51,52	41,42,43 44,45,46
-15V0	P,M	-	-	-	21,22 23,24	-	31,32	27,28	29,30
ANALOG GND	A,B,C	-	-	-	1,2,3,4	-	-	-	1,2,3,4
DRIVER RETURN	A,B,C	-	-	-	51,52,53 54,55	21,22	21,22	-	( )

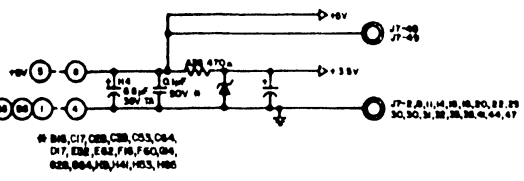
NOTES:  
J5/J6 USED WITH # 24295-XX PCB ASSY.  
J8A/J8B USED WITH # 40515-XX PCB ASSY.

DASH NO.	CONFIGURATION
-01	AS RELEASED
-02	LOWERED M.B.

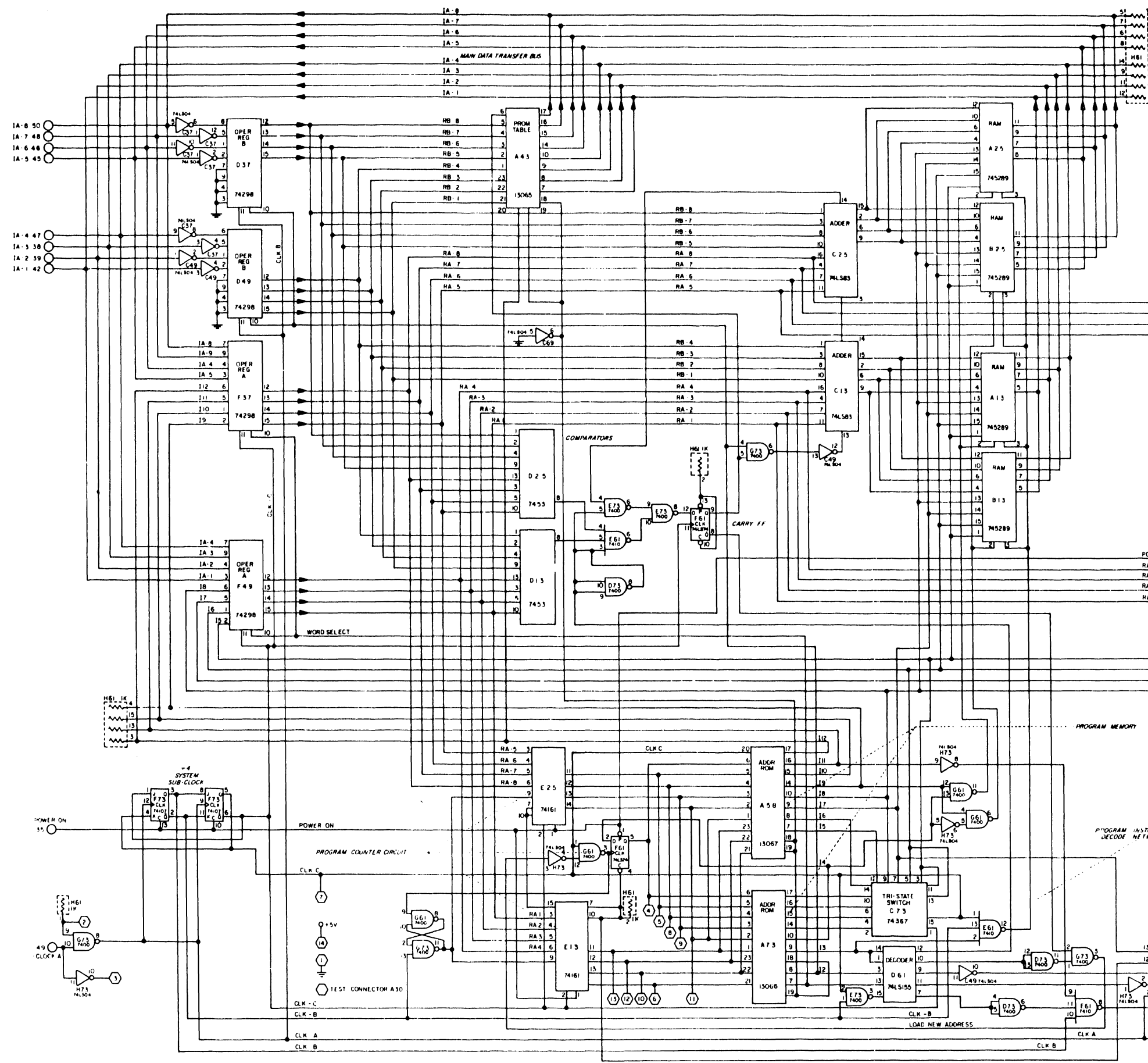


**TABULATION CHART**

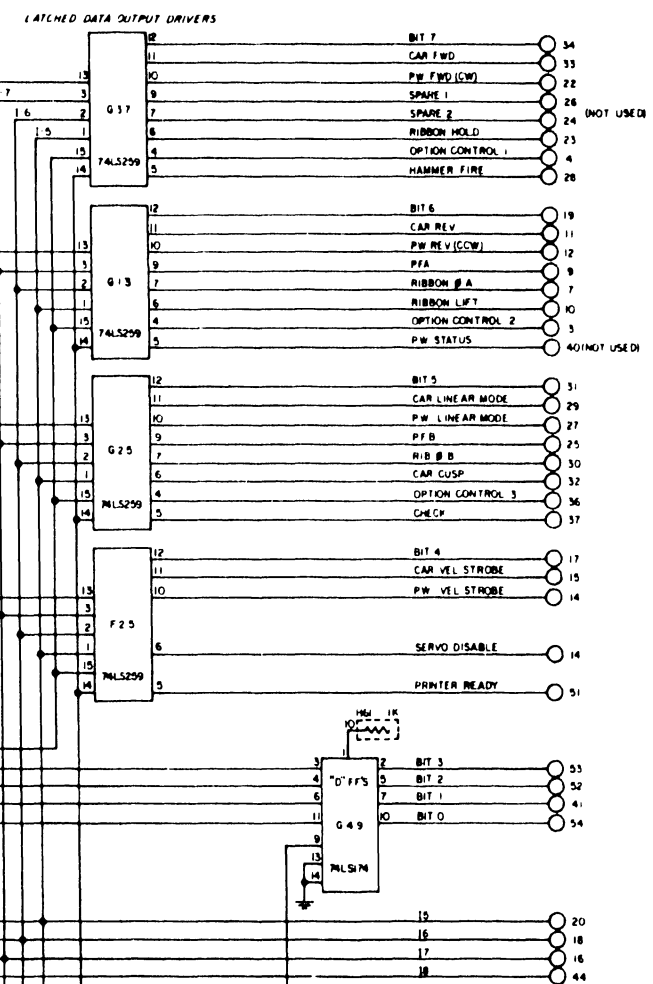
DASH NO	CONFIGURATION
-01	AS RELEASED ETCH-01 PCB
-02	ETCH-02 PCB
-03	DELETE LP SCHOTTKY



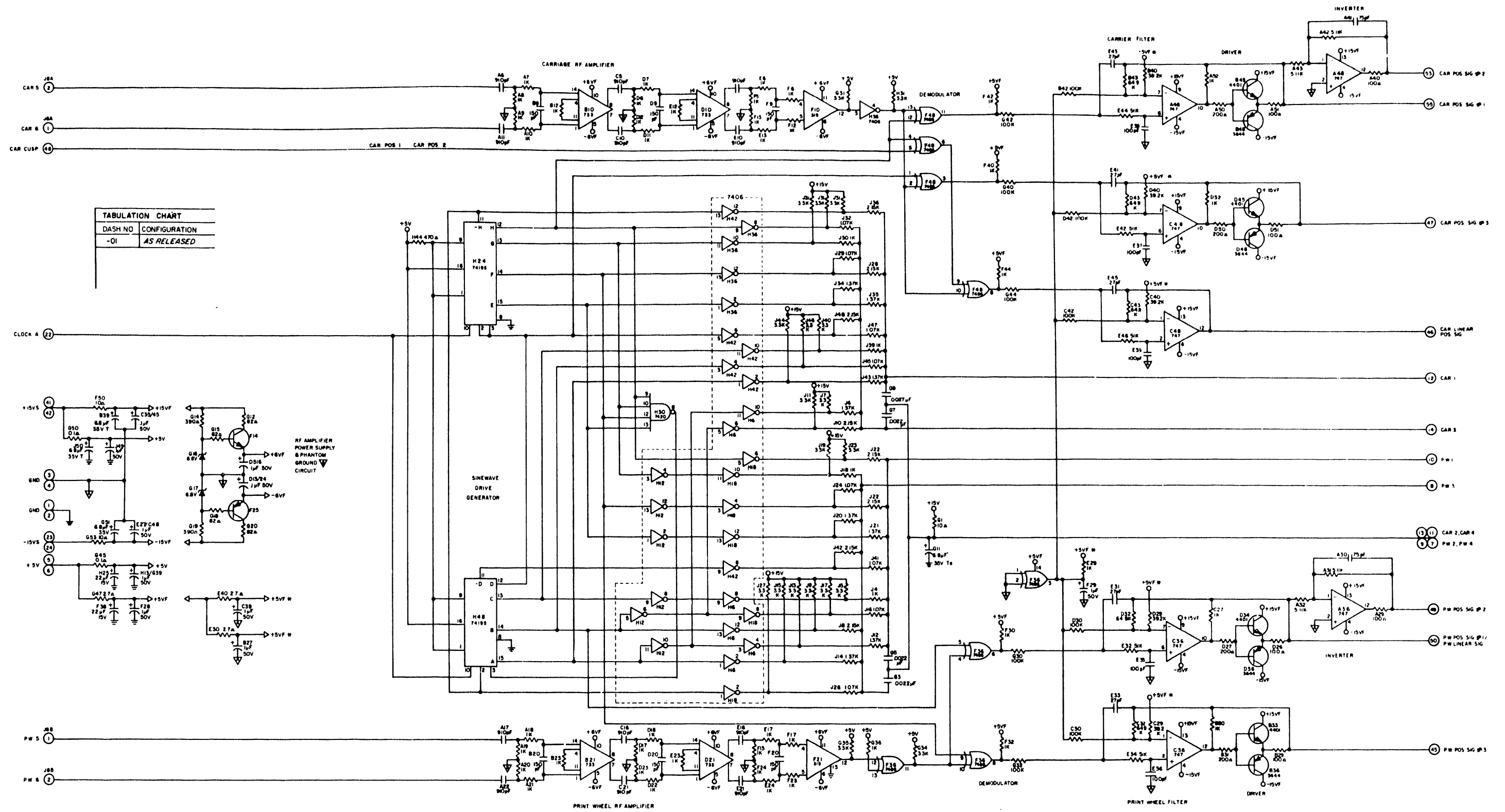
LOGIC I PCB ASSEMBLY, STANDARD INTERFACE # 40505-XX

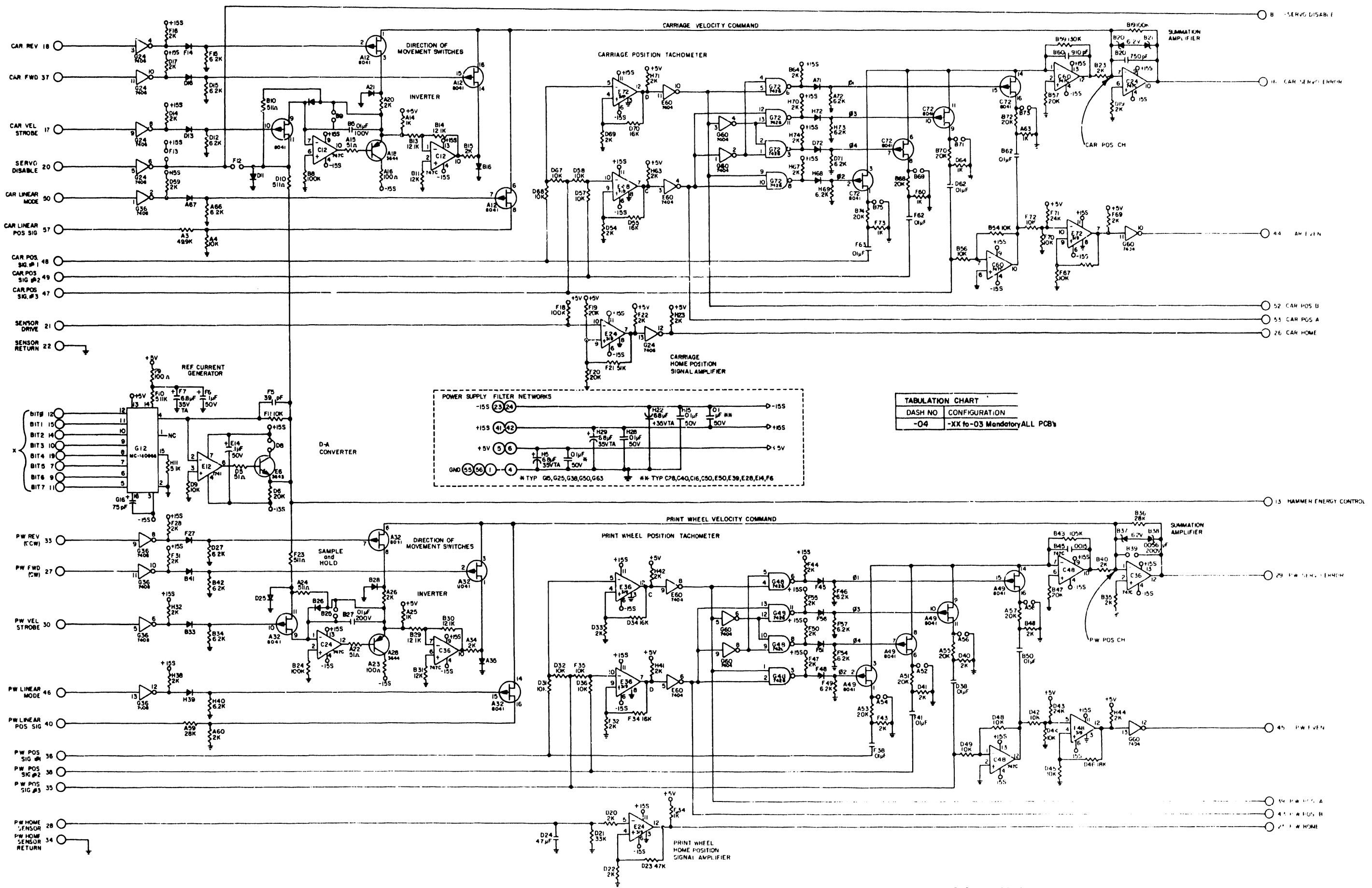


TABULATION			
ECO	DASH #	ETCH	CONFIGURATION
AI274	-05	05	1345A STANDARD
	-34	05	1355 WP STD
	-46	05	1345 BOBO
	-54	05	1345 SPECIAL S
	-64	05	1345 SPECIAL D
	-22	05	1355 HS

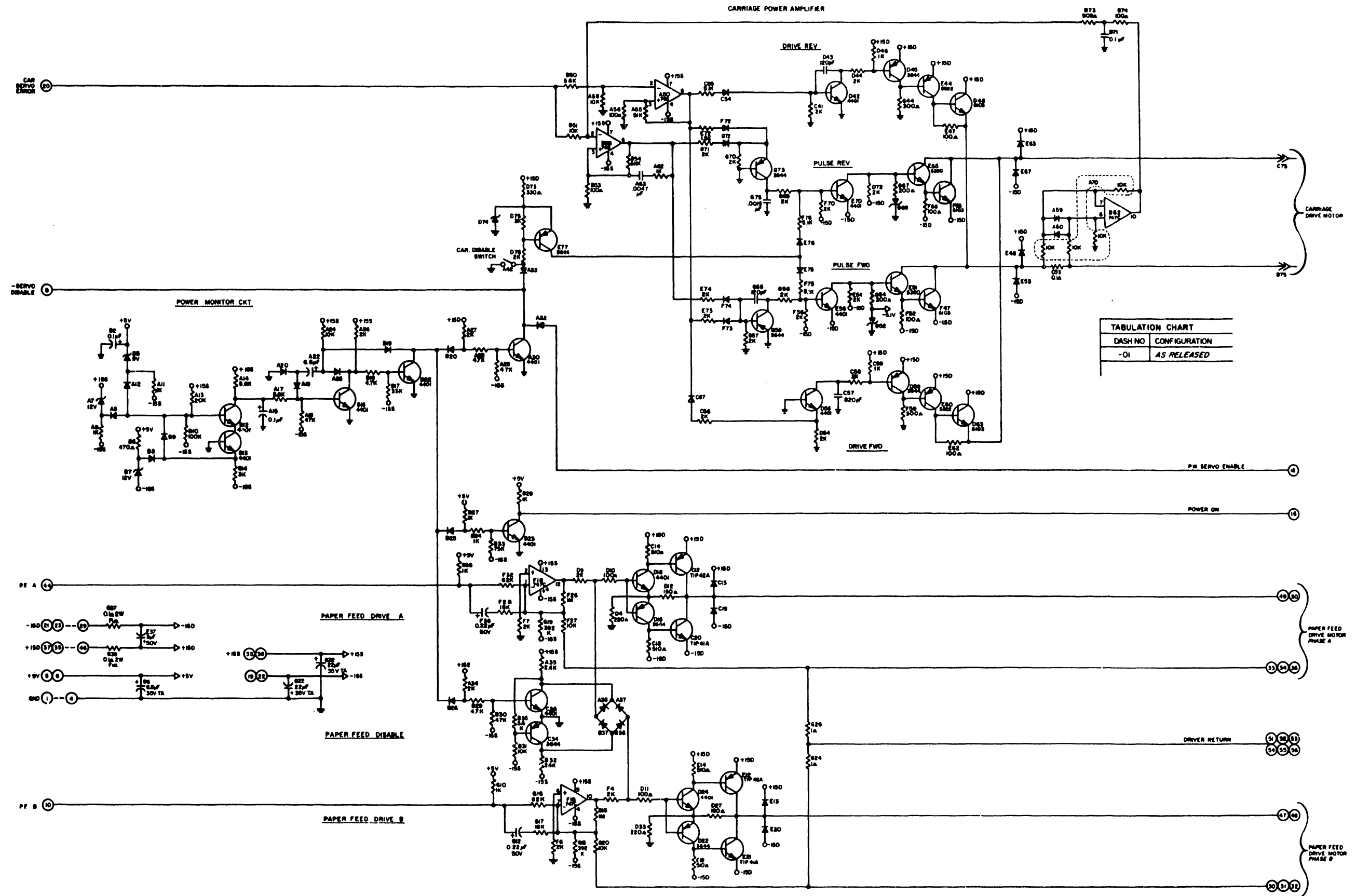


LOGIC II PCB ASSEMBLY, STANDARD # 40510-XX

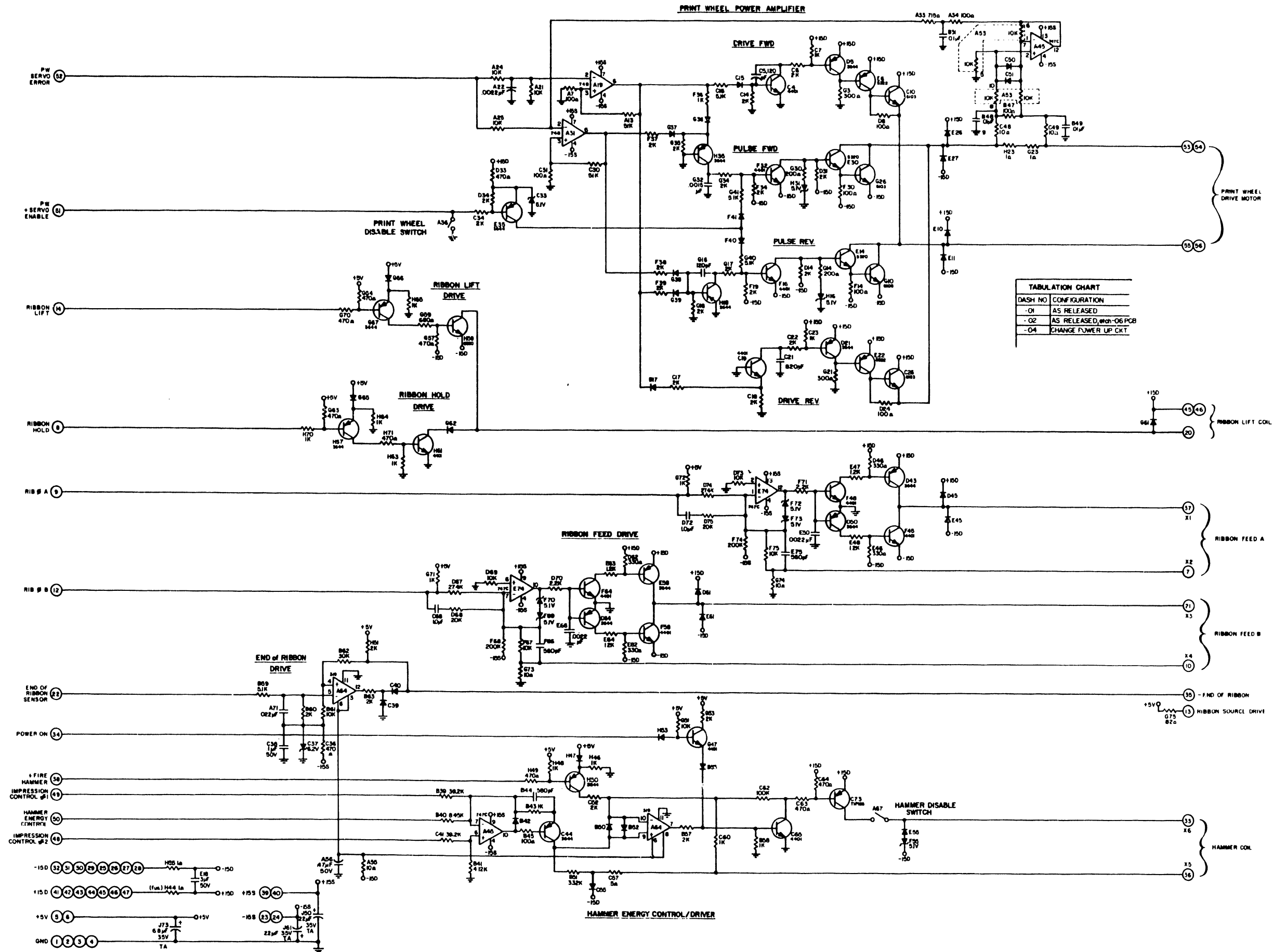




TABULATION CHART	
DASH NO	CONFIGURATION
-04	-XX to -03 Mandatory ALL PCB's



CARRIAGE POWER AMP PCB ASSEMBLY, STANDARD # 40525-XX



PRINT WHEEL POWER AMP PCB ASSEMBLY, 1355WP # 40730-XX

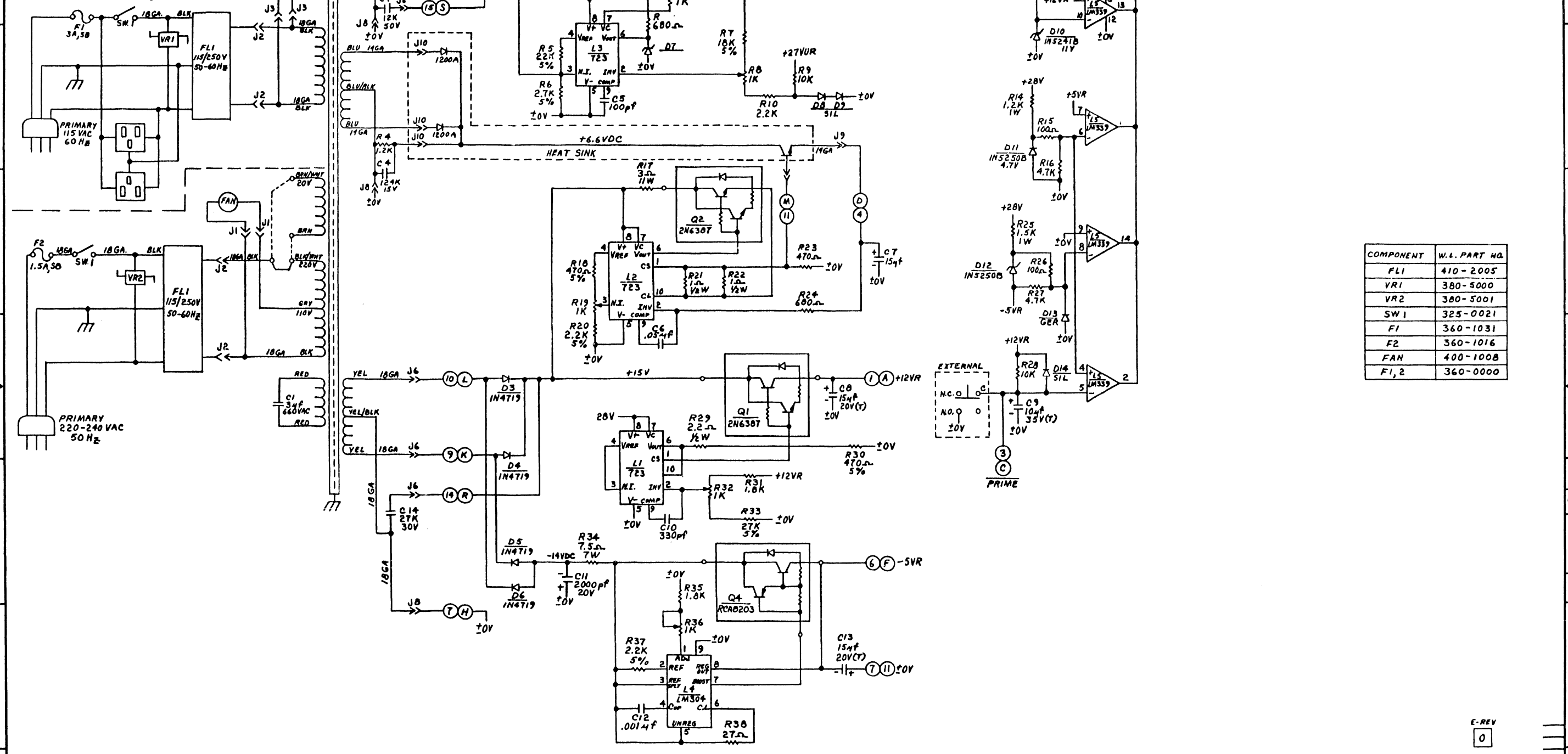
THE INFORMATION CONTAINED IN THIS DRAWING IS THE PROPERTY OF WANG LABORATORIES, INC. AND IS CONFIDENTIAL AND PROPRIETARY TO WANG LABORATORIES, INC. IT MAY NOT BE COPIED, REPRODUCED OR USED IN WHOLE OR IN PART FOR ANY REASON.

MILLIMETERS IN PARENTHESES. TOLERANCES TO BE EQUIVALENT TO INCH DIMENSIONS.

TRANSFORMER  
W.L. # 410-0108  
DWG # 5068-105

DO NOT SCALE

HOLE LEGEND & TOLERANCES		
DRILL DIA	TOLERANCE	
015 - .125	+ .001 - .000	
.125 - .250	+ .001 - .000	
.251 - .500	+ .002 - .001	
SYM	DESCRIPTION	SYM
A		



COMPONENT	W.L. PART HQ
FL1	410-2005
VR1	380-5000
VR2	380-5001
SW1	325-0021
F1	360-1031
F2	360-1016
FAN	400-1008
F1, 2	360-0000

REV	DESCRIPTION	DATE	BY	DATE	APPROVED BY	DATE
1	ORIGINATED PER DWG # 2102 APP'D:	1-6-77	DWN	1-6-77	E ENGR	
2			CHK		M ENGR	
3					MFG ENGR	

QTY	ITEM	WANG PART NO.	DRAWING NO.	DESCRIPTION
	NEXT ASSY.			

MATERIAL	MODEL NO.	TITLE
		INTERCONNECTION DIAGRAM FOR MODEL 928

FINISH	SCALE	SHT	OF	WANG PART NUMBER	SIZE	DRAWING NUMBER	REV
				D 6840-999	0		

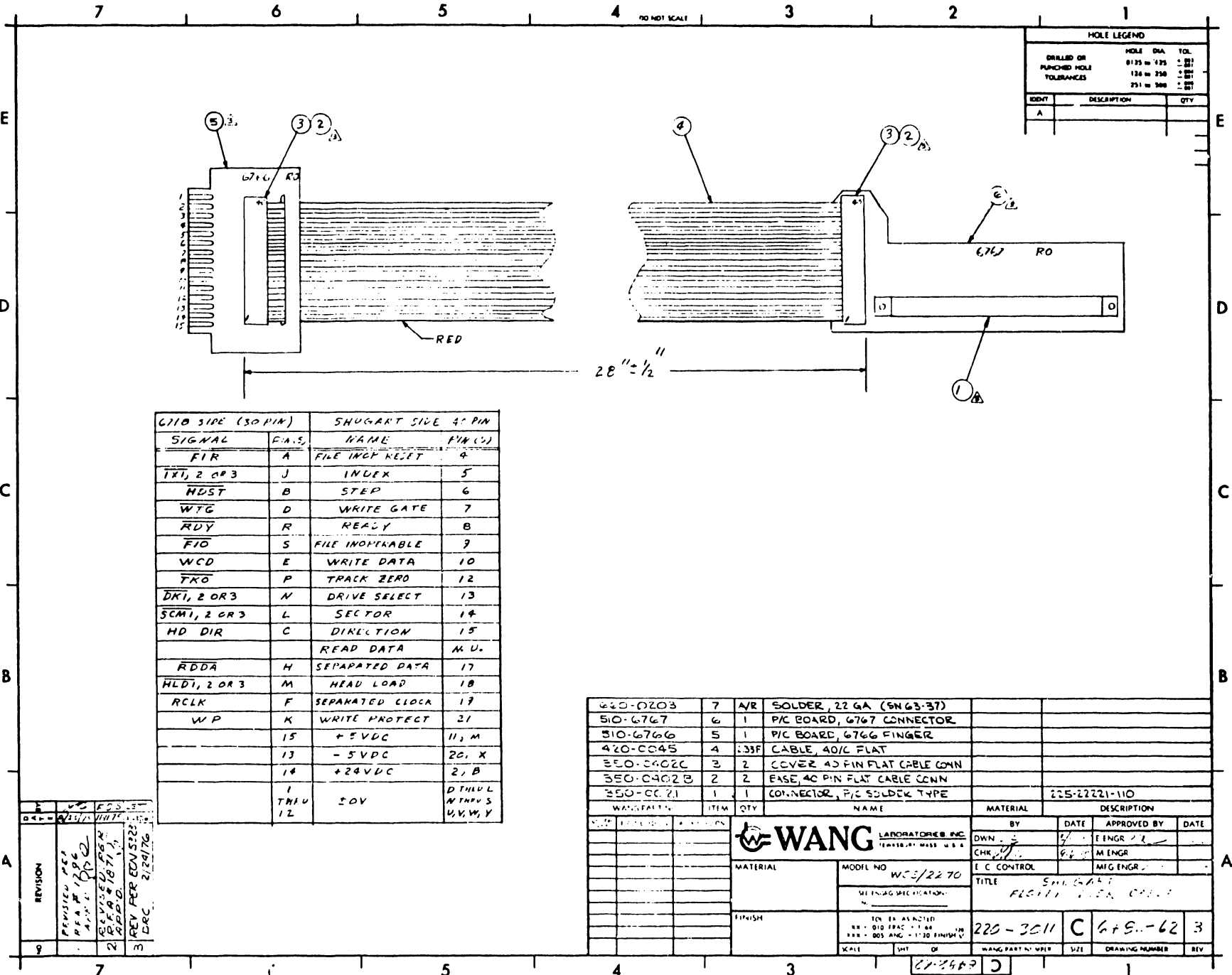


WORK STATION INTERCONNECTION  
DIAGRAM FOR MODEL (928W2)  
# D6841-999  
(NOT AVAILABLE)





4-45



G110 SIDE (50 PIN)		SHUGART SIDE 40 PIN	
SIGNAL	P.A.S.	NAME	PIN (S)
FIR	A	FILE INCP RESET	4
IX1, 2 OR 3	J	INDEX	5
HDST	B	STEP	6
WTG	D	WRITE GATE	7
RDY	R	READY	8
FID	S	FILE INOPRABLE	9
WCD	E	WRITE DATA	10
FKO	P	TRACK ZERO	12
DK1, 2 OR 3	N	DRIVE SELECT	13
SEM1, 2 OR 3	L	SECTOR	14
HD DIR	C	DIRECTION	15
		READ DATA	M.U.
RDDA	H	SEPARATED DATA	17
HLD1, 2 OR 3	M	HEAD LOAD	18
RCLK	F	SEPARATED CLOCA	19
W.P	K	WRITE PROTECT	21
	15	+5VDC	11, M
	13	-5VDC	20, X
	14	+24VDC	21, B
	1	THRU	D THRU L
	12	50V	W THRU S U, V, W, Y

WANG PART NO.	ITEM	QTY	NAME	MATERIAL	DESCRIPTION
620-0203	7	A/R	SOLDER, 22 GA (5N63-37)		
510-6767	6	1	P/C BOARD, 6767 CONNECTOR		
310-6766	5	1	P/C BOARD, 6766 FINGER		
420-CC45	4	33F	CABLE, 40/C FLAT		
350-CC02C	3	2	COVER 40 PIN FLAT CABLE CONN		
350-CC02B	2	2	EASE, 40 PIN FLAT CABLE CONN		
350-CC21	1	1	CONNECTOR, P/C SOLDER TYPE		225-22221-110

BY	DATE	APPROVED BY	DATE
DWN	5/13/70	F ENGR	
CHK	6/2/70	M ENGR	

WANG LABORATORIES INC. WASHINGTON, MASS. U.S.A.

MATERIAL MODEL NO. WCS/2270

FINISH

SCALE 1:1

220-3011 C 6+5.-62 3

WANG PART NUMBER SIZE DRAWING NUMBER REV

REVISION	DATE	BY	DESCRIPTION
1	6/13/70	W	REVISED PER R.F.A.M. 11/69
2	6/20/70	W	REVISED PER R.F.A.M. 11/69
3	2/24/70	W	REV PER EDV SIZING

6 5 4 3 2 1

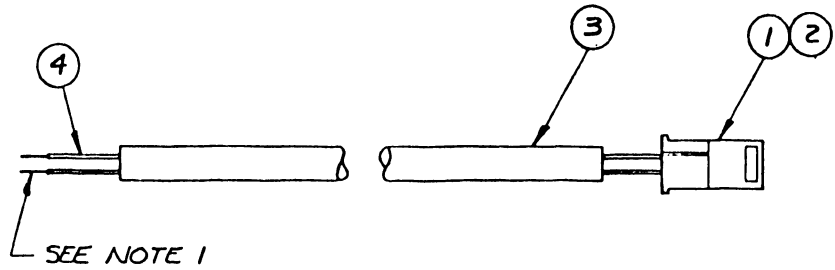
THE INFORMATION CONTAINED IN THIS DRAWING IS THE PROPERTY OF WANG LABORATORIES, INC., AND IS CONFIDENTIAL AND PROPRIETARY TO WANG LABORATORIES, INC.. IT MAY NOT BE COPIED, REPRODUCED OR USED IN WHOLE OR IN PART FOR ANY REASON.

DO NOT SCALE

NOTES:  
1. STRIP & TIN LEADS 1/4"

MILLIMETERS IN PARENTHESES.  
TOLERANCES TO BE EQUIVALENT TO INCH DIMENSIONS.

HOLE LEGEND & TOLERANCES		
HOLE DIA	TOLERANCE	
.0125 - .125	+ .003 - .001	
.126 - .250	+ .004 - .001	
.251 - .500	+ .005 - .001	
SYM.	DESCRIPTION	QTY.
A		



PIN	DESCRIPTION	LENGTH AFTER TWISTING
1	#18 BLUE	27"
2	#18 BLUE	27"

TWISTED PAIR  
APPROX. 4 TURNS  
PER INCH  
TOL ± 1/2

4.5'	4	600-0006	WIRE #18 BLUE	
2.0'	3	605-0012	#4 TUBING, CLEAR	
2	2	654-1163R	SOCKET 20-19 GA 6117-4	
1	1	654-1148	SOCKET HOUSING 1-480318-0	
QTY.	ITEM	WANG PART NO.	DRAWING NO.	DESCRIPTION

NO.	REVISION	DATE	BY
0	GEN. PER DWR M094		

NEXT ASSY.		<b>WANG</b> LABORATORIES, INC. TEWELSBURY, MASS. U.S.A.		BY	DATE	APPROVED BY	DATE
MATERIAL		MODEL NO. 1222 LPO		DWN DRC	3/7/76	E ENGR	
FINISH		SEE ENGR. SPECIFICATIONS No. ES-1001		CHK	3/11/76	M ENGR	
SCALE		TOL. EX. AS NOTED .XX ± .01 FRAC. ± 1/64 .XXX ± .005 ANG. ± 1° FINISH		QTY	MFG ENGR J.L. 3/11/76		
SHT 1 OF 1		TITLE		220-1066 B 6482-78 0			
		WANG PART NUMBER		WANG PART NUMBER SIZE DRAWING NUMBER REV.			

6 5 4 3 2 1

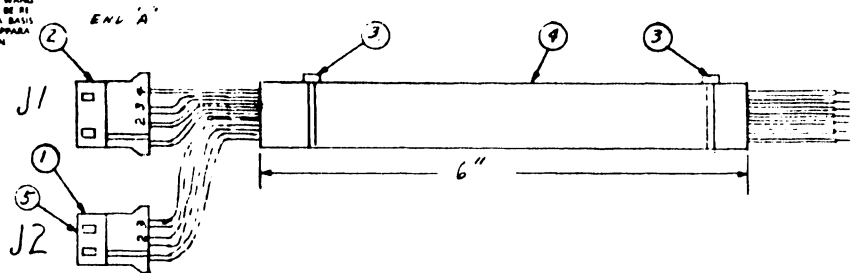
4-46

B 6482-78

B

A

THIS DOCUMENT IS THE PROPERTY OF WANG LABORATORIES, INC. AND SHALL NOT BE REPRODUCED OR COPIED OR USED AS A BASIS FOR THE MANUFACTURE OR SALE OF APPARATUS OR DEVICES WITHOUT PERMISSION.



HOLE LEGEND		
BILLED OR	HOLE DIA	TOL.
PUNCHED HOLE	0.125 to 1.75	±.003
TOLERANCES	1.26 to 2.50	±.005
	2.51 to 5.00	±.007
IDENT	DESCRIPTION	QTY
A		

NOTE  
 1. STRIP AND TIN  $\frac{1}{8}$ "  
 2. TOLERANCE  $\pm \frac{1}{16}$ "

WIRE COLOR	END A	END B	SOCKET NO	GAUGE	W.L. PART NO	LENGTH
WHITE	65#-1163R	STRIP+TIN	J1-1	#18	600-0009	9 1/2"
GRAY	65#-1163R	STRIP+TIN	J1-2	#18	600-0008	9 1/2"
BLUE	65#-1163R	STRIP+TIN	J1-3	#18	600-0006	9 1/2"
YELLOW	65#-1163R	STRIP+TIN	J1-4	#18	600-0004	9"
ORANGE	65#-1163R	STRIP+TIN	J2-1	#18	600-0003	9 1/2"
RED	65#-1163R	STRIP+TIN	J2-2	#18	600-0002	9 1/2"
BLACK	65#-1163R	STRIP+TIN	J2-3	#18	600-0000	9 1/2"

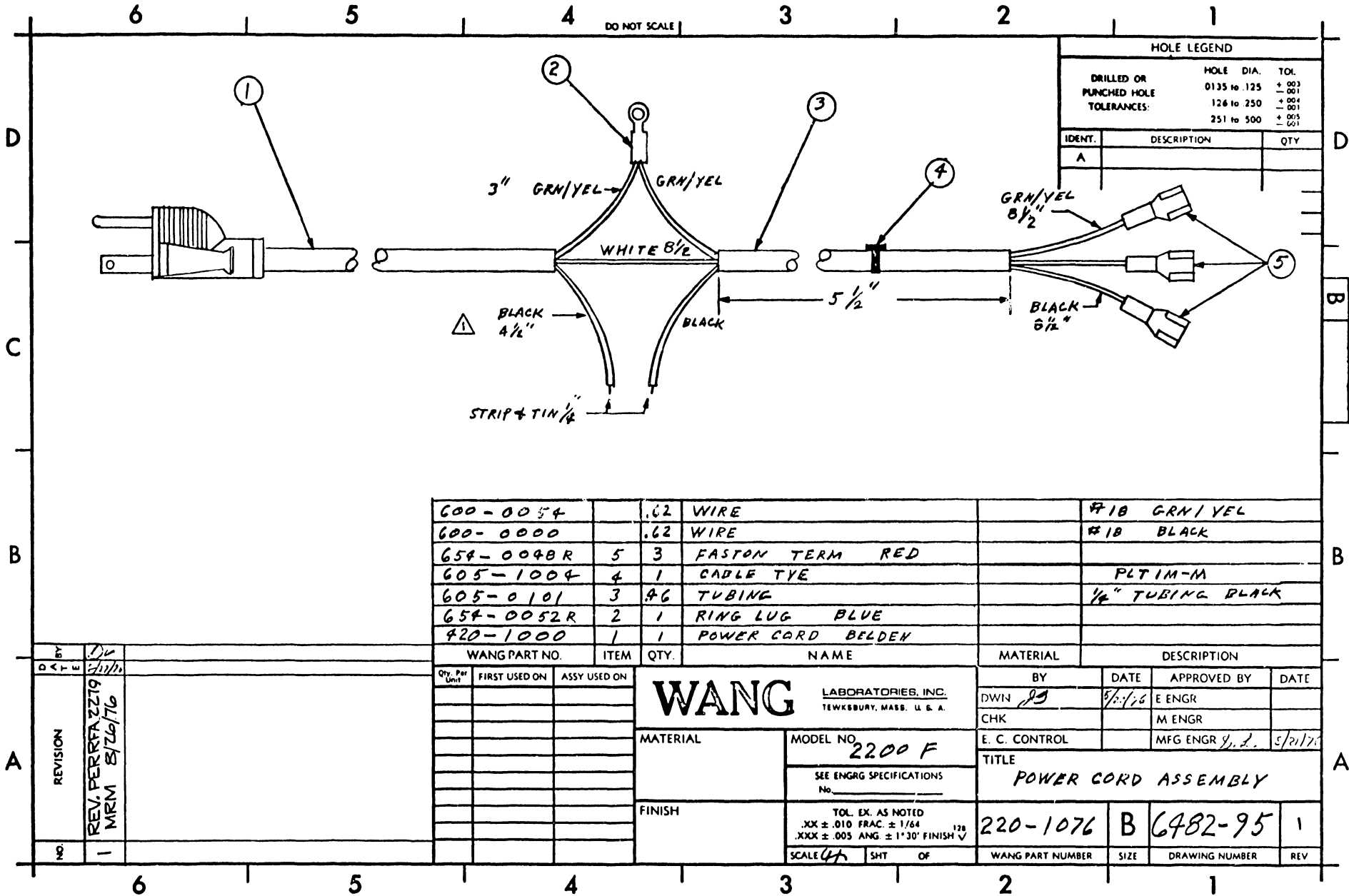
4-47

600-0009	.75	WIRE	#18 WHITE			
600-0008	.75	WIRE	#18 GRAY			
600-0006	.75	WIRE	#18 BLUE			
600-0004	.75	WIRE	#18 YELLOW			
600-0003	.75	WIRE	#18 ORANGE			
600-0002	.75	WIRE	#18 RED			
600-0000	.75	WIRE	#18 BLACK			
65#-1163R	5	7	MATE & LOCK SOCKET	AMP. 20-18 GA.		
605-0102	4	.56	TUBING	5/16" BLACK 6" LONG		
605-1004	3	2	TY-RAP			
65#-1195	2	1	SOCKET HOUSING 4 POS	AMP		
65#-1150	1	1	SOCKET HOUSING 3 POS	AMP.		
WANG PART NO	ITEM	QTY	NAME	MATERIAL	DESCRIPTION	
REV. NO	FIRST USED ON	DATE	BY	DATE	APPROVED BY	DATE
1			DWN	1/12	E ENGR	
			CMK		M ENGR	
			E C CONTROL		MFG ENGR	
			MATERIAL	MODEL NO	TITLE	
				2200	F. S/MC CABLE ASSEMBLY	
			FINISH	TOL. FR. AS NOTED		
				R3 = 0.10 FRAC ± 1/100		
				R32 = 0.05 ANG. ± 1'30 FINISH		
				220-1074	C	6402-91
			SCALE	16-2840	1	

REVISION	DATE	BY	DESCRIPTION
1	1/12/74	DWN	REV FOR RFA. SGTI MARA. 8/2/76

16-2840 C

4-87



HOLE LEGEND		
DRILLED OR PUNCHED HOLE	HOLE DIA.	TOL.
	0135 to .125	+ .003 - .001
	126 to 250	+ .004 - .001
	251 to 500	+ .005 - .001
IDENT.	DESCRIPTION	QTY
A		

600-0054		.62	WIRE	#18 GRN/YEL	
600-0000		.62	WIRE	#18 BLACK	
654-0048R	5	3	FASTON TERM RED		
605-1004	4	1	CABLE TIE	PLT IM-M	
605-0101	3	46	TUBING	1/4" TUBING BLACK	
654-0052R	2	1	RING LUG BLUE		
420-1000	1	1	POWER CORD BELDEN		
WANG PART NO.	ITEM	QTY.	NAME	MATERIAL	DESCRIPTION

BY	DATE
DW	5/21/76

REVISION	NO.	DATE	BY
REV. PER RAZZI MRM	1	8/26/76	

Qty. Per Unit	FIRST USED ON	ASSY USED ON

**WANG** LABORATORIES, INC.  
TEWKSBURY, MASS. U. S. A.

MATERIAL MODEL NO. 2200 F  
SEE ENGRG SPECIFICATIONS No. \_\_\_\_\_

FINISH TOL. EX. AS NOTED  
.XX ± .010 FRAC. ± 1/64  
.XXX ± .005 ANG. ± 1°30' FINISH V

SCALE 4/5 SHT OF

BY	DATE	APPROVED BY	DATE
DWN DW	5/21/76	E ENGR	
CHK		M ENGR	
E. C. CONTROL		MFG ENGR	5/21/76

TITLE POWER CORD ASSEMBLY

220-1076	B	6482-95	1
WANG PART NUMBER	SIZE	DRAWING NUMBER	REV

64-7

7 6 5 4 3 2 1

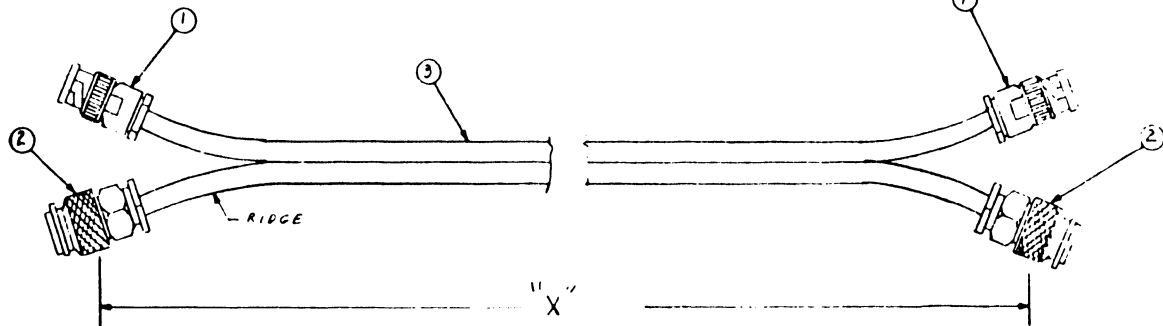
DO NOT SCALE

HOLE LEGEND

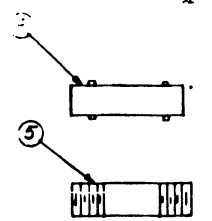
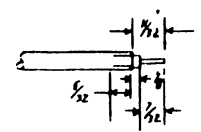
	HOLE DIA.	TOL.
DRILLED OR PUNCHED HOLE	0.125 to 1.25	± .001
TOLERANCES	1.25 to 2.50	± .002
	2.51 to 5.00	± .003

IDENT	DESCRIPTION	QTY
A		



WIRE PREP. TYP. (6 PLACES)



WL. PART NO.	X LENGTH
220-0143	25' ± 3"
120-2300	50' ± 6"
120-2301	100' ± 1'
120-2302	250' ± 2'
120-2305	500' ± 5'
120-2310	1000' ± 5'
120-2320	2000' ± 5'

\* ITEMS 4 & 5 NOT USED ON 220-0143

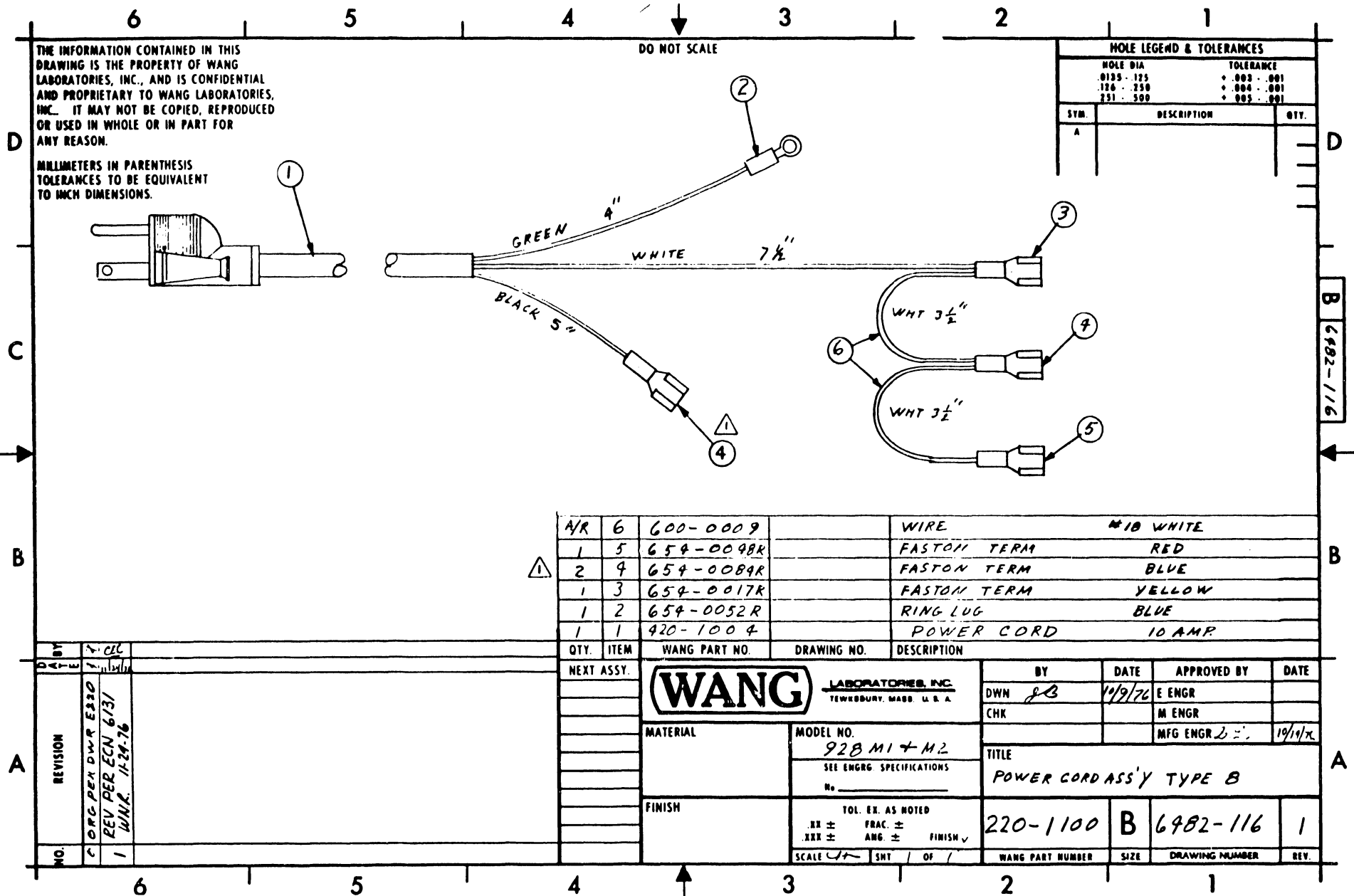
350-257E	5	1P	TNC (BULLET) ADAPTER																																						
350-2077	4	1P	BNC (BULLET) ADAPTER																																						
425-2057	2	1/2	DUAL COAXIAL CABLE																																						
350-2078	2	2	TNC CABLE CONN																																						
350-2079	1	2	BNC CABLE CONN																																						
WANG PART NO.	ITEM	QTY	NAME	MATERIAL	DESCRIPTION																																				
			<table border="1"> <thead> <tr> <th>BY</th> <th>DATE</th> <th>APPROVED BY</th> <th>DATE</th> </tr> </thead> <tbody> <tr> <td>DWN</td> <td>11-16</td> <td>E ENGR</td> <td></td> </tr> <tr> <td>CHK</td> <td></td> <td>M ENGR</td> <td></td> </tr> <tr> <td>E.C. CONTROL</td> <td></td> <td>MFG ENGR</td> <td></td> </tr> </tbody> </table>			BY	DATE	APPROVED BY	DATE	DWN	11-16	E ENGR		CHK		M ENGR		E.C. CONTROL		MFG ENGR																					
BY	DATE	APPROVED BY	DATE																																						
DWN	11-16	E ENGR																																							
CHK		M ENGR																																							
E.C. CONTROL		MFG ENGR																																							
			<table border="1"> <thead> <tr> <th colspan="2">WANG</th> <th colspan="2">LABORATORIES INC.</th> </tr> <tr> <th colspan="4">TRADEMARK MADE U.S.A.</th> </tr> </thead> <tbody> <tr> <td>MATERIAL</td> <td>MODEL NO.</td> <td colspan="2">TITLE</td> </tr> <tr> <td colspan="2">SEE ENG. SPECIFICATIONS</td> <td colspan="2">SEE CHART C 64-2-102 S</td> </tr> <tr> <td>FINISH</td> <td>FIN. EX. AS NOTED</td> <td colspan="2">SCALE</td> </tr> <tr> <td></td> <td>RS - 0.10 FRAC. ± 0.001</td> <td colspan="2">WANG. PART NO. 64-2-102 S</td> </tr> <tr> <td></td> <td>RR - 0.15 FRAC. ± 0.001</td> <td colspan="2">SIZE</td> </tr> <tr> <td></td> <td>SS - 0.15 FRAC. ± 0.001</td> <td colspan="2">DRAWING NUMBER</td> </tr> <tr> <td></td> <td>TT - 0.15 FRAC. ± 0.001</td> <td colspan="2">REV</td> </tr> </tbody> </table>			WANG		LABORATORIES INC.		TRADEMARK MADE U.S.A.				MATERIAL	MODEL NO.	TITLE		SEE ENG. SPECIFICATIONS		SEE CHART C 64-2-102 S		FINISH	FIN. EX. AS NOTED	SCALE			RS - 0.10 FRAC. ± 0.001	WANG. PART NO. 64-2-102 S			RR - 0.15 FRAC. ± 0.001	SIZE			SS - 0.15 FRAC. ± 0.001	DRAWING NUMBER			TT - 0.15 FRAC. ± 0.001	REV	
WANG		LABORATORIES INC.																																							
TRADEMARK MADE U.S.A.																																									
MATERIAL	MODEL NO.	TITLE																																							
SEE ENG. SPECIFICATIONS		SEE CHART C 64-2-102 S																																							
FINISH	FIN. EX. AS NOTED	SCALE																																							
	RS - 0.10 FRAC. ± 0.001	WANG. PART NO. 64-2-102 S																																							
	RR - 0.15 FRAC. ± 0.001	SIZE																																							
	SS - 0.15 FRAC. ± 0.001	DRAWING NUMBER																																							
	TT - 0.15 FRAC. ± 0.001	REV																																							

REV.	REVISION
1	OGC PER DWG 64-2-102 S
2	

7 6 5 4 3 2 1



4-50



THE INFORMATION CONTAINED IN THIS DRAWING IS THE PROPERTY OF WANG LABORATORIES, INC., AND IS CONFIDENTIAL AND PROPRIETARY TO WANG LABORATORIES, INC. IT MAY NOT BE COPIED, REPRODUCED OR USED IN WHOLE OR IN PART FOR ANY REASON.

MILLIMETERS IN PARENTHESIS TOLERANCES TO BE EQUIVALENT TO INCH DIMENSIONS.

DO NOT SCALE

HOLE LEGEND & TOLERANCES		
HOLE DIA	TOLERANCE	
.0125 - .125	+ .003	-.001
.126 - .250	+ .004	-.001
.251 - .500	+ .005	-.001

SYM.	DESCRIPTION	QTY.
A		

QTY.	ITEM	WANG PART NO.	DRAWING NO.	DESCRIPTION
1	6	600-0009		WIRE #10 WHITE
1	5	654-0098R		FASTON TERM RED
2	4	654-0089R		FASTON TERM BLUE
1	3	654-0017R		FASTON TERM YELLOW
1	2	654-0052R		RING LUG BLUE
1	1	920-1004		POWER CORD 10 AMP

NO.	REVISION	BY	DATE
1	REV PER ECN 6731 WNK 11-24-76		
	ORG. PER DWR E330		

NEXT ASSY.		BY	DATE	APPROVED BY	DATE
		DWN JB	11/9/76	E ENGR	
		CHK		M ENGR	
				MFG ENGR L.S.	10/19/76

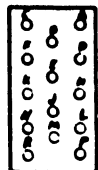
MATERIAL	MODEL NO.	TITLE			
	928 M1 + M2	POWER CORD ASS'Y TYPE B			
SEE ENGRG SPECIFICATIONS					
FINISH					
TOL. EX. AS NOTED					
.XX ±	FRAC. ±	220-1100		B	6982-116
.XXX ±	ANG. ±				1
FINISH ✓					
SCALE 1/4" = 1"		WANG PART NUMBER		SIZE	DRAWING NUMBER
					REV.

THE INFORMATION CONTAINED IN THIS DRAWING IS THE PROPERTY OF WANG LABORATORIES, INC. AND IS CONFIDENTIAL AND PROPRIETARY TO WANG LABORATORIES, INC. IT MAY NOT BE COPIED, REPRODUCED OR USED IN WHOLE OR IN PART FOR ANY REASON.  
DIMENSIONS IN PARENTHESES TOLERANCES TO BE EQUIVALENT TO SUCH DIMENSIONS.

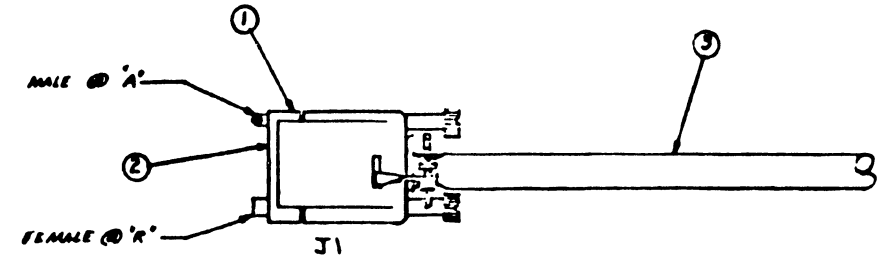
CONN. 310-1079

NOTES  
1. STRIP & TW  $\frac{3}{16}$ "  
2. TOL.  $\pm \frac{1}{2}$ "

HOLE LEGEND & TOLERANCES	
SIZE	TOLERANCE
0.015	± 0.001
0.030	± 0.001
0.060	± 0.001
0.125	± 0.001
0.250	± 0.001
0.500	± 0.001
1.000	± 0.001
1.500	± 0.001
2.000	± 0.001
3.000	± 0.001
4.000	± 0.001
5.000	± 0.001
6.000	± 0.001
8.000	± 0.001
10.000	± 0.001
12.000	± 0.001
15.000	± 0.001
20.000	± 0.001
25.000	± 0.001
30.000	± 0.001
40.000	± 0.001
50.000	± 0.001
60.000	± 0.001
80.000	± 0.001
100.000	± 0.001



REAR VIEW



PIN NO	WIRE COLOR	GAUGE	LENGTH
A	-	-	-
B	BLACK	#16	38 1/2"
C	BLACK	#16	38 1/2"
D	-	-	-
E	WHITE	#16	37"
F	-	-	-
H	-	-	-
J	RED	#16	43"
K	WHITE	#16	37"
L	-	-	-
M	-	-	-
N	-	-	-
P	ORANGE	#16	39"
R	ORANGE	#16	39"

PIN NO	WIRE COLOR	GAUGE	LENGTH
1	ORANGE	18	7 1/2"
2	VIOLET	18	7 1/2"
3	RED	14	8"
4	RED	14	10"

FROM J1 TO J2

QTY	ITEM	WANG PART NO	DRAWING NO	DESCRIPTION
1	WIRE	600-0007		#18 VIOLET
1	WIRE	600-0003		#18 ORANGE
4	SOCKET M/L	654-1163R		14-20 GA
4	POS SOCKET HOUSING	654-1135		
1	WIRE	600-7009		#16 GA WHITE
1	WIRE	600-7003		#16 GA ORANGE
1	WIRE	600-6009		#16 GA WHITE
1	WIRE	600-6003		#16 GA ORANGE
1	WIRE	600-6002		#16 GA RED
1	WIRE	600-6006		#16 GA BLACK
1	TUBING	605-0104		R 1/2" LONG
2	SOCKET CONTACT	654-8007		
1	CONN.	310-2079		CONN. 10 PCS

<b>WANG</b> LABORATORIES, INC. TEMPERLEY HILLS, CALIF. U.S.A.		BY: <i>[Signature]</i>	DATE: 1/14/70	APPROVED BY: [Signature]	DATE: [ ]
MATERIAL	MODEL NO: 328 P1	TITLE: POWER SUPPLY CABLE			
SEE ENGR SPECIFICATIONS		220-0154 D 6482-110 1			
FINISH	TO: AS ORDER	DRAWING NUMBER: 6482-110			
SCALE: 1/1	SHEET: 1 OF 1	DATE: 1/14/70	BY: [Signature]	CHKD: [Signature]	APP'D: [Signature]

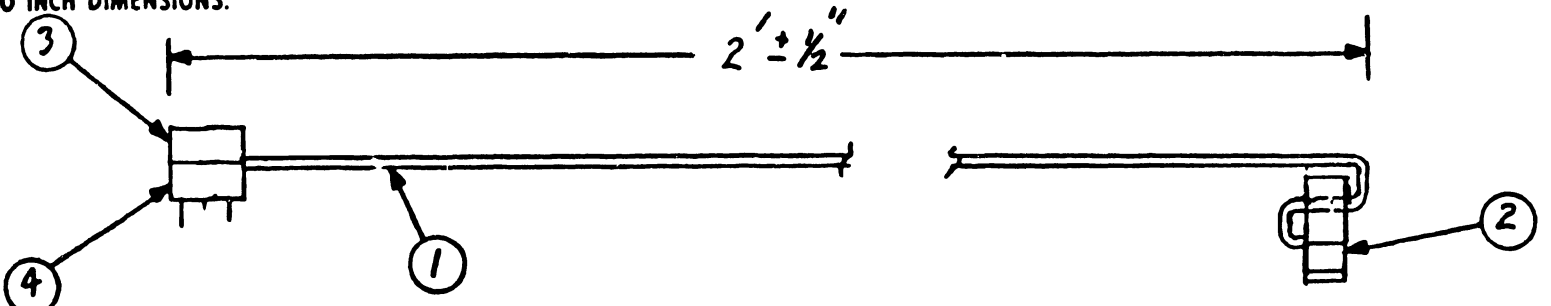
REV	DESCRIPTION	DATE
1	REVISED	1/15/70
2	REVISED	1/15/70

THE INFORMATION CONTAINED IN THIS DRAWING IS THE PROPERTY OF WANG LABORATORIES, INC., AND IS CONFIDENTIAL AND PROPRIETARY TO WANG LABORATORIES, INC.. IT MAY NOT BE COPIED, REPRODUCED OR USED IN WHOLE OR IN PART FOR ANY REASON.

MILLIMETERS IN PARENTHESIS.  
TOLERANCES TO BE EQUIVALENT TO INCH DIMENSIONS.

DO NOT SCALE

HOLE LEGEND & TOLERANCES		
HOLE DIA	TOLERANCE	
.0125 - .125	+.003 - .001	
.126 - .250	+.004 - .001	
.251 - .500	+.005 - .001	
SYM.	DESCRIPTION	QTY.
A		



QTY.	ITEM	WANG PART NO.	DRAWING NO.	DESCRIPTION
1	4	350-405B		50 POS P.C. CONN. (BOTTOM)
1	3	350-405C		50 POS P.C. CONN. (COVER)
1	2	350-0404		50 POS SOCKET CONN
A/R	1	420-0056		50 COND. FLAT CABLE 3M

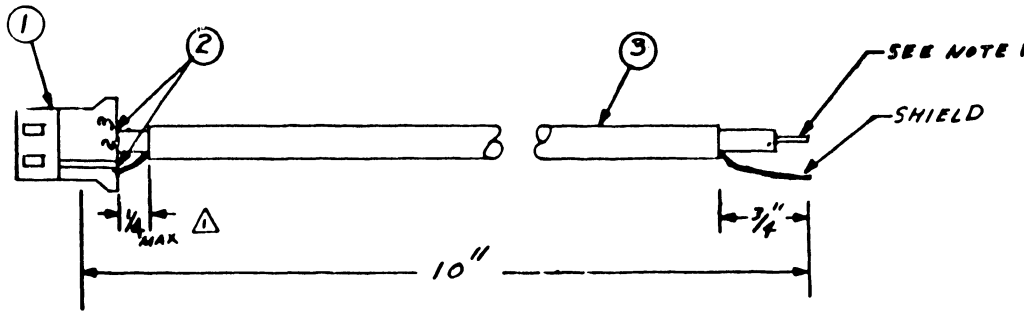
NO.	REVISION	DATE	BY
	ORG. PER DWR	EZZO	7/7

NEXT ASSY.	<b>WANG</b> LABORATORIES, INC. TEWKSBURY, MASS. U.S.A.	BY	DATE	APPROVED BY	DATE
		DWN <i>JS</i>	10/12/76	E ENGR	
		CHK		M ENGR	
MATERIAL	MODEL NO. 928	TITLE			
	SEE ENGRG. SPECIFICATIONS	50 POS. FLAT CABLE ASSEMBLY			
FINISH	TOL. EX. AS NOTED	220-3019	B	6482-119	0
	.XX ±      FRAC. ±				
	.XXX ±     ANG. ±     FINISH √				
	SCALE <i>TT</i> SHT    OF 1	WANG PART NUMBER	SIZE	DRAWING NUMBER	REV.

THE INFORMATION CONTAINED IN THIS DRAWING IS THE PROPERTY OF WANG LABORATORIES, INC., AND IS CONFIDENTIAL AND PROPRIETARY TO WANG LABORATORIES, INC.. IT MAY NOT BE COPIED, REPRODUCED OR USED IN WHOLE OR IN PART FOR ANY REASON.

MILLIMETERS IN PARENTHESIS.  
TOLERANCES TO BE EQUIVALENT TO INCH DIMENSIONS.

DO NOT SCALE



HOLE LEGEND & TOLERANCES		
HOLE DIA	TOLERANCE	
.0125 - .125	+ .003 - .001	
.126 - .250	+ .004 - .001	
.251 - .500	+ .005 - .001	
SYM.	DESCRIPTION	QTY.
A		

SOCKET NO	WIRE
1	SHIELD
2	CENTER COND.
3	

NOTE:-  
1. STRIP AND TIN  $\frac{1}{8}$ "  
2. TOLERANCE  $\pm \frac{1}{8}$ "

QTY.	ITEM	WANG PART NO.	DRAWING NO.	DESCRIPTION
3	420-0061			COAX CABLE
2	659-1165R			MATE LOCK SOCKET
1	659-1150			SOCKET HOUSING

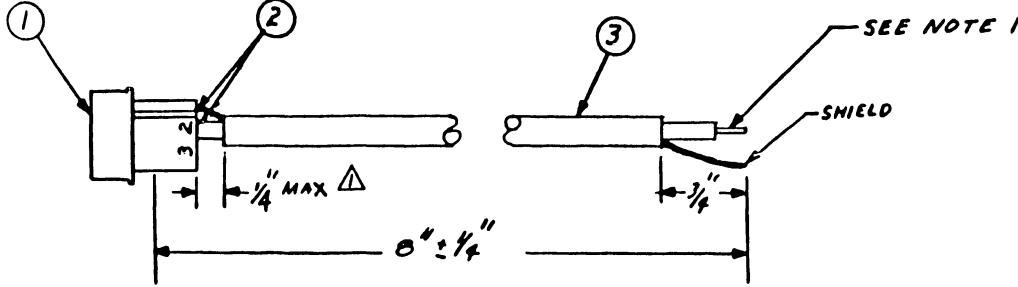
NO.	DATE	BY	REVISION
1	12/11/76	DWH	REV PER RFA 2370 JURPOMERS 12/15/76

NEXT ASSY.		BY		DATE		APPROVED BY		DATE	
		DWH RB		10/8/76		E ENGR			
		CHK				M ENGR			
						MFG ENGR B.L.		10/15/76	
<b>WANG</b> LABORATORIES, INC. TEWKSBURY, MASS. U.S.A.				TITLE CABLE CRT BOARD (COAX)					
MATERIAL		MODEL NO.		220-1103		B		6482-122	
FINISH		TOL. EX. AS NOTED						1	
		.XX ±    FRAC. ±							
		.XXX ±    ANG. ±    FINISH							
SCALE		SMT / OF /		DRAWING NUMBER		REV.			

THE INFORMATION CONTAINED IN THIS DRAWING IS THE PROPERTY OF WANG LABORATORIES, INC., AND IS CONFIDENTIAL AND PROPRIETARY TO WANG LABORATORIES, INC. IT MAY NOT BE COPIED, REPRODUCED OR USED IN WHOLE OR IN PART FOR ANY REASON.

MILLIMETERS IN PARENTHESIS. TOLERANCES TO BE EQUIVALENT TO INCH DIMENSIONS.

DO NOT SCALE



HOLE LEGEND & TOLERANCES		
HOLE DIA	TOLERANCE	
.0125 - .125	+ .003 - .001	
.126 - .250	+ .004 - .001	
.251 - .500	+ .005 - .001	
SYM.	DESCRIPTION	QTY.
A		

NOTE:  
1. STRIP AND TIN 1/4"

PIN NO	WIRE
1	SHIELD
2	CENTER COND
3	—

QTY.	ITEM	WANG PART NO.	DRAWING NO.	DESCRIPTION
NR 3		420-0061		COAX CABLE
2		654-1166R		MATE LOCK PIN
1		654-1149		PIN HOUSING
				RG 176/U
				AMP 350079-4
				AMP

DATE	BY	DATE	APPROVED BY	DATE
12/17/76	RAB			
	DWN	10/9/76	E ENGR	
	CHK		M ENGR	
			MFG ENGR	D.L. 10/14/76

MATERIAL		MODEL NO.		TITLE	
				CABLE CRT (COAX)	
FINISH		TOL. EX. AS NOTED		220-1104 B 6482-123 1	
		.XX ± FRAC. ±		WANG PART NUMBER	
		.XXX ± ANG. ± FINISH ✓		SIZE	
		SCALE		DRAWING NUMBER	
		SHT 1 OF 1		REV.	

B 6482-123

B

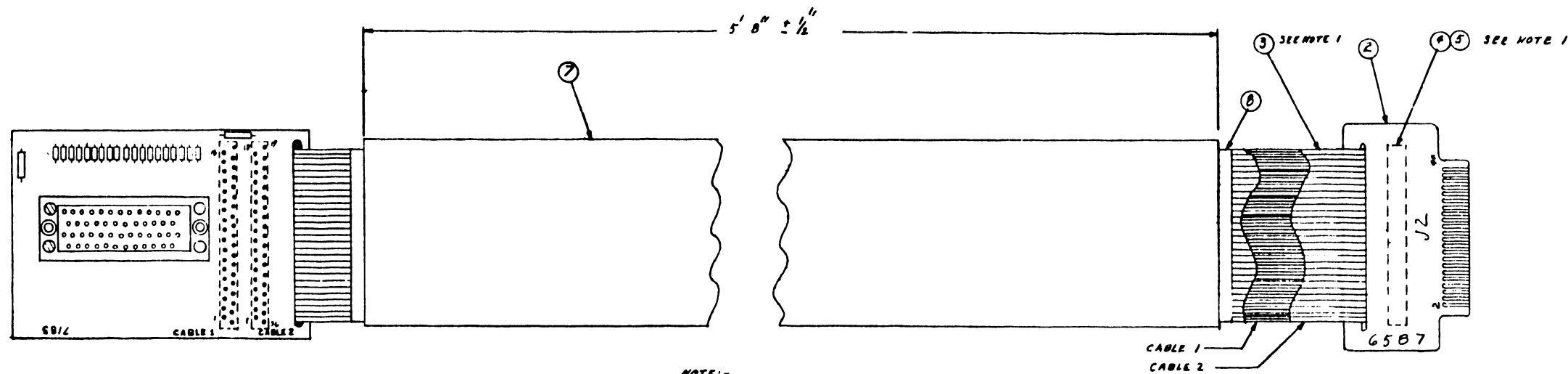
A

11 10 9 8 7 6 5 4 3 2 1

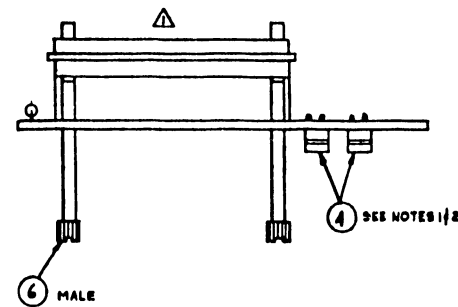
THE INFORMATION CONTAINED IN THIS DRAWING IS THE PROPERTY OF WANG LABORATORIES, INC. AND IS CONFIDENTIAL AND PROPRIETARY TO WANG LABORATORIES, INC. IT MAY NOT BE COPIED, REPRODUCED OR USED IN WHOLE OR IN PART FOR ANY REASON.

MILLIMETERS IN PARENTHESIS TOLERANCES TO BE EQUIVALENT TO INCH DIMENSIONS

HOLE LEGEND & TOLERANCES		
HOLE DIA	TOLERANCE	
0.125 - 0.1875	+0.002 0.001	
0.1875 - 0.250	+0.004 0.001	
0.250 - 0.3125	+0.005 0.001	
SYM	DESCRIPTION	HT
A		



- NOTE:-
1. CABLE 1 IS 72" ± 1/4" J1  
CABLE 2 IS 72" ± 1/4" J2
  2. NOTE CONN. 350-0401B MOUNTED TO SOLDER SIDE OF 210-7000 AND 510-65B7 P.C. BOARD



QTY.	ITEM	WANG PART NO.	DRAWING NO.	DESCRIPTION
11.5	Ø	660-0026	F	COPPER FOIL TAPE 3 1/2" WIDE
5.66	7	605-0133	F	FLAT CABLE JACKET 3"
1	6	350-2057 HW		HARDWARE FOR CONN 350-2057
4	5	350-0401 C		COVER 36 PIN FLAT CABLE CONN
2	4	350-0401 B		BOTTOM 36 PIN FLAT CABLE CONN.
A/R	3	410-0043		FLAT CABLE 36 COND. (3M 3405)
2	2	510-65B7		P.C. BOARD 65B7
1	1	210-71B5		P.C. BOARD ASSY

QTY.	ITEM	WANG PART NO.	DRAWING NO.	DESCRIPTION
NEXT ASSY.				
<b>WANG</b> LABORATORIES, INC. TEMPERARY MADE U.S.A.				
MATERIAL		MODEL NO.	BY	DATE
		92B/30	DWN JS	1/11/76
FINISH		SEE ENGRG SPECIFICATIONS	CHK	
				M ENGR
				MTG ENGR
				1/11/76
		TOL EX AS NOTED	TITLE	
		XX ± FRAC ±	DIABLO DISK CABLE ASSEMBLY/92B	
		XXX ± ANG ± FINISH	220-010B-3 D 6482-13B	
		SCALE 1/1	WANG PART NUMBER SIZE DRAWING NUMBER HT	

NO.	REVISION	DATE	BY	APPROVED BY	DATE
1	REV PER ECA 6304 PWS 1-11-77				
2	CHK. PER DWG & EFF. 1/11/77				

D 6482-13B

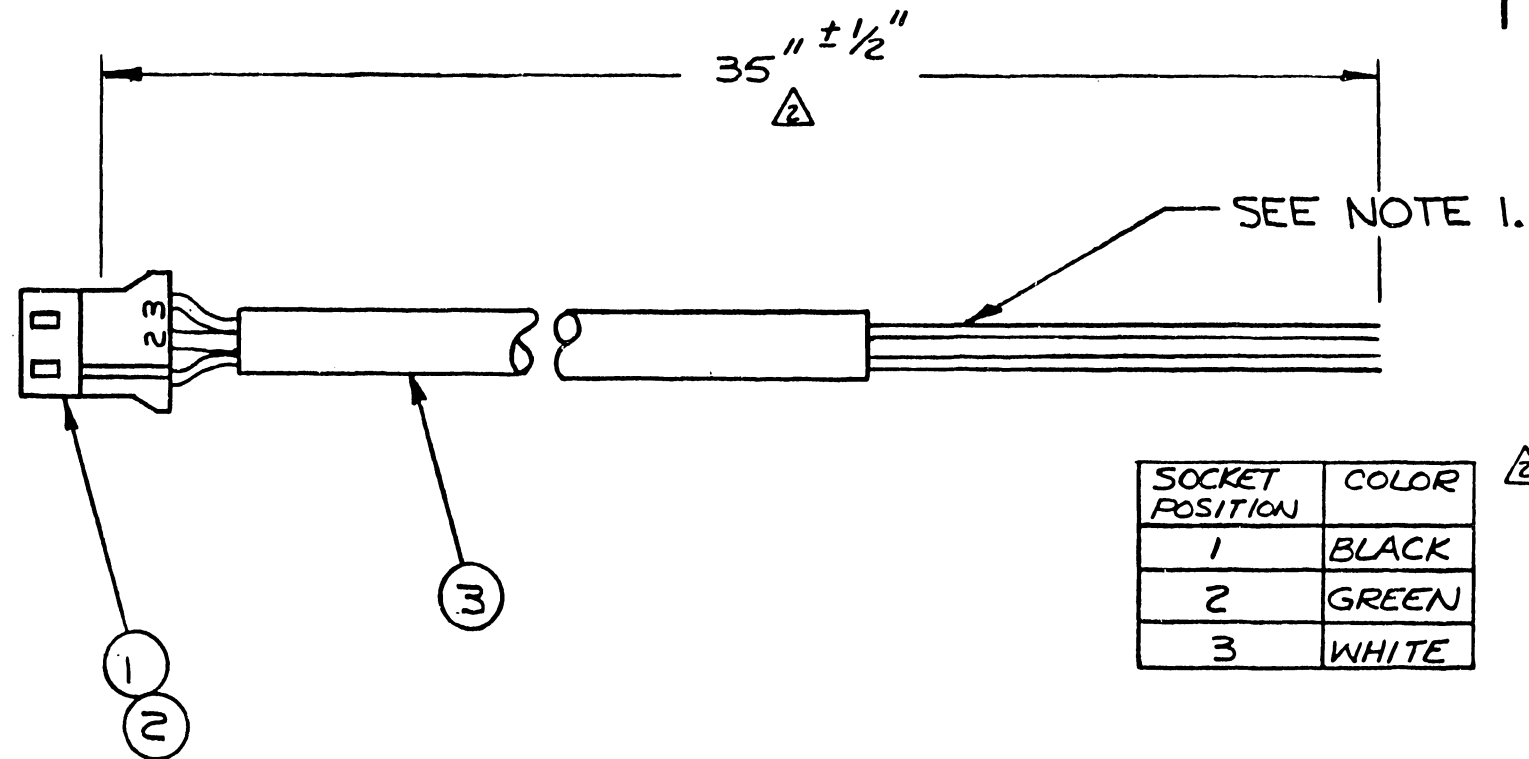
THIS DRAWING AND SPECIFICATIONS, HEREIN, IS THE PROPERTY OF WANG LABORATORIES, INC. AND SHALL NOT BE REPRODUCED OR COPIED OR USED IN WHOLE OR IN PART AS THE BASIS FOR THE MANUFACTURE OR SALE OF ITEMS WITHOUT WRITTEN PERMISSION.

NOTES:

- 1.) STRIP OUTER INSULATION (6) INCHES.
- 2.) USE SCRAP PIECES OF LINE CORD WHEN AVAILABLE.

HOLE LEGEND		
DRILLED OR PUNCHED HOLE TOLERANCES:	HOLE DIA.	TOL.
	0.135 to .125	+ .003 - .001
	.126 to .250	+ .004 - .001
	.251 to .500	+ .005 - .001

IDENT.	DESCRIPTION	QTY.
A		



SOCKET POSITION	COLOR
1	BLACK
2	GREEN
3	WHITE

420-1003	3	2.92	CORD	18 GA. 3 COND.
654-1163R	2	3	SOCKET, AMP 6117-4	20-14 GA. (REEL)
654-1150	1	1	HOUSING, SOCKET	1-480303-0

NO.	REVISION	BY	DATE
1	REV. & REDRAWN PER ECN #4928 MRM 8.11.75	CCB	8-20-75
2	REV. PER ECN 5402 DRC 4/6/76	DW	4/12/76

Qty. Per Unit	FIRST USED ON	ASSY USED ON

**WANG** LABORATORIES, INC.  
TEWKSBURY, MASS. U. S. A.

MATERIAL: CHS  
FINISH: CHS

MODEL NO.: SEE ENGRG SPECIFICATIONS No. ES-1001

TOL. EX. AS NOTED  
.XX ± .010 FRAC. ± 1/64  
.XXX ± .005 ANG. ± 1°30' FINISH ✓

SCALE: CHS SHT OF

BY	DATE	APPROVED BY	DATE
DWN DB	1-9-74	E ENGR DL	1/8/74
CHK		M ENGR DW.B	6/19/74

E. C. CONTROL: MFG ENGR

TITLE: A.C. CABLE ASSY.

WANG PART NUMBER	SIZE	DRAWING NUMBER	REV.
220-0117	B	6499-30	2

B 6499-30

D 6840-11  
6 PR. CONN. PLATE & CABLE ASSY.  
(NOT AVAILABLE)



D 6840-25  
14 PR. CONN. PLATE & CABLE ASSY.  
(NOT AVAILABLE)



4-60

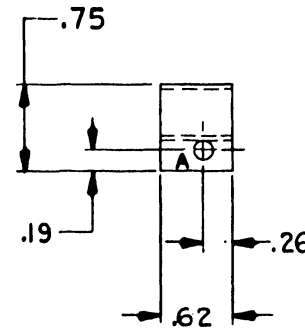
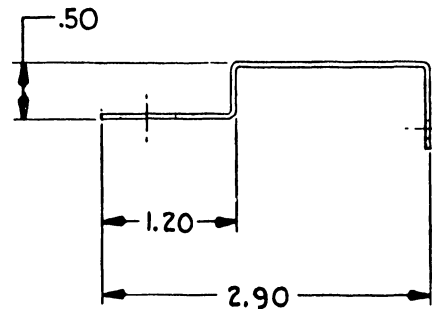
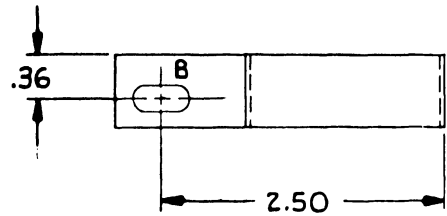
THE INFORMATION CONTAINED IN THIS DRAWING IS THE PROPERTY OF WANG LABORATORIES, INC., AND IS CONFIDENTIAL AND PROPRIETARY TO WANG LABORATORIES, INC.. IT MAY NOT BE COPIED, REPRODUCED OR USED IN WHOLE OR IN PART FOR ANY REASON.

MILLIMETERS IN PARENTHESIS. TOLERANCES TO BE EQUIVALENT TO INCH DIMENSIONS.

DO NOT SCALE

NOTES:  
1. REMOVE ALL BURRS AND SHARP EDGES.

HOLE LEGEND & TOLERANCES		
HOLE DIA	TOLERANCE	
.015 - .125	+.003 - .001	
.126 - .250	+.004 - .001	
.251 - .500	+.005 - .001	
SYM.	DESCRIPTION	QTY.
A	.156 DIA. THRU	1
B	.218 W. X .50 L. OVAL SLOT	1



B 6840-129

DATE	BY	DATE	APPROVED BY	DATE
12-10-76	DWN W.N. ROY	12-10-76	E ENGR	
	CHK <i>CH</i>	12/10/76	M ENGR <i>DMB</i>	12/10/76
			MFG ENGR	

QTY.	ITEM	WANG PART NO.	DRAWING NO.	DESCRIPTION
	NEXT ASSY.			
		<b>WANG</b>	LABORATORIES, INC. TEWEBURY, MASS. U.S.A.	
		MATERIAL	MODEL NO.	
		.048 THK C.R.S.	928 MI	
			SEE ENGRG. SPECIFICATIONS No. ES-1001	
		FINISH	TOL. EX. AS NOTED	
		ZINC PLATE	.XX ± .01 FRAC. ± 1/64	
		.0002-.0004 THK	.XXX ± .005 ANG. ± 1° FINISH ✓	
			SCALE 1/1	SMT 1 OF 1

WANG PART NUMBER	SIZE	DRAWING NUMBER	REV.
451-4504	B	6840-129	0

NO.	REVISION	DATE	BY
0	SKETCH 12-10-1976 P.M. GEN PER. DIM. M 243		

D  
C  
B

D  
B

6 4 3 1

7

6

5

3

2

1

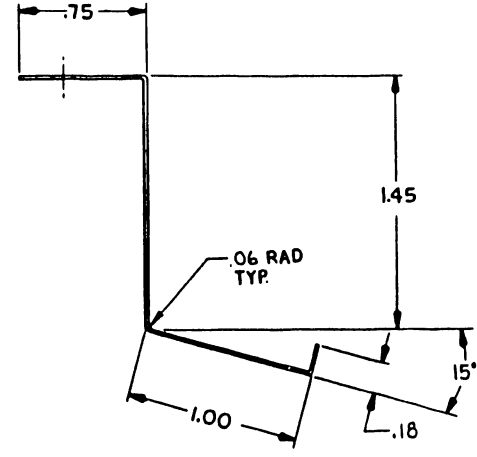
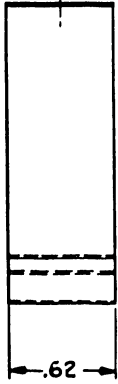
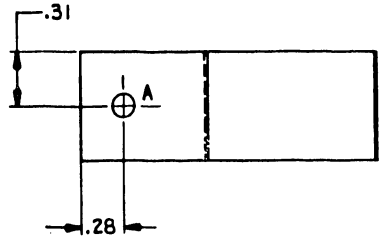
DO NOT SCALE

HOLE LEGEND & TOLERANCES		
HOLE DIA	TOLERANCE	
0125 - 125	+ .002 - .001	
126 - 250	+ .004 - .001	
251 - 500	+ .005 - .001	
SYM	DESCRIPTION	QTY
A	.12 DIA THRU	1

THE INFORMATION CONTAINED IN THIS DRAWING IS THE PROPERTY OF WANG LABORATORIES, INC., AND IS CONFIDENTIAL AND PROPRIETARY TO WANG LABORATORIES, INC. IT MAY NOT BE COPIED, REPRODUCED OR USED IN WHOLE OR IN PART FOR ANY REASON.

MILLIMETERS IN PARENTHESIS. TOLERANCES TO BE EQUIVALENT TO INCH DIMENSIONS.

NOTES:  
1. REMOVE ALL BURRS AND SHARP EDGES.



19-7

E

D

B

A

E

D

B

A

QTY	ITEM	WANG PART NO.	DRAWING NO.	DESCRIPTION	BY	DATE	APPROVED BY	DATE
	NEXT ASSY.				DWN W.N. ROY	11-18-76	E ENGR	
					CHK <i>CRS</i>	<i>12/17/76</i>	M ENGR <i>WJB</i>	<i>12/17/76</i>
					QTY/3		MFG ENGR	
REVISION		MATERIAL		MODEL NO.	TITLE			
SKETCH NO. 11-18-76		.015 BERYLLIUM COPPER		928 PI	GROUND, STATIC-PRINTER COVER, REAR			
0 GEN PER DIMA. M297		FINISH		SEE ENGR. SPECIFICATIONS No. ES-1001	458-0405 C 6843-123 0			
		TOL. EX. AS NOTED		.XX ± .01 FRAC. ± 1/64	SCALE 2/1			
		.XXX ± .005 ANG ± 1° FINISH		3	WANG PART NUMBER SIZE DRAWING NUMBER REV			
		SCALE 2/1		SHT 1 OF 1	E21-E489 C			

7

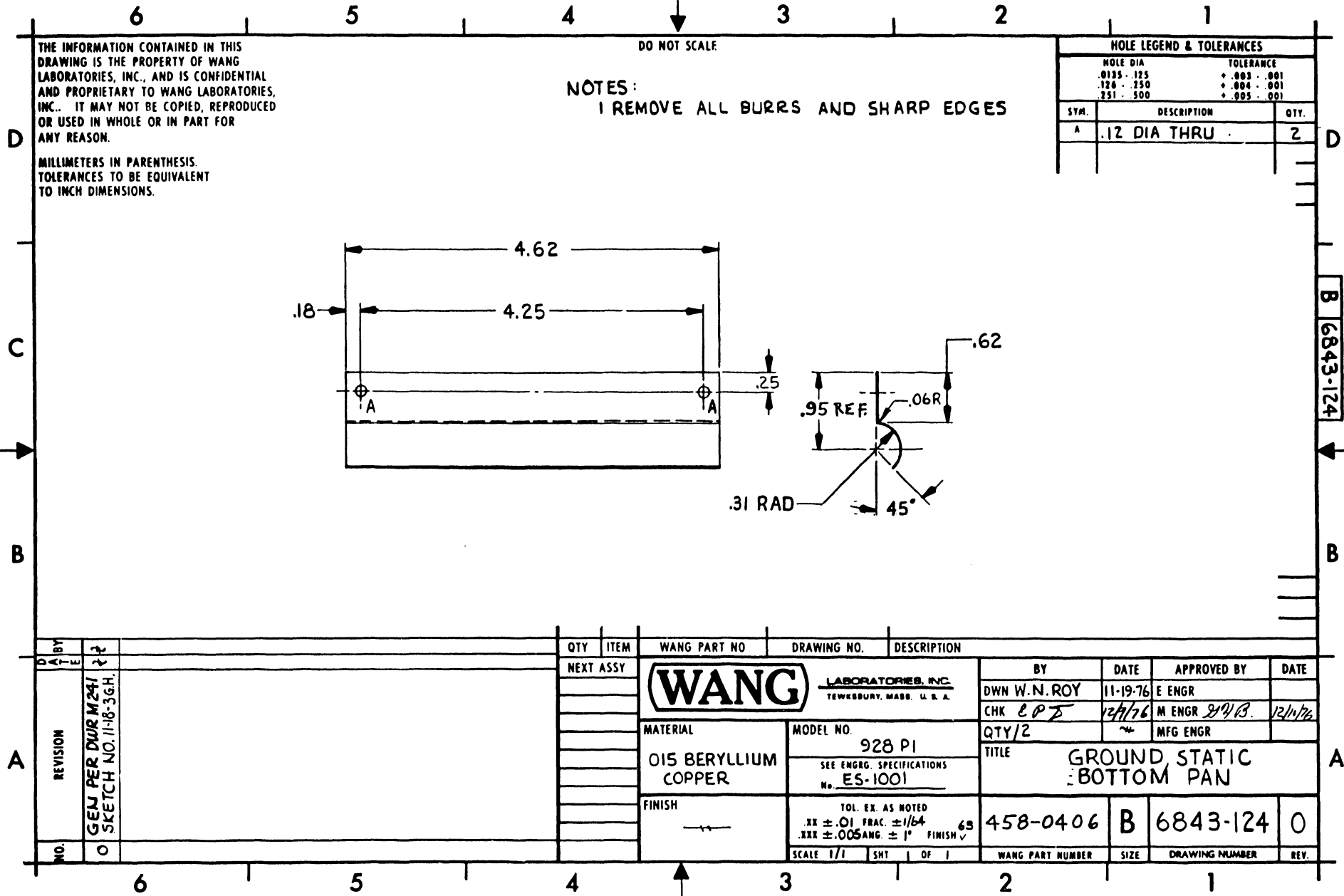
6

5

3

1

4-62



4-63

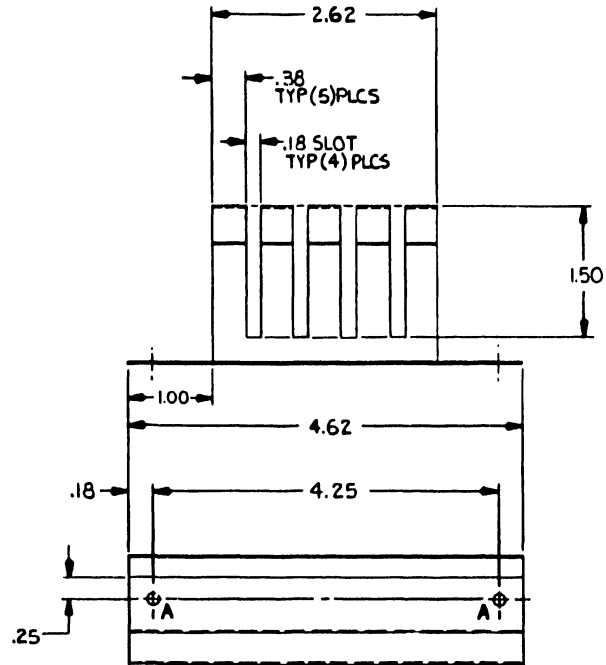
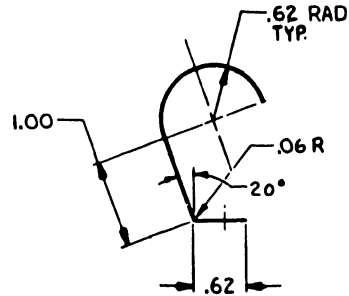
THE INFORMATION CONTAINED IN THIS DRAWING IS THE PROPERTY OF WANG LABORATORIES, INC., AND IS CONFIDENTIAL AND PROPRIETARY TO WANG LABORATORIES, INC. IT MAY NOT BE COPIED, REPRODUCED OR USED IN WHOLE OR IN PART FOR ANY REASON.

MILLIMETERS IN PARENTHESIS. TOLERANCES TO BE EQUIVALENT TO INCH DIMENSIONS.

DO NOT SCALE

NOTES:  
1. REMOVE ALL BURRS AND SHARP EDGES.

HOLE LEGEND & TOLERANCES		
HOLE DIA	TOLERANCE	
.015 - .125	+ .003 - .001	
.126 - .500	+ .004 - .001	
.501 - .999	+ .005 - .001	
SYM	DESCRIPTION	QTY
A	.12 DIA. THRU	2



REV	QTY	ITEM	WANG PART NO.	DRAWING NO.	DESCRIPTION	BY	DATE	APPROVED BY	DATE
1		NEXT ASSY.				DWN W.N. ROY	11-18-76	E ENGR	
2						CHK RYS	12/9/76	M ENGR G.P.B.	12/10/76
3						QTY/2		MFG ENGR	
REVISION			MATERIAL		MODEL NO.	TITLE			
C SKETCH NO. 11-8-76 H			015 BERYLLIUM COPPER		928 P1	GROUND, STATIC BOTTOM COVER, PRINTER			
D GEN PER DWG. M241			FINISH		SEE ENGR. SPECIFICATIONS No. ES-1001	458-0407 C 6843-125 0			
			NONE		TOL. EE. AS NOTED .XX ± .01 FRAC. ± 1/64 .XXX ± .005 ANG. ± 1° FINISH	SCALE 1/1 SH1 OF 1 WANG PART NUMBER SIZE DRAWING NUMBER REV			
					6843-125 C				

4-64

THE INFORMATION CONTAINED IN THIS DRAWING IS THE PROPERTY OF WANG LABORATORIES, INC., AND IS CONFIDENTIAL AND PROPRIETARY TO WANG LABORATORIES, INC. IT MAY NOT BE COPIED, REPRODUCED OR USED IN WHOLE OR IN PART FOR ANY REASON.

E MILLIMETERS IN PARENTHESIS. TOLERANCES TO BE EQUIVALENT TO INCH DIMENSIONS.

DO NOT SCALE

NOTES:  
1. REMOVE ALL BURRS AND SHARP EDGES.

HOLE LEGEND & TOLERANCES		
SIZE	TOLERANCE	
015 - 125	+ .003 - .001	
125 - 250	+ .004 - .001	
251 - 500	+ .005 - .001	
SYM	DESCRIPTION	QTY
A	.156 DIA. THRU	Z

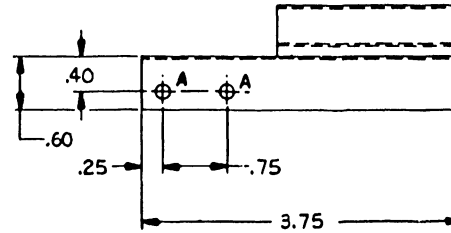
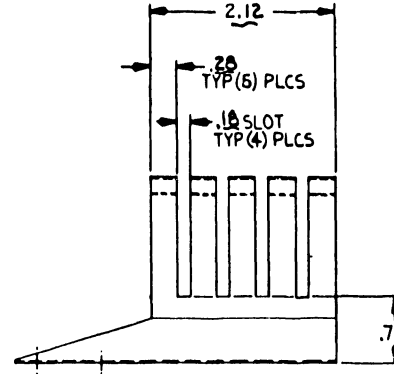
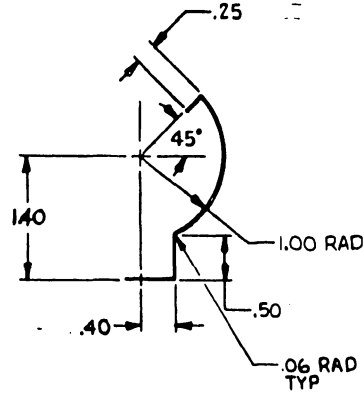


CHART	
WANG PART NO.	DESCRIPTION
458-0403	L.H., AS SHOWN
458-0404	R.H., MIRROR IMAGE

REV	BY	DATE	QTY.	ITEM	WANG PART NO.	DRAWING NO.	DESCRIPTION	BY	DATE	APPROVED BY	DATE
								0	W.N.R.	11-19-76	E ENGR
0	W.N.R.	11-19-76	M ENGR								
0	W.N.R.	12/1/76	M ENGR								
0	W.N.R.	12/1/76	MFG ENGR								

		<b>WANG</b> LABORATORIES, INC. <small>TELEPHONE, MASS. U.S.A.</small>	
MATERIAL	.015 BERYLLIUM COPPER	MODEL NO.	920 P1
FINISH	NONE	<small>SEE ENGR. SPECIFICATIONS No. ES-1001</small>	
<small>TOL. EE. AS NOTED          .01 ± .01 FBAC ± .014          .005 ± .005 AND ± .01 FINISH 03</small>		SCALE	1/1
<small>SCALE 1/1</small>		SHT	1 OF 1

TITLE	GROUND, STATIC PRINTER TOP COVER (L.H. & R.H.)		
SEE CHART	C	6843-126	0
WANG PART NUMBER	SIZE	DRAWING NUMBER	REV

6843-126

#### 4.4 928 SYSTEM MNEMONICS LISTING

AAC	Address Acknowledge (hard)
ACC	Allow Cyclic Check
ACK	"A" Disk Timing Clocks
AC0-AC6	Column Memory Address (CRT Memory)
AET	Automatic Enable for Repeat Keys
ARC7-ARC10	Row/Column Address (CRT Memory)
AR0-AR4	Row Memory Address (CRT Memory)
AUTO POWER	Power Up Spike Test Point
AUTO RESET	Reset of Master via Power Turn-On
A0-A15	Address Bits from 8080
A <sub>0</sub> M-A <sub>15</sub> M	DMA Address Bus to Data Link from Master CPU and Memory
BCK	"B" Disk Timing Clocks
BCNC	256 Byte Count Not Complete
BL	Blank CRT Screen
BLA	Blank CRT Screen
BP	Bad Parity
BR	Byte Read
BRT	Byte Read/Transmit
BO	Byte Zero Clock - Clears Serialization Register
B1	Loads 256 Byte Instruction into Serialization Register
BlBB	
B1S	B1 Clock Strobe
B2	Loads High-Order Address Byte First
B2S	B2 Clock Strobe
B3	Loads Low-Order Address Byte Second
B3RC	B3 Read Clock
B3S	B3 Clock Strobe
B34	Combination of B3 and B4 Clocks
B4	Active for 256 Byte Data Field Transfer
CAR	Carriage Read Status Bit (From Printer)
CCE	Cyclic Check Error
CCL	Counter Clear



CD0	Chip Select Drive Memory Bank 0
CE	Chip Enable
CE0-CE3	Chip Enable Memory Bank 0-3
CEA	Completion of 1 Byte/256 Byte Write
CEP	Chip Enable Parallel
CHAR	Select R/W Character (CRT Memory)
CHAR VIDEO	Character Video Display Dots to CRT
CHEK	Printer Malfunction Status
CH1-CH6	I/O Master Data Link Channel Select
CI	Character Inhibit
CICL	Character-In Clear
CISY	Controller In Sync
CK	Timing Clock Pulses (17.10 MHz)
CL1-CL4	Clear Interrupt Latches (Master CPU)
CL1-C16(+)	Channel Line Levels (Data Link)
CMS	Carriage Motion Strobe to Printer
CNTRLG	Select Control Bit R/W (CRT Memory)
CO	Cover Open Status Bit (PROM Printer)
CRC ERROR	Cyclic Check Error
CTWT	CRT Write Clock controls FIFO Timing during 256 Byte Disk Read and Slave Memory Write
CUR	Cursor Video Display Signal
CO-C6	Column Character Count
C4	Refresh Logic Clock
C1-C2208	Bit Counter Outputs
C4R	Refresh Clock
DATA IN	Data Link Data In from Master
DATA OUT	Data Link Data Out to Master
DAX	Inhibits any more Keystrokes for approximately 10ms
DA1A-DA12A	Data Lines to Printer (I/O)
DBIN	Data Bus In Clock to 8080
DCC	Data Compare Clock
DCE	Data Read from Disk to FIFO Complete
DCG	Disk Counter Clock (Increments Addresses for loading Disk Data into FIFO)
DE	Data Entry

DFI0-DFI7	Data First In (Goes to FIFO or Master Memory)
DFO0-DFO7	Data First Out (From FIFO to Serialization Register)
DHDS	Disk Head Select (hard)
DHER	Disk Hardware Error (hard)
DICK	Data In Clock (Clocks Data into FIFO Output Latch)
DIP	Data In Parity
DIS	Data In Strobe
DIO-DI7	Data In to S.R. for Slaves, Master or Disk (From FIFO)
DLCL	Data Link Clear
DLER	Data Link Error
DLG	Data Load Gate (From Disk)
DL RES	Data Link Reset
DMA	Direct Memory Access
DMA <sub>0</sub> -DMA <sub>15</sub>	DMA Memory Address Bits (Includes Bank Select)
DMAC	Direct Memory Access Complete
DMACE	DMA Chip Enable (Read PROM/RAM)
DMA R/B	DMA Ready/Busy
DMA R/W	DMA Read/Write Control
DOL	Data Out Load
DOS	Data Order Stored
DOT	Dot for CRT Display
DOO-DO7	Data Out Read from Disk to FIFO
DP	Daisy Printer
DP8	Parity Bit In/Out of Memory
DPY	Data Parity
DP <sub>8</sub> IN	Parity Bit Out of Memory
DP <sub>8</sub> OUT	Parity Bit In to Memory
DP <sub>0</sub> -DP <sub>7</sub>	Bidirectional Memory Bus (RAM)
DRD	Data Read Signal Initiates 256 Byte Disk Read
DRDG	Multiplex Select Gate for Data from Disk or Serialization Register
DR <sub>0</sub> -DR <sub>7</sub>	PROM Data Out (ROM)
DSKS	Disk Select (hard)
DSML	Data Strobe Memory Load
DT1	One Dot Video Time

DT3CK	Video Dot Space
DT89	CRT Load Clock
D <sub>0</sub> -D <sub>7</sub>	8080 Bidirectional Data Bus
DOC-D7C	CRT Memory Character Data Out to Display (W.S.)
DOI-D7I	Data In from Data Link
D <sub>0</sub> M-D <sub>7</sub> M	DMA Bus to Master 8080, Memory and Data Link
D4S-D7S	Control Bit Data Out of CRT Memory to Display (W.S.)
D8PC	Parity Bit for Character Data Out to Display
D <sub>8</sub> PIN	Parity Bit from Memory into Parity Compare
D <sub>8</sub> POUT	Parity Bit Out of Parity Gen/Chkr from Data Bus
D8S	Parity Bit for Control Bit Data to Display
EOF	End Of Format
EOR	End Of Read
EOW	End Of Write
EOWF	End Of Write Format
ERGT	Erase Gate
ERWF	End Of Read/Write Format
FCS	Format Command Stored
FDS	Floppy Disk Select
FICK	First In Clock (Latches Data for Transfer into FIFO)
FIWT	Writes Data into and Reads Data Out of FIFO
FL	Fault Lamp (Printer Indicator)
FRDY	File Ready (hard)
HB	Horizontal Blank
HBO→HB15	Header Bits 0→15
HDIR	Head Direction (soft)
HDL2	Head Load (soft)
HDR ERR	Header Address Error
HDWR ERR	Hardware Error
HDST	Hard Disk Step
HDT0→HDT8	Hard Disk Track Address Bit
HS	Horizontal Sync
HSTP	Head Step (soft) in or out

## MASTER CPU INPUT COMMANDS

I <sub>0</sub>	Input Status Command (Disk Status)
I <sub>1</sub>	Input Disk Sector Counter Command
I <sub>2</sub>	Read Status of Program Level Switches
I <sub>3</sub>	Load Head Command
I <sub>4</sub>	Unload Head Command
I <sub>5</sub>	Printer Status (Debug Only)
I <sub>6</sub>	Keyboard (Debug Only)
I <sub>7</sub>	Input CPU Status of Selected Slave
I <sub>8</sub>	Read 256 Bytes (Move Option Only)
I <sub>9</sub>	Write 256 Bytes (Move Option Only)

## WORK STATION CPU INPUT COMMAND

I <sub>0</sub>	Read Pending Key
----------------	------------------

## DAISY PRINTER CPU INPUT COMMANDS

I <sub>2</sub>	Delivers Status from the Daisy Printer
I <sub>3</sub>	Delivers Control Information from the Daisy Printer
INDEX 1,2	Index Pulses
INIDF	Initiate Data Flow
INITE 1,3	Initiate Enable
INP	Input Instruction - 8080 Addresses Peripheral Device for Data Transfer IN
INST	In Status (From Addressed Slave)
INST	Instruction (Header Byte Decode Enable) to Slaves
INST R/B	Instruction Ready/Busy sets DMA R/B
IN SYNC	Start Bit Detected and Synced
INT	Keyboard Interrupt to 8080
INTA	Interrupt Acknowledge (Status Word)
INTE	Interrupt Enable (8080 Interrupt F/F set to allow Interrupts to be processed)
INTS	Intensity Control Bit for CRT
IS	Instruction Start

ISL	Instruction Start Latch
K0-K6	Keyboard Data
KS	Keyboard Strobe
LAI	Logical Address Interlock (hard)
LE	Line Error
LINE ERROR	Data Link Parity Error
LINE0-LINE9	Raster Line Count
LOAD DES	Load Destination (Move OPT)
LOCK	Shift Key Lock
LS	Keyboard Input Load Strobe
LSR	Load Serialization Register
LTZ	Logical Track Zero
MEBIN	Memory Byte-In Read Clock to 8080
MEMPAR	Memory Parity Read Error
MEMR	8080 Memory Read (Status Bit)
MEMWO	8080 Memory Write (Status Bit)
MER	Memory Error
MER/W1-MER/W4	Memory Read/Write Strokes
MOVE	Initiates High Speed Inter Memory Data Transfers
MOVOPT	Initiates High Speed 256 Byte Transfers between Memories
MP	Matrix Printer
MR	Master Reset
MRCL1,4	Clears Memory and Data Link Error Interrupts
M <sub>1</sub>	8080 Machine Cycle 1 (Fetch) of Instruction
NR	Not-Running (Printer Status Bit)
OP	Operation Reset
OPCL	Operation Clear
OPCOM	Operation Complete
OPS	Operation Start
OUT	Output Instruction (8080 addresses peripheral device and transfers data OUT)
OUTS	Keyboard Strobe Interrupt to 8080

## MASTER CPU OUTPUT COMMANDS

00	Traps selected slave to 00
01	Selects disk drive
02	Character to line printer (Debug option only)
03	Move + (Move option only)
04	Move - (Move option only)
05	Step head forward (floppy)/seek (Hard Disk)
06	Step head backward (floppy)/Restore (Hard Disk)
07	First header byte
08	Second header byte
09	Select slave
0A	page (memory) address
0B	READ
0C	WRITE
0D	FORMAT
0E	COMPARE (move option only)
0F	Clear the coaxial channel

## WORK STATION CPU OUTPUT COMMANDS

00	Sound clicker
01	Sound buzzer
02	Wide platen setting
03	Set spaces to dots
04	Set dots to spaces
05	Count for move (Math pack option only)
06	Select CRT character set 1 (Dual PROM option)
07	Select CRT character set 2 (Dual PROM option)
09	Compare (Math pack option only)
010	Move + (Math pack option only)
011	Move - (Math pack option only)
012	DECIMAL ADD (Math pack option only)
013	DECIMAL SUBTRACT (Math pack option only)
014	DECIMAL SHIFT + (Math pack option only)
015	DECIMAL SHIFT - (Math pack option only)

PRINTER CPU OUTPUT COMMANDS

O <sub>8</sub>	Sends low byte of data to the 8080 output ports
O <sub>9</sub>	Sends the high byte of data to the 8080 output ports
O <sub>A</sub>	Sends the contents of the output ports to the printer. The accumulator of the 8080 designates what the data is for vertical, horizontal motion, or print information.
O <sub>B</sub>	Deselect the printer
O <sub>C</sub>	Sound alarm
O <sub>D</sub>	Ribbon control
O <sub>E</sub>	Lamp control
PAR IN	Parity in From Data Link
PAR COMP	Parity Compare
PAR OUT	Parity Out of Parity Gen/Chkr from Data Link
PE	Parallel Enable for Data In
PFS	Paper Feed Strobe to Printer
PFR	Paper Feed Ready from Printer
PL	Paper Out Lamp
PO	Paper Out from Printer
PR	Power On
PROM	Inhibits Parity Error when Reading PROM
PRY	Printer Ready
PSL	Program Stop Lamp
PWR	Print Wheel Ready
PWS	Print Wheel Strobe
PWR RES	Power Reset
QA-QD	Raster Counter
-RA,-RB	Receive Coax Line (Red)
RA0-RA5	Refresh Address Rows
R/B	READY/BUSY
RC	Receive Clock
RCA	Receive Clock Allow
RCK	Read Clock
RCS	Read Command Stored

RDD	Read Data
RDG	Read Gate
RDI	Read Data In
RDY	Ready (soft)
RD1-RD6	Channel Select Read from Slave
RDMY	8080 Read Memory Inhibit during DMA Transfer inhibits 8080 R/W during DMA (Busy)
READY/BUSY	8080 In Processing State when High-Busy-Low when Bus is in DMA
READ	Memory Read Decoded from Address and Data Bit
REC	Receive Mode of Operation (From Instruction Register)
RECINT	Receive Interrupt caused by 20 $\mu$ s Time-Out (No Data)
REF	Refresh Signal for RAM Memory
REFST	Refresh Status
RES	Reset from Debug
RESET	Initializes the Current 8080 Program to Location "0"
REST	I/O Restore Command to Printer
RESTART	An Interrupt Initiated by the Debug
RESM	Reset Machine
RFD	Resync For Data
RGA	Read Gate Allow (R/W) signal from Disk
RL	Out of Ribbon Lamp
RLT	Ribbon Lift
ROCO	Printer Signal Indicating Ribbon Out/Cover Open
RSA	Resync Allowed
RSAC	Resync Allow Clear to Disk
RSOP	Reset Operation
RSTR	Restore (hard)
RSTRT	Used to Reset Slaves via Data Link Headed Byte (Restart)
R/W	Instruction Register Bit Write = 1, Read = 0
RO-R4	Row Character Counter
SCCY	Slave Counter Address (Carry Out) Last Address of FIFO Read
SCD	Sync Character Detected
SCE	256 Byte Read of FIFO complete (Slave Data Complete)



SCG	Slave Counter Gate (From FIFO Control)
SCK	Serial Clock
SDI	Serial Data In
SDO	Serial Data Out
SDR	Shift During Read
SECTOR 2,1	Sector Pulse
SEL <sub>1</sub>	Select Push-Button on Printer initiates SELECT/ DESELECT Logic
SEMST	Semaphore Status of Slave (1-Byte)
SFL 2,1	Select Floppy
SHC	Strobe Header Check
SHD 1,2	Select Hard Disk
SHLED	Shift Key Indicator Lamp Enable on Keyboard (upper case)
SH KEY	Shift Key
SIC	Seek Incomplete (hard)
SIE	Step Into Eight
SINPT	Set Interrupt Bit
SINR	Set Interrupt
SIO-SI10	Data Loaded In for Serialization or Parallel Formatting
SL	Select Lamp on Printer
SL00	Select Zero, (Decoded Twice)
SLD	Data in from Slaves (Slave Data)
SLT1-2,4,8	Select Device (Up to 14) Device Channel Select
SLTO	Master Select for DMA Disk Read
SMCL	Slave Memory Clear
SMWT	Master CPU Signal for Slave R/W 1 Byte or 256 Bytes
S00-S07	Parallel Data Out of Serialization Register
SOP	Surface Operation
SPK	Audio Speaker
SPP	Sector Pulse Present
SPPD	Sector Pulse Present Detected
SPY	Parity Bit for Data to be Serialized for Data Link Transfer

SRC	Serialization Register Clock
SRCL	Serialization Register Clear
SRCK	Shift, Register Clock
SRG	Serialization Register Gate
SRLD	Serialization Register Load
SSM	Send Serial Data to Slave Memory Request
SRR	Set Read Request (928 Memory)
SRW	Seek/Read/Write (hard)
SSR	Shift Serialization Register
STATUS/1 BT	1 Byte Status Read of a Slave via DMA (Master CPU Busy)
STATUS	Header Word Instruction for Status Request
STCL	Clears Status Instruction
STG	Shorten The Gap
SYNC	Output 8080 Sync Clock which identifies the beginning of every Machine Cycle
S1-S5	Sector Count
TC	Carry Out of 256 Byte (Write) Transfer - clears Instruction
TCB	Carry Out of 256 Byte (Read) Transfer - clears Instruction
TCCLK	10 MS Tick Clock Interrupt
TCOP	Telecom Operation
TCL	Start Bit Detect and Sync
TEA	Debug Disable Interrupts
TOF	Top Of Form
TWR	Debug RDY/BSY Control
T1	Timing Pulse for Latching Hi-Order DMA Address Byte
T2	Timing Pulse for Loading Lo-Order DMA Address Byte
T3	Timing Pulse for 1-Byte Transfer
T4	Timing Pulse for 256-Byte Transfer
VB	Vertical Blank (Vertical Retrace)
VS	Vertical Sync
WAIT	8080 Processor in WAIT State (READY Line Low)
WCD	Write Clock Data
WCE	Write Check Error
WCS	Write Command Stored

WGA	Write Gate Allow
WGT	Write Gate Time
WMR	Write Memory Request
WO	8080 Memory Write
WPC	Wide Platen CRT (Slave ID Code)
WPT	Write Protect
WPY	Write Parity
WPYC	Write Parity Clock
WR	8080 Output used with OUT instruction to write to peripheral devices
WRGA	Write/Read Gate Allow
WR GT	Write Gate
WRITE A	Write Memory Control
WRITE B	Write to Memory from 8080
WTG	Write The Gap
WTR	Wolftrap (Power Reset) from J5 of Power Supply (POWER-UP CLEAR)
$\phi_1, \phi_2$	Timing Clocks for 8080
1 BT	Instruction for 1 Byte Transfer
256 BT	Instruction for 256 Byte Transfer
1B2	1 Byte B2 Clock
1B4W	1 Byte B4 Write Clock
1BB4	One Byte B4 Clock
1 BYST	
1 BYTE	
1BYTR	One Byte Read
1TIC	1 Byte Transfer in Complete
256 Byte	256 Byte Read
256DW	256 Bytes of Data to be written on Disk
256 SD	256 Bytes of Slave Data
8080	8080 Processor
-6A,+6B	Transmit Coax Line (Green)

**WANG**

LABORATORIES, INC

---

ONE INDUSTRIAL AVENUE, LOWELL, MASSACHUSETTS 01851. TEL (617) 459-5000. TWX 710 343-6769. TELEX 94-7421

PRINTED IN U.S.A.

**END**