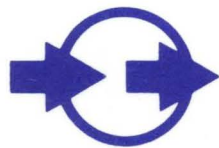


MODEL DC-231 DISC CONTROLLER

LOGIC MANUAL



western peripherals™

Division of **WESPERCORP**

MODEL DC-231 DISC CONTROLLER
LOGIC MANUAL

PUBLICATION NUMBER
91000695 A

western peripherals

14321 MYFORD ROAD
TUSTIN, CALIFORNIA 92680

© 1981 by Western Peripherals, Inc.
All Rights Reserved

TABLE OF CONTENTS

TITLE	NUMBER
Prom Set, DC-231 (RM02)	P18000281 D
Prom Set, DC-231 (RP06)	P18000307 A
Prom Set, DC-231 (80-675mb)	P18000323 C
Prom Set, DC-231 (RM02 40-675mb)	P18000331 A
Prom Set, DC-231A	P18000364 A
Prom Set, DC-231 (Priam)	P18000372 A
Prom Set DC-231A (160/2-80)	P18000497 A
Prom Set DC-231A (RP06)	P18000547 A
Assembly, DC-231 SMD Controller	P60000643 N
Assembly, DC-231 SMD Controller	P60000882 H
Assembly, DC-231A SMD Controller	P60000965 K
Schematic, DC-231 SMD Controller	P75000570 E
Schematic, DC-231 SMD Controller	P75000643 *
Schematic, DC-231 SMD Controller	P75000794 D
Schematic, DC-231A SMD Controller	P75000869 E
DC-231 Configuration "BD" (BallDrives)	P79000907 A
DC-231A Configuration "A" (589 cyl - 7 heads)	P79001053 A
DC-231A Configuration "B" (RM05 Drives)	P79001061 A
DC-231A Configuration "C" (561 cyl - 3 heads)	P79001079 A
DC-231A Configuration "D" (1124 cyl - 30 heads)	P79001087 A
DC-231A Configuration "E" (1024 cyl - 3 heads)	P79001095 A
DC-231 Configuration "C" (RM05 Drives)	P79001152 A
DC-231A Configuration "H" (160/2-80)	P79001327 A
DC-231A Configuration "J" (815 cyl - 19 heads)	P79001384 A
DC-231A Configuration "M" (RP06 Drives)	P79001483 A
Notes	
Appendix A - SMD Cables	

* Earlier production version listed here for reference only.

HOW TO USE LOGIC MANUALS

Logic Manuals Contain:

- Schematics of all boards (for logic troubleshooting).
- Assembly drawings (for assembly identification and parts locating).
- Some manuals also contain: Special modifications, block diagrams, flowcharts, listings and other reference information.

Arrangement of Drawings:

- Drawings are generally arranged in numerical order except where other arrangements provide greater convenience.
(See Table of Contents)

Table of Contents:

- Provides a listing of the drawings as they appear in the manual.

Functional Index (when used):

- Provides lists of drawings, grouping them as they are used in the system.
- Drawing numbers facilitate easy look-up (See Table of Contents).

Thumb Tabs (when used):

- Provides ready access to schematics.

●NOTICE:

CHECK AT THE REAR OF THIS MANUAL FOR:

- Latest Drawing Changes
- Added Drawings
- Notes and Additional Information

SEG	PART NUMBER	DESCRIPTION	CON QTY	HRS	SUB	REV	L	LOCATCN	EFF DATE
COO	LSC	NO INVENTORY ITEM	24	.0					C3/02/81
OC1	P17017765	PROM DC231 RMC2 2C	1	.0	S	A		2C	C3/12/82
OC2	P17017773	PROM DC231 RMC2 3C	1	.0	S	A		3C	C3/12/82
OC3	P17017781	PROM DC231 RMC2 4C	1	.0	S	A		4C	C3/12/82
OC4	P17017799	PROM DC231 RMC2 5C	1	.0	S	A		5C	C3/12/82
OC5	P17017807	PROM DC231 RMC2 6C	1	.0	S	A		6C	C3/12/82
OC6	P17017815	PROM DC231 RMC2 7C	1	.0	S	A		7C	C3/12/82
CC7	P17017823	PROM DC231 RMC2 8C	1	.0	S	A		8C	C3/12/82
OC8	P17017831	PROM DC231 RMC2 8C-A	1	.0	S	A		8C-A	C3/12/82
OC9	P17017849	PROM DC231 RMC2 9C	1	.0	S	A		9C	C3/12/82
O10	P17017856	PROM DC231 RMC2 10C	1	.0	S	A		10C	C3/12/82
O11	P17017864	PROM DC231 RMC2 11C	1	.0	S	A		11C	C3/12/82
O12	P17017872	PROM DC231 RMC2 12C	1	.0	S	A		12C	C3/12/82
O13	P17017880	PROM DC231 RMC2 13C	1	.0	S	A		13C	C3/12/82
O14	P17017898	PROM DC231 RMC2 13C-A	1	.0	S	A		13C-A	C3/12/82
O15	P17017906	PROM DC231 RMC2 14C	1	.0	S	A		14C	C3/12/82
O16	P17017914	PROM DC231 RMC2 15C	1	.0	S	A		15C	C3/12/82
O17	P17017922	PROM DC231 RMC2/RP06 3D	1	.0	S	A		3D	C3/12/82
O18	P17017930	PROM DC231 RMC2 27G	1	.0	S	A		27G	C3/12/82
O19	P17017948	PROM DC231 RMC2 28G	1	.0	S	B		28G	C3/12/82
O20	P17017955	PROM DC231 RMC2 29G	1	.0	S	A		29G	C3/12/82
O21	P17017963	PROM DC231 RMC2/RP06 3F 82S1CC	1	.0	S	A		3F	C3/12/82
O22	P17017971	PROM DC231 RMC2/RP06 12F 27S19	1	.0	S	D		12F	C3/12/82
O23	P17017989	PROM DC231 RMC2/RP06 1E	1	.0	S	A		1E	C3/12/82
O24	P17017997	PROM DC231 RMC2/RP06 29E	1	.0	S	A		29E	C3/12/82

MAR 17 1982

SEQ	PART NUMBER	DESCRIPTION	CON	QTY	HRS	SUB	REV	L	LOCATION	EFF DATE
000	LSC	NO INVENTORY ITEM		24		.C				C7/27/81
001	P17017286	PROM DC231 RPO6 2C		1		.C	S	A	2C	C3/12/82
002	P17017294	PROM DC231 RPO6 3C		1		.C	S	A	3C	C3/12/82
003	P17017302	PROM DC231 RPO6 4C		1		.O	S	A	4C	C3/12/82
004	P1701731C	PROM DC231 RPO6 5C		1		.O	S	A	5C	C3/12/82
005	P17017328	PROM DC231 RPO6 6C		1		.O	S	A	6C	C3/12/82
006	P17017336	PROM DC231 RPO6 7C		1		.C	S	A	7C	C3/12/82
007	P17017344	PROM DC231 RPO6 8C		1		.C	S	A	8C	C3/12/82
008	P17017351	PROM DC231 RPO6 8C-A		1		.C	S	A	8C-A	C3/12/82
009	P17017369	PROM DC231 RPO6 9C		1		.O	S	A	9C	C3/12/82
010	F17017377	PROM DC231 RPO6 10C		1		.C	S	A	10C	C3/12/82
011	F17017385	PROM DC231 RPO6 11C		1		.O	S	A	11C	C3/12/82
012	P17017393	PROM DC231 RPO6 12C		1		.O	S	A	12C	C3/12/82
013	P17017401	PROM DC231 RPO6 13C		1		.O	S	A	13C	C3/12/82
014	P17017419	PROM DC231 RPO6 13C-A		1		.O	S	A	13C-A	C3/12/82
015	P17017427	PROM DC231 RPO6 14C		1		.O	S	A	14C	C3/12/82
016	P17017435	PROM DC231 RPO6 15C		1		.C	S	A	15C	C3/12/82
017	F17017922	PROM DC231 RPO2/RPO6 3D		1		.O	S	A	3D	C3/12/82
018	P17017450	PROM DC231 RPO6 27G		1		.O	S	A	27G	C3/12/82
019	F17017468	PROM DC231 RPO6 28G		1		.O	S	A	28G	C3/12/82
020	P17017476	PROM DC231 RPO6 29G		1		.C	S	A	29G	C3/12/82
021	F17017963	PROM DC231 RPO2/RPO6 3F 82S1CC		1		.O	S	A	3F	C3/12/82
022	F17017971	PROM DC231 RPO2/RPO6 12F 27S19		1		.C	S	D	12F	C3/12/82
023	P17017989	PROM DC231 RPO2/RPO6 1E		1		.O	S	A	1E	C3/12/82
024	P17017997	PROM DC231 RPO2/RPO6 29E		1		.O	S	A	29E	C3/12/82

MAR 17 1982

SEQ	PART NUMBER	DESCRIPTION	CCN	QTY	HRS	SUB	REV	L	LOCATCN	EFF DATE
CC0	LSC	NO INVENTORY ITEM		24	.0					C7/23/81
0C1	P1702C066	PROM DC231 RMO2 80-675MB 2C		1	.0	S	C		2C	C3/12/82
0C2	P17020074	PROM DC231 RMO2 80-675MB 3C		1	.0	S	C		3C	C3/12/82
003	P17020082	PROM DC231 RMO2 80-675MB 4C		1	.0	S	C		4C	C3/12/82
CC4	P1702C090	PROM DC231 RMO2 80-675MB 5C		1	.0	S	C		5C	C3/12/82
005	P1702C108	PROM DC231 RMO2 80-675MB 6C		1	.0	S	C		6C	C3/12/82
CC6	P1702C116	PROM DC231 RMO2 80-675MB 7C		1	.0	S	C		7C	C3/12/82
007	P1702C124	PROM DC231 RMO2 80-675MB 8C		1	.0	S	C		8C	C3/12/82
008	P1702C132	PROM DC231 RMO2 80-675MB 8C-A		1	.0	S	C		8C-A	C3/12/82
009	P1702C140	PROM DC231 RMO2 80-675MB 9C		1	.0	S	C		9C	C3/12/82
010	P1702C157	PROM DC231 RMO2 80-675MB 10C		1	.0	S	C		10C	C3/12/82
011	P17020165	PROM DC231 RMO2 80-675MB 11C		1	.0	S	C		11C	C3/12/82
012	P1702C173	PROM DC231 RMO2 80-675MB 12C		1	.0	S	C		12C	C3/12/82
013	P1702C181	PROM DC231 RMO2 80-675MB 13C		1	.0	S	C		13C	C3/12/82
014	P1702C199	PROM DC231 RMO2 80-675MB 13C-A		1	.0	S	C		13C-A	C3/12/82
015	P1702C207	PROM DC231 RMO2 80-675MB 14C		1	.0	S	C		14C	C3/12/82
016	P1702C215	PROM DC231 RMO2 80-675MB 15C		1	.0	S	C		15C	C3/12/82
017	P17017922	PROM DC231 RMO2/RP06 3D		1	.0	S	A		3D	C3/12/82
018	P1701793C	PROM DC231 RMO2 27G		1	.0	S	A		27G	C3/12/82
019	P17017948	PROM DC231 RMO2 28G		1	.0	S	B		28G	C3/12/82
020	P17017955	PROM DC231 RMO2 29G		1	.0	S	A		29G	C3/12/82
021	P17017963	PROM DC231 RMO2/RP06 3F 82S100		1	.0	S	A		3F	C3/12/82
022	P17017971	PROM DC231 RMO2/RP06 12F 27S19		1	.0	S	D		12F	C3/12/82
023	P17017989	PROM DC231 RMO2/RP06 1E		1	.0	S	A		1E	C3/12/82
024	P17017997	PROM DC231 RMO2/RPC6 29B		1	.0	S	A		29B	C3/12/82

MAR 17 1982

SEQ	PART NUMER	DESCRIPTION	CCN	QTY	HRS	SUB	REV	L	LOCATION	EFF DATE
000	LSC	NO INVENTORY ITEM		24	.0					09/04/81
001	P17020306	PROM DC231 RMO2 (40-675MB)		1	.0	S	A		2C	03/12/82
002	P17020314	PROM DC231 RMO2 (40-675MB)		1	.0	S	A		3C	03/12/82
003	P17020322	PROM DC231 RMO2 (40-675MB)		1	.0	S	A		4C	03/12/82
004	P17020330	PROM DC231 RMO2 (40-675MB)		1	.0	S	A		5C	03/12/82
005	P17020348	PROM DC231 RMO2 (40-675MB)		1	.0	S	A		6C	03/12/82
006	P17020355	PROM DC231 RMO2 (40-675MB)		1	.0	S	A		7C	03/12/82
007	P17020363	PROM DC231 RMO2 (40-675MB)		1	.0	S	A		8C	03/12/82
008	P17020371	PROM DC231 RMO2 (40-675MB)		1	.0	S	A		8C-A	03/12/82
009	P17020389	PROM DC231 RMO2 (40-675MB)		1	.0	S	A		9C	03/12/82
010	P17020397	PROM DC231 RMO2 (40-675MB)		1	.0	S	A		10C	03/12/82
011	P17020405	PROM DC231 RMO2 (40-675MB)		1	.0	S	A		11C	03/12/82
012	P17020413	PROM DC231 RMO2 (40-675MB)		1	.0	S	A		12C	03/12/82
013	P17020421	PROM DC231 RMO2 (40-675MB)		1	.0	S	A		13C	03/12/82
014	P17020439	PROM DC231 RMO2 (40-675MB)		1	.0	S	A		13C-A	03/12/82
015	P17020447	PROM DC231 RMO2 (40-675MB)		1	.0	S	A		14C	03/12/82
016	P17020454	PROM DC231 RMO2 (40-675MB)		1	.0	S	A		15C	03/12/82
017	P17017922	PROM DC231 RMO2/RP06 3D		1	.0	S	A		3D	03/12/82
018	P17017930	PROM DC231 RMO2 27G		1	.0	S	A		27G	03/12/82
019	P17017948	PROM DC231 RMO2 28G		1	.0	S	B		28G	03/12/82
020	P17017955	PROM DC231 RMO2 29G		1	.0	S	A		29G	03/12/82
021	P17017963	PROM DC231 RMO2/RP06 3F 82S100		1	.0	S	A		3F	03/12/82
022	P17017971	PROM DC231 RMO2/RP06 12F 27S19		1	.0	S	D		12F	03/12/82
023	P17017989	PROM DC231 RMO2/RP06 1E		1	.0	S	A		1E	03/12/82
024	P17017997	PROM DC231 RMO2/RP06 29B		1	.0	S	A		29B	03/12/82

MAR 17 1982

03/15/82 BILL OF MATERIAL TOP LEVEL ASSEMBLY LIST
 ASSEMBLY NO. P18CC0364 REVISION A1

PAGE 1
 DESC: FROM SET DC231A

SEQ	PART NUMBER	DESCRIPTION	CCN	QTY	HRS	SUB	REV	L	LOCATICN	EFF DATE
000	LSC	NO INVENTORY ITEM		16	.0					C1/20/82
001	P17020629	PROM DC231A RM02 2C 27S35		1	.0	S	A		2C	C3/12/82
002	P17020637	PROM DC231A RM02 3C 27S35		1	.0	S	A		3C	C3/12/82
003	P17020645	PROM DC231A RM02 4C 27S35		1	.0	S	A		4C	C3/12/82
004	P17020652	PROM DC231A RM02 5C 27S35		1	.0	S	A		5C	C3/12/82
005	P17020660	PROM DC231A RM02 6C 27S35		1	.0	S	A		6C	C3/12/82
006	P17020678	PROM DC231A RM02 7C 27S35		1	.0	S	A		7C	C3/12/82
007	F17020686	PROM DC231A RM02 8C 27S35		1	.0	S	A		8C	C3/12/82
008	F17020694	PROM DC231A RM02 8C-A 27S35		1	.0	S	A		9C	C3/12/82
009	F17017922	PROM DC231 RM02/RP06 3D		1	.0	S	A		3D	C3/12/82
010	F17017930	PROM DC231 RM02 27G		1	.0	S	A		27G	C3/12/82
011	F17017948	PROM DC231 RM02 28G		1	.0	S	B		28G	C3/12/82
012	F17017955	PROM DC231 RM02 29G		1	.0	S	A		29G	C3/12/82
013	F17017963	PROM DC231 RM02/RP06 3F 22S10C		1	.0	S	A		3F	C3/12/82
014	F17017971	PROM DC231 RM02/RP06 12F 27S19		1	.0	S	D		12F	C3/12/82
015	F17017989	PROM DC231 RM02/RP06 1E		1	.0	S	A		1E	C3/12/82
016	F17017997	PROM DC231 RM02/RP06 29B		1	.0	S	A		29B	C3/12/82

MAR 17 1982

SEQ	PART NUMBER	DESCRIPTION	CCN	QTY	HRS	SUB	REV	L	LCCATCN	EFF DATE
CC0	LSC	NO INVENTORY ITEM		24	.0					C1/2C/82
CC1	P1702C793	PROM DC231 FRIAM 2C 27S25		1	.0	S	A		2C	C3/12/82
CC2	P1702C801	PROM DC231 PRIAM 3C 27S25		1	.0	S	A		3C	C3/12/82
003	P1702C819	PROM DC231 FRIAM 4C 27S25		1	.0	S	A		4C	03/12/82
004	P17020827	PROM DC231 PRIAM 5C 27S25		1	.0	S	A		5C	C3/12/82
005	P1702G835	PROM DC231 PRIAM 6C 27S25		1	.0	S	A		6C	C3/12/82
006	P1702C843	PROM DC231 FRIAM 7C 27S25		1	.0	S	A		7C	C3/12/82
007	P1702G850	PROM DC231 PRIAM 8C 27S25		1	.0	S	A		8C	C3/12/82
008	P1702C868	PROM DC231 FRIAM 8C-A 27S25		1	.0	S	A		8C-A	C3/12/82
009	F1702C876	PROM DC231 PRIAM 9C 27S25		1	.0	S	A		9C	C3/12/82
010	P1702C884	PROM DC231 PRIAM 10C 27S25		1	.0	S	A		10C	C3/12/82
011	P1702C892	PROM DC231 PRIAM 11C 27S25		1	.0	S	A		11C	C3/12/82
012	P1702090C	PROM DC231 PRIAM 12C 27S25		1	.0	S	A		12C	C3/12/82
013	P1702C918	PROM DC231 FRIAM 13C 27S25		1	.0	S	A		13C	C3/12/82
014	P1702C926	PROM DC231 FRIAM 13C-A 27S25		1	.0	S	A		13C-A	C3/12/82
015	P1702C934	PROM DC231 FRIAM 14C 27S25		1	.0	S	A		14C	C3/12/82
016	P1702G942	PROM DC231 FRIAM 15C 27S25		1	.0	S	A		15C	C3/12/82
017	P17017922	PROM DC231 RMO2/RP06 3D		1	.0	S	A		3D	C3/12/82
018	F17017930	PROM DC231 RMO2 27G		1	.0	S	A		27G	C3/12/82
019	P17017948	PROM DC231 RMO2 28G		1	.0	S	B		28G	C3/12/82
020	P17017955	PROM DC231 RMO2 29G		1	.0	S	A		29G	C3/12/82
021	P17017963	PROM DC231 RMO2/RP06 3F 82S1C0		1	.0	S	A		3F	C3/12/82
022	P17017971	PROM DC231 RMO2/RP06 12F 27S19		1	.0	S	D		12F	C3/12/82
023	P17017989	PROM DC231 RMO2/RP06 1E		1	.0	S	A		1E	C3/12/82
024	P17017997	PROM DC231 RMO2/RP06 29B		1	.0	S	A		29B	C3/12/82

MAR 17 1982

06/09/82 BILL OF MATERIAL TOP LEVEL ASSEMBLY LIST
 ASSEMBLY NO. P18000497 REVISION A

PAGE 1
 DESC: PRST DC231A (160/2-80)

SEQ	PART NUMBER	DESCRIPTION	CCN	QTY	HRS	SUB	REV	L	LOCATION	EFF DATE
000	LSC	NO INVENTORY ITEM		16	.0					06/08/82
001	P17021734	PROM DC231A (160/2-80) 2C		1	.0	S	A		2C	06/08/82
002	P17021742	PROM DC231A (160/2-80) 3C		1	.0	S	A		3C	06/08/82
003	P17021759	PROM DC231A (160/2-80) 4C		1	.0	S	A		4C	06/08/82
004	P17021767	PROM DC231A (160/2-80) 5C		1	.0	S	A		5C	06/08/82
005	P17021775	PROM DC231A (160/2-80) 6C		1	.0	S	A		6C	06/08/82
006	P17021783	PROM DC231A (160/2-80) 7C		1	.0	S	A		7C	06/08/82
007	P17021791	PROM DC231A (160/2-80) 8C		1	.0	S	A		8C	06/08/82
008	P17021809	PROM DC231A (160/2-80) 9C		1	.0	S	A		9C	06/08/82
009	P17017922	PROM DC231 RM02/RP06 3D		1	.0	S	A		3D	06/08/82
010	P17017930	PROM DC231 RM02 27G		1	.0	S	A		27G	06/08/82
011	P17017948	PROM DC231 RM02 28G		1	.0	S	B		28G	06/08/82
012	P17017955	PROM DC231 RM02 29G		1	.0	S	A		29G	06/08/82
013	P17017963	PROM DC231 RM02/RP06 3F 82S100		1	.0	S	A		3F	06/08/82
014	P17017971	PROM DC231 RM02/RP06 12F 27S19		1	.0	S	D		12F	06/08/82
015	P17017989	PROM DC231 RM02/RP06 1E		1	.0	S	A		1E	06/08/82
016	P17017997	PROM DC231 RM02/RP06 29B		1	.0	S	A		29B	06/08/82

JUL 13 1982

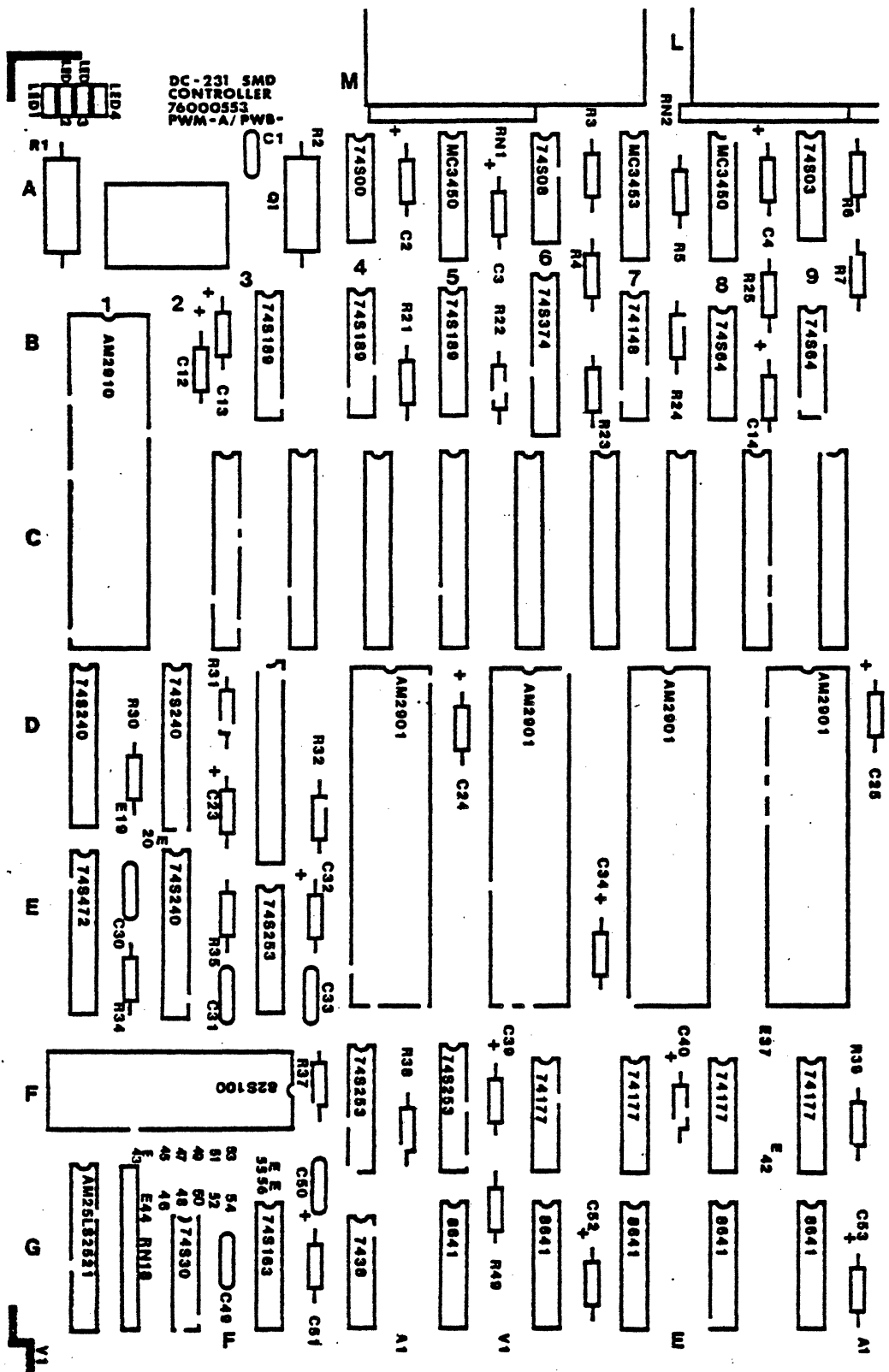
ASSEMBLY NO. P18000547

REVISION A

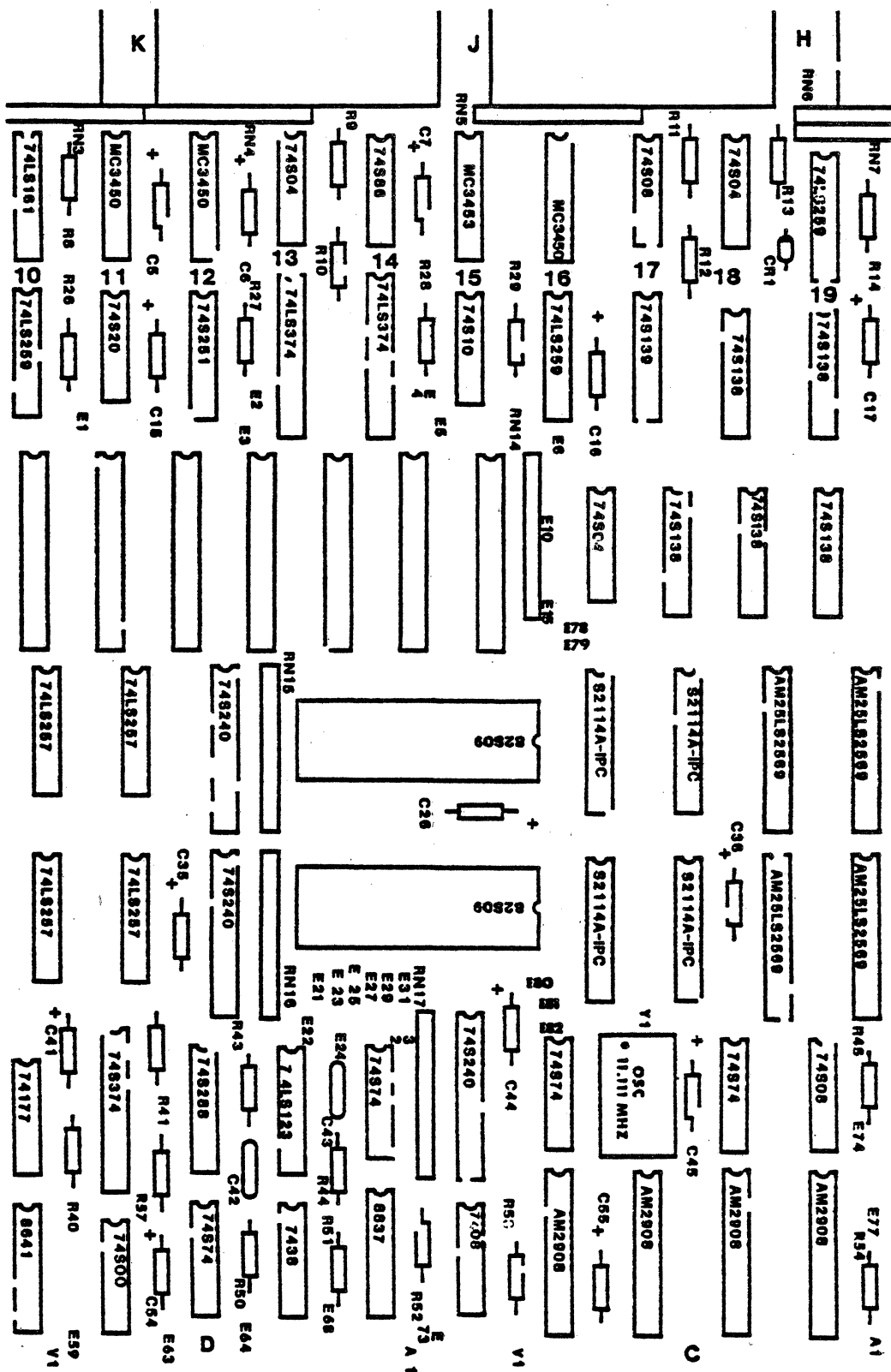
DESC: PMST DC231A RP06

SEQ	PART NUMBER	DESCRIPTION	CON	QTY	HRS	SUB	REV	L	LOCATION	EFF DATE
000	CD	NO INVENTORY ITEM		8	.0					09/29/82
001	P17022278	PROM DC231A LOC 5C RP06	1		.0	A			5C	09/29/82
002	P17022286	PROM DC231A LOC 6C RP06	1		.0	A			6C	09/29/82
003	P17022294	PROM DC231A LOC 7C RP06	1		.0	A			7C	09/29/82
004	P17022302	PROM DC231A LOC 8C RP06	1		.0	A			8C	09/29/82
005	P17022328	PROM DC231A LOC 4C RP06	1		.0	A			4C	09/29/82
006	P17022336	PROM DC231A LOC 3C RP06	1		.0	A			3C	09/29/82
007	P17022344	PROM DC231A LOC 2C RP06	1		.0	A			2C	09/29/82
008	P17022310	PROM DC231A LOC 9C RP06	1		.0	A			9C	09/29/82

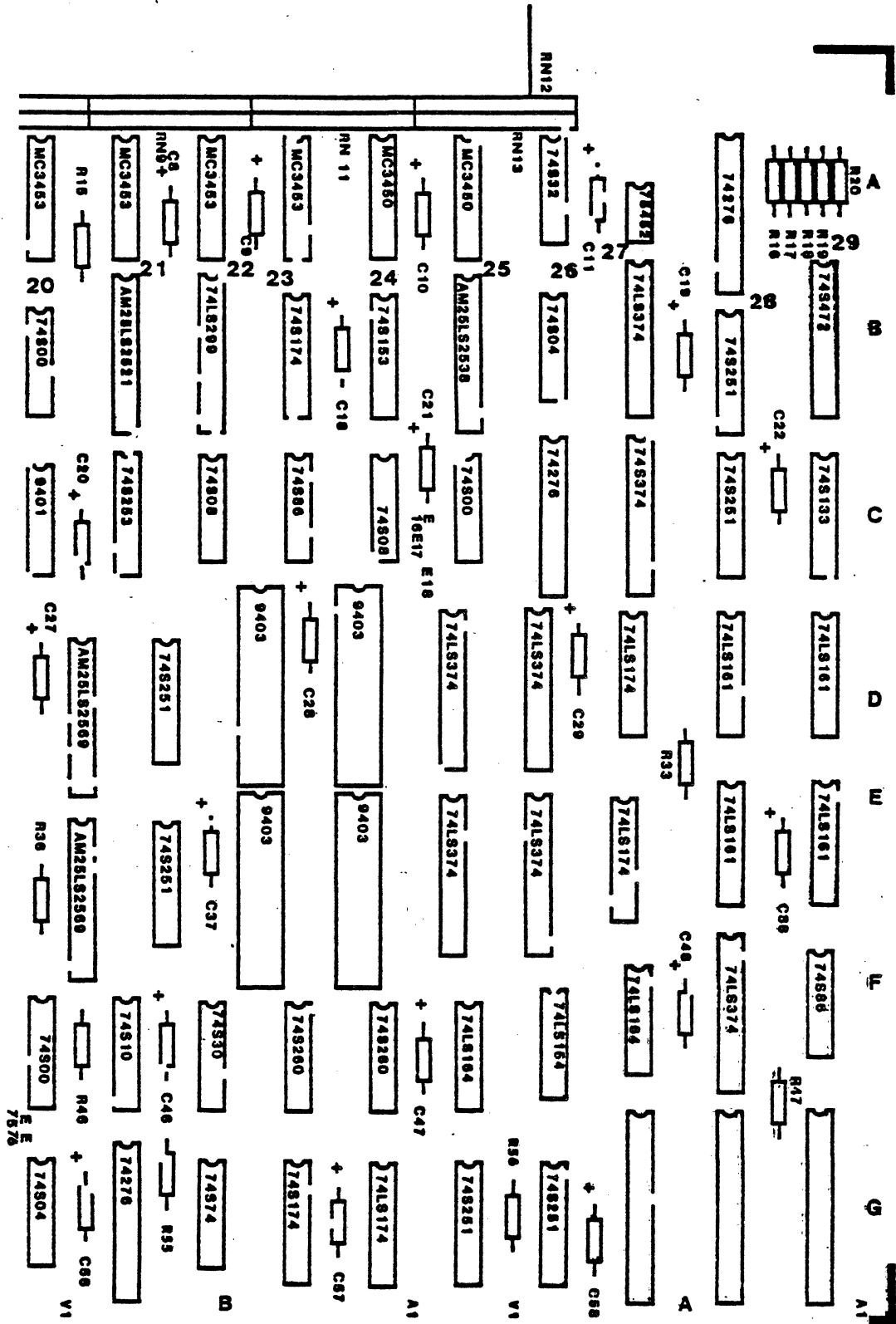
OCT 5 1982



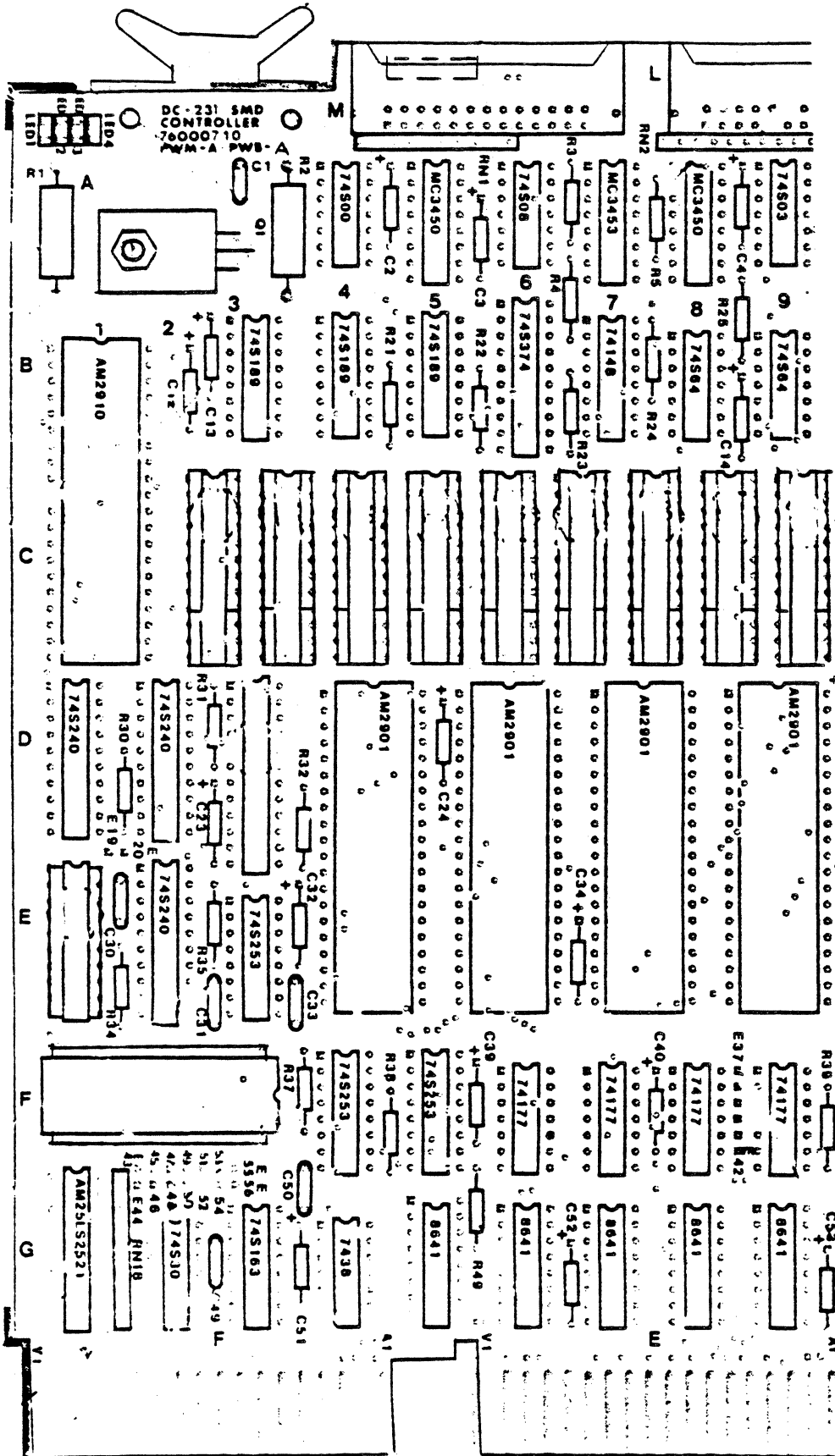
(LEFT-HAND SECTION)



(CENTER SECTION)



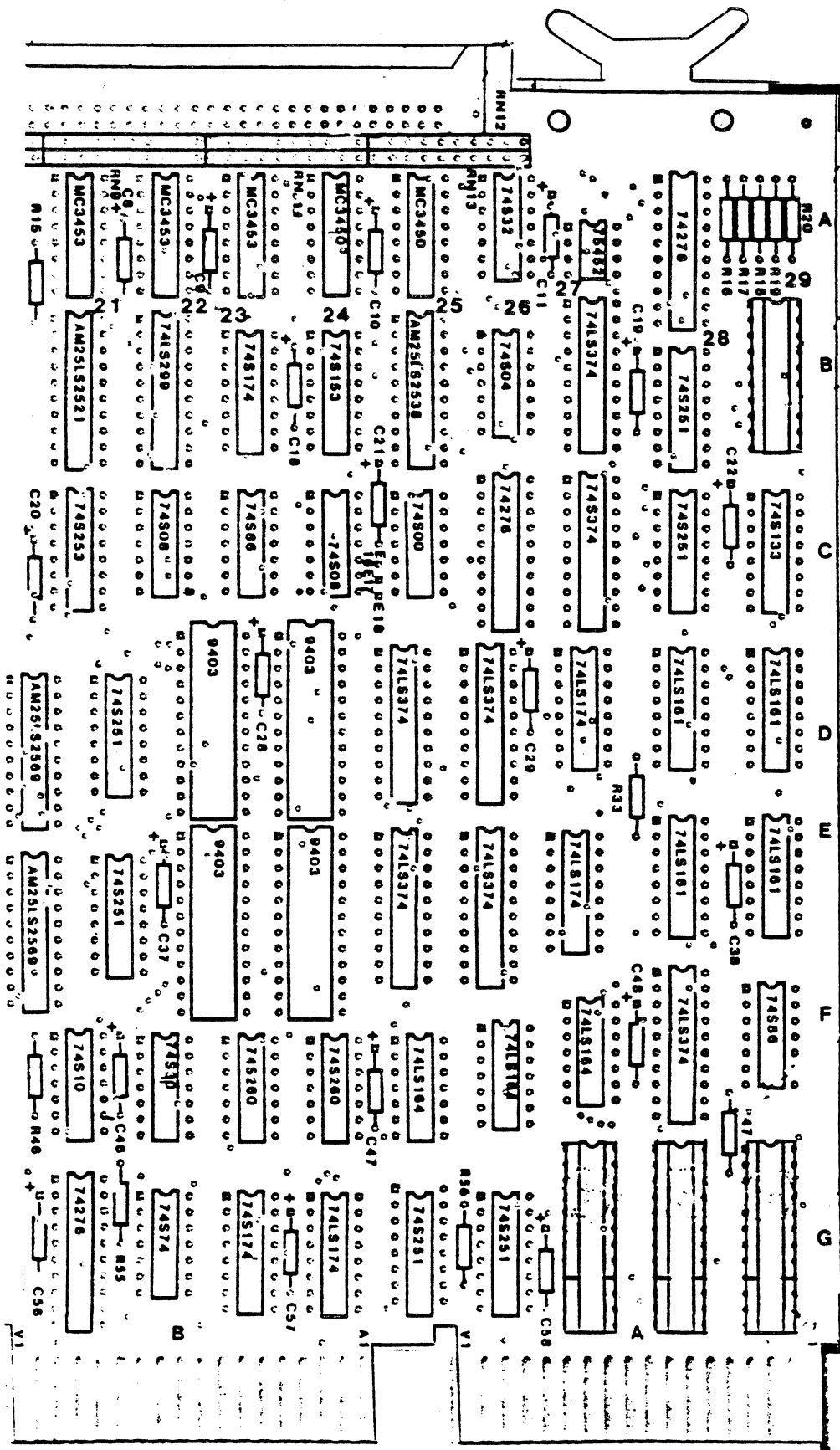
(RIGHT-HAND SECTION)



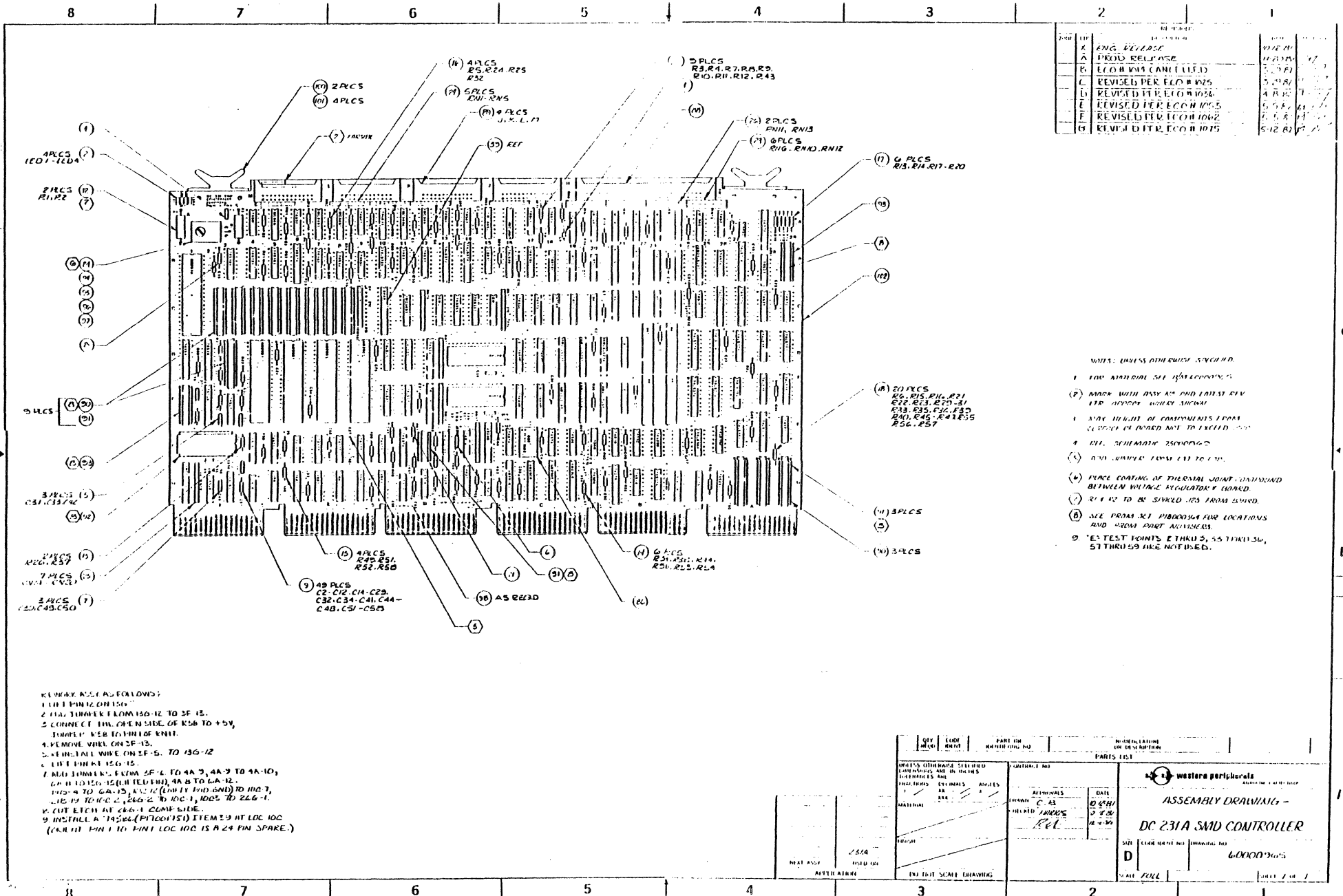
(LEFT-HAND SECTION)

ASSEMBLY DRAWING, DC231 SMD CONTROLLER 60000882

REF SCHEMATIC 75000794



(RIGHT-HAND SECTION)
 ASSEMBLY DRAWING, DC231 SMD CONTROLLER 6000882
 REF SCHEMATIC 7500794



REV	DATE	BY	APP'D
X	07/21/81		
A	08/21/81		
B	07/21/81		
C	07/21/81		
D	07/21/81		
E	07/21/81		
F	07/21/81		
G	07/21/81		

- NOTES: UNLESS OTHERWISE SPECIFIED:
1. FOR MATERIAL SEE SPECIFICATIONS
 2. WORK WITH DIMS AND TOLERANCES AND TYPICAL VALUES SHOWN
 3. MAX HEIGHT OF COMPONENTS FROM SURFACE OF BOARD NOT TO EXCEED .150"
 4. DRILL DIMENSIONS AS SHOWN
 5. ALL DIMENSIONS FROM EXT TO EXT
 6. PLACE COATING OF THERMAL Joints, DAWNDOWN BETWEEN VOLTAGE REGULATOR BOARD
 7. PINS TO BE SOLDERED FROM BOARD
 8. SEE DRAWING FOR LOCATIONS AND WIRE POINT NOTATIONS
 9. * TEST POINTS 2 THRU 5, 55 THRU 56, 57 THRU 59 ARE NOT USED.

REMARKS AS FOLLOWS:

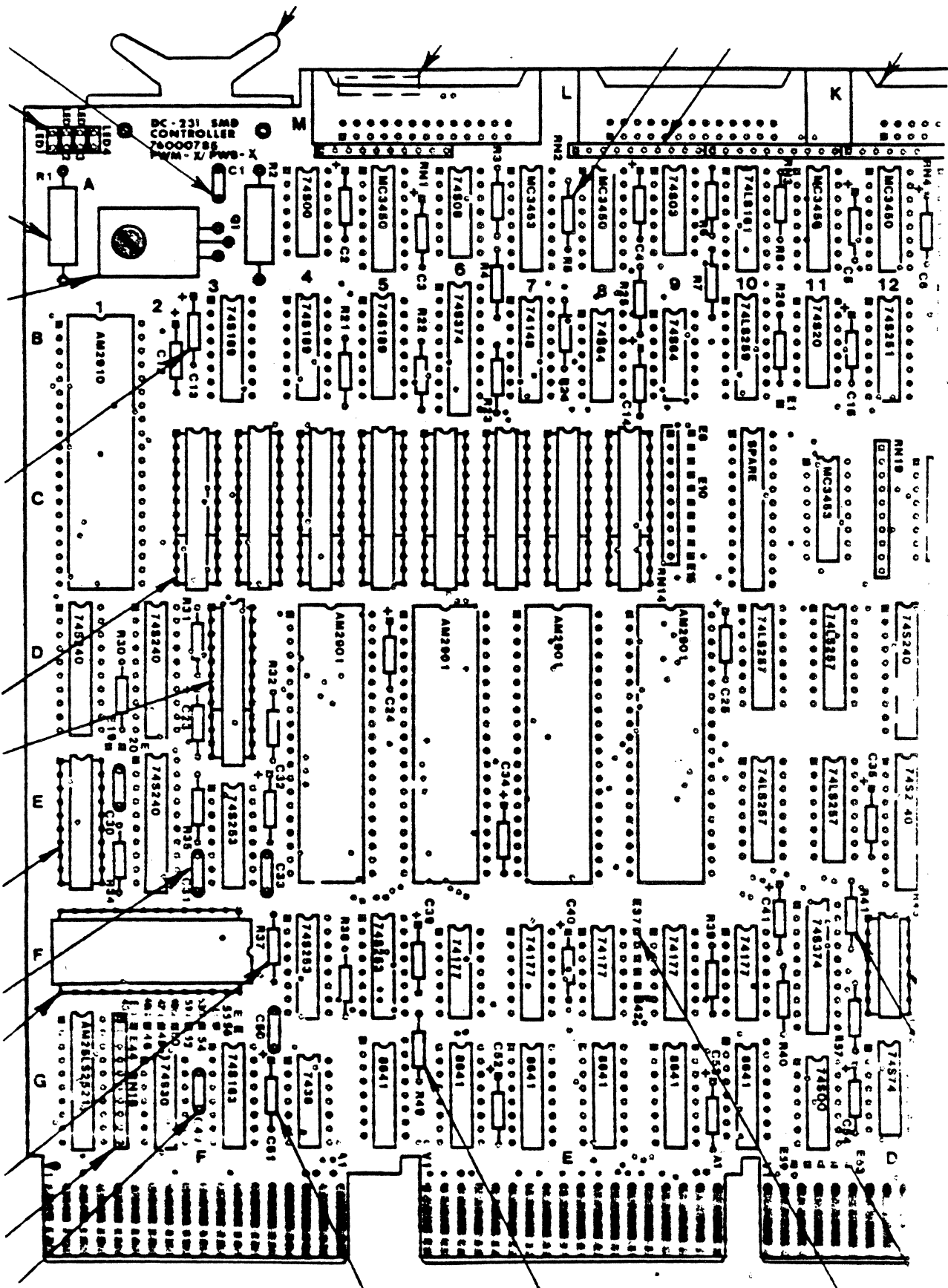
1. CUT PINS ON 15G
2. CUT JUMPER FROM 15G-12 TO 2E-13
3. CONNECT CT PIN ON INSIDE OF K56 TO +5V
4. REMOVE WIRE ON 2E-13
5. CUT ALL WIRE ON 2E-15 TO 15G-12
6. CUT PIN AT 15G-15
7. ADD JUMPER FROM 2E-1 TO 4A-7, 4A-9 TO 4A-10, 4A-11 TO 15G-15 (USE TELER), 4A-8 TO 6A-12, 14G-4 TO 6A-12, K12 (ON IF PWD-580) TO 14G-7, 14G-19 TO 14G-2, 24G-12 TO 10G-1, 10G-5 TO 24G-1
8. CUT EICH AT 24G-1 COMPLETE
9. INSTALL A 14584 (P1700151) ITEM 19 AT LOC 10C (CAN BE PIN 1 TO PIN LOC 10C IS A 24 PIN SPARE.)

QTY	CODE	PART	DESCRIPTION	ASSEMBLY
REQD	MARK	NO	NO	NO

DATE	BY	APPROVALS
07/21/81	C. AS	
07/21/81		

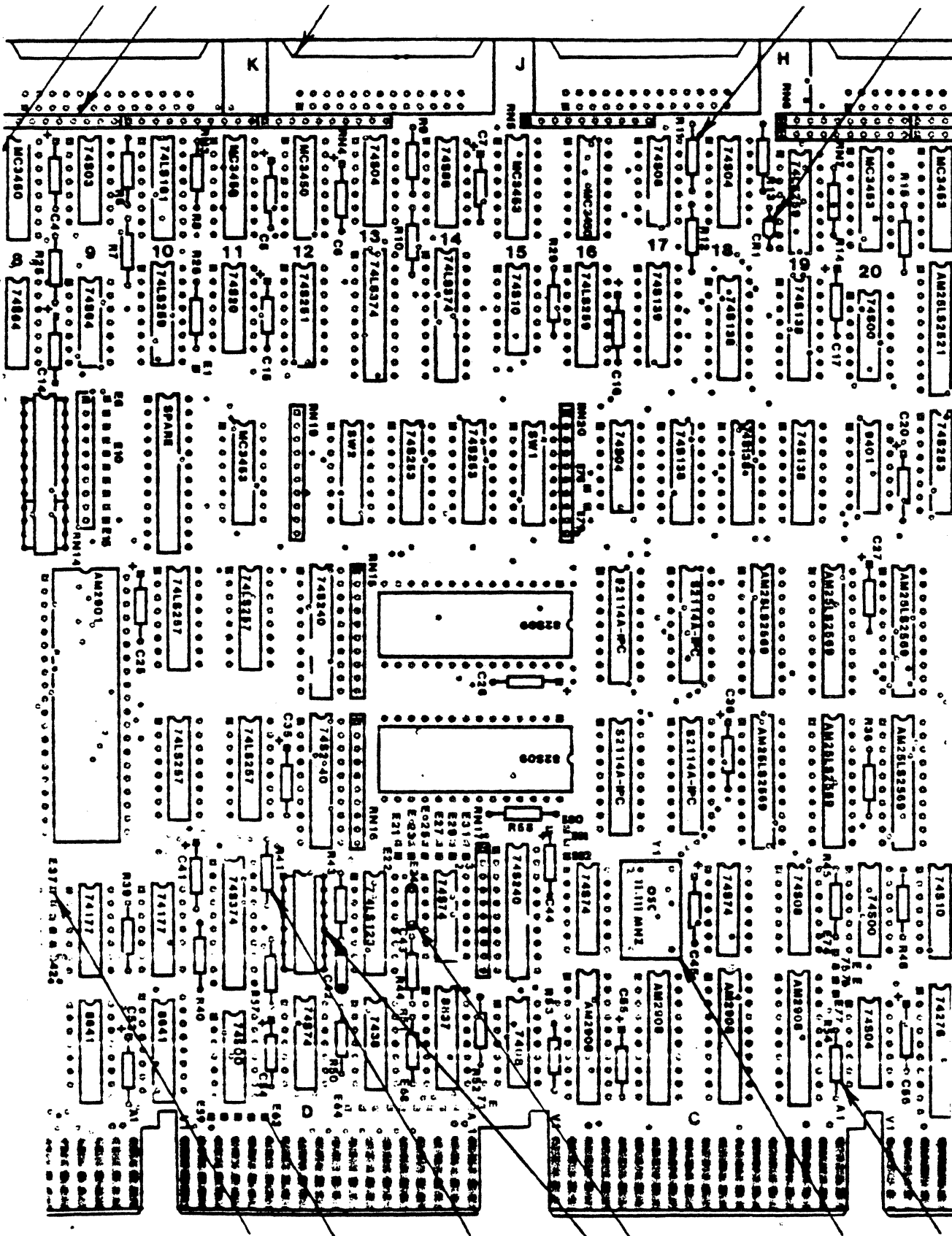
DATE	BY	APPROVALS
07/21/81		
07/21/81		

western peripherals
ASSEMBLY DRAWING -
DC 231A SMD CONTROLLER
 600003605



ASSEMBLY DRAWING

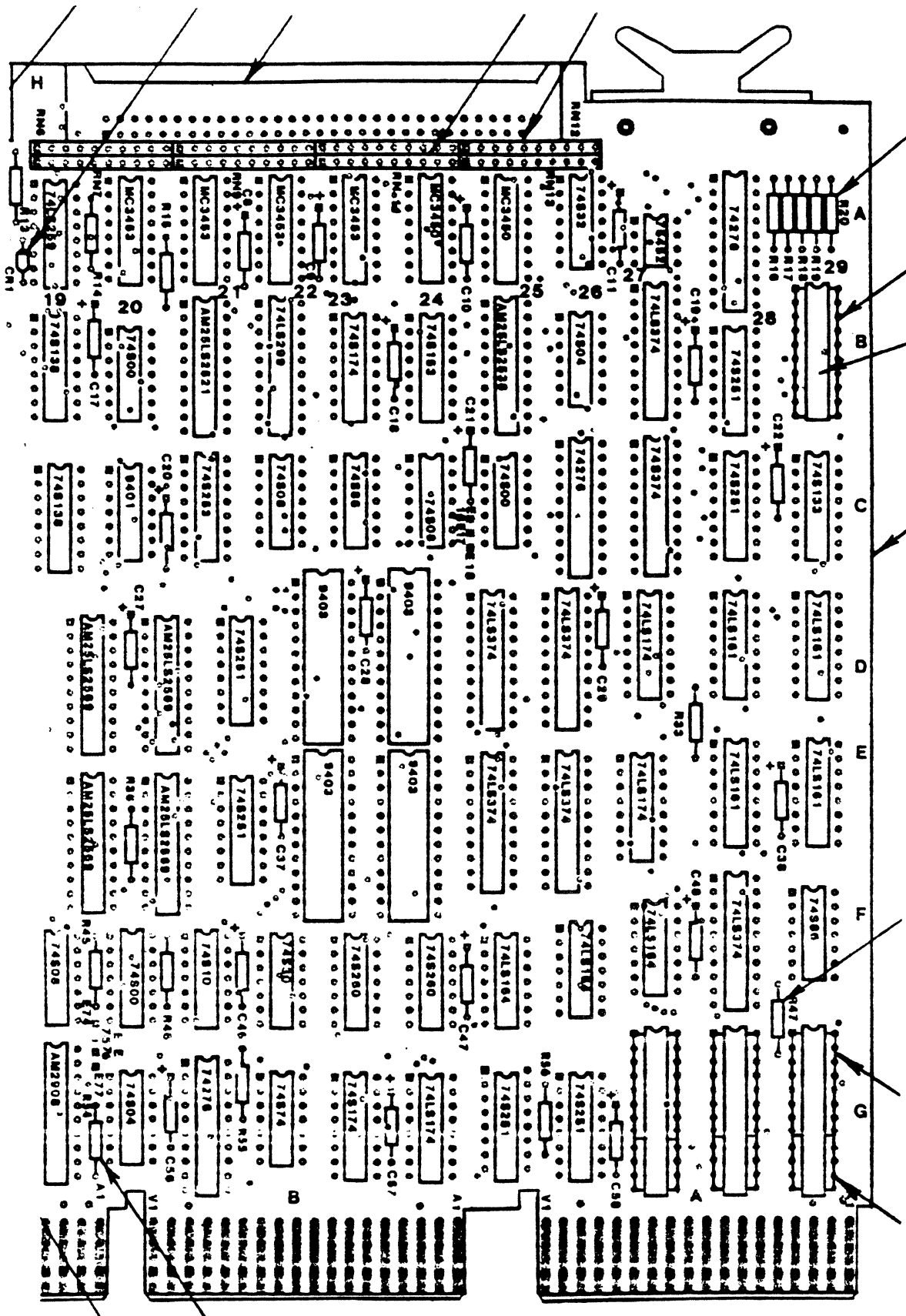
DC-231A SMD CONTROLLER 60000965



ASSEMBLY DRAWING

DC-231A SMD CONTROLLER

6000965



ASSEMBLY DRAWING

DC-231A SMD CONTROLLER

6000965

HOW TO USE SCHEMATICS

Reference Numbering

- *Circled numbers in the lower right-hand corner are used as page numbers for the schematic.
(Drawing sheet numbers may be disregarded)
- *Signal sources and destinations are referenced to these page numbers. Example:

Source (from page 3): 3 - READ
Destination (to page 4 & 5): START - 4, 5

Block Diagrams

- *Most block diagrams provide page reference numbers in each block which identify the schematic page where the logic may be found.

Signal Levels

- *Normally, signals are true when high (+5V) and false when low (0V).
- *Signals with bars ($\overline{\text{WRITE}}$) are true when low and false when high.

Off-Board Connectors

- *Small boxes or diamonds are used to identify signals which exit the board. (Where the numbers are in the format BA2, CV1, DR2, etc. The first letter identifies the connector, The second digit identifies the pin of the connector, and the third digit identifies the side of the board where side one is the component side and side two is the solder side).

	H	
TAG 1	1 31	TAG 1
TAG 2	2 32	TAG 2
TAG 3	3 33	TAG 3
DBIT 0	4 34	DBIT 0
DBIT 1	5 35	DBIT 1
DBIT 2	6 36	DBIT 2
DBIT 3	7 37	DBIT 3
DBIT 4	8 38	DBIT 4
DBIT 5	9 39	DBIT 5
DBIT 6	10 40	DBIT 6
DBIT 7	11 41	DBIT 7
DBIT 8	12 42	DBIT 8
DBIT 9	13 43	DBIT 9
OPEN CABLE DET. FAULT	14 44	OPEN CABLE DET. FAULT
SEEK ERROR ON CYLINDER	16 46	SEEK ERROR ON CYLINDER
INDEX MARK	17 47	INDEX MARK
UNIT READY	18 48	UNIT READY
	19 49	
	20 50	
BUSY	21 51	BUSY
UNIT SELECT TAG	22 52	UNIT SELECT TAG
UNIT SELECT 2°	23 53	UNIT SELECT 2°
UNIT SELECT 2¹	24 54	UNIT SELECT 2¹
SECTOR MARK	25 55	SECTOR MARK
UNIT SELECT 2²	26 56	UNIT SELECT 2²
UNIT SELECT 2³	27 57	UNIT SELECT 2³
WRITE PROTECT	28 58	WRITE PROTECT
POWER PICK	29 59	POWER HOLD
	30 60	

	K	
GND	1 14	SERVO CLK 1
SERVO CLK 1	2 15	GND
READ DATA 1	3 16	READ DATA 1
GND	4 17	READ CLK 1
READ CLK 1	5 18	GND
WRT CLK 1	6 19	WRT CLK 1
GND	7 20	WRT DATA 1
WRT DATA 1	8 21	GND
UNIT SELD 1	9 22	UNIT SELD 1
SEEK END 1	10 23	SEEK END 1
GND	11 24	
	12 25	GND
	13 26	

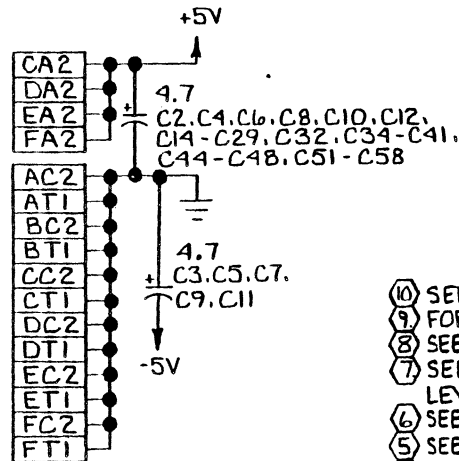
	L	
GND	1 14	SERVO CLK 2
SERVO CLK 2	2 15	GND
READ DATA 2	3 16	READ DATA 2
GND	4 17	READ CLK 2
READ CLK 2	5 18	GND
WRT CLK 2	6 19	WRT CLK 2
GND	7 20	WRT DATA 2
WRT DATA 2	8 21	GND
UNIT SELD 2	9 22	UNIT SELD 2
SEEK END 2	10 23	SEEK END 2
GND	11 24	
	12 25	GND
	13 26	

	J	
GND	1 14	SERVO CLK 0
SERVO CLK 0	2 15	GND
READ DATA 0	3 16	READ DATA 0
GND	4 17	READ CLK 0
READ CLK 0	5 18	GND
WRT CLK 0	6 19	WRT CLK 0
GND	7 20	WRT DATA 0
WRT DATA 0	8 21	GND
UNIT SELD 0	9 22	UNIT SELD 0
SEEK END 0	10 23	SEEK END 0
GND	11 24	
	12 25	GND
	13 26	

	M	
GND	1 14	SERVO CLK 3
SERVO CLK 3	2 15	GND
READ DATA 3	3 16	READ DATA 3
GND	4 17	READ CLK 3
READ CLK 3	5 18	GND
WRT CLK 3	6 19	WRT CLK 3
GND	7 20	WRT DATA 3
WRT DATA 3	8 21	GND
UNIT SELD 3	9 22	UNIT SELD 3
SEEK END 3	10 23	SEEK END 3
GND	11 24	
	12 25	GND
	13 26	

LAST DESIGNATION USED	
RESISTOR	R57
CAPACITOR	C58
LIGHT EMITTING DIODE	LED4
RESISTOR NETWORK	RN18
OSCILLATOR	Y1
VOLTAGE REGULATOR	Q1
DIODE	CR1

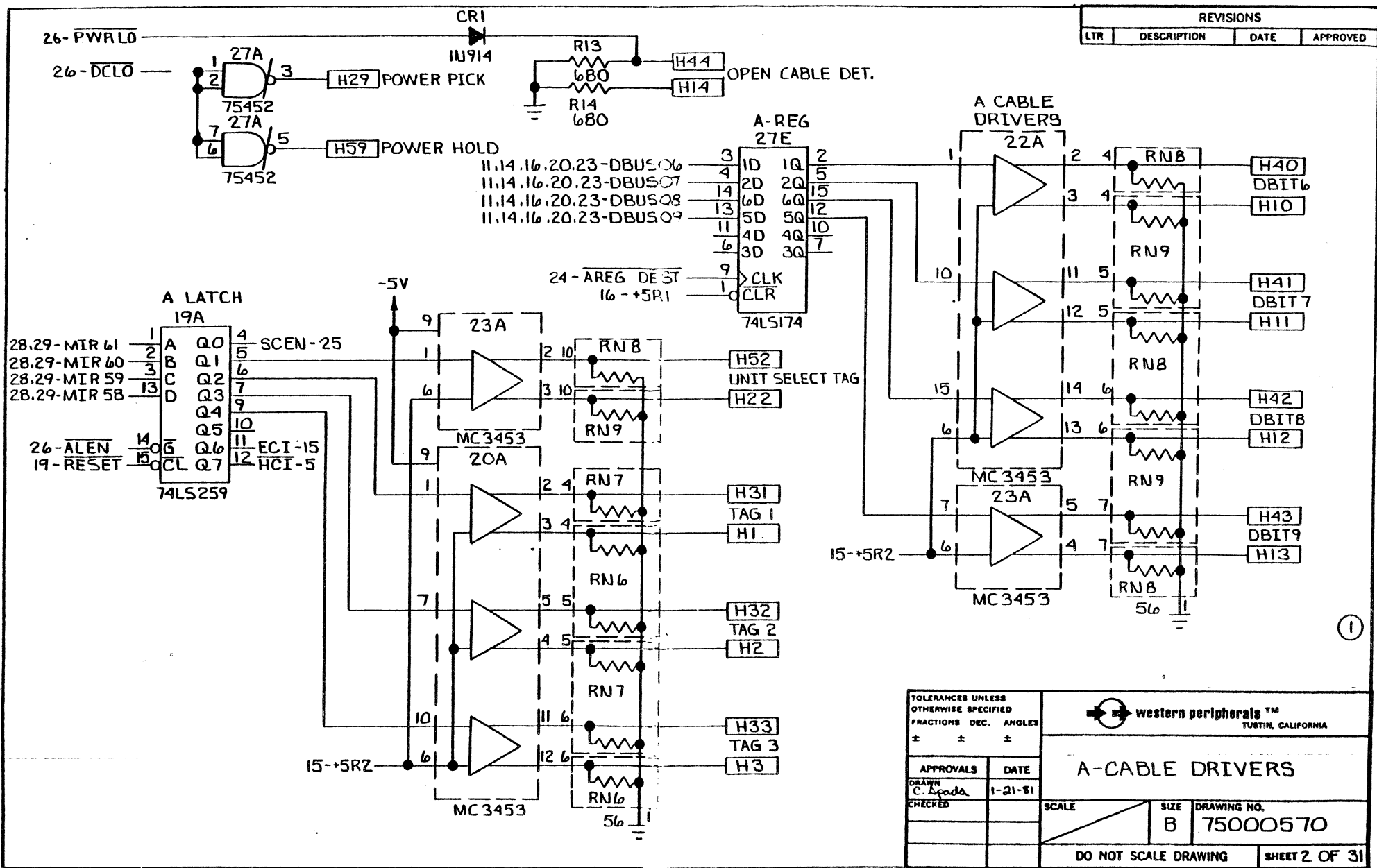
REVISIONS			
LTR	DESCRIPTION	DATE	APPROVED
A	PROD. REL.	4-6-81	LSB
B	REVISED PER E.C.C. 382	4-8-81	LSB
C	REVISED PER E.C.C. 382	10-2-81	LSB
D	REVISED PER E.C.C. 382	10-2-81	LSB
E	REVISED PER E.C.C. 382	10-20-81	LSB
		7-29-82	LSB



- ⑩ SEE DRIVE CAPACITY TABLE.
- ⑨ FOR TEST ONLY.
- ⑧ SEE INTERRUPT VECTOR TABLE.
- ⑦ SEE INTERRUPT PRIORITY LEVEL TABLE.
- ⑥ SEE WORDS PER NPR TABLE.
- ⑤ SEE DEVICE ADDRESS TABLE.
- ④ RESERVED FOR FUTURE USE.
- 3. REFERENCE ASSY. 60000643.
- 2. CAPACITOR VALUES ARE IN MICROFARADS.
- 1. RESISTANCE VALUES ARE IN OHMS.

NOTES: UNLESS OTHERWISE SPECIFIED

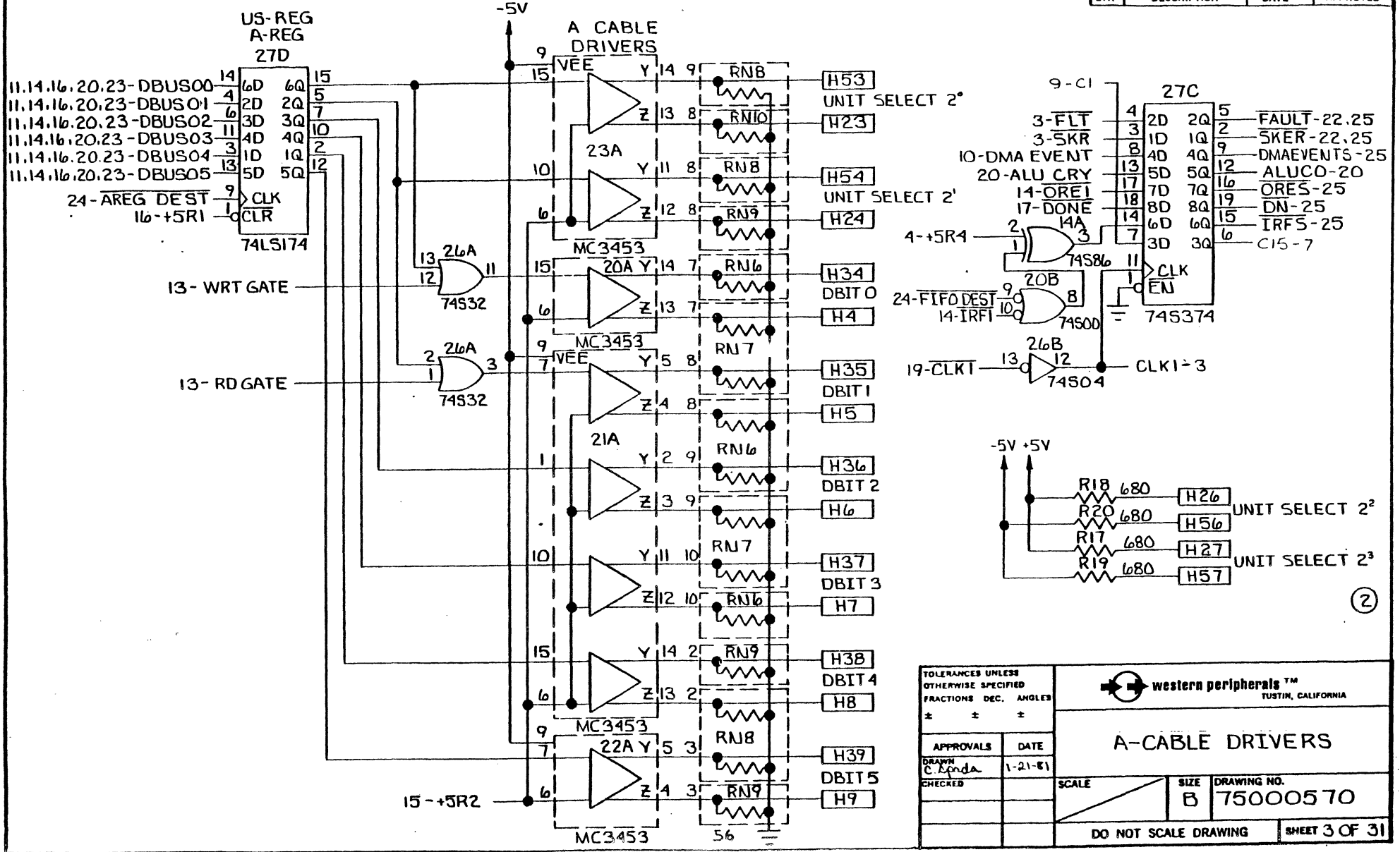
TOLERANCES UNLESS OTHERWISE SPECIFIED		FRACTIONS DEC. ANGLES	
±	±	±	±
APPROVALS	DATE	western peripherals™ TUSTIN, CALIFORNIA	
DRAWN C. Spada	1-21-81		
CHECKED		SCHEMATIC DC 231 SMD CONTROLLER	
		SCALE	SIZE B
			DRAWING NO. 75000570
DO NOT SCALE DRAWING			SHEET 1 OF 31



REVISIONS			
LTR	DESCRIPTION	DATE	APPROVED

TOLERANCES UNLESS OTHERWISE SPECIFIED FRACTIONS DEC. ANGLES ± ± ±		 western peripherals™ TUSTIN, CALIFORNIA	
APPROVALS		DATE	
DRAWN C. Spada		1-21-81	
CHECKED		SCALE	SIZE B
		DRAWING NO. 75000570	
DO NOT SCALE DRAWING			SHEET 2 OF 31

REVISIONS			
LTR	DESCRIPTION	DATE	APPROVED



US-REG
A-REG
27D

11.14.16.20.23-DBUS00 14 6D 6Q
11.14.16.20.23-DBUS01 4 2D 2Q
11.14.16.20.23-DBUS02 6 3D 3Q
11.14.16.20.23-DBUS03 11 4D 4Q
11.14.16.20.23-DBUS04 3 1D 1Q
11.14.16.20.23-DBUS05 13 5D 5Q

24-AREG DEST 9
16-+5R1 1

74LS174

13- WRT GATE
13- RD GATE

9-C1
3-FLT 4
3-SKR 3
10-DMA EVENT 8
20-ALU CRY 13
14-ORE1 17
17-DONE 18
4-+5R4 2
24-FIFO DEST 9
14-IRFI 10
19-CLKT 13

27C

2D 2Q 5
1D 1Q 2
4D 4Q 9
5D 5Q 12
7D 7Q 16
8D 8Q 19
6D 6Q 15
3D 3Q 6

FAULT-22.25
SKER-22.25
DMAEVENTS-25
ALUCO-20
ORES-25
DN-25
IRFS-25
C15-7

74S86
74S00
74S374

CLK
EN


CLK1-3

-5V +5V

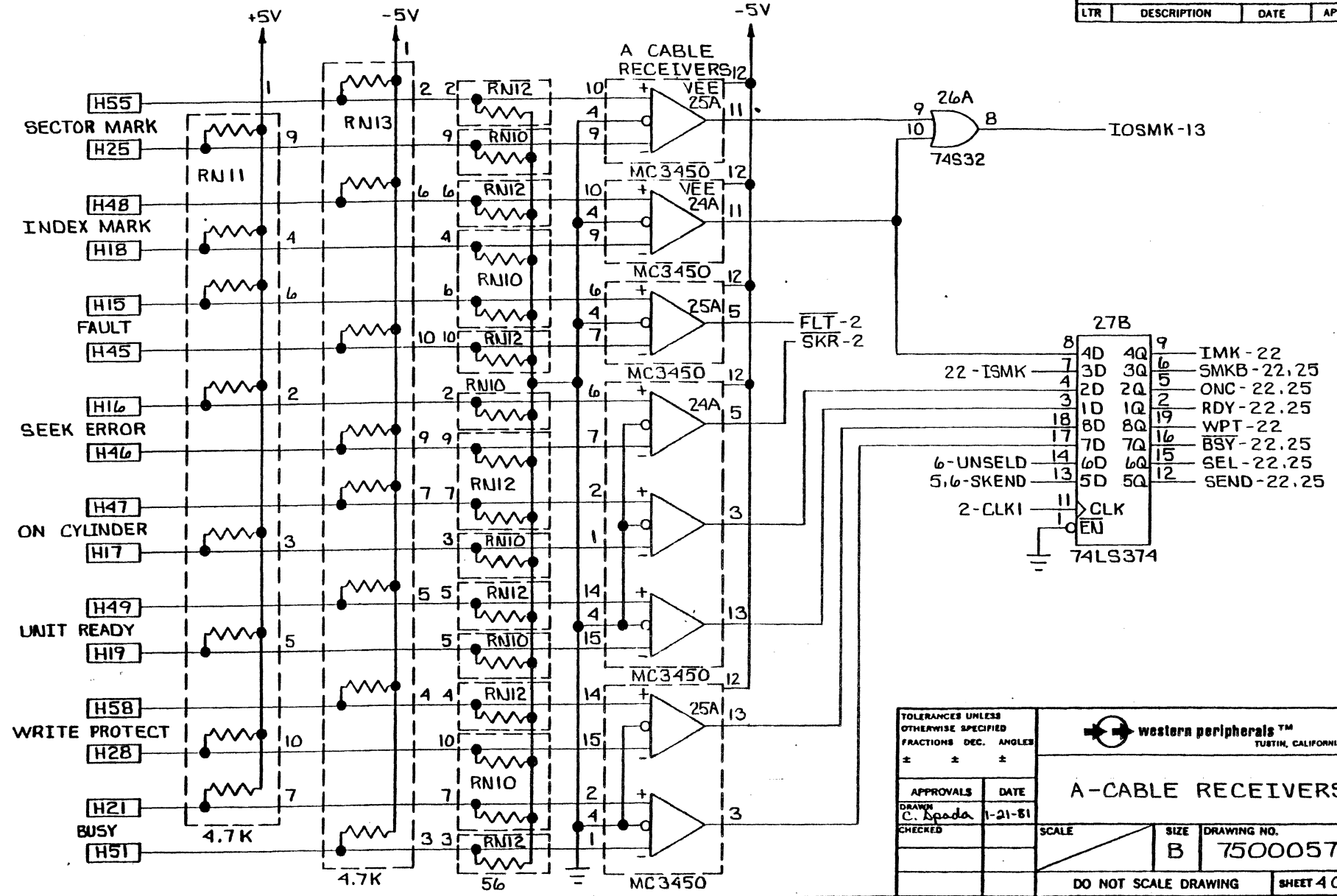
R18 680 H26
R20 680 H56
R17 680 H27
R19 680 H57


UNIT SELECT 2²
UNIT SELECT 2³

(2)

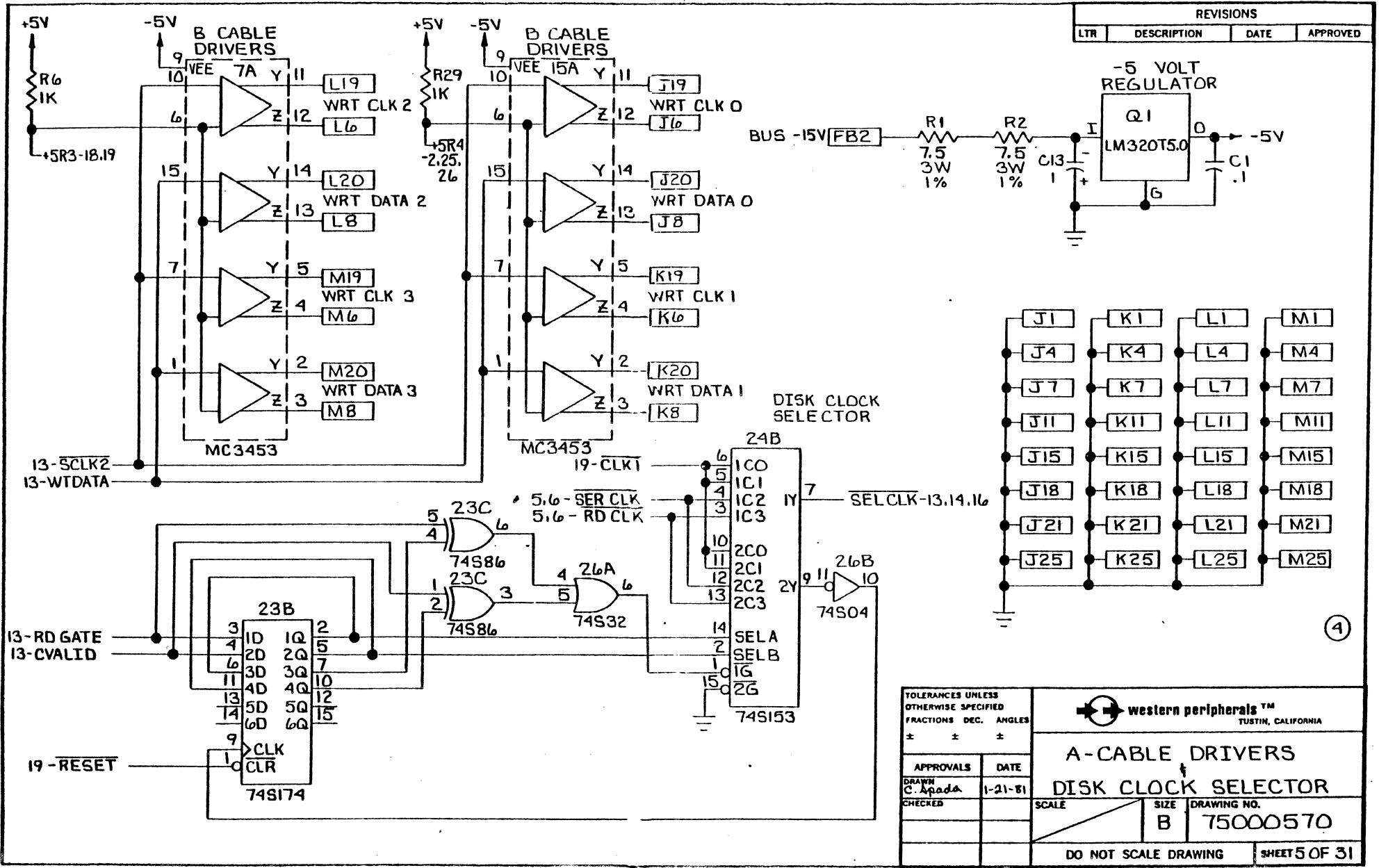
TOLERANCES UNLESS OTHERWISE SPECIFIED FRACTIONS DEC. ANGLES ± ± ±		 western peripherals™ TUSTIN, CALIFORNIA	
A-CABLE DRIVERS			
APPROVALS	DATE	SCALE	SIZE
DRAWN <i>C. Landa</i>	1-21-81		B
CHECKED		DRAWING NO.	75000570
DO NOT SCALE DRAWING			SHEET 3 OF 31

REVISIONS			
LTR	DESCRIPTION	DATE	APPROVED

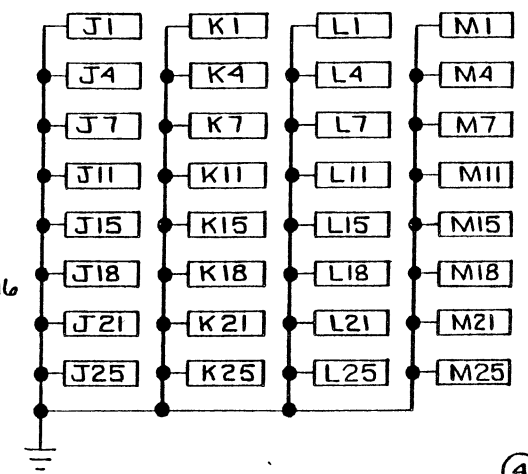


TOLERANCES UNLESS OTHERWISE SPECIFIED FRACTIONS DEC. ANGLES ± ± ±		 western peripherals™ TUSTIN, CALIFORNIA	
APPROVALS DRAWN <i>C. Spada</i> CHECKED		DATE 1-21-81	
SCALE		SIZE B	DRAWING NO. 75000570
DO NOT SCALE DRAWING			SHEET 4 OF 31

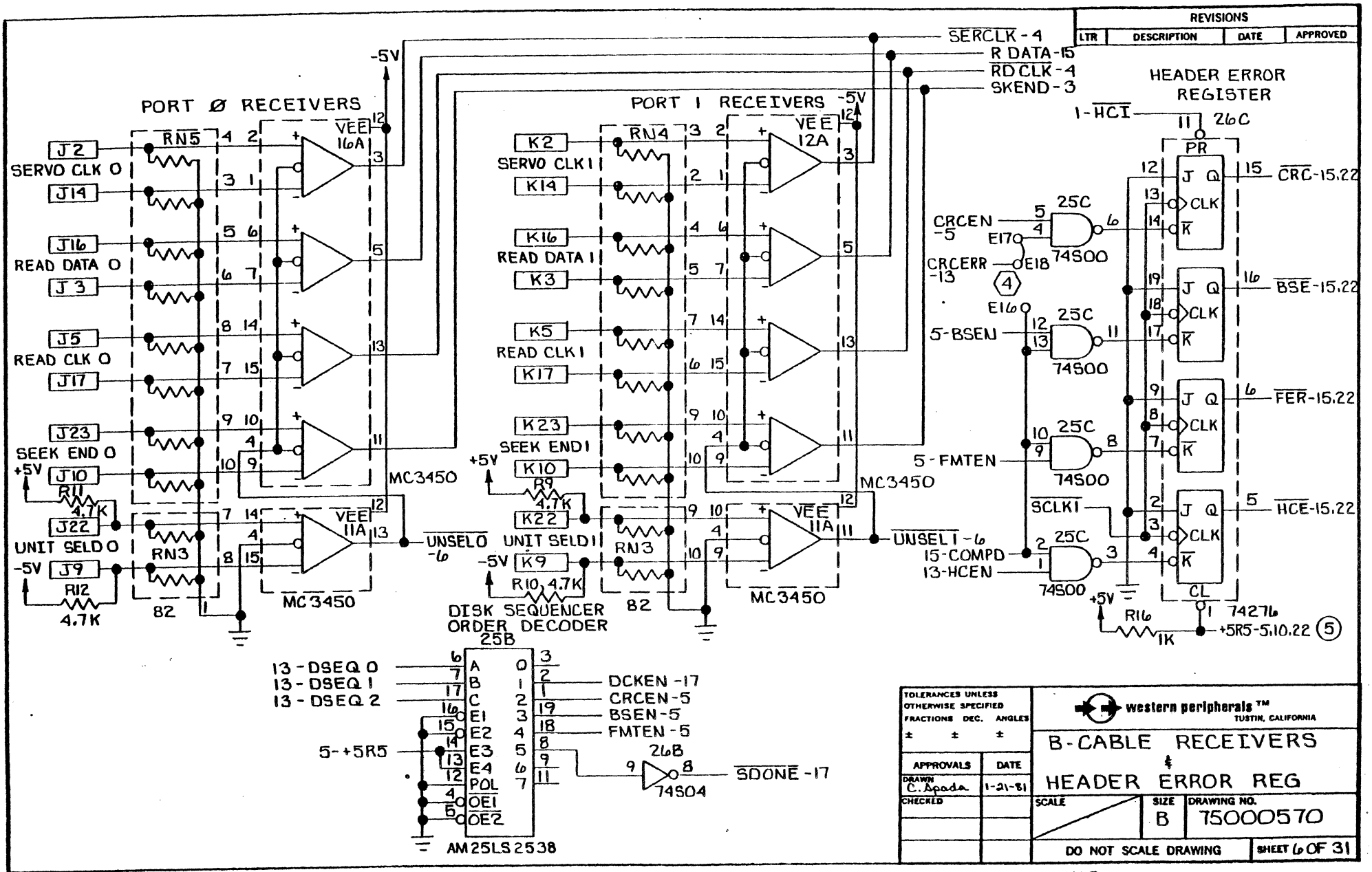
③



REVISIONS			
LTR	DESCRIPTION	DATE	APPROVED



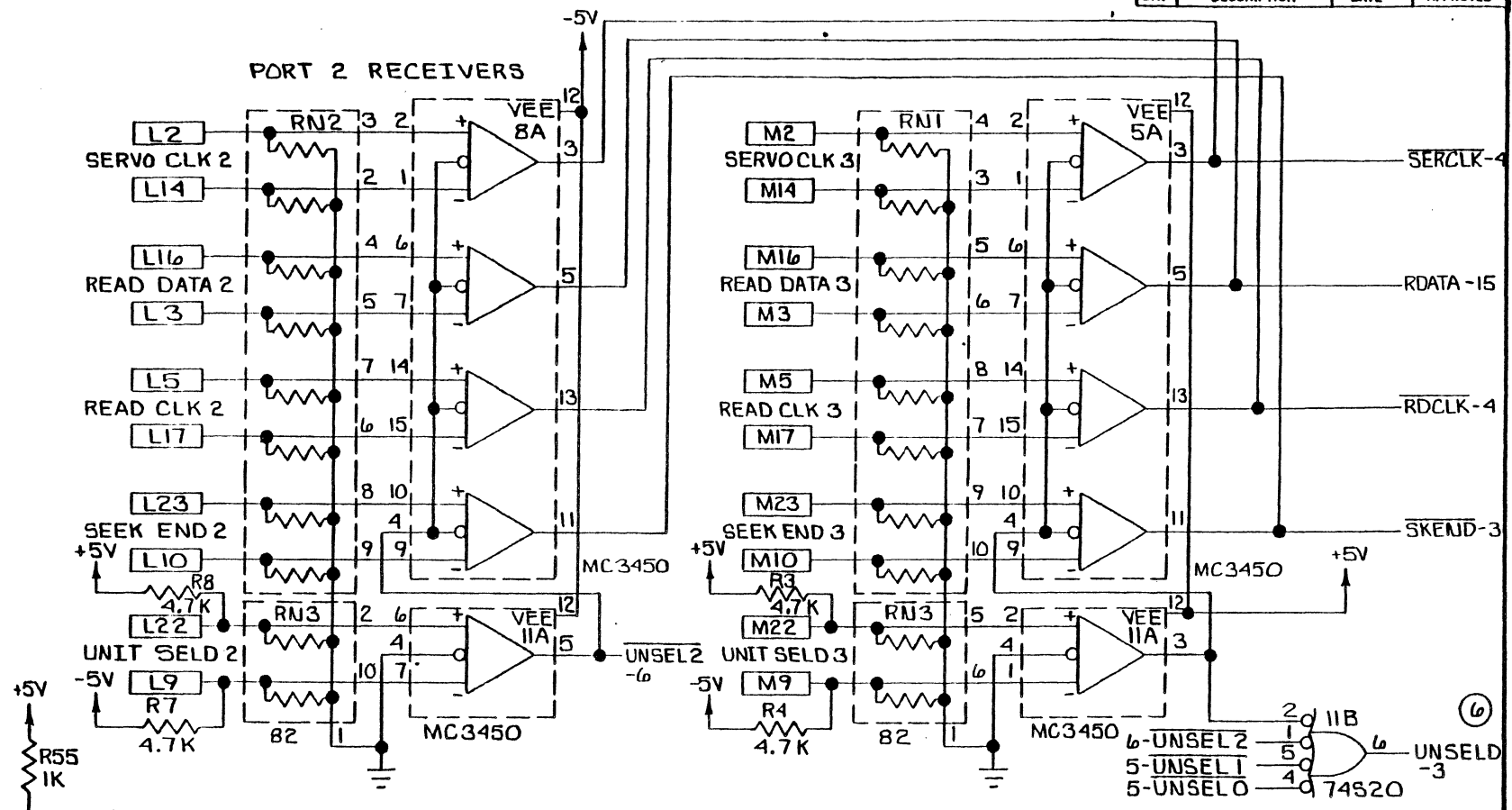
TOLERANCES UNLESS OTHERWISE SPECIFIED		western peripherals™ TUSTIN, CALIFORNIA	
FRACTIONS	DEC.		
±	±	±	A-CABLE DRIVERS & DISK CLOCK SELECTOR
APPROVALS	DATE	SCALE	
DRAWN C. Apoda	1-21-81	SIZE B	
CHECKED		DRAWING NO. 75000570	
DO NOT SCALE DRAWING			SHEET 5 OF 31



504113

REVISIONS			
LTR	DESCRIPTION	DATE	APPROVED

PORT 2 RECEIVERS



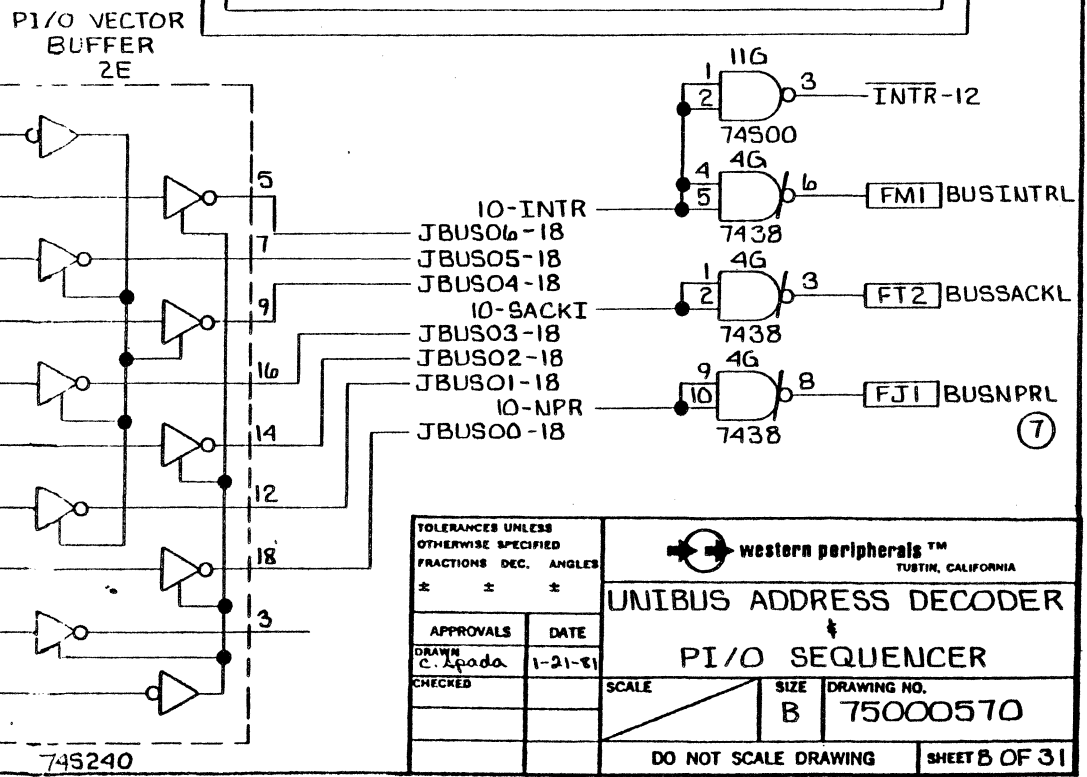
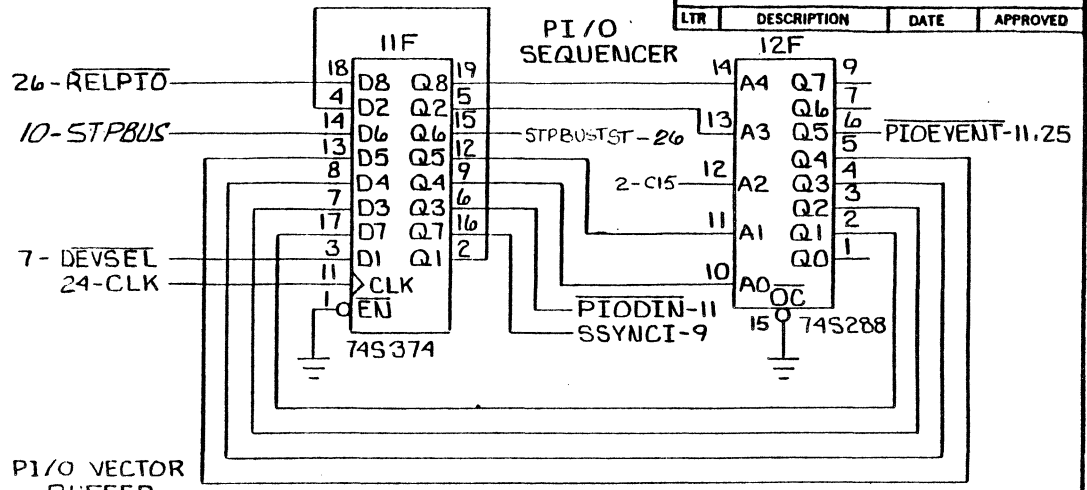
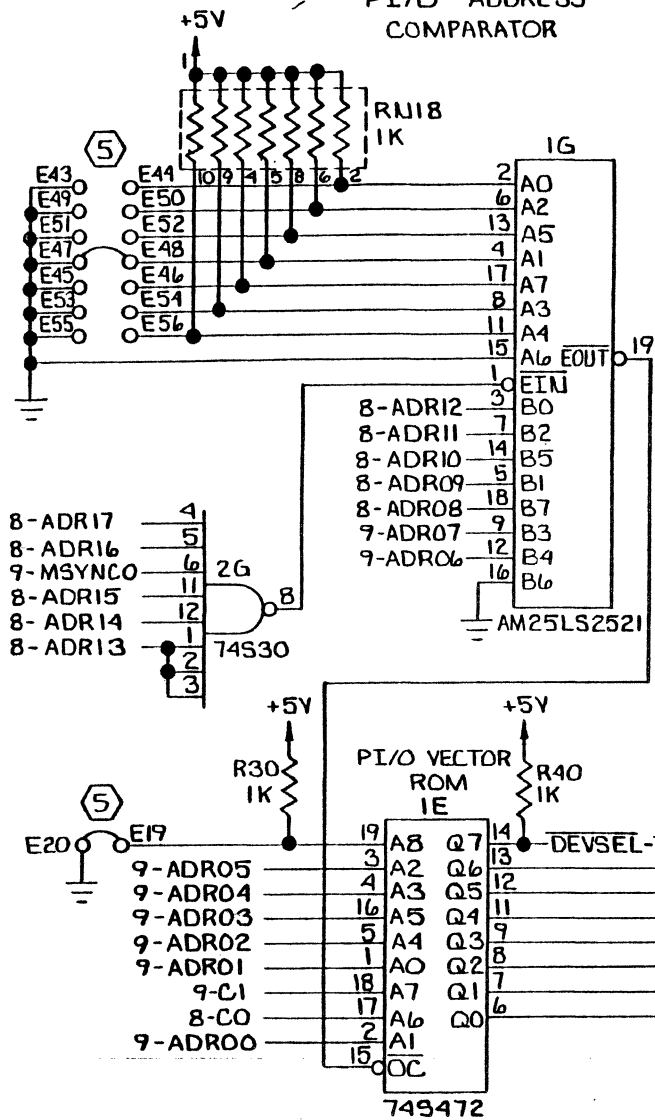
TOLERANCES UNLESS OTHERWISE SPECIFIED	
FRACTIONS DEC.	ANGLES
± ± ±	± ± ±
APPROVALS	DATE
DRAWN C. Spada	1-21-81
CHECKED	

western peripherals™
TUSTIN, CALIFORNIA

B-CABLE RECEIVERS

SCALE	SIZE B	DRAWING NO. 75000570
DO NOT SCALE DRAWING		SHEET 7 OF 31

PI/O ADDRESS
COMPARATOR



REVISIONS			
LTR	DESCRIPTION	DATE	APPROVED

TOLERANCES UNLESS OTHERWISE SPECIFIED	
FRACTIONS DEC.	ANGLES
±	±
APPROVALS	DATE
DRAWN C. Spada	1-21-81
CHECKED	

western peripherals™
TUSTIN, CALIFORNIA

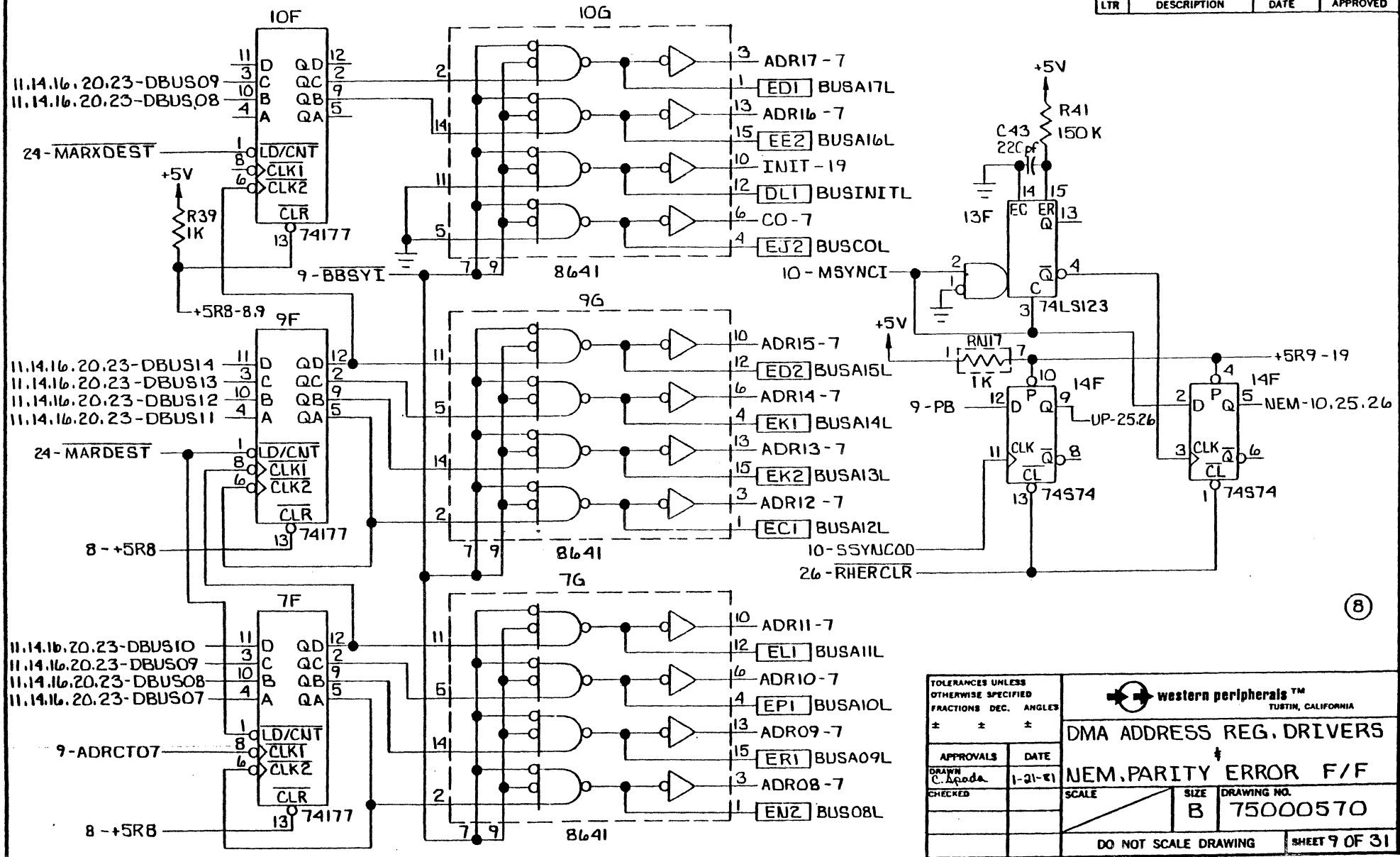
UNIBUS ADDRESS DECODER

PI/O SEQUENCER

SCALE	SIZE B	DRAWING NO. 75000570
DO NOT SCALE DRAWING		SHEET 8 OF 31

504113

REVISIONS			
LTR	DESCRIPTION	DATE	APPROVED



(8)

TOLERANCES UNLESS OTHERWISE SPECIFIED	
FRACTIONS	DEC. ANGLES
±	±
APPROVALS	DATE
DRAWN C. Apoda	1-21-81
CHECKED	

western peripherals™
TUSTIN, CALIFORNIA

DMA ADDRESS REG. DRIVERS

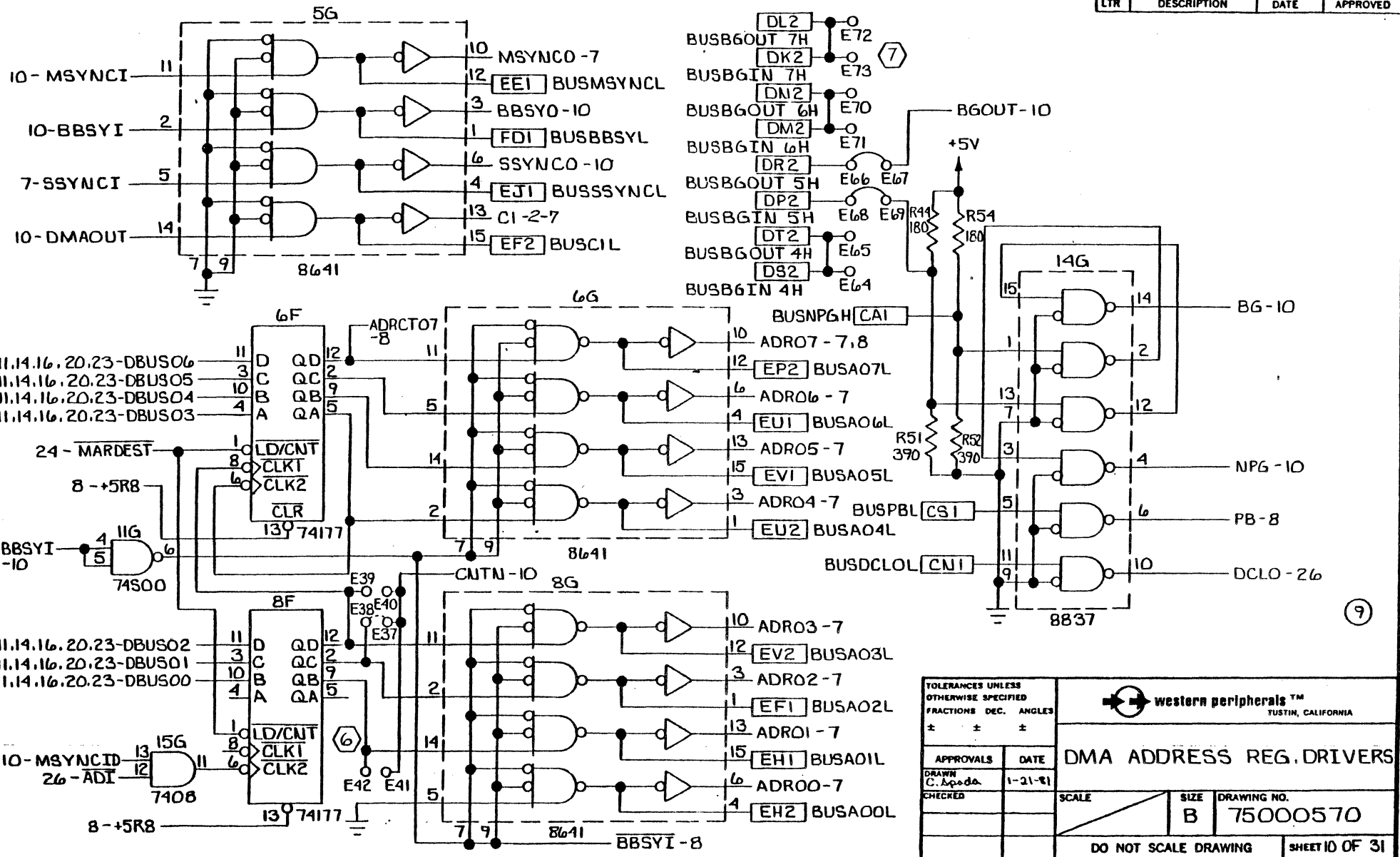
NEM. PARITY ERROR F/F


SCALE	SIZE	DRAWING NO.
	B	75000570

DO NOT SCALE DRAWING

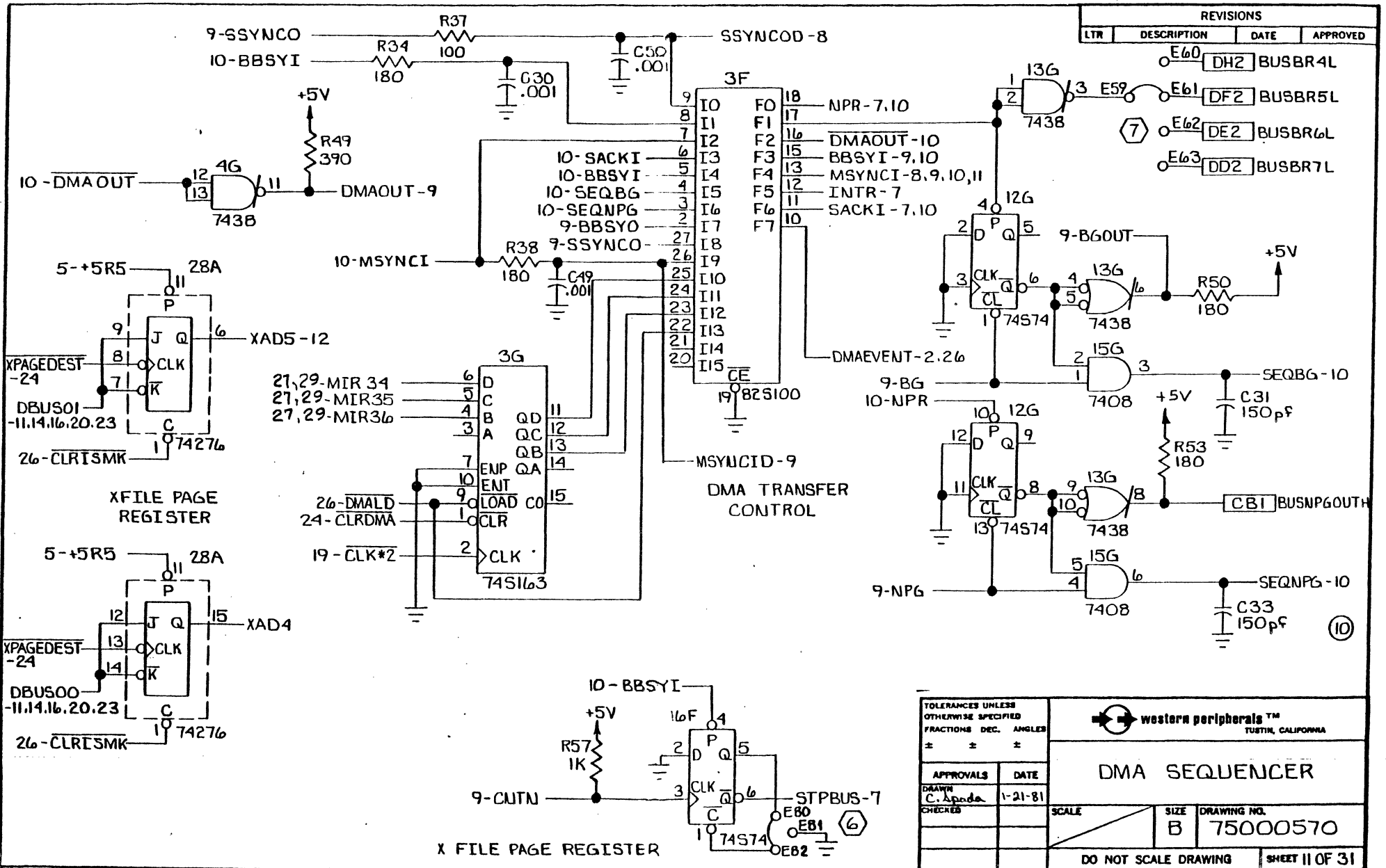
SHEET 9 OF 31

REVISIONS			
LTR	DESCRIPTION	DATE	APPROVED



TOLERANCES UNLESS OTHERWISE SPECIFIED FRACTIONS DEC. ANGLES ± ± ±		 western peripherals™ TUSTIN, CALIFORNIA	
APPROVALS			
DRAWN C. G. Gada		DMA ADDRESS REG. DRIVERS	
CHECKED	SCALE	SIZE B	DRAWING NO. 75000570
DO NOT SCALE DRAWING			SHEET 10 OF 31

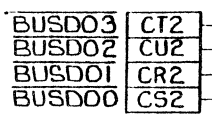
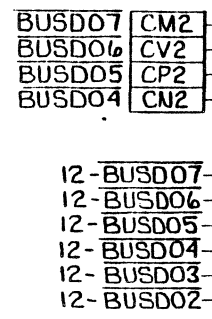
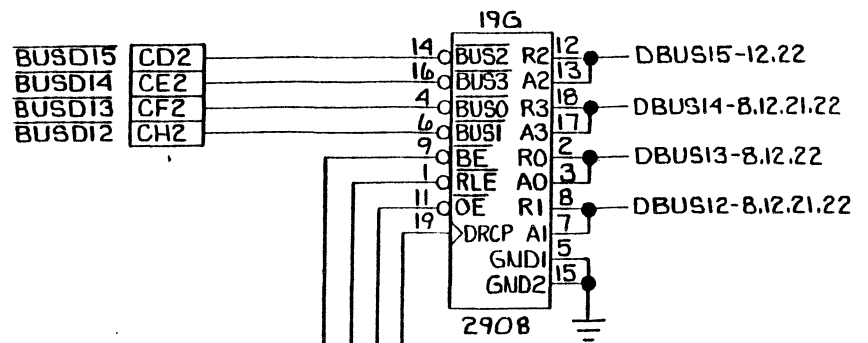
504113



REVISIONS			
LTR	DESCRIPTION	DATE	APPROVED

E60	DH2	BUSBR4L
E61	DF2	BUSBR5L
E62	DE2	BUSBR6L
E63	DD2	BUSBR7L

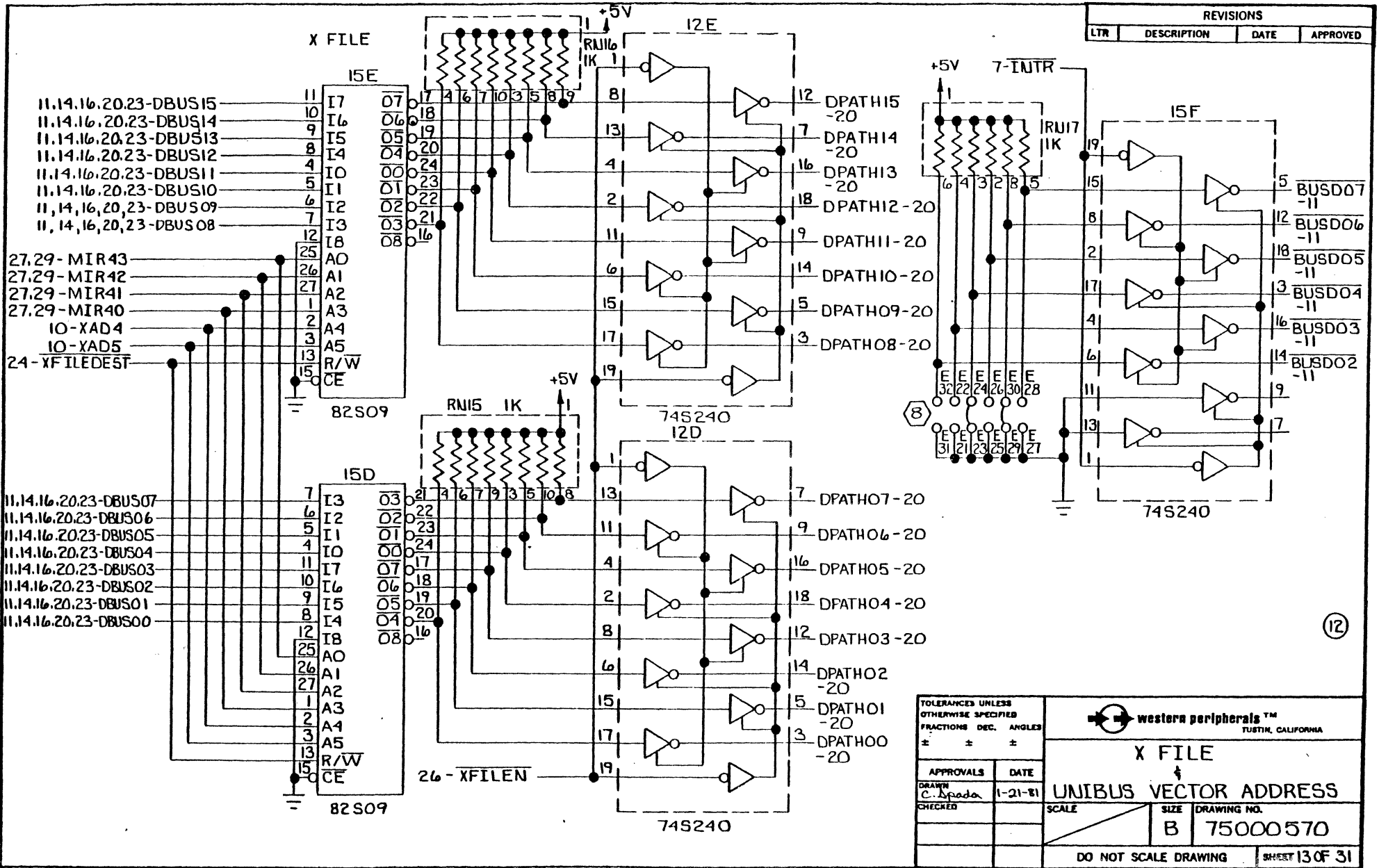
TOLERANCES UNLESS OTHERWISE SPECIFIED FRACTIONS DEC. ANGLES ± ± ±		 western peripherals™ TUSTIN, CALIFORNIA	
APPROVALS DRAWN C. Apoda CHECKED		DATE 1-21-81	
SCALE		SIZE B	
DO NOT SCALE DRAWING		DRAWING NO. 75000570	
		SHEET 11 OF 31	



REVISIONS			
LTR	DESCRIPTION	DATE	APPROVED

TOLERANCES UNLESS OTHERWISE SPECIFIED		western peripherals™ TUSTIN, CALIFORNIA	
FRACTIONS DEC. ANGLES		DMA DATA TRANCEIVERS	
APPROVALS	DATE	SCALE	SIZE DRAWING NO.
C. Spada	1-21-81		B 75000570
CHECKED			
DO NOT SCALE DRAWING			SHEET 12 OF 31

504113



TOLERANCES UNLESS OTHERWISE SPECIFIED
FRACTIONS DEC. ANGLES
± ± ±

APPROVALS	DATE
C. Spada	1-21-81
CHECKED	

western peripherals™
TUSTIN, CALIFORNIA

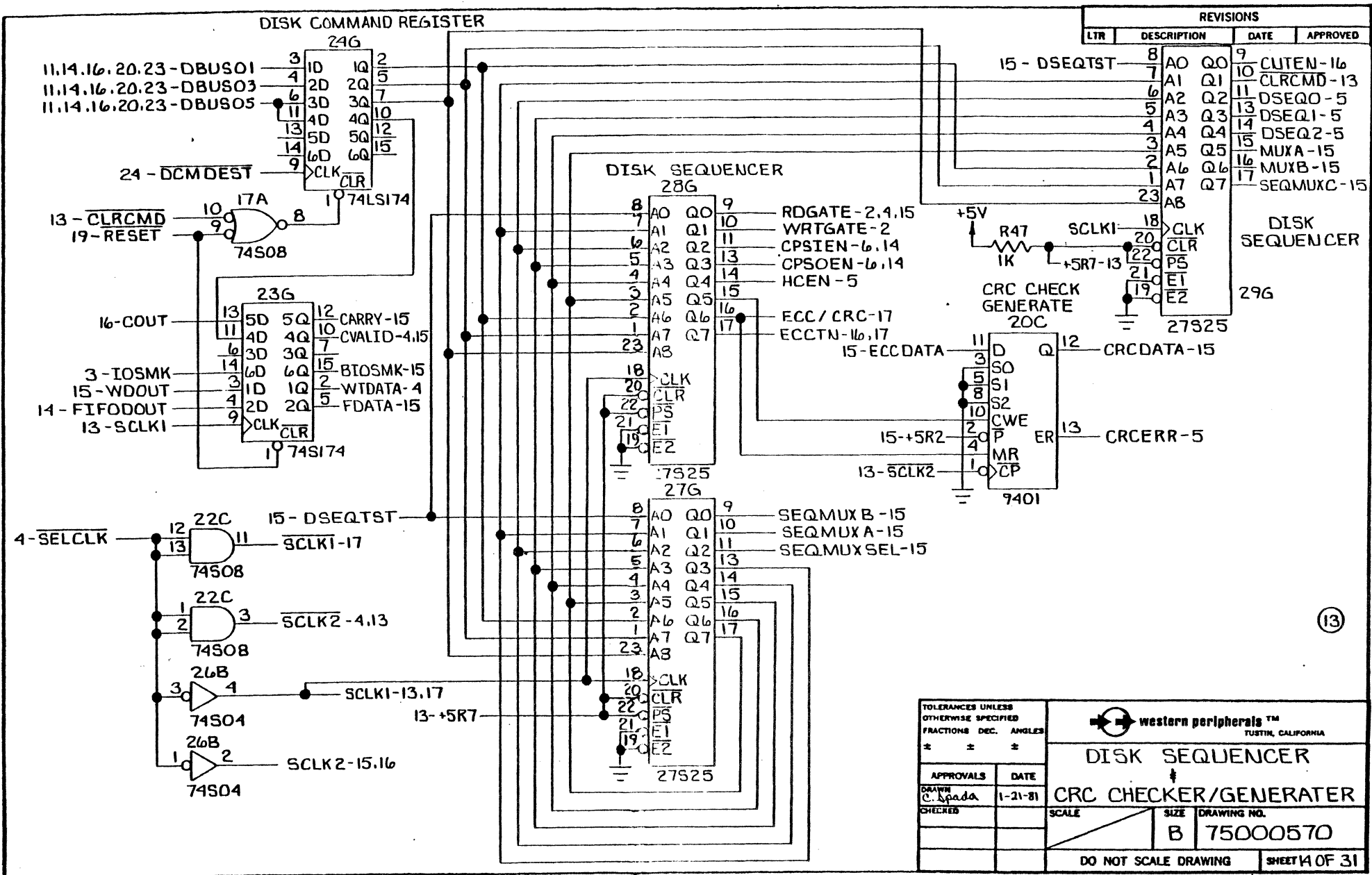
X FILE

UNIBUS VECTOR ADDRESS

SCALE	SIZE	DRAWING NO.
	B	75000570

DO NOT SCALE DRAWING

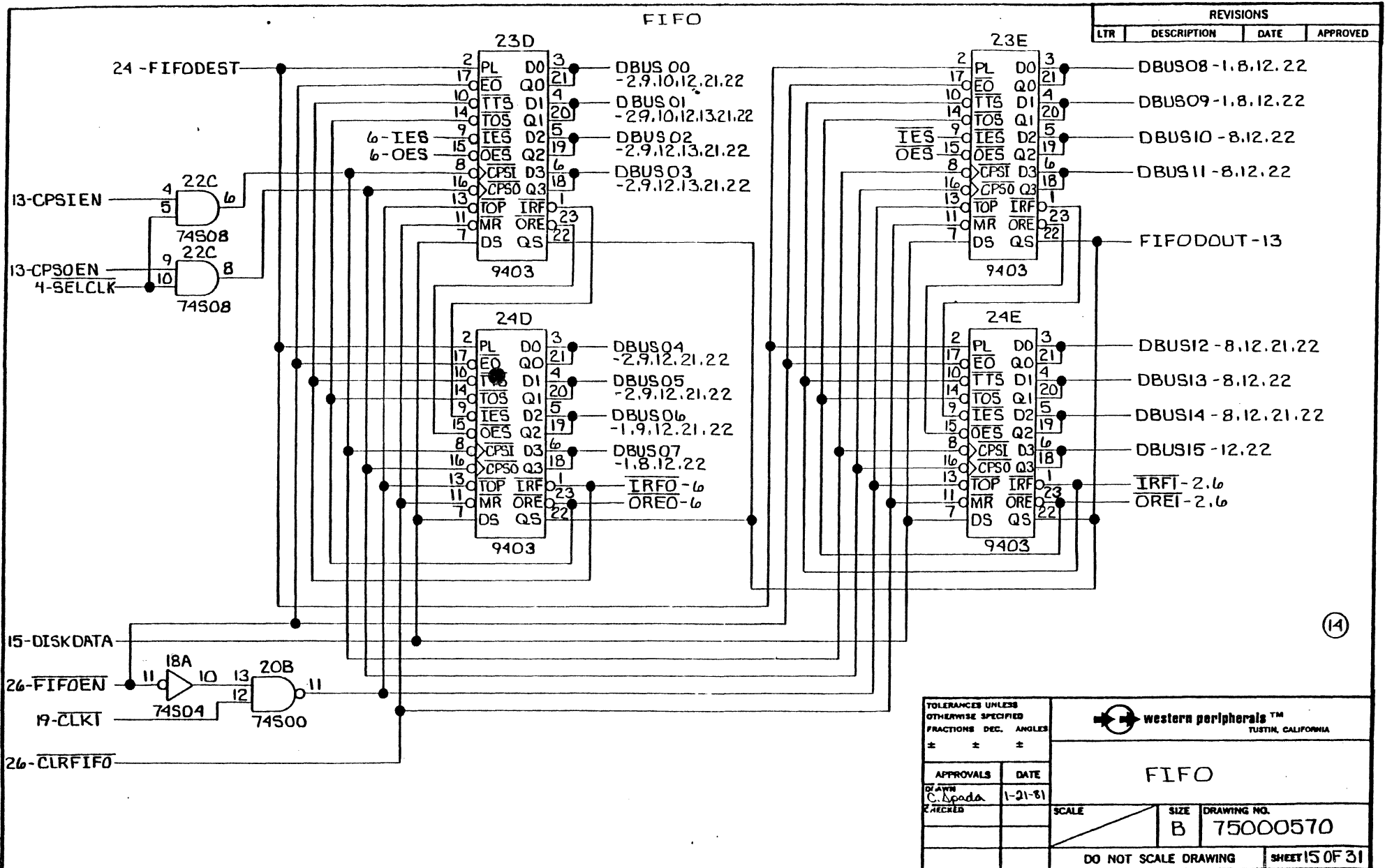
SHEET 13 OF 31



REVISIONS			
LTR	DESCRIPTION	DATE	APPROVED
8	A0 Q0	9	CUTEN-16
7	A1 Q1	10	CLRCMD-13
6	A2 Q2	11	DSEQ0-5
5	A3 Q3	13	DSEQ1-5
4	A4 Q4	14	DSEQ2-5
3	A5 Q5	15	MUXA-15
2	A6 Q6	16	MUXB-15
1	A7 Q7	17	SEQMUXC-15
23	AB		

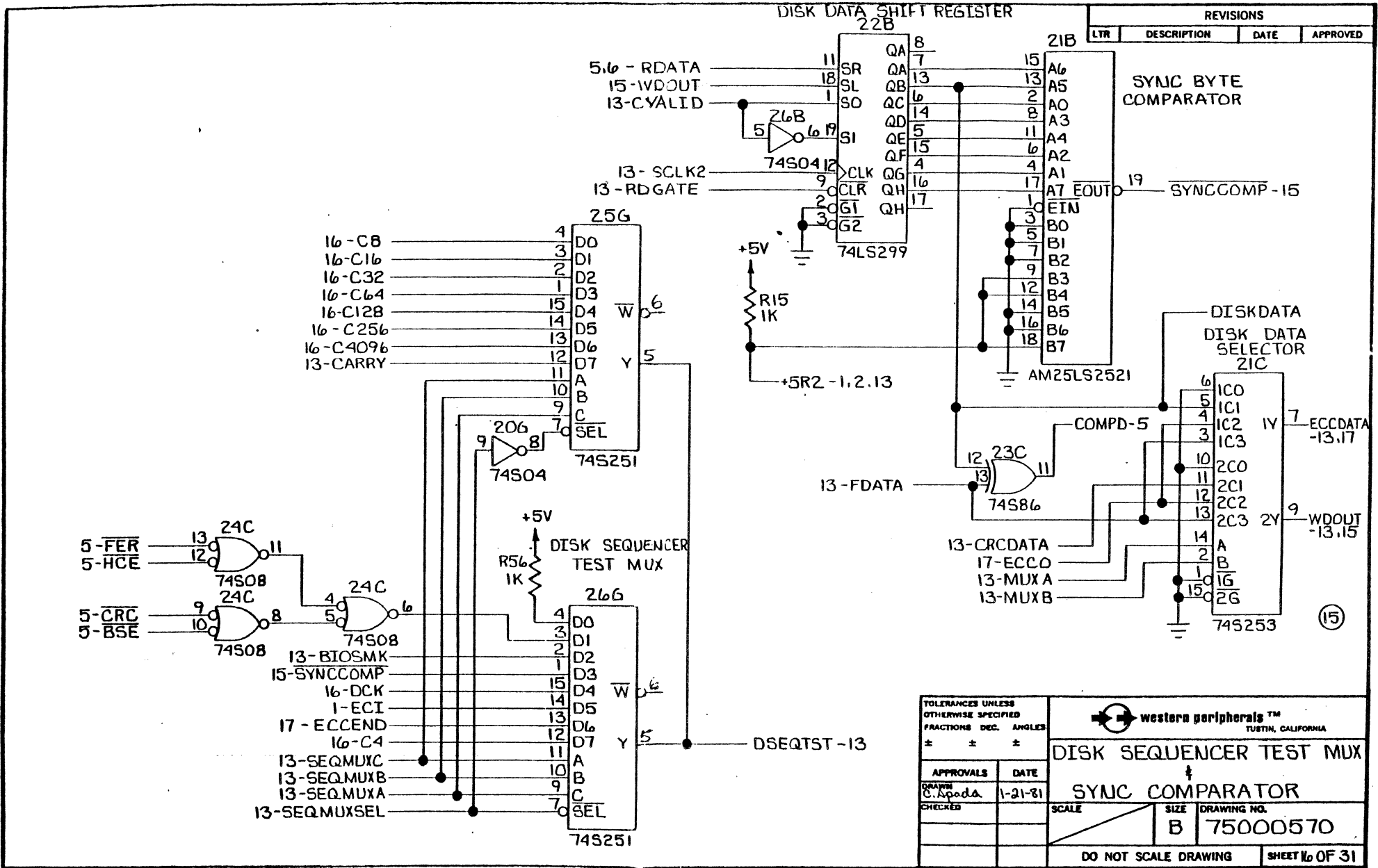
TOLERANCES UNLESS OTHERWISE SPECIFIED FRACTIONS DEC. ANGLES * * *		 western peripherals™ TUSTIN, CALIFORNIA	
DISK SEQUENCER		† CRC CHECKER/GENERATOR	
APPROVALS	DATE	SCALE	SIZE
DRAWN C. Spada	1-21-81		B
CHECKED		DRAWING NO.	75000570
DO NOT SCALE DRAWING		SHEET 14 OF 31	

(13)



(14)

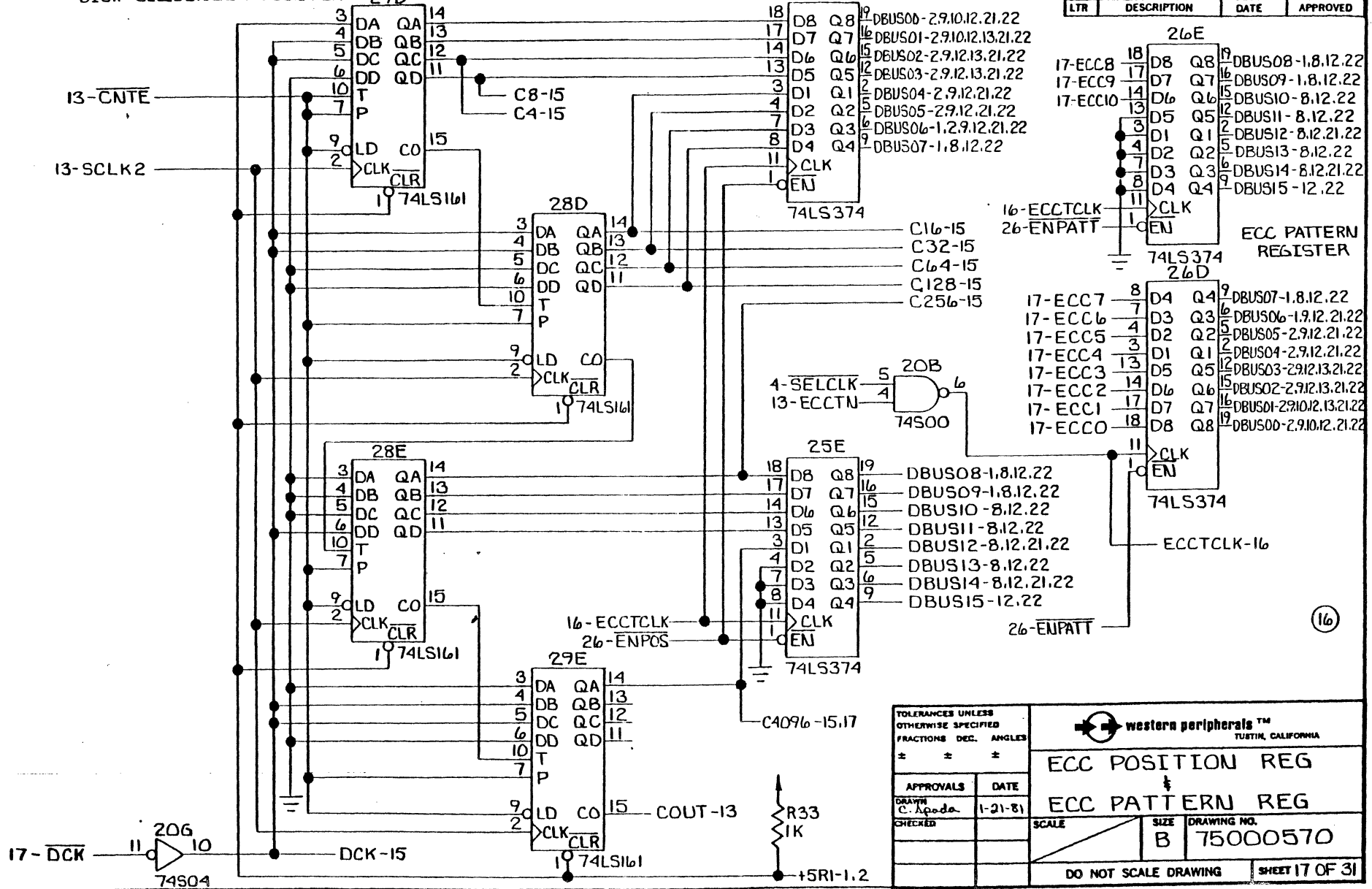
TOLERANCES UNLESS OTHERWISE SPECIFIED FRACTIONS DEC. ANGLES		western peripherals™ <small>TUSTIN, CALIFORNIA</small>	
FIFO			
APPROVALS	DATE	SCALE	DRAWING NO.
DRAWN C. Lyada	1-21-81	B	75000570
DO NOT SCALE DRAWING			SHEET 15 OF 31



DISK SEQUENCER COUNTER 29D

ECC POSITION REGISTER 25D

REVISIONS			
LTR	DESCRIPTION	DATE	APPROVED

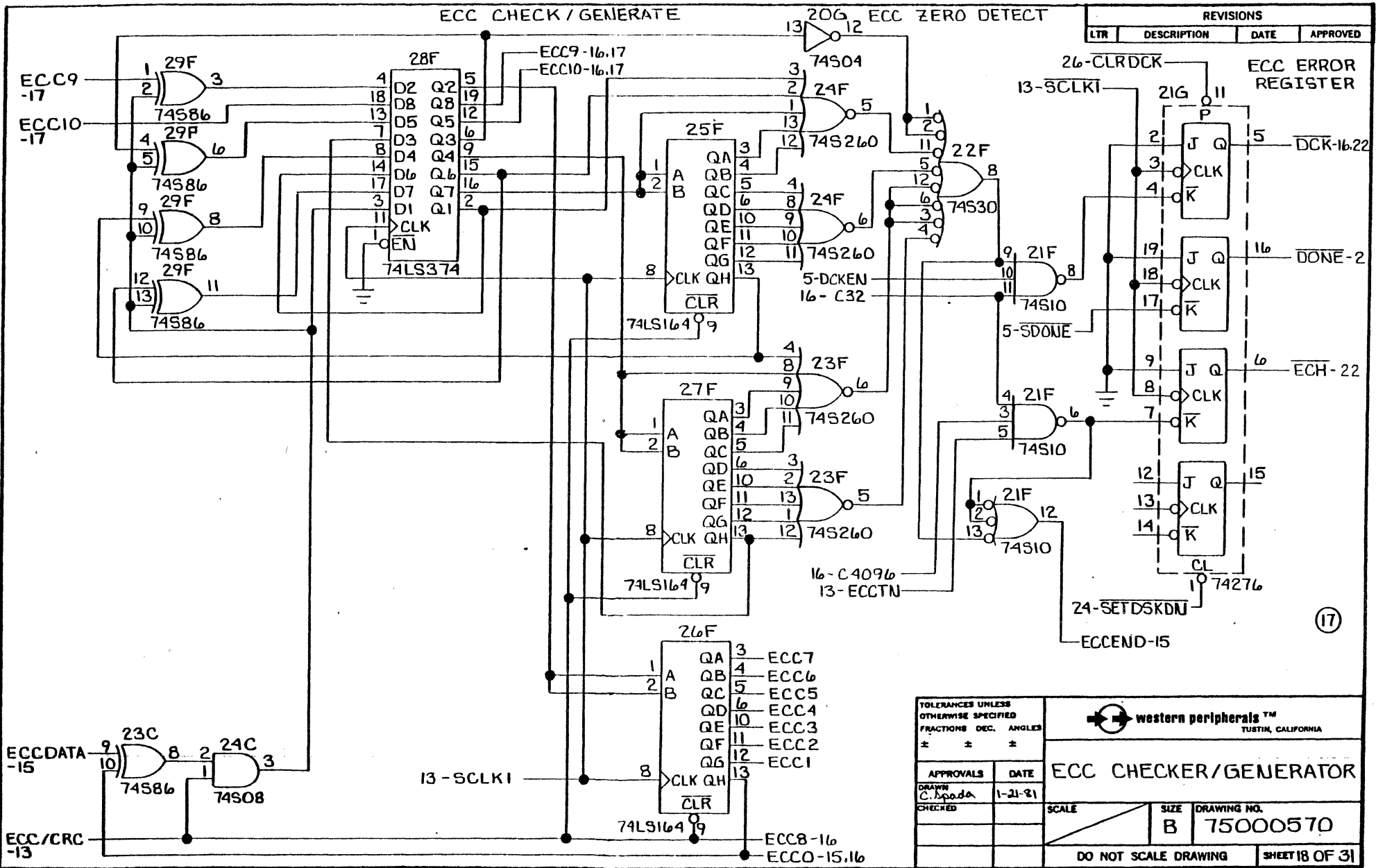


26E			
18	D8	Q8	19 DBUS08-1.8.12.22
17	D7	Q7	16 DBUS09-1.8.12.22
16	D6	Q6	15 DBUS10-8.12.22
15	D5	Q5	12 DBUS11-8.12.22
14	D4	Q4	11 DBUS12-8.12.21.22
13	D3	Q3	10 DBUS13-8.12.22
12	D2	Q2	9 DBUS14-8.12.21.22
11	D1	Q1	8 DBUS15-12.22

26D			
8	D4	Q4	9 DBUS07-1.8.12.22
7	D3	Q3	6 DBUS06-1.9.12.21.22
6	D2	Q2	5 DBUS05-2.9.12.21.22
5	D1	Q1	4 DBUS04-2.9.12.21.22
4	D0	Q0	3 DBUS03-2.9.12.13.21.22
3	D7	Q7	16 DBUS02-2.9.12.13.21.22
2	D6	Q6	15 DBUS01-2.9.12.13.21.22
1	D8	Q8	19 DBUS00-2.9.10.12.21.22

TOLERANCES UNLESS OTHERWISE SPECIFIED FRACTIONS DEC. ANGLES ± ± ±		western peripherals™ TUSTIN, CALIFORNIA	
APPROVALS DRAWN C. Apoda CHECKED			
ECC POSITION REG & ECC PATTERN REG		SCALE	SIZE B
DO NOT SCALE DRAWING		DRAWING NO. 75000570	
SHEET 17 OF 31			

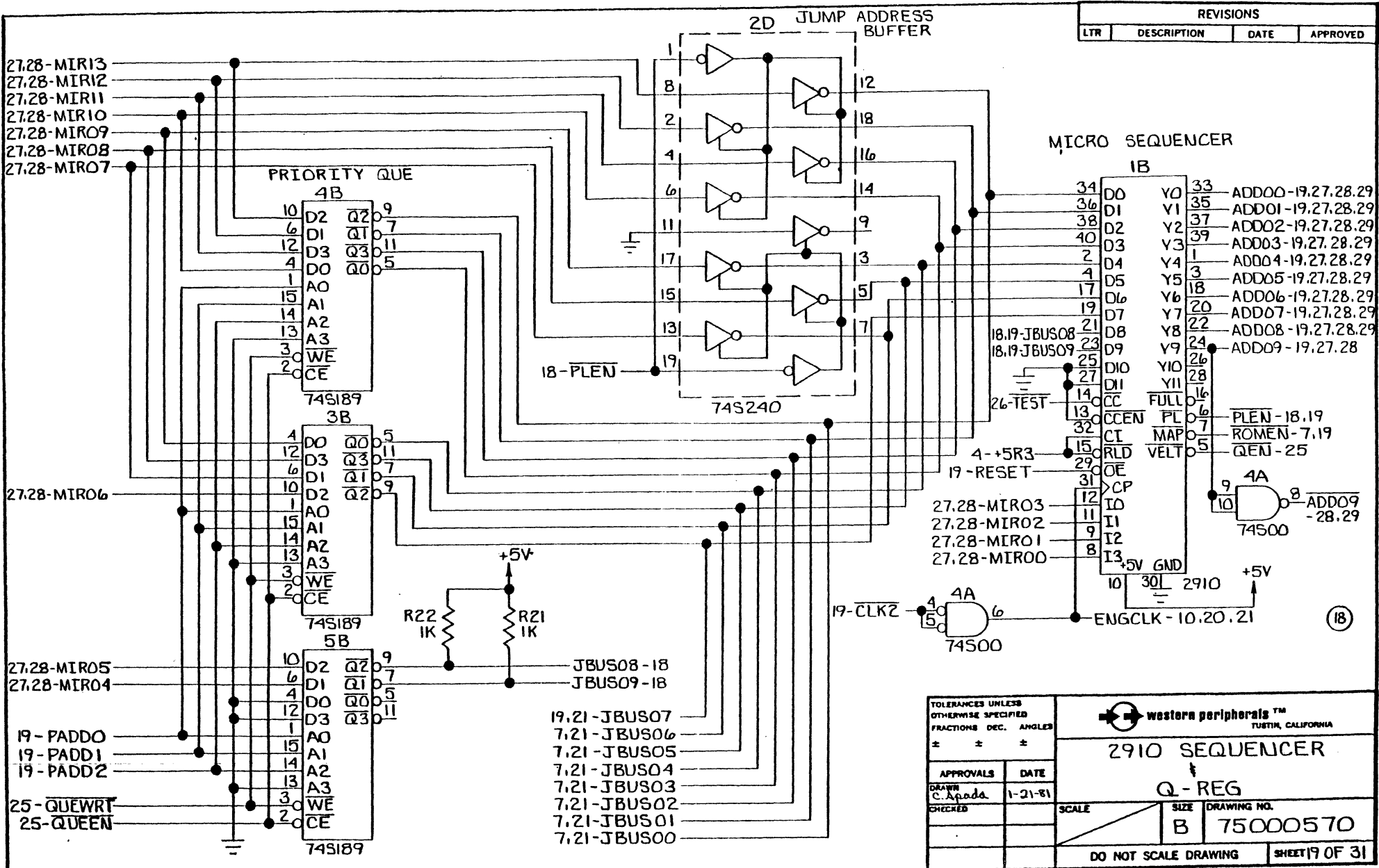
ECC CHECK / GENERATE



REVISIONS			
LTR	DESCRIPTION	DATE	APPROVED

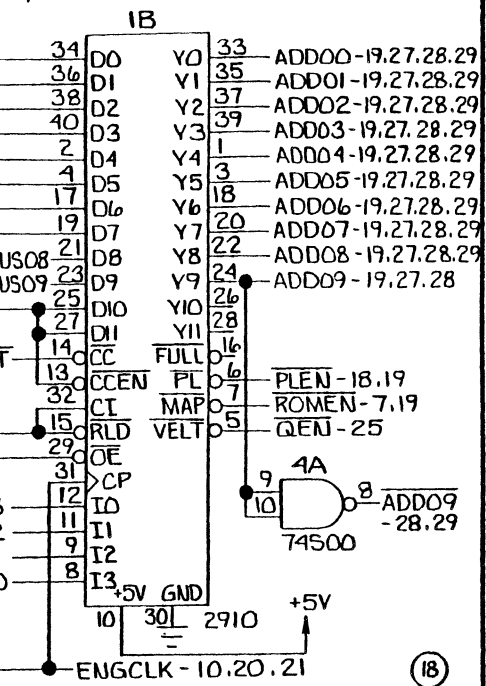
TOLERANCES UNLESS OTHERWISE SPECIFIED		western peripherals™ TUSTIN, CALIFORNIA	
FRACTIONS DEC. ANGLES			
±	±	±	
APPROVALS	DATE	ECC CHECKER/GENERATOR	
DRAWN C. Spoda	1-21-81	SCALE	SIZE B DRAWING NO. 75000570
CHECKED		DO NOT SCALE DRAWING SHEET 18 OF 31	

(17)



REVISIONS			
LTR	DESCRIPTION	DATE	APPROVED

MICRO SEQUENCER



TOLERANCES UNLESS OTHERWISE SPECIFIED
FRACTIONS DEC. ANGLES

± ± ±

APPROVALS	DATE
DRAWN C. Spada	1-21-81
CHECKED	

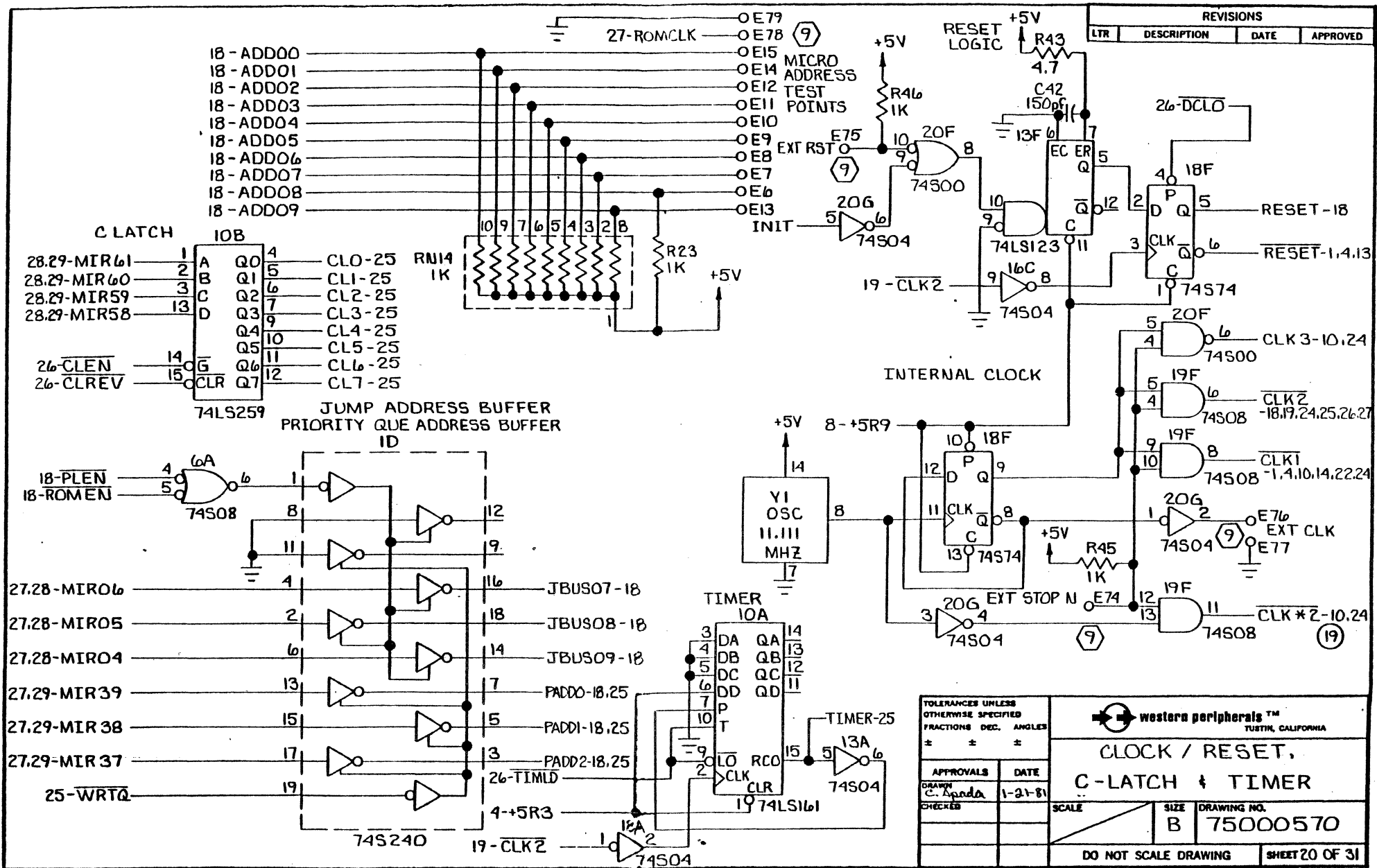
western peripherals™
TUSTIN, CALIFORNIA

2910 SEQUENCER

Q - REG

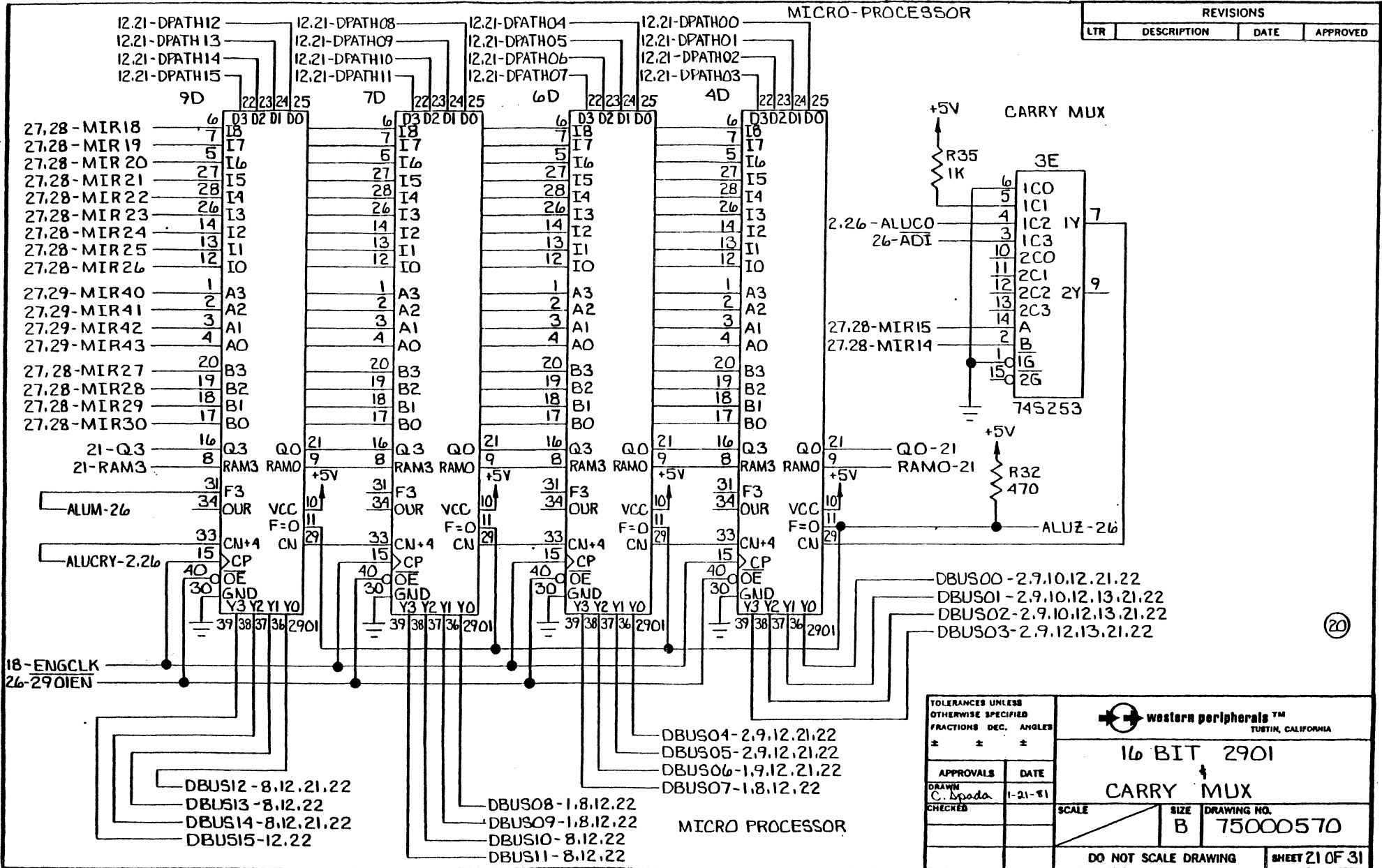
SCALE	SIZE	DRAWING NO.
	B	75000570

DO NOT SCALE DRAWING SHEET 19 OF 31



TOLERANCES UNLESS OTHERWISE SPECIFIED FRACTIONS DEC. ANGLES ± ± ±		western peripherals™ TUSTIN, CALIFORNIA	
CLOCK / RESET, C-LATCH & TIMER		SCALE	SIZE B
APPROVALS	DATE	DRAWING NO.	75000570
DRAWN C. Spada	1-21-81	DO NOT SCALE DRAWING	
CHECKED		SHEET 20 OF 31	

504113



REVISIONS			
LTR	DESCRIPTION	DATE	APPROVED

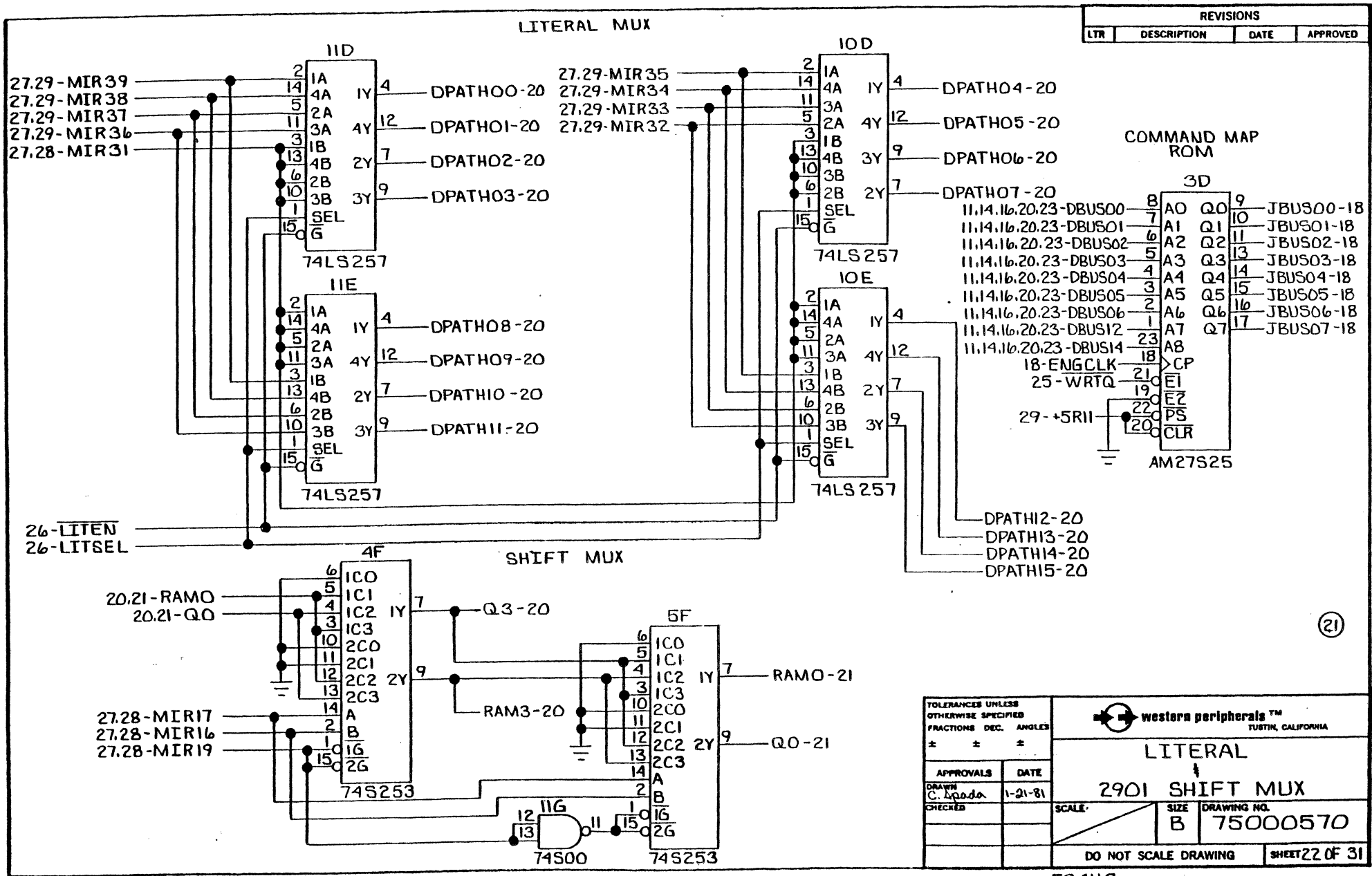
TOLERANCES UNLESS OTHERWISE SPECIFIED	
FRACTIONS	DEC. ANGLES
±	±
APPROVALS	DATE
DRAWN C. Spada	1-21-81
CHECKED	

western peripherals™
TUSTIN, CALIFORNIA

16 BIT 2901

CARRY MUX

SCALE	SIZE B	DRAWING NO. 75000570
DO NOT SCALE DRAWING		SHEET 21 OF 31



REVISIONS			
LTR	DESCRIPTION	DATE	APPROVED

COMMAND MAP ROM

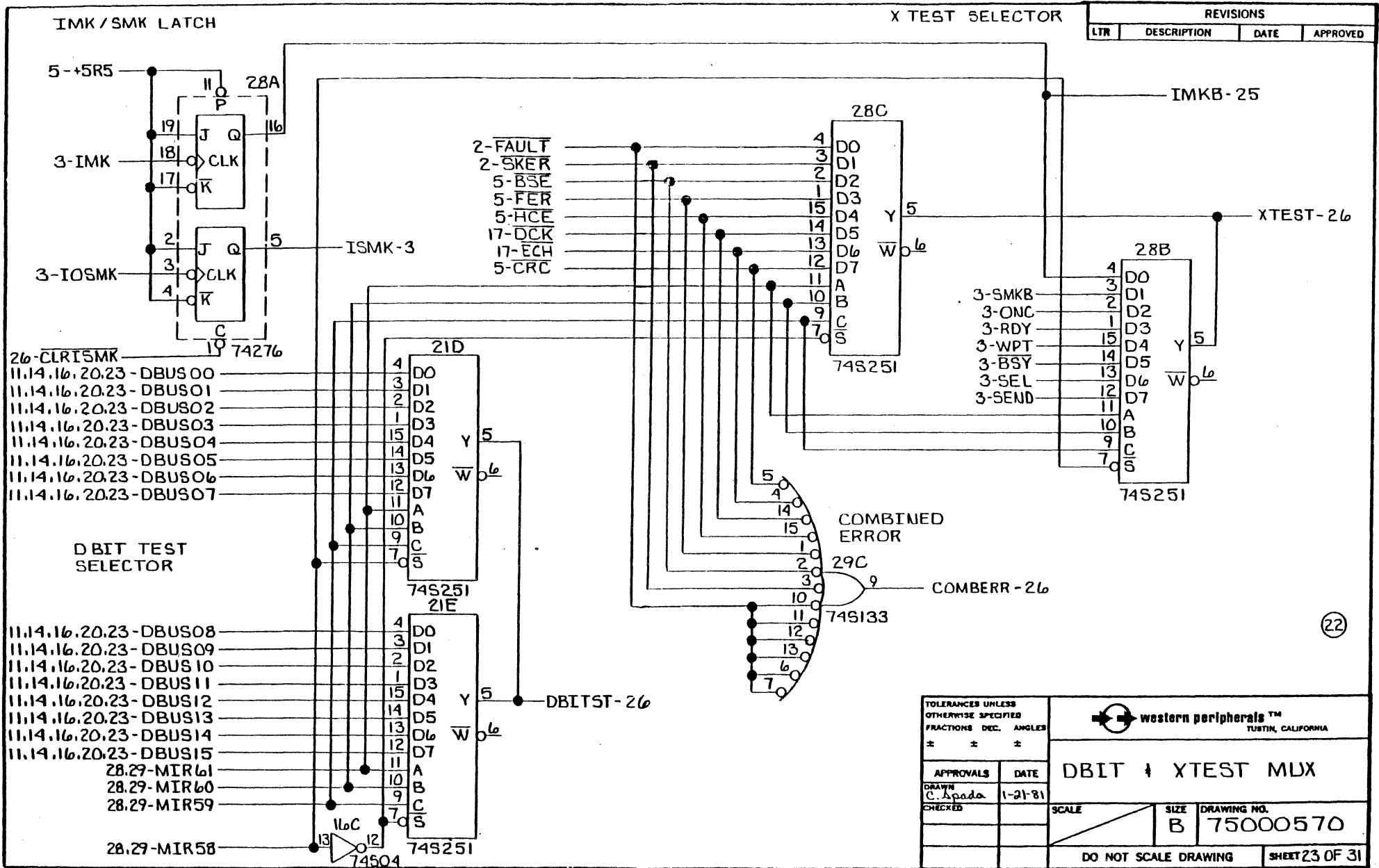
3D		
AO	Q0	9
A1	Q1	10
A2	Q2	11
A3	Q3	13
A4	Q4	14
A5	Q5	15
A6	Q6	16
A7	Q7	17

11.14.16.20.23-DBUS00
11.14.16.20.23-DBUS01
11.14.16.20.23-DBUS02
11.14.16.20.23-DBUS03
11.14.16.20.23-DBUS04
11.14.16.20.23-DBUS05
11.14.16.20.23-DBUS06
11.14.16.20.23-DBUS12
11.14.16.20.23-DBUS14
18-ENGCLK
25-WRTQ
29-+5R11

AM27S25

TOLERANCES UNLESS OTHERWISE SPECIFIED FRACTIONS DEC. ANGLES		western peripherals™ TUSTIN, CALIFORNIA	
* * *	* * *		
APPROVALS		DATE	
DRAWN C. Spada		1-21-81	
CHECKED		SCALE	
		SIZE B	
		DRAWING NO. 75000570	
DO NOT SCALE DRAWING			SHEET 22 OF 31

504113

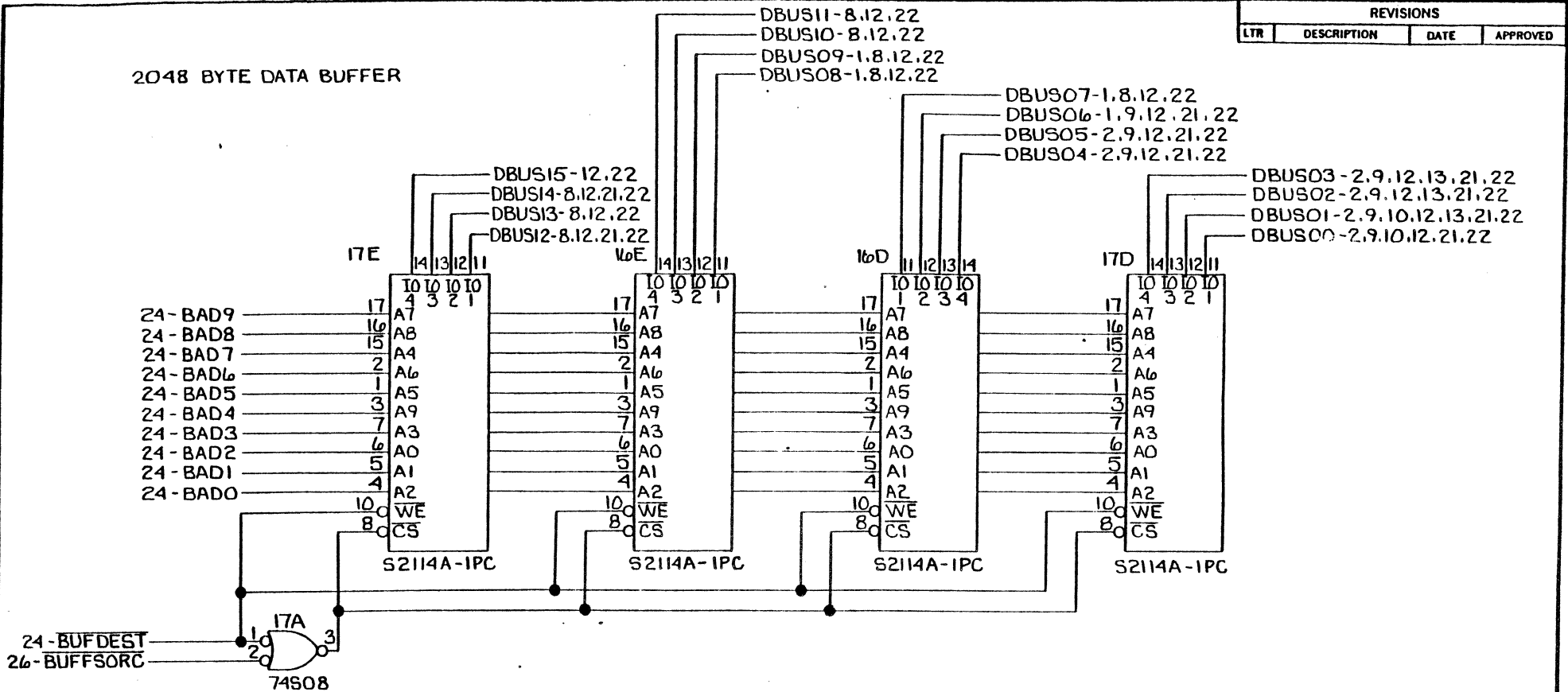


REVISIONS			
LTR	DESCRIPTION	DATE	APPROVED

TOLERANCES UNLESS OTHERWISE SPECIFIED		western peripherals™ TUSTIN, CALIFORNIA		
FRACTIONS DEC.	ANGLES			
±	±	DBIT & XTEST MUX		
APPROVALS	DATE			
DRAWN C. Spada	1-21-81	SCALE	SIZE B	DRAWING NO. 75000570
CHECKED		DO NOT SCALE DRAWING		SHEET 23 OF 31

2048 BYTE DATA BUFFER

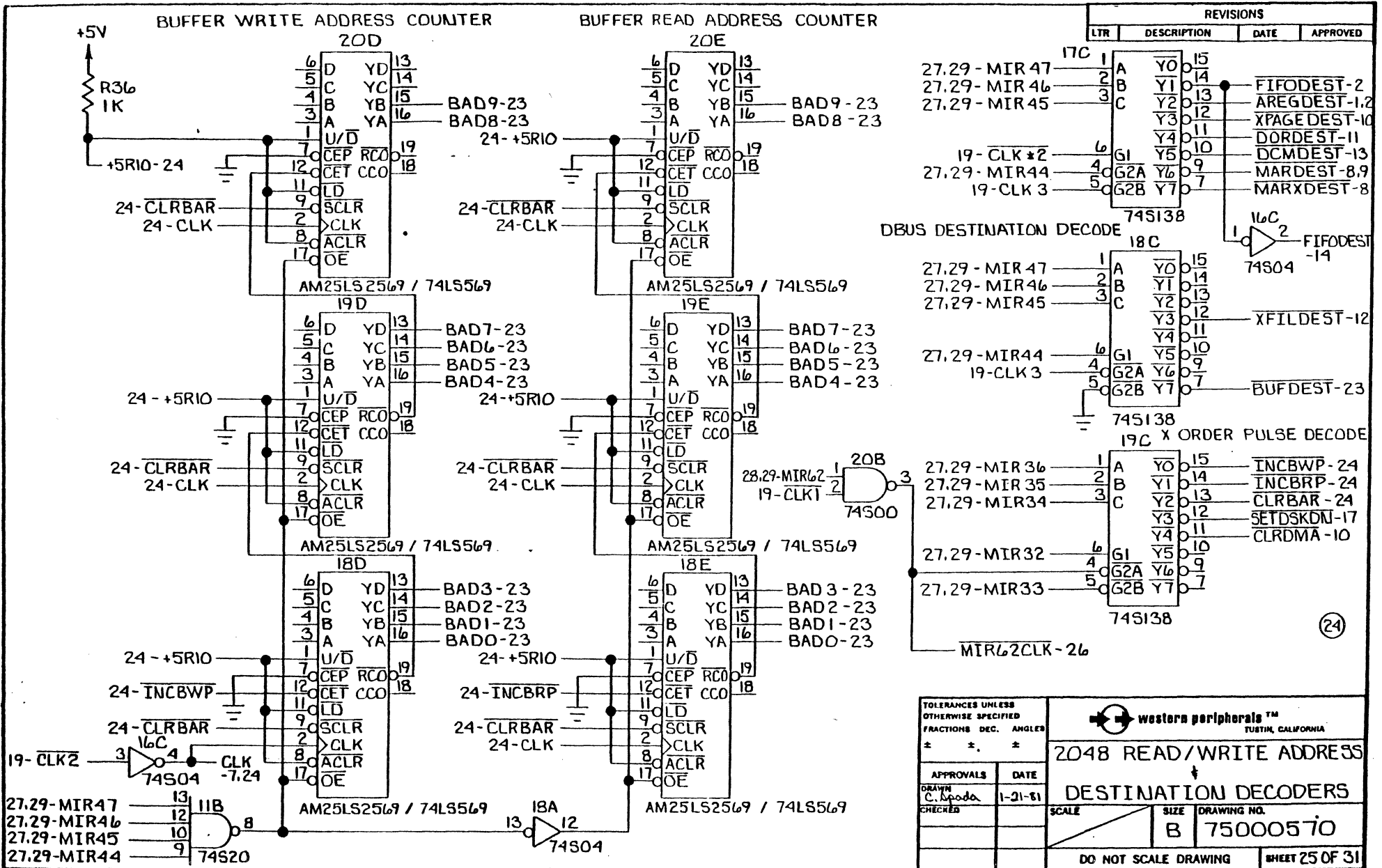
REVISIONS			
LTR	DESCRIPTION	DATE	APPROVED



(23)

TOLERANCES UNLESS OTHERWISE SPECIFIED		western peripherals™ <small>TUSTIN, CALIFORNIA</small>		
FRACTIONS DEC. ANGLES				
± ± ±		<h2 style="text-align: center;">2048 BYTE BUFFER</h2>		
APPROVALS	DATE			
DRAWN <i>C. Acosta</i>	1-21-81	SCALE	SIZE B	DRAWING NO. 75000570
CHECKED		DO NOT SCALE DRAWING		SHEET 24 OF 31

504113



REVISIONS			
LTR	DESCRIPTION	DATE	APPROVED

17C	A	Y0	15	FIFODEST-2
27.29-MIR47	2	Y1	14	AREGDEST-1.2
27.29-MIR46	3	Y2	13	XPAGEDEST-10
27.29-MIR45		Y3	12	DORDEST-11
		Y4	11	DCMDEST-13
19-CLK*2	6	Y5	10	MARDEST-8.9
27.29-MIR44	4	G2A Y6	9	MARXDEST-8
19-CLK 3	5	G2B Y7	7	

DBUS DESTINATION DECODE				
27.29-MIR47	1	A Y0	15	
27.29-MIR46	2	B Y1	14	
27.29-MIR45	3	C Y2	13	
		Y3	12	XFILDEST-12
		Y4	11	
27.29-MIR44	6	Y5	10	
19-CLK 3	4	G2A Y6	9	
	5	G2B Y7	7	BUFDEST-23

19C X ORDER PULSE DECODE				
27.29-MIR36	1	A Y0	15	INCBWP-24
27.29-MIR35	2	B Y1	14	INCBRP-24
27.29-MIR34	3	C Y2	13	CLRBAR-24
		Y3	12	SETDSKDN-17
		Y4	11	CLRDMA-10
27.29-MIR32	6	Y5	10	
27.29-MIR33	4	G2A Y6	9	
	5	G2B Y7	7	

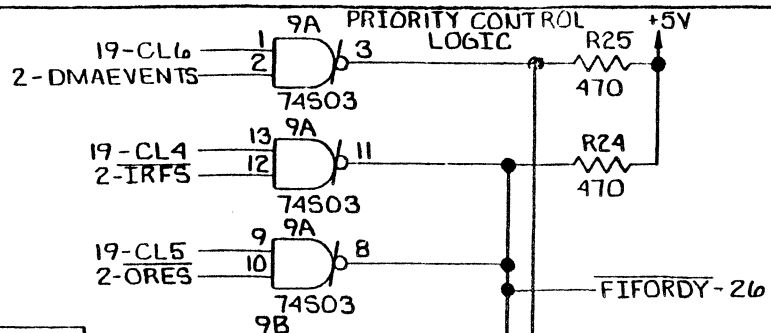
TOLERANCES UNLESS OTHERWISE SPECIFIED
 FRACTIONS DEC. ANGLES
 ± ± ±



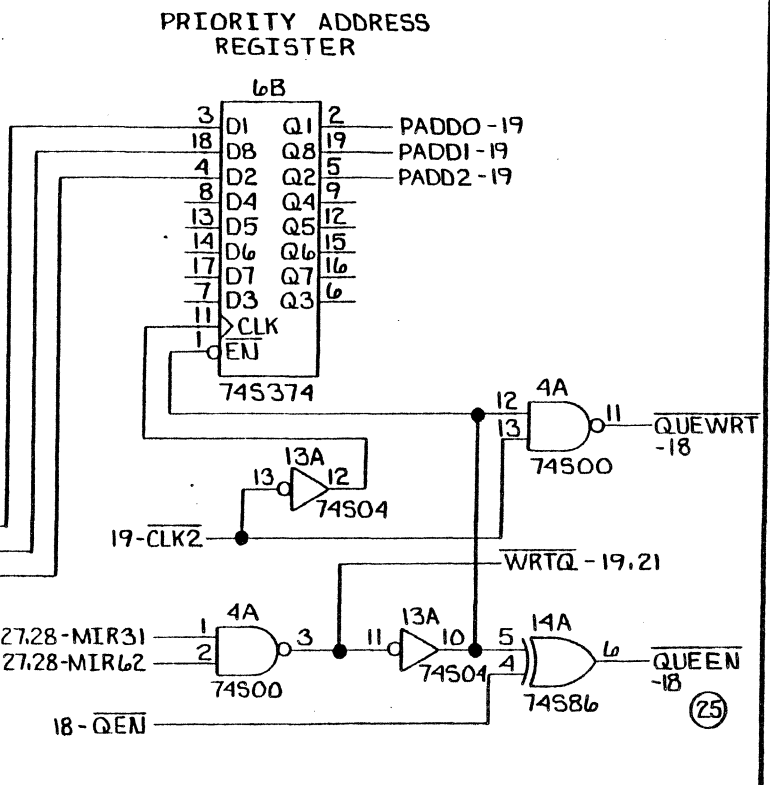
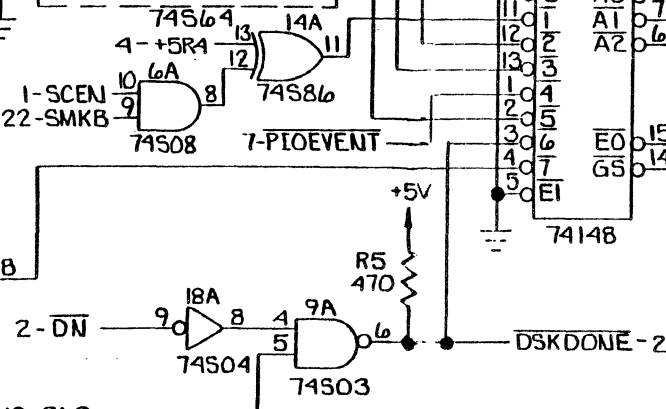
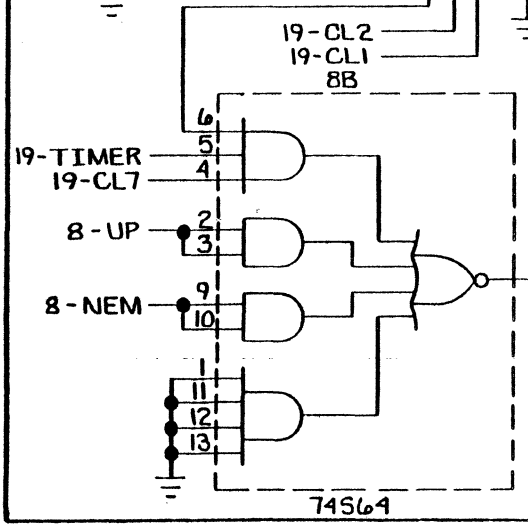
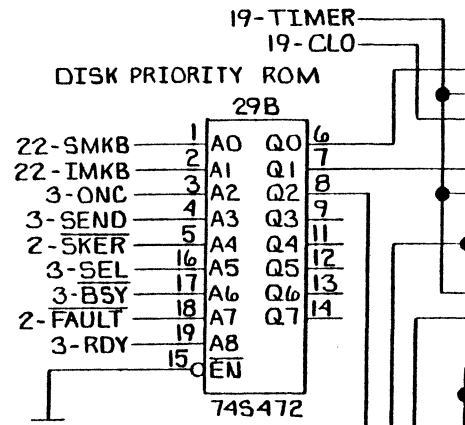
2048 READ/WRITE ADDRESS
 DESTINATION DECODERS

APPROVALS	DATE
DRAWN C. Appada	1-31-81
CHECKED	

SCALE	SIZE	DRAWING NO.
	B	75000570
DO NOT SCALE DRAWING		SHEET 25 OF 31



REVISIONS			
LTR	DESCRIPTION	DATE	APPROVED

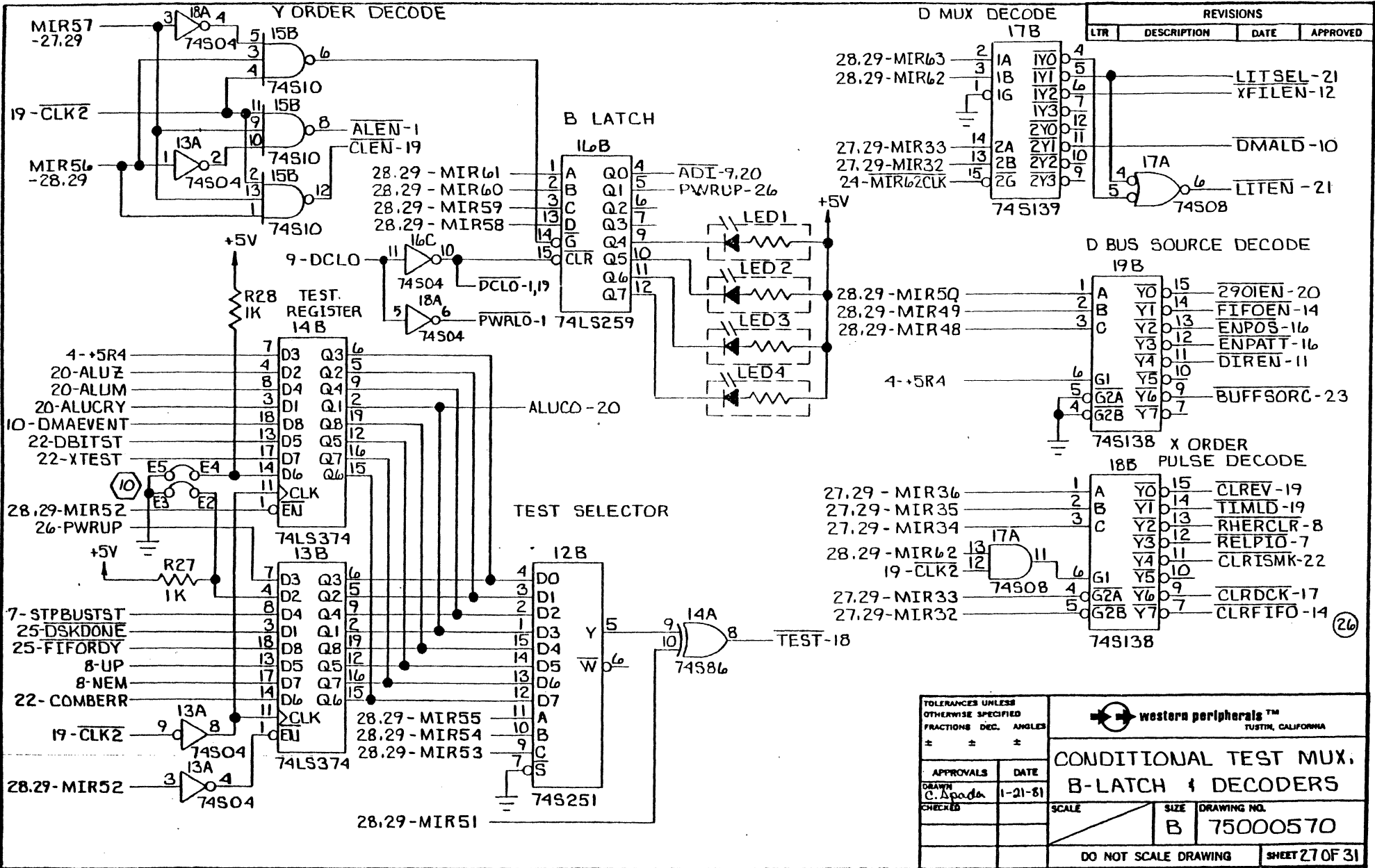


TOLERANCES UNLESS OTHERWISE SPECIFIED	
FRACTIONS	DEC. ANGLES
±	±
APPROVALS	DATE
DRAWN C. Apado	1-21-81
CHECKED	

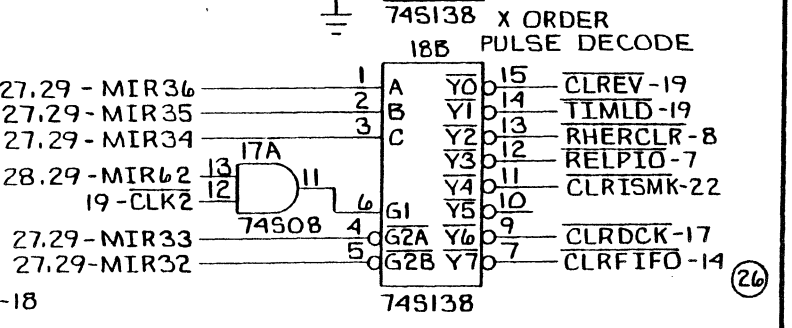
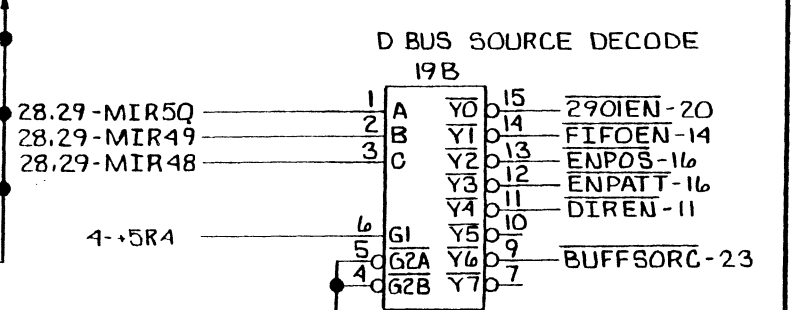
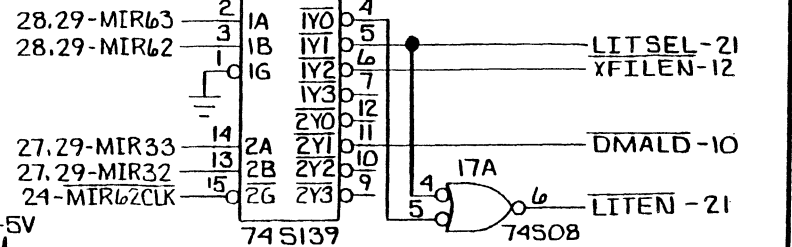
western peripherals™
TUSTIN, CALIFORNIA

Q-PRIORITY LOGIC

SCALE	SIZE B	DRAWING NO. 75000570
DO NOT SCALE DRAWING		SHEET 26 OF 31



REVISIONS			
LTR	DESCRIPTION	DATE	APPROVED

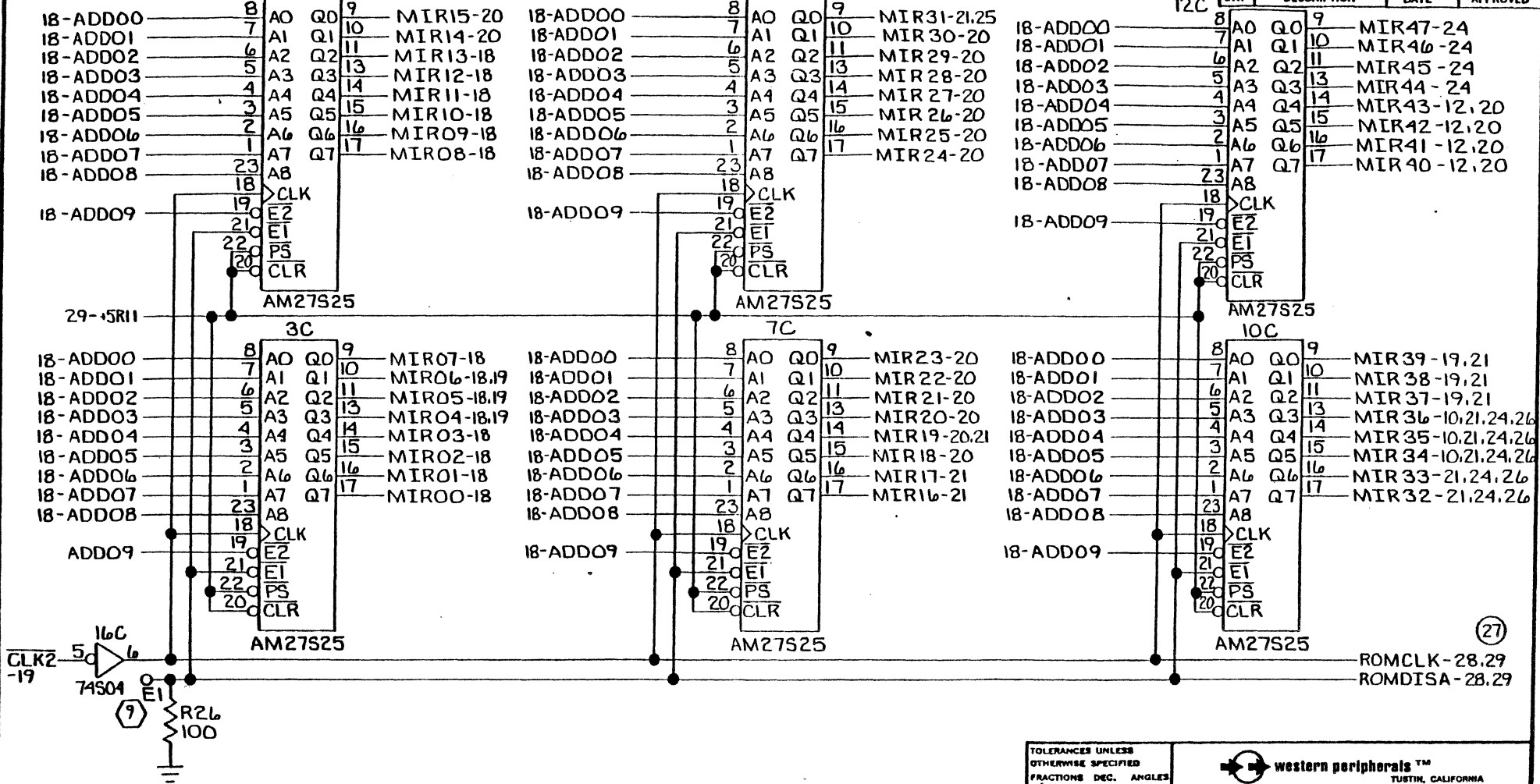


TOLERANCES UNLESS OTHERWISE SPECIFIED		 western peripherals™ TUSTIN, CALIFORNIA	
FRACTIONS	DEC.		
APPROVALS	DATE	CONDITIONAL TEST MUX, B-LATCH & DECODERS	
DRAWN C. Spada	1-21-81	SCALE	DRAWING NO. B 75000570
CHECKED		DO NOT SCALE DRAWING	SHEET 27 OF 31

CONTROL ROM MICRO-INSTRUCTION REGISTER

REVISIONS

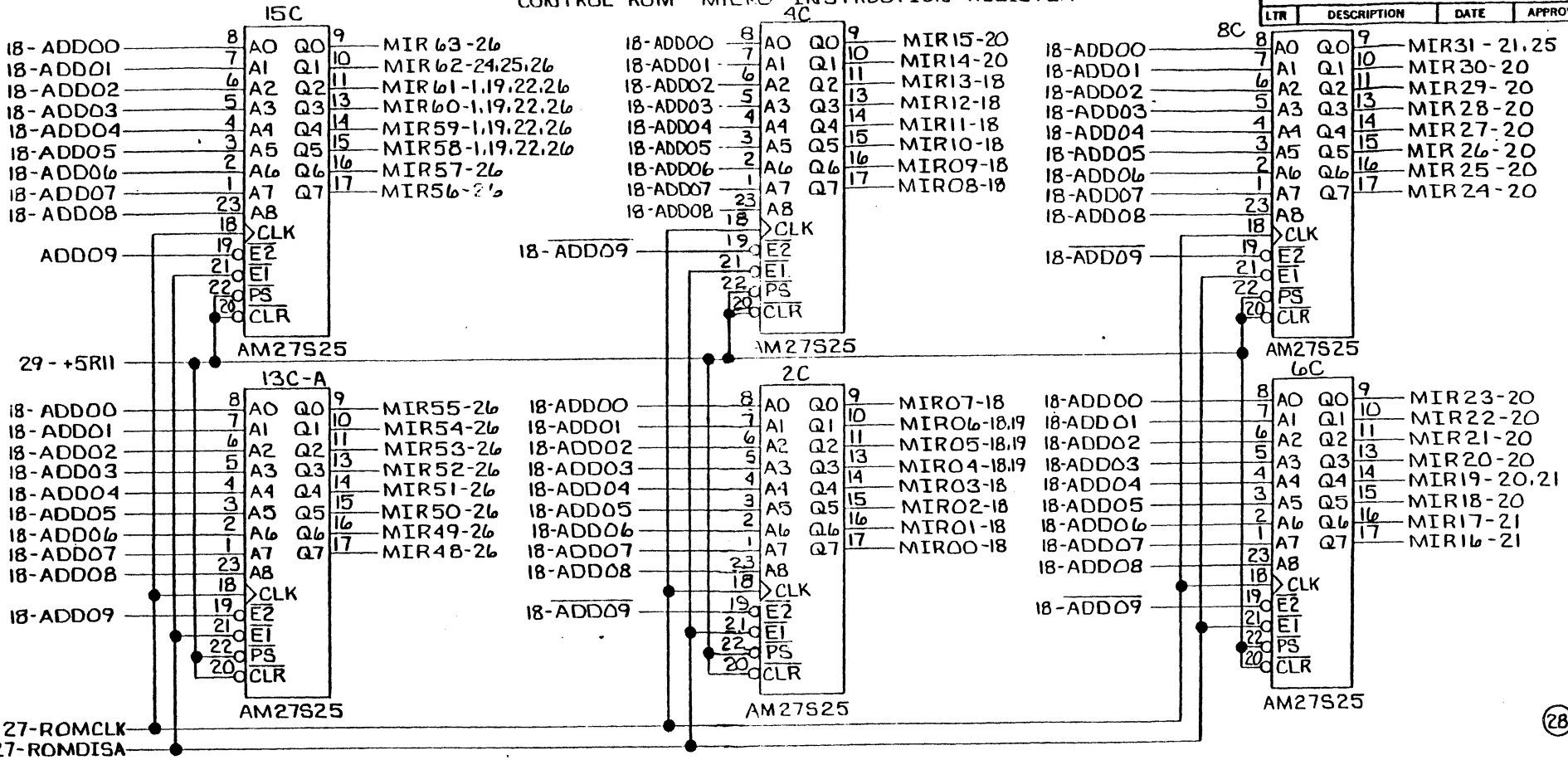
LTR	DESCRIPTION	DATE	APPROVED
9	MIR47-24		
10	MIR46-24		
11	MIR45-24		
13	MIR44-24		
14	MIR43-12,20		
15	MIR42-12,20		
16	MIR41-12,20		
17	MIR40-12,20		



TOLERANCES UNLESS OTHERWISE SPECIFIED		western peripherals™ TUSTIN, CALIFORNIA	
FRACTIONS DEC. ANGLES	± ± ±	MICRO INSTRUCTION PROM'S	
APPROVALS	DATE	SCALE	SIZE DRAWING NO.
DRAWN C. Spada	1-21-81		B 75000570
CHECKED			
DO NOT SCALE DRAWING			SHEET 28 OF 31


CONTROL ROM MICRO-INSTRUCTION REGISTER

REVISIONS			
LTR	DESCRIPTION	DATE	APPROVED



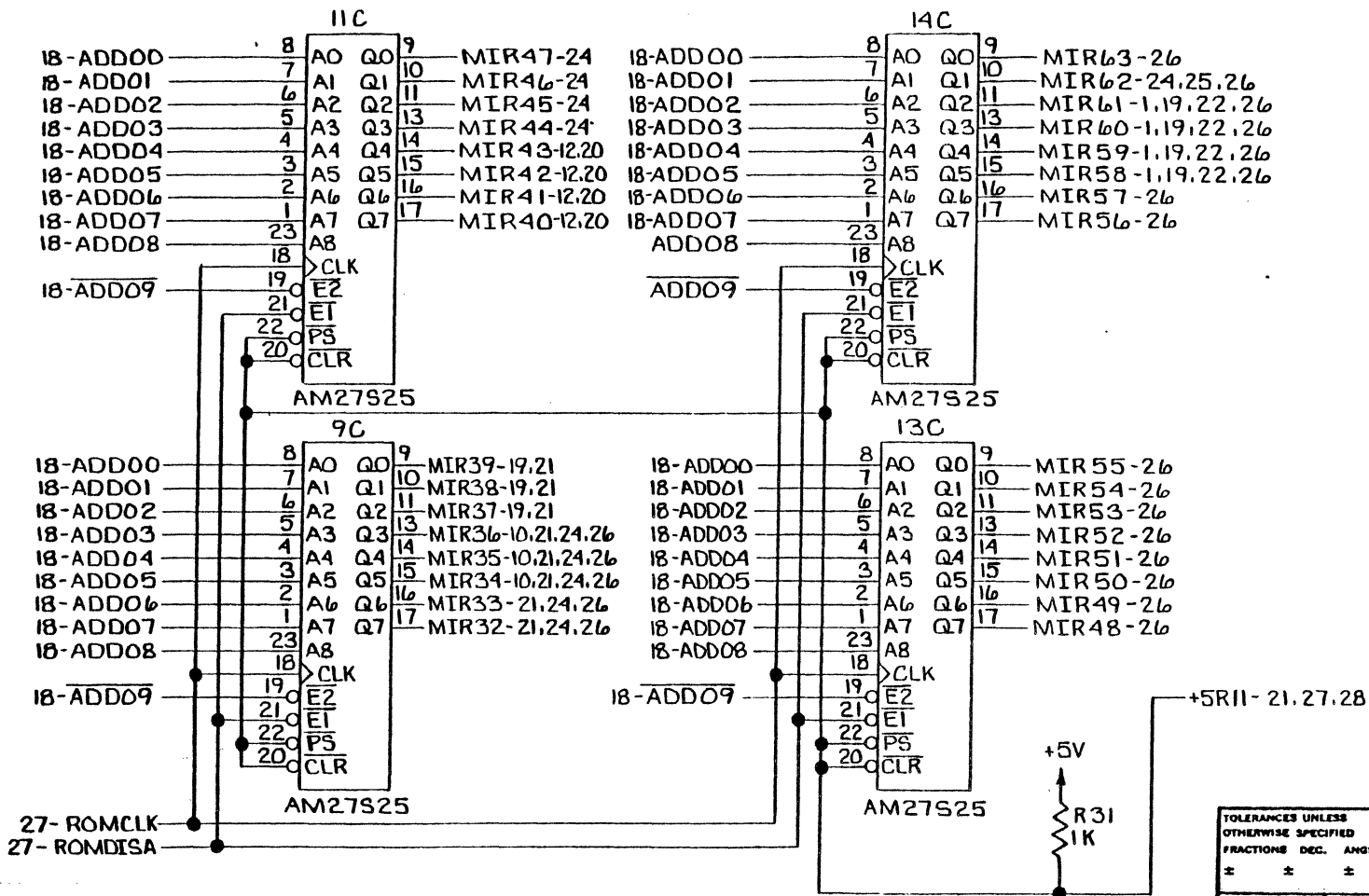
27-ROMCLK
27-ROMDISA

(28)

TOLERANCES UNLESS OTHERWISE SPECIFIED FRACTIONS DEC. ANGLES ± ± ±		 western peripherals™ TUSTIN, CALIFORNIA	
APPROVALS		DATE	
DRAWN C. Acada		1-21-81	
CHECKED		SCALE	SIZE B
		DRAWING NO. 75000570	
DO NOT SCALE DRAWING			SHEET 29 OF 31

CONTROL ROM MICRO-INSTRUCTION REGISTER

REVISIONS			
LTR	DESCRIPTION	DATE	APPROVED



(29)

TOLERANCES UNLESS OTHERWISE SPECIFIED		western peripherals™ TUSTIN, CALIFORNIA	
FRACTIONS	DEC.		
±	±	±	MICRO INSTRUCTION PROM'S
APPROVALS	DATE	SCALE	
DRAWN C. Spada	1-21-81	SIZE B	
CHECKED		DRAWING NO. 75000570	
DO NOT SCALE DRAWING			SHEET 30 OF 31

5 DEVICE ADDRESS
STD ADDR 776700₈

ADDR BIT	ADDR RANGE	E JUMPERS	STD ADDR	INSTALLED JUMPERS
17				
16				
15				
14				
13				
12	0/1	43-44		
11	0/1	49-50		
10	0/1	51-52		
9	0/1	47-48	0	X *
8	0/1	45-46		
7	0/1	53-54		
6	0/1	55-56		
5	0/1	19-20	0	X *
4	0/1		X	
3	X		X	
2	X		X	
1	X		X	
0	X		X	

INSTALL JUMPERS FOR "0'S" IN DESIRED ADDR
* STANDARD CONFIGURATION IN ETCH.

6 WORDS TRANSFERED PER NFR

MODE	JUMPERS	SECTORS TRANSFRD WITHOUT ROTATIONAL DELAY (NOM.)	
		WRITE	READ
1 WORD	E81 - E82 (6)	14	14
2 WORDS	E41 - E42 (3)	38	38
4 WORDS *	E31 - E38 (9)	160	160
8 WORDS	E40 - E39 (9)	160	160
HOG (256)	NONE	160	160

REMOVE ALL OTHER JUMPERS EXCEPT THE ONE INDICATED
* STANDARD

7 INTERRUPT PRIORITY LEVEL

BR4	BR5 *	BR6	BR7
E59-E60	E59-E61	E59-E62	E59-E63
E64-E69	E68-E69	E71-E67	E73-E67
E65-E67	E66-E67	E70-E67	E72-E67
E66-E68	E64-E65	E64-E65	E64-E65
E70-E71	E70-E71	E66-E68	E66-E68
E72-E73	E72-E73	E72-E73	E70-E71

* STANDARD CONFIGURATION IN ETCH

REVISIONS			
LTR	DESCRIPTION	DATE	APPROVED

8 INTERRUPT VECTOR
STD VECTOR 254₈

VCTR BIT	E JUMPERS	STD VCTR	INSTALLED JUMPERS
7	27-28		
6	29-30	0	X *
5	25-26		
4	23-24	0	X *
3	21-22		
2	31-32		
1		0	
0		0	

INSTALL JUMPERS FOR "0'S" IN DESIRED VECTOR
* STANDARD CONFIGURATION IN ETCH

10 DRIVE CAPACITY RMOZ

DRIVE SIZE	E JUMPERS	CUT ETCH BETWEEN
675 MB	E4-E5	E2-E3
80 MB *	E2-E3 E4-E5	
160 MB	E2-E3	L4-E5
300 MB	NONE	E2-E3 E4-E5

* STANDARD CONFIGURATION IN ETCH

TOLERANCES UNLESS OTHERWISE SPECIFIED
FRACTIONS DEC. ANGLES

western peripherals™
TUSTIN, CALIFORNIA

APPROVALS
CHECKED

DATE
3-23-81

SCHEMATIC
DC231 SMD CONTROLLER

SCALE
B

SIZE
B

DRAWING NO.
75000570

DO NOT SCALE DRAWING SHEET 31 OF 31

	H	
TAG 1	1 31	TAG 1
TAG 2	2 32	TAG 2
TAG 3	3 33	TAG 3
DBIT 0	4 34	DBIT 0
DBIT 1	5 35	DBIT 1
DBIT 2	6 36	DBIT 2
DBIT 3	7 37	DBIT 3
DBIT 4	8 38	DBIT 4
DBIT 5	9 39	DBIT 5
DBIT 6	10 40	DBIT 6
DBIT 7	11 41	DBIT 7
DBIT 8	12 42	DBIT 8
DBIT 9	13 43	DBIT 9
OPEN CABLE DET. FAULT	14 44	OPEN CABLE DET. FAULT
SEEK ERROR ON CYLINDER	16 46	SEEK ERROR ON CYLINDER
INDEX MARK	17 47	INDEX MARK
UNIT READY	18 48	UNIT READY
	19 49	
BUSY	20 50	BUSY
UNIT SELECT TAG	21 51	UNIT SELECT TAG
UNIT SELECT 2°	22 52	UNIT SELECT 2°
UNIT SELECT 2¹	23 53	UNIT SELECT 2¹
SECTOR MARK	24 54	SECTOR MARK
UNIT SELECT 2²	25 55	UNIT SELECT 2²
UNIT SELECT 2³	26 56	UNIT SELECT 2³
WRITE PROTECT	27 57	WRITE PROTECT
POWER PICK	28 58	POWER PICK
	29 59	POWER HOLD
	30 60	

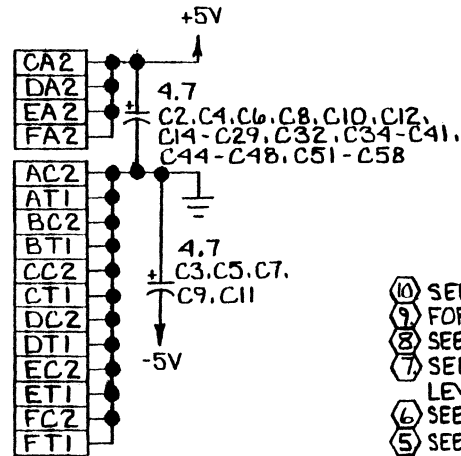
	J	
GND	1 14	SERVO CLK 0
SERVO CLK 0	2 15	GND
READ DATA 0	3 16	READ DATA 0
GND	4 17	READ CLK 0
READ CLK 0	5 18	GND
WRT CLK 0	6 19	WRT CLK 0
GND	7 20	WRT DATA 0
WRT DATA 0	8 21	GND
UNIT SELD 0	9 22	UNIT SELD 0
SEEK END 0	10 23	SEEK END 0
GND	11 24	
	12 25	GND
	13 26	

	K	
GND	1 14	SERVO CLK 1
SERVO CLK 1	2 15	GND
READ DATA 1	3 16	READ DATA 1
GND	4 17	READ CLK 1
READ CLK 1	5 18	GND
WRT CLK 1	6 19	WRT CLK 1
GND	7 20	WRT DATA 1
WRT DATA 1	8 21	GND
UNIT SELD 1	9 22	UNIT SELD 1
SEEK END 1	10 23	SEEK END 1
GND	11 24	
	12 25	GND
	13 26	

	L	
GND	1 14	SERVO CLK 2
SERVO CLK 2	2 15	GND
READ DATA 2	3 16	READ DATA 2
GND	4 17	READ CLK 2
READ CLK 2	5 18	GND
WRT CLK 2	6 19	WRT CLK 2
GND	7 20	WRT DATA 2
WRT DATA 2	8 21	GND
UNIT SELD 2	9 22	UNIT SELD 2
SEEK END 2	10 23	SEEK END 2
GND	11 24	
	12 25	GND
	13 26	

	M	
GND	1 14	SERVO CLK 3
SERVO CLK 3	2 15	GND
READ DATA 3	3 16	READ DATA 3
GND	4 17	READ CLK 3
READ CLK 3	5 18	GND
WRT CLK 3	6 19	WRT CLK 3
GND	7 20	WRT DATA 3
WRT DATA 3	8 21	GND
UNIT SELD 3	9 22	UNIT SELD 3
SEEK END 3	10 23	SEEK END 3
GND	11 24	
	12 25	GND
	13 26	

LAST DESIGNATION USED	
RESISTOR	R58
CAPACITOR	C58
LIGHT EMITTING DIODE	LED4
RESISTOR NETWORK	RN18
OSCILLATOR	Y1
VOLTAGE REGULATOR	Q1
DIODE	CRI



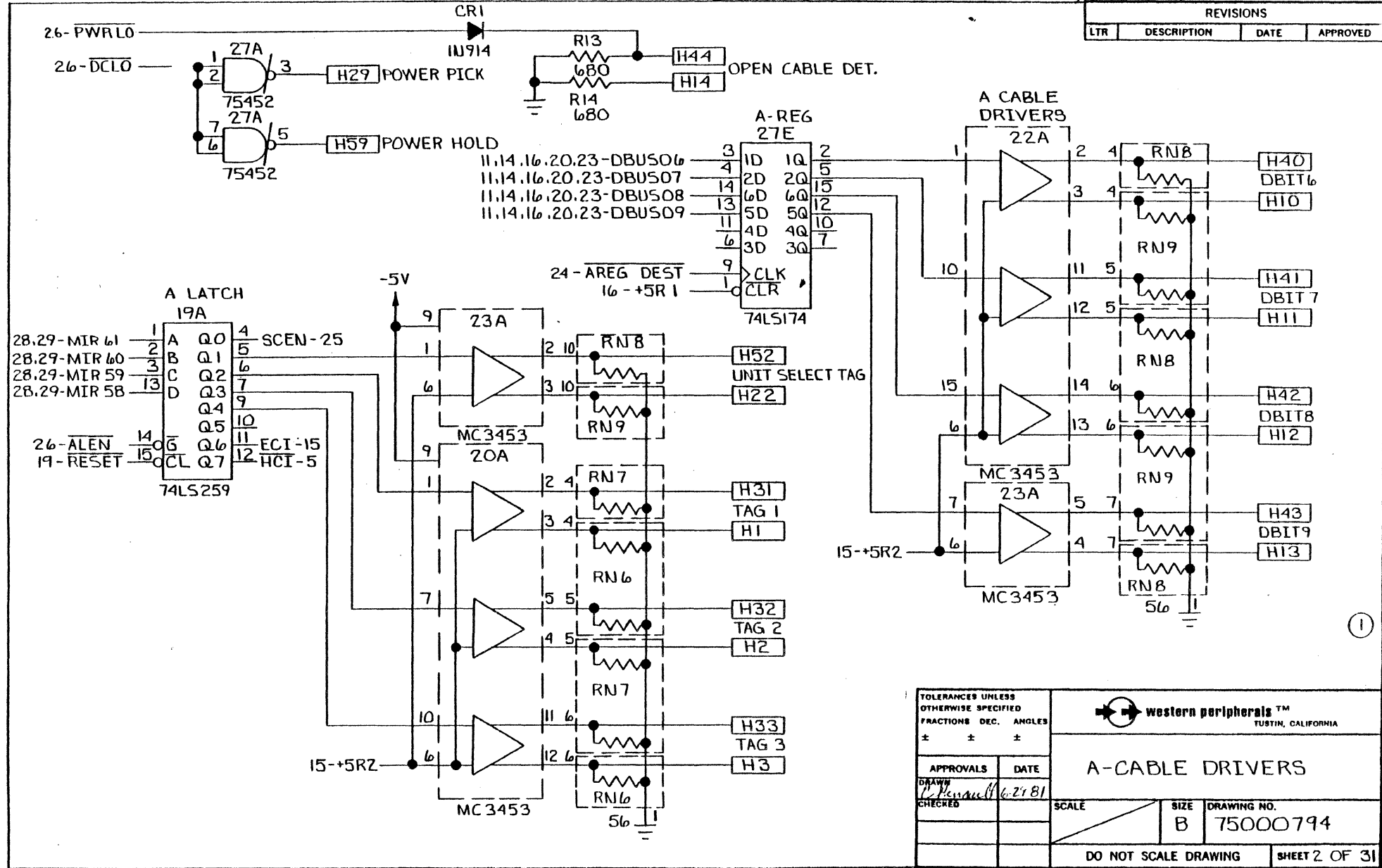
REVISIONS			
LTR	DESCRIPTION	DATE	APPROVED
A	PROD. REL.	7-14-81	<i>[Signature]</i>
B	REV PER ECD 961	3-29-82	<i>[Signature]</i>
C	ECD 1014 CANC.	3-29-82	<i>[Signature]</i>
D	REV PER ELD 1025	3-29-82	<i>[Signature]</i>

- ⑩ SEE DRIVE CAPACITY TABLE.
- ⑨ FOR TEST ONLY.
- ⑧ SEE INTERRUPT VECTOR TABLE.
- ⑦ SEE INTERRUPT PRIORITY LEVEL TABLE.
- ⑥ SEE WORDS PER NPR TABLE.
- ⑤ SEE DEVICE ADDRESS TABLE.
- ④ RESERVED FOR FUTURE USE.
- 3. REFERENCE ASSY. 60000882
- 2. CAPACITOR VALUES ARE IN MICROFARADS.
- 1. RESISTANCE VALUES ARE IN OHMS.

NOTES: UNLESS OTHERWISE SPECIFIED

TOLERANCES UNLESS OTHERWISE SPECIFIED FRACTIONS DEC. ANGLES		western peripherals™ TUSTIN, CALIFORNIA	
±	±	SCHEMATIC	
APPROVALS	DATE	DC 231 SMD CONTROLLER	
DRAWN <i>[Signature]</i>	6-29-81	SCALE	SIZE DRAWING NO.
CHECKED <i>[Signature]</i>	6-29-81		B 75000794
		DO NOT SCALE DRAWING	
		SHEET 1 OF 31	

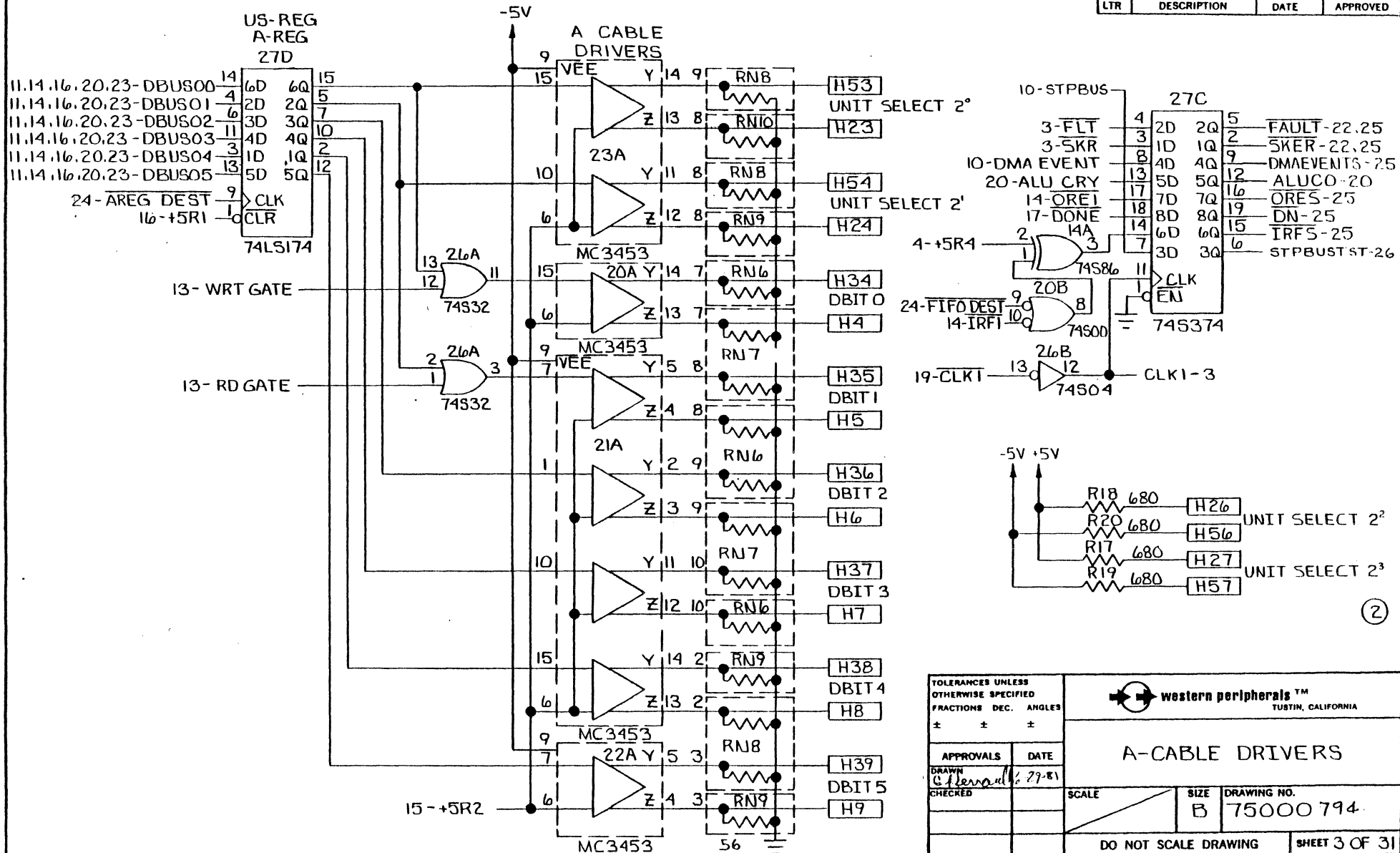
REVISIONS			
LTR	DESCRIPTION	DATE	APPROVED



TOLERANCES UNLESS OTHERWISE SPECIFIED		western peripherals™ TUSTIN, CALIFORNIA		
FRACTIONS DEC.	ANGLES			
±	±	<h3>A-CABLE DRIVERS</h3>		
APPROVALS	DATE			
DRAWN <i>L. Pennington</i>	DATE 11/6/21/81	SCALE	SIZE B	DRAWING NO. 75000794
CHECKED				
DO NOT SCALE DRAWING			SHEET 2 OF 31	

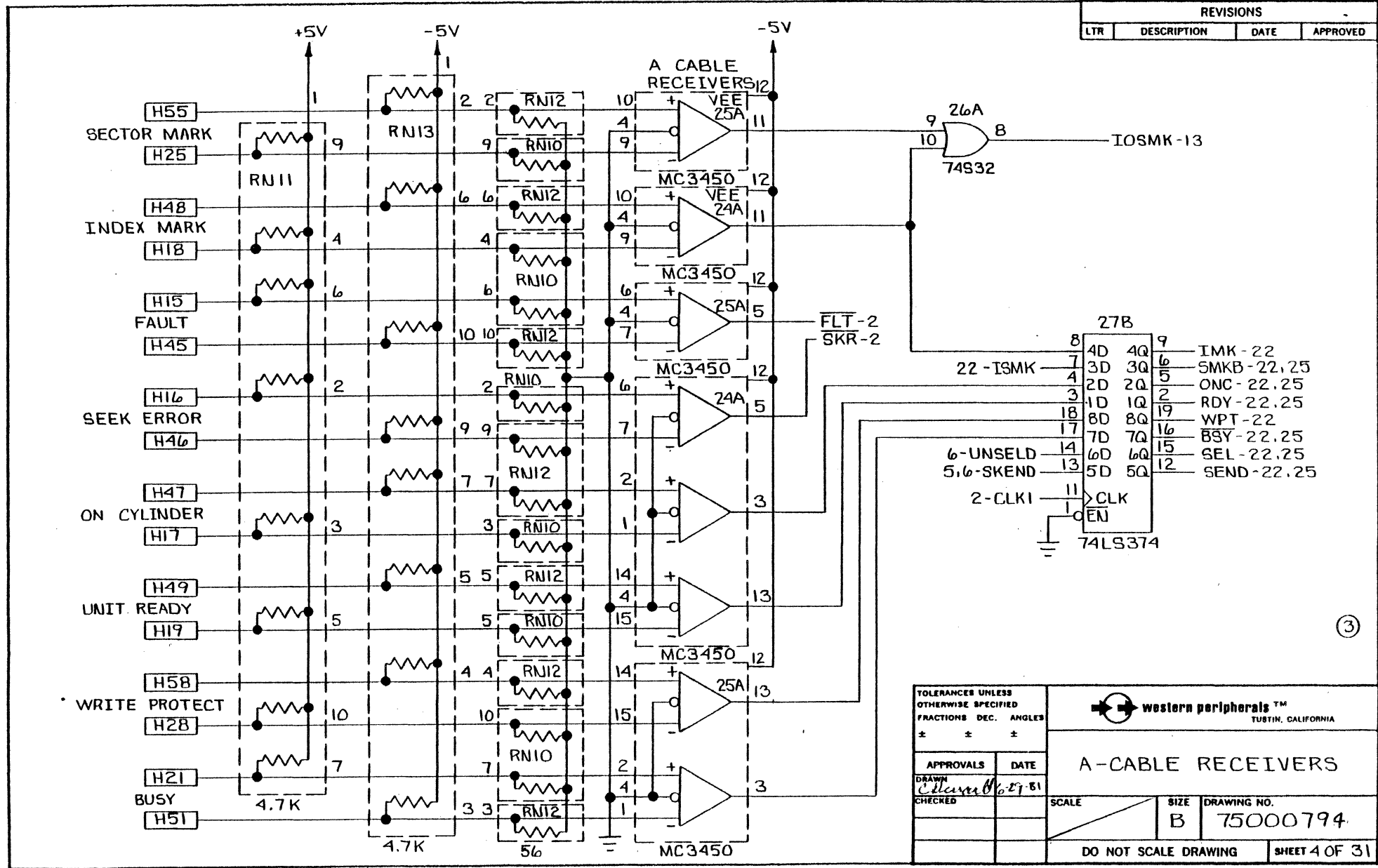
504113

REVISIONS			
LTR	DESCRIPTION	DATE	APPROVED



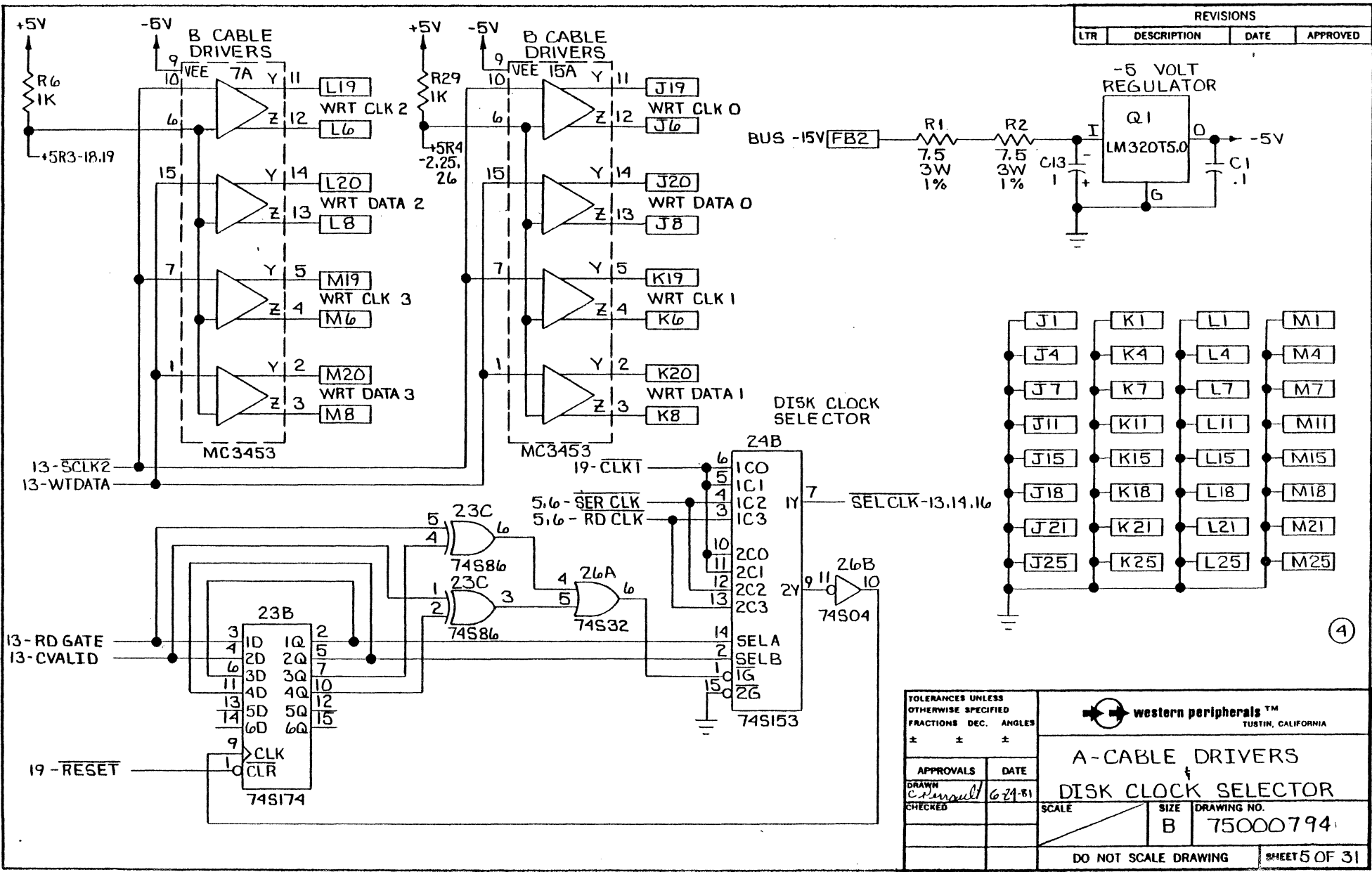
TOLERANCES UNLESS OTHERWISE SPECIFIED FRACTIONS DEC. ANGLES ± ± ±		western peripherals™ TUSTIN, CALIFORNIA	
APPROVALS		DATE	
DRAWN G. HERNANDEZ 1/29/81		SCALE	
CHECKED		SIZE B	DRAWING NO. 75000794
DO NOT SCALE DRAWING			SHEET 3 OF 31

REVISIONS			
LTR	DESCRIPTION	DATE	APPROVED

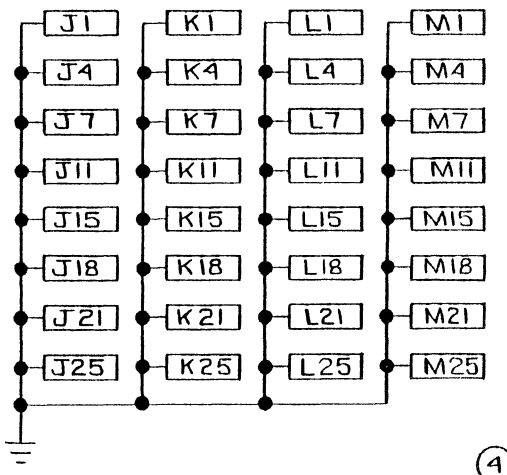
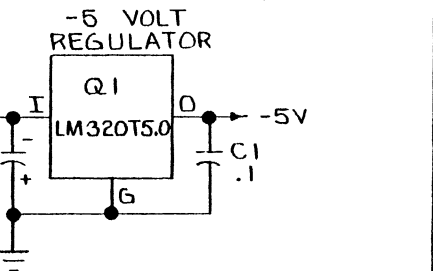


TOLERANCES UNLESS OTHERWISE SPECIFIED FRACTIONS DEC. ANGLES ± ± ±		 western peripherals™ TUSTIN, CALIFORNIA	
APPROVALS	DATE	A-CABLE RECEIVERS	
DRAWN <i>Alan B. 02-29-81</i>	CHECKED	SCALE	SIZE B DRAWING NO. 75000794
DO NOT SCALE DRAWING		SHEET 4 OF 31	

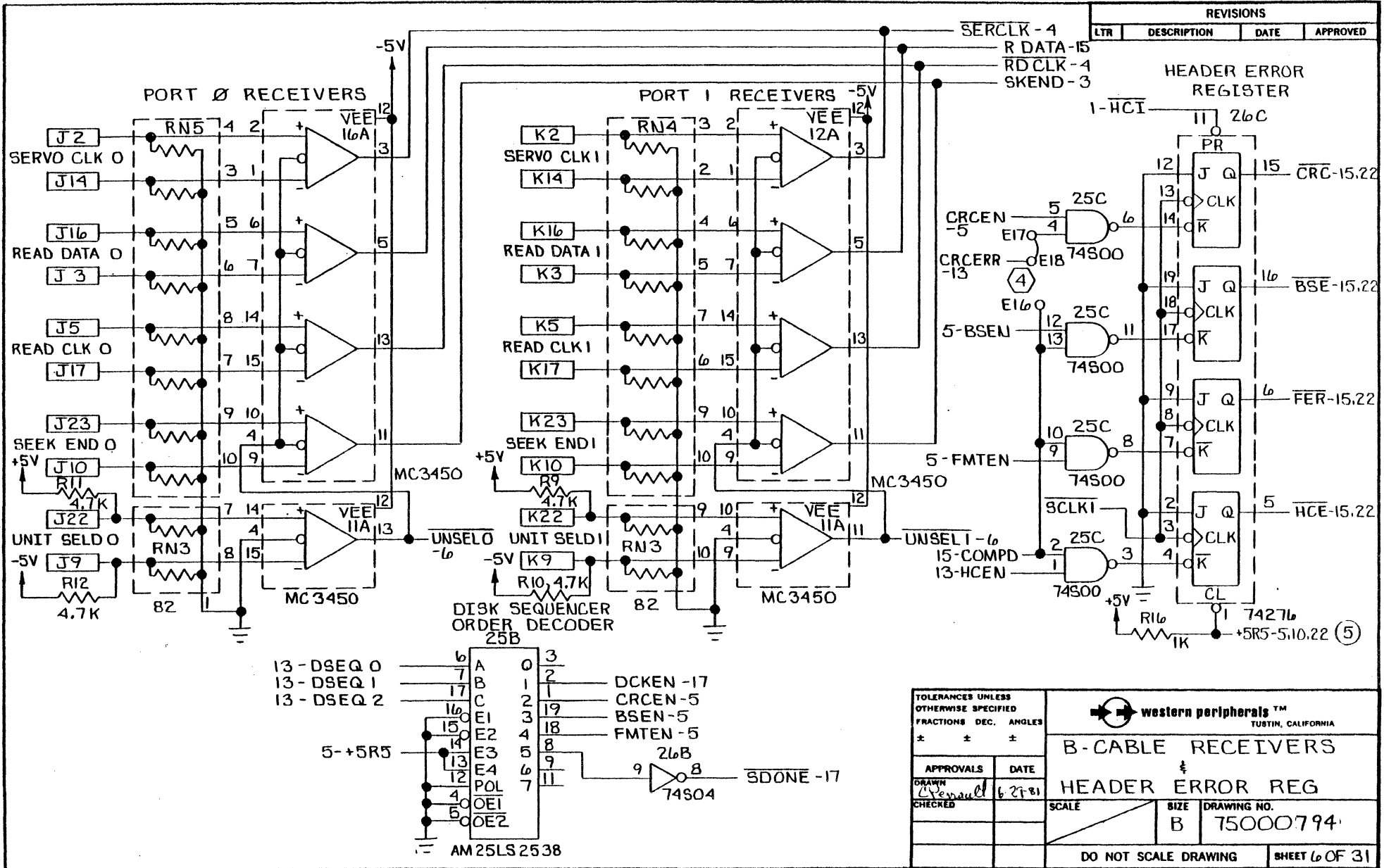
504113



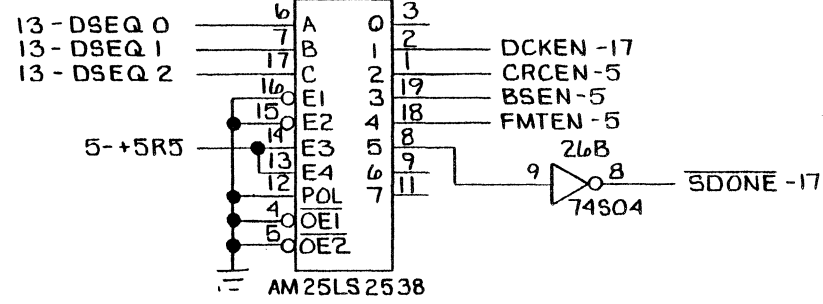
REVISIONS			
LTR	DESCRIPTION	DATE	APPROVED



TOLERANCES UNLESS OTHERWISE SPECIFIED FRACTIONS DEC. ANGLES ± ± ±		 western peripherals™ TUSTIN, CALIFORNIA	
APPROVALS		DATE	
DRAWN <i>C. Russell</i>		6/21/81	
CHECKED		SCALE	DRAWING NO.
		B	75000794
DO NOT SCALE DRAWING			SHEET 5 OF 31



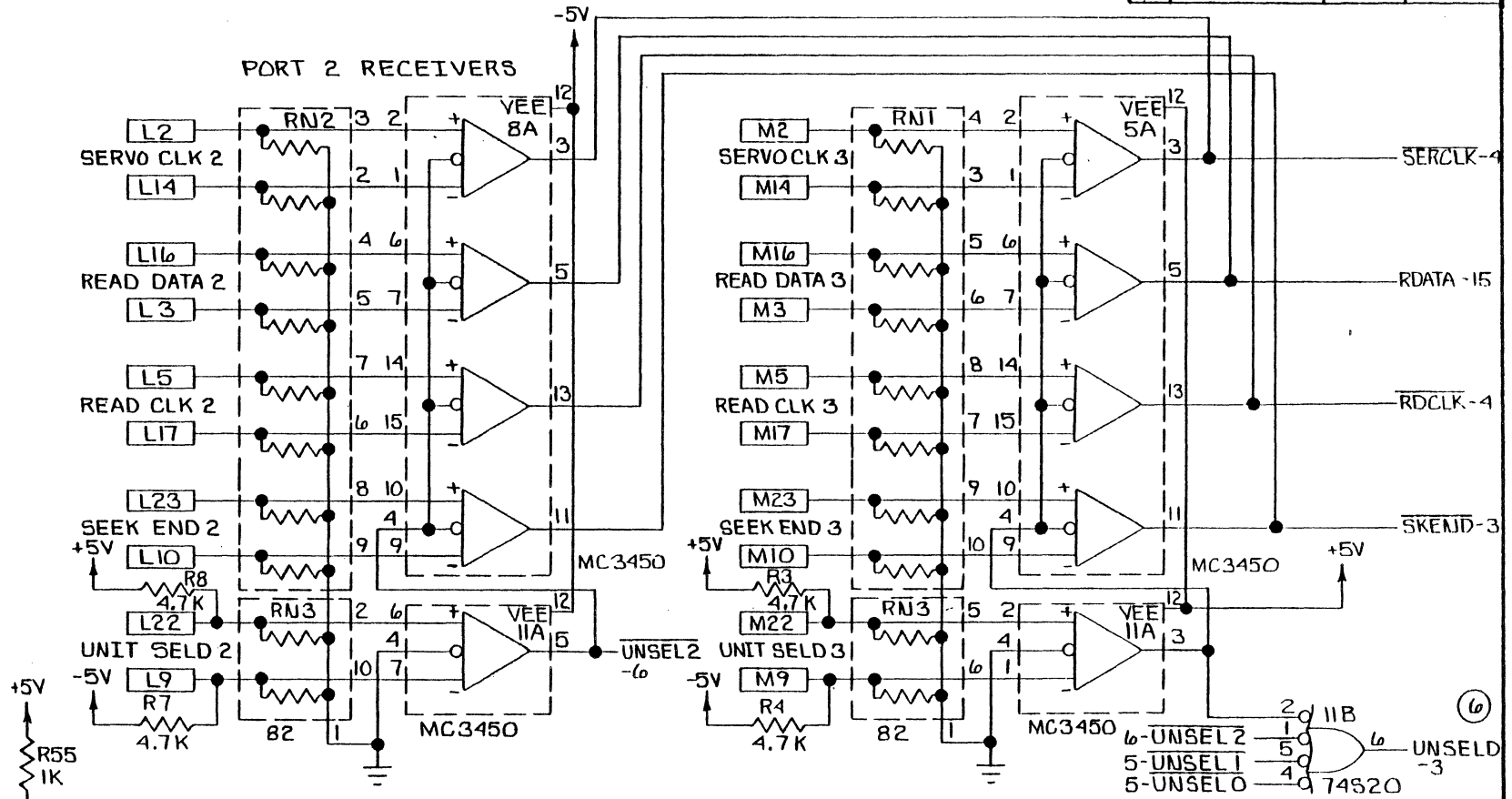
REVISIONS			
LTR	DESCRIPTION	DATE	APPROVED



TOLERANCES UNLESS OTHERWISE SPECIFIED		 western peripherals™ TUSTIN, CALIFORNIA	
FRACTIONS DEC. ANGLES			
±	±	B-CABLE RECEIVERS	
APPROVALS		DATE	
DRAWN		DATE	
CHECKED		SCALE	
		SIZE	
		DRAWING NO.	
		B 75000794	
DO NOT SCALE DRAWING			
SHEET 6 OF 31			

504113

REVISIONS			
LTR	DESCRIPTION	DATE	APPROVED



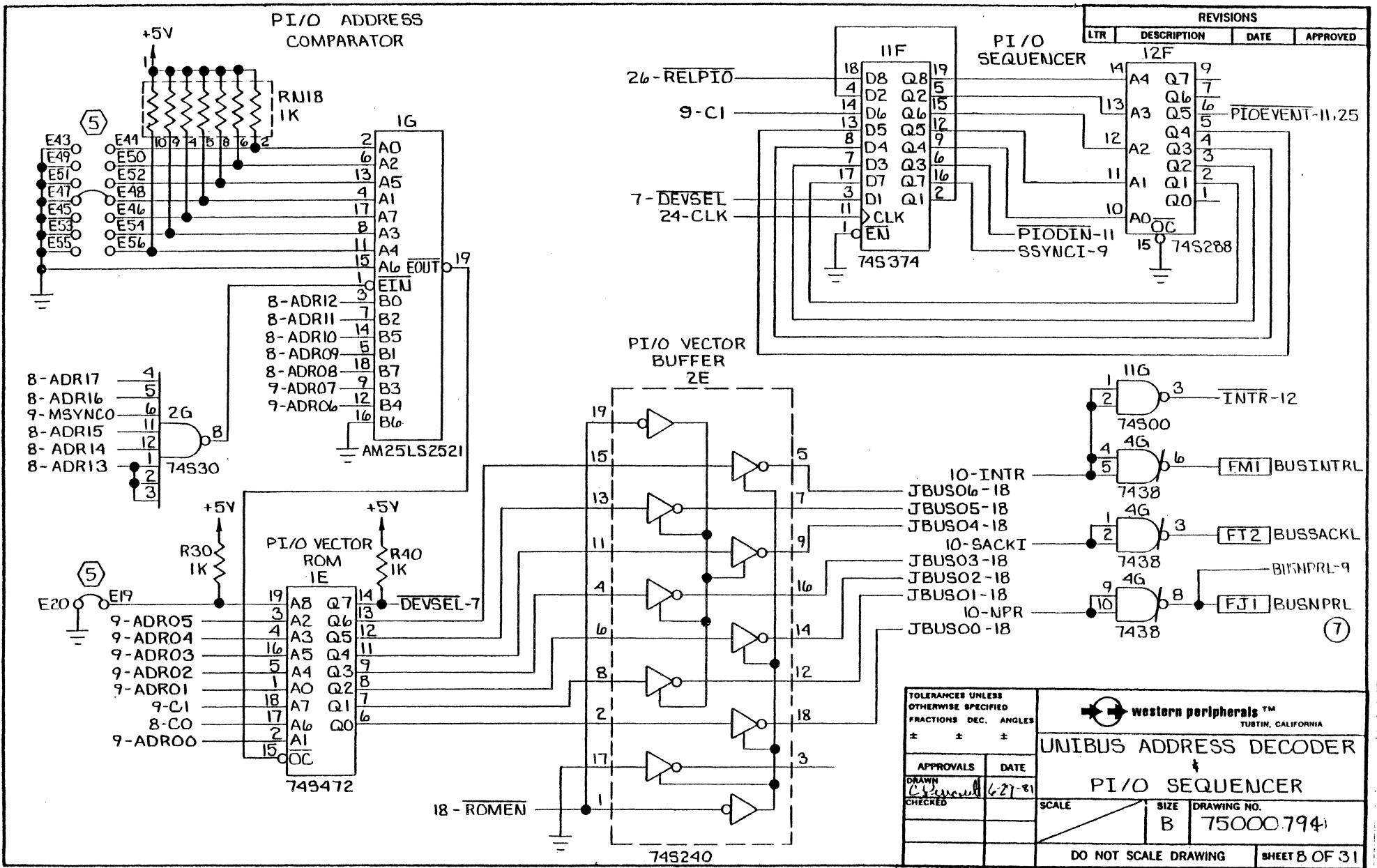
TOLERANCES UNLESS OTHERWISE SPECIFIED
FRACTIONS DEC. ANGLES
± ± ±

western peripherals™
TUSTIN, CALIFORNIA

B-CABLE RECEIVERS

APPROVALS	DATE
DRAWN <i>C. Russell</i>	6-29-74
CHECKED	

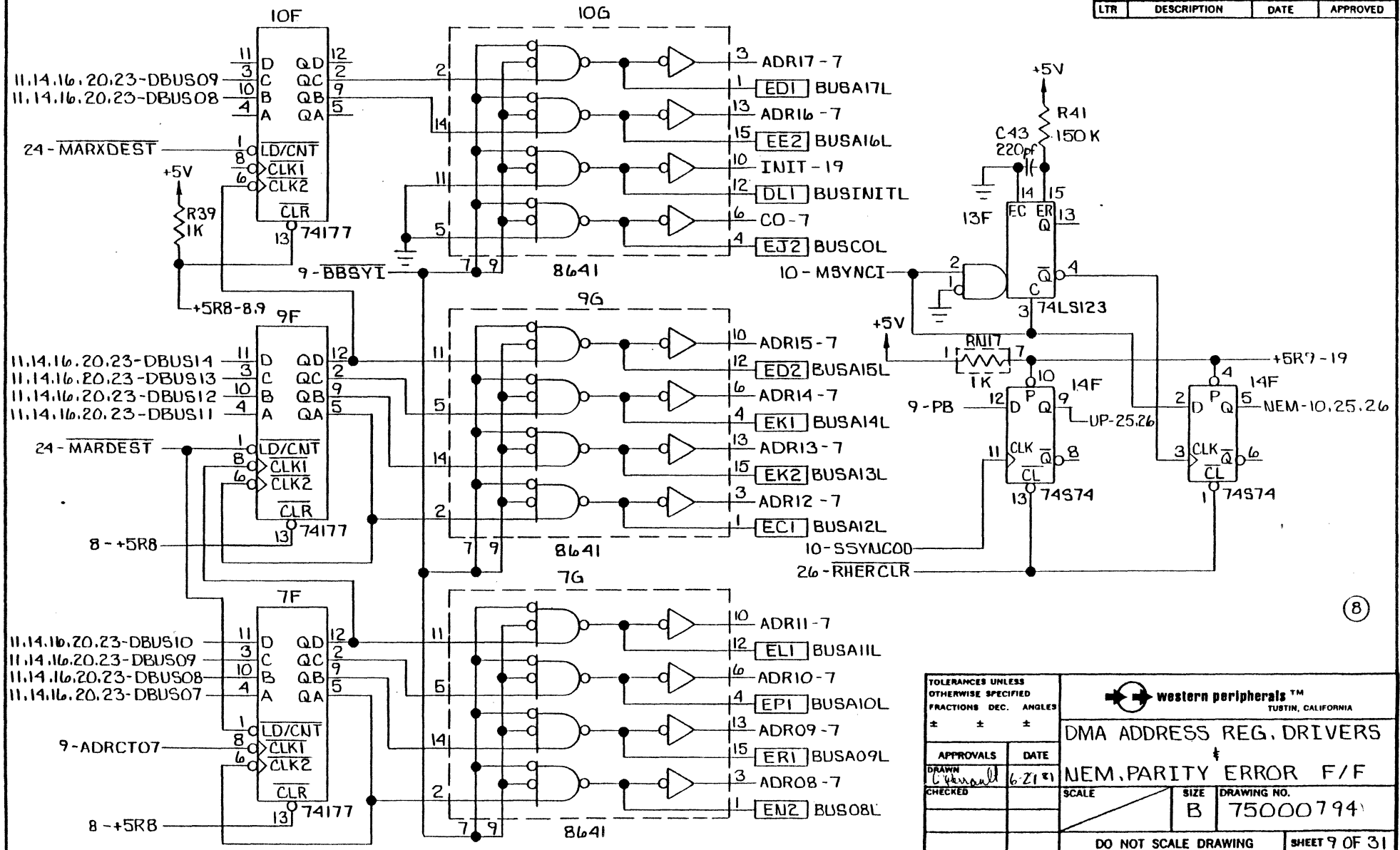
SCALE	SIZE B	DRAWING NO. 75000794
DO NOT SCALE DRAWING		SHEET 7 OF 31



504113

TOLERANCES UNLESS OTHERWISE SPECIFIED FRACTIONS DEC. ANGLES ± ± ±		western peripherals™ TUSTIN, CALIFORNIA	
UNIBUS ADDRESS DECODER			
PI/O SEQUENCER			
APPROVALS	DATE	SCALE	SIZE
DRAWN <i>C. J. ...</i>	6-27-81		B
CHECKED		DRAWING NO.	75000794
DO NOT SCALE DRAWING			SHEET 8 OF 31

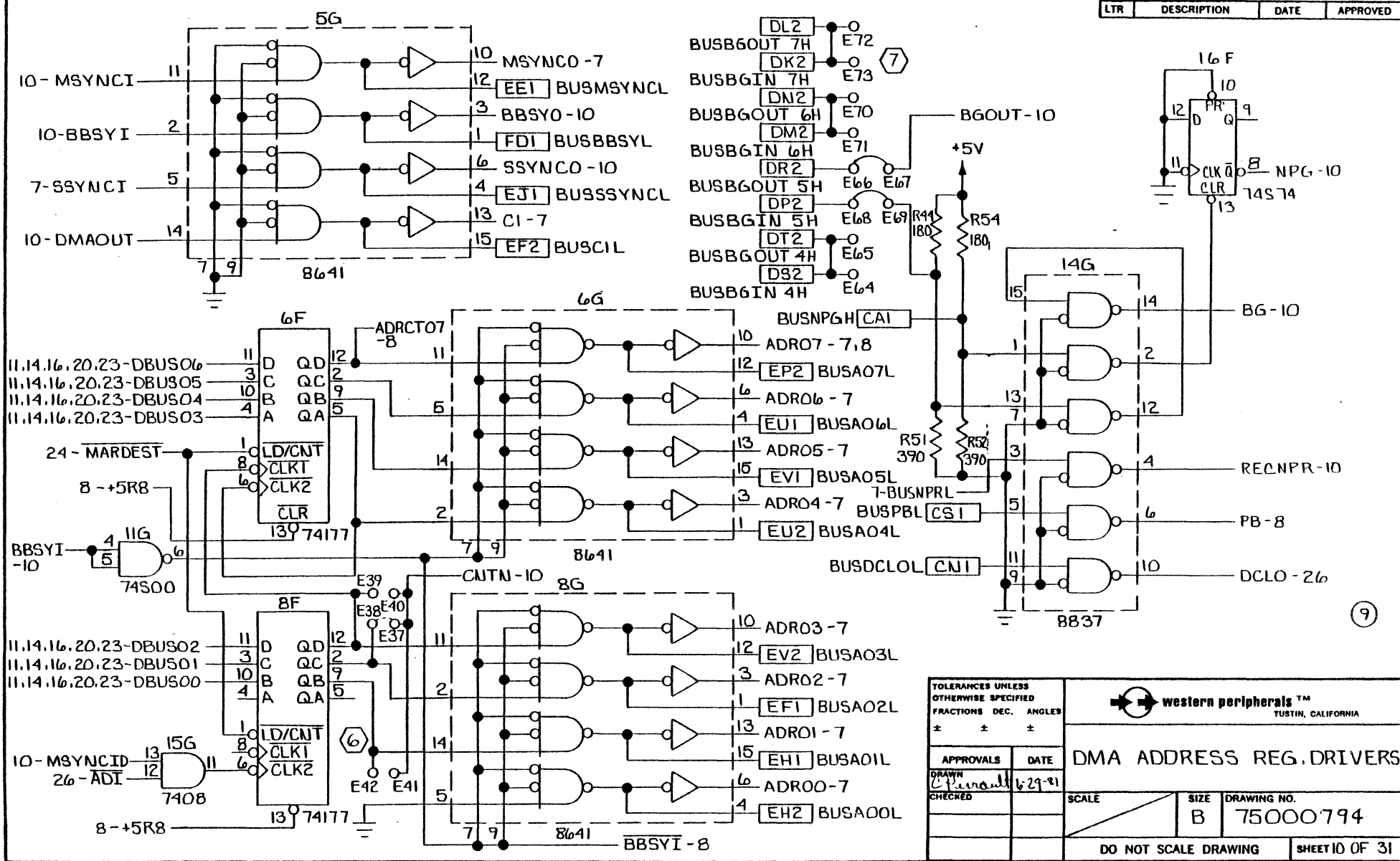
REVISIONS			
LTR	DESCRIPTION	DATE	APPROVED



(8)

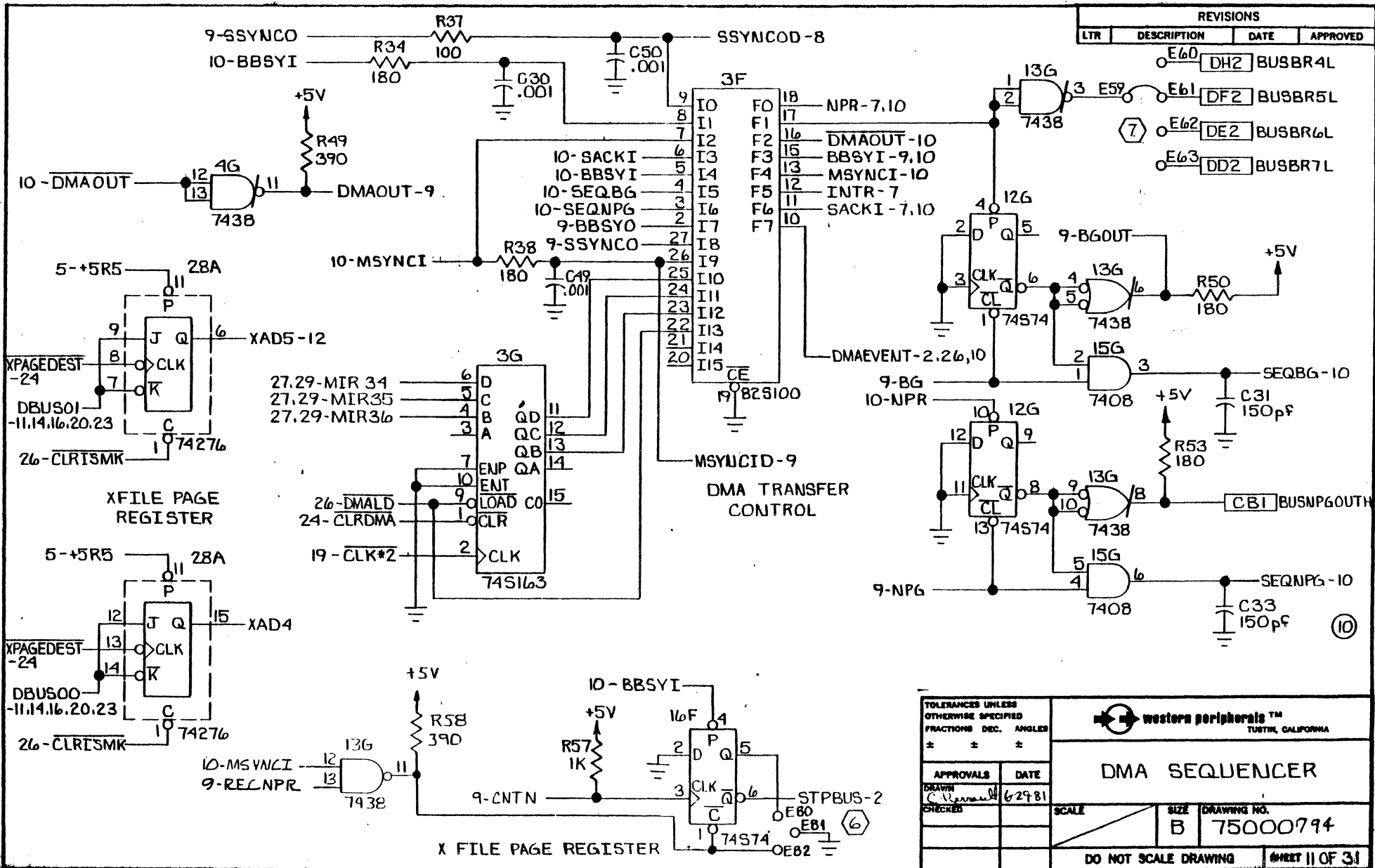
TOLERANCES UNLESS OTHERWISE SPECIFIED FRACTIONS DEC. ANGLES ± ± ±		 western peripherals™ TUSTIN, CALIFORNIA	
DMA ADDRESS REG. DRIVERS			
‡			
NEM.PARITY ERROR F/F			
APPROVALS	DATE	SCALE	SIZE
DRAWN <i>C. K. ...</i>	6/21/81		B
CHECKED		DRAWING NO.	75000794
DO NOT SCALE DRAWING			SHEET 9 OF 31

REVISIONS			
LTR	DESCRIPTION	DATE	APPROVED



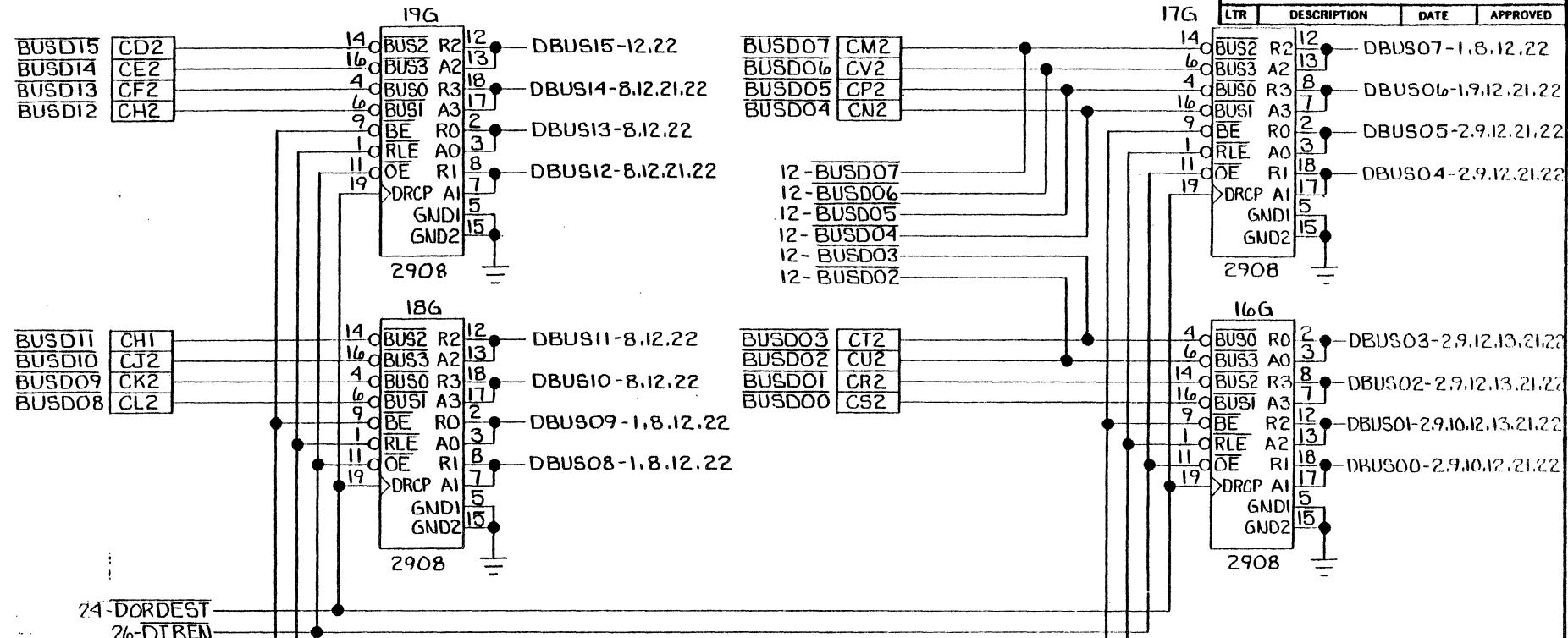
TOLERANCES UNLESS OTHERWISE SPECIFIED FRACTIONS DEC. ANGLES ± ± ±		 western peripherals™ TUSTIN, CALIFORNIA	
APPROVALS	DATE	DMA ADDRESS REG. DRIVERS	
DRAWN <i>C. Pennington</i>	6-29-81	SCALE	SIZE B DRAWING NO. 75000794
CHECKED		DO NOT SCALE DRAWING	
		SHEET 10 OF 31	

504113



REVISIONS			
LTR	DESCRIPTION	DATE	APPROVED
E60	DH2		BUSBR4L
E61	DF2		BUSBR5L
E62	DE2		BUSBR6L
E63	DD2		BUSBR7L

TOLERANCES UNLESS OTHERWISE SPECIFIED FRACTIONS DEC. ANGLES ± ± ±		western peripherals™ TURTLE, CALIFORNIA	
APPROVALS		DATE	
DRAWN C. R. [Signature]		6/29/81	
CHECKED		SCALE	SIZE B
		DRAWING NO. 75000794	
		DO NOT SCALE DRAWING	
		SHEET 11 OF 31	



REVISIONS			
LTR	DESCRIPTION	DATE	APPROVED

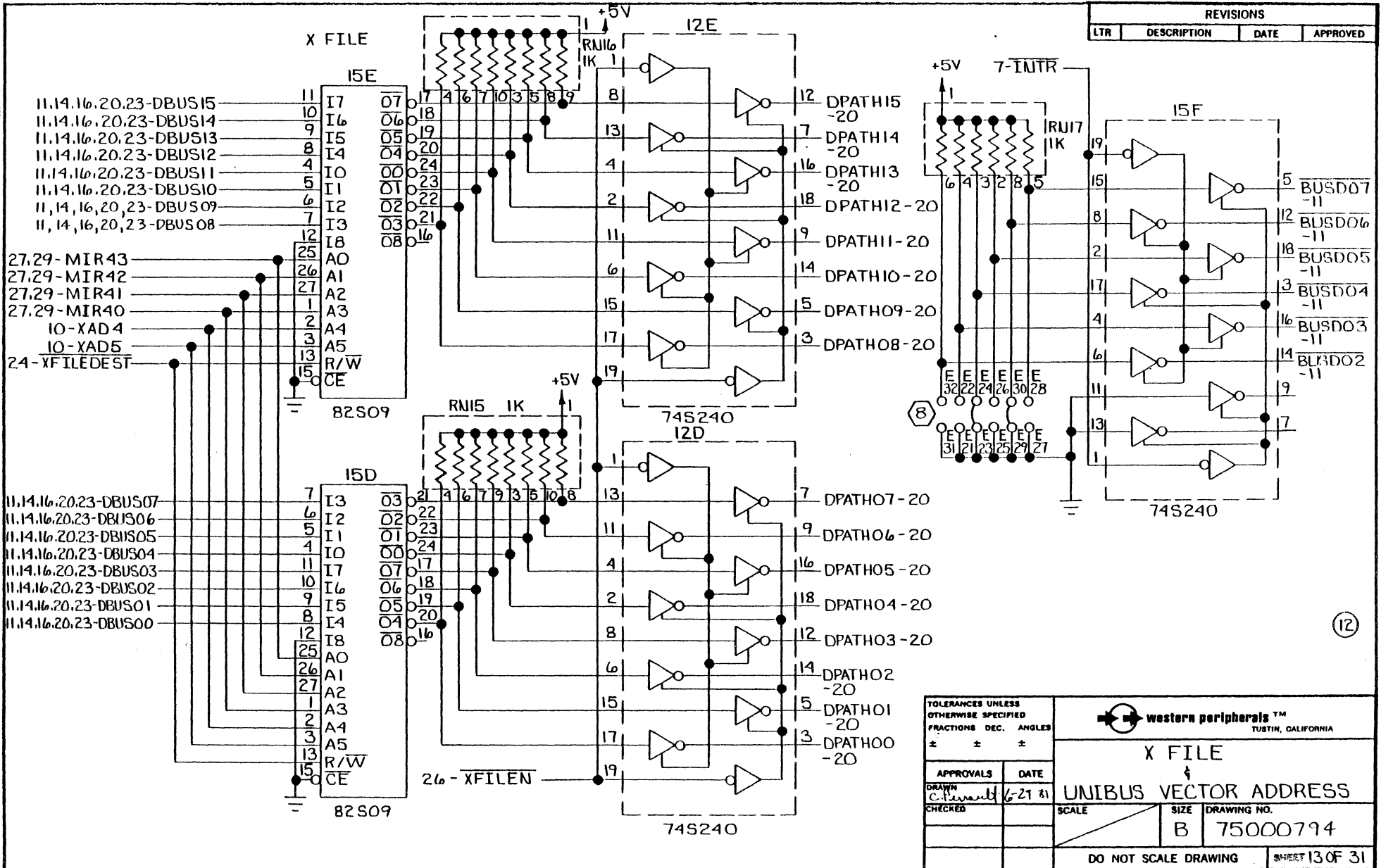
	BUS2 R2	12	DBUS07-1.8.12.22
	BUS3 A2	13	
	BUS0 R3	8	DBUS06-1.9.12.21.22
	BUS1 A3	7	
	BE R0	2	DBUS05-2.9.12.21.22
	RLE A0	3	
	OE R1	18	DBUS04-2.9.12.21.22
	DRCP A1	17	
	GND1	5	
	GND2	15	

	BUS0 R0	2	DBUS03-2.9.12.13.21.22
	BUS3 A0	3	
	BUS2 R3	8	DBUS02-2.9.12.13.21.22
	BUS1 A3	7	
	BE R2	12	DBUS01-2.9.10.12.13.21.22
	RLE A2	13	
	OE R1	18	DBUS00-2.9.10.12.21.22
	DRCP A1	17	
	GND1	5	
	GND2	15	

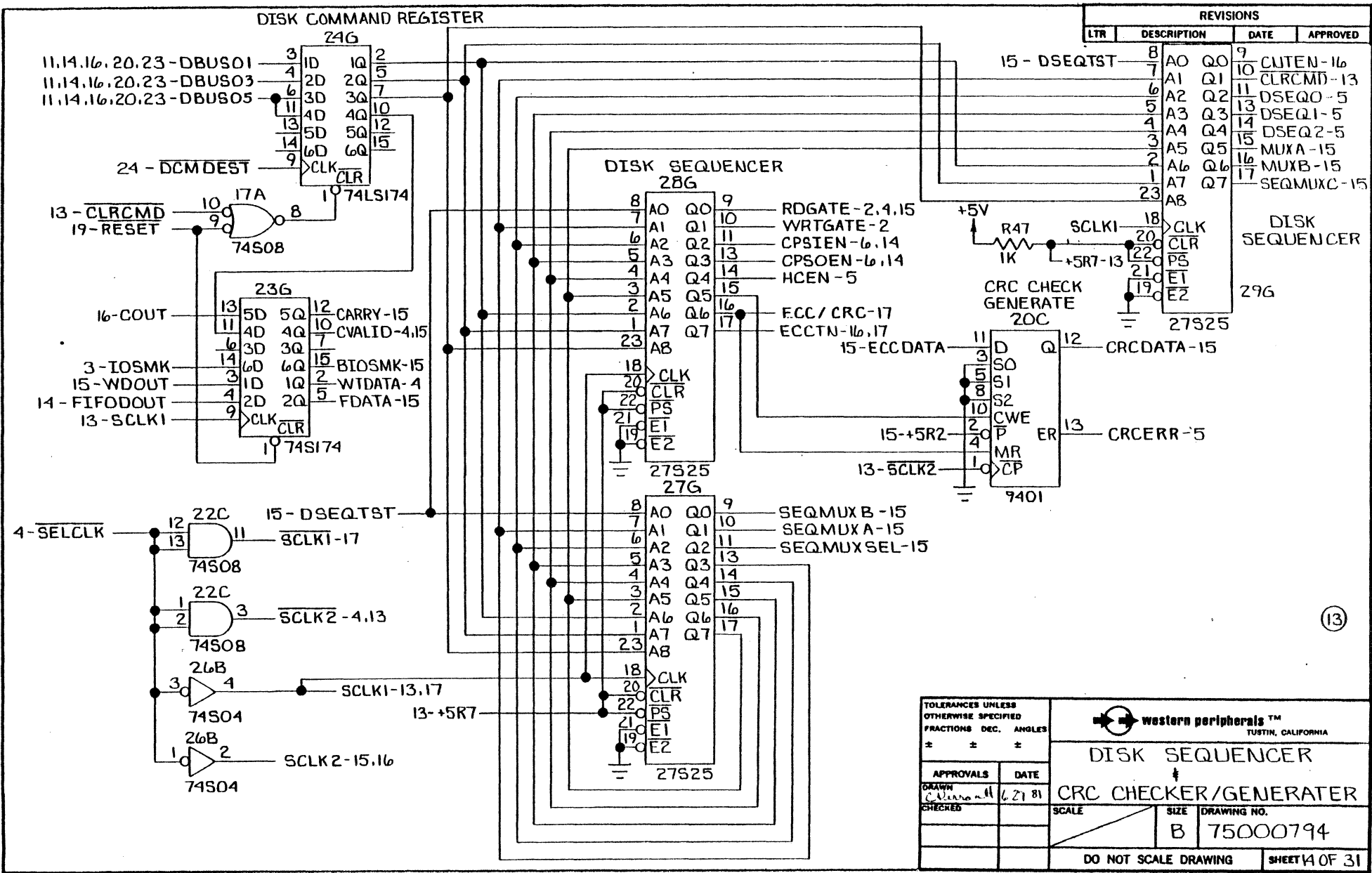
11

TOLERANCES UNLESS OTHERWISE SPECIFIED FRACTIONS DEC. ANGLES ± ± ±		western peripherals ™ TUSTIN, CALIFORNIA	
APPROVALS	DATE	DMA DATA TRANCEIVERS	
DRAWN <i>C. Smith</i>	6-29-81	SCALE	SIZE B
CHECKED			DRAWING NO. 75000 794
		DO NOT SCALE DRAWING	
		SHEET 12 OF 31	

504113



TOLERANCES UNLESS OTHERWISE SPECIFIED		western peripherals™ TUSTIN, CALIFORNIA	
FRACTIONS DEC. ANGLES		X FILE	
± ± ±		UNIBUS VECTOR ADDRESS	
APPROVALS	DATE	SCALE	SIZE DRAWING NO.
C. [Signature]	6-21 81		B 75000794
CHECKED			
DO NOT SCALE DRAWING			SHEET 13 OF 31



REVISIONS			
LTR	DESCRIPTION	DATE	APPROVED

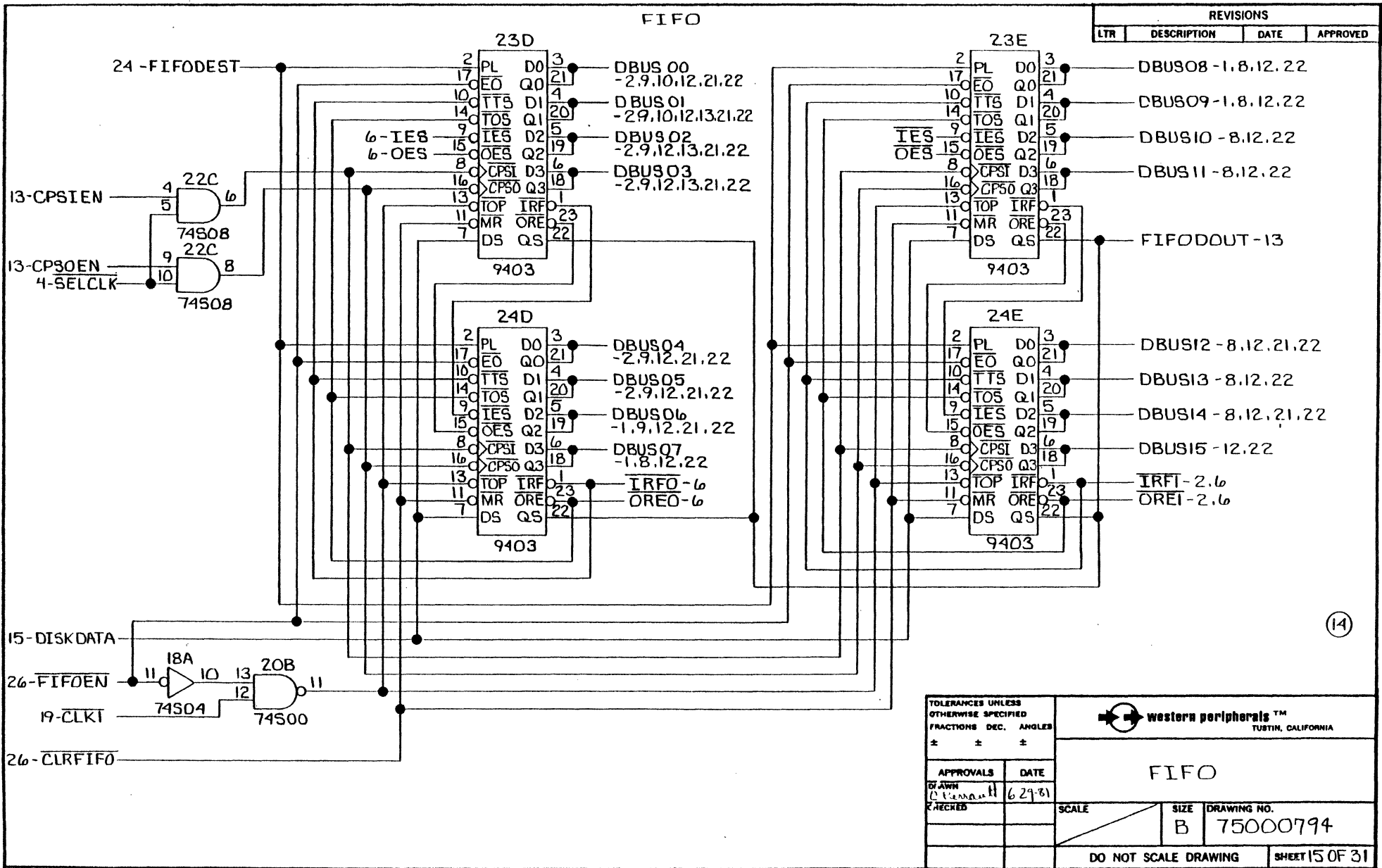
	15 - DSEQTST	8	A0 Q0	9	CNTEN-16
		7	A1 Q1	10	CLRCMD-13
		6	A2 Q2	11	DSEQ0-5
		5	A3 Q3	13	DSEQ1-5
		4	A4 Q4	14	DSEQ2-5
		3	A5 Q5	15	MUXA-15
		2	A6 Q6	16	MUXB-15
		1	A7 Q7	17	SEQMUXC-15
		23	AB		

DISK SEQUENCER				
		18	CLK	
		20	CLR	
		22	PS	
		21	E1	
		19	E2	

CRC CHECK GENERATE				
		11	D	
		10	Q	12
		5	S0	
		8	S1	
		10	S2	
		2	CWE	
		4	P	
		1	MR	
		13	ER	

(13)

TOLERANCES UNLESS OTHERWISE SPECIFIED		western peripherals ™ TUSTIN, CALIFORNIA		
FRACTIONS DEC. ANGLES	± ± ±			
APPROVALS	DATE	DISK SEQUENCER × CRC CHECKER/GENERATOR		
DRAWN C. J. ...	6/21/81			
CHECKED		SCALE	SIZE B	DRAWING NO. 75000794
		DO NOT SCALE DRAWING		SHEET 14 OF 31

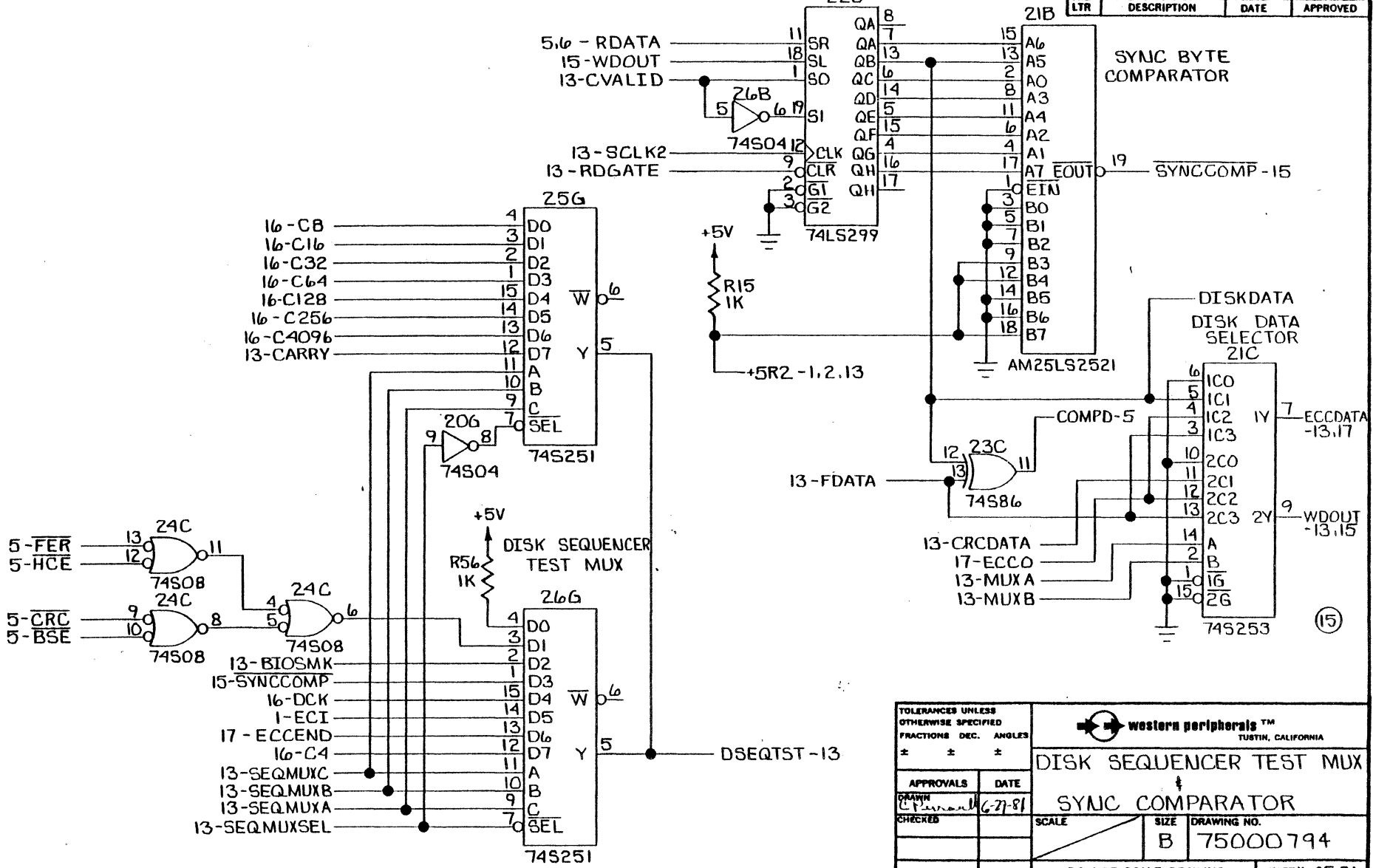


(14)

TOLERANCES UNLESS OTHERWISE SPECIFIED		western peripherals™ TUSTIN, CALIFORNIA	
FRACTIONS	DEC.		
±	±	±	
APPROVALS		DATE	
DRAWN C. KENNEDY		6/29/81	
CHECKED		SCALE	SIZE B
		DRAWING NO. 75000794	
DO NOT SCALE DRAWING			SHEET 15 OF 31

DISK DATA SHIFT REGISTER
22B

REVISIONS			
LTR	DESCRIPTION	DATE	APPROVED

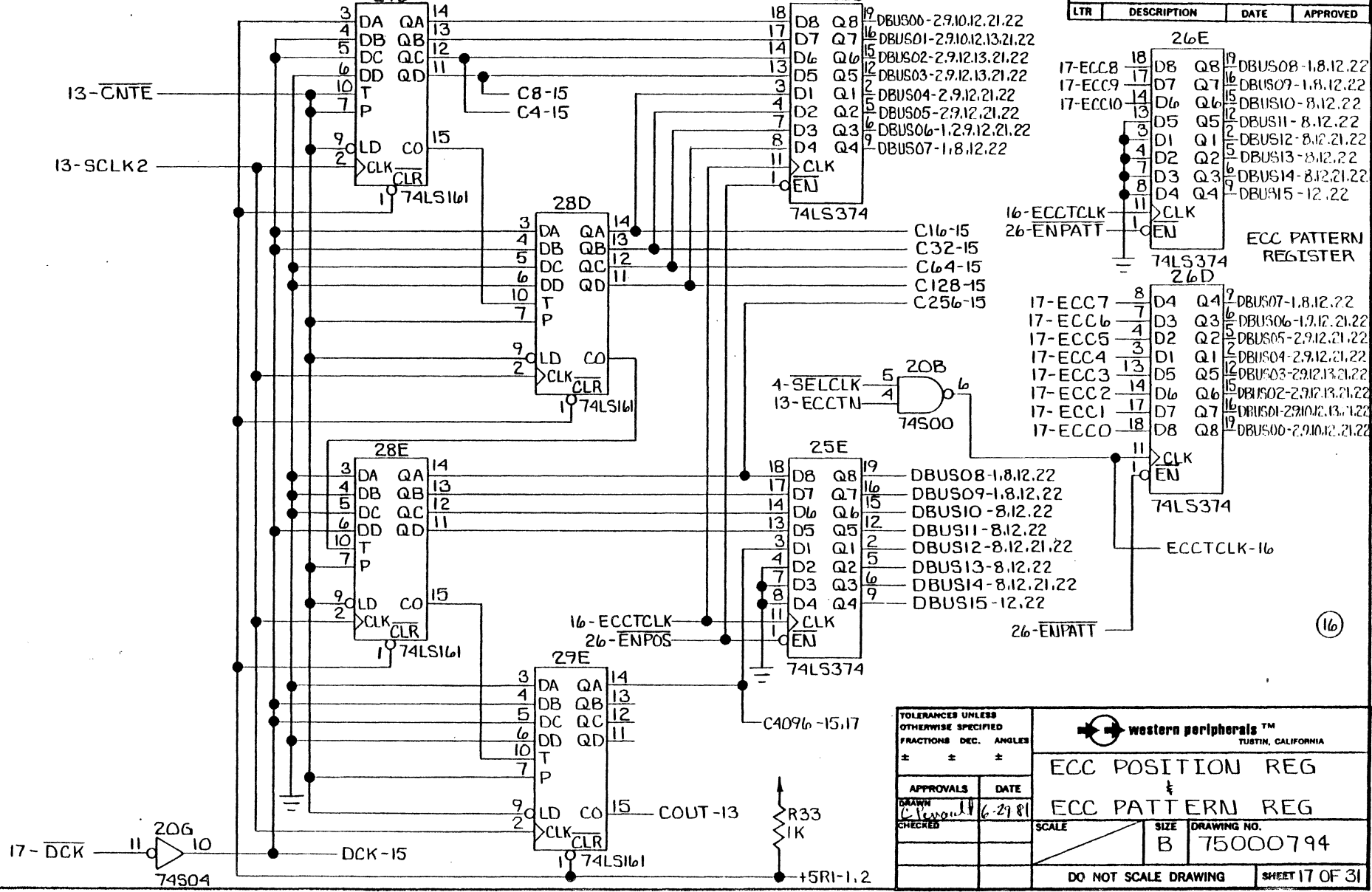


TOLERANCES UNLESS OTHERWISE SPECIFIED FRACTIONS DEC. ANGLES ± ± ±		 western peripherals™ TUSTIN, CALIFORNIA	
APPROVALS		DATE	
DRAWN C. [Signature]		6-27-81	
CHECKED		SCALE	SIZE B
		DRAWING NO. 75000794	
DO NOT SCALE DRAWING			SHEET No OF 31

DISK SEQUENCER COUNTER 29D

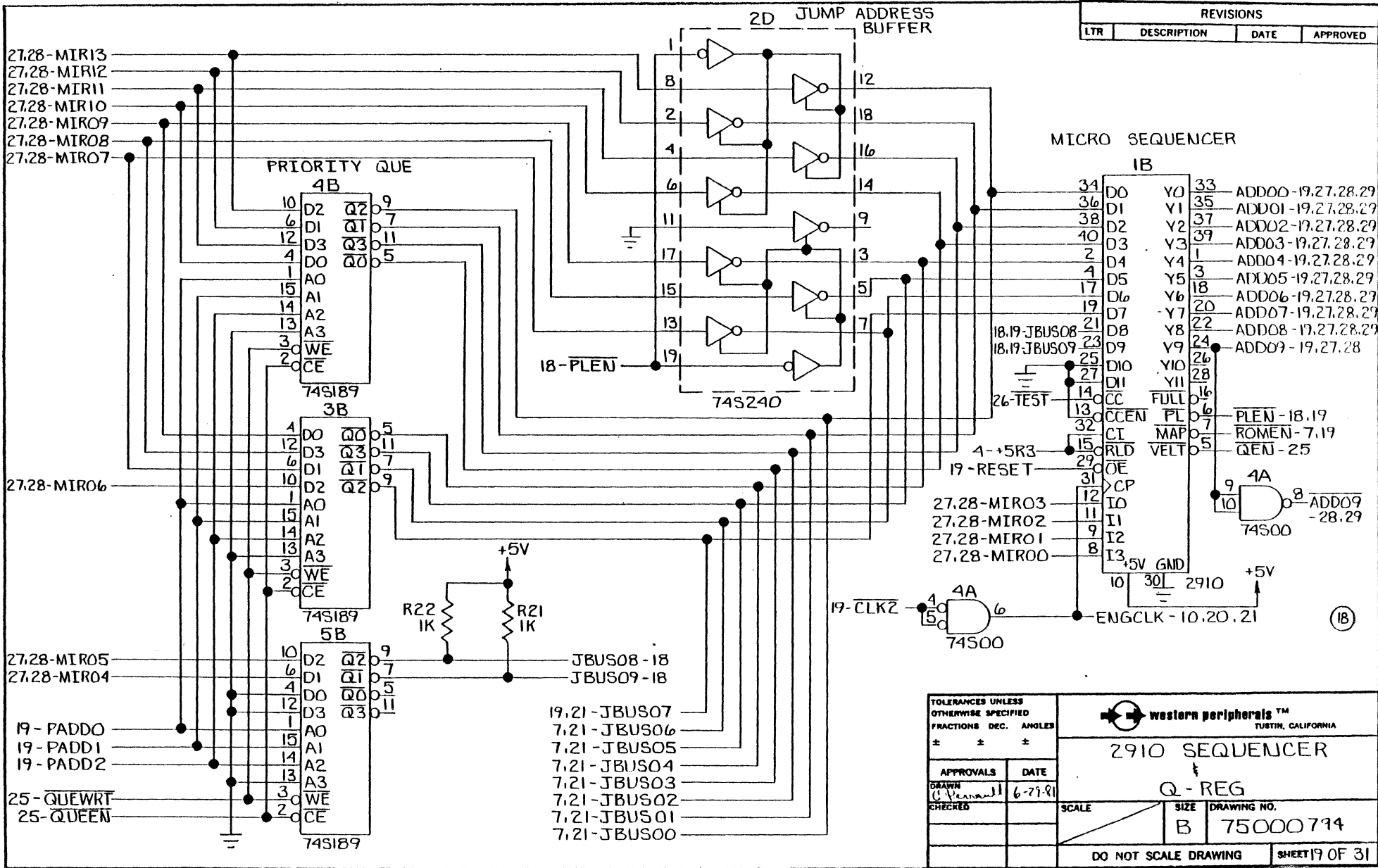
ECC POSITION REGISTER 25D

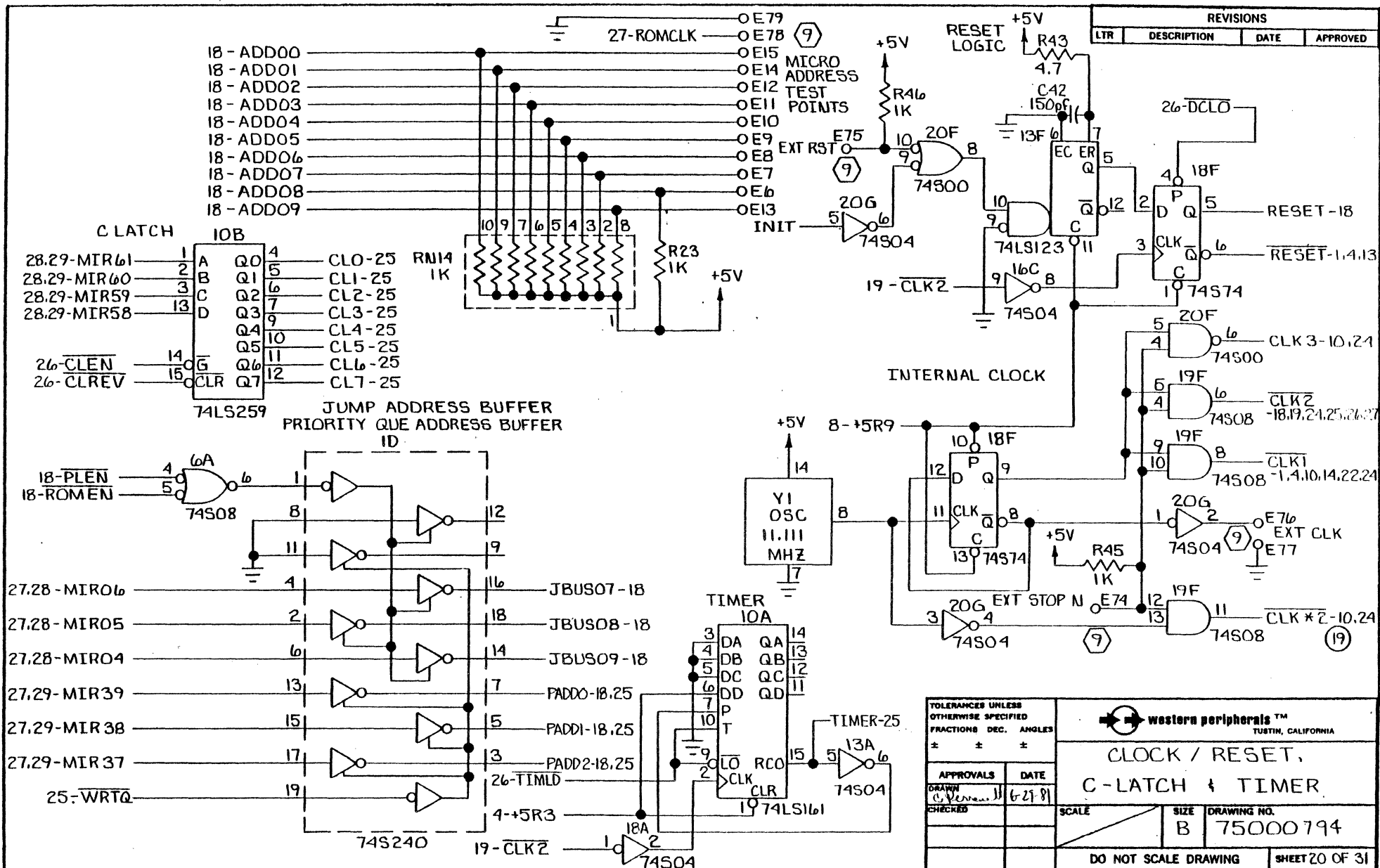
REVISIONS			
LTR	DESCRIPTION	DATE	APPROVED



REVISIONS			
LTR	DESCRIPTION	DATE	APPROVED
	26E		
17-ECC8	D8 Q8	19	DBUS08-1.8.12.22
17-ECC9	D7 Q7	16	DBUS07-1.8.12.22
17-ECC10	D6 Q6	15	DBUS10-8.12.22
	D5 Q5	12	DBUS11-8.12.22
	D1 Q1	5	DBUS12-8.12.21.22
	D2 Q2	5	DBUS13-8.12.22
	D3 Q3	6	DBUS14-8.12.21.22
	D4 Q4	9	DBUS15-12.22
	D4 Q4	7	DBUS07-1.8.12.22
	D3 Q3	6	DBUS06-1.7.12.21.22
	D2 Q2	5	DBUS05-2.9.12.21.22
	D1 Q1	2	DBUS04-2.9.12.21.22
	D5 Q5	12	DBUS03-2.9.12.13.21.22
	D6 Q6	15	DBUS02-2.9.12.13.21.22
	D7 Q7	16	DBUS01-2.9.10.12.13.21.22
	D8 Q8	19	DBUS00-2.9.10.12.21.22

TOLERANCES UNLESS OTHERWISE SPECIFIED		western peripherals™ TUSTIN, CALIFORNIA	
FRACTIONS DEC. ANGLES	± ± ±	ECC POSITION REG ‡ ECC PATTERN REG	
APPROVALS	DATE	SCALE	SIZE DRAWING NO.
DRAWN C. Brown	6-27-81		B 75000794
CHECKED			
DO NOT SCALE DRAWING			SHEET 17 OF 31

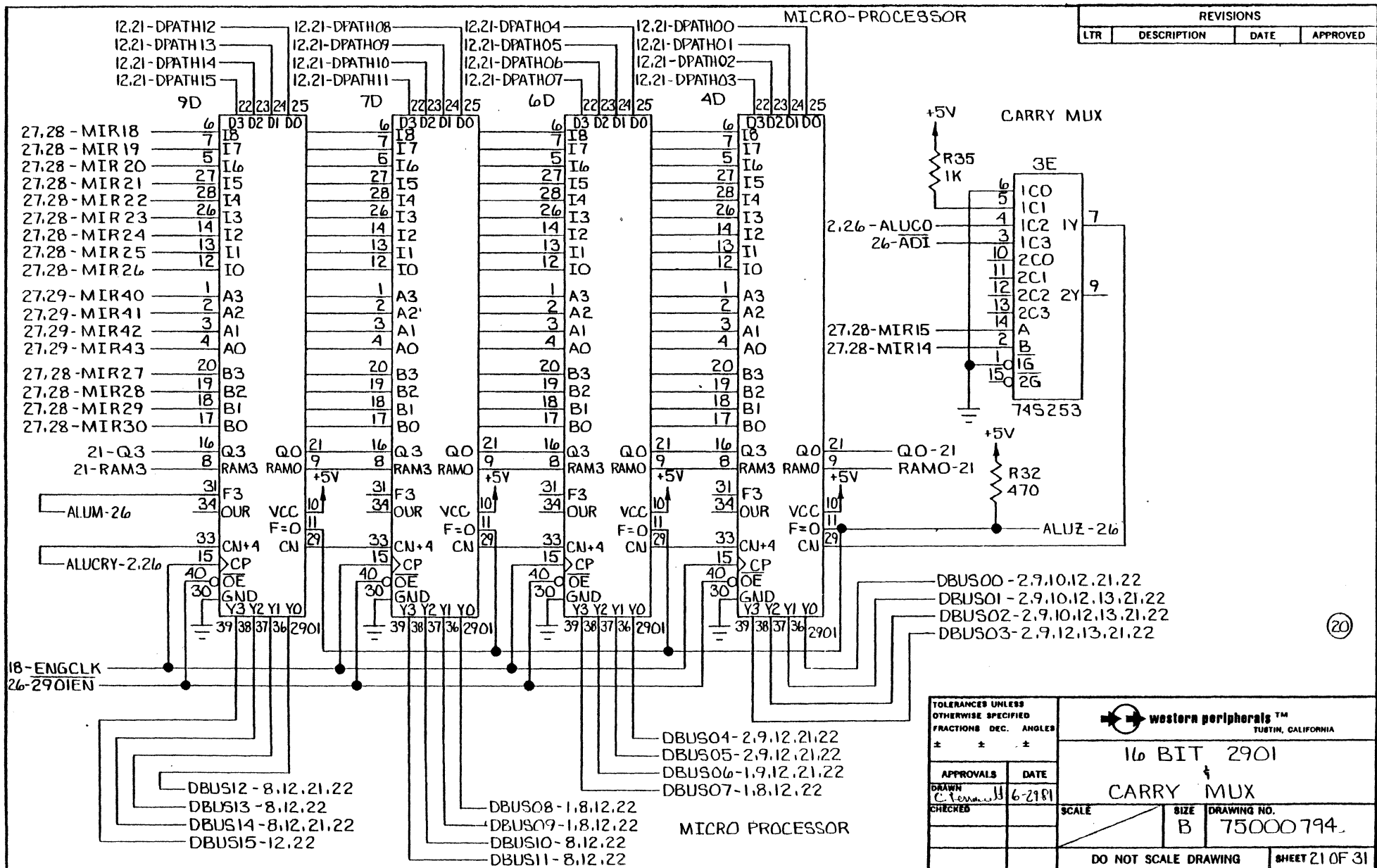




REVISIONS			
LTR	DESCRIPTION	DATE	APPROVED

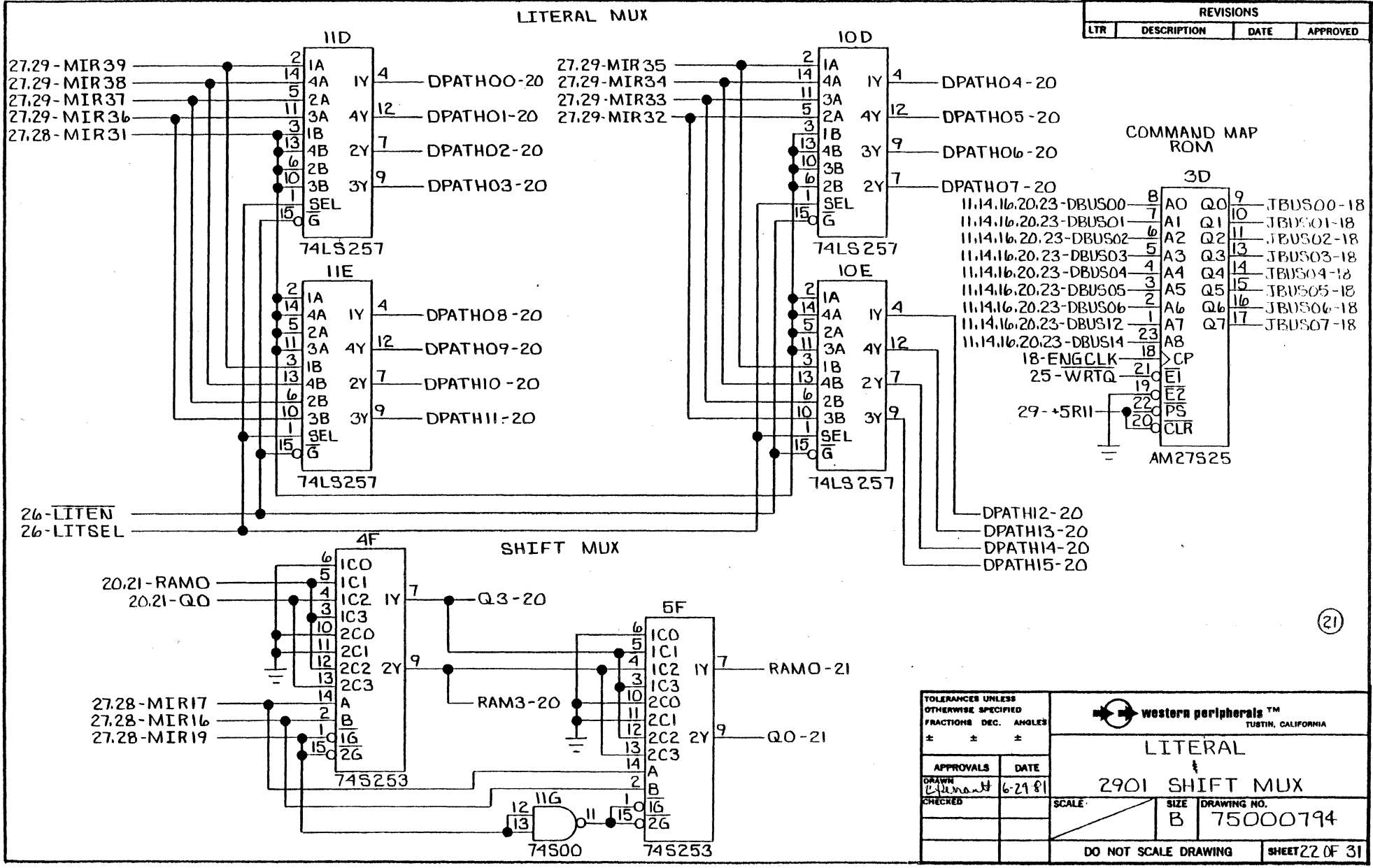
TOLERANCES UNLESS OTHERWISE SPECIFIED		 western peripherals™ TUSTIN, CALIFORNIA		
FRACTIONS DEC.	ANGLES			
±	±	CLOCK / RESET, C-LATCH & TIMER		
APPROVALS	DATE			
DRAWN (C. Verma)	6-27-81	SCALE	SIZE B	DRAWING NO. 75000794
CHECKED		DO NOT SCALE DRAWING		SHEET 20 OF 31

504113



(20)

TOLERANCES UNLESS OTHERWISE SPECIFIED		 western peripherals™ TUSTIN, CALIFORNIA	
FRACTIONS	DEC.		
±	±	±	16 BIT 2901
APPROVALS		DATE	CARRY MUX
DRAWN	C. J. ...	6-21-81	
CHECKED			DRAWING NO. 75000794
DO NOT SCALE DRAWING		SCALE	SHEET 21 OF 31



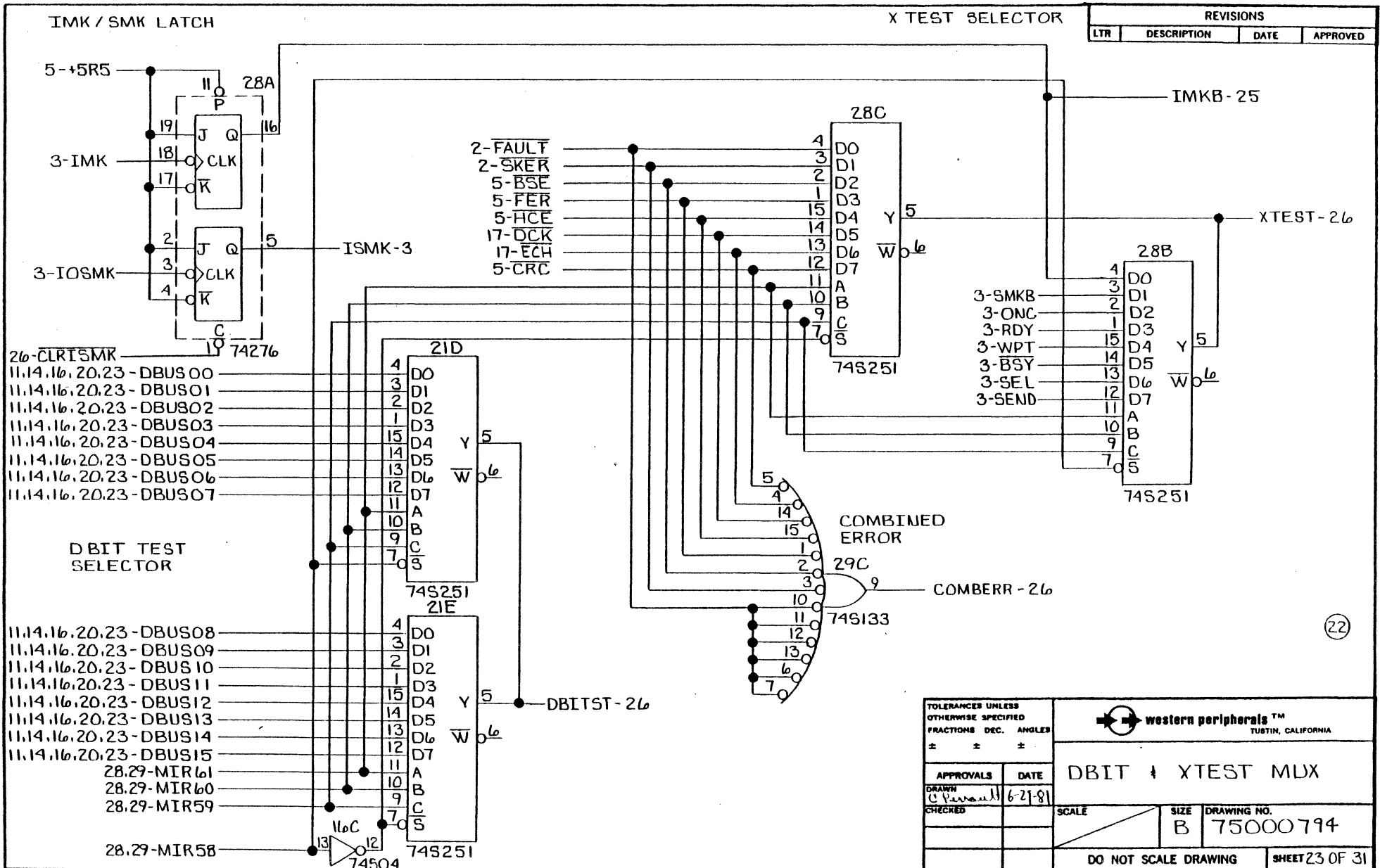
REVISIONS			
LTR	DESCRIPTION	DATE	APPROVED

COMMAND MAP ROM

3D			
11,14,16,20,23-DBUS00	8	A0	Q0
11,14,16,20,23-DBUS01	7	A1	Q1
11,14,16,20,23-DBUS02	6	A2	Q2
11,14,16,20,23-DBUS03	5	A3	Q3
11,14,16,20,23-DBUS04	4	A4	Q4
11,14,16,20,23-DBUS05	3	A5	Q5
11,14,16,20,23-DBUS06	2	A6	Q6
11,14,16,20,23-DBUS12	1	A7	Q7
11,14,16,20,23-DBUS14	23	A8	
18-ENG CLK	18	>CP	
25-WRTO	21	E1	
	19	E2	
	22	PS	
	20	CLR	

(21)

TOLERANCES UNLESS OTHERWISE SPECIFIED FRACTIONS DEC. ANGLES			 western peripherals™ TUSTIN, CALIFORNIA	
APPROVALS	DATE	LITERAL		
DRAWN <i>Edmund</i>	6-21-81	2901 SHIFT MUX		
CHECKED		SCALE	SIZE B	DRAWING NO. 75000794
DO NOT SCALE DRAWING			SHEET 22 OF 31	



(22)

TOLERANCES UNLESS OTHERWISE SPECIFIED FRACTIONS DEC. ANGLES ± ± ±		western peripherals™ TUSTIN, CALIFORNIA	
APPROVALS DRAWN (C. Perreault) 6-21-81 CHECKED		DATE 6-21-81	
SCALE		SIZE B	DRAWING NO. 75000794
DO NOT SCALE DRAWING			SHEET 23 OF 31

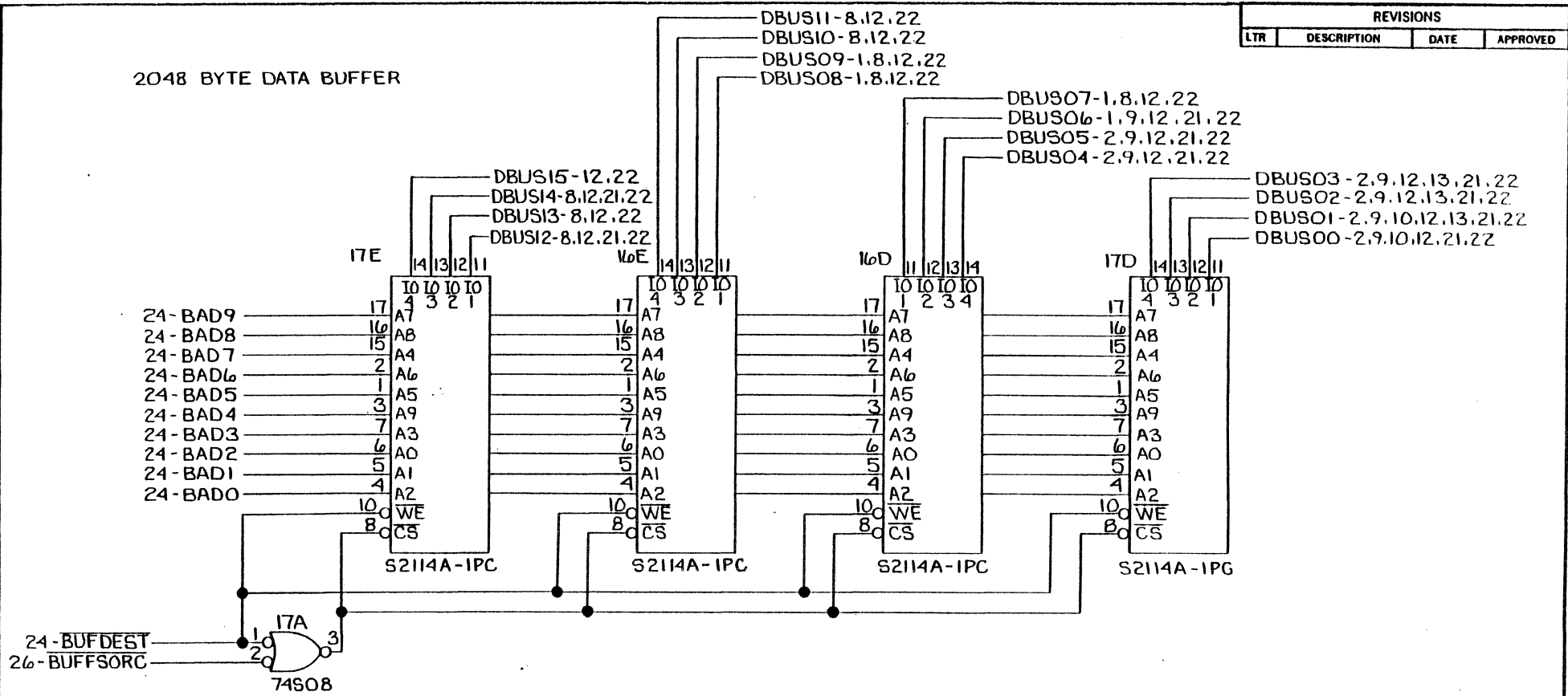
2048 BYTE DATA BUFFER

REVISIONS			
LTR	DESCRIPTION	DATE	APPROVED

DBUS11-8.12.22
 DBUS10-8.12.22
 DBUS09-1.8.12.22
 DBUS08-1.8.12.22

DBUS07-1.8.12.22
 DBUS06-1.9.12.21.22
 DBUS05-2.9.12.21.22
 DBUS04-2.9.12.21.22

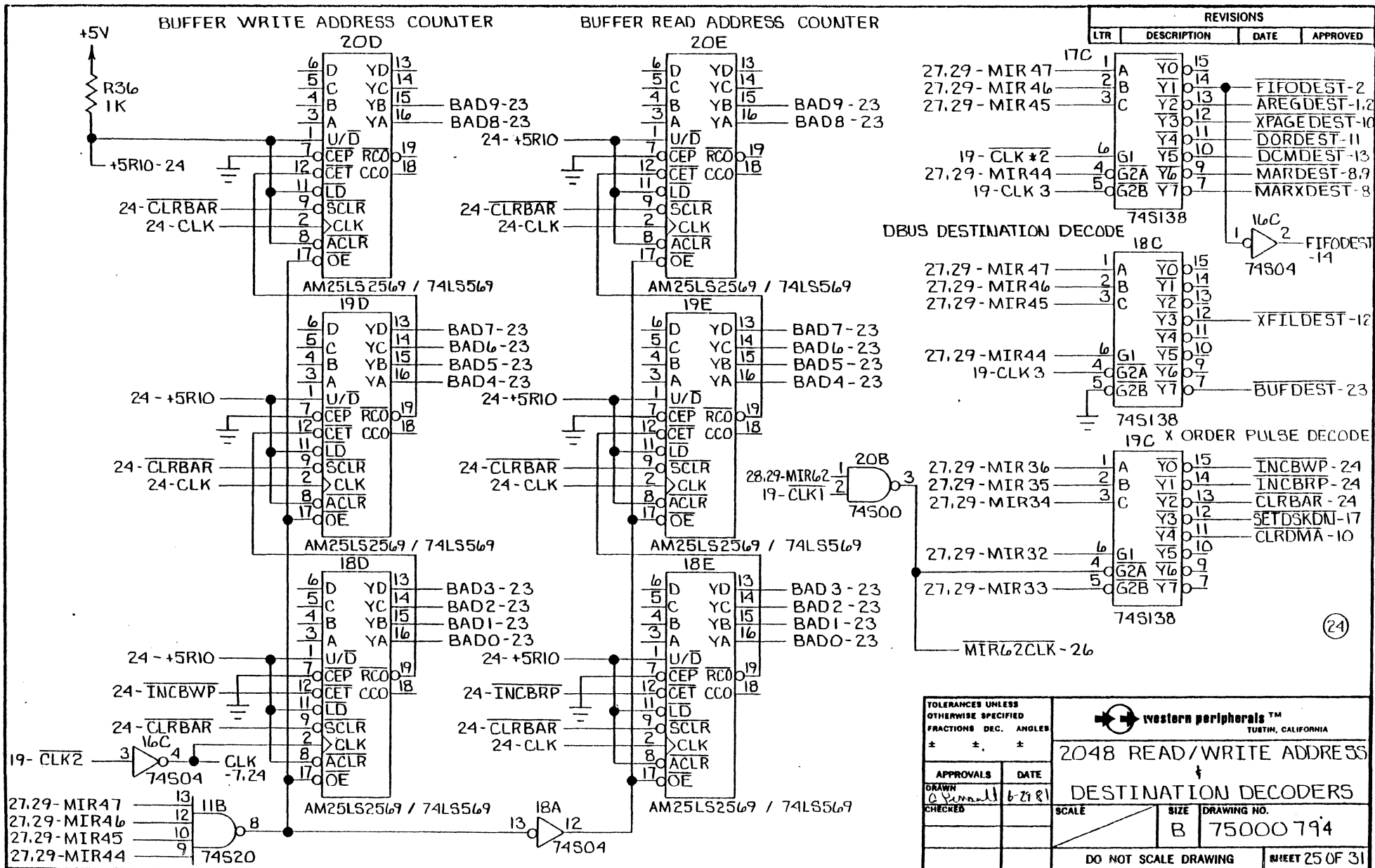
DBUS03-2.9.12.13.21.22
 DBUS02-2.9.12.13.21.22
 DBUS01-2.9.10.12.13.21.22
 DBUS00-2.9.10.12.21.22



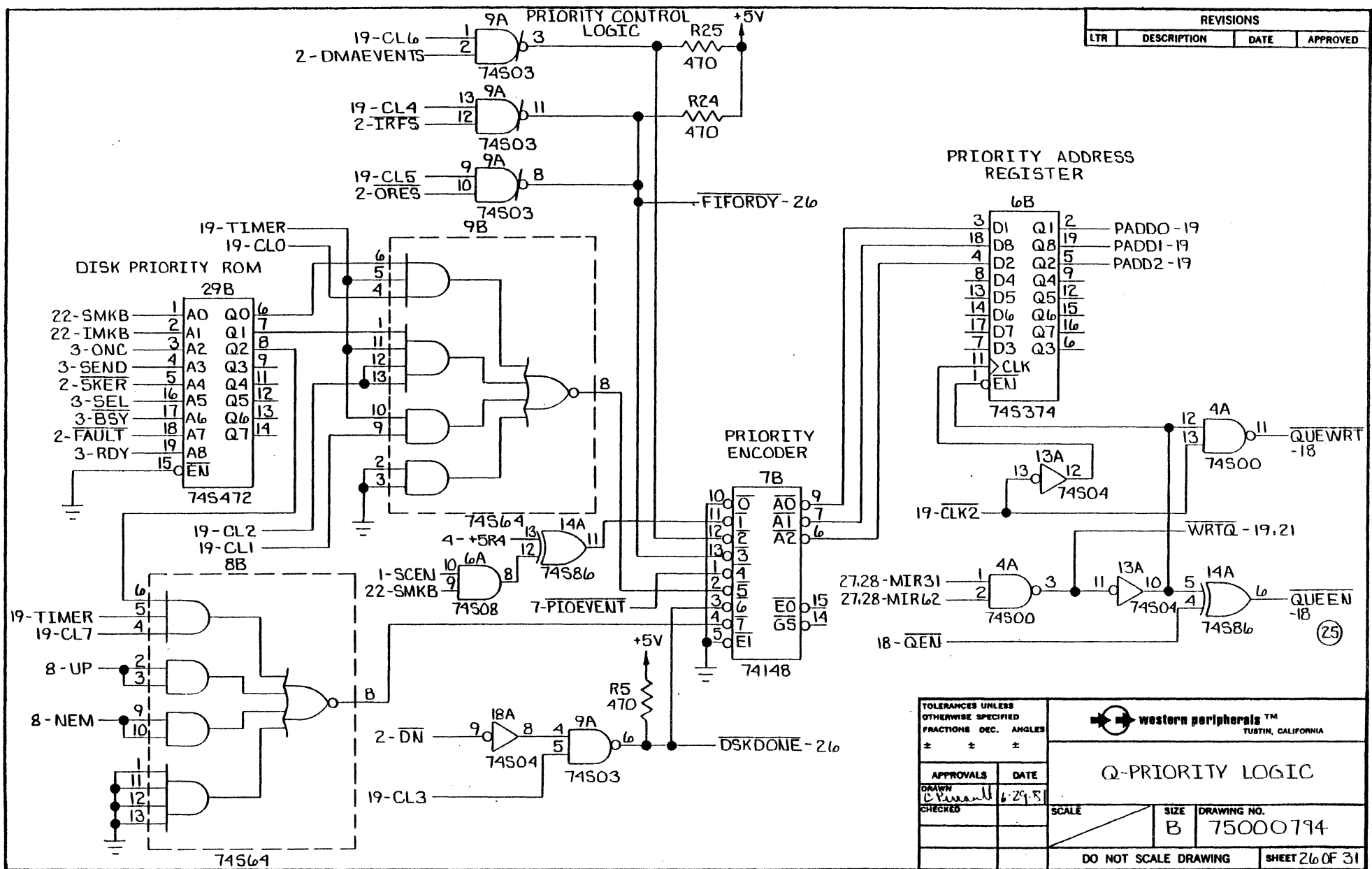
(23)

TOLERANCES UNLESS OTHERWISE SPECIFIED		western peripherals™ TUSTIN, CALIFORNIA	
FRACTIONS	DEC.		
±	±	±	2048 BYTE BUFFER
APPROVALS	DATE	SCALE	
DRAWN C. Lemaire	6-29-81	SIZE B	DRAWING NO. 75000794
CHECKED		DO NOT SCALE DRAWING	
			SHEET 24 OF 31

504113

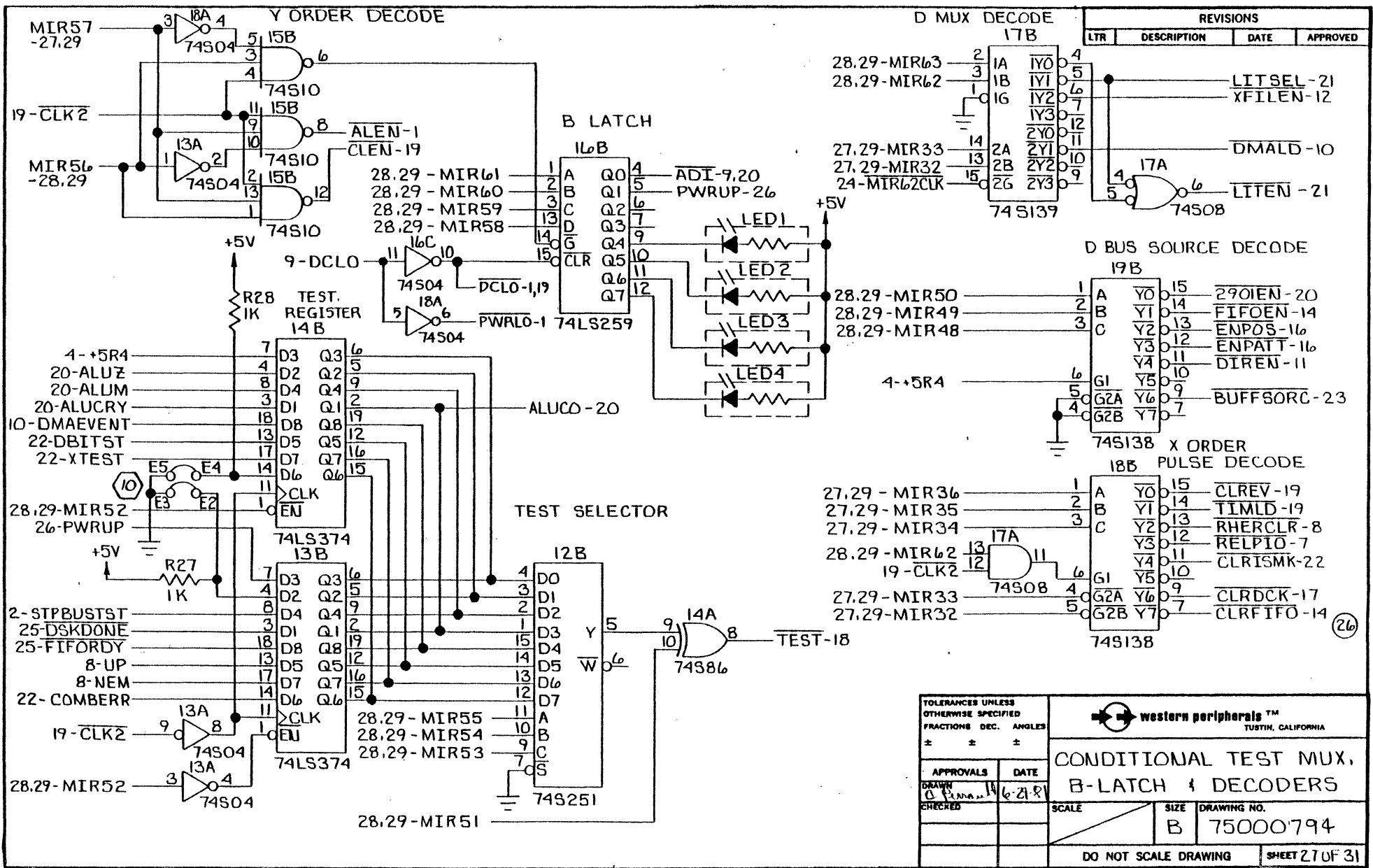


REVISIONS			
LTR	DESCRIPTION	DATE	APPROVED



TOLERANCES UNLESS OTHERWISE SPECIFIED		western peripherals™ TUSTIN, CALIFORNIA	
FRACTIONS	DEC.		
±	±	±	Q-PRIORITY LOGIC
APPROVALS	DATE	SCALE	
DRAWN C. YARRAULT	6-29-81	SIZE B	
CHECKED		DRAWING NO. 75000794	
DO NOT SCALE DRAWING			SHEET 26 OF 31

504113



REVISIONS			
LTR	DESCRIPTION	DATE	APPROVED

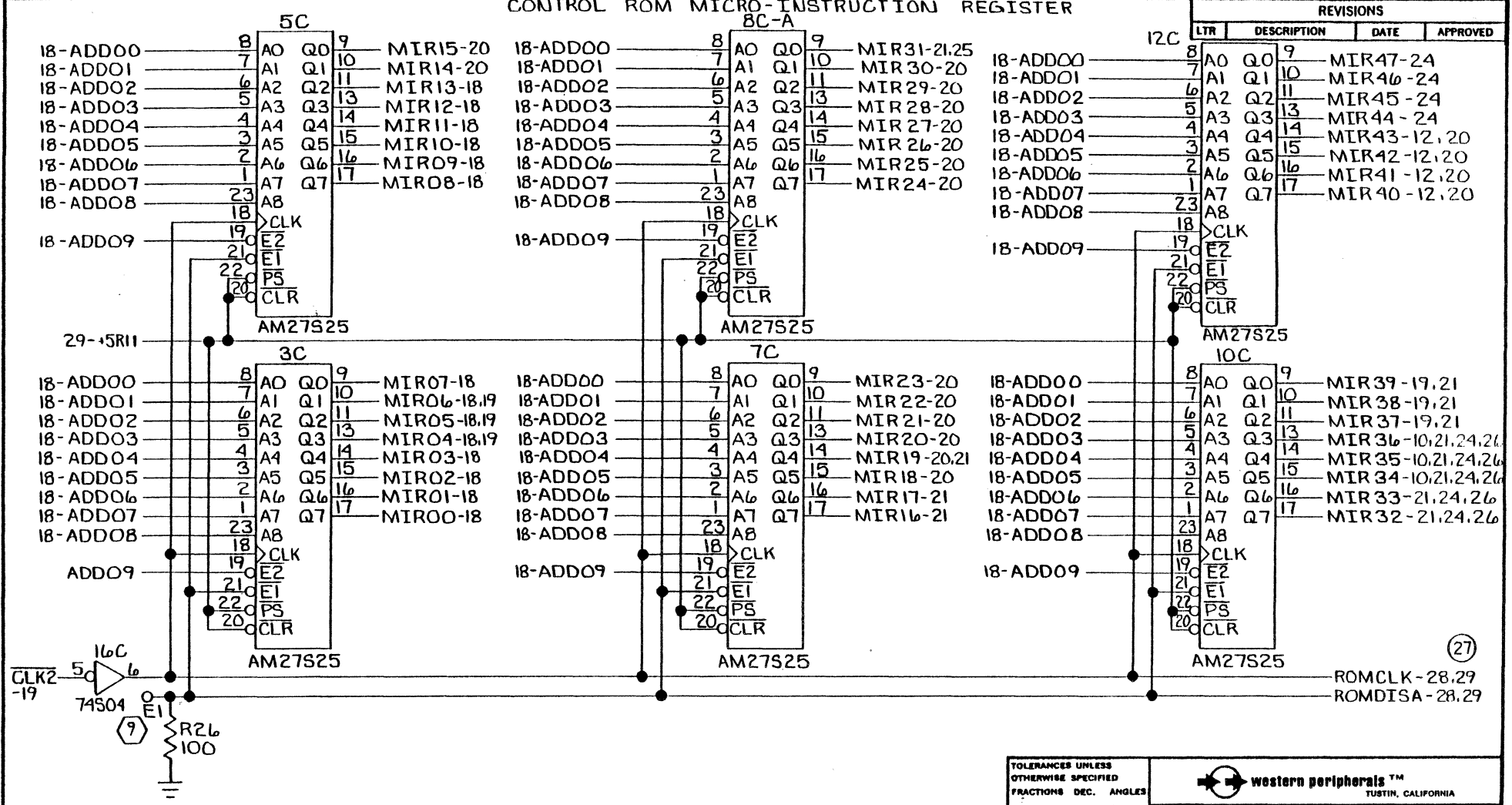
28.29-MIR63	1A	Y0	4	LITSEL-21
28.29-MIR62	1B	Y1	5	
	1C	Y2	6	
	14	Y3	7	DMALD-10
27.29-MIR33	2A	ZY1	10	
27.29-MIR32	2B	ZY2	11	
24-MIR62CLK	2C	ZY3	9	LITEN-21

28.29-MIR50	1A	Y0	15	29O1EN-20
28.29-MIR49	2B	Y1	14	FIFOEN-14
28.29-MIR48	3C	Y2	13	ENPDS-16
		Y3	12	ENPATT-16
		Y4	11	DIREN-11
		Y5	10	
		Y6	9	BUFFSORC-23
		Y7	7	

27.29-MIR36	1A	Y0	15	CLREV-19
27.29-MIR35	2B	Y1	14	TIMLD-19
27.29-MIR34	3C	Y2	13	RHERCLR-8
		Y3	12	RELPIO-7
		Y4	11	CLRISMK-22
		Y5	10	
		Y6	9	CLRDCK-17
		Y7	7	CLRFIFO-14

TOLERANCES UNLESS OTHERWISE SPECIFIED FRACTIONS DEC. ANGLES		 western peripherals™ TUSTIN, CALIFORNIA		
±	±			CONDITIONAL TEST MUX, B-LATCH & DECODERS
APPROVALS	DATE	SCALE	SIZE	DRAWING NO.
DRAWN G. P. ...	6-21-81		B	75000794
CHECKED		DO NOT SCALE DRAWING		SHEET 27 OF 31

CONTROL ROM MICRO-INSTRUCTION REGISTER



REVISIONS			
LTR	DESCRIPTION	DATE	APPROVED
8	A0 Q0	9	MIR47-24
7	A1 Q1	10	MIR46-24
6	A2 Q2	11	MIR45-24
5	A3 Q3	13	MIR44-24
4	A4 Q4	14	MIR43-12,20
3	A5 Q5	15	MIR42-12,20
2	A6 Q6	16	MIR41-12,20
1	A7 Q7	17	MIR40-12,20

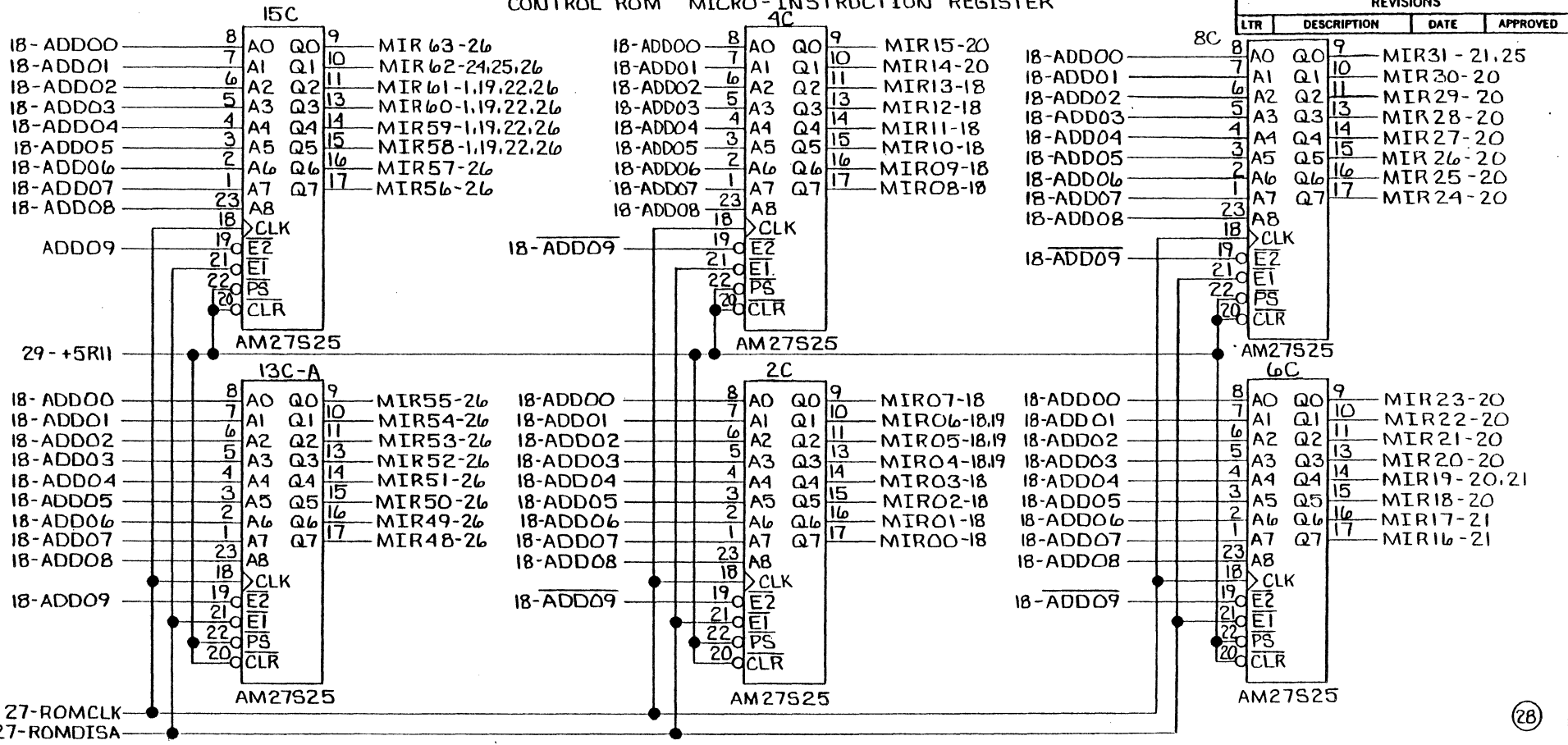
(27)

ROMCLK - 28,29
ROMDISA - 28,29

TOLERANCES UNLESS OTHERWISE SPECIFIED		western peripherals™ TUSTIN, CALIFORNIA	
FRACTIONS	DEC.		
±	±	±	MICRO INSTRUCTION PROM'S SCALE: / SIZE: B DRAWING NO. 75000794 DO NOT SCALE DRAWING SHEET 28 OF 31
APPROVALS	DATE		
DRAWN	6-27-8		
CHECKED			

CONTROL ROM MICRO-INSTRUCTION REGISTER

REVISIONS			
LTR	DESCRIPTION	DATE	APPROVED

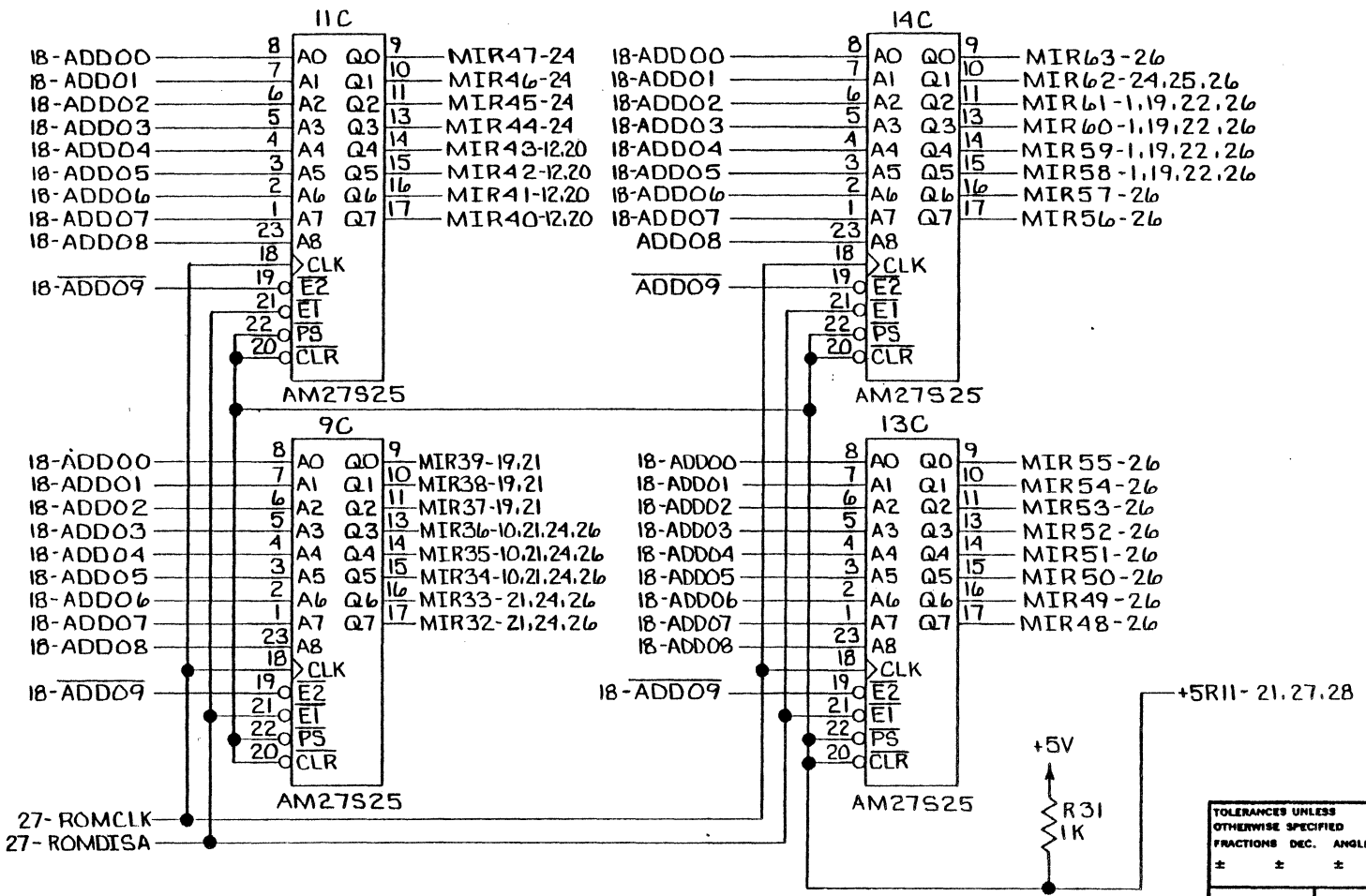


(28)

TOLERANCES UNLESS OTHERWISE SPECIFIED FRACTIONS DEC. ANGLES ± ± ±		 western peripherals™ TUSTIN, CALIFORNIA	
APPROVALS		DATE	
DRAWN G. P. ...		6-21-81	
CHECKED		SCALE	SIZE B
		DRAWING NO. 75000794	
DO NOT SCALE DRAWING			SHEET 29 OF 31

CONTROL ROM MICRO-INSTRUCTION REGISTER

REVISIONS			
LTR	DESCRIPTION	DATE	APPROVED



(29)

TOLERANCES UNLESS OTHERWISE SPECIFIED FRACTIONS DEC. ANGLES ± ± ±		 western peripherals™ TUSTIN, CALIFORNIA	
APPROVALS	DATE	MICRO INSTRUCTION PROM'S	
DRAWN C. Ferrell	6-29-81	SCALE	SIZE B
CHECKED		DRAWING NO. 75000794	
		DO NOT SCALE DRAWING	
		SHEET 30 OF 31	

5 DEVICE ADDRESS
STD ADDR 776700₈

ADDR BIT	ADDR RANGE	E JUMPERS	STD ADDR	INSTALLED JUMPERS
17				
16				
15				
14				
13				
12	0/1	43-44		
11	0/1	49-50		
10	0/1	51-52		
9	0/1	47-48	0	X
8	0/1	45-46		
7	0/1	53-54		
6	0/1	55-56		
5	0/1	19-20	0	X
4	0/1		X	
3	X		X	
2	X		X	
1	X		X	
0	X		X	

INSTALL JUMPERS FOR "0'S" IN DESIRED ADDR
* STANDARD CONFIGURATION IN ETCH.

6 WORDS TRANSFERRED PER NPR

MODE	JUMPERS	SECTORS TRANSFRD WITHOUT ROTATIONAL DELAY (NOM.)	
		WRITE	READ
1 WORD	E81 - E82	14	14
2 WORDS	E41 - E42	38	38
4 WORDS *	E37 - E38	160	160
8 WORDS	E40 - E39	160	160
HOG (256)	NONE	160	160

REMOVE ALL OTHER JUMPERS EXCEPT THE ONE INDICATED
* STANDARD

7 INTERRUPT PRIORITY LEVEL

BR4	BR5 *	BR6	BR7
E59-E60	E59-E61	E59-E62	E59-E63
E64-E69	E68-E69	E71-E69	E73-E69
E65-E67	E66-E67	E70-E67	E72-E67
E66-E68	E64-E65	E64-E65	E64-E65
E70-E71	E70-E71	E66-E68	E66-E68
E72-E73	E72-E73	E72-E73	E70-E71

* STANDARD CONFIGURATION IN ETCH

REVISIONS			
LTR	DESCRIPTION	DATE	APPROVED

8 INTERRUPT VECTOR
STD VECTOR 254₈

VCTR BIT	E JUMPERS	STD VCTR	INSTALLED JUMPERS
7	27-28	1	
6	29-30	0	X
5	25-26	1	
4	23-24	0	X
3	21-22	1	
2	31-32	1	
1		0	
0		0	

INSTALL JUMPERS FOR "0'S" IN DESIRED VECTOR
* STANDARD CONFIGURATION IN ETCH

10 DRIVE CAPACITY RMO2

DRIVE SIZE	E JUMPERS	CUT ETCH BETWEEN
675 MB	E2-E3	E4-E5
80 MB *	E2-E3 E4-E5	
160 MB	E4-E5	E2-E3
300 MB	NONE	E2-E3 E4-E5

* STANDARD CONFIGURATION IN ETCH

TOLERANCES UNLESS OTHERWISE SPECIFIED FRACTIONS DEC. ANGLES ± ± ±		western peripherals™ TUSTIN, CALIFORNIA	
APPROVALS DATE 6-27-81		SCHEMATIC DC231 SMD CONTROLLER	
CHECKED	SCALE	SIZE B	DRAWING NO. 75000794
DO NOT SCALE DRAWING			SHEET 31 OF 31

		H			
TAG 1	1	31	TAG 1		
TAG 2	2	32	TAG 2		
TAG 3	3	33	TAG 3		
DBIT 0	4	34	DBIT 0		
DBIT 1	5	35	DBIT 1		
DBIT 2	6	36	DBIT 2		
DBIT 3	7	37	DBIT 3		
DBIT 4	8	38	DBIT 4		
DBIT 5	9	39	DBIT 5		
DBIT 6	10	40	DBIT 6		
DBIT 7	11	41	DBIT 7		
DBIT 8	12	42	DBIT 8		
DBIT 9	13	43	DBIT 9		
OPEN CABLE DET. FAULT	14	44	OPEN CABLE DET. FAULT		
SEEK ERROR ON CYLINDER	16	46	SEEK ERROR ON CYLINDER		
INDEX MARK	17	47	INDEX MARK		
UNIT READY	18	48	UNIT READY		
	19	49			
	20	50			
BUSY	21	51	BUSY		
UNIT SELECT TAG	22	52	UNIT SELECT TAG		
UNIT SELECT 2°	23	53	UNIT SELECT 2°		
UNIT SELECT 2¹	24	54	UNIT SELECT 2¹		
SECTOR MARK	25	55	SECTOR MARK		
UNIT SELECT 2²	26	56	UNIT SELECT 2²		
UNIT SELECT 2³	27	57	UNIT SELECT 2³		
WRITE PROTECT	28	58	WRITE PROTECT		
POWER PICK	29	59	POWER HOLD		
	30	60	DBIT 10		

		K			
GND	1	14	SERVO CLK 1		
SERVO CLK 1	2	15	GND		
READ DATA 1	3	16	READ DATA 1		
GND	4	17	READ CLK 1		
READ CLK 1	5	18	GND		
WRT CLK 1	6	19	WRT CLK 1		
GND	7	20	WRT DATA 1		
WRT DATA 1	8	21	GND		
UNIT SELD 1	9	22	UNIT SELD 1		
SEEK END 1	10	23	SEEK END 1		
GND	11	24			
	12	25	GND		
	13	26			

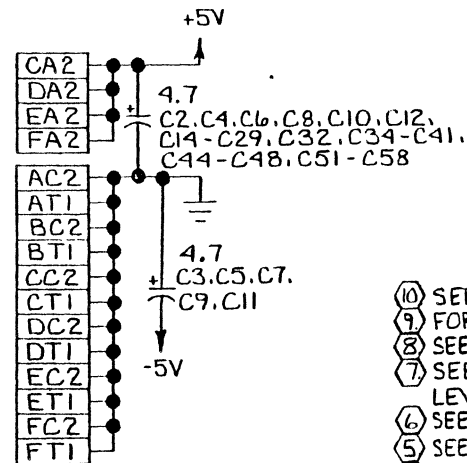
		L			
GND	1	14	SERVO CLK 2		
SERVO CLK 2	2	15	GND		
READ DATA 2	3	16	READ DATA 2		
GND	4	17	READ CLK 2		
READ CLK 2	5	18	GND		
WRT CLK 2	6	19	WRT CLK 2		
GND	7	20	WRT DATA 2		
WRT DATA 2	8	21	GND		
UNIT SELD 2	9	22	UNIT SELD 2		
SEEK END 2	10	23	SEEK END 2		
GND	11	24			
	12	25	GND		
	13	26			

		J			
GND	1	14	SERVO CLK 0		
SERVO CLK 0	2	15	GND		
READ DATA 0	3	16	READ DATA 0		
GND	4	17	READ CLK 0		
READ CLK 0	5	18	GND		
WRT CLK 0	6	19	WRT CLK 0		
GND	7	20	WRT DATA 0		
WRT DATA 0	8	21	GND		
UNIT SELD 0	9	22	UNIT SELD 0		
SEEK END 0	10	23	SEEK END 0		
GND	11	24			
	12	25	GND		
	13	26			

		M			
GND	1	14	SERVO CLK 3		
SERVO CLK 3	2	15	GND		
READ DATA 3	3	16	READ DATA 3		
GND	4	17	READ CLK 3		
READ CLK 3	5	18	GND		
WRT CLK 3	6	19	WRT CLK 3		
GND	7	20	WRT DATA 3		
WRT DATA 3	8	21	GND		
UNIT SELD 3	9	22	UNIT SELD 3		
SEEK END 3	10	23	SEEK END 3		
GND	11	24			
	12	25	GND		
	13	26			


LAST DESIGNATION USED	
RESISTOR	R58
CAPACITOR	C58
LIGHT EMITTING DIODE	LED 4
RESISTOR NETWORK	RN20
OSCILLATOR	Y1
VOLTAGE REGULATOR	Q1
DIODE	CR1

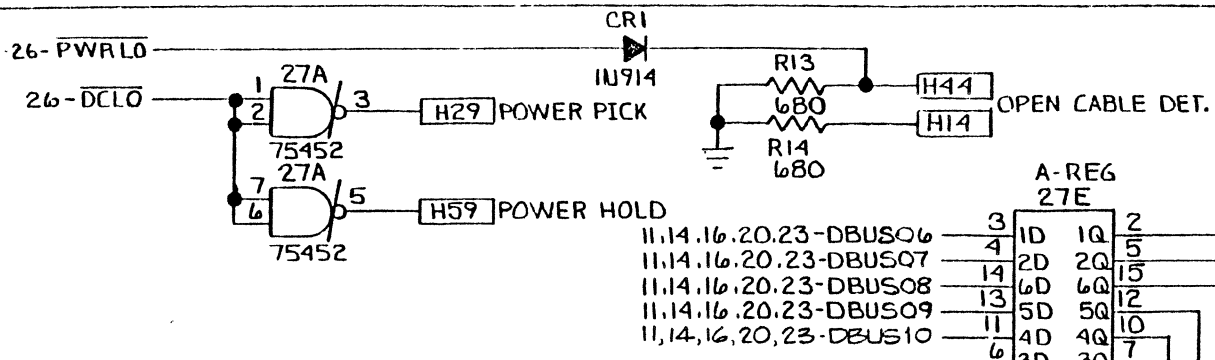
REVISIONS			
LTR	DESCRIPTION	DATE	APPROVED
X	ENG RELEASE	10-7-81	
A	REV PER ECD 1025	3-23-82	
B	REV PER ECD 1036	4-8-82	
C	REV PER ECD 1042	4-9-82	
D	REV PER ECD 1053	5-5-82	



- ⑩ SEE DRIVE CAPACITY TABLE.
 - ⑨ FOR TEST ONLY.
 - ⑧ SEE INTERRUPT VECTOR TABLE.
 - ⑦ SEE INTERRUPT PRIORITY LEVEL TABLE.
 - ⑥ SEE WORDS PER NPR TABLE.
 - ⑤ SEE DEVICE ADDRESS TABLE.
 - ④ RESERVED FOR FUTURE USE.
3. REFERENCE ASSY. 60000965
 2. CAPACITOR VALUES ARE IN MICROFARADS.
 1. RESISTANCE VALUES ARE IN OHMS.

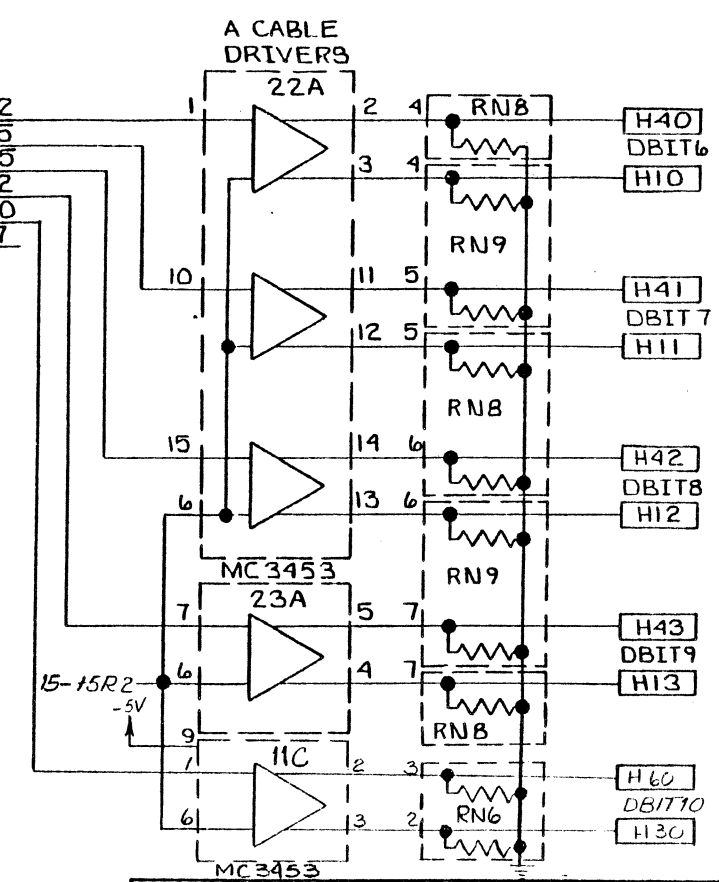
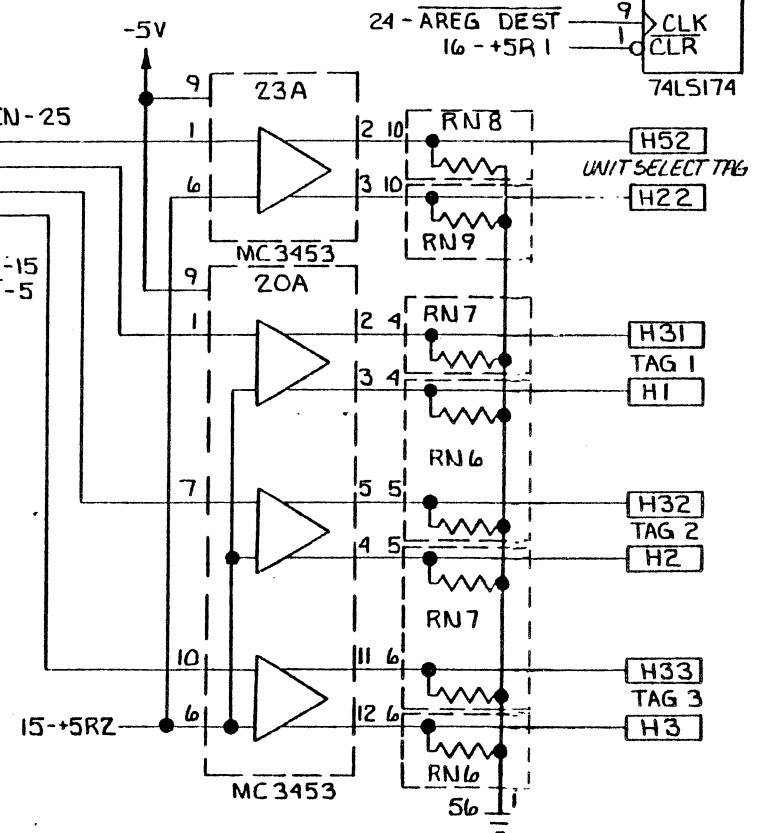
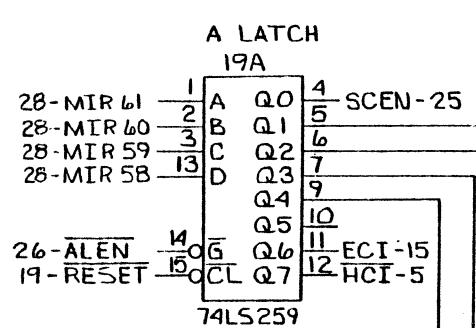
NOTES: UNLESS OTHERWISE SPECIFIED

TOLERANCES UNLESS OTHERWISE SPECIFIED FRACTIONS DEC. ANGLES		 western peripherals™ TUSTIN, CALIFORNIA	
±	±		
APPROVALS		DATE	
DRAWN C. H. 2062		10-12-81	
CHECKED			
SCALE		SIZE	DRAWING NO.
		B	75000869
DO NOT SCALE DRAWING			SHEET 1 OF 31



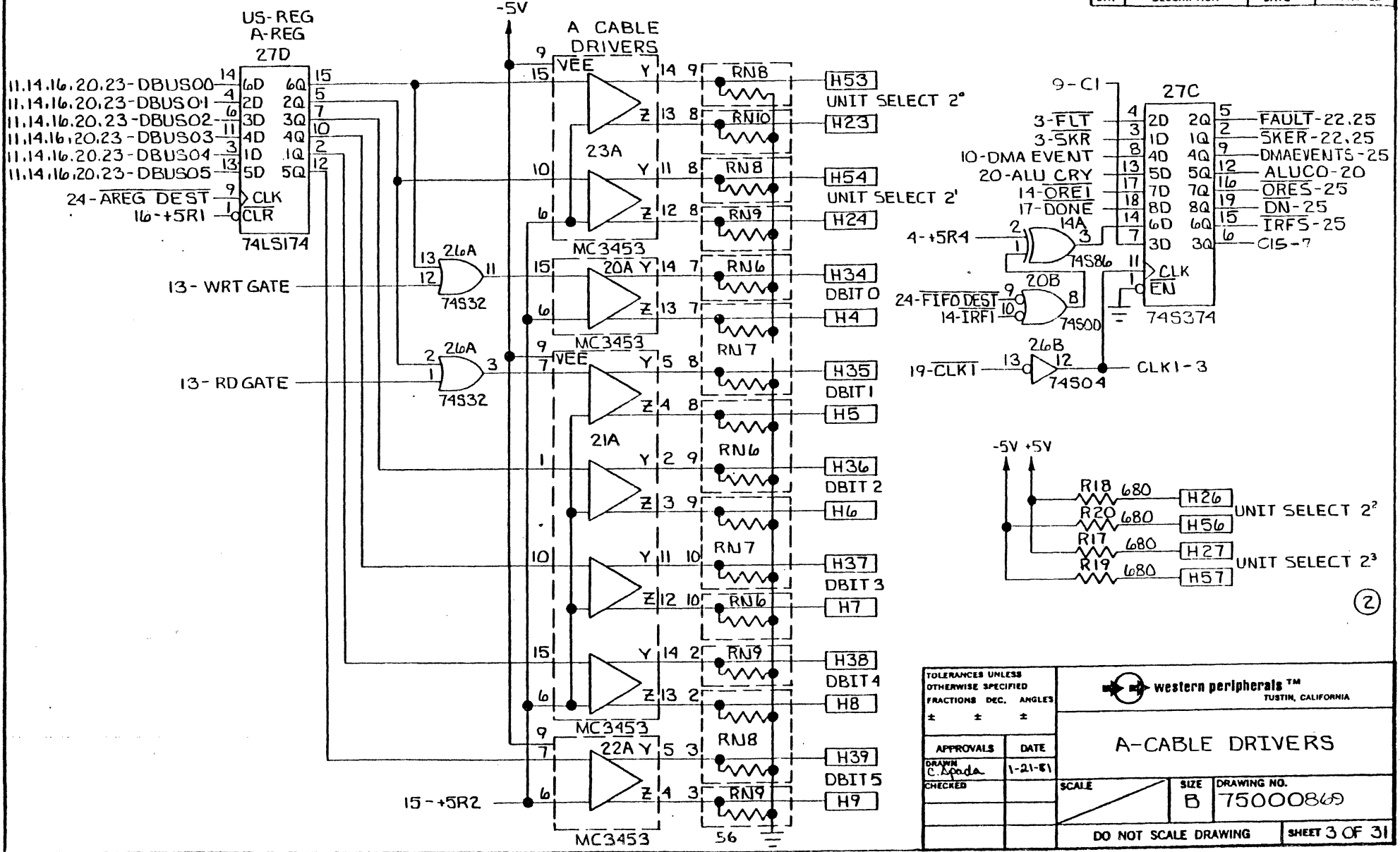
REVISIONS			
LTR	DESCRIPTION	DATE	APPROVED

- 11,14,16,20,23-DBUS06
- 11,14,16,20,23-DBUS07
- 11,14,16,20,23-DBUS08
- 11,14,16,20,23-DBUS09
- 11,14,16,20,23-DBUS10



TOLERANCES UNLESS OTHERWISE SPECIFIED FRACTIONS DEC. ANGLES * * *		western peripherals™ TUSTIN, CALIFORNIA	
APPROVALS		DATE	
DRAWN C. Spada		1-21-81	
CHECKED		SCALE	SIZE B
		DRAWING NO. 75000 869	
DO NOT SCALE DRAWING			SHEET 2 OF 31

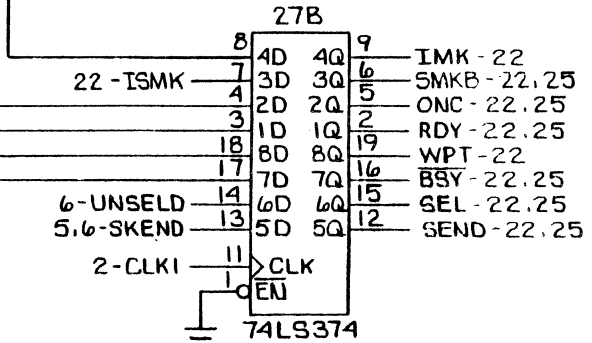
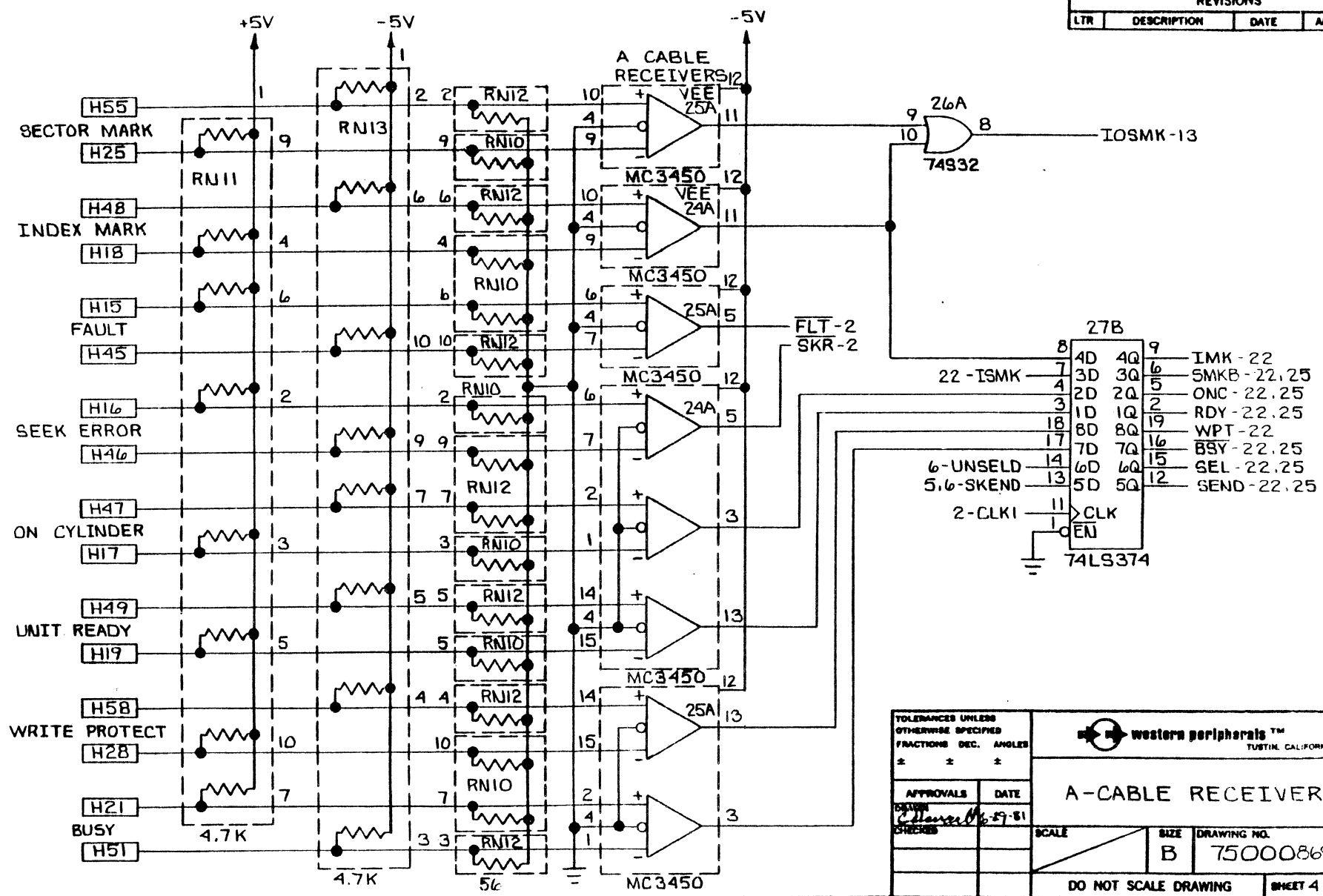
REVISIONS			
LTR	DESCRIPTION	DATE	APPROVED



TOLERANCES UNLESS OTHERWISE SPECIFIED FRACTIONS DEC. ANGLES ± ± ±		western peripherals™ TUSTIN, CALIFORNIA	
APPROVALS DRAWN C. Spada CHECKED		DATE 1-21-81	
SCALE		SIZE B	DRAWING NO. 75000869
DO NOT SCALE DRAWING			SHEET 3 OF 31

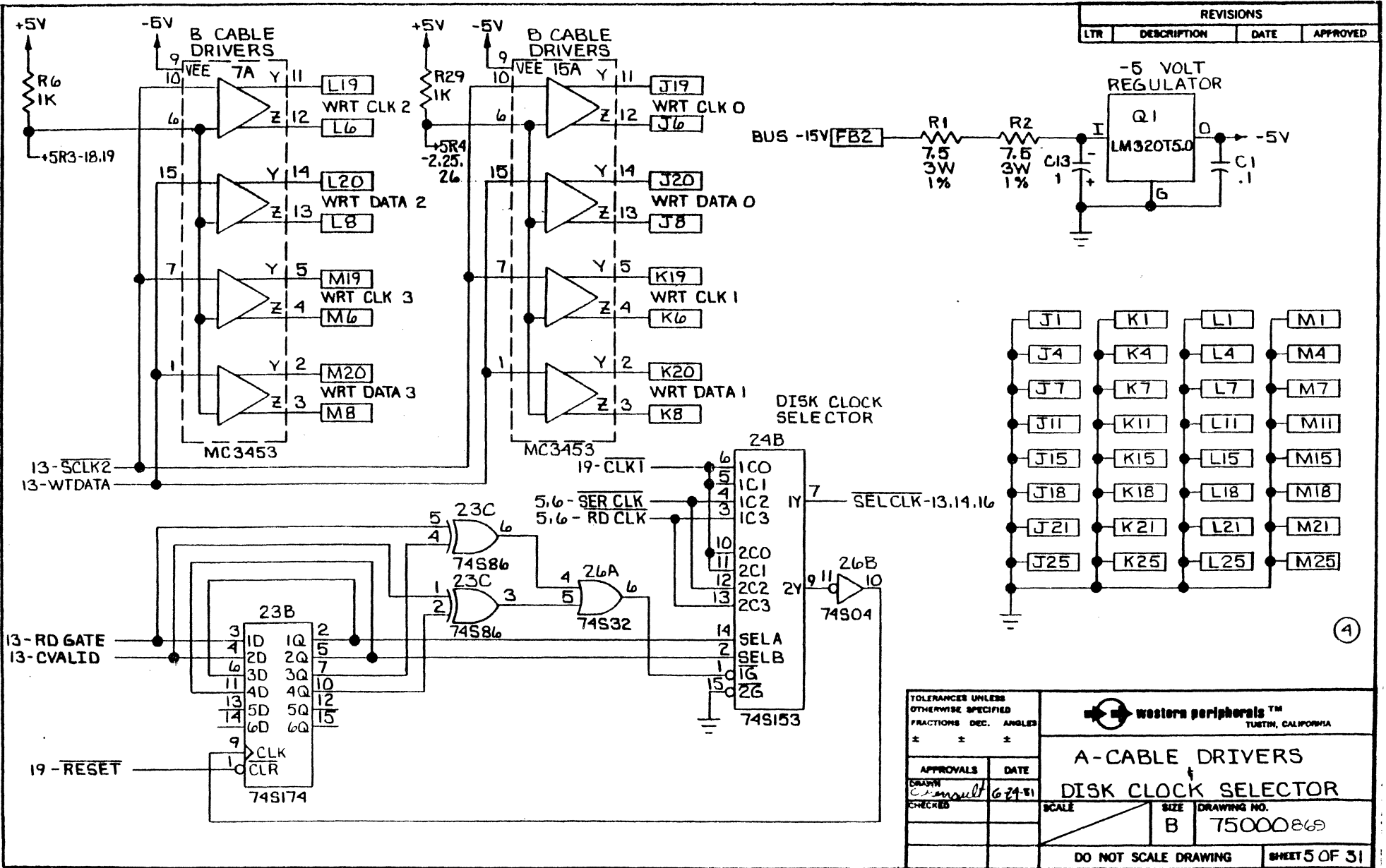
504113

REVISIONS			
LTR	DESCRIPTION	DATE	APPROVED

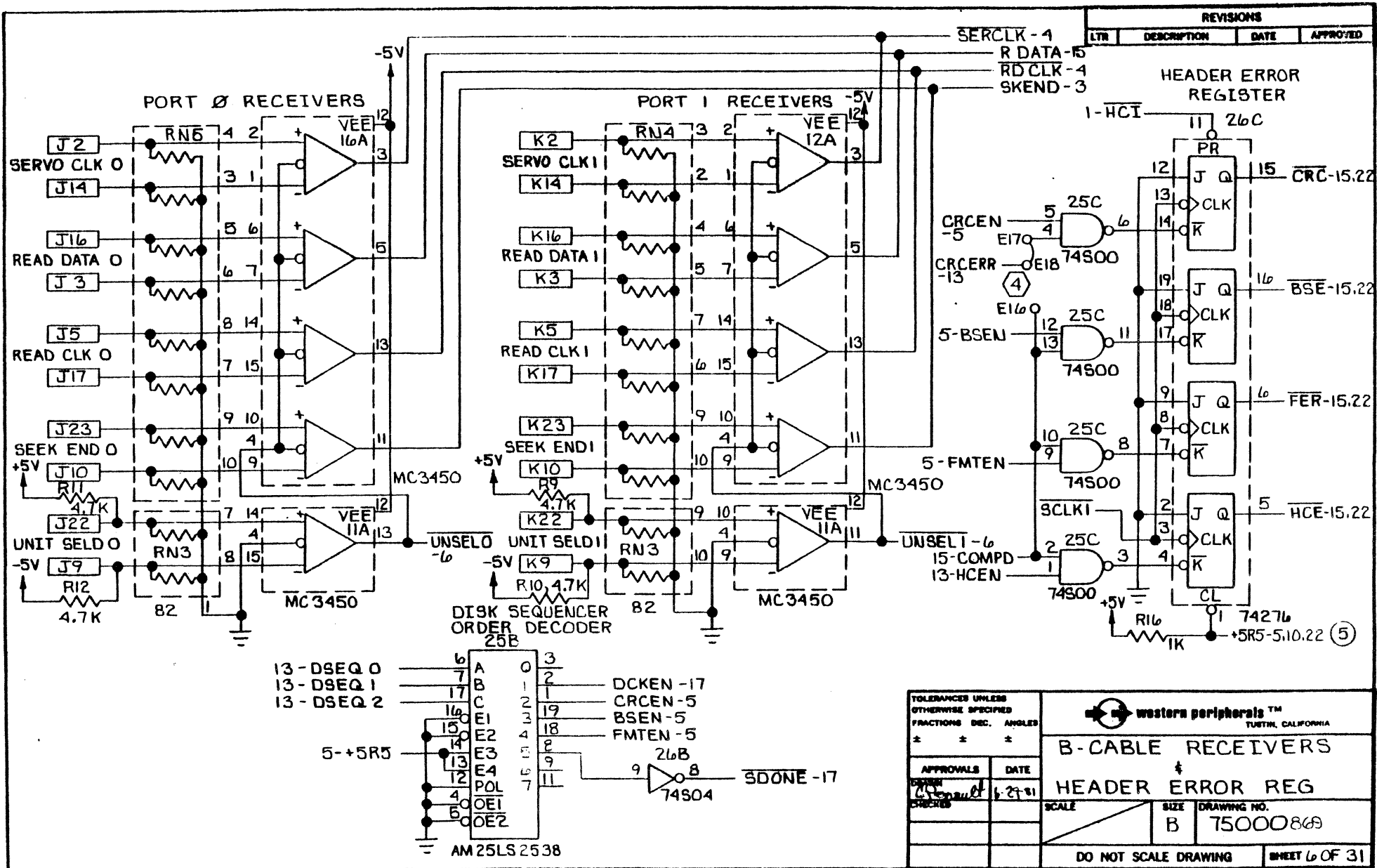


TOLERANCES UNLESS OTHERWISE SPECIFIED		western peripherals™ TUSTIN, CALIFORNIA	
FRACTIONS DEC. ANGLES		A-CABLE RECEIVERS	
±	±	±	±
APPROVALS	DATE	SCALE	SIZE
DESIGN	6-29-81		B
CHECKS			DRAWING NO. 75000869
DO NOT SCALE DRAWING			SHEET 4 OF 31

504113

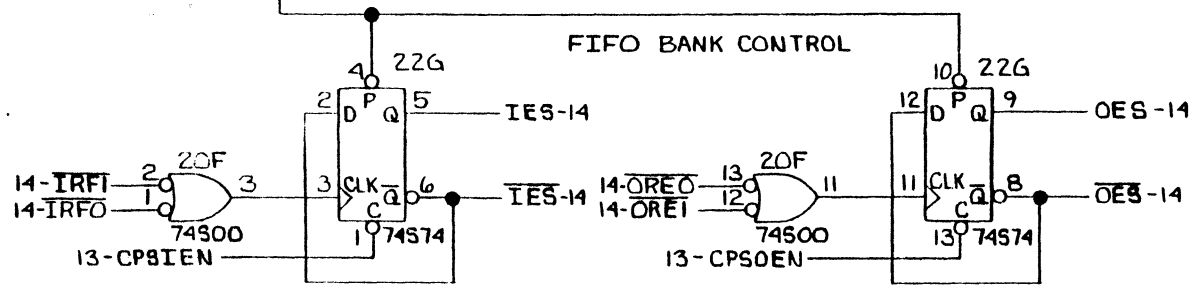
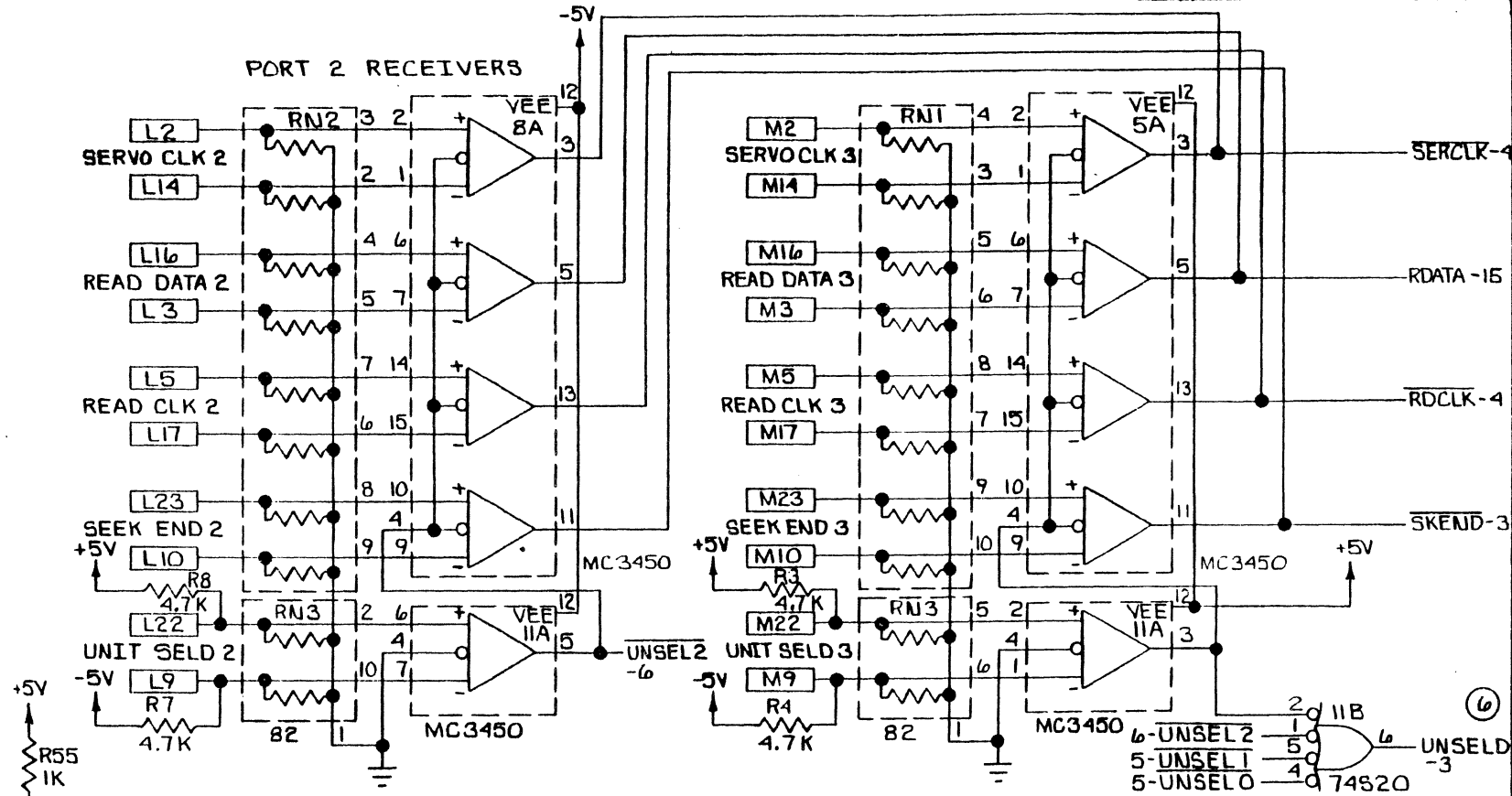


TOLERANCES UNLESS OTHERWISE SPECIFIED		western peripherals™ TUSTIN, CALIFORNIA	
FRACTIONS DEC. ANGLES	± ± ±		
APPROVALS	DATE	A-CABLE DRIVERS DISK CLOCK SELECTOR	
DRAWN <i>Ernsult</i>	6-24-81	SCALE	SIZE B DRAWING NO. 75000869
CHECKED		DO NOT SCALE DRAWING	
		SHEET 5 OF 31	



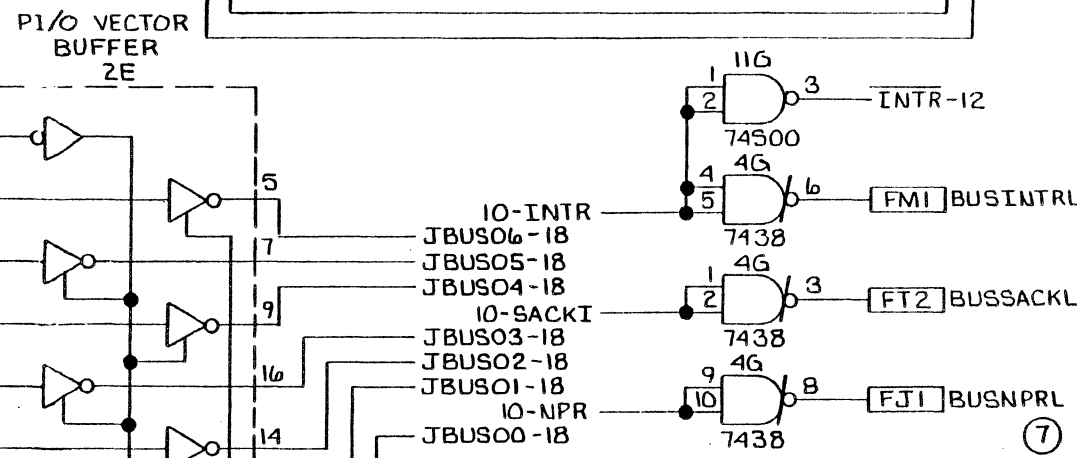
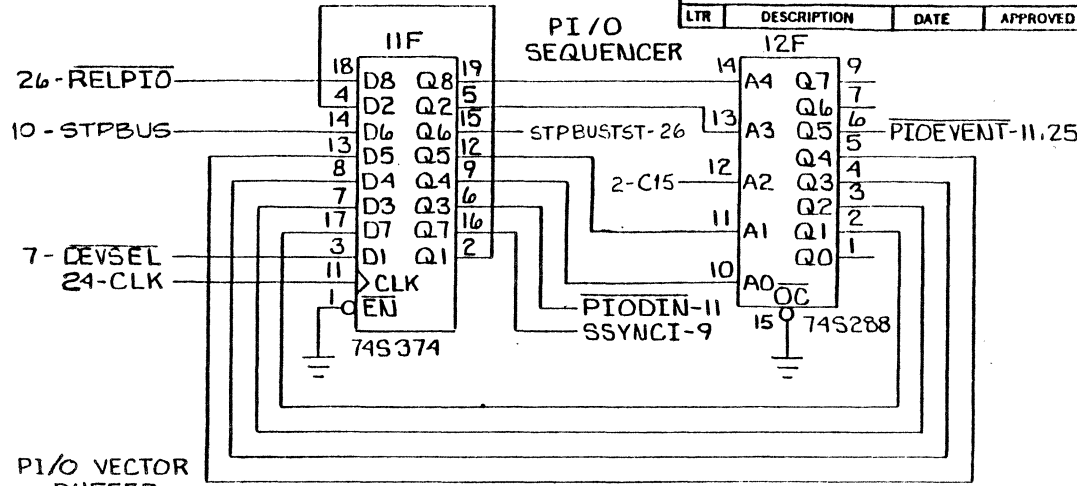
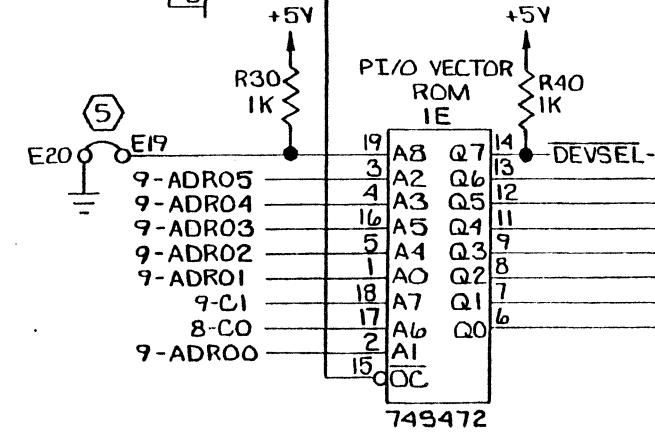
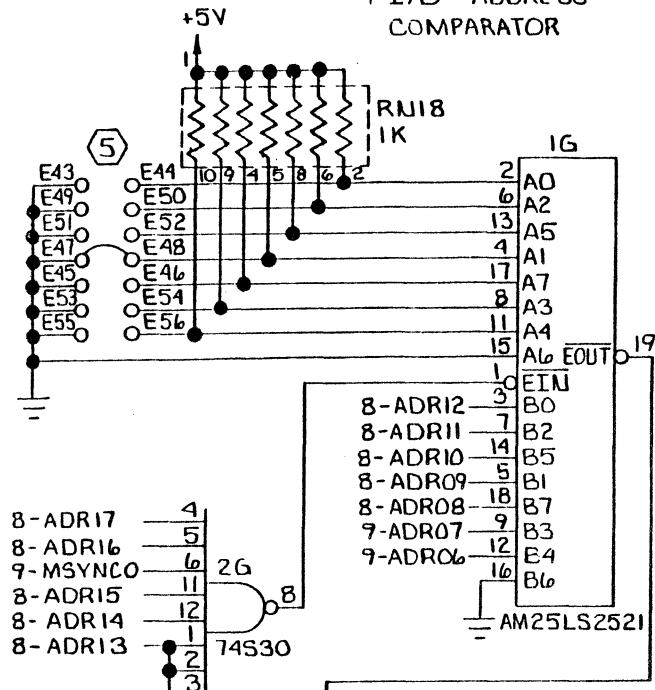
504113

REVISIONS			
LTR	DESCRIPTION	DATE	APPROVED



TOLERANCES UNLESS OTHERWISE SPECIFIED		western peripherals™ TUSTIN, CALIFORNIA	
FRACTIONS DEC.	ANGLES	B-CABLE RECEIVERS	
±	±		
APPROVALS	DATE	SCALE	SIZE DRAWING NO.
	6-29-84		B 75000869
DO NOT SCALE DRAWING		SHEET 7 OF 31	

PI/O ADDRESS
COMPARATOR

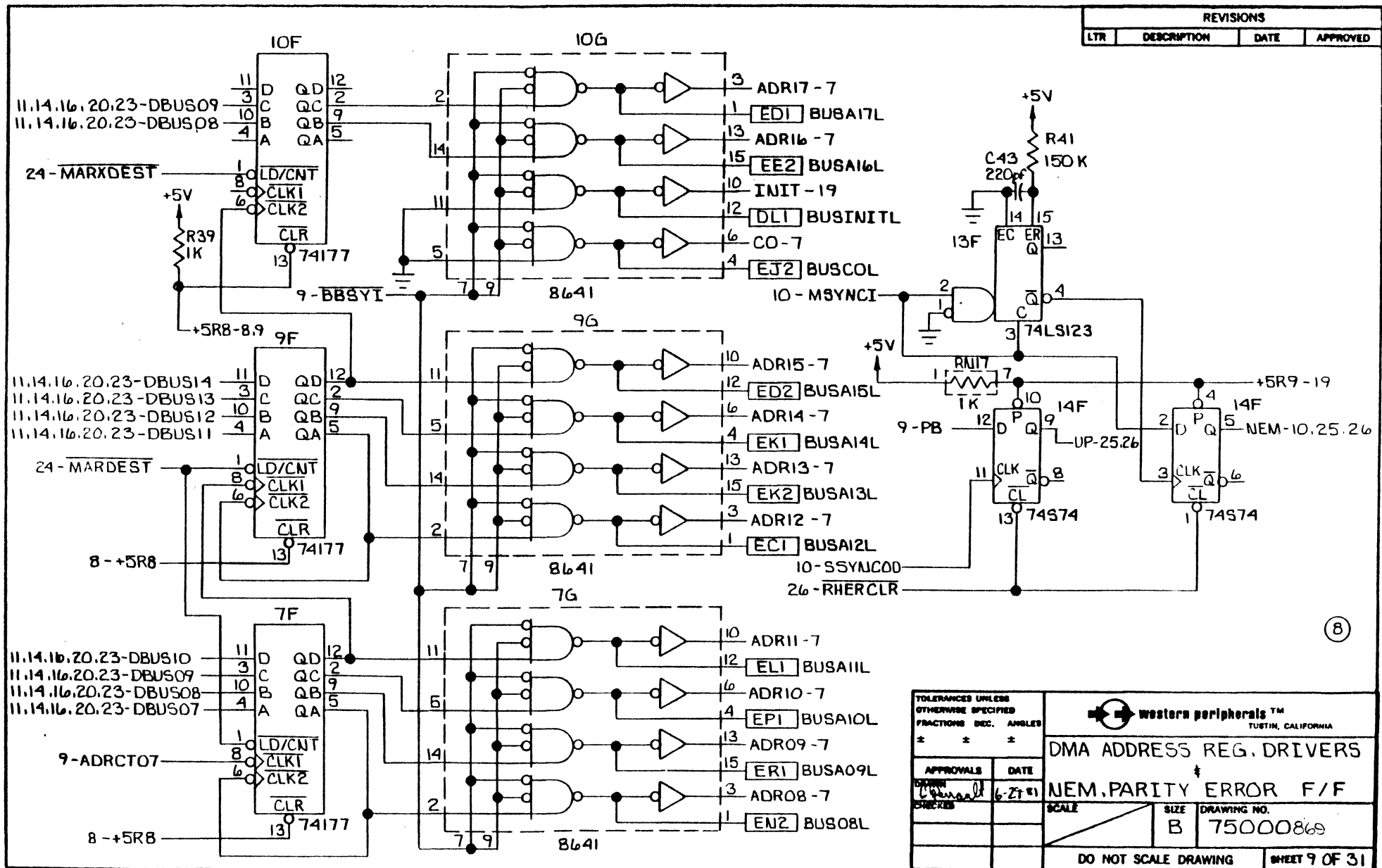


REVISIONS			
LTR	DESCRIPTION	DATE	APPROVED

TOLERANCES UNLESS OTHERWISE SPECIFIED FRACTIONS DEC. ANGLES ± ± ±		 western peripherals™ TUSTIN, CALIFORNIA	
UNIBUS ADDRESS DECODER			
PI/O SEQUENCER			
APPROVALS DRAWN C. Spada	DATE 1-21-81	SCALE	SIZE B
CHECKED		DRAWING NO. 75000869	
DO NOT SCALE DRAWING			SHEET 8 OF 31

504113

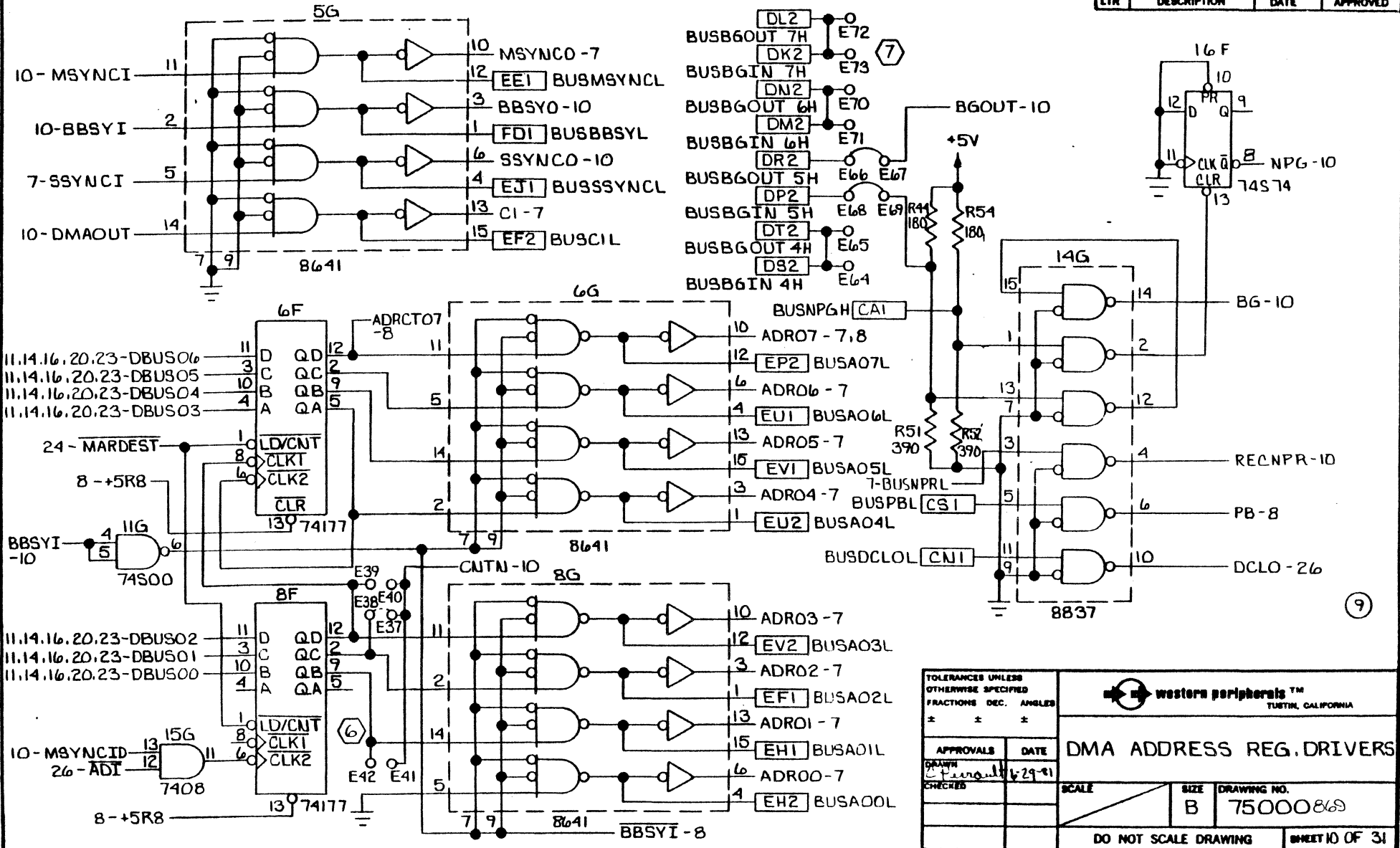
REVISIONS			
LTR	DESCRIPTION	DATE	APPROVED



(8)

TOLERANCES UNLESS OTHERWISE SPECIFIED		WESTERN PERIPHERALS™ TUSTIN, CALIFORNIA	
FRACTIONS DEC. ANGLES		DMA ADDRESS REG. DRIVERS	
±	±	±	±
APPROVALS	DATE	NEM. PARITY ERROR F/F	
<i>[Signature]</i>	6-27-81	SCALE	SIZE B
CHECKS		DRAWING NO.	75000869
DO NOT SCALE DRAWING			SHEET 9 OF 31

REVISIONS			
LTR	DESCRIPTION	DATE	APPROVED



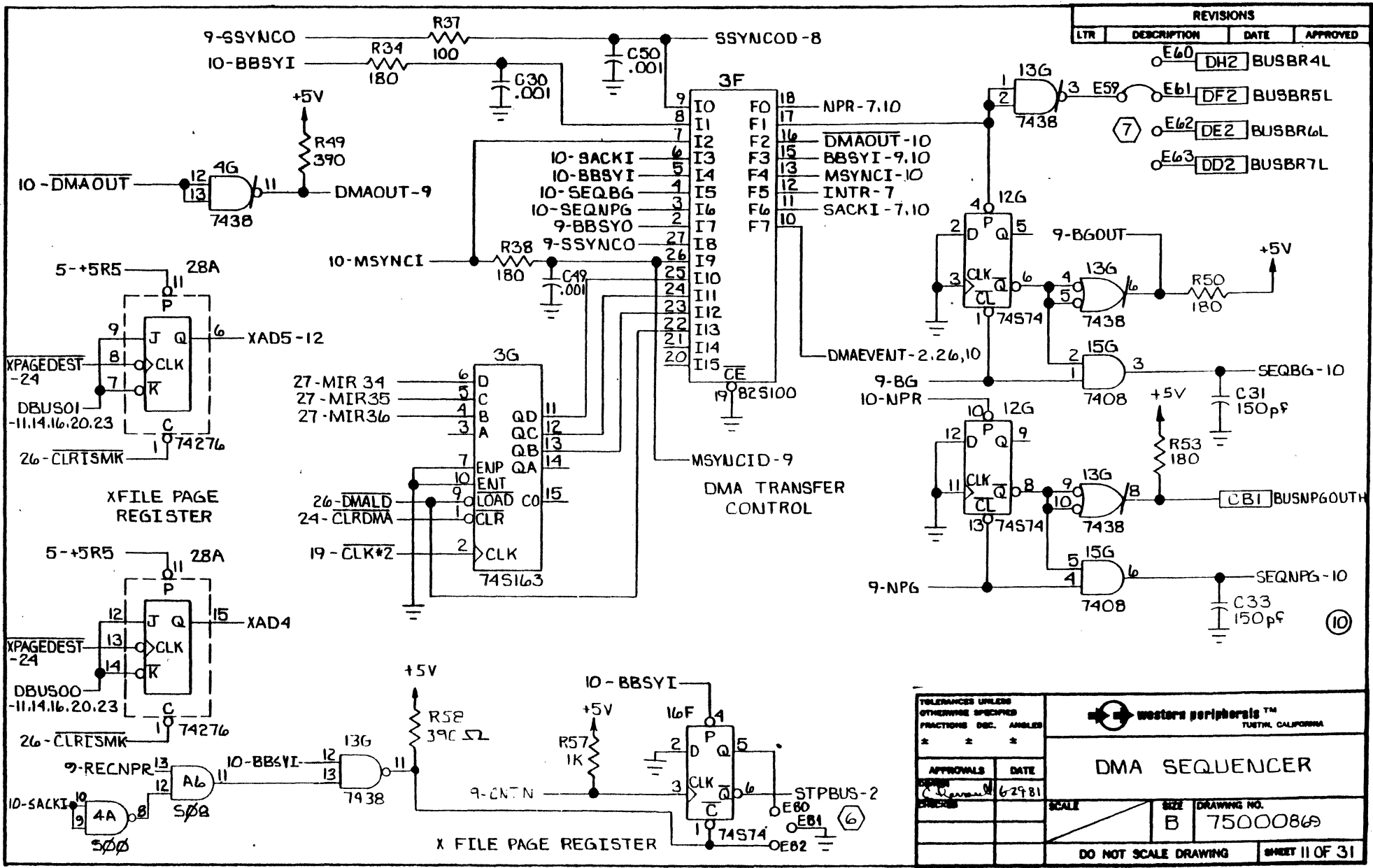
TOLERANCES UNLESS OTHERWISE SPECIFIED	
FRACTIONS	DEC. ANGLES
±	±
APPROVALS	DATE
DRAWN C. Parrault	6/29-81
CHECKED	

western peripherals™
TUSTIN, CALIFORNIA

DMA ADDRESS REG. DRIVERS

SCALE	SIZE	DRAWING NO.
	B	75000863
DO NOT SCALE DRAWING		SHEET 10 OF 31

504113



REVISIONS			
LTR	DESCRIPTION	DATE	APPROVED

E60	DH2	BUSBR4L	
E61	DF2	BUSBR5L	
E62	DE2	BUSBR6L	
E63	DD2	BUSBR7L	

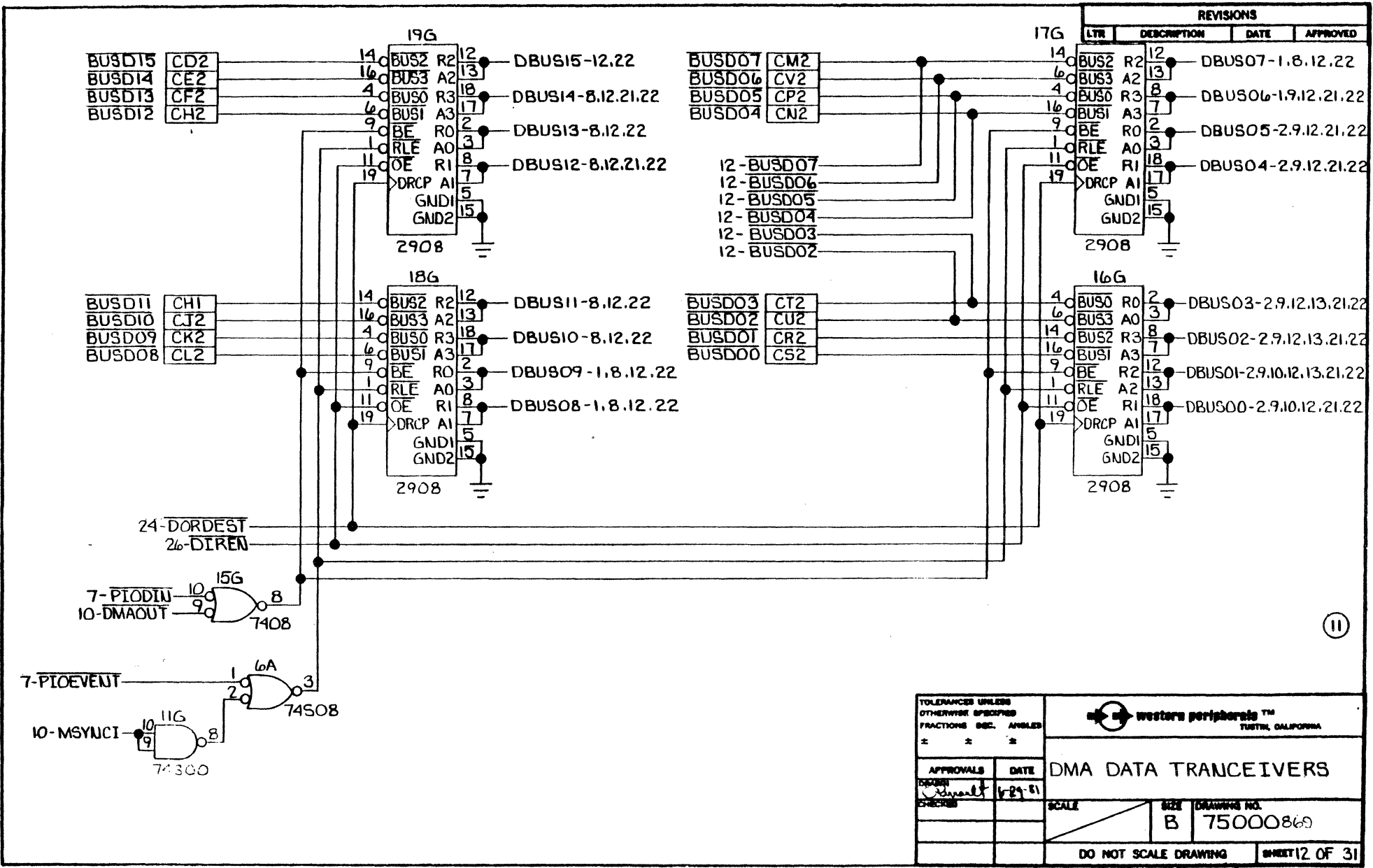
TOLERANCES UNLESS OTHERWISE SPECIFIED FRACTIONS DEC. ANGLES	
* * *	
APPROVALS	DATE
DESIGNER	6-29-81
CHECKER	

western peripherals™
TUSTIN, CALIFORNIA

DMA SEQUENCER

SCALE	SIZE	DRAWING NO.
	B	7500086A

DO NOT SCALE DRAWING SHEET 11 OF 31



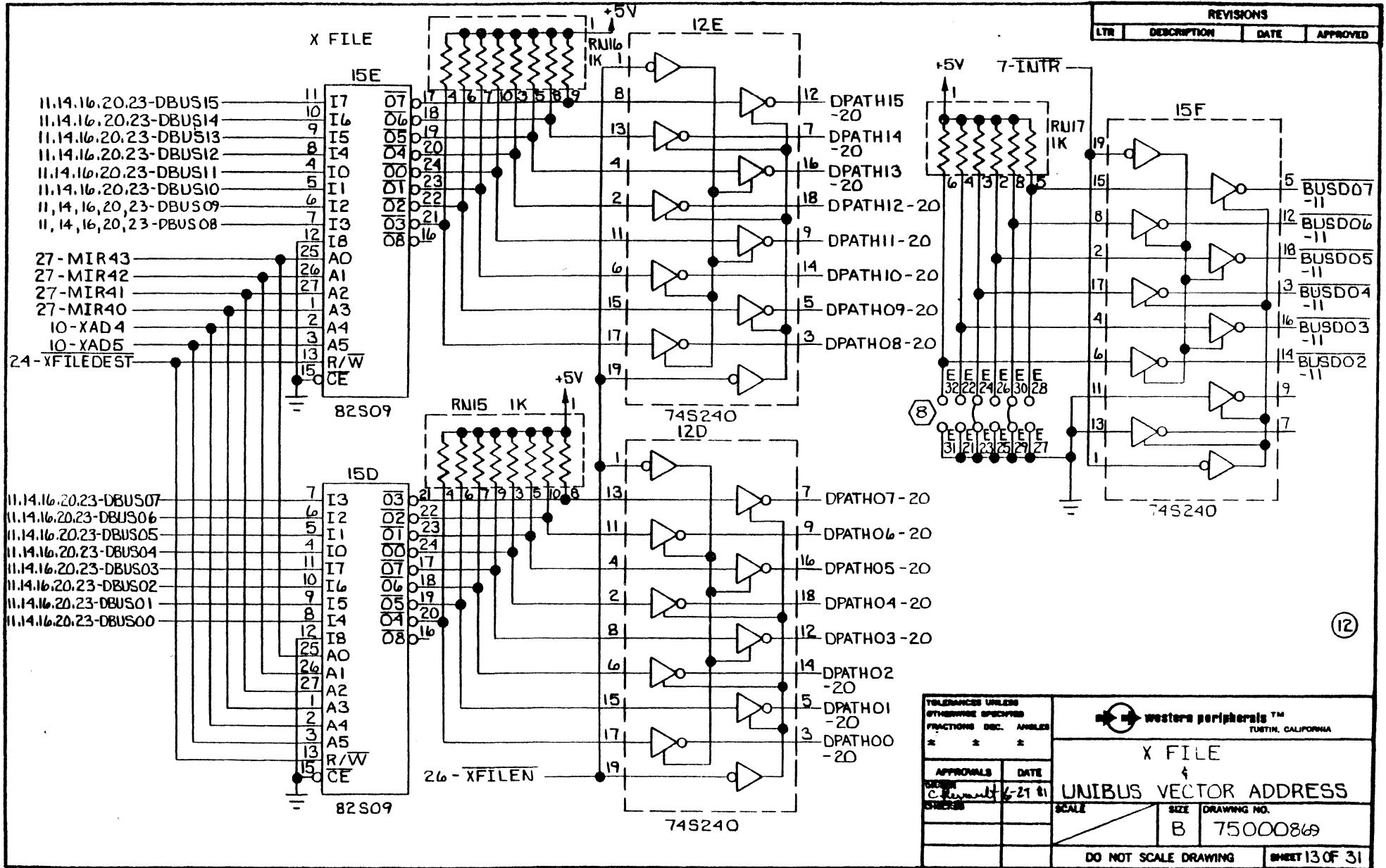
REVISIONS			
LTR	DESCRIPTION	DATE	APPROVED

	BUS2 R2	12	DBUS07-1.8.12.22
	BUS3 A2	13	
	BUS0 R3	8	DBUS06-1.9.12.21.22
	BUS1 A3	7	
	BE R0	2	DBUS05-2.9.12.21.22
	RLE A0	3	
	OE R1	18	DBUS04-2.9.12.21.22
	DRCP A1	17	
	GND1	5	
	GND2	15	

	BUS0 R0	2	DBUS03-2.9.12.13.21.22
	BUS3 A0	3	
	BUS2 R3	8	DBUS02-2.9.12.13.21.22
	BUS1 A3	7	
	BE R2	12	DBUS01-2.9.10.12.13.21.22
	RLE A2	13	
	OE R1	18	DBUS00-2.9.10.12.21.22
	DRCP A1	17	
	GND1	5	
	GND2	15	

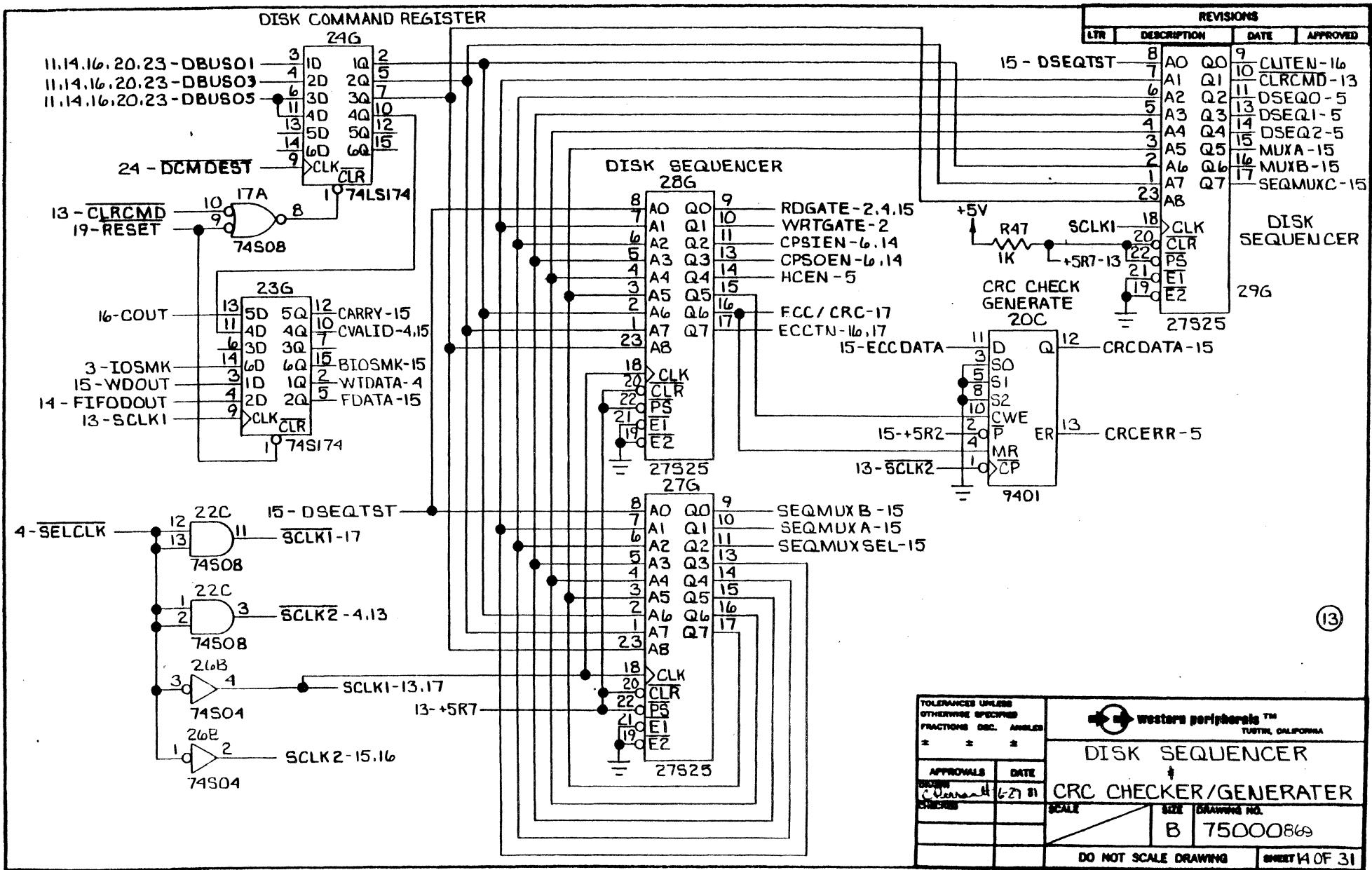
11

TOLERANCES UNLESS OTHERWISE SPECIFIED		western peripherals™ TUSTIN, CALIFORNIA	
FRACTIONS DEC.	ANGLES		
±	*	DMA DATA TRANCEIVERS	
APPROVALS	DATE	SCALE	SIZE (DRAWING NO.)
DESIGNED	1-29-81		B 75000869
CHECKED			
DO NOT SCALE DRAWING			SHEET 12 OF 31



REVISIONS			
LTR	DESCRIPTION	DATE	APPROVED

<small> TOLERANCES UNLESS OTHERWISE SPECIFIED FRACTIONS DEC. ANGLES * * * </small>		 western peripherals™ <small>TUSTIN, CALIFORNIA</small>	
X FILE & UNIBUS VECTOR ADDRESS			
<small>APPROVALS</small> 	<small>DATE</small> 6-21-81	<small>SCALE</small> B	<small>DRAWING NO.</small> 75000869
DO NOT SCALE DRAWING			SHEET 13 OF 31



REVISIONS			
LTR	DESCRIPTION	DATE	APPROVED

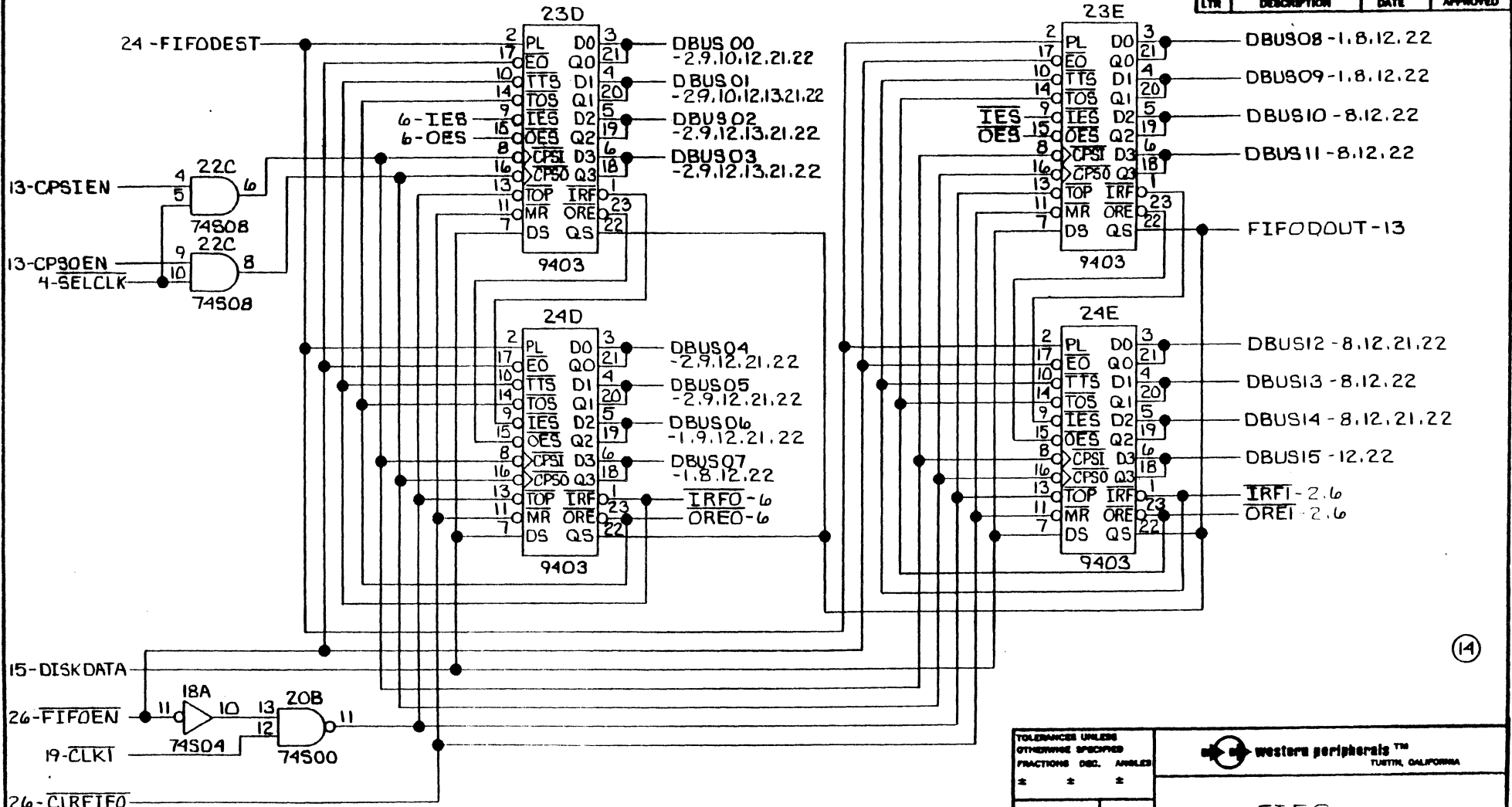
	8	A0 Q0	9	CNTEN-16
15 - DSEQTST	7	A1 Q1	10	CLRCMD-13
	6	A2 Q2	11	DSEQ0-5
	5	A3 Q3	13	DSEQ1-5
	4	A4 Q4	14	DSEQ2-5
	3	A5 Q5	15	MUXA-15
	2	A6 Q6	16	MUXB-15
	1	A7 Q7	17	SEQMUXC-15

DISK SEQUENCER
29G

TOLERANCES UNLESS OTHERWISE SPECIFIED FRACTIONS DEC. ANGLES		 western peripherals™ TUSTIN, CALIFORNIA	
DISK SEQUENCER			
↓			
CRC CHECKER/GENERATOR			
APPROVALS	DATE	SCALE	SIZE DRAWING NO.
<i>C. ...</i>	6-21-81		B 75000865
DO NOT SCALE DRAWING			SHEET 14 OF 31

FIFO

REVISIONS			
LTR	DESCRIPTION	DATE	APPROVED

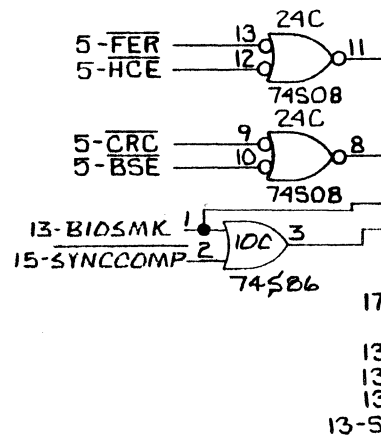
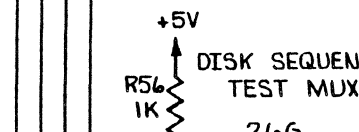
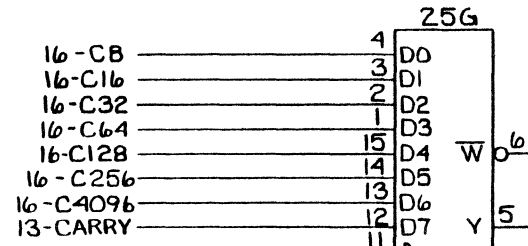
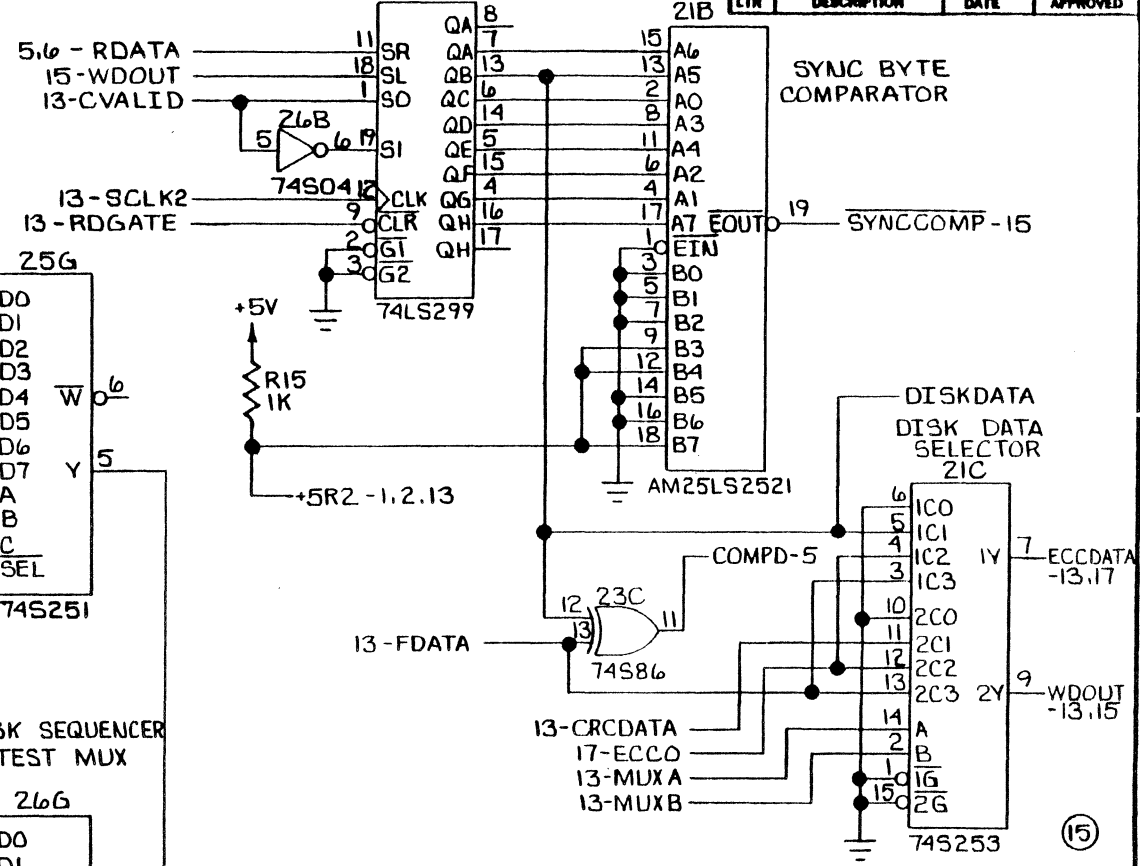


(14)

TOLERANCES UNLESS OTHERWISE SPECIFIED FRACTIONS DEC. ANGLES		western peripherals™ TUSTIN, CALIFORNIA	
APPROVALS	DATE	FIFO SCALE: B 75000869	
C. Parnell 6-29-81			
DO NOT SCALE DRAWING		SHEET 15 OF 31	

DISK DATA SHIFT REGISTER
22B

REVISIONS			
LTR	DESCRIPTION	DATE	APPROVED

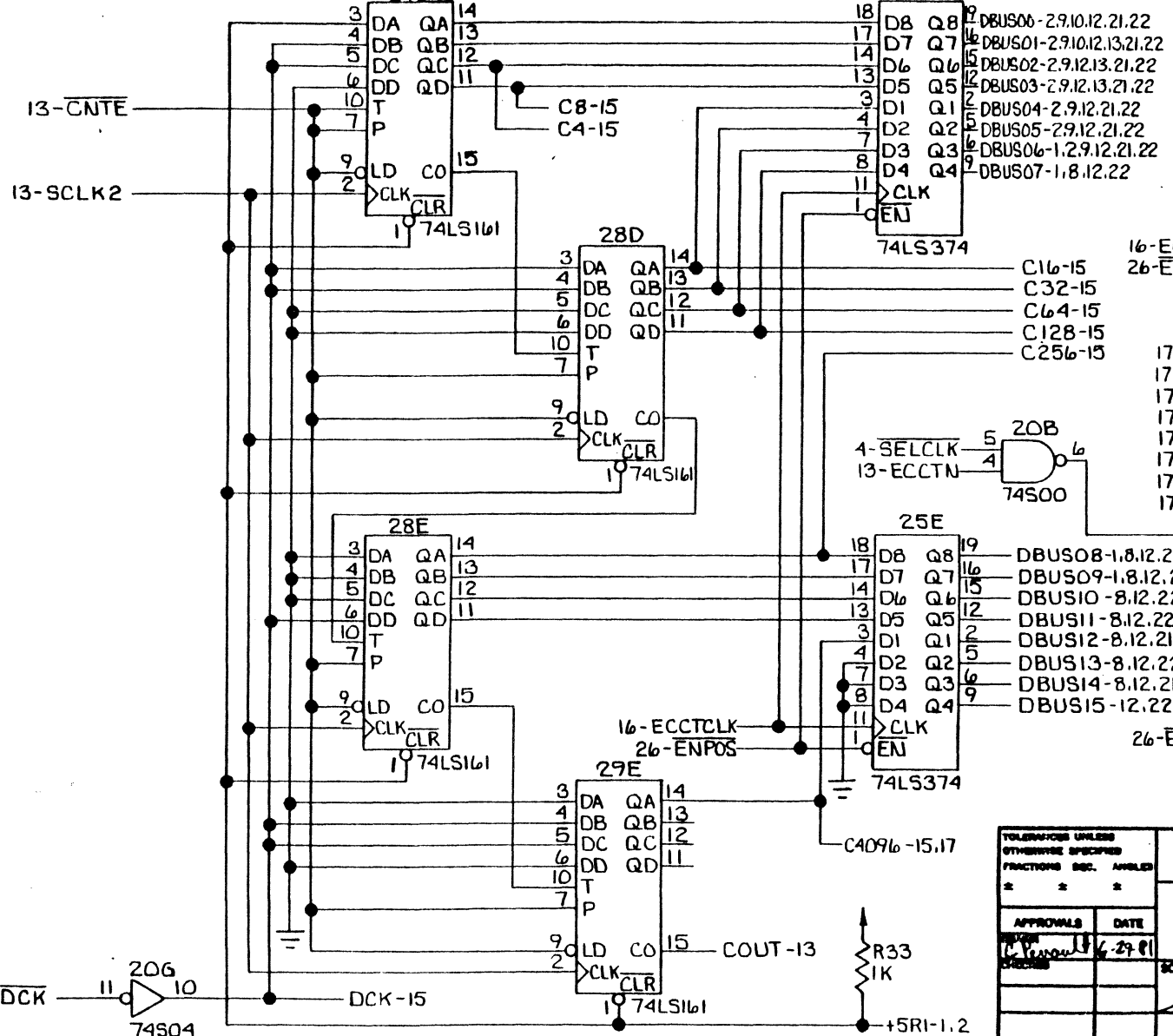


TOLERANCES UNLESS OTHERWISE SPECIFIED FRACTIONS DEC. ANGLES		 WESTERN PERIPHERALS™ TUSTIN, CALIFORNIA	
APPROVALS		DATE	
C. Parent		6-27-81	
DISK SEQUENCER TEST MUX		DISK SEQUENCER TEST MUX	
SYNC COMPARATOR		SYNC COMPARATOR	
SCALE	SIZE	DRAWING NO.	
	B	75000869	
DO NOT SCALE DRAWING		SHEET No OF 31	

DISK SEQUENCER COUNTER 29D

ECC POSITION REGISTER 25D

REVISIONS			
LTN	DESCRIPTION	DATE	APPROVED

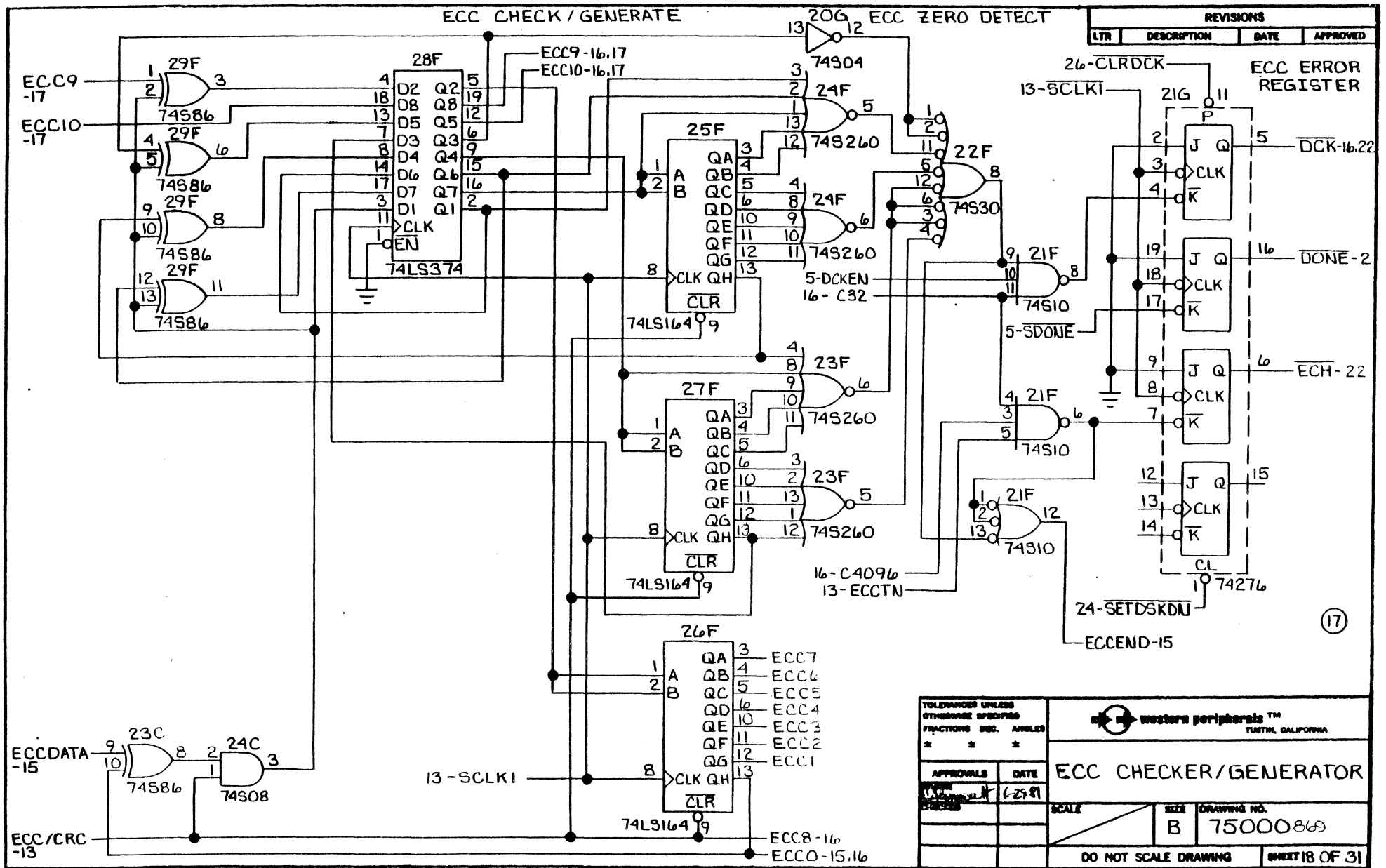


REVISIONS			
LTN	DESCRIPTION	DATE	APPROVED
17-ECC8	D8	Q8	DBUS08-1.8.12.22
17-ECC9	D7	Q7	DBUS09-1.8.12.22
17-ECC10	D6	Q6	DBUS10-8.12.22
	D5	Q5	DBUS11-8.12.22
	D1	Q1	DBUS12-8.12.21.22
	D2	Q2	DBUS13-8.12.22
	D3	Q3	DBUS14-8.12.21.22
	D4	Q4	DBUS15-12.22

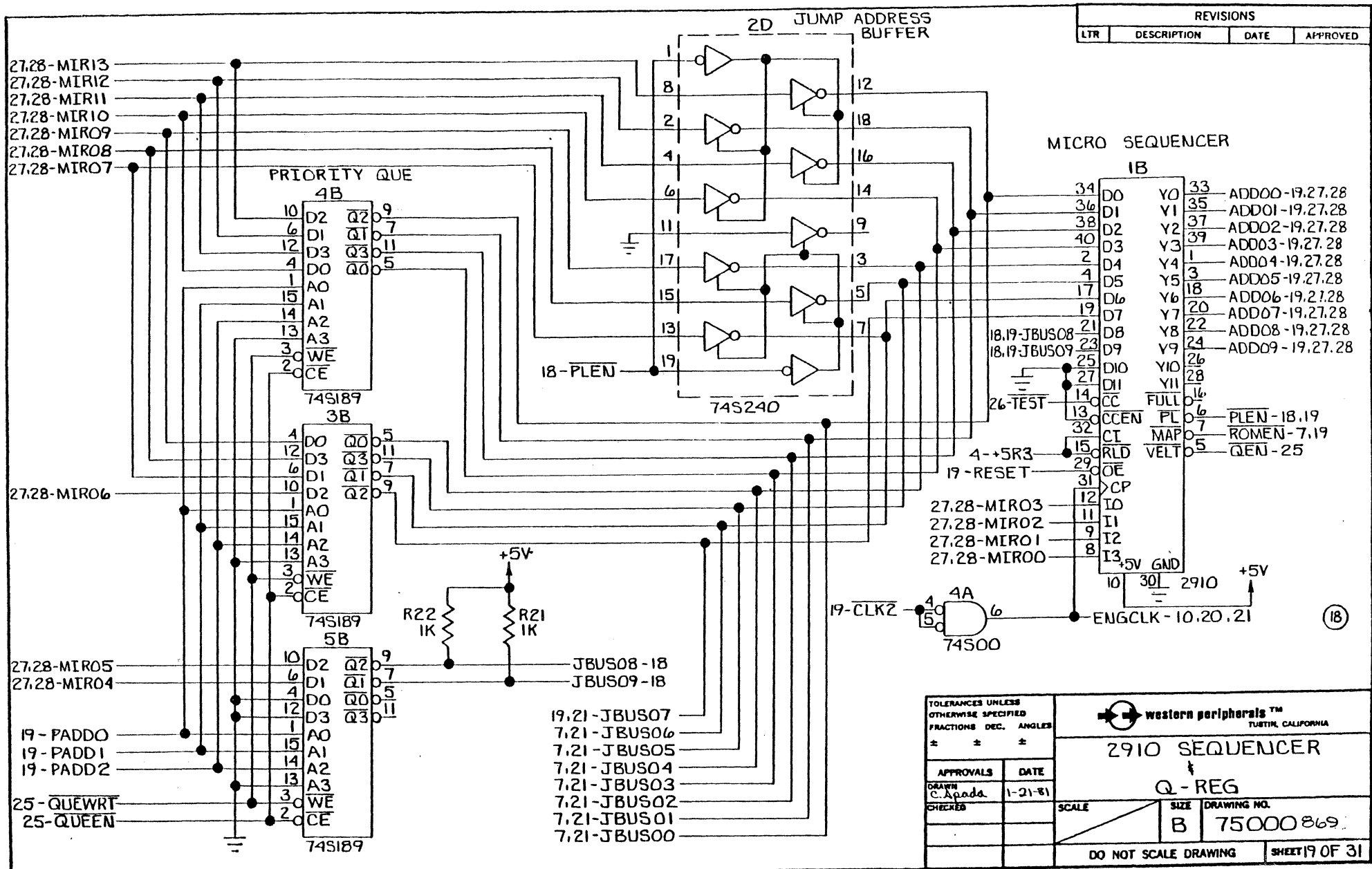
REVISIONS			
LTN	DESCRIPTION	DATE	APPROVED
17-ECC7	D4	Q4	DBUS07-1.8.12.22
17-ECC6	D3	Q3	DBUS06-1.9.12.21.22
17-ECC5	D2	Q2	DBUS05-2.9.12.21.22
17-ECC4	D1	Q1	DBUS04-2.9.12.21.22
17-ECC3	D5	Q5	DBUS03-2.9.12.21.22
17-ECC2	D6	Q6	DBUS02-2.9.12.13.21.22
17-ECC1	D7	Q7	DBUS01-2.9.12.13.21.22
17-ECC0	D8	Q8	DBUS00-2.9.10.12.21.22

TOLERANCES UNLESS OTHERWISE SPECIFIED FRACTIONS DEC. ANGLES	
APPROVALS	DATE
<i>[Signature]</i>	6-27-81
SCALE	SIZE
	B

western peripherals™ TUSTIN, CALIFORNIA	
ECC POSITION REG ECC PATTERN REG	
SCALE	DRAWING NO.
	75000869
DO NOT SCALE DRAWING	
SHEET 17 OF 31	



504113



REVISIONS			
LTR	DESCRIPTION	DATE	APPROVED

MICRO SEQUENCER 1B

34	D0	Y0	33	ADD00-19.27.28
36	D1	Y1	35	ADD01-19.27.28
38	D2	Y2	37	ADD02-19.27.28
40	D3	Y3	39	ADD03-19.27.28
2	D4	Y4	1	ADD04-19.27.28
4	D5	Y5	3	ADD05-19.27.28
17	D6	Y6	18	ADD06-19.27.28
19	D7	Y7	20	ADD07-19.27.28
21	D8	Y8	22	ADD08-19.27.28
23	D9	Y9	24	ADD09-19.27.28
25	D10	Y10	26	
27	D11	Y11	28	
14	CC	FULL	16	
13	CCEN	PL	6	PLEN-18.19
32	CT	MAP	7	ROMEN-7.19
15	RLD	VELT	5	QEN-25
29	OE	>CP		
31	>CP			
12	I0			
11	I1			
9	I2			
8	I3			
10	+5V GND			

APPROVALS		DATE
DRAWN	C. Apada	1-21-81
CHECKED		

western peripherals™
TUSTIN, CALIFORNIA

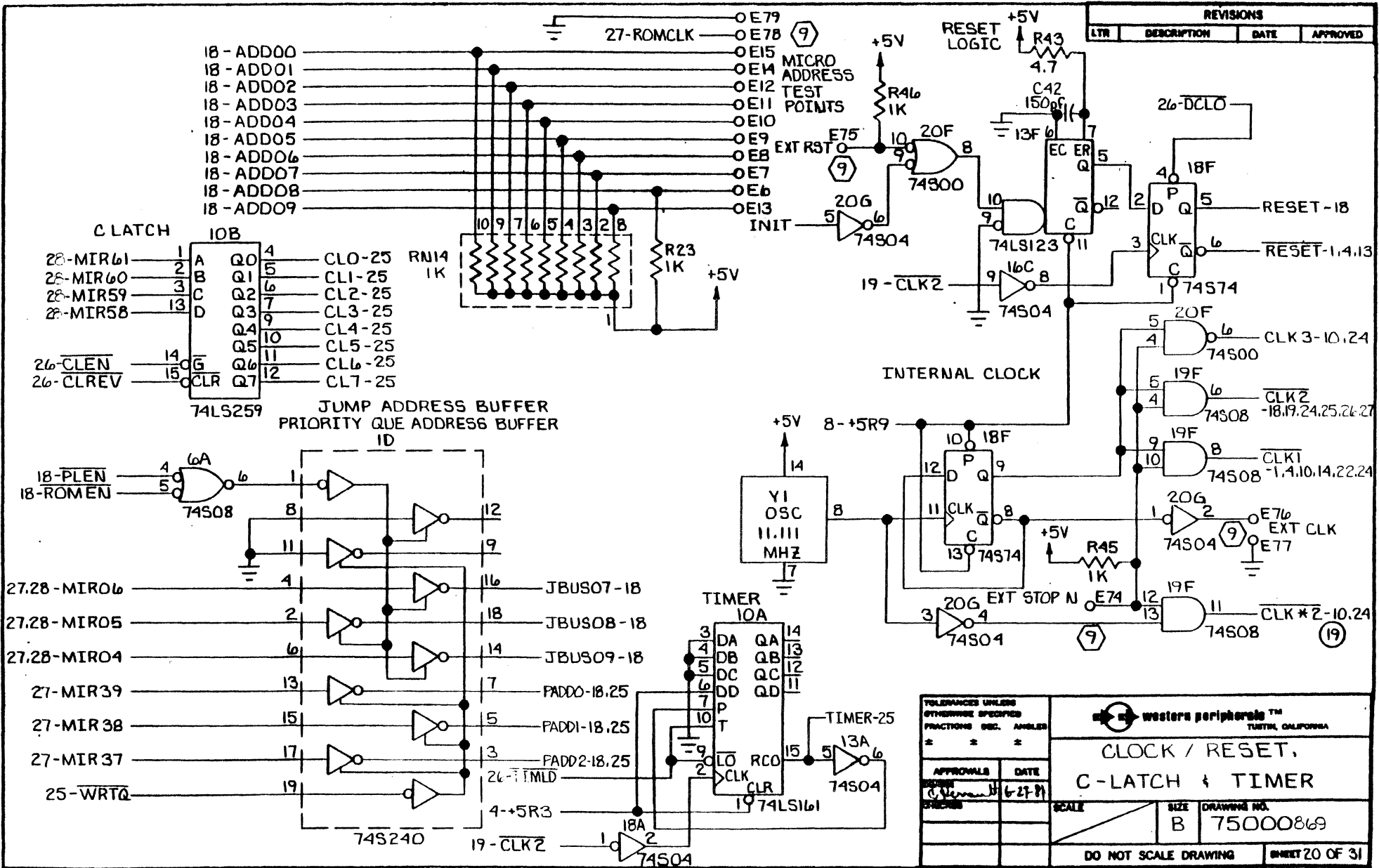
2910 SEQUENCER

Q-REG

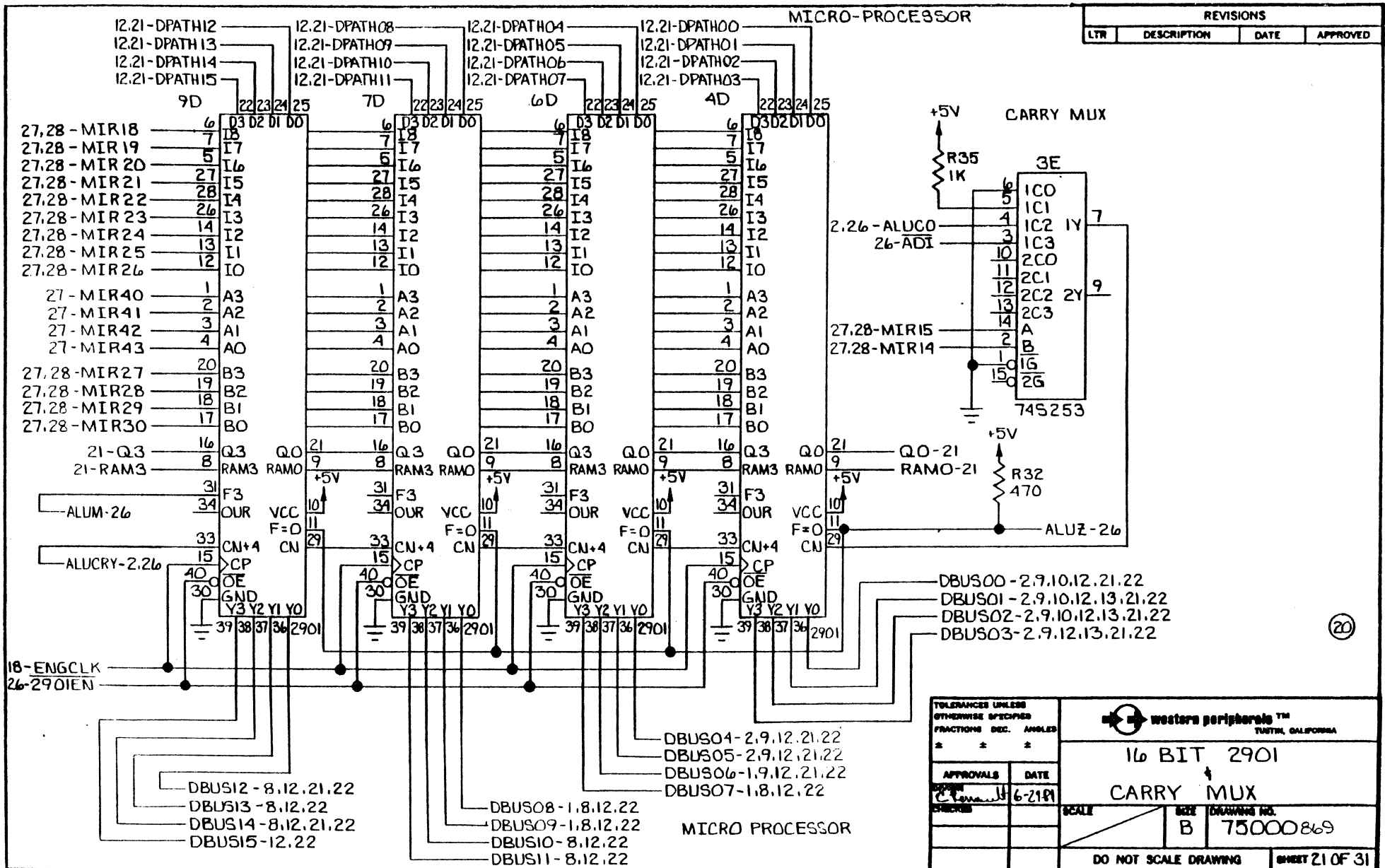
SCALE	SIZE	DRAWING NO.
	B	75000 869

DO NOT SCALE DRAWING

SHEET 19 OF 31



504113

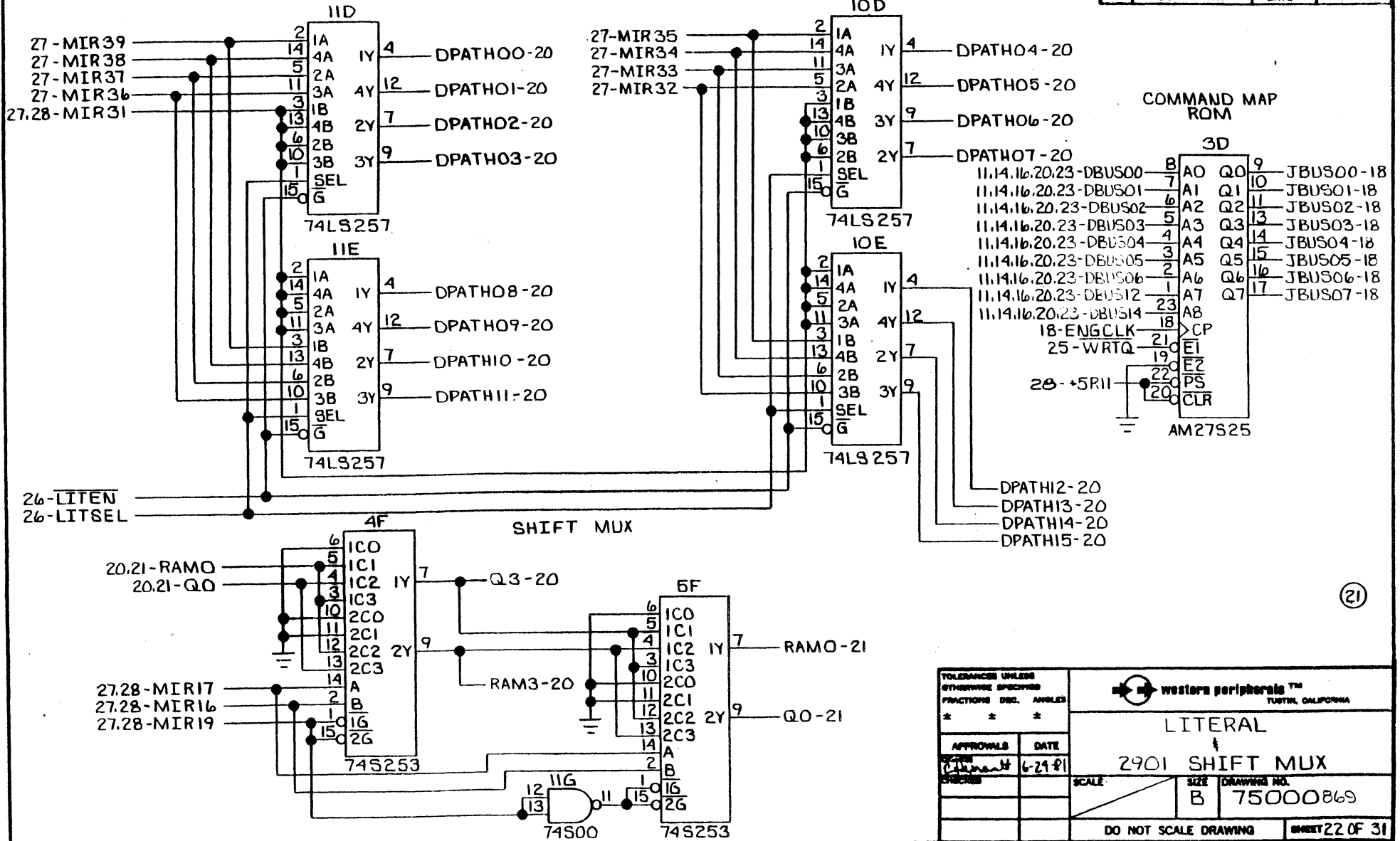


(20)

TOLERANCES UNLESS OTHERWISE SPECIFIED FRACTIONS DEC. ANGLES		 western peripherals™ TUSTIN, CALIFORNIA	
* * *			
APPROVALS	DATE	16 BIT 2901	
<i>[Signature]</i>	6-21-81	CARRY MUX	
SCALE	SIZE	DRAWING NO.	B 75000869
DO NOT SCALE DRAWING		SHEET 21 OF 31	

LITERAL MUX

REVISIONS			
LTR	DESCRIPTION	DATE	APPROVED



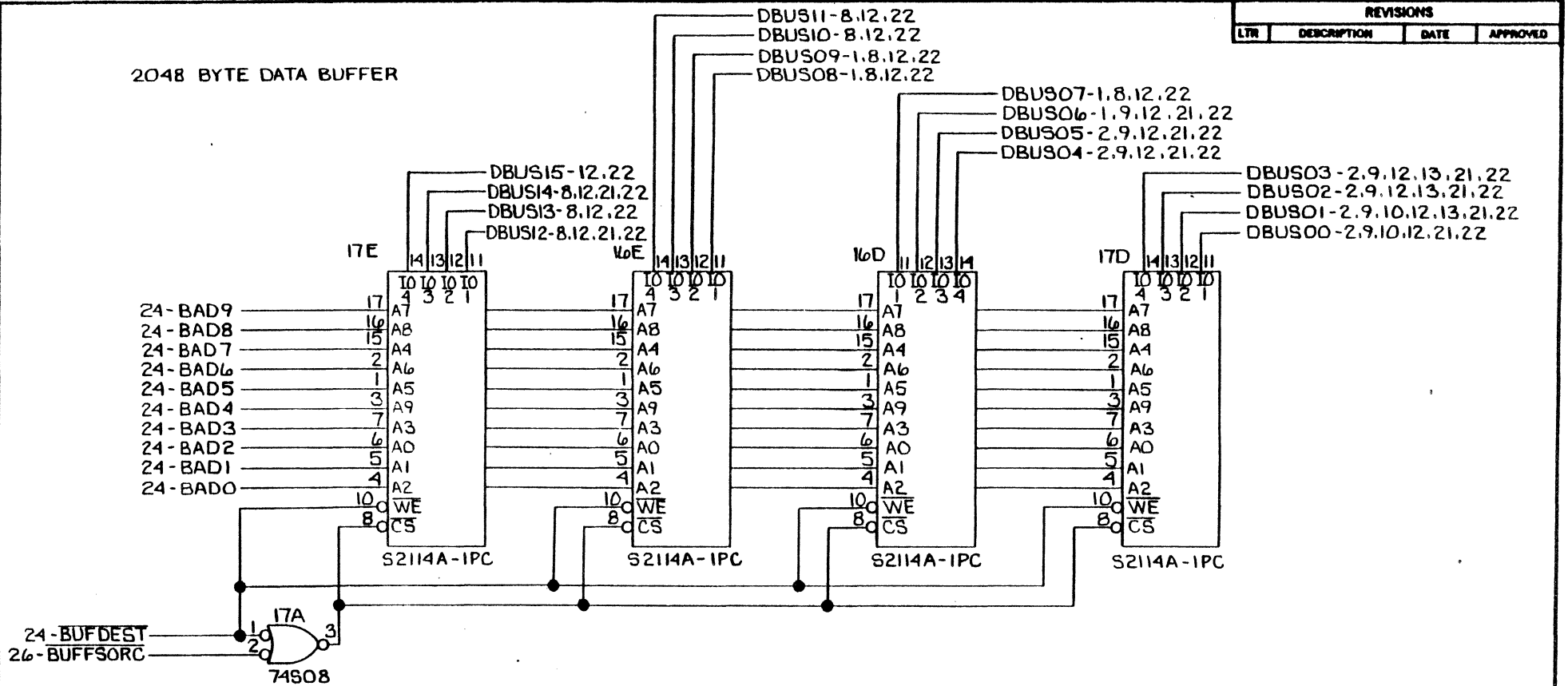
(21)

TOLERANCES UNLESS OTHERWISE SPECIFIED FRACTIONS DEC. ANGLES		western peripherals™ TUSTIN, CALIFORNIA	
* * *		LITERAL	
APPROVALS		DATE	
6-24-81		6-24-81	
SCALE:		SIZE	DRAWING NO.
		B	75000869
DO NOT SCALE DRAWING			SHEET 22 OF 31

504113

2048 BYTE DATA BUFFER

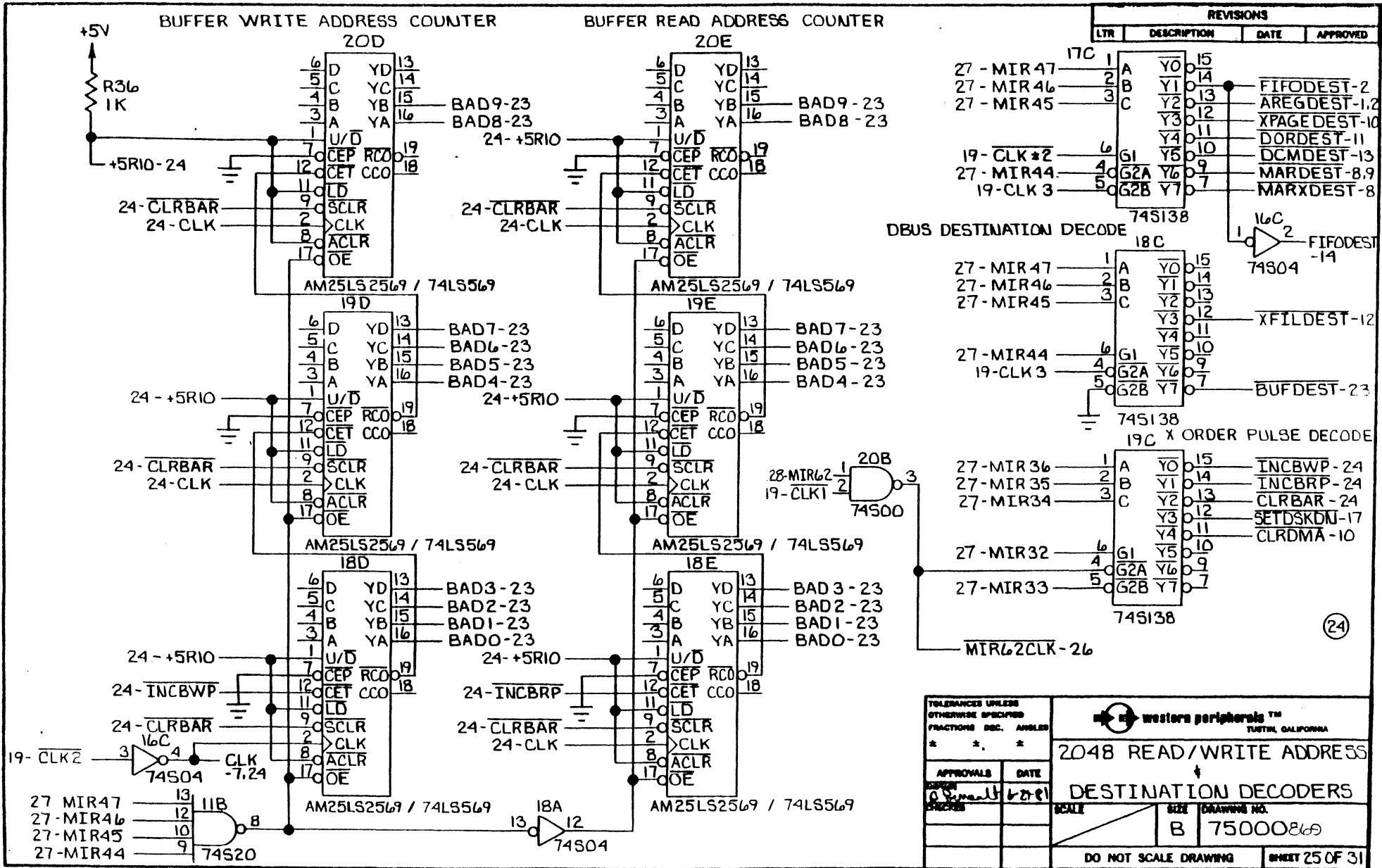
REVISIONS			
LTR	DESCRIPTION	DATE	APPROVED



(23)

TOLERANCES UNLESS OTHERWISE SPECIFIED FRACTIONS DEC. ANGLES * * *		western peripherals™ TUSTIN, CALIFORNIA	
APPROVALS <i>C. Linares</i>	DATE 6-25-81	2048 BYTE BUFFER	
DESIGNER	SCALE	SIZE B	DRAWING NO. 75000869
DO NOT SCALE DRAWING			SHEET 24 OF 31

504113



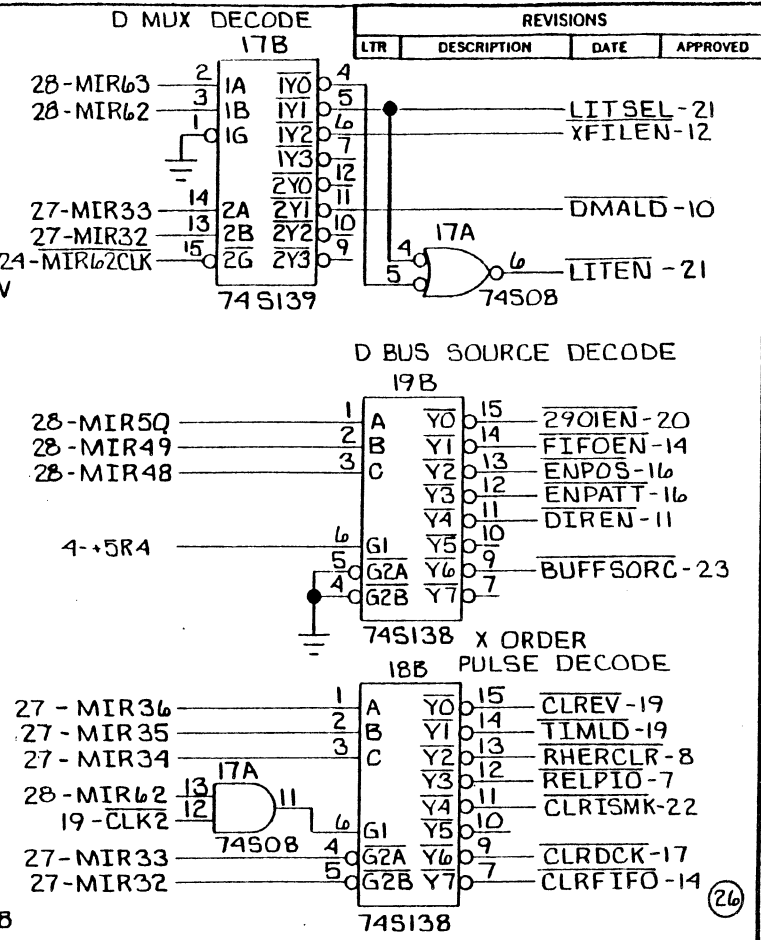
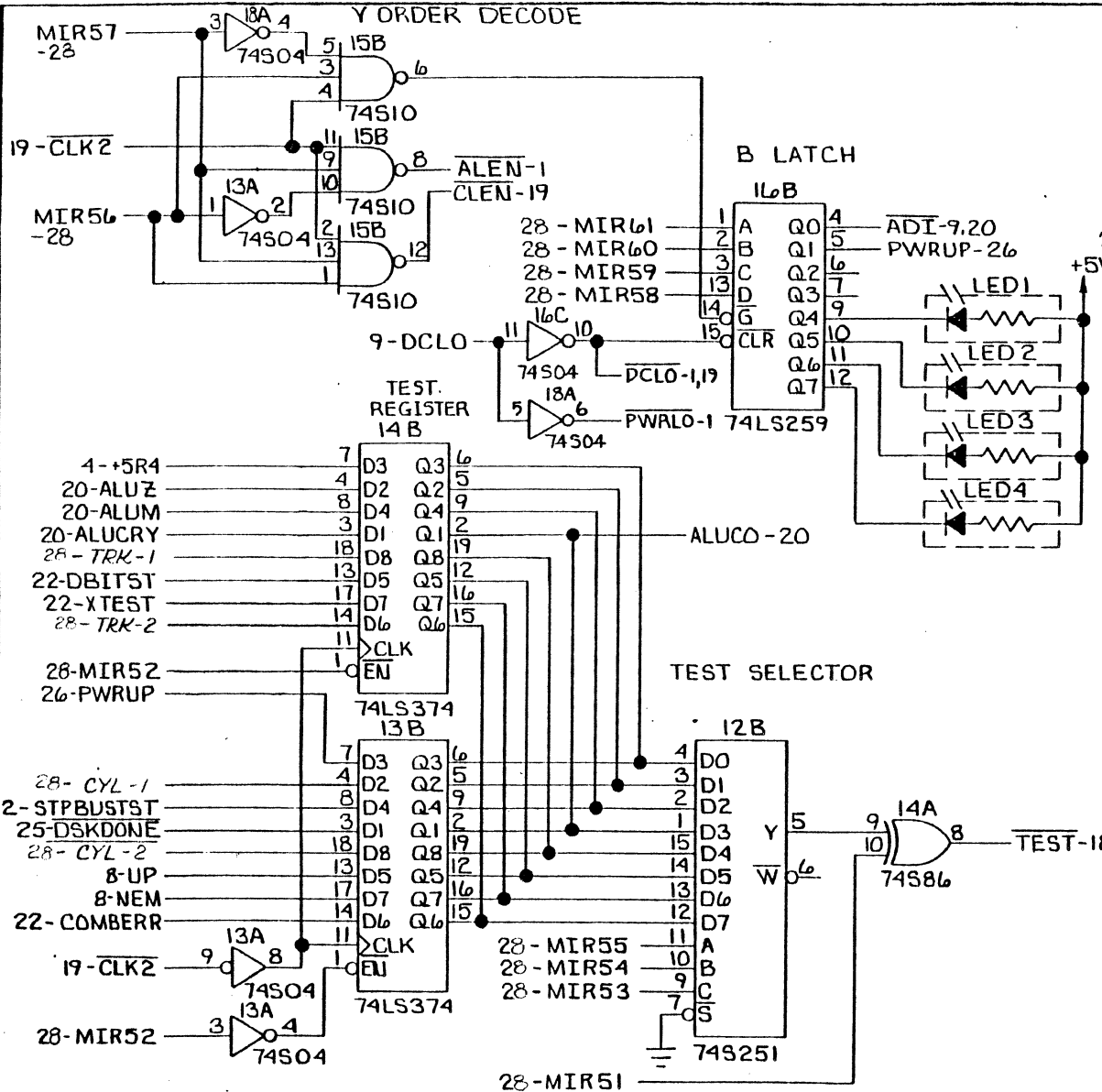
REVISIONS			
LTR	DESCRIPTION	DATE	APPROVED

27-MIR47	1	A	Y0	15	FIFODEST-2
27-MIR46	2	B	Y1	14	AREGDEST-1,2
27-MIR45	3	C	Y2	13	XPAGEDEST-10
			Y3	12	DORDEST-11
			Y4	11	DCMDEST-13
19-CLK*2	6	G1	Y5	10	MARDEST-8,9
27-MIR44	4	G2A	Y6	9	MARXDEST-8
19-CLK 3	5	G2B	Y7	7	

DEBUS DESTINATION DECODE					
27-MIR47	1	A	Y0	15	FIFODEST-14
27-MIR46	2	B	Y1	14	
27-MIR45	3	C	Y2	13	
			Y3	12	XFILEDEST-12
			Y4	11	
27-MIR44	6	G1	Y5	10	
19-CLK 3	4	G2A	Y6	9	BUFDEST-23
	5	G2B	Y7	7	

19C X ORDER PULSE DECODE					
27-MIR36	1	A	Y0	15	INCBWP-24
27-MIR35	2	B	Y1	14	INCBRP-24
27-MIR34	3	C	Y2	13	CLRBAR-24
			Y3	12	SETDSKDN-17
			Y4	11	CLRDMA-10
27-MIR32	6	G1	Y5	10	
27-MIR33	4	G2A	Y6	9	
	5	G2B	Y7	7	

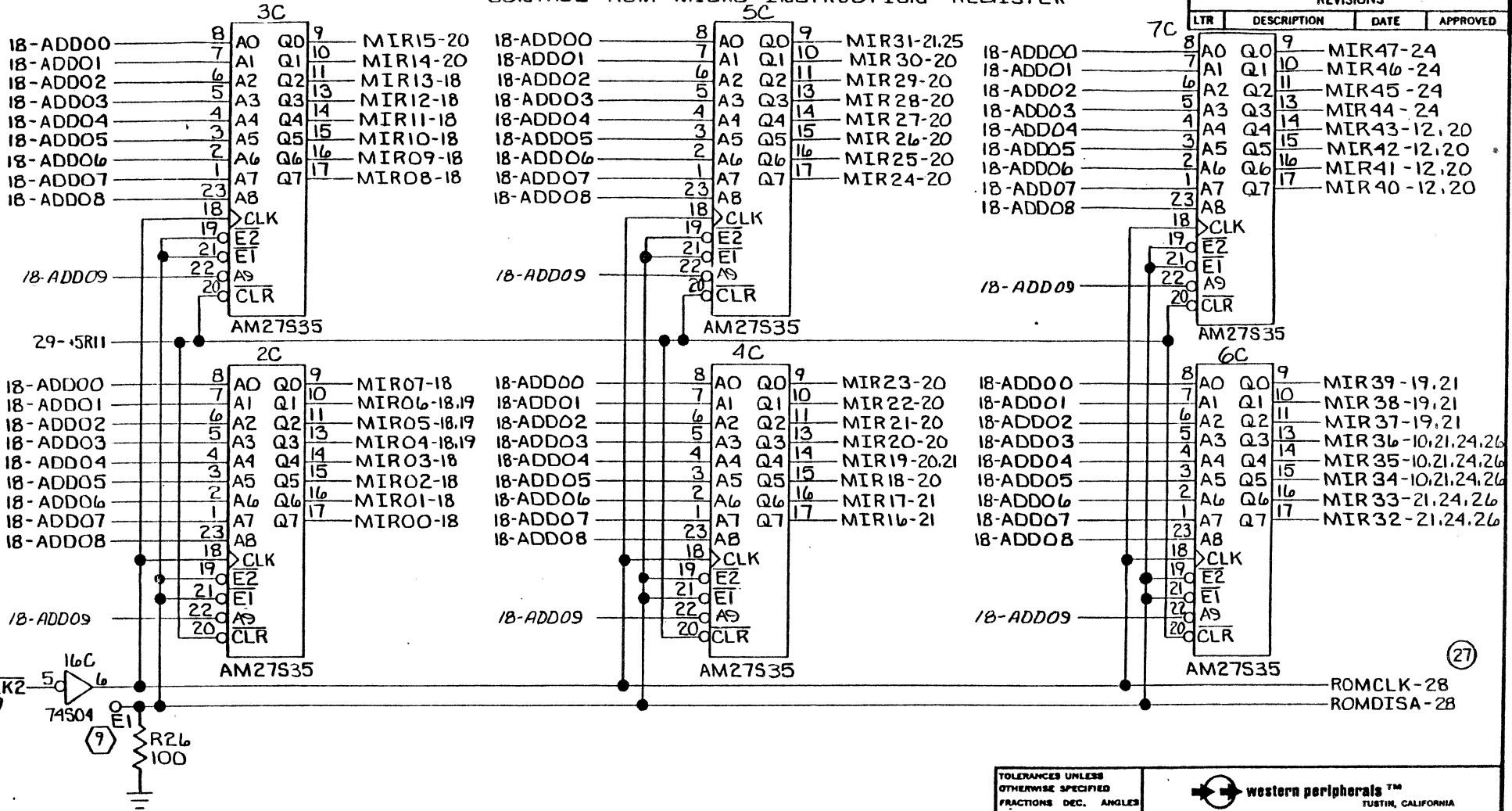
TOLERANCES UNLESS OTHERWISE SPECIFIED FRACTIONS DEC. ANGLES * * *		western peripherals™ TUSTIN, CALIFORNIA	
2048 READ/WRITE ADDRESS DESTINATION DECODERS			
APPROVALS 	DATE 6-27-81	SCALE B	DRAWING NO. 75000869
DO NOT SCALE DRAWING			SHEET 25 OF 31



REVISIONS			
LTR	DESCRIPTION	DATE	APPROVED

TOLERANCES UNLESS OTHERWISE SPECIFIED FRACTIONS DEC. ANGLES ± ± ±		 western peripherals™ TUSTIN, CALIFORNIA	
APPROVALS DRAWN C. Spoda CHECKED		DATE 1-21-81	
SCALE		SIZE B	DRAWING NO. 75000869
DO NOT SCALE DRAWING			SHEET 27 OF 31

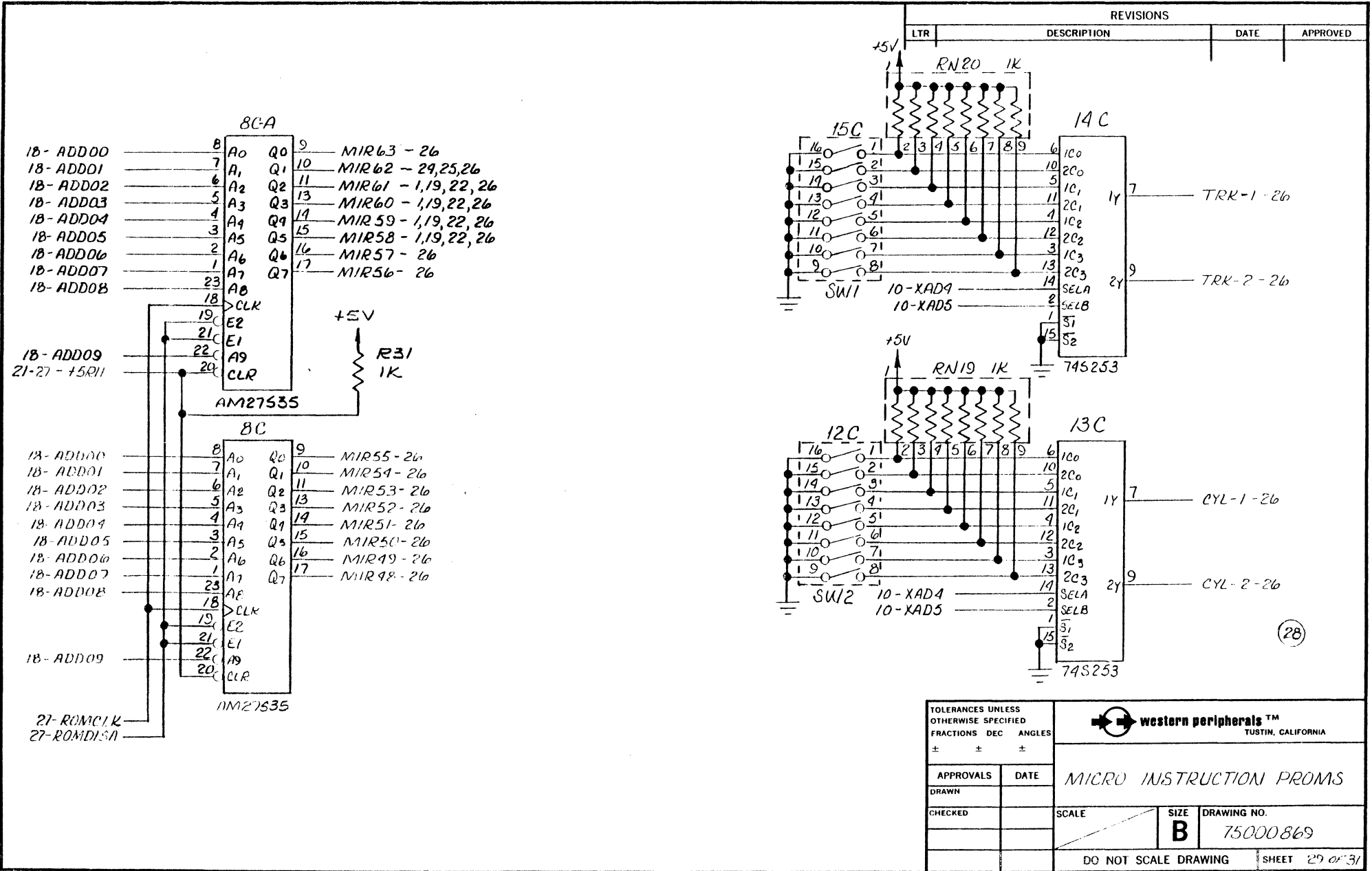
CONTROL ROM MICRO-INSTRUCTION REGISTER



REVISIONS			
LTR	DESCRIPTION	DATE	APPROVED
			(27)

TOLERANCES UNLESS OTHERWISE SPECIFIED		western peripherals™ TUSTIN, CALIFORNIA	
FRACTIONS DEC. ANGLES			
APPROVALS: _____ DATE: _____ DRAWN: C. Spada 1-21-81 CHECKED: _____		MICRO INSTRUCTION PROM'S	
SCALE: _____		SIZE: B	DRAWING NO.: 75000869
DO NOT SCALE DRAWING			SHEET 28 OF 31

504113



REVISIONS			
LTR	DESCRIPTION	DATE	APPROVED

TOLERANCES UNLESS OTHERWISE SPECIFIED		
FRACTIONS	DEC	ANGLES
±	±	±
APPROVALS	DATE	
DRAWN		
CHECKED		

western peripherals™
TUSTIN, CALIFORNIA

MICRO INSTRUCTION PROMS

SCALE	SIZE	DRAWING NO.
	B	75000869

DO NOT SCALE DRAWING SHEET 29 of 31

REVISIONS			
LTR	DESCRIPTION	DATE	APPROVED

TRACK

TRK-1	TRK-2	TRACKS
ON	ON	5
OFF	ON	10
ON	OFF	19
OFF	OFF	40

CYLINDER


CYL-1	CYL-2	CYL
ON	ON	411
OFF	ON	823
ON	OFF	843
OFF	OFF	1645

DRIVE

SW #1	DRIVE #	TRACK
1	0	TRK-1
2	0	TRK-2
3	1	TRK-1
4	1	TRK-2
5	2	TRK-1
6	2	TRK-2
7	3	TRK-1
8	3	TRK-2

DRIVE

SW #2	DRIVE #	CYL
1	0	CYL-1
2	0	CYL-2
3	1	CYL-1
4	1	CYL-2
5	2	CYL-1
6	2	CYL-2
7	3	CYL-1
8	3	CYL-2

TOLERANCES UNLESS OTHERWISE SPECIFIED		 western peripherals™ TUSTIN, CALIFORNIA		
FRACTIONS	DEC ANGLES			
±	± ±	SCHEMATIC DC 231A SMD CONTROLLER		
APPROVALS	DATE			
DRAWN		SCALE	SIZE	DRAWING NO.
CHECKED			B	75000869
DO NOT SCALE DRAWING			SHEET 30 OF 31	

5 DEVICE ADDRESS
STD ADDR 776700₈

ADDR BIT	ADDR RANGE	E JUMPERS	STD ADDR	INSTALLED JUMPERS
17				
16				
15				
14				
13				
12	0/1	43-44		
11	0/1	49-50		
10	0/1	51-52		
9	0/1	47-48	0	X *
8	0/1	45-46		
7	0/1	53-54		
6	0/1	55-56		
5	0/1	19-20	0	X *
4	0/1		X	
3	X		X	
2	X		X	
1	X		X	
0	X		X	

INSTALL JUMPERS FOR "0'S" IN DESIRED ADDR
* STANDARD CONFIGURATION IN ETCH.

6 WORDS TRANSFERRED PER NPR

MODE	JUMPERS	SECTORS TRANSFRD WITHOUT ROTATIONAL DELAY (NOM.)	
		WRITE	READ
1 WORD	E81 - E82	14	14
2 WORDS	E41 - E42	38	38
4 WORDS *	E31 - E38	160	160
8 WORDS	E40 - E39	160	160
HOG (256)	NONE	160	160

REMOVE ALL OTHER JUMPERS EXCEPT THE ONE INDICATED
* STANDARD

7 INTERRUPT PRIORITY LEVEL

BR4	BR5 *	BR6	BR7
E59 - E60	E59 - E61	E59 - E62	E59 - E63
E64 - E67	E68 - E69	E71 - E69	E73 - E69
E65 - E67	E66 - E67	E70 - E67	E72 - E67
E66 - E68	E64 - E65	E64 - E65	E64 - E65
E70 - E71	E70 - E71	E66 - E68	E66 - E68
E72 - E73	E72 - E73	E72 - E73	E70 - E71

* STANDARD CONFIGURATION IN ETCH

REVISIONS			
LTR	DESCRIPTION	DATE	APPROVED

8 INTERRUPT VECTOR
STD VECTOR 254₈


VCTR BIT	E JUMPERS	STD VCTR	INSTALLED JUMPERS
7	27-28		
6	29-30	0	X *
5	25-26		
4	23-24	0	X *
3	21-22		
2	31-32		
1		0	
0		0	

INSTALL JUMPERS FOR "0'S" IN DESIRED VECTOR
* STANDARD CONFIGURATION IN ETCH

10 DRIVE CAPACITY RMO2

DRIVE SIZE	E JUMPERS	CUT ETCH BETWEEN
40 MB	E4 - E5	E2 - E3
80 MB	E2 - E3 E4 - E5	
160 MB	E2 - E3	E4 - E5
300 MB	NONE	E2 - E3 E4 - E5

* STANDARD CONFIGURATION IN ETCH

TOLERANCES UNLESS OTHERWISE SPECIFIED FRACTIONS DEC. ANGLES * * *		 western peripherals™ TUSTIN, CALIFORNIA	
APPROVALS DATE 3-23-81			
SCALE SIZE B		DRAWING NO. 75000869	
DO NOT SCALE DRAWING		SHEET 31 OF 31	

REWORK INSTRUCTIONS

REVISIONS			
LTR	DESCRIPTION	DATE	APPROVED
A	PROD. REL.	10-2-81	<i>EM</i>
AI	ADD RES. P/N TO C-5&6	11-17-81	<i>EM</i>

A. REMOVE THE FOLLOWING COMPONENTS:

1. 16A (MC3450)
2. RN5 (82Ω SIP)
3. CONN J (26 PIN 3M)

B. LIFT THE FOLLOWING I.C. PINS:


1. 14B-18
2. 13B-18
3. 15A-10
4. 15A-11
5. 15A-12

C. ADD THE FOLLOWING JUMPERS:

1. 27E-10 TO LIFTED I.C. PIN AT 15A-10
2. 27E-11 TO 26E-15
3. 15A-11 TO RN6-3
4. 15A-12 TO RN6-2
5. 1K RESISTOR (P/N P14000467) FROM 14B-20 TO 14B-18
6. 1K RESISTOR (P/N P14000467) FROM 13B-20 TO 13B-18
7. RN6-2 TO H30
8. RN6-3 TO H60

REF ASSY.: 60000882

NOV 17 1981

TOLERANCES UNLESS OTHERWISE SPECIFIED: FRACTIONS DEC. ANGLES = / ± / = / = /		 western peripherals™ TUSTIN, CALIFORNIA	
APPROVALS		CONFIGURATION "BD" DC231 - BALL 160MB DR.	
DATE	SCALE	SIZE	DRAWING NO.
<i>WOOD</i> 10-2-81	~	A	79000907
CHECKED <i>Harris</i>	11-10-81		
<i>EM</i>	11-10-81		
DO NOT SCALE DRAWING			SHEET 1 OF 1


REVISIONS			
LTR	DESCRIPTION	DATE	APPROVED
A	RELEASED	3-22-82	<i>J. Sullivan</i>

PURPOSE:

This configuration provides the capability to run SMD drives consisting of 589 cylinders and 7 heads with a DC231A controller.

1. Rework DC231A Assembly P60000965 as follows:
 - a. Replace PROM in Location 6C with PROM P17021437.
 - b. Identify the assembly by marking "CONF A" on it using a contrasting ink.

MAR 26 1982

TOLERANCES UNLESS OTHERWISE SPECIFIED FRACTIONS DEC. ANGLES \pm \pm \pm		 western peripherals ™ TUSTIN, CALIFORNIA	
APPROVALS DRAWN <i>L. Crawford</i>		Modification Drawing - DC231A CONFIGURATION "A"	
CHECKED 		DATE 3-22-82	DRAWING NO. P79001053
		SCALE 	SIZE A
DO NOT SCALE DRAWING			SHEET 1 of 1


REVISIONS			
LTR	DESCRIPTION	DATE	APPROVED
A	RELEASED	3-24-82	<i>[Signature]</i>

PURPOSE:

This configuration provides the capability to run with RM05 configured SMD drives with a DC231A controller.

1. Rework DC231A Assembly P60000965 as follows:
 - a. Replace PROM in Location 6C with PROM P17021452.
 - b. Identify the assembly by marking "CONF B" on it using a contrasting ink.

MAR 26 1982

TOLERANCES UNLESS OTHERWISE SPECIFIED FRACTIONS DEC. ANGLES \pm \pm \pm		 western peripherals™ TUSTIN, CALIFORNIA		
APPROVALS DATE <i>L. Crawford</i> 3-22-82		Modification Drawing - / DC231A CONFIGURATION "B"		
DRAWN <i>L. Crawford</i>				
CHECKED		SCALE	SIZE A	DRAWING NO. P79.001061
DO NOT SCALE DRAWING			SHEET 1 of 1	


REVISIONS			
LTR	DESCRIPTION	DATE	APPROVED
A	RELEASED	3-24-82	<i>D. Sudman</i>

PURPOSE:

This configuration provides the capability to run SMD drives consisting of 561 cylinders and 3 heads with a DC231A controller.

1. Rework DC231A Assembly P60000965 as follows:
 - a. Replace PROM in Location 6C with PROM P17021478.
 - b. Identify the assembly by marking "CONF C" on it using a contrasting ink.

MAR 26 1982

TOLERANCES UNLESS OTHERWISE SPECIFIED FRACTIONS DEC. ANGLES \pm \pm \pm			 western peripherals ™ TUSTIN, CALIFORNIA		
APPROVALS		DATE	Modification Drawing - DC231A CONFIGURATION "C"		
<i>L. Crawford</i>		<i>3-22-82</i>			
CHECKED			SCALE	SIZE	DRAWING NO.
				A	P79001079
DO NOT SCALE DRAWING				SHEET 1 of 1	


REVISIONS			
LTR	DESCRIPTION	DATE	APPROVED
A	RELEASED	3-24-82	<i>[Signature]</i>

PURPOSE:

This configuration provides the capability to run SMD drives consisting of 1124 cylinders and 30 heads with a DC231A controller.

1. Rework DC231A Assembly P60000965 as follows:
 - a. Replace PROM in Location 6C with PROM P17021494.
 - b. Identify the assembly by marking "CONF D" on it using a contrasting ink.

MAR 26 1982

TOLERANCES UNLESS OTHERWISE SPECIFIED FRACTIONS DEC. ANGLES \pm \pm \pm		 western peripherals ™ TUSTIN, CALIFORNIA	
APPROVALS DATE <i>L. Crawford</i> 3-22-82		Modification Drawing - DC231A CONFIGURATION "D"	
CHECKED		SCALE	SIZE DRAWING NO. A P79001087
		DO NOT SCALE DRAWING SHEET 1 of 1	


REVISIONS			
LTR	DESCRIPTION	DATE	APPROVED
A	RELEASED	3-27-82	<i>[Signature]</i>

PURPOSE:

This configuration provides the capability to run SMD drives consisting of 1024 cylinders and 3 heads with a DC231A controller.

1. Rework DC231A Assembly P60000965 as follows:
 - a. Replace PROM in Location 6C with PROM P17021510.
 - b. Identify the assembly by marking "CONF E" on it using a contrasting ink.

MAR 26 1982

TOLERANCES UNLESS OTHERWISE SPECIFIED FRACTIONS DEC. ANGLES \pm \pm \pm		 western peripherals™ TUSTIN, CALIFORNIA	
APPROVALS DATE DRAWN <i>L. Crawford</i> <i>3-27-82</i> CHECKED		Modification Drawing - DC231A CONFIGURATION "E"	
		SCALE	SIZE A
		DRAWING NO. P79001095	
DO NOT SCALE DRAWING			SHEET 1 of 1


REVISIONS			
LTR	DESCRIPTION	DATE	APPROVED
A	RELEASED	3-24-82	<i>[Signature]</i>

PURPOSE:

This configuration provides the capability to run with RM05 configured SMD drives with a DC231 Controller.

1. Rework DC231 Assembly P60000882 as follows:
 - a. Replace PROM in Location 9C with PROM P17021536.
 - b. Identify the assembly by marking "CONF C" on it using a contrasting ink.

MAR 26 1982

TOLERANCES UNLESS OTHERWISE SPECIFIED FRACTIONS DEC. ANGLES \pm \pm \pm		 western peripherals™ TUSTIN, CALIFORNIA	
APPROVALS DATE DRAWN <i>L. Crawford</i> 3-24-82 CHECKED		Modification Drawing - DC231 CONFIGURATION "C"	
		SCALE	SIZE A
		DRAWING NO. P79001152	
DO NOT SCALE DRAWING			SHEET 1 of 1

REVISIONS			
LTR	DESCRIPTION	DATE	APPROVED
A	RELEASED	6/30/82	WLD

PURPOSE:

This Configuration provides the capability to run a 160 MByte SMD Drive as two 80 MByte SMD Drives with a DC231A SMD Controller.


1. Rework DC231A Assembly P60000965 as follows:

a. Replace PROMs in Location 2C through 9C with the following PROMs (PROM Set P18000497):

P17021734	2C
P17021742	3C
P17021759	4C
P17021767	5C
P17021775	6C
P17021783	7C
P17021791	8C
P17021809	9C

b. Identify the assembly by marking "CONF H" on it using a contrasting ink.

JUL 09 1982

TOLERANCES UNLESS OTHERWISE SPECIFIED FRACTIONS DEC. ANGLES ± ± ±		 western peripherals ™ TUSTIN, CALIFORNIA							
<table border="1"> <thead> <tr> <th>APPROVALS</th> <th>DATE</th> </tr> </thead> <tbody> <tr> <td>DRAWN <i>L. Crawford</i></td> <td><i>6/30/82</i></td> </tr> <tr> <td>CHECKED <i>W. Leaman</i></td> <td><i>6/30/82</i></td> </tr> </tbody> </table>		APPROVALS	DATE	DRAWN <i>L. Crawford</i>	<i>6/30/82</i>	CHECKED <i>W. Leaman</i>	<i>6/30/82</i>	MODIFICATION DRAWING - DC231A CONFIGURATION "H"	
APPROVALS	DATE								
DRAWN <i>L. Crawford</i>	<i>6/30/82</i>								
CHECKED <i>W. Leaman</i>	<i>6/30/82</i>								
		SCALE	<table border="1"> <thead> <tr> <th>SIZE</th> <th>DRAWING NO.</th> </tr> </thead> <tbody> <tr> <td style="text-align: center; font-size: 2em;">A</td> <td>79001327</td> </tr> </tbody> </table>	SIZE	DRAWING NO.	A	79001327		
SIZE	DRAWING NO.								
A	79001327								
		DO NOT SCALE DRAWING							
		SHEET 1 OF 1							

06/30/82 BILL OF MATERIAL TOP LEVEL ASSEMBLY LIST
ASSEMBLY NO. P79001327 REVISION A

PAGE 1
DESC: MOD DC231A CONFIGURATION H

SEQ	PART NUMBER	DESCRIPTION	CON	QTY	HRS	SUB	REV	L	LOCATION	EFF DATE
000	LSC	NO INVENTORY ITEM		1		.0				06/30/82
001	P13000497	PRST DC231A (160/2-80)		1		.0	S			06/30/82


REVISIONS			
LTR	DESCRIPTION	DATE	APPROVED
A	RELEASED	8-9-82	<i>[Signature]</i>

PURPOSE:

This configuration provides the capability to run SMD drives consisting of 815 cylinders and 19 heads with a DC231-A controller.

1. Rework DC231-A Assembly P60000965 as follows:
 - a. Replace PROM in Location 6C with PROM P17022047.
 - b. Identify the assembly by marking "CONF J" on it using a contrasting ink.

AUG 10 1982

TOLERANCES UNLESS OTHERWISE SPECIFIED FRACTIONS DEC. ANGLES ± ± ±		 western peripherals ™ TUSTIN, CALIFORNIA									
<table border="1"> <tr> <th>APPROVALS</th> <th>DATE</th> </tr> <tr> <td><i>[Signature]</i></td> <td><i>[Signature]</i></td> </tr> <tr> <td>CHECKED</td> <td></td> </tr> <tr> <td></td> <td></td> </tr> </table>		APPROVALS	DATE	<i>[Signature]</i>	<i>[Signature]</i>	CHECKED				Modification Drawing - DC231-A CONFIGURATION "J"	
APPROVALS	DATE										
<i>[Signature]</i>	<i>[Signature]</i>										
CHECKED											
		SCALE	SIZE A								
		DRAWING NO. P79001384									
DO NOT SCALE DRAWING			SHEET								


REVISIONS			
LTR	DESCRIPTION	DATE	APPROVED
A	RELEASED	9-30-82	<i>[Signature]</i>

PURPOSE:

This configuration provides operation on RP06 Drives.

1. Rework DC231A, Assembly P60000965 as follows:
 - a. Remove all PROMS at location 2C through 9C and install PROM set P18000547 at their respective locations.
 - b. After rework, identify PCB Assembly as Configuration "M"

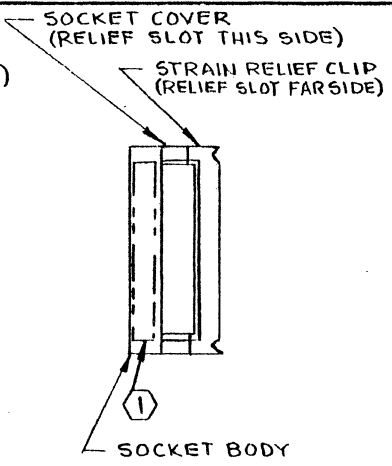
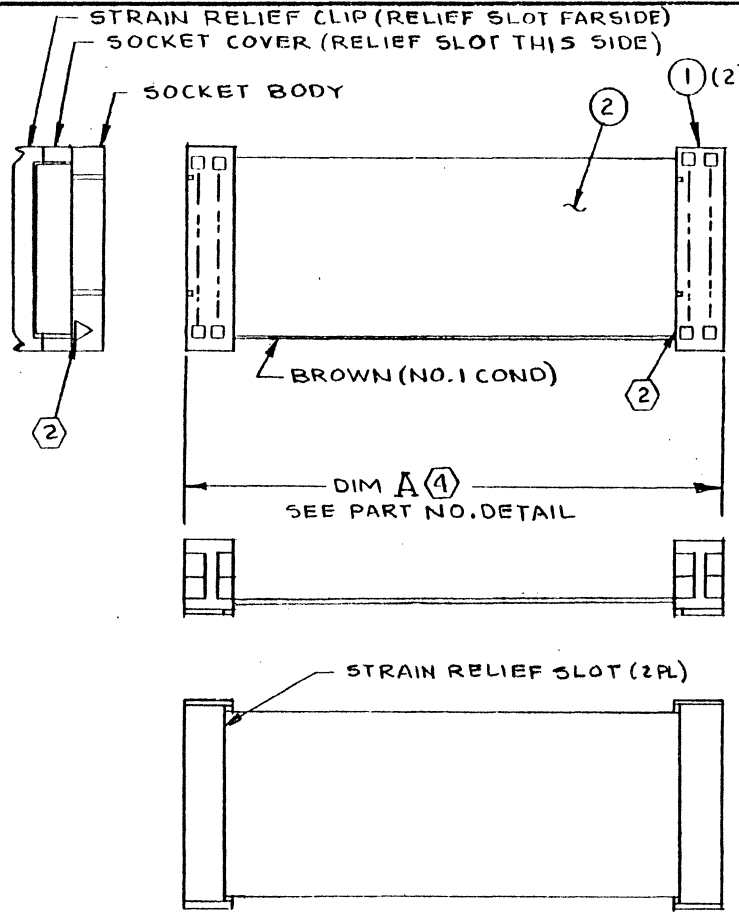
SEP 30 1982

TOLERANCES UNLESS OTHERWISE SPECIFIED FRACTIONS DEC. ANGLES \pm \pm \pm		 WESPERLINE™ <small>Division of WESPERCORP ANAHEIM, CALIFORNIA</small>	
APPROVALS DATE DRAWN <i>[Signature]</i> 9/30/82 CHECKED <i>[Signature]</i> 9/30/82		Modification Drawing - DC231A CONFIGURATION "M"	
		SCALE	SIZE A
		DRAWING NO. P79001483	
DO NOT SCALE DRAWING			SHEET

APPENDIX A
SMD CABLES

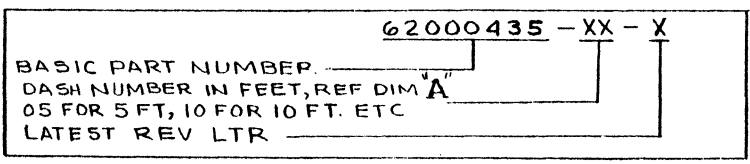
TABLE OF CONTENTS

TITLE	DRAWING NO.
Assembly - Cable, DC231 "A"	62000435
Assembly - Cable, DC231 "B"	62000443
Assembly - Cable, DC231 "A" Memorex	62000468
Assembly - Cable, DC231 "B" Memorex	62000476
Assembly - Cable, DC231 "A" CDC Drive	62000492
Assembly - Cable, DC231 "B" CDC Drive	62000500
Assembly - Cable, DC231 "A" Daisy Chain/Memorex	62000534
Assembly - Cable, DC231 "A" Daisy Chain/CDC	62000542



REVISIONS			
LTR	DESCRIPTION	DATE	APPROVED
A	REL FOR PRODUCTION	1-28-81	2-9-81

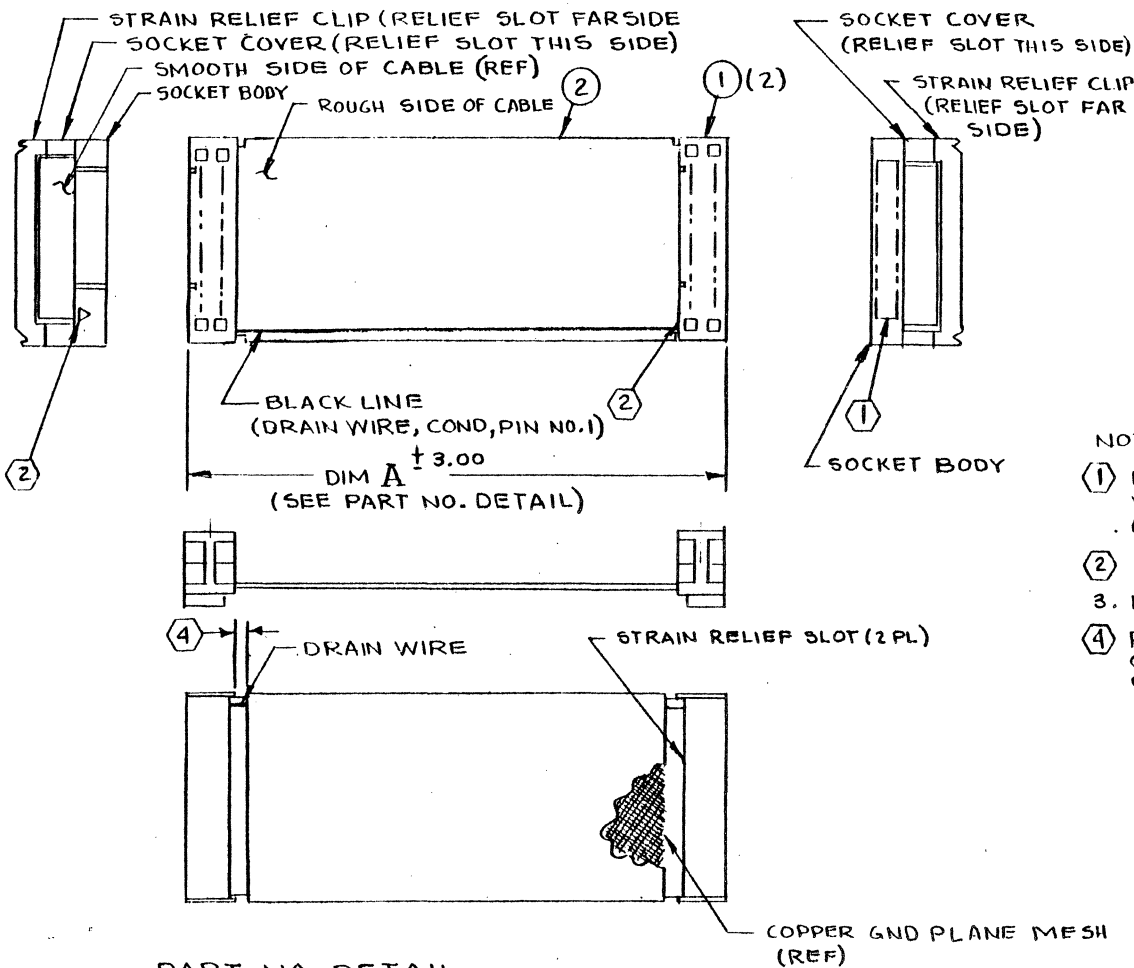
PART NO. DETAIL



- NOTE: UNLESS OTHERWISE SPECIFIED:
- ① MARK PART NO, DASH NO. AND LATEST REV LTR. WHERE SHOWN USING CONTRASTING INK (SEE PART NO. DETAIL).
 - ② TRIANGLE INDICATES PIN NO. 1.
 - 3. FOR MATERIAL SEE B/M 62000435
 - ④ DIM "A" PLUS CABLE REQUIRED TO CUT AT NEXT FLAT SECTION (UN-TWISTED AREA APPROX 20.00 CENT/CENT).

FEB 04 1981

TOLERANCES UNLESS OTHERWISE SPECIFIED		western peripherals™ TUSTIN, CALIFORNIA	
FRACTIONS	DEC		
+ /	+ /	+ /	
APPROVALS	DATE	ASSY- CABLE, DC 231 "A"	
DRAWN CORUM	1-28-81	SCALE	DRAWING NO.
CHECKED HARRIS	2-3-81	NO SCALE	B 62000435
		DO NOT SCALE DRAWING	SHEET 1 OF 1



REVISIONS			
LTR	DESCRIPTION	DATE	APPROVED
A	REL FOR PRODUCTION	2-4-81	[Signature]

- NOTE: UNLESS OTHERWISE SPECIFIED:
- ① MARK PART NO. DASH NO. AND LATEST REV LTR WHERE SHOWN USING CONTRASTING INK, (SEE PART NO. DETAIL).
 - ② TRIANGLE INDICATES PIN NUMBER 1.
 - 3. FOR MATERIAL SEE B/M 62000443
 - ④ RELIEVE GROUND PLANE MESH AND EXCESS CABLE WIDTH AS SHOWN FOR INSERTION INTO CONN, DIM TO BE FLUSH TO .050 MAX. FROM SURFACE OF CONN.

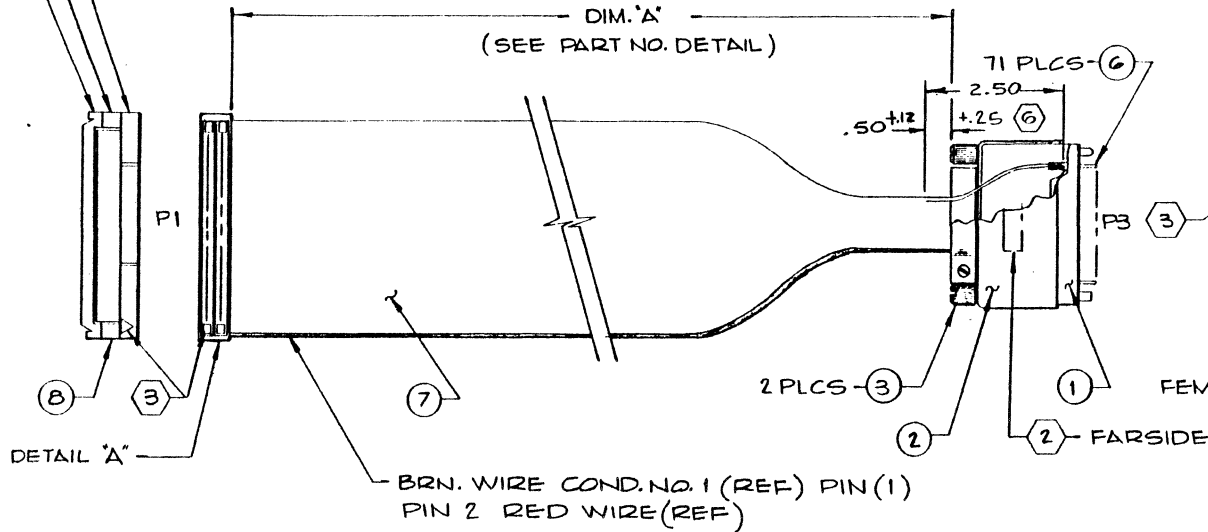
PART NO. DETAIL

62000443-XX-X
 BASIC PART NUMBER _____
 DASH NUMBER IN FEET, REF DIM "A", _____
 OS FOR 5 FT; 10 FOR 10 FT, ETC _____
 LATEST REV LTR _____

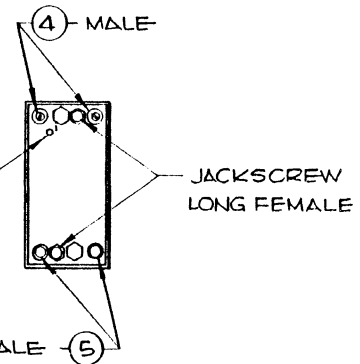
FEB 04 1981

TOLERANCES UNLESS OTHERWISE SPECIFIED FRACTIONS DEC ANGLES ± / ° / ± / °		western peripherals™ TUSTIN, CALIFORNIA	
APPROVALS	DATE	ASSY- CABLE, DC 231 "B"	
DRAWN C.D.R.	1-28-81	SCALE	SIZE
CHECKED H.R.P.	2-5-81	NO SCALE	B
		DRAWING NO.	62000443
DO NOT SCALE DRAWING			SHEET 1 OF 1

STRAIN RELIEF CLIP (RELIEF SLOT FAR SIDE) REF
 SOCKET COVER (RELIEF SLOT THIS SIDE) REF
 SOCKET BODY (REF)



REVISIONS			
LTR	DESCRIPTION	DATE	APPROVED
A	REL. FOR PRODUCTION	3-25-81	<i>[Signature]</i>
B	REVISED PER E.C.O. #355	7-9-81	<i>[Signature]</i>



DETAIL A
 CONTACT NUMBERING TO BE AS SHOWN ON P1

SEE DETAIL "A"

BRN. WIRE COND. NO. 1 (REF) PIN (1)
 PIN 2 RED WIRE (REF)

PART NUMBER DETAIL

BASIC PART NUMBER 62000468 -XX-X
 DASH NUMBER IN FEET. (REF DIM 'A') OF 5 FT, 10 FOR 10 FT, ETC.
 LATEST REV. LTR. _____

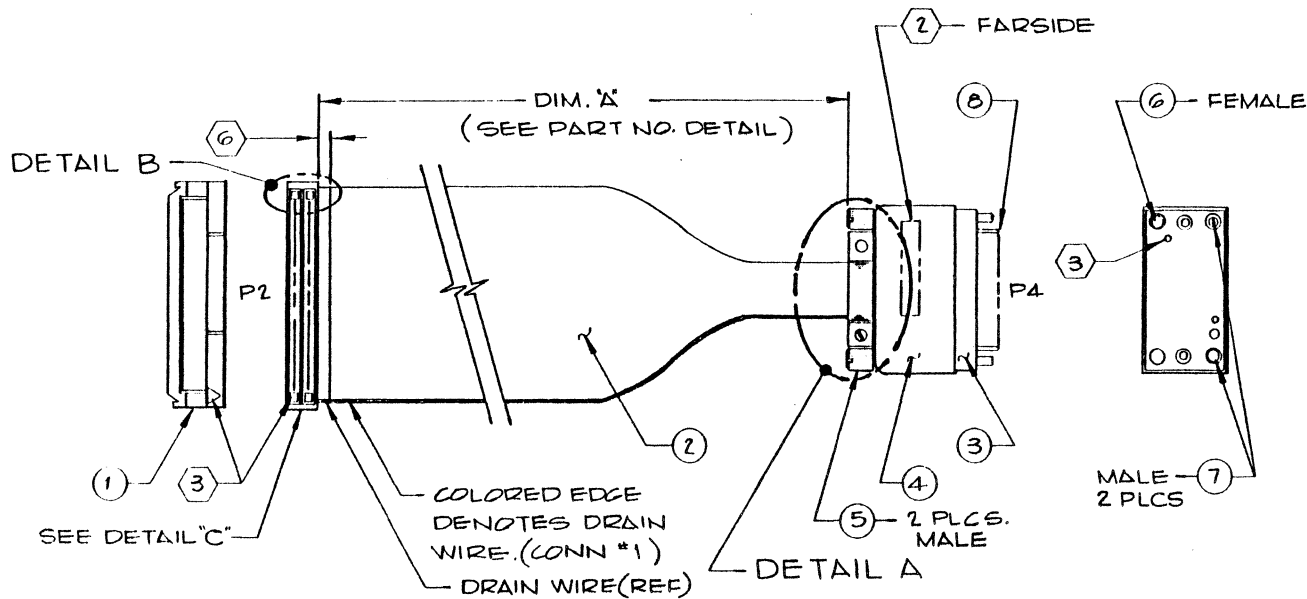
JUL 10 1981

NOTES: UNLESS OTHERWISE SPECIFIED.

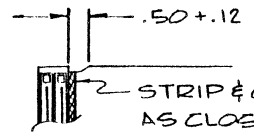
1. WIRE PER W/L 62000468.
2. MARK PART NO., DASH NO. AND LATEST REV. LTR. WHERE SHOWN USING PERMANENT CONTRASTING INK. (SEE PART NO. DETAIL.)
3. INDICATES PIN NO. 1
4. FOR MATL. SEE B/M 62000468.
5. TERMINATE CONNECTOR P1 IN FLAT SECTION OF CABLE.
6. SEPARATE WIRE 2.50 +.25 FROM END OF CABLE AT P3.

TOLERANCES UNLESS OTHERWISE SPECIFIED FRACTIONS DEC ANGLES ± / + / ± /		western peripherals™ TUSTIN, CALIFORNIA	
APPROVALS DRAWN <i>G. Wood</i> CHECKED <i>J. Harris</i>		DATE 3-25-81 4-7-81 7-1-81	
ASSY.- CABLE A DC231 / MEMOREX		SCALE NO SCALE	SIZE B
DRAWING NO. PG2000468		DO NOT SCALE DRAWING	
		SHEET 1 of 1	

REVISIONS			
LTR	DESCRIPTION	DATE	APPROVED
A	REL. FOR PRODUCTION	3-30-81	<i>[Signature]</i>
B	REVISED PER E.C.O. # 955	7-8-81	<i>[Signature]</i>



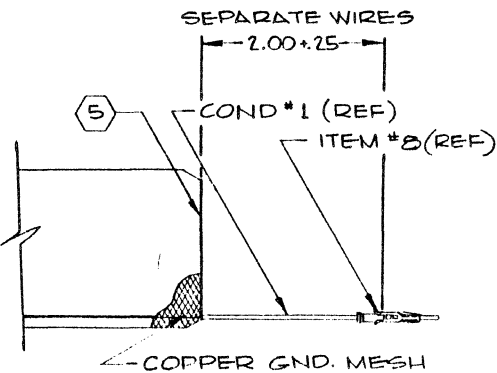
DETAIL C
CONTACT NUMERING
TO BE AS SHOWN
ON P2.



DETAIL B

NOTES: UNLESS OTHERWISE SPECIFIED.

1. WIRE PER W/L G2000476.
2. MARK PART NO., DASH NO., AND LATEST REV. LTR. WHERE SHOWN USING PERMANENT CONTRASTING INK. (SEE PART NO. DETAIL.)
3. INDICATES PIN NO. 1.
4. FOR MAT'L. SEE B/M G2000476.
5. SEPARATE & APPLY PINS TO CONDUCTORS, ALSO CUT & REMOVE WIRE END. MESH APPROX 2.00" (REF) FROM END OF CABLE.
6. RELIEVE END. PLANE MESH .050 MAX. FROM SURFACE OF CONN. EXPOSING DRAIN WIRE, CONNECT DRAIN WIRE TO PIN. # 1.



DETAIL A
NO SCALE

PART NUMBER DETAIL

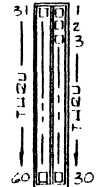
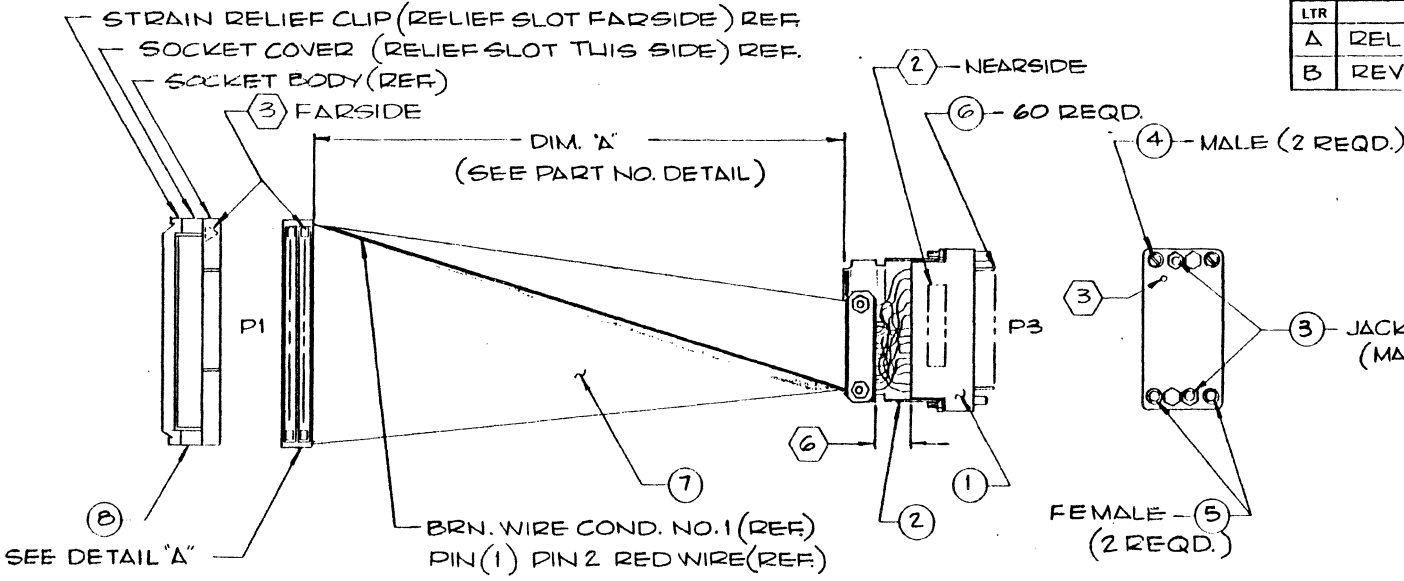
G2000476-XX-X	
BASIC PART NUMBER	_____
DASH NUMBER IN FEET, (REF DIM. 'A') OF	_____
FOR 5FT, 10 FOR 10FT ETC.	_____
LATEST REV. LTR.	_____

TOLERANCES UNLESS OTHERWISE SPECIFIED	
FRACTIONS	DEC
* / ± / *	° /
APPROVALS	DATE
DRAWN <i>G. N. COO</i>	3-30-81
CHECKED <i>[Signature]</i>	4-7-81
<i>[Signature]</i>	1-2-81

western peripherals™ TUSTIN, CALIFORNIA	
ASSY. - CABLE B	
DC 231 / MEMOREX	
SCALE NO SCALE	SIZE B
DRAWING NO. P62000476	
DO NOT SCALE DRAWING	
SHEET 1 OF 1	

JUL 10 1981

REVISIONS			
LTR	DESCRIPTION	DATE	APPROVED
A	REL. FOR PRODUCTION	4-17-81	<i>RM</i>
B	REVISED PER E.C.O.#956	7-9-81	<i>RM</i>



DETAIL A
CONTACT NUMBERING TO BE AS SHOWN ON P1.

NOTES: UNLESS OTHERWISE SPECIFIED.

1. WIRE PER W/L 62000492.
- (2) MARK PART NO., DASH NO. AND LATEST REV. LTR. WHERE SHOWN USING PERMANENT CONTRASTING INK. (SEE PART NO. DETAIL)
- (3) INDICATES PIN NO. 1
4. FOR MATL. SEE B/M 62000492.
5. TERMINATE CONNECTOR P1 IN FLAT SECTION OF CABLE.
- (6) SEPARATE WIRE 2.00 ± .25 FROM END OF CABLE AT P3.

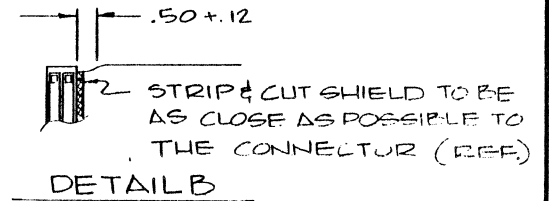
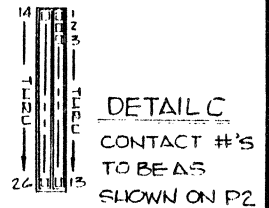
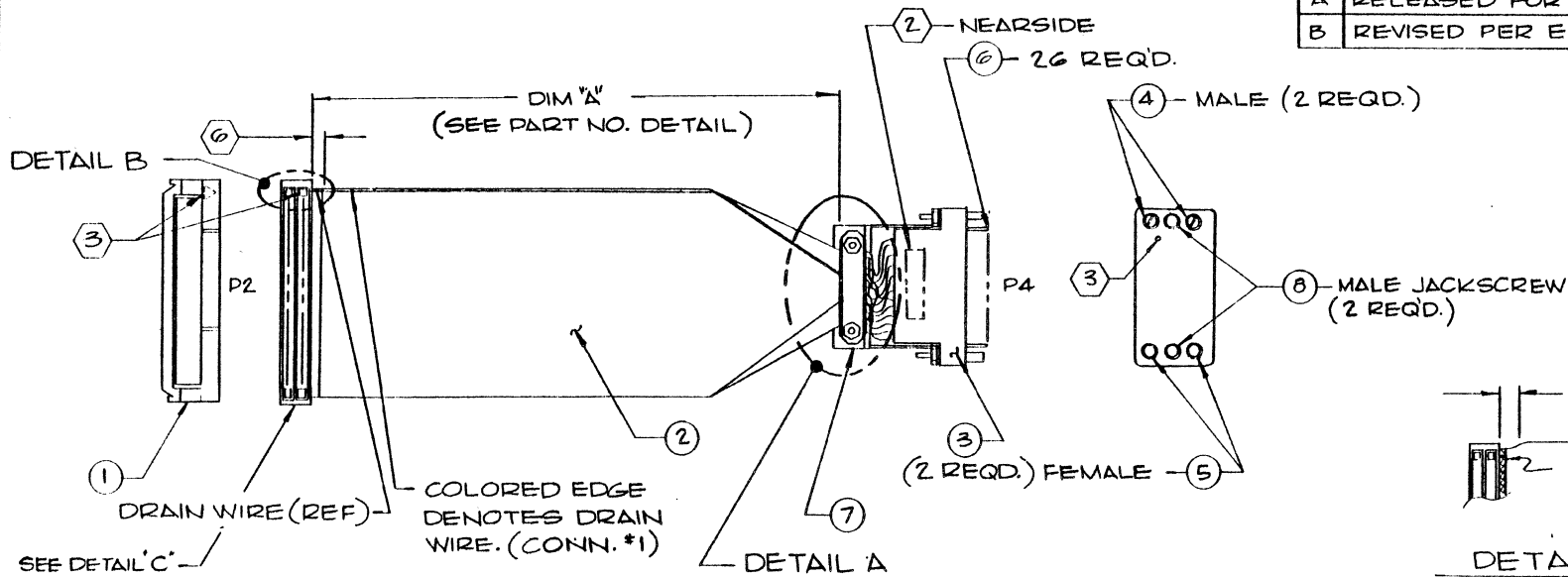
PART NUMBER DETAIL

BASIC PART NUMBER 62000492-XX-X
 DASH NUMBER IN FEET, (RET. DIM. "A") 05
 FOR 5 FT., 10 FOR 10 FT. ETC.
 LATEST REV. LTR. _____

JUL 10 1981

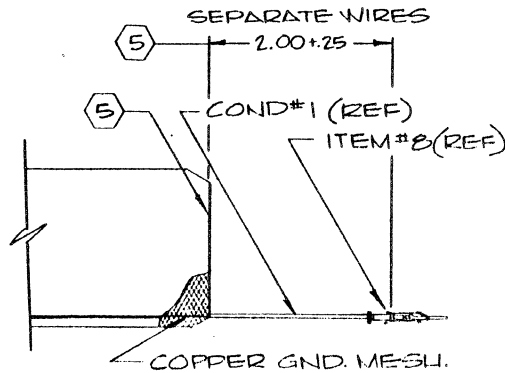
TOLERANCES UNLESS OTHERWISE SPECIFIED FRACTIONS DEC. ANGLES ± / ± / ± /		western peripherals™ TUSTIN, CALIFORNIA	
APPROVALS	DATE		
DRAWN <i>S. NORD</i>	4-17-81	SCALE	SIZE B
CHECKED <i>RM</i>	4-20-81	NO SCALE	DRAWING NO. 62000492
	7-20-81		DO NOT SCALE DRAWING
			SHEET 1 OF 1

REVISIONS			
LTR	DESCRIPTION	DATE	APPROVED
A	RELEASED FOR PRODUCTION	4-20-81	RMI
B	REVISED PER E.C.O. #956	7-9-81	



NOTES: UNLESS OTHERWISE SPECIFIED.

1. WIRE PER W/L 62000500.
2. MARK PART NO., DASH NO., AND LATEST REV. LTR. WHERE SHOWN USING PERMANENT CONTRASTING INK. (SEE PART NO. DETAIL.)
3. INDICATES PIN NO. 1.
4. FOR MAT'L. SEE B/M 62000500.
5. SEPERATE & APPLY PINS TO CONDUCTORS, ALSO CUT & REMOVE WIRE GND. MESH APPROX. 2.00" (REF) FROM END OF CABLE.
6. RELIEVE GND. PLANE MESH .050 MAX. FROM SURFACE OF CONN. EXPOSING DRAIN WIRE, CONNECT DRAIN WIRE TO PIN #1.



--- PART NUMBER DETAIL ---

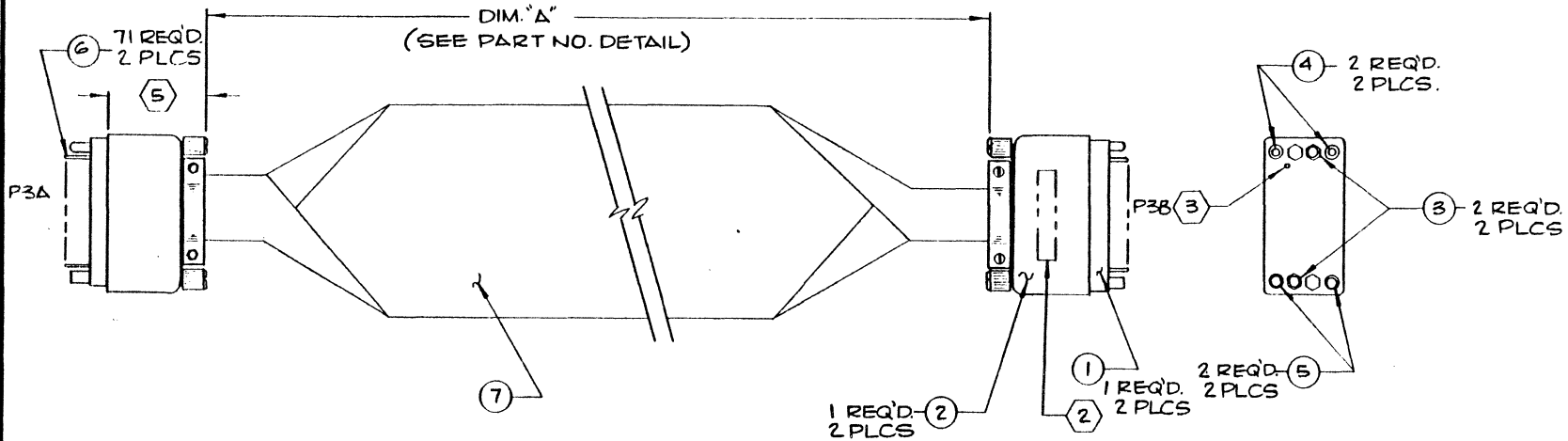
BASIC PART NUMBER 62000500 - XX - X
 DASH NUMBER IN FEET (REF DIM 'A') OF _____
 FOR 8FT., 10 FOR 10FT., ETC.
 LATEST REV. LTR. _____

TOLERANCES UNLESS OTHERWISE SPECIFIED	
FRACTIONS	DEC ANGLES
± / ± / ±	± / ± / ±
APPROVALS	DATE
DRAWN G. VANDERBEEK	4-20-81
CHECKED RMI	4-20-81
	4-20-81

 western peripherals™ TUSTIN, CALIFORNIA			
ASSY. - CABLE B DC231 / CDC DRIVE			
SCALE NO SCALE	SIZE B	DRAWING NO. 62000500	
DO NOT SCALE DRAWING			SHEET 1 OF 1

JUL 10 1981

REVISIONS			
LTR	DESCRIPTION	DATE	APPROVED
A	REL. FOR PRODUCTION	7-9-81	12/1/81



PART NUMBER DETAIL

BASIC PART NUMBER 62000534 - XX - X
 DASH NO. IN FEET, (REF. DIM. "A") 05 FOR 5 FT, 10 FOR 10 FT., ETC.
 LATEST REV. LTR. _____

NOTES: UNLESS OTHERWISE SPECIFIED.

1. WIRE PER W/L 62000534.
- ② MARK PART NO., DASH NO. AND LATEST REV. LTR. WHERE SHOWN USING PERMANENT CONTRASTING INK. (SEE PART NO. DETAIL)
- ③ INDICATES PIN NO. 1
4. FOR MAT'L. SEE B/M 62000534.
- ⑤ SEPARATE WIRE 2.50 + .25 FROM END OF CABLE AT P3A & P3B

JUL 14 1981

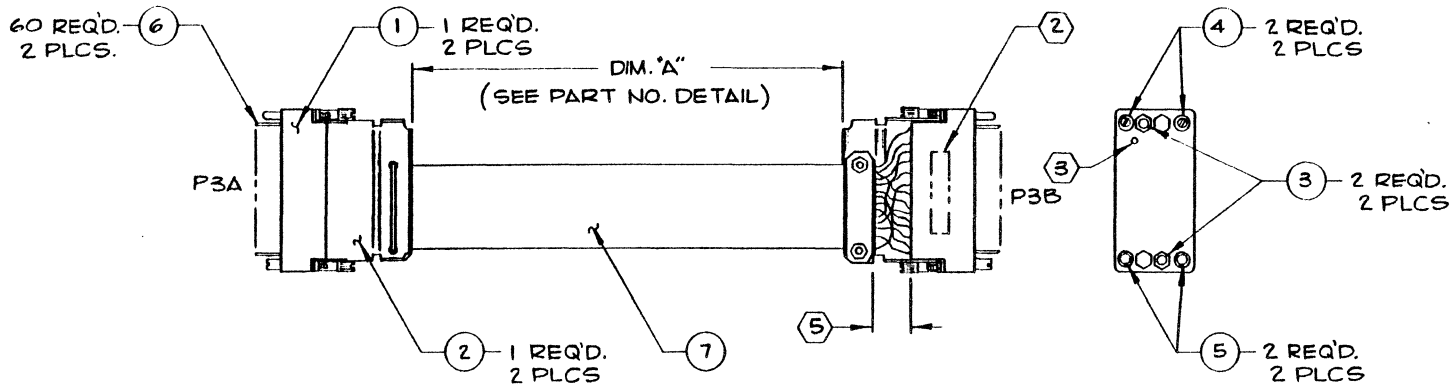
TOLERANCES UNLESS OTHERWISE SPECIFIED
 FRACTIONS DEC ANGLES
 ± / ± / ± /

western peripherals™
 TUSTIN, CALIFORNIA

APPROVALS	DATE
DRAWN	7-9-81
CHECKED	7-15-81

ASSY. - CABLE A	
DAISY CHAIN/MEMOREX	
SCALE	DRAWING NO.
B	62000534
DO NOT SCALE DRAWING	
SHEET 1 of 1	

REVISIONS			
LTR	DESCRIPTION	DATE	APPROVED
A	REL. FOR PRODUCTION	7-9-81	<i>AM</i>




JUL 14 1981

NOTES: UNLESS OTHERWISE SPECIFIED.

1. WIRE PER WIRE LIST 62000542.
2. MARK PART NO., DASH NO. AND LATEST REV. LTR. WHERE SHOWN USING PERMANENT CONTRASTING INK (SEE PART NO. DETAIL)
3. INDICATES PIN NO. 1
4. FOR MATL SEE B/M 62000542.
5. SEPARATE WIRE 2.00 ±.25 FROM ENDS OF CABLE AT P3A & P3B.

PART NUMBER DETAIL

62000542 - XX - X	
BASIC PART NUMBER	_____
DASH NUMBER IN FEET, (REF DIM. 'A') OS FOR 5 FT., 10 FOR 10 FT. ETC.	_____
LATEST REV. LTR.	_____

TOLERANCES UNLESS OTHERWISE SPECIFIED FRACTIONS DEC ANGLES ± ± ±		 western peripherals™ TUSTIN, CALIFORNIA	
APPROVALS		DATE	
DRAWN <i>G.V.C.U.D.</i>		7-9-81	
CHECKED <i>W.M.</i>		7-13-81	
SCALE		SIZE B	DRAWING NO. 62000542
DO NOT SCALE DRAWING			SHEET 1 OF 1