

TC-130 PDP-11

LOGIC MANUAL

PN, 130015



western peripherals

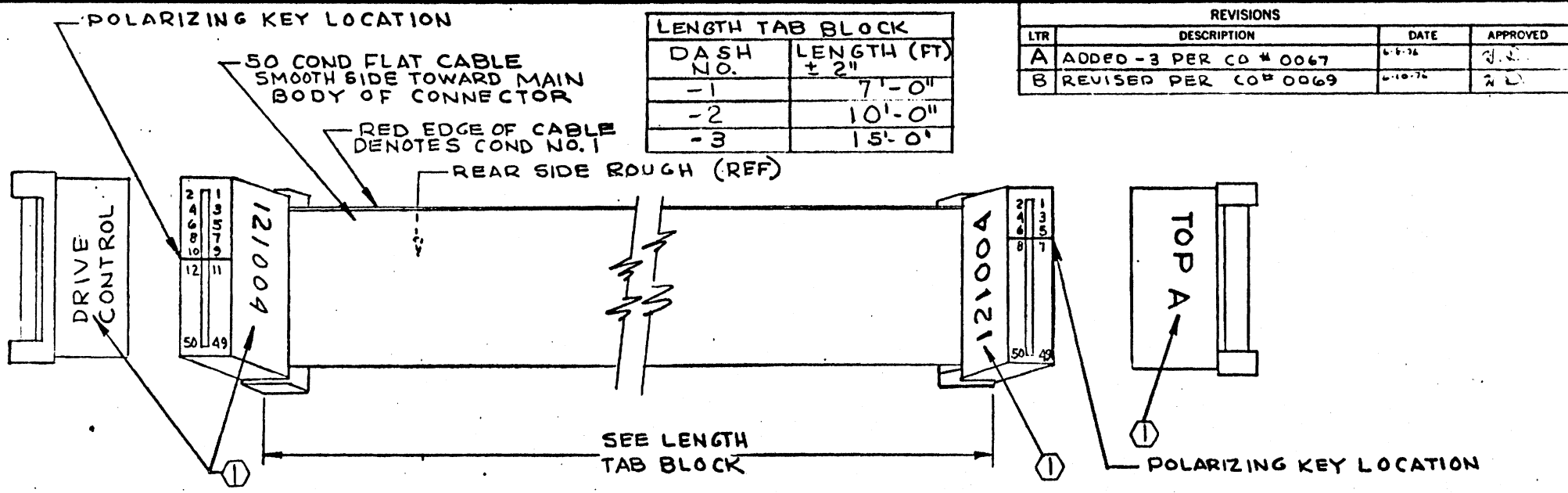
1100 CLAUDINA PLACE
ANAHEIM, CALIFORNIA 92805

TC-130 PDP-11

LOGIC MANUAL

PN. 130015

February 24, 1977



LENGTH TAB BLOCK	
DASH NO.	LENGTH (FT) ± 2"
-1	7'-0"
-2	10'-0"
-3	15'-0"

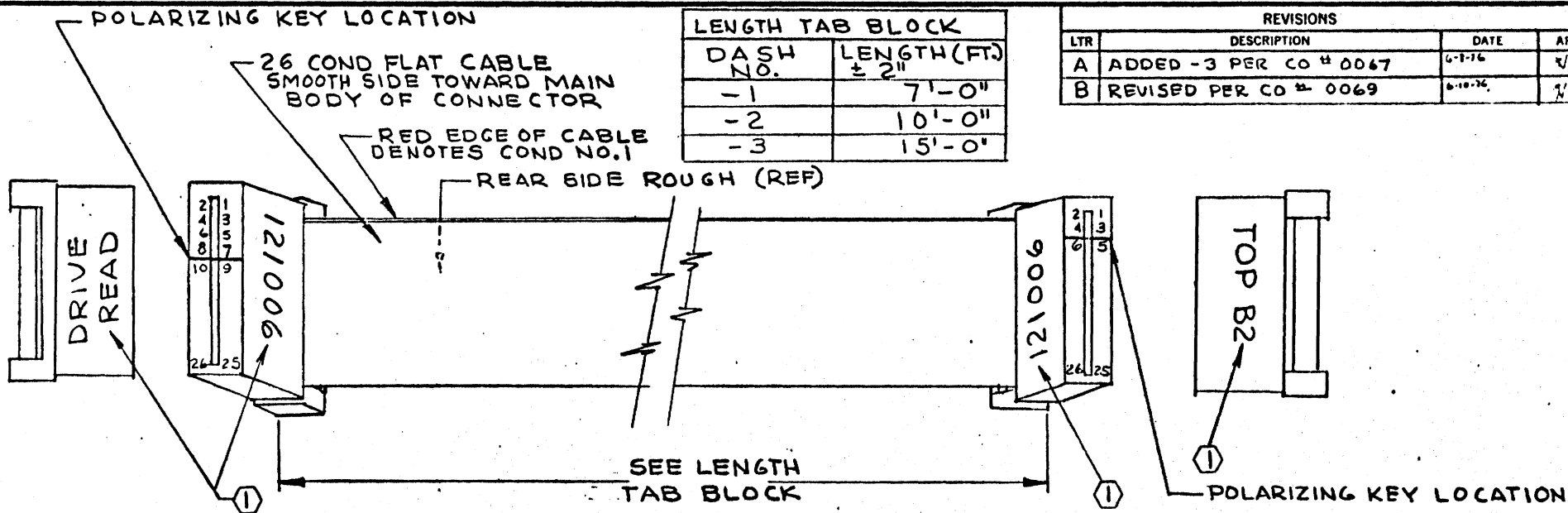
REVISIONS			
LTR	DESCRIPTION	DATE	APPROVED
A	ADDED -3 PER CO # 0067	6-5-76	J.L.
B	REVISED PER CO # 0069	6-10-76	J.L.

NOTES:

- ① RUBBER STAMP OR BLACK FELT PEN CHARACTERS AS SHOWN
- 2. ASSEMBLY:
 - USE 3M PRESS NO. 3440
 - USE LOCATOR PLATE NO. 3443-II
 - USE SETTING NO 9 OF GAUGE 3436-1
 - CUT CABLE USING SCOTCHFLEX CABLE SHEAR OR EQUIV.
 - SEAT CABLE INTO COVER USING SCOTCHFLEX TOOL NO. 3453, CHECK FOR ALIGNMENT
 - PLACE BODY ON LOCATOR PLATE
 - POSITION COVER AND CABLE OVER CONN BODY
 - LOWER HANDLE TO COMPLETE ASSY
 - REMOVE BY LIFTING ON CONNECTOR

FOR PARTS SEE PARTS LIST 121004

TOLERANCES UNLESS OTHERWISE SPECIFIED FRACTIONS DEC. ANGLES ± ± ±		 western peripherals ANAHEIM, CALIFORNIA	
APPROVALS		DATE	
DRAWN		6-1-76	
CHECKED		6-1-76	
SCALE		SIZE	DRAWING NO.
NONE		B	121004
DO NOT SCALE DRAWING			SHEET 1 OF 1



NOTES:

① RUBBER STAMP OR BLACK FELT PEN CHARACTERS AS SHOWN

2. ASSEMBLY:

USE 3M PRESS NO 3440

USE LOCATOR PLATE NO. 3443-11

USE SETTING NO. 9 OF GAUGE NO. 3436-1

CUT CABLE USING SCOTCHFLEX CABLE SHEAR OR EQUIV.

SEAT CABLE INTO COVER USING SCOTCHFLEX TOOL NO

3453, CHECK FOR ALIGNMENT


PLACE BODY ON LOCATOR PLATE

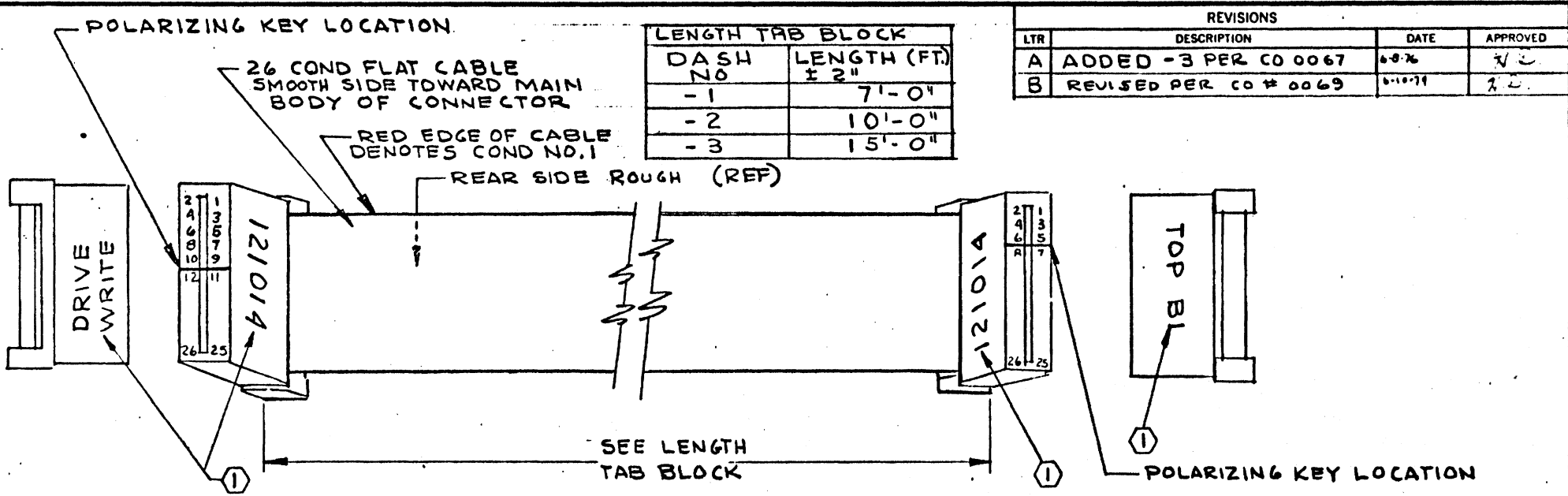
POSITION COVER AND CABLE OVER CONN BODY

LOWER HANDLE TO COMPLETE ASSY

REMOVE BY LIFTING ON CONNECTOR

FOR PARTS SEE PARTS LIST 121006

TOLERANCES UNLESS OTHERWISE SPECIFIED FRACTIONS DEC. ANGLES ± ± ±		 western peripherals <small>ANAHEIM, CALIFORNIA</small>	
ASSEMBLY CABLE, READ			
APPROVALS	DATE	SCALE	SIZE DRAWING NO.
DRAWN S. J. JONES	6-1-76	NONE	B 121006
CHECKED V.D.	6-1-76	DO NOT SCALE DRAWING	
			SHEET 1 OF 1



LENGTH TAB BLOCK	
DASH NO	LENGTH (FT.)
-1	7'-0"
-2	10'-0"
-3	15'-0"

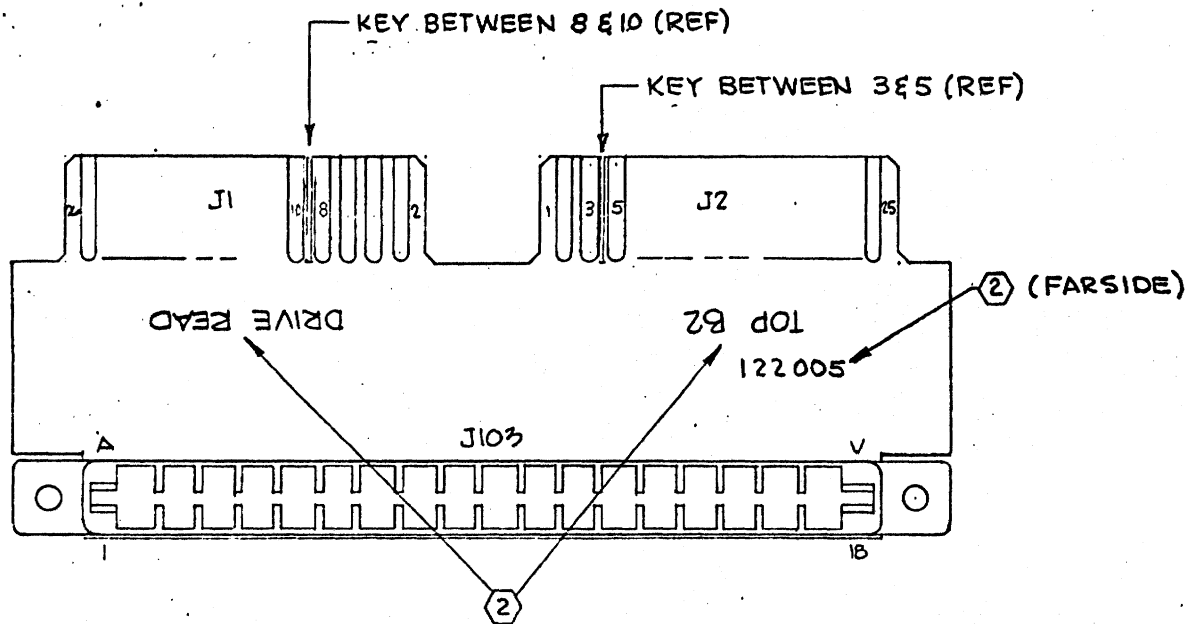
REVISIONS			
LTR	DESCRIPTION	DATE	APPROVED
A	ADDED -3 PER CO 0067	6-8-76	[Signature]
B	REVISED PER CO # 0069	6-11-76	[Signature]

- NOTES:
- RUBBER STAMP OR BLACK FELT PEN CHARACTERS AS SHOWN
 - ASSEMBLY:
 USE 3M PRESS NO. 3440.
 USE LOCATOR PLATE NO 3443-11
 USE SETTING NO 9 OF GAUGE 3436-1
 CUT CABLE USING SCOTCHFLEX CABLE SHEAR OR EQUIV.
 SEAT CABLE INTO COVER USING SCOTCHFLEX TOOL NO 3453, CHECK FOR ALIGNMENT
 PLACE BODY ON LOCATOR PLATE
 POSITION COVER AND CABLE OVER CONN BODY
 LOWER HANDLE TO COMPLETE ASSY
 REMOVE BY LIFTING ON CONNECTOR

FOR PARTS SEE PARTS LIST 121014


TOLERANCES UNLESS OTHERWISE SPECIFIED FRACTIONS DEC. ANGLES		western peripherals ANAHEIM, CALIFORNIA	
APPROVALS		DATE	
DRAWN		6-1-76	
CHECKED		6-1-76	
SCALE		SIZE	DRAWING NO
NONE		B	121014
DO NOT SCALE DRAWING			SHEET 1 OF 1

REVISIONS			
LTR	DESCRIPTION	DATE	APPROVED
A	REV PER COND. 0105	9-8-76	

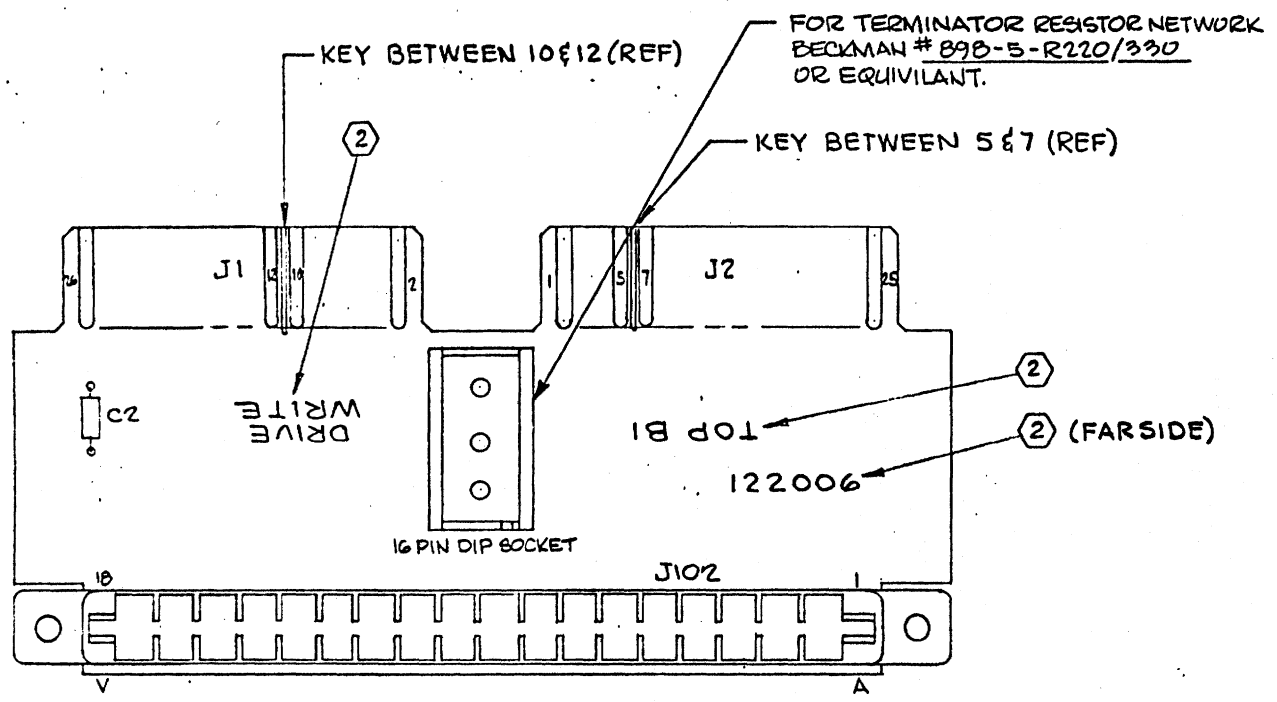


NOTE.

1. REF SCHEMATIC DWG NO. 122022
- ② RUBBER STAMP CHARACTERS SHOWN USING BLK INK
3. FOR MATL SEE P/L 122005

TOLERANCES UNLESS OTHERWISE SPECIFIED		 western peripherals <small>ANAHEIM, CALIFORNIA</small>	
FRACTIONS	DEC.	ANGLES	
±	±	±	
APPROVALS	DATE	ASSEMBLY DWG. ADAPTER, TAPE READ CONNECTOR	
DRAWN <i>HRB</i>	2-13-76	SCALE	SIZE DRAWING NO
CHECKED <i>at</i>	2-25-76	2:1	B 122005
		DO NOT SCALE DRAWING	
		SHEET 1 OF 1	

REVISIONS			
LTR	DESCRIPTION	DATE	APPROVED

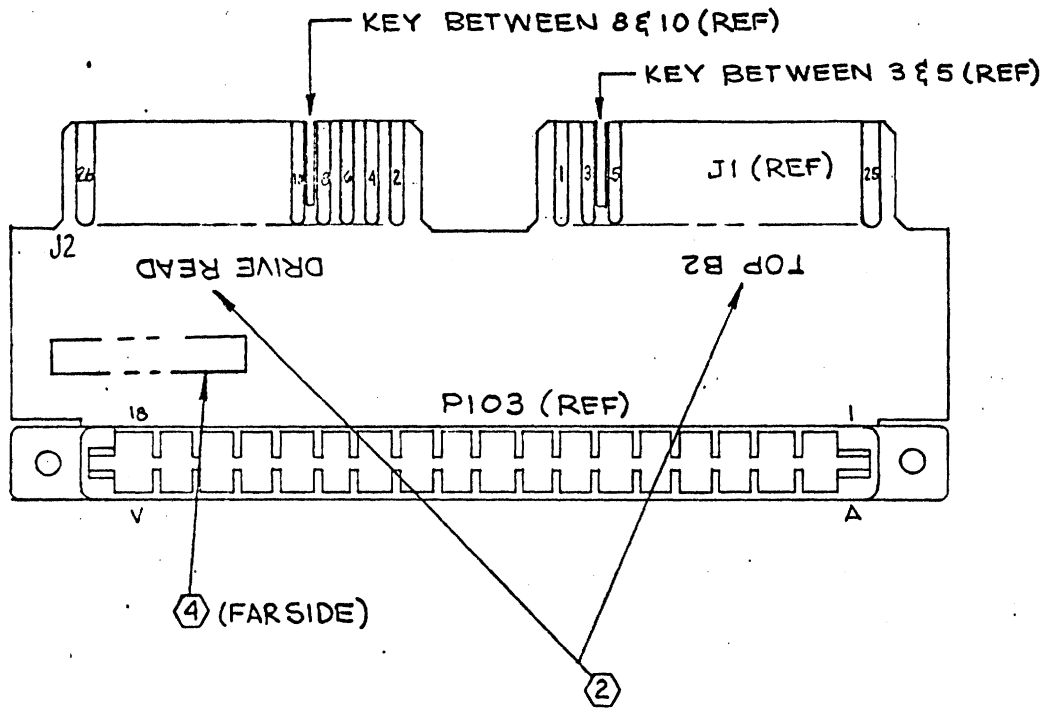


NOTE:
 1. REF SCHEMATIC DWG. NO. 122021.
 ② RUBBER STAMP CHARACTERS SHOWN USING BLK INK
 3 FOR MATL SEE P/L 122006


COPYRIGHT © 1976 BY WESTERN PERIPHERALS, INC.

TOLERANCES UNLESS OTHERWISE SPECIFIED FRACTIONS DEC. ANGLES ± ± ±		western peripherals ANAHEIM, CALIFORNIA	
APPROVALS		DATE	
DRAWN HRB		2-12-76	
CHECKED W/L		2-25-76	
SCALE		SIZE	DRAWING NO.
2:1		B	122006
DO NOT SCALE DRAWING			SHEET 1 of 1

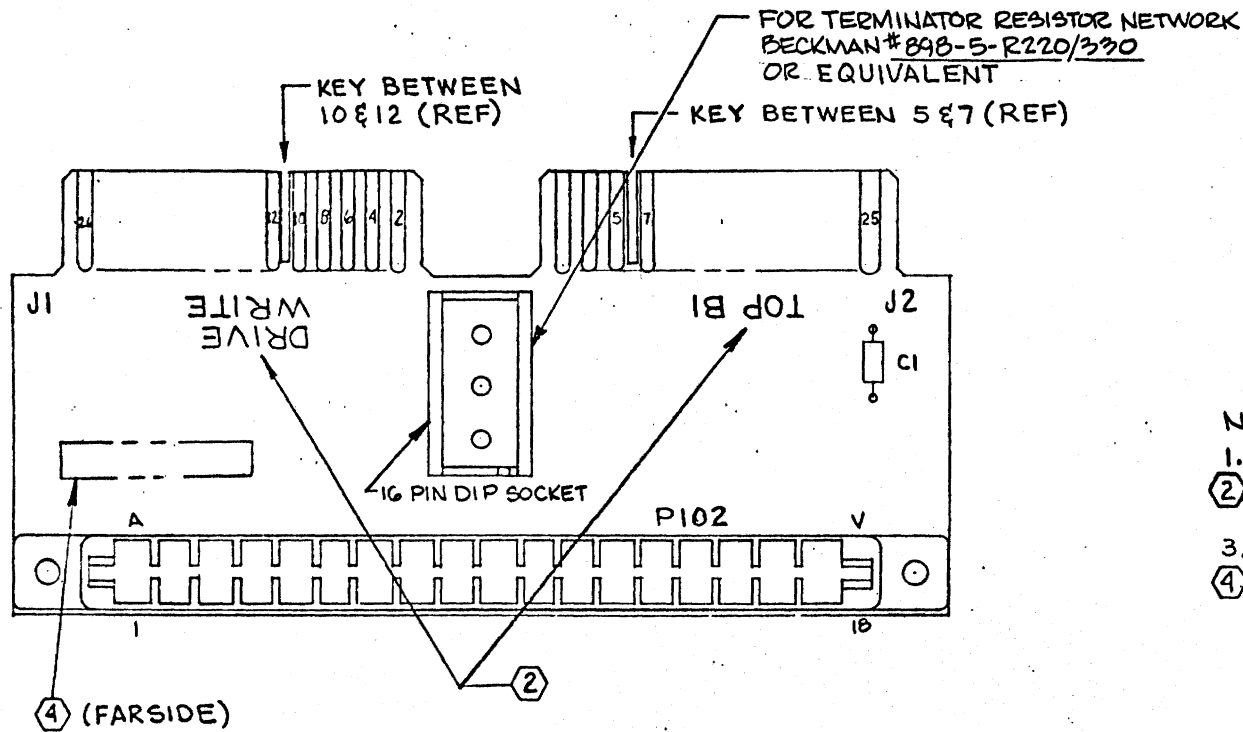
REVISIONS			
LTR	DESCRIPTION	DATE	APPROVED
A	INCORP. CO # 0145	1-21-77	J. D. [Signature]



- NOTE: UNLESS OTHERWISE SPECIFIED
1. REF SCHEMATIC DWG NO. 122022
 - ② RUBBER STAMP CHARACTERS SHOWN USING BLK INK
 3. FOR MATERIAL SEE P/L 122018
 - ④ RUBBER STAMP ASSY NO. WITH LATEST REV LTR APPROX WHERE SHOWN

TOLERANCES UNLESS OTHERWISE SPECIFIED		FRACTIONS DEC. ANGLES		 western peripherals <small>ANALOG & DIGITAL PERIPHERALS</small>	
±	±	±	±	ASSEMBLY DWG. ADAPTER, TAPE READ KENNEDY CYPHER	
APPROVALS	DATE	SCALE		SIZE	REV
DRAWN <i>HRB</i>	2-13-76	2:1		B	A
CHECKED <i>W</i>	2-25-76	DRAWING NO.		DRAWING NO.	
		122018		122018	
DO NOT SCALE DRAWING				SHEET 1 OF 1	

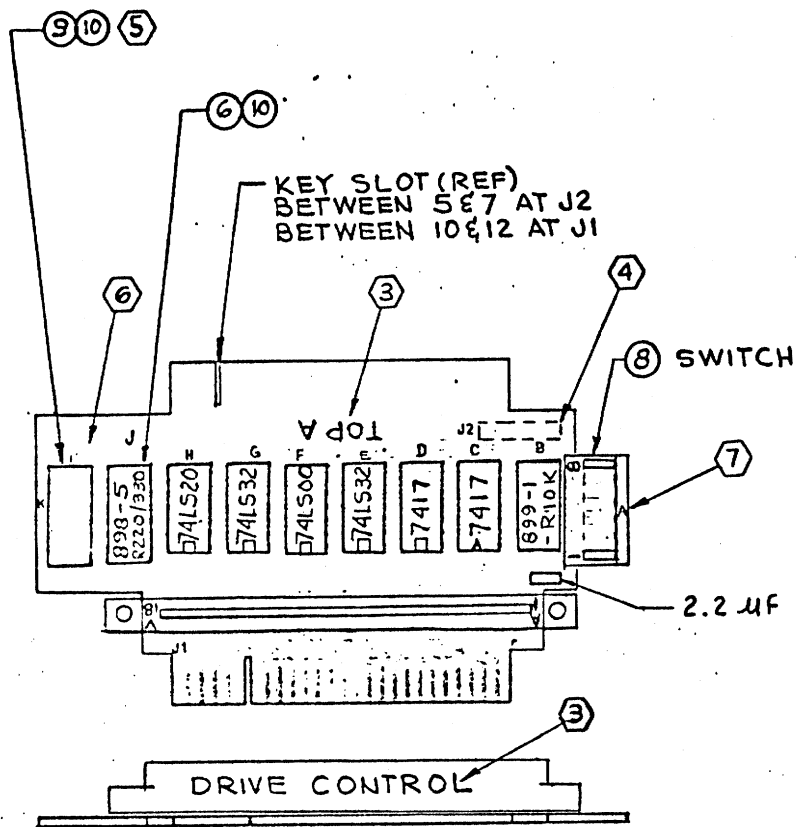
REVISIONS			
LTR	DESCRIPTION	DATE	APPROVED
A	INCORPORATE CO # 0146	1-21-77	JL, 1-24-77



- NOTE: UNLESS OTHERWISE SPECIFIED
1. REF SCHEMATIC DWG NO. 122022
 - ② RUBBER STAMP CHARACTERS SHOWN USING BLK INK
 3. FOR MATERIAL SEE P/L 122019
 - ④ RUBBER STAMP ASSY NO. WITH LATEST REV LTR APPROX WHERE SHOWN


COPYRIGHT © 1976 BY WESTERN PERIPHERALS, INC.

TOLERANCES UNLESS OTHERWISE SPECIFIED			western peripherals ANAHEIM, CALIFORNIA	
FRACTIONS	DEC.	ANGLES		
±	±	±		
APPROVALS	DATE			
DRAWN HRB	2-12-76	ASSEMBLY DWG. ADAPTER, TAPE WRITE KENNEDY CYPHER		
CHECKED JL	2-25-76	SCALE	SIZE	REV
		2:1	B	122019 A
DO NOT SCALE DRAWING				SHEET 1 OF 1

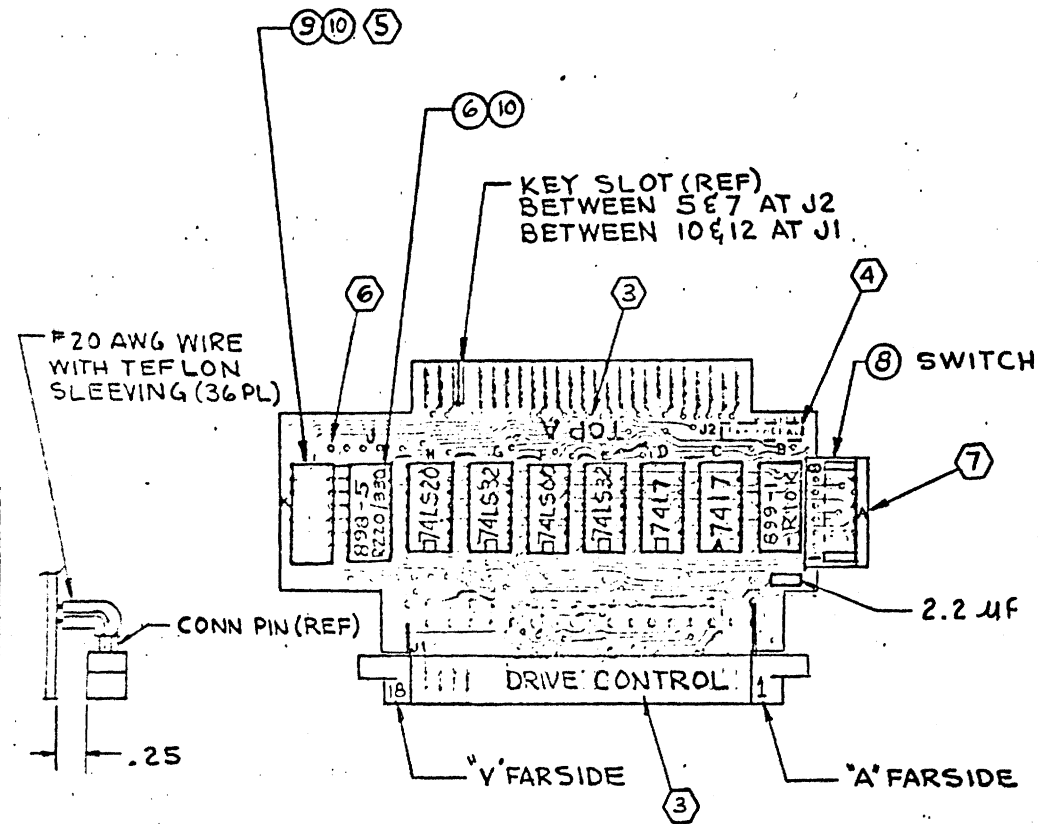


REVISIONS			
LTR	DESCRIPTION	DATE	APPROVED


- ⑦ "A" AND "K" ARE COMPONENT LOCATION CODE; "B" THRU "J" ARE FOR REF ONLY & DO NOT APPEAR ON PART
- ④ JUMPER POINTS "A" THRU "H"; "J" THRU "N"; "P" & "R"
- ⑤ FOR OPTIONAL JUMPERING AND/OR JUMPER ARRAYS, REF J.O.A. & SCHEMATIC
- ④ RUBBER STAMP ASSY NO. WITH LATEST REV LTR LOCATED APPROX WHERE SHOWN (FAR SIDE)
- ③ RUBBER STAMP CHARACTER SHOWN USING BLK INK
2. FOR MATERIAL SEE P/L NO. 122037
1. REF SCHEMATIC 122036
- NOTE: UNLESS OTHERWISE SPECIFIED

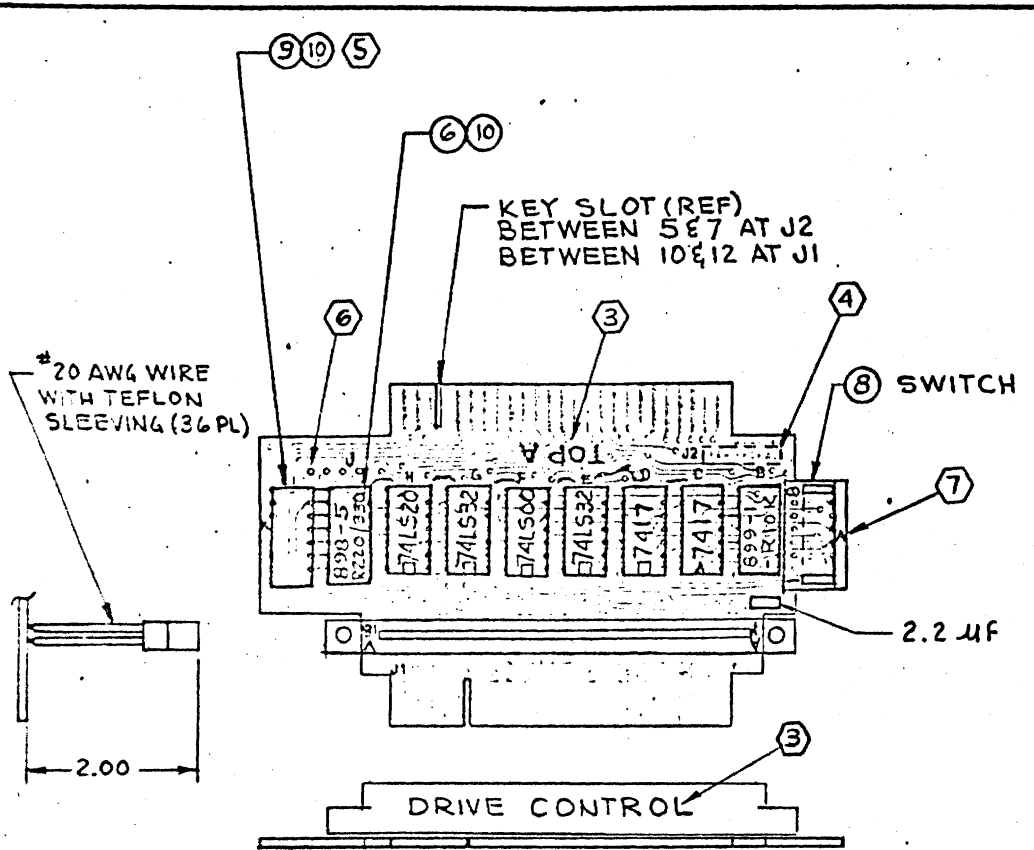
TOLERANCES UNLESS OTHERWISE SPECIFIED		 western peripherals <small>ANACHEM, CALIFORNIA</small>			
FRACTIONS	DEC.			ANGLES	
±	±	±	ASSEMBLY ADAPTER TAPE CONTROL CONNECTOR		
APPROVALS	DATE	SCALE			
DRAWN CORUM	11-8-76	SIZE			
CHECKED W.D.	12-16-76	DRAWING NO			
		FULL	B	122037	REV
DO NOT SCALE DRAWING			SHEET 1 OF 1		

REVISIONS			
LTR	DESCRIPTION	DATE	APPROVED



- ⑦ "A" AND "K" ARE COMPONENT LOCATION CODE; "B" THRU "J" ARE FOR REF ONLY & DO NOT APPEAR ON PART
- ④ JUMPER POINTS "A" THRU "H"; "J" THRU "N"; "P" & "R"
- ⑤ FOR OPTIONAL JUMPERING AND/OR JUMPER ARRAYS, REF J.O.A. & SCHEMATIC
- ② RUBBER STAMP ASSY NO. WITH LATEST REV LTR LOCATED APPROX WHERE SHOWN (FAR SIDE)
- ③ RUBBER STAMP CHARACTER SHOWN USING BLK INK
2. FOR MATERIAL SEE P/L NO. 122038
1. REF SCHEMATIC 122036
- UNLESS OTHERWISE SPECIFIED

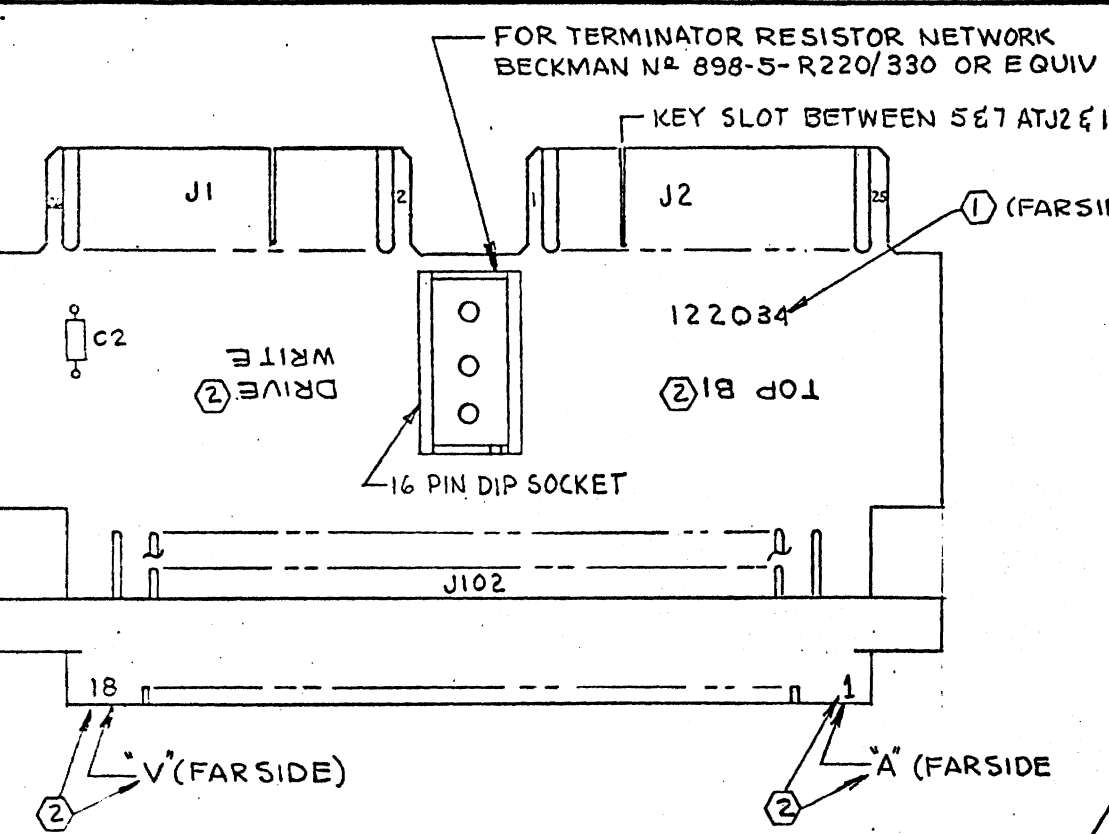
TOLERANCES UNLESS OTHERWISE SPECIFIED		 western peripherals ANAHEIM, CALIFORNIA			
FRACTIONS DEC.	ANGLES				
±	±	ASSEMBLY- ADAPTER TAPE CONTROL CONNECTOR 90° MOUNTING			
APPROVALS	DATE				
DRAWN CORUM	11-8-76	SCALE	SIZE	DRAWING NO	REV
CHECKED J. D.	12-16-76	FULL	B	122038	
DO NOT SCALE DRAWING					SHEET 1 OF 1



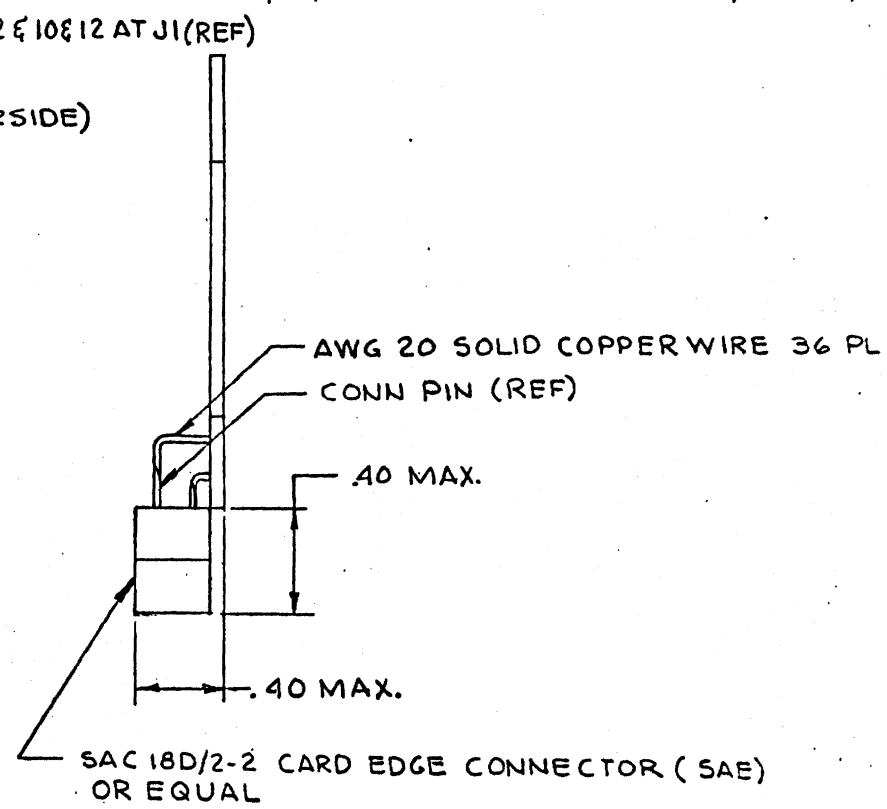
REVISIONS			
LTR	DESCRIPTION	DATE	APPROVED

- ⑦ "A" AND "K" ARE COMPONENT LOCATION CODE; "B" THRU "J" ARE FOR REF ONLY & DO NOT APPEAR ON PART
- ⑥ JUMPER POINTS "A" THRU "H"; "J" THRU "N"; "P" & "R"
- ⑤ FOR OPTIONAL JUMPERING AND/OR JUMPER ARRAYS, REF J.O.A. & SCHEMATIC
- ④ RUBBER STAMP ASSY NO. WITH LATEST REV LTR LOCATED APPROX WHERE SHOWN (FAR SIDE)
- ③ RUBBER STAMP CHARACTER SHOWN USING BLK INK
2. FOR MATERIAL SEE P/L NO. 122039
1. REF SCHEMATIC 122036
UNLESS OTHERWISE SPECIFIED

TOLERANCES UNLESS OTHERWISE SPECIFIED FRACTIONS DEC. ANGLES ± ± ±		 western peripherals ANAHEIM, CALIFORNIA			
APPROVALS		DATE		ASSEMBLY- ADAPTER TAPE CONTROL CONNECTOR 2 INCH STANDOFF	
DRAWN CORUM		11-8-76			
CHECKED V.D.		12-16-76		SCALE FULL	SIZE B
				DRAWING NO. 122039	REV
DO NOT SCALE DRAWING					SHEET 1 OF 1



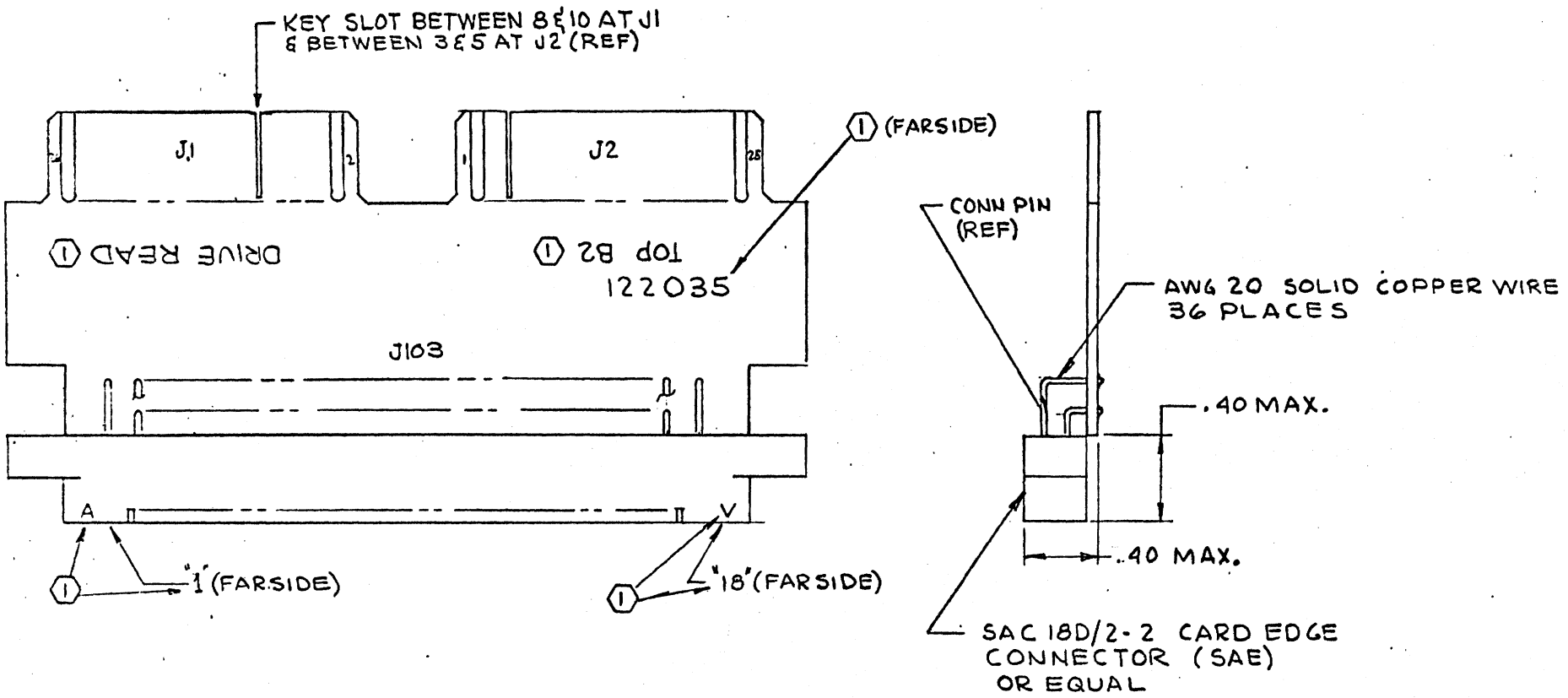
REVISIONS			
LTR	DESCRIPTION	DATE	APPROVED



3 FOR MATL SEE P/L 122034
 ② RUBBER STAMP CHARACTER SHOWN WITH BLK INK
 1 REF SCHEMATIC DWG N# 122021
 NOTE:

TOLERANCES UNLESS OTHERWISE SPECIFIED		western peripherals ANAHEIM, CALIFORNIA	
FRACTIONS	DEC. ANGLES		
±	±	±	±
APPROVALS	DATE	ASSEMBLY- ADAPTER TAPE WRITE KENNEDY 9800	
DRAWN CORUM	6-11-76	SCALE 2X	SIZE B
CHECKED		DRAWING NO. 122034	
DO NOT SCALE DRAWING			SHEET 1 OF 1

REVISIONS			
LTR	DESCRIPTION	DATE	APPROVED



NOTES:
 ① RUBBER STAMP CHARACTERS SHOWN WITH BLK INK
 2 REF SCHEMATIC DWG NO 122022

TOLERANCES UNLESS OTHERWISE SPECIFIED		western peripherals ANAHEIM CALIFORNIA	
FRACTIONS	DEC.	ANGLES	
±	±	±	
APPROVALS	DATE	ASSEMBLY-ADAPTER TAPE READ KENNEDY 9800	
DRAWN CORUM	6-11-76	SCALE	SIZE
CHECKED MEL		2 X	B 122035
		DO NOT SCALE DRAWING	SHEET 1 OF 1

SWITCH OPERATION DESCRIPTION

1. GRAYHILL - ON = ROCKER DEPRESSED TO NUMBERED SIDE
2. CTS - ON = TOGGLE POSITIONED TO NUMBERED SIDE

REVISIONS			
LTR	DESCRIPTION	DATE	APPROVED

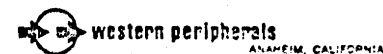
CONFIGURATION SETTINGS

	DESCRIPTION	SYSTEM CONSIDERATIONS
S-A1 ON	FOR DRIVES THAT REQUIRE REWIND COMMAND REMOVAL PRIOR TO BOT	1. REMOVE ALL PERIPHERAL TERMINATORS IN DAISY CHAIN
S-A1 OFF	FOR DRIVES THAT DO NOT REQUIRE REWIND COMMAND REMOVAL PRIOR TO BOT	2. INSTALL CONTROL TERMINATOR ONLY IN LAST DAISY CHAIN POSITION
S-A2 ON	FOR DRIVES THAT STORE EOT STATUS NOTE: A5 SHOULD BE OFF	3. CORRECTLY IDENTIFY CONFIGURATION & SET SWITCHES ACCORDINGLY
S-A2 OFF	FOR DRIVES THAT DO NOT STORE EOT STATUS NOTE: A5 SHOULD BE ON	
S-A3 ON	FOR 7 TRACK DRIVES	
S-A3 OFF	FOR 9 TRACK DRIVES	
S-A4 ON	FOR 7 TRACK 200/556 BPI DENSITY SELECTIONS OR 9 TRACK SECONDARY SPEED SELECTION	
S-A4 OFF	FOR 7 TRACK 556/800 BPI DENSITY SELECTIONS OR 9 TRACK PRIMARY SPEED SELECTION	
S-A5 ON	FOR DRIVES THAT DO NOT STORE EOT STATUS NOTE: A2 SHOULD BE OFF	
S-A5 OFF	FOR DRIVES THAT STORE EOT STATUS NOTE: A2 SHOULD BE ON	
S-A6 ON	FOR 9 TRACK NRZI DRIVE	
S-A6 OFF	FOR 7 TRACK DRIVES, 9 TRACK 1600 BPI DRIVES, OR 9 TRACK 500/1600 DUAL DENSITY	
S-A7 ON	FOR DRIVES THAT DO NOT PRESENT NRZ STATUS ON DRIVE READ CONNECTOR	
S-A7 OFF	FOR DRIVES THAT DO PRESENT NRZ STATUS ON DRIVE READ CONNECTOR	
S-A8 ON	FOR 7 TRACK DRIVES	
S-A8 OFF	FOR 9 TRACK DRIVES	

NOTES:

1. FOR 7 TRACK DRIVES IN DRIVE DAISY CHAINS, ONLY
PRIMARY SPEED SELECTION IS AVAILABLE.
2. REF. ASSY. DWG. 122037, 122038, & 122039.
- ③ 122010 INSTALLED WHEN TRANSPORT HAS 4-POSITION
UNIT SELECT SWITCH (SEE EXCEPTION BELOW).
122011 INSTALLED IN 4th TRANSPORT IF MORE THAN
4 TRANSPORTS ARE DAISY CHAINED.
122012 INSTALLED WHEN TRANSPORT DOES NOT
HAVE UNIT SELECT SWITCH.
- ④ FOR PERTEC COMPATIBLE UNIT SELECT OPTION:
JUMPER E TO F, G TO H, AND M TO N.
FOR EXTERNALLY CONNECTED UNIT SELECT SWITCH:
CUT ETCH BETWEEN P & R AND CONNECT
EXTERNAL SWITCH TO A, B, C, D, & L.

TOLERANCES UNLESS
OTHERWISE SPECIFIED
FRACTIONS DEC. ANGLES
± ± ±

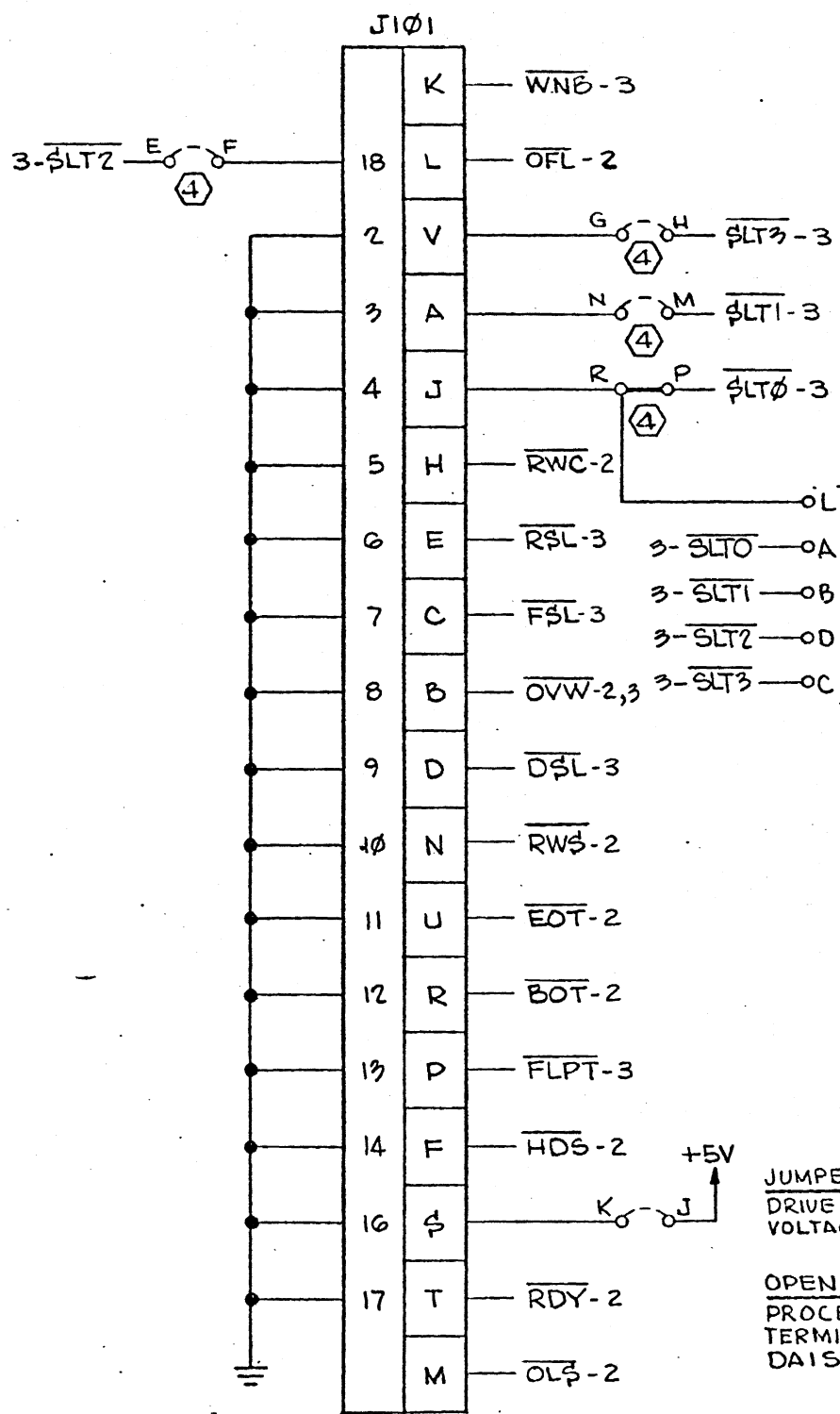


SCHEMATIC —
TAPE CONTROL ADAPTER

APPROVALS	DATE
DRAWN LFB	11-1-76
CHECKED GAIN Pedersen	11-24-76

SCALE	SIZE	DRAWING NO.
—	B	122036
DO NOT SCALE DRAWING		SHEET OF 4

REVISIONS	DATE	APPROVED
DESCRIPTION		
LTR		



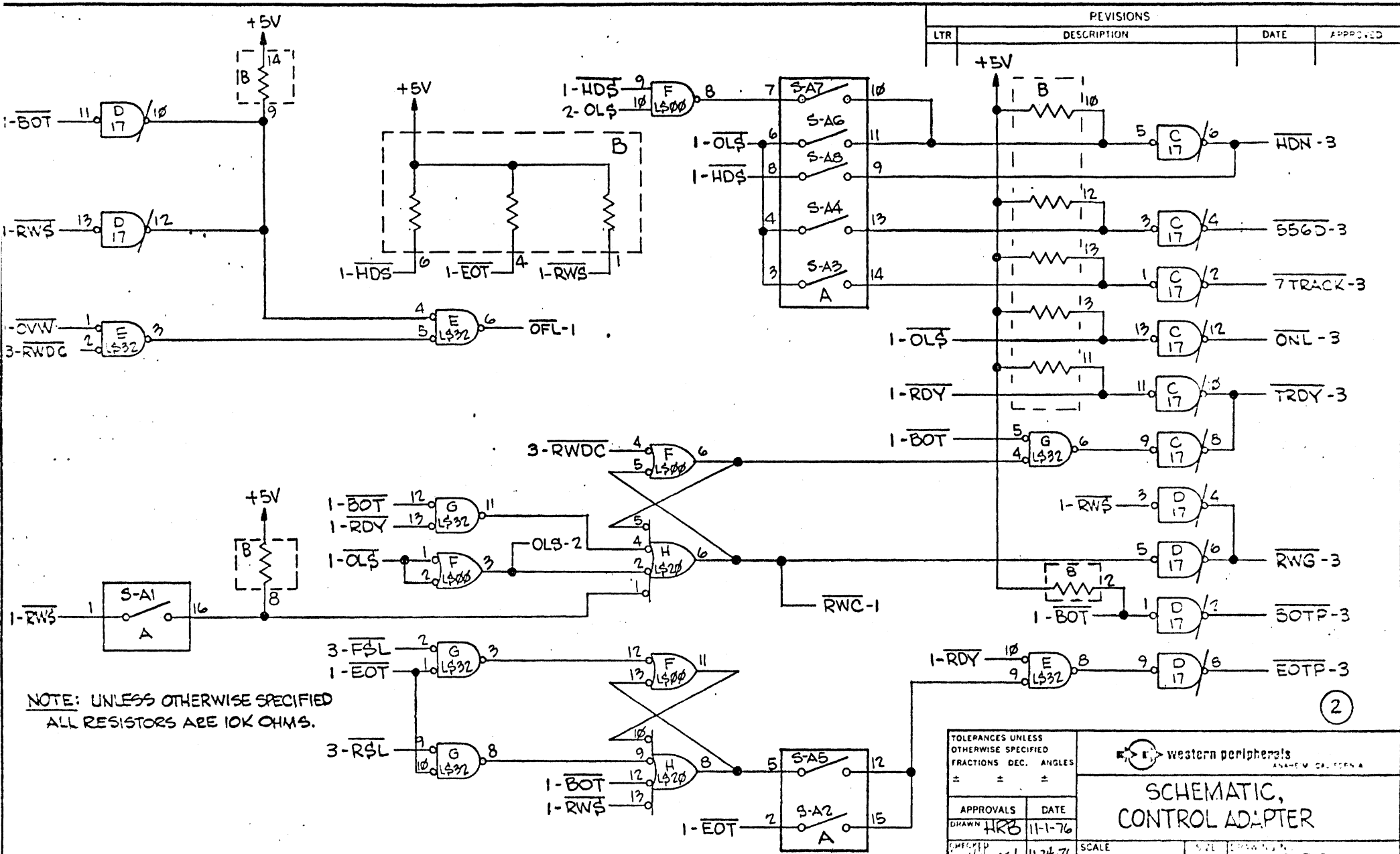
1

western peripherals ANN ARBOR, MICHIGAN		TAPE CONNECTOR		SCALE		SIZE		DRAWING NO.		SHEET	
TOLERANCES UNLESS OTHERWISE SPECIFIED		APPROVALS		DATE		B		122036		DO NOT SCALE DRAWING	
FRACTIONS DEC. ANGLES		DRAWN HRB		11-1-76						SHEET 2 OF 4	
		DESIGNED		11-24-76							

SELECT JUMPER TERMINALS AVAILABLE FOR THUMBWHEEL SELECTION ON DRIVES SO EQUIPPED

JUMPER J TO K:
DRIVE SUPPLIES +5V TERMINATOR VOLTAGE TO DAISY CHAIN

OPEN J TO K:
PROCESSOR SUPPLIES +5V TERMINATOR VOLTAGE TO DAISY CHAIN

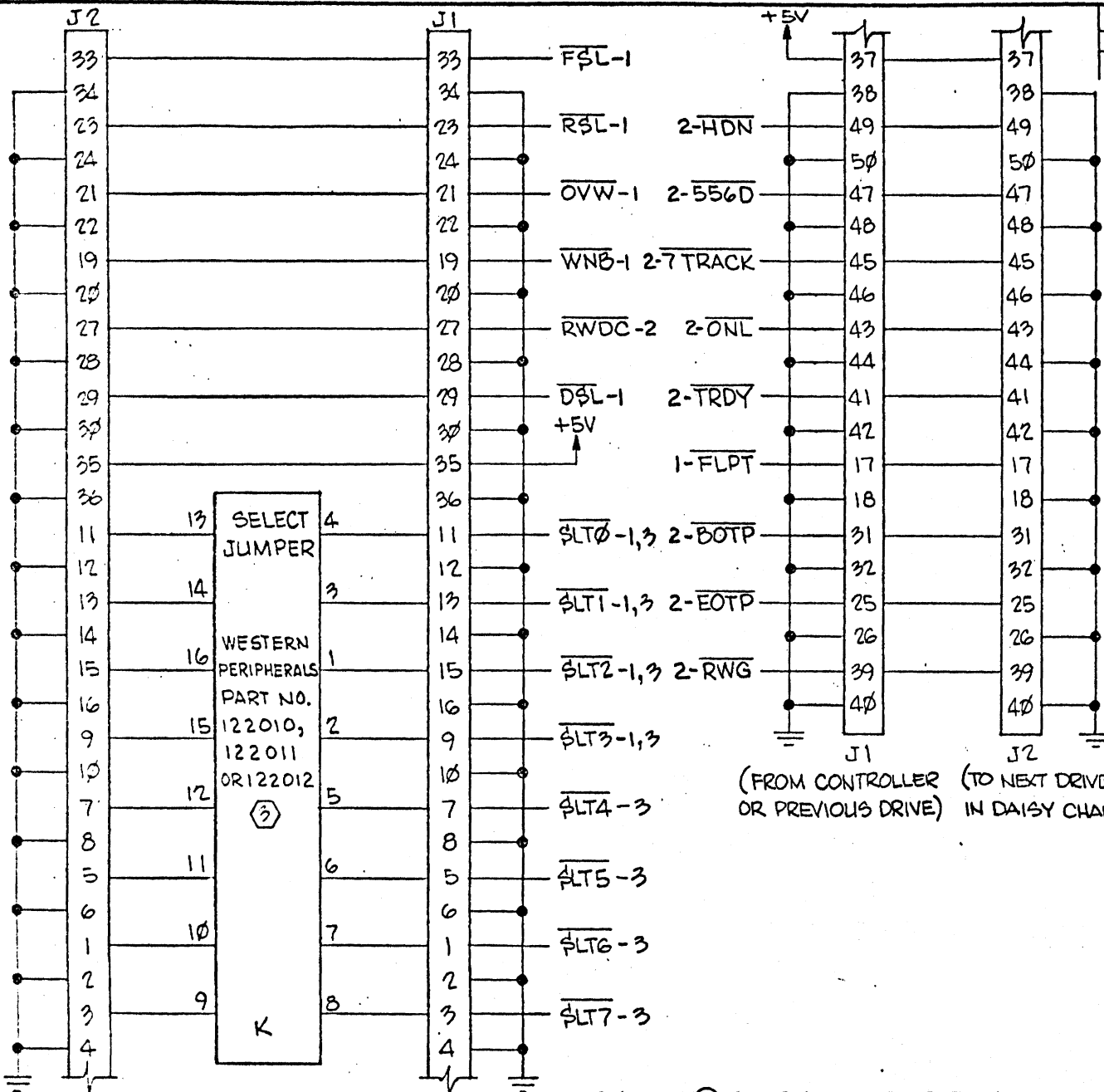


REVISIONS			
LTR	DESCRIPTION	DATE	APPROVED

NOTE: UNLESS OTHERWISE SPECIFIED
ALL RESISTORS ARE 10K OHMS.

TOLERANCES UNLESS OTHERWISE SPECIFIED FRACTIONS DEC. ANGLES ± ± ±		western peripherals ANALOG CALIFORNIA	
APPROVALS DRAWN HRB		DATE 11-1-76	
CHECKED GLEN HARRISON		DATE 11-24-76	
SCALE —		SIZE B	
DO NOT SCALE DRAWING		122036	
		SHEET 3 OF 4	

(2)



REVISIONS			
LTR	DESCRIPTION	DATE	APPROVED

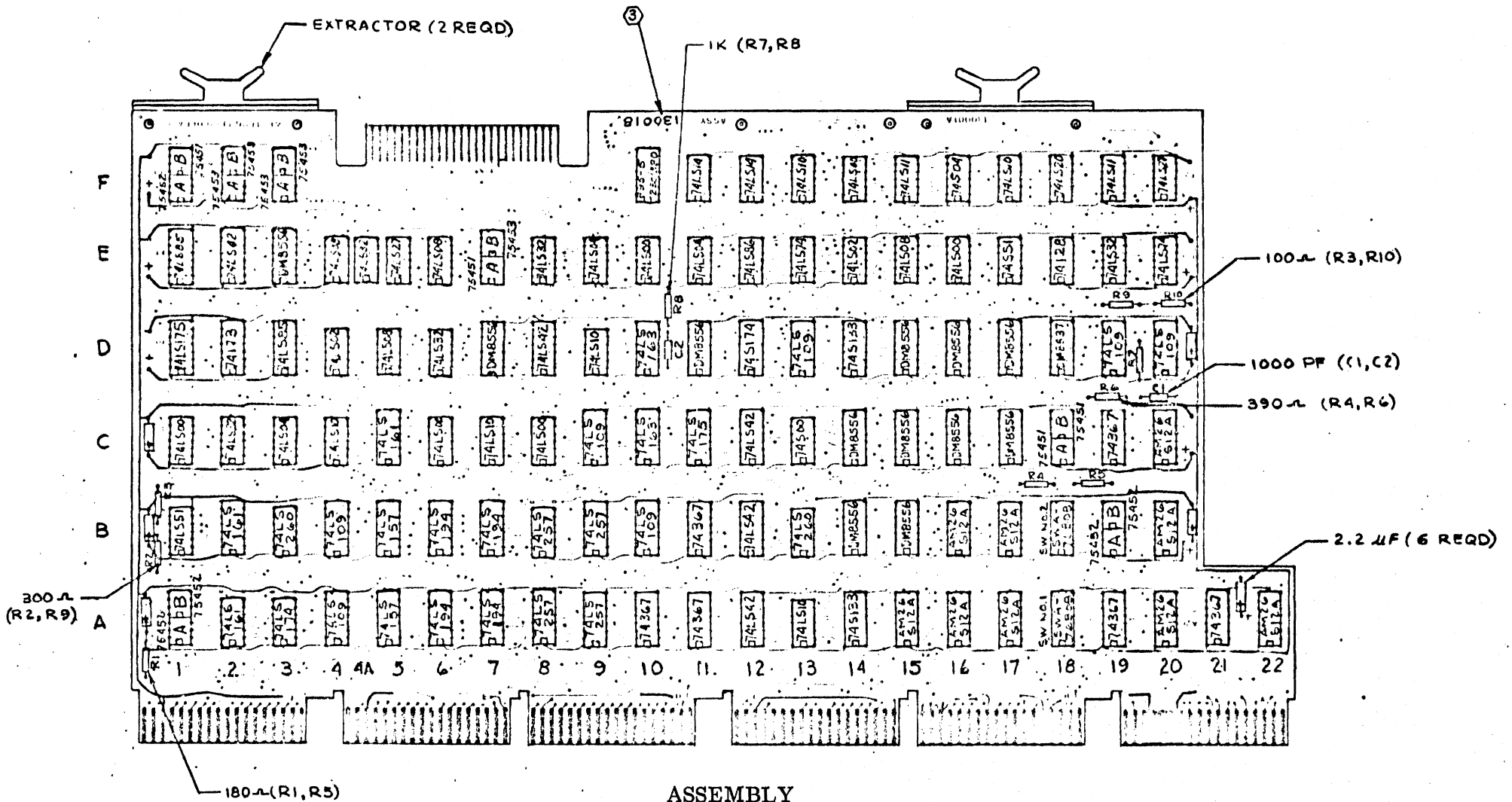
- | | | |
|----------|----|---|
| 1 - FSL | 3 | TERMINATOR
BECKMAN
898-5-R220/
330 OR
EQUIV

J |
| 1 - RSL | 6 | |
| 1 - OVW | 4 | |
| 1 - WNB | 1 | |
| 3 - RWDC | 7 | |
| 1 - DSL | 5 | |
| 3 - SLT0 | 13 | |
| 3 - SLT3 | 15 | |
| 3 - SLT2 | 2 | |
| 3 - SLT1 | 14 | |
| 3 - SLT4 | 12 | |
| 3 - SLT5 | 11 | |
| 3 - SLT6 | 10 | |
| 3 - SLT7 | 9 | |

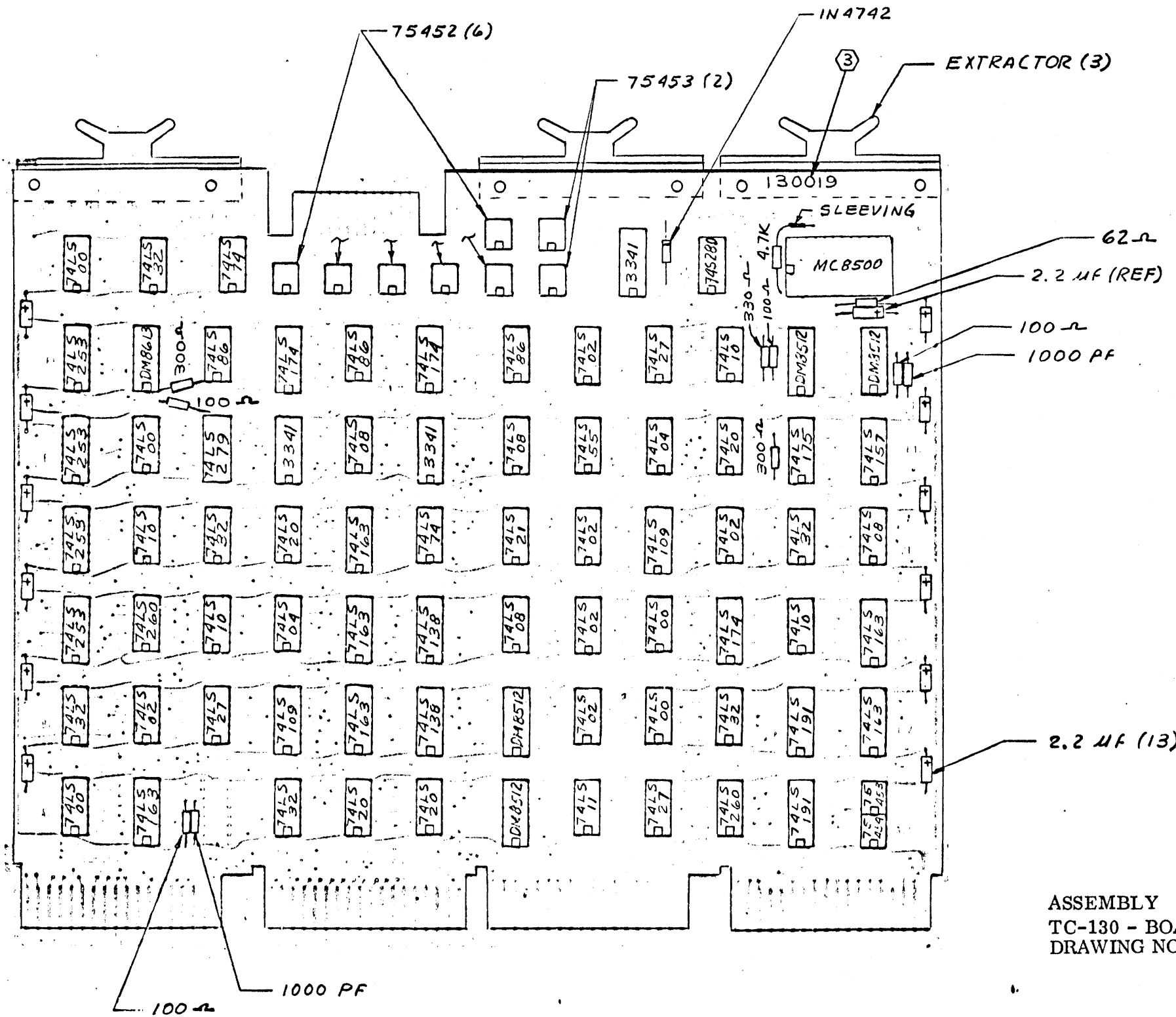
INSTALLED FOR SINGLE
TRANSPORT OR LAST UNIT
IF UNITS ARE DAISY CHAINED

(FROM CONTROLLER (TO NEXT DRIVE
OR PREVIOUS DRIVE) IN DAISY CHAIN)

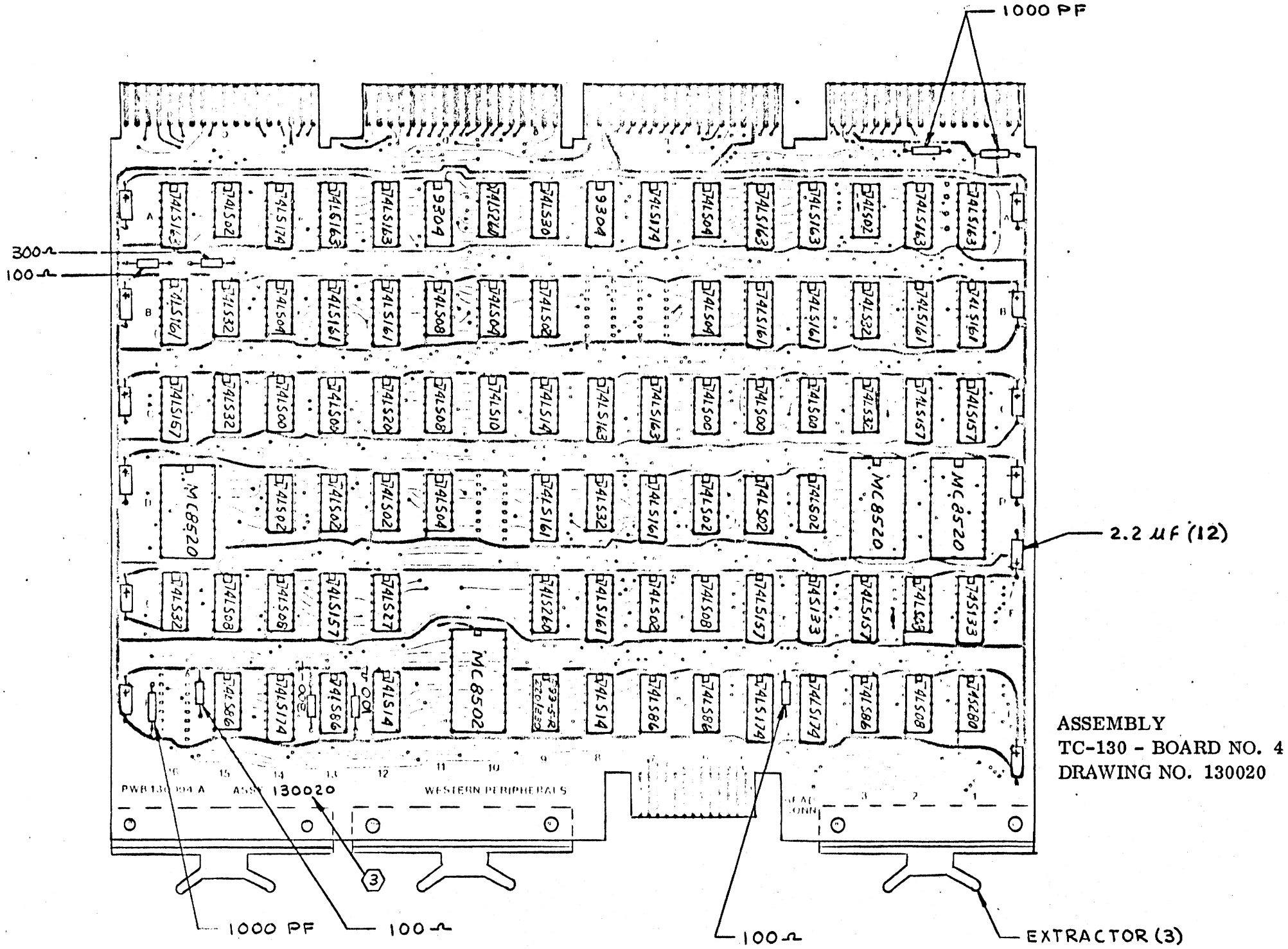
TOLERANCES UNLESS OTHERWISE SPECIFIED FRACTIONS DEC. ANGLES		western peripherals <small>ANAHEIM, CALIFORNIA</small>	
APPROVALS	DATE	CONTROL CONNECTOR RIBBON CABLE	
DRAWN HRO	11-1-76		
SCALE	SCALE	B	122036
DO NOT SCALE DRAWING		SHEET 4 OF 4	



ASSEMBLY
 TC-130 - BOARD NO. 2 .
 DRAWING NO. 130018



ASSEMBLY
 TC-130 - BOARD NO. 3
 DRAWING NO. 130019



1000 PF

2.2 uF (12)

ASSEMBLY
TC-130 - BOARD NO. 4
DRAWING NO. 130020

EXTRACTOR (3)

PWB 130020 A ASSY 130020

WESTERN PERIPHERALS

REAL ORIGIN

3

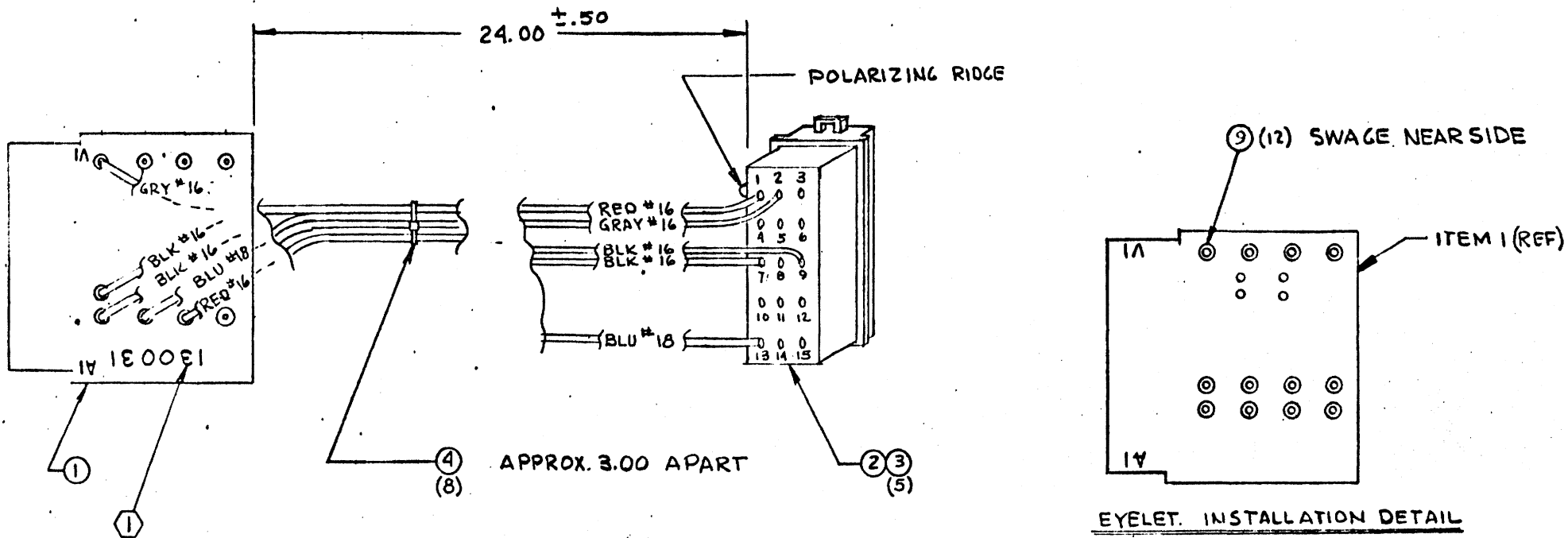
1000 PF

100-ohm

100-ohm

300
100

REVISIONS			
LTR	DESCRIPTION	DATE	APPROVED



NOTE:

① RUBBER STAMP PART NO WHERE SHOWN USING BLK INK

FOR MATERIAL SEE P/L 130031

TOLERANCES UNLESS OTHERWISE SPECIFIED FRACTIONS DEC. ANGLES ± ± ±		western peripherals ANAHEIM, CALIFORNIA	
APPROVALS		DATE	
DRAWN C.C.M.		6-17-76	
CHECKED J.D.		6-22-76	
SCALE FULL		SIZE B	DRAWING NO. 130031
DO NOT SCALE DRAWING			SHEET 1 OF 1

NOTE: UNLESS OTHERWISE SPECIFIED

1. FOR MATERIAL SEE P/L 131001

2. RUBBER STAMP ASSY NUMBER WITH LATEST REVISION LETTER LOCATED APPROX WHERE SHOWN

3. WIRE PER WIRE LIST 131001 IF ITEM NO. 1 IS SUPPLIED, WIRE PER WIRE LIST 131004 IF ITEM NO. 8 IS SUPPLIED IN LIEU OF ITEM NO. 1 AND REMOVE THE FOLLOWING BBI WIRES:

B SIE2 TO BS4E2 (BG4H)

B SIB1 TO BS4B1 (BG5H)

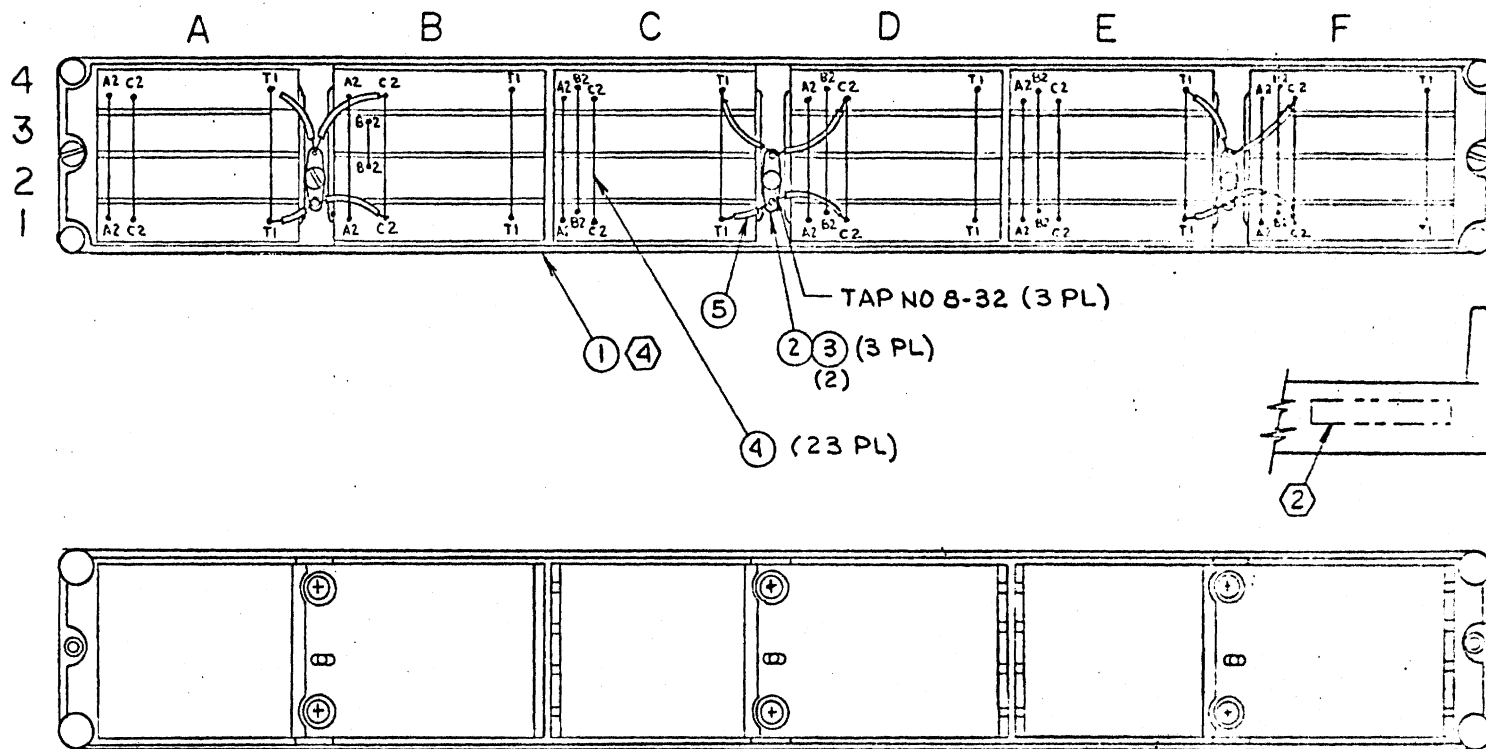
B SIA1 TO BS4A1 (BG6H)

A SIV1 TO AS4V1 (BG7H)

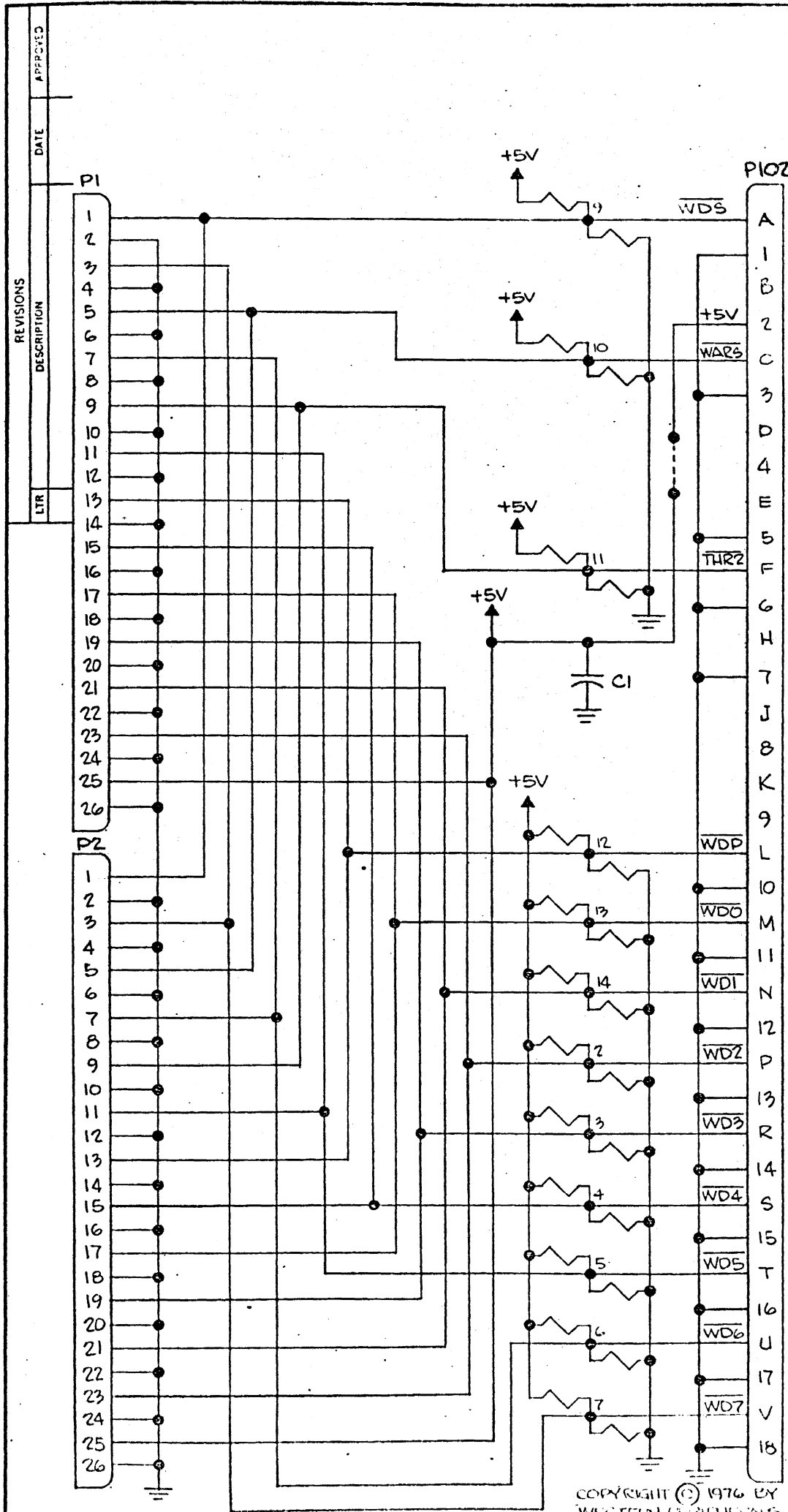
A SIU1 TO AS4U1 (NPGH)

4. IF ITEM NO. 8 IS USED IN LIEU OF ITEM NO. 1 ITEMS 2, 3, 4 & 5 ALREADY EXIST & NEED NOT BE SUPPLIED

REVISIONS			
LTR	DESCRIPTION	DATE	APPROVED
C	REVISED & REDRAWN PER CO. 0109	9-9-76	[Signature]



TOLERANCES UNLESS OTHERWISE SPECIFIED FRACTIONS DEC. ANGLES ± ± ±		western peripherals ANAHEIM, CALIFORNIA	
APPROVALS CORUM CHILDED H.O.		DATE 8-24-76 8-25-76	
SCALE NONE		SIZE B	DRAWING NO. 131001
DO NOT SCALE DRAWING			REV C
			SHEET [OF]



REVISIONS	DATE	APPROVED
DESCRIPTION		
LTR		

TOLERANCES UNLESS OTHERWISE SPECIFIED		FRACTIONS DEC. ANGLES	
APPROVALS	DATE		
DRAWN	1-12-76		
CHECKED	1-26-76		
SCALE		NONE	
DRAWING NO.		B 122021	
SHEET		DO NOT SCALE DRAWING	
		1 OF 1	

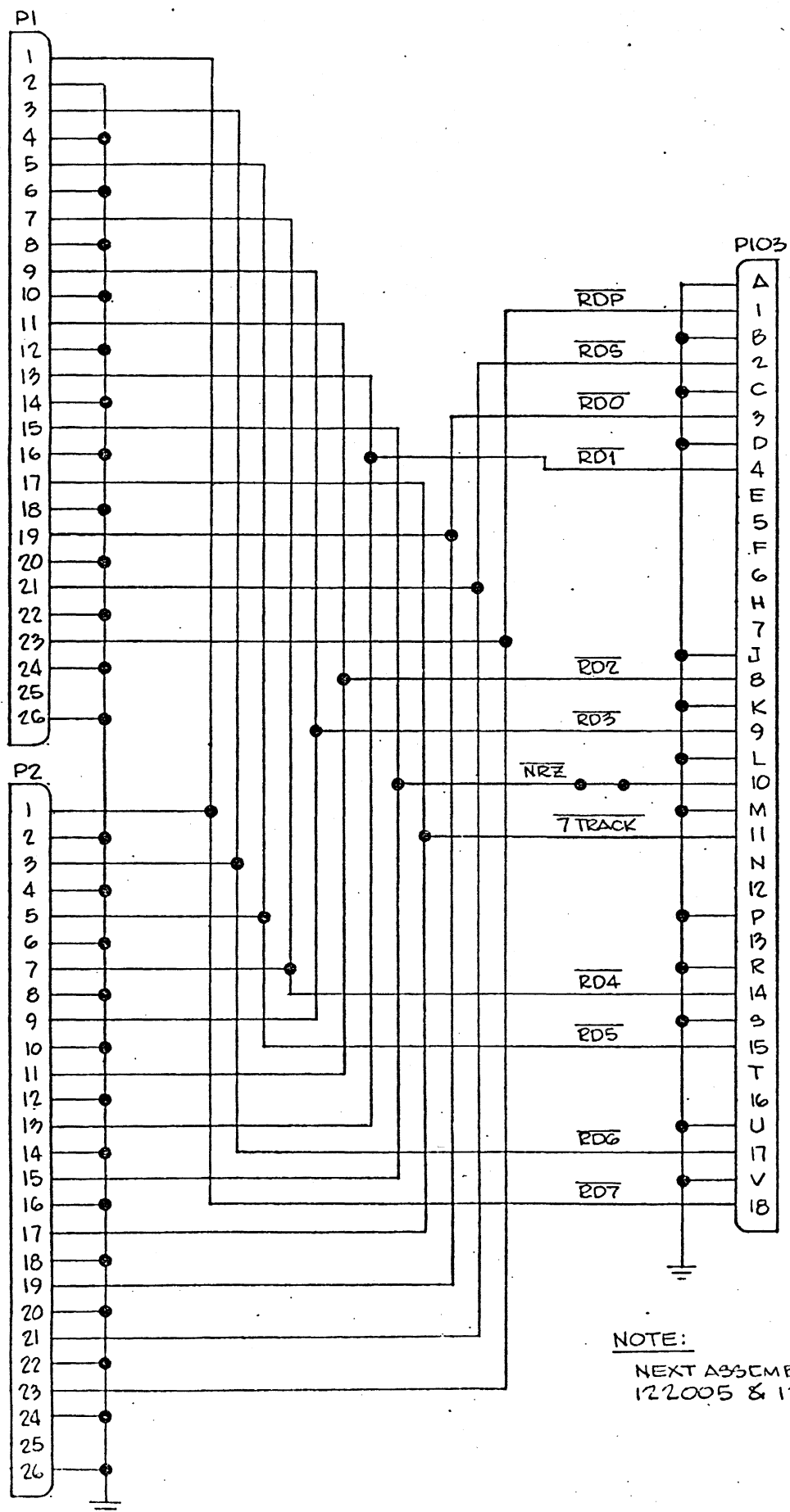
WESTERN PERIPHERALS
ANNHEIM, CALIFORNIA

**SCHEMATIC
ADPTR. TAPE WRITE
CONNECTOR**

NOTE:
NEXT ASSY. NO.
122006 & 122019.

COPYRIGHT © 1976 BY
WESTERN PERIPHERALS, INC.

REVISIONS	DATE	APPROVED
	DESCRIPTION	
LTR		



NOTE:
NEXT ASSEMBLY NO.
122005 & 122018.


western peripherals ANAHEIM CALIFORNIA		SCHEMATIC ADPTR., TAPE READ CONNECTOR		SIZE B	DRAWING NO. 122022
TOLERANCES UNLESS OTHERWISE SPECIFIED FRACTIONS DEC. ANGLES		APPROVALS DRAWN <i>HRB</i>	DATE 1-13-76	SCALE NONE	DO NOT SCALE DRAWING
		CHECKED <i>HL</i>	1-26-76		SHEET 1 OF 1

SPEED SWITCH SETTINGS

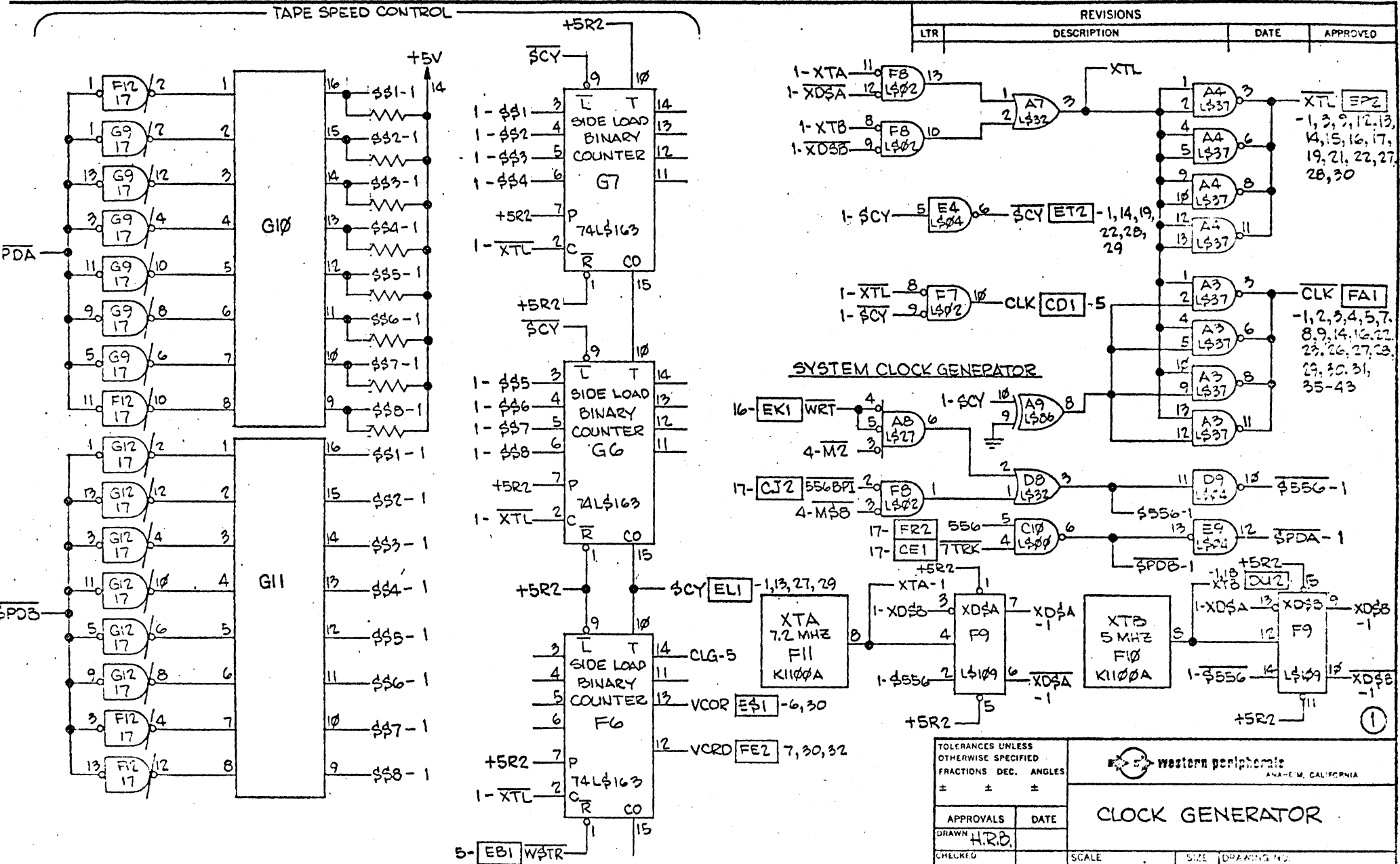
REVISIONS			
LTR	DESCRIPTION	DATE	APPROVED
A	ECO#10131, ITEMS 2 & 5	1-4-77	HRB

SWITCH POSITIONS 10G & 11G	S P E E D					
	12.5IPS	25IPS	37.5IPS	45IPS	75IPS	125IPS
1	ON	OFF	ON	OFF	OFF	OFF
2	OFF	OFF	OFF	OFF	ON	OFF
3	OFF	ON	ON	OFF	ON	OFF
4	ON	ON	ON	ON	ON	ON
5	ON	OFF	ON	ON	OFF	OFF
6	OFF	ON	OFF	OFF	OFF	OFF
7	ON	OFF	OFF	OFF	OFF	OFF
8	OFF	OFF	OFF	OFF	OFF	OFF

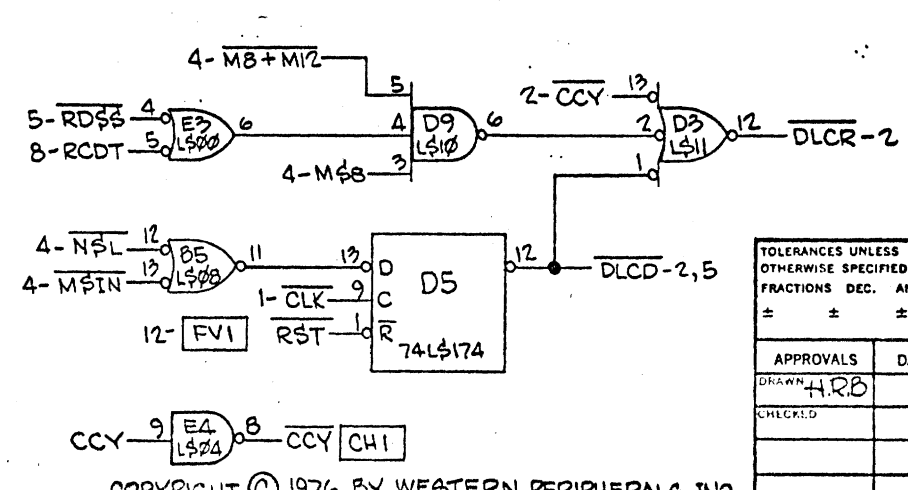
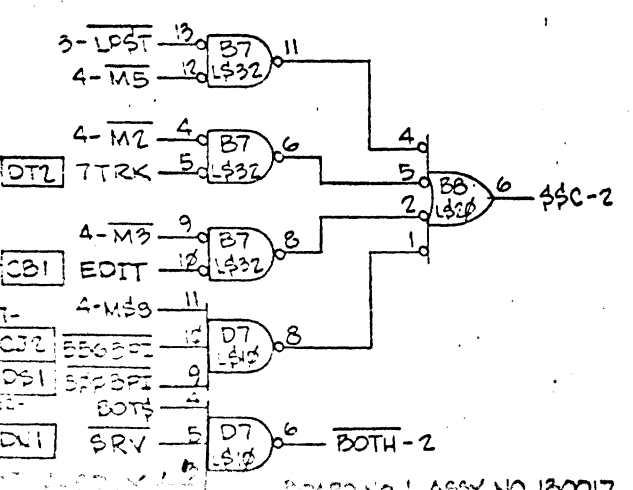
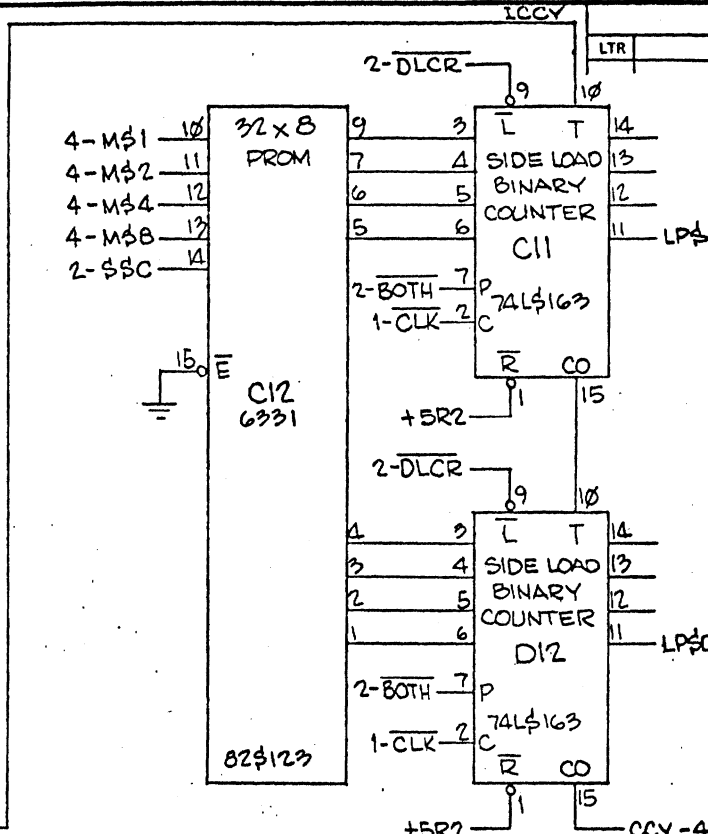
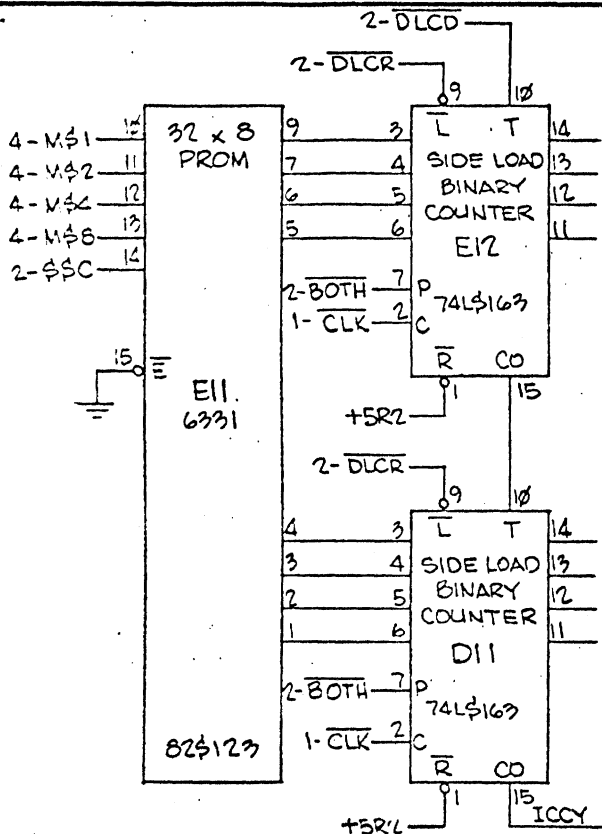
NOTE:
GIO IS PRIMARY SPEED SELECTION.

TOLERANCES UNLESS OTHERWISE SPECIFIED FRACTIONS DEC. ANGLES ± ± ±			 western peripherals ANAHEIM, CALIFORNIA		
APPROVALS		DATE	SCHEMATIC TC130 TAPE CONTROLLER BOARD NO. 1-ASSY NO. 130017		
DRAWN HRB			SCALE		SIZE DRAWING NO.
CHECKED			—		B 130026
			DO NOT SCALE DRAWING		SHEET 1 OF 10

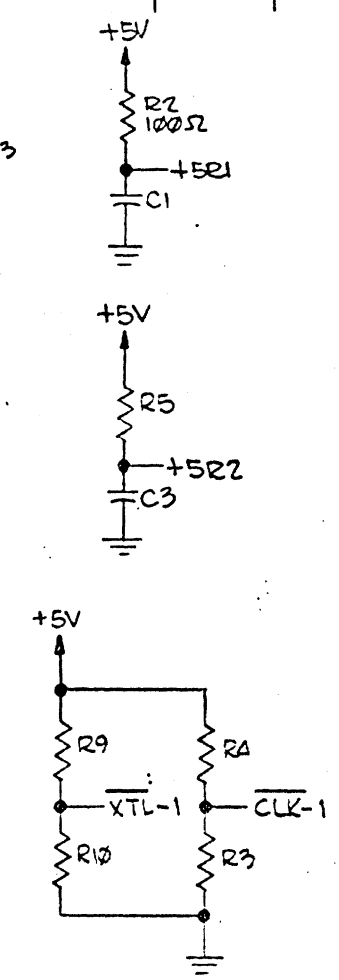
TAPE SPEED CONTROL



TOLERANCES UNLESS OTHERWISE SPECIFIED FRACTIONS DEC. ANGLES ± ± ±		western peripherals ANAHEIM, CALIFORNIA	
APPROVALS	DATE	CLOCK GENERATOR	
DRAWN: H.R.B.			
CHECKED	SCALE	SIZE: B	DRAWING NO.: 130026
		DO NOT SCALE DRAWING	
		SHEET 2 OF 10	



REVISIONS			
LTR	DESCRIPTION	DATE	APPROVED



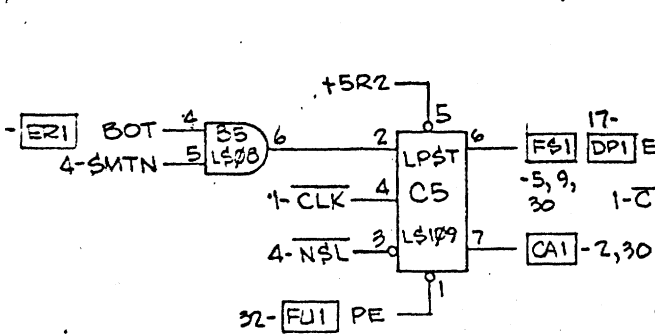
BOARD NO. 1, ASSY. NO. 130017

COPYRIGHT © 1976 BY WESTERN PERIPHERALS, INC.

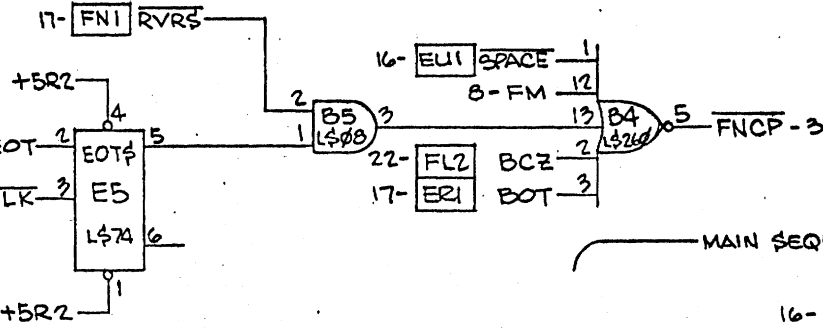
TOLERANCES UNLESS OTHERWISE SPECIFIED FRACTIONS DEC. ANGLES ± ± ±		western peripherals ANAHEIM, CALIFORNIA	
APPROVALS		DATE	
DRAWN: HRB		SCALE	
CHECKED:		SIZE	DRAWING NO.
		B	130026
DO NOT SCALE DRAWING			SHEET 30=10

REVISIONS			
LTR	DESCRIPTION	DATE	APPROVED

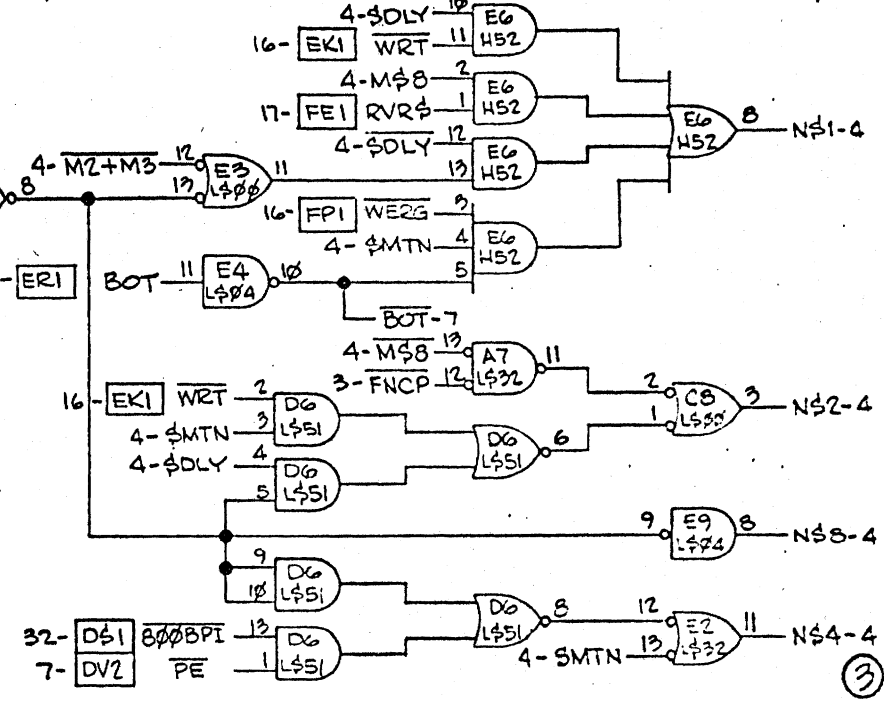
PE IDEN STATUS CONTROL



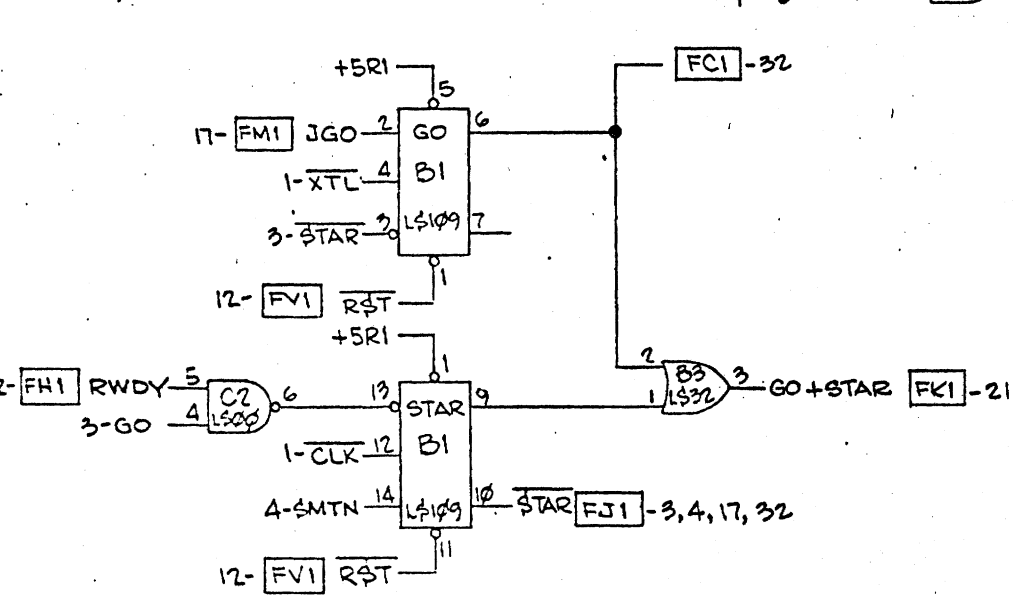
SPACE OPERATION CONTROL



MAIN SEQUENCER NEXT STATE CONTROL



TAPE MOTION START CONTROL



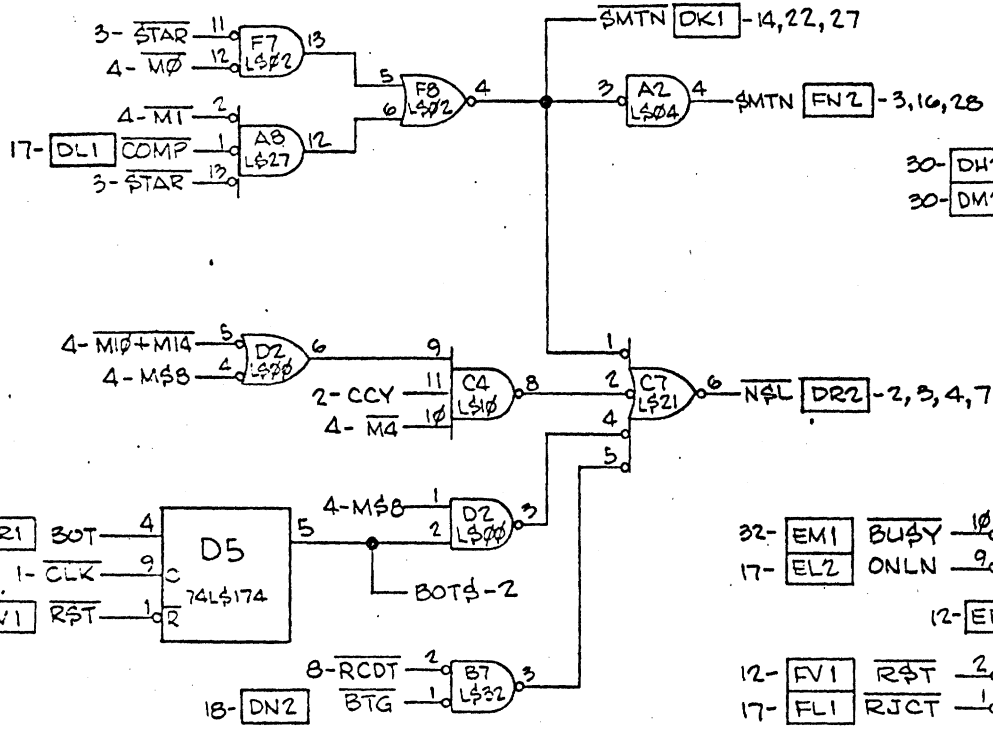
TOLERANCES UNLESS OTHERWISE SPECIFIED	
FRACTIONS DEC.	FRACTIONS DEC.
±	±
APPROVALS	DATE
DRAWN HRS	
CHECKED	

WESTERN PERIPHERALS
ANAHEIM CALIFORNIA

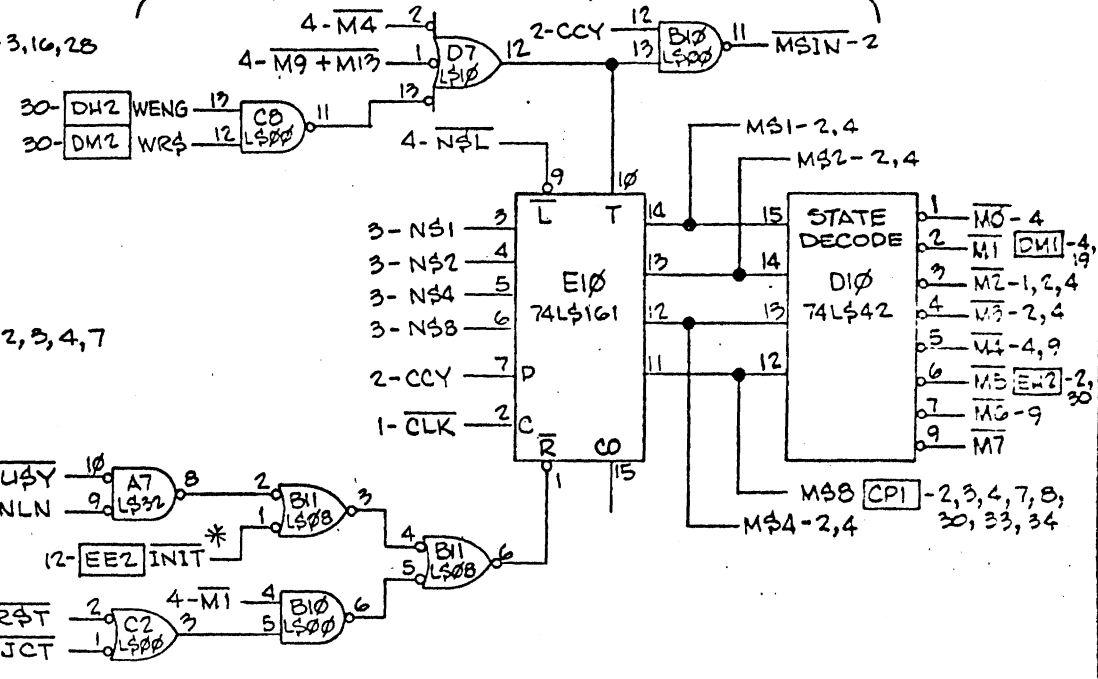
MAIN SEQUENCER CONTROL

SCALE	SIZE	DRAWING NO.
—	B	130026
DO NOT SCALE DRAWING		SHEET 4 OF 10

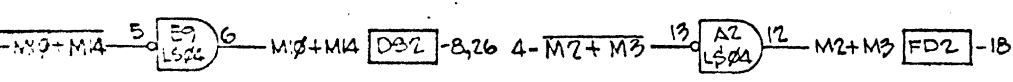
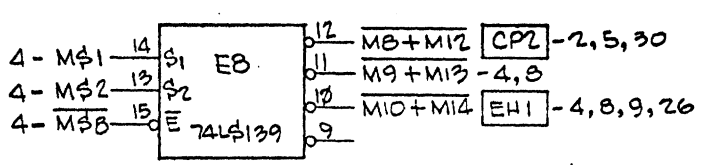
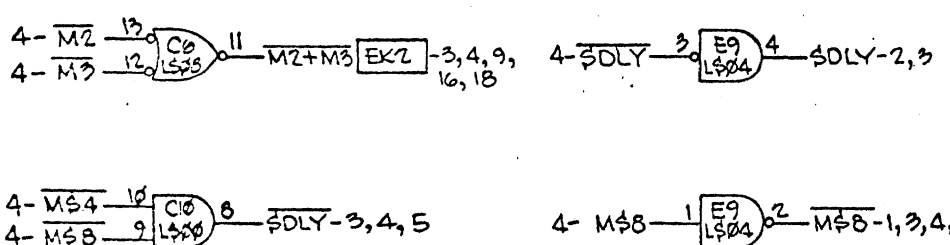
NEXT STATE LOAD CONTROL



NEXT STATE INCREMENT CONTROL



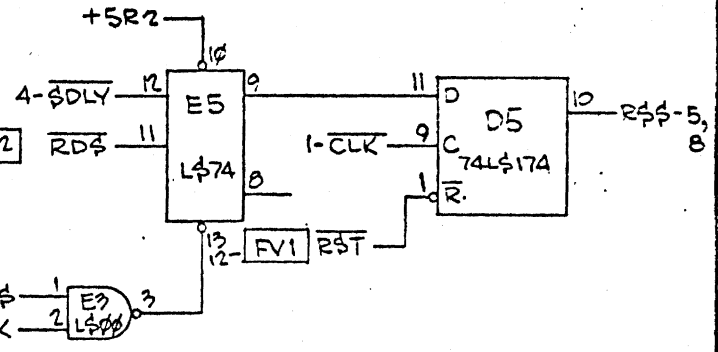
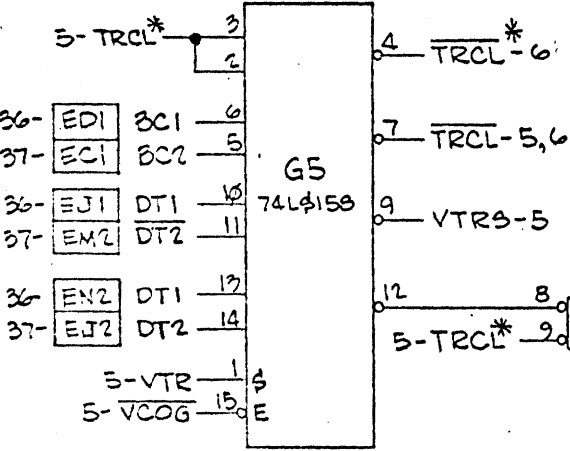
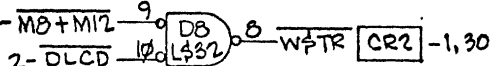
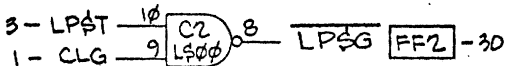
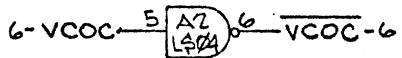
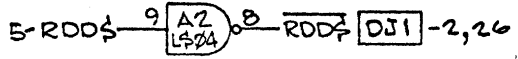
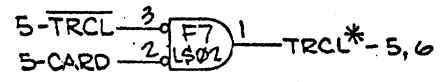
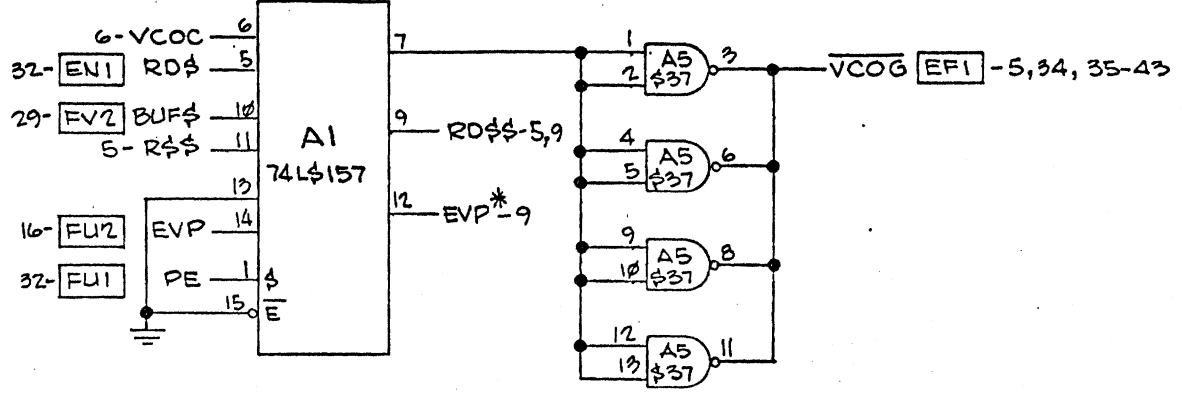
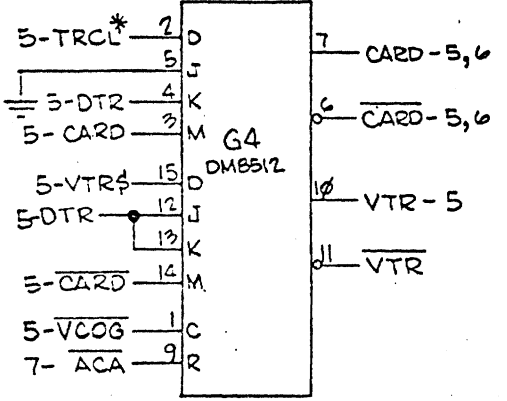
REVISIONS			
LTR	DESCRIPTION	DATE	APPROVED



4

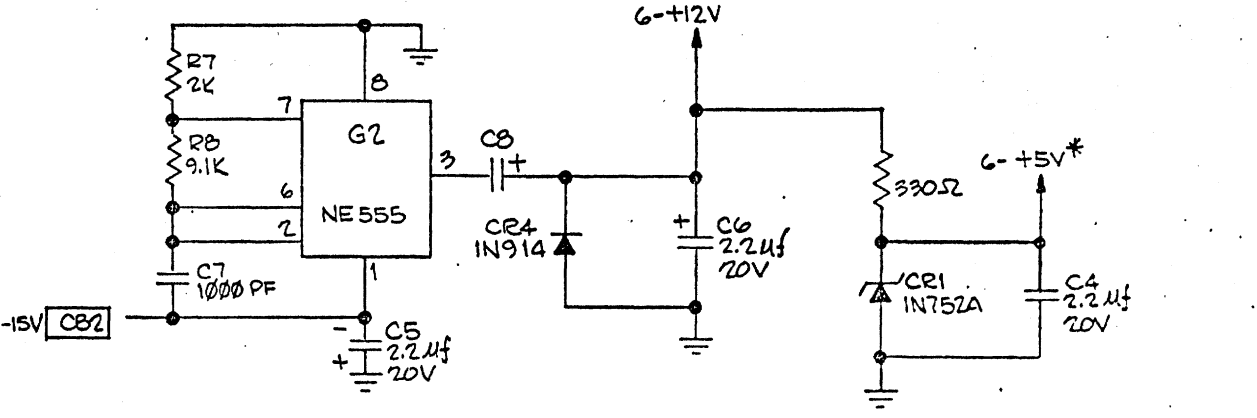
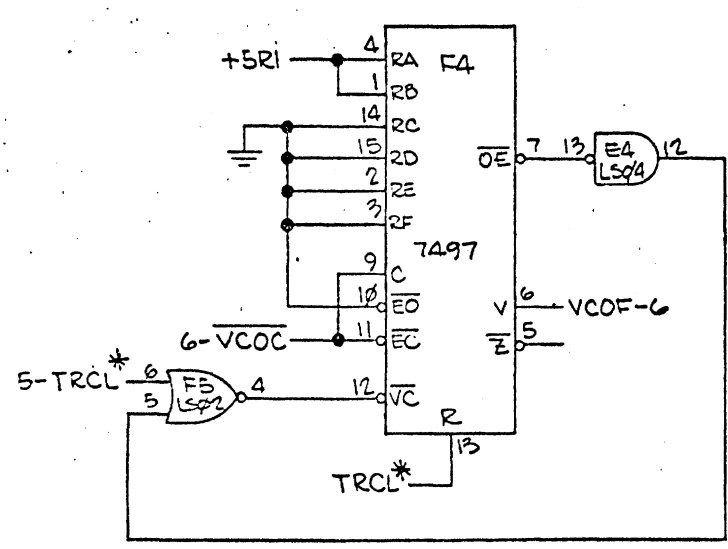
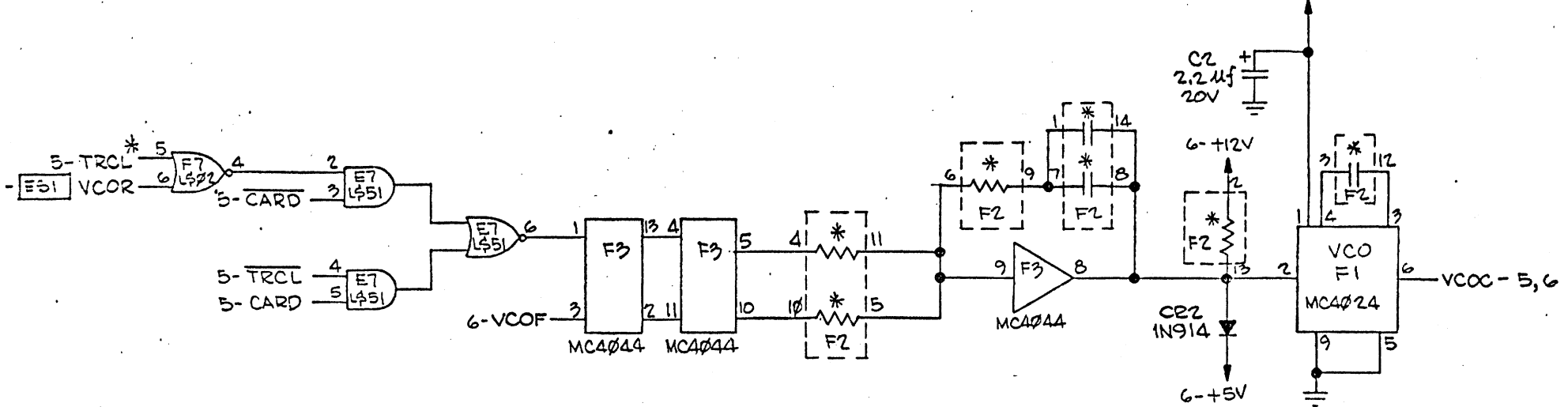
TOLERANCES UNLESS OTHERWISE SPECIFIED FRACTIONS DEC. ANGLES ± ± ±		western peripherals ANAHEIM, CALIFORNIA	
APPROVALS	DATE	<h2 style="text-align: center;">MAIN SEQUENCER</h2>	
DRAWN: H.R.D.			
CHECKED	SCALE	SIZE	DRAWING NO.
		B	130026
DO NOT SCALE DRAWING		SHEET 5 OF 10	

REVISIONS			
LTR	DESCRIPTION	DATE	APPROVED



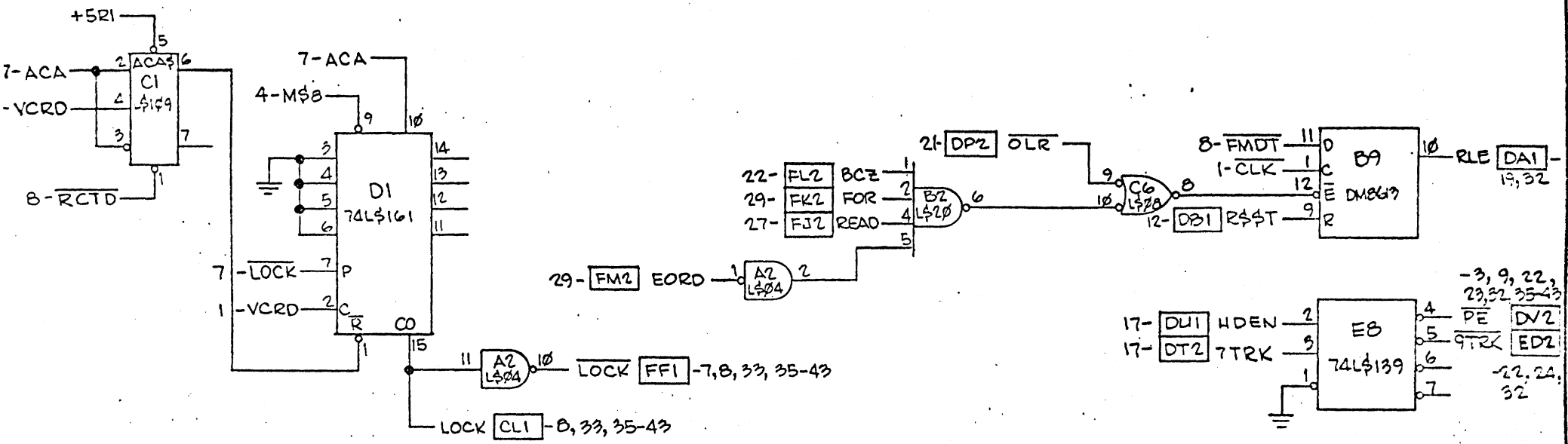
TOLERANCES UNLESS OTHERWISE SPECIFIED		western peripherals	
FRACTIONS DEC. ANGLES	± ± ±	ANAHEIM, CALIFORNIA	
VCO CONTROL			
APPROVALS	DATE	SCALE	SIZE
DRAWN <i>NRB</i>			B
CHECKED		DRAWING NO.	130026
		DO NOT SCALE DRAWING	SHEET 6 OF 10

REVISIONS			
LTR	DESCRIPTION	DATE	APPROVED
	6-+5V *		

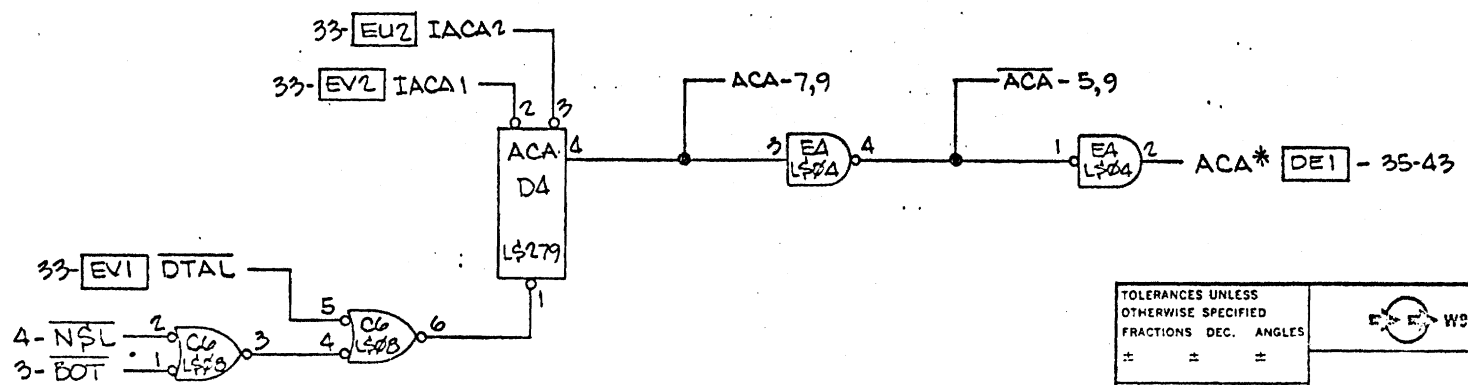


TOLERANCES UNLESS OTHERWISE SPECIFIED		western peripherals ANAHEIM, CALIFORNIA	
FRACTIONS DEC.	ANGLES	VCO	
±	±		
APPROVALS	DATE		
DRAWN HRP		SIZE B	DRAWING NO. 130026
CHECKED		SCALE	DO NOT SCALE DRAWING
			SHEET 7 OF 10

REVISIONS			
LTR	DESCRIPTION	DATE	APPROVED



-3, 9, 22,
23, 32, 35-43
PE
9TRK
ED2
-22, 24,
32

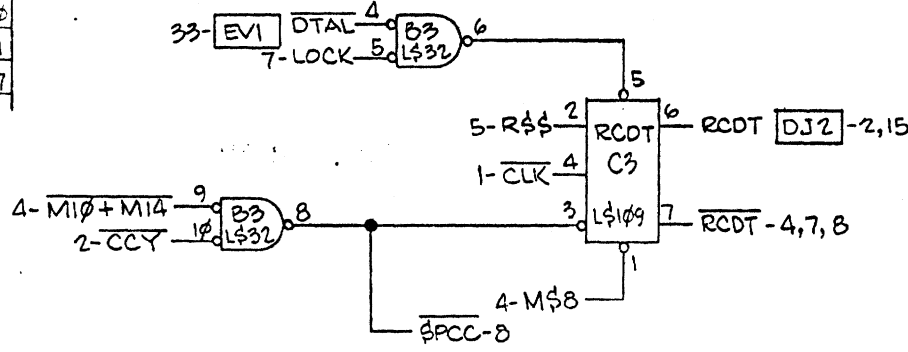
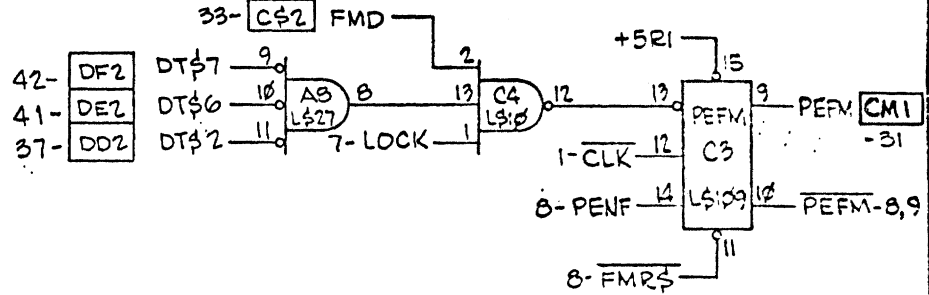
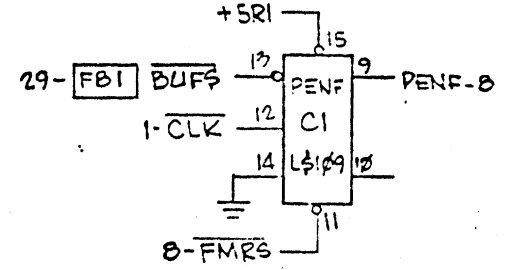
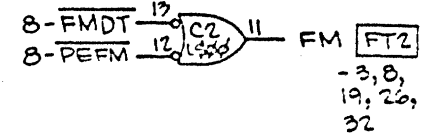
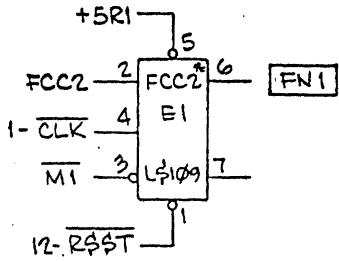


⑦

TOLERANCES UNLESS OTHERWISE SPECIFIED FRACTIONS DEC. ANGLES ± ± ±		western peripherals ANAHEIM, CALIFORNIA	
APPROVALS DRAWN HRB CHECKED		DATE	
SCALE		SIZE	DRAWING NO.
		B	130026
DO NOT SCALE DRAWING			SHEET 8 OF 10

43-	CU2	RD0	1
35-	CT2	RD0	2
36-	CK1	RD1	3
37-	CJ1	RD2	4
38-	DH1	RD3	12
39-	DD1	RD4	13
40-	DF1	RD5	14
41-	CF1	RD6	5
42-	DC1	RD7	6
32-	CV2	TRK	15
8-FCC1			7
8-FCC1			10

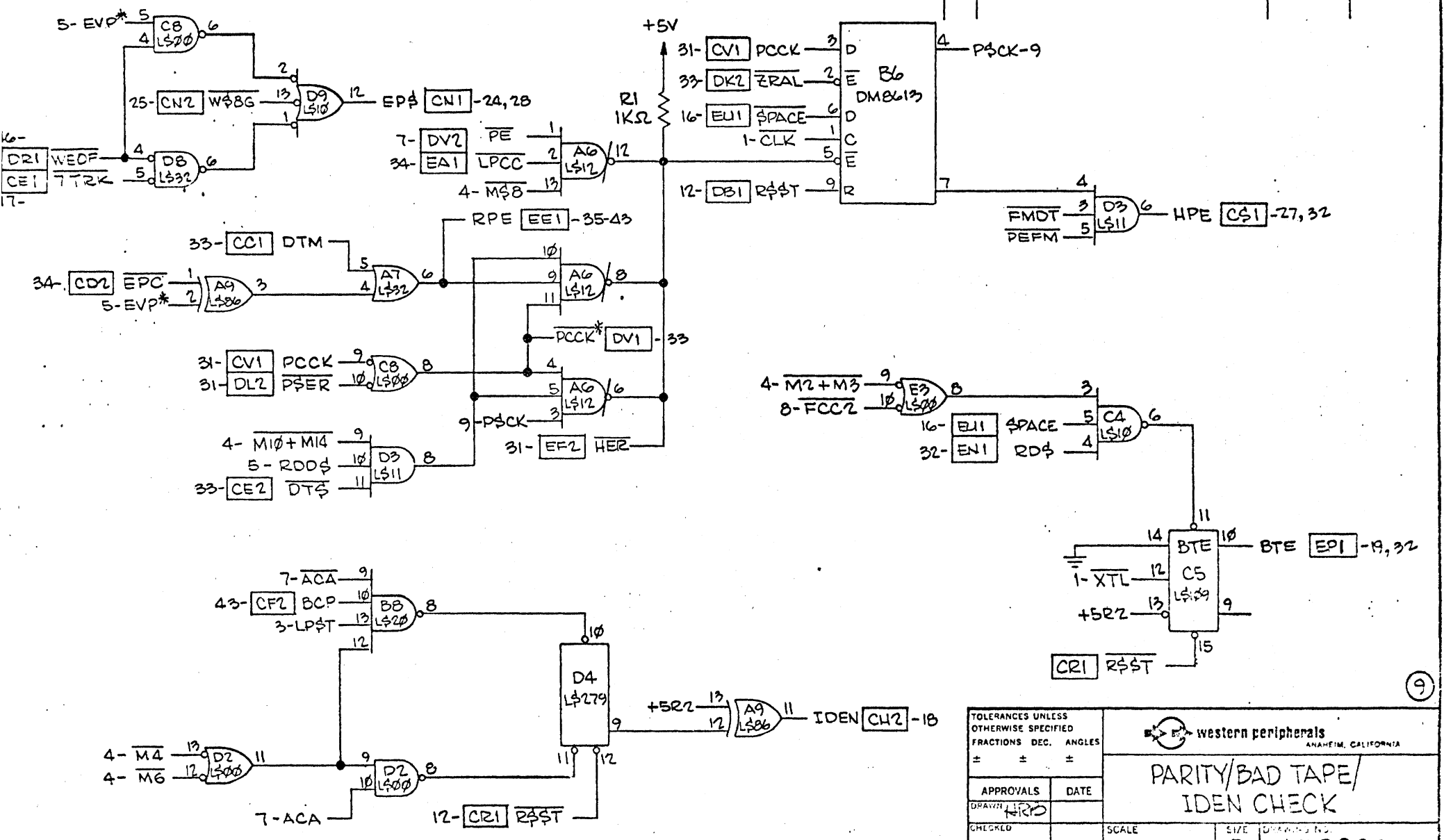
43-	CU2	RD0	1
35-	CT2	RD0	2
36-	CK1	RD1	3
37-	CJ1	RD2	4
38-	CK2	RD3	12
39-	CL2	RD4	13
40-	CM2	RD5	14
41-	CF1	RD6	5
42-	DC1	RD7	6
17-	DT2	TRK	15
8-FCC1			7



REVISIONS			
LTR	DESCRIPTION	DATE	APPROVED

TOLERANCES UNLESS OTHERWISE SPECIFIED		western peripherals	
FRACTIONS DEC. ANGLES		ANAHEIM, CALIFORNIA	
±	±	±	
APPROVALS	DATE	FILE MARK DETECTOR	
DRAWN HJB		SCALE	SIZE B DRAWING NO. 130026
CHECKED			
DO NOT SCALE DRAWING		SHEET 9 OF 10	

REVISIONS			
LTR	DESCRIPTION	DATE	APPROVED



TOLERANCES UNLESS OTHERWISE SPECIFIED	
FRACTIONS	DEC. ANGLES
±	±
APPROVALS	DATE
DRAWN	
CHECKED	

western peripherals
ANAHEIM, CALIFORNIA

PARITY/BAD TAPE/ IDEN CHECK

SCALE	SIZE	DRAWING NO.
—	B	130026
DO NOT SCALE DRAWING		SHEET 10 OF 10

BUS SWITCH SETTINGS

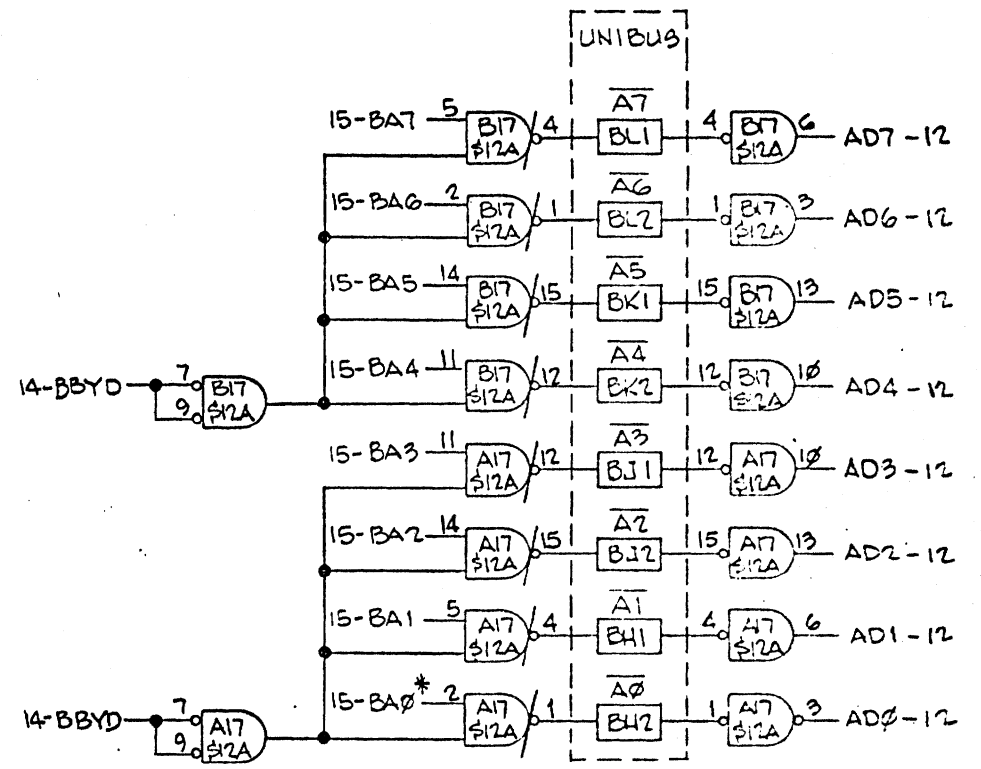
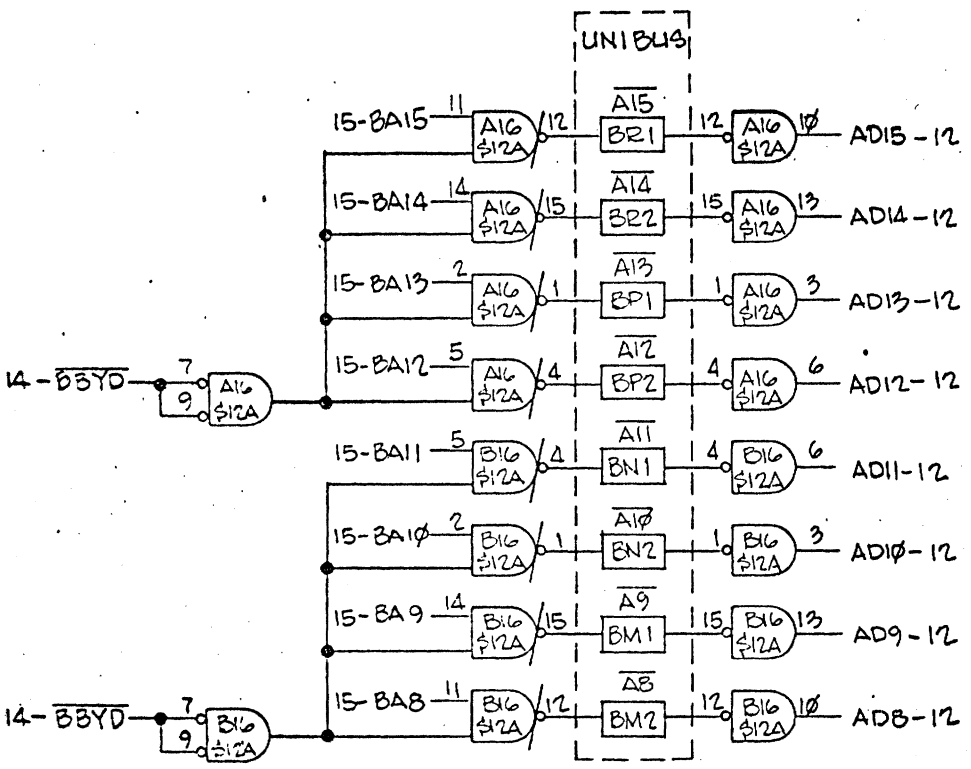
SWITCH POS. NUMBERS SWITCH A18	INTERRUPT BUS LEVEL			
	4	5	6	7
1	OFF	OFF	OFF	ON
2	OFF	OFF	ON	OFF
3	OFF	ON	OFF	OFF
4	ON	OFF	OFF	OFF
5	OFF	OFF	OFF	ON
6	OFF	OFF	ON	OFF
7	OFF	ON	OFF	OFF
8	ON	OFF	OFF	OFF
SWITCH POS. NUMBERS SWITCH B18	4	5	6	7
1	ON	ON	ON	OFF
2	ON	ON	OFF	ON
3	ON	OFF	ON	ON
4	OFF	ON	ON	ON
5	OFF	OFF	OFF	ON
6	OFF	OFF	ON	OFF
7	OFF	ON	OFF	OFF
8	ON	OFF	OFF	OFF

REVISIONS			
LTR	DESCRIPTION	DATE	APPROVED

NOTE:
BUS SWITCH SETTINGS ARE NORMALLY
SET AT LEVEL 5.

TOLERANCES UNLESS OTHERWISE SPECIFIED FRACTIONS DEC. ANGLES ± ± ±		western peripherals <small>ANAHEIM, CALIFORNIA</small>	
APPROVALS DATE		SCHMATIC TC130 TAPE CONTROLLER BOARD NO. 2 - ASSY. NO. 130018	
DRAWN	CHECKED	SCALE	SIZE DRAWING NO.
HEB		—	B 130027
DO NOT SCALE DRAWING		SHEET 1 OF 13	

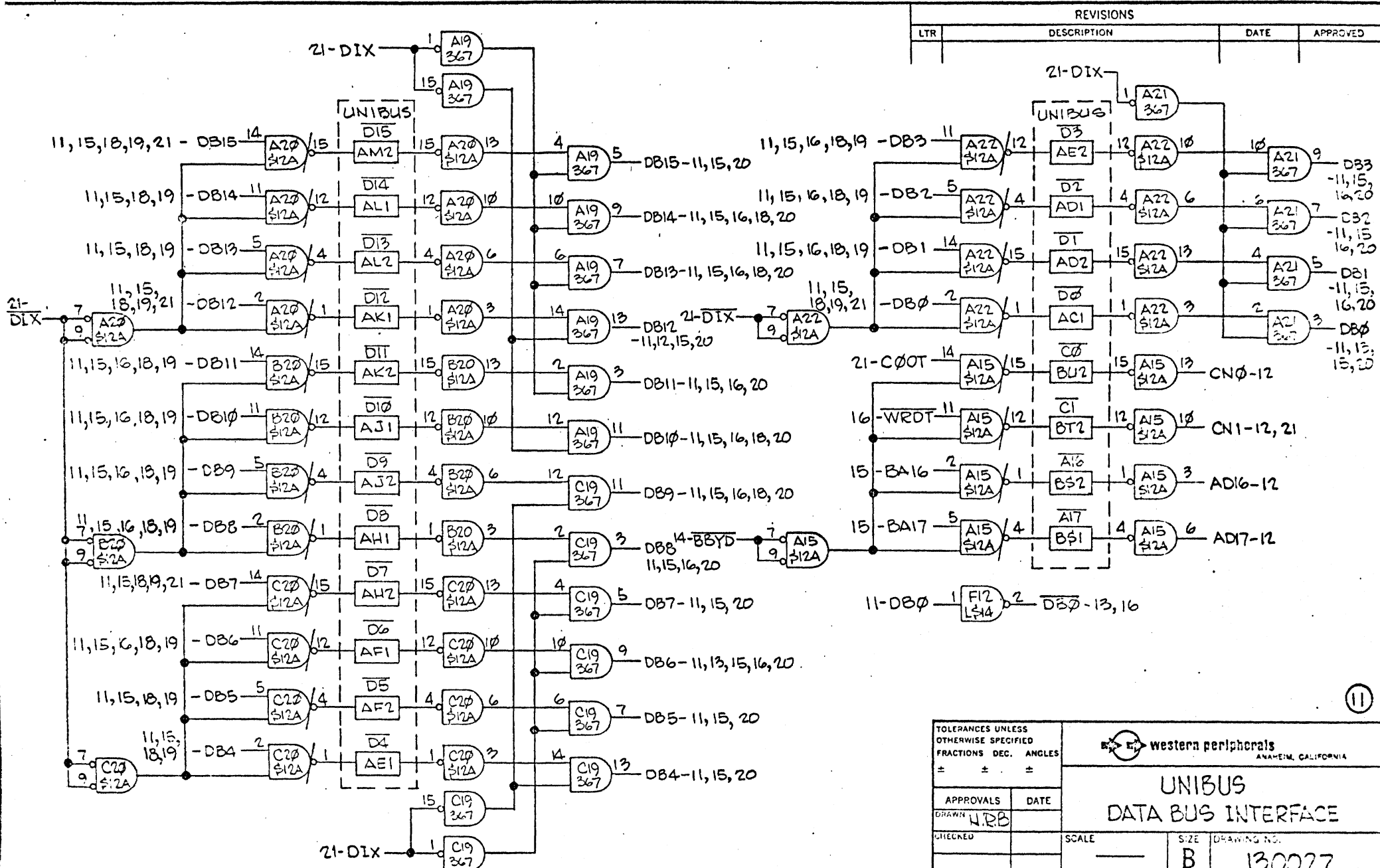
REVISIONS			
LTR	DESCRIPTION	DATE	APPROVED



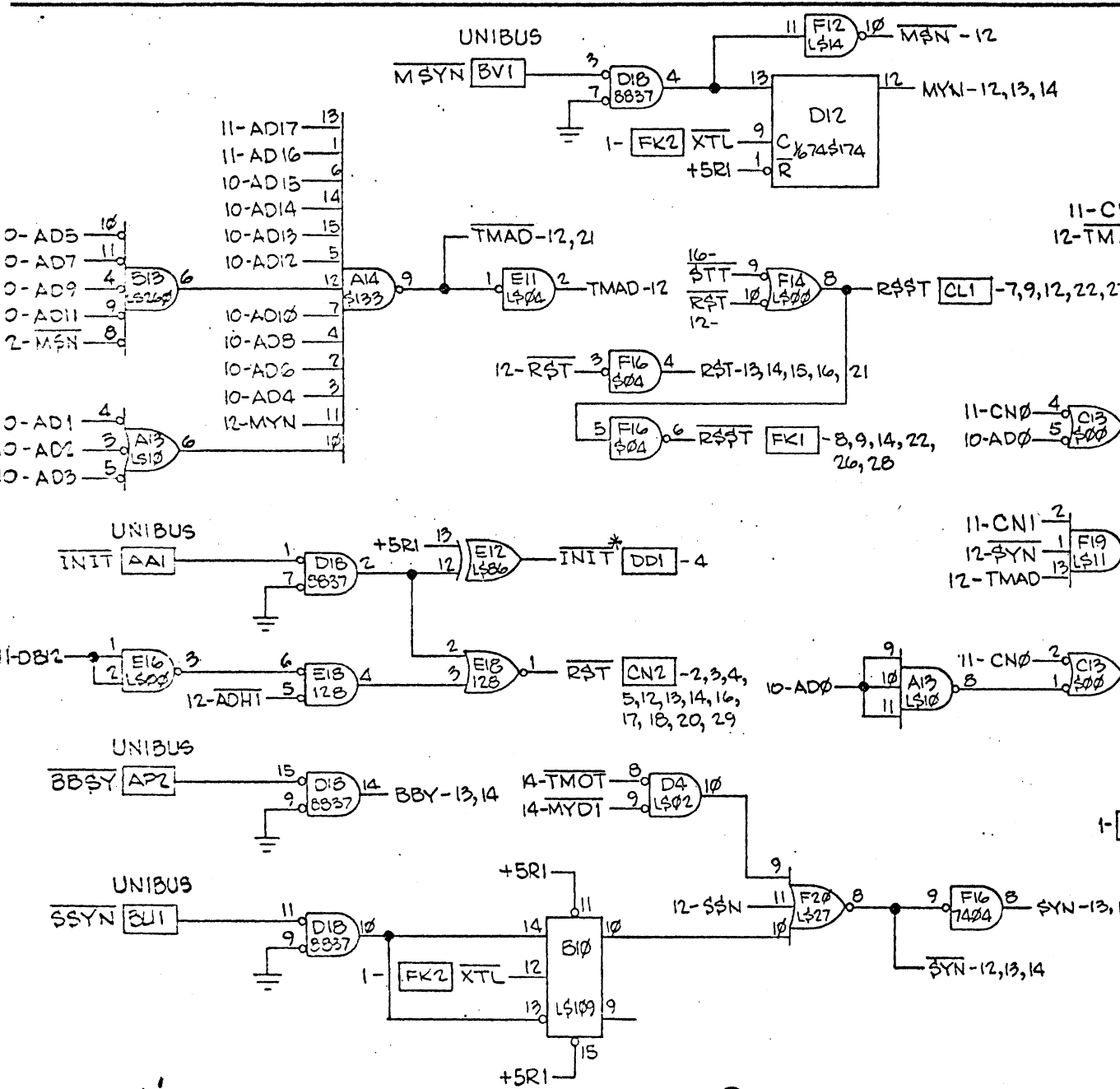
10

TOLERANCES UNLESS OTHERWISE SPECIFIED FRACTIONS DEC. ANGLES = = =		Western peripherals ANAHEIM, CALIFORNIA	
APPROVALS	DATE	UNIBUS ADDRESS INTERFACE	
DRAWN HRB		SCALE	SIZE DRAWING NO. B 130027
CHECKED		DO NOT SCALE DRAWING	
		SHEET 2 OF 2	

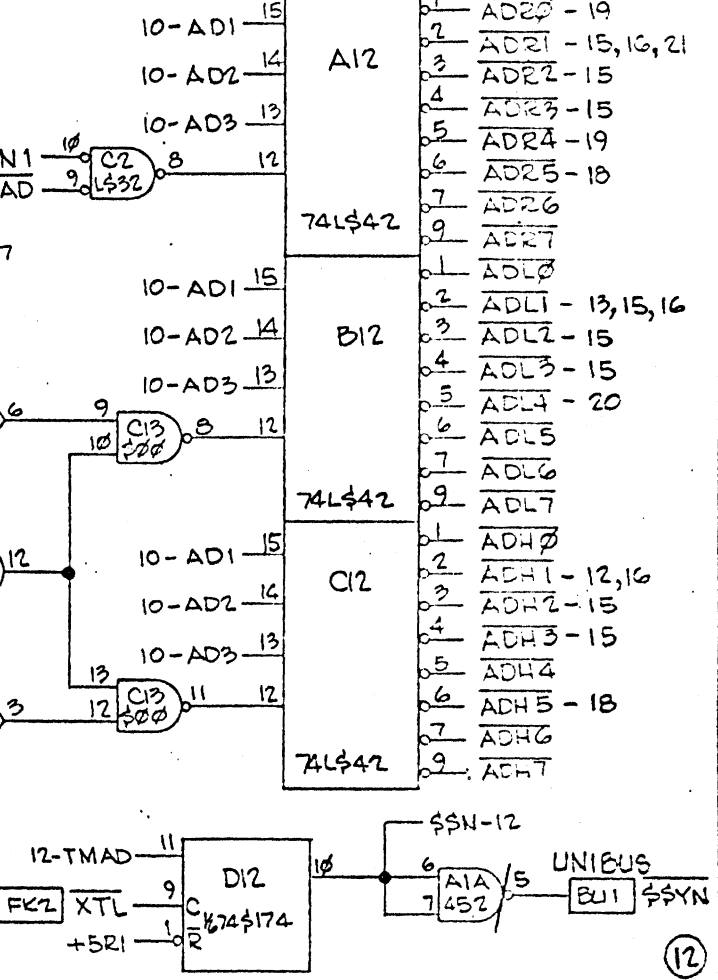
REVISIONS			
LTR	DESCRIPTION	DATE	APPROVED



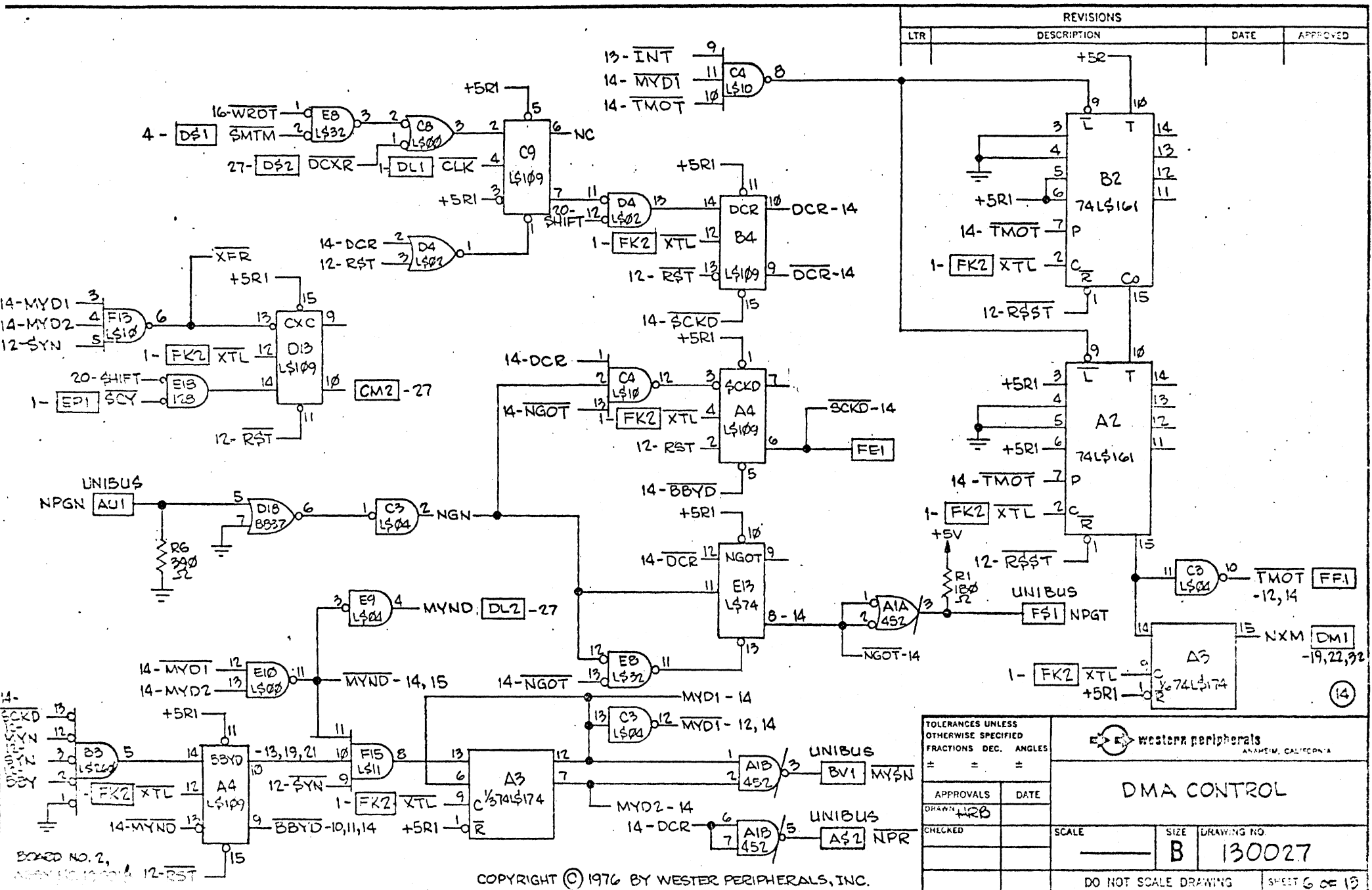
TOLERANCES UNLESS OTHERWISE SPECIFIED		western peripherals	
FRACTIONS DEC. ANGLES		ANAHEIM, CALIFORNIA	
± ± ±		UNIBUS DATA BUS INTERFACE	
APPROVALS	DATE	SCALE	SIZE
DRAWN: W.R.B.			B
CHECKED		DRAWING NO.	130027
DO NOT SCALE DRAWING			SHEET 3 OF 13



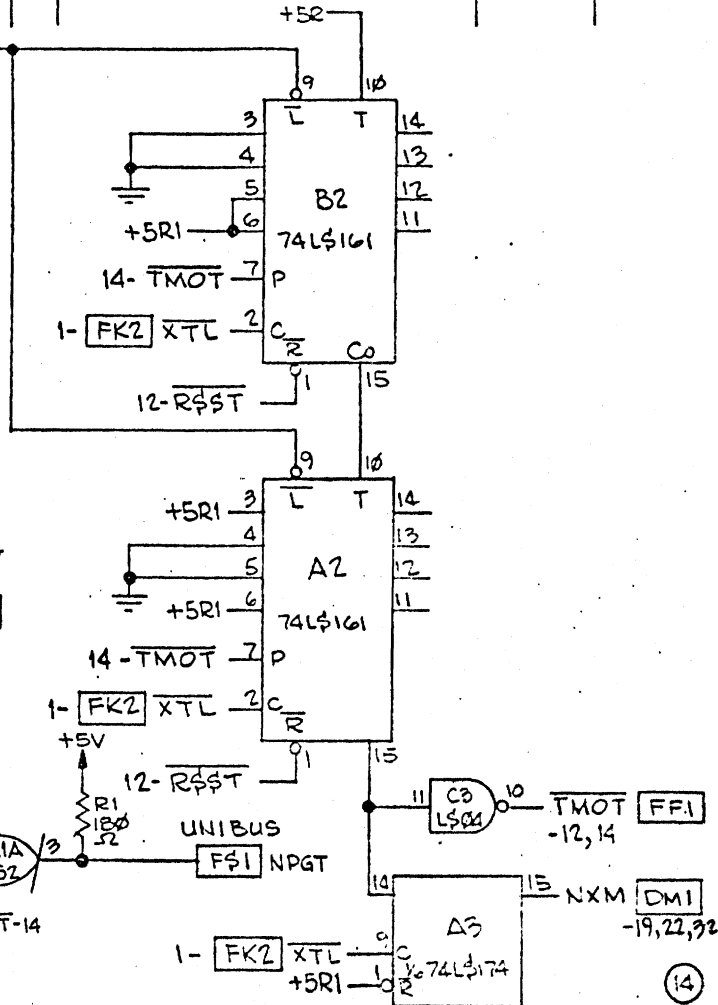
REVISIONS			
LTR	DESCRIPTION	DATE	APPROVED



TOLERANCES UNLESS OTHERWISE SPECIFIED		western peripherals ANAHEIM CALIFORNIA	
FRACTIONS DEC. ANGLES	± ± ±	PROCESSOR I/O CONTROL	
APPROVALS	DATE	SCALE	SIZE
DRAWN	HRB	—	B 130027
CHECKED			
DO NOT SCALE DRAWING		SHEET 4 OF 13	



REVISIONS			
LTR	DESCRIPTION	DATE	APPROVED



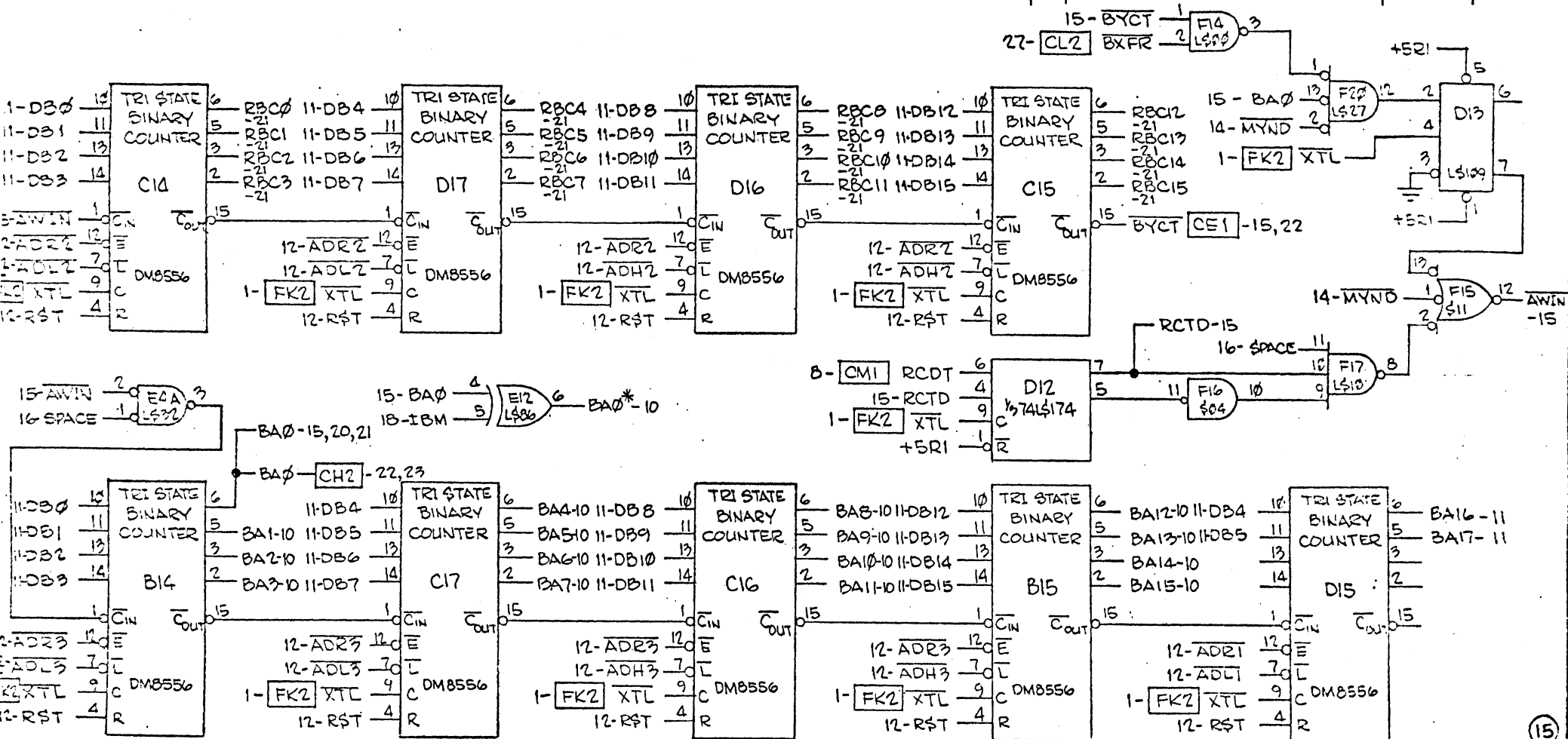
TOLERANCES UNLESS OTHERWISE SPECIFIED		
FRACTIONS	DEC.	ANGLES
±	±	±

western peripherals ANAHEIM, CALIFORNIA		
DMA CONTROL		
APPROVALS	DATE	
DRAWN: HRB		
CHECKED	SCALE	SIZE
		DRAWING NO.
		B 130027
DO NOT SCALE DRAWING		SHEET 6 OF 13

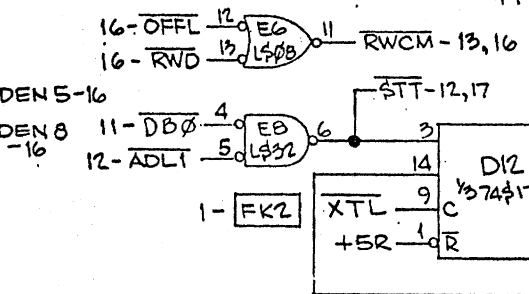
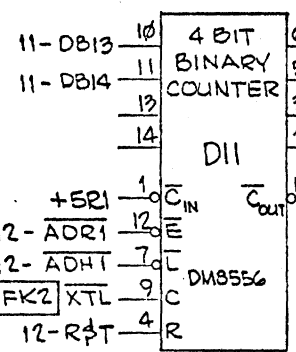
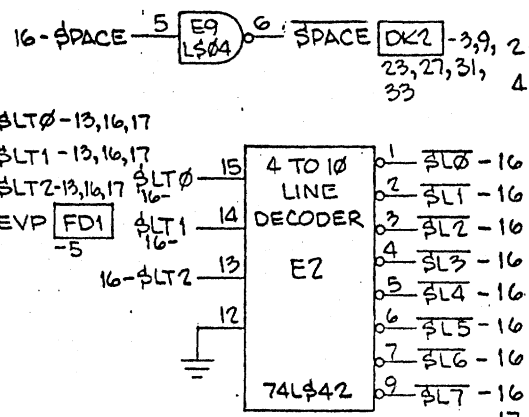
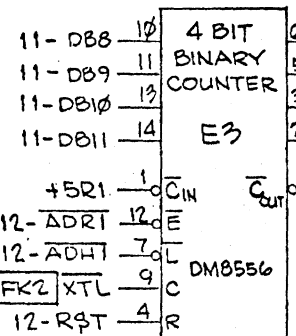
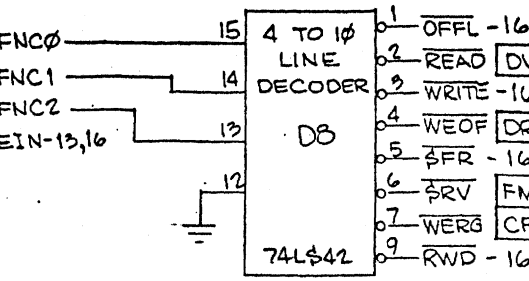
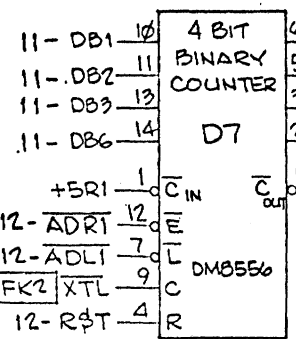
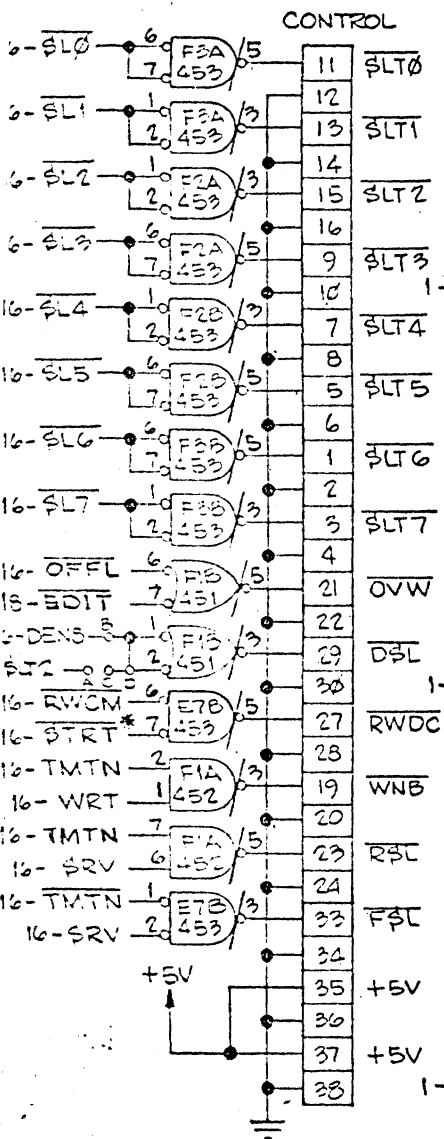
COPYRIGHT © 1976 BY WESTER PERIPHERALS, INC.

BOXED NO. 2,
AGE 10 12 20 12-RST

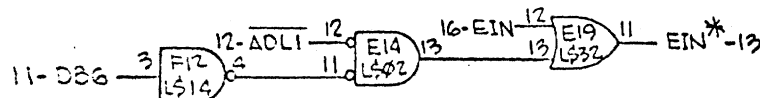
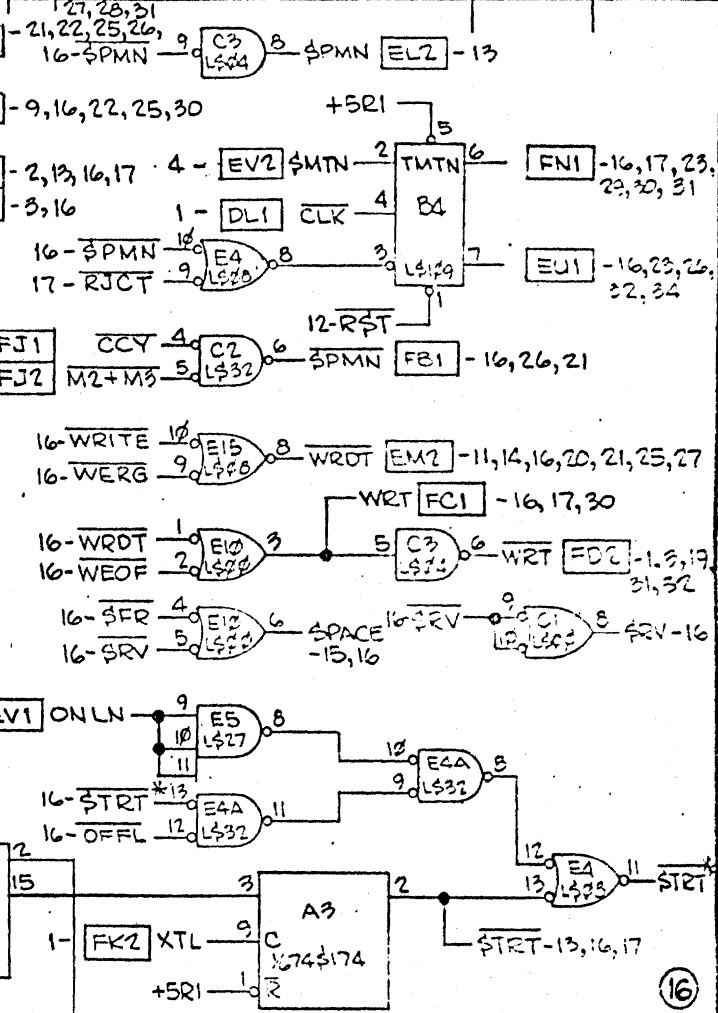
REVISIONS			
LTR	DESCRIPTION	DATE	APPROVED



TOLERANCES UNLESS OTHERWISE SPECIFIED FRACTIONS DEC. ANGLES		Western Peripherals ANAHEIM, CALIFORNIA	
APPROVALS	DATE	ADDRESS AND BYTE COUNTER REGISTERS	
DRAWN: <i>HPD</i>		SCALE	SHEET NO. 130027
CHECKED		SCALE	SHEET 7 OF 13



REVISIONS			
LTR	DESCRIPTION	DATE	APPROVED



TOLERANCES UNLESS OTHERWISE SPECIFIED FRACTIONS DEC. ANGLES

± ± ±

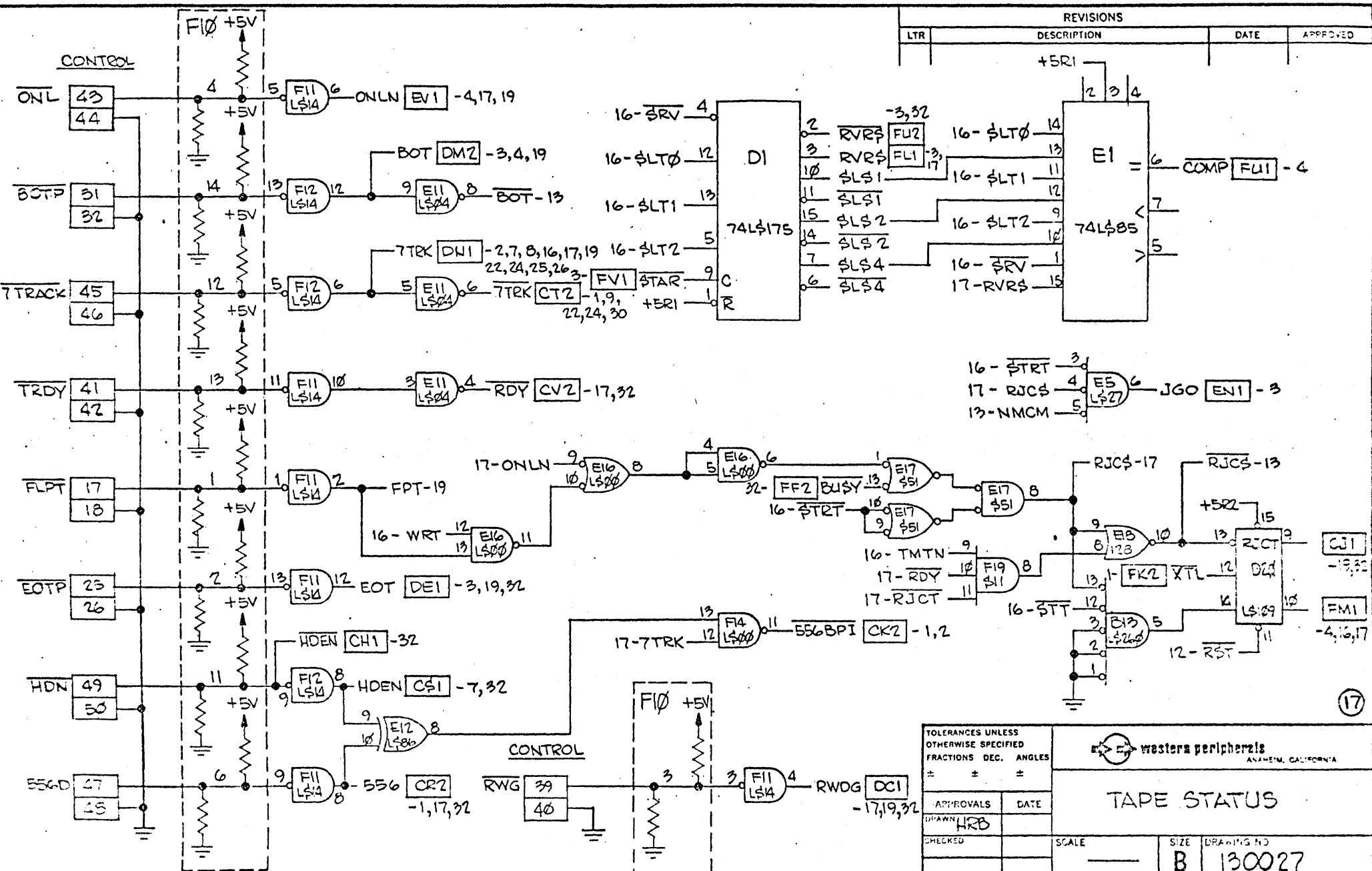
APPROVALS DATE

DRAWN H20

CHECKED

SCALE SIZE DRAWING NO. B 130027

DO NOT SCALE DRAWING SHEET 8 OF 13



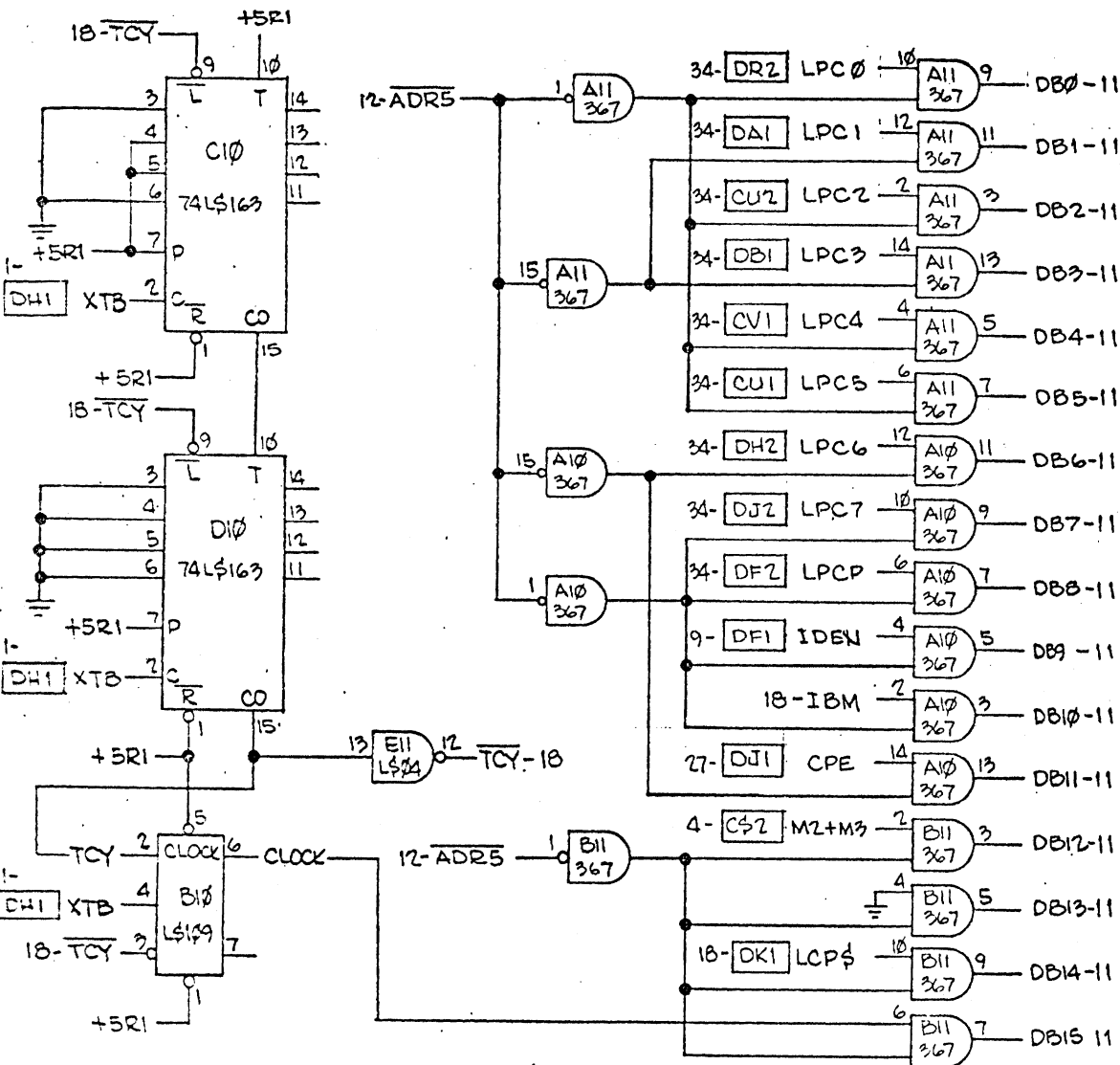
REVISIONS			
LTR	DESCRIPTION	DATE	APPROVED
	+5R1		

TOLERANCES UNLESS OTHERWISE SPECIFIED	
FRACTIONS	DEC. ANGLES
±	±
APPROVALS	DATE
DRAWN HRB	
CHECKED	

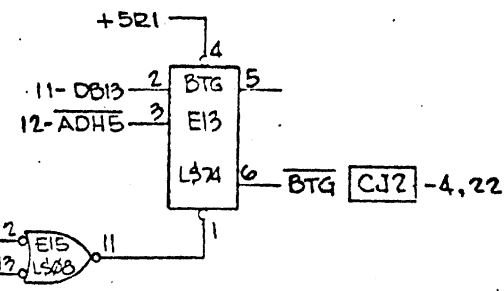
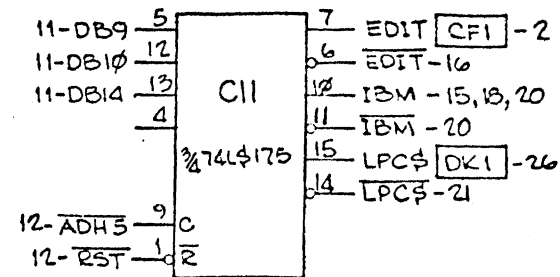
western peripherals
ANAHEIM, CALIFORNIA

TAPE STATUS

SCALE	SIZE B	DRAWING NO. 130027
DO NOT SCALE DRAWING		SHEET 9 OF 13

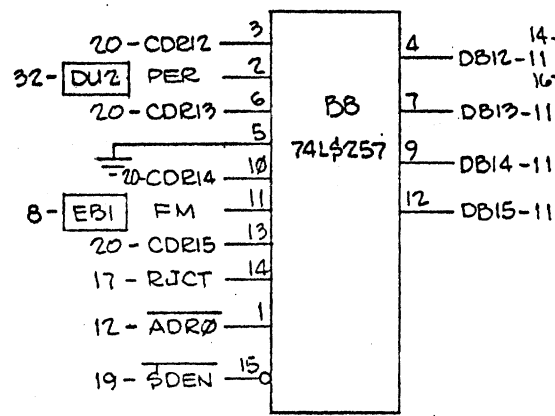
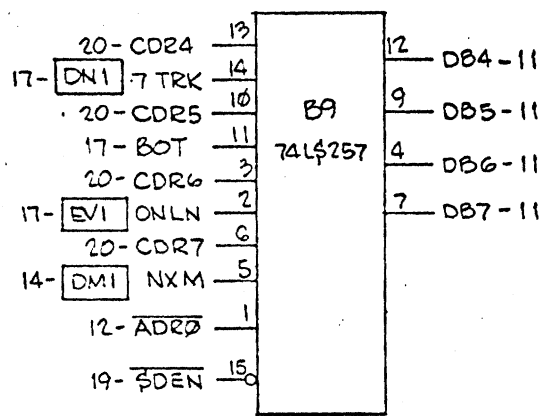
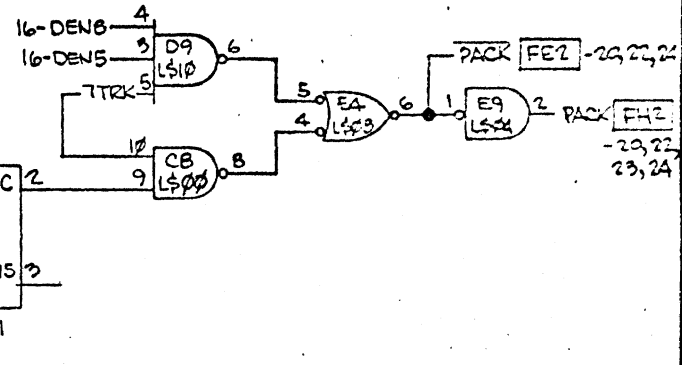
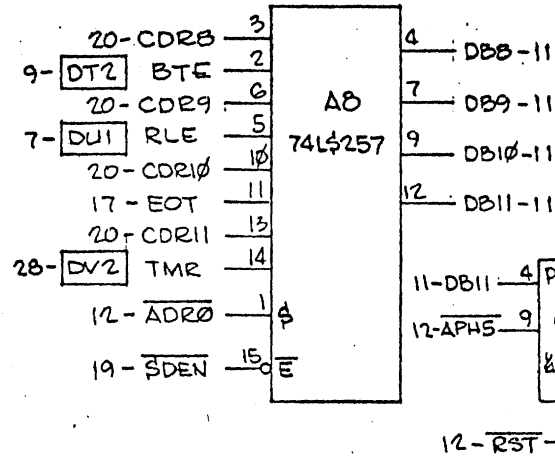
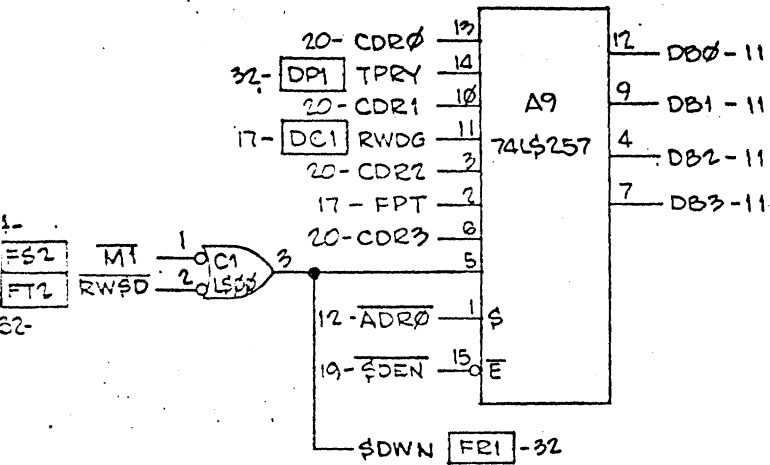


REVISIONS			
LTR	DESCRIPTION	DATE	APPROVED

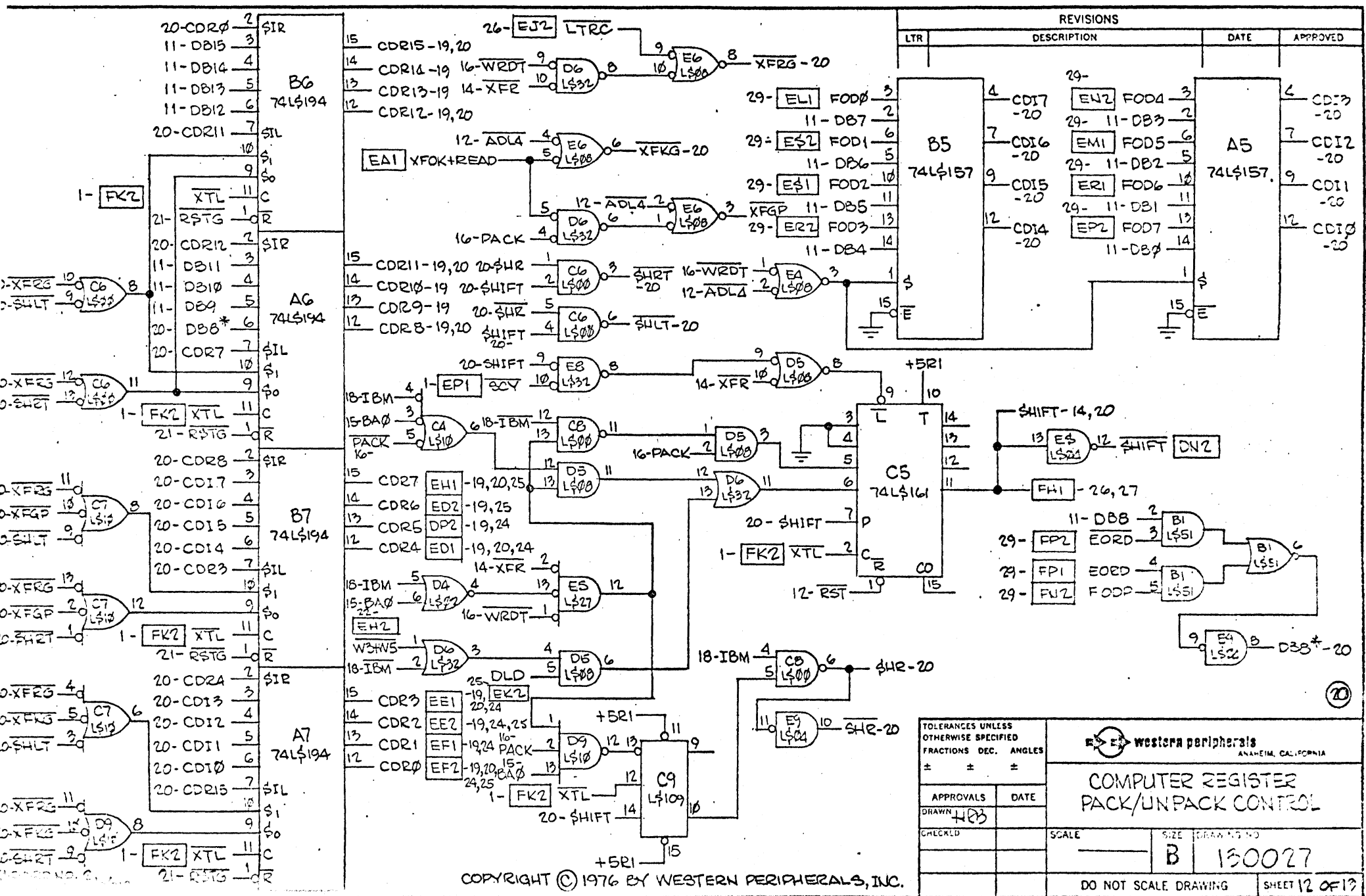


TOLERANCES UNLESS OTHERWISE SPECIFIED		western peripherals	
FRACTIONS DEC. ANGLES		ANAHEIM, CALIFORNIA	
±	±	±	±
APPROVALS	DATE	TU10 REGISTER	
DRAWN HRS			
CHECKED			
SCALE	SIZE	DRAWING NO.	
	B	130027	
DO NOT SCALE DRAWING		SHEET 10 OF 13	

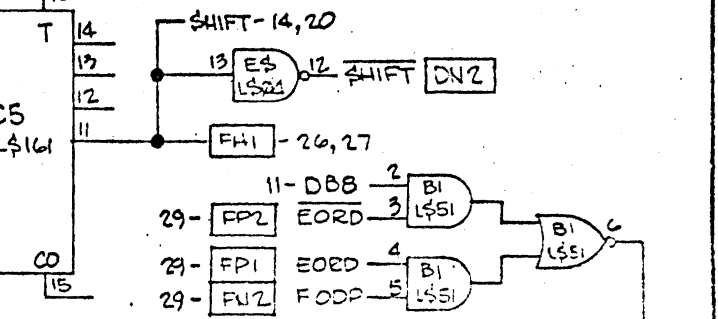
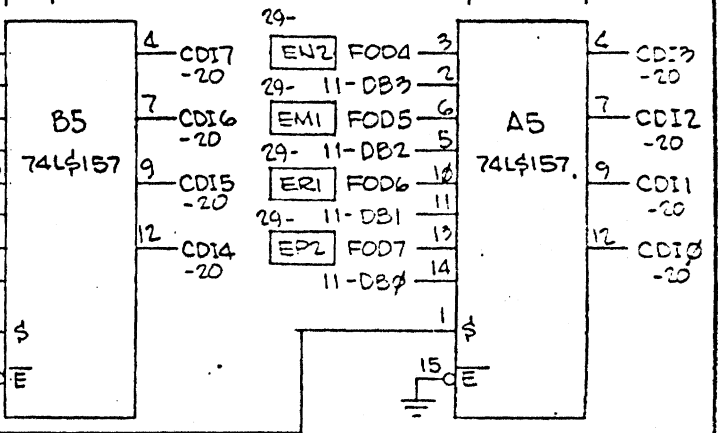
REVISIONS			
LTR	DESCRIPTION	DATE	APPROVED



TOLERANCES UNLESS OTHERWISE SPECIFIED FRACTIONS DEC. ANGLES ± ± ±		western peripherals ANAHEIM, CALIFORNIA	
APPROVALS		DATE	
DRAWN HRD			
CHECKED		SCALE	SIZE DRAWING NO.
			B 130027
DO NOT SCALE DRAWING			SHEET 11 OF 13



REVISIONS			
LTR	DESCRIPTION	DATE	APPROVED

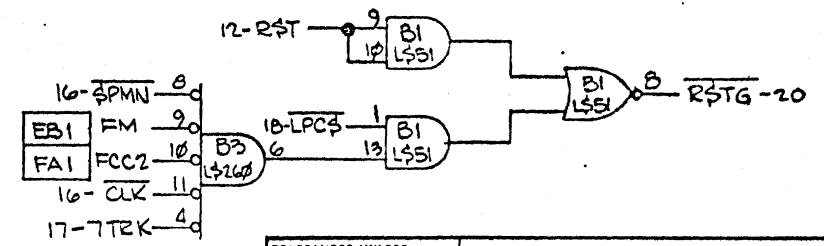
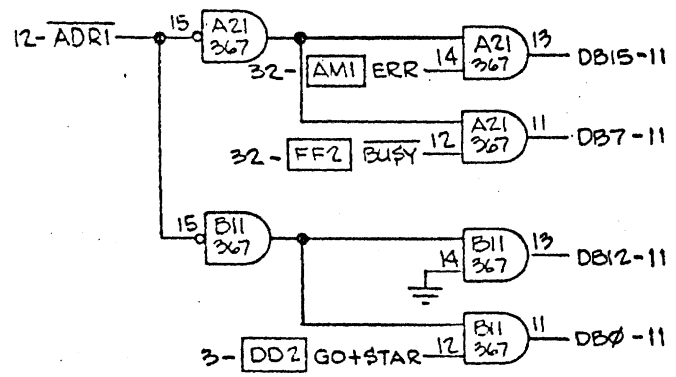
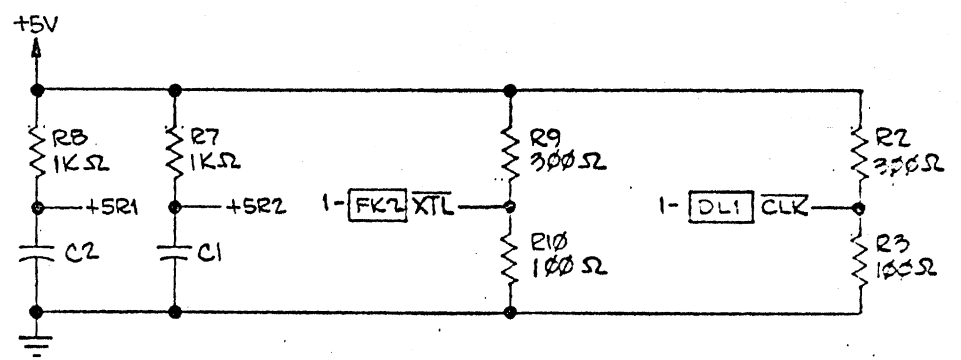
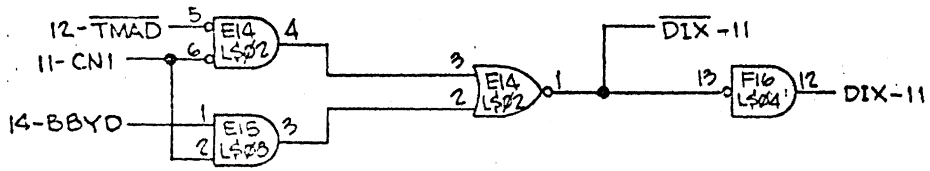
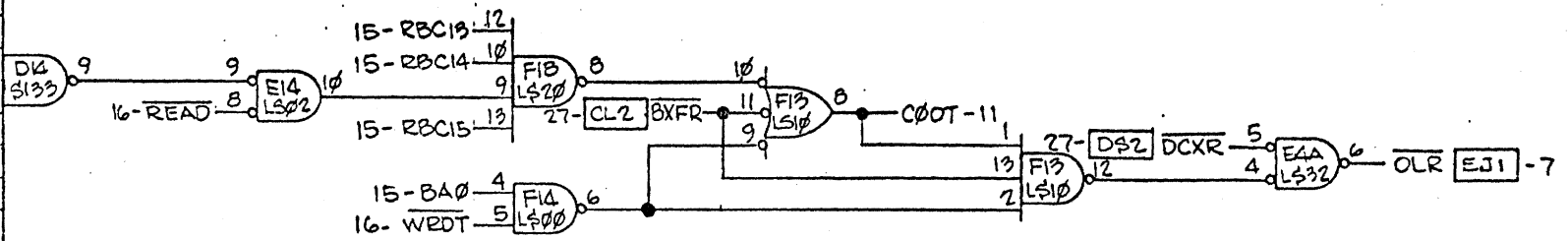


TOLERANCES UNLESS OTHERWISE SPECIFIED		FRACTIONS DEC. ANGLES	
±	±	±	±
APPROVALS		DATE	
DRAWN HOB			
CHECKED		SCALE	SIZE DRAWING NO
		B	130027
DO NOT SCALE DRAWING			SHEET 12 OF 12

COPYRIGHT © 1976 BY WESTERN PERIPHERALS, INC.

REVISIONS			
LTR	DESCRIPTION	DATE	APPROVED


- 15-RBC0 2
- 15-RBC1 3
- 15-RBC2 4
- 15-RBC3 5
- 15-RBC4 12
- 15-RBC5 6
- 15-RBC6 14
- 15-RBC7 1
- 15-RBC8 7
- 15-RBC9 11
- 15-RBC10 13
- 15-RBC11 15
- 15-RBC12 10



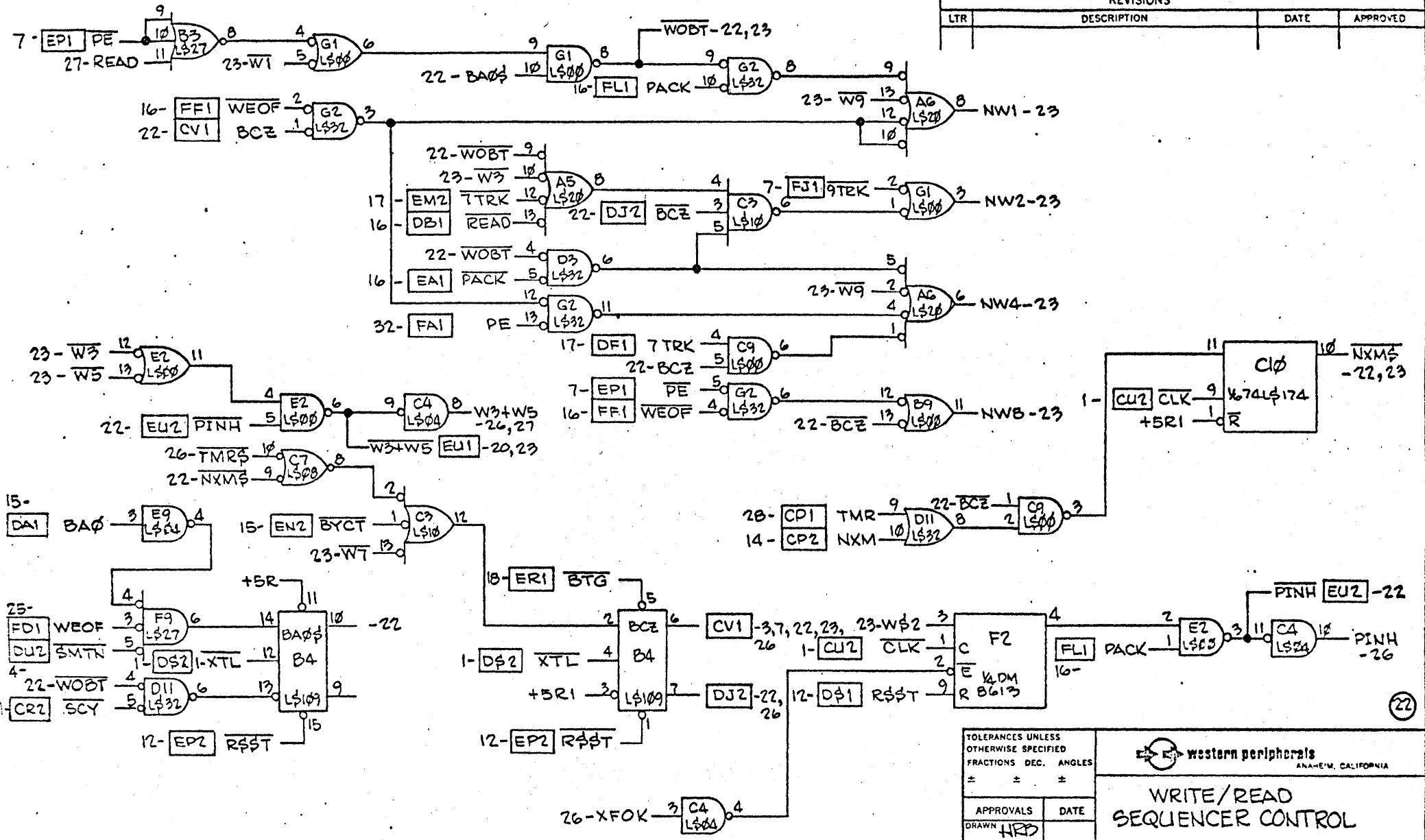
(21)

TOLERANCES UNLESS OTHERWISE SPECIFIED		western peripherals ANAHEIM, CALIFORNIA	
FRACTIONS	DEC.		
±	±	±	RECORD LENGTH ERROR DETECTOR UNIBUS DATA BUS CONTROL
APPROVALS	DATE	SCALE	
DRAWN HRS		SIZE	DRAWING NO.
CHECKED		B	130027
DO NOT SCALE DRAWING			SHEET 13 OF 13

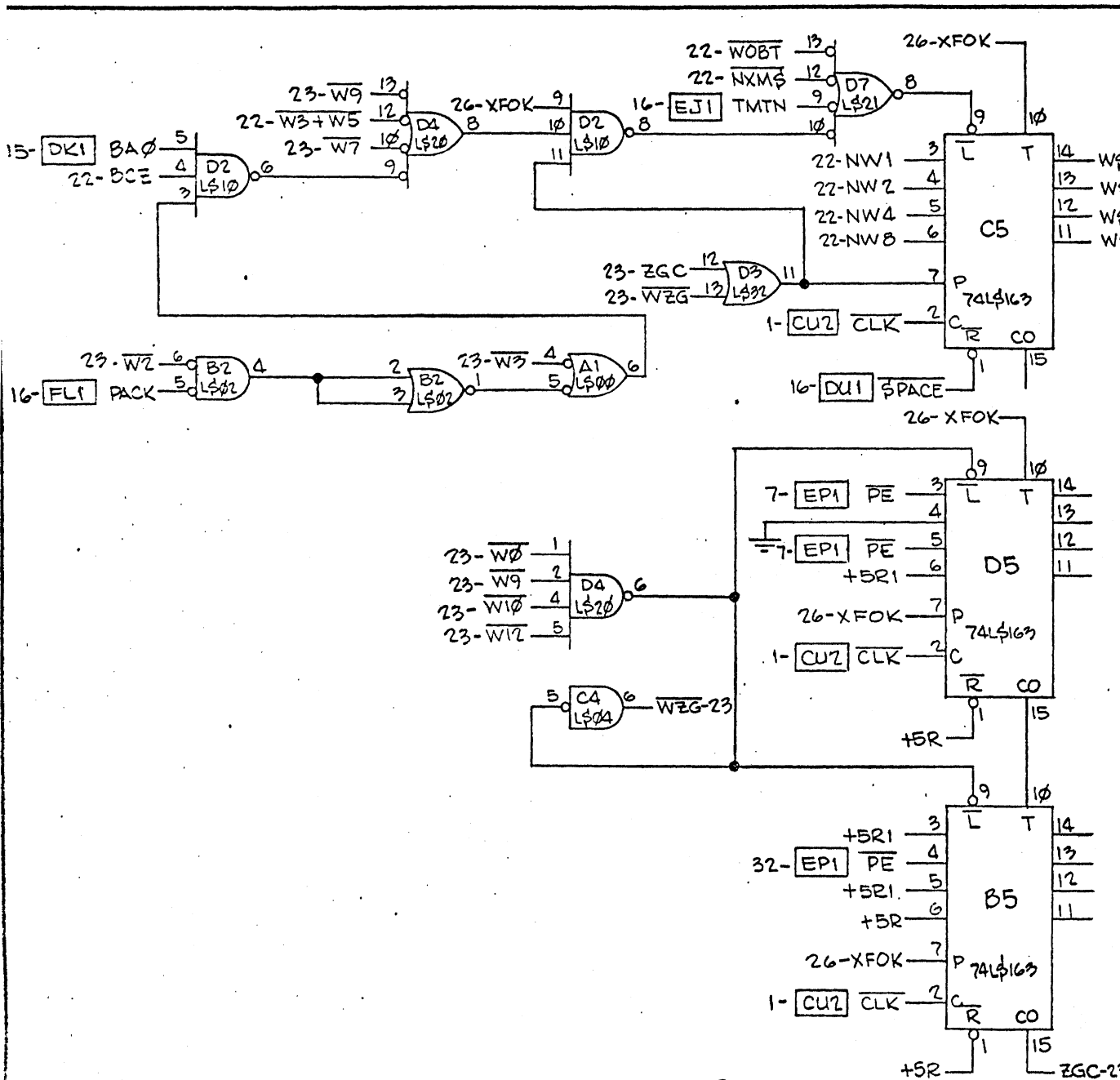
REVISIONS			
LTR	DESCRIPTION	DATE	APPROVED

TOLERANCES UNLESS OTHERWISE SPECIFIED		 western peripherals <small>ANAHEIM, CALIFORNIA</small>	
FRACTIONS	DEC. ANGLES		
±	± ±	SCHEMATIC TC130 TAPE CONTROLLER BOARD NO. 3 - ASSY NO. 130019	
APPROVALS	DATE	SCALE	SIZE
DRAWN HRB		—	B
CHECKED			DRAWING NO
			130028
DO NOT SCALE DRAWING			SHEET 1 OF 11

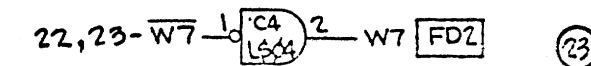
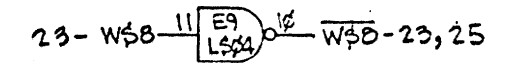
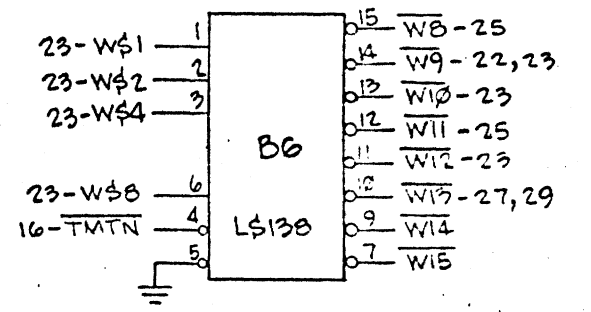
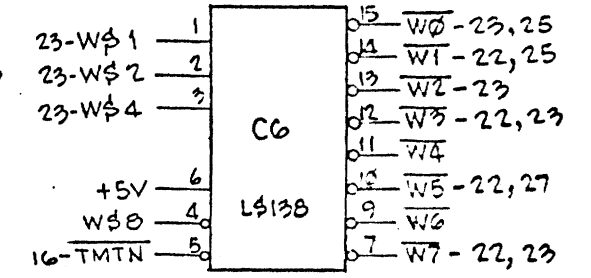
REVISIONS			
LTR	DESCRIPTION	DATE	APPROVED



TOLERANCES UNLESS OTHERWISE SPECIFIED FRACTIONS DEC. ANGLES		western peripherals ANAHEIM, CALIFORNIA	
APPROVALS		DATE	
DRAWN HRP			
CHECKED		SCALE	SIZE B
		DRAWING NO. 130028	
		DO NOT SCALE DRAWING	
		SHEET 2 of 11	

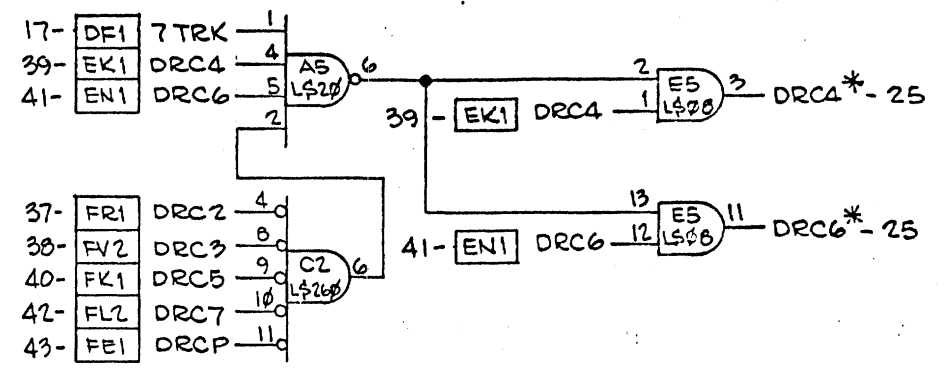
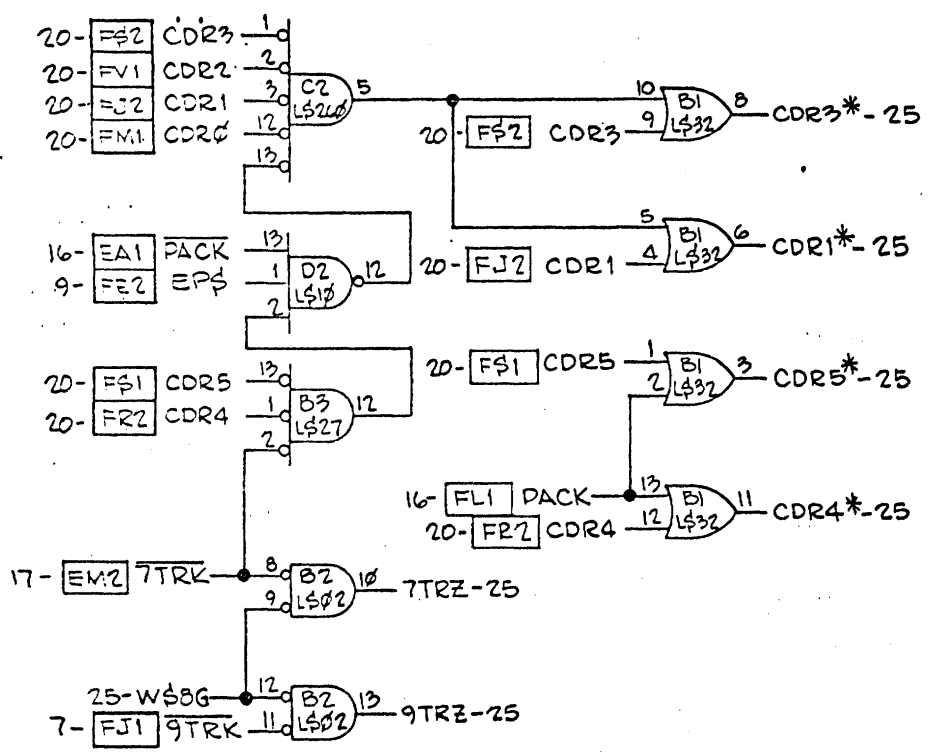


REVISIONS			
LTR	DESCRIPTION	DATE	APPROVED



TOLERANCES UNLESS OTHERWISE SPECIFIED		WESTERN PERIPHERALS ANAHEIM, CALIFORNIA	
FRACTIONS DEC.	ANGLES	WRITE/READ SEQUENCER	
±	±		
APPROVALS	DATE	SCALE	SIZE
DRAWN HEB			B
CHECKED		DRAWING NO.	130028
		DO NOT SCALE DRAWING	
		SHEET 3 OF 11	

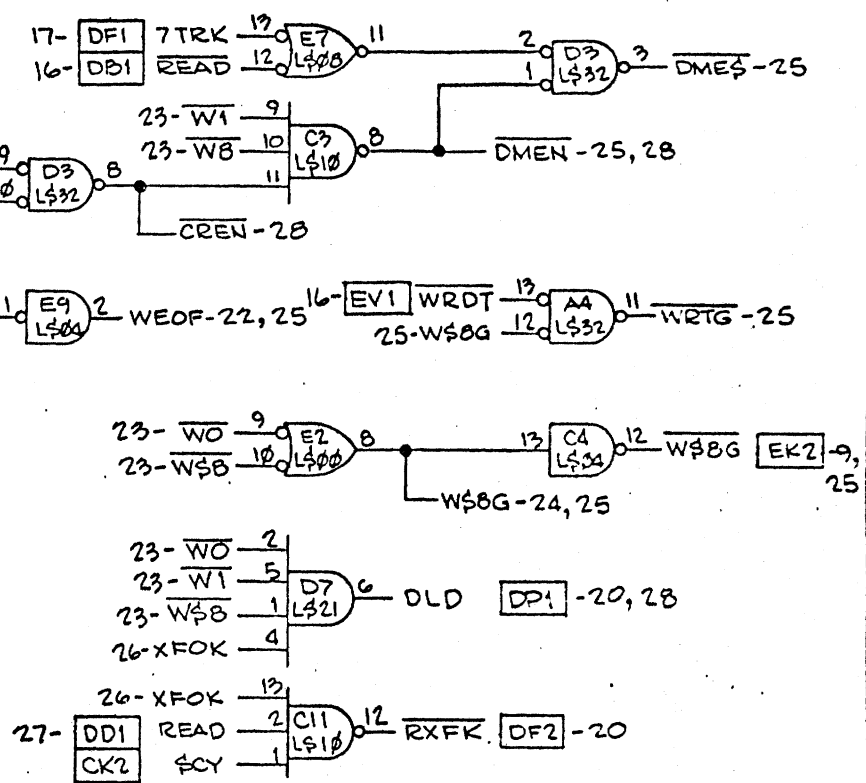
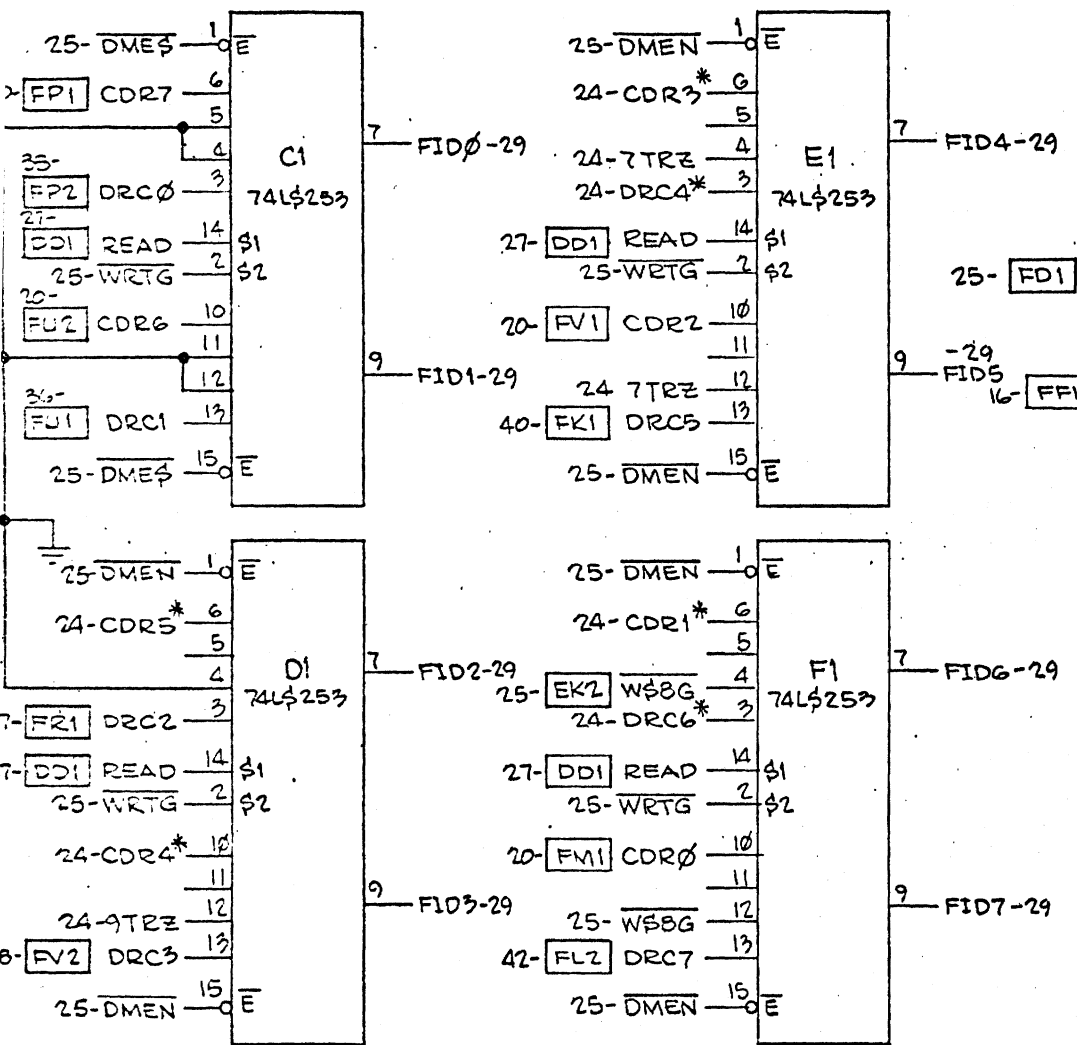
REVISIONS			
LTR	DESCRIPTION	DATE	APPROVED



24

TOLERANCES UNLESS OTHERWISE SPECIFIED		western peripherals ANAHEIM, CALIFORNIA	
FRACTIONS DEC. ANGLES		0 → 12 CODE CONVERTER 12 → 0 CODE CONVERTER	
APPROVALS	DATE	SCALE	SIZE DRAWING NO.
DRAWN HRB			B 130028
CHECKED		DO NOT SCALE DRAWING	SHEET 4 OF 11

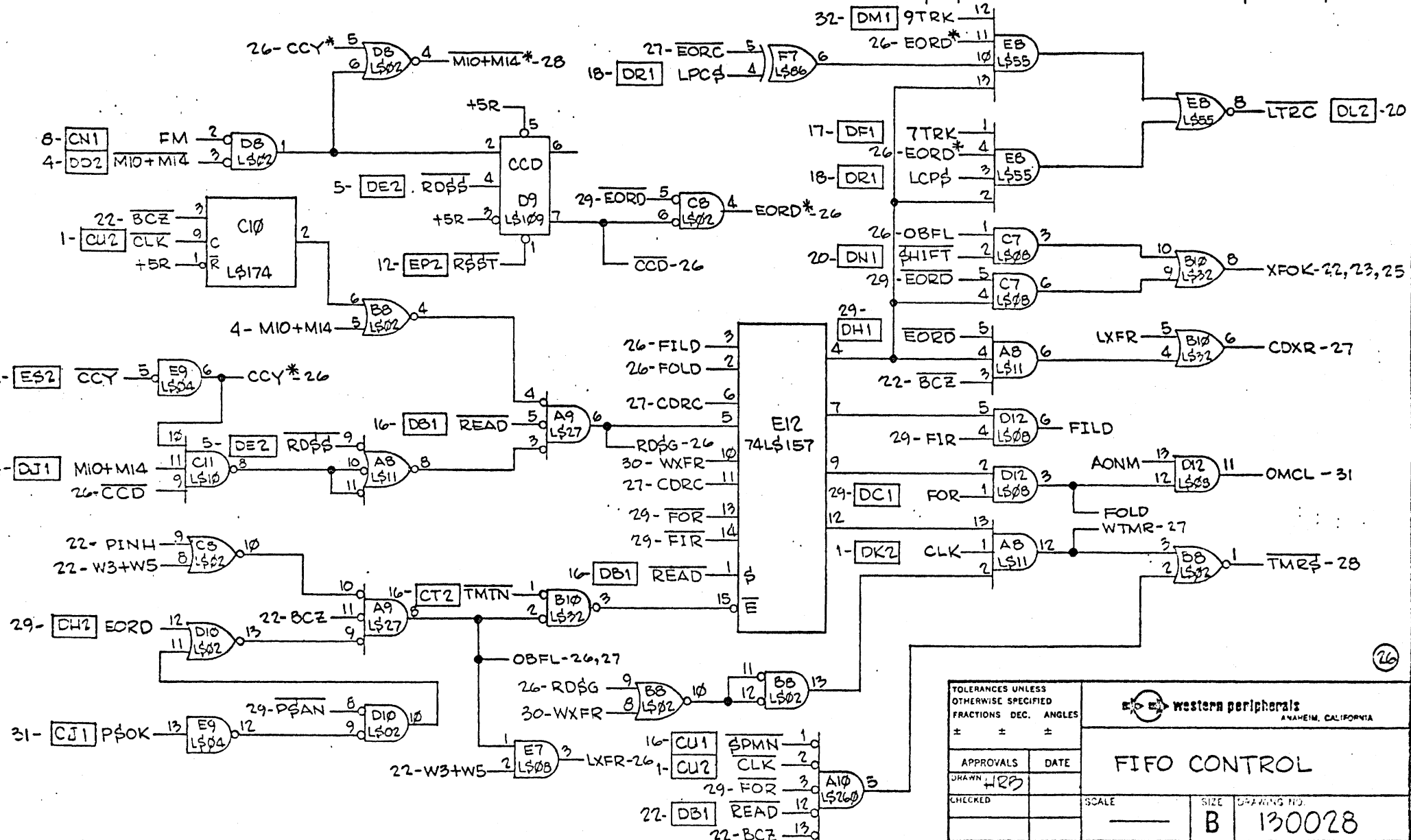
REVISIONS			
LTR	DESCRIPTION	DATE	APPROVED



25

TOLERANCES UNLESS OTHERWISE SPECIFIED FRACTIONS DEC. ANGLES ± ± ±		western peripherals ANAHIM, CALIFORNIA	
APPROVALS	DATE	FIFO INPUT MULTIPLEXER	
DRAWN HRB		SCALE	SIZE B DRAWING NO. 130028
CHECKED		DO NOT SCALE DRAWING SHEET 5 OF 11	

REVISIONS			
LTR	DESCRIPTION	DATE	APPROVED



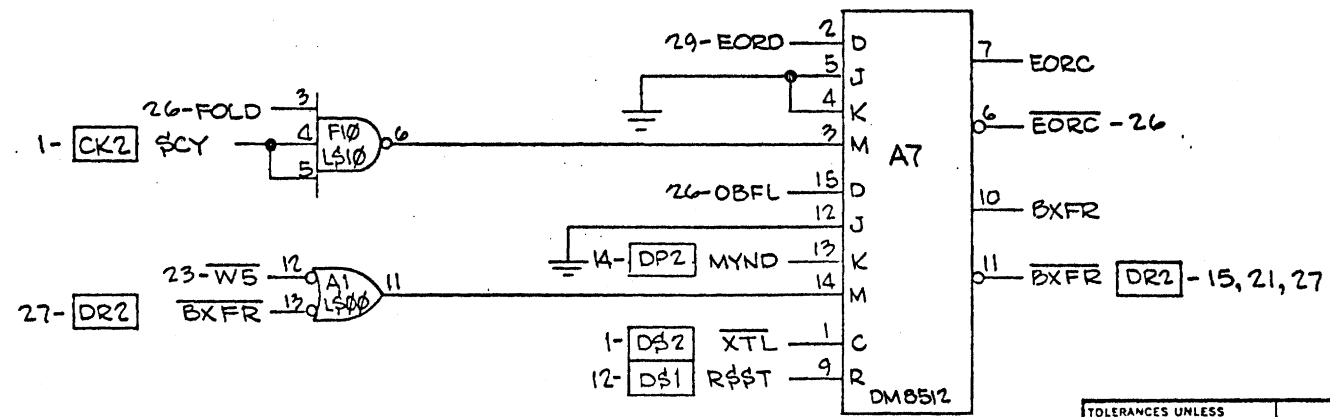
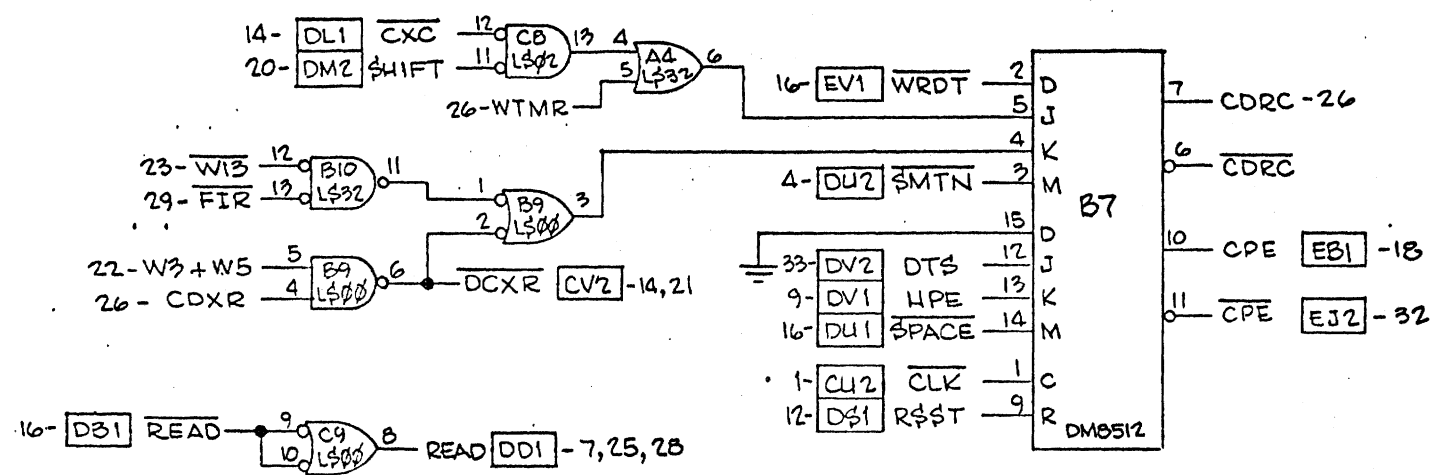
TOLERANCES UNLESS OTHERWISE SPECIFIED		
FRACTIONS	DEC.	ANGLES
±	±	±
APPROVALS	DATE	
DRAWN: HRP		
CHECKED	SCALE	SIZE DRAWING NO.
		B 130028
DO NOT SCALE DRAWING		SHEET 6 OF 11

western peripherals
ANAHEIM, CALIFORNIA

FIFO CONTROL

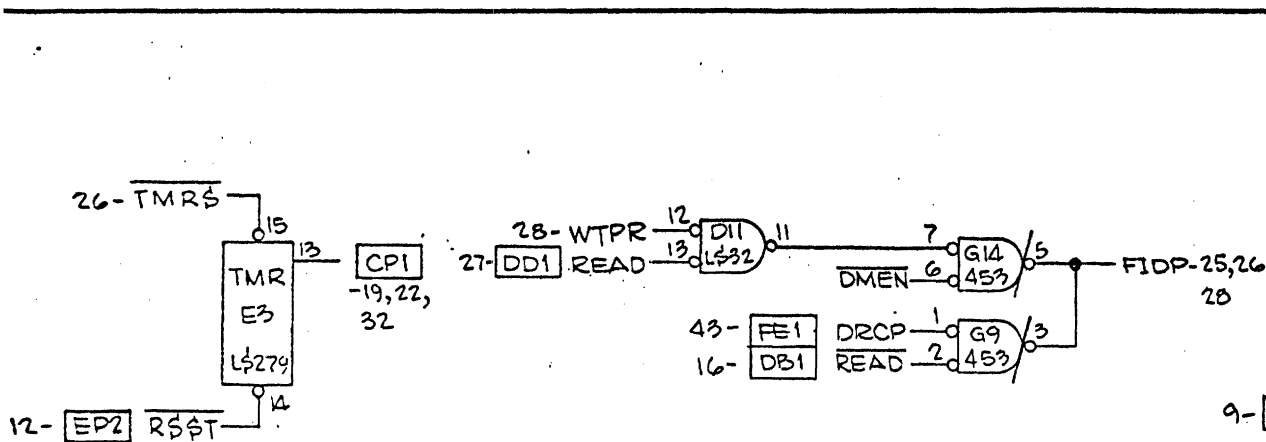
DO NOT SCALE DRAWING SHEET 6 OF 11

REVISIONS			
LTR	DESCRIPTION	DATE	APPROVED

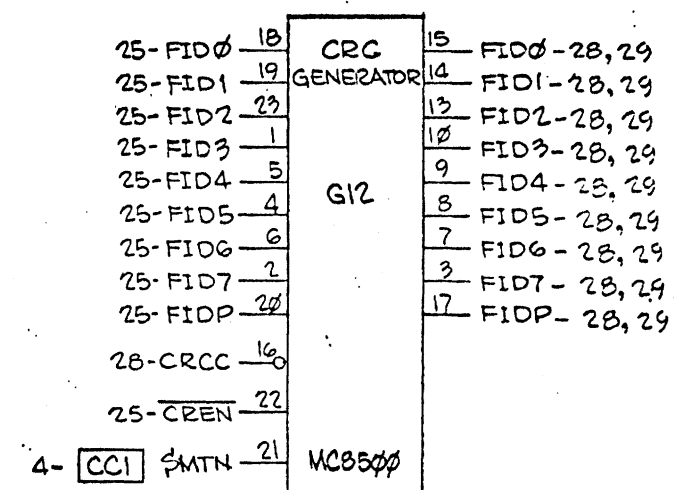
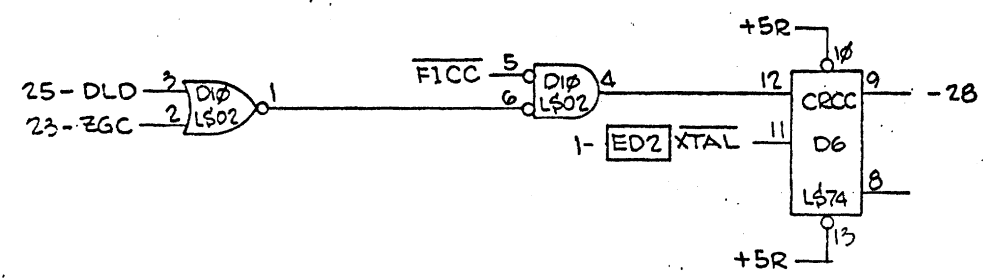
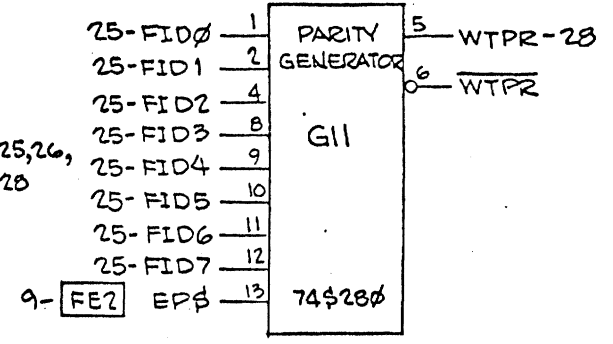


(27)

TOLERANCES UNLESS OTHERWISE SPECIFIED FRACTIONS DEC. ANGLES = ± ±		western peripherals ANAHEIM, CALIFORNIA	
APPROVALS	DATE	FIFO CONTROL	
DRAWN HRP			
CHECKED		SCALE	SIZE B DRAWING NO. 130028
DO NOT SCALE DRAWING			SHEET 7 of 11

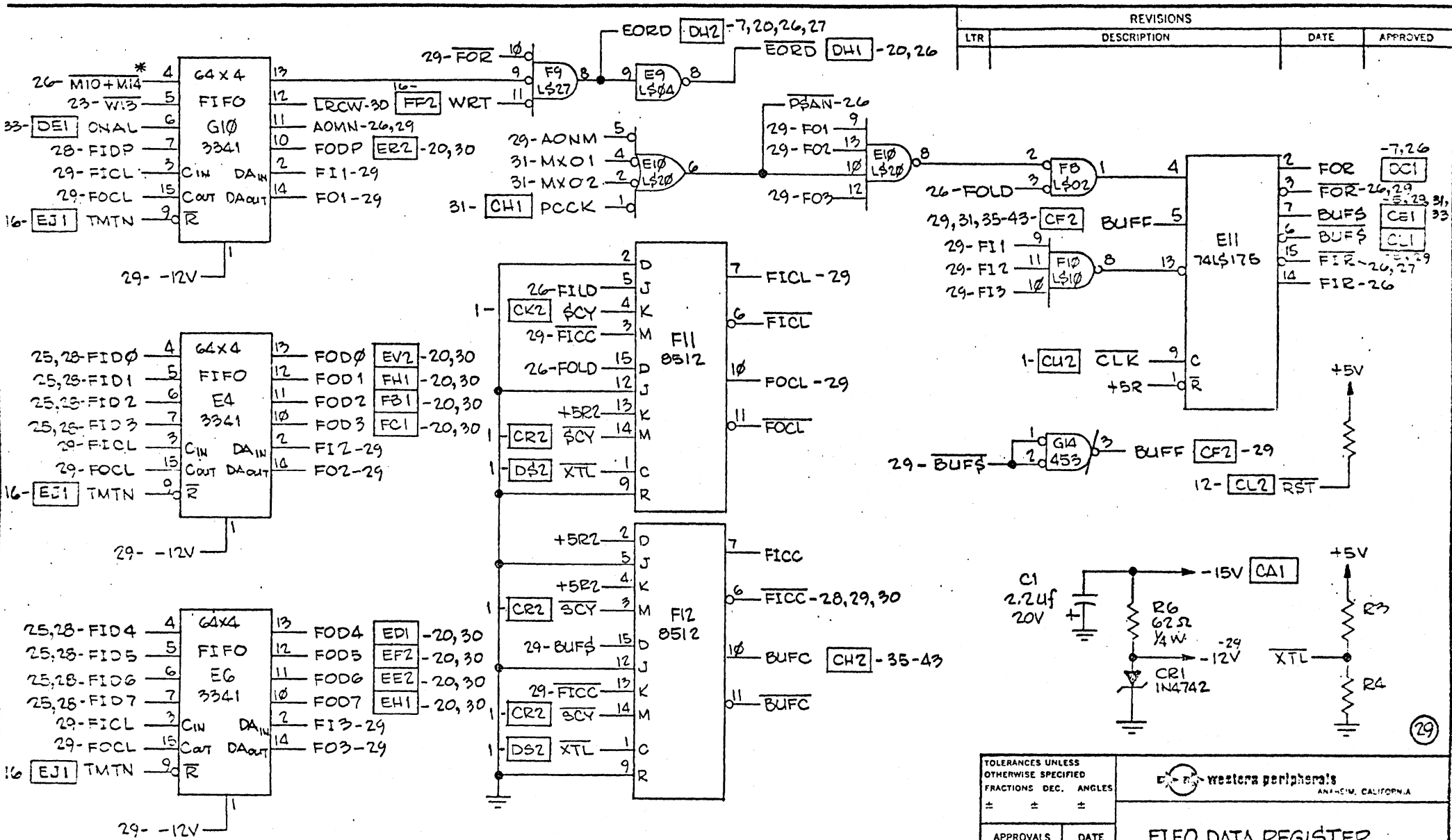


REVISIONS			
LTR	DESCRIPTION	DATE	APPROVED



(28)

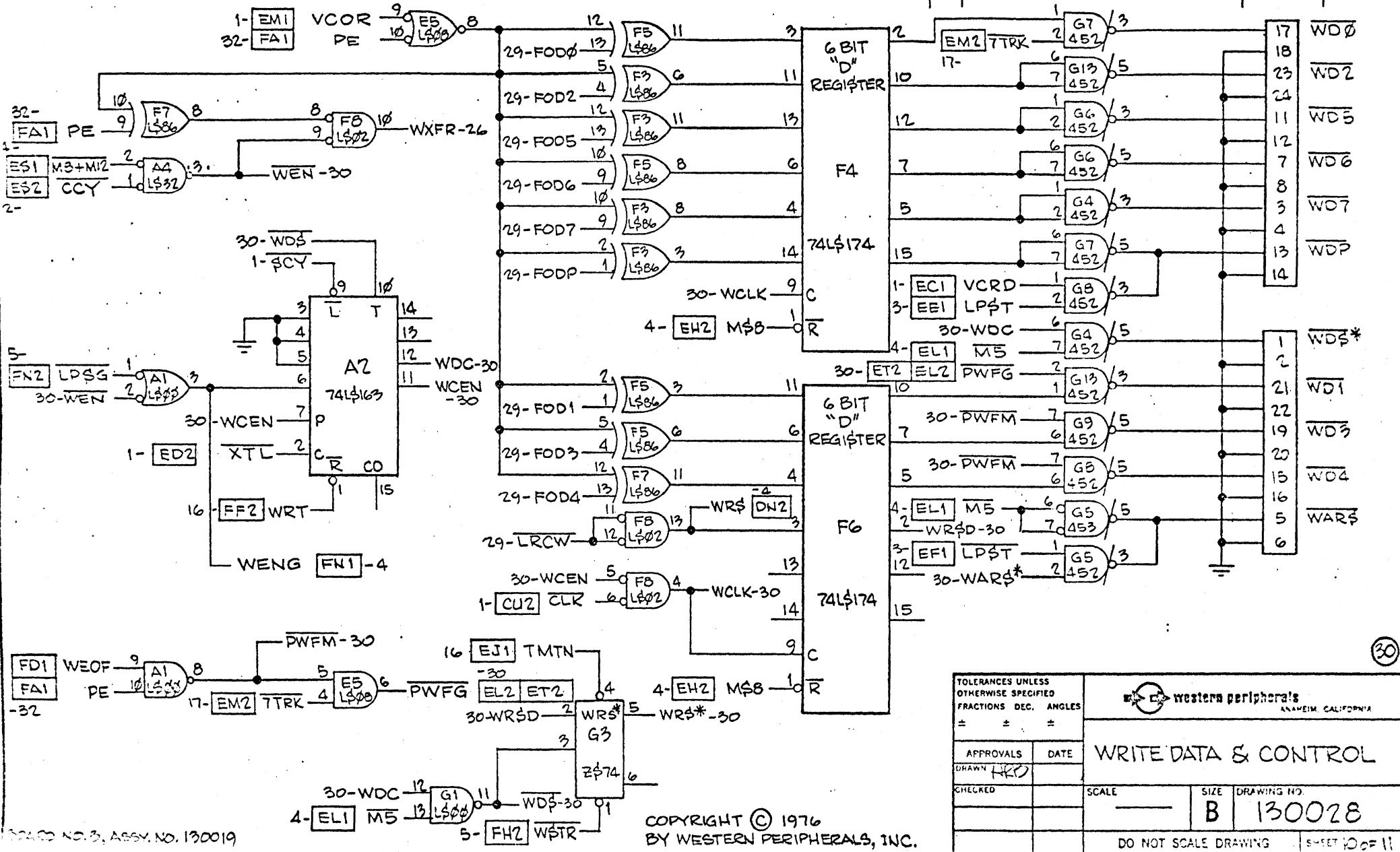
TOLERANCES UNLESS OTHERWISE SPECIFIED FRACTIONS DEC. ANGLES = = =		western peripherals ANAHEIM CALIFORNIA	
APPROVALS	DATE	PARITY & CRC GENERATOR	
DRAWN HRB		SCALE	SIZE B
CHECKED			DRAWING NO. 130028
			DO NOT SCALE DRAWING
			SHEET 8 OF 11



REVISIONS			
LTR	DESCRIPTION	DATE	APPROVED

TOLERANCES UNLESS OTHERWISE SPECIFIED FRACTIONS DEC. ANGLES ± ± ±		western peripherals ANAHEIM, CALIFORNIA	
APPROVALS	DATE	FIFO DATA REGISTER	
DRAWN HRB		SCALE	SIZE B DRAWING NO. 130028
CHECKED			DO NOT SCALE DRAWING SHEET 9 OF 11

REVISIONS			
LTR	DESCRIPTION	DATE	APPROVED



TOLERANCES UNLESS OTHERWISE SPECIFIED	
FRACTIONS DEC.	ANGLES
±	±
APPROVALS	DATE
DRAWN <i>HRD</i>	
CHECKED	

western peripherals
ANAHEIM, CALIFORNIA

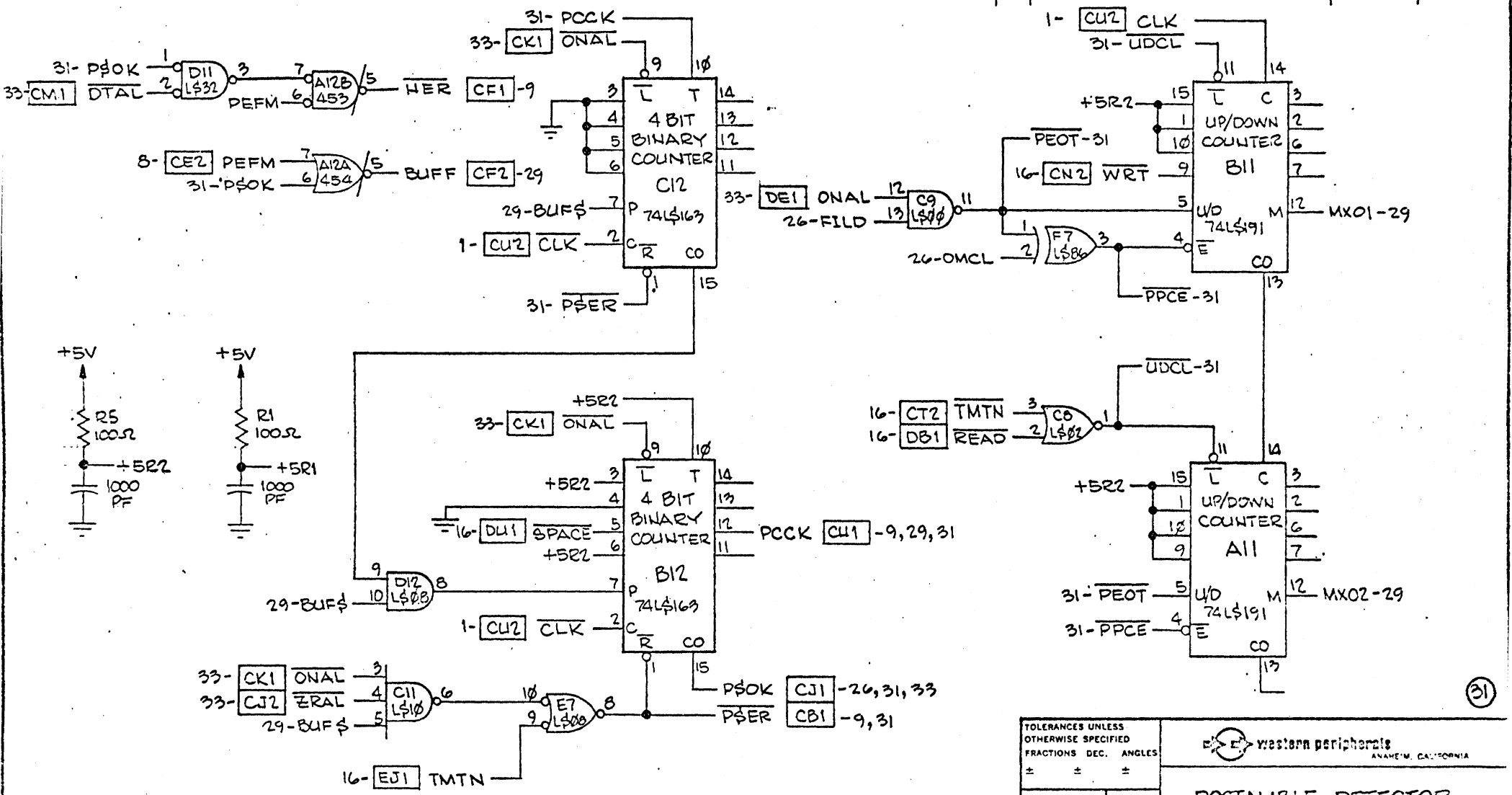
WRITE DATA & CONTROL

SCALE: SIZE: **B** DRAWING NO: **130028**

DO NOT SCALE DRAWING SHEET 10 OF 11

COPYRIGHT © 1976
BY WESTERN PERIPHERALS, INC.


REVISIONS			
LTR	DESCRIPTION	DATE	APPROVED



(31)

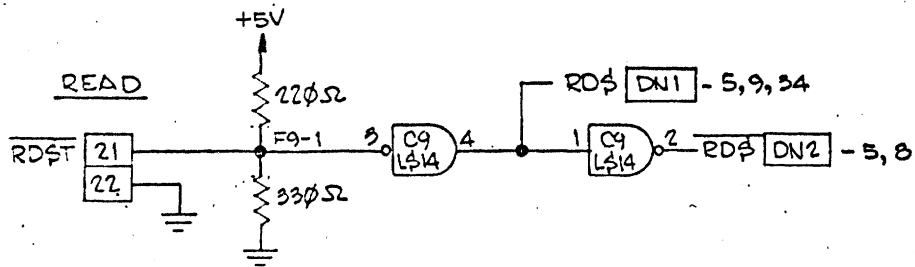
TOLERANCES UNLESS OTHERWISE SPECIFIED FRACTIONS DEC. ANGLES ± ± ±		 western peripherals ANAHEM, CALIFORNIA	
APPROVALS	DATE	POSTAMBLE DETECTOR	
DRAWN HRB		SCALE	SIZE DRAWING NO. B 130028
CHECKED		DO NOT SCALE DRAWING	
		SHEET 11 OF 11	

REVISIONS			
LTR	DESCRIPTION	DATE	APPROVED
A	ECO-NO. 0131, ITEM 1.	1-4-77	HRB

TOLERANCES UNLESS OTHERWISE SPECIFIED		 western peripherals <small>ANAHEIM, CALIFORNIA</small>	
FRACTIONS	DEC.		
±	±	±	SCHEMATIC TC130 TAPE CONTROLLER BOARD NO. 4
APPROVALS	DATE		
DRAWN	HRB		
CHECKED			
		SCALE	SIZE DRAWING NO.
		—	B 130029
DO NOT SCALE DRAWING			SHEET 1 OF 13

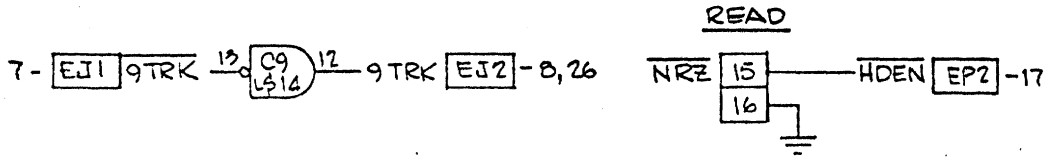
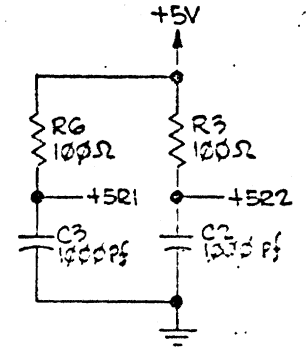
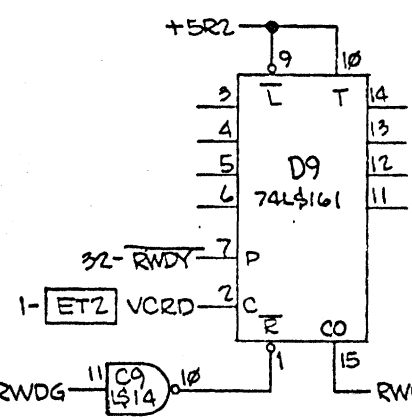
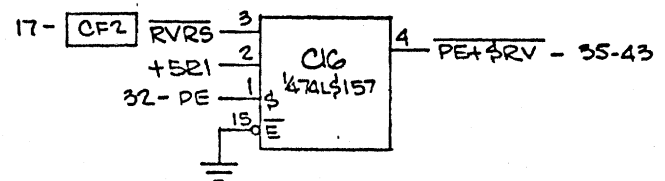
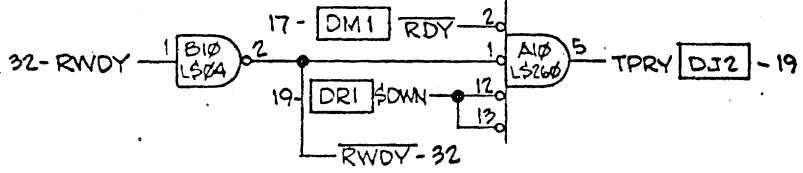
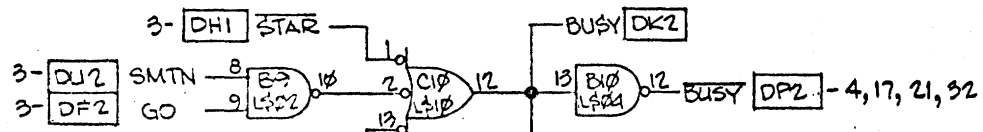
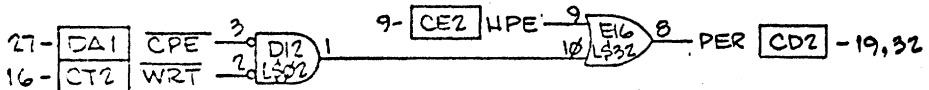
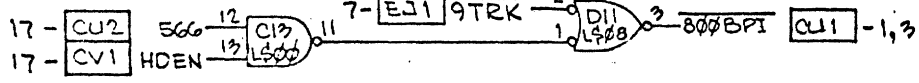
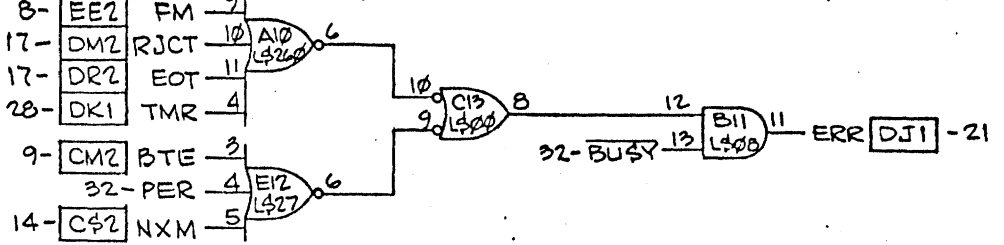
BOARD NO. 4, ASSY. NO. 130020

COPYRIGHT © 1976 BY WESTERN PERIPHERALS, INC.



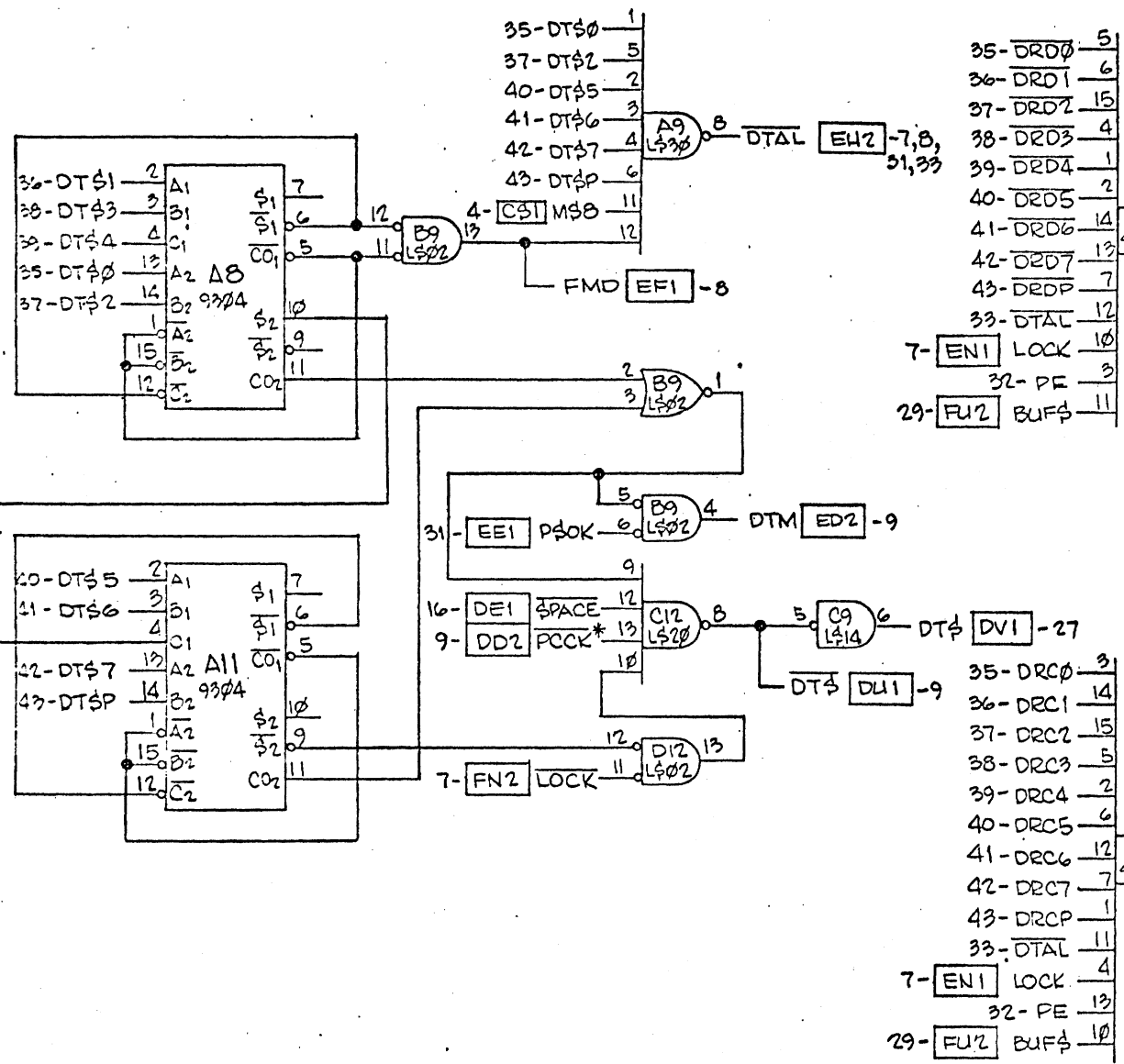
- 7- ED1 RLE 8
- 8- EE2 FM 9
- 17- DM2 RJCT 10
- 17- DR2 EOT 11
- 28- DK1 TMR 4
- 9- CM2 BTE 3
- 32- PER 4
- 14- CS2 NXM 5

REVISIONS			
LTR	DESCRIPTION	DATE	APPROVED



TOLERANCES UNLESS OTHERWISE SPECIFIED		western peripherals ANAHEIM, CALIFORNIA	
FRACTIONS	DEC.	ANGLES	
±	±	±	
APPROVALS	DATE	TAPE STATUS	
DRAWN HEP		SCALE	SIZE B
CHECKED		DRAWING NO. 130029	
		DO NOT SCALE DRAWING	
		SHEET 2 OF 13	

REVISIONS			
LTR	DESCRIPTION	DATE	APPROVED



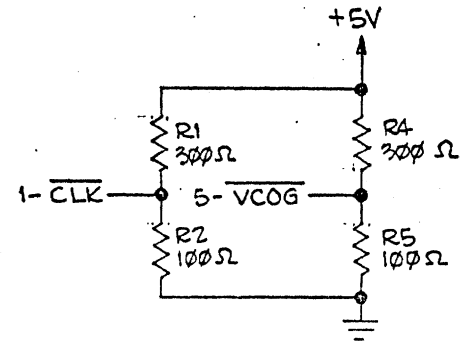
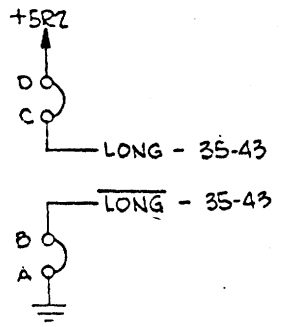
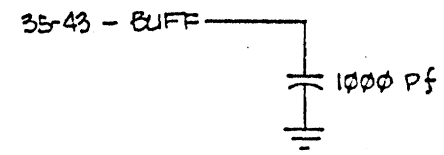
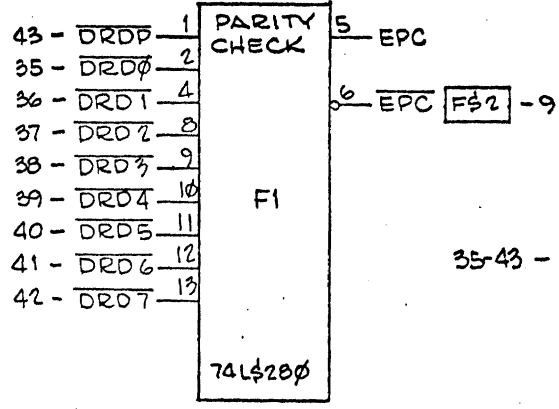
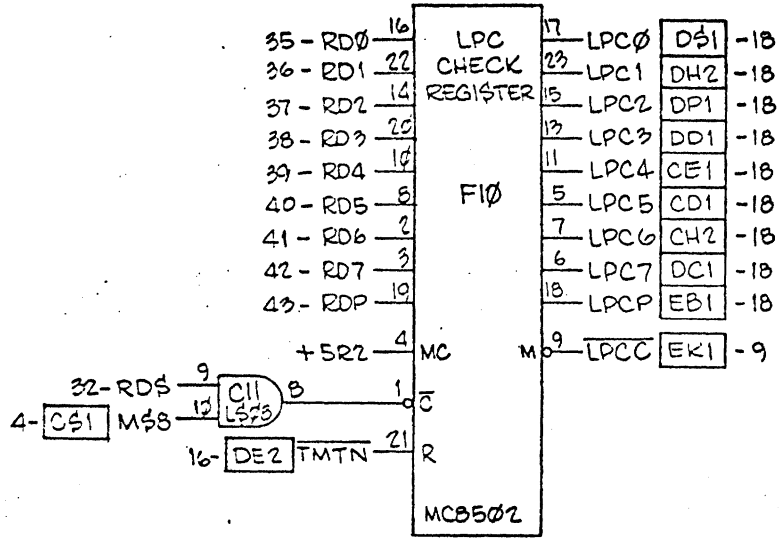
- 35-DT\$0 1
- 37-DT\$2 5
- 40-DT\$5 2
- 41-DT\$6 3
- 42-DT\$7 4
- 43-DT\$P 6
- 35-DRO0 5
- 36-DRO1 6
- 37-DRO2 15
- 38-DRO3 4
- 39-DRO4 1
- 40-DRO5 2
- 41-DRO6 14
- 42-DRO7 13
- 43-DROP 7
- 33-DTAL 12
- 7-EN1 LOCK 10
- 32-PE 3
- 29-FU2 BUF\$ 11
- 31-EE1 P\$OK 5
- 16-DE1 \$PACE 12
- 9-DD2 P\$CK* 13
- 7-FN2 LOCK 11
- 35-DRC0 3
- 36-DRC1 14
- 37-DRC2 15
- 38-DRC3 5
- 39-DRC4 2
- 40-DRC5 6
- 41-DRC6 12
- 42-DRC7 7
- 43-DROP 1
- 33-DTAL 11
- 7-EN1 LOCK 4
- 32-PE 13
- 29-FU2 BUF\$ 10

- 35-BC0 10
- 36-BC1 11
- 37-BC2 9
- 38-BC3 8
- 39-BC4 4
- 40-BC5 1
- 41-BC6 2
- 42-BC7 13

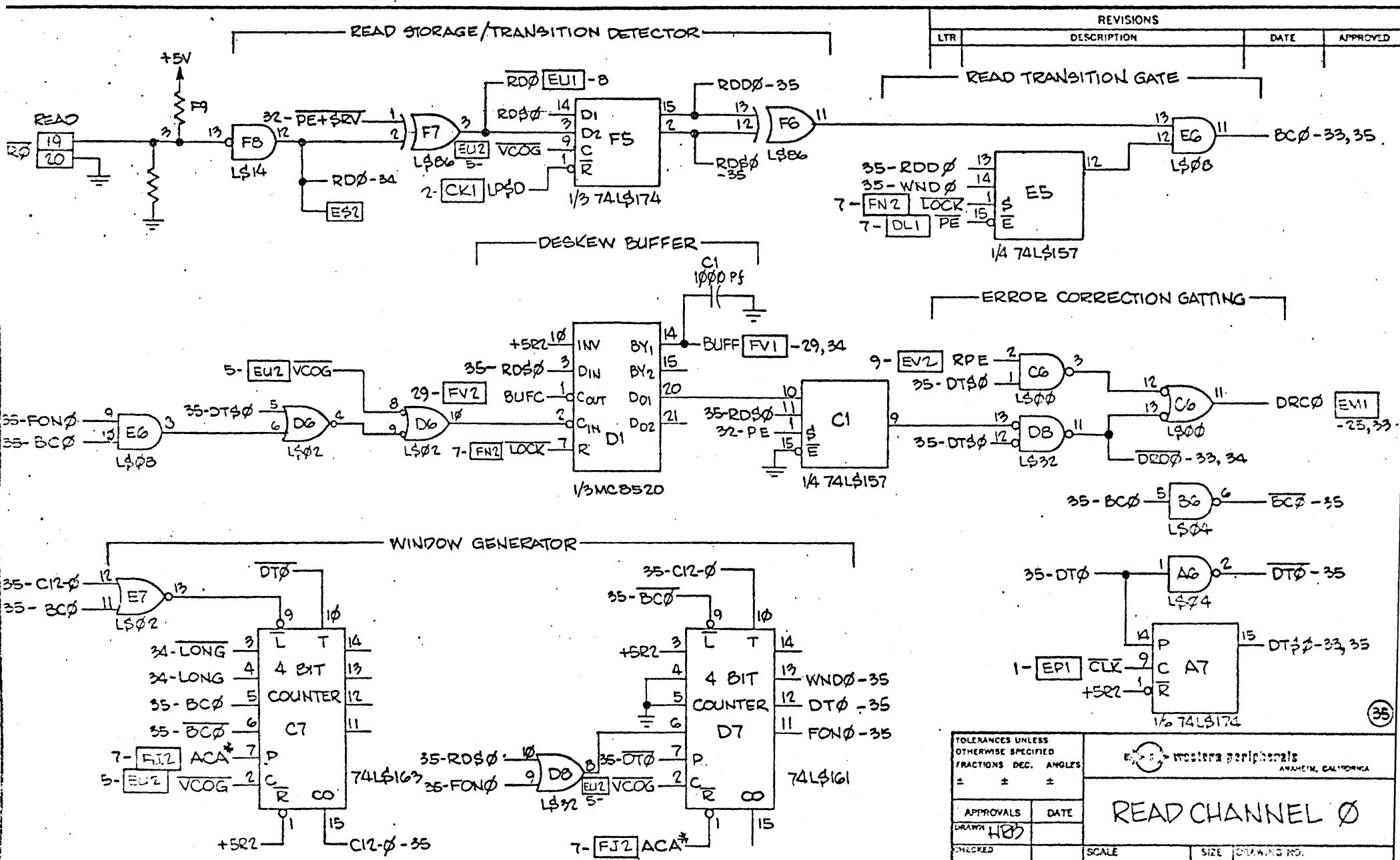
33

TOLERANCES UNLESS OTHERWISE SPECIFIED		western peripherals ANAHEIM, CALIFORNIA	
FRACTIONS DEC. ANGLES	± ± ±	DEAD TRACK DETECTOR	
APPROVALS	DATE	SCALE	DWG. NO. B
DRAWN HRD			DRAWING NO. 130029
CHECKED			
DO NOT SCALE DRAWING			SHEET 3 OF 13

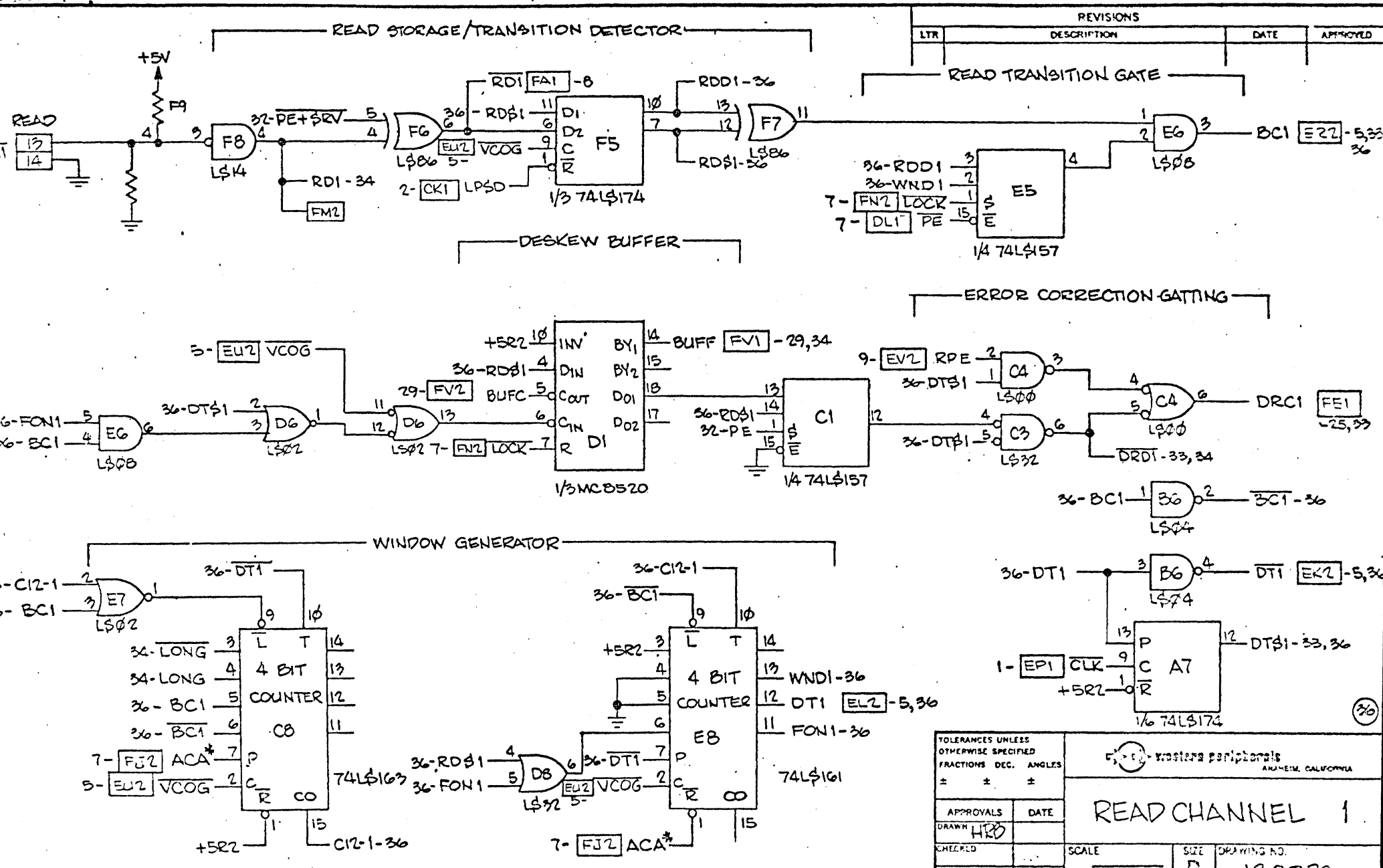
REVISIONS			
LTR	DESCRIPTION	DATE	APPROVED



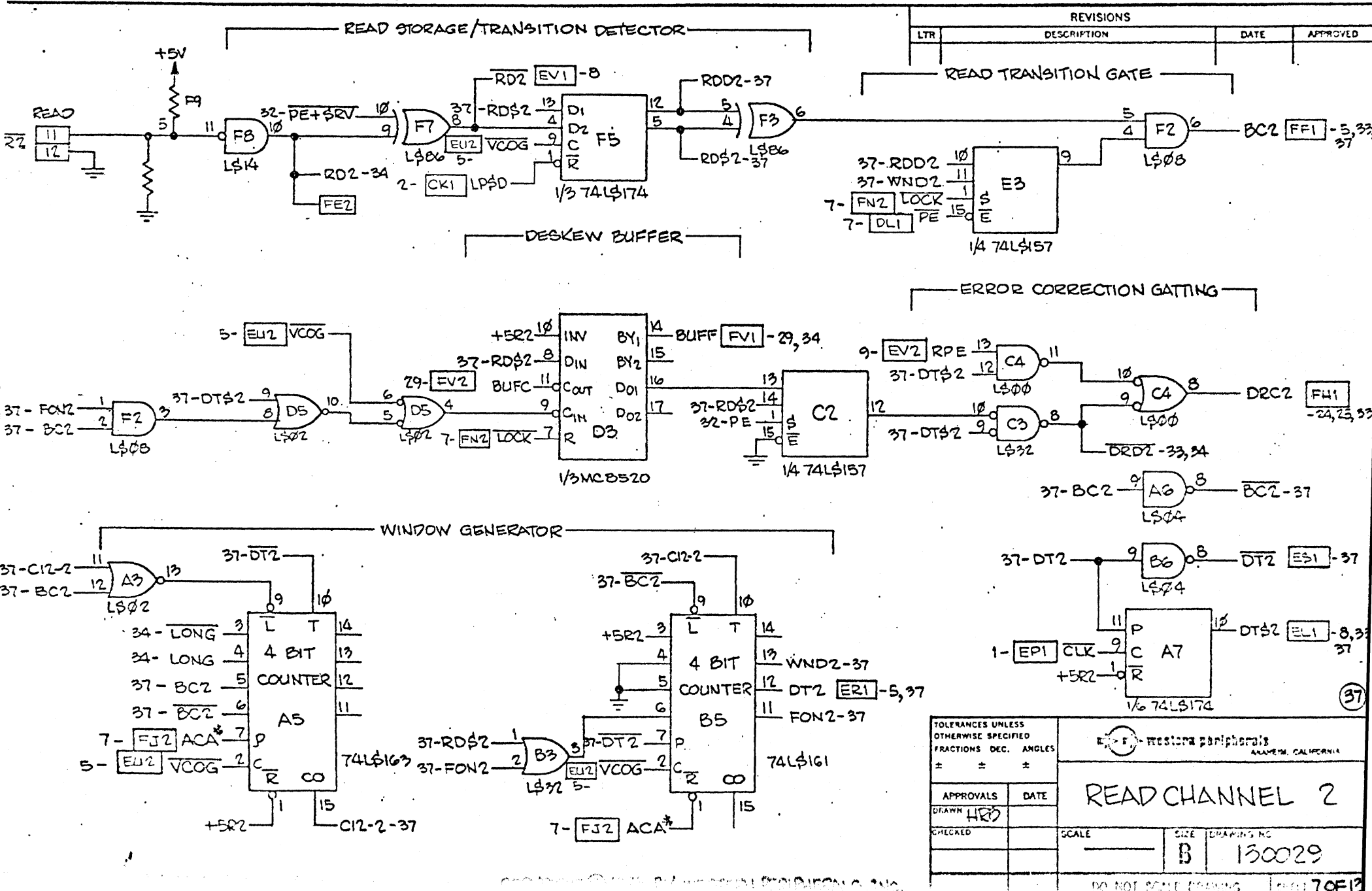
TOLERANCES UNLESS OTHERWISE SPECIFIED		FRACTIONS DEC. ANGLES		 western peripherals ANALHEIM, CALIFORNIA
=	=	=	=	
APPROVALS	DATE	PARITY AND LPC CHECK		
DRAWN <i>HRB</i>				
CHECKED		SCALE	SIZE	DRAWING NO.
			B	130029
DO NOT SCALE DRAWING				SHEET 4 OF 13



TOLERANCES UNLESS OTHERWISE SPECIFIED		WESTERN PERIPHERALS	
FRACTIONS DEC. ANGLES		ANAHEIM, CALIFORNIA	
± ± ±		READ CHANNEL Ø	
APPROVALS	DATE	SCALE	SIZE DRAWING NO.
DRAWN HEB			B 130029
CHECKED			DO NOT SCALE DRAWING
			SHEET 5 OF 13



TOLERANCES UNLESS OTHERWISE SPECIFIED		FRACTIONS DEC. ANGLES	
±	±	±	±
APPROVALS		DATE	
DRAWN HRB			
CHECKED		SCALE	SIZE B
		DRAWING NO. 130029	
		DO NOT SCALE DRAWING	
		SHEET 6 OF 8	

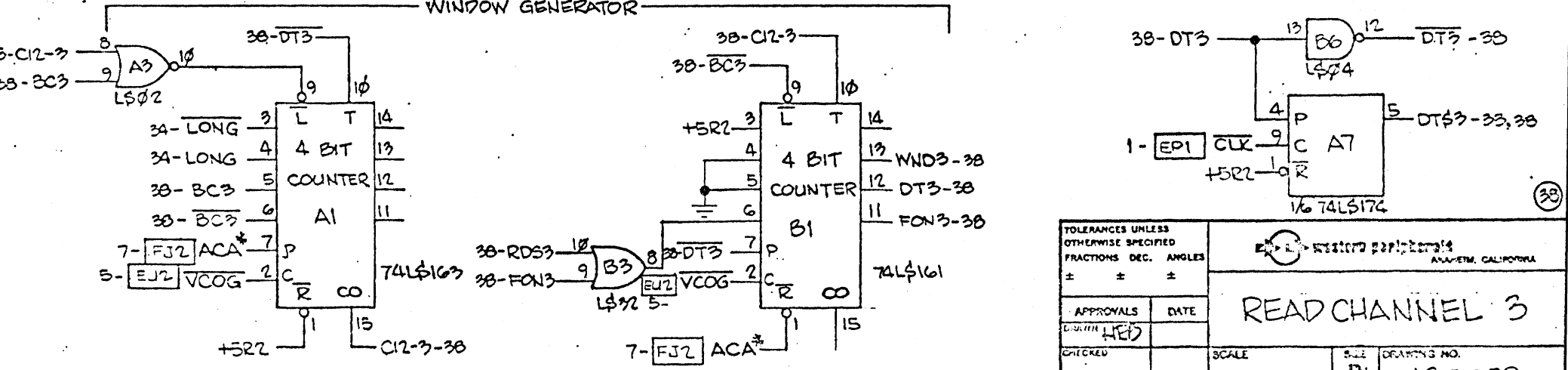
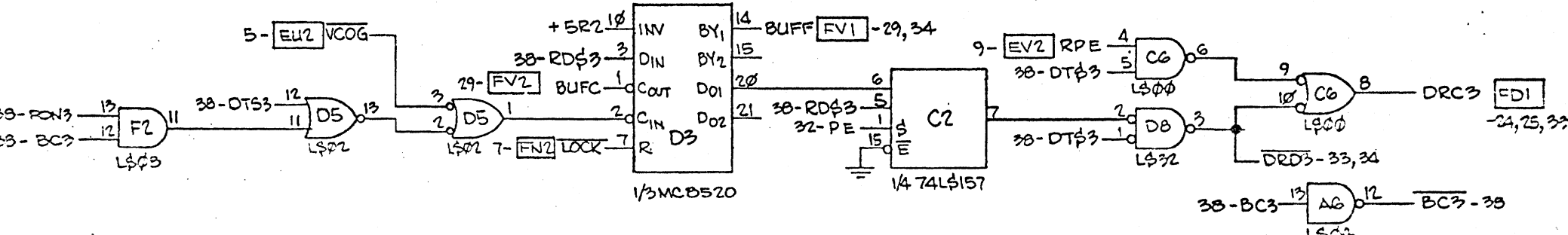
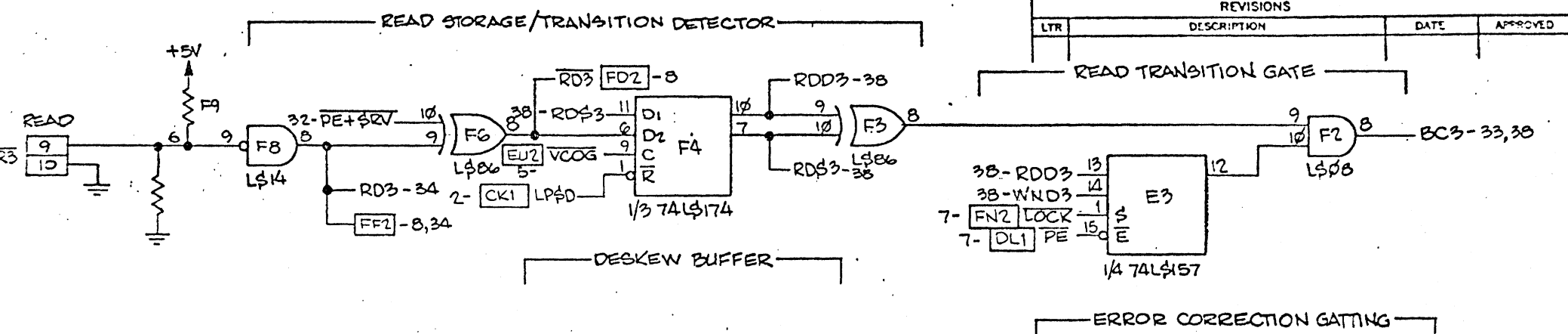


REVISIONS			
LTR	DESCRIPTION	DATE	APPROVED

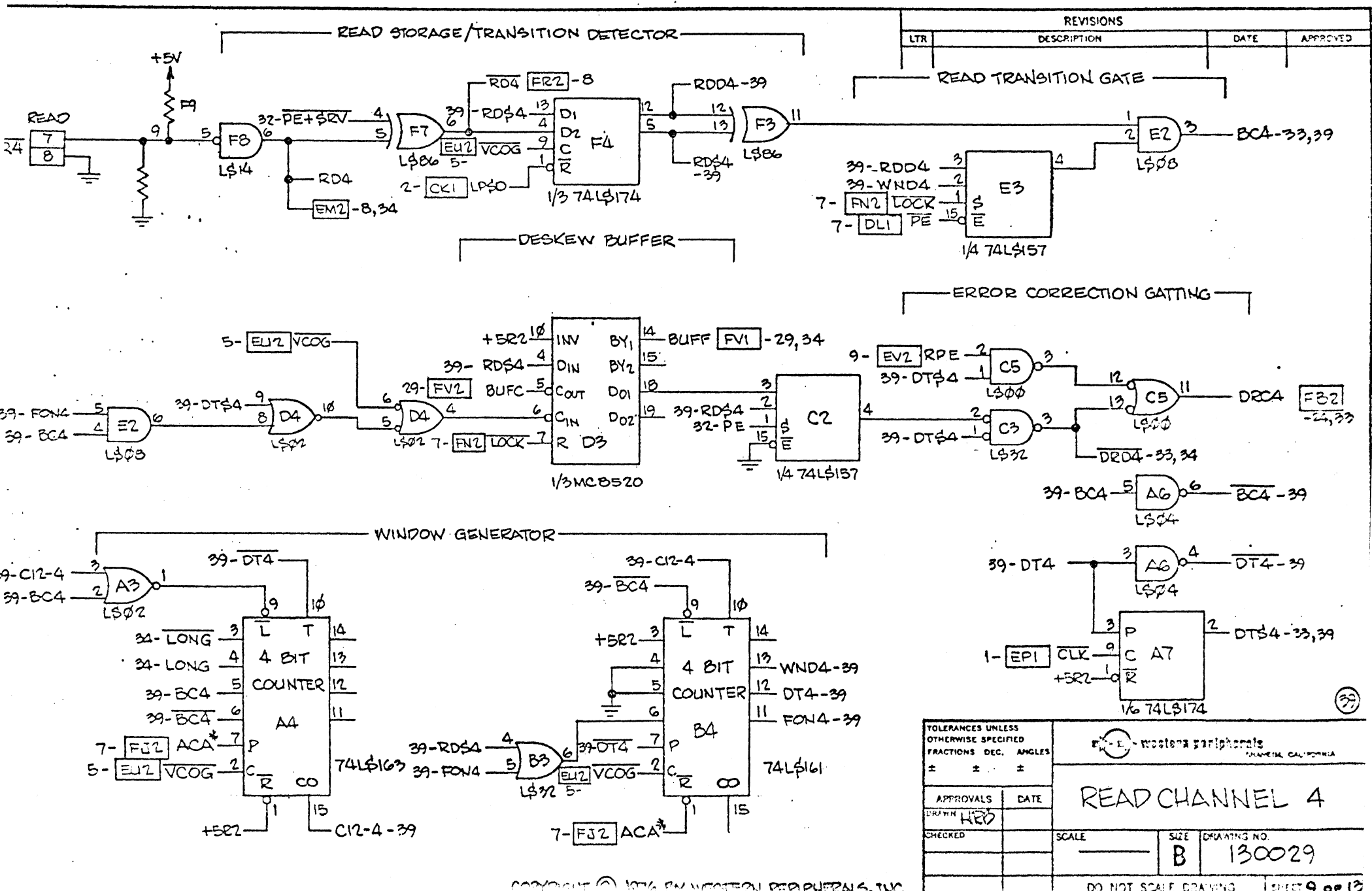
TOLERANCES UNLESS OTHERWISE SPECIFIED FRACTIONS DEC. ANGLES ± ± ±		ELECTRONIC TEST EQUIPMENT DIVISION ANAHEIM, CALIFORNIA	
APPROVALS		DATE	
DRAWN HRP			
CHECKED		SCALE	SIZE DRAWING NO.
			B 130029
DO NOT SCALE DRAWING			

(37)

REVISIONS			
LTR	DESCRIPTION	DATE	APPROVED



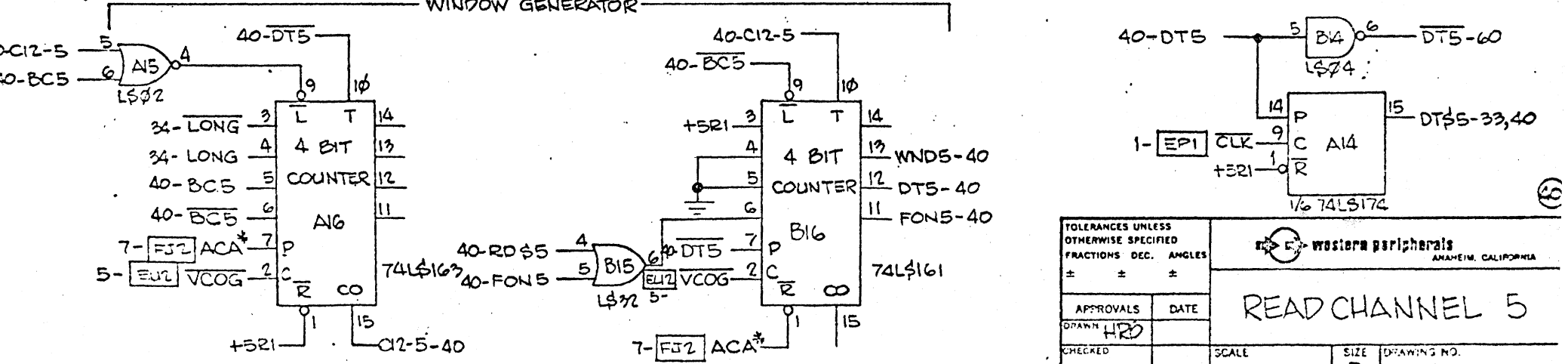
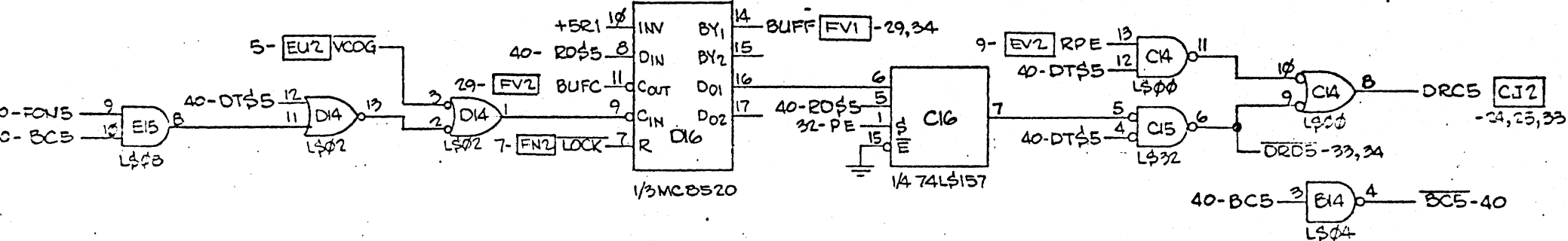
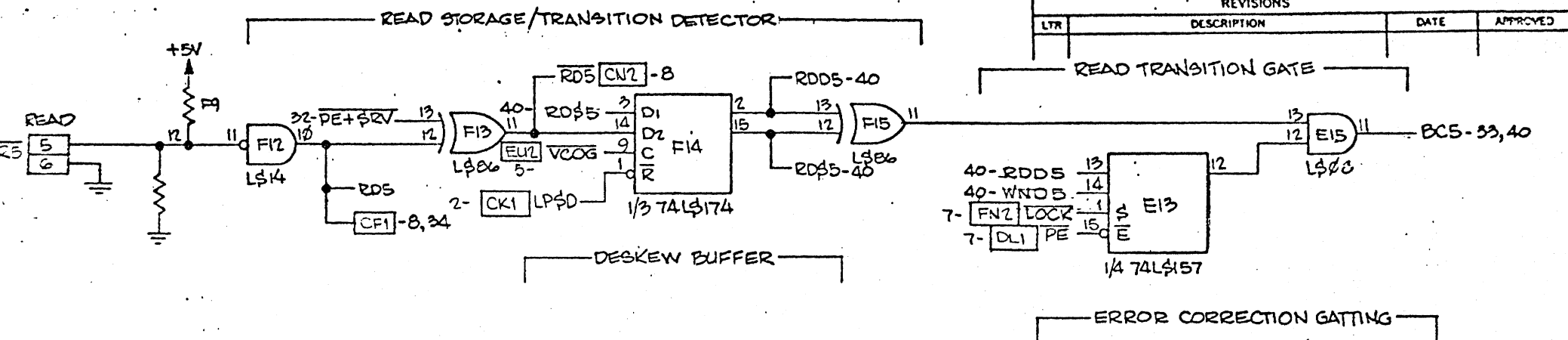
TOLERANCES UNLESS OTHERWISE SPECIFIED		FRACTIONS DEC. ANGLES	
±	±	±	±
APPROVALS	DATE	SCALE	
DESIGNED BY			
CHECKED		SCALE	
WESTERN PERIPHERALS ANAHEIM, CALIFORNIA		DRAWING NO.	
READ CHANNEL 3		B 130029	
DO NOT SCALE DRAWING		SHEET 8 OF 17	



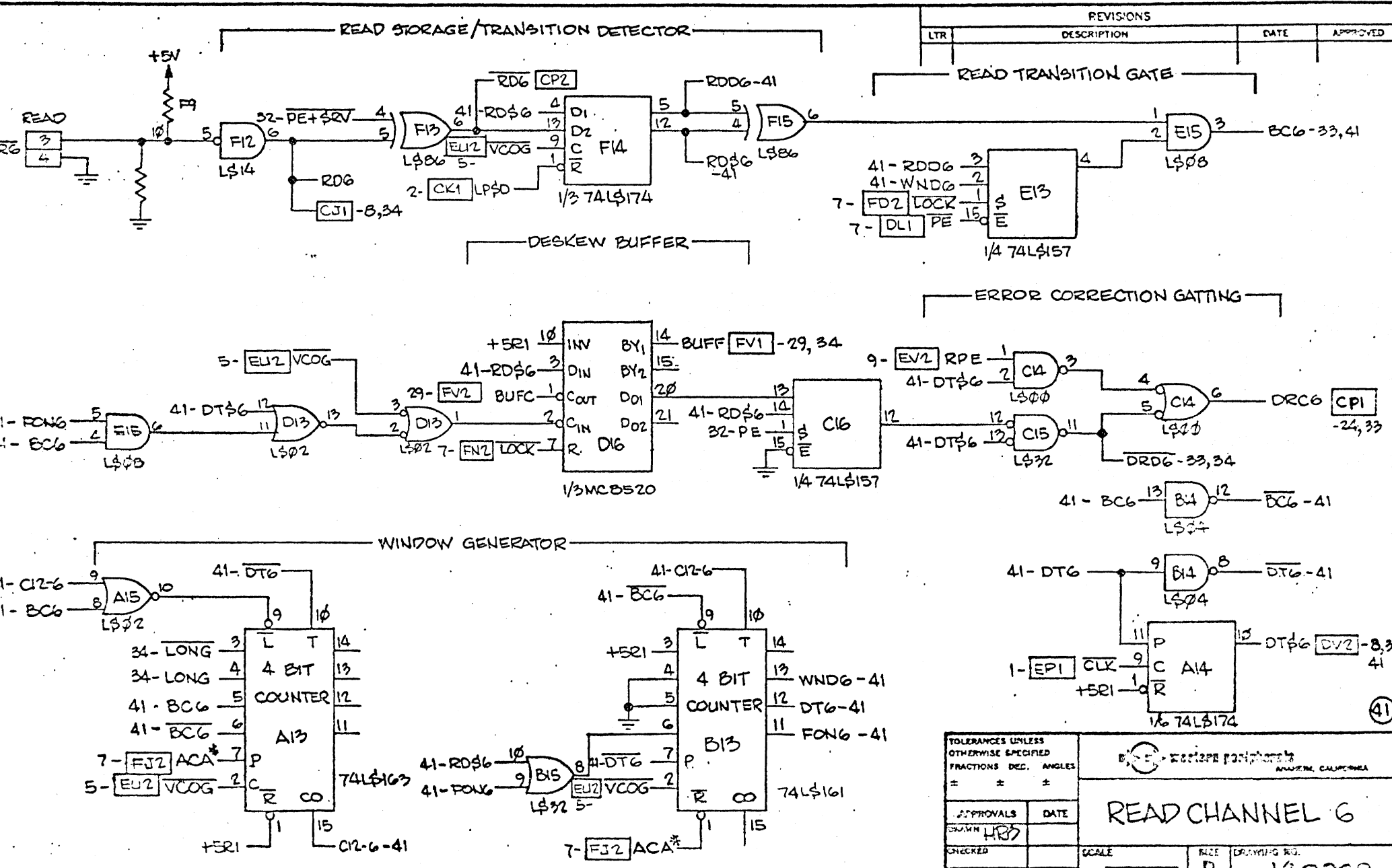
REVISIONS			
LTR	DESCRIPTION	DATE	APPROVED

TOLERANCES UNLESS OTHERWISE SPECIFIED FRACTIONS DEC. ANGLES		WESTERN PERIPHERALS SAN DIEGO, CALIFORNIA	
±	±	±	±
APPROVALS	DATE	READ CHANNEL 4	
DRAWN HED		SCALE	SIZE B DRAWING NO. 130029
CHECKED		DO NOT SCALE DRAWING SHEET 9 of 13	

REVISIONS			
LTR	DESCRIPTION	DATE	APPROVED

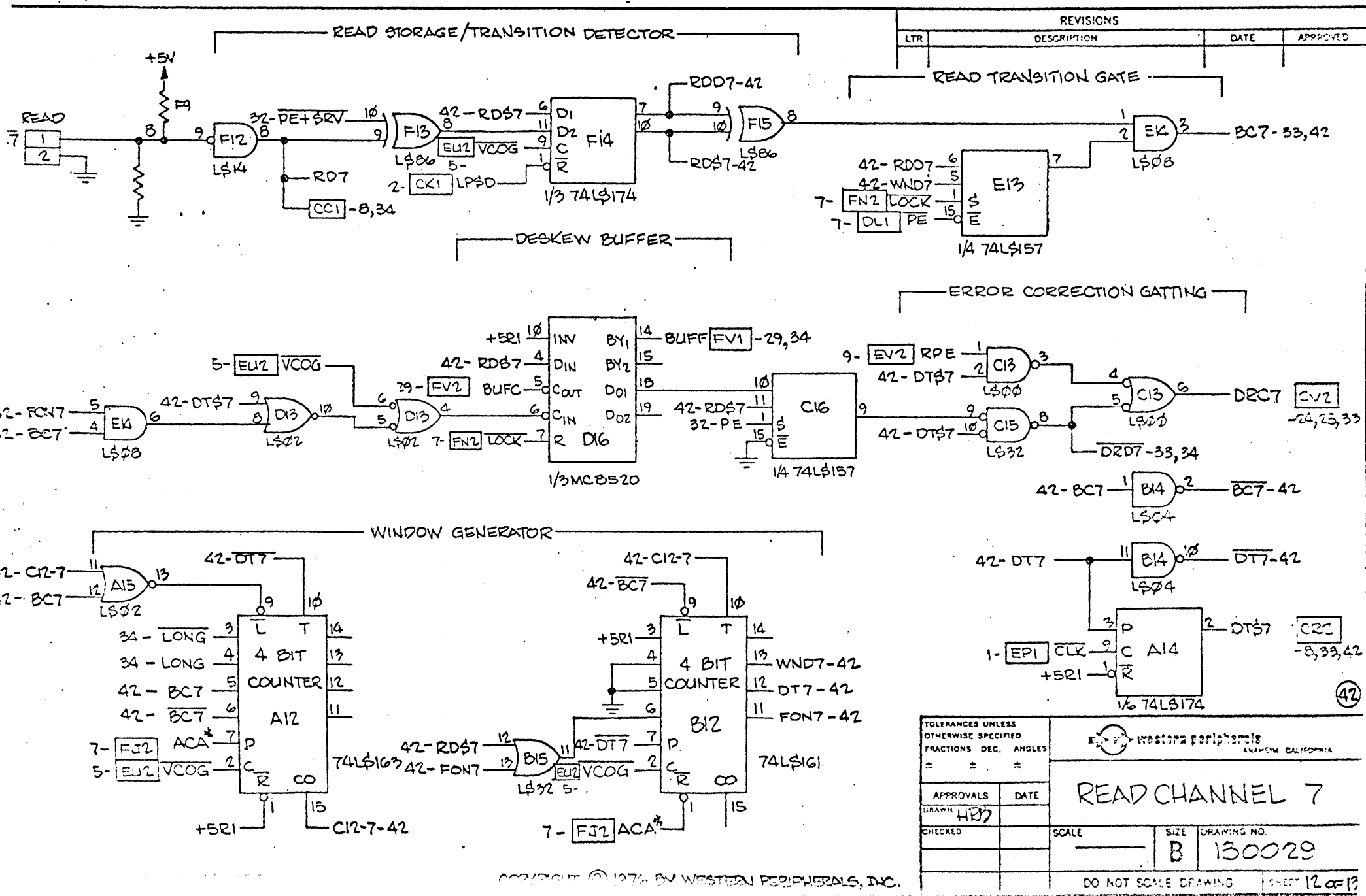


TOLERANCES UNLESS OTHERWISE SPECIFIED		western peripherals	
FRACTIONS DEC. ANGLES		ANAHEIM, CALIFORNIA	
±	±	±	
APPROVALS	DATE	READ CHANNEL 5	
DRAWN HRP			
CHECKED			
SCALE	SIZE	DRAWING NO.	
	B	130029	
DO NOT SCALE DRAWING		SHEET 10 OF 11	



REVISIONS			
LTR	DESCRIPTION	DATE	APPROVED

TOLERANCES UNLESS OTHERWISE SPECIFIED FRACTIONS DEC. ANGLES ± ± ±		WESTERN PERIPHERALS ANALOG DIVISION	
APPROVALS DRAWN: HRS		DATE	
CHECKED		SCALE	FACE
		B	130029
		DRAWING NO.	
		DO NOT SCALE DRAWING	
		SHEET 11 OF 17	



REVISIONS			
LTR	DESCRIPTION	DATE	APPROVED

READ TRANSITION GATE

ERROR CORRECTION GATING

TOLERANCES UNLESS OTHERWISE SPECIFIED FRACTIONS DEC. ANGLES ± ± ±		Western Peripherals ANAHEIM, CALIFORNIA	
APPROVALS		DATE	
DRAWN: HBT			
CHECKED		SCALE	SIZE: B
		DRAWING NO. 130029	
DO NOT SCALE DRAWING			SHEET 12 OF 13

