

LAL		Revisions			2	B
Rev.	Description	Chk.	Date	Approved		
A	ENGRG RELEASE	RE	7/10/75	J.W.		
B	ADDED NOTE 6.	BN	8-18-76			

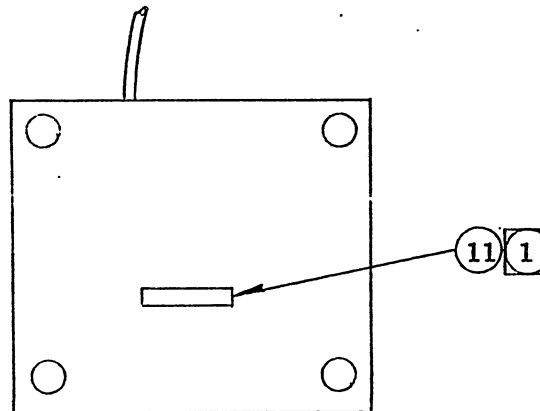
ENGINEERING
 7FD70
 -200
RELEASE

Dist. Code **ALT**

<p>These drawings and specifications, and the data contained therein, are the exclusive property of Xerox Corporation and/or Rank Xerox, Ltd. issued in strict confidence and shall not, without the prior written permission of Xerox Corporation or Rank Xerox, Ltd., be reproduced, copied or used for any purpose whatsoever, except the manufacture of articles for Xerox Corporation or Rank Xerox, Ltd.</p>	Notes Unless Specified	Drawn <i>R. Good</i>	7-10-75	Xerox Corporation El Segundo, California			XEROX
	<p>1. Tolerances .XX ±.030 Angular ±½° .XXX ±.010</p> <p>2. Break All Sharp Edges .010 Approx.</p> <p>3. Mach. Surfaces ✓</p> <p>4. All Dim. In Inches</p>	Check <i>R. Good</i>	7/10/75	Appr. <i>J. W. [Signature]</i>	7/10/75	ALTO II	
	Finish	Material		ASSEMBLY, KEYSSET			
Model No Final Use	ALTO II	Code Ident.	18338	Size A	Dwg. No. 209962	Change Letter B	
Part No Final Use	216362	Scale		Do Not Scale Drawing		Sheet 1 OF 5	

NOTES: UNLESS OTHERWISE SPECIFIED

- 1 ADHERE NAMEPLATE (ITEM 11) ON SURFACE INDICATED. TYPEWRITE PART NUMBER.
- 2 CABLE (ITEM 7) MAY BE PURCHASED FROM W.L.GORE & ASSOCIATED, NEWARK, DELAWARE PART NUMBER RCN 2313 (10 COND. 30 GA, 7 STRAND, THIN WALL P.T.F.E. WITH .015 POLYURETHANE JACKET, O.D. .102, COLOR CODED WIRES).
- 3. TIE-OFF BLUE, WHITE, GRAY AND VIOLET WIRES AT BOTH ENDS OF CABLE.
- 4 MARK CHARACTERS .12 HIGH NEWS GOTHIC, COLOR: WHITE.
- 5 SHIM CABLE WITH TUBING, SHRINKABLE (ITEM 12) OR EQUIV TO FACILITATE CLAMPING.
- 6 MAY BE PURCHASED FROM CANNON ELECTRIC COMPANY, SANTA ANA, CALIFORNIA, VENDOR PART NUMBER.



BOTTOM VIEW

These drawings and specifications, and the data contained therein, are the exclusive property of Xerox Corporation and/or Rank Xerox, Ltd. issued in strict confidence and shall not, without the prior written permission of Xerox Corporation or Rank Xerox, Ltd., be reproduced, copied or used for any purpose whatsoever, except the manufacture of articles for Xerox Corporation or Rank Xerox, Ltd.

Title
ALTO II

ASSEMBLY, KEYSSET

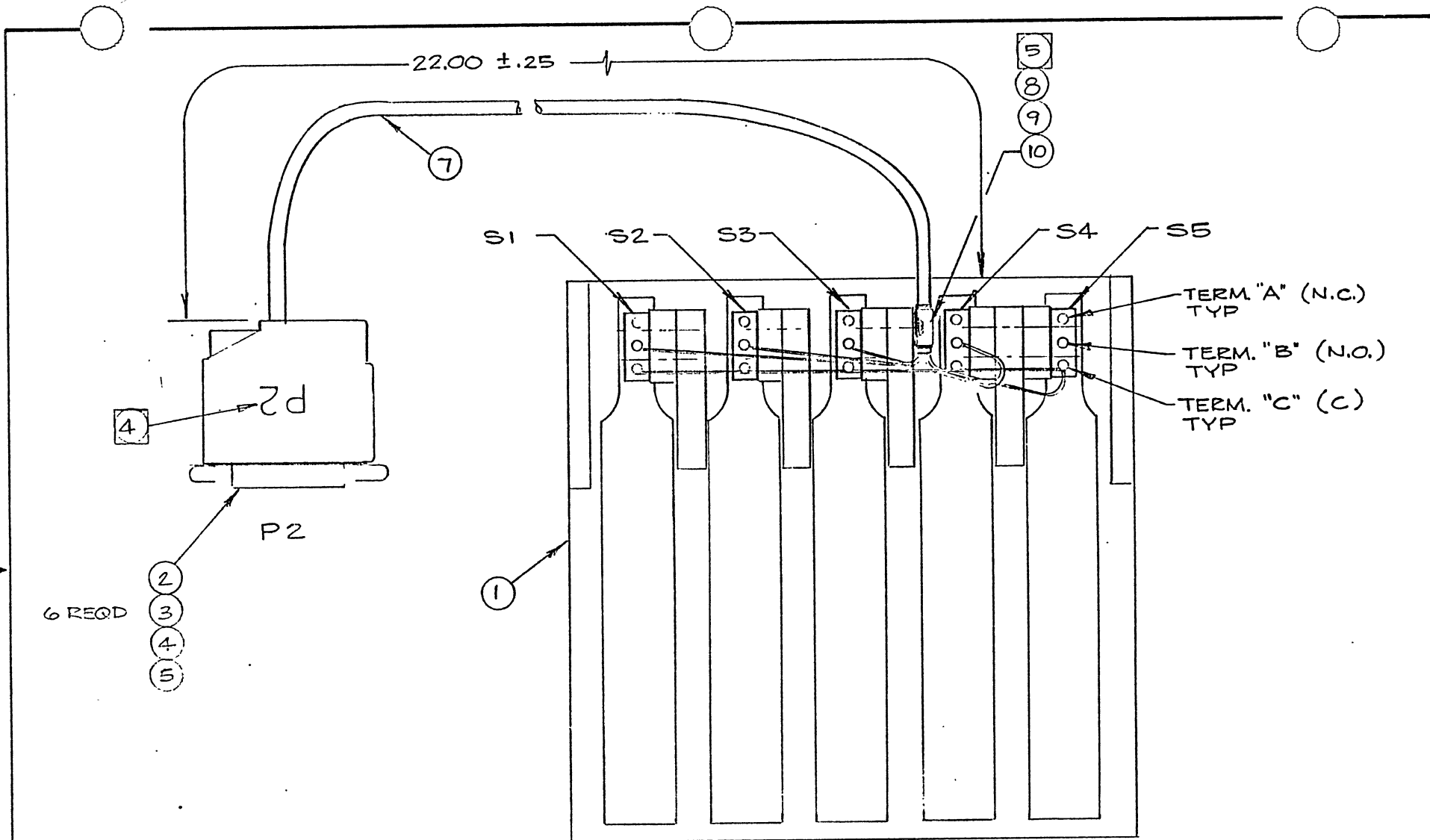
Xerox Corporation
El Segundo, California

XEROX

209962

B

Sheet 2 Of 5



TOP VIEW
COVER REMOVED FOR CLARITY

These drawings and specifications, and the data contained therein, are the exclusive property of Xerox Corporation and/or Rank Xerox, Ltd. issued in strict confidence and shall not, without the prior written permission of Xerox Corporation or Rank Xerox, Ltd., be reproduced, copied or used for any purpose whatsoever, except the manufacture of articles for Xerox Corporation or Rank Xerox, Ltd.

Title
ALTO II
ASSEMBLY, KEYSSET

Xerox Corporation El Segundo, California		XEROX	
209962		B	
Sheet	3	OF	5

ML	Drawing No. 209962	Rev. B
-----------	-----------------------	-----------

Material List

Rev. I	Drawing No. 209962	ML	<p>Drawing Title ALTO II</p> <p style="text-align: center;">ASSEMBLY, KEYSSET</p>
------------------	------------------------------	-----------	---

These drawings and specifications, and the data contained therein, are the exclusive property of Xerox Corporation and/or Rank Xerox, Ltd. issued in strict confidence and shall not, without the prior written permission of Xerox Corporation or Rank Xerox, Ltd., be reproduced, copied or used for any purpose whatsoever, except the manufacture of articles for Xerox Corporation or Rank Xerox, Ltd.

Model No. ALTO II	Date 17 - 10 - 75	Sheet 4 of 5
-----------------------------	-----------------------------	------------------------

Item No.	Drawing Title	Drawing No.	No. Req.	Remarks
1	Spec, Procurement - Keyset	209919	1	
2	Shell, Connector		1	P2 P/N 2DE19P (6)
3	Contact, Pin		6	P/N 031-9540-000
4	Shell, Junction		1	P/N DE51218-1
5	Retainer, Sliding Lock		1	P/N DE51224-1 (6)
6	Wire, Solid Bare	100042-026	A/R	
7	Cable, 10 Cond. 30 GA		A/R	(2)
8	Clamp, Cable-Nylon	100657-001	1	
9	Screw, Pan Hd, Phillips	100012-204	1	
10	Washer, Flat	100018-200	1	
11	Nameplate	114351	1	(1)
12	Tubing, Shrinkable	100744-307	A/R	(5)

Revisions		2	A
LAL	Rev.	Chk.	Date
A	ENGRG RELEASE		3/13/76
Description		Approved	
		<i>[Signature]</i>	

**ENGINEERING
RELEASE**

3-3-76
Dist. Code *ALT*

<p>These drawings and specifications, and the data contained therein, are the exclusive property of Xerox Corporation and/or Rank Xerox, Ltd. issued in strict confidence and shall not, without the prior written permission of Xerox Corporation or Rank Xerox, Ltd., be reproduced, copied or used for any purpose whatsoever, except the manufacture of articles for Xerox Corporation or Rank Xerox, Ltd.</p>	<p>Notes Unless Specified</p> <p>1. Tolerances .XX ±.030 Angular ±½° .XXX ±.010</p> <p>2. Break All Sharp Edges .010 Approx. ✓</p> <p>3. Mach. Surfaces</p> <p>4. All Dim. In Inches</p>	<p>Drawn <i>[Signature]</i> 2-20-76</p> <p>Check <i>[Signature]</i></p> <p>Appr. <i>[Signature]</i> 3/3/76</p> <p>Material</p>	<p>Xerox Corporation El Segundo, California</p> <p>XEROX</p> <p>ALTO II</p> <p>SPEC, PROCUREMENT- MOUSE</p>	<p>Code Ident. 18338</p> <p>Dwg. No. 209920</p> <p>Size A</p>	<p>Change Letter A</p>
	<p>Model No. ALTO II</p> <p>First Use</p> <p>Next Assy. 216362</p>	<p>Scale -</p> <p>Do Not Scale Drawing</p> <p>Sheet 1 OF 2</p>			