


Revisions				216389	D
LAL	Rev.	Description	Chk	Date	Approved
	A	ENGRG RELEASE	<i>FW</i>		<i>R. Freeman</i>
	B	REVISED	<i>FW</i>	6-11 76	<i>R. Freeman</i>
	C	REVISED RESET MODE REGISTER LOGIC	<i>FW</i>	7-19 76	<i>R. Freeman</i>
	D	M/L ITEM 11 8T10 WAS 74173. SH 9 A14,15,16,17 8T10 WAS 74173. SH 11 A46, 47 8T10 WAS 74173.	<i>FW</i>	10-22 76	<i>R. Freeman</i>

THIS DOCUMENT CONTAINS 18 SHEETS

Dist Code ALT

<p>These drawings and specifications, and the data contained therein, are the exclusive property of Xerox Corporation and/or Rank Xerox, Ltd. issued in strict confidence and shall not, without the prior written permission of Xerox Corporation or Rank Xerox, Ltd., be reproduced, copied or used for any purpose whatsoever, except the manufacture of articles by Xerox Corporation or Rank Xerox, Ltd.</p>	Notes Unless Specified	Drawn <i>Wotzke</i>	Xerox Corporation El Segundo, California		
	<p>1. Tolerances .XX ±.03 Angular ±½° .XXX ±.010</p> <p>2. Break All Sharp Edges .010 Approx.</p> <p>3. Mach. Surfaces <input checked="" type="checkbox"/></p> <p>4. All Dim. in Inches</p>	Check <i>M. Freeman</i>	Title		
		Appr. <i>R. Freeman</i> 6-15-76	ALTO II		
		Material	ASSEMBLY, PRINTED WIRING-DISK CONTROL		
Model No. First Use	Finish	Code Ident.	Size	Dwg. No.	Change Letter
ALTO II EWO 7YF 92		18338	A	216389	D
Next Assy. First Use		Scale	Do Not Scale Drawing		Sheet 1
216302					

NOTES: UNLESS OTHERWISE SPECIFIED

1. CUT ETCH AND ADD JUMPER AS FOLLOWS:
 - A. CUT ETCH BETWEEN A11-13 AND FEED THRU (NEAR C22), (COMPONENT SIDE), (FEED THRU CONNECTS TO PIN 70).
 - B. CUT ETCH BETWEEN A11-10 AND A11-13, (CIRCUITRY SIDE).
 - C. ADD JUMPER FROM A11-10 TO FEED THRU (NEAR C22), (FEED THRU CONNECTS TO PIN 70).
 - D. ADD JUMPER FROM PIN 73 TO A11-13.
2. ASSEMBLE PER ALTO II MODULE ASSEMBLY SPECIFICATION, DWG NO. 216207.

These drawings and specifications, and the data contained therein, are the exclusive property of Xerox Corporation and/or Rank Xerox, Ltd. issued in strict confidence and shall not, without the prior written permission of Xerox Corporation or Rank Xerox, Ltd., be reproduced, copied or used for any purpose whatsoever, except the manufacture of articles for Xerox Corporation or Rank Xerox, Ltd.

Title
ALTO II
ASSEMBLY, P.W.
DISK CONTROL

Xerox Corporation
El Segundo, California

XEROX

216389

D

Sheet

2

Of

Material List

ML	Drawing No. 216389	Rev. D
-----------	-----------------------	-----------

Rev. D
 Drawing Title
ALTO II
**ASSEMBLY, PRINTED WIRING-
 DISK CONTROL**

These drawings and specifications, and the data contained there-
 in, are the exclusive property of Xerox Corporation and/or Rank
 Xerox, Ltd. issued in strict confidence and shall not, without the
 prior written permission of Xerox Corporation or Rank Xerox, Ltd.,
 be reproduced, copied or used for any purpose whatsoever, except
 the manufacture of articles for Xerox Corporation or Rank Xerox, Ltd.

Model No. ALTO II	Date 6/14/76	Sheet 4 of
-----------------------------	------------------------	----------------------

Drawing No.
216389

ML

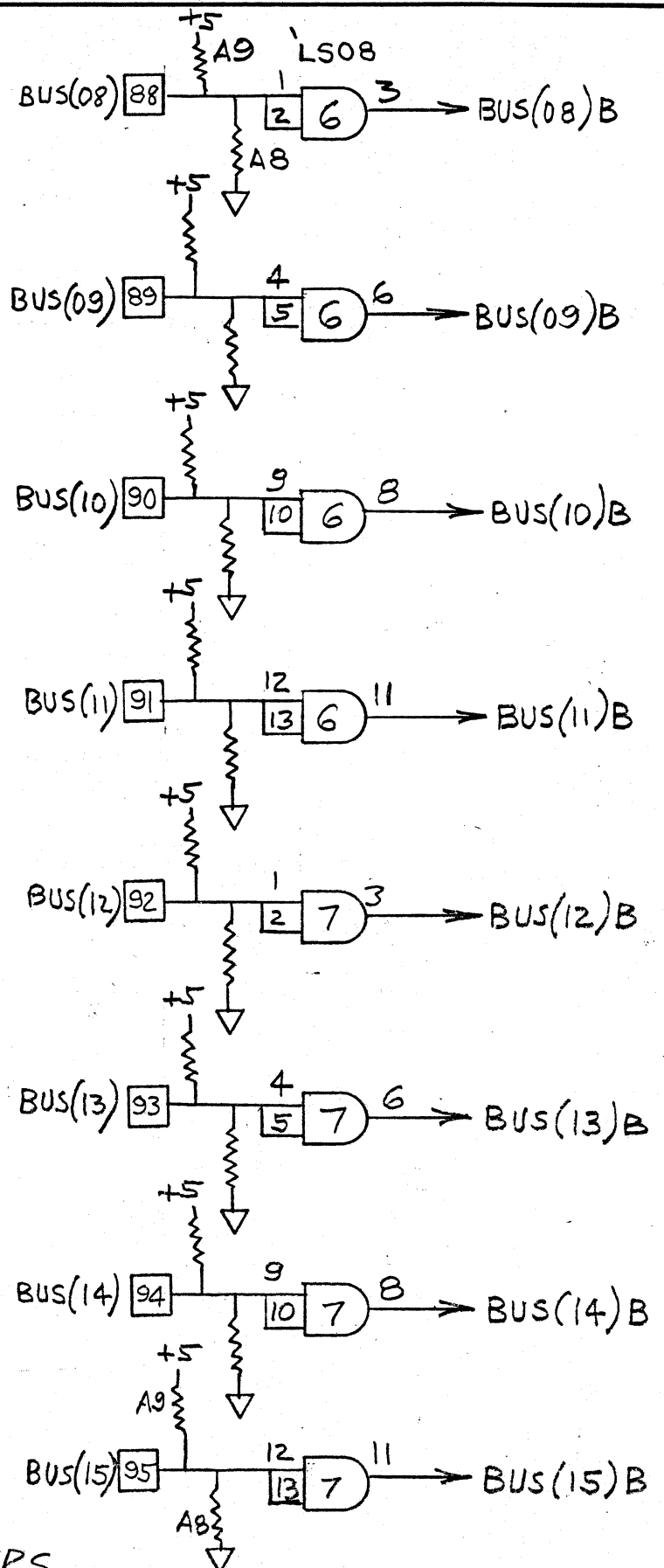
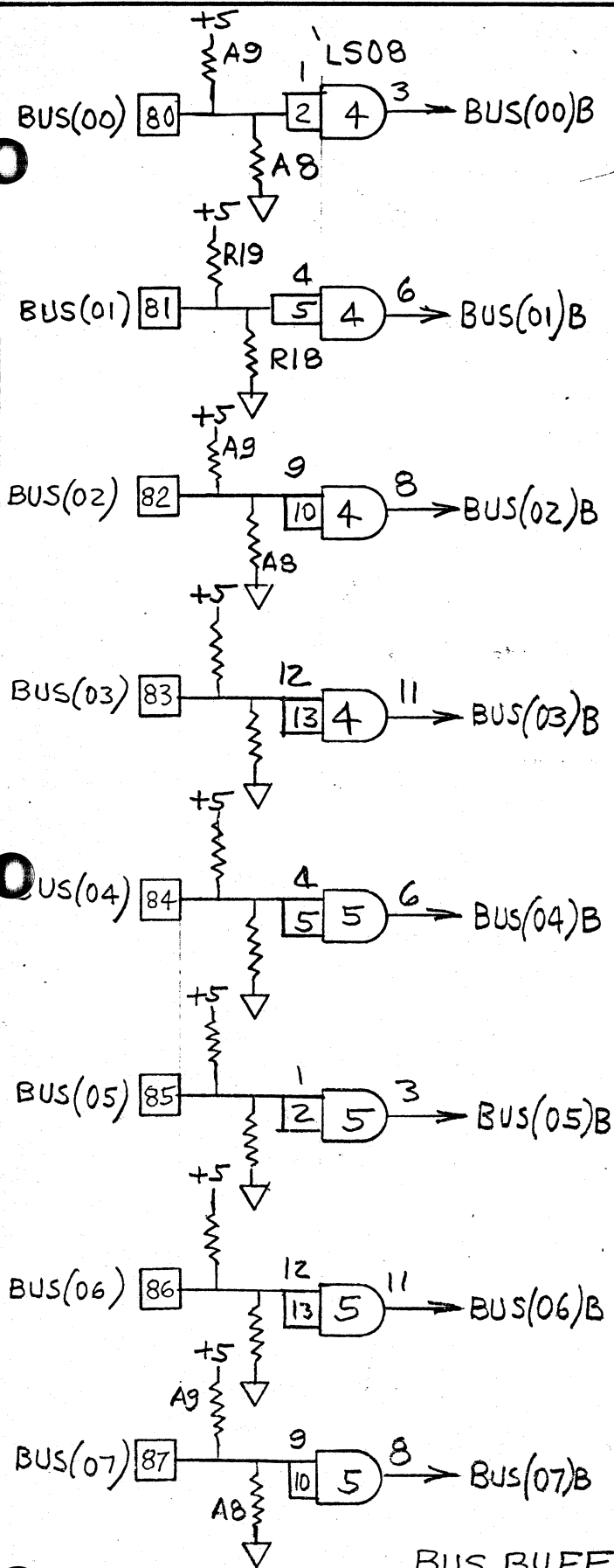
Item No.	Drawing Title	Drawing No.	No. Req.	Remarks
1	BOARD, PRINTED WIRING	216391	1	
2	SPEC, TEST	216390	REF	
3	SPEC, MODULE ASSEMBLY	216207	REF	
4	MICROCIRCUIT, MPQ3303		1	A1
5			3	A2, 56, 59
6			1	A3
7			4	A4, 5, 6, 7
8			1	A11
9			1	A12
10			2	A13, 18
11			6	A14, 15, 16, 17, 46, 47
12			2	A19, 39
13			5	A20, 30, 40, 58, 68
14			8	A21, 22, 43, 44, 45, 53, 55, 67
15			2	A23, 57
16			2	A24, 34
17			3	A25, 26, 27
18			2	A31, 52
19			2	A33, 63
20			1	A35
21			2	A36, 37
22			2	A38, 42
23			1	A41
24			2	A48, 49
25			2	A50, 60
26			1	A54
27			1	A61
28			1	A64
29			1	A65
30	MICROCIRCUIT, 74161		1	A69
31	OSCILLATOR, K1100A		1	A62
32				

Material List

ML	Drawing No. 216389	Rev. D
-----------	------------------------------	------------------

Rev. D	Drawing Title ALTO II ASSEMBLY, PRINTED WIRING- DISK CONTROL	These drawings and specifications, and the data contained therein, are the exclusive property of Xerox Corporation and/or Rank Xerox, Ltd. issued in strict confidence and shall not, without the prior written permission of Xerox Corporation or Rank Xerox, Ltd., be reproduced, copied or used for any purpose whatsoever, except the manufacture of articles for Xerox Corporation or Rank Xerox, Ltd.		
		Model No. ALTO II	Date 6/14/76	Sheet 5 of 5

Item No.	Drawing Title	Drawing No.	No. Req.	Remarks
33	RESISTOR, NETWORK, DIP, 270Ω (AB#316A271)		1	A9
34	RESISTOR, NETWORK, DIP, 560Ω (AB#316A561)		1	A8
35	RESISTOR, NETWORK, 470Ω, (CTS #750-81-R470)		2	A90, 91
36	RESISTOR, FILM, 39Ω ±5%, 1/4W	116447-390	2	R1, R2
37	200 Ω ±5%, 1/4W	116447-201	5	R3, 4, 5, 6, 12
38	24K ±5%, 1/4W	116447-243	2	R7, 8
39	15K ±5%, 1/4W	116447-153	1	R9
40	30K ±5%, 1/4W	116447-303	1	R10
41	330 Ω ±5%, 1/4W	116447-331	1	R11
42	560 Ω ±5%, 1/4W	116447-561	1	R18
43	270 Ω ±5%, 1/4W	116447-271	1	R19
44	RESISTOR, FILM, 1K ±5%, 1/4W	116447-102	5	R13, 14, 15, 16, 17
45				
46	DIODE, IN4148		2	CR1, CR2
47	DIODE, ZENER, IN5227		1	VR1
48				
49	CAPACITOR, 150PF NYTRONICS DC151		1	C1
50	CAPACITOR, .01μF		2	C2, C4
51	CAPACITOR, .47μF ±20%, 50V	114491-474	1	C3
52	CAPACITOR, 270PF NYTRONICS DC 271		1	C5
53	CAPACITOR, TANT., 22μF ±20%, 15V	114491-226	1	C6
54	CAPACITOR, .05μF, 10V CENTRALAB#UK10-503		62	C11-17, 19, 21-37, 40, 41, 43-60, 62-75, 77-79
55				
56	SOCKET, MICROCIRCUIT		31	AUGAT#514-AG10D
57	SOCKET, MICROCIRCUIT		32	AUGAT#516-AG10D
58	RIVET	156111-005	2	
59	EXTRACTOR	216250	2	
60	STIFFENER	216242	1	

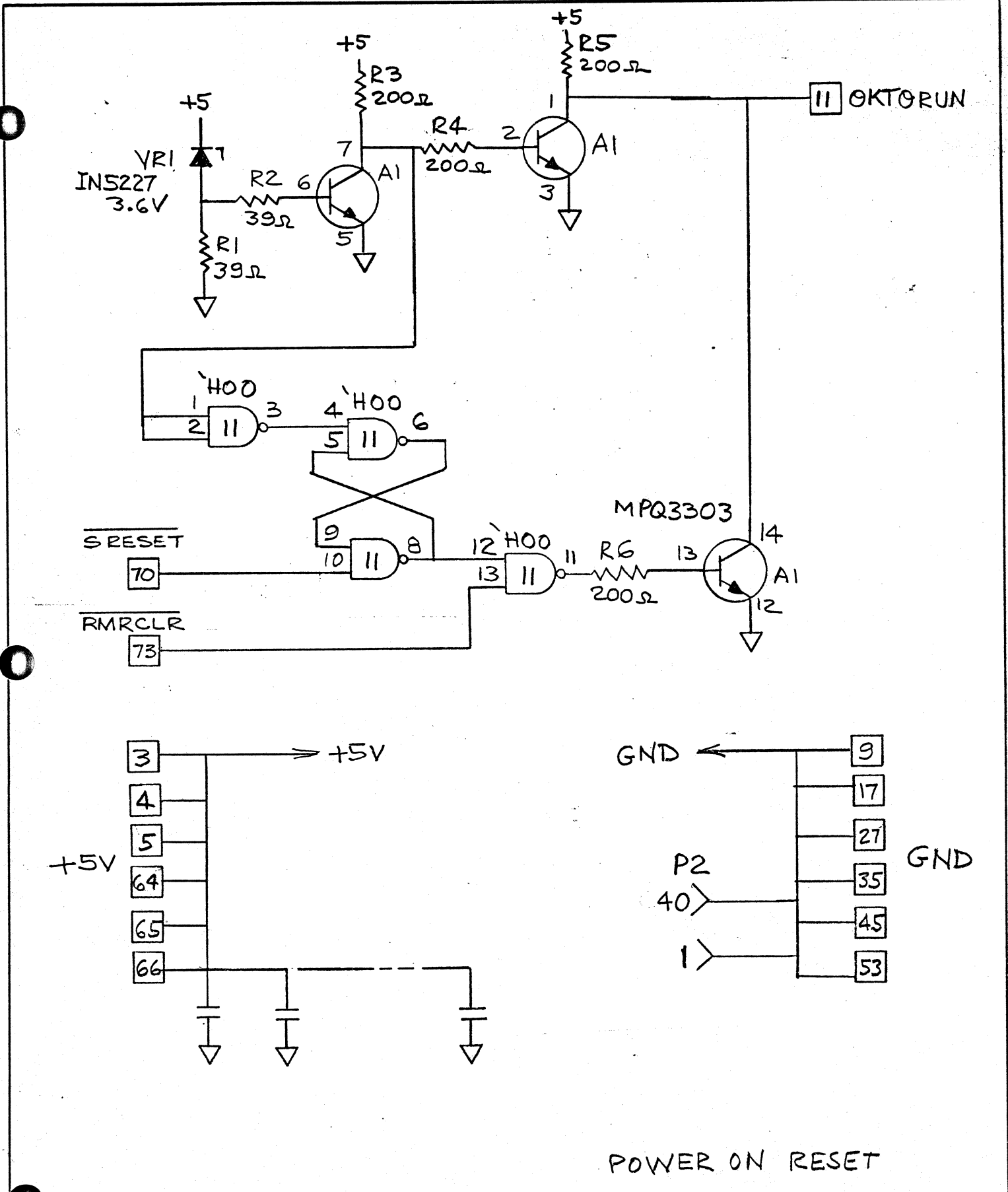


BUS BUFFERS

These drawings and specifications, and the data contained therein, are the exclusive property of Xerox Corporation and/or Rank Xerox, Ltd. issued in strict confidence and shall not, without the prior written permission of Xerox Corporation or Rank Xerox, Ltd., be reproduced, copied or used for any purpose whatsoever, except the manufacture of articles for Xerox Corporation or Rank Xerox, Ltd.

Title ALTO II
 ASSEMBLY, P.W.-
 DISK CONTROL

Xerox Corporation El Segundo, California		XEROX
216389	D	
Sheet 6 Of		

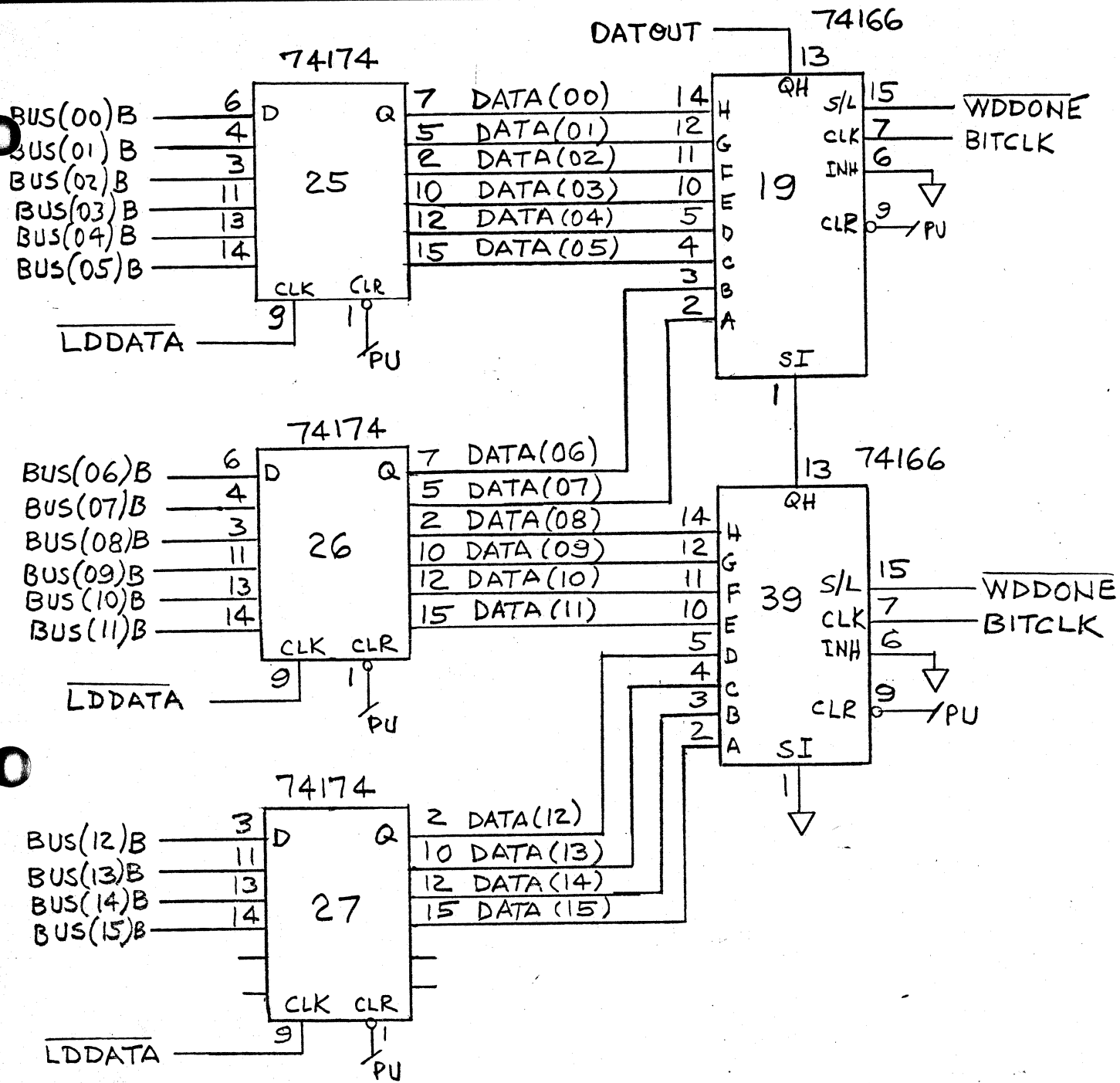


POWER ON RESET

These drawings and specifications, and the data contained therein, are the exclusive property of Xerox Corporation and/or Rank Xerox, Ltd. issued in strict confidence and shall not, without the prior written permission of Xerox Corporation or Rank Xerox, Ltd., be reproduced, copied or used for any purpose whatsoever, except the manufacture of articles for Xerox Corporation or Rank Xerox, Ltd.

Title
**ALTO II
 ASSEMBLY, P.W.-
 DISK CONTROL**

Xerox Corporation El Segundo, California		XEROX
216389	D	
Sheet	7	of

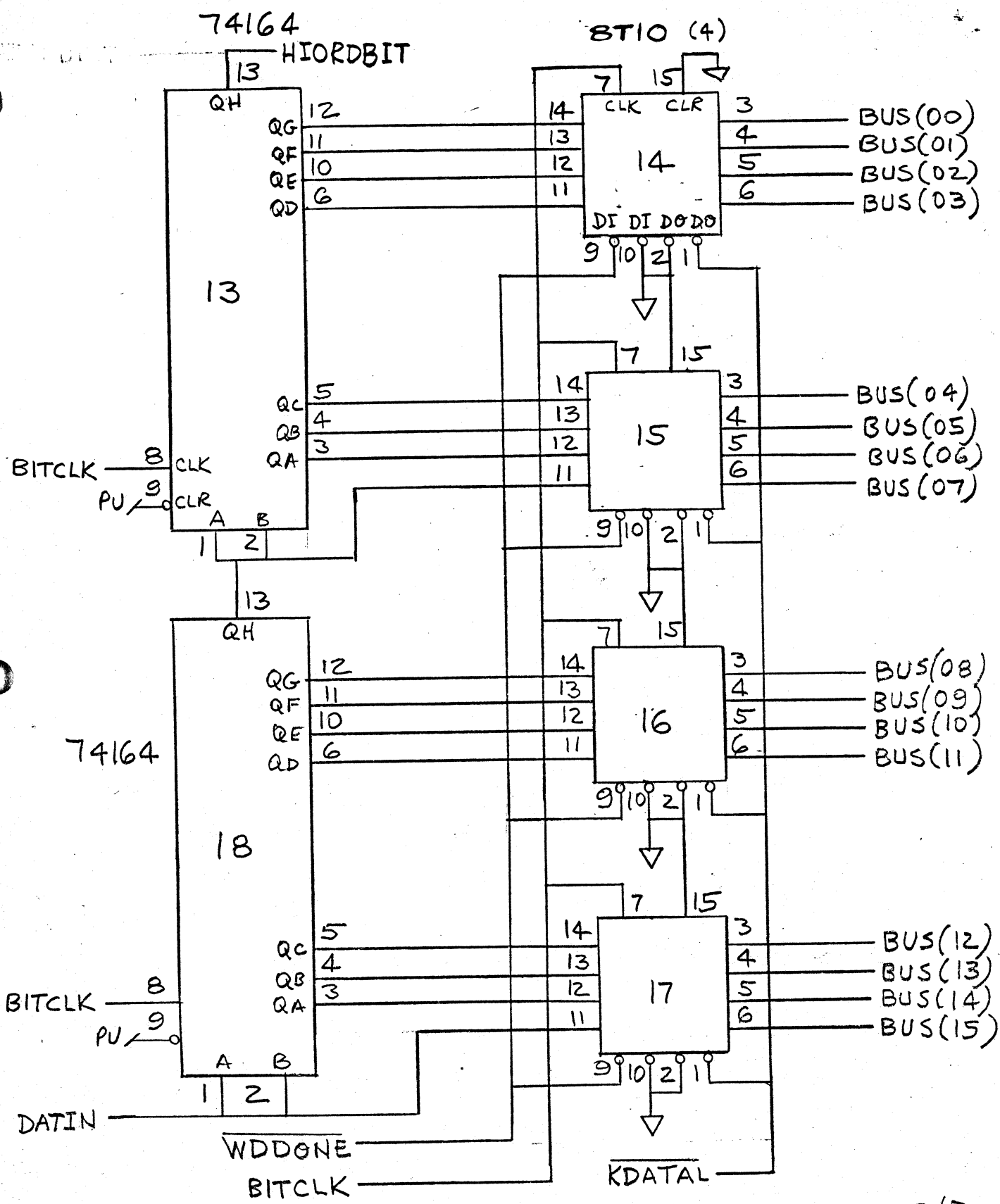


WRITE S/R

These drawings and specifications, and the data contained therein, are the exclusive property of Xerox Corporation and/or Rank Xerox, Ltd. issued in strict confidence and shall not, without the prior written permission of Xerox Corporation or Rank Xerox, Ltd., be reproduced, copied or used for any purpose whatsoever, except the manufacture of articles for Xerox Corporation or Rank Xerox, Ltd.

Title
**ALTO II
 ASSEMBLY, P.W.-
 DISK CONTROL**

Xerox Corporation El Segundo, California		XEROX
216389		
Sheet	8	Of

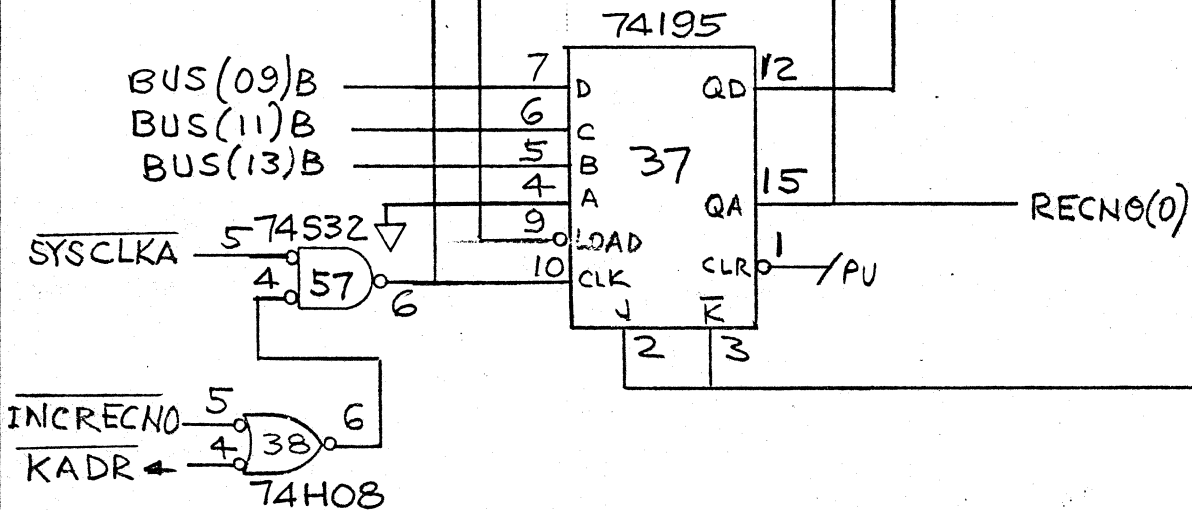
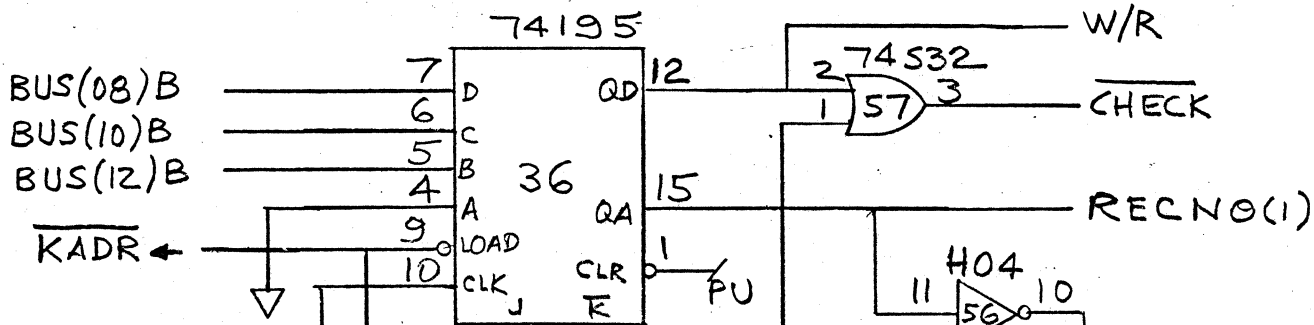
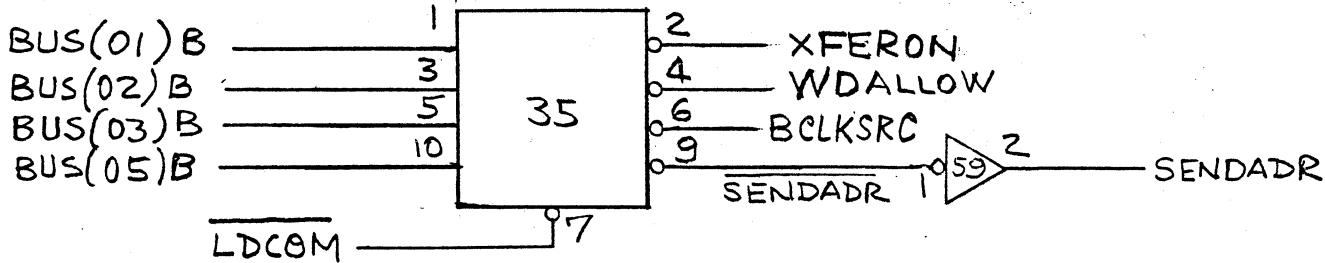
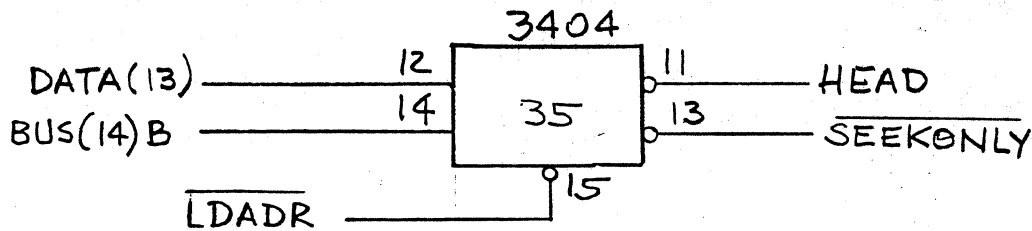


READ S/R

These drawings and specifications, and the data contained therein, are the exclusive property of Xerox Corporation and/or Rank Xerox, Ltd. issued in strict confidence and shall not, without the prior written permission of Xerox Corporation or Rank Xerox, Ltd., be reproduced, copied or used for any purpose whatsoever, except the manufacture of articles for Xerox Corporation or Rank Xerox, Ltd.

Title
ALTO II
 ASSEMBLY, PRINTED W.
 DISK CONTROL

Xerox Corporation
 El Segundo, California
XEROX
 216389
 Sheet 9 Of D



COMP. AND REG.

These drawings and specifications, and the data contained therein, are the exclusive property of Xerox Corporation and/or Rank Xerox, Ltd. issued in strict confidence and shall not, without the prior written permission of Xerox Corporation or Rank Xerox, Ltd., be reproduced, copied or used for any purpose whatsoever, except the manufacture of articles for Xerox Corporation or Rank Xerox, Ltd.

Title
ALTO II
ASSEMBLY P.W. -
DISK CONTROL

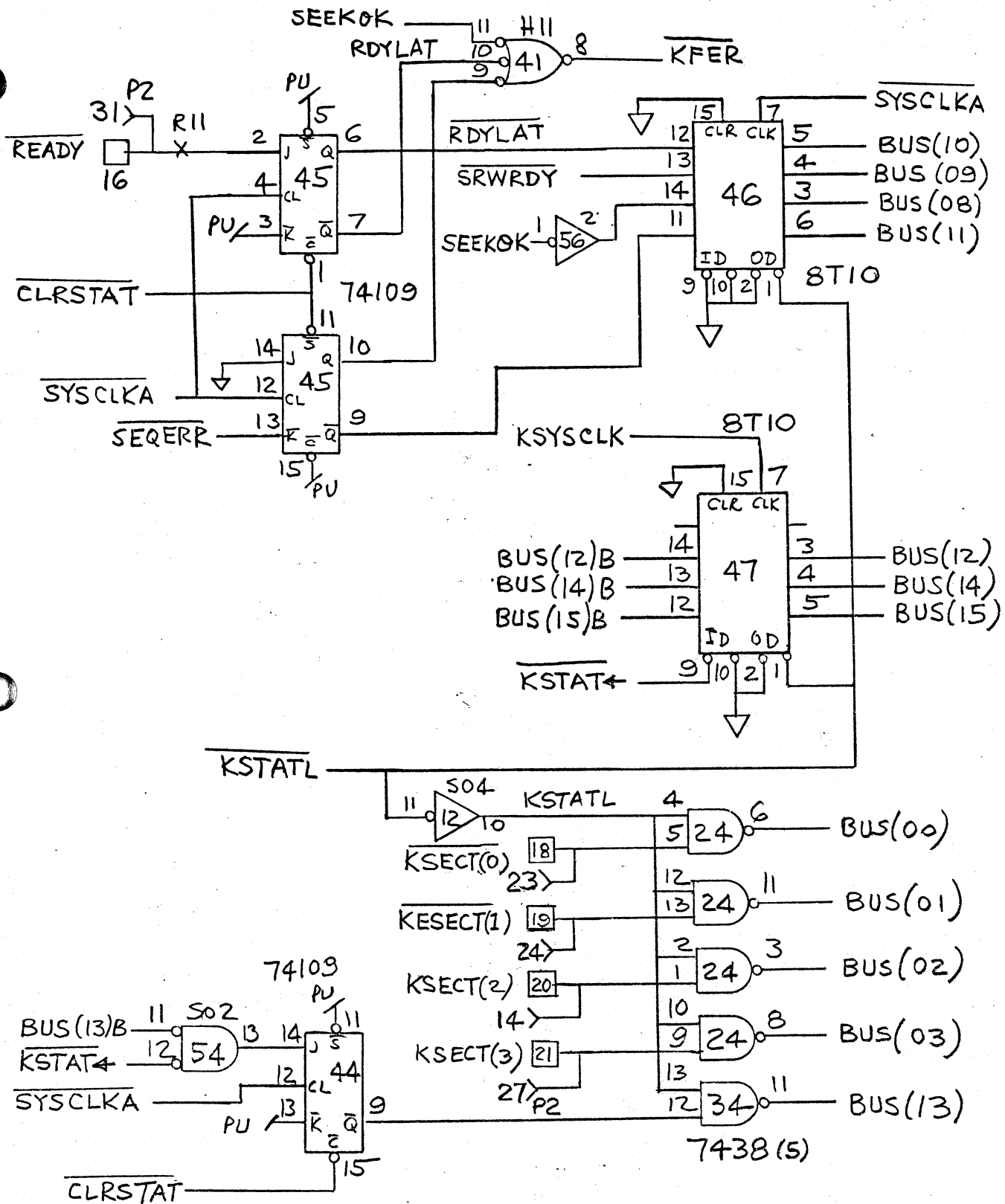
Xerox Corporation
El Segundo, California

XEROX

216389

D

Sheet 10 Of



STATUS

These drawings and specifications, and the data contained therein, are the exclusive property of Xerox Corporation and/or Rank Xerox, Ltd. issued in strict confidence and shall not, without the prior written permission of Xerox Corporation or Rank Xerox, Ltd., be reproduced, copied or used for any purpose whatsoever, except the manufacture of articles for Xerox Corporation or Rank Xerox, Ltd.

Title
ALTO II
ASSEMBLY, P.W. -
DISK CONTROL

Xerox Corporation
El Segundo, California

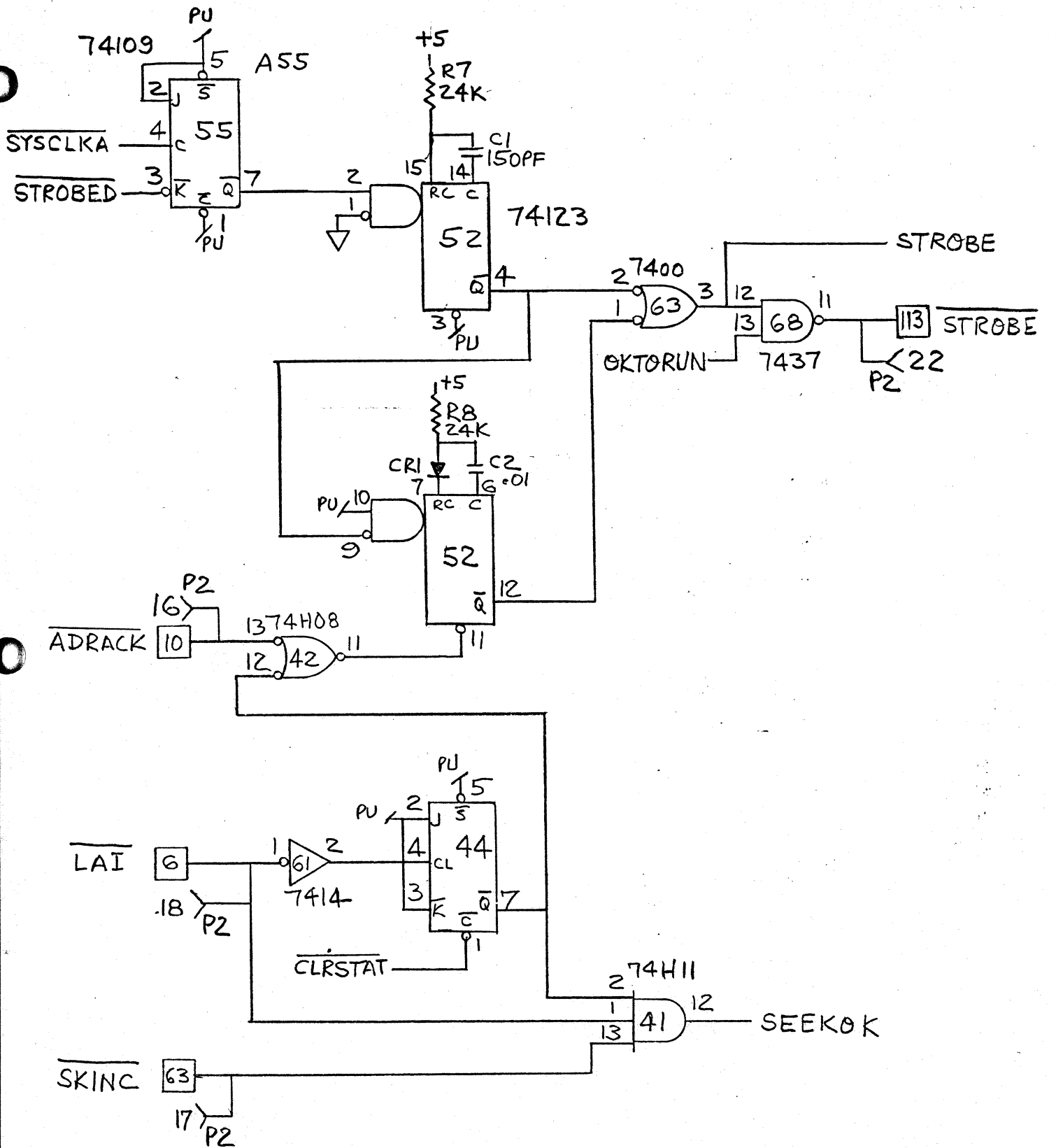
XEROX

216389

D

Sheet

11 Of



STROBE, SEEK ERRORS

These drawings and specifications, and the data contained therein, are the exclusive property of Xerox Corporation and/or Rank Xerox, Ltd. issued in strict confidence and shall not, without the prior written permission of Xerox Corporation or Rank Xerox, Ltd., be reproduced, copied or used for any purpose whatsoever, except the manufacture of articles for Xerox Corporation or Rank Xerox, Ltd.

Title
ALTO II
ASSEMBLY P.W.-
DISK CONTROL

Xerox Corporation
El Segundo, California

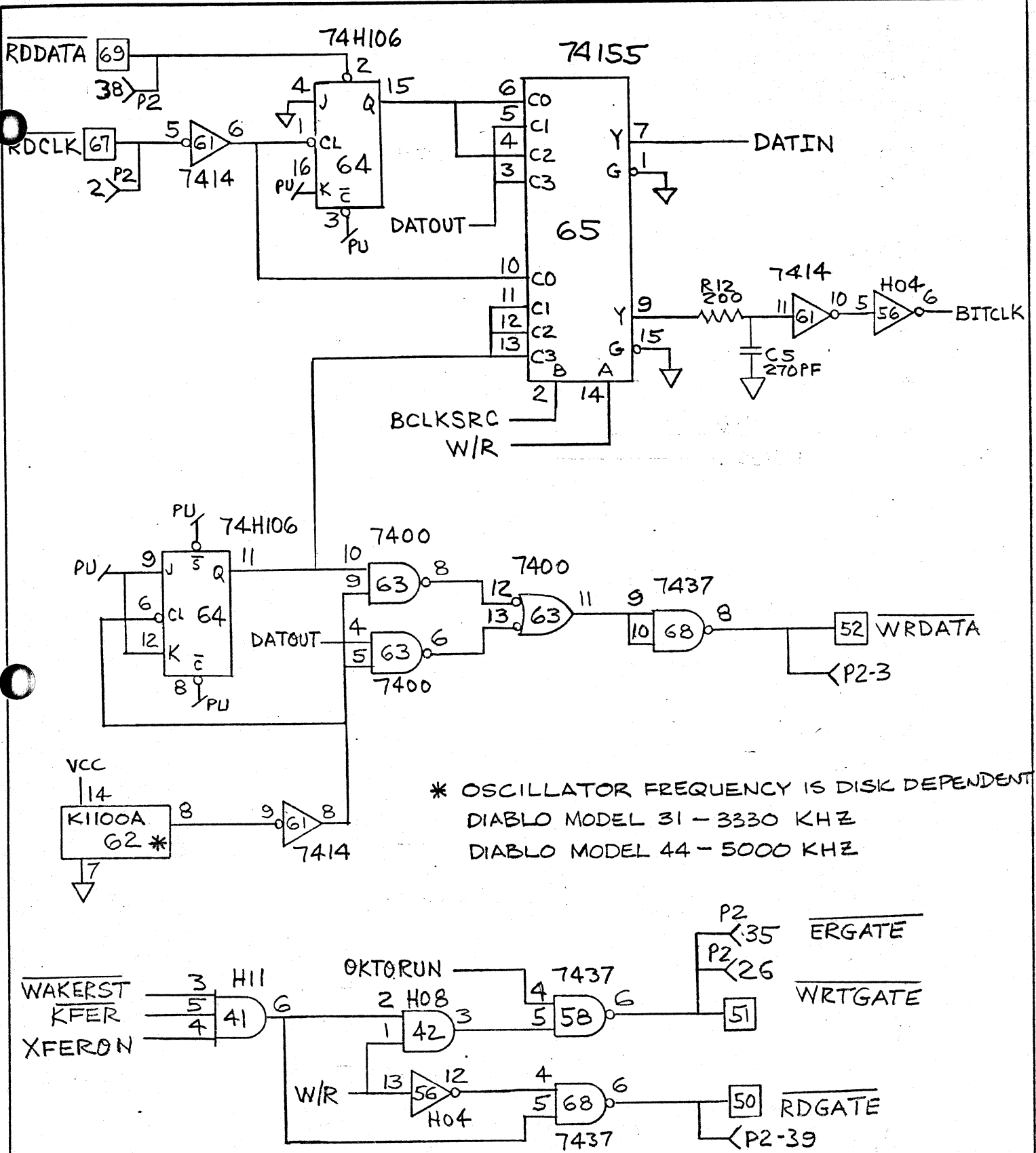
XEROX

216389

D

Sheet

13 Of



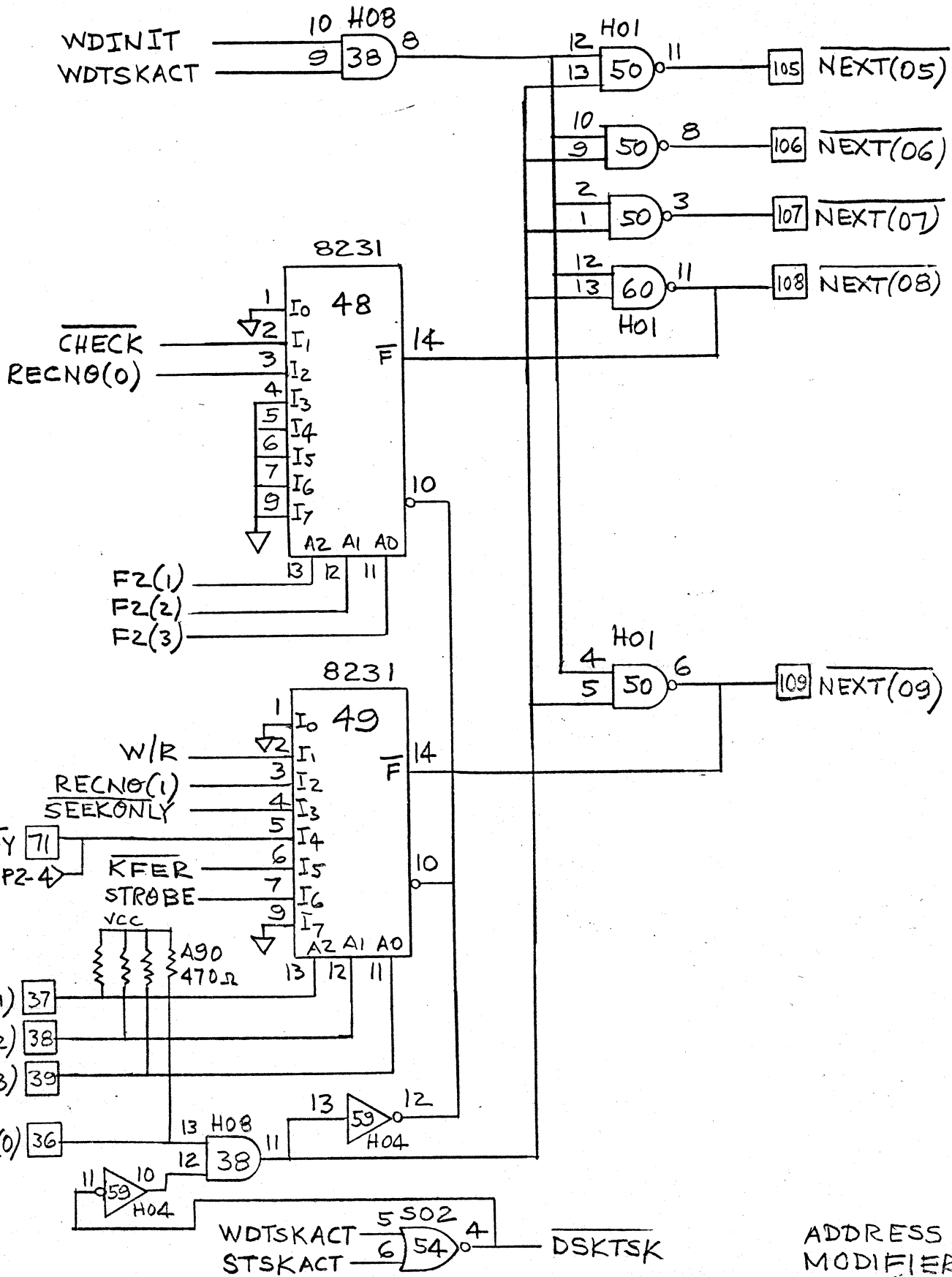
* OSCILLATOR FREQUENCY IS DISK DEPENDENT
 DIABLO MODEL 31 - 3330 KHZ
 DIABLO MODEL 44 - 5000 KHZ

DATA HANDLING

These drawings and specifications, and the data contained therein, are the exclusive property of Xerox Corporation and/or Rank Xerox, Ltd. issued in strict confidence and shall not, without the prior written permission of Xerox Corporation or Rank Xerox, Ltd., be reproduced, copied or used for any purpose whatsoever, except the manufacture of articles for Xerox Corporation or Rank Xerox, Ltd.

Title
ALTO II ASSEMBLY, P.W.-DISK CONTROL

Xerox Corporation El Segundo, California		XEROX
216389		
Sheet	14	Of

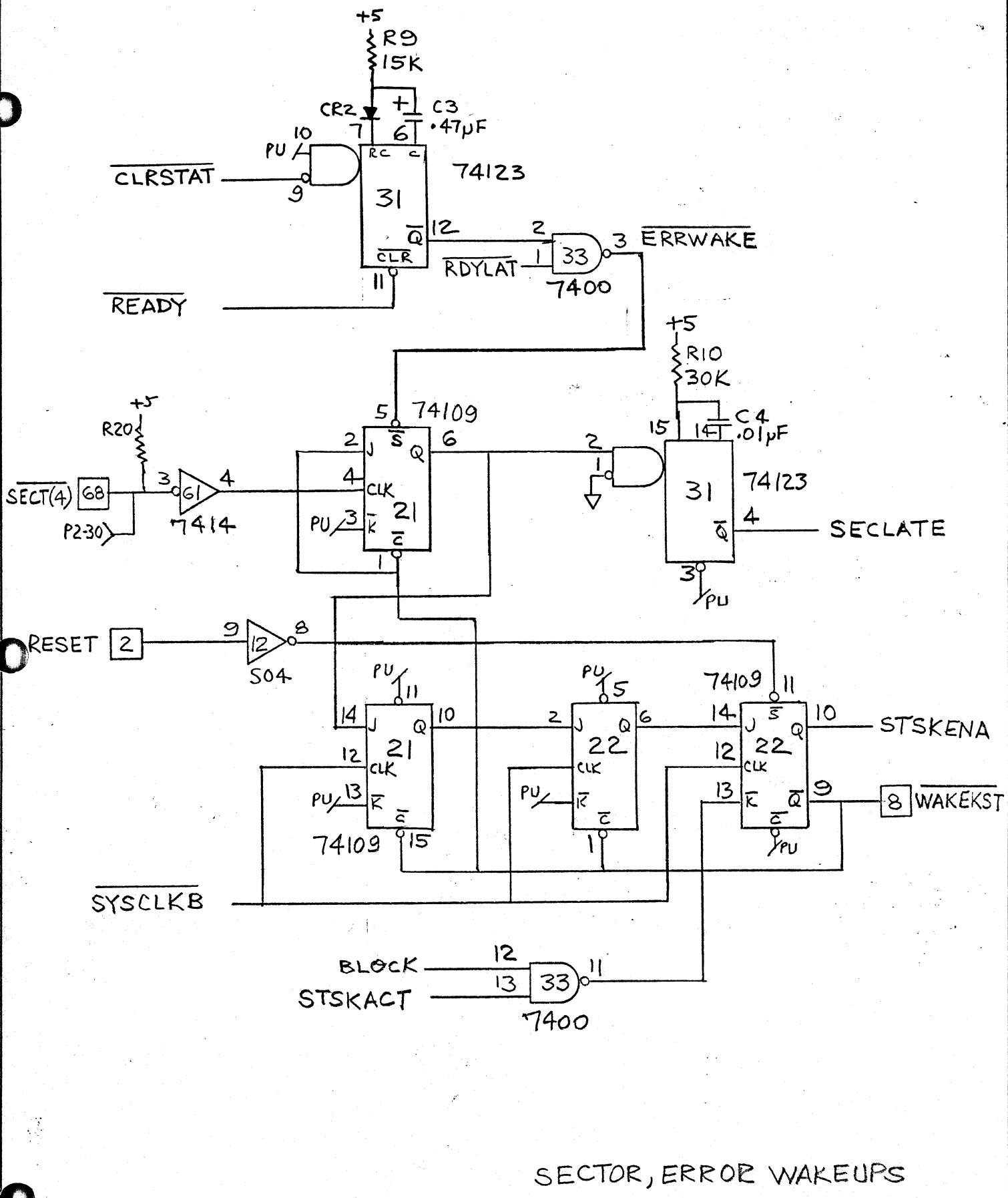


ADDRESS MODIFIERS

These drawings and specifications, and the data contained therein, are the exclusive property of Xerox Corporation and/or Rank Xerox, Ltd. issued in strict confidence and shall not, without the prior written permission of Xerox Corporation or Rank Xerox, Ltd., be reproduced, copied or used for any purpose whatsoever, except the manufacture of articles for Xerox Corporation or Rank Xerox, Ltd.

Title
ALTO II
ASSEMBLY P.W.-
DISK CONTROL

Xerox Corporation El Segundo, California		XEROX
216389	D	
Sheet	15	Of

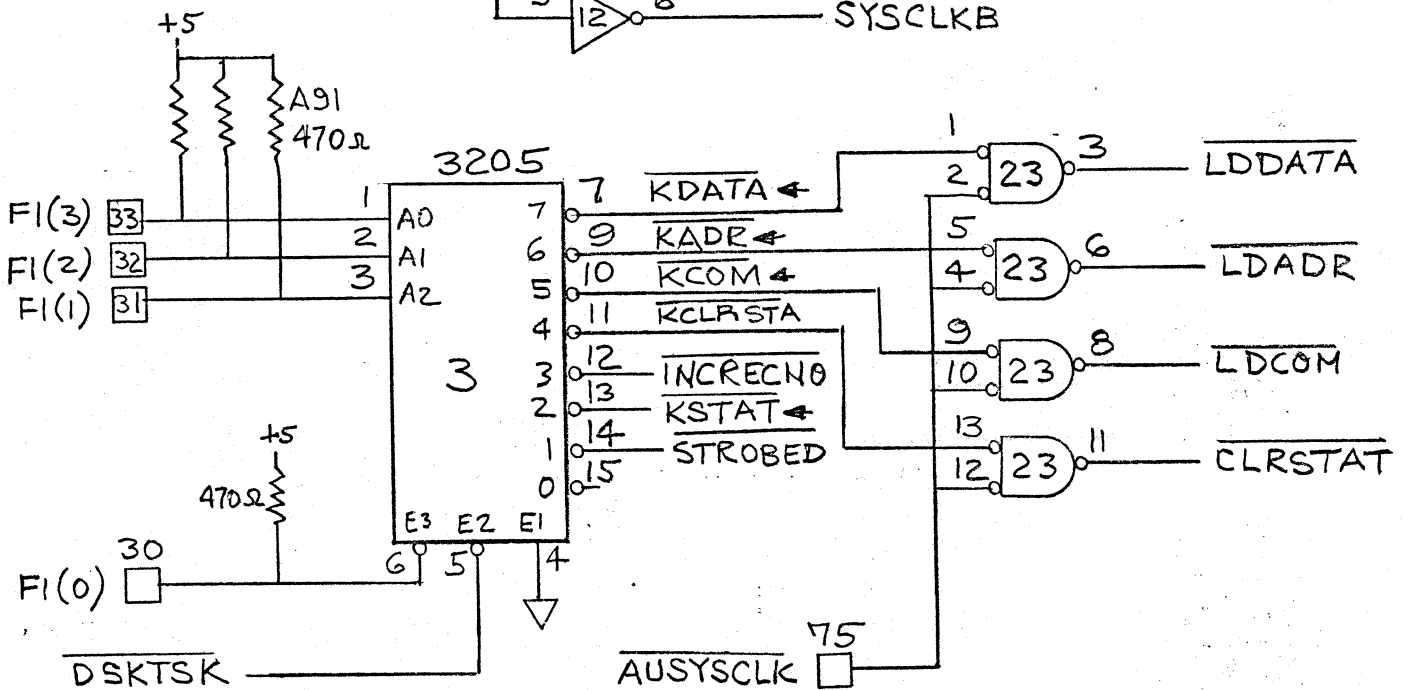
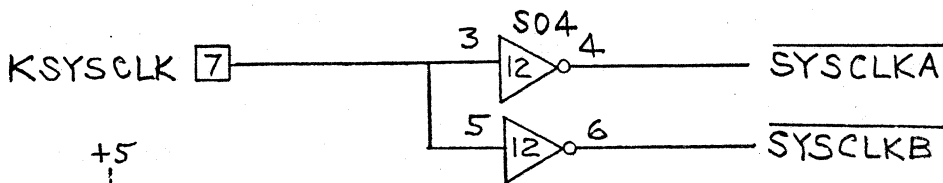
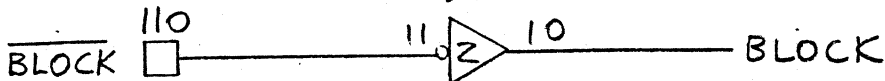
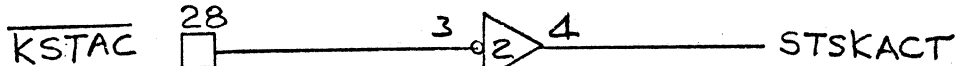
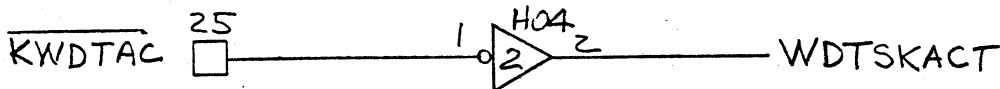
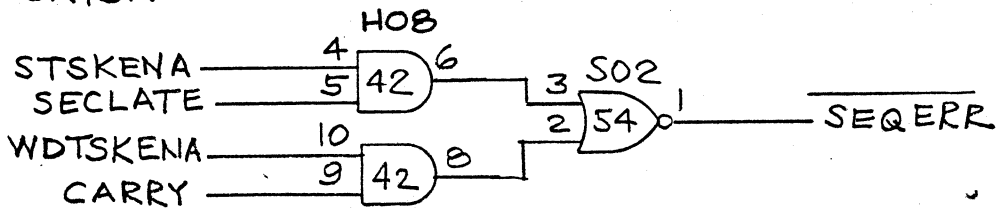
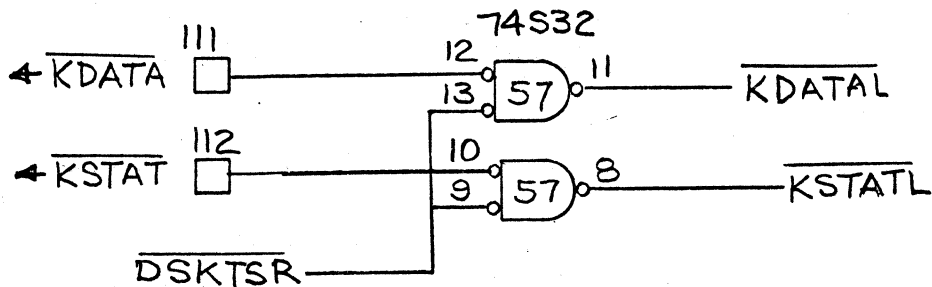


SECTOR, ERROR WAKEUPS

These drawings and specifications, and the data contained therein, are the exclusive property of Xerox Corporation and/or Rank Xerox, Ltd. issued in strict confidence and shall not, without the prior written permission of Xerox Corporation or Rank Xerox, Ltd., be reproduced, copied or used for any purpose whatsoever, except the manufacture of articles for Xerox Corporation or Rank Xerox, Ltd.

Title
ALTO II
ASSEMBLY, P.W. -
DISK CONTROL

Xerox Corporation El Segundo, California		XEROX
216389	D	
Sheet	16	Of



F DECODE, CLOCKS

These drawings and specifications, and the data contained therein, are the exclusive property of Xerox Corporation and/or Rank Xerox, Ltd. issued in strict confidence and shall not, without the prior written permission of Xerox Corporation or Rank Xerox, Ltd., be reproduced, copied or used for any purpose whatsoever, except the manufacture of articles for Xerox Corporation or Rank Xerox, Ltd.

Title
ALTO II
ASSEMBLY, P.W.-
DISK CONTROL

Xerox Corporation
El Segundo, California

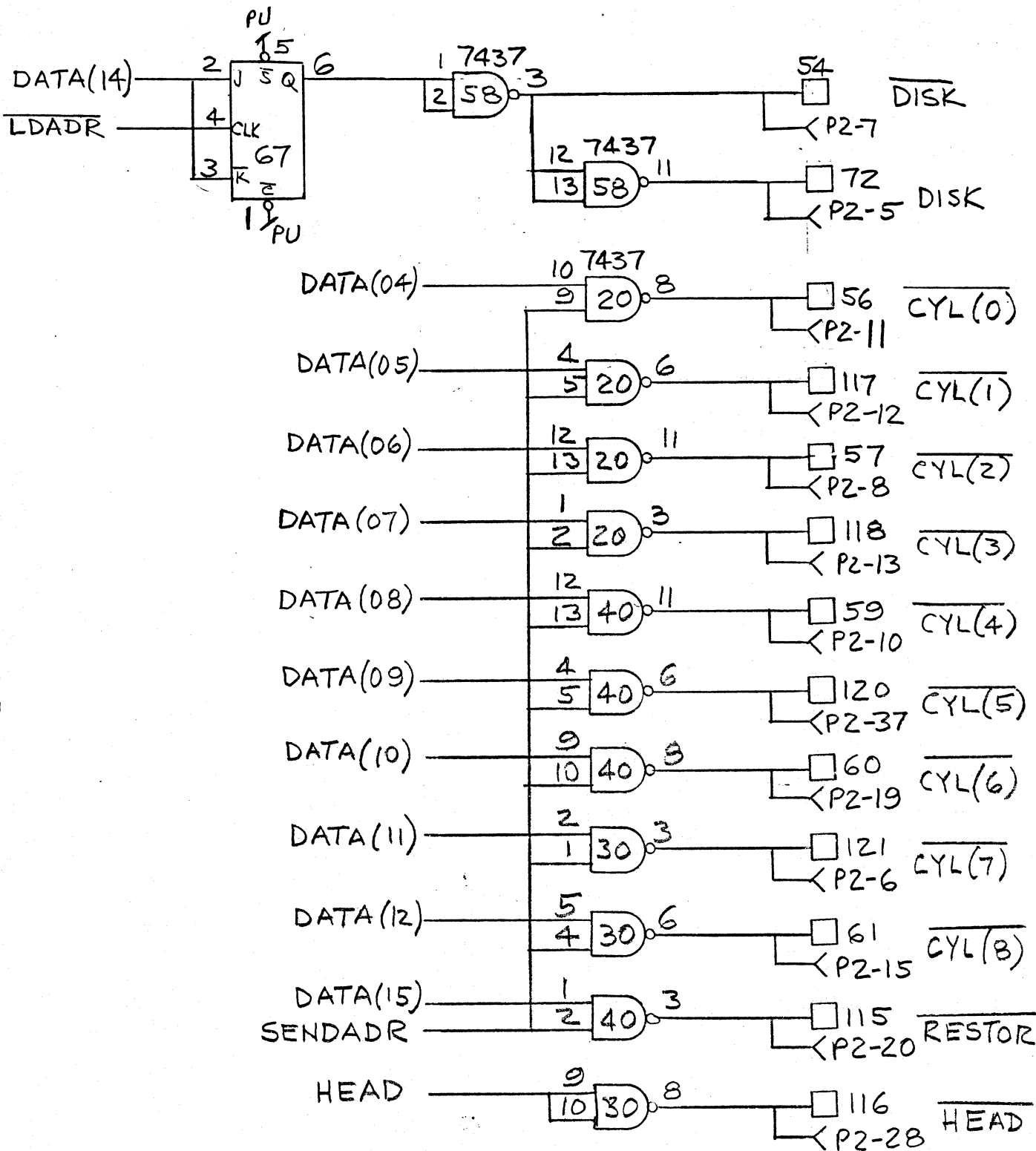
XEROX

216389

D

Sheet

17 of



DISK ADDRESSING

These drawings and specifications, and the data contained therein, are the exclusive property of Xerox Corporation and/or Rank Xerox, Ltd. issued in strict confidence and shall not, without the prior written permission of Xerox Corporation or Rank Xerox, Ltd., be reproduced, copied or used for any purpose whatsoever, except the manufacture of articles for Xerox Corporation or Rank Xerox, Ltd.

Title
ALTO II
ASSEMBLY, P.W.-
DISK CONTROL

Xerox Corporation
El Segundo, California

XEROX

216389

D

Sheet

18

Of