

Revisions				216643	A
LAL	Rev.	Description	Chk	Date	Approved
	A	ENGRG RELEASE	Rf	11-4-77	<i>R. Freeman</i>

**ENGINEERING
RELEASE**

THIS DOCUMENT CONTAINS 14 SHEETS.

Dist Code **SPG**

These drawings and specifications, and the data contained therein, are the exclusive property of Xerox Corporation and/or Rank Xerox, Ltd. issued in strict confidence and shall not, without the prior written permission of Xerox Corporation or Rank Xerox, Ltd., be reproduced, copied or used for any purpose whatsoever, except the manufacture of articles Xerox Corporation or Rank Xerox, Ltd.	Notes Unless Specified	Drawn <i>M. Johnson</i> 11-10-77	Xerox Corporation El Segundo, California		
	1. Tolerances .XX ±.03 Angular .XXX ±.010 ±½°	Check	Title <i>XM</i> ASSEMBLY, PRINTED WIRING- <u>GRAM</u> (EXTENDED MEMORY)		
	2. Break All Sharp Edges .010 Approx.	Appr. <i>R. Freeman</i>			
	3. Mach. Surfaces <input checked="" type="checkbox"/>	Material			
4. All Dim. in Inches					
No. First Use ALTO II	Finish <i>Unfinished</i>	Code Ident. 18338	Size A	Dwg. No. 216643	Change Letter A
Next Assy. First Use 216647		Scale -	Do Not Scale Drawing		Sheet 1 OF OF

NOTES: UNLESS OTHERWISE SPECIFIED

1. MAKE FROM ASSY, PRINTED WIRING - GRAM, P/N 216363 REV C (ITEM 1)
2. ADD JUMPER WIRE FROM U46-7 TO PIN 116.
 U83-7 PIN 117.
 U59-7 PIN 118.
 U47-7 PIN 119.
 ADD JUMPER WIRE FROM U71-7 TO PIN 120.

- 3 RUBBER STAMP "ASSY 216643" .12 HIGH, WHITE CHARACTERS.
- 4 RUBBER STAMP "EXTN MEM." .12 HIGH, WHITE CHARACTERS.

These drawings and specifications, and the data contained therein, are the exclusive property of Xerox Corporation and/or Rank Xerox, Ltd. issued in strict confidence and shall not, without the prior written permission of Xerox Corporation or Rank Xerox, Ltd., be reproduced, copied or used for any purpose whatsoever, except the manufacture of articles for Xerox Corporation or Rank Xerox, Ltd.

Title
 ASSY, PRINTED WIRING-
 GRAM
 (EXTENDED MEMORY)

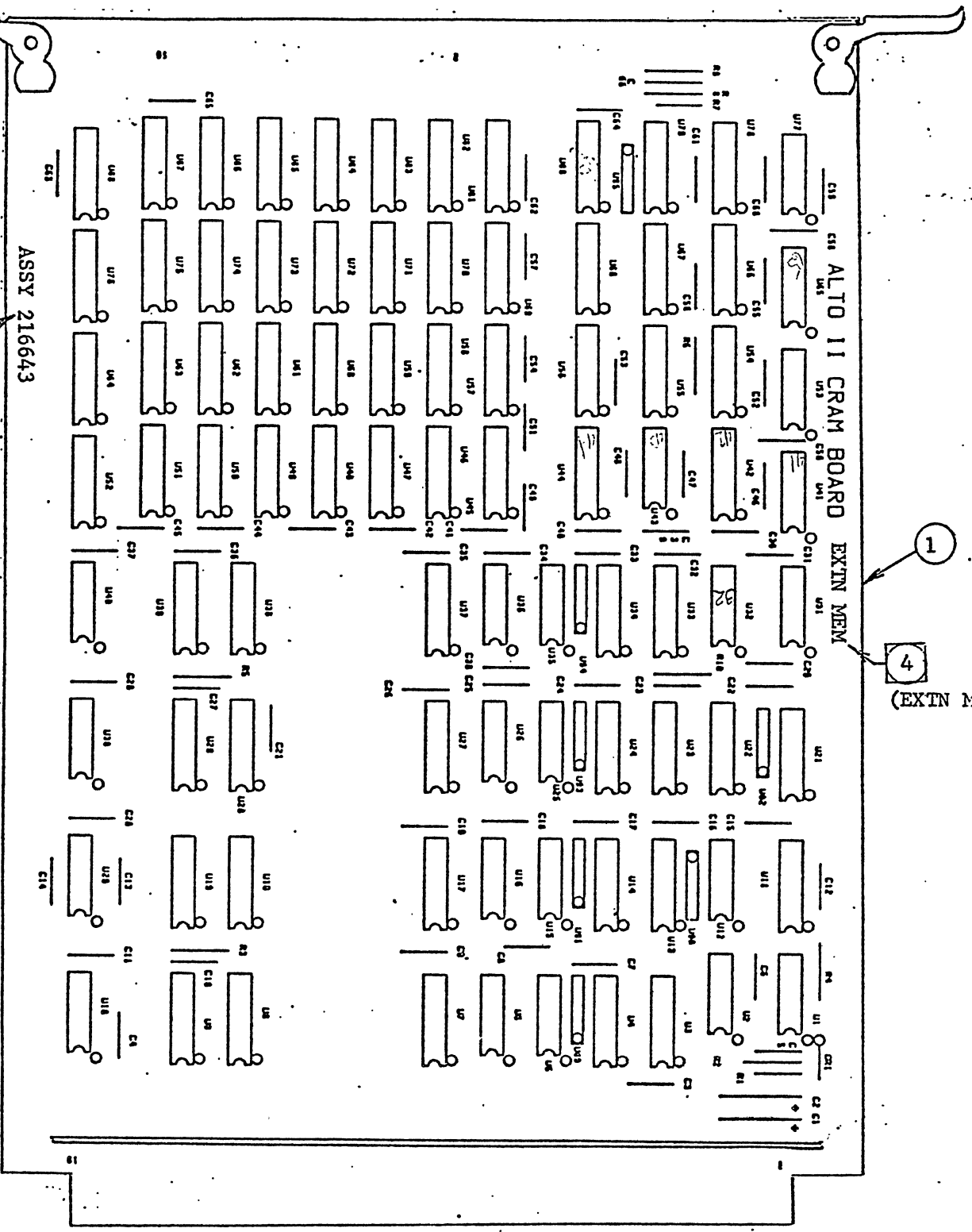
Xerox Corporation
 El Segundo, California

XEROX

216643

A

Sheet 2 of



ASSY 216643

3

1

4

(EXTN MEM)

drawings and specifications, and the data therein, are the exclusive property of Xerox Corporation and/or Rank Xerox, Ltd. issued in strict confidence and shall not, without the prior written permission of Xerox Corporation or Rank Xerox, Ltd., be reproduced, copied or used for any purpose whatsoever, except the manufacture of articles for Xerox Corporation or Rank Xerox, Ltd.

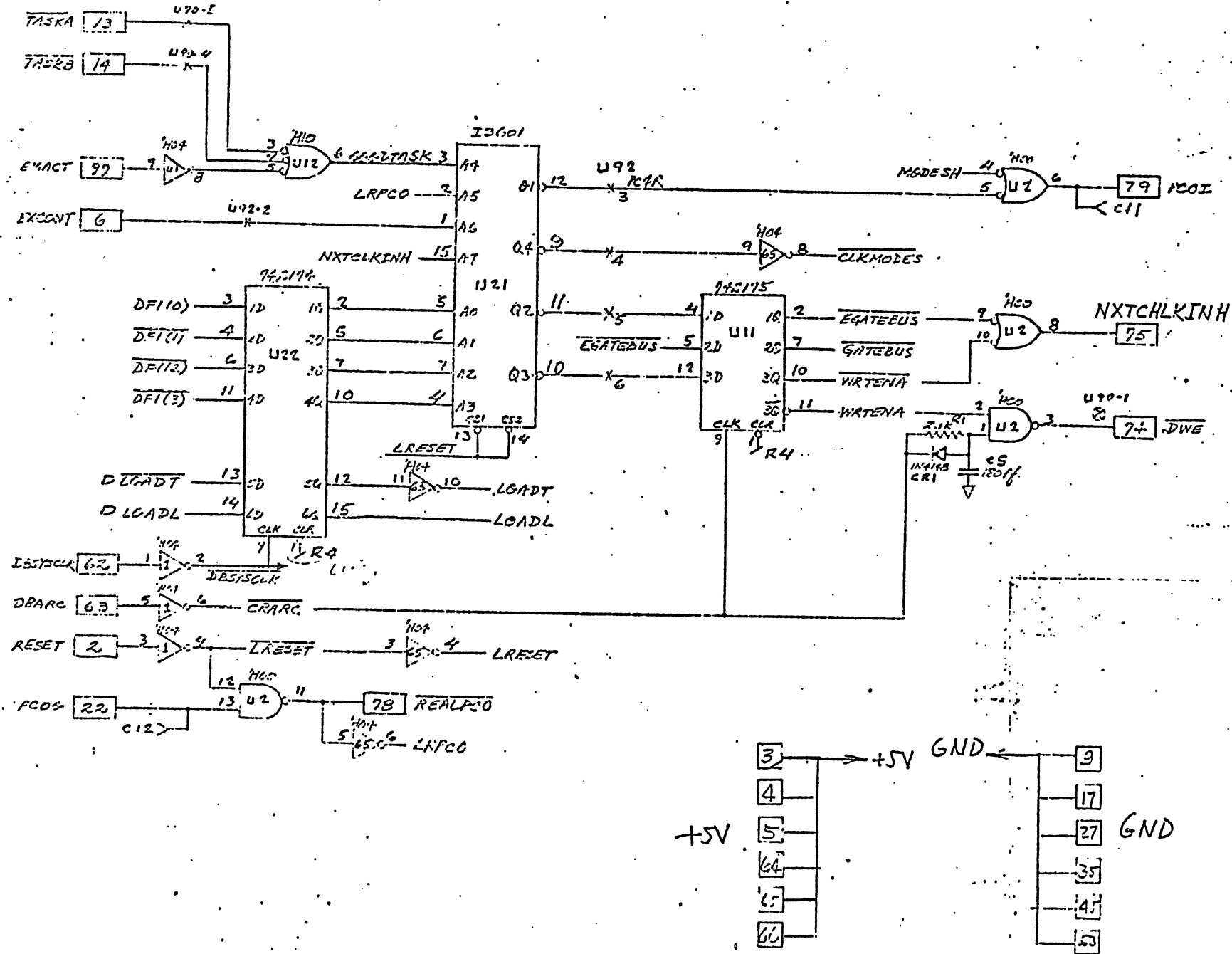
Title
**ASSY, PRINTED WIRING-
 CRAM**
 (EXTENDED MEMORY)

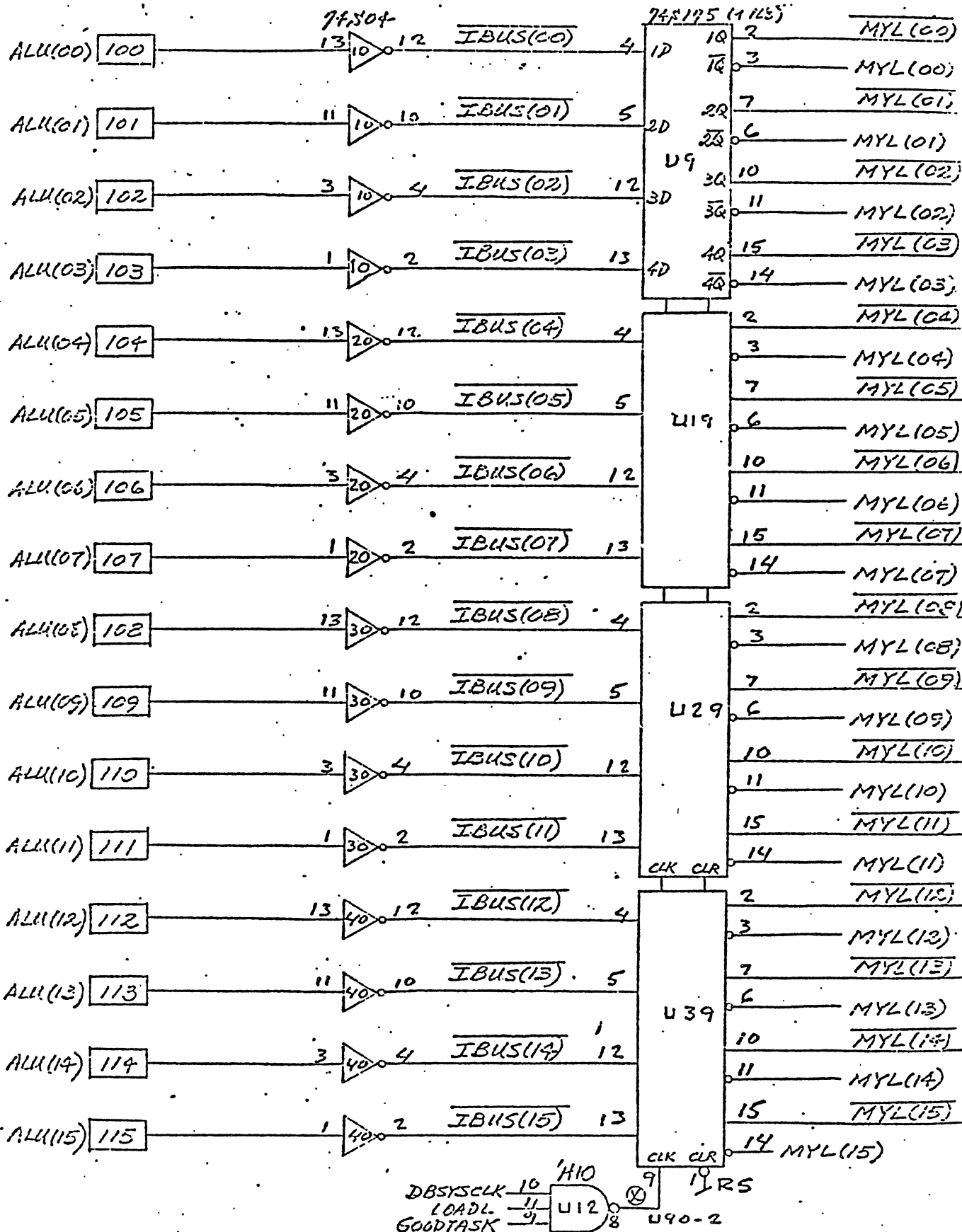
Xerox Corporation El Segundo, California		XEROX
216643	A	
Sheet	3	OF

drawings and specifications; and the data contained therein, are the exclusive property of Xerox Corporation and/or Rank Xerox, Ltd. issued in strict confidence and shall not, without the prior written permission of Xerox Corporation or Rank Xerox, Ltd., be reproduced, copied or used for any purpose whatsoever, except the manufacture of articles for Xerox Corporation or Rank Xerox, Ltd.

Title
ASSY, PRINTED WIRING-
GRAM
(EXTENDED MEMORY)

Xerox Corporation
El Segundo, California
216643
Sheet 5 of 01
A





drawings and specifications; and the data contained therein, are the exclusive property of Xerox Corporation and/or Rank Xerox, Ltd. issued in strict confidence and shall not, without the prior written permission of Xerox Corporation or Rank Xerox, Ltd., be reproduced, copied or used for any purpose whatsoever, except the manufacture of articles for Xerox Corporation or Rank Xerox, Ltd.

Title
 ASSY, PRINTED WIRING-
 GRAM
 (EXTENDED MEMORY)

Xerox Corporation
 El Segundo, California

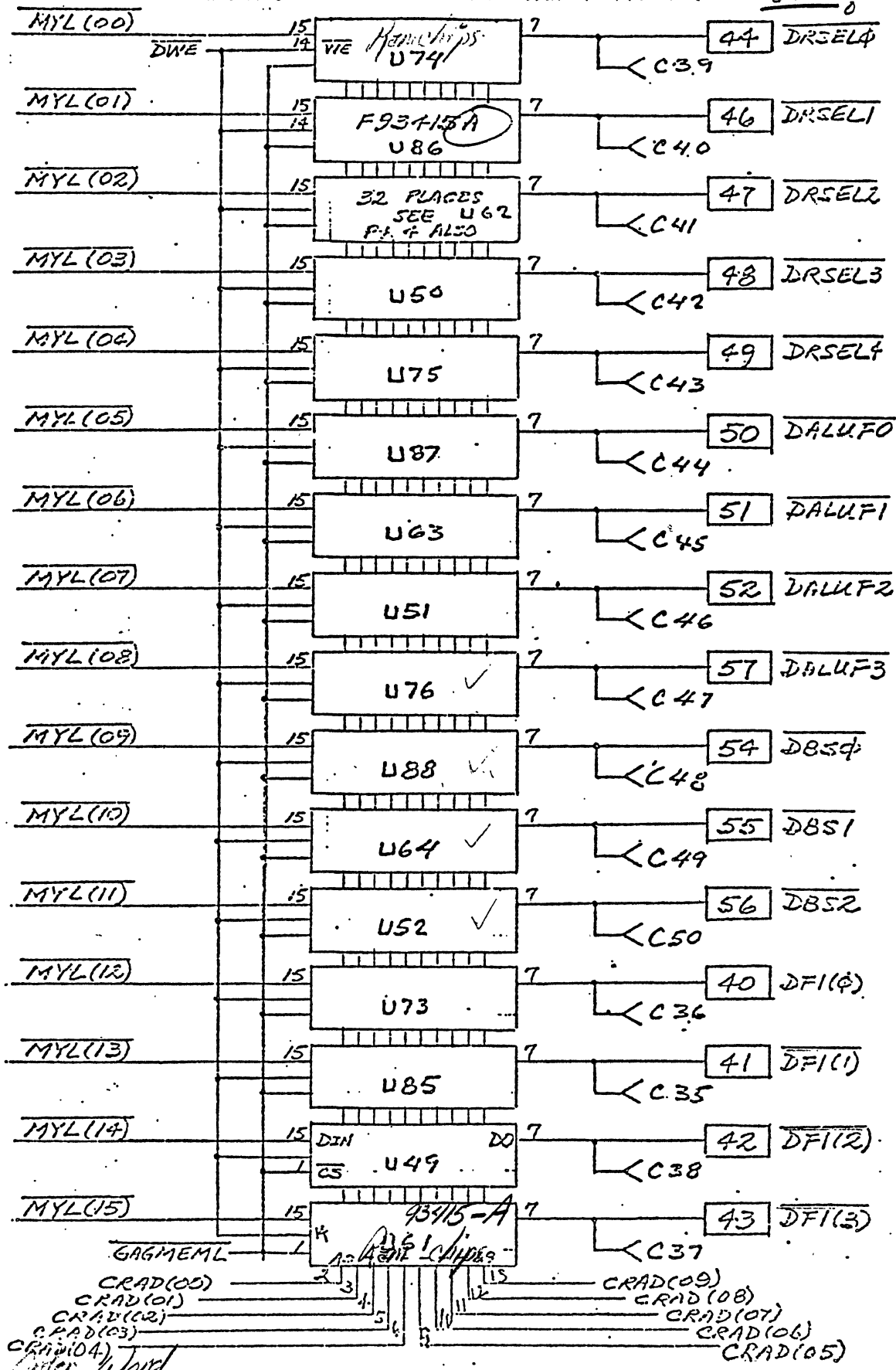
XEROX

216643

A

Sheet 6 of

93415 - ONLY 1



Drawings and specifications, and the data contained therein, are the exclusive property of Xerox Corporation and/or Rank Xerox, Ltd. issued in strict confidence and shall not, without the prior written permission of Xerox Corporation or Rank Xerox, Ltd., be reproduced, copied or used for any purpose whatsoever, except the manufacture of articles for Xerox Corporation or Rank Xerox, Ltd.

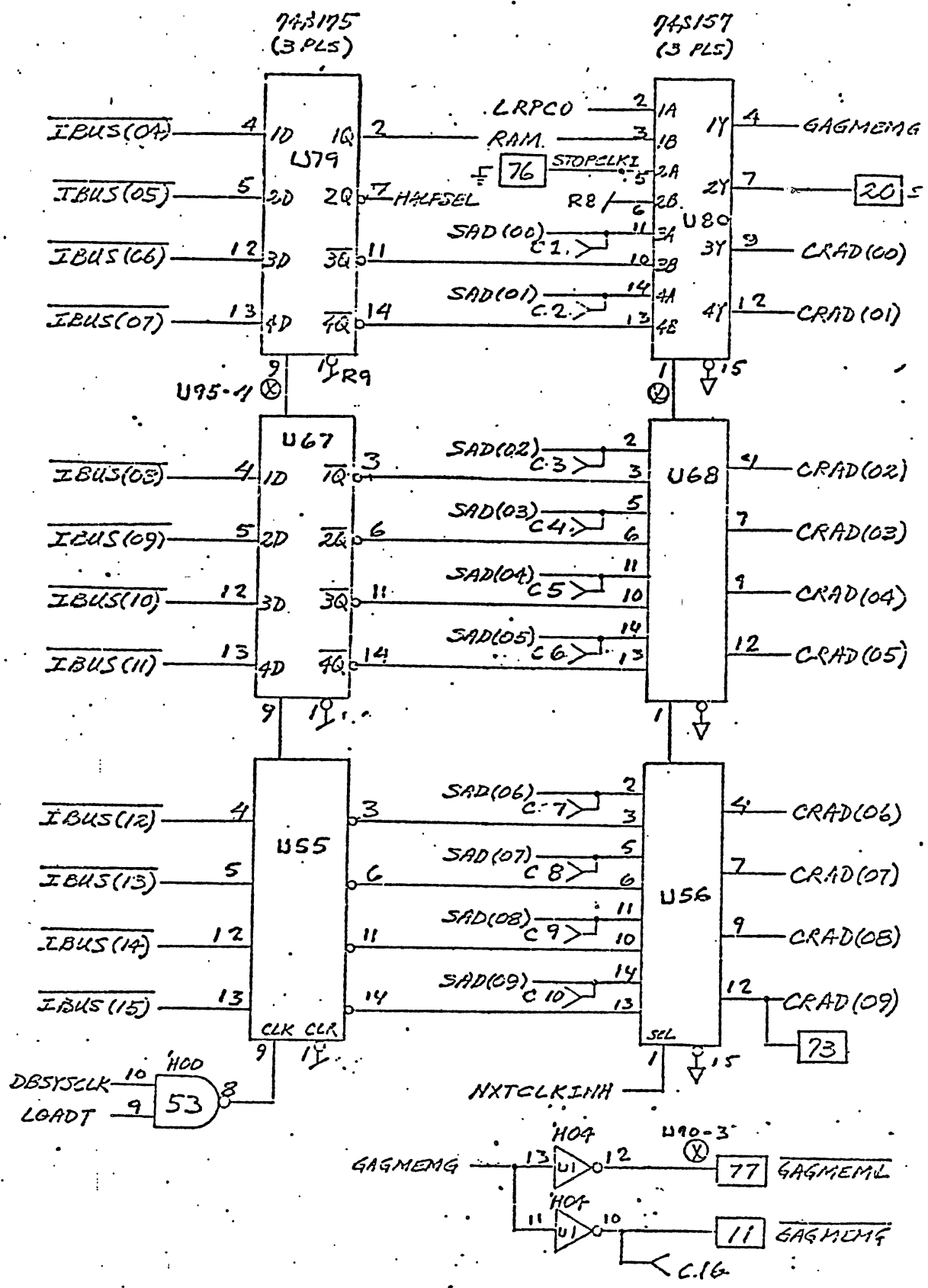
Title
 ASSY, PRINTED WIRING-
 CRAM
 (EXTENDED MEMORY)

Xerox Corporation
 El Segundo, California

XEROX

216643

Sheet 7 of



Drawings and specifications, and the data contained therein, are the exclusive property of Xerox Corporation and/or Rank Xerox, Ltd. issued in strict confidence and shall not, without the prior written permission of Xerox Corporation or Rank Xerox, Ltd., be reproduced, copied or used for any purpose whatsoever, except the manufacture of articles for Xerox Corporation or Rank Xerox, Ltd.

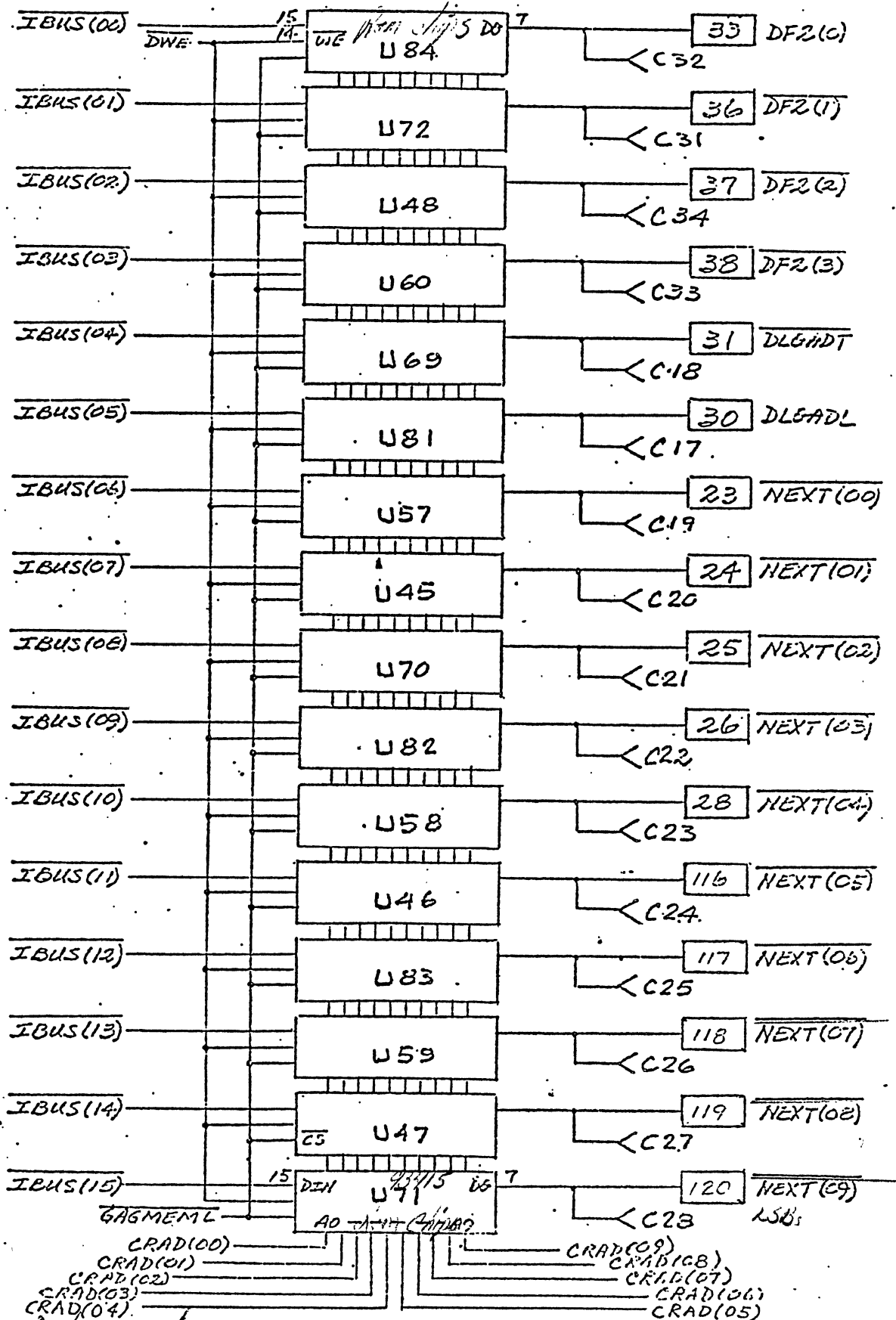
Title
 ASSY, PRINTED WIRING-
 GRAM
 (EXTENDED MEMORY)

Xerox Corporation
 El Segundo, California

XEROX

216643

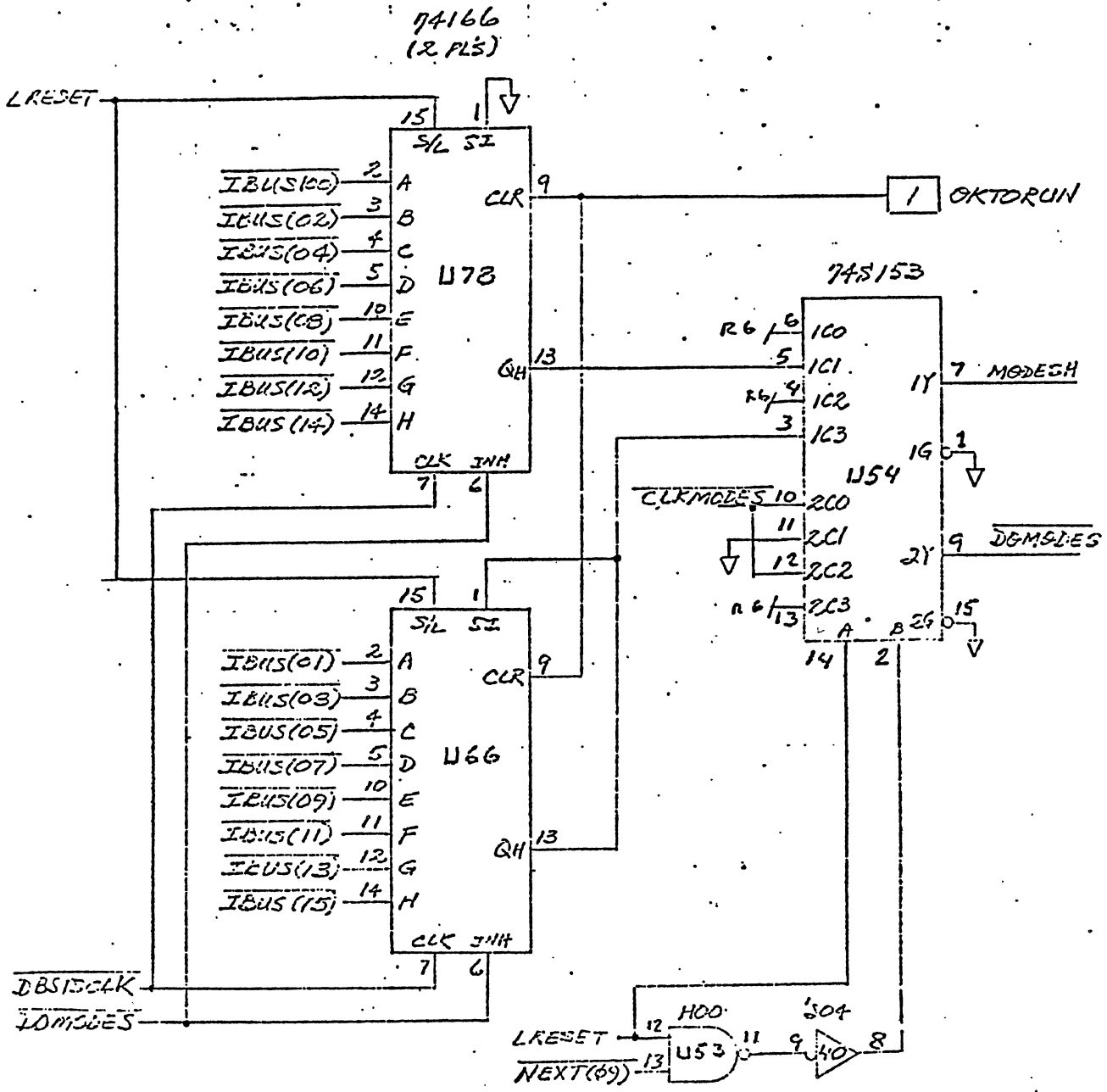
Sheet 8 of



Drawings and specifications, and the data contained therein, are the exclusive property of Xerox Corporation and/or Rank Xerox, Ltd. issued in strict confidence and shall not, without the prior written permission of Xerox Corporation or Rank Xerox, Ltd., be reproduced, copied or used for any purpose whatsoever, except the manufacture of articles for Xerox Corporation or Rank Xerox, Ltd.

Title
 ASSY, PRINTED WIRING-
 GRAM
 (EXTENDED MEMORY)

Xerox Corporation El Segundo, California		XEROX
216643	A	
Sheet	9	01



drawings and specifications, and the data contained therein, are the exclusive property of Xerox Corporation and/or Rank Xerox, Ltd. issued in strict confidence and shall not, without the prior written permission of Xerox Corporation or Rank Xerox, Ltd., be reproduced, copied or used for any purpose whatsoever, except the manufacture of articles for Xerox Corporation or Rank Xerox, Ltd.

Title
**ASSY, PRINTED WIRING--
 CRAM
 (EXTENDED MEMORY)**

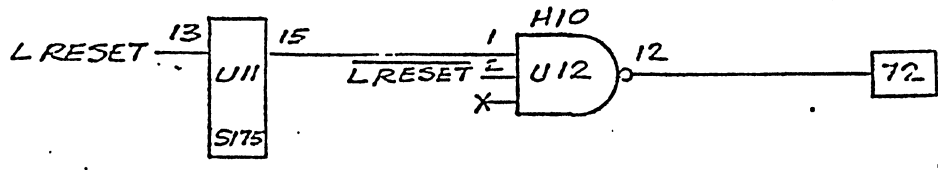
Xerox Corporation
 El Segundo, California

XEROX

216643

A

Sheet 13 of



drawings and specifications, and the data contained therein, are the exclusive property of Xerox Corporation and/or Rank Xerox, Ltd. issued in strict confidence and shall not, without the prior written permission of Xerox Corporation or Rank Xerox, Ltd., be reproduced, copied or used for any purpose whatsoever, except the manufacture of articles for Xerox Corporation or Rank Xerox, Ltd.

Title
 ASSY, PRINTED WIRING-
 GRAM
 (EXTENDED MEMORY)

Xerox Corporation El Segundo, California		XEROX	
	216643	A	
Sheet	14 of		